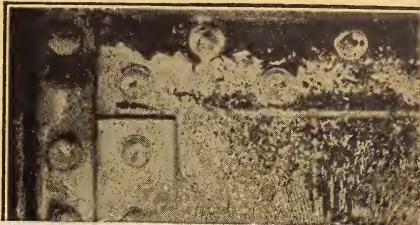
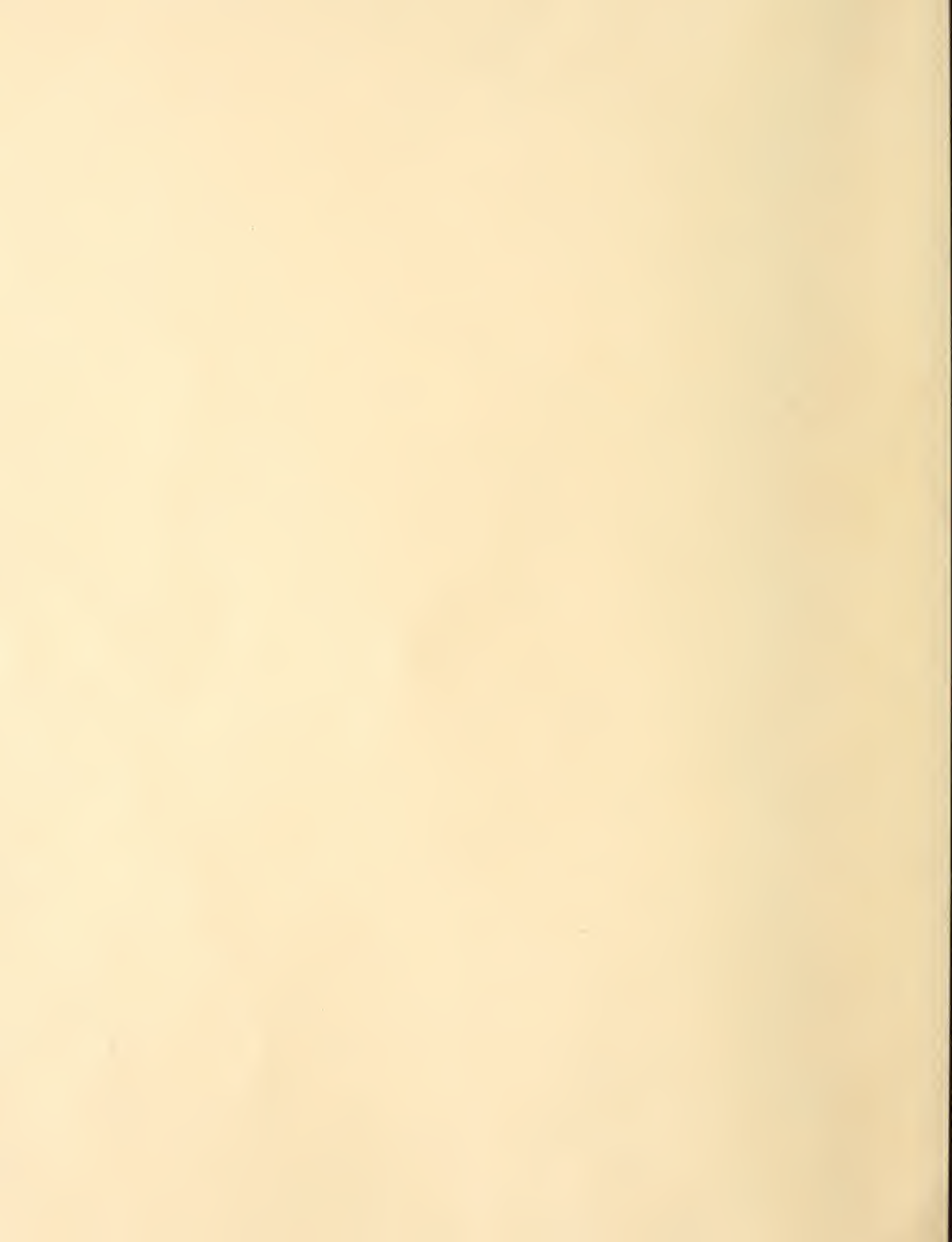


ICATION OF THE
ANDARDS

10, 1926)

5 cents





STRAIN LINES

DEVELOPED BY COMPRESSIVE TESTS ON STRUCTURAL MEMBERS OF THE DELAWARE RIVER BRIDGE

AT THE

UNITED STATES BUREAU OF STANDARDS

FOR THE

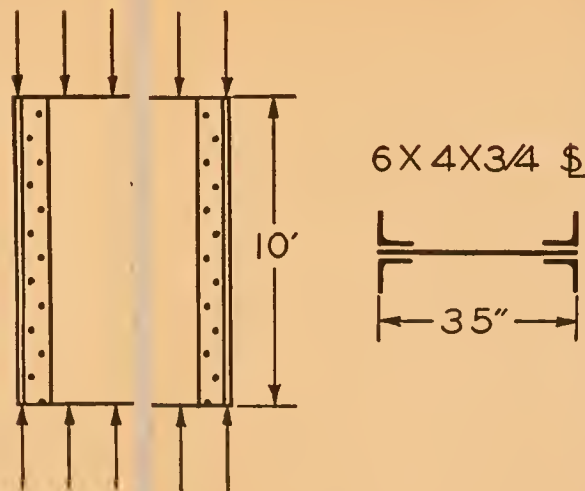
DELAWARE RIVER BRIDGE JOINT COMMISSION

SPECIMENS

All specimens were identical (except for thickness of the web) and had the dimensions shown below:

Specimen A: Web, $1\frac{1}{2}$ inches;
two $\frac{3}{4}$ -inch plates.

Specimen B: Web, one $\frac{5}{8}$ -inch plate.



LOADING AND FAILURE

Each specimen was tested under vertical compressive loads, as shown by the short arrows:

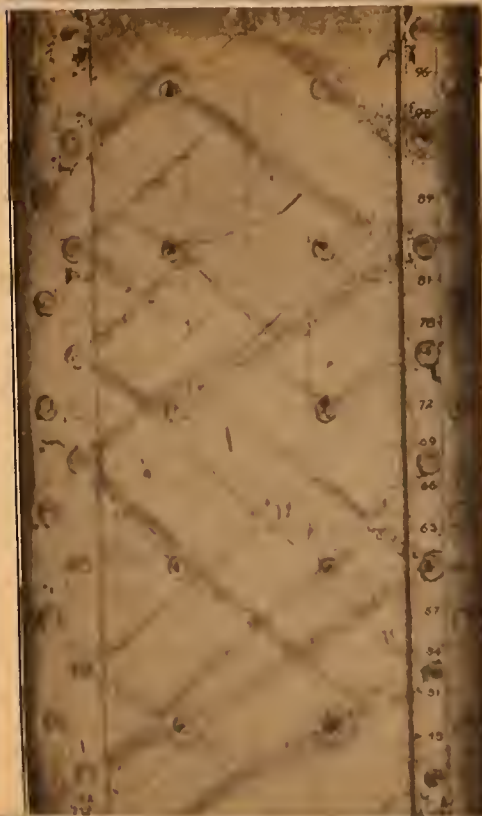
Specimen A: Compressive shear or primary failure.

Specimen B: Buckle or secondary failure.

METHOD

The black scale should remain intact on the specimen. Remove any grease from the surface of the specimen. With a soft brush apply a thin coat of white Portland cement and water.

NOTE.—For report of these tests, see forthcoming Technologic Paper of the Bureau of Standards, by R. S. Johnston; 1926. Details will be announced when issued.



Specimen A



Specimen B

men B: web, one $\frac{5}{8}$ -inch plate.

