

## DEPARTMENT OF THE TREASURY

1500 Pennsylvania Avenue NW., Washington, DC 20220  
Phone, 202-622-2000

### SECRETARY OF THE TREASURY

Deputy Secretary

Chief of Staff

Executive Secretary and Senior Adviser to the Secretary

Under Secretary (International Affairs)

Under Secretary (Domestic Finance)

Deputy Assistant Secretary for Federal Finance

Director, Office of Market Finance

Director, Office of Federal Finance Policy Analysis

Deputy Assistant Secretary for Government Finance Policy Analysis

Director, Office of Corporate Finance

Director, Office of Government Financing

Director, Office of Synthetic Fuels

Under Secretary (Enforcement)

Assistant Secretary (Enforcement)

Deputy Assistant Secretary (Law Enforcement)

Director, Office of Law Enforcement

Director, Project Outreach

Director, Office of Financial Crimes Enforcement Network (FinCEN)

Director, Office of Foreign Assets Control

Deputy Assistant Secretary (Regulatory, Tariff and Trade Enforcement)

Director, Office of Trade and Tariff Affairs

Assistant Secretary (Financial Institutions)

Deputy Assistant Secretary for Financial Institutions Policy

Director, Office of Financial Institutions

Director, Office of Financial Institutions, Oversight and Policy

Assistant Secretary (Economic Policy)

Deputy Assistant Secretary for Macroeconomics Analysis

Director, Office of Financial Analysis

Deputy Assistant Secretary for Policy Coordination

Director, Office of Economic Analysis

Director, Office of Policy Analysis

Director, Office of Data Management

ROBERT E. RUBIN

FRANK N. NEWMAN

SYLVIA M. MATHEWS

BENJAMIN H. NYE

LAWRENCE H. SUMMERS

(VACANCY)

DARCY E. BRADBURY

JILL K. OUSELEY

NORMAN K. CARLETON

MOZELLE W. THOMPSON

(VACANCY)

CHARLES D. HAWORTH

RALPH L. BAYRER

RONALD K. NOBLE

(VACANCY)

REBECCA HEDLUND, *Acting*

CHARLES BRISBIN

HERBERT JONES

STANLEY E. MORRIS

R. RICHARD NEWCOMB

JOHN P. SIMPSON

DENNIS M. O'CONNELL

RICHARD S. CARNELL

FE MORALES MARKS

GORDON EASTBURN

JOAN AFFLECK-SMITH

ALICIA H. MUNNELL

JAMES BRADFORD DE LONG

JOHN H. AUTEN

ROBERT F. GILLINGHAM

JOHN S. GREENLEES

JOHN C. HAMBOR

THOMAS A. MCCOWAN, JR.

Director, Office of Foreign Portfolio Investment Survey	WILLIAM L. GRIEVER
Fiscal Assistant Secretary	GERALD MURPHY
Deputy Fiscal Assistant Secretary	MARCUS W. PAGE
Assistant Fiscal Assistant Secretary	JOHN A. KILCOYNE
Director, Office of Cash and Debt Management	DONALD A. CHIODO
Senior Advisor for Fiscal Management	ROGER A. BEZDEK
General Counsel	EDWARD S. KNIGHT
Deputy General Counsel	NEAL WOLIN
Associate General Counsel (Legislation, Litigation, and Regulation)	RICHARD S. CARRO
Assistant General Counsel (Banking and Finance)	JOHN E. BOWMAN
Assistant General Counsel (Enforcement)	ROBERT M. MCNAMARA, JR.
Assistant General Counsel (Administrative and General Law)	KENNETH R. SCHMALZBACH
Assistant General Counsel (International Affairs)	RUSSELL L. MUNK
Tax Legislative Counsel	GLEN A. KOHL
Benefits Tax Counsel	RANDOLF H. HARDOCK
Counsel to the Inspector General	FRANCINE J. KERNER
Assistant Secretary (International Affairs)	JEFFREY SHAFER
Director of Program Services	DANIEL A. O'BRIEN, <i>Acting</i>
Deputy Assistant Secretary for International Monetary and Financial Policy	TIMOTHY F. GEITHNER
Director, Office of Foreign Exchange Operations	JOHN D. LANGE, JR.
Director, Office of International Banking and Portfolio Investment	JOHN L. WEEKS
Director, Office of Industrial Nations and Global Analyses	ROBERT HARLOW, <i>Acting</i>
Director, Office of International Monetary Policy	JAMES M. LISTER
Deputy Assistant Secretary for Middle East and Energy Policy	CHARLES SCHOTTA
Director, Office of Middle East and Energy	DAVID S. CURRY
Director, U.S.-Saudi Arabian Joint Commission Program Office	JON M. GAASERUD
Deputy Assistant Secretary for International Development and Debt Policy	SUSAN B. LEVINE
Director, Office of Multilateral Development Banks	JOSEPH EICHENBERGER
Director, Office of International Debt Policy	MARY E. CHAVES
Deputy Assistant Secretary for Developing Nations	JAMES H. FALL III
Director, Office of Latin American and Caribbean Nations	BRUCE M. JUBA
Director, Office of Asian and Near East Nations	MARGRETHE LUNDSAGER
Director, Office of African Nations and Paris Club	EDWIN L. BARBER III
Deputy Assistant Secretary for Trade and Investment Policy	WILLIAM E. BARREDA

Director, Office of International Trade	T. WHITTIER WARTHIN
Director, Office of International Investment	DONALD CRAFTS
Director, Office of Trade Finance	STEVEN F. TVARDEK
Director, Office of Financial Services Negotiations	TODD CRAWFORD
Deputy Assistant Secretary for Eastern Europe and Former Soviet Union	DAVID LIPTON
Director, Office of Eastern European Nations	(VACANCY)
Director, Office of Former Soviet Union Nations	MARK SOBEL
Director, Office of Technical Assistance	DANIEL ZELIKOW
Assistant Secretary (Legislative Affairs)	MICHAEL A. LEVY
Director, Office of Legislative Affairs	GAIL E. PETERSON
Deputy Assistant Secretary (Tax and Budget)	LINDA ROBERTSON
Deputy Assistant Secretary (International)	GEORGE R. TYLER
Deputy Executive Assistant Secretary for Public Liaison	JOYCE H. CARRIER
Assistant Secretary for Management/Chief Financial Officer	GEORGE MUÑOZ
Deputy Chief Financial Officer	EDWIN A. VERBURG
Director, Office of Security	RICHARD P. KILEY
Deputy Assistant Secretary for Departmental Finance and Management	W. SCOTT GOULD
Director, Office of Small Business and Disadvantaged Utilization	T.J. GARCIA, <i>Acting</i>
Director, Office of Procurement	ROBERT A. WELCH
Director, Office of Real and Personal Property Management	ROBERT T. HARPER
Director, Office of Personnel Policy	ROBERT BREVIS, <i>Acting</i>
Director, Office of Equal Opportunity Program	RONALD A. GLASER
Director, Treasury Integrated Management Information Systems	EDWARD B. POWELL III
Director, Office of Organizational Improvement	JUDY OCHS, <i>Acting</i>
Director, Office of Budget	CARL MORAVITZ
Director, Treasury Reinvention	ANTHONY A. FLEMING, <i>Acting</i>
Director, Office of Strategic Planning	JOHN MURPHY
Director, Treasury Executive Institute	SUELLEN HAMBY
Deputy Assistant Secretary for Administration	ALEX RODRIGUEZ
Director, Office of Management Advisory Services	WILLIAM H. GILLERS
Director, Automated Systems Division	G. DALE SEWARD
Director, Office of Printing and Graphics Division	KIRK B. MARKLAND
Director, Facilities Management Division	JAMES R. HAULSEY
Director, Office of Financial Management Division	MARY BETH SHAW
Director, Procurement Services Division	WESLEY L. HAWLEY
Director, Administrative Operations Division	IDA HERNANDEZ
Director, Personnel Resources Division	ROSEMARY DOWNING

Deputy Assistant Secretary for Information Systems	WUSHOW CHOU
Director, Office of Information Resources Management	JANE L. SULLIVAN
Director, Office of Telecommunications Management	JAMES J. FLYZIK
Assistant Secretary (Public Affairs)	JOAN LOGUE-KINDER
Deputy Assistant Secretary for Public Affairs	HOWARD M. SCHLOSS
Director, Public Affairs	CHRIS PEACOCK
Assistant Secretary (Tax Policy)	LESLIE SAMUELS
Deputy Assistant Secretary (Tax Policy)	CYNTHIA BEERBOWER
Tax Legislative Counsel	GLEN A. KOHL
International Tax Counsel	(VACANCY)
Benefits Tax Counsel	RANDOLF HARDOCK
Deputy Assistant Secretary (Tax Analysis)	ERIC TODER
Director, Office of Tax Analysis	LOWELL DWORIN
Treasurer of the United States	MARY ELLEN WITHROW
Inspector General	VALERIE LAU
Special Assistants to the Inspector General	BARRY SAVILL
	RAISA OTERO-CESARIO
	ANDREW J. PASDEN
Director, Inspectors General Auditor Training Institute	
Counsel to the Inspector General	(VACANCY)
Deputy Inspector General	ROBERT P. CESCO
Assistant Inspector General for Investigations	JAMES M. COTTOS
Deputy Assistant Inspector General for Investigations	CHESTER W. WHITE
Assistant Inspector General for Audit	RICHARD B. CALAHAN
Deputy Assistant Inspector General for Audit (Operations)	DENNIS S. SCHINDEL
Deputy Assistant Inspector General for Audit (Program Services)	(VACANCY)
Assistant Inspector General for Policy, Planning, and Resources/Chief Financial Officer	JOHN N. BALAKOS
Deputy Assistant Inspector General for Policy, Planning and Resources/Deputy Chief Financial Officer	CLIFFORD JENNINGS
Assistant Inspector General for Oversight and Quality Assurance	GARY L. WHITTINGTON

## BUREAU OF ALCOHOL, TOBACCO AND FIREARMS

650 Massachusetts Avenue NW., Washington, DC 20226  
Phone, 202-927-8500

Director	JOHN W. MAGAW
Deputy Director	DANIEL R. BLACK
Ombudsman	PETER MASTIN
Equal Opportunity Executive Assistant	MARJORIE R. KORNEGAY
Legislative Affairs Executive Assistant	PETER GAGLIARDI
Liaison and Public Information Executive Assistant	JOHN KILLORIN
Strategic Planning Office	WAYNE MILLER
Chief Counsel	BRADLEY BUCKLES, <i>Acting</i>
Assistant Director (Inspection)	RICHARD J. HANKINSON

Associate Director (Enforcement)	CHARLES THOMSON
Assistant Director (Management)	RICHARD J. WATKINS
Assistant Director (Science and Information Technology)	ARTHUR J. LIBERTUCCI
Assistant Director (Training and Professional Development)	GALE D. ROSSIDES

## OFFICE OF THE COMPTROLLER OF THE CURRENCY

250 E Street SW., Washington, DC 20219  
Phone, 202-874-5000

Comptroller	EUGENE A. LUDWIG
Executive Assistant	BALLARD C. GILMORE
Senior Deputy Comptroller for Economic Analysis	KONRAD S. ALT
Deputy Comptroller, Public Affairs	LEONORA S. CROSS
Director, Communications	ELLEN STOCKDALE
Director, Press Relations	NAOMI SALUS
Director, Congressional Liaison	CAROLYN Z. MCFARLANE
Director, Banking Relations	WILLIAM F. GRANT III
Director, Community Development	JANICE A. BOOKER
Senior Deputy Comptroller for Bank Supervision Policy	SUSAN F. KRAUSE
Deputy Comptroller for Special Supervision	(VACANCY)
Deputy Comptroller for International Banking and Finance	JON HARTZELL
Chief National Bank Examiner	JIMMY F. BARTON
Deputy Comptroller for Information Resources Management	ALLAN B. GUERRINA
Deputy Comptroller for Compliance Management	STEPHEN M. CROSS
Senior Deputy Comptroller for Bank Supervision Operations	STEPHEN R. STEINBRINK
District Liaison	FRED E. FINKE
Deputy Comptroller for Multinational Banking	RALPH E. SHARPE
Deputy Comptroller for Capital Markets	DOUGLAS E. HARRIS
Senior Deputy Comptroller for Corporate Activities and Policy Analysis	FRANK MAGUIRE, JR.
Deputy Comptroller for Bank Organization and Structure	STEVEN J. WEISS
Deputy Comptroller for Economic and Policy Analysis	JAMES KAMIHACHI
Senior Deputy Comptroller for Administration	JUDITH A. WALTER
Deputy Comptroller for Resource Management	GARY W. NORTON
Chief Financial Officer	RONALD P. PASSERO
Chief Counsel	JULIE L. WILLIAMS
Deputy Chief Counsels	ROBERT B. SERINO RAYMOND NATTER

## UNITED STATES CUSTOMS SERVICE

1301 Constitution Avenue NW., Washington, DC 20229  
Phone, 202-927-2095

Commissioner of Customs	GEORGE WEISE
-------------------------	--------------

Confidential Assistant	PAM JOHNSTON
Special Assistant to the Commissioner	ROBERT MITCHELL
Deputy Commissioner	MICHAEL LANE
Associate Commissioner (Organizational Effectiveness)	DEBORAH SPERO, <i>Acting</i>
Assistant Commissioner (International Affairs)	DOUGLAS BROWNING
Assistant Commissioner (Management)	CARLTON BRAINARD
Comptroller	C. WAYNE HAMILTON, <i>Acting</i>
Assistant Commissioner (Information Management)	WILLIAM RILEY
Assistant Commissioner (Enforcement)	JOHN LUKSIC, <i>Acting</i>
Assistant Commissioner (Inspection and Control)	CHARLES W. WINWOOD
Assistant Commissioner (Commercial Operations)	SAMUEL BANKS
Assistant Commissioner (Internal Affairs)	WALTER BIONDI
Assistant Commissioner (Congressional and Public Affairs)	JOSE PADILLA
Chief Counsel	MICHAEL T. SCHMITZ
Special Assistant to the Commissioner (Equal Opportunity)	LINDA BATTS

## BUREAU OF ENGRAVING AND PRINTING

*Fourteenth and C Streets SW., Washington, DC 20228*  
*Phone, 202-874-3019*

Director	PETER H. DALY
Associate Director (Chief Operating Officer)	CARLA F. KIDWELL
Associate Director (Chief Financial Officer)	L. PAUL BLACKMER, JR.
Assistant Director (Management)	TIMOTHY G. VIGOTSKY
Assistant Director (Technology)	MILTON J. SEIDEL
Assistant Director (Research and Development)	THOMAS A. FERGUSON
Deputy Associate Director (Fort Worth Operations)	RAY E. LAVAN
Chief Counsel	CARROL H. KINSEY

## FEDERAL LAW ENFORCEMENT TRAINING CENTER

*Glynco, GA 31524*  
*Phone, 912-267-2100; Washington, DC, 202-927-8940; FLETC-Tucson, AZ, Operations, 602-750-4075; Artesia, NM, Operations, 505-748-8000*

Director	CHARLES F. RINKEVICH
Deputy Director	R.J. MILLER
Associate Director	JOHN C. DOOHER
Director (Administration)	KENNETH A. HALL
Director (General Training)	DONALD PARKURST, <i>Acting</i>
Director (Special Training)	RAY M. RICE
Director (State and Local Training)	HOBART M. HENSON
Director (Artesia, NM, Operations)	JEFFERY HESSER
Director (Washington, DC, Office)	JOHN C. DOOHER

## FINANCIAL MANAGEMENT SERVICE

401 Fourteenth Street SW., Washington, DC 20227  
Phone, 202-874-6740

Commissioner	RUSSELL D. MORRIS
Deputy Commissioner	MICHAEL T. SMOKOVICH
Director, Legislative and Public Affairs	JIM L. HAGEDORN
Director, Planning Office	JOHN LEWIN, <i>Acting</i>
Chief Counsel	DAVID A. INGOLD
Assistant Commissioner, Agency Services	WALTER L. JORDAN
Assistant Commissioner, Federal Finance	LARRY D. STOUT
Assistant Commissioner, Financial Information	DIANE E. CLARK
Assistant Commissioner, Information Resources	CONSTANCE E. CRAIG
Assistant Commissioner, Management (CFO)	MITCHELL A. LEVINE
Assistant Commissioner, Regional Operations	BLAND T. BROCKENBOROUGH

## INTERNAL REVENUE SERVICE

1111 Constitution Avenue NW., Washington, DC 20224  
Phone, 202-622-5000

Commissioner of Internal Revenue	MARGARET MILNER RICHARDSON
Assistants to the Commissioner	MICHAEL DANILACK, BETH-ANN GENTILE, HEATHER MALLOY, J. PAUL WHITEHEAD III
Special Assistant to the Commissioner	HELEN BOLTON
Chief, Commissioner's Staff	JIM NELSON
Director, Scheduling and Advance Office	BARBARA NICHOLS
Taxpayer Ombudsman	LEE MONKS
Deputy Commissioner	MICHAEL P. DOLAN
Assistant to the Deputy Commissioner	JAMES E. ROGERS, JR.
Chief Counsel	STUART BROWN
Deputy Chief Counsel	MARLENE GROSS
Associate Chief Counsel (Domestic)	JUDY DUNN
Associate Chief Counsel (Employee Benefits/Exempt Organizations)	SARAH HALL INGRAM
Associate Chief Counsel (Enforcement Litigation)	ELIOT FIELDING
Associate Chief Counsel (Finance/Management)	RICHARD MIHELICIC
Associate Chief Counsel (International)	ROBERT CULBERTSON
National Director of Appeals	JAMES DOUGHERTY
Chief Compliance Officer	PHIL BRAND
Executive Assistant	MARIE DUFORE
Assistant Commissioner (Collection)	STEVEN E. TAYLOR, <i>Acting</i>
Assistant Commissioner (Criminal Investigation)	DON VOGEL
Deputy Assistant Commissioner (Criminal Investigation)	PAUL M. MIYAHARA
Assistant Commissioner (Examination)	JOHN MONACO
Assistant Commissioner (Employee Plans/Exempt Organizations)	JIM MCGOVERN
Assistant Commissioner (International)	REGINA DEANEHAN

Deputy Assistant Commissioner (International)	LOU CARLOW
Chief Financial Officer	C. MORGAN KINGHORN
Executive Assistant	PAM LARUE, <i>Acting</i>
Controller	JOE DONLON
Chief Information Officer	HANK PHILCOX
Executive Assistant	KAREN DENEROFF
Deputy Chief Information Officer	DAVE GAUGLER
Privacy Advocate Officer	ROBERT VEEDER
Chief Inspector	GARY BELL
Deputy Chief Inspector	DOUG CROUCH
Assistant Chief Inspector (Internal Audit)	BILLY MORRISON
Assistant Chief Inspector (Internal Security)	SEBASTIAN LORIGO
Chief, Management and Administration	DAVID MADER
Executive Assistant	JOANN BUCK
Assistant Commissioner (Procurement)	GREG ROTHWELL
Deputy Assistant Commissioner (Procurement)	JIM WILLIAMS
Assistant to the Commissioner (Equal Opportunity)	ED CHAVEZ
Chief, Strategic Planning and Communications	ROBERT E. WENZEL
Executive Assistant	FRANK SPIEGELBERG
Director of Communications	ANTHONY CIOTOLA
Director, Legislative Affairs Division	ANNE RAFFAELLI
Chief, Taxpayer Services	JUDY K. VAN ALFEN
Executive Assistant	BLANCA ZAYAS
Assistant Commissioner (Taxpayer Service)	GWEN KRAUSS
Chief, Headquarters Operations	ROGER BURGESS
Executive Assistant	BEN DADD
Modernization Executive	LARRY WESTFALL
Executive Assistant	CAROL A. BARNETT

## UNITED STATES MINT

633 Third Street NW., Washington, DC 20220  
Phone, 202-874-6000

Director of the Mint	PHILIP N. DIEHL
Deputy Director	JOHN P. MITCHELL
Special Assistant to the Director	ERIC HALLERBERG
Chief Counsel	KENNETH B. GUBIN
Chief, Security/Internal Review	WILLIAM F. DADDIO
Associate Director for Policy and Management	JAY WEINSTEIN, <i>Acting</i>
Deputy Associate Director for Finance/Deputy Chief Financial Officer	(VACANCY)
Associate Director/Chief Operating Officer	ANDREW COSGAREA, JR.
Associate Director for Marketing	DAVID PICKENS

## BUREAU OF THE PUBLIC DEBT

999 E Street NW., Washington, DC 20239-0001  
Phone, 202-219-3300

Commissioner	RICHARD L. GREGG
Deputy Commissioner	VAN ZECK
Director, Government Securities Regulation Staff	KENNETH R. PAPAJ



Chief Counsel	CYNTHIA REESE, <i>Acting</i>
Assistant Commissioner (Financing)	CARL M. LOCKEN, JR.
Assistant Commissioner (Securities and Accounting Services)	JANE O'BRIEN, <i>ACTING</i>
Assistant Commissioner (Administration)	THOMAS W. HARRISON
Assistant Commissioner (Automated Information Systems)	NOEL E. KEESOR
Assistant Commissioner (Savings Bond Operations)	ARTHUR A. KLASS
Assistant Commissioner (Public Debt Accounting)	DEBRA HINES, <i>Acting</i>
Executive Director (Savings Bonds Marketing Office)	DINO DECONCINI

## UNITED STATES SECRET SERVICE

1800 G Street NW., Washington, DC 20223  
Phone, 202-435-5708

Director	ELJAY B. BOWRON
Deputy Director	RICHARD J. GRIFFIN
Assistant Director (Administration)	W. RALPH BASHAM
Assistant Director (Inspection)	JAMES G. HUSE
Assistant Director (Protective Research)	DAVID C. LEE
Assistant Director (Protective Operations)	RICHARD S. MILLER
Assistant Director (Investigations)	PAUL A. HACKENBERRY
Assistant Director (Government Liaison and Public Affairs)	H. TERRENCE SAMWAY
Assistant Director (Training)	K. DAVID HOLMES
Chief Counsel	JOHN J. KELLEHER

## OFFICE OF THRIFT SUPERVISION

1700 G Street NW., Washington, DC 20552  
Phone, 202-906-6000

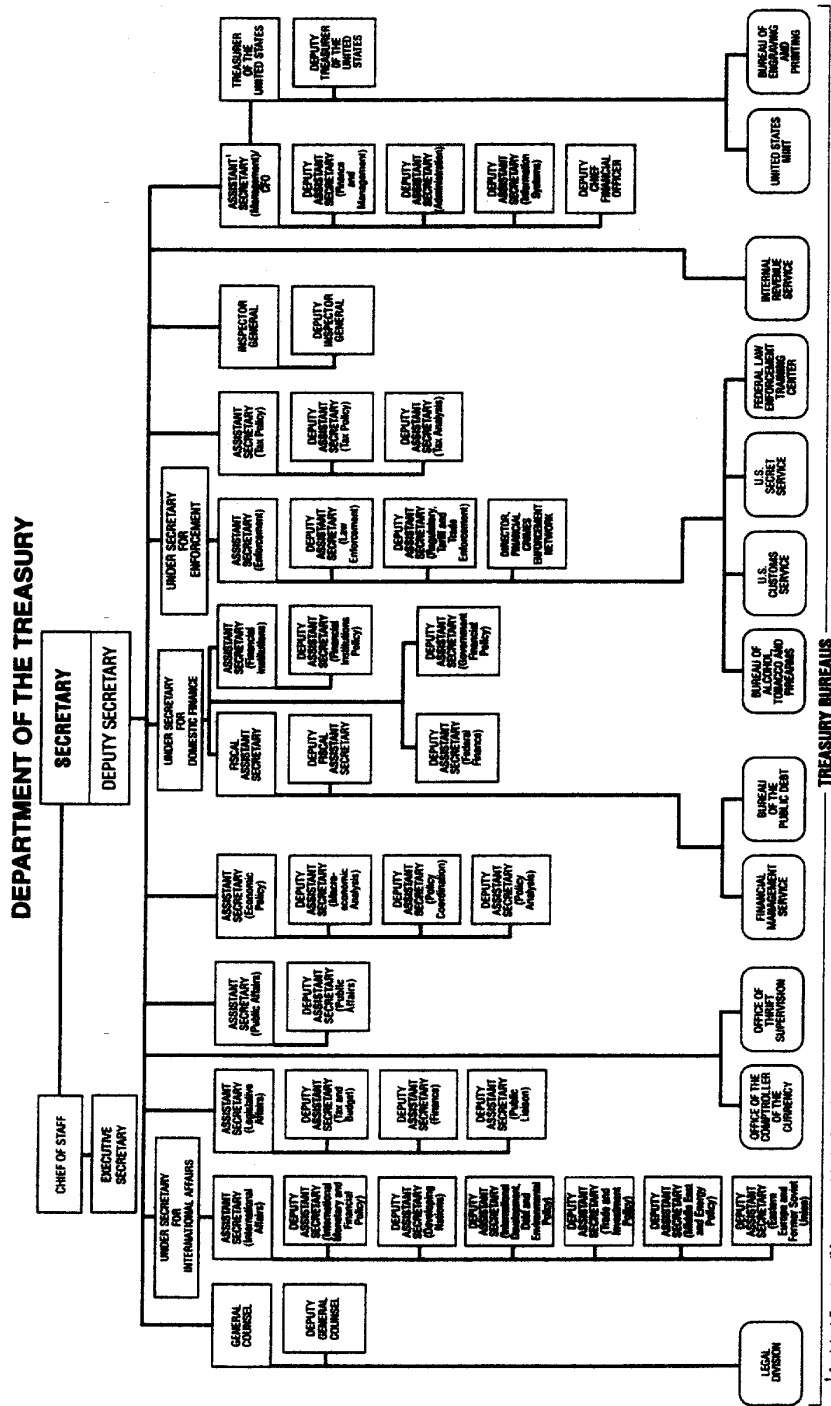
Director	JONATHAN L. FIECHTER, <i>Acting</i>
Director for Minority Affairs	NADINE ELZY
Director for Research and Analysis	KENNETH F. RYDER
Director for Chief Counsel	CAROLYN J. BUCK
Director for Supervision	JOHN F. DOWNEY
Director for Administration	CORA P. BEEBE
Director for Congressional Affairs	JOHN L. VON SEGGREN, <i>Acting</i>
Director for Press Relations	WILLIAM E. FULWIDER, <i>Acting</i>
Associate Director for FDIC Operations	WALTER B. MASON
Resolution Trust Corporation Liaison	LEE LASSITER

---

*The Department of the Treasury performs four basic functions: formulating and recommending economic, financial, tax, and fiscal policies; serving as financial agent for the U.S. Government; enforcing the law; and manufacturing coins and currency.*

The Treasury Department was created by act of September 2, 1789 (31 U.S.C. 301 and 301 note). Many subsequent acts have figured in the development of the

Department, delegating new duties to its charge and establishing the numerous bureaus and divisions that now comprise the Treasury.



<sup>1</sup> Assistant Secretary (Management) is the Chief Financial Officer (CFO).

### Secretary

As a major policy adviser to the President, the Secretary has primary responsibility for formulating and recommending domestic and international financial, economic, and tax policy; participating in the formulation of broad fiscal policies that have general significance for the economy; and managing the public debt. The Secretary also oversees the activities of the Department in carrying out its major law enforcement responsibility; in serving as the financial agent for the U.S. Government; and in manufacturing coins, currency, and other products for customer agencies.

In addition, the Secretary has many responsibilities as chief financial officer of the Government. The Secretary serves as Chairman pro tempore of the Economic Policy Council and as U.S. Governor of the International Monetary Fund, the International Bank for Reconstruction and Development, the Inter-American Development Bank, and the African Development Bank. The Office of the Secretary includes the offices of Deputy Secretary, General Counsel, Inspector General, the Under Secretaries, the Assistant Secretaries, and Treasurer. Some areas where public purposes are widely applied are detailed below and on the following pages.

### Deputy Secretary

The Deputy Secretary assists the Secretary in the supervision and direction of the Department and its assigned programs, and acts for the Secretary in his absence.

### Under Secretary for International Affairs

The Under Secretary for International Affairs advises and assists the Secretary and Deputy Secretary of the Treasury in the formulation and execution of U.S. international policy. These responsibilities include the development of policies and guidance of Department activities in the areas of international monetary affairs, trade and investment policy, international debt strategy, and

U.S. participation in international financial institutions. The Under Secretary acts as the U.S. G-7 Deputy with responsibility for coordinating economic policies with finance ministers from seven industrial nations and preparing the President for the annual economic summits.

### Under Secretary for Domestic Finance

The Under Secretary for Domestic Finance advises and assists the Secretary and Deputy Secretary of the Treasury in the areas of domestic finance, banking, and other related economic matters. These responsibilities include the development of policies and guidance for Treasury Department activities in the areas of financial institutions, Federal debt finance, financial regulation, and capital markets.

### Under Secretary for Enforcement

The Office of the Under Secretary for Enforcement was established in fiscal year 1994 to promote and protect the Treasury Department's enforcement interest, to effect an equalization across other departmental secretariats as they deal on enforcement issues.

### Assistant Secretaries

**Financial Institutions** The Assistant Secretary (Domestic Finance) advises and assists the Secretary, Deputy Secretary, and Under Secretary for Finance on matters of Federal, State, and local finance, financial institutions policy, and synthetic fuels projects.

In the area of Federal finance, the Office is responsible for Government financing and debt management; determining interest rates for various Federal borrowing, lending, and investment purposes under pertinent statutes; and developing legislative and administrative principles and standards for Federal credit programs, loan asset sales, and the Federal Financing Bank.

The Office is also responsible for:  
 —issues involving the financing of State and local governments;  
 —oversight of the Office of Revenue Sharing, which returns specified amounts

of federally collected funds to eligible units of general-purpose governments;

- coordinating the Treasury Department's legislative efforts with regard to financial institutions legislation and legislation affecting the Federal agencies that regulate financial institutions; and

- providing support to carry out the Department's responsibilities regarding the Securities Investor Protection Corporation, the Pension Benefit Guaranty Corporation, and synthetic fuels projects taken over from the Synthetic Fuels Corporation.

**Economic Policy** The Assistant Secretary (Economic Policy) informs the Secretary and other senior Treasury officials of current and prospective economic developments and assists in the determination of appropriate economic policies. The Assistant Secretary:

- reviews and analyzes both domestic and international economic issues, as well as developments in the financial markets;

- participates with the Secretary in the Economic Policy Council and the Troika Forecasting Group, which develops official economic projections and advises the President on choices among alternative courses of economic policy; and

- works closely with officials of the Office of Management and Budget, the Council of Economic Advisers, and other Government agencies on the economic forecasts underlying the yearly budget process, and advises the Secretary on the economic effects of tax and budget policy.

Within the Office of Economic Policy, staff support is provided by the Office of Financial Analysis, the Office of Special Studies, the Office of Monetary Policy Analysis, and the Applied Econometric Staff.

**Enforcement** The Assistant Secretary (Enforcement) supervises the following operating bureaus: U.S. Secret Service; U.S. Customs Service; Federal Law Enforcement Training Center; and Alcohol, Tobacco and Firearms. In addition, the Assistant Secretary is responsible for the Office of Financial

Enforcement, and the Office of Foreign Assets Control.

The Assistant Secretary coordinates Treasury law enforcement matters, including the formulation of policies for Treasury enforcement activities, and cooperates on law enforcement matters with other Federal agencies.

The important missions of protecting the President and other high Government officials and preventing counterfeiting of U.S. currency and theft and forgery of Government securities and checks are entrusted to the United States Secret Service. The U.S. Customs Service collects revenue from imports and enforces the customs laws. In addition, it interdicts contraband, including narcotics, along the land and sea borders of the United States. The Bureau of Alcohol, Tobacco and Firearms is charged with collecting excise taxes on alcoholic beverages and tobacco products; suppressing traffic in illicit distilled spirits and illegal use of explosives; and controlling the sale and registration of firearms. The Federal Law Enforcement Training Center provides law enforcement training for personnel of Federal agencies. The Office of Financial Enforcement assists in implementing the Bank Secrecy Act and administering related Treasury regulations. The Office of Foreign Assets Control assists U.S. foreign policy aims by controlling assets in the United States of "blocked" countries and the flow of funds and trade to them.

**Fiscal Affairs** The Office of the Fiscal Assistant Secretary was established pursuant to Reorganization Plan No. III of 1940 (5 U.S.C. app.). The Office supervises the administration of the Government's fiscal affairs. This includes the administration of Treasury financing operations; management of Treasury's cash balances in tax and loan investment accounts in commercial financial institutions and operating balances with Federal Reserve Banks; and the Department's participation in the Joint Financial Management Improvement Program for improvement of accounting in the Federal Government. Supervision and oversight over the functions and activities of the Financial Management

Service and the Bureau of the Public Debt are also provided. The Fiscal Assistant Secretary is responsible for improved cash management, debt collection, and credit administration on a Governmentwide basis under the umbrella of the Administration's Reform '88 initiative.

The Office:

- acts as liaison between the Secretary and other Government agencies with respect to their financial operations; by the reality that the dynamic was played

- manages the cash position of the Treasury and projects and monitors "debt subject-to-limit";

- directs the performance of the fiscal agency functions of the Federal Reserve Banks;

- conducts Governmentwide accounting and cash management activities;

- exercises supervision over depositories of the United States; and

- provides management overview of investment practices for Government trust and other accounts.

**International Affairs** The Office of the Assistant Secretary (International Affairs) advises and assists the Secretary, Deputy Secretary, and Under Secretary for International Affairs in the formulation and execution of policies dealing with international monetary, financial, commercial, energy, and trade policies and programs. The work of the Office is organized into groups responsible for monetary affairs, developing nations, trade and investment policy, and Arabian Peninsula affairs.

These functions are performed by supporting staff offices, which:

- conduct financial diplomacy with industrial and developing nations and regions;

- work toward improving the structure and operations of the international monetary system;

- monitor developments in foreign exchange and other markets and official operations affecting those markets;

- facilitate structural monetary cooperation through the International Monetary Fund and other channels;

- oversee U.S. participation in the multilateral development banks and

coordinate U.S. policies and operations relating to bilateral and multilateral development lending programs and institutions;

- formulate policy concerning financing of trade;

- coordinate policies toward foreign investments in the United States and U.S. investments abroad; and

- analyze balance of payments and other basic financial and economic data, including data on petroleum, affecting world payment patterns and the world economic outlook.

As part of those functions, the Office supports the Secretary in his role as co-Chairman of the U.S.-Saudi Arabian Joint Commission on Economic Cooperation, co-Chairman of the U.S.-Israel Joint Committee for Investment and Trade, co-Chairman of the U.S.-China Joint Economic Committee, and Chairman of the National Advisory Council on International Monetary and Financial Policies.

**Treasurer of the United States** The Office of the Treasurer of the United States was established on September 6, 1777. The Treasurer was originally charged with the receipt and custody of Government funds, but many of these functions have been assumed by different bureaus of the Department of the Treasury. In 1981, the Treasurer was assigned responsibility for oversight of the Bureau of Engraving and Printing and the United States Mint. The Treasurer reports to the Secretary through the Assistant Secretary (Management)/Chief Financial Officer.

**Tax Policy** The Office of the Assistant Secretary (Tax Policy) advises and assists the Secretary and the Deputy Secretary in the formulation and execution of domestic and international tax policies and programs.

These functions, carried out by supporting staff offices, include:

- analysis of proposed tax legislation and tax programs;

- projections of economic trends affecting tax bases;

- studies of effects of alternative tax measures;

- preparation of official estimates of Government receipts for the President's annual budget messages;
- legal advice and analysis on domestic and international tax matters;
- assistance in the development and review of tax legislation and domestic

and international tax regulations and rulings; and

- participation in international tax treaty negotiations and in maintenance of relations with international organizations on tax matters.

For further information concerning the Departmental Offices, contact the Public Affairs Office, Department of the Treasury, 1500 Pennsylvania Avenue NW., Washington, DC 20220. Phone, 202-622-2960.

## Bureau of Alcohol, Tobacco and Firearms

The Bureau of Alcohol, Tobacco and Firearms was established by Treasury Department Order No. 221, effective July 1, 1972. The order transferred the functions, powers, and duties arising under laws relating to alcohol, tobacco, firearms, and explosives from the Internal Revenue Service to the Bureau. On December 5, 1978, Treasury Department Order No. 120-1 assigned to the Bureau responsibility for enforcing chapter 114 of title 18 of the United States Code (18 U.S.C. 2341 *et seq.*) relating to interstate trafficking in contraband cigarettes. With passage of the Anti-Arson Act of 1982, the Bureau was given the additional responsibility of addressing commercial arson nationwide.

Bureau Headquarters is located in Washington, DC, but since the Bureau is decentralized, most of its personnel are stationed throughout the country where many of its operational functions are performed.

The Bureau is responsible for enforcing and administering firearms and explosives laws, as well as those covering the production, taxation, and distribution of alcohol and tobacco products. The Bureau's objectives are to maximize compliance with and investigate violations of these laws. To achieve these goals, the Bureau is divided into two basic functions: criminal enforcement and regulatory enforcement.

The objectives of criminal enforcement activities are to:

- suppress illegal trafficking, possession and use of firearms, destructive devices, and explosives;
- impact arson-for-profit schemes;
- suppress the traffic in illicit distilled spirits;
- suppress interstate trafficking in contraband cigarettes;
- assist Federal, State, and local law enforcement agencies in reducing crime and violence; and
- investigate narcotics traffickers who use firearms and explosives as tools of their trade, especially violent gangs.

The objectives of regulatory enforcement activities are to:

- determine and ensure full collection of revenue due from legal alcohol, tobacco, firearms, and ammunition manufacturing industries;
- fulfill the Bureau's responsibility in ensuring product integrity and health warning statements, and in preventing commercial bribery, consumer deception, and other improper trade practices in the beverage alcohol industry;
- assist other Federal, State, and local governmental agencies in the resolution of problems relating to revenue protection;
- ensure that persons prohibited by law from manufacturing, importing, or dealing in alcohol, tobacco, firearms, and explosives do not obtain a license or permit;
- ensure that storage facilities for explosives are safe, secure, and properly stored to avoid presenting a hazard to the public; and

—ensure that an audit trail is preserved to permit the tracing of firearms used in the commission of crimes and full accountability for explosive materials.

**Regional Offices—Compliance Operations**

Region	Address	Director
MIDWEST—Illinois, Indiana, Kentucky, Michigan, Minnesota, North Dakota, Ohio, South Dakota, West Virginia, Wisconsin	15th Fl., 230 S. Dearborn St., Chicago, IL 60604	Wayne P. Moran
NORTH ATLANTIC—Connecticut, Delaware, District of Columbia, Maine, Maryland, Massachusetts, New Hampshire, New Jersey, New York, Pennsylvania, Rhode Island, Vermont	Rm. 620, 6 World Trade Ctr., New York, NY 10048	Bruce L. Weininger
SOUTHEAST—Alabama, Florida, Georgia, Mississippi, North Carolina, Puerto Rico, South Carolina, Tennessee, Virginia, Virgin Islands	Suite 300, 2600 Century Pky., Atlanta, GA 30345	Larry Moore
SOUTHWEST—Arkansas, Colorado, Iowa, Louisiana, New Mexico, Oklahoma, Texas, Nebraska, Kansas, Missouri, Arizona	7th Fl., 1114 Commerce St., Dallas, TX 75242	Dave Royalty
WESTERN—Alaska, American Samoa, California, Guam, Idaho, Montana, Nevada, Oregon, Pacific Islands, Utah, Washington, Hawaii, Wyoming	11th Fl., 221 Main St., San Francisco, CA 94105	Victoria J. Rennecker

**Field Division Offices—Office of Enforcement**

Field Division	Address	Special Agent in Charge
Atlanta, GA	Suite 406, 101 Marietta St. NW., 30303	Richard C. Fox
Baltimore, MD	Suite 210, 103 S. Gay St., 21202	Margaret Moore
Birmingham, AL	Rm. 725, 2121 8th Ave. N., 35203	James Cavanaugh
Boston, MA	Rm. 701, 10 Causeway St., 02222-1081	Terence J. McArdle
Charlotte, NC	Suite 400, 4530 Park Rd., 28209	Paul J. Lyon
Chicago, IL	Suite 350 S., 300 S. Riverside Plz., 60606-6616	Richard Rawlins
Cleveland, OH	Rm. 301, 7251 Engle Rd., Middleburg Heights, OH 44130	Charles E. Wallace
Dallas, TX	P.O. Box 50906, 75250-0906	Lester Martz
Detroit, MI	Suite 300, 1155 Brewery Park Blvd., 48207-2602	Stanley Zimmerman
Houston, TX	Suite 210, 15355 Vantage Pky. W., 77032	Donnie A. Carter
Kansas City, MO	Suite 200, 2600 Grand Ave., 64108	Richard Cook
Los Angeles, CA	Suite 800, 350 S. Figueroa St., 90071	George Rodriguez
Louisville, KY	Suite 807, 510 W. Broadway, 40202	William A. Curley
New Orleans, LA	Suite 1050, 111 Veterans Memorial Hwy., Heritage Plaza Bldg., Metairie, LA 70005.	Robert Stellingworth
Miami, FL	Suite 120, 8420 NW. 52d St., 33166	Robert Creighton
Nashville, TN	Suite 215, 215 Centerview Dr., Brentwood, TN 37027	Richard Garner
New York, NY	Rm. 1016, 90 Church St., 10007	Henry J. Ballas
Philadelphia, PA	Rm. 504, 2d and Chestnut Sts., 19106	Robert H. Wall
Phoenix, AZ	Suite 1010, 3003 N. Central Ave., 85012	Bernard LaForest
San Francisco, CA	Suite 1250, 221 Main St., 94105	Paul M. Snabel
Seattle, WA	Rm. 806, 915 2d Ave., 98174	Nels C. Nelson
St. Louis, MO	Suite 550, 100 S. 4th St., 63102	Daniel B. Hoggatt
St. Paul, MN	1870 Minnesota World Trade Ctr., 30 E. 7th St., 55101	James R. Switzer
Washington, DC	Suite 620, 607 14th St. NW., 20005	Patrick D. Hynes

**Office of the Comptroller of the Currency**

[For the Office of the Comptroller of the Currency statement of organization, see the *Code of Federal Regulations*, Title 12, Part 4]

The Office of the Comptroller of the Currency (OCC) was created February 25, 1863 (12 Stat. 665), as a bureau of the Department of the Treasury. Its primary mission is to regulate national

banks. OCC is headed by the Comptroller, who is appointed for a 5-year term by the President with the advice and consent of the Senate. By statute, the Comptroller also serves a concurrent term as Director of the Federal Deposit Insurance Corporation (FDIC).

OCC regulates national banks by its power to examine banks; approve or deny applications for new bank charters, branches, or mergers; take enforcement action—such as bank closures—against banks that are not in compliance with laws and regulations; and issue rules, regulations, and interpretations on banking practices.

OCC supervises approximately 3,300 national banks, including their trust activities and overseas operations. Each bank is examined annually through a nationwide staff of approximately 2,400 bank examiners supervised in 6 district offices. OCC is independently funded through assessments of the assets of national banks.

For further information, contact the Communications Division, Office of the Comptroller of the Currency, Department of the Treasury, 250 E Street SW., Washington, DC 20219. Phone, 202-874-4700.

## United States Customs Service

The fifth act of the first Congress, passed on July 31, 1789 (1 Stat. 29), established customs districts and authorized customs officers to collect duties on goods, wares, and merchandise imposed by the second act of the first Congress, dated July 4, 1789 (1 Stat. 24). The Bureau of Customs was established as a separate agency under the Treasury Department on March 3, 1927 (19 U.S.C. 2071) and, effective August 1, 1973, was redesignated the United States Customs Service by Treasury Department Order 165-23 of April 4, 1973.

The Customs Service collects the revenue from imports and enforces customs and related laws. Customs also administers the Tariff Act of 1930, as amended (19 U.S.C. 1654), and other customs laws. Some of the responsibilities that Customs is specifically charged with are:

- assessing and collecting customs duties, excise taxes, fees, and penalties due on imported merchandise;
- interdicting and seizing contraband, including narcotics and illegal drugs;
- processing persons, carriers, cargo, and mail into and out of the United States;
- administering certain navigation laws; and
- detecting and apprehending persons engaged in fraudulent practices designed to circumvent customs and related laws; copyright, patent, and trademark provisions; quotas; and marking requirements for imported merchandise.

As the principal border enforcement agency, Customs' mission has been extended over the years to assisting in the administration and enforcement of some 400 provisions of law on behalf of more than 40 Government agencies. Today, in addition to enforcing the Tariff Act of 1930 and other customs statutes, the Customs Service:

- enforces export control laws and intercepts illegal high-technology and weapons exports;
- cooperates with other Federal agencies and foreign governments in suppressing the traffic of illegal narcotics and pornography;
- enforces reporting requirements of the Bank Secrecy Act; and
- collects international trade statistics.

Also, Customs enforces a wide range of requirements to protect the public, such as auto safety and emission control standards, radiation and radioactive material standards; counterfeit monetary instruments; flammable fabric restrictions; animal and plant quarantine requirements; and food, drug, and hazardous substance prohibitions.

Customs is extensively involved with outside commercial and policy organizations and trade associations, and with international organizations and foreign customs services. Customs is a member of the multinational Customs Cooperation Council, the Cabinet Committee to Combat Terrorism, and the International Narcotics Control Program. In addition, Customs participates in and



supports the activities and programs of various international organizations and agreements, including the General Agreement on Tariffs and Trade (GATT), the International Civil Aviation Organization, and the Organization of American States (OAS).

Headquarters of the U.S. Customs Service is located in Washington, DC, under the supervision of the Commissioner of Customs, who is appointed by the Secretary of the Treasury.

The 50 States, plus the Virgin Islands and Puerto Rico, are divided into seven Customs Regions. Contained within

these regions are 44 subordinate district or area offices under which there are approximately 240 ports of entry.

The foreign field offices of the Customs Service are located in Bangkok, Bonn, Dublin, Hermosillo, Hong Kong, London, Mexico City, Milan, Monterrey, Ottawa, Panama City, Paris, Rome, Seoul, Singapore, Tokyo, Vienna, and The Hague. An attaché represents U.S. Customs in the U.S. Mission to the European Communities in Brussels.

The Customs Service also operates a Canine Enforcement Training Center at Front Royal, VA.

**Regional Offices—U.S. Customs Service**

(C: Commissioner; DC: Deputy Commissioner; RC: Regional Commissioner; DD: District Director; AD: Area Director)

Regional Headquarters/ District Offices	Address	Officer	Telephone
<b>MAIN HEADQUARTERS:</b>			
Washington, DC .....	1301 Constitution Ave. NW., 20229 .....	George Weise (C) .....	202-927-1000
		Michael Lane (DC) .....	202-927-1010
<b>NEW YORK:</b>			
New York, NY .....	6 World Trade Ctr., 10048 .....	Anthony M. Liberta (RC) ..	212-466-4444
	Kennedy Airport, 11430 .....	Jean F. Maguire (AD) .....	212-466-5817
		Thomas Mattina (AD) .....	718-553-1542
<b>NORTH CENTRAL:</b>			
Chicago, IL .....	55 E. Monroe St., 60603 .....	Garnet Fee (RC) .....	312-353-4733
	610 S. Canal St., 60607 .....	Richard Roster (DD) .....	312-353-6100
Cleveland, OH .....	55 Erie View Plz., 44114 .....	John Regan (DD) .....	216-891-3800
Detroit, MI .....	477 Michigan Ave., 48226 .....	William L. Morandini (DD) ..	313-226-3177
Duluth, MN .....	209 Federal Bldg., 55802 .....	Barbara Lanbus (DD) .....	218-720-5201
Great Falls, MT .....	300 2d Ave. S., 59401 .....	Eugene Kerven (DD) .....	406-453-7631
Milwaukee, WI .....	6269 Ace Industrial Dr., 53237 .....	Valerie Torgerson (DD) ....	414-571-2860
Minneapolis, MN .....	110 S. 4th St., 55401 .....	Peter Gonzalez (AD) .....	612-348-1690
Pembina, ND .....	Post Office Bldg., 58271 .....	Raymond Hagerty, Jr. (DD).	701-825-6201
St. Louis, MO .....	7911 Forsyth Bldg., 63105 .....	Theodore Galantowicz (DD).	314-428-2662
<b>NORTHEAST:</b>			
Baltimore, MD .....	40 S. Gay St., 21202 .....	Carole Graves (DD) .....	410-962-2666
Boston, MA .....	10 Causeway St., 02222 .....	Philip Spayd (RC) .....	617-565-6210
		(vacancy) (DD) .....	617-565-6147
Buffalo, NY .....	111 W. Huron St., 14202 .....	Richard McMullen (DD) ..	716-846-4373
Ogdensburg, NY .....	127 N. Water St., 13669 .....	William Dietzel (DD) .....	315-393-0660
Philadelphia, PA .....	2d & Chestnut Sts., 19106 .....	William Luebker (DD) .....	215-597-4606
Portland, ME .....	312 Fore St., 04112 .....	Emery W. Ingalls (DD) ....	207-780-3326
Providence, RI .....	49 Pavilion Ave., 02905 .....	Richard Barrette (DD) .....	401-528-5081
St. Albans, VT .....	Main & Stebbins Sts., 05478 .....	Michael D'Ambrosio (DD)	802-524-7352
<b>SOUTH CENTRAL:</b>			
Mobile, AL .....	150 N. Royal, 36602 .....	(Vacancy) (DD) .....	334-441-6061
New Orleans, LA .....	423 Canal St., 70130 .....	J. Robert Grimes (RC) ....	589-589-6324
		Joanne Cornelison (DD) ..	504-589-6353
<b>SOUTHEAST:</b>			
Charleston, SC .....	200 E. Bay St., 29401 .....	Mamie Pollock (DD) .....	803-727-4312
Charlotte, NC .....	1801-R Crossbeam Dr., 28217 .....	John R. Babb (DD) .....	704-329-6100
Miami, FL .....	909 SE. 1st Ave., 33131 .....	Robert McNamara, Acting (RC).	305-536-5952
	77 SE. 5th St., 33131 .....	D. Lynn Gordon (DD) .....	305-869-2800
Norfolk, VA .....	101 E. Main St., 23510 .....	Dennis H. Murphy (DD) ...	804-441-3400
St. Thomas, VI .....	U.S. Federal Bldg., Veterans Dr., 60801.	Michael G. Murphy (DD) ..	809-774-2510
San Juan, PR .....	U.S. Customhouse (P.O. Box 2112), 00903.	Alphonso Robles (DD) ....	809-729-6950
Savannah, GA .....	1 E. Bay St., 31401 .....	Robert Richter (DD) .....	912-652-4256
Tampa, FL .....	4430 E. Adams Dr., 33605 .....	Diane Zwicker (DD) .....	813-228-2381
Washington, DC .....	P.O. Box 17423, 20041 .....	William Green (DD) .....	703-318-5900

**Regional Offices—U.S. Customs Service—Continued**

(C: Commissioner; DC: Deputy Commissioner; RC: Regional Commissioner; DD: District Director; AD: Area Director)

Regional Headquarters/ District Offices	Address	Officer	Telephone
<b>SOUTHWEST:</b>			
Dallas/Fort Worth, TX .....	1205 Royal Ln., Dallas/Fort Worth Airport, 75261.	David Greenleaf (DD) .....	214-574-2170
El Paso, TX .....	Bridge of the Americas (P.O. Box 9516), 79985.	Gurdit Dhillon (DD) .....	915-540-5800
Houston, TX .....	5850 San Felipe St., 77057 .....	Robert Trotter (RC) .....	713-942-6843
	1717 E. Loep, 77019 .....	Patricia McCauley (DD) ...	713-671-1000
Laredo, TX .....	Lincoln-Juarez Bridge, 78044 .....	Audrey Adams (DD) .....	210-726-2267
Nogales, AZ .....	International and Terrace Sts., 85621 ...	(Vacancy) (DD) .....	520-287-1410
Port Arthur, TX .....	4550 75th Ave., 77642 .....	John Jumper (DD) .....	409-724-0087
<b>PACIFIC:</b>			
Anchorage, AK .....	605 W. 4th Ave., 99501 .....	Dan Holland (DD) .....	907-271-2675
Columbia Snake, OR .....	511 NW. Broadway, 97209 .....	Lois Fields (DD) .....	503-326-2865
Honolulu, HI .....	335 Merchant St., 96806 .....	George Roberts (DD) .....	808-522-8060
Los Angeles, CA .....	Suite 705, 1 World Trade Ctr., Long Beach, CA 90831.	Rudy Camacho (RC) .....	310-980-3100
Los Angeles/Long Beach, CA	300 S. Ferry St., San Pedro, CA 90731	John Heinrich (DD) .....	310-514-6001
San Diego, CA .....	880 Front St., 92188 .....	Rex Applegate (DD) .....	619-557-5455
San Francisco, CA .....	555 Battery St., 94718 .....	Paul Andrews (DD) .....	415-744-7700
Seattle, WA .....	1000 2d Ave., 97104 .....	Thomas Hardy (DD) .....	206-553-0554

For further information, contact the U.S. Customs Service, Department of the Treasury, 1301 Constitution Avenue NW., Washington, DC 20229. Phone, 202-927-2095.

## Bureau of Engraving and Printing

The Bureau of Engraving and Printing operates on basic authorities conferred by act of July 11, 1862 (31 U.S.C. 303) and additional authorities contained in past appropriations made to the Bureau that are still in force.

A working capital fund was established in accordance with the provisions of section 2 of act of August 4, 1950, as amended (31 U.S.C. 5142), which placed the Bureau on a completely reimbursable basis. The Bureau is headed by a Director, who is appointed by the Secretary of the Treasury.

The Bureau of Engraving and Printing designs, prints, and finishes a large variety of security products including Federal Reserve notes, U.S. postage

stamps, Treasury securities, identification cards, and certificates. It also is responsible for advising and assisting Federal agencies in the design and production of other government documents that, because of their innate value or some other reason, require security or counterfeit-deterrence characteristics.

The Bureau is the largest printer of security documents in the world; over 40 billion security documents are printed annually. The Bureau's headquarters is located in Washington, DC. A second currency plant, located in Fort Worth, TX, is operational and will have the capacity to produce approximately 5 billion notes annually by 1996.

For further information, contact the Office of Public Affairs, Bureau of Engraving and Printing, Department of the Treasury, Room 104-18M, Fourteenth and C Streets SW., Washington, DC 20228. Phone, 202-874-3019.

## Federal Law Enforcement Training Center

The Federal Law Enforcement Training Center was established by Treasury Department Order No. 217, effective March 2, 1970; and reaffirmed by Treasury Department Order No. 140-01 of September 20, 1994.

The Federal Law Enforcement Training Center is headed by a Director, who is appointed by the Secretary of the Treasury. The Center conducts operations at its training facility located at Glynco, GA. The Center also maintains a Washington, DC, office at 650 Massachusetts Avenue NW., Washington, DC 20226. Phone, 202-927-8940. In addition, the Center has a satellite operation located at Artesia, NM 88210 (phone, 505-748-8000).

The Center is an interagency training facility serving over 70 Federal law enforcement organizations. The major training effort is in the area of basic programs to teach common areas of law enforcement skills to police and investigative personnel. The Center also conducts advanced programs in areas of common need, such as white-collar crime, the use of microcomputers as an investigative tool, advanced law enforcement photography, international banking/money laundering, marine law

enforcement, and several instructor training courses. In addition to the basic and common advanced programs, the Center provides the facilities and support services for participating organizations to conduct advanced training for their own law enforcement personnel. The Center offers selective, highly specialized training programs to State and local officers as an aid in deterring crime. These programs include a variety of areas such as fraud and financial investigations, marine law enforcement, arson for profit, international banking/money laundering, and criminal intelligence analyst training.

The Center develops the curriculum content and training techniques for recruit training, and advises and assists the participating organizations in producing, formulating, and operating specialized training materials and equipment.

Administrative and financial activities are supervised by the Department of the Treasury. However, training policy, programs, criteria, and standards are governed by the interagency Board of Directors, comprised of senior officials from eight departments and independent agencies.

For further information, contact the Public Affairs Office, Federal Law Enforcement Training Center, Department of the Treasury, Glynco, GA 31524. Phone, 912-267-2447.

## Financial Management Service

The mission of the Financial Management Service (FMS) is to improve the quality of Government financial management. Its commitment and responsibility is to help its Government customers achieve success. It does this by linking program and financial management objectives and by providing financial services, information, and advice to its customers. FMS serves taxpayers, the Treasury Department, Federal program agencies, and Government policymakers.

**Working Capital Management** The Service is responsible for programs to improve cash management, credit management, debt collection, and financial management systems Governmentwide. For cash management, the Service issues guidelines and regulations and assists other agencies in managing financial transactions to maximize investment earnings and reduce the interest costs of borrowed funds. For credit management, the Service issues guidelines and regulations

and assists program agencies with management of credit activities, including loan programs, to improve all parts of the credit cycle, such as credit extension, loan servicing, debt collection, and write-off procedures. The Service is presently working with other agencies to improve financial management systems and the way Government handles its payments, collections, and receivables, and to take advantage of new automation technology.

**Payments** The Service issues approximately 426 million Treasury checks and close to 407 million electronic fund transfer payments annually for Federal salaries and wages, payments to suppliers of goods and services to the Federal Government, income tax refunds, and payments under major Government programs such as social security and veterans' benefits. The Service pays all Treasury checks and reconciles them against the accounts of Government disbursing officers, receives and examines claims for checks that are cashed under forged endorsements or that are lost, stolen, or destroyed; and issues new checks on approved claims. The Service uses two electronic funds-transfer methods: the automated clearinghouses—for recurring payments such as Government benefits and salaries—and wire transfers through the Fedline System. The latter is a computer-to-computer link with the Federal Reserve System that allows for the electronic transfer of funds to virtually any financial institution in the United States.

**Collections** The Service supervises the collection of Government receipts and

operates and maintains the systems for collecting these receipts. The Service is working with all Federal agencies to improve the availability of collected funds and the reporting of collection information to Treasury. Current collection systems include the Treasury General Account System, the Treasury Tax and Loan System for withholding and other Federal tax deposits, and the Treasury National Automated Lockbox System for accelerating the processing of agency receipts.

**Central Accounting and Reporting** The Service maintains a central system that accounts for the monetary assets and liabilities of the Treasury and tracks Government collection and payment operations. Periodic reports are prepared to show budget results, the Government's overall financial status, and other financial operations. These reports include the *Daily Treasury Statement*, the *Monthly Treasury Statement*, the *Quarterly Treasury Bulletin*, the annual *Treasury Report*, and the annual *Treasury Consolidated Financial Statement*.

**Disbursing Centers—Financial Management Service**

Center/Address	Director
Austin, TX (1619 Woodward St., 78741)	Gordon Hickam
Birmingham, AL (190 Vulcan Rd., 35209)	Andy Wilson
Chicago, IL (356 S. Clark St., 60605)	Ollice C. Holden
Kansas City, KS (2100 W. 36th Ave., 66103)	John H. Adams
Philadelphia, PA (5000 Wissahickon Ave., 19144)	Michael Colerruso, <i>Acting</i>
San Francisco, CA (390 Main St., 94105)	Philip Belisle

For further information, contact the Office of Legislative and Public Affairs, Financial Management Service, Department of the Treasury, Room 555, 401 Fourteenth Street SW., Washington, DC 20227. Phone, 202-874-6740.

## Internal Revenue Service

The Office of the Commissioner of Internal Revenue was established by act of July 1, 1862 (26 U.S.C. 7802).

The Internal Revenue Service is responsible for administering and enforcing the internal revenue laws and

related statutes, except those relating to alcohol, tobacco, firearms, and explosives. Its mission is to collect the proper amount of tax revenue at the least cost to the public, and in a manner that warrants the highest degree of public confidence in the Service's integrity, efficiency, and fairness. To achieve that purpose, the Service:

- strives to achieve the highest possible degree of voluntary compliance in accordance with the tax laws and regulations;
- advises the public of their rights and responsibilities;
- determines the extent of compliance and the causes of noncompliance;
- properly administers and enforces the tax laws; and
- continually searches for and implements new, more efficient ways of accomplishing its mission.

Basic activities include:

- ensuring satisfactory resolution of taxpayer complaints, providing taxpayer service and education;
- determining, assessing, and collecting internal revenue taxes;
- determining pension plan qualifications and exempt organization status; and
- preparing and issuing rulings and regulations to supplement the provisions of the Internal Revenue Code.

The source of most revenues collected is the individual income tax and the social insurance and retirement taxes, with other major sources being the corporation income, excise, estate, and gift taxes. Congress first received authority to levy taxes on the income of

individuals and corporations in 1913, pursuant to the 16th amendment of the Constitution.

**Organization**

Service organization is designed for maximum decentralization, consistent with the need for uniform interpretation of the tax laws and efficient utilization of resources. There are three organizational levels: the National Office; the Regional Offices; and the District Offices, Service Centers, and the Austin Compliance Center (in the Southwest Region). Districts may have local offices, the number and location of which are determined by taxpayer and agency needs.

**Headquarters Organization** The National Office, located in Washington, DC, develops nationwide policies and programs for the administration of the internal revenue laws and provides overall direction to the field organization. The Martinsburg Computing Center in Martinsburg, WV, and the Detroit Computing Center in Detroit, MI, also are assigned to the National Office.

**Field Organization**

As a decentralized organization, most agency personnel and activities are assigned to field installations.

**Regional Offices** There are seven Regional Offices, each headed by a Regional Commissioner, which supervise and evaluate the operations of District Offices, Service Centers, and the Austin Compliance Center.

**Regional Offices—Internal Revenue Service**

Region	Address	Commissioner
CENTRAL—Indiana, Kentucky, Michigan, Ohio, West Virginia	550 Main St., Cincinnati, OH 45202	Leon Moore
MID-ATLANTIC—Delaware, Maryland, New Jersey, Pennsylvania, Virginia	841 Chestnut St., Philadelphia, PA 19107	Charles H. Brennan
MIDWEST—Illinois, Iowa, Minnesota, Missouri, Montana, Nebraska, North Dakota, South Dakota, Wisconsin	Gateway IV Bldg., 300 S. Riverside Plz., Chicago, IL 60606	David Blattner
NORTH ATLANTIC—Connecticut, Maine, Massachusetts, New Hampshire, New York, Rhode Island, Vermont	90 Church St., New York, NY 10007	Herma Hightower
SOUTHEAST—Alabama, Arkansas, Georgia, Florida, Louisiana, Mississippi, North Carolina, South Carolina, Tennessee	401 W. Peachtree St. NE., Atlanta, GA 30365	John D. Johnson
SOUTHWEST—Arizona, Colorado, Kansas, New Mexico, Oklahoma, Texas, Utah, Wyoming	4050 Alpha Rd., Dallas, TX 75244-4203	Richard C. Voskuil
WESTERN—Alaska, California, Hawaii, Idaho, Nevada, Oregon, Washington	1650 Mission St., San Francisco, CA 94103	Thomas Coleman

District Offices There are 62 Internal Revenue districts, each administered by a District Director. Districts may encompass an entire State, or a certain number of counties within a State, depending on population. Programs of the District include taxpayer service, examination, collection, criminal investigation, resources management, and, in some districts, pension plans and exempt organizations. Functions performed are: assistance and service to taxpayers, determination of tax liability by examination of tax returns, determination of pension plan

qualification, collection of delinquent returns and taxes, and investigation of criminal and civil violations of internal revenue laws (except those relating to alcohol, tobacco, firearms, and explosives). Directors are responsible for the deposit of taxes collected by the District and for initial processing of original applications for admission to practice before the Internal Revenue Service and renewal issuances for those practitioners already enrolled. Local offices may be established to meet taxpayer needs and agency workload requirements.

**Internal Revenue Districts—Internal Revenue Service**

District	Address	Director
ALABAMA	500 22d St. S., Birmingham, 35233	Richard F. Moran
ALASKA	949 E. 36th Ave., Anchorage, 99508	Michael R. Allen
ARIZONA	210 E. Earl Dr., Phoenix, 85012	Mark Cox
ARKANSAS	700 W. Capitol Ave., Little Rock, 72201	James Donelson
CALIFORNIA:		
Laguna Niguel	24000 Avila Rd., 92677	Jesse Cota
Los Angeles	300 N. Los Angeles St., 90012	Richard Orosco
Sacramento	4330 Watt Ave., North Highland, CA 95660	Gerald F. Swanson
San Francisco	Suite 16005, 1301 Clay St., Oakland, 94612	Calvin Esselstrom
San Jose	55 S. Market St., 95113	Billy J. Brown
COLORADO	600 17th St., Denver, 80202	Walter A. Hutton, Jr.
CONNECTICUT	135 High St., Hartford, 06103	James E. Quinn
DELAWARE	409 Silverside Rd., Wilmington, 19809	John F. Devlin
DISTRICT OF COLUMBIA	(part of Baltimore District)	
FLORIDA:		
Fort Lauderdale	3d Fl., Bldg. B, 1 University Dr., 33324	Merlin W. Heye
Jacksonville	400 W. Bay St., 32202	Dale Hart
GEORGIA	401 W. Peachtree St., Atlanta, 30365	Nelson A. Brooke
HAWAII	300 Ala Moana Blvd., Honolulu, 96850	Robert Ah Nee
IDAHO	550 W. Fort St., Boise, 83724	Jerald Heschel
ILLINOIS:		
Chicago	230 S. Dearborn St., 60604	Marilyn Day
Springfield	320 W. Washington St., 62701	John Wendorff
INDIANA	575 N. Pennsylvania, Indianapolis, 46204	David B. Palmer
IOWA	210 Walnut St., Des Moines, 50309	Stephen J. Stalcup
KANSAS	271 W. 3d St. N., Wichita, 67232	Bruce R. Thomas
KENTUCKY	601 W. Broadway, Louisville, 40202	Alvin Kolak
LOUISIANA	600 S. Maestri Pl., New Orleans, 70130	Thomas Grace
MAINE	68 Sewall St., Augusta, 04330	Ray F. Howard
MARYLAND	31 Hopkins Plz., Baltimore, 21201	Paul Harrington
MASSACHUSETTS	John F. Kennedy Federal Bldg., Boston, 02203	Francine Crowley
MICHIGAN	477 Michigan Ave., Detroit, 48226	Arlene G. Kay
MINNESOTA	316 N. Robert St., St. Paul, 55101	Inar Morics
MISSISSIPPI	100 W. Capitol St., Jackson, 39269	Robert Douthitt
MISSOURI	1222 Spruce St., St. Louis, 63101	Ronald Lamert
MONTANA	301 S. Park Ave., Helena, 59626	Thomas Kuniz
NEBRASKA	106 S. 15th St., Omaha, 68102	James A. Grant
NEVADA	4750 W. Oakey Blvd., Las Vegas, 89102	Brian McMahon
NEW HAMPSHIRE	80 Daniel St., Portsmouth, 03801	James Helm
NEW JERSEY	970 Broad St., Newark, 07102	John J. Jennings
NEW MEXICO	538 Montgomery NE., Albuquerque, 87109	Bernard Barela
NEW YORK:		
Albany	Clinton Ave. and N. Pearl St., 12207	Joseph Rusek
Brooklyn	625 Fulton St., 11201	Herbert Huff
Buffalo	111 W. Huron St., 14202	Steven Jenson
Manhattan	120 Church St., New York, 10007	Eugene Alexander
NORTH CAROLINA	320 Federal Pl., Greensboro, 27401	J.R. Starkey
NORTH DAKOTA	653 2d Ave. N., Fargo, 58102	Thomas L. Eastwood
OHIO:		
Cincinnati	550 Main St., 45202	C. Ashley Bullard
Cleveland	1240 E. 9th St., 44199	Henry O. Lamar, Jr.
OKLAHOMA	55 N. Robinson St., Oklahoma City, 73102	Kenneth J. Sawyer
OREGON	1220 SW. 3d Ave., Portland, 97204	Carolyn Leonard

**Internal Revenue Districts—Internal Revenue Service—Continued**

District	Address	Director
<b>PENNSYLVANIA:</b>		
Philadelphia .....	600 Arch St., 19106 .....	Richard McCleary
Pittsburgh .....	1000 Liberty Ave., 15222 .....	Deborah S. Decker
PUERTO RICO .....	Stop 27½, Ponce de Leon Ave., Hato Rey, 00917 .....	Ramon Rivera <sup>1</sup>
RHODE ISLAND .....	380 Westminster Mall, Providence, 02903 .....	William Caine
SOUTH CAROLINA .....	1835 Assembly St., Columbia, 29201 .....	Donald L. Breihan
SOUTH DAKOTA .....	115 4th Ave. SE., Aberdeen, 57401 .....	Barbara Olberding
TENNESSEE .....	801 Broadway, Nashville, 37203 .....	John C. Stocker
<b>TEXAS:</b>		
Austin .....	300 E. 8th St., 78701 .....	Jean K. Pope
Dallas .....	1100 Commerce St., 75242 .....	Bobby Scott
Houston .....	1919 Smith St., 77002 .....	James Kopidlansky
UTAH .....	465 S. 4th East, Salt Lake City, 84111 .....	Carol M. Fay
VERMONT .....	199 Main St., Burlington, 05402 .....	Michael M. Greenspan
VIRGINIA .....	400 N. 8th St., Richmond, 23240 .....	Maggie Lullo
WASHINGTON .....	915 2d Ave., Seattle, 98174 .....	J. Paul Beene
WEST VIRGINIA .....	425 Juliana St., Parkersburg, 26101 .....	Edward J. Weiler
WISCONSIN .....	310 W. Wisconsin Ave., Milwaukee, 53203 .....	John Ader
WYOMING .....	308 W. 21st St., Cheyenne, 82001 .....	Stephen Taylor

**Overseas Taxpayers**

Office	Address
DISTRICT OF COLUMBIA .....	Office of Taxpayer Service and Compliance, 950 L'Enfant Plaza SW. (IN:C), 20024

<sup>1</sup> Director's Representative

Service Centers Under the supervision of the Regional Commissioner having jurisdiction over the area of their location are 10 service centers, located at Andover, MA; Austin, TX; Brookhaven, NY; Chamblee, GA; Covington, KY; Fresno, CA; Kansas City, MO; Memphis, TN; Ogden, UT; and Philadelphia, PA. Each service center processes tax returns and related documents and maintains accountability records for taxes collected. Programs

include the processing, verification, and accounting control of tax returns; the assessment and certification of refunds of taxes; and administering assigned examination, criminal investigation, and collection functions.

The Austin Compliance Center, located in Austin, TX, administers the examination, criminal investigation, and collection functions formerly assigned to the Austin Service Center.

For further information, contact any District Office or the Internal Revenue Service Headquarters, Department of the Treasury, 1111 Constitution Avenue NW., Washington, DC 20224. Phone, 202-622-5000.

**United States Mint**

The establishment of a mint was authorized by act of April 2, 1792 (1 Stat. 246). The Bureau of the Mint was established by act of February 12, 1873 (17 Stat. 424) and recodified on September 13, 1982 (31 U.S.C. 304, 5131). The name was changed to United States Mint by Secretarial order dated January 9, 1984.

The primary mission of the Mint is to produce an adequate volume of

circulating coinage for the Nation to conduct its trade and commerce. The Mint also produces and sells numismatic coins, American Eagle gold and silver bullion coins, and national medals. Further, the Fort Knox Bullion Depository is the storage facility for the Nation's gold bullion.

The U.S. Mint maintains sales centers at the Philadelphia and Denver Mints, and at Union Station in Washington,

DC. Public tours are conducted, with free admission, at the Philadelphia and Denver Mints.

**Field Facilities**

(S: Superintendent; O: Officer in Charge)

Facility/Address	Facility Head
United States Mint, Philadelphia, PA 19106 .....	Augustine A. Albino, <i>Acting</i> (S)
United States Mint, Denver, CO 80204 .....	Raymond J. DeBroekert, <i>Acting</i> (S)
United States Mint, San Francisco, CA 94102 and the Old Mint, San Francisco, CA 94103 .....	Donald T. Butler, <i>Acting</i> (S)
United States Mint, West Point, NY 10996 .....	Harry J. Edwards, <i>Acting</i> (S)
United States Bullion Depository, Fort Knox, KY 40121 .....	James M. Curtis (O)

For further information, contact the United States Mint, Department of the Treasury, Judiciary Square Building, 633 Third Street NW., Washington, DC 20220. Phone, 202-874-6450.

## Bureau of the Public Debt

The Bureau of the Public Debt was established on June 30, 1940, pursuant to the Reorganization Act of 1939 (31 U.S.C. 306).

Its mission is to borrow the money needed to operate the Federal Government; account for the resulting public debt; and to issue Treasury securities to refund maturing debt and raise new money.

The Bureau fulfills its mission through six programs: commercial book-entry securities, direct access securities, savings securities, Government securities, market regulation, and public debt accounting.

The Bureau auctions and issues Treasury bills, notes, and bonds and manages the U.S. Savings Bond Program. It issues, services, and redeems bonds

through a nationwide network of issuing and paying agents. The Bureau also promotes the sale and retention of savings bonds through payroll savings plans and financial institutions and is supported by a network of volunteers. It provides daily and other periodic reports to account for the composition and size of the debt. In addition, the Bureau implements the regulations for the Government securities market. These regulations provide for investor protection while maintaining a fair and liquid market for Government securities.

The Bureau of the Public Debt was established on June 30, 1940, pursuant to the Reorganization Act of 1939 (31 U.S.C. 306). Principal offices of the Bureau are located in Washington, DC, and Parkersburg, WV.

For more information, contact the Public Affairs Officer, Office of the Commissioner, Bureau of the Public Debt, Washington, DC 20239-0001. Phone, 202-219-3302.

## United States Secret Service

Pursuant to certain sections of titles 3 and 18 of the United States Code, the mission of the Secret Service includes the authority and responsibility:

—to protect the President, the Vice President, the President-elect, the Vice-President-elect, and members of their

immediate families; major Presidential and Vice Presidential candidates; former Presidents and their spouses, except that protection of a spouse shall terminate in the event of remarriage; minor children



of a former President until the age of 16; visiting heads of foreign states or governments; other distinguished foreign visitors to the United States; and official representatives of the United States performing special missions abroad, as directed by the President;

—to provide security at the White House complex and other Presidential offices, the temporary official residence of the Vice President in the District of Columbia, and foreign diplomatic missions in the Washington, DC, metropolitan area and throughout the United States, its territories and possessions, as prescribed by statute;

—to detect and arrest any person committing any offense against the laws of the United States relating to currency,

coins, obligations, and securities of the United States or of foreign governments;

—to suppress the forgery and fraudulent negotiation or redemption of Federal Government checks, bonds, and other obligations or securities of the United States;

—to conduct investigations relating to certain criminal violations of the Federal Deposit Insurance Act, the Federal Land Bank Act, and the Government Losses in Shipment Act; and

—to detect and arrest offenders of laws pertaining to electronic funds transfer frauds, credit and debit card frauds, false identification documents or devices, computer access fraud, and U.S. Department of Agriculture food coupons, including authority to participate cards.

**District Offices—United States Secret Service**

District	Address	Telephone
Albany, GA	Suite 221, 235 Roosevelt Ave., 31701-2374	518-431-0205
Albany, NY	Rm. 244, 445 Broadway, 12207	518-472-2884
Albuquerque, NM	Suite 1700, 505 Marquette St. NW., 87102	505-766-3336
Anchorage, AK	Rm. 526, 222 W. 7th Ave., 99513-7592	907-271-5148
Atlanta, GA	Suite 2906, 401 W. Peachtree St., 30308-3516	404-331-6111
Atlantic City, NJ	Rm. 200, 1701 Pacific Ave., 08401	609-347-0772
Austin, TX	Suite 972, 300 E. 8th St., 78701	512-482-5103
Bakersfield, CA	Suite 190, 5701 Truxton Ave., 93309	805-861-4112
Baltimore, MD	Suite 1124, 100 S. Charles St., 21201	410-962-2200
Baton Rouge, LA	Rm. 1502, 1 American Pl., 70825	504-389-0763
Birmingham, AL	Suite 203, 500 S. 22d St., 35233	205-731-1144
Bismarck, ND	Rm. 432, Federal Bldg., 58501	701-255-3294
Boise, ID	Rm. 730, 550 W. Fort St., 83724	208-334-1403
Boston, MA	Suite 791, 10 Causeway St., 02222	617-565-5640
Buffalo, NY	Rm. 1208, 111 W. Huron St., 14202	716-846-4401
Canton, OH	Rm. 211, 201 Cleveland Ave. SW., 44702	216-489-4400
Charleston, SC	Suite 630, 334 Meeting St., 29403	803-727-4691
Charleston, WV	Suite 910, 1 Valley Sq., 25301	304-347-5188
Charlotte, NC	Suite 226, Parkwood Bldg., 4350 Park Rd., 28209	704-523-9583
Chattanooga, TN	Rm. 204, Martin Luther King Blvd. and Georgia Ave., 37401	615-752-5125
Cheyenne, WY	Suite 3026, 2120 Capitol Ave., 82001	307-772-2380
Chicago, IL	Suite 1200 N., 300 S. Riverside Plz., 60606	312-353-5431
Cincinnati, OH	Rm. 6118, 550 Main St., 45202	513-684-3585
Cleveland, OH	Rm. 440, 6100 Rockside Woods Blvd., 44131-2334	216-522-4365
Colorado Springs, CO	P.O. Box 666, 80901	719-632-3325
Columbia, SC	Suite 1425, Strom Thurmond Federal Bldg., 1835 Assembly St., 29201	803-765-5446
Columbus, OH	Suite 800, 500 S. Front St., 43215	614-469-7370
Concord, NH	Suite 250, 197 Loudon Rd., 03301	603-228-3428
Dallas, TX	Suite 300, Caltex House, 125 E. John W. Carpenter Fwy., Irving, TX 75062-2752	214-655-2500
Dayton, OH	P.O. Box 743, 200 W. 2d St., 45402	513-222-2013
Denver, CO	Suite 1430, 1660 Lincoln St., 80264	303-866-1010
Des Moines, IA	637 Federal Bldg., 210 Walnut St., 50309	515-284-4565
Detroit, MI	Suite 1000, Patrick V. McNamara Bldg., 477 Michigan Ave., 48226	313-226-6400
El Paso, TX	Suite 210, 4849 N. Mesa, 79912	915-533-6950
Fresno, CA	Suite 207, 5200 N. Palm Ave., 93704	209-487-5204
Grand Rapids, MI	Rm. 326, 110 Michigan Ave. NW., 49503	616-456-2276
Great Falls, MT	No. 11, 3d St. N., 59401	406-452-8515
Greenville, SC	P.O. Box 10676, 29603	803-233-1490
Harrisburg, PA	P.O. Box 1244, 17108	717-782-4811
Honolulu, HI	P.O. Box 50046, Rm. 6309, 300 Ala Moana Blvd., 96850	808-541-1912
Houston, TX	Suite 500, 602 Sawyer St., 77007	713-868-2299
Indianapolis, IN	Suite 211, 575 N. Pennsylvania St., 46204	317-226-6444
Jackson, MS	Suite 840, 100 W. Capitol St., 39269	601-965-4436
Jacksonville, FL	Suite 500, 7820 Arlington Expy., 32211	904-232-2777
Jamaica, NY	2d Fl., Bldg. 80, John F. Kennedy International Airport, 11430	718-553-0911
Kansas City, MO	Suite 510, 1150 Grand Ave., 64106	816-374-6102

## District Offices—United States Secret Service—Continued

District	Address	Telephone
Knoxville, TN	Rm. 517, 710 Locust St., 37902	615-545-4627
Las Vegas, NV	P.O. Box 16027, 89101	702-388-6446
Lexington, KY	P.O. Box 13310, 40583	606-233-2453
Little Rock, AR	Suite 1700, 111 Center St., 72201-3529	501-324-6241
Los Angeles, CA	17th Fl., Roybal Federal Bldg., 255 E. Temple St., 90012	213-894-4830
Louisville, KY	Rm. 377, 600 Dr. Martin Luther King, Jr., Pl., 40202	502-582-5171
Lubbock, TX	P.O. Box 2975, 79048	806-743-7347
Madison, WI	P.O. Box 2154, 53701	608-264-5191
McAllen, TX	Suite 1107, 200 S. 10th St., 78501	210-630-5811
Melville, NY	Suite 216E, 35 Pinelawn Rd., 11747-3154	516-249-0984
Memphis, TN	Suite 204, 5350 Poplar Ave., 38119	901-766-7632
Miami, FL	Suite 100, 8375 NW. 53d St., 33166	305-591-3660
Milwaukee, WI	Rm. 572, 517 E. Wisconsin Ave., 53202	414-297-3587
Minneapolis, MN	Rm. 218, 110 S. 4th St., 55401	612-348-1800
Mobile, AL	Suite 200, 182d and Francis Sts., 36602-3501	205-441-5851
Montgomery, AL	Suite 605, 1 Commerce St., 36104	205-223-7601
Morristown, NJ	34 Headquarters Plz., 07960-3990	201-645-2334
Nashville, TN	658 U.S. Courthouse, 801 Broadway St., 37203	615-736-5841
New Haven, CT	P.O. Box 45, 06501	203-865-2449
New Orleans, LA	Rm. 807, 501 Magazine St., 70130	504-589-4041
New York, NY	9th Fl., 7 World Trade Ctr., New York City, 10048-1901	212-637-4500
Norfolk, VA	Rm. 400, Federal Bldg., 23510	804-441-3200
Oklahoma City, OK	Suite 926, 200 NW. 5th St., 73102	405-231-4476
Omaha, NE	Rm. 905, Old Federal Bldg., 106 S. 15th St., 68102	402-221-4671
Orlando, FL	Suite 670, 135 W. Central Blvd., 32801	407-648-6333
Philadelphia, PA	7236 Federal Bldg., 600 Arch St., 19106	215-597-0600
Phoenix, AZ	Suite 2180, 3200 N. Central Ave., 85012	602-640-5580
Pittsburgh, PA	Rm. 835, 1000 Liberty Ave., 15222	412-644-3384
Portland, ME	2d Fl., Tower B, 100 Middle St., 04104	207-780-3493
Portland, OR	Suite 1330, 121 SW. Salmon St., 97204	503-326-2162
Providence, RI	Suite 343, 380 Westminster St., 02903	401-331-6456
Raleigh, NC	Suite 210, 4407 Bland Rd., 27609-6296	919-790-2834
Reno, NV	Suite 850, 100 W. Liberty St., 89501	702-784-5354
Richmond, VA	Suite 1910, Main St. Ctr., 23219	804-771-2274
Riverside, CA	P.O. Box 1525, 92502	909-276-6781
Roanoke, VA	Suite 2, 105 Franklin Rd. SW., 24011	703-857-2208
Rochester, NY	Rm. 606, 100 State St., 14614	716-263-6830
Sacramento, CA	Suite 530, 501 J St., 95814	916-498-5141
Saginaw, MI	Suite 200, 301 E. Genesee Ave., Saginaw, MI 48607	517-752-8076
St. Louis, MO	Rm. 924, 1114 Market St., 63101	314-539-2238
Salt Lake City, UT	Suite 450, American Plz. II, 57 W. 200 S., 84101	801-524-5910
San Antonio, TX	Rm. B410, 727 E. Durango Blvd., 78206	210-229-6175
San Diego, CA	Suite 660, 550 W. C St., 92101-8811	619-557-5640
San Francisco, CA	Suite 530, 345 Spear St., 94105	415-744-9026
San Jose, CA	Suite 2050, 280 S. 1st St., 95113	408-291-7233
San Juan, PR	Rm. 539, Carlos E. Chardon Ave., Hato Rey, PR 00917-1717	809-766-5539
Santa Ana, CA	Suite 500, 200 W. Santa Ana Blvd., 92701	714-836-2805
Savannah, GA	Suite 570, 23 Bull St., 31401	912-652-4401
Scranton, PA	Rm. 304, Washington and Linden Sts., 18501	717-346-5781
Seattle, WA	Rm. 890, 915 2d Ave., 98174	206-220-6800
Shreveport, LA	Suite 525, 401 Edwards St., 71101	318-678-3500
Sioux Falls, SD	Suite 405, 230 S. Phillips Ave., 57102	605-330-4565
Spokane, WA	Suite 1340, 601 W. Riverside Ave., 99201-0611	509-353-2532
Springfield, IL	Suite 301, 400 W. Monroe St., 62704	217-492-4033
Springfield, MO	Suite 306, 901 E. St. Louis St., 65806	417-864-8340
Syracuse, NY	Post Box 7006, Federal Station, 13261	315-448-0304
Tampa, FL	Rm. 1101, 501 E. Polk St., 33602	813-228-2636
Toledo, OH	Rm. 305, 234 Summit St., 43604	419-259-6434
Trenton, NJ	Suite 202, 101 Carnegie Ctr., Princeton, NJ, 08540-6231	609-989-2008
Tucson, AZ	Box FB-56, 300 W. Congress St., 85701	520-670-4730
Tulsa, OK	Suite 400, 125 W. 15 St., 74119	918-581-7272
Tyler, TX	Suite 395, 6101 S. Broadway, 75703	903-534-2933
Ventura, CA	Suite 161, 5500 Telegraph Rd., 93003	805-339-9180
Washington, DC	Suite 1000, 1050 Connecticut Ave. NW., 20036-5305	202-435-5100
West Palm Beach, FL	Suite 800, 505 S. Flagler Dr., 33401	407-659-0184
White Plains, NY	Suite 300, 140 Grand St., 10601	914-682-6300
Wichita, KS	Rm. 225, 225 N. Market, 67202	316-267-1452
Wilmington, DE	Rm. 414, 920 King St., 19801	302-573-6188
Wilmington, NC	P.O. Box 120, 28402	910-343-4411

## District Offices Overseas—United States Secret Service

District	Address	Telephone
Bangkok, Thailand	American Embassy, Box 64/Bangkok, APO AP 96546	011-662-252-5040, ext. 2651

**District Offices Overseas—United States Secret Service—Continued**

District	Address	Telephone
Bonn, West Germany	American Embassy/Bonn, Unit 21701, Box 300, APO New York, NY 09080.	011-49-228-339-2587
London, England .....	American Embassy/USSS, PSC 801, Box 64, FPO AE, 09498-4064.	011-44-71-499-9000, ext. 2846
Manila, Philippines .....	American Embassy/Manila APO AP 96440 .....	011-632-521-1838
Paris, France .....	Paris Embassy/USSS, Unit 21551, Box D306, APO AE, 09777	9-011-331-4289-0330
Rome, Italy .....	American Embassy/Rome, PSC 59, Box 100, USSS, APO AE, 09624.	011-39-6-4674-1, ext. 2736

For further information, contact any District Office or the Office of Government Liaison and Public Affairs, United States Secret Service, Department of the Treasury, 1800 G Street NW., Washington, DC 20223. Phone, 202-435-5708.

## Office of Thrift Supervision

The Office of Thrift Supervision (OTS) was established as a bureau of the Treasury Department in August 1989 and became operational in October 1989 as part of a major reorganization of the thrift regulatory structure mandated by the Financial Institutions Reform, Recovery and Enforcement Act. In that act, Congress gave OTS authority to charter Federal thrift institutions and serve as the primary regulator of approximately 1,700 Federal- and State-chartered thrifts belonging to the Savings Association Insurance Fund (SAIF). OTS' mission is to regulate savings associations to maintain the safety, soundness, and viability of the industry; and to support the industry's efforts to meet housing and other financial services needs. OTS carries out this responsibility through risk-focused supervision that includes adopting regulations governing the savings and loan industry, examining and supervising thrift institutions and their affiliates, and taking appropriate action to enforce their compliance with Federal law and regulations. In addition to overseeing thrift institutions, OTS also regulates, examines, and supervises companies that own thrifts and controls the acquisition of thrifts by such holding companies.

OTS is headed by a Director appointed by the President and confirmed by the Senate to serve a 5-year term. The Director also serves on the boards of the Federal Deposit

Insurance Corporation, the Resolution Trust Corporation, the Thrift Depositor Protection Oversight Board, and the Neighborhood Reinvestment Corporation.

To carry out its mission, OTS is organized into five main divisions:

*Washington Operations* develops national policy guidelines to clarify and implement statutes and regulations; establishes programs to implement new policies and laws; and develops and maintains surveillance systems that monitor the condition of the industry and assist in identifying emerging supervisory problem areas. It also develops and maintains financial management and information systems; maintains human resources programs; and performs other related functions.

*Regional Operations* examines and supervises thrift institutions through five regional offices to ensure the safety and soundness of the industry, and to promote housing and other financial services in areas with the greatest need. It also oversees the training and development of Federal thrift regulators through accredited programs. The regional offices are headquartered in Jersey City, NJ; Atlanta, GA; Chicago, IL; Dallas, TX; and San Francisco, CA.

*Chief Counsel* provides a full range of legal services to the agency, including drafting regulations, representing the agency in court, and taking enforcement actions against savings institutions that

violate laws or regulations. This office also acts on corporate filings required by the Securities and Exchange Act of 1934.

*Congressional Affairs* interacts with members of Congress, congressional staff, and committee members on behalf of OTS to accomplish the legislative objectives of the Office. This division disseminates information to the Congress pertaining to OTS' supervisory, regulatory, and enforcement activities and policies, and manages congressional-liaison programs.

*Public Affairs* oversees dissemination of information concerning OTS regulations, policies, and key developments within the Office by establishing and maintaining effective

liaisons with the media, the general public, the thrift industry, Government agencies, and other key constituencies. It convenes press conferences and distributes news releases.

The division also maintains an archive of business records and documented actions of OTS and its predecessor, the Federal Home Loan Bank Board; responds to Freedom of Information requests; and maintains a public reference room for viewing securities filing and other public documents.

OTS is a nonappropriated agency and, thus, uses no tax money to fund its operations. Its expenses are met by fees and assessments on the thrift institutions it regulates.

For further information, contact the Communications Division, Office of Thrift Supervision, 1700 G Street NW., Washington, DC 20552. Phone, 202-906-6913.

## Sources of Information

### Departmental Offices

**Contracts** Write to the Director, Office of Procurement, Room 6101, Main Treasury Annex, Washington, DC 20220. Phone, 202-622-0520.

**Environment** Environmental statements prepared by the Department are available for review in the Departmental Library. Information on Treasury environmental matters may be obtained from the Office of the Assistant Secretary of the Treasury (Management), Treasury Department, Washington, DC 20220. Phone, 202-622-0043.

**General Inquiries** For general information about the Treasury Department, including copies of news releases and texts of speeches by high Treasury officials, write to the Office of the Assistant Secretary (Public Affairs and Public Liaison), Room 3430, Departmental Offices, Treasury Department, Washington, DC 20220. Phone, 202-622-2920.

**Reading Room** The Reading Room is located in the Treasury Library, Room 5030, Main Treasury Building, 1500 Pennsylvania Avenue NW., Washington, DC 20220. Phone, 202-622-0990.

**Small and Disadvantaged Business Activities** Write to the Director, Office of Small and Disadvantaged Business Utilization, Room 6101, Main Treasury Annex, Washington, DC 20220. Phone, 202-622-0530.

**Tax Legislation** Information on tax legislation may be obtained from the Assistant Secretary (Tax Policy), Departmental Offices, Treasury Department, Washington, DC 20220. Phone, 202-622-0050.

**Telephone Directory** The Treasury Department telephone directory is available for sale by the Superintendent of Documents, Government Printing Office, Washington, DC 20402.

### Office of Inspector General

**Employment** Contact the Human Resources Division, Office of Inspector General, Room 7116, 1201 Constitution Avenue NW., Washington, DC 20220. Phone, 202-927-5230.

**Freedom of Information Act/Privacy Act Requests** Inquiries should be directed to Freedom of Information Act Request, Department of the Treasury, Room 1054, 1500 Pennsylvania Avenue NW., Washington, DC 20220.

**General Inquiries** Write to the Office of Inspector General, 1500 Pennsylvania Avenue NW., Washington, DC 20220.

**Publications** Semiannual reports to the Congress on the Office of Inspector General are available from the Office of Inspector General, 1500 Pennsylvania Avenue NW., Washington, DC 20220.

#### Office of the Comptroller of the Currency

**Publications** Write or call the Communications Division, 250 E Street SW., Washington, DC 20219. Phone, 202-874-4700; or fax, 202-874-5263.

**Freedom of Information Act Requests** Write or call the disclosure officer, Communications Division, 250 E Street SW., Washington, DC 20219. Phone, 202-874-4700; or fax, 202-874-5263.

**Employment** The primary occupation is national bank examiner. Examiners are hired generally at the entry level through a college recruitment program.

**Descriptive literature and information** are available from the Director for Human Resources, 250 E Street SW., Washington, DC 20219. Phone, 202-874-5000; or fax, 202-874-5447.

**Contracts** Contact the procurement officer at 250 E Street SW., Washington, DC 20219. Phone, 202-874-5000; or fax, 202-874-5625.

#### United States Customs Service

**Address inquiries** on the following subjects to the specified office, U.S. Customs Service, 1301 Constitution Avenue NW., Washington, DC 20229. Phone, 202-927-2095.

**Contracts** Write to the National Logistics Center, 6026 Lakeside Boulevard, Indianapolis, IN 46278.

**Employment** The U.S. Customs Service recruits from the Treasury Enforcement Agent examination. Employment inquiries may be addressed to the Director, Office of Human Resources in Washington, DC.

**Forms** Available from any district director's office. (There is a nominal charge for large quantities of certain forms.)

**General Inquiries** Contact the nearest district director's office for information

regarding customs regulations and procedures for all persons entering the United States and the entry and clearance of imported merchandise.

**Publications** The U.S. Customs Service issues publications of interest to the general, importing, and traveling public that can be obtained from any of the District Directors' offices, or by writing to the Public Services and Information Materials Division in Washington, DC. Single copies of many of these publications are available at no charge to the public.

**Reading Rooms** Located at the headquarters library and in each of the seven regional offices.

**Speakers** Speakers are available for private organizations or community groups throughout the country. Contact any local customs officer or the Public Affairs Office in Washington, DC.

#### Bureau of Engraving and Printing

**Address inquiries** on the following subjects to the specified office, Bureau of Engraving and Printing, Fourteenth and C Streets SW., Washington, DC 20228.

**Contracts and Small Business Activities** Information relating to contracts and small business activity may be obtained by contacting the Office of Procurement. Phone, 202-874-2534.

**Employment** The Bureau, as the world's largest security printer, employs personnel in a multitude of different craft, administrative, and professional fields. Competitive job opportunities may be available in the printing crafts, maintenance trades/crafts, engineering, electro-machinists, research, chemistry, data processing/computers, quality assurance, personnel, procurement, financial management, and other administrative fields. Due to the high level of security required, the Bureau also employs its own police force and a range of security specialists.

The Bureau participates in co-op and stay-in-school programs that enable students to gain work experience while pursuing their education. Periodically, apprenticeship programs may be announced in selected crafts.

Information regarding employment opportunities and required qualifications is available from the Staffing and Classification Division, Office of Personnel. Phone, 202-874-3747. Freedom of Information Act Requests Inquiries should be directed to the Bureau Disclosure Officer, Office of Management Services, Room 321-12A. Phone, 202-874-2687.

General Inquiries Requests for information about the Bureau, its products, or numismatic and philatelic interests should be addressed to the Office of Communications, Room 109M. Phone, 202-874-3019.

Product Sales Uncut sheets of currency, engraved Presidential portraits, historical engravings of national landmarks, and other similar products are available for purchase in the Visitors' Center or through the mail. The Visitors' Center sales area, located in the Fifteenth Street Lobby of the main building, is open from 8:30 a.m. to 3:30 p.m. on the same days as tours. Information and order forms for sales items may be obtained by writing to the Office of Communications, Room 109M, or by calling 202-874-3019.

#### Financial Management Service

Inquiries on the following subjects should be directed to the specified office, 401 Fourteenth Street SW., Washington, DC 20227.

Contracts Write to the Director, Acquisition Management Division, Room 112 LC. Phone, 202-874-6910.

Employment Inquiries may be directed to the Personnel Management Division, Room 120 LC. Phone, 202-874-7080. Fax Facsimile transmittal services are available by dialing 202-874-6743.

#### Internal Revenue Service

Audiovisual Materials Films, some of which are available in Spanish, provide information on the American tax system, examination and appeal rights, and the tax responsibilities of running a small business. The films can be obtained by contacting any District Office.

Also available are audio and video cassette tapes that provide step-by-step

instructions for preparing basic individual income tax forms. These tapes are available in many local libraries.

Contracts Write to Internal Revenue Service, 1111 Constitution Avenue NW. (HR: C), Washington, DC 20224 (phone, 202-535-4804); or Chief, Facilities Management Branch, at any of the Internal Revenue regional offices.

Educational Programs The Service provides, free of charge, general tax information publications and booklets on specific tax topics. Taxpayer information materials also are distributed to major television networks and many radio and television stations, daily and weekly newspapers, magazines, and specialized publications. Special educational materials and films are provided for use in high schools and colleges. Individuals starting a new business are given specialized materials and information at small business workshops, and community colleges provide classes based on material provided by the Service. The Community Outreach Tax Assistance program provides agency employees to assist community groups at mutually convenient times and locations.

Through the Volunteer Income Tax Assistance program and the Tax Counseling for the Elderly program, the Service recruits, trains, and supports volunteers who offer free tax assistance to low-income, elderly, military, and non-English-speaking taxpayers.

Materials, films, and information on the educational programs can be obtained by contacting any District Office.

Employment Almost every major field of study has some application to the work of the Service. A substantial number of positions are filled by persons whose major educational preparation was accounting, business administration, finance, economics, criminology, and law. There are, however, a great number of positions that are filled by persons whose college major was political science, public administration, education, liberal arts, or other fields not directly related to business or law. Extensive use is made of competitive registers and examinations in selecting

employees. Schools interested in participating in the extensive recruitment program, or anyone considering employment with the Service, may direct inquiries to the Recruitment Coordinator at any of the Regional or District Offices.

**Problem Resolution Program** Each District has a Problem Resolution Officer who attempts to resolve taxpayers' complaints not satisfied through regular channels.

**Publications** *The Annual Report—Commissioner of Internal Revenue* (Pub. 55), as well as periodic reports of Statistics of Incomes, which present statistical tabulations concerning various tax returns filed, are available from the Superintendent of Documents, Government Printing Office, Washington, DC 20402. *Audit of Returns, Appeal Rights, and Claims for Refund* (Pub. 556), *Your Federal Income Tax* (Pub. 17), *Farmers Tax Guide* (Pub. 225), *Tax Guide for Small Business* (Pub. 334), and other publications are available at Internal Revenue Service offices free of charge.

**Reading Rooms** Public reading rooms are located in the National Office and in each Regional Office or, in some cases, a District Office located in a Regional Office building.

**Speakers** Speakers on provisions of the tax law and operations of the Internal Revenue Service for professional and community groups may be obtained by writing to the District Directors or, for national organizations only, to the Public Affairs Division at the IRS National Headquarters in Washington, DC.

**Taxpayer Service** The Internal Revenue Service provides year-round tax information and assistance to taxpayers, primarily through its toll-free telephone system. Taxpayers requesting information about the tax system, their rights and obligations under it, and the tax benefits available to them can call the number listed in their local telephone directory and in the tax form packages mailed to them annually. This service allows taxpayers anywhere in the United States to call the service without paying a long-distance charge. Special toll-free telephone assistance also is available to

deaf and hearing-impaired taxpayers who have access to a teletypewriter or television/phone. These special numbers are included in the annual tax form packages and also are available from any agency office.

Taxpayers may also visit agency offices for help with their tax problems. The Service provides return preparation assistance to taxpayers by guiding groups of individuals line by line on the preparation of their returns. Individual preparation is available for handicapped or other individuals unable to use the group preparation method.

Foreign language tax assistance also is available at many locations.

#### United States Mint

**Contracts and Employment** Inquiries should be directed to the facility head of the appropriate field office or to the Director of the Mint.

**Numismatic Services** The United States Mint maintains public exhibit and sales areas at the Philadelphia and Denver Mints, and at Union Station in Washington, DC. Brochures and order forms for official coins, medals, and other numismatic items may also be obtained by writing to the United States Mint, 10001 Aerospace Road, Lanham, MD 20706. Phone, 202-283-COIN.

**Publications** *The Annual Report of the Director of the Mint* and *World Coinage Report* are available from the United States Mint, Washington, DC, and the Superintendent of Documents, Government Printing Office, Washington, DC 20402.

#### Bureau of the Public Debt

**Employment** General employment inquiries should be addressed to the Bureau of the Public Debt, Division of Personnel Management, Employment and Classification Branch, Parkersburg, WV 26106-1328. Phone, 304-480-6144.

**Savings Bonds** Savings bonds are continuously on sale at more than 40,000 financial institutions and their branches in virtually every locality in the United States. Information about bonds is provided by such issuing agents.

Free informational materials are available from the Bureau of the Public Debt, Savings Bonds Marketing Office, Department of the Treasury, Washington, DC 20226. Phone, 202-377-7715.

Current rate information is available toll-free by calling 1-800-4US-BOND.

Requests for information relating to holdings of all series of savings bonds, savings notes, and retirement plan or individual retirement bonds should be addressed to the Bureau of the Public Debt, Department of the Treasury, 200 Third Street, Parkersburg, WV 26106-1328. Phone, 304-480-6112.

Treasury Securities Information inquiries regarding the purchase of Treasury bills, bonds, and notes should be addressed to your local Federal

Reserve Bank or branch, or to the Bureau of the Public Debt, Department F, Washington, DC 20239-1200. Phone, 202-874-4060.

#### Office of Thrift Supervision

Fax Facsimile transmittal services are available by dialing 202-906-5748.

#### United States Secret Service

Information about employment opportunities and publications and general public information may be obtained by contacting the nearest Secret Service field office or the Office of Government Liaison and Public Affairs, 1800 G Street NW., Washington, DC 20223. Phone, 202-435-5708.

For further information concerning the Department of the Treasury, contact the Public Affairs Office, Department of the Treasury, 1500 Pennsylvania Avenue NW., Washington, DC 20220. Phone, 202-622-2960.