

SUBCHAPTER A—INCOME TAX (CONTINUED)

PART 1—INCOME TAXES (CONTINUED)

NORMAL TAXES AND SURTAXES (CONTINUED)

CORPORATE DISTRIBUTIONS AND ADJUSTMENTS

DISTRIBUTIONS BY CORPORATIONS

EFFECTS ON RECIPIENTS

Sec.

- 1.301-1 Rules applicable with respect to distributions of money and other property.
- 1.302-1 General.
- 1.302-2 Redemptions not taxable as dividends.
- 1.302-3 Substantially disproportionate redemption.
- 1.302-4 Termination of shareholder's interest.
- 1.303-1 General.
- 1.303-2 Requirements.
- 1.303-3 Application of other sections.
- 1.304-1 General.
- 1.304-2 Acquisition by related corporation (other than subsidiary).
- 1.304-3 Acquisition by a subsidiary.
- 1.304-4 Special rules for the use of related corporations to avoid the application of section 304.
- 1.304-5 Control.
- 1.304-6 Amount constituting a dividend. [Reserved]
- 1.304-7 Certain acquisitions by foreign acquiring corporations.
- 1.305-1 Stock dividends.
- 1.305-2 Distributions in lieu of money.
- 1.305-3 Disproportionate distributions.
- 1.305-4 Distributions of common and preferred stock.
- 1.305-5 Distributions on preferred stock.
- 1.305-6 Distributions of convertible preferred.
- 1.305-7 Certain transactions treated as distributions.
- 1.305-8 Effective dates.
- 1.306-1 General
- 1.306-2 Exception
- 1.306-3 Section 306 stock defined.
- 1.306-4 Effective/applicability date.
- 1.307-1 General.
- 1.307-2 Exception.

EFFECTS ON CORPORATION

- 1.312-1 Adjustment to earnings and profits reflecting distributions by corporations.
- 1.312-2 Distribution of inventory assets.
- 1.312-3 Liabilities.
- 1.312-4 Examples of adjustments provided in section 312(c).
- 1.312-5 Special rule for partial liquidations and certain redemptions.

- 1.312-6 Earnings and profits.
- 1.312-7 Effect on earnings and profits of gain or loss realized after February 28, 1913.
- 1.312-8 Effect on earnings and profits of receipt of tax-free distributions requiring adjustment or allocation of basis of stock.
- 1.312-9 Adjustments to earnings and profits reflecting increase in value accrued before March 1, 1913.
- 1.312-10 Allocation of earnings in certain corporate separations.
- 1.312-11 Effect on earnings and profits of certain other tax-free exchanges, tax-free distributions, and tax-free transfers from one corporation to another.
- 1.312-12 Distributions of proceeds of loans guaranteed by the United States.
- 1.312-15 Effect of depreciation on earnings and profits.

DEFINITIONS; CONSTRUCTIVE OWNERSHIP OF STOCK

- 1.316-1 Dividends.
- 1.316-2 Sources of distribution in general.
- 1.317-1 Property defined.
- 1.318-1 Constructive ownership of stock; introduction.
- 1.318-2 Application of general rules.
- 1.318-3 Estates, trusts, and options.
- 1.318-4 Constructive ownership as actual ownership; exceptions.

CORPORATE LIQUIDATIONS

EFFECTS ON RECIPIENTS

- 1.331-1 Corporate liquidations.
- 1.332-1 Distributions in liquidation of subsidiary corporation; general.
- 1.332-2 Requirements for nonrecognition of gain or loss.
- 1.332-3 Liquidations completed within one taxable year.
- 1.332-4 Liquidations covering more than one taxable year.
- 1.332-5 Distributions in liquidation as affecting minority interests.
- 1.332-6 Records to be kept and information to be filed with return.
- 1.332-7 Indebtedness of subsidiary to parent.
- 1.332-8 Recognition of gain on liquidation of certain holding companies.
- 1.334-1 Basis of property received in liquidations.
- 1.336-0 Table of contents.
- 1.336-1 General principles, nomenclature, and definitions for a section 336(e) election.
- 1.336-2 Availability, mechanics, and consequences of section 336(e) election.

Pt. 1

26 CFR Ch. I (4-1-21 Edition)

- 1.336-3 Aggregate deemed asset disposition price; various aspects of taxation of the deemed asset disposition.
- 1.336-4 Adjusted grossed-up basis.
- 1.336-5 Effective/applicability dates.

EFFECTS ON CORPORATION

- 1.337-1 Nonrecognition for property distributed to parent in complete liquidation of subsidiary.
- 1.337(d)-1 Transitional loss limitation rule.
- 1.337(d)-1T [Reserved]
- 1.337(d)-2 Loss limitation window period.
- 1.337(d)-2T Loss limitation window period (temporary).
- 1.337(d)-3 Gain recognition upon certain partnership transactions involving a partner's stock.
- 1.337(d)-4 Taxable to tax-exempt.
- 1.337(d)-5 Old transitional rules imposing tax on property owned by a C corporation that becomes property of a RIC or REIT.
- 1.337(d)-6 New transitional rules imposing tax on property owned by a C corporation that becomes property of a RIC or REIT.
- 1.337(d)-7 Tax on property owned by a C corporation that becomes property of a RIC or REIT.
- 1.338-0 Outline of topics.
- 1.338-1 General principles; status of old target and new target.
- 1.338-2 Nomenclature and definitions; mechanics of the section 338 election.
- 1.338-3 Qualification for the section 338 election.
- 1.338-4 Aggregate deemed sale price; various aspects of taxation of the deemed asset sale.
- 1.338-5 Adjusted grossed-up basis.
- 1.338-6 Allocation of ADSP and AGUB among target assets.
- 1.338-7 Allocation of redetermined ADSP and AGUB among target assets.
- 1.338-8 Asset and stock consistency.
- 1.338-9 International aspects of section 338.
- 1.338-10 Filing of returns.
- 1.338-11 Effect of section 338 election on insurance company targets.
- 1.338(h)(10)-1 Deemed asset sale and liquidation.
- 1.338(i)-1 Effective/applicability date.

DEFINITION

- 1.346-1 Partial liquidation.
- 1.346-2 Treatment of certain redemptions.
- 1.346-3 Effect of certain sales.

CORPORATE ORGANIZATIONS AND REORGANIZATIONS

CORPORATE ORGANIZATIONS

- 1.351-1 Transfer to corporation controlled by transferor.
- 1.351-2 Receipt of property.
- 1.351-3 Records to be kept and information to be filed.

EFFECTS ON SHAREHOLDERS AND SECURITY HOLDERS

- 1.354-1 Exchanges of stock and securities in certain reorganizations.
- 1.355-0 Table of contents.
- 1.355-1 Distribution of stock and securities of controlled corporation.
- 1.355-2 Limitations.
- 1.355-3 Active conduct of a trade or business.
- 1.355-4 Non pro rata distributions, etc.
- 1.355-5 Records to be kept and information to be filed.
- 1.355-6 Recognition of gain on certain distributions of stock or securities in controlled corporation.
- 1.355-7 Recognition of gain on certain distributions of stock or securities in connection with an acquisition.
- 1.355-8 Definition of predecessor and successor and limitations on gain recognition under section 355(e) and section 355(f).
- 1.356-1 Receipt of additional consideration in connection with an exchange.
- 1.356-2 Receipt of additional consideration not in connection with an exchange.
- 1.356-3 Rules for treatment of securities as "other property".
- 1.356-4 Exchanges for section 306 stock.
- 1.356-5 Transactions involving gift or compensation.
- 1.356-6 Rules for treatment of nonqualified preferred stock as other property.
- 1.356-7 Rules for treatment of nonqualified preferred stock and other preferred stock received in certain transactions.
- 1.357-1 Assumption of liability.
- 1.357-2 Liabilities in excess of basis.
- 1.358-1 Basis to distributees.
- 1.358-2 Allocation of basis among non-recognition property.
- 1.358-3 Treatment of assumption of liabilities.
- 1.358-4 Exceptions.
- 1.358-5 Special rules for assumption of liabilities.
- 1.358-6 Stock basis in certain triangular reorganizations.
- 1.358-7 Transfers by partners and partnerships to corporations.

EFFECTS ON CORPORATION

- 1.361-0 Table of contents.
- 1.361-1 Nonrecognition of gain or loss to corporations.
- 1.362-1 Basis to corporations.
- 1.362-2 Certain contributions to capital.
- 1.362-3 Basis of importation property acquired in loss importation transaction.
- 1.362-4 Basis of loss duplication property.
- 1.367(a)-1 Transfers to foreign corporations subject to section 367(a): In general.
- 1.367(a)-1T Transfers to foreign corporations subject to section 367(a): In general (temporary).

Internal Revenue Service, Treasury

Pt. 1

- 1.367(a)-2 Exception for transfers of property for use in the active conduct of a trade or business.
- 1.367(a)-3 Treatment of transfers of stock or securities to foreign corporations.
- 1.367(a)-4 Special rule applicable to U.S. depreciated property.
- 1.367(a)-5 [Reserved]
- 1.367(a)-6 Transfer of foreign branch with previously deducted losses.
- 1.367(a)-6T Transfer of foreign branch with previously deducted losses (temporary).
- 1.367(a)-7 Outbound transfers of property described in section 361(a) or (b).
- 1.367(a)-7T Outbound transfers of property described in section 361(a) or (b).
- 1.367(a)-8 Gain recognition agreement requirements.
- 1.367(a)-9T Treatment of deemed section 351 exchanges pursuant to section 304(a)(1) (temporary).
- 1.367(b)-0 Table of contents.
- 1.367(b)-1 Other transfers.
- 1.367(b)-2 Definitions and special rules.
- 1.367(b)-3 Repatriation of foreign corporate assets in certain nonrecognition transactions.
- 1.367(b)-3T Repatriation of foreign corporate assets in certain nonrecognition transactions (temporary).
- 1.367(b)-4 Acquisition of foreign corporate stock or assets by a foreign corporation in certain nonrecognition transactions.
- 1.367(b)-5 Distributions of stock described in section 355.
- 1.367(b)-6 Effective/applicability dates and coordination rules.
- 1.367(b)-7 Carryover of earnings and profits and foreign income taxes in certain foreign-to-foreign nonrecognition transactions.
- 1.367(b)-8 Allocation of earnings and profits and foreign income taxes in certain foreign corporate separations. [Reserved]
- 1.367(b)-9 Special rule for F reorganizations and similar transactions.
- 1.367(b)-10 Acquisition of parent stock or securities for property in triangular reorganizations.
- 1.367(b)-12 Subsequent treatment of amounts attributed or included in income.
- 1.367(b)-13 Special rules for determining basis and holding period.
- 1.367(d)-1 Transfers of intangible property to foreign corporations.
- 1.367(d)-1T Transfers of intangible property to foreign corporations (temporary).
- 1.367(e)-0 Outline of §§ 1.367(e)-1 and 1.367(e)-2.
- 1.367(e)-1 Distributions described in section 367(e)(1).
- 1.367(e)-2 Distributions described in section 367(e)(2).

SPECIAL RULE; DEFINITIONS

- 1.368-1 Purpose and scope of exception of reorganization exchanges.
- 1.368-2 Definition of terms.
- 1.368-3 Records to be kept and information to be filed with returns.

INSOLVENCY REORGANIZATIONS

CARRYOVERS

- 1.381(a)-1 General rule relating to carryovers in certain corporate acquisitions.
- 1.381(b)-1 Operating rules applicable to carryovers in certain corporate acquisitions.
- 1.381(c)(1)-1 Net operating loss carryovers in certain corporate acquisitions.
- 1.381(c)(1)-2 Net operating loss carryovers; two or more dates of distribution or transfer in the taxable year.
- 1.381(c)(2)-1 Earnings and profits.
- 1.381(c)(3)-1 Capital loss carryovers.
- 1.381(c)(4)-1 Method of accounting.
- 1.381(c)(5)-1 Inventory method.
- 1.381(c)(6)-1 Depreciation method.
- 1.381(c)(8)-1 Installment method.
- 1.381(c)(9)-1 Amortization of bond discount or premium.
- 1.381(c)(10)-1 Deferred exploration and development expenditures.
- 1.381(c)(11)-1 Contributions to pension plan, employees' annuity plans, and stock bonus and profit-sharing plans.
- 1.381(c)(12)-1 Recovery of bad debts, prior taxes, or delinquency amounts.
- 1.381(c)(13)-1 Involuntary conversions.
- 1.381(c)(14)-1 Dividend carryover to personal holding company.
- 1.381(c)(15)-1 Indebtedness of certain personal holding companies.
- 1.381(c)(16)-1 Obligations of distributor or transferor corporation.
- 1.381(c)(17)-1 Deficiency dividend of personal holding company.
- 1.381(c)(18)-1 Depletion on extraction of ores or minerals from the waste or residue of prior mining.
- 1.381(c)(19)-1 Charitable contribution carryovers in certain acquisitions.
- 1.381(c)(20)-1 Carryforward of disallowed business interest.
- 1.381(c)(21)-1 Pre-1954 adjustments resulting from change in method of accounting.
- 1.381(c)(22)-1 Successor life insurance company.
- 1.381(c)(23)-1 Investment credit carryovers in certain corporate acquisitions.
- 1.381(c)(24)-1 Work incentive program credit carryovers in certain corporate acquisitions.
- 1.381(c)(25)-1 Deficiency dividend of a qualified investment entity.
- 1.381(c)(26)-1 Credit for employment of certain new employees.
- 1.381(d)-1 Operations loss carryovers of life insurance companies.

- 1.382-1 Table of contents.
- 1.382-1T Table of contents (temporary).
- 1.382-2 General rules for ownership change.
- 1.382-2T Definition of ownership change under section 382, as amended by the Tax Reform Act of 1986 (temporary).
- 1.382-3 Definitions and rules relating to a 5-percent shareholder.
- 1.382-4 Constructive ownership of stock.
- 1.382-5 Section 382 limitation. [Reserved]
- 1.382-6 Allocation of income and loss to periods before and after the change date for purposes of section 382.
- 1.382-7 Built-in gains and losses.
- 1.382-8 Controlled groups.
- 1.382-9 Special rules under section 382 for corporations under the jurisdiction of a court in a title 11 or similar case.
- 1.382-10 Special rules for determining time and manner of acquisition of an interest in a loss corporation.
- 1.382-11 Reporting requirements.
- 1.382-12 Determination of adjusted Federal long-term rate.
- 1.383-0 Effective date.
- 1.383-1 Special limitations on certain capital losses and excess credits.
- 1.383-2 Limitations on certain capital losses and excess credits in computing alternative minimum tax. [Reserved]
- 1.385-1 General provisions.
- 1.385-3 Certain distributions of debt instruments and similar transactions.
- 1.385-4 Treatment of consolidated groups.
- AUTHORITY: 26 U.S.C. 7805, unless otherwise noted.
- Section 1.301-1 also issued under 26 U.S.C. 357(d)(3).
- Section 1.301-1T also issued under 26 U.S.C. 357(d)(3).
- Section 1.304-5 also issued under 26 U.S.C. 304.
- Section 1.304-7 also issued under 26 U.S.C. 304(b)(5)(C).
- Section 1.305-3 also issued under 26 U.S.C. 305.
- Section 1.305-5 also issued under 26 U.S.C. 305.
- Section 1.305-7 also issued under 26 U.S.C. 305.
- Section 1.332-8 also issued under 26 U.S.C. 332(d)(4).
- Section 1.334-1 also issued under 26 U.S.C. 367(b).
- Section 1.336-1 is also issued under 26 U.S.C. 336.
- Section 1.336-2 is also issued under 26 U.S.C. 336.
- Section 1.336-3 is also issued under 26 U.S.C. 336.
- Section 1.336-4 is also issued under 26 U.S.C. 336.
- Section 1.336-5 is also issued under 26 U.S.C. 336.
- Section 1.337(d)-1 also issued under 26 U.S.C. 337(d).
- Section 1.337(d)-2 also issued under 26 U.S.C. 337(d).
- Section 1.337(d)-3 also issued under 26 U.S.C. 337(d).
- Section 1.337(d)-4 also issued under 26 U.S.C. 337.
- Section 1.337(d)-5 also issued under 26 U.S.C. 337.
- Section 1.337(d)-6 also issued under 26 U.S.C. 337.
- Section 1.337(d)-7 also issued under 26 U.S.C. 337.
- Section 1.337(d)-7T also issued under 26 U.S.C. 337(d) and 355(h).
- Section 1.338-1 also issued under 26 U.S.C. 337(d), 338, and 1502.
- Section 1.338-2 also issued under 26 U.S.C. 337(d), 338, and 1502.
- Section 1.338-3 also issued under 26 U.S.C. 337(d), 338, and 1502.
- Section 1.338-4 also issued under 26 U.S.C. 337(d), 338, and 1502.
- Section 1.338-5 also issued under 26 U.S.C. 337(d), 338, and 1502.
- Section 1.338-6 also issued under 26 U.S.C. 337(d), 338, and 1502.
- Section 1.338-7 also issued under 26 U.S.C. 337(d), 338, and 1502.
- Section 1.338-8 also issued under 26 U.S.C. 337(d), 338, and 1502.
- Section 1.338-9 also issued under 26 U.S.C. 337(d), 338, and 1502.
- Section 1.338-10 also issued under 26 U.S.C. 337(d), 338, and 1502.
- Section 1.338-11 also issued under 26 U.S.C. 338.
- Section 1.338-11T also issued under 26 U.S.C. 338.
- Section 1.338(h)(10)-1 also issued under 26 U.S.C. 337(d), 338, and 1502.
- Section 1.338(h)(10)-1T also issued under 26 U.S.C. 337(d), 338 and 1502.
- Section 1.338(i)-1 also issued under 26 U.S.C. 337(d), 338, and 1502.
- Section 1.351-1 also issued under 26 U.S.C. 351.
- Section 1.351-2 also issued under 26 U.S.C. 351(g)(4).
- Section 1.354-1 also issued under 26 U.S.C. 351(g)(4).
- Section 1.355-1 also issued under 26 U.S.C. 351(g)(4).
- Section 1.355-2(g) and (i) also issued under 26 U.S.C. 355(b)(3)(D).
- Section 1.355-2T(g) and (i) are also issued under 26 U.S.C. 355(b)(3)(D).
- Section 1.355-6 also issued under 26 U.S.C. 355(d)(9).
- Section 1.355-7 also issued under 26 U.S.C. 355(e)(5).
- Section 1.355-8 also issued under 26 U.S.C. 336(e), 355(e)(3)(B), 355(e)(5), and 355(f).
- Section 1.356-6 also issued under 26 U.S.C. 351(g)(4).
- Section 1.356-7 also issued under 26 U.S.C. 351(g)(4).

Internal Revenue Service, Treasury

Pt. 1

Section 1.358-2 also issued under 26 U.S.C. 358(b)(1).

Section 1.358-5 also issued under 26 U.S.C. 358(h)(2).

Section 1.358-5T also issued under 26 U.S.C. 358(h)(2).

Section 1.358-7 also issued under Public Law 106-554, 114 Stat. 2763, 2763A-638 (2001).

Section 1.362-3 also issued under 26 U.S.C. 367(b).

Section 1.362-4 also issued under 26 U.S.C. 362(e)(2)(C)(ii).

Section 1.367(a)-1 also issued under 26 U.S.C. 367(a).

Section 1.367(a)-1T also issued under 26 U.S.C. 367(a).

Section 1.367(a)-3 also issued under 26 U.S.C. 367(a).

Section 1.367(a)-3T also issued under 26 U.S.C. 367(a).

Section 1.367(a)-7 also issued under 26 U.S.C. 367(a), (b), (c), and 337(d).

Section 1.367(a)-8 also issued under 26 U.S.C. 367(a) and (b).

Section 1.367(a)-9T also issued under 26 U.S.C. 367(a) and (b).

Section 1.367(b)-0 also issued under 26 U.S.C. 367(b).

Section 1.367(b)-1 also issued under 26 U.S.C. 367(a) and (b).

Section 1.367(b)-2 also issued under 26 U.S.C. 367(a) and (b).

Sections 1.367(b)-2(c)(1) and (2) also issued under 26 U.S.C. 367(b)(1) and (2).

Section 1.367(b)-2(d)(3) also issued under 26 U.S.C. 367(b)(1) and (2).

Section 1.367(b)-3 also issued under 26 U.S.C. 367(a) and (b).

Section 1.367(b)-3T also issued under 26 U.S.C. 367(a) and (b).

Section 1.367(b)-4 also issued under 26 U.S.C. 367(a) and (b) and 954(c)(6)(A).

Section 1.367(b)-4(b)(1) also issued under 26 U.S.C. 367(b).

Section 1.367(b)-4(d) also issued under 26 U.S.C. 367(b)(1) and (2).

Section 1.367(b)-6 also issued under 26 U.S.C. 367(b).

Section 1.367(b)-7 also issued under 26 U.S.C. 367(a) and (b), 26 U.S.C. 902, and 26 U.S.C. 904.

Section 1.367(b)-8 also issued under 26 U.S.C. 367(b).

Section 1.367(b)-9 also issued under 26 U.S.C. 367(a) and (b), 26 U.S.C. 902, and 26 U.S.C. 904.

Section 1.367(b)-10 also issued under 26 U.S.C. 367(b).

Section 1.367(b)-12 also issued under 26 U.S.C. 367(a) and (b).

Section 1.367(b)-13 also issued under 26 U.S.C. 367(b).

Section 1.367(d)-1 also issued under 26 U.S.C. 367(d).

Section 1.367(e)-1 also issued under 26 U.S.C. 367(e)(1).

Section 1.367(e)-1(a) also issued under 26 U.S.C. 367(e).

Section 1.367(e)-2 also issued under 26 U.S.C. 367(e)(2).

Section 1.382-1 also issued under 26 U.S.C. 382(m).

Section 1.382-2 also issued under 26 U.S.C. 382(k)(1), (1)(3), (m), and 26 U.S.C. 383.

Section 1.382-2T also issued under 26 U.S.C. 382(g)(4)(C), (i), (k)(1) and (6), (1)(3), (m), and 26 U.S.C. 383.

Section 1.382-3 also issued under 26 U.S.C. 382(g)(4)(C) and 26 U.S.C. 382(m).

Section 1.382-4 also issued under 26 U.S.C. 382(1)(3) and 382(m).

Section 1.382-5 also issued under 26 U.S.C. 382(m).

Section 1.382-5T also issued under 26 U.S.C. 382(m).

Section 1.382-6 also issued under 26 U.S.C. 382(b)(3)(A), 26 U.S.C.(d)(1), 26 U.S.C. 382(m), and 26 U.S.C.383(d).

Section 1.382-7 also issued under 26 U.S.C. 382(m).

Section 1.382-7T also issued under 26 U.S.C. 382(m).

Section 1.382-8 also issued under 26 U.S.C. 382(m).

Section 1.382-9 also issued under 26 U.S.C. 382(1)(3) and (m).

Section 1.382-10 also issued under 26 U.S.C. 382(m).

Section 1.382-10T is also issued under 26 U.S.C. 382(m).

Section 1.382-12 also issued under 26 U.S.C. 382(f) and 26 U.S.C. 382(m).

Section 1.383-0 also issued under 26 U.S.C. 382(m) and 26 U.S.C. 383.

Section 1.383-1 also issued under 26 U.S.C. 382(m) and 26 U.S.C. 383.

Section 1.383-2 also issued under 26 U.S.C. 383.

Section 1.385-1 also issued under 26 U.S.C. 385.

Section 1.385-3 also issued under 26 U.S.C. 385, 701, 1502, 1504(a)(5)(A), and 7701(1).

Section 1.385-4 also issued under 26 U.S.C. 385 and 1502.

SOURCE: T.D. 6500, 25 FR 11607, Nov. 26, 1960; 25 FR 14021, Dec. 31, 1960, unless otherwise noted.

CORPORATE DISTRIBUTIONS AND
ADJUSTMENTS

DISTRIBUTIONS BY CORPORATIONS

EFFECTS ON RECIPIENTS

§ 1.301-1 Rules applicable with respect to distributions of money and other property.

(a) *General.* Section 301 provides the general rule for treatment of distributions on or after June 22, 1954, of property by a corporation to a shareholder with respect to its stock. The term *property* is defined in section 317(a). Such distributions, except as otherwise provided in this chapter, shall be treated as provided in section 301(c). Under section 301(c), distributions may be included in gross income, applied against and reduce the adjusted basis of the stock, treated as gain from the sale or exchange of property, or (in the case of certain distributions out of increase in value accrued before March 1, 1913) may be exempt from tax. The amount of the distributions to which section 301 applies is determined in accordance with the provisions of section 301(b). The basis of property received in a distribution to which section 301 applies is determined in accordance with the provisions of section 301(d). Accordingly, except as otherwise provided in this chapter, a distribution on or after June 22, 1954, of property by a corporation to a shareholder with respect to its stock shall be included in gross income to the extent the amount distributed is considered a dividend under section 316. For examples of distributions treated otherwise, see sections 116, 301(c)(2), 301(c)(3)(B), 301(e), 302(b), 303, and 305. See also part II (relating to distributions in partial or complete liquidation), part III (relating to corporate organizations and reorganizations), and part IV (relating to insolvency reorganizations), subchapter C, chapter 1 of the Code.

(b) *Time of inclusion in gross income and of determination of fair market value.* A distribution made by a corporation to its shareholders shall be included in the gross income of the distributees when the cash or other property is unqualifiedly made subject to their demands. However, if such distribution is a distribution other than in cash, the

fair market value of the property shall be determined as of the date of distribution without regard to whether such date is the same as that on which the distribution is includible in gross income. For example, if a corporation distributes a taxable dividend in property (the adjusted basis of which exceeds its fair market value on December 31, 1955) on December 31, 1955, which is received by, or unqualifiedly made subject to the demand of, its shareholders on January 2, 1956, the amount to be included in the gross income of the shareholders will be the fair market value of such property on December 31, 1955, although such amount will not be includible in the gross income of the shareholders until January 2, 1956.

(c) *Application of section to shareholders.* Section 301 is not applicable to an amount paid by a corporation to a shareholder unless the amount is paid to the shareholder in his capacity as such.

(d) *Distributions to corporate shareholders.* (1) If the shareholder is a corporation, the amount of any distribution to be taken into account under section 301(c) shall be:

- (i) The amount of money distributed,
- (ii) An amount equal to the fair market value of any property distributed which consists of any obligations of the distributing corporation, stock of the distributing corporation treated as property under section 305(b), or rights to acquire such stock treated as property under section 305(b), plus
- (iii) In the case of a distribution not described in subdivision (iv) of this subparagraph, an amount equal to (a) the fair market value of any other property distributed or, if lesser, (b) the adjusted basis of such other property in the hands of the distributing corporation (determined immediately before the distribution and increased for any gain recognized to the distributing corporation under section 311 (b), (c), or (d), or under section 341(f), 617(d), 1245(a), 1250(a), 1251(c), 1252(a), or 1254(a)), or

(iv) In the case of a distribution made after November 8, 1971, to a shareholder which is a foreign corporation, an amount equal to the fair market value of any other property distributed, but only if the distribution received by

such shareholder is not effectively connected for the taxable year with the conduct of a trade or business in the United States by such shareholder.

(2) In the case of a distribution the amount of which is determined by reference to the adjusted basis described in subparagraph (1)(iii)(b) of this paragraph:

(i) That portion of the distribution which is a dividend under section 301(c)(1) may not exceed such adjusted basis, or

(ii) If the distribution is not out of earnings and profits, the amount of the reduction in basis of the shareholder's stock, and the amount of any gain resulting from such distribution, are to be determined by reference to such adjusted basis of the property which is distributed.

(3) Notwithstanding paragraph (d)(1)(iii), if a distribution of property described in such paragraph is made after December 31, 1962, by a foreign corporation to a shareholder which is a corporation, the amount of the distribution to be taken into account under section 301(c) shall be determined under section 301(b)(1)(C) and paragraph (n) of this section.

(e) *Adjusted basis.* In determining the adjusted basis of property distributed in the hands of the distributing corporation immediately before the distribution for purposes of section 301(b)(1)(B)(ii), (b)(1)(C)(i), and (d)(2)(B), the basis to be used shall be the basis for determining gain upon a sale or exchange.

(f) *Examples.* The application of this section (except paragraph (n)) may be illustrated by the following examples:

Example 1. On January 1, 1955, A, an individual owned all of the stock of Corporation M with an adjusted basis of \$2,000. During 1955, A received distributions from Corporation M totaling \$30,000, consisting of \$10,000 in cash and listed securities having a basis in the hands of Corporation M and a fair market value on the date distributed of \$20,000. Corporation M's taxable year is the calendar year. As of December 31, 1954, Corporation M had earnings and profits accumulated after February 28, 1913, in the amount of \$26,000, and it had no earnings and profits and no deficit for 1955. Of the \$30,000 received by A, \$26,000 will be treated as an ordinary dividend; the remaining \$4,000 will be applied against the adjusted basis of his stock; the \$2,000 in excess of the adjusted basis of his

stock will either be treated as gain from the sale or exchange of property (under section 301(c)(3)(A)) or, if out of increase in value accrued before March 1, 1913, will (under section 301(c)(3)(B)) be exempt from tax. If A subsequently sells his stock in Corporation M, the basis for determining gain or loss on the sale will be zero.

Example 2. The facts are the same as in Example 1 with the exceptions that the shareholder of Corporation M is Corporation W and that the securities which were distributed had an adjusted basis to Corporation M of \$15,000. The distribution received by Corporation W totals \$25,000 consisting of \$10,000 in cash and securities with an adjusted basis of \$15,000. The total \$25,000 will be treated as a dividend to Corporation W since the earnings and profits of Corporation M (\$26,000) are in excess of the amount of the distribution.

Example 3. Corporation X owns timber land which it acquired prior to March 1, 1913, at a cost of \$50,000 with \$5,000 allocated as the separate cost of the land. On March 1, 1913, this property had a fair market value of \$150,000 of which \$135,000 was attributable to the timber and \$15,000 to the land. All of the timber was cut prior to 1955 and the full appreciation in the value thereof, \$90,000 (\$135,000 - \$45,000), realized through depletion allowances based on March 1, 1913, value. None of this surplus from realized appreciation had been distributed. In 1955, Corporation X sold the land for \$20,000 thereby realizing a gain of \$15,000. Of this gain, \$10,000 is due to realized appreciation in value which accrued before March 1, 1913 (\$15,000 - \$5,000). Of the gain of \$15,000, \$5,000 is taxable. Therefore, at December 31, 1955, Corporation X had a surplus from realized appreciation in the amount of \$100,000. It had no accumulated earnings and profits and no deficit at January 1, 1955. The net earnings for 1955 (including the \$5,000 gain on the sale of the land) were \$20,000. During 1955, Corporation X distributed \$75,000 to its stockholders. Of this amount, \$20,000 will be treated as a dividend. The remaining \$55,000, which is a distribution of realized appreciation, will be applied against and reduce the adjusted basis of the shareholders' stock. If any part of the \$55,000 is in excess of the adjusted basis of a shareholder's stock, such part will be exempt from tax.

(g) *Reduction for liabilities—(1) General rule.* For the purpose of section 301, no reduction shall be made for the amount of any liability, unless the liability is assumed by the shareholder within the meaning of section 357(d).

(2) *No reduction below zero.* Any reduction pursuant to paragraph (g)(1) of this section shall not cause the amount

of the distribution to be reduced below zero.

(3) *Effective dates*—(i) *In general.* This paragraph (g) applies to distributions occurring after January 4, 2001.

(ii) *Retroactive application.* This paragraph (g) also applies to distributions made on or before January 4, 2001, if the distribution is made as part of a transaction described in, or substantially similar to, the transaction in Notice 99-59 (1999-2 C.B. 761), including transactions designed to reduce gain (see § 601.601(d)(2) of this chapter). For rules for distributions on or before January 4, 2001 (other than distributions on or before that date to which this paragraph (g) applies), see rules in effect on January 4, 2001 (see § 1.301-1(g) as contained in 26 CFR part 1 revised April 1, 2001).

(h) *Basis.* The basis of property received in the distribution to which section 301 applies shall be—

(1) If the shareholder is not a corporation, the fair market value of such property;

(2) If the shareholder is a corporation—

(i) In the case of a distribution of the obligations of the distributing corporation or of the stock of such corporation or rights to acquire such stock (if such stock or rights are treated as property under section 305(b)), the fair market value of such obligations, stock, or rights;

(ii) In the case of the distribution of any other property, except as provided in subdivision (iii) (relating to certain distributions by a foreign corporation) or subdivision (iv) (relating to certain distributions to foreign corporate distributees) of this subparagraph, whichever of the following is the lesser—

(a) The fair market value of such property; or

(b) The adjusted basis (in the hands of the distributing corporation immediately before the distribution) of such property increased in the amount of gain to the distributing corporation which is recognized under section 311(b) (relating to distributions of LIFO inventory), section 311(c) (relating to distributions of property subject to liabilities in excess of basis), section 311(d) (relating to appreciated property used

to redeem stock), section 341(f) (relating to certain sales of stock of consenting corporations), section 617(d) (relating to gain from dispositions of certain mining property), section 1245(a) or 1250(a) (relating to gain from dispositions of certain depreciable property), section 1251(c) (relating to gain from disposition of farm recapture property), section 1252(a) (relating to gain from disposition of farm land), or 1254(a) (relating to gain from disposition of interest in natural resource recapture property);

(iii) In the case of the distribution by a foreign corporation of any other property after December 31, 1962, in a distribution not described in subdivision (iv) of this subparagraph, the amount determined under paragraph (n) of this section;

(iv) In the case of the distribution of any other property made after November 8, 1971, to a shareholder which is a foreign corporation, the fair market value of such property, but only if the distribution received by such shareholder is not effectively connected for the taxable year with the conduct of a trade or business in the United States by such shareholder.

(i) [Reserved]

(j) *Transfers for less than fair market value.* If property is transferred by a corporation to a shareholder which is not a corporation for an amount less than its fair market value in a sale or exchange, such shareholder shall be treated as having received a distribution to which section 301 applies. In such case, the amount of the distribution shall be the difference between the amount paid for the property and its fair market value. If property is transferred in a sale or exchange by a corporation to a shareholder which is a corporation, for an amount less than its fair market value and also less than its adjusted basis, such shareholder shall be treated as having received a distribution to which section 301 applies, and—

(1) Where the fair market value of the property equals or exceeds its adjusted basis in the hands of the distributing corporation the amount of the distribution shall be the excess of the adjusted basis (increased by the

amount of gain recognized under section 311 (b), (c), or (d), or under section 341(f), 617(d), 1245(a), 1250(a), 1251(c), 1252(a), or 1254(a) to the distributing corporation) over the amount paid for the property;

(2) Where the fair market value of the property is less than its adjusted basis in the hands of the distributing corporation, the amount of the distribution shall be the excess of such fair market value over the amount paid for the property. If property is transferred in a sale or exchange after December 31, 1962, by a foreign corporation to a shareholder which is a corporation for an amount less than the amount which would have been computed under paragraph (n) of this section if such property had been received in a distribution to which section 301 applied, such shareholder shall be treated as having received a distribution to which section 301 applies, and the amount of the distribution shall be the excess of the amount which would have been computed under paragraph (n) of this section with respect to such property over the amount paid for the property. In all cases, the earnings and profits of the distributing corporation shall be decreased by the excess of the basis of the property in the hands of the distributing corporation over the amount received therefor. In computing gain or loss from the subsequent sale of such property, its basis shall be the amount paid for the property increased by the amount of the distribution.

If property is transferred in a sale or exchange after December 31, 1962, by a foreign corporation to a shareholder which is a corporation for an amount less than the amount which would have been computed under paragraph (n) of this section if such property had been received in a distribution to which section 301 applied, such shareholder shall be treated as having received a distribution to which section 301 applies, and the amount of the distribution shall be the excess of the amount which would have been computed under paragraph (n) of this section with respect to such property over the amount paid for the property. Notwithstanding the preceding provisions of this paragraph, if property is transferred in a

sale or exchange after November 8, 1971, by a corporation to a shareholder which is a foreign corporation, for an amount less than its fair market value, and if paragraph (d)(1)(iv) of this section would apply if such property were received in a distribution to which section 301 applies, such shareholder shall be treated as having received a distribution to which section 301 applies and the amount of the distribution shall be the difference between the amount paid for the property and its fair market value. In all cases, the earnings and profits of the distributing corporation shall be decreased by the excess of the basis of the property in the hands of the distributing corporation over the amount received therefor. In computing gain or loss from the subsequent sale of such property, its basis shall be the amount paid for the property increased by the amount of the distribution.

(k) *Application of rule respecting transfers for less than fair market value.* The application of paragraph (j) of this section may be illustrated by the following examples:

Example 1. On January 1, 1955, A, an individual shareholder of corporation X, purchased property from that corporation for \$20. The fair market value of such property was \$100, and its basis in the hands of corporation X was \$25. The amount of the distribution determined under section 301(b) is \$80. If A were a corporation, the amount of the distribution would be \$5 (assuming that sections 311 (b) and (c), 1245(a), and 1250(a) do not apply), the excess of the basis of the property in the hands of corporation X over the amount received therefor. The basis of such property to corporation A would be \$25. If the basis of the property in the hands of corporation X were \$10, the corporate shareholder, A, would not receive a distribution. The basis of such property to corporation A would be \$20. Whether or not A is a corporation, the excess of the amount paid over the basis of the property in the hands of corporation X (\$20 over \$10) would be a taxable gain to corporation X.

Example 2. On January 1, 1963, corporation A, which is a shareholder of corporation B (a foreign corporation engaged in business within the United States), purchased one share of corporation X stock from B for \$20. The fair market value of the share was \$100, and its adjusted basis in the hands of B was \$25. Assume that if the share of corporation X stock had been received by A in a distribution to which section 301 applied, the amount

§ 1.301-1

26 CFR Ch. I (4-1-21 Edition)

of the distribution under paragraph (n) of this section would have been \$55. The amount of the distribution under section 301 is \$35, i.e., \$55 (amount computed under paragraph (n) of this section) minus \$20 (amount paid for the property). The basis of such property to A is \$55.

(1) *Transactions treated as distributions.* A distribution to shareholders with respect to their stock is within the terms of section 301 although it takes place at the same time as another transaction if the distribution is in substance a separate transaction whether or not connected in a formal sense. This is most likely to occur in the case of a recapitalization, a reincorporation, or a merger of a corporation with a newly organized corporation having substantially no property. For example, if a corporation having only common stock outstanding, exchanges one share of newly issued common stock and one bond in the principal amount of \$10 for each share of outstanding common stock, the distribution of the bonds will be a distribution of property (to the extent of their fair market value) to which section 301 applies, even though the exchange of common stock for common stock may be pursuant to a plan of reorganization under the terms of section 368(a)(1)(E) (recapitalization) and even though the exchange of common stock for common stock may be tax free by virtue of section 354.

(m) *Cancellation of indebtedness.* The cancellation of indebtedness of a shareholder by a corporation shall be treated as a distribution of property.

(n) [Reserved]

(o) *Distributions of certain property by DISC's to corporate shareholders.* See § 1.997-1 for the rule that if a corporation which is a DISC or former DISC (as defined in section 992(a)(1) or (3) as the case may be) makes a distribution of property (other than money and other than the obligations of the DISC or former DISC) out of accumulated DISC income (as defined in section 996(f)(1)) or previously taxed income (as defined in section 996(f)(2)), such distribution of property shall be treated as if it were made to an individual and that the basis of the property distributed, in the hands of the recipient corporation, shall be determined as if such

property were distributed to an individual.

(p) *Cross references.* For certain rules relating to adjustments to earnings and profits and for determining the extent to which a distribution is a dividend, see sections 312 and 316 and regulations thereunder.

(q) *Split-dollar and other life insurance arrangements—(1) Split-dollar life insurance arrangements—(i) Distribution of economic benefits.* The provision by a corporation to its shareholder pursuant to a split-dollar life insurance arrangement, as defined in § 1.61-22(b)(1) or (2), of economic benefits described in § 1.61-22(d) or of amounts described in § 1.61-22(e) is treated as a distribution of property, the amount of which is determined under § 1.61-22(d) and (e), respectively.

(ii) *Distribution of entire contract or undivided interest therein.* A transfer (within the meaning of § 1.61-22(c)(3)) of the ownership of a life insurance contract (or an undivided interest therein) that is part of a split-dollar life insurance arrangement is a distribution of property, the amount of which is determined pursuant to § 1.61-22(g)(1) and (2).

(2) *Other life insurance arrangements.* A payment by a corporation on behalf of a shareholder of premiums on a life insurance contract or an undivided interest therein that is owned by the shareholder constitutes a distribution of property, even if such payment is not part of a split-dollar life insurance arrangement under § 1.61-22(b).

(3) *When distribution is made—(i) In general.* Except as provided in paragraph (q)(3)(ii) of this section, paragraph (b) of this section shall apply to determine when a distribution described in paragraph (q)(1) or (2) of this section is taken into account by a shareholder.

(ii) *Exception.* Notwithstanding paragraph (b) of this section, a distribution described in paragraph (q)(1)(ii) of this section shall be treated as made by a corporation to its shareholder at the time that the life insurance contract, or an undivided interest therein, is transferred (within the meaning of § 1.61-22(c)(3)) to the shareholder.

(4) *Effective date*—(i) *General rule.* This paragraph (q) applies to split-dollar and other life insurance arrangements entered into after September 17, 2003. For purposes of this paragraph (q)(4), a split-dollar life insurance arrangement is entered into as determined under §1.61-22(j)(1)(ii).

(ii) *Modified arrangements treated as new arrangements.* If a split-dollar life insurance arrangement entered into on or before September 17, 2003 is materially modified (within the meaning of §1.61-22(j)(2)) after September 17, 2003, the arrangement is treated as a new arrangement entered into on the date of the modification.

[T.D. 6500, 25 FR 11607, Nov. 26, 1960]

EDITORIAL NOTE: FOR FEDERAL REGISTER citations affecting §1.301-1, see the List of CFR Sections Affected, which appears in the Finding Aids section of the printed volume and at www.govinfo.gov.

§ 1.302-1 General.

(a) Under section 302(d), unless otherwise provided in subchapter C, chapter 1 of the Code, a distribution in redemption of stock shall be treated as a distribution of property to which section 301 applies if the distribution is not within any of the provisions of section 302(b). A distribution in redemption of stock shall be considered a distribution in part or full payment in exchange for the stock under section 302(a) provided paragraph (1), (2), (3), or (4) of section 302(b) applies. Section 318(a) (relating to constructive ownership of stock) applies to all redemptions under section 302 except that in the termination of a shareholder's interest certain limitations are placed on the application of section 318(a)(1) by section 302(c)(2). The term *redemption of stock* is defined in section 317(b). Section 302 does not apply to that portion of any distribution which qualifies as a distribution in partial liquidation under section 346. For special rules relating to redemption of stock to pay death taxes see section 303. For special rules relating to redemption of section 306 stock see section 306. For special rules relating to redemption of stock in partial or complete liquidation see section 331.

(b) If, in connection with a partial liquidation under the terms of section 346, stock is redeemed in an amount in

excess of the amount specified by section 331(a)(2), section 302(b) shall first apply as to each shareholder to which it is applicable without limitation because of section 331(a)(2). That portion of the total distribution which is used in all redemptions from specific shareholders which are within the terms of section 302(a) shall be excluded in determining the application of sections 346 and 331(a)(2). For example, Corporation X has \$50,000 which is attributable to the sale of one of two active businesses and which, if distributed in redemption of stock, would qualify as a partial liquidation under the terms of section 346(b). Corporation X distributes \$60,000 to its shareholders in redemption of stock, \$20,000 of which is in redemption of all of the stock of shareholder A within the meaning of section 302(b)(3). The \$20,000 distributed in redemption of the stock of shareholder A will be excluded in determining the application of sections 346 and 331(a)(2). The entire \$60,000 will be treated as in part or full payment for stock (\$20,000 qualifying under section 302(a) and \$40,000 qualifying under sections 346 and 331(a)(2)).

§ 1.302-2 Redemptions not taxable as dividends.

(a) *In general.* The fact that a redemption fails to meet the requirements of paragraph (2), (3) or (4) of section 302(b) shall not be taken into account in determining whether the redemption is not essentially equivalent to a dividend under section 302(b)(1). See, however, paragraph (b) of this section. For example, if a shareholder owns only nonvoting stock of a corporation which is not section 306 stock and which is limited and preferred as to dividends and in liquidation, and one-half of such stock is redeemed, the distribution will ordinarily meet the requirements of paragraph (1) of section 302(b) but will not meet the requirements of paragraph (2), (3) or (4) of such section. The determination of whether or not a distribution is within the phrase "essentially equivalent to a dividend" (that is, having the same effect as a distribution without any redemption of stock) shall be made without regard to the earnings and profits of the corporation at the time of the

distribution. For example, if A owns all the stock of a corporation and the corporation redeems part of his stock at a time when it has no earnings and profits, the distribution shall be treated as a distribution under section 301 pursuant to section 302(d).

(b) *Redemption not essentially equivalent to a dividend*—(1) *In general.* The question whether a distribution in redemption of stock of a shareholder is not essentially equivalent to a dividend under section 302(b)(1) depends upon the facts and circumstances of each case. One of the facts to be considered in making this determination is the constructive stock ownership of such shareholder under section 318(a). All distributions in pro rata redemptions of a part of the stock of a corporation generally will be treated as distributions under section 301 if the corporation has only one class of stock outstanding. However, for distributions in partial liquidation, see section 302(e). The redemption of all of one class of stock (except section 306 stock) either at one time or in a series of redemptions generally will be considered as a distribution under section 301 if all classes of stock outstanding at the time of the redemption are held in the same proportion. Distributions in redemption of stock may be treated as distributions under section 301 regardless of the provisions of the stock certificate and regardless of whether all stock being redeemed was acquired by the stockholders from whom the stock was redeemed by purchase or otherwise.

(2) *Statement.* Unless § 1.331-1(d) applies, every significant holder that transfers stock to the issuing corporation in exchange for property from such corporation must include on or with such holder's return for the taxable year of such exchange a statement entitled, "STATEMENT PURSUANT TO § 1.302-2(b)(2) BY [INSERT NAME AND TAXPAYER IDENTIFICATION NUMBER (IF ANY) OF TAXPAYER], A SIGNIFICANT HOLDER OF THE STOCK OF [INSERT NAME AND EMPLOYER IDENTIFICATION NUMBER (IF ANY) OF ISSUING CORPORATION]." If a significant holder is a controlled foreign corporation (within the meaning of section 957), each United

States shareholder (within the meaning of section 951(b)) with respect thereto must include this statement on or with its return. The statement must include—

(i) The fair market value and basis of the stock transferred by the significant holder to the issuing corporation; and

(ii) A description of the property received by the significant holder from the issuing corporation.

(3) *Definitions.* For purposes of this section:

(i) *Significant holder* means any person that, immediately before the exchange—

(A) Owned at least five percent (by vote or value) of the total outstanding stock of the issuing corporation if the stock owned by such person is publicly traded; or

(B) Owned at least one percent (by vote or value) of the total outstanding stock of the issuing corporation if the stock owned by such person is not publicly traded.

(ii) *Publicly traded stock* means stock that is listed on—

(A) A national securities exchange registered under section 6 of the Securities Exchange Act of 1934 (15 U.S.C. 78f); or

(B) An interdealer quotation system sponsored by a national securities association registered under section 15A of the Securities Exchange Act of 1934 (15 U.S.C. 78o-3).

(iii) *Issuing corporation* means the corporation that issued the shares of stock, some or all of which were transferred by a significant holder to such corporation in the exchange described in paragraph (b)(2) of this section.

(4) *Cross reference.* See section 6043 of the Internal Revenue Code for requirements relating to a return by a liquidating corporation.

(c) *Basis adjustments.* In any case in which an amount received in redemption of stock is treated as a distribution of a dividend, proper adjustment of the basis of the remaining stock will be made with respect to the stock redeemed. (For adjustments to basis required for certain redemptions of corporate shareholders that are treated as extraordinary dividends, see section 1059 and the regulations thereunder.)

The following examples illustrate the application of this rule:

Example 1. A, an individual, purchased all of the stock of Corporation X for \$100,000. In 1955 the corporation redeems half of the stock for \$150,000, and it is determined that this amount constitutes a dividend. The remaining stock of Corporation X held by A has a basis of \$100,000.

Example 2. H and W, husband and wife, each own half of the stock of Corporation X. All of the stock was purchased by H for \$100,000 cash. In 1950 H gave one-half of the stock to W, the stock transferred having a value in excess of \$50,000. In 1955 all of the stock of H is redeemed for \$150,000, and it is determined that the distribution to H in redemption of his shares constitutes the distribution of a dividend. Immediately after the transaction, W holds the remaining stock of Corporation X with a basis of \$100,000.

Example 3. The facts are the same as in *Example (2)* with the additional facts that the outstanding stock of Corporation X consists of 1,000 shares and all but 10 shares of the stock of H is redeemed. Immediately after the transaction, H holds 10 shares of the stock of Corporation X with a basis of \$50,000, and W holds 500 shares with a basis of \$50,000.

(d) *Effective/applicability date.* Paragraphs (b)(2), (b)(3) and (b)(4) of this section apply to any taxable year beginning on or after May 30, 2006. However, taxpayers may apply paragraphs (b)(2), (b)(3) and (b)(4) of this section to any original Federal income tax return (including any amended return filed on or before the due date (including extensions) of such original return) timely filed on or after May 30, 2006. For taxable years beginning before May 30, 2006, see § 1.302-2 as contained in 26 CFR part 1 in effect on April 1, 2006.

[T.D. 6500, 25 FR 11607, Nov. 26, 1960, as amended by T.D. 8724, 62 FR 38028, July 26, 1997; T.D. 9264, 71 FR 30593, May 30, 2006; T.D. 9329, 72 FR 32796, June 14, 2007]

§ 1.302-3 Substantially disproportionate redemption.

(a) Section 302(b)(2) provides for the treatment of an amount received in redemption of stock as an amount received in exchange for such stock if—

(1) Immediately after the redemption the shareholder owns less than 50 percent of the total combined voting power of all classes of stock as provided in section 302(b)(2)(B),

(2) The redemption is a substantially disproportionate redemption within the meaning of section 302(b)(2)(C), and

(3) The redemption is not pursuant to a plan described in section 302(b)(2)(D). Section 318(a) (relating to constructive ownership of stock) shall apply both in making the disproportionate redemption test and in determining the percentage of stock ownership after the redemption. The requirements under section 302(b)(2) shall be applied to each shareholder separately and shall be applied only with respect to stock which is issued and outstanding in the hands of the shareholders. Section 302(b)(2) only applies to a redemption of voting stock or to a redemption of both voting stock and other stock. Section 302(b)(2) does not apply to the redemption solely of nonvoting stock (common or preferred). However, if a redemption is treated as an exchange to a particular shareholder under the terms of section 302(b)(2), such section will apply to the simultaneous redemption of nonvoting preferred stock (which is not section 306 stock) owned by such shareholder and such redemption will also be treated as an exchange. Generally, for purposes of this section, stock which does not have voting rights until the happening of an event, such as a default in the payment of dividends on preferred stock, is not voting stock until the happening of the specified event. Subsection 302(b)(2)(D) provides that a redemption will not be treated as substantially disproportionate if made pursuant to a plan the purpose or effect of which is a series of redemptions which result in the aggregate in a distribution which is not substantially disproportionate. Whether or not such a plan exists will be determined from all the facts and circumstances.

(b) The application of paragraph (a) of this section is illustrated by the following example:

Example. Corporation M has outstanding 400 shares of common stock of which A, B, C and D each own 100 shares or 25 percent. No stock is considered constructively owned by A, B, C or D under section 318. Corporation M redeems 55 shares from A, 25 shares from B, and 20 shares from C. For the redemption to be disproportionate as to any shareholder, such shareholder must own after the redemptions less than 20 percent (80 percent of 25

§ 1.302-4

percent) of the 300 shares of stock then outstanding. After the redemptions, A owns 45 shares (15 percent), B owns 75 shares (25 percent), and C owns 80 shares (26⅔ percent). The distribution is disproportionate only with respect to A.

§ 1.302-4 Termination of shareholder's interest.

Section 302(b)(3) provides that a distribution in redemption of all of the stock of the corporation owned by a shareholder shall be treated as a distribution in part or full payment in exchange for the stock of such shareholder. In determining whether all of the stock of the shareholder has been redeemed, the general rule of section 302(c)(1) requires that the rules of constructive ownership provided in section 318(a) shall apply. Section 302(c)(2), however, provides that section 318(a)(1) (relating to constructive ownership of stock owned by members of a family) shall not apply where the specific requirements of section 302(c)(2) are met. The following rules shall be applicable in determining whether the specific requirements of section 302(c)(2) are met:

(a) *Statement.* The agreement specified in section 302(c)(2)(A)(iii) shall be in the form of a statement entitled, "STATEMENT PURSUANT TO SECTION 302(c)(2)(A)(iii) BY [INSERT NAME AND TAXPAYER IDENTIFICATION NUMBER (IF ANY) OF TAXPAYER OR RELATED PERSON, AS THE CASE MAY BE], A DISTRIBUTE (OR RELATED PERSON) OF [INSERT NAME AND EMPLOYER IDENTIFICATION NUMBER (IF ANY) OF DISTRIBUTING CORPORATION]." The distributee must include such statement on or with the distributee's first return for the taxable year in which the distribution described in section 302(b)(3) occurs. If the distributee is a controlled foreign corporation (within the meaning of section 957), each United States shareholder (within the meaning of section 951(b)) with respect thereto must include this statement on or with its return. The distributee must represent in the statement—

(1) THE DISTRIBUTE (OR RELATED PERSON) HAS NOT ACQUIRED, OTHER THAN BY BEQUEST OR INHERITANCE, ANY INTEREST IN THE CORPORATION (AS DE-

26 CFR Ch. I (4-1-21 Edition)

SCRIBED IN SECTION 302(c)(2)(A)(i)) SINCE THE DISTRIBUTION; and

(2) THE DISTRIBUTE (OR RELATED PERSON) WILL NOTIFY THE INTERNAL REVENUE SERVICE OF ANY ACQUISITION, OTHER THAN BY BEQUEST OR INHERITANCE, OF SUCH AN INTEREST IN THE CORPORATION WITHIN 30 DAYS AFTER THE ACQUISITION, IF THE ACQUISITION OCCURS WITHIN 10 YEARS FROM THE DATE OF THE DISTRIBUTION.

(b) *Substantiation information.* The distributee who files an agreement under section 302(c)(2)(A)(iii) shall retain copies of income tax returns and any other records indicating fully the amount of tax which would have been payable had the redemption been treated as a distribution subject to section 301.

(c) *Stock of parent, subsidiary or successor corporation redeemed.* If stock of a parent corporation is redeemed, section 302(c)(2)(A), relating to acquisition of an interest in the corporation within 10 years after termination shall be applied with reference to an interest both in the parent corporation and any subsidiary of such parent corporation. If stock of a parent corporation is sold to a subsidiary in a transaction described in section 304, section 302(c)(2)(A) shall be applicable to the acquisition of an interest in such subsidiary corporation or in the parent corporation. If stock of a subsidiary corporation is redeemed, section 302(c)(2)(A) shall be applied with reference to an interest both in such subsidiary corporation and its parent. Section 302(c)(2)(A) shall also be applied with respect to an interest in a corporation which is a successor corporation to the corporation the interest in which has been terminated.

(d) *Redeemed shareholder as creditor.* For the purpose of section 302(c)(2)(A)(i), a person will be considered to be a creditor only if the rights of such person with respect to the corporation are not greater or broader in scope than necessary for the enforcement of his claim. Such claim must not in any sense be proprietary and must not be subordinate to the claims of general creditors. An obligation in the form of a debt may thus constitute a proprietary interest. For example, if

under the terms of the instrument the corporation may discharge the principal amount of its obligation to a person by payments, the amount or certainty of which are dependent upon the earnings of the corporation, such a person is not a creditor of the corporation. Furthermore, if under the terms of the instrument the rate of purported interest is dependent upon earnings, the holder of such instrument may not, in some cases, be a creditor.

(e) *Acquisition of assets pursuant to creditor's rights.* In the case of a distributee to whom section 302(b)(3) is applicable, who is a creditor after such transaction, the acquisition of the assets of the corporation in the enforcement of the rights of such creditor shall not be considered an acquisition of an interest in the corporation for purposes of section 302(c)(2) unless stock of the corporation, its parent corporation, or, in the case of a redemption of stock of a parent corporation, of a subsidiary of such corporation is acquired.

(f) *Constructive ownership rules applicable.* In determining whether an entire interest in the corporation has been terminated under section 302(b)(3), under all circumstances paragraphs (2), (3), (4), and (5) of section 318(a) (relating to constructive ownership of stock) shall be applicable.

(g) *Avoidance of Federal income tax.* Section 302(c)(2)(B) provides that section 302(c)(2)(A) shall not apply—

(1) If any portion of the stock redeemed was acquired directly or indirectly within the 10-year period ending on the date of the distribution by the distributee from a person, the ownership of whose stock would (at the time of distribution) be attributable to the distributee under section 318(a), or

(2) If any person owns (at the time of the distribution) stock, the ownership of which is attributable to the distributee under section 318(a), such person acquired any stock in the corporation directly or indirectly from the distributee within the 10-year period ending on the date of the distribution, and such stock so acquired from the distributee is not redeemed in the same transaction, unless the acquisition (described in subparagraph (1) of this paragraph) or the disposition by the

distributee (described in subparagraph (2) of this paragraph) did not have as one of its principal purposes the avoidance of Federal income tax. A transfer of stock by the transferor, within the 10-year period ending on the date of the distribution, to a person whose stock would be attributable to the transferor shall not be deemed to have as one of its principal purposes the avoidance of Federal income tax merely because the transferee is in a lower income tax bracket than the transferor.

(h) *Effective/applicability date.* Paragraph (a) of this section applies to any taxable year beginning on or after May 30, 2006. However, taxpayers may apply paragraph (a) of this section to any original Federal income tax return (including any amended return filed on or before the due date (including extensions) of such original return) timely filed on or after May 30, 2006. For taxable years beginning before May 30, 2006, see §1.302-4 as contained in 26 CFR part 1 in effect on April 1, 2006.

(Sec. 302(c)(2)(A)(iii) (68A Stat. 87; 26 U.S.C. 302 (c)(2)(A)(iii))

[T.D. 7535, 43 FR 10686, Mar. 15, 1978, as amended by T.D. 9264, 71 FR 30594, 30607, May 30, 2006; T.D. 9329, 72 FR 32796, 32808, June 14, 2007]

§ 1.303-1 General.

Section 303 provides that in certain cases a distribution in redemption of stock, the value of which is included in determining the value of the gross estate of a decedent, shall be treated as a distribution in full payment in exchange for the stock so redeemed.

§ 1.303-2 Requirements.

(a) Section 303 applies only where the distribution is with respect to stock of a corporation the value of whose stock in the gross estate of the decedent for Federal estate tax purposes is an amount in excess of (1) 35 percent of the value of the gross estate of such decedent, or (2) 50 percent of the taxable estate of such decedent. For the purposes of such 35 percent and 50 percent requirements, stock of two or more corporations shall be treated as the stock of a single corporation if more than 75 percent in value of the outstanding stock of each such corporation is included in determining the

§ 1.303-2

value of the decedent's gross estate. For the purpose of the 75 percent requirement, stock which, at the decedent's death, represents the surviving spouse's interest in community property shall be considered as having been included in determining the value of the decedent's gross estate.

(b) For the purpose of section 303(b)(2)(A)(i), the term *gross estate* means the gross estate as computed in accordance with section 2031 (or, in the case of the estate of a decedent nonresident not a citizen of the United States, in accordance with section 2103). For the purpose of section 303(b)(2)(A)(ii), the term *taxable estate* means the taxable estate as computed in accordance with section 2051 (or, in the case of the estate of a decedent nonresident not a citizen of the United States, in accordance with section 2106). In case the value of an estate is determined for Federal estate tax purposes under section 2032 (relating to alternate valuation), then, for purposes of section 303(b)(2), the value of the gross estate, the taxable estate, and the stock shall each be determined on the applicable date prescribed in section 2032.

(c)(1) In determining whether the estate of the decedent is comprised of stock of a corporation of sufficient value to satisfy the percentage requirements of section 303(b)(2)(A) and section 303(b)(2)(B), the total value, in the aggregate, of all classes of stock of the corporation includible in determining the value of the gross estate is taken into account. A distribution under section 303(a) may be in redemption of the stock of the corporation includible in determining the value of the gross estate, without regard to the class of such stock.

(2) The above may be illustrated by the following example:

Example. The gross estate of the decedent has a value of \$1,000,000, the taxable estate is \$700,000, and the sum of the death taxes and funeral and administration expenses is \$275,000. Included in determining the gross estate of the decedent is stock of three corporations which, for Federal estate tax purposes, is valued as follows:

| | |
|-----------------------|-----------|
| Corporation A: | |
| Common stock | \$100,000 |
| Preferred stock | 100,000 |
| Corporation B: | |
| Common stock | 50,000 |

| | |
|-----------------------------------|---------|
| Preferred stock | 350,000 |
| Corporation C: Common stock | 200,000 |

The stock of Corporation A and Corporation C included in the estate of the decedent constitutes all of the outstanding stock of both corporations. The stock of Corporation A and the stock of Corporation C, treated as the stock of a single corporation under section 303(b)(2)(B), has a value in excess of \$350,000 (35 percent of the gross estate or 50 percent of the taxable estate). Likewise, the stock of Corporation B has a value in excess of \$350,000. The distribution by one or more of the above corporations, within the period prescribed in section 303(b)(1), of amounts not exceeding, in the aggregate, \$275,000, in redemption of preferred stock or common stock of such corporation or corporations, will be treated as in full payment in exchange for the stock so redeemed.

(d) If stock includible in determining the value of the gross estate of a decedent is exchanged for new stock, the basis of which is determined by reference to the basis of the old stock, the redemption of the new stock will be treated the same under section 303 as the redemption of the old stock would have been. Thus section 303 shall apply with respect to a distribution in redemption of stock received by the estate of a decedent (1) in connection with a reorganization under section 368, (2) in a distribution or exchange under section 355 (or so much of section 356 as relates to section 355), (3) in an exchange under section 1036 or (4) in a distribution to which section 305(a) applies. Similarly, a distribution in redemption of stock will qualify under section 303, notwithstanding the fact that the stock redeemed is section 306 stock to the extent that the conditions of section 303 are met.

(e) Section 303 applies to distributions made after the death of the decedent and (1) before the expiration of the 3-year period of limitations for the assessment of estate tax provided in section 6501(a) (determined without the application of any provisions of law extending or suspending the running of such period of limitations), or within 90 days after the expiration of such period, or (2) if a petition for redetermination of a deficiency in such estate tax has been filed with the Tax Court within the time prescribed in section 6213, at any time before the expiration of 60 days after the decision of the Tax Court becomes final. The extension of

the period of distribution provided in section 303(b)(1)(B) has reference solely to bona fide contests in the Tax Court and will not apply in the case of a petition for redetermination of a deficiency which is initiated solely for the purpose of extending the period within which section 303 would otherwise be applicable.

(f) While section 303 will most frequently have application in the case where stock is redeemed from the executor or administrator of an estate, the section is also applicable to distributions in redemption of stock included in the decedent's gross estate and held at the time of the redemption by any person who acquired the stock by any of the means comprehended by part III, subchapter A, chapter 11 of the Code, including the heir, legatee, or donee of the decedent, a surviving joint tenant, surviving spouse, appointee, or taker in default of appointment, or a trustee of a trust created by the decedent. Thus section 303 may apply with respect to a distribution in redemption of stock from a donee to whom the decedent has transferred stock in contemplation of death where the value of such stock is included in the decedent's gross estate under section 2035. Similarly, section 303 may apply to the redemption of stock from a beneficiary of the estate to whom an executor has distributed the stock pursuant to the terms of the will of the decedent. However, section 303 is not applicable to the case where stock is redeemed from a stockholder who has acquired the stock by gift or purchase from any person to whom such stock has passed from the decedent. Nor is section 303 applicable to the case where stock is redeemed from a stockholder who has acquired the stock from the executor in satisfaction of a specific monetary bequest.

(g)(1) The total amount of the distributions to which section 303 may apply with respect to redemptions of stock included in the gross estate of a decedent may not exceed the sum of the estate, inheritance, legacy, and succession taxes (including any interest collected as a part of such taxes) imposed because of the decedent's death and the amount of funeral and administration expenses allowable as

deductions to the estate. Where there is more than one distribution in redemption of stock described in section 303(b)(2) during the period of time prescribed in section 303(b)(1), the distributions shall be applied against the total amount which qualifies for treatment under section 303 in the order in which the distributions are made. For this purpose, all distributions in redemption of such stock shall be taken into account, including distributions which under another provision of the Code are treated as in part or full payment in exchange for the stock redeemed.

(2) Subparagraph (1) of this paragraph may be illustrated by the following example:

Example. (i) The gross estate of the decedent has a value of \$800,000, the taxable estate is \$500,000, and the sum of the death taxes and funeral and administrative expenses is \$225,000. Included in determining the gross estate of the decedent is the stock of a corporation which for Federal estate tax purposes is valued at \$450,000. During the first year of administration, one-third of such stock is distributed to a legatee and shortly thereafter this stock is redeemed by the corporation for \$150,000. During the second year of administration, another one-third of such stock includible in the estate is redeemed for \$150,000.

(ii) The first distribution of \$150,000 is applied against the \$225,000 amount that qualifies for treatment under section 303, regardless of whether the first distribution was treated as in payment in exchange for stock under section 302(a). Thus, only \$75,000 of the second distribution may be treated as in full payment in exchange for stock under section 303. The tax treatment of the remaining \$75,000 would be determined under other provisions of the Code.

(h) For the purpose of section 303, the estate tax or any other estate, inheritance, legacy, or succession tax shall be ascertained after the allowance of any credit, relief, discount, refund, remission or reduction of tax.

[T.D. 6500, 25 FR 11607, Nov. 26, 1960, as amended by T.D. 6724, 29 FR 5343, Apr. 21, 1964; T.D. 7346, 40 FR 10669, Mar. 7, 1975]

§ 1.303-3 Application of other sections.

(a) The sole effect of section 303 is to exempt from tax as a dividend a distribution to which such section is applicable when made in redemption of stock includible in a decedent's gross

§ 1.304-1

26 CFR Ch. I (4-1-21 Edition)

estate. Such section does not, however, in any other manner affect the principles set forth in sections 302 and 306. Thus, if stock of a corporation is owned equally by A, B, and the C Estate, and the corporation redeems one-half of the stock of each shareholder, the determination of whether the distributions to A and B are essentially equivalent to dividends shall be made without regard to the effect which section 303 may have upon the taxability of the distribution to the C Estate.

(b) See section 304 relative to redemption of stock through the use of related corporations.

§ 1.304-1 General.

(a) Except as provided in paragraph (b) of this section, section 304 is applicable where a shareholder sells stock of one corporation to a related corporation as defined in section 304. Sales to which section 304 is applicable shall be treated as redemptions subject to sections 302 and 303.

(b) In the case of—

(1) Any acquisition of stock described in section 304 which occurred before June 22, 1954, and

(2) Any acquisition of stock described in section 304 which occurred on or after June 22, 1954, and on or before December 31, 1958, pursuant to a contract entered into before June 22, 1954.

The extent to which the property received in return for such acquisition shall be treated as a dividend shall be determined as if the Internal Revenue Code of 1939 continued to apply in respect of such acquisition and as if the Internal Revenue Code of 1954 had not been enacted. See section 391. In cases to which this paragraph applies, the basis of the stock received by the acquiring corporation shall be determined as if the Internal Revenue Code of 1939 continued to apply in respect of such acquisition and as if the Internal Revenue Code of 1954 had not been enacted.

[T.D. 6533, 26 FR 401, Jan. 19, 1961]

§ 1.304-2 Acquisition by related corporation (other than subsidiary).

(a) If a corporation, in return for property, acquires stock of another corporation from one or more persons, and the person or persons from whom

the stock was acquired were in control of both such corporations before the acquisition, then such property shall be treated as received in redemption of stock of the acquiring corporation. The stock received by the acquiring corporation shall be treated as a contribution to the capital of such corporation. See section 362(a) for determination of the basis of such stock. The transferor's basis for his stock in the acquiring corporation shall be increased by the basis of the stock surrendered by him. (But see below in this paragraph for subsequent reductions of basis in certain cases.) As to each person transferring stock, the amount received shall be treated as a distribution of property under section 302(d), unless as to such person such amount is to be treated as received in exchange for the stock under the terms of section 302(a) or section 303. In applying section 302(b), reference shall be had to the shareholder's ownership of stock in the issuing corporation and not to his ownership of stock in the acquiring corporation (except for purposes of applying section 318(a)). In determining control and applying section 302(b), section 318(a) (relating to the constructive ownership of stock) shall be applied without regard to the 50-percent limitation contained in section 318(a)(2)(C) and (3)(C). A series of redemptions referred to in section 302(b)(2)(D) shall include acquisitions by either of the corporations of stock of the other and stock redemptions by both corporations. If section 302(d) applies to the surrender of stock by a shareholder, his basis for his stock in the acquiring corporation after the transaction (increased as stated above in this paragraph) shall not be decreased except as provided in section 301. If section 302(d) does not apply, the property received shall be treated as received in a distribution in payment in exchange for stock of the acquiring corporation under section 302(a), which stock has a basis equal to the amount by which the shareholder's basis for his stock in the acquiring corporation was increased on account of the contribution to capital as provided for above in this paragraph. Accordingly, such amount shall be applied in reduction of the shareholder's

basis for his stock in the acquiring corporation. Thus, the basis of each share of the shareholder's stock in the acquiring corporation will be the same as the basis of such share before the entire transaction. The holding period of the stock which is considered to have been redeemed shall be the same as the holding period of the stock actually surrendered.

(b) In any case in which two or more persons, in the aggregate, control two corporations, section 304(a)(1) will apply to sales by such persons of stock in either corporation to the other (whether or not made simultaneously) provided the sales by each of such persons are related to each other. The determination of whether the sales are related to each other shall be dependent upon the facts and circumstances surrounding all of the sales. For this purpose, the fact that the sales may occur during a period of one or more years (such as in the case of a series of sales by persons who together control each of such corporations immediately prior to the first of such sales and immediately subsequent to the last of such sales) shall be disregarded, provided the other facts and circumstances indicate related transactions.

(c) The application of section 304(a)(1) may be illustrated by the following examples:

Example 1. Corporation X and corporation Y each have outstanding 200 shares of common stock. One-half of the stock of each corporation is owned by an individual, A, and one-half by another individual, B, who is unrelated to A. On or after August 31, 1964, A sells 30 shares of corporation X stock to corporation Y for \$50,000, such stock having an adjusted basis of \$10,000 to A. After the sale, A is considered as owning corporation X stock as follows: (i) 70 shares directly, and (ii) 15 shares constructively, since by virtue of his 50-percent ownership of Y he constructively owns 50 percent of the 30 shares owned directly by Y. Since A's percentage of ownership of X's voting stock after the sale (85 out of 200 shares, or 42.5%) is not less than 80 percent of his percentage of ownership of X's voting stock before the sale (100 out of 200 shares, or 50%), the transfer is not "substantially disproportionate" as to him as provided in section 302(b)(2). Under these facts, and assuming that section 302(b)(1) is not applicable, the entire \$50,000 is treated as a dividend to A to the extent of the earnings and profits of corporation Y. The basis of the cor-

poration X stock to corporation Y is \$10,000, its adjusted basis to A. The amount of \$10,000 is added to the basis of the stock of corporation Y in the hands of A.

Example 2. The facts are the same as in *Example (1)* except that A sells 80 shares of corporation X stock to corporation Y, and the sale occurs before August 31, 1964. After the sale, A is considered as owning corporation X stock as follows: (i) 20 shares directly, and (ii) 90 shares indirectly, since by virtue of his 50-percent ownership of Y he constructively owns 50 percent of the 80 shares owned directly by Y and 50 percent of the 100 shares attributed to Y because they are owned by Y's stockholder, B. Since after the sale A owns a total of more than 50 percent of the voting power of all of the outstanding stock of X (110 out of 200 shares, or 55%), the transfer is not "substantially disproportionate" as to him as provided in section 302(b)(2).

Example 3. Corporation X and corporation Y each have outstanding 100 shares of common stock. A, an individual, owns one-half the stock of corporation X, and C owns one-half the stock of corporation Y. A, B, and C are unrelated. A sells 30 shares of the stock of corporation X to corporation Y for \$50,000, such stock having an adjusted basis of \$10,000 to him. After the sale, A is considered as owning 35 shares of the stock of corporation X (20 shares directly and 15 constructively because one-half of the 30 shares owned by corporation Y are attributed to him). Since before the sale he owned 50 percent of the stock of corporation X and after the sale he owned directly and constructively only 35 percent of such stock, the redemption is substantially disproportionate as to him pursuant to the provisions of section 302(b)(2). He, therefore, realizes a gain of \$40,000 (\$50,000 minus \$10,000). If the stock surrendered is a capital asset, such gain is long-term or short-term capital gain depending on the period of time that such stock was held. The basis to A for the stock of corporation Y is not changed as a result of the entire transaction. The basis to corporation Y for the stock of corporation X is \$50,000, i.e., the basis of the transferor (\$10,000), increased in the amount of gain recognized to the transferor (\$40,000) on the transfer.

Example 4. Corporation X and corporation Y each have outstanding 100 shares of common stock. H, an individual, W, his wife, S, his son, and G, his grandson, each own 25 shares of stock of each corporation. H sells all of his 25 shares of stock of corporation X to corporation Y. Since both before and after the transaction H owned directly and constructively 100 percent of the stock of corporation X, and assuming that section 302(b)(1) is not applicable, the amount received by him for his stock of corporation X

§ 1.304-3

is treated as a dividend to him to the extent of the earnings and profits of corporation Y.

[T.D. 6500, 25 FR 11607, Nov. 26, 1960, as amended by T.D. 6969, 33 FR 11997, Aug. 23, 1968]

§ 1.304-3 Acquisition by a subsidiary.

(a) If a subsidiary acquires stock of its parent corporation from a shareholder of the parent corporation, the acquisition of such stock shall be treated as though the parent corporation had redeemed its own stock. For the purpose of this section, a corporation is a parent corporation if it meets the 50 percent ownership requirements of section 304(c). The determination whether the amount received shall be treated as an amount received in payment in exchange for the stock shall be made by applying section 303, or by applying section 302(b) with reference to the stock of the issuing parent corporation. If such distribution would have been treated as a distribution of property (pursuant to section 302(d)) under section 301, the entire amount of the selling price of the stock shall be treated as a dividend to the seller to the extent of the earnings and profits of the parent corporation determined as if the distribution had been made to it of the property that the subsidiary exchanged for the stock. In such cases, the transferor's basis for his remaining stock in the parent corporation will be determined by including the amount of the basis of the stock of the parent corporation sold to the subsidiary.

(b) Section 304(a)(2) may be illustrated by the following example:

Example. Corporation M has outstanding 100 shares of common stock which are owned as follows: B, 75 shares, C, son of B, 20 shares, and D, daughter of B, 5 shares. Corporation M owns the stock of Corporation X. B sells his 75 shares of Corporation M stock to Corporation X. Under section 302(b)(3) this is a termination of B's entire interest in Corporation M and the full amount received from the sale of his stock will be treated as payment in exchange for this stock, provided he fulfills the requirements of section 302(c)(2) (relating to an acquisition of an interest in the corporations).

26 CFR Ch. I (4-1-21 Edition)

§ 1.304-4 Special rules for the use of related corporations to avoid the application of section 304.

(a) *Scope and purpose.* This section applies to determine the amount of a property distribution constituting a dividend (and the source thereof) under section 304(b)(2), for certain transactions involving controlled corporations. The purpose of this section is to prevent the avoidance of the application of section 304 to a controlled corporation.

(b) *Amount and source of dividend.* For purposes of determining the amount constituting a dividend (and source thereof) under section 304(b)(2), the following rules shall apply:

(1) *Deemed acquiring corporation.* A corporation (deemed acquiring corporation) shall be treated as acquiring for property the stock of a corporation (issuing corporation) acquired for property by another corporation (acquiring corporation) that is controlled by the deemed acquiring corporation, if a principal purpose for creating, organizing, or funding the acquiring corporation by any means (including through capital contributions or debt) is to avoid the application of section 304 to the deemed acquiring corporation. See paragraph (c) *Example 1* of this section for an illustration of this paragraph.

(2) *Deemed issuing corporation.* The acquiring corporation shall be treated as acquiring for property the stock of a corporation (deemed issuing corporation) controlled by the issuing corporation if, in connection with the acquisition for property of stock of the issuing corporation by the acquiring corporation, the issuing corporation acquired stock of the deemed issuing corporation with a principal purpose of avoiding the application of section 304 to the deemed issuing corporation. See paragraph (c) *Example 2* of this section for an illustration of this paragraph.

(c) *Examples.* The rules of this section are illustrated by the following examples:

Example 1. (i) *Facts.* P, a domestic corporation, wholly owns CFC1, a controlled foreign corporation with substantial accumulated earnings and profits. CFC1 is organized in Country X, which imposes a high rate of tax on the income of CFC1. P also wholly owns

CFC2, a controlled foreign corporation with accumulated earnings and profits of \$200x. CFC2 is organized in Country Y, which imposes a low rate of tax on the income of CFC2. P wishes to own all of its foreign corporations in a direct chain and to repatriate the cash of CFC2. In order to avoid having to obtain Country X approval for the acquisition of CFC1 (a Country X corporation) by CFC2 (a Country Y corporation) and to avoid the dividend distribution from CFC2 to P that would result if CFC2 were the acquiring corporation, P causes CFC2 to form CFC3 in Country X and to contribute \$100x to CFC3. CFC3 then acquires all of the stock of CFC1 from P for \$100x.

(i) *Result.* Because a principal purpose for creating, organizing, or funding CFC3 (acquiring corporation) is to avoid the application of section 304 to CFC2 (deemed acquiring corporation), under paragraph (b)(1) of this section, for purposes of determining the amount of the \$100x distribution constituting a dividend (and source thereof) under section 304(b)(2), CFC2 shall be treated as acquiring the stock of CFC1 (issuing corporation) from P for \$100x. As a result, P receives a \$100x distribution out of the earnings and profits of CFC2 to which section 301(c)(1) applies.

Example 2. (i) *Facts.* P, a domestic corporation, wholly owns CFC1, a controlled foreign corporation with substantial accumulated earnings and profits. The CFC1 stock has a basis of \$100x. CFC1 is organized in Country X. P also wholly owns CFC2, a controlled foreign corporation with zero accumulated earnings and profits. CFC2 is organized in Country Y. P wishes to own all of its foreign corporations in a direct chain and to repatriate the cash of CFC2. In order to avoid having to obtain Country X approval for the acquisition of CFC1 (a Country X corporation) by CFC2 (a Country Y corporation) and to avoid a dividend distribution from CFC1 to P, P forms a new corporation (CFC3) in Country X and transfers the stock of CFC1 to CFC3 in exchange for CFC3 stock. P then transfers the stock of CFC3 to CFC2 in exchange for \$100x.

(ii) *Result.* Because a principal purpose for the transfer of the stock of CFC1 (deemed issuing corporation) by P to CFC3 (issuing corporation) is to avoid the application of section 304 to CFC1, under paragraph (b)(2) of this section, for purposes of determining the amount of the \$100x distribution constituting a dividend (and source thereof) under section 304(b)(2), CFC2 (acquiring corporation) shall be treated as acquiring the stock of CFC1 from P for \$100x. As a result, P receives a \$100x distribution out of the earnings and profits of CFC1 to which section 301(c)(1) applies.

(d) *Effective/applicability date.* This section applies to acquisitions of stock occurring on or after December 29, 2009.

[T.D. 9606, 77 FR 75845, Dec. 26, 2012]

§ 1.304-5 Control.

(a) *Control requirement in general.* Section 304(c)(1) provides that, for purposes of section 304, control means the ownership of stock possessing at least 50 percent of the total combined voting power of all classes of stock entitled to vote or at least 50 percent of the total value of shares of all classes of stock. Section 304(c)(3) makes section 318(a) (relating to constructive ownership of stock), as modified by section 304(c)(3)(B), applicable to section 304 for purposes of determining control under section 304(c)(1).

(b) *Effect of section 304(c)(2)(B)—(1) In general.* In determining whether the control test with respect to both the issuing and acquiring corporations is satisfied, section 304(a)(1) considers only the person or persons that—

(i) Control the issuing corporation before the transaction;

(ii) Transfer issuing corporation stock to the acquiring corporation for property; and

(iii) Control the acquiring corporation thereafter.

(2) *Application.* Section 317 defines property to include money, securities, and any other property except stock (or stock rights) in the distributing corporation. However, section 304(c)(2)(B) provides a special rule to extend the relevant group of persons to be tested for control of both the issuing and acquiring corporations to include the person or persons that do not acquire property, but rather solely stock from the acquiring corporation in the transaction. Section 304(c)(2)(B) provides that if two or more persons in control of the issuing corporation transfer stock of such corporation to the acquiring corporation, and if the transferors are in control of the acquiring corporation after the transfer, the person or persons in control of each corporation include each of those transferors. Because the purpose of section 304(c)(2)(B) is to include in the relevant control group the person or persons that retain or acquire acquiring corporation stock in the transaction,

only the person or persons transferring stock of the issuing corporation that retain or acquire any proprietary interest in the acquiring corporation are taken into account for purposes of applying section 304(c)(2)(B).

(3) *Example.* This section may be illustrated by the following example.

Example. (a) A, the owner of 20% of T's only class of stock, transfers that stock to P solely in exchange for all of the P stock. Pursuant to the same transaction, P, solely in exchange for cash, acquires the remaining 80% of the T stock from T's other shareholder, B, who is unrelated to A and P.

(b) Although A and B together were in control of T (the issuing corporation) before the transaction and A and B each transferred T stock to P (the acquiring corporation), sections 304(a)(1) and (c)(2)(B) do not apply to B because B did not retain or acquire any proprietary interest in P in the transaction. Section 304(a)(1) also does not apply to A because A (or any control group of which A was a member) did not control T before the transaction and P after the transaction.

(c) *Effective date.* This section is effective on January 20, 1994.

[T.D. 8515, 59 FR 2960, Jan. 20, 1994]

§ 1.304-6 Amount constituting a dividend. [Reserved]

§ 1.304-7 Certain acquisitions by foreign acquiring corporations.

(a) *Scope.* This section provides rules regarding the application of section 304(b)(5)(B) to an acquisition of stock described in section 304 by an acquiring corporation that is foreign (foreign acquiring corporation). Paragraph (b) of this section provides the rule for determining which earnings and profits are taken into account for purposes of applying section 304(b)(5)(B). Paragraph (c) of this section provides rules addressing the use of a partnership, option (or similar interest), or other arrangement. Paragraph (d) of this section provides examples that illustrate the rules of this section. Paragraph (e) of this section provides the applicability date.

(b) *Earnings and profits taken into account.* For purposes of applying section 304(b)(5)(B), only the earnings and profits of the foreign acquiring corporation are taken into account in determining whether more than 50 percent of the dividends arising from the acquisition

(determined without regard to section 304(b)(5)(B)) would neither be subject to tax under chapter 1 of subtitle A of the Internal Revenue Code for the taxable year in which the dividends arise (subject to tax) nor be includible in the earnings and profits of a controlled foreign corporation (includible by a controlled foreign corporation). For purposes of this section, a controlled foreign corporation has the meaning provided in section 957 and without regard to section 953(c), determined without applying subparagraphs (A), (B), and (C) of section 318(a)(3) so as to consider a United States person as owning stock which is owned by a person who is not a United States person.

(c) *Use of a partnership, option (or similar interest), or other arrangement.* If a partnership, option (or similar interest), or other arrangement, is used with a principal purpose of avoiding the application of this section (for example, to treat a transferor as a controlled foreign corporation), then the partnership, option (or similar interest), or other arrangement will be disregarded for purposes of applying this section.

(d) *Examples.* The following examples illustrate the rules of this section. For purposes of the examples, assume the following facts in addition to the facts stated in the examples:

- (1) FA is a foreign corporation that is not a controlled foreign corporation;
- (2) FA wholly owns DT, a domestic corporation;
- (3) DT wholly owns FS1, a controlled foreign corporation; and
- (4) No portion of a dividend from FS1 would be treated as from sources within the United States under section 861.

Example 1— (i) *Facts.* DT has earnings and profits of \$51x, and FS1 has earnings and profits of \$49x. FA transfers DT stock with a fair market value of \$100x to FS1 in exchange for \$100x of cash.

(ii) *Analysis.* Under section 304(a)(2), the \$100x of cash is treated as a distribution in redemption of the stock of DT. The redemption of the DT stock is treated as a distribution to which section 301 applies pursuant to section 302(d), which ordinarily would be sourced first from FS1 under section 304(b)(2)(A). Without regard to the application of section 304(b)(5)(B), more than 50 percent of the dividend arising from the acquisition, taking into account only the earnings and profits of FS1 pursuant to paragraph (b)

of this section, would neither be subject to tax nor includible by a controlled foreign corporation. In particular, no portion of a dividend from FS1 would be subject to tax or includible by a controlled foreign corporation. Accordingly, section 304(b)(5)(B) and paragraph (b) of this section apply to the transaction, and no portion of the distribution of \$100x is treated under section 301(c)(1) as a dividend out of the earnings and profits of FS1. Furthermore, the \$100x of cash is treated as a dividend to the extent of the earnings and profits of DT (\$51x).

Example 2— (1) *Facts.* FA and DT own 40 percent and 60 percent, respectively, of the capital and profits interests of PRS, a foreign partnership. PRS wholly owns FS2, a controlled foreign corporation. The FS2 stock has a fair market value of \$100x. FS1 has earnings and profits of \$150x. PRS transfers all of its FS2 stock to FS1 in exchange for \$100x of cash. DT enters into a gain recognition agreement that complies with the requirements set forth in section 4.01 of Notice 2012-15, 2012-9 I.R.B. 424, with respect to the portion (60 percent) of the FS2 stock that DT is deemed to transfer to FS1 in an exchange described in section 367(a)(1). See § 1.367(a)-1T(c)(3)(i)(A).

(ii) *Analysis.* Under section 304(a)(1), PRS and FS1 are treated as if PRS transferred its FS2 stock to FS1 in an exchange described in section 351(a) solely for FS1 stock, and, in turn, FS1 redeemed such FS1 stock in exchange for \$100x of cash. The redemption of the FS1 stock is treated as a distribution to which section 301 applies pursuant to section 302(d). Without regard to the application of section 304(b)(5)(B), more than 50 percent of a dividend arising from the acquisition, taking into account only the earnings and profits of FS1 pursuant to paragraph (b) of this section, would be subject to tax. In particular, 60 percent of a dividend from FS1 would be included in DT's distributive share of PRS's partnership income and therefore would be subject to tax. Accordingly, section 304(b)(5)(B) does not apply, and the entire distribution of \$100x is treated under section 301(c)(1) as a dividend out of the earnings and profits of FS1.

(e) *Applicability date.* This section applies to acquisitions that are completed on or after September 22, 2014.

[T.D. 9834, 83 FR 32532, July 12, 2018]

§ 1.305-1 Stock dividends.

(a) *In general.* Under section 305, a distribution made by a corporation to its shareholders in its stock or in rights to acquire its stock is not included in gross income except as provided in section 305(b) and the regulations promulgated under the authority

of section 305(c). A distribution made by a corporation to its shareholders in its stock or rights to acquire its stock which would not otherwise be included in gross income by reason of section 305 shall not be so included merely because such distribution was made out of Treasury stock or consisted of rights to acquire Treasury stock. See section 307 for rules as to basis of stock and stock rights acquired in a distribution.

(b) *Amount of distribution.* (1) In general, where a distribution of stock or rights to acquire stock of a corporation is treated as a distribution of property to which section 301 applies by reason of section 305(b), the amount of the distribution, in accordance with section 301(b) and § 1.301-1, is the fair market value of such stock or rights on the date of distribution. See *Example (1)* of § 1.305-2(b).

(2) Where a corporation which regularly distributes its earnings and profits, such as a regulated investment company, declares a dividend pursuant to which the shareholders may elect to receive either money or stock of the distributing corporation of equivalent value, the amount of the distribution of the stock received by any shareholder electing to receive stock will be considered to equal the amount of the money which could have been received instead. See *Example (2)* of § 1.305-2(b).

(3) For rules for determining the amount of the distribution where certain transactions, such as changes in conversion ratios or periodic redemptions, are treated as distributions under section 305(c), see *Examples (6), (8), (9), and (15)* of § 1.305-3(e).

(c) *Adjustment in purchase price.* A transfer of stock (or rights to acquire stock) or an increase or decrease in the conversion ratio or redemption price of stock which represents an adjustment of the price to be paid by the distributing corporation in acquiring property (within the meaning of section 317(a)) is not within the purview of section 305 because it is not a distribution with respect to its stock. For example, assume that on January 1, 1970, pursuant to a reorganization, corporation X acquires all the stock of corporation Y solely in exchange for its convertible preferred class B stock. Under the

terms of the class B stock, its conversion ratio is to be adjusted in 1976 under a formula based upon the earnings of corporation Y over the 6-year period ending on December 31, 1975. Such an adjustment in 1976 is not covered by section 305.

(d) *Definitions.* (1) For purposes of this section and §§ 1.305-2 through 1.305-7, the term *stock* includes rights or warrants to acquire such stock.

(2) For purposes of §§ 1.305-2 through 1.305-7, the term *shareholder* includes a holder of rights or warrants or a holder of convertible securities.

[T.D. 7281, 38 FR 18532, July 12, 1973; 38 FR 19910, July 25, 1973]

§ 1.305-2 Distributions in lieu of money.

(a) *In general.* Under section 305(b)(1), if any shareholder has the right to an election or option with respect to whether a distribution shall be made either in money or any other property, or in stock or rights to acquire stock of the distributing corporation, then, with respect to all shareholders, the distribution of stock or rights to acquire stock is treated as a distribution of property to which section 301 applies regardless of—

(1) Whether the distribution is actually made in whole or in part in stock or in stock rights;

(2) Whether the election or option is exercised or exercisable before or after the declaration of the distribution;

(3) Whether the declaration of the distribution provides that the distribution will be made in one medium unless the shareholder specifically requests payment in the other;

(4) Whether the election governing the nature of the distribution is provided in the declaration of the distribution or in the corporate charter or arises from the circumstances of the distribution; or

(5) Whether all or part of the shareholders have the election.

(b) *Examples.* The application of section 305(b)(1) may be illustrated by the following examples:

Example 1. (i) Corporation X declared a dividend payable in additional shares of its common stock to the holders of its outstanding common stock on the basis of two additional shares for each share held on the

record date but with the provision that, at the election of any shareholder made within a specified period prior to the distribution date, he may receive one additional share for each share held on the record date plus \$12 principal amount of securities of corporation Y owned by corporation X. The fair market value of the stock of corporation X on the distribution date was \$10 per share. The fair market value of \$12 principal amount of securities of corporation Y on the distribution date was \$11 but such securities had a cost basis to corporation X of \$9.

(ii) The distribution to all shareholders of one additional share of stock of corporation X (with respect to which no election applies) for each share outstanding is not a distribution to which section 301 applies.

(iii) The distribution of the second share of stock of corporation X to those shareholders who do not elect to receive securities of corporation Y is a distribution of property to which section 301 applies, whether such shareholders are individuals or corporations. The amount of the distribution to which section 301 applies is \$10 per share of stock of corporation X held on the record date (the fair market value of the stock of corporation X on the distribution date).

(iv) The distribution of securities of corporation Y in lieu of the second share of stock of corporation X to the shareholders of corporation X whether individuals or corporations, who elect to receive such securities, is also a distribution of property to which section 301 applies.

(v) In the case of the individual shareholders of corporation X who elects to receive such securities, the amount of the distribution to which section 301 applies is \$11 per share of stock of corporation X held on the record date (the fair market value of the \$12 principal amount of securities of corporation Y on the distribution date).

(vi) In the case of the corporate shareholders of corporation X electing to receive such securities, the amount of the distribution to which section 301 applies is \$9 per share of stock of corporation X held on the record date (the basis of the securities of corporation Y in the hands of corporation X).

Example 2. On January 10, 1970, corporation X, a regulated investment company, declared a dividend of \$1 per share on its common stock payable on February 11, 1970, in cash or in stock of corporation X of equivalent value determined as of January 22, 1970, at the election of the shareholder made on or before January 22, 1970. The amount of the distribution to which section 301 applies is \$1 per share whether the shareholder elects to take cash or stock and whether the shareholder is an individual or a corporation. Such amount will also be used in determining the dividend

Internal Revenue Service, Treasury

§ 1.305-3

paid deduction of corporation X and the reduction in earnings and profits of corporation X.

[T.D. 7281, 38 FR 18532, July 12, 1973]

§ 1.305-3 Disproportionate distributions.

(a) *In general.* Under section 305(b)(2), a distribution (including a deemed distribution) by a corporation of its stock or rights to acquire its stock is treated as a distribution of property to which section 301 applies if the distribution (or a series of distributions of which such distribution is one) has the result of (1) the receipt of money or other property by some shareholders, and (2) an increase in the proportionate interests of other shareholders in the assets or earnings and profits of the corporation. Thus, if a corporation has two classes of common stock outstanding and cash dividends are paid on one class and stock dividends are paid on the other class, the stock dividends are treated as distributions to which section 301 applies.

(b) *Special rules.* (1) As used in section 305(b)(2), the term *a series of distributions* encompasses all distributions of stock made or deemed made by a corporation which have the result of the receipt of cash or property by some shareholders and an increase in the proportionate interests of other shareholders.

(2) In order for a distribution of stock to be considered as one of a series of distributions it is not necessary that such distribution be pursuant to a plan to distribute cash or property to some shareholders and to increase the proportionate interests of other shareholders. It is sufficient if there is an actual or deemed distribution of stock (of which such distribution is one) and as a result of such distribution or distributions some shareholders receive cash or property and other shareholders increase their proportionate interests. For example, if a corporation pays quarterly stock dividends to one class of common shareholders and annual cash dividends to another class of common shareholders the quarterly stock dividends constitute a series of distributions of stock having the result of the receipt of cash or property by some shareholders and an increase in

the proportionate interests of other shareholders. This is so whether or not the stock distributions and the cash distributions are steps in an overall plan or are independent and unrelated. Accordingly, all the quarterly stock dividends are distributions to which section 301 applies.

(3) There is no requirement that both elements of section 305(b)(2) (i.e., receipt of cash or property by some shareholders and an increase in proportionate interests of other shareholders) occur in the form of a distribution or series of distributions as long as the result of a distribution or distributions of stock is that some shareholders' proportionate interests increase and other shareholders in fact receive cash or property. Thus, there is no requirement that the shareholders receiving cash or property acquire the cash or property by way of a corporate distribution with respect to their shares, so long as they receive such cash or property in their capacity as shareholders, if there is a stock distribution which results in a change in the proportionate interests of some shareholders and other shareholders receive cash or property. However, in order for a distribution of property to meet the requirement of section 305(b)(2), such distribution must be made to a shareholder in his capacity as a shareholder, and must be a distribution to which section 301, 356(a)(2), 871(a)(1)(A), 881(a)(1), 852(b), or 857(b) applies. (Under section 305(d)(2), the payment of interest to a holder of a convertible debenture is treated as a distribution of property to a shareholder for purposes of section 305(b)(2).) For example if a corporation makes a stock distribution to its shareholders and, pursuant to a prearranged plan with such corporation, a related corporation purchases such stock from those shareholders who want cash, in a transaction to which section 301 applies by virtue of section 304, the requirements of section 305(b)(2) are satisfied. In addition, a distribution of property incident to an isolated redemption of stock (for example, pursuant to a tender offer) will not cause section 305(b)(2) to apply even though the redemption distribution is treated as a distribution of property to

which section 301, 871(a)(1)(A), 881(a)(1), or 356(a)(2) applies.

(4) Where the receipt of cash or property occurs more than 36 months following a distribution or series of distributions of stock, or where a distribution or series of distributions of stock is made more than 36 months following the receipt of cash or property, such distribution or distributions will be presumed not to result in the receipt of cash or property by some shareholders and an increase in the proportionate interest of other shareholders, unless the receipt of cash or property and the distribution or series of distributions of stock are made pursuant to a plan. For example, if, pursuant to a plan, a corporation pays cash dividends to some shareholders on January 1, 1971 and increases the proportionate interests of other shareholders on March 1, 1974, such increases in proportionate interests are distributions to which section 301 applies.

(5) In determining whether a distribution or a series of distributions has the result of a disproportionate distribution, there shall be treated as outstanding stock of the distributing corporation (i) any right to acquire such stock (whether or not exercisable during the taxable year), and (ii) any security convertible into stock of the distributing corporation (whether or not convertible during the taxable year).

(6) In cases where there is more than one class of stock outstanding, each class of stock is to be considered separately in determining whether a shareholder has increased his proportionate interest in the assets or earnings and profits of a corporation. The individual shareholders of a class of stock will be deemed to have an increased interest if the class of stock as a whole has an increased interest in the corporation.

(c) *Distributions of cash in lieu of fractional shares.* (1) Section 305(b)(2) will not apply if—

(i) A corporation declares a dividend payable in stock of the corporation and distributes cash in lieu of fractional shares to which shareholders would otherwise be entitled, or

(ii) Upon a conversion of convertible stock or securities a corporation distributes cash in lieu of fractional

shares to which shareholders would otherwise be entitled.

Provided the purpose of the distribution of cash is to save the corporation the trouble, expense, and inconvenience of issuing and transferring fractional shares (or scrip representing fractional shares), or issuing full shares representing the sum of fractional shares, and not to give any particular group of shareholders an increased interest in the assets or earnings and profits of the corporation. For purposes of paragraph (c)(1)(i) of this section, if the total amount of cash distributed in lieu of fractional shares is 5 percent or less of the total fair market value of the stock distributed (determined as of the date of declaration), the distribution shall be considered to be for such valid purpose.

(2) In a case to which subparagraph (1) of this paragraph applies, the transaction will be treated as though the fractional shares were distributed as part of the stock distribution and then were redeemed by the corporation. The treatment of the cash received by a shareholder will be determined under section 302.

(d) *Adjustment in conversion ratio.* (1)(i) Except as provided in subparagraph (2) of this paragraph, if a corporation has convertible stock or convertible securities outstanding (upon which it pays or is deemed to pay dividends or interest in money or other property) and distributes a stock dividend (or rights to acquire such stock) with respect to the stock into which the convertible stock or securities are convertible, an increase in proportionate interest in the assets or earnings and profits of the corporation by reason of such stock dividend shall be considered to have occurred unless a full adjustment in the conversion ratio or conversion price to reflect such stock dividend is made. Under certain circumstances, however, the application of an adjustment formula which in effect provides for a “credit” where stock is issued for consideration in excess of the conversion price may not satisfy the requirement for a “full adjustment.” Thus, if under a “conversion price” antidilution formula the formula provides for a “credit” where

stock is issued for consideration in excess of the conversion price (in effect as an offset against any decrease in the conversion price which would otherwise be required when stock is subsequently issued for consideration below the conversion price) there may still be an increase in proportionate interest by reason of a stock dividend after application of the formula, since any downward adjustment of the conversion price that would otherwise be required to reflect the stock dividend may be offset, in whole or in part, by the effect of prior sales made at prices above the conversion price. On the other hand, if there were no prior sales of stock above the conversion price then a full adjustment would occur upon the application of such an adjustment formula and there would be no change in proportionate interest. Similarly, if consideration is to be received in connection with the issuance of stock, such as in the case of a rights offering or a distribution of warrants, the fact that such consideration is taken into account in making the antidilution adjustment will not preclude a full adjustment. See paragraph (b) of the example in this subparagraph for a case where the application of an adjustment formula with a cumulative feature does not result in a full adjustment and where a change in proportionate interest therefore occurs. See paragraph (c) for a case where the application of an adjustment formula with a cumulative feature does result in a full adjustment and where no change in proportionate interest therefore occurs. See paragraph (d) for an application of an antidilution formula in the case of a rights offering. See paragraph (e) for a case where the application of a noncumulative type adjustment formula will in all cases prevent a change in proportionate interest from occurring in the case of a stock dividend, because of the omission of the cumulative feature.

(ii) The principles of this subparagraph may be illustrated by the following example.

Example. (a) Corporation S has two classes of securities outstanding, convertible debentures and common stock. At the time of issuance of the debentures the corporation had 100 shares of common stock outstanding.

Each debenture is interest-paying and is convertible into common stock at a conversion price of \$2. The debenture's conversion price is subject to reduction pursuant to the following formula:

(Number of common shares outstanding at date of issue of debentures times initial conversion price) *plus* (Consideration received upon issuance of additional common shares) *divided by* (Number of common shares outstanding at date of issue of debentures) *plus* (Number of additional common shares issued)

Under the formula, common stock dividends are treated as an issue of common stock for zero consideration. If the computation results in a figure which is less than the existing conversion price the conversion price is reduced. However, under the formula, the existing conversion price is never increased. The formula works upon a cumulative basis since the numerator includes the consideration received upon the issuance of all common shares subsequent to the issuance of the debentures, and the reduction effected by the formula because of a sale or issuance of common stock below the existing conversion price is thus limited by any prior sales made above the existing conversion price.

(b) In 1972 corporation S sells 100 common shares at \$3 per share. In 1973 the corporation declares a stock dividend of 20 shares to all holders of common stock. Under the antidilution formula no adjustment will be made to the conversion price of the debentures to reflect the stock dividend to common stockholders since the prior sale of common stock in excess of the conversion price in 1972 offsets the reduction in the conversion price which would otherwise result, as follows:

$$100 \times \$2 + \$300 + 100 + 120 = \$500 + 220 = \$2.27$$

Since \$2.27 is greater than the existing conversion price of \$2 no adjustment is required. As a result, there is an increase in proportionate interest of the common stockholders by reason of the stock dividend and the additional shares of common stock will be treated, pursuant to section 305(b)(2), as a distribution of property to which section 301 applies.

(c) Assume the same facts as above, but instead of selling 100 common shares at \$3 per share in 1972, assume corporation S sold no shares. Application of the antidilution formula would give rise to an adjustment in the conversion price as follows:

$$100 \times \$2 + \$0 + 100 + 20 = \$200 + 120 = \$1.67$$

The conversion price, being reduced from \$2 to \$1.67, fully reflects the stock dividend distributed to the common stockholders. Hence, the distribution of common stock is not treated under section 305(b)(2) as one to which section 301 applies because the distribution does not increase the proportionate

interests of the common shareholders as a class.

(d) Corporation S distributes to its shareholders rights entitling the shareholders to purchase a total of 20 shares at \$1 per share. Application of the antidilution formula would produce an adjustment in the conversion price as follows:

$$100 \times \$2 + 20 \times \$1 \div 100 + 20 = \$220 \div 120 = \$1.83$$

The conversion price, being reduced from \$2 to \$1.83, fully reflects the distribution of rights to purchase stock at a price lower than the conversion price. Hence, the distribution of the rights is not treated under section 305(b)(2) as one to which section 301 applies because the distribution does not increase the proportionate interests of the common shareholders as a class.

(e) Assume the same facts as in (b) above, but instead of using a "conversion price" antidilution formula which operates on a cumulative basis, assume corporation S has employed a formula which operates as follows with respect to all stock dividends: The conversion price in effect at the opening of business on the day following the dividend record date is reduced by multiplying such conversion price by a fraction the numerator of which is the number of shares of common stock outstanding at the close of business on the record date and the denominator of which is the sum of such shares so outstanding and the number of shares constituting the stock dividend. Under such a formula the following adjustment would be made to the conversion price upon the declaration of a stock dividend of 20 shares in 1973:

$$200 \div 200 + 20 = 200 \div 220 \times \$2 = \$1.82$$

The conversion price, being reduced from \$2 to \$1.82, fully reflects the stock dividend distributed to the common stockholders. Hence, the distribution of common stock is not treated under section 305(b)(2) as one to which section 301 applies because the distribution does not increase the proportionate interests of the common shareholders as a class.

(2)(i) A distributing corporation either must make the adjustment required by subparagraph (1) of this paragraph as of the date of the distribution of the stock dividend, or must elect (in the manner provided in subdivision (iii) of this subparagraph) to make such adjustment within the time provided in subdivision (ii) of this subparagraph.

(ii) If the distributing corporation elects to make such adjustment, such adjustment must be made no later than the earlier of (a) 3 years after the date of the stock dividend, or (b) that date as of which the aggregate stock divi-

dends for which adjustment of the conversion ratio has not previously been made total at least 3 percent of the issued and outstanding stock with respect to which such stock dividends were distributed.

(iii) The election provided by subdivision (ii) of this subparagraph shall be made by filing with the income tax return for the taxable year during which the stock dividend is distributed—

(a) A statement that an adjustment will be made as provided by that subdivision, and

(b) A description of the antidilution provisions under which the adjustment will be made.

(3) Notwithstanding the preceding subparagraph, if a distribution has been made before July 12, 1973, and the adjustment required by subparagraph (1) or the election to make such adjustment was not made before such date, the adjustment or the election to make such adjustment, as the case may be, shall be considered valid if made no later than 15 days following the date of the first annual meeting of the shareholders after July 12, 1973, or July 12, 1974, whichever is earlier. If the election is made within such period, and, if the income tax return has been filed before the time of such election, the statement of adjustment and the description of the antidilution provisions required by subparagraph (2)(iii) shall be filed with the Internal Revenue Service Center with which the income tax return was filed.

(4) See § 1.305-7(b) for a discussion of antidilution adjustments in connection with the application of section 305(c) in conjunction with section 305(b).

(e) *Examples.* The application of section 305(b)(2) to distributions of stock and section 305(c) to deemed distributions of stock may be illustrated by the following examples:

Example 1. Corporation X is organized with two classes of common stock, class A and class B. Each share of stock is entitled to share equally in the assets and earnings and profits of the corporation. Dividends may be paid in stock or in cash on either class of stock without regard to the medium of payment of dividends on the other class. A dividend is declared on the class A stock payable in additional shares of class A stock and a dividend is declared on class B stock payable in cash. Since the class A shareholders as a

class will have increased their proportionate interests in the assets and earnings and profits of the corporation and the class B shareholders will have received cash, the additional shares of class A stock are distributions of property to which section 301 applies. This is true even with respect to those shareholders who may own class A stock and class B stock in the same proportion.

Example 2. Corporation Y is organized with two classes of stock, class A common, and class B, which is nonconvertible and limited and preferred as to dividends. A dividend is declared upon the class A stock payable in additional shares of class A stock and a dividend is declared on the class B stock payable in cash. The distribution of class A stock is not one to which section 301 applies because the distribution does not increase the proportionate interests of the class A shareholders as a class.

Example 3. Corporation K is organized with two classes of stock, class A common, and class B, which is nonconvertible preferred stock. A dividend is declared upon the class A stock payable in shares of class B stock and a dividend is declared on the class B stock payable in cash. Since the class A shareholders as a class have an increased interest in the assets and earnings and profits of the corporation, the stock distribution is treated as a distribution to which section 301 applies. If, however, a dividend were declared upon the class A stock payable in a new class of preferred stock that is subordinated in all respects to the class B stock, the distribution would not increase the proportionate interests of the class A shareholders in the assets or earnings and profits of the corporation and would not be treated as a distribution to which section 301 applies.

Example 4. (i) Corporation W has one class of stock outstanding, class A common. The corporation also has outstanding interest paying securities convertible into class A common stock which have a fixed conversion ratio that is not subject to full adjustment in the event stock dividends or rights are distributed to the class A shareholders. Corporation W distributes to the class A shareholders rights to acquire additional shares of class A stock. During the year, interest is paid on the convertible securities.

(ii) The stock rights and convertible securities are considered to be outstanding stock of the corporation and the distribution increases the proportionate interests of the class A shareholders in the assets and earnings and profits of the corporation. Therefore, the distribution is treated as a distribution to which section 301 applies. The same result would follow if, instead of convertible securities, the corporation had outstanding convertible stock. If, however, the conversion ratio of the securities or stock were fully adjusted to reflect the distribution of rights to the class A shareholders, the rights

to acquire class A stock would not increase the proportionate interests of the class A shareholders in the assets and earnings and profits of the corporation and would not be treated as a distribution to which section 301 applies.

Example 5. (i) Corporation S is organized with two classes of stock, class A common and class B convertible preferred. The class B is fully protected against dilution in the event of a stock dividend or stock split with respect to the class A stock; however, no adjustment in the conversion ratio is required to be made until the stock dividends equal 3 percent of the common stock issued and outstanding on the date of the first such stock dividend except that such adjustment must be made no later than 3 years after the date of the stock dividend. Cash dividends are paid annually on the class B stock.

(ii) Corporation S pays a 1 percent stock dividend on the class A stock in 1970. In 1971, another 1 percent stock dividend is paid and in 1972 another 1 percent stock dividend is paid. The conversion ratio of the class B stock is increased in 1972 to reflect the three stock dividends paid on the class A stock. The distributions of class A stock are not distributions to which section 301 applies because they do not increase the proportionate interests of the class A shareholders in the assets and earnings and profits of the corporation.

Example 6. (i) Corporation M is organized with two classes of stock outstanding, class A and class B. Each class B share may be converted, at the option of the holder, into class A shares. During the first year, the conversion ratio is one share of class A stock for each share of class B stock. At the beginning of each subsequent year, the conversion ratio is increased by 0.05 share of class A stock for each share of class B stock. Thus, during the second year, the conversion ratio would be 1.05 shares of class A stock for each share of class B stock, during the third year, the ratio would be 1.10 shares, etc.

(ii) M pays an annual cash dividend on the class A stock. At the beginning of the second year, when the conversion ratio is increased to 1.05 shares of class A stock for each share of class B stock, a distribution of 0.05 shares of class A stock is deemed made under section 305(c) with respect to each share of class B stock, since the proportionate interests of the class B shareholders in the assets or earnings and profits of M are increased and the transaction has the effect described in section 305(b)(2). Accordingly, sections 305(b)(2) and 301 apply to the transaction.

Example 7. (i) Corporation N has two classes of stock outstanding, class A and class B. Each class B share is convertible into class A stock. However, in accordance with a specified formula, the conversion ratio is decreased each time a cash dividend is paid on the class B stock to reflect the amount of

the cash dividend. The conversion ratio is also adjusted in the event that cash dividends are paid on the class A stock to increase the number of class A shares into which the class B shares are convertible to compensate the class B shareholders for the cash dividend paid on the class A stock.

(ii) In 1972, a \$1 cash dividend per share is declared and paid on the class B stock. On the date of payment, the conversion ratio of the class B stock is decreased. A distribution of stock is deemed made under section 305(c) to the class A shareholders, since the proportionate interest of the class A shareholders in the assets or earnings and profits of the corporation is increased and the transaction has the effect described in section 305(b)(2). Accordingly, sections 305(b)(2) and 301 apply to the transaction.

(iii) In the following year a cash dividend is paid on the class A stock and none is paid on the class B stock. The increase in conversion rights of the class B shares is deemed to be a distribution under section 305(c) to the class B shareholders since their proportionate interest in the assets or earnings and profits of the corporation is increased and since the transaction has the effect described in section 305(b)(2). Accordingly, sections 305(b)(2) and 301 apply to the transaction.

Example 8. Corporation T has 1,000 shares of stock outstanding. C owns 100 shares. Nine other shareholders each owns 100 shares. Pursuant to a plan for periodic redemptions, T redeems up to 5 percent of each shareholder's stock each year. During the year, each of the nine other shareholders has 5 shares of his stock redeemed for cash. Thus, C's proportionate interest in the assets and earnings and profits of T is increased. Assuming that the cash received by the nine other shareholders is taxable under section 301, C is deemed under section 305(c) to have received a distribution under section 305(b)(2) of 5.25 shares of T stock to which section 301 applies. The amount of C's distribution is measured by the fair market value of the number of shares which would have been distributed to C had the corporation sought to increase his interest by 0.47 percentage points (C owned 10 percent of the T stock immediately before the redemption and 10.47 percent immediately thereafter) and the other shareholders continued to hold 900 shares (i.e.,

(a) $100 + 955 = 10.47\%$ (percent of C's ownership after redemption)

(b) $100 + x + 1000 + x = 10.47\%$; $x = 5.25$ (additional shares considered to be distributed to C)).

Since in computing the amount of additional shares deemed to be distributed to C the redemption of shares is disregarded, the redemption of shares will be similarly disregarded in determining the value of the stock of the corporation which is deemed to be distributed. Thus, in the example, 1,005.25

shares of stock are considered as outstanding after the redemption. The value of each share deemed to be distributed to C is then determined by dividing the 1,005.25 shares into the aggregate fair market value of the actual shares outstanding (955) after the redemption.

Example 9. (i) Corporation O has a stock redemption program under which, instead of paying out earnings and profits to its shareholders in the form of dividends, it redeems the stock of its shareholders up to a stated amount which is determined by the earnings and profits of the corporation. If the stock tendered for redemption exceeds the stated amount, the corporation redeems the stock on a pro rata basis up to the stated amount.

(ii) During the year corporation O offers to distribute \$10,000 in redemption of its stock. At the time of the offering, corporation O has 1,000 shares outstanding of which E and F each owns 150 shares and G and H each owns 350 shares. The corporation redeems 15 shares from E and 35 shares from G. F and H continue to hold all of their stock.

(iii) F and H have increased their proportionate interests in the assets and earnings and profits of the corporation. Assuming that the cash E and G receive is taxable under section 301, F will be deemed under section 305(c) to have received a distribution under section 305(b)(2) of 16.66 shares of stock to which section 301 applies and H will be deemed under section 305(c) to have received a distribution under section 305(b)(2) of 38.86 shares of stock to which section 301 applies. The amount of the distribution to F and H is measured by the number of shares which would have been distributed to F and H had the corporation sought to increase the interest of F by 0.79 percentage points (F owned 15 percent of the stock immediately before the redemption and 15.79 percent immediately thereafter) and the interest of H by 1.84 percentage points (H owned 35 percent of the stock immediately before the redemption and 36.84 percent immediately thereafter) and E and G had continued to hold 150 shares and 350 shares, respectively (i.e.,

(a) $150 + 950 + 350 + 950 = 52.63\%$ (percent of F and H's ownership after redemption)

(b) $500 + y + 1000 + y = 52.63\%$; $y = 55.52$ (additional shares considered to be distributed to F and H)

(c)(1) $150 + 500 \times 55.52 = 16.66$ (shares considered to be distributed to F)

(2) $350 + 500 \times 55.52 = 38.86$ (shares considered to be distributed to H)).

Since in computing the amount of additional shares deemed to be distributed to F and H the redemption of shares is disregarded, the redemption of shares will be similarly disregarded in determining the value of the stock of the corporation which is deemed to be distributed. Thus, in the example, 1,055.52 shares of stock are considered as outstanding after the redemption. The value of each

share deemed to be distributed to F and H is then determined by dividing the 1,055.52 shares into the aggregate fair market value of the actual shares outstanding (950) after the redemption.

Example 10. Corporation P has 1,000 shares of stock outstanding. T owns 700 shares of the P stock and G owns 300 shares of the P stock. In a single and isolated redemption to which section 301 applies, the corporation redeems 150 shares of T's stock. Since this is an isolated redemption and is not a part of a periodic redemption plan, G is not treated as having received a deemed distribution under section 305(c) to which sections 305(b)(2) and 301 apply even though he has an increased proportionate interest in the assets and earnings and profits of the corporation.

Example 11. Corporation Q is a large corporation whose sole class of stock is widely held. However, the four largest shareholders are officers of the corporation and each owns 8 percent of the outstanding stock. In 1974, in a distribution to which section 301 applies, the corporation redeems 1.5 percent of the stock from each of the four largest shareholders in preparation for their retirement. From 1970 through 1974, the corporation distributes annual stock dividends to its shareholders. No other distributions were made to these shareholders. Since the 1974 redemptions are isolated and are not part of a plan for periodically redeeming the stock of the corporation, the shareholders receiving stock dividends will not be treated as having received a distribution under section 305(b)(2) even though they have an increased proportionate interest in the assets and earnings and profits of the corporation and whether or not the redemptions are treated as distributions to which section 301 applies.

Example 12. Corporation R has 2,000 shares of class A stock outstanding. Five shareholders own 300 shares each and five shareholders own 100 shares each. In preparation for the retirement of the five major shareholders, corporation R, in a single and isolated transaction, has a recapitalization in which each share of class A stock may be exchanged either for five shares of new class B nonconvertible preferred stock plus 0.4 share of new class C common stock, or for two shares of new class C common stock. As a result of the exchanges, each of the five major shareholders receives 1,500 shares of class B nonconvertible preferred stock and 120 shares of class C common stock. The remaining shareholders each receives 200 shares of class C common stock. None of the exchanges are within the purview of section 305.

Example 13. Corporation P is a widely-held company whose shares are listed for trading on a stock exchange. P distributes annual cash dividends to its shareholders. P purchases shares of its common stock directly from small stockholders (holders of record of

100 shares or less) or through brokers where the holders may not be known at the time of purchase. Where such purchases are made through brokers, they are pursuant to the rules and regulations of the Securities and Exchange Commission. The shares are purchased for the purpose of issuance to employee stock investment plans, to holders of convertible stock or debt, to holders of stock options, or for future acquisitions. Provided the purchases are not pursuant to a plan to increase the proportionate interest of some shareholders and distribute property to other shareholders, the remaining shareholders of P are not treated as having received a deemed distribution under section 305(c) to which section 305(b)(2) and 301 apply, even though they have an increased proportionate interest in the assets and earnings and profits of the corporation.

Example 14. Corporation U is a large manufacturing company whose products are sold through independent dealers. In order to assist individuals who lack capital to become dealers, the corporation has an established investment plan under which it provides 75 percent of the capital necessary to form a dealership corporation and the individual dealer provides the remaining 25 percent. Corporation U receives class A stock and a note representing its 75 percent interest. The individual dealer receives class B stock representing his 25 percent interest. The class B stock is nonvoting until all the class A shares are redeemed. At least 70 percent of the earnings and profits of the dealership corporation must be used each year to retire the note and to redeem the class A stock. The class A stock is redeemed at a fixed price. The individual dealer has no control over the redemption of stock and has no right to have his stock redeemed during the period the plan is in existence. U's investment is thus systematically eliminated and the individual becomes the sole owner of the dealership corporation. Since this type of plan is akin to a security arrangement, the redemptions of the class A stock will not be deemed under section 305(c) as distributions taxable under sections 305(b)(2) and 301 during the years in which the class A stock is redeemed.

Example 15. (i) *Facts.* Corporation V is organized with two classes of stock, class A common and class B convertible preferred. The class B stock is issued for \$100 per share and is convertible at the holder's option into class A at a fixed ratio that is not subject to full adjustment in the event stock dividends or rights are distributed to the class A shareholders. The class B stock pays no dividends but it is mandatorily redeemable in 10 years for \$200. Under sections 305(c) and 305(b)(4), the entire redemption premium (i.e., the excess of the redemption price over the issue

price) is deemed to be a distribution of preferred stock on preferred stock which is taxable as a distribution of property under section 301. This amount is considered to be distributed over the 10-year period under principles similar to the principles of section 1272(a). During the year, the corporation declares a dividend on the class A stock payable in additional shares of class A stock.

(ii) *Analysis.* The distribution on the class A stock is a distribution to which sections 305(b)(2) and 301 apply since it increases the proportionate interests of the class A shareholders in the assets and earnings and profits of the corporation and the class B shareholders have received property (i.e., the constructive distribution described above). If, however, the conversion ratio of the class B stock were subject to full adjustment to reflect the distribution of stock to class A shareholders, the distribution of stock dividends on the class A stock would not increase the proportionate interest of the class A shareholders in the assets and earnings and profits of the corporation and such distribution would not be a distribution to which section 301 applies.

(iii) *Effective date.* This *Example 15* applies to stock issued on or after December 20, 1995. For previously issued stock, see § 1.305-3(e) *Example (15)* (as contained in the 26 CFR part 1 edition revised April 1, 1995).

[T.D. 7281, 38 FR 18532, July 12, 1973; 38 FR 19910, 19911, July 25, 1973, as amended by T.D. 7329, 39 FR 36860, Oct. 15, 1974; T.D. 8643, 60 FR 66136, Dec. 21, 1995]

§ 1.305-4 Distributions of common and preferred stock.

(a) *In general.* Under section 305(b)(3), a distribution (or a series of distributions) by a corporation which results in the receipt of preferred stock whether or not convertible into common stock) by some common shareholders and the receipt of common stock by other common shareholders is treated as a distribution of property to which section 301 applies. For the meaning of the term *a series of distribution*, see subparagraphs (1) through (6) of § 1.305-3(b).

(b) *Examples.* The application of section 305(b)(3) may be illustrated by the following examples:

Example 1. Corporation X is organized with two classes of common stock, class A and class B. Dividends may be paid in stock or in cash on either class of stock without regard to the medium of payment of dividends on the other class. A dividend is declared on the class A stock payable in additional shares of class A stock and a dividend is declared on

class B stock payable in newly authorized class C stock which is nonconvertible and limited and preferred as to dividends. Both the distribution of class A shares and the distribution of new class C shares are distributions to which section 301 applies.

Example 2. Corporation Y is organized with one class of stock, class A common. During the year the corporation declares a dividend on the class A stock payable in newly authorized class B preferred stock which is convertible into class A stock no later than 6 months from the date of distribution at a price that is only slightly higher than the market price of class A stock on the date of distribution. Taking into account the dividend rate, redemption provisions, the marketability of the convertible stock, and the conversion price, it is reasonable to anticipate that within a relatively short period of time some shareholders will exercise their conversion rights and some will not. Since the distribution can reasonably be expected to result in the receipt of preferred stock by some common shareholders and the receipt of common stock by other common shareholders, the distribution is a distribution of property to which section 301 applies.

[T.D. 7281, 38 FR 18536, July 12, 1973]

§ 1.305-5 Distributions on preferred stock.

(a) *In general.* Under section 305(b)(4), a distribution by a corporation of its stock (or rights to acquire its stock) made (or deemed made under section 305(c)) with respect to its preferred stock is treated as a distribution of property to which section 301 applies unless the distribution is made with respect to convertible preferred stock to take into account a stock dividend, stock split, or any similar event (such as the sale of stock at less than the fair market value pursuant to a rights offering) which would otherwise result in the dilution of the conversion right. For purposes of the preceding sentence, an adjustment in the conversion ratio of convertible preferred stock made solely to take into account the distribution by a closed end regulated investment company of a capital gain dividend with respect to the stock into which such stock is convertible shall not be considered a “similar event.” The term *preferred stock* generally refers to stock which, in relation to other classes of stock outstanding, enjoys certain limited rights and privileges (generally associated with specified dividend and liquidation priorities)

but does not participate in corporate growth to any significant extent. The distinguishing feature of *preferred stock* for the purposes of section 305(b)(4) is not its privileged position as such, but that such privileged position is limited, and that such stock does not participate in corporate growth to any significant extent. However, a right to participate which lacks substance will not prevent a class of stock from being treated as preferred stock. Thus, stock which enjoys a priority as to dividends and on liquidation but which is entitled to participate, over and above such priority, with another less privileged class of stock in earnings and profits and upon liquidation, may nevertheless be treated as preferred stock for purposes of section 305 if, taking into account all the facts and circumstances, it is reasonable to anticipate at the time a distribution is made (or is deemed to have been made) with respect to such stock that there is little or no likelihood of such stock actually participating in current and anticipated earnings and upon liquidation beyond its preferred interest. Among the facts and circumstances to be considered are the prior and anticipated earnings per share, the cash dividends per share, the book value per share, the extent of preference and of participation of each class, both absolutely and relative to each other, and any other facts which indicate whether or not the stock has a real and meaningful probability of actually participating in the earnings and growth of the corporation. The determination of whether stock is preferred for purposes of section 305 shall be made without regard to any right to convert such stock into another class of stock of the corporation. The term *preferred stock*, however, does not include convertible debentures.

(b) *Redemption premium*—(1) *In general.* If a corporation issues preferred stock that may be redeemed under the circumstances described in this paragraph (b) at a price higher than the issue price, the difference (the redemption premium) is treated under section 305(c) as a constructive distribution (or series of constructive distributions) of additional stock on preferred stock that is taken into account under prin-

ciples similar to the principles of section 1272(a). However, constructive distribution treatment does not result under this paragraph (b) if the redemption premium does not exceed a de minimis amount, as determined under the principles of section 1273(a)(3). For purposes of this paragraph (b), preferred stock that may be acquired by a person other than the issuer (the third person) is deemed to be redeemable under the circumstances described in this paragraph (b), and references to the issuer include the third person, if—

(i) This paragraph (b) would apply to the stock if the third person were the issuer; and

(ii) Either—

(A) The acquisition of the stock by the third person would be treated as a redemption for federal income tax purposes (under section 304 or otherwise); or

(B) The third person and the issuer are members of the same affiliated group (having the meaning for this purpose given the term by section 1504(a), except that section 1504(b) shall not apply) and a principal purpose of the arrangement for the third person to acquire the stock is to avoid the application of section 305 and paragraph (b)(1) of this section.

(2) *Mandatory redemption or holder put.* Paragraph (b)(1) of this section applies to stock if the issuer is required to redeem the stock at a specified time or the holder has the option (whether or not currently exercisable) to require the issuer to redeem the stock. However, paragraph (b)(1) of this section will not apply if the issuer's obligation to redeem or the holder's ability to require the issuer to redeem is subject to a contingency that is beyond the legal or practical control of either the holder or the holders as a group (or through a related party within the meaning of section 267(b) or 707(b)), and that, based on all of the facts and circumstances as of the issue date, renders remote the likelihood of redemption. For purposes of this paragraph, a contingency does not include the possibility of default, insolvency, or similar circumstances, or that a redemption may be precluded by applicable law which requires that the issuer have a particular level of capital, surplus, or similar items. A

contingency also does not include an issuer's option to require earlier redemption of the stock. For rules applicable if stock may be redeemed at more than one time, see paragraph (b)(4) of this section.

(3) *Issuer call*—(i) *In general.* Paragraph (b)(1) of this section applies to stock by reason of the issuer's right to redeem the stock (even if the right is immediately exercisable), but only if, based on all of the facts and circumstances as of the issue date, redemption pursuant to that right is more likely than not to occur. However, even if redemption is more likely than not to occur, paragraph (b)(1) of this section does not apply if the redemption premium is solely in the nature of a penalty for premature redemption. A redemption premium is not a penalty for premature redemption unless it is a premium paid as a result of changes in economic or market conditions over which neither the issuer nor the holder has legal or practical control.

(ii) *Safe harbor.* For purposes of this paragraph (b)(3), redemption pursuant to an issuer's right to redeem is not treated as more likely than not to occur if—

(A) The issuer and the holder are not related within the meaning of section 267(b) or 707(b) (for purposes of applying sections 267(b) and 707(b) (including section 267(f)(1)), the phrase “20 percent” shall be substituted for the phrase “50 percent”);

(B) There are no plans, arrangements, or agreements that effectively require or are intended to compel the issuer to redeem the stock (disregarding, for this purpose, a separate mandatory redemption obligation described in paragraph (b)(2) of this section); and

(C) Exercise of the right to redeem would not reduce the yield of the stock, as determined under principles similar to the principles of section 1272(a) and the regulations under sections 1271 through 1275.

(iii) *Effect of not satisfying safe harbor.* The fact that a redemption right is not described in paragraph (b)(3)(ii) of this section does not affect the determination of whether a redemption pursuant

to the right to redeem is more likely than not to occur.

(4) *Coordination of multiple redemption provisions.* If stock may be redeemed at more than one time, the time and price at which redemption is most likely to occur must be determined based on all of the facts and circumstances as of the issue date. Any constructive distribution under paragraph (b)(1) of this section will result only with respect to the time and price identified in the preceding sentence. However, if redemption does not occur at that identified time, the amount of any additional premium payable on any later redemption date, to the extent not previously treated as distributed, is treated as a constructive distribution over the period from the missed call or put date to that later date, to the extent required under the principles of this paragraph (b).

(5) *Consistency.* The issuer's determination as to whether there is a constructive distribution under this paragraph (b) is binding on all holders of the stock, other than a holder that explicitly discloses that its determination as to whether there is a constructive distribution under this paragraph (b) differs from that of the issuer. Unless otherwise prescribed by the Commissioner, the disclosure must be made on a statement attached to the holder's timely filed federal income tax return for the taxable year that includes the date the holder acquired the stock. The issuer must provide the relevant information to the holder in a reasonable manner. For example, the issuer may provide the name or title and either the address or telephone number of a representative of the issuer who will make available to holders upon request the information required for holders to comply with this provision of this paragraph (b).

(c) *Cross reference.* For rules for applying sections 305(b)(4) and 305(c) to recapitalizations, see § 1.305-7(c).

(d) *Examples.* The application of sections 305(b)(4) and 305(c) may be illustrated by the following examples:

Example 1. (i) Corporation T has outstanding 1,000 shares of \$100 par 5-percent cumulative preferred stock and 10,000 shares of no-par common stock. The corporation is 4 years in arrears on dividends to the preferred

shareholders. The issue price of the preferred stock is \$100 per share. Pursuant to a recapitalization under section 368(a)(1)(E), the preferred shareholders exchange their preferred stock, including the right to dividend arrearages, on the basis of one old preferred share for 1.20 newly authorized class A preferred shares. Immediately following the recapitalization, the new class A shares are traded at \$100 per share. The class A shares are entitled to a liquidation preference of \$100. The preferred shareholders have increased their proportionate interest in the assets or earnings and profits of corporation T since the fair market value of 1.20 shares of class A preferred stock (\$120) exceeds the issue price of the old preferred stock (\$100). Accordingly, the preferred shareholders are deemed under section 305(c) to receive a distribution in the amount of \$20 on each share of old preferred stock and the distribution is one to which sections 305(b)(4) and 301 apply.

(ii) The same result would occur if the fair market value of the common stock immediately following the recapitalization were \$20 per share and each share of preferred stock were exchanged for one share of the new class A preferred stock and one share of common stock.

Example 2. Corporation A, a publicly held company whose stock is traded on a securities exchange (or in the over-the-counter market) has two classes of stock outstanding, common and cumulative preferred. Each share of preferred stock is convertible into .75 shares of common stock. There are no dividend arrearages. At the time of issue of the preferred stock, there was no plan or prearrangement by which it was to be exchanged for common stock. The issue price of the preferred stock is \$100 per share. In order to retire the preferred stock, corporation A recapitalizes in a transaction to which section 368(a)(1)(E) applies and each share of preferred stock is exchanged for one share of common stock. Immediately after the recapitalization the common stock has a fair market value of \$110 per share. Notwithstanding the fact that the fair market value of the common stock received in the exchange (determined immediately following the recapitalization) exceeds the issue price of the preferred stock surrendered, the recapitalization is not deemed under section 305(c) to result in a distribution to which sections 305(b)(4) and 301 apply since the recapitalization is not pursuant to a plan to periodically increase a shareholder's proportionate interest in the assets or earnings and profits and does not involve dividend arrearages.

Example 3. Corporation V is organized with two classes of stock, 1,000 shares of class A common and 1,000 shares of class B convertible preferred. Each share of class B stock may be converted into two shares of class A stock. Pursuant to a recapitalization under

section 368(a)(1)(E), the 1,000 shares of class A stock are surrendered in exchange for 500 shares of new class A common and 500 shares of newly authorized class C common. The conversion right of class B stock is changed to one share of class A stock and one share of class C stock for each share of class B stock. The change in the conversion right is not deemed under section 305(c) to be a distribution on preferred stock to which sections 305(b)(4) and 301 apply.

Example 4. (i) *Facts.* Corporation X is a domestic corporation with only common stock outstanding. In connection with its acquisition of Corporation T, X issues 100 shares of its 4% preferred stock to the shareholders of T, who are unrelated to X both before and after the transaction. The issue price of the preferred stock is \$40 per share. Each share of preferred stock is convertible at the shareholder's election into three shares of X common stock. At the time the preferred stock is issued, the X common stock has a value of \$10 per share. The preferred stock does not provide for its mandatory redemption or for redemption at the option of the holder. It is callable at the option of X at any time beginning three years from the date of issuance for \$100 per share. There are no other plans, arrangements, or agreements that effectively require or are intended to compel X to redeem the stock.

(ii) *Analysis.* The preferred stock is described in the safe harbor rule of paragraph (b)(3)(ii) of this section because X and the former shareholders of T are unrelated, there are no plans, arrangements, or agreements that effectively require or are intended to compel X to redeem the stock, and calling the stock for \$100 per share would not reduce the yield of the preferred stock. Therefore, the \$60 per share call premium is not treated as a constructive distribution to the shareholders of the preferred stock under paragraph (b) of this section.

Example 5. (i) *Facts—(A)* Corporation Y is a domestic corporation with only common stock outstanding. On January 1, 1996, Y issues 100 shares of its 10% preferred stock to a holder. The holder is unrelated to Y both before and after the stock issuance. The issue price of the preferred stock is \$100 per share. The preferred stock is—

(1) Callable at the option of Y on or before January 1, 2001, at a price of \$105 per share plus any accrued but unpaid dividends; and

(2) Mandatorily redeemable on January 1, 2006, at a price of \$100 per share plus any accrued but unpaid dividends.

(B) The preferred stock provides that if Y fails to exercise its option to call the preferred stock on or before January 1, 2001, the holder will be entitled to appoint a majority of Y's directors. Based on all of the facts and circumstances as of the issue date, Y is likely to have the legal and financial capacity to exercise its right to redeem. There are no

other facts and circumstances as of the issue date that would affect whether Y will call the preferred stock on or before January 1, 2001.

(i) *Analysis.* Under paragraph (b)(3)(i) of this section, paragraph (b)(1) of this section applies because, by virtue of the change of control provision and the absence of any contrary facts, it is more likely than not that Y will exercise its option to call the preferred stock on or before January 1, 2001. The safe harbor rule of paragraph (b)(3)(ii) of this section does not apply because the provision that failure to call will cause the holder to gain control of the corporation is a plan, arrangement, or agreement that effectively requires or is intended to compel Y to redeem the preferred stock. Under paragraph (b)(4) of this section, the constructive distribution occurs over the period ending on January 1, 2001. Redemption is most likely to occur on that date, because that is the date on which the corporation minimizes the rate of return to the holder while preventing the holder from gaining control. The de minimis exception of paragraph (b)(1) of this section does not apply because the \$5 per share difference between the redemption price and the issue price exceeds the amount determined under the principles of section 1273(a)(3) ($5 \times .0025 \times \$105 = \1.31). Accordingly, \$5 per share, the difference between the redemption price and the issue price, is treated as a constructive distribution received by the holder on an economic accrual basis over the five-year period ending on January 1, 2001, under principles similar to the principles of section 1272(a).

Example 6. Corporation A, a publicly held company whose stock is traded on a securities exchange (or in the over-the-counter market) has two classes of stock outstanding, common and preferred. The preferred stock is nonvoting and nonconvertible, limited and preferred as to dividends, and has a fixed liquidation preference. There are no dividend arrearages. At the time of issue of the preferred stock, there was no plan or prearrangement by which it was to be exchanged for common stock. In order to retire the preferred stock, corporation A recapitalizes in a transaction to which section 368(a)(1)(E) applies and the preferred stock is exchanged for common stock. The transaction is not deemed to be a distribution under section 305(c) and sections 305(b) and 301 do not apply to the transaction. The same result would follow if the preferred stock was exchanged in any reorganization described in section 368(a)(1) for a new preferred stock having substantially the same market value and having no greater call price or liquidation preference than the old preferred stock, whether the new preferred stock has voting rights or is convertible into common stock of corporation A at a fixed ratio subject to change solely to take ac-

count of stock dividends, stock splits, or similar transactions with respect to the stock into which the preferred stock is convertible.

Example 7. (i) *Facts*—(A) Corporation Z is a domestic corporation with only common stock outstanding. On January 1, 1996, Z issues 100 shares of its 10% preferred stock to C, an individual unrelated to Z both before and after the stock issuance. The issue price of the preferred stock is \$100 per share. The preferred stock is—

(1) Not callable for a period of 5 years from the issue date;

(2) Callable at the option of Z on January 1, 2001, at a price of \$110 per share plus any accrued but unpaid dividends;

(3) Callable at the option of Z on July 1, 2002, at a price of \$120 per share plus any accrued but unpaid dividends; and

(4) Mandatorily redeemable on January 1, 2004, at a price of \$150 per share plus any accrued but unpaid dividends.

(B) There are no other plans, arrangements, or agreements between Z and C concerning redemption of the stock. Moreover, there are no other facts and circumstances as of the issue date that would affect whether Z will call the preferred stock on either January 1, 2001, or July 1, 2002.

(ii) *Analysis.* This stock is described in paragraph (b)(2) of this section because it is mandatorily redeemable. It is also potentially described in paragraph (b)(3)(i) of this section because it is callable at the option of the issuer. The safe harbor rule of paragraph (b)(3)(ii) of this section does not apply to the option to call on January 1, 2001, because the call would reduce the yield of the stock when compared to the yield produced by the January 1, 2004, mandatory redemption feature. Moreover, absent any other facts indicating a contrary result, the fact that redemption on January 1, 2001, would produce the lowest yield indicates that redemption is most likely to occur on that date. Under paragraph (b)(4) of this section, paragraph (b)(1) of this section applies with respect to the issuer's right to call on January 1, 2001, because redemption is most likely to occur on January 1, 2001, for \$110 per share. The de minimis exception of paragraph (b)(1) of this section does not apply because the \$10 per share difference between the redemption price payable in 2001 and the issue price exceeds the amount determined under the principles of section 1273(a)(3) ($5 \times .0025 \times \$110 = \1.38). Accordingly, \$10 per share, the difference between the redemption price and the issue price, is treated as a constructive distribution received by the holder on an economic accrual basis over the five-year period ending January 1, 2001, under principles similar to the principles of section 1272(a).

(iii) *Coordination rules*—(A) If Z does not exercise its option to call the preferred stock on January 1, 2001, paragraph (b)(4) of this

section provides that the principles of paragraph (b) of this section must be applied to determine if any remaining constructive distribution occurs. Under paragraphs (b)(3)(i) and (b)(4) of this section, paragraph (b)(1) of this section applies because, absent any other facts indicating a contrary result, the fact that redemption on July 1, 2002, would produce a lower yield than the yield produced by the mandatory redemption feature indicates that redemption on that date is most likely to occur. The safe harbor rule of paragraph (b)(3)(ii) of this section does not apply to the option to call on July 1, 2002, because, as of January 1, 2001, a call by Z on July 1, 2002, for \$120 would reduce the yield of the stock. The de minimis exception of paragraph (b)(1) of this section does not apply because the \$10 per share difference between the redemption price and the issue price (revised as of the missed call date as provided by paragraph (b)(4) of this section) exceeds the amount determined under the principles of section 1273(a)(3) ($1 \times .0025 \times \$120 = \30). Accordingly, the \$10 per share of additional redemption premium that is payable on July 1, 2002, is treated as a constructive distribution received by the holder on an economic accrual basis over the period between January 1, 2001, and July 1, 2002, under principles similar to the principles of section 1272(a).

(B) If Z does not exercise its second option to call the preferred stock on July 1, 2002, then the \$30 additional redemption premium that is payable on January 1, 2004, is treated as a constructive distribution under paragraphs (b)(2) and (b)(1) of this section. The de minimis exception of paragraph (b)(1) of this section does not apply because the \$30 per share difference between the redemption price and the issue price (revised as of the second missed call date) exceeds the amount determined under the principles of section 1273(a)(3) ($1 \times .0025 \times \$150 = \38). The holder is treated as receiving the constructive distribution on an economic accrual basis over the period between July 1, 2002, and January 1, 2004, under principles similar to the principles of section 1272(a).

Example 8. (i) *Facts.* The facts are the same as in paragraph (i) of Example 7, except that, based on all of the facts and circumstances as of the issue date (including an expected lack of funds on the part of Z), it is unlikely that Z will exercise the right to redeem on either January 1, 2001, or July 1, 2002.

(ii) *Analysis.* The safe harbor rule of paragraph (b)(3)(ii) of this section does not apply to the option to call on either January 1, 2001, or July 1, 2002, because each call would reduce the yield of the stock. Under paragraph (b)(3)(i) of this section, neither option to call is more likely than not to occur, because, based on all of the facts and circumstances as of the issue date (including an expected lack of funds on the part of Z), it is not more likely than not that Z will exercise

either option. However, the \$50 per share redemption premium that is payable on January 1, 2004, is treated as a constructive distribution under paragraphs (b)(1) and (2) of this section, regardless of whether Z is anticipated to have sufficient funds to redeem on that date, because Z is required to redeem the stock on that date. The de minimis exception of paragraph (b)(1) of this section does not apply because the \$50 per share difference between the redemption price and the issue price exceeds the amount determined under the principles of section 1273(a)(3) ($8 \times .0025 \times \$150 = \3).

Example 9. Corporation Q is organized with 10,000 shares of class A stock and 1,000 shares of class B stock. The terms of the class B stock require that the class B have a preference of \$5 per share with respect to dividends and \$100 per share with respect to liquidation. In addition, upon a distribution of \$10 per share to the class A stock, class B participates equally in any additional dividends. The terms also provide that upon liquidation the class B stock participates equally after the class A stock receives \$100 per share. Corporation Q has no accumulated earnings and profits. In 1971 it earned \$10,000, the highest earnings in its history. The corporation is in an industry in which it is reasonable to anticipate a growth in earnings of 5 percent per year. In 1971 the book value of corporation Q's assets totalled \$100,000. In that year the corporation paid a dividend of \$5 per share to the class B stock and \$.50 per share to the class A. In 1972 the corporation had no earnings and in lieu of a \$5 dividend distributed one share of class B stock for each outstanding share of class A. No distribution was made to the class A stock. Since, in 1972, it was not reasonable to anticipate that the class B stock would participate in the current and anticipated earnings and growth of the corporation beyond its preferred interest, the class B stock is preferred stock and the distribution of class B shares to the class B shareholders is a distribution to which sections 305(b)(4) and 301 apply.

Example 10. Corporation P is organized with 10,000 shares of class A stock and 1,000 shares of class B stock. The terms of the class B stock require that the class B have a preference of \$5 per share with respect to dividends and \$100 per share with respect to liquidation. In addition, upon a distribution of \$5 per share to the class A stock, class B participates equally in any additional dividends. The terms also provide that upon liquidation the class B stock participates equally after the class A receives \$100 per share. Corporation P has accumulated earnings and profits of \$100,000. In 1971 it earned \$75,000. The corporation is in an industry in which it is reasonable to anticipate a growth in earnings of 10 percent per year. In 1971 the book value of corporation P's assets totalled

\$5 million. In that year the corporation paid a dividend of \$5 per share to the class B stock, \$5 per share to the class A stock, and it distributed an additional \$1 per share to both class A and class B stock. In 1972 the corporation had earnings of \$82,500. In that year it paid a dividend of \$5 per share to the class B stock and \$5 per share to the class A stock. In addition, the corporation declared stock dividends of one share of class B stock for every 10 outstanding shares of class B and one share of class A stock for every 10 outstanding shares of class A. Since, in 1972, it was reasonable to anticipate that both the class B stock and the class A stock would participate in the current and anticipated earnings and growth of the corporation beyond their preferred interests, neither class is preferred stock and the stock dividends are not distributions to which section 305(b)(4) applies.

(e) *Effective date.* The rules of paragraph (b) of this section and *Examples 4, 5, 7, and 8* of paragraph (d) of this section apply to stock issued on or after December 20, 1995. For rules applicable to previously issued stock, see § 1.305-5 (b) and (d) *Examples (4), (5), and (7)* (as contained in the 26 CFR part 1 edition revised April 1, 1995). Although the rules of paragraph (b) of this section and the revised examples do not apply to stock issued before December 20, 1995, the rules of sections 305(c)(1), (2), and (3) apply to stock described therein issued on or after October 10, 1990, except as provided in section 11322(b)(2) of the Revenue Reconciliation Act of 1990 (Public Law 101-508 Stat.). Moreover, except as provided in section 11322(b)(2) of the Revenue Reconciliation Act of 1990 (Public Law 101-508 Stat.), with respect to stock issued on or after October 10, 1990, and issued before December 20, 1995, the economic accrual rule of section 305(c)(3) will apply to the entire call premium on stock that is not described in paragraph (b)(2) of this section if the premium is considered to be unreasonable under the principles of § 1.305-5(b) (as contained in the 26 CFR part 1 edition revised April 1, 1995). A call premium described in the preceding sentence will be accrued over the period of time during which the preferred stock cannot be called for redemption.

[T.D. 7281, 38 FR 18536, July 12, 1973, as amended by T.D. 7329, 39 FR 36860, Oct. 15, 1974; T.D. 8643, 60 FR 66136, Dec. 21, 1995]

§ 1.305-6 Distributions of convertible preferred.

(a) *In general.* (1) Under section 305(b)(5), a distribution by a corporation of its convertible preferred stock or rights to acquire such stock made or considered as made with respect to its stock is treated as a distribution of property to which section 301 applies unless the corporation establishes that such distribution will not result in a disproportionate distribution as described in § 1.305-3.

(2) The distribution of convertible preferred stock is likely to result in a disproportionate distribution when both of the following conditions exist: (i) The conversion right must be exercised within a relatively short period of time after the date of distribution of the stock; and (ii) taking into account such factors as the dividend rate, the redemption provisions, the marketability of the convertible stock, and the conversion price, it may be anticipated that some shareholders will exercise their conversion rights and some will not. On the other hand, where the conversion right may be exercised over a period of many years and the dividend rate is consistent with market conditions at the time of distribution of the stock, there is no basis for predicting at what time and the extent to which the stock will be converted and it is unlikely that a disproportionate distribution will result.

(b) *Examples.* The application of section 305(b)(5) may be illustrated by the following examples:

Example 1. Corporation Z is organized with one class of stock, class A common. During the year the corporation declares a dividend on the class A stock payable in newly authorized class B preferred stock which is convertible into class A stock for a period of 20 years from the date of issuance. Assuming dividend rates are normal in light of existing conditions so that there is no basis for predicting the extent to which the stock will be converted, the circumstances will ordinarily be sufficient to establish that a disproportionate distribution will not result since it is impossible to predict the extent to which the class B stock will be converted into class A stock. Accordingly, the distribution of class B stock is not one to which section 301 applies.

Example 2. Corporation X is organized with one class of stock, class A common. During the year the corporation declares a dividend

on the class A stock payable in newly authorized redeemable class C preferred stock which is convertible into class A common stock no later than 4 months from the date of distribution at a price slightly higher than the market price of class A stock on the date of distribution. By prearrangement with corporation X, corporation Y, an insurance company, agrees to purchase class C stock from any shareholder who does not wish to convert. By reason of this prearrangement, it is anticipated that the shareholders will either sell the class C stock to the insurance company (which expects to retain the shares for investment purposes) or will convert. As a result, some of the shareholders exercise their conversion privilege and receive additional shares of class A stock, while other shareholders sell their class C stock to corporation Y and receive cash. The distribution is a distribution to which section 301 applies since it results in the receipt of property by some shareholders and an increase in the proportionate interests of other shareholders.

[T.D. 7281, 38 FR 18538, July 12, 1973]

§ 1.305-7 Certain transactions treated as distributions.

(a) *In general.* Under section 305(c), a change in conversion ratio, a change in redemption price, a difference between redemption price and issue price, a redemption which is treated as a distribution to which section 301 applies, or any transaction (including a recapitalization) having a similar effect on the interest of any shareholder may be treated as a distribution with respect to any shareholder whose proportionate interest in the earnings and profits or assets of the corporation is increased by such change, difference, redemption, or similar transaction. In general, such change, difference, redemption, or similar transaction will be treated as a distribution to which sections 305(b) and 301 apply where—

(1) The proportionate interest of any shareholder in the earnings and profits or assets of the corporation deemed to have made such distribution is increased by such change, difference, redemption, or similar transaction; and

(2) Such distribution has the result described in paragraph (2), (3), (4), or (5) of section 305(b).

Where such change, difference, redemption, or similar transaction is treated as a distribution under the provisions of this section, such distribution will

be deemed made with respect to any shareholder whose interest in the earnings and profits or assets of the distributing corporation is increased thereby. Such distribution will be deemed to be a distribution of the stock of such corporation made by the corporation to such shareholder with respect to his stock. Depending upon the facts presented, the distribution may be deemed to be made in common or preferred stock. For example, where a redemption premium exists with respect to a class of preferred stock under the circumstances described in § 1.305-5(b) and the other requirements of this section are also met, the distribution will be deemed made with respect to such preferred stock, in stock of the same class. Accordingly, the preferred shareholders are considered under sections 305(b)(4) and 305(c) to have received a distribution of preferred stock to which section 301 applies. See the examples in §§ 1.305-3(e) and 1.305-5(d) for further illustrations of the application of section 305(c).

(b) *Antidilution provisions.* (1) For purposes of applying section 305(c) in conjunction with section 305(b), a change in the conversion ratio or conversion price of convertible preferred stock (or securities), or in the exercise price of rights or warrants, made pursuant to a bona fide, reasonable, adjustment formula (including, but not limited to, either the so-called “market price” or “conversion price” type of formulas) which has the effect of preventing dilution of the interest of the holders of such stock (or securities) will not be considered to result in a deemed distribution of stock. An adjustment in the conversion ratio or price to compensate for cash or property distributions to other shareholders that are taxable under section 301, 356(a)(2), 871(a)(1)(A), 881(a)(1), 852(b), or 857(b) will not be considered as made pursuant to a bona fide adjustment formula.

(2) The principles of this paragraph may be illustrated by the following example:

Example. (i) Corporation U has two classes of stock outstanding, class A and class B. Each class B share is convertible into class A stock. In accordance with a bonafide, reasonable, antidilution provision, the conversion price is adjusted if the corporation transfers

§ 1.305-8

26 CFR Ch. I (4-1-21 Edition)

class A stock to anyone for a consideration that is below the conversion price.

(i) The corporation sells class A stock to the public at the current market price but below the conversion price. Pursuant to the antidilution provision, the conversion price is adjusted downward. Such a change in conversion price will not be deemed to be a distribution under section 305(c) for the purposes of section 305(b).

(c) *Recapitalizations.* (1) A recapitalization (whether or not an isolated transaction) will be deemed to result in a distribution to which section 305(c) and this section apply if—

(i) It is pursuant to a plan to periodically increase a shareholder's proportionate interest in the assets or earnings and profits of the corporation, or

(ii) A shareholder owning preferred stock with dividends in arrears exchanges his stock for other stock and, as a result, increases his proportionate interest in the assets or earnings and profits of the corporation. An increase in a preferred shareholder's proportionate interest occurs in any case where the fair market value or the liquidation preference, whichever is greater, of the stock received in the exchange (determined immediately following the recapitalization), exceeds the issue price of the preferred stock surrendered.

(2) In a case to which subparagraph (1)(ii) of this paragraph applies, the amount of the distribution deemed under section 305(c) to result from the recapitalization is the lesser of (i) the amount by which the fair market value or the liquidation preference, whichever is greater, of the stock received in the exchange (determined immediately following the recapitalization) exceeds the issue price of the preferred stock surrendered, or (ii) the amount of the dividends in arrears.

(3) For purposes of applying subparagraphs (1) and (2) of this paragraph with respect to stock issued before July 12, 1973, the term *issue price of the preferred stock surrendered* shall mean the greater of the issue price or the liquidation preference (not including dividends in arrears) of the stock surrendered.

(4) For an illustration of the application of this paragraph, see *Example (12)* of § 1.305-3(e) and *Examples (1), (2), (3), and (6)* of § 1.305-5(d).

(5) For rules relating to redemption premiums on preferred stock, see § 1.305-5(b).

[T.D. 7281, 38 FR 18538, July 12, 1973, as amended by T.D. 8643, 60 FR 66138, Dec. 21, 1995]

§ 1.305-8 Effective dates.

(a) *In general.* Section 421(b) of the Tax Reform Act of 1969 (83 Stat. 615) provides as follows:

(b) *Effective dates.* (1) Except as otherwise provided in this subsection, the amendment made by subsection (a) shall apply with respect to distributions (or deemed distributions) made after January 10, 1969, in taxable years ending after such date.

(2)(A) Section 305(b)(2) of the Internal Revenue Code of 1954 (as added by subsection (a)) shall not apply to a distribution (or deemed distribution) of stock made before January 1, 1991, with respect to stock (i) outstanding on January 10, 1969, (ii) issued pursuant to a contract binding on January 10, 1969, on the distributing corporation, (iii) which is additional stock of that class of stock which (as of January 10, 1969) had the largest fair market value of all classes of stock of the corporation (taking into account only stock outstanding on January 10, 1969, or issued pursuant to a contract binding on January 10, 1969), (iv) described in subparagraph (c)(iii), or (v) issued in a prior distribution described in clause (i), (ii), (iii), or (iv).

(B) Subparagraph (A) shall apply only if—

(i) The stock as to which there is a receipt of property was outstanding on January 10, 1969 (or was issued pursuant to a contract binding on January 10, 1969, on the distributing corporation), and

(ii) If such stock and any stock described in subparagraph (A)(i) were also outstanding on January 10, 1968, a distribution of property was made on or before January 10, 1969, with respect to such stock, and a distribution of stock was made on or before January 10, 1969, with respect to such stock described in subparagraph (A)(i).

(C) Subparagraph (A) shall cease to apply when at any time after October 9, 1969, the distributing corporation issues any of its stock (other than in a distribution of stock with respect to stock of the same class) which is not—

(i) Nonconvertible preferred stock,

(ii) Additional stock of that class of stock which meets the requirements of subparagraph (A)(iii), or

(iii) Preferred stock which is convertible into stock which meets the requirements of subparagraph (A)(iii) at a fixed conversion ratio which takes account of all stock dividends and stock splits with respect to the

stock into which such convertible stock is convertible.

(D) For purposes of this paragraph, the term *stock* includes rights to acquire such stock.

(3) In cases to which Treasury Decision 6990 (promulgated January 10, 1969) would not have applied, in applying paragraphs (1) and (2) April 22, 1969, shall be substituted for January 10, 1969.

(4) Section 305(b)(4) of the Internal Revenue Code of 1954 (as added by subsection (a)) shall not apply to any distribution (or deemed distribution) with respect to preferred stock (including any increase in the conversation ratio of convertible stock) made before January 1, 1991, pursuant to the terms relating to the issuance of such stock which were in effect on January 10, 1969.

(5) With respect to distributions made or considered as made after January 10, 1969, in taxable years ending after such date, to the extent that the amendment made by subsection (a) does not apply by reason of paragraph (2), (3), or (4) of this subsection, section 305 of the Internal Revenue Code of 1954 (as in effect before the amendment made by subsection (a)) shall continue to apply.

(b) *Rules of application.* (1) The rules contained in section 421(b)(2) of the Tax Reform Act of 1969 (83 Stat. 615), hereinafter called "the Act", shall apply with respect to the application of section 305(b)(2), section 305(b)(3), and section 305(b)(5). Thus, for example, section 305(b)(5) of the Code will not apply to a distribution of convertible preferred stock made before January 1, 1991, with respect to stock outstanding on January 10, 1969 (or which was issued pursuant to a contract binding on the distributing corporation on January 10, 1969), provided the distribution is pursuant to the terms relating to the issuance of such stock which were in effect on January 10, 1969.

(2)(i) For purposes of section 421(b)(2)(A), (B)(i), and (C) of the Act, stock is considered as outstanding on January 10, 1969, if it could be acquired on such date or some future date by the exercise of a right or conversion privilege in existence on such date (including a right or conversion privilege with respect to stock issued pursuant to a contract binding, on January 10, 1969, on the distributing corporation). Thus, if on January 10, 1969, corporation X has outstanding 1,000 shares of class A common stock and 3,000 shares of class B common stock which are convertible on a one-to-one basis into

class A stock, corporation X is considered for purposes of section 421(b)(2)(A), (B)(i), and (C) of the Act to have outstanding on January 10, 1969, 4,000 shares of class A stock (1,000 shares actually outstanding and 3,000 shares that could be acquired by the exercise of the conversion privilege contained in the class B stock) and 3,000 shares of class B stock.

(ii) For the purposes of section 421(b)(2)(A) (other than for the purpose of determining under section 421(b)(2)(A)(iii) that class of stock which as of January 10, 1969, had the largest fair market value of all classes of stock of the corporation), (B)(i), and (C) of the Act, stock will be considered as outstanding on January 10, 1969, if it is issued pursuant to a conversion privilege contained in stock issued, mediately or immediately, as a stock dividend with respect to stock outstanding on January 10, 1969.

(3) If, after applying subparagraph (2) of this paragraph, the class of stock which as of January 10, 1969, had the largest fair market value of all classes of stock of the corporation is a class of stock which is convertible into another class of nonconvertible stock, then for purposes of section 421(b)(2)(C)(ii) of the Act stock issued upon conversion of any such convertible stock (whether or not outstanding on January 10, 1969) into stock of such other class shall be deemed to be stock which meets the requirements of section 421(b)(2)(A)(iii) of the Act.

(4) For purposes of section 421(b) of the Act, stock of a corporation held in its treasury will not be considered as outstanding and a distribution of such stock will be considered to be an issuance of such stock on the date of distribution. Stock of a parent corporation held by its subsidiary is not considered treasury stock.

(5) The following stock shall not be taken into account for purposes of applying section 421(b)(2)(B)(i) of the Act: (i) Stock issued after January 10, 1969, and before October 10, 1969 (other than stock which was issued pursuant to a contract binding on January 10, 1969, on the distributing corporation); (ii) stock described in section 421(b)(2)(C)(i), (ii), or (iii) of the Act;

§ 1.306-1

26 CFR Ch. I (4-1-21 Edition)

and (iii) stock issued, mediately or immediately, as a stock dividend with respect to stock of the same class outstanding on January 10, 1969. For example, if on June 1, 1970, corporation Y issues additional stock of that class of stock which as of January 10, 1969, had the largest fair market value of all classes of stock of the corporation, such additional stock will not be taken into account for the purpose of meeting the requirement under section 421(b)(2)(B)(i) of the Act that the stock as to which there is a receipt of property must have been outstanding on January 10, 1969, and thus subparagraph (A) of section 421(b)(2) of the Act will not, where otherwise applicable, cease to apply.

(6) Section 421(b)(2)(A) of the Act, if otherwise applicable, will not cease to apply if the distributing corporation issues after October 9, 1969, securities which are convertible into stock that meets the requirements of section 421(b)(2)(A)(iii) of the Act at a fixed conversion ratio which takes account of all stock dividends and stock splits with respect to the stock into which the securities are convertible.

(7) Under section 421(b)(4) of the Act, section 305(b)(4) does not apply to any distribution (or deemed distribution) by a corporation with respect to preferred stock made before January 1, 1991, if such distribution is pursuant to the terms relating to the issuance of such stock which were in effect on January 10, 1969. For example, if as of January 10, 1969, a corporation had followed the practice of paying stock dividends on preferred stock (or of periodically increasing the conversion ratio of convertible preferred stock) or if the preferred stock provided for a redemption price in excess of the issue price, then section 305(b)(4) would not apply to any distribution of stock made (or which would be considered made if section 305(b)(4) applied) before January 1, 1991, pursuant to such practice.

(8) If section 421(b)(2) is not applicable and, for that reason, a distribution (or deemed distribution) is treated as a distribution to which section 301 applies by virtue of the application of section 305(b)(2), (b)(3), or (b)(5), it is irrelevant that, by reason of the application of section 421(b)(4) of such Act,

section 305(b)(4) is not applicable to the distribution.

[T.D. 7281, 38 FR 18539, July 12, 1973]

§ 1.306-1 General.

(a) Section 306 provides, in general, that the proceeds from the sale or redemption of certain stock (referred to as "section 306 stock") shall be treated either as ordinary income or as a distribution of property to which section 301 applies. Section 306 stock is defined in section 306(c) and is usually preferred stock received either as a nontaxable dividend or in a transaction in which no gain or loss is recognized. Section 306(b) lists certain circumstances in which the special rules of section 306(a) shall not apply.

(b)(1) If a shareholder sells or otherwise disposes of section 306 stock (other than by redemption or within the exceptions listed in section 306(b)), the entire proceeds received from such disposition shall be treated as ordinary income to the extent that the fair market value of the stock sold, on the date distributed to the shareholder, would have been a dividend to such shareholder had the distributing corporation distributed cash in lieu of stock. Any excess of the amount received over the sum of the amount treated as ordinary income plus the adjusted basis of the stock disposed of, shall be treated as gain from the sale of a capital asset or noncapital asset as the case may be. No loss shall be recognized. No reduction of earnings and profits results from any disposition of stock other than a redemption. The term *disposition* under section 306(a)(1) includes, among other things, pledges of stock under certain circumstances, particularly where the pledgee can look only to the stock itself as its security.

(2) Section 306(a)(1) may be illustrated by the following examples:

Example 1. On December 15, 1954, A and B owned equally all of the stock of Corporation X which files its income tax return on a calendar year basis. On that date Corporation X distributed pro rata 100 shares of preferred stock as a dividend on its outstanding common stock. On December 15, 1954, the preferred stock had a fair market value of \$10,000. On December 31, 1954, the earnings and profits of Corporation X were \$20,000.

The 50 shares of preferred stock so distributed to A had an allocated basis to him of \$10 per share or a total of \$500 for the 50 shares. Such shares had a fair market value of \$5,000 when issued. A sold the 50 shares of preferred stock on July 1, 1955, for \$6,000. Of this amount \$5,000 will be treated as ordinary income; \$500 (\$6,000 minus \$5,500) will be treated as gain from the sale of a capital or non-capital asset as the case may be.

Example 2. The facts are the same as in *Example 1* except that A sold his 50 shares of preferred stock for \$5,100. Of this amount \$5,000 will be treated as ordinary income. No loss will be allowed. There will be added back to the basis of the common stock of Corporation X with respect to which the preferred stock was distributed, \$400, the allocated basis of \$500 reduced by the \$100 received.

Example 3. The facts are the same as in *Example 1* except that A sold 25 of his shares of preferred stock for \$2,600. Of this amount \$2,500 will be treated as ordinary income. No loss will be allowed. There will be added back to the basis of the common stock of Corporation X with respect to which the preferred stock was distributed, \$150, the allocated basis of \$250 reduced by the \$100 received.

(c) The entire amount received by a shareholder from the redemption of section 306 stock shall be treated as a distribution of property under section 301. See also section 303 (relating to distribution in redemption of stock to pay death taxes).

[T.D. 6500, 25 FR 11607, Nov. 26, 1960, as amended by T.D. 7556, 43 FR 34128, Aug. 3, 1978]

§ 1.306-2 Exception.

(a) If a shareholder terminates his entire stock interest in a corporation—

(1) By a sale or other disposition within the requirements of section 306(b)(1)(A), or

(2) By redemption under section 302(b)(3) (through the application of section 306(b)(1)(B)),

the amount received from such disposition shall be treated as an amount received in part or full payment for the stock sold or redeemed. In the case of a sale, only the stock interest need be terminated. In determining whether an entire stock interest has been terminated under section 306(b)(1)(A), all of the provisions of section 318(a) (relating to constructive ownership of stock) shall be applicable. In determining whether a shareholder has terminated

his entire interest in a corporation by a redemption of his stock under section 302(b)(3), all of the provisions of section 318(a) shall be applicable unless the shareholder meets the requirements of section 302(c)(2) (relating to termination of all interest in the corporation). If the requirements of section 302(c)(2) are met, section 318(a)(1) (relating to members of a family) shall be inapplicable. Under all circumstances paragraphs (2), (3), (4), and (5) of section 318(a) shall be applicable.

(b) Section 306(a) does not apply to—

(1) Redemptions of section 306 stock pursuant to a partial or complete liquidation of a corporation to which part II (section 331 and following), subchapter C, chapter 1 of the Code applies,

(2) Exchanges of section 306 stock solely for stock in connection with a reorganization or in an exchange under section 351, 355, or section 1036 (relating to exchanges of stock for stock in the same corporation) to the extent that gain or loss is not recognized to the shareholder as the result of the exchange of the stock (see paragraph (d) of § 1.306-3 relative to the receipt of other property), and

(3) A disposition or redemption, if it is established to the satisfaction of the Commissioner that the distribution, and the disposition or redemption, was not in pursuance of a plan having as one of its principal purposes the avoidance of Federal income tax. However, in the case of a prior or simultaneous disposition (or redemption) of the stock with respect to which the section 306 stock disposed of (or redeemed) was issued, it is not necessary to establish that the distribution was not in pursuance of such a plan. For example, in the absence of such a plan and of any other facts the first sentence of this subparagraph would be applicable to the case of dividends and isolated dispositions of section 306 stock by minority shareholders. Similarly, in the absence of such a plan and of any other facts, if a shareholder received a distribution of 100 shares of section 306 stock on his holdings of 100 shares of voting common stock in a corporation and sells his voting common stock before he disposes of his section 306 stock, the subsequent disposition of his

§ 1.306-3

26 CFR Ch. I (4-1-21 Edition)

section 306 stock would not ordinarily be considered a disposition one of the principal purposes of which is the avoidance of Federal income tax.

[T.D. 6500, 25 FR 11607, Nov. 26, 1960, as amended by T.D. 6969, 33 FR 11998, Aug. 23, 1968]

§ 1.306-3 Section 306 stock defined.

(a) For the purpose of subchapter C, chapter 1 of the code, the term *section 306 stock* means stock which meets the requirements of section 306(c)(1). Any class of stock distributed to a shareholder in a transaction in which no amount is includible in the income of the shareholder or no gain or loss is recognized may be section 306 stock, if a distribution of money by the distributing corporation in lieu of such stock would have been a dividend in whole or in part. However, except as provided in section 306(g), if no part of a distribution of money by the distributing corporation in lieu of such stock would have been a dividend, the stock distributed will not constitute section 306 stock.

(b) For the purpose of section 306, rights to acquire stock shall be treated as stock. Such rights shall not be section 306 stock if no part of the distribution would have been a dividend if money had been distributed in lieu of the rights. When stock is acquired by the exercise of rights which are treated at section 306 stock, the stock acquired is section 306 stock. Upon the disposition of such stock (other than by redemption or within the exceptions listed in section 306(b)), the proceeds received from the disposition shall be treated as ordinary income to the extent that the fair market value of the stock rights, on the date distributed to the shareholder, would have been a dividend to the shareholder had the distributing corporation distributed cash in lieu of stock rights. Any excess of the amount realized over the sum of the amount treated as ordinary income plus the adjusted basis of the stock, shall be treated as gain from the sale of the stock.

(c) Section 306(c)(1)(A) provides that section 306 stock is any stock (other than common issued with respect to common) distributed to the shareholder selling or otherwise disposing

thereof if, under section 305(a) (relating to distributions of stock and stock rights) any part of the distribution was not included in the gross income of the distributee.

(d) Section 306(c)(1)(B) includes in the definition of section 306 stock any stock except common stock, which is received by a shareholder in connection with a reorganization under section 368 or in a distribution or exchange under section 355 (or so much of section 356 as relates to section 355) provided the effect of the transaction is substantially the same as the receipt of a stock dividend, or the stock is received in exchange for section 306 stock. If, in a transaction to which section 356 is applicable, a shareholder exchanges section 306 stock for stock and money or other property, the entire amount of such money and of the fair market value of the other property (not limited to the gain recognized) shall be treated as a distribution of property to which section 301 applies. Common stock received in exchange for section 306 stock in a recapitalization shall not be considered section 306 stock. Ordinarily, section 306 stock includes stock which is not common stock received in pursuance of a plan of reorganization (within the meaning of section 368(a)) or received in a distribution or exchange to which section 355 (or so much of section 356 as relates to section 355) applies if cash received in lieu of such stock would have been treated as a dividend under section 356(a)(2) or would have been treated as a distribution to which section 301 applies by virtue of section 356(b) or section 302(d). The application of the preceding sentence is illustrated by the following examples:

Example 1. Corporation A, having only common stock outstanding, is merged in a statutory merger (qualifying as a reorganization under section 368(a)) with Corporation B. Pursuant to such merger, the shareholders of Corporation A received both common and preferred stock in Corporation B. The preferred stock received by such shareholders is section 306 stock.

Example 2. X and Y each own one-half of the 2,000 outstanding shares of preferred stock and one-half of the 2,000 outstanding shares of common stock of Corporation C. Pursuant to a reorganization within the

meaning of section 368(a)(1)(E) (recapitalization) each shareholder exchanges his preferred stock for preferred stock of a new issue which is not substantially different from the preferred stock previously held. Unless the preferred stock exchanged was itself section 306 stock the preferred stock received is not section 306 stock.

(e) Section 306(c)(1)(C) includes in the definition of section 306 stock any stock (except as provided in section 306(c)(1)(B)) the basis of which in the hands of the person disposing of such stock, is determined by reference to section 306 stock held by such shareholder or any other person. Under this paragraph common stock can be section 306 stock. Thus, if a person owning section 306 stock in Corporation A transfers it to Corporation B which is controlled by him in exchange for common stock of Corporation B in a transaction to which section 351 is applicable, the common stock so received by him would be section 306 stock and subject to the provisions of section 306(a) on its disposition. In addition, the section 306 stock transferred is section 306 stock in the hands of Corporation B, the transferee. Section 306 stock transferred by gift remains section 306 stock in the hands of the donee. Stock received in exchange for section 306 stock under section 1036(a) (relating to exchange of stock for stock in the same corporation) or under so much of section 1031(b) as relates to section 1036(a) becomes section 306 stock and acquires, for purposes of section 306, the characteristics of the section 306 stock exchanged. The entire amount of the fair market value of the other property received in such transaction shall be considered as received upon a disposition (other than a redemption) to which section 306(a) applies. Section 306 stock ceases to be so classified if the basis of such stock is determined by reference to its fair market value on the date of the decedent-stockholder's death under section 1014 or the optional valuation date under section 2032. Section 306 stock continues to be so classified if the basis of such stock is determined under section 1022.

(f) If section 306 stock which was distributed with respect to common stock is exchanged for common stock in the same corporation (whether or not such exchange is pursuant to a conversion

privilege contained in section 306 stock), such common stock shall not be section 306 stock. This paragraph applies to exchanges not coming within the purview of section 306(c)(1)(B). Common stock which is convertible into stock other than common stock or into property, shall not be considered common stock. It is immaterial whether the conversion privilege is contained in the stock or in some type of collateral agreement.

(g) If there is a substantial change in the terms and conditions of any stock, then, for the purpose of this section—

(1) The fair market value of such stock shall be the fair market value at the time of distribution or the fair market value at the time of such change, whichever is higher;

(2) Such stock's ratable share of the amount which would have been a dividend if money had been distributed in lieu of stock shall be determined by reference to the time of distribution or by reference to the time of such change, whichever ratable share is higher; and

(3) Section 306(c)(2) shall be inapplicable if there would have been a dividend to any extent if money had been distributed in lieu of the stock either at the time of the distribution or at the time of such change.

(h) When section 306 stock is disposed of, the amount treated under section 306(a)(1)(A) as ordinary income, for the purposes of part I, subchapter N, chapter 1 of the Code, be treated as derived from the same source as would have been the source if money had been received from the corporation as a dividend at the time of the distribution of such stock. If the amount is determined to be derived from sources within the United States, the amount shall be considered to be fixed or determinable annual or periodic gains, profits, and income within the meaning of section 871(a) or section 881(a), relating, respectively, to the tax on non-resident alien individuals and on foreign corporations not engaged in business in the United States.

(i) Section 306 shall be inapplicable to stock received before June 22, 1954, and to stock received on or after June 22, 1954, in transactions subject to the

§ 1.306-4

provisions of the Internal Revenue Code of 1939.

[T.D. 6500, 25 FR 11607, Nov. 26, 1960, as amended by T.D. 7281, 38 FR 18540, July 12, 1973; T.D. 7556, 43 FR 34128, Aug. 3, 1978; T.D. 9811, 82 FR 6237, Jan. 19, 2017]

§ 1.306-4 Effective/applicability date.

The provisions of §§1.306-1 through 1.306-3 are applicable on or after June 22, 1954. The provisions of §1.306-3 relating to section 1022 are effective on and after January 19, 2017.

[T.D. 9811, 82 FR 6237, Jan. 19, 2017]

§ 1.307-1 General.

(a) If a shareholder receives stock or stock rights as a distribution on stock previously held and under section 305 such distribution is not includible in gross income then, except as provided in section 307(b) and §1.307-2, the basis of the stock with respect to which the distribution was made shall be allocated between the old and new stocks or rights in proportion to the fair market values of each on the date of distribution. If a shareholder receives stock or stock rights as a distribution on stock previously held and pursuant to section 305 part of the distribution is not includible in gross income, then (except as provided in section 307(b) and §1.307-2) the basis of the stock with respect to which the distribution is made shall be allocated between (1) the old stock and (2) that part of the new stock or rights which is not includible in gross income, in proportion to the fair market values of each on the date of distribution. The date of distribution in each case shall be the date the stock or the rights are distributed to the stockholder and not the record date. The general rule will apply with respect to stock rights only if such rights are exercised or sold.

(b) The application of paragraph (a) of this section is illustrated by the following example:

Example. A taxpayer in 1947 purchased 100 shares of common stock at \$100 per share and in 1954 by reason of the ownership of such stock acquired 100 rights entitling him to subscribe to 100 additional shares of such stock at \$90 a share. Immediately after the issuance of the rights, each of the shares of stock in respect of which the rights were acquired had a fair market value, ex-rights, of

26 CFR Ch. I (4-1-21 Edition)

\$110 and the rights had a fair market value of \$19 each. The basis of the rights and the common stock for the purpose of determining the basis for gain or loss on a subsequent sale or exercise of the rights or a sale of the old stock is computed as follows:

100 (shares) × \$100 = \$10,000, cost of old stock (stock in respect of which the rights were acquired).

100 (shares) × \$110 = \$11,000, market value of old stock.

100 (rights) × \$19 = \$1,900, market value of rights.

11,000/12,900 of \$10,000 = \$8,527.13, cost of old stock apportioned to such stock.

1,900/12,900 of \$10,000 = \$1,472.87, cost of old stock apportioned to rights.

If the rights are sold, the basis for determining gain or loss will be \$14.7287 per right. If the rights are exercised, the basis of the new stock acquired will be the subscription price paid therefor (\$90) plus the basis of the rights exercised (\$14.7287 each) or \$104.7287 per share. The remaining basis of the old stock for the purpose of determining gain or loss on a subsequent sale will be \$85.2713 per share.

§ 1.307-2 Exception.

The basis of rights to buy stock which are excluded from gross income under section 305(a), shall be zero if the fair market value of such rights on the date of distribution is less than 15 percent of the fair market value of the old stock on that date, unless the shareholder elects to allocate part of the basis of the old stock to the rights as provided in paragraph (a) of §1.307-1. The election shall be made by a shareholder with respect to all the rights received by him in a particular distribution in respect of all the stock of the same class owned by him in the issuing corporation at the time of such distribution. Such election to allocate basis to rights shall be in the form of a statement attached to the shareholder's return for the year in which the rights are received. This election, once made, shall be irrevocable with respect to the rights for which the election was made. Any shareholder making such an election shall retain a copy of the election and of the tax return with which it was filed, in order to substantiate the use of an allocated basis upon a subsequent disposition of the stock acquired by exercise.

Internal Revenue Service, Treasury

§ 1.312-4

EFFECTS ON CORPORATION

§ 1.312-1 Adjustment to earnings and profits reflecting distributions by corporations.

(a) In general, on the distribution of property by a corporation with respect to its stock, its earnings, and profits (to the extent thereof) shall be decreased by—

(1) The amount of money,

(2) The principal amount of the obligations of such corporation issued in such distribution, and

(3) The adjusted basis of other property.

For special rule with respect to distributions to which section 312(e) applies, see § 1.312-5.

(b) The adjustment provided in section 312(a)(3) and paragraph (a)(3) of this section with respect to a distribution of property (other than money or its own obligations) shall be made notwithstanding the fact that such property has appreciated or depreciated in value since acquisition.

(c) The application of paragraphs (a) and (b) of this section may be illustrated by the following examples:

Example 1. Corporation A distributes to its sole shareholder property with a value of \$10,000 and a basis of \$5,000. It has \$12,500 in earnings and profits. The reduction in earnings and profits by reason of such distribution is \$5,000. Such is the reduction even though the amount of \$10,000 is includible in the income of the shareholder (other than a corporation) as a dividend.

Example 2. The facts are the same as in *Example 1* above except that the property has a basis of \$15,000 and the earnings and profits of the corporation are \$20,000. The reduction in earnings and profits is \$15,000. Such is the reduction even though only the amount of \$10,000 is includible in the income of the shareholder as a dividend.

(d) In the case of a distribution of stock or rights to acquire stock a portion of which is includible in income by reason of section 305(b), the earnings and profits shall be reduced by the fair market value of such portion. No reduction shall be made if a distribution of stock or rights to acquire stock is not includible in income under the provisions of section 305.

(e) No adjustment shall be made in the amount of the earnings and profits of the issuing corporation upon a dis-

position of section 306 stock unless such disposition is a redemption.

§ 1.312-2 Distribution of inventory assets.

Section 312(b) provides for the increase and the decrease of the earnings and profits of a corporation which distributes, with respect to its stock, inventory assets as defined in section 312(b)(2), where the fair market value of such assets exceeds their adjusted basis. The rules provided in section 312(b) (relating to distributions of certain inventory assets) shall be applicable without regard to the method used in computing inventories for the purpose of the computation of taxable income. Section 312(b) does not apply to distributions described in section 312(e).

§ 1.312-3 Liabilities.

The amount of any reductions in earnings and profits described in section 312 (a) or (b) shall be (a) reduced by the amount of any liability to which the property distributed was subject and by the amount of any other liability of the corporation assumed by the shareholder in connection with such distribution, and (b) increased by the amount of gain recognized to the corporation under section 311 (b), (c), or (d), or under section 341(f), 617(d), 1245(a), 1250(a), 1251(c), 1252(a), or 1254(a).

[T.D. 7209, 37 FR 20804, Oct. 5, 1972, as amended by T.D. 8586, 60 FR 2500, Jan. 10, 1995]

§ 1.312-4 Examples of adjustments provided in section 312(c).

The adjustments provided in section 312(c) may be illustrated by the following examples:

Example 1. On December 2, 1954, Corporation X distributed to its sole shareholder, A, an individual, as a dividend in kind a vacant lot which was not an inventory asset. On that date, the lot had a fair market value of \$5,000 and was subject to a mortgage of \$2,000. The adjusted basis of the lot was \$3,100. The amount of the earnings and profits was \$10,000. The amount of the dividend received by A is \$3,000 (\$5,000, the fair market value, less \$2,000, the amount of the mortgage) and the reduction in the earnings and profits of Corporation X is \$1,100 (\$3,100, the basis, less \$2,000, the amount of mortgage).

§ 1.312-5

Example 2. The facts are the same as in *Example (1)* above with the exception that the amount of the mortgage to which the property was subject was \$4,000. The amount of the dividend received by A is \$1,000, and there is no reduction in the earnings and profits of the corporation as a result of the distribution (disregarding such reduction as may result from an increase in tax to Corporation X because, of gain resulting from the distribution). There is a gain of \$900 recognized to Corporation X, the difference between the basis of the property (\$3,100) and the amount of the mortgage (\$4,000), under section 311(c) and an increase in earnings and profits of \$900.

Example 3. Corporation A, having accumulated earnings and profits of \$100,000, distributed in kind to its shareholders, not in liquidation, inventory assets which had a basis to it on the “Lifo” method (section 472) of \$46,000 and on the basis of cost or market (section 471) of \$50,000. The inventory had a fair market value of \$55,000 and was subject to a liability of \$35,000. This distribution results in a net decrease in earnings and profits of Corporation A of \$11,000, (without regard to any tax on Corporation A) computed as follows:

| | | |
|---|----------|---------|
| “Fifo” basis of inventory | \$50,000 | |
| Less: “Lifo” basis of inventory | 46,000 | |
| Gain recognized—addition to earnings and profits (section 311(b)) | | \$4,000 |
| Adjustment to earnings and profits required by section 312(b)(1)(A): | | |
| Fair market value of inventory | \$55,000 | |
| Less: “Lifo” basis plus adjustment under section 311(b) | 50,000 | 5,000 |
| Total increase in earnings and profits | | 9,000 |
| Decrease in earnings and profits—under section 312(b)(1)(B)(i) | \$55,000 | |
| Less: Liability assumed | 35,000 | |
| Net amount of distribution (decrease in earnings) | | 20,000 |
| Net decrease in earnings and profits | | 11,000 |

§ 1.312-5 Special rule for partial liquidations and certain redemptions.

The part of the distribution properly chargeable to capital account within the provisions of section 312(e) shall not be considered a distribution of earnings and profits within the meaning of section 301 for the purpose of determining taxability of subsequent distributions by the corporation.

§ 1.312-6 Earnings and profits.

(a) In determining the amount of earnings and profits (whether of the taxable year, or accumulated since February 28, 1913, or accumulated before March 1, 1913) due consideration must be given to the facts, and, while

mere bookkeeping entries increasing or decreasing surplus will not be conclusive, the amount of the earnings and profits in any case will be dependent upon the method of accounting properly employed in computing taxable income (or net income, as the case may be). For instance, a corporation keeping its books and filing its income tax returns under subchapter E, chapter 1 of the Code, on the cash receipts and disbursements basis may not use the accrual basis in determining earnings and profits; a corporation computing income on the installment basis as provided in section 453 shall, with respect to the installment transactions, compute earnings and profits on such basis; and an insurance company subject to taxation under section 831 shall exclude from earnings and profits that portion of any premium which is unearned under the provisions of section 832(b)(4) and which is segregated accordingly in the unearned premium reserve.

(b) Among the items entering into the computation of corporate earnings and profits for a particular period are all income exempted by statute, income not taxable by the Federal Government under the Constitution, as well as all items includible in gross income under section 61 or corresponding provisions of prior revenue acts. Gains and losses within the purview of section 1002 or corresponding provisions of prior revenue acts are brought into the earnings and profits at the time and to the extent such gains and losses are recognized under that section. Interest on State bonds and certain other obligations, although not taxable when received by a corporation, is taxable to the same extent as other dividends when distributed to shareholders in the form of dividends.

(c)(1) In the case of a corporation in which depletion or depreciation is a factor in the determination of income, the only depletion or depreciation deductions to be considered in the computation of the total earnings and profits are those based on cost or other basis without regard to March 1, 1913, value. In computing the earnings and profits for any period beginning after February 28, 1913, the only depletion or

depreciation deductions to be considered are those based on (i) cost or other basis, if the depletable or depreciable asset was acquired subsequent to February 28, 1913, or (ii) adjusted cost or March 1, 1913, value, whichever is higher, if acquired before March 1, 1913. Thus, discovery or percentage depletion under all revenue acts for mines and oil and gas wells is not to be taken into consideration in computing the earnings and profits of a corporation. Similarly, where the basis of property in the hands of a corporation is a substituted basis, such basis, and not the fair market value of the property at the time of the acquisition by the corporation, is the basis for computing depletion and depreciation for the purpose of determining earnings and profits of the corporation.

(2) The application of subparagraph (1) of this paragraph may be illustrated by the following example:

Example. Oil producing property which A had acquired in 1949 at a cost of \$28,000 was transferred to Corporation Y in December 1951, in exchange for all of its capital stock. The fair market value of the stock and of the property as of the date of the transfer was \$247,000. Corporation Y, after four years' operation, effected in 1955 a cash distribution to A in the amount of \$165,000. In determining the extent to which the earnings and profits of Corporation Y available for dividend distributions have been increased as the result of production and sale of oil, the depletion to be taken into account is to be computed upon the basis of \$28,000 established in the nontaxable exchange in 1951 regardless of the fair market value of the property or of the stock issued in exchange therefor.

(d) A loss sustained for a year before the taxable year does not affect the earnings and profits of the taxable year. However, in determining the earnings and profits accumulated since February 28, 1913, the excess of a loss sustained for a year subsequent to February 28, 1913, over the undistributed earnings and profits accumulated since February 28, 1913, and before the year for which the loss was sustained, reduces surplus as of March 1, 1913, to the extent of such excess. If the surplus as of March 1, 1913, was sufficient to absorb such excess, distributions to shareholders after the year of the loss are out of earnings and profits accumu-

lated since the year of the loss to the extent of such earnings.

(e) With respect to the effect on the earnings and profits accumulated since February 28, 1913, of distributions made on or after January 1, 1916, and before August 6, 1917, out of earnings or profits accumulated before March 1, 1913, which distributions were specifically declared to be out of earnings and profits accumulated before March 1, 1913, see section 31(b) of the Revenue Act of 1916, as added by section 1211 of the Revenue Act of 1917 (40 Stat. 336).

§ 1.312-7 Effect on earnings and profits of gain or loss realized after February 28, 1913.

(a) In order to determine the effect on earnings and profits of gain or loss realized from the sale or other disposition (after February 28, 1913) of property by a corporation, section 312(f)(1) prescribed certain rules for—

(1) The computation of the total earnings and profits of the corporation of most frequent application in determining invested capital; and

(2) The computation of earnings and profits of the corporation for any period beginning after February 28, 1913, of most frequent application in determining the source of dividend distributions.

Such rules are applicable whenever under any provision of subtitle A of the Code it is necessary to compute either the total earnings and profits of the corporation or the earnings and profits for any period beginning after February 28, 1913. For example, since the earnings and profits accumulated after February 28, 1913, or the earnings and profits of the taxable year, are earnings and profits for a period beginning after February 28, 1913, the determination of either must be in accordance with the regulations prescribed by this section for the ascertainment of earnings and profits for any period beginning after February 28, 1913. Under subparagraph (1) of this paragraph, such gain or loss is determined by using the adjusted basis (under the law applicable to the year in which the sale or other disposition was made) for determining gain, but disregarding value as of March 1, 1913. Under subparagraph (2) of this paragraph, there is used such

adjusted basis for determining gain, giving effect to the value as of March 1, 1913, whenever applicable. In both cases the rules are the same as those governing depreciation and depletion in computing earnings and profits (see § 1.312-6). Under both subparagraphs (1) and (2) of this paragraph, the adjusted basis is subject to the limitations of the third sentence of section 312(f)(1) requiring the use of adjustments proper in determining earnings and profits. The proper adjustments may differ under section 312(f)(1)(A) and (B) depending upon the basis to which the adjustments are to be made. If the application of section 312(f)(1)(B) results in a loss and if the application of section 312(f)(1)(A) to the same transaction reaches a different result, then the loss under section 312(f)(1)(B) will be subject to the adjustment thereto required by section 312(g)(2). (See § 1.312-9.)

(b)(1) The gain or loss so realized increases or decreases the earnings and profits to, but not beyond, the extent to which such gain or loss was recognized in computing taxable income (or net income, as the case may be) under the law applicable to the year in which such sale or disposition was made. As used in this paragraph, the term "recognized" has reference to that kind of realized gain or loss which is recognized for income tax purposes by the statute applicable to the year in which the gain or loss was realized. For example, see section 356. A loss (other than a wash sale loss with respect to which a deduction is disallowed under the provisions of section 1091 or corresponding provisions of prior revenue laws) may be recognized though not allowed as a deduction (by reason, for example, of the operation of sections 267 and 1211 and corresponding provisions of prior revenue laws) but the mere fact that it is not allowed does not prevent decrease in earnings and profits by the amount of such disallowed loss. Wash sale losses, however, disallowed under section 1091 and corresponding provisions of prior revenue laws, are deemed nonrecognized losses and do not reduce earnings or profits. The *recognized* gain or loss for the purpose of computing earnings and profits is determined by applying the recognition provisions to the realized gain or loss

computed under the provisions of section 312(f)(1) as distinguished from the realized gain or loss used in computing taxable income (or net income, as the case may be).

(2) The application of subparagraph (1) of this paragraph may be illustrated by the following examples:

Example 1. Corporation X on January 1, 1952, owned stock in Corporation Y which it had acquired from Corporation Y in December 1951, in an exchange transaction in which no gain or loss was recognized. The adjusted basis to Corporation X of the property exchanged by it for the stock in Corporation Y was \$30,000. The fair market value of the stock in Corporation Y when received by Corporation X was \$930,000. On April 9, 1955, Corporation X made a cash distribution of \$900,000 and, except for the possible effect of the transaction in 1951, had no earnings or profits accumulated after February 28, 1913, and had no earnings or profits for the taxable year. The amount of \$900,000 representing the excess of the fair market value of the stock of Corporation Y over the adjusted basis of the property exchanged therefor was not recognized gain to Corporation X under the provisions of section 112 of the Internal Revenue Code of 1939. Accordingly, the earnings and profits of Corporation X are not increased by \$900,000, the amount of the gain realized but not recognized in the exchange, and the distribution was not a taxable dividend. The basis in the hands of Corporation Y of the property acquired by it from Corporation X is \$30,000. If such property is thereafter sold by Corporation Y, gain or loss will be computed on such basis of \$30,000, and earnings and profits will be increased or decreased accordingly.

Example 2. On January 2, 1910, Corporation M acquired nondepreciable property at a cost of \$1,000. On March 1, 1913, the fair market value of such property in the hands of Corporation M was \$2,200. On December 31, 1952, Corporation M transfers such property to Corporation N in exchange for \$1,900 in cash and all Corporation N's stock, which has a fair market value of \$1,100. For the purpose of computing the total earnings and profits of Corporation M, the gain on such transaction is \$2,000 (the sum of \$1,900 in cash and stock worth \$1,100 minus \$1,000, the adjusted basis for computing gain, determined without regard to March 1, 1913, value), \$1,900 of which is recognized under section 356, since this was the amount of money received, although for the purpose of computing net income the gain is only \$800 (the sum of \$1,900 in cash and stock worth \$1,100, minus \$2,200, the adjusted basis for computing gain determined by giving effect to March 1, 1913, value). Such earnings and profits will therefore be increased by only \$800 as a repaying

the earnings and profits of Corporation M for any period beginning after February 28, 1913, however, the gain arising from the transaction, like the taxable gain, is only \$800, all of which is recognized under section 112(c) of the Internal Revenue Code of 1939, the money received being in excess of such amount. Such earnings and profits will therefore be increased by only \$800 as a result of the transaction. For increase in that part of the earnings and profits consisting of increase in value of property accrued before, but realized on or after March 1, 1913, see § 1.312-9.

Example 3. On July 31, 1955, Corporation R owned oil-producing property acquired after February 28, 1913, at a cost of \$200,000, but having an adjusted basis (by reason of taking percentage depletion) of \$100,000 for determining gain. However, the adjusted basis of such property to be used in computing gain or loss for the purpose of earnings and profits is, because of the provisions of the third sentence of section 312(f)(1), \$150,000. On such day Corporation R transferred such property to Corporation S in exchange for \$25,000 in cash and all of the stock of Corporation S, which had a fair market value of \$100,000. For the purpose of computing taxable income, Corporation R has realized a gain of \$25,000 as a result of this transaction, all of which is recognized under section 356. For the purpose of computing earnings and profits, however, Corporation R has realized a loss of \$25,000, none of which is recognized owing to the provisions of section 356(c). The earnings and profits of Corporation R are therefore neither increased nor decreased as a result of the transaction. The adjusted basis of the Corporation S stock in the hands of Corporation R for purposes of computing earnings and profits, however, will be \$125,000 (though only \$100,000 for the purpose of computing taxable income), computed as follows:

| | |
|--|-----------|
| Basis of property transferred | \$200,000 |
| Less money received on exchange | 25,000 |
| Plus gain or minus loss recognized on exchange | None |
| <hr/> | |
| Basis of stock | 175,000 |
| Less adjustments (same as those used in determining adjusted basis of property transferred) .. | 50,000 |
| <hr/> | |
| Adjusted basis of stock | 125,000 |

If, therefore, Corporation R should subsequently sell the Corporation S stock for \$100,000, a loss of \$25,000 will again be realized for the purpose of computing earnings and profits, all of which will be recognized and will be applied to decrease the earnings and profits of Corporation R.

(c)(1) The third sentence of section 312(f)(1) provides for cases in which the adjustments, prescribed in section 1016, to the basis indicated in section 312(f)(1)(A) or (B), as the case may be, differ from the adjustments to such basis proper for the purpose of deter-

mining earnings or profits. The adjustments provided by such third sentence reflect the treatment provided by §§ 1.312-6 and 1.312-15 relative to cases where the deductions for depletion and depreciation in computing taxable income (or net income, as the case may be) differ from the deductions proper for the purpose of computing earnings and profits.

(2) The effect of the third sentence of section 312(f)(1) may be illustrated by the following examples:

Example 1. Corporation X purchased on January 2, 1931, an oil lease at a cost of \$10,000. The lease was operated only for the years 1931 and 1932. The deduction for depletion in each of the years 1931 and 1932 amounted to \$2,750, of which amount \$1,750 represented percentage depletion in excess of depletion based on cost. The lease was sold in 1955 for \$15,000. Under section 1016(a)(2), in determining the gain or loss from the sale of the property, the basis must be adjusted for cost depletion of \$1,000 in 1931 and percentage depletion of \$2,750 in 1932. However, the adjustment of such basis, proper for the determination of earnings and profits, is \$1,000 for each year, or \$2,000. Hence, the cost is to be adjusted only to the extent of \$2,000, leaving an adjusted basis of \$8,000 and the earnings and profits will be increased by \$7,000, and not by \$8,750. The difference of \$1,750 is equal to the amount by which the percentage depletion for the year 1932 (\$2,750) exceeds the depletion on cost for that year (\$1,000) and has already been applied in the computation of earnings and profits for the year 1932 by taking into account only \$1,000 instead of \$2,750 for depletion in the computation of such earnings and profits. (See § 1.316-1.)

Example 2. If, in *Example (1)*, above, the property, instead of being sold, is exchanged in a transaction described in section 1031 for like property having a fair market value of \$7,750 and cash of \$7,250, then the increase in earnings and profits amounts to \$7,000, that is, \$15,000 (\$7,750 plus \$7,250) minus the basis of \$8,000. However, in computing taxable income of Corporation X, the gain is \$8,750, that is, \$15,000 minus \$6,250 (\$10,000 less depletion of \$3,750), of which only \$7,250 is recognized because the recognized gain cannot exceed the sum of money received in the transaction. See section 1031(b) and the corresponding provisions of prior revenue laws. If, however, the cash received was only \$2,250 and the value of the property received was \$12,750, then the increase in earnings and profits would be \$2,250, that amount being the gain recognized under section 1031.

Example 3. On January 1, 1973, corporation X purchased for \$10,000 a depreciable asset with an estimated useful life of 20 years and

no salvage value. In computing depreciation on the asset, corporation X used the declining balance method with a rate twice the straight line rate. On December 31, 1976, the asset was sold for \$9,000. Under section 1016(a)(2), the basis of the asset is adjusted for depreciation allowed for the years 1973 through 1976, or a total of \$3,439. Thus, X realizes a gain of \$2,439 (the excess of the amount realized, \$9,000, over the adjusted basis, \$6,561). However, the proper adjustment to basis for the purpose of determining earnings and profits is only \$2,000, i.e., the total amount which, under § 1.312-15, was applied in the computation of earnings and profits for the years 1973-76. Hence, upon sale of the asset, earnings and profits are increased by only \$1,000, i.e., the excess of the amount realized, \$9,000, over the adjusted basis for earnings and profits purposes, \$8,000.

(d) For adjustment and allocation of the earnings and profits of the transferor as between the transferor and the transferee in cases where the transfer of property by one corporation to another corporation results in the non-recognition in whole or in part of gain or loss, see § 1.312-10; and see section 381 for earnings and profits of successor corporations in certain transactions.

[T.D. 6500, 25 FR 11607, Nov. 26, 1960, as amended by T.D. 7221, 37 FR 24746, Nov. 21, 1972]

§ 1.312-8 Effect on earnings and profits of receipt of tax-free distributions requiring adjustment or allocation of basis of stock.

(a) In order to determine the effect on earnings and profits, where a corporation receives (after February 28, 1913) from a second corporation a distribution which (under the law applicable to the year in which the distribution was made) was not a taxable dividend to the shareholders of the second corporation, section 312(f) prescribes certain rules. It provides that the amount of such distribution shall not increase the earnings and profits of the first or receiving corporation in the following cases: (1) No such increase shall be made in respect of the part of such distribution which (under the law applicable to the year in which the distribution was made) is directly applied in reduction of the basis of the stock in respect of which the distribution was made and (2) no such increase shall be made if (under the law applicable to

the year in which the distribution was made) the distribution causes the basis of the stock in respect of which the distribution was made to be allocated between such stock and the property received (or such basis would but for section 307(b) be so allocated). Where, therefore, the law (applicable to the year in which the distribution was made, as, for example, a distribution in 1934 from earnings and profits accumulated before March 1, 1913) requires that the amount of such distribution shall be applied against and reduce the basis of the stock with respect to which the distribution was made, there is no increase in the earnings and profits by reason of the receipt of such distribution. Similarly, where there is received by a corporation a distribution from another corporation in the form of a stock dividend and the law applicable to the year in which such distribution was made requires the allocation, as between the old stock and the stock received as a dividend, of the basis of the old stock (or such basis would but for section 307(b) be so allocated), then there is no increase in the earnings and profits by reason of the receipt of such stock dividend even though such stock dividend constitutes income within the meaning of the sixteenth amendment to the Constitution.

(b) The principles set forth in paragraph (a) of this section may be illustrated by the following examples:

Example 1. Corporation X in 1955 distributed to Corporation Y, one of its shareholders, \$10,000 which was out of earnings or profits accumulated before March 1, 1913, and did not exceed the adjusted basis of the stock in respect of which the distribution was made. This amount of \$10,000 was, therefore, a tax-free distribution and under the provisions of section 301(e)(2) must be applied against and reduce the adjusted basis of the stock in respect of which the distribution was made. The earnings and profits of Corporation Y are not increased by reason of the receipt of this distribution.

Example 2. Corporation Z in 1955 had outstanding common and preferred stock of which Corporation Y held 100 shares of the common and no preferred. The stock had a cost basis to Corporation Y of \$100 per share, or a total cost of \$10,000. In December of that year it received a dividend of 100 shares of the preferred stock of Corporation Z. Such distribution is a stock dividend which, under

section 305, was not taxable and was accordingly not included in the gross income of Corporation Y. The original cost of \$10,000 is allocated to the 200 shares of Corporation Z none of which has been sold or otherwise disposed of by Corporation Y. See section 307 and § 1.307-1. The earnings and profits of Corporation Y are not increased by reason of the receipt of such stock dividend.

§ 1.312-9 Adjustments to earnings and profits reflecting increase in value accrued before March 1, 1913.

(a) In order to determine, for the purpose of ascertaining the source of dividend distributions, that part of the earnings and profits which is represented by increase in value of property accrued before, but realized on or after, March 1, 1913, section 312(g) prescribes certain rules.

(b)(1) Section 312(g)(1) sets forth the general rule with respect to computing the increase to be made in that part of the earnings and profits consisting of increase in value of property accrued before, but realized on or after, March 1, 1913.

(2) The effect of section 312(g)(1) may be illustrated by the following examples:

Example 1. Corporation X acquired non-depreciable property before March 1, 1913, at a cost of \$10,000. Its fair market value as of March 1, 1913, was \$12,000 and it was sold in 1955 for \$15,000. The increase in earnings and profits based on the value as of March 1, 1913, representing earnings and profits accumulated since February 28, 1913, is \$3,000. If the basis is determined without regard to the value as of March 1, 1913, there would be an increase in earnings and profits of \$5,000. The difference of \$2,000 (\$5,000 minus \$3,000) represents the increase to be made in that part of the earnings and profits of Corporation X consisting of the increase in value of property accrued before, but realized on or after, March 1, 1913.

Example 2. Corporation Y acquired depreciable property in 1908 at a cost of \$100,000. Assuming no additions or betterments, and that the depreciation sustained before March 1, 1913, was \$10,000, the adjusted cost as of that date was \$90,000. Its fair market value as of March 1, 1913, was \$94,000 and on February 28, 1955, it was sold for \$25,000. For the purpose of determining gain from the sale, the basis of the property is the fair market value of \$94,000 as of March 1, 1913, adjusted for depreciation for the period subsequent to February 28, 1913, computed on such fair market value. If the amount of the depreciation deduction allowed after February 28,

1913, and properly allowable for each of such years to the date of the sale in 1955 is the aggregate sum of \$81,467, the adjusted basis for determining gain in 1955 (\$94,000 less \$81,467) is \$12,533 and the gain would be \$12,467 (\$25,000 less \$12,533). The increase in earnings and profits accumulated since February 28, 1913, by reason of the sale, based on the value as of March 1, 1913, adjusted for depreciation is \$12,467. If the depreciation since February 28, 1913, had been based on the adjusted cost of \$90,000 (\$100,000 less \$10,000) instead of the March 1, 1913, value of \$94,000, the depreciation sustained from that date to the date of sale would have been \$78,000 instead of \$81,467 and the actual gain on the sale based on the cost of \$100,000 adjusted by depreciation on such cost to \$12,000 (\$100,000 reduced by the sum of \$10,000 and \$78,000) would be \$13,000 (\$25,000 less \$12,000). If the adjusted basis of the property was determined without regard to the value as of March 1, 1913, there would be an increase in earnings and profits of \$13,000. The difference of \$533 (\$13,000 minus \$12,467) represents the increase to be made in that part of the earnings and profits of Corporation Y consisting of the increase in value of property accrued before, but realized on or after, March 1, 1913 (assuming that the proper increase in such surplus had been made each year for the difference between depreciation based on cost and the depreciation based on March 1, 1913, value). Thus, the total increase in that part of earnings and profits consisting of the increase in value of property accrued before, but realized on or after, March 1, 1913, is \$4,000 (\$94,000 less \$90,000).

(c)(1) Section 312(g)(2) is an exception to the general rule in section 312(g)(1) and also operates as a limitation on the application of section 312(f). It provides that, if the application of section 312(f)(1)(B) to a sale or other disposition after February 28, 1913, results in a loss which is to be applied in decrease of earnings and profits for any period beginning after February 28, 1913, then, notwithstanding section 312(f) and in lieu of the rule provided in section 312(g)(1), the amount of such loss so to be applied shall be reduced by the amount, if any, by which the adjusted basis of the property used in determining the loss, exceeds the adjusted basis computed without regard to the fair market value of the property on March 1, 1913. If the amount so applied in reduction of the loss exceeds such loss, the excess over such loss shall increase that part of the earnings and profits consisting of increase in value

of property accrued before, but realized on or after March 1, 1913.

(2) The application of section 312(g)(2) may be illustrated by the following examples:

Example 1. Corporation Y acquired non-depreciable property before March 1, 1913, at a cost of \$8,000. Its fair market value as of March 1, 1913, was \$13,000, and it was sold in 1955 for \$10,000. Under section 312(f)(1)(B) the adjusted basis would be \$13,000 and there would be a loss of \$3,000. The application of section 312(f)(1)(B) would result in a loss from the sale in 1955 to be applied in decrease of earnings and profits for that year. Section 312(g)(2), however, applies and the loss of \$3,000 is reduced by the amount by which the adjusted basis of \$13,000 exceeds the cost of \$8,000 (the adjusted basis computed without regard to the value on March 1, 1913), namely \$5,000. The amount of the loss is, accordingly, reduced from \$3,000 to zero and there is no decrease in earnings and profits of Corporation Y for the year 1955 as a result of the sale. The amount applied in reduction of the decrease, namely, \$5,000, exceeds \$3,000. Accordingly, as a result of the sale the excess of \$2,000 increases that part of the earnings and profits of Corporation Y consisting of increase in value of property accrued before, but realized on or after March 1, 1913.

Example 2. Corporation Z acquired non-depreciable property before March 1, 1913, at a cost of \$10,000. Its fair market value as of March 1, 1913, was \$12,000, and it was sold in 1955 for \$8,000. Under section 312(f)(1)(B) the adjusted basis would be \$12,000 and there would be a loss of \$4,000. The application of section 312(f)(1)(B) would result in a loss from the sale in 1955 to be applied in decrease of earnings and profits for that year. Section 312(g)(2), however, applies and the loss of \$4,000 is reduced by the amount by which the adjusted basis of \$12,000 exceeds the cost of \$10,000 (the adjusted basis computed without regard to the value on March 1, 1913), namely, \$2,000. The amount of the loss is, accordingly, reduced from \$4,000 to \$2,000 and the decrease in earnings and profits of Corporation Z for the year 1955 as a result of the sale is \$2,000 instead of \$4,000. The amount applied in reduction of the decrease, namely, \$2,000, does not exceed \$4,000. Accordingly, as a result of the sale there is no increase in that part of the earnings and profits of Corporation Z consisting of increase in value of property accrued before, but realized on or after, March 1, 1913.

§ 1.312-10 Allocation of earnings in certain corporate separations.

(a) If one corporation transfers part of its assets constituting an active trade or business to another corporation in a transaction to which section

368(a)(1)(4) applies and immediately thereafter the stock and securities of the controlled corporation are distributed in a distribution or exchange to which section 355 (or so much of section 356 as relates to section 355) applies, the earnings and profits of the distributing corporation immediately before the transaction shall be allocated between the distributing corporation and the controlled corporation. In the case of a newly created controlled corporation, such allocation generally shall be made in proportion to the fair market value of the business or businesses (and interests in any other properties) retained by the distributing corporation and the business or businesses (and interests in any other properties) of the controlled corporation immediately after the transaction. In a proper case, allocation shall be made between the distributing corporation and the controlled corporation in proportion to the net basis of the assets transferred and of the assets retained or by such other method as may be appropriate under the facts and circumstances of the case. The term *net basis* means the basis of the assets less liabilities assumed or liabilities to which such assets are subject. The part of the earnings and profits of the taxable year of the distributing corporation in which the transaction occurs allocable to the controlled corporation shall be included in the computation of the earnings and profits of the first taxable year of the controlled corporation ending after the date of the transaction.

(b) If a distribution or exchange to which section 355 applies (or so much of section 356 as relates to section 355) is not in pursuance of a plan meeting the requirements of a reorganization as defined in section 368(a)(1)(D), the earnings and profits of the distributing corporation shall be decreased by the lesser of the following amounts:

(1) The amount by which the earnings and profits of the distributing corporation would have been decreased if it had transferred the stock of the controlled corporation to a new corporation in a reorganization to which section 368(a)(1)(D) applied and immediately thereafter distributed the stock of such new corporation or,

(2) The net worth of the controlled corporation. (For this purpose the term *net worth* means the sum of the basis of all of the properties plus cash minus all liabilities.)

If the earnings and profits of the controlled corporation immediately before the transaction are less than the amount of the decrease in earnings and profits of the distributing corporation (including a case in which the controlled corporation has a deficit) the earnings and profits of the controlled corporation, after the transaction, shall be equal to the amount of such decrease. If the earnings and profits of the controlled corporation immediately before the transaction are more than the amount of the decrease in the earnings and profits of the distributing corporation, they shall remain unchanged.

(c) In no case shall any part of a deficit of a distributing corporation within the meaning of section 355 be allocated to a controlled corporation.

§ 1.312-11 Effect on earnings and profits of certain other tax-free exchanges, tax-free distributions, and tax-free transfers from one corporation to another.

(a) In a transfer described in section 381(a), the acquiring corporation, as defined in § 1.381(a)-1(b)(2), and only that corporation, succeeds to the earnings and profits of the distributor or transferor corporation (within the meaning of § 1.381(a)-1(a)). Except as provided in § 1.312-10, in all other cases in which property is transferred from one corporation to another, no allocation of the earnings and profits of the transferor is made to the transferee.

(b) The general rule provided in section 316 that every distribution is made out of earnings or profits to the extent thereof and from the most recently accumulated earnings or profits does not apply to:

(1) The distribution, in pursuance of a plan of reorganization, by or on behalf of a corporation a party to the reorganization, or in a transaction subject to section 355, to its shareholders—

(i) Of stock or securities in such corporation or in another corporation a party to the reorganization in any taxable year beginning before January 1,

1934, without the surrender by the distributees of stock or securities in such corporation (see section 112(g) of the Revenue Act of 1932 (47 Stat. 197)); or

(ii) Of stock (other than preferred stock) in another corporation which is a party to the reorganization without the surrender by the distributees of stock in the distributing corporation if the distribution occurs after October 20, 1951, and is subject to section 112(b)(11) of the Internal Revenue Code of 1939; or

(iii) Of stock or securities in such corporation or in another corporation a party to the reorganization in any taxable year beginning before January 1, 1939, or on or after such date, in exchange for its stock or securities in a transaction to which section 112(b)(3) of the Internal Revenue Code of 1939 was applicable; or

(iv) Of stock or securities in such corporation or in another corporation in exchange for its stock or securities in a transaction subject to section 354 or 355,

if no gain to the distributees from the receipt of such stock or securities was recognized by law.

(2) The distribution in any taxable year (beginning before January 1, 1939, or on or after such date) of stock or securities, or other property or money, to a corporation in complete liquidation of another corporation, under the circumstances described in section 112(b)(6) of the Revenue Act of 1936 (49 Stat. 1679), the Revenue Act of 1938 (52 Stat. 485), of the Internal Revenue Code of 1939, or section 332 of the Internal Revenue Code of 1954.

(3) The distribution in any taxable year (beginning after December 31, 1938), of stock or securities, or other property or money, in the case of an exchange or distribution described in section 371 of the Internal Revenue Code of 1939 or in section 1081 of the Internal Revenue Code of 1954 (relating to exchanges and distributions in obedience to orders of the Securities and Exchange Commission), if no gain to the distributee from the receipt of such stock, securities, or other property or money was recognized by law.

(4) A stock dividend which was not subject to tax in the hands of the distributee because either it did not constitute income to him within the meaning of the sixteenth amendment to the Constitution or because exempt to him under section 115(f) of the Revenue Act of 1934 (48 Stat. 712) or a corresponding provision of a prior Revenue Act, or section 305 of the Code.

(5) The distribution, in a taxable year of the distributee beginning after December 31, 1931, by or on behalf of an insolvent corporation, in connection with a section 112(b)(10) reorganization under the Internal Revenue Code of 1939, or in a transaction subject to section 371 of the Internal Revenue Code of 1954, of stock or securities in a corporation organized or made use of to effectuate the plan of reorganization, if under section 112(e) of the Internal Revenue Code of 1939 or section 371 of the Internal Revenue Code of 1954 no gain to the distributee from the receipt of such stock or securities was recognized by law.

(c) A distribution described in paragraph (b) of this section does not diminish the earnings or profits of any corporation. In such cases, the earnings or profits remain intact and available for distribution as dividends by the corporation making such distribution, or by another corporation to which the earnings or profits are transferred upon such reorganization or other exchange. In the case, however, of amounts distributed in liquidation (other than a taxfree liquidation or reorganization described in paragraph (b)(1), (2), (3), or (5) of this section) the earnings or profits of the corporation making the distribution are diminished by the portion of such distribution properly chargeable to earnings or profits accumulated after February 28, 1913, after first deducting from the amount of such distribution the portion thereof allocable to capital account.

(d) For the purposes of this section, the terms *reorganization* and *party to the reorganization* shall, for any taxable year beginning before January 1, 1934, have the meanings assigned to such terms in section 112 of the Revenue Act of 1932 (47 Stat. 196); for any taxable year beginning after December 31, 1933,

and before January 1, 1936, have the meanings assigned to such terms in section 112 of the Revenue Act of 1934 (48 Stat. 704); for any taxable year beginning after December 31, 1935, and before January 1, 1938, have the meanings assigned to such terms in section 112 of the Revenue Act of 1936 (49 Stat. 1678); for any taxable year beginning after December 31, 1937, and before January 1, 1939, have the meanings assigned to such terms in section 112 of the Revenue Act of 1938 (52 Stat. 485); and for any taxable year beginning after December 31, 1938, and ending before June 22, 1954, providing no election is made under section 393(b)(2) of the Internal Revenue Code of 1954, have the meanings assigned to such terms in section 112(g)(1) of the Internal Revenue Code of 1939.

(e) *Effective/applicability date.* Paragraph (a) of this section applies to transactions occurring on or after November 10, 2014.

[T.D. 6500, 25 FR 11607, Nov. 26, 1960; 25 FR 14021, Dec. 31, 1960, as amended by T.D. 9700, 79 FR 66617, Nov. 10, 2014]

§ 1.312-12 Distributions of proceeds of loans guaranteed by the United States.

(a) The provisions of section 312(j) are applicable with respect to a loan, any portion of which is guaranteed by an agency of the United States Government without regard to the percentage of such loan subject to such guarantee.

(b) The application of section 312(j) is illustrated by the following example:

Example. Corporation A borrowed \$1,000,000 for the purpose of construction of an apartment house, the cost and adjusted basis of which was \$900,000. This loan was guaranteed by an agency of the United States Government. One year after such loan was made and after the completion of construction of the building (but before such corporation had received any income) it distributed \$100,000 cash to its shareholders. The earnings and profits of the taxable year of such corporation are increased (pursuant to section 312(j)) by \$100,000 immediately prior to such distribution and are decreased by \$100,000 immediately after such distribution. Such decrease, however, does not reduce the earnings and profits below zero. Two years later, it has no accumulated earnings and has earnings of the taxable year of \$100,000. Before it has made any payments on the loan, it distributes \$200,000 to its shareholders. The

earnings and profits of the taxable year of the corporation (\$100,000) are increased by \$100,000, the excess of the amount of the guaranteed loan over the adjusted basis of the apartment house (calculated without adjustment for depreciation). The entire amount of each distribution is treated as a distribution out of earnings and profits and, accordingly, as a taxable dividend.

§ 1.312-15 Effect of depreciation on earnings and profits.

(a) *Depreciation for taxable years beginning after June 30, 1972*—(1) *In general.* Except as provided in subparagraph (2) of this paragraph and paragraph (c) of this section, for purposes of computing the earnings and profits of a corporation (including a real estate investment trust as defined in section 856) for any taxable year beginning after June 30, 1972, the allowance for depreciation (and amortization, if any) shall be deemed to be the amount which would be allowable for such year if the straight line method of depreciation had been used for all property for which depreciation is allowable for each taxable year beginning after June 30, 1972. Thus, for taxable years beginning after June 30, 1972, in determining the earnings and profits of a corporation, depreciation must be computed under the straight line method, notwithstanding that in determining taxable income the corporation uses an accelerated method of depreciation described in subparagraph (A), (B), or (C) of section 312(m)(2) or elects to amortize the basis of property under section 169, 184, 187, or 188, or any similar provision. See § 1.168(k)-1(f)(7) with respect to the treatment of the additional first year depreciation deduction allowable under section 168(k) for qualified property or 50-percent bonus depreciation property, and § 1.1400L(b)-1(f)(7) with respect to the treatment of the additional first year depreciation deduction allowable under section 1400L(b) for qualified New York Liberty Zone property, for purposes of computing the earnings and profits of a corporation. Further, see § 1.168(k)-2(g)(7) with respect to the treatment of the additional first year depreciation deduction allowable under section 168(k), as amended by the Tax Cuts and Jobs Act, Public Law 115-97 (131 Stat. 2054 (December 22, 2017)), for purposes of com-

puting the earnings and profits of a corporation.

(2) *Exception.* (i) If, for any taxable year beginning after June 30, 1972, a method of depreciation is used by a corporation in computing taxable income which the Secretary or his delegate has determined results in a reasonable allowance under section 167(a) and which is not a declining balance method of depreciation (described in § 1.167(b)-2), the sum of the years-digits method (described in § 1.167(b)-3), or any other method allowed solely by reason of the application of subsection (b)(4) or (j)(1)(C) of section 167, then the adjustment to earnings and profits for depreciation for such year shall be determined under the method so used (in lieu of the straight line method).

(ii) The Commissioner has determined that the “unit of production” (see § 1.167(b)-0(b)), and the “machine hour” methods of depreciation, when properly used under appropriate circumstances, meet the requirements of subdivision (i) of this subparagraph. Thus, the adjustment to earnings and profits for depreciation (for the taxable year for which either of such methods is properly used under appropriate circumstances) shall be determined under whichever of such methods is used to compute taxable income.

(3) *Determinations under straight line method.* (i) In the case of property with respect to which an allowance for depreciation is claimed in computing taxable income, the determination of the amount which would be allowable under the straight line method shall be based on the manner in which the corporation computes depreciation in determining taxable income. Thus, if an election under § 1.167(a)-11 is in effect with respect to the property, the amount of depreciation which would be allowable under the straight line method shall be determined under § 1.167(a)-11(g)(3). On the other hand, if property is not depreciated under the provisions of § 1.167(a)-11, the amount of depreciation which would be allowable under the straight line method shall be determined under § 1.167(b)-1. Any election made under section 167(f), with respect to reducing the amount of salvage value taken into account in computing the depreciation allowance for certain

property, or any convention adopted under § 1.167(a)-10(b) or § 1.167(a)-11(c)(2), with respect to additions and retirements from multiple asset accounts, which is used in computing depreciation for taxable income shall be used in computing depreciation for earnings and profits purposes.

(ii) In the case of property with respect to which an election to amortize is in effect under section 169, 184, 187, or 188, or any similar provision, the amount which would be allowable under the straight line method of depreciation shall be determined under the provisions of § 1.167(b)-1. Thus, the cost or other basis of the property, less its estimated salvage value, is to be deducted in equal annual amounts over the period of the estimated useful life of the property. In computing the amount of depreciation for earnings and profits purposes, a taxpayer may utilize the provisions of section 167(f) (relating to the reduction in the amount of salvage value taken into account in computing the depreciation allowance for certain property) and any convention which could have been adopted for such property under § 1.167(a)-10(b) (relating to additions and retirements from multiple asset accounts).

(b) *Transitional rules*—(1) *Depreciation*. If, for the taxable year which includes June 30, 1972, (i) the allowance for depreciation of any property is computed under a method other than the straight line method or a method described in paragraph (a)(2) of this section, and (ii) paragraph (a)(1) of this section applies to such property for the first taxable year beginning after June 30, 1972, then adjustments to earnings and profits for depreciation of such property for taxable years beginning after June 30, 1972, shall be determined as if the corporation changed to the straight line method with respect to such property as of the first day of the first taxable year beginning after June 30, 1972. Thus, if an election under § 1.167(a)-11 is in effect with respect to the property, the change shall be made under the provisions of § 1.167(a)-11(c)(1)(iii), except that no statement setting forth the vintage accounts for which the change is made shall be furnished with the income tax return of the year of

change if the change is only for purposes of computing earnings and profits. In all other cases, the unrecovered cost or other basis of the property (less a reasonable estimate for salvage) as of such first day shall be recovered through equal annual allowances over the estimated remaining useful life determined in accordance with the circumstances existing at that time. See paragraph (a)(3)(i) of this section for rules relating to the applicability of section 167(f) in determining salvage value.

(2) *Amortization*. If, for the taxable year which includes June 30, 1972, the basis of any property is amortized under section 169, 184, 187, or 188, or any similar provision, then adjustments to earnings and profits for depreciation or amortization of such property for taxable years beginning after June 30, 1972, shall be determined as if the unrecovered cost or other basis of the property (less a reasonable estimate for salvage) as of the first day of the first taxable year beginning after June 30, 1972, were recovered through equal annual allowances over the estimated remaining useful life of the property determined in accordance with the circumstances existing at that time. See paragraph (a)(3)(ii) of this section for rules relating to the applicability of section 167(f).

(c) *Certain foreign corporations*. Paragraphs (a) and (b) of this section shall not apply in computing the earnings and profits of a foreign corporation for any taxable year for which less than 20 percent of the gross income from all sources of such corporation is derived from sources within the United States.

(d) *Books and records*. Wherever different methods of depreciation are used for taxable income and earnings and profits purposes, records shall be maintained which show the depreciation taken for earnings and profits purposes each year and which will allow computation of the adjusted basis of the property in each account using the depreciation taken for earnings and profits purposes.

(e) *Applicability date of qualified property*. The last sentence of paragraph (a)(1) of this section applies to the taxpayer's taxable years ending on or after September 24, 2019. However, a

taxpayer may choose to apply the last sentence in paragraph (a)(1) of this section for the taxpayer's taxable years ending on or after September 28, 2017. A taxpayer may rely on the last sentence in paragraph (a)(1) of this section in regulation project REG-104397-18 (2018-41 I.R.B. 558) (see §601.601(d)(2)(ii)(b) of this chapter) for the taxpayer's taxable years ending on or after September 28, 2017, and ending before the taxpayer's taxable year that includes September 24, 2019.

[T.D. 7221, 37 FR 24746, Nov. 21, 1972, as amended by T.D. 9283, 71 FR 51746, Aug. 31, 2006; T.D. 9874, 84 FR 50149, Sept. 24, 2019]

DEFINITIONS; CONSTRUCTIVE OWNERSHIP
OF STOCK

§ 1.316-1 Dividends.

(a)(1) The term *dividend* for the purpose of subtitle A of the Code (except when used in subchapter L, chapter 1 of the Code, in any case where the reference is to dividends and similar distributions of insurance companies paid to policyholders as such) comprises any distribution of property as defined in section 317 in the ordinary course of business, even though extraordinary in amount, made by a domestic or foreign corporation to its shareholders out of either—

(i) Earnings and profits accumulated since February 28, 1913, or

(ii) Earnings and profits of the taxable year computed without regard to the amount of the earnings and profits (whether of such year or accumulated since February 28, 1913) at the time the distribution was made.

The earnings and profits of the taxable year shall be computed as of the close of such year, without diminution by reason of any distributions made during the taxable year. For the purpose of determining whether a distribution constitutes a dividend, it is unnecessary to ascertain the amount of the earnings and profits accumulated since February 28, 1913, if the earnings and profits of the taxable year are equal to or in excess of the total amount of the distributions made within such year.

(2) Where a corporation distributes property to its shareholders on or after June 22, 1954, the amount of the distribution which is a dividend to them

may not exceed the earnings and profits of the distributing corporation.

(3) The rule of (2) above may be illustrated by the following example:

Example. X and Y, individuals, each own one-half of the stock of Corporation A which has earnings and profits of \$10,000. Corporation A distributes property having a basis of \$6,000 and a fair market value of \$16,000 to its shareholders, each shareholder receiving property with a basis of \$3,000 and with a fair market value of \$8,000 in a distribution to which section 301 applies. The amount taxable to each shareholder as a dividend under section 301(c) is \$5,000.

(b)(1) In the case of a corporation which, under the law applicable to the taxable year in which a distribution is made, is a personal holding company or which, for the taxable year in respect of which a distribution is made under section 563 (relating to dividends paid within 2½ months after the close of the taxable year), or section 547 (relating to deficiency dividends), or corresponding provisions of a prior income tax law, was under the applicable law a personal holding company, the term *dividend*, in addition to the meaning set forth in the first sentence of section 316, also means a distribution to its shareholders as follows: A distribution within a taxable year of the corporation, or of a shareholder, is a dividend to the extent of the corporation's undistributed personal holding company income (determined under section 545 without regard to distributions under section 316(b)(2)) for the taxable year in which, or, in the case of a distribution under section 563 or section 547, the taxable year in respect of which, the distribution was made. This subparagraph does not apply to distributions in partial or complete liquidation of a personal holding company. In the case of certain complete liquidations of a personal holding company see subparagraph (2) of this paragraph.

(2) In the case of a corporation which, under the law applicable to the taxable year in which a distribution is made, is a personal holding company or which, for the taxable year in respect of which a distribution is made under section 563, or section 547, or corresponding provisions of a prior income tax law, was under the applicable law a personal holding company, the term *dividend*, in

addition to the meaning set forth in the first sentence of section 316, also means, in the case of a complete liquidation occurring within 24 months after the adoption of a plan of liquidation, a distribution of property to its shareholders within such period, but—

(i) Only to the extent of the amounts distributed to distributees other than corporate shareholders, and

(ii) Only to the extent that the corporation designates such amounts as a dividend distribution and duly notifies such distributees in accordance with subparagraph (5) of this paragraph, but

(iii) Not in excess of the sum of such distributees' allocable share of the undistributed personal holding company income for such year (determined under section 545 without regard to sections 562(b) and 316(b)(2)(B)).

Section 316(b)(2)(B) and this subparagraph apply only to distributions made in any taxable year of the distributing corporation beginning after December 31, 1963. The amount designated with respect to a noncorporate distributee may not exceed the amount actually distributed to such distributee. For purposes of determining a noncorporate distributee's gain or loss on liquidation, amounts distributed in complete liquidation to such distributee during a taxable year are reduced by the amounts designated as a dividend with respect to such distributee for such year. For purposes of section 333(e)(1), a shareholder's ratable share of the earnings and profits of the corporation accumulated after February 28, 1913, shall be reduced by the amounts designated as a dividend with respect to such shareholder (even though such designated amounts are distributed during the 1-month period referred to in section 333).

(3) For purposes of subparagraph (2)(iii) of this paragraph—

(i) Except as provided in subdivision (ii) of this subparagraph, the sum of the noncorporate distributees' allocable share of undistributed personal holding company income for the taxable year in which, or in respect of which, the distribution was made (computed without regard to sections 562(b) and 316(b)(2)(B)) shall be determined by multiplying such undistributed personal holding company income by the

ratio which the aggregate value of the stock held by all noncorporate shareholders immediately before the record date of the last liquidating distribution in such year bears to the total value of all stock outstanding on such date. For rules applicable in a case where the distributing corporation has more than one class of stock, see subdivision (iii) of this subparagraph.

(ii) If more than one liquidating distribution was made during the year, and if, after the record date of the first distribution but before the record date of the last distribution, there was a change in the relative shareholdings as between noncorporate shareholders and corporate shareholders, then the sum of the noncorporate distributees' allocable share of undistributed personal holding company income for the taxable year in which, or in respect of which, the distributions were made (computed without regard to sections 562(b) and 316(b)(2)(B)) shall be determined as follows:

(a) First, allocate the corporation's undistributed personal holding company income among the distributions made during the taxable year by reference to the ratio which the aggregate amount of each distribution bears to the total amount of all distributions during such year;

(b) Second, determine the noncorporate distributees' allocable share of the corporation's undistributed personal holding company income for each distribution by multiplying the amount determined under (a) of this subdivision (ii) for each distribution by the ratio which the aggregate value of the stock held by all noncorporate shareholders immediately before the record date of such distribution bears to the total value of all stock outstanding on such date; and

(c) Last, determine the sum of the noncorporate distributees' allocable share of the corporation's undistributed personal holding company income for all such distributions.

For rules applicable in a case where the distributing corporation has more than one class of stock, see subdivision (iii) of this subparagraph.

(iii) Where the distributing corporation has more than one class of stock—

(a) The undistributed personal holding company income for the taxable year in which, or in respect of which the distribution was made shall be treated as a fund from which dividends may properly be paid and shall be allocated between or among the classes of stock in a manner consistent with the dividend rights of such classes under local law and the pertinent governing instruments, such as, for example, the distributing corporation's articles or certificate of incorporation and bylaws;

(b) The noncorporate distributees' allocable share of the undistributed personal holding company income for each class of stock shall be determined separately in accordance with the rules set forth in subdivisions (i) or (ii) of this subparagraph, as if each class of stock were the only class of stock outstanding; and

(c) The sum of the noncorporate distributees' allocable share of the undistributed personal holding company income for the taxable year in which, or in respect of which, the distribution was made shall be the sum of the noncorporate distributees' allocable share of the undistributed personal holding company income for all classes of stock.

(iv) For purposes of this subparagraph, in any case where the record date of a liquidating distribution cannot be ascertained, the record date of the distribution shall be the date on which the liquidating distribution was actually made.

(4) The amount designated as a dividend to a noncorporate distributee for any taxable year of the distributing corporation may not exceed an amount equal to the sum of the noncorporate distributees' allocable share of undistributed personal holding company income (as determined under subparagraph (3) of this paragraph) for such year multiplied by the ratio which the aggregate value of the stock held by such distributee immediately before the record date of the liquidating distribution or, if the record date cannot be ascertained, immediately before the date on which the liquidating distribution was actually made, bears to the aggregate value of stock outstanding held by all noncorporate distributees on such date. In any case where more

than one liquidating distribution is made during the taxable year, the aggregate amount which may be designated as a dividend to a noncorporate distributee for such year may not exceed the aggregate of the amounts determined by applying the principle of the preceding sentence to the amounts determined under subparagraphs (3)(ii)(a) and (b) of this paragraph for each distribution. Where the distributing corporation has more than one class of stock, the limitation on the amount which may be designated as a dividend to a noncorporate distributee for any taxable year shall be determined by applying the rules of this subparagraph separately with respect to the noncorporate distributees' allocable share of the undistributed personal holding company income for each class of stock (as determined under subparagraphs (3)(iii)(a) and (b) of this paragraph).

(5) A corporation may designate as a dividend to a shareholder all or part of a distribution in complete liquidation described in section 316(b)(2)(B) of this paragraph by:

(i) Claiming a dividends paid deduction for such amount in its return for the year in which, or in respect of which, the distribution is made,

(ii) Including such amount as a dividend in Form 1099 filed in respect of such shareholder pursuant to section 6042(a) and the regulations thereunder and in a written statement of dividend payments furnished to such shareholder pursuant to section 6042(c) and § 1.6042-4, and

(iii) Indicating on the written statement of dividend payments furnished to such shareholder the amount included in such statement which is designated as a dividend under section 316(b)(2)(B) and this paragraph.

If a corporation complies with the procedure prescribed in the preceding sentence, it satisfies both the designation and notification requirements of section 316(b)(2)(B)(ii) and paragraph (b)(2)(ii) of this section. An amount designated as a dividend shall not be included as a distribution in liquidation on Form 1099L filed pursuant to § 1.6043-2 (relating to returns of information respecting distributions in liquidation). If a corporation designates a

dividend in accordance with this subparagraph, it shall attach to the return in which it claims a deduction for such designated dividend a schedule indicating all facts necessary to determine the sum of the noncorporate distributees' allocable share of undistributed personal holding company income (determined in accordance with subparagraph (3) of this paragraph) for the year in which, or in respect of which, the distribution is made.

(c) Except as provided in section 316(b)(1), the term *dividend* includes any distribution of property to shareholders to the extent made out of accumulated or current earnings and profits. See, however, section 331 (relating to distributions in complete or partial liquidation), section 301(e) (relating to distributions by personal service corporations), section 302(b) (relating to redemptions treated as amounts received from the sale or exchange of stock), and section 303 (relating to distributions in redemption of stock to pay death taxes). See also section 305(b) for certain distributions of stock or stock rights treated as distributions of property.

(d) In the case of a corporation which, under the law applicable to the taxable year in respect of which a distribution is made under section 860 (relating to deficiency dividends), was a regulated investment company (within the meaning of section 851), or a real estate investment trust (within the meaning of section 856), the term *dividend*, in addition to the meaning set forth in paragraphs (a) and (b) of section 316, means a distribution of property to its shareholders which constitutes a "deficiency dividend" as defined in section 860(f).

(e) The application of section 316 may be illustrated by the following examples:

Example 1. At the beginning of the calendar year 1955, Corporation M had an operating deficit of \$200,000 and the earnings and profits for the year amounted to \$100,000. Beginning on March 16, 1955, the corporation made quarterly distributions of \$25,000 during the taxable year to its shareholders. Each distribution is a taxable dividend in full, irrespective of the actual or the pro rata amount of the earnings and profits on hand at any of the dates of distribution, since the total distributions made during the year (\$100,000) did

not exceed the total earnings and profits of the year (\$100,000).

Example 2. At the beginning of the calendar year 1955, Corporation N, a personal holding company, had no accumulated earnings and profits. During that year it made no earnings and profits but, due to the disallowance of certain deductions, its undistributed personal holding company income (determined under section 545 without regard to distributions under section 316(b)(2)) was \$16,000. It distributed to shareholders on December 15, 1955, \$15,000, and on February 1, 1956, \$1,000, the latter amount being claimed as a deduction under section 563 in its personal holding company schedule for 1955 filed with its return for 1955 on March 15, 1956. Both distributions are taxable dividends in full, since they do not exceed the undistributed personal holding company income (determined without regard to such distributions) for 1955, the taxable year in which the distribution of \$15,000 was made and with respect to which the distribution of \$1,000 was made. It is immaterial whether Corporation N is a personal holding company for the taxable year 1956 or whether it had any income for that year.

Example 3. In 1959, a deficiency in personal holding company tax was established against Corporation O for the taxable year 1955 in the amount of \$35,500 based on an undistributed personal holding company income of \$42,000. Corporation O complied with the provisions of section 547 and in December 1959 distributed \$42,000 to its stockholders as "deficiency dividends." The distribution of \$42,000 is a taxable dividend since it does not exceed \$42,000 (the undistributed personal holding company income for 1955, the taxable year with respect to which the distribution was made). It is immaterial whether Corporation O is a personal holding company for the taxable year 1959 or whether it had any income for that year.

Example 4. At the beginning of the taxable year 1955, Corporation P, a personal holding company, had a deficit in earnings and profits of \$200,000. During that year it made earnings and profits of \$90,000. For that year, however, it had an undistributed personal holding income (determined under section 545 without regard to distributions under section 316(b)(2)) of \$80,000. During such taxable year it distributed to its shareholders \$100,000. The distribution of \$100,000 is a taxable dividend to the extent of \$90,000 since its earnings and profits for that year, \$90,000, exceed \$80,000, the undistributed personal holding company income determined without regard to such distribution.

Example 5. Corporation O, a calendar year taxpayer, is completely liquidated on December 31, 1964, pursuant to a plan of liquidation adopted July 1, 1964. No distributions in liquidation were made pursuant to the plan of liquidation adopted July 1, 1964, until the

distribution in complete liquidation on December 31, 1964. Corporation O has undistributed personal holding company income of \$300,000 for the year 1964 (computed without regard to section 562(b) or section 316(b)(2)(B)). On December 31, 1964, immediately before the record date of the distribution in complete liquidation, individual A owns 200 shares of Corporation O's outstanding stock and Corporation P owns the remaining 100 shares of outstanding stock. All shares are equal in value. The noncorporate distributees' allocable share of undistributed personal holding company income for 1964 is \$200,000

$200 \text{ shares} + 300 \text{ shares} \times \$300,000.$

If at least \$200,000 is distributed to A in the liquidation, then Corporation O may designate \$200,000 to A as a dividend in accordance with paragraph (b)(5) of this section, and, if such amount is designated, then A must treat \$200,000 as a dividend to which section 301 applies. For an example of the treatment of the distribution to Corporation P see paragraph (b)(2)(iii) of § 1.562-1.

Example 6. Corporation Q, a calendar year taxpayer, is completely liquidated on December 31, 1964, pursuant to a plan of liquidation adopted July 1, 1964. No distributions in liquidation were made pursuant to the plan of liquidation adopted July 1, 1964, until the distribution in complete liquidation on December 31, 1964. Corporation Q has undistributed personal holding company income of \$40,000 for the year 1964 (computed without regard to section 562(b) or section 316(b)(2)(B)). On December 31, 1964, immediately before the record date of the distribution in complete liquidation, Corporation Q has outstanding 300 shares of common stock and 100 shares of noncumulative preferred stock. Corporation Q's articles of incorporation provide that the preferred stock is entitled to dividends of \$10 per share per year. Of Corporation Q's stock, individual B owns 200 shares of the common stock and 50 shares of the preferred stock, and Corporation R owns all remaining shares. All of the common shares are equal in value, and all of the preferred shares are equal in value. No dividends had been paid on the preferred stock during the year 1964. Of the \$40,000 of undistributed personal holding company income, \$1,000 must be allocated to the preferred stock because of the rights of the holders of such stock, under Q's articles of incorporation, to receive that amount in dividends for the year 1964. The noncorporate distributees' allocable share of undistributed personal holding company income for 1964 is \$26,500.

$50 \text{ preferred shares} + 100 \text{ preferred shares} \times \$1,000 + 200 \text{ common shares} + 300 \text{ common shares} \times \$39,000$

If at least \$26,500 is distributed to B in the liquidation, then corporation Q may des-

ignate \$26,500 to B as a dividend in accordance with paragraph (b)(5) of this section, and, if such amount is designated, then B must treat \$26,500 as a dividend to which section 301 applies.

Example 7. In 1979, a deficiency of \$46,000 in the tax on real estate investment trust taxable income is established against corporation R for the taxable year 1977, based on an increase in real estate investment trust taxable income of \$100,000. Corporation R complied with the provisions of section 860 and in December 1979 distributed to its stockholders \$100,000, which qualified as "deficiency dividends" under section 860. The distribution of \$100,000 is a taxable dividend. It is immaterial whether corporation R is a real estate investment trust for the taxable year 1979 or whether it had accumulated or current earnings and profits in 1979. See section 316(b)(3).

(Sec. 860(l) (92 Stat. 2849, 26 U.S.C. 860(l)); sec. 860(g) (92 Stat. 2850, 26 U.S.C. 860(g)); and sec. 7805 (68A Stat. 917, 26 U.S.C. 7805))

[T.D. 6500, 25 FR 11607, Nov. 26, 1960, as amended by T.D. 6625, 27 FR 12541, Dec. 19, 1962; T.D. 6949, 33 FR 5519, Apr. 9, 1968; T.D. 7767, 46 FR 11264, Feb. 6, 1981; T.D. 7936, 49 FR 2105, Jan. 18, 1984]

§ 1.316-2 Sources of distribution in general.

(a) For the purpose of income taxation every distribution made by a corporation is made out of earnings and profits to the extent thereof and from the most recently accumulated earnings and profits. In determining the source of a distribution, consideration should be given first, to the earnings and profits of the taxable year; second, to the earnings and profits accumulated since February 28, 1913, only in the case where, and to the extent that, the distributions made during the taxable year are not regarded as out of the earnings and profits of that year; third, to the earnings and profits accumulated before March 1, 1913, only after all the earnings and profits of the taxable year and all the earnings and profits accumulated since February 28, 1913, have been distributed; and, fourth, to sources other than earnings and profits only after the earnings and profits have been distributed.

(b) If the earnings and profits of the taxable year (computed as of the close of the year without diminution by reason of any distributions made during the year and without regard to the amount of earnings and profits at the

§ 1.316-2

26 CFR Ch. I (4-1-21 Edition)

time of the distribution) are sufficient in amount to cover all the distributions made during that year, then each distribution is a taxable dividend. See § 1.316-1. If the distributions made during the taxable year exceed the earnings and profits of such year, then that proportion of each distribution which the total of the earnings and profits of the year bears to the total distributions made during the year shall be regarded as out of the earnings and profits of that year. The portion of each such distribution which is not regarded as out of earnings and profits of the taxable year shall be considered a taxable dividend to the extent of the earnings and profits accumulated since February 28, 1913, and available on the date of the distribution. In any case in which it is necessary to determine the amount of earnings and profits accumulated since February 28, 1913, and the actual earnings and profits to the date of a distribution within any taxable year (whether beginning before January 1, 1936, or, in the case of an operating deficit, on or after that date) cannot be shown, the earnings and profits for the year (or accounting period, if less than a year) in which the distribution was made shall be prorated to the date of the distribution not counting the date on which the distribution was made.

(c) The provisions of the section may be illustrated by the following example:

Example. At the beginning of the calendar year 1955, Corporation M had \$12,000 in earnings and profits accumulated since February 28, 1913. Its earnings and profits for 1955 amounted to \$30,000. During the year it made quarterly cash distributions of \$15,000 each. Of each of the four distributions made, \$7,500 (that portion of \$15,000 which the amount of \$30,000, the total earnings and profits of the taxable year, bears to \$60,000, the total distributions made during the year) was paid out of the earnings and profits of the taxable year; and of the first and second distributions, \$7,500 and \$4,500, respectively, were paid out of the earnings and profits accumulated after February 28, 1913, and before the taxable year, as follows:

| Distributions during 1955 | | Portion out of earnings and profits of the taxable year | Portion out of earnings accumulated since Feb. 28, 1913, and before the taxable year | Taxable amt. of each distribution |
|--|----------|---|--|-----------------------------------|
| Date | Amount | | | |
| March 10 | \$15,000 | \$7,500 | \$7,500 | \$15,000 |
| June 10 | 15,000 | 7,500 | 4,500 | 12,000 |
| September 10 | 15,000 | 7,500 | | 7,500 |
| December 10 | 15,000 | 7,500 | | 7,500 |
| Total amount taxable as dividends | | | | 42,000 |

(d) Any distribution by a corporation out of earnings and profits accumulated before March 1, 1913, or out of increase in value of property accrued before March 1, 1913 (whether or not realized by sale or other disposition, and, if realized, whether before, on, or after March 1, 1913), is not a dividend within the meaning of subtitle A of the Code.

(e) A reserve set up out of gross income by a corporation and maintained for the purpose of making good any loss of capital assets on account of depletion or depreciation is not a part of surplus out of which ordinary dividends may be paid. A distribution made from a depletion or a depreciation reserve based upon the cost or other basis of the property will not be considered as having been paid out of earnings and profits, but the amount thereof shall be applied against and reduce the cost or other basis of the stock upon which declared. If such a distribution is in excess of the basis, the excess shall be taxed as a gain from the sale or other disposition of property as provided in section 301(c)(3)(A). A distribution from a depletion reserve based upon discovery value to the extent that such reserve represents the excess of the discovery value over the cost or other basis for determining gain or loss, is, when received by the shareholders, taxable as an ordinary dividend. The amount by which a corporation's percentage depletion allowance for any year exceeds depletion sustained on cost or other basis, that is, determined without regard to discovery or percentage depletion allowances for the year

of distribution or prior years, constitutes a part of the corporation's "earnings and profits accumulated after February 28, 1913," within the meaning of section 316, and, upon distribution to shareholders, is taxable to them as a dividend. A distribution made from that portion of a depletion reserve based upon a valuation as of March 1, 1913, which is in excess of the depletion reserve based upon cost, will not be considered as having been paid out of earnings and profits, but the amount of the distribution shall be applied against and reduce the cost or other basis of the stock upon which declared. See section 301. No distribution, however, can be made from such a reserve until all the earnings and profits of the corporation have first been distributed.

[T.D. 6500, 25 FR 11607, Nov. 26, 1960, as amended by T.D. 9914, 85 FR 66476, Oct. 20, 2020]

§ 1.317-1 Property defined.

The term *property*, for purposes of part 1, subchapter C, chapter 1 of the Code, means any property (including money, securities, and indebtedness to the corporation) other than stock, or rights to acquire stock, in the corporation making the distribution.

§ 1.318-1 Constructive ownership of stock; introduction.

(a) For the purposes of certain provisions of chapter 1 of the Code, section 318(a) provides that stock owned by a taxpayer includes stock constructively owned by such taxpayer under the rules set forth in such section. An individual is considered to own the stock owned, directly or indirectly, by or for his spouse (other than a spouse who is legally separated from the individual under a decree of divorce or separate maintenance), and by or for his children, grandchildren, and parents. Under section 318(a)(2) and (3), constructive ownership rules are established for partnerships and partners, estates and beneficiaries, trusts and beneficiaries, and corporations and stockholders. If any person has an option to acquire stock, such stock is considered as owned by such person. The term *option* includes an option to

acquire such an option and each of a series of such options.

(b) In applying section 318(a) to determine the stock ownership of any person for any one purpose—

(1) A corporation shall not be considered to own its own stock by reason of section 318(a)(3)(C);

(2) In any case in which an amount of stock owned by any person may be included in the computation more than one time, such stock shall be included only once, in the manner in which it will impute to the person concerned the largest total stock ownership; and

(3) In determining the 50-percent requirement of section 318(a)(2)(C) and (3)(C), all of the stock owned actually and constructively by the person concerned shall be aggregated.

[T.D. 6969, 33 FR 11999, Aug. 23, 1968]

§ 1.318-2 Application of general rules.

(a) The application of paragraph (b) of § 1.318-1 may be illustrated by the following examples:

Example 1. H, an individual, owns all of the stock of corporation A. Corporation A is not considered to own the stock owned by H in corporation A.

Example 2. H, an individual, his wife, W, and his son, S, each own one-third of the stock of the Green Corporation. For purposes of determining the amount of stock owned by H, W, or S for purposes of section 318(a)(2)(C) and (3)(C), the amount of stock held by the other members of the family shall be added pursuant to paragraph (b)(3) of § 1.318-1 in applying the 50-percent requirement of such section. H, W, or S, as the case may be, is for this purpose deemed to own 100 percent of the stock of the Green Corporation.

(b) The application of section 318(a)(1), relating to members of a family, may be illustrated by the following example:

Example. An individual, H, his wife, W, his son, S, and his grandson (S's son), G, own the 100 outstanding shares of stock of a corporation, each owning 25 shares. H, W, and S are each considered as owning 100 shares. G is considered as owning only 50 shares, that is, his own and his father's.

(c) The application of section 318(a)(2) and (3), relating to partnerships, trusts and corporations, may be illustrated by the following examples:

§ 1.318-3

26 CFR Ch. I (4-1-21 Edition)

Example 1. A, an individual, has a 50 percent interest in a partnership. The partnership owns 50 of the 100 outstanding shares of stock of a corporation, the remaining 50 shares being owned by A. The partnership is considered as owning 100 shares. A is considered as owning 75 shares.

Example 2. A testamentary trust owns 25 of the outstanding 100 shares of stock of a corporation. A, an individual, who holds a vested remainder in the trust having a value, computed actuarially equal to 4 percent of the value of the trust property, owns the remaining 75 shares. Since the interest of A in the trust is a vested interest rather than a contingent interest (whether or not remote), the trust is considered as owning 100 shares. A is considered as owning 76 shares.

Example 3. The facts are the same as in (2), above, except that A's interest in the trust is a contingent remainder. A is considered as owning 76 shares. However, since A's interest in the trust is a remote contingent interest, the trust is not considered as owning any of the shares owned by A.

Example 4. A and B, unrelated individuals, own 70 percent and 30 percent, respectively, in value of the stock of Corporation M. Corporation M owns 50 of the 100 outstanding shares of stock of Corporation O, the remaining 50 shares being owned by A. Corporation M is considered as owning 100 shares of Corporation O, and A is considered as owning 85 shares.

Example 5. A and B, unrelated individuals, own 70 percent and 30 percent, respectively, of the stock of corporation M. A, B, and corporation M all own stock of corporation O. Since B owns less than 50 percent in value of the stock of corporation M, neither B nor corporation M constructively owns the stock of corporation O owned by the other. However, for purposes of certain sections of the Code, such as sections 304 and 856(d), the 50-percent limitation of section 318(a)(2)(C) and (3)(C) is disregarded or is reduced to less than 30 percent. For such purposes, B constructively owns his proportionate share of the stock of corporation O owned directly by corporation M, and corporation M constructively owns the stock of corporation O owned by B.

[T.D. 6500, 25 FR 11607, Nov. 26, 1960, as amended by T.D. 6969, 33 FR 11999, Aug. 23, 1968]

§ 1.318-3 Estates, trusts, and options.

(a) For the purpose of applying section 318(a), relating to estates, property of a decedent shall be considered as owned by his estate if such property is subject to administration by the executor or administrator for the purpose of paying claims against the estate and expenses of administration notwith-

standing that, under local law, legal title to such property vests in the decedent's heirs, legatees or devisees immediately upon death. The term *beneficiary* includes any person entitled to receive property of a decedent pursuant to a will or pursuant to laws of descent and distribution. A person shall no longer be considered a beneficiary of an estate when all the property to which he is entitled has been received by him, when he no longer has a claim against the estate arising out of having been a beneficiary, and when there is only a remote possibility that it will be necessary for the estate to seek the return of property or to seek payment from him by contribution or otherwise to satisfy claims against the estate or expenses of administration. When, pursuant to the preceding sentence, a person ceases to be a beneficiary, stock owned by him shall not thereafter be considered owned by the estate, and stock owned by the estate shall not thereafter be considered owned by him. The application of section 318(a) relating to estates may be illustrated by the following examples:

Example 1. (a) A decedent's estate owns 50 of the 100 outstanding shares of stock of corporation X. The remaining shares are owned by three unrelated individuals, A, B, and C, who together own the entire interest in the estate. A owns 12 shares of stock of corporation X directly and is entitled to 50 percent of the estate. B owns 18 shares directly and has a life estate in the remaining 50 percent of the estate. C owns 20 shares directly and also owns the remainder interest after B's life estate.

(b) If section 318(a)(5)(C) applies (see paragraph (c)(3) of § 1.318-4), the stock of corporation X is considered to be owned as follows: the estate is considered as owning 80 shares, 50 shares directly, 12 shares constructively through A, and 18 shares constructively through B; A is considered as owning 37 shares, 12 shares directly, and 25 shares constructively (50 percent of the 50 shares owned directly by the estate); B is considered as owning 43 shares, 18 shares directly and 25 shares constructively (50 percent of the 50 shares owned directly by the estate); C is considered as owning 20 shares directly and no shares constructively. C is not considered a beneficiary of the estate under section 318(a) since he has no direct present interest in the property held by the estate nor in the income produced by such property.

(c) If section 318(a)(5)(C) does not apply, A is considered as owning nine additional

shares (50 percent of the 18 shares owned constructively by the estate through B), and B is considered as owning six additional shares (50 percent of the 12 shares owned constructively by the estate through A).

Example 2. Under the will of A, Blackacre is left to B for life, remainder to C, an unrelated individual. The residue of the estate consisting of stock of a corporation is left to D. B and D are beneficiaries of the estate under section 318(a). C is not considered a beneficiary since he has no direct present interest in Blackacre nor in the income produced by such property. The stock owned by the estate is considered as owned proportionately by B and D.

(b) For the purpose of section 318(a)(2)(B) stock owned by a trust will be considered as being owned by its beneficiaries only to the extent of the interest of such beneficiaries in the trust. Accordingly, the interest of income beneficiaries, remainder beneficiaries, and other beneficiaries will be computed on an actuarial basis. Thus, if a trust owns 100 percent of the stock of Corporation A, and if, on an actuarial basis, W's life interest in the trust is 15 percent, Y's life interest is 25 percent, and Z's remainder interest is 60 percent, under this provision W will be considered to be the owner of 15 percent of the stock of Corporation A, Y will be considered to be the owner of 25 percent of such stock, and Z will be considered to be the owner of 60 percent of such stock. The factors and methods prescribed in § 20.2031-7 of this chapter (Estate Tax Regulations) for use in ascertaining the value of an interest in property for estate tax purposes shall be used in determining a beneficiary's actuarial interest in a trust for purposes of this section. See § 20.2031-7 of this chapter (Estate Tax Regulations) for examples illustrating the use of these factors and methods.

(c) The application of section 318(a) relating to options may be illustrated by the following example:

Example. A and B, unrelated individuals, own all of the 100 outstanding shares of stock of a corporation, each owning 50 shares. A has an option to acquire 25 of B's shares and has an option to acquire a further option to acquire the remaining 25 of B's shares. A is considered as owning the entire 100 shares of stock of the corporation.

[T.D. 6500, 25 FR 11607, Nov. 26, 1960, as amended by T.D. 6969, 33 FR 11999, Aug. 23, 1968]

§ 1.318-4 Constructive ownership as actual ownership; exceptions.

(a) *In general.* Section 318(a)(5)(A) provides that, except as provided in section 318(a)(5)(B) and (C), stock constructively owned by a person by reason of the application of section 318(a)(1), (2), (3), or (4) shall be considered as actually owned by such person for purposes of applying section 318(a)(1), (2), (3), and (4). For example, if a trust owns 50 percent of the stock of corporation X, stock of corporation Y owned by corporation X which is attributed to the trust may be further attributed to the beneficiaries of the trust.

(b) *Constructive family ownership.* Section 318(a)(5)(B) provides that stock constructively owned by an individual by reason of ownership by a member of his family shall not be considered as owned by him for purposes of making another family member the constructive owner of such stock under section 318(a)(1). For example, if F and his two sons, A and B, each own one-third of the stock of a corporation, under section 318(a)(1), A is treated as owning constructively the stock owned by his father but is not treated as owning the stock owned by B. Section 318(a)(5)(B) prevents the attribution of the stock of one brother through the father to the other brother, an attribution beyond the scope of section 318(a)(1) directly.

(c) *Reattribution.* (1) Section 318(a)(5)(C) provides that stock constructively owned by a partnership, estate, trust, or corporation by reason of the application of section 318(a)(3) shall not be considered as owned by it for purposes of applying section 318(a)(2) in order to make another the constructive owner of such stock. For example, if two unrelated individuals are beneficiaries of the same trust, stock held by one which is attributed to the trust under section 318(a)(3) is not reattributed from the trust to the other beneficiary. However, stock constructively owned by reason of section 318(a)(2) may be reattributed under section 318(a)(3). Thus, for example, if all the stock of corporations X and Y is owned by A, stock of corporation Z held by X is attributed to Y through A.

(2) Section 318(a)(5)(C) does not prevent reattribution under section 318(a)(2) of stock constructively owned

by an entity under section 318(a)(3) if the stock is also constructively owned by the entity under section 318(a)(4). For example, if individuals A and B are beneficiaries of a trust and the trust has an option to buy stock from A, B is considered under section 318(a)(2)(B) as owning a proportionate part of such stock.

(3) Section 318(a)(5)(C) is effective on and after August 31, 1964, except that for purposes of sections 302 and 304 it does not apply with respect to distributions in payment for stock acquisitions or redemptions if such acquisitions or redemptions occurred before August 31, 1964.

[T.D. 6969, 33 FR 11999, Aug. 23, 1968]

CORPORATE LIQUIDATIONS

EFFECTS ON RECIPIENTS

§ 1.331-1 Corporate liquidations.

(a) *In general.* Section 331 contains rules governing the extent to which gain or loss is recognized to a shareholder receiving a distribution in complete or partial liquidation of a corporation. Under section 331(a)(1), it is provided that amounts distributed in complete liquidation of a corporation shall be treated as in full payment in exchange for the stock. Under section 331(a)(2), it is provided that amounts distributed in partial liquidation of a corporation shall be treated as in full or part payment in exchange for the stock. For this purpose, the term *partial liquidation* shall have the meaning ascribed in section 346. If section 331 is applicable to the distribution of property by a corporation, section 301 (relating to the effects on a shareholder of distributions of property) has no application other than to a distribution in complete liquidation to which section 316(b)(2)(B) applies. See paragraph (b)(2) of § 1.316-1.

(b) *Gain or loss.* The gain or loss to a shareholder from a distribution in partial or complete liquidation is to be determined under section 1001 by comparing the amount of the distribution with the cost or other basis of the stock. The gain or loss will be recognized to the extent provided in section 1002 and will be subject to the provisions of parts I, II, and III (section 1201

and following), subchapter P, chapter 1 of the Code.

(c) *Recharacterization.* A liquidation which is followed by a transfer to another corporation of all or part of the assets of the liquidating corporation or which is preceded by such a transfer may, however, have the effect of the distribution of a dividend or of a transaction in which no loss is recognized and gain is recognized only to the extent of "other property." See sections 301 and 356.

(d) *Reporting requirement—(1) General rule.* Every significant holder that transfers stock to the issuing corporation in exchange for property from such corporation must include on or with such holder's return for the year of such exchange the statement described in paragraph (d)(2) of this section unless—

(i) The property is part of a distribution made pursuant to a corporate resolution reciting that the distribution is made in complete liquidation of the corporation; and

(ii) The issuing corporation is completely liquidated and dissolved within one year after the distribution.

(2) *Statement.* If required by paragraph (d)(1) of this section, a significant holder must include on or with such holder's return a statement entitled, "STATEMENT PURSUANT TO § 1.331-1(d) BY [INSERT NAME AND TAXPAYER IDENTIFICATION NUMBER (IF ANY) OF TAXPAYER], A SIGNIFICANT HOLDER OF THE STOCK OF [INSERT NAME AND EMPLOYER IDENTIFICATION NUMBER (IF ANY) OF ISSUING CORPORATION]." If a significant holder is a controlled foreign corporation (within the meaning of section 957), each United States shareholder (within the meaning of section 951(b)) with respect thereto must include this statement on or with its return. The statement must include—

(i) The fair market value and basis of the stock transferred by the significant holder to the issuing corporation; and

(ii) A description of the property received by the significant holder from the issuing corporation.

(3) *Definitions.* For purposes of this section:

(i) *Significant holder* means any person that, immediately before the exchange—

(A) Owned at least five percent (by vote or value) of the total outstanding stock of the issuing corporation if the stock owned by such person is publicly traded; or

(B) Owned at least one percent (by vote or value) of the total outstanding stock of the issuing corporation if the stock owned by such person is not publicly traded.

(ii) *Publicly traded stock* means stock that is listed on—

(A) A national securities exchange registered under section 6 of the Securities Exchange Act of 1934 (15 U.S.C. 78f); or

(B) An interdealer quotation system sponsored by a national securities association registered under section 15A of the Securities Exchange Act of 1934 (15 U.S.C. 78o-3).

(iii) *Issuing corporation* means the corporation that issued the shares of stock, some or all of which were transferred by a significant holder to such corporation in the exchange described in paragraph (d)(1) of this section.

(4) *Cross reference.* See section 6043 of the Code for requirements relating to a return by a liquidating corporation.

(e) *Example.* The provisions of this section may be illustrated by the following example:

Example. A, an individual who makes his income tax returns on the calendar year basis, owns 20 shares of stock of the P Corporation, a domestic corporation, 10 shares of which were acquired in 1951 at a cost of \$1,500 and the remainder of 10 shares in December 1954 at a cost of \$2,900. He receives in April 1955 a distribution of \$250 per share in complete liquidation, or \$2,500 on the 10 shares acquired in 1951, and \$2,500 on the 10 shares acquired in December 1954. The gain of \$1,000 on the shares acquired in 1951 is a long-term capital gain to be treated as provided in parts I, II, and III (section 1201 and following), subchapter P, chapter 1 of the Code. The loss of \$400 on the shares acquired in 1954 is a short-term capital loss to be treated as provided in parts I, II, and III (section 1201 and following), subchapter P, chapter 1 of the Code.

(f) *Effective/applicability date.* Paragraph (d) of this section applies to any taxable year beginning on or after May 30, 2006. However, taxpayers may apply paragraph (d) of this section to any

original Federal income tax return (including any amended return filed on or before the due date (including extensions) of such original return) timely filed on or after May 30, 2006. For taxable years beginning before May 30, 2006, see §1.331-1 as contained in 26 CFR part 1 in effect on April 1, 2006.

[T.D. 6500, 25 FR 11607, Nov. 26, 1960, as amended by T.D. 6949, 33 FR 5521, Apr. 9, 1968; T.D. 9264, 71 FR 30594, May 30, 2006; T.D. 9329, 72 FR 32797, June 14, 2007]

§ 1.332-1 Distributions in liquidation of subsidiary corporation; general.

Under the general rule prescribed by section 331 for the treatment of distributions in liquidation of a corporation, amounts received by one corporation in complete liquidation of another corporation are treated as in full payment in exchange for stock in such other corporation, and gain or loss from the receipt of such amounts is to be determined as provided in section 1001. Section 332 excepts from the general rule property received, under certain specifically described circumstances, by one corporation as a distribution in complete liquidation of the stock of another corporation and provides for the nonrecognition of gain or loss in those cases which meet the statutory requirements. Section 367 places a limitation on the application of section 332 in the case of foreign corporations. See section 334(b) for the basis for determining gain or loss from the subsequent sale of property received upon complete liquidations such as described in this section. See section 453(d)(4)(A) relative to distribution of installment obligations by subsidiary.

§ 1.332-2 Requirements for non-recognition of gain or loss.

(a) The nonrecognition of gain or loss under section 332 is limited to the receipt of property by a corporation that is the actual owner of stock (in the liquidating corporation) meeting the requirements of section 1504(a)(2). The recipient corporation must have been the owner of the specified amount of such stock on the date of the adoption of the plan of liquidation and have continued so to be at all times until the receipt of the property. If the recipient corporation does not continue qualified with

respect to the ownership of stock of the liquidating corporation and if the failure to continue qualified occurs at any time prior to the completion of the transfer of all the property, the provisions for the nonrecognition of gain or loss do not apply to any distribution received under the plan.

(b) Section 332 applies only to those cases in which the recipient corporation receives at least partial payment for the stock which it owns in the liquidating corporation. If section 332 is not applicable, see section 165(g) relative to allowance of losses on worthless securities.

(c) To constitute a distribution in complete liquidation within the meaning of section 332, the distribution must be (1) made by the liquidating corporation in complete cancellation or redemption of all of its stock in accordance with a plan of liquidation, or (2) one of a series of distributions in complete cancellation or redemption of all its stock in accordance with a plan of liquidation. Where there is more than one distribution, it is essential that a status of liquidation exist at the time the first distribution is made under the plan and that such status continue until the liquidation is completed. Liquidation is completed when the liquidating corporation and the receiver or trustees in liquidation are finally divested of all the property (both tangible and intangible). A status of liquidation exists when the corporation ceases to be a going concern and its activities are merely for the purpose of winding up its affairs, paying its debts, and distributing any remaining balance to its shareholders. A liquidation may be completed prior to the actual dissolution of the liquidating corporation. However, legal dissolution of the corporation is not required. Nor will the mere retention of a nominal amount of assets for the sole purpose of preserving the corporation's legal existence disqualify the transaction. (See 26 CFR (1939) 39.22(a)-20 (Regulations 118).)

(d) If a transaction constitutes a distribution in complete liquidation within the meaning of the Internal Revenue Code of 1954 and satisfies the requirements of section 332, it is not material that it is otherwise described under the

local law. If a liquidating corporation distributes all of its property in complete liquidation and if pursuant to the plan for such complete liquidation a corporation owning the specified amount of stock in the liquidating corporation receives property constituting amounts distributed in complete liquidation within the meaning of the Code and also receives other property attributable to shares not owned by it, the transfer of the property to the recipient corporation shall not be treated, by reason of the receipt of such other property, as not being a distribution (or one of a series of distributions) in complete cancellation or redemption of all of the stock of the liquidating corporation within the meaning of section 332, even though for purposes of those provisions relating to corporate reorganizations the amount received by the recipient corporation in excess of its ratable share is regarded as acquired upon the issuance of its stock or securities in a tax-free exchange as described in section 361 and the cancellation or redemption of the stock not owned by the recipient corporation is treated as occurring as a result of a taxfree exchange described in section 354.

(e) The application of these rules may be illustrated by the following example:

Example. On September 1, 1954, the M Corporation had outstanding capital stock consisting of 3,000 shares of common stock, par value \$100 a share, and 1,000 shares of preferred stock, par value \$100 a share, which preferred stock was limited and preferred as to dividends and had no voting rights. On that date, and thereafter until the date of dissolution of the M Corporation, the O Corporation owned 2,500 shares of common stock of the M Corporation. By statutory merger consummated on October 1, 1954, pursuant to a plan of liquidation adopted on September 1, 1954, the M Corporation was merged into the O Corporation, the O Corporation under the plan issuing stock which was received by the other holders of the stock of the M Corporation. The receipt by the O Corporation of the properties of the M Corporation is a distribution received by the O Corporation in complete liquidation of the M Corporation within the meaning of section 332, and no gain or loss is recognized as the result of the receipt of such properties.

(f) *Applicability date.* The first sentence of paragraph (a) of this section

applies to plans of complete liquidation adopted after March 28, 1985, except as specified in section 1804(e)(6)(B)(ii) and (iii) of Public Law 99-514.

[T.D. 6500, 25 FR 11607, Nov. 26, 1960; 25 FR 14021, Dec. 31, 1960, as amended by T.D. 9759, 81 FR 17071, Mar. 28, 2016]

§ 1.332-3 Liquidations completed within one taxable year.

If in a liquidation completed within one taxable year pursuant to a plan of complete liquidation, distributions in complete liquidation are received by a corporation which owns the specified amount of stock in the liquidating corporation and which continues qualified with respect to the ownership of such stock until the transfer of all the property within such year is completed (see paragraph (a) of § 1.332-2), then no gain or loss shall be recognized with respect to the distributions received by the recipient corporation. In such case no waiver or bond is required of the recipient corporation under section 332.

§ 1.332-4 Liquidations covering more than one taxable year.

(a) If the plan of liquidation is consummated by a series of distributions extending over a period of more than one taxable year, the nonrecognition of gain or loss with respect to the distributions in liquidation shall, in addition to the requirements of § 1.332-2, be subject to the following requirements:

(1) In order for the distribution in liquidation to be brought within the exception provided in section 332 to the general rule for computing gain or loss with respect to amounts received in liquidation of a corporation, the entire property of the corporation shall be transferred in accordance with a plan of liquidation, which plan shall include a statement showing the period within which the transfer of the property of the liquidating corporation to the recipient corporation is to be completed. The transfer of all the property under the liquidation must be completed within three years from the close of the taxable year during which is made the first of the series of distributions under the plan.

(2) For each of the taxable years which falls wholly or partly within the period of liquidation, the recipient cor-

poration shall, at the time of filing its return, file with the district director of internal revenue a waiver of the statute of limitations on assessment. The waiver shall be executed on such form as may be prescribed by the Commissioner and shall extend the period of assessment of all income and profits taxes for each such year to a date not earlier than one year after the last date of the period for assessment of such taxes for the last taxable year in which the transfer of the property of such liquidating corporation to the controlling corporation may be completed in accordance with section 332. Such waiver shall also contain such other terms with respect to assessment as may be considered by the Commissioner to be necessary to insure the assessment and collection of the correct tax liability for each year within the period of liquidation.

(3) For each of the taxable years which falls wholly or partly within the period of liquidation, the recipient corporation may be required to file a bond, the amount of which shall be fixed by the district director. The bond shall contain all terms specified by the Commissioner, including provisions unequivocally assuring prompt payment of the excess of income and profits taxes (plus penalty, if any, and interest) as computed by the district director without regard to the provisions of sections 332 and 334(b) over such taxes computed with regard to such provisions, regardless of whether such excess may or may not be made the subject of a notice of deficiency under section 6212 and regardless of whether it may or may not be assessed. Any bond required under section 332 shall have such surety or sureties as the Commissioner may require. However, see 6 U.S.C. 15, providing that where a bond is required by law or regulations, in lieu of surety or sureties there may be deposited bonds or notes of the United States. Only surety companies holding certificates of authority from the Secretary as acceptable sureties on Federal bonds will be approved as sureties. The bonds shall be executed in triplicate so that the Commissioner, the taxpayer, and the surety or the depositor may each have a copy. On and after September 1, 1953, the functions

§ 1.332-5

of the Commissioner with respect to such bonds shall be performed by the district director for the internal revenue district in which the return was filed and any bond filed on or after such date shall be filed with such district director.

(b) Pending the completion of the liquidation, if there is a compliance with paragraph (a) (1), (2), and (3) of this section and §1.332-2 with respect to the nonrecognition of gain or loss, the income and profits tax liability of the recipient corporation for each of the years covered in whole or in part by the liquidation shall be determined without the recognition of any gain or loss on account of the receipt of the distributions in liquidation. In such determination, the basis of the property or properties received by the recipient corporation shall be determined in accordance with section 334(b). However, if the transfer of the property is not completed within the three-year period allowed by section 332 or if the recipient corporation does not continue qualified with respect to the ownership of stock of the liquidating corporation as required by that section, gain or loss shall be recognized with respect to each distribution and the tax liability for each of the years covered in whole or in part by the liquidation shall be recomputed without regard to the provisions of section 332 or section 334(b) and the amount of any additional tax due upon such recomputation shall be promptly paid.

§ 1.332-5 Distributions in liquidation as affecting minority interests.

Upon the liquidation of a corporation in pursuance of a plan of complete liquidation, the gain or loss of minority shareholders shall be determined without regard to section 332, since it does not apply to that part of distributions in liquidation received by minority shareholders.

§ 1.332-6 Records to be kept and information to be filed with return.

(a) *Statement filed by recipient corporation.* If any recipient corporation received a liquidating distribution from the liquidating corporation pursuant to a plan (whether or not that recipient corporation has received or will receive

other such distributions from the liquidating corporation in other tax years as part of the same plan) during the current tax year, such recipient corporation must include a statement entitled, "STATEMENT PURSUANT TO SECTION 332 BY [INSERT NAME AND EMPLOYER IDENTIFICATION NUMBER (IF ANY) OF TAXPAYER], A CORPORATION RECEIVING A LIQUIDATING DISTRIBUTION," on or with its return for such year. If any recipient corporation is a controlled foreign corporation (within the meaning of section 957), each United States shareholder (within the meaning of section 951(b)) with respect thereto must include this statement on or with its return. The statement must include—

(1) The name and employer identification number (if any) of the liquidating corporation;

(2) The date(s) of all distribution(s) (whether or not pursuant to the plan) by the liquidating corporation during the current tax year;

(3) The fair market value and basis of assets of the liquidating corporation that have been or will be transferred to any recipient corporation, aggregated as follows:

(i) Importation property distributed in a loss importation transaction, as defined in §1.362-3(c)(2) and (3) (except that "section 332 liquidation" is substituted for "section 362 transaction"), respectively;

(ii) Property with respect to which gain or loss was recognized on the distribution;

(iii) Property not described in paragraph (a)(3)(i) or (ii) of this section;

(4) The date and control number of any private letter ruling(s) issued by the Internal Revenue Service in connection with the liquidation;

(5) The following representation: THE PLAN OF COMPLETE LIQUIDATION WAS ADOPTED ON [INSERT DATE (mm/dd/yyyy)]; and

(6) A representation by such recipient corporation either that—

(i) THE LIQUIDATION WAS COMPLETED ON [INSERT DATE (mm/dd/yyyy)]; or

(ii) THE LIQUIDATION IS NOT COMPLETE AND THE TAXPAYER HAS TIMELY FILED [INSERT EITHER FORM 952, "Consent To Extend the

Time to Assess Tax Under Section 332(b),” OR NUMBER AND NAME OF THE SUCCESSOR FORM].

(b) *Filings by the liquidating corporation.* The liquidating corporation must timely file Form 966, “Corporate Dissolution or Liquidation,” (or its successor form) and its final Federal corporate income tax return. See also section 6043 of the Code.

(c) *Definitions.* For purposes of this section:

(1) *Plan* means the plan of complete liquidation within the meaning of section 332.

(2) *Recipient corporation* means the corporation described in section 332(b)(1).

(3) *Liquidating corporation* means the corporation that makes a distribution of property to a recipient corporation pursuant to the plan.

(4) *Liquidating distribution* means a distribution of property made by the liquidating corporation to a recipient corporation pursuant to the plan.

(d) *Substantiation information.* Under § 1.6001-1(e), taxpayers are required to retain their permanent records and make such records available to any authorized Internal Revenue Service officers and employees. In connection with a liquidation described in this section, these records should specifically include information regarding the amount, basis, and fair market value of all distributed property, and relevant facts regarding any liabilities assumed or extinguished as part of such liquidation.

(e) *Effective/applicability date.* This section applies to any taxable year beginning on or after May 30, 2006. However, taxpayers may apply this section to any original Federal income tax return (including any amended return filed on or before the due date (including extensions) of such original return) timely filed on or after May 30, 2006. For taxable years beginning before May 30, 2006, see § 1.332-6 as contained in 26 CFR part 1 in effect on April 1, 2006. Paragraph (a)(3) of this section applies with respect to liquidations under section 332 occurring on or after March 28, 2016, and also with respect to liquidations under section 332 occurring before such date as a result of an entity classification election under

§ 301.7701-3 of this chapter filed on or after March 28, 2016, unless such liquidation is pursuant to a binding agreement that was in effect prior to March 28, 2016 and at all times thereafter.

[T.D. 9329, 72 FR 32797, June 14, 2007, as amended by T.D. 9759, 81 FR 17071, Mar. 28, 2016]

§ 1.332-7 Indebtedness of subsidiary to parent.

If section 332(a) is applicable to the receipt of the subsidiary’s property in complete liquidation, then no gain or loss shall be recognized to the subsidiary upon the transfer of such properties even though some of the properties are transferred in satisfaction of the subsidiary’s indebtedness to its parent. See section 337(b)(1). However, any gain or loss realized by the parent corporation on such satisfaction of indebtedness, shall be recognized to the parent corporation at the time of the liquidation. For example, if the parent corporation purchased its subsidiary’s bonds at a discount and upon liquidation of the subsidiary the parent corporation receives payment for the face amount of such bonds, gain shall be recognized to the parent corporation. Such gain shall be measured by the difference between the cost or other basis of the bonds to the parent and the amount received in payment of the bonds.

[T.D. 6500, 25 FR 11607, Nov. 26, 1960; 25 FR 14021, Dec. 31, 1960, as amended by T.D. 9759, 81 FR 17071, Mar. 28, 2016]

§ 1.332-8 Recognition of gain on liquidation of certain holding companies.

(a) *Definition of controlled foreign corporation.* For purposes of section 332(d)(3), a controlled foreign corporation has the meaning provided in section 957, determined without applying section 318(a)(3)(A), (B), and (C) so as to consider a United States person as owning stock which is owned by a person who is not a United States person.

(b) *Applicability date.* This section applies to distributions in complete liquidation occurring on or after October 1, 2019, and to distributions in complete liquidation occurring before October 1,

2019, that result from an entity classification election made under § 301.7701-3 of this chapter that is filed on or after October 1, 2019. For distributions in complete liquidation occurring before October 1, 2019, other than distributions in complete liquidation occurring before October 1, 2019, that result from an entity classification election made under § 301.7701-3 of this chapter that is filed on or after October 1, 2019, a taxpayer may apply this section to distributions in complete liquidation occurring during the last taxable year of a distributee foreign corporation beginning before January 1, 2018, and each subsequent taxable year of the foreign corporation, provided that the taxpayer and United States persons that are related (within the meaning of section 267 or 707) to the taxpayer consistently apply this section with respect to all foreign corporations.

[T.D. 9908, 85 FR 59431, Sept. 22, 2020]

§ 1.334-1 Basis of property received in liquidations.

(a) *In general.* Section 334 sets forth rules for determining a distributee's basis in property received in a distribution in complete liquidation of a corporation. The general rule is set forth in section 334(a) and provides that, if property is received in a distribution in complete liquidation of a corporation and if gain or loss is recognized on the receipt of the property, then the distributee's basis in the property is the fair market value of the property at the time of the distribution. However, if property is received in a complete liquidation to which section 332 applies, including property received in satisfaction of an indebtedness described in section 337(b)(1), see section 334(b)(1) and paragraph (b) of this section.

(b) *Liquidations under section 332—(1) General rule.* Except as otherwise provided in paragraph (b)(2) or (3) of this section, if a corporation (P) meeting the ownership requirements of section 332(b)(1) receives property from a subsidiary (S) in a complete liquidation to which section 332 applies (section 332 liquidation), including property received in a transfer in satisfaction of indebtedness that satisfies the require-

ments of section 337(b)(1), P's basis in the property received is the same as S's basis in the property immediately before the property was distributed. However, see § 1.460-4(k)(3)(iv)(B)(2) for rules relating to adjustments to the basis of certain contracts accounted for using a long-term contract method of accounting that are acquired in a section 332 liquidation.

(2) *Basis in property with respect to which gain or loss was recognized.* Except as otherwise provided in Subtitle A of the Internal Revenue Code (Code) and this subchapter of the Income Tax Regulations, if S recognizes gain or loss on the distribution of property to P in a section 332 liquidation, P's basis in that property is the fair market value of the property at the time of the distribution. Section 334(b)(1)(A) (certain tax-exempt distributions under section 337(b)(2)); see also, for example, § 1.367(e)-2(b)(3)(i).

(3) *Basis in importation property received in loss importation transaction—(i) Purpose.* The purpose of section 334(b)(1)(B) and this paragraph (b)(3) is to modify the application of this section to prevent P from importing a net built-in loss in a transaction described in section 332. See paragraph (b)(3)(iii)(A) of this section for definitions of terms used in this paragraph (b)(3).

(ii) *Determination of basis.* Notwithstanding paragraph (b)(1) of this section, if a section 332 liquidation is a loss importation transaction, P's basis in each importation property received from S in the liquidation is an amount that is equal to the value of the property. The basis of property received in a section 332 liquidation that is not importation property received in a loss importation transaction is determined under generally applicable basis rules without regard to whether the liquidation also involves the receipt of importation property in a loss importation transaction.

(iii) *Operating rules—(A) In general.* For purposes of section 334(b)(1)(B) and this paragraph (b)(3), the provisions of § 1.362-3 (basis of importation property received in a loss importation transaction) apply, adjusted as appropriate to apply to section 332 liquidations. Thus, when used in this paragraph

(b)(3), the terms “importation property,” “loss importation transaction,” and “value” have the same meaning as in § 1.362-3(c)(2), (3), and (4), respectively, except that “the section 332(b)(1) distributee corporation” is substituted for “Acquiring” and “section 332 liquidation” is substituted for “section 362 transaction.” Similarly, when gain or loss on property would be owned or treated as owned by multiple persons, the provisions of § 1.362-3(d)(2) apply to tentatively divide the property in applying this section, substituting “section 332 liquidation” for “section 362 transaction” and making such other adjustments as necessary.

(B) *Time for making determinations.* For purposes of section 334(b)(1)(B) and this paragraph (b)(3)—

(1) *P’s basis in distributed property.* P’s basis in each property S distributes to P in the section 332 liquidation is determined immediately after S distributes each such property;

(2) *Value of distributed property.* The value of each property S distributes to P in the section 332 liquidation is determined immediately after S distributes the property;

(3) *Importation property.* The determination of whether each property distributed by S is importation property is made as of the time S distributes each such property;

(4) *Loss importation transaction.* The determination of whether a section 332 liquidation is a loss importation transaction is made immediately after S makes the final liquidating distribution to P.

(C) *Effect of basis determination under this paragraph (b)(3)—(1) Determination by reference to transferor’s basis.* A determination of basis under section 334(b)(1)(B) and this paragraph (b)(3) is a determination by reference to the transferor’s basis, including for purposes of sections 1223(2) and 7701(a)(43). However, solely for purposes of applying section 755, a determination of basis under this paragraph (b)(3) is treated as a determination not by reference to the transferor’s basis.

(2) *Not tax-exempt income or noncapital, nondeductible expense.* The application of this paragraph (b)(3) does not give rise to an item treated as tax-exempt income under § 1.1502-32(b)(2)(ii)

or as a noncapital, nondeductible expense under § 1.1502-32(b)(2)(iii).

(3) *No effect on earnings and profits.* Any determination of basis under this paragraph (b)(3) does not reduce or otherwise affect the calculation of the all earnings and profits amount provided in § 1.367(b)-2(d).

(iv) *Examples.* The examples in this paragraph (b)(3)(iv) illustrate the application of section 334(b)(1)(B) and the provisions of this paragraph (b)(3). Unless the facts indicate otherwise, the examples use the following nomenclature and assumptions: USP is a domestic corporation that has not elected to be an S corporation within the meaning of section 1361(a)(1); FC, CFC1, and CFC2 are controlled foreign corporations within the meaning of section 957(a), which are not engaged in a U.S. trade or business, have no U.S. real property interests, and have no other relationships, activities, or interests that would cause their property to be subject to any tax imposed under subtitle A of the Code (federal income tax); there is no applicable income tax treaty; and all persons and transactions are unrelated. All other relevant facts are set forth in the examples:

Example 1. Basic application of this paragraph (b)(3). (i) *Distribution of importation property in a loss importation transaction.* (A) *Facts.* USP owns the sole outstanding share of FC stock. FC owns three assets, A1 (basis \$40, value \$50), A2 (basis \$120, value \$30), and A3 (basis \$140, value \$20). On Date 1, FC distributes A1, A2, and A3 to USP in a complete liquidation that qualifies under section 332.

(B) *Importation property.* Under § 1.362-3(d)(2), the fact that any gain or loss recognized by a CFC may affect an income inclusion under section 951(a) does not alone cause gain or loss recognized by the CFC to be treated as taken into account in determining a federal income tax liability for purposes of this section. Thus, if FC had sold either A1, A2, or A3 immediately before the transaction, no gain or loss recognized on the sale would have been taken into account in determining a federal income tax liability. Further, if USP had sold A1, A2, or A3 immediately after the transaction, USP would take into account any gain or loss recognized on the sale in determining its federal income tax liability. Therefore, A1, A2, and A3 are all importation properties. See paragraph (b)(3)(iii)(A) of this section and § 1.362-3(c)(2).

(C) *Loss importation transaction.* Immediately after the distribution, USP's aggregate basis in the importation properties, A1, A2, and A3, would, but for section 334(b)(1)(B) and this section, be \$300 (\$40 + \$120 + \$140) and the properties' aggregate value would be \$100 (\$50 + \$30 + \$20). Therefore, the importation properties' aggregate basis would exceed their aggregate value and the distribution is a loss importation transaction. See paragraph (b)(3)(iii)(A) of this section and § 1.362-3(c)(3).

(D) *Basis of importation property distributed in loss importation transaction.* Because the importation properties, A1, A2, and A3, were transferred in a loss importation transaction, the basis in each of the importation properties received is equal to its value immediately after FC distributes the property. Accordingly, USP's basis in A1 is \$50; USP's basis in A2 is \$30; and USP's basis in A3 is \$20.

(ii) *Distribution of both importation and non-importation property in a loss importation transaction.* (A) *Facts.* The facts are the same as in paragraph (i)(A) of this *Example 1* except that FC is engaged in a U.S. trade or business and A3 is used in that U.S. trade or business.

(B) *Importation property.* A1 and A2 are importation properties for the reasons set forth in paragraph (i)(B) of this *Example 1*. However, if FC had sold A3 immediately before the transaction, FC would take into account any gain or loss recognized on the sale in determining its federal income tax liability. Therefore, A3 is not importation property. See paragraph (b)(3)(iii)(A) of this section and § 1.362-3(c)(2).

(C) *Loss importation transaction.* Immediately after the distribution, USP's aggregate basis in the importation properties, A1 and A2, would, but for section 334(b)(1)(B) and this section, be \$160 (\$40 + \$120). Further, the properties' aggregate value would be \$80 (\$50 + \$30). Therefore, the importation properties' aggregate basis would exceed their aggregate value and the distribution is a loss importation transaction. See paragraph (b)(3)(iii)(A) of this section and § 1.362-3(c)(3).

(D) *Basis of importation property distributed in loss importation transaction.* Because the importation properties, A1 and A2, were transferred in a loss importation transaction, the basis in each of the importation properties received is equal to its value immediately after FC distributes the property. Accordingly, USP's basis in A1 is \$50 and USP's basis in A2 is \$30.

(E) *Basis of other property.* Because A3 is not importation property distributed in a loss importation transaction, USP's basis in A3 is determined under generally applicable basis rules. Accordingly, USP's basis in A3 is \$140, the adjusted basis that FC had in the property immediately before the distribution. See section 334(b)(1).

(iii) *FC not wholly owned.* The facts are the same as in paragraph (i)(A) of this *Example 1* except that USP owns only 80% of the sole outstanding class of FC stock and the remaining 20% is owned by individual X. Further, on Date 1 and pursuant to the plan of liquidation, FC distributes A1 and A2 to USP and A3 to X. A1 and A2 are importation properties, the distribution to USP is a loss importation transaction, and USP's bases in A1 and A2 are equal to their value (\$50 and \$30, respectively) for the reasons set forth in paragraphs (ii)(C) and (D) of this *Example 1*. Under section 334(a), X's basis in A3 is \$20.

(iv) *Importation property, no net built in loss.* (A) *Facts.* The facts are the same as in paragraph (i)(A) of this *Example 1* except that the value of A2 is \$230.

(B) *Importation property.* A1, A2, and A3, are importation properties for the reasons set forth in paragraph (i)(B) of this *Example 1*.

(C) *Loss importation transaction.* Immediately after the distribution, USP's aggregate basis in the importation properties, A1, A2, and A3, would, but for section 334(b)(1)(B) and this section, be \$300 (\$40 + \$120 + \$140). However, the properties' aggregate value would also be \$300 (\$50 + \$230 + \$20). Therefore, the importation properties' aggregate basis would not exceed their aggregate value and the distribution is not a loss importation transaction. See paragraph (b)(3)(iii)(A) of this section and § 1.362-3(c)(3).

(D) *Basis of importation property not distributed in loss importation transaction.* Because the importation properties, A1, A2, and A3, were not distributed in a loss importation transaction, the basis of each of the importation properties is determined under the generally applicable basis rules. Accordingly, immediately after the distribution, USP's basis in A1 is \$40, USP's basis in A2 is \$120, and USP's basis in A3 is \$140, the adjusted bases that FC had in the properties immediately before the distribution. See section 334(b)(1).

(v) *CFC stock as importation property distributed in loss importation transaction.* (A) *Facts.* USP owns the sole outstanding share of FC stock. FC owns the sole outstanding share of CFC1 stock (basis \$80, value \$100) and the sole outstanding share of CFC2 stock (basis \$100, value \$5). On Date 1, FC distributes its shares of CFC1 and CFC2 stock to USP in a complete liquidation that qualifies under section 332.

(B) *Importation property.* No special rule applies to the treatment of property that is the stock of a CFC. Thus, if FC had sold either the CFC1 share or the CFC2 share immediately before the transaction, no gain or loss recognized on the sale would have been taken into account in determining a federal income tax liability. Further, if USP had sold either the CFC1 share or the CFC2 share immediately after the transaction, USP

would take into account any gain or loss recognized on the sale in determining its federal income tax liability. Thus, the CFC1 share and the CFC2 share are importation property. See paragraph (b)(3)(iii)(A) of this section and § 1.362-3(c)(2).

(C) *Loss importation transaction.* Immediately after the distribution, USP's aggregate basis in importation property (the CFC1 share and the CFC2 share) would, but for section 334(b)(1)(B) and this section, be \$180 (\$80 + \$100) and the shares' aggregate value is \$105 (\$100 + \$5). Therefore, the importation property's aggregate basis would exceed their aggregate value and the distribution is a loss importation transaction. See paragraph (b)(3)(iii)(A) of this section and § 1.362-3(c)(3).

(D) *Basis of importation property distributed in loss importation transaction.* Because the importation property (the CFC1 share and the CFC2 share) was transferred in a loss importation transaction, USP's basis in each of the shares received is equal to its value immediately after FC distributes the shares. Accordingly, USP's basis in the CFC1 share is \$100 and USP's basis in the CFC2 share is \$5.

Example 2. Multiple step liquidation. (i) *Facts.* USP owns the sole outstanding share of FC stock. On January 1 of year 1, FC adopts a plan of liquidation. FC makes the following distributions to USP in a transaction that qualifies as a complete liquidation under section 332. In year 1, FC distributes A1 and, immediately before the distribution, FC's basis in A1 is \$100 and A1's value is \$120. In Year 2, FC distributes A2, and, immediately before the distribution, FC's basis in A2 is \$100 and A2's value is \$120. In year 3, in its final liquidating distribution, FC distributes A3 and, immediately before the distribution, FC's basis in A3 is \$100 and A3's value is \$120. As of the time of the final distribution, USP had depreciated the bases of A1 and A2 to \$90 and \$95, respectively; the value of A1 had appreciated to \$160; and, the value of A2 has declined to \$0.

(ii) *Importation property.* If FC had sold either A1, A2, or A3 immediately before it was distributed, no gain or loss recognized on the sale would have been taken into account in determining a federal income tax liability. Further, if USP had sold either A1, A2, or A3 immediately after it was distributed, USP would take into account any gain or loss recognized on the sale in determining its federal income tax liability. Therefore, A1, A2, and A3 are all importation properties. See paragraph (b)(3)(iii)(A) of this section and § 1.362-3(c)(2).

(iii) *Loss importation transaction.* Immediately after it was distributed, USP's basis in each of the importation properties, A1, A2, and A3, would, but for section 334(b)(1)(B) and this section, have been \$100. Further, immediately after each such property was distributed, its value was \$120. Thus, the prop-

erties' aggregate basis, \$300, would not have exceeded the properties' aggregate value, \$360. Accordingly, the distribution is not a loss importation transaction irrespective of the fact that, when the liquidation was completed, the properties' aggregate basis was \$285 and the properties' aggregate value was \$280. See paragraph (b)(3)(iii)(B) of this section and § 1.362-3(c)(3).

(iv) *Basis of importation property not distributed in loss importation transaction.* Because the importation properties, A1, A2, and A3, were not distributed in a loss importation transaction, the basis of each of the importation properties is determined under the generally applicable basis rules. Accordingly, USP takes each of the properties with a basis of \$100 and, immediately after the final distribution, has an adjusted basis of \$90 in A1 (USP's \$100 basis less the \$10 depreciation), \$95 in A2 (USP's \$100 basis less the \$5 depreciation), and \$100 in A3. See section 334(b).

(c) *Applicability date.* This section applies with respect to liquidations occurring on or after March 28, 2016, and also with respect to liquidations occurring before such date as a result of an entity classification election under § 301.7701-3 of this chapter filed on or after March 28, 2016, unless such liquidation is pursuant to a binding agreement that was in effect prior to March 28, 2016 and at all times thereafter. In addition, taxpayers may apply this section to any section 332 liquidation occurring after October 22, 2004.

[T.D. 9759, 81 FR 17071, Mar. 28, 2016]

§ 1.336-0 Table of contents.

This section lists captions contained in §§ 1.336-1, 1.336-2, 1.336-3, 1.336-4, and 1.336-5.

§ 1.336-1 General principles, nomenclature, and definitions for a section 336(e) election.

- (a) Overview.
 - (1) In general.
 - (2) Consistency rules.
 - (b) Definitions.
 - (1) Seller.
 - (2) Purchaser.
 - (3) Target; S corporation target; old target; new target.
 - (4) S corporation shareholders.
 - (5) Disposed of; disposition.
 - (i) In general.
 - (ii) Exception for disposition of stock in certain section 355 transactions.
 - (iii) Transactions with related persons.
 - (iv) No consideration paid.
 - (v) Disposed of stock reacquired by certain persons.

(b) Modifications to the principles in §1.338-5.

- (1) Purchasing corporation; purchaser.
- (2) Acquisition date; disposition date.
- (3) Section 338 election; section 338(h)(10) election; section 336(e) election.
- (4) New target; old target.
- (5) Recently purchased stock; recently disposed stock.
- (6) Nonrecently purchased stock; non-recently disposed stock.
- (c) Gain recognition election.
 - (1) In general.
 - (2) 80-percent purchaser.
 - (3) Non-80-percent purchaser.
 - (4) Gain recognition election statement.
- (d) Examples.

§ 1.336-5 Effective/applicability date.

[T.D. 9619, 78 FR 28474, May 15, 2013]

§ 1.336-1 General principles, nomenclature, and definitions for a section 336(e) election.

(a) *Overview*—(1) *In general.* Section 336(e) authorizes the promulgation of regulations under which, in certain circumstances, a sale, exchange, or distribution of the stock of a corporation may be treated as an asset sale. This section and §§1.336-2 through 1.336-5 provide the rules for and consequences of making such election. This section provides the definitions and nomenclature. Generally, except to the extent inconsistent with section 336(e), the results of section 336(e) should coincide with those of section 338(h)(10). Accordingly, to the extent not inconsistent with section 336(e) or these regulations, the principles of section 338 and the regulations under section 338 apply for purposes of these regulations. For example, §1.338(h)(10)-1(d)(8), concerning the availability of the section 453 installment method, may apply with respect to section 336(e).

(2) *Consistency rules.* In general, the principles of §1.338-8, concerning asset and stock consistency, apply with respect to section 336(e). However, for this purpose, the application of §1.338-8(b)(1) is modified such that §1.338-8(b)(1)(iii) applies to an asset if the asset is owned, immediately after its acquisition and on the disposition date, by a person or by a related person (as defined in §1.336-1(b)(12)) to a person that acquires, by sale, exchange, distribution, or any combination thereof, five percent or more, by value, of the

stock of target in the qualified stock disposition.

(b) *Definitions.* For purposes of §§1.336-1 through 1.336-5 (except as otherwise provided):

(1) *Seller.* The term *seller* means any domestic corporation that makes a qualified stock disposition of stock of another corporation. Seller includes both a transferor and a distributor of target stock. Generally, all members of a consolidated group that dispose of target stock are treated as a single seller. See §1.336-2(g)(2).

(2) *Purchaser.* The term *purchaser* means one or more persons that acquire or receive the stock of another corporation in a qualified stock disposition. A purchaser includes both a transferee and a distributee of target stock.

(3) *Target; S corporation target; old target; new target.* The term *target* means any domestic corporation the stock of which is sold, exchanged, or distributed in a qualified stock disposition. An *S corporation target* is a target that is an S corporation immediately before the disposition date; any other target is a *non-S corporation target*. Except as the context otherwise requires, a reference to target includes a reference to an S corporation target. In the case of a transaction not described in section 355(d)(2) or (e)(2), *old target* refers to target for periods ending on or before the close of target's disposition date and *new target* refers to target for subsequent periods. In the case of a transaction described in section 355(d)(2) or (e)(2), *old target* refers to target for periods ending on or before the disposition date as well as for subsequent periods.

(4) *S corporation shareholders.* *S corporation shareholders* are the S corporation target's shareholders. Unless otherwise provided, a reference to S corporation shareholders refers both to S corporation shareholders who dispose of and those who do not dispose of their S corporation target stock.

(5) *Disposed of; disposition*—(i) *In general.* The term *disposed of* refers to a transfer of stock in a disposition. The term *disposition* means any sale, exchange, or distribution of stock, but only if—

(A) The basis of the stock in the hands of the purchaser is not determined in whole or in part by reference to the adjusted basis of such stock in the hands of the person from whom the stock is acquired, is not determined under section 1014(a) (relating to property acquired from a decedent), or is not determined under section 1022 (relating to the basis of property acquired from certain decedents who died in 2010);

(B) Except as provided in paragraph (b)(5)(ii) of this section, the stock is not sold, exchanged, or distributed in a transaction to which section 351, 354, 355, or 356 applies and is not sold, exchanged, or distributed in any transaction described in regulations in which the transferor does not recognize the entire amount of the gain or loss realized in the transaction; and

(C) The stock is not sold, exchanged, or distributed to a related person.

(ii) *Exception for disposition of stock in certain section 355 transactions.* Notwithstanding paragraph (b)(5)(i)(B) of this section, a distribution of stock to a person who is not a related person in a transaction in which the full amount of stock gain would be recognized pursuant to section 355(d)(2) or (e)(2) shall be considered a disposition.

(iii) *Transactions with related persons.* In determining whether stock is sold, exchanged, or distributed to a related person, the principles of section 338(h)(3)(C) and § 1.338-3(b)(3) shall apply.

(iv) *No consideration paid.* Stock in target may be considered disposed of if, under general principles of tax law, seller is considered to sell, exchange, or distribute stock of target notwithstanding that no amount may be paid for (or allocated to) the stock.

(v) *Disposed of stock reacquired by certain persons.* Stock disposed of by seller to another person under this section that is reacquired by seller or a member of seller's consolidated group during the 12-month disposition period shall not be considered as disposed of. Similarly, stock disposed of by an S corporation shareholder to another person under this section that is reacquired by the S corporation shareholder or by a person related (within the meaning of paragraph (b)(12) of this

section) to the S corporation shareholder during the 12-month disposition period shall not be considered as disposed of.

(6) *Qualified stock disposition*—(i) *In general.* The term *qualified stock disposition* means any transaction or series of transactions in which stock meeting the requirements of section 1504(a)(2) of a domestic corporation is either sold, exchanged, or distributed, or any combination thereof, by another domestic corporation or by the S corporation shareholders in a disposition, within the meaning of paragraph (b)(5) of this section, during the 12-month disposition period.

(ii) *Overlap with qualified stock purchase*—(A) *In general.* Except as provided in paragraph (b)(6)(ii)(B) of this section, a transaction satisfying the definition of a qualified stock disposition under paragraph (b)(6)(i) of this section, which also qualifies as a qualified stock purchase (as defined in section 338(d)(3)), will not be treated as a qualified stock disposition.

(B) *Exception.* If, as a result of the deemed sale of old target's assets pursuant to a section 336(e) election, there would be, but for paragraph (b)(6)(ii)(A) of this section, a qualified stock disposition of the stock of a subsidiary of target, then paragraph (b)(6)(ii)(A) shall not apply to the disposition of the stock of the subsidiary.

(7) *12-month disposition period.* The term *12-month disposition period* means the 12-month period beginning with the date of the first sale, exchange, or distribution of stock included in a qualified stock disposition.

(8) *Disposition date.* The term *disposition date* means, with respect to any corporation, the first day on which there is a qualified stock disposition with respect to the stock of such corporation.

(9) *Disposition date assets.* *Disposition date assets* are the assets of target held at the beginning of the day after the disposition date (but see § 1.338-1(d) (regarding certain transactions on the disposition date)).

(10) *Domestic corporation.* The term *domestic corporation* has the same meaning as in § 1.338-2(c)(9).

(11) *Section 336(e) election.* A section 336(e) election is an election to apply

section 336(e) to target. A section 336(e) election is made by making an election for target under § 1.336-2(h).

(12) *Related persons.* Two persons are related if stock of a corporation owned by one of the persons would be attributed under section 318(a), other than section 318(a)(4), to the other. However, neither section 318(a)(2)(A) nor section 318(a)(3)(A) apply to attribute stock ownership from a partnership to a partner, or from a partner to a partnership, if such partner owns, directly or indirectly, interests representing less than five percent of the value of the partnership.

(13) *Liquidation.* Any reference to a liquidation is treated as a reference to the transfer described in § 1.336-2(b)(1)(iii) notwithstanding its ultimate characterization for Federal income tax purposes.

(14) *Deemed asset disposition.* The deemed sale of old target's assets is, without regard to its characterization for Federal income tax purposes, referred to as the deemed asset disposition.

(15) *Deemed disposition tax consequences.* Deemed disposition tax consequences refers to, in the aggregate, the Federal income tax consequences (generally, the income, gain, deduction, and loss) of the deemed asset disposition. Deemed disposition tax consequences also refers to the Federal income tax consequences of the transfer of a particular asset in the deemed asset disposition.

(16) *80-percent purchaser.* An 80-percent purchaser is any purchaser that, after application of the attribution rules of section 318(a), other than section 318(a)(4), owns 80 percent or more of the voting power or value of target stock.

(17) *Recently disposed stock.* The term *recently disposed stock* means any stock in target that is not held by seller, a member of seller's consolidated group, or an S corporation shareholder immediately after the close of the disposition date and that was disposed of by seller, a member of seller's consolidated group, or an S corporation shareholder during the 12-month disposition period.

(18) *Nonrecently disposed stock.* The term *nonrecently disposed stock* means

stock in target that is held on the disposition date by a purchaser or a person related (as described in § 1.336-1(b)(12)) to the purchaser who owns, on the disposition date, with the application of section 318(a), other than section 318(a)(4), at least 10 percent of the total voting power or value of the stock of target and that is not recently disposed stock.

(c) *Nomenclature.* For purposes of §§ 1.336-1 through 1.336-5, except as otherwise provided, Parent, Seller, Target, Sub, S Corporation Target, and Target Subsidiary are domestic corporations and A, B, C, and D are individuals, none of whom are related to Parent, Seller, Target, Sub, S Corporation Target, Target Subsidiary, or each other.

[T.D. 9619, 78 FR 28474, May 15, 2013, as amended by T.D. 9811, 82 FR 6237, Jan. 19, 2017]

§ 1.336-2 Availability, mechanics, and consequences of section 336(e) election.

(a) *Availability of election.* A section 336(e) election is available if seller or S corporation shareholder(s) dispose of stock of another corporation (target) in a qualified stock disposition (as defined in § 1.336-1(b)(6)). A section 336(e) election is irrevocable. A section 336(e) election is not available for transactions described in section 336(e) that do not constitute qualified stock dispositions.

(b) *Deemed transaction—(1) Dispositions not described in section 355(d)(2) or (e)(2)—(i) Old target—deemed asset disposition—(A) In general.* This paragraph (b)(1) provides the Federal income tax consequences of a section 336(e) election made with respect to a qualified stock disposition not described, in whole or in part, in section 355(d)(2) or (e)(2). For the Federal income tax consequences of a section 336(e) election made with respect to a qualified stock disposition described, in whole or in part, in section 355(d)(2) or (e)(2), see paragraph (b)(2) of this section. In general, if a section 336(e) election is made, seller (or S corporation shareholders) are treated as not having sold, exchanged, or distributed the stock disposed of in the qualified stock disposition. Instead, old target is treated as

selling its assets to an unrelated person in a single transaction at the close of the disposition date (but before the deemed liquidation described in paragraph (b)(1)(iii) of this section) in exchange for the aggregate deemed asset disposition price (ADADP) as determined under § 1.336-3. ADADP is allocated among the disposition date assets in the same manner as the aggregate deemed sale price (ADSP) is allocated under §§ 1.338-6 and 1.338-7 in order to determine the amount realized from each of the sold assets. Old target realizes the deemed disposition tax consequences from the deemed asset disposition before the close of the disposition date while old target is owned by seller or the S corporation shareholders. If old target is an S corporation target, old target's S election continues in effect through the close of the disposition date (including the time of the deemed asset disposition and the deemed liquidation) notwithstanding section 1362(d)(2)(B). Also, if old target is an S corporation target (but not a qualified subchapter S subsidiary), any direct or indirect subsidiaries of old target that old target has elected to treat as qualified subchapter S subsidiaries under section 1361(b)(3) remain qualified subchapter S subsidiaries through the close of the disposition date.

(B) *Gains and losses*—(1) *Gains*. Except as provided in § 1.338(h)(10)–1(d)(8) (regarding the installment method), old target shall recognize all of the gains realized on the deemed asset disposition.

(2) *Losses*—(i) *In general*. Except as provided in paragraphs (b)(1)(i)(B)(2)(ii), (iii), and (iv) of this section, old target shall recognize all of the losses realized on the deemed asset disposition.

(ii) *Stock distributions*. Notwithstanding paragraphs (b)(1)(i)(A) and (b)(1)(iii)(A) of this section, for purposes of determining the amount of target's losses that are disallowed on the deemed asset disposition, seller is still treated as selling, exchanging, or distributing its target stock disposed of in the 12-month disposition period. If target's losses realized on the deemed sale of all of its assets exceed target's gains realized (a net loss), the portion of such net loss attributable to a dis-

tribution of target stock during the 12-month disposition period is disallowed. The total amount of disallowed loss and the allocation of disallowed loss is determined in the manner provided in paragraphs (b)(1)(i)(B)(2)(iii) and (iv) of this section.

(iii) *Amount and allocation of disallowed loss*. The total disallowed loss pursuant to paragraph (b)(1)(i)(B)(2)(ii) of this section shall be determined by multiplying the net loss realized on the deemed asset disposition by the disallowed loss fraction. The numerator of the disallowed loss fraction is the value of target stock, determined on the disposition date, distributed by seller during the 12-month disposition period, whether or not a part of the qualified stock disposition (for example, stock distributed to a related person), and the denominator of the disallowed loss fraction is the sum of the value of target stock, determined on the disposition date, disposed of by sale or exchange in the qualified stock disposition during the 12-month disposition period and the value of target stock, determined on the disposition date, distributed by seller during the 12-month disposition period, whether or not a part of the qualified stock disposition. The amount of the disallowed loss allocated to each asset disposed of in the deemed asset disposition is determined by multiplying the total amount of the disallowed loss by the loss allocation fraction. The numerator of the loss allocation fraction is the amount of loss realized with respect to the asset and the denominator of the loss allocation fraction is the sum of the amount of losses realized with respect to each loss asset disposed of in the deemed asset disposition. To the extent old target's losses from the deemed asset disposition are not disallowed under this paragraph, such losses may be disallowed under other provisions of the Internal Revenue Code or general principles of tax law, in the same manner as if such assets were actually sold to an unrelated person.

(iv) *Tiered targets*. If an asset of target is the stock of a subsidiary corporation of target for which a section 336(e) election is made, any gain or loss realized on the deemed sale of the stock of the subsidiary corporation is disregarded

in determining the amount of disallowed loss. For purposes of determining the amount of disallowed loss on the deemed asset disposition by a subsidiary of target for which a section 336(e) election is made, the amount of subsidiary stock deemed sold in the deemed asset disposition of target's assets multiplied by the disallowed loss fraction with respect to the corporation that is deemed to have disposed of stock of the subsidiary is considered to have been distributed. In determining the disallowed loss fraction with respect to the deemed asset disposition of any subsidiary of target, disregard any sale, exchange, or distribution of its stock that was made after the disposition date if such stock was included in the deemed asset disposition of the corporation deemed to have disposed of the subsidiary stock.

(3) *Examples.* The following examples illustrate this paragraph (b)(1)(i)(B).

Example 1. (i) *Facts.* Parent owns 60 of the 100 outstanding shares of the common stock of Seller, Seller's only class of stock outstanding. The remaining 40 shares of the common stock of Seller are held by shareholders unrelated to Seller or each other. Seller owns 95 of the 100 outstanding shares of Target common stock, and all 100 shares of Target preferred stock that is described in section 1504(a)(4). The remaining 5 shares of Target common stock are owned by A. On January 1 of Year 1, Seller sells 72 shares of Target common stock to B for \$3,520. On July 1 of Year 1, Seller distributes 12 shares of Target common stock to Parent and 8 shares to its unrelated shareholders in a distribution described in section 301. Seller retains 3 shares of Target common stock and all 100 shares of Target preferred stock immediately after July 1. The value of Target common stock on July 1 is \$60 per share. The value of Target preferred stock on July 1 is \$36 per share. Target has three assets, Asset 1, a Class IV asset, with a basis of \$1,776 and a fair market value of \$2,000. Asset 2, a Class V asset, with a basis of \$2,600 and a fair market value of \$2,750, and Asset 3, a Class V asset, with a basis of \$3,900 and a fair market value of \$3,850. Seller incurred no selling costs on the sale of the 72 shares of Target common stock to B. Target has no liabilities. A section 336(e) election is made.

(ii) *Consequences—Deemed Asset Sale.* Because at least 80 percent $((72 + 8)/100)$ of Target stock, other than stock described in section 1504(a)(4), was disposed of (within the meaning of § 1.336-1(b)(5)) by Seller during the 12-month disposition period, a qualified stock disposition occurred. July 1 of Year 1,

the first day on which there was a qualified stock disposition with respect to Target stock, is the disposition date. Accordingly, pursuant to the section 336(e) election, for Federal income tax purposes, Seller generally is not treated as selling the 72 shares of Target common stock sold to B or distributing the 8 shares of Target common stock distributed to its unrelated shareholders. However, Seller is still treated as distributing the 12 shares of Target common stock distributed to Parent because Seller and Parent are related persons within the meaning of § 1.336-1(b)(12) and accordingly the 12 shares are not part of the qualified stock disposition. Target is treated as if, on July 1, it sold all of its assets to an unrelated person in exchange for the ADADP, \$8,000, which is allocated \$2,000 to Asset 1, \$2,500 to Asset 2, and \$3,500 to Asset 3 (see *Example 1* of § 1.336-3(g) for the determination and allocation of ADADP).

(iii) *Consequences—Amount and Allocation of Disallowed Loss.* Old Target realized a net loss of \$276 on the deemed asset disposition (\$224 gain realized on Asset 1, \$100 loss realized on Asset 2, and \$400 loss realized on Asset 3). However, 20 shares of Target common stock were distributed by Seller during the 12-month disposition period (8 shares distributed to Seller's unrelated shareholders in the qualified stock disposition plus 12 shares distributed to Parent that were not part of the qualified stock disposition). Therefore, because there was a net loss realized on the deemed asset disposition and a portion of the stock of Target was distributed during the 12-month disposition period, a portion of the loss on the deemed sale of each of Target's loss assets is disallowed. The total amount of disallowed loss equals \$60 (\$276 net loss realized on the deemed disposition of Assets 1, 2, and 3 multiplied by the disallowed loss fraction, the numerator of which is \$1,200, the value on July 1, the disposition date, of the 20 shares of Target common stock distributed during the 12-month disposition period, and the denominator of which is \$5,520, the sum of \$4,320, the value on July 1 of the 72 shares of Target common stock sold to B and \$1,200, the value on July 1 of the 20 shares of Target common stock distributed during the 12-month disposition period). The portion of the disallowed loss allocated to Asset 2 is \$12 (\$60 total disallowed loss multiplied by the loss allocation fraction, the numerator of which is \$100, the loss realized on the deemed disposition of Asset 2 and the denominator of which is \$500, the sum of the losses realized on the deemed disposition of Assets 2 and 3). The portion of the disallowed loss allocated to Asset 3 is \$48 (\$60 total disallowed loss multiplied by the loss allocation fraction, the numerator of which is \$400, the loss realized on the deemed disposition of Asset 3 and the denominator of which is \$500, the sum of the losses realized on the deemed disposition

of Assets 2 and 3). Accordingly, Old Target recognizes \$224 of gain on Asset 1, recognizes \$88 of loss on Asset 2 (realized loss of \$100 less allocated disallowed loss of \$12), and recognizes \$352 of loss on Asset 3 (realized loss of \$400 less allocated disallowed loss of \$48) or a recognized net loss of \$216 on the deemed asset disposition.

Example 2. (i) *Facts.* The facts are the same as in *Example 1* except that Asset 2 is the stock of Target Subsidiary, a corporation of which Target owns 100 of the 110 shares of common stock, the only outstanding class of Target Subsidiary stock. The remaining 10 shares of Target Subsidiary stock are owned by D. The value of Target Subsidiary stock on July 1 is \$27.50 per share. Target Subsidiary has two assets, Asset 4, a Class IV asset, with a basis of \$800 and a fair market value of \$1,000, and Asset 5, a Class IV asset, with a basis of \$2,200 and a fair market value of \$2,025. Target Subsidiary has no liabilities. A section 336(e) election with respect to Target Subsidiary is also made.

(ii) *Consequences—Target.* The ADADP on the deemed sale of Target's assets is determined and allocated in the same manner as in *Example 1*. However, Target's loss realized on the deemed sale of Target Subsidiary is disregarded in determining the amount of disallowed loss on the deemed asset disposition of Target's assets. Thus, the net loss is only \$176 (\$224 gain realized on Asset 1 and \$400 loss realized on Asset 3), and the amount of disallowed loss equals \$38.26 (\$176 net loss multiplied by the disallowed loss fraction with respect to Target stock, $\$1,200/\$5,520$). The entire disallowed loss is allocated to Asset 3.

(iii) *Consequences—Target Subsidiary.* The deemed sale of the stock of Target Subsidiary is disregarded and instead Target Subsidiary is deemed to sell all of its assets to an unrelated person. The ADADP on the deemed asset disposition of Target Subsidiary is \$2,750, which is allocated \$909 to Asset 4 and \$1,841 to Asset 5 (see *Example 2* of § 1.336-3(g) for the determination and allocation of ADADP). Old Target Subsidiary realized \$109 of gain on Asset 4 and realized \$359 of loss on Asset 5 in the deemed asset disposition. Although Old Target Subsidiary realized a net loss of \$250 on the deemed asset disposition (\$109 gain on Asset 4 and \$359 loss on Asset 5), a portion of this net loss is disallowed because a portion of Target stock was distributed during the 12-month disposition period. For purposes of determining the amount of disallowed loss on the deemed sale of the assets of Target Subsidiary, the portion of the 100 shares of Target Subsidiary stock deemed sold by Target pursuant to the section 336(e) election for Target Subsidiary multiplied by the disallowed loss fraction with respect to Target stock is treated as having been distributed. Thus, for purposes of determining the amount of disallowed loss

on the deemed asset disposition of Target Subsidiary's assets, 21.74 shares of Target Subsidiary stock (100 shares of Target Subsidiary stock owned by Target multiplied by the disallowed loss fraction with respect to Target stock, $\$1,200/\$5,520$) are treated as having been distributed by Target during the 12-month disposition period. The total amount of disallowed loss with respect to the deemed asset disposition of Target Subsidiary's assets equals \$54 (\$250 net loss realized on the deemed disposition of Assets 4 and 5 multiplied by the disallowed loss fraction with respect to Target Subsidiary, the numerator of which is \$598, the value on July 1, the disposition date, of the 21.74 shares of Target Subsidiary stock deemed distributed during the 12-month disposition period (21.74 shares \times \$27.50) and the denominator of which is \$2,750 (the sum of \$2,152, the value on July 1 of the 78.26 shares of Target Subsidiary stock deemed sold in the qualified stock disposition pursuant to the section 336(e) election for Target Subsidiary (78.26 shares \times \$27.50) and \$598, the value on July 1 of the 21.74 shares of Target Subsidiary stock deemed distributed during the 12-month disposition period)). (The 10 shares of Target Subsidiary owned by D are not part of the qualified stock disposition and therefore are not included in the denominator of the disallowed loss fraction.) All of the disallowed loss is allocated to Asset 5, the only loss asset. Accordingly, Old Target Subsidiary recognizes \$109 of gain on Asset 4 and recognizes \$305 of loss on Asset 5 (realized loss of \$359 less disallowed loss of \$54) or a net loss of \$196 on the deemed asset disposition.

Example 3. (i) *Facts.* The facts are the same as in *Example 2* except that on August 1 of Year 1, Target sells 50 of its shares of Target Subsidiary stock and distributes the remaining 50 shares.

(ii) *Consequences.* Because the 100 shares of Target Subsidiary stock that were sold and distributed on August 1 were deemed disposed of on July 1 in the deemed asset disposition of Target, the August 1 sale and distribution of Target Subsidiary stock are disregarded in determining the amount of disallowed loss. Accordingly, the consequences are the same as in *Example 2*.

(C) *Tiered targets.* In the case of parent-subsidiary chains of corporations making section 336(e) elections, the deemed asset disposition of a higher-tier subsidiary is considered to precede the deemed asset disposition of a lower-subsidiary.

(ii) *New target—deemed purchase.* New target is treated as acquiring all of its assets from an unrelated person in a single transaction at the close of the disposition date (but before the deemed liquidation) in exchange for an amount

equal to the adjusted grossed-up basis (AGUB) as determined under §1.336-4. New target allocates the consideration deemed paid in the transaction in the same manner as new target would under §§1.338-6 and 1.338-7 in order to determine the basis in each of the purchased assets. If new target qualifies as a small business corporation within the meaning of section 1361(b) and wants to be an S corporation, a new election under section 1362(a) must be made. Notwithstanding paragraph (b)(1)(iii) of this section (deemed liquidation of old target), new target remains liable for the tax liabilities of old target (including the tax liability for the deemed disposition tax consequences). For example, new target remains liable for the tax liabilities of the members of any consolidated group that are attributable to taxable years in which those corporations and old target joined in the same consolidated return. See §1.1502-6(a).

(iii) *Old target and seller—deemed liquidation—(A) In general.* If old target is an S corporation, S corporation shareholders (whether or not they sell or exchange their stock) take their pro rata share of the deemed disposition tax consequences into account under section 1366 and increase or decrease their basis in target stock under section 1367. Old target and seller (or S corporation shareholders) are treated as if, before the close of the disposition date, after the deemed asset disposition described in paragraph (b)(1)(i)(A) of this section, and while target is owned by seller or S corporation shareholders, old target transferred all of the consideration deemed received from new target in the deemed asset disposition to seller or S corporation shareholders, any S corporation election for old target terminated, and old target ceased to exist. The transfer from old target to seller or S corporation shareholders is characterized for Federal income tax purposes in the same manner as if the parties had actually engaged in the transactions deemed to occur because of this section and taking into account other transactions that actually occurred or are deemed to occur. For example, the transfer may be treated as a distribution in pursuance of a plan of reorganization, a distribution in com-

plete cancellation or redemption of all of its stock, one of a series of distributions in complete cancellation or redemption of all of its stock in accordance with a plan of liquidation, or part of a circular flow of cash. In most cases, the transfer will be treated as a distribution in complete liquidation to which sections 331 or 332 and sections 336 or 337 apply.

(B) *Tiered targets.* In the case of parent-subsidiary chains of corporations making section 336(e) elections, the deemed liquidation of a lower-tier subsidiary corporation is considered to precede the deemed liquidation of a higher-tier subsidiary.

(iv) *Seller—distribution of target stock.* In the case of a distribution of target stock in a qualified stock disposition, seller (the distributor) is deemed to purchase from an unrelated person, on the disposition date, immediately after the deemed liquidation of old target, the amount of stock distributed in the qualified stock disposition (new target stock) and to have distributed such new target stock to its shareholders. Seller recognizes no gain or loss on the distribution of such stock.

(v) *Seller—retention of target stock.* If seller or an S corporation shareholder retains any target stock after the disposition date, seller or the S corporation shareholder is treated as purchasing the stock so retained from an unrelated person (new target stock) on the day after the disposition date for its fair market value. The holding period for the retained stock starts on the day after the disposition date. For purposes of this paragraph (b)(1)(v), the fair market value of all of the target stock equals the grossed-up amount realized on the sale, exchange, or distribution of recently disposed stock of target (see §1.336-3(c)).

(2) *Dispositions described in section 355(d)(2) or (e)(2)—(i) Old target—deemed asset disposition—(A) In general.* This paragraph (b)(2) provides the Federal income tax consequences of a section 336(e) election made with respect to a qualified stock disposition resulting, in whole or in part, from a disposition described in section 355(d)(2) or (e)(2). Old target is treated as selling its assets to an unrelated person in a single transaction at the close of the disposition

date in exchange for the ADADP as determined under § 1.336-3. ADADP is allocated among the disposition date assets in the same manner as ADSP is allocated under §§ 1.338-6 and 1.338-7 in order to determine the amount realized from each of the sold assets. Old target realizes the deemed disposition tax consequences from the deemed asset disposition before the close of the disposition date while old target is owned by seller.

(1) *Old target not deemed to liquidate.* In general, unlike a section 338(h)(10) election or a section 336(e) election made with respect to a qualified stock disposition not described, in whole or in part, in section 355(d)(2) or (e)(2), old target is not deemed to liquidate after the deemed asset disposition.

(2) *Exception.* If an election is made under § 1.1502-13(f)(5)(ii)(E), then solely for purposes of § 1.1502-13(f)(5)(ii)(C), immediately after the deemed asset disposition of old target, old target is deemed to liquidate into seller.

(B) *Gains and losses—(1) Gains.* Except as provided in § 1.338(h)(10)-1(d)(8) (regarding the installment method), old target shall recognize all of the gains realized on the deemed asset disposition.

(2) *Losses—(i) In general.* Except as provided in paragraphs (b)(2)(i)(B)(2)(ii), (iii), and (iv) of this section, old target shall recognize all of the losses realized on the deemed asset disposition.

(ii) *Stock distributions.* If target's losses realized on the deemed sale of all of its assets exceed target's gains realized (a net loss), the portion of such net loss attributable to a distribution of target stock during the 12-month disposition period is disallowed. The total amount of disallowed loss and the allocation of disallowed loss is determined in the manner provided in paragraphs (b)(2)(i)(B)(2)(iii) and (iv) of this section.

(iii) *Amount and allocation of disallowed loss.* The total disallowed loss pursuant to paragraph (b)(2)(i)(B)(2)(ii) of this section shall be determined by multiplying the net loss realized on the deemed asset disposition by the disallowed loss fraction. The numerator of the disallowed loss fraction is the value of target stock, determined on the disposition date, distributed by seller during the 12-month disposition period,

whether or not a part of the qualified stock disposition (for example, stock distributed to a related person), and the denominator of the disallowed loss fraction is the sum of the value of target stock, determined on the disposition date, disposed of by sale or exchange in the qualified stock disposition during the 12-month disposition period and the value of target stock, determined on the disposition date, distributed by seller during the 12-month disposition period, whether or not a part of the qualified stock disposition. The amount of the disallowed loss allocated to each asset disposed of in the deemed asset disposition is determined by multiplying the total amount of the disallowed loss by the loss allocation fraction. The numerator of the loss allocation fraction is the amount of loss realized with respect to the asset and the denominator of the loss allocation fraction is the sum of the amount of losses realized with respect to each loss asset disposed of in the deemed asset disposition. To the extent old target's losses from the deemed asset disposition are not disallowed under this paragraph, such losses may be disallowed under other provisions of the Internal Revenue Code or general principles of tax law, in the same manner as if such assets were actually sold to an unrelated person.

(iv) *Tiered targets.* If an asset of target is the stock of a subsidiary corporation of target for which a section 336(e) election is made, any gain or loss realized on the deemed sale of the stock of the subsidiary corporation is disregarded in determining the amount of disallowed loss. For purposes of determining the amount of disallowed loss on the deemed asset disposition by a subsidiary of target for which a section 336(e) election is made, see paragraph (b)(1)(i)(B)(2) of this section.

(3) *Examples.* The following examples illustrate this paragraph (b)(2)(i)(B).

Example 1. (i) *Facts.* Seller owns 90 of the 100 outstanding shares of Target common stock, the only class of Target stock outstanding. The remaining 10 shares of Target common stock are owned by C. On January 1 of Year 1, Seller sells 10 shares of Target common stock to D for \$910. On July 1, in an unrelated transaction, Seller distributes its remaining 80 shares of Target common stock

to its unrelated shareholders in a distribution described in section 355(d)(2) or (e)(2). On July 1, the value of Target common stock is \$100 per share. Target has three assets, Asset 1 with a basis of \$1,220, Asset 2 with a basis of \$3,675, and Asset 3 with a basis of \$5,725. Seller incurred no selling costs on the sale of the 10 shares of Target common stock to D. Target has no liabilities. A section 336(e) election is made.

(i) *Consequences.* Because at least 80 percent of Target stock ($(10 + 80)/100$) was disposed of (within the meaning of § 1.336-1(b)(5)) by Seller during the 12-month disposition period, a qualified stock disposition occurred. July 1 of Year 1, the first day on which there was a qualified stock disposition with respect to Target, is the disposition date. Accordingly, pursuant to the section 336(e) election, for Federal income tax purposes, Target is treated as if, on July 1, it sold all of its assets to an unrelated person in exchange for the ADADP, \$9,900, as determined under § 1.336-3. Assume that the ADADP is allocated \$2,000 to Asset 1, \$3,300 to Asset 2, and \$4,600 to Asset 3 under § 1.336-3. Old Target realized a net loss of \$720 on the deemed asset disposition (\$780 gain realized on Asset 1, \$375 loss realized on Asset 2, and \$1,125 loss realized on Asset 3). However, because a portion of Target stock was distributed during the 12-month disposition period and there was a net loss on the deemed asset disposition, a portion of the loss on each of the loss assets is disallowed. The total amount of disallowed loss equals \$640 (\$720 net loss realized on the deemed disposition of Assets 1, 2, and 3 multiplied by the disallowed loss fraction, the numerator of which is \$8,000, the value on July 1, the disposition date, of the 80 shares of Target common stock distributed by Seller during the 12-month disposition period, and the denominator of which is \$9,000, the sum of \$1,000, the value on July 1 of the 10 shares of Target common stock sold to D, and \$8,000, the value on July 1 of the 80 shares of Target common stock distributed by Seller during the 12-month disposition period). The portion of the disallowed loss allocated to Asset 2 is \$160 (\$640 total disallowed loss on the deemed asset disposition multiplied by the loss allocation fraction, the numerator of which is \$375, the loss realized on the deemed disposition of Asset 2, and the denominator of which is \$1,500, the sum of the losses realized on the deemed disposition of Assets 2 and 3). The portion of the disallowed loss allocated to Asset 3 is \$480 (\$640 total disallowed loss on the deemed asset disposition multiplied by the loss allocation fraction, the numerator of which is \$1,125, the loss realized on the deemed disposition of Asset 3, and the denominator of which is \$1,500, the sum of the losses realized on the deemed disposition of Assets 2 and 3). Accordingly, Old Target recognizes \$780 of gain on Asset 1, recognizes

\$215 of loss on Asset 2 (realized loss of \$375 less allocated disallowed loss of \$160), and recognizes \$645 of loss on Asset 3 (realized loss of \$1,125 less allocated disallowed loss of \$480) or a recognized net loss of \$80 on the deemed asset disposition.

Example 2. (i) *Facts.* The facts are the same as in *Example 1* except that Asset 2 is 100 shares of common stock of Target Subsidiary, a wholly-owned subsidiary of Target. The value of Target Subsidiary common stock on July 1 is \$40 per share. Target Subsidiary has two assets, Asset 4 with a basis of \$500 and Asset 5 with a basis of \$3,000. Target Subsidiary has no liabilities. A section 336(e) election is also made with respect to Target Subsidiary.

(ii) *Consequences—Target.* The ADADP on the deemed sale of Target's assets is determined and allocated in the same manner as in *Example 1*. However, Old Target's loss realized on the deemed sale of Target Subsidiary is disregarded in determining the amount of the disallowed loss on the deemed asset disposition of Old Target's assets. Thus, the realized net loss is only \$345 (\$780 gain on Asset 1 and \$1,125 loss on Asset 3), and the amount of disallowed loss equals \$307, the \$345 realized net loss multiplied by the disallowed loss fraction with respect to Target stock, \$8,000/\$9,000. The entire disallowed loss is allocated to Asset 3. Accordingly, Old Target recognizes \$780 of gain on Asset 1 and recognizes \$818 of loss on Asset 3 (realized loss of \$1,125 less allocated disallowed loss of \$307) or a recognized net loss of \$38 on the deemed asset disposition.

(iii) *Consequences—Target Subsidiary.* Because the deemed sale of Target Subsidiary is not a transaction described in section 355(d)(2) or (e)(2), the tax consequences of the deemed sale of Target Subsidiary are determined under paragraph (b)(1) of this section and not this paragraph (b)(2). The deemed sale of the stock of Target Subsidiary is disregarded and instead Target Subsidiary is deemed to sell all of its assets to an unrelated person. The ADADP on the deemed asset disposition of Target Subsidiary as determined under § 1.336-3 is \$3,300. Assume that the ADADP is allocated \$900 to Asset 4 and \$2,400 to Asset 5 under § 1.336-3. Old Target Subsidiary realized a net loss of \$200 on the deemed asset disposition (\$400 gain realized on Asset 4 and \$600 loss realized on Asset 5). However, because a portion of Target stock was distributed during the 12-month disposition period, for purposes of determining the amount of disallowed loss on the deemed sale of the assets of Target Subsidiary, the portion of the 100 shares of Target Subsidiary stock deemed sold pursuant to the section 336(e) election for Target Subsidiary multiplied by the disallowed loss fraction with respect to Target stock are treated as having been distributed. Thus, for

purposes of determining the amount of disallowed loss on the deemed asset disposition of Target Subsidiary's assets, 88.89 shares of Target Subsidiary common stock (100 shares owned by Target multiplied by the disallowed loss fraction with respect to Target stock, \$8,000/\$9,000) are treated as distributed during the 12-month disposition period. The total amount of disallowed loss with respect to the deemed asset disposition of Target Subsidiary's assets equals \$177.78 (\$200 net loss realized on the deemed disposition of Assets 4 and 5 multiplied by the disallowed loss fraction with respect to Target Subsidiary, the numerator of which is \$3,556, the value on July 1, the disposition date, of the 88.89 shares of Target Subsidiary common stock deemed distributed during the 12-month disposition period (88.89 shares × \$40) and the denominator of which is \$4,000 (the sum of \$444, the value on July 1 of the 11.11 shares of Target Subsidiary common stock deemed sold in the qualified stock disposition pursuant to the section 336(e) election for Target Subsidiary (11.11 shares × \$40) and \$3,556, the value on July 1 of the 88.89 shares of Target Subsidiary common stock deemed distributed during the 12-month disposition period)). All of the disallowed loss is allocated to Asset 5, the only loss asset. Accordingly, Old Target Subsidiary recognizes \$400 of gain on Asset 4 and recognizes \$422.22 of loss on Asset 5 (realized loss of \$600 less allocated disallowed loss of \$177.78) or a recognized net loss of \$22.22 on the deemed asset disposition.

(C) *Tiered targets.* In the case of parent-subsidiary chains of corporations making section 336(e) elections, the deemed asset disposition of a higher-tier subsidiary is considered to precede the deemed asset disposition of a lower-tier subsidiary.

(ii) *Old target—deemed purchase—(A) In general.* Immediately after the deemed asset disposition described in paragraph (b)(2)(i)(A) of this section, old target is treated as acquiring all of its assets from an unrelated person in a single, separate transaction at the close of the disposition date (but before the distribution described in paragraph (b)(2)(iii)(A) of this section) in exchange for an amount equal to the AGUB as determined under § 1.336-4. Old target allocates the consideration deemed paid in the transaction in the same manner as new target would under §§ 1.338-6 and 1.338-7 in order to determine the basis in each of the purchased assets.

(B) *Tiered targets.* In the case of parent-subsidiary chains of corporations making section 336(e) elections with re-

spect to a qualified stock disposition described, in whole or in part, in section 355(d)(2) or (e)(2), old target's deemed purchase of all its assets is considered to precede the deemed asset disposition of a lower-tier subsidiary.

(C) *Application of section 197(f)(9), section 1091, and other provisions to old target.* Solely for purposes of section 197(f)(9), section 1091, and any other provision designated in the Internal Revenue Bulletin by the Internal Revenue Service (see § 601.601(d)(2)(ii) of this chapter), old target, in its capacity as seller of assets in the deemed asset disposition described in paragraph (b)(2)(i)(A) of this section, shall be treated as a separate and distinct taxpayer from, and unrelated to, old target in its capacity as acquirer of assets in the deemed purchase described in paragraph (b)(2)(ii)(A) of this section and for subsequent periods.

(iii) *Seller—distribution of target stock—(A) In general.* Immediately after old target's deemed purchase of its assets described in paragraph (b)(2)(ii) of this section, seller is treated as distributing the stock of old target actually distributed to its shareholders in the qualified stock disposition. No gain or loss is recognized by seller on the distribution. Additionally, if stock of target is sold, exchanged, or distributed outside of the section 355 transaction but still as part of a qualified stock disposition described, in whole or in part, in section 355(d)(2) or (e)(2), no gain or loss is recognized by seller on such sale, exchange, or distribution.

(B) *Tiered targets.* In the case of parent-subsidiary chains of corporations making section 336(e) elections with respect to a qualified stock disposition described, in whole or in part, in section 355(d)(2) or (e)(2), the Federal income tax consequences of the section 336(e) election for a subsidiary of target shall be determined under paragraph (b)(1) of this section unless the stock of the subsidiary of target is actually disposed of in a qualified stock disposition described, in whole or in part, in section 355(d)(2) or (e)(2). The deemed liquidation of a lower-tier subsidiary pursuant to paragraph (b)(1)(iii) of this section is considered to precede the deemed liquidation of a higher-tier subsidiary. The deemed liquidation of

the highest tier subsidiary of target is considered to precede the distribution of old target stock described in paragraph (b)(2)(iii)(A) of this section.

(iv) *Seller—retention of target stock.* If seller retains any target stock after the disposition date, seller is treated as having disposed of the old target stock so retained, on the disposition date, in a transaction in which no gain or loss is recognized, and then, on the day after the disposition date, purchasing the stock so retained from an unrelated person for its fair market value. The holding period for the retained stock starts on the day after the disposition date. For purposes of this paragraph (b)(2)(iv), the fair market value of all of the target stock equals the grossed-up amount realized on the sale, exchange, or distribution of recently disposed stock of target (see § 1.336-3(c)).

(v) *Qualification under section 355.* Old target's deemed sale of all its assets to an unrelated person and old target's deemed purchase of all its assets from an unrelated person will not cause the distribution of old target to fail to satisfy the requirements of section 355. Similarly, any deemed transactions under paragraph (b)(1) or (b)(2) of this section that a subsidiary of target is treated as engaging in will not cause the distribution of old target to fail to satisfy the requirements of section 355. For purposes of applying section 355(a)(1)(D), seller is treated as having disposed of any stock disposed of in the qualified stock disposition on the date seller actually sold, exchanged, or distributed such stock. Further, seller's deemed disposition of retained old target stock under paragraph (b)(2)(iv) of this section is disregarded for purposes of applying section 355(a)(1)(D).

(vi) *Earnings and profits.* The earnings and profits of seller and target shall be determined pursuant to § 1.312-10 and, if applicable, § 1.1502-33(e). For this purpose, target will not be treated as a newly created controlled corporation and any increase or decrease in target's earnings and profits pursuant to the deemed asset disposition will increase or decrease, as the case may be, target's earnings and profits immediately before the allocation described in § 1.312-10.

(c) *Purchaser.* Generally, the making of a section 336(e) election will not affect the Federal income tax consequences to which purchaser would have been subject with respect to the acquisition of target stock if a section 336(e) election was not made. Thus, notwithstanding §§ 1.336-2(b)(1)(i)(A), 1.336-2(b)(1)(iv), and 1.336-2(b)(2)(iii)(A), purchaser will still be treated as having purchased, received in an exchange, or received in a distribution, the stock of target so acquired on the date actually acquired. However, see section 1223(1)(B) with respect to the holding period for stock acquired pursuant to a distribution qualifying under section 355 (or so much of section 356 that relates to section 355). The Federal income tax consequences of the deemed asset disposition and liquidation of target may affect purchaser's consequences. For example, if seller distributes the stock of target to its shareholders in a qualified stock disposition for which a section 336(e) election is made, any increase in seller's earnings and profits as a result of old target's deemed asset disposition and liquidation into seller may increase the amount of a distribution to the shareholders constituting a dividend under section 301(c)(1).

(d) *Minority shareholders—(1) In general.* This paragraph (d) describes the treatment of shareholders of old target other than seller, a member of seller's consolidated group, and S corporation shareholders (whether or not they sell or exchange their stock of target). A shareholder to which this paragraph (d) applies is referred to as a minority shareholder.

(2) *Sale, exchange, or distribution of target stock by a minority shareholder.* A minority shareholder recognizes gain or loss (as permitted under the general principles of tax law) on its sale, exchange, or distribution of target stock.

(3) *Retention of target stock by a minority shareholder.* A minority shareholder who retains its target stock does not recognize gain or loss under this section with respect to its shares of target stock. The minority shareholder's basis and holding period for that target stock are not affected by the section 336(e) election. Notwithstanding this treatment of the minority shareholder,

§ 1.336-2

26 CFR Ch. I (4-1-21 Edition)

if a section 336(e) election is made, target will still be treated as disposing of all of its assets in the deemed asset disposition.

(e) *Treatment consistent with an actual asset disposition.* Except as otherwise provided, no provision in this section shall produce a Federal income tax result under subtitle A of the Internal Revenue Code that would not occur if the parties had actually engaged in the transactions deemed to occur because of this section, taking into account other transactions that actually occurred or are deemed to occur. See § 1.338-1(a)(2) regarding the application of other rules of law.

(f) *Treatment of target under other provisions of the Internal Revenue Code.* The provisions § 1.338-1(b) apply with respect to the treatment of new target after a section 336(e) election, treating any reference to section 338 or 338(h)(10) as a reference to section 336(e).

(g) *Special rules—(1) Target as two corporations.* Although target is a single corporation under corporate law, if a section 336(e) election is made, then, except with respect to a distribution described in section 355(d)(2) or (e)(2) and as provided in § 1.338-1(b)(2), two separate corporations, old target and new target, generally are considered to exist for purposes of subtitle A of the Internal Revenue Code.

(2) *Treatment of members of a consolidated group.* For purposes of §§ 1.336-1 through 1.336-5, all members of seller's consolidated group are treated as a single seller, regardless of which member or members actually dispose of any stock. Accordingly, any dispositions of stock made by members of the same consolidated group shall be treated as made by one corporation, and any stock owned by members of the same consolidated group and not disposed of will be treated as stock retained by seller.

(3) *International provisions—(i) Source and foreign tax credit.* The principles of section 338(h)(16) apply to section 336(e) elections for targets with foreign operations to ensure that the source and foreign tax credit limitation are properly determined.

(ii) *Allocation of foreign taxes—(A) General rule.* Except as provided in

paragraph (g)(3)(ii)(B) of this section, if a section 336(e) election is made for target and target's taxable year under foreign law (if any) does not close at the end of the disposition date, foreign tax paid or accrued by new target with respect to such foreign taxable year is allocated between old target and new target. If there is more than one section 336(e) election with respect to target during target's foreign taxable year, foreign tax paid or accrued with respect to that foreign taxable year is allocated among all old targets and new targets. The allocation is made based on the respective portions of the taxable income (as determined under foreign law) for the foreign taxable year that are attributable under the principles of § 1.1502-76(b) to the period of existence of each old target and new target during the foreign taxable year.

(B) *Taxes imposed on partnerships and disregarded entities.* If a section 336(e) election is made for target and target holds an interest in a disregarded entity or partnership, the rules of § 1.901-2(f)(4) apply to determine the person who is considered for U.S. Federal income tax purposes to pay foreign tax imposed at the entity level on the income of the disregarded entity or partnership.

(iii) *Disallowance of foreign tax credits under section 901(m).* For rules that may apply to disallow foreign tax credits with respect to income not subject to United States taxation by reason of a covered asset acquisition, see section 901(m).

(h) *Making the section 336(e) election—(1) Consolidated group.* If seller(s) and target are members of the same consolidated group, a section 336(e) election is made by completing the following requirements:

(i) Seller(s) and target must enter into a written, binding agreement, on or before the due date (including extensions) of the consolidated group's consolidated Federal income tax return for the taxable year that includes the disposition date, to make a section 336(e) election;

(ii) The common parent of the consolidated group must retain a copy of the written agreement;

(iii) The common parent of the consolidated group must attach the section 336(e) election statement, described in paragraphs (h)(5) and (6) of this section, to the group's timely filed (including extensions) consolidated Federal income tax return for the taxable year that includes the disposition date; and

(iv) The common parent of the consolidated group must provide a copy of the section 336(e) election statement to target on or before the due date (including extensions) of the consolidated group's consolidated Federal income tax return.

(2) *Non-consolidated/non-S corporation target.* If target is neither a member of the same consolidated group as seller nor an S corporation, a section 336(e) election is made by completing the following requirements:

(i) Seller and target must enter into a written, binding agreement, on or before the due date (including extensions) of seller's or target's Federal income tax return for the taxable year that includes the disposition date, whichever is earlier, to make a section 336(e) election;

(ii) Seller and target each must retain a copy of the written agreement; and

(iii) Seller and target each must attach the section 336(e) election statement, described in paragraphs (h)(5) and (6) of this section, to its timely filed (including extensions) Federal income tax return for the taxable year that includes the disposition date. However, seller's section 336(e) election statement may disregard paragraph (h)(6)(xii) of this section (concerning a gain recognition election).

(3) *S corporation target.* A section 336(e) election for an S corporation target is made by completing the following requirements:

(i) All of the S corporation shareholders, including those who do not dispose of any stock in the qualified stock disposition, and the S corporation target must enter into a written, binding agreement, on or before the due date (including extensions) of the Federal income tax return of the S corporation target for the taxable year that includes the disposition date, to make a section 336(e) election;

(ii) S corporation target must retain a copy of the written agreement; and

(iii) S corporation target must attach the section 336(e) election statement, described in paragraphs (h)(5) and (6) of this section, to its timely filed (including extensions) Federal income tax return for the taxable year that includes the disposition date.

(4) *Tiered targets.* In the case of parent-subsidary chains of corporations making section 336(e) elections, in order to make a section 336(e) election for a lower-tier target (target subsidiary), the requirements described in paragraph (h)(1) or (h)(2), of this section, whichever is applicable to the qualified stock disposition of target subsidiary, must be satisfied. The written agreement described in paragraph (h)(1) or (h)(2) of this section for the section 336(e) election with respect to target subsidiary may be either a separate written agreement between target subsidiary and the corporation deemed to dispose of the stock of target subsidiary or may be included in the written agreement between seller(s) (or the S corporation shareholders) and target.

(5) *Section 336(e) election statement—(i) In general.* The section 336(e) election statement must be entitled "THIS IS AN ELECTION UNDER SECTION 336(e) TO TREAT THE DISPOSITION OF THE STOCK OF [insert name and employer identification number of target] AS A DEEMED SALE OF SUCH CORPORATION'S ASSETS." The section 336(e) election statement must include the information described in paragraph (h)(6) of this section. The relevant information for each S corporation shareholder and, notwithstanding paragraph (g)(2) of this section, each consolidated group member that disposes of or retains target stock must be set forth individually, not in the aggregate.

(ii) *Target subsidiaries.* In the case of a section 336(e) election for a target subsidiary, a separate statement must be filed for each target subsidiary. In preparing the section 336(e) election statement with respect to a target subsidiary, any reference to seller in paragraph (h)(6) of this section should be considered a reference to the corporation deemed to dispose of the stock of the target subsidiary and any reference

to target in paragraphs (h)(5)(i) and (h)(6) of this section should be considered a reference to the target subsidiary.

(6) *Contents of section 336(e) election statement.* The section 336(e) election statement must include:

(i) The name, address, taxpayer identifying number (TIN), taxable year, and state of incorporation (if any) of the seller(s) or the S corporation shareholder(s);

(ii) The name, address, employer identification number (EIN), taxable year, and state of incorporation of the common parent, if any, of seller(s);

(iii) The name, address, EIN, taxable year, and state of incorporation of target;

(iv) The name, address, TIN, taxable year, and state of incorporation (if any) of any 80-percent purchaser;

(v) The name, address, TIN, taxable year, and state of incorporation (if any) of any purchaser that holds non-recently disposed stock within the meaning of § 1.336-1(b)(18);

(vi) The disposition date;

(vii) The percentage of target stock that was disposed of by each seller or S corporation shareholder in the qualified stock disposition;

(viii) The percentage of target stock that was disposed of by each seller or S corporation shareholder in the qualified stock disposition on or before the disposition date;

(ix) A statement regarding whether target realized a net loss on the deemed asset disposition;

(x) If target realized a net loss on the deemed asset disposition, a statement regarding whether any stock of target or that of any higher-tier corporation up through the highest-tier corporation for which a section 336(e) election was made by any seller(s) or S corporation shareholder(s) was distributed during the 12-month disposition period. If so, also provide a statement regarding whether any stock of target or that of any higher-tier corporation up through the highest-tier corporation for which a section 336(e) election was made was actually sold or exchanged (rather than deemed sold in a deemed asset disposition) by any seller(s) or S corporation shareholder(s) in a qualified stock disposition;

(xi) The percentage of target stock that was retained by each seller or S corporation shareholder after the disposition date;

(xii) The name, address, and TIN of any purchaser that made a gain recognition election pursuant to § 1.336-4(c). A copy of the gain recognition election statement must be retained by the filer of the section 336(e) election statement designated as the appropriate party in § 1.336-4(c)(3); and

(xiii) A statement that each of the seller(s) or S corporation shareholder(s) (as applicable) and target have executed a written, binding agreement to make a section 336(e) election.

(7) *Asset Allocation Statement.* Old target and new target must report information concerning the deemed sale of target's assets on Form 8883, "Asset Allocation Statement Under Section 338," (making appropriate adjustments to report the results of the section 336(e) election), or on any successor form prescribed by the Internal Revenue Service, in accordance with forms, instructions, or other appropriate guidance provided by the Internal Revenue Service. In addition, in the case of a section 336(e) election as the result of a transaction described in section 355(d)(2) or (e)(2), old target should file two Forms 8883, (or successor forms), one in its capacity as the seller of the assets in the deemed asset disposition described in paragraph (b)(2)(i) of this section and one in its capacity as the purchaser of the assets in the deemed purchase described in paragraph (b)(2)(ii) of this section.

(8) *Examples.* The following examples illustrate the provisions of paragraph (h) of this section.

Example 1. (i) *Facts.* Seller owns all of the stock of Target and Target owns all of the stock of Target Subsidiary. Seller is the common parent of a consolidated group that includes Target. However, Target Subsidiary is not included in the consolidated group pursuant to section 1504(a)(3). On Date 1, Seller sells 80 percent of its Target stock to A and distributes the remaining 20 percent of Target stock to Seller's unrelated shareholders.

(ii) *Making of election for Target.* Because Seller and Target are members of a consolidated group, in order to make a section 336(e) election for the qualified stock disposition of Target, the requirements of paragraph (h)(1) of this section must be satisfied.

On or before the due date of Seller group's consolidated Federal income tax return that includes Date 1, Seller and Target must enter into a written, binding agreement to make a section 336(e) election; Seller must retain a copy of the written agreement; Seller must attach the section 336(e) election statement to the group's timely filed consolidated return for the taxable year that includes Date 1, and Seller must provide a copy of the section 336(e) election statement to Target on or before the due date (including extensions) of the consolidated return.

(iii) *Making of election for Target Subsidiary.* Because Target and Target Subsidiary do not join in the filing of a consolidated Federal income tax return and Target Subsidiary is not an S corporation, in order to make a section 336(e) election for the qualified stock disposition of Target Subsidiary, the requirements of paragraph (h)(2) of this section must be satisfied. On or before the due date of Seller group's consolidated Federal income tax return that includes Date 1, or Target Subsidiary's Federal income tax return that includes Date 1, whichever is earlier, either Target Subsidiary must join in the written agreement described in paragraph (ii) of this *Example 1* to make a section 336(e) election with respect to the qualified stock disposition of Target Subsidiary or Target and Target Subsidiary must enter into a separate written, binding agreement to make a section 336(e) election with respect to the qualified stock disposition of Target Subsidiary; Seller (as agent of the consolidated group that includes Target) and Target Subsidiary each must retain a copy of the written agreement; and Seller (as agent of the consolidated group that includes Target) and Target Subsidiary each must attach the section 336(e) election statement with respect to the qualified stock disposition of Target Subsidiary to its timely filed Federal income tax return for the taxable year that includes Date 1. In preparing the section 336(e) election statement, paragraph (i) of the statement should include the relevant information for Target, paragraph (ii) of the statement should include the relevant information for Seller, paragraph (iii) of the statement should include the relevant information for Target Subsidiary, paragraphs (vii) through (xi) of the statement should provide information for both Seller's actual sale and distribution of Target stock as well as information for Target's deemed sale of Target Subsidiary stock, and paragraph (xiii) of the statement should include a statement that Seller, Target, and Target Subsidiary, or Target and Target Subsidiary, whichever is appropriate, have executed a written, binding agreement to make a section 336(e) election with respect to the qualified stock disposition of Target Subsidiary.

Example 2. (i) *Facts.* A and B each own 45 percent and C owns the remaining 10 percent

of the stock of S Corporation Target, an S corporation. S Corporation Target owns 80 percent of the stock of Target Subsidiary and D owns the remaining 20 percent. On Date 1, A and B each sell all of their S Corporation Target stock to an unrelated individual. C retains his 10 percent of the stock of S Corporation Target.

(ii) *Making of election for S Corporation Target.* Because S Corporation Target is an S Corporation Target, in order to make a section 336(e) election for the qualified stock disposition of S Corporation Target, the requirements of paragraph (h)(3) of this section must be satisfied. On or before the due date of S Corporation Target's Federal income tax return that includes Date 1, A, B, C, and S Corporation Target must enter into a written, binding agreement to make a section 336(e) election; S Corporation Target must retain a copy of the written agreement; and S Corporation Target must attach the section 336(e) election statement to its timely filed Federal income tax return for the taxable year that includes Date 1.

(iii) *Making of election for Target Subsidiary.* Because Target Subsidiary is neither a member of the same consolidated group as S Corporation Target nor is an S corporation, in order to make a section 336(e) election for the qualified stock disposition of Target Subsidiary, the requirements of paragraph (h)(2) of this section must be satisfied. On or before the due date of S Corporation Target's Federal income tax return that includes Date 1, or Target Subsidiary's Federal income tax return that includes Date 1, whichever is earlier, either Target Subsidiary must join in the written agreement described in paragraph (ii) of this *Example 2* to make a section 336(e) election with respect to the qualified stock disposition of Target Subsidiary or S Corporation Target and Target Subsidiary must enter into a separate written, binding agreement to make a section 336(e) election with respect to the qualified stock disposition of Target Subsidiary; S Corporation Target and Target Subsidiary each must retain a copy of the written agreement; and S Corporation Target and Target Subsidiary each must attach the section 336(e) election statement to its timely filed Federal income tax return for the taxable year that includes Date 1. In preparing the section 336(e) election statement, paragraph (i) of the statement should include the relevant information for S Corporation Target, paragraph (iii) of the statement should include the relevant information for Target Subsidiary, paragraphs (vii) through (xi) of the statement should provide information for both A's and B's actual sale and C's actual retention of S Corporation Target stock as well as information for S Corporation Target's deemed sale of Target Subsidiary stock, and paragraph (xiii) of the statement should

§ 1.336-2

26 CFR Ch. I (4-1-21 Edition)

include a statement that A, B, C, S Corporation Target, and Target Subsidiary, or S Corporation Target and Target Subsidiary, whichever is appropriate, have executed a written, binding agreement to make a section 336(e) election with respect to the qualified stock disposition of Target Subsidiary.

(i) [Reserved]

(j) *Protective section 336(e) election.* Taxpayers may make a protective election under section 336(e) in connection with a transaction. Such an election will have no effect if the transaction does not constitute a qualified stock disposition, as defined in § 1.336-1(b)(6), but will otherwise be binding and irrevocable.

(k) *Examples.* The following examples illustrate the provisions of this section.

Example 1. Sale of 100 percent of Target stock. (i) *Facts.* Parent owns all 100 shares of Target's only class of stock. Target's only assets are two parcels of land. Parcel 1 has a basis of \$5,000 and Parcel 2 has a basis of \$4,000. Target has no liabilities. On July 1 of Year 1, Parent sells all 100 shares of Target stock to A for \$100 per share. Parent incurs no selling costs and A incurs no acquisition costs. On July 1, the value of Parcel 1 is \$7,000 and the value of Parcel 2 is \$3,000. A section 336(e) election is made.

(ii) *Consequences.* The sale of Target stock constitutes a qualified stock disposition. July 1 of Year 1 is the disposition date. Accordingly, pursuant to the section 336(e) election, for Federal income tax purposes, rather than treating Parent as selling the stock of Target to A, the following events are deemed to occur. Target is treated as if, on July 1, it sold all of its assets to an unrelated person in exchange for the ADADP of \$10,000, which is allocated \$7,000 to Parcel 1 and \$3,000 to Parcel 2 (see §§ 1.336-3 and 1.338-6 for determination of amount and allocation of ADADP). Target recognizes gain of \$2,000 on Parcel 1 and loss of \$1,000 on Parcel 2. New Target is then treated as acquiring all its assets from an unrelated person in a single transaction in exchange for the amount of the AGUB of \$10,000, which is allocated \$7,000 to Parcel 1 and \$3,000 to Parcel 2 (see §§ 1.336-4, 1.338-5, and 1.338-6 for determination of amount and allocation of AGUB). Old Target is treated as liquidating into Parent immediately thereafter, distributing the \$10,000 deemed received in exchange for Parcel 1 and Parcel 2 in a transaction qualifying under section 332. Parent recognizes no gain or loss on the liquidation. A's basis in New Target stock is \$100 per share, the amount paid for the stock.

Example 2. Sale of 80 percent of Target stock. (i) *Facts.* The facts are the same as in *Exam-*

ple 1 except that Parent only sells 80 shares of its Target stock to A and retains the other 20 shares.

(ii) *Consequences.* The results are the same as in *Example 1* except that Parent also is treated as purchasing from an unrelated person on July 2, the day after the disposition date, the 20 shares of Target stock (New Target stock) not sold to A, for their fair market value as determined under § 1.336-2(b)(1)(v) of \$2,000 (\$100 per share).

Example 3. Distribution of 100 percent of Target stock. (i) *Facts.* The facts are the same as in *Example 1* except that instead of on July 1 Parent selling 100 shares of Target stock to A, Parent distributes 100 shares to its shareholders, all of whom are unrelated to Parent, in a transaction that does not qualify under section 355. The value of Target stock on July 1 is \$100 per share.

(ii) *Consequences.* The distribution of Target stock constitutes a qualified stock disposition. July 1 of Year 1 is the disposition date. Accordingly, pursuant to the section 336(e) election, for Federal income tax purposes, rather than treating Parent as distributing the stock of Target to its shareholders, the following events are deemed to occur. Target is treated as if, on July 1, it sold all of its assets to an unrelated person in exchange for the ADADP of \$10,000, which is allocated \$7,000 to Parcel 1 and \$3,000 to Parcel 2 (see §§ 1.336-3 and 1.338-6 for determination of amount and allocation of ADADP). Target recognizes gain of \$2,000 on Parcel 1 and loss of \$1,000 on Parcel 2. Because Target's losses realized on the deemed asset disposition do not exceed Target's gains realized on the deemed asset disposition, Target can recognize all of the losses from the deemed asset disposition (see § 1.336-2(b)(1)(i)(B)). New Target is then treated as acquiring all its assets from an unrelated person in a single transaction in exchange for the amount of the AGUB of \$10,000, which is allocated \$7,000 to Parcel 1 and \$3,000 to Parcel 2 (see §§ 1.336-4, 1.338-5, and 1.338-6 for determination of amount and allocation of AGUB). Old Target is treated as liquidating into Parent immediately thereafter, distributing the \$10,000 deemed received in exchange for Parcel 1 and Parcel 2 in a transaction qualifying under section 332. Parent recognizes no gain or loss on the liquidation. On July 1, immediately after the deemed liquidation of Target, Parent is deemed to purchase from an unrelated person 100 shares of New Target stock and distribute those New Target shares to its shareholders. Parent recognizes no gain or loss on the deemed distribution of the shares under § 1.336-2(b)(1)(iv). The shareholders receive New Target stock as a distribution pursuant to section 301 and their basis in New Target stock received is its fair market value pursuant to section 301(d).

Example 4. Distribution of 80 percent of Target stock. (i) *Facts.* The facts are the same as

in *Example 3* except that Parent distributes only 80 shares of Target stock to its shareholders and retains the other 20 shares.

(ii) *Consequences.* The results are the same as in *Example 3* except that Parent is treated as purchasing on July 1 only 80 shares of New Target stock and as distributing only 80 shares of New Target stock to its shareholders and then as purchasing (and retaining) on July 2, the day after the disposition date, 20 shares of New Target stock at their fair market value as determined under § 1.336-2(b)(1)(v), \$2,000 (\$100 per share).

Example 5. Part sale, part distribution. (i) *Facts.* Parent owns all 100 shares of Target's only class of stock. Target has two assets, both of which are buildings used in its business. Building 1 has a basis of \$6,000 and Building 2 has a basis of \$5,100. Target has no liabilities. On January 1 of Year 1, Parent sells 50 shares of Target to A for \$88 per share. Parent incurred no selling costs with respect to the sale of Target stock and A incurred no acquisition costs with respect to the purchase. On July 1 of Year 1, when the value of Target stock is \$120 per share, Parent distributes 30 shares of Target to Parent's unrelated shareholders. Parent retains the remaining 20 shares. On July 1, the value of Building 1 is \$7,800 and the value of Building 2 is \$4,200. A section 336(e) election is made.

(ii) *Consequences.* Because the sale of the 50 shares and the distribution of the 30 shares occurred within a 12-month disposition period, the 80 shares of Target stock sold and distributed were disposed of in a qualified stock disposition. July 1 of Year 1 is the disposition date. On July 1, Target is treated as if it sold its assets to an unrelated person in exchange for the ADADP, \$10,000 ($(50 \text{ shares} \times \$88) + (30 \text{ shares} \times \$120) \div .80$ ($\$9,600$ ($80 \text{ shares} \times \120)/ $\$12,000$ ($100 \text{ shares} \times \120))), which is allocated to Buildings 1 and 2 in proportion to their fair market values, \$6,500 to Building 1 and \$3,500 to Building 2 (see §§ 1.336-3 and 1.338-6 for determination of amount and allocation of ADADP). Target realizes a gain of \$500 on the deemed sale of Building 1 ($\$6,500 - \$6,000$). Target realizes a loss of \$1,600 on the deemed sale of Building 2 ($\$3,500 - \$5,100$). Target recognizes all of its gains on the deemed asset disposition. However, because 30 shares of Target stock were distributed during the 12-month disposition period and there was a net loss of \$1,100 realized on the deemed disposition of Buildings 1 and 2, \$413 of the loss on the deemed sale is disallowed (see § 1.336-2(b)(1)(i)(B)(2) for the determination of the disallowed loss amount). New Target is then treated as acquiring all its assets from an unrelated person in a single transaction in exchange for the amount of the AGUB, \$10,000 ($(50 \text{ shares} \times \$88) + (30 \text{ shares} \times \$120) \times 1.25$ ($(100 - 0)/80$)), which is allocated to Buildings 1 and 2 in proportion to their fair market values,

\$6,500 to Building 1 and \$3,500 to Building 2 (see §§ 1.336-4, 1.338-5, and 1.338-6 for determination of amount and allocation of AGUB). Old Target is treated as liquidating into Parent immediately after the deemed asset disposition, distributing the \$10,000 deemed received in exchange for its assets in a transaction qualifying under section 332. Parent recognizes no gain or loss on the liquidation. Parent is then deemed to purchase 30 shares of New Target stock from an unrelated person on July 1, and to distribute those 30 New Target shares to its shareholders. Parent recognizes no gain or loss on the deemed distribution of the 30 shares under § 1.336-2(b)(1)(iv). Parent is then deemed to purchase (and retain) on July 2, the day after the disposition date, 20 shares of New Target stock at their fair market value as determined under § 1.336-2(b)(1)(v), \$2,000 (\$100 per share (20 shares multiplied by \$100 fair market value per share (\$10,000 grossed-up amount realized on the sale and distribution of 80 shares of target stock divided by 100 shares))). A is treated as having purchased the 50 shares of New Target stock on January 1 of Year 1 at a cost of \$88 per share, the same as if no section 336(e) election had been made. Parent's shareholders are treated as receiving New Target stock on July 1 of Year 1 as a distribution pursuant to section 301 and their basis in New Target stock received is \$120 per share, its fair market value, pursuant to section 301(d), the same as if no section 336(e) election had been made.

Example 6. Sale of Target stock by consolidated group members. (i) *Facts.* Parent owns all of the stock of Sub and 50 of the 100 outstanding shares of Target stock. Sub owns the remaining 50 shares of Target stock. Target's assets have an aggregate basis of \$9,000. Target has no liabilities. Parent, Sub, and Target file a consolidated Federal income tax return. On February 1 of Year 1, Parent sells 30 shares of its Target stock to A for \$2,400. On March 1 of Year 1, Sub sells all 50 shares of its Target stock to B for \$5,600. Neither Parent nor Sub incurred any selling costs. Neither A nor B incurred any acquisition costs. A section 336(e) election is made.

(ii) *Consequences.* Because Parent and Sub are members of the same consolidated group, their sale of Target stock is treated as made by one seller (see paragraph (g)(2) of this section), and the sales of Target stock constitute a qualified stock disposition. March 1 of Year 1 is the disposition date. For Federal income tax purposes, Parent and Sub are not treated as selling the stock of Target to A and B, respectively. Instead, the following events are deemed to occur. Old Target is treated as if, on March 1, it sold all its assets to unrelated person in exchange for the ADADP, \$10,000 (see § 1.336-3 for determination of ADADP), recognizing a net gain of

\$1,000. New Target is then treated as acquiring all its assets from an unrelated person in a single transaction in exchange for the amount of the AGUB, \$10,000 (see §§ 1.336-4 and 1.338-5 for the determination of AGUB). Old Target is treated as liquidating into Parent and Sub immediately thereafter, distributing the \$10,000 deemed received in exchange for its assets in a transaction qualifying under section 332 (see § 1.1502-34). Neither Parent nor Sub recognizes gain or loss on the liquidation. Parent is then treated as purchasing from an unrelated person on March 2, the day after the disposition date, the 20 shares of Target stock (New Target stock) retained for their fair market value as determined under § 1.336-2(b)(1)(v), \$2,000 (\$100 per share). A is treated as having purchased 30 shares of New Target stock on February 1 of Year 1 at a cost of \$2,400 (\$80 per share), the same as if no section 336(e) election had been made. B is treated as having purchased 50 shares of New Target stock on March 1 of Year 1 at a cost of \$5,600 (\$112 per share), the same as if no section 336(e) election had been made.

Example 7. Sale of Target stock by non-consolidated group members. (i) *Facts.* The facts are the same as in *Example 6* except that Parent, Sub, and Target do not join in the filing of a consolidated Federal income tax return.

(ii) *Consequences.* Because Parent and Sub do not join in the filing of a consolidated Federal income tax return and no single seller sells, exchanges, or distributes Target stock meeting the requirements of section 1504(a)(2), the transaction does not constitute a qualified stock disposition. The section 336(e) election made with respect to the disposition of Target stock has no effect.

Example 8. Distribution of 80 percent of Target stock in complete redemption of a greater-than-50-percent shareholder. (i) *Facts.* A and B own 51 and 49 shares, respectively, of Seller's only class of stock. Seller owns all 100 shares of Target's only class of stock. Seller distributes 80 shares of Target stock to A in complete redemption of A's 51 shares of Seller in a transaction that does not qualify under section 355. A section 336(e) election is made.

(ii) *Consequences.* Prior to the redemption, Seller and A would be related persons because, under section 318(a)(2)(C), any stock of a corporation that is owned by Seller would be attributed to A because A owns 50 percent or more of the value of the stock of Seller. However, for purposes of §§ 1.336-1 through 1.336-5, the determination of whether Seller and A are related is made immediately after the redemption of A's stock. See §§ 1.336-1(b)(5)(iii) and 1.338-3(b)(3)(ii)(A). After the redemption, A no longer owns any stock of Seller. Accordingly, A and Seller are not related persons, as defined in § 1.336-1(b)(12), and the distribution of Target stock constitutes a qualified stock disposition. For Federal income tax purposes, rather than

Seller distributing the stock of Target to A, the following is deemed to occur. Old Target is treated as if it sold its assets to an unrelated person. New Target is then treated as acquiring all its assets from an unrelated person in a single transaction. Immediately thereafter, Old Target is treated as liquidating into Seller in a transaction qualifying under section 332. Seller recognizes no gain or loss on the liquidation. Seller is then treated as purchasing 80 shares of New Target stock from an unrelated person and then distributing the 80 shares of New Target stock to A in exchange for A's 51 shares of Seller stock. Seller recognizes no gain or loss on the distribution of New Target stock pursuant to § 1.336-2(b)(1)(iv). Seller is then treated as purchasing from an unrelated person on the day after the disposition date the 20 shares of Target stock (New Target stock) retained for their fair market value as determined under § 1.336-2(b)(1)(v). The Federal income tax consequences to A are the same as if no section 336(e) election had been made.

Example 9. Pro-rata distribution of 80 percent of Target stock. (i) *Facts.* A and B own 60 and 40 shares, respectively, of Seller's only class of stock. Seller owns all 100 shares of Target's only class of stock. Seller distributes 48 shares of Target stock to A and 32 shares of Target stock to B in a transaction that does not qualify under section 355. A section 336(e) election is made.

(ii) *Consequences.* Any stock of a corporation that is owned by Seller would be attributed to A under section 318(a)(2)(C) because, after the distribution, A owns 50 percent or more of the value of the stock of Seller. Therefore, after the distribution, A and Seller are related persons, as defined in § 1.336-1(b)(12), and the distribution of Target stock to A is not a disposition. Because only 32 percent of Target stock was sold, exchanged, or distributed to unrelated persons, there has not been a qualified stock disposition. Accordingly, the section 336(e) election made with respect to the distribution of Target stock has no effect.

(h) *Effective/applicability date.* Paragraph (d)(3)(ii) of this section is applicable to any qualified stock purchase or qualified stock disposition (as defined in § 1.336-1(b)(6)) for which the acquisition date or disposition date (as defined in § 1.336-1(b)(8)), respectively, is on or after May 15, 2013.

(h) *Effective/applicability date.* Paragraph (d)(3)(ii) of this section is applicable to any qualified stock purchase or qualified stock disposition (as defined in § 1.336-1(b)(6)) for which the acquisition date or disposition date (as

defined in §1.336-1(b)(8)), respectively, is on or after May 15, 2013.

[T.D. 9619, 78 FR 28474, May 15, 2013; 78 FR 53027, Aug. 28, 2013]

§ 1.336-3 Aggregate deemed asset disposition price; various aspects of taxation of the deemed asset disposition.

(a) *Scope.* This section provides rules under section 336(e) to determine the aggregate deemed asset disposition price (ADADP) for Target. ADADP is the amount for which old Target is deemed to have sold all of its assets in the deemed asset disposition. ADADP is allocated among Target's assets in the same manner as the aggregate deemed sale price (ADSP) is allocated under §1.338-6 to determine the amount for which each asset is deemed to have been sold. If a subsequent increase or decrease is required under general principles of tax law with respect to an element of ADADP, the redetermined ADADP is allocated among Target's assets in the same manner as redetermined ADSP is allocated under §1.338-7.

(b) *Determination of ADADP—(1) General rule.* ADADP is the sum of—

- (i) The grossed-up amount realized on the sale, exchange, or distribution of recently disposed stock of Target; and
- (ii) The liabilities of old Target.

(2) *Time and amount of ADADP—(i) Original determination.* ADADP is initially determined at the beginning of the day after the disposition date of Target. General principles of tax law apply in determining the timing and amount of the elements of ADADP.

(ii) *Redetermination of ADADP.* ADADP is redetermined at such time and in such amount as an increase or decrease would be required, under general principles of tax law, for the elements of ADADP. For example, ADADP is redetermined because of an increase or decrease in the amount realized on the sale or exchange of recently disposed stock of Target or because liabilities not originally taken into account in determining ADADP are subsequently taken into account. Increases or decreases with respect to the elements of ADADP result in the reallocation of ADADP among Target's

assets in the same manner as ADSP under §1.338-7.

(c) *Grossed-up amount realized on the disposition of recently disposed stock of Target—(1) Determination of amount.* The grossed-up amount realized on the disposition of recently disposed stock of Target is an amount equal to—

- (i) The sum of —
 - (A) With respect to recently disposed of stock of Target that is not distributed in the qualified stock disposition, the amount realized on the sale or exchange of such recently disposed stock of Target, determined as if seller or S corporation shareholders were required to use old Target's accounting methods and characteristics and the installment method were not available and determined without regard to the selling costs taken into account under paragraph (c)(1)(iii) of this section, and
 - (B) With respect to recently disposed of stock of Target that is distributed in the qualified stock disposition, the fair market value of such recently disposed stock of Target determined on the date of each distribution;
- (ii) Divided by the percentage of Target stock (by value, determined on the disposition date) attributable to the recently disposed stock;
- (iii) Less the selling costs incurred by seller or S corporation shareholders in connection with the sale or exchange of recently disposed stock that reduce its amount realized on the sale or exchange of the stock (for example, brokerage commissions and any similar costs to sell the stock).

(2) *Example.* The following example illustrates this paragraph (c):

Example. Target has two classes of stock outstanding, voting common stock and preferred stock described in section 1504(a)(4). Seller owns all 100 shares of each class of stock. On March 1 of Year 1, Seller sells 10 shares of Target voting common stock to A for \$75. On April 1 of Year 2, Seller distributes 15 shares of Target voting common stock with a fair market value of \$120 to B. On May 1 of Year 2, Seller distributes 10 shares of Target voting common stock with a fair market value of \$110 to C. On July 1 of Year 2, Seller sells 55 shares of Target voting common stock to D for \$550. On July 1 of Year 2, the fair market value of all the Target voting common stock is \$1,000 (\$10 per share) and the fair market value of all the preferred stock is \$600 (\$6 per share). Seller incurs \$20 of selling costs with respect to the

sale to A and \$60 of selling costs with respect to the sale to D. The grossed-up amount realized on the sale, exchange, or distribution of recently disposed stock of Target is calculated as follows: The sum of the amount realized on the sale or exchange of recently disposed stock sold or exchanged (without regard to selling costs) and the fair market value of the recently disposed stock distributed is \$780 (\$120 + \$110 + \$550) (the 10 shares sold to A on March 1 of Year 1 is not recently disposed stock because it was not disposed of during the 12-month disposition period). The percentage of Target stock by value on the disposition date attributable to recently disposed stock equals 50% (\$800 (80 shares of recently disposed stock × \$10, the fair market value of each share of Target common stock on the disposition date)/\$1,600 (\$1,000 (the total value of Target's common stock on the disposition date) + \$600 (the total value of Target's preferred stock on the disposition date))). The grossed-up amount realized equals \$1,500 (($\$780/.50$) - \$60 selling costs).

(d) *Liabilities of old Target*—(1) *In general*. In general, the liabilities of old Target are measured as of the beginning of the day after the disposition date. However, if a Target for which a section 336(e) election is made engages in a transaction outside the ordinary course of business on the disposition date after the event resulting in the qualified stock disposition of Target or a higher-tier corporation, Target and all persons related thereto (either before or after the qualified stock disposition) under section 267(b) or section 707 must treat the transaction for all Federal income tax purposes as occurring at the beginning of the day following the transaction and after the deemed disposition by old Target. In order to be taken into account in ADADP, a liability must be a liability of Target that is properly taken into account in amount realized under general principles of tax law that would apply if old Target had sold its assets to an unrelated person for consideration that included the discharge of its liabilities. See § 1.1001-2(a). Such liabilities may include liabilities for the tax consequences resulting from the deemed asset disposition.

(2) *Time and amount of liabilities*. The time for taking into account liabilities of old Target in determining ADADP and the amount of the liabilities taken into account is determined as if old Target had sold its assets to an unre-

lated person for consideration that included the discharge of the liabilities by the unrelated person. For example, if no amount of a Target liability is properly taken into account in amount realized as of the beginning of the day after the disposition date, the liability is not initially taken into account in determining ADADP, but it may be taken into account at some later date.

(e) *Deemed disposition tax consequences*. Gain or loss on each asset in the deemed asset disposition is computed by reference to the ADADP allocated to that asset. ADADP is allocated in the same manner as is ADSP under § 1.336-6. Although deemed disposition tax consequences may increase or decrease ADADP by creating or reducing a tax liability, the amount of the tax liability itself may be a function of the size of the deemed disposition tax consequences. Thus, these determinations may require trial and error computations.

(f) *Other rules apply in determining ADADP*. ADADP may not be applied in such a way as to contravene other applicable rules. For example, a capital loss cannot be applied to reduce ordinary income in calculating the tax liability on the deemed asset disposition for purposes of determining ADADP.

(g) *Examples*. The following examples illustrate this section.

Example 1. (i) *Facts*. The facts are the same as in *Example 1* of § 1.336-2(b)(1)(i)(B)(3), that is, Parent owns 60 of the 100 outstanding shares of the common stock of Seller, Seller's only class of stock outstanding. The remaining 40 shares of the common stock of Seller are held by shareholders unrelated to Seller or each other. Seller owns 95 of the 100 outstanding shares of Target common stock, and all 100 shares of Target preferred stock that is described in section 1504(a)(4). The remaining 5 shares of Target common stock are owned by A. On January 1 of Year 1, Seller sells 72 shares of Target common stock to B for \$3,520. On July 1 of Year 1, Seller distributes 12 shares of Target common stock to Parent and 8 shares to its unrelated shareholders in a distribution described in section 301. Seller retains 3 shares of Target common stock and all 100 shares of Target preferred stock immediately after July 1. The value of Target common stock on July 1 is \$60 per share. The value of Target preferred stock on July 1 is \$36 per share. Target has three assets, Asset 1, a Class IV asset, with a basis of \$1,776 and a fair market value of \$2,000. Asset 2, a Class V asset, with a basis of \$2,600 and

a fair market value of \$2,750, and Asset 3, a Class V asset, with a basis of \$3,900 and a fair market value of \$3,850. Seller incurred no selling costs on the sale of the 72 shares of Target common stock to B. Target has no liabilities. A section 336(e) election is made.

(ii) *Determination of ADADP.* The ADADP on the deemed asset disposition of Target is determined as follows. The grossed-up amount realized on the sale, exchange, or distribution of recently disposed stock of Target is \$8,000, the sum of \$3,520, the amount realized on the sale to B of the 72 shares of Target common stock and \$480, the fair market value on the date distributed of the 8 shares of Target common stock distributed to Seller's unrelated shareholders in the qualified stock disposition, divided by .50, the percentage of Target stock by value, determined on the disposition date, attributable to the recently disposed stock (\$4,800 (80 shares of Target common stock disposed of in the qualified stock disposition \times \$60, the value of a share of Target common stock on the disposition date) divided by \$9,600 ((100, the total number of shares of Target common stock \times \$60, the value of a share of Target common stock on the disposition date) + (100, the total number of shares of Target preferred stock \times \$36, the value of a share of Target preferred stock on the disposition date))), minus \$0, Seller's selling costs in connection with the sale of the 72 shares of Target common stock sold to B. The \$8,000 grossed-up amount realized on the sale, exchange, or distribution of recently disposed stock of Target is then added to the liabilities of Old Target, \$0, to arrive at the ADADP, \$8,000.

(iii) *Allocation of ADADP.* The ADADP of \$8,000 is allocated first to Asset 1, the Class IV asset, but not in excess of Asset 1's fair market value, \$2,000. The remaining ADADP of \$6,000 is allocated between Assets 2 and 3, both Class V assets, in proportion to their fair market values, but not in excess of their fair market values. Because the total fair market value of Assets 2 and 3, \$6,600, exceeds the ADADP remaining after allocation of a portion of the ADADP to Asset 1, the \$6,000 remaining ADADP is allocated to Assets 2 and 3 in proportion to their respective fair market values. Accordingly, \$2,500 is allocated to Asset 2 ($\$6,000 \times (\$2,750 / (\$2,750 + \$3,850))$) and \$3,500 is allocated to Asset 3 ($\$6,000 \times (\$3,850 / (\$2,750 + \$3,850))$).

Example 2. (i) *Facts.* The facts are the same as in *Example 1* except that Asset 2 is the stock of Target Subsidiary, a corporation of which Target owns 100 of the 110 shares of common stock, the only outstanding class of Target Subsidiary stock. The remaining 10 shares of Target Subsidiary stock are owned by D. The value of Target Subsidiary stock on July 1 is \$27.50 per share. Target Subsidiary has two assets, Asset 4, a Class IV asset, with a basis of \$800 and a fair market

value of \$1,000, and Asset 5, a Class IV asset, with a basis of \$2,200 and a fair market value of \$2,025. Target Subsidiary has no liabilities. A section 336(e) election with respect to Target Subsidiary is also made.

(ii) *Determination of ADADP.* The ADADP on the deemed asset disposition of Target Subsidiary is determined as follows. The grossed-up amount realized on the sale, exchange, or distribution of recently disposed stock of Target Subsidiary is \$2,750, (\$2,500 ADADP allocable to Asset 2, the 100 shares of the stock of Target Subsidiary owned by Target, divided by .909, the percentage of Target Subsidiary stock by value, determined on the disposition date, attributable to the recently disposed stock (\$2,750 (100 shares of the stock of Target Subsidiary deemed disposed in the qualified stock disposition \times \$27.50, the value of a share of Target Subsidiary stock on the disposition date) divided by \$3,025 (110, the total number of shares of Target Subsidiary stock \times \$27.50, the value of a share of Target Subsidiary stock on the disposition date)), minus \$0, Seller's selling costs in connection with the deemed sale of the 100 shares of Target Subsidiary stock). The \$2,750 grossed-up amount realized on the sale, exchange, or distribution of recently disposed stock of Target Subsidiary is then added to the liabilities of Old Target Subsidiary, \$0, to arrive at the ADADP of Target Subsidiary, \$2,750.

(iii) *Allocation of ADADP.* Because Assets 4 and 5 are each assets of the same class, and the total fair market value of Assets 4 and 5 exceeds the \$2,750 ADADP of Target Subsidiary, the \$2,750 ADADP is allocated to Assets 4 and 5 in proportion to their respective fair market values. Accordingly, \$909 is allocated to Asset 4 ($\$2,750 \times (\$1,000 / (\$1,000 + \$2,025))$) and \$1,841 is allocated to Asset 5 ($\$2,750 \times (\$2,025 / (\$1,000 + \$2,025))$).

Example 3. (i) Seller owns all 100 of the outstanding shares of the common stock of Target, the only class of Target stock outstanding. On January 1 of Year 1, Seller sells 10 shares of Target stock to A for \$6,000 (\$600 per share). On August 1 of Year 1, Seller distributes the remaining 90 shares of Target stock to its unrelated shareholders in a transaction described in section 355(d)(2) or (e)(2). The value of Target stock on August 1 is \$560 per share. Target has two assets, Asset 1, which is stock in trade of Target, a Class IV asset, with a basis of \$15,000 and a value of \$50,000, and Asset 2, which is stock in a publicly traded, unrelated corporation, a Class II asset, with a basis of \$38,000 and a value of \$16,000. Target has no liabilities other than any liabilities for Federal tax on account of the deemed asset disposition. Assume Target's Federal tax rate for any gain or income on the deemed asset disposition is 34 percent. Seller had no selling costs in connection with its sale of the 10 shares of Target stock. A section 336(e) election is made.

(ii) Because at least 80 percent of Target stock was disposed of (within the meaning of § 1.336-1(b)(5)) by Seller during the 12-month disposition period, a qualified stock disposition occurred. August 1 of Year 1 is the disposition date. Accordingly, pursuant to the section 336(e) election, for Federal income tax purposes, Target is treated as if, on August 1, it sold all of its assets to an unrelated person in exchange for the ADADP.

(iii) Under these facts, although a portion of the qualified stock disposition was the result of a stock distribution, because the grossed-up amount realized on the disposition of recently disposed stock of Target, \$56,400 $((\$6,000 + (\$560 \times 90))/1)$ exceeds Target's total basis in its assets, none of the losses realized on the deemed asset disposition are disallowed under § 1.336-2(b)(2)(i)(B)(2). Because the grossed-up amount realized on the disposition of recently disposed stock of Target exceeds the value of Asset 2, the ADADP allocated to Asset 2 equals the value of Asset 2, \$16,000, and Target realizes a \$22,000 loss on the deemed disposition of Asset 2. None of this loss is disallowed under section 1091. See § 1.336-2(b)(2)(ii)(C). Accordingly, Target recognizes a \$22,000 loss on the deemed disposition of Asset 2.

(iv) The ADADP allocated to Asset 1 is determined as follows (for purposes of this *Example 3*, TotADADP is the total ADADP for the deemed asset disposition, A1ADADP is the tentative amount of the total ADADP allocated to Asset 1, A2ADADP is the amount of the total ADADP allocated to Asset 2, G is the grossed-up amount realized on the disposition of recently disposed stock of Target, L is Target's liabilities other than Target's tax liability for the deemed disposition tax consequences, T_r is the applicable tax rate, and B1 is the adjusted basis of Asset 1 and B2 is the adjusted basis of Asset 2):

$$\begin{aligned} \text{TotADADP} &= G + L + (T_r \times (\text{TotADADP} - B1 - B2)) \\ \text{A1ADADP} &= \text{TotADADP} - \text{A2ADADP} \\ \text{A2ADADP} &= \$16,000 \\ \text{A1ADADP} &= \text{TotADADP} - \$16,000 \\ G &= (\$6,000 + (\$560 \times 90))/1 \\ G &= \$56,400 \\ \text{TotADADP} &= \$56,400 + 0 + (.34 \times (\text{TotADADP} - \$15,000 - \$38,000)) \\ \text{TotADADP} &= \$56,400 + .34\text{TotADADP} - \$18,020 \\ .66\text{TotADADP} &= \$38,380 \\ \text{TotADADP} &= \$58,152 \\ \text{A1ADADP} &= \$42,152 \end{aligned}$$

(v) Because A1ADADP, \$42,152, does not exceed the value of Asset 1, \$50,000, the entire A1ADADP is allocated to Asset 1. Old Target thus realizes and recognizes a gain of \$27,152 on the deemed disposition of Asset 1 $(\$42,152 - \$15,000)$.

[T.D. 9619, 78 FR 28474, May 15, 2013]

§ 1.336-4 Adjusted grossed-up basis.

(a) *Scope.* Except as provided in paragraphs (b) and (c) of this section or as the context otherwise requires, the principles of paragraphs (b) through (g) of § 1.338-5 apply in determining the adjusted grossed-up basis (AGUB) for target and the consequences of a gain recognition election. AGUB is the amount for which new target is deemed to have purchased all of its assets in the deemed purchase under § 1.336-2(b)(1)(ii) or the amount for which old target is deemed to have purchased all of its assets in the deemed purchase under § 1.336-2(b)(2)(ii). AGUB is allocated among target's assets in accordance with § 1.338-6 to determine the price at which the assets are deemed to have been purchased. If a subsequent increase or decrease with respect to an element of AGUB is required under general principles of tax law, redetermined AGUB is allocated among target's assets in accordance with § 1.338-7.

(b) *Modifications to the principles in § 1.338-5.* Solely for purposes of applying §§ 1.336-1 through 1.336-4, the principles of § 1.338-5 are modified as follows—

(1) *Purchasing corporation; purchaser.* Any reference to the *purchasing corporation* shall be treated as a reference to a purchaser, as defined in § 1.336-1(b)(2).

(2) *Acquisition date; disposition date.* Any reference to the *acquisition date* shall be treated as a reference to the disposition date, as defined in § 1.336-1(b)(8).

(3) *Section 338 election; section 338(h)(10) election; section 336(e) election.* Any reference to a *section 338 election* or a *section 338(h)(10) election* shall be treated as a reference to a section 336(e) election, as defined in § 1.336-1(b)(11).

(4) *New target; old target.* In the case of a disposition described in section 355(d)(2) or (e)(2), any reference to *new target* shall be treated as a reference to *old target* in its capacity as the purchaser of assets pursuant to the section 336(e) election.

(5) *Recently purchased stock; recently disposed stock.* Any reference to *recently purchased stock* shall be treated as a reference to recently disposed stock, as defined in § 1.336-1(b)(17). In the case of

a distribution of stock, for purposes of determining the purchaser's grossed-up basis of recently disposed stock, the purchaser's basis in recently disposed stock shall be deemed to be such stock's fair market value on the date it was acquired.

(6) *Nonrecently purchased stock; non-recently disposed stock.* Any reference to *nonrecently purchased stock* shall be treated as a reference to nonrecently disposed stock, as defined in § 1.336-1(b)(18).

(c) *Gain recognition election*—(1) *In general.* Any holder of nonrecently disposed stock of target may make a gain recognition election. The gain recognition election is irrevocable. Each owner of nonrecently disposed stock determines its basis amount, and therefore the gain recognized pursuant to the gain recognition election, by applying §§ 1.338-5(c) and 1.338-5(d)(3)(ii) by reference to its own recently disposed stock and nonrecently disposed stock, and not by reference to all recently disposed stock and nonrecently disposed stock.

(2) *80-percent purchaser.* If a section 336(e) election is made for target, any 80-percent purchaser and all persons related to the 80-percent purchaser are automatically deemed to have made a gain recognition election for its non-recently disposed target stock.

(3) *Non-80-percent purchaser.* If not automatically deemed made under paragraph (c)(2) of this section, a gain recognition election is made by a non-80-percent purchaser providing, on or before the due date for filing the section 336(e) election statement by the appropriate party, a gain recognition election statement, as described in paragraph (c)(4) of this section, to the appropriate party. If seller and target are members of the same consolidated group, seller is the appropriate party and the common parent of the consolidated group must retain the gain recognition election statement. If seller and target are members of the same affiliated group but do not join in the filing of a consolidated Federal income tax return, or if target is an S corporation, target is the appropriate party and target must retain the gain recognition election statement. If a non-80-percent purchaser makes a gain rec-

ognition election, all related persons to the non-80-percent purchaser must also make a gain recognition election. Otherwise, the gain recognition election for the non-80-percent purchaser will have no effect.

(4) *Gain recognition election statement.* A gain recognition election statement must include the following declarations (or substantially similar declarations):

(i) [Insert name, address, and taxpayer identifying number of person for whom gain recognition election is actually being made] has elected to recognize gain under § 1.336-4(c) with respect to [his, hers, or its] nonrecently disposed stock.

(ii) [Insert name of person for whom gain recognition election is actually being made] agrees to report any gain under the gain recognition election on [his, hers, or its] Federal income tax return (including an amended return, if necessary) for the taxable year that includes the disposition date of [insert name and employer identification number of target].

(d) *Examples.* The following examples illustrate the provisions of this section.

Example 1. On January 1 of Year 1, Seller owns 85 shares of Target stock, A owns 8 shares, B owns 4 shares, and C owns the remaining 3 shares. Each of A's 8 shares, B's 4 shares, and C's 3 shares have a \$5 basis. Assume that Target has no liabilities. On July 1 of Year 2, Seller sells 70 shares of Target stock to A for \$10 per share. On September 1 of Year 2, Seller sells 5 shares of Target stock to B and 5 shares of Target stock to C for \$14 per share. A section 336(e) election is made. A does not make a gain recognition election. A incurs \$25 of acquisition costs and B and C each incur \$10 of acquisition costs in connection with their respective Year 2 purchases. These costs are capitalized in the basis of Target stock. September 1 of Year 2 is the disposition date. Because A owns at least 10 percent of Target stock on September 1, the disposition date, and A's original 8 shares of Target stock owned on January 1 of Year 1 were not disposed of in the qualified stock disposition, A's original 8 shares of Target stock are nonrecently disposed stock. Although B's original 4 shares and C's original 3 shares were not disposed of in the qualified stock disposition, because neither B nor C owns, with the application of section 318(a), other than section 318(a)(4), at least 10 percent of the total voting power or value of Target stock on the disposition

date, their original shares are not non-recently disposed stock. The grossed-up basis of recently disposed Target stock is \$1,011, determined as follows: The purchasers' (A, B, and C) aggregate basis in the recently disposed target stock, determined without regard to acquisition costs, is \$840 ((70 × \$10) + (5 × \$14) + (5 × \$14)). This amount is multiplied by a fraction, the numerator of which is 100 minus 8, the percentage of Target stock that is nonrecently disposed stock, and the denominator of which is 80, the percentage of Target stock attributable to recently disposed stock (\$840 × 92/80 = \$966). This amount is then increased by the \$45 of acquisition costs incurred by A, B, and C to arrive at the \$1,011 grossed-up basis of recently disposed Target stock (\$966 + \$45 = \$1,011). New Target's AGUB is \$1,051, the sum of \$1,011, the grossed-up basis of recently disposed Target stock and \$40 (8 × \$5), A's basis in his nonrecently disposed Target stock.

Example 2. The facts are the same as in *Example 1* except that A makes a gain recognition election. Pursuant to the gain recognition election, A is treated as if he sold on September 1 of Year 2, the disposition date, his 8 shares of nonrecently disposed Target stock for the basis amount, and A's basis in nonrecently disposed target stock immediately after the deemed sale is the basis amount. A's basis amount equals his basis in his recently disposed Target stock without regard to acquisition costs, \$700 (70 × \$10), multiplied by a fraction, the numerator of which is 100 minus 8, the percentage of Target stock, by value, determined on the disposition date, which is A's nonrecently disposed Target stock, and the denominator of which is 70, the percentage of Target stock, by value, determined on the disposition date, which is A's recently disposed stock, which is then multiplied by a fraction, the numerator of which is 8, the percentage of Target stock, by value, determined on the disposition date, attributable to A's nonrecently disposed Target stock and the denominator of which is 100 minus the numerator amount. Accordingly, A's basis amount is \$80 (700 × 92/70 × 8/92). A therefore recognizes gain of \$40 under the gain recognition election (\$80 basis amount minus A's \$40 basis in his nonrecently disposed stock prior to the gain recognition election). New Target's AGUB is \$1,091, the sum of \$1,011, the grossed-up basis of all recently disposed Target stock and \$80, A's basis in his nonrecently disposed Target stock pursuant to the gain recognition election.

Example 3. (i) The facts are the same as in *Example 3* of §1.336-3(g), that is, Seller owns all 100 of the outstanding shares of the common stock of Target, the only class of Target stock outstanding. On January 1 of Year 1, Seller sells 10 shares of Target stock to A for \$6,000 (\$600 per share). On August 1 of Year 1, Seller distributes the remaining 90 shares of

Target stock to its unrelated shareholders in a transaction described in section 355(d)(2) or (e)(2). The value of Target stock on August 1 is \$560 per share. Target has two assets, Asset 1, which is stock in trade of Target, a Class IV asset, with a basis of \$15,000 and a value of \$50,000, and Asset 2, which is stock in a publicly traded, unrelated corporation, a Class II asset, with a basis of \$38,000 and a value of \$16,000. Target has no liabilities other than any liabilities for Federal tax on account of the deemed asset disposition. Assume Target's Federal tax rate for any gain or income on the deemed asset disposition is 34 percent. Seller had no selling costs in connection with its sale of the 10 shares of Target stock. A section 336(e) election is made. In addition, A incurred \$100 of acquisition costs with respect to the purchase of the 10 shares of Target stock. Target's AGUB in the assets deemed acquired pursuant to §1.336-2(b)(2)(ii)(B) is determined as follows (for purposes of this *Example 3*, GRD is the grossed-up basis of recently disposed stock, BND is the basis in nonrecently disposed stock, TotL is Target's total liabilities, including Target's tax liability, and X is the A's total acquisition costs):

AGUB = GRD + BND + TotL

GRD = (\$6,000 + (\$560 × 90)) × ((100 - 0)/100) + X

GRD = (\$6,000 + \$50,400) × (100/100) + \$100

GRD = \$56,500

BND = \$0

TotL = .34 × (\$27,152 (Target's gain recognized on deemed disposition of Asset 1) - \$22,000 (Target's loss recognized on deemed disposition of Asset 2)) (see *Example 3* of §1.336-3(g) for determination of Target's gain and loss recognized on deemed disposition of Assets 1 and 2)

TotL = \$1,752

AGUB = \$56,500 + \$0 + \$1,752

AGUB = \$58,252

(ii) The AGUB allocated to Asset 2 is \$16,000, the value of Asset 2. Because the excess of the total AGUB, \$58,252, over the portion of the AGUB allocated to Asset 2, \$16,000, does not exceed the value of Asset 1, the AGUB allocated to Asset 1 is such excess, \$42,252.

[T.D. 9619, 78 FR 28474, May 15, 2013]

1.336-5 Effective/applicability dates.

The provisions of §§1.336-1 through 1.336-4 apply to any qualified stock disposition for which the disposition date is on or after May 15, 2013. The provisions of §1.336-1(b)(5)(i)(A) relating to section 1022 are effective on and after January 19, 2017.

[T.D. 9619, 78 FR 28474, May 15, 2013, as amended by T.D. 9811, 82 FR 6237, Jan. 19, 2017]

EFFECTS ON CORPORATION

§ 1.337-1 Nonrecognition for property distributed to parent in complete liquidation of subsidiary.

(a) *General rule.* If sections 332(a) and 337 are applicable with respect to the receipt of a subsidiary's property in complete liquidation, no gain or loss is recognized to the liquidating subsidiary with respect to such property (including property distributed with respect to indebtedness, see section 337(b)(1) and § 1.332-7), except as provided in section 337(b)(2) (distributions to certain tax-exempt distributees), section 367(e)(2) (distributions to foreign corporations), and section 897(d) (distributions of U.S. real property interests by foreign corporations).

(b) *Applicability date.* This section applies to any taxable year beginning on or after March 28, 2016.

[T.D. 9759, 81 FR 17074, Mar. 28, 2016]

§ 1.337(d)-1 Transitional loss limitation rule.

(a) *Loss limitation rule for transitional subsidiary—(1) General rule.* No deduction is allowed for any loss recognized by a member of a consolidated group with respect to the disposition of stock of a transitional subsidiary. However, for transactions involving loss shares of subsidiary stock occurring on or after September 17, 2008, see § 1.1502-36. Further, this section does not apply to a transaction that is subject to § 1.1502-36.

(2) *Allowable loss—(i) In general.* Paragraph (a)(1) of this section does not apply to the extent the taxpayer establishes that the loss is not attributable to the recognition of built-in gain by any transitional subsidiary on the disposition of an asset (including stock and securities) after January 6, 1987.

(ii) *Statement of allowable loss.* Paragraph (a)(2)(i) of this section applies only if a separate statement entitled "Allowable Loss Under § 1.337(d)-1(a)" is filed with the taxpayer's return for the year of the stock disposition. If the separate statement is required to be filed with a return the due date (including extensions) of which is before January 16, 1991, or with a return due (including extensions) after January 15, 1991 but filed before that date, the

statement may be filed with an amended return for the year of the disposition or with the taxpayer's first subsequent return the due date (including extensions) of which is after January 15, 1991.

(iii) *Contents of statement.* The statement required under paragraph (a)(2)(ii) of this section must contain—

(A) The name and employer identification number (E.I.N.) of the transitional subsidiary.

(B) The basis of the stock of the transitional subsidiary immediately before the disposition.

(C) The amount realized on the disposition.

(D) The amount of the deduction not disallowed under paragraph (a)(1) of this section by reason of this paragraph (a)(2).

(E) The amount of loss disallowed under paragraph (a)(1) of this section.

(3) *Coordination with loss deferral and other disallowance rules.* (i) For purposes of this section, the rules of § 1.1502-20(a)(3) apply, with appropriate adjustments to reflect differences between the approach of this section and that of § 1.1502-20.

(ii) *Other loss deferral rules.* If paragraph (a)(1) of this section applies to a loss subject to deferral or disallowance under any other provision of the Code or the regulations, the other provision applies to the loss only to the extent it is not disallowed under paragraph (a)(1).

(4) *Definitions.* For purposes of this section—

(i) The definitions in § 1.1502-1 apply.

(ii) *Transitional subsidiary* means any corporation that became a subsidiary of the group (whether or not the group was a consolidated group) after January 6, 1987. Notwithstanding the preceding sentence, a subsidiary is not a transitional subsidiary if the subsidiary (and each predecessor) was a member of the group at all times after the subsidiary's (and each predecessor's) organization.

(iii) *Built-in gain* of a transitional subsidiary means gain attributable, directly or indirectly, in whole or in part, to any excess of value over basis, determined immediately before the transitional subsidiary became a subsidiary, with respect to any asset

owned directly or indirectly by the transitional subsidiary at that time.

(iv) *Disposition* means any event in which gain or loss is recognized, in whole or in part.

(v) *Value* means fair market value.

(5) *Examples.* For purposes of the examples in this section, unless otherwise stated, the group files consolidated returns on a calendar year basis, the facts set forth the only corporate activity, and all sales and purchases are with unrelated buyers or sellers. The basis of each asset is the same determining earnings and profits adjustments and taxable income. Tax liability and its effect on basis, value, and earnings and profits are disregarded. *Investment adjustment system* means the rules of § 1.1502-32. The principles of this paragraph (a) are illustrated by the following examples:

Example 1. Loss attributable to recognized built-in gain. (i) P buys all the stock of T for \$100 on February 1, 1987, and T becomes a member of the P group. T has an asset with a value of \$100 and basis of \$0. T sells the asset in 1989 and recognizes \$100 of built-in gain on the sale (*i.e.*, the asset's value exceeded its basis by \$100 at the time T became a member of the P group). Under the investment adjustment system, P's basis in the T stock increases to \$200. P sells all the stock of T on December 31, 1989, and recognizes a loss of \$100. Under paragraph (a)(1) of this section, no deduction is allowed to P for the \$100 loss.

(ii) Assume that, after T sells its asset but before P sells the T stock, T issues additional stock to unrelated persons and ceases to be a member of the P group. P then sells all its stock of T in 1997. Although T ceases to be a subsidiary within the meaning of § 1.1502-1, T continues to be a transitional subsidiary within the meaning of this section. Consequently, under paragraph (a)(1) of this section, no deduction is allowed to P for its \$100 loss.

Example 2. Loss attributable to post-acquisition loss. P buys all the stock of T for \$100 on February 1, 1987, and T becomes a member of the P group. T has \$50 cash and an asset with \$50 of built-in gain. During 1988, T retains the asset but loses \$40 of the cash. The P group is unable to use the loss, and the loss becomes a net operating loss carryover attributable to T. Under the investment adjustment system, P's basis in the stock of T remains \$100. P sells all the stock of T on December 31, 1988, for \$60 and recognizes a \$40 loss. Under paragraph (a)(2)(i) of this section, P establishes that it did not dispose of the built-in gain asset. None of P's loss is dis-

allowed under paragraph (a)(1) if P satisfies the requirements of paragraph (a)(2)(ii) of this section.

Example 3. Stacking rules—postacquisition loss offsets postacquisition gain. (i) P buys all the stock of T for \$100 on February 1, 1987, and T becomes a member of the P group. T has 2 assets. Asset 1 has a basis and value of \$50, and asset 2 has a basis of \$0 and a value of \$50. During 1989, asset 1 declines in value to \$0, and T sells asset 2 for \$50, and reinvests the proceeds in asset 3. The value of asset 3 appreciates to \$90. Under the investment adjustment system, P's basis in the stock of T increases from \$100 to \$150 as a result of the gain recognized on the sale of asset 2 but is unaffected by the unrealized post-acquisition decline in the value of asset 1. On December 31, 1989, P sells all the stock of T for \$90 and recognizes a \$60 loss.

(ii) Although T incurred a \$50 post-acquisition loss of built-in gain because of the decline in the value of asset 1, T also recognized \$50 of built-in gain. Under paragraph (a)(2) of this section, any loss on the sale of stock is treated first as attributable to recognized built-in gain. Thus, for purposes of determining under paragraph (a)(2) of this section whether P's \$60 loss on the disposition of the T stock is attributable to the recognition of built-in gain on the disposition of an asset, T's unrealized post-acquisition gain of \$40 offsets \$40 of the \$50 of unrealized post-acquisition loss. Therefore, \$50 of the \$60 loss is attributable to the recognition of built-in gain on the disposition of an asset and is disallowed under paragraph (a)(1) of this section.

Example 4. Stacking rules—built-in loss offsets built-in gain. (i) P buys all the stock of T for \$50 on February 1, 1987, and T becomes a member of the P group. T has 2 assets. Asset 1 has a basis of \$50 and a value of \$0, and asset 2 has a basis of \$0 and a value of \$50. During 1989, T sells asset 1 for \$0 and asset 2 for \$50, and reinvests the \$50 proceeds in asset 3. The value of asset 3 declines to \$40. Under the investment adjustment system, P's basis in the stock of T remains \$50 as a result of the offsetting gain and loss recognized on the sale of assets 1 and 2 and is unaffected by the unrealized post-acquisition decline in the value of asset 3. On December 31, 1989, P sells all the stock of T for \$40 and recognizes a \$10 loss.

(ii) Although T recognized a \$50 built-in gain on the sale of asset 2, T also recognized a \$50 built-in loss on the sale of asset 1. For purposes of determining under paragraph (a)(2) of this section whether P's \$10 loss on the disposition of the T stock is attributable to the recognition of built-in gain on the disposition of an asset, T's recognized built-in gain is offset by its recognized built-in loss. Thus none of P's \$10 loss is attributable to the recognition of built-in gain on the disposition of an asset.

(iii) The result would be the same if, instead of a \$50 built-in loss in asset 2, T has a \$50 net operating loss carryover when P buys the T stock, and the net operating loss carryover is used to offset the built-in gain.

Example 5. Outside basis partially corresponds to inside basis. (i) Individual A owns all the stock of T, for which A has a basis of \$60. On February 1, 1987, T owns 1 asset with a basis of \$0 and a value of \$100, P acquires all the stock of T from A in an exchange to which section 351(a) applies, and T becomes a member of the P group. P has a carryover basis of \$60 in the T stock. During 1988, T sells the asset and recognizes \$100 of gain. Under the investment adjustment system, P's basis in the T stock increases from \$60 to \$160. T reinvests the \$100 proceeds in another asset, which declines in value to \$90. On January 1, 1989, P sells all the stock of T for \$90 and recognizes a loss of \$70.

(ii) Although P's basis in the T stock was increased by \$100 as a result of the recognition of built-in gain on the disposition of T's asset, only \$60 of the \$70 loss on the sale of the stock is attributable under paragraph (a)(2) of this section to the recognition of built-in gain from the disposition of the asset. (Had T's asset not declined in value to \$90, the T stock would have been sold for \$100, and a \$60 loss would have been attributable to the recognition of the built-in gain.) Therefore, \$60 of the \$70 loss is disallowed under paragraph (a)(2), and \$10 is not disallowed if P satisfies the requirements of paragraph (a)(2). If P had sold the stock of T for \$95 because T's other assets had unrealized appreciation of \$5, \$60 of the \$65 loss would still be attributable to T's recognition of built-in gain on the disposition of assets.

Example 6. Creeping acquisition. P owns 60 percent of the stock of S on January 6, 1987. On February 1, 1987, P buys an additional 20 percent of the stock of S, and S becomes a member of the P group. P sells all the S stock on March 1, 1989 and recognizes a loss of \$100. All 80 percent of the stock of S owned by P is subject to the rules of this section and, under paragraph (a) (1) and (2) of this section, P is not allowed to deduct the \$100 loss, except to the extent P establishes the loss is not attributable to the recognition by S of built-in gain on the disposition of assets.

Example 7. Effect of post-acquisition appreciation. P buys all the stock of T for \$100, and T becomes a member of the P group. T has an asset with a basis of \$0 and a value of \$100. T sells the asset for \$100. Under the investment adjustment system, P's basis in the T stock increases to \$200. T reinvests the proceeds of the sale in an asset that appreciates in value to \$180. Five years after the sale, P sells all the stock of T for \$180 and recognizes a \$20 loss. Under paragraph (a)(1) of this section, no deduction is allowed to P for the \$20 loss.

Example 8. Deferred loss and recognized gain.

(i) P is the common parent of a consolidated group, S is a wholly owned subsidiary of P, and T is a wholly owned subsidiary of S. S purchased all of the T stock on February 1, 1987 for \$100, and T has an asset with a basis of \$40 and a value of \$100. T sells the asset for \$100, recognizing \$60 of gain. Under the investment adjustment system, S's basis in the T stock increases from \$100 to \$160. S sells its T stock to P for \$100 in a deferred intercompany transaction, recognizing a \$60 loss that is deferred under section 267(f) and § 1.1502-13. P subsequently sells all the stock of T for \$100 to X, a member of the same controlled group (as defined in section 267(f)) as P but not a member of the P consolidated group.

(ii) Under paragraph (a)(3) of this section, the application of paragraph (a)(1) of this section to S's \$60 loss is deferred, because S's loss is deferred under section 267(f) and § 1.1502-13. Although P's sale of the T stock to X would cause S's deferred loss to be taken into account under § 1.1502-13, § 1.267(f)-1 provides that the loss is not taken into account because X is a member of the same controlled group as P and S. Nevertheless, under paragraph (a)(3) of this section, because the T stock ceases to be owned by a member of the P consolidated group, S's deferred loss is disallowed immediately before the sale and is never taken into account under section 267(f).

(b) *Indirect disposition of transitional subsidiary*—(1) *Loss limitation rule for transitional parent.* No deduction is allowed for any loss recognized by a member of a consolidated group with respect to the disposition of stock of a transitional parent.

(2) *Allowable loss*—(i) *In general.* Paragraph (b)(1) of this section does not apply to the extent the taxpayer establishes that the loss exceeds the amount that would be disallowed under paragraph (a) of this section if each highest tier transitional subsidiary's stock in which the transitional parent has a direct or indirect interest had been sold immediately before the disposition of the transitional parent's stock. In applying the preceding sentence, appropriate adjustments shall be made to take into account circumstances where less than all the stock of a transitional parent owned by members of a consolidated group is disposed of in the same transaction, or the stock of a transitional subsidiary or a transitional parent is directly owned by more than 1 member.

(ii) *Statement of allowable loss.* Paragraph (b)(2)(i) of this section applies only if a separate statement entitled “Allowable Loss Under Section 1.337(d)-1(b)” is filed with the taxpayer’s return for the year of the stock disposition. If the separate statement is required to be filed with a return the due date (including extensions) of which is before January 16, 1991, or with a return due (including extensions) after January 15, 1991 but filed before that date, the statement may be filed with an amended return for the year of the disposition or with the taxpayer’s first subsequent return the due date (including extensions) of which is after January 15, 1991.

(iii) *Contents of statement.* The statement required under paragraph (b)(2)(ii) of this section must contain—

(A) The name and employer identification number (E.I.N.) of the transitional parent.

(B) The basis of the stock of the transitional parent immediately before the disposition.

(C) The amount realized on the disposition.

(D) The amount of the deduction not disallowed under paragraph (b)(1) of this section by reason of this paragraph (b)(2).

(E) The amount of loss disallowed under paragraph (b)(1) of this section.

(3) *Coordination with loss deferral and other disallowance rules.* (i) For purposes of this section, the rules of §1.1502-20(a)(3) apply, with appropriate adjustments to reflect differences between the approach of this section and that of §1.1502-20.

(ii) *Other loss deferral rules.* If paragraph (b)(1) of this section applies to a loss subject to deferral or disallowance under any other provision of the Code or the regulations, the other provision applies to the loss only to the extent it is not disallowed under paragraph (b)(1).

(4) *Definitions.* For purposes of this section—

(i) *Transitional parent* means any subsidiary, other than a transitional subsidiary, that owned at any time after January 6, 1987, a direct or indirect interest in the stock of a corporation that is a transitional subsidiary.

(ii) *Highest tier transitional subsidiary* means the transitional subsidiary (or subsidiaries) in which the transitional parent has a direct or indirect interest and that is the highest transitional subsidiary (or subsidiaries) in a chain of members.

(5) *Examples.* The principles of this paragraph (b) are illustrated by the following examples:

Example 1. Ownership of chain of transitional subsidiaries. (i) P forms S with \$200 on January 1, 1985, and S becomes a member of the P group. On February 1, 1987, S buys all the stock of T, and T buys all the stock of T1, and both T and T1 become members of the P group. On January 1, 1988, P sells all the stock of S and recognizes a \$90 loss on the sale.

(ii) Under paragraph (a)(4)(ii) of this section, both T and T1 are transitional subsidiaries, because they became members of the P group after January 6, 1987. Under paragraph (b)(4)(i) of this section, S is a transitional parent, because it owns a direct interest in stock of transitional subsidiaries and is not itself a transitional subsidiary.

(iii) Under paragraph (b) (1) and (2) of this section, because S is a transitional parent, no deduction is allowed to P for its \$90 loss except to the extent the loss exceeds the amount of S’s loss that would have been disallowed if S had sold all the stock of T, S’s highest tier transitional subsidiary, immediately before P’s sale of all the S stock. Assume all the T stock would have been sold for a \$90 loss and that all the loss would be attributable to the recognition of built-in gain from the disposition of assets. Because in that case \$90 of loss would be disallowed, all of P’s loss on the sale of the S stock is disallowed under paragraph (b).

Example 2. Ownership of brother-sister transitional subsidiaries. (i) P forms S with \$200 on January 1, 1985, and S becomes a member of the P group. On February 1, 1987, S buys all the stock of both T and T1, and T and T1 become members of the P group. On January 1, 1988, P sells all the stock of S and recognizes a \$90 loss on the sale.

(ii) Under paragraph (b) (1) and (2) of this section, no deduction is allowed to P for its \$90 loss except to the extent P establishes that the loss exceeds the amount of S’s stock losses that would be disallowed if S sold all the stock of T and T1, S’s highest tier transitional subsidiaries, immediately before P’s sale of all the S stock. Assume that all the T stock would have been sold for a \$50 loss, all the T1 stock of a \$40 loss, and that the entire amount of each loss would be attributable to the recognition of built-in gain on the disposition of assets. Because \$90 of loss would be disallowed with respect to the sale of S’s T and T1 stock, P’s \$90 loss on the sale

Internal Revenue Service, Treasury

§ 1.337(d)-1

of all the S stock is disallowed under paragraph (b).

(c) *Successors*—(1) *General rule.* This section applies, to the extent necessary to effectuate the purposes of this section, to—

(i) Any property owned by a member or former member, the basis of which is determined, directly or indirectly, in whole or in part, by reference to the basis in a subsidiary's stock, and

(ii) Any property owned by any other person whose basis in the property is determined, directly or indirectly, in whole or in part, by reference to a member's (or former member's) basis in a subsidiary's stock.

(2) *Examples.* The principles of this paragraph (c) are illustrated by the following examples:

Example 1. Merger into grandfathered subsidiary. P, the common parent of a group, owns all the stock of T, a transitional subsidiary. On January 1, 1989, T merges into S, a wholly owned subsidiary of P that is not a transitional subsidiary. Under paragraph (c)(1) of this section, all the stock of S is treated as stock of a transitional subsidiary. As a result, no deduction is allowed for any loss recognized by P on the disposition of any S stock, except to the extent the P group establishes under paragraph (a)(2) that the loss is not attributable to the recognition of built-in gain on the disposition of assets of T.

Example 2. Nonrecognition exchange of transitional stock. (i) P, the common parent of a group, owns all the stock of T, a transitional subsidiary. On January 1, 1989, P transfers the stock of T to X, a corporation that is not a member of the P group, in exchange for 20 percent of its stock in a transaction to which section 351(a) applies. T and X file separate returns.

(ii) Under paragraph (c)(1) of this section, all the stock of X owned by P is treated as stock of a transitional subsidiary because P's basis for the X stock is determined by reference to its basis for the T stock. As a result, no deduction is allowed to P for any loss recognized on the disposition of the X stock, except to the extent permitted under paragraph (a) of this section.

(iii) Under paragraph (c)(1), X is treated as a member subject to paragraph (a) of this section with respect to the T stock because X's basis for the stock is determined by reference to P's basis for the stock. Moreover, all of the T stock owned by X continues to be stock of a transitional subsidiary. As a result, no deduction is allowed to X for any loss recognized on the disposition of any T

stock, except to the extent permitted under paragraph (a) of this section.

(d) *Investment adjustments and earnings and profits*—(1) *In general.* For purposes of determining investment adjustments under § 1.1502-32 and earnings and profits under § 1.1502-33(c) with respect to a member of a consolidated group that owns stock in a subsidiary, any deduction that is disallowed under this section is treated as a loss arising and absorbed by the member in the tax year in which the disallowance occurs.

(2) *Example.* (i) In 1986, P forms S with a contribution of \$100, and S becomes a member of the P group. On February 1, 1987, S buys all the stock of T for \$100. T has an asset with a basis of \$0 and a value of \$100. In 1988, T sells the asset for \$100. Under the investment adjustment system, S's basis in the T stock increases to adjustment system, S's basis in the T stock increases to \$200, P's basis in the S stock increases to \$200, and P's earnings and profits and S's earnings and profits increase by \$100. In 1989, S sells all of the T stock for \$100, and S's recognized loss of \$100 is disallowed under paragraph (a)(1) of this section.

(ii) Under paragraph (d)(1) of this section, S's earnings and profits for 1989 are reduced by \$100, the amount of the loss disallowed under paragraph (a)(1). As a result, P's basis in the S stock is reduced from \$200 to \$100 under the investment adjustment system. P's earnings and profits for 1989 are correspondingly reduced by \$100.

(e) *Effective dates*—(1) *General rule.* This section applies with respect to dispositions after January 6, 1987. For dispositions on or after November 19, 1990, however, this section applies only if the stock was deconsolidated (as that term is defined in § 1.337(d)-2(b)(2)) before November 19, 1990, and only to the extent the disposition is not subject to § 1.337(d)-2 or § 1.1502-20.

(2) *Binding contract rule.* For purposes of this paragraph (e), if a corporation became a subsidiary pursuant to a binding written contract entered into before January 6, 1987, and in continuous effect until the corporation became a subsidiary, or a disposition was pursuant to a binding written contract entered into before March 9, 1990, and

§ 1.337(d)-1T

26 CFR Ch. I (4-1-21 Edition)

in continuous effect until the disposition, the date the contract became binding shall be treated as the date the corporation became a subsidiary or as the date of disposition.

(3) *Application of § 1.1502-20T to certain transactions*—(i) *In general.* If a group files the certification described in paragraph (e)(3)(ii) of this section, it may apply § 1.1502-20T (as contained in the CFR edition revised as of April 1, 1990), to all of its members with respect to all dispositions and deconsolidations by the certifying group to which § 1.1502-20T otherwise applied by its terms occurring—

(A) On or after March 9, 1990 (but only if not pursuant to a binding contract described in § 1.337(d)-1T(e)(2) (as contained in the CFR edition revised as of April 1, 1990) that was entered into before March 9, 1990); and

(B) Before November 19, 1990 (or thereafter, if pursuant to a binding contract described in § 1.1502-20T(g)(3) that was entered into on or after March 9, 1990 and before November 19, 1990).

The certification under this paragraph (e)(3)(i) with respect to the application of § 1.1502-20T to any transaction described in this paragraph (e)(3)(i) may not be withdrawn and, if the certification is filed, § 1.1502-20T must be applied to all such transactions on all returns (including amended returns) on which such transactions are included.

(ii) *Time and manner of filing certification.* The certification described in paragraph (e)(3)(i) of this section must be made in a separate statement entitled “[insert name and employer identification number of common parent] hereby certifies under § 1.337(d)-1 (e)(3) that the group of which it is the common parent is applying § 1.1502-20T to all transactions to which that section otherwise applied by its terms.” The statement must be signed by the common parent and filed with the group’s income tax return for the taxable year of the first disposition or deconsolidation to which the certification applies. If the separate statement required under this paragraph (e)(3) is to be filed with a return the due date (including extensions) of which is before November 16, 1991, the statement may be filed with an amend-

ed return for the year of the disposition or deconsolidation that is filed within 180 days after September 13, 1991. Any other filings required under § 1.1502-20T, such as the statement required under § 1.1502-20T(f)(5), may be made with the amended return, regardless of whether § 1.1502-20T permits such filing by amended return.

[T.D. 8319, 55 FR 49031, Nov. 26, 1990, as amended by T.D. 8364, 56 FR 47389, Sept. 19, 1991; 57 FR 53550, Nov. 12, 1992; T.D. 8560, 59 FR 41674, 41675, Aug. 15, 1994; T.D. 8597, 60 FR 36679, July 18, 1995; T.D. 9424, 73 FR 53947, Sept. 17, 2008]

§ 1.337(d)-1T [Reserved]

§ 1.337(d)-2 Loss limitation rules.

(a) *Loss disallowance*—(1) *General rule.* No deduction is allowed for any loss recognized by a member of a consolidated group with respect to the disposition of stock of a subsidiary. However, for transactions involving loss shares of subsidiary stock occurring on or after September 17, 2008, see § 1.1502-36. Further, this section does not apply to a transaction that is subject to § 1.1502-36.

(2) *Definitions.* For purposes of this section:

(i) The definitions in § 1.1502-1 apply.

(ii) *Disposition* means any event in which gain or loss is recognized, in whole or in part.

(3) *Coordination with loss deferral and other disallowance rules.* For purposes of this section, the rules of § 1.1502-20(a)(3) apply, with appropriate adjustments to reflect differences between the approach of this section and that of § 1.1502-20.

(4) *Netting.* Paragraph (a)(1) of this section does not apply to loss with respect to the disposition of stock of a subsidiary, to the extent that, as a consequence of the same plan or arrangement, gain is taken into account by members with respect to stock of the same subsidiary having the same material terms. If the gain to which this paragraph applies is less than the amount of the loss with respect to the disposition of the subsidiary’s stock, the gain is applied to offset loss with respect to each share disposed of as a consequence of the same plan or arrangement in proportion to the amount

of the loss deduction that would have been disallowed under paragraph (a)(1) of this section with respect to such share before the application of this paragraph (a)(4). If the same item of gain could be taken into account more than once in limiting the application of paragraphs (a)(1) and (b)(1) of this section, the item is taken into account only once.

(b) *Basis reduction on deconsolidation*—

(1) *General rule.* If the basis of a member of a consolidated group in a share of stock of a subsidiary exceeds its value immediately before a deconsolidation of the share, the basis of the share is reduced at that time to an amount equal to its value. If both a disposition and a deconsolidation occur with respect to a share in the same transaction, paragraph (a) of this section applies and, to the extent necessary to effectuate the purposes of this section, this paragraph (b) applies following the application of paragraph (a) of this section.

(2) *Deconsolidation.* *Deconsolidation* means any event that causes a share of stock of a subsidiary that remains outstanding to be no longer owned by a member of any consolidated group of which the subsidiary is also a member.

(3) *Value.* *Value* means fair market value.

(4) *Netting.* Paragraph (b)(1) of this section does not apply to reduce the basis of stock of a subsidiary, to the extent that, as a consequence of the same plan or arrangement, gain is taken into account by members with respect to stock of the same subsidiary having the same material terms. If the gain to which this paragraph applies is less than the amount of basis reduction with respect to shares of the subsidiary's stock, the gain is applied to offset basis reduction with respect to each share deconsolidated as a consequence of the same plan or arrangement in proportion to the amount of the reduction that would have been required under paragraph (b)(1) of this section with respect to such share before the application of this paragraph (b)(4).

(c) *Allowable loss*—(1) *Application.* This paragraph (c) applies with respect to stock of a subsidiary only if a separate statement entitled §1.337(d)-2(c) *statement* is included with the return in

accordance with paragraph (c)(3) of this section.

(2) *General rule.* Loss is not disallowed under paragraph (a)(1) of this section and basis is not reduced under paragraph (b)(1) of this section to the extent the taxpayer establishes that the loss or basis is not attributable to the recognition of built-in gain, net of directly related expenses, on the disposition of an asset (including stock and securities). Loss or basis may be attributable to the recognition of built-in gain on the disposition of an asset by a prior group. For purposes of this section, gain recognized on the disposition of an asset is built-in gain to the extent attributable, directly or indirectly, in whole or in part, to any excess of value over basis that is reflected, before the disposition of the asset, in the basis of the share, directly or indirectly, in whole or in part, after applying section 1503(e) and other applicable provisions of the Internal Revenue Code and regulations. Federal income taxes may be directly related to built-in gain recognized on the disposition of an asset only to the extent of the excess (if any) of the group's income tax liability actually imposed under Subtitle A of the Internal Revenue Code for the taxable year of the disposition of the asset over the group's income tax liability for the taxable year redetermined by not taking into account the built-in gain recognized on the disposition of the asset. For this purpose, the group's income tax liability actually imposed and its redetermined income tax liability are determined without taking into account the foreign tax credit under section 27(a) of the Internal Revenue Code.

(3) *Contents of statement and time of filing.* The statement required under paragraph (c)(1) of this section must be included with or as part of the taxpayer's return for the year of the disposition or deconsolidation and must contain—

(i) The name and employer identification number (E.I.N.) of the subsidiary; and

(ii) The amount of the loss not disallowed under paragraph (a)(1) of this section by reason of this paragraph (c) and the amount of basis not reduced

under paragraph (b)(1) of this section by reason of this paragraph (c).

(4) *Example.* The principles of paragraphs (a), (b), and (c) of this section are illustrated by the examples in §§ 1.337(d)-1(a)(5) and 1.1502-20(a)(5) (other than *Examples 3, 4, and 5*) and (b), with appropriate adjustments to reflect differences between the approach of this section and that of § 1.1502-20, and by the following example. For purposes of the examples in this section, unless otherwise stated, the group files consolidated returns on a calendar year basis, the facts set forth the only corporate activity, and all sales and purchases are with unrelated buyers or sellers. The basis of each asset is the same for determining earnings and profits adjustments and taxable income. Tax liability and its effect on basis, value, and earnings and profits are disregarded. *Investment adjustment system* means the rules of § 1.1502-32. The example reads as follows:

Example. Loss offsetting built-in gain in a prior group. (i) P buys all the stock of T for \$50 in Year 1, and T becomes a member of the P group. T has 2 assets. Asset 1 has a basis of \$50 and a value of \$0, and asset 2 has a basis of \$0 and a value of \$50. T sells asset 2 during Year 3 for \$50 and recognizes a \$50 gain. Under the investment adjustment system, P's basis in the T stock increased to \$100 as a result of the recognition of gain. In Year 5, all of the stock of P is acquired by the P1 group, and the former members of the P group become members of the P1 group. T then sells asset 1 for \$0, and recognizes a \$50 loss. Under the investment adjustment system, P's basis in the T stock decreases to \$50 as a result of the loss. T's assets decline in value from \$50 to \$40. P then sells all the stock of T for \$40 and recognizes a \$10 loss.

(ii) P's basis in the T stock reflects both T's unrecognized gain and unrecognized loss with respect to its assets. The gain T recognizes on the disposition of asset 2 is built-in gain with respect to both the P and P1 groups for purposes of paragraph (c)(2) of this section. In addition, the loss T recognizes on the disposition of asset 1 is built-in loss with respect to the P and P1 groups for purposes of paragraph (c)(2) of this section. T's recognition of the built-in loss while a member of the P1 group offsets the effect on T's stock basis of T's recognition of the built-in gain while a member of the P group. Thus, P's \$10 loss on the sale of the T stock is not attributable to the recognition of built-in gain, and the loss is therefore not disallowed under paragraph (c)(2) of this section.

(iii) The result would be the same if, instead of having a \$50 built-in loss in asset 1 when it becomes a member of the P group, T has a \$50 net operating loss carryover and the carryover is used by the P group.

(d) *Successors.* For purposes of this section, the rules and examples of § 1.1502-20(d) apply, with appropriate adjustments to reflect differences between the approach of this section and that of § 1.1502-20.

(e) *Anti-avoidance rules.* For purposes of this section, the rules and examples of § 1.1502-20(e) apply, with appropriate adjustments to reflect differences between the approach of this section and that of § 1.1502-20.

(f) *Investment adjustments.* For purposes of this section, the rules and examples of § 1.1502-20(f) apply, with appropriate adjustments to reflect differences between the approach of this section and that of § 1.1502-20.

(g) *Effective dates.* This section applies with respect to dispositions and deconsolidations on or after March 3, 2005. In addition, this section applies to dispositions and deconsolidations for which an election is made under § 1.1502-20(i)(2) to determine allowable loss under this section. If loss is recognized because stock of a subsidiary became worthless, the disposition with respect to the stock is treated as occurring on the date the stock became worthless. For dispositions and deconsolidations after March 6, 2002 and before March 3, 2005, see § 1.337(d)-2T as contained in the 26 CFR part 1 in effect on March 2, 2005.

[T.D. 9787, 70 FR 10322, Mar. 3, 2005, as amended by T.D. 9424, 73 FR 53947, Sept. 17, 2008]

§ 1.337(d)-3 Gain recognition upon certain partnership transactions involving a partner's stock.

(a) *Purpose.* The purpose of this section is to prevent corporate taxpayers from using a partnership to circumvent gain required to be recognized under section 311(b) or section 336(a). The rules of this section, including the determination of the amount of gain, must be applied in a manner that is consistent with and reasonably carries out this purpose.

(b) *In general.* This section applies when a partnership, either directly or

indirectly, owns, acquires, or distributes Stock of the Corporate Partner (within the meaning of paragraph (c)(2) of this section). Under paragraphs (d) or (e) of this section, a Corporate Partner (within the meaning of paragraph (c)(1) of this section) is required to recognize gain when a transaction has the effect of the Corporate Partner acquiring or increasing an interest in its own stock in exchange for appreciated property in a manner that contravenes the purpose of this section as set forth in paragraph (a) of this section. Paragraph (f) of this section sets forth exceptions under which a Corporate Partner does not recognize gain.

(c) *Definitions.* The following definitions apply for purposes of this section:

(1) *Corporate Partner.* A *Corporate Partner* is a person that is classified as a corporation for federal income tax purposes and holds or acquires an interest in a partnership.

(2) *Stock of the Corporate Partner*—(i) *In general.* With respect to a Corporate Partner, *Stock of the Corporate Partner* includes the Corporate Partner's stock, or other equity interests, including options, warrants, and similar interests, in the Corporate Partner or a corporation that controls the Corporate Partner within the meaning of section 304(c) (except that section 318(a)(1) and (3) shall not apply). *Stock of the Corporate Partner* also includes interests in any entity to the extent that the value of the interest is attributable to Stock of the Corporate Partner.

(ii) *Affiliated partner exception.* Stock of the Corporate Partner does not include any stock or other equity interests held or acquired by a partnership if all interests in the partnership's capital and profits are held by members of an affiliated group as defined in section 1504(a) that includes the Corporate Partner.

(3) *Section 337(d) Transaction.* A *Section 337(d) Transaction* is a transaction (or series of transactions) that has the effect of an exchange by a Corporate Partner of its interest in appreciated property for an interest in Stock of the Corporate Partner owned, acquired, or distributed by a partnership. For example, a Section 337(d) Transaction may occur when —

(i) A Corporate Partner contributes appreciated property to a partnership that owns Stock of the Corporate Partner;

(ii) A partnership acquires Stock of the Corporate Partner;

(iii) A partnership that owns Stock of the Corporate Partner distributes appreciated property to a partner other than a Corporate Partner;

(iv) A partnership distributes Stock of the Corporate Partner to the Corporate Partner; or

(v) A partnership agreement is amended in a manner that increases a Corporate Partner's interest in Stock of the Corporate Partner (including in connection with a contribution to, or distribution from, a partnership).

(4) *Gain Percentage.* A Corporate Partner's *Gain Percentage* equals a fraction, the numerator of which is the Corporate Partner's interest (by value) in appreciated property effectively exchanged for Stock of the Corporate Partner under the test described in paragraphs (d)(1) and (2) of this section, and the denominator of which is the Corporate Partner's interest (by value) in that appreciated property immediately before the Section 337(d) Transaction. Paragraph (d) of this section requires a partnership to multiply the Gain Percentage by the Corporate Partner's aggregate gain in appreciated property to determine gain recognized under this section.

(d) *Deemed redemption rule*—(1) *In general.* A Corporate Partner in a partnership that engages in a Section 337(d) Transaction recognizes gain at the time, and to the extent, that the Corporate Partner's interest in appreciated property (other than Stock of the Corporate Partner) is reduced in exchange for an increased interest in Stock of the Corporate Partner, as determined under paragraph (d)(2) of this section. This section does not apply to the extent a transaction has the effect of an exchange by a Corporate Partner of non-appreciated property for Stock of the Corporate Partner, or has the effect of an exchange by a Corporate Partner for property other than Stock of the Corporate Partner.

(2) *Corporate Partner's interest in partnership property.* The Corporate Partner's interest with respect to both

Stock of the Corporate Partner and the appreciated property that is the subject of the exchange is determined based on all facts and circumstances, including the allocation and distribution rights set forth in the partnership agreement. The Corporate Partner's interest in an identified share of Stock of the Corporate Partner will never be less than the Corporate Partner's largest interest (by value) in that share of Stock of the Corporate Partner that was taken into account when the partnership previously determined whether there had been a Section 337(d) Transaction with respect to such share (regardless of whether the Corporate Partner recognized gain in the earlier transaction). See *Example 7* of paragraph (h) of this section. However, this limitation will not apply if any reduction in the Corporate Partner's interest in the identified share of Stock of the Corporate Partner occurred as part of a plan or arrangement to circumvent the purpose of this section. See *Example 8* of paragraph (h) of this section.

(3) *Amount and character of gain recognized on the exchange*—(i) *Amount of gain*. The amount of gain the Corporate Partner recognizes under paragraph (d)(1) of this section equals the product of the Corporate Partner's Gain Percentage and the gain from the appreciated property that is the subject of the exchange that the Corporate Partner would recognize if, immediately before the Section 337(d) Transaction, all assets of the partnership and any assets contributed to the partnership in the Section 337(d) Transaction were sold in a fully taxable transaction for cash in an amount equal to the fair market value of such property (taking into account section 7701(g)), reduced, but not below zero, by any gain the Corporate Partner is required to recognize with respect to the appreciated property in the Section 337(d) Transaction under any other provision of this chapter. This gain is computed taking into account allocations of tax items applying the principles of section 704(c), including any remedial allocations under § 1.704-3(d), and also taking into account any basis adjustments including adjustments made pursuant to section 743(b).

(ii) *Character of gain*. The character of the gain that the Corporate Partner recognizes under paragraph (d)(1) of this section from the appreciated property that is the subject of the exchange shall be the character of the gain that the Corporate Partner would recognize if, immediately before the Section 337(d) Transaction, the Corporate Partner had disposed of the appreciated property that is the subject of the exchange in a fully taxable transaction for cash in an amount equal to the fair market value of such property (taking into account section 7701(g)).

(4) *Basis adjustments*—(i) *Corporate Partner's basis in the partnership interest*. The basis of the Corporate Partner's interest in the partnership is increased by the amount of gain that the Corporate Partner recognizes under this paragraph (d).

(ii) *Partnership's basis in partnership property*. The partnership's adjusted tax basis in the appreciated property that is treated as the subject of the exchange under this paragraph (d) is increased by the amount of gain recognized with respect to that property by the Corporate Partner as a result of that exchange, regardless of whether the partnership has an election in effect under section 754. For basis recovery purposes, this basis increase is treated as property that is placed in service by the partnership in the taxable year of the Section 337(d) Transaction.

(e) *Distribution of Stock of the Corporate Partner*—(1) *In general*. This paragraph (e) applies to distributions to the Corporate Partner of Stock of the Corporate Partner to which section 732(f) does not apply and that have previously been the subject of a Section 337(d) Transaction or become the subject of a Section 337(d) Transaction as a result of the distribution. Upon the distribution of Stock of the Corporate Partner to the Corporate Partner, paragraph (d) of this section will apply as though immediately before the distribution the partners amended the partnership agreement to allocate to the Corporate Partner a 100 percent interest in that portion of the Stock of the Corporate Partner that is distributed, and to allocate an appropriately reduced interest in other partnership

property away from the Corporate Partner.

(2) *Basis rules*—(i) *Basis allocation on distributions of stock and other property.* If, as part of the same transaction, a partnership distributes Stock of the Corporate Partner and other property (other than cash) to the Corporate Partner, see §1.732-1(c)(1)(iii) for a rule allocating basis first to the Stock of the Corporate Partner before the distribution of the other property.

(ii) *Computation of basis.* For purposes of determining the basis of property distributed to a partner in a transaction that includes the distribution of Stock of the Corporate Partner (other than the basis of the Corporate Partner in its own stock), the basis of the partner's remaining partnership interest, and the partnership's basis in undistributed Stock of the Corporate Partner, and for purposes of computing gain under paragraph (e)(3) of this section, the partnership's basis of Stock of the Corporate Partner distributed to the partner equals the greater of—

(A) The partnership's basis of that distributed Stock of the Corporate Partner immediately before the distribution; or

(B) The fair market value of that distributed Stock of the Corporate Partner immediately before the distribution less the partner's allocable share of gain from all of the Stock of the Corporate Partner if the partnership sold all of its assets in a fully taxable transaction for cash in an amount equal to the fair market value of such property (taking into account section 7701(g)) immediately before the distribution.

(iii) *Section 732(f) basis reduction.* For purposes of determining the amount of the decrease to the basis of property held by a distributed corporation pursuant to section 732(f), the amount of this decrease shall be reduced by the amount of gain that a Corporate Partner has recognized under this section in the same Section 337(d) Transaction or in a prior Section 337(d) Transaction involving the property.

(3) *Gain recognition.* The Corporate Partner will recognize gain on a distribution of Stock of the Corporate Partner to the Corporate Partner to the extent that the partnership's ad-

justed basis in the distributed Stock of the Corporate Partner (as determined under paragraph (e)(2)(ii) of this section) immediately before the distribution exceeds the Corporate Partner's adjusted basis in its partnership interest immediately after the distribution.

(f) *Exceptions*—(1) *De minimis rule*—(i) *In general.* Unless Stock of the Corporate Partner is acquired as part of a plan to circumvent the purpose of this section, this section does not apply to a Corporate Partner if at the time that the partnership acquires Stock of the Corporate Partner or at the time of a revaluation event as described in §1.704-1(b)(2)(iv)(f) (without regard to whether or not the partnership revalues its assets)—

(A) The Corporate Partner and any persons related to the Corporate Partner under section 267(b) or section 707(b) own in the aggregate less than 5 percent of the partnership;

(B) The partnership holds Stock of the Corporate Partner with a value of less than 2 percent of the partnership's gross assets (including the Stock of the Corporate Partner); and

(C) The partnership has never, at any point in time, held in the aggregate—

(I) Stock of the Corporate Partner with a fair market value greater than \$1,000,000; or

(2) More than 2 percent of any particular class of Stock of the Corporate Partner.

(ii) *De minimis rule ceases to apply.* If a partnership satisfies the conditions of the de minimis rule of paragraph (f)(1) of this section upon an acquisition of Stock of the Corporate Partner or revaluation event as described in §1.704-1(b)(2)(iv)(f), but later fails to satisfy the conditions of the de minimis rule upon a subsequent acquisition or revaluation event, then solely for purposes of paragraph (d) of this section, the Corporate Partner may compute its gain on the subsequent acquisition or revaluation event as if it had already recognized gain at the previous event. Neither the Corporate Partner nor the partnership increases its basis by the gain the Corporate Partner would have recognized if the de minimis rule of paragraph (f)(1) of this section did not apply to the prior acquisition or revaluation event.

(2) *Certain dispositions of stock.* Unless acquired as part of a plan to circumvent the purpose of this section, this section does not apply to Stock of the Corporate Partner that—

(i) Is disposed of (by sale or distribution) by the partnership before the due date (including extensions) of its federal income tax return for the taxable year during which the Stock of the Corporate Partner is acquired (or for the taxable year in which the Corporate Partner becomes a partner, whichever is applicable); and

(ii) Is not distributed to the Corporate Partner or a corporation that controls the Corporate Partner within the meaning of section 304(c), except that section 318(a)(1) and (3) shall not apply.

(g) *Tiered partnerships.* The rules of this section shall apply to tiered partnerships in a manner that is consistent with the purpose set forth in paragraph (a) of this section.

(h) *Examples.* The following examples illustrate the principles of this section. All amounts in the following examples are reported in millions of dollars:

Example 1. Deemed redemption rule—contribution of Stock of the Corporate Partner. (i) In Year 1, X, a corporation, and A, an individual, form partnership AX as equal partners in all respects. X contributes Asset 1 with a fair market value of \$100 and a basis of \$20. A contributes X stock, which is Stock of the Corporate Partner, with a basis and fair market value of \$100.

(ii) Because A and X are equal partners in AX in all respects, the partnership formation causes X's interest in X stock to increase from \$0 to \$50 and its interest in Asset 1 to decrease from \$100 to \$50. Thus, the partnership formation is a Section 337(d) Transaction because the formation has the effect of an exchange by X of \$50 of Asset 1 for \$50 of X stock.

(iii) X must recognize gain under paragraph (d) of this section with respect to Asset 1 to prevent the circumvention of section 311(b) principles. X's gain equals the product of X's Gain Percentage and the gain from Asset 1 that X would recognize (decreased, but not below zero, by any gain that X recognized with respect to Asset 1 in the Section 337(d) Transaction under any other provision of this chapter) if, immediately before the Section 337(d) Transaction, all assets were sold in a fully taxable transaction for cash in an amount equal to the fair market value of such property. If Asset 1 had been sold in a fully taxable transaction immediately before the formation of partner-

ship AX, X's allocable share of gain would have been \$80. X's Gain Percentage is 50 percent (equal to a fraction, the numerator of which is X's \$50 interest in Asset 1 effectively exchanged for X stock, and the denominator of which is X's \$100 interest in Asset 1 immediately before the Section 337(d) Transaction). Thus, X recognizes \$40 of gain (\$80 multiplied by 50 percent) under the deemed redemption rule in paragraph (d) of this section. Under paragraph (d)(4)(i) of this section, X's basis in its AX partnership interest increases from \$20 to \$60. Under paragraph (d)(4)(ii) of this section, AX's basis in Asset 1 increases from \$20 to \$60 because Asset 1 is the appreciated property treated as the subject of the exchange.

Example 2. Deemed redemption rule—contribution of stock in a corporation that controls the Corporate Partner. (i) In Year 1, X, a corporation, and A, an individual, form partnership AX as equal partners in all respects. X contributes Asset 1 with a fair market value of \$100 and a basis of \$20. A contributes stock in P, with a basis and fair market value of \$100. P is the sole owner of X. P's interest in X constitutes 10 percent of P's total assets.

(ii) Because P controls X within the meaning of section 304(c), stock in P is Stock of the Corporate Partner under paragraph (c)(2)(i) of this section.

(iii) Because A and X are equal partners in AX in all respects, the partnership formation causes X's interest in Stock of the Corporate Partner stock to increase from \$0 to \$50 and its interest in Asset 1 to decrease from \$100 to \$50. Thus, the partnership formation is a Section 337(d) Transaction because the formation has the effect of an exchange by X of \$50 of Asset 1 for \$50 of Stock of the Corporate Partner.

(iv) X must recognize gain under paragraph (d) of this section with respect to Asset 1 to prevent the circumvention of section 311(b) principles. X's gain equals the product of X's Gain Percentage and the gain from Asset 1 that X would recognize (decreased, but not below zero, by any gain that X recognized with respect to Asset 1 in the Section 337(d) Transaction under any other provision of this chapter) if, immediately before the Section 337(d) Transaction, all assets were sold in a fully taxable transaction for cash in an amount equal to the fair market value of such property. If Asset 1 had been sold in a fully taxable transaction immediately before the formation of partnership AX, X's allocable share of gain would have been \$80. X's Gain Percentage is 50 percent (equal to a fraction, the numerator of which is X's \$50 interest in Asset 1 effectively exchanged for Stock of the Corporate Partner, and the denominator of which is X's \$100 interest in Asset 1 immediately before the Section 337(d) Transaction). Thus, X recognizes \$40 of gain (\$80 multiplied by 50 percent) under the deemed redemption rule in paragraph (d) of

this section. Under paragraph (d)(4)(i) of this section, X's basis in its AX partnership interest increases from \$20 to \$60. Under paragraph (d)(4)(ii) of this section, AX's basis in Asset 1 increases from \$20 to \$60 because Asset 1 is the appreciated property treated as the subject of the exchange.

Example 3. Distribution of Stock of the Corporate Partner—pro rata distribution. (i) The facts are the same as in *Example 1(i)* of this paragraph (h). AX liquidates in Year 9, when Asset 1 and the X stock each have a fair market value of \$200. X and A each receive 50 percent of Asset 1 and 50 percent of the X stock in the liquidation. At the time AX liquidates, X's basis in its AX partnership interest is \$60 and A's basis in its AX partnership interest is \$100.

(ii) When AX liquidates, X's interests in its stock and in Asset 1 do not change. Thus, the liquidation is not a Section 337(d) Transaction because it does not have the effect of an exchange by X of appreciated property for Stock of the Corporate Partner.

(iii) Paragraph (e) of this section applies because the distributed X stock was the subject of a previous Section 337(d) Transaction and because section 732(f) does not apply. Under § 1.732-1(c)(1)(iii), the distribution to X of X stock is deemed to immediately precede the distribution of 50 percent of Asset 1 to X for purposes of determining X's basis in the distributed property. For purposes of determining X's basis in Asset 1 and X's gain on distribution, the basis of the distributed X stock is treated as \$50, the greater of \$50 (50 percent of the stock's \$100 basis in the hands of the partnership), or \$50, the fair market value of that distributed X stock (\$100) less X's allocable share of gain from the distributed X stock if AX had sold all of its assets in a fully taxable transaction for cash in an amount equal to the fair market value of such property immediately before the distribution (\$50). Thus, X reduces its basis in its partnership interest by \$50 prior to the distribution of Asset 1. Accordingly, X's basis in the distributed portion of Asset 1 is \$10. Because AX's basis in the distributed X stock immediately before the distribution (\$50) does not exceed X's basis in its AX partnership interest immediately before the distribution (\$60), X recognizes no gain under paragraph (e)(3) of this section.

Example 4. Distribution of Stock of the Corporate Partner—non pro rata distribution. (i) The facts are the same as *Example 3(i)* of this paragraph (h), except that when AX liquidates, X receives 75 percent of the X stock and 25 percent of Asset 1 and A receives 25 percent of the X stock and 75 percent of Asset 1.

(ii) The liquidation of AX causes X's interest in X stock to increase from \$100 to \$150 and its interest in Asset 1 to decrease from \$100 to \$50. Thus, AX's liquidating distributions of X stock and Asset 1 to X are a Sec-

tion 337(d) Transaction because the distributions have the effect of an exchange by X of \$50 of Asset 1 for \$50 of X stock.

(iii)(A) X must recognize gain with respect to Asset 1 to prevent the circumvention of section 311(b) principles. Under paragraph (e)(1) of this section, paragraph (d) of this section is applied as if X and A amended the AX partnership agreement to allocate to X a 100 percent interest in the distributed portion of the X stock. X must recognize gain equal to the product of X's Gain Percentage and the gain from Asset 1 that X would have recognized (decreased, but not below zero, by any gain X recognized with respect to Asset 1 in the Section 337(d) Transaction under any other provision of this chapter) if, immediately before the Section 337(d) Transaction, AX had sold all of its assets in a fully taxable transaction for cash in an amount equal to the fair market value of such property.

(B) If Asset 1 had been sold in a fully taxable transaction immediately before the amendment of the AX partnership agreement, X's allocable share of gain would have been \$90, or the sum of X's \$40 remaining gain under section 704(c) and \$50 of the \$100 post-contribution appreciation. X's Gain Percentage is 50 percent (equal to a fraction, the numerator of which is X's \$50 interest in Asset 1 effectively exchanged for X stock, and the denominator of which is X's \$100 interest in Asset 1 immediately before the Section 337(d) Transaction). Thus, X recognizes \$45 of gain (\$90 multiplied by 50 percent) under the deemed redemption rule in paragraph (d) of this section. Under paragraph (d)(4)(i) of this section, X's basis in its AX partnership interest increases from \$60 to \$105. Under paragraph (d)(4)(ii) of this section, AX's basis in Asset 1 increases from \$60 to \$105 because Asset 1 is the appreciated property treated as the subject of the exchange.

(iv)(A) Paragraph (e) of this section applies because the distributed X stock was the subject of a previous Section 337(d) Transaction and because section 732(f) does not apply. Under § 1.732-1(c)(1)(iii), AX is treated as first distributing the X stock to X before the distribution of 25 percent of Asset 1. For purposes of determining X's basis in Asset 1 and X's gain on distribution, the basis of the distributed X stock is treated as \$100, the greater of \$75 (75 percent of the stock's \$100 basis in the hands of the partnership) or \$100, the fair market value of the distributed X stock (\$150) less X's allocable share of gain if the partnership had sold all of the X stock immediately before the distribution for cash in an amount equal to its fair market value (\$50). Thus, X will reduce its basis in its partnership interest by \$100 prior to the distribution of Asset 1. Accordingly, X's basis in the distributed portion of Asset 1 is \$5. Because

AX's basis in the distributed X stock immediately before the distribution as computed for purposes of this section (\$100) does not exceed X's basis in its AX partnership interest immediately before the distribution (\$105), X recognizes no additional gain under paragraph (e)(3) of this section.

(B) For purposes of determining A's basis in Asset 1 and A's gain on distribution, the basis of the distributed X stock is treated as \$25, the greater of \$25 (25 percent of the stock's \$100 basis in the hands of the partnership) or \$0, the fair market value of the distributed X stock (\$50) less A's allocable share of gain if the partnership had sold all of the X stock immediately before the distribution for cash in an amount equal to its fair market value (\$50). Thus, A will reduce its basis in its partnership interest by \$25 prior to the distribution of Asset 1. Accordingly, A's basis in the distributed portion of Asset 1 is \$75. Because AX's basis in the distributed X stock immediately before the distribution as computed for purposes of this section (\$100) does not exceed A's basis in its AX partnership interest immediately before the distribution (\$100), A recognizes no additional gain under paragraph (e)(3) of this section.

Example 5. Deemed redemption rule—subsequent purchase of Stock of the Corporate Partner. The facts are the same as *Example 1(i)* of this paragraph (h), except that A contributes cash of \$100 instead of X stock. In a later year, when the value of Asset 1 has not changed, AX uses the contributed cash to purchase X stock for \$100. AX's purchase of X stock has the effect of an exchange by X of appreciated property for X stock, and thus, is a Section 337(d) Transaction. X must recognize gain at the time, and to the extent, that X's share of appreciated property (other than X stock) is reduced in exchange for X stock. Thus, the consequences of the partnership's purchase of X stock are the same as those described in *Example 1(ii)* and *(iii)* of this paragraph (h), resulting in X recognizing \$40 of gain.

Example 6. Change in allocation ratios—amendment of partnership agreement. (i) The facts are the same as *Example 3(i)* of this paragraph (h), except that in Year 9, AX does not liquidate, and the AX partnership agreement is amended to allocate to X 80 percent of the income, gain, loss, and deduction from the X stock and to allocate to A 80 percent of the income, gain, loss, and deduction from Asset 1. If AX had sold the partnership assets immediately before the change to the partnership agreement, X would have been allocated \$90 of gain from Asset 1 and \$50 of gain from the X stock.

(ii) The amendment to the AX partnership agreement causes X's interest in its stock to increase from \$100 (50 percent of the stock value immediately before the amendment of the agreement) to \$160 (80 percent of stock value immediately following amendment of

agreement) and its interest in Asset 1 to decrease from \$100 to \$40. Thus, the amendment of the partnership agreement is a Section 337(d) Transaction because the amendment has the effect of an exchange by X of \$60 of Asset 1 for \$60 of its stock.

(iii) X must recognize gain equal to the product of X's Gain Percentage and the gain from Asset 1 that X would have recognized (decreased, but not below zero, by any gain X recognized with respect to Asset 1 in the Section 337(d) Transaction under any other provision of this chapter) if, immediately before the Section 337(d) Transaction, AX had sold all of its assets in a fully taxable transaction for cash in an amount equal to the fair market value of such property. If Asset 1 had been sold in a fully taxable transaction immediately before the amendment of the AX partnership agreement, X's allocable share of gain would have been \$90, or the sum of X's \$40 remaining gain under section 704(c) and 50 percent of the \$100 post-contribution appreciation. X's Gain Percentage is 60 percent (equal to a fraction, the numerator of which is X's \$60 interest in Asset 1 effectively exchanged for X stock, and the denominator of which is X's \$100 interest in Asset 1 immediately before the Section 337(d) Transaction). Thus, X recognizes \$54 of gain (\$90 multiplied by 60 percent) under the deemed redemption rule in paragraph (d) of this section. Under paragraph (d)(4)(i) of this section, X's basis in its AX partnership interest increases from \$60 to \$114. Under paragraph (d)(4)(ii) of this section, AX's basis in Asset 1 increases from \$60 to \$114 because Asset 1 is the appreciated property treated as the subject of the exchange.

Example 7. Change in allocation ratios—admission and exit of a partner. (i) The facts are the same as *Example 1(i)* of this paragraph (h). In addition, in Year 2, when the values of Asset 1 and the X stock have not changed, B contributes \$100 of cash to AX in exchange for a one-third interest in the partnership. Upon the admission of B as a partner, X's interest in Asset 1 decreases from \$50 to \$33.33, and its interest in B's contributed cash increases. B's admission is not a Section 337(d) Transaction because it does not have the effect of an exchange by X of its interest in Asset 1 for X stock. Accordingly, X does not recognize gain under paragraph (d) of this section.

(ii) In Year 9, when the values of Asset 1 and the X stock have not changed, the partnership distributes \$50 of cash and 50 percent of Asset 1 (valued at \$50) to B in liquidation of B's interest. X and A are equal partners in all respects after the distribution. Upon the liquidation of B's interest, X's interest in Asset 1 decreases from \$33.33 to \$25, and its interest in X stock increases from \$33.33 to \$50. AX's liquidation of B's interest has the effect of an exchange by X of appreciated

property for X stock, and thus, is a Section 337(d) Transaction.

(iii) Pursuant to paragraph (d)(2) of this section, X's interest in X stock and other appreciated property held by the partnership is determined based on all facts and circumstances, including allocation and distribution rights in the partnership agreement. However, paragraph (d)(2) of this section also requires that X's interest in its stock for purposes of paragraph (d) will never be less than the Corporate Partner's largest interest (by value) in those shares of Stock of the Corporate Partner taken into account when the partnership previously determined whether there had been a Section 337(d) Transaction (regardless of whether the Corporate Partner recognized gain in the earlier transaction). Although X's interest in X stock increases to \$50 upon AX's liquidation of B's interest, X's largest interest previously taken into account under paragraph (d)(1) of this section was \$50. Thus, X's interest in its stock is not considered to be increased, and X therefore recognizes no gain under paragraph (d) of this section, provided that the transactions did not occur as part of a plan or arrangement to circumvent the purpose of this section.

Example 8. Change in allocation ratios—plan to circumvent purpose of this section. (i) In Year 1, X, a corporation, and A, an individual, contribute \$99 and \$1, respectively, to newly-formed partnership AX, with X receiving a 99 percent interest in AX and A receiving a 1 percent interest in AX. AX borrows \$100,000 from a third-party lender and uses the proceeds to purchase X stock, which is Stock of the Corporate Partner. Later, as part of a plan or arrangement to circumvent the purposes of this section, A contributes \$99,999 of cash, which AX uses to repay the loan, and X contributes Asset 1 with a fair market value of \$99,901 and basis of \$20,000. After these contributions, A and X are equal partners in AX in all respects.

(ii) Pursuant to paragraph (d)(2) of this section, X's interest in X stock and other appreciated property held by the partnership is determined based on all facts and circumstances, including allocation and distribution rights in the partnership agreement. Generally, pursuant to paragraph (d)(2) of this section, X's interest in X stock for purposes of paragraph (d) of this section will never be less than the Corporate Partner's largest interest (by value) in those shares of Stock of the Corporate Partner taken into account when the partnership previously determined whether there had been a Section 337(d) Transaction (regardless of whether the Corporate Partner recognized gain in the earlier transaction). This limitation does not apply, however, if the reduction in X's interest in X's stock occurred as part of a plan or arrangement to circumvent the purpose of this section. Because the

transactions described in this example are part of a plan or arrangement to circumvent the purpose of this section, the limitation in paragraph (d)(2) of this section does not apply. Accordingly, the deemed redemption rule under paragraph (d) of this section applies to the transactions with the consequences described in *Example 1(iii)* of this paragraph (h), resulting in X recognizing \$39,950.50 of gain.

Example 9. Tiered partnership. (i) In Year 1, X, a corporation, and A, an individual, form partnership UTP. X contributes Asset 1 with a fair market value of \$80 and a basis of \$0 in exchange for an 80 percent interest in UTP. A contributes \$20 of cash in exchange for a 20 percent interest in UTP. UTP and B, an individual, form partnership LTP as equal partners. UTP contributes Asset 1 and \$20 of cash. B contributes X stock, which is Stock of the Corporate Partner, with a basis and fair market value of \$100.

(ii) Pursuant to paragraph (g) of this section, the rules of this section shall apply to tiered partnerships in a manner that is consistent with the purpose set forth in paragraph (a) of this section. Pursuant to paragraph (d)(1) of this section, if X is in a partnership that engages in a Section 337(d) Transaction, X must recognize gain at the time, and to the extent, that X's share of appreciated property is reduced in exchange for X stock. The formation of LTP causes X's interest in X stock to increase from \$0 to \$40 and its interest in Asset 1 to decrease from \$64 to \$32. Thus, LTP's formation is a Section 337(d) Transaction because the formation has the effect of an exchange by X of \$32 of Asset 1 for \$32 of X stock.

(iii) X must recognize gain with respect to Asset 1 to prevent the circumvention of section 311(b) principles. X must recognize gain equal to the product of X's Gain Percentage and the gain from Asset 1 (decreased, but not below zero, by any gain X recognized with respect to Asset 1 in the Section 337(d) Transaction under any other provision of this chapter) that X would recognize if, immediately before the Section 337(d) Transaction, all assets were sold in a fully taxable transaction for cash in an amount equal to the fair market value of such property. If Asset 1 had been sold in a fully taxable transaction immediately before LTP's formation, X's allocable share of gain would have been \$80 pursuant to section 704(c). X's Gain Percentage is 50 percent (equal to a fraction, the numerator of which is X's \$32 interest in Asset 1 effectively exchanged for X stock, and the denominator of which is X's \$64 interest in Asset 1 immediately before the Section 337(d) Transaction). Thus, X recognizes \$40 of gain (\$80 multiplied by 50 percent) under the deemed redemption rule in paragraph (d) of this section. Under paragraphs (d)(4)(i) and (ii) of this section, X's

basis in its UTP partnership interest increases from \$0 to \$40, UTP's basis in its LTP partnership interest increases from \$20 to \$60, and LTP's basis in Asset 1 increases from \$0 to \$40 pursuant to paragraph (g) of this section.

(i) *Applicability date.* This section applies to transactions occurring on or after June 12, 2015.

[T.D. 9833, 83 FR 26588, June 8, 2018]

§ 1.337(d)-4 Taxable to tax-exempt.

(a) *Gain or loss recognition—(1) General rule.* Except as provided in paragraph (b) of this section, if a taxable corporation transfers all or substantially all of its assets to one or more tax-exempt entities, the taxable corporation must recognize gain or loss immediately before the transfer as if the assets transferred were sold at their fair market values. But see section 267 and paragraph (d) of this section concerning limitations on the recognition of loss.

(2) *Change in corporation's tax status treated as asset transfer.* Except as provided in paragraphs (a)(3) and (b) of this section, a taxable corporation's change in status to a tax-exempt entity will be treated as if it transferred all of its assets to a tax-exempt entity immediately before the change in status becomes effective in a transaction to which paragraph (a)(1) of this section applies. For example, if a State, a political subdivision thereof, or an entity any portion of whose income is excluded from gross income under section 115, acquires the stock of a taxable corporation and thereafter any of the taxable corporation's income is excluded from gross income under section 115, the taxable corporation will be treated as if it transferred all of its assets to a tax-exempt entity immediately before the stock acquisition.

(3) *Exceptions for certain changes in status—(i) To whom available.* Paragraph (a)(2) of this section does not apply to the following corporations—

(A) A corporation previously tax-exempt under section 501(a) which regains its tax-exempt status under section 501(a) within three years from the later of a final adverse adjudication on the corporation's tax exempt status, or the filing by the corporation, or by the Secretary or his delegate under section 6020(b), of a federal income tax return

of the type filed by a taxable corporation;

(B) A corporation previously tax-exempt under section 501(a) or that applied for but did not receive recognition of exemption under section 501(a) before January 15, 1997, if such corporation is tax-exempt under section 501(a) within three years from January 28, 1999;

(C) A newly formed corporation that is tax-exempt under section 501(a) (other than an organization described in section 501(c)(7)) within three taxable years from the end of the taxable year in which it was formed;

(D) A newly formed corporation that is tax-exempt under section 501(a) as an organization described in section 501(c)(7) within seven taxable years from the end of the taxable year in which it was formed;

(E) A corporation previously tax-exempt under section 501(a) as an organization described in section 501(c)(12), which, in a given taxable year or years prior to again becoming tax-exempt, is a taxable corporation solely because less than 85 percent of its income consists of amounts collected from members for the sole purpose of meeting losses and expenses; if, in a taxable year, such a corporation would be a taxable corporation even if 85 percent or more of its income consists of amounts collected from members for the sole purpose of meeting losses and expenses (a non-85 percent violation), paragraph (a)(3)(i)(A) of this section shall apply as if the corporation became a taxable corporation in its first taxable year that a non-85 percent violation occurred; or

(F) A corporation previously taxable that becomes tax-exempt under section 501(a) as an organization described in section 501(c)(15) if during each taxable year in which it is described in section 501(c)(15) the organization is the subject of a court supervised rehabilitation, conservatorship, liquidation, or similar state proceeding; if such a corporation continues to be described in section 501(c)(15) in a taxable year when it is no longer the subject of a court supervised rehabilitation, conservatorship, liquidation, or similar state proceeding, paragraph (a)(2) of

this section shall apply as if the corporation first became tax-exempt for such taxable year.

(ii) *Application for recognition.* An organization is deemed to have or regain tax-exempt status within one of the periods described in paragraph (a)(3)(i)(A), (B), (C), or (D) of this section if it files an application for recognition of exemption with the Commissioner within the applicable period and the application either results in a determination by the Commissioner or a final adjudication that the organization is tax-exempt under section 501(a) during any part of the applicable period. The preceding sentence does not require the filing of an application for recognition of exemption by any organization not otherwise required, such as by §§ 1.501(a)-1, 1.505(c)-1T, and 1.508-1(a), to apply for recognition of exemption.

(iii) *Anti-abuse rule.* This paragraph (a)(3) does not apply to a corporation that, with a principal purpose of avoiding the application of paragraph (a)(1) or (a)(2) of this section, acquires all or substantially all of the assets of another taxable corporation and then changes its status to that of a tax-exempt entity.

(4) *Related transactions.* This section applies to any series of related transactions having an effect similar to any of the transactions to which this section applies.

(b) *Exceptions.* Paragraph (a) of this section does not apply to—

(1) Any assets transferred to a tax-exempt entity to the extent that the assets are used in an activity the income from which is subject to tax under section 511(a) (referred to hereinafter as a “section 511(a) activity”). However, if assets used to any extent in a section 511(a) activity are disposed of by the tax-exempt entity, then, notwithstanding any other provision of law (except section 1031 or section 1033), any gain (not in excess of the amount not recognized by reason of the preceding sentence) shall be included in the tax-exempt entity’s unrelated business taxable income. To the extent that the tax-exempt entity ceases to use the assets in a section 511(a) activity, the entity will be treated for purposes of this paragraph (b)(1) as having

disposed of the assets on the date of the cessation for their fair market value. For purposes of paragraph (a)(1) of this section and this paragraph (b)(1)—

(i) If during the first taxable year following the transfer of an asset or the corporation’s change to tax-exempt status the asset will be used by the tax-exempt entity partly or wholly in a section 511(a) activity, the taxable corporation will recognize an amount of gain or loss that bears the same ratio to the asset’s built-in gain or loss as 100 percent reduced by the percentage of use for such taxable year in the section 511(a) activity bears to 100 percent. For purposes of determining the gain or loss, if any, to be recognized, the taxable corporation may rely on a written representation from the tax-exempt entity estimating the percentage of the asset’s anticipated use in a section 511(a) activity for such taxable year, using a reasonable method of allocation, unless the taxable corporation has reason to believe that the tax-exempt entity’s representation is not made in good faith;

(ii) If for any taxable year the percentage of an asset’s use in a section 511(a) activity decreases from the estimate used in computing gain or loss recognized under paragraph (b)(1)(i) of this section, adjusted for any decreases taken into account under this paragraph (b)(1)(ii) in prior taxable years, the tax-exempt entity shall recognize an amount of gain or loss that bears the same ratio to the asset’s built-in gain or loss as the percentage point decrease in use in the section 511(a) activity for the taxable year bears to 100 percent;

(iii) If property on which all or a portion of the gain or loss is not recognized by reason of the first sentence of paragraph (b)(1) of this section is disposed of in a transaction that qualifies for nonrecognition treatment under section 1031 or section 1033, the tax-exempt entity must treat the replacement property as remaining subject to paragraph (b)(1) of this section to the extent that the exchanged or involuntarily converted property was so subject;

(iv) The tax-exempt entity must use the same reasonable method of allocation for determining the percentage that it uses the assets in a section 511(a) activity as it uses for other tax purposes, such as determining the amount of depreciation deductions. The tax-exempt entity also must use this same reasonable method of allocation for each taxable year that it holds the assets; and

(v) An asset's built-in gain or loss is the amount that would be recognized under paragraph (a)(1) of this section except for this paragraph (b)(1);

(2) Any transfer of assets to the extent gain or loss otherwise is recognized by the taxable corporation on the transfer. See, for example, sections 336, 337(b)(2), 367, and 1001;

(3) Any transfer of assets to the extent the transaction qualifies for non-recognition treatment under section 1031 or section 1033; or

(4) Any forfeiture of a taxable corporation's assets in a criminal or civil action to the United States, the government of a possession of the United States, a state, the District of Columbia, the government of a foreign country, or a political subdivision of any of the foregoing; or any expropriation of a taxable corporation's assets by the government of a foreign country.

(c) *Definitions.* For purposes of this section:

(1) *Taxable corporation.* A *taxable corporation* is any corporation that is not a tax-exempt entity as defined in paragraph (c)(2) of this section.

(2) *Tax-exempt entity.* A *tax-exempt entity* is—

(i) Any entity that is exempt from tax under section 501(a) or section 529;

(ii) A charitable remainder annuity trust or charitable remainder unitrust as defined in section 664(d);

(iii) The United States, the government of a possession of the United States, a state, the District of Columbia, the government of a foreign country, or a political subdivision of any of the foregoing;

(iv) An Indian Tribal Government as defined in section 7701(a)(40), a subdivision of an Indian Tribal Government determined in accordance with section 7871(d), or an agency or instrumen-

tality of an Indian Tribal Government or subdivision thereof;

(v) An Indian Tribal Corporation organized under section 17 of the Indian Reorganization Act of 1934, 25 U.S.C. 477, or section 3 of the Oklahoma Welfare Act, 25 U.S.C. 503;

(vi) An international organization as defined in section 7701(a)(18);

(vii) An entity any portion of whose income is excluded under section 115; or

(viii) An entity that would not be taxable under the Internal Revenue Code for reasons substantially similar to those applicable to any entity listed in this paragraph (c)(2) unless otherwise explicitly made exempt from the application of this section by statute or by action of the Commissioner.

(3) *Substantially all.* The term *substantially all* has the same meaning as under section 368(a)(1)(C).

(d) *Loss limitation rule.* For purposes of determining the amount of gain or loss recognized by a taxable corporation on the transfer of its assets to a tax-exempt entity under paragraph (a) of this section, if assets are acquired by the taxable corporation in a transaction to which section 351 applied or as a contribution to capital, or assets are distributed from the taxable corporation to a shareholder or another member of the taxable corporation's affiliated group, and in either case such acquisition or distribution is made as part of a plan a principal purpose of which is to recognize loss by the taxable corporation on the transfer of such assets to the tax-exempt entity, the losses recognized by the taxable corporation on such assets transferred to the tax-exempt entity will be disallowed. For purposes of the preceding sentence, the principles of section 336(d)(2) apply.

(e) *Effective date.* This section is applicable to transfers of assets as described in paragraph (a) of this section occurring after January 28, 1999, unless the transfer is pursuant to a written agreement which is (subject to customary conditions) binding on or before January 28, 1999.

[T.D. 8802, 63 FR 71594, Dec. 29, 1998]

§ 1.337(d)-5 Old transitional rules imposing tax on property owned by a C corporation that becomes property of a RIC or REIT

(a) *Treatment of C corporations*—(1) *Scope.* This section applies to the net built-in gain of C corporation assets that become assets of a RIC or REIT by—

(i) The qualification of a C corporation as a RIC or REIT; or

(ii) The transfer of assets of a C corporation to a RIC or REIT in a transaction in which the basis of such assets are determined by reference to the C corporation's basis (a carryover basis).

(2) *Net built-in gain.* Net built-in gain is the excess of aggregate gains (including items of income) over aggregate losses.

(3) *General rule.* Unless an election is made pursuant to paragraph (b) of this section, the C corporation will be treated, for all purposes including recognition of net built-in gain, as if it had sold all of its assets at their respective fair market values on the deemed liquidation date described in paragraph (a)(7) of this section and immediately liquidated.

(4) *Loss.* Paragraph (a)(3) of this section shall not apply if its application would result in the recognition of net built-in loss.

(5) *Basis adjustment.* If a corporation is subject to corporate-level tax under paragraph (a)(3) of this section, the bases of the assets in the hands of the RIC or REIT will be adjusted to reflect the recognized net built-in gain. This adjustment is made by taking the C corporation's basis in each asset, and, as appropriate, increasing it by the amount of any built-in gain attributable to that asset, or decreasing it by the amount of any built-in loss attributable to that asset.

(6) *Exception*—(i) *In general.* Paragraph (a)(3) of this section does not apply to any C corporation that—

(A) Immediately prior to qualifying to be taxed as a RIC was subject to tax as a C corporation for a period not exceeding one taxable year; and

(B) Immediately prior to being subject to tax as a C corporation was subject to the RIC tax provisions for a period of at least one taxable year.

(ii) *Additional requirement.* The exception described in paragraph (a)(6)(i) of this section applies only to assets acquired by the corporation during the year when it was subject to tax as a C corporation in a transaction that does not result in its basis in the asset being determined by reference to a corporate transferor's basis.

(7) *Deemed liquidation date*—(i) *Conversions.* In the case of a C corporation that qualifies to be taxed as a RIC or REIT, the deemed liquidation date is the last day of its last taxable year before the taxable year in which it qualifies to be taxed as a RIC or REIT.

(ii) *Carryover basis transfers.* In the case of a C corporation that transfers property to a RIC or REIT in a carryover basis transaction, the deemed liquidation date is the day before the date of the transfer.

(b) *Section 1374 treatment*—(1) *In general.* Paragraph (a) of this section will not apply if the transferee RIC or REIT elects (as described in paragraph (b)(3) of this section) to be subject to the rules of section 1374, and the regulations thereunder. The electing RIC or REIT will be subject to corporate-level taxation on the built-in gain recognized during the 10-year period on assets formerly held by the transferor C corporation. The built-in gains of electing RICs and REITs, and the corporate-level tax imposed on such gains, are subject to rules similar to the rules relating to net income from foreclosure property of REITs. See sections 857(a)(1)(A)(ii), and 857(b)(2)(B), (D), and (E). An election made under this paragraph (b) shall be irrevocable.

(2) *Ten-year recognition period.* In the case of a C corporation that qualifies to be taxed as a RIC or REIT, the 10-year recognition period described in section 1374(d)(7) begins on the first day of the RIC's or REIT's taxable year for which the corporation qualifies to be taxed as a RIC or REIT. In the case of a C corporation that transfers property to a RIC or REIT in a carryover basis transaction, the 10-year recognition period begins on the day the assets are acquired by the RIC or REIT.

(3) *Making the election.* A RIC or REIT validly makes a section 1374 election with the following statement: “[Insert name and employer identification

number of electing RIC or REIT] elects under paragraph (b) of this section to be subject to the rules of section 1374 and the regulations thereunder with respect to its assets which formerly were held by a C corporation, [insert name and employer identification number of the C corporation, if different from name and employer identification number of RIC or REIT].” This statement must be signed by an official authorized to sign the income tax return of the RIC or REIT and attached to the RIC’s or REIT’s Federal income tax return for the first taxable year in which the assets of the C corporation become assets of the RIC or REIT.

(c) *Special rule.* In cases where the first taxable year in which the assets of the C corporation become assets of the RIC or REIT ends after June 10, 1987 but before March 8, 2000, the section 1374 election may be filed with the first Federal income tax return filed by the RIC or REIT after March 8, 2000.

(d) *Effective date.* In the case of carry-over basis transactions involving the transfer of property of a C corporation to a RIC or REIT, the regulations apply to transactions occurring on or after June 10, 1987, and before January 2, 2002. In the case of a C corporation that qualifies to be taxed as a RIC or REIT, the regulations apply to such qualifications that are effective for taxable years beginning on or after June 10, 1987, and before January 2, 2002. However, RICs and REITs that are subject to section 1374 treatment under this section may not rely on paragraph (b)(1) of this section, but must apply paragraphs (c)(1)(i), (c)(2)(i), (c)(2)(ii), and (c)(3) of § 1.337(d)-6, with respect to built-in gains and losses recognized in taxable years beginning on or after January 2, 2002. In lieu of applying this section, taxpayers may rely on § 1.337(d)-6 to determine the tax consequences (for all taxable years) of any conversion transaction. For transactions and qualifications that occur on or after January 2, 2002, see § 1.337(d)-7.

[T.D. 8872, 65 FR 5776, Feb. 7, 2000, as amended by T.D. 8975, 67 FR 12, Jan. 2, 2002. Redesignated and amended by T.D. 9047, 68 FR 12819, Mar. 19, 2003]

§ 1.337(d)-6 New transitional rules imposing tax on property owned by a C corporation that becomes property of a RIC or REIT.

(a) *General rule*—(1) *Property owned by a C corporation that becomes property of a RIC or REIT.* If property owned by a C corporation (as defined in paragraph (a)(2)(i) of this section) becomes the property of a RIC or REIT (the converted property) in a conversion transaction (as defined in paragraph (a)(2)(ii) of this section), then deemed sale treatment will apply as described in paragraph (b) of this section, unless the RIC or REIT elects section 1374 treatment with respect to the conversion transaction as provided in paragraph (c) of this section. See paragraph (d) of this section for exceptions to this paragraph (a).

(2) *Definitions*—(i) *C corporation.* For purposes of this section, the term *C corporation* has the meaning provided in section 1361(a)(2) except that the term does not include a RIC or REIT.

(ii) *Conversion transaction.* For purposes of this section, the term *conversion transaction* means the qualification of a C corporation as a RIC or REIT or the transfer of property owned by a C corporation to a RIC or REIT.

(b) *Deemed sale treatment*—(1) *In general.* If property owned by a C corporation becomes the property of a RIC or REIT in a conversion transaction, then the C corporation recognizes gain and loss as if it sold the converted property to an unrelated party at fair market value on the deemed sale date (as defined in paragraph (b)(3) of this section). This paragraph (b) does not apply if its application would result in the recognition of a net loss. For this purpose, *net loss* is the excess of aggregate losses over aggregate gains (including items of income), without regard to character.

(2) *Basis adjustment.* If a corporation recognizes a net gain under paragraph (b)(1) of this section, then the converted property has a basis in the hands of the RIC or REIT equal to the fair market value of such property on the deemed sale date.

(3) *Deemed sale date*—(i) *RIC or REIT qualifications.* If the conversion transaction is a qualification of a C corporation as a RIC or REIT, then the deemed

sale date is the end of the last day of the C corporation's last taxable year before the first taxable year in which it qualifies to be taxed as a RIC or REIT.

(ii) *Other conversion transactions.* If the conversion transaction is a transfer of property owned by a C corporation to a RIC or REIT, then the deemed sale date is the end of the day before the day of the transfer.

(4) *Example.* The rules of this paragraph (b) are illustrated by the following example:

Example. Deemed sale treatment on merger into RIC. (i) X, a calendar-year taxpayer, has qualified as a RIC since January 1, 1991. On May 31, 1994, Y, a C corporation and calendar-year taxpayer, transfers all of its property to X in a transaction that qualifies as a reorganization under section 368(a)(1)(C). X does not elect section 1374 treatment under paragraph (c) of this section and chooses not to rely on §1.337(d)-5. As a result of the transfer, Y is subject to deemed sale treatment under this paragraph (b) on its tax return for the short taxable year ending May 31, 1994. On May 31, 1994, Y's only assets are Capital Asset, which has a fair market value of \$100,000 and a basis of \$40,000 as of the end of May 30, 1994, and \$50,000 cash. Y also has an unrestricted net operating loss carryforward of \$12,000 and accumulated earnings and profits of \$50,000. Y has no taxable income for the short taxable year ending May 31, 1994, other than gain recognized under this paragraph (b). In 1997, X sells Capital Asset for \$110,000. Assume the applicable corporate tax rate is 35%.

(ii) Under this paragraph (b), Y is treated as if it sold the converted property (Capital Asset and \$50,000 cash) at fair market value on May 30, 1994, recognizing \$60,000 of gain (\$150,000 amount realized—\$90,000 basis). Y must report the gain on its tax return for the short taxable year ending May 31, 1994. Y may offset this gain with its \$12,000 net operating loss carryforward and will pay tax of \$16,800 (35% of \$48,000).

(iii) Under section 381, X succeeds to Y's accumulated earnings and profits. Y's accumulated earnings and profits of \$50,000 increase by \$60,000 and decrease by \$16,800 as a result of the deemed sale. Thus, the aggregate amount of subchapter C earnings and profits that must be distributed to satisfy section 852(a)(2)(B) is \$93,200 (\$50,000 + \$60,000 - \$16,800). X's basis in Capital Asset is \$100,000. On X's sale of Capital Asset in 1997, X recognizes \$10,000 of gain, which is taken into account in computing X's net capital gain for purposes of section 852(b)(3).

(c) *Election of section 1374 treatment—*(1) *In general—*(i) *Property owned by a C corporation that becomes property of a*

RIC or REIT. Paragraph (b) of this section does not apply if the RIC or REIT that was formerly a C corporation or that acquired property from a C corporation makes the election described in paragraph (c)(4) of this section. A RIC or REIT that makes such an election will be subject to tax on the net built-in gain in the converted property under the rules of section 1374 and the regulations thereunder, as modified by this paragraph (c), as if the RIC or REIT were an S corporation.

(ii) *Property subject to the rules of section 1374 owned by a RIC, REIT, or S corporation that becomes property of a RIC or REIT.* If property subject to the rules of section 1374 owned by a RIC, a REIT, or an S corporation (the predecessor) becomes the property of a RIC or REIT (the successor) in a continuation transaction, the rules of section 1374 apply to the successor to the same extent that the predecessor was subject to the rules of section 1374 with respect to such property, and the 10-year recognition period of the successor with respect to such property is reduced by the portion of the 10-year recognition period of the predecessor that expired before the date of the continuation transaction. For this purpose, a continuation transaction means the qualification of the predecessor as a RIC or REIT or the transfer of property from the predecessor to the successor in a transaction in which the successor's basis in the transferred property is determined, in whole or in part, by reference to the predecessor's basis in that property.

(2) *Modification of section 1374 treatment—*(i) *Net recognized built-in gain for REITs—*(A) *Prelimitation amount.* The prelimitation amount determined as provided in §1.1374-2(a)(1) is reduced by the portion of such amount, if any, that is subject to tax under section 857(b)(4), (5), (6), or (7). For this purpose, the amount of a REIT's recognized built-in gain that is subject to tax under section 857(b)(5) is computed as follows:

(J) Where the tax under section 857(b)(5) is computed by reference to section 857(b)(5)(A), the amount of a REIT's recognized built-in gain that is subject to tax under section 857(b)(5) is the tax imposed by section 857(b)(5)

multiplied by a fraction the numerator of which is the amount of recognized built-in gain (without regard to recognized built-in loss and recognized built-in gain from prohibited transactions) that is not derived from sources referred to in section 856(c)(2) and the denominator of which is the gross income (without regard to gross income from prohibited transactions) of the REIT that is not derived from sources referred to in section 856(c)(2).

(2) Where the tax under section 857(b)(5) is computed by reference to section 857(b)(5)(B), the amount of a REIT's recognized built-in gain that is subject to tax under section 857(b)(5) is the tax imposed by section 857(b)(5) multiplied by a fraction the numerator of which is the amount of recognized built-in gain (without regard to recognized built-in loss and recognized built-in gain from prohibited transactions) that is not derived from sources referred to in section 856(c)(3) and the denominator of which is the gross income (without regard to gross income from prohibited transactions) of the REIT that is not derived from sources referred to in section 856(c)(3).

(B) *Taxable income limitation.* The taxable income limitation determined as provided in § 1.1374-2(a)(2) is reduced by an amount equal to the tax imposed under sections 857(b)(5), (6), and (7).

(ii) *Loss carryforwards, credits and credit carryforwards—(A) Loss carryforwards.* Consistent with paragraph (c)(1)(i) of this section, net operating loss carryforwards and capital loss carryforwards arising in taxable years for which the corporation that generated the loss was not subject to subchapter M of chapter 1 of the Internal Revenue Code are allowed as a deduction against net recognized built-in gain to the extent allowed under section 1374 and the regulations thereunder. Such loss carryforwards must be used as a deduction against net recognized built-in gain for a taxable year to the greatest extent possible before such losses can be used to reduce other investment company taxable income for purposes of section 852(b) or other real estate investment trust taxable income for purposes of section 857(b) for that taxable year.

(B) *Credits and credit carryforwards.* Consistent with paragraph (c)(1)(i) of this section, minimum tax credits and business credit carryforwards arising in taxable years for which the corporation that generated the credit was not subject to subchapter M of chapter 1 of the Internal Revenue Code are allowed to reduce the tax imposed on net recognized built-in gain under this paragraph (c) to the extent allowed under section 1374 and the regulations thereunder. Such credits and credit carryforwards must be used to reduce the tax imposed under this paragraph (c) on net recognized built-in gain for a taxable year to the greatest extent possible before such credits and credit carryforwards can be used to reduce the tax, if any, on other investment company taxable income for purposes of section 852(b) or on other real estate investment trust taxable income for purposes of section 857(b) for that taxable year.

(iii) *10-year recognition period.* In the case of a conversion transaction that is a qualification of a C corporation as a RIC or REIT, the 10-year recognition period described in section 1374(d)(7) begins on the first day of the RIC's or REIT's first taxable year. In the case of other conversion transactions, the 10-year recognition period begins on the day the property is acquired by the RIC or REIT.

(3) *Coordination with subchapter M rules—(i) Recognized built-in gains and losses subject to subchapter M.* Recognized built-in gains and losses of a RIC or REIT are included in computing investment company taxable income for purposes of section 852(b)(2), real estate investment trust taxable income for purposes of section 857(b)(2), capital gains for purposes of sections 852(b)(3) and 857(b)(3), gross income derived from sources within any foreign country or possession of the United States for purposes of section 853, and the dividends paid deduction for purposes of sections 852(b)(2)(D), 852(b)(3)(A), 857(b)(2)(B), and 857(b)(3)(A). In computing such income and deduction items, capital loss carryforwards and net operating loss carryforwards that are used by the RIC or REIT to reduce recognized built-in gains are allowed as a deduction, but only to the extent

that they are otherwise allowable as a deduction against such income under the Internal Revenue Code (including section 852(b)(2)(B)).

(ii) *Treatment of tax imposed.* The amount of tax imposed under this paragraph (c) on net recognized built-in gain for a taxable year is treated as a loss sustained by the RIC or the REIT during such taxable year. The character of the loss is determined by allocating the tax proportionately (based on recognized built-in gain) among the items of recognized built-in gain included in net recognized built-in gain. With respect to RICs, the tax imposed under this paragraph (c) on net recognized built-in gain is treated as attributable to the portion of the RIC's taxable year occurring after October 31.

(4) *Making the section 1374 election—(i) In general.* A RIC or REIT makes a section 1374 election with the following statement: “[Insert name and employer identification number of electing RIC or REIT] elects under § 1.337-6(c) to be subject to the rules of section 1374 and the regulations thereunder with respect to its property that formerly was held by a C corporation, [insert name and employer identification number of the C corporation, if different from name and employer identification number of the RIC or REIT].” However, a RIC or REIT need not file an election under this paragraph (c), but will be deemed to have made such an election if it can demonstrate that it informed the Internal Revenue Service prior to January 2, 2002 of its intent to make a section 1374 election. An election under this paragraph (c) is irrevocable.

(ii) *Time for making the election.* An election under this paragraph (c) may be filed by the RIC or REIT with any Federal income tax return filed by the RIC or REIT on or before September 15, 2003, provided that the RIC or REIT has reported consistently with such election for all periods.

(5) *Example.* The rules of this paragraph (c) are illustrated by the following example:

Example. Section 1374 treatment on REIT election. (i) X, a C corporation that is a calendar-year taxpayer, elects to be taxed as a REIT on its 1994 tax return, which it files on March 15, 1995. As a result, X is a REIT for its 1994 taxable year and would be subject to deemed

sale treatment under paragraph (b) of this section but for X's timely election of section 1374 treatment under this paragraph (c). X chooses not to rely on § 1.337(d)-5. As of the beginning of the 1994 taxable year, X's property consisted of Real Property, which is not section 1221(a)(1) property and which had a fair market value of \$100,000 and an adjusted basis of \$80,000, and \$25,000 cash. X also had accumulated earnings and profits of \$25,000, unrestricted capital loss carryforwards of \$3,000, and unrestricted business credit carryforwards of \$2,000. On July 1, 1997, X sells Real Property for \$110,000. For its 1997 taxable year, X has no other income or deduction items. Assume the highest corporate tax rate is 35%.

(ii) Upon its election to be taxed as a REIT, X retains its \$80,000 basis in Real Property and its \$25,000 accumulated earnings and profits. X retains its \$3,000 of capital loss carryforwards and its \$2,000 of business credit carryforwards. To satisfy section 857(a)(2)(B), X must distribute \$25,000, an amount equal to its earnings and profits accumulated in non-REIT years, to its shareholders by the end of its 1994 taxable year.

(iii) Upon X's sale of Real Property in 1997, X recognizes gain of \$30,000 (\$110,000—\$80,000). X's recognized built-in gain for purposes of applying section 1374 is \$20,000 (\$100,000 fair market value as of the beginning of X's first taxable year as a REIT—\$80,000 basis). Because X's \$30,000 of net income for the 1997 taxable year exceeds the net recognized built-in gain of \$20,000, the taxable income limitation does not apply. X, therefore, has \$20,000 net recognized built-in gain for the year. Assuming that X has not used its \$3,000 of capital loss carryforwards in a prior taxable year and that their use is allowed under section 1374(b)(2) and § 1.1374-5, X is allowed a \$3,000 deduction against the \$20,000 net recognized built-in gain. X would owe tax of \$5,950 (35% of \$17,000) on its net recognized built-in gain, except that X may use its \$2,000 of business credit carryforwards to reduce this tax, assuming that X has not used the credit carryforwards in a prior taxable year and that their use is allowed under section 1374(b)(3) and § 1.1374-6. Thus, X owes tax of \$3,950 under this paragraph (c).

(iv) For purposes of subchapter M of chapter 1 of the Internal Revenue Code, X's earnings and profits for the year increase by \$26,050 (\$30,000 capital gain on the sale of Real Property—\$3,950 tax under this paragraph (c)). For purposes of section 857(b)(2) and (b)(3), X's net capital gain for the year is \$23,050 (\$30,000 capital gain reduced by \$3,000 capital loss carryforward and further reduced by \$3,950 tax).

(d) *Exceptions—(1) Gain otherwise recognized.* Paragraph (a) of this section does not apply to any conversion transaction to the extent that gain or loss

otherwise is recognized on such conversion transaction. See, for example, sections 336, 351(b), 351(e), 356, 357(c), 367, 368(a)(2)(F), and 1001.

(2) *Re-election of RIC or REIT status*—
(i) *Generally*. Except as provided in paragraphs (d)(2)(ii) and (iii) of this section, paragraph (a)(1) of this section does not apply to any corporation that—

(A) Immediately prior to qualifying to be taxed as a RIC or REIT was subject to tax as a C corporation for a period not exceeding two taxable years; and

(B) Immediately prior to being subject to tax as a C corporation was subject to tax as a RIC or REIT for a period of at least one taxable year.

(ii) *Property acquired from another corporation while a C corporation*. The exception described in paragraph (d)(2)(i) of this section does not apply to property acquired by the corporation while it was subject to tax as a C corporation from any person in a transaction that results in the acquirer's basis in the property being determined by reference to a C corporation's basis in the property.

(iii) *RICs and REITs previously subject to section 1374 treatment*. If the RIC or REIT had property subject to paragraph (c) of this section before the RIC or REIT became subject to tax as a C corporation as described in paragraph (d)(2)(i) of this section, then paragraph (c) of this section applies to the RIC or REIT upon its requalification as a RIC or REIT, except that the 10-year recognition period with respect to such property is reduced by the portion of the 10-year recognition period that expired before the RIC or REIT became subject to tax as a C corporation and by the period of time that the corporation was subject to tax as a C corporation.

(e) *Effective date*. This section applies to conversion transactions that occur on or after June 10, 1987, and before January 2, 2002. In lieu of applying this section, taxpayers generally may apply § 1.337(d)-5 to determine the tax consequences (for all taxable years) of any conversion transaction that occurs on or after June 10, 1987 and before January 2, 2002, except that RICs and REITs that are subject to section 1374 treat-

ment with respect to a conversion transaction may not rely on § 1.337(d)-5(b)(1), but must apply paragraphs (c)(1)(i), (c)(2)(i), (c)(2)(ii), and (c)(3) of this section, with respect to built-in gains and losses recognized in taxable years beginning on or after January 2, 2002. Taxpayers are not prevented from relying on § 1.337(d)-5 merely because they elect section 1374 treatment in the manner described in paragraph (c)(4) of this section instead of in the manner described in § 1.337(d)-5(b)(3) and (c). For conversion transactions that occur on or after January 2, 2002, see § 1.337(d)-7.

[T.D. 9047, 68 FR 12820, Mar. 18, 2003]

§ 1.337(d)-7 Tax on property owned by a C corporation that becomes property of a RIC or REIT.

(a) *General rule*—(1) *Property owned by a C corporation that becomes property of a RIC or a REIT*. If property owned by a C corporation (as defined in paragraph (a)(2)(i) of this section) becomes the property of a RIC or a REIT in a conversion transaction (as defined in paragraph (a)(2)(ii) of this section), then section 1374 treatment will apply as described in paragraph (b) of this section, unless the C corporation elects, or is treated as electing, deemed sale treatment with respect to the conversion transaction as provided in paragraph (c) of this section. See paragraph (d) of this section for exceptions to this paragraph (a).

(2) *Definitions*. For purposes of this section:

(i) *C corporation*. The term *C corporation* has the meaning provided in section 1361(a)(2) except that the term does not include a RIC or a REIT.

(ii) *Conversion transaction*. The term *conversion transaction* means the qualification of a C corporation as a RIC or REIT or the transfer of property owned by a C corporation to a RIC or REIT.

(iii) *RIC*. The term *RIC* means a regulated investment company within the meaning of section 851(a).

(iv) *REIT*. The term *REIT* means a real estate investment trust within the meaning of section 856(a).

(v) *S corporation*. The term *S corporation* has the meaning provided in section 1361(a)(1).

(vi) *Section 355 distribution.* The term *section 355 distribution* means any distribution to which section 355 (or so much of section 356 as relates to section 355) applies, including a distribution on which the distributing corporation recognizes gain pursuant to sections 355(d) or 355(e).

(vii) *Converted property.* The term *converted property* means—

(A) Property owned by a C corporation that becomes the property of a RIC or a REIT; and

(B) Any other property of a RIC or a REIT the basis of which is determined, directly or indirectly, in whole or in part, by reference to the basis of property described in paragraph (a)(2)(vii)(A) of this section.

(viii) *Distribution property.* The term *distribution property* means—

(A) Property owned immediately after a section 355 distribution by the distributing corporation, a controlled corporation (as those terms are defined in section 355(a)(1)), or a member of a separate affiliated group (as defined in section 355(b)(3)(B)) of which the distributing corporation or a controlled corporation is the common parent (but no formulation of the step transaction doctrine will be used to determine whether property acquired after the distribution is distribution property pursuant to this paragraph (a)(2)(viii)(A)); and

(B) Property with a basis determined, directly or indirectly, in whole or in part, by reference to property described in paragraph (a)(2)(viii)(A) of this section.

(b) *Section 1374 treatment—(1) In general—(i) Property owned by a C corporation that becomes property of a RIC or REIT.* If property owned by a C corporation becomes the property of a RIC or REIT in a conversion transaction, then the RIC or REIT will be subject to tax on the net built-in gain in the converted property under the rules of section 1374 and the regulations thereunder, as modified by this paragraph (b), as if the RIC or REIT were an S corporation.

(ii) *Property subject to the rules of section 1374 owned by a RIC, REIT, or S corporation that becomes property of a RIC or REIT.* If property subject to the rules of section 1374 owned by a RIC, a

REIT, or an S corporation (the predecessor) becomes the property of a RIC or REIT (the successor) in a continuation transaction, the rules of section 1374 apply to the successor to the same extent that the predecessor was subject to the rules of section 1374 with respect to such property, and the recognition period of the successor with respect to such property is reduced by the portion of the recognition period of the predecessor that expired before the date of the continuation transaction. For this purpose, a continuation transaction means the qualification of the predecessor as a RIC or REIT or the transfer of property from the predecessor to the successor in a transaction in which the successor's basis in the transferred property is determined, in whole or in part, by reference to the predecessor's basis in that property.

(2) *Modification of section 1374 treatment—(i) Net recognized built-in gain for REITs—(A) Prelimitation amount.* The prelimitation amount determined as provided in § 1.1374-2(a)(1) is reduced by the portion of such amount, if any, that is subject to tax under section 857(b)(4), (5), (6), or (7). For this purpose, the amount of a REIT's recognized built-in gain that is subject to tax under section 857(b)(5) is computed as follows:

(1) Where the tax under section 857(b)(5) is computed by reference to section 857(b)(5)(A), the amount of a REIT's recognized built-in gain that is subject to tax under section 857(b)(5) is the tax imposed by section 857(b)(5) multiplied by a fraction the numerator of which is the amount of recognized built-in gain (without regard to recognized built-in loss and recognized built-in gain from prohibited transactions) that is not derived from sources referred to in section 856(c)(2) and the denominator of which is the gross income (without regard to gross income from prohibited transactions) of the REIT that is not derived from sources referred to in section 856(c)(2).

(2) Where the tax under section 857(b)(5) is computed by reference to section 857(b)(5)(B), the amount of a REIT's recognized built-in gain that is subject to tax under section 857(b)(5) is the tax imposed by section 857(b)(5) multiplied by a fraction the numerator

of which is the amount of recognized built-in gain (without regard to recognized built-in loss and recognized built-in gain from prohibited transactions) that is not derived from sources referred to in section 856(c)(3) and the denominator of which is the gross income (without regard to gross income from prohibited transactions) of the REIT that is not derived from sources referred to in section 856(c)(3).

(B) *Taxable income limitation.* The taxable income limitation determined as provided in § 1.1374-2(a)(2) is reduced by an amount equal to the tax imposed under section 857(b)(5), (6), and (7).

(ii) *Loss carryforwards, credits and credit carryforwards—(A) Loss carryforwards.* Consistent with paragraph (b)(1)(i) of this section, net operating loss carryforwards and capital loss carryforwards arising in taxable years for which the corporation that generated the loss was not subject to subchapter M of chapter 1 of the Internal Revenue Code are allowed as a deduction against net recognized built-in gain to the extent allowed under section 1374 and the regulations thereunder. Such loss carryforwards must be used as a deduction against net recognized built-in gain for a taxable year to the greatest extent possible before such losses can be used to reduce other investment company taxable income for purposes of section 852(b) or other real estate investment trust taxable income for purposes of section 857(b) for that taxable year.

(B) *Credits and credit carryforwards.* Consistent with paragraph (b)(1)(i) of this section, minimum tax credits and business credit carryforwards arising in taxable years for which the corporation that generated the credit was not subject to subchapter M of chapter 1 of the Internal Revenue Code are allowed to reduce the tax imposed on net recognized built-in gain under this paragraph (b) to the extent allowed under section 1374 and the regulations thereunder. Such credits and credit carryforwards must be used to reduce the tax imposed under this paragraph (b) on net recognized built-in gain for a taxable year to the greatest extent possible before such credits and credit carryforwards can be used to reduce the tax, if any, on other investment

company taxable income for purposes of section 852(b) or on other real estate investment trust taxable income for purposes of section 857(b) for that taxable year.

(iii) *Recognition period.* For purposes of applying the rules of section 1374 and the regulations thereunder, as modified by paragraph (b) of this section, the term *recognition period* means the recognition period described in section 1374(d)(7), beginning—

(A) In the case of a conversion transaction that is a qualification of a C corporation as a RIC or a REIT, on the first day of the RIC's or the REIT's first taxable year; and

(B) In the case of other conversion transactions, on the day the RIC or the REIT acquires the property.

(3) *Coordination with subchapter M rules—(i) Recognized built-in gains and losses subject to subchapter M.* Recognized built-in gains and losses of a RIC or REIT are included in computing investment company taxable income for purposes of section 852(b)(2), real estate investment trust taxable income for purposes of section 857(b)(2), capital gains for purposes of sections 852(b)(3) and 857(b)(3), gross income derived from sources within any foreign country or possession of the United States for purposes of section 853, and the dividends paid deduction for purposes of sections 852(b)(2)(D), 852(b)(3)(A), 857(b)(2)(B), and 857(b)(3)(A). In computing such income and deduction items, capital loss carryforwards and net operating loss carryforwards that are used by the RIC or REIT to reduce recognized built-in gains are allowed as a deduction, but only to the extent that they are otherwise allowable as a deduction against such income under the Internal Revenue Code (including section 852(b)(2)(B)).

(ii) *Treatment of tax imposed.* The amount of tax imposed under this paragraph (b) on net recognized built-in gain for a taxable year is treated as a loss sustained by the RIC or the REIT during such taxable year. The character of the loss is determined by allocating the tax proportionately (based on recognized built-in gain) among the items of recognized built-in gain included in net recognized built-in gain. With respect to RICs, the tax imposed

under this paragraph (b) on net recognized built-in gain is treated as attributable to the portion of the RIC's taxable year occurring after October 31.

(4) *Section 355 distribution following a conversion transaction*—(i) *In general.* If a REIT is described in paragraph (f)(1) of this section and the related section 355 distribution (as defined in paragraph (f)(1)(i) of this section) follows a conversion transaction, then for the taxable year in which the related section 355 distribution occurs, §1.1374-2(a)(1) and (2) (as modified by paragraph (b)(2)(i) of this section) do not apply, and the REIT's net recognized built-in gain for such taxable year is the amount of its net unrealized built-in gain limitation (as defined in §1.1374-2(a)(3)) for such taxable year.

(ii) *Basis adjustment*—(A) *In general.* If a REIT recognizes gain under paragraph (b)(4)(i) of this section, the aggregate basis of the converted property held by the REIT at the end of the taxable year in which the related section 355 distribution occurs shall be increased by an amount equal to the amount of gain so recognized, increased by the amount of the REIT's recognized built-in loss for such taxable year, and reduced by the amount of the REIT's recognized built-in gain and recognized built-in gain carryover for such taxable year.

(B) *Allocation of basis increase.* The aggregate increase in basis by reason of paragraph (b)(4)(ii)(A) of this section shall be allocated among the converted property in proportion to their respective built-in gains on the date of the conversion transaction.

(5) *Example.* The rules of this paragraph (b) are illustrated by the following example:

Example. Section 1374 treatment on REIT election. (i) X, a C corporation that is a calendar-year taxpayer, elects to be taxed as a REIT on its 2004 tax return, which it files on March 15, 2005. As a result, X is a REIT for its 2004 taxable year and is subject to section 1374 treatment under this paragraph (b). X does not elect deemed sale treatment under paragraph (c) of this section. As of the beginning of the 2004 taxable year, X's property consisted of Real Property, which is not section 1221(a)(1) property and which had a fair market value of \$100,000 and an adjusted basis of \$80,000, and \$25,000 cash. X also had accumulated earnings and profits of \$25,000, unre-

stricted capital loss carryforwards of \$3,000, and unrestricted business credit carryforwards of \$2,000. On July 1, 2007, X sells Real Property for \$110,000. For its 2007 taxable year, X has no other income or deduction items. Assume the highest corporate tax rate is 35%.

(ii) Upon its election to be taxed as a REIT, X retains its \$80,000 basis in Real Property and its \$25,000 accumulated earnings and profits. X retains its \$3,000 of capital loss carryforwards and its \$2,000 of business credit carryforwards. To satisfy section 857(a)(2)(B), X must distribute \$25,000, an amount equal to its earnings and profits accumulated in non-REIT years, to its shareholders by the end of its 2004 taxable year.

(iii) Upon X's sale of Real Property in 2007, X recognizes gain of \$30,000 (\$110,000—\$80,000). X's recognized built-in gain for purposes of applying section 1374 is \$20,000 (\$100,000 fair market value as of the beginning of X's first taxable year as a REIT—\$80,000 basis). Because X's \$30,000 of net income for the 2007 taxable year exceeds the net recognized built-in gain of \$20,000, the taxable income limitation does not apply. X, therefore, has \$20,000 net recognized built-in gain for the year. Assuming that X has not used its \$3,000 of capital loss carryforwards in a prior taxable year and that their use is allowed under section 1374(b)(2) and §1.1374-5, X is allowed a \$3,000 deduction against the \$20,000 net recognized built-in gain. X would owe tax of \$5,950 (35% of \$17,000) on its net recognized built-in gain, except that X may use its \$2,000 of business credit carryforwards to reduce the tax, assuming that X has not used the credit carryforwards in a prior taxable year and that their use is allowed under section 1374(b)(3) and §1.1374-6. Thus, X owes tax of \$3,950 under this paragraph (b).

(iv) For purposes of subchapter M of chapter 1 of the Internal Revenue Code, X's earnings and profits for the year increase by \$26,050 (\$30,000 capital gain on the sale of Real Property—\$3,950 tax under this paragraph (b)). For purposes of section 857(b)(2) and (b)(3), X's net capital gain for the year is \$23,050 (\$30,000 capital gain reduced by \$3,000 capital loss carryforward and further reduced by \$3,950 tax).

(c) *Election of deemed sale treatment*—

(1) *In general.* Paragraph (b) of this section does not apply if the C corporation that qualifies as a RIC or a REIT or transfers property to a RIC or a REIT makes the election described in paragraph (c)(5) of this section or is treated as making such election under paragraph (c)(6) of this section, except to the extent permitted by paragraph (c)(6)(ii) of this section. A C corporation that makes, or that is treated as making, such an election recognizes

gain and loss as if it sold the converted property to an unrelated party at fair market value on the deemed sale date (as defined in paragraph (c)(3) of this section). See paragraph (c)(4) of this section concerning limitations on the use of loss in computing gain. Paragraph (c) of this section does not apply if its application would result in the recognition of a net loss. For this purpose, net loss is the excess of aggregate losses over aggregate gains (including items of income), without regard to character.

(2) *Basis adjustment.* If a corporation recognizes a net gain under paragraph (c)(1) of this section, then the converted property has a basis in the hands of the RIC or REIT equal to the fair market value of such property on the deemed sale date.

(3) *Deemed sale date*—(i) *RIC or REIT qualifications.* If the conversion transaction is a qualification of a C corporation as a RIC or REIT, then the deemed sale date is the end of the last day of the C corporation's last taxable year before the first taxable year in which it qualifies to be taxed as a RIC or REIT.

(ii) *Other conversion transactions.* If the conversion transaction is a transfer of property owned by a C corporation to a RIC or REIT, then the deemed sale date is the end of the day before the day of the transfer.

(4) *Anti-stuffing rule.* A C corporation must disregard converted property in computing gain or loss recognized on the conversion transaction under this paragraph (c), if—

(i) The converted property was acquired by the C corporation in a transaction to which section 351 applied or as a contribution to capital;

(ii) Such converted property had an adjusted basis immediately after its acquisition by the C corporation in excess of its fair market value on the date of acquisition; and

(iii) The acquisition of such converted property by the C corporation was part of a plan a principal purpose of which was to reduce gain recognized by the C corporation in connection with the conversion transaction. For purposes of this paragraph (c)(4), the principles of section 336(d)(2) apply.

(5) *Making the deemed sale election.* A C corporation (or a partnership to

which the principles of this section apply under paragraph (e) of this section) makes the deemed sale election with the following statement: “[Insert name and employer identification number of electing corporation or partnership] elects deemed sale treatment under § 1.337(d)-7(c) with respect to its property that was converted to property of, or transferred to, a RIC or REIT, [insert name and employer identification number of the RIC or REIT, if different from the name and employer identification number of the C corporation or partnership].” This statement must be attached to the Federal income tax return of the C corporation or partnership for the taxable year in which the deemed sale occurs. An election under this paragraph (c) is irrevocable.

(6) *Conversion transaction following a section 355 distribution*—(i) *In general.* Except as provided in paragraph (c)(6)(ii) of this section, a C corporation described in paragraph (f)(1) of this section is treated as having made the election under paragraph (c)(5) of this section with respect to a conversion transaction if the conversion transaction occurs following the related section 355 distribution (as defined in paragraph (f)(1)(i) of this section) and the C corporation has not made such an election.

(ii) *Limitation.* A C corporation treated as having made the election under paragraph (c)(5) of this section as a result of paragraph (c)(6)(i) of this section is not treated as having made the election with respect to property that the taxpayer establishes is not distribution property with respect to the related section 355 distribution. For purposes of this paragraph (c)(6)(ii), any property with an adjusted basis in excess of its fair market value as of the date of the conversion transaction will not be treated as distribution property unless the taxpayer establishes that it owned such asset immediately after the related section 355 distribution. Paragraph (b) of this section will apply to property with respect to which the taxpayer is not treated as having made the election under paragraph (c)(5) of this section as a result of this paragraph (c)(6)(ii).

(7) *Examples.* The rules of this paragraph (c) are illustrated by the following examples:

Example 1. Deemed sale treatment on merger into RIC. (i) X, a calendar-year taxpayer, has qualified as a RIC since January 1, 2001. On May 31, 2004, Y, a C corporation and calendar-year taxpayer, transfers all of its property to X in a transaction that qualifies as a reorganization under section 368(a)(1)(C). As a result of the transfer, Y would be subject to section 1374 treatment under paragraph (b) of this section but for its timely election of deemed sale treatment under this paragraph (c). As a result of such election, Y is subject to deemed sale treatment on its tax return for the short taxable year ending May 31, 2004. On May 31, 2004, Y's only assets are Capital Asset, which has a fair market value of \$100,000 and a basis of \$40,000 as of the end of May 30, 2004, and \$50,000 cash. Y also has an unrestricted net operating loss carryforward of \$12,000 and accumulated earnings and profits of \$50,000. Y has no taxable income for the short taxable year ending May 31, 2004, other than gain recognized under this paragraph (c). In 2007, X sells Capital Asset for \$110,000. Assume the applicable corporate tax rate is 35%.

(ii) Under this paragraph (c), Y is treated as if it sold the converted property (Capital Asset and \$50,000 cash) at fair market value on May 30, 2004, recognizing \$60,000 of gain (\$150,000 amount realized—\$90,000 basis). Y must report the gain on its tax return for the short taxable year ending May 31, 2004. Y may offset this gain with its \$12,000 net operating loss carryforward and will pay tax of \$16,800 (35% of \$48,000).

(iii) Under section 381, X succeeds to Y's accumulated earnings and profits. Y's accumulated earnings and profits of \$50,000 increase by \$60,000 and decrease by \$16,800 as a result of the deemed sale. Thus, the aggregate amount of subchapter C earnings and profits that must be distributed to satisfy section 852(a)(2)(B) is \$93,200 (\$50,000 + \$60,000—\$16,800). X's basis in Capital Asset is \$100,000. On X's sale of Capital Asset in 2007, X recognizes \$10,000 of gain which is taken into account in computing X's net capital gain for purposes of section 852(b)(3).

Example 2. Loss limitation. (i) Assume the facts are the same as those described in *Example 1*, but that, prior to the reorganization, a shareholder of Y contributed to Y a capital asset, Capital Asset 2, which has a fair market value of \$10,000 and a basis of \$20,000, in a section 351 transaction.

(ii) Assuming that Y's acquisition of Capital Asset 2 was made pursuant to a plan a principal purpose of which was to reduce the amount of gain that Y would recognize in connection with the conversion transaction, Capital Asset 2 would be disregarded in com-

puting the amount of Y's net gain on the conversion transaction.

(d) *Exceptions—(1) Gain otherwise recognized.* Paragraph (a)(1) of this section does not apply to any conversion transaction to the extent that gain or loss otherwise is recognized on such conversion transaction by the C corporation that either qualifies as a RIC or a REIT or that transfers property to a RIC or REIT. See, for example, sections 311(b), 336(a), 351(b), 351(e), 356, 357(c), 367, 368(a)(2)(F), 1001, 1031(b), and 1033(a)(2).

(2) *Re-election of RIC or REIT status—(i) Generally.* Except as provided in paragraphs (d)(2)(ii) and (iii) of this section, paragraph (a)(1) of this section does not apply to any corporation that—

(A) Immediately prior to qualifying to be taxed as a RIC or REIT was subject to tax as a C corporation for a period not exceeding two taxable years; and

(B) Immediately prior to being subject to tax as a C corporation was subject to tax as a RIC or REIT for a period of at least one taxable year.

(ii) *Property acquired from another corporation while a C corporation.* The exception described in paragraph (d)(2)(i) of this section does not apply to property acquired by the corporation while it was subject to tax as a C corporation from any person in a transaction that results in the acquirer's basis in the property being determined by reference to a C corporation's basis in the property.

(iii) *RICs and REITs previously subject to section 1374 treatment.* If the RIC or REIT had property subject to paragraph (b) of this section before the RIC or REIT became subject to tax as a C corporation as described in paragraph (d)(2)(i) of this section, then paragraph (b) of this section applies to the RIC or REIT upon its requalification as a RIC or REIT, except that the recognition period with respect to such property is reduced by the portion of the recognition period that expired before the RIC or REIT became subject to tax as a C corporation and by the period of time that the corporation was subject to tax as a C corporation.

(3) *Special rules for like-kind exchanges and involuntary conversions—(i) In general.* Paragraph (a)(1) of this section

does not apply to a conversion transaction to the extent that a C corporation transfers property with a built-in gain to a RIC or REIT, and the C corporation's gain is not recognized by reason of either section 1031 or 1033.

(ii) *Clarification regarding exchanged property previously subject to section 1374 treatment.* Notwithstanding paragraph (d)(3)(i) of this section, if, in a transaction described in paragraph (d)(3)(i) of this section, a RIC or REIT surrenders property that was subject to section 1374 treatment immediately prior to the transaction, the rules of section 1374(d)(6) will apply to continue section 1374 treatment to the replacement property acquired by the RIC or REIT in the transaction.

(iii) *Examples.* The rules of this paragraph (d)(3) are illustrated by the following examples. In each of the examples, X is a REIT, Y is a C corporation, and X and Y are not related.

Example 1. Section 1031(a) exchange. (i) *Facts.* X owned a building that it leased for commercial use (Property A). Y owned a building leased for commercial use (Property B). On January 1, Year 3, Y transferred Property B to X in exchange for Property A in a nonrecognition transaction under section 1031(a). Immediately before the exchange, Properties A and B each had a value of \$100, X had an adjusted basis of \$60 in Property A, Y had an adjusted basis of \$70 in Property B, and X was not subject to section 1374 treatment with respect to Property A.

(ii) *Analysis.* The transfer of property (Property B) by Y (a C corporation) to X (a REIT) is a conversion transaction within the meaning of paragraph (a)(2)(ii) of this section. The conversion transaction is a nonrecognition transaction under section 1031(a) as to Y; thus, Y does not recognize any of its \$30 gain. Therefore, the conversion transaction is not subject to paragraph (a)(1) of this section by reason of paragraph (d)(3)(i) of this section.

Example 2. Section 1031(a) exchange of section 1374 property. (i) *Facts.* The facts are the same as in *Example 1*, except that X had acquired Property A in a conversion transaction in Year 2, and immediately before the Year 3 exchange X was subject to section 1374 treatment with respect to \$25 of net built-in gain in Property A.

(ii) *Analysis.* The Year 3 transfer of Property B by Y to X is a conversion transaction within the meaning of paragraph (a)(2)(ii) of this section. The conversion transaction is a nonrecognition transaction under section 1031(a) as to Y; thus, Y does not recognize any of its \$30 gain. Therefore, the Year 3

transfer is not subject to paragraph (a)(1) of this section by reason of paragraph (d)(3)(i) of this section. However, X had been subject to section 1374 treatment with respect to \$25 of net built-in gain in Property A immediately before the Year 3 transfer, and X's basis in Property B is determined (in whole or in part) by reference to its adjusted basis in Property A. Accordingly, the rules of section 1374(d)(6) apply and X is subject to section 1374 treatment on Property B with respect to the \$25 net built-in gain. See paragraph (d)(3)(ii) of this section.

Example 3. Section 1031(b) exchange. (i) *Facts.* The facts are the same as in *Example 1*, except that immediately before the Year 3 exchange Property A had a value of \$92, and X transferred Property A and \$8 to Y in exchange for Property B in a nonrecognition transaction under section 1031(b).

(ii) *Analysis.* The transfer of Property B by Y to X is a conversion transaction within the meaning of paragraph (a)(2)(ii) of this section. Pursuant to section 1031(b), Y recognizes \$8 of its gain. Paragraph (a)(1) of this section does not apply to the transaction to the extent of the \$8 gain recognized by Y by reason of paragraph (d)(1) of this section, or to the extent of the \$22 gain realized but not recognized by Y by reason of paragraph (d)(3)(i) of this section.

Example 4. Section 1033(a) involuntary conversion of property held by a C corporation transferor. (i) *Facts.* Y owned uninsured, improved property (Property 1) that was involuntarily converted (within the meaning of section 1033(a)) in a fire. Y sold Property 1 for \$100 to X, which owned an adjacent property and wanted Property 1 for use as a parking lot. Y had a \$70 basis in Property 1 immediately before the sale. Y elected to defer gain recognition under section 1033(a)(2), and purchased qualifying replacement property (Property 2) for \$100 from an unrelated party prior to the expiration of the period described in section 1033(a)(2)(B).

(ii) *Analysis.* The transfer of Property 1 by Y to X is a conversion transaction within the meaning of paragraph (a)(2)(ii) of this section. The conversion transaction (combined with Y's purchase of Property 2) is a nonrecognition transaction under section 1033(a) as to Y; thus, Y does not recognize any of its \$30 gain. Therefore, the conversion transaction is not subject to paragraph (a)(1) of this section by reason of paragraph (d)(3)(i) of this section.

Example 5. Section 1033(a) involuntary conversion of property held by a REIT. (i) *Facts.* X owned property (Property 1). On January 1, Year 2, Property 1 had a fair market value of \$100 and a basis of \$70, and X was not subject to section 1374 treatment with respect to Property 1. On that date, when Property 1 was under a threat of condemnation, X sold Property 1 to an unrelated party for \$100 (First Transaction). X elected to defer gain

recognition under section 1033(a)(2), and purchased qualifying replacement property (Property 2) for \$100 from Y (Second Transaction) prior to the expiration of the period described in section 1033(a)(2)(B).

(i) *Analysis.* The transfer of Property 2 by Y to X in the Second Transaction is a conversion transaction within the meaning of paragraph (a)(2)(ii) of this section. The Second Transaction (combined with the First Transaction) is a nonrecognition transaction under section 1033(a) as to X, but not as to Y. Assume no nonrecognition provision applied to Y; thus, Y recognized gain or loss on its sale of Property 2 in the Second Transaction, and the Second Transaction is not subject to paragraph (a)(1) of this section by reason of paragraph (d)(1) of this section.

(4) *Special rule if C corporation is a tax-exempt entity.* Paragraph (a)(1) of this section does not apply to a conversion transaction in which the C corporation that owned the converted property is a tax-exempt entity described in § 1.337(d)-4(c)(2) to the extent that gain (if any) would not be subject to tax under Title 26 of the United States Code if a deemed sale election under paragraph (c)(5) of this section were made.

(e) *Special rule for partnerships—(1) In general.* The principles of this section apply to property transferred by a partnership to a RIC or REIT to the extent of any gain or loss in the converted property that would be allocated directly or indirectly, through one or more partnerships, to a C corporation if the partnership sold the converted property to an unrelated party at fair market value on the deemed sale date (as defined in paragraph (c)(3) of this section). If the partnership were to elect deemed sale treatment under paragraph (c) of this section in lieu of section 1374 treatment under paragraph (b) of this section with respect to such transfer, then any net gain recognized by the partnership on the deemed sale must be allocated to the C corporation partner, but does not increase the capital account of any partner. Any adjustment to the partnership's basis in the RIC or REIT stock as a result of deemed sale treatment under paragraph (c) of this section shall constitute an adjustment to the basis of that stock with respect to the C corporation partner only. The principles of section 743 apply to such basis adjustment.

(2) *Example; Transfer by partnership of property to REIT.* (i) *Facts.* PRS, a partnership for Federal income tax purposes, has three partners: TE, a C corporation (within the meaning of paragraph (a)(2)(i) of this section) that is also a tax-exempt entity (within the meaning of § 1.337(d)-4(c)(2)), owns 50 percent of the capital and profits of PRS; A, an individual, owns 30 percent of the capital and profits of PRS; and Y, a C corporation (within the meaning of paragraph (a)(2)(i) of this section), owns the remaining 20 percent. PRS owns a building that it leases for commercial use (Property 1). On January 1, Year 2, when PRS has an adjusted basis in Property 1 of \$100 and Property 1 has a fair market value of \$500, PRS transfers Property 1 to X, a REIT, in exchange for stock of X in an exchange described in section 351. PRS does not elect deemed sale treatment under paragraph (c) of this section. TE would not be subject to tax with respect to any gain that would be allocated to it if PRS had sold Property 1 to an unrelated party at fair market value.

(ii) *Analysis.* The transfer of Property 1 by PRS to X is a conversion transaction within the meaning of paragraph (a)(2)(ii) of this section to the extent of any gain or loss that would be allocated to any C corporation partner if PRS sold Property 1 at fair market value to an unrelated party on the deemed sale date. TE and Y are C corporations, but A is not a C corporation within the meaning of paragraph (a)(2)(i) of this section. Therefore, the transfer of Property 1 by PRS to X is a conversion transaction within the meaning of paragraph (a)(2)(ii) of this section to the extent of the gain in Property 1 that would be allocated to TE and Y. Pursuant to paragraph (d)(4) of this section, paragraph (a)(1) of this section does not apply to the extent of the gain that would be allocated to TE if PRS had sold Property 1 to an unrelated party at fair market value on the deemed sale date. If PRS were to sell Property 1 to an unrelated party at fair market value on the deemed sale date, PRS would allocate \$80 of built-in gain to Y. Thus, X is subject to section 1374 treatment on Property 1 with respect to \$80 of built-in gain.

§ 1.337(d)-7

26 CFR Ch. I (4-1-21 Edition)

(f) *Conversion transaction preceding or following a section 355 distribution*—(1) *In general.* A C corporation or a REIT is described in this paragraph (f)(1) if—

(i) The C corporation or the REIT engages in a conversion transaction involving a REIT during the twenty-year period beginning on the date that is ten years before the date of a section 355 distribution (the *related section 355 distribution*); and

(ii) The C corporation or the REIT engaging in the related section 355 distribution is either—

(A) The distributing corporation or the controlled corporation, as those terms are defined in section 355(a)(1); or

(B) A member of the separate affiliated group (as defined in section 355(b)(3)(B)) of the distributing corporation or the controlled corporation.

(2) *Predecessors and successors.* For purposes of this paragraph (f), any reference to a controlled corporation, a distributing corporation, or a member of the separate affiliated group of a distributing corporation or a controlled corporation includes a reference to any predecessor or successor of such corporation. Successors include corporations which succeed to and take into account items described in section 381(c) of the distributing corporation or the controlled corporation. Predecessors include corporations having such items to which the distributing corporation or the controlled corporation succeeded and took into account.

(3) *Exclusion of certain conversion transactions.* A C corporation or a REIT is not described in paragraph (f)(1) of this section if—

(i) The distributing corporation and the controlled corporation are both REITs immediately after the related section 355 distribution (including by reason of elections under section 856(c)(1) made after the related section 355 distribution that are effective before the related section 355 distribution) and at all times during the two years thereafter;

(ii) Section 355(h)(1) does not apply to the related section 355 distribution by reason of section 355(h)(2)(B); or

(iii) The related section 355 distribution occurred before December 7, 2015, or is described in a ruling request re-

ferred to in section 311(c) of Division Q of the Consolidated Appropriations Act, 2016, Public Law 114-113, 129 Stat. 2422.

(g) *Effective/Applicability date*—(1) *In general.* Except as provided in paragraph (g)(2) of this section, this section applies to conversion transactions that occur on or after January 2, 2002. For conversion transactions that occurred on or after June 10, 1987, and before January 2, 2002, see §§1.337(d)-5 and 1.337(d)-6.

(2) *Special rules*—(i) *Conversion transactions occurring on or after August 2, 2013 and certain prior conversion transactions.* Paragraphs (a)(2)(i) through (v), (d)(1), (d)(3), (d)(4), and (e) of this section apply to conversion transactions that occur on or after August 2, 2013. However, taxpayers may apply paragraphs (a)(2)(i) through (v), (d)(1), (d)(3), (d)(4), and (e) of this section to conversion transactions that occurred before August 2, 2013. For conversion transactions that occurred on or after January 2, 2002 and before August 2, 2013, see §1.337(d)-7 as contained in 26 CFR part 1 in effect on April 1, 2013.

(ii) *Conversion transactions occurring on or after June 7, 2019, and certain prior conversion transactions.* Paragraphs (a)(1), (a)(2)(vi), (vii), and (viii), (b)(4), (c)(1) and (6), and (f) of this section apply to conversion transactions occurring on or after June 7, 2019, and to conversion transactions and related section 355 distributions for which the conversion transaction occurs before, and the related section 355 distribution occurs on or after, June 7, 2019. For conversion transactions that occurred on or after June 7, 2016, and before June 7, 2019 (other than conversion transactions and related section 355 distributions for which the conversion transaction occurs before, and the related section 355 distribution occurs on or after, June 7, 2019), see §§1.337(d)-7 and 1.337(d)-7T as contained in 26 CFR part 1 in effect on April 1, 2019.

(iii) *Recognition period.* Paragraphs (b)(1)(ii) and (d)(2)(iii) of this section apply to conversion transactions that occur on or after August 8, 2016. Paragraph (b)(2)(iii) of this section applies to conversion transactions that occur after February 17, 2017. For conversion transactions that occurred on or after

Internal Revenue Service, Treasury

§ 1.338-0

August 8, 2016 and on or before February 17, 2017, see § 1.337(d)-7T(b)(2)(iii) in effect on August 8, 2016. However, taxpayers may apply paragraph (b)(2)(iii) of this section to conversion transactions that occurred on or after August 8, 2016 and on or before February 17, 2017. For conversion transactions that occurred on or after January 2, 2002 and before August 8, 2016, see § 1.337(d)-7 as contained in 26 CFR part 1 in effect on April 1, 2016.

[T.D. 9047, 68 FR 12822, Mar. 18, 2003, as amended by T.D. 9626, 78 FR 46806, Aug. 2, 2013; T.D. 9770, 81 FR 36797, June 8, 2016; T.D. 9810, 82 FR 5388, Jan. 18, 2017; T.D. 9862, 84 FR 26563, June 7, 2019]

§ 1.338-0 Outline of topics.

This section lists the captions contained in the regulations under section 338 as follows:

§ 1.338-1 General principles; status of old target and new target.

- (a) In general.
 - (1) Deemed transaction.
 - (2) Application of other rules of law.
 - (3) Overview.
- (b) Treatment of target under other provisions of the Internal Revenue Code.
 - (1) General rule for subtitle A.
 - (2) Exceptions for subtitle A.
 - (3) General rule for other provisions of the Internal Revenue Code.
- (c) Anti-abuse rule.
 - (1) In general.
 - (2) Examples.
- (d) Next day rule for post-closing transactions.
- (e) Effective/applicability date.

§ 1.338-2 Nomenclature and definitions; mechanics of the section 338 election.

- (a) Scope.
- (b) Nomenclature.
- (c) Definitions.
 - (1) Acquisition date.
 - (2) Acquisition date assets.
 - (3) Affiliated group.
 - (4) Common parent.
 - (5) Consistency period.
 - (6) Deemed asset sale.
 - (7) Deemed sale tax consequences.
 - (8) Deemed sale return.
 - (9) Domestic corporation.
 - (10) Old target's final return.
 - (11) Purchasing corporation.
 - (12) Qualified stock purchase.
 - (13) Related persons.
 - (14) Section 338 election.
 - (15) Section 338(h)(10) election.
 - (16) Selling group.

- (17) Target; old target; new target.
- (18) Target affiliate.
- (19) 12-month acquisition period.
- (d) Time and manner of making election.
- (e) Special rules for foreign corporations or DISCs.
 - (1) Elections by certain foreign purchasing corporations.
 - (i) General rule.
 - (ii) Qualifying foreign purchasing corporation.
 - (iii) Qualifying foreign target.
 - (iv) Triggering event.
 - (v) Subject to United States tax.
 - (2) Acquisition period.
 - (3) Statement of section 338 may be filed by United States shareholders in certain cases.
 - (4) Notice requirement for U.S. persons holding stock in foreign target.
 - (i) General rule.
 - (ii) Limitation.
 - (iii) Form of notice.
 - (iv) Timing of notice.
 - (v) Consequence of failure to comply.
 - (vi) Good faith effort to comply.

§ 1.338-3 Qualification for the section 338 election.

- (a) Scope.
- (b) Rules relating to qualified stock purchases.
 - (1) Purchasing corporation requirement.
 - (2) Purchase.
 - (3) Acquisitions of stock from related corporations.
 - (i) In general.
 - (ii) Time for testing relationship.
 - (iii) Cases where section 338(h)(3)(C) applies—acquisitions treated as purchases.
 - (iv) Examples.
 - (4) Acquisition date for tiered targets.
 - (i) Stock sold in deemed asset sale.
 - (ii) Examples.
 - (5) Effect of redemptions.
 - (i) General rule.
 - (ii) Redemptions from persons unrelated to the purchasing corporation.
 - (iii) Redemptions from the purchasing corporation or related persons during 12-month acquisition period.
 - (A) General rule.
 - (B) Exception for certain redemptions from related corporations.
 - (iv) Examples.
 - (c) Effect of post-acquisition events on eligibility for section 338 election.
 - (1) Post-acquisition elimination of target.
 - (2) Post-acquisition elimination of the purchasing corporation.
 - (d) Consequences of post-acquisition elimination of target where section 338 election not made.
 - (1) Scope.
 - (2) Continuity of interest.
 - (3) Control requirement.
 - (4) Solely for voting stock requirement.
 - (5) Example.

§ 1.338-0

§ 1.338-4 Aggregate deemed sale price; various aspects of taxation of the deemed asset sale.

- (a) Scope.
- (b) Determination of ADSP.
 - (1) General rule.
 - (2) Time and amount of ADSP.
 - (i) Original determination.
 - (ii) Redetermination of ADSP.
 - (iii) Example.
- (c) Grossed-up amount realized on the sale to the purchasing corporation of the purchasing corporation's recently purchased target stock.
 - (1) Determination of amount.
 - (2) Example.
 - (d) Liabilities of old target.
 - (1) In general.
 - (2) Time and amount of liabilities.
 - (e) Deemed sale tax consequences.
 - (f) Other rules apply in determining ADSP.
 - (g) Examples.
 - (h) Deemed sale of target affiliate stock.
 - (1) Scope.
 - (2) In general.
 - (3) Deemed sale of foreign target affiliate by a domestic target.
 - (4) Deemed sale producing effectively connected income.
 - (5) Deemed sale of insurance company target affiliate electing under section 953(d).
 - (6) Deemed sale of DISC target affiliate.
 - (7) Anti-stuffing rule.
 - (8) Examples.

§ 1.338-5 Adjusted grossed-up basis.

- (a) Scope.
- (b) Determination of AGUB.
 - (1) General rule.
 - (2) Time and amount of AGUB.
 - (i) Original determination.
 - (ii) Redetermination of AGUB.
 - (iii) Examples.
 - (c) Grossed-up basis of recently purchased stock.
 - (d) Basis of nonrecently purchased stock; gain recognition election.
 - (1) No gain recognition election.
 - (2) Procedure for making gain recognition election.
 - (3) Effect of gain recognition election.
 - (i) In general.
 - (ii) Basis amount.
 - (iii) Losses not recognized.
 - (iv) Stock subject to election.
 - (e) Liabilities of new target.
 - (1) In general.
 - (2) Time and amount of liabilities.
 - (3) Interaction with deemed sale tax consequences.
 - (f) Adjustments by the Internal Revenue Service.
 - (g) Examples.
 - (h) Effective/applicability date.

26 CFR Ch. I (4-1-21 Edition)

§ 1.338-6 Allocation of ADSP and AGUB among target assets.

- (a) Scope.
 - (1) In general.
 - (2) Fair market value.
 - (i) In general.
 - (ii) Transaction costs.
 - (iii) Internal Revenue Service authority.
 - (b) General rule for allocating ADSP and AGUB.
 - (1) Reduction in the amount of consideration for Class I assets.
 - (2) Other assets.
 - (i) In general.
 - (ii) Class II assets.
 - (iii) Class III assets.
 - (iv) Class IV assets.
 - (v) Class V assets.
 - (vi) Class VI assets.
 - (vii) Class VII assets.
 - (3) Other items designated by the Internal Revenue Service.
 - (c) Certain limitations and other rules for allocation to an asset.
 - (1) Allocation not to exceed fair market value.
 - (2) Allocation subject to other rules.
 - (3) Special rule for allocating AGUB when purchasing corporation has nonrecently purchased stock.
 - (i) Scope.
 - (ii) Determination of hypothetical purchase price.
 - (iii) Allocation of AGUB.
 - (4) Liabilities taken into account in determining amount realized on subsequent disposition.
 - (5) Allocation to certain nuclear decommissioning funds.
 - (d) Examples.

§ 1.338-7 Allocation of redetermined ADSP and AGUB among target assets.

- (a) Scope.
- (b) Allocation of redetermined ADSP and AGUB.
- (c) Special rules for ADSP.
 - (1) Increases or decreases in deemed sale tax consequences taxable notwithstanding old target ceases to exist.
 - (2) Procedure for transactions in which section 338(h)(10) is not elected.
 - (i) Deemed sale tax consequences included in new target's return.
 - (ii) Carryovers and carrybacks.
 - (A) Loss carryovers to new target taxable years.
 - (B) Loss carrybacks to taxable years of old target.
 - (C) Credit carryovers and carrybacks.
 - (3) Procedure for transactions in which section 338(h)(10) is elected.
 - (d) Special rules for AGUB.
 - (1) Effect of disposition or depreciation of acquisition date assets.
 - (2) Section 38 property.

§ 1.338-0

26 CFR Ch. I (4-1-21 Edition)

(iii) Procedure for filing a combined return.

(iv) Consequences of filing a combined return.

(5) Deemed sale excluded from purchasing corporation's consolidated return.

(6) Due date for old target's final return.

(i) General rule.

(ii) Application of § 1.1502-76(c).

(A) In general.

(B) Deemed extension.

(C) Erroneous filing of deemed sale return.

(D) Erroneous filing of return for regular tax year.

(E) Last date for payment of tax.

(7) Examples.

(b) Waiver.

(1) Certain additions to tax.

(2) Notification.

(3) Elections or other actions required to be specified on a timely filed return.

(i) In general.

(ii) New target in purchasing corporation's consolidated return.

(4) Examples.

(c) Effective/applicability date.

§ 1.338-11 Effect of section 338 election on insurance company targets.

(a) In general.

(b) Computation of ADSP and AGUB.

(1) Reserves taken into account as a liability.

(2) Allocation of ADSP and AGUB to specific insurance contracts.

(c) Application of assumption reinsurance principles.

(1) In general.

(2) Reinsurance premium.

(3) Ceding commission.

(4) Examples.

(d) Reserve increases by new target after the deemed asset sale.

(1) In general.

(2) Exceptions.

(3) Amount of additional premium.

(i) In general.

(ii) Increases in unpaid loss reserves.

(iii) Increases in other reserves.

(4) Limitation on additional premium.

(5) Treatment of additional premium under section 848.

(6) Examples.

(7) Effective/applicability date.

(i) In general.

(ii) Application to pre-effective date increases to reserves.

(e) Effect of section 338 election on section 846(e) election.

(1) In general.

(2) Revocation of existing section 846(e) election.

(f) Effect of section 338 election on old target's capitalization amounts under section 848.

(1) Determination of net consideration for specified insurance contracts.

(2) Determination of capitalization amount.

(3) Section 381 transactions.

(g) Effect of section 338 election on policyholders surplus account.

(h) Effect of section 338 election on section 847 special estimated tax payments.

§ 1.338-11T Effect of section 338 election on insurance company targets (temporary).

(a) through (c) [Reserved]

(d) Reserve increases by new target after the deemed asset sale.

(1) In general.

(2) Exceptions.

(3) Amount of additional premium.

(i) In general.

(ii) Increases in unpaid loss reserves.

(iii) Increases in other reserves.

(4) Limitation on additional premium.

(5) Treatment of additional premium under section 848.

(6) Examples.

(7) Effective dates.

(i) In general.

(ii) Application to pre-effective date increases to reserves.

(e) Effect of section 338 election on section 846(e) election.

(1) In general.

(2) Revocation of existing section 846(e) election.

(f) through (h) [Reserved]

§ 1.338(h)(10)-1 Deemed asset sale and liquidation.

(a) Scope.

(b) Definitions.

(1) Consolidated target.

(2) Selling consolidated group.

(3) Selling affiliate; affiliated target.

(4) S corporation target.

(5) S corporation shareholders.

(6) Liquidation.

(c) Section 338(h)(10) election.

(1) In general.

(2) Simultaneous joint election requirement.

(3) Irrevocability.

(4) Effect of invalid election.

(d) Certain consequences of section 338(h)(10) election.

(1) P.

(2) New T.

(3) Old T—deemed sale.

(i) In general.

(ii) Tiered targets.

(4) Old T and selling consolidated group, selling affiliate, or S corporation shareholders—deemed liquidation; tax characterization.

(i) In general.

(ii) Tiered targets.

(5) Selling consolidated group, selling affiliate, or S corporation shareholders.

(i) In general.

- (ii) Basis and holding period of T stock not acquired.
- (iii) T stock sale.
- (6) Nonselling minority shareholders other than nonselling S corporation shareholders.
 - (i) In general.
 - (ii) T stock sale.
 - (iii) T stock not acquired.
- (7) Consolidated return of selling consolidated group.
- (8) Availability of the section 453 installment method.
 - (i) In deemed asset sale.
 - (ii) In deemed liquidation.
- (9) Treatment consistent with an actual asset sale.
- (e) Examples.
- (f) Inapplicability of provisions.
- (g) Required information.

§ 1.338(i)-1 *Effective dates.*

- (a) In general.
- (b) Section 338(h)(10) elections for S corporation targets.
- (c) Section 338 elections for insurance company targets.
 - (1) In general.
 - (2) New target election for retroactive election.
 - (i) Availability of election.
 - (ii) Time and manner of making the election for new target.
 - (3) Old target election for retroactive election.
 - (i) Availability of election.
 - (ii) Time and manner of making the election for old target.

[T.D. 8940, 66 FR 9929, Feb. 13, 2001, as amended by T.D. 9158, 70 FR 55741, Sept. 16, 2004; T.D. 9257, 71 FR 17999, Apr. 10, 2006; T.D. 9264, 71 FR 30595, May 30, 2006; T.D. 9358, 72 FR 51705, Sept. 11, 2007; T.D. 9377, 73 FR 3871, Jan. 23, 2008; T.D. 9619, 78 FR 28489, May 15, 2013]

§ 1.338-1 General principles; status of old target and new target.

(a) *In general*—(1) *Deemed transaction.* Elections are available under section 338 when a purchasing corporation acquires the stock of another corporation (the target) in a qualified stock purchase. One type of election, under section 338(g), is available to the purchasing corporation. Another type of election, under section 338(h)(10), is, in more limited circumstances, available jointly to the purchasing corporation and the sellers of the stock. (Rules concerning eligibility for these elections are contained in §§ 1.338-2, 1.338-3, and 1.338(h)(10)-1.) However, if, as a result of the deemed purchase of old target's assets pursuant to a section 336(e) elec-

tion, there would be both a qualified stock purchase and a qualified stock disposition (as defined in § 1.336-1(b)(6)) of the stock of a subsidiary of target, neither a section 338(g) election nor a section 338(h)(10) election may be made with respect to the qualified stock purchase of the subsidiary. Instead, a section 336(e) election may be made with respect to such purchase. See § 1.336-1(b)(6)(ii). Although target is a single corporation under corporate law, if a section 338 election is made, then two separate corporations, old target and new target, generally are considered to exist for purposes of subtitle A of the Internal Revenue Code. Old target is treated as transferring all of its assets to an unrelated person in exchange for consideration that includes the discharge of its liabilities (see § 1.1001-2(a)), and new target is treated as acquiring all of its assets from an unrelated person in exchange for consideration that includes the assumption of those liabilities. (Such transaction is, without regard to its characterization for Federal income tax purposes, referred to as the deemed asset sale and the income tax consequences thereof as the deemed sale tax consequences.) If a section 338(h)(10) election is made, old target is deemed to liquidate following the deemed asset sale.

(2) *Application of other rules of law.* Other rules of law apply to determine the tax consequences to the parties as if they had actually engaged in the transactions deemed to occur under section 338 and the regulations thereunder except to the extent otherwise provided in those regulations. See also § 1.338-6(c)(2). Other rules of law may characterize the transaction as something other than or in addition to a sale and purchase of assets; however, the transaction between old and new target must be a taxable transaction. For example, if the target is an insurance company for which a section 338 election is made, the deemed asset sale results in an assumption reinsurance transaction for the insurance contracts deemed transferred from old target to new target. See, generally, § 1.817-4(d), and for special rules regarding the acquisition of insurance company targets, § 1.338-11. See also § 1.367(a)-8(k)(13) for a rule applicable to gain

recognition agreements (filed under §§ 1.367(a)-3(b)(1)(ii) and 1.367(a)-8) and deemed asset sales as a result of an election under section 338(g).

(3) *Overview.* Definitions and special nomenclature and rules for making the section 338 election are provided in § 1.338-2. Qualification for the section 338 election is addressed in § 1.338-3. The amount for which old target is treated as selling all of its assets (the aggregate deemed sale price, or ADSP) is addressed in § 1.338-4. The amount for which new target is deemed to have purchased all its assets (the adjusted grossed-up basis, or AGUB) is addressed in § 1.338-5. Section 1.338-6 addresses allocation both of ADSP among the assets old target is deemed to have sold and of AGUB among the assets new target is deemed to have purchased. Section 1.338-7 addresses allocation of ADSP or AGUB when those amounts subsequently change. Asset and stock consistency are addressed in § 1.338-8. International aspects of section 338 are covered in § 1.338-9. Rules for the filing of returns are provided in § 1.338-10. Section 1.338-11 provides special rules for insurance company targets. Eligibility for and treatment of section 338(h)(10) elections is addressed in § 1.338(h)(10)-1.

(b) *Treatment of target under other provisions of the Internal Revenue Code—(1) General rule for subtitle A.* Except as provided in this section, new target is treated as a new corporation that is unrelated to old target for purposes of subtitle A of the Internal Revenue Code. Thus—

(i) New target is not considered related to old target for purposes of section 168 and may make new elections under section 168 without taking into account the elections made by old target; and

(ii) New target may adopt, without obtaining prior approval from the Commissioner, any taxable year that meets the requirements of section 441 and any method of accounting that meets the requirements of section 446. Notwithstanding § 1.441-1T(b)(2), a new target may adopt a taxable year on or before the last day for making the election under section 338 by filing its first return for the desired taxable year on or before that date.

(2) *Exceptions for subtitle A.* New target and old target are treated as the same corporation for purposes of—

(i) The rules applicable to employee benefit plans (including those plans described in sections 79, 104, 105, 106, 125, 127, 129, 132, 137, and 220), qualified pension, profit-sharing, stock bonus and annuity plans (sections 401(a) and 403(a)), simplified employee pensions (section 408(k)), tax qualified stock option plans (sections 422 and 423), welfare benefit funds (sections 419, 419A, 512(a)(3), and 4976), voluntary employees' beneficiary associations (section 501(c)(9) and the regulations thereunder), and tax on excess tax-exempt organization executive compensation (section 4960) and the regulations in part 53 under section 4960;

(ii) Sections 1311 through 1314 (relating to the mitigation of the effect of limitations), if a section 338(h)(10) election is not made for target;

(iii) Section 108(e)(5) (relating to the reduction of purchase money debt);

(iv) Section 45A (relating to the Indian Employment Credit), section 51 (relating to the Work Opportunity Credit), section 51A (relating to the Welfare to Work Credit), and section 1396 (relating to the Empowerment Zone Act);

(v) Sections 401(h) and 420 (relating to medical benefits for retirees);

(vi) Section 414 (relating to definitions and special rules); and

(vii) Section 846(e) (relating to an election to use an insurance company's historical loss payment pattern).

(viii) Any other provision designated in the Internal Revenue Bulletin by the Internal Revenue Service. See § 601.601(d)(2)(ii) of this chapter. See, for example, § 1.1001-3(e)(4)(i)(F) providing that an election under section 338 does not result in the substitution of a new obligor on target's debt. See also, for example, § 1.1502-77(c)(8), providing that an election under section 338 does not result in a deemed termination of target's existence for purposes of the rules applicable to the agent for a consolidated group.

(3) *General rule for other provisions of the Internal Revenue Code.* Except as provided in the regulations under section 338 or in the Internal Revenue Bulletin by the Internal Revenue Service

(see § 601.601(d)(2)(ii) of this chapter), new target is treated as a continuation of old target for purposes other than subtitle A of the Internal Revenue Code. For example—

(i) New target is liable for old target's Federal income tax liabilities, including the tax liability for the deemed sale tax consequences and those tax liabilities of the other members of any consolidated group that included old target that are attributable to taxable years in which those corporations and old target joined in the same consolidated return (see § 1.1502-6(a));

(ii) Wages earned by the employees of old target are considered wages earned by such employees from new target for purposes of sections 3101 and 3111 (Federal Insurance Contributions Act) and section 3301 (Federal Unemployment Tax Act); and

(iii) Old target and new target must use the same employer identification number.

(c) *Anti-abuse rule*—(1) *In general.* The rules of this paragraph (c) apply for purposes of applying the regulations under sections 336(e), 338, and 1060. The Commissioner is authorized to treat any property (including cash) transferred by old target in connection with the transactions resulting in the application of the residual method (and not held by target at the close of the acquisition date) as, nonetheless, property of target at the close of the acquisition date if the property so transferred is, within 24 months after the deemed asset sale, owned by new target, or is owned, directly or indirectly, by a member of the affiliated group of which new target is a member and continues after the acquisition date to be held or used primarily in connection with one or more of the activities of new target. In addition, the Commissioner is authorized to treat any property (including cash) transferred to old target in connection with the transactions resulting in the application of the residual method (and held by target at the close of the acquisition date) as, nonetheless, not being property of target at the close of the acquisition date if the property so transferred is, within 24 months after the deemed asset sale, not owned by new target but owned, directly or indirectly, by a

member of the affiliated group of which new target is a member, or owned by new target but held or used primarily in connection with an activity conducted, directly or indirectly, by another member of the affiliated group of which new target is a member in combination with other property retained by or acquired, directly or indirectly, from the transferor of the property (or a member of the same affiliated group) to old target. For purposes of this paragraph (c)(1), an interest in an entity is considered held or used in connection with an activity if property of the entity is so held or used. The authority of the Commissioner under this paragraph (c)(1) includes the making of any appropriate correlative adjustments (avoiding, to the extent possible, the duplication or omission of any item of income, gain, loss, deduction, or basis).

(2) *Examples.* The following examples illustrate this paragraph (c):

Example 1. Prior to a qualified stock purchase under section 338, target transfers one of its assets to a related party. The purchasing corporation then purchases the target stock and also purchases the transferred asset from the related party. After its purchase of target, the purchasing corporation and target are members of the same affiliated group. A section 338 election is made. Under an arrangement with the purchaser, the separately transferred asset is used primarily in connection with target's activities. Applying the anti-abuse rule of this paragraph (c), the Commissioner may consider target to own the transferred asset for purposes of applying the residual method under section 338.

Example 2. T owns all the stock of T1. T1 leases intellectual property to T, which T uses in connection with its own activities. P, a purchasing corporation, wishes to buy the T-T1 chain of corporations. P, in connection with its planned purchase of the T stock, contracts to consummate a purchase of all the stock of T1 on March 1 and of all the stock of T on March 2. Section 338 elections are thereafter made for both T and T1. Immediately after the purchases, P, T and T1 are members of the same affiliated group. T continues to lease the intellectual property from T1 and that is the primary use of the intellectual property. Thus, an asset of T, the T1 stock, was removed from T's own assets prior to the qualified stock purchase of the T stock. T1's own assets are used after the deemed asset sale in connection with T's own activities, and the T1 stock is after the deemed asset sale owned by P, a member of

the same affiliated group of which T is a member. Applying the anti-abuse rule of this paragraph (c), the Commissioner may, for purposes of application of the residual method under section 338 both to T and to T1, consider P to have bought only the stock of T, with T at the time of the qualified stock purchases of both T and T1 (the qualified stock purchase of T1 being triggered by the deemed sale under section 338 of T's assets) owning T1. The Commissioner accordingly would allocate consideration to T's assets as though the T1 stock were one of those assets, and then allocate consideration within T1 based on the amount allocated to the T1 stock at the T level.

(d) *Next day rule for post-closing transactions.* If a target corporation for which an election under section 338 is made engages in a transaction outside the ordinary course of business on the acquisition date after the event resulting in the qualified stock purchase of the target or a higher tier corporation, the target and all persons related thereto (either before or after the qualified stock purchase) under section 267(b) or section 707 must treat the transaction for all Federal income tax purposes as occurring at the beginning of the day following the transaction and after the deemed purchase by new target.

(e) *Effective/applicability date.* Paragraphs (a)(1) and (c)(1) of this section are applicable to any qualified stock disposition for which the disposition date (as defined in § 1.336-1(b)(8)) is on or after May 15, 2013.

[T.D. 8940, 66 FR 9929, Feb. 13, 2001, as amended by T.D. 9002, 67 FR 43540, June 28, 2002; T.D. 9257, 71 FR 18000, Apr. 10, 2006; T.D. 9377, 73 FR 3871, Jan. 23, 2008; T.D. 9446, 74 FR 6957, Feb. 11, 2009; T.D. 9619, 78 FR 28489, May 15, 2013; T.D. 9715, 80 FR 17317, Apr. 1, 2015; T.D. 9932, 85 FR 86511, Dec. 30, 2020; T.D. 9938, 86 FR 6219, Jan. 19, 2021]

§ 1.338-2 Nomenclature and definitions; mechanics of the section 338 election.

(a) *Scope.* This section prescribes rules relating to elections under section 338.

(b) *Nomenclature.* For purposes of the regulations under section 338 (except as otherwise provided):

(1) T is a domestic target corporation that has only one class of stock outstanding. Old T refers to T for periods ending on or before the close of T's ac-

quisition date; new T refers to T for subsequent periods.

(2) P is the purchasing corporation.

(3) The P group is an affiliated group of which P is a member.

(4) P1, P2, etc., are domestic corporations that are members of the P group.

(5) T1, T2, etc., are domestic corporations that are target affiliates of T. These corporations (T1, T2, etc.) have only one class of stock outstanding and may also be targets.

(6) S is a domestic corporation (unrelated to P and B) that owns T prior to the purchase of T by P. (S is referred to in cases in which it is appropriate to consider the effects of having all of the outstanding stock of T owned by a domestic corporation.)

(7) A, a U.S. citizen or resident, is an individual (unrelated to P and B) who owns T prior to the purchase of T by P. (A is referred to in cases in which it is appropriate to consider the effects of having all of the outstanding stock of T owned by an individual who is a U.S. citizen or resident. Ownership of T by A and ownership of T by S are mutually exclusive circumstances.)

(8) B, a U.S. citizen or resident, is an individual (unrelated to T, S, and A) who owns the stock of P.

(9) F, used as a prefix with the other terms in this paragraph (b), connotes foreign, rather than domestic, status. For example, FT is a foreign corporation (as defined in section 7701(a)(5)) and FA is an individual other than a U.S. citizen or resident.

(10) CFC, used as a prefix with the other terms in this paragraph (b) referring to a corporation, connotes a controlled foreign corporation (as defined in section 957, taking into account section 953(c)). A corporation identified with the prefix F may be a controlled foreign corporation. (The prefix CFC is used when the corporation's status as a controlled foreign corporation is significant.)

(c) *Definitions.* For purposes of the regulations under section 338 (except as otherwise provided):

(1) *Acquisition date.* The term *acquisition date* has the same meaning as in section 338(h)(2).

(2) *Acquisition date assets.* *Acquisition date assets* are the assets of the target held at the beginning of the day after

the acquisition date (but see §1.338-1(d) (regarding certain transactions on the acquisition date)).

(3) *Affiliated group.* The term *affiliated group* has the same meaning as in section 338(h)(4)(5). Corporations are affiliated on any day they are members of the same affiliated group.

(4) *Common parent.* The term *common parent* has the same meaning as in section 1504.

(5) *Consistency period.* The *consistency period* is the period described in section 338(h)(4)(A) that is deemed to occur for purposes of subtitle A of the Internal Revenue Code if a section 338 election is made.

(6) *Deemed asset sale.* The *deemed asset sale* is the transaction described in §1.338-1(a)(1) that is deemed to occur for purposes of subtitle A of the Internal Revenue Code if a section 338 election is made.

(7) *Deemed sale tax consequences.* *Deemed sale tax consequences* refers to, in the aggregate, the Federal income tax consequences (generally, the income, gain, deduction, and loss) of the deemed asset sale. *Deemed sale tax consequences* also refers to the Federal income tax consequences of the transfer of a particular asset in the deemed asset sale.

(8) *Deemed sale return.* The *deemed sale return* is the return on which target's deemed sale tax consequences are reported that does not include any other items of target. Target files a deemed sale return when a section 338 election (but not a section 338(h)(10) election) is filed for target and target is a member of a selling group (defined in paragraph (c)(16) of this section) that files a consolidated return for the period that includes the acquisition date. See §1.338-10. If target is an S corporation for the period that ends on the day before the acquisition date and a section 338 election (but not a section 338(h)(10) election) is filed for target, see §1.338-10(a)(3).

(9) *Domestic corporation.* A *domestic corporation* is a corporation—

(i) That is domestic within the meaning of section 7701(a)(4) or that is treated as domestic for purposes of subtitle A of the Internal Revenue Code (e.g., to which an election under section 953(d) or 1504(d) applies); and

(ii) That is not a DISC, a corporation described in section 1248(e), or a cor-

poration to which an election under section 936 applies.

(10) *Old target's final return.* *Old target's final return* is the income tax return of old target for the taxable year ending at the close of the acquisition date that includes the deemed sale tax consequences. However, if a deemed sale return is filed for old target, the deemed sale return is considered old target's final return.

(11) *Purchasing corporation.* The term *purchasing corporation* has the same meaning as in section 338(d)(1). The purchasing corporation may also be referred to as purchaser. Unless otherwise provided, any reference to the purchasing corporation is a reference to all members of the affiliated group of which the purchasing corporation is a member. See sections 338(h)(5) and (8). Also, unless otherwise provided, any reference to the purchasing corporation is, with respect to a deemed purchase of stock under section 338(a)(2), a reference to new target with respect to its own deemed purchase of stock in another target.

(12) *Qualified stock purchase.* The term *qualified stock purchase* has the same meaning as in section 338(d)(3).

(13) *Related persons.* Two persons are related if stock in a corporation owned by one of the persons would be attributed under section 318(a) (other than section 318(a)(4)) to the other.

(14) *Section 338 election.* A *section 338 election* is an election to apply section 338(a) to target. A section 338 election is made by filing a statement of section 338 election pursuant to paragraph (d) of this section. The form on which this statement is filed is referred to in the regulations under section 338 as the Form 8023, "Elections Under Section 338 For Corporations Making Qualified Stock Purchases."

(15) *Section 338(h)(10) election.* A *section 338(h)(10) election* is an election to apply section 338(h)(10) to target. A section 338(h)(10) election is made by making a joint election for target under §1.338(h)(10)-1 on Form 8023.

(16) *Selling group.* The *selling group* is the affiliated group (as defined in section 1504) eligible to file a consolidated return that includes target for the taxable period in which the acquisition date occurs. However, a selling group is

not an affiliated group of which target is the common parent on the acquisition date.

(17) *Target; old target; new target.* *Target* is the target corporation as defined in section 338(d)(2). *Old target* refers to target for periods ending on or before the close of target's acquisition date. *New target* refers to target for subsequent periods.

(18) *Target affiliate.* The term *target affiliate* has the same meaning as in section 338(h)(6) (applied without section 338(h)(6)(B)(i)). Thus, a corporation described in section 338(h)(6)(B)(i) is considered a target affiliate for all purposes of section 338. If a target affiliate is acquired in a qualified stock purchase, it is also a target.

(19) *12-month acquisition period.* The *12-month acquisition period* is the period described in section 338(h)(1), unless extended pursuant to § 1.338-8(j)(2).

(d) *Time and manner of making election.* The purchasing corporation makes a section 338 election for target by filing a statement of section 338 election on Form 8023 in accordance with the instructions to the form. The section 338 election must be made not later than the 15th day of the 9th month beginning after the month in which the acquisition date occurs. A section 338 election is irrevocable. See § 1.338(h)(10)-1(c)(2) for section 338(h)(10) elections.

(e) *Special rules for foreign corporations or DISCs—(1) Elections by certain foreign purchasing corporations—(i) General rule.* A qualifying foreign purchasing corporation is not required to file a statement of section 338 election for a qualifying foreign target before the earlier of 3 years after the acquisition date and the 180th day after the close of the purchasing corporation's taxable year within which a triggering event occurs.

(ii) *Qualifying foreign purchasing corporation.* A purchasing corporation is a *qualifying foreign purchasing corporation* only if, during the acquisition period of a qualifying foreign target, all the corporations in the purchasing corporation's affiliated group are foreign corporations that are not subject to United States tax.

(iii) *Qualifying foreign target.* A target is a *qualifying foreign target* only if target and its target affiliates are foreign

corporations that, during target's acquisition period, are not subject to United States tax (and will not become subject to United States tax during such period because of a section 338 election). A target affiliate is taken into account for purposes of the preceding sentence only if, during target's 12-month acquisition period, it is or becomes a member of the affiliated group that includes the purchasing corporation.

(iv) *Triggering event.* A *triggering event* occurs in the taxable year of the qualifying foreign purchasing corporation in which either that corporation or any corporation in its affiliated group becomes subject to United States tax.

(v) *Subject to United States tax.* For purposes of this paragraph (e)(1), a foreign corporation is considered subject to United States tax—

(A) For the taxable year for which that corporation is required under § 1.6012-2(g) (other than § 1.6012-2(g)(2)(i)(B)(2)) to file a United States income tax return; or

(B) For the period during which that corporation is a controlled foreign corporation, a passive foreign investment company for which an election under section 1295 is in effect, a foreign investment company, or a foreign corporation the stock ownership of which is described in section 552(a)(2).

(2) *Acquisition period.* For purposes of this paragraph (e), the term *acquisition period* means the period beginning on the first day of the 12-month acquisition period and ending on the acquisition date.

(3) *Statement of section 338 election may be filed by United States shareholders in certain cases.* The United States shareholders (as defined in section 951(b)) of a foreign purchasing corporation that is a controlled foreign corporation (as defined in section 957 (taking into account section 953(c))) may file a statement of section 338 election on behalf of the purchasing corporation if the purchasing corporation is not required under § 1.6012-2(g) (other than § 1.6012-2(g)(2)(i)(B)(2)) to file a United States income tax return for its taxable year that includes the acquisition date. Form 8023 must be filed as described in the form and its instructions and also must be attached to the Form 5471,

“Information Returns of U.S. Persons With Respect to Certain Foreign Corporations,” filed with respect to the purchasing corporation by each United States shareholder for the purchasing corporation’s taxable year that includes the acquisition date (or, if paragraph (e)(1)(i) of this section applies to the election, for the purchasing corporation’s taxable year within which it becomes a controlled foreign corporation). The provisions of §1.964-1(c) (including §1.964-1(c)(7)) do not apply to an election made by the United States shareholders.

(4) *Notice requirement for U.S. persons holding stock in foreign target*—(i) *General rule.* If a target subject to a section 338 election was a controlled foreign corporation, a passive foreign investment company, or a foreign personal holding company at any time during the portion of its taxable year that ends on its acquisition date, the purchasing corporation must deliver written notice of the election (and a copy of Form 8023, its attachments and instructions) to—

(A) Each U.S. person (other than a member of the affiliated group of which the purchasing corporation is a member (the purchasing group member)) that, on the acquisition date of the foreign target, holds stock in the foreign target; and

(B) Each U.S. person (other than a purchasing group member) that sells stock in the foreign target to a purchasing group member during the foreign target’s 12-month acquisition period.

(ii) *Limitation.* The notice requirement of this paragraph (e)(4) applies only where the section 338 election for the foreign target affects income, gain, loss, deduction, or credit of the U.S. person described in paragraph (e)(4)(i) of this section under section 551, 951, 1248, or 1293.

(iii) *Form of notice.* The notice to U.S. persons must be identified prominently as a notice of section 338 election and must—

(A) Contain the name, address, and employer identification number (if any) of, and the country (and, if relevant, the lesser political subdivision) under the laws of which are organized the purchasing corporation and the rel-

evant target (i.e., the target the stock of which the particular U.S. person held or sold under the circumstances described in paragraph (e)(4)(i) of this section);

(B) Identify those corporations as the purchasing corporation and the foreign target, respectively; and

(C) Contain the following declaration (or a substantially similar declaration):

THIS DOCUMENT SERVES AS NOTICE OF AN ELECTION UNDER SECTION 338 FOR THE ABOVE CITED FOREIGN TARGET THE STOCK OF WHICH YOU EITHER HELD OR SOLD UNDER THE CIRCUMSTANCES DESCRIBED IN TREASURY REGULATIONS SECTION 1.338-2(e)(4). FOR POSSIBLE UNITED STATES FEDERAL INCOME TAX CONSEQUENCES UNDER SECTION 551, 951, 1248, OR 1293 OF THE INTERNAL REVENUE CODE OF 1986 THAT MAY APPLY TO YOU, SEE TREASURY REGULATIONS SECTION 1.338-9(b). YOU MAY BE REQUIRED TO ATTACH THE INFORMATION ATTACHED TO THIS NOTICE TO CERTAIN RETURNS.

(iv) *Timing of notice.* The notice required by this paragraph (e)(4) must be delivered to the U.S. person on or before the later of the 120th day after the acquisition date of the particular target or the day on which Form 8023 is filed. The notice is considered delivered on the date it is mailed to the proper address (or an address similar enough to complete delivery), unless the date it is mailed cannot be reasonably determined. The date of mailing will be determined under the rules of section 7502. For example, the date of mailing is the date of U.S. postmark or the applicable date recorded or marked by a designated delivery service.

(v) *Consequence of failure to comply.* A statement of section 338 election is not valid if timely notice is not given to one or more U.S. persons described in this paragraph (e)(4). If the form of notice fails to comply with all requirements of this paragraph (e)(4), the section 338 election is valid, but the waiver rule of §1.338-10(b)(1) does not apply.

(vi) *Good faith effort to comply.* The purchasing corporation will be considered to have complied with this paragraph (e)(4), even though it failed to provide notice or provide timely notice

to each person described in this paragraph (e)(4), if the Commissioner determines that the purchasing corporation made a good faith effort to identify and provide timely notice to those U.S. persons.

[T.D. 8940, 66 FR 9929, Feb. 13, 2001]

§ 1.338-3 Qualification for the section 338 election.

(a) *Scope.* This section provides rules on whether certain acquisitions of stock are qualified stock purchases and on other miscellaneous issues under section 338.

(b) *Rules relating to qualified stock purchases—(1) Purchasing corporation requirement.* An individual cannot make a qualified stock purchase of target. Section 338(d)(3) requires, as a condition of a qualified stock purchase, that a corporation purchase the stock of target. If an individual forms a corporation (new P) to acquire target stock, new P can make a qualified stock purchase of target if new P is considered for tax purposes to purchase the target stock. Facts that may indicate that new P does not purchase the target stock include new P's merging downstream into target, liquidating, or otherwise disposing of the target stock following the purported qualified stock purchase.

(2) *Purchase.* The term *purchase* has the same meaning as in section 338(h)(3). Stock in a target (or target affiliate) may be considered purchased if, under general principles of tax law, the purchasing corporation is considered to own stock of the target (or target affiliate) meeting the requirements of section 1504(a)(2), notwithstanding that no amount may be paid for (or allocated to) the stock.

(3) *Acquisitions of stock from related corporations—(i) In general.* Stock acquired by a purchasing corporation from a related corporation (R) is generally not considered acquired by purchase. See section 338(h)(3)(A)(iii).

(ii) *Time for testing relationship.* For purposes of section 338(h)(3)(A)(iii), a purchasing corporation is treated as related to another person if the relationship specified in section 338(h)(3)(A)(iii) exists—

(A) In the case of a single transaction, immediately after the purchase of target stock;

(B) In the case of a series of acquisitions otherwise constituting a qualified stock purchase within the meaning of section 338(d)(3), immediately after the last acquisition in such series; and

(C) In the case of a series of transactions effected pursuant to an integrated plan to dispose of target stock, immediately after the last transaction in such series.

(iii) *Cases where section 338(h)(3)(C) applies—acquisitions treated as purchases.* If section 338(h)(3)(C) applies and the purchasing corporation is treated as acquiring stock by purchase from R, solely for purposes of determining when the stock is considered acquired, target stock acquired from R is considered to have been acquired by the purchasing corporation on the day on which the purchasing corporation is first considered to own that stock under section 318(a) (other than section 318(a)(4)).

(iv) *Examples.* The following examples illustrate this paragraph (b)(3):

Example 1. (i) S is the parent of a group of corporations that are engaged in various businesses. Prior to January 1, Year 1, S decided to discontinue its involvement in one line of business. To accomplish this, S forms a new corporation, Newco, with a nominal amount of cash. Shortly thereafter, on January 1, Year 1, S transfers all the stock of the subsidiary conducting the unwanted business (T) to Newco in exchange for 100 shares of Newco common stock and a Newco promissory note. Prior to January 1, Year 1, S and Underwriter (U) had entered into a binding agreement pursuant to which U would purchase 60 shares of Newco common stock from S and then sell those shares in an Initial Public Offering (IPO). On January 6, Year 1, the IPO closes.

(ii) Newco's acquisition of T stock is one of a series of transactions undertaken pursuant to one integrated plan. The series of transactions ends with the closing of the IPO and the transfer of all the shares of stock in accordance with the agreements. Immediately after the last transaction effected pursuant to the plan, S owns 40 percent of Newco, which does not give rise to a relationship described in section 338(h)(3)(A)(iii). See § 1.338-3(b)(3)(ii)(C). Accordingly, S and Newco are not related for purposes of section 338(h)(3)(A)(iii).

(iii) Further, because Newco's basis in the T stock is not determined by reference to S's basis in the T stock and because the transaction is not an exchange to which section

351, 354, 355, or 356 applies, Newco's acquisition of the T stock is a purchase within the meaning of section 338(h)(3).

Example 2. (i) On January 1 of Year 1, P purchases 75 percent in value of the R stock. On that date, R owns 4 of the 100 shares of T stock. On June 1 of Year 1, R acquires an additional 16 shares of T stock. On December 1 of Year 1, P purchases 70 shares of T stock from an unrelated person and 12 of the 20 shares of T stock held by R.

(ii) Of the 12 shares of T stock purchased by P from R on December 1 of Year 1, 3 of those shares are deemed to have been acquired by P on January 1 of Year 1, the date on which 3 of the 4 shares of T stock held by R on that date were first considered owned by P under section 318(a)(2)(C) (i.e., $4 \times .75$). The remaining 9 shares of T stock purchased by P from R on December 1 of Year 1 are deemed to have been acquired by P on June 1 of Year 1, the date on which an additional 12 of the 20 shares of T stock owned by R on that date were first considered owned by P under section 318(a)(2)(C) (i.e., $(20 \times .75) - 3$). Because stock acquisitions by P sufficient for a qualified stock purchase of T occur within a 12-month period (i.e., 3 shares constructively on January 1 of Year 1, 9 shares constructively on June 1 of Year 1, and 70 shares actually on December 1 of Year 1), a qualified stock purchase is made on December 1 of Year 1.

Example 3. (i) On February 1 of Year 1, P acquires 25 percent in value of the R stock from B (the sole shareholder of P). That R stock is not acquired by purchase. See section 338(h)(3)(A)(iii). On that date, R owns 4 of the 100 shares of T stock. On June 1 of Year 1, P purchases an additional 25 percent in value of the R stock, and on January 1 of Year 2, P purchases another 25 percent in value of the R stock. On June 1 of Year 2, R acquires an additional 16 shares of the T stock. On December 1 of Year 2, P purchases 68 shares of the T stock from an unrelated person and 12 of the 20 shares of the T stock held by R.

(ii) Of the 12 shares of the T stock purchased by P from R on December 1 of Year 2, 2 of those shares are deemed to have been acquired by P on June 1 of Year 1, the date on which 2 of the 4 shares of the T stock held by R on that date were first considered owned by P under section 318(a)(2)(C) (i.e., $4 \times .5$). For purposes of this attribution, the R stock need not be acquired by P by purchase. See section 338(h)(1). (By contrast, the acquisition of the T stock by P from R does not qualify as a purchase unless P has acquired at least 50 percent in value of the R stock by purchase. Section 338(h)(3)(C)(i).) Of the remaining 10 shares of the T stock purchased by P from R on December 1 of Year 2, 1 of those shares is deemed to have been acquired by P on January 1 of Year 2, the date on which an additional 1 share of the 4 shares of

the T stock held by R on that date was first considered owned by P under section 318(a)(2)(C) (i.e., $(4 \times .75) - 2$). The remaining 9 shares of the T stock purchased by P from R on December 1 of Year 2, are deemed to have been acquired by P on June 1 of Year 2, the date on which an additional 12 shares of the T stock held by R on that date were first considered owned by P under section 318(a)(2)(C) (i.e., $(20 \times .75) - 3$). Because a qualified stock purchase of T by P is made on December 1 of Year 2 only if all 12 shares of the T stock purchased by P from R on that date are considered acquired during a 12-month period ending on that date (so that, in conjunction with the 68 shares of the T stock P purchased on that date from the unrelated person, 80 of T's 100 shares are acquired by P during a 12-month period) and because 2 of those 12 shares are considered to have been acquired by P more than 12 months before December 1 of Year 2 (i.e., on June 1 of Year 1), a qualified stock purchase is not made. (Under § 1.338-8(j)(2), for purposes of applying the consistency rules, P is treated as making a qualified stock purchase of T if, pursuant to an arrangement, P purchases T stock satisfying the requirements of section 1504(a)(2) over a period of more than 12 months.)

Example 4. Assume the same facts as in *Example 3*, except that on February 1 of Year 1, P acquires 25 percent in value of the R stock by purchase. The result is the same as in *Example 3*.

(4) Acquisition date for tiered targets—

(i) *Stock sold in deemed asset sale.* If an election under section 338 is made for target, old target is deemed to sell target's assets and new target is deemed to acquire those assets. Under section 338(h)(3)(B), new target's deemed purchase of stock of another corporation is a purchase for purposes of section 338(d)(3) on the acquisition date of target. If new target's deemed purchase causes a qualified stock purchase of the other corporation and if a section 338 election is made for the other corporation, the acquisition date for the other corporation is the same as the acquisition date of target. However, the deemed sale and purchase of the other corporation's assets is considered to take place after the deemed sale and purchase of target's assets.

(ii) *Example.* The following example illustrates this paragraph (b)(4):

Example. A owns all of the T stock. T owns 50 of the 100 shares of X stock. The other 50 shares of X stock are owned by corporation Y, which is unrelated to A, T, or P. On January 1 of Year 1, P makes a qualified stock purchase of T from A and makes a section

338 election for T. On December 1 of Year 1, P purchases the 50 shares of X stock held by Y. A qualified stock purchase of X is made on December 1 of Year 1, because the deemed purchase of 50 shares of X stock by new T because of the section 338 election for T and the actual purchase of 50 shares of X stock by P are treated as purchases made by one corporation. Section 338(h)(8). For purposes of determining whether those purchases occur within a 12-month acquisition period as required by section 338(d)(3), T is deemed to purchase its X stock on T's acquisition date, i.e., January 1 of Year 1.

(5) *Effect of redemptions*—(i) *General rule.* Except as provided in this paragraph (b)(5), a qualified stock purchase is made on the first day on which the percentage ownership requirements of section 338(d)(3) are satisfied by reference to target stock that is both—

(A) Held on that day by the purchasing corporation; and

(B) Purchased by the purchasing corporation during the 12-month period ending on that day.

(ii) *Redemptions from persons unrelated to the purchasing corporation.* Target stock redemptions from persons unrelated to the purchasing corporation that occur during the 12-month acquisition period are taken into account as reductions in target's outstanding stock for purposes of determining whether target stock purchased by the purchasing corporation in the 12-month acquisition period satisfies the percentage ownership requirements of section 338(d)(3).

(iii) *Redemptions from the purchasing corporation or related persons during 12-month acquisition period*—(A) *General rule.* For purposes of the percentage ownership requirements of section 338(d)(3), a redemption of target stock during the 12-month acquisition period from the purchasing corporation or from any person related to the purchasing corporation is not taken into account as a reduction in target's outstanding stock.

(B) *Exception for certain redemptions from related corporations.* A redemption of target stock during the 12-month acquisition period from a corporation related to the purchasing corporation is taken into account as a reduction in target's outstanding stock to the extent that the redeemed stock would have been considered purchased by the

purchasing corporation (because of section 338(h)(3)(C)) during the 12-month acquisition period if the redeemed stock had been acquired by the purchasing corporation from the related corporation on the day of the redemption. See paragraph (b)(3) of this section.

(iv) *Examples.* The following examples illustrate this paragraph (b)(5):

Example 1. QSP on stock purchase date; redemption from unrelated person during 12-month period. A owns all 100 shares of T stock. On January 1 of Year 1, P purchases 40 shares of the T stock from A. On July 1 of Year 1, T redeems 25 shares from A. On December 1 of Year 1, P purchases 20 shares of the T stock from A. P makes a qualified stock purchase of T on December 1 of Year 1, because the 60 shares of T stock purchased by P within the 12-month period ending on that date satisfy the 80-percent ownership requirements of section 338(d)(3) (i.e., 60/75 shares), determined by taking into account the redemption of 25 shares.

Example 2. QSP on stock redemption date; redemption from unrelated person during 12-month period. The facts are the same as in *Example 1*, except that P purchases 60 shares of T stock on January 1 of Year 1 and none on December 1 of Year 1. P makes a qualified stock purchase of T on July 1 of Year 1, because that is the first day on which the T stock purchased by P within the preceding 12-month period satisfies the 80-percent ownership requirements of section 338(d)(3) (i.e., 60/75 shares), determined by taking into account the redemption of 25 shares.

Example 3. Redemption from purchasing corporation not taken into account. On December 15 of Year 1, T redeems 30 percent of its stock from P. The redeemed stock was held by P for several years and constituted P's total interest in T. On December 1 of Year 2, P purchases the remaining T stock from A. P does not make a qualified stock purchase of T on December 1 of Year 2. For purposes of the 80-percent ownership requirements of section 338(d)(3), the redemption of P's T stock on December 15 of Year 1 is not taken into account as a reduction in T's outstanding stock.

Example 4. Redemption from related person taken into account. On January 1 of Year 1, P purchases 60 of the 100 shares of X stock. On that date, X owns 40 of the 100 shares of T stock. On April 1 of Year 1, T redeems X's T stock and P purchases the remaining 60 shares of T stock from an unrelated person. For purposes of the 80-percent ownership requirements of section 338(d)(3), the redemption of the T stock from X (a person related to P) is taken into account as a reduction in T's outstanding stock. If P had purchased the 40 redeemed shares from X on April 1 of

Year 1, all 40 of the shares would have been considered purchased (because of section 338(h)(3)(C)(i)) during the 12-month period ending on April 1 of Year 1 (24 of the 40 shares would have been considered purchased by P on January 1 of Year 1 and the remaining 16 shares would have been considered purchased by P on April 1 of Year 1). See paragraph (b)(3) of this section. Accordingly, P makes a qualified stock purchase of T on April 1 of Year 1, because the 60 shares of T stock purchased by P on that date satisfy the 80-percent ownership requirements of section 338(d)(3) (i.e., 60/60 shares), determined by taking into account the redemption of 40 shares.

(c) *Effect of post-acquisition events on eligibility for section 338 election—(1) Post-acquisition elimination of target.* (i) The purchasing corporation may make an election under section 338 for target even though target is liquidated on or after the acquisition date. If target liquidates on the acquisition date, the liquidation is considered to occur on the following day and immediately after new target's deemed purchase of assets. The purchasing corporation may also make an election under section 338 for target even though target is merged into another corporation, or otherwise disposed of by the purchasing corporation provided that, under the facts and circumstances, the purchasing corporation is considered for tax purposes as the purchaser of the target stock. See § 1.338(h)(10)-1(c)(2) for special rules concerning section 338(h)(10) elections in certain multi-step transactions.

(ii) The following examples illustrate this paragraph (c)(1):

Example 1. On January 1 of Year 1, P purchases 100 percent of the outstanding common stock of T. On June 1 of Year 1, P sells the T stock to an unrelated person. Assuming that P is considered for tax purposes as the purchaser of the T stock, P remains eligible, after June 1 of Year 1, to make a section 338 election for T that results in a deemed asset sale of T's assets on January 1 of Year 1.

Example 2. On January 1 of Year 1, P makes a qualified stock purchase of T. On that date, T owns the stock of T1. On March 1 of Year 1, T sells the T1 stock to an unrelated person. On April 1 of Year 1, P makes a section 338 election for T. Notwithstanding that the T1 stock was sold on March 1 of Year 1, the section 338 election for T on April 1 of Year 1 results in a qualified stock purchase by T

of T1 on January 1 of Year 1. See paragraph (b)(4)(i) of this section.

(2) *Post-acquisition elimination of the purchasing corporation.* An election under section 338 may be made for target after the acquisition of assets of the purchasing corporation by another corporation in a transaction described in section 381(a), provided that the purchasing corporation is considered for tax purposes as the purchaser of the target stock. The acquiring corporation in the section 381(a) transaction may make an election under section 338 for target.

(d) *Consequences of post-acquisition elimination of target where section 338 election not made—(1) Scope.* The rules of this paragraph (d) apply to the transfer of target assets to the purchasing corporation (or another member of the same affiliated group as the purchasing corporation) (the transferee) following a qualified stock purchase of target stock, if the purchasing corporation does not make a section 338 election for target. Notwithstanding the rules of this paragraph (d), section 354(a) (and so much of section 356 as relates to section 354) cannot apply to any person other than the purchasing corporation or another member of the same affiliated group as the purchasing corporation unless the transfer of target assets is pursuant to a reorganization as determined without regard to this paragraph (d).

(2) *Continuity of interest.* By virtue of section 338, in determining whether the continuity of interest requirement of § 1.368-1(b) is satisfied on the transfer of assets from target to the transferee, the purchasing corporation's target stock acquired in the qualified stock purchase represents an interest on the part of a person who was an owner of the target's business enterprise prior to the transfer that can be continued in a reorganization.

(3) *Control requirement.* By virtue of section 338, the acquisition of target stock in the qualified stock purchase will not prevent the purchasing corporation from qualifying as a shareholder of the target transferor for the purpose of determining whether, immediately after the transfer of target assets, a shareholder of the transferor is in control of the corporation to which

the assets are transferred within the meaning of section 368(a)(1)(D).

(4) *Solely for voting stock requirement.* By virtue of section 338, the acquisition of target stock in the qualified stock purchase for consideration other than voting stock will not prevent the subsequent transfer of target assets from satisfying the solely for voting stock requirement for purposes of determining if the transfer of target assets qualifies as a reorganization under section 368(a)(1)(C).

(5) *Example.* The following example illustrates this paragraph (d):

Example. (i) *Facts.* P, T, and X are domestic corporations. T and X each operate a trade or business. A and K, individuals unrelated to P, own 85 and 15 percent, respectively, of the stock of T. P owns all of the stock of X. The total adjusted basis of T's property exceeds the sum of T's liabilities plus the amount of liabilities to which T's property is subject. P purchases all of A's T stock for cash in a qualified stock purchase. P does not make an election under section 338(g) with respect to its acquisition of T stock. Shortly after the acquisition date, and as part of the same plan, T merges under applicable state law into X in a transaction that, but for the question of continuity of interest, satisfies all the requirements of section 368(a)(1)(A). In the merger, all of T's assets are transferred to X. P and K receive X stock in exchange for their T stock. P intends to retain the stock of X indefinitely.

(ii) *Status of transfer as a reorganization.* By virtue of section 338, for the purpose of determining whether the continuity of interest requirement of § 1.368-1(b) is satisfied, P's T stock acquired in the qualified stock purchase represents an interest on the part of a person who was an owner of T's business enterprise prior to the transfer that can be continued in a reorganization through P's continuing ownership of X. Thus, the continuity of interest requirement is satisfied and the merger of T into X is a reorganization within the meaning of section 368(a)(1)(A). Moreover, by virtue of section 338, the requirement of section 368(a)(1)(D) that a target shareholder control the transferee immediately after the transfer is satisfied because P controls X immediately after the transfer. In addition, all of T's assets are transferred to X in the merger and P and K receive the X stock exchanged therefor in pursuance of the plan of reorganization. Thus, the merger of T into X is also a reorganization within the meaning of section 368(a)(1)(D).

(iii) *Treatment of T and X.* Under section 361(a), T recognizes no gain or loss in the merger. Under section 362(b), X's basis in the

assets received in the merger is the same as the basis of the assets in T's hands. X succeeds to and takes into account the items of T as provided in section 381.

(iv) *Treatment of P.* By virtue of section 338, the transfer of T assets to X is a reorganization. Pursuant to that reorganization, P exchanges its T stock solely for stock of X, a party to the reorganization. Because P is the purchasing corporation, section 354 applies to P's exchange of T stock for X stock in the merger of T into X. Thus, P recognizes no gain or loss on the exchange. Under section 358, P's basis in the X stock received in the exchange is the same as the basis of P's T stock exchanged therefor.

(v) *Treatment of K.* Because K is not the purchasing corporation (or an affiliate thereof), section 354 cannot apply to K's exchange of T stock for X stock in the merger of T into X unless the transfer of T's assets is pursuant to a reorganization as determined without regard to this paragraph (d). Under general principles of tax law applicable to reorganizations, the continuity of interest requirement is not satisfied because P's stock purchase and the merger of T into X are pursuant to an integrated transaction in which A, the owner of 85 percent of the stock of T, received solely cash in exchange for A's T stock. See, e.g., § 1.368-1(e)(1)(i); *Yoc Heating v. Commissioner*, 61 T.C. 168 (1973); *Kass v. Commissioner*, 60 T.C. 218 (1973), aff'd, 491 F.2d 749 (3d Cir. 1974). Thus, the requisite continuity of interest under § 1.368-1(b) is lacking and section 354 does not apply to K's exchange of T stock for X stock. K recognizes gain or loss, if any, pursuant to section 1001(c) with respect to its T stock.

[T.D. 8940, 66 FR 9929, Feb. 13, 2001; 66 FR 17363, Mar. 30, 2001, as amended by T.D. 9071, 68 FR 40768, July 9, 2003; T.D. 9271, 71 FR 38075, July 5, 2006]

§ 1.338-4 Aggregate deemed sale price; various aspects of taxation of the deemed asset sale.

(a) *Scope.* This section provides rules under section 338(a)(1) to determine the aggregate deemed sale price (ADSP) for target. ADSP is the amount for which old target is deemed to have sold all of its assets in the deemed asset sale. ADSP is allocated among target's assets in accordance with § 1.338-6 to determine the amount for which each asset is deemed to have been sold. When a subsequent increase or decrease is required under general principles of tax law with respect to an element of ADSP, the redetermined ADSP is allocated among target's assets in accordance with § 1.338-7. This § 1.338-4 also

provides rules regarding the recognition of gain or loss on the deemed sale of target affiliate stock. Notwithstanding section 338(h)(6)(B)(ii), stock held by a target affiliate in a foreign corporation or in a corporation that is a DISC or that is described in section 1248(e) is not excluded from the operation of section 338.

(b) *Determination of ADSP*—(1) *General rule.* ADSP is the sum of—

(i) The grossed-up amount realized on the sale to the purchasing corporation of the purchasing corporation's recently purchased target stock (as defined in section 338(b)(6)(A)); and

(ii) The liabilities of old target.

(2) *Time and amount of ADSP*—(i) *Original determination.* ADSP is initially determined at the beginning of the day after the acquisition date of target. General principles of tax law apply in determining the timing and amount of the elements of ADSP.

(ii) *Redetermination of ADSP.* ADSP is redetermined at such time and in such amount as an increase or decrease would be required, under general principles of tax law, for the elements of ADSP. For example, ADSP is redetermined because of an increase or decrease in the amount realized for recently purchased stock or because liabilities not originally taken into account in determining ADSP are subsequently taken into account. Increases or decreases with respect to the elements of ADSP result in the reallocation of ADSP among target's assets under § 1.338-7.

(iii) *Example.* The following example illustrates this paragraph (b)(2):

Example. In Year 1, T, a manufacturer, purchases a customized delivery truck from X with purchase money indebtedness having a stated principal amount of \$100,000. P acquires all of the stock of T in Year 3 for \$700,000 and makes a section 338 election for T. Assume T has no liabilities other than its purchase money indebtedness to X. In Year 4, when T is neither insolvent nor in a title 11 case, T and X agree to reduce the amount of the purchase money indebtedness to \$80,000. Assume further that the reduction would be a purchase price reduction under section 108(e)(5). T and X's agreement to reduce the amount of the purchase money indebtedness would not, under general principles of tax law that would apply if the deemed asset sale had actually occurred, change the amount of liabilities of old target

taken into account in determining its amount realized. Accordingly, ADSP is not redetermined at the time of the reduction. See § 1.338-5(b)(2)(iii) *Example 1* for the effect on AGUB.

(c) *Grossed-up amount realized on the sale to the purchasing corporation of the purchasing corporation's recently purchased target stock*—(1) *Determination of amount.* The grossed-up amount realized on the sale to the purchasing corporation of the purchasing corporation's recently purchased target stock is an amount equal to—

(i) The amount realized on the sale to the purchasing corporation of the purchasing corporation's recently purchased target stock determined as if the selling shareholder(s) were required to use old target's accounting methods and characteristics and the installment method were not available and determined without regard to the selling costs taken into account under paragraph (c)(1)(iii) of this section;

(ii) Divided by the percentage of target stock (by value, determined on the acquisition date) attributable to that recently purchased target stock;

(iii) Less the selling costs incurred by the selling shareholders in connection with the sale to the purchasing corporation of the purchasing corporation's recently purchased target stock that reduce their amount realized on the sale of the stock (e.g., brokerage commissions and any similar costs to sell the stock).

(2) *Example.* The following example illustrates this paragraph (c):

Example. T has two classes of stock outstanding, voting common stock and preferred stock described in section 1504(a)(4). On March 1 of Year 1, P purchases 40 percent of the outstanding T stock from S1 for \$500, 20 percent of the outstanding T stock from S2 for \$225, and 20 percent of the outstanding T stock from S3 for \$275. On that date, the fair market value of all the T voting common stock is \$1,250 and the preferred stock \$750. S1, S2, and S3 incur \$40, \$35, and \$25 respectively of selling costs. S1 continues to own the remaining 20 percent of the outstanding T stock. The grossed-up amount realized on the sale to P of P's recently purchased T stock is calculated as follows: The total amount realized (without regard to selling costs) is \$1,000 (500 + 225 + 275). The percentage of T stock by value on the acquisition date attributable to the recently purchased T stock is 50% (1,000/(1,250 + 750)). The

§ 1.338-4

selling costs are \$100 (40 + 35 + 25). The grossed-up amount realized is \$1,900 (1,000/.5 - 100).

(d) *Liabilities of old target*—(1) *In general.* In general, the liabilities of old target are measured as of the beginning of the day after the acquisition date. (But see § 1.338-1(d) (regarding certain transactions on the acquisition date).) In order to be taken into account in ADSP, a liability must be a liability of target that is properly taken into account in amount realized under general principles of tax law that would apply if old target had sold its assets to an unrelated person for consideration that included the discharge of its liabilities. See § 1.1001-2(a). Such liabilities may include liabilities for the tax consequences resulting from the deemed sale.

(2) *Time and amount of liabilities.* The time for taking into account liabilities of old target in determining ADSP and the amount of the liabilities taken into account is determined as if old target had sold its assets to an unrelated person for consideration that included the discharge of the liabilities by the unrelated person. For example, if no amount of a target liability is properly taken into account in amount realized as of the beginning of the day after the acquisition date, the liability is not initially taken into account in determining ADSP (although it may be taken into account at some later date).

(e) *Deemed sale tax consequences.* Gain or loss on each asset in the deemed sale is computed by reference to the ADSP allocated to that asset. ADSP is allocated under the rules of § 1.338-6. Though deemed sale tax consequences may increase or decrease ADSP by creating or reducing a tax liability, the amount of the tax liability itself may be a function of the size of the deemed sale tax consequences. Thus, these determinations may require trial and error computations.

(f) *Other rules apply in determining ADSP.* ADSP may not be applied in such a way as to contravene other applicable rules. For example, a capital loss cannot be applied to reduce ordinary income in calculating the tax liability on the deemed sale for purposes of determining ADSP.

(g) *Examples.* The following examples illustrate this section. For purposes of the examples in this paragraph (g), unless otherwise stated, T is a calendar year taxpayer that files separate returns and that has no loss, tax credit, or other carryovers to Year 1. Depreciation for Year 1 is not taken into account. T has no liabilities other than the Federal income tax liability resulting from the deemed asset sale, and the T shareholders have no selling costs. Assume that T's tax rate for any ordinary income or net capital gain resulting from the deemed sale of assets is 34 percent and that any capital loss is offset by capital gain. On July 1 of Year 1, P purchases all of the stock of T and makes a section 338 election for T. The examples are as follows:

Example 1. One class. (i) On July 1 of Year 1, T's only asset is an item of section 1245 property with an adjusted basis to T of \$50,400, a recomputed basis of \$80,000, and a fair market value of \$100,000. P purchases all of the T stock for \$75,000, which also equals the amount realized for the stock determined as if the selling shareholder(s) were required to use old target's accounting methods and characteristics.

(ii) ADSP is determined as follows (for purposes of this section (g), G is the grossed-up amount realized on the sale to P of P's recently purchased T stock, L is T's liabilities other than T's tax liability for the deemed sale tax consequences, T_R is the applicable tax rate, and B is the adjusted basis of the asset deemed sold):

$$\begin{aligned} \text{ADSP} &= G + L + T_R \times (\text{ADSP} - B) \\ \text{ADSP} &= (\$75,000/1) + \$0 + .34 \times (\text{ADSP} - \$50,400) \\ \text{ADSP} &= \$75,000 + .34\text{ADSP} - \$17,136.66\text{ADSP} \\ &= \$57,864 \\ \text{ADSP} &= \$87,672.72 \end{aligned}$$

(iii) Because ADSP for T (\$87,672.72) does not exceed the fair market value of T's asset (\$100,000), a Class V asset, T's entire ADSP is allocated to that asset. Thus, T's deemed sale results in \$37,272.72 of taxable income (consisting of \$29,600 of ordinary income and \$7,672.72 of capital gain).

(iv) The facts are the same as in paragraph (i) of this *Example 1*, except that on July 1 of Year 1, P purchases only 80 of the 100 shares of T stock for \$60,000. The grossed-up amount realized on the sale to P of P's recently purchased T stock (G) is \$75,000 (\$60,000/.8). Consequently, ADSP and the deemed sale tax consequences are the same as in paragraphs (ii) and (iii) of this *Example 1*.

(v) The facts are the same as in paragraph (i) of this *Example 1*, except that T also has

Internal Revenue Service, Treasury

§ 1.338-4

goodwill (a Class VII asset) with an appraised value of \$10,000. The results are the same as in paragraphs (ii) and (iii) of this *Example 1*. Because ADSP does not exceed the fair market value of the Class V asset, no amount is allocated to the Class VII asset (goodwill).

Example 2. More than one class. (i) P purchases all of the T stock for \$140,000, which also equals the amount realized for the stock determined as if the selling shareholder(s)

were required to use old target's accounting methods and characteristics. On July 1 of Year 1, T has liabilities (not including the tax liability for the deemed sale tax consequences) of \$50,000, cash (a Class I asset) of \$10,000, actively traded securities (a Class II asset) with a basis of \$4,000 and a fair market value of \$10,000, goodwill (a Class VII asset) with a basis of \$3,000, and the following Class V assets:

| Asset | Basis | FMV | Ratio of asset FMV to total Class V FMV |
|---|----------|-----------|---|
| Land | \$5,000 | \$35,000 | .14 |
| Building | 10,000 | 50,000 | .20 |
| Equipment A (Recomputed basis \$80,000) | 5,000 | 90,000 | .36 |
| Equipment B (Recomputed basis \$20,000) | 10,000 | 75,000 | .30 |
| Totals | \$30,000 | \$250,000 | 1.00 |

(ii) ADSP exceeds \$20,000. Thus, \$10,000 of ADSP is allocated to the cash and \$10,000 to the actively traded securities. The amount allocated to an asset (other than a Class VII asset) cannot exceed its fair market value (however, the fair market value of any property subject to nonrecourse indebtedness is treated as being not less than the amount of such indebtedness; see §1.338-6(a)(2)). See §1.338-6(c)(1) (relating to fair market value limitation).

(iii) The portion of ADSP allocable to the Class V assets is preliminarily determined as follows (in the formula, the amount allocated to the Class I assets is referred to as I and the amount allocated to the Class II assets as II):

$$ADSP_V = (G - (I + II)) + L + T_R \times [(II - B_{II}) + (ADSP_V - B_V)]$$

$$ADSP_V = (\$140,000 - (\$10,000 + \$10,000)) + \$50,000 + .34 \times [(\$10,000 - \$4,000) + (ADSP_V - (\$5,000 + \$10,000 + \$5,000 + \$10,000))]$$

$$ADSP_V = \$161,840 + .34ADSP_V$$

$$.66 ADSP_V = \$161,840$$

$$ADSP_V = \$245,212.12$$

(iv) Because, under the preliminary calculations of ADSP, the amount to be allocated to the Class I, II, III, IV, V, and VI assets does not exceed their aggregate fair market value, no ADSP amount is allocated to goodwill. Accordingly, the deemed sale of the goodwill results in a capital loss of \$3,000. The portion of ADSP allocable to the Class V assets is finally determined by taking into account this loss as follows:

$$ADSP_V = (G - (I + II)) + L + T_R \times [(II - B_{II}) + (ADSP_V - B_V) + (ADSP_{VII} - B_{VII})]$$

$$ADSP_V = (\$140,000 - (\$10,000 + \$10,000)) + \$50,000 + .34 \times [(\$10,000 - \$4,000) + (ADSP_V - \$30,000) + (\$0 - \$3,000)]$$

$$ADSP_V = \$160,820 + .34ADSP_V$$

$$.66 ADSP_V = \$160,820$$

$$ADSP_V = \$243,666.67$$

(v) The allocation of ADSP_V among the Class V assets is in proportion to their fair market values, as follows:

| Asset | ADSP | Gain |
|-------------------|-------------|---|
| Land | \$34,113.33 | \$29,113.33 (capital gain). |
| Building | 48,733.34 | 38,733.34 (capital gain). |
| Equipment A | 87,720.00 | 82,720.00 (75,000 ordinary income 7,720 capital gain). |
| Equipment B | 73,100.00 | 63,100.00 (10,000 ordinary income 53,100 capital gain). |
| Totals | 243,666.67 | 213,666.67. |

Example 3. More than one class. (i) The facts are the same as in *Example 2*, except that P purchases the T stock for \$150,000, rather than \$140,000. The amount realized for the stock determined as if the selling shareholder(s) were required to use old target's ac-

counting methods and characteristics is also \$150,000.

(ii) As in *Example 2*, ADSP exceeds \$20,000. Thus, \$10,000 of ADSP is allocated to the cash and \$10,000 to the actively traded securities.

(iii) The portion of ADSP allocable to the Class V assets as preliminarily determined under the formula set forth in paragraph (ii) of *Example 2* is \$260,363.64. The amount allocated to the Class V assets cannot exceed their aggregate fair market value (\$250,000). Thus, preliminarily, the ADSP amount allocated to Class V assets is \$250,000.

(iv) Based on the preliminary allocation, the ADSP is determined as follows (in the formula, the amount allocated to the Class I assets is referred to as I, the amount allocated to the Class II assets as II, and the amount allocated to the Class V assets as V):

$$\begin{aligned} \text{ADSP} &= G + L + T_R \times [(II - B_{II}) + (V - B_V) \\ &\quad + (\text{ADSP} - (I + II + V + B_{VII}))] \\ \text{ADSP} &= \$150,000 + \$50,000 + .34 \times [(\$10,000 - \\ &\quad \$4,000) + (\$250,000 - \$30,000) + (\text{ADSP} - \\ &\quad (\$10,000 + \$10,000 + \$250,000 + \$3,000))] \\ \text{ADSP} &= \$200,000 + .34\text{ADSP} - \$15,980 \\ .66\text{ADSP} &= \$184,020 \\ \text{ADSP} &= \$278,818.18 \end{aligned}$$

(v) Because ADSP as determined exceeds the aggregate fair market value of the Class I, II, III, IV, V, and VI assets, the \$250,000 amount preliminarily allocated to the Class V assets is appropriate. Thus, the amount of ADSP allocated to Class V assets equals their aggregate fair market value (\$250,000), and the allocated ADSP amount for each Class V asset is its fair market value. Further, because there are no Class VI assets, the allocable ADSP amount for the Class VII asset (goodwill) is \$8,818.18 (the excess of ADSP over the aggregate ADSP amounts for the Class I, II, III, IV, V and VI assets).

Example 4. Amount allocated to T1 stock. (i) The facts are the same as in *Example 2*, except that T owns all of the T1 stock (instead of the building), and T1's only asset is the building. The T1 stock and the building each have a fair market value of \$50,000, and the building has a basis of \$10,000. A section 338 election is made for T1 (as well as T), and T1 has no liabilities other than the tax liability for the deemed sale tax consequences. T is the common parent of a consolidated group filing a final consolidated return described in § 1.338-10(a)(1).

(ii) ADSP exceeds \$20,000. Thus, \$10,000 of ADSP is allocated to the cash and \$10,000 to the actively traded securities.

(iii) Because T does not recognize any gain on the deemed sale of the T1 stock under paragraph (h)(2) of this section, appropriate adjustments must be made to reflect accurately the fair market value of the T and T1 assets in determining the allocation of ADSP among T's Class V assets (including the T1 stock). In preliminarily calculating ADSP_V in this case, the T1 stock can be disregarded and, because T owns all of the T1 stock, the T1 asset can be treated as a T asset. Under this assumption, ADSP_V is \$243,666.67. See paragraph (iv) of *Example 2*.

(iv) Because the portion of the preliminary ADSP allocable to Class V assets (\$243,666.67) does not exceed their fair market value (\$250,000), no amount is allocated to Class VII assets for T. Further, this amount (\$243,666.67) is allocated among T's Class V assets in proportion to their fair market values. See paragraph (v) of *Example 2*. Tentatively, \$48,733.34 of this amount is allocated to the T1 stock.

(v) The amount tentatively allocated to the T1 stock, however, reflects the tax incurred on the deemed sale of the T1 asset equal to \$13,169.34 (.34 × (\$48,733.34 - \$10,000)). Thus, the ADSP allocable to the Class V assets of T, and the ADSP allocable to the T1 stock, as preliminarily calculated, each must be reduced by \$13,169.34. Consequently, these amounts, respectively, are \$230,497.33 and \$35,564.00. In determining ADSP for T1, the grossed-up amount realized on the deemed sale to new T of new T's recently purchased T1 stock is \$35,564.00.

(vi) The facts are the same as in paragraph (i) of this *Example 4*, except that the T1 building has a \$12,500 basis and a \$62,500 value, all of the outstanding T1 stock has a \$62,500 value, and T owns 80 percent of the T1 stock. In preliminarily calculating ADSP_V , the T1 stock can be disregarded but, because T owns only 80 percent of the T1 stock, only 80 percent of T1 asset basis and value should be taken into account in calculating T's ADSP. By taking into account 80 percent of these amounts, the remaining calculations and results are the same as in paragraphs (ii), (iii), (iv), and (v) of this *Example 4*, except that the grossed-up amount realized on the sale of the recently purchased T1 stock is \$44,455.00 (\$35,564.00/0.8).

(h) *Deemed sale of target affiliate stock*—(1) *Scope.* This paragraph (h) prescribes rules relating to the treatment of gain or loss realized on the deemed sale of stock of a target affiliate when a section 338 election (but not a section 338(h)(10) election) is made for the target affiliate. For purposes of this paragraph (h), the definition of domestic corporation in § 1.338-2(c)(9) is applied without the exclusion therein for DISCs, corporations described in section 1248(e), and corporations to which an election under section 936 applies.

(2) *In general.* Except as otherwise provided in this paragraph (h), if a section 338 election is made for target, target recognizes no gain or loss on the deemed sale of stock of a target affiliate having the same acquisition date and for which a section 338 election is made if—

(i) Target directly owns stock in the target affiliate satisfying the requirements of section 1504(a)(2);

(ii) Target and the target affiliate are members of a consolidated group filing a final consolidated return described in § 1.338-10(a)(1); or

(iii) Target and the target affiliate file a combined return under § 1.338-10(a)(4).

(3) *Deemed sale of foreign target affiliate by a domestic target.* A domestic target recognizes gain or loss on the deemed sale of stock of a foreign target affiliate. For the proper treatment of such gain or loss, see, e.g., sections 1246, 1248, 1291 *et seq.*, and 338(h)(16) and § 1.338-9.

(4) *Deemed sale producing effectively connected income.* A foreign target recognizes gain or loss on the deemed sale of stock of a foreign target affiliate to the extent that such gain or loss is effectively connected (or treated as effectively connected) with the conduct of a trade or business in the United States.

(5) *Deemed sale of insurance company target affiliate electing under section 953(d).* A domestic target recognizes gain (but not loss) on the deemed sale of stock of a target affiliate that has in effect an election under section 953(d) in an amount equal to the lesser of the gain realized or the earnings and profits described in section 953(d)(4)(B).

(6) *Deemed sale of DISC target affiliate.* A foreign or domestic target recognizes gain (but not loss) on the deemed sale of stock of a target affiliate that is a DISC or a former DISC (as defined in section 992(a)) in an amount equal to the lesser of the gain realized or the amount of accumulated DISC income determined with respect to such stock under section 995(c). Such gain is included in gross income as a dividend as provided in sections 995(c)(2) and 996(g).

(7) *Anti-stuffing rule.* If an asset the adjusted basis of which exceeds its fair market value is contributed or transferred to a target affiliate as transferred basis property (within the meaning of section 7701(a)(43)) and a purpose of such transaction is to reduce the gain (or increase the loss) recognized on the deemed sale of such target affiliate's stock, the gain or loss recognized by target on the deemed sale of stock of the target affiliate is deter-

mined as if such asset had not been contributed or transferred.

(8) *Examples.* The following examples illustrate this paragraph (h):

Example 1. (i) P makes a qualified stock purchase of T and makes a section 338 election for T. T's sole asset, all of the T1 stock, has a basis of \$50 and a fair market value of \$150. T's deemed purchase of the T1 stock results in a qualified stock purchase of T1 and a section 338 election is made for T1. T1's assets have a basis of \$50 and a fair market value of \$150.

(ii) T realizes \$100 of gain on the deemed sale of the T1 stock, but the gain is not recognized because T directly owns stock in T1 satisfying the requirements of section 1504(a)(2) and a section 338 election is made for T1.

(iii) T1 recognizes gain of \$100 on the deemed sale of its assets.

Example 2. The facts are the same as in *Example 1*, except that P does not make a section 338 election for T1. Because a section 338 election is not made for T1, the \$100 gain realized by T on the deemed sale of the T1 stock is recognized.

Example 3. (i) P makes a qualified stock purchase of T and makes a section 338 election for T. T owns all of the stock of T1 and T2. T's deemed purchase of the T1 and T2 stock results in a qualified stock purchase of T1 and T2 and section 338 elections are made for T1 and T2. T1 and T2 each own 50 percent of the vote and value of T3 stock. The deemed purchases by T1 and T2 of the T3 stock result in a qualified stock purchase of T3 and a section 338 election is made for T3. T is the common parent of a consolidated group and all of the deemed asset sales are reported on the T group's final consolidated return. See § 1.338-10(a)(1).

(ii) Because T, T1, T2 and T3 are members of a consolidated group filing a final consolidated return, no gain or loss is recognized by T, T1 or T2 on their respective deemed sales of target affiliate stock.

Example 4. (i) T's sole asset, all of the FT1 stock, has a basis of \$25 and a fair market value of \$150. FT1's sole asset, all of the FT2 stock, has a basis of \$75 and a fair market value of \$150. FT1 and FT2 each have \$50 of accumulated earnings and profits for purposes of section 1248(c) and (d). FT2's assets have a basis of \$125 and a fair market value of \$150, and their sale would not generate subpart F income under section 951. The sale of the FT2 stock or assets would not generate income effectively connected with the conduct of a trade or business within the United States. FT1 does not have an election in effect under section 953(d) and neither FT1 nor FT2 is a passive foreign investment company.

(ii) P makes a qualified stock purchase of T and makes a section 338 election for T. T's

deemed purchase of the FT1 stock results in a qualified stock purchase of FT1 and a section 338 election is made for FT1. Similarly, FT1's deemed purchase of the FT2 stock results in a qualified stock purchase of FT2 and a section 338 election is made for FT2.

(iii) T recognizes \$125 of gain on the deemed sale of the FT1 stock under paragraph (h)(3) of this section. FT1 does not recognize \$75 of gain on the deemed sale of the FT2 stock under paragraph (h)(2) of this section. FT2 recognizes \$25 of gain on the deemed sale of its assets. The \$125 gain T recognizes on the deemed sale of the FT1 stock is included in T's income as a dividend under section 1248, because FT1 and FT2 have sufficient earnings and profits for full re-characterization (\$50 of accumulated earnings and profits in FT1, \$50 of accumulated earnings and profits in FT2, and \$25 of deemed sale earnings and profits in FT2). Section 1.338-9(b). For purposes of sections 901 through 908, the source and foreign tax credit limitation basket of \$25 of the re-characterized gain on the deemed sale of the FT1 stock is determined under section 338(h)(16).

[T.D. 8940, 66 FR 9929, Feb. 13, 2001; 66 FR 17466, Mar. 30, 2001]

§ 1.338-5 Adjusted grossed-up basis.

(a) *Scope.* This section provides rules under section 338(b) to determine the adjusted grossed-up basis (AGUB) for target. AGUB is the amount for which new target is deemed to have purchased all of its assets in the deemed purchase under section 338(a)(2). AGUB is allocated among target's assets in accordance with § 1.338-6 to determine the price at which the assets are deemed to have been purchased. When a subsequent increase or decrease with respect to an element of AGUB is required under general principles of tax law, redetermined AGUB is allocated among target's assets in accordance with § 1.338-7.

(b) *Determination of AGUB—(1) General rule.* AGUB is the sum of—

(i) The grossed-up basis in the purchasing corporation's recently purchased target stock;

(ii) The purchasing corporation's basis in nonrecently purchased target stock; and

(iii) The liabilities of new target.

(2) *Time and amount of AGUB—(i) Original determination.* AGUB is initially determined at the beginning of the day after the acquisition date of target. General principles of tax law

apply in determining the timing and amount of the elements of AGUB.

(ii) *Redetermination of AGUB.* AGUB is redetermined at such time and in such amount as an increase or decrease would be required, under general principles of tax law, with respect to an element of AGUB. For example, AGUB is redetermined because of an increase or decrease in the amount paid or incurred for recently purchased stock or nonrecently purchased stock or because liabilities not originally taken into account in determining AGUB are subsequently taken into account. An increase or decrease to one element of AGUB also may cause an increase or decrease to another element of AGUB. For example, if there is an increase in the amount paid or incurred for recently purchased stock after the acquisition date, any increase in the basis of nonrecently purchased stock because a gain recognition election was made is also taken into account when AGUB is redetermined. Increases or decreases with respect to the elements of AGUB result in the reallocation of AGUB among target's assets under § 1.338-7.

(iii) *Examples.* The following examples illustrate this paragraph (b)(2):

Example 1. In Year 1, T, a manufacturer, purchases a customized delivery truck from X with purchase money indebtedness having a stated principal amount of \$100,000. P acquires all of the stock of T in Year 3 for \$700,000 and makes a section 338 election for T. Assume T has no liabilities other than its purchase money indebtedness to X. In Year 4, when T is neither insolvent nor in a title 11 case, T and X agree to reduce the amount of the purchase money indebtedness to \$80,000. Assume that the reduction would be a purchase price reduction under section 108(e)(5). T and X's agreement to reduce the amount of the purchase money indebtedness would, under general principles of tax law that would apply if the deemed asset sale had actually occurred, change the amount of liabilities of old target taken into account in determining its basis. Accordingly, AGUB is redetermined at the time of the reduction. See paragraph (e)(2) of this section. Thus the purchase price reduction affects the basis of the truck only indirectly, through the mechanism of §§ 1.338-6 and 1.338-7. See § 1.338-4(b)(2)(iii) *Example* for the effect on ADSP.

Example 2. T, an accrual basis taxpayer, is a chemical manufacturer. In Year 1, T is obligated to remediate environmental contamination at the site of one of its plants. Assume that all the events have occurred that

establish the fact of the liability and the amount of the liability can be determined with reasonable accuracy but economic performance has not occurred with respect to the liability within the meaning of section 461(h). P acquires all of the stock of T in Year 1 and makes a section 338 election for T. Assume that, if a corporation unrelated to T had actually purchased T's assets and assumed T's obligation to remediate the contamination, the corporation would not satisfy the economic performance requirements until Year 5. Under section 461(h), the assumed liability would not be treated as incurred and taken into account in basis until that time. The incurrence of the liability in Year 5 under the economic performance rules is an increase in the amount of liabilities properly taken into account in basis and results in the redetermination of AGUB. (Respecting ADSP, compare § 1.461-4(d)(5), which provides that economic performance occurs for old T as the amount of the liability is properly taken into account in amount realized on the deemed asset sale. Thus ADSP is not redetermined when new T satisfies the economic performance requirements.)

(c) *Grossed-up basis of recently purchased stock.* The purchasing corporation's grossed-up basis of recently purchased target stock (as defined in section 338(b)(6)(A)) is an amount equal to—

(1) The purchasing corporation's basis in recently purchased target stock at the beginning of the day after the acquisition date determined without regard to the acquisition costs taken into account in paragraph (c)(3) of this section;

(2) Multiplied by a fraction, the numerator of which is 100 minus the number that is the percentage of target stock (by value, determined on the acquisition date) attributable to the purchasing corporation's nonrecently purchased target stock, and the denominator of which is the number equal to the percentage of target stock (by value, determined on the acquisition date) attributable to the purchasing corporation's recently purchased target stock;

(3) Plus the acquisition costs the purchasing corporation incurred in connection with its purchase of the recently purchased stock that are capitalized in the basis of such stock (e.g., brokerage commissions and any similar costs incurred by the purchasing corporation to acquire the stock).

(d) *Basis of nonrecently purchased stock; gain recognition election—*(1) *No gain recognition election.* In the absence of a gain recognition election under section 338(b)(3) and this section, the purchasing corporation retains its basis in the nonrecently purchased stock.

(2) *Procedure for making gain recognition election.* A gain recognition election may be made for nonrecently purchased stock of target (or a target affiliate) only if a section 338 election is made for target (or the target affiliate). The gain recognition election is made by attaching a gain recognition statement to a timely filed Form 8023 for target. The gain recognition statement must contain the information specified in the form and its instructions. The gain recognition election is irrevocable. If a section 338(h)(10) election is made for target, see § 1.338(h)(10)-1(d)(1) (providing that the purchasing corporation is automatically deemed to have made a gain recognition election for its nonrecently purchased T stock).

(3) *Effect of gain recognition election—*(i) *In general.* If the purchasing corporation makes a gain recognition election, then for all purposes of the Internal Revenue Code—

(A) The purchasing corporation is treated as if it sold on the acquisition date the nonrecently purchased target stock for the basis amount determined under paragraph (d)(3)(ii) of this section; and

(B) The purchasing corporation's basis on the acquisition date in nonrecently purchased target stock immediately following the deemed sale in paragraph (d)(3)(i)(A) of this section is the basis amount.

(ii) *Basis amount.* The basis amount is equal to the amount in paragraphs (c)(1) and (2) of this section (the purchasing corporation's grossed-up basis in recently purchased target stock at the beginning of the day after the acquisition date determined without regard to the acquisition costs taken into account in paragraph (c)(3) of this section) multiplied by a fraction the numerator of which is the percentage of target stock (by value, determined on the acquisition date) attributable to

the purchasing corporation's non-recently purchased target stock and the denominator of which is 100 percent minus the numerator amount. Thus, if target has a single class of outstanding stock, the purchasing corporation's basis in each share of nonrecently purchased target stock after the gain recognition election is equal to the average price per share of the purchasing corporation's recently purchased target stock.

(iii) *Losses not recognized.* Only gains (unreduced by losses) on the non-recently purchased target stock are recognized.

(iv) *Stock subject to election.* The gain recognition election applies to—

(A) All nonrecently purchased target stock; and

(B) Any nonrecently purchased stock in a target affiliate having the same acquisition date as target if such target affiliate stock is held by the purchasing corporation on such date.

(e) *Liabilities of new target—(1) In general.* The liabilities of new target are the liabilities of target as of the beginning of the day after the acquisition date (but see § 1.338-1(d) (regarding certain transactions on the acquisition date)). In order to be taken into account in AGUB, a liability must be a liability of target that is properly taken into account in basis under general principles of tax law that would apply if new target had acquired its assets from an unrelated person for consideration that included discharge of the liabilities of that unrelated person. Such liabilities may include liabilities for the tax consequences resulting from the deemed sale.

(2) *Time and amount of liabilities.* The time for taking into account liabilities of old target in determining AGUB and the amount of the liabilities taken into account is determined as if new target had acquired its assets from an unrelated person for consideration that included the discharge of its liabilities.

(3) *Interaction with deemed sale tax consequences.* In general, see § 1.338-4(e). Although ADSP and AGUB are not necessarily linked, if an increase in the amount realized for recently purchased stock of target is taken into account after the acquisition date, and if the tax on the deemed sale tax con-

sequences is a liability of target, any increase in that liability is also taken into account in redetermining AGUB.

(f) *Adjustments by the Internal Revenue Service.* In connection with the examination of a return, the Commissioner may increase (or decrease) AGUB under the authority of section 338(b)(2) and allocate such amounts to target's assets under the authority of section 338(b)(5) so that AGUB and the basis of target's assets properly reflect the cost to the purchasing corporation of its interest in target's assets. Such items may include distributions from target to the purchasing corporation, capital contributions from the purchasing corporation to target during the 12-month acquisition period, or acquisitions of target stock by the purchasing corporation after the acquisition date from minority shareholders. See also § 1.338-1(d) (regarding certain transactions on the acquisition date).

(g) *Examples.* The following examples illustrate this section. For purposes of the examples in this paragraph (g), T has no liabilities other than the tax liability for the deemed sale tax consequences, T shareholders incur no costs in selling the T stock, and P incurs no costs in acquiring the T stock. The examples are as follows:

Example 1. (i) Before July 1 of Year 1, P purchases 10 of the 100 shares of T stock for \$5,000. On July 1 of Year 2, P purchases 80 shares of T stock for \$60,000 and makes a section 338 election for T. As of July 1 of Year 2, T's only asset is raw land with an adjusted basis to T of \$50,400 and a fair market value of \$100,000. T has no loss or tax credit carryovers to Year 2. T's marginal tax rate for any ordinary income or net capital gain resulting from the deemed asset sale is 34 percent. The 10 shares purchased before July 1 of Year 1 constitute nonrecently purchased T stock with respect to P's qualified stock purchase of T stock on July 1 of Year 2.

(ii) The ADSP formula as applied to these facts is the same as in § 1.338-4(g) *Example 1*. Accordingly, the ADSP for T is \$87,672.72. The existence of nonrecently purchased T stock is irrelevant for purposes of the ADSP formula, because that formula treats P's nonrecently purchased T stock in the same manner as T stock not held by P.

(iii) The total tax liability resulting from T's deemed asset sale, as calculated under the ADSP formula, is \$12,672.72.

(iv) If P does not make a gain recognition election, the AGUB of new T's assets is

\$85,172.72, determined as follows (In the following formula below, GRP is the grossed-up basis in P's recently purchased T stock, BNP is P's basis in nonrecently purchased T stock, L is T's liabilities, and X is P's acquisition costs for the recently purchased T stock):

$$\begin{aligned} \text{AGUB} &= \text{GRP} + \text{BNP} + \text{L} + \text{X} \\ \text{AGUB} &= \$60,000 \times [(1 - .1)/.8] + \$5,000 + \\ &\quad \$12,672.72 + 0 \\ \text{AGUB} &= \$85,172.72 \end{aligned}$$

(v) If P makes a gain recognition election, the AGUB of new T's assets is \$87,672.72, determined as follows:

$$\begin{aligned} \text{AGUB} &= \$60,000 \times [(1 - .1)/.8] + \$60,000 \times [(1 - \\ &\quad .1)/.8] \times [.1/(1 - .1)] + \$12,672.72 \\ \text{AGUB} &= \$87,672.72 \end{aligned}$$

(vi) The calculation of AGUB if P makes a gain recognition election may be simplified as follows:

$$\begin{aligned} \text{AGUB} &= \$60,000/.8 + \$12,672.72 \\ \text{AGUB} &= \$87,672.72 \end{aligned}$$

(vii) As a result of the gain recognition election, P's basis in its nonrecently purchased T stock is increased from \$5,000 to \$7,500 (i.e., $\$60,000 \times [(1 - .1)/.8] \times [.1/(1 - .1)]$). Thus, P recognizes a gain in Year 2 with respect to its nonrecently purchased T stock of \$2,500 (i.e., $\$7,500 - \$5,000$).

Example 2. On January 1 of Year 1, P purchases one-third of the T stock. On March 1 of Year 1, T distributes a dividend to all of its shareholders. On April 15 of Year 1, P purchases the remaining T stock and makes a section 338 election for T. In appropriate circumstances, the Commissioner may decrease the AGUB of T to take into account the payment of the dividend and properly reflect the fair market value of T's assets deemed purchased.

Example 3. (i) T's sole asset is a building worth \$100,000. At this time, T has 100 shares of stock outstanding. On August 1 of Year 1, P purchases 10 of the 100 shares of T stock for \$8,000. On June 1 of Year 2, P purchases 50 shares of T stock for \$50,000. On June 15 of Year 2, P contributes a tract of land to the capital of T and receives 10 additional shares of T stock as a result of the contribution. Both the basis and fair market value of the land at that time are \$10,800. On June 30 of Year 2, P purchases the remaining 40 shares of T stock for \$40,000 and makes a section 338 election for T. The AGUB of T is \$108,800.

(ii) To prevent the shifting of basis from the contributed property to other assets of T, the Commissioner may allocate \$10,800 of the AGUB to the land, leaving \$98,000 to be allocated to the building. See paragraph (f) of this section. Otherwise, applying the allocation rules of § 1.338-6 would, on these facts, result in an allocation to the recently contributed land of an amount less than its value of \$10,800, with the difference being allocated to the building already held by T.

(h) *Effective/applicability date.* Paragraph (d)(3)(ii) of this section is applicable to any qualified stock purchase or qualified stock disposition (as defined in § 1.336-1(b)(6)) for which the acquisition date or disposition date (as defined in § 1.336-1(b)(8)), respectively, is on or after May 15, 2013.

[T.D. 8940, 66 FR 9929, Feb. 13, 2001, as amended by T.D. 9619, 78 FR 28489, May 15, 2013]

§ 1.338-6 Allocation of ADSP and AGUB among target assets.

(a) *Scope—(1) In general.* This section prescribes rules for allocating ADSP and AGUB among the acquisition date assets of a target for which a section 338 election is made.

(2) *Fair market value—(i) In general.* Generally, the fair market value of an asset is its gross fair market value (i.e., fair market value determined without regard to mortgages, liens, pledges, or other liabilities). However, for purposes of determining the amount of old target's deemed sale tax consequences, the fair market value of any property subject to a nonrecourse indebtedness will be treated as being not less than the amount of such indebtedness. (For purposes of the preceding sentence, a liability that was incurred because of the acquisition of the property is disregarded to the extent that such liability was not taken into account in determining old target's basis in such property.)

(ii) *Transaction costs.* Transaction costs are not taken into account in allocating ADSP or AGUB to assets in the deemed sale (except indirectly through their effect on the total ADSP or AGUB to be allocated).

(iii) *Internal Revenue Service authority.* In connection with the examination of a return, the Internal Revenue Service may challenge the taxpayer's determination of the fair market value of any asset by any appropriate method and take into account all factors, including any lack of adverse tax interests between the parties.

(b) *General rule for allocating ADSP and AGUB—(1) Reduction in the amount of consideration for Class I assets.* Both ADSP and AGUB, in the respective allocation of each, are first reduced by

the amount of Class I assets. Class I assets are cash and general deposit accounts (including savings and checking accounts) other than certificates of deposit held in banks, savings and loan associations, and other depository institutions. If the amount of Class I assets exceeds AGUB, new target will immediately realize ordinary income in an amount equal to such excess. The amount of ADSP or AGUB remaining after the reduction is to be allocated to the remaining acquisition date assets.

(2) *Other assets*—(i) *In general.* Subject to the limitations and other rules of paragraph (c) of this section, ADSP and AGUB (as reduced by the amount of Class I assets) are allocated among Class II acquisition date assets of target in proportion to the fair market values of such Class II assets at such time, then among Class III assets so held in such proportion, then among Class IV assets so held in such proportion, then among Class V assets so held in such proportion, then among Class VI assets so held in such proportion, and finally to Class VII assets. If an asset is described below as includible in more than one class, then it is included in such class with the lower or lowest class number (for instance, Class III has a lower class number than Class IV).

(ii) *Class II assets.* Class II assets are actively traded personal property within the meaning of section 1092(d)(1) and §1.1092(d)-1 (determined without regard to section 1092(d)(3)). In addition, Class II assets include certificates of deposit and foreign currency even if they are not actively traded personal property. Class II assets do not include stock of target affiliates, whether or not of a class that is actively traded, other than actively traded stock described in section 1504(a)(4). Examples of Class II assets include U.S. government securities and publicly traded stock.

(iii) *Class III assets.* Class III assets are assets that the taxpayer marks to market at least annually for Federal income tax purposes and debt instruments (including accounts receivable). However, Class III assets do not include—

(A) Debt instruments issued by persons related at the beginning of the

day following the acquisition date to the target under section 267(b) or 707;

(B) Contingent debt instruments subject to §1.1275-4, §1.483-4, or section 988, unless the instrument is subject to the non-contingent bond method of §1.1275-4(b) or is described in §1.988-2(b)(2)(i)(B)(2); and

(C) Debt instruments convertible into the stock of the issuer or other property.

(iv) *Class IV assets.* Class IV assets are stock in trade of the taxpayer or other property of a kind that would properly be included in the inventory of taxpayer if on hand at the close of the taxable year, or property held by the taxpayer primarily for sale to customers in the ordinary course of its trade or business.

(v) *Class V assets.* Class V assets are all assets other than Class I, II, III, IV, VI, and VII assets.

(vi) *Class VI assets.* Class VI assets are all section 197 intangibles, as defined in section 197, except goodwill and going concern value.

(vii) *Class VII assets.* Class VII assets are goodwill and going concern value (whether or not the goodwill or going concern value qualifies as a section 197 intangible).

(3) *Other items designated by the Internal Revenue Service.* Similar items may be added to any class described in this paragraph (b) by designation in the Internal Revenue Bulletin by the Internal Revenue Service (see §601.601(d)(2) of this chapter).

(c) *Certain limitations and other rules for allocation to an asset*—(1) *Allocation not to exceed fair market value.* The amount of ADSP or AGUB allocated to an asset (other than Class VII assets) cannot exceed the fair market value of that asset at the beginning of the day after the acquisition date.

(2) *Allocation subject to other rules.* The amount of ADSP or AGUB allocated to an asset is subject to other provisions of the Internal Revenue Code or general principles of tax law in the same manner as if such asset were transferred to or acquired from an unrelated person in a sale or exchange. For example, if the deemed asset sale is a transaction described in section 1056(a) (relating to basis limitation for

player contracts transferred in connection with the sale of a franchise), the amount of AGUB allocated to a contract for the services of an athlete cannot exceed the limitation imposed by that section. As another example, section 197(f)(5) applies in determining the amount of AGUB allocated to an amortizable section 197 intangible resulting from an assumption-reinsurance transaction.

(3) *Special rule for allocating AGUB when purchasing corporation has non-recently purchased stock*—(i) *Scope*. This paragraph (c)(3) applies if at the beginning of the day after the acquisition date—

(A) The purchasing corporation holds nonrecently purchased stock for which a gain recognition election under section 338(b)(3) and §1.338-5(d) is not made; and

(B) The hypothetical purchase price determined under paragraph (c)(3)(ii) of this section exceeds the AGUB determined under §1.338-5(b).

(ii) *Determination of hypothetical purchase price*. Hypothetical purchase price is the AGUB that would result if a gain recognition election were made.

(iii) *Allocation of AGUB*. Subject to the limitations in paragraphs (c)(1) and (2) of this section, the portion of AGUB (after reduction by the amount of Class I assets) to be allocated to each Class II, III, IV, V, VI, and VII asset of target held at the beginning of the day after the acquisition date is determined by multiplying—

(A) The amount that would be allocated to such asset under the general rules of this section were AGUB equal to the hypothetical purchase price; by

(B) A fraction, the numerator of which is actual AGUB (after reduction by the amount of Class I assets) and the denominator of which is the hypothetical purchase price (after reduction by the amount of Class I assets).

(4) *Liabilities taken into account in determining amount realized on subsequent disposition*. In determining the amount realized on a subsequent sale or other disposition of property deemed purchased by new target, §1.1001-2(a)(3) shall not apply to any liability that was taken into account in AGUB.

(5) *Allocation to certain nuclear decommissioning funds*—(i) *General rule*. For

purposes of allocating ADSP or AGUB among the acquisition date assets of a target (and for no other purpose), a taxpayer may elect to treat a non-qualified nuclear decommissioning fund (as defined in paragraph (c)(5)(ii) of this section) of the target as if—

(A) Such fund were an entity classified as a corporation;

(B) The stock of the corporation were among the acquisition date assets of the target and a Class V asset;

(C) The corporation owned the assets of the fund;

(D) The corporation bore the responsibility for decommissioning one or more nuclear power plants to the extent assets of the fund are expected to be used for that purpose; and

(E) A section 338(h)(10) election were made for the corporation (regardless of whether the requirements for a section 338(h)(10) election are otherwise satisfied).

(ii) *Definition of nonqualified nuclear decommissioning fund*. A *nonqualified nuclear decommissioning fund* means a trust, escrow account, Government fund or other type of agreement—

(A) That is established in writing by the owner or licensee of a nuclear generating unit for the exclusive purpose of funding the decommissioning of one or more nuclear power plants;

(B) That is described to the Nuclear Regulatory Commission in a report described in 10 CFR 50.75(b) as providing assurance that funds will be available for decommissioning;

(C) That is not a Nuclear Decommissioning Reserve Fund, as described in section 468A;

(D) That is maintained at all times in the United States; and

(E) The assets of which are to be used only as permitted by 10 CFR 50.82(a)(8).

(iii) *Availability of election*. P may make the election described in this paragraph (c)(5) regardless of whether the selling consolidated group (or the selling affiliate or the S corporation shareholders) also makes the election. In addition, the selling consolidated group (or the selling affiliate or the S corporation shareholders) may make the election regardless of whether P also makes the election. If T is an S corporation, all of the S corporation shareholders, including those that do

§ 1.338-6

26 CFR Ch. I (4-1-21 Edition)

not sell their stock, must consent to the election for the election to be effective as to any S corporation shareholder.

(iv) *Time and manner of making election.* The election described in this paragraph (c)(5) is made by taking a position on an original or amended tax return for the taxable year of the qualified stock purchase that is consistent with having made the election. Such tax return must be filed no later than the later of 30 days after the date on which the section 338 election is due or the day the original tax return for the taxable year of the qualified stock purchase is due (with extensions).

(v) *Irrevocability of election.* An election made pursuant to this paragraph (c)(5) is irrevocable.

(vi) *Effective/applicability date.* This paragraph (c)(5) applies to qualified stock purchases occurring on or after September 11, 2007. For qualified stock purchases occurring before September 11, 2007 and on or after September 15, 2004, see § 1.338-6T as contained in 26 CFR part 1 in effect on April 1, 2007. For qualified stock purchases occurring before September 15, 2004, see § 1.338-6 as contained in 26 CFR part 1 in effect on April 1, 2004.

(d) *Examples.* The following examples illustrate §§ 1.338-4, 1.338-5, and this section:

Example 1. (i) T owns 90 percent of the outstanding T1 stock. P purchases 100 percent of the outstanding T stock for \$2,000. There are no acquisition costs. P makes a section 338 election for T and, as a result, T1 is considered acquired in a qualified stock purchase. A section 338 election is made for T1. The grossed-up basis of the T stock is \$2,000 (i.e., \$2,000 + 1/1).

(ii) The liabilities of T as of the beginning of the day after the acquisition date (including the tax liability for the deemed sale tax consequences) that would, under general principles of tax law, properly be taken into account at that time, are as follows:

| | |
|---|--------------|
| Liabilities (nonrecourse mortgage plus unsecured liabilities) | \$700 |
| Taxes Payable | 300 |
| Total | 1,000 |

(iii) The AGUB of T is determined as follows:

| | |
|-------------------------|--------------|
| Grossed-up basis | \$2,000 |
| Total liabilities | 1,000 |
| AGUB | 3,000 |

(iv) Assume that ADSP is also \$3,000.

(v) Assume that, at the beginning of the day after the acquisition date, T's cash and the fair market values of T's Class II, III, IV, and V assets are as follows:

| Asset class | Asset | Fair market value |
|-------------|---|-------------------|
| I | Cash | *\$200 |
| II | Portfolio of actively traded securities | 300 |
| III | Accounts receivable | 600 |
| IV | Inventory | 300 |
| V | Building | 800 |
| V | Land | 200 |
| V | Investment in T1 | 450 |
| | Total | 2,850 |

*Amount.

(vi) Under paragraph (b)(1) of this section, the amount of ADSP and AGUB allocable to T's Class II, III, IV, and V assets is reduced by the amount of cash to \$2,800, i.e., \$3,000—\$200. \$300 of ADSP and of AGUB is then allocated to actively traded securities. \$600 of ADSP and of AGUB is then allocated to accounts receivable. \$300 of ADSP and of AGUB is then allocated to the inventory. Since the remaining amount of ADSP and of AGUB is \$1,600 (i.e., \$3,000—(\$200 + \$300 + \$600 + \$300)), an amount which exceeds the sum of the fair market values of T's Class V assets, the amount of ADSP and of AGUB allocated to each Class V asset is its fair market value:

| | |
|------------------------|--------------|
| Building | \$800 |
| Land | 200 |
| Investment in T1 | 450 |
| Total | 1,450 |

(vii) T has no Class VI assets. The amount of ADSP and of AGUB allocated to T's Class VII assets (goodwill and going concern value) is \$150, i.e., \$1,600—\$1,450.

(viii) The grossed-up basis of the T1 stock is \$500, i.e., \$450 × 1/.9.

(ix) The liabilities of T1 as of the beginning of the day after the acquisition date (including the tax liability for the deemed sale tax consequences) that would, under general principles of tax law, properly be taken into account at that time, are as follows:

| | |
|---------------------------|------------|
| General Liabilities | \$100 |
| Taxes Payable | 20 |
| Total | 120 |

(x) The AGUB of T1 is determined as follows:

| | |
|------------------------------------|------------|
| Grossed-up basis of T1 Stock | \$ 500 |
| Liabilities | 120 |
| AGUB | 620 |

(xi) Assume that ADSP is also \$620.

(xii) Assume that at the beginning of the day after the acquisition date, T1's cash and the fair market values of its Class IV and VI assets are as follows:

| Asset class | Asset | Fair market value |
|-------------|-----------------|-------------------|
| I | Cash | *\$50 |
| IV | Inventory | 200 |
| VI | Patent | 350 |
| | Total | 600 |

* Amount.

(xiii) The amount of ADSP and of AGUB allocable to T1's Class IV and VI assets is first reduced by the \$50 of cash.

(xiv) Because the remaining amount of ADSP and of AGUB (\$570) is an amount which exceeds the fair market value of T1's only Class IV asset, the inventory, the amount allocated to the inventory is its fair market value (\$200). After that, the remaining amount of ADSP and of AGUB (\$370) exceeds the fair market value of T1's only Class VI asset, the patent. Thus, the amount of ADSP and of AGUB allocated to the patent is its fair market value (\$350).

(xv) The amount of ADSP and of AGUB allocated to T1's Class VII assets (goodwill and going concern value) is \$20, i.e., \$570-\$550.

Example 2. (i) Assume that the facts are the same as in *Example 1* except that P has, for five years, owned 20 percent of T's stock, which has a basis in P's hands at the beginning of the day after the acquisition date of \$100, and P purchases the remaining 80 percent of T's stock for \$1,600. P does not make a gain recognition election under section 338(b)(3).

(ii) Under § 1.338-5(c), the grossed-up basis of recently purchased T stock is \$1,600, i.e., $\$1,600 \times (1 - .2) / .8$.

(iii) The AGUB of T is determined as follows:

| | |
|--|---------|
| Grossed-up basis of recently purchased stock as determined under § 1.338-5(c) $(\$1,600 \times (1 - .2) / .8)$ | \$1,600 |
| Basis of nonrecently purchased stock | 100 |
| Liabilities | 1,000 |
| AGUB | 2,700 |

(iv) Since P holds nonrecently purchased stock, the hypothetical purchase price of the T stock must be computed and is determined as follows:

| | |
|---|---------|
| Grossed-up basis of recently purchased stock as determined under § 1.338-5(c) $(\$1,600 \times (1 - .2) / .8)$ | \$1,600 |
| Basis of nonrecently purchased stock as if the gain recognition election under § 1.338-5(d)(2) had been made $(\$1,600 \times .2 / (1 - .2))$ | 400 |
| Liabilities | 1,000 |
| Total | 3,000 |

(v) Since the hypothetical purchase price (\$3,000) exceeds the AGUB (\$2,700) and no gain recognition election is made under section 338(b)(3), AGUB is allocated under paragraph (c)(3) of this section.

(vi) First, an AGUB amount equal to the hypothetical purchase price (\$3,000) is allo-

cated among the assets under the general rules of this section. The allocation is set forth in the column below entitled *Original Allocation*. Next, the allocation to each asset in Class II through Class VII is multiplied by a fraction having a numerator equal to the actual AGUB reduced by the amount of Class I assets $(\$2,700 - \$200 = \$2,500)$ and a denominator equal to the hypothetical purchase price reduced by the amount of Class I assets $(\$3,000 - \$200 = \$2,800)$, or $2,500/2,800$. This produces the *Final Allocation*:

| Class | Asset | Original allocation | Final allocation |
|-----------|---|---------------------|------------------|
| I | Cash | \$200 | \$200 |
| II | Portfolio of actively traded securities | 300 | *268 |
| III | Accounts receivable ... | 600 | 536 |
| IV | Inventory | 300 | 268 |
| V | Building | 800 | 714 |
| V | Land | 200 | 178 |
| V | Investment in T1 | 450 | 402 |
| VII | Goodwill and going concern value | 150 | 134 |
| | Total | 3,000 | 2,700 |

* All numbers rounded for convenience.

[T.D. 8940, 66 FR 9929, Feb. 13, 2001; 66 FR 17363, Mar. 30, 2001; T.D. 9158, 69 FR 55742, Sept. 16, 2004; T.D. 9358, 72 FR 51706, Sept. 11, 2007]

§ 1.338-7 Allocation of redetermined ADSP and AGUB among target assets.

(a) *Scope.* ADSP and AGUB are redetermined at such time and in such amount as an increase or decrease would be required under general principles of tax law for the elements of ADSP or AGUB. This section provides rules for allocating redetermined ADSP or AGUB.

(b) *Allocation of redetermined ADSP and AGUB.* When ADSP or AGUB is redetermined, a new allocation of ADSP or AGUB is made by allocating the redetermined ADSP or AGUB amount under the rules of § 1.338-6. If the allocation of the redetermined ADSP or AGUB amount under § 1.338-6 to a given asset is different from the original allocation to it, the difference is added to or subtracted from the original allocation to the asset, as appropriate. (See paragraph (d) of this section for new target's treatment of the amount so allocated.) Amounts allocable to an acquisition date asset (or with respect to a disposed-of acquisition date asset) are subject to all the asset allocation rules (for example, the fair market

value limitation in § 1.338-6(c)(1)) as if the redetermined ADSP or AGUB were the ADSP or AGUB on the acquisition date.

(c) *Special rules for ADSP*—(1) *Increases or decreases in deemed sale tax consequences taxable notwithstanding old target ceases to exist.* To the extent general principles of tax law would require a seller in an actual asset sale to account for events relating to the sale that occur after the sale date, target must make such an accounting. Target is not precluded from realizing additional deemed sale tax consequences because the target is treated as a new corporation after the acquisition date.

(2) *Procedure for transactions in which section 338(h)(10) is not elected*—(i) *Deemed sale tax consequences included in new target's return.* If an election under section 338(h)(10) is not made, any additional deemed sale tax consequences of old target resulting from an increase or decrease in the ADSP are included in new target's income tax return for new target's taxable year in which the increase or decrease is taken into account. For example, if after the acquisition date there is an increase in the allocable ADSP of section 1245 property for which the recomputed basis (but not the adjusted basis) exceeds the portion of the ADSP allocable to that particular asset on the acquisition date, the additional gain is treated as ordinary income to the extent it does not exceed such excess amount. See paragraph (c)(2)(ii) of this section for the special treatment of old target's carryovers and carrybacks. Although included in new target's income tax return, the deemed sale tax consequences are separately accounted for as an item of old target and may not be offset by income, gain, deduction, loss, credit, or other amount of new target. The amount of tax on income of old target resulting from an increase or decrease in the ADSP is determined as if such deemed sale tax consequences had been recognized in old target's taxable year ending at the close of the acquisition date. However, because the income resulting from the increase or decrease in ADSP is reportable in new target's taxable year of the increase or decrease, not in old target's taxable year ending at the close of the acquisition date,

there is not a resulting underpayment of tax in that past taxable year of old target for purposes of calculation of interest due.

(ii) *Carryovers and carrybacks*—(A) *Loss carryovers to new target taxable years.* A net operating loss or net capital loss of old target may be carried forward to a taxable year of new target, under the principles of section 172 or 1212, as applicable, but is allowed as a deduction only to the extent of any recognized income of old target for such taxable year, as described in paragraph (c)(2)(i) of this section. For this purpose, however, taxable years of new target are not taken into account in applying the limitations in section 172(b)(1) or 1212(a)(1)(B) (or other similar limitations). In applying sections 172(b) and 1212(a)(1), only income, gain, loss, deduction, credit, and other amounts of old target are taken into account. Thus, if old target has an unexpired net operating loss at the close of its taxable year in which the deemed asset sale occurred that could be carried forward to a subsequent taxable year, such loss may be carried forward until it is absorbed by old target's income.

(B) *Loss carrybacks to taxable years of old target.* An ordinary loss or capital loss accounted for as a separate item of old target under paragraph (c)(2)(i) of this section may be carried back to a taxable year of old target under the principles of section 172 or 1212, as applicable. For this purpose, taxable years of new target are not taken into account in applying the limitations in section 172(b) or 1212(a) (or other similar limitations).

(C) *Credit carryovers and carrybacks.* The principles described in paragraphs (c)(2)(ii)(A) and (B) of this section apply to carryovers and carrybacks of amounts for purposes of determining the amount of a credit allowable under part IV, subchapter A, chapter 1 of the Internal Revenue Code. Thus, for example, credit carryovers of old target may offset only income tax attributable to items described in paragraph (c)(2)(i) of this section.

(3) *Procedure for transactions in which section 338(h)(10) is elected.* If an election under section 338(h)(10) is made, any

changes in the deemed sale tax consequences caused by an increase or decrease in the ADSP are accounted for in determining the taxable income (or other amount) of the member of the selling consolidated group, the selling affiliate, or the S corporation shareholders to which such income, loss, or other amount is attributable for the taxable year in which such increase or decrease is taken into account.

(d) *Special rules for AGUB*—(1) *Effect of disposition or depreciation of acquisition date assets.* If an acquisition date asset has been disposed of, depreciated, amortized, or depleted by new target before an amount is added to the original allocation to the asset, the increased amount otherwise allocable to such asset is taken into account under general principles of tax law that apply when part of the cost of an asset not previously taken into account in basis is paid or incurred after the asset has been disposed of, depreciated, amortized, or depleted. A similar rule applies when an amount is subtracted from the original allocation to the asset. For purposes of the preceding sentence, an asset is considered to have been disposed of to the extent that its allocable portion of the decrease in AGUB would reduce its basis below zero.

(2) *Section 38 property.* Section 1.47-2(c) applies to a reduction in basis of section 38 property under this section.

(e) *Examples.* The following examples illustrate this section. Any amount described in the following examples is exclusive of interest. For rules characterizing deferred contingent payments as principal or interest, see §§1.483-4, 1.1274-2(g), and 1.1275-4(c). The examples are as follows:

Example 1. (i)(A) T's assets other than goodwill and going concern value, and their fair market values at the beginning of the day after the acquisition date, are as follows:

| Asset class | Asset | Fair market value |
|-------------|---------------------------------|-------------------|
| V | Building | \$ 100 |
| V | Stock of X (not a target) | 200 |
| | Total | 300 |

(B) T has no liabilities other than a contingent liability that would not be taken into account under general principles of tax law

in an asset sale between unrelated parties when the buyer assumed the liability or took property subject to it.

(ii)(A) On September 1, 2000, P purchases all of the outstanding stock of T for \$270 and makes a section 338 election for T. The grossed-up basis of the T stock and T's AGUB are both \$270. The AGUB is ratably allocated among T's Class V assets in proportion to their fair market values as follows:

| Asset | Basis |
|----------------------------------|-------|
| Building (\$270 × 100/300) | \$90 |
| Stock (\$270 × 200/300) | 180 |
| Total | 270 |

(B) No amount is allocated to the Class VII assets. New T is a calendar year taxpayer. Assume that the X stock is a capital asset in the hands of new T.

(iii) On January 1, 2001, new T sells the X stock and uses the proceeds to purchase inventory.

(iv) Pursuant to events on June 30, 2002, the contingent liability of old T is at that time properly taken into account under general principles of tax law. The amount of the liability is \$60.

(v) T's AGUB increases by \$60 from \$270 to \$330. This \$60 increase in AGUB is first allocated among T's acquisition date assets in accordance with the provisions of §1.338-6. Because the redetermined AGUB for T (\$330) exceeds the sum of the fair market values at the beginning of the day after the acquisition date of the Class V acquisition date assets (\$300), AGUB allocated to those assets is limited to those fair market values under §1.338-6(c)(1). As there are no Class VI assets, the remaining AGUB of \$30 is allocated to goodwill and going concern value (Class VII assets). The amount of increase in AGUB allocated to each acquisition date asset is determined as follows:

| Asset | Original AGUB | Redetermined AGUB | Increase |
|--|---------------|-------------------|----------|
| Building | \$90 | \$100 | \$10 |
| X Stock | 180 | 200 | 20 |
| Goodwill and going concern value | 0 | 30 | 30 |
| Total | 270 | 330 | 60 |

(vi) Since the X stock was disposed of before the contingent liability was properly taken into account for tax purposes, no amount of the increase in AGUB attributable to such stock may be allocated to any T asset. Rather, such amount (\$20) is allowed as a capital loss to T for the taxable year 2002 under the principles of *Arrowsmith v. Commissioner*, 344 U.S. 6 (1952). In addition, the \$10 increase in AGUB allocated to the

§ 1.338-7

26 CFR Ch. I (4-1-21 Edition)

building and the \$30 increase in AGUB allocated to the goodwill and going concern value are treated as basis redeterminations in 2002. See paragraph (d)(1) of this section.

Example 2. (i) On January 1, 2002, P purchases all of the outstanding stock of T and makes a section 338 election for T. Assume that ADSP and AGUB of T are both \$500 and are allocated among T's acquisition date assets as follows:

| Asset Class | Asset | Basis |
|-------------|--|-------|
| V | Machinery | \$150 |
| V | Land | 250 |
| VII | Goodwill and going concern value | 100 |
| | Total | 500 |

(ii) On September 30, 2004, P filed a claim against the selling shareholders of T in a court of appropriate jurisdiction alleging fraud in the sale of the T stock.

(iii) On January 1, 2007, the former shareholders refund \$140 of the purchase price to P in a settlement of the lawsuit. Assume that, under general principles of tax law, both the seller and the buyer properly take into account such refund when paid. Assume also that the refund has no effect on the tax liability for the deemed sale tax consequences. This refund results in a decrease of T's ADSP and AGUB of \$140, from \$500 to \$360.

(iv) The redetermined ADSP and AGUB of \$360 is allocated among T's acquisition date assets. Because ADSP and AGUB do not exceed the fair market value of the Class V assets, the ADSP and AGUB amounts are allocated to the Class V assets in proportion to their fair market values at the beginning of the day after the acquisition date. Thus, \$135 ($\$150 \times (\$360/(\$150 + \$250))$) is allocated to the machinery and \$225 ($\$250 \times (\$360/(\$150 + \$250))$) is allocated to the land. Accordingly, the basis of the machinery is reduced by \$15 (\$150 original allocation—\$135 redetermined allocation) and the basis of the land is reduced by \$25 (\$250 original allocation—\$225 redetermined allocation). No amount is allocated to the Class VII assets. Accordingly, the basis of the goodwill and going concern value is reduced by \$100 (\$100 original allocation—\$0 redetermined allocation).

(v) Assume that, as a result of deductions under section 168, the adjusted basis of the machinery immediately before the decrease in AGUB is zero. The machinery is treated as if it were disposed of before the decrease is taken into account. In 2007, T recognizes income of \$15, the character of which is determined under the principles of *Arrowsmith v. Commissioner* and the tax benefit rule. No adjustment to the basis of T's assets is made for any tax paid on this amount. Assume also that, as a result of amortization deductions, the adjusted basis of the goodwill and going concern value immediately before the decrease in AGUB is \$40. A similar adjustment

to income is made in 2007 with respect to the \$60 of previously amortized goodwill and going concern value.

(vi) In summary, the basis of T's acquisition date assets, as of January 1, 2007, is as follows:

| Asset | Basis |
|--|-------|
| Machinery | \$0 |
| Land | 225 |
| Goodwill and going concern value | 0 |

Example 3. (i) Assume that the facts are the same as §1.338-6(d) *Example 2* except that the recently purchased stock is acquired for \$1,600 plus additional payments that are contingent upon T's future earnings. Assume that, under general principles of tax law, such later payments are properly taken into account when paid. Thus, T's AGUB, determined as of the beginning of the day after the acquisition date (after reduction by T's cash of \$200), is \$2,500 and is allocated among T's acquisition date assets under §1.338-6(c)(3)(iii) as follows:

| Class | Asset | Final allocation |
|-----------|---|------------------|
| I | Cash | \$200 |
| II | Portfolio of actively traded securities | *268 |
| III | Accounts receivable | 536 |
| IV | Inventory | 268 |
| V | Building | 714 |
| V | Land | 178 |
| V | Investment in T1 | 402 |
| VII | Goodwill and going concern value | 134 |
| | Total | 2,700 |

* All numbers rounded for convenience.

(ii) At a later point in time, P pays an additional \$200 for its recently purchased T stock. Assume that the additional consideration paid would not increase T's tax liability for the deemed sale tax consequences.

(iii) T's AGUB increases by \$200, from \$2,700 to \$2,900. This \$200 increase in AGUB is accounted for in accordance with the provisions of §1.338-6(c)(3)(iii).

(iv) The hypothetical purchase price of the T stock is redetermined as follows:

| | |
|--|---------|
| Grossed-up basis of recently purchased stock as determined under §1.338-5(c) ($\$1,800 \times (1 - .2)/.8$) | \$1,800 |
| Basis of nonrecently purchased stock as if the gain recognition election under §1.338-5(d)(2) had been made ($\$1,800 \times .2/(1 - .2)$) | 450 |
| Liabilities | 1,000 |
| Total | 3,250 |

(v) Since the redetermined hypothetical purchase price (\$3,250) exceeds the redetermined AGUB (\$2,900) and no gain recognition election was made under section 338(b)(3), the rules of §1.338-6(c)(3)(iii) are reapplied using the redetermined hypothetical purchase price and the redetermined AGUB.

Internal Revenue Service, Treasury

§ 1.338-7

(vi) First, an AGUB amount equal to the redetermined hypothetical purchase price (\$3,250) is allocated among the assets under the general rules of §1.338-6. The allocation is set forth in the column below entitled *Hypothetical Allocation*. Next, the allocation to each asset in Class II through Class VII is multiplied by a fraction with a numerator equal to the actual redetermined AGUB reduced by the amount of Class I assets (\$2,900 - \$200 = \$2,700) and a denominator equal to the redetermined hypothetical purchase price reduced by the amount of Class I assets (\$3,250 - \$200 = \$3,050), or 2,700/3,050. This produces the *Final Allocation*:

| Class | Asset | Hypothetical allocation | Final allocation |
|-------|--|-------------------------|------------------|
| II | Portfolio of actively traded securities. | 300 | *266 |
| III | Accounts receivable ... | 600 | 531 |
| IV | Inventory | 300 | 266 |
| V | Building | 800 | 708 |
| V | Land | 200 | 177 |
| V | Investment in T1 | 450 | 398 |
| VII | Goodwill and going concern value. | 400 | 354 |
| | Total | 3,250 | 2900 |

*All numbers rounded for convenience.

(vii) As illustrated by this example, re-applying §1.338-6(c)(3) results in a basis increase for some assets and a basis decrease for other assets. The amount of redetermined AGUB allocated to each acquisition date asset is determined as follows:

| Class | Asset | Hypothetical allocation | Final allocation |
|-------|------------|-------------------------|------------------|
| I | Cash | \$200 | \$200 |

| Asset | Original (c)(3) allocation | Redetermined (c)(3) allocation | Increase (decrease) |
|---|----------------------------|--------------------------------|---------------------|
| Portfolio of actively traded securities | \$268 | \$266 | \$(2) |
| Accounts receivable | 536 | 531 | (5) |
| Inventory | 268 | 266 | (2) |
| Building | 714 | 708 | (6) |
| Land | 178 | 177 | (1) |
| Investment in T1 | 402 | 398 | (4) |
| Goodwill and going concern value | 134 | 354 | 220 |
| Total | 2,500 | 2,700 | 200 |

Example 4. (i) On January 1, 2001, P purchases all of the outstanding T stock and makes a section 338 election for T. P pays \$700 of cash and promises also to pay a maximum \$300 of contingent consideration at various times in the future. Assume that, under general principles of tax law, such later payments are properly taken into account by P when paid. Assume also, however, that the current fair market value of the contingent payments is reasonably ascertainable. The fair market value of T's assets (other than goodwill and going concern value) as of the beginning of the following day is as follows:

| Asset class | Assets | Fair market value |
|-------------|--------------------------------------|-------------------|
| V | Equipment | \$200 |
| V | Non-actively traded securities | 100 |
| V | Building | 500 |
| | Total | 800 |

(ii) T has no liabilities. The AGUB is \$700. In calculating ADSP, assume that, under §1.1001-1, the current amount realized attributable to the contingent consideration is \$200. ADSP is therefore \$900 (\$700 cash plus \$200).

(iii) (A) The AGUB of \$700 is ratably allocated among T's Class V acquisition date assets in proportion to their fair market values as follows:

| Asset | Basis |
|---|----------|
| Equipment (\$700 × 200/800) | \$175.00 |
| Non-actively traded securities (\$700 × 100/800) .. | 87.50 |
| Building (\$700 × 500/800) | 437.50 |
| Total | 700.00 |

(B) No amount is allocated to goodwill or going concern value.

(iv) (A) The ADSP of \$900 is ratably allocated among T's Class V acquisition date assets in proportion to their fair market values as follows:

| Asset | Basis |
|--------------------------------------|-------|
| Equipment | \$200 |
| Non-actively traded securities | 100 |
| Building | 500 |
| Total | 800 |

(B) The remaining ADSP, \$100, is allocated to goodwill and going concern value (Class VII).

§ 1.338-8

(v) P and T file a consolidated return for 2001 and each following year with P as the common parent of the affiliated group.

(vi) In 2004, a contingent amount of \$120 is paid by P. For old T, this payment has no effect on ADSP, because the payment is accounted for as a separate transaction. We have assumed that, under general principles of tax law, the payment is properly taken into account by P at the time made. Therefore, in 2004, there is an increase in new T's AGUB of \$120. The amount of the increase allocated to each acquisition date asset is determined as follows:

| Asset | Original AGUB | Redetermined AGUB | Increase |
|--|---------------|-------------------|---------------|
| Equipment | \$175.00 | \$200.00 | \$25.00 |
| Land | 87.50 | 100.00 | 12.50 |
| Building | 437.50 | 500.00 | 62.50 |
| Goodwill and going concern value | 0.00 | 20.00 | 20.00 |
| Total | 700.00 | 820.00 | 120.00 |

[T.D. 8940, 66 FR 9929, Feb. 13, 2001]

§ 1.338-8 Asset and stock consistency.

(a) *Introduction*—(1) *Overview*. This section implements the consistency rules of sections 338(e) and (f). Under this section, no election under section 338 is deemed made or required with respect to target or any target affiliate. Instead, the person acquiring an asset may have a carryover basis in the asset.

(2) *General application*. The consistency rules generally apply if the purchasing corporation acquires an asset directly from target during the target consistency period and target is a subsidiary in a consolidated group. In such a case, gain from the sale of the asset is reflected under the investment adjustment provisions of the consolidated return regulations in the basis of target stock and may reduce gain from the sale of the stock. See § 1.1502-32 (investment adjustment provisions). Under the consistency rules, the purchasing corporation generally takes a carryover basis in the asset, unless a section 338 election is made for target. Similar rules apply if the purchasing corporation acquires an asset directly from a lower-tier target affiliate if gain from the sale is reflected under the investment adjustment provisions in the basis of target stock.

(3) *Extensions of the general rules*. If an arrangement exists, paragraph (f) of this section generally extends the carryover basis rule to certain cases in which the purchasing corporation acquires assets indirectly from target (or a lower-tier target affiliate). To prevent avoidance of the consistency rules, paragraph (j) of this section also may extend the consistency period or the 12-month acquisition period and may disregard the presence of conduits.

(4) *Application where certain dividends are paid*. Paragraph (g) of this section extends the carryover basis rule to certain cases in which dividends are paid to a corporation that is not a member of the same consolidated group as the distributing corporation. Generally, this rule applies where a 100 percent dividends received deduction is used in conjunction with asset dispositions to achieve an effect similar to that available under the investment adjustment provisions of the consolidated return regulations.

(5) *Application to foreign target affiliates*. Paragraph (h) of this section extends the carryover basis rule to certain cases involving target affiliates that are controlled foreign corporations.

(6) *Stock consistency*. This section limits the application of the stock consistency rules to cases in which the rules are necessary to prevent avoidance of the asset consistency rules. Following the general treatment of a section 338(h)(10) election, a sale of a corporation's stock is treated as a sale of the corporation's assets if a section 338(h)(10) election is made. Because gain from this asset sale may be reflected in the basis of the stock of a higher-tier target, the carryover basis rule may apply to the assets.

(b) *Consistency for direct acquisitions*—

(1) *General rule*. The basis rules of paragraph (d) of this section apply to an asset if—

(i) The asset is disposed of during the target consistency period;

(ii) The basis of target stock, as of the target acquisition date, reflects gain from the disposition of the asset (see paragraph (c) of this section); and

(iii) The asset is owned, immediately after its acquisition and on the target acquisition date, by a corporation that

acquires stock of target in the qualified stock purchase (or by an affiliate of an acquiring corporation).

(2) *Section 338(h)(10) elections.* For purposes of this section, if a section 338(h)(10) election is made for a corporation acquired in a qualified stock purchase—

(i) The acquisition is treated as an acquisition of the corporation's assets (see § 1.338(h)(10)-1); and

(ii) The corporation is not treated as target.

(c) *Gain from disposition reflected in basis of target stock.* For purposes of this section:

(1) *General rule.* Gain from the disposition of an asset is reflected in the basis of a corporation's stock if the gain is taken into account under § 1.1502-32, directly or indirectly, in determining the basis of the stock, after applying section 1503(e) and other provisions of the Internal Revenue Code.

(2) *Gain not reflected if section 338 election made for target.* Gain from the disposition of an asset that is otherwise reflected in the basis of target stock as of the target acquisition date is not considered reflected in the basis of target stock if a section 338 election is made for target.

(3) *Gain reflected by reason of distributions.* Gain from the disposition of an asset is not considered reflected in the basis of target stock merely by reason of the receipt of a distribution from a target affiliate that is not a member of the same consolidated group as the distributee. See paragraph (g) of this section for the treatment of dividends eligible for a 100 percent dividends received deduction.

(4) *Controlled foreign corporations.* For a limitation applicable to gain of a target affiliate that is a controlled foreign corporation, see paragraph (h)(2) of this section.

(5) *Gain recognized outside the consolidated group.* Gain from the disposition of an asset by a person other than target or a target affiliate is not reflected in the basis of a corporation's stock unless the person is a conduit, as defined in paragraph (j)(4) of this section.

(d) *Basis of acquired assets—(1) Carryover basis rule.* If this paragraph (d) applies to an asset, the asset's basis immediately after its acquisition is, for

all purposes of the Internal Revenue Code, its adjusted basis immediately before its disposition.

(2) *Exceptions to carryover basis rule for certain assets.* The carryover basis rule of paragraph (d)(1) of this section does not apply to the following assets—

(i) Any asset disposed of in the ordinary course of a trade or business (see section 338(e)(2)(A));

(ii) Any asset the basis of which is determined wholly by reference to the adjusted basis of the asset in the hands of the person that disposed of the asset (see section 338(e)(2)(B));

(iii) Any debt or equity instrument issued by target or a target affiliate (see paragraph (h)(3) of this section for an exception relating to the stock of a target affiliate that is a controlled foreign corporation);

(iv) Any asset the basis of which immediately after its acquisition would otherwise be less than its adjusted basis immediately before its disposition; and

(v) Any asset identified by the Internal Revenue Service in a revenue ruling or revenue procedure.

(3) *Exception to carryover basis rule for de minimis assets.* The carryover basis rules of this section do not apply to an asset if the asset is not disposed of as part of the same arrangement as the acquisition of target and the aggregate amount realized for all assets otherwise subject to the carryover basis rules of this section does not exceed \$250,000.

(4) *Mitigation rule—(i) General rule.* If the carryover basis rules of this section apply to an asset and the asset is transferred to a domestic corporation in a transaction to which section 351 applies or as a contribution to capital and no gain is recognized, the transferor's basis in the stock of the transferee (but not the transferee's basis in the asset) is determined without taking into account the carryover basis rules of this section.

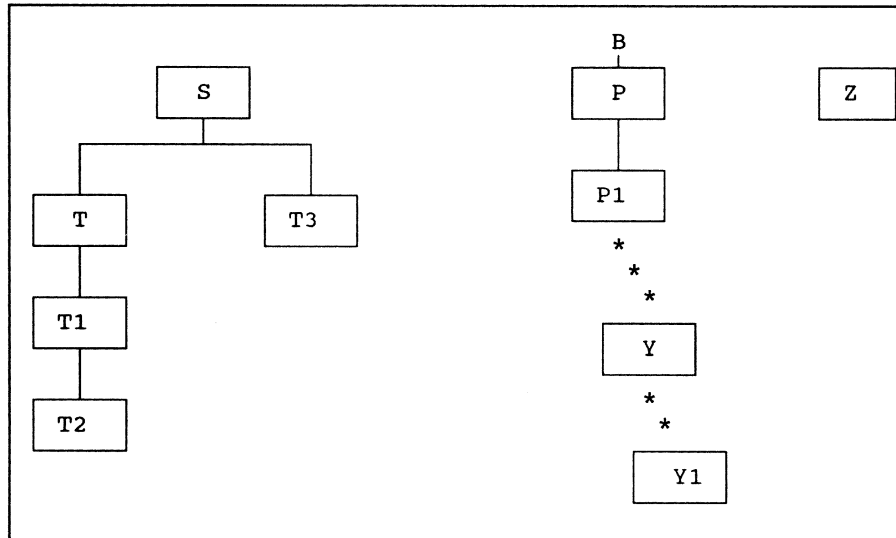
(ii) *Time for transfer.* This paragraph (d)(4) applies only if the asset is transferred before the due date (including extensions) for the transferor's income tax return for the year that includes the last date for which a section 338 election may be made for target.

§ 1.338-8

26 CFR Ch. I (4-1-21 Edition)

(e) *Examples*—(1) *In general.* For purposes of the examples in this section, unless otherwise stated, the basis of each asset is the same for determining earnings and profits and taxable income, the exceptions to paragraph (d)(1) of this section do not apply, the taxable year of all persons is the calendar year, and the following facts apply: S is the common parent of a consolidated group that includes T, T1,

T2, and T3; S owns all of the stock of T and T3; and T owns all of the stock of T1, which owns all of the stock of T2. B is unrelated to the S group and owns all of the stock of P, which owns all of the stock of P1. Y and Y1 are partnerships that are unrelated to the S group but may be related to the P group. Z is a corporation that is not related to any of the other parties.



(2) *Direct acquisitions.* Paragraphs (b), (c), and (d) of this section may be illustrated by the following examples:

Example 1. Asset acquired from target by purchasing corporation. (a) On February 1 of Year 1, T sells an asset to P1 and recognizes gain. T's gain from the disposition of the asset is taken into account under §1.1502-32 in determining S's basis in the T stock. On January 1 of Year 2, P1 makes a qualified stock purchase of T from S. No section 338 election is made for T.

(b) T disposed of the asset during its consistency period, gain from the asset disposition is reflected in the basis of the T stock as of T's acquisition date (January 1 of Year 2), and the asset is owned both immediately after the asset disposition (February 1 of Year 1) and on T's acquisition date by P1, the corporation that acquired T stock in the qualified stock purchase. Consequently, under paragraph (b) of this section, para-

graph (d)(1) of this section applies to the asset and P1's basis in the asset is T's adjusted basis in the asset immediately before the sale to P1.

Example 2. Gain from section 338(h)(10) election reflected in stock basis. (a) On February 1 of Year 1, P1 makes a qualified stock purchase of T2 from T1. A section 338(h)(10) election is made for T2 and T2 recognizes gain on each of its assets. T2's gain is taken into account under §1.1502-32 in determining S's basis in the T stock. On January 1 of Year 2, P1 makes a qualified stock purchase of T from S. No section 338 election is made for T.

(b) Under paragraph (b)(2) of this section, the acquisition of the T2 stock is treated as an acquisition of T2's assets on February 1 of Year 1, because a section 338(h)(10) election is made for T2. The gain recognized by T2 under section 338(h)(10) is reflected in S's basis in the T stock as of T's acquisition date. Because the other requirements of paragraph (b) of this section are satisfied,

paragraph (d)(1) of this section applies to the assets and new T2's basis in its assets is old T2's adjusted basis in the assets immediately before the disposition.

Example 3. Corporation owning asset ceases affiliation with corporation purchasing target before target acquisition date. (a) On February 1 of Year 1, T sells an asset to P1 and recognizes gain. On December 1 of Year 1, P disposes of all of the P1 stock while P1 still owns the asset. On January 1 of Year 2, P makes a qualified stock purchase of T from S. No section 338 election is made for T.

(b) Immediately after T's disposition of the asset, the asset is owned by P1 which is affiliated on that date with P, the corporation that acquired T stock in the qualified stock purchase. However, the asset is owned by a corporation (P1) that is no longer affiliated with P on T's acquisition date. Although the other requirements of paragraph (b) of this section are satisfied, the requirements of paragraph (b)(1)(iii) of this section are not satisfied. Consequently, the basis rules of paragraph (d) of this section do not apply to the asset by reason of P1's acquisition.

(c) If P acquires all of the Z stock and P1 transfers the asset to Z on or before T's acquisition date (January 1 of Year 2), the asset is owned by an affiliate of P both on February 1 of Year 1 (P1) and on January 1 of Year 2 (Z). Consequently, all of the requirements of paragraph (b) of this section are satisfied and paragraph (d)(1) of this section applies to the asset and P1's basis in the asset is T's adjusted basis in the asset immediately before the sale to P1.

Example 4. Gain reflected in stock basis notwithstanding offsetting loss or distribution. (a) On April 1 of Year 1, T sells an asset to P1 and recognizes gain. In Year 1, T distributes an amount equal to the gain. On March 1 of Year 2, P makes a qualified stock purchase of T from S. No section 338 election is made for T.

(b) Although, as a result of the distribution, there is no adjustment with respect to the T stock under §1.1502-32 for Year 1, T's gain from the disposition of the asset is considered reflected in S's basis in the T stock. The gain is considered to have been taken into account under §1.1502-32 in determining the adjustments to S's basis in the T stock because S's basis in the T stock is different from what it would have been had there been no gain.

(c) If T distributes an amount equal to the gain on February 1 of Year 2, rather than in Year 1, the results would be the same because S's basis in the T stock is different from what it would have been had there been no gain. If the distribution in Year 2 is by reason of an election under §1.1502-32(f)(2), the results would be the same.

(d) If, in Year 1, T does not make a distribution and the S group does not file a consolidated return, but, in Year 2, the S group

does file a consolidated return and makes an election under §1.1502-32(f)(2) for T, the results would be the same. S's basis in the T stock is different from what it would have been had there been no gain. Paragraph (c)(3) of this section (gain not considered reflected by reason of distributions) does not apply to the deemed distribution under the election because S and T are members of the same consolidated group. If T distributes an amount equal to the gain in Year 2 and no election is made under §1.1502-32(f)(2), the results would be the same.

(e) If, in Year 1, T incurs an unrelated loss in an amount equal to the gain, rather than distributing an amount equal to the gain, the results would be the same because the gain is taken into account under §1.1502-32 in determining S's basis in the T stock.

Example 5. Gain of a target affiliate reflected in stock basis after corporate reorganization. (a) On February 1 of Year 1, T3 sells an asset to P1 and recognizes gain. On March 1 of Year 1, S contributes the T3 stock to T in a transaction qualifying under section 351. On January 15 of Year 2, P1 makes a qualified stock purchase of T from S. No section 338 election is made for T.

(b) T3's gain from the asset sale is taken into account under §1.1502-32 in determining S's basis in the T3 stock. Under section 358, the gain that is taken into account under §1.1502-32 in determining S's basis in the T3 stock is also taken into account in determining S's basis in the T stock following S's contribution of the T3 stock to T. Consequently, under paragraph (b) of this section, paragraph (d)(1) of this section applies to the asset and P1's basis in the asset is T3's adjusted basis in the asset immediately before the sale to P1.

(c) If on March 1 of Year 1, rather than S contributing the T3 stock to T, S causes T3 to merge into T in a transaction qualifying under section 368(a)(1)(D), the results would be the same.

Example 6. Gain not reflected if election under section 338 made. (a) On February 1 of Year 1, T1 sells an asset to P1 and recognizes gain. On January 1 of Year 2, P1 makes a qualified stock purchase of T1 from T. A section 338 election (but not a section 338(h)(10) election) is made for T1.

(b) Under paragraph (c)(2) of this section, because a section 338 election is made for T1, T's basis in the T1 stock is considered not to reflect gain from the disposition. Consequently, the requirement of paragraph (b)(1)(ii) of this section is not satisfied. Thus, P1's basis in the asset is not determined under paragraph (d) of this section. Although the section 338 election for T1 results in a qualified stock purchase of T2, the requirement of paragraph (b)(1)(ii) of this section is not satisfied with respect to T2, whether or not a section 338 election is made for T2.

(c) If, on January 1 of Year 2, P1 makes a qualified stock purchase of T from S and a section 338 election for T, rather than T1, S's basis in the T stock is considered not to reflect gain from T1's disposition of the asset. However, the section 338 election for T results in a qualified stock purchase of T1. Because the gain is reflected in T's basis in the T1 stock, the requirements of paragraph (b) of this section are satisfied. Consequently, P1's basis in the asset is determined under paragraph (d)(1) of this section unless a section 338 election is also made for T1.

(f) *Extension of consistency to indirect acquisitions*—(1) *Introduction.* If an arrangement exists (see paragraph (j)(5) of this section), this paragraph (f) generally extends the consistency rules to indirect acquisitions that have the same effect as direct acquisitions. For example, this paragraph (f) applies if, pursuant to an arrangement, target sells an asset to an unrelated person who then sells the asset to the purchasing corporation.

(2) *General rule.* This paragraph (f) applies to an asset if, pursuant to an arrangement—

(i) The asset is disposed of during the target consistency period;

(ii) The basis of target stock as of, or at any time before, the target acquisition date reflects gain from the disposition of the asset; and

(iii) The asset ownership requirements of paragraph (b)(1)(iii) of this section are not satisfied, but the asset is owned, at any time during the portion of the target consistency period following the target acquisition date, by—

(A) A corporation—

(1) The basis of whose stock, as of, or at any time before, the target acquisition date, reflects gain from the disposition of the asset; and

(2) That is affiliated, at any time during the target consistency period, with a corporation that acquires stock of target in the qualified stock purchase; or

(B) A corporation that at the time it owns the asset is affiliated with a corporation described in paragraph (f)(2)(iii)(A) of this section.

(3) *Basis of acquired assets.* If this paragraph (f) applies to an asset, the principles of the basis rules of paragraph (d) of this section apply to the asset as of the date, following the dis-

position with respect to which gain is reflected in the basis of target's stock, that the asset is first owned by a corporation described in paragraph (f)(2)(iii) of this section. If the principles of the carryover basis rule of paragraph (d)(1) of this section apply to an asset, the asset's basis also is reduced (but not below zero) by the amount of any reduction in its basis occurring after the disposition with respect to which gain is reflected in the basis of target's stock.

(4) *Examples.* This paragraph (f) may be illustrated by the following examples:

Example 1. Acquisition of asset from unrelated party by purchasing corporation. (a) On February 1 of Year 1, T sells an asset to Z and recognizes gain. On February 15 of Year 1, P1 makes a qualified stock purchase of T from S. No section 338 election is made for T. P1 buys the asset from Z on March 1 of Year 1, before Z has reduced the basis of the asset through depreciation or otherwise.

(b) Paragraph (b) of this section does not apply to the asset because the asset ownership requirements of paragraph (b)(1)(iii) of this section are not satisfied. However, the asset ownership requirements of paragraph (f)(2)(iii) of this section are satisfied because, during the portion of T's consistency period following T's acquisition date, the asset is owned by P1 while it is affiliated with T. Consequently, paragraph (f) of this section applies to the asset if there is an arrangement for T to dispose of the asset during T's consistency period, for the gain to be reflected in S's basis in the T stock as of T's acquisition date, and for P1 to own the asset during the portion of T's consistency period following T's acquisition date. If the arrangement exists, under paragraph (f)(3) of this section, P1's basis in the asset is determined as of March 1 of Year 1, under the principles of paragraph (d) of this section. Consequently, P1's basis in the asset is T's adjusted basis in the asset immediately before the sale to Z.

(c) If P1 acquires the asset from Z on January 15 of Year 2 (rather than on March 1 of Year 1), and Z's basis in the asset has been reduced through depreciation at the time of the acquisition, P1's basis in the asset as of January 15 of Year 2 would be T's adjusted basis in the asset immediately before the sale to Z, reduced (but not below zero) by the amount of the depreciation. Z's basis and depreciation are determined without taking into account the basis rules of paragraph (d) of this section.

(d) If P, rather than P1, acquires the asset from Z, the results would be the same.

(e) If, on March 1 of Year 1, P1 acquires the Z stock, rather than acquiring the asset from Z, paragraph (f) of this section would apply to the asset if an arrangement exists. However, under paragraph (f)(3) of this section, Z's basis in the asset would be determined as of February 1 of Year 1, the date the asset is first owned by a corporation (Z) described in paragraph (f)(2)(iii) of this section. Consequently, Z's basis in the asset as of February 1 of Year 1, determined under the principles of paragraph (d) of this section, would be T's adjusted basis in the asset immediately before the sale to Z.

Example 2. Acquisition of asset from target by target affiliate. (a) On February 1 of Year 1, T contributes an asset to T1 in a transaction qualifying under section 351 and in which T recognizes gain under section 351(b) that is deferred under §1.1502-13. On March 1 of Year 1, P1 makes a qualified stock purchase of T from S and, pursuant to §1.1502-13, the deferred gain is taken into account by T immediately before T ceases to be a member of the S group. No section 338 election is made for T.

(b) Paragraph (b) of this section does not apply to the asset because the asset ownership requirements of paragraph (b)(1)(iii) of this section are not satisfied.

(c) T1 is not described in paragraph (f)(2)(iii)(A) of this section because the basis of the T1 stock does not reflect gain from the disposition of the asset. Although, under section 358(a)(1)(B)(ii), T's basis in the T1 stock is increased by the amount of the gain, the gain is not taken into account directly or indirectly under §1.1502-32 in determining T's basis in the T1 stock.

(d) T1 is described in paragraph (f)(2)(iii)(B) of this section because, during the portion of T's consistency period following T's acquisition date, T1 owns the asset while it is affiliated with T, a corporation described in paragraph (f)(2)(iii)(A) of this section. Consequently, paragraph (f) of this section applies to the asset if there is an arrangement. Under paragraph (j)(5) of this section, the fact that, at the time T1 acquires the asset from T, T1 is related (within the meaning of section 267(b)) to T indicates that an arrangement exists.

Example 3. Acquisition of asset from target and indirect acquisition of target stock. (a) On February 1 of Year 1, T sells an asset to P1 and recognizes gain. On March 1 of Year 1, Z makes a qualified stock purchase of T from S. No section 338 election is made for T. On January 1 of Year 2, P1 acquires the T stock from Z other than in a qualified stock purchase.

(b) The asset ownership requirements of paragraph (b)(1)(iii) of this section are not satisfied because the asset was never owned by Z, the corporation that acquired T stock in the qualified stock purchase (or by a corporation that was affiliated with Z at the

time it owned the asset). However, because the asset is owned by P1 while it is affiliated with T during the portion of T's consistency period following T's acquisition date, paragraph (f) of this section applies to the asset if there is an arrangement. If there is an arrangement, the principles of the carryover basis rule of paragraph (d)(1) of this section apply to determine P1's basis in the asset unless Z makes a section 338 election for T. See paragraph (c)(2) of this section.

(c) If P1 also makes a qualified stock purchase of T from Z, the results would be the same. If there is an arrangement, the principles of the carryover basis rule of paragraph (d)(1) of this section apply to determine P1's basis in the asset unless Z makes a section 338 election for T. However, these principles apply to determine P1's basis in the asset if P1, but not Z, makes a section 338 election for T. The basis of the T stock no longer reflects, as of T's acquisition date by P1, the gain from the disposition of the asset.

(d) Assume Z purchases the T stock other than in a qualified stock purchase and P1 makes a qualified stock purchase of T from Z. Paragraph (b) of this section does not apply to the asset because gain from the disposition of the asset is not reflected in the basis of T's stock as of T's acquisition date (January 1 of Year 2). However, because the gain is reflected in S's basis in the T stock before T's acquisition date and the asset is owned by P1 while it is affiliated with T during the portion of T's consistency period following T's acquisition date, paragraph (f) of this section applies to the asset if there is an arrangement. If there is an arrangement, the principles of the carryover basis rule of paragraph (d)(1) of this section apply to determine P1's basis in the asset even if P1 makes a section 338 election for T. The basis of the T stock no longer reflects, as of T's acquisition date, the gain from the disposition of the asset.

Example 4. Asset acquired from target affiliate by corporation that becomes its affiliate. (a) On February 1 of Year 1, T1 sells an asset to P1 and recognizes gain. On February 15 of Year 1, Z makes a qualified stock purchase of T from S. No section 338 election is made for T. On June 1 of Year 1, P1 acquires the T1 stock from T, other than in a qualified stock purchase.

(b) The asset ownership requirements of paragraph (b)(1)(iii) of this section are not satisfied because the asset was never owned by Z, the corporation that acquired T stock in the qualified stock purchase (or by a corporation that was affiliated with Z at the time it owned the asset).

(c) P1 is not described in paragraph (f)(2)(iii)(A) of this section because gain from the disposition of the asset is not reflected in the basis of the P1 stock.

(d) P1 is described in paragraph (f)(2)(iii)(B) of this section because the asset is owned by P1 while P1 is affiliated with T1 during the portion of T's consistency period following T's acquisition date. T1 becomes affiliated with Z, the corporation that acquired T stock in the qualified stock purchase, during T's consistency period, and, as of T's acquisition date, the basis of T1's stock reflects gain from the disposition of the asset. Consequently, paragraph (f) of this section applies to the asset if there is an arrangement.

Example 5. De minimis rules. (a) On February 1 of Year 1, T sells an asset to P and recognizes gain. On February 15 of Year 1, T1 sells an asset to Z and recognizes gain. The aggregate amount realized by T and T1 on their respective sales of assets is not more than \$250,000. On March 1 of Year 1, T3 sells an asset to P and recognizes gain. On April 1 of Year 1, P makes a qualified stock purchase of T from S. No section 338 election is made for T. On June 1 of Year 1, P1 buys from Z the asset sold by T1.

(b) Under paragraph (b) of this section, the basis rules of paragraph (d) of this section apply to the asset sold by T. Under paragraph (f) of this section, the principles of the basis rules of paragraph (d) of this section apply to the asset sold by T1 if there is an arrangement. Because T3's gain is not reflected in the basis of the T stock, the basis rules of this section do not apply to the asset sold by T3.

(c) The de minimis rule of paragraph (d)(3) of this section applies to an asset if the asset is not disposed of as part of the same arrangement as the acquisition of T and the aggregate amount realized for all assets otherwise subject to the carryover basis rules does not exceed \$250,000. The aggregate amount realized by T and T1 does not exceed \$250,000. (The asset sold by T3 is not taken into account for purposes of the de minimis rule.) Thus, the de minimis rule applies to the asset sold by T if the asset is not disposed of as part of the same arrangement as the acquisition of T.

(d) If, under paragraph (f) of this section, the principles of the carryover basis rules of paragraph (d)(1) of this section otherwise apply to the asset sold by T1 because of an arrangement, the de minimis rules of this section do not apply to the asset because of the arrangement.

(e) Assume on June 1 of Year 1, Z acquires the T1 stock from T, other than in a qualified stock purchase, rather than P1 buying the T1 asset, and paragraph (f) of this section applies because there is an arrangement. Because the asset was disposed of and the T1 stock was acquired as part of the arrangement, the de minimis rules of this section do not apply to the asset.

(g) *Extension of consistency if dividends qualifying for 100 percent dividends re-*

ceived deduction are paid—(1) General rule for direct acquisitions from target. Unless a section 338 election is made for target, the basis rules of paragraph (d) of this section apply to an asset if—

(i) Target recognizes gain (whether or not deferred) on disposition of the asset during the portion of the target consistency period that ends on the target acquisition date;

(ii) The asset is owned, immediately after the asset disposition and on the target acquisition date, by a corporation that acquires stock of target in the qualified stock purchase (or by an affiliate of an acquiring corporation); and

(iii) During the portion of the target consistency period that ends on the target acquisition date, the aggregate amount of dividends paid by target, to which section 243(a)(3) applies, exceeds the greater of—

(A) \$250,000; or

(B) 125 percent of the yearly average amount of dividends paid by target, to which section 243(a)(3) applies, during the three calendar years immediately preceding the year in which the target consistency period begins (or, if shorter, the period target was in existence).

(2) *Other direct acquisitions having same effect.* The basis rules of paragraph (d) of this section also apply to an asset if the effect of a transaction described in paragraph (g)(1) of this section is achieved through any combination of disposition of assets and payment of dividends to which section 243(a)(3) applies (or any other dividends eligible for a 100 percent dividends received deduction). See paragraph (h)(4) of this section for additional rules relating to target affiliates that are controlled foreign corporations.

(3) *Indirect acquisitions.* The principles of paragraph (f) of this section also apply for purposes of this paragraph (g).

(4) *Examples.* This paragraph (g) may be illustrated by the following examples:

Example 1. Asset acquired from target paying dividends to which section 243(a)(3) applies. (a) The S group does not file a consolidated return. In Year 1, Year 2, and Year 3, T pays dividends to S to which section 243(a)(3) applies of \$200,000, \$250,000, and \$300,000, respectively. On February 1 of Year 4, T sells an asset to P and recognizes gain. On January 1

of Year 5, P makes a qualified stock purchase of T from S. No section 338 election is made for T. During the portion of T's consistency period that ends on T's acquisition date, T pays S dividends to which section 243(a)(3) applies of \$1,000,000.

(b) Under paragraph (g)(1) of this section, paragraph (d) of this section applies to the asset. T recognizes gain on disposition of the asset during the portion of T's consistency period that ends on T's acquisition date, the asset is owned by P immediately after the disposition and on T's acquisition date, and T pays dividends described in paragraph (g)(1)(iii) of this section. Consequently, under paragraph (d)(1) of this section, P's basis in the asset is T's adjusted basis in the asset immediately before the sale to P.

(c) If T is a controlled foreign corporation, the results would be the same if T pays dividends in the amount described in paragraph (g)(1)(iii) of this section that qualify for a 100 percent dividends received deduction. See sections 243(e) and 245.

(d) If S and T3 file a consolidated return in which T, T1, and T2 do not join, the results would be the same because the dividends paid by T are still described in paragraph (g)(1)(iii) of this section.

(e) If T, T1, and T2 file a consolidated return in which S and T3 do not join, the results would be the same because the dividends paid by T are still described in paragraph (g)(1)(iii) of this section.

Example 2. Asset disposition by target affiliate achieving same effect. (a) The S group does not file a consolidated return. On February 1 of Year 1, T2 sells an asset to P and recognizes gain. T pays dividends to S described in paragraph (g)(1)(iii) of this section. On January 1 of Year 2, P makes a qualified stock purchase of T from S. No section 338 election is made for T.

(b) Paragraph (g)(1) of this section does not apply to the asset because T did not recognize gain on the disposition of the asset. However, under paragraph (g)(2) of this section, because the asset disposition by T2 and the dividends paid by T achieve the effect of a transaction described in paragraph (g)(1) of this section, the carryover basis rule of paragraph (d)(1) of this section applies to the asset. The effect was achieved because T2 is a lower-tier affiliate of T and the dividends paid by T to S reduce the value to S of T and its lower-tier affiliates.

(c) If T2 is a controlled foreign corporation, the results would be the same because T2 is a lower-tier affiliate of T and the dividends paid by T to S reduce the value to S of T and its lower-tier affiliates.

(d) If P buys an asset from T3, rather than T2, the asset disposition and the dividends do not achieve the effect of a transaction described in paragraph (g)(1) of this section because T3 is not a lower-tier affiliate of T. Thus, the basis rules of paragraph (d) of this

section do not apply to the asset. The results would be the same whether or not P also acquires the T3 stock (whether or not in a qualified stock purchase).

Example 3. Dividends by target affiliate achieving same effect. (a) The S group does not file a consolidated return. On February 1 of Year 1, T1 sells an asset to P and recognizes gain. On January 1 of Year 2, P makes a qualified stock purchase of T from S. No section 338 election is made for T. T does not pay dividends to S described in paragraph (g)(1)(iii) of this section. However, T1 pays dividends to T that would be described in paragraph (g)(1)(iii) of this section if T1 were a target.

(b) Paragraph (g)(1) of this section does not apply to the asset because T did not recognize gain on the disposition of the asset and did not pay dividends described in paragraph (g)(1)(iii) of this section. Further, paragraph (g)(2) of this section does not apply because the dividends paid by T1 to T do not reduce the value to S of T and its lower-tier affiliates.

(c) If both S and T own T1 stock and T1 pays dividends to S that would be described in paragraph (g)(1)(iii) of this section if T1 were a target, paragraph (g)(2) of this section would apply because the dividends paid by T1 to S reduce the value to S of T and its lower-tier affiliates. If T, rather than T1, sold the asset to P, the results would be the same. Further, if T and T1 pay dividends to S that, only when aggregated, would be described in paragraph (g)(1)(iii) of this section (if they were all paid by T), the results would be the same.

Example 4. Gain reflected by reason of dividends. (a) S and T file a consolidated return in which T1 and T2 do not join. On February 1 of Year 1, T1 sells an asset to P and recognizes gain. On January 1 of Year 2, P makes a qualified stock purchase of T from S. No section 338 election is made for T. T1 pays dividends to T that would be described in paragraph (g)(1)(iii) of this section if T1 were a target.

(b) The requirements of paragraph (b) of this section are not satisfied because, under paragraph (c)(3) of this section, gain from T1's sale is not reflected in S's basis in the T stock by reason of the dividends paid by T1 to T.

(c) Although the dividends paid by T1 to T do not reduce the value to S of T and its lower-tier affiliates, paragraph (g)(2) of this section applies because the dividends paid by T1 to T are taken into account under § 1.1502-32 in determining S's basis in the T stock. Consequently, the carryover basis rule of paragraph (d)(1) of this section applies to the asset.

(h) *Consistency for target affiliates that are controlled foreign corporations—(1) In general.* This paragraph (h) applies only

if target is a domestic corporation. For additional rules that may apply with respect to controlled foreign corporations, see paragraph (g) of this section. The definitions and nomenclature of § 1.338-2(b) and (c) and paragraph (e) of this section apply for purposes of this section.

(2) *Income or gain resulting from asset dispositions*—(i) *General rule.* Income or gain of a target affiliate that is a controlled foreign corporation from the disposition of an asset is not reflected in the basis of target stock under paragraph (c) of this section unless the income or gain results in an inclusion under section 951(a)(1)(A), 951(a)(1)(C), 1291 or 1293.

(ii) *Basis of controlled foreign corporation stock.* If, by reason of paragraph (h)(2)(i) of this section, the carryover basis rules of this section apply to an asset, no increase in basis in the stock of a controlled foreign corporation under section 961(a) or 1293(d)(1), or under regulations issued pursuant to section 1297(b)(5), is allowed to target or a target affiliate to the extent the increase is attributable to income or gain described in paragraph (h)(2)(i) of this section. A similar rule applies to the basis of any property by reason of which the stock of the controlled foreign corporation is considered owned under section 958(a)(2) or 1297(a).

(iii) *Operating rule.* For purposes of this paragraph (h)(2)—

(A) If there is an income inclusion under section 951 (a)(1)(A) or (C), the shareholder's income inclusion is first attributed to the income or gain of the controlled foreign corporation from the disposition of the asset to the extent of the shareholder's pro rata share of such income or gain; and

(B) Any income or gain under section 1293 is first attributed to the income or gain from the disposition of the asset to the extent of the shareholder's pro rata share of the income or gain.

(iv) *Increase in asset or stock basis*—(A) If the carryover basis rules under paragraph (h)(2)(i) of this section apply to an asset, and the purchasing corporation disposes of the asset to an unrelated party in a taxable transaction and recognizes and includes in its U.S. gross income or the U.S. gross income of its shareholders the greater of the

income or gain from the disposition of the asset by the selling controlled foreign corporation that was reflected in the basis of the target stock under paragraph (c) of this section, or the gain recognized on the asset by the purchasing corporation on the disposition of the asset, then the purchasing corporation or the target or a target affiliate, as appropriate, shall increase the basis of the selling controlled foreign corporation stock subject to paragraph (h)(2)(ii) of this section, as of the date of the disposition of the asset by the purchasing corporation, by the amount of the basis increase that was denied under paragraph (h)(2)(ii) of this section. The preceding sentence shall apply only to the extent that the controlled foreign corporation stock is owned (within the meaning of section 958(a)) by a member of the purchasing corporation's affiliated group.

(B) If the carryover basis rules under paragraph (h)(2)(i) of this section apply to an asset, and the purchasing corporation or the target or a target affiliate, as appropriate, disposes of the stock of the selling controlled foreign corporation to an unrelated party in a taxable transaction and recognizes and includes in its U.S. gross income or the U.S. gross income of its shareholders the greater of the gain equal to the basis increase that was denied under paragraph (h)(2)(ii) of this section, or the gain recognized in the stock by the purchasing corporation or by the target or a target affiliate, as appropriate, on the disposition of the stock, then the purchasing corporation shall increase the basis of the asset, as of the date of the disposition of the stock of the selling controlled foreign corporation by the purchasing corporation or by the target or a target affiliate, as appropriate, by the amount of the basis increase that was denied pursuant to paragraph (h)(2)(i) of this section. The preceding sentence shall apply only to the extent that the asset is owned (within the meaning of section 958(a)) by a member of the purchasing corporation's affiliated group.

(3) *Stock issued by target affiliate that is a controlled foreign corporation.* The exception to the carryover basis rules of this section provided in paragraph (d)(2)(iii) of this section does not apply

to stock issued by a target affiliate that is a controlled foreign corporation. After applying the carryover basis rules of this section to the stock, the basis in the stock is increased by the amount treated as a dividend under section 1248 on the disposition of the stock (or that would have been so treated but for section 1291), except to the extent the basis increase is attributable to the disposition of an asset in which a carryover basis is taken under this section.

(4) *Certain distributions*—(i) *General rule.* In the case of a target affiliate that is a controlled foreign corporation, paragraph (g) of this section applies with respect to the target affiliate by treating any reference to a dividend to which section 243(a)(3) applies as a reference to any amount taken into account under §1.1502-32 in determining the basis of target stock that is—

(A) A dividend;

(B) An amount treated as a dividend under section 1248 (or that would have been so treated but for section 1291); or

(C) An amount included in income under section 951(a)(1)(B).

(ii) *Basis of controlled foreign corporation stock.* If the carryover basis rules of this section apply to an asset, the basis in the stock of the controlled foreign corporation (or any property by reason of which the stock is considered owned under section 958(a)(2)) is reduced (but not below zero) by the sum of any amounts that are treated, solely by reason of the disposition of the asset, as a dividend, amount treated as a dividend under section 1248 (or that would have been so treated but for section 1291), or amount included in income under section 951(a)(1)(B). For this purpose, any dividend, amount treated as a dividend under section 1248 (or that would have been so treated but for section 1291), or amount included in income under section 951(a)(1)(B) is considered attributable first to earnings and profits resulting from the disposition of the asset.

(iii) *Increase in asset or stock basis*—

(A) If the carryover basis rules under paragraphs (g) and (h)(4)(i) of this section apply to an asset, and the purchasing corporation disposes of the asset to an unrelated party in a taxable

transaction and recognizes and includes in its U.S. gross income or the U.S. gross income of its shareholders the greater of the gain equal to the basis increase denied in the asset pursuant to paragraphs (g) and (h)(4)(i) of this section, or the gain recognized on the asset by the purchasing corporation on the disposition of the asset, then the purchasing corporation or the target or a target affiliate, as appropriate, shall increase the basis of the selling controlled foreign corporation stock subject to paragraph (h)(4)(ii) of this section, as of the date of the disposition of the asset by the purchasing corporation, by the amount of the basis reduction under paragraph (h)(4)(ii) of this section. The preceding sentence shall apply only to the extent that the controlled foreign corporation stock is owned (within the meaning of section 958(a)) by a member of the purchasing corporation's affiliated group.

(B) If the carryover basis rules under paragraphs (g) and (h)(4)(i) of this section apply to an asset, and the purchasing corporation or the target or a target affiliate, as appropriate, disposes of the stock of the selling controlled foreign corporation to an unrelated party in a taxable transaction and recognizes and includes in its U.S. gross income or the U.S. gross income of its shareholders the greater of the amount of the basis reduction under paragraph (h)(4)(ii) of this section, or the gain recognized in the stock by the purchasing corporation or by the target or a target affiliate, as appropriate, on the disposition of the stock, then the purchasing corporation shall increase the basis of the asset, as of the date of the disposition of the stock of the selling controlled foreign corporation by the purchasing corporation or by the target or a target affiliate, as appropriate, by the amount of the basis increase that was denied pursuant to paragraphs (g) and (h)(4)(i) of this section. The preceding sentence shall apply only to the extent that the asset is owned (within the meaning of section 958(a)) by a member of the purchasing corporation's affiliated group.

(5) *Examples.* This paragraph (h) may be illustrated by the following examples:

Example 1. Stock of target affiliate that is a CFC. (a) The S group files a consolidated return; however, T2 is a controlled foreign corporation. On December 1 of Year 1, T1 sells the T2 stock to P and recognizes gain. On January 2 of Year 2, P makes a qualified stock purchase of T from S. No section 338 election is made for T.

(b) Under paragraph (b)(1) of this section, paragraph (d) of this section applies to the T2 stock. Under paragraph (h)(3) of this section, paragraph (d)(2)(iii) of this section does not apply to the T2 stock. Consequently, paragraph (d)(1) of this section applies to the T2 stock. However, after applying paragraph (d)(1) of this section, P's basis in the T2 stock is increased by the amount of T1's gain on the sale of the T2 stock that is treated as a dividend under section 1248. Because P has a carryover basis in the T2 stock, the T2 stock is not considered purchased within the meaning of section 338(h)(3) and no section 338 election may be made for T2.

Example 2. Stock of target affiliate CFC; inclusion under subpart F. (a) The S group files a consolidated return; however, T2 is a controlled foreign corporation. On December 1 of Year 1, T2 sells an asset to P and recognizes subpart F income that results in an inclusion in T1's gross income under section 951(a)(1)(A). On January 2 of Year 2, P makes a qualified stock purchase of T from S. No section 338 election is made for T.

(b) Because gain from the disposition of the asset results in an inclusion under section 951(a)(1)(A), the gain is reflected in the basis of the T stock as of T's acquisition date. See paragraph (h)(2)(i) of this section. Consequently, under paragraph (b)(1) of this section, paragraph (d)(1) of this section applies to the asset. In addition, under paragraph (h)(2)(ii) of this section, T1's basis in the T2 stock is not increased under section 961(a) by the amount of the inclusion that is attributable to the sale of the asset.

(c) If, in addition to making a qualified stock purchase of T, P acquires the T2 stock from T1 on January 1 of Year 2, the results are the same for the asset sold by T2. In addition, under paragraph (h)(2)(ii) of this section, T1's basis in the T2 stock is not increased by the amount of the inclusion that is attributable to the gain on the sale of the asset. Further, under paragraph (h)(3) of this section, paragraph (d)(1) of this section applies to the T2 stock. However, after applying paragraph (d)(1) of this section, P's basis in the T2 stock is increased by the amount of T1's gain on the sale of the T2 stock that is treated as a dividend under section 1248. Finally, because P has a carryover basis in the T2 stock, the T2 stock is not considered purchased within the meaning of section 338(h)(3) and no section 338 election may be made for T2.

(d) If P makes a qualified stock purchase of T2 from T1, rather than of T from S, and T1's

gain on the sale of T2 is treated as a dividend under section 1248, under paragraph (h)(1) of this section, paragraphs (h)(2) and (3) of this section do not apply because there is no target that is a domestic corporation. Consequently, the carryover basis rules of paragraph do not apply to the asset sold by T2 or the T2 stock.

Example 3. Gain reflected by reason of section 1248 dividend; gain from non-subpart F asset.

(a) The S group files a consolidated return; however, T2 is a controlled foreign corporation. In Years 1 through 4, T2 does not pay any dividends to T1 and no amount is included in T1's income under section 951(a)(1)(B). On December 1 of Year 4, T2 sells an asset with a basis of \$400,000 to P for \$900,000. T2's gain of \$500,000 is not subpart F income. On December 15 of Year 4, T1 sells T2, in which it has a basis of \$600,000, to P for \$1,600,000. Under section 1248, \$800,000 of T1's gain of \$1,000,000 is treated as a dividend. However, in the absence of the sale of the asset by T2 to P, only \$300,000 would have been treated as a dividend under section 1248. On December 30 of Year 4, P makes a qualified stock purchase of T1 from T. No section 338 election is made for T1.

(b) Under paragraph (h)(4) of this section, paragraph (g)(2) of this section applies by reference to the amount treated as a dividend under section 1248 on the disposition of the T2 stock. Because the amount treated as a dividend is taken into account in determining T's basis in the T1 stock under § 1.1502-32, the sale of the T2 stock and the deemed dividend have the effect of a transaction described in paragraph (g)(1) of this section. Consequently, paragraph (d)(1) of this section applies to the asset sold by T2 to P and P's basis in the asset is \$400,000 as of December 1 of Year 4.

(c) Under paragraph (h)(3) of this section, paragraph (d)(1) of this section applies to the T2 stock and P's basis in the T2 stock is \$600,000 as of December 15 of Year 4. Under paragraphs (h)(3) and (4)(ii) of this section, however, P's basis in the T2 stock is increased by \$300,000 (the amount of T1's gain treated as a dividend under section 1248 (\$800,000), other than the amount treated as a dividend solely as a result of the sale of the asset by T2 to P (\$500,000)) to \$900,000.

(i) [Reserved]

(j) *Anti-avoidance rules.* For purposes of this section—

(1) *Extension of consistency period.* The target consistency period is extended to include any continuous period that ends on, or begins on, any day of the consistency period during which a purchasing corporation, or any person related, within the meaning of section 267(b) or 707(b)(1), to a purchasing corporation, has an arrangement—

(i) To purchase stock of target; or
 (ii) To own an asset to which the carryover basis rules of this section apply, taking into account the extension.

(2) *Qualified stock purchase and 12-month acquisition period.* The 12-month acquisition period is extended if, pursuant to an arrangement, a corporation acquires by purchase stock of another corporation satisfying the requirements of section 1504(a)(2) over a period of more than 12 months.

(3) *Acquisitions by conduits—(i) Asset ownership—(A) General rule.* A corporation is treated as owning any portion of an asset attributed to the corporation from a conduit under section 318(a) (treating any asset as stock for this purpose), for purposes of—

(1) The asset ownership requirements of this section; and

(2) Determining whether a controlled foreign corporation is a target affiliate for purposes of paragraph (h) of this section.

(B) *Application of carryover basis rule.* If the basis rules of this section apply to the asset, the basis rules of this section apply to the entire asset (not just the portion for which ownership is attributed).

(ii) *Stock acquisitions—(A) Purchase by conduit.* A corporation is treated as purchasing stock of another corporation attributed to the corporation from a conduit under section 318(a) on the day the stock is purchased by the conduit. The corporation is not treated as purchasing the stock, however, if the conduit purchased the stock more than two years before the date the stock is first attributed to the corporation.

(B) *Purchase of conduit by corporation.* If a corporation purchases an interest in a conduit (treating the interest as stock for this purpose), the corporation is treated as purchasing on that date any stock owned by a conduit on that date and attributed to the corporation under section 318(a) with respect to the interest in the conduit that was purchased.

(C) *Purchase of conduit by conduit.* If a conduit (the *first* conduit) purchases an interest in a second conduit (treating the interest as stock for this purpose), the first conduit is treated as purchasing on that date any stock owned by a conduit on that date and attrib-

uted to the first conduit under section 318(a) with respect to the interest in the second conduit that was purchased.

(4) *Conduit.* A person (other than a corporation) is a conduit as to a corporation if—

(i) The corporation would be treated under section 318(a)(2)(A) and (B) (attribution from partnerships, estates, and trusts) as owning any stock owned by the person; and

(ii) The corporation, together with its affiliates, would be treated as owning an aggregate of at least 50 percent of the stock owned by the person.

(5) *Existence of arrangement.* The existence of an arrangement is determined under all the facts and circumstances. For an arrangement to exist, there need not be an enforceable, written, or unconditional agreement, and all the parties to the transaction need not have participated in each step of the transaction. One factor indicating the existence of an arrangement is the participation of a related party. For this purpose, persons are related if they are related within the meaning of section 267(b) or 707(b)(1).

(6) *Predecessor and successor—(i) Persons.* A reference to a person (including target, target affiliate, and purchasing corporation) includes, as the context may require, a reference to a predecessor or successor. For this purpose, a predecessor is a transferor or distributor of assets to a person (the successor) in a transaction—

(A) To which section 381(a) applies; or

(B) In which the successor's basis for the assets is determined, directly or indirectly, in whole or in part, by reference to the basis of the transferor or distributor.

(ii) *Assets.* A reference to an asset (the first asset) includes, as the context may require, a reference to any asset the basis of which is determined, directly or indirectly, in whole or in part, by reference to the first asset.

(7) *Examples.* This paragraph (j) may be illustrated by the following examples:

Example 1. Asset owned by conduit treated as owned by purchaser of target stock. (a) P owns a 60-percent interest in Y. On March 1 of Year 1, T sells an asset to Y and recognizes gain. On January 1 of Year 2, P makes a

qualified stock purchase of T from S. No section 338 election is made for T.

(b) Under paragraph (j)(4) of this section, Y is a conduit with respect to P. Consequently, under paragraph (j)(3)(i)(A) of this section, P is treated as owning 60% of the asset on March 1 of Year 1 and January 1 of Year 2. Because P is treated as owning part or all of the asset both immediately after the asset disposition and on T's acquisition date, paragraph (b) of this section applies to the asset. Consequently, paragraph (d)(1) of this section applies to the asset and Y's basis in the asset is T's adjusted basis in the asset immediately before the sale to Y.

Example 2. Corporation whose stock is owned by conduit treated as affiliate. (a) P owns an 80-percent interest in Y. Y owns all of the stock of Z. On March 1 of Year 1, T sells an asset to Z and recognizes gain. On January 1 of Year 2, P makes a qualified stock purchase of T from S. No section 338 election is made for T.

(b) Under paragraph (j)(4) of this section, Y is a conduit with respect to P. Consequently, under paragraph (j)(3)(i)(A) of this section, P is treated as owning 80% of the Z stock and Z is therefore treated as an affiliate of P for purposes of applying the asset ownership requirements of paragraph (b)(1)(iii) of this section. Because Z, an affiliate of P, owns the asset both immediately after the asset disposition and on T's acquisition date, paragraph (b) of this section applies to the asset, and the asset's basis is determined under paragraph (d) of this section.

(c) If, instead of owning an 80-percent interest in Y, P owned a 79-percent interest in Y, Z would not be treated as an affiliate of P and paragraph (b) of this section would not apply to the asset.

Example 3. Qualified stock purchase by reason of stock purchase by conduit. (a) P owns a 90-percent interest in Y. Y owns a 60-percent interest in Y1. On February 1 of Year 2, T sells an asset to P and recognizes gain. On January 1 of Year 3, P purchases 70% of the T stock from S and Y1 purchases the remaining 30% of the T stock from S.

(b) Under paragraph (j)(3)(ii)(A) of this section, P is treated as purchasing on January 1 of Year 3, the 16.2% of the T stock that is attributed to P from Y and Y1 under section 318(a). Thus, for purposes of this section, P is treated as making a qualified stock purchase of T on January 1 of Year 3, paragraph (b) of this section applies to the asset, and the asset's basis is determined under paragraph (d) of this section. However, because P is not treated as having made a qualified stock purchase of T for purposes of making an election under section 338, no election can be made for T.

(c) If Y1 purchases 20% of the T stock from S on December 1 of Year 1, rather than 30% on January 1 of Year 3, P would be treated as purchasing 10.8% of the T stock on December

1 of Year 1. Thus, if paragraph (j)(2) of this section (relating to extension of the 12-month acquisition period) does not apply, P would not be treated as making a qualified stock purchase of T, because P is not treated as purchasing T stock satisfying the requirements of section 1504(a)(2) within a 12-month period.

Example 4. Successor asset. (a) On February 1 of Year 1, T sells stock of X to P1 and recognizes gain. On December 1 of Year 1, P1 exchanges its X stock for stock in new X in a reorganization qualifying under section 368(a)(1)(F). On January 1 of Year 2, P1 makes a qualified stock purchase of T from S. No section 338 election is made for T.

(b) The asset ownership requirements of paragraph (b)(1)(iii) of this section are satisfied because, under paragraph (j)(6)(ii) of this section, P1 is treated as owning the X stock on T's acquisition date. P1 is treated as owning the X stock on that date because P1 owns the new X stock and P1's basis in the new X stock is determined by reference to P1's basis in the X stock. Consequently, under paragraph (d)(1) of this section, P1's basis in the X stock on February 1 of Year 1 is T's adjusted basis in the X stock immediately before the sale to P1.

[T.D. 8515, 59 FR 2972, Jan. 20, 1994, as amended by T.D. 8597, 60 FR 36679, July 18, 1995; T.D. 8710, 62 FR 3459, Jan. 23, 1997. Redesignated by T.D. 8858, 65 FR 1246, Jan. 7, 2000, as amended by T.D. 8940, 66 FR 9929, Feb. 13, 2001; 66 FR 17466, Mar. 30, 2001]

§ 1.338-9 International aspects of section 338.

(a) *Scope.* This section provides guidance regarding international aspects of section 338. As provided in § 1.338-2(c)(18), a foreign corporation, a DISC, or a corporation for which a section 936 election has been made is considered a target affiliate for all purposes of section 338. In addition, stock described in section 338(h)(6)(B)(ii) held by a target affiliate is not excluded from the operation of section 338.

(b) *Application of section 338 to foreign targets—(1) In general.* For purposes of subtitle A, the deemed sale tax consequences, as defined in § 1.338-2(c)(7), of a foreign target for which a section 338 election is made (FT), and the corresponding earnings and profits, are taken into account in determining the taxation of FT and FT's direct and indirect shareholders. See, however, section 338(h)(16). For example, the income and earnings and profits of FT are determined, for purposes of sections 551, 951, 1248, and 1293, by taking

into account the deemed sale tax sentence consequences.

(2) *Ownership of FT stock on the acquisition date.* A person who transfers FT stock to the purchasing corporation on FT's acquisition date is considered to own the transferred stock at the close of FT's acquisition date. See, e.g., § 1.951-1(f) (relating to determination of holding period for purposes of sections 951 through 964). If on the acquisition date the purchasing corporation owns a block of FT stock that was acquired before FT's acquisition date, the purchasing corporation is considered to own such block of stock at the close of the acquisition date.

(3) *Carryover FT stock—(i) Definition.* FT stock is carryover FT stock if—

(A) FT was a controlled foreign corporation within the meaning of section 957 (taking into account section 953(c)) at any time during the portion of the 12-month acquisition period that ends on the acquisition date; and

(B) Such stock is owned as of the beginning of the day after FT's acquisition date by a person other than a purchasing corporation, or by a purchasing corporation if the stock is nonrecently purchased and is not subject to a gain recognition election under § 1.338-5(d).

(ii) *Carryover of earnings and profits.* The earnings and profits of old FT (and associated foreign taxes) attributable to the carryover FT stock (adjusted to reflect deemed sale tax sentence consequences) carry over to new FT solely for purposes of—

(A) Characterizing an actual distribution with respect to a share of carryover FT stock as a dividend;

(B) Characterizing gain on a post-acquisition date transfer of a share of carryover FT stock as a dividend under section 1248 (if such section is otherwise applicable);

(C) Characterizing an investment of earnings in United States property as income under sections 951(a)(1)(B) and 956 (if such sections are otherwise applicable); and

(D) Determining foreign taxes deemed paid under sections 902 and 960 with respect to the amount treated as a dividend or income by virtue of this paragraph (b)(3)(ii) (subject to the operation of section 338(h)(16)).

(iii) *Cap on carryover of earnings and profits.* The amount of earnings and profits of old FT taken into account with respect to a share of carryover FT stock is limited to the amount that would have been included in gross income of the owner of such stock as a dividend under section 1248 if—

(A) The shareholder transferred that share to the purchasing corporation on FT's acquisition date for a consideration equal to the fair market value of that share on that date; or

(B) In the case of nonrecently purchased FT stock treated as carryover FT stock, a gain recognition election under section 338(b)(3)(A) applied to that share. For purposes of the preceding sentence, a shareholder that is a controlled foreign corporation is considered to be a United States person, and the principle of section 1248(c)(2)(D)(ii) (concerning a United States person's indirect ownership of stock in a foreign corporation) applies in determining the correct holding period.

(iv) *Post-acquisition date distribution of old FT earnings and profits.* A post-acquisition date distribution with respect to a share of carryover FT stock is considered to be derived first from earnings and profits derived after FT's acquisition date and then from earnings and profits derived on or before FT's acquisition date.

(v) *Old FT earnings and profits unaffected by post-acquisition date deficits.* The carryover amount for a share of carryover FT stock is not reduced by deficits in earnings and profits incurred by new FT. This rule applies for purposes of determining the amount of foreign taxes deemed paid regardless of the fact that there are no accumulated earnings and profits. For example, a distribution by new FT with respect to a share of carryover FT stock is treated as a dividend by the distributee to the extent of the carryover amount for that share notwithstanding that new FT has no earnings and profits.

(vi) *Character of FT stock as carryover FT stock eliminated upon disposition.* A share of FT stock is not considered carryover FT stock after it is disposed of provided that all gain realized on the transfer is recognized at the time of the transfer, or that, if less than all of

the realized gain is recognized, the recognized amount equals or exceeds the remaining carryover amount for that share.

(4) *Passive foreign investment company stock.* Stock that is owned as of the beginning of the day after FT's acquisition date by a person other than a purchasing corporation, or by a purchasing corporation if the FT stock is nonrecently purchased stock not subject to a gain recognition election under § 1.338-5(d), is treated as passive foreign investment company stock to the extent provided in section 1297(b)(1).

(c) *Dividend treatment under section 1248(e).* The principles of this paragraph (b) apply to shareholders of a domestic corporation subject to section 1248(e).

(d) *Allocation of foreign taxes.* If a section 338 election is made for target (whether foreign or domestic), and target's taxable year under foreign law (if any) does not close at the end of the acquisition date, foreign income taxes attributable to the foreign taxable income earned by target during such foreign taxable year are allocated to old target and new target. Such allocation is made under the principles of § 1.1502-76(b).

(e) *Operation of section 338(h)(16).* [Reserved]

(f) *Examples.* (1) Except as otherwise provided, all corporations use the calendar year as the taxable year, have no earnings and profits (or deficit) accumulated for any taxable year, and have only one class of outstanding stock.

(2) This section may be illustrated by the following examples:

Example 1. Gain recognition election for carryover FT stock. (a) A has owned 90 of the 100 shares of CFCT stock since CFCT was organized on March 13, 1989. P has owned the remaining 10 shares of CFCT stock since CFCT was organized. Those 10 shares constitute nonrecently purchased stock in P's hands within the meaning of section 338(b)(6)(B). On November 1, 1994, P purchases A's 90 shares of CFCT stock for \$90,000 and makes a section 338 election for CFCT. P also makes a gain recognition election under section 338(b)(3)(A) and § 1.338-5(d).

(b) CFCT's earnings and profits for its short taxable year ending on November 1, 1994, are \$50,000, determined without taking into account the deemed asset sale. Assume A recognizes gain of \$81,000 on the sale of the CFCT stock. Further, assume that CFCT rec-

ognizes gain of \$40,000 by reason of its deemed sale of assets under section 338(a)(1).

(c) A's sale of CFCT stock to P is a transfer to which section 1248 and paragraphs (b)(1) and (2) of this section apply. For purposes of applying section 1248(a) to A, the earnings and profits of CFCT for its short taxable year ending on November 1, 1994, are \$90,000 (the earnings and profits for that taxable year as determined under § 1.1248-2(e) (\$50,000) plus earnings from the deemed sale (\$40,000)). Thus, A's entire gain is characterized as a dividend under section 1248 (but see section 338(h)(16)).

(d) Assume that P recognizes a gain of \$9,000 with respect to the 10 shares of nonrecently purchased CFCT stock by reason of the gain recognition election. Because P is treated as selling the nonrecently purchased stock for all purposes of the Internal Revenue Code, section 1248 applies. Thus, under § 1.1248-2(e), \$9,000 of the \$90,000 of earnings and profits for 1994 are attributable to the block of 10 shares of CFCT stock deemed sold by P at the close of November 1, 1994 (\$90,000 × 10/100). Accordingly, P's entire gain on the deemed sale of 10 shares of CFCT stock is included under section 1248(a) in P's gross income as a dividend (but see section 338(h)(16)).

Example 2. No gain recognition election for carryover FT stock. (a) Assume the same facts as in *Example 1*, except that P does not make a gain recognition election.

(b) The 10 shares of nonrecently purchased CFCT stock held by P is carryover FT stock under paragraph (b)(3) of this section. Accordingly, the earnings and profits (and attributable foreign taxes) of old CFCT carry over to new CFCT solely for purposes of that block of 10 shares. The amount of old CFCT's earnings and profits taken into account with respect to that block in the event, for example, of a distribution by new CFCT with respect to that block is the amount of the section 1248 dividend that P would have recognized with respect to that block had it made a gain recognition election under section 338(b)(3)(A). Under the facts of *Example 1*, P would have recognized a gain of \$9,000 with respect to that block, all of which would have been a section 1248 dividend (\$90,000 × 10/100). Accordingly, the carryover amount for the block of 10 shares of nonrecently purchased CFCT stock is \$9,000.

Example 3. Sale of controlled foreign corporation stock prior to and on the acquisition date. (a) X and Y, both U.S. corporations, have each owned 50% of the CFCT stock since 1986. Among CFCT's assets are assets the sale of which would generate subpart F income. On December 31, 1994, X sells its CFCT stock to P. On June 30, 1995, Y sells its CFCT stock to P. P makes a section 338 election for CFCT. In both 1994 and 1995, CFCT has subpart F income resulting from operations.

(b) For taxable year 1994, X and Y are United States shareholders on the last day of CFCT's taxable year, so pursuant to section 951(a)(1)(A) each must include in income its pro rata share of CFCT's subpart F income for 1994. Because P's holding period in the CFCT stock acquired from X does not begin until January 1, 1995, P is not a United States shareholder on the last day of 1994 for purposes of section 951(a)(1)(A) (see § 1.951-1(f)). X must then determine the extent to which section 1248 recharacterizes its gain on the sale of CFCT stock as a dividend.

(c) For the short taxable year ending June 30, 1995, Y is considered to own the CFCT stock sold to P at the close of CFCT's acquisition date. Because the acquisition date is the last day of CFCT's taxable year, Y and P are United States shareholders on the last day of CFCT's taxable year. Pursuant to section 951(a)(1)(A), each must include its pro rata share of CFCT's subpart F income for the short taxable year ending June 30, 1995. This includes any income generated on the deemed sale of CFCT's assets. Y must then determine the extent to which section 1248 recharacterizes its gain on the sale of the CFCT stock as a dividend, taking into account any increase in CFCT's earnings and profits due to the deemed sale of assets.

Example 4. Acquisition of control for purposes of section 951 prior to the acquisition date. FS owns 100% of the FT stock. On July 1, 1994, P buys 60% of the FT stock. On December 31, 1994, P buys the remaining 40% of the FT stock and makes a section 338 election for FT. For tax year 1994, FT has earnings and profits of \$1,000 (including earnings resulting from the deemed sale). The section 338 election results in \$500 of subpart F income. As a result of the section 338 election, P must include in gross income the following amount under section 951(a)(1)(A) (see § 1.951-1(b)(2)):

| | |
|---|----------|
| FT's subpart F income for 1994 | \$500.00 |
| Less: reduction under section 951(a)(2)(A) for period (1-1-94 through 7-1-94) during which FT is not a controlled foreign corporation (\$500 × 182/365) | 249.32 |
| Subpart F income as limited by section 951(a)(2)(A) | 250.68 |
| P's pro rata share of subpart F income as determined under section 951(a)(2)(A) (60% × 250.68) | 150.41 |

Example 5. Coordination with section 936. (a) T is a corporation for which a section 936 election has been made. P makes a qualified stock purchase of T and makes a section 338 election for T.

(b) T's deemed sale of assets under section 338 constitutes a sale for purposes of subtitle A of the Internal Revenue Code, including section 936(a)(1)(A)(ii). To the extent that the assets deemed sold are used in the conduct of an active trade or business in a possession for purposes of section 936(a)(1)(A)(i),

and assuming all the other conditions of section 936 are satisfied, the income from the deemed sale qualifies for the credit granted by section 936(a). The source of income from the deemed sale is determined as if the assets had actually been sold and is not affected for purposes of section 936 by section 338(h)(16).

(c) Because new T is treated a new corporation for purposes of subtitle A of the Internal Revenue Code, the three year testing period in section 936(a)(2)(A) begins again for new T on the day following T's acquisition date. Thus, if the character or source of old T's gross income disqualified it for the credit under section 936, a fresh start is allowed by a section 338 election.

[T.D. 8515, 59 FR 2978, Jan. 20, 1994. Redesignated by T.D. 8858, 65 FR 1246, Jan. 7, 2000, as amended by T.D. 8940, 66 FR 9929, Feb. 13, 2001; 66 FR 17466, Mar. 30, 2001]

§ 1.338-10 Filing of returns.

(a) *Returns including tax liability from deemed asset sale—(1) In general.* Except as provided in paragraphs (a)(2) and (3) of this section, any deemed sale tax consequences are reported on the final return of old target filed for old target's taxable year that ends at the close of the acquisition date. Paragraphs (a)(2), (3) and (4) of this section do not apply to elections under section 338(h)(10). If old target is the common parent of an affiliated group, the final return may be a consolidated return (any such consolidated return must also include any deemed sale tax consequences of any members of the consolidated group that are acquired by the purchasing corporation on the same acquisition date as old target).

(2) *Old target's final taxable year otherwise included in consolidated return of selling group—(i) General rule.* If the selling group files a consolidated return for the period that includes the acquisition date, old target is disaffiliated from that group immediately before the deemed asset sale and must file a deemed sale return separate from the group, which includes only the deemed sale tax consequences and the carryover items specified in paragraph (a)(2)(iii) of this section. The deemed asset sale occurs at the close of the acquisition date and is the last transaction of old target and the only transaction reported on the separate return.

Except as provided in §1.338-1(d) (regarding certain transactions on the acquisition date), any transactions of old target occurring on the acquisition date other than the deemed asset sale are included in the selling group's consolidated return. A deemed sale return includes a combined deemed sale return as defined in paragraph (a)(4) of this section.

(ii) *Separate taxable year.* The deemed asset sale included in the deemed sale return under this paragraph (a)(2) occurs in a separate taxable year, except that old target's taxable year of the sale and the consolidated year of the selling group that includes the acquisition date are treated as the same year for purposes of determining the number of years in a carryover or carryback period.

(iii) *Carryover and carryback of tax attributes.* Target's attributes may be carried over to, and carried back from, the deemed sale return under the rules applicable to a corporation that ceases to be a member of a consolidated group.

(iv) *Old target is a component member of purchasing corporation's controlled group.* For purposes of its deemed sale return, target is a component member of the controlled group of corporations including the purchasing corporation unless target is treated as an excluded member under section 1563(b)(2).

(4) *Combined deemed sale return—(i) General rule.* Under section 338(h)(15), a combined deemed sale return (combined return) may be filed for all targets from a single selling consolidated group (as defined in §1.338(h)(10)-1(b)(3)) that are acquired by the purchasing corporation on the same acquisition date and that otherwise would be required to file separate deemed sale returns. The combined return must include all such targets. For example, T and T1 may be included in a combined return if—

(A) T and T1 are directly owned subsidiaries of S;

(B) S is the common parent of a consolidated group; and

(C) P makes qualified stock purchases of T and T1 on the same acquisition date.

(ii) *Gain and loss offsets.* Gains and losses recognized on the deemed asset

sales by targets included in a combined return are treated as the gains and losses of a single target. In addition, loss carryovers of a target that were not subject to the separate return limitation year restrictions (SRLY restrictions) of the consolidated return regulations while that target was a member of the selling consolidated group may be applied without limitation to the gains of other targets included in the combined return. If, however, a target has loss carryovers that were subject to the SRLY restrictions while that target was a member of the selling consolidated group, the use of those losses in the combined return continues to be subject to those restrictions, applied in the same manner as if the combined return were a consolidated return. A similar rule applies, when appropriate, to other tax attributes.

(iii) *Procedure for filing a combined return.* A combined return is made by filing a single corporation income tax return in lieu of separate deemed sale returns for all targets required to be included in the combined return. The combined return reflects the deemed asset sales of all targets required to be included in the combined return. If the targets included in the combined return constitute a single affiliated group within the meaning of section 1504(a), the income tax return is signed by an officer of the common parent of that group. Otherwise, the return must be signed by an officer of each target included in the combined return. Rules similar to the rules in §1.1502-75(j) apply for purposes of preparing the combined return. The combined return must include a statement entitled, "ELECTION TO FILE A COMBINED RETURN UNDER SECTION 338(h)(15)." The statement must include—

(A) The name, address, and employer identification number of each target required to be included in the combined return; and

(B) The following declaration: EACH TARGET IDENTIFIED IN THIS ELECTION TO FILE A COMBINED RETURN CONSENTS TO THE FILING OF A COMBINED RETURN.

(iv) *Consequences of filing a combined return.* Each target included in a combined return is severally liable for any

tax associated with the combined return. See § 1.338-1(b)(3).

(5) *Deemed sale excluded from purchasing corporation's consolidated return.* Old target may not be considered a member of any affiliated group that includes the purchasing corporation with respect to its deemed asset sale.

(6) *Due date for old target's final return*—(i) *General rule.* Old target's final return is generally due on the 15th day of the third calendar month following the month in which the acquisition date occurs. See section 6072 (time for filing income tax returns).

(ii) *Application of § 1.1502-76(c)*—(A) *In general.* Section 1.1502-76(c) applies to old target's final return if old target was a member of a selling group that did not file consolidated returns for the taxable year of the common parent that precedes the year that includes old target's acquisition date. If the selling group has not filed a consolidated return that includes old target's taxable period that ends on the acquisition date, target may, on or before the final return due date (including extensions), either—

(1) File a deemed sale return on the assumption that the selling group will file the consolidated return; or

(2) File a return for so much of old target's taxable period as ends at the close of the acquisition date on the assumption that the consolidated return will not be filed.

(B) *Deemed extension.* For purposes of applying § 1.1502-76(c)(2), an extension of time to file old target's final return is considered to be in effect until the last date for making the election under section 338.

(C) *Erroneous filing of deemed sale return.* If, under this paragraph (a)(6)(ii), target files a deemed sale return but the selling group does not file a consolidated return, target must file a substituted return for old target not later than the due date (including extensions) for the return of the common parent with which old target would have been included in the consolidated return. The substituted return is for so much of old target's taxable year as ends at the close of the acquisition date. Under § 1.1502-76(c)(2), the deemed sale return is not considered a return for purposes of section 6011 (relating to

the general requirement of filing a return) if a substituted return must be filed.

(D) *Erroneous filing of return for regular tax year.* If, under this paragraph (a)(6)(ii), target files a return for so much of old target's regular taxable year as ends at the close of the acquisition date but the selling group files a consolidated return, target must file an amended return for old target not later than the due date (including extensions) for the selling group's consolidated return. (The amended return is a deemed sale return.)

(E) *Last date for payment of tax.* If either a substituted or amended final return of old target is filed under this paragraph (a)(6)(ii), the last date prescribed for payment of tax is the final return due date (as defined in paragraph (a)(6)(i) of this section).

(7) *Examples.* The following examples illustrate this paragraph (a):

Example 1. (i) S is the common parent of a consolidated group that includes T. The S group files calendar year consolidated returns. At the close of June 30 of Year 1, P makes a qualified stock purchase of T from S. P makes a section 338 election for T, and T's deemed asset sale occurs as of the close of T's acquisition date (June 30).

(ii) T is considered disaffiliated for purposes of reporting the deemed sale tax consequences. Accordingly, T is included in the S group's consolidated return through T's acquisition date except that the tax liability for the deemed sale tax consequences is reported in a separate deemed sale return of T. Provided that T is not treated as an excluded member under section 1563(b)(2), T is a component member of P's controlled group for the taxable year of the deemed asset sale, and the taxable income bracket amounts available in calculating tax on the deemed sale return must be limited accordingly.

(iii) If P purchased the stock of T at 10 a.m. on June 30 of Year 1, the results would be the same. See paragraph (a)(2)(i) of this section.

Example 2. The facts are the same as in *Example 1*, except that the S group does not file consolidated returns. T must file a separate return for its taxable year ending on June 30 of Year 1, which return includes the deemed asset sale.

(b) *Waiver*—(1) *Certain additions to tax.* An addition to tax or additional amount (addition) under subchapter A of chapter 68 of the Internal Revenue Code arising on or before the last day for making the election under section

338 because of circumstances that would not exist but for an election under section 338 is waived if—

(i) Under the particular statute the addition is excusable upon a showing of reasonable cause; and

(ii) Corrective action is taken on or before the last day.

(2) *Notification.* The Internal Revenue Service should be notified at the time of correction (e.g., by attaching a statement to a return that constitutes corrective action) that the waiver rule of this paragraph (b) is being asserted.

(3) *Elections or other actions required to be specified on a timely filed return—(i) In general.* If paragraph (b)(1) of this section applies or would apply if there were an underpayment, any election or other action that must be specified on a timely filed return for the taxable period covered by the late filed return described in paragraph (b)(1) of this section is considered timely if specified on a late-filed return filed on or before the last day for making the election under section 338.

(ii) *New target in purchasing corporation's consolidated return.* If new target is includible for its first taxable year in a consolidated return filed by the affiliated group of which the purchasing corporation is a member on or before the last day for making the election under section 338, any election or other action that must be specified in a timely filed return for new target's first taxable year (but which is not specified in the consolidated return) is considered timely if specified in an amended return filed on or before such last day, at the place where the consolidated return was filed.

(4) *Examples.* The following examples illustrate this paragraph (b):

Example 1. T is an unaffiliated corporation with a tax year ending March 31. At the close of September 20 of Year 1, P makes a qualified stock purchase of T. P does not join in filing a consolidated return. P makes a section 338 election for T on or before June 15 of Year 2, which causes T's taxable year to end as of the close of September 20 of Year 1. An income tax return for T's taxable period ending on September 20 of Year 1 was due on December 15 of Year 1. Additions to tax for failure to file a return and to pay tax shown on a return will not be imposed if T's return is filed and the tax paid on or before June 15 of Year 2. (This waiver applies even if the ac-

quisition date coincides with the last day of T's former taxable year, i.e., March 31 of Year 2.) Interest on any underpayment of tax for old T's short taxable year ending September 20 of Year 1 runs from December 15 of Year 1. A statement indicating that the waiver rule of this paragraph is being asserted should be attached to T's return.

Example 2. Assume the same facts as in *Example 1.* Assume further that new T adopts the calendar year by filing, on or before June 15 of Year 2, its first return (for the period beginning on September 21 of Year 1 and ending on December 31 of Year 1) indicating that a calendar year is chosen. See § 1.338-1(b)(1). Any additions to tax or amounts described in this paragraph (b) that arise because of the late filing of a return for the period ending on December 31 of Year 1 are waived, because they are based on circumstances that would not exist but for the section 338 election. Notwithstanding this waiver, however, the return is still considered due March 15 of Year 2, and interest on any underpayment runs from that date.

Example 3. Assume the same facts as in *Example 2,* except that T's former taxable year ends on October 31. Although prior to the election old T had a return due on January 15 of Year 2 for its year ending October 31 of Year 1, that return need not be filed because a timely election under section 338 was made. Instead, old T must file a final return for the period ending on September 20 of Year 1, which is due on December 15 of Year 1.

(c) *Effective/applicability date.* Paragraph (a)(4)(iii) of this section applies to any taxable year beginning on or after May 30, 2006. However, taxpayers may apply paragraph (a)(4)(iii) of this section to any original Federal income tax return (including any amended return filed on or before the due date (including extensions) of such original return) timely filed on or after May 30, 2006. For taxable years beginning before May 30, 2006, see § 1.338-10 as contained in 26 CFR part 1 in effect on April 1, 2006.

[T.D. 8940, 66 FR 9948, Feb. 13, 2001, as amended by T.D. 9264, 71 FR 30596, May 30, 2006; T.D. 9329, 72 FR 32798, June 14, 2007]

§ 1.338-11 Effect of section 338 election on insurance company targets.

(a) *In general.* This section provides rules that apply when an election under section 338 is made for a target that is an insurance company. The rules in this section apply in addition to those generally applicable upon the making of an election under section

338. In the case of a conflict between the provisions of this section and other provisions of the Internal Revenue Code or regulations, the rules set forth in this section determine the Federal income tax treatment of the parties and the transaction when a section 338 election is made for an insurance company target.

(b) *Computation of ADSP and AGUB*—
(1) *Reserves taken into account as a liability.* Old target's tax reserves are the reserves for Federal income tax purposes for any insurance, annuity, and reinsurance contracts deemed sold by old target to new target in the deemed asset sale. The amount of old target's tax reserves is the amount that is properly taken into account by old target for the contracts at the close of the taxable year that includes the deemed sale tax consequences (before giving effect to the deemed asset sale and assumption reinsurance transaction). Old target's tax reserves are a liability of old target taken into account in determining ADSP under §1.338-4 and a liability of new target taken into account in determining AGUB under §1.338-5.

(2) *Allocation of ADSP and AGUB to specific insurance contracts.* For purposes of allocating AGUB and ADSP under §§1.338-6 and 1.338-7, the fair market value of a specific insurance, reinsurance or annuity contract or group of insurance, reinsurance or annuity contracts (*insurance contracts*) is the amount of the ceding commission a willing reinsurer would pay a willing ceding company in an arm's length transaction for the reinsurance of the contracts if the gross reinsurance premium for the contracts were equal to old target's tax reserves for the contracts. See §1.197-2(g)(5) for rules concerning the treatment of the amount allocable to insurance contracts acquired in the deemed asset sale.

(c) *Application of assumption reinsurance principles*—(1) *In general.* If a target is an insurance company, the deemed sale of insurance contracts is treated for Federal income tax purposes as an assumption reinsurance transaction between old target, as the reinsured or ceding company, and new target, as the reinsurer or acquiring company, at the close of the acquisi-

tion date. The Federal income tax treatment of the assumption reinsurance transaction is determined under the applicable provisions of subchapter L, chapter 1, subtitle A of the Internal Revenue Code, as modified by the rules set forth in this section.

(2) *Reinsurance premium.* Old target is deemed to pay a gross amount of premium in the assumption reinsurance transaction equal to the amount of old target's tax reserves for the insurance contracts that are acquisition date assets (*acquired contracts*). New target is deemed to receive a reinsurance premium in the amount of old target's tax reserves for the acquired contracts. See paragraph (d) of this section for circumstances in which new target is deemed to receive additional premium. See §1.817-4(d)(2) for old target's and new target's treatment of the premium.

(3) *Ceding commission.* Old target is deemed to receive a ceding commission in an amount equal to the amount of ADSP allocated to the acquired contracts, as determined under §§1.338-6 and 1.338-7 and paragraph (b) of this section. New target is deemed to pay a ceding commission in an amount equal to the amount of AGUB allocated to the acquired contracts, as determined under §§1.338-6 and 1.338-7 and paragraph (b) of this section. See §1.817-4(d)(2) for old target's and new target's treatment of the ceding commission.

(4) *Examples.* The following examples illustrate this paragraph (c):

Example 1. (i) *Facts.* On January 1, 2003, T, an insurance company, has the following assets with the following fair market values: \$10 cash, \$30 of securities, \$10 of equipment, a life insurance contract having a value, under paragraph (b)(2) of this section, of \$17, and goodwill and going concern value. T has tax reserves of \$50 and no other liabilities. On January 1, 2003, P purchases all of the stock of T for \$16 and makes a section 338 election for T. For purposes of the capitalization requirements of section 848, assume new T has \$20 of general deductions in its first taxable year ending on December 31, 2003, and earns no other premiums during the year.

(ii) *Analysis.* (A) For Federal income tax purposes, the section 338 election results in a deemed sale of the assets of old T to new T. Old T's ADSP is \$66 (\$16 amount realized for the T stock plus \$50 liabilities). New T's AGUB also is \$66 (\$16 basis for the T stock

plus \$50 liabilities). See paragraph (b)(1) of this section. Each of the AGUB and ADSP is allocated under the residual method of § 1.338-6 to determine the purchase or sale price of each asset transferred. Each of the AGUB and ADSP is allocated as follows: \$10 to cash (Class I), \$30 to the securities (Class II), \$10 to equipment (Class V), \$16 to the life insurance contract (Class VI), and \$0 to goodwill and going concern value (Class VII).

(B) Under section 1001, old T's amount realized for the securities is \$30 and for the equipment is \$10. As a result of the deemed asset sale, there is an assumption reinsurance transaction between old T (as ceding company) and new T (as reinsurer) at the close of the acquisition date for the life insurance contract issued by old T. See paragraph (c)(1) of this section. Although the assumption reinsurance transaction results in a \$50 decrease in old T's reserves, which is taxable income to old T, the reinsurance premium paid by old T is deductible by old T. Under paragraph (c)(2) of this section, old T is deemed to pay a reinsurance premium equal to the reserve for the life insurance contract immediately before the deemed asset sale (\$50) and is deemed to receive a ceding commission from new T. Under paragraph (c)(3) of this section, the portion of the ADSP allocated to the life insurance contract is \$16; thus, the ceding commission is \$16. Old T, therefore, is deemed to pay new T a reinsurance premium of \$34 ($\$50 - \$16 = \34). Old T also has \$34 of net negative consideration for purposes of section 848. See paragraph (f) of this section for rules relating to the effect of a section 338 election on the capitalization of amounts under section 848.

(C) New T obtains an initial basis of \$30 in the securities and \$10 in the equipment. New T is deemed to receive a reinsurance premium from old T in an amount equal to the \$50 of reserves for the life insurance contract and to pay old T a \$16 ceding commission for the contract. See paragraphs (c)(2) and (3) of this section. Accordingly, new T includes \$50 of premium in income and deducts \$50 for its increase in reserves. For purposes of section 848, new T has \$34 of net positive consideration for the deemed assumption reinsurance transaction. Because the only contract involved in the deemed assumption reinsurance transaction is a life insurance contract, new T must capitalize \$2.62 ($\$34 \times 7.7\% = \2.62) under section 848. New T will amortize the \$2.62 as provided under section 848. New T's adjusted basis in the life insurance contract, which is an amortizable section 197 intangible, is \$13.38, the excess of the \$16 ceding commission over the \$2.62 capitalized under section 848. See section 197 and § 1.197-2(g)(5). New T deducts the \$2.62 of the ceding commission that is not amortizable under section 197 because it is reflected in the amount capitalized under section 848 and

also deducts the remaining \$17.38 of its general deductions.

Example 2. (i) *Facts.* Assume the same facts as in *Example 1*, except the life insurance contract has a value of \$0 and the fair market value of T's securities are \$60. Thus, to reinsure the contract in an arm's length transaction, T would have to pay the reinsurer a reinsurance premium in excess of T's \$50 of tax reserves for the contract.

(ii) *Analysis.* (A) For Federal income tax purposes, the section 338 election results in a deemed sale of the assets of old T to new T. Old T's ADSP is \$66 (\$16 amount realized for the T stock plus \$50 liabilities). New T's AGUB also is \$66 (\$16 basis for the T stock plus \$50 liabilities). See paragraph (b)(1) of this section. Each of the AGUB and ADSP is allocated under the residual method of § 1.338-6 to determine the purchase or sale price of each asset transferred. Each of the AGUB and ADSP is allocated as follows: \$10 to cash (Class I), \$56 to the securities (Class II), \$0 to the equipment (Class V), \$0 to the life insurance contract (Class VI), and \$0 to goodwill and going concern value (Class VII).

(B) Under section 1001, old T's amount realized for the securities is \$56 and for the equipment is \$0. As a result of the deemed asset sale, there is an assumption reinsurance transaction between old T (as ceding company) and new T (as reinsurer) at the close of the acquisition date for the life insurance contract issued by old T. See paragraph (c)(1) of this section. Although the assumption reinsurance transaction results in a \$50 decrease in old T's reserves, which is taxable income to old T, the reinsurance premium deemed paid by old T to new T is deductible by old T. Under paragraph (c)(2) of this section, old T is deemed to pay a reinsurance premium equal to the reserve for the life insurance contract immediately before the deemed asset sale (\$50), and is deemed to receive from new T a ceding commission equal to the amount of AGUB allocated to the life insurance contract (\$0), as provided in paragraph (c)(3) of this section. Old T also has \$50 of net negative consideration for purposes of section 848. See paragraph (f) of this section for rules relating to the effect of a section 338 election on capitalization amounts under section 848.

(C) New T obtains an initial basis of \$56 in the securities (with a fair market value of \$60) and \$0 in the equipment (with a fair market value of \$10). New T is deemed to receive a reinsurance premium from old T in an amount equal to the \$50 of reserves for the life insurance contract. Accordingly, new T includes \$50 of premium in income and deducts \$50 for its increase in reserves. For purposes of section 848, new T has \$50 of net positive consideration for the deemed assumption reinsurance transaction. Because the only contract involved in the assumption reinsurance transaction is a life insurance

contract, new T must capitalize \$3.85 ($\$50 \times 7.7\%$) under section 848 from the transaction and deducts the remaining \$16.15 of its general deductions. Because new T allocates \$0 of the AGUB to the insurance contract, no amount is amortizable under section 197 with respect to the insurance contract. See § 1.338-11T(d) for rules on adjustments required if new T increases its reserves for, or reinsures at a loss, the acquired life insurance contract.

(d) *Reserve increases by new target after the deemed asset sale*—(1) *In general.* If in new target's first taxable year or any subsequent year, new target increases its reserves for any acquired contracts, new target is treated as receiving an additional premium, which is computed under paragraph (d)(3) of this section, in the assumption reinsurance transaction described in paragraph (c)(1) of this section. New target includes the additional premium in gross income for the taxable year in which new target increases its reserves for acquired contracts. New target's increase in reserves for the insurance contracts acquired in the deemed asset sale is a liability of new target not originally taken into account in determining AGUB that is subsequently taken into account. Thus, AGUB is increased by the amount of the additional premium included in new target's gross income. See §§ 1.338-5(b)(2)(ii) and 1.338-7. Old target has no deduction under this paragraph (d) and makes no adjustments under §§ 1.338-4(b)(2)(ii) and 1.338-7.

(2) *Exception.* New target is not treated as receiving additional premium under paragraph (d)(1) of this section if it is under state receivership as of the close of the taxable year for which the increase in reserves occurs.

(3) *Amount of additional premium*—(i) *In general.* The additional premium taken into account under this paragraph (d) is an amount equal to the sum of the positive amounts described in paragraphs (d)(3)(ii) through (iv) of this section. However, the additional premium cannot exceed the limitation described in paragraph (d)(4) of this section.

(ii) *Increases in unpaid loss reserves.* The positive amount with respect to unpaid loss reserves is computed using the formula $A/B \times (C - [D + E])$ where—

(A) A equals old target's discounted unpaid losses (determined under section 846) included in AGUB under paragraph 11(b)(1) of this section;

(B) B equals old target's undiscounted unpaid losses (determined under section 846(b)(1)) as of the close of the acquisition date;

(C) C equals new target's undiscounted unpaid losses (determined under section 846(b)(1)) at the end of the taxable year that are attributable to losses incurred by old target on or before the acquisition date;

(D) D (which may be a negative number) equals old target's undiscounted unpaid losses as of the close of the acquisition date, reduced by the cumulative amount of losses, loss adjustment expenses, and reinsurance premiums paid by new target through the end of the taxable year for losses incurred by old target on or before the acquisition date; and

(E) E equals the amount obtained by dividing the cumulative amount of reserve increases taken into account under this paragraph (d) in prior taxable years by A/B.

(iii) *Increases in section 807(c) reserves.* The positive amount with respect to the items referred to in section 807(c) other than discounted unpaid loss reserves is the sum of the net increases in such items that are required to be taken into account under section 807(f).

(iv) *Increases in other reserves.* The positive amount with respect to reserves other than discounted unpaid loss reserves and other items referred to in section 807(c) is the net increase of those reserves due to changes in estimate, methodology, or other assumptions used to compute the reserves (including the adoption by new target of a methodology or assumptions different from those used by old target).

(4) *Limitation on additional premium.* The additional premium taken into account by new target under paragraph (d)(1) of this section is limited to the excess, if any, of—

(i) The fair market value of old target's assets acquired by new target in the deemed asset sale (other than Class VI and Class VII assets); over

(ii) The AGUB allocated to those assets (including increases in AGUB allocated to those assets as the result of

reserve increases by new target in prior taxable years).

(5) *Treatment of additional premium under section 848.* If a portion of the positive amounts described in paragraphs (d)(3)(ii) and (iii) of this section are attributable to an increase in reserves for specified insurance contracts (as defined in section 848(e)), new target takes an allocable portion of the additional premium in determining its specified policy acquisition expenses under section 848(c) for the taxable year of the reserve increase.

(6) *Examples.* The following examples illustrate this paragraph (d):

Example 1. (i) *Facts.* On January 1, 2006, P purchases all of the stock of T, a non-life insurance company, for \$120 and makes a section 338 election for T. On the acquisition date, old T has total reserve liabilities under state law of \$725, consisting of undiscounted unpaid losses of \$625 and unearned premiums of \$100. Old T's tax reserves on the acquisition date are \$580, which consist of discounted unpaid losses (as defined in section 846) of \$500 and unearned premiums (as computed under section 832(b)(4)(B)) of \$80. Old T has Class I through Class V assets with a fair market value of \$800. Old T also has a Class VI asset with a fair market value of \$75, consisting of the future profit stream of certain insurance contracts. During 2006, new T makes loss and loss adjustment expense payments of \$200 with respect to the unpaid losses incurred by old T before the acquisition date. As of December 31, 2006, new T reports undiscounted unpaid losses of \$475 attributable to losses incurred before the acquisition date. The related amount of discounted unpaid losses (as defined in section 846) for those losses is \$390.

(ii) *Computation and allocation of AGUB.* Under § 1.338-5 and paragraph (b)(1) of this section, as of the acquisition date, AGUB is \$700, reflecting the sum of the amount paid for old T's stock (\$120) and the tax reserves assumed by new T in the transaction (\$580). The fair market value of old T's Class I through V assets is \$800, whereas the AGUB available for such assets under § 1.338-6 is \$700. There is no AGUB available for old T's Class VI assets, even though such assets have a fair market value of \$75 on the acquisition date.

(iii) *Adjustments for increases in reserves for unpaid losses.* Under paragraph (d) of this section, new T must determine whether there are any amounts by which it increased its unpaid loss reserves that will be treated as an additional premium and an increase in AGUB. New T applies the formula of paragraph (d)(3) of this section, where A equals \$500, B equals \$625, C equals \$475, D equals

\$425 (\$625 - \$200), and E equals \$0. Under this formula, new T is treated as having increased its reserves for discounted unpaid losses attributable to losses incurred by old T by \$40 ($\$500/\$625 \times (\$475 - [\$425 + 0])$). The limitation under paragraph (d)(5) of this section based on the difference between the fair market value of old T's Class I through Class V assets and the AGUB allocated to such assets is \$100. Accordingly, new T includes an additional premium of \$40 in gross income for 2006, and increases the AGUB allocated to old T's Class I through Class V assets to reflect this additional premium.

Example 2. (i) *Facts.* Assume the same facts as in *Example 1*. Further assume that during 2007 new T deducts total loss and loss expense payments of \$375 with respect to losses incurred by old T before the acquisition date. On December 31, 2007, new T reports undiscounted unpaid losses of \$150 with respect to losses incurred before the acquisition date. The related amount of discounted unpaid losses (as defined in section 846) for those unpaid losses is \$125.

(ii) *Analysis.* New T must determine whether any amounts by which it increased its unpaid losses during 2007 will be treated as an additional premium in paragraph (d)(3) of this section. New T applies the formula under paragraph (d)(3) of this section, where A equals \$500, B equals \$625, C equals \$150, D equals \$50 (\$625 - \$575), and E equals \$50 (\$40 divided by .8). In paragraph (d)(3) of this section, new T is treated as increasing its reserves for discounted unpaid losses by \$40 during 2007 with respect to losses incurred by old T ($\$500/\$625 \times (\$150 - [\$50 + \$50])$). New T determines the limitation of paragraph (d)(5) of this section by comparing the \$800 fair market value of the Class I through V assets on the acquisition date to the \$740 AGUB allocated to such assets (which includes the \$40 addition to AGUB included during 2006). Thus, new T recognizes \$40 of additional premium as a result of the increase in reserves during 2007, and adjusts the AGUB allocable to the Class I through V assets acquired from old T to reflect such additional premium.

Example 3. (i) *Facts.* The facts are the same as *Example 2*, except that on January 1, 2008, new T reinsures the outstanding liability with respect to losses incurred by old T before the acquisition date through a portfolio reinsurance transaction with R, another non-life insurance company. R agrees to assume any remaining liability relating to losses incurred by old T before the acquisition date in exchange for a reinsurance premium of \$200. Accordingly, as of December 31, 2008, new T reports no undiscounted unpaid losses with respect to losses incurred by old T before the acquisition date.

(ii) *Analysis.* New T must determine whether any amount by which it increased its unpaid loss reserves will be treated as an additional premium under paragraph (d) of this section. New T applies the formula of paragraph (d)(3) of this section, where A equals \$500, B equals \$625, C equals \$0, and D equals $-\$150 (\$625 - (\$575 + \$200))$, and E equals $\$100 (\$80 \text{ divided by } .8)$. Thus, new T is treated as having increased its discounted unpaid losses by \$40 in 2008 with respect to losses incurred by old T before the acquisition date $(\$500/\$625 \times (0 - [-\$150 + \$100]))$. New T includes this positive amount in gross income, subject to the limitation of paragraph (d)(4) of this section. The limitation of paragraph (d)(4) of this section equals \$20, which is computed by comparing the \$800 fair market value of the Class I through V assets acquired from old T with the \$780 AGUB allocated to such assets (which includes the \$40 addition to AGUB in 2006 and the \$40 addition to AGUB in 2007). Thus, New T includes \$20 in additional premium, and increases the AGUB allocated to the Class I through V assets acquired from old T by \$20. As a result of these adjustments, the limitation under paragraph (d)(4) of this section is reduced to zero.

(7) *Effective/applicability date—(i) In general.* This section applies to increases to reserves made by new target after a deemed asset sale occurring on or after April 10, 2006.

(ii) *Application to pre-effective date increases to reserves.* If either new target makes an election under § 1.338(i)-1(c)(2) or old target makes an election under § 1.338(i)-1(c)(3) to apply the rules of this section, in whole, to a qualified stock purchase occurring before April 10, 2006, then the rules contained in this section shall apply in whole to the qualified stock purchase.

(iii) *Application of paragraphs (d)(2) and (3) of this section.* Paragraphs (d)(2) and (3) of this section apply to taxable years beginning after *October 13, 2020*. For taxable years beginning on or before such date, see paragraph (d) of this section as contained in 26 CFR part 1 revised as of April 1, 2020.

(e) *Effect of section 338 election on section 846(e) election—(1) In general.* New target and old target are treated as the same corporation for purposes of an election by old target to use its historical loss payment pattern under section 846(e). See § 1.338-1(b)(2)(vii). Therefore, if old target has a section 846(e) election in effect on the acquisition date, new target will continue to use the historical loss payment pattern

of old target to discount unpaid losses incurred in accident years covered by the election, unless new target elects to revoke the section 846(e) election. In addition, new target may consider old target's historical loss payment pattern when determining whether to make the section 846(e) election for a determination year that includes or is subsequent to the acquisition date.

(2) *Revocation of existing section 846(e) election.* New target may revoke old target's section 846(e) election to use its historical loss payment pattern to discount unpaid losses. If new target elects to revoke old target's section 846(e) election, new target will use the industry-wide patterns determined by the Secretary to discount unpaid losses incurred in accident years beginning on or after the acquisition date through the subsequent determination year. New target may revoke old target's section 846(e) election by attaching a statement to new target's original tax return for its first taxable year.

(f) *Effect of section 338 election on old target's capitalization amounts under section 848—(1) Determination of net consideration for specified insurance contracts.* For purposes of applying section 848 and § 1.848-2(f) to the deemed assumption reinsurance transaction, old target's net consideration (either positive or negative) for each category of specified insurance contracts is an amount equal to—

(i) The allocable portion of the ceding commission (if any) relating to contracts in that category; less

(ii) The amount by which old target's tax reserves for contracts in that category has been reduced as a result of the deemed assumption reinsurance transaction.

(2) *Determination of capitalization amount.* Except as provided in § 1.381(c)(22)-1(b)(13)—

(i) If, after the deemed asset sale, old target has an amount otherwise required to be capitalized under section 848 for the taxable year or an unamortized balance of specified policy acquisition expenses from prior taxable years, then old target deducts such remaining amount or unamortized balance as an expense incurred in the taxable year that includes the deemed sale tax consequences; and

§ 1.338(h)(10)-1

26 CFR Ch. I (4-1-21 Edition)

(ii) If, after the deemed asset sale, the negative capitalization amount resulting from the reinsurance transaction exceeds the amount that old target can deduct under section 848(f)(1), then old target's capitalization amount is treated as zero at the close of the taxable year that includes the deemed sale tax consequences.

(3) *Section 381 transactions.* For transactions described in section 381, see § 1.381(c)(22)-1(b)(13).

(g) *Effect of section 338 election on policyholders surplus account.* Except as specifically provided in § 1.381(c)(22)-1(b)(7), the deemed asset sale effects a distribution of old target's policyholders surplus account to the extent the grossed-up amount realized on the sale to the purchasing corporation of the purchasing corporation's recently purchased target stock (as defined in § 1.338-4(c)) exceeds old target's shareholders surplus account under section 815(c).

(h) *Effect of section 338 election on section 847 special estimated tax payments.* If old target had elected to claim an additional deduction under section 847 for the taxable year that includes the deemed sale tax consequences or any earlier years, the amount remaining in old target's special loss discount account under section 847(3) must be reduced to the extent it relates to contracts transferred to new target and the amount of such reduction must be included in old target's gross income for the taxable year that includes the deemed sale tax consequences. Old target may apply the balance of its special estimated tax account as a credit against any tax resulting from such inclusion in gross income. Any special estimated tax payments remaining after this credit are voided and, therefore, are not available for credit or refund. Under section 847(1), new target is permitted to claim a section 847 deduction for losses incurred before the deemed asset sale, subject to the general requirement that new target makes timely special estimated tax payments equal to the tax benefit resulting from this deduction. See § 1.381(c)(22)-1(c)(14) regarding the carryover of the special loss discount account attributable to

contracts transferred in a section 381 transaction.

[T.D. 9257, 71 FR 18000, Apr. 10, 2006, as amended by T.D. 9377, 73 FR 3872, Jan. 23, 2008; T.D. 9911, 85 FR 64392, Oct. 13, 2020]

§ 1.338(h)(10)-1 Deemed asset sale and liquidation.

(a) *Scope.* This section prescribes rules for qualification for a section 338(h)(10) election and for making a section 338(h)(10) election. This section also prescribes the consequences of such election. The rules of this section are in addition to the rules of §§ 1.338-1 through 1.338-10 and, in appropriate cases, apply instead of the rules of §§ 1.338-1 through 1.338-10.

(b) *Definitions—(1) Consolidated target.* A *consolidated target* is a target that is a member of a consolidated group within the meaning of § 1.1502-1(h) on the acquisition date and is not the common parent of the group on that date.

(2) *Selling consolidated group.* A *selling consolidated group* is the consolidated group of which the consolidated target is a member on the acquisition date.

(3) *Selling affiliate; affiliated target.* A *selling affiliate* is a domestic corporation that owns on the acquisition date an amount of stock in a domestic target, which amount of stock is described in section 1504(a)(2), and does not join in filing a consolidated return with the target. In such case, the target is an *affiliated target*.

(4) *S corporation target.* An *S corporation target* is a target that is an S corporation immediately before the acquisition date.

(5) *S corporation shareholders.* *S corporation shareholders* are the S corporation target's shareholders. Unless otherwise indicated, a reference to S corporation shareholders refers both to S corporation shareholders who do and those who do not sell their target stock.

(6) *Liquidation.* Any reference in this section to a *liquidation* is treated as a reference to the transfer described in paragraph (d)(4) of this section notwithstanding its ultimate characterization for Federal income tax purposes.

(c) *Section 338(h)(10) election—(1) In general.* A section 338(h)(10) election may be made for T if P acquires stock meeting the requirements of section

1504(a)(2) from a selling consolidated group, a selling affiliate, or the S corporation shareholders in a qualified stock purchase.

(2) *Availability of section 338(h)(10) election in certain multi-step transactions.* Notwithstanding anything to the contrary in §1.338-3(c)(1)(i), a section 338(h)(10) election may be made for T where P's acquisition of T stock, viewed independently, constitutes a qualified stock purchase and, after the stock acquisition, T merges or liquidates into P (or another member of the affiliated group that includes P), whether or not, under relevant provisions of law, including the step transaction doctrine, the acquisition of the T stock and the merger or liquidation of T qualify as a reorganization described in section 368(a). If a section 338(h)(10) election is made in a case where the acquisition of T stock followed by a merger or liquidation of T into P qualifies as a reorganization described in section 368(a), for all Federal tax purposes, P's acquisition of T stock is treated as a qualified stock purchase and is not treated as part of a reorganization described in section 368(a).

(3) *Simultaneous joint election requirement.* A section 338(h)(10) election is made jointly by P and the selling consolidated group (or the selling affiliate or the S corporation shareholders) on Form 8023 in accordance with the instructions to the form. S corporation shareholders who do not sell their stock must also consent to the election. The section 338(h)(10) election must be made not later than the 15th day of the 9th month beginning after the month in which the acquisition date occurs.

(4) *Irrevocability.* A section 338(h)(10) election is irrevocable. If a section 338(h)(10) election is made for T, a section 338 election is deemed made for T.

(5) *Effect of invalid election.* If a section 338(h)(10) election for T is not valid, the section 338 election for T is also not valid.

(d) *Certain consequences of section 338(h)(10) election.* For purposes of subtitle A of the Internal Revenue Code (except as provided in §1.338-1(b)(2)), the consequences to the parties of making a section 338(h)(10) election for T are as follows:

(1) *P.* P is automatically deemed to have made a gain recognition election for its nonrecently purchased T stock, if any. The effect of a gain recognition election includes a taxable deemed sale by P on the acquisition date of any nonrecently purchased target stock. See §1.338-5(d).

(2) *New T.* The AGUB for new T's assets is determined under §1.338-5 and is allocated among the acquisition date assets under §§1.338-6 and 1.338-7. Notwithstanding paragraph (d)(4) of this section (deemed liquidation of old T), new T remains liable for the tax liabilities of old T (including the tax liability for the deemed sale tax consequences). For example, new T remains liable for the tax liabilities of the members of any consolidated group that are attributable to taxable years in which those corporations and old T joined in the same consolidated return. See §1.1502-6(a).

(3) *Old T—deemed sale—(i) In general.* Old T is treated as transferring all of its assets to an unrelated person in exchange for consideration that includes the discharge of its liabilities in a single transaction at the close of the acquisition date (but before the deemed liquidation). See §1.338-1(a) regarding the tax characterization of the deemed asset sale. Except as provided in §1.338(h)(10)-1(d)(8) (regarding the installment method), old T recognizes all of the gain realized on the deemed transfer of its assets in consideration for the ADSP. ADSP for old T is determined under §1.338-4 and allocated among the acquisition date assets under §§1.338-6 and 1.338-7. Old T realizes the deemed sale tax consequences from the deemed asset sale before the close of the acquisition date while old T is a member of the selling consolidated group (or owned by the selling affiliate or owned by the S corporation shareholders). If T is an affiliated target, or an S corporation target, the principles of §§1.338-2(c)(10) and 1.338-10(a)(1), (5), and (6)(i) apply to the return on which the deemed sale tax consequences are reported. When T is an S corporation target, T's S election continues in effect through the close of the acquisition date (including the time of the deemed asset sale and the deemed liquidation) notwithstanding section

1362(d)(2)(B). Also, when T is an S corporation target (but not a qualified subchapter S subsidiary), any direct and indirect subsidiaries of T which T has elected to treat as qualified subchapter S subsidiaries under section 1361(b)(3) remain qualified subchapter S subsidiaries through the close of the acquisition date.

(ii) *Tiered targets.* In the case of parent-subsidary chains of corporations making elections under section 338(h)(10), the deemed asset sale of a parent corporation is considered to precede that of its subsidiary. See §1.338-3(b)(4)(i).

(4) *Old T and selling consolidated group, selling affiliate, or S corporation shareholders—deemed liquidation; tax characterization—(i) In general.* Old T is treated as if, before the close of the acquisition date, after the deemed asset sale in paragraph (d)(3) of this section, and while old T is a member of the selling consolidated group (or owned by the selling affiliate or owned by the S corporation shareholders), it transferred all of its assets to members of the selling consolidated group, the selling affiliate, or S corporation shareholders and ceased to exist. The transfer from old T is characterized for Federal income tax purposes in the same manner as if the parties had actually engaged in the transactions deemed to occur because of this section and taking into account other transactions that actually occurred or are deemed to occur. For example, the transfer may be treated as a distribution in pursuance of a plan of reorganization, a distribution in complete cancellation or redemption of all its stock, one of a series of distributions in complete cancellation or redemption of all its stock in accordance with a plan of liquidation, or part of a circular flow of cash. In most cases, the transfer will be treated as a distribution in complete liquidation to which section 336 or 337 applies.

(ii) *Tiered targets.* In the case of parent-subsidary chains of corporations making elections under section 338(h)(10), the deemed liquidation of a subsidiary corporation is considered to precede the deemed liquidation of its parent.

(5) *Selling consolidated group, selling affiliate, or S corporation shareholders—*

(i) *In general.* If T is an S corporation target, S corporation shareholders (whether or not they sell their stock) take their pro rata share of the deemed sale tax consequences into account under section 1366 and increase or decrease their basis in T stock under section 1367. Members of the selling consolidated group, the selling affiliate, or S corporation shareholders are treated as if, after the deemed asset sale in paragraph (d)(3) of this section and before the close of the acquisition date, they received the assets transferred by old T in the transaction described in paragraph (d)(4)(i) of this section. In most cases, the transfer will be treated as a distribution in complete liquidation to which section 331 or 332 applies.

(ii) *Basis and holding period of T stock not acquired.* A member of the selling consolidated group (or the selling affiliate or an S corporation shareholder) retaining T stock is treated as acquiring the stock so retained on the day after the acquisition date for its fair market value. The holding period for the retained stock starts on the day after the acquisition date. For purposes of this paragraph, the fair market value of all of the T stock equals the grossed-up amount realized on the sale to P of P's recently purchased target stock. See §1.338-4(c).

(iii) *T stock sale.* Members of the selling consolidated group (or the selling affiliate or S corporation shareholders) recognize no gain or loss on the sale or exchange of T stock included in the qualified stock purchase (although they may recognize gain or loss on the T stock in the deemed liquidation).

(6) *Nonselling minority shareholders other than nonselling S corporation shareholders—(i) In general.* This paragraph (d)(6) describes the treatment of shareholders of old T other than the following:

Members of the selling consolidated group, the selling affiliate, S corporation shareholders (whether or not they sell their stock), and P. For a description of the treatment of S corporation shareholders, see paragraph (d)(5) of this section. A shareholder to which this paragraph (d)(6) applies is called a minority shareholder.

(ii) *T stock sale.* A minority shareholder recognizes gain or loss on the shareholder's sale or exchange of T stock included in the qualified stock purchase.

(iii) *T stock not acquired.* A minority shareholder does not recognize gain or loss under this section with respect to shares of T stock retained by the shareholder. The shareholder's basis and holding period for that T stock is not affected by the section 338(h)(10) election.

(7) *Consolidated return of selling consolidated group.* If P acquires T in a qualified stock purchase from a selling consolidated group—

(i) The selling consolidated group must file a consolidated return for the taxable period that includes the acquisition date;

(ii) A consolidated return for the selling consolidated group for that period may not be withdrawn on or after the day that a section 338(h)(10) election is made for T; and

(iii) Permission to discontinue filing consolidated returns cannot be granted for, and cannot apply to, that period or any of the immediately preceding taxable periods during which consolidated returns continuously have been filed.

(8) *Availability of the section 453 installment method.* Solely for purposes of applying sections 453, 453A, and 453B, and the regulations thereunder (the installment method) to determine the consequences to old T in the deemed asset sale and to old T (and its shareholders, if relevant) in the deemed liquidation, the rules in paragraphs (d)(1) through (7) of this section are modified as follows:

(i) *In deemed asset sale.* Old T is treated as receiving in the deemed asset sale new T installment obligations, the terms of which are identical (except as to the obligor) to P installment obligations issued in exchange for recently purchased stock of T. Old T is treated as receiving in cash all other consideration in the deemed asset sale other than the assumption of, or taking subject to, old T liabilities. For example, old T is treated as receiving in cash any amounts attributable to the grossing-up of amount realized under §1.338-4(c). The amount realized for recently purchased stock taken into ac-

count in determining ADSP is adjusted (and, thus, ADSP is redetermined) to reflect the amounts paid under an installment obligation for the stock when the total payments under the installment obligation are greater or less than the amount realized.

(ii) *In deemed liquidation.* Old T is treated as distributing in the deemed liquidation the new T installment obligations that it is treated as receiving in the deemed asset sale. The members of the selling consolidated group, the selling affiliate, or the S corporation shareholders are treated as receiving in the deemed liquidation the new T installment obligations that correspond to the P installment obligations they actually received individually in exchange for their recently purchased stock. The new T installment obligations may be recharacterized under other rules. See for example §1.453-11(a)(2) which, in certain circumstances, treats the new T installment obligations deemed distributed by old T as if they were issued by new T in exchange for the stock in old T owned by members of the selling consolidated group, the selling affiliate, or the S corporation shareholders. The members of the selling consolidated group, the selling affiliate, or the S corporation shareholders are treated as receiving all other consideration in the deemed liquidation in cash.

(9) *Treatment consistent with an actual asset sale.* No provision in section 338(h)(10) or this section shall produce a Federal income tax result under subtitle A of the Internal Revenue Code that would not occur if the parties had actually engaged in the transactions deemed to occur because of this section and taking into account other transactions that actually occurred or are deemed to occur. See, however, §1.338-1(b)(2) for certain exceptions to this rule.

(e) *Examples.* The following examples illustrate the provisions of this section:

Example 1. (i) S1 owns all of the T stock and T owns all of the stock of T1 and T2. S1 is the common parent of a consolidated group that includes T, T1, and T2. P makes a qualified stock purchase of all of the T stock from S1. S1 joins with P in making a section 338(h)(10) election for T and for the

deemed purchase of T1. A section 338 election is not made for T2.

(ii) S1 does not recognize gain or loss on the sale of the T stock and T does not recognize gain or loss on the sale of the T1 stock because section 338(h)(10) elections are made for T and T1. Thus, for example, gain or loss realized on the sale of the T or T1 stock is not taken into account in earnings and profits. However, because a section 338 election is not made for T2, T must recognize any gain or loss realized on the deemed sale of the T2 stock. See § 1.338-4(h).

(iii) The results would be the same if S1, T, T1, and T2 are not members of any consolidated group, because S1 and T are selling affiliates.

Example 2. (i) S and T are solvent corporations. S owns all of the outstanding stock of T. S and P agree to undertake the following transaction: T will distribute half its assets to S, and S will assume half of T's liabilities. Then, P will purchase the stock of T from S. S and P will jointly make a section 338(h)(10) election with respect to the sale of T. The corporations then complete the transaction as agreed.

(ii) Under section 338(a), the assets present in T at the close of the acquisition date are deemed sold by old T to new T. Under paragraph (d)(4) of this section, the transactions described in paragraph (d) of this section are treated in the same manner as if they had actually occurred. Because S and P had agreed that, after T's actual distribution to S of part of its assets, S would sell T to P pursuant to an election under section 338(h)(10), and because paragraph (d)(4) of this section deems T subsequently to have transferred all its assets to its shareholder, T is deemed to have adopted a plan of complete liquidation under section 332. T's actual transfer of assets to S is treated as a distribution pursuant to that plan of complete liquidation.

Example 3. (i) S1 owns all of the outstanding stock of both T and S2. All three are corporations. S1 and P agree to undertake the following transaction. T will transfer substantially all of its assets and liabilities to S2, with S2 issuing no stock in exchange therefor, and retaining its other assets and liabilities. Then, P will purchase the stock of T from S1. S1 and P will jointly make a section 338(h)(10) election with respect to the sale of T. The corporations then complete the transaction as agreed.

(ii) Under section 338(a), the remaining assets present in T at the close of the acquisition date are deemed sold by old T to new T. Under paragraph (d)(4) of this section, the transactions described in this section are treated in the same manner as if they had actually occurred. Because old T transferred substantially all of its assets to S2, and is deemed to have distributed all its remaining assets and gone out of existence, the transfer

of assets to S2, taking into account the related transfers, deemed and actual, qualifies as a reorganization under section 368(a)(1)(D). Section 361(c)(1) and not section 332 applies to T's deemed liquidation.

Example 4. (i) T owns two assets: an actively traded security (Class II) with a fair market value of \$100 and an adjusted basis of \$100, and inventory (Class IV) with a fair market value of \$100 and an adjusted basis of \$100. T has no liabilities. S is negotiating to sell all the stock in T to P for \$100 cash and contingent consideration. Assume that under generally applicable tax accounting rules, P's adjusted basis in the T stock immediately after the purchase would be \$100, because the contingent consideration is not taken into account. Thus, under the rules of § 1.338-5, AGUB would be \$100. Under the allocation rules of § 1.338-6, the entire \$100 would be allocated to the Class II asset, the actively traded security, and no amount would be allocated to the inventory. P, however, plans immediately to cause T to sell the inventory, but not the actively traded security, so it requests that, prior to the stock sale, S cause T to create a new subsidiary, Newco, and contribute the actively traded security to the capital of Newco. Because the stock in Newco, which would not be actively traded, is a Class V asset, under the rules of § 1.338-6 \$100 of AGUB would be allocated to the inventory and no amount of AGUB would be allocated to the Newco stock. Newco's own AGUB, \$0 under the rules of § 1.338-5, would be allocated to the actively traded security. When P subsequently causes T to sell the inventory, T would realize no gain or loss instead of realizing gain of \$100.

(ii) Assume that, if the T stock had not itself been sold but T had instead sold both its inventory and the Newco stock to P, T would for tax purposes be deemed instead to have sold both its inventory and actively traded security directly to P, with P deemed then to have created Newco and contributed the actively traded security to the capital of Newco. Section 338, if elected, generally recharacterizes a stock sale as a deemed sale of assets. However, paragraph (d)(9) of this section states, in general, that no provision of section 338(h)(10) or the regulations thereunder shall produce a Federal income tax result under subtitle A of the Internal Revenue Code that would not occur if the parties had actually engaged in the transactions deemed to occur by virtue of the section 338(h)(10) election, taking into account other transactions that actually occurred or are deemed to occur. Hence, the deemed sale of assets under section 338(h)(10) should be treated as one of the inventory and actively traded security themselves, not of the inventory and Newco stock. The anti-abuse rule of § 1.338-1(c) does not apply, because the substance of the deemed sale of assets is a sale of the inventory and the actively traded security

themselves, not of the inventory and the Newco stock. Otherwise, the anti-abuse rule might apply.

Example 5. (i) T, a member of a selling consolidated group, has only one class of stock, all of which is owned by S1. On March 1 of Year 2, S1 sells its T stock to P for \$80,000, and joins with P in making a section 338(h)(10) election for T. There are no selling costs or acquisition costs. On March 1 of Year 2, T owns land with a \$50,000 basis and

\$75,000 fair market value and equipment with a \$30,000 adjusted basis, \$70,000 recomputed basis, and \$60,000 fair market value. T also has a \$40,000 liability. S1 pays old T's allocable share of the selling group's consolidated tax liability for Year 2 including the tax liability for the deemed sale tax consequences (a total of \$13,600).

(ii) ADSP of \$120,000 (\$80,000 + \$40,000 + 0) is allocated to each asset as follows:

| Assets | Basis | FMV | Fraction | Allocable ADSP |
|-----------------|----------|----------|---------------|----------------|
| Land | \$50,000 | \$75,000 | $\frac{5}{9}$ | \$66,667 |
| Equipment | 30,000 | 60,000 | $\frac{4}{9}$ | 53,333 |
| Total | 80,000 | 135,000 | 1 | 120,000 |

(iii) Under paragraph (d)(3) of this section, old T has gain on the deemed sale of \$40,000 (consisting of \$16,667 of capital gain and \$23,333 of ordinary income).

(iv) Under paragraph (d)(5)(iii) of this section, S1 recognizes no gain or loss upon its sale of the old T stock to P. S1 also recognizes no gain or loss upon the deemed liquidation of T. See paragraph (d)(4) of this section and section 332.

(v) P's basis in new T stock is P's cost for the stock, \$80,000. See section 1012.

(vi) Under § 1.338-5, the AGUB for new T is \$120,000, i.e., P's cost for the old T stock (\$80,000) plus T's liability (\$40,000). This AGUB is allocated as basis among the new T assets under §§ 1.338-6 and 1.338-7.

Example 6. (i) The facts are the same as in *Example 5*, except that S1 sells 80 percent of the old T stock to P for \$64,000, rather than 100 percent of the old T stock for \$80,000.

(ii) The consequences to P, T, and S1 are the same as in *Example 5*, except that:

(A) P's basis for its 80-percent interest in the new T stock is P's \$64,000 cost for the stock. See section 1012.

(B) Under § 1.338-5, the AGUB for new T is \$120,000 (i.e., \$64,000/.8 + \$40,000 + \$0).

(C) Under paragraph (d)(4) of this section, S1 recognizes no gain or loss with respect to the retained stock in T. See section 332.

(D) Under paragraph (d)(5)(ii) of this section, the basis of the T stock retained by S1 is \$16,000 (i.e., \$120,000 - \$40,000 (the ADSP amount for the old T assets over the sum of new T's liabilities immediately after the acquisition date) × .20 (the proportion of T stock retained by S1)).

Example 7. (i) The facts are the same as in *Example 6*, except that K, a shareholder unrelated to T or P, owns the 20 percent of the T stock that is not acquired by P in the qualified stock purchase. K's basis in its T stock is \$5,000.

(ii) The consequences to P, T, and S1 are the same as in *Example 6*.

(iii) Under paragraph (d)(6)(iii) of this section, K recognizes no gain or loss, and K's basis in its T stock remains at \$5,000.

Example 8. (i) The facts are the same as in *Example 5*, except that the equipment is held by T1, a wholly-owned subsidiary of T, and a section 338(h)(10) election is also made for T1. The T1 stock has a fair market value of \$60,000. T1 has no assets other than the equipment and no liabilities. S1 pays old T's and old T1's allocable shares of the selling group's consolidated tax liability for Year 2 including the tax liability for T and T1's deemed sale tax consequences.

(ii) ADSP for T is \$120,000, allocated \$66,667 to the land and \$53,333 to the stock. Old T's deemed sale results in \$16,667 of capital gain on its deemed sale of the land. Under paragraph (d)(5)(iii) of this section, old T does not recognize gain or loss on its deemed sale of the T1 stock. See section 332.

(iii) ADSP for T1 is \$53,333 (i.e., \$53,333 + \$0 + \$0). On the deemed sale of the equipment, T1 recognizes ordinary income of \$23,333.

(iv) Under paragraph (d)(5)(iii) of this section, S1 does not recognize gain or loss upon its sale of the old T stock to P.

Example 9. (i) The facts are the same as in *Example 8*, except that P already owns 20 percent of the T stock, which is nonrecently purchased stock with a basis of \$6,000, and that P purchases the remaining 80 percent of the T stock from S1 for \$64,000.

(ii) The results are the same as in *Example 8*, except that under paragraph (d)(1) of this section and § 1.338-5(d), P is deemed to have made a gain recognition election for its nonrecently purchased T stock. As a result, P recognizes gain of \$10,000 and its basis in the nonrecently purchased T stock is increased from \$6,000 to \$16,000. P's basis in all the T stock is \$30,000 (i.e., \$64,000 + \$16,000). The computations are as follows:

(A) P's grossed-up basis for the recently purchased T stock is \$64,000 (i.e., \$64,000 (the basis of the recently purchased T stock) × (1 - .2)/(.8) (the fraction in section 338(b)(4))).

§ 1.338(h)(10)–1**26 CFR Ch. I (4–1–21 Edition)**

(B) P's basis amount for the nonrecently purchased T stock is \$16,000 (i.e., \$64,000 (the grossed-up basis in the recently purchased T stock) \times (.2)/(1.0 – .2) (the fraction in section 338(b)(3)(B))).

(C) The gain recognized on the nonrecently purchased stock is \$10,000 (i.e., \$16,000 – \$6,000).

Example 10. (i) T is an S corporation whose sole class of stock is owned 40 percent each by A and B and 20 percent by C. T, A, B, and C all use the cash method of accounting. A and B each has an adjusted basis of \$10,000 in the stock. C has an adjusted basis of \$5,000 in the stock. A, B, and C hold no installment obligations to which section 453A applies. On March 1 of Year 1, A sells its stock to P for \$40,000 in cash and B sells its stock to P for a \$25,000 note issued by P and real estate having a fair market value of \$15,000. The \$25,000 note, due in full in Year 7, is not publicly traded and bears adequate stated interest. A and B have no selling expenses. T's sole asset is real estate, which has a value of \$110,000 and an adjusted basis of \$35,000. Also, T's real estate is encumbered by long-outstanding purchase-money indebtedness of \$10,000. The real estate does not have built-in gain subject to section 1374. A, B, and C join with P in making a section 338(h)(10) election for T.

(ii) Solely for purposes of application of sections 453, 453A, and 453B, old T is considered in its deemed asset sale to receive back from new T the \$25,000 note (considered issued by new T) and \$75,000 of cash (total consideration of \$80,000 paid for all the stock sold, which is then divided by .80 in the grossing-up, with the resulting figure of \$100,000 then reduced by the amount of the installment note). Absent an election under section 453(d), gain is reported by old T under the installment method.

(iii) In applying the installment method to old T's deemed asset sale, the contract price for old T's assets deemed sold is \$100,000, the \$110,000 selling price reduced by the indebtedness of \$10,000 to which the assets are subject. (The \$110,000 selling price is itself the sum of the \$80,000 grossed-up in paragraph (ii) above to \$100,000 and the \$10,000 liability.) Gross profit is \$75,000 (\$110,000 selling price – old T's basis of \$35,000). Old T's gross profit ratio is 0.75 (gross profit of \$75,000 \div \$100,000 contract price). Thus, \$56,250 (0.75 \times the \$75,000 cash old T is deemed to receive in Year 1) is Year 1 gain attributable to the sale, and \$18,750 (\$75,000 – \$56,250) is recovery of basis.

(iv) In its liquidation, old T is deemed to distribute the \$25,000 note to B, since B actually sold the stock partly for that consideration. To the extent of the remaining liquidating distribution to B, it is deemed to receive, along with A and C, the balance of old T's liquidating assets in the form of cash. Under section 453(h), B, unless it makes an

election under section 453(d), is not required to treat the receipt of the note as a payment for the T stock; P's payment of the \$25,000 note in Year 7 to B is a payment for the T stock. Because section 453(h) applies to B, old T's deemed liquidating distribution of the note is, under section 453B(h), not treated as a taxable disposition by old T.

(v) Under section 1366, A reports 40 percent, or \$22,500, of old T's \$56,250 gain recognized in Year 1. Under section 1367, this increases A's \$10,000 adjusted basis in the T stock to \$32,500. Next, in old T's deemed liquidation, A is considered to receive \$40,000 for its old T shares, causing it to recognize an additional \$7,500 gain in Year 1.

(vi) Under section 1366, B reports 40 percent, or \$22,500, of old T's \$56,250 gain recognized in Year 1. Under section 1367, this increases B's \$10,000 adjusted basis in its T stock to \$32,500. Next, in old T's deemed liquidation, B is considered to receive the \$25,000 note and \$15,000 of other consideration. Applying section 453, including section 453(h), to the deemed liquidation, B's selling price and contract price are both \$40,000. Gross profit is \$7,500 (\$40,000 selling price – B's basis of \$32,500). B's gross profit ratio is 0.1875 (gross profit of \$7,500 \div \$40,000 contract price). Thus, \$2,812.50 (0.1875 \times \$15,000) is Year 1 gain attributable to the deemed liquidation. In Year 7, when the \$25,000 note is paid, B has \$4,687.50 (0.1875 \times \$25,000) of additional gain.

(vii) Under section 1366, C reports 20 percent, or \$11,250, of old T's \$56,250 gain recognized in Year 1. Under section 1367, this increases C's \$5,000 adjusted basis in its T stock to \$16,250. Next, in old T's deemed liquidation, C is considered to receive \$20,000 for its old T shares, causing it to recognize an additional \$3,750 gain in Year 1. Finally, under paragraph (d)(5)(ii) of this section, C is considered to acquire its stock in T on the day after the acquisition date for \$20,000 (fair market value = grossed-up amount realized of \$100,000 \times 20%). C's holding period in the stock deemed received in new T begins at that time.

Example 11. Stock acquisition followed by upstream merger—without section 338(h)(10) election. (i) P owns all the stock of Y, a newly formed subsidiary. S owns all the stock of T. Each of P, S, T and Y is a domestic corporation. P acquires all of the T stock in a statutory merger of Y into T, with T surviving. In the merger, S receives consideration consisting of 50% P voting stock and 50% cash. Viewed independently of any other step, P's acquisition of T stock constitutes a qualified stock purchase. As part of the plan that includes P's acquisition of the T stock, T subsequently merges into P. Viewed independently of any other step, T's merger into P qualifies as a liquidation described in section 332. Absent the application of paragraph (c)(2) of this section, the step transaction

doctrine would apply to treat P's acquisition of the T stock and T's merger into P as an acquisition by P of T's assets in a reorganization described in section 368(a). P and S do not make a section 338(h)(10) election with respect to P's purchase of the T stock.

(ii) Because P and S do not make an election under section 338(h)(10) for T, P's acquisition of the T stock and T's merger into P is treated as part of a reorganization described in section 368(a).

Example 12. Stock acquisition followed by upstream merger—with section 338(h)(10) election.

(i) The facts are the same as in *Example 11* except that P and S make a joint election under section 338(h)(10) for T.

(ii) Pursuant to paragraph (c)(2) of this section, as a result of the election under section 338(h)(10), for all Federal tax purposes, P's acquisition of the T stock is treated as a qualified stock purchase and P's acquisition of the T stock is not treated as part of a reorganization described in section 368(a).

Example 13. Stock acquisition followed by brother-sister merger—with section 338(h)(10) election.

(i) The facts are the same as in *Example 12*, except that, following P's acquisition of the T stock, T merges into X, a domestic corporation that is a wholly owned subsidiary of P. Viewed independently of any other step, T's merger into X qualifies as a reorganization described in section 368(a). Absent the application of paragraph (c)(2) of this section, the step transaction doctrine would apply to treat P's acquisition of the T stock and T's merger into X as an acquisition by X of T's assets in a reorganization described in section 368(a).

(ii) Pursuant to paragraph (c)(2) of this section, as a result of the election under section 338(h)(10), for all Federal tax purposes, P's acquisition of T stock is treated as a qualified stock purchase and P's acquisition of T stock is not treated as part of a reorganization described in section 368(a).

Example 14. Stock acquisition that does not qualify as a qualified stock purchase followed by upstream merger. (i) The facts are the same as in *Example 11*, except that, in the statutory merger of Y into T, S receives only P voting stock.

(ii) Pursuant to § 1.338-3(c)(1)(i) and paragraph (c)(2) of this section, no election under section 338(h)(10) can be made with respect to P's acquisition of the T stock because, pursuant to relevant provisions of law, including the step transaction doctrine, that acquisition followed by T's merger into P is treated as a reorganization described in section 368(a)(1)(A), and that acquisition, viewed independently of T's merger into P, does not constitute a qualified stock purchase under section 338(d)(3). Accordingly, P's acquisition of the T stock and T's merger into P is treated as a reorganization described in section 368(a).

(f) *Inapplicability of provisions.* The provisions of section 6043, §§ 1.331-1(d) and 1.332-6 (relating to information returns and recordkeeping requirements for corporate liquidations) do not apply to the deemed liquidation of old T under paragraph (d)(4) of this section.

(g) *Required information.* The Commissioner may exercise the authority granted in section 338(h)(10)(C)(iii) to require provision of any information deemed necessary to carry out the provisions of section 338(h)(10) by requiring submission of information on any tax reporting form.

(h) *Effective date.* This section is applicable to stock acquisitions occurring on or after July 5, 2006. For stock acquisitions occurring before July 5, 2006, see § 1.338(h)(10)-1T as contained in the edition of 26 CFR part 1, revised as of April 1, 2006.

[T.D. 8940, 66 FR 8950, Feb. 13, 2001, as amended by T.D. 9071, 68 FR 40768, July 9, 2003; T.D. 9264, 71 FR 30607, May 30, 2006; T.D. 9271, 71 FR 38075, July 5, 2006; T.D. 9329, 72 FR 32808, June 14, 2007]

§ 1.338(i)-1 Effective/applicability date.

(a) *In general.* The provisions of §§ 1.338-1 through 1.338-7, 1.338-10 and 1.338(h)(10)-1 apply to any qualified stock purchase occurring after March 15, 2001. For rules applicable to qualified stock purchases on or before March 15, 2001, see §§ 1.338-1T through 1.338-7T, 1.338-10T, 1.338(h)(10)-1T and 1.338(i)-1T in effect prior to March 16, 2001 (see 26 CFR part 1 revised April 1, 2000).

(b) *Section 338(h)(10) elections for S corporation targets.* The requirements of §§ 1.338(h)(10)-1T(c)(2) and 1.338(h)(10)-1(c)(2) that S corporation shareholders who do not sell their stock must also consent to an election under section 338(h)(10) will not invalidate an otherwise valid election made on the September 1997 revision of Form 8023, "Elections Under Section 338 For Corporations Making Qualified Stock Purchases," not signed by the nonselling shareholders, provided that the S corporation and all of its shareholders (including nonselling shareholders) report the tax consequences consistently with the results under section 338(h)(10).

(c) *Section 338 elections for insurance company targets—(1) In general.* The

§ 1.338(i)-1

26 CFR Ch. I (4-1-21 Edition)

rules of §1.338-11 apply to qualified stock purchases occurring on or after April 10, 2006.

(2) *New target election for retroactive application*—(i) *Availability of election.* New target may make an irrevocable election to apply the rules in §§1.338-11 (including the applicable provisions in §§1.197-2(g)(5), 381(c)(22)-1, and 846) in whole, but not in part, to a qualified stock purchase occurring before April 10, 2006 for which a section 338 election is made, provided that new target's first taxable year and all subsequent affected taxable years are years for which an assessment of deficiency or a refund for overpayment is not prevented by any law or rule of law. In the case of a section 338 election for which a section 338(h)(10) election is made (or a section 338 election for a foreign target), new target may make the election to apply the regulations retroactively without regard to whether old target makes the election. In the case of a section 338 election for a domestic target for which no section 338(h)(10) election is made, new target may make the election to apply the regulations retroactively only if old target also makes the election. Paragraph (c)(2)(ii) of this section prescribes the time and manner of the election for new target.

(ii) *Time and manner of making the election for new target.* New target may make an election described in paragraph (c)(2)(i) of this section by attaching a statement to its original or amended income tax return for its first taxable year. The statement must be entitled "Election to Retroactively Apply the Rules in §§1.338-11 (including the applicable provisions in §§1.197-2(g)(5), 1.381(c)(22)-1 and 846) in whole to a transaction completed before April 10, 2006" and must include the following information—

(A) The name and E.I.N. for new target; and

(B) The following declaration (or a substantially similar declaration): New target has amended its income tax returns for its first taxable year and for all affected subsequent years to reflect the rules in §§1.338-11 (including the applicable provisions in §§1.197-2(g)(5), 1.381(c)(22)-1 and 846). All other parties whose income tax liabilities are affected by new target's election have

amended their income tax returns for all affected years to reflect the rules in §§1.338-11 (including the applicable provisions in §§1.197-2(g)(5), 1.381(c)(22)-1 and 846).

(3) *Old target election for retroactive application*—(i) *Availability of election.* Old target may make an irrevocable election to apply the rules in §§1.338-11 (including the applicable provisions in §§1.197-2(g)(5), 1.381(c)(22)-1 and 846) in whole, but not in part, to a qualified stock purchase occurring before April 10, 2006 for which a section 338 election is made, provided that old target's taxable year that includes the deemed sale tax consequences and all subsequent affected taxable years are years for which an assessment of deficiency or a refund for overpayment is not prevented by any law or rule of law. In the case of a section 338 election for which a section 338(h)(10) election is made (or a section 338 election for a foreign target), old target may make the election to apply the regulations retroactively without regard to whether new target makes the election. In the case of a section 338 election for a domestic target for which no section 338(h)(10) election is made, old target may make the election to apply the regulations retroactively only if new target also makes the election. Paragraph (c)(3)(ii) of this section prescribes the time and manner of the election for old target.

(ii) *Time and manner of making the election for old target.* Old target may make an election described in paragraph (c)(3)(i) of this section by attaching a statement to each affected party's original or amended income tax return for the taxable year that includes the deemed sale tax consequences. The statement must be entitled "Election to Retroactively Apply the Rules in §§1.338-11 (including the applicable provisions in §§1.197-2(g)(5), 1.381(c)(22)-1 and 846) to a transaction completed before April 10, 2006" and must include the following information—

(A) The name and E.I.N. for old target; and

(B) The following declaration (or a substantially similar declaration): Old target has amended its income tax returns for the taxable year that includes the deemed sale tax consequences and

for all affected subsequent years to reflect the rules in §§1.338-11 (including the applicable provisions in §§1.197-2(g)(5), 1.381(c)(22)-1 and 846). All other parties whose income tax liabilities are affected by old target's election have amended their income tax returns for all affected years to reflect the rules in §§1.338-11 (including the applicable provisions in §§1.197-2(g)(5), 1.381(c)(22)-1 and 846).

[T.D. 8940, 66 FR 9954, Feb. 13, 2001, as amended by T.D. 9257, 71 FR 18003, Apr. 10, 2006; T.D. 9377, 73 FR 3873, 3874, Jan. 23, 2008]

DEFINITION

§ 1.346-1 Partial liquidation.

(a) *General.* This section defines a partial liquidation. If amounts are distributed in partial liquidation such amounts are treated under section 331(a)(2) as received in part or full payment in exchange for the stock. A distribution is treated as in partial liquidation of a corporation if:

(1) The distribution is one of a series of distributions in redemption of all of the stock of the corporation pursuant to a plan of complete liquidation, or

(2) The distribution:

(i) Is not essentially equivalent to a dividend,

(ii) Is in redemption of a part of the stock of the corporation pursuant to a plan, and

(iii) Occurs within the taxable year in which the plan is adopted or within the succeeding taxable year.

An example of a distribution which will qualify as a partial liquidation under subparagraph (2) of this paragraph and section 346(a) is a distribution resulting from a genuine contraction of the corporate business such as the distribution of unused insurance proceeds recovered as a result of a fire which destroyed part of the business causing a cessation of a part of its activities. On the other hand, the distribution of funds attributable to a reserve for an expansion program which has been abandoned does not qualify as a partial liquidation within the meaning of section 346(a). A distribution to which section 355 applies (or so much of section 356 as relates to section 355) is not a distribution in partial liquidation within the meaning of section 346(a).

(b) *Special requirements on termination of business.* A distribution which occurs within the taxable year in which the plan is adopted or within the succeeding taxable year and which meets the requirements of subsection (b) of section 346 falls within paragraph (a)(2) of this section and within section 346(a)(2). The requirements which a distribution must meet to fall within subsection (b) of section 346 are:

(1) Such distribution is attributable to the corporation's ceasing to conduct, or consists of assets of, a trade or business which has been actively conducted throughout the five-year period immediately before the distribution, which trade or business was not acquired by the corporation within such period in a transaction in which gain or loss was recognized in whole or in part, and

(2) Immediately after such distribution by the corporation it is actively engaged in the conduct of a trade or business, which trade or business was actively conducted throughout the five-year period ending on the date of such distribution and was not acquired by the corporation within such period in a transaction in which gain or loss was recognized in whole or in part.

A distribution shall be treated as having been made in partial liquidation pursuant to section 346(b) if it consists of the proceeds of the sale of the assets of a trade or business which has been actively conducted for the five-year period and has been terminated, or if it is a distribution in kind of the assets of such a business, or if it is a distribution in kind of some of the assets of such a business and of the proceeds of the sale of the remainder of the assets of such a business. In general, a distribution which will qualify under section 346(b) may consist of, but is not limited to:

(i) Assets (other than inventory or property described in subdivision (ii) of this subparagraph) used in the trade or business throughout the five-year period immediately before the distribution (for this purpose an asset shall be considered used in the trade or business during the period of time the asset which it replaced was so used), or

§ 1.346-2

(ii) Proceeds from the sale of assets described in subdivision (i) of this subparagraph, and, in addition,

(iii) The inventory of such trade or business or property held primarily for sale to customers in the ordinary course of business, if:

(a) The items constituting such inventory or such property were substantially similar to the items constituting such inventory or property during the five-year period immediately before the distribution, and

(b) The quantity of such items on the date of distribution was not substantially in excess of the quantity of similar items regularly on hand in the conduct of such business during such five-year period, or

(iv) Proceeds from the sale of inventory or property described in subdivision (iii) of this subparagraph, if such inventory or property is sold in bulk in the course of termination of such trade or business and if with respect to such inventory the conditions of subdivision (iii)(a) and (b) of this subparagraph would have been met had such inventory or property been distributed on the date of such sale.

(c) *Active conduct of a trade or business.* For the purpose of section 346(b)(1), a corporation shall be deemed to have actively conducted a trade or business immediately before the distribution, if:

(1) In the case of a business the assets of which have been distributed in kind, the business was operated by such corporation until the date of distribution, or

(2) In the case of a business the proceeds of the sale of the assets of which are distributed, such business was actively conducted until the date of sale and the proceeds of such sale were distributed as soon thereafter as reasonably possible.

The term *active conduct of a trade or business* shall have the same meaning in this section as in paragraph (c) of § 1.355-1.

§ 1.346-2 Treatment of certain redemptions.

If a distribution in a redemption of stock qualifies as a distribution in part or full payment in exchange for the stock under both section 302(a) and this

26 CFR Ch. I (4-1-21 Edition)

section, then only this section shall be applicable. None of the limitations of section 302 shall be applicable to such redemption.

§ 1.346-3 Effect of certain sales.

The determination of whether assets sold in connection with a partial liquidation are sold by the distributing corporation or by the shareholder is a question of fact to be determined under the facts and circumstances of each case.

CORPORATE ORGANIZATIONS AND REORGANIZATIONS

CORPORATE ORGANIZATIONS

§ 1.351-1 Transfer to corporation controlled by transferor.

(a) *In general*—(1) *Nonrecognition of gain or loss.* Section 351(a) provides, in general, for the nonrecognition of gain or loss upon the transfer by one or more persons of property to a corporation solely in exchange for stock of such corporation if, immediately after the exchange, such person or persons are in control of the corporation to which the property was transferred. As used in section 351, the phrase “one or more persons” includes individuals, trusts, estates, partnerships, associations, companies, or corporations (see section 7701(a)(1)). To be in control of the transferee corporation, such person or persons must own immediately after the transfer stock possessing at least 80 percent of the total combined voting power of all classes of stock entitled to vote and at least 80 percent of the total number of shares of all other classes of stock of such corporation (see section 368(c)). In determining control under this section, the fact that any corporate transferor distributes part or all of the stock which it receives in the exchange to its shareholders shall not be taken into account. The phrase “immediately after the exchange” does not necessarily require simultaneous exchanges by two or more persons, but comprehends a situation where the rights of the parties have been previously defined and the execution of the agreement proceeds with an expedition consistent with orderly procedure. For purposes of this section, stock

rights and stock warrants are not included in the term *stock*. In addition, for purposes of this section—

(i) Stock will not be treated as issued for property if it is issued for services rendered or to be rendered to or for the benefit of the issuing corporation; and

(ii) Stock will not be treated as issued for property if it is issued for property which is of relatively small value in comparison to the value of the stock already owned (or to be received for services) by the person who transferred such property and the primary purpose of the transfer is to qualify under this section the exchanges of property by other persons transferring property.

(2) *Application.* The application of section 351(a) is illustrated by the following examples:

Example 1. C owns a patent right worth \$25,000 and D owns a manufacturing plant worth \$75,000. C and D organize the R Corporation with an authorized capital stock of \$100,000. C transfers his patent right to the R Corporation for \$25,000 of its stock and D transfers his plant to the new corporation for \$75,000 of its stock. No gain or loss to C or D is recognized.

Example 2. B owns certain real estate which cost him \$50,000 in 1930, but which has a fair market value of \$200,000 in 1955. He transfers the property to the N Corporation in 1955 for 78 percent of each class of stock of the corporation having a fair market value of \$200,000, the remaining 22 percent of the stock of the corporation having been issued by the corporation in 1940 to other persons for cash. B realized a taxable gain of \$150,000 on this transaction.

Example 3. E, an individual, owns property with a basis of \$10,000 but which has a fair market value of \$18,000. E also had rendered services valued at \$2,000 to Corporation F. Corporation F has outstanding 100 shares of common stock all of which are held by G. Corporation F issues 400 shares of its common stock (having a fair market value of \$20,000) to E in exchange for his property worth \$18,000 and in compensation for the services he has rendered worth \$2,000. Since immediately after the transaction, E owns 80 percent of the outstanding stock of Corporation F, no gain is recognized upon the exchange of the property for the stock. However, E realized \$2,000 of ordinary income as compensation for services rendered to Corporation F.

(3) *Underwritings of stock—(i) In general.* For the purpose of section 351, if a person acquires stock of a corporation

from an underwriter in exchange for cash in a qualified underwriting transaction, the person who acquires stock from the underwriter is treated as transferring cash directly to the corporation in exchange for stock of the corporation and the underwriter is disregarded. A qualified underwriting transaction is a transaction in which a corporation issues stock for cash in an underwriting in which either the underwriter is an agent of the corporation or the underwriter's ownership of the stock is transitory.

(ii) *Effective date.* This paragraph (a)(3) is effective for qualified underwriting transactions occurring on or after May 1, 1996.

(b) *Multiple transferors—(1) Disproportionate transfers.* When property is transferred to a corporation by two or more persons in exchange for stock, as described in paragraph (a) of this section, and the stock received is disproportionate to the transferor's prior interest in such property, the entire transaction will be given tax effect in accordance with its true nature, and the transaction may be treated as if the stock had first been received in proportion and then some of such stock had been used to make gifts (section 2501 and following), to pay compensation (sections 61(a)(1) and 83(a)), or to satisfy obligations of the transferor of any kind.

(2) *Application.* The application of paragraph (b)(1) of this section may be illustrated as follows:

Example 1. Individuals A and B, father and son, organize a corporation with 100 shares of common stock to which A transfers property worth \$8,000 in exchange for 20 shares of stock, and B transfers property worth \$2,000 in exchange for 80 shares of stock. No gain or loss will be recognized under section 351. However, if it is determined that A in fact made a gift to B, such gift will be subject to tax under section 2501 and following. Similarly, if B had rendered services to A (such services having no relation to the assets transferred or to the business of the corporation) and the disproportion in the amount of stock received constituted the payment of compensation by A to B, B will be taxable upon the fair market value of the 60 shares of stock received as compensation for services rendered, and A will realize gain or loss upon the difference between the basis to him of the 60 shares and their fair market value at the time of the exchange.

Example 2. Individuals C and D each transferred, to a newly organized corporation, property having a fair market value of \$4,500 in exchange for the issuance by the corporation of 45 shares of its capital stock to each transferor. At the same time, the corporation issued to E, an individual, 10 shares of its capital stock in payment for organizational and promotional services rendered by E for the benefit of the corporation. E transferred no property to the corporation. C and D were under no obligation to pay for E's services. No gain or loss is recognized to C or D. E received compensation taxable as ordinary income to the extent of the fair market value of the 10 shares of stock received by him.

(c)(1) The general rule of section 351 does not apply, and consequently gain or loss will be recognized, where property is transferred to an investment company after June 30, 1967. A transfer of property after June 30, 1967, will be considered to be a transfer to an investment company if—

(i) The transfer results, directly or indirectly, in diversification of the transferors' interests, and

(ii) The transferee is (a) a regulated investment company, (b) a real estate investment trust, or (c) a corporation more than 80 percent of the value of whose assets (excluding cash and non-convertible debt obligations from consideration) are held for investment and are readily marketable stocks or securities, or interests in regulated investment companies or real estate investment trusts.

(2) The determination of whether a corporation is an investment company shall ordinarily be made by reference to the circumstances in existence immediately after the transfer in question. However, where circumstances change thereafter pursuant to a plan in existence at the time of the transfer, this determination shall be made by reference to the later circumstances.

(3) Stocks and securities will be considered readily marketable if (and only if) they are part of a class of stock or securities which is traded on a securities exchange or traded or quoted regularly in the over-the-counter market. For purposes of subparagraph (1)(ii)(c) of this paragraph, the term "readily marketable stocks or securities" includes convertible debentures, convertible preferred stock, warrants, and other stock rights if the stock for

which they may be converted or exchanged is readily marketable. Stocks and securities will be considered to be held for investment unless they are (i) held primarily for sale to customers in the ordinary course of business, or (ii) used in the trade or business of banking, insurance, brokerage, or a similar trade or business.

(4) In making the determination required under subparagraph (1)(ii)(c) of this paragraph, stock and securities in subsidiary corporations shall be disregarded and the parent corporation shall be deemed to own its ratable share of its subsidiaries' assets. A corporation shall be considered a subsidiary if the parent owns 50 percent or more of (i) the combined voting power of all classes of stock entitled to vote, or (ii) the total value of shares of all classes of stock outstanding.

(5) A transfer ordinarily results in the diversification of the transferors' interests if two or more persons transfer nonidentical assets to a corporation in the exchange. For this purpose, if any transaction involves one or more transfers of nonidentical assets which, taken in the aggregate, constitute an insignificant portion of the total value of assets transferred, such transfers shall be disregarded in determining whether diversification has occurred. If there is only one transferor (or two or more transferors of identical assets) to a newly organized corporation, the transfer will generally be treated as not resulting in diversification. If a transfer is part of a plan to achieve diversification without recognition of gain, such as a plan which contemplates a subsequent transfer, however delayed, of the corporate assets (or of the stock or securities received in the earlier exchange) to an investment company in a transaction purporting to qualify for nonrecognition treatment, the original transfer will be treated as resulting in diversification.

(6)(i) For purposes of paragraph (c)(5) of this section, a transfer of stocks and securities will not be treated as resulting in a diversification of the transferors' interests if each transferor transfers a diversified portfolio of stocks and securities. For purposes of this paragraph (c)(6), a portfolio of stocks and securities is diversified if it

satisfies the 25 and 50-percent tests of section 368(a)(2)(F)(ii), applying the relevant provisions of section 368(a)(2)(F). However, Government securities are included in total assets for purposes of the denominator of the 25 and 50-percent tests (unless the Government securities are acquired to meet the 25 and 50-percent tests), but are not treated as securities of an issuer for purposes of the numerator of the 25 and 50-percent tests.

(ii) Paragraph (c)(6)(i) of this section is effective for transfers completed on or after May 2, 1996. Transfers of diversified (within the meaning of paragraph (c)(6)(i) of this section), but non-identical, portfolios of stocks and securities completed before May 2, 1996, may be treated either—

(A) Consistent with paragraph (c)(6)(i) of this section; or

(B) As resulting in diversification of the transferors' interests.

(7) The application of subparagraph (5) of this paragraph may be illustrated as follows:

Example 1. Individuals A, B, and C organize a corporation with 101 shares of common stock. A and B each transfers to it \$10,000 worth of the only class of stock of corporation X, listed on the New York Stock Exchange, in exchange for 50 shares of stock. C transfers \$200 worth of readily marketable securities in corporation Y for one share of stock. In determining whether or not diversification has occurred, C's participation in the transaction will be disregarded. There is, therefore, no diversification, and gain or loss will not be recognized.

Example 2. A, together with 50 other transferors, organizes a corporation with 100 shares of stock. A transfers \$10,000 worth of stock in corporation X, listed on the New York Stock Exchange, in exchange for 50 shares of stock. Each of the other 50 transferors transfers \$200 worth of readily marketable securities in corporations other than X in exchange for one share of stock. In determining whether or not diversification has occurred, all transfers will be taken into account. Therefore, diversification is present, and gain or loss will be recognized.

(d) *Applicability date.* Paragraphs (a)(1) and (b)(1) of this section apply to transfers after October 2, 1989, for tax years ending after such date, except as

specified in section 7203(c)(2) and (3) of Public Law 101-239.

[T.D. 6500, 25 FR 11607, Nov. 26, 1960, as amended by T.D. 6942, 32 FR 20977, Dec. 29, 1967; T.D. 8665, 61 FR 19189, May 1, 1996; T.D. 8663, 61 FR 19545, May 2, 1996; T.D. 9759, 81 FR 17074, Mar. 28, 2016]

§ 1.351-2 Receipt of property.

(a) If an exchange would be within the provisions of section 351(a) if it were not for the fact that the property received in exchange consists not only of property permitted by such subsection to be received without the recognition of gain, but also of other property or money, then the gain, if any, to the recipient shall be recognized, but in an amount not in excess of the sum of such money and the fair market value of such other property. No loss to the recipient shall be recognized.

(b) See section 357 and the regulations pertaining to that section for applicable rules as to the treatment of liabilities as "other property" in cases subject to section 351, where another party to the exchange assumes a liability, or acquires property subject to a liability.

(c) See sections 358 and 362 and the regulations pertaining to those sections for applicable rules with respect to the determination of the basis of stock, securities, or other property received in exchanges subject to section 351.

(d) See part I (section 301 and following), subchapter C, chapter 1 of the Code, and the regulations thereunder for applicable rules with respect to the taxation of dividends where a distribution by a corporation of its stock or securities in connection with an exchange subject to section 351(a) has the effect of the distribution of a taxable dividend.

(e) See § 1.356-7(a) for the applicability of the definition of nonqualified preferred stock in section 351(g)(2) for stock issued prior to June 9, 1997, and for stock issued in transactions occurring after June 8, 1997, that are described in section 1014(f)(2) of the Taxpayer Relief Act of 1997, Public Law 105-34 (111 Stat. 788, 921). See § 1.356-7(c)

§ 1.351-3

26 CFR Ch. I (4-1-21 Edition)

for the treatment of preferred stock received in certain exchanges for common or preferred stock described in section 351(g)(2)(C)(i)(II).

[T.D. 6500, 25 FR 11607, Nov. 26, 1960; 25 FR 14021, Dec. 31, 1960, as amended by T.D. 8904, 65 FR 58650, Oct. 2, 2000]

§ 1.351-3 Records to be kept and information to be filed.

(a) *Significant transferor.* Every significant transferor must include a statement entitled, “STATEMENT PURSUANT TO § 1.351-3(a) BY [INSERT NAME AND EMPLOYER IDENTIFICATION NUMBER (IF ANY) OF TAXPAYER], A SIGNIFICANT TRANSFEROR,” on or with such transferor’s income tax return for the taxable year of the section 351 exchange. If a significant transferor is a controlled foreign corporation (within the meaning of section 957), each United States shareholder (within the meaning of section 951(b)) with respect thereto must include this statement on or with its return. The statement must include—

(1) The name and employer identification number (if any) of the transferee corporation;

(2) The date(s) of the transfer(s) of assets;

(3) The fair market value and basis of the property transferred by such transferor in the exchange, determined immediately before the transfer and aggregated as follows:

(i) Importation property transferred in a loss importation transaction, as defined in § 1.362-3(c)(2) and (3), respectively;

(ii) Loss duplication property as defined in § 1.362-4(g)(1);

(iii) Property with respect to which any gain or loss was recognized on the transfer (without regard to whether such property is also identified in paragraph (a)(3)(i) or (ii) of this section); and

(iv) Property not described in paragraph (a)(3)(i), (ii), or (iii) of this section.

(4) The date and control number of any private letter ruling(s) issued by the Internal Revenue Service in connection with the section 351 exchange.

(b) *Transferee corporation.* Except as provided in paragraph (c) of this sec-

tion, every transferee corporation must include a statement entitled, “STATEMENT PURSUANT TO § 1.351-3(b) BY [INSERT NAME AND EMPLOYER IDENTIFICATION NUMBER (IF ANY) OF TAXPAYER], A TRANSFEEE CORPORATION,” on or with its income tax return for the taxable year of the exchange. If the transferee corporation is a controlled foreign corporation (within the meaning of section 957), each United States shareholder (within the meaning of section 951(b)) with respect thereto must include this statement on or with its return. The statement must include—

(1) The name and taxpayer identification number (if any) of every significant transferor;

(2) The date(s) of the transfer(s) of assets;

(3) The fair market value and basis of property received in the exchange, determined immediately before the transfer and aggregated as follows:

(i) Importation property transferred in a loss importation transaction, as defined in § 1.362-3(c)(2) and (3), respectively;

(ii) Loss duplication property as defined in § 1.362-4(g)(1);

(iii) Property with respect to which any gain or loss was recognized on the transfer (without regard to whether such property is also identified in paragraph (b)(3)(i) of this section);

(iv) Property not described in paragraph (b)(3)(i), (ii), or (iii) of this section; and

(4) The date and control number of any private letter ruling(s) issued by the Internal Revenue Service in connection with the section 351 exchange.

(c) *Exception for certain transferee corporations.* The transferee corporation is not required to file a statement under paragraph (b) of this section if all of the information that would be included in the statement described in paragraph (b) of this section is included in any statement(s) described in paragraph (a) of this section that is attached to the same return for the same section 351 exchange.

(d) *Definitions.* For purposes of this section:

(1) *Significant transferor* means a person that transferred property to a corporation and received stock of the

transferee corporation in an exchange described in section 351 if, immediately after the exchange, such person—

(i) Owned at least five percent (by vote or value) of the total outstanding stock of the transferee corporation if the stock owned by such person is publicly traded, or

(ii) Owned at least one percent (by vote or value) of the total outstanding stock of the transferee corporation if the stock owned by such person is not publicly traded.

(2) *Publicly traded stock* means stock that is listed on—

(i) A national securities exchange registered under section 6 of the Securities Exchange Act of 1934 (15 U.S.C. 78f); or

(ii) An interdealer quotation system sponsored by a national securities association registered under section 15A of the Securities Exchange Act of 1934 (15 U.S.C. 78o-3).

(e) *Substantiation information.* Under § 1.6001-1(e), taxpayers are required to retain their permanent records and make such records available to any authorized Internal Revenue Service officers and employees. In connection with the exchange described in this section, these records should specifically include information regarding the amount, basis, and fair market value of all transferred property, and relevant facts regarding any liabilities assumed or extinguished as part of such exchange.

(f) *Effective/applicability date.* * * * Paragraphs (a)(3) and (b)(3) of this section apply with respect to exchanges under section 351 occurring on or after March 28, 2016, and also with respect to exchanges under section 351 occurring before such date as a result of an entity classification election under § 301.7701-3 of this chapter filed on or after March 28, 2016, unless such exchange is pursuant to a binding agreement that was in effect prior to March 28, 2016 and at all times thereafter.

[T.D. 9329, 72 FR 32798, June 14, 2007, as amended by T.D. 9759, 81 FR 17074, Mar. 28, 2016]

EFFECTS ON SHAREHOLDERS AND
SECURITY HOLDERS

§ 1.354-1 Exchanges of stock and securities in certain reorganizations.

(a) Section 354 provides that under certain circumstances no gain or loss is recognized to a shareholder who surrenders his stock in exchange for other stock or to a security holder who surrenders his securities in exchange for stock. Section 354 also provides that under certain circumstances a security holder may surrender securities and receive securities in the same principal amount or in a lesser principal amount without the recognition of gain or loss to him. The exchanges to which section 354 applies must be pursuant to a plan of reorganization as provided in section 368(a) and the stock and securities surrendered as well as the stock and securities received must be those of a corporation which is a party to the reorganization. Section 354 does not apply to exchanges pursuant to a reorganization described in section 368(a)(1)(D) unless the transferor corporation—

(1) Transfers all or substantially all of its assets to a single corporation, and

(2) Distributes all of its remaining properties (if any) and the stock, securities and other properties received in the exchange to its shareholders or security holders in pursuance of the plan of reorganization. The fact that properties retained by the transferor corporation, or received in exchange for the properties transferred in the reorganization, are used to satisfy existing liabilities not represented by securities and which were incurred in the ordinary course of business before the reorganization does not prevent the application of section 354 to an exchange pursuant to a plan of reorganization defined in section 368(a)(1)(D).

(b) Except as provided in section 354 (c) and (d), section 354 is not applicable to an exchange of stock or securities if a greater principal amount of securities is received than the principal amount of securities the recipient surrenders, or if securities are received and the recipient surrenders no securities. See, however, section 356 and regulations pertaining to such section. See also section 306 with respect to the

§ 1.355-0

26 CFR Ch. I (4-1-21 Edition)

receipt of preferred stock in a transaction to which section 354 is applicable.

(c) An exchange of stock or securities shall be subject to section 354(a)(1) even though—

(1) Such exchange is not pursuant to a plan of reorganization described in section 368(a), and

(2) The principal amount of the securities received exceeds the principal amount of the securities surrendered or if securities are received and no securities are surrendered—

if such exchange is pursuant to a plan of reorganization for a railroad corporation as defined in section 77(m) of the Bankruptcy Act (11 U.S.C. 205(m)) and is approved by the Interstate Commerce Commission under section 77 of such act or under section 20b of the Interstate Commerce Act (49 U.S.C. 20b) as being in the public interest. Section 354 is not applicable to such exchanges if there is received property other than stock or securities. See, however, section 356 and regulations pertaining to such section.

(d) The rules of section 354 may be illustrated by the following examples:

Example 1. Pursuant to a reorganization under section 368(a) to which Corporations T and W are parties, A, a shareholder in Corporation T, surrenders all his common stock in Corporation T in exchange for common stock of Corporation W. No gain or loss is recognized to A.

Example 2. Pursuant to a reorganization under section 368(a) to which Corporations X and Y (which are not railroad corporations) are parties, B, a shareholder in Corporation X, surrenders all his stock in X for stock and securities in Y. Section 354 does not apply to this exchange. See, however, section 356.

Example 3. C, a shareholder in Corporation Z (which is not a railroad corporation), surrenders all his stock in Corporation Z in exchange for securities in Corporation Z. Whether or not this exchange is in connection with a recapitalization under section 368(a)(1)(E), section 354 does not apply. See, however, section 302.

Example 4. The facts are the same as in *Example 3* of this paragraph (d), except that C receives solely rights to acquire stock in Corporation Z. Section 354 does not apply.

(e) Except as provided in § 1.356-6, for purposes of section 354, the term *securities* includes rights issued by a party to the reorganization to acquire its stock. For purposes of this section and sec-

tion 356(d)(2)(B), a right to acquire stock has no principal amount. For this purpose, rights to acquire stock has the same meaning as it does under sections 305 and 317(a). Other Internal Revenue Code provisions governing the treatment of rights to acquire stock may also apply to certain exchanges occurring in connection with a reorganization. See, for example, sections 83 and 421 through 424 and the regulations thereunder. This paragraph (e) applies to exchanges occurring on or after March 9, 1998.

(f) See § 1.356-7(a) and (b) for the treatment of nonqualified preferred stock (as defined in section 351(g)(2)) received in certain exchanges for nonqualified preferred stock or preferred stock. See § 1.356-7(c) for the treatment of preferred stock received in certain exchanges for common or preferred stock described in section 351(g)(2)(C)(i)(II).

[T.D. 6500, 25 FR 11607, Nov. 26, 1960, as amended by T.D. 7616, 44 FR 26869, May 8, 1979; T.D. 8752, 63 FR 410, Jan. 6, 1998; T.D. 8882, 65 FR 31078, May 16, 2000; T.D. 8904, 65 FR 58651, Oct. 2, 2000]

§ 1.355-0 Outline of sections.

In order to facilitate the use of §§ 1.355-1 through 1.355-8, this section lists the major paragraphs in those sections as follows:

§ 1.355-1 DISTRIBUTION OF STOCK AND SECURITIES OF A CONTROLLED CORPORATION.

- (a) Effective date of certain sections.
- (b) Application of section.

§ 1.355-2 LIMITATIONS.

- (a) Property distributed.
- (b) Independent business purpose.
 - (1) Independent business purpose requirement.
 - (2) Corporate business purpose.
 - (3) Business purpose for distribution.
 - (4) Business purpose as evidence of non-device.
 - (5) Examples.
- (c) Continuity of interest requirement.
 - (1) Requirement.
 - (2) Examples.
 - (d) Device for distribution of earnings and profits.
 - (1) In general.
 - (2) Device factors.
 - (i) In general.
 - (ii) Pro rata distribution.
 - (iii) Subsequent sale or exchange of stock.
 - (A) In general.

Internal Revenue Service, Treasury

§ 1.355-0

(B) Sale or exchange negotiated or agreed upon before the distribution.

(C) Sale or exchange not negotiated or agreed upon before the distribution.

(D) Negotiated or agreed upon before the distribution.

(E) Exchange in pursuance of a plan of reorganization.

(iv) Nature and use of assets.

(A) In general.

(B) Assets not used in a trade or business meeting the requirement of section 355(b).

(C) Related function.

(3) Nondevice factors.

(i) In general.

(ii) Corporate business purpose.

(iii) Distributing corporation publicly traded and widely held.

(iv) Distribution to domestic corporate shareholders.

(4) Examples.

(5) Transactions ordinarily not considered as a device.

(i) In general.

(ii) Absence of earnings and profits.

(iii) Section 303(a) transactions.

(iv) Section 302(a) transactions.

(v) Examples.

(e) Stock and securities distributed.

(1) In general.

(2) Additional rules.

(f) Principal amount of securities.

(1) Securities received.

(2) Only stock received.

(g) Recently acquired controlled stock under section 355(a)(3)(B).

(1) Other property.

(2) Exceptions.

(3) DSAG.

(4) Taxable transaction.

(5) Examples.

(h) Active conduct of a trade or business.

(i) Effective/applicability date.

§ 1.355-3 ACTIVE CONDUCT OF A TRADE OR BUSINESS.

(a) General requirements.

(1) Application of section 355.

(2) Examples.

(b) Active conduct of a trade or business defined.

(1) In general.

(2) Active conduct of a trade or business immediately after distribution.

(i) In general.

(ii) Trade or business.

(iii) Active conduct.

(iv) Limitations.

(3) Active conduct for five-year period preceding distribution.

(4) Special rules for acquisition of a trade or business (Prior to the Revenue Act of 1987 and Technical and Miscellaneous Revenue Act of 1988).

(i) In general.

(ii) Example.

(iii) Gain or loss recognized in certain transactions.

(iv) Affiliated group.

(5) Special rules for acquisition of a trade or business (After the Revenue Act of 1987 and Technical and Miscellaneous Revenue Act of 1988).

(c) Examples.

§ 1.355-4 NON PRO RATA DISTRIBUTIONS, ETC.

§ 1.355-5 RECORDS TO BE KEPT AND INFORMATION TO BE FILED.

(a) Distributing corporation.

(1) In general.

(2) Special rule when an asset transfer precedes a stock distribution.

(b) Significant distributee.

(c) Definitions.

(1) Significant distributee.

(2) Publicly traded stock.

(d) Substantiation information.

(e) Effective/applicability date.

§ 1.355-6 RECOGNITION OF GAIN ON CERTAIN DISTRIBUTIONS OF STOCK OR SECURITIES IN CONTROLLED CORPORATION.

(a) Conventions.

(1) Examples.

(2) Five-year period.

(3) Distributing securities.

(4) Marketable securities.

(b) General rules and purposes of section 355(d).

(1) Disqualified distributions in general.

(2) Disqualified stock.

(i) In general.

(ii) Purchase.

(iii) Exceptions.

(A) Purchase eliminated.

(B) Deemed purchase eliminated.

(C) Elimination of basis.

(1) General rule.

(2) Special rule for transferred and exchanged basis property.

(3) Special rule for Split-offs and Split-ups.

(D) Special rule if basis allocated between two corporations.

(3) Certain distributions not disqualified distributions because purposes of section 355(d) not violated.

(i) In general.

(ii) Disqualified person.

(iii) Purchased basis.

(iv) Increase in interest because payment of cash in lieu of fractional shares.

(v) Other exceptions.

(vi) Examples.

(4) Anti-avoidance rule.

(i) In general.

(ii) Example.

(c) Whether a person holds a 50 percent or greater interest.

(1) In general.

(2) Valuation.

(3) Effect of options, warrants, convertible obligations, and other similar interests.

Internal Revenue Service, Treasury

§ 1.355-0

- (4) Presumption as to less-than-five-percent shareholders.
- (5) Examples.
- (g) Effective date.

§ 1.355-7 RECOGNITION OF GAIN ON CERTAIN DISTRIBUTIONS OF STOCK OR SECURITIES IN CONNECTION WITH AN ACQUISITION.

- (a) In general.
- (b) Plan.
 - (1) In general.
 - (2) Certain post-distribution acquisitions.
 - (3) Plan factors.
 - (4) Non-plan factors.
- (c) Operating rules.
 - (1) Internal discussions and discussions with outside advisors evidence of business purpose.
 - (2) Takeover defense.
 - (3) Effect of distribution on trading in stock.
 - (4) Consequences of section 355(e) disregarded for certain purposes.
- (d) Multiple acquisitions.
 - (d) Safe harbors.
 - (1) Safe Harbor I.
 - (2) Safe Harbor II.
 - (i) In general.
 - (ii) Special rule.
 - (3) Safe Harbor III.
 - (4) Safe Harbor IV.
 - (i) In general.
 - (ii) Special rules.
 - (5) Safe Harbor V.
 - (i) In general.
 - (ii) Special rules.
 - (6) Safe Harbor VI.
 - (7) Safe Harbor VII.
 - (i) In general.
 - (ii) Special rules.
 - (8) Safe Harbor VIII.
 - (i) In general.
 - (ii) Special rule.
 - (9) Safe Harbor IX.
 - (i) In general.
 - (ii) Special rule.
 - (e) Options, warrants, convertible obligations, and other similar interests.
 - (1) Treatment of options.
 - (i) General rule.
 - (ii) Agreement, understanding, or arrangement to write, transfer, or modify an option.
 - (iii) Substantial negotiations related to options.
 - (2) Stock acquired pursuant to options.
 - (3) Instruments treated as options.
 - (4) Instruments generally not treated as options.
 - (i) Escrow, pledge, or other security agreements.
 - (ii) Options exercisable only upon death, disability, mental incompetency, or separation from service.
 - (iii) Rights of first refusal.
 - (iv) Other enumerated instruments.
 - (f) Multiple controlled corporations.
 - (g) Valuation.

- (h) Definitions.
 - (1) Agreement, understanding, arrangement, or substantial negotiations.
 - (2) Controlled corporation.
 - (3) Controlling shareholder.
 - (4) Coordinating group.
 - (5) Disclosure event.
 - (6) Discussions.
 - (7) Established market.
 - (8) Five-percent shareholder.
 - (9) Implicit permission.
 - (10) Public announcement.
 - (11) Public offering.
 - (12) Similar acquisition (not involving a public offering).
 - (13) Similar acquisition involving a public offering.
 - (i) One public offering.
 - (ii) More than one public offering.
 - (iii) Potential acquisition involving a public offering.
 - (14) Ten-percent shareholder.
 - (i) [Reserved]
 - (j) Examples.
 - (k) Effective dates.

§ 1.355-8 DEFINITION OF PREDECESSOR AND SUCCESSOR AND LIMITATIONS ON GAIN RECOGNITION UNDER SECTION 355(E) AND SECTION 355(F).

- (a) In general.
 - (1) Scope.
 - (2) Overview.
 - (i) Purposes and conceptual overview.
 - (ii) References to and definitions of terms used in this section.
 - (iii) Special rules and examples.
 - (3) Purposes of section; Predecessor of Distributing overview.
 - (i) Purposes.
 - (ii) Predecessor of Distributing overview.
 - (A) Relevant Property transferred to Controlled.
 - (B) Relevant Property includes Controlled Stock.
 - (4) References.
 - (i) References to Distributing or Controlled.
 - (ii) References to Plan or Distribution.
 - (iii) Plan Period.
 - (5) List of definitions.
 - (b) Predecessor of Distributing.
 - (1) Definition.
 - (i) In general.
 - (ii) Pre-Distribution requirements.
 - (A) Relevant Property requirement.
 - (B) Reflection of basis requirement.
 - (iii) Post-Distribution requirement.
 - (2) Additional definitions and rules related to paragraph (b)(1) of this section.
 - (i) References to Distributing and Controlled.
 - (ii) Potential Predecessor.
 - (A) Potential Predecessor definition.
 - (B) Expanded Affiliated Group definition.
 - (iii) Successors of Potential Predecessors.
 - (iv) Relevant Property; Relevant Equity.

§ 1.355-1

26 CFR Ch. I (4-1-21 Edition)

- (A) In general.
- (B) Property held by Distributing.
- (C) F reorganizations.
- (v) Stock of Distributing as Relevant Property.
 - (A) In general.
 - (B) Certain reorganizations.
 - (vi) Substitute Asset.
 - (A) In general.
 - (B) Controlled stock received by Distributing.
 - (1) In general.
 - (2) Exception.
 - (C) Treatment as Relevant Property.
 - (vii) Separated Property.
 - (viii) Underlying Property.
 - (ix) Multiple Predecessors of Distributing.
 - (x) Deemed exchanges.
 - (c) Additional definitions.
 - (1) Predecessor of Controlled.
 - (2) Successors.
 - (i) In general.
 - (ii) Determination of Successor status.
 - (3) Section 381 Transaction.
 - (d) Special acquisition rules.
 - (1) Deemed acquisitions of stock in Section 381 Transactions.
 - (i) Rule.
 - (ii) Example.
 - (2) Deemed acquisitions of stock after Section 381 Transactions.
 - (3) Separate counting for Distributing and each Predecessor of Distributing.
 - (e) Special rules for limiting gain recognition.
 - (1) Overview.
 - (i) Gain limitation.
 - (ii) Multiple Planned 50-percent Acquisitions.
 - (iii) Statutory Recognition Amount limit; Section 336(e).
 - (2) Planned 50-percent Acquisition of a Predecessor of Distributing.
 - (i) In general.
 - (ii) Operating rules.
 - (A) Separated Property other than Controlled stock.
 - (B) Controlled stock that is Separated Property.
 - (C) Anti-duplication rule.
 - (3) Planned 50-percent Acquisition of Distributing.
 - (4) Gain recognition limited to Statutory Recognition Amount.
 - (5) Section 336(e) election.
 - (f) Predecessor or Successor as a member of the affiliated group.
 - (g) Inapplicability of section 355(f) to certain intra-group Distributions.
 - (1) In general.
 - (2) Alternative application of section 355(f).
 - (h) Examples.

- (i) Applicability date.

[T.D. 8238, 54 FR 289, Jan. 5, 1989, as amended by T.D. 8913, 65 FR 79722, Dec. 20, 2000; T.D. 8960, 66 FR 40591, Aug. 3, 2001; T.D. 8988, 67 FR 20636, Apr. 26, 2002; 67 FR 38200, June 3, 2002; T.D. 9198, 70 FR 20283, Apr. 19, 2005; T.D. 9264, 71 FR 30597, May 30, 2006; T.D. 9329, 72 FR 32799, June 14, 2007; T.D. 9435, 73 FR 75950, Dec. 15, 2008; T.D. 9548, 76 FR 65111, Oct. 20, 2011; T.D. 9805, 81 FR 91747, Dec. 19, 2016; T.D. 9888, 84 FR 69316, Dec. 18, 2019]

§ 1.355-1 Distribution of stock and securities of a controlled corporation.

(a) *Effective/applicability date of certain sections.* Except as otherwise provided, this section and §§ 1.355-2 through 1.355-4 apply to transactions occurring after February 6, 1989. For transactions occurring on or before that date, see 26 CFR 1.355-1 through 1.355-4 (revised as of April 1, 1987). This section and §§ 1.355-2 through 1.355-4, other than § 1.355-2(g) and (i), do not reflect the amendments to section 355 made by the Revenue Act of 1987, the Technical and Miscellaneous Revenue Act of 1988, and the Tax Technical Corrections Act of 2007. For the applicability date of §§ 1.355-2(g), 1.355-5, 1.355-6, and 1.355-7, see §§ 1.355-2(i), 1.355-5(e), 1.355-6(g), and 1.355-7(k), respectively.

(b) *Application of section.* Section 355 provides for the separation, without recognition of gain or loss to (or the inclusion in income of) the shareholders and security holders, of one or more existing businesses formerly operated, directly or indirectly, by a single corporation (the “distributing corporation”). It applies only to the separation of existing businesses that have been in active operation for at least five years (or a business that has been in active operation for at least five years into separate businesses), and which, in general, have been owned, directly or indirectly, for at least five years by the distributing corporation. A separation is achieved through the distribution by the distributing corporation of stock, or stock and securities, of one or more subsidiaries (the “controlled corporations”) to its shareholders with respect to its stock or to its security holders in exchange for its securities. The controlled corporations may be pre-existing or newly created subsidiaries. Throughout the regulations under section 355, the term *distribution* refers to

a distribution by the distributing corporation of stock, or stock and securities, of one or more controlled corporations, unless the context indicates otherwise. Section 355 contemplates the continued operation of the business or businesses existing prior to the separation. See § 1.355-4 for types of distributions that may qualify under section 355, including pro rata distributions and non pro rata distributions.

(c) *Stock rights.* Except as provided in § 1.356-6, for purposes of section 355, the term *securities* includes rights issued by the distributing corporation or the controlled corporation to acquire the stock of that corporation. For purposes of this section and section 356(d)(2)(B), a right to acquire stock has no principal amount. For this purpose, rights to acquire stock has the same meaning as it does under sections 305 and 317(a). Other Internal Revenue Code provisions governing the treatment of rights to acquire stock may also apply to certain distributions occurring in connection with a transaction described in section 355. See, for example, sections 83 and 421 through 424 and the regulations thereunder. This paragraph (c) applies to distributions occurring on or after March 9, 1998.

(d) *Nonqualified preferred stock.* See § 1.356-7(a) and (b) for the treatment of nonqualified preferred stock (as defined in section 351(g)(2)) received in certain exchanges for (or in certain distributions with respect to) nonqualified preferred stock or preferred stock. See § 1.356-7(c) for the treatment of the receipt of preferred stock in certain exchanges for (or in certain distributions with respect to) common or preferred stock described in section 351(g)(2)(C)(i)(II).

[T.D. 8238, 54 FR 289, Jan. 5, 1989, as amended by T.D. 8752, 63 FR 410, Jan. 6, 1998; T.D. 8882, 65 FR 31078, May 16, 2000; T.D. 8904, 65 FR 58651, Oct. 2, 2000; T.D. 9435, 73 FR 75950, Dec. 15, 2008; 74 FR 3420, Jan. 21, 2009; T.D. 9548, 76 FR 65111, Oct. 20, 2011]

§ 1.355-2 Limitations.

(a) *Property distributed.* Section 355 applies to a distribution only if the property distributed consists solely of stock, or stock and securities, of a controlled corporation. If additional property (including an excess principal

amount of securities received over securities surrendered) is received, see section 356.

(b) *Independent business purpose—(1) Independent business purpose requirement.* Section 355 applies to a transaction only if it is carried out for one or more corporate business purposes. A transaction is carried out for a corporate business purpose if it is motivated, in whole or substantial part, by one or more corporate business purposes. The potential for the avoidance of Federal taxes by the distributing or controlled corporations (or a corporation controlled by either) is relevant in determining the extent to which an existing corporate business purpose motivated the distribution. The principal reason for this business purpose requirement is to provide nonrecognition treatment only to distributions that are incident to readjustments of corporate structures required by business exigencies and that effect only readjustments of continuing interests in property under modified corporate forms. This business purpose requirement is independent of the other requirements under section 355.

(2) *Corporate business purpose.* A corporate business purpose is a real and substantial non Federal tax purpose germane to the business of the distributing corporation, the controlled corporation, or the affiliated group (as defined in § 1.355-3(b)(4)(iv)) to which the distributing corporation belongs. A purpose of reducing non Federal taxes is not a corporate business purpose if (i) the transaction will effect a reduction in both Federal and non Federal taxes because of similarities between Federal tax law and the tax law of the other jurisdiction and (ii) the reduction of Federal taxes is greater than or substantially coextensive with the reduction of non Federal taxes. See *Examples (7) and (8)* of paragraph (b)(5) of this section. A shareholder purpose (for example, the personal planning purposes of a shareholder) is not a corporate business purpose. Depending upon the facts of a particular case, however, a shareholder purpose for a transaction may be so nearly coextensive with a corporate business purpose as to preclude any distinction between them. In such a case, the transaction is carried

out for one or more corporate business purposes. See *Example (2)* of paragraph (b)(5) of this section.

(3) *Business purpose for distribution.* The distribution must be carried out for one or more corporate business purposes. See *Example (3)* of paragraph (b)(5) of this section. If a corporate business purpose can be achieved through a nontaxable transaction that does not involve the distribution of stock of a controlled corporation and which is neither impractical nor unduly expensive, then, for purposes of paragraph (b)(1) of this section, the separation is not carried out for that corporate business purpose. See *Examples (3)* and *(4)* of paragraph (b)(5) of this section. For rules with respect to the requirement of a business purpose for a transfer of assets to a controlled corporation in connection with a reorganization described in section 368(a)(1)(D), See § 1.368-1(b).

(4) *Business purpose as evidence of non-device.* The corporate business purpose or purposes for a transaction are evidence that the transaction was not used principally as a device for the distribution of earnings and profits within the meaning of section 355(a)(1)(B). See paragraph (d)(3)(ii) of this section.

(5) *Examples.* The provisions of this paragraph (b) may be illustrated by the following examples:

Example 1. Corporation X is engaged in the production, transportation, and refining of petroleum products. In 1985, X acquires all of the properties of corporation Z, which is also engaged in the production, transportation, and refining of petroleum products. In 1991, as a result of antitrust litigation, X is ordered to divest itself of all of the properties acquired from Z. X transfers those properties to new corporation Y and distributes the stock of Y pro rata to X's shareholders. In view of the divestiture order, the distribution is carried out for a corporate business purpose. See paragraph (b)(1) of this section.

Example 2. Corporation X is engaged in two businesses: The manufacture and sale of furniture and the sale of jewelry. The businesses are of equal value. The outstanding stock of X is owned equally by unrelated individuals A and B. A is more interested in the furniture business, while B is more interested in the jewelry business. A and B decide to split up the businesses and go their separate ways. A and B anticipate that the operations of each business will be enhanced by the separation because each shareholder will be able to devote his undivided attention to

the business in which he is more interested and more proficient. Accordingly, X transfers the jewelry business to new corporation Y and distributes the stock of Y to B in exchange for all of B's stock in X. The distribution is carried out for a corporate business purpose, notwithstanding that it is also carried out in part for shareholder purposes. See paragraph (b)(2) of this section.

Example 3. Corporation X is engaged in the manufacture and sale of toys and the manufacture and sale of candy. The shareholders of X wish to protect the candy business from the risks and vicissitudes of the toy business. Accordingly, X transfers the toy business to new corporation Y and distributes the stock of Y to X's shareholders. Under applicable law, the purpose of protecting the candy business from the risks and vicissitudes of the toy business is achieved as soon as X transfers the toy business to Y. Therefore, the distribution is not carried out for a corporate business purpose. See paragraph (b)(3) of this section.

Example 4. Corporation X is engaged in a regulated business in State T. X owns all of the stock of corporation Y, a profitable corporation that is not engaged in a regulated business. Commission C sets the rates that X may charge its customers, based on its total income. C has recently adopted rules according to which the total income of a corporation includes the income of a business if, and only if, the business is operated, directly or indirectly, by the corporation. Total income, for this purpose, includes the income of a wholly owned subsidiary corporation but does not include the income of a parent or "brother/sister" corporation. Under C's new rule, X's total income includes the income of Y, with the result that X has suffered a reduction of the rates that it may charge its customers. It would not be impractical or unduly expensive to create in a nontaxable transaction (such as a transaction qualifying under section 351) a holding company to hold the stock of X and Y. X distributes the stock of Y to X's shareholders. The distribution is not carried out for the purpose of increasing the rates that X may charge its customers because that purpose could be achieved through a nontaxable transaction, the creation of a holding company, that does not involve the distribution of stock of a controlled corporation and which is neither impractical nor unduly expensive. See paragraph (b)(3) of this section.

Example 5. The facts are the same as in *Example (4)*, except that C has recently adopted rules according to which the total income of a corporation includes not only the income included in *Example (3)*, but also the income of any member of the affiliated group to which the corporation belongs. In order to avoid a reduction in the rates that it may charge its customers, X distributes the stock of Y to X's shareholders. The distribution is

carried out for a corporate business purpose. See paragraph (b)(3) of this section.

Example 6. (i) Corporation X owns all of the one class of stock of corporation Y. X distributes the stock of Y pro rata to its five shareholders, all of whom are individuals, for the sole purpose of enabling X and/or Y to elect to become an S corporation. The distribution does not meet the corporate business purpose requirement. See paragraph (b)(1) and (2) of this section.

(ii) The facts are the same as in *Example 6(i)*, except that the business of Y is operated as a division of X. X transfers this division to new corporation Y and distributes the stock of Y pro rata to its shareholders, all of whom are individuals, for the sole purpose of enabling X and/or Y to elect to become an S corporation. The distribution does not meet the corporate business purpose requirement. See paragraph (b)(1) and (2) of this section.

Example 7. The facts are the same as in *Example 6(i)*, except that the distribution is made to enable X to elect to become an S corporation both for Federal tax purposes and for purposes of the income tax imposed by State M. State M has tax law provisions similar to subchapter S of the Internal Revenue Code of 1986. An election to be an S corporation for Federal tax purposes will effect a substantial reduction in Federal taxes that is greater than the reduction of State M taxes pursuant to an election to be an S corporation for State M purposes. The purpose of reducing State M taxes is not a corporate business purpose. The distribution does not meet the corporate business purpose requirements. See paragraph (b)(1) and (2) of this section.

Example 8. The facts are the same as *Example 7*, except that the distribution also is made to enable A, a key employee of Y, to acquire stock of Y without investing in X. A is considered to be critical to the success of Y and he has indicated that he will seriously consider leaving the company if he is not given the opportunity to purchase a significant amount of stock of Y. As a matter of state law, Y could not issue stock to the employee while it was a subsidiary of X. As in *Example 7*, the purpose of reducing State M taxes is not a corporate business purpose. In order to determine whether the issuance of stock to the key employee, in fact, motivated the distribution of the Y stock, the potential avoidance of Federal taxes is a relevant factor to take into account. If the facts and circumstances establish that the distribution was substantially motivated by the need to issue stock to the employee, the distribution will meet the corporate business purpose requirement.

(c) *Continuity of interest requirement—(1) Requirement.* Section 355 applies to a separation that effects only a readjustment of continuing interests in the

property of the distributing and controlled corporations. In this regard section 355 requires that one or more persons who, directly or indirectly, were the owners of the enterprise prior to the distribution or exchange own, in the aggregate, an amount of stock establishing a continuity of interest in each of the modified corporate forms in which the enterprise is conducted after the separation. This continuity of interest requirement is independent of the other requirements under section 355.

(2) *Examples.*

Example 1. For more than five years, corporation X has been engaged directly in one business, and indirectly in a different business through its wholly owned subsidiary, S. The businesses are equal in value. At all times, the outstanding stock of X has been owned equally by unrelated individuals A and B. For valid business reasons, A and B cause X to distribute all of the stock of S to B in exchange for all of B's stock in X. After the transaction, A owns all the stock of X and B owns all the stock of S. The continuity of interest requirement is met because one or more persons who were the owners of X prior to the distribution (A and B) own, in the aggregate, an amount of stock establishing a continuity of interest in each of X and S after the distribution.

Example 2. Assume the same facts as in *Example 1*, except that pursuant to a plan to acquire a stock interest in X without acquiring, directly or indirectly, an interest in S, C purchased one-half of the X stock owned by A and immediately thereafter X distributed all of the S stock to B in exchange for all of B's stock in X. After the transactions, A owns 50 percent of X and B owns 100 percent of S. The distribution by X of all of the stock of S to B in exchange for all of B's stock in X will satisfy the continuity of interest requirement for section 355 because one or more persons who were the owners of X prior to the distribution (A and B) own, in the aggregate, an amount of stock establishing a continuity of interest in each of X and S after the distribution.

Example 3. Assume the same facts as in *Examples 1 and 2*, except that C purchased all of the X stock owned by A. After the transactions, neither A nor B own any of the stock of X, and B owns all the stock of S. The continuity of interest requirement is not met because the owners of X prior to the distribution (A and B) do not, in the aggregate, own an amount of stock establishing a continuity of interest in each of X and S after the distribution, *i.e.*, although A and B collectively have retained 50 percent of their

equity interest in the former combined enterprise, they have failed to continue to own the minimum stock interest in the distributing corporation, X, that would be required in order to meet the continuity of interest requirement.

Example 4. Assume the same facts as in *Examples (1) and (2)*, except that C purchased 80 percent of the X stock owned by A. After the transactions, A owns 20 percent of the stock of X, B owns no X stock, and B owns 100 percent of the S stock. The continuity of interest requirement is not met because the owners of X prior to the distribution (A and B) do not, in the aggregate, have a continuity of interest in each of X and S after the distribution, *i.e.*, although A and B collectively have retained 60 percent of their equity interest in the former combined enterprise, the 20 percent interest of A in X is less than the minimum equity interest in the distributing corporation, X, that would be required in order to meet the continuity of interest requirement.

(d) *Device for distribution of earnings and profits*—(1) *In general.* Section 355 does not apply to a transaction used principally as a device for the distribution of the earnings and profits of the distributing corporation, the controlled corporation, or both (a “device”). Section 355 recognizes that a tax-free distribution of the stock of a controlled corporation presents a potential for tax avoidance by facilitating the avoidance of the dividend provisions of the Code through the subsequent sale or exchange of stock of one corporation and the retention of the stock of another corporation. A device can include a transaction that effects a recovery of basis. In this paragraph (d), “exchange” includes transactions, such as redemptions, treated as exchanges under the Code. Generally, the determination of whether a transaction was used principally as a device will be made from all of the facts and circumstances, including, but not limited to, the presence of the device factors specified in paragraph (d)(2) of this section (“evidence of device”), and the presence of the non-device factors specified in paragraph (d)(3) of this section (“evidence of non-device”). However, if a transaction is specified in paragraph (d)(5) of this section, then it is ordinarily considered not to have been used principally as a device.

(2) *Device factors*—(i) *In general.* The presence of any of the device factors specified in this subparagraph (2) is evidence of device. The strength of this evidence depends on the facts and circumstances.

(ii) *Pro rata distribution.* A distribution that is pro rata or substantially pro rata among the shareholders of the distributing corporation presents the greatest potential for the avoidance of the dividend provisions of the Code and, in contrast to other types of distributions, is more likely to be used principally as a device. Accordingly, the fact that a distribution is pro rata or substantially pro rata is evidence of device.

(iii) *Subsequent sale or exchange of stock*—(A) *In general.* A sale or exchange of stock of the distributing or the controlled corporation after the distribution (a “subsequent sale or exchange”) is evidence of device. Generally, the greater the percentage of the stock sold or exchanged after the distribution, the stronger the evidence of device. In addition, the shorter the period of time between the distribution and the sale or exchange, the stronger the evidence of device.

(B) *Sale or exchange negotiated or agreed upon before the distribution.* A subsequent sale or exchange pursuant to an arrangement negotiated or agreed upon before the distribution is substantial evidence of device.

(C) *Sale or exchange not negotiated or agreed upon before the distribution.* A subsequent sale or exchange not pursuant to an arrangement negotiated or agreed upon before the distribution is evidence of device.

(D) *Negotiated or agreed upon before the distribution.* For purposes of this subparagraph (2), a sale or exchange is always pursuant to an arrangement negotiated or agreed upon before the distribution if enforceable rights to buy or sell existed before the distribution. If a sale or exchange was discussed by the buyer and the seller before the distribution and was reasonably to be anticipated by both parties, then the sale or exchange will ordinarily be considered to be pursuant to an arrangement negotiated or agreed upon before the distribution.

(E) *Exchange in pursuance of a plan of reorganization.* For purposes of this subparagraph (2), if stock is exchanged for stock in pursuance of a plan of reorganization, and either no gain or loss or only an insubstantial amount of gain is recognized on the exchange, then the exchange is not treated as a subsequent sale or exchange, but the stock received in the exchange is treated as the stock surrendered in the exchange. For this purpose, gain treated as a dividend pursuant to sections 356(a)(2) and 316 shall be disregarded.

(iv) *Nature and use of assets—(A) In general.* The determination of whether a transaction was used principally as a device will take into account the nature, kind, amount, and use of the assets of the distributing and the controlled corporations (and corporations controlled by them) immediately after the transaction.

(B) *Assets not used in a trade or business meeting the requirement of section 355(b).* The existence of assets that are not used in a trade or business that satisfies the requirements of section 355(b) is evidence of device. For this purpose, assets that are not used in a trade or business that satisfies the requirements of section 355(b) include, but are not limited to, cash and other liquid assets that are not related to the reasonable needs of a business satisfying such section. The strength of the evidence of device depends on all the facts and circumstances, including, but not limited to, the ratio for each corporation of the value of assets not used in a trade or business that satisfies the requirements of section 355(b) to the value of its business that satisfies such requirements. A difference in the ratio described in the preceding sentence for the distributing and controlled corporation is ordinarily not evidence of device if the distribution is not pro rata among the shareholders of the distributing corporation and such difference is attributable to a need to equalize the value of the stock distributed and the value of the stock or securities exchanged by the distributees.

(C) *Related function.* There is evidence of device if a business of either the distributing or controlled corporation (or a corporation controlled by it) is (1) a “secondary business” that continues as

a secondary business for a significant period after the separation, and (2) can be sold without adversely affecting the business of the other corporation (or a corporation controlled by it). A secondary business is a business of either the distributing or controlled corporation, if its principal function is to serve the business of the other corporation (or a corporation controlled by it). A secondary business can include a business transferred to a newly-created subsidiary or a business which serves a business transferred to a newly-created subsidiary. The activities of the secondary business may consist of providing property or performing services. Thus, in *Example (11)* of §1.355-3(c), evidence of device would be presented if the principal function of the coal mine (satisfying the requirements of the steel business) continued after the separation and the coal mine could be sold without adversely affecting the steel business. Similarly, in *Example (10)* of §1.355-3(c), evidence of device would be presented if the principal function of the sales operation after the separation is to sell the output from the manufacturing operation and the sales operation could be sold without adversely affecting the manufacturing operation.

(3) *Nondevice factors—(i) In general.* The presence of any of the nondevice factors specified in this subparagraph (3) is evidence of nondevice. The strength of this evidence depends on all of the facts and circumstances.

(ii) *Corporate business purpose.* The corporate business purpose for the transaction is evidence of nondevice. The stronger the evidence of device (such as the presence of the device factors specified in paragraph (d)(2) of this section), the stronger the corporate business purpose required to prevent the determination that the transaction was used principally as a device. Evidence of device presented by the transfer or retention of assets not used in a trade or business that satisfies the requirements of section 355(b) can be outweighed by the existence of a corporate business purpose for those transfers or retentions. The assessment of the strength of a corporate business purpose will be based on all of the facts and circumstances, including, but not limited to, the following factors:

(A) The importance of achieving the purpose to the success of the business;

(B) The extent to which the transaction is prompted by a person not having a proprietary interest in either corporation, or by other outside factors beyond the control of the distributing corporation; and

(C) The immediacy of the conditions prompting the transaction.

(iii) *Distributing corporation publicly traded and widely held.* The fact that the distributing corporation is publicly traded and has no shareholder who is directly or indirectly the beneficial owner of more than five percent of any class of stock is evidence of nondevice.

(iv) *Distribution to domestic corporate shareholders.* The fact that the stock of the controlled corporation is distributed to one or more domestic corporations that, if section 355 did not apply, would be entitled to a deduction under section 243(a)(1) available to corporations meeting the stock ownership requirements of section 243(c), or a deduction under section 243(a)(2) or (3) or 245(b) is evidence of nondevice.

(4) *Examples.* The provisions of paragraph (d)(1) through (3) of this section may be illustrated by the following examples:

Example 1. Individual A owns all of the stock of corporation X, which is engaged in the warehousing business. X owns all of the stock of corporation Y, which is engaged in the transportation business. X employs individual B, who is extremely knowledgeable of the warehousing business in general and the operations of X in particular. B has informed A that he will seriously consider leaving the company if he is not given the opportunity to purchase a significant amount of stock of X. Because of his knowledge and experience, the loss of B would seriously damage the business of X. B cannot afford to purchase any significant amount of stock of X as long as X owns Y. Accordingly, X distributes the stock of Y to A and A subsequently sells a portion of his X stock to B. However, X could have issued additional shares to B sufficient to give B an equivalent ownership interest in X. There is no other evidence of device or evidence of nondevice. In light of the fact that X could have issued additional shares to B, the sale of X stock by A is substantial evidence of device. The transaction is considered to have been used principally as a device. See paragraph (d)(1), (2)(ii), (iii)(A), (B) and (D), and (3)(i) and (ii) of this section.

Example 2. Corporation X owns and operates a fast food restaurant in State M and

owns all of the stock of corporation Y, which owns and operates a fast food restaurant in State N. X and Y operate their businesses under franchises granted by D and E, respectively. X owns cash and marketable securities that exceed the reasonable needs of its business but whose value is small relative to the value of its business. E has recently changed its franchise policy and will no longer grant or renew franchises to subsidiaries (or other members of the same affiliated group) of corporations operating businesses under franchises granted by its competitors. Thus, Y will lose its franchise if it remains a subsidiary of X. The franchise is about to expire. Accordingly, X distributes the stock of Y pro rata among X's shareholders. X retains its business and transfers cash and marketable securities to Y in an amount proportional to the value of Y's business. There is no other evidence of device or evidence of nondevice. The transfer by X to Y and the retention by X of cash and marketable securities is relatively weak evidence of device because after the transfer X and Y hold cash and marketable securities in amounts proportional to the values of their businesses. The fact that the distribution is pro rata is evidence of device. A strong corporate business purpose is relatively strong evidence of nondevice. Accordingly, the transaction is considered not to have been used principally as a device. See paragraph (d)(1), (2)(ii), (iv)(A), and (B) and (3)(i) and (ii)(A), (B) and (C) of this section.

Example 3. Corporation X is engaged in a regulated business in State M and owns all of the stock of corporation Y, which is not engaged in a regulated business in State M. State M has recently amended its laws to provide that affiliated corporations operating in M may not conduct both regulated and unregulated businesses. X transfers cash not related to the reasonable needs of the business of X or Y to Y and then distributes the stock of Y pro rata among X's shareholders. As a result of the transfer of cash, the ratio of the value of its assets not used in a trade or business that satisfies the requirements of section 355(b) to the value of its business is substantially greater for Y than for X. There is no other evidence of device or evidence of nondevice. The transfer of cash by X to Y is relatively strong evidence of device because after the transfer Y holds disproportionately many assets that are not used in a trade or business that satisfies the requirements of section 355(b). The fact that the distribution is pro rata is evidence of device. The strong business purpose is relatively strong evidence of nondevice, but it does not pertain to the transfer. Accordingly, the transaction is considered to have been used principally as a device. See paragraph (d)(1), (2)(ii), (iv)(A) and (B), and (3) and (i) and (ii) of this section.

Example 4. The facts are the same as in *Example (3)*, except that, instead of transferring cash to Y, X purchases operating assets unrelated to the business of Y and transfers them to Y prior to the distribution. There is no other evidence of device or evidence of non-device. The transaction is considered to have been used principally as a device. See paragraph (d)(1), (2)(ii), (iv)(A) and (B), and (3)(i) and (ii) of this section.

(5) *Transactions ordinarily not considered as a device—(i) In general.* This subparagraph (5) specifies three distributions that ordinarily do not present the potential for tax avoidance described in paragraph (d)(1) of this section. Accordingly, such distributions are ordinarily considered not to have been used principally as a device, notwithstanding the presence of any of the device factors described in paragraph (d)(2) of this section. A transaction described in paragraph (d)(5)(iii) or (iv) of this section is not protected by this subparagraph (5) from a determination that it was used principally as a device if it involves the distribution of the stock of more than one controlled corporation and facilitates the avoidance of the dividend provisions of the Code through the subsequent sale or exchange of stock of one corporation and the retention of the stock of another corporation.

(ii) *Absence of earnings and profits.* A distribution is ordinarily considered not to have been used principally as a device if—

(A) The distributing and controlled corporations have no accumulated earnings and profits at the beginning of their respective taxable years,

(B) The distributing and controlled corporations have no current earnings and profits as of the date of the distribution, and

(C) No distribution of property by the distributing corporation immediately before the separation would require recognition of gain resulting in current earnings and profits for the taxable year of the distribution.

(iii) *Section 303(a) transactions.* A distribution is ordinarily considered not to have been used principally as a device if, in the absence of section 355, with respect to each shareholder distributee, the distribution would be a redemption to which section 303(a) applied.

(iv) *Section 302(a) transactions.* A distribution is ordinarily considered not to have been used principally as a device if, in the absence of section 355, with respect to each shareholder distributee, the distribution would be a redemption to which section 302(a) applied. For purposes of the preceding sentence, section 302(c)(2)(A)(ii) and (iii) shall not apply.

(v) *Examples.* The provisions of this subparagraph (5) may be illustrated by the following examples:

Example 1. The facts are the same as in *Example (3)* of paragraph (d)(4) of this section, except that X and Y had no accumulated earnings and profits at the beginning of its taxable year, X and Y have no current earnings and profits as of the date of the distribution, and no distribution of property by X immediately before the separation would require recognition of gain that would result in earnings and profits for the taxable year of the distribution. The transaction is considered not to have been used principally as a device. See paragraph (d)(5)(i) and (ii) of this section.

Example 2. Corporation X is engaged in three businesses: a hotel business, a restaurant business, and a rental real estate business. Individuals A, B, and C own all of the stock of X. X transfers the restaurant business to new corporation Y and transfers the rental real estate business to new corporation Z. X then distributes the stock of Y and Z pro rata between B and C in exchange for all of their stock in X. In the absence of section 355, the distribution would be a redemption to which section 302(a) applied. Since this distribution involves the stock of more than one controlled corporation and facilitates the avoidance of the dividend provisions of the Code through the subsequent sale or exchange of stock in one corporation and the retention of the stock of another corporation, it is not protected by paragraph (d)(5)(i) and (iv) of this section from a determination that it was used principally as a device. Thus, the determination of whether the transaction was used principally as a device must be made from all the facts and circumstances, including the presence of the device factors and nondevice factors specified in paragraph (d)(2) and (3) of this section.

(e) *Stock and securities distributed—(1) In general.* Section 355 applies to a distribution only if the distributing corporation distributes—

(i) All of the stock and securities of the controlled corporation that it owns, or

(ii) At least an amount of the stock of the controlled corporation that constitutes control as defined in section 368(c). In such a case, all, or any part, of the securities of the controlled corporation may be distributed, and paragraph (e)(2) of this section shall apply.

(2) *Additional rules.* Where a part of either the stock or the securities of the controlled corporation is retained under paragraph (e)(1)(ii) of this section, it must be established to the satisfaction of the Commissioner that the retention by the distributing corporation was not in pursuance of a plan having as one of its principal purposes the avoidance of Federal income tax. Ordinarily, the corporate business purpose or purposes for the distribution will require the distribution of all of the stock and securities of the controlled corporation. If the distribution of all of the stock and securities of a controlled corporation would be treated to any extent as a distribution of "other property" under section 356, this fact tends to establish that the retention of stock or securities is in pursuance of a plan having as one of its principal purposes the avoidance of Federal income tax.

(f) *Principal amount of securities—(1) Securities received.* Section 355 does not apply to a distribution if, with respect to any shareholder or security holder, the principal amount of securities received exceeds the principal amount of securities surrendered, or securities are received but no securities are surrendered. In such cases, see section 356.

(2) *Only stock received.* If only stock is received in a distribution to which section 355(a)(1)(A) applies, the principal amount of the securities surrendered, if any, and the par value or stated value of the stock surrendered, if any, are not relevant to the application of that section.

(g) *Recently acquired controlled stock under section 355(a)(3)(B)—(1) Other property.* Except as provided in paragraph (g)(2) of this section, for purposes of section 355(a)(1)(A), section 355(c), and so much of section 356 as relates to section 355, stock of a controlled corporation acquired by the DSAG in a taxable transaction (as defined in paragraph (g)(4) of this section) within the five-year period ending on the date of

the distribution (pre-distribution period) shall not be treated as stock of the controlled corporation but shall be treated as "other property." Transfers of controlled corporation stock that is owned by the DSAG immediately before and immediately after the transfer are disregarded and are not acquisitions for purposes of this paragraph (g)(1).

(2) *Exceptions.* Paragraph (g)(1) of this section does not apply to an acquisition of stock of the controlled corporation—

(i) If the controlled corporation is a DSAG member at any time after the acquisition (but prior to the distribution); or

(ii) Described in § 1.355-3(b)(4)(iii).

(3) *DSAG.* For purposes of this paragraph (g), a DSAG is the distributing corporation's separate affiliated group (the affiliated group which would be determined under section 1504(a) if such corporation were the common parent and section 1504(b) did not apply) that consists of the distributing corporation as the common parent and all corporations affiliated with the distributing corporation through stock ownership described in section 1504(a)(1)(B) (regardless of whether the corporations are includible corporations under section 1504(b)). For purposes of paragraph (g)(1) of this section, any reference to the DSAG is a reference to the distributing corporation if it is not the common parent of a separate affiliated group.

(4) *Taxable transaction—(i) Generally.* For purposes of this paragraph (g), a taxable transaction is a transaction in which gain or loss was recognized in whole or in part.

(ii) *Dunn Trust and predecessor issues.* [Reserved]

(5) *Examples.* The following examples illustrate this paragraph (g). Assume that C, D, P, and S are corporations, X is an unrelated individual, each of the transactions is unrelated to any other transaction and, but for the issue of whether C stock is treated as "other property" under section 355(a)(3)(B), the distributions satisfy all of the requirements of section 355. No inference should be drawn from any of these examples as to whether any requirements of section 355 other than section

355(a)(3)(B), as specified, are satisfied. Furthermore, the following definitions apply:

(i) *Purchase* is an acquisition that is a taxable transaction.

(ii) *Section 368(c) stock* is stock constituting control within the meaning of section 368(c).

(iii) *Section 1504(a)(2) stock* is stock meeting the requirements of section 1504(a)(2).

Example 1. Hot stock. For more than five years, D has owned section 368(c) stock but not section 1504(a)(2) stock of C. In year 6, D purchases additional C stock from X. However, D does not own section 1504(a)(2) stock of C after the year 6 purchase. If D distributes all of its C stock within five years after the year 6 purchase, for purposes of section 355(a)(1)(A), section 355(c), and so much of section 356 as relates to section 355, the C stock purchased in year 6 would be treated as “other property.” See paragraph (g)(1) of this section.

Example 2. C becomes a DSAG member. For more than five years, D has owned section 368(c) stock but not section 1504(a)(2) stock of C. In year 6, D purchases additional C stock from X such that D’s total ownership of C is section 1504(a)(2) stock. If D distributes all of its C stock within five years after the year 6 purchase, the distribution of the C stock purchased in year 6 would not be treated as “other property” because C becomes a DSAG member. See paragraph (g)(2)(i) of this section. The result would be the same if D did not own any C stock prior to year 6 and D purchased all of the C stock in year 6. See paragraph (g)(2)(i) of this section. Similarly, if D did not own any C stock prior to year 6, D purchased 20 percent of the C stock in year 6, and then acquired all of the remaining C stock in year 7, the C stock purchased in year 6 and the C stock acquired in year 7 (even if purchased) would not be treated as “other property” because C becomes a DSAG member. See paragraph (g)(2)(i) of this section.

Example 3. Intra-SAG transaction. For more than five years, D has owned all of the stock of S. D and S, in the aggregate, have owned section 368(c) stock but not section 1504(a)(2) stock of C. Therefore, D and S are DSAG members, but C is not. In year 6, D purchases S’s C stock. If D distributes all of its C stock within five years after the year 6 purchase, the distribution of the C stock purchased in year 6 would not be treated as “other property.” D’s purchase of the C stock from S is disregarded for purposes of paragraph (g)(1) of this section because that C stock was owned by the DSAG immediately before and immediately after the purchase. See paragraph (g)(1) of this section.

Example 4. Affiliate exception. For more than five years, P has owned 90 percent of the sole outstanding class of the stock of D and a portion of the stock of C, and X has owned the remaining 10 percent of the D stock. Throughout this period, D has owned section 368(c) stock but not section 1504(a)(2) stock of C. In year 6, D purchases P’s C stock. However, D does not own section 1504(a)(2) stock of C after the year 6 purchase. If D distributes all of its C stock to X in exchange for X’s D stock within five years after the year 6 purchase, the distribution of the C stock purchased in year 6 would not be treated as “other property” because the C stock was purchased from a member (P) of the affiliated group (as defined in §1.355-3(b)(4)(iv)) of which D is a member, and P did not purchase that C stock within the pre-distribution period. See paragraph (g)(2)(ii) of this section.

(h) *Active conduct of a trade or business.* Section 355 applies to a distribution only if the requirements of §1.355-3 (relating to the active conduct of a trade or business) are satisfied.

(i) *Effective/applicability date.* Paragraphs (g)(1) through (g)(5) of this section apply to distributions occurring after October 20, 2011. For rules regarding distributions occurring on or before October 20, 2011, see §1.355-2T(i), as contained in 26 CFR part 1, revised as of April 1, 2011.

[T.D. 8238, 54 FR 290, Jan. 5, 1989; 54 FR 5577, Feb. 3, 1989; 57 FR 28463, June 25, 1992; T.D. 9435, 73 FR 75950, Dec. 15, 2008; T.D. 9548, 76 FR 65111, Oct. 20, 2011]

§ 1.355-3 Active conduct of a trade or business.

(a) *General requirements—(1) Application of section 355.* Under section 355(b)(1), a distribution of stock, or stock and securities, of a controlled corporation qualifies under section 355 only if—

(i) The distributing and the controlled corporations are each engaged in the active conduct of a trade or business immediately after the distribution (section 355(b)(1)(A)), or

(ii) Immediately before the distribution, the distributing corporation had no assets other than stock or securities of the controlled corporations, and each of the controlled corporations is engaged in the active conduct of a trade or business immediately after the distribution (section 355(b)(1)(B)). A *de minimis* amount of assets held by the

distributing corporation shall be disregarded for purposes of this paragraph (a)(1)(ii).

(2) *Examples.* Paragraph (a)(1) of this section may be illustrated by the following examples:

Example 1. Prior to the distribution, corporation X is engaged in the active conduct of a trade or business and owns all of the stock of corporation Y, which also is engaged in the active conduct of a trade or business. X distributes all of the stock of Y to X's shareholders, and each corporation continues the active conduct of its trade or business. The active business requirement of section 355(b)(1)(A) is satisfied.

Example 2. The facts are the same as in *Example 1*, except that X transfers all of its assets other than the stock of Y to a new corporation in exchange for all of the stock of the new corporation and then distributes the stock of both controlled corporations to X's shareholders. The active business requirement of section 355(b)(1)(B) is satisfied.

(b) *Active conduct of a trade or business defined*—(1) *In general.* Section 355(b)(2) provides rules for determining whether a corporation is treated as engaged in the active conduct of a trade or business for purposes of section 355(b)(1). Under section 355(b)(2)(A), a corporation is treated as engaged in the active conduct of a trade or business if it is itself engaged in the active conduct of a trade or business or if substantially all of its assets consist of the stock, or stock and securities, of a corporation or corporations controlled by it (immediately after the distribution) each of which is engaged in the active conduct of a trade or business.

(2) *Active conduct of a trade or business immediately after distribution*—(i) *In general.* For purposes of section 355(b), a corporation shall be treated as engaged in the “active conduct of a trade or business” immediately after the distribution if the assets and activities of the corporation satisfy the requirements and limitations described in paragraph (b)(2)(ii), (iii), and (iv) of this section.

(ii) *Trade or business.* A corporation shall be treated as engaged in a trade or business immediately after the distribution if a specific group of activities are being carried on by the corporation for the purpose of earning income or profit, and the activities included in such group include every op-

eration that forms a part of, or a step in, the process of earning income or profit. Such group of activities ordinarily must include the collection of income and the payment of expenses.

(iii) *Active conduct.* For purposes of section 355(b), the determination whether a trade or business is actively conducted will be made from all of the facts and circumstances. Generally, the corporation is required itself to perform active and substantial management and operational functions. Generally, activities performed by the corporation itself do not include activities performed by persons outside the corporation, including independent contractors. A corporation may satisfy the requirements of this subdivision (iii) through the activities that it performs itself, even though some of its activities are performed by others. Separations of real property all or substantially all of which is occupied prior to the distribution by the distributing or the controlled corporation (or by any corporation controlled directly or indirectly by either of those corporations) will be carefully scrutinized with respect to the requirements of section 355(b) and this § 1.355-3.

(iv) *Limitations.* The active conduct of a trade or business does not include—

(A) The holding for investment purposes of stock, securities, land, or other property, or

(B) The ownership and operation (including leasing) of real or personal property used in a trade or business, unless the owner performs significant services with respect to the operation and management of the property.

(3) *Active conduct for five-year period preceding distribution.* Under section 355(b)(2)(B), a trade or business that is relied upon to meet the requirements of section 355(b) must have been actively conducted throughout the five-year period ending on the date of the distribution. For purposes of this subparagraph (3)—

(i) Activities which constitute a trade or business under the tests described in paragraph (b)(2) of this section shall be treated as meeting the requirement of the preceding sentence if such activities were actively conducted throughout the 5-year period ending on the date of distribution, and

(ii) The fact that a trade or business underwent change during the five-year period preceding the distribution (for example, by the addition of new or the dropping of old products, changes in production capacity, and the like) shall be disregarded, provided that the changes are not of such a character as to constitute the acquisition of a new or different business. In particular, if a corporation engaged in the active conduct of one trade or business during that five-year period purchased, created, or otherwise acquired another trade or business in the same line of business, then the acquisition of that other business is ordinarily treated as an expansion of the original business, all of which is treated as having been actively conducted during that five-year period, unless that purchase, creation, or other acquisition effects a change of such a character as to constitute the acquisition of a new or different business.

(4) *Special rules for acquisition of a trade or business (Prior to the Revenue Act of 1987 and Technical and Miscellaneous Revenue Act of 1988)*—(i) *In general.* Under section 355(b)(2)(C), a trade or business relied upon to meet the requirements of section 355(b) must not have been acquired by the distributing corporation, the controlled corporation, or another member of the affiliated group during the five-year period ending on the date of the distribution unless it was acquired in a transaction in which no gain or loss was recognized. Similarly, under section 355(b)(2)(D), the trade or business must not have been indirectly acquired by any of those corporations (or a predecessor in interest of any of those corporations) during that five-year period in a transaction in which gain or loss was recognized in whole or in part and which consisted of the acquisition of control of the corporation directly engaged in the trade or business, or the indirect acquisition of control of that corporation through the direct or indirect acquisition of control of one or more other corporations. A trade or business acquired, directly or indirectly, within the five-year period ending on the date of the distribution in a transaction in which the basis of the assets acquired was not determined in

whole or in part by reference to the transferor's basis does not qualify under section 355(b)(2), even though no gain or loss was recognized by the transferor.

(ii) *Example.* Paragraph (b)(4)(i) of this section may be illustrated by the following example:

Example. In 1985, corporation X, which operates a business and has cash and other liquid assets, purchases all of the stock of corporation Y, which is engaged in the active conduct of a trade or business. Later in the same year, X merges into Y in a "downstream" statutory merger. In 1986, Y transfers the business assets formerly owned by X to a new subsidiary, corporation Z, and then distributes the stock of Z to Y's shareholders. Section 355 does not apply to the distribution of the stock of Z because the trade or business of Y was indirectly acquired by X, a predecessor in interest of Y, during the five-year period preceding the distribution.

(iii) *Gain or loss recognized in certain transactions.* The requirements of section 355(b)(2)(C) and (D) are intended to prevent the direct or indirect acquisition of a trade or business by a corporation in anticipation of a distribution by the corporation of that trade of business in a distribution to which section 355 would otherwise apply. A direct or indirect acquisition of a trade or business by one member of an affiliated group from another member of the group is not the type of transaction to which section 355(b)(2)(C) and (D) is intended to apply. Therefore, in applying section 355(b)(2)(C) or (D), such an acquisition, even though taxable, shall be disregarded.

(iv) *Affiliated group.* For purposes of this subparagraph (4), the term *affiliated group* means an affiliated group as defined in section 1504(a) (without regard to section 1504(b)), except that the term *stock* includes nonvoting stock described in section 1504(a)(4).

(5) *Special rules for acquisition of a trade or business (After the Revenue Act of 1987 and Technical and Miscellaneous Revenue Act of 1988).* [Reserved]

(c) *Examples.* The following examples illustrate section 355(b)(2)(A) and (B) and paragraph (b)(1), (2), and (3) of this section. However, a transaction that satisfies these active business requirements will qualify under section 355

only if it satisfies the other requirements of section 355 (a) and (b).

Example 1. Corporation X is engaged in the manufacture and sale of soap and detergents and also owns investment securities. X transfers the investment securities to new subsidiary Y and distributes the stocks of Y to X's shareholders. Y does not satisfy the requirements of section 355(b) because the holding of investment securities does not constitute the active conduct of a trade or business. See paragraph (b)(2)(iv)(A) of this section.

Example 2. Corporation X owns, manages, and derives rental income from an office building and also owns vacant land. X transfers the land to new subsidiary Y and distributes the stock of Y to X's shareholders. Y will subdivide the land, install streets and utilities, and sell the developed lots to various homebuilders. Y does not satisfy the requirements of section 355(b) because no significant development activities were conducted with respect to the land during the five-year period ending on the date of the distribution. See paragraph (b)(3) of this section.

Example 3. Corporation X owns land on which it conducts a ranching business. Oil has been discovered in the area, and it is apparent that oil may be found under the land on which the ranching business is conducted. X has engaged in no significant activities in connection with its mineral rights. X transfers its mineral rights to new subsidiary Y and distributes the stock of Y to X's shareholders. Y will actively pursue the development of the oil producing potential of the property. Y does not satisfy the requirements of section 355(b) because X engaged in no significant exploitation activities with respect to the mineral rights during the five-year period ending on the date of the distribution. See paragraph (b)(3) of this section.

Example 4. For more than five years, corporation X has conducted a single business of constructing sewage disposal plants and other facilities. X transfers one-half of its assets to new subsidiary Y. These assets include a contract for the construction of a sewage disposal plant in State M, construction equipment, cash, and other tangible assets. X retains a contract for the construction of a sewage disposal plant in State N, construction equipment, cash, and other intangible assets. X then distributes the stock of Y to one of X's shareholders in exchange for all of his stock of X. X and Y both satisfy the requirements of section 355(b). See paragraph (b)(3)(i) of this section.

Example 5. For the past six years, corporation X has owned and operated two factories devoted to the production of edible pork skins. The entire output of one factory is sold to one customer, C, while the output of

the second factory is sold to C and a number of other customers. To eliminate errors in packaging, X opens a new factory. Thereafter, orders from C are processed and packaged at the two original factories, while the new factory handles only orders from other customers. Eight months after opening the new factory, X transfers it and related business assets to new subsidiary Y and distributes the stock of Y to X's shareholders. X and Y both satisfy the requirements of section 355(b). See paragraph (b)(3)(i) and (ii) of this section.

Example 6. Corporation X has owned and operated a men's retail clothing store in the downtown area of the City of G for nine years and has owned and operated another men's retail clothing store in a suburban area of G for seven years. X transfers the store building, fixtures, inventory, and other assets related to the operations of the suburban store to new subsidiary Y. X also transfers to Y the delivery trucks and delivery personnel that formerly served both stores. Henceforth, X will contract with a local public delivery service to make its deliveries. X retains the warehouses that formerly served both stores. Henceforth, Y will lease warehouse space from an unrelated public warehouse company. X then distributes the stock of Y to X's shareholders. X and Y both satisfy the requirements of section 355(b). See paragraph (b)(3)(i) of this section.

Example 7. For the past nine years, corporation X has owned and operated a department store in the downtown area of the City of G. Three years ago, X acquired a parcel of land in a suburban area of G and constructed a new department store on it. X transfers the suburban store and related business assets to new subsidiary Y and distributes the stock of Y to X's shareholders. After the distribution, each store has its own manager and is operated independently of the other store. X and Y both satisfy the requirements of section 355(b). See paragraph (b)(3)(i) and (ii) of this section.

Example 8. For the past six years, corporation X has owned and operated hardware stores in several states. Two years ago, X purchased all of the assets of a hardware store in State M, where X had not previously conducted business. X transfers the State M store and related business assets to new subsidiary Y and distributes the stock of Y to X's shareholders. After the distribution, the State M store has its own manager and is operated independently of the other stores. X and Y both satisfy the requirements of section 355(b). See paragraph (b)(3)(i) and (ii) of this section.

Example 9. For the past eight years, corporation X has engaged in the manufacture and sale of household products. Throughout

this period, X has maintained a research department for use in connection with its manufacturing activities. The research department has 30 employees actively engaged in the development of new products. X transfers the research department to new subsidiary Y and distributes the stock of Y to X's shareholders. After the distribution, Y continues its research operations on a contractual basis with several corporations, including X. X and Y both satisfy the requirements of section 355(b). See paragraph (b)(3)(i) of this section. The result in this example is the same if, after the distribution, Y continues its research operations but furnishes its services only to X. See paragraph (b)(3)(i) of this section. However, see § 1.355-2 (d)(2)(iv)(C) (related function device factor) for possible evidence of device.

Example 10. For the past six years, corporation X has processed and sold meat products. X derives income from no other source. X separates the sales function from the processing function by transferring the business assets related to the sales function and cash for working capital to new subsidiary Y. X then distributes the stock of Y to X's shareholders. After the distribution, Y purchases for resale the meat products processed by X. X and Y both satisfy the requirements of section 355(b). See paragraph (b)(3)(i) of this section. However, see § 1.355-2(d)(2)(iv)(C) (related function device factor) for possible evidence of device.

Example 11. For the past eight years, corporation X has been engaged in the manufacture and sale of steel and steel products. X owns all of the stock of corporation Y, which, for the past six years, has owned and operated a coal mine for the sole purpose of supplying X's coal requirements in the manufacture of steel. X distributes the stock of Y to X's shareholders. X and Y both satisfy the requirements of section 355 (b). See paragraph (b)(3)(i) of this section. However, see § 1.355-2 (d)(2)(iv)(C) (related function device factor) for possible evidence of device.

Example 12. For the past seven years, corporation X, a bank, has owned an eleven-story office building, the ground floor of which X has occupied in the conduct of its banking business. The remaining ten floors are rented to various tenants. Throughout this seven-year period, the building has been managed and maintained by employees of the bank. X transfers the building to new subsidiary Y and distributes the stock of Y to X's shareholders. Henceforth, Y will manage the building, negotiate leases, seek new tenants, and repair and maintain the building. X and Y both satisfy the requirements of section 355 (b). See paragraph (b)(3) of this section.

Example 13. For the past nine years, corporation X, a bank, has owned a two-story building, the ground floor and one half of the second floor of which X has occupied in the

conduct of its banking business. The other half of the second floor has been rented as storage space to a neighboring retail merchant. X transfers the building to new subsidiary Y and distributes the stock of Y to X's shareholders. After the distribution, X leases from Y the space in the building that it formerly occupied. Under the lease, X will repair and maintain its portion of the building and pay property taxes and insurance. Y does not satisfy the requirements of section 355 (b) because it is not engaged in the active conduct of a trade or business immediately after the distribution. See paragraph (b)(2)(iv)(A) of this section. This example does not address the question of whether the activities of X with respect to the building prior to the separation would constitute the active conduct of a trade or business.

[T.D. 8238, 54 FR 294, Jan. 5, 1989]

§ 1.355-4 Non pro rata distributions, etc.

Section 355 provides for nonrecognition of gain or loss with respect to a distribution whether or not (a) the distribution is pro rata with respect to all of the shareholders of the distributing corporation, (b) the distribution is pursuant to a plan of reorganization within the meaning of section 368 (a) (1)(D), or (c) the shareholder surrenders stock in the distributing corporation. Under section 355, the stock of a controlled corporation may consist of common stock or preferred stock. (See, however, section 306 and the regulations thereunder.) Section 355 does not apply, however, if the substance of a transaction is merely an exchange between shareholders or security holders of stock or securities in one corporation for stock or securities in another corporation. For example, if two individuals, A and B, each own directly 50 percent of the stock of corporation X and 50 percent of the stock of corporation Y, section 355 would not apply to a transaction in which A and B transfer all of their stock of X and Y to a new corporation Z, for all of the stock of Z, and Z then distributes the stock of X to A and the stock of Y to B.

[T.D. 8238, 54 FR 296, Jan. 5, 1989]

§ 1.355-5 Records to be kept and information to be filed.

(a) *Distributing corporation*—(1) *In general.* Every corporation that makes a

distribution (the distributing corporation) of stock or securities of a controlled corporation, as described in section 355 (or so much of section 356 as relates to section 355), must include a statement entitled, "STATEMENT PURSUANT TO §1.355-5(a) BY [INSERT NAME AND EMPLOYER IDENTIFICATION NUMBER (IF ANY) OF TAXPAYER], A DISTRIBUTING CORPORATION," on or with its return for the year of the distribution. If the distributing corporation is a controlled foreign corporation (within the meaning of section 957), each United States shareholder (within the meaning of section 951(b)) with respect thereto must include this statement on or with its return. The statement must include—

- (i) The name and employer identification number (if any) of the controlled corporation;
- (ii) The name and taxpayer identification number (if any) of every significant distributee;
- (iii) The date of the distribution of the stock or securities of the controlled corporation;
- (iv) The aggregate fair market value and basis, determined immediately before the distribution or exchange, of the stock, securities, or other property (including money) distributed by the distributing corporation in the transaction; and
- (v) The date and control number of any private letter ruling(s) issued by the Internal Revenue Service in connection with the transaction.

(2) *Special rule when an asset transfer precedes a stock distribution.* If the distributing corporation transferred property to the controlled corporation in a transaction described in section 351 or 368, as part of a plan to then distribute the stock or securities of the controlled corporation in a transaction described in section 355 (or so much of section 356 as relates to section 355), then, unless paragraph (a)(1)(v) of this section applies, the distributing corporation must also include on or with its return for the year of the distribution the statement required by §1.351-3(a) or 1.368-3(a). If the distributing corporation is a controlled foreign corporation (within the meaning of section 957), each United States shareholder (within the meaning of section

951(b)) with respect thereto must include the statement required by §1.351-3(a) or 1.368-3(a) on or with its return.

(b) *Significant distributee.* Every significant distributee must include a statement entitled, "STATEMENT PURSUANT TO §1.355-5(b) BY [INSERT NAME AND TAXPAYER IDENTIFICATION NUMBER (IF ANY) OF TAXPAYER], A SIGNIFICANT DISTRIBUTE," on or with such distributee's return for the year in which such distribution is received. If a significant distributee is a controlled foreign corporation (within the meaning of section 957), each United States shareholder (within the meaning of section 951(b)) with respect thereto must include this statement on or with its return. The statement must include—

- (1) The names and employer identification numbers (if any) of the distributing and controlled corporations;
- (2) The date of the distribution of the stock or securities of the controlled corporation; and
- (3) The aggregate basis, determined immediately before the exchange, of any stock or securities transferred by the significant distributee in the exchange, and the aggregate fair market value, determined immediately before the distribution or exchange, of the stock, securities or other property (including money) received by the significant distributee in the distribution or exchange.

(c) *Definitions.* For purposes of this section:

- (1) *Significant distributee* means—
 - (i) A holder of stock of a distributing corporation that receives, in a transaction described in section 355 (or so much of section 356 as relates to section 355), stock of a corporation controlled by the distributing corporation if, immediately before the distribution or exchange, such holder—
 - (A) Owned at least five percent (by vote or value) of the total outstanding stock of the distributing corporation if the stock owned by such holder is publicly traded; or
 - (B) Owned at least one percent (by vote or value) of the stock of the distributing corporation if the stock owned by such holder is not publicly traded; or

(ii) A holder of securities of a distributing corporation that receives, in a transaction described in section 355 (or so much of section 356 as relates to section 355), stock or securities of a corporation controlled by the distributing corporation if, immediately before the distribution or exchange, such holder owned securities in such distributing corporation with a basis of \$1,000,000 or more.

(2) *Publicly traded stock* means stock that is listed on—

(i) A national securities exchange registered under section 6 of the Securities Exchange Act of 1934 (15 U.S.C. 78f); or

(ii) An interdealer quotation system sponsored by a national securities association registered under section 15A of the Securities Exchange Act of 1934 (15 U.S.C. 78o-3).

(d) *Substantiation information.* Under § 1.6001-1(e), taxpayers are required to retain their permanent records and make such records available to any authorized Internal Revenue Service officers and employees. In connection with the distribution or exchange described in this section, these records should specifically include information regarding the amount, basis, and fair market value of all property distributed or exchanged, and relevant facts regarding any liabilities assumed or extinguished as part of such distribution or exchange.

(e) *Effective/applicability date.* This section applies to any taxable year beginning on or after May 30, 2006. However, taxpayers may apply this section to any original Federal income tax return (including any amended return filed on or before the due date (including extensions) of such original return) timely filed on or after May 30, 2006. For taxable years beginning before May 30, 2006, see § 1.355-5 as contained in 26 CFR part 1 in effect on April 1, 2006.

[T.D. 9329, 72 FR 32799, June 14, 2007]

§ 1.355-6 Recognition of gain on certain distributions of stock or securities in controlled corporation.

(a) *Conventions—(1) Examples.* For purposes of the examples in this section, unless otherwise stated, assume that P, S, T, X, Y, N, HC, D, D1, D2, D3,

and C are corporations, A and B are individuals, shareholders are not treated as one person under section 355(d)(7), stock has been owned for more than five years and section 355(d)(6) and paragraph (e)(4) of this section do not apply, no election under section 338 (if available) is made, and all transactions described are respected under general tax principles, including the step transaction doctrine. No inference should be drawn from any example as to whether any requirements of section 355 other than those of section 355(d), as specified, are satisfied.

(2) *Five-year period.* For purposes of this section, the term five-year period means the five-year period (determined after applying section 355(d)(6) and paragraph (e)(4) of this section) ending on the date of the distribution, but in no event beginning earlier than October 10, 1990.

(3) *Distributing securities.* For purposes of determining if stock of any controlled corporation received in the distribution is disqualified stock described in section 355(d)(3)(B)(ii)(II) (relating to a distribution of controlled corporation stock on any securities in the distributing corporation acquired by purchase during the five-year period), references in this section to stock of a corporation that is or becomes a distributing corporation includes securities of the corporation. Similarly, a reference to stock in paragraph (c)(4) of this section (relating to a plan or arrangement) includes securities.

(4) *Marketable securities.* Unless otherwise stated, any reference in this section to marketable stock includes marketable securities.

(b) *General rules and purposes of section 355(d)—(1) Disqualified distributions in general.* In the case of a disqualified distribution, any stock or securities in the controlled corporation shall not be treated as qualified property for purposes of section 355(c)(2) or 361(c)(2). In general, a disqualified distribution is any distribution to which section 355 (or so much of section 356 as relates thereto) applies if, immediately after the distribution—

(i) Any person holds disqualified stock in the distributing corporation

that constitutes a 50 percent or greater interest in such corporation; or

(ii) Any person holds disqualified stock in the controlled corporation (or, if stock of more than one controlled corporation is distributed, in any controlled corporation) that constitutes a 50 percent or greater interest in such corporation.

(2) *Disqualified stock*—(i) *In general.* *Disqualified stock* is—

(A) Any stock in the distributing corporation acquired by purchase during the five-year period; and

(B) Any stock in any controlled corporation—

(1) Acquired by purchase during the five-year period; or

(2) Received in the distribution to the extent attributable to distributions on any stock in the distributing corporation acquired by purchase during the five-year period.

(ii) *Purchase.* For the definition of a purchase for purposes of section 355(d) and this section, see section 355(d)(5) and paragraph (d) of this section.

(iii) *Exceptions*—(A) *Purchase eliminated.* Stock (or an interest in another entity) that is acquired by purchase (including stock (or another interest) that is treated as acquired by purchase under paragraph (e)(2), (3), or (4) of this section) ceases to be acquired by that purchase if (and when) the basis resulting from the purchase is eliminated. For purposes of this paragraph (b)(2)(iii), basis resulting from the purchase is basis in the stock (or in an interest in another entity) that is directly purchased during the five-year period or that is treated as acquired by purchase during such period under paragraph (e)(2), (3), or (4) of this section.

(B) *Deemed purchase eliminated.* Stock (or an interest in another entity) that is deemed purchased under section 355(d)(8) or paragraph (e)(1) of this section shall cease to be treated as purchased if (and when) the basis resulting from the purchase that effects the deemed purchase is eliminated.

(C) *Elimination of basis*—(1) *General rule.* Basis in the stock of a corporation (or in an interest in another entity) is eliminated if (and when) it would no longer be taken into account by any person in determining gain or loss on a

sale or exchange of any stock of such corporation (or an interest in the other entity). Basis is not eliminated, however, if it is allocated between stock of two corporations under § 1.358-2(a).

(2) *Special rule for transferred and exchanged basis property.* Basis of stock (or an interest in another entity) resulting from a purchase (the first purchase) is eliminated if (and when) such stock (or other interest) is subsequently transferred to another person in an exchange or other transfer to which paragraph (e)(2) or (3) of this section applies (the second purchase). The elimination of basis in stock (or in another interest) resulting from the first purchase, however, does not eliminate the basis resulting from the second purchase in the stock (or other interest) that is treated as acquired by purchase by the acquirer in a transaction to which paragraph (e)(2) of this section applies or by the person making the exchange in a transaction to which paragraph (e)(3) of this section applies.

(3) *Special rule for Split-offs and Split-ups.* Under section 355(d)(3)(B)(ii) and paragraph (b)(2)(i)(B)(2) of this section, disqualified stock includes controlled corporation stock received in exchange for distributing corporation stock acquired by purchase. Solely for purposes of determining whether controlled corporation stock received in a distribution in exchange for distributing corporation stock is disqualified stock described in that section and paragraph immediately after the distribution, paragraph (b)(2)(iii)(C)(2) of this section does not apply to the exchange to eliminate basis resulting from a purchase of that distributing corporation stock (notwithstanding that paragraph (e)(3) of this section applies to the exchange).

(D) *Special rule if basis allocated between two corporations.* If the shareholder of a distributing corporation, pursuant to § 1.358-2, allocates basis resulting from a purchase between the stock of two or more corporations then, following such allocation, the determination of whether such basis has been eliminated shall be made separately with respect to the stock of each such corporation.

(3) *Certain distributions not disqualified distributions because purposes of section*

355(d) not violated—(i) *In general.* Notwithstanding the provisions of section 355(d)(2) and this paragraph (b), a distribution is not a disqualified distribution if the distribution does not violate the purposes of section 355(d) as provided in this paragraph (b)(3). A distribution does not violate the purposes of section 355(d) if the effect of the distribution is neither—

(A) To increase ownership (combined direct and indirect) in the distributing corporation or any controlled corporation by a disqualified person; nor

(B) To provide a disqualified person with a purchased basis in the stock of any controlled corporation.

(ii) *Disqualified person.* A disqualified person is any person (taking into account section 355(d)(7) and paragraph (c)(4) of this section) that, immediately after a distribution, holds (directly or indirectly under section 355(d)(8) and paragraph (e)(1) of this section) disqualified stock in the distributing corporation or controlled corporation that—

(A) The person—

(1) Acquired by purchase under section 355(d)(5) or (8) and paragraphs (d) and (e) of this section during the five-year period, or

(2) Received in the distribution to the extent attributable to distributions on any stock in the distributing corporation acquired by purchase under section 355(d)(5) or (8) and paragraphs (d) and (e) of this section by that person during the five-year period; and

(B) Constitutes a 50 percent or greater interest in such corporation (under section 355(d)(4) and paragraph (c) of this section).

(iii) *Purchased basis.* In general, a purchased basis is basis in controlled corporation stock that is disqualified stock. However, basis in controlled corporation stock that is disqualified stock will not be treated as purchased basis if the controlled corporation stock and any distributing corporation stock with respect to which the controlled corporation stock is distributed are treated as acquired by purchase solely under the attribution rules of section 355(d)(8) and paragraph (e)(1) of this section. The prior sentence will not apply, however, if the distributing corporation stock is treated as ac-

quired by purchase under the attribution rules as a result of the acquisition of an interest in a partnership (the purchased partnership), and following the distribution, the controlled corporation stock is directly held by the purchased partnership (or a chain of partnerships that includes the purchased partnership).

(iv) *Increase in interest because of payment of cash in lieu of fractional shares.* Any increase in direct or indirect ownership in the distributing corporation or any controlled corporation by a disqualified person because of a payment of cash in lieu of issuing fractional shares will be disregarded for purposes of paragraph (b)(3)(i)(A) of this section if the payment of the cash is solely to avoid the expense and inconvenience of issuing fractional share interests, and does not represent separately bargained for consideration.

(v) *Other exceptions.* The Commissioner may provide by guidance published in the Internal Revenue Bulletin that other distributions are not disqualified distributions because they do not violate the purposes of section 355(d).

(vi) *Examples.* The following examples illustrate this paragraph (b)(3):

Example 1. Stock distributed in spin-off; no purchased basis. D owns all of the stock of D1, and D1 owns all the stock of C. A purchases 60 percent of the D stock for cash. Within five years of A's purchase, D1 distributes the C stock to D. A is treated as having purchased 60 percent of the stock of both D1 and C on the date A purchases 60 percent of the D stock under the attribution rules of section 355(d)(8) and paragraph (e)(1) of this section. The C stock received by D is attributable to a distribution on purchased D1 stock under section 355(d)(3)(B)(ii). Accordingly, the D1 and C stock each is disqualified stock under section 355(d)(3) and paragraph (b)(2) of this section, and A is a disqualified person under paragraph (b)(3)(ii) of this section. However, the purposes of section 355(d) under paragraph (b)(3)(i) of this section are not violated. A did not increase direct or indirect ownership in D1 or C. In addition, D's basis in the C stock is not a purchased basis under paragraph (b)(3)(iii) of this section because both the D1 and the C stock are treated as acquired by purchase solely under the attribution rules of section 355(d)(8) and paragraph (e)(1) of this section. Accordingly, D1's distribution of the C stock to D is not a disqualified distribution under section 355(d)(2) and paragraph (b)(1) of this section.

Example 2. Stock distributed in spin-off; purchased basis. The facts are the same as *Example 1*, except that D immediately further distributes the C stock to its shareholders (including A) pro rata. The D and C stock each is disqualified stock under section 355(d)(3) and paragraph (b)(2) of this section, and A is a disqualified person under paragraph (b)(3)(ii) of this section. The purposes of section 355(d) under paragraph (b)(3)(i) of this section are violated. A did not increase direct or indirect ownership in D or C. However, A's basis in the C stock is a purchased basis under paragraph (b)(3)(iii) of this section because the D stock is not treated as acquired by purchase solely under the attribution rules of section 355(d)(8) and paragraph (e)(1) of this section. Accordingly, the further distribution is a disqualified distribution under section 355(d)(2) and paragraph (b)(1) of this section.

Example 3. Stock distributed in split-off with ownership increase; purchased basis. The facts are the same as *Example 1*, except that D immediately further distributes the C stock to A in exchange for A's purchased stock in D. The C stock received by A is attributable to a distribution on purchased D stock under section 355(d)(3)(B)(ii), and A's basis in the C stock is determined by reference to the adjusted basis of A's purchased D stock under paragraph (e)(3) of this section. (Under paragraph (b)(2)(iii)(B)(3) of this section, the basis resulting from A's purchase of D stock is not eliminated solely for purposes of determining if the C stock acquired by A is disqualified stock immediately after the distribution, notwithstanding that paragraph (e)(3) of this section applies to the exchange.) Accordingly, the D stock and the C stock each is disqualified stock under section 355(d)(3) and paragraph (b)(2) of this section, and A is a disqualified person under paragraph (b)(3)(ii) of this section. The purposes of section 355(d) under paragraph (b)(3)(i) of this section are violated because A increased its ownership in C from a 60 percent indirect interest to a 100 percent direct interest, and because A's basis in the C stock is a purchased basis under paragraph (b)(3)(iii) of this section. Accordingly, the further distribution is a disqualified distribution under section 355(d)(2) and paragraph (b)(1) of this section.

Example 4. Stock distributed in spin-off; purchased basis. D1 owns all the stock of C. D purchases all of the stock of D1 for cash. Within five years of D's purchase of D1, P acquires all of the stock of D1 from D in a section 368(a)(1)(B) reorganization that is not a reorganization under section 368(a)(1)(A) by reason of section 368(a)(2)(E), and D1 distributes all of its C stock to P. P is treated as having acquired the D1 stock by purchase on the date D acquired it under the transferred basis rule of section 355(d)(5)(C) and paragraph (e)(2) of this section. P is treated as

having purchased all of the C stock on the date D purchased the D1 stock under the attribution rules of section 355(d)(8) and paragraph (e)(1) of this section, and the C stock received by P is attributable to a distribution on purchased D1 stock under section 355(d)(3)(B)(ii). Accordingly, the D1 and C stock each is disqualified stock under section 355(d)(3) and paragraph (b)(2) of this section, and P is a disqualified person under paragraph (b)(3)(ii) of this section. The purposes of section 355(d) under paragraph (b)(3)(i) of this section are violated. P did not increase direct or indirect ownership in D1 or C. However, P's basis in the C stock is a purchased basis under paragraph (b)(3)(iii) of this section because the D1 stock is not treated as acquired by purchase solely under the attribution rules of section 355(d)(8) and paragraph (e)(1) of this section. Accordingly, D1's distribution of the C stock to P is a disqualified distribution under section 355(d)(2) and paragraph (b)(1) of this section.

Example 5. Stock distributed in split-off with ownership increase; no purchased basis. P owns 50 percent of the stock of D, the remaining D stock is owned by unrelated persons, D owns all the stock of C, and A purchases all of the P stock from the P shareholders. Within five years of A's purchase, D distributes all of the C stock to P in exchange for P's D stock. A is treated as having purchased 50 percent of the stock of both D and C on the date A purchases the P stock under the attribution rules of section 355(d)(8) and paragraph (e)(1) of this section. The C stock received by P is attributable to a distribution on purchased D stock under section 355(d)(3)(B)(ii). Accordingly, the D stock and the C stock each is disqualified stock under section 355(d)(3) and paragraph (b)(2) of this section, and A is a disqualified person under paragraph (b)(3)(ii) of this section. The purposes of section 355(d) under paragraph (b)(3)(i) of this section are violated because, even though P's basis in the C stock is not a purchased basis under paragraph (b)(3)(iii) of this section, A increased its direct or indirect ownership in C from a 50 percent indirect interest to a 100 percent indirect interest. Accordingly, D's distribution of the C stock to P is a disqualified distribution under section 355(d)(2) and paragraph (b)(1) of this section.

Example 6. Stock distributed in split-off with no ownership increase; no purchased basis. A purchases all of the stock of T. T later merges into D in a section 368(a)(1)(A) reorganization and A exchanges its purchased T stock for 60 percent of the stock of D. D owns all of the stock of D1 and D2, D1 and D2 each owns 50 percent of the stock of D3, and D3 owns all of the stock of C. Within five years of A's purchase of the T stock, D3 distributes the C stock to D1 in exchange for all of D1's D3 stock. A is treated as having acquired 60 percent of the D stock by purchase on the

date A purchases the T stock under paragraph (e)(3) of this section. A is treated as having purchased 60 percent of the stock of D1, D2, D3, and C on the date A purchases the T stock under the attribution rules of section 355(d)(8) and paragraph (e)(1) of this section. The C stock received by D1 is attributable to a distribution on purchased D3 stock under section 355(d)(3)(B)(ii). Accordingly, the D3 stock and the C stock each is disqualified stock under section 355(d)(3) and paragraph (b)(2) of this section, and A is a disqualified person under paragraph (b)(3)(ii) of this section. However, the purposes of section 355(d) under paragraph (b)(3)(i) of this section are not violated. A did not increase direct or indirect ownership in D3 or C, and D1's basis in the C stock is not a purchased basis under paragraph (b)(3)(iii) of this section because the D3 stock is treated as acquired by purchase solely under the attribution rules of section 355(d)(8) and paragraph (e)(1) of this section. Accordingly, D3's distribution of the C stock to D1 is not a disqualified distribution under section 355(d)(2) and paragraph (b)(1) of this section.

Example 7. Purchased basis eliminated by liquidation; stock distributed in spin-off. P owns 30 percent of the stock of D, D owns all of the stock of D1, and D1 owns all of the stock of C. P purchases the remaining 70 percent of the D stock for cash. Within five years of P's purchase, P liquidates D in a transaction qualifying under sections 332 and 337(a), and D1 then distributes the stock of C to P. Prior to the liquidation, P is treated as having purchased 70 percent of the stock of D1 and C on the date P purchases the D stock under the attribution rules of section 355(d)(8)(B) and paragraph (e)(1) of this section. After the liquidation, however, under paragraph (b)(2)(iii) of this section, P is not treated as having acquired by purchase the D1 or the C stock under section 355(d)(8)(B) and paragraph (e)(1) of this section because P's basis in the D stock is eliminated in the liquidation of D. Under section 334(b)(1), P's basis in the D1 stock is determined by reference to D's basis in the D1 stock and not by reference to P's basis in D. Paragraph (d)(2)(i)(B) of this section does not treat the D1 stock as newly purchased in P's hands because no gain or loss was recognized by D in the liquidation. Accordingly, neither the D1 stock nor the C stock is disqualified stock under section 355(d)(3) and paragraph (b)(2) of this section in P's hands, and the distribution is not a disqualified distribution under section 355(d)(2) and paragraph (b)(1) of this section.

Example 8. Purchased basis eliminated by upstream merger; stock distributed in spin-off. D owns all of the stock of D1, and D1 owns all of the stock of C. P purchases 60 percent of the D stock for cash. Within five years of P's purchase, D merges into P in a section 368(a)(1)(A) reorganization, with the D share-

holders other than P receiving solely P stock in exchange for their D stock, and D1 then distributes the stock of C to P. Prior to the merger, P is treated as having purchased 60 percent of the stock of D1 and C on the date P purchases the D stock under the attribution rules of section 355(d)(8) and paragraph (e)(1) of this section. After the merger, however, under paragraph (b)(2)(iii) of this section, P is not treated as having acquired by purchase the D1 or the C stock under section 355(d)(8)(B) and paragraph (e)(1) of this section because P's basis in the D stock is eliminated in the merger. Under section 362(b), P's basis in the D1 stock is determined by reference to D's basis in the D1 stock and not by reference to P's basis in D. Paragraph (d)(2)(i)(B) of this section does not treat the D1 stock as newly purchased in P's hands because no gain or loss was recognized by D in the merger. Accordingly, neither the D1 stock nor the C stock is disqualified stock under section 355(d)(3) and paragraph (b)(2) of this section in P's hands, and the distribution is not a disqualified distribution under section 355(d)(2) and paragraph (b)(1) of this section.

Example 9. Purchased basis eliminated by distribution; stock distributed in spin-off. A purchases all the stock of C for cash on Date 1. D acquires all of the stock of C from A in a section 368(a)(1)(B) reorganization that is not a reorganization under section 368(a)(1)(A) by reason of section 368(A)(1)(E). A receives ten percent of the D stock in the transaction. The remaining D stock is owned by B. Within five years of A's purchase of the C stock, D distributes all the stock of C pro rata to A and B. Under the transferred basis rule of paragraph (e)(2) of this section, D is treated as having purchased all of the C stock on the date A acquired it. Under the exchanged basis rule of paragraph (e)(3) of this section, A is treated as having purchased its D stock on Date 1 and A is treated as having purchased ten percent of the C stock on Date 1 under the attribution rules of section 355(d)(8) and paragraph (e)(3) of this section. Moreover, under paragraph (b)(2)(iii)(C) of this section, A's basis in the C stock resulting from A's Date 1 purchase of C stock is eliminated. After the distribution, A's and B's bases in their C stock are determined by reference to the bases of their D stock under §1.358-2(a)(2) (and not by reference to D's basis in the C stock). D's basis in the stock of C resulting from its deemed purchase of that stock under paragraph (e)(2) of this section is eliminated by the distribution of the C stock because it would no longer be taken into account by any person in determining gain or loss on the sale of C stock. Therefore, the C stock distributed to A and B is not disqualified stock as a result of D's purchase of C. However, A's basis in its D stock resulting from its deemed purchase of that stock under paragraph (e)(3) of this section is not

eliminated. Therefore, A's ten percent interest in the stock of D is disqualified stock. Furthermore, A's ten percent interest in the stock of C is disqualified stock because the distribution of the C stock is attributable to A's D stock that was acquired by purchase. However, there has not been a disqualified distribution because no person, immediately after the distribution, holds disqualified stock in either D or C that constitutes a 50 percent or greater interest in such corporation.

Example 10. Allocation of purchased basis analyzed separately.—(i) P owns all the stock of D. D purchases all the stock of D1 for cash on Date 1. D1 owns all the stock of C (which owns all the stock of C1) and S. Within five years of Date 1, D1 distributes all the stock of C to D. The D1 and C stock each is disqualified stock under section 355(d)(3) and paragraph (b)(2) of this section, and D is a disqualified person under paragraph (b)(3)(ii) of this section. The purposes of section 355(d) under paragraph (b)(3)(i) of this section are violated. D did not increase direct or indirect ownership in D1 or C. However, D's basis in the C stock is a purchased basis under paragraph (b)(3)(iii) of this section because the D1 stock is not treated as acquired by purchase solely under the attribution rules of section 355(d)(8) and paragraph (e)(1) of this section. Accordingly, the distribution is a disqualified distribution under section 355(d) and paragraph (b)(1) of this section. D's basis in the D1 stock is allocated pursuant to § 1.358-2 between the D1 stock and the C stock. Therefore, under paragraph (e)(4) of this section, the C stock is deemed to be acquired by purchase on Date 1, the date D purchased all the stock of D1. If thereafter, and within five years of Date 1, C were to distribute all the stock of C1 to D, that distribution would also be a disqualified distribution because of D's deemed purchase of the stock of C.

(ii) Following the distribution of the stock of C by D1, and within five years of Date 1, D distributes all the stock of D1 to P. Under paragraph (b)(2)(iii)(D) of this section, the determination of whether D's basis in D1 has been eliminated shall be made without regard to D's allocated basis in C. After the distribution, P's basis in the D1 stock is determined by reference to its basis in its D stock under § 1.358-2(a)(2) (and not by reference to D's basis in the D1 stock). D's basis in the D1 stock resulting from the purchase of that stock is eliminated by the distribution of the D1 stock because it would no longer be taken into account by any person in determining gain or loss on the sale of D1 stock. Therefore, the D1 stock distributed to P is not disqualified stock as a result of D's purchase of D1. Moreover, a subsequent distribution of the S stock by D1 to P would not be a disqualified distribution because both the D1 and S stock would cease to be treated

as purchased when D's basis in D1 has been eliminated.

(4) *Anti-avoidance rule—(i) In general.* Notwithstanding any provision of section 355(d) or this section, the Commissioner may treat any distribution as a disqualified distribution under section 355(d)(2) and paragraph (b)(1) of this section if the distribution or another transaction or transactions are engaged in or structured with a principal purpose to avoid the purposes of section 355(d) or this section with respect to the distribution. Without limiting the preceding sentence, the Commissioner may determine that the existence of a related person, intermediary, pass-through entity, or similar person (an intermediary) should be disregarded, in whole or in part, if the intermediary is formed or availed of with a principal purpose to avoid the purposes of section 355(d) or this section.

(ii) *Example.* The following example illustrates this paragraph (b)(4):

Example. Post-distribution redemption. B wholly owns D, which wholly owns C. With a principal purpose to avoid the purposes of section 355(d), A, B, D, and C engage in the following transactions. A purchases 45 of 100 shares of the only class of D stock. Within five years after A's purchase, D distributes all of its 100 shares in C to A and B pro rata. D then redeems 20 shares of B's D stock, and C redeems 20 shares of B's C stock. After the redemption, A owns 45 shares and B owns 35 shares in each of D and C. Under paragraph (b)(4)(i) of this section, the Commissioner may treat A as owning disqualified stock in D and C that constitutes a 50 percent or greater interest in D and C immediately after the distribution. Under that treatment, the distribution is a disqualified distribution under section 355(d)(2) and paragraph (b)(1) of this section.

(c) *Whether a person holds a 50 percent or greater interest—(1) In general.* Under section 355(d)(4), 50 percent or greater interest means stock possessing at least 50 percent of the total combined voting power of all classes of stock entitled to vote or at least 50 percent of the total value of shares of all classes of stock.

(2) *Valuation.* For purposes of section 355(d)(4) and this section, all shares of stock within a single class are considered to have the same value. But see paragraph (c)(3)(vii)(A) of this section

(determination of whether it is reasonably certain that an option will be exercised).

(3) *Effect of options, warrants, convertible obligations, and other similar interests*—(i) *Application*. This paragraph (c)(3) provides rules to determine when an option is treated as exercised for purposes of section 355(d) (other than section 355(d)(6)). Except as provided in this paragraph (c)(3), an option is not treated as exercised for purposes of section 355(d). This paragraph (c)(3) does not affect the determination of whether an instrument is an option or stock under general principles of tax law (such as substance over form).

(ii) *General rule*. In determining whether a person has acquired by purchase a 50 percent or greater interest under section 355(d)(4), an option to acquire stock (as described in paragraphs (c)(3)(v) and (vi) of this section) that has not been exercised when a distribution occurs is treated as exercised on the date it was issued or most recently transferred if—

(A) Its exercise (whether by itself or in conjunction with the deemed exercise of one or more other options) would cause a person to become a disqualified person; and

(B) Immediately after the distribution, it is reasonably certain (as described in paragraph (c)(3)(vii) of this section) that the option will be exercised.

(iii) *Options deemed newly issued and substituted options*—(A) *Exchange, adjustment, or alteration of existing option*. For purposes of this paragraph (c)(3), each of the following is treated as a new issuance or transfer of an existing option only if it materially increases the likelihood that an option will be exercised—

(1) An exchange of an option for another option or options;

(2) An adjustment to the terms of an option (including an adjustment pursuant to the terms of the option);

(3) An adjustment to the terms of the underlying stock (including an adjustment pursuant to the terms of the stock);

(4) A change to the capital structure of the issuing corporation; and

(5) An alteration to the fair market value of issuing corporation stock

through an asset transfer (other than regular, ordinary dividends) or through any other means.

(B) *Certain compensatory options*. An option described in paragraph (c)(3)(vi)(B)(2) of this section is treated as issued on the date it becomes transferable.

(C) *Substituted options*. If an option (existing option) is exchanged for another option or options (substituted option or options) and paragraph (c)(3)(iii)(A) of this section does not apply to treat such exchange as a new issuance or transfer of the existing option, the substituted option or options will be treated as issued or most recently transferred on the date that the existing option was issued or most recently transferred.

(iv) *Effect of treating an option as exercised*—(A) *In general*. For purposes of section 355(d), an option that is treated as exercised under this paragraph (c)(3) is treated as exercised both for purposes of determining the percentage of the voting power of stock owned by the holder and for purposes of determining the percentage of the value of stock owned by the holder.

(B) *Stock purchase agreement or similar arrangement*. If a stock purchase agreement or similar arrangement is deemed exercised, the purchaser is treated as having purchased the stock under the terms of the agreement or arrangement as though all covenants had been satisfied and all contingencies met. The agreement or arrangement is deemed to have been exercised as of the date it is entered into or most recently assigned.

(v) *Instruments treated as options*. For purposes of this paragraph (c)(3), except to the extent provided in paragraph (c)(3)(vi) of this section, the following are treated as options: A call option, warrant, convertible obligation, the conversion feature of convertible stock, put option, redemption agreement (including a right to cause the redemption of stock), notional principal contract (as defined in § 1.446-3(c)) that provides for the payment of amounts in stock, stock purchase agreement or similar arrangement, or any other instrument that provides for the right to purchase, issue, redeem, or

transfer stock (including an option on an option).

(vi) *Instruments generally not treated as options.* For purposes of this paragraph (c)(3), the following are not treated as options, unless issued, transferred, or listed with a principal purpose to avoid the application of section 355(d) or this section:

(A) *Escrow, pledge, or other security agreements.* An option that is part of a security arrangement in a typical lending transaction (including a purchase money loan), if the arrangement is subject to customary commercial conditions. For this purpose, a security arrangement includes, for example, an agreement for holding stock in escrow or under a pledge or other security agreement, or an option to acquire stock contingent upon a default under a loan.

(B) *Compensatory options—(1) General rule.* An option to acquire stock in a corporation with customary terms and conditions, provided to an employee, director, or independent contractor in connection with the performance of services for the corporation or a person related to it under section 355(d)(7)(A) (and that is not excessive by reference to the services performed) and that—

(i) Is nontransferable within the meaning of § 1.83-3(d); and

(ii) Does not have a readily ascertainable fair market value as defined in § 1.83-7(b).

(2) *Exception.* Paragraph (c)(3)(vi)(B)(1) of this section ceases to apply to an option that becomes transferable.

(C) *Certain stock conversion features.* The conversion feature of convertible stock, provided that—

(1) The stock is not convertible for at least five years after issuance or transfer; and

(2) The terms of the conversion feature do not require the tender of any consideration other than the stock being converted.

(D) *Options exercisable only upon death, disability, mental incompetency, or separation from service.* Any option entered into between stockholders of a corporation (or a stockholder and the corporation) with respect to the stock of either stockholder that is exercisable only upon the death, disability,

mental incompetency of the stockholder, or, in the case of stock acquired in connection with the performance of services for the corporation or a person related to it under section 355(d)(7)(A) (and that is not excessive by reference to the services performed), the stockholder's separation from service.

(E) *Rights of first refusal.* A bona fide right of first refusal regarding the corporation's stock with customary terms, entered into between stockholders of a corporation (or between the corporation and a stockholder).

(F) *Other enumerated instruments.* Any other instruments specified in regulations, a revenue ruling, or a revenue procedure. See § 601.601(d)(2) of this chapter.

(vii) *Reasonably certain that the option will be exercised—(A) In general.* The determination of whether, immediately after the distribution, an option is reasonably certain to be exercised is based on all the facts and circumstances. In applying the previous sentence, the fair market value of stock underlying an option is determined by taking into account control premiums and minority and blockage discounts.

(B) *Stock purchase agreement or similar arrangement.* A stock purchase agreement or similar arrangement is treated as reasonably certain to be exercised if the parties' obligations to complete the transaction are subject only to reasonable closing conditions.

(viii) *Examples.* The following examples illustrate this paragraph (c)(3):

Example 1. D owns all of the stock of C. A purchases 40 percent of D's only class of stock and an option to purchase D stock from D, that if deemed exercised, would result in A owning a total of 60 percent of the stock of D. Assume that no control premium or minority or blockage discount applies to the D stock underlying the option. The option permits A to acquire the D stock at \$30 per share, and D's stock has a fair market value of \$27 per share on the date the option is issued. The option is subject to no contingencies or restrictive covenants, may be exercised within five years after its issuance, and is not described in paragraph (c)(3)(vi) of this section (regarding instruments generally not treated as options). Within five years of A's purchase of the D stock and option, D distributes the stock of its subsidiary C pro rata and A receives 40 percent of the C stock in the distribution. Immediately after the distribution, D's stock has a fair market

value of \$30 per share and C's stock has a fair market value of \$15 per share. At the time of the distribution, A exchanges A's option for an option to purchase 20 percent of the D stock at \$20 per share and an option to purchase 20 percent of the C stock at \$10 per share. The exchange of the options in D for options in D and C did not materially increase the likelihood that the options would be exercised. Nonetheless, based on all the facts and circumstances, it is reasonably certain, immediately after the distribution, that A will exercise its options. Under paragraph (c)(3)(iii)(C) of this section, the substituted options are treated as issued on the date the original option was issued. Accordingly, the options are treated as exercised by A on the date that A purchased the original option. A is treated as owning 60 percent of the D stock and 60 percent of the C stock that is disqualified stock, and the distribution is a disqualified distribution under section 355(d)(2) and paragraph (b)(1) of this section.

Example 2. D owns all of the stock of C. A purchases 37 percent of D's only class of stock. B owns 38 percent of the D stock, and the remaining 25 percent is owned by 20 individuals, each of whom owns less than five percent of D's stock. A purchases an option to purchase an additional 14 percent of the D stock from shareholders other than B for \$50 per share. The option is subject to no contingencies or restrictive covenants, may be exercised within five years after its issuance, and is not described in paragraph (c)(3)(vi) of this section. Within five years of A's purchase of the option and 37 percent interest in D, D distributes the stock of its subsidiary C pro rata and A receives 37 percent of the C stock in the distribution. At the time of the distribution, A exchanges its option for an option to purchase 14 percent of the D stock at \$25 per share and an option to purchase 14 percent of the C stock at \$25 per share. Assume that, although a shareholder that owned no D or C stock would pay only \$20 per share for D or C stock immediately after the distribution, a shareholder in A's position would pay \$30 per share for 14 percent of the stock of D or C because of the control premium which attaches to the shares. The control premium is taken into account under paragraph (c)(3)(vii)(A) of this section to determine whether A is reasonably certain to exercise the options. The exchange of the options in D for options in D and C did not materially increase the likelihood that the options would be exercised. Nonetheless, based on all the facts and circumstances, it is reasonably certain, immediately after the distribution, that A will exercise its options. Under paragraph (c)(3)(iii)(C) of this section, the substituted options are treated as issued on the date the original option was issued. Accordingly, the options are treated as exercised by A on the date that A purchased the

original option. Under paragraph (c)(2) of this section, all shares of D and C are considered to have the same value to determine the amount of stock A is treated as purchasing under the options. A is treated as owning 51 percent of the D stock and 51 percent of the C stock that is disqualified stock, and the distribution is a disqualified distribution under section 355(d)(2).

(4) *Plan or arrangement—(i) In general.* Under section 355(d)(7)(B), if two or more persons act pursuant to a plan or arrangement with respect to acquisitions of stock in the distributing corporation or controlled corporation, those persons are treated as one person for purposes of section 355(d).

(ii) *Understanding.* For purposes of section 355(d)(7)(B), two or more persons who are (or will after an acquisition become) shareholders (or are treated as shareholders under paragraph (c)(3)(ii) of this section) act pursuant to a plan or arrangement with respect to an acquisition of stock only if they have a formal or informal understanding among themselves to make a coordinated acquisition of stock. A principal element in determining if such an understanding exists is whether the investment decision of each person is based on the investment decision of one or more other existing or prospective shareholders. However, the participation by creditors in formulating a plan for an insolvency workout or a reorganization in a title 11 or similar case (whether as members of a creditors' committee or otherwise) and the receipt of stock by creditors in satisfaction of indebtedness pursuant to the workout or reorganization do not cause the creditors to be considered as acting pursuant to a plan or arrangement.

(iii) *Examples.* The following examples illustrate paragraph (c)(4)(ii) of this section:

Example 1. D has 1,000 shares of common stock outstanding. A group of 20 unrelated individuals who previously owned no D stock (the Group) agree among themselves to acquire 50 percent or more of D's stock. The Group is not a person under section 7701(a)(1). Subsequently, pursuant to their understanding, the members of the Group purchase 600 shares of D common stock from the existing D shareholders (a total of 60 percent of the D stock), with each member purchasing 30 shares. Under paragraph (c)(4)(ii) of this section, the members of the Group

have a formal or informal understanding among themselves to make a coordinated acquisition of stock. Their interests are therefore aggregated under section 355(d)(7)(B), and they are treated as one person that purchased 600 shares of D's stock for purposes of section 355(d).

Example 2. D has 1,000 shares of outstanding stock owned by unrelated individuals. D's management is concerned that D may become subject to a takeover bid. In separate meetings, D's management meets with potential investors who own no stock and are friendly to management to convince them to acquire D's stock based on an understanding that D will assemble a group that in the aggregate will acquire more than 50 percent of D's stock. Subsequently, 15 of these investors each purchases four percent of D's outstanding stock. Under paragraph (c)(4)(ii) of this section, the 15 investors have a formal or informal understanding among themselves to make a coordinated acquisition of stock. Their interests are therefore aggregated under section 355(d)(7)(B), and they are treated as one person that purchased 600 shares of D stock for purposes of section 355(d).

Example 3. (i) D has 1,000 shares of outstanding stock owned by unrelated individuals. An investment advisor advises its clients that it believes D's stock is undervalued and recommends that they acquire D stock. Acting on the investment advisor's recommendation, 20 unrelated individuals each purchases 30 shares of the outstanding D stock. Each client's decision was not based on the investment decisions made by one or more other clients. Because there is no formal or informal understanding among the clients to make a coordinated acquisition of D stock, their interests are not aggregated under section 355(d)(7)(B) and they are treated as making separate purchases.

(ii) The facts are the same as in paragraph (i) of this *Example 3*, except that the investment advisor is also the underwriter (without regard to whether it is a firm commitment or best efforts underwriting) for a primary or secondary offering of D stock. The result is the same.

(iii) The facts are the same as in paragraph (i) of this *Example 3*, except that, instead of an investment advisor recommending that clients purchase D stock, the trustee of several trusts qualified under section 401(a) sponsored by unrelated corporations causes each trust to purchase the D stock. The result is the same, provided that the trustee's investment decision made on behalf of each trust was not based on the investment decision made on behalf of one or more of the other trusts.

(iv) *Exception—(A) Subsequent disposition.* If two or more persons do not act pursuant to a plan or arrangement

within the meaning of this paragraph (c)(4) with respect to an acquisition of stock in a corporation (the first corporation), a subsequent acquisition in which such persons exchange their stock in the first corporation for stock in another corporation (the second corporation) in a transaction in which the basis of the second corporation's stock in the hands of such persons is determined in whole or in part by reference to the basis of their stock in the first corporation, will not result in such persons being treated as one person, even if the acquisition of the second corporation's stock is pursuant to a plan or arrangement.

(B) *Example.* The following example illustrates this paragraph (c)(4)(iv):

Example. In an initial public offering of D stock on Date 1, 100 investors independently purchase one percent each of the D stock. Two years later, D merges into P (in a reorganization described in section 368(a)(1)(A)) and, pursuant to the plan of reorganization, the D shareholders exchange their D stock for 50 percent of the stock of P. The D shareholders approve the plan by a two-thirds vote, as required by state law. Under section 358(a), each shareholder's basis in its P stock is determined by reference to the basis of the D stock it purchased. Under paragraph (e)(3) of this section, the former D shareholders are treated as purchasing their P stock on Date 1. The investors do not become a single person under paragraph (c)(4) of this section with respect to the deemed purchase of the P stock on Date 1 by virtue of their acquisition of the P stock pursuant to the merger on Date 2.

(d) *Purchase—(1) In general—(i) Definition of purchase under section 355(d)(5)(A).* Under section 355(d)(5)(A), except as otherwise provided in section 355(d)(5)(B) and (C), a *purchase* means any acquisition, but only if—

(A) The basis of the property acquired in the hands of the acquirer is not determined—

(1) In whole or in part by reference to the adjusted basis of such property in the hands of the person from whom acquired; or

(2) Under section 1014(a) or 1022; and

(B) The property is not acquired in an exchange to which section 351, 354, 355, or 356 applies.

(ii) *Section 355 distributions.* Paragraph (d)(1)(i)(B) of this section includes all section 355 distributions,

whether in exchange (in whole or in part) for stock or pro rata.

(iii) *Example.* The following example illustrates this paragraph (d)(1):

Example. Section 304(a)(1) acquisition. A, who owns all of the stock of P and T, sells the T stock to P for cash. The T stock is not marketable stock under section 355(d)(5)(B)(ii) and paragraph (d)(3)(ii) of this section. A is treated under section 304(a)(1) as receiving a distribution in redemption of the P stock. Under section 302(d), the deemed redemption is treated as a section 301 distribution. Assume that under sections 304(b)(2) and 301(c)(1), all of the distribution is a dividend. A and P are treated in the same manner as if A had transferred the T stock to P in exchange for stock of P in a transaction to which section 351(a) applies, and P had then redeemed the stock P was treated as issuing in the transaction. Under section 362(a), P's basis in the T stock is determined by reference to A's adjusted basis in the T stock, and there is no basis increase in the T stock because A recognizes no gain on the deemed transfer. Accordingly, P's acquisition of the T stock from A is not a purchase by P under section 355(d)(5)(A)(i)(I) and paragraphs (d)(1)(i)(A)(I) and (d)(2)(i)(B) of this section.

(2) *Exceptions to definition of purchase under section 355(d)(5)(A).* The following acquisitions are not treated as purchases under section 355(d)(5)(A):

(i) *Acquisition of stock in a transaction which includes other property or money—(A) Transferors and shareholders of transferor or distributing corporations—(1) In general.* An acquisition of stock permitted to be received by a transferor of property without the recognition of gain under section 351(a), or permitted to be received without the recognition of gain under section 354, 355, or 356 is not a purchase to the extent section 358(a)(1) applies to determine the recipient's basis in the stock received, whether or not the recipient recognizes gain under section 351(b) or 356. But see paragraph (e)(3) of this section (interest received in exchange for purchased interest in exchanged basis transaction treated as purchased).

(2) *Exception.* To the extent there is received in the exchange or distribution, in addition to stock described in paragraph (d)(2)(i)(A)(I) of this section, stock that is other property under section 351(b) or 356(a)(1), the stock is treated as purchased on the date of the exchange or distribution for purposes of section 355(d).

(B) *Transferee corporations—(1) In general.* An acquisition of stock by a corporation is not a purchase to the extent section 334(b) or 362(a) or (b) applies to determine the corporation's basis in the stock received. But see section 355(d)(5)(C) and paragraph (e)(2) of this section (purchased property transferred in transferred basis transaction is treated as purchased by transferee).

(2) *Exception.* If a corporation acquires stock, the stock is treated as purchased on the date of the stock acquisition for purposes of section 355(d)—

(i) If the liquidating corporation recognizes gain or loss with respect to the transferred stock as described in section 334(b)(1); or

(ii) To the extent the basis of the transferred stock is increased through the recognition of gain by the transferor under section 362(a) or (b).

(C) *Examples.* The following examples illustrate this paragraph (d)(2)(i):

Example 1. (i) A owns all the stock of T. T merges into D in a transaction qualifying under section 368(a)(1)(A), with A exchanging all of the T stock for D stock and \$100 cash. Under section 356(a)(1), A recognizes \$100 of the realized gain on the transaction. Under section 358(a)(1), A's basis in the D stock equals A's basis in the T stock, decreased by the \$100 received and increased by the gain recognized, also \$100. Under paragraph (d)(2)(i)(A) of this section, A is not treated as having purchased the D stock for purposes of section 355(d)(5).

(ii) The facts are the same as in paragraph (i) of this *Example 1*, except that rather than D stock and \$100 cash, A receives D stock and stock in C, a corporation not a party to the reorganization, with a fair market value of \$100. Under section 358(a)(2), A's basis in the C stock is its fair market value, or \$100. Under paragraph (d)(2)(i)(A)(2) of this section, A is treated as having purchased the C stock, but not the D stock, for purposes of section 355(d)(5).

Example 2. A purchases all of the stock of D, which is not marketable stock, on Date 1 for \$90. Within five years of A's purchase, on Date 2, A contributes the D stock to P in exchange for P stock worth \$90 and \$10 cash in a transaction qualifying under section 351. A recognizes a gain of \$10 as a result of the transfer. Under section 362(a), P's basis in D is \$100. P is treated as having purchased 90 percent (\$90 worth) of the D stock on Date 1 under section 355(d)(5)(C) and paragraph (e)(2) of this section and as having purchased 10 percent (\$10 worth) of the D stock on Date

2 under paragraph (d)(2)(i)(B)(2)(ii) of this section.

(ii) *Acquisition of stock in a distribution to which section 305(a) applies.* An acquisition of stock in a distribution qualifying under section 305(a) is not a purchase to the extent section 307(a) applies to determine the recipient's basis. However, to the extent the distribution is of rights to acquire stock, see paragraph (c)(3) of this section for rules regarding options, warrants, convertible obligations, and other similar interests.

(iii) *Section 1036(a) exchange.* An exchange of stock qualifying under section 1036(a) is not a purchase by either party to the exchange to the extent the basis of the property acquired equals that of the property exchanged under section 1031(d).

(iv) *Section 338 elections—(A) In general.* Stock acquired in a qualified stock purchase with respect to which a section 338 election (or a section 338(h)(10) election) is made is not treated as a purchase for purposes of section 355(d)(5)(A). However, any stock (or an interest in another entity) held by old target that is treated as purchased by new target is treated as acquired by purchase for purposes of section 355(d)(5)(A) unless a section 338 election or section 338(h)(10) election also is made for that stock. See § 1.338-2T(c) for the definitions of section 338 election, section 338(h)(10) election, old target, and new target.

(B) *Example.* The following example illustrates this paragraph (d)(2)(iv):

Example. T owns all of the stock of S and no other assets. X acquires all of the T stock from the T shareholders for cash and makes an election under section 338. Under section 338(a) and (b), T, as Old T, is treated as having sold all of its assets at fair market value and purchased the assets as a new corporation, New T, as of the beginning of the day after the acquisition date. Under paragraph (d)(2)(iv)(A) of this section, X is not treated as having purchased the T stock. Absent a section 338 election or a section 338(h)(10) election with respect to S, New T is treated as having purchased all of the S stock under section 355(d)(5)(A).

(v) *Partnership distributions—(A) Section 732(b).* An acquisition of stock (or an interest in another entity) in a liquidation of a partner's interest in a partnership in which basis is deter-

mined pursuant to section 732(b) is a purchase at the time of the liquidation.

(B) *Section 734(b).* If the adjusted basis of stock (or an interest in another entity) held by a partnership is increased under section 734(b), a proportionate amount of the stock (or other interest) will be treated as purchased at the time of the basis adjustment, determined by reference to the amount of the basis adjustment (but not in excess of the fair market value of the stock (or other interest) at the time of the adjustment) over the fair market value of the stock (or other interest) at the time of the adjustment.

(3) *Certain section 351 exchanges treated as purchases—(i) In general—(A) Treatment of stock received by transferor.* Under section 355(d)(5)(B), a purchase includes any acquisition of property in an exchange to which section 351 applies to the extent the property is acquired in exchange for any cash or cash item, any marketable stock, or any debt of the transferor. The property treated as acquired by purchase is the property received by the transferor in the exchange.

(B) *Multiple classes of stock.* If the transferor in a transaction described in section 355(d)(5)(B) receives stock or securities of more than one class, or receives both stock and securities, then the amount of stock or securities purchased is determined in a manner that corresponds to the allocation of basis to the stock or securities under section 358. See § 1.358-2(b).

(ii) *Cash item, marketable stock.* For purposes of section 355(d)(5)(B) and this paragraph (d)(3), either or both of the terms cash item and marketable stock include personal property within the meaning of section 1092(d)(1) and § 1.1092(d)-1, without giving effect to section 1092(d)(3).

(iii) *Exception for certain acquisitions—(A) In general.* Except to the extent provided in paragraph (e)(3) of this section (interest received in exchange for purchased interest in exchanged basis transaction treated as purchased), an acquisition of stock in a corporation in a section 351 transaction by one or more persons in exchange for an amount of stock in another corporation (the transferred corporation) that meets the requirements of section

1504(a)(2) is not a purchase by the transferor or transferors, regardless of whether the stock of the transferred corporation is marketable stock under section 355(d)(5)(B)(ii) and paragraph (d)(3)(ii) of this section.

(B) *Example.* The following example illustrates this paragraph (d)(3)(iii):

Example. D's two classes of stock, voting common and nonvoting preferred, are both widely held and publicly traded. The nonvoting preferred stock is stock described in section 1504(a)(4). Assume that all of the D stock is marketable stock under section 355(d)(5)(B)(ii) and paragraph (d)(3)(ii) of this section. D's board of directors proposes that, for valid business purposes, D's common stock should be held by a holding company, HC, but its preferred stock should not be transferred to HC. As proposed, the D common shareholders exchange their D stock solely for HC common stock in a section 351(a) transaction. The D preferred shareholders retain their stock. HC acquires an amount of D stock that meets the requirements of section 1504(a)(2). Although the D common stock was marketable stock in the hands of the D shareholders immediately before the transfer, and the D nonvoting preferred stock is marketable stock after the transfer, the D shareholders are not treated as having acquired the HC stock by purchase (except to the extent the exchanged basis rule of paragraph (e)(3) of this section may apply to treat HC stock as purchased on the date the exchanged D stock was purchased).

(iv) *Exception for assets transferred as part of an active trade or business—(A) In general.* Except to the extent provided in paragraph (e)(3) of this section, an acquisition not described in paragraph (d)(3)(iii) of this section of stock in exchange for any cash or cash item, any marketable stock, or any debt of the transferor in a section 351 transaction is not a purchase if—

(1) The transferor is engaged in the active conduct of a trade or business under paragraph (d)(3)(iv)(B) of this section and the transferred items (including debt incurred in the ordinary course of the trade or business) are used in the trade or business;

(2) The transferred items do not exceed the reasonable needs of the trade or business under paragraph (d)(3)(iv)(C) of this section;

(3) The transferor transfers the items as part of the trade or business; and

(4) The transferee continues the active conduct of the trade or business.

(B) *Active conduct of a trade or business.* For purposes of this paragraph (d)(3)(iv), whether, with respect to the trade or business at issue, the transferor and transferee are engaged in the active conduct of a trade or business is determined under § 1.355-3(b)(2) and (3), except that—

(1) Conduct is tested before the transfer (with respect to the transferor) and after the transfer (with respect to the transferee) rather than immediately after a distribution; and

(2) The trade or business need not have been conducted for five years before its transfer, but it must have been conducted for a sufficient period of time to establish that it is a viable and ongoing trade or business.

(C) *Reasonable needs of the trade or business.* For purposes of this paragraph (d)(3)(iv), the reasonable needs of the trade or business include only the amount of cash or cash items, marketable stock, or debt of the transferor that a prudent business person apprised of all relevant facts would consider necessary for the present and reasonably anticipated future needs of the business. Transferred items may be considered necessary for reasonably anticipated future needs only if the transferor and transferee have specific, definite, and feasible plans for their use. Those plans must require that items intended for anticipated future needs rather than present needs be used as expeditiously as possible consistent with the business purpose for retention of the items. Future needs are not reasonably anticipated if they are uncertain or vague or where the execution of the plan for their use is substantially postponed. The reasonable needs of a trade or business are generally its needs at the time of the transfer of the business including the items. However, for purposes of applying section 355(d) to a distribution, events and conditions after the transfer and through the date immediately after the distribution (including whether plans for the use of transferred items have been consummated or substantially postponed) may be considered to determine whether at the time of the transfer the items were necessary for the present and reasonably anticipated future needs of the business.

(D) *Consideration of all facts and circumstances.* All facts and circumstances are considered in determining whether this paragraph (d)(3)(iv) applies.

(E) *Successive transfers.* A transfer of assets does not fail to meet the requirements of paragraph (d)(3)(iv)(A)(4) of this section solely because the transferee transfers the assets directly (or indirectly through other members) to another member of the transferee's affiliated group, as defined in § 1.355-3(b)(4)(iv) (the final transferee), if the requirements of paragraphs (d)(3)(iv)(A)(1), (2), (3) and (4) of this section would be met if the transferor had transferred the assets directly to the final transferee.

(v) *Exception for transfer between members of the same affiliated group—(A) In general.* Except to the extent provided in paragraph (e)(3) of this section, an acquisition of stock (whether actual or constructive) not described in paragraphs (d)(3)(iii) and (iv) of this section in exchange for any cash or cash item, marketable stock, or debt of the transferor in a section 351 transaction is not a purchase if—

(1) The transferor corporation or corporations and the transferee corporation (whether formed in the transaction or already existing) are members of the same affiliated group as defined in section 1504(a) before the section 351 transaction (if the transferee corporation is in existence before the transaction);

(2) The cash or cash item, marketable stock or debt of the transferor are not included in assets that are acquired (or treated as acquired) by the transferor (or another member of the transferor's affiliated group) from a nonmember in a related transaction in which section 362(a) or (b) applies to determine the basis in the acquired assets; and

(3) The transferor corporation or corporations, the transferee corporation, and any distributed controlled corporation of the transferee corporation do not cease to be members of such affiliated group in any transaction pursuant to a plan that includes the section 351 transaction (including any distribution of a controlled corporation by the transferee corporation). But see paragraph (b)(4) of this section where the

transfer is made for a principal purpose to avoid the purposes of section 355(d).

(B) *Examples.* The following examples illustrate this paragraph (d)(3)(v):

Example 1. Publicly traded P has wholly owned S since 1990. S is engaged in the telecommunications business and the business of computer software development. S is developing new software for use in the managed health care industry. Over a period of four years beginning on January 31, 2000, P contributes a substantial amount of cash to S solely for the purpose of funding the software development. On completion of the software in January of 2004, 60 percent of the value of the S stock is attributable to the cash contributions made within the last four years. The P group's primary lender requires that S separately incorporate the software and related assets and distribute the new subsidiary to P as a condition of providing required funding to market the software. Accordingly, on February 1, 2004, S forms N, contributes the software and related assets to N, and distributes all of the N stock to P in a transaction intended to qualify under section 355(a). P, S, and N will not leave the affiliated group in any transaction related to the cash contributions. Under paragraph (d)(3)(v)(A) of this section, P's cash contributions to S are not treated as purchases of additional S stock, and the distribution of N from S to P is not a disqualified distribution under section 355(d)(2) and paragraph (b)(1) of this section.

Example 2. On Date 1, P contributes cash to its subsidiary S with a principal purpose to increase its stock basis in S. Sixty percent of the value of P's S stock is attributable to the cash contribution. Under paragraph (b)(4) of this section (anti-avoidance rule), 60 percent of the S stock is treated as purchased under section 355(d)(5)(B), notwithstanding paragraph (d)(3)(v)(A) of this section. Accordingly, any distribution of a subsidiary of S to P within the five-year period after Date 1 will be a disqualified distribution, regardless of whether P, S, and any distributed S subsidiary remain affiliated after the distribution and any transactions related to the cash contribution.

(4) *Triangular asset reorganizations—(i) Definition.* A triangular asset reorganization is a reorganization that qualifies under—

(A) Section 368(a)(1)(A) or (G) by reason of section 368(a)(2)(D);

(B) Section 368(a)(1)(A) by reason of section 368(a)(2)(E) (regardless of whether section 368(a)(3)(E) applies), unless the transaction also qualifies as either a section 351 transfer or a reorganization under section 368(a)(1)(B); or

(C) Section 368(a)(1)(C), and stock of the controlling corporation rather than the acquiring corporation is exchanged for the acquired corporation's properties.

(ii) *Treatment.* Notwithstanding section 355(d)(5)(A), for purposes of section 355(d), the controlling corporation in a triangular asset reorganization is treated as having—

(A) Acquired the assets of the acquired corporation (and as having assumed any liabilities assumed by the controlling corporation's subsidiary corporation or to which the acquired corporation's assets were subject (the acquired liabilities)) in a transaction in which the controlling corporation's basis in the acquired corporation's assets was determined under section 362(b); and

(B) Transferred the acquired assets and acquired liabilities to its subsidiary corporation in a section 351 transfer.

(iii) *Example.* The following example illustrates this paragraph (d)(4):

Example. Forward triangular reorganization. P forms S with \$25 of cash and T merges into S in a reorganization qualifying under section 368(a)(1)(A) by reason of section 368(a)(2)(D) in which the T shareholders receive \$70 of P stock and \$15 of cash in exchange for their T stock. T is not a common parent of a consolidated group of corporations. The remaining \$10 of cash with which P formed S will not be used in the acquired business. T's assets consist only of assets part of and used in its business with a value of \$80, and \$5 of cash that is not part of or used in T's business. T has no liabilities. S will use T's business assets in T's business (which will become S's business), but will invest the \$5 of cash in an unrelated passive investment. Under paragraph (d)(4)(ii) of this section, P is treated as acquiring the T assets in a transaction in which P's basis in the T assets was determined under section 362(b) and contributing them to S in a section 351 transfer. Under paragraph (d)(3)(v) of this section, \$10 (of the total \$25) of cash contributed by P to S upon S's formation is not treated as a purchase of S stock. The \$15 (of the total \$25) of cash contributed by P to S upon S's formation that is paid to T's shareholders is not treated as a purchase of S stock. The exception in paragraph (d)(3)(v) of this section does not apply to the \$5 of cash from T's business because P is treated as having acquired T's assets in a related transaction in which section 362(b) applies to determine P's basis in such assets. Accordingly, P is treated under section 355(d)(5)(B)

and paragraph (d)(3)(iv) of this section as having purchased \$5 of the S stock, but is not deemed to have purchased the remaining \$80 of the S stock.

(5) *Reverse triangular reorganizations other than triangular asset reorganizations—(i) In general.* Except as provided in paragraph (d)(5)(ii) of this section, if a transaction qualifies as a reorganization under section 368(a)(1)(A) by reason of section 368(a)(2)(E) and also as either a reorganization under section 368(a)(1)(B) or a section 351 transfer, then either section 355(d)(5)(B) (and paragraphs (d)(3)(i) through (iv) of this section) or 355(d)(5)(C) (and paragraph (e)(2) of this section) applies. Regardless of which method the controlling corporation employs to determine its basis in the surviving corporation stock under §1.358-6(c)(2)(ii) or §1.1502-30(b), the total amount of surviving corporation stock treated as purchased by the controlling corporation will equal the higher of—

(A) The amount of surviving corporation stock that would be treated as purchased (on the date of the deemed section 351 transfer) by the controlling corporation if the controlling corporation acquired the surviving corporation's assets and assumed its liabilities in a transaction in which the controlling corporation's basis in the surviving corporation assets was determined under section 362(b), and then transferred the acquired assets and liabilities to the surviving corporation in a section 351 transfer (see §§1.358-6(c)(1) and (2)(ii)(A), and 1.1502-30(b)); or

(B) The amount of surviving corporation stock that would be treated as purchased (on the date the surviving corporation shareholders purchased their surviving corporation stock) if the controlling corporation acquired the stock of the surviving corporation in a transaction in which the basis in the surviving corporation's stock was determined under section 362(b) (see §§1.358-6(c)(2)(ii)(B) and 1.1502-30(b)).

(ii) *Letter ruling and closing agreement.* If a controlling corporation obtains a letter ruling and enters into a closing agreement under section 7121 in which it agrees to determine its basis in surviving corporation stock under §1.358-6(c)(2)(ii)(A), or under §1.1502-30(b) by applying §1.358-6(c)(2)(ii)(A) (deemed

asset acquisition and transfer by controlling corporation), then section 355(d)(5)(B) and paragraphs (d)(3)(i) through (iv) of this section apply, and section 355(d)(5)(C) and paragraph (e)(2) of this section do not apply. If a controlling corporation obtains a letter ruling and enters into a closing agreement under section 7121 under which it agrees to determine its basis in surviving corporation stock under § 1.358-6(c)(2)(ii)(B), or under § 1.1502-30(b) by applying § 1.358-6(c)(2)(ii)(B) (deemed stock acquisition), then section 355(d)(5)(C) and paragraph (e)(2) of this section apply, and section 355(d)(5)(B) and paragraphs (d)(3)(i) through (iv) of this section do not apply.

(iii) *Example.* The following example illustrates this paragraph (d)(5):

Example. Reverse triangular reorganization; purchase. (i) A purchases 60 percent of the stock of D on Date 1. D owns no cash items, marketable stock, or transferor debt, but holds cash that is not part of or used in D's trade or business under paragraph (d)(3)(iv) of this section and that represents 20 percent of D's value. On Date 2, P forms S, and S merges into D in a reorganization qualifying under section 368(a)(1)(B) and under section 368(a)(1)(A) by reason of section 368(a)(2)(E). In the reorganization, P acquires all of the D stock in exchange solely for P stock. After Date 2, and within five years after Date 1, D distributes its wholly owned subsidiary C to P. P does not obtain a letter ruling and enter into a closing agreement under paragraph (d)(5)(ii) of this section. P would acquire 20 percent of the D stock by purchase on Date 2 under paragraph (d)(5)(i)(A) of this section by operation of section 355(d)(5)(B) and paragraph (d)(3)(iv) of this section. The exception in paragraph (d)(3)(v) of this section does not apply because D was not affiliated with P before the transaction in which the section 351 transfer is deemed to occur and D's assets are treated as acquired by P in a related transaction in which section 362(b) applies to determine P's basis in the D assets. P would acquire 60 percent of the D stock by purchase on Date 1 under paragraph (d)(5)(i)(B) of this section because, under the transferred basis rule of section 355(d)(5)(C) and paragraph (e)(2) of this section, P is treated as though P purchased the D stock on the date A purchased it. Accordingly, under paragraph (d)(5)(i) of this section, P is treated as acquiring the higher amount (60 percent) by purchase on Date 1. D's distribution of C to P is a disqualified distribution under section 355(d)(2) and paragraph (b)(1) of this section. In addition, A is treated as acquiring the P stock by purchase on Date 1 under paragraph (e)(3) of this section because A's basis in the

P stock is determined by reference to A's basis in the D stock.

(ii) The facts are the same as in paragraph (i) of this *Example*, except that P obtains a letter ruling and enters into a closing agreement under which it agrees to determine its basis in the D stock under § 1.358-6(c)(2)(ii)(A). Under paragraph (d)(5)(ii) of this section, section 355(d)(5)(B) (and paragraphs (d)(3)(i) through (iv) of this section) applies, and section 355(d)(5)(C) (and paragraph (e)(2) of this section) does not apply. Accordingly, P is treated as acquiring only 20 percent of the D stock by purchase on Date 2. D's distribution of C to P is not a disqualified distribution under section 355(d)(2) and paragraph (b)(1) of this section.

(6) *Treatment of group structure changes—(i) In general.* Notwithstanding section 355(d)(5)(A), for purposes of section 355(d), if a corporation succeeds another corporation as the common parent of a consolidated group in a group structure change to which § 1.1502-31 applies, the new common parent is treated as having acquired the assets and assumed the liabilities of the former common parent in a transaction in which the new common parent's basis in the former common parent's assets was determined under section 362(b), and then transferred the acquired assets and liabilities to the former common parent (or, if the former common parent does not survive, to the new common parent's subsidiary) in a section 351 transfer, with the new common parent and former common parent being treated as not in the same affiliated group at the time of the transfer for purposes of applying paragraph (d)(3)(v) of this section (notwithstanding § 1.1502-31(c)(2)).

(ii) *Adjustments to basis of higher-tier members.* A higher-tier member that indirectly owns all or part of the former common parent's stock after a group structure change is treated as having purchased the stock of an immediate subsidiary to the extent that the higher-tier member's basis in the subsidiary is increased under § 1.1502-31(d)(4).

(iii) *Example.* The following example illustrates this paragraph (d)(6):

Example. P is the common parent of a consolidated group, and T is the common parent of another group. P has owned S for more than five years, and the fair market value of the S stock is \$50. T's assets consist only of non-marketable stock of direct and indirect

wholly owned subsidiaries with a value of \$50, assets used in its business with a value of \$50, and \$50 of marketable stock that is not part of or used in T's business. T has no liabilities. T merges into S with the T shareholders receiving solely P stock with a value of \$150 in exchange for their T stock in a section 368(a)(2)(D) reorganization. S will use T's business assets in T's business (which will become S's business), but will hold the \$50 of marketable stock for investment purposes. Assume that the transaction is a reverse acquisition under §1.1502-75(d)(3) because the T shareholders, as a result of owning T stock, own more than 50 percent of the value of P's stock immediately after the transaction. Thus, the transaction is a group structure change under §1.1502-33(f)(1). Under paragraph (d)(6) of this section, P is treated as having acquired the assets of T in a transaction in which P's basis in the T assets was determined under section 362(b), and then transferred the acquired assets to S in a section 351 transfer, with P and T being treated as not in the same affiliated group at the time of the transfer solely for purposes of paragraph (d)(3)(v) of this section. The exception in paragraph (d)(3)(v) of this section (transfers within an affiliated group) does not apply. Accordingly, P is treated under section 355(d)(5)(B) and paragraph (d)(3)(iv) of this section as having purchased \$50 of the S stock (attributable to the marketable stock), but is not deemed to have purchased the remaining \$150 of the S stock.

(7) *Special rules for triangular asset reorganizations, other reverse triangular reorganizations, and group structure changes.* The amount of acquiring subsidiary, surviving corporation, or former common parent stock that is treated as purchased under paragraph (c)(4), (5)(i)(A), or (6) of this section (by operation of section 355(d)(5)(B) and paragraphs (d)(3)(i) through (iv) of this section) is adjusted to reflect any basis adjustment under—

(i) Section 1.358-6(c)(2)(i)(B) and (C) (reduction of basis adjustment in reverse triangular reorganization where controlling corporation acquires less than all of the surviving corporation stock), §1.1502-30(b) (applying §1.358-6(c)(2)(i)(B) and (C) to a consolidated group), and §1.1502-31(d)(2)(ii) (reduction of basis adjustment in group structure change where new common parent acquires less than all of the former common parent stock); or

(ii) Section 1.358-6(d) (reduction of basis adjustment in any triangular reorganization to the extent controlling corporation does not provide consider-

ation), §1.1502-30(b) (applying §1.358-6(d) (except §1.358-6(d)(2)) to a consolidated group), and §1.1502-31(d)(1) (reduction of basis adjustment in group structure change to the extent new common parent does not provide consideration).

(e) *Deemed purchase and timing rules—*
(1) *Attribution and aggregation—*(i) *In general.* Under section 355(d)(8)(B), if any person acquires by purchase an interest in any entity, and the person is treated under section 355(d)(8)(A) as holding any stock by reason of holding the interest, the stock shall be treated as acquired by purchase on the later of the date of the purchase of the interest in the entity or the date the stock is acquired by purchase by such entity.

(ii) *Purchase of additional interest.* If a person and an entity are treated as a single person under section 355(d)(7), and the person later purchases an additional interest in the entity, the person is treated as purchasing on the date of the later purchase the amount of stock attributed from the entity to the person under section 355(d)(8)(A) as a result of the additional interest.

(iii) *Purchase between persons treated as one person.* If two persons are treated as one person under section 355(d)(7), and one later purchases stock from the other, the date of the later purchase is used for purposes of determining when the five-year period commences.

(iv) *Purchase by a person already treated as holding stock under section 355(d)(8)(A).* If a person who is already treated as holding stock under section 355(d)(8)(A) later directly purchases such stock, the date of the later direct purchase is used for purposes of determining when the five-year period commences.

(v) *Examples.* The following examples illustrate this paragraph (e)(1):

Example 1. On Date 1, A purchases 10 percent of the stock of P, which has held 100 percent of the stock of T for more than five years at the time of A's purchase. A is deemed to have purchased 10 percent of P's T stock on Date 1. If A later purchases an additional 41 percent of the stock of P on Date 2, A is deemed to have purchased an additional 41 percent of P's T stock on Date 2. Because A and P are now related persons under section 267(b), they are treated as one person under section 355(d)(7)(A), and A is treated as

owning all of P's T stock, A is treated as acquiring 51 percent of the T stock by purchase at the times of A's respective purchases of P stock on Date 1 and Date 2. The remaining 49 percent of T stock is treated as acquired when P acquired the T stock, more than five years before Date 1. If P distributes T after Date 2 and within five years after Date 1, the distribution will be a disqualified distribution under section 355(d)(2) and paragraph (b)(1) of this section.

Example 2. A has owned 60 percent of the stock of P for more than five years, and P has owned 40 percent of the stock of T for more than five years. A and P are treated as one person, and A is treated as owning 40 percent of the stock of T for more than five years. If P later purchases an additional 20 percent of the stock of T on Date 1, A is treated as acquiring by purchase the additional 20 percent of T stock on Date 1. If A then purchases an additional 10 percent of the stock of P on Date 2, under paragraph (e)(1)(i) of this section, A is deemed to have purchased on Date 2 an additional four percent of the T stock (10 percent of the 40 percent that P originally owned). In addition, even though A and P were already treated as one person under section 355(d)(7)(A), A also is deemed to have purchased two percent of the T stock on Date 2 (10 percent of the 20 percent of the T stock that it was treated as purchasing on Date 1). A is still treated as owning all 60 percent of the T stock owned by P. However, of the 60 percent, A is treated as having purchased 18 percent of the T stock on Date 1 and 6 percent of the T stock on Date 2, for a total of 24 percent purchased stock.

Example 3. A purchases a 20 percent interest in partnership M on Date 1. M has owned 30 percent of the stock and 25 percent of the securities of P for more than five years. P has owned 40 percent of the stock and 100 percent of the securities of T for more than five years. Under section 318(a)(2)(C) as modified by section 355(d)(8)(A), M is deemed to own 12 percent of the stock (30 percent of the 40 percent P owns) and 30 percent of the securities (30 percent of the 100 percent P owns) of T. Under sections 318(a)(2)(A) and 355(d)(8)(B), A is deemed to have purchased 2.4 percent of the stock (20 percent of the 12 percent M is deemed to own) and 6 percent of the securities (20 percent of the 30 percent M is deemed to own) of T on Date 1. Similarly, A is deemed to have purchased 6 percent of the stock (20 percent of the 30 percent M owns) and five percent of the securities (20 percent of the 25 percent M owns) of P on Date 1. If M later purchases an additional 10 percent of P stock on Date 2, M is deemed to have purchased four percent of the stock (10 percent of the 40 percent P owns) and 10 percent of the securities (10 percent of the 100 percent P owns) of T on Date 2. A is deemed to have purchased two percent of the stock

of P on Date 2 (20 percent of the 10 percent M purchased). A is also deemed to have purchased 0.8 percent of the stock (20 percent of the four percent M is deemed to have purchased) and two percent of the securities (20 percent of the 10 percent M is deemed to have purchased) of T on Date 2.

Example 4. A and B are brother and sister. For more than five years, A has owned 75 percent of the stock of P, and B has owned 25 percent of the stock of P. A and B are treated as one person under section 267(b), and the stock of each is treated as purchased on the date it was purchased by A and B, respectively. If B later purchases 50 percent of the P stock from A on Date 1, A and B are still treated as one person. However, under paragraph (e)(3)(iii) of this section, the 50 percent of P stock that B purchased from A is treated as purchased on Date 1.

(2) *Transferred basis rule.* If any person acquires property from another person who acquired the property by purchase (determined with regard to section 355(d)(5) and paragraphs (d) and (e)(2), (3) and (4) of this section, but without regard to section 355(d)(8) and paragraph (e)(1) of this section), and the adjusted basis of the property in the hands of the acquirer is determined in whole or in part by reference to the adjusted basis of the property in the hands of the other person, the acquirer is treated as having acquired the property by purchase on the date it was so acquired by the other person. The rule in this paragraph (e)(2) applies, for example, where stock of a corporation acquired by purchase is subsequently acquired in a section 351 transfer or a reorganization qualifying under section 368(a)(1)(B), but does not apply if the stock of a former common parent is acquired in a group structure change to which §1.1502-31 applies. But see paragraph (d)(2)(i)(B)(2) of this section for situations where the stock is treated as purchased on the date of a transfer.

(3) *Exchanged basis rule—(i) In general.* If any person acquires an interest in an entity (the first interest) by purchase (determined with regard to section 355(d)(5) and paragraphs (d) and (e)(2), (3) and (4) of this section, but without regard to section 355(d)(8) and paragraph (e)(1) of this section), and the first interest is exchanged for an interest in the same or another entity (the second interest) where the adjusted basis of the second interest is determined in whole or in part by reference

to the adjusted basis of the first interest, then the second interest is treated as having been purchased on the date the first interest was purchased. The rule in this paragraph (e)(3) applies only to exchanges that are not otherwise treated as purchases under section 355(d)(5) and paragraph (d) of this section. The rule in this paragraph (e)(3) applies, for example, where stock of a corporation acquired by purchase is subsequently exchanged for other stock in a section 351, 354, or 1036(a) exchange. But see paragraph (d)(2)(i)(A)(2) of this section for situations where the stock is treated as purchased on the date of an exchange or distribution.

(ii) *Example.* The following example illustrates this paragraph (e)(3):

Example. A purchases 50 percent of the stock of T on Date 1. On Date 2, T merges into D in a section 368(a)(1)(A) reorganization, with A exchanging all of the T stock solely for stock of D. Under section 358(a), A's basis in the D stock is determined by reference to the basis of the T stock it purchased. Accordingly, A is treated as having purchased the D stock on Date 1, and has a purchased basis in the D stock under paragraph (b)(3)(iii) of this section.

(4) *Certain section 355 or section 305 distributions—(i) Section 355.* If a distributing corporation distributes any stock of a controlled corporation with respect to recently purchased distributing stock in a distribution that qualifies under section 355 (or so much of section 356 as relates to section 355), such controlled corporation stock is deemed to be acquired by purchase by the distributee on the date the distributee acquired the recently purchased distributing stock. Recently purchased distributing stock is stock in the distributing corporation acquired by purchase (determined with regard to section 355(d)(5) and paragraphs (d) and (e)(2), (3), and (4) of this section, but without regard to section 355(d)(8) and paragraph (e)(1) of this section) by the distributee during the five-year period with respect to that distribution.

(ii) *Section 305.* If a corporation distributes its stock in a distribution that qualifies under section 305(a), the stock received in the distribution (to the extent section 307(a) applies to determine

the recipient's basis) is deemed to be acquired by purchase by the recipient on the date (if any) that the recipient acquired by purchase (determined with regard to section 355(d)(5) and paragraphs (d) and (e)(2), (3), and (4) of this section), the stock with respect to which the distribution is made.

(5) *Substantial diminution of risk—(i) In general.* If section 355(d)(6) applies to any stock for any period, the running of any five-year period set forth in section 355(d)(3) is suspended during such period.

(ii) *Property to which suspension applies.* Section 355(d)(6) applies to any stock for any period during which the holder's risk of loss with respect to such stock, or with respect to any portion of the activities of the corporation, is (directly or indirectly) substantially diminished by an option, a short sale, any special class of stock, or any other device or transaction.

(iii) *Risk of loss substantially diminished.* Whether a holder's risk of loss is substantially diminished under section 355(d)(6) and paragraph (e)(5)(ii) of this section will be determined based on all facts and circumstances relating to the stock, the corporate activities, and arrangements for holding the stock.

(iv) *Special class of stock.* For purposes of section 355(d)(6) and paragraph (e)(5)(ii) of this section, the term special class of stock includes a class of stock that grants particular rights to, or bears particular risks for, the holder or the issuer with respect to the earnings, assets, or attributes of less than all the assets or activities of a corporation or any of its subsidiaries. The term includes, for example, tracking stock and stock (or any related instruments or arrangements) the terms of which provide for the distribution (whether or not at the option of any party or in the event of any contingency) of any controlled corporation or other specified assets to the holder or to one or more persons other than the holder.

(f) *Duty to determine stockholders—(1) In general.* In determining whether section 355(d) applies to a distribution of controlled corporation stock, a distributing corporation must determine whether a disqualified person holds its stock or the stock of any distributed

controlled corporation. This paragraph (f) provides rules regarding this determination and the extent to which a distributing corporation must investigate whether a disqualified person holds stock.

(2) *Deemed knowledge of contents of securities filings.* A distributing corporation is deemed to have knowledge of the existence and contents of all schedules, forms, and other documents filed with or under the rules of the Securities and Exchange Commission, including without limitation any Schedule 13D or 13G (or any similar schedules) and amendments, with respect to any relevant corporation.

(3) *Presumption as to securities filings.* Absent actual knowledge to the contrary, in determining whether section 355(d) applies to a distribution, a distributing corporation may presume, with respect to stock that is reporting stock (while such stock is reporting stock), that every shareholder or other person required to file a schedule, form, or other document with or under the rules of the Securities and Exchange Commission as of a given date has filed the schedule, form, or other document as of that date and that the contents of filed schedules, forms, or other documents are accurate and complete. Reporting stock is stock that is described in Rule 13d-1(i) of Regulation 13D (17 CFR 240.13d-1(i)) (or any rule or regulation to generally the same effect) promulgated by the Securities and Exchange Commission under the Securities Exchange Act of 1934 (15 U.S.C. 78a *et seq.*).

(4) *Presumption as to less-than-five-percent shareholders.* Absent actual knowledge (or deemed knowledge under paragraph (f)(2) of this section) immediately after the distribution to the contrary with regard to a particular shareholder, a distributing corporation may presume that no less-than-five-percent shareholder of a corporation acquired stock or securities by purchase under section 355(d)(5) or (8) and paragraphs (d) and (e) of this section during the five-year period. For purposes of this paragraph (f), a less-than-five-percent shareholder is a person that, at no time during the five-year period, holds directly (or by applica-

tion, but not by application of section 355(d)(7) or (8)) stock possessing five percent or more of the total combined voting power of all classes of stock entitled to vote or the total value of shares of all classes of stock of a corporation. However, this presumption does not apply to any less-than-five-percent shareholder that, at any time during the five-year period—

(i) Is related under section 355(d)(7)(A) to a shareholder in the corporation that is, at any time during the five-year period, not a less-than-five-percent shareholder;

(ii) Acted pursuant to a plan or arrangement, with respect to acquisitions of the corporation's stock or securities under section 355(d)(7)(B) and paragraph (c)(4) of this section, with a shareholder in the corporation that is, at any time during the five-year period, not a less-than-five-percent shareholder; or

(iii) Holds stock or securities that is attributed under section 355(d)(8)(A) to a shareholder in the corporation that is, at any time during the five-year period, not a less-than-five-percent shareholder.

(5) *Examples.* The following examples illustrate this paragraph (f):

Example 1. Publicly traded corporation; no schedules filed. D is a widely held and publicly traded corporation with a single class of reporting stock and no other class of stock. Assume that applicable federal law requires any person that directly holds five percent or more of the D stock to file a schedule with the Securities and Exchange Commission within 10 days after an acquisition. D distributes its wholly owned subsidiary C pro rata. D determines that no schedule, form, or other document has been filed with respect to its stock or the stock of any other relevant corporation during the five-year period or within 10 days after the distribution. Immediately after the distribution, D has no knowledge that any of its shareholders are (or were at any time during the five-year period) not less-than-five-percent shareholders, or that any particular shareholder acquired D stock by purchase under section 355(d)(5) or (8) and paragraphs (d) and (e) of this section during the five-year period. Under paragraph (f)(3) of this section, D may presume it has no shareholder that is or was not a less-than-five-percent shareholder during the five-year period due to the absence of any filed schedules, forms, or other documents. Under paragraph (f)(4) of this section, D may presume that

none of its less-than-five-percent shareholders acquired D's stock by purchase during the five-year period. Accordingly, D may presume that section 355(d) does not apply to the distribution of C.

Example 2. Publicly traded corporation; schedule filed. The facts are the same as those in *Example 1*, except that D determines that, as of 10 days after the distribution, only one schedule has been filed with respect to its stock. That schedule discloses that X acquired 15 percent of the D stock one year before the distribution. Absent contrary knowledge, D may rely on the presumptions in paragraph (f)(3) of this section and so may presume that X is its only shareholder that is or was not a less-than-five-percent shareholder during the five-year period. D may not rely on the presumption in paragraph (f)(4) of this section with respect to X. In addition, D may not rely on the presumption in paragraph (f)(4) of this section with respect to any less-than-five-percent shareholder that, at any time during the five-year period, is related to X under section 355(d)(7)(A), acted pursuant to a plan or arrangement with X under section 355(d)(7)(B) and paragraph (c)(4) of this section with respect to acquisitions of D stock, or holds stock that is attributed to X under section 355(d)(8)(A). Accordingly, under paragraph (f)(1) of this section, to determine whether section 355(d) applies, D must determine: whether X acquired its directly held D stock by purchase under section 355(d)(5) and paragraphs (d) and (e)(2) and (3) of this section during the five-year period; whether X is treated as having purchased any additional D stock under section 355(d)(8) and paragraph (e)(1) of this section during the five-year period; and whether X is related to, or acquired its D stock pursuant to a plan or arrangement with, one or more of D's other shareholders during the five-year period under section 355(d)(7)(A) or (B) and paragraph (c)(4) of this section, and if so, whether those shareholders acquired their D stock by purchase under section 355(d)(5) or (8) and paragraphs (d) and (e) of this section during the five-year period.

Example 3. Acquisition of publicly traded corporation. The facts are the same as those in *Example 1*, except that P acquires all of the D stock in a section 368(a)(1)(B) reorganization that is not also a reorganization under section 368(a)(1)(A) by reason of section 368(a)(2)(E), and D distributes C to P one year later. Because D was widely held, P applies statistical sampling procedures that involve less than 50% of D's outstanding shares, to estimate the basis of all shares acquired, instead of surveying each shareholder. Under the deemed purchase rule of section 355(d)(5)(C) and paragraph (e)(2) of this section, P is treated as having acquired the D stock by purchase on the date the D shareholders acquired the D stock by pur-

chase. Even though D has no less-than-five-percent shareholder immediately after the distribution, D may rely on the presumptions in paragraphs (f)(3) and (4) of this section to determine whether and to what extent the D stock is treated as purchased during the five-year period in P's hands under the deemed purchase rule of section 355(d)(5)(C) and paragraph (e)(2) of this section. Accordingly, D may presume that section 355(d) does not apply to the distribution of C to P. This result would not change even if the statistical sampling that involves less than 50 percent of D's outstanding shares indicated that more than 50% of D's shares were acquired by purchase during the five-year period.

Example 4. Non-publicly traded corporation. D is owned by 20 shareholders and has a single class of stock that is not reporting stock. D knows that A owns 40 percent of the D stock, and D does not know that any other shareholder has owned as much as five percent of the D stock at any time during the five-year period. D may not rely on the presumption in paragraph (f)(3) of this section because its stock is not reporting stock. D may not rely on the presumption in paragraph (f)(4) of this section with respect to A. In addition, D may not rely on the presumption in paragraph (f)(4) of this section for any less-than-five-percent shareholder that, at any time during the five-year period, is related to A under section 355(d)(7)(A), acted pursuant to a plan or arrangement with A under section 355(d)(7)(B) and paragraph (c)(4) of this section with respect to acquisitions of D stock, or holds stock that is attributed to A under section 355(d)(8)(A). D may rely on the presumption in paragraph (f)(4) of this section for less-than-five-percent shareholders that during the five-year period are not related to A, did not act pursuant to a plan or arrangement with A, and do not hold stock attributed to A. Accordingly, under paragraph (f)(1) of this section, to determine whether section 355(d) applies, D must determine: that A is its only shareholder that is (or was at any time during the five-year period) not a less-than-five-percent shareholder; whether A acquired its directly held D stock by purchase under section 355(d)(5) and paragraphs (d) and (e)(2) and (3) of this section during the five-year period; whether A is treated as having purchased any additional D stock under section 355(d)(8) and paragraph (e)(1) of this section during the five-year period; and whether A is related to, or acquired its D stock pursuant to a plan or arrangement with, one or more of D's other shareholders during the five-year period under section 355(d)(7)(A) or (B) and paragraph (c)(4) of this section, and if so, whether those shareholders acquired their D stock by purchase under section 355(d)(5) or (8) and paragraphs (d) and (e) of this section during the five-year period.

(g) *Effective/applicability dates.* This section applies to distributions occurring after December 20, 2000, except that they do not apply to any distributions occurring pursuant to a written agreement that is (subject to customary conditions) binding on December 20, 2000, and at all later times. The provisions of paragraph (d)(1)(i)(A)(2) of this section relating to section 1022 are effective on and after January 19, 2017.

[T.D. 8913, 65 FR 79723, Dec. 20, 2000; 66 FR 9034, Feb. 6, 2001, as amended by T.D. 9811, 82 FR 6237, Jan. 19, 2017]

§ 1.355-7 Recognition of gain on certain distributions of stock or securities in connection with an acquisition.

(a) *In general.* Except as provided in section 355(e) and in this section, section 355(e) applies to any distribution—

(1) To which section 355 (or so much of section 356 as relates to section 355) applies; and

(2) That is part of a plan (or series of related transactions) (hereinafter, plan) pursuant to which 1 or more persons acquire directly or indirectly stock representing a 50-percent or greater interest in the distributing corporation (Distributing) or any controlled corporation (Controlled).

(b) *Plan*—(1) *In general.* Whether a distribution and an acquisition are part of a plan is determined based on all the facts and circumstances. The facts and circumstances to be considered in demonstrating whether a distribution and an acquisition are part of a plan include, but are not limited to, the facts and circumstances set forth in paragraphs (b)(3) and (4) of this section. In general, the weight to be given each of the facts and circumstances depends on the particular case. Whether a distribution and an acquisition are part of a plan does not depend on the relative number of facts and circumstances set forth in paragraph (b)(3) that evidence that a distribution and an acquisition are part of a plan as compared to the relative number of facts and circumstances set forth in paragraph (b)(4) that evidence that a distribution and an acquisition are not part of a plan.

(2) *Certain post-distribution acquisitions.* In the case of an acquisition

(other than involving a public offering) after a distribution, the distribution and the acquisition can be part of a plan only if there was an agreement, understanding, arrangement, or substantial negotiations regarding the acquisition or a similar acquisition at some time during the two-year period ending on the date of the distribution. In the case of an acquisition (other than involving a public offering) after a distribution, the existence of an agreement, understanding, arrangement, or substantial negotiations regarding the acquisition or a similar acquisition at some time during the two-year period ending on the date of the distribution tends to show that the distribution and the acquisition are part of a plan. See paragraph (b)(3)(i) of this section. However, all facts and circumstances must be considered to determine whether the distribution and the acquisition are part of a plan. For example, in the case of an acquisition (other than involving a public offering) after a distribution, if the distribution was motivated in whole or substantial part by a corporate business purpose (within the meaning of § 1.355-2(b)) other than a business purpose to facilitate the acquisition or a similar acquisition of Distributing or Controlled (see paragraph (b)(4)(v) of this section) and would have occurred at approximately the same time and in similar form regardless of whether the acquisition or a similar acquisition was effected (see paragraph (b)(4)(vi) of this section), the taxpayer may be able to establish that the distribution and the acquisition are not part of a plan.

(3) *Plan factors.* Among the facts and circumstances tending to show that a distribution and an acquisition are part of a plan are the following:

(i) In the case of an acquisition (other than involving a public offering) after a distribution, at some time during the two-year period ending on the date of the distribution, there was an agreement, understanding, arrangement, or substantial negotiations regarding the acquisition or a similar acquisition. The weight to be accorded this fact depends on the nature, extent, and timing of the agreement, understanding, arrangement, or substantial negotiations. The existence of an

agreement, understanding, or arrangement at the time of the distribution is given substantial weight.

(ii) In the case of an acquisition involving a public offering after a distribution, at some time during the two-year period ending on the date of the distribution, there were discussions by Distributing or Controlled with an investment banker regarding the acquisition or a similar acquisition. The weight to be accorded this fact depends on the nature, extent, and timing of the discussions.

(iii) In the case of an acquisition (other than involving a public offering) before a distribution, at some time during the two-year period ending on the date of the acquisition, there were discussions by Distributing or Controlled with the acquirer regarding a distribution. The weight to be accorded this fact depends on the nature, extent, and timing of the discussions. In addition, in the case of an acquisition (other than involving a public offering) before a distribution, the acquirer intends to cause a distribution and, immediately after the acquisition, can meaningfully participate in the decision regarding whether to make a distribution.

(iv) In the case of an acquisition involving a public offering before a distribution, at some time during the two-year period ending on the date of the acquisition, there were discussions by Distributing or Controlled with an investment banker regarding a distribution. The weight to be accorded this fact depends on the nature, extent, and timing of the discussions.

(v) In the case of an acquisition either before or after a distribution, the distribution was motivated by a business purpose to facilitate the acquisition or a similar acquisition.

(4) *Non-plan factors.* Among the facts and circumstances tending to show that a distribution and an acquisition are not part of a plan are the following:

(i) In the case of an acquisition involving a public offering after a distribution, during the two-year period ending on the date of the distribution, there were no discussions by Distributing or Controlled with an investment banker regarding the acquisition or a similar acquisition.

(ii) In the case of an acquisition after a distribution, there was an identifiable, unexpected change in market or business conditions occurring after the distribution that resulted in the acquisition that was otherwise unexpected at the time of the distribution.

(iii) In the case of an acquisition (other than involving a public offering) before a distribution, during the two-year period ending on the date of the earlier to occur of the acquisition or the first public announcement regarding the distribution, there were no discussions by Distributing or Controlled with the acquirer regarding a distribution. Paragraph (b)(4)(iii) of this section does not apply to an acquisition where the acquirer intends to cause a distribution and, immediately after the acquisition, can meaningfully participate in the decision regarding whether to make a distribution.

(iv) In the case of an acquisition before a distribution, there was an identifiable, unexpected change in market or business conditions occurring after the acquisition that resulted in a distribution that was otherwise unexpected.

(v) In the case of an acquisition either before or after a distribution, the distribution was motivated in whole or substantial part by a corporate business purpose (within the meaning of § 1.355-2(b)) other than a business purpose to facilitate the acquisition or a similar acquisition.

(vi) In the case of an acquisition either before or after a distribution, the distribution would have occurred at approximately the same time and in similar form regardless of the acquisition or a similar acquisition.

(c) *Operating rules.* The operating rules contained in this paragraph (c) apply for all purposes of this section.

(1) *Internal discussions and discussions with outside advisors evidence of business purpose.* Discussions by Distributing or Controlled with outside advisors and internal discussions may be indicative of one or more business purposes for the distribution and the relative importance of such purposes.

(2) *Takeover defense.* If Distributing engages in discussions with a potential acquirer regarding an acquisition of Distributing or Controlled and distributes Controlled stock intending, in

whole or substantial part, to decrease the likelihood of the acquisition of Distributing or Controlled by separating it from another corporation that is likely to be acquired, Distributing will be treated as having a business purpose to facilitate the acquisition of the corporation that was likely to be acquired.

(3) *Effect of distribution on trading in stock.* The fact that the distribution made all or a part of the stock of Controlled available for trading or made Distributing's or Controlled's stock trade more actively is not taken into account in determining whether the distribution and an acquisition of Distributing or Controlled stock were part of a plan.

(4) *Consequences of section 355(e) disregarded for certain purposes.* For purposes of determining the intentions of the relevant parties under this section, the consequences of the application of section 355(e), and the existence of any contractual indemnity by Controlled for tax resulting from the application of section 355(e) caused by an acquisition of Controlled, are disregarded.

(5) *Multiple acquisitions.* All acquisitions of stock of Distributing or Controlled that are considered to be part of a plan with a distribution pursuant to paragraph (b) of this section will be aggregated for purposes of the 50-percent test of paragraph (a)(2) of this section.

(d) *Safe harbors—(1) Safe Harbor I.* A distribution and an acquisition occurring after the distribution will not be considered part of a plan if—

(i) The distribution was motivated in whole or substantial part by a corporate business purpose (within the meaning of § 1.355-2(b)), other than a business purpose to facilitate an acquisition of the acquired corporation (Distributing or Controlled); and

(ii) The acquisition occurred more than six months after the distribution and there was no agreement, understanding, arrangement, or substantial negotiations concerning the acquisition or a similar acquisition during the period that begins one year before the distribution and ends six months thereafter.

(2) *Safe Harbor II—(i) In general.* A distribution and an acquisition occur-

ring after the distribution will not be considered part of a plan if—

(A) The distribution was not motivated by a business purpose to facilitate the acquisition or a similar acquisition;

(B) The acquisition occurred more than six months after the distribution and there was no agreement, understanding, arrangement, or substantial negotiations concerning the acquisition or a similar acquisition during the period that begins one year before the distribution and ends six months thereafter; and

(C) No more than 25 percent of the stock of the acquired corporation (Distributing or Controlled) was either acquired or the subject of an agreement, understanding, arrangement, or substantial negotiations during the period that begins one year before the distribution and ends six months thereafter.

(ii) *Special rule.* For purposes of paragraph (d)(2)(i)(C) of this section, acquisitions of stock that are treated as not part of a plan pursuant to Safe Harbor VII, Safe Harbor VIII, or Safe Harbor IX are disregarded.

(3) *Safe Harbor III.* If an acquisition occurs after a distribution, there was no agreement, understanding, or arrangement concerning the acquisition or a similar acquisition at the time of the distribution, and there was no agreement, understanding, arrangement, or substantial negotiations concerning the acquisition or a similar acquisition within one year after the distribution, the acquisition and the distribution will not be considered part of a plan.

(4) *Safe Harbor IV—(i) In general.* A distribution and an acquisition (other than involving a public offering) occurring before the distribution will not be considered part of a plan if the acquisition occurs before the date of the first disclosure event regarding the distribution.

(ii) *Special rules.* (A) Paragraph (d)(4)(i) of this section does not apply to a stock acquisition if the acquirer or a coordinating group of which the acquirer is a member is a controlling shareholder or a ten-percent shareholder of the acquired corporation (Distributing or Controlled) at any time

during the period beginning immediately after the acquisition and ending on the date of the distribution.

(B) Paragraph (d)(4)(i) of this section does not apply to an acquisition that occurs in connection with a transaction in which the aggregate acquisitions are of stock possessing 20 percent or more of the total voting power of the stock of the acquired corporation (Distributing or Controlled) or stock having a value of 20 percent or more of the total value of the stock of the acquired corporation (Distributing or Controlled).

(5) *Safe Harbor V*—(i) *In general.* A distribution that is pro rata among the Distributing shareholders and an acquisition (other than involving a public offering) of Distributing stock occurring before the distribution will not be considered part of a plan if—

(A) The acquisition occurs after the date of a public announcement regarding the distribution; and

(B) There were no discussions by Distributing or Controlled with the acquirer regarding a distribution on or before the date of the first public announcement regarding the distribution.

(ii) *Special rules.* (A) Paragraph (d)(5)(i) of this section does not apply to a stock acquisition if the acquirer or a coordinating group of which the acquirer is a member is a controlling shareholder or a ten-percent shareholder of Distributing at any time during the period beginning immediately after the acquisition and ending on the date of the distribution.

(B) Paragraph (d)(5)(i) of this section does not apply to an acquisition that occurs in connection with a transaction in which the aggregate acquisitions are of stock possessing 20 percent or more of the total voting power of the stock of Distributing or stock having a value of 20 percent or more of the total value of the stock of Distributing.

(6) *Safe Harbor VI.* A distribution and an acquisition involving a public offering occurring before the distribution will not be considered part of a plan if the acquisition occurs before the date of the first disclosure event regarding the distribution in the case of an acquisition of stock that is not listed on an established market immediately after

the acquisition, or before the date of the first public announcement regarding the distribution in the case of an acquisition of stock that is listed on an established market immediately after the acquisition.

(7) *Safe Harbor VII*—(i) *In general.* An acquisition (other than involving a public offering) of Distributing or Controlled stock that is listed on an established market is not part of a plan if, immediately before or immediately after the transfer, none of the transferor, the transferee, and any coordinating group of which either the transferor or the transferee is a member is—

(A) The acquired corporation (Distributing or Controlled);

(B) A corporation that the acquired corporation (Distributing or Controlled) controls within the meaning of section 368(c);

(C) A member of a controlled group of corporations within the meaning of section 1563 of which the acquired corporation (Distributing or Controlled) is a member;

(D) A controlling shareholder of the acquired corporation (Distributing or Controlled); or

(E) A ten-percent shareholder of the acquired corporation (Distributing or Controlled).

(ii) *Special rules.* (A) Paragraph (d)(7)(i) of this section does not apply to a transfer of stock by or to a person if the corporation the stock of which is being transferred knows, or has reason to know, that the person or a coordinating group of which such person is a member intends to become a controlling shareholder or a ten-percent shareholder of the acquired corporation (Distributing or Controlled) at any time after the acquisition and before the date that is two years after the distribution.

(B) If a transfer of stock to which paragraph (d)(7)(i) of this section applies results immediately, or upon a subsequent event or the passage of time, in an indirect acquisition of voting power by a person other than the transferee, paragraph (d)(7)(i) of this section does not prevent an acquisition of stock (with the voting power such stock represents after the transfer to which paragraph (d)(7)(i) of this section

applies) by such other person from being treated as part of a plan.

(8) *Safe Harbor VIII*—(i) *In general.* If, in a transaction to which section 83 or section 421(a) or (b) applies, stock of Distributing or Controlled is acquired by a person in connection with such person's performance of services as an employee, director, or independent contractor for Distributing, Controlled, a related person, a corporation the assets of which Distributing, Controlled, or a related person acquires in a reorganization under section 368(a), or a corporation that acquires the assets of Distributing or Controlled in such a reorganization (and the stock acquired is not excessive by reference to the services performed), the acquisition and the distribution will not be considered part of a plan. For purposes of this paragraph (d)(8)(i), a related person is a person related to Distributing or Controlled under section 355(d)(7)(A).

(ii) *Special rule.* Paragraph (d)(8)(i) of this section does not apply to a stock acquisition if the acquirer or a coordinating group of which the acquirer is a member is a controlling shareholder or a ten-percent shareholder of the acquired corporation (Distributing or Controlled) immediately after the acquisition.

(9) *Safe Harbor IX*—(i) *In general.* If stock of Distributing or Controlled is acquired by a retirement plan of Distributing or Controlled (or a retirement plan of any other person that is treated as the same employer as Distributing or Controlled under section 414(b), (c), (m), or (o)) that qualifies under section 401(a) or 403(a), the acquisition and the distribution will not be considered part of a plan.

(ii) *Special rule.* Paragraph (d)(9)(i) of this section does not apply to the extent that the stock acquired pursuant to acquisitions by all of the qualified plans of the persons described in paragraph (d)(9)(i) of this section during the four-year period beginning two years before the distribution, in the aggregate, represents more than ten percent of the total combined voting power of all classes of stock entitled to vote, or more than ten percent of the total value of shares of all classes of stock, of the acquired corporation (Distributing or Controlled).

(e) *Options, warrants, convertible obligations, and other similar interests*—(1) *Treatment of options*—(i) *General rule.* For purposes of this section, if stock of Distributing or Controlled is acquired pursuant to an option that is written by Distributing, Controlled, or a person that is a controlling shareholder of Distributing or Controlled at the time the option is written, or that is acquired by a person that is a controlling shareholder of Distributing or Controlled immediately after the option is written, the option will be treated as an agreement, understanding, or arrangement to acquire the stock on the earliest of the following dates: the date that the option is written, if the option was more likely than not to be exercised as of such date; the date that the option is transferred if, immediately before or immediately after the transfer, the transferor or transferee was Distributing, Controlled, a corporation that Distributing or Controlled controls within the meaning of section 368(c), a member of a controlled group of corporations within the meaning of section 1563 of which Distributing or Controlled is a member, or a controlling shareholder or a ten-percent shareholder of Distributing or Controlled and the option was more likely than not to be exercised as of such date; and the date that the option is modified in a manner that materially increases the likelihood of exercise, if the option was more likely than not to be exercised as of such date; provided, however, if the writing, transfer, or modification had a principal purpose of avoiding section 355(e), the option will be treated as an agreement, understanding, arrangement, or substantial negotiations to acquire the stock on the date of the distribution. The determination of whether an option was more likely than not to be exercised is based on all the facts and circumstances, taking control premiums and minority and blockage discounts into account in determining the fair market value of stock underlying an option.

(ii) *Agreement, understanding, or arrangement to write, transfer, or modify an option.* If there is an agreement, understanding, or arrangement to write an option, the option will be treated as written on the date of the agreement,

understanding, or arrangement. If there is an agreement, understanding, or arrangement to transfer an option, the option will be treated as transferred on the date of the agreement, understanding, or arrangement. If there is an agreement, understanding, or arrangement to modify an option in a manner that materially increases the likelihood of exercise, the option will be treated as so modified on the date of the agreement, understanding, or arrangement.

(iii) *Substantial negotiations related to options.* If an option is treated as an agreement, understanding, or arrangement to acquire the stock on the date that the option is written, substantial negotiations to acquire the option will be treated as substantial negotiations to acquire the stock subject to such option. If an option is treated as an agreement, understanding, or arrangement to acquire the stock on the date that the option is transferred, substantial negotiations regarding the transfer of the option will be treated as substantial negotiations to acquire the stock subject to such option. If an option is treated as an agreement, understanding, or arrangement to acquire the stock on the date that the option is modified in a manner that materially increases the likelihood of exercise, substantial negotiations regarding such modifications to the option will be treated as substantial negotiations to acquire the stock subject to such option.

(2) *Stock acquired pursuant to options.* For purposes of this section, if an option is issued for cash, the terms of the acquisition of the option and the terms of the option are established by the corporation the stock of which is subject to the option (Distributing or Controlled) or the writer with the involvement of one or more investment bankers, and the potential acquirers of the option have no opportunity to negotiate the terms of the acquisition of the option or the terms of the option, then an acquisition pursuant to such option shall be treated as an acquisition involving a public offering occurring after the distribution if the option is exercised after the distribution or an acquisition involving a public offering before a distribution if the option is ex-

ercised before the distribution. Otherwise, an acquisition pursuant to an option shall be treated as an acquisition not involving a public offering.

(3) *Instruments treated as options.* For purposes of this section, except to the extent provided in paragraph (e)(4) of this section, call options, warrants, convertible obligations, the conversion feature of convertible stock, put options, redemption agreements (including rights to cause the redemption of stock), any other instruments that provide for the right or possibility to issue, redeem, or transfer stock (including an option on an option), or any other similar interests are treated as options.

(4) *Instruments generally not treated as options.* For purposes of this section, the following are not treated as options unless (in the case of paragraphs (e)(4)(i), (ii), and (iii) of this section) written, transferred (directly or indirectly), modified, or listed with a principal purpose of avoiding the application of section 355(e) or this section.

(i) *Escrow, pledge, or other security agreements.* An option that is part of a security arrangement in a typical lending transaction (including a purchase money loan), if the arrangement is subject to customary commercial conditions. For this purpose, a security arrangement includes, for example, an agreement for holding stock in escrow or under a pledge or other security agreement, or an option to acquire stock contingent upon a default under a loan.

(ii) *Options exercisable only upon death, disability, mental incompetency, or separation from service.* Any option entered into between shareholders of a corporation (or a shareholder and the corporation) that is exercisable only upon the death, disability, or mental incompetency of the shareholder, or, in the case of stock acquired in connection with the performance of services for the corporation or a person related to it under section 355(d)(7)(A) (and that is not excessive by reference to the services performed), the shareholder's separation from service.

(iii) *Rights of first refusal.* A bona fide right of first refusal regarding the corporation's stock with customary

terms, entered into between shareholders of a corporation (or between the corporation and a shareholder).

(iv) *Other enumerated instruments.* Any other instrument the Commissioner may designate in revenue procedures, notices, or other guidance published in the Internal Revenue Bulletin (see § 601.601(d)(2) of this chapter).

(f) *Multiple controlled corporations.* Only the stock or securities of a controlled corporation in which one or more persons acquire directly or indirectly stock representing a 50-percent or greater interest as part of a plan involving the distribution of that corporation will be treated as not qualified property under section 355(e)(1) if—

(1) The stock or securities of more than one controlled corporation are distributed in distributions to which section 355 (or so much of section 356 as relates to section 355) applies; and

(2) One or more persons do not acquire, directly or indirectly, stock representing a 50-percent or greater interest in Distributing pursuant to a plan involving any of those distributions.

(g) *Valuation.* Except as provided in paragraph (e)(1)(i) of this section, for purposes of section 355(e) and this section, all shares of stock within a single class are considered to have the same value. Thus, control premiums and minority and blockage discounts within a single class are not taken into account.

(h) *Definitions.* For purposes of this section, the following definitions shall apply:

(1) *Agreement, understanding, arrangement, or substantial negotiations.* (i) An agreement, understanding, or arrangement generally requires either—

(A) An agreement, understanding, or arrangement by one or more officers or directors acting on behalf of Distributing or Controlled, by controlling shareholders of Distributing or Controlled, or by another person or persons with the implicit or explicit permission of one or more of such officers, directors, or controlling shareholders, with the acquirer or with a person or persons with the implicit or explicit permission of the acquirer; or

(B) An agreement, understanding, or arrangement by an acquirer that is a controlling shareholder of Distributing or Controlled immediately after the ac-

quisition that is the subject of the agreement, understanding, or arrangement, or by a person or persons with the implicit or explicit permission of such acquirer, with the transferor or with a person or persons with the implicit or explicit permission of the transferor.

(ii) In the case of an acquisition by a corporation, an agreement, understanding, or arrangement with the acquiring corporation generally requires an agreement, understanding, or arrangement with one or more officers or directors acting on behalf of the acquiring corporation, with controlling shareholders of the acquiring corporation, or with another person or persons with the implicit or explicit permission of one or more of such officers, directors, or controlling shareholders.

(iii) Whether an agreement, understanding, or arrangement exists depends on the facts and circumstances. The parties do not necessarily have to have entered into a binding contract or have reached agreement on all significant economic terms to have an agreement, understanding, or arrangement. However, an agreement, understanding, or arrangement clearly exists if a binding contract to acquire stock exists.

(iv) Substantial negotiations in the case of an acquisition (other than involving a public offering) generally require discussions of significant economic terms, *e.g.*, the exchange ratio in a reorganization, either—

(A) By one or more officers or directors acting on behalf of Distributing or Controlled, by controlling shareholders of Distributing or Controlled, or by another person or persons with the implicit or explicit permission of one or more of such officers, directors, or controlling shareholders, with the acquirer or with a person or persons with the implicit or explicit permission of the acquirer; or

(B) If the acquirer is a controlling shareholder of Distributing or Controlled immediately after the acquisition that is the subject of substantial negotiations, by the acquirer or by a person or persons with the implicit or explicit permission of the acquirer, with the transferor or with a person or persons with the implicit or explicit permission of the transferor.

(v) In the case of an acquisition (other than involving a public offering) by a corporation, substantial negotiations generally require discussions of significant economic terms with one or more officers or directors acting on behalf of the acquiring corporation, with controlling shareholders of the acquiring corporation, or with another person or persons with the implicit or explicit permission of one or more of such officers, directors, or controlling shareholders.

(vi) In the case of an acquisition involving a public offering, the existence of an agreement, understanding, arrangement, or substantial negotiations will be based on discussions by one or more officers or directors acting on behalf of Distributing or Controlled, by controlling shareholders of Distributing or Controlled, or by another person or persons with the implicit or explicit permission of one or more of such officers, directors, or controlling shareholders, with an investment banker.

(2) *Controlled corporation.* A controlled corporation is a corporation the stock of which is distributed in a distribution to which section 355 (or so much of section 356 as relates to section 355) applies.

(3) *Controlling shareholder.* (i) A controlling shareholder of a corporation the stock of which is listed on an established market is a five-percent shareholder who actively participates in the management or operation of the corporation. For purposes of this paragraph (h)(3)(i), a corporate director will be treated as actively participating in the management of the corporation.

(ii) A controlling shareholder of a corporation the stock of which is not listed on an established market is any person that owns stock possessing voting power representing a meaningful voice in the governance of the corporation. For purposes of determining whether a person owns stock possessing voting power representing a meaningful voice in the governance of the corporation, the person shall be treated as owning the stock that such person owns actually and constructively under the rules of section 318 (without regard to section 318(a)(4)). In addition, if the exercise of an option (whether by itself or in conjunction

with the deemed exercise of one or more other options) would cause the holder to own stock possessing voting power representing a meaningful voice in the governance of the corporation, then the option will be treated as exercised.

(iii) If a distribution precedes an acquisition, Controlled's controlling shareholders immediately after the distribution and Distributing are included among Controlled's controlling shareholders at the time of the distribution.

(4) *Coordinating group.* A coordinating group includes two or more persons that, pursuant to a formal or informal understanding, join in one or more coordinated acquisitions or dispositions of stock of Distributing or Controlled. A principal element in determining if such an understanding exists is whether the investment decision of each person is based on the investment decision of one or more other existing or prospective shareholders. A coordinating group is treated as a single shareholder for purposes of determining whether the coordinating group is treated as a controlling shareholder, a five-percent shareholder, or a ten-percent shareholder.

(5) *Disclosure event.* A disclosure event regarding the distribution means any communication by an officer, director, controlling shareholder, or employee of Distributing, Controlled, or a corporation related to Distributing or Controlled, or an outside advisor of any of those persons (where such advisor makes the communication on behalf of such person), regarding the distribution, or the possibility thereof, to the acquirer or any other person (other than an officer, director, controlling shareholder, or employee of Distributing, Controlled, or a corporation related to Distributing or Controlled, or an outside advisor of any of those persons). For purposes of this paragraph (h)(5), a corporation is related to Distributing or Controlled if it is a member of an affiliated group (as defined in section 1504(a) without regard to section 1504(b)) that includes either Distributing or Controlled or it is a member of a qualified group (as defined in §1.368-1(d)(4)(ii)) that includes either Distributing or Controlled.

(6) *Discussions.* Discussions by Distributing or Controlled generally require discussions by one or more officers or directors acting on behalf of Distributing or Controlled, by controlling shareholders of Distributing or Controlled, or by another person or persons with the implicit or explicit permission of one or more of such officers, directors, or controlling shareholders. Discussions with the acquirer generally require discussions with the acquirer or with a person or persons with the implicit or explicit permission of the acquirer. In the case of an acquisition by a corporation, discussions with the acquiring corporation generally require discussions with one or more officers or directors acting on behalf of the acquiring corporation, with controlling shareholders of the acquiring corporation, or with another person or persons with the implicit or explicit permission of one or more of such officers, directors, or controlling shareholders.

(7) *Established market.* An established market is—

(i) A national securities exchange registered under section 6 of the Securities Exchange Act of 1934 (15 U.S.C. 78f);

(ii) An interdealer quotation system sponsored by a national securities association registered under section 15A of the Securities Act of 1934 (15 U.S.C. 78o-3); or

(iii) Any additional market that the Commissioner may designate in revenue procedures, notices, or other guidance published in the Internal Revenue Bulletin (see § 601.601(d)(2) of this chapter).

(8) *Five-percent shareholder.* A person will be considered a five-percent shareholder of a corporation the stock of which is listed on an established market if the person owns five percent or more of any class of stock of the corporation whose stock is transferred. For purposes of determining whether a person owns five percent or more of any class of stock of the corporation whose stock is transferred, the person shall be treated as owning the stock that such person owns actually and constructively under the rules of section 318 (without regard to section 318(a)(4)). In addition, if the exercise of

an option (whether by itself or in conjunction with the deemed exercise of one or more other options) would cause the holder to become a five-percent shareholder, then the option will be treated as exercised. Absent actual knowledge that a person is a five-percent shareholder, a corporation can rely on Schedules 13D and 13G (or any similar schedules) filed with the Securities and Exchange Commission to identify its five-percent shareholders.

(9) *Implicit permission.* A corporation is treated as having the implicit permission of its shareholders when it engages in discussions or negotiations, or enters into an agreement, understanding, or arrangement.

(10) *Public announcement.* A public announcement regarding the distribution means any communication by Distributing or Controlled regarding Distributing's intention to effect the distribution where the communication is generally available to the public.

(11) *Public offering.* An acquisition involving a public offering means an acquisition of stock for cash where the terms of the acquisition are established by the acquired corporation (Distributing or Controlled) or the seller with the involvement of one or more investment bankers and the potential acquirers have no opportunity to negotiate the terms of the acquisition. For example, a public offering includes an underwritten offering of registered stock for cash.

(12) *Similar acquisition (not involving a public offering).* In general, an actual acquisition (other than involving a public offering) is similar to another potential acquisition if the actual acquisition effects a direct or indirect combination of all or a significant portion of the same business operations as the combination that would have been effected by such other potential acquisition. Thus, an actual acquisition may be similar to another acquisition even if the timing or terms of the actual acquisition are different from the timing or terms of the other acquisition. For example, an actual acquisition of Distributing by shareholders of another corporation in connection with a merger of such other corporation with and into Distributing is similar to another acquisition of Distributing by merger

into such other corporation or into a subsidiary of such other corporation. However, in general, an actual acquisition (other than involving a public offering) is not similar to another acquisition if the ultimate owners of the business operations with which Distributing or Controlled is combined in the actual acquisition are substantially different from the ultimate owners of the business operations with which Distributing or Controlled was to be combined in such other acquisition.

(13) *Similar acquisition involving a public offering*—(i) *One public offering.* In general, an actual acquisition involving a public offering may be similar to a potential acquisition involving a public offering, even though there are changes in the terms of the stock, the class of stock being offered, the size of the offering, the timing of the offering, the price of the stock, or the participants in the offering.

(ii) *More than one public offering.* More than one actual acquisition involving a public offering may be similar to a potential acquisition involving a public offering. If there is an actual acquisition involving a public offering (the first public offering) that is the same as, or similar to, a potential acquisition involving a public offering, then another actual acquisition involving a public offering (the second public offering) cannot be similar to the potential acquisition unless the purpose of the second public offering is similar to that of the potential acquisition and occurs close in time to the first public offering.

(iii) *Potential acquisition involving a public offering.* For purposes of paragraph (h)(13)(i) and (ii) of this section, as the context may require, a potential acquisition involving a public offering means a potential acquisition involving a public offering that was discussed by Distributing or Controlled with an investment banker, that motivated the distribution, or that was the subject of an agreement, understanding, arrangement, or substantial negotiations.

(14) *Ten-percent shareholder.* A person will be considered a ten-percent shareholder of a corporation the stock of which is listed on an established market if the person owns, actually or constructively under the rules of section

318 (without regard to section 318(a)(4)), ten percent or more of any class of stock of the corporation whose stock is transferred. A person will be considered a ten-percent shareholder of a corporation the stock of which is not listed on an established market if the person owns stock possessing ten percent or more of the total voting power of the stock of the corporation whose stock is transferred or stock having a value equal to ten percent or more of the total value of the stock of the corporation whose stock is transferred. For purposes of determining whether a person owns ten percent or more of the total voting power or value of the stock of the corporation whose stock is transferred, the person shall be treated as owning the stock that such person owns actually and constructively under the rules of section 318 (without regard to section 318(a)(4)). In addition, if the exercise of an option (whether by itself or in conjunction with the deemed exercise of one or more other options) would cause the holder to become a ten-percent shareholder, then the option will be treated as exercised. Absent actual knowledge that a person is a ten-percent shareholder, a corporation the stock of which is listed on an established market can rely on Schedules 13D and 13G (or any similar schedules) filed with the Securities and Exchange Commission to identify its ten-percent shareholders.

(i) [Reserved]

(j) *Examples.* The following examples illustrate paragraphs (a) through (h) of this section. Throughout these examples, assume that Distributing (D) owns all of the stock of Controlled (C). Assume further that D distributes the stock of C in a distribution to which section 355 applies and to which section 355(d) does not apply. Unless otherwise stated, assume the corporations do not have controlling shareholders. No inference should be drawn from any example concerning whether any requirements of section 355 other than those of section 355(e) are satisfied. The examples are as follows:

Example 1. Unwanted assets. (i) D is in business 1. C is in business 2. D is relatively small in its industry. D wants to combine with X, a larger corporation also engaged in business 1. X and D begin negotiating for X

to acquire D, but X does not want to acquire C. To facilitate the acquisition of D by X, D agrees to distribute all the stock of C pro rata before the acquisition. Prior to the distribution, D and X enter into a contract for D to merge into X subject to several conditions. One month after D and X enter into the contract, D distributes C and, on the day after the distribution, D merges into X. As a result of the merger, D's former shareholders own less than 50 percent of the stock of X.

(ii) The issue is whether the distribution of C and the merger of D into X are part of a plan. No Safe Harbor applies to this acquisition. To determine whether the distribution of C and the merger of D into X are part of a plan, D must consider all the facts and circumstances, including those described in paragraph (b) of this section.

(iii) The following tends to show that the distribution of C and the merger of D into X are part of a plan: X and D had an agreement regarding the acquisition during the two-year period ending on the date of the distribution (paragraph (b)(3)(i) of this section), and the distribution was motivated by a business purpose to facilitate the merger (paragraph (b)(3)(v) of this section). Because the merger was agreed to at the time of the distribution, the fact described in paragraph (b)(3)(i) of this section is given substantial weight.

(iv) None of the facts and circumstances listed in paragraph (b)(4) of this section, tending to show that a distribution and an acquisition are not part of a plan, exist in this case.

(v) The distribution of C and the merger of D into X are part of a plan under paragraph (b) of this section.

Example 2. Public offering. (i) D's managers, directors, and investment banker discuss the possibility of offering D stock to the public. They decide a public offering of 20 percent of D's stock with D as a stand-alone corporation would be in D's best interest. One month later, to facilitate a stock offering by D of 20 percent of its stock, D distributes all the stock of C pro rata to D's shareholders. D issues new shares amounting to 20 percent of its stock to the public in a public offering seven months after the distribution.

(ii) The issue is whether the distribution of C and the public offering by D are part of a plan. No Safe Harbor applies to this acquisition. Safe Harbor VII, relating to public trading, does not apply to public offerings (see paragraph (d)(7)(i) of this section). To determine whether the distribution of C and the public offering by D are part of a plan, D must consider all the facts and circumstances, including those described in paragraph (b) of this section.

(iii) The following tends to show that the distribution of C and the public offering by D are part of a plan: D discussed the public offering with its investment banker during the

two-year period ending on the date of the distribution (paragraph (b)(3)(ii) of this section), and the distribution was motivated by a business purpose to facilitate the public offering (paragraph (b)(3)(v) of this section).

(iv) None of the facts and circumstances listed in paragraph (b)(4) of this section, tending to show that a distribution and an acquisition are not part of a plan, exist in this case.

(v) The distribution of C and the public offering by D are part of a plan under paragraph (b) of this section.

Example 3. Hot market. (i) D is a widely-held corporation the stock of which is listed on an established market. D announces a distribution of C and distributes C pro rata to D's shareholders. By contract, C agrees to indemnify D for any imposition of tax under section 355(e) caused by the acts of C. The distribution is motivated by a desire to improve D's access to financing at preferred customer interest rates, which will be more readily available if D separates from C. At the time of the distribution, although neither D nor C has been approached by any potential acquirer of C, it is reasonably certain that soon after the distribution either an acquisition of C will occur or there will be an agreement, understanding, arrangement, or substantial negotiations regarding an acquisition of C. Corporation Y acquires C in a merger described in section 368(a)(1)(A) by reason of section 368(a)(2)(E) within six months after the distribution. The C shareholders receive less than 50 percent of the stock of Y in the exchange.

(ii) The issue is whether the distribution of C and the acquisition of C by Y are part of a plan. No Safe Harbor applies to this acquisition. Under paragraph (b)(2) of this section, because prior to the distribution neither D nor C and Y had an agreement, understanding, arrangement, or substantial negotiations regarding the acquisition or a similar acquisition, the distribution of C by D and the acquisition of C by Y are not part of a plan under paragraph (b) of this section.

Example 4. Unexpected opportunity. (i) D, the stock of which is listed on an established market, makes a public announcement that it will distribute all the stock of C pro rata to D's shareholders. After the public announcement but before the distribution, widely-held X becomes available as an acquisition target. There were no discussions by D or C with X before the date of the public announcement. D negotiates with X and X merges into D before the distribution. In the merger, X's shareholders receive ten percent of D's stock. D distributes the stock of C pro rata within six months after the acquisition of X. No shareholder of X was a controlling shareholder or a ten-percent shareholder of D at any time during the period beginning immediately after the merger and ending on the date of the distribution

(ii) The issue is whether the acquisition of X by D and the distribution of C are part of a plan. Safe Harbor V applies to this acquisition because the distribution is pro rata among D's shareholders, the acquisition occurs after the date of a public announcement regarding the distribution, there were no discussions by D or C with X on or before the date of the public announcement, no acquirer was a controlling shareholder or a ten-percent shareholder of D during the period beginning immediately after the merger and ending on the date of the distribution, and not more than 20 percent of D's stock was acquired by the X shareholders in the merger.

Example 5. Vote shifting transaction. (i) D is in business 1. C is in business 2. D wants to combine with X, which is also engaged in business 1. The stock of X is closely held. X and D begin negotiating for D to acquire X, but the X shareholders do not want to acquire an indirect interest in C. To facilitate the acquisition of X by D, D agrees to distribute all the stock of C pro rata before the acquisition of X. D and X enter into a contract for X to merge into D subject to several conditions. Among those conditions is that D will amend its corporate charter to provide for two classes of stock: Class A and Class B. Under all circumstances, each share of Class A stock will be entitled to ten votes in the election of each director on D's board of directors. Upon issuance, each share of Class B stock will be entitled to ten votes in the election of each director on D's board of directors; however, a disposition of such share by its original holder will result in such share being entitled to only one vote, rather than ten votes, in the election of each director. Immediately after the merger, the Class B shares will be listed on an established market. One month after D and X enter into the contract, D distributes C. Immediately after the distribution, the shareholders of D exchange their D stock for the new Class B shares. On the day after the distribution, X merges into D. In the merger, the former shareholders of X exchange their X stock for Class A shares of D. Immediately after the merger, D's historic shareholders own stock of D representing 51 percent of the total combined voting power of all classes of stock of D entitled to vote and more than 50 percent of the total value of all classes of stock of D. During the 30-day period following the merger, none of the Class A shares are transferred, but a number of D's historic shareholders sell their Class B stock of D in public trading with the result that, at the end of that 30-day period, the Class A shares owned by the former X shareholders represent 52 percent of the total combined voting power of all classes of stock of D entitled to vote.

(ii) *X acquisition.* (A) The issue is whether the distribution of C and the merger of X

into D are part of a plan. No Safe Harbor applies to this acquisition. To determine whether the distribution of C and the merger of X into D are part of a plan, D must consider all the facts and circumstances, including those described in paragraph (b) of this section.

(B) The following tends to show that the distribution of C and the merger of X into D are part of a plan: X and D had an agreement regarding the acquisition during the two-year period ending on the date of the distribution (paragraph (b)(3)(i) of this section), and the distribution was motivated by a business purpose to facilitate the merger (paragraph (b)(3)(v) of this section). Because the merger was agreed to at the time of the distribution, the fact described in paragraph (b)(3)(i) of this section is given substantial weight.

(C) None of the facts and circumstances listed in paragraph (b)(4) of this section, tending to show that a distribution and an acquisition are not part of a plan, exist in this case.

(D) The distribution of C and the merger of X into D are part of a plan under paragraph (b) of this section.

(iii) *Public trading of Class B shares.* (A) Assuming that each of the transferors and the transferees of the Class B stock of D in public trading is not one of the prohibited transferors or transferees listed in paragraph (d)(7)(i), Safe Harbor VII will apply to the acquisitions of the Class B stock during the 30-day period following the merger such that the distribution and those acquisitions will not be treated as part of a plan. However, to the extent that those acquisitions result in an indirect acquisition of voting power by a person other than the acquirer of the transferred stock, Safe Harbor VII does not prevent the acquisition of the D stock (with the voting power such stock represents after those acquisitions) by the former X shareholders from being treated as part of a plan.

(B) To the extent that the transfer of the Class B shares causes the voting power of D to shift to the Class A stock acquired by the former X shareholders, such shifted voting power will be treated as attributable to the stock acquired by the former X shareholders as part of a plan that includes the distribution and the X acquisition.

Example 6. Acquisition not involving a public offering that is not similar. (i) D, X, and Y are each corporations the stock of which is publicly traded and widely held. Each of D, X, and Y is engaged in the manufacture and sale of trucks. C is engaged in the manufacture and sale of buses. D and X engage in substantial negotiations concerning X's acquisition of the stock of D from the D shareholders in exchange for stock of X. D and X do not reach an agreement regarding that acquisition. Three months after D and X

first began negotiations regarding that acquisition, D distributes the stock of C pro rata to its shareholders. Three months after the distribution, Y acquires the stock of D from the D shareholders in exchange for stock of Y. The ultimate owners of Y are substantially different from the ultimate owners of X.

(ii) Although both X and Y engage in the manufacture and sale of trucks, X's truck business and Y's truck business are not the same business operations. Therefore, because Y's acquisition of D does not effect a combination of the same business operations as X's acquisition of D would have effected, and because the ultimate owners of Y are substantially different from the ultimate owners of X, Y's acquisition of D is not similar to X's potential acquisition of D that was the subject of earlier negotiations.

Example 7. Acquisition not involving a public offering that is similar. (i) D is engaged in the business of writing custom software for several industries (industries 1 through 6). The software business of D related to industries 4, 5, and 6 is significant relative to the software business of D related to industries 3, 4, 5, and 6. X, an unrelated corporation, is engaged in the business of writing software and the business of manufacturing and selling hardware devices. X's business of writing software is significant relative to its total businesses. X and D engage in substantial negotiations regarding X's acquisition of D stock from the D shareholders in exchange for stock of X. Because X does not want to acquire the software businesses related to industries 1 and 2, these negotiations relate to an acquisition of D stock where D owns the software businesses related only to industries 3, 4, 5, and 6. Thereafter, D concludes that the intellectual property licenses central to the software business related to industries 1 and 2 are not transferable and that a separation of the software business related to industry 3 from the software business related to industry 2 is not desirable. One month after D begins negotiating with X, D contributes the software businesses related to industries 4, 5, and 6 to C, and distributes the stock of C pro rata to its shareholders. In addition, X sells its hardware businesses for cash. After the distribution, C and X negotiate for X's acquisition of the C stock from the C shareholders in exchange for X stock, and X acquires the stock of C.

(ii) Although D and C are different corporations, C does not own the custom software business related to industry 3, and X sold its hardware business prior to the acquisition of C, because X's acquisition of C involves a combination of a significant portion of the same business operations as the combination that would have been effected by the acquisition of D that was the subject of negotiations between D and X, X's acquisition of C is the same as, or similar to, X's potential

acquisition of D that was the subject of earlier negotiations.

Example 8. Acquisitions involving public offerings with different purposes. (i) D's managers, directors, and investment banker discuss the possibility of offering D stock to the public for the purpose of funding the acquisition of the assets of X. They decide a public offering of 20 percent of D's stock with D as a stand-alone corporation would allow D to raise the capital needed to effect the acquisition of X's assets. One month later, to facilitate a stock offering by D of 20 percent of its stock, D distributes all the stock of C pro rata to D's shareholders. Two months after the distribution, D issues new shares amounting to 20 percent of its stock to the public in a public offering (the first public offering). Four months after the distribution, D acquires the assets of X. Seven months after the distribution, D's managers, directors, and investment banker discuss the possibility of offering D stock to the public solely for the purpose of funding the acquisition of the assets of Y, a corporation unrelated to X. One year after the distribution, D issues new shares amounting to 40 percent of its stock to the public in a public offering (the second public offering). One month after the second public offering, D acquires the assets of Y.

(ii) The first public offering is the same as the potential acquisition that D's managers, directors, and investment banker discussed prior to the distribution. The purpose of the second public offering (funding the acquisition of the assets of Y) is not similar to that of the potential acquisition (funding the acquisition of the assets of X). Therefore, the second public offering is not similar to the potential acquisition.

Example 9. Acquisitions involving public offerings that are close in time. (i) D's managers, directors, and investment banker discuss the possibility of offering D stock to the public for the purpose of raising funds for general corporate purposes. They decide a public offering of 20 percent of D's stock with D as a stand-alone corporation would allow D to raise such funds. One month later, to facilitate a stock offering by D of 20 percent of its stock, D distributes all the stock of C pro rata to D's shareholders. Two months after the distribution, D issues new shares amounting to 20 percent of its stock to the public in a public offering (the first public offering). After the first public offering, D's managers, directors, and investment banker discuss the possibility of another offering of D stock to the public for the purpose of raising additional funds for general corporate purposes. Eight months after the distribution, D issues new shares amounting to ten percent of its stock to the public in a public offering (the second public offering).

(ii) The first public offering is the same as the potential acquisition that D's managers, directors, and investment banker discussed

prior to the distribution. The purpose of the second public offering (raising funds for general corporate purposes) is the same as that of the potential acquisition. In addition, the second public offering is close in time to the first public offering. Therefore, the second public offering is similar to the potential acquisition.

Example 10. Acquisitions involving public offerings that are not close in time. The facts are the same as those in *Example 9*, except that the second public offering occurs fourteen months after the distribution. Although the purpose of the second public offering is the same as that of the potential acquisition, the second public offering is not close in time to the first public offering. Therefore, the second public offering is not similar to the potential acquisition.

(k) *Effective dates.* This section applies to distributions occurring after April 19, 2005. For distributions occurring on or before April 19, 2005, and after April 26, 2002, see §1.355-7T as contained in 26 CFR part 1 revised as of April 1, 2003; however, taxpayers may apply these regulations, in whole, but not in part, to such distributions. For distributions occurring on or before April 26, 2002, and after August 3, 2001, see §1.355-7T as contained in 26 CFR part 1 revised as of April 1, 2002; however, taxpayers may apply, in whole, but not in part, either these regulations or §1.355-7T as contained in 26 CFR part 1 revised as of April 1, 2003, to such distributions. For distributions occurring on or before August 3, 2001, and after April 16, 1997, taxpayers may apply, in whole, but not in part, either these regulations or §1.355-7T as contained in 26 CFR part 1 revised as of April 1, 2003, to such distributions.

[T.D. 9198, 70 FR 20283, Apr. 19, 2005]

§ 1.355-8 Definition of predecessor and successor and limitations on gain recognition under section 355(e) and section 355(f).

(a) *In general*—(1) *Scope.* For purposes of section 355(e), this section provides rules under section 355(e)(4)(D) to determine whether a corporation is treated as a predecessor or successor of a distributing corporation (Distributing) or a controlled corporation (Controlled) with respect to a distribution by Distributing of stock (or stock and securities) of Controlled that qualifies under section 355(a) (or so much of section 356 as relates to section 355) (Dis-

tribution). This section also provides rules limiting the amount of Distributing's gain recognized under section 355(e) on a Distribution if section 355(e) applies to an acquisition by one or more persons, as part of a Plan, of stock that in the aggregate represents a 50-percent or greater interest (Planned 50-percent Acquisition) of a Predecessor of Distributing, or a Planned 50-percent Acquisition of Distributing. In addition, this section provides rules regarding the application of section 336(e) to a Distribution to which this section applies. This section also provides rules regarding the application of section 355(f) to a Distribution in certain cases.

(2) *Overview*—(i) *Purposes and conceptual overview.* Paragraph (a)(3) of this section summarizes the two principal purposes of this section and sets forth a brief conceptual overview of the scenarios in which a corporation may be a Predecessor of Distributing.

(ii) *References to and definitions of terms used in this section.* Paragraph (a)(4) of this section provides rules regarding references to the terms *Distributing*, *Controlled*, *Distribution*, *Plan*, and *Plan Period* for purposes of section 355(e), §1.355-7, and this section. Paragraph (a)(5) of this section lists the terms used in this section and indicates where each term is defined. Paragraph (b) of this section defines the term *Predecessor of Distributing* and several related terms. Paragraph (c) of this section defines the terms *Predecessor of Controlled*, *Successor* (of Distributing or Controlled), and *Section 381 Transaction*.

(iii) *Special rules and examples.* Paragraph (d) of this section provides guidance with regard to acquisitions and deemed acquisitions of stock if there is a Predecessor of Distributing or a Successor of either Distributing or Controlled. Paragraph (e) of this section provides two rules that may limit the amount of Distributing's gain on a Distribution if there is a Predecessor of Distributing, as well as an overall gain limitation. Paragraph (e) of this section also provides guidance with respect to the application of section 336(e). Regardless of whether there is a

Predecessor of Distributing, Predecessor of Controlled, or Successor of either Distributing or Controlled, paragraph (f) of this section provides a special rule relating to section 355(e)(2)(C), which provides that section 355(e) does not apply to certain transactions within an Expanded Affiliated Group. Paragraph (g) of this section provides rules coordinating the application of section 355(f) with the rules of this section. Paragraph (h) of this section contains examples that illustrate the rules of this section.

(3) *Purposes of section; Predecessor of Distributing overview*—(i) *Purposes*. The rules in this section have two principal purposes. The first is to ensure that section 355(e) applies to a Distribution if, as part of a Plan, some of the assets of a Predecessor of Distributing are transferred directly or indirectly to Controlled without full recognition of gain, and the Distribution accomplishes a division of the assets of the Predecessor of Distributing. The second is to ensure that section 355(e) applies when there is a Planned 50-percent Acquisition of a Successor of Distributing or Successor of Controlled. The rules of this section must be interpreted and applied in a manner that is consistent with and reasonably carries out the purposes of this section.

(ii) *Predecessor of Distributing overview*. The term Predecessor of Distributing is defined in paragraph (b) of this section. Only a Potential Predecessor can be a Predecessor of Distributing. See paragraph (b)(1)(i) of this section. A Potential Predecessor can be a Predecessor of Distributing only if, as part of a Plan, the Distribution accomplishes a division of the assets of the Potential Predecessor. See paragraph (b)(1)(iii) of this section. Accordingly, in the absence of that Plan, a Predecessor of Distributing cannot exist for purposes of section 355(e). The detailed rules set forth in paragraph (b) of this section provide that a Potential Predecessor the assets of which are divided as part of a Plan may be a Predecessor of Distributing in either of the following two scenarios:

(A) *Relevant Property transferred to Controlled*. As part of the Plan, one or more of the Potential Predecessor's assets were transferred to Controlled in

one or more tax-deferred transactions prior to the Distribution.

(B) *Relevant Property includes Controlled Stock*. The Potential Predecessor's assets included Controlled stock that, as part of the Plan, was transferred to Distributing in one or more tax-deferred transactions prior to the Distribution.

(4) *References*—(i) *References to Distributing or Controlled*. For purposes of section 355(e), except as otherwise provided in this section, any reference to Distributing or Controlled includes, as the context may require, a reference to any Predecessor of Distributing or any Predecessor of Controlled, respectively, or any Successor of Distributing or Controlled, respectively. However, except as otherwise provided in this section, a reference to a Predecessor of Distributing or to a Successor of Distributing does not include a reference to Distributing, and a reference to a Predecessor of Controlled or to a Successor of Controlled does not include a reference to Controlled.

(ii) *References to Plan or Distribution*. Except as otherwise provided in this section, references to a Plan in this section are references to a plan within the meaning of § 1.355-7. References to a distribution in § 1.355-7 include a reference to a Distribution and other related pre-Distribution transactions that together effect a division of the assets of a Predecessor of Distributing. In determining whether a Distribution and a Planned 50-percent Acquisition of a Predecessor of Distributing, Distributing (including any Successor thereof), or Controlled (including any Successor thereof) are part of a Plan, the rules of § 1.355-7 apply. In applying those rules, references to Distributing or Controlled in § 1.355-7 generally include references to any Predecessor of Distributing and any Successor of Distributing, or any Successor of Controlled, as appropriate. However, with regard to any possible Planned 50-percent Acquisition of a Predecessor of Distributing, any agreement, understanding, arrangement, or substantial negotiations with regard to the acquisition of the stock of the Predecessor of Distributing is analyzed under § 1.355-7 with regard to the actions of officers or directors of Distributing or

Controlled, controlling shareholders (as defined in §1.355-7(h)(3)) of Distributing or Controlled, or a person acting with permission of one of those parties. For purposes of the preceding sentence, references in §1.355-7 to Distributing do not include references to a Predecessor of Distributing. Therefore, the actions of officers, directors, or controlling shareholders of a Predecessor of Distributing, or of a person acting with the implicit or explicit permission of one of those parties, are not considered unless those parties otherwise would be treated as acting on behalf of Distributing or Controlled under §1.355-7 (for example, if a Predecessor of Distributing is a controlling shareholder of Distributing).

(iii) *Plan Period.* For purposes of this section, the term *Plan Period* means the period that ends immediately after the Distribution and begins on the earliest date on which any pre-Distribution step that is part of the Plan is agreed to or understood, arranged, or substantially negotiated by one or more officers or directors acting on behalf of Distributing or Controlled, by controlling shareholders of Distributing or Controlled, or by another person or persons with the implicit or explicit permission of one or more of such officers, directors, or controlling shareholders. For purposes of the preceding sentence, references to Distributing and Controlled do not include references to any Predecessor of Distributing, Predecessor of Controlled, or Successor of Distributing or Controlled.

(5) *List of definitions.* This section uses the following terms, which are defined where indicated—

(i) *Acquiring Owner.* Paragraph (d)(1)(i) of this section.

(ii) *Controlled.* Paragraph (a)(1) of this section.

(iii) *Distributing.* Paragraph (a)(1) of this section.

(iv) *Distributing Gain Limitation Rule.* Paragraph (e)(1)(ii) of this section.

(v) *Distribution.* Paragraph (a)(1) of this section.

(vi) *Division of Relevant Property Requirement.* Paragraph (b)(1)(iii) of this section.

(vii) *Expanded Affiliated Group.* Paragraph (b)(2)(ii)(B) of this section.

(viii) *Hypothetical Controlled.* Paragraph (e)(2)(i) of this section.

(ix) *Hypothetical D/355(e) Reorganization.* Paragraph (e)(2)(i) of this section.

(x) *Plan.* Paragraph (a)(4)(ii) of this section.

(xi) *Plan Period.* Paragraph (a)(4)(iii) of this section.

(xii) *Planned 50-percent Acquisition.* Paragraph (a)(1) of this section.

(xiii) *POD Gain Limitation Rule.* Paragraph (e)(1)(ii) of this section.

(xiv) *Potential Predecessor.* Paragraph (b)(2)(ii)(A) of this section.

(xv) *Predecessor of Controlled.* Paragraph (c)(1) of this section.

(xvi) *Predecessor of Distributing.* Paragraph (b)(1) of this section.

(xvii) *Reflection of Basis Requirement.* Paragraph (b)(1)(ii)(B) of this section.

(xviii) *Relevant Equity.* Paragraph (b)(2)(iv)(A) of this section.

(xix) *Relevant Property.* Paragraph (b)(2)(iv)(A) of this section.

(xx) *Relevant Property Requirement.* Paragraph (b)(1)(ii)(A) of this section.

(xxi) *Section 381 Transaction.* Paragraph (c)(3) of this section.

(xxii) *Separated Property.* Paragraph (b)(2)(vii) of this section.

(xxiii) *Statutory Recognition Amount.* Paragraph (e)(1)(i) of this section.

(xxiv) *Substitute Asset.* Paragraph (b)(2)(vi)(A) of this section.

(xxv) *Successor.* Paragraph (c)(2)(i) of this section.

(xxvi) *Successor Transaction.* Paragraph (c)(2)(i) of this section.

(xxvii) *Underlying Property.* Paragraph (b)(2)(viii) of this section.

(b) *Predecessor of Distributing—(1) Definition—(i) In general.* For purposes of section 355(e), a Potential Predecessor is a predecessor of Distributing (Predecessor of Distributing) if, taking into account the special rules of paragraph (b)(2) of this section—

(A) Both pre-Distribution requirements of paragraph (b)(1)(ii) of this section are satisfied; and

(B) The post-Distribution requirement of paragraph (b)(1)(iii) of this section is satisfied.

(ii) *Pre-Distribution requirements—(A) Relevant Property requirement.* The requirement set forth in this paragraph (b)(1)(ii)(A) (Relevant Property Requirement) is satisfied if, before the

Distribution, and as part of a Plan, either—

(1) Any Controlled stock distributed in the Distribution was directly or indirectly acquired (or deemed acquired under the rules set forth in paragraph (b)(2)(x) of this section) by Distributing in exchange for any direct or indirect interest in Relevant Property—

(i) That is held directly or indirectly by Controlled immediately before the Distribution; and

(ii) The gain on which (if any) was not recognized in full at any point during the Plan Period; or

(2) Any Controlled stock that is distributed in the Distribution is Relevant Property of the Potential Predecessor.

(B) *Reflection of basis requirement.* The requirement set forth in this paragraph (b)(1)(ii)(B) (Reflection of Basis Requirement) is satisfied if any Controlled stock that satisfies the Relevant Property Requirement—

(1) Either—

(i) Had a basis prior to the Distribution that was determined in whole or in part by reference to the basis of any Separated Property; or

(ii) Is Relevant Property of the Potential Predecessor; and

(2) During the Plan Period prior to the Distribution, was neither distributed in a distribution to which section 355(e) applied nor transferred in a transaction in which the gain (if any) on that Controlled stock was recognized in full.

(iii) *Post-Distribution requirement.* The requirement set forth in this paragraph (b)(1)(iii) (Division of Relevant Property Requirement) is satisfied if, immediately after the Distribution, and as part of a Plan, direct or indirect ownership of the Potential Predecessor's Relevant Property has been divided between Controlled on the one hand, and Distributing or the Potential Predecessor (or a successor to the Potential Predecessor) on the other hand. For purposes of this paragraph (b)(1)(iii), if Controlled stock that is distributed in the Distribution is Relevant Property of a Potential Predecessor, then Controlled is deemed to have received Relevant Property of the Potential Predecessor.

(2) *Additional definitions and rules related to paragraph (b)(1) of this section—*

(i) *References to Distributing and Controlled.* For purposes of the Relevant Property Requirement, the Reflection of Basis Requirement, and the Division of Relevant Property Requirement, references to Distributing and Controlled do not include references to any Predecessor of Distributing, Predecessor of Controlled, or Successor of Distributing or Controlled.

(ii) *Potential Predecessor—(A) Potential Predecessor definition.* The term *Potential Predecessor* means a corporation, other than Distributing or Controlled, if—

(1) As part of a Plan, the corporation transfers property to a Potential Predecessor, Distributing, or a member of the same Expanded Affiliated Group as Distributing in a Section 381 Transaction; or

(2) Immediately after completion of the Plan, the corporation is a member of the same Expanded Affiliated Group as Distributing.

(B) *Expanded Affiliated Group definition.* The term *Expanded Affiliated Group* means an affiliated group (as defined in section 1504 without regard to section 1504(b)).

(iii) *Successors of Potential Predecessors.* For purposes of the Division of Relevant Property Requirement, if a Potential Predecessor transfers property in a Section 381 Transaction to a corporation (other than Distributing or Controlled) during the Plan Period, the corporation is a successor to the Potential Predecessor.

(iv) *Relevant Property; Relevant Equity—(A) In general.* Except as otherwise provided in this paragraph (b)(2)(iv) or in paragraph (b)(2)(v) of this section, the term *Relevant Property* means any property that was held, directly or indirectly, by the Potential Predecessor during the Plan Period. The term *Relevant Equity* means Relevant Property that is an equity interest in a corporation or a partnership.

(B) *Property held by Distributing.* Except as provided in paragraph (b)(2)(iv)(C) of this section, property held directly or indirectly by Distributing (including Controlled stock) is Relevant Property of a Potential Predecessor only to the extent that the

property was transferred directly or indirectly to Distributing during the Plan Period, and it was Relevant Property of the Potential Predecessor before the direct or indirect transfer(s). For example, if during the Plan Period a subsidiary corporation of a Potential Predecessor merges into Controlled in a reorganization under section 368(a)(1)(A) and (2)(D), and, as a result, the Potential Predecessor directly or indirectly owns Distributing stock received in the merger, the subsidiary's assets held by Controlled are Relevant Property of that Potential Predecessor.

(C) *F reorganizations.* For purposes of paragraph (b)(2)(iv)(B) of this section, the transferor and transferee in any reorganization described in section 368(a)(1)(F) (F reorganization) are treated as a single corporation. Therefore, for example, Relevant Property acquired during the Plan Period by a corporation that is a transferor (as to a later F reorganization) is treated as having been acquired directly (and from the same source) by the transferee (as to the later F reorganization) during the Plan Period. In addition, any transfer (or deemed transfer) of assets to Distributing in an F reorganization will not cause the transferred assets to be treated as Relevant Property.

(v) *Stock of Distributing as Relevant Property—(A) In general.* For purposes of the Division of Relevant Property Requirement, except as provided in paragraph (b)(2)(v)(B) of this section, stock of Distributing is not Relevant Property (and thus is not Relevant Equity) to the extent that the Potential Predecessor becomes, as part of a Plan, the direct or indirect owner of that stock as the result of the transfer to Distributing of direct or indirect interests in the Potential Predecessor's Relevant Property. For example, stock of Distributing is not Relevant Property if it is acquired by a Potential Predecessor as part of a Plan in an exchange to which section 351(a) applies.

(B) *Certain reorganizations.* For purposes of the Division of Relevant Property Requirement, stock of Distributing is Relevant Property (and thus Relevant Equity) to the extent that the Potential Predecessor becomes, as part of the Plan, the direct or indirect

owner of that stock as the result of a transaction described in section 368(a)(1)(E).

(vi) *Substitute Asset—(A) In general.* Subject to paragraph (b)(2)(vi)(B) of this section, the term *Substitute Asset* means any property that is held directly or indirectly by Distributing during the Plan Period and was received, during the Plan Period, in exchange for Relevant Property that was acquired directly or indirectly by Distributing if all gain on the transferred Relevant Property is not recognized on the exchange. For example, property received by Controlled in exchange for Relevant Property in a transaction qualifying under section 1031 is a Substitute Asset. In addition, stock received by Distributing in a distribution qualifying under section 305(a) or section 355(a) on Relevant Equity is a Substitute Asset.

(B) *Controlled stock received by Distributing—(1) In general.* Except as provided in paragraph (b)(2)(vi)(B)(2) of this section, stock of Controlled received in exchange for a direct or indirect transfer of Relevant Property by Distributing is not a Substitute Asset.

(2) *Exception.* If the basis in Controlled stock received or deemed received in an exchange described in paragraph (b)(2)(vi)(B)(1) of this section is determined in whole or in part by reference to the basis of Relevant Equity the issuer of which ceases to exist for Federal income tax purposes under the Plan, that Controlled stock constitutes a Substitute Asset. See paragraph (b)(2)(x) of this section.

(C) *Treatment as Relevant Property.* For purposes of this section, a Substitute Asset is treated as Relevant Property with the same ownership and transfer history as the Relevant Property for which (or with respect to which) it was received.

(vii) *Separated Property.* The term *Separated Property* means each item of Relevant Property that is described in the Relevant Property Requirement (regardless of whether the fair market value of the Relevant Property exceeds its adjusted basis). However, if Relevant Equity is Separated Property, Underlying Property associated with that Relevant Equity is not treated as

Separated Property. In addition, if Distributing directly or indirectly acquires Relevant Equity in a transaction in which gain is recognized in full, Underlying Property associated with that Relevant Equity is not treated as Separated Property.

(viii) *Underlying Property.* The term *Underlying Property* means property directly or indirectly held by a corporation or partnership any equity interest in which is Relevant Equity.

(ix) *Multiple Predecessors of Distributing.* If there are multiple Potential Predecessors that satisfy the pre-Distribution requirements and post-Distribution requirement of paragraph (b)(1) of this section, each of those Potential Predecessors is a Predecessor of Distributing. For example, a Potential Predecessor that transfers property to a Predecessor of Distributing without full recognition of gain (and that otherwise meets the requirements of paragraph (b)(1) of this section) is also a Predecessor of Distributing if the applicable transfer occurred as part of a Plan that existed at the time of such transfer.

(x) *Deemed exchanges.* For purposes of paragraph (b)(1)(ii) of this section (regarding the Relevant Property Requirement and the Reflection of Basis Requirement) and paragraph (b)(2)(vi) of this section (regarding Substitute Assets), Distributing is treated as acquiring Controlled stock in exchange for a direct or indirect interest in Relevant Property if the basis of Distributing in that Controlled stock, immediately after a transfer of the Relevant Property, is determined in whole or in part by reference to the basis of that Relevant Property immediately before the transfer. For example, if a corporation transfers Relevant Property to Controlled in exchange for Distributing stock in a transaction that qualifies as a reorganization under section 368(a)(1)(C), then, for purposes of paragraphs (b)(1)(ii) and (b)(2)(vi) of this section, Distributing is treated as acquiring Controlled stock in exchange for a direct or indirect interest in Relevant Property. See § 1.358-6(c)(1).

(c) *Additional definitions—(1) Predecessor of Controlled.* Solely for purposes of applying paragraph (f) of this section, a corporation is a predecessor of

Controlled (Predecessor of Controlled) if, before the Distribution, it transfers property to Controlled in a Section 381 Transaction as part of a Plan. Other than for the purpose described in the preceding sentence, no corporation can be a Predecessor of Controlled. If multiple corporations satisfy the requirements of this paragraph (c)(1), each of those corporations is a Predecessor of Controlled. For example, a corporation that transfers property to a Predecessor of Controlled in a Section 381 Transaction is also a Predecessor of Controlled if the Section 381 Transaction occurred as part of a Plan that existed at the time of such transaction.

(2) *Successors—(i) In general.* For purposes of section 355(e), a successor (Successor) of Distributing or of Controlled is a corporation to which Distributing or Controlled, respectively, transfers property in a Section 381 Transaction after the Distribution (Successor Transaction).

(ii) *Determination of Successor status.* More than one corporation may be a Successor of Distributing or Controlled. For example, if Distributing transfers property to another corporation (X) in a Section 381 Transaction, and X transfers property to another corporation (Y) in a Section 381 Transaction, then each of X and Y is a Successor of Distributing. In this case, the determination of whether Y is a Successor of Distributing is made after the determination of whether X is a Successor of Distributing.

(3) *Section 381 Transaction.* The term *Section 381 Transaction* means a transaction to which section 381 applies.

(d) *Special acquisition rules—(1) Deemed acquisitions of stock in Section 381 Transactions—(i) Rule.* This paragraph (d)(1)(i) applies to each shareholder of the acquiring corporation immediately before a Section 381 Transaction (Acquiring Owner). Each Acquiring Owner is treated for purposes of this section as acquiring, in the Section 381 Transaction, stock representing an interest in the distributor or transferor corporation, to the extent that the Acquiring Owner's interest in the acquiring corporation immediately after the Section 381 Transaction exceeds the Acquiring Owner's direct or indirect interest in the distributor or

transferor corporation immediately before the Section 381 Transaction.

(ii) *Example.* The example set forth in this paragraph (d)(1)(ii) illustrates the application of the deemed acquisition rule in paragraph (d)(1)(i) of this section. Assume that A held all of the stock of Distributing, Distributing held a 25-percent interest in a Predecessor of Distributing, and A held no direct interest, or other indirect interest, in the Predecessor of Distributing immediately before a Section 381 Transaction in which the Predecessor of Distributing transfers its assets to Distributing. In the Section 381 Transaction, the Predecessor of Distributing's shareholders (other than Distributing) collectively receive a 10-percent interest in Distributing (reducing A's interest in Distributing to 90 percent). Under paragraph (d)(1)(i) of this section, A is treated as acquiring in the Section 381 Transaction stock representing a 65-percent interest in the Predecessor of Distributing. This is because A's 90-percent interest in Distributing (the acquiring corporation in the Section 381 Transaction) immediately after the Section 381 Transaction exceeds A's 25-percent interest (held indirectly through Distributing) in the Predecessor of Distributing (the transferor corporation in the Section 381 Transaction) immediately before the Section 381 Transaction by 65 percent. Similarly, each Acquiring Owner of a Successor of Distributing is treated as acquiring, in the Successor Transaction, stock of Distributing, to the extent that the Acquiring Owner's interest in the Successor of Distributing immediately after the Successor Transaction exceeds the Acquiring Owner's direct or indirect interest in Distributing immediately before the Successor Transaction.

(2) *Deemed acquisitions of stock after Section 381 Transactions.* For purposes of this section, after a Section 381 Transaction (including a Successor Transaction), an acquisition of stock of an acquiring corporation (including a deemed stock acquisition under paragraph (d)(1)(i) of this section) is treated also as an acquisition of an interest in the stock of the distributor or transferor corporation. For example, an acquisition of the stock of Distributing

that occurs after a Section 381 Transaction is treated not only as an acquisition of the stock of Distributing, but also as an acquisition of the stock of any Predecessor of Distributing whose assets were acquired by Distributing in the prior Section 381 Transaction. Similarly, an acquisition of the stock of a Successor of Distributing that occurs after the Successor Transaction is treated not only as an acquisition of the stock of the Successor of Distributing, but also as an acquisition of the stock of Distributing.

(3) *Separate counting for Distributing and each Predecessor of Distributing.* The measurement of whether one or more persons have acquired stock of any specific corporation in a Planned 50-percent Acquisition is made separately from the measurement of any potential Planned 50-percent Acquisition of any other corporation. Therefore, there may be a Planned 50-percent Acquisition of a Predecessor of Distributing even if there is no Planned 50-percent Acquisition of Distributing. Similarly, there may be a Planned 50-percent Acquisition of Distributing even if there is no Planned 50-percent Acquisition of a Predecessor of Distributing.

(e) *Special rules for limiting gain recognition—(1) Overview—(i) Gain limitation.* This paragraph (e) provides rules that limit the amount of gain that must be recognized by Distributing by reason of section 355(e) to an amount that is less than the amount that Distributing otherwise would be required to recognize under section 355(c)(2) or section 361(c)(2) (Statutory Recognition Amount) in certain cases involving one or more Predecessors of Distributing.

(ii) *Multiple Planned 50-percent Acquisitions.* If there are Planned 50-percent Acquisitions of multiple corporations (for example, two Predecessors of Distributing), Distributing must recognize the Statutory Recognition Amount with respect to each such corporation, subject to the limitations in paragraph (e)(2) of this section relating to a Planned 50-percent Acquisition of a Predecessor of Distributing (POD Gain Limitation Rule) and paragraph (e)(3) of this section relating to a Planned 50-percent Acquisition of Distributing (Distributing Gain Limitation Rule), if

applicable. The POD Gain Limitation Rule and the Distributing Gain Limitation Rule are applied separately to the Planned 50-percent Acquisition of each such corporation to determine the amount of gain required to be recognized.

(iii) *Statutory Recognition Amount limit; Section 336(e)*. Paragraph (e)(4) of this section sets forth an overall gain limitation based on the Statutory Recognition Amount. Paragraph (e)(5) of this section clarifies the availability of an election under section 336(e) with regard to certain Distributions.

(2) *Planned 50-percent Acquisition of a Predecessor of Distributing—(i) In general*. If there is a Planned 50-percent Acquisition of a Predecessor of Distributing, the amount of gain recognized by Distributing by reason of section 355(e) as a result of the Planned 50-percent Acquisition is limited to the amount of gain, if any, that Distributing would have recognized if, immediately before the Distribution, Distributing had engaged in the following transaction: Distributing transferred all Separated Property received from the Predecessor of Distributing to a newly formed corporation (Hypothetical Controlled) in exchange solely for stock of Hypothetical Controlled in a reorganization under section 368(a)(1)(D) and then distributed the stock of Hypothetical Controlled to the shareholders of Distributing in a transaction to which section 355(e) applied (Hypothetical D/355(e) Reorganization). The computation in this paragraph (e)(2)(i) is applied regardless of whether Distributing actually directly held the Separated Property.

(ii) *Operating rules*. For purposes of applying paragraph (e)(2)(i) of this section, the following rules apply:

(A) *Separated Property other than Controlled stock*. Each of the basis and the fair market value of Separated Property other than stock of Controlled treated as transferred by Distributing to a Hypothetical Controlled in a Hypothetical D/355(e) Reorganization equals the basis and the fair market value, respectively, of such property in the hands of Controlled immediately before the Distribution.

(B) *Controlled stock that is Separated Property*. Each of the basis and the fair

market value of the stock of Controlled that is Separated Property treated as transferred by Distributing to a Hypothetical Controlled in a Hypothetical D/355(e) Reorganization equals the basis and the fair market value, respectively, of such stock in the hands of Distributing immediately before the Distribution.

(C) *Anti-duplication rule*. A Predecessor of Distributing's Separated Property is taken into account for purposes of applying this paragraph (e)(2) only to the extent such property was not taken into account by Distributing in a Hypothetical D/355(e) Reorganization with respect to another Predecessor of Distributing. Further, appropriate adjustments must be made to prevent other duplicative inclusions of section 355(e) gain under this paragraph (e) reflecting the same economic gain.

(3) *Planned 50-percent Acquisition of Distributing*. This paragraph (e)(3) applies if there is a Planned 50-percent Acquisition of Distributing. In that case, the amount of gain recognized by Distributing by reason of section 355(e) as a result of the Planned 50-percent Acquisition is limited to the excess, if any, of the Statutory Recognition Amount over the amount of gain, if any, that Distributing would have been required to recognize under paragraphs (e)(1)(ii) and (e)(2) of this section if there had been a Planned 50-percent Acquisition of every Predecessor of Distributing, but not of Distributing or Controlled. For purposes of this paragraph (e)(3), references to Distributing are not references to a Predecessor of Distributing.

(4) *Gain recognition limited to Statutory Recognition Amount*. The sum of the amounts required to be recognized by Distributing under section 355(e) (taking into account the POD Gain Limitation Rule and the Distributing Gain Limitation Rule) with regard to a single Distribution cannot exceed the Statutory Recognition Amount. In addition, Distributing may choose not to apply the POD Gain Limitation Rule or the Distributing Gain Limitation Rule to a Distribution, and instead may recognize the Statutory Recognition Amount. Distributing indicates its choice to apply the preceding sentence

by reporting the Statutory Recognition Amount on its original or amended Federal income tax return for the year of the Distribution.

(5) *Section 336(e) election.* Distributing is not eligible to make a section 336(e) election (as defined in §1.336-1(b)(11)) with respect to a Distribution to which this section applies unless Distributing would, absent the making of a section 336(e) election, recognize the Statutory Recognition Amount with respect to the Distribution (taking into account the POD Gain Limitation Rule and the Distributing Gain Limitation Rule) without regard to the final two sentences of paragraph (e)(4) of this section. See §§1.336-1 through 1.336-5 for additional requirements with regard to a section 336(e) election.

(f) *Predecessor or Successor as a member of the affiliated group.* For purposes of section 355(e)(2)(C), if a corporation transfers its assets to a member of the same Expanded Affiliated Group in a Section 381 Transaction, the transferor will be treated as continuing in existence within the same Expanded Affiliated Group.

(g) *Inapplicability of section 355(f) to certain intra-group Distributions—(1) In general.* Section 355(f) does not apply to a Distribution if there is a Planned 50-percent Acquisition of a Predecessor of Distributing (but not of Distributing, Controlled, or their Successors), except as provided in paragraph (g)(2) of this section. Therefore, except as provided in paragraph (g)(2) of this section, section 355 (or so much of section 356 as relates to section 355) and the regulations under sections 355 and 356, including the POD Gain Limitation Rule, apply, without regard to section 355(f), to a Distribution within an affiliated group (as defined in section 1504(a)) if the Distribution and the Planned 50-percent Acquisition of the Predecessor of Distributing are part of a Plan. For purposes of this paragraph (g)(1), references to a Distribution (and Distributing and Controlled) include references to a distribution (and Distributing and Controlled) to which section 355 would apply but for the application of section 355(f).

(2) *Alternative application of section 355(f).* Distributing may choose not to apply paragraph (g)(1) of this section to

each Distribution (that occurs under a Plan) to which section 355(f) would otherwise apply absent paragraph (g)(1) of this section. Instead, Distributing may apply section 355(f) to all such Distributions according to its terms, but only if all members of the same Expanded Affiliated Group report consistently the Federal income tax consequences of the Distributions that are part of the Plan (determined without regard to section 355(f)). In such a case, neither the POD Gain Limitation Rule nor the Distributing Gain Limitation Rule is available with regard to any applicable Distribution. Distributing indicates its choice to apply section 355(f) consistently to all applicable Distributions by reporting the Federal income tax consequences of each Distribution in accordance with section 355(f) on its Federal income tax return for the year of the Distribution.

(h) *Examples.* The following examples illustrate the principles of this section. Unless the facts indicate otherwise, assume throughout these examples that: Distributing (D) owns all the stock of Controlled (C), and none of the shares of C held by D has a built-in loss; D distributes the stock of C in a Distribution to which section 355(d) does not apply; X, Y, and Z are individuals; each of D, D1, C, P, P1, P2, and R is a corporation having one class of stock outstanding, and none is a member of a consolidated group; and each transaction that is part of a Plan defined in this section is respected as a separate transaction under general Federal income tax principles. No inference should be drawn from any example concerning whether any requirements of section 355 are satisfied other than those of section 355(e) or whether any general Federal income tax principles (including the step transaction doctrine) are implicated by the example:

(1) *Example 1: Predecessor of D and Planned 50-Percent Acquisition of P—(i) Facts.* X owns 100% of the stock of P, which holds multiple assets. Y owns 100% of the stock of D. The following steps occur as part of a Plan: P merges into D in a reorganization under section 368(a)(1)(A). Immediately after the merger, X and Y own 10% and 90%, respectively, of the stock of D. D then contributes to C one of the assets

(Asset 1) acquired from P in the merger. At the time of the contribution, Asset 1 has a basis of \$40x and a fair market value of \$110x. In exchange for Asset 1, D receives additional C stock and \$10x. D distributes the stock of C (but not the cash) to X and Y, pro rata. The contribution and Distribution constitute a reorganization under section 368(a)(1)(D), and D recognizes \$10x of gain under section 361(b) on the contribution. Immediately before the Distribution, taking into account the \$10x of gain recognized by D on the contribution, Asset 1 has an adjusted basis of \$50x under section 362(b) and a fair market value of \$110x, and the stock of C held by D has a basis of \$100x and a fair market value of \$200x.

(ii) *Analysis*—(A) *P is a Predecessor of D.* Under paragraph (b)(1) of this section, P is a Predecessor of D. First, P is a Potential Predecessor because, as part of a Plan, P transferred property to D in a Section 381 Transaction. See paragraph (b)(2)(ii)(A)(I) of this section. Second, both of the pre-Distribution requirements and the post-Distribution requirement are satisfied. The Relevant Property Requirement is satisfied because, immediately before the Distribution and as part of a Plan, C holds P Relevant Property (Asset 1) the gain on which was not recognized in full at any point during the Plan Period, and some of the C stock distributed in the Distribution was acquired by D in exchange for Asset 1. See paragraph (b)(1)(ii)(A)(I) of this section. The Reflection of Basis Requirement is satisfied because that C stock had a basis prior to the Distribution that was determined in whole or in part by reference to the basis of Separated Property (Asset 1), and was neither distributed in a distribution to which section 355(e) applied nor transferred in a transaction in which the gain on that C stock was recognized in full during the Plan Period prior to the Distribution. See paragraph (b)(1)(ii)(B) of this section. The Division of Relevant Property Requirement is satisfied because immediately after the Distribution, D continues to hold Relevant Property of P, and therefore, as part of a Plan, P's Relevant Property has been divided between C and D. See paragraph (b)(1)(iii) of this section.

(B) *Planned 50-percent Acquisition of P.* Under paragraph (d)(1)(i) of this section, Y is treated as acquiring stock representing 90% of the voting power and value of P as a result of the merger of P into D. Accordingly, there has been a Planned 50-percent Acquisition of P.

(C) *Gain limited.* Without regard to the limitations in paragraph (e) of this section, D would be required to recognize \$100x of gain (\$200x of aggregate fair market value minus \$100x of aggregate basis of the C stock held by D), the Statutory Recognition Amount described in section 361(c)(2). However, under the POD Gain Limitation Rule, D's gain recognized by reason of the Planned 50-percent Acquisition of P will not exceed \$60x, an amount equal to the amount of gain D would have recognized had D transferred Asset 1 (Separated Property) to a newly formed corporation (C1) solely for C1 stock and distributed the C1 stock to D's shareholders in a Hypothetical D/355(e) Reorganization. See paragraph (e)(2)(i) of this section. For purposes of the computation in this paragraph (h)(1)(ii)(C), the basis and fair market value of Asset 1 equal the basis and fair market value of Asset 1 in the hands of C immediately before the Distribution. See paragraph (e)(2)(ii)(A) of this section. Under section 361(c)(2), D would recognize \$60x of gain, an amount equal to the gain in the hypothetical C1 stock (excess of the \$110x fair market value over the \$50x basis). Therefore, D recognizes \$60x of gain (in addition to the \$10x of gain recognized under section 361(b)).

(iii) *Plan not in existence at time of acquisition of Potential Predecessor's property.* The facts are the same as in paragraph (h)(1)(i) of this section (*Example 1*) except that the merger of P into D occurred before the existence of a Plan. Even though D transferred P property (Asset 1) to C, Asset 1 was not Relevant Property of P because P did not hold Asset 1 during the Plan Period. See paragraphs (b)(2)(iv) and (a)(4)(iii) of this section. Because Asset 1 is not Relevant Property, D did not receive C stock distributed in the Distribution in exchange for Relevant Property when it contributed Asset 1 to C, none of the distributed C stock had a basis prior to

the Distribution that was determined in whole or in part by reference to the basis of Separated Property, and C did not hold Relevant Property immediately before the Distribution. Further, Relevant Property of P has not been divided. Therefore, P is not a Predecessor of D.

(2) *Example 2: Planned 50-percent Acquisition of D, but not Predecessor of D—*

(i) *Facts.* X owns 100% of the stock of P, which holds multiple assets. Y owns 100% of the stock of D. The following steps occur as part of a Plan: P merges into D in a reorganization under section 368(a)(1)(A). Immediately after the merger, X and Y own 90% and 10%, respectively, of the stock of D. D then contributes to C one of the assets (Asset 1) acquired from P in the merger. In exchange for Asset 1, D receives additional C stock. D distributes the stock of C to X and Y, pro rata. The contribution and Distribution constitute a reorganization under section 368(a)(1)(D). Immediately before the Distribution, Asset 1 has a basis of \$50x and a fair market value of \$110x, and the stock of C held by D has a basis of \$120x and a fair market value of \$200x.

(ii) *Analysis—(A) P is a Predecessor of D.* Under paragraph (b)(1) of this section, P is a Predecessor of D. First, P is a Potential Predecessor because, as part of a Plan, P transferred property to D in a Section 381 Transaction. See paragraph (b)(2)(ii)(A)(I) of this section. Second, both of the pre-Distribution requirements and the post-Distribution requirement are satisfied. The Relevant Property Requirement is satisfied because, immediately before the Distribution and as part of a Plan, C holds P Relevant Property (Asset 1) the gain on which was not recognized in full at any point during the Plan Period, and some of the C stock distributed in the Distribution was acquired by D in exchange for Asset 1. See paragraph (b)(1)(ii)(A)(I) of this section. The Reflection of Basis Requirement is satisfied because that C stock had a basis prior to the Distribution that was determined in whole or in part by reference to the basis of Separated Property (Asset 1), and was neither distributed in a distribution to which section 355(e) applied nor transferred in a transaction in which the gain on that C

stock was recognized in full during the Plan Period prior to the Distribution. See paragraph (b)(1)(ii)(B) of this section. The Division of Relevant Property Requirement is satisfied because immediately after the Distribution, D continues to hold Relevant Property of P, and therefore, as part of a Plan, P's Relevant Property has been divided between C and D. See paragraph (b)(1)(iii) of this section.

(B) *Planned 50-percent Acquisition of D.* Under paragraph (d)(1)(i) of this section, Y is treated as acquiring stock representing 10% of the voting power and value of P as a result of the merger of P into D. The 10% acquisition of P stock does not cause section 355(e) gain recognition or cause application of the POD Gain Limitation Rule because there has not been a Planned 50-percent Acquisition of P. X acquires 90% of the voting power and value of D as a result of the merger of P into D. Accordingly, there has been a Planned 50-percent Acquisition of D. This Planned 50-percent Acquisition implicates section 355(e) and results in gain recognition, subject to the rules of paragraph (e) of this section.

(C) *Gain limited.* Without regard to the limitations in paragraph (e) of this section, D would be required to recognize \$80x of gain (\$200x of fair market value minus \$120x of basis of the C stock held by D), the Statutory Recognition Amount described in section 361(c)(2). However, under the Distributing Gain Limitation Rule, D's gain recognized by reason of the Planned 50-percent Acquisition of D will not exceed \$20x, the excess of the Statutory Recognition Amount (\$80x) over the amount of gain that D would have been required to recognize under the POD Gain Limitation Rule if there had been a Planned 50-percent Acquisition of P but not D or C (\$60x). See paragraph (e)(3) of this section. The hypothetical gain limitation under the POD Gain Limitation Rule equals the amount D would have recognized had it transferred Asset 1 (Separated Property) to a newly formed corporation (C1) solely for stock and distributed the C1 stock in a Hypothetical D/355(e) Reorganization. See paragraph (e)(2)(i) of this section. Under section 361(c)(2), D would recognize \$60x of gain, an amount equal

to the gain in the hypothetical C1 stock (excess of the \$110x fair market value over the \$50x basis). Therefore, D recognizes \$20x of gain (\$80x - \$60x).

(3) *Example 3: Predecessor of D owns C stock*—(i) *Facts.* X owns 100% of the stock of P, which holds multiple assets, including Asset 2. Y owns 100% of the stock of D. P owns 35% of the stock of C (Block 1), and D owns the remaining 65% of the C stock (Block 2). The following steps occur as part of a Plan: P merges into D in a reorganization under section 368(a)(1)(A), and D immediately thereafter distributes all of the C stock to X and Y pro rata. Immediately after the merger, X and Y own 10% and 90%, respectively, of the D stock, and, prior to the Distribution, D owns Block 1 with a basis of \$30x and a fair market value of \$35x, and Block 2 with a basis of \$10x and a fair market value of \$65x. D continues to hold Asset 2.

(ii) *Analysis*—(A) *P is a Predecessor of D.* Under paragraph (b)(1) of this section, P is a Predecessor of D. First, P is a Potential Predecessor because, as part of a Plan, P transferred property to D in a Section 381 Transaction. See paragraph (b)(2)(ii)(A)(i) of this section. Second, both of the pre-Distribution requirements and the post-Distribution requirement are satisfied. The Relevant Property Requirement is satisfied because some of the C stock distributed in the Distribution (Block 1) was Relevant Property of P. See paragraph (b)(1)(ii)(A)(2) of this section. The Reflection of Basis Requirement is satisfied because Block 1 of the C stock is Relevant Property of P, and was neither distributed in a distribution to which section 355(e) applied nor transferred in a transaction in which the gain on that C stock was recognized in full during the Plan Period prior to the Distribution. See paragraph (b)(1)(ii)(B) of this section. The Division of Relevant Property Requirement is satisfied because some of the C stock distributed in the Distribution was Relevant Property of P, and therefore C is deemed to have received Relevant Property of P, and D continues to hold Relevant Property of P immediately after the Distribution. See paragraph (b)(1)(iii) of this section. Therefore, as part of a Plan, P's Rel-

evant Property has been divided between C and D.

(B) *Planned 50-percent Acquisition of P.* Under paragraph (d)(1)(i) of this section, Y is treated as acquiring stock representing 90% of the voting power and value of P as a result of the merger of P into D. Accordingly, there has been a Planned 50-percent Acquisition of P.

(C) *Gain limited.* Without regard to the limitations in paragraph (e) of this section, D would be required to recognize \$60x of gain (\$100x of fair market value minus \$40x of basis of the C stock held by D), the Statutory Recognition Amount under section 355(c)(2). However, under the POD Gain Limitation Rule, D's gain recognized by reason of the Planned 50-percent Acquisition of P will not exceed \$5x, an amount equal to the amount D would have recognized had it transferred Block 1 of the C stock (Separated Property) to a newly formed corporation (C1) solely for stock and distributed the C1 stock to D shareholders in a Hypothetical D/355(e) Reorganization. See paragraph (e)(2)(i) of this section. Because Relevant Equity (Block 1 of the C stock) is Separated Property, Underlying Property associated with that Relevant Equity is not treated as Separated Property. See paragraph (b)(2)(vii) of this section. For purposes of the computation in this paragraph (h)(3)(ii)(C), the basis and fair market value of the Block 1 C stock equal its basis and fair market value in the hands of D immediately before the Distribution. See paragraph (e)(2)(ii)(A) of this section. Under section 361(c)(2), D would recognize \$5x of gain, an amount equal to the gain in the hypothetical C1 stock (\$35x fair market value - \$30x basis). Therefore, D recognizes \$5x of gain.

(4) *Example 4: C stock as Substitute Asset*—(i) *Facts.* X owns 100% of the stock of P, which owns multiple assets, including 100% of the stock of R and Asset 2. Y owns 100% of the stock of D. The following steps occur as part of a Plan: P merges into D in a reorganization under section 368(a)(1)(A) (P-D reorganization). Immediately after the merger, X and Y own 10% and 90%, respectively, of the stock of D. D then causes R to transfer all of its assets to C and liquidate in a reorganization

under section 368(a)(1) (R-C reorganization). At the time of the P-D reorganization, the R stock has a basis of \$40x and a fair market value of \$110x. D distributes the stock of C to X and Y, pro rata. D continues to directly hold Asset 2. Immediately before the Distribution, the C stock held by D that was deemed received in the R-C reorganization (Block 1) has a basis of \$40x and a fair market value of \$110x, and all of the stock of C held by D has a basis of \$100x and a fair market value of \$200x.

(ii) *Analysis*—(A) *P is a Predecessor of D.* Under paragraph (b)(1) of this section, P is a Predecessor of D. First, P is a Potential Predecessor because, as part of a Plan, P transferred property to D in a Section 381 Transaction. See paragraph (b)(2)(ii)(A)(I) of this section. Second, both pre-Distribution requirements and the post-Distribution requirement are satisfied. The Relevant Property Requirement is satisfied because, for the following two reasons, some of the C stock distributed in the Distribution (Block 1) was Relevant Property of P. D is treated as acquiring Block 1 of the C stock in exchange for a direct or indirect interest in R stock (that is, Relevant Property) in the R-C reorganization because the basis of D in that C stock immediately after a transfer of the R stock (in the liquidation of R) is determined in whole or in part by reference to the basis of the R stock immediately before the transfer. See paragraph (b)(2)(x) of this section. Further, because the basis in Block 1 of the C stock is determined in whole or in part by reference to the basis of Relevant Equity (the R stock) the issuer of which ceases to exist for Federal income tax purposes under the Plan, Block 1 of the C stock is a Substitute Asset, and is therefore treated as Relevant Property with the same ownership and transfer history as the R stock. See paragraph (b)(2)(vi)(B)(2) of this section. The Reflection of Basis Requirement is satisfied because Block 1 of the C stock is Relevant Property of P, and was neither distributed in a distribution to which section 355(e) applied nor transferred in a transaction in which the gain on that C stock was recognized in full during the Plan Pe-

riod prior to the Distribution. See paragraph (b)(1)(ii)(B) of this section. The Division of Relevant Property Requirement is satisfied because some of the C stock distributed in the Distribution was Relevant Property of P, and therefore C is deemed to have received Relevant Property of P, and immediately after the Distribution, D continues to hold Asset 2, which is Relevant Property of P. See paragraph (b)(1)(iii) of this section. Therefore, as part of a Plan, P's Relevant Property has been divided between C and D.

(B) *Planned 50-percent Acquisition of P.* Under paragraph (d)(1)(i) of this section, Y is treated as acquiring stock representing 90% of the voting power and value of P as a result of the P-D reorganization. Accordingly, there has been a Planned 50-percent Acquisition of P.

(C) *Gain limited.* Without regard to the limitations in paragraph (e) of this section, D would be required to recognize \$100x of gain (\$200x of fair market value minus \$100x of basis of all C stock held by D), the Statutory Recognition Amount described in section 355(c)(2). However, under the POD Gain Limitation Rule, D's gain recognized by reason of the Planned 50-percent Acquisition of P will not exceed \$70x, an amount equal to the amount D would have recognized had it transferred Block 1 of the C stock (Separated Property) to a newly formed corporation (C1) solely for stock and distributed the C1 stock to D shareholders in a Hypothetical D/355(e) Reorganization. See paragraph (e)(2)(i) of this section. Because Relevant Equity (Block 1 of the C stock) is Separated Property, Underlying Property associated with that Relevant Equity is not treated as Separated Property. See paragraph (b)(2)(vii) of this section. Under section 361(c)(2), D would recognize \$70x of gain, an amount equal to the gain in the hypothetical C1 stock (excess of the \$110x fair market value over the \$40x basis). Therefore, D recognizes \$70x of gain.

(5) *Example 5: Section 351 transaction*—
(i) *Facts.* X owns 100% of the stock of P, which holds multiple assets, including Asset 1, Asset 2, and Asset 3. Y owns 100% of the stock of D. The following

steps occur as part of a Plan: P transfers Asset 1 and Asset 2 to D and Y transfers property to D in an exchange qualifying under section 351. Immediately after the exchange, P and Y own 10% and 90%, respectively, of the stock of D. D then contributes Asset 1 to C in exchange for additional C stock. D distributes all of the stock of C to P and Y, pro rata. D continues to directly hold Asset 2, and P continues to directly hold Asset 3. The contribution and Distribution constitute a reorganization under section 368(a)(1)(D). Immediately before the Distribution, Asset 1 has a basis of \$40x and a fair market value of \$110x, and the stock of C held by D has a basis of \$100x and a fair market value of \$200x. Following the Distribution, and as part of the same Plan, Z acquires 51% of the P stock.

(ii) *Analysis—P is not a Predecessor of D.* Under paragraph (b)(1) of this section, P is not a Predecessor of D. P is not a Potential Predecessor because P did not transfer property to a Potential Predecessor, D, or a member of the same Expanded Affiliated Group as D in a Section 381 Transaction and P is not a member of the same Expanded Affiliated Group as D immediately after completion of the Plan. See paragraph (b)(2)(ii) of this section. Thus, P cannot be a Predecessor of D. See paragraph (b)(1)(i) of this section.

(6) *Example 6: Section 351 transaction after an acquisition of P—(i) Facts.* X owns 100% of the stock of P, which holds multiple assets, including Asset 1 and Asset 2. Y owns 100% of the stock of D, D owns 100% of the stock of D1, and D1 owns 100% of the stock of C. D files a consolidated return for the affiliated group of which it is the common parent. The following steps occur as part of a Plan: D acquires 100% of the stock of P from X. P transfers Asset 1 and Asset 2 to D1 for D1 stock in an exchange qualifying under section 351. See § 1.1502-34. D1 contributes Asset 1 to C in exchange for additional C stock. D1 distributes all of the stock of C to D in exchange for D1 stock (First Distribution). D then distributes all of the stock of C to Y (Second Distribution). D1 continues to directly hold Asset 2. Immediately before the First Distribution, Asset 1 has a basis

of \$10x and a fair market value of \$60x, and the stock of C held by D1 has a basis of \$100x and a fair market value of \$200x.

(ii) *Analysis—(A) P is a Predecessor of D1.* Under paragraph (b)(1) of this section, P is a Predecessor of D1. First, P is a Potential Predecessor of D1 because P is a member of the same Expanded Affiliated Group as D1 immediately after completion of the Plan. See paragraph (b)(2)(ii)(A)(2) of this section. The Relevant Property Requirement is satisfied because, immediately before the First Distribution and as part of a Plan, C holds P Relevant Property (Asset 1) the gain on which was not recognized in full at any point during the Plan Period, and some of the C stock distributed in the First Distribution was acquired by D1 in exchange for Asset 1. See paragraph (b)(1)(ii)(A)(1) of this section. The Reflection of Basis Requirement is satisfied because that C stock had a basis prior to the First Distribution that was determined in whole or in part by reference to the basis of Separated Property (Asset 1), and was neither distributed in a distribution to which section 355(e) applied nor transferred in a transaction in which the gain on that C stock was recognized in full prior to the First Distribution. See paragraph (b)(1)(ii)(B) of this section. The Division of Relevant Property Requirement is satisfied because immediately after the First Distribution, each of C, on the one hand, and P or D1, on the other hand, continues to hold Relevant Property of P, and therefore, as part of a Plan, P's Relevant Property has been divided between C and D1. See paragraph (b)(1)(iii) of this section.

(B) *Planned 50-percent Acquisition of P.* D has acquired stock representing 100% of the voting power and value of P. Accordingly, there has been a Planned 50-percent Acquisition of P.

(C) *Gain on First Distribution.* Because there is a Planned 50-percent Acquisition of a Predecessor of Distributing (but not of Distributing, Controlled, or their Successors), section 355(f) will not apply to the First Distribution unless D and D1 choose to have section 355(f) apply. See paragraph (g) of this section. As a result, section 355, including the POD Gain Limitation Rule, will

apply to the First Distribution. Under the POD Gain Limitation Rule, D1's gain recognized by reason of the Planned 50-percent Acquisition of P will not exceed \$50x, an amount equal to the amount D1 would have recognized had it transferred Asset 1 (Separated Property) to a newly formed corporation (C1) solely for stock and distributed the C1 stock to D1 shareholders in a Hypothetical D/355(e) Reorganization. See paragraph (e)(2)(i) of this section. Under section 361(c)(2), D1 would recognize \$50x of gain, an amount equal to the gain in the hypothetical C1 stock (excess of the \$60x fair market value over the \$10x basis). Therefore, D1 recognizes \$50x of gain. Under paragraph (g)(2) of this section, however, D and D1 may choose to apply section 355(f) to the First Distribution as an exception to the general application of paragraph (g)(1) of this section. By application of section 355(f), section 355 (including the POD Gain Limitation Rule) would not apply to the First Distribution. Therefore, D1 would be required to recognize \$100x of gain (excess of the \$200x fair market value over the \$100x basis of C stock held by D1) under section 311(b), and D would be treated under section 302(d) as receiving a distribution of \$200x to which section 301 applies.

(D) *P is not a Predecessor of D.* Under paragraph (b)(1) of this section, P is not a Predecessor of D. First, P is a Potential Predecessor of D because P is a member of the same Expanded Affiliated Group as D immediately after completion of the Plan. See paragraph (b)(2)(ii)(A)(2) of this section. However, although the Relevant Property Requirement is satisfied, the Reflection of Basis Requirement is not satisfied. The Relevant Property Requirement is satisfied because, immediately before the Second Distribution and as part of a Plan, C holds P Relevant Property (Asset 1) the gain on which was not recognized in full at any point during the Plan Period, and some of the C stock distributed in the Second Distribution was indirectly acquired by D in exchange for Asset 1. See paragraph (b)(1)(ii)(A)(I) of this section. However, regardless of whether D and D1 choose under paragraph (g)(2) of this section to have section 355(f) apply to the First

Distribution, the Reflection of Basis Requirement cannot be satisfied. If section 355(f) applies to the First Distribution, then all of the C stock will have been transferred in a transaction in which the gain on the C stock was recognized in full during the Plan Period prior to the Second Distribution. If section 355(f) does not apply to the First Distribution, then all of the C stock will have been transferred in a distribution to which section 355(e) applied during the Plan Period prior to the Second Distribution. Because not all of the pre-Distribution and post-Distribution requirements are satisfied, P cannot be a Predecessor of D.

(7) *Example 7: Sequential Predecessors—*
 (i) *Facts.* X owns 100% of P1, which holds multiple assets, including Asset 1 and Asset 2. Y owns 100% of P2, which holds Asset 3, and Z owns 100% of D. The following steps occur as part of a Plan: P1 merges into P2 in a reorganization under 368(a)(1)(A) (P1-P2 reorganization). Immediately after the merger, X and Y own 10% and 90%, respectively, of the stock of P2. P2 then merges into D in a reorganization under 368(a)(1)(A) (P2-D reorganization). Immediately after the merger, X, Y, and Z own 1%, 9%, and 90%, respectively, of the stock of D. D then contributes Asset 1 to C in exchange for additional C stock, and retains Asset 2 and Asset 3. D distributes all of the stock of C to X, Y, and Z, pro rata. Immediately before the Distribution, Asset 1 has a basis of \$40x and a fair market value of \$100x, and the stock of C held by D has a basis of \$100x and a fair market value of \$200x.

(ii) *Analysis—(A) P2 is a Predecessor of D.* Under paragraph (b)(1) of this section, P2 is a Predecessor of D. First, P2 is a Potential Predecessor because, as part of a Plan, P2 transferred property to D in a Section 381 Transaction. See paragraph (b)(2)(ii)(A)(I) of this section. Second, both pre-Distribution requirements and the post-Distribution requirement are satisfied. The Relevant Property Requirement is satisfied because, immediately before the Distribution and as part of a Plan, C holds P2 Relevant Property (Asset 1) the gain on which was not recognized

in full at any point during the Plan Period, and some of the C stock distributed in the Distribution was acquired by D in exchange for Asset 1. See paragraph (b)(1)(ii)(A)(I) of this section. The Reflection of Basis Requirement is satisfied because that C stock had a basis prior to the Distribution that was determined in whole or in part by reference to the basis of Separated Property (Asset 1), and was neither distributed in a distribution to which section 355(e) applied nor transferred in a transaction in which the gain on that C stock was recognized in full during the Plan Period prior to the Distribution. See paragraph (b)(1)(ii)(B) of this section. The Division of Relevant Property Requirement is satisfied because immediately after the Distribution, D continues to hold P2 Relevant Property (Asset 2 and Asset 3), and therefore, as part of a Plan, P2's Relevant Property has been divided between C and D. See paragraph (b)(1)(iii) of this section.

(B) *P1 is a Predecessor of D.* Under paragraph (b)(1) of this section, P1 is a Predecessor of D. First, P1 is a Potential Predecessor because, as part of a Plan, P1 transferred property to a Potential Predecessor (P2) in a Section 381 Transaction. See paragraph (b)(2)(ii)(A)(I) of this section. Second, both pre-Distribution requirements and the post-Distribution requirement are satisfied. The Relevant Property Requirement is satisfied because, immediately before the Distribution and as part of a Plan, C holds P1 Relevant Property (Asset 1) the gain on which was not recognized in full at any point during the Plan Period, and some of the C stock distributed in the Distribution was acquired by D in exchange for Asset 1. See paragraph (b)(1)(ii)(A)(I) of this section. The Reflection of Basis Requirement is satisfied because that C stock had a basis prior to the Distribution that was determined in whole or in part by reference to the basis of Separated Property (Asset 1), and was neither distributed in a distribution to which section 355(e) applied nor transferred in a transaction in which the gain on that C stock was recognized in full during the Plan Period prior to the Distribution. See paragraph (b)(1)(ii)(B) of this section. The Division of Relevant Property Requirement is satis-

fied because immediately after the Distribution, D continues to hold Relevant Property of P1 (Asset 2), and therefore, as part of a Plan, P1's Relevant Property has been divided between C and D. See paragraph (b)(1)(iii) of this section.

(C) *Planned 50-percent Acquisitions of P1 and P2.* Under paragraph (d)(1)(i) of this section, Y is treated as acquiring stock representing 90% of the voting power and value of P1 as a result of the P1-P2 merger. In addition, under paragraph (d)(1)(i) of this section, Z is treated as acquiring stock representing 90% of the voting power and value of P2 in the P2-D merger. Accordingly, there have been Planned 50-percent Acquisitions of P1 and P2.

(D) *Gain limited.* Without regard to the limitations in paragraph (e) of this section, D would be required to recognize \$100x of gain (\$200x of aggregate fair market value minus \$100x of aggregate basis of the C stock held by D), the Statutory Recognition Amount described in section 361(c)(2), because there have been Planned 50-percent Acquisitions of P1 and P2, both Predecessors of D. However, under paragraph (e) of this section, D's gain recognized by reason of the Planned 50-percent Acquisitions of P1 and P2 will not exceed \$60x, an amount equal to the amount D would have recognized had it transferred Asset 1 (Separated Property) to a newly formed corporation (C1) solely for stock and distributed the C1 stock to D shareholders in a Hypothetical D/355(e) Reorganization. Under section 361(c)(2), D would recognize \$60x, an amount equal to the gain in the hypothetical C1 stock (excess of the \$100x fair market value over the \$40x basis). Paragraph (e)(1)(ii) of this section provides that if there are Planned 50-percent Acquisitions of multiple corporations, Distributing must recognize the Statutory Recognition Amount with respect to each such corporation, subject to the POD Gain Limitation Rule and the Distributing Gain Limitation Rule, if applicable. In this case, the POD Gain Limitation Rule limits the amount of gain required to be recognized by D with respect to each of the Planned 50-percent Acquisitions of P1 and P2 to \$60x. See paragraph (e)(2)(i) of this section. Ordinarily, each \$60x limitation would be added together,

and the total gain limitation provided by paragraph (e) of this section would be \$120x. However, the anti-duplication rule set forth in paragraph (e)(2)(ii)(C) of this section provides that, for purposes of applying the POD Gain Limitation Rule, a Predecessor of Distributing's Separated Property is taken into account only to the extent such property was not taken into account with respect to another Predecessor of Distributing. Thus, Asset 1 may not be taken into account more than once in determining the total gain limitation. Therefore, D recognizes \$60x of gain.

(8) *Example 8: Multiple Predecessors of D*—(i) *Facts.* X owns 100% of the stock of P1, which holds multiple assets, including Asset 1 and Asset 3. Y owns 100% of the stock of P2, which holds multiple assets, including Asset 2 and Asset 4. Z owns 100% of the stock of D. The following steps occur as part of a Plan: Each of P1 and P2 merges into D in a reorganization under section 368(a)(1)(A). Immediately after the mergers, each of X and Y owns 10%, and Z owns 80%, of the stock of D. D then contributes to C Asset 1 (acquired from P1), and Asset 2 (acquired from P2). In exchange for Asset 1 and Asset 2, D receives additional C stock. D distributes the stock of C to X, Y, and Z, pro rata. D's contribution of Asset 1 and Asset 2 and the Distribution constitute a reorganization under section 368(a)(1)(D). D continues to hold Asset 3 and Asset 4. Immediately before the Distribution, Asset 1 has a basis of \$50x and a fair market value of \$110x, Asset 2 has a basis of \$70x and a fair market value of \$90x, and the stock of C held by D has a basis of \$130x and a fair market value of \$220x.

(ii) *Analysis*—(A) *P1 and P2 are Predecessors of D.* Under paragraph (b)(1) of this section, each of P1 and P2 is a Predecessor of D. First, each of P1 and P2 is a Potential Predecessor because, as part of a Plan, each of P1 and P2 transferred property to D in a Section 381 Transaction. See paragraph (b)(2)(ii)(A)(I) of this section. Second, both pre-Distribution requirements and the post-Distribution requirement are satisfied. The Relevant Property Requirement is satisfied because, immediately before the Distribution and as

part of a Plan, C holds P1 Relevant Property (Asset 1) and P2 Relevant Property (Asset 2), the gain on each of which was not recognized in full at any point during the Plan Period, and some of the C stock distributed in the Distribution was acquired by D in exchange for each of Asset 1 and Asset 2. See paragraph (b)(1)(ii)(A)(I) of this section. The Reflection of Basis Requirement is satisfied because that C stock had a basis prior to the Distribution that was determined in whole or in part by reference to the basis of Separated Property (Asset 1 and Asset 2, respectively), and was neither distributed in a distribution to which section 355(e) applied nor transferred in a transaction in which the gain on that C stock was recognized in full during the Plan Period prior to the Distribution. See paragraph (b)(1)(ii)(B) of this section. The Division of Relevant Property Requirement is satisfied because immediately after the Distribution, D continues to hold Relevant Property of P1 and P2, and therefore, as part of a Plan, each of P1's and P2's Relevant Property has been divided between C and D. See paragraph (b)(1)(iii) of this section.

(B) *Planned 50-percent Acquisitions of P1 and P2.* Under paragraph (d)(1)(i) of this section, Z is treated as acquiring stock representing 80% of the voting power and value of each of P1 and P2 as a result of the mergers of P1 and P2 into D. Accordingly, there have been Planned 50-percent Acquisitions of P1 and P2.

(C) *Gain limited.* Without regard to the limitations in paragraph (e) of this section, D would be required to recognize \$90x of gain (\$220x of fair market value minus \$130x of basis of the C stock held by D), the Statutory Recognition Amount under section 361(c)(2). However, under the POD Gain Limitation Rule, D's gain recognized by reason of the Planned 50-percent Acquisition of P1 will not exceed \$60x (\$110x fair market value minus \$50x basis), an amount equal to the amount D would have recognized had it transferred Asset 1 (Separated Property) to a newly formed corporation (C1) solely for stock and distributed the C1 stock to D shareholders in a Hypothetical D/355(e) Reorganization. See paragraph

(e)(2)(i) of this section. In addition, under the POD Gain Limitation Rule, D's gain recognized by reason of the deemed acquisition of P2 stock will not exceed \$20x (\$90x fair market value minus \$70x basis), an amount equal to the amount D would have recognized had it transferred Asset 2 (Separated Property) to a second newly formed corporation (C2) solely for stock and distributed the C2 stock to D shareholders in a Hypothetical D/355(e) Reorganization. See paragraph (e)(2)(i) of this section. Therefore, D recognizes \$80x of gain (\$60x + \$20x). See paragraph (e)(1)(ii) of this section.

(9) *Example 9: Successor of C*—(i) *Facts.* X owns 100% of the stock of each of D and R. The following steps occur as part of a Plan: D distributes all of its C stock to X. Immediately before the Distribution, D's C stock has a basis of \$10x and a fair market value of \$30x. C then merges into R in a reorganization under section 368(a)(1)(D). Immediately after the merger, X owns all of the R stock. As part of the same Plan, Z acquires 51% of the stock of R from X.

(ii) *Analysis*—(A) *R is a Successor of C.* Under paragraph (c)(2)(i) of this section, R is a Successor of C because, after the Distribution, C transfers property to R in a Section 381 Transaction.

(B) *Planned 50-percent Acquisition of C.* Under paragraph (d)(2) of this section, Z's acquisition of stock of R is treated as an acquisition of stock of C. Therefore, Z is treated as acquiring 51% of the stock of C. Accordingly, there has been a Planned 50-percent Acquisition of C.

(C) *Gain not limited.* Section 355(e) applies to the Distribution because there has been a Planned 50-percent Acquisition of C. Neither the POD Gain Limitation Rule nor the Distributing Gain Limitation Rule applies because there has been no Planned 50-percent Acquisition of a Predecessor of D, and no Planned 50-percent Acquisition of D. Therefore, D recognizes \$20x of gain (\$30x fair market value minus \$10x basis of the C stock held by D) under section 355(c)(2).

(10) *Example 10: Multiple Successors*—(i) *Facts.* X owns 100% of the stock of both D and R. Y owns 100% of the stock of S. The following steps occur as part

of a Plan: D distributes all of the C stock to X. Immediately after the Distribution, D merges into R in a reorganization under section 368(a)(1)(A) (D-R merger). Following the D-R merger, R merges into S in a reorganization under section 368(a)(1)(A) (R-S merger). Immediately after the R-S merger, X and Y own 10% and 90%, respectively, of the S stock. Immediately before the Distribution, D's C stock has a basis of \$10x and a fair market value of \$30x.

(ii) *Analysis*—(A) *R and S are Successors of D.* Under paragraph (c)(2)(i) of this section, R is a Successor of D because, after the Distribution, D transfers property to R in a Section 381 Transaction. Under paragraph (c)(2)(ii) of this section, S is also a Successor of D because R (a Successor of D) transfers property to S in a Section 381 Transaction.

(B) *Planned 50-percent Acquisition of D.* Under paragraph (d)(1)(i) of this section, there is no deemed acquisition of D stock as a result of the D-R merger because X wholly owns the stock of D before the merger and wholly owns the stock of R after the merger. Under paragraph (d)(1)(i) of this section, Y is treated as acquiring stock representing 90% of the voting power and value of R (a Successor of D) as a result of the R-S merger. Under paragraph (d)(2) of this section, an acquisition of R stock is also treated as an acquisition of D stock. Accordingly, there has been a Planned 50-percent Acquisition of D.

(C) *Gain not limited.* Section 355(e) applies to the Distribution because there has been a Planned 50-percent Acquisition of D. The POD Gain Limitation Rule does not apply because there has been no Planned 50-percent Acquisition of a Predecessor of D. The Distributing Gain Limitation Rule applies because there has been a Planned 50-percent Acquisition of D. However, the gain limitation under the Distributing Gain Limitation Rule equals the Statutory Recognition Amount, because there is no Predecessor of D (and thus no Separated Property). Therefore, D recognizes \$20x of gain (\$30x fair market value minus \$10x basis of the C stock held by D) under section 355(c)(2).

(i) *Applicability date.* This section applies to Distributions occurring after December 15, 2019. For Distributions

occurring on or before December 15, 2019, see §1.355-8T as contained in 26 CFR part 1 revised as of April 1, 2019.

[T.D. 9888, 84 FR 69317, Dec. 18, 2019; 85 FR 15060, Mar. 17, 2020]

§ 1.356-1 Receipt of additional consideration in connection with an exchange.

(a) If in any exchange to which the provisions of section 354 or section 355 would apply except for the fact that there is received by the shareholders or security holders other property (in addition to property permitted to be received without recognition of gain by such sections) or money, then—

(1) The gain, if any, to the taxpayer shall be recognized in an amount not in excess of the sum of the money and the fair market value of the other property, but,

(2) The loss, if any, to the taxpayer from the exchange or distribution shall not be recognized to any extent.

(b) For purposes of computing the gain, if any, recognized pursuant to section 356 and paragraph (a)(1) of this section, to the extent the terms of the exchange specify the other property or money that is received in exchange for a particular share of stock or security surrendered or a particular class of stock or securities surrendered, such terms shall control provided that such terms are economically reasonable. To the extent the terms of the exchange

do not specify the other property or money that is received in exchange for a particular share of stock or security surrendered or a particular class of stock or securities surrendered, a pro rata portion of the other property and money received shall be treated as received in exchange for each share of stock and security surrendered, based on the fair market value of such surrendered share of stock or security.

(c) If the distribution of such other property or money by or on behalf of a corporation has the effect of the distribution of a dividend, then there shall be chargeable to each distributee (either an individual or a corporation)—

(1) As a dividend, such an amount of the gain recognized as is not in excess of the distributee's ratable share of the undistributed earnings and profits of the corporation accumulated after February 28, 1913, and

(2) As a gain from the exchange of property, the remainder of the gain so recognized.

(d) The rules of this section may be illustrated by the following examples:

Example 1. In an exchange to which the provisions of section 356 apply and to which section 354 would apply but for the receipt of property not permitted to be received without the recognition of gain or loss, A (either an individual or a corporation), received the following in exchange for a share of stock having an adjusted basis to A of \$85:

| | |
|---|------------|
| One share of stock worth | \$100 |
| Cash | 25 |
| Other property (basis \$25) fair market value | 50 |
| Total fair market value of consideration received | 175 |
| Adjusted basis of stock surrendered in exchange | 85 |
| Total gain | 90 |
| Gain to be recognized, limited to cash and other property received | 75 |
| A's pro rata share of earnings and profits accumulated after February 28, 1913 (taxable dividend) | 30 |
| Remainder to be treated as a gain from the exchange of property | 45 |

Example 2. If, in *Example 1*, A's stock had an adjusted basis to A of \$200, A would have realized a loss of \$25 on the exchange, which loss would not be recognized.

Example 3. (i) *Facts.* J, an individual, acquired 10 shares of Class A stock of Corporation X on Date 1 for \$3 each and 10 shares of Class B stock of Corporation X on Date 2 for \$9 each. On Date 3, Corporation Y acquires the assets of Corporation X in a reorganiza-

tion under section 368(a)(1)(A). Pursuant to the terms of the plan of reorganization, J surrenders all of J's shares of Corporation X stock for 10 shares of Corporation Y stock and \$100 of cash. On the date of the exchange, the fair market value of each share of Class A stock of Corporation X is \$10, the fair market value of each share of Class B stock of Corporation X is \$10, and the fair market value of each share of Corporation Y stock is

§ 1.356-2

26 CFR Ch. I (4-1-21 Edition)

\$10. The terms of the exchange do not specify that shares of Corporation Y stock or cash are received in exchange for particular shares of Class A stock or Class B stock of Corporation X.

(i) *Analysis.* Under paragraph (b) of this section, because the terms of the exchange do not specify that the cash is received in exchange for shares of Class A or Class B stock of Corporation X, a pro rata portion of the cash received is treated as received in exchange for each share of Class A stock of Corporation X and each share of Class B stock of Corporation X based on the fair market value of the surrendered shares. Therefore, J is treated as receiving shares of Corporation Y stock with a fair market value of \$50 and \$50 of cash in exchange for its shares of Class A stock of Corporation X and shares of Corporation Y stock with a fair market value of \$50 and \$50 of cash in exchange for its shares of Class B stock of Corporation X. J realizes a gain of \$70 on the exchange of shares of Class A stock, \$50 of which is recognized under section 356 and paragraph (a) of this section, and J realizes a gain of \$10 on the exchange of shares of Class B stock of Corporation X, all of which is recognized under section 356 and paragraph (a) of this section. Assuming that J's gain recognized is not treated as a dividend under section 356(a)(2), such gain shall be treated as gain from the exchange of property.

Example 4. (i) *Facts.* The facts are the same as in *Example 3*, except that the terms of the plan of reorganization specify that J receives 10 shares of stock of Corporation Y in exchange for J's shares of Class A stock of Corporation X and \$100 of cash in exchange for J's shares of Class B stock of Corporation X.

(ii) *Analysis.* Under paragraph (b) of this section, because the terms of the exchange specify that J receives 10 shares of stock of Corporation Y in exchange for J's shares of Class A stock of Corporation X and \$100 of cash in exchange for J's shares of Class B stock of Corporation X and such terms are economically reasonable, such terms control. J realizes a gain of \$70 on the exchange of shares of Class A stock, none of which is recognized under section 356 and paragraph (a) of this section, and J realizes a gain of \$10 on the exchange of shares of Class B stock of Corporation X, all of which is recognized under section 356 and paragraph (a) of this section.

(e) Section 301(b)(1)(B) and section 301(d)(2) do not apply to a distribution of "other property" to a corporate shareholder if such distribution is within the provisions of section 356.

(f) See paragraph (1) of § 1.301-1 for certain transactions which are not within the scope of section 356.

(g) This section applies to exchanges and distributions of stock and securities occurring on or after January 23, 2006.

[T.D. 9244, 71 FR 4268, Jan. 26, 2006]

§ 1.356-2 Receipt of additional consideration not in connection with an exchange.

(a) If, in a transaction to which section 355 would apply except for the fact that a shareholder (individual or corporate) receives property permitted by section 355 to be received without the recognition of gain, together with other property or money, without the surrender of any stock or securities of the distributing corporation, then the sum of the money and the fair market value of the other property as of the date of the distribution shall be treated as a distribution of property to which the rules of section 301 (other than section 301(b) and section 301(d)) apply. See section 358 for determination of basis of such other property.

(b) Paragraph (a) of this section may be illustrated by the following examples:

Example 1. Individuals A and B each own 50 of the 100 outstanding shares of common stock of Corporation X. Corporation X owns all of the stock of Corporation Y, 100 shares. Corporation X distributes to each shareholder 50 shares of the stock of Corporation Y plus \$100 cash without requiring the surrender of any shares of its own stock. The \$100 cash received by each is treated as a distribution of property to which the rules of section 301 apply.

Example 2. If, in the above example, Corporation X distributes 50 shares of stock of Corporation Y to A and 30 shares of such stock plus \$100 cash to B without requiring the surrender of any of its own stock, the amount of cash received by B is treated as a distribution of property to which the rules of section 301 apply.

§ 1.356-3 Rules for treatment of securities as "other property".

(a) As a general rule, for purposes of section 356, the term *other property* includes securities. However, it does not include securities permitted under section 354 or section 355 to be received tax free. Thus, when securities are surrendered in a transaction to which section 354 or section 355 is applicable, the

characterization of the securities received as "other property" does not include securities received where the principal amount of such securities does not exceed the principal amount of securities surrendered in the transaction. If a greater principal amount of securities is received in an exchange described in section 354 (other than subsection (c) or (d) thereof) or section 355 over the principal amount of securities surrendered, the term *other property* includes the fair market value of such excess principal amount as of the date of the exchange. If no securities are surrendered in exchange, the term *other property* includes the fair market value, as of the date of receipt, of the entire principal amount of the securities received.

(b) Except as provided in § 1.356-6, for purposes of this section, a right to acquire stock that is treated as a security for purposes of section 354 or 355 has no principal amount. Thus, such right is not other property when received in a transaction to which section 356 applies (regardless of whether securities are surrendered in the exchange). This paragraph (b) applies to transactions occurring on or after March 9, 1998.

(c) In the examples in this paragraph (c), stock means common stock and *warrants* means rights to acquire common stock. The following examples illustrate the rules of paragraph (a) of this section:

Example 1. A, an individual, exchanged 100 shares of stock for 100 shares of stock and a security in the principal amount of \$1,000 with a fair market value of \$990. The amount of \$990 is treated as "other property."

Example 2. B, an individual, exchanged 100 shares of stock and a security in the principal amount of \$1,000 for 300 shares of stock and a security in the principal amount of \$1,500. The security had a fair market value on the date of receipt of \$1,575. The fair market value of the excess principal amount, or \$525, is treated as "other property."

Example 3. C, an individual, exchanged a security in the principal amount of \$1,000 for 100 shares of stock and a security in the principal amount of \$900. No part of the security received is treated as "other property."

Example 4. D, an individual, exchanged a security in the principal amount of \$1,000 for 100 shares of stock and a security in the principal amount of \$1,200 with a fair market value of \$1,100. The fair market value of the

excess principal amount, or \$183.33, is treated as "other property."

Example 5. E, an individual, exchanged a security in the principal amount of \$1,000 for another security in the principal amount of \$1,200 with a fair market value of \$1,080. The fair market value of the excess principal amount, or \$180, is treated as "other property."

Example 6. F, an individual, exchanged a security in the principal amount of \$1,000 for two different securities each in the principal amount of \$750. One of the securities had a fair market value of \$750, the other had a fair market value of \$600. One-third of the fair market value of each security (\$250 and \$200) is treated as "other property."

Example 7. G, an individual, exchanged stock for stock and a warrant. The warrant had no principal amount. Thus, G received no excess principal amount within the meaning of section 356(d).

Example 8. H, an individual, exchanged a warrant for stock and a warrant. The warrants had no principal amount. Thus, H received no excess principal amount within the meaning of section 356(d).

Example 9. I, an individual, exchanged a warrant for stock and a debt security. The warrant had no principal amount. The debt security had a \$100 principal amount. I received \$100 of excess principal amount within the meaning of section 356(d).

[T.D. 6500, 25 FR 11607, Nov. 26, 1960, as amended by T.D. 7616, 44 FR 26869, May 8, 1979; T.D. 8752, 63 FR 410, Jan. 6, 1998; T.D. 8882, 65 FR 31078, May 16, 2000]

§ 1.356-4 Exchanges for section 306 stock.

If, in a transaction to which section 356 is applicable, other property or money is received in exchange for section 306 stock, an amount equal to the fair market value of the property plus the money, if any, shall be treated as a distribution of property to which section 301 is applicable. The determination of whether section 306 stock is surrendered for other property (including money) is a question of fact to be decided under all of the circumstances of each case. Ordinarily, the other property (including money) received will first be treated as received in exchange for any section 306 stock owned by a shareholder prior to such transaction. For example, if a shareholder who owns a share of common stock (having a basis to him of \$100) and a share of preferred stock which is section 306 stock (having a basis to him of \$100) surrenders both shares in a transaction to

§ 1.356-5

which section 356 is applicable for one share of common stock having a fair market value of \$80 and one \$100 bond having a fair market value of \$100, the bond will be deemed received in exchange for the section 306 stock and it will be treated as a distribution to which section 301 is applicable to the extent of its entire fair market value (\$100).

§ 1.356-5 Transactions involving gift or compensation.

With respect to transactions described in sections 354, 355, or 356, but which—

(a) Result in a gift, see section 2501 and following, and the regulations pertaining thereto, or

(b) Have the effect of the payment of compensation, see section 61(a)(1), and the regulations pertaining thereto.

§ 1.356-6 Rules for treatment of non-qualified preferred stock as other property.

(a) *In general.* For purposes of §§ 1.354-1(e), 1.355-1(c), and 1.356-3(b), the terms *stock* and *securities* do not include—

(1) Nonqualified preferred stock, as defined in section 351(g)(2), received in exchange for (or in a distribution with respect to) stock, or a right to acquire stock, other than nonqualified preferred stock; or

(2) A right to acquire such nonqualified preferred stock, received in exchange for (or in a distribution with respect to) stock, or a right to acquire stock, other than nonqualified preferred stock.

(b) *Exceptions.* The following exceptions apply:

(1) *Certain recapitalizations.* Paragraph (a) of this section does not apply in the case of a recapitalization under section 368(a)(1)(E) of a family-owned corporation as described in section 354(a)(2)(C)(ii)(II).

(2) *Transition rule.* Paragraph (a) of this section does not apply to a transaction described in section 1014(f)(2) of the Taxpayer Relief Act of 1997 (111 Stat. 921).

(c) *Effective date.* This section applies to nonqualified preferred stock, or a right to acquire such stock, received in

26 CFR Ch. I (4-1-21 Edition)

connection with a transaction occurring on or after March 9, 1998.

[T.D. 8753, 63 FR 411, Jan. 6, 1998. Redesignated by T.D. 8882, 65 FR 31078, May 16, 2000]

§ 1.356-7 Rules for treatment of non-qualified preferred stock and other preferred stock received in certain transactions.

(a) *Stock issued prior to effective date.* Stock described in section 351(g)(2) is nonqualified preferred stock (NQPS) regardless of the date on which the stock is issued. However, sections 351(g), 354(a)(2)(C), 355(a)(3)(D), 356(e), and 1036(b) do not apply to any transaction occurring prior to June 9, 1997, or to any transaction occurring after June 8, 1997, that is described in section 1014(f)(2) of the Taxpayer Relief Act of 1997, Public Law 105-34 (111 Stat. 788, 921). For purposes of this section, preferred stock that is not NQPS is referred to as Qualified Preferred Stock (QPS).

(b) *Receipt of preferred stock in exchange for (or distribution on) substantially identical preferred stock—*(1) *General rule.* For purposes of sections 354(a)(2)(C)(i), 355(a)(3)(D), and 356(e)(2), preferred stock is QPS, even though it is described in section 351(g)(2), if it is received in exchange for (or in a distribution with respect to) preferred stock (the original preferred stock) that is QPS, provided—

(i) The original preferred stock is QPS solely because, on its issue date, either a right or obligation described in clause (i), (ii), or (iii) of section 351(g)(2)(A) was not exercisable until after a 20-year period beginning on the issue date, or the right or obligation was exercisable within the 20-year period beginning on the issue date but was subject to a contingency which made remote the likelihood of the redemption or purchase, or the issuer's (or a related party's) right to redeem or purchase the stock was not more likely than not to be exercised within a 20-year period beginning on the issue date, or because of any combination of these reasons; and

(ii) The stock received is substantially identical to the original preferred stock.

(2) *Substantially identical.* The stock received is substantially identical to the original preferred stock if—

(i) The stock received does not contain any term or terms that, in relation to any term or terms of the original preferred stock, either decrease the period in which a right or obligation described in clause (i), (ii), or (iii) of section 351(g)(2)(A) can be exercised, or increase the likelihood that such a right or obligation will be exercised, or accelerate the timing of the returns from the stock instrument, including the timing of actual or deemed dividends or other distributions received on the stock; and

(ii) As a result of the exchange or distribution, exercise of the right or obligation does not become more likely than not to occur within a 20-year period beginning on the issue date of the original preferred stock.

(3) *Treatment of stock received.* The stock received will continue to be treated as QPS in subsequent transactions involving such stock, and the principles of this paragraph (b) apply to such transactions as though the stock received is the original preferred stock issued on the same date as the original preferred stock.

(c) *Stock transferred for services.* For purposes of sections 351(g)(1), 354(a)(2)(C)(i), 355(a)(3)(D), and 356(e)(2), preferred stock containing a right or obligation described in clause (i), (ii) or (iii) of section 351(g)(2)(A) that is exercisable only upon the holder's separation from service from the issuer or a related person (as described in section 351(g)(3)(B)) will be treated as transferred in connection with the performance of services (and representing reasonable compensation) within the meaning of section 351(g)(2)(C)(i)(II), if such preferred stock is received in exchange for (or in a distribution with respect to) existing stock containing a similar right or obligation (exercisable only upon separation from service) and the existing stock was transferred in connection with the performance of services for the issuer or a related person (and represented reasonable compensation when transferred). In applying the rules relating to NQPS, the preferred stock received will continue to be treated as transferred in connection

with the performance of services (and representing reasonable compensation) in subsequent transactions involving such stock, and the principles of this paragraph (c) apply to such transactions.

(d) *Rights to acquire stock.* For purposes of § 1.356-6, the principles of paragraphs (a), (b), and (c) of this section apply.

(e) *Examples.* In the examples in this paragraph (e), T and P are corporations, A is a shareholder of T, and A surrenders and receives (in addition to the stock exchanged in the examples) common stock in the reorganizations described. The following examples illustrate paragraphs (a), (b), and (c) of this section:

Example 1. In 1995, A transfers property to T and receives T preferred stock that is described in section 351(g)(2) in a transaction under section 351. In 2002, pursuant to a reorganization under section 368(a)(1)(B), A surrenders the T preferred stock in exchange for P NQPS. Under paragraph (a) of this section, the T preferred stock issued to A in 1995 is NQPS. However, because section 351(g) does not apply to transactions occurring before June 9, 1997, the T NQPS was not "other property" within the meaning of section 351(b) when issued in 1995. Under sections 354(a)(2)(C) and 356(e)(2), the P NQPS received by A in 2002 is not "other property" within the meaning of section 356(a)(1)(B) because it is received in exchange for NQPS.

Example 2. T issues QPS to A on January 1, 2000 that is not NQPS solely because the holder cannot require T to redeem the stock until January 1, 2022. In 2007, pursuant to a reorganization under section 368(a)(1)(A) in which T merges into P, A surrenders the T preferred stock in exchange for P preferred stock with terms that are identical to the terms of the T preferred stock, including the term that the holder cannot require the redemption of the stock until January 1, 2022. Because the P stock and the T stock have identical terms, and because the redemption did not become more likely than not to occur within the 20-year period that begins on January 1, 2000 (which is the issue date of the T preferred stock) as a result of the exchange, under paragraph (b) of this section, the P preferred stock received by A is treated as QPS. Thus, the P preferred stock received is not "other property" within the meaning of section 356(a)(1)(B).

Example 3. The facts are the same as in *Example 2*, except that, in addition, in 2010, pursuant to a recapitalization of P under section 368(a)(1)(E), A exchanges the P preferred stock above for P NQPS that permits the holder to require P to redeem the stock in

2020. Under paragraph (b) of this section, the P preferred stock surrendered by A is treated as QPS. Because the P preferred stock received by A in the recapitalization is not substantially identical to the P preferred stock surrendered, the P preferred stock received by A is not treated as QPS. Thus, the P preferred stock received is “other property” within the meaning of section 356(a)(1)(B).

Example 4. T issues preferred stock to A on January 1, 2000 that permits the holder to require T to redeem the stock on January 1, 2018, or at any time thereafter, but which is not NQPS solely because, as of the issue date, the holder’s right to redeem is subject to a contingency that makes remote the likelihood of redemption on or before January 1, 2020. In 2007, pursuant to a reorganization under section 368(a)(1)(A) in which T merges into P, A surrenders the T preferred stock in exchange for P preferred stock with terms that are identical to the terms of the T preferred stock. Immediately before the exchange, the contingency to which the holder’s right to cause redemption of the T stock is subject makes remote the likelihood of redemption before January 1, 2020, but the P stock, although subject to the same contingency, is more likely than not to be redeemed before January 1, 2020. Because, as a result of the exchange of T stock for P stock, the exercise of the redemption right became more likely than not to occur within the 20-year period beginning on the issue date of the T preferred stock, the P preferred stock received by A is not substantially identical to the T stock surrendered, and is not treated as QPS. Thus, the P preferred stock received is “other property” within the meaning of section 356(a)(1)(B).

Example 5. The facts are the same as in *Example 4*, except that, immediately before the merger of T into P in 2007, the contingency to which the holder’s right to cause redemption of the T stock is subject makes it more likely than not that the T stock will be redeemed before January 1, 2020. Because exercise of the redemption right did not become more likely than not to occur within the 20-year period beginning on the issue date of the T preferred stock as a result of the exchange, the P preferred stock received by A is substantially identical to the T stock surrendered, and is treated as QPS. Thus, the P preferred stock received is not “other property” within the meaning of section 356(a)(1)(B).

Example 6. A is an employee of T. In connection with A’s performance of services for T, T transfers to A in 2000 an amount of T common stock that represents reasonable compensation. The T common stock contains a term granting A the right to require T to redeem the common stock, but only upon A’s separation from service from T. In 2005, pursuant to a reorganization under section

368(a)(1)(A) in which T merges into P, A receives, in exchange for A’s T common stock, P preferred stock granting a similar redemption right upon A’s separation from P’s service. Under paragraph (c) of this section, the P preferred stock received by A is treated as transferred in connection with the performance of services (and representing reasonable compensation) within the meaning of section 351(g)(2)(C)(i)(II). Thus, the P preferred stock received by A is QPS.

(f) *Effective dates.* This section applies to transactions occurring on or after October 2, 2000.

[T.D. 8904, 65 FR 58651, Oct. 2, 2000]

§ 1.357-1 Assumption of liability.

(a) *General rule.* Section 357(a) does not affect the rule that liabilities assumed are to be taken into account for the purpose of computing the amount of gain or loss realized under section 1001 upon an exchange. Section 357(a) provides, subject to the exceptions and limitations specified in section 357 (b) and (c), that—

(1) Liabilities assumed are not to be treated as “other property or money” for the purpose of determining the amount of realized gain which is to be recognized under section 351, 361, 371, or 374, if the transactions would, but for the receipt of “other property or money” have been exchanges of the type described in any one of such sections; and

(2) If the only type of consideration received by the transferor in addition to that permitted to be received by section 351, 361, 371, or 374, consists of an assumption of liabilities, the transaction, if otherwise qualified, will be deemed to be within the provisions of section 351, 361, 371, or 374.

(b) *Application of general rule.* The application of paragraph (a) of this section may be illustrated by the following example:

Example. A, an individual, transfers to a controlled corporation property with an adjusted basis of \$10,000 in exchange for stock of the corporation with a fair market value of \$8,000, \$3,000 cash, and the assumption by the corporation of indebtedness of A amounting to \$4,000. A’s gain is \$5,000, computed as follows:

| | |
|---|---------|
| Stock received, fair market value | \$8,000 |
| Cash received | 3,000 |
| Liability assumed by transferee | 4,000 |
| <hr/> | <hr/> |
| Total consideration received | 15,000 |

| | |
|--|--------|
| Less: Adjusted basis of property transferred | 10,000 |
| Gain realized | 5,000 |

Assuming that the exchange falls within section 351 as a transaction in which the gain to be recognized is limited to "other property or money" received, the gain recognized to A will be limited to the \$3,000 cash received, since, under the general rule of section 357(a), the assumption of the \$4,000 liability does not constitute "other property."

(c) *Tax avoidance purpose.* The benefits of section 357(a) do not extend to any exchange involving an assumption of liabilities where it appears that the principal purpose of the taxpayer with respect to such assumption was to avoid Federal income tax on the exchange, or, if not such purpose, was not a bona fide business purpose. In such cases, the total amount of liabilities assumed or acquired pursuant to such exchange (and not merely a particular liability with respect to which the tax avoidance purpose existed) shall, for the purpose of determining the amount of gain to be recognized upon the exchange in which the liabilities are assumed or acquired, be treated as money received by the taxpayer upon the exchange. Thus, if in the example set forth in paragraph (b) of this section, the principal purpose of the assumption of the \$4,000 liability was to avoid tax on the exchange, or was not a bona fide business purpose, then the amount of gain recognized would be \$5,000. In any suit or proceeding where the burden is on the taxpayer to prove that an assumption of liabilities is not to be treated as "other property or money" under section 357, which is the case if the Commissioner determines that the taxpayer's purpose with respect thereto was a purpose to avoid Federal income tax on the exchange or was not a bona fide business purpose, and the taxpayer contests such determination by litigation, the taxpayer must sustain such burden by the clear preponderance of the evidence. Thus, the taxpayer must prove his case by such a clear preponderance of all the evidence that the absence of a purpose to avoid Federal income tax on the exchange, or the presence of a bona fide business purpose, is unmistakable.

[T.D. 6500, 25 FR 11607, Nov. 26, 1960, as amended by T.D. 6528, 26 FR 399, Jan. 19, 1961]

§ 1.357-2 Liabilities in excess of basis.

(a) Section 357(c) provides in general that in an exchange to which section 351 (relating to a transfer to a corporation controlled by the transferor) is applicable, or to which section 361 (relating to the nonrecognition of gain or loss to corporations) is applicable by reason of a section 368(a)(1)(D) reorganization, if the sum of the amount of liabilities assumed plus the amount of liabilities to which the property is subject exceeds the total of the adjusted basis of the property transferred pursuant to such exchange, then such excess shall be considered as a gain from the sale or exchange of a capital asset or of property which is not a capital asset as the case may be. Thus, if an individual transfers, under section 351, properties having a total basis in his hands of \$20,000, one of which has a basis of \$10,000 but is subject to a mortgage of \$30,000, to a corporation controlled by him, such individual will be subject to tax with respect to \$10,000, the excess of the amount of the liability over the total adjusted basis of all the properties in his hands. The same result will follow whether or not the liability is assumed by the transferee. The determination of whether a gain resulting from the transfer of capital assets is long-term or short-term capital gain shall be made by reference to the holding period to the transferor of the assets transferred. An exception to the general rule of section 357(c) is made (1) for any exchange as to which under section 357(b) (relating to assumption of liabilities for tax-avoidance purposes) the entire amount of the liabilities is treated as money received and (2) for an exchange to which section 371 (relating to reorganizations in certain receivership and bankruptcy proceedings) or section 374 (relating to gain or loss not recognized in certain railroad reorganizations) is applicable.

(b) The application of paragraph (a) of this section may be illustrated by the following examples:

Example 1. If all such assets transferred are capital assets and if half the assets (ascertained by reference to their fair market value at the time of the transfer) have been held for less than 1 year (6 months for taxable years beginning before 1977; 9 months for taxable years beginning in 1977), and the

remaining half for more than 1 year (6 months for taxable years beginning before 1977; 9 months for taxable years beginning in 1977), half the excess of the amount of the liability over the total of the adjusted basis of the property transferred pursuant to the exchange shall be treated as short-term capital gain, and the remaining half shall be treated as long-term capital gain.

Example 2. If half of the assets (ascertained by reference to their fair market value at the time of the transfer) transferred are capital assets and half are assets other than capital assets, then half of the excess of the amount of the liability over the total of the adjusted basis of the property transferred pursuant to the exchange shall be treated as capital gain, and the remaining half shall be treated as gain from the sale or exchange of assets other than capital assets.

[T.D. 6500, 25 FR 11607, Nov. 26, 1960, as amended by T.D. 6528, 26 FR 399, Jan. 19, 1961; T.D. 7728, 45 FR 72650, Nov. 3, 1980]

§ 1.358-1 Basis to distributees.

(a) In the case of an exchange to which section 354 or 355 applies in which, under the law applicable to the year in which the exchange is made, only nonrecognition property is received, immediately after the transaction, the sum of the basis of all of the stock and securities received in the transaction shall be the same as the basis of all the stock and securities in such corporation surrendered in the transaction, allocated in the manner described in § 1.358-2. In the case of a distribution to which section 355 applies in which, under the law applicable to the year in which the distribution is made, only nonrecognition property is received, immediately after the transaction, the sum of the basis of all of the stock and securities with respect to which the distribution is made plus the basis of all stock and securities received in the distribution with respect to such stock and securities shall be the same as the basis of the stock and securities with respect to which the distribution is made immediately before the transaction, allocated in the manner described in § 1.358-2. In the case of an exchange to which section 351 or 361 applies in which, under the law applicable to the year in which the exchange was made, only nonrecognition property is received, the basis of all the stock and securities received in the exchange shall be the same as the

basis of all property exchanged therefor. If in an exchange or distribution to which section 351, 356, or 361 applies both nonrecognition property and “other property” are received, the basis of all the property except “other property” held after the transaction shall be determined as described in the preceding three sentences decreased by the sum of the money and the fair market value of the “other property” (as of the date of the transaction) and increased by the sum of the amount treated as a dividend (if any) and the amount of the gain recognized on the exchange, but the term gain as here used does not include any portion of the recognized gain that was treated as a dividend. In any case in which a taxpayer transfers property with respect to which loss is recognized, such loss shall be reflected in determining the basis of the property received in the exchange. The basis of the “other property” is its fair market value as of the date of the transaction. See § 1.460-4(k)(3)(iv)(A) for rules relating to stock basis adjustments required where a contract accounted for using a long-term contract method of accounting is transferred in a transaction described in section 351 or a reorganization described in section 368(a)(1)(D) with respect to which the requirements of section 355 (or so much of section 356 as relates to section 355) are met.

(b) The application of paragraph (a) of this section may be illustrated by the following example:

Example. A purchased a share of stock in Corporation X in 1935 for \$150. Since that date A has received distributions out of other than earnings and profits (as defined in section 316) totaling \$60, so that A’s adjusted basis for the stock is \$90. In a transaction qualifying under section 356, A exchanged this share for one share in Corporation Y, worth \$100, cash in the amount of \$10, and other property with a fair market value of \$30. The exchange had the effect of the distribution of a dividend. A’s ratable share of the earnings and profits of Corporation X accumulated after February 28, 1913, was \$5. A realized a gain of \$50 on the exchange, but the amount recognized is limited to \$40, the sum of the cash received and the fair market value of the other property. Of the gain recognized, \$5 is taxable as a dividend, and \$35 is taxable as a gain from the exchange of property. The basis to A of the one share of

stock of Corporation Y is \$90, that is, the adjusted basis of the one share of stock of Corporation X (\$90), decreased by the sum of the cash received (\$10) and the fair market value of the other property received (\$30) and increased by the sum of the amount treated as a dividend (\$5) and the amount treated as a gain from the exchange of property (\$35). The basis of the other property received is \$30.

(c) This section applies to exchanges and distributions of stock and securities occurring on or after January 23, 2006.

[T.D. 9244, 71 FR 4269, Jan. 26, 2006; 71 FR 19118, Apr. 13, 2006; 71 FR 62556, Oct. 26, 2006]

§ 1.358-2 Allocation of basis among nonrecognition property.

(a) *Allocation of basis in exchanges or distributions to which section 354, 355, or 356 applies.* (1) As used in this paragraph the term *stock* means stock which is not “other property” under section 356. The term *securities* means securities (including, where appropriate, fractional parts of securities) which are not “other property” under section 356. Stock, or securities, as the case may be, which differ either because they are in different corporations or because the rights attributable to them differ (although they are in the same corporation) are considered different classes of stock or securities, as the case may be, for purposes of this section.

(2)(i) If a shareholder or security holder surrenders a share of stock or a security in an exchange under the terms of section 354, 355, or 356, the basis of each share of stock or security received in the exchange shall be the same as the basis of the share or shares of stock or security or securities (or allocable portions thereof) exchanged therefor (as adjusted under § 1.358-1). If more than one share of stock or security is received in exchange for one share of stock or one security, the basis of the share of stock or security surrendered shall be allocated to the shares of stock or securities received in the exchange in proportion to the fair market value of the shares of stock or securities received. If one share of stock or security is received in exchange for more than one share of stock or security or if a fraction of a share of stock or security is received,

then the basis of the shares of stock or securities surrendered must be allocated to the shares of stock or securities (or allocable portions thereof) received in a manner that reflects, to the greatest extent possible, that a share of stock or security received is received in respect of shares of stock or securities that were acquired on the same date and at the same price. To the extent it is not possible to allocate basis in this manner, the basis of the shares of stock or securities surrendered must be allocated to the shares of stock or securities (or allocable portions thereof) received in a manner that minimizes the disparity in the holding periods of the surrendered shares of stock or securities whose basis is allocated to any particular share of stock or security received.

(ii) If a shareholder or security holder surrenders a share of stock or a security in an exchange under the terms of section 354, 355, or 356, and receives shares of stock or securities of more than one class, or receives “other property” or money in addition to shares of stock or securities, then, to the extent the terms of the exchange specify that shares of stock or securities of a particular class or “other property” or money is received in exchange for a particular share of stock or security or a particular class of stock or securities, for purposes of applying the rules of this section, such terms shall control provided such terms are economically reasonable. To the extent the terms of the exchange do not specify that shares of stock or securities of a particular class or “other property” or money is received in exchange for a particular share of stock or security or a particular class of stock or securities, then, for purposes of applying the rules of paragraph (a)(2)(i) of this section, a pro rata portion of the shares of stock and securities of each class received and a pro rata portion of the “other property” and money received shall be treated as received in exchange for each share of stock and security surrendered, based on the fair market value of the stock and securities surrendered.

(iii)(A) For purposes of this section, if a shareholder or security holder surrenders a share of stock or a security

in a transaction under the terms of section 354 (or so much of section 356 as relates to section 354) in which the shareholder or security holder receives no property or property (including property permitted by section 354 to be received without the recognition of gain or "other property" or money) with a fair market value less than that of the stock or securities surrendered in the transaction:

(1) Such shareholder or security holder shall be treated as receiving the stock, securities, other property, and money actually received by the shareholder or security holder in the transaction and an amount of stock of the issuing corporation (as defined in § 1.368-1(b)) that has a value equal to the excess of the value of the stock or securities the shareholder or security holder surrendered in the transaction over the value of the stock, securities, other property, and money the shareholder or security holder actually received in the transaction. If the shareholder owns only one class of stock of the issuing corporation the receipt of which would be consistent with the economic rights associated with each class of stock of the issuing corporation, the stock deemed received by the shareholder pursuant to the previous sentence shall be stock of such class. If the shareholder owns multiple classes of stock of the issuing corporation the receipt of which would be consistent with the economic rights associated with each class of stock of the issuing corporation, the stock deemed received by the shareholder shall be stock of each such class owned by the shareholder immediately prior to the transaction, in proportion to the value of the stock of each such class owned by the shareholder at that time. The basis of each share of stock or security of the issuing corporation deemed received and actually received shall be determined under the rules of this section. If and to the extent necessary to reflect the actual ownership of the issuing corporation immediately after the exchange to which section 354 (or so much of section 356 as relates to section 354) applies, an appropriate amount of the stock of the issuing corporation treated as issued to the shareholder or security holder in the ex-

change is deemed further transferred in accordance with § 1.368-2(1) to reflect the actual ownership of the issuing corporation. Paragraph (a)(2)(iii)(A)(2) of this section is only applied to any shareholder of the issuing corporation after all of the deemed transfers pursuant to § 1.368-2(1) are completed. The transferred shares' basis shall be adjusted for all deemed transfers required by § 1.368-2(1).

(2) A direct shareholder of the issuing corporation that receives the shares deemed issued as part of the transaction, as described in paragraph (a)(2)(iii)(A)(1) of this section, shall then be treated as surrendering all of its shares of stock and securities in the issuing corporation, including those shares of stock or securities held immediately prior to the transaction, those shares of stock or securities actually received in the transaction, and those shares of stock deemed received as described in paragraph (a)(2)(iii)(A)(1) of this section, in a reorganization under section 368(a)(1)(E) in exchange for the shares of stock and securities of the issuing corporation that the shareholder or security holder actually holds immediately after the transaction. The basis of each share of stock and security deemed received in the reorganization under section 368(a)(1)(E) shall be determined under the rules of this section.

(B) For purposes of this section, if an actual shareholder of the issuing corporation is deemed to receive a nominal share of stock of the issuing corporation as provided in § 1.368-2(1), then that shareholder must, after allocating and adjusting the basis of the nominal share in accordance with the rules of this section and § 1.358-1, designate the share of stock of the issuing corporation that it owns to which the basis, if any, of the nominal share will attach. If the shareholder does not actually own any shares of stock in the issuing corporation immediately after the exchange to which section 354 (or so much of section 356 as relates to section 354) applies, the nominal share of stock of the issuing corporation received by the shareholder in the exchange is deemed further transferred in accordance with § 1.368-2(1) without applying the designation rule set forth in

the first sentence of this paragraph until it is transferred to a person that actually owns stock in the issuing corporation. The transferred share's basis shall be adjusted for all deemed transfers required by § 1.368-2(1).

(iv) If a shareholder or security holder receives one or more shares of stock or one or more securities in a distribution under the terms of section 355 (or so much of section 356 as relates to section 355), the basis of each share of stock or security of the distributing corporation (as defined in § 1.355-1(b)), as adjusted under § 1.358-1, shall be allocated between the share of stock or security of the distributing corporation with respect to which the distribution is made and the share or shares of stock or security or securities (or allocable portions thereof) received with respect to the share of stock or security of the distributing corporation in proportion to their fair market values. If one share of stock or security is received with respect to more than one share of stock or security or if a fraction of a share of stock or security is received, then the basis of each share of stock or security of the distributing corporation must be allocated to the shares of stock or securities (or allocable portions thereof) received in a manner that reflects that, to the greatest extent possible, a share of stock or security received is received with respect to shares of stock or securities acquired on the same date and at the same price. To the extent it is not possible to allocate basis in this manner, the basis of each share of stock or security of the distributing corporation must be allocated to the shares of stock or securities (or allocable portions thereof) received in a manner that minimizes the disparity in the holding periods of the shares of stock or securities with respect to which such shares of stock or securities are received.

(v) If a shareholder or security holder receives shares of stock or securities of more than one class, or receives "other property" or money in addition to stock or securities in a distribution under the terms of section 355 (or so much of section 356 as relates to section 355), then, to the extent the terms of the distribution specify that shares

of stock or securities of a particular class or "other property" or money is received with respect to a particular share of stock or security of the distributing corporation or a particular class of stock or securities of the distributing corporation, for purposes of applying the rules of this section, such terms shall control provided that such terms are economically reasonable. To the extent the terms of the distribution do not specify that shares of stock or securities of a particular class or "other property" or money is received with respect to a particular share of stock or security of the distributing corporation or a particular class of stock or securities of the distributing corporation, then, for purposes of applying the rules of this section, a pro rata portion of the shares of stock and securities of each class received and a pro rata portion of the "other property" and money received shall be treated as received with respect to each share of stock and security of the distributing corporation with respect to which the distribution is made, based on the fair market value of each such share of stock or security.

(vi) If a share of stock or a security is received in exchange for, or with respect to, more than one share of stock or security and such shares or securities were acquired on different dates or at different prices, the share of stock or security received shall be divided into segments based on the relative fair market values of the shares of stock or securities surrendered in exchange for such share or security or the relative fair market values of the shares of stock or securities with respect to which the share of stock or security is received in a distribution under the terms of section 355 (or so much of section 356 as relates to section 355)). Each segment shall have a basis determined under the rules of paragraph (a)(2) of this section and a corresponding holding period.

(vii) If a shareholder or security holder that purchased or acquired shares of stock or securities in a corporation on different dates or at different prices exchanges such shares of stock or securities under the terms of section 354, 355, or 356, or receives a distribution of shares of stock or securities under the

terms of section 355 (or so much of section 356 as relates to section 355), and the shareholder or security holder is not able to identify which particular share of stock or security (or allocable portion of a share of stock or security) is received (or deemed received) in exchange for, or with respect to, a particular share of stock or security, the shareholder or security holder may designate which share of stock or security is received in exchange for, or with respect to, a particular share of stock or security, provided that such designation is consistent with the terms of the exchange or distribution (or an exchange deemed to have occurred pursuant to paragraph (a)(2)(iii) of this section), and the other rules of this section. In the case of an exchange under the terms of section 354 or 356 (including a deemed exchange as a result of the application of paragraph (a)(2)(iii) of this section), the designation must be made on or before the first date on which the basis of a share of stock or a security received (or deemed received in the reorganization under section 368(a)(1)(E) in the case of a transaction to which paragraph (a)(2)(iii) of this section applies) is relevant. In the case of an exchange or distribution under the terms of section 355 (or so much of section 356 as relates to section 355), the designation must be made on or before the first date on which the basis of a share of stock or a security of the distributing corporation or the controlled corporation (as defined in § 1.355-1(b)) is relevant. The basis of the shares or securities received in an exchange under the terms of section 354 or section 356, for example, is relevant when such shares or securities are sold or otherwise transferred. The designation will be binding for purposes of determining the Federal tax consequences of any sale or transfer of, or distribution with respect to, the shares or securities received. If the shareholder fails to make a designation in a case in which the shareholder is not able to identify which share of stock is received in exchange for, or with respect to, a particular share of stock, then the shareholder will not be able to identify which shares are sold or transferred for purposes of determining the basis of property sold or

transferred under section 1012 and § 1.1012-1(c) and, instead, will be treated as selling or transferring the share received in respect of the earliest share purchased or acquired.

(viii) This paragraph (a)(2) shall not apply to determine the basis of a share of stock or security received by a shareholder or security holder in an exchange described in both section 351 and either section 354 or 356, if, in connection with the exchange—

(A) The shareholder or security holder exchanges property for stock or securities in an exchange to which neither section 354 nor section 356 applies;

(B) The shareholder or security holder exchanges property for stock or securities in a transaction for which an election to apply section 362(e)(2)(C) is in effect; or

(C) Liabilities of the shareholder or security holder are assumed.

(ix) This paragraph (a)(2) shall apply to determine the basis of a share of stock or security received by a shareholder or security holder in an exchange described in both section 1036 and section 354 or section 356.

(b) *Allocation of basis in exchanges to which section 351 or 361 applies.* (1) As used in this paragraph (b), the term *stock* refers only to stock which is not “other property” under section 351 or 361 and the term *securities* refers only to securities which are not “other property” under section 351 or 361.

(2) If in an exchange to which section 351 or 361 applies property is transferred to a corporation and the transferor receives stock or securities of more than one class or receives both stock and securities, then the basis of the property transferred (as adjusted under § 1.358-1) shall be allocated among all of the stock and securities received in proportion to the fair market values of the stock of each class and the securities of each class.

(c) *Examples.* The application of paragraphs (a) and (b) of this section is illustrated by the following examples:

Example 1. (i) *Facts.* J, an individual, acquired 20 shares of Corporation X stock on Date 1 for \$3 each and 10 shares of Corporation X stock on Date 2 for \$6 each. On Date 3, Corporation Y acquires the assets of Corporation X in a reorganization under section 368(a)(1)(A). Pursuant to the terms of the plan of reorganization, J receives 2 shares of

Corporation Y stock in exchange for each share of Corporation X stock. Therefore, J receives 60 shares of Corporation Y stock. Pursuant to section 354, J recognizes no gain or loss on the exchange. J is not able to identify which shares of Corporation Y stock are received in exchange for each share of Corporation X stock.

(ii) *Analysis.* Under paragraph (a)(2)(i) of this section, J has 40 shares of Corporation Y stock each of which has a basis of \$1.50 and is treated as having been acquired on Date 1 and 20 shares of Corporation Y stock each of which has a basis of \$3 and is treated as having been acquired on Date 2. Under paragraph (a)(2)(vii) of this section, on or before the date on which the basis of a share of Corporation Y stock received becomes relevant, J may designate which of the shares of Corporation Y stock have a basis of \$1.50 and which have a basis of \$3.

Example 2. (i) *Facts.* The facts are the same as in *Example 1*, except that instead of receiving 2 shares of Corporation Y stock in exchange for each share of Corporation X stock, J receives 1½ shares of Corporation Y stock in exchange for each share of Corporation X stock. Therefore, J receives 45 shares of Corporation Y stock. Again, J is not able to identify which shares (or portions of shares) of Corporation Y stock are received in exchange for each share of Corporation X stock.

(ii) *Analysis.* Under paragraph (a)(2)(i) of this section, J has 30 shares of Corporation Y stock each of which has a basis of \$2 and is treated as having been acquired on Date 1 and 15 shares of Corporation Y stock each of which has a basis of \$4 and is treated as having been acquired on Date 2. Under paragraph (a)(2)(vii) of this section, on or before the date on which the basis of a share of Corporation Y stock received becomes relevant, J may designate which of the shares of Corporation Y stock received have a basis of \$2 and which have a basis of \$4.

Example 3. (i) *Facts.* J, an individual, acquired 10 shares of Class A stock of Corporation X on Date 1 for \$3 each, 10 shares of Class A stock of Corporation X on Date 2 for \$9 each, and 10 shares of Class B stock of Corporation X on Date 3 for \$3 each. On Date 4, J surrenders all of J's shares of Class A stock in exchange for 20 shares of new Class C stock and 20 shares of new Class D stock in a reorganization under section 368(a)(1)(E). Pursuant to section 354, J recognizes no gain or loss on the exchange. On the date of the exchange, the fair market value of each share of Class A stock is \$6, the fair market value of each share of Class C stock is \$2, and the fair market value of each share of Class D stock is \$4. The terms of the exchange do not specify that shares of Class C stock or shares of Class D stock of Corporation X are received in exchange for particular shares of Class A stock of Corporation X.

(ii) *Analysis.* Under paragraph (a)(2)(ii) of this section, because the terms of the exchange do not specify that shares of Class C stock or shares of Class D stock of Corporation X are received in exchange for particular shares of Class A stock of Corporation X, a pro rata portion of the shares of Class C stock and shares of Class D stock received will be treated as received in exchange for each share of Class A stock based on the fair market value of the surrendered shares of Class A stock. Therefore, J is treated as receiving one share of Class C stock and one share of Class D stock in exchange for each share of Class A stock. Under paragraph (a)(2)(i) of this section, J has 10 shares of Class C stock, each of which has a basis of \$1 and is treated as having been acquired on Date 1 and 10 shares of Class C stock, each of which has a basis of \$3 and is treated as having been acquired on Date 2. In addition, J has 10 shares of Class D stock, each of which has a basis of \$2 and is treated as having been acquired on Date 1 and 10 shares of Class D stock, each of which has a basis of \$6 and is treated as having been acquired on Date 2. J's basis in each share of Class B stock remains \$3. Under paragraph (a)(2)(vii) of this section, on or before the date on which the basis of a share of Class C stock or Class D stock received becomes relevant, J may designate which of the shares of Class C stock have a basis of \$1 and which have a basis of \$3, and which of the shares of Class D stock have a basis of \$2 and which have a basis of \$6.

Example 4. (i) *Facts.* J, an individual, acquired 10 shares of Class A stock of Corporation X on Date 1 for \$2 each, 10 shares of Class A stock of Corporation X on Date 2 for \$4 each, and 20 shares of Class B stock of Corporation X on Date 3 for \$6 each. On Date 4, Corporation Y acquires the assets of Corporation X in a reorganization under section 368(a)(1)(A). Pursuant to the terms of the plan of reorganization, J surrenders all of J's shares of Corporation X stock for 40 shares of Corporation Y stock and \$200 of cash. On the date of the exchange, the fair market value of each share of Class A stock of Corporation X is \$10, the fair market value of each share of Class B stock of Corporation X is \$10, and the fair market value of each share of Corporation Y stock is \$5. The terms of the exchange do not specify that shares of Corporation Y stock or cash are received in exchange for particular shares of Class A stock or Class B stock of Corporation X.

(ii) *Analysis.* Under paragraph (a)(2)(ii) of this section and under § 1.356-1(b), because the terms of the exchange do not specify that shares of Corporation Y stock or cash are received in exchange for particular shares of Class A stock or Class B stock of Corporation X, a pro rata portion of the

shares of Corporation Y stock and cash received will be treated as received in exchange for each share of Class A stock and Class B stock of Corporation X surrendered based on the fair market value of such stock. Therefore, J is treated as receiving one share of Corporation Y stock and \$5 of cash in exchange for each share of Class A stock of Corporation X and one share of Corporation Y stock and \$5 of cash in exchange for each share of Class B stock of Corporation X. J realizes a gain of \$140 on the exchange of shares of Class A stock of Corporation X, \$100 of which is recognized under § 1.356-1(a). J realizes a gain of \$80 on the exchange of Class B stock of Corporation X, all of which is recognized under § 1.356-1(a). Under paragraph (a)(2)(i) of this section, J has 10 shares of Corporation Y stock, each of which has a basis of \$2 and is treated as having been acquired on Date 1, 10 shares of Corporation Y stock, each of which has a basis of \$4 and is treated as having been acquired on Date 2, and 20 shares of Corporation Y stock, each of which has a basis of \$5 and is treated as having been acquired on Date 3. Under paragraph (a)(2)(vii) of this section, on or before the date on which the basis of a share of Corporation Y stock received becomes relevant, J may designate which of the shares of Corporation Y stock received have a basis of \$2, which have a basis of \$4, and which have a basis of \$5.

Example 5. (i) *Facts.* The facts are the same as in *Example 4*, except that the terms of the plan of reorganization specify that J receives 40 shares of stock of Corporation Y in exchange for J's shares of Class A stock of Corporation X and \$200 of cash in exchange for J's shares of Class B stock of Corporation X.

(ii) *Analysis.* Under paragraph (a)(2)(ii) of this section and under § 1.356-1(b), because the terms of the exchange specify that J receives 40 shares of stock of Corporation Y in exchange for J's shares of Class A stock of Corporation X and \$200 of cash in exchange for J's shares of Class B stock of Corporation X and such terms are economically reasonable, such terms control. J realizes a gain of \$140 on the exchange of shares of Class A stock of Corporation X, none of which is recognized under § 1.356-1(a). J realizes a gain of \$80 on the exchange of shares of Class B stock of Corporation X, all of which is recognized under § 1.356-1(a). Under paragraph (a)(2)(i) of this section, J has 20 shares of Corporation Y stock, each of which has a basis of \$1 and is treated as having been acquired on Date 1, and 20 shares of Corporation Y stock, each of which has a basis of \$2 and is treated as having been acquired on Date 2. Under paragraph (a)(2)(vii) of this section, on or before the date on which the basis of a share of Corporation Y stock received becomes relevant, J may designate which of the shares of Corporation Y stock

received have a basis of \$1 and which have a basis of \$2.

Example 6. (i) *Facts.* J, an individual, acquired 10 shares of stock of Corporation X on Date 1 for \$2 each, and a security issued by Corporation X to J on Date 2 with a principal amount of \$100 and a basis of \$100. On Date 3, Corporation Y acquires the assets of Corporation X in a reorganization under section 368(a)(1)(A). Pursuant to the terms of the plan of reorganization, J surrenders all of J's shares of Corporation X stock in exchange for 10 shares of Corporation Y stock and surrenders J's Corporation X security in exchange for a Corporation Y security. On the date of the exchange, the fair market value of each share of stock of Corporation X is \$10, the fair market value of J's Corporation X security is \$100, the fair market value of each share of Corporation Y stock is \$10, and the fair market value and principal amount of the Corporation Y security received by J is \$100.

(ii) *Analysis.* Under paragraph (a)(2)(ii) of this section and under § 1.354-1(a), because the terms of the exchange specify that J receives 10 shares of stock of Corporation Y in exchange for J's shares of Class A stock of Corporation X and a Corporation Y security in exchange for its Corporation X security and such terms are economically reasonable, such terms control. Pursuant to section 354, J recognizes no gain on either exchange. Under paragraph (a)(2)(i) of this section, J has 10 shares of Corporation Y stock, each of which has a basis of \$2 and is treated as having been acquired on Date 1, and a security that has a basis of \$100 and is treated as having been acquired on Date 2.

Example 7. (i) *Facts.* J, an individual, acquired 10 shares of Corporation X stock on Date 1 for \$2 each and 10 shares of Corporation X stock on Date 2 for \$5 each. On Date 3, Corporation Y acquires the stock of Corporation X in a reorganization under section 368(a)(1)(B). Pursuant to the terms of the plan of reorganization, J receives one share of Corporation Y stock in exchange for every 2 shares of Corporation X stock. Pursuant to section 354, J recognizes no gain or loss on the exchange. J is not able to identify which portion of each share of Corporation Y stock is received in exchange for each share of Corporation X stock.

(ii) *Analysis.* Under paragraph (a)(2)(i) of this section, J has 5 shares of Corporation Y stock each of which has a basis of \$4 and is treated as having been acquired on Date 1 and 5 shares of Corporation Y stock each of which has a basis of \$10 and is treated as having been acquired on Date 2. Under paragraph (a)(2)(vii) of this section, on or before the date on which the basis of a share of Corporation Y stock received becomes relevant, J may designate which of the shares of Corporation Y stock received have a basis of \$4 and which have a basis of \$10.

Example 8. (i) *Facts.* The facts are the same as in *Example 7*, except that, in addition to transferring the stock of Corporation X to Corporation Y, J transfers land to Corporation Y. In addition, after the transaction, J owns stock of Corporation Y satisfying the requirements of section 368(c). J's transfer of the Corporation X stock to Corporation Y is an exchange described in sections 351 and 354. J's transfer of land to Corporation Y is an exchange described in section 351.

(ii) *Analysis.* Under paragraph (a)(2)(viii) of this section, because neither section 354 nor section 356 applies to the transfer of land to Corporation Y, the rules of paragraph (a)(2) of this section do not apply to determine J's basis in the Corporation Y stock received in the transaction.

Example 9. (i) *Facts.* J, an individual, acquired 10 shares of Corporation X stock on Date 1 for \$3 each and 10 shares of Corporation X stock on Date 2 for \$6 each. On Date 3, Corporation Z, a newly formed, wholly owned subsidiary of Corporation Y, merges with and into Corporation X with Corporation X surviving. As part of the plan of merger, J receives one share of Corporation Y stock in exchange for each share of Corporation X stock. In connection with the transaction, Corporation Y assumes a liability of J. In addition, after the transaction, J owns stock of Corporation Y satisfying the requirements of section 368(c). J's transfer of the Corporation X stock to Corporation Y is an exchange described in sections 351 and 354.

(ii) *Analysis.* Under paragraph (a)(2)(viii) of this section, because, in connection with the transfer of the Corporation X stock to Corporation Y, Corporation Y assumed a liability of J, the rules of paragraph (a)(2) of this section do not apply to determine J's basis in the Corporation Y stock received in the transaction.

Example 10. (i) *Facts.* Each of Corporation X and Corporation Y has a single class of stock outstanding, all of which is owned by J, an individual. J acquired 100 shares of Corporation X stock on Date 1 for \$1 each and 100 shares of Corporation Y stock on Date 2 for \$2 each. On Date 3, Corporation Y acquires the assets of Corporation X in a reorganization under section 368(a)(1)(D). Pursuant to the terms of the plan of reorganization, J surrenders J's 100 shares of Corporation X stock but does not receive any additional Corporation Y stock. Immediately before the effective time of the reorganization, the fair market value of each share of Corporation X stock and each share of Corporation Y stock is \$1. Pursuant to section 354, J recognizes no gain or loss.

(ii) *Analysis.* Under paragraph (a)(2)(iii) of this section, J is deemed to have received shares of Corporation Y stock with an aggregate fair market value of \$100 in exchange for J's Corporation X shares. Given the number of outstanding shares of stock of Cor-

poration Y and their value immediately before the effective time of the reorganization, J is deemed to have received 100 shares of stock of Corporation Y in the reorganization. Under paragraph (a)(2)(i) of this section, each of those shares has a basis of \$1 and is treated as having been acquired on Date 1. Then, the stock of Corporation Y is deemed to be recapitalized in a reorganization under section 368(a)(1)(E) in which J receives 100 shares of Corporation Y stock in exchange for those shares of Corporation Y stock that J held immediately prior to the reorganization and those shares J is deemed to have received in the reorganization. Under paragraph (a)(2)(i), immediately after the reorganization, J holds 50 shares of Corporation Y stock each of which has a basis of \$2 and is treated as having been acquired on Date 1 and 50 shares of Corporation Y stock each of which has a basis of \$4 and is treated as having been acquired on Date 2. Under paragraph (a)(2)(vii) of this section, on or before the date on which the basis of any share of J's Corporation Y stock becomes relevant, J may designate which of the shares of Corporation Y have a basis of \$2 and which have a basis of \$4.

Example 11. (i) *Facts.* Corporation X has a single class of stock outstanding, all of which is owned by J, an individual. J acquired 100 shares of Corporation X stock on Date 1 for \$1 each. Corporation Y has two classes of stock outstanding, common stock and nonvoting preferred stock. On Date 2, J acquired 100 shares of Corporation Y common stock for \$2 each and 100 shares of Corporation Y preferred stock for \$4 each. On Date 3, Corporation Y acquires the assets of Corporation X in a reorganization under section 368(a)(1)(D). Pursuant to the terms of the plan of reorganization, J surrenders J's 100 shares of Corporation X stock but does not receive any additional Corporation Y stock. Immediately before the effective time of the reorganization, the fair market value of each share of Corporation X stock is \$10, the fair market value of each share of Corporation Y common stock is \$10, and the fair market value of each share of Corporation Y preferred stock is \$20. Pursuant to section 354, J recognizes no gain or loss.

(ii) *Analysis.* Under paragraph (a)(2)(iii) of this section, J is deemed to have received shares of Corporation Y stock with an aggregate fair market value of \$1,000 in exchange for J's Corporation X shares. Consistent with the economics of the transaction and the rights associated with each class of stock of Corporation Y owned by J, J is deemed to receive additional shares of Corporation Y common stock. Because the value of the common stock indicates that the liquidation preference associated with the Corporation Y preferred stock could be satisfied even if the reorganization did not occur, it is not appropriate to deem the issuance of additional

Corporation Y preferred stock. Given the number of outstanding shares of common stock of Corporation Y and their value immediately before the effective time of the reorganization, J is deemed to have received 100 shares of common stock of Corporation Y in the reorganization. Under paragraph (a)(2)(i) of this section, each of those shares has a basis of \$1 and is treated as having been acquired on Date 1. Then, the common stock of Corporation Y is deemed to be recapitalized in a reorganization under section 368(a)(1)(E) in which J receives 100 shares of Corporation Y common stock in exchange for those shares of Corporation Y common stock that J held immediately prior to the reorganization and those shares of Corporation Y common stock that J is deemed to have received in the reorganization. Under paragraph (a)(2)(i), immediately after the reorganization, J holds 50 shares of Corporation Y common stock, each of which has a basis of \$2 and is treated as having been acquired on Date 1, and 50 shares of Corporation Y common stock, each of which has a basis of \$4 and is treated as having been acquired on Date 2. Under paragraph (a)(2)(vii) of this section, on or before the date on which the basis of any share of J's Corporation Y common stock becomes relevant, J may designate which of those shares have a basis of \$2 and which have a basis of \$4.

Example 12. (i) *Facts.* J, an individual, acquired 5 shares of Corporation X stock on Date 1 for \$4 each and 5 shares of Corporation X stock on Date 2 for \$8 each. Corporation X owns all of the outstanding stock of Corporation Y. The fair market value of the stock of Corporation X is \$1800. The fair market value of the stock of Corporation Y is \$900. In a distribution to which section 355 applies, Corporation X distributes all of the stock of Corporation Y pro rata to its shareholders. No stock of Corporation X is surrendered in connection with the distribution. In the distribution, J receives 2 shares of Corporation Y stock with respect to each share of Corporation X stock. Pursuant to section 355, J recognizes no gain or loss on the receipt of the shares of Corporation Y stock. J is not able to identify which share of Corporation Y stock is received in respect of each share of Corporation X stock.

(ii) *Analysis.* Under paragraph (a)(2)(iv) of this section, because J receives 2 shares of Corporation Y stock with respect to each share of Corporation X stock, the basis of each share of Corporation X stock is allocated between such share of Corporation X stock and two shares of Corporation Y stock in proportion to the fair market value of those shares. Therefore, each of the 5 shares of Corporation X stock acquired on Date 1 will have a basis of \$2 and each of the 10 shares of Corporation Y stock received with respect to those shares will have a basis of \$1. In addition, each of the 5 shares of Cor-

poration X stock acquired on Date 2 will have a basis of \$4 and each of the 10 shares of Corporation Y stock received with respect to those shares will have a basis of \$2. Under paragraph (a)(2)(vii) of this section, on or before the date on which the basis of a share of Corporation Y stock received becomes relevant, J may designate which of the shares of Corporation Y stock have a basis of \$1 and which have a basis of \$2.

Example 13. (i) *Facts.* J, an individual, acquired 20 shares of Corporation X stock on Date 1 for \$2 each and 20 shares of Corporation X stock on Date 2 for \$4 each. Corporation X has 80 shares of stock outstanding. Corporation X owns 40 shares of stock of Corporation Y, which represents all of the outstanding stock of Corporation Y. The fair market value of the stock of Corporation X is \$80. The fair market value of the stock of Corporation Y is \$40. Corporation X distributes all of the stock of Corporation Y in a transaction to which section 355 applies. In the transaction, J surrenders 20 shares of stock of Corporation X in exchange for 20 shares of stock of Corporation Y. J retains 20 shares of Corporation X stock. Pursuant to section 355, J recognizes no gain or loss on the receipt of the shares of Corporation Y stock. J is not able to identify which shares of Corporation X stock are surrendered. In addition, J is not able to identify which shares of Corporation Y stock are received in exchange for each surrendered share of Corporation X stock.

(ii) *Analysis.* Under paragraph (a)(2)(i) of this section, J has 20 shares of Corporation Y stock each of which is treated as received in exchange for one share of Corporation X stock. The basis of the 20 shares of Corporation X stock that are retained by J will remain unchanged. Under paragraph (a)(2)(vii) of this section, on or before the date on which the basis of a share of Corporation X or Corporation Y stock becomes relevant, J may designate which shares of Corporation X stock J surrendered in the exchange and which share of the Corporation Y stock received is received for each share of Corporation X stock surrendered. Therefore, it is possible that a share of Corporation Y stock would have a basis of \$2 and be treated as having been acquired on Date 1, or would have a basis of \$4 and be treated as having been acquired on Date 2.

Example 14. (i) *Facts.* J, an individual, acquired 10 shares of Corporation X stock on Date 1 for \$3 each, 10 shares of Corporation X stock on Date 2 for \$18 each, 10 shares of Corporation X stock on Date 3 for \$6 each, and 10 shares of Corporation X stock on Date 4 for \$9 each. On Date 5, Corporation Y acquires the assets of Corporation X in a reorganization under section 368(a)(1)(A). Pursuant to the terms of the plan of reorganization, J receives a $\frac{3}{4}$ share of Corporation Y

stock in exchange for each share of Corporation X stock. Therefore, J receives 30 shares of Corporation X stock. Pursuant to section 354, J recognizes no gain or loss on the exchange. J is not able to identify which shares of Corporation Y stock are received in exchange for each share (or portions of shares) of Corporation X stock.

(ii) *Analysis.* Under paragraph (a)(2)(i) of this section, J has 7 shares of Corporation Y stock each of which has a basis of \$4 and is treated as having been acquired on Date 1, 7 shares of Corporation Y stock each of which has a basis of \$24 and is treated as having been acquired on Date 2, 7 shares of Corporation Y stock each of which has a basis of \$8 and is treated as having been acquired on Date 3, and 7 shares of Corporation Y stock each of which has a basis of \$12 and is treated as having been acquired on Date 4. In addition, J has two shares of Corporation Y stock, each of which is divided into two equal segments under paragraph (a)(2)(vi) of this section. The first of those two shares has one segment with a basis of \$2 that is treated as having been acquired on Date 1 and a second segment with a basis of \$12 that is treated as having been acquired on Date 2. The second of those two shares has one segment with a basis of \$4 that is treated as having been acquired on Date 3 and a second segment with a basis of \$6 that is treated as having been acquired on Date 4. Under paragraph (a)(2)(vii), on or before the date on which a share of Corporation Y stock received becomes relevant, J may designate which of the shares of Corporation Y stock have a basis of \$4, which have a basis of \$24, which have a basis of \$8, which have a basis of \$12, and which share has a split basis of \$2 and \$12, and which share has a split basis of \$4 and \$6.

Example 15. (i) *Facts.* Each of Corporation X and Corporation Y has a single class of stock outstanding, all of which is owned by J, an individual. J purchased 100 shares of Corporation X stock on Date 1 for \$1.50 each, resulting in J having an aggregate basis in the stock of Corporation X of \$150. On Date 2, Corporation Y acquires the assets of Corporation X for \$100 of cash, their fair market value, in a transaction described in §1.368-2(l). Pursuant to the terms of the exchange, Corporation X does not receive any Corporation Y stock. Corporation X distributes the \$100 of cash to J and retains no assets.

(ii) *Analysis.* Pursuant to §1.368-2(1), Corporation Y will be deemed to issue a nominal share of Corporation Y stock to Corporation X in addition to the \$100 of cash actually exchanged for the Corporation X assets. Corporation X will then be deemed to distribute the nominal share of Corporation Y stock to J in addition to the \$100 of cash actually distributed to J. Pursuant to §1.368-2(1), J, the actual shareholder of Corporation Y, the issuing corporation, is deemed to receive the

nominal share of Corporation Y stock described in §1.368-2(1). J will have a basis of \$50 in the nominal share of Corporation Y stock under section 358(a)(1). Therefore, under paragraph (a)(2)(iii)(B) of this section, J must designate a share of Corporation Y stock to which J's basis of \$50 in the nominal share of Corporation Y stock will attach.

Example 16. (i) *Facts.* Each of Corporation X and Corporation Y has a single class of stock outstanding, all of which is owned by Corporation P. Corporation T has a single class of stock outstanding, all of which is owned by Corporation X. The corporations do not join in the filing of a consolidated return. Corporation X purchased 100 shares of Corporation T stock on Date 1 for \$1.50 each, resulting in Corporation X having an aggregate basis in the stock of Corporation T of \$150. On Date 2, Corporation Y acquires the assets of Corporation T for \$100 of cash, their fair market value, in a transaction described in §1.368-2(1). Pursuant to the terms of the exchange, Corporation T does not receive any Corporation Y stock. Corporation T distributes the \$100 of cash to Corporation X and retains no assets.

(ii) *Analysis.* Pursuant to §1.368-2(1), Corporation Y will be deemed to issue a nominal share of Corporation Y stock to Corporation T in addition to the \$100 of cash actually exchanged for the Corporation T assets. Corporation T will be deemed to distribute the nominal share of Corporation Y stock to Corporation X in addition to the \$100 of cash actually distributed. Corporation X will have a basis of \$50 in the nominal share of Corporation Y stock under section 358(a). However, Corporation X is not an actual shareholder of Corporation Y, the issuing corporation. Therefore, Corporation X cannot designate any share of Corporation Y stock under paragraph (a)(2)(iii)(B) of this section to which the basis of the nominal share of Corporation Y stock will attach and Corporation X will be deemed to distribute the nominal share of Corporation Y stock to Corporation P as required by §1.368-2(1). Corporation X does not recognize the loss on the deemed distribution of the nominal share to Corporation P under section 311(a). Corporation P's basis in the nominal share it receives is zero, its fair market value, under section 301(d). Under paragraph (a)(2)(iii)(B) of this section, Corporation P must designate a share of Corporation Y stock to which the nominal share's zero basis will attach.

(d) *Effective/applicability date.* This section generally applies to exchanges and distributions of stock and securities occurring on or after January 23, 2006. However, paragraph (a)(2)(iii) and Examples 15 and 16 of paragraph (c) of this section apply to exchanges and distributions of stock and securities

§ 1.358-3

26 CFR Ch. I (4-1-21 Edition)

occurring on or after November 12, 2014. See §1.358-2T(a)(2)(iii) and §1.358-2T(c), Examples 15 and 16, as contained in 26 CFR part 1, revised April 1, 2014, for exchanges and distributions of stock and securities occurring on or after November 21, 2011 and before November 12, 2014; see §1.358-2(a)(2)(iii), as contained in 26 CFR part 1, revised as of April 1, 2011, for exchanges and distributions of stock and securities occurring on or after January 23, 2006 and before November 21, 2011.

[T.D. 6500, 25 FR 11607, Nov. 26, 1960, as amended by T.D. 7616, 44 FR 26869, May 8, 1979; T.D. 8648, 60 FR 66079, Dec. 21, 1995; T.D. 9244, 71 FR 4270, Jan. 26, 2006; 71 FR 19118, Apr. 13, 2006; 71 FR 62556, Oct. 26, 2006; T.D. 9475, 74 FR 67057, Dec. 18, 2009; T.D. 9558, 76 FR 71879, Nov. 21, 2011; T.D. 9633, 78 FR 54160, Sept. 3, 2013; T.D. 9702, 79 FR 67062, Nov. 12, 2014]

§ 1.358-3 Treatment of assumption of liabilities.

(a) For purposes of section 358, where a party to the exchange assumes a liability of a distributee or acquires from him property subject to a liability, the amount of such liability is to be treated as money received by the distributee upon the exchange, whether or not the assumption of liabilities resulted in a recognition of gain or loss to the taxpayer under the law applicable to the year in which the exchange was made.

(b) The application of paragraph (a) of this section may be illustrated by the following examples:

Example 1. A, an individual, owns property with an adjusted basis of \$100,000 on which there is a purchase money mortgage of \$25,000. On December 1, 1945, A organizes Corporation X to which he transfers the property in exchange for all the stock of Corporation X and the assumption by Corporation X of the mortgage. The capital stock of the Corporation X has a fair market value of \$150,000. Under sections 351 and 357, no gain or loss is recognized to A. The basis in A's hands of the stock of Corporation X is \$75,000, computed as follows:

| | |
|--|-----------|
| Adjusted basis of property transferred | \$100,000 |
| Less: Amount of money received (amount of liabilities assumed) | —25,000 |
| | 75,000 |
| Basis of Corporation X stock to A | 75,000 |

Example 2. A, an individual, owns property with an adjusted basis of \$25,000 on which there is a mortgage of \$50,000. On December 1, 1954, A organizes Corporation X to which

he transfers the property in exchange for all the stock of Corporation X and the assumption by Corporation X of the mortgage. The stock of Corporation X has a fair market value of \$50,000. Under sections 351 and 357, gain is recognized to A in the amount of \$25,000. The basis in A's hands of the stock of Corporation X is zero, computed as follows:

| | |
|--|----------|
| Adjusted basis of property transferred | \$25,000 |
| Less: Amount of money received (amount of liabilities) | —50,000 |
| Plus: Amount of gain recognized to taxpayer | 25,000 |
| | 0 |
| Basis of Corporation X stock to A | 0 |

§ 1.358-4 Exceptions.

(a) *Plan of reorganization adopted after October 22, 1968.* In the case of a plan of reorganization adopted after October 22, 1968, section 358 does not apply in determining the basis of property acquired by a corporation in connection with such reorganization by the exchange of its stock or securities (or by the exchange of stock or securities of a corporation which is in control of the acquiring corporation) as the consideration in whole or in part for the transfer of the property to it. See section 362 and the regulations pertaining to that section for rules relating to basis to corporations of property acquired in such cases.

(b) *Plan of reorganization adopted before October 23, 1968.* In the case of a plan of reorganization adopted before October 23, 1968, section 358 does not apply in determining the basis of property acquired by a corporation in connection with such reorganization by the issuance of stock or securities of such corporation (or by the issuance of stock or securities of another corporation which is in control of such corporation) as the consideration in whole or in part for the transfer of the property to it. The term *issuance of stock or securities* includes any transfer of stock or securities, including stock or securities which were purchased or were acquired as a contribution to capital. See section 362 and the regulations pertaining to that section for rules relating to basis to corporations of property acquired in such cases.

[T.D. 7422, 41 FR 26569, June 28, 1976]

§ 1.358-5 Special rules for assumption of liabilities.

(a) *In general.* Section 358(h)(2)(B) does not apply to an exchange occurring on or after May 9, 2008.

(b) *Effective/Applicability date.* For exchanges occurring on or after June 24, 2003, and before May 9, 2008, see § 1.358-5T as contained in 26 CFR part 1 in effect on April 1, 2007.

[T.D. 9397, 73 FR 26322, May 9, 2008]

§ 1.358-6 Stock basis in certain triangular reorganizations.

(a) *Scope.* This section provides rules for computing the basis of a controlling corporation in the stock of a controlled corporation as the result of certain reorganizations involving the stock of the controlling corporation as described in paragraph (b) of this section. The rules of this section are in addition to rules under other provisions of the Internal Revenue Code and principles of law. See, e.g., section 1001 for the recognition of gain or loss by the controlled corporation on the exchange of property for the assets or stock of a target corporation in a reorganization described in section 368. See also sections 362(e)(1) and 362(e)(2) for further adjustments to basis that may be necessary under either or both of those sections.

(b) *Triangular reorganizations—(1) Nomenclature.* For purposes of this section—

(i) *P* is a corporation—

(A) That is a party to a reorganization,

(B) That is in control (within the meaning of section 368(c)) of another party to the reorganization, and

(C) Whose stock is transferred pursuant to the reorganization.

(ii) *S* is a corporation—

(A) That is a party to the reorganization, and

(B) That is controlled by *P*.

(iii) *T* is a corporation that is another party to the reorganization.

(2) *Definitions of triangular reorganizations.* This section applies to the following reorganizations (which are referred to collectively as *triangular reorganizations*):

(i) *Forward triangular merger.* A forward triangular merger is a statutory merger of *T* and *S*, with *S* surviving,

that qualifies as a reorganization under section 368(a)(1)(A) or (G) by reason of the application of section 368(a)(2)(D).

(ii) *Triangular C reorganization.* A triangular C reorganization is an acquisition by *S* of substantially all of *T*'s assets in exchange for *P* stock in a transaction that qualifies as a reorganization under section 368(a)(1)(C).

(iii) *Reverse triangular merger.* A reverse triangular merger is a statutory merger of *S* and *T*, with *T* surviving, that qualifies as a reorganization under section 368(a)(1)(A) by reason of the application of section 368(a)(2)(E).

(iv) *Triangular B reorganization.* A triangular B reorganization is an acquisition by *S* of *T* stock in exchange for *P* stock in a transaction that qualifies as a reorganization under section 368(a)(1)(B).

(v) *Triangular G reorganization.* A triangular G reorganization is an acquisition by *S* (other than by statutory merger) of substantially all of *T*'s assets in a title 11 or similar case in exchange for *P* stock in a transaction that qualifies as a reorganization under section 368(a)(1)(G) by reason of the application of section 368(a)(2)(D).

(c) *General rules.* Subject to the special rule provided in paragraph (d) of this section, *P*'s basis in the stock of *S* or *T*, as applicable, as a result of a triangular reorganization, is adjusted under the following rules—

(1) *Forward triangular merger or triangular C reorganization—(i) In general.* In a forward triangular merger or a triangular C reorganization, *P*'s basis in its *S* stock is adjusted as if—

(A) *P* acquired the *T* assets acquired by *S* in the reorganization (and *P* assumed any liabilities which *S* assumed or to which the *T* assets acquired by *S* were subject) directly from *T* in a transaction in which *P*'s basis in the *T* assets was determined under section 362(b); and

(B) *P* transferred the *T* assets (and liabilities which *S* assumed or to which the *T* assets acquired by *S* were subject) to *S* in a transaction in which *P*'s basis in *S* stock was determined under section 358.

(ii) *Limitation.* If, in applying section 358, the amount of *T* liabilities assumed by *S* or to which the *T* assets acquired by *S* are subject equals or exceeds *T*'s

aggregate adjusted basis in its assets, the amount of the adjustment under paragraph (c)(1)(i) of this section is zero. *P* recognizes no gain under section 357(c) as a result of a triangular reorganization.

(2) *Reverse triangular merger*—(i) *In general*—(A) *Treated as a forward triangular merger*. Except as otherwise provided in this paragraph (c)(2), *P*'s basis in its *T* stock acquired in a reverse triangular merger equals its basis in its *S* stock immediately before the transaction adjusted as if *T* had merged into *S* in a forward triangular merger to which paragraph (c)(1) of this section applies.

(B) *Allocable share*. If *P* acquires less than all of the *T* stock in the transaction, the basis adjustment described in paragraph (c)(2)(i)(A) of this section is reduced in proportion to the percentage of *T* stock not acquired in the transaction. The percentage of *T* stock not acquired in the transaction is determined by taking into account the fair market value of all classes of *T* stock.

(C) *Special rule if P owns T stock before the transaction*. Solely for purposes of paragraphs (c)(2)(i)(A) and (B) of this section, if *P* owns *T* stock before the transaction, *P* may treat that stock as acquired in the transaction or not, without regard to the form of the transaction.

(ii) *Reverse triangular merger that qualifies as a section 351 transfer or section 368(a)(1)(B) reorganization*. Notwithstanding paragraph (c)(2)(i) of this section, if a reorganization qualifies as both a reverse triangular merger and as a section 351 transfer or as both a reverse triangular merger and a reorganization under section 368(a)(1)(B), *P* can—

(A) Determine the basis in its *T* stock as if paragraph (c)(2)(i) of this section applies; or

(B) Determine the basis in the *T* stock acquired as if *P* acquired such stock from the former *T* shareholders in a transaction in which *P*'s basis in the *T* stock was determined under section 362(b).

(3) *Triangular B reorganization*. In a triangular B reorganization, *P*'s basis in its *S* stock is adjusted as if—

(i) *P* acquired the *T* stock acquired by *S* in the reorganization directly from the *T* shareholders in a transaction in which *P*'s basis in the *T* stock was determined under section 362(b); and

(ii) *P* transferred the *T* stock to *S* in a transaction in which *P*'s basis in its *S* stock was determined under section 358.

(4) *Examples*. The rules of this paragraph (c) are illustrated by the following examples. For purposes of these examples, *P*, *S*, and *T* are domestic corporations, the property transferred is not importation property within the meaning of § 1.362-3(c)(2) or loss duplication property within the meaning of § 1.362-4(g)(1), *P* and *S* do not file consolidated returns, *P* owns all of the shares of the only class of *S* stock, the *P* stock exchanged in the transaction satisfies the requirements of the applicable triangular reorganization provisions, and the facts set forth the only corporate activity.

Example 1. Forward triangular merger. (a) *Facts*. *T* has assets with an aggregate basis of \$60 and fair market value of \$100 and no liabilities. Pursuant to a plan, *P* forms *S* with \$5 cash (which *S* retains), and *T* merges into *S*. In the merger, the *T* shareholders receive *P* stock worth \$100 in exchange for their *T* stock. The transaction is a reorganization to which sections 368(a)(1)(A) and (a)(2)(D) apply.

(b) *Basis adjustment*. Under § 1.358-6(c)(1), *P*'s \$5 basis in its *S* stock is adjusted as if *P* acquired the *T* assets acquired by *S* in the reorganization directly from *T* in a transaction in which *P*'s basis in the *T* assets was determined under section 362(b). Under section 362(b), *P* would have an aggregate basis of \$60 in the *T* assets. *P* is then treated as if it transferred the *T* assets to *S* in a transaction in which *P*'s basis in the *S* stock was determined under section 358. Under section 358, *P*'s \$5 basis in its *S* stock would be increased by the \$60 basis in the *T* assets deemed transferred. Consequently, *P* has a \$65 basis in its *S* stock as a result of the reorganization.

(c) *Use of pre-existing S*. The facts are the same as paragraph (a) of this *Example 1*, except that *S* is an operating company with substantial assets that has been in existence for several years. *P* has a \$110 basis in the *S* stock. Under § 1.358-6(c)(1), *P*'s \$110 basis in its *S* stock is increased by the \$60 basis in the *T* assets deemed transferred. Consequently, *P* has a \$170 basis in its *S* stock as a result of the reorganization.

(d) *Mixed consideration*. The facts are the same as paragraph (a) of this *Example 1*, except that the *T* shareholders receive *P* stock

worth \$80 and \$20 cash from *P*. Under section 358, *P*'s \$5 basis in its *S* stock is increased by the \$60 basis in the *T* assets deemed transferred. Consequently, *P* has a \$65 basis in its *S* stock as a result of the reorganization.

(e) *Liabilities*. The facts are the same as paragraph (a) of this *Example 1*, except that *T*'s assets are subject to \$50 of liabilities, and the *T* shareholders receive \$50 of *P* stock in exchange for their *T* stock. Under section 358, *P*'s basis in its *S* stock is increased by the \$60 basis in the *T* assets deemed transferred and decreased by the \$50 of liabilities to which the *T* assets acquired by *S* are subject. Consequently, *P* has a net basis adjustment of \$10, and a \$15 basis in its *S* stock as a result of the reorganization. For certain triangular reorganizations where the surviving corporation (*S* or *T*) is foreign, see § 1.367(b)-13.

(f) *Liabilities in excess of basis*. The facts are the same as in paragraph (a) of this *Example 1*, except that *T*'s assets are subject to liabilities of \$90, and the *T* shareholders receive \$10 of *P* stock in exchange for their *T* stock in the reorganization. Under § 1.358-6(c)(1)(ii), the adjustment under § 1.358-6(c) is zero if the amount of the liabilities which *S* assumed or to which the *T* assets acquired by *S* are subject exceeds the aggregate adjusted basis in *T*'s assets. Consequently, *P* has no adjustment in its *S* stock, and *P* has a \$5 basis in its *S* stock as a result of the reorganization.

Example 2. Reverse triangular merger. (a) *Facts*. *T* has assets with an aggregate basis of \$60 and a fair market value of \$100 and no liabilities. *P* has a \$110 basis in its *S* stock. Pursuant to a plan, *S* merges into *T* with *T* surviving. In the merger, the *T* shareholders receive \$10 cash from *P* and *P* stock worth \$90 in exchange for their *T* stock. The transaction is a reorganization to which sections 368(a)(1)(A) and (a)(2)(E) apply.

(b) *Basis adjustment*. Under § 1.358-6(c)(2)(i)(A), *P*'s basis in the *T* stock acquired is *P*'s \$110 basis in its *S* stock before the transaction, adjusted as if *T* had merged into *S* in a forward triangular merger to which § 1.358-6(c)(1) applies. In such a case, *P*'s \$110 basis in its *S* stock before the transaction would have been increased by the \$60 basis of the *T* assets deemed transferred. Consequently, *P* has a \$170 basis in its *T* stock immediately after the transaction.

(c) *Reverse triangular merger that also qualifies under section 368(a)(1)(B)*. The facts relating to *T* are the same as in paragraph (a) of this *Example 2*. *P*, however, forms *S* pursuant to the plan of reorganization. The *T* shareholders receive \$100 worth of *P* stock (and no cash) in exchange for their *T* stock. The *T* shareholders have an aggregate basis in their *T* stock of \$85 immediately before the reorganization. The reorganization qualifies as both a reverse triangular merger and a reorganization under section 368(a)(1)(B). Under § 1.358-6(c)(2)(ii), *P* may determine its basis in

its *T* stock either as if § 1.358-6(c)(2)(i) applied to the *T* stock acquired, or as if *P* acquired the *T* stock from the former *T* shareholders in a transaction in which *P*'s basis in the *T* stock was determined under section 362(b). Accordingly, *P* may determine a basis in its *T* stock of \$60 (*T*'s net asset basis) or \$85 (the *T* shareholders' aggregate basis in the *T* stock immediately before the reorganization).

(d) *Allocable share in a reverse triangular merger*. The facts are the same as in paragraph (a) of this *Example 2*, except that *X*, a 10% shareholder of *T*, does not participate in the transaction. The remaining *T* shareholders receive \$10 cash from *P* and *P* stock worth \$80 for their *T* stock. *P* owns 90% of the *T* stock after the transaction. Under § 1.358-6(c)(2)(i)(A), *P*'s basis in its *T* stock is *P*'s \$110 basis in its *S* stock before the reorganization, adjusted as if *T* had merged into *S* in a forward triangular merger. In such a case, *P*'s basis would have been adjusted by the \$60 basis in the *T* assets deemed transferred. Under § 1.358-6(c)(2)(i)(B), however, the basis adjustment determined under § 1.358-6(c)(2)(i)(A) is reduced in proportion to the percentage of *T* stock not acquired by *P* in the transaction. The percentage of *T* stock not acquired in the transaction is 10%. Therefore, *P* reduces its \$60 basis adjustment by 10%, resulting in a net basis adjustment of \$54. Consequently, *P* has a \$164 basis in its *T* stock as a result of the transaction.

(e) *P's ownership of T stock*. The facts are the same as in paragraph (a) of this *Example 2*, except that *P* owns 10% of the *T* stock before the transaction. *P*'s basis in that *T* stock is \$8. All the *T* shareholders other than *P* surrender their *T* stock for \$10 cash from *P* and *P* stock worth \$80. *P* does not surrender the stock in the transaction. Under § 1.358-6(c)(2)(i)(C), *P* may treat its *T* stock owned before the transaction as acquired in the transaction or not. If *P* treats that *T* stock as acquired in the transaction, *P*'s basis in that *T* stock and the *T* stock actually acquired in the transaction equals *P*'s \$110 basis in its *S* stock before the transaction, adjusted by the \$60 basis of the *T* assets deemed transferred, for a total basis of \$170. If *P* treats its *T* stock as not acquired, *P* retains its \$8 pre-transaction basis in that stock. *P*'s basis in its other *T* shares equals *P*'s \$110 basis in its *S* stock before the transaction, adjusted by \$54 (the \$60 basis in the *T* assets deemed transferred, reduced by 10%), for a total basis of \$164 in those shares. See § 1.358-6(c)(2)(i)(A) and (B). Consequently, if *P* treats its *T* shares as not acquired, *P*'s total basis in all of its *T* shares is \$172.

Example 3. Triangular B reorganization. (a) *Facts*. *T* has assets with a fair market value of \$100 and no liabilities. The *T* shareholders have an aggregate basis in their *T* stock of \$85 immediately before the reorganization. Pursuant to a plan, *P* forms *S* with \$5 cash

and *S* acquires all of the *T* stock in exchange for \$100 of *P* stock. The transaction is a reorganization to which section 368(a)(1)(B) applies.

(b) *Basis adjustment.* Under § 1.358-6(c)(3), *P* adjusts its \$5 basis in its *S* stock by treating *P* as if it acquired the *T* stock acquired by *S* in the reorganization directly from the *T* shareholders in exchange for the *P* stock in a transaction in which *P*'s basis in the *T* stock was determined under section 362(b). Under section 362(b), *P* would have an aggregate basis of \$85 in the *T* stock received by *S* in the reorganization. *P* is then treated as if it transferred the *T* stock to *S* in a transaction in which *P*'s basis in the *S* stock was determined under section 358. Under section 358, *P*'s basis in its *S* stock would be increased by the \$85 basis in the *T* stock deemed transferred. Consequently, *P* has a \$90 basis in its *S* stock as a result of the reorganization.

(d) *Special rule for consideration not provided by P—(1) In general.* The amount of *P*'s adjustment to basis in its *S* or *T* stock, as applicable, described in paragraph (c) of this section is decreased by the fair market value of any consideration (including *P* stock in which gain or loss is recognized, see § 1.1032-2(c)) that is exchanged in the reorganization and that is not provided by *P* pursuant to the plan of reorganization. This paragraph (d) does not apply to the amount of *T* liabilities assumed by *S* or to which the *T* assets acquired by *S* are subject under paragraph (c)(1) of this section (or deemed assumed or taken subject to by *S* under paragraph (c)(2)(i) of this section).

(2) *Limitation.* *P* makes no adjustment to basis under this section if the decrease required under paragraph (d)(1) of this section equals or exceeds the amount of the adjustment described in paragraph (c) of this section.

(3) *Example.* The rules of this paragraph (d) are illustrated by the following example. For purposes of this example, *P*, *S*, and *T* are domestic corporations, *P* and *S* do not file consolidated returns, *P* owns all of the only class of *S* stock, the *P* stock exchanged in the transaction satisfies the requirements of the applicable triangular reorganization provisions, and the facts set forth the only corporate activity.

Example. (a) *Facts.* *T* has assets with an aggregate basis of \$60 and fair market value of \$100 and no liabilities. *S* is an operating company with substantial assets that has been in

existence for several years. *P* has a \$100 basis in its *S* stock. Pursuant to a plan, *T* merges into *S* and the *T* shareholders receive \$70 of *P* stock provided by *P* pursuant to the plan and \$30 of cash provided by *S* in exchange for their *T* stock. The transaction is a reorganization to which sections 368(a)(1)(A) and (a)(2)(D) apply.

(b) *Basis adjustment.* Under § 1.358-6(c)(1), *P*'s \$100 basis in its *S* stock is increased by the \$60 basis in the *T* assets deemed transferred. Under § 1.358-6(d)(1), the \$60 adjustment is decreased by the \$30 of cash provided by *S* in the reorganization. Consequently, *P* has a net adjustment of \$30 in its *S* stock, and *P* has a \$130 basis in its *S* stock as a result of the reorganization.

(c) *Appreciated asset.* The facts are the same as in paragraph (a) of this *Example*, except that in the reorganization *S* provides an asset with a \$20 adjusted basis and \$30 fair market value instead of \$30 of cash. The basis results are the same as in paragraph (b) of this *Example*. In addition, *S* recognizes \$10 of gain under section 1001 on its disposition of the asset in the reorganization.

(d) *Depreciated asset.* The facts are the same as in paragraph (c) of this *Example*, except that *S* has a \$60 adjusted basis in the asset. The basis results are the same as in paragraph (b) of this *Example*. In addition, *S* recognizes \$30 of loss under section 1001 on its disposition of the asset in the reorganization.

(e) *P stock.* The facts are the same as in paragraph (a) of this *Example*, except that in the reorganization *S* provides *P* stock with a fair market value of \$30 instead of \$30 of cash. *S* acquired the *P* stock in an unrelated transaction several years before the reorganization. *S* has a \$20 adjusted basis in the *P* stock. The basis results are the same as in paragraph (b) of this *Example*. In addition, *S* recognizes \$10 of gain on its disposition of the *P* stock in the reorganization. See § 1.1032-2(c).

(e) *Cross-references—(1) Triangular reorganizations involving members of a consolidated group.* For rules relating to stock basis adjustments made as a result of a triangular reorganization in which *P* and *S*, or *P* and *T*, as applicable, are, or become, members of a consolidated group, see § 1.1502-30. However, if a transaction is a group structure change, stock basis adjustments are determined under § 1.1502-31 and not under § 1.1502-30, even if the transaction also qualifies as a reorganization otherwise subject to § 1.1502-30.

(2) *Triangular reorganizations involving certain foreign corporations.* For rules relating to stock basis adjustments

made as a result of triangular reorganizations involving certain foreign corporations, see §§1.367(b)-4(b), 1.367(b)-10, and 1.367(b)-13.

(f) *Effective/applicability dates*—(1) *General rule.* Paragraph (e)(1) of this section shall apply to triangular reorganizations occurring on or after September 17, 2008.

(2) *Special rule for reverse triangular mergers.* For a reverse triangular merger occurring before December 23, 1994, *P* may—

(i) Determine the basis in its *T* stock as if paragraph (c)(2)(i) of this section applied; or

(ii) Determine the basis in its *T* stock acquired as if *P* acquired such stock from the former *T* shareholders in a transaction in which *P*'s basis in the *T* stock was determined under section 362(b).

(3) *Triangular G reorganization and special rule for triangular reorganizations involving members of a consolidated group.* Paragraphs (b)(2)(v) and (e) of this section shall apply to triangular reorganizations occurring on or after September 17, 2008. However, taxpayers may apply paragraph (b)(2)(v) of this section to triangular reorganizations occurring before September 17, 2008 and on or after December 23, 1994.

(4) *Triangular reorganizations involving importation property acquired in loss importation transaction or loss duplication transaction; triangular reorganizations involving certain foreign corporations.* Paragraphs (a) and (e)(2) of this section apply to triangular reorganizations occurring after October 22, 2004 unless effected to a binding agreement that was in effect prior to that date and at all times thereafter.

[T.D. 8648, 60 FR 66079, Dec. 21, 1995; 61 FR 11547, Mar. 21, 1996; T.D. 9243, 71 FR 4282, Jan. 26, 2006; T.D. 9424, Sept. 17, 2008; 73 FR 62204, Oct. 20, 2008; T.D. 9759, 81 FR 17074, Mar. 28, 2016]

§ 1.358-7 Transfers by partners and partnerships to corporations.

(a) *Transfers by partners of partnership interests.* For purposes of section 358(h), a transfer of a partnership interest to a corporation is treated as a transfer of the partner's share of each of the partnership's assets and an assumption by the corporation of the partner's share

of partnership liabilities (including section 358(h) liabilities, as defined in paragraph (d) of this section). See paragraph (e) *Example 2* of this section.

(b) *Transfers by partnerships.* If a corporation assumes a section 358(h) liability from a partnership in an exchange to which section 358(a) applies, then, for purposes of applying section 705 (determination of basis of partner's interest) and §1.704-1(b), any reduction, under section 358(h)(1), in the partnership's basis in corporate stock received in the transaction is treated as an expenditure of the partnership described in section 705(a)(2)(B). See paragraph (e) *Example 1* of this section. This expenditure must be allocated among the partners in accordance with section 704(b) and (c) and §1.752-7(c). If a partner's share of the reduction, under section 358(h)(1), in the partnership's basis in corporate stock exceeds the partner's basis in the partnership interest, then the partner recognizes gain equal to the excess, which is treated as gain from the sale or exchange of a partnership interest. This paragraph does not apply to the extent that §1.752-7(j)(4) applies to the assumption of the §1.752-7 liability by the corporation.

(c) *Assumption of section 358(h) liability by partnership followed by transfer of partnership interest or partnership property to a corporation—trade or business exception.* Where a partnership assumes a section 358(h) liability from a partner and, subsequently, the partner transfers all or part of the partner's partnership interest to a corporation in an exchange to which section 358(a) applies, then, for purposes of applying section 358(h)(2), the section 358(h) liability is treated as associated only with the contribution made to the partnership by that partner. See paragraph (e) *Example 2* of this section. Similar rules apply where a partnership assumes a section 358(h) liability of a partner and a corporation subsequently assumes that section 358(h) liability from the partnership in an exchange to which section 358(a) applies.

(d) *Section 358(h) liabilities defined.* For purposes of this section, section 358(h) liabilities are liabilities described in section 358(h)(3).

(e) *Examples.* The following examples illustrate the provisions of this section. Assume, for purposes of these examples, that the obligation assumed by the corporation does not reduce the shareholder's basis in the corporate stock under section 358(d). The examples are as follows:

Example 1. Transfer of partnership property to corporation. In 2004, in an exchange to which section 351(a) applies, PRS, a cash basis taxpayer, transfers \$2,000,000 cash to Corporation X, also a cash basis taxpayer, in exchange for Corporation X shares and the assumption by Corporation X of \$1,000,000 of accounts payable incurred by PRS. At the time of the exchange, PRS has two partners, A, a 90% partner, who has a \$2,000,000 basis in the PRS interest, and B, a 10% partner, who has a \$50,000 basis in the PRS interest. Assume that, under section 358(h)(1), PRS's basis in the Corporation X stock is reduced by the accounts payable assumed by Corporation X (\$1,000,000). Under paragraph (b) of this section, A's and B's bases in PRS must be reduced, but not below zero, by their respective shares of the section 358(h)(1) basis reduction. If either partner's share of the section 358(h)(1) basis reduction exceeds the partner's basis in the partnership interest, then the partner recognizes gain equal to the excess. A's share of the section 358(h) basis reduction is \$900,000 (90% of \$1,000,000). Therefore, A's basis in the PRS interest is reduced to \$1,100,000 (\$2,000,000 - \$900,000). B's share of the section 358(h) basis reduction is \$100,000 (10% of \$1,000,000). Because B's share of the section 358(h) basis reduction (\$100,000) exceeds B's basis in the PRS interest (\$50,000), B's basis in the PRS interest is reduced to \$0 and B recognizes \$50,000 of gain. This gain is treated as gain from the sale of the PRS interest.

Example 2. Transfer of partnership interest to corporation. In 2004, A contributes undeveloped land with a value and basis of \$4,000,000 in exchange for a 50% interest in PRS and an assumption by PRS of \$2,000,000 of pension liabilities from a separate business that A conducts. A's basis in the PRS interest immediately after the contribution is A's basis in the land, \$4,000,000, unreduced by the amount of the pension liabilities. PRS develops the land as a landfill. Before PRS has economically performed with respect to the pension liabilities, A transfers A's interest in PRS to Corporation X, in an exchange to which section 351 applies. At the time of the exchange, the value of A's PRS interest is \$2,000,000, A's basis in PRS is \$4,000,000, and A has no share of partnership liabilities other than the pension liabilities. For purposes of applying section 358(h), the transfer of the PRS interest to Corporation X is treated as a transfer to Corporation X of A's share of

PRS assets and an assumption by Corporation X of A's share of the pension liabilities of PRS (\$2,000,000). Because the pension liabilities were not assumed by PRS from A in an exchange in which the trade or business associated with the liability was transferred to PRS, the transfer of the PRS interest to Corporation X is not excepted from section 358(h) under section 358(h)(2). See paragraph (c) of this section. Under section 358(h), A's basis in the Corporation X stock is reduced by the \$2,000,000 of pension liabilities.

(f) *Effective date.* This section applies to assumptions of liabilities by a corporation occurring on or after June 24, 2003.

[T.D. 9207, 70 FR 30341, May 26, 2005]

EFFECTS ON CORPORATION

§ 1.361-1 Nonrecognition of gain or loss to corporations.

Section 361 provides the general rule that no gain or loss shall be recognized if a corporation, a party to a reorganization, exchanges property in pursuance of the plan of reorganization solely for stock or securities in another corporation, a party to the reorganization. This provision includes only stock and securities received in connection with a reorganization defined in section 368(a). It also includes non-voting stock and securities in a corporation, a party to a reorganization, received in a transaction to which section 368(a)(1)(C) is applicable only by reason of section 368(a)(2)(B).

§ 1.362-1 Basis to corporations.

(a) *In general.* Section 362 provides, as a general rule, that if property was acquired on or after June 22, 1954, by a corporation (1) in connection with a transaction to which section 351 (relating to transfer of property to corporation controlled by transferor) applies, (2) as paid-in surplus or as a contribution to capital, or (3) in connection with a reorganization to which part III, subchapter C, chapter 1 of the Code applies, then the basis shall be the same as it would be in the hands of the transferor, increased in the amount of gain recognized to the transferor on such transfer. (See also § 1.362-2.) See § 1.460-4(k)(3)(iv)(B)(2) for rules relating to adjustments to the basis of certain contracts accounted for using a long-term contract method of accounting

that are acquired in certain transfers described in section 351 and certain reorganizations described in section 368(a).

(b) *Exceptions.* (1) In the case of a plan of reorganization adopted after October 22, 1968, section 362 does not apply if the property acquired in connection with such reorganization consists of stock or securities in a corporation a party to the reorganization, unless acquired by the exchange of stock or securities of the transferee (or of a corporation which is in control of the transferee) as the consideration in whole or in part for the transfer.

(2) In the case of a plan of reorganization adopted before October 23, 1968, section 362 does not apply if the property acquired in connection with such reorganization consists of stock or securities in a corporation a party to the reorganization, unless acquired by the issuance of stock or securities of the transferee (or, in the case of transactions occurring after December 31, 1963, of a corporation which is in control of the transferee) as the consideration in whole or in part for the transfer. The term *issuance of stock or securities* includes any transfer of stock or securities, including stock or securities which were purchased or were acquired as a contribution to capital.

[T.D. 7422, 41 FR 26569, June 28, 1976, as amended by T.D. 8995, 67 FR 34605, May 15, 2002]

§ 1.362-2 Certain contributions to capital.

The following regulations shall be used in the application of section 362(c):

(a) Property deemed to be acquired with contributed money shall be that property, if any, the acquisition of which was the purpose motivating the contribution;

(b) In the case of an excess of the amount of money contributed over the cost of the property deemed to be acquired with such money (as defined in paragraph (a) of this section) such excess shall be applied to the reduction of the basis (but not below zero) of other properties held by the corporation, on the last day of the 12-month period beginning on the day the contribution is received, in the following order—

(1) All property of a character subject to an allowance for depreciation (not including any properties as to which a deduction for amortization is allowable),

(2) Property with respect to which a deduction for amortization is allowable,

(3) Property with respect to which a deduction for depletion is allowable under section 611 but not under section 613, and

(4) All other remaining properties.

The reduction of the basis of each of the properties within each of the above categories shall be made in proportion to the relative bases of such properties.

(c) With the consent of the Commissioner, the taxpayer may, however, have the basis of the various units of property within a particular category adjusted in a manner different from the general rule set forth in paragraph (b) of this section. Variations from such rule may, for example, involve adjusting the basis of only certain units of the taxpayer's property within a given category. A request for variations from the general rule should be filed by the taxpayer with its return for the taxable year for which the transfer of the property has occurred.

§ 1.362-3 Basis of importation property acquired in loss importation transaction.

(a) *Purpose.* The purpose of section 362(e)(1) and this section is to modify the application of section 362(a) (section 351 transfers, contributions to capital, or paid-in surplus) and section 362(b) (reorganizations) to prevent a corporation (Acquiring) from importing a net built-in loss in a transaction described in either section. See paragraph (c) of this section for definitions of terms used in this section.

(b) *Basis determinations under this section—*(1) *Basis of importation property received in loss importation transaction.* Notwithstanding the general rules of section 362(a) and (b), Acquiring's basis in importation property (as defined in paragraph (c)(2) of this section) acquired in a loss importation transaction (as defined in paragraph (c)(3) of this section) is equal to the value of the property immediately after the transaction.

(2) *Adjustment to basis of subsidiary stock in triangular reorganizations.* If a corporation (P) computes its basis in stock of a subsidiary (whether S or T) under § 1.358-6 (stock basis in certain triangular reorganizations), P's basis in property treated as acquired by P in § 1.358-6(c) is determined under section 362(e)(1) and this section to the extent such property, if actually acquired by P, would be importation property acquired in a loss importation transaction. See § 1.358-6(c)(1)(i)(A), (c)(2)(ii)(B), and (c)(3)(i). The subsidiary's basis in the property actually acquired in the transaction is determined under applicable law (including this section), without regard to the amount of any adjustment to P's basis in the subsidiary's stock. Thus, the basis of the property in S's or T's hands may differ from the amount of the adjustment to P's basis in its stock of S or T.

(3) *Acquiring's basis in other property transferred.* In general, Acquiring's basis in property received in a section 362 transaction (as defined in paragraph (c)(1) of this section) that is not determined under section 362(e)(1) and this section is determined under section 362(a) or section 362(b). However, if the transaction is described in section 362(a) (without regard to whether it is also described in any other section), further adjustment may be required under section 362(e)(2). See § 1.362-4.

(4) *Other effects of basis determination under this section—(i) Determination by reference to transferor's basis.* A determination of basis under this section is a determination by reference to the transferor's basis, including for purposes of sections 1223(2) and 7701(a)(43). However, solely for purposes of applying section 755, a determination of basis under this section is treated as a determination not by reference to the transferor's basis.

(ii) *Not tax-exempt income or noncapital, nondeductible expense.* The application of this section does not give rise to an item treated as tax-exempt income under § 1.1502-32(b)(2)(ii) or as a noncapital, nondeductible expense under § 1.1502-32(b)(2)(iii).

(iii) *No effect on earnings and profits.* Any determination of basis under this section does not reduce or otherwise affect the calculation of the all earnings

and profits amount provided in § 1.367(b)-2(d).

(c) *Definitions.* For purposes of this section, the following definitions apply:

(1) *Section 362 transaction.* The term *section 362 transaction* means any transaction described in section 362(a) or in section 362(b).

(2) *Importation property—(i) General rule.* The term *importation property* means any property (including separate portions determined under paragraph (d)(4) of this section and separate portions of property tentatively divided under paragraph (e)(2) of this section) with respect to which—

(A) Any gain or loss that would be recognized on its sale by the transferor immediately before the transaction (the transferor's hypothetical sale) would not be subject to tax imposed under any provision of subtitle A of the Internal Revenue Code (federal income tax) (taking into account the provisions of paragraph (d) of this section); and

(B) Any gain or loss that would be recognized on its sale by Acquiring immediately after the transaction (Acquiring's hypothetical sale) would be subject to federal income tax (taking into account the provisions of paragraph (d) of this section).

(ii) *Special rules for applying this paragraph (c)(2).* See paragraph (d) of this section for rules for determining whether gain or loss on a hypothetical sale would be taken into account in determining a federal income tax liability and paragraph (e) of this section for rules applicable when more than one person would take such gain or loss into account.

(3) *Loss importation transaction.* The term *loss importation transaction* means any section 362 transaction in which Acquiring's aggregate basis in all importation property received from all transferors in the transaction would exceed the aggregate value of such property immediately after the transaction. For this purpose, Acquiring's basis in property received is determined without regard to this section or section 362(e)(2).

(4) *Value—(i) General rule.* The term *value* means fair market value.

(ii) *Special rule for transfers of partnership interests.* Notwithstanding the general rule in paragraph (c)(4)(i) of this section, when referring to a partnership interest, for purposes of this section, the term *value* means the sum of the cash that Acquiring would receive for the interest, assuming an exchange between a willing buyer and a willing seller (neither being under any compulsion to buy or sell and both having reasonable knowledge of relevant facts), increased by any § 1.752-1 liabilities (as defined in § 1.752-1(a)(4)) of the partnership allocated to Acquiring with regard to such transferred interest under section 752 immediately after the transfer to Acquiring. If a partnership has elected under section 754, or if section 743(b) would require a downward basis adjustment to the partnership property, the partnership must apply the rules of § 1.743-1 to determine the amount of the basis adjustment to the partnership property.

(d) *Rules for determining whether gain or loss would be taken into account in determining a federal income tax liability—*
 (1) *General rule.* In general, any gain or loss that would be recognized on a hypothetical sale described in paragraph (c)(2) of this section is considered to be subject to federal income tax if, taking into account all relevant facts and circumstances, such gain or loss would affect or be taken into account in determining the federal income tax liability of the transferor or Acquiring, respectively. This determination is made without regard to whether such person has or would have any actual federal income tax liability for the taxable year of the transaction.

(2) *Look-through rule in the case of certain pass-through entities.* Notwithstanding the general rule in paragraph (d)(1) of this section, the determination of whether any gain or loss on a hypothetical sale would be treated as subject to federal income tax is made by reference to the person that would be required to include such gain or loss in its taxable income if the hypothetical seller is—

- (i) A trust treated as owned by its grantors or others (see section 671);
- (ii) A partnership (see section 701); or
- (iii) An S corporation (see sections 1363 and 1366).

(3) *Controlled foreign corporation (CFC), passive foreign investment company (PFIC).* For purposes of this section, gain or loss that would be recognized by a CFC (as defined in section 957(a)) or a PFIC (as defined in section 1297(a)) is not deemed taken into account in determining a federal income tax liability solely because it could affect an inclusion under section 951(a) or section 1293(a).

(4) *Special rule for debt-financed property subject to section 512.* If property is debt-financed property (as defined in section 514(b)) owned by an organization subject to the unrelated business income tax described in section 511(a)(2) and, as a result, a portion of any gain or loss on a sale of the property would be included in unrelated taxable business income (UBTI) under section 512, such property is treated as divided into separate portions in proportion to the amount of such gain or loss that would be includible in UBTI. The rules of paragraph (e) of this section apply to determine the characterization of such portions (as includible in the determination of a federal income tax liability or not), and the tax treatment and consequences of the transaction in which such portions are transferred.

(5) *Look-through treatment in the case of certain avoidance transactions—*(i) *Application of this paragraph (d)(5).* This paragraph (d)(5) applies if—

(A) The transferor is a domestic entity that is a trust (other than a trust described in paragraph (d)(2)(i) of this section), estate, regulated investment company (as defined in section 851(a)), a real estate investment trust (as defined in section 856(a)), or a cooperative (as described in section 1381); and

(B) The transferor transfers, directly or indirectly, property that was transferred to or acquired by it as part of a plan (whether of transferor, Acquiring, or any other person) to avoid the application of section 362(e)(1) and this section to a section 362 transaction.

(ii) *Effect of application of this paragraph (d)(5).* Notwithstanding paragraph (d)(1) of this section, if a transferor is described in both paragraphs (d)(5)(i)(A) and (B) of this section—

(A) The transferor is treated as though it distributes the proceeds of

the hypothetical sale (which, for this purpose, are presumed to be an amount greater than zero);

(B) To the fullest extent possible under the transferor's organizing instrument, the deemed distribution is treated as made to a distributee or distributees that would not take distributions from the transferor into account in determining a federal income tax liability; and

(C) The determination of whether the gain or loss on the hypothetical sale is treated as subject to federal income tax is made by reference to the deemed distributee or distributees.

(iii) *Tiered entities.* If a deemed distributee is an entity described in paragraph (d)(5)(i)(A) of this section, the determination of whether gain or loss on the hypothetical sale is taken into account in determining a federal income tax liability is made by treating the deemed distributee, and any successive such deemed distributees, as a transferor and applying the rules in paragraphs (d)(5)(i) and (ii) of this section to its deemed distribution (and to all successive deemed distributions), until no deemed distributee or successive deemed distributee is an entity described in paragraph (d)(5)(i)(A) of this section.

(e) *Special rules for gain or loss that would be taken into account by multiple persons—(1) In general.* If gain or loss from a disposition of property would be includible in income by more than one person, the property is treated as tentatively divided into separate portions in proportion to the amount of gain or loss recognized with respect to the property that would be allocated to each such person. If an entity's organizing instrument specially allocates gain and loss, the tentative division of property under this paragraph (e) must reflect the manner in which gain or loss on the disposition of such property would be allocated under the terms of the organizing instrument and any applicable rules of law, taking into account the net gain or loss actually recognized by the entity in that tax year.

(2) *Application of section.* The rules of this section apply independently to each tentatively divided portion to determine if the portion is importation property. Each tentatively divided por-

tion that is determined to be importation property is included with all other importation property in the determination of whether the transaction is a loss importation transaction.

(3) *Acquiring's basis in property tentatively divided into separate portions.* Immediately after the application of section 362(e)(1) and this section and before the application of section 362(e)(2), each property treated as tentatively divided into separate portions for purposes of applying section 362(e)(1) and this section ceases to be treated as tentatively divided and Acquiring has a single, undivided basis in such property that is equal to the sum of—

(i) The value of each tentatively divided portion that is importation property, if the transaction is a loss importation transaction; and

(ii) Acquiring's basis in each tentatively divided portion that is not importation property received in a loss importation transaction, as determined under section 362(a) or section 362(b), as applicable, and without regard to any potential application of section 362(e)(2).

(f) *Examples.* The examples in this paragraph (f) illustrate the application of section 362(e)(1) and the provisions of this section. Unless otherwise indicated, the examples use the following nomenclature and assumptions: A and B are U.S. citizens. DC, DC1, and P are domestic corporations that have not elected to be S corporations within the meaning of section 1361(a)(1) and that are not members of a consolidated group. F is a foreign individual. FP is a foreign partnership. FC, FC1, and FC2 are foreign corporations. Unless the facts indicate otherwise, the foreign individuals, corporations, and partnerships are not engaged in a U.S. trade or business, have no U.S. real property interests, and have no other relationships, activities, or interests that would cause them, their shareholders, their partners, or their property to be subject to federal income tax. There is no applicable income tax treaty, all persons' tax years are calendar years, and all persons and transactions are unrelated unless the facts indicate otherwise.

Example 1. Basic application of section. (i) *Section 351 transfer of importation property in a loss importation transaction.* (A) *Facts.* FC owns three assets, A1 (basis \$40, value \$150), A2 (basis \$120, value \$30), and A3 (basis \$140, value \$20). On Date 1, FC transfers A1, A2, and A3 to DC in a transaction to which section 351 applies.

(B) *Importation property.* If FC had sold A1, A2, or A3 immediately before the transaction, no gain or loss recognized on the sale would have been taken into account in determining a federal income tax liability. Further, if DC had sold A1, A2, or A3 immediately after the transaction, DC would take into account any gain or loss recognized on the sale in determining its federal income tax liability. Therefore, A1, A2, and A3 are all importation properties. See paragraph (c)(2) of this section.

(C) *Loss importation transaction.* FC's transfer of A1, A2, and A3 is a section 362 transaction. Furthermore, but for section 362(e)(1) and this section and section 362(e)(2), DC's aggregate basis in the importation properties, A1, A2, and A3, would be \$300 (\$40 + \$120 + \$140) under section 362(a) and the properties' aggregate value would be \$200 (\$150 + \$30 + \$20). Therefore, the importation properties' aggregate basis would exceed their aggregate value and the transaction is a loss importation transaction. See paragraph (c)(3) of this section.

(D) *Application of section 362(e)(1) and this section to importation property received in loss importation transaction.* Because the importation properties, A1, A2, and A3, were transferred in a loss importation transaction, paragraph (b)(1) of this section applies and DC's basis in A1, A2, and A3 will each be equal to the property's value (\$150, \$30, and \$20, respectively) immediately after the transfer.

(E) *Basis of property received in transaction.* Following the application of section 362(e)(1) and this section, the provisions of section 362(e)(2) must be taken into account because the transfer is a section 362(a) transaction. Taking into account the application of section 362(e)(1) and this section, DC's aggregate basis in the transferred properties would not exceed their aggregate value immediately after the transfer. Therefore, FC does not have a net built-in loss, FC's transfer is not a loss duplication transaction, and section 362(e)(2) does not apply to this transaction. DC's bases in A1, A2, and A3, as determined under paragraph (i)(D) of this *Example 1*, are \$150, \$30, and \$20, respectively. Under section 358(a), FC receives the DC stock with a basis of \$300 (the sum of FC's bases in A1, A2, and A3 immediately before the exchange).

(ii) *Reorganization.* The facts are the same as in paragraph (i)(A) of this *Example 1* except that, instead of transferring property to DC in a section 351 exchange, FC merges with and into DC in a transaction described

in section 368(a)(1)(A). The analysis and results are the same as set forth in paragraphs (i)(B), (C), and (D) of this *Example 1*. However, the analysis in paragraph (i)(E) of this *Example 1* does not apply to these facts because the transaction is not subject to 362(e)(2) and § 1.362-4. Under section 358(a), FC's shareholders will take the DC stock with a basis determined by reference to their FC stock basis.

(iii) *FC's property used in U.S. trade or business.* (A) *Facts.* The facts are the same as in paragraph (i)(A) of this *Example 1*, except that FC is engaged in a U.S. trade or business and uses all the properties in that U.S. trade or business. In this case, none of the properties would be importation property because FC would take any gain or loss on the disposition of the properties into account in determining its federal income tax liability. Accordingly, this section does not apply to the transaction.

(B) *Basis of property received in transaction.* Following the application of section 362(e)(1) and this section, the provisions of section 362(e)(2) must be taken into account because the transfer is a section 362(a) transaction. Taking into account the application of section 362(e)(1) and this section but without taking into account the provisions of section 362(e)(2), DC's aggregate basis in the transferred properties would be \$300 (\$40 + \$120 + \$140) under section 362(a) and the properties' aggregate value immediately after the transfer would be \$200 (\$150 + \$30 + \$20). Therefore, FC has a net built-in loss and FC's transfer of A1, A2, and A3 is a loss duplication transaction. Accordingly, under the general rule of section 362(e)(2), FC's \$100 net built-in loss (\$300 aggregate basis over \$200 aggregate value) would be allocated proportionately (by the amount of built-in loss in each property) to reduce DC's basis in the loss properties, A2 and A3. See § 1.362-4. As a result, DC's basis in A2 would be \$77.14 (\$120 basis under section 362(a) reduced by \$42.86, A2's proportionate share of FC's net built-in loss, computed as $\$90/\$210 \times \$100$) and DC's basis in A3 would be \$82.86 (\$140 basis under section 362(a) reduced by \$57.14, A3's proportionate share of FC's net built-in loss, computed as $\$120/\$210 \times \$100$). However, if FC and DC were to elect under section 362(e)(2)(C) to apply the \$100 basis reduction to FC's basis in the DC stock received in the transaction, DC's bases in A2 and A3 would remain their section 362(a) bases of \$120 and \$140, respectively. Under section 362(a), DC's basis in A1 is \$40 (irrespective of whether the section 362(e)(2)(C) election is made). If FC and DC do not make a section 362(e)(2)(C) election, FC's basis in the DC stock received in the exchange will be \$300; if FC and DC do make the election, FC's basis in the DC stock will be \$200 (\$300 - \$100 net built-in loss). See § 1.362-4(b).

Example 2. Multiple transferors. (i) *Facts.* The facts are the same as in paragraph (i)(A) of *Example 1* of this paragraph (f), except that FC only owns A1 (basis \$40, value \$150) and A2 (basis \$120, value \$30) and F owns A3 (basis \$140, value \$20). On Date 1, FC transfers A1 and A2, and F transfers A3, to DC in a single transaction described in section 351.

(ii) *Importation property.* A1 and A2 are importation properties for the reasons set forth in paragraph (i)(B) of *Example 1* of this paragraph (f). A3 is also an importation property because, if F had sold A3 immediately before the transaction, no gain or loss recognized on the sale would have been taken into account in determining a federal income tax liability, and, further, if DC had sold A3 immediately after the transaction, DC would take into account any gain or loss recognized on the sale in determining its federal income tax liability.

(iii) *Loss importation transaction.* The transfers by FC and F are a section 362 transaction. The transaction is a loss importation transaction for the reasons set forth in paragraph (i)(C) of *Example 1* of this paragraph (f) (notwithstanding that one of the transferors, FC, did not transfer a net built-in loss). See paragraph (c)(3) of this section.

(iv) *Application of section 362(e)(1) and this section to importation property received in loss importation transaction.* Because the importation properties, A1, A2, and A3, were transferred in a loss importation transaction, paragraph (b)(1) of this section applies and DC's basis in A1, A2, and A3 will each be equal to the property's value (\$150, \$30, and \$20, respectively) immediately after the transfer.

(v) *Basis of property received in transaction.* Following the application of section 362(e)(1) and this section, the provisions of section 362(e)(2) must be taken into account because the transfer is a section 362(a) transaction. The application of section 362(e)(2) is determined separately for each transferor. See § 1.362-4(b). Taking into account the application of section 362(e)(1) and this section, neither DC's aggregate basis in FC's properties nor DC's basis in F's property would exceed the properties' respective values immediately after the transaction. Therefore neither FC nor F has a net built-in loss, neither transfer is a loss duplication transaction, and section 362(e)(2) does not apply to either transfer. DC's bases in A1, A2, and A3, as determined under paragraph (iv) of this *Example 2*, are \$150, \$30, and \$20, respectively. Under section 358(a), FC's basis in the DC stock received is \$160 (\$40 + \$120) and F's basis in the DC stock received in the exchange is \$140.

Example 3. Transfer of importation and non-importation property. (i) *Facts.* As in paragraph (i) of *Example 2*, FC owns A1 (basis \$40, value \$150) and A2 (basis \$120, value \$30), and F owns A3 (basis \$140, value \$20). In addition,

A2 is a U.S. real property interest as defined in section 897(c)(1). On Date 1, FC transfers A1 and A2, and F transfers A3, to DC in a single transaction described in section 351.

(ii) *Importation property.* A1 and A3 are importation properties for the reasons set forth in paragraph (i)(B) of *Example 1* and paragraph (ii) of *Example 2* of this paragraph (f), respectively. However, A2 is not importation property because, if FC had sold A2 immediately before the transaction, FC would take into account any gain or loss recognized on the sale in determining its federal income tax liability.

(iii) *Loss importation transaction.* FC's and F's transfer is a section 362 transaction. Furthermore, but for section 362(e)(1) and this section and section 362(e)(2), DC's aggregate basis in the importation properties, A1 and A3, would be \$180 (\$40 + \$140) and the properties' aggregate value would be \$170 (\$150 + \$20) immediately after the transaction. Therefore, the importation properties' aggregate basis would exceed their aggregate value immediately after the transaction, and the transfer is a loss importation transaction.

(iv) *Application of section 362(e)(1) and this section to importation property received in loss importation transaction.* Because the importation properties, A1 and A3, were transferred in a loss importation transaction, paragraph (b)(1) of this section applies and DC's basis in A1 and in A3 will each be equal to the property's value (\$150 and \$20, respectively) immediately after the transfer.

(v) *Basis of property received in transaction.* Following the application of section 362(e)(1) and this section, the provisions of section 362(e)(2) must be taken into account because the transfer is a section 362(a) transaction. The application of section 362(e)(2) is determined separately for each transferor. See § 1.362-4(b).

(A) *FC's transfer.* Taking into account the application of section 362(e)(1) and this section but without taking into account the provisions of section 362(e)(2), DC would have an aggregate basis of \$270 in the transferred properties (\$150 in A1, as determined under paragraph (iv) of this *Example 3*, plus \$120 in A2, determined under section 362(a)), and the properties would have an aggregate value of \$180 (\$150 + \$30) immediately after the transfer. Therefore, FC has a net built-in loss and FC's transfer of A1 and A2 is a loss duplication transaction. Accordingly, under the general rule of section 362(e)(2), FC's \$90 net built-in loss (\$270 aggregate basis to DC over \$180 aggregate value) would be allocated proportionately to reduce DC's basis in the loss property transferred by FC. As a result, FC's entire net built-in loss would be allocated to A2, the only loss property transferred by FC, and DC's basis in A2 would be \$30 (\$120 basis under section 362(a) reduced by \$90 net built-in loss). However, if FC and DC were to elect

under section 362(e)(2)(C) to apply the \$90 basis reduction to FC's basis in the DC stock received in the transaction, DC's basis in A2 would remain its section 362(a) basis of \$120. DC's basis in A1 is \$150 as determined under paragraph (iv) of this *Example 3* (irrespective of whether the section 362(e)(2)(C) election is made). If FC and DC do not make a section 362(e)(2)(C) election, FC's basis in the DC stock received in the exchange will be \$160; if FC and DC do make the election, FC's basis in the DC stock will be \$70 (\$160 - \$90 net built-in loss). See § 1.362-4.

(B) *F's transfer of A3*. Taking into account the application of section 362(e)(1) and this section, DC's basis in A3, the property transferred by F, would not exceed its value immediately after the transfer. Therefore, F does not have a built-in loss, F's transfer is not a loss duplication transaction, and section 362(e)(2) does not apply to F's transfer. DC's basis in A3, as determined under paragraph (iv) of this *Example 3*, is \$20. Under section 358(a), F receives the DC stock with a basis of \$140.

Example 4. Multiple transferors of non-importation properties. (i) *Facts*. DC1 owns A1 (basis \$40, value \$150). In addition, as in *Example 3* of this paragraph (f), FC owns A2 (basis \$120, value \$30), a U.S. real property interest as defined in section 897(c)(1), and F owns A3 (basis \$140, value \$20). On Date 1, DC1 transfers A1, FC transfers A2, and F transfers A3, to DC in a single transaction described in section 351.

(ii) *Importation property*. A2 is not importation property and A3 is importation property for the reasons set forth in paragraph (ii) of *Example 3* and paragraph (i)(B) of *Example 1* of this paragraph (f), respectively. A1 is not importation property because, if DC1 had sold A2 immediately before the transaction, DC1 would take into account any gain or loss recognized on the sale in determining its federal income tax liability.

(iii) *Loss importation transaction*. The transfer of A1, A2, and A3 is a section 362 transaction. Furthermore, but for section 362(e)(1) and this section and section 362(e)(2), DC's basis in importation property, A3, would be \$140 and the value of the property would be \$20 immediately after the transaction. Therefore, the importation property's basis would exceed value and the transfer is a loss importation transaction.

(iv) *Application of section 362(e)(1) and this section to importation property received in loss importation transaction*. Because the importation property, A3, was transferred in a loss importation transaction, section 362(e)(1) and paragraph (b)(1) of this section apply and DC's basis in A3 will be equal to A3's \$20 value immediately after the transfer.

(v) *Basis of property received in transaction*. Following the application of section 362(e)(1) and this section, the provisions of section 362(e)(2) must be taken into account because

the transfer is a section 362(a) transaction. The application of section 362(e)(2) is determined separately for each transferor. See § 1.362-4.

(A) *DC1's transfer*. Taking into account the application of section 362(e)(1) and this section, DC's basis in A1 (\$40 under section 362(a)) would not exceed its value immediately after the transfer. Therefore, DC1 does not have a net built-in loss, DC1's transfer is not a loss duplication transaction, and section 362(e)(2) does not apply to DC1's transfer. DC's basis in A1, determined under section 362(a), is \$40. Under section 358(a), DC1 receives the DC stock with a basis of \$40.

(B) *FC's transfer*. Taking into account the application of section 362(e)(1) and this section, but without taking into account the provisions of section 362(e)(2), DC would have a section 362(a) basis of \$120 in A2, which would exceed A2's \$30 value immediately after the transfer. Therefore, FC has a net built-in loss and FC's transfer of A2 is a loss duplication transaction. Accordingly, under the general rule of section 362(e)(2), FC's \$90 net built-in loss (DC's \$120 basis in A2 over A2's \$30 value) would be applied to reduce DC's basis in A2, the only loss property transferred by FC. As a result, DC's basis in A2 would be \$30 (\$120 basis under section 362(a), reduced by the \$90 net built-in loss). However, if FC and DC were to elect under section 362(e)(2)(C) to apply the \$90 basis reduction to FC's basis in the DC stock received in the transaction, DC's basis in A2 would be its \$120 basis determined under section 362(a). If FC and DC do not make a section 362(e)(2)(C) election, FC's basis in the DC stock received in the exchange will be \$120; if FC and DC do make the election, FC's basis in the DC stock will be \$30 (\$120 - \$90). See § 1.362-4.

(C) *F's transfer*. F's transfer of A3 is a transaction described in section 362(a). However, taking into account the application of section 362(e)(1) and this section, DC's basis in A3 (\$20) would not exceed its value immediately after the transfer. Therefore, F does not have a built-in loss, F's transfer is not a loss duplication transaction, and section 362(e)(2) does not apply to F's transfer. DC's basis in A3, as determined under paragraph (iv) of this *Example 4*, is \$20. Under section 358(a), F receives the DC stock with a basis of \$140.

Example 5. Partnership transactions. (i) *Transfer by foreign partnership, foreign and domestic partners.* (A) *Facts*. A and F are equal partners in FP. FP owns A1 (basis \$100, value \$70). Under the terms of the FP partnership agreement, FP's items of income, gain, deduction, and loss are allocated equally between A and F. Section 704(c) does not apply with respect to the partnership property. FP transfers A1 to DC in a transfer to which section 351 applies. No election is made under section 362(e)(2)(C).

(B) *Importation property.* If FP had sold A1 immediately before the transaction, any gain or loss recognized on the sale would be allocated to and includible by A and F equally under the partnership agreement. Thus, under paragraph (d)(2) of this section, A1 is treated as tentatively divided into two equal portions, one treated as owned by A and one treated as owned by F. If FP had sold A1 immediately before the transaction, any gain or loss recognized on the portion treated as owned by A would have been taken into account in determining a federal income tax liability (A's); thus A's tentatively divided portion of A1 is not importation property. However, no gain or loss recognized on the tentatively divided portion treated as owned by F would have been taken into account in determining a federal income tax liability. Further, if DC had sold A1 immediately after the transaction, any gain or loss recognized on the sale would have been taken into account in determining a federal income tax liability (DC's); thus, F's tentatively divided portion of A1 is importation property.

(C) *Loss importation transaction.* FP's transfer of A1 is a section 362 transaction. Furthermore, but for section 362(e)(1) and this section and section 362(e)(2), DC's basis in the importation property, F's portion of A1, would be \$50 under section 362(a) and the property's value would be \$35 immediately after the transaction. Therefore, the importation property's basis would exceed its value and the transfer is a loss importation transaction.

(D) *Application of section 362(e)(1) and this section to importation property received in loss importation transaction.* Because the importation property, F's tentatively divided portion of A1, was transferred in a loss importation transaction, section 362(e)(1) and paragraph (b)(1) of this section apply and DC's basis in F's portion of A1 will be equal to its \$35 value.

(E) *Basis of property received in transaction.* Following the application of section 362(e)(1) and this section, the provisions of section 362(e)(2) must be taken into account because the transfer is a section 362(a) transaction. Taking into account the application of section 362(e)(1) and this section but without taking into account the provisions of section 362(e)(2), DC's aggregate basis in A1 would be \$85 (the sum of the \$35 basis in F's tentatively divided portion of A1, as determined under paragraph (i)(D) of this *Example 5*, and the \$50 basis in A's tentatively divided portion of A1, determined under section 362(a), see paragraphs (d)(2) and (e)(3) of this section) and A1's value immediately after the transfer would be \$70. Therefore, FP has a net built-in loss and FP's transfer of A1 is a loss duplication transaction. Accordingly, under the general rule of section 362(e)(2), FP's \$15 net built-in loss (\$85 basis over \$70 value) would be allocated to reduce DC's

basis in the loss asset, A1, the only loss property transferred by FP. As a result, DC's basis in A1 would be \$70 (\$85 basis under section 362(a) and this section, reduced by the \$15 net built-in loss). Under section 358, FP's basis in the DC stock received in the exchange will be \$100. See § 1.362-4.

(i) *Transfer with election to apply section 362(e)(2)(C).* The facts are the same as in paragraph (i)(A) of this *Example 5*, except that FP and DC elect to apply section 362(e)(2)(C) to reduce FP's basis in the DC stock received in the exchange. The analysis and results are the same as in paragraphs (i)(B), (C), (D), and (E) of this *Example 5*, except that the \$15 reduction to DC's basis in A1 is not made and, as a result, DC's basis in A1 remains \$85, and FP's basis in the DC stock received in the exchange is reduced from \$100 to \$85. The \$15 reduction to FP's basis in DC stock reduces A's basis in its FP interest under section 705(a)(2)(B). See § 1.362-4(e)(1).

(iii) *Transfer by domestic partnership.* The facts are the same as in paragraph (i)(A) of this *Example 5* except that FP is a domestic partnership. The analysis and results are the same as in paragraphs (i)(B), (C), (D), and (E) of this *Example 5*.

(iv) *Transfer of interest in partnership with liability.* (A) *Facts.* F and two other individuals are equal partners in FP. F's basis in its partnership interest is \$247. F's share of FP's § 1.752-1 liabilities (as defined in § 1.752-1(a)(4)) is \$150. F transfers his partnership interest to DC in a transaction to which section 351 applies. If DC were to sell the FP interest immediately after the transfer, DC would receive \$100 in cash or other property. In addition, taking into account the rules under § 1.752-4, DC's share of FP's § 1.752-1 liabilities (as defined in § 1.752-1(a)(4)) is \$145 immediately after the transfer.

(B) *Importation property.* If F had sold his partnership interest immediately before the transaction, no gain or loss recognized on the sale would have been taken into account in determining a federal income tax liability. Further, if DC had sold the partnership interest immediately after the transaction, any gain or loss recognized on the sale would have been taken into account in determining a federal income tax liability. Therefore, F's partnership interest is importation property.

(C) *Loss importation transaction.* F's transfer is a section 362 transaction. However, but for section 362(e)(1) and this section and section 362(e)(2), DC's basis in the importation property, the partnership interest, determined under section 362(a) and taking into account the rules under section 752, would be \$242 (F's \$247 basis reduced by F's \$150 share of FP liabilities and increased by DC's \$145 share of FP liabilities) and, under paragraph (c)(4)(ii) of this section, the value of the FP interest would be \$245 (the sum of \$100, the cash DC would receive if DC immediately sold the

partnership interest, and \$145, DC's share of the §1.752-1 liabilities (as defined in §1.752-1(a)(4)) under section 752 immediately after the transfer to DC). Therefore, the importation property's basis (\$242) would not exceed its value (\$245), and the transfer is not a loss importation transaction.

(D) *Basis in property received in transaction.* Following the application of section 362(e)(1) and this section, the provisions of section 362(e)(2) must be taken into account because the transfer is a section 362(a) transaction. As described in paragraph (iv)(C) of this *Example 5*, taking into account the application of section 362(e)(1) and this section, DC's basis in the partnership interest would not exceed its value. Therefore, under §1.362-4, F does not have a net built-in loss, the transfer is not a loss duplication transaction, and section 362(e)(2) does not apply to the transfer. DC's basis in F's partnership interest is \$242, determined under sections 362(a) and 752. Under section 358, taking into account the rules under section 752, F's basis in the DC stock received in the exchange is \$97 (\$247 reduced by F's \$150 share of FP liabilities). If FP had elected under section 754, or if section 743(b) required a downward basis adjustment to the partnership property, FP would apply the rules of §1.743-1 to determine the amount of the basis adjustment to the partnership property.

Example 6. Transactions involving tax-exempt entities. (i) *Exempt transferor.* (A) *Facts.* InsCo is a benevolent life insurance association of a purely local character exempt from federal income tax under section 501(a) because it is described in section 501(c)(12). InsCo owns shares of stock of DC1 (basis \$100, value \$70) for investment purposes, which are not debt-financed property (as defined in section 514). On December 31, Year 1, InsCo transfers the DC1 stock to DC in exchange for DC stock in a transaction to which section 351 applies. No election is made under section 362(e)(2)(C).

(B) *Importation property.* If InsCo had sold the DC1 stock immediately before the transaction, any gain or loss realized would be excluded from UBTI under section 512(b)(5), and thus no gain or loss recognized on the sale would have been taken into account in determining federal income tax liability. Further, if DC had sold the DC1 stock immediately after the transaction, any gain or loss recognized on the sale would have been taken into account in determining federal income tax liability. Therefore, the DC1 stock is importation property.

(C) *Loss importation transaction.* InsCo's transfer is a section 362 transaction. Furthermore, but for section 362(e)(1) and this section and section 362(e)(2), DC's basis in importation property, the DC1 stock, would be \$100, and the stock's value would be \$70 immediately after the transaction. Therefore, the importation property's basis would

exceed its value and the transfer is a loss importation transaction.

(D) *Application of section 362(e)(1) and this section to importation property received in loss importation transaction.* Because the importation property, the DC1 stock, was transferred in a loss importation transaction, paragraph (b)(1) of this section applies and DC's basis in the stock will be equal to its \$70 value.

(E) *Basis of property received in transaction.* Following the application of section 362(e)(1) and this section, the provisions of section 362(e)(2) must be taken into account because the transfer is a section 362(a) transaction. Taking into account the application of section 362(e)(1) and this section, DC's basis in the DC1 stock does not exceed its value immediately after the transaction. Therefore, InsCo does not have a net built-in loss, InsCo's transfer is not a loss duplication transaction, and section 362(e)(2) has no application to the transaction. DC's basis in the DC1 stock, as determined under paragraph (i)(D) of this *Example 6*, is \$70. Under section 358, InsCo's basis in the DC stock received in the exchange will be \$100.

(ii) *Transferor loses tax-exempt status.* (A) *Facts.* The facts are the same as in paragraph (i)(A) of this *Example 6* except that InsCo fails to be described in section 501(c)(12) in Year 1.

(B) *Importation property.* If InsCo had sold the DC1 stock immediately before the transaction, any gain or loss recognized on the sale would have been taken into account in determining a federal income tax liability. Therefore, the DC1 stock is not importation property and this section does not apply to the transaction.

(C) *Basis of property received in transaction.* Following the application of section 362(e)(1) and this section, the provisions of section 362(e)(2) must be taken into account because the transfer is a section 362(a) transaction. Taking into account the application of section 362(e)(1) and this section but without taking into account the provisions of section 362(e)(2), DC would have a section 362(a) basis of \$100 in the stock, which would exceed its value of \$70 immediately after the transfer. Therefore, InsCo has a net built-in loss and InsCo's transfer of the DC1 stock is a loss duplication transaction. Accordingly, under the general rule of section 362(e)(2), InsCo's \$30 net built-in loss (\$100 basis over \$70 value) would be allocated to reduce DC's basis in the loss asset, the DC1 stock, the only loss property transferred by InsCo. As a result, DC's basis in the DC1 stock would be \$70 (\$100 basis under section 362(a), reduced by the \$30 net built-in loss). Under section 358, InsCo's basis in the DC stock received in the exchange will be \$100.

(iii) *Transfer of property that is subject to unrelated business tax.* (A) *Facts.* The facts are

the same as in paragraph (i)(A) of this *Example 6* except that, on December 31, Year 1, instead of the DC1 stock, InsCo transfers A1 (basis \$200, value \$150) to DC. A1 is real property that InsCo owned from January 1 to December 31 of Year 1. During the entirety of this period, A1's basis was \$200, and in the twelve months prior to December 31, Year 1, the highest amount of outstanding principal indebtedness on A1 was \$40. For purposes of the UBTI rules under section 512, A1 is debt-financed property within the meaning of section 514(b).

(B) *Importation property.* If InsCo had sold A1 immediately before the transaction, 20 percent of any gain or loss recognized on that sale (that is, \$40 of acquisition indebtedness on A1 divided by A1's \$200 basis in Year 1) would, under sections 512 and 514, be includible in UBTI at the end of Year 1, and 80 percent would not. Thus, under paragraph (d)(4) of this section, A1 is treated as tentatively divided into two portions, one reflecting the gain or loss that would be taken into account in determining a federal income tax liability in InsCo's hands immediately before the transfer (the 20 percent portion) and one that would not (the 80 percent portion). Further, if DC sold A1 immediately after the transfer, any gain or loss on both portions would be taken into account in determining a federal income tax liability. Accordingly, the 20 percent portion is not importation property, but the 80 percent portion is.

(C) *Loss importation transaction.* InsCo's transfer of A1 is a section 362 transaction. Furthermore, but for section 362(e)(1) and this section and section 362(e)(2), DC's basis in the importation property, the 80 percent portion of A1, would be \$160 (80 percent of InsCo's \$200 basis) under section 362(a) and the property's value would be \$120 (80% of A1's \$120 value) immediately after the transaction. Therefore, the importation property's basis would exceed its value and the transfer is a loss importation transaction.

(D) *Application of section 362(e)(1) and this section to importation property received in loss importation transaction.* Because the importation property, the 80 percent portion of A1, was transferred in a loss importation transaction, section 362(e)(1) and paragraph (b)(1) of this section apply and DC's basis in that portion of A1 will be equal to its \$120 value.

(E) *Basis of property received in transaction.* Following the application of section 362(e)(1) and this section, the provisions of section 362(e)(2) must be taken into account because the transfer is a section 362(a) transaction. Taking into account the application of section 362(e)(1) and this section but without taking into account the provisions of section 362(e)(2), DC's aggregate basis in A1 would be \$160 (the sum of the \$120 basis in the 80 percent importation portion of A1, as determined under paragraph (iii)(D) of this *Exam-*

ple 6, and the \$40 basis in the 20 percent portion of A1 that is not importation property, determined under section 362(a). See paragraph (e)(3) of this section). Further, A1's value immediately after the transfer would be \$150. Therefore, InsCo has a net built-in loss in A1, and InsCo's transfer of A1 is a loss duplication transaction. Accordingly, under the general rule of section 362(e)(2), InsCo's \$10 net built-in loss (\$160 basis over \$150 value) would be allocated to reduce DC's basis in the loss asset, A1, the only loss property transferred by InsCo. As a result, DC's basis in A1 would be \$150 (\$160 basis under section 362(a) and this section, reduced by the \$10 net built-in loss). Under section 358, InsCo's basis in the DC stock received in the exchange will be \$200. See § 1.362-4.

(iv) *Transfer with election to apply section 362(e)(2)(C).* The facts are the same as in paragraph (iii)(A) of this *Example 6*, except that InsCo and DC elect to apply section 362(e)(2)(C) to reduce InsCo's basis in the DC stock received in the exchange. The analysis and results are the same as in paragraphs (iii)(B), (C), (D), and (E) of this *Example 6*, except that the \$10 reduction to DC's basis in A1 is not made and, as a result, DC's basis in A1 remains \$160; however, InsCo's basis in the DC stock received in the exchange is reduced from \$200 to \$190.

Example 7. Transactions involving CFCs. (i) *Transfer by CFC.* (A) *Facts.* FC is a CFC with 100 shares of stock outstanding. A owns 60 of the shares and F owns the remaining 40 shares. FC owns two assets, A1 (basis \$70, value \$100), which is used in the conduct of a U.S. trade or business, and A2 (basis \$100, value \$75), which is not used in the conduct of a U.S. trade or business. FC transfers both assets to DC in a transaction to which section 351 applies.

(B) *Importation property.* If FC had sold A1 immediately before the transaction, any gain or loss recognized on the sale would have been taken into account in determining a federal income tax liability (FC's). See section 882(a). Therefore, A1 is not importation property. If FC had sold A2 immediately before the transaction, FC would not take the gain or loss recognized into account in determining its federal income tax liability, but the gain or loss could be taken into account in determining a section 951 inclusion to FC's U.S. shareholders. However, under paragraph (d)(3) of this section, gain or loss is not deemed taken into account in determining a federal income tax liability solely because it could affect an inclusion under section 951(a). Further, if DC had sold A2 immediately after the transaction, any gain or loss recognized on the sale would have been taken into account in determining a federal income tax liability. Therefore, A2 is importation property.

(C) *Loss importation transaction.* FC's transfer is a section 362 transaction. Furthermore,

but for section 362(e)(1) and this section and section 362(e)(2), DC's basis in the importation property, A2, would be \$100 and the property's value would be \$75 immediately after the transaction. Therefore, the importation property's basis would exceed its value and the transfer is a loss importation transaction.

(D) *Application of section 362(e)(1) and this section to importation property received in loss importation transaction.* Because the importation property, A2, was transferred in a loss importation transaction, paragraph (b)(1) of this section applies and DC's basis in A2 will be equal to A2's \$75 value immediately after the transfer.

(E) *Basis of property received in transaction.* Following the application of section 362(e)(1) and this section, the provisions of section 362(e)(2) must be taken into account because the transfer is a section 362(a) transaction. Taking into account the application of section 362(e)(1) and this section but without taking into account the provisions of section 362(e)(2), DC would have an aggregate basis of \$145 in the transferred properties (\$70 in A1, determined under section 362(a), plus \$75 in A2, determined under this section) and the properties would have an aggregate value of \$175 (\$100 + \$75) immediately after the transfer. Therefore, FC does not have a net built-in loss, FC's transfer is not a loss duplication transaction, and section 362(e)(2) does not apply to the transaction. DC's basis in A1 will be \$70, determined under section 362(a), and DC's basis in A2 will be \$75, as determined under paragraph (i)(D) of this *Example 7*. Under the general rule in section 358(a), FC receives the DC stock with a basis of \$170 (\$70 attributable to A1 plus \$100 attributable to A2).

(ii) *Transfer of CFC stock.* (A) *Facts.* The facts are the same as in paragraph (i)(A) of this *Example 7*, except that A transfers its 60 shares of FC stock (basis \$80, value \$105) and F transfers its 40 shares of FC stock (basis \$100, value \$70) to DC in an exchange that qualifies under section 351.

(B) *Importation property.* If A had sold its FC shares immediately before the transaction, any gain or loss recognized on the sale would have been taken into account in determining a federal income tax liability (A's). Therefore, A's FC shares are not importation property. However, if F had sold its FC shares immediately before the transaction, no gain or loss recognized on the sale would have been taken into account in determining a federal income tax liability. Further, if DC had sold F's FC shares immediately after the transaction, any gain or loss recognized on the sale would have been taken into account in determining a federal income tax liability. Therefore, F's FC shares are importation property.

(C) *Loss importation transaction.* The transfer of the FC shares is a section 362 trans-

action. Furthermore, but for section 362(e)(1) and this section and section 362(e)(2), DC's aggregate basis in the importation property, F's shares of FC stock, would be \$100 under section 362(a) and the shares' aggregate value would be \$70. Therefore, the importation property's aggregate basis would exceed its aggregate value, and the transfer is a loss importation transaction.

(D) *Application of section 362(e)(1) and this section to importation property received in loss importation transaction.* Because the importation property, F's shares of FC stock, was transferred in a loss importation transaction, paragraph (b)(1) of this section applies and DC's aggregate basis in the shares will be equal to their \$70 aggregate value immediately after the transfer.

(E) *Basis of property received in transaction.* Following the application of section 362(e)(1) and this section, the provisions of section 362(e)(2) must be taken into account because the transfer is a section 362(a) transaction. The application of section 362(e)(2) is determined separately for each transferor. See § 1.362-4(b).

(1) *A's transfer.* Taking into account the application of section 362(e)(1) and this section, DC's aggregate basis in the shares (\$80 under section 362(a)) would not exceed the shares' value (\$105) immediately after the transaction. Therefore A does not have a built-in loss, A's transfer is not a loss duplication transaction, and section 362(e)(2) does not apply to A's transfer. DC's aggregate basis in A's shares, determined under section 362(a), is \$80. Under section 358(a), A receives the DC stock with a basis of \$80.

(2) *F's transfer.* Taking into account the application of section 362(e)(1) and this section, DC's aggregate basis in the shares would not exceed their value immediately after the transaction. Therefore, F does not have a built-in loss, F's transfer is not a loss duplication transaction, and section 362(e)(2) does not apply to F's transfer. DC's aggregate basis in F's shares, as determined under paragraph (ii)(D) of this *Example 7*, is \$70. Under section 358(a), F receives the DC stock with a basis of \$100.

Example 8. Property subject to withholding tax. (i) *Facts.* FC owns a share of DC1 stock (basis \$100, value \$70) as an investment. FC receives dividends on the share that are subject to federal withholding tax of 30 percent of the amount received under section 881(a); under section 1442(a), DC1 must withhold tax on the dividends paid. FC transfers the DC1 share to DC in a transaction to which section 351 applies.

(ii) *Importation property.* Although any dividends received with respect to the DC1 stock were subject to withholding tax, if FC had sold the share of stock of DC1, no gain or loss recognized on the sale would have been taken into account in determining a federal income tax liability. See section 865(a)(2).

Further, if DC had sold the share of DC1 stock immediately after the transaction, any gain or loss recognized on the sale would be taken into account in determining federal income tax liability. Therefore, the share of DC1 stock is importation property.

(iii) *Loss importation transaction.* FC's transfer is a section 362 transaction. Furthermore, but for section 362(e)(1) and this section and section 362(e)(2), DC's basis in the importation property, the share of DC1 stock, would be \$100 and the share's value would be \$70 immediately after the transaction. Therefore, the share's basis would exceed its value and the transfer is a loss importation transaction.

(iv) *Application of section 362(e)(1) and this section to importation property received in loss importation transaction.* Because the importation property, the DC1 share, was transferred in a loss importation transaction, paragraph (b)(1) of this section applies and DC's basis in the share will be equal to the share's \$70 value.

(v) *Basis of property received in transaction.* Following the application of section 362(e)(1) and this section, the provisions of section 362(e)(2) must be taken into account because the transfer is a section 362(a) transaction. Taking into account the application of section 362(e)(1) and this section, DC's basis in the DC1 share would not exceed the share's value immediately after the transaction. Therefore, FC does not have a net built-in loss, FC's transfer is not a loss duplication transaction, and section 362(e)(2) does not apply to the transaction. DC's basis in the DC1 share, as determined under paragraph (iv) of this *Example 8*, is \$70. Under section 358, FC's basis in the DC stock received in the exchange will be \$100.

Example 9. Property transferred in triangular reorganization. (i) *Foreign subsidiary.* (A) *Facts.* P owns the sole outstanding share of stock of FC (basis \$1), FC1 owns the sole outstanding share of FC2 (basis \$100), and FC2 owns one asset, A1 (basis \$100, value \$20). In a forward triangular merger described in § 1.358-6(b)(2)(i), FC2 merges with and into FC, and FC1 receives shares of P stock in exchange for its FC2 stock. The forward triangular merger is a transaction described in section 368(a)(2)(D) and, therefore, in section 362(b).

(B) *Determining P's basis in its FC share.* Pursuant to § 1.358-6, for purposes of determining the adjustment to P's basis in its FC shares, P is treated as though it first received A1 in a transaction in which its basis in A1 would be determined under section 362(b) and then it transferred A1 to FC in a transaction in which P's basis in its FC stock would be determined under section 358.

(1) *P's deemed acquisition and transfer of A1.* If FC2 had sold A1 for its value immediately before the deemed transaction, no gain or loss recognized on the sale would have been

taken into account in determining a federal income tax liability. If P had sold A1 immediately after the deemed transaction, any gain or loss recognized on the sale would have been taken into account in determining a federal income tax liability (P's). Therefore, with respect to P's deemed acquisition, A1 is importation property. Furthermore, immediately after the deemed transaction, P's basis in A1, but for section 362(e)(1) and this section and section 362(e)(2), would be \$100 and A1's value is \$20. Therefore, the importation property's basis would exceed its value and the transfer is a loss importation transaction. Accordingly, P's deemed basis in A1 will be equal to A1's \$20 value.

(2) *P's FC stock basis.* As a result of P's deemed transfer of A1 to FC (and applying the principles of § 1.367(b)-13), P's basis in its FC stock is increased by its \$20 deemed basis in A1. Accordingly, following the transaction, P's basis in its share of FC stock will be \$21 (the sum of its original \$1 basis and the \$20 adjustment for the deemed transfer of A1).

(C) *FC's basis in A1.* FC's basis in A1 is determined under the rules of this section without regard to the determination of P's adjustment to its basis in FC stock. If FC2 had sold A1 for its value immediately before the transaction, no gain or loss recognized on the sale would have been taken into account in determining a federal income tax liability, so A1 is not importation property. Accordingly, this section will not apply to the transaction. Although there is a net built-in loss in A1, the transaction is not described in section 362(a), and so section 362(e)(2) and § 1.362-4 will not apply to the transaction. Thus, under section 362(b), FC's basis in A1 will be \$100.

(D) *FC1's basis in P stock.* Under section 358, FC1's basis in the P stock it receives in the exchange will be \$100.

(ii) *Property transferred to U.S. subsidiary in triangular reorganization.* (A) *Facts.* The facts are the same as in paragraph (i)(A) of this *Example 9*, except that P also owns the sole outstanding share of DC (basis \$1) and, instead of merging into FC, FC2 merged into DC.

(B) *Determining P's basis in its DC share.* As determined under paragraph (i)(B)(2) of this *Example 9*, P's basis in its DC share is \$21, the sum of its original \$1 basis plus the \$20 adjustment for the deemed transfer of A1.

(C) *DC's basis in A1.* If FC2 had sold A1 for its value immediately before the transaction, no gain or loss recognized on the sale would have been taken into account in determining a federal income tax liability. However, if DC had sold A1 immediately after the transaction, any gain or loss recognized on

the sale would have been taken into account in determining a federal income tax liability, so A1 is importation property with respect to DC. Furthermore, immediately after the transaction, DC's basis in A1, but for section 362(e)(1) and this section and section 362(e)(2), would be \$100 and A1's value is \$20. Therefore, the importation property's basis would exceed its value and the transfer is a loss importation transaction. Accordingly, DC's basis in A1 will be \$20, A1's value immediately after the transaction.

(D) *FCI's basis in P stock.* Under section 358, FCI's basis in the P stock it receives in the exchange is \$100.

(g) *Applicability date.* This section applies with respect to any transaction occurring on or after *March 28, 2016*, and also with respect to any transaction occurring before such date as a result of an entity classification election under §301.7701-3 of this chapter filed on or after *March 28, 2016*, unless such transaction is pursuant to a binding agreement that was in effect prior to *March 28, 2016* and at all times thereafter. In addition, taxpayers may apply this section to any transaction occurring after October 22, 2004.

[T.D. 9759, 81 FR 17075, Mar. 28, 2016]

§ 1.362-4 Basis of loss duplication property.

(a) *Purpose and scope—(1) In general.* The purpose of section 362(e)(2) and this section is to prevent the duplication of net loss in transfers to which section 351 applies, capital contributions, and paid-in surplus (each, a section 362(a) transaction). See paragraph (g) of this section for definitions of terms used in this section.

(2) *Intercompany transactions.* For rules relating to the application of section 362(e)(2) to transfers between members of a consolidated group on or after October 22, 2004, see §1.1502-80(h).

(b) *Basis determinations under section 362(e)(2) and this section.* Notwithstanding section 362(a), if a corporation (Acquiring) receives loss duplication property (as defined in paragraph (g)(1) of this section) from a person (Transferor) in a loss duplication transaction (as defined in paragraph (g)(2) of this section), Acquiring's basis in such property is equal to the basis of the property determined without regard to section 362(e)(2) and this section (as described in paragraph (g)(1)(ii) of this

section), reduced by the property's allocable portion of Transferor's net built-in loss (as defined in paragraph (g)(3) of this section). If more than one Transferor transfers property to a corporation in a section 362(a) transaction, whether and the extent to which section 362(e)(2) and this section apply is determined separately for each Transferor.

(c) *Exceptions and special rules.—(1) Transactions in which net built-in loss is eliminated without recognition.* Section 362(e)(2) does not apply to a transaction to the extent that—

(i) Without recognizing gain or loss, Transferor distributes the Acquiring stock received in the transaction; and

(ii) Upon completion of the transaction, no person holds Acquiring stock or any other asset with a basis determined, in whole or in part, by reference to Transferor's basis in the distributed Acquiring stock.

(2) *Certain transactions outside of the United States.* Section 362(e)(2) does not apply to a transaction if—

(i) Neither Transferor nor Acquiring is a U.S. person (as defined in section 7701(a)(30)), a person otherwise required to file a U.S. return for the year of the transaction, a controlled foreign corporation (CFC, as defined in paragraph (g)(7) of this section), or a controlled foreign partnership (CFP, as defined in paragraph (g)(9) of this section) on the date of the transaction;

(ii) The transfer occurs more than two years prior to the date of any event described in paragraph (d)(3)(ii)(E), (F), or (G) of this section; and

(iii) The original transaction and the event or events described in paragraph (d)(3)(ii)(E), (F), or (G) of this section were not entered into with a view to reducing or avoiding the Federal income tax liability of any person by avoiding the application of section 362(e)(2) and this section to the original transaction.

(3) *Other effects of basis determination under this section—(i) Determination by reference to transferor's basis.* A determination of basis under this section is a determination by reference to the transferor's basis, including for purposes of sections 755, 1223(2), and 7701(a)(43).

(ii) *Treatment as tax-exempt income or noncapital, nondeductible expense.* A determination of basis under paragraph (b) of this section does not give rise to an item treated as a noncapital, nondeductible expense under § 1.1502-32(b)(2)(iii). However, a determination of basis under paragraph (d) of this section does give rise to an item treated as a noncapital, nondeductible expense under § 1.1502-32(b)(2)(iii).

(d) *Election to reduce Transferor's stock basis instead of Acquiring's asset basis—*

(1) *In general.* In lieu of making the basis reductions otherwise required under paragraph (b) of this section, Transferor and Acquiring may elect to reduce Transferor's basis in Acquiring stock that is received in the transaction without the recognition of gain or loss (the section 362(e)(2)(C) election). The section 362(e)(2)(C) election may be made protectively and will have no effect to the extent that property transferred in the transaction is determined not to be subject to section 362(e)(2) and this section. However, the election is irrevocable once it is made. A section 362(e)(2)(C) election is made and effective if—

(i) Prior to the filing of a Section 362(e)(2)(C) Statement (described in paragraph (d)(3)(i) of this section), Transferor and Acquiring enter into a written, binding agreement to elect to apply section 362(e)(2)(C); and

(ii) The Section 362(e)(2)(C) Statement is filed in accordance with the provisions of paragraph (d)(3) of this section.

(2) *Effect of section 362(e)(2)(C) election.* If a section 362(e)(2)(C) election is made and in effect—

(i) An amount equal to the portion of Transferor's net built-in loss (as defined in paragraph (g)(3) of this section) that would otherwise be applied to reduce asset basis under paragraph (b) of this section is allocated among the Acquiring shares received or deemed received in the exchange (in proportion to the value of such shares) and applied to reduce Transferor's basis (determined without regard to section 362(e)(2) and this section) in each such share; and

(ii) Acquiring's basis in loss duplication property received from Transferor

in the transaction is not determined under section 362(e)(2) and this section.

(3) *Section 362(e)(2)(C) Statement—(i) Form and contents of statement.* The Section 362(e)(2)(C) Statement is to be titled "Section 362(e)(2)(C) Statement." The Section 362(e)(2)(C) Statement must—

(A) Identify (by name and tax identification number, if any) Transferor and Acquiring;

(B) State that Transferor and Acquiring have entered into a written, binding agreement to elect to apply section 362(e)(2)(C) as required in paragraph (d)(1)(i) of this section; and

(C) State the date of the transaction (or, if the transaction includes transfers on more than one date, then the dates of all transfers) to which the election applies.

(ii) *Filing the Section 362(e)(2)(C) Statement.* In general, the Section 362(e)(2)(C) Statement is filed by the person or entity described in the applicable paragraph of this paragraph (d)(3)(ii). Thus, if Transferor is a partnership, S corporation, trust (including a subpart E trust), or other pass-through entity, or Acquiring is an S corporation, the entity (and not the partners, shareholders, or other persons having an interest in the entity or its property) is the person that must file the Section 362(e)(2)(C) Statement, without regard to whether such entity is foreign or domestic. However, in the case of a CFC or CFP, the controlling U.S. shareholders of the CFC or the reporting U.S. partners of the CFP, respectively, file the Section 362(e)(2)(C) Statement.

(A) *Transferor is a person required to file a U.S. return.* If Transferor is a person required to file a U.S. return for the year of the transfer, Transferor must include the Section 362(e)(2)(C) Statement on or with its timely filed (including extensions) original U.S. return for the taxable year in which the transfer occurred.

(B) *Transferor is a CFC or CFP and not required to file a U.S. return.* If paragraph (d)(3)(ii)(A) of this section does not apply and Transferor is either a CFC or a CFP on the date of the transfer, all of Transferor's controlling U.S. shareholders (in the case of a CFC) or

all of Transferor's reporting U.S. partners (in the case of a CFP) must include the Section 362(e)(2)(C) Statement on or with their timely filed (including extensions) original U.S. returns for their taxable years in which the transfer occurred.

(C) *Transferor is not a person required to file a U.S. return, a CFC, or a CFP, but Acquiring is required to file U.S. return.* If paragraphs (d)(3)(ii)(A) and (B) of this section do not apply and Acquiring is a person required to file a U.S. return for the year of the transfer, Acquiring must include the Section 362(e)(2)(C) Statement on or with its timely filed (including extensions) original U.S. return for the taxable year in which the transfer occurred.

(D) *Transferor is not a person required to file a U.S. return, a CFC, or a CFP, Acquiring is not required to file a U.S. return, but Acquiring is a CFC.* If paragraphs (d)(3)(ii)(A) through (C) of this section do not apply and Acquiring is a CFC on the date of the transfer, all of Acquiring's controlling U.S. shareholders must include the Section 362(e)(2)(C) Statement on or with their timely filed (including extensions) original U.S. returns for their taxable years in which the transfer occurred.

(E) *Neither Transferor nor Acquiring is a person required to file a U.S. return, a CFC, or a CFP, but Transferor later becomes a person required to file a U.S. return, a CFC, or a CFP.* If paragraphs (d)(3)(ii)(A) through (D) of this section do not apply and Transferor becomes a person required to file a U.S. return, a CFC, or a CFP, Transferor (if required to file a U.S. return), all of Transferor's controlling U.S. shareholders (if Transferor becomes a CFC not otherwise required to file a U.S. return), or all of Transferor's reporting U.S. partners (if Transferor becomes a CFP not otherwise required to file a U.S. return) must include the Section 362(e)(2)(C) Statement on or with their timely filed (including extensions) original U.S. returns for their taxable years in which an event described in this paragraph (d)(3)(ii)(E) first occurs. For purposes of this paragraph (d)(3)(ii)(E), the term Transferor includes any person holding property with a basis determined directly or indirectly by reference to Transferor's

basis in the Acquiring stock received in the transaction.

(F) *Transferor is not and does not become a person required to file a U.S. return, a CFC, or a CFP, Acquiring is not, but later becomes either a person required to file a U.S. return, a CFC, or a CFP.* If paragraphs (d)(3)(ii)(A) through (E) of this section do not apply and Acquiring becomes a person required to file a U.S. return, a CFC, or a CFP, Acquiring (if required to file a U.S. return), all of Acquiring's controlling U.S. shareholders (if Acquiring becomes a CFC not otherwise required to file a U.S. return), or all of Acquiring's reporting U.S. partners (if Acquiring becomes a CFP not otherwise required to file a U.S. return) must include the Section 362(e)(2)(C) Statement on or with their timely filed (including extensions) original U.S. returns for their taxable years in which an event described in this paragraph (d)(3)(ii)(F) first occurs. For purposes of this paragraph (d)(3)(ii)(F), the term Acquiring includes any person holding property with a basis determined directly or indirectly by reference to Acquiring's basis in loss duplication property received in the transaction.

(G) *Transferor and Acquiring are not and do not become a person required to file a U.S. return, a CFC, or a CFP, but the basis of the loss duplication property or Acquiring stock later becomes relevant for Federal tax purposes.* If paragraphs (d)(3)(ii)(A) through (F) of this section do not apply and, in a transferred basis transaction, a person required to file a U.S. return, a CFC, or a CFP acquires either loss duplication property or Acquiring stock that was received in the loss duplication transaction, or any property the basis of which is determined in whole or in part by reference to any such property or stock, all such persons (or, in the case of a CFC or CFP not required to file a U.S. return, all the controlling U.S. shareholders or all the reporting U.S. partners, as applicable) must include the Section 362(e)(2)(C) Statement on or with their timely filed (including extensions) original U.S. returns for their first taxable year(s) in which there occurs an event or events described in this paragraph (d)(3)(ii)(G).

(e) *Transfers by partnerships and S corporations*—(1) *Transfers by partnerships.* If a partnership transfers property in a loss duplication transaction with respect to which a section 362(e)(2)(C) election is made, the resulting reduction to the partnership's basis in the Acquiring stock received in exchange for the loss duplication property is treated as an expenditure of the partnership described in section 705(a)(2)(B).

(2) *Transfers by S corporations.* If an S corporation transfers property in a loss duplication transaction with respect to which a section 362(e)(2)(C) election is made, the resulting reduction to the S corporation's basis in the Acquiring stock received in exchange for the loss duplication property is treated as an expense of the S corporation described in section 1367(a)(2)(D).

(f) *Transfers to S corporations.* If a person transfers property to an S corporation in a loss duplication transaction, any resulting reduction under section 362(e)(2) and this section to the S corporation's basis in the property received is not treated as an expense of the S corporation described in section 1367(a)(2)(D).

(g) *Definitions.* For purposes of section 362(e)(2) and this section—

(1) *Loss duplication property* is any property—

(i) That is transferred by Transferor to Acquiring in a loss duplication transaction (as defined in paragraph (g)(2) of this section); and

(ii) That Acquiring would take with a basis in excess of value immediately after the transaction; for this purpose, the basis Acquiring would take in the property is determined immediately after the transaction and without regard to section 362(e)(2) and this section, but otherwise taking into account all applicable provisions of law, including, without limitation, section 362(e)(1).

(2) A *loss duplication transaction* is a section 362(a) transaction in which Acquiring's aggregate basis in the property received from Transferor would, but for section 362(e)(2) and this section, exceed the aggregate value of such property immediately after the transaction. For this purpose—

(i) A transaction is a section 362(a) transaction if it is described in section 362(a) without regard to whether it is also described in any other provision of the Internal Revenue Code (Code), including, without limitation, section 362(b); and

(ii) Acquiring's aggregate basis in the property received from Transferor is determined immediately after the transaction and without regard to section 362(e)(2) and this section, but otherwise taking into account all applicable provisions of law, including, without limitation, section 362(e)(1).

(3) *Transferor's net built-in loss* is the excess of—

(i) Acquiring's aggregate basis (determined under paragraph (g)(2)(ii) of this section) in all property received from Transferor in a loss duplication transaction, over

(ii) The aggregate value of such property immediately after the transaction.

(4) A property's *built-in loss* is the excess of Acquiring's basis in the property (determined as described in paragraph (g)(1)(ii) of this section) over the property's value (determined immediately after the transaction).

(5) A property's *allocable portion of Transferor's net built-in loss* is the portion of Transferor's net built-in loss that bears the same ratio to Transferor's net built-in loss that the property's built-in loss bears to the aggregate built-in losses reflected in the bases of loss duplication property transferred by Transferor in the transaction.

(6) A *U.S. return* is a return of income under section 6012 or an information return under Subtitle F, Chapter 61, Subchapter A, Part III of the Code (sections 6031 and following) or the regulations thereunder, that the taxpayer is unconditionally required to file. Thus, the term does not include elective forms or statements that are required to be filed only to obtain a particular tax treatment, including forms filed to make an election or to reduce or avoid withholding by a person not otherwise required to file a U.S. return (as described in this paragraph (g)(6)) (for example, a notice of nonrecognition under § 1.1445-2(d)).

(7) A *controlled foreign corporation* (CFC) is any corporation described in section 957 or section 953(c).

(8) A *controlling U.S. shareholder* is any person that is treated as a controlling U.S. shareholder under §1.964-1(c)(5) because such person either owns a direct interest in the CFC or is treated as owning an interest in the CFC by reason of section 318(a)(2) (attribution from partnerships, estates, trusts, and corporations).

(9) A *controlled foreign partnership* (CFP) is any partnership treated as a controlled foreign partnership for purposes of section 6038.

(10) A *reporting U.S. partner* is any partner of a CFP that is required to file an information return with respect to the CFP pursuant to section 6038 or the regulations thereunder, without regard to §1.6038-3(c) or (j). In addition, in applying the constructive ownership rules of §1.6038-3(b)(4), the term “non-resident alien” is replaced by the term “individual.”

(11) The term *stock* means both Acquiring stock and Acquiring securities received by Transferor in the transaction if gain or loss on the receipt of the stock or securities is not recognized in whole or in part.

(12) *Value*—(i) *General rule.* The term *value* means fair market value.

(ii) *Special rule for transfers of partnership interests.* Notwithstanding the general rule in paragraph (g)(12)(i) of this section, when referring to a partnership interest, for purposes of section 362(e)(2) and this section, the term *value* means the sum of the cash that Acquiring would receive for the interest, assuming an exchange between a willing buyer and a willing seller (neither being under any compulsion to buy or sell and both having reasonable knowledge of relevant facts), increased by any §1.752-1 liabilities (as defined in §1.752-1(a)(4)) of the partnership allocated to Acquiring with regard to such transferred interest under section 752 immediately after the transfer to Acquiring. See §1.743-1 regarding the application of section 743(b) following a section 362(e) basis reduction.

(h) *Examples.* The examples in this paragraph (h) illustrate the application of section 362(e)(2) and the provisions of this section. Unless the facts otherwise

indicate, the examples use the following nomenclature and assumptions: X, Y, P, S, S1, and S2 are domestic corporations; A and B are U.S. individuals; FC1 and FC2 are foreign corporations and are not engaged in a U.S. trade or business, have no U.S. real property interests, and have no other relationships, activities, or interests that would cause them, their shareholders, or their property to be subject to tax imposed under any provision of subtitle A of the Internal Revenue Code (federal income tax); there is no applicable income tax treaty; PRS is a domestic partnership; no election is made under section 362(e)(2)(C); and the transferred property is not importation property (as defined in §1.362-3(c)(2)) and the transfers are not loss importation transactions (as defined in §1.362-3(c)(3)), so that the basis of no property is determined under section 362(e)(1). All persons and transactions are unrelated unless the facts indicate otherwise, all taxpayers are on a calendar tax year, and all other relevant facts are set forth in the examples. See §1.362-3(f) for additional examples illustrating the application of section 362(e)(2) and this section, including to transactions that are subject to section 362(e)(2), and section 362(e)(1).

Example 1. Transfer described in section 351.

(i) *Basic application of section.* (A) *Facts.* A owns Asset 1 (basis \$90, value \$60) and Asset 2 (basis \$110, value \$120). In a transaction to which section 351 applies, A transfers Asset 1 and Asset 2 to X in exchange for a single outstanding share of X stock representing all the outstanding X stock immediately after the transaction.

(B) *Analysis—(1) Loss duplication transaction.* A's transfer of Asset 1 and Asset 2 is a section 362(a) transaction. But for section 362(e)(2) and this section, X's aggregate basis in those assets would be \$200 (\$90 + \$110), which would exceed the aggregate value of the assets \$180 (\$60 + \$120) immediately after the transaction. Accordingly, the transfer is a loss duplication transaction and A has a net built-in loss of \$20 (\$200 - \$180).

(2) *Identifying loss duplication property.* But for section 362(e)(2) and this section, X's basis in Asset 1 would be \$90, which would exceed Asset 1's \$60 value immediately after the transaction. Accordingly, Asset 1 is loss duplication property. But for section 362(e)(2) and this section, X's basis in Asset 2 would be \$110, which would not exceed Asset 2's \$120

value immediately after the transaction. Accordingly, Asset 2 is not loss duplication property.

(C) *Basis in loss duplication property.* X's basis in Asset 1 is \$70, computed as its \$90 basis under section 362(a) reduced by A's \$20 net built-in loss.

(D) *Basis in other property.* Under section 362(a), X has a transferred basis of \$110 in Asset 2. Under section 358(a), A has an exchanged basis of \$200 in the X stock it receives in the transaction.

(i) *Section 362(e)(2)(C) election.* The facts are the same as in paragraph (i)(A) of this Example 1, except that A and X make an election under section 362(e)(2)(C). Under paragraph (d)(2)(i) of this section, A reduces its basis in the X stock, as determined without regard to section 362(e)(2) and this section, by the amount of A's net built-in loss that would have been applied to reduce X's basis in Asset 1 had the section 362(e)(2)(C) election not been made. In addition, no reduction is made to X's basis in Asset 1, as determined without regard to section 362(e)(2) and this section. As a result, A's basis in the X stock is \$180 (\$200 - \$20), X's basis in Asset 1 is \$90, and X's basis in Asset 2 is \$110.

Example 2. Transfer described in both section 351 and section 368(a)(1)(B). (i) *Basic application of section—(A) Facts.* P owns the sole outstanding share of S1 stock and the ten outstanding shares of S2 stock. In a transaction to which section 351 applies and that is described in section 368(a)(1)(B), P transfers its ten S2 shares to S1 in exchange for an additional ten shares of S1 voting stock. At the time of the transfer, P has a basis of \$10 each in five of its S2 shares (Shares 1-5) and a basis of \$5 each in its other five S2 shares (Shares 6-10), and the value of each share is \$7.

(B) *Analysis—(1) Loss duplication transaction.* P's transfer of the S2 shares is a section 362(a) transaction notwithstanding that it is also a transaction described in section 368(a)(1)(B) and therefore section 362(b). But for section 362(e)(2) and this section, S1's aggregate basis in the S2 shares would be \$75 ($\10×5, or \$50, for Shares 1-5 + $\$5 \times 5$, or \$25, for Shares 6-10). Thus, S1's \$75 aggregate basis in the shares would exceed the aggregate value of the shares, \$70 ($\7×10 shares), immediately after the transaction. Accordingly, the transfer is a loss duplication transaction and P has a net built-in loss of \$5 ($\$75 - \70).

(2) *Identifying loss duplication property.* But for section 362(e)(2) and this section, S1's basis in each of Shares 1-5 would be \$10, which would exceed each share's \$7 value immediately after the transaction. Accordingly, Shares 1-5 are each loss duplication property. But for section 362(e)(2) and this section, S1's basis in each of Shares 6-10 would be \$5, which would not exceed each share's \$7 value immediately after the trans-

action. Accordingly, Shares 6-10 are not loss duplication property.

(C) *Basis in loss duplication property.* S1's basis in each of Shares 1-5 is \$9, computed as its \$10 basis (determined without regard to section 362(e)(2) and this section) reduced by \$1, the share's allocable portion (1/5) of P's net built-in loss (\$5).

(D) *Basis in other property.* Under section 362(a), S1 has a transferred basis of \$5 in each of Shares 6-10. Under section 358(a), P has an exchanged basis in the ten S1 shares it receives in the exchange (\$10 in each of the five S1 shares received in exchange for Shares 1-5 and \$5 in each of the five S1 shares received in exchange for Shares 6-10).

(ii) *Section 362(e)(2)(C) election.* The facts are the same as in paragraph (i)(A) of this Example 2, except that an election under section 362(e)(2)(C) is made to reduce P's basis in the shares of S1 stock received in the exchange. Under paragraph (d)(2)(i) of this section, P reduces its basis in the S1 stock by \$5, the amount of P's net built-in loss that S1's basis in the S2 shares would have been reduced under section 362(e)(2) and this section had the section 362(e)(2)(C) election not been made, and no reduction is made to S1's basis in the S2 stock (as determined without regard to section 362(e)(2) and this section). Because an election is being made under section 362(e)(2)(C), P's basis in the new S1 shares is not determined under the general rule of 1.358-2(a)(2)(i) (under which P's basis in each new S1 share would be equal to the basis of the S2 share transferred in exchange for the S1 share). Section 1.358-2(a)(2)(viii)(B). Accordingly, P's basis in each new S1 share will be \$7, the share's allocable portion of P's \$75 aggregate basis in the S2 shares transferred in the transaction (or, \$7.50 per share), reduced under paragraph (d)(2)(i) of this section by the \$5 that would have been applied to reduce S1's basis in the S2 shares had the section 362(e)(2)(C) election not been made (or \$.50 per share). Under paragraph (d)(2)(ii) of this section and section 362(a), S1 receives five shares of the S2 stock with a basis of \$10 each and five shares of the S2 stock with a basis of \$5 each.

Example 3. Transfer described in both section 351 and section 368(a)(1)(A), multiple transferors, elimination of duplicated loss. (i) *Facts.* A owns Asset 1 (basis \$120, value \$130) and all the outstanding shares of X stock. B owns all the outstanding shares of Y stock (basis \$150). Y owns Asset 2 (basis \$250, value \$210). Pursuant to a single plan, A transfers Asset 1 to X in exchange for additional X shares and, in a transaction qualifying as a reorganization described in section 368(a)(1)(A), Y merges with and into X. In the merger, B receives X stock with a basis equal to B's basis in its Y stock immediately before the merger. A's transfer of Asset 1 to X in exchange for X stock and Y's transfer of Asset 2 to X in the merger are both transactions to which

section 351 applies. Notwithstanding that the transfers by A and Y are pursuant to a single plan forming one transaction, section 362(e)(2) and this section apply to each transferor separately.

(ii) *Application of section to A's transfer of Asset 1.* A's transfer of Asset 1 is a section 362(a) transaction. But for section 362(e)(2) and this section, X's basis in Asset 1 would be \$120, which would not exceed Asset 1's \$130 value immediately after the transaction. Accordingly, A's transfer of Asset 1 is not a loss duplication transaction notwithstanding that, taking both A's transfer and Y's transfer into account, X has an aggregate net loss in Asset 1 and Asset 2. Because Asset 1 is not received in a loss duplication transaction, it is not loss duplication property and section 362(e)(2) and this section do not apply to A's transfer of Asset 1.

(iii) *Application of section to Y's transfer of Asset 2—(A) Analysis—(1) Loss duplication transaction.* Y's transfer of Asset 2 to X is a section 362(a) transaction, notwithstanding that it is also a transaction described in section 368(a)(1)(A) and therefore section 362(b). But for section 362(e)(2) and this section, X's basis in Asset 2 would be \$250, which would exceed Asset 2's \$210 value immediately after the transaction. Accordingly, Y's transfer is a loss duplication transaction and Y has a net built-in loss of \$40.

(2) *Identifying loss duplication property.* But for section 362(e)(2) and this section, X's basis in Asset 2 would be \$250, which would exceed Asset 2's \$210 value immediately after the transaction. Accordingly, Asset 2 is loss duplication property.

(B) *Basis in loss duplication property.* Although Asset 2 is loss duplication property, section 362(e)(2) does not apply to Y's transfer of Asset 2 to X because Y distributes all of the X stock received in the exchange without recognizing gain or loss, and, upon completion of the transaction, no person will hold the X stock or any other asset with a basis determined in whole or in part by reference to Y's basis in such stock. Accordingly, under paragraph (c)(1) of this section, X's basis in Asset 2 is not determined under section 362(e)(2) and this section. Thus, under section 362(a), X's basis in Asset 2 is \$250.

(iv) *Basis in other property.* Under section 358, A's basis in the X stock received in exchange for Asset 1 is \$120 and B's basis in the X stock received in the merger is \$150. Under section 362(a), X's basis in Asset 1 is \$120.

Example 4. Transfer described in both section 351 and section 368(a)(1)(D), followed by a distribution qualifying under section 355. (i) *Basic transaction—(A) Facts.* A and B each own one of the two outstanding shares of X common stock. X's assets include Asset 1 (basis \$120, value \$70), Asset 2 (basis \$160, value \$110), and Asset 3 (basis \$220, value \$240). In a transaction to which section 351 applies and that

is described in section 368(a)(1)(D), X transfers Asset 1, Asset 2, and Asset 3 to Y in exchange for all the Y stock; then, in a distribution that qualifies under section 355, X distributes all the Y stock received in the exchange to A in exchange for all of A's X stock. Under section 361(c)(1), X does not recognize gain or loss as a result of the distribution of all the Y stock.

(B) *Analysis—(1) Loss duplication transaction.* X's transfer of Asset 1, Asset 2, and Asset 3 is a section 362(a) transaction. But for section 362(e)(2) and this section, Y's aggregate basis in those assets would be \$500 (\$120 + \$160 + \$220). The aggregate value of the assets immediately after the transaction is \$420 (\$70 + \$110 + \$240). Thus, Y's aggregate basis in the assets would exceed the aggregate value of the assets immediately after the transaction. Accordingly, the transfer is a loss duplication transaction and X has a net built-in loss of \$80 (\$500 - \$420).

(2) *Identifying loss duplication property.* But for section 362(e)(2) and this section, Y's basis in Asset 1 would be \$120, which would exceed Asset 1's \$70 value immediately after the transaction. Accordingly, Asset 1 is loss duplication property. But for section 362(e)(2) and this section, Y's basis in Asset 2 would be \$160, which would exceed Asset 2's \$110 value immediately after the transaction. Accordingly, Asset 2 is also loss duplication property. But for section 362(e)(2) and this section, Y's basis in Asset 3 would be \$220 and would therefore not exceed Asset 3's \$240 value immediately after the transaction. Accordingly, Asset 3 is not loss duplication property.

(C) *Basis in loss duplication property.* Although Asset 1 and Asset 2 are each loss duplication property, X will distribute the Y stock received in exchange for Asset 1 and Asset 2 without recognition of gain or loss, and, upon completion of the transaction, no person will hold the Y stock received by X or any other asset with a basis determined in whole or in part by reference to X's basis in the Y stock received in the exchange. (A's basis in the Y stock will be determined by reference to his basis in his X stock.) Accordingly, under paragraph (c)(1) of this section, Y's bases in Asset 1 and Asset 2 are determined under section 362(a) and not under section 362(e)(2) and this section. Thus, Y's basis in Asset 1 is \$120 and Y's basis in Asset 2 is \$160.

(D) *Basis in other property.* Under section 358, A's basis in the Y stock received in exchange for his X stock is determined by reference to his basis in his X stock surrendered. Under section 362(a), Y's basis in Asset 3 is \$220.

(ii) *Section 355(e)—(A) Facts.* The facts are the same as in paragraph (i)(A) of this *Example 4*, except that, after the section 355 distribution, Y is acquired pursuant to a plan (within the meaning of § 1.355-7), resulting in

the application of section 355(e) to the transactions.

(B) *Analysis.* Because section 361(c)(2), and not section 361(c)(1), will apply to X's distribution of Y stock, X will not qualify for nonrecognition treatment on the distribution of the Y stock. As a result, paragraph (c)(1) of this section does not apply to the transaction, and Y's bases in Asset 1 and Asset 2, the loss duplication property, are determined under section 362(e)(2) and this section. Asset 1 has a built-in loss of \$50 ($\$120 - \70), and Asset 2 has a built-in loss of \$50 ($\$160 - \110). Thus, Asset 1's allocable portion of X's net built-in loss is \$40 ($\$50/\$100 \times \80), and Asset 2's allocable portion of X's net built-in loss is \$40 ($\$50/\$100 \times \80). Accordingly, Y receives Asset 1 with a basis of \$80 ($\$120 - \40) and Asset 2 with a basis of \$120 ($\$160 - \40).

(iii) *Retained stock and securities—(A) Facts.* The facts are the same as in paragraph (i)(A) of this Example 4, except that X transfers Asset 1, Asset 2, and Asset 3 to Y in exchange for Y stock and Y securities, each constituting half of the consideration. In addition, for a valid business purpose, X retains Y stock and Y securities each worth 1 percent of the total consideration.

(B) *Analysis.* Paragraph (c)(1) of this section applies only to the extent that stock received in a transaction is distributed without recognition of gain or loss. Thus, section 362(e)(2) and this section apply to the extent that property was exchanged for the retained Y stock and Y securities (2 percent of the total). Accordingly, Y reduces its basis in Asset 1 and in Asset 2, the loss duplication property, by \$1.60 (two percent of X's \$80 net built-in loss). Asset 1 has a built-in loss of \$50 ($\$120 - \70), and Asset 2 has a built-in loss of \$50 ($\$160 - \110). Thus, Asset 1's allocable portion of X's net built-in loss is \$.80 ($\$50/\$100 \times \1.60), and Asset 2's allocable portion of X's net built-in loss is \$.80 ($\$50/\$100 \times \1.60). As a result, Y receives Asset 1 with a basis of \$119.20 ($\$120 - \$.80$) and Asset 2 with a basis of \$159.20 ($\$160 - \$.80$).

(iv) *Retained stock and securities with a section 362(e)(2)(C) election—(A) Facts.* The facts are the same as in paragraph (iii)(A) of this Example 4, except that an election under section 362(e)(2)(C) is made to reduce X's bases in its retained Y stock and retained Y securities.

(B) *Analysis.* Under paragraph (d)(2)(i) of this section, X reduces its basis in the retained Y stock and the retained Y securities (determined without regard to section 362(e)(2) and this section) by \$1.60, the portion of X's \$80 net built-in loss that would have been applied to reduce Y's basis in the transferred assets had the election to apply section 362(e)(2)(C) not been made. (Because the value of the Y stock and the value of the Y securities are equal, X's \$500 basis in the transferred property would be allocated

equally between the Y stock and the Y securities, \$250 to each, under § 1.358-2(b)(2), and the retained Y stock and Y securities have a basis of \$2.50 each (one percent of \$250).) For the reasons set forth in paragraph (iii)(B) of this Example 4, Y would have been required to reduce its basis in the transferred assets by \$1.60. Accordingly, X must reduce its aggregate basis in the retained Y stock and Y securities by \$1.60. Under paragraph (d)(2)(i) of this section, the \$1.60 basis reduction is allocated and applied to reduce X's bases in the retained Y stock and Y securities in proportion to the value of each. Because X retained Y stock and Y securities with equal values, X holds each of the retained Y stock and securities with an adjusted basis of \$1.70 ($\$2.50 - \$.80$). Under paragraph (d)(2)(ii) of this section, Y receives Asset 1 with a basis of \$120, Asset 2 with a basis of \$160, and Asset 3 with a basis of \$220.

Example 5. Transfer of liabilities. (i) *Liabilities described in section 358(d)(1)—(A) Basic application of section, no section 362(e)(2)(C) election—(1) Facts.* A owns Asset 1 (basis \$800, value \$700). A also has a \$200 liability that has been taken into account for tax purposes and is thus described in section 358(d)(1), and not in sections 357(c)(3), 358(d)(2), and 358(h)(1). A transfers Asset 1 to X in exchange for a single outstanding share of X stock representing all the outstanding X stock immediately after the transaction and X's assumption of the liability. The transfer is a transaction to which section 351 applies.

(2) *Analysis—(i) Loss duplication transaction.* A's transfer of Asset 1 is a section 362(a) transaction. But for section 362(e)(2) and this section, X's basis in Asset 1 would be \$800, which would exceed Asset 1's \$700 value immediately after the transaction. Accordingly, the transfer is a loss duplication transaction and A has a net built-in loss of \$100 ($\$800 - \700).

(ii) *Identifying loss duplication property.* But for section 362(e)(2) and this section, X's basis in Asset 1 would be \$800, which would exceed the \$700 value of Asset 1 immediately after the transaction. Accordingly, Asset 1 is loss duplication property.

(3) *Basis in loss duplication property.* X's basis in Asset 1 is \$700, computed as its \$800 basis determined under section 362(a) reduced by A's \$100 net built-in loss.

(4) *Basis in other property.* Under sections 358(a) and (d)(1), A's basis in the X stock is \$600 (\$800 basis in property transferred—\$200 liability assumed).

(B) *Section 362(e)(2)(C) election.* The facts are the same as in paragraph (i)(A)(1) of this Example 5, except that A and X make an election under section 362(e)(2)(C). In this case, A's \$100 net built-in loss that would have been applied to reduce X's basis in Asset 1 is applied to reduce A's basis in the X stock received. As a result, A's basis in the X stock is \$500 (\$600, as determined in paragraph

(i)(A)(4) of this *Example 5*, reduced by \$100 and X's basis in Asset 1 is \$800.

(ii) *Contingent liabilities described in section 358(h)(1), section 358(h)(2)(A) exception applies*—(A) *Facts*. The facts are the same as in paragraph (i)(A)(1) of this *Example 5*, except that A's liability (valued at \$200) has not been taken into account for tax purposes and is described in sections 358(d)(2) and 358(h)(1). However, Asset 1 is a trade or business and the liability is associated with the trade or business; as a result, the liability is described in section 358(h)(2)(A) and is excepted from the general rule of section 358(h)(1).

(B) *Analysis*. For the reasons set forth in paragraph (i)(A)(2) of this *Example 5*, A's transfer of Asset 1 is a loss duplication transaction, A has a net built-in loss of \$100, and Asset 1 is loss duplication property.

(C) *Basis in loss duplication property*. For the reasons set forth in paragraph (i)(A)(3) of this *Example 5*, X's basis in Asset 1 is \$700.

(D) *Basis in other property*. A's basis in the X stock is \$800 under sections 358(a), 358(d)(2), and 358(h)(2)(A).

(E) *Section 362(e)(2)(C) election*. The facts are the same as in paragraph (ii)(A) of this *Example 5*, except that A and X make an election under section 362(e)(2)(C). In this case, A's \$100 net built-in loss that would have applied to reduce X's basis in Asset 1 is applied to reduce A's basis in the X stock received. As a result, A's basis in the X stock is \$700 (\$800, as determined in paragraph (ii)(D) of this *Example 5*, reduced by \$100). X's basis in Asset 1 is \$800.

Example 6. Section 351 transfer with boot. (i) *Basic transaction*—(A) *Facts*. A owns Asset 1 (basis \$80, value \$100) and Asset 2 (basis \$30, value \$25). In a transaction to which section 351 applies, A transfers Asset 1 and Asset 2 to X in exchange for 10 shares of X stock and \$25.

(B) *Analysis*—(1) *Loss duplication transaction*. A's transfer of Asset 1 and Asset 2 is a section 362(a) transaction. But for section 362(e)(2) and this section, X's aggregate basis in those assets would be \$130, computed as follows. Under section 362(a), a corporation's basis in property acquired in a transaction to which section 351 applies is the same as the property's basis in the hands of the transferor, increased by any gain recognized to the transferor on such transfer. Under section 351(b), gain (but not loss) is recognized to the extent a transferor in a section 351 exchange receives other property or money in addition to the stock permitted to be received without the recognition of gain. To determine the amount of gain recognized under section 351(b), the consideration is allocated proportionately (by value) among the transferred properties. A's gain on the transfer is therefore computed as follows: Asset 1 reflects 80 percent of the value transferred (\$100/\$125) and Asset 2 reflects 20 percent of the value transferred (\$25/\$125). Thus,

80 percent of the stock (eight shares) and the cash (\$20) are treated as being received in exchange for Asset 1 and 20 percent of the stock (two shares) and the cash (\$5) are treated as being received in exchange for Asset 2. Thus, under section 351(b), A recognizes \$20 of gain for the cash received in exchange for Asset 1, but A recognizes no loss for the amount received for Asset 2. As a result, under section 362(a), X would have a basis of \$100 in Asset 1 and \$30 in Asset 2. Thus, X's aggregate basis in the assets would be \$130, which exceeds the \$125 aggregate value of the assets (\$100 + \$25). The transfer is a loss duplication transaction and A has a net built-in loss of \$5 (\$130 - \$125).

(2) *Identifying loss duplication property*. But for section 362(e)(2) and this section, X's basis in Asset 1 would be \$100 (A's \$80 basis increased by A's \$20 gain recognized), which would not exceed Asset 1's \$100 value immediately after the transaction. Accordingly, Asset 1 is not loss duplication property. But for section 362(e)(2) and this section, X's basis in Asset 2 would be \$30, which would exceed Asset 2's \$25 value immediately after the transaction. Accordingly, Asset 2 is loss duplication property.

(C) *Basis in loss duplication property*. X's basis in Asset 2 is \$25, computed as its \$30 basis under section 362(a) reduced by A's \$5 net built-in loss.

(D) *Basis in other property*. Under section 362(a), X's basis in Asset 1 is \$100 (A's \$80 basis increased by the \$20 gain recognized). Under section 358, A's basis in the X stock is \$105 (the sum of its \$80 basis in Asset 1, its \$30 basis in Asset 2, and its \$20 gain recognized, reduced by the \$25 cash received in the exchange).

(ii) *Section 362(e)(2)(C) election*. The facts are the same as in paragraph (i)(A) of this *Example 6*, except that A and X elect to reduce A's stock basis under section 362(e)(2)(C). Under paragraph (d)(2)(i) of this section, A reduces its \$105 basis in the X stock by \$5, the amount of A's net built-in loss of that would have been applied to reduce X's basis in Asset 2 had the section 362(e)(2)(C) election not been made. As a result, A's basis in the X stock is \$100, and X's basis in Asset 2 is \$30.

Example 7. Section 304 sale of built-in loss stock. (i) *Basic transaction*—(A) *Facts*. A owns all the stock of X (basis \$90, value \$60) and all the stock of Y. A sells all his X stock to Y for \$60. Under section 304, A is treated as though he transferred the X stock to Y in exchange for Y stock in a transaction to which section 351 applies. Then, Y is treated as redeeming the Y stock it was treated as having issued to A in the deemed section 351 transaction.

(B) *Analysis*—(1) *Loss duplication transaction*. A's deemed transfer of X stock to Y is a section 362(a) transaction. But for section 362(e)(2) and this section, Y's aggregate basis

in the X stock would be \$90, which would exceed the X stock's value of \$60 immediately after the transaction. Accordingly, the transfer is a loss duplication transaction and A has a net built-in loss of \$30.

(2) *Identifying loss duplication property.* But for section 362(e)(2) and this section, Y's basis in the X stock would be \$90, which would exceed the X stock's \$60 value immediately after the transaction. Accordingly, the X stock is loss duplication property.

(C) *Basis in loss duplication property.* Y's basis in the X stock is \$60, its \$90 basis determined without regard to section 362(e)(2) and this section, reduced by A's \$30 net built-in loss.

(D) *Basis in other property.* Under section 358(a), A has an exchanged basis of \$90 in the Y stock he is deemed to receive in the exchange; the effect of the deemed redemption of that stock is then determined under section 302.

(i) *Section 362(e)(2)(C) election.* The facts are the same as in paragraph (i)(A) of this *Example 7*, except that the parties elect to reduce A's stock basis under section 362(e)(2)(C). For the reasons set forth in paragraphs (i)(B) and (C) of this *Example 7*, Y's basis in the X stock would be reduced by \$30. Accordingly, A's basis in the deemed-issued Y stock is \$60, his \$90 basis otherwise determined under section 358(a) reduced by the \$30 that would have been applied to reduce Y's basis in the X stock under section 362(e)(2) and this section; the effect of the deemed redemption of that stock is then determined under section 302. Y's basis in the X stock is \$90.

Example 8. Transactions involving partnerships. (i) *Transfer by a partnership—(A) Basic application of section—(1) Facts.* PRS owns Asset 1 (basis \$100, value \$70). PRS contributes Asset 1 to X in a transaction to which section 351 applies.

(2) *Analysis—(i) Loss duplication transaction.* PRS's transfer of Asset 1 is a section 362(a) transaction. But for section 362(e)(2) and this section, X's basis in Asset 1 would be \$100, which would exceed Asset 1's \$70 value immediately after the transaction. Accordingly, the transfer is a loss duplication transaction and PRS has a net built-in loss of \$30 (\$100 - \$70).

(ii) *Identifying loss duplication property.* But for section 362(e)(2) and this section, X's basis in Asset 1 would be \$100, which would exceed Asset 1's \$70 value immediately after the transaction. Accordingly, Asset 1 is loss duplication property.

(3) *Basis in loss duplication property.* X's basis in Asset 1 is \$70, computed as its \$100 basis under section 362(a) reduced by PRS's \$30 net built-in loss.

(4) *Basis in other property.* Under section 358(a), PRS has an exchanged basis of \$100 in the X stock it receives in the exchange.

(B) *Section 362(e)(2)(C) election.* The facts are the same as in paragraph (i)(A)(1) of this *Example 8*, except that PRS and X elect to reduce PRS's stock basis under section 362(e)(2)(C). In this case, PRS's \$30 net built-in loss (as determined in paragraph (i)(A)(2)(i) of this *Example 8*) that would have been applied to reduce X's basis in Asset 1 is applied to reduce PRS's basis in the X stock received. As a result, PRS's basis in the X stock is \$70 (\$100 - \$30) and X's basis in Asset 1 is \$100. The \$30 reduction to PRS's basis in the X stock is treated as an expenditure of PRS under section 705(a)(2)(B) and paragraph (e)(1) of this section. As a result, the partners of PRS must reduce their bases in their PRS interests.

(ii) *Transfer of interest in partnership with liability—(A) Basic application of section—(1) Facts.* A and two other individuals are equal partners in PRS. A's basis in its partnership interest is \$247. A's share of PRS's § 1.752-1 liabilities (as defined in § 1.752-1(a)(4)) is \$145. A transfers his partnership interest to X in a transaction to which section 351 applies. PRS has no election in effect under section 754. If X were to sell the PRS interest immediately after the transfer, X would receive \$100 in cash or other property. In addition, assume that, taking into account the rules under § 1.752-4, X's share of PRS's § 1.752-1 liabilities (as defined in § 1.752-1(a)(4)) is \$150 immediately after the transfer.

(2) *Analysis—(i) Loss duplication transaction.* A's transfer of its PRS interest is a section 362(a) transaction. But for section 362(e)(2) and this section, X's basis in the PRS interest, would be \$252 (A's basis of \$247, reduced by A's \$145 share of PRS liabilities, increased by X's \$150 share of PRS liabilities) and, under paragraph (g)(12)(ii) of this section, the value of the PRS interest would be \$250 (the sum of \$100, the cash X would receive if X immediately sold the interest, and \$150, X's share of the § 1.752-1 liabilities (as defined in § 1.752-1(a)(4)) under section 752 immediately after the transfer to X). Therefore, the transfer is a loss duplication transaction and A has a net built-in loss of \$2 (\$252 - \$250).

(ii) *Identifying loss duplication property.* But for section 362(e)(2) and this section, X's basis in the PRS interest would be \$252, which would exceed the PRS interest's \$250 value immediately after the transaction. Accordingly, the PRS interest is loss duplication property.

(3) *Basis in loss duplication property.* X's basis in the PRS interest is \$250, computed as its \$252 basis under section 362(a), taking into account the rules under section 752, reduced by A's \$2 net built-in loss.

(4) *Basis in other property.* Under section 358, taking into account the rules under section 752, A has a basis of \$102 (\$247 reduced by A's \$145 share of PRS liabilities) in the X stock he receives in the transaction.

(B) *Section 362(e)(2)(C) election.* The facts are the same as in paragraph (i)(A) of this Example 8, except that A and X make an election under section 362(e)(2)(C). Under paragraph (d)(2)(i) of this section, A reduces his basis in the X stock, as determined without regard to section 362(e)(2) and this section, by the amount of A's net built-in loss that would have been applied to reduce X's basis in the PRS interest had the section 362(e)(2)(C) election not been made. In addition, no reduction is made to X's basis in the PRS interest, as determined without regard to section 362(e)(2) and this section. As a result, A's basis in the X stock is \$100 (\$102 - \$2) and X's basis in the PRS interest is \$252.

(C) *Transfer of partnership interest with liability, not loss duplication transaction.* The facts are the same as in paragraph (ii)(A)(1) of this Example 8, except that A's share of PRS's §1.752-1 liabilities (as defined in §1.752-1(a)(4)) is \$155. But for section 362(e)(2) and this section, X's basis in the PRS interest would be \$242 (A's basis of \$247, reduced by A's \$155 share of PRS liabilities, increased by X's \$150 share of PRS liabilities), which would not exceed the PRS interest's \$250 value immediately after the transaction. Accordingly, A's transfer of the PRS interest is not a loss duplication transaction and section 362(e)(2) and this section have no application to the transaction. Under section 362(a), X's basis in the PRS interest is \$242 and, under section 358, taking into account the rules under section 752, A has a basis of \$92 (\$247 reduced by A's \$155 share of PRS liabilities) in the X stock he receives in the transaction.

Example 9. Transactions involving S Corporations. (i) *Transfer by S Corporation—(A) No section 362(e)(2)(C) election—(1) Facts.* S, an S corporation as defined in section 1361(a)(1), owns Asset 1 (basis \$100, value \$70). S transfers Asset 1 to X in exchange for a single outstanding share of X stock representing all the outstanding X stock immediately after the transaction. S does not elect to treat X as a qualified subchapter S subsidiary. The transaction is one to which section 351 applies.

(2) *Analysis—(i) Loss duplication transaction.* S's transfer of Asset 1 is a section 362(a) transaction. But for section 362(e)(2) and this section, X's basis in Asset 1 would be \$100, which would exceed Asset 1's \$70 value immediately after the transaction. Accordingly, the transfer is a loss duplication transaction and S has a net built-in loss of \$30 (\$100 - \$70).

(ii) *Identifying loss duplication property.* But for section 362(e)(2) and this section, X's basis in Asset 1 would be \$100, which would exceed Asset 1's \$70 value immediately after the transaction. Accordingly, Asset 1 is loss duplication property.

(iii) *Basis in loss duplication property.* X's basis in Asset 1 is \$70, computed as its \$100

basis under section 362(a) reduced by S's \$30 net built-in loss.

(iv) *Basis in other property.* Under section 358(a), S has an exchanged basis of \$100 in the X stock it receives in the exchange.

(B) *Section 362(e)(2)(C) election.* The facts are the same as in paragraph (i)(A)(1) of this Example 9, except that S and X elect to reduce S's stock basis under section 362(e)(2). In this case, S's \$30 built-in loss (as determined in paragraph (i)(A)(2)(i) of this Example 9) that would have been applied to reduce X's basis in Asset 1 is applied to reduce S's basis in the X stock received. As a result, S's basis in the X stock is \$70 (\$100 - \$30) and X's basis in Asset 1 is \$100. The \$30 reduction to S's basis in the X stock is treated as an expense of S under section 1367(a)(2)(D) and paragraph (e)(2) of this section. As a result, the shareholders of S must reduce their bases in their S stock.

(ii) *Transfer to S Corporation—(A) Basic application of section. (1) Facts.* A owns Asset 1 (basis \$90, value \$60) and Asset 2 (basis \$110, value \$120). In a transaction to which section 351 applies, A transfers Asset 1 and Asset 2 to S, an S corporation as defined in section 1361(a)(1), in exchange for a single share of S stock representing all the outstanding S stock immediately after the transaction.

(2) *Analysis—(i) Loss duplication transaction.* A's transfer of Asset 1 and Asset 2 is a section 362(a) transaction. But for section 362(e)(2) and this section, S's aggregate basis in those assets would be \$200 (\$90 + \$110), which would exceed the aggregate value of the assets \$180 (\$60 + \$120) immediately after the transaction. Accordingly, the transfer is a loss duplication transaction and A has a net built-in loss of \$20 (\$200 - \$180).

(ii) *Identifying loss duplication property.* But for section 362(e)(2) and this section, S's basis in Asset 1 would be \$90, which would exceed Asset 1's \$60 value immediately after the transaction. As a result, Asset 1 is loss duplication property. But for section 362(e)(2) and this section, S's basis in Asset 2 would be \$110, which would not exceed Asset 2's \$120 value immediately after the transaction. As a result, Asset 2 is not loss duplication property.

(3) *Basis in loss duplication property.* S's basis in Asset 1 is \$70, computed as its \$90 basis under section 362(a) reduced by S's \$20 net built-in loss. The \$20 reduction to S's basis in Asset 1 does not require a reduction to A's basis in its S stock under section 1367(a)(2)(D). See paragraph (f) of this section.

(4) *Basis in other property.* Under section 362(a), S has a transferred basis of \$110 in Asset 2. Under section 358(a), A has a basis of \$200 in the S stock it receives in the exchange.

(B) *Section 362(e)(2)(C) election—(1) Application of section to transaction.* The facts are the

same as in paragraph (ii)(A)(1) of this *Example 9*, except that A and S elect to reduce A's stock basis under section 362(e)(2)(C). In this case, A's \$20 built-in loss (as determined in paragraph (ii)(A)(2) of this *Example 9*) that would have been applied to reduce S's basis in Asset 1 is applied to reduce A's basis in the S stock received. As a result, A's basis in the S stock is \$180 (\$200 - \$20), S's basis in Asset 1 is \$90, and S's basis in Asset 2 is \$110.

(2) *Tax consequences of subsequent disposition of transferred assets.* The facts are the same as in paragraph (ii)(B)(1) of this *Example 9* except that, in addition, the year after the transaction, S sells Asset 1 (basis \$90, value \$60) and Asset 2 (basis \$110, value \$120) for \$180, recognizing the \$20 net built-in loss. The loss is allocated to A and reduces A's basis in the S stock from \$180 to \$160 under section 1367(a)(2)(B). If A then sells its S stock for its \$180 value, A will recognize a gain of \$20.

Example 10. Triangular reorganizations. (i) *Facts.* P owns all the stock of S1 and X owns all the stock of S2. In a merger described in section 368(a)(2)(D), S2 merges with and into S1, and X receives stock of P in exchange for its S2 stock. S2 has a net built-in loss in its assets acquired by S1 in the transaction.

(ii) *Analysis.* The reorganization is not a section 362(a) transaction, notwithstanding that, under § 1.358-6(c), P is treated as acquiring and then transferring S2's assets to S1 for purposes of determining P's adjustment to its basis in its S1 stock. Accordingly, S1's basis in the property acquired in the transaction is not determined under section 362(e)(2) and this section; it is determined under section 362(b).

Example 11. Transfers of importation property with non-importation property. (i) *Single transferor, loss importation transaction.* (A) *Facts.* FC1 transfers Asset 1 (basis \$80, value \$50), Asset 2 (basis \$120, value \$110), and Asset 3 (basis \$32, value \$40) to DC in a transaction to which section 351 applies. Asset 1 is not importation property within the meaning of § 1.362-3(c)(2). Asset 2 and Asset 3 are importation property within the meaning of § 1.362-3(c)(2).

(B) *Application of section 362(e)(1).* Immediately after the transfer, and without regard to section 362(e)(1) or section 362(e)(2) and this section, DC's aggregate basis in importation property (Asset 2 and Asset 3) would be \$152. The aggregate value of the importation property immediately after the transfer is \$150. Accordingly, the transaction is a loss importation transaction within the meaning of § 1.362-3(c)(3) and, under section 362(e)(1), DC's bases in Asset 2 and Asset 3 would equal the value of each, \$110 and \$40, respectively.

(C) *Application of section 362(e)(2) and this section.* (1) *Analysis.* (i) *Loss duplication transaction.* FC1's transfer of Asset 1, Asset 2, and Asset 3 is a transaction described in section

362(a). But for section 362(e)(2) and this section, DC's aggregate basis in those assets would be \$230 (\$80 under section 362(a) + \$110 + \$40 under section 362(e)(1)), which would exceed the aggregate value of the assets \$200 (\$50 + \$110 + 40) immediately after the transaction. Accordingly, the transfer is a loss duplication transaction and FC1 has a net built-in loss of \$30 (\$230 - \$200).

(ii) *Identifying loss duplication property.* But for section 362(e)(2) and this section, DC's basis in Asset 1 would be \$80, which would exceed Asset 1's \$50 value immediately after the transaction. Accordingly, Asset 1 is loss duplication property. But for section 362(e)(2) and this section, DC's basis in Asset 2 would be \$110, which would not exceed Asset 2's \$110 value immediately after the transaction. Accordingly, Asset 2 is not loss duplication property. But for section 362(e)(2) and this section, DC's basis in Asset 3 would be \$40, which would not exceed Asset 3's \$40 value immediately after the transaction. Accordingly, Asset 3 is not loss duplication property.

(D) *Basis in loss duplication property.* DC's basis in Asset 1 is \$50, computed as its \$80 basis under section 362(a) reduced by FC1's \$30 net built-in loss.

(E) *Basis in other property.* Under section 362(e)(1), DC's basis in Asset 2 is \$110 and DC's basis in Asset 3 is \$40. Under section 358(a), FC1 has an exchanged basis of \$232 in the DC stock it receives in the transaction.

(ii) *Multiple transferors, no importation of loss.* (A) *Facts.* The facts are the same as paragraph (i)(A) of this *Example 11*, except that, in addition, FC2 transfers Asset 4 (basis \$100, value \$150) to DC as part of the same transaction. Asset 4 is importation property within the meaning of § 1.362-3(c)(2).

(B) *Application of section 362(e)(1).* Immediately after the transfer, and without regard to section 362(e)(1) or section 362(e)(2) and this section, DC's aggregate basis in importation property (Asset 2, Asset 3, and Asset 4) would be \$252 (\$120 + \$32 + \$100). The aggregate value of the importation property immediately after the transfer is \$300 (\$110 + \$40 + \$150). Accordingly, the transaction is not a loss importation transaction within the meaning of § 1.362-3(c)(3) and DC's bases in the importation property is not determined under section 362(e)(1).

(C) *Application of section 362(e)(2) and this section.* Notwithstanding that the transfers by FC1 and FC2 are pursuant to a single plan forming one transaction, section 362(e)(2) and this section apply to each transferor separately.

(1) *Application of section to FC1.* (i) *Loss duplication transaction.* FC1's transfer of Asset 1, Asset 2, and Asset 3 is a transaction described in section 362(a). But for section 362(e)(2) and this section, DC's aggregate basis in those assets would be \$232 (\$80 + \$120 + \$32), which would exceed the aggregate

value of the assets \$200 (\$50 + \$110 + \$40) immediately after the transaction. Accordingly, the transfer is a loss duplication transaction and FC1 has a net built-in loss of \$32 (\$232 - \$200).

(ii) *Identifying loss duplication property.* But for section 362(e)(2) and this section, DC's basis in Asset 1 would be \$80, which would exceed Asset 1's \$50 value immediately after the transaction. Accordingly, Asset 1 is loss duplication property. But for section 362(e)(2) and this section, DC's basis in Asset 2 would be \$120, which would exceed Asset 2's \$110 value immediately after the transaction. Accordingly, Asset 2 is also loss duplication property. But for section 362(e)(2) and this section, DC's basis in Asset 3 would be \$32, which would not exceed Asset 3's \$40 value immediately after the transaction. Accordingly, Asset 3 is not loss duplication property.

(iii) *Basis in loss duplication property.* DC's basis in Asset 1 is \$56, computed as its \$80 basis under section 362(a) reduced by \$24, its allocable portion of FC1's \$32 net built-in loss ($\$30/40 \times \32). DC's basis in Asset 2 is \$112, computed as its \$120 basis under section 362(a) reduced by \$8, its allocable portion of FC1's \$40 net built-in loss ($\$10/40 \times \32).

(iv) *Basis in other property.* Under section 358(a), FC1 has an exchanged basis of \$232 in the DC stock it receives in the transaction.

(2) *Application of section to FC2.* FC2's transfer of Asset 3 is not a loss duplication transaction because Asset 3's value exceeds its basis immediately after the transaction. Accordingly, under section 362(a), DC's basis in Asset 3 is \$100.

Example 12. Section 362(e)(2)(C) elections with respect to transfers between persons that are not required to file a U.S. return and that are not CFCs or CFPs—(i) Basic application of section. On June 30, Year 1, FC1 transfers Asset 1 to FC2 in a transaction to which section 351 applies (the original transfer) and that is therefore a section 362(a) transaction. But for section 362(e)(2) and this section, FC2's basis in Asset 1 (determined immediately after the transfer, taking into account all applicable law, including section 362(e)(1)) exceeds the value of Asset 1 immediately after the transaction. Accordingly, the transaction is a loss duplication transaction and Asset 1 is loss duplication property. FC1 and FC2 executed a written, binding agreement to apply section 362(e)(2)(C) at some point before any Section 362(e)(2)(C) Statement is filed. However, the transfer was not entered into with a view to reducing or avoiding the Federal income tax liability of any person by avoiding the application of section 362(e)(2) and this section; further, no event described in paragraph (d)(3)(ii)(E), (F), or (G) of this section occurs prior to June 30, Year 3. As a result, under paragraph (c)(2) of this section, section 362(e)(2) and this section do not apply to the transfer. Accordingly, FC2's basis in

Asset 1 is determined under section 362(a), no section 362(e)(2)(C) election can be made, and any protective filing of a Section 362(e)(2)(C) Statement will have no effect.

(ii) *Loss duplication property later acquired by a person required to file U.S. return.* The facts are the same as in paragraph (i) of this Example 12, except that, in addition, on January 1, Year 2, FC2 transfers Asset 1 to DC in an exchange to which section 351 applies. FC2's transfer is an event described in paragraph (d)(3)(ii)(G) of this section. As a result, paragraph (c)(2) does not except the original transfer from the application of section 362(e)(2) and this section. Under paragraph (d)(3)(ii)(G) of this section, DC must include the Section 362(e)(2)(C) Statement for the original transfer on or with its Year 2 U.S. return in order for that election to be effective. The result would be the same if, instead of FC2 transferring Asset 1 to DC, FC1 transferred its FC2 stock to DC in an exchange to which section 351 applies. (Further, if an asset transferred by FC1 or FC2 to DC is a loss asset immediately after its transfer to DC, DC's basis in that asset may be subject to section 362(e)(1).)

(iii) *Party to exchange later becomes a person required to file U.S. return.* The facts are the same as in paragraph (i) of this Example 12, except that, in addition, on January 1, Year 2, FC2 becomes engaged in a U.S. business. FC2's becoming engaged in a U.S. business is an event described in paragraph (d)(3)(ii)(F) of this section because it will cause FC2 to become a person required to file a U.S. return. As a result, paragraph (c)(2) of this section does not except the transfer from the application of section 362(e)(2) and this section. Under paragraph (d)(3)(ii)(F) of this section, FC2 must include the Section 362(e)(2)(C) Statement for the original transfer on or with its Year 2 U.S. return in order for the section 362(e)(2)(C) election for the original transfer to be effective.

(iv) *Statement not filed with respect to designated event.* The facts are the same as in paragraph (iii) of this Example 12, except that, in addition, FC1 became engaged in a U.S. trade or business on October 31, Year 1 and as a result became a person required to file a U.S. return, an event described in paragraph (d)(3)(ii)(E) of this section. As a result, paragraph (c)(2) of this section does not except the transfer from the application of section 362(e)(2) and this section. Further, in order for the election to be effective, FC1 must file the Section 362(e)(2)(C) Statement on or with its Year 1 U.S. return. See paragraph (d)(3)(ii)(E) of this section. A statement filed by FC2 on or with its Year 2 U.S. return has no effect. Thus, if FC1 does not file the statement, the election does not become effective and basis is determined under the general rule of section 362(e)(2).

(v) *Nonrecognition transfer of loss duplication property outside United States, transferee later*

§ 1.367(a)-0

26 CFR Ch. I (4-1-21 Edition)

becomes engaged in U.S. trade or business. The facts are the same as in paragraph (i) of this *Example 12*, except that, in addition, on December 31, Year 1, FC2 transfers Asset 1 to FC3 in a transferred basis transaction. In Year 2, FC3 becomes engaged in a U.S. trade or business and as a result becomes a person required to file a U.S. return; Asset 1 is not used in or connected with the U.S. trade or business or otherwise subject to Federal income tax. FC3's becoming engaged in a U.S. trade or business is an event described in paragraph (d)(3)(ii)(F) of this section because FC3, a person who holds loss duplication property with a basis determined by FC2's basis in the property, will be required to file a U.S. return as a result of its becoming engaged in a U.S. business. As a result, paragraph (c)(2) of this section does not except the transfer from the application of section 362(e)(2) and this section. Under paragraph (d)(3)(ii)(F) of this section, FC3 must include the Section 362(e)(2)(C) Statement for the original transfer on or with its Year 2 U.S. return in order for the section 362(e)(2)(C) election for the original transfer to be effective.

(i) [Reserved]

(j) *Effective/applicability date.* * * *

The introductory text and *Example 11* of paragraph (h) of this section apply with respect to transactions occurring on or after *March 28, 2016*, and also with respect to transactions occurring before such date as a result of an entity classification election under § 301.7701-3 of this chapter filed on or after *March 28, 2016*, unless such transaction is pursuant to a binding agreement that was in effect prior to *March 28, 2016* and at all times thereafter. In addition, taxpayers may apply such provisions to any transaction occurring after October 22, 2004.

[T.D. 9424, 73 FR 53948, Sept. 17, 2008, as amended by T.D. 9633, 78 FR 54160, Sept. 3, 2013; T.D. 9759, 81 FR 17082, Mar. 28, 2016]

§ 1.367(a)-0 Table of contents.

This section lists the paragraphs contained in §§ 1.367(a)-1 through 1.367(a)-8.

§ 1.367(a)-1 *Transfers to foreign corporations subject to section 367(a): In general.*

- (a) Scope.
- (b) General rules.
 - (1) Foreign corporation not considered a corporation for purposes of certain transfers.
 - (2) Cases in which foreign corporate status is not disregarded.
 - (3) Determination of value.
 - (4) In general.

(5) Treatment of certain property as subject to section 367(d).

(c) [Reserved]

(d) Definitions.

(1) United States person.

(2) Foreign corporation.

(3) Transfer.

(4) Property.

(5) Intangible property.

(6) Operating intangibles.

(e) Close of taxable year in certain section 368(a)(1)(F) reorganizations.

(f) Exchanges under sections 354(a) and 361(a) in certain section 368(a)(1)(F) reorganizations.

(1) Rule.

(2) Rule applies regardless of whether a continuance under applicable law.

(g) Effective/applicability dates.

§ 1.367(a)-2 *Exceptions for transfers of property for use in the active conduct of a trade or business.*

(a) Scope and general rule.

(1) Scope.

(2) General rule.

(b) Eligible property.

(c) Exception for certain property.

(1) Inventory.

(2) Installment obligations, etc.

(3) Nonfunctional currency, etc.

(4) Certain leased tangible property.

(d) Active conduct of a trade or business outside the United States.

(1) In general.

(2) Trade or business.

(3) Active conduct.

(4) Outside of the United States.

(5) Use in the trade or business.

(6) Active leasing and licensing.

(e) Special rules for certain property to be leased.

(1) Leasing business of the foreign corporation.

(2) De minimis leasing by the foreign corporation.

(3) Aircraft and vessels leased in foreign commerce.

(f) Special rules for oil and gas working interests.

(1) In general.

(2) Active use of working interest.

(3) Start-up operations.

(4) Other applicable rules.

(g) Property retransferred by the foreign corporation.

(1) General rule.

(2) Exception.

(h) Compulsory transfers of property.

(i) [Reserved]

(j) Failure to comply with reporting requirements of section 6038B.

(1) Failure to comply.

(2) Relief for certain failures to comply that are not willful.

(k) Effective/applicability dates.

(1) In general.

Internal Revenue Service, Treasury

§ 1.367(a)-0

(2) Foreign currency exception.

§ 1.367(a)-3 Treatment of transfers of stock or securities to foreign corporations.

- (a) In general.
- (1) Overview.
- (2) Exceptions for certain exchanges of stock or securities.
- (3) Cross-references.
- (b) Transfers of stock or securities of foreign corporations.
- (1) General rule.
- (2) Certain transfers subject to sections 367(a) and (b).
- (c) Transfers of stock or securities of domestic corporations.
- (1) General rule.
- (2) Ownership presumption.
- (3) Active trade or business test.
- (4) Special rules.
- (5) Definitions.
- (6) Reporting requirements of U.S. target company.
- (7) Ownership statements.
- (8) Certain transfers in connection with performance of services.
- (9) Private letter ruling option.
- (10) Examples.
- (11) Effective date.
- (d) Indirect stock transfers in certain non-recognition transfers.
- (1) In general.
- (2) Special rules for indirect transfers.
- (3) Examples.
- (e) [Reserved]
- (f) Failure to file statements.
- (1) Failure to file.
- (2) Relief for certain failures to file that are not willful.
- (g) Effective/applicability dates.
- (1) Rules of applicability.
- (2) Election.
- (h) Former 10-year gain recognition agreements.
- (i) [Reserved]
- (j) Transition rules regarding certain transfers of domestic or foreign stock or securities after December 16, 1987, and prior to July 20, 1998.
- (1) Scope.
- (2) Transfers of domestic or foreign stock or securities: Additional substantive rules.
- (k) [Reserved]

§ 1.367(a)-4 Special rule applicable to U.S. depreciated property.

- (a) Depreciated property used in the United States.
- (1) In general.
- (2) U.S. depreciated property.
- (3) Property used within and without the United States.
- (b) Effective/applicability dates.

§ 1.367(a)-5 [Reserved].

§ 1.367(a)-6 Transfer of foreign branch with previously deducted losses.

- (a) through (b)(1) [Reserved]
- (2) No active conduct exception.
- (c)(1) [Reserved]
- (2) Gain limitation.
- (3) [Reserved]
- (4) Transfers of certain intangible property.
- (d) through (i) [Reserved].
- (j) Effective/applicability dates.

§ 1.367(a)-7 Outbound transfers of property described in section 361(a) or (b).

- (a) Scope and purpose.
- (b) General rule.
- (1) Nonrecognition exchanges enumerated in section 367(a)(1).
- (2) Nonrecognition exchanges not enumerated in section 367(a)(1).
- (c) Elective exception.
- (1) Control.
- (2) Gain recognition.
- (3) Basis adjustments required for control group members.
- (4) Agreement to amend or file a U.S. income tax return.
- (5) Election and reporting requirements.
- (d) Section 361 exchange followed by successive distributions to which section 355 applies.
- (e) Other rules.
- (1) Section 367(a) property with respect to which gain is recognized.
- (2) Relief for certain failures to comply that are not willful.
- (3) Anti-abuse rule.
- (4) Certain income inclusions under § 1.367(b)-4.
- (5) Certain gain under § 1.367(a)-6.
- (f) Definitions.
- (g) Examples.
- (h) Applicable cross-references.
- (i) [Reserved]
- (j) Effective/applicability dates.
- (1) In general.
- (2) Section 367(d) property.

§ 1.367(a)-8 Gain recognition agreement requirements.

- (a) Scope.
- (b) Definitions and special rules.
- (1) Definitions.
- (2) Special rules.
- (c) Gain recognition agreement.
- (1) Terms of agreement.
- (2) Content of gain recognition agreement.
- (3) Description of transferred stock or securities and other information.
- (4) Basis adjustments for gain recognized.
- (5) Terms and conditions of a new gain recognition agreement.
- (6) Cross-reference.
- (d) Filing requirements.

§ 1.367(a)-1

- (1) General rule.
- (2) Special requirements.
- (3) Common parent as agent for U.S. transferor.
 - (e) Signatory.
 - (1) General rule.
 - (2) Signature requirement.
 - (f) Extension of period of limitations on assessments of tax.
 - (1) General rule.
 - (2) New gain recognition agreement.
 - (g) Annual certification.
 - (h) Use of security.
 - (i) [Reserved]
 - (j) Triggering events.
 - (1) Disposition of transferred stock or securities.
 - (2) Disposition of substantially all of the assets of the transferred corporation.
 - (3) Disposition of certain partnership interests.
 - (4) Disposition of stock of the transferee foreign corporation.
 - (5) Deconsolidation.
 - (6) Consolidation.
 - (7) Death of an individual; trust or estate ceases to exist.
 - (8) Failure to comply.
 - (9) Gain recognition agreement filed in connection with indirect stock transfers and certain triangular asset reorganizations.
 - (10) Gain recognition agreement filed pursuant to paragraph (k)(14) of this section.
 - (k) Triggering event exceptions.
 - (1) Transfers of stock of the transferee foreign corporation to a corporation or partnership.
 - (2) Complete liquidation of U.S. transferor under sections 332 and 337.
 - (3) Transfers of transferred stock or securities to a corporation or partnership.
 - (4) Transfers of substantially all of the assets of the transferred corporation.
 - (5) Recapitalizations and section 1036 exchanges.
 - (6) Certain asset reorganizations.
 - (7) Certain triangular reorganizations.
 - (8) Complete liquidation of transferred corporation.
 - (9) Death of U.S. transferor.
 - (10) Deconsolidation.
 - (11) Consolidation.
 - (12) Intercompany transactions.
 - (13) Deemed asset sales pursuant to section 338(g) elections.
 - (14) Other dispositions or events.
 - (m) Receipt of boot in nonrecognition transactions.
 - (1) Dispositions of transferred stock or securities.
 - (2) Dispositions of assets of transferred corporation.
 - (n) Special rules for distributions with respect to stock.
 - (1) Certain dividend equivalent redemptions treated as dispositions.

26 CFR Ch. I (4-1-21 Edition)

- (2) Gain recognized under section 301(c)(3).
 - (o) Dispositions or other events that terminate or reduce the amount of gain subject to the gain recognition agreement.
 - (1) Taxable disposition of stock of the transferee foreign corporation.
 - (2) Gain recognized in connection with certain nonrecognition transactions.
 - (3) Gain recognized under section 301(c)(3).
 - (4) Dispositions of substantially all of the assets of a domestic transferred corporation.
 - (5) Certain distributions or transfers of transferred stock or securities to U.S. persons.
 - (6) Dispositions or other event following certain intercompany transactions.
 - (7) Expropriations under foreign law.
 - (p) Relief for certain failures to file or failures to comply that are not willful.
 - (1) In general.
 - (2) Procedures for establishing that a failure to file or failure to comply was not willful.
 - (3) Examples.
 - (q) Examples.
 - (1) Presumed facts and references.
 - (2) Examples.
 - (r) Effective/applicability date.
 - (1) General rule.
 - (2) Applicability to transfers occurring before March 13, 2009.
 - (3) Applicability to requests for relief submitted before November 19, 2014.

[T.D. 9803, 81 FR 91021, Dec. 16, 2016]

§ 1.367(a)-1 Transfers to foreign corporations subject to section 367(a): In general.

(a) *Scope.* Section 367(a)(1) provides the general rule concerning certain transfers of property by a United States person (referred to at times in this section as the “U.S. person” or “U.S. transferor”) to a foreign corporation. Paragraph (b) of this section provides general rules explaining the effect of section 367(a)(1). Paragraph (c) of this section describes transfers of property that are described in section 367(a)(1). Paragraph (d) of this section provides definitions that apply for purposes of sections 367(a) and (d) and the regulations thereunder. Paragraphs (e) and (f) of this section provide rules that apply to certain reorganizations described in section 368(a)(1)(F). Paragraph (g) of this section provides dates of applicability. For rules concerning the reporting requirements under section 6038B for certain transfers of property to a foreign corporation, see § 1.6038B-1.

(b) *General rules*—(1) *Foreign corporation not considered a corporation for purposes of certain transfers.* If a U.S. person transfers property to a foreign corporation in connection with an exchange described in section 351, 354, 356, or 361, then, pursuant to section 367(a)(1), the foreign corporation will not be considered to be a corporation for purposes of determining the extent to which gain is recognized on the transfer. Section 367(a)(1) denies non-recognition treatment only to transfers of items of property on which gain is realized. Thus, the amount of gain recognized because of section 367(a)(1) is unaffected by the transfer of items of property on which loss is realized (but not recognized).

(2) *Cases in which foreign corporate status is not disregarded.* For circumstances in which section 367(a)(1) does not apply to a U.S. transferor's transfer of property to a foreign corporation, and thus the foreign corporation is considered to be a corporation, see §§1.367(a)-2, 1.367(a)-3, and 1.367(a)-7.

(3) *Determination of value.* In cases in which a U.S. transferor's transfer of property to a foreign corporation constitutes a controlled transaction as defined in §1.482-1(i)(8), the value of the property transferred is determined in accordance with section 482 and the regulations thereunder.

(4) *Character, source, and adjustments*—(i) *In general.* If a U.S. person is required to recognize gain under section 367 upon a transfer of property to a foreign corporation, then—

(A) The character and source of such gain are determined as if the property had been disposed of in a taxable exchange with the transferee foreign corporation (unless otherwise provided by regulation); and

(B) Appropriate adjustments to earnings and profits, basis, and other affected items will be made according to otherwise applicable rules, taking into account the gain recognized under section 367(a)(1). For purposes of applying section 362, the foreign corporation's basis in the property received is increased by the amount of gain recognized by the U.S. transferor under section 367(a) and the regulations issued pursuant to that section. To the extent

the regulations provide that the U.S. transferor recognizes gain with respect to a particular item of property, the foreign corporation increases its basis in that item of property by the amount of such gain recognized. For example, §§1.367(a)-2, 1.367(a)-3, and 1.367(a)-4 provide that gain is recognized with respect to particular items of property. To the extent the regulations do not provide that gain recognized by the U.S. transferor is with respect to a particular item of property, such gain is treated as recognized with respect to items of property subject to section 367(a) in proportion to the U.S. transferor's gain realized in such property, after taking into account gain recognized with respect to particular items of property transferred under any other provision of section 367(a). For example, §1.367(a)-6 provides that branch losses must be recaptured by the recognition of gain realized on the transfer but does not associate the gain with particular items of property. See also §1.367(a)-1(c)(3) for rules concerning transfers by partnerships or of partnership interests.

(C) The transfer will not be re-characterized for U.S. Federal tax purposes solely because the U.S. person recognizes gain in connection with the transfer under section 367(a)(1). For example, if a U.S. person transfers appreciated stock or securities to a foreign corporation in an exchange described in section 351, the transfer is not re-characterized as other than an exchange described in section 351 solely because the U.S. person recognizes gain in the transfer under section 367(a)(1).

(ii) *Example.* The rules of this paragraph (b)(4) are illustrated by the following example.

Example. Domestic corporation DC transfers inventory with a fair market value of \$1 million and adjusted basis of \$800,000 to foreign corporation FC in exchange for stock of FC that is described in section 351(a). Title passes within the United States. Pursuant to section 367(a), DC is required to recognize gain of \$200,000 upon the transfer. Under the rule of this paragraph (b)(4), the gain is treated as ordinary income (sections 1201 and 1221) from sources within the United States (section 861) arising from a taxable exchange with FC. Appropriate adjustments to earnings and profits, basis, etc., will be made as if the transfer were subject to section 351.

Thus, for example, DC's basis in the FC stock received, and FC's basis in the transferred inventory, will each be increased by the \$200,000 gain recognized by DC, pursuant to sections 358(a)(1) and 362(a), respectively.

(5) *Treatment of certain property as subject to section 367(d).* A U.S. transferor may apply section 367(d) and § 1.367(d)-1, rather than section 367(a) and the regulations thereunder, to a transfer of property to a foreign corporation that otherwise would be subject to section 367(a), provided that the property is not eligible property, as defined in § 1.367(a)-2(b) but determined without regard to § 1.367(a)-2(c). A U.S. transferor and any other U.S. transferor that is related (within the meaning of section 267(b) or 707(b)(1)) to the U.S. transferor must consistently apply this paragraph (b)(5) to all property described in this paragraph (b)(5) that is transferred to one or more foreign corporations pursuant to a plan. A U.S. transferor applies the provisions of this paragraph (b)(5) in the form and manner set forth in § 1.6038B-1(d)(1)(iv) and (v).

(c)(1) through (c)(3)(i) [Reserved]. For further guidance, see § 1.367(a)-1T(c)(1) through (c)(3)(i).

(ii) *Transfer of partnership interest treated as transfer of proportionate share of assets—(A) In general.* If a U.S. person transfers an interest as a partner in a partnership (whether foreign or domestic) in an exchange described in section 367(a)(1), then that person is treated as having transferred a proportionate share of the property of the partnership in an exchange described in section 367(a)(1). Accordingly, the applicability of the exception to section 367(a)(1) provided in § 1.367(a)-2 is determined with reference to the property of the partnership rather than the partnership interest itself. A U.S. person's proportionate share of partnership property is determined under the rules and principles of sections 701 through 761 and the regulations thereunder.

(c)(3)(i)(A) *Example* through (7) [Reserved]. For further guidance, see § 1.367(a)-1T(c)(3)(i)(A) *Example* through (7).

(d) *Definitions.* The following definitions apply for purposes of sections 367(a) and (d) and the regulations thereunder.

(1) *United States person.* The term "United States person" includes those persons described in section 7701(a)(30). The term includes a citizen or resident of the United States, a domestic partnership, a domestic corporation, and any estate or trust other than a foreign estate or trust. (For definitions of these terms, see section 7701 and the regulations thereunder.) For purposes of this section, an individual with respect to whom an election has been made under section 6013(g) or (h) is considered to be a resident of the United States while such election is in effect. A nonresident alien or a foreign corporation will not be considered a United States person because of its actual or deemed conduct of a trade or business within the United States during a taxable year.

(2) *Foreign corporation.* The term "foreign corporation" has the meaning set forth in section 7701(a)(3) and (5) and § 301.7701-5.

(3) *Transfer.* For purposes of section 367 and regulations thereunder, the term "transfer" means any transaction that constitutes a transfer for purposes of section 332, 351, 354, 355, 356, or 361, as applicable. A person's entering into a cost sharing arrangement under § 1.482-7 or acquiring rights to intangible property under such an arrangement shall not be considered a transfer of property described in section 367(a)(1). See § 1.6038B-1T(b)(4) for the date on which the transfer is considered to be made.

(4) *Property.* For purposes of section 367 and the regulations thereunder, the term "property" means any item that constitutes property for purposes of section 351, 354, 355, 356, or 361, as applicable.

(5) *Intangible property.* The term "intangible property" means either property described in section 936(h)(3)(B) or property to which a U.S. person applies section 367(d) pursuant to paragraph (b)(5) of this section, but does not include property described in section 1221(a)(3) or a working interest in oil and gas property.

(6) *Operating intangibles.* An operating intangible is any property described in section 936(h)(3)(B) of a type not ordinarily licensed or otherwise transferred

in transactions between unrelated parties for consideration contingent upon the licensee's or transferee's use of the property. Examples of operating intangibles may include long-term purchase or supply contracts, surveys, studies, and customer lists.

(e) *Close of taxable year in certain section 368(a)(1)(F) reorganizations.* If a domestic corporation is the transferor corporation in a reorganization described in section 368(a)(1)(F) after March 30, 1987, in which the acquiring corporation is a foreign corporation, then the taxable year of the transferor corporation shall end with the close of the date of the transfer and the taxable year of the acquiring corporation shall end with the close of the date on which the transferor's taxable year would have ended but for the occurrence of the transfer. With regard to the consequences of the closing of the taxable year, see section 381 and the regulations thereunder.

(f) *Exchanges under sections 354(a) and 361(a) in certain section 368(a)(1)(F) reorganizations—(1) Rule.* In every reorganization under section 368(a)(1)(F), where the transferor corporation is a domestic corporation, and the acquiring corporation is a foreign corporation, there is considered to exist—

(i) A transfer of assets by the transferor corporation to the acquiring corporation under section 361(a) in exchange for stock (or stock and securities) of the acquiring corporation and the assumption by the acquiring corporation of the transferor corporation's liabilities;

(ii) A distribution of the stock (or stock and securities) of the acquiring corporation by the transferor corporation to the shareholders (or shareholders and security holders) of the transferor corporation; and

(iii) An exchange by the transferor corporation's shareholders (or shareholders and security holders) of their stock (or stock and securities) of the transferor corporation for stock (or stock and securities) of the acquiring corporation under section 354(a).

(2) *Rule applies regardless of whether a continuance under applicable law.* For purposes of paragraph (f)(1) of this section, it shall be immaterial that the applicable foreign or domestic law

treats the acquiring corporation as a continuance of the transferor corporation.

(g) *Effective/applicability dates.* (1) through (3) [Reserved]. For further guidance, see § 1.367(a)-1T(g)(1) through (3).

(4) The rules in paragraphs (b)(4)(i)(B) and (b)(4)(i)(C) of this section apply to transfers occurring on or after April 18, 2013. For guidance with respect to paragraph (b)(4)(i)(B) of this section before April 18, 2013, see 26 CFR part 1 revised as of April 1, 2012. The rules in paragraph (e) of this section apply to transactions occurring on or after March 31, 1987. The rules in paragraph (f) of this section apply to transactions occurring on or after January 1, 1985.

(5) Paragraphs (a), (b)(1) through (b)(4)(i)(B), (b)(4)(ii) through (b)(5), (c)(3)(ii)(A), (d) introductory text through (d)(2), (d)(4) through (d)(6) of this section apply to transfers occurring on or after September 14, 2015, and to transfers occurring before September 14, 2015, resulting from entity classification elections made under § 301.7701-3 that are filed on or after September 14, 2015. For transfers occurring before this section is applicable, see §§ 1.367(a)-1 and 1.367(a)-1T as contained in 26 CFR part 1 revised as of April 1, 2016.

[T.D. 9803, 81 FR 91022, Dec. 16, 2016, as amended at 82 FR 52848, Nov. 15, 2017]

§ 1.367(a)-1T Transfers to foreign corporations subject to section 367(a): In general (temporary).

(a) [Reserved]

(b) *General rules—*

(b)(1) through (3) [Reserved]

(4) *Character, source, and adjustments—(i) In general.* If a U.S. person is required to recognize gain under section 367 upon a transfer of property to a foreign corporation, then—

(A) [Reserved]

(B) [Reserved] For further guidance see § 1.367(a)-1(b)(4)(i)(B).

(C) [Reserved] For further guidance see § 1.367(a)-1(b)(4)(i)(C).

(b)(4)(ii) through (5) [Reserved]

(c) *Transfers described in section 367(a)(1)—(1) In general.* A transfer described in section 367(a)(1) is any transfer of property by a U.S. person to a

§ 1.367(a)-1T

26 CFR Ch. I (4-1-21 Edition)

foreign corporation pursuant to an exchange described in section 332, 351, 354, 355, 356, or 361. Section 367(a)(1) applies to such a transfer whether it is made directly, indirectly, or constructively. Indirect or constructive transfers that are described in section 367(a)(1) include the transfers described in subparagraphs (2) through (7) of this paragraph (c).

(2) *Indirect transfers in certain reorganizations.* [Reserved]. For further guidance, see § 1.367(a)-3(d).

(3) *Indirect transfers involving partnerships and interests therein*—(i) *Transfer by partnership treated as transfer by partners*—(A) *In general.* If a partnership (whether foreign or domestic) transfers property to a foreign corporation in an exchange described in section 367(a)(1), then a U.S. person that is a partner in the partnership shall be treated as having transferred a proportionate share of the property in an exchange described in section 367(a)(1). A U.S. person's proportionate share of partnership property shall be determined under the rules and principles of sections 701 through 761 and the regulations thereunder. The rule of this paragraph (c)(3)(i)(A) is illustrated by the following example.

Example. P is a partnership having five equal general partners, two of whom are United States persons. P transfers property to F, a foreign corporation, in connection with an exchange described in section 351. The exchange includes an indirect transfer of property by the partners to F. The transfers of property attributable to those partners who are United States persons, that is, 40 percent of each asset transferred to F, are transfers described in section 367(a)(1). The gain (if any) recognized on the transfer of 40 percent of each asset to F is attributable to the two partners who are United States persons.

(B) *Special adjustments to basis.* If a U.S. person is treated under the rule of this paragraph (c)(3)(i) as having transferred a proportionate share of the property of a partnership in an exchange described in section 367(a), and is therefore required to recognize gain upon the transfer, then—

(1) The U.S. person's basis in the partnership shall be increased by the amount of gain recognized by him;

(2) Solely for purposes of determining the basis of the partnership in the

stock of the transferee foreign corporation, the U.S. person shall be treated as having newly acquired an interest in the partnership (for an amount equal to the gain recognized), permitting the partnership to make an optional adjustment to basis pursuant to sections 743 and 754; and

(3) The transferee foreign corporation's basis in the property acquired from the partnership shall be increased by the amount of gain recognized by U.S. persons under this paragraph (c)(3)(i).

(ii) *Transfer of partnership interest treated as transfer of proportionate share of assets*—

(A) [Reserved]

(B) *Special adjustments to basis.* If a U.S. person is treated under the rule of paragraph (c)(3)(ii)(A) of this section as having transferred a proportionate share of the property of a partnership in an exchange described in section 367(a), and is therefore required to recognize gain upon the transfer, then—

(1) The U.S. person's basis in the stock of the transferee foreign corporation shall be increased by the amount of gain so recognized by that person;

(2) The transferee foreign corporation's basis in the transferred partnership interest shall be increased by the amount of gain recognized by the U.S. person; and

(3) Solely for purposes of determining the partnership's basis in the property held by it, the U.S. person shall be treated as having newly acquired an interest in the partnership (for an amount equal to the gain recognized), permitting the partnership to make an optional adjustment to basis pursuant to sections 743 and 754.

(C) *Limited partnership interest.* The transfer by a U.S. person of an interest in a partnership shall not be subject to the rules of paragraph (c)(3)(ii)(A) and (B) if—

(1) The interest transferred is a limited partnership interest; and

(2) Such interest is regularly traded on an established securities market.

Instead, the transfer of such an interest shall be treated in the same manner as a transfer of stock or securities. Thus, the consequences of such a transfer shall be determined under the rules

of § 1.367(a)-3. For purposes of this section, a limited partnership interest is an interest as a limited partner in a partnership that is organized under the laws of any State of the United States or the District of Columbia. Whether such an interest is regularly traded on an established securities market shall be determined under the provisions of paragraph (c)(3)(ii)(D) of this section.

(D) *Regularly traded on an established securities market*—(1) *Established securities market*. For purposes of this paragraph (c)(3)(ii), an established securities market is—

(i) A national securities exchange which is registered under section 6 of the Securities Exchange Act of 1934 (15 U.S.C. 78f);

(ii) A foreign national securities exchange which is officially recognized, sanctioned, or supervised by governmental authority; and

(iii) An over-the-counter market. An over-the-counter market is any market reflected by the existence of an inter-dealer quotation system. An inter-dealer quotation system is any system of general circulation to brokers and dealers which regularly disseminates quotations of stock and securities by identified brokers or dealers, other than by quotation sheets which are prepared and distributed by a broker or dealer in the regular course of business and which contain only quotations of such broker or dealer.

(2) *Regularly traded*. A class of interests that is traded on an established securities market is considered to be regularly traded if it is regularly quoted by brokers or dealers making a market in such interests. A class of interests shall be presumed to be regularly traded if the entity has a total of 500 or more interest-holders.

(4) *Transfers by trusts and estates*—(i) *In general*. For purposes of section 367(a), a transfer of property by an estate or trust shall be treated as a transfer by the entity itself and not as an indirect transfer by its beneficiaries. Thus, a transfer of property by a foreign trust or estate (as defined in section 7701(a)(31)) is not described in section 367(a)(1), regardless of whether the beneficiaries of the trust or estate are U.S. persons. Similarly, a transfer of property by a domestic

trust or estate may be described in section 367(a)(1), regardless of whether the beneficiaries of the trust or estate are foreign persons.

(ii) *Grantor trusts*. A transfer of a portion or all of the assets of a foreign or domestic trust to a foreign corporation in an exchange described in section 367(a)(1) is considered a transfer by any U.S. person who is treated as the owner of any such portion or all of the assets of the trust under sections 671 through 679.

(5) *Termination of election under section 1504(d)*. Section 367(A) applies to the constructive reorganization and transfer of property from a domestic corporation to a foreign corporation that occurs upon the termination of an election under section 1504(d), which permits the treatment of certain contiguous country corporations as domestic corporations. The rule of this paragraph (c)(5) is illustrated by the following example.

Example. Domestic corporation Y previously made a valid election under section 1504(d) to have its wholly owned Canadian subsidiary, C, treated as a domestic corporation. On July 1, 1986, C fails to continue to qualify for the election under section 1504(d). A constructive reorganization described in section 368(a)(1)(D) occurs. The resulting constructive transfer of assets by “domestic” corporation C to Canadian corporation C upon the termination of the election is a transfer of property described in section 367(a)(1).

(6) *Changes in classification of an entity*. If a foreign entity is classified as an entity other than an association taxable as a corporation for United States tax purposes, and subsequently a change is made in the governing documents, articles, or agreements of the entity so that the entity is thereafter classified as an association taxable as a corporation, the change in classification is considered a transfer of property to a foreign corporation in connection with an exchange described in section 351. For purposes of section 367(a)(1), the transfer of property is considered as made by the persons determined under the rules set forth in paragraph (c)(3) of this section with respect to partnerships, and paragraph (c)(4)(i) or (ii), with respect to trusts and estates, and the rules of such paragraphs apply determining whether a

§ 1.367(a)-2

26 CFR Ch. I (4-1-21 Edition)

transfer described in section 367(a)(1) has been made.

(7) *Contributions to capital.* For rules with respect to the treatment of a contribution to the capital of a foreign corporation as a transfer described in section 367(a)(1), see section 367(c)(2) and the regulations thereunder.

(d) introductory text through (d)(2) [Reserved]

(3) [Reserved] For further guidance, see § 1.367(a)-1(d)(3).

(4) through (6) [Reserved]

(e) [Reserved]. For further guidance, see § 1.367(a)-1(e).

(f) [Reserved]. For further guidance, see § 1.367(a)-1(f).

(g) *Effective date of certain section—*

(1) *In general.* Except as specifically provided to the contrary elsewhere in these sections, §§ 1.367(a)-1T through 1.367(a)-6T apply to transfers occurring after December 31, 1984.

(2) *Private rulings.* The taxpayer may rely on a private ruling under section 367(a) received by him before June 16, 1986.

(3) *Certain indirect transfers.* Sections 1.367(a)-1T(c)(2)(i) and (iii) and 1.367(a)-1T(c)(3) apply to transfers made after June 16, 1986. For transfers made before that date, see 26 CFR 1.367(a)-1(b) (revised as of April 1, 1986).

(4) [Reserved] For further guidance see § 1.367(a)-1(g)(4).

[T.D. 8087, 51 FR 17938, May 16, 1986, as amended by T.D. 8280, 55 FR 1408, Jan. 16, 1990; T.D. 8770, 63 FR 33555, June 19, 1998; T.D. 9441, 74 FR 348, Jan. 5, 2009; T.D. 9568, 76 FR 80087, Dec. 22, 2011; T.D. 9614, 78 FR 17031, Mar. 19, 2013; T.D. 9739, 80 FR 56912, Sept. 21, 2015; T.D. 9803, 81 FR 91024, Dec. 16, 2016]

§ 1.367(a)-2 Exceptions for transfers of property for use in the active conduct of a trade or business.

(a) *Scope and general rule—(1) Scope.* Paragraph (a)(2) of this section provides the general exception to section 367(a)(1) for certain property transferred for use in the active conduct of a trade or business. Paragraph (b) of this section describes property that is eligible for the exception provided in paragraph (a)(2) of this section. Paragraph (c) of this section describes property that is not eligible for the exception provided in paragraph (a)(2) of this section. Paragraph (d) of this section provides general rules, and paragraphs

(e) through (h) of this section provide special rules, for determining whether property is used in the active conduct of a trade or business outside of the United States. Paragraph (i) of this section is reserved. Paragraph (j) of this section provides relief for certain failures to comply with the reporting requirements under paragraph (a)(2)(iii) of this section that are not willful. Paragraph (k) of this section provides dates of applicability. The rules of this section do not apply to a transfer of stock or securities in an exchange subject to § 1.367(a)-3.

(2) *General rule.* Except as otherwise provided in §§ 1.367(a)-4, 1.367(a)-6, and 1.367(a)-7, section 367(a)(1) does not apply to property transferred by a United States person (U.S. transferor) to a foreign corporation if—

(i) The property constitutes eligible property;

(ii) The property is transferred for use by the foreign corporation in the active conduct of a trade or business outside of the United States, as determined under paragraph (d), (e), (f), (g), or (h) of this section, as applicable; and

(iii) The U.S. transferor complies with the reporting requirements of section 6038B and the regulations thereunder.

(b) *Eligible property.* Except as provided in paragraph (c) of this section, eligible property means—

(1) Tangible property;

(2) A working interest in oil and gas property; and

(3) A financial asset. For purposes of this section, a financial asset is—

(i) A cash equivalent;

(ii) A security within the meaning of section 475(c)(2), without regard to the last sentence of section 475(c)(2) (referencing section 1256) and without regard to section 475(c)(4), but excluding an interest in a partnership;

(iii) A commodities position described in section 475(e)(2)(B), 475(e)(2)(C), or 475(e)(2)(D); and

(iv) A notional principal contract described in § 1.446-3(c)(1).

(c) *Exception for certain property.* Notwithstanding paragraph (b) of this section, property described in paragraph (c)(1), (2), (3), or (4) of this section does not constitute eligible property.

(1) *Inventory.* Stock in trade of the taxpayer or other property of a kind which would properly be included in the inventory of the taxpayer if on hand at the close of the taxable year, or property held by the taxpayer primarily for sale to customers in the ordinary course of its trade or business (including raw materials and supplies, partially completed goods, and finished products).

(2) *Installment obligations, etc.* Installment obligations, accounts receivable, or similar property, but only to the extent that the principal amount of any such obligation has not previously been included by the taxpayer in its taxable income.

(3) *Nonfunctional currency, etc.*—(i) *In general.* Property that gives rise to a section 988 transaction of the taxpayer described in section 988(c)(1)(A) through (C), without regard to section 988(c)(1)(D) and (E), or that would give rise to such a section 988 transaction if it were acquired, accrued, entered into, or disposed of directly by the taxpayer.

(ii) *Limitation of gain required to be recognized.* If section 367(a)(1) applies to a transfer of property described in paragraph (c)(3)(i) of this section, then the gain required to be recognized is limited to the gain realized as part of the same transaction upon the transfer of property described in paragraph (c)(3)(i) of this section, less any loss realized as part of the same transaction upon the transfer of property described in paragraph (c)(3)(i) of this section. This limitation applies in lieu of the rule in §1.367(a)-1(b)(1). No loss is recognized with respect to property described in this paragraph (c)(3).

(4) *Certain leased tangible property.* Tangible property with respect to which the transferor is a lessor at the time of the transfer, unless either the foreign corporation is the lessee at the time of the transfer or the foreign corporation will lease the property to third persons.

(d) *Active conduct of a trade or business outside the United States*—(1) *In general.* Except as provided in paragraphs (e), (f), (g), and (h) of this section, to determine whether property is transferred for use by the foreign corporation in the active conduct of a trade or busi-

ness outside of the United States, four factual determinations must be made:

(i) What is the trade or business of the foreign corporation (see paragraph (d)(2) of this section);

(ii) Do the activities of the foreign corporation constitute the active conduct of that trade or business (see paragraph (d)(3) of this section);

(iii) Is the trade or business conducted outside of the United States (see paragraph (d)(4) of this section); and

(iv) Is the transferred property used or held for use in the trade or business (see paragraph (d)(5) of this section)?

(2) *Trade or business.* Whether the activities of the foreign corporation constitute a trade or business is determined based on all the facts and circumstances. In general, a trade or business is a specific unified group of activities that constitute (or could constitute) an independent economic enterprise carried on for profit. For example, the activities of a foreign selling subsidiary could constitute a trade or business if they could be independently carried on for profit, even though the subsidiary acts exclusively on behalf of, and has operations fully integrated with, its parent corporation. To constitute a trade or business, a group of activities must ordinarily include every operation which forms a part of, or a step in, a process by which an enterprise may earn income or profit. In this regard, one or more of such activities may be carried on by independent contractors under the direct control of the foreign corporation. (However, see paragraph (d)(3) of this section.) The group of activities must ordinarily include the collection of income and the payment of expenses. If the activities of the foreign corporation do not constitute a trade or business, then the exception provided by this section does not apply, regardless of the level of activities carried on by the corporation. The following activities are not considered to constitute by themselves a trade or business for purposes of this section:

(i) Any activity giving rise to expenses that would be deductible only under section 212 if the activities were carried on by an individual; or

(ii) The holding for one's own account of investments in stock, securities, land, or other property, including casual sales thereof.

(3) *Active conduct.* Whether a trade or business is actively conducted by the foreign corporation is determined based on all the facts and circumstances. In general, a corporation actively conducts a trade or business only if the officers and employees of the corporation carry out substantial managerial and operational activities. A corporation may be engaged in the active conduct of a trade or business even though incidental activities of the trade or business are carried out on behalf of the corporation by independent contractors. In determining whether the officers and employees of the corporation carry out substantial managerial and operational activities, however, the activities of independent contractors are disregarded. On the other hand, the officers and employees of the corporation are considered to include the officers and employees of related entities who are made available to and supervised on a day-to-day basis by, and whose salaries are paid by (or reimbursed to the lending related entity by), the foreign corporation. See paragraph (d)(6) of this section for the standard that applies to determine whether a trade or business that produces rents or royalties is actively conducted. The rule of this paragraph (d)(3) is illustrated by the following example.

Example. X, a domestic corporation, and Y, a foreign corporation not related to X, transfer property to Z, a newly formed foreign corporation organized for the purpose of combining the research activities of X and Y. Z contracts all of its operational and research activities to Y for an arm's-length fee. Z's activities do not constitute the active conduct of a trade or business.

(4) *Outside of the United States.* Whether the foreign corporation conducts a trade or business outside of the United States is determined based on all the facts and circumstances. Generally, the primary managerial and operational activities of the trade or business must be conducted outside the United States and immediately after the transfer the transferred assets must be located outside the United

States. Thus, the exception provided by this section would not apply to the transfer of the assets of a domestic business to a foreign corporation if the domestic business continued to operate in the United States after the transfer. In such a case, the primary operational activities of the business would continue to be conducted in the United States. Moreover, the transferred assets would be located in the United States. However, it is not necessary that every item of property transferred be used outside of the United States. As long as the primary managerial and operational activities of the trade or business are conducted outside of the United States and substantially all of the transferred assets are located outside the United States, incidental items of transferred property located in the United States may be considered to have been transferred for use in the active conduct of a trade or business outside of the United States.

(5) *Use in the trade or business.* Whether property is used or held for use by the foreign corporation in a trade or business is determined based on all the facts and circumstances. In general, property is used or held for use in the foreign corporation's trade or business if it is—

(i) Held for the principal purpose of promoting the present conduct of the trade or business;

(ii) Acquired and held in the ordinary course of the trade or business; or

(iii) Otherwise held in a direct relationship to the trade or business. Property is considered held in a direct relationship to a trade or business if it is held to meet the present needs of that trade or business and not its anticipated future needs. Thus, property will not be considered to be held in a direct relationship to a trade or business if it is held for the purpose of providing for future diversification into a new trade or business, future expansion of trade or business activities, future plant replacement, or future business contingencies.

(6) *Active leasing and licensing.* For purposes of paragraph (d)(3) of this section, whether a trade or business that produces rents or royalties is actively conducted is determined under the principles of section 954(c)(2)(A) and

the regulations thereunder, but without regard to whether the rents or royalties are received from an unrelated party. See §§1.954-2(c) and (d).

(e) *Special rules for certain property to be leased*—(1) *Leasing business of the foreign corporation.* Except as otherwise provided in this paragraph (e), tangible property that will be leased to another person by the foreign corporation will be considered to be transferred for use by the foreign corporation in an active trade or business outside the United States only if—

(i) The foreign corporation's leasing of the property constitutes the active conduct of a leasing business, as determined under paragraph (d)(6) of this section;

(ii) The lessee of the property is not expected to, and does not, use the property in the United States; and

(iii) The foreign corporation has a need for substantial investment in assets of the type transferred.

(2) *De minimis leasing by the foreign corporation.* Tangible property that will be leased to another person by the foreign corporation but that does not satisfy the conditions of paragraph (e)(1) of this section will, nevertheless, be considered to be transferred for use in the active conduct of a trade or business if either—

(i) The property transferred will be used by the foreign corporation in the active conduct of a trade or business but will be leased during occasional brief periods when the property would otherwise be idle, such as an airplane leased during periods of excess capacity; or

(ii) The property transferred is real property located outside the United States and—

(A) The property will be used primarily in the active conduct of a trade or business of the foreign corporation; and

(B) Not more than ten percent of the square footage of the property will be leased to others.

(3) *Aircraft and vessels leased in foreign commerce.* For purposes of satisfying paragraph (e)(1) of this section, an aircraft or vessel, including component parts such as an engine leased separately from the aircraft or vessel, that will be leased to another person by the

foreign corporation will be considered to be transferred for use in the active conduct of a trade or business if—

(i) The employees of the foreign corporation perform substantial managerial and operational activities of leasing aircraft or vessels outside the United States; and

(ii) The leased property is predominantly used outside the United States, as determined under §1.954-2(c)(2)(v).

(f) *Special rules for oil and gas working interests*—(1) *In general.* A working interest in oil and gas property will be considered to be transferred for use in the active conduct of a trade or business if—

(i) The transfer satisfies the conditions of paragraph (f)(2) or (f)(3) of this section;

(ii) At the time of the transfer, the foreign corporation has no intention to farm out or otherwise transfer any part of the transferred working interest; and

(iii) During the first three years after the transfer there are no farmouts or other transfers of any part of the transferred working interest as a result of which the foreign corporation retains less than a 50-percent share of the transferred working interest.

(2) *Active use of working interest.* A working interest in oil and gas property that satisfies the conditions in paragraphs (f)(1)(ii) and (iii) of this section will be considered to be transferred for use in the active conduct of a trade or business if—

(i) The U.S. transferor is regularly and substantially engaged in exploration for and extraction of minerals, either directly or through working interests in joint ventures, other than by reason of the property that is transferred;

(ii) The terms of the working interest transferred were actively negotiated among the joint venturers;

(iii) The working interest transferred constitutes at least a five percent working interest;

(iv) Before and at the time of the transfer, through its own employees or officers, the U.S. transferor was regularly and actively engaged in—

(A) Operating the working interest, or

(B) Analyzing technical data relating to the activities of the venture;

(v) Before and at the time of the transfer, through its own employees or officers, the U.S. transferor was regularly and actively involved in decision making with respect to the operations of the venture, including decisions relating to exploration, development, production, and marketing; and

(vi) After the transfer, the foreign corporation will for the foreseeable future satisfy the requirements of subparagraphs (iv) and (v) of this paragraph (f)(2).

(3) *Start-up operations.* A working interest in oil and gas property that satisfies the conditions in paragraphs (f)(1)(ii) and (iii) of this section but that does not satisfy all the requirements of paragraph (f)(2) of this section will, nevertheless, be considered to be transferred for use in the active conduct of a trade or business if—

(i) The working interest was acquired by the U.S. transferor immediately before the transfer and for the specific purpose of transferring it to the foreign corporation;

(ii) The requirements of paragraphs (f)(2)(ii) and (iii) of this section are satisfied; and

(iii) The foreign corporation will for the foreseeable future satisfy the requirements of paragraph (f)(2)(iv) and (v) of this section.

(4) *Other applicable rules.* A working interest in oil and gas property that is not described in paragraph (f)(1) of this section may nonetheless qualify for the exception to section 367(a)(1) contained in this section depending upon the facts and circumstances.

(g) *Property retransferred by the foreign corporation—(1) General rule.* Property will not be considered to be transferred for use in the active conduct of a trade or business outside of the United States if—

(i) At the time of the transfer, it is reasonable to believe that, in the reasonably foreseeable future, the foreign corporation will sell or otherwise dispose of any material portion of the property other than in the ordinary course of business; or

(ii) Except as provided in paragraph (g)(2) of this section, the foreign corporation receives the property in an ex-

change described in section 367(a)(1), and, as part of the same transaction, transfers the property to another person. For purposes of the preceding sentence, a subsequent transfer within six months of the initial transfer will be considered to be part of the same transaction, and a subsequent transfer more than six months after the initial transfer may be considered to be part of the same transaction under step-transaction principles.

(2) *Exception.* Notwithstanding paragraph (g)(1) of this section, the active conduct exception provided by this section shall apply to the initial transfer if—

(i) The initial transfer is followed by one or more subsequent transfers described in section 351 or 721; and

(ii) Each subsequent transferee is either a partnership in which the preceding transferor is a general partner or a corporation in which the preceding transferor owns common stock; and

(iii) The ultimate transferee uses the property in the active conduct of a trade or business outside the United States.

(h) *Compulsory transfers of property.* Property is presumed to be transferred for use in the active conduct of a trade or business outside of the United States, if—

(1) The property was previously in use in the country in which the foreign corporation is organized; and

(2) The transfer is either:

(i) Legally required by the foreign government as a necessary condition of doing business; or

(ii) Compelled by a genuine threat of immediate expropriation by the foreign government.

(i) [Reserved]

(j) *Failure to comply with reporting requirements of section 6038B—(1) Failure to comply.* For purposes of the exception to the application of section 367(a)(1) provided in paragraph (a)(2) of this section, a failure to comply with the reporting requirements of section 6038B and the regulations thereunder (failure to comply) has the meaning set forth in § 1.6038B-1(f)(2).

(2) *Relief for certain failures to comply that are not willful—(i) In general.* A failure to comply described in paragraph (j)(1) of this section will be

deemed not to have occurred for purposes of satisfying the requirements of this section if the taxpayer demonstrates that the failure was not willful using the procedure set forth in this paragraph (j)(2). For this purpose, willful is to be interpreted consistent with the meaning of that term in the context of other civil penalties, which would include a failure due to gross negligence, reckless disregard, or willful neglect. Whether a failure to comply was a willful failure will be determined by the Director of Field Operations, Cross Border Activities Practice Area, Large Business & International (or any successor to the roles and responsibilities of such position, as appropriate) (Director) based on all the facts and circumstances. The taxpayer must submit a request for relief and an explanation as provided in paragraph (j)(2)(ii)(A) of this section. Although a taxpayer whose failure to comply is determined not to be willful will not be subject to gain recognition under this section, the taxpayer will be subject to a penalty under section 6038B if the taxpayer fails to demonstrate that the failure was due to reasonable cause and not willful neglect. See §1.6038B-1(b)(1) and (f). The determination of whether the failure to comply was willful under this section has no effect on any request for relief made under §1.6038B-1(f).

(ii) *Procedures for establishing that a failure to comply was not willful—(A) Time and manner of submission.* A taxpayer's statement that the failure to comply was not willful will be considered only if, promptly after the taxpayer becomes aware of the failure, an amended return is filed for the taxable year to which the failure relates that includes the information that should have been included with the original return for such taxable year or that otherwise complies with the rules of this section, and that includes a written statement explaining the reasons for the failure to comply. The amended return must be filed with the Internal Revenue Service at the location where the taxpayer filed its original return. The taxpayer may submit a request for relief from the penalty under section 6038B as part of the same submission. See §1.6038B-1(f).

(B) *Notice requirement.* In addition to the requirements of paragraph (j)(2)(ii)(A) of this section, the taxpayer must comply with the notice requirements of this paragraph (j)(2)(ii)(B). If any taxable year of the taxpayer is under examination when the amended return is filed, a copy of the amended return and any information required to be included with such return must be delivered to the Internal Revenue Service personnel conducting the examination. If no taxable year of the taxpayer is under examination when the amended return is filed, a copy of the amended return and any information required to be included with such return must be delivered to the Director.

(3) For illustrations of the application of the willfulness standard of this paragraph (j), see the examples in §1.367(a)-8(p)(3).

(4) Paragraph (j) applies to requests for relief submitted on or after November 19, 2014.

(k) *Effective/applicability dates—(1) In general.* Except as provided in paragraphs (j)(4) and (k)(2) of this section, the rules of this section apply to transfers occurring on or after September 14, 2015, and to transfers occurring before September 14, 2015, resulting from entity classification elections made under §301.7701-3 that are filed on or after September 14, 2015. For transfers occurring before this section is applicable, see §§1.367(a)-2, -2T, -4, -4T, -5, and -5T as contained in 26 CFR part 1 revised as of April 1, 2016.

(2) *Foreign currency exception.* Notwithstanding paragraph (c)(3)(i) of this section, §1.367(a)-5T(d)(2) as contained in 26 CFR part 1 revised as of April 1, 2016, applies to transfers of property denominated in a foreign currency occurring before December 16, 2016, other than transfers occurring before that date resulting from entity classification elections made under §301.7701-3 that are filed on or after that date.

[T.D. 9803, 81 FR 91024, Dec. 16, 2016]

§ 1.367(a)-3 Treatment of transfers of stock or securities to foreign corporations.

(a) *In general—(1) Overview.* This section provides rules concerning the transfer of stock or securities by a U.S. person to a foreign corporation in an

exchange described in section 367(a)(1). In general, a transfer of stock or securities (including an indirect stock transfer described in paragraph (d) of this section) by a U.S. person to a foreign corporation that is described in section 351, 354 (including a section 354 exchange pursuant to a reorganization described in section 368(a)(1)(B)), 356, or section 361(a) or (b) is subject to section 367(a)(1). Therefore, gain is recognized on such a transfer unless one of the exceptions set forth in paragraph (a)(2) of this section (regarding general exceptions for certain exchanges of stock or securities), paragraph (b) of this section (regarding transfers of foreign stock or securities), paragraph (c) of this section (regarding transfers of domestic stock or securities), or paragraph (e) of this section (regarding transfers of stock or securities in a section 361 exchange) applies to the transfer. For rules applicable when, pursuant to section 304(a)(1), a U.S. person is treated as transferring stock of a domestic or foreign corporation to a foreign corporation in exchange for stock of such foreign corporation in a transaction to which section 351(a) applies, see § 1.367(a)-9T.

(2) *Exceptions for certain exchanges of stock or securities.* Unless otherwise provided, the following exchanges are not subject to section 367(a)(1) and therefore gain is not recognized under section 367(a)(1).

(i) *Section 368(a)(1)(E) reorganizations.* In an exchange under section 354 or 356, a U.S. person exchanges stock or securities of a foreign corporation in a reorganization described in section 368(a)(1)(E).

(ii) *Certain section 368(a)(1) asset reorganizations.* In an exchange under section 354 or 356, a U.S. person exchanges stock or securities of a domestic or foreign corporation pursuant to an asset reorganization that is not treated as an indirect stock transfer under paragraph (d) of this section. See paragraph (d)(3) *Example 16* of this section. For purposes of this section, an *asset reorganization* is defined as a reorganization described in section 368(a)(1) involving a transfer of property under section 361.

(iii) *Certain reorganizations described in sections 368(a)(1)(A) and (a)(2)(E).* If,

in an exchange described in section 361, a domestic merging corporation transfers stock of a controlling corporation to a foreign surviving corporation in a reorganization described in section 368(a)(1)(A) and (a)(2)(E), the stock of the controlling corporation transferred in such section 361 exchange is not subject to section 367(a)(1) if the stock of the controlling corporation is provided to the merging corporation by the controlling corporation pursuant to the plan of reorganization. However, a section 361 exchange of other property, including stock of the controlling corporation not provided by the controlling corporation pursuant to the plan of reorganization, by the domestic merging corporation to the foreign surviving corporation pursuant to such a reorganization is described in section 367(a)(1) and therefore subject to section 367(a)(1) unless an exception to section 367(a)(1) applies.

(iv) *Certain triangular reorganizations described in § 1.367(b)-10.* If, in an exchange under section 354 or 356, one or more U.S. persons exchange stock or securities of T (as defined in § 1.358-6(b)(1)(iii)) in connection with a transaction described in § 1.367(b)-10 (applying to certain acquisitions of parent stock or securities for property in triangular reorganizations), section 367(a)(1) shall not apply to such U.S. persons with respect to the exchange of the stock or securities of T if the condition specified in this paragraph (iv) is satisfied. The condition specified in this paragraph (iv) is that the amount of gain in the T stock or securities that would otherwise be recognized under section 367(a)(1) (without regard to any exceptions thereto) pursuant to the indirect stock transfer rules of paragraph (d) of this section is less than the sum of the amount of the deemed distribution under § 1.367(b)-10 treated as a dividend under section 301(c)(1) and the amount of such deemed distribution treated as gain from the sale or exchange of property under section 301(c)(3). See § 1.367(b)-10(a)(2)(iii) (providing a similar rule that excludes certain transactions from the application of § 1.367(b)-10).

(3) *Cross-references.* For rules regarding other indirect or constructive transfers of stock or securities subject

to section 367(a)(1) (unless an exception applies) see §1.367(a)-1(c). For additional rules regarding a transfer of stock or securities in an exchange described in section 361(a) or (b), see §1.367(a)-7. For special basis and holding period rules involving foreign corporations that are parties to certain triangular reorganizations under section 368(a)(1), see §1.367(b)-13. For additional rules relating to certain non-recognition exchanges involving a foreign corporation, see section 367(b) and the regulations under that section. For rules regarding reporting requirements with respect to transfers described under section 367(a), see section 6038B and the regulations thereunder. For rules related to expatriated entities, see section 7874 and the regulations thereunder.

(b) *Transfers of stock or securities of foreign corporations* —(1) *General rule.* Except as provided in paragraph (e) of this section, a transfer of stock or securities of a foreign corporation by a U.S. person to a foreign corporation that would otherwise be subject to section 367(a)(1) under paragraph (a) of this section will not be subject to section 367(a)(1) if either—

(i) *Less than 5-percent shareholder.* The U.S. person owns less than five percent (applying the attribution rules of section 318, as modified by section 958(b)) of both the total voting power and the total value of the stock of the transferee foreign corporation immediately after the transfer; or

(ii) *5-percent shareholder.* The U.S. person enters into a five-year gain recognition agreement with respect to the transferred stock or securities as provided in §1.367(a)-8.

(2) *Certain transfers subject to sections 367(a) and (b)*—(i) *In general.* A transfer of stock or securities described in section 367(a) or the regulations thereunder as well as in section 367(b) or the regulations thereunder shall be subject concurrently to sections 367(a) and (b) and the respective regulations thereunder, except as provided in paragraph (b)(2)(i)(A) through (C) of this section. See paragraph (d)(3) *Examples 11 and 14* of this section.

(A) Section 367(b) and the regulations thereunder shall not apply if a foreign corporation is not treated as a corpora-

tion under section 367(a)(1). See the example in paragraph (b)(2)(ii) of this section and paragraph (d)(3) *Example 14* of this section.

(B) If a foreign corporation transfers assets to a domestic corporation in a transaction to which §1.367(b)-3(a) and (b) and the indirect stock transfer rules of paragraph (d) of this section apply, and all the earnings and profits amount attributable to the stock of an exchanging shareholder under §1.367(b)-3(b) is greater than the amount of gain in such stock subject to section 367(a) pursuant to the indirect stock transfer rules of paragraph (d) of this section, then the rules of section 367(b), and not the rules of section 367(a), shall apply to the exchange. See paragraph (d)(3) *Example 15* of this section.

(C) [Reserved] For further guidance, see §1.367(a)-3T(b)(2)(i)(C).

(ii) *Example.* The following example illustrates the provisions of this paragraph (b)(2):

Example. (i) *Facts.* DC, a domestic corporation, owns all of the stock of FC1, a controlled foreign corporation within the meaning of section 957(a). DC's basis in the stock of FC1 is \$50, and the value of such stock is \$100. The section 1248 amount with respect to such stock is \$30. FC2, also a foreign corporation, is owned entirely by foreign individuals who are not related to DC or FC1. In a reorganization described in section 368(a)(1)(B), FC2 acquires all of the stock of FC1 from DC in exchange for 20 percent of the voting stock of FC2. FC2 is not a controlled foreign corporation after the reorganization.

(ii) *Result without gain recognition agreement.* Under the provisions of this paragraph (b), if DC fails to enter into a gain recognition agreement, DC is required to recognize in the year of the transfer the \$50 of gain that it realized upon the transfer, \$30 of which will be treated as a dividend under section 1248.

(iii) *Result with gain recognition agreement.* If DC enters into a gain recognition agreement under §1.367(a)-8 with respect to the transfer of FC1 stock, the exchange will also be subject to the provisions of section 367(b) and the regulations thereunder to the extent that it is not subject to tax under section 367(a)(1). In such case, DC will be required to recognize the section 1248 amount of \$30 on the exchange of FC1 for FC2 stock. See §1.367(b)-4(b). The deemed dividend of \$30 recognized by DC will increase its basis in the FC1 stock exchanged in the transaction and, therefore, the basis of the FC2 stock received in the transaction. The remaining

gain of \$20 realized by DC (otherwise recognizable under section 367(a)) in the exchange of FC1 stock will not be recognized if DC enters into a gain recognition agreement with respect to the transfer. (The result would be unchanged if, for example, the exchange of FC1 stock for FC2 stock qualified as a section 351 exchange, or as an exchange described in both sections 351 and 368(a)(1)(B).)

(c) *Transfers of stock or securities of domestic corporations*—(1) *General rule*. Except as provided in paragraph (e) of this section, a transfer of stock or securities of a domestic corporation by a U.S. person to a foreign corporation that would otherwise be subject to section 367(a)(1) under paragraph (a) of this section will not be subject to section 367(a)(1) if the domestic corporation the stock or securities of which are transferred (referred to as the U.S. target company) complies with the reporting requirements in paragraph (c)(6) of this section and if each of the following four conditions is met:

(i) Fifty percent or less of both the total voting power and the total value of the stock of the transferee foreign corporation is received in the transaction, in the aggregate, by U.S. transferors (*i.e.*, the amount of stock received does not exceed the 50-percent ownership threshold).

(ii) Fifty percent or less of each of the total voting power and the total value of the stock of the transferee foreign corporation is owned, in the aggregate, immediately after the transfer by U.S. persons that are either officers or directors of the U.S. target company or that are five-percent target shareholders (as defined in paragraph (c)(5)(iii) of this section) (*i.e.*, there is no control group). For purposes of this paragraph (c)(1)(ii), any stock of the transferee foreign corporation owned by U.S. persons immediately after the transfer will be taken into account, whether or not it was received in the exchange for stock or securities of the U.S. target company.

(iii) Either—

(A) The U.S. person is not a five-percent transferee shareholder (as defined in paragraph (c)(5)(ii) of this section); or

(B) The U.S. person is a five-percent transferee shareholder and enters into a five-year agreement to recognize gain

with respect to the U.S. target company stock or securities it exchanged in the form provided in §1.367(a)-8; and

(iv) The active trade or business test (as defined in paragraph (c)(3) of this section) is satisfied.

(2) *Ownership presumption*. For purposes of paragraph (c)(1) of this section, persons who transfer stock or securities of the U.S. target company in exchange for stock of the transferee foreign corporation are presumed to be U.S. persons. This presumption may be rebutted in accordance with paragraph (c)(7) of this section.

(3) *Active trade or business test*—(i) *In general*. The tests of this paragraph (c)(3), collectively referred to as the active trade or business test, are satisfied if:

(A) The transferee foreign corporation or any qualified subsidiary (as defined in paragraph (c)(5)(vii) of this section) or any qualified partnership (as defined in paragraph (c)(5)(viii) of this section) is engaged in an active trade or business outside the United States, within the meaning of §1.367(a)-2(d)(2), (3), and (4) for the entire 36-month period immediately before the transfer;

(B) At the time of the transfer, neither the transferors nor the transferee foreign corporation (and, if applicable, the qualified subsidiary or qualified partnership engaged in the active trade or business) have an intention to substantially dispose of or discontinue such trade or business; and

(C) The substantiality test (as defined in paragraph (c)(3)(iii) of this section) is satisfied.

(ii) *Special rules*. For purposes of paragraphs (c)(3)(i)(A) and (B) of this section, the following special rules apply:

(A) The transferee foreign corporation, a qualified subsidiary, or a qualified partnership will be considered to be engaged in an active trade or business for the entire 36-month period preceding the exchange if it acquires at the time of, or any time prior to, the exchange a trade or business that has been active throughout the entire 36-month period preceding the exchange. This special rule shall not apply, however, if the acquired active trade or business assets were owned by the U.S. target company or any affiliate (within

the meaning of section 1504(a) but excluding the exceptions contained in section 1504(b) and substituting “50 percent” for “80 percent” where it appears therein) at any time during the 36-month period prior to the acquisition. Nor will this special rule apply if the principal purpose of such acquisition is to satisfy the active trade or business test.

(B) An active trade or business does not include the making or managing of investments for the account of the transferee foreign corporation or any affiliate (within the meaning of section 1504(a) but excluding the exceptions contained in section 1504(b) and substituting “50 percent” for “80 percent” where it appears therein). (This paragraph (c)(3)(ii)(B) shall not create any inference as to the scope of §1.367(a)-2(d)(2) and (3) for other purposes.)

(iii) *Substantiality test*—(A) *General rule.* A transferee foreign corporation will be deemed to satisfy the substantiality test if, at the time of the transfer, the fair market value of the transferee foreign corporation is at least equal to the fair market value of the U.S. target company.

(B) *Special rules for transferee foreign corporation value.* (1) For purposes of paragraph (c)(3)(iii)(A) of this section, the value of the transferee foreign corporation shall include assets acquired outside the ordinary course of business by the transferee foreign corporation within the 36-month period preceding the exchange only if either—

(i) Both—

(A) At the time of the exchange, such assets or, as applicable, the proceeds thereof, do not produce, and are not held for the production of, passive income as defined in section 1297(b); and

(B) Such assets are not acquired for the principal purpose of satisfying the substantiality test; or

(ii) Such assets consist of the stock of a qualified subsidiary or an interest in a qualified partnership. See paragraph (c)(3)(iii)(B)(2) of this section.

(2) For purposes of paragraph (c)(3)(iii)(A) of this section, the value of the transferee foreign corporation shall not include the value of the stock of any qualified subsidiary or the value of any interest in a qualified partnership, held directly or indirectly, to the

extent that such value is attributable to assets acquired by such qualified subsidiary or partnership outside the ordinary course of business and within the 36-month period preceding the exchange unless those assets satisfy the requirements in paragraph (c)(3)(iii)(B)(1) of this section.

(3) For purposes of paragraph (c)(3)(iii)(A) of this section, the value of the transferee foreign corporation shall not include the value of assets received within the 36-month period prior to the acquisition, notwithstanding the special rule in paragraph (c)(3)(iii)(B)(1) of this section, if such assets were owned by the U.S. target company or an affiliate (within the meaning of section 1504(a) but without the exceptions under section 1504(b) and substituting “50 percent” for “80 percent” where it appears therein) at any time during the 36-month period prior to the transaction.

(C) *Special rule for U.S. target company value.* For purposes of §1.367(a)-3(c)(3)(iii)(A), the fair market value of the U.S. target company includes the aggregate amount of non-ordinary course distributions (NOCDs) made by the U.S. target company. To calculate the aggregate value of NOCDs, the principles of §1.7874-10, including the rule regarding predecessors in §1.7874-10(e) and the rule regarding a deemed distribution of stock in certain cases in §1.7874-10(g), apply. However, this paragraph (c)(3)(iii)(C) does not apply if the principles of the de minimis exception in §1.7874-10(d) are satisfied.

(4) *Special rules*—(i) *Treatment of partnerships.* For purposes of this paragraph (c), if a partnership (whether domestic or foreign) owns stock or securities in the U.S. target company or the transferee foreign corporation, or transfers stock or securities in an exchange described in section 367(a), each partner in the partnership, and not the partnership itself, is treated as owning and as having transferred, or as owning, a proportionate share of the stock or securities. See §1.367(a)-1(c)(3).

(ii) *Treatment of options.* For purposes of this paragraph (c), one or more options (or an interest similar to an option) will be treated as exercised and thus will be counted as stock for purposes of determining whether the 50-

percent threshold is exceeded or whether a control group exists if a principal purpose of the issuance or the acquisition of the option (or other interest) was the avoidance of the general rule contained in section 367(a)(1).

(iii) *U.S. target has a vestigial ownership interest in transferee foreign corporation.* In cases where, immediately after the transfer, the U.S. target company owns, directly or indirectly (applying the attribution rules of sections 267(c)(1) and (5)), stock of the transferee foreign corporation, that stock will not in any way be taken into account (and, thus, will not be treated as outstanding) in determining whether the 50-percent threshold under paragraph (c)(1)(i) of this section is exceeded or whether a control group under paragraph (c)(1)(ii) of this section exists.

(iv) *Attribution rule.* Except as otherwise provided in this section, the rules of section 318, as modified by the rules of section 958(b) shall apply for purposes of determining the ownership or receipt of stock, securities or other property under this paragraph (c).

(5) *Definitions—(i) Ownership statement.* An ownership statement is a statement, signed under penalties of perjury, stating—

(A) The identity and taxpayer identification number, if any, of the person making the statement;

(B) That the person making the statement is not a U.S. person (as defined in paragraph (c)(5)(iv) of this section);

(C) That the person making the statement either—

(1) Owns less than 1 percent of the total voting power and total value of a U.S. target company the stock of which is described in Rule 13d-1(d) of Regulation 13D (17 CFR 240.13d-1(d)) (or any rule or regulation to generally the same effect) promulgated by the Securities and Exchange Commission under the Securities and Exchange Act of 1934 (15 U.S.C. 78m), and such person did not acquire the stock with a principal purpose to enable the U.S. transferors to satisfy the requirement contained in paragraph (c)(1)(i) of this section; or

(2) Is not related to any U.S. person to whom the stock or securities owned by the person making the statement

are attributable under the rules of section 958(b), and did not acquire the stock with a principal purpose to enable the U.S. transferors to satisfy the requirement contained in paragraph (c)(1)(i) of this section;

(D) The citizenship, permanent residence, home address, and U.S. address, if any, of the person making the statement; and

(E) The ownership such person has (by voting power and by value) in the U.S. target company prior to the exchange and the amount of stock of the transferee foreign corporation (by voting power and value) received by such person in the exchange.

(ii) *Five-percent transferee shareholder.* A five-percent transferee shareholder is a person that owns at least five percent of either the total voting power or the total value of the stock of the transferee foreign corporation immediately after the transfer described in section 367(a)(1). For special rules involving cases in which stock is held by a partnership, see paragraph (c)(4)(i) of this section.

(iii) *Five-percent target shareholder and certain other 5-percent shareholders.* A five-percent target shareholder is a person that owns at least five percent of either the total voting power or the total value of the stock of the U.S. target company immediately prior to the transfer described in section 367(a)(1). If the stock of the U.S. target company (or any company through which stock of the U.S. target company is owned indirectly or constructively) is described in Rule 13d-1(d) of Regulation 13D (17 CFR 240.13d-1(d)) (or any rule or regulation to generally the same effect), promulgated by the Securities and Exchange Commission under the Securities Exchange Act of 1934 (15 U.S.C. 78m), then, in the absence of actual knowledge to the contrary, the existence or absence of filings of Schedule 13-D or 13-G (or any similar schedules) may be relied upon for purposes of identifying five-percent target shareholders (or a five-percent shareholder of a corporation which itself is a five-percent shareholder of the U.S. target company). For special rules involving cases in which U.S. target company stock is held by a partnership, see paragraph (c)(4)(i) of this section.

(iv) *U.S. Person.* For purposes of this section, a U.S. person is defined by reference to §1.367(a)-1(d)(1). For application of the rules of this section to stock or securities owned or transferred by a partnership that is a U.S. person, however, see paragraph (c)(4)(i) of this section.

(v) *U.S. Transferor.* A U.S. transferor is a U.S. person (as defined in paragraph (c)(5)(iv) of this section) that transfers stock or securities of one or more U.S. target companies in exchange for stock of the transferee foreign corporation in an exchange described in section 367.

(vi) *Transferee foreign corporation.* Except as provided in paragraph (d)(2)(i)(B) of this section, a transferee foreign corporation is the foreign corporation whose stock is received in the exchange by U.S. persons.

(vii) *Qualified Subsidiary.* A qualified subsidiary is a foreign corporation whose stock is at least 80-percent owned (by total voting power and total value), directly or indirectly, by the transferee foreign corporation. However, a corporation will not be treated as a qualified subsidiary if it was affiliated with the U.S. target company (within the meaning of section 1504(a) but without the exceptions under section 1504(b) and substituting “50 percent” for “80 percent” where it appears therein) at any time during the 36-month period prior to the transfer. Nor will a corporation be treated as a qualified subsidiary if it was acquired by the transferee foreign corporation at any time during the 36-month period prior to the transfer for the principal purpose of satisfying the active trade or business test, including the substantiality test.

(viii) *Qualified partnership.* (A) Except as provided in paragraph (c)(5)(viii)(B) or (C) of this section, a qualified partnership is a partnership in which the transferee foreign corporation—

(1) Has active and substantial management functions as a partner with regard to the partnership business; or

(2) Has an interest representing a 25 percent or greater interest in the partnership’s capital and profits.

(B) A partnership is not a qualified partnership if the U.S. target company

or any affiliate of the U.S. target company (within the meaning of section 1504(a) but without the exceptions under section 1504(b) and substituting “50 percent” for “80 percent” where it appears therein) held a 5 percent or greater interest in the partnership’s capital and profits at any time during the 36-month period prior to the transfer.

(C) A partnership is not a qualified partnership if the transferee foreign corporation’s interest was acquired by that corporation at any time during the 36-month period prior to the transfer for the principal purpose of satisfying the active trade or business test, including the substantiality test.

(6) *Reporting requirements of U.S. target company.* (i) In order for a U.S. person that transfers stock or securities of a domestic corporation to qualify for the exception provided by this paragraph (c) to the general rule under section 367(a)(1), in cases where 10 percent or more of the total voting power or the total value of the stock of the U.S. target company is transferred by U.S. persons in the transaction, the U.S. target company must comply with the reporting requirements contained in this paragraph (c)(6). The U.S. target company must attach to its timely filed U.S. income tax return for the taxable year in which the transfer occurs a statement titled “Section 367(a)—Reporting of Cross-Border Transfer Under Reg. §1.367(a)-3(c)(6),” signed under penalties of perjury by an officer of the corporation to the best of the officer’s knowledge and belief, disclosing the following information—

(A) A description of the transaction in which a U.S. person or persons transferred stock or securities in the U.S. target company to the transferee foreign corporation in a transfer otherwise subject to section 367(a)(1);

(B) The amount (specified as to the percentage of the total voting power and the total value) of stock of the transferee foreign corporation received in the transaction, in the aggregate, by persons who transferred stock or securities of the U.S. target company. For additional information that may be required to rebut the ownership presumption of paragraph (c)(2) of this section in cases where more than 50 percent of

either the total voting power or the total value of the stock of the transferee foreign corporation is received in the transaction, in the aggregate, by persons who transferred stock or securities of the U.S. target company, see paragraph (c)(7) of this section;

(C) The amount (if any) of transferee foreign corporation stock owned directly or indirectly (applying the attribution rules of sections 267(c)(1) and (5)) immediately after the exchange by the U.S. target company;

(D) A statement that there is no control group within the meaning of paragraph (c)(1)(ii) of this section;

(E) A list of U.S. persons who are officers, directors or five-percent target shareholders and the percentage of the total voting power and the total value of the stock of the transferee foreign corporation owned by such persons both immediately before and immediately after the transaction; and

(F) A statement that includes the following—

(1) A statement that the active trade or business test described in paragraph (c)(3) of this section is satisfied by the transferee foreign corporation and a description of such business;

(2) A statement that on the day of the transaction, there was no intent on the part of the transferee foreign corporation (or its qualified subsidiary, if relevant) or the transferors of the transferee foreign corporation (or qualified subsidiary, if relevant) to substantially discontinue its active trade or business; and

(3) A statement that the substantiality test described in paragraph (c)(3)(iii) of this section is satisfied, and documentation that such test is satisfied, including the value of the transferee foreign corporation and the value of the U.S. target company on the day of the transfer, and either one of the following—

(i) A statement demonstrating that the value of the transferee foreign corporation 36 months prior to the acquisition, plus the value of any assets described in paragraph (c)(3)(iii)(B) of this section (including stock) acquired by the transferee foreign corporation within the 36-month period, less the amount of any liabilities acquired during that period, equals or exceeds the

value of the U.S. target company on the acquisition date; or

(ii) A statement demonstrating that the value of the transferee foreign corporation on the date of the acquisition, reduced by the value of any assets not described in paragraph (c)(3)(iii)(B) of this section (including stock) acquired by the transferee foreign corporation within the 36-month period, equals or exceeds the value of the U.S. target company on the date of the acquisition.

(ii) Except as provided in paragraph (f) of this section, for purposes of this paragraph (c)(6), a U.S. income tax return will be considered timely filed if it is filed on or before the last date prescribed for filing (taking into account any extensions of time therefor) for the taxable year in which the transfer occurs.

(7) *Ownership statements.* To rebut the ownership presumption of paragraph (c)(2) of this section, the U.S. target company must obtain ownership statements (described in paragraph (c)(5)(i) of this section) from a sufficient number of persons that transfer U.S. target company stock or securities in the transaction that are not U.S. persons to demonstrate that the 50-percent threshold of paragraph (c)(1)(i) of this section is not exceeded. In addition, the U.S. target company must attach to its timely filed U.S. income tax return (as described in paragraph (c)(6)(ii) of this section) for the taxable year in which the transfer occurs a statement, titled “Section 367(a)—Compilation of Ownership Statements Under Reg. §1.367(a)-3(c),” signed under penalties of perjury by an officer of the corporation, disclosing the following information:

(i) The amount (specified as to the percentage of the total voting power and the total value) of stock of the transferee foreign corporation received, in the aggregate, by U.S. transferors;

(ii) The amount (specified as to the percentage of total voting power and total value) of stock of the transferee foreign corporation received, in the aggregate, by foreign persons that filed ownership statements;

(iii) A summary of the information tabulated from the ownership statements, including—

(A) The names of the persons that filed ownership statements stating that they are not U.S. persons;

(B) The countries of residence and citizenship of such persons; and

(C) Each of such person's ownership (by voting power and by value) in the U.S. target company prior to the exchange and the amount of stock of the transferee foreign corporation (by voting power and value) received by such persons in the exchange.

(8) *Certain transfers in connection with performance of services.* Section 367(a)(1) shall not apply to a domestic corporation's transfer of its own stock or securities in connection with the performance of services, if the transfer is considered to be to a foreign corporation solely by reason of §1.83-6(d)(1). The transfer may still, however, be reportable under section 6038B. See §1.6038B-1(b)(2)(i)(A)(4) and (b)(2)(i)(B)(4).

(9) *Private letter ruling option.* The Internal Revenue Service may, in limited circumstances, issue a private letter ruling to permit the taxpayer to qualify for an exception to the general rule under section 367(a)(1) if—

(i) A taxpayer is unable to satisfy all of the requirements of paragraph (c)(3) of this section relating to the active trade or business test of paragraph (c)(1)(iv) of this section, but such taxpayer meets all of the other requirements contained in paragraphs (c)(1)(i) through (c)(1)(iii) of this section, and such taxpayer is substantially in compliance with the rules set forth in paragraph (c)(3) of this section; or

(ii) A taxpayer is unable to satisfy any requirement of paragraph (c)(1) of this section due to the application of paragraph (c)(4)(iv) of this section. Notwithstanding the preceding sentence, in no event will the Internal Revenue Service rule on the issue of whether the principal purpose of an acquisition was to satisfy the active trade or business test, including the substantiality test.

(10) *Examples.* This paragraph (c) may be illustrated by the following examples:

Example 1. Ownership presumption. (i) FC, a foreign corporation, issues 51 percent of its

stock to the shareholders of S, a domestic corporation, in exchange for their S stock, in a transaction described in section 367(a)(1).

(ii) Under paragraph (c)(2) of this section, all shareholders of S who receive stock of FC in the exchange are presumed to be U.S. persons. Unless this ownership presumption is rebutted, the condition set forth in paragraph (c)(1)(i) of this section will not be satisfied, and the exception in paragraph (c)(1) of this section will not be available. As a result, all U.S. persons that transferred S stock will recognize gain on the exchange. To rebut the ownership presumption, S must comply with the reporting requirements contained in paragraph (c)(6) of this section, obtaining ownership statements (described in paragraph (c)(5)(i) of this section) from a sufficient number of non-U.S. persons who received FC stock in the exchange to demonstrate that the amount of FC stock received by U.S. persons in the exchange does not exceed 50 percent.

Example 2. Filing of Gain Recognition Agreement. (i) The facts are the same as in *Example 1*, except that FC issues only 40 percent of its stock to the shareholders of S in the exchange. FC satisfies the active trade or business test of paragraph (c)(1)(iv) of this section. A, a U.S. person, owns 10 percent of S's stock immediately before the transfer. All other shareholders of S own less than five percent of its stock. None of S's officers or directors owns any stock in FC immediately after the transfer. A will own 15 percent of the stock of FC immediately after the transfer, 4 percent received in the exchange, and the balance being stock in FC that A owned prior to and independent of the transaction. No S shareholder besides A owns five percent or more of FC immediately after the transfer. The reporting requirements under paragraph (c)(6) of this section are satisfied.

(ii) The condition set forth in paragraph (c)(1)(i) of this section is satisfied because, even after application of the presumption in paragraph (c)(2) of this section, U.S. transferors could not receive more than 50 percent of FC's stock in the transaction. There is no control group because five-percent target shareholders and officers and directors of S do not, in the aggregate, own more than 50 percent of the stock of FC immediately after the transfer (A, the sole five-percent target shareholder, owns 15 percent of the stock of FC immediately after the transfer, and no officers or directors of S own any stock of FC immediately after the transfer). Therefore, the condition set forth in paragraph (c)(1)(ii) of this section is satisfied. The facts assume that the condition set forth in paragraph (c)(1)(iv) of this section is satisfied. Thus, U.S. persons that are not five-percent transferee shareholders will not recognize gain on the exchange of S shares for FC shares. A, a five-percent transferee shareholder, will not

be required to include in income any gain realized on the exchange in the year of the transfer if he files a 5-year gain recognition agreement (GRA) and complies with section 6038B.

Example 3. Control Group. (i) The facts are the same as in *Example 2*, except that B, another U.S. person, is a 5-percent target shareholder, owning 25 percent of S's stock immediately before the transfer. B owns 40 percent of the stock of FC immediately after the transfer, 10 percent received in the exchange, and the balance being stock in FC that B owned prior to and independent of the transaction.

(ii) A control group exists because A and B, each a five-percent target shareholder within the meaning of paragraph (c)(5)(iii) of this section, together own more than 50 percent of FC immediately after the transfer (counting both stock received in the exchange and stock owned prior to and independent of the exchange). As a result, the condition set forth in paragraph (c)(1)(ii) of this section is not satisfied, and all U.S. persons (not merely A and B) who transferred S stock will recognize gain on the exchange.

Example 4. Partnerships. (i) The facts are the same as in *Example 3*, except that B is a partnership (domestic or foreign) that has five equal partners, only two of whom, X and Y, are U.S. persons. Under paragraph (c)(4)(i) of this section, X and Y are treated as the owners and transferors of 5 percent each of the S stock owned and transferred by B and as owners of 8 percent each of the FC stock owned by B immediately after the transfer. U.S. persons that are five-percent target shareholders thus own a total of 31 percent of the stock of FC immediately after the transfer (A's 15 percent, plus X's 8 percent, plus Y's 8 percent).

(ii) Because no control group exists, the condition in paragraph (c)(1)(ii) of this section is satisfied. The conditions in paragraphs (c)(1)(i) and (iv) of this section also are satisfied. Thus, U.S. persons that are not five-percent transferee shareholders will not recognize gain on the exchange of S shares for FC shares. A, X, and Y, each a five-percent transferee shareholder, will not be required to include in income in the year of the transfer any gain realized on the exchange if they file 5-year GRAs and comply with section 6038B.

(11) *Applicability date of this paragraph (c)—(i) In general.* Except as otherwise provided, this paragraph (c) applies to transfers occurring after January 29, 1997. However, taxpayers may elect to apply this section in its entirety to all transfers occurring after April 17, 1994, provided that the statute of limitations of the affected tax year or years is open.

(ii) *Applicability date of certain provisions of this paragraph (c).* The first and second sentence of paragraph (c)(3)(iii)(C) of this section apply to transfers completed on or after September 22, 2014. The third sentence of paragraph (c)(3)(iii)(C) of this section applies to transfers completed on or after November 19, 2015. Taxpayers may, however, elect to apply the third sentence of paragraph (c)(3)(iii)(C) of this section to transfers completed on or after September 22, 2014, and before November 19, 2015.

(d) *Indirect stock transfers in certain nonrecognition transfers—(1) In general.* For purposes of this section, a U.S. person who exchanges, under section 354 (or section 356) stock or securities in a domestic or foreign corporation for stock or securities in a foreign corporation (or in a domestic corporation in control of a foreign acquiring corporation in a triangular section 368(a)(1)(B) reorganization) in connection with a transaction described in paragraphs (d)(1)(i) through (v) of this section (or who is deemed to make such an exchange under paragraph (d)(1)(vi) of this section) shall, except as provided in paragraph (d)(2)(vii) of this section, be treated as having made an indirect transfer of such stock or securities to a foreign corporation that is subject to the rules of this section, including, for example, the requirement, where applicable, that the U.S. transferor enter into a gain recognition agreement to preserve nonrecognition treatment under section 367(a). If the U.S. person exchanges stock or securities of a foreign corporation, see also section 367(b) and the regulations thereunder. For examples of the concurrent application of the indirect stock transfer rules under section 367(a) and the rules of section 367(b), see paragraph (d)(3) *Examples 14 and 15* of this section. For purposes of this paragraph (d), if a corporation acquiring assets in an asset reorganization transfers all or a portion of such assets to a corporation controlled (within the meaning of section 368(c)) by the acquiring corporation as part of the same transaction, the subsequent transfer of assets to the controlled corporation will be referred to as a controlled asset transfer. See section 368(a)(2)(C).

(i) *Mergers described in sections 368(a)(1)(A) and (a)(2)(D) and reorganizations described in sections 368(a)(1)(G) and (a)(2)(D).* A U.S. person exchanges stock or securities of a corporation (the acquired corporation) for stock or securities of a foreign corporation that controls the acquiring corporation in a reorganization described in either sections 368(a)(1)(A) and (a)(2)(D), or in sections 368(a)(1)(G) and (a)(2)(D). See paragraph (d)(3) *Example 1* of this section for an example of a reorganization described in sections 368(a)(1)(A) and (a)(2)(D) involving domestic acquired and acquiring corporations, and see paragraph (d)(3) *Example 10* of this section for an example involving a domestic acquired corporation and a foreign acquiring corporation.

(ii) *Mergers described in sections 368(a)(1)(A) and (a)(2)(E).* A U.S. person exchanges stock or securities of a corporation (the acquiring corporation) for stock or securities in a foreign corporation that controls the acquired corporation in a reorganization described in sections 368(a)(1)(A) and (a)(2)(E). See paragraph (d)(3) *Example 2* of this section for an example of a reorganization described in sections 368(a)(1)(A) and (a)(2)(E) involving domestic acquired and acquiring corporations, and see paragraph (d)(3) *Example 11* of this section for an example involving a domestic acquired corporation and a foreign acquiring corporation.

(iii) *Triangular reorganizations described in section 368(a)(1)(B)—(A)* A U.S. person exchanges stock or securities of the acquired corporation for voting stock or securities of a foreign corporation that is in control (as defined in section 368(c)) of the acquiring corporation in a reorganization described in section 368(a)(1)(B). See paragraph (d)(3) *Example 5* of this section.

(B) A U.S. person exchanges stock or securities of the acquired corporation for voting stock or securities of a domestic corporation that is in control (as defined in section 368(c)) of a foreign acquiring corporation in a reorganization described in section 368(a)(1)(B). See paragraph (d)(3) *Example 5A* of this section.

(iv) *Triangular reorganizations described in section 368(a)(1)(C).* A U.S. per-

son exchanges stock or securities of a corporation (the acquired corporation) for voting stock or securities of a foreign corporation that controls the acquiring corporation in a reorganization described in section 368(a)(1)(C). See, e.g., paragraph (d)(3) *Example 6* of this section (for an example of a triangular section 368(a)(1)(C) reorganization involving domestic acquired and acquiring corporations), and paragraph (d)(3) *Example 8* of this section (for an example involving a domestic acquired corporation and a foreign acquiring corporation). If the acquired corporation is a foreign corporation, see paragraph (d)(3) *Example 14* of this section, and section 367(b) and the regulations thereunder.

(v) *Transfers of assets to subsidiaries in certain section 368(a)(1) reorganizations.* A U.S. person exchanges stock or securities of a corporation (the acquired corporation) for stock or securities of a foreign acquiring corporation in an asset reorganization (other than a triangular section 368(a)(1)(C) reorganization described in paragraph (d)(1)(iv) of this section, a reorganization described in sections 368(a)(1)(A) and (a)(2)(D) or sections 368(a)(1)(G) and (a)(2)(D) described in paragraph (d)(1)(i) of this section, a reorganization described in sections 368(a)(1)(A) and (a)(2)(E) described in paragraph (d)(1)(ii) of this section, or a same-country section 368(a)(1)(F) reorganization) that is followed by a controlled asset transfer. For purposes of this section, a same-country section 368(a)(1)(F) reorganization is a reorganization described in section 368(a)(1)(F) in which both the acquired corporation and the acquiring corporation are foreign corporations and are created or organized under the laws of the same foreign country. In the case of a transaction described in this paragraph (d)(1)(v) in which some but not all of the assets of the acquired corporation are transferred in a controlled asset transfer, the transaction shall be considered to be an indirect transfer of stock or securities subject to this paragraph (d) only to the extent of the assets so transferred. The remaining assets shall be treated as having been transferred by the acquired corporation in an asset transfer rather than an indirect stock transfer, and, if

the acquired corporation is a domestic corporation, such asset transfer shall be subject to the other provisions of section 367, including sections 367(a)(1), (3), and (5), and (d). See paragraph (d)(3) *Examples 6A and 6B* of this section.

(vi) *Successive transfers of property to which section 351 applies.* A U.S. person transfers property (other than stock or securities) to a foreign corporation in an exchange described in section 351, and all or a portion of such assets transferred to the foreign corporation by such person are, in connection with the same transaction, transferred to a second corporation that is controlled by the foreign corporation in one or more exchanges described in section 351. For purposes of this paragraph (d)(1) and § 1.367(a)-8, the initial transfer by the U.S. person shall be deemed to be a transfer of stock described in section 354. (Any assets transferred to the foreign corporation that are not transferred by the foreign corporation to a second corporation shall be treated as a transfer of assets subject to the general rules of section 367, including sections 367(a)(1), (3), (5) and (d), and not as an indirect stock transfer under the rules of this paragraph (d).) See, e.g., paragraph (d)(3) *Example 13 and Example 13A* of this section.

(2) *Special rules for indirect transfers.* If a U.S. person is considered to make an indirect transfer of stock or securities described in paragraph (d)(1) of this section, the rules of this section and § 1.367(a)-8 shall apply to the transfer. For purposes of applying the rules of this section and § 1.367(a)-8:

(i) *Transferee foreign corporation—(A) General rule.* Except as provided in paragraph (d)(2)(i)(B) of this section, the transferee foreign corporation shall be the foreign corporation that issues stock or securities to the U.S. person in the exchange.

(B) *Special rule for triangular reorganizations described in paragraph (d)(1)(iii)(B) of this section.* In the case of a triangular reorganization described in paragraph (d)(1)(iii)(B) of this section, the transferee foreign corporation shall be the foreign acquiring corporation. See paragraph (d)(3) *Example 5A* of this section.

(ii) *Transferred corporation.* The transferred corporation shall be the acquir-

ing corporation, except as provided in this paragraph (d)(2)(ii). In the case of a triangular section 368(a)(1)(B) reorganization described in paragraph (d)(1)(iii) of this section, the transferred corporation shall be the acquired corporation. In the case of an indirect stock transfer described in paragraph (d)(1)(i), (ii), or (iv) of this section followed by a controlled asset transfer, or an indirect stock transfer described in paragraph (d)(1)(v) of this section, the transferred corporation shall be the controlled corporation to which the assets are transferred. In the case of successive section 351 transfers described in paragraph (d)(1)(vi) of this section, the transferred corporation shall be the corporation to which the assets are transferred in the final section 351 transfer. The transferred property shall be the stock or securities of the transferred corporation, as appropriate under the circumstances.

(iii) *Amount of gain.* For purposes of determining the amount of gain that a U.S. person is required to include in income as a result of a triggering event, see § 1.367(a)-8(c)(1)(i).

(iv) *Gain recognition agreements involving multiple parties.* The U.S. person's agreement to recognize gain, as provided in § 1.367(a)-8, shall include appropriate provisions consistent with the principles of § 1.367(a)-8. See *Examples 5 and 5A* of this section and § 1.367(a)-8(j)(9).

(v) *Determination of whether substantially all of the transferred corporation's assets are disposed of.* For purposes of applying § 1.367(a)-8(j)(2)(i) to determine whether substantially all of the assets of the transferred corporation have been disposed of, the following assets shall be taken into account (but only if such assets are not fully taxable under section 367 in the taxable year that includes the indirect transfer)—

(A) In the case of a reorganization described in paragraph (d)(1)(i) of this section (a reorganization described in sections 368(a)(1)(A) and (a)(2)(D) or sections 368(a)(1)(G) and (a)(2)(D)) or a reorganization described in section (d)(1)(iv) of this section (a triangular section 368(a)(1)(C) reorganization), the assets of the acquired corporation;

(B) In the case of a sections 368(a)(1)(A) and (a)(2)(E) reorganization

described in paragraph (d)(1)(ii) of this section, the assets of the acquiring corporation immediately prior to the transaction;

(C) In the case of an asset reorganization followed by a controlled asset transfer, as described in paragraph (d)(1)(v) of this section, the assets of the acquired corporation that are transferred to the corporation controlled by the acquiring corporation;

(D) In the case of a triangular reorganization described in section 368(a)(1)(C) followed by a controlled asset transfer, a reorganization described in sections 368(a)(1)(A) and (a)(2)(D) followed by a controlled asset transfer, or a reorganization described in sections 368(a)(1)(G) and (a)(2)(D) followed by a controlled asset transfer, the assets of the acquired corporation including those transferred to the corporation controlled by the acquiring corporation;

(E) In the case of a reorganization described in sections 368(a)(1)(A) and (a)(2)(E) followed by a controlled asset transfer, the assets of the acquiring corporation including those transferred to the corporation controlled by the acquiring corporation; and

(F) In the case of successive section 351 exchanges described in paragraph (d)(1)(vi) of this section, the assets that are both transferred initially to the foreign corporation, and transferred by the foreign corporation to a second corporation.

(vi) *Coordination between asset transfer rules and indirect stock transfer rules—*

(A) *General rule.* Except as otherwise provided in this paragraph (d)(2)(vi), if, pursuant to any of the transactions described in paragraph (d)(1) of this section, a U.S. person transfers (or is deemed to transfer) assets to a foreign corporation in an exchange described in section 351 or section 361, the rules of section 367, including sections 367(a)(1), (a)(3), and (a)(5), as well as section 367(d), and the regulations thereunder shall apply prior to the application of the rules of this section.

(B) *Exceptions—(1)* If a transaction is described in paragraph (d)(2)(vi)(A) of this section, section 367(a) and (d) will not apply to the extent a domestic corporation (domestic acquired corporation) transfers assets to a foreign cor-

poration (foreign acquiring corporation) in an asset reorganization, and those assets (re-transferred assets) are transferred to a domestic corporation (domestic controlled corporation) in a controlled asset transfer, provided that each of the following conditions is satisfied:

(i) The domestic controlled corporation's adjusted basis in the re-transferred assets is not greater than the domestic acquired corporation's adjusted basis in those assets. For this purpose, any increase in basis in the re-transferred assets that results because the domestic acquired corporation recognized gain or income with respect to the re-transferred assets in the transaction is not taken into account.

(ii) The domestic acquired corporation includes a statement described in paragraph (d)(2)(vi)(C) of this section with its timely filed U.S. income tax return for the taxable year of the transfer; and

(iii) The requirements of paragraphs (c)(1)(i), (ii), and (iv) and (c)(6) of this section are satisfied with respect to the indirect transfer of stock in the domestic acquired corporation.

(2) Sections 367(a) and (d) shall not apply to transfers described in paragraph (d)(1)(vi) of this section if a U.S. person transfers assets to a foreign corporation in a section 351 exchange, to the extent that such assets are transferred by such foreign corporation to a domestic corporation in another section 351 exchange, but only if the domestic transferee's adjusted basis in the assets is not greater than the adjusted basis that the U.S. person had in such assets. Any increase in adjusted basis in the assets that results because the U.S. person recognized gain or income with respect to such assets in the initial section 351 exchange is not taken into account for purposes of determining whether the domestic transferee's adjusted basis in the assets is not greater than the U.S. person's adjusted basis in such assets. This paragraph (d)(2)(vi)(B)(2) will not, however, apply to an exchange described in section 351 that is also an exchange described in section 361(a) or (b). An exchange described in section 351 that is also an exchange described in section

361(a) or (b) is only eligible for the exception in paragraph (d)(2)(vi)(B)(I) of this section.

(C) *Required statement.* The statement required by paragraph (d)(2)(vi)(B)(I)(ii) of this section shall be entitled "Required Statement under §1.367(a)-3(d) for Assets Transferred to a Domestic Corporation" and shall be signed under penalties of perjury by an authorized officer of the domestic acquired corporation and by an authorized officer of the foreign acquiring corporation. The required statement shall contain a certification that, if the foreign acquiring corporation disposes of any stock of the domestic controlled corporation in a transaction described in paragraph (d)(2)(vi)(D) of this section, the domestic acquired corporation shall recognize gain as described in paragraph (d)(2)(vi)(E) of this section. The domestic acquired corporation (or the foreign acquiring corporation on behalf of the domestic acquired corporation) shall file a U.S. income tax return (or an amended U.S. tax return, as the case may be) for the year of the transfer reporting such gain.

(D) *Gain recognition transaction.* (1) A transaction described in this paragraph (d)(2)(vi)(D) is one where a principal purpose of the transfer by the domestic acquired corporation is the avoidance of U.S. tax that would have been imposed on the domestic acquired corporation on the disposition of the re-transferred assets. A transfer may have a principal purpose of tax avoidance even though the tax avoidance purpose is outweighed by other purposes when taken together.

(2) For purposes of paragraph (d)(2)(vi)(D)(I) of this section, a transaction is deemed to have a principal purpose of tax avoidance if the foreign acquiring corporation disposes of any stock of the domestic controlled corporation (whether in a recognition or non-recognition transaction) within 2 years of the transfer described in paragraph (d)(2)(vi)(A) of this section. The rule in this paragraph (d)(2)(vi)(D)(2) shall not apply if the domestic acquired corporation (or the foreign acquiring corporation on behalf of the domestic acquired corporation) demonstrates to the satisfaction of the Commissioner that the avoidance of

U.S. tax was not a principal purpose of the transaction. For this purpose, a disposition by the foreign acquiring corporation of stock of the domestic controlled corporation more than 5 years after completion of the transfer described in paragraph (d)(2)(vi)(A) of this section is deemed to not have a principal purpose of tax avoidance.

(E) *Amount of gain recognized and other matters.* (1) In the case of a transaction described in paragraph (d)(2)(vi)(D) of this section, solely for purposes of this paragraph (d)(2)(vi)(E), the domestic acquired corporation shall be treated as if, immediately prior to the transfer described in paragraph (d)(2)(vi)(A) of this section, it transferred the re-transferred assets, including any intangible assets, directly to a domestic corporation in exchange for stock of such domestic corporation in a transaction that is treated as a section 351 exchange, and immediately sold such stock to an unrelated party for its fair market value in a sale in which it shall recognize gain, if any (but not loss). Any gain recognized by the domestic acquired corporation pursuant to this paragraph (d)(2)(vi)(E) will increase the basis that the foreign acquiring corporation has in the stock of the domestic controlled corporation immediately before the transaction described in paragraph (d)(2)(vi)(D) of this section, but will not increase the basis of the re-transferred assets held by the domestic controlled corporation. Section 1.367(d)-1T(g)(6) shall not apply with respect to any intangible property included in the re-transferred assets described in this paragraph.

(2) If additional tax is required to be paid as a result of a transaction described in paragraph (d)(2)(vi)(D) of this section, then interest must be paid on that amount at rates determined under section 6621 with respect to the period between the date prescribed for filing the domestic acquired corporation's income tax return for the year of the transfer and the date on which the additional tax for that year is paid.

(F) *Examples.* For illustrations of the rules in paragraph (d)(2)(vi) of this section, see paragraph (d)(3) *Examples 6B, 6C, 9, and 13A* of this section.

(vii) *Change in status of a domestic acquired corporation to a foreign corporation.* (A) A U.S. person that exchanges stock or securities of a domestic corporation for stock or securities of a foreign corporation under section 354 (or section 356) will be treated for purposes of this section as having made an indirect stock transfer of the stock or securities of a foreign corporation (and not of a domestic corporation) to a foreign corporation under paragraph (b) of this section (but not paragraph (c) of this section), if the acquired domestic corporation is a subsidiary member (within the meaning of §1.1502-1(c)) of a consolidated group (within the meaning of §1.1502-1(h)) immediately before the transaction, and if the transaction is either of the following:

(1) Described in paragraph (d)(1)(i) or (iv) of this section, but only if the acquiring corporation is foreign. See paragraph (d)(3) *Examples 8, 9, 10 and 12* of this section.

(2) Described in paragraph (d)(1)(v) of this section, but only to the extent the controlled asset transfer is to a foreign corporation. See paragraph (d)(3) *Example 6A* of this section.

(B) The rules of paragraph (d)(2)(vii)(A) of this section will not apply to the extent assets transferred to the foreign acquiring corporation in a transaction described in paragraph (d)(2)(vii)(A)(1) of this section, or assets transferred to a foreign corporation in a controlled asset transfer in a transaction described in paragraph (d)(2)(vii)(A)(2) of this section, are retransferred to a domestic controlled corporation in one or more successive transfers as part of the same transaction. See paragraph (d)(3) *Example 9* of this section.

(3) *Examples.* The rules of this paragraph (d) and §1.367(a)-8 are illustrated by the following examples. For purposes of these examples, assume section 7874 does not apply.

Example 1. Section 368(a)(1)(A)/(a)(2)(D) reorganization. (i) *Facts.* F, a foreign corporation, owns all the stock of Newco, a domestic corporation. A, a domestic corporation, owns all of the stock of W, also a domestic corporation. A and W file a consolidated Federal income tax return. A does not own any stock in F (applying the attribution rules of section 318, as modified by section 958(b)). In a reorganization described in sections

368(a)(1)(A) and (a)(2)(D), Newco acquires all of the assets of W, and A receives 40% of the stock of F in an exchange described in section 354.

(ii) *Result.* Pursuant to paragraph (d)(1)(i) of this section, the reorganization is subject to the indirect stock transfer rules. F is treated as the transferee foreign corporation, and Newco is treated as the transferred corporation. Provided that the requirements of paragraph (c)(1) of this section are satisfied, including the requirement that A enter into a five-year gain recognition agreement as described in §1.367(a)-8, A's exchange of W stock for F stock under section 354 will not be subject to section 367(a)(1). If F disposes (within the meaning of §1.367(a)-8(j)(1)) of all (or a portion) of Newco's stock within the five-year term of the agreement (and A has not made a valid election under §1.367(a)-8(c)(2)(vi)), A is required to file an amended return for the year of the transfer and include in income, with interest, the gain realized but not recognized on the initial section 354 exchange. If A has made a valid election under §1.367(a)-8(c)(2)(vi) to include the amount subject to the gain recognition agreement in the year of the triggering event, A would instead include the gain on its tax return for the taxable year that includes the triggering event, together with interest.

Example 1A. Transferor is a subsidiary in consolidated group. (i) *Facts.* The facts are the same as in *Example 1*, except that A is owned by P, a domestic corporation, and for the taxable year in which the transaction occurred, P, A and W filed a consolidated Federal income tax return.

(ii) *Result.* Even though A is the U.S. transferor, P is required under §1.367(a)-8(d)(3) and (e)(1)(i) to enter into the gain recognition agreement and comply with the requirements under §1.367(a)-8. If A leaves the P group, the gain recognition agreement would be triggered pursuant to §1.367(a)-8(j)(5), unless the exception provided under §1.367(a)-8(k)(10) applies.

Example 2. Section 368(a)(1)(A)/(a)(2)(E) reorganization. (i) *Facts.* The facts are the same as in *Example 1*, except that Newco merges into W and Newco receives stock of W which it distributes to F in a reorganization described in sections 368(a)(1)(A) and (a)(2)(E). Pursuant to the reorganization, A receives 40 percent of the stock of F in an exchange described in section 354.

(ii) *Result.* The consequences of the transfer are similar to those described in *Example 1*. Pursuant to paragraph (d)(1)(ii) of this section, A is considered to have transferred its W stock to F pursuant to the indirect stock transfer rules. F is treated as the transferee foreign corporation, and W is treated as the transferred corporation. Provided that the requirements of paragraph (c)(1) of this section are satisfied, including the requirement

that A enter into a five-year gain recognition agreement as described in § 1.367(a)-8, A's exchange of W stock for F stock under section 354 will not be subject to section 367(a)(1).

Example 3. Taxable transaction pursuant to indirect stock transfer rules. (i) *Facts.* The facts are the same as in *Example 1*, except that A receives 55 percent of either the total voting power or the total value of the stock of F in the transaction.

(ii) *Result.* A is required to include in income in the year of the exchange the amount of gain realized on such exchange. See paragraph (c)(1)(i) of this section. If A fails to include the income on its timely-filed return, A will also be liable for the penalty under section 6038B (together with interest and other applicable penalties) unless A's failure to include the income is due to reasonable cause and not willful neglect. See § 1.6038B-1(f).

Example 4. Disposition by U.S. transferred corporation of substantially all of its assets. (i) *Facts.* The facts are the same as in *Example 1*, except that, during the third year of the gain recognition agreement, Newco disposes of substantially all (as described in § 1.367(a)-8(j)(2)(i)) of the assets described in paragraph (d)(2)(v)(A) of this section for cash and recognizes currently all of the gain realized on the disposition.

(ii) *Result.* Under § 1.367(a)-8(j)(2), the gain recognition agreement is generally triggered when the transferred corporation disposes of substantially all of its assets. However, under the special rule contained in § 1.367(a)-8(o)(4), because A owned an amount of stock in W described in section 1504(a)(2) immediately before the transaction, because A and W filed a consolidated Federal income tax return prior to the transaction, and Newco, the transferred corporation, is a domestic corporation, the gain recognition agreement is terminated and has no further effect.

Example 5. Triangular section 368(a)(1)(B) reorganization. (i) *Facts.* F, a foreign corporation, owns all the stock of S, a domestic corporation. U, a domestic corporation, owns all of the stock of Y, also a domestic corporation. U does not own any of the stock of F (applying the attribution rules of section 318, as modified by section 958(b)). In a triangular reorganization described in section 368(a)(1)(B) and paragraph (d)(1)(iii)(A) of this section, S acquires all the stock of Y, and U receives 10% of the voting stock of F.

(ii) *Result.* U's exchange of Y stock for F stock will not be subject to section 367(a)(1), provided that all of the requirements of paragraph (c)(1) are satisfied, including the requirement that U enter into a five-year gain recognition agreement. For purposes of this section, F is treated as the transferee foreign corporation and Y is treated as the transferred corporation. See paragraphs (d)(2)(i) and (ii) of this section. Under

§ 1.367(a)-8(j)(9), the gain recognition agreement would be triggered if F sold all or a portion of the stock of S.

Example 5A. Triangular section 368(a)(1)(B) reorganization. (i) *Facts.* The facts are the same as in *Example 5*, except that F is a domestic corporation and S is a foreign corporation.

(ii) *Result.* U's exchange of Y stock for stock of F, a domestic corporation in control of S, the foreign acquiring corporation, is treated as an indirect transfer of Y stock to a foreign corporation under paragraph (d)(1)(iii)(B) of this section. U's exchange of Y stock for F stock will not be subject to section 367(a)(1) provided that all of the requirements of paragraph (c)(1) of this section are satisfied, including the requirement that U enter into a five-year gain recognition agreement. In satisfying the 50 percent or less ownership requirements of paragraphs (c)(1)(i) and (ii) of this section, U's indirect ownership of S stock (through its direct ownership of F) will determine whether the requirement of paragraph (c)(1)(i) of this section is satisfied and will be taken into account in determining whether the requirement of paragraph (c)(1)(ii) of this section is satisfied. See paragraph (c)(4)(iv) of this section. For purposes of this section, S is treated as the transferee foreign corporation (see paragraph (d)(2)(i)(B) of this section). If Y sold substantially all of its assets (within the meaning of section 368(a)(1)(C)), the gain recognition agreement would be terminated because U owned an amount of stock in Y described in section 1504(a)(2) immediately before the transaction and Y is a domestic corporation. See § 1.367(a)-8(o)(4).

Example 6. Triangular section 368(a)(1)(C) reorganization. (i) *Facts.* F, a foreign corporation, owns all of the stock of R, a domestic corporation that operates an historical business. V, a domestic corporation, owns all of the stock of Z, also a domestic corporation. V does not own any of the stock of F (applying the attribution rules of section 318 as modified by section 958(b)). In a triangular reorganization described in section 368(a)(1)(C) (and paragraph (d)(1)(iv) of this section), R acquires all of the assets of Z, and V receives 30% of the voting stock of F.

(ii) *Result.* The consequences of the transfer are similar to those described in *Example 1*; V is required to enter into a 5-year gain recognition agreement under § 1.367(a)-8 to secure nonrecognition treatment under section 367(a). Under paragraphs (d)(2)(i) and (ii) of this section, F is treated as the transferee foreign corporation and R is treated as the transferred corporation. In determining whether, in a later transaction, R has disposed of substantially all of its assets under § 1.367(a)-8(j)(2)(i), see paragraph (d)(2)(v)(A) of this section.

Example 6A. Section 368(a)(1)(C) reorganization followed by section 368(a)(2)(C) exchange.

(i) *Facts.* The facts are the same as in *Example 6*, except that the transaction is structured as a section 368(a)(1)(C) reorganization with Z transferring its assets to F, followed by a controlled asset transfer, and R is a foreign corporation. The following additional facts are present. Z has 3 businesses: Business A with a basis of \$10 and a value of \$50, Business B with a basis of \$10 and a value of \$40, and Business C with a basis of \$10 and a value of \$30. V and Z file a consolidated Federal income tax return and V has a basis of \$30 in the Z stock, which has a value of \$120. Assume that Businesses A and B consist solely of assets that will satisfy the section 367(a)(3) active trade or business exception; none of Business C's assets will satisfy the exception. Z transfers all 3 businesses to F in exchange for 30 percent of the F stock, which Z distributes to V pursuant to a section 368(a)(1)(C) reorganization. F then contributes Businesses B and C to R in a controlled asset transfer.

(ii) *Result.* The transfer of the Business A assets by Z to F does not constitute an indirect stock transfer under paragraph (d) of this section, and, subject to the conditions and requirements of section 367(a)(5) and § 1.367(a)-7(c), the Business A assets qualify for the section 367(a)(3) active trade or business exception and are not subject to section 367(a)(1). The transfer of the Business B and C assets by Z to F must first be tested under sections 367(a)(1), (a)(3), and (a)(5). Z recognizes \$20 of gain on the outbound transfer of the Business C assets, as those assets do not qualify for an exception to section 367(a)(1). Subject to the conditions and requirements of section 367(a)(5) and § 1.367(a)-7(c), the Business B assets qualify for the active trade or business exception under section 367(a)(3). Pursuant to paragraphs (d)(1) and (d)(2)(vii)(A)(2) of this section, V is deemed to transfer the stock of a foreign corporation to F in a section 354 exchange subject to the rules of paragraphs (b) and (d) of this section. V must enter into the gain recognition agreement in the amount of \$30 to preserve Z's nonrecognition treatment with respect to its transfer of Business B assets. Under paragraphs (d)(2)(i) and (d)(2)(ii) of this section, F is the transferee foreign corporation and R is the transferred corporation.

Example 6B. Section 368(a)(1)(C) reorganization followed by a controlled asset transfer to a domestic controlled corporation—(i) Facts. The facts are the same as in paragraph (d)(3), *Example 6A*, of this section, except that R is a domestic corporation.

(ii) *Result.* As in paragraph (d)(3), *Example 6A*, of this section, the outbound transfer of the Business A assets to F is not affected by the rules of § 1.367-3(d) and is subject to the general rules under section 367. Subject to the conditions and requirements of section 367(a)(5) and § 1.367(a)-7(c), the Business A assets qualify for the section 367(a)(3) active

trade or business exception and are not subject to section 367(a)(1). The Business B and C assets are part of an indirect stock transfer under § 1.367-3(d), but must first be tested under section 367(a) and (d). The Business B assets qualify for the active trade or business exception under section 367(a)(3); the Business C assets do not. However, pursuant to paragraph (d)(2)(vi)(B)(I) of this section, the Business B and C assets are not subject to section 367(a) or (d), provided that the basis of the Business B and C assets in the hands of R is not greater than the basis of the assets in the hands of Z, the requirements of paragraphs (c)(1)(i), (ii), and (iv) and (c)(6) of this section are satisfied, and Z attaches a statement described in paragraphs (d)(2)(vi)(C) of this section to its U.S. income tax return for the taxable year of the transfer. V also is deemed to make an indirect transfer of Z stock under the rules of paragraph (d) of this section to the extent the assets are transferred to R. To preserve non-recognition treatment, and assuming the other requirements of paragraph (c) of this section are satisfied, V must enter into a gain recognition agreement in the amount of \$50, which equals the aggregate gain in the Business B and C assets, because the transfer of those assets by Z was not taxable under section 367(a)(1) and constitute an indirect stock transfer.

Example 6C. Section 368(a)(1)(C) reorganization followed by a controlled asset transfer to a domestic controlled corporation—(i) Facts. The facts are the same as in paragraph (d)(3), *Example 6B*, of this section, except that Z is owned by U.S. individuals, none of whom qualify as five-percent target shareholders with respect to Z within the meaning of paragraph (c)(5)(iii) of this section. The following additional facts are present. No U.S. persons that are either officers or directors of Z own any stock of F immediately after the transfer. F is engaged in an active trade or business outside the United States that satisfies the test set forth in paragraph (c)(3) of this section.

(ii) *Result.* The Business A assets transferred to F are not re-transferred to R and therefore Z's transfer of these assets is not subject to the rules of paragraph (d) of this section. However, gain must be recognized on the transfer of those assets under section 367(a)(1) because the section 367(a)(3) active trade or business exception is inapplicable pursuant to section 367(a)(5) and § 1.367(a)-7(b). The Business B and C assets are part of an indirect stock transfer under paragraph (d) of this section, but must first be tested with respect to Z under section 367(a) and (d), as provided in paragraph (d)(2)(vi) of this section. The transfer of the Business B assets (which otherwise would satisfy the section 367(a)(3) active trade or business exception) generally is subject to section 367(a)(1) pursuant to section 367(a)(5) and § 1.367(a)-7(b).

The transfer of the Business C assets generally is subject to section 367(a)(1) because these assets do not qualify for the active trade or business exception under section 367(a)(3). However, pursuant to paragraph (d)(2)(vi)(B) of this section, the transfer of the Business B and C assets is not subject to sections 367(a)(1) and (d), provided the basis of the Business B and C assets in the hands of R is no greater than the basis in the hands of Z and certain other requirements are satisfied. Z may avoid immediate gain recognition under section 367(a) and (d) on the transfers of the Business B and Business C assets to F if, pursuant to paragraph (d)(2)(vi)(B) of this section, the indirect transfer of Z stock satisfies the requirements of paragraphs (c)(1)(i), (ii), and (iv) and (c)(6) of this section, and Z attaches a statement described in paragraph (d)(2)(vi)(C) of this section to its U.S. income tax return for the taxable year of the transfer. In general, the statement must contain a certification that, if F disposes of the stock of R (in a recognition or nonrecognition transaction) and a principal purpose of the transfer is the avoidance of U.S. tax that would have been imposed on Z on the disposition of the Business B and C assets transferred to R, then Z (or F on behalf of Z) will file a return (or amended return as the case may be) recognizing gain (\$50), as if, immediately prior to the reorganization, Z transferred the Business B and C assets to a domestic corporation in exchange for stock in a transaction treated as a section 351 exchange and immediately sold such stock to an unrelated party for its fair market value. A transaction is deemed to have a principal purpose of U.S. tax avoidance if F disposes of R stock within two years of the transfer, unless Z (or F on behalf of Z) can rebut the presumption to the satisfaction of the Commissioner. See paragraph (d)(2)(vi)(D)(2) of this section. With respect to the indirect transfer of Z stock, assume the requirements of paragraphs (c)(1)(i), (ii), and (iv) of this section are satisfied. Thus, assuming Z attaches the statement described in paragraph (d)(2)(vi)(C) of this section to its U.S. income tax return and satisfies the reporting requirements of paragraph (c)(6) of this section, the transfer of Business B and C assets is not subject to immediate gain recognition under section 367(a) or (d).

Example 7. Triangular section 368(a)(1)(C) reorganization followed by 351 exchange. (i) *Facts.* The facts are the same as in *Example 6*, except that, during the fourth year of the gain recognition agreement, R transfers substantially all of the assets received from Z to K, a wholly-owned domestic subsidiary of R, in an exchange described in section 351.

(ii) *Result.* The disposition by R, the transferred corporation, of substantially all of its assets would terminate the gain recognition agreement if the assets were disposed of in a taxable transaction because V owned an

amount of stock in Z described in section 1504(a)(2) immediately before the transaction, and R is a domestic corporation. See § 1.367(a)-8(o)(4). Because the assets were transferred in an exchange to which section 351 applies, such transfer does not trigger the gain recognition agreement if V complies with the requirements contained in § 1.367(a)-8(k)(4). See also paragraph (d)(2)(iv) of this section. To determine whether substantially all of the assets are disposed of, any assets of Z that were transferred by Z to R and then contributed by R to K are taken into account.

Example 7A. Triangular section 368(a)(1)(C) reorganization followed by section 351 exchange with foreign transferee. (i) *Facts.* The facts are the same as in *Example 7* except that K is a foreign corporation.

(ii) *Result.* This transfer of assets by R to K must be analyzed to determine its effect upon the gain recognition agreement, and such transfer is also an outbound transfer of assets that is taxable under section 367(a)(1) unless the active trade or business exception under section 367(a)(3) applies. If the transfer is fully taxable under section 367(a)(1), the transfer is treated as if the transferred company, R, sold substantially all of its assets. Thus, the gain recognition agreement would terminate because V owned an amount of stock in Z described in section 1504(a)(2) immediately before the transaction, and R is a domestic corporation. See § 1.367(a)-8(o)(4). If each asset transferred qualifies for nonrecognition treatment under section 367(a)(3) and the regulations thereunder (which require, under § 1.367(a)-2(a)(2)(iii), the transferor to comply with the reporting requirements under section 6038B), the result is the same as in *Example 7*. If a portion of the assets transferred qualify for nonrecognition treatment under section 367(a)(3) and a portion are taxable under section 367(a)(1) (but such portion does not result in the disposition of substantially all of the assets), the gain recognition agreement will not be triggered if such information is reported as required under § 1.367(a)-8(g) and V satisfies the requirements contained in § 1.367(a)-8(k)(4).

Example 8. Concurrent application of asset transfer and indirect stock transfer rules in consolidated return setting. (i) *Facts.* Assume the same facts as in *Example 6*, except that R is a foreign corporation and V and Z file a consolidated return for Federal income tax purposes. The properties of Z consist of Business A assets, with an adjusted basis of \$50 and fair market value of \$90, and Business B assets, with an adjusted basis of \$50 and a fair market value of \$110. Assume that the Business A assets do not qualify for the active trade or business exception under section 367(a)(3), but that the Business B assets do qualify for the exception. V's basis in the Z stock is \$100, and the value of such stock is \$200.

(ii) *Result.* Under paragraph (d)(2)(vi), the assets of Businesses A and B that are transferred to R must be tested under sections 367(a)(3) and (a)(5) prior to consideration of the indirect stock transfer rules of this paragraph (d). Thus, Z must recognize \$40 of income under section 367(a)(1) on the outbound transfer of Business A assets. Subject to the conditions and requirements of section 367(a)(5) and § 1.367(a)-7(c), the Business B assets qualify for the active trade or business exception under section 367(a)(3). Under § 1.1502-32, because V and Z file a consolidated return, V's basis in its Z stock increases from \$100 to \$140 as a result of Z's \$40 gain. Pursuant to paragraphs (d)(1) and (d)(2)(vii)(A)(I) of this section, V is deemed to transfer the stock of a foreign corporation to F in a section 354 exchange subject to the rules of paragraphs (b) and (d) of this section, and therefore must enter into a gain recognition agreement in the amount of \$60 (the gain realized but not recognized by V in the stock of Z after the \$40 basis adjustment). If F sells a portion of its stock in R during the term of the agreement, V will be required to recognize a portion of the \$60 gain subject to the agreement. To determine whether R disposes of substantially all of its assets (under § 1.367(a)-8(j)(2)(i)), only the Business B assets will be considered (because the transfer of the Business A assets was taxable to Z under section 367). See paragraph (d)(2)(v)(A) of this section.

Example 8A. Concurrent application without consolidated returns. (i) *Facts.* The facts are the same as in *Example 8*, except that V and Z do not file consolidated income tax returns.

(ii) *Result.* Z would still recognize \$40 of gain on the transfer of its Business A assets, and the Business B assets would still qualify for the active trade or business exception under section 367(a)(3). However, V's basis in its stock of Z would not be increased by the amount of Z's gain. V's indirect transfer of stock will be taxable unless V enters into a gain recognition agreement (as described in § 1.367(a)-8) for the \$100 of gain realized but not recognized with respect to the stock of Z.

Example 8B. Concurrent application with individual U.S. shareholder. (i) *Facts.* The facts are the same as in *Example 8*, except that V is an individual U.S. citizen.

(ii) *Result.* Under section 367(a)(5) and § 1.367(a)-7(b), the active trade or business exception under section 367(a)(3) does not apply to Z's transfer of assets to R. Thus, Z's transfer of assets to R would be fully taxable under section 367(a)(1). Z would recognize \$100 of income. V's basis in its stock of Z is not increased by this amount. V is taxable with respect to its indirect transfer of its Z stock unless V enters into a gain recognition agreement in the amount of the \$100, the

gain realized but not recognized with respect to its Z stock.

Example 8C. Concurrent application with nonresident alien shareholder. (i) *Facts.* The facts are the same as in *Example 8*, except that V is a nonresident alien.

(ii) *Result.* Under section 367(a)(5) and § 1.367(a)-7(b), the active trade or business exception under section 367(a)(3) does not apply to Z's transfer of assets to R. Thus, Z has \$100 of gain with respect to the Business A and B assets. Because V is a nonresident alien, however, V is not subject to section 367(a) with respect to its indirect transfer of Z stock.

Example 9. Indirect stock transfer by reason of a controlled asset transfer—(i) *Facts.* The facts are the same as in paragraph (d)(3), *Example 8*, of this section, except that R transfers the Business A assets to M, a wholly owned domestic subsidiary of R, in a controlled asset transfer. In addition, V's basis in its Z stock is \$90.

(ii) *Result.* Pursuant to paragraph (d)(2)(vi)(B) of this section, sections 367(a) and (d) do not apply to Z's transfer of the Business A assets to R if M's basis in the Business A assets is not greater than the basis of the assets in the hands of Z, the requirements of paragraphs (c)(1)(i), (ii), and (iv) and (c)(6) of this section are satisfied, and Z includes a statement described in paragraph (d)(2)(vi)(C) of this section with its U.S. income tax return for the taxable year of the transfer. Subject to the conditions and requirements of section 367(a)(5) and § 1.367(a)-7(c), Z's transfer of the Business B assets to R (which are not re-transferred to M) qualifies for the active trade or business exception under section 367(a)(3). Pursuant to paragraphs (d)(1) and (d)(2)(vii)(A)(I) of this section, V is generally deemed to transfer the stock of a foreign corporation to F in a section 354 exchange subject to the rules of paragraphs (b) and (d) of this section, including the requirement that V enter into a gain recognition agreement and comply with the requirements of § 1.367(a)-8. However, pursuant to paragraph (d)(2)(vii)(B) of this section, paragraph (d)(2)(vii)(A) of this section does not apply to the extent of the transfer of business A assets by R to M, a domestic corporation. As a result, to the extent of the business A assets transferred by R to M, V is deemed to transfer the stock of Z (a domestic corporation) to F in a section 354 exchange subject to the rules of paragraphs (c) and (d) of this section. Thus, with respect to V's indirect transfer of stock of a domestic corporation to F, such transfer is not subject to gain recognition under section 367(a)(1) if the requirements of paragraph (c) of this section are satisfied, including the requirement that V enter into a gain recognition agreement (separate from the gain recognition agreement described above with respect to the deemed transfer of

stock of a foreign corporation to F) and comply with the requirements of §1.367(a)-8. Under paragraphs (d)(2)(i) and (ii) of this section, the transferee foreign corporation is F and the transferred corporation is R (with respect to the transfer of stock of a foreign corporation) and M (with respect to the transfer of stock of a domestic corporation). Pursuant to paragraph (d)(2)(iv) of this section, a disposition by F of the stock of R would trigger both gain recognition agreements. In addition, a disposition by R of the stock of M would trigger the gain recognition agreement filed with respect to the transfer of the stock of a domestic corporation. To determine whether there is a triggering event under §1.367(a)-8(j)(2)(i) for the gain recognition agreement filed with respect to the transfer of stock of the domestic corporation, the Business A assets in M must be considered. To determine whether there is such a triggering event for the gain recognition agreement filed with respect to the transfer of stock of the foreign corporation, the Business B assets in R must be considered.

Example 10. Concurrent application of asset transfer and indirect stock transfer rules in section 368(a)(1)(A)/(a)(2)(D) reorganization. (i) *Facts.* The facts are the same as in Example 8, except that R acquires all of the assets of Z in a reorganization described in sections 368(a)(1)(A) and (a)(2)(D). Pursuant to the reorganization, V receives 30 percent of the stock of F in a section 354 exchange.

(ii) *Result.* The consequences of the transaction are similar to those in *Example 8*. The assets of Businesses A and B that are transferred to R must be tested under section 367(a) and (d) prior to the consideration of the indirect stock transfer rules of this paragraph (d). Subject to the conditions and requirements of section 367(a)(5) and §1.367(a)-7(c), the Business B assets qualify for the active trade or business exception under section 367(a)(3). Because the Business A assets do not qualify for the exception, Z must recognize \$40 of gain under section 367(a) on the transfer of Business A assets to R. Further, because V and Z file a consolidated return, V's basis in the stock of Z is increased from \$100 to \$140 as a result of Z's \$40 gain. Pursuant to paragraphs (d)(1) and (d)(2)(vii)(A)(I) of this section, V is deemed to transfer the stock of a foreign corporation to F in a section 354 exchange subject to the rules of paragraphs (b) and (d) of this section. V's indirect transfer of foreign stock will be taxable under section 367(a) unless V enters into a gain recognition agreement in the amount of \$60 (\$200 value of Z stock less \$140 adjusted basis).

Example 11. Concurrent application of section 367(a) and (b) in section 368(a)(1)(A)/(a)(2)(E) reorganization. (i) *Facts.* F, a foreign corporation, owns all the stock of D, a domestic corporation. V, a domestic corporation, owns all

the stock of Z, a foreign corporation. V has a basis of \$100 in the stock of Z which has a fair market value of \$200. D is an operating corporation with assets valued at \$100 with a basis of \$60. In a reorganization described in sections 368(a)(1)(A) and (a)(2)(E), D merges into Z, and V exchanges its Z stock for 55 percent of the outstanding F stock.

(ii) *Result.* Under paragraph (d)(1)(ii) of this section, V is treated as indirectly transferring Z stock to F. V must recognize gain on its indirect transfer of Z stock to F under section 367(a) (and section 1248 will be applicable) if V does not enter into a gain recognition agreement with respect to the indirect stock transfer in accordance with §1.367(a)-8. Under paragraph (b)(2) of this section, if V enters into a gain recognition agreement with respect to the indirect stock transfer, the exchange will be subject to the provisions of section 367(b) and the regulations pursuant to such section as well as section 367(a). Under §1.367(b)-4(b), however, no income inclusion is required because, immediately after the exchange, F and Z are controlled foreign corporations with respect to which V is a section 1248 shareholder. Under paragraphs (d)(2)(i) and (d)(2)(ii) of this section, the transferee foreign corporation is F, and the transferred corporation is Z (the acquiring corporation). If F disposes (within the meaning of §1.367(a)-8(j)(1)) of all (or a portion) of Z stock within the term of the gain recognition agreement, V must either file an amended return for the year of the indirect stock transfer and include in income, with interest, the gain realized but not recognized on the initial exchange or if a valid election under §1.367(a)-8(c)(2)(vi) was made, currently recognize the gain and pay the related interest. Under paragraph (d)(2)(v)(B) of this section, to determine whether, for purposes of the gain recognition agreement, Z (the transferred corporation) disposes of substantially all of its assets, only the assets held by Z immediately before the transaction are taken into account. Because D is wholly owned by F, a foreign corporation, the control requirement of section 367(a)(5) and §1.367(a)-7(c)(1) cannot be satisfied. Therefore, section 367(a)(5) and §1.367(a)-7(b) preclude the application of the active trade or business exception under section 367(a)(3) to any property transferred by D to Z. Thus, under section 367(a)(1), D must recognize the gross amount of gain in each asset transferred to Z, or \$40.

Example 12. Concurrent application of direct and indirect stock transfer rules. (i) *Facts.* F, a foreign corporation, owns all of the stock of O, also a foreign corporation. D, a domestic corporation, owns all of the stock of E, also a domestic corporation, which owns all of the stock of N, also a domestic corporation. Prior to the transactions described in this *Example 12*, D, E and N filed a consolidated income tax return. D has a basis of \$100 in

the stock of E, which has a fair market value of \$160. The N stock has a fair market value of \$100, and E has a basis of \$60 in such stock. In addition to the stock of N, E owns the assets of Business X. The assets of Business X have a fair market value of \$60, and E has a basis of \$50 in such assets. Assume that the Business X assets qualify for nonrecognition treatment under section 367(a)(3). D does not own any stock in F (applying the attribution rules of section 318 as modified by section 958(b)). In a triangular reorganization described in section 368(a)(1)(C) and paragraph (d)(1)(iv) of this section, O acquires all of the assets of E, and D exchanges its stock in E for 40% of the voting stock of F.

(ii) *Result.* E's transfer of its assets, including the N stock, must be tested under the general rules of section 367(a) before consideration of D's indirect transfer of the stock of E. Subject to the conditions and requirements of section 367(a)(5) and § 1.367(a)-7(c), the active trade or business exception under section 367(a)(3) applies to E's transfer of Business X assets. E's transfer of its N stock could qualify for nonrecognition treatment if D satisfies the requirements in § 1.367(a)-3(e)(3). O is the transferee foreign corporation; N is the transferred corporation. Pursuant to paragraphs (d)(1) and (d)(2)(vii)(A)(I) of this section, D is deemed to transfer the stock of a foreign corporation to F in a section 354 exchange subject to the rules of paragraphs (b) and (d) of this section, and therefore may enter into a gain recognition agreement for such indirect stock transfer as provided in paragraph (b) of this section and § 1.367(a)-8. As to this transfer, F is the transferee foreign corporation; O is the transferred corporation.

Example 13. Successive section 351 exchanges. (i) *Facts.* D, a domestic corporation, owns all the stock of X, a controlled foreign corporation that operates an historical business, which owns all the stock of Y, a controlled foreign corporation that also operates an historical business. The properties of D consist of Business A assets, with an adjusted basis of \$50 and a fair market value of \$90, and Business B assets, with an adjusted basis of \$50 and a fair market value of \$110. Assume that the Business B assets qualify for the exception under section 367(a)(3) and § 1.367(a)-2(g)(2), but that the Business A assets do not qualify for the exception. In an exchange described in section 351, D transfers the assets of Businesses A and B to X, and, in connection with the same transaction, X transfers the assets of Business B to Y in another exchange described in section 351.

(ii) *Result.* Under paragraph (d)(1)(vi) of this section, this transaction is treated as an indirect stock transfer for purposes of section 367(a), but the transaction is not recharacterized for purposes of section 367(b). Moreover, under paragraph (d)(2)(vi) of this

section, the assets of Businesses A and B that are transferred to X must be tested under section 367(a)(3). The Business A assets, which were not transferred to Y, are subject to the general rules of section 367(a), and not the indirect stock transfer rules described in this paragraph (d). D must recognize \$40 of income on the outbound transfer of Business A assets. The transfer of the Business B assets is subject to both the asset transfer rules (under section 367(a)(3)) and the indirect stock transfer rules of this paragraph (d) and § 1.367(a)-8. Thus, D's transfer of the Business B assets will not be subject to section 367(a)(1) if D enters into a five-year gain recognition agreement with respect to the stock of Y. Under paragraphs (d)(2)(i) and (ii) of this section, X will be treated as the transferee foreign corporation and Y will be treated as the transferred corporation for purposes of applying the terms of the agreement. If X sells all or a portion of the stock of Y during the term of the agreement, D will be required to recognize a proportionate amount of the \$60 gain that was realized by D on the initial transfer of the Business B assets.

Example 13A. Successive section 351 exchanges with ultimate domestic transferee. (i) *Facts.* The facts are the same as in *Example 13*, except that Y is a domestic corporation.

(ii) *Result.* As in *Example 13*, D must recognize \$40 of income on the outbound transfer of the Business A assets. Although the Business B assets qualify for the exception under section 367(a)(3) (and end up in U.S. corporate solution, in Y), the \$60 of gain realized on the Business B assets is nevertheless taxable under paragraphs (c)(1) and (d)(1)(vi) of this section because the transaction is considered to be a transfer by D of stock of a domestic corporation, Y, in which D receives more than 50 percent of the stock of the transferee foreign corporation, X. A gain recognition agreement is not permitted.

Example 14. Concurrent application of indirect stock transfer rules and section 367(b). (i) *Facts.* F, a foreign corporation, owns all of the stock of Newco, which is also a foreign corporation. P, a domestic corporation, owns all of the stock of S, a foreign corporation that is a controlled foreign corporation within the meaning of section 957(a). P's basis in the stock of S is \$50 and the value of S is \$100. The section 1248 amount with respect to S stock is \$30. In a reorganization described in section 368(a)(1)(C) (and paragraph (d)(1)(iv) of this section), Newco acquires all of the properties of S, and P exchanges its stock in S for 49 percent of the stock of F.

(ii) *Result.* P's exchange of S stock for F stock under section 354 will be taxable under section 367(a) (and section 1248 will be applicable) if P fails to enter into a 5-year gain recognition agreement in accordance with § 1.367(a)-8. Under paragraph (b)(2) of this section, if P enters into a gain recognition

agreement, the exchange will be subject to the provisions of section 367(b) and the regulations thereunder as well as section 367(a). Under § 1.367(b)-4(b), P must recognize the section 1248 amount of \$30 because P exchanged stock of a controlled foreign corporation, S, for stock of a foreign corporation that is not a controlled foreign corporation, F. The indirect stock transfer rules do not apply with respect to section 367(b). The deemed dividend of \$30 recognized by P will increase P's basis in the F stock received in the transaction, and F's basis in the Newco stock. Thus, the amount of the gain recognition agreement is \$20 (\$50 gain realized on the transfer less the \$30 inclusion under section 367(b)). Under paragraphs (d)(2)(i) and (ii) of this section, F is treated as the transferee foreign corporation and Newco is the transferred corporation.

Example 14A. Triangular section 368(a)(1)(C) reorganization involving foreign acquired corporation. (i) *Facts.* Assume the same facts as in Example 14, except that P receives 51 percent of the stock of F.

(ii) *Result.* Assuming § 1.367(b)-4(b) does not apply, there is no income inclusion under section 367(b), and the amount of the gain recognition agreement is \$50.

Example 15. Concurrent application of indirect stock transfer rules and section 367(b). (i) *Facts.* F, a foreign corporation, owns all of the stock of Newco, a domestic corporation. P, a domestic corporation, owns all of the stock of FC, a foreign corporation. P's basis in the stock of FC is \$50 and the value of FC stock is \$100. The all earnings and profits amount with respect to the FC stock held by P is \$60. See § 1.367(b)-2(d). In a reorganization described in sections 368(a)(1)(A) and (a)(2)(D) (and paragraph (d)(1)(i) of this section), Newco acquires all of the properties of FC, and P exchanges its stock in FC for 20 percent of the stock in F.

(ii) *Result.* P's section 354 exchange is considered an indirect stock transfer under paragraph (d)(1)(i) of this section. Further, because the assets of FC were acquired by Newco, a domestic corporation, in an asset reorganization, the transaction is within § 1.367(b)-3(a) and (b). Because the transaction is subject to § 1.367(b)-3 and the indirect stock rules of paragraph (d) of this section, and because the all earnings and profits amount with respect to the FC stock exchanged by P (\$60) is greater than the gain in such stock subject to section 367(a) (\$50), the section 367(b) rules (and not the section 367(a) rules) apply to the exchange. See § 1.367(a)-3(b)(2)(i)(B). Under the rules of section 367(b), P must include in income the all earnings and profits amount of \$60 with respect to its FC stock. See § 1.367(b)-3. Alternatively, if P's all earnings and profits amount with respect to its FC stock were \$30 (which is less than the gain in such stock subject to section 367(a) (\$50)), section 367(b)

and the regulations thereunder would not apply if there is gain recognition under section 367(a). Thus, if P failed to enter into a 5-year gain recognition agreement in accordance with § 1.367(a)-8, then P would recognize \$50 of gain under section 367(a) and there would be no income inclusion under section 367(b). If, instead, P enters into a 5-year gain recognition agreement under § 1.367(a)-8, thereby avoiding immediate gain recognition on the entire \$50 of section 367(a) gain, P is required to include in income the all earnings and profits amount of \$30. In such a case, P will adjust its basis in the FC stock pursuant to § 1.367(b)-2(e)(3)(ii) and enter into a gain recognition agreement in the amount of \$20.

Example 16. Direct asset reorganization not subject to stock transfer rules. (i) *Facts.* D is a domestic corporation that owns all the stock of F1 and F2, both foreign corporations. In a reorganization described in section 368(a)(1)(D), F2 acquires all of the assets of F1, and D receives 30 percent of the stock of F2 in an exchange described in section 354.

(ii) *Result.* The section 368(a)(1)(D) reorganization is not an indirect stock transfer described in paragraph (d) of this section. Moreover, the section 354 exchange by D of F1 stock for F2 stock is not an exchange described under section 367(a). See paragraph (a)(2)(ii) of this section.

(e) *Transfers of stock or securities by a domestic corporation to a foreign corporation in a section 361 exchange—(1) Overview—(i) Scope and definitions.* This paragraph (e) applies to a domestic corporation (U.S. transferor) that transfers stock or securities of a domestic or foreign corporation (transferred stock or securities) to a foreign corporation (foreign acquiring corporation) in a section 361 exchange. Except as otherwise provided in this paragraph (e), paragraphs (b) and (c) of this section do not apply to the U.S. transferor's transfer of the transferred stock or securities in the section 361 exchange. For purposes of this paragraph (e), the definitions of control group, control group member, and non-control group member in § 1.367(a)-7(f)(1), ownership interest percentage in § 1.367(a)-7(f)(7), section 361 exchange in § 1.367(a)-7(f)(8), and U.S. transferor shareholder in § 1.367(a)-7(f)(13), apply.

(ii) *Ordering rules.* Except as otherwise provided, this paragraph (e) applies to the transfer of the transferred stock or securities in the section 361 exchange prior to the application of any other provision of section 367 to

such transfer. Furthermore, any gain recognized (including gain treated as a deemed dividend pursuant to section 1248(a)) by the U.S. transferor under this paragraph (e) shall be taken into account for purposes of applying any other provision of section 367 (including §§ 1.367(a)-6, 1.367(a)-7, and 1.367(b)-4) to the transfer of the transferred stock or securities.

(2) *General rule.* Except as provided in paragraph (e)(3) of this section, the transfer by the U.S. transferor of the transferred stock or securities to the foreign acquiring corporation in the section 361 exchange shall be subject to section 367(a)(1), and therefore the U.S. transferor shall recognize any gain (but not loss) realized with respect to the transferred stock or securities. Realized gain is recognized pursuant to the prior sentence notwithstanding that the transfer is described in any other nonrecognition provision enumerated in section 367(a)(1) (such as section 351 or 354).

(3) *Exception.* The general rule of paragraph (e)(2) of this section shall not apply if the conditions of paragraphs (e)(3)(i), (ii), and (iii) of this section are satisfied.

(i) The conditions set forth in § 1.367(a)-7(c) are satisfied with respect to the section 361 exchange.

(ii) If the transferred stock or securities are of a domestic corporation, the U.S. target company (as defined in paragraph (c)(1) of this section) complies with the reporting requirements of paragraph (c)(6) of this section, and the conditions of paragraphs (c)(1)(i), (ii), and (iv) of this section are satisfied with respect to the transferred stock or securities.

(iii) If the U.S. transferor owns (applying the attribution rules of section 318, as modified by section 958(b)) five percent or more of the total voting power or the total value of the stock of the transferee foreign corporation immediately after the transfer of the transferred stock or securities in the section 361 exchange, then the conditions set forth in paragraphs (e)(3)(iii)(A), (B), and (C) of this section are satisfied.

(A) Except as otherwise provided in this paragraph (e)(3)(iii)(A), each U.S. transferor shareholder that is a quali-

fied U.S. person (as defined in paragraph (e)(6)(vii) of this section) owning (applying the attribution rules of section 318, as modified by section 958(b)) five percent or more of the total voting power or the total value of the stock of the transferee foreign corporation immediately after the reorganization enters into a gain recognition agreement that satisfies the conditions of paragraph (e)(6) of this section and § 1.367(a)-8. A U.S. transferor shareholder is not required to enter into a gain recognition agreement pursuant to this paragraph if the amount of gain that would be subject to the gain recognition agreement (as determined under paragraph (e)(6)(i) of this section) is zero.

(B) With respect to non-control group members that are not described in paragraph (e)(3)(iii)(A) of this section, the U.S. transferor recognizes gain equal to the product of the aggregate ownership interest percentage of such non-control group members multiplied by the gain realized by the U.S. transferor on the transfer of the transferred stock or securities.

(C) With respect to each control group member that is not described in paragraph (e)(3)(iii)(A) of this section, the U.S. transferor recognizes gain equal to the product of the ownership interest percentage of such control group member multiplied by the gain realized by the U.S. transferor on the transfer of the transferred stock or securities.

(4) *Application of certain rules at U.S. transferor-level.* For purposes of paragraphs (c)(5)(iii) and (e)(3)(ii) and (iii) of this section, ownership of the stock of the transferee foreign corporation is determined by reference to stock owned by the U.S. transferor immediately after the transfer of the transferred stock or securities to the foreign acquiring corporation in the section 361 exchange, but prior to and without taking into account the U.S. transferor's distribution under section 361(c)(1) of the stock received.

(5) *Transferee foreign corporation—(i) General rule.* Except as provided in paragraph (e)(5)(ii) of this section, the transferee foreign corporation for purposes of applying paragraph (e) of this

section and § 1.367(a)-8 shall be the foreign corporation that issues stock or securities to the U.S. transferor in the section 361 exchange.

(ii) *Special rule for triangular asset reorganizations involving the receipt of stock or securities of a domestic corporation.* In the case of a triangular asset reorganization described in § 1.358-6(b)(2)(i), (ii), or (iii) or (b)(2)(v) (triangular asset reorganization) in which the U.S. transferor receives stock or securities of a domestic corporation that is in control (within the meaning of section 368(c)) of the foreign acquiring corporation, the transferee foreign corporation shall be the foreign acquiring corporation.

(6) *Special requirements for gain recognition agreements.* A gain recognition agreement filed by a U.S. transferor shareholder pursuant to paragraph (e)(3)(iii)(A) of this section is, in addition to the terms and conditions of § 1.367(a)-8, subject to the conditions of this paragraph (e)(6).

(i) The amount of gain subject to the gain recognition agreement shall equal the product of the ownership interest percentage of the U.S. transferor shareholder multiplied by the gain realized by the U.S. transferor on the transfer of the transferred stock or securities, reduced (but not below zero) by the sum of the amounts described in paragraphs (e)(6)(i)(A), (B), (C), and (D) of this section.

(A) Gain recognized by the U.S. transferor with respect to the transferred stock or securities under section 367(a)(1) (including any portion treated as a deemed dividend under section 1248(a)) that is attributable to such U.S. transferor shareholder pursuant to § 1.367(a)-7(c)(2) or (e)(5).

(B) A deemed dividend included in the income of the U.S. transferor with respect to the transferred stock under § 1.367(b)-4(b)(1)(i) that is attributable to such U.S. transferor shareholder pursuant to § 1.367(a)-7(e)(4).

(C) If the U.S. transferor shareholder is subject to an election under § 1.1248(f)-2(c)(1), a deemed dividend included in the income of the U.S. transferor pursuant to § 1.1248(f)-2(c)(3) that is attributable to the U.S. transferor shareholder.

(D) If the U.S. transferor shareholder is not subject to an election under § 1.1248(f)-2(c)(1), the hypothetical section 1248 amount (as defined in § 1.1248(f)-1(c)(4)) with respect to the stock of each foreign corporation transferred in the section 361 exchange attributable to the U.S. transferor shareholder.

(ii) The gain recognition agreement shall include the election described in § 1.367(a)-8(c)(2)(vi).

(iii) The gain recognition agreement shall designate the U.S. transferor shareholder as the U.S. transferor for purposes of § 1.367(a)-8.

(iv) If the transfer of the transferred stock or securities in the section 361 exchange is pursuant to a triangular asset reorganization, the gain recognition agreement shall include appropriate provisions that are consistent with the principles of § 1.367(a)-8 for gain recognition agreements involving multiple parties. See § 1.367(a)-8(j)(9).

(v) The gain recognition agreement shall not be eligible for termination upon a taxable disposition pursuant to § 1.367(a)-8(o)(1) unless the value of the stock or securities received by the U.S. transferor shareholder in exchange for the stock or securities of the U.S. transferor under section 354 or 356 is at least equal to the amount of gain subject to the gain recognition agreement filed by such U.S. transferor shareholder.

(vi) Except as otherwise provided in this paragraph (e)(6)(vi), if gain is subsequently recognized by the U.S. transferor shareholder under the terms of the gain recognition agreement pursuant to § 1.367(a)-8(c)(1)(i), the increase in stock basis provided under § 1.367(a)-8(c)(4)(i) with respect to the stock received by the U.S. transferor shareholder shall not exceed the amount of the stock basis adjustment made pursuant to § 1.367(a)-7(c)(3) with respect to the stock received by the U.S. transferor shareholder. This paragraph (e)(6)(vi) shall not apply if the U.S. transferor shareholder and the U.S. transferor are members of the same consolidated group at the time of the reorganization.

(vii) For purposes of this section, a qualified U.S. person means a U.S. person, as defined in § 1.367(a)-1T(d)(1), but

for this purpose does not include domestic partnerships, regulated investment companies (as defined in section 851(a)), real estate investment trusts (as defined in section 856(a)), and S corporations (as defined in section 1361(a)).

(7) *Gain subject to section 1248(a).* If the U.S. transferor recognizes gain under paragraphs (e)(3)(iii)(B) or (C) of this section with respect to transferred stock that is stock in a foreign corporation to which section 1248(a) applies, then the portion of such gain treated as a deemed dividend under section 1248(a) is the product of the amount of the gain multiplied by the section 1248(a) ratio. The section 1248(a) ratio is the ratio of the amount that would be treated as a deemed dividend under section 1248(a) if all the gain in the transferred stock were recognized to the amount of gain realized in all the transferred stock.

(8) *Examples.* The following examples illustrate the provisions of paragraph (e) of this section. Except as otherwise indicated: US1, US2, and UST are domestic corporations that are not members of a consolidated group; X is a United States citizen; US1, US2, and X are unrelated parties; CFC1, CFC2, and FA are foreign corporations; each corporation described herein has a single class of stock issued and outstanding and a tax year ending on December 31; the section 1248 amount (within the meaning of §1.367(b)-2(c)) with respect to the stock of CFC1 and CFC2 is zero; Asset A is section 367(a) property that, but for the application of section 367(a)(5), would qualify for the active foreign trade or business exception under §1.367(a)-2T; the requirements of §1.367(a)-7(c)(2) through (5) are satisfied with respect to a section 361 exchange; the provisions of §1.367(a)-6T (regarding branch loss recapture) are not applicable; and none of the foreign corporations in the examples is a surrogate foreign corporation (within the meaning of section 7874) as a result of the transactions described in the examples because one or more of the conditions of section 7874(a)(2)(B) is not satisfied.

Example 1. U.S. transferor owns less than 5% of stock of transferee foreign corporation—(i) Facts. US1, US2, and X own 80%, 5%, and 15%, respectively, of the stock of UST with a fair

market value of \$160x, \$10x, and \$30x, respectively. UST has two assets, Asset A and 100% of the stock of CFC1. UST has no liabilities. Asset A has a \$150x basis and \$100x fair market value (as defined in §1.367(a)-7(f)(3)), and the CFC1 stock has a \$0x basis and \$100x fair market value. UST transfers Asset A and the CFC1 stock to FA solely in exchange for \$200x of FA voting stock in a reorganization described in section 368(a)(1)(C). UST's transfer of Asset A and the CFC1 stock to FA qualifies as a section 361 exchange. UST distributes the FA stock received in the section 361 exchange to US1, US2, and X pursuant to the plan of reorganization, and liquidates. US1 receives \$160x of FA stock, US2 receives \$10x of FA stock, and X receives \$30x of FA stock in exchange for the UST stock. Immediately after the transfer of Asset A and the CFC1 stock to FA in the section 361 exchange, but prior to and without taking into account UST's distribution of the FA stock pursuant to section 361(c)(1), UST does not own (applying the attribution rules of section 318, as modified by section 958(b)) five percent or more of the total voting power or the total value of the stock of FA.

(ii) *Result—(A)* UST's transfer of the CFC1 stock to FA in the section 361 exchange is subject to the provisions of this paragraph (e), and this paragraph (e) applies to the transfer of the CFC1 stock prior to the application of any other provision of section 367 to such transfer. See paragraphs (e)(1)(i) and (ii) of this section. Pursuant to the general rule of paragraph (e)(2) of this section, UST must recognize the gain realized of \$100x on the transfer of the CFC1 stock (computed as the excess of the \$100x fair market value over the \$0x basis) unless the requirements for the exception provided in paragraph (e)(3) of this section are satisfied. In this case, the requirements of paragraph (e)(3) of this section are satisfied. First, the requirement of paragraph (e)(3)(i) of this section is satisfied because the control requirement of §1.367(a)-7(c)(1) is satisfied, and a stated assumption is that the requirements of §1.367(a)-7(c)(2) through (5) will be satisfied. The control requirement is satisfied because US1 and US2, each a control group member, own in the aggregate 85% of the stock of UST immediately before the reorganization. Second, the requirement of paragraph (e)(3)(ii) of this section is not applicable because that paragraph applies to the transfer of stock of a domestic corporation and CFC1 is a foreign corporation. Third, paragraph (e)(3)(iii) of this section is not applicable because immediately after the section 361 exchange, but prior to and without taking into account UST's distribution of the FA stock pursuant to section 361(c)(1), UST does not own (applying the attribution rules of section 318, as modified by section 958(b)) 5% or more of the total voting power or the total value of the stock of FA. See paragraph (e)(4) of this section.

§ 1.367(a)-3

26 CFR Ch. I (4-1-21 Edition)

Accordingly, UST does not recognize the \$100x of gain realized in the CFC1 stock pursuant to this section.

(B) In order to meet the requirements of § 1.367(a)-7(c)(2)(i), UST must recognize gain equal to the portion of the inside gain (as defined in § 1.367(a)-7(f)(5)) attributable to non-control group members (X), or \$7.50x. The \$7.50x of gain is computed as the product of the inside gain (\$50x) multiplied by X's ownership interest percentage in UST (15%). Pursuant to § 1.367(a)-7(f)(5), the \$50x of inside gain is the amount by which the aggregate fair market value (\$200x) of the section 367(a) property (as defined in § 1.367(a)-7(f)(10), or Asset A and the CFC1 stock) exceeds the sum of the inside basis (\$150x) of such property and the product of the section 367(a) percentage (as defined in § 1.367(a)-7(f)(9), or 100%) multiplied by UST's deductible liabilities (as defined in § 1.367(a)-7(f)(2), or \$0x). Pursuant to § 1.367(a)-7(f)(4), the inside basis equals the aggregate basis of the section 367(a) property transferred in the section 361 exchange (\$150x), increased by any gain or deemed dividends recognized by UST with respect to the section 367(a) property under section 367 (\$0x), but not including the \$7.50x of gain recognized by UST under § 1.367(a)-7(c)(2)(i). Pursuant to § 1.367(a)-7(e)(1), the \$7.50x of gain recognized by UST is treated as recognized with respect to the CFC1 stock and Asset A in proportion to the amount of gain realized in each. However, because there is no gain realized by UST with respect to Asset A, all \$7.50x of the gain is allocated to the CFC1 stock. Furthermore, FA's basis in the CFC1 stock, as determined under section 362 is increased by the \$7.50x of gain recognized by UST. See § 1.367(a)-1(b)(4)(i)(B).

(C) The requirement to recognize gain under § 1.367(a)-7(c)(2)(ii) is not applicable because the portion of the inside gain attributable to US1 and US2 (control group members) can be preserved in the stock received by each such shareholder. As described in paragraph (ii)(B) of this *Example 1*, the inside gain is \$50x. US1's attributable inside gain of \$40x (equal to the product of \$50x inside gain multiplied by US1's 80% ownership interest percentage, reduced by \$0x, the sum of the amounts described in § 1.367(a)-7(c)(2)(ii)(A)(1) through (3)) does not exceed \$160x (equal to the product of the section 367(a) percentage of 100% multiplied by \$160x fair market value of FA stock received by US1). Similarly, US2's attributable inside gain of \$2.50x (equal to the product of \$50x inside gain multiplied by US2's 5% ownership interest percentage, reduced by \$0x, the sum of the amounts described in § 1.367(a)-7(c)(2)(ii)(A)(1) through (3)) does not exceed \$10x (equal to the product of the section 367(a) percentage of 100% multiplied by \$10x fair market value of FA stock received by US2).

(D) Each control group member (US1 and US2) must separately compute any required adjustment to stock basis under § 1.367(a)-7(c)(3).

Example 2. U.S. transferor owns 5% or more of the stock of the transferee foreign corporation—(i) Facts. The facts are the same as in paragraph (e), *Example 1*, of this section except that immediately after the section 361 exchange, but prior to and without taking into account UST's distribution of the FA stock pursuant to section 361(c)(1), UST owns (applying the attribution rules of section 318, as modified by section 958(b)) 5% or more of the total voting power or value of the stock of FA. Furthermore, immediately after the reorganization, US1 and X (but not US2) each own (applying the attribution rules of section 318, as modified by section 958(b)) five percent or more of the total voting power or value of the stock of FA.

(ii) *Result—(A)* As is the case with paragraph (e), *Example 1*, of this section, UST's transfer of the CFC1 stock to FA in the section 361 exchange is subject to the provisions of this paragraph (e), and this paragraph (e) applies to the transfer of the CFC1 stock prior to the application of any other provision of section 367 to such transfer. See paragraphs (e)(1)(i) and (ii) of this section. In addition, UST must recognize the gain realized of \$100x on the transfer of the CFC1 stock (computed as the excess of the \$100x fair market value over the \$0x basis) unless the requirements for the exception provided in paragraph (e)(3) of this section are satisfied. For the same reasons provided in *Example 1*, the requirement in paragraph (e)(3)(i) of this section is satisfied and the requirement of paragraph (e)(3)(ii) of this section is not applicable.

(B) Unlike paragraph (e), *Example 1*, of this section, however, UST owns 5% or more of the voting power or value of the stock of FA immediately after the transfer of the CFC1 stock in the section 361 exchange, but prior to and without taking into account UST's distribution of the FA stock under section 361(c)(1). As a result, paragraph (e)(3)(iii) of this section is applicable to the section 361 exchange of the CFC1 stock. Accordingly, in order to meet the requirements of paragraph (e)(3)(iii)(A) of this section US1 and X must enter into gain recognition agreements that satisfy the requirements of paragraph (e)(6) of this section and § 1.367(a)-8. See paragraph (ii)(G) of this *Example 2* for the computation of the amount of gain subject to each gain recognition agreement.

(C) In order to meet the requirements of paragraph (e)(3)(iii)(C) of this section, UST must recognize \$5x of gain attributable to US2 (computed as the product of the \$100x of gain realized with respect to the transfer of the CFC1 stock multiplied by the 5% ownership interest percentage of US2). The \$5x of

gain recognized is not included in the computation of inside basis (see §1.367(a)-7(f)(4)(i)), but reduces (but not below zero) the amount of gain recognized by UST pursuant to §1.367(a)-7(c)(2)(ii) that is attributable to US2. Furthermore, FA's basis in the CFC1 stock as determined under section 362 is increased for the \$5x of gain recognized. See §1.367(a)-1(b)(4)(i)(B). Assuming US1 and X enter into the gain recognition agreements described in paragraph (ii)(B) of this *Example 2*, and UST recognizes the \$5x of gain described in this example, the requirements of paragraph (e)(3) of this section are satisfied and, accordingly, UST does not recognize the remaining \$95x of gain realized in the CFC1 stock pursuant to this section.

(D) As described in paragraph (ii)(B) of *Example 1* of this paragraph (e), UST must recognize \$7.50x of gain pursuant to §1.367(a)-7(c)(2)(i), the amount of the \$50x of inside gain attributable to X. Pursuant to §1.367(a)-7(e)(1), the \$7.50x of gain recognized by UST is treated as recognized with respect to the CFC1 stock and Asset A in proportion to the amount of gain realized in each. However, because there is no gain realized by UST with respect to Asset A, all \$7.50x of the gain is allocated to the CFC1 stock. Furthermore, FA's basis in the CFC1 stock as determined under section 362 is increased for the \$7.50x of gain recognized. See §1.367(a)-1(b)(4)(i)(B).

(E) As described in paragraph (ii)(C) of *Example 1* of this paragraph (e), the requirement to recognize gain pursuant to §1.367(a)-7(c)(2)(ii) is not applicable because the attributable inside gain of US1 and US2 can be preserved in the stock received by each shareholder. However, if UST were required to recognize gain pursuant to §1.367(a)-7(c)(2)(ii) for inside gain attributable to US2 (for example, if US2 received solely cash rather than FA stock in the reorganization), the amount of such gain would be reduced (but not below zero) by the amount of gain recognized by UST pursuant to paragraph (e)(3)(iii)(C) of this section that is attributable to US2 (computed as \$5x in paragraph (ii)(C) of this *Example 2*). See §1.367(a)-7(c)(2)(ii)(A)(I).

(F) Each control group member (US1 and US2) must separately compute any required adjustment to stock basis under §1.367(a)-7(c)(3).

(G) The amount of gain subject to the gain recognition agreement filed by each of US1 and X is determined pursuant to paragraph (e)(6)(i) of this section. With respect to US1, the amount of gain subject to the gain recognition agreement is \$80x. The \$80x is computed as the product of US1's ownership interest percentage (80%) multiplied by the gain realized by UST in the CFC1 stock as determined prior to taking into account the application of any other provision of section 367 (\$100x), reduced by the sum of the amounts described in paragraphs (e)(6)(i)(A)

through (D) of this section attributable to US1 (\$0x). With respect to X, the amount of gain subject to the gain recognition agreement is \$7.50x. The \$7.50x is computed as the product of X's ownership interest percentage (15%) multiplied by the gain realized by UST in the CFC1 stock as determined prior to taking into account the application of any other provision of section 367 (\$100x), reduced by the sum of the amounts described in paragraphs (e)(6)(i)(A) through (D) of this section attributable to X (\$7.50x, as computed in paragraph (ii)(D) of this *Example 2*).

(H) In order to meet the requirements of paragraph (e)(6)(ii) of this section, each gain recognition agreement must include the election described in §1.367(a)-8(c)(2)(vi). Furthermore, pursuant to paragraph (e)(6)(iii) of this section, US1 and X must be designated as the U.S. transferor on their respective gain recognition agreements for purposes of §1.367(a)-8.

Example 3. U.S. transferor owns 5% or more of the stock of the transferee foreign corporation; interaction with section 1248(f)—(i) Facts. US1, US2, and X own 50%, 30%, and 20%, respectively, of the stock of UST. The UST stock owned by US1 has a \$180x basis and \$200x fair market value; the UST stock owned by US2 has a \$100x basis and \$120x fair market value; and the UST stock owned by X has a \$80x fair market value. UST owns Asset A, and all the stock of CFC1 and CFC2. UST has no liabilities. Asset A has a \$10x basis and \$200x fair market value. The CFC1 stock is a single block of stock (as defined in §1.1248(f)-1(c)(2)) with a \$20x basis, \$40x fair market value, and \$30x of earnings and profits attributable to it for purposes of section 1248 (with the result that the section 1248 amount (as defined in §1.1248(f)-1(c)(9)) is \$20x). The CFC2 stock is also a single block of stock with a \$30x basis, \$160x fair market value, and \$150x of earnings and profits attributable to it for purposes of section 1248 (with the result that the section 1248 amount is \$130x). On December 31, Year 3, in a reorganization described in section 368(a)(1)(D), UST transfers the CFC1 stock, CFC2 stock, and Asset A to FA in exchange for 60 shares of FA stock with a \$400x fair market value. UST's transfer of the CFC1 stock, CFC2 stock, and Asset A to FA in exchange for the 60 shares of FA stock qualifies as a section 361 exchange. UST distributes the FA stock received in the section 361 exchange to US1, US2, and X pursuant to section 361(c)(1). US1, US2, and X exchange their UST stock for 30, 18, and 12 shares, respectively, of FA stock pursuant to section 354. Immediately after the reorganization, FA has 100 shares of stock outstanding, and US1 and US2 are each a section 1248 shareholder with respect to FA.

(ii) *Result—(A)* UST's transfer of the CFC1 stock and CFC2 stock to FA in the section 361 exchange is subject to the provisions of

this paragraph (e), and this paragraph (e) applies to the transfer of the CFC1 stock and CFC2 stock prior to the application of any other provision of section 367 to such transfer. See paragraphs (e)(1)(i) and (ii) of this section. Pursuant to the general rule of paragraph (e)(2) of this section, UST must recognize the gain realized of \$20x on the transfer of the CFC1 stock (the excess of \$40x fair market value over \$20x basis) and the gain realized of \$130x on the transfer of the CFC2 stock (the excess of \$160x fair market value over \$30x basis), subject to the application of section 1248(a), unless the requirements for the exception provided in paragraph (e)(3) of this section are satisfied. In this case, the requirement of paragraph (e)(3)(i) of this section is satisfied because the control requirement of § 1.367(a)-7(c)(1) is satisfied, and a stated assumption is that the requirements of § 1.367(a)-7(c)(2) through (5) will be satisfied. The control requirement is satisfied because US1 and US2, each a control group member, own in the aggregate 80% of the UST stock immediately before the reorganization. The requirement of paragraph (e)(3)(ii) of this section is not applicable because paragraph (e)(3)(ii) applies to the transfer of stock of a domestic corporation, and CFC1 and CFC2 are foreign corporations. UST owns 5% or more of the total voting power or value of the stock of FA (60%, or 60 of the 100 shares of FA stock outstanding) immediately after the transfer of the CFC1 stock and CFC2 stock in the section 361 exchange, but prior to and without taking into account UST's distribution of the FA stock under section 361(c)(1). As a result, paragraph (e)(3)(iii) of this section is applicable to the section 361 exchange of the CFC1 stock and CFC2 stock. US1, US2, and X each own (applying the attribution rules of section 318, as modified by section 958(b)) 5% or more of the total voting power or value of the FA stock immediately after the reorganization, or 30%, 18%, and 12%, respectively. Accordingly, in order to meet the requirements of paragraph (e)(3)(iii)(A) of this section, US1 and US2 must enter into gain recognition agreements with respect to the CFC1 stock and CFC2 stock that satisfy the requirements of paragraph (e)(6) of this section and § 1.367(a)-8. X is not required to enter into a gain recognition agreement because the amount of gain that would be subject to the gain recognition agreement is zero. See paragraph (ii)(J) of this *Example 3* for the computation of the amount of gain subject to each gain recognition agreement. Assuming US1 and US2 enter into the gain recognition agreements described above, the requirements of paragraph (e)(3) of this section are satisfied and accordingly, UST does not recognize the gain realized of \$20x in the stock of CFC1 or the gain realized of \$130x in the stock of CFC2 pursuant to this section.

(B) UST's transfer of the CFC1 stock and CFC2 stock to FA pursuant to the section 361 exchange is subject to § 1.367(b)-4(b)(1)(i), which applies prior to the application of § 1.367(a)-7(c). See paragraph (e)(1) of this section. UST (the exchanging shareholder) is a U.S. person and a section 1248 shareholder with respect to CFC1 and CFC2 (each a foreign acquired corporation). However, UST is not required to include in income as a deemed dividend the section 1248 amount with respect to the CFC1 stock (\$20x) or CFC2 stock (\$130x) under § 1.367(b)-4(b)(1)(i) because, immediately after UST's section 361 exchange of the CFC1 stock and CFC2 stock for FA stock (and before the distribution of the FA stock to US1, US2, and X under section 361(c)(1), FA, CFC1, and CFC2 are controlled foreign corporations as to which UST is a section 1248 shareholder. See § 1.367(b)-4(b)(1)(ii)(A). However, if UST were required to include in income as a deemed dividend the section 1248 amount with respect to the CFC1 stock or CFC2 stock (for example, if FA were not a controlled foreign corporation), such deemed dividend would be taken into account prior to the application of § 1.367(a)-7(c). Furthermore, because US1, US2, and X are all persons described in paragraph (e)(3)(iii)(A) of this section, any such deemed dividend would increase inside basis. See § 1.367(a)-7(f)(4).

(C) In order to meet the requirements of § 1.367(a)-7(c)(2)(i), UST must recognize gain equal to the portion of the inside gain attributable to non-control group members (X), or \$68x. The \$68x of gain is computed as the product of the inside gain (\$340x) multiplied by X's ownership interest percentage in UST (20%), reduced (but not below zero) by \$0x, the sum of the amounts described in § 1.367(a)-7(c)(2)(i)(A) through (C). Pursuant to § 1.367(a)-7(f)(5), the \$340x of inside gain is the amount by which the aggregate fair market value (\$400x) of the section 367(a) property (Asset A, CFC1 stock, and CFC2 stock) exceeds the sum of the inside basis (\$60x) and \$0x (the product of the section 367(a) percentage (100%) multiplied by UST's deductible liabilities (\$0x)). Pursuant to § 1.367(a)-7(f)(4), the inside basis equals the aggregate basis of the section 367(a) property transferred in the section 361 exchange (\$60x), increased by any gain or deemed dividends recognized by UST with respect to the section 367(a) property under section 367 (\$0x), but not including the \$68x of gain recognized by UST under § 1.367(a)-7(c)(2)(i). Under § 1.367(a)-7(e)(1), the \$68x gain recognized is treated as being with respect to the CFC1 stock, CFC2 stock, and Asset A in proportion to the amount of gain realized by UST on the transfer of the property. The amount treated as recognized with respect to the CFC1 stock is \$4x (\$68x gain multiplied by $\frac{20x}{\$340x}$). The amount treated as recognized with respect to the CFC2 stock is \$26x (\$68x gain multiplied by $\frac{130x}{\$340x}$).

\$340x). The amount treated as recognized with respect to Asset A is \$38x (\$68x gain multiplied by \$190x/\$340x). Under section 1248(a), UST must include in gross income as a dividend the \$4x gain recognized with respect to the CFC1 stock and the \$26x gain recognized with respect to CFC2 stock. Furthermore, FA's basis in the CFC1 stock, CFC2 stock, and Asset A, as determined under section 362, is increased by the amount of gain recognized by UST with respect to such property. See § 1.367(a)-1(b)(4)(i)(B). Thus, FA's basis in the CFC1 stock is \$24x (\$20x increased by \$4x of gain), the CFC2 stock is \$56x (\$30x increased by \$26x of gain), and Asset A is \$48x (\$10x increased by \$38x of gain).

(D) The requirement to recognize gain under § 1.367(a)-7(c)(2)(ii) is not applicable because the portion of the inside gain attributable to US1 and US2 (control group members) can be preserved in the stock received by each such shareholder. As described in paragraph (ii)(C) of this Example 3, the inside gain is \$340x. US1's attributable inside gain of \$170x (equal to the product of \$340x inside gain multiplied by US1's 50% ownership interest percentage, reduced by \$0x, the sum of the amounts described in § 1.367(a)-7(c)(2)(ii)(A)(I) through (3)) does not exceed \$200x (equal to the product of the section 367(a) percentage of 100% multiplied by \$200x fair market value of FA stock received by US1). Similarly, US2's attributable inside gain of \$102x (equal to the product of \$340x inside gain multiplied by US2's 30% ownership interest percentage, reduced by \$0x, the sum of the amounts described in § 1.367(a)-7(c)(2)(ii)(A)(I) through (3)) does not exceed \$120x (equal to the product of the section 367(a) percentage of 100% multiplied by \$120x fair market value of FA stock received by US2).

(E) Each control group member (US1 and US2) separately computes any required adjustment to stock basis under § 1.367(a)-7(c)(3). US1's section 358 basis in the FA stock received of \$180x (equal to US1's basis in the UST stock exchanged) is reduced to preserve the attributable inside gain with respect to US1, less any gain recognized with respect to US1 under § 1.367(a)-7(c)(2)(ii). Because UST does not recognize gain on the section 361 exchange with respect to US1 under § 1.367(a)-7(c)(2)(ii) (as determined in paragraph (ii)(D) of this Example 3), the attributable inside gain of \$170x with respect to US1 is not reduced under § 1.367(a)-7(c)(3)(i)(A). US1's outside gain (as defined in § 1.367(a)-7(f)(6)) in the FA stock is \$20x, the product of the section 367(a) percentage (100%) multiplied by the \$20x gain (equal to the difference between \$200x fair market value and \$180x section 358 basis in the FA stock). Thus, US1's \$180x section 358 basis in the FA stock must be reduced by \$150x (the excess of \$170x attributable inside gain, re-

duced by \$0x, over \$20x outside gain) to \$30x. Similarly, US2's section 358 basis in the FA stock received of \$100x (equal to US2's basis in the UST stock exchanged) is reduced to preserve the attributable inside gain with respect to US2, less any gain recognized with respect to US2 under § 1.367(a)-7(c)(2)(ii). Because UST does not recognize gain on the section 361 exchange with respect to US2 under § 1.367(a)-7(c)(2)(ii) (as determined in paragraph (ii)(D) of this Example 3), the attributable inside gain of \$102x with respect to US2 is not reduced under § 1.367(a)-7(c)(3)(i)(A). US2's outside gain in the FA stock is \$20x, the product of the section 367(a) percentage (100%) multiplied by the \$20x gain (equal to the difference between \$120x fair market value and \$100x section 358 basis in FA stock). Thus, US2's \$100x section 358 basis in the FA stock must be reduced by \$82x (the excess of \$102x attributable inside gain, reduced by \$0x, over \$20x outside gain) to \$18x.

(F) UST's distribution of the FA stock to US1, US2, and X under section 361(c)(1) (new stock distribution) is subject to § 1.1248(f)-1(b)(3). Except as provided in § 1.1248(f)-2(c), under § 1.1248(f)-1(b)(3) UST must include in gross income as a dividend the total section 1248(f) amount (as defined in § 1.1248(f)-1(c)(14)). The total section 1248(f) amount is \$120x, the sum of the section 1248(f) amount (as defined in § 1.1248(f)-1(c)(10)) with respect to the CFC1 stock (\$16x) and CFC2 stock (\$104x). The \$16x section 1248(f) amount with respect to the CFC1 stock is the amount that UST would have included in income as a dividend under § 1.367(b)-4(b)(1)(i) with respect to the CFC1 stock if the requirements of § 1.367(b)-4(b)(1)(ii)(A) had not been satisfied (\$20x), reduced by the amount of gain recognized by UST under § 1.367(a)-7(c)(2) allocable to the CFC1 stock and treated as a dividend under section 1248(a) (\$4x, as described in paragraph (ii)(C) of this Example 3). Similarly, the section 1248(f) amount with respect to the CFC2 stock is \$104x (\$130x reduced by \$26x).

(G) If, however, UST along with US1 and US2 (each a section 1248 shareholder of FA immediately after the distribution) elect to apply the provisions of § 1.1248(f)-2(c) (as provided in § 1.1248(f)-2(c)(1)), the amount that UST is required to include in income as a dividend under § 1.1248(f)-1(b)(3) (\$120x total section 1248(f) amount as computed in paragraph (ii)(F) of this Example 3) is reduced by the sum of the portions of the section 1248(f) amount with respect to the CFC1 stock and CFC2 stock that is attributable (under the rules of § 1.1248(f)-2(d)) to the FA stock distributed to US1 and US2. Assume that the election is made to apply § 1.1248(f)-2(c).

(I) Under § 1.1248(f)-2(d)(1), the portion of the section 1248(f) amount with respect to the CFC1 stock that is attributed to the 30 shares of FA stock distributed to US1 is

equal to the hypothetical section 1248 amount (as defined in § 1.1248(f)-1(c)(4)) with respect to the CFC1 stock that is attributable to US1's ownership interest percentage in UST. US1's hypothetical section 1248 amount with respect to the CFC1 stock is the amount that UST would have included in income as a deemed dividend under § 1.367(b)-4(b)(1)(i) with respect to the CFC1 stock if the requirements of § 1.367(b)-4(b)(1)(ii)(A) had not been satisfied (\$20x) and that would be attributable to US1's ownership interest percentage in UST (50%), reduced by the amount of gain recognized by UST under § 1.367(a)-7(c)(2) attributable to US1 and allocable to the CFC1 stock, but only to the extent such gain is treated as a dividend under section 1248(a) (\$0x, as described in paragraphs (ii)(C) and (D) of this *Example 3*). Thus, US1's hypothetical section 1248 amount with respect to the CFC1 stock is \$10x (\$20x multiplied by 50%, reduced by \$0x). The \$10x hypothetical section 1248 amount is attributed pro rata (based on relative values) among the 30 shares of FA stock distributed to US1, and the attributable share amount (as defined in § 1.1248(f)-2(d)(1)) is \$.33x (\$10x/30 shares). Similarly, US1's hypothetical section 1248 amount with respect to the CFC2 stock is \$65x (\$130x multiplied by 50%, reduced by \$0x), and the attributable share amount is \$2.17x (\$65x/30 shares). Similarly, US2's hypothetical section 1248 amount with respect to the CFC1 stock is \$6x (\$20x multiplied by 30%, reduced by \$0x), and the attributable share amount is also \$.33x (\$6x/18 shares). Finally, US2's hypothetical section 1248 amount with respect to the CFC2 stock is \$39x (\$130x multiplied by 30%, reduced by \$0x), and the attributable share amount is also \$2.17x (\$39x/18 shares). Thus, the sum of the portion of the section 1248(f) amount with respect to the CFC1 stock and CFC2 stock attributable to shares of stock of FA distributed to US1 and US2 is \$120x (\$10x plus \$65x plus \$6x plus \$39x).

(2) If the shares of FA stock are divided into portions, § 1.1248(f)-2(d)(2) applies to attribute the attributable share amount to portions of shares of FA stock distributed to US1 and US2. Under § 1.1248(f)-2(c)(2) each share of FA stock received by US1 (30 shares) and US2 (18 shares) is divided into three portions, one attributable to the single block of stock of CFC1, one attributable to the single block of stock of CFC2, and one attributable to Asset A. Thus, the attributable share amount of \$.33x with respect to the CFC1 stock is attributed to the portion of each of the 30 shares and 18 shares of FA stock received by US1 and US2, respectively, that relates to the CFC1 stock. Similarly, the attributable share amount of \$2.17x with respect to the CFC2 stock is attributed to the portion of each of the 30 shares and 18 shares of FA stock received by US1 and US2, respectively, that relates to the CFC2 stock.

(3) The total section 1248(f) amount (\$120x) that UST is otherwise required to include in gross income as a dividend under § 1.1248(f)-1(b)(3) is reduced by \$120x, the sum of the portions of the section 1248(f) amount with respect to the CFC1 stock and CFC2 stock that are attributable to the shares of FA stock distributed to US1 and US2. Thus, the amount DC is required to include in gross income as a dividend under § 1.1248(f)-1(b)(3) is \$0x (\$120x reduced by \$120x).

(H) As stated in paragraph (ii)(G)(2) of this *Example 3*, under § 1.1248(f)-2(c)(2) each share of FA stock received by US1 (30 shares) and US2 (18 shares) is divided into three portions, one attributable to the CFC1 stock, one attributable to the CFC2 stock, and one attributable to Asset A. Under § 1.1248(f)-2(c)(4)(i), the basis of each portion is the product of US1's and US2's section 358 basis in the share of FA stock multiplied by the ratio of the section 362 basis of the property (CFC1 stock, CFC2 stock, or Asset A, as applicable) received by FA in the section 361 exchange to which the portion relates, to the aggregate section 362 basis of all property received by FA in the section 361 exchange. Under § 1.1248(f)-2(c)(4)(ii), the fair market value of each portion is the product of the fair market value of the share of FA stock multiplied by the ratio of the fair market value of the property (CFC1 stock, CFC2 stock, or Asset A, as applicable) to which the portion relates, to the aggregate fair market value of all property received by FA in the section 361 exchange. The section 362 basis of the CFC1 stock, CFC2 stock, and Asset A is \$24x, \$56x, and \$48x, respectively, for an aggregate section 362 basis of \$128x. See paragraph (ii)(C) of this *Example 3*. The fair market value of the CFC1 stock, CFC2 stock, and Asset A is \$40x, \$160x, and \$200x, for an aggregate fair market value of \$400x. Furthermore, US1's 30 shares of FA stock have an aggregate fair market value of \$200x and section 358 basis of \$30x (resulting in aggregate gain of \$170x), and US2's 18 shares of FA stock have an aggregate fair market value of \$120x and section 358 basis of \$18x (resulting in aggregate gain of \$102x). See paragraph (ii)(E) of this *Example 3*.

(I) With respect to US1's 30 shares of FA stock, the portions attributable to the CFC1 stock have an aggregate basis of \$5.63x (\$30x multiplied by \$24x/\$128x) and fair market value of \$20x (\$200x multiplied by \$40x/\$400x), resulting in aggregate gain in such portions of \$14.38x (or \$.48x gain in each such portion of the 30 shares). The portions attributable to the CFC2 stock have an aggregate basis of \$13.13x (\$30x multiplied by \$56x/\$128x) and fair market value of \$80x (\$200x multiplied by \$160x/\$400x), resulting in aggregate gain in such portions of \$66.88x (or \$2.23x in each such portion of the 30 shares). The portions attributable to Asset A have an aggregate basis of \$11.25x (\$30x multiplied by \$48x/\$128x)

and fair market value of \$100x (\$200x multiplied by \$200x/\$400x), resulting in aggregate gain in such portions of \$88.75x (or \$2.96x in each such portion of the 30 shares). Thus, the aggregate gain in all the portions of the 30 shares is \$170x (\$14.38x plus \$66.88x plus \$88.75x).

(2) With respect to US2's 18 shares of FA stock, the portions attributable to the CFC1 stock have an aggregate basis of \$3.38x (\$18x multiplied by \$24x/\$128x) and fair market value of \$12x (\$120x multiplied by \$40x/\$400x), resulting in aggregate gain in such portions of \$8.63x (or \$.48x in each such portion of the 18 shares). The portions attributable to the CFC2 stock have an aggregate basis of \$7.88x (\$18x multiplied by \$56x/\$128x) and fair market value of \$48x (\$120x multiplied by \$160x/\$400x), resulting in aggregate gain of \$40.13x (or \$2.23x in each such portion of the 18 shares). The portions attributable to Asset A have an aggregate basis of \$6.75x (\$18x multiplied by \$48x/\$128x) and fair market value of \$60x (\$120x multiplied by \$200x/\$400x), resulting in aggregate gain of \$53.25x (or \$2.96x in each such portion of the 18 shares). Thus, the aggregate gain in all the portions of the 18 shares is \$102x (\$8.63x plus \$40.13x plus \$53.25x).

(3) Under §1.1248-8(b)(2)(iv), the earnings and profits of CFC1 attributable to the portions of US1's 30 shares of FA stock that relate to the CFC1 stock is \$15x (the product of US1's 50% ownership interest percentage in UST multiplied by \$30x of earnings and profits attributable to the CFC1 stock before the section 361 exchange, reduced by \$0x of dividend included in UST's income with respect to the CFC1 stock under section 1248(a) attributable to US1). The earnings and profits of CFC2 attributable to the portions of US1's 30 shares of FA stock that relate to the CFC2 stock is \$75x (the product of US1's 50% ownership interest percentage in UST multiplied by \$150x of earnings and profits attributable to the CFC2 stock before the section 361 exchange, reduced by \$0x of dividend included in UST's income with respect to the CFC2 stock under section 1248(a) attributable to US1). Similarly, the earnings and profits of CFC1 attributable to the portions of US2's 18 shares of FA stock that relate to the CFC1 stock is \$9x (the product of US2's 30% ownership interest percentage in UST multiplied by \$30x of earnings and profits attributable to the CFC1 stock before the section 361 exchange, reduced by \$0x of dividend included in UST's income with respect to the CFC1 stock under section 1248(a) attributable to US2). Finally, the earnings and profits of CFC2 attributable to the portions of US2's 18 shares of FA stock that relate to the CFC2 stock is \$45x (the product of US2's 30% ownership interest percentage in UST multiplied by \$150x of earnings and profits attributable to the CFC2 stock before the section 361 exchange, reduced by \$0x of dividend included

in UST's income with respect to the CFC2 stock under section 1248(a) attributable to US2).

(I) Under §1.1248(f)-2(c)(3), neither US1 nor US2 is required to reduce the aggregate section 358 basis in the portions of their respective shares of FA stock, and UST is not required to include in gross income any additional deemed dividend.

(I) US1 is not required to reduce the aggregate section 358 basis of the portions of its 30 shares of FA stock that relate to the CFC1 stock because the \$10x section 1248(f) amount with respect to the CFC1 stock attributable to the portions of the shares of FA stock received by US1 (as computed in paragraph (ii)(G) of this *Example 3*) does not exceed US1's postdistribution amount (as defined in §1.1248(f)-1(c)(6), or \$14.38x) in those portions. The \$14.38x postdistribution amount equals the amount that US1 would be required to include in income as a dividend under section 1248(a) with respect to such portion if it sold the 30 shares of FA stock immediately after the distribution in a transaction in which all realized gain is recognized, without taking into account basis adjustments or income inclusions under §1.1248(f)-2(c)(3) (\$20x fair market value, \$5.63x basis, and \$15x earnings and profits attributable to the portions for purposes of section 1248). Similarly, US1 is not required to reduce the aggregate section 358 basis of the portions of its 30 shares of FA stock that relate to the CFC2 stock because the \$65x section 1248(f) amount with respect to the CFC2 stock attributable to the portions of the shares of FA stock received by US1 (as computed in paragraph (ii)(G) of this *Example 3*) does not exceed US1's postdistribution amount (\$66.88x) in those portions. The \$66.88x postdistribution amount equals the amount that US1 would be required to include in income as a dividend under section 1248(a) with respect to such portion if it sold the 30 shares of FA stock immediately after the distribution in a transaction in which all realized gain is recognized, without taking into account basis adjustments or income inclusions under §1.1248(f)-2(c)(3) (\$80x fair market value, \$13.13x basis, and \$75x earnings and profits attributable to the portions for purposes of section 1248).

(2) US2 is not required to reduce the aggregate section 358 basis of the portions of its 18 shares of FA stock that relate to the CFC1 stock because the \$6x section 1248(f) amount with respect to the CFC1 stock attributable to the portions of the shares of FA stock received by US2 (as computed in paragraph (ii)(G) of this *Example 3*) does not exceed US2's postdistribution amount (\$8.63x) in those portions. The \$8.63x postdistribution amount equals the amount that US2 would be required to include in income as a dividend under section 1248(a) with respect to such portion if it sold the 18 shares of FA

stock immediately after the distribution in a transaction in which all realized gain is recognized, without taking into account basis adjustments or income inclusions under § 1.1248(f)-2(c)(3) (\$12x fair market value, \$3.38x basis, and \$9x earnings and profits attributable to the portions for purposes of section 1248). Similarly, US2 is not required to reduce the aggregate section 358 basis of the portions of its 18 shares of FA stock that relate to the CFC2 stock because the \$39x section 1248(f) amount with respect to the CFC2 stock attributable to the portions of the shares of FA stock received by US2 (as computed in paragraph (ii)(G) of this *Example 3*) does not exceed US1's postdistribution amount (\$40.13x) in those portions. The \$40.13x postdistribution amount equals the amount that US2 would be required to include in income as a dividend under section 1248(a) with respect to such portion if it sold the 18 shares of FA stock immediately after the distribution in a transaction in which all realized gain is recognized, without taking into account basis adjustments or income inclusions under § 1.1248(f)-2(c)(3) (\$48x fair market value, \$7.88x basis, and \$45x earnings and profits attributable to the portions for purposes of section 1248).

(J) The amount of gain subject to the gain recognition agreement filed by each of US1 and US2 is determined pursuant to paragraph (e)(6)(i) of this section. The amount of gain subject to the gain recognition agreement filed by US1 with respect to the stock of CFC1 and CFC2 is \$10x and \$65x, respectively. The \$10x and \$65x are computed as the product of US1's ownership interest percentage (50%) multiplied by the gain realized by UST in the CFC1 stock (\$20x) and CFC2 stock (\$130x), respectively, as determined prior to taking into account the application of any other provision of section 367, reduced by the sum of the amounts described in paragraphs (e)(6)(i)(A) through (D) of this section with respect to the CFC1 stock and CFC2 stock attributable to US1 (\$0x with respect to the CFC1 stock, and \$0x with respect to the CFC2 stock). The amount of gain subject to the gain recognition agreement filed by US2 with respect to the stock of CFC1 and CFC2 is \$6x and \$39x, respectively. The \$6x and \$39x are computed as the product of US2's ownership interest percentage (30%) multiplied by the gain realized by UST in the CFC1 stock (\$20x) and CFC2 stock (\$130x), respectively, as determined prior to taking into account the application of any other provision of section 367, reduced by the sum of the amounts described in paragraphs (e)(6)(i)(A) through (D) of this section with respect to the CFC1 stock and CFC2 stock attributable to US2 (\$0x with respect to the CFC1 stock, and \$0x with respect to the CFC2 stock). X is not required to enter into a gain recognition agreement because the amount of gain that would be subject to the gain recognition agreement

is \$0x with respect to the CFC1 stock, and \$0x with respect to the CFC2 stock, computed as X's ownership percentage (20%) multiplied by the gain realized in the stock of CFC1 (\$20x multiplied by 20%, or \$4x) and CFC2 (\$130x multiplied by 20%, or \$26x), reduced by the amount of gain recognized by UST with respect to the stock of CFC1 and CFC2 that is attributable to X pursuant to § 1.367(a)-7(c)(2) (\$4x and \$26x, respectively, as determined in paragraph (ii)(C) of this *Example 3*). Pursuant to paragraph (e)(6)(ii) of this section, each gain recognition agreement must include the election described in § 1.367(a)-8(c)(2)(vi). Furthermore, pursuant to paragraph (e)(6)(iii) of this section, US1 and US2 must be designated as the U.S. transferor on their respective gain recognition agreements for purposes of § 1.367(a)-8.

(9) *Illustration of rules.* For rules relating to certain distributions of stock of a foreign corporation by a domestic corporation, see section 1248(f) and §§ 1.1248(f)-1 through 1.1248(f)-3.

(f) *Failure to file statements*—(1) *Failure to file.* For purposes of the exceptions to the application of section 367(a)(1) provided in paragraphs (c) and (d)(2)(vi)(B) of this section, there is a failure to file a statement described in paragraph (c)(6), (c)(7), or (d)(2)(vi)(C) of this section (failure to file) if the statement is not filed with a timely filed U.S. income tax return or is not completed in all material respects.

(2) *Relief for certain failures to file that are not willful*—(i) *In general.* A failure to file described in paragraph (f)(1) of this section will be deemed not to have occurred for purposes of satisfying the requirements of the applicable regulation if the taxpayer demonstrates that the failure was not willful using the procedure set forth in this paragraph (f)(2). For this purpose, willful is to be interpreted consistent with the meaning of that term in the context of other civil penalties, which would include a failure due to gross negligence, reckless disregard, or willful neglect. Whether a failure to file was a willful failure will be determined by the Director of Field Operations International, Large Business & International (or any successor to the roles and responsibilities of such position, as appropriate) (Director) based on all the facts and circumstances. The taxpayer must submit a request for relief and an explanation as provided in paragraph (f)(2)(ii)(A) of this section. Although a

taxpayer whose failure to file is determined not to be willful will not be subject to gain recognition under this section, the taxpayer will be subject to a penalty under section 6038B if the taxpayer fails to satisfy the reporting requirements, if any, under that section and does not demonstrate that the failure was due to reasonable cause and not willful neglect. See §1.6038B-1(b) and (f). The determination of whether the failure to file was willful under this section has no effect on any request for relief made under §1.6038B-1(f).

(ii) *Procedures for establishing that a failure to file was not willful*—(A) *Time and manner of submission.* A taxpayer's statement that the failure to file was not willful will be considered only if, promptly after the taxpayer becomes aware of the failure, an amended return is filed for the taxable year to which the failure relates that includes the information that should have been included with the original return for such taxable year or that otherwise complies with the rules of this section, and that includes a written statement explaining the reasons for the failure to file. The amended return must be filed with the Internal Revenue Service at the location where the taxpayer filed its original return. The taxpayer may submit a request for relief from the penalty under section 6038B as part of the same submission. See §1.6038B-1(f).

(B) *Notice requirement.* In addition to the requirements of paragraph (f)(2)(ii)(A) of this section, the taxpayer must comply with the notice requirements of this paragraph (f)(2)(ii)(B). If any taxable year of the taxpayer is under examination when the amended return is filed, a copy of the amended return and any information required to be included with such return must be delivered to the Internal Revenue Service personnel conducting the examination. If no taxable year of the taxpayer is under examination when the amended return is filed, a copy of the amended return and any information required to be included with such return must be delivered to the Director.

(3) For illustrations of the application of the willfulness standard of this paragraph (f), see the examples in §1.367(a)-8(p)(3).

(g) *Effective/applicability dates*—(1) *Rules of applicability.* (i) Except as otherwise provided in this paragraph (g), the rules in paragraphs (a), (b), and (d) of this section apply to transfers occurring on or after July 20, 1998.

(ii) The following rules apply to transactions occurring on or after January 23, 2006—

(A) The rules in paragraphs (a) and (d) of this section, as they apply to section 368(a)(1)(A) reorganizations (including reorganizations described in section 368(a)(2)(D) or (E)) involving a foreign acquiring or foreign acquired corporation;

(B) The rules in paragraph (b)(2)(i)(B) of this section;

(C) The rules in paragraph (d) of this section, as they apply to section 368(a)(1)(G) reorganizations (including reorganizations described in section 368(a)(2)(D));

(D) The rules of paragraph (d)(1) and (d)(2)(iv), as they relate to exchanges by a U.S. person of securities of an acquired corporation for voting stock or securities of a foreign corporation in control of the acquiring corporation in a triangular section 368(a)(1)(B) reorganization;

(E) The rules in paragraph (d)(1) and (d)(2)(iv) of this section, as they relate to exchanges by a U.S. person of stock or securities of an acquired corporation for voting stock or securities of a domestic corporation in control of the foreign acquiring corporation in a triangular section 368(a)(1)(B) reorganization; and

(F) The rules in paragraph (d)(2)(vii) of this section.

(iii) The rules of paragraph (a) of this section that apply to transfers of securities in a section 354 or 356 exchange (pursuant to a section 368(a)(1)(E) reorganization or an asset reorganization that is not treated as an indirect stock transfer) that is not subject to section 367(a) apply only to transfers occurring after January 5, 2005 (although taxpayers may apply such provision to transfers of securities occurring on or after July 20, 1998, and on or before January 5, 2005, if done consistently to all transactions).

(iv) The rules in paragraph (d)(1)(v) of this section apply to:

(A) A reorganization described in section 368(a)(1)(C) followed by a controlled asset transfer if such reorganization occurs on or after July 20, 1998;

(B) A reorganization described in section 368(a)(1)(D) followed by a controlled asset transfer if such reorganization occurs after December 9, 2002 (for additional guidance concerning such reorganizations that occur on or after July 20, 1998 and on or before December 9, 2002, see Rev. Rul. 2002-85 (2002-2 C.B. 986) and § 601.601(d)(2) of this chapter); and

(C) A reorganization described in section 368(a)(1)(A), (F), or (G) followed by a controlled asset transfer if such reorganization occurs on or after January 23, 2006.

(v) The rules of paragraph (d)(2)(vi) of this section apply only to transactions occurring on or after January 23, 2006. See § 1.367(a)-3(d)(2)(vi), as contained in 26 CFR part 1 revised as of April 1, 2005, for transactions occurring on or after July 20, 1998 and before January 23, 2006.

(A) Except as provided in paragraphs (g)(1)(v)(B) of this section and § 1.367(a)-3T(g)(1)(ix), the rules of paragraph (d)(2)(vi) of this section apply only to transactions occurring on or after January 23, 2006. See § 1.367(a)-3(d)(2)(vi), as contained in 26 CFR part 1 revised as of April 1, 2005, for transactions occurring on or after July 20, 1998, and before January 23, 2006.

(B)(I) For purposes of paragraph (d)(2)(vi)(B)(I) of this section as contained in 26 CFR part 1 revised as of April 1, 2007, except as provided in paragraph (g)(1)(v)(B)(3) of this section, the following conditions must be satisfied for transactions occurring on or after December 28, 2007, and before March 18, 2013: The conditions and requirements of section 367(a)(5) and paragraph (g)(1)(v)(B)(2) of this section must be satisfied with respect to the domestic acquired corporation's transfer of assets to the foreign acquiring corporation and those conditions and requirements apply before the application of the exception under paragraph (d)(2)(vi)(B)(I) of this section as contained in 26 CFR part 1 revised as of April 1, 2007.

(2) The domestic acquired corporation is controlled (within the meaning of section 368(c)) by five or fewer (but at least one) domestic corporations (controlling domestic corporations) immediately before the reorganization, appropriate basis adjustments under section 367(a)(5) are made to the stock received by the controlling domestic corporations in the reorganization, and any other conditions as provided in regulations under section 367(a)(5) are satisfied. For purposes of determining whether the domestic acquired corporation is controlled by five or fewer domestic corporations, all members of the same affiliated group within the meaning of section 1504 are treated as one corporation. Any adjustments to stock basis required under section 367(a)(5) must be made to the stock received by the controlling domestic corporation in the reorganization so the appropriate amount of built-in gain in the property transferred by the domestic acquired corporation to the foreign acquiring corporation in the section 361 exchange is reflected in the stock received. The basis adjustment requirement cannot be satisfied by adjusting the basis in stock of the foreign acquiring corporation held by the controlling domestic corporation before the reorganization. To the extent the appropriate amount of built-in gain in the property transferred by the domestic acquired corporation to the foreign acquiring corporation in the section 361 exchange cannot be preserved in the stock received by the controlling domestic corporation in the reorganization, the domestic acquired corporation's transfer of property to the foreign acquiring corporation is subject to section 367(a) and (d).

(3) For transactions occurring on or after August 19, 2008, and before March 18, 2013, the following condition also applies: To the extent any of the retransferred assets constitute property to which section 367(d) applies, the exception under paragraph (d)(2)(iv)(B)(I) of this section, as contained in 26 CFR part 1 revised as of April 1, 2007, applies only if the property to which section 367(d) applies is treated as property subject to section 367(a) for purposes of satisfying the conditions and requirements of section 367(a)(5).

(vi) With respect to certain transfers of domestic stock or securities, the rules in paragraph (c) of this section are generally applicable for transfers occurring after January 29, 1997. See § 1.367(a)-3(c)(11). For transition rules regarding certain transfers of domestic stock or securities after December 16, 1987, and before January 30, 1997, and transfers of foreign stock or securities after December 16, 1987, and before July 20, 1998, see paragraph (j) of this section.

(vii)(A) Except as provided in this paragraph (g)(1)(vii), the rules of paragraph (e) of this section apply to transfers of stock or securities occurring on or after April 17, 2013. For matters covered in this section for periods before April 17, 2013, but on or after March 13, 2009, see § 1.367(a)-3(e) as contained in 26 CFR part 1 revised as of April 1, 2012. For matters covered in this section for periods before March 13, 2009, but on or after March 7, 2007, see § 1.367(a)-3T(e) as contained in 26 CFR part 1 revised as of April 1, 2007. For matters covered in this section for periods before March 7, 2007, but on or after July 20, 1998, see § 1.367(a)-8(f)(2)(i) as contained in 26 CFR part 1 revised as of April 1, 2006.

(B) Taxpayers may apply the rules of § 1.367(a)-3(e) to transfers occurring before March 13, 2009, and during a taxable year for which the period of limitations on assessments under section 6501(a) has not closed, if done consistently to all such transfers occurring during each taxable year. A taxpayer applies the rules of § 1.367(a)-3(e) to transfers occurring before March 13, 2009, and during a taxable year for which the period of limitations on assessments under section 6501(a) has not closed, by including the gain recognition agreement, annual certification, or other information filing, that is required as a result of the rules of § 1.367(a)-3(e) applying to such a transfer, with an amended tax return for the taxable year in which the transfer occurs that is filed on or before August 10, 2009. A taxpayer that wishes to apply the rules of § 1.367(a)-3(e) to transfers occurring before March 13, 2009, and during a taxable year for which the period of limitations on assessments under section 6501(a) has not closed but that fails to meet the filing

requirement described in the preceding sentence must request relief for reasonable cause for such failure as provided in § 1.367(a)-8.

(viii) Paragraph (a)(2)(iv) of this section applies to exchanges occurring on or after May 17, 2011. For exchanges that occur prior to May 17, 2011, see § 1.367(a)-3T(b)(2)(i)(C) as contained in 26 CFR part 1 revised as of April 1, 2011.

(ix) Paragraphs (d)(2)(vi)(B)(I)(i) and (iii), (d)(2)(vi)(B)(2), and (d)(3), *Examples 6B, 6C, and 9* of this section apply to transfers that occur on or after March 18, 2013. See paragraphs (d)(2)(vi)(B)(I)(i) and (iii), (d)(2)(vi)(B)(2), and (d)(3), *Examples 6B, 6C, and 9* of this section, as contained in 26 CFR part 1 revised as of April 1, 2012, for transfers that occur on or after January 23, 2006, and before March 18, 2013. Paragraph (d)(2)(vi)(B)(I)(ii) of this section applies to statements that are required to be filed on or after November 19, 2014. See paragraph (d)(2)(vi)(B)(I)(ii) of this section, as contained in 26 CFR part 1 revised as of April 1, 2014, for statements required to be filed on or after March 18, 2013, and before November 19, 2014.

(x) Paragraphs (c)(6)(ii) and (f) of this section apply to statements that are required to be filed on or after November 19, 2014, as well as to requests for relief submitted on or after November 19, 2014.

(2) *Election.* Notwithstanding paragraphs (g)(1) and (j) of this section, taxpayers may, by timely filing an original or amended return, elect to apply paragraphs (b) and (d) of this section to all transfers of foreign stock or securities occurring after December 16, 1987, and before July 20, 1998, except to the extent that a gain recognition agreement has been triggered prior to July 20, 1998. If an election is made under this paragraph (g)(2), the provisions of § 1.367(a)-3T(g) (see 26 CFR part 1, revised April 1, 1998) shall apply, and, for this purpose, the term *substantial portion* under § 1.367(a)-3T(g)(3)(iii) (see 26 CFR part 1, revised April 1, 1998) shall be interpreted to mean *substantially all* as defined in section 368(a)(1)(C). In addition, if such an election is made, the taxpayer must apply the rules under section 367(b) and the regulations thereunder to any transfers occurring

within that period as if the election to apply § 1.367(a)-3(b) and (d) to transfers occurring within that period had not been made, except that in the case of an exchange described in section 351 the taxpayer must apply section 367(b) and the regulations thereunder as if the exchange was described in § 7.367(b)-7 of this chapter (as in effect before February 23, 2000; see 26 CFR part 1, revised as of April 1, 1999). For example, if a U.S. person, pursuant to a section 351 exchange, transfers stock of a controlled foreign corporation in which it is a United States shareholder but does not receive back stock of a controlled foreign corporation in which it is a United States shareholder, the U.S. person must include in income under § 7.367(b)-7 of this chapter (as in effect before February 23, 2000; see 26 CFR part 1, revised as of April 1, 1999) the section 1248 amount attributable to the stock exchanged (to the extent that the fair market value of the stock exchanged exceeds its adjusted basis). Such inclusion is required even though § 7.367(b)-7 of this chapter (as in effect before February 23, 2000; see 26 CFR part 1, revised as of April 1, 1999), by its terms, did not apply to section 351 exchanges.

(h) *Former 10-year gain recognition agreements.* If a taxpayer elects to apply the rules of this section to all prior transfers occurring after December 16, 1987, any 10-year gain recognition agreement that remains in effect (has not been triggered in full) on July 20, 1998 will be considered by the Internal Revenue Service to be a 5-year gain recognition agreement with a duration of five full taxable years following the close of the taxable year of the initial transfer.

(i) [Reserved]

(j) *Transition rules regarding certain transfers of domestic or foreign stock or securities after December 16, 1987, and prior to July 20, 1998—(1) Scope.* Transfers of domestic stock or securities described under section 367(a) that occurred after December 16, 1987, and prior to April 17, 1994, and transfers of foreign stock or securities described under section 367(a) that occur after December 16, 1987, and prior to July 20, 1998 are subject to the rules contained in section 367(a) and the regulations

thereunder, as modified by the rules contained in paragraph (j)(2) of this section. For transfers of domestic stock or securities described under section 367(a) that occurred after April 17, 1994 and before January 30, 1997, see Temporary Income Regulations under section 367(a) in effect at the time of the transfer (§ 1.367(a)-3T(a) and (c), 26 CFR part 1, revised April 1, 1996) and paragraph (c)(11) of this section. For transfers of domestic stock or securities described under section 367(a) that occur after January 29, 1997, see § 1.367(a)-3(c).

(2) *Transfers of domestic or foreign stock or securities: Additional substantive rules—(i) Rule for less than 5-percent shareholders.* Unless paragraph (j)(2)(iii) of this section applies (in the case of domestic stock or securities) or paragraph (j)(2)(iv) of this section applies (in the case of foreign stock or securities), a U.S. transferor that transfers stock or securities of a domestic or foreign corporation in an exchange described in section 367(a) and owns less than 5 percent of both the total voting power and the total value of the stock of the transferee foreign corporation immediately after the transfer (taking into account the attribution rules of section 958) is not subject to section 367(a)(1) and is not required to enter into a gain recognition agreement.

(ii) *Rule for 5-percent shareholders.* Unless paragraph (j)(2)(iii) or (iv) of this section applies, a U.S. transferor that transfers domestic or foreign stock or securities in an exchange described in section 367(a) and owns at least 5 percent of either the total voting power or the total value of the stock of the transferee foreign corporation immediately after the transfer (taking into account the attribution rules under section 958) may qualify for non-recognition treatment by filing a gain recognition agreement in accordance with § 1.367(a)-3T(g) in effect prior to July 20, 1998 (see 26 CFR part 1, revised April 1, 1998) for a duration of 5 or 10 years. The duration is 5 years if the U.S. transferor (5-percent shareholder) determines that all U.S. transferors, in the aggregate, own less than 50 percent of both the total voting power and the total value of the transferee foreign corporation immediately after the

transfer. The duration is 10 years in all other cases. See, however, § 1.367(a)-3(h). If a 5-percent shareholder fails to properly enter into a gain recognition agreement, the exchange is taxable to such shareholder under section 367(a)(1).

(iii) *Gain recognition agreement option not available to controlling U.S. transferor if U.S. stock or securities are transferred.* Notwithstanding the provisions of paragraph (j)(2)(ii) of this section, in no event will any exception to section 367(a)(1) apply to the transfer of stock or securities of a domestic corporation where the U.S. transferor owns (applying the attribution rules of section 958) more than 50 percent of either the total voting power or the total value of the stock of the transferee foreign corporation immediately after the transfer (i.e., the use of a gain recognition agreement to qualify for nonrecognition treatment is unavailable in this case).

(iv) *Loss of United States shareholder status in the case of a transfer of foreign stock.* Notwithstanding the provisions of paragraphs (j)(2)(i) and (ii) of this section, in no event will any exception to section 367(a)(1) apply to the transfer of stock of a foreign corporation in which the U.S. transferor is a United States shareholder (as defined in § 7.367(b)-2(b) of this chapter (as in effect before February 23, 2000; see 26 CFR part 1, revised as of April 1, 1999) or section 953(c)) unless the U.S. transferor receives back stock in a controlled foreign corporation (as defined in section 953(c), section 957(a) or section 957(b)) as to which the U.S. transferor is a United States shareholder immediately after the transfer.

(k) [Reserved] For further guidance, see § 1.367-3T(k).

[T.D. 8702, 61 FR 68637, Dec. 30, 1996]

EDITORIAL NOTE: For FEDERAL REGISTER citations affecting § 1.367(a)-3, see the List of CFR Sections Affected, which appears in the Finding Aids section of the printed volume and at www.govinfo.gov.

§ 1.367(a)-4 Special rule applicable to U.S. depreciated property.

(a) *Depreciated property used in the United States—(1) In general.* A U.S. person that transfers U.S. depreciated property (as defined in paragraph (a)(2) of this section) to a foreign corporation in an exchange described in section 367(a)(1), must include in its gross income for the taxable year in which the transfer occurs ordinary income equal to the gain realized that would have been includible in the transferor's gross income as ordinary income under section 617(d)(1), 1245(a), 1250(a), 1252(a), 1254(a), or 1255(a), whichever is applicable, if at the time of the transfer the U.S. person had sold the property at its fair market value. Recapture of depreciation under this paragraph (a) is required regardless of whether the exception to section 367(a)(1) provided by § 1.367(a)-2(a)(2) applies to the transfer of the U.S. depreciated property. However, the transfer of the U.S. depreciated property may qualify for the exception with respect to realized gain that is not included in ordinary income pursuant to this paragraph (a).

(2) *U.S. depreciated property.* U.S. depreciated property subject to the rules of this paragraph (a) is any property that—

(i) Is either mining property (as defined in section 617(f)(2)), section 1245 property (as defined in section 1245(a)(3)), section 1250 property (as defined in section 1250(c)), farm land (as defined in section 1252(a)(2)), section 1254 property (as defined in section 1254(a)(3)), or section 126 property (as defined in section 1255(a)(2)); and

(ii) Has been used in the United States or has been described in section 168(g)(4) before its transfer.

(3) *Property used within and without the United States.* (i) If U.S. depreciated property has been used partly within and partly without the United States, then the amount required to be included in ordinary income pursuant to this paragraph (a) is reduced to an amount determined in accordance with the following formula:

| | | | | | | |
|--|-----------|--|--|---------|--|-----------|
| | X | <table border="0" style="width: 100%;"> <tr> <td style="width: 50%;"></td> <td style="width: 50%; text-align: right;">U.S use</td> </tr> <tr> <td style="border-top: 1px solid black;"></td> <td style="border-top: 1px solid black; text-align: right;">Total use</td> </tr> </table> | | U.S use | | Total use |
| | U.S use | | | | | |
| | Total use | | | | | |

(ii) For purposes of the fraction in paragraph (a)(3)(i) of this section, the “full recapture amount” is the amount that would otherwise be included in the transferor’s income under paragraph (a)(1) of this section. “U.S. use” is the number of months that the property either was used within the United States or has been described in section 168(g)(4), and was subject to depreciation by the transferor or a related person. “Total use” is the total number of months that the property was used (or available for use), and subject to depreciation, by the transferor or a related person. For purposes of this paragraph (a)(3), property is not considered to have been in use outside of the United States during any period in which such property was, for purposes of section 168, treated as property not used predominantly outside the United States pursuant to section 168(g)(4). For purposes of this paragraph (a)(3), the term “related person” has the meaning set forth in § 1.367(d)-1(h).

(b) *Effective/applicability dates.* The rules of this section apply to transfers occurring on or after September 14, 2015, and to transfers occurring before September 14, 2015, resulting from entity classification elections made under § 301.7701-3 that are filed on or after September 14, 2015. For transfers occurring before this section is applicable, see §§ 1.367(a)-4 and 1.367(a)-4T as contained in 26 CFR part 1 revised as of April 1, 2016.

[T.D. 9803, 81 FR 91027, Dec. 16, 2016]

§ 1.367(a)-5 [Reserved]

§ 1.367(a)-6 Transfer of foreign branch with previously deducted losses.

(a) through (b)(1) [Reserved]. For further guidance, see § 1.367(a)-6T(a) through (b)(1).

(b)(2) *No active conduct exception.* The rules of this paragraph (b) apply regardless of whether any of the assets of the foreign branch satisfy the active trade or business exception of § 1.367(a)-2(a)(2).

(c)(1) [Reserved]. For further guidance, see § 1.367(a)-6T(c)(1).

(2) *Gain limitation.* The gain required to be recognized under paragraph (b)(1) of this section will not exceed the aggregate amount of gain realized on the transfer of all branch assets (without regard to the transfer of any assets on which loss is realized but not recognized).

(3) [Reserved]

(4) *Transfers of certain intangible property.* Gain realized on the transfer of intangible property (computed with reference to the fair market value of the intangible property as of the date of the transfer) that is an asset of a foreign branch is taken into account in computing the limitation on loss recapture under paragraph (c)(2) of this section. For rules relating to the crediting of gain recognized under this section against income deemed to arise by operation of section 367(d), see § 1.367(d)-1(g)(3).

(d) through (i) [Reserved]. For further guidance, see § 1.367(a)-6T(d) through (i).

(j) *Effective/applicability dates.* The rules of this section apply to transfers occurring on or after September 14, 2015, and to transfers occurring before September 14, 2015, resulting from entity classification elections made under § 301.7701-3 that are filed on or after September 14, 2015. For transfers occurring before this section is applicable, see § 1.367(a)-6T as contained in 26 CFR part 1 revised as of April 1, 2016.

[T.D. 9803, 81 FR 91028, Dec. 16, 2016]

§ 1.367(a)-6T Transfer of foreign branch with previously deducted losses (temporary).

(a) *In general.* This section provides special rules relating to the transfer of the assets of a foreign branch with previously deducted losses. Paragraph (b) of this section provides generally that such losses must be recaptured by the recognition of the gain realized on the transfer. Paragraph (c) of this section sets forth rules concerning the character of, and limitations on, the gain

required to be recognized. Paragraph (d) of this section defines the term *previously deducted losses*. Paragraph (e) of this section describes certain reductions that are made to the previously deducted losses before they are taken into income under this section. Finally, paragraph (g) of this section defines the term *foreign branch*.

(b) *Recognition of gain required*—(1) *In general*. If a U.S. person transfers any assets of a foreign branch to a foreign corporation in an exchange described in section 367(a)(1), then the transferor shall recognize gain equal to—

(i) The sum of the previously deducted branch ordinary losses as defined and reduced in paragraphs (d) and (e) of this section; and

(ii) The sum of the previously deducted branch capital losses as defined and reduced in paragraphs (d) and (e) of this section.

(2) [Reserved]

(c) *Special rules concerning gain recognized*—(1) *Character and source of gain*. The gain described in paragraph (b)(1)(i) of this section shall be treated as ordinary income of the transferor, and the gain described in paragraph (b)(1)(ii) of this section shall be treated as long-term capital gain of the transferor. Gain that is recognized pursuant to the rules of this section shall be treated as income from sources outside the United States. Such recognized gain shall be treated as foreign oil and gas extraction income (as defined in section 907) in the same proportion that previously deducted foreign oil and gas extraction losses bore to the total amount of previously deducted losses.

(2) [Reserved]

(3) *Foreign goodwill and going concern value*. For purposes of this section, the assets of a foreign branch shall include foreign goodwill and going concern value related to the business of the foreign branch, as defined in § 1.367(a)-1T(d)(5)(iii). Thus, gain realized upon the transfer of the foreign goodwill or going concern value of a foreign branch to a foreign corporation will be taken into account in computing the limitation on loss recapture under paragraph (c)(2) of this section.

(4) [Reserved]

(d) *Previously deducted losses*—(1) *In general*. This paragraph (d) provides rules for determining, for purposes of paragraph (b)(1) of this section, the previously deducted losses of a foreign branch any of whose assets are transferred to a foreign corporation in an exchange described in section 367(a)(1). Initially, the two previously deducted losses of a foreign branch for a taxable year are the total ordinary loss (“previously deducted branch ordinary loss”) and the total capital loss (“previously deducted branch capital loss”) that were realized by the foreign branch in that taxable year (a “branch loss year”) prior to the transfer and that were or will be reflected on a U.S. income tax return of the transferor. The previously deducted branch ordinary loss for each branch loss year is reduced by expired net ordinary losses under paragraph (d)(2) of this section, while the previously deducted capital loss for each loss year is reduced by expired net capital losses under paragraph (d)(3) of this section. For each branch loss year, the remaining previously deducted branch ordinary loss and the remaining previously deducted branch capital loss are then reduced, proceeding from the first branch loss year to the last branch loss year, to reflect expired foreign tax credits under paragraph (d)(4) of this section. The reductions are made in the order of the taxable years in which the foreign tax credits arose. Finally, similar reductions are made to reflect expired investment credits under paragraph (d)(5) of this section.

(2) *Reduction by expired net ordinary loss*—(i) *In general*. The previously deducted branch ordinary loss for each branch loss year shall be reduced under this paragraph (d)(2) by the amount of any expired net ordinary loss with respect to that branch loss year. Expired net ordinary losses arising in years other than the branch loss year shall reduce the previously deducted branch ordinary loss for the branch loss year only to the extent that the previously deducted branch ordinary loss exceeds the net operating loss, if any, incurred by the transferor in the branch loss year. The previously deducted branch ordinary losses shall be reduced proceeding from the first branch loss year

to the last branch loss year. For each branch loss year, expired net operating losses shall be applied to reduce the previously deducted branch ordinary loss for that year in the order in which the expired net ordinary losses arose.

(ii) *Existence of expired net ordinary loss.* An expired net ordinary loss exists with respect to a branch loss year to the extent that—

(A) The transferor incurred a net operating loss (within the meaning of section 172(c));

(B) That net operating loss arose in the branch loss year or was available for carryover or carryback to the branch loss year under section 172(b)(1);

(C) That net operating loss has neither given rise to a net operating loss deduction (within the meaning of section 172(a)) for any taxable year prior to the year of the transfer, nor given rise to a reduction of any previously deducted branch ordinary loss (pursuant to paragraph (d)(2) of this section) of any foreign branch of the transferor upon a previous transfer to a foreign corporation; and

(D) The period during which the transferor may claim a net operating loss deduction with respect to that net operating loss has expired.

(3) *Reduction by expired net capital loss—(i) In general.* The previously deducted branch capital loss for each branch loss year shall be reduced under this paragraph (d)(3) by the amount of any expired net capital loss with respect to that branch loss year. Expired net capital losses arising in years other than the branch loss year shall reduce the previously deducted branch capital loss for the branch loss year only to the extent that the previously deducted branch capital loss exceeds the net capital loss, if any, incurred by the transferor in the branch loss year. The previously deducted branch capital losses shall be reduced proceeding from the first branch loss year to the last branch loss year. For each branch loss year, expired net capital losses shall be applied to reduce the previously deducted branch capital loss for that year in the order in which the expired net capital losses arose.

(ii) *Existence of expired net capital loss.* An expired net capital loss exists with

respect to a branch loss year to the extent that—

(A) The transferor incurred a net capital loss (within the meaning of section 1222(10));

(B) That net capital loss arose in the branch loss year or was available for carryover or carryback to the branch loss year under section 1212;

(C) That net capital loss has neither been allowed for any taxable year prior to the year of the transfer, nor given rise to a reduction of any previously deducted branch capital loss (pursuant to paragraph (c)(3) of this section) of any foreign branch of the transferor upon any previous transfer to a foreign corporation; and

(D) The period during which the transferor may claim a capital loss deduction with respect to that net capital loss has expired.

(4) *Reduction for expired foreign tax credit—(i) In general.* The previously deducted branch ordinary loss and the previously deducted branch capital loss for each branch loss year remaining after the reductions described in paragraph (d)(2) and (3) of this section shall be further reduced under this paragraph (d)(4) proportionately by the amount of any expired foreign tax credit loss equivalent with respect to that branch loss year. The previously deducted branch losses shall be reduced proceeding from the first branch loss year to the last branch loss year. For each branch loss year, expired foreign tax credit loss equivalents shall be applied to reduce the previously deducted branch loss for that year in the order in which the expired foreign tax credits arose.

(ii) *Existence of foreign tax credit loss equivalent.* A foreign tax credit loss equivalent exists with respect to a branch loss year if—

(A) The transferor paid, accrued, or is deemed under section 902 or 960 to have paid creditable foreign taxes in a taxable year;

(B) The creditable foreign taxes were paid, accrued, or deemed paid in the branch loss year or were available for carryover or carryback to the branch loss year under section 904(c);

(C) No foreign tax credit with respect to the foreign taxes paid, accrued, or deemed paid has been taken because of

the operation of section 904(a) or similar limitations provided by the Code or an applicable treaty, and such taxes have not given rise to a reduction (pursuant to this paragraph (d)(5)) of any previously deducted branch loss of the foreign branch for a prior taxable year or of any previously deducted branch losses of any foreign branch of the transferor upon a prior transfer to a foreign corporation; and

(D) The period during which the transferor may claim a foreign tax credit for the foreign taxes paid, accrued, or deemed paid has expired.

(iii) *Amount of foreign tax credit loss equivalent.* The amount of the foreign tax credit loss equivalent for the branch loss year with respect to the creditable foreign taxes described in paragraph (d)(4)(ii) of this section is the amount of those creditable foreign taxes divided by the highest rate of tax to which the transferor was subject in the loss year.

(5) *Reduction for expired investment credits—(i) In general.* The previously deducted branch ordinary loss and the previously deducted branch capital loss for each branch loss year shall be further reduced under this paragraph (d)(5) proportionately by the amount of any expired investment credit loss equivalent with respect to that branch year. The previously deducted branch losses shall be reduced proceeding from the first branch loss year to the last branch loss year. For each branch loss year, expired investment credit loss equivalents shall be applied to reduce the previously deducted branch loss for that year in the order in which the expired investment credits were earned.

(ii) *Existence of investment credit loss equivalent.* An investment credit loss equivalent exists with respect to a branch loss year if—

(A) The transferor earned an investment credit (within the meaning of section 46(a)) in a taxable year;

(B) The investment credit was earned in the branch loss year or was available for carryover or carryback to the branch loss year under section 39;

(C) The investment credit earned by the transferor in the credit year has been denied by section 38(a) or by similar provisions of the Code and has not given rise to a reduction (pursuant to

this paragraph (d)(5)) of any previously deducted branch loss of the foreign branch for a preceding taxable year or of the previously deducted losses of any foreign branch of the transferor upon any previous transfer to a foreign corporation; and

(D) The period during which the transferor may claim the investment credit has expired.

(iii) *Amount of investment tax credit loss equivalent.* The amount of the investment credit loss equivalent for the branch loss year with respect to the investment credit described in paragraph (d)(5)(ii) of this section is 85 percent of the amount of that investment credit divided by the highest rate of tax to which the transferor was subject in the loss year.

(e) *Amounts that reduce previously deducted losses subject to recapture—(1) In general.* This paragraph (e) describes five amounts that reduce the sum of the previously deducted branch ordinary losses and the sum of the previously deducted branch capital losses before they are taken into income under paragraph (b) of this section. Amounts representing ordinary income shall be applied to reduce first the sum of the previously deducted branch ordinary losses to the extent thereof, and then the sum of the previously deducted branch capital losses to the extent thereof. Similarly, amounts representing capital gains shall be applied to reduce first the sum of the previously deducted branch capital losses and then the sum of the previously deducted branch ordinary losses.

(2) *Taxable income.* The previously deducted losses shall be reduced by any taxable income of the foreign branch recognized through the close of the taxable year of the transfer, whether before or after any taxable year in which losses were incurred.

(3) *Amounts currently recaptured under section 904(f)(3).* The previously deducted losses shall be reduced by the amount recognized under section 904(f)(3) on account of the transfer.

(4) [Reserved]

(5) *Amounts previously recaptured under section 904(f)(3)—(i) In general.* The previously deducted branch losses shall be reduced by the portion of any amount recognized under section

904(f)(3) upon a previous transfer of property that was attributable to the losses of the foreign branch, provided that the amount did not reduce any gain otherwise required to be recognized under section 367(a)(3)(C) and this section (or Revenue Ruling 78-201, 1978-1 C.B. 91).

(ii) *Portion attributable to the losses of the foreign branch—(A) Branch property.* The full amount recognized under section 904(f)(3) upon a previous transfer of property of the branch shall be treated as attributable to the losses of the foreign branch.

(B) *Non-branch property.* The portion of the amount previously recognized under section 904(f)(3) upon a transfer of non-branch property that was attributable to the losses of the foreign branch shall be the sum, over the taxable years in which the transferor sustained an overall foreign loss some portion of which was recaptured on the disposition, of the recaptured portions of those overall foreign losses after multiplication by the following fraction:

Losses of the foreign branch for the year
All foreign losses for the year

For purposes of this fraction, the term *losses of the foreign branch for the year* means the losses of the foreign branch that were taken into account under section 904(f)(2) in determining the amount of the transferor's overall foreign loss for the year, and the term *all foreign losses for the year* means all of the losses of the transferor that were taken into account under section 904(f)(2).

(6) *Amounts previously recognized under the rules of this section.* The previously deducted losses shall be reduced by the amounts previously recognized under the rules of this section upon a previous transfer of assets of the foreign branch.

(f) *Example.* The rules of paragraphs (b) through (e) of this section are illustrated by the following example.

Example. (i) *Facts.* X, a U.S. corporation, is a calendar year taxpayer. On January 1, 1981, X established a branch in foreign country A to manufacture and sell X's products in country A. On July 1, 1986, X organized corporation Y, a country A subsidiary, and transferred to Y all of the assets of its country A branch, including goodwill and going concern value. During the period from January 1, 1981, through July 1, 1986, X's country A branch earned income and incurred losses in the following amounts:

| COUNTRY A BRANCH | | |
|------------------|------------------------|---------------------|
| Year | Ordinary income (loss) | Capital gain (loss) |
| 1981 | (200) | 0 |
| 1982 | (300) | (100) |
| 1983 | (400) | 0 |
| 1984 | (200) | 0 |
| 1985 | (100) | 0 |
| 1986 | 50 | 0 |

At the time of the transfer of X's country A branch assets to Y, those assets had a fair market value of \$2,500 and an adjusted basis of \$1,000. For each of the assets, fair market value exceeded adjusted basis. X had no net capital loss or unused investment credit during any taxable year relevant to the transfer. In 1984, X incurred a net operating loss of \$400, \$200 of which was carried back to prior years. An additional \$50 of the 1984 net operating loss was carried over to 1985. The remaining \$150 of the 1984 net operating loss was not used in any year prior to the transfer. In 1979, X paid creditable foreign taxes of \$330 that could not be claimed as a credit in that year or any earlier year because of section 904. Of those foreign taxes, \$100 were carried over and claimed as a credit in 1983, but the remaining \$230 were not used in any year prior to the transfer. X was not required to recognize any gain under section 904(f)(3) on account of the 1986 transfer or any prior transfer. X was not required to recognize gain upon the transfer under section 367(a) (other than by reason of the provisions of this section).

(ii) *Previously deducted losses.* The previously deducted losses of X's country A branch are \$575 of ordinary losses and \$25 of

capital losses, computed as follows: Initially, the branch has previously deducted ordinary losses of \$1,000 (\$200 + \$300 + \$400 + \$100), and previously deducted capital losses of \$100. (See paragraph (d)(1) of this section.)

(iii) *Expired losses and credits.* Under the facts of this example, there are no reductions for expired net ordinary losses or expired net capital losses under paragraph (d)(2) or (3) of this section. However, the previously deducted losses are reduced proceeding from the first branch loss year to the last branch loss year to reflect the expired foreign tax credit from 1979. The amount of the foreign tax credit loss equivalent with respect to 1981 is \$500 (\$230/46). It reduces the previously deducted losses for 1981 proportionately. Thus, the previously deducted ordinary loss for 1981 is reduced from \$200 to \$0. (See paragraph (d)(4) of this section.) The amount of the foreign tax credit loss equivalent with respect to 1982 is \$300 (\$500 - \$200, *i.e.*, \$138/46). (See paragraph (d)(4)(ii)(C) of this section.) It reduces the previously deducted losses for 1982 proportionately. Thus, the previously deducted ordinary loss for 1982 is reduced from \$300 to \$75, and the previously deducted capital loss for 1982 is reduced from \$100 to \$25.

(iv) *Further reductions.* The previously deducted ordinary losses of \$575 and the previously deducted capital losses of \$25 are reduced by the taxable income earned by the branch prior to the date of the transfer (\$250). (See paragraph (e)(2) of this section.) Since that income was ordinary income, it is applied first to reduce the previously deducted ordinary losses of \$575 to \$325. (See paragraph (e)(1) of this section.)

(v) *Recapture.* Since the gain realized by X upon its transfer of the branch assets to Y exceeds the sum of the previously deducted branch losses as defined and reduced above (\$325 + \$25), the limitation in paragraph (c)(2) of this section does not apply. Thus, X is required to recognize \$325 of ordinary income and \$25 of long-term capital gain upon the transfer. (See paragraph (b) and (c)(1) of this section.)

(g) *Definition of foreign branch*—(1) *In general.* For purposes of this section, the term *foreign branch* means an integral business operation carried on by a U.S. person outside the United States. Whether the activities of a U.S. person outside the United States constitute a foreign branch operation must be determined under all the facts and circumstances. Evidence of the existence of a foreign branch includes, but is not limited to, the existence of a separate set of books and records, and the existence of an office or other fixed place of business used by employees or officers

of the U.S. person in carrying out business activities outside the United States. Activities outside the United States shall be deemed to constitute a foreign branch for purposes of this section if the activities constitute a permanent establishment under the terms of a treaty between the United States and the country in which the activities are carried out. Any U.S. person may be treated as having a foreign branch for purposes of this section, whether that person is a corporation, partnership, trust, estate, or individual.

(2) *More than one branch.* If a U.S. person carries on more than one branch operation outside the United States, then the rules of this section must be separately applied with respect to each foreign branch that is transferred to a foreign corporation. Thus, the previously deducted losses of one branch may not be offset, for purposes of determining the gain required to be recognized under the rules of this section, by the income of another branch that is also transferred to a foreign corporation. Similarly, the losses of one branch shall not be recaptured upon a transfer of the assets of a separate branch. Whether the foreign activities of a U.S. person are carried out through more than one branch must be determined under all of the facts and circumstances. In general, a separate branch exists if a particular group of activities is sufficiently integrated to constitute a single business that could be operated as an independent enterprise. For purposes of determining the combination of activities that constitute a branch operation as defined in this paragraph (g), the nominal relationship among those activities shall not be controlling. Factors suggesting that nominally separate business operations constitute a single foreign branch include a substantial identity of products, customers, operational facilities, operational processes, accounting and record-keeping functions, management, employees, distribution channels, or sales and purchasing forces. For examples of the application of the principles of this paragraph (g)(2), see Revenue Ruling 81-82, 1981-1 C.B. 127.

(3) *Consolidated group.* For purposes of this section, the activities of each of two domestic corporations outside the

§ 1.367(a)-7

26 CFR Ch. I (4-1-21 Edition)

United States will be considered to constitute a single foreign branch if—

(i) The two corporations are members of the same consolidated group of corporations; and

(ii) The activities of the two corporations in the aggregate would constitute a single foreign branch if conducted by a single corporation.

Notwithstanding the preceding rule of this paragraph (g)(3), gains of a foreign branch of a domestic corporation arising in a year in which that corporation did not file a consolidated return with a second domestic corporation shall not be applied to reduce the previously deducted losses of a foreign branch of the second corporation (but may be applied to reduce such losses of the foreign branch of the first corporation) upon the transfer of the two branches to a foreign corporation, even though the two domestic corporations file a consolidated return for the year in which the transfer occurs and the two branches are considered at that time to constitute a single foreign branch. For an example of the application of the principles of this paragraph (g)(3), see Revenue Ruling 81-89, 1981-1 C.B. 129.

(4) *Property not transferred.* A U.S. transferor's failure to transfer any property of a foreign branch shall be irrelevant to the determination of the previously deducted losses of the branch subject to recapture under the rules of this section. Thus, if the activities with respect to untransferred property constituted a part of the branch operation under the rules of this paragraph (g), then the losses generated by those activities shall be subject to recapture, notwithstanding the failure to transfer the property. For an example of the application of the principles of this paragraph (g)(4), see Revenue Ruling 80-247, 1980-2 C.B. 127, relating to property abandoned by the U.S. transferor.

(h) *Anti-abuse rule.* If—

(1) A U.S. person transfers property of a foreign branch to a domestic corporation for a principal purpose of avoiding the effect of this section; and

(2) The domestic corporation thereafter transfers the property of the foreign branch to a foreign corporation,

Then, solely for purposes of this section, that U.S. person shall be treated

as having transferred the property of the branch directly to the foreign corporation. A U.S. person shall be presumed to have transferred property of a foreign branch for a principal purpose of avoiding the effect of this section if the property is transferred to the domestic corporation less than two years prior to the domestic corporation's transfer of the property to a foreign corporation. This presumption may be rebutted by clear evidence that the subsequent transfer of the property was not contemplated at the time of the initial transfer to the domestic corporation and that avoidance of the effect of this section was not a principal purpose for the transaction. A transfer may have more than one principal purpose.

(i) *Basis adjustments.* Basis adjustments reflecting gain recognized pursuant to this section shall be made as described in § 1.367(a)-1T(b)(4)(ii).

(j) [Reserved]

[T.D. 8087, 51 FR 17950, May 16, 1986, as amended by T.D. 9615, 78 FR 17063, Mar. 19, 2013; T.D. 9760, 81 FR 15169, Mar. 22, 2016; T.D. 9803, 81 FR 91028, Dec. 16, 2016]

§ 1.367(a)-7 Outbound transfers of property described in section 361(a) or (b).

(a) *Scope and purpose.* This section provides rules under section 367(a)(5) that apply to the transfer of certain property (including stock or securities) by a domestic corporation (U.S. transferor) to a foreign corporation (foreign acquiring corporation) in a section 361 exchange. This section applies only to the transfer of section 367(a) property. See section 367(d) for rules applicable to transfers of section 367(d) property. Paragraph (b) of this section provides the general rule requiring the recognition of gain on the transfer of section 367(a) property, while paragraph (c) of this section provides an elective exception to the general rule that is available if certain requirements are satisfied. Paragraph (d) of this section provides rules for applying the elective exception to a section 361 exchange followed by successive distributions to which section 355 applies. Paragraph (e) of this section provides rules for recognizing gain on section 367(a) property, not willful relief provisions, an anti-

abuse rule, and special rules that take into account income inclusions under § 1.367(b)-4 and gain recognition under § 1.367(a)-6. Paragraph (f) of this section provides definitions, and paragraph (g) of this section provides examples. Paragraph (h) of this section provides applicable cross-references, paragraph (i) of this section is reserved, and paragraph (j) of this section provides effective/applicability dates.

(b) *General rule*—(1) *Nonrecognition exchanges enumerated in section 367(a)(1)*. Except to the extent provided in paragraphs (b)(2) and (c) of this section, the exceptions to section 367(a)(1) provided in section 367(a) and the regulations under that section do not apply to a transfer of section 367(a) property by a U.S. transferor to a foreign acquiring corporation in a section 361 exchange, and the U.S. transferor shall recognize any gain (but not loss) realized with respect to the section 367(a) property under section 367(a)(1). Realized gain is recognized pursuant to the prior sentence notwithstanding the application of any other nonrecognition provision enumerated in section 367(a)(1) to the transfer (such as section 351 or 354).

(2) *Nonrecognition exchanges not enumerated in section 367(a)(1)*. To the extent a transfer of items of property described in paragraph (b)(1) of this section also qualifies for nonrecognition under a provision that is not enumerated in section 367(a)(1) (such as section 1036), the U.S. transferor recognizes gain or loss realized on the transfer of such items of property, but the amount of loss recognized on the property shall not exceed the amount of gain recognized on the property. See section 337(d).

(c) *Elective exception*. Except to the extent provided in paragraph (d) of this section, paragraph (b) of this section does not apply to the transfer of section 367(a) property by a U.S. transferor to a foreign acquiring corporation in a section 361 exchange if the conditions of paragraphs (c)(1), (c)(2), (c)(3), and (c)(4) of this section are satisfied, and an election to apply the exception provided by this paragraph (c) is made in the manner provided by paragraph (c)(5) of this section. If this paragraph (c) applies to the section 361 exchange, see, for example, § 1.367(a)-2, § 1.367(a)-3,

§ 1.367(a)-4, or § 1.367(a)-6, as applicable, for additional requirements that must be satisfied in order for the U.S. transferor to not recognize gain under section 367(a)(1) on the transfer of section 367(a) property in the section 361 exchange. Nothing in this section provides for the nonrecognition of gain not otherwise permitted under another provision of the Internal Revenue Code (Code) or the regulations.

(1) *Control*. Immediately before the reorganization, the U.S. transferor is controlled (within the meaning of section 368(c)) by five or fewer, but at least one, control group members. For illustrations of this rule, see paragraph (g) of this section, *Example 4* and *Example 5*.

(2) *Gain recognition*—(i) *Non-control group members*. The U.S. transferor recognizes gain equal to the product of the inside gain multiplied by the aggregate ownership interest percentage of all non-control group members, reduced (but not below zero) by the sum of the amounts described in paragraphs (c)(2)(i)(A), (c)(2)(i)(B), and (c)(2)(i)(C) of this section.

(A) Gain recognized with respect to stock or securities under § 1.367(a)-3(e)(3)(iii)(B) (including any portion treated as a deemed dividend under section 1248(a));

(B) Gain recognized with respect to stock or securities under § 1.367(a)-6 (including any portion treated as a deemed dividend under section 1248(a)) attributable to non-control group members (as determined pursuant to § 1.367(a)-7(e)(5)); and

(C) A deemed dividend included in income under § 1.367(b)-4 attributable to non-control group members (as determined pursuant to § 1.367(a)-7(e)(4)).

(ii) *Control group members*. With respect to each control group member, the U.S. transferor recognizes gain equal to the amount, if any, by which the amount described in paragraph (c)(2)(ii)(A) of this section exceeds the amount described in paragraph (c)(2)(ii)(B) of this section.

(A) The product of the inside gain multiplied by such control group member's ownership interest percentage, reduced (but not below zero) by the sum of the amounts described in paragraphs (c)(2)(ii)(A)(1), (c)(2)(ii)(A)(2), and

§ 1.367(a)-7

26 CFR Ch. I (4-1-21 Edition)

(c)(2)(ii)(A)(3) of this section (attributable inside gain).

(1) Gain recognized with respect to stock or securities under § 1.367(a)-3(e)(3)(iii)(C) (including any portion treated as a deemed dividend under section 1248(a)) attributable to the control group member;

(2) Gain recognized with respect to stock or securities under § 1.367(a)-6 (including any portion treated as a deemed dividend under section 1248(a)) attributable to the control group member (as determined pursuant to § 1.367(a)-7(e)(5)); and

(3) A deemed dividend included in income under § 1.367(b)-4 attributable to the control group member (as determined pursuant to § 1.367(a)-7(e)(4)).

(B) The product of the section 367(a) percentage multiplied by the fair market value of the stock received by the U.S. transferor in the section 361 exchange and distributed to the control group member under section 354, 355, or 356.

(iii) *Illustration of rules.* For an illustration of gain recognition under paragraph (c)(2)(i) of this section, see paragraph (g) of this section, *Example 1*. For an illustration of gain recognition under paragraph (c)(2)(ii) of this section, see paragraph (g) of this section, *Example 2*.

(3) *Basis adjustments required for control group members*—(i) *General rule.* Except as provided in paragraph (c)(3)(iv) of this section, if there is any attributable inside gain (determined under paragraph (c)(2)(ii)(A) of this section) with respect to a control group member, then such control group member's aggregate basis in the stock received in exchange for (or with respect to, as applicable) stock or securities of the U.S. transferor under section 354, 355, or 356, as determined under section 358 and the regulations under that section (section 358 basis), is reduced by the amount in paragraph (c)(3)(i)(A), (c)(3)(i)(B), or (c)(3)(i)(C) of this section, as applicable.

(A) If the control group member has outside gain, the amount, if any, by which the attributable inside gain, reduced by any gain recognized by the U.S. transferor with respect to the control group member under paragraph

(c)(2)(ii) of this section, exceeds the control group member's outside gain.

(B) If the control group member has outside loss, the amount, if any, by which the attributable inside gain, reduced by any gain recognized by the U.S. transferor with respect to the control group member under paragraph (c)(2)(ii) of this section, exceeds the control group member's outside loss (for this purpose, treating the outside loss as a negative amount).

(C) If the control group member has no outside gain or outside loss, the amount of the attributable inside gain, reduced by any gain recognized by the U.S. transferor with respect to the control group member under paragraph (c)(2)(ii) of this section.

(ii) *Stock received in the section 361 exchange.* This paragraph (c)(3) applies only to stock received by the U.S. transferor in the section 361 exchange and distributed to the control group member in exchange for (or with respect to, as applicable) stock or securities of the U.S. transferor.

(iii) *Pro rata adjustments.* The section 358 basis of each share of stock received by the control group member must be reduced pro rata based on the relative section 358 basis of all shares of stock received by the control group member.

(iv) *Successive distributions to which section 355 applies.* Paragraph (c)(3) of this section does not apply to a control group member that distributes the stock of a foreign acquiring corporation received from the U.S. transferor in a distribution satisfying the requirements of section 355 (section 355 distribution) that is in connection with a transaction described in paragraph (d) of this section (relating to successive section 355 distributions). If paragraph (c)(3) of this section does not apply to a control group member pursuant to this paragraph (c)(3)(iv), then paragraph (c)(3) of this section shall apply to the final distributee (as defined in paragraph (d) of this section) that receives the stock of the foreign acquiring corporation in the final section 355 distribution described in paragraph (d) of this section.

(v) *Illustration of rules.* For illustrations of the adjustment to stock basis under paragraph (c)(3)(i) of this section, see paragraph (g) of this section,

Example 1 and *Example 2*, §1.367(a)-3(e)(8), *Example 3*, and §1.1248(f)-2(e), *Example 3*. For an illustration of the adjustment to stock basis under paragraph (c)(3)(iii) of this section, see paragraph (g) of this section, *Example 3*.

(4) *Agreement to amend or file a U.S. income tax return*—(i) *General rule*. Except as provided in paragraph (c)(4)(ii) of this section, the U.S. transferor complies with the requirements of §1.6038B-1(c)(6)(iii), relating to the requirement to report gain that was not recognized by the U.S. transferor upon certain subsequent dispositions by the foreign acquiring corporation of section 367(a) property received from the U.S. transferor in the section 361 exchange.

(ii) *Exception*. To the extent section 367(a) property transferred in the section 361 exchange is subject to §1.367(a)-3(e) (relating to transfers of stock or securities by a domestic corporation to a foreign corporation in a section 361 exchange), §1.6038B-1(c)(6)(iii) does not apply with respect to the transfer of that property.

(5) *Election and reporting requirements*—(i) *General rule*. The U.S. transferor and each control group member elect to apply the provisions of paragraph (c) of this section in the manner provided under paragraph (c)(5)(ii) or (c)(5)(iii) of this section, as applicable, and by entering into a written agreement described in paragraph (c)(5)(iv) of this section. If a control group member distributes the stock of the foreign acquiring corporation received from the U.S. transferor in a section 355 distribution that is in connection with a transaction described in paragraph (d) of this section, the final distributee that receives that stock in the final section 355 distribution elects to apply the provisions of this paragraph (c) and enters into the written agreement instead of the control group member. For this purpose, the term *control group member* will be replaced by the term *final distributee*, as appropriate.

(ii) *Control group member*—(A) *Time and manner of making election*. Each control group member elects to apply the provisions of paragraph (c) of this section by including a statement (in the form and with the content specified in paragraph (c)(5)(i)(B) of this sec-

tion) on or with a timely filed return for the taxable year in which the reorganization occurs. If the control group member is a member of a consolidated group but is not the common parent of the consolidated group, the common parent makes the election on behalf of the control group member.

(B) *Form and content of election statement*. The statement must be entitled, “ELECTION TO APPLY EXCEPTION UNDER §1.367(a)-7(c),” and set forth:

(1) The name and taxpayer identification number (if any) of the control group member, the U.S. transferor, the foreign acquiring corporation and, in the case of a triangular reorganization (within the meaning of §1.358-6(b)(2)), the corporation that controls the foreign acquiring corporation; the control group member’s ownership interest percentage in the U.S. transferor; and the percentage of voting stock and non-voting stock of the U.S. transferor owned by the control group member for purposes of satisfying the control requirement of paragraph (c)(1) of this section;

(2) If the control group member is a member of a consolidated group but is not the common parent, the name and taxpayer identification number of the common parent;

(3) The amount of the adjustment (if any) to stock basis required under paragraph (c)(3) of this section, the resulting adjusted basis in the stock, and the fair market value of the stock, or if no stock was received, indicate no stock was received; and

(4) The date on which the written agreement described in paragraph (c)(5)(iv) of this section was entered into.

(iii) *Statement by U.S. transferor*. The U.S. transferor elects to apply the provisions of paragraph (c) of this section in the form and manner set forth in §1.6038B-1(c)(6)(ii).

(iv) *Written agreement*. The U.S. transferor and each control group member must enter into a written agreement satisfying the conditions of this paragraph on or before the due date (including extensions) for the U.S. transferor’s tax return for the taxable year in which the reorganization occurs. Each party to the agreement must retain the original or a copy of the agreement in

§ 1.367(a)-7

26 CFR Ch. I (4-1-21 Edition)

the manner specified by § 1.6001-1(e). Each party to the agreement must provide a copy of the agreement to the Internal Revenue Service within 30 days of the receipt of a request for the copy of the agreement. The written agreement must—

(A) State the document constitutes an agreement entered into pursuant to paragraph (c)(5) of this section;

(B) Identify the U.S. transferor, the foreign acquiring corporation, the corporation that controls the foreign acquiring corporation (in the case of a triangular reorganization within the meaning of § 1.358-6(b)(2)), and each control group member, and provide the taxpayer identification number (if any) for each corporation;

(C) State the amount of gain (if any) recognized by the U.S. transferor under paragraph (c)(2) of this section; and

(D) With respect to each control group member, state the amount of the adjustment (if any) to stock basis required under paragraph (c)(3) of this section, the resulting adjusted basis in the stock, and the fair market value of the stock. Alternatively, if a control group member did not receive any stock, indicate that no stock was received.

(d) *Section 361 exchange followed by successive distributions to which section 355 applies.* If the U.S. transferor distributes stock of the foreign acquiring corporation received in the section 361 exchange to a control group member in a section 355 distribution and, as part of a plan or series of related transactions, that stock is further distributed in one or more successive section 355 distributions, paragraph (c) of this section can apply to the section 361 exchange only to the extent each subsequent section 355 distribution is to a member of the affiliated group (within the meaning of section 1504) that includes the U.S. transferor immediately before the reorganization. In that case, each affiliated group member that receives stock of the foreign acquiring corporation in the final section 355 distribution (final distributee) is subject to the requirements of paragraphs (c)(3) and (c)(5) of this section. If this paragraph (d) applies, then for purposes of applying paragraphs (c)(3), (c)(5) or (e)(2) of this section the term *control*

group member is replaced by the term *final distributee*, as appropriate.

(e) *Other rules—(1) Section 367(a) property with respect to which gain is recognized.* Except as otherwise provided in this paragraph (e)(1), gain recognized by the U.S. transferor pursuant to paragraph (c)(2) of this section will be treated as recognized with respect to the section 367(a) property transferred in the section 361 exchange in proportion to the amount of gain realized by the U.S. transferor on the transfer of each item of section 367(a) property. This paragraph (e)(1) will be applied after taking into account any gain or deemed dividends (including any deemed dividends under section 1248(a)) recognized by the U.S. transferor on the transfer of the section 367(a) property in the section 361 exchange pursuant to all other provisions of sections 367(a) and (b) and the regulations under that section. See, for example, §§ 1.367(a)-2, 1.367(a)-3(e), 1.367(a)-4, 1.367(a)-6, and 1.367(b)-4. If the U.S. transferor recognizes gain (including gain treated as a deemed dividend under section 1248(a)) pursuant to § 1.367(a)-3(e)(3)(iii)(B) or (e)(3)(iii)(C) with respect to stock or securities transferred in the section 361 exchange, the realized gain in such stock or securities shall not be taken into account for purposes of applying this paragraph (e)(1) to gain recognized under paragraph (c)(2) of this section attributable to U.S. transferor shareholders described in § 1.367(a)-3(e)(3)(iii)(B) or (e)(3)(iii)(C). Accordingly, gain recognized under paragraph (c)(2) attributable to such U.S. transferor shareholders shall not be treated as recognized with respect to such stock or securities under this paragraph. Furthermore, to the extent gain recognized by the U.S. transferor under paragraph (c)(2) is treated as recognized with respect to stock in a foreign corporation transferred in the section 361 exchange to which section 1248(a) applies, the portion of such gain treated as a deemed dividend under section 1248(a) is the product of the amount of the gain multiplied by the ratio of the amount that would be treated as a deemed dividend under section 1248(a) if all gain in the transferred stock were recognized under § 1.367(a)-7(b) and the

amount of gain realized in the transferred stock. See §1.367(a)-1(b)(4) for additional rules on the character, source, and adjustments relating to gain recognized under section 367(a)(1), and §1.367(b)-2(e) for rules on the timing, treatment, and effect of amounts included in income as deemed dividends pursuant to regulations under section 367(b).

(2) *Relief for certain failures to comply that are not willful*—(i) *In general.* A control group member or U.S. transferor's failure to comply with any requirement of this section will be deemed not to have occurred for purposes of satisfying the requirements of this section if the control group member or U.S. transferor (or the foreign acquiring corporation on behalf of the U.S. transferor), as applicable, demonstrates that the failure was not willful using the procedure set forth in paragraph (e)(2)(ii) of this section. For this purpose, willful is to be interpreted consistent with the meaning of that term in the context of other civil penalties, which would include a failure due to gross negligence, reckless disregard, or willful neglect. Whether the failure to comply was a willful failure will be determined by the Director of Field Operations, Cross Border Activities Practice Area of Large Business & International (or any successor to the roles and responsibilities of such person) (Director) based on all the facts and circumstances. The control group member or U.S. transferor (or the foreign acquiring corporation on behalf of the U.S. transferor), as applicable, must submit a request for relief and an explanation as provided in paragraph (e)(2)(ii) of this section. Although a U.S. transferor whose failure to comply is determined not to be willful will not be subject to gain recognition under this section, the U.S. transferor will be subject to a penalty under section 6038B if the U.S. transferor fails to demonstrate that the failure was due to reasonable cause and not willful neglect. See §1.6038B-1(b) and (f). The determination of whether the failure to comply was willful under this section has no effect on any request for relief made under §1.6038B-1(f).

(ii) *Procedures for establishing that a failure to comply was not willful*—(A)

Time and manner of submission. A control group member or U.S. transferor's statement that the failure to comply was not willful will be considered only if, promptly after the control group member or U.S. transferor, as applicable, becomes aware of the failure, an amended return is filed for the taxable year to which the failure relates that includes the information that should have been included with the original return for such taxable year or that otherwise complies with the rules of this section, and that includes a written statement explaining the reasons for the failure to comply. The amended return must be filed with the Internal Revenue Service at the location where the taxpayer filed its original return. The U.S. transferor may submit a request for relief from the penalty under section 6038B as part of the same submission. See §1.6038B-1(f).

(B) *Notice requirement.* In addition to the requirements of paragraph (e)(2)(ii)(A) of this section, a control group member or U.S. transferor, as applicable, must comply with the notice requirements of this paragraph (e)(2)(ii)(B). If any taxable year of the control group member or U.S. transferor, as applicable, is under examination when the amended return is filed, a copy of the amended return and any information required to be included with such return must be delivered to the Internal Revenue Service personnel conducting the examination. If no taxable year of the control group member or U.S. transferor, as applicable, is under examination when the amended return is filed, a copy of the amended return and any information required to be included with such return must be delivered to the Director.

(iii) For illustrations of the application of the willfulness standard of this paragraph (e)(2), see the examples in §1.367(a)-8(p)(3).

(3) *Anti-abuse rule.* Any property of the U.S. transferor acquired with a principal purpose of affecting any determination under this section (including, for example, the section 367(a) percentage, inside gain, or inside basis) shall not be taken in account for purposes of any determination under this section. Nothing in this paragraph (e)(3) constitutes a limitation on or

modification to judicial doctrines, including step-transaction or substance-over-form.

(4) *Certain income inclusions under § 1.367(b)-4*—(i) *Income inclusion attributable to U.S. transferor shareholder described in § 1.367(a)-3(e)(3)(iii)(A)*. If pursuant to § 1.367(a)-3(e)(3)(iii)(B) or (e)(3)(iii)(C) the U.S. transferor is required to recognize gain on the transfer of foreign stock (all or a portion of which is treated as a deemed dividend under section 1248(a)), and if pursuant to § 1.367(b)-4(b)(1)(i) the U.S. transferor is also required to include in income as a deemed dividend the section 1248 amount (within the meaning of § 1.367(b)-2(c)) in the foreign stock, then the section 1248 amount included in income under § 1.367(b)-4(b)(1)(i) is attributable to each U.S. transferor shareholder described in § 1.367(a)-3(e)(3)(iii)(A) pursuant to this paragraph (e)(4)(i). The portion of the section 1248 amount attributable to each U.S. transferor shareholder described in § 1.367(a)-3(e)(3)(iii)(A) is the portion of the section 1248 amount that bears the same ratio as such U.S. transferor shareholder's ownership interest percentage bears to the aggregate ownership interest percentage of all U.S. transferor shareholders described in § 1.367(a)-3(e)(3)(iii)(A).

(ii) *Ordering rules for determining section 1248 amount*. The section 1248 amount (within the meaning of § 1.367(b)-2(c)) included in income as a deemed dividend under § 1.367(b)-4(b)(1)(i) is determined after taking into account any gain recognized under §§ 1.367(a)-3(e)(3)(iii)(B) or (e)(3)(iii)(C) or 1.367(a)-6 that is treated as a deemed dividend under section 1248(a). See § 1.367(a)-3(e)(7) and paragraph (e)(5)(ii) of this section for rules to determine the amount of gain recognized under §§ 1.367(a)-3(e)(3)(iii)(B) or (e)(3)(iii)(C) or 1.367(a)-6, respectively, that is treated as a deemed dividend under section 1248(a).

(5) *Certain gain under § 1.367(a)-6*—(i) *Gain attributable to U.S. transferor shareholder described in § 1.367(a)-3(e)(3)(iii)(A)*. If pursuant to § 1.367(a)-3(e)(3)(iii)(B) or (e)(3)(iii)(C), the U.S. transferor is required to recognize gain on the transfer of stock or securities, and if pursuant to § 1.367(a)-6 the U.S.

transferor is also required to recognize gain, then gain recognized under § 1.367(a)-6 (including any portion treated as a deemed dividend under section 1248(a)) to the extent treated as recognized with respect to the stock or securities, is attributable to each U.S. transferor shareholder described in § 1.367(a)-3(e)(3)(iii)(A) pursuant to this paragraph (e)(5)(i). The portion of the gain (including any portion treated as a deemed dividend under section 1248(a)) that is attributable to each U.S. transferor shareholder described in § 1.367(a)-3(e)(3)(iii)(A) is the portion of the gain that bears the same ratio as such U.S. transferor shareholder's ownership interest percentage bears to the aggregate ownership interest percentage of all U.S. transferor shareholders described in § 1.367(a)-3(e)(3)(iii)(A).

(ii) *Gain subject to section 1248(a)*. If the U.S. transferor recognizes gain under § 1.367(a)-6 with respect to transferred stock that is stock in a foreign corporation to which section 1248(a) applies, the portion of such gain treated as a deemed dividend under section 1248(a) is determined after taking into account any gain recognized under § 1.367(a)-3(e)(3)(iii)(B) or (e)(3)(iii)(C) and the amount of such gain treated as a deemed dividend under section 1248(a) pursuant to § 1.367(a)-3(e)(7).

(f) *Definitions*. The following definitions apply for purposes of this section:

(1) *Control group, control group member, and non-control group member*—(i) *General rule*. Except as provided in paragraph (f)(1)(ii) of this section, the *control group* is the group of five or fewer, but at least one, domestic corporations that controls (within the meaning of section 368(c)) the U.S. transferor immediately before the reorganization. If the U.S. transferor is owned directly by more than five domestic corporations immediately before the reorganization, but some combination of five or fewer domestic corporations controls the U.S. transferor, the U.S. transferor must designate the five or fewer domestic corporations that comprise the control group on Form 926, "Return by a U.S. Transferor of Property to a Foreign Corporation." For purposes of identifying the control group, members of an affiliated group (within the meaning of section 1504) are

treated as a single corporation. Except as provided in paragraph (f)(1)(ii) of this section, a *control group member* is a domestic corporation that is part of the control group. A *non-control group member* is a shareholder of the U.S. transferor immediately before the reorganization that is not a control group member.

(ii) *Exception for certain entities.* Regulated investment companies (as defined in section 851(a)), real estate investment trusts (as defined in section 856(a)), and S corporations (as defined in section 1361(a)) cannot be control group members.

(2) *Deductible liability* is any liability of the U.S. transferor that is assumed in the section 361 exchange if payment of the liability would give rise to a deduction.

(3) *Fair market value* is the fair market value determined without regard to mortgages, liens, pledges, or other liabilities. For this purpose, the fair market value of any property subject to a nonrecourse indebtedness shall be treated as being not less than the amount of any nonrecourse indebtedness to which such property is subject.

(4) *Inside basis* is the aggregate basis of the section 367(a) property transferred by the U.S. transferor in the section 361 exchange and, except as otherwise provided in this paragraph (f)(4), increased by any gain recognized or any deemed dividend included in income by the U.S. transferor under section 367 on the transfer of the section 367(a) property in the section 361 exchange, but not including any gain recognized under paragraph (c)(2) of this section. If the U.S. transferor transfers stock or securities and recognizes gain under § 1.367(a)-3(e)(3)(iii)(B) or (e)(3)(iii)(C) with respect to such stock or securities, then inside basis is not increased for gain recognized or deemed dividends included in income that are described in paragraph (f)(4)(i), (f)(4)(ii), or (f)(4)(iii) of this section.

(i) Gain recognized under § 1.367(a)-3(e)(3)(iii)(B) or (e)(3)(iii)(C) (including any portion treated as a deemed dividend under section 1248(a));

(ii) Gain recognized under § 1.367(a)-6 (including any portion treated as a deemed dividend under section 1248(a)) attributable to U.S. transferor share-

holders described in § 1.367(a)-3(e)(3)(iii)(A) (as determined pursuant to § 1.367(a)-7(e)(5));

(iii) A deemed dividend included in income under § 1.367(b)-4(b) attributable to U.S. transferor shareholders described in § 1.367(a)-3(e)(3)(iii)(A) (as determined pursuant to § 1.367(a)-7(e)(4)).

(5) *Inside gain* is the amount (but not below zero) by which the aggregate fair market value of the section 367(a) property transferred in the section 361 exchange exceeds the sum of:

(i) The inside basis; and

(ii) The product of the section 367(a) percentage multiplied by the aggregate deductible liabilities of the U.S. transferor.

(6) *Outside gain or loss* is the product of the section 367(a) percentage multiplied by the difference between—

(i) The aggregate fair market value of the stock received by a control group member in exchange for (or with respect to, as applicable) stock or securities of the U.S. transferor under section 354, 355, or 356, and

(ii) The control group member's aggregate section 358 basis (as defined in paragraph (c)(3) of this section) in such stock received, determined without regard to any adjustment to that basis under paragraph (c)(3) of this section.

(7) *Ownership interest percentage* is the ratio of the fair market value of the stock in the U.S. transferor owned by a shareholder to the fair market value of all of the outstanding stock of the U.S. transferor. Except as provided in this paragraph (f)(7), the ownership interest percentage of a shareholder is determined immediately before the reorganization. For purposes of determining the ownership interest percentage with respect to each shareholder, however, the numerator and denominator of the fraction are first reduced as described in this paragraph (f)(7). The numerator is reduced (but not below zero) by any distributions by the U.S. transferor of money or other property (within the meaning of section 356) to such shareholder pursuant to the plan of reorganization, but only to the extent such money or other property is not provided by the foreign acquiring corporation in exchange for property of the U.S. transferor acquired in the section

361 exchange. Furthermore, the denominator of the fraction is reduced (but not below zero) by all such distributions by the U.S. transferor to all shareholders. For illustrations of this definition, see paragraph (g) of this section, *Example 4* and *Example 5*.

(8) *Section 361 exchange* is an exchange described in section 361(a) or (b).

(9) *Section 367(a) percentage* is the ratio of the aggregate fair market value of the section 367(a) property transferred by the U.S. transferor in the section 361 exchange to the aggregate fair market value of all property transferred by the U.S. transferor in the section 361 exchange.

(10) *Section 367(a) property*. Except as provided in paragraph (e)(3) of this section, *section 367(a) property* is any property, as defined in § 1.367(a)-1(d)(4), other than section 367(d) property.

(11) *Section 367(d) property* is intangible property as defined in § 1.367(a)-1(d)(5).

(12) *Timely filed return* is a U.S. income tax return filed on or before the due date set forth in section 6072(b), including any extensions of time to file the return granted under section 6081.

(13) *U.S. transferor shareholder* is a person that is either a control group member or a non-control group member.

(g) *Examples*. The rules of this section are illustrated by the examples set forth in this paragraph (g). See also § 1.367(a)-3(e)(8), *Example 2* and *Example 3*. The analysis of the following examples is limited to a discussion of issues under this section. Unless otherwise indicated, for purposes of the following examples: DP1, DP2, and DC are domestic corporations that do not join in the filing of a consolidated return and none of which is a regulated investment company, a real estate investment trust, or an S corporation; FP and FA are foreign corporations created or organized under the laws of Country B and are unrelated to DP1, DP2, and DC; each corporation has a single class of stock outstanding; each share of stock of DC owned by a shareholder of DC has an identical stock basis; Business A consists solely of section 367(a) property whose fair market value exceeds its basis and that, but for the application of this section, would qualify for

the active foreign trade or business exception under § 1.367(a)-2; the fair market value of any FA stock received in a reorganization is equal to the fair market value of property exchanged therefor; FA is not a surrogate foreign corporation for purposes of section 7874 because one or more of the conditions of section 7874(a)(2)(B) is not satisfied; DC has no liabilities; DP1 and DP2 satisfy the requirements of paragraph (c)(5) of this section, and DC satisfies the requirements of § 1.6038B-1(c)(6)(ii).

Example 1. Tainted assets and non-control group ownership. (i) *Facts*. DP1, DP2, and FP own 50%, 30%, and 20%, respectively, of the outstanding stock of DC. DP1 and DP2 are members of the same affiliated group within the meaning of section 1504. DP1's DC stock has a \$120x basis and \$100x fair market value. DP2's DC stock has a \$50x basis and \$60x fair market value. DC owns inventory with a \$40x basis and a \$100x fair market value. DC also owns Business A (excluding the inventory) with a \$10x basis and \$100x fair market value. In a reorganization described in section 368(a)(1)(F), DC transfers the inventory and Business A to FA, a newly formed corporation, in exchange for all of the outstanding stock of FA. DC's transfer of the inventory and Business A to FA qualifies as a section 361 exchange. DP1, DP2, and FP exchange the DC stock for a proportionate amount of FA stock pursuant to section 354.

(ii) *Result*. (A) Under section 367(a)(3)(B)(i), DC must recognize \$60x gain (\$100x fair market value less \$40x basis) on the transfer of the inventory to FA. The basis of the inventory in the hands of FA is increased by the gain recognized of \$60x (that is, increased from \$40x to \$100x). See § 1.367(a)-1(b)(4)(i)(B). Under section 367(a)(5) and paragraph (b) of this section, DC's transfer of Business A to FA is subject to the general rule of section 367(a)(1). As a result, DC must also generally recognize \$90x gain (\$100x fair market value less \$10x basis) on the transfer of Business A to FA notwithstanding the application of section 361 (or any other nonrecognition provision enumerated in section 367(a)(1)). However, if the conditions and requirements of paragraph (c) of this section are met, DC's transfer of Business A to FA would qualify for the active foreign trade or business exception provided by section 367(a)(3) and § 1.367(a)-2.

(B) The requirement of paragraph (c)(1) of this section is satisfied because DC is controlled (within the meaning of section 368(c)) by five or fewer domestic corporations immediately before the reorganization (in this case, by a single domestic corporation because DP1 and DP2 together own 80% of the stock of DC). DP1 and DP2 are treated as a

single domestic corporation for this purpose under paragraph (f)(1)(i) of this section because DP1 and DP2 are members of the same affiliated group.

(C) Paragraph (c)(2)(i) of this section would be satisfied only if DC recognizes \$18x gain on the transfer of Business A, which is the amount of inside gain attributable to FP, a non-control group member. The \$18x gain equals the product of the inside gain (\$90x) multiplied by FP's ownership interest percentage (20%) in DC, reduced by \$0x (the sum of the amounts described in paragraphs (c)(2)(i)(A) through (c)(2)(i)(C) of this section). Under paragraph (f)(5) of this section, the \$90x inside gain is the amount by which the aggregate fair market value (\$200x) of the section 367(a) property (inventory and Business A) exceeds \$110x, the sum of the inside basis of \$110x and the product of the section 367(a) percentage (100%) multiplied by the deductible liabilities of DC (\$0x). Under paragraph (f)(4) of this section, the inside basis equals the \$50x aggregate basis of the section 367(a) property transferred in the section 361 exchange, increased by the \$60x gain recognized by DC on the transfer of the inventory to FA, but not by the \$18x gain recognized by DC under paragraph (c)(2)(i) of this section attributable to FP. The section 367(a) percentage is 100% because the only assets transferred are the inventory and Business A, which are section 367(a) property. Under paragraph (e)(1) of this section, the \$18x gain recognized under paragraph (c)(2)(i) of this section is treated as recognized with respect to Business A. FA's basis in Business A as determined under section 362 is increased for the \$18x gain recognized. See § 1.367(a)-1(b)(4)(i)(B).

(D) Paragraph (c)(2)(ii) of this section is not applicable with respect to either DP1 or DP2 because the attributable inside gain with respect to each such shareholder can be preserved in the FA stock received. As stated in paragraph (ii)(C) of this *Example 1*, the amount of the inside gain is \$90x. The attributable inside gain with respect to DP1 of \$45x (equal to the product of \$90x inside gain multiplied by DP1's 50% ownership interest percentage, reduced by \$0x (the sum of the amounts described in paragraphs (c)(2)(ii)(A)(1) through (c)(2)(ii)(A)(3) of this section)) does not exceed \$100x (equal to the product of the section 367(a) percentage of 100% multiplied by \$100x fair market value of FA stock received by DP1). Similarly, the attributable inside gain with respect to DP2 of \$27x (equal to the product of \$90x inside gain multiplied by DP2's 30% ownership interest percentage, reduced by \$0x (the sum of the amounts described in paragraphs (c)(2)(ii)(A)(1) through (c)(2)(ii)(A)(3) of this section)) does not exceed \$60x (equal to the product of the section 367(a) percentage of 100% multiplied by \$60x fair market value of FA stock received by DP2).

(E) Each control group member (DP1 and DP2) separately computes any required adjustment to stock basis under paragraph (c)(3) of this section. DP1's section 358 basis in the FA stock received of \$120x (the amount of DP1's basis in the DC stock exchanged) is reduced to preserve the attributable inside gain with respect to DP1, less any gain recognized with respect to DP1 under paragraph (c)(2)(ii) of this section. Because DC does not recognize gain on the section 361 exchange with respect to DP1 under paragraph (c)(2)(ii) of this section (as determined in paragraph (ii)(D) of this *Example 1*), the attributable inside gain of \$45x with respect to DP1 is not reduced under paragraph (c)(3)(i)(B) of this section. DP1's outside loss in the FA stock is \$20x, the product of the section 367(a) percentage of 100% multiplied by \$20x loss (equal to the difference between \$100x fair market value and \$120x section 358 basis in FA stock). Thus, DP1's \$120x section 358 basis in the FA stock must be reduced by \$65x (excess of \$45x, reduced by \$0x, over \$20x outside loss) to \$55x.

(F) DP2's aggregate section 358 basis in the FA stock received of \$50x (the amount of DP2's basis in the DC stock exchanged) is reduced to preserve the attributable inside gain with respect to DP2, less any gain recognized with respect to DP2 under paragraph (c)(2)(ii) of this section. Because DC does not recognize gain on the section 361 exchange with respect to DP2 (as determined in paragraph (ii)(D) of this *Example 1*), the attributable inside gain of \$27x with respect to DP2 is not reduced under paragraph (c)(3)(i)(A) of this section. DP2's outside gain in the FA stock is \$10x, the product of the section 367(a) percentage of 100% multiplied by \$10x gain (equal to the difference between \$60x fair market value and \$50x section 358 basis in FA stock). Thus, DP2's \$50x section 358 basis in the FA stock must be reduced by \$17x (excess of \$27x, reduced by \$0x, over the \$10x outside gain) to \$33x.

(G) Paragraph (c)(4) of this section would be satisfied only if DC complies with the requirements of § 1.6038B-1(c)(6)(iii), including filing with its timely filed return for the year of the reorganization a statement agreeing to file an amended return reporting the gain realized but not recognized on the section 361 exchange in certain cases if a significant amount of the section 367(a) property received in the section 361 exchange is disposed of, directly or indirectly, in one or more related transactions within the prescribed 60-month period.

Example 2. Triangular reorganization involving an exchange of section 367(a) property for foreign stock and cash. (i) *Facts.* (A) DP1 wholly owns DC. DP1 and DC file a consolidated return. DP1's DC stock has a \$170x basis and \$200x fair market value. DC owns Business A, which has a \$10x basis and \$200x fair market value. FP wholly owns FA.

(B) In a triangular reorganization described in section 368(a)(1)(A) by reason of section 368(a)(2)(D), DC transfers Business A to FA in exchange for \$180x of FP stock and \$20x cash. DC's transfer of Business A to FA qualifies as a section 361 exchange. DP1 exchanges its DC stock for \$180x of FP stock and \$20x cash pursuant to section 356. The triangular reorganization constitutes an indirect stock transfer under § 1.367(a)-3(d)(1)(i), and DP1 properly files a gain recognition agreement under § 1.367(a)-8 with respect to the transfer. See also § 1.367(a)-3(d)(2)(vii).

(ii) *Result.* (A) Under section 367(a)(5) and paragraph (b) of this section, DC's transfer of Business A to FA is subject to the general rule of section 367(a)(1). As a result, DC must generally recognize \$190x gain (\$200x fair market value less \$10x basis) on the transfer of Business A to FA notwithstanding the application of section 361 (or any other non-recognition exchange enumerated in section 367(a)(1)). However, if the requirements of paragraph (c) of this section are satisfied, DC's transfer of Business A to FA would qualify for the active foreign trade or business exception provided in section 367(a)(3) and § 1.367(a)-2.

(B) The requirement of paragraph (c)(1) of this section is satisfied because DC is controlled (within the meaning of section 368(c)) by five or fewer domestic corporations immediately before the reorganization (in this case, by a single domestic corporation, DP1).

(C) DC is not required to recognize gain under paragraph (c)(2)(i) of this section because, immediately before the reorganization, DC is wholly owned by DP1, a control group member. In addition, DP1's ownership interest percentage is 100%. Paragraph (c)(2)(ii) of this section would be satisfied only if DC recognizes \$10x gain, computed as the amount by which the attributable inside gain with respect to DP1 of \$190x (the product of \$190x inside gain multiplied by DP1's ownership interest percentage of 100%, reduced by \$0x (the sum of the amounts in paragraphs (c)(2)(ii)(A)(I) through (c)(2)(ii)(A)(J) of this section)) exceeds \$180x (the product of the section 367(a) percentage of 100% multiplied by \$180x fair market value of FP stock received by DP1). Under paragraph (f)(5) of this section, the \$190x inside gain is the amount by which the \$200x aggregate fair market value of Business A exceeds \$10x (the sum of the inside basis of \$10x and the product of the section 367(a) percentage (100%) multiplied by the deductible liabilities of DC (\$0x)). Under paragraph (f)(4) of this section, the inside basis equals the \$10x aggregate basis of the section 367(a) property transferred in the section 361 exchange (not increased by the \$10x gain recognized by DC under paragraph (c)(2)(ii) of this section). The section 367(a) percentage is 100% because the only asset transferred is Business A,

which is section 367(a) property. Under § 1.1502-32(b)(2), DP1 increases the basis of its DC stock by the \$10x gain recognized, that is, from \$170x to \$180x. Under paragraph (e)(1) of this section, the \$10x gain recognized under paragraph (c)(2)(ii) of this section is treated as recognized with respect to Business A. FA's basis in Business A as determined under section 362 is increased for the \$10x gain recognized. See § 1.367(a)-1(b)(4)(i)(B).

(D) Paragraph (c)(3) of this section would be satisfied only if DP1's section 358 basis in the FP stock is reduced by the amount by which the attributable inside gain with respect to DP1, reduced by any gain recognized by DC with respect to DP1 under paragraph (c)(2)(ii) of this section, exceeds DP1's outside gain in the FP stock. DP1's section 358 basis in the FP stock is \$180x, computed as \$180x basis in DC stock, as determined in paragraph (ii)(C) of this *Example 2*, decreased by \$20x cash received and increased by \$20x gain recognized under section 356 (such amount equal to the lesser of the \$20x cash received and the \$20x gain in the DC stock, computed as \$200x fair market value less \$180x basis). Because DC recognizes \$10x gain on the section 361 exchange with respect to DP1 under paragraph (c)(2)(ii) of this section as determined in paragraph (ii)(C) of this *Example 2*, the \$190x attributable inside gain with respect to DP1 is reduced by \$10x to \$180x under paragraph (c)(3)(i)(C) of this section. DP1's outside gain in the FP stock is \$0x, the product of the section 367(a) percentage of 100% multiplied by \$0x gain (the difference between \$180x fair market value and \$180x section 358 basis in FP stock). Thus, DP1's section 358 basis in the FP stock (\$180x) must be reduced by \$180x (\$190x attributable inside gain reduced by \$10x) to \$0x.

(E) Paragraph (c)(4)(i) of this section would be satisfied only if DC complies with the requirements of § 1.6038B-1(c)(6)(iii), including filing with its tax return for the year of the reorganization a statement agreeing to file an amended return reporting the gain on the section 361 exchange in certain cases if a significant amount of the section 367(a) property received in the section 361 exchange is disposed of, directly or indirectly, in one or more related transactions within the prescribed 60-month period.

Example 3. Adjustment to basis of multiple blocks of stock; transfer of section 367(d) property. (i) *Facts.* (A) DP1 wholly owns DC. One half of DP1's shares of stock in DC, each with an identical basis, has an aggregate basis of \$60x and fair market value of \$100x (Block 1). The other one half of DP's shares of stock in DC, each with an identical basis, has an aggregate basis of \$120x and fair market value of \$100x (Block 2). DC owns Business A (\$15x basis and \$150x fair market value) (excluding the patent) and a patent (\$0x basis and \$50x

fair market value). The patent is section 367(d) property.

(B) In a reorganization described in section 368(a)(1)(F), DC transfers Business A and the patent to FA, a newly formed corporation, in exchange for 2 shares of FA stock. DC's transfer of Business A and the patent to FA qualifies as a section 361 exchange. DP1 exchanges Block 1 and Block 2 for the two shares of FA stock pursuant to section 354. Pursuant to §1.358-2(a)(2)(i), one share of the FA stock corresponds to Block 1 (Share 1) and the other share of FA stock corresponds to Block 2 (Share 2). The basis of Share 1 and Share 2 correspond to the basis of Block 1 and Block 2, respectively.

(ii) *Result.* (A) Under section 367(a)(5) and paragraph (b) of this section, DC's transfer of Business A to FA is subject to the general rule of section 367(a)(1). As a result, DC must generally recognize \$135x of gain on the transfer of Business A to FA notwithstanding the application of section 361 (or any other nonrecognition exchange described in section 367(a)(1)). However, if the requirements of paragraph (c) of this section are met, DC's transfer of Business A to FA would qualify for the active foreign trade or business exception provided in section 367(a)(3). For rules applicable to DC's transfer of the patent to FA, see section 367(d).

(B) The requirement of paragraph (c)(1) of this section is satisfied because DC is controlled (within the meaning of section 368(c)) by five or fewer domestic corporations immediately before the reorganization (in this case, by a single domestic corporation, DP1).

(C) Paragraph (c)(2)(i) of this section is not applicable because, immediately before the reorganization, DC is wholly owned by DP1, a control group member. In addition, DP1's ownership interest percentage is 100%. Paragraph (c)(2)(ii) of this section is not applicable because the attributable inside gain with respect to DP1 can be preserved in the FA stock received. The attributable inside gain with respect to DP1 of \$135x (equal to the product of \$135x inside gain multiplied by DP1's 100% ownership interest percentage, reduced by \$0x (the sum of the amounts in paragraphs (c)(2)(ii)(A)(i) through

(c)(2)(ii)(A)(3) of this section)) does not exceed \$150x (equal to the product of the section 367(a) percentage of 75% multiplied by \$200x fair market value of FA stock received by DP1). Under paragraph (f)(5) of this section, the \$135x inside gain is the amount by which the aggregate fair market value of Business A (\$150x) exceeds \$15x, the sum of the inside basis of Business A (\$15x) and the product of the section 367(a) percentage (75%) multiplied by the deductible liabilities of DC (\$0x). Under paragraph (f)(4) of this section, the inside basis equals the \$15x aggregate basis of the section 367(a) property transferred in the exchange. The section 367(a) percentage of 75% is equal to the ratio

of the fair market value of the section 367(a) property (\$150x for Business A) to the fair market value of all the property transferred (\$200x, the sum of \$150x for Business A and \$50x for the patent).

(D) Under paragraph (c)(3) of this section, DP1's aggregate section 358 basis of \$180x in the stock of FA (computed as the sum of \$60x basis in Share 1 and \$120x basis in Share 2) is reduced by the amount by which the attributable inside gain with respect to DP1, reduced by any gain recognized by DC with respect to DP1 under paragraph (c)(2)(ii) of this section, exceeds DP1's outside gain in the FP stock received. Because DC recognizes no gain on the section 361 exchange with respect to DP1 under paragraph (c)(2)(ii) of this section as determined in paragraph (ii)(C) of this *Example 3*, the \$135x attributable inside gain with respect to DP1 is not reduced under paragraph (c)(3)(i)(A) of this section. DP1's outside gain in Share 1 and Share 2 in the aggregate is \$15x, the product of the section 367(a) percentage of 75% multiplied by \$20x (the difference between \$200x aggregate fair market value and \$180x aggregate section 358 basis in the FA stock received by DP1). Thus, DP1's section 358 basis in the FA stock (\$180x) must be reduced by \$120x (the excess of \$135x attributable inside gain, reduced by \$0x, over \$15x outside gain) to \$60x.

(E) Under paragraph (c)(3)(iii) of this section, the \$120x reduction to basis is allocated between Share 1 and Share 2 based on the relative section 358 basis of each share. Therefore, the basis in Share 1 is reduced by \$40x (\$120x multiplied by \$60x/\$180x). As adjusted, DP1's basis in Share 1 is \$20x (\$60x less \$40x). The basis in Share 2 is reduced by \$80x (\$120x multiplied by \$120x/\$180x). As adjusted, DP1's basis in Share 2 is \$40x (\$120x less \$80x).

(F) Paragraph (c)(4)(i) of this section would be satisfied only if DC complies with the requirements of §1.6038B-1(c)(6)(iii), including filing with its tax return for the year of the reorganization, a statement agreeing to file an amended return reporting the gain realized but not recognized on the section 361 exchange in certain cases if a significant amount of the section 367(a) property received in the section 361 exchange is disposed of, directly or indirectly, in one or more related transactions within the prescribed 60-month period.

Example 4. Control requirement and ownership interest percentage; non-qualified property provided by foreign acquiring corporation. (i) *Facts.* DP1 and FP own 80% and 20%, respectively, of the outstanding stock of DC. DC owns Business A with a basis of \$0x and \$100x fair market value. DP1's DC stock has a fair market value of \$80x, and FP's DC stock has a fair market value of \$20x. In a reorganization described in section 368(a)(1)(D), DC transfers Business A to FA in exchange for \$80x of FA stock and \$20x cash. DC's transfer

of Business A to FA qualifies as a section 361 exchange. DP1 exchanges its \$80x of DC stock for \$60x of FA stock and \$20x cash, and FP exchanges its \$20x of DC stock for \$20x of FA stock.

(ii) *Result.* (A) The requirement of paragraph (c)(1) of this section is satisfied because DC is controlled (within the meaning of section 368(c)) by five or fewer domestic corporations immediately before the reorganization (in this case, by a single domestic corporation, DP1). The fact that the \$20x cash is distributed solely to DP1 does not change the analysis of the control requirement. The control requirement is determined immediately before the reorganization and is not affected by distributions of property.

(B) Pursuant to paragraph (f)(7) of this section, the ownership interest percentages of DP1 and FP immediately before the reorganization are 80% ($\$80x/(\$80x + \$20x)$) and 20% ($\$20x/(\$80x + \$20x)$), respectively. The fact that the \$20x of cash is distributed solely to DP1 does not change this result. The distribution of the \$20x of cash is not taken into account for purposes of the ownership interest percentage computation because the \$20x of cash distributed by DC is provided by FA to DC in the section 361 exchange.

Example 5. Control requirement and ownership interest percentage; non-qualified property provided by U.S. transferor. (i) *Facts.* The facts are the same as in *Example 4*, except as follows. Business A has a fair market value of \$80x (and not \$100x) and DC also owns inventory with a basis of \$0x and fair market value of \$20x. DC transfers Business A, but not the inventory, to FA in exchange for \$80x of FA stock. DP1 exchanges its \$80x of DC stock for \$60x of FA stock and the \$20x of inventory, and FP exchanges its \$20x of DC stock for \$20x of FA stock.

(ii) *Result.* (A) The requirement of paragraph (c)(1) of this section is satisfied because DC is controlled (within the meaning of section 368(c)) by five or fewer domestic corporations immediately before the reorganization (in this case, by a single domestic corporation, DP1). The fact that the \$20x of inventory is not transferred to FA, but is instead distributed solely to DP1, does not change the analysis of the control requirement. The control requirement is determined immediately before the reorganization, and is not affected by distributions of property.

(B) Pursuant to the general rule of paragraph (f)(7) of this section, the ownership interest percentages of DP1 and FP immediately before the reorganization would be 80% ($\$80x/(\$80x + \$20x)$) and 20% ($\$20x/(\$80x + \$20x)$), respectively. In this case, however, the distribution of the \$20x inventory to DP1 is taken into account for purposes of computing the ownership interest percentage of DP1 and FP because the inventory is not pro-

vided by FA to DC in the section 361 exchange. With respect to DP1, the numerator of the ownership interest percentage computation is \$60x, computed as the fair market value of DC stock owned by DP1 immediately before the reorganization but reduced by the fair market value of the inventory distributed to DP1 (\$80x less \$20x). With respect to FP, the numerator of the ownership interest percentage computation is \$20x, the fair market value of the DC stock owned by FP immediately before the reorganization. With respect to both DP1 and FP, the denominator of the ownership interest percentage computation is \$80x, computed as the fair market value of all DC stock immediately before the reorganization, but reduced by the fair market value of the inventory distributed to DP1 (\$100x, less \$20x). Accordingly, the ownership interest percentage of DP1 is 75% ($\$60x/\$80x$), and the ownership interest percentage of FP is 25% ($\$20x/\$80x$).

(h) *Applicable cross-references.* For rules relating to the character, source, and adjustments resulting from gain recognized by a U.S. transferor under section 367(a), see § 1.367(a)-1(b)(4). For rules relating to transfers of stock or securities in a section 361 exchange, see § 1.367(a)-3(e). For rules relating to the acquisition of the stock or assets of a foreign corporation by another foreign corporation, see § 1.367(b)-4. For rules relating to transfers of section 367(d) property by a U.S. transferor to a foreign corporation, see section 367(d). For rules relating to distributions of stock of a foreign corporation by a domestic corporation under section 355 or 361, see §§ 1.367(b)-5, 1.367(e)-1, and 1.1248(f)-1 through 1.1248(f)-3. For additional rules relating to certain reporting requirements of a U.S. transferor, see § 1.6038B-1. For rules regarding expatriated entities, see section 7874 and the regulations under that section.

(i) [Reserved]

(j)(1) *Effective/applicability dates.* Except for paragraph (e)(2) of this section, and as provided in paragraph (j)(2) of this section, this section applies to transfers occurring on or after April 18, 2013. Paragraph (e)(2) applies to requests for relief submitted on or after November 19, 2014. Paragraph (e)(2) of this section also applies to requests for relief submitted before November 19, 2014 if the statute of limitations on the assessment of tax has not expired for any year to which the request relates and the control group member or U.S.

transferor, as applicable, resubmits the request under paragraph (e)(2) of this section and notes, on the request, that the request is being submitted pursuant to the third sentence of this paragraph (j). See paragraph (e)(2) of this section, as contained in 26 CFR part 1 revised as of April 1, 2014, for requests for relief submitted after April 17, 2013, and before November 19, 2014, that are not resubmitted under paragraph (e)(2) of this section.

(2) *Section 367(d) property.* The definition provided in paragraph (f)(11) of this section applies to transfers occurring on or after September 14, 2015, and to transfers occurring before September 14, 2015, resulting from entity classification elections made under §301.7701-3 that are filed on or after September 14, 2015. For transfers occurring before this section is applicable, see §1.367(a)-7 as contained in 26 CFR part 1 revised as of April 1, 2016.

[T.D. 9614, 78 FR 17032, Mar. 19, 2013, as amended by T.D. 9704, 79 FR 68767, Nov. 19, 2014; T.D. 9760, 81 FR 15169, Mar. 22, 2016; T.D. 9803, 81 FR 91028, Dec. 16, 2016; T.D. 9614, 85 FR 51347, Aug. 20, 2020]

§ 1.367(a)-8 Gain recognition agreement requirements.

(a) *Scope.* This section provides the terms and conditions for a gain recognition agreement entered into by a United States person pursuant to §1.367(a)-3(b) through (e) in connection with a transfer of stock or securities to a foreign corporation pursuant to an exchange that would otherwise be subject to section 367(a)(1). Paragraph (b) of this section provides definitions and special rules. Paragraphs (c) through (h) of this section identify the form, content, and other conditions of a gain recognition agreement. Paragraph (i) of this section is reserved. Paragraph (j) of this section identifies certain events that may require gain to be recognized under a gain recognition agreement. Paragraph (k) of this section provides exceptions for certain events that would otherwise require gain to be recognized under a gain recognition agreement. Paragraph (l) of this section is reserved. Paragraph (m) of this section provides rules that require gain to be recognized under a gain recognition agreement in connection with cer-

tain events to which an exception under paragraph (k) of this section otherwise applies. Paragraph (n) of this section provides special rules in the case of a distribution of property with respect to stock to which section 301 applies. Paragraph (o) of this section provides rules for certain transactions that terminate or reduce the amount of gain subject to a gain recognition agreement. Paragraph (p) of this section provides relief for certain failures to file an initial gain recognition agreement (as defined in paragraph (b)(1)(vi) of this section) or to comply with the requirements of this section with respect to a gain recognition agreement (as described in paragraph (c) of this section). Paragraph (q) of this section provides examples that illustrate the rules of the section. Paragraph (r) of this section provides effective dates for the provisions of this section.

(b) *Definitions and special rules.* The following definitions and special rules apply for purposes of this section.

(1) *Definitions*—(i) *Asset reorganization*—(A) *General rule.* Except as provided in paragraph (b)(1)(i)(B) of this section, an *asset reorganization* is a reorganization described in section 368(a)(1) that involves an exchange of property described in section 361(a) or (b) (a section 361 exchange).

(B) *Exceptions.* An asset reorganization does not include the following:

(I) A reorganization described in section 368(a)(1)(D) or (G) if the requirements of section 354(b)(1)(A) and (B) are not met.

(2) For purposes of paragraphs (j)(2)(ii)(B), (k)(6)(ii), and (k)(6)(iii) of this section, a triangular asset reorganization. For rules applicable to a triangular asset reorganization, see paragraph (k)(7) of this section.

(ii) A *consolidated group* has the meaning set forth in §1.1502-1(h).

(iii) *Disposition.* Except as provided in this paragraph (b)(1)(iii), a *disposition* includes any transfer that would constitute a disposition for any purpose of the Internal Revenue Code. A disposition includes an indirect disposition of the stock of the transferred corporation as described in §1.367(a)-3(d). Except as provided in paragraph (n)(1) of

this section, a disposition does not include the receipt of a distribution of property with respect to stock to which section 301 applies (including by reason of section 302(d)). See paragraphs (n)(2) and (o)(3) of this section for rules that apply if gain is recognized under section 301(c)(3). A complete or partial disposition by installment sale (under section 453) shall be treated as a disposition in the year of the installment sale.

(iv) A *gain recognition agreement document* means any agreement, statement, schedule, or form required to be filed under this section, including an initial gain recognition agreement (as defined in paragraph (b)(1)(vi) of this section), a new gain recognition agreement described in paragraph (c)(5) of this section, a Form 8838 extending the period of limitations on assessment of tax described in paragraph (f) of this section, and an annual certification described in paragraph (g) of this section.

(v) A *gain recognition event* is an event described in paragraphs (j) through (o) of this section that requires gain to be recognized under a gain recognition agreement.

(vi) An *initial gain recognition agreement* means the gain recognition agreement entered into under paragraph (c) of this section with respect to the initial transfer.

(vii) The *initial transfer* means a transfer of stock or securities (transferred stock or securities) to a foreign corporation pursuant to an exchange that would otherwise be subject to section 367(a)(1) but with respect to which a gain recognition agreement is entered into by a United States person pursuant to § 1.367(a)-3(b) through (e).

(viii) An *intercompany item* has the meaning set forth in § 1.1502-13(b)(2).

(ix) An *intercompany transaction* has the meaning set forth in § 1.1502-13(b)(1).

(x) A *nonrecognition transaction* has the meaning set forth in section 7701(a)(45). In addition, a nonrecognition transaction includes an exchange described in section 351(b) or 356 even if all gain realized in the exchange is recognized.

(xi) The terms *P*, *S*, and *T* have the meanings set forth in § 1.358-6(b)(1)(i), (ii), and (iii), respectively.

(xii) The determination of whether *substantially all* of the assets of the transferred corporation have been disposed of is based on all the facts and circumstances.

(xiii) A *timely filed return* means a Federal income tax return filed on or before the last date prescribed for filing (taking into account any extensions of time therefor) such return.

(xiv) *Transferee foreign corporation*. Except as provided in this paragraph (b)(1)(xiv), the *transferee foreign corporation* is the foreign corporation to which the transferred stock or securities are transferred in an initial transfer. In the case of an indirect stock transfer, the transferee foreign corporation has the meaning set forth in § 1.367(a)-3(d)(2)(i). The transferee foreign corporation also includes a corporation designated as the transferee foreign corporation in the case of a new gain recognition agreement entered into under this section.

(xv) *Transferred corporation*. Except as provided in this paragraph (b)(1)(xv), the *transferred corporation* is the corporation the stock or securities of which are transferred in the initial transfer. In the case of an indirect stock transfer, the transferred corporation has the meaning set forth in § 1.367(a)-3(d)(2)(ii). The transferred corporation also includes a corporation designated as the transferred corporation in the case of a new gain recognition agreement entered into under this section.

(xvi) A *triangular asset reorganization* is a reorganization described in § 1.358-6(b)(2)(i), (ii), (iii), or (v).

(xvii) The *U.S. transferor* is the United States person (as defined in § 1.367(a)-1(d)(1)) that transfers the transferred stock or securities to the transferee foreign corporation in the initial transfer. For purposes of determining the U.S. transferor in the case of a transfer by a partnership, see § 1.367(a)-1(c)(3)(i). The *U.S. transferor* also includes the United States person designated as the U.S. transferor in the case of a new gain recognition agreement entered into under this section including, for example, under paragraph (k)(14) of this section.

(2) *Special rules*—(i) *Stock deemed received or transferred*. References to

stock received include stock deemed received (for example, pursuant to section 367(c)(2)). References to a transfer of stock or securities include a deemed transfer of stock or securities.

(ii) *Stock of the transferee foreign corporation.* References to stock of the transferee foreign corporation include any stock of the transferee foreign corporation the basis of which is determined, in whole or in part, by reference to the basis of the stock of the transferee foreign corporation received by the U.S. transferor in the initial transfer.

(iii) *Transferred stock or securities.* References to transferred stock or securities include any stock or securities of the transferred corporation the basis of which is determined, in whole or in part, by reference to the basis of the stock or securities transferred in the initial transfer.

(c) *Gain recognition agreement—(1) Terms of agreement—(i) General rule.* Except as provided in this paragraph (c)(1)(i), if a gain recognition event occurs during the period beginning on the date of the initial transfer and ending as of the close of the fifth full taxable year (not less than 60 months) following the close of the taxable year in which the initial transfer occurs (GRA term), the U.S. transferor must include in income the gain realized but not recognized on the initial transfer by reason of entering into the gain recognition agreement. In the case of a gain recognition event that occurs as a result of a partial disposition of stock, securities, or a partnership interest, as applicable, the U.S. transferor is required to recognize a proportionate amount of the gain subject to the gain recognition agreement, determined based on the fair market value of the stock, securities, or partnership interest, as applicable, disposed of (measured at the time of the partial disposition) as compared to the fair market value of all the stock, securities, or partnership interest, as applicable (measured at the time of the partial disposition). If the U.S. transferor must recognize gain under this paragraph as a result of an event described in paragraph (m) or (n) of this section, see those paragraphs to determine the amount of the gain that must be recog-

nized. The amount of gain subject to the gain recognition agreement shall be reduced by the amount of gain recognized under this paragraph. If the amount of gain subject to the gain recognition agreement is reduced to zero, the gain recognition agreement shall terminate without further effect.

(ii) *Ordering rule for gain recognized under multiple gain recognition agreements.* If a gain recognition event occurs that requires gain to be recognized under multiple gain recognition agreements, gain shall first be recognized under the gain recognition agreement that relates to the earliest initial transfer, then under the gain recognition agreement that relates to the immediately following initial transfer and so forth until the appropriate amount of gain has been recognized under each gain recognition agreement. The amount of gain recognized under a gain recognition agreement shall be determined after taking into account, as appropriate, any increase to basis (including the basis of the transferred stock or securities) under paragraph (c)(4) of this section resulting from gain recognized under another gain recognition agreement. For an illustration of this ordering rule, see paragraph (q)(2)(vi) of this section.

(iii) *Taxable year in which gain is reported—(A) Year of initial transfer.* Except as provided in paragraph (c)(1)(iii)(B) of this section, the U.S. transferor must report any gain recognized under paragraph (c)(1)(i) of this section on an amended Federal income tax return for the taxable year of the initial transfer. The amended return must be filed on or before the 90th day following the date on which the gain recognition event occurs.

(B) *Year of gain recognition event.* If an election under paragraph (c)(2)(vi) of this section is made with the gain recognition agreement or if paragraph (c)(5)(ii) of this section applies to the gain recognition agreement, the U.S. transferor must report any gain recognized under paragraph (c)(1)(i) of this section on its Federal income tax return for the taxable year during which the gain recognition event occurs. If an election under paragraph (c)(2)(vi) of this section is made with the gain recognition agreement or if paragraph

(c)(5)(ii) of this section applies to the gain recognition agreement but the U.S. transferor does not report the gain recognized on its Federal income tax return for the taxable year during which the gain recognition event occurs, the Commissioner may require the U.S. transferor to report the gain on an amended Federal income tax return for the taxable year during which the initial transfer occurred.

(iv) *Offsets.* No special limitations apply with respect to offsetting gain recognized under paragraph (c)(1)(i) of this section with net operating losses, capital losses, credits against tax, or similar items.

(v) *Payment and reporting of interest.* Interest must be paid on any additional tax due with respect to gain recognized by the U.S. transferor under paragraph (c)(1)(i) of this section. Any interest due shall be determined based on the rates under section 6621 for the period between the date that was prescribed for filing the Federal income tax return of the U.S. transferor for the year of the initial transfer and the date on which the additional tax due is paid. If paragraph (c)(1)(iii)(B) of this section applies, any interest due must be included with the payment of tax due with the Federal income tax return of the U.S. transferor for the taxable year during which the gain recognition event occurs (or should reduce the amount of any refund due to the U.S. transferor for such taxable year). A schedule entitled "Calculation of Section 367 Tax and Interest" that separately identifies and calculates any additional tax and interest due must be included with the Federal income tax return on which any interest due is reported.

(2) *Content of gain recognition agreement.* The gain recognition agreement must be entitled "GAIN RECOGNITION AGREEMENT UNDER § 1.367(a)-8" and include the information described in paragraphs (c)(2)(i) through (viii) of this paragraph with the corresponding paragraph numbers. The information required under this paragraph (c)(2) and paragraph (c)(3) of this section must be included in the gain recognition agreement as filed.

(i) A statement that the document constitutes an agreement by the U.S.

transferor to recognize gain in accordance with the requirements of this section.

(ii) A description of the transferred stock or securities and other information as required in paragraph (c)(3) of this section.

(iii) A statement that the U.S. transferor agrees to comply with all the conditions and requirements of this section, including to recognize gain under the gain recognition agreement in accordance with paragraph (c)(1)(i) of this section, to extend the period of limitations on assessment of tax as provided in paragraph (f) of this section, to file the certification described in paragraph (g) of this section, and, as provided in paragraph (j)(8) of this section, to treat a failure to comply (as described in paragraph (j)(8) of this section) as extending the period of limitations on assessment of tax for the taxable year in which gain is required to be reported.

(iv) A statement that arrangements have been made to ensure that the U.S. transferor is informed of any events that affect the gain recognition agreement, including triggering events or other gain recognition events.

(v) In the case of a new gain recognition agreement filed under this section—

(A) A description of the event (such as a triggering event) and the applicable exception, if any, that gave rise to the new gain recognition agreement (such as a triggering event exception), including the date of the event and the name, address, and taxpayer identification number (if any) of each person that is a party to the event;

(B) As applicable, a description of the class, amount, and characteristics of the stock, securities or partnership interest received in the transaction; and

(C) As applicable, a calculation of the amount of gain that remains subject to the new gain recognition agreement as a result of the application of paragraph (m), (n), or (o) of this section.

(vi) A statement whether the U.S. transferor elects to include in income any gain recognized under paragraph (c)(1)(i) of this section in the taxable year during which a gain recognition event occurs. See paragraph (c)(5)(ii) of this section for a rule that requires, in

certain cases, for the gain recognized pursuant to a new gain recognition agreement to be included in income during the taxable year in which the gain recognition event occurs.

(vii) A statement whether a gain recognition event has occurred during the taxable year of the initial transfer.

(viii) A statement describing any disposition of assets of the transferred corporation during such taxable year other than in the ordinary course of business.

(3) *Description of transferred stock or securities and other information.* The gain recognition agreement shall include the following:

(i) A description of the transferred stock or securities including—

(A) The type or class, amount, and characteristics of the transferred stock or securities;

(B) A calculation of the amount of the built-in gain in the transferred stock or securities that are subject to the gain recognition agreement, reflecting the basis and fair market value on the date of the initial transfer;

(C) The amount of any gain recognized by the U.S. transferor on the initial transfer; and

(D) The percentage (by voting power and value) that the transferred stock (if any) represents of the total stock outstanding of the transferred corporation on the date of the initial transfer.

(ii) The name, address, place of incorporation, and taxpayer identification number (if any) of the transferred corporation.

(iii) The date on which the U.S. transferor acquired the transferred stock or securities.

(iv) The name, address and place of incorporation of the transferee foreign corporation, and a description of the stock or securities received by the U.S. transferor in the initial transfer, including the percentage of stock (by vote and value) of the transferee foreign corporation received in such exchange.

(v) If the initial transfer is described in § 1.367(a)-3(e), a statement that the conditions of section 367(a)(5) and any regulations under that section have been satisfied, and a description of any adjustments to the basis of the stock received in the transaction or other ad-

justments made pursuant to section 367(a)(5) and any regulations under that section.

(vi) If the transferred corporation is domestic, a statement describing the application of section 7874 to the transaction, and indicating that the requirements of § 1.367(a)-3(c)(1) are satisfied.

(vii) If the transferred corporation is foreign, a statement indicating whether the U.S. transferor was a section 1248 shareholder (as defined in § 1.367(b)-2(b)) of the transferred corporation immediately before the initial transfer, and whether the U.S. transferor is a section 1248 shareholder with respect to the transferee foreign corporation immediately after the initial transfer, and whether any reporting requirements or other rules contained in regulations under section 367(b) are applicable, and, if so, whether they have been satisfied.

(viii) If the initial transfer involves a transfer by a partnership (see § 1.367(a)-1(c)(3)(i)) or a transfer of a partnership interest (see section 367(a)(4) and § 1.367(a)-1(c)(3)(ii)) a complete description of the transfer, including a description of the partners in the partnership.

(ix) If the transaction involved the transfer of property other than the transferred stock or securities and the transaction was subject to the indirect stock transfer rules of § 1.367(a)-3(d), a statement indicating whether—

(A) The reporting requirements under section 6038B have been satisfied with respect to the transfer of such other property;

(B) Whether gain was recognized under section 367(a)(1);

(C) Whether section 367(d) applied to the transfer of such property; and

(D) Whether the other property transferred qualified for the active foreign trade or business exception under section 367(a)(3).

(4) *Basis adjustments for gain recognized.* The following basis adjustments shall be made if gain is recognized under paragraph (c)(1)(i) of this section.

(i) *Stock or securities of transferee foreign corporation.* The basis of the stock or securities, as applicable, of the transferee foreign corporation received by the U.S. transferor in the initial

transfer shall be increased as of the date of the initial transfer by the amount of gain recognized.

(ii) *Transferred stock or securities.* The basis of the transferred stock or securities shall be increased as of the date of the initial transfer by the amount of the gain recognized.

(iii) *Other appropriate adjustments.* The basis of other stock, securities, or a partnership interest shall be increased, as appropriate, in accordance with the principles of this paragraph (c)(4). Under no circumstances shall the basis of stock, securities, or of a partnership interest held by a U.S. person that does not recognize gain under paragraph (c)(1)(i) of this section be increased under this paragraph (c)(4). In addition, under no circumstances shall the basis of any property be increased by the amount of any additional tax due or interest paid with respect to such tax, nor shall the basis of the assets of the transferred corporation be increased as a result of gain recognized by the U.S. transferor under paragraph (c)(1)(i) of this section.

(iv) *Cross-reference.* See paragraphs (q)(2)(i), (ii), (iii), and (v) of this section for illustrations of the rules of this paragraph (c)(4). See also § 1.367(a)-1(b)(4) for rules that determine the increase to basis of property resulting from the application of section 367(a).

(5) *Terms and conditions of a new gain recognition agreement—(i) General rule.* A new gain recognition agreement entered into pursuant to this section shall replace the existing gain recognition agreement, which shall terminate without further effect. The term of the new gain recognition agreement shall be the remaining term of the existing gain recognition agreement. The amount of gain subject to the new gain recognition agreement shall equal the amount of gain subject to the existing gain recognition agreement, reduced by any gain recognized under paragraph (c)(1)(i) of this section with respect to the existing gain recognition agreement by reason of the gain recognition event that gives rise to the new gain recognition agreement. The new gain recognition agreement shall, as applicable, be subject to the conditions and requirements of this section to the same extent as the existing gain recognition

agreement. For example, a triggering event with respect to the new gain recognition agreement will generally include a disposition of the transferred stock or securities or of substantially all the assets of the transferred corporation. If, however, the transferred stock is canceled or redeemed pursuant to the disposition or other event that gives rise to the new gain recognition agreement (for example, pursuant to a liquidation where the transferee foreign corporation is the corporate distributee (within the meaning of section 334(b)(2)), or an asset reorganization where the transferee foreign corporation is the acquiring corporation) the transferred stock is not subject to the new gain recognition agreement.

(ii) *Special rule for inclusion of gain.* If the U.S. transferor with respect to the new gain recognition agreement is not the U.S. transferor with respect to the existing gain recognition agreement, or a member of the consolidated group of which the U.S. transferor with respect to the existing gain recognition agreement was a member on the date of the initial transfer, then any gain recognized under paragraph (c)(1)(i) of this section with respect to the new gain recognition agreement must be included in income in the taxable year during which the gain recognition event occurs.

(6) *Cross-reference.* For gain recognition agreements entered into pursuant to certain outbound asset reorganizations, see § 1.367(a)-3(e)(6).

(d) *Filing requirements—(1) General rule.* An initial gain recognition agreement must be timely filed in order for the U.S. transferor to avoid recognizing gain under section 367(a)(1) with respect to the transferred stock or securities by reason of the applicable exceptions provided under § 1.367(a)-3. Except as provided in paragraph (p) of this section, an initial gain recognition agreement is timely filed only if—

(i) The initial gain recognition agreement and any other gain recognition agreement document required to be filed with the initial gain recognition agreement are included with a timely filed return of the U.S. transferor for the taxable year during which the initial transfer occurs; and

(ii) Each gain recognition agreement document identified in paragraph (d)(1)(i) of this section is completed in all material respects.

(2) *Special requirements*—(i) *New gain recognition agreement*. A new gain recognition agreement entered into under this section must be included with the timely-filed return of the U.S. transferor (as identified in the new gain recognition agreement) for the taxable year during which the disposition or event that requires the new gain recognition agreement occurs. If the new gain recognition agreement is entered into by the U.S. transferor that entered into the existing gain recognition agreement, the new gain recognition agreement is in lieu of the annual certification otherwise required for such taxable year under paragraph (g) of this section with respect to the existing gain recognition agreement.

(ii) *Multiple events within a taxable year*. Except as otherwise provided in this paragraph (d)(2)(ii), if the initial transfer and one or more dispositions or other events (even if a triggering event exception applies) that affect the gain recognition agreement entered into by the U.S. transferor with respect to the initial transfer occur within the same taxable year of such U.S. transferor, or if multiple dispositions or other events occur in a taxable year of the U.S. transferor that does not include the initial transfer, only one gain recognition agreement is required to be entered into and included with the timely-filed return of the U.S. transferor for such taxable year. The gain recognition agreement must describe the initial transfer and/or each disposition or other event that affects the gain recognition agreement (even if a triggering event exception applies). This paragraph does not apply, however, if any such disposition or other event requires a new gain recognition agreement to be entered into by a United States person other than the U.S. transferor with respect to the initial transfer or that entered into the existing gain recognition agreement, as applicable.

(3) *Common parent as agent for U.S. transferor*. If the U.S. transferor is a member but not the common parent of a consolidated group, the common par-

ent of the consolidated group is the agent for the U.S. transferor under § 1.1502-77(a)(1). Thus, the common parent must file the gain recognition agreement on behalf of the U.S. transferor. References in this section to the timely-filed return of the U.S. transferor include the timely-filed return of the consolidated group of which the U.S. transferor is a member, as applicable.

(e) *Signatory*—(1) *General rule*. The gain recognition agreement must be signed under penalties of perjury by an agent of the U.S. transferor that is authorized to sign under a general or specific power of attorney, or by the appropriate party based on the category of the U.S. transferor described in this paragraph (e)(1).

(i) If the U.S. transferor is a corporation but not a member of a consolidated group, a responsible officer of the U.S. transferor. If the U.S. transferor is a member of a consolidated group, a responsible officer of the common parent of the consolidated group.

(ii) If the U.S. transferor is an individual, the individual.

(iii) If the U.S. transferor is a trust or estate, a trustee, executor, or equivalent fiduciary of the U.S. transferor.

(iv) In a bankruptcy case under title 11, United States Code, a debtor in possession or trustee.

(2) *Signature requirement*. The inclusion of an unsigned copy of the gain recognition agreement with the timely-filed return of the U.S. transferor shall satisfy the signature requirement of paragraph (e)(1) of this section if the U.S. transferor retains the original signed gain recognition agreement in the manner specified by § 1.6001-1(e).

(f) *Extension of period of limitations on assessments of tax*—(1) *General rule*. In connection with the filing of a gain recognition agreement, the U.S. transferor must extend the period of limitations on assessments of tax with respect to the gain realized but not recognized on the initial transfer through the close of the eighth full taxable year following the taxable year during which the initial transfer occurs. The U.S. transferor extends the period of limitations by filing Form 8838 “Consent to Extend the Time to Assess Tax Under Section 367—Gain Recognition

Agreement.” The Form 8838 must be signed by a person authorized to sign the gain recognition agreement under paragraph (e)(1) of this section.

(2) *New gain recognition agreement.* If a new gain recognition agreement is entered into under this section, the U.S. transferor must extend the period of limitations on assessments of tax on the initial transfer through the close of the eighth full taxable year following the taxable year during which the initial transfer occurs, consistent with paragraph (f)(1) of this section, unless the U.S. transferor with respect to the new gain recognition agreement is the U.S. transferor with respect to the existing gain recognition agreement, or a member of the consolidated group of which the U.S. transferor with respect to the existing gain recognition agreement was a member on the date of the initial transfer.

(g) *Annual certification.* Except as provided in paragraph (d)(2)(i) of this section, the U.S. transferor must include with its timely-filed return for each of the five full taxable years following the taxable year of the initial transfer a certification (annual certification) that includes the information described in paragraphs (g)(1) through (3) of this section, as appropriate. The annual certification must be signed by a person authorized under paragraph (e)(1) of this section to sign the gain recognition agreement for the initial transfer. The inclusion of an unsigned copy of the annual certification with the relevant timely-filed return of the U.S. transferor shall satisfy the signature requirement of paragraph (e)(1) of this section provided the U.S. transferor retains the original signed certification in the manner specified by § 1.6001-1(e).

(1) A statement of whether a gain recognition event has or has not occurred during such taxable year. If a gain recognition event has occurred during such taxable year, the annual certification must state:

(i) The amount of gain subject to the gain recognition agreement at the time of the gain recognition event;

(ii) The amount of gain recognized under the gain recognition agreement by reason of the gain recognition event; and

(iii) A calculation of the reduction to the amount of gain subject to the gain recognition agreement by reason of the gain recognition event (for example, in the case of a gain recognition event described in paragraph (n)(2) of this section).

(2) A complete description of any event occurring during such taxable year that has terminated or reduced the amount of gain subject to the gain recognition agreement (for example, an event described in paragraph (o) of this section), including a calculation of any reduction to the amount of gain subject to the gain recognition agreement.

(3) A statement describing any disposition of assets of the transferred corporation during the taxable year not in the ordinary course of business.

(h) *Use of security.* The U.S. transferor may be required to furnish a bond or other security that satisfies the requirements of § 301.7101-1 if the Area Director, Field Examination, Small Business/Self Employed or the Director of Field Operations, Large and Mid-Size Business (Director) determines that such security is necessary to ensure the payment of any tax on the gain realized, but not recognized, upon the initial transfer. Such bond or security generally will be required only if the transferred stock or securities are a principal asset of the U.S. transferor and the Director has reason to believe that a disposition of the stock or securities may be contemplated.

(i) [Reserved]

(j) *Triggering events.* Except as provided in this section, if an event described in paragraphs (j)(1) through (10) of this section (triggering event) occurs during the GRA term, the U.S. transferor must recognize gain under the gain recognition agreement in accordance with paragraph (c)(1)(i) of this section. This paragraph (j) generally requires the U.S. transferor to recognize gain (and pay applicable interest with respect to any additional tax due as provided in paragraph (c)(1)(v) of this section) under the gain recognition agreement to the extent the transferred stock or securities are disposed of, directly or indirectly. This paragraph (j) also requires the U.S. transferor to recognize gain under the gain recognition agreement in certain cases

where it is not appropriate for the gain recognition agreement to continue. See paragraph (k) of this section for exceptions available for certain events that would otherwise constitute triggering events under this paragraph (j). See paragraph (o) of this section for certain events that terminate or reduce the amount of gain subject to a gain recognition agreement.

(1) *Disposition of transferred stock or securities.* A complete or partial disposition of the transferred stock or securities. See paragraph (q)(2)(ii) of this section for an illustration of the rule of this paragraph (j)(1).

(2) *Disposition of substantially all of the assets of the transferred corporation—(i) General rule.* Except as provided in paragraph (j)(2)(ii) of this section, a disposition in one or more related transactions of substantially all of the assets of the transferred corporation (including stock or securities in a subsidiary corporation or a partnership interest). If the transferred corporation is domestic, see paragraph (o)(4) of this section.

(ii) *Exceptions.* For purposes of paragraph (j)(2)(i) of this section, the following dispositions shall be disregarded—

(A) Dispositions of property described in section 1221(a)(1) occurring in the ordinary course of business;

(B) An exchange of stock or securities described in section 354 that is pursuant to an asset reorganization; and

(C) An exchange of stock by a corporate distributee (as defined in section 334(b)(2)) pursuant to a complete liquidation to which section 332 applies.

(3) *Disposition of certain partnership interests.* If the initial transfer occurs by reason of the transfer of a partnership interest, a complete or partial disposition of such partnership interest. See section 367(a)(4) and §1.367(a)-1(c)(3)(ii).

(4) *Disposition of stock of the transferee foreign corporation.* A complete or partial disposition of the stock of the transferee foreign corporation received by the U.S. transferor in the initial transfer. For purposes of this section, an individual U.S. transferor that loses U.S. citizenship or ceases to be a lawful permanent resident of the United

States (within the meaning of section 7701(b)(6)) shall be treated as disposing of all the stock of the transferee foreign corporation received in the initial transfer as of the date before the loss of such status.

(5) *Deconsolidation.* A U.S. transferor that is a member of a consolidated group ceases to be a member of the consolidated group, other than by reason of an acquisition of the assets of the U.S. transferor in a transaction to which section 381(a) applies, or by reason of the U.S. transferor joining another consolidated group as part of the same transaction.

(6) *Consolidation.* A U.S. transferor becomes a member of a consolidated group, including a U.S. transferor that is a member of a consolidated group and that becomes a member of another consolidated group.

(7) *Death of an individual; trust or estate ceases to exist.* A U.S. transferor that is an individual dies, or a U.S. transferor that is a trust or estate ceases to exist.

(8) *Failure to comply.* A U.S. transferor fails to comply in any material respect with any requirement of this section, or the terms of the gain recognition agreement as described in paragraph (c)(1) of this section. A failure to comply under this paragraph (j)(8) will extend the period of limitations on assessment of tax for the taxable year in which gain is required to be reported until the close of the third full taxable year ending after the date on which the U.S. transferor furnishes to the Director of Field Operations, Cross Border Activities Practice Area of Large Business & International (or any successor to the roles and responsibilities of such person) (Director) the information that should have been provided under this section. Except as provided in paragraph (p) of this section, for purposes of this paragraph (j)(8), a failure to comply includes—

(i) If there is a gain recognition event in a taxable year, a failure to report gain or pay any additional tax or interest due under the terms of the gain recognition agreement; and

(ii) A failure to file a gain recognition agreement document, other than an initial gain recognition agreement or a document required to be filed with

the initial gain recognition agreement. For this purpose, there is a failure to file a gain recognition agreement document if—

(A) The gain recognition agreement document is not timely filed as required under this section, or

(B) The gain recognition agreement document is not completed in all material respects.

(9) *Gain recognition agreement filed in connection with indirect stock transfers and certain triangular asset reorganizations.* With respect to a gain recognition agreement entered into in connection with an indirect stock transfer (as defined in § 1.367(a)-3(d)), or a triangular asset reorganization described in § 1.367(a)-3(e)(6)(iv), an indirect disposition of the transferred stock or securities. For example, in the case of an indirect stock transfer described in § 1.367(a)-3(d)(1)(iii)(A), a complete or partial disposition of the stock of the acquiring corporation.

(10) *Gain recognition agreement filed pursuant to paragraph (k)(14) of this section.* In the case of a gain recognition agreement entered into pursuant to paragraph (k)(14) of this section, in addition to any disposition or other event described in paragraphs (j)(1) through (9) of this section,—

(i) Any disposition or other event identified as a triggering event in a new gain recognition agreement as required under paragraph (k)(14)(iii) of this section; and

(ii) Any disposition or other event that is inconsistent with the principles of paragraph (k) of this section including, for example, an indirect disposition of the transferred stock or securities.

(k) *Triggering event exceptions.* Notwithstanding paragraph (j) of this section, a disposition or other event described in paragraphs (k)(1) through (14) of this section shall not constitute a triggering event. This paragraph (k) generally provides exceptions for certain dispositions that constitute non-recognition transactions but only if, immediately after the disposition, a U.S. transferor retains, as applicable, a direct or indirect interest in the transferred stock or securities, or in the assets of the transferred corporation, and a new gain recognition agreement is

entered into with respect to the initial transfer in accordance with this paragraph (k). Notwithstanding the application of this paragraph (k), if a gain recognition event described under paragraphs (m) and (n) of this section occurs during the GRA term the U.S. transferor may be required to recognize gain under the gain recognition agreement in accordance with paragraph (c)(1)(i) of this section. See paragraph (o) of this section which provides that, notwithstanding paragraph (j) of this section, certain dispositions or other events shall instead terminate or reduce the amount of gain subject to a gain recognition agreement.

(1) *Transfers of stock of the transferee foreign corporation to a corporation or partnership.* A disposition of stock of the transferee foreign corporation received in the initial transfer pursuant to an exchange to which section 351, 354 (but only in a reorganization described in section 368(a)(1)(B) that is not a triangular reorganization), 361 (but only in a divisive reorganization to which section 355 applies), or 721 applies, shall not constitute a triggering event if a new gain recognition agreement is entered into in accordance with paragraphs (k)(1)(i) through (iv) of this section, as applicable. In the case of an exchange to which section 354 applies that is pursuant to a triangular reorganization described in section 368(a)(1)(B), see paragraph (k)(14) of this section and paragraph (q)(2)(iv) of this section.

(i) In the case of an exchange to which section 351 or 354 applies in which stock of a foreign acquiring corporation is received, the U.S. transferor includes with the new gain recognition agreement a statement that a complete or partial disposition of the stock of the foreign acquiring corporation received in the exchange shall constitute a triggering event. The principles of paragraph (o)(1)(i) or (ii), as appropriate, shall be applied to determine whether a subsequent complete or partial disposition of the stock of the foreign acquiring corporation received in the exchange shall instead terminate or reduce the amount of the new gain recognition agreement.

(ii) In the case of an exchange to which section 351 or 354 applies in

which stock of a domestic acquiring corporation is received, the domestic acquiring corporation enters into the new gain recognition agreement, which must designate the domestic acquiring corporation as the U.S. transferor for purposes of this section. For an illustration of the rule provided by this paragraph (k)(1)(ii), see paragraph (q)(2)(iii) of this section.

(iii) In the case of a section 361 exchange that is pursuant to a divisive reorganization to which section 355 applies and in which stock of a domestic corporation (domestic controlled corporation) is received, the domestic controlled corporation enters into the new gain recognition agreement, which must designate the domestic controlled corporation as the U.S. transferor for purposes of this section. For an illustration of the rule provided by this paragraph (k)(1)(iii), see paragraph (q)(2)(xi) of this section.

(iv) In the case of an exchange to which section 721 applies, the U.S. transferor includes with the new gain recognition agreement a statement that a complete or partial disposition of the partnership interest received in the exchange shall constitute a triggering event for purposes of the new gain recognition agreement.

(2) *Complete liquidation of U.S. transferor under sections 332 and 337.* A distribution by the U.S. transferor of the stock of the transferee foreign corporation received in the initial transfer to which section 337 applies, that is pursuant to a complete liquidation under section 332, shall not constitute a triggering event if the corporate distributee (as defined in section 334(b)(2)) is a domestic corporation (domestic corporate distributee) and the domestic corporate distributee enters into a new gain recognition agreement. The new gain recognition agreement must designate the domestic corporate distributee as the U.S. transferor for purposes of this section.

(3) *Transfers of transferred stock or securities to a corporation or partnership.* A disposition of the transferred stock or securities pursuant to an exchange to which section 351, 354 (but only in a reorganization described in section 368(a)(1)(B)), or 721 applies, shall not constitute a triggering event if the

U.S. transferor enters in to a new gain recognition agreement that provides that the dispositions described in paragraphs (k)(3)(i) and (ii) of this section shall constitute triggering events for purposes of the new gain recognition agreement.

(i) A complete or partial disposition of the stock, securities, or partnership interest (as applicable) received in exchange for the transferred stock or securities.

(ii) Any other event that is inconsistent with the principles of this paragraph (k), including the indirect disposition of the transferred stock or securities.

(4) *Transfers of substantially all of the assets of the transferred corporation.* A disposition of substantially all of the assets of the transferred corporation pursuant to an exchange to which section 351, 354 (but only in a reorganization described in section 368(a)(1)(B)), or 721 applies, shall not constitute a triggering event if the U.S. transferor enters into a new gain recognition agreement that provides that a complete or partial disposition of the stock, securities, or partnership interest (as applicable) received in exchange for the assets shall constitute a triggering event for purposes of the new gain recognition agreement.

(5) *Recapitalizations and section 1036 exchanges.* A complete or partial disposition of the transferred stock or securities, or of the stock of the transferee foreign corporation received in the initial transfer, pursuant to a reorganization described under section 368(a)(1)(E), or pursuant to a transaction to which section 1036 applies, shall not constitute a triggering event if the U.S. transferor enters into a new gain recognition agreement.

(6) *Certain asset reorganizations—(i) Stock of transferee foreign corporation.* If stock of the transferee foreign corporation received in the initial transfer is transferred to a domestic acquiring corporation in a section 361 exchange that is pursuant to an asset reorganization, the exchanges made pursuant to the asset reorganization shall not constitute triggering events if the domestic acquiring corporation enters into a new gain recognition agreement that

designates the domestic acquiring corporation as the U.S. transferor for purposes of this section. For an illustration of the rule provided by this paragraph (k)(6), see paragraph (q)(2)(v) of this section. If the acquiring corporation is foreign, see paragraph (k)(14) of this section and paragraph (q)(2)(vi) of this section.

(ii) *Transferred stock or securities.* If the transferred stock or securities are transferred to a foreign acquiring corporation in a section 361 exchange that is pursuant to an asset reorganization, the exchanges made pursuant to the asset reorganization shall not constitute triggering events if the U.S. transferor enters into a new gain recognition agreement that designates the foreign acquiring corporation as the transferee foreign corporation for purposes of this section. For an illustration of the rule provided by this paragraph, see paragraph (q)(2)(vii) of this section. If the transfer is to a domestic acquiring corporation, or is pursuant to a triangular asset reorganization, see paragraph (k)(14) or (o)(5) of this section.

(iii) *Assets of transferred corporation.* If substantially all of the assets of the transferred corporation are transferred to a foreign or domestic acquiring corporation in a section 361 exchange that is pursuant to an asset reorganization, the exchanges made pursuant to the asset reorganization shall not constitute triggering events if the U.S. transferor enters into a new gain recognition agreement that, unless the acquiring corporation is the transferee foreign corporation, designates the acquiring corporation as the transferred corporation for purposes of this section. Only the assets of the transferred corporation received by the acquiring corporation shall be treated as assets of the transferred corporation for purposes of this section (for example, only such assets will be taken into account for purposes of paragraph (j)(2) of this section). For an illustration of the rule provided by this paragraph, see paragraph (q)(2)(viii) of this section. If the transferred corporation is domestic, see section 367(a)(1) and (a)(5), and paragraph (o)(4) of this section. If the transfer is pursuant to a triangular

asset reorganization, see paragraph (k)(14) of this section.

(7) *Certain triangular reorganizations—*
 (i) *Transferee foreign corporation.* If substantially all of the assets of the transferee foreign corporation are transferred to a foreign acquiring corporation in a section 361 exchange that is pursuant to a triangular asset reorganization, the exchanges made pursuant to the reorganization shall not constitute triggering events if a new gain recognition agreement is entered into in accordance with paragraphs (k)(7)(i)(A) through (C) of this section. If the acquiring corporation is domestic, see paragraph (k)(14) of this section. For rules that apply to gain recognition agreements entered into as a result of an indirect stock transfer, see § 1.367(a)-3(d)(2)(iv) and paragraph (j)(9) of this section.

(A) If P is foreign, the new gain recognition agreement designates P as the transferee foreign corporation and includes a statement that the U.S. transferor agrees to treat a complete or partial disposition of the S stock held by P as a triggering event.

(B) Except as provided in paragraph (k)(7)(i)(C) of this section, if P is domestic, P enters into the new gain recognition agreement that designates P as the U.S. transferor and S as the transferee foreign corporation.

(C) If the triangular asset reorganization is described in section 368(a)(1)(A) by reason of section 368(a)(2)(E) and the transferee foreign corporation is the merged corporation, the U.S. transferor enters into the new gain recognition agreement and designates the surviving corporation as the transferee foreign corporation.

(ii) *Transferred corporation.* If substantially all of the assets of the transferred corporation are transferred in a section 361 exchange pursuant to a triangular asset reorganization, the exchanges made pursuant to the reorganization shall not constitute triggering events if the U.S. transferor enters into a new gain recognition agreement in accordance with paragraph (k)(7)(ii)(A) of this section and, as applicable, paragraph (k)(7)(ii)(B) or (C) of this section.

(A) The new gain recognition agreement includes a statement that the

U.S. transferor agrees to treat a complete or partial disposition of the P stock received in the reorganization as a triggering event.

(B) If the triangular asset reorganization is described in section 368(a)(1)(C), or section 368(a)(1)(A) or (G) by reason of section 368(a)(2)(D), the new gain recognition agreement includes a statement that the U.S. transferor agrees to treat a complete or partial disposition of the S stock held by P as a triggering event.

(C) If the triangular asset reorganization is described in section 368(a)(1)(A) by reason of section 368(a)(2)(E) and the transferred corporation is the merged corporation, the new gain recognition agreement includes a statement that the U.S. transferor agrees to treat a complete or partial disposition of the stock of the surviving corporation as a triggering event.

(8) *Complete liquidation of transferred corporation.* A distribution of substantially all of the assets of the transferred corporation to which section 337 applies, and the related exchange of the transferred stock to which section 332 applies, shall not constitute triggering events, if the U.S. transferor enters into a new gain recognition agreement. If the transferred corporation is domestic, see §1.367(e)-2 and paragraph (o)(4) of this section. See paragraph (q)(2)(ix) of this section for an illustration of the rules provided in this paragraph (k)(8).

(9) *Death of U.S. transferor.* The death of a U.S. transferor shall not constitute a triggering event if the person winding up the affairs of the U.S. transferor—

(i) Retains sufficient assets of the U.S. transferor to satisfy any possible Federal tax liability of the U.S. transferor under the gain recognition agreement for the duration of the extended period of limitations on assessments of tax on the gain realized but not recognized in the initial transfer;

(ii) Provides security as required under paragraph (h) of this section for any possible Federal tax liability of the U.S. transferor under the gain recognition agreement; or

(iii) Obtains a ruling from the Internal Revenue Service providing for one or more successors to the U.S. trans-

feror under the gain recognition agreement.

(10) *Deconsolidation.* A deconsolidation of the U.S. transferor shall not constitute a triggering event if the U.S. transferor enters into a new gain recognition agreement.

(11) *Consolidation.* A consolidation of the U.S. transferor shall not constitute a triggering event if the U.S. transferor enters into a new gain recognition agreement. See paragraph (d)(3) of this section.

(12) *Intercompany transactions—(i) General rule.* If, pursuant to an intercompany transaction, the U.S. transferor disposes of stock of the transferee foreign corporation received in the initial transfer, this paragraph (k)(12) applies to such disposition to the extent the intercompany transaction creates an intercompany item that is not taken into account in the taxable year during which the intercompany transaction occurs. To the extent this paragraph (k)(12) applies, the disposition shall not constitute a triggering event, and the U.S. transferor shall remain subject to the gain recognition agreement if the conditions of paragraphs (k)(12)(i)(A) and (B) of this section are satisfied. To the extent the intercompany transaction does not create an intercompany item see, for example, paragraph (k)(1) and paragraph (q)(2)(xx) of this section. See paragraph (o)(6) of this section for the effect on a gain recognition agreement when an intercompany item from an intercompany transaction to which this paragraph (k)(12)(i) applies is taken into account.

(A) At the time of the disposition, the basis of the stock of the transferee foreign corporation received in the initial transfer that is disposed of in the intercompany transaction is not greater than the sum of the amounts described in paragraphs (k)(12)(i)(A)(1) through (3) of this section. If only a portion of the stock of the transferee foreign corporation received in the initial transfer is disposed of, then the basis of such stock shall be compared with a proportionate amount (measured by value as determined at the time of the disposition) of the amounts described in paragraph (k)(12)(i)(A)(1) through (3) of this section. To satisfy

the basis condition of this paragraph (k)(12)(i)(A), the U.S. transferor may reduce the basis of the stock of the transferee foreign corporation received in the initial transfer that is disposed of in the intercompany transaction in accordance with the principles of paragraph (o)(1)(iii) of this section.

(1) The aggregate basis of the transferred stock or securities at the time of the initial transfer;

(2) The amount of any increase to the basis of the transferred stock or securities by reason of gain recognized by the U.S. transferor on the initial transfer; and

(3) The amount of any increase to the basis of the stock disposed of by reason of an income inclusion by the U.S. transferor with respect to such stock (for example, pursuant to section 961(a)).

(B) The annual certification filed with respect to the existing gain recognition agreement for the taxable year during which the intercompany transaction occurs includes a complete description of the intercompany transaction and a schedule illustrating how the basis condition of paragraph (k)(12)(i)(A) of this section is satisfied.

(ii) *Certain dispositions following intercompany transaction.* A subsequent disposition of stock of the transferee foreign corporation that is transferred in an intercompany transaction to which the exception provided by paragraph (k)(12)(i) of this section applies shall not constitute a triggering event if—

(A) The stock is transferred to a member of the consolidated group that includes the U.S. transferor immediately after the disposition, and

(B) The annual certification filed with respect to the existing gain recognition agreement for the taxable year during which the subsequent disposition occurs includes a complete description of the disposition.

(13) *Deemed asset sales pursuant to section 338(g) elections.* A deemed sale of the assets of the transferred corporation or the transferee foreign corporation as a result of an election under section 338(g) shall not constitute a triggering event. This paragraph does not apply to the sale of the stock of the target corporation (within the meaning

of section 338(d)(2)) with respect to which such election is made.

(14) *Other dispositions or events.* A disposition or other event that would constitute a triggering event, without regard to this paragraph (k)(14), shall not constitute a triggering event if the conditions of paragraph (k)(14)(i) through (iii) of this section, as applicable, are satisfied. See paragraphs (q)(2)(iv), (vi), (x), (xii), (xvii), (xxi), and (xxiii) of this section for illustrations of the rules provided by this paragraph (k)(14).

(i) The disposition qualifies as a non-recognition transaction.

(ii) Immediately after the disposition or other event, a U.S. transferor retains a direct or indirect interest in the transferred stock or securities or, as applicable, in substantially all of the assets of the transferred corporation (for example, in a case where the transferred corporation has been liquidated pursuant to section 332). If, as a result of the disposition or other event, a foreign corporation acquires the transferred stock or securities or, as applicable, substantially all the assets of the transferred corporation, the condition of this paragraph (k)(14)(ii) is satisfied only if the U.S. transferor owns at least five percent (applying the attribution rules of section 318, as modified by section 958(b) but without applying section 318(a)(3)(A), (B), and (C) so as to consider the U.S. transferor as owning stock which is owned by a person who is not a United States person) of the total voting power and the total value of the outstanding stock of such foreign corporation.

(iii) A new gain recognition agreement is entered into by the U.S. transferor described in paragraph (k)(14)(ii) of this section that includes—

(A) An explanation of why this paragraph (k)(14) applies to the disposition or other event; and

(B) A description of each subsequent disposition or other event that would constitute a triggering event, other than those described in paragraph (j) of this section, with respect to the new gain recognition agreement based on the principles of paragraphs (j) and (k) of this section including, for example, an indirect disposition of the transferred stock or securities.

(1) [Reserved]

(m) *Receipt of boot in nonrecognition transactions*—(1) *Dispositions of transferred stock or securities.* Notwithstanding paragraph (k) of this section, if gain is required to be recognized (not including any gain that would be treated as a dividend under section 356(a)(2)) in connection with a disposition of the transferred stock or securities to which an exception under paragraph (k) of this section otherwise applies (triggering event exception), the U.S. transferor shall recognize gain under paragraph (c)(1)(i) of this section equal to the amount of gain required to be recognized in connection with the disposition, but not in excess of the amount of gain subject to the gain recognition agreement. For purposes of this paragraph (m)(1), the amount of gain required to be recognized in connection with the disposition shall be determined before taking into account any increase to the basis of the transferred stock or securities under paragraph (c)(4)(ii) of this section. See paragraph (q)(2)(xiii) of this section, for an illustration of the rule provided by this paragraph (m)(1).

(2) *Dispositions of assets of transferred corporation.* If gain is required to be recognized (not including any gain that would be treated as a dividend under section 356(a)(2)) in connection with a disposition of substantially all of the assets of the transferred corporation to which a triggering event exception otherwise applies, the U.S. transferor shall recognize gain under paragraph (c)(1)(i) of this section equal to the amount of gain required to be recognized in connection with the disposition, but not in excess of the amount of gain subject to the gain recognition agreement.

(n) *Special rules for distributions with respect to stock*—(1) *Certain dividend equivalent redemptions treated as dispositions.* A redemption of the transferred stock or of stock of the transferee foreign corporation received in the initial transfer that is treated by reason of section 302(d) as a distribution of property to which section 301 applies shall constitute a disposition for purposes of this section unless the U.S. transferor enters into a new gain recognition agreement that includes appropriate provisions to account for the redemp-

tion. For an illustration of the rule of this paragraph (n)(1), see paragraph (q)(2)(xiv) of this section.

(2) *Gain recognized under section 301(c)(3).* If gain is required to be recognized under section 301(c)(3) with respect to the transferred stock, the U.S. transferor shall recognize gain under the gain recognition agreement in accordance with paragraph (c)(1)(i) of this section in an amount equal to the gain required to be recognized under section 301(c)(3), but not in excess of the amount of gain subject to the gain recognition agreement. For this purpose, the amount of gain required to be recognized under section 301(c)(3) shall be determined before taking into account any increase in the basis of the transferred stock under paragraph (c)(4)(ii) of this section.

(o) *Dispositions or other events that terminate or reduce the amount of gain subject to the gain recognition agreement.* Notwithstanding paragraph (j) of this section, the following dispositions or other events shall not constitute triggering events but instead shall terminate or reduce the amount of gain subject to the gain recognition agreement.

(1) *Taxable disposition of stock of the transferee foreign corporation*—(i) *Complete disposition.* Except as otherwise provided in this paragraph (o)(1)(i), if the U.S. transferor disposes of all the stock of the transferee foreign corporation received in the initial transfer in a transaction in which all gain realized is recognized and included in taxable income during the taxable year of the disposition, the gain recognition agreement shall terminate without further effect if, at the time of the disposition, the aggregate basis of such stock is not greater than the sum of the amounts described in paragraphs (o)(1)(i)(A) through (C) of this section. This paragraph shall not apply to a disposition of stock of the transferee foreign corporation pursuant to an intercompany transaction to which paragraph (k)(12) of this section applies. This paragraph shall also not apply to an individual U.S. transferor that loses U.S. citizenship or ceases to be a lawful permanent resident of the United States (within the meaning of section 7701(b)(6)).

§ 1.367(a)-8

26 CFR Ch. I (4-1-21 Edition)

(A) The aggregate basis of the transferred stock or securities at the time of the initial transfer;

(B) The amount of any increase to the basis of the transferred stock or securities by reason of gain recognized by the U.S. transferor on the initial transfer; and

(C) The amount of any increase to the basis of the stock disposed of by reason of an income inclusion by the U.S. transferor with respect to such stock (for example, pursuant to section 961(a)).

(ii) *Partial dispositions.* A partial disposition by the U.S. transferor of the stock of the transferee foreign corporation received in the initial transfer in a transaction otherwise described in paragraph (o)(1)(i) of this section shall reduce the amount of gain subject to the gain recognition agreement based on the relative fair market value of the stock disposed of (measured at the time of the disposition) compared to the fair market value of all of the stock of the transferee foreign corporation received in the initial transfer (measured at the time of the disposition). For determining whether the basis condition of paragraph (o)(1)(i) of this section is satisfied in the case of a partial disposition, the aggregate basis of the stock disposed of is compared to a proportionate amount (based on fair market value, as measured at the time of the partial disposition) of the amounts described in paragraphs (o)(1)(i)(A) through (C) of this section. For an illustration of the rules of this paragraph (o)(1)(ii), see paragraph (q)(2)(xv) of this section.

(iii) *Reduction of stock basis.* For purposes of satisfying the basis condition of paragraph (o)(1)(i) or (ii) of this section, the U.S. transferor may reduce the aggregate basis of the stock of the transferee foreign corporation received in the initial transfer, effective immediately before the disposition. For an illustration of the rules of this paragraph (o)(1)(iii), see paragraph (q)(2), *Example 16*, of this section. The U.S. transferor reduces the basis of the stock of the transferee foreign corporation by including a statement with the timely-filed return of the U.S. transferor for the taxable year in which the disposition occurs, entitled “Election

to Reduce Stock Basis Under § 1.367(a)-8(o)(1)(iii)” and that includes—

(A) A description, including the date, of the disposition;

(B) A description of the stock of the transferee foreign corporation disposed of and the basis adjustments made under this paragraph (o)(1)(iii); and

(C) The fair market value of all the stock of the transferee foreign corporation held by the U.S. transferor at the time of the disposition.

(2) *Gain recognized in connection with certain nonrecognition transactions.* If the U.S. transferor recognizes gain in connection with a complete or partial disposition of stock of the transferee foreign corporation received in the initial transfer that is described in paragraph (k) of this section, and the basis condition of paragraph (o)(1)(i) or (ii) of this section, as applicable, is satisfied with the respect to such disposition, the amount of gain subject to the new gain recognition agreement filed under paragraph (k) of this section as a result of such disposition shall equal the amount of gain subject to the existing gain recognition agreement reduced by the amount of gain recognized by the U.S. transferor on the disposition. If the U.S. transferor recognizes gain in connection with a complete or partial disposition of the stock of the transferee foreign corporation received in the initial transfer that is described in paragraph (k) of this section, and the condition of paragraph (o)(1)(i) or (ii) of this section, as applicable, is satisfied with the respect to the disposition, but a new gain recognition agreement is not filed with respect to such disposition so that a triggering event exception does not apply to the disposition, the amount of gain required to be recognized by the U.S. transferor under the existing gain recognition agreement shall be reduced by the amount of the gain recognized on the disposition.

(3) *Gain recognized under section 301(c)(3).* If the U.S. transferor recognizes gain under section 301(c)(3) with respect to the stock of the transferee foreign corporation received in the initial transfer, the amount of gain subject to the gain recognition agreement shall be reduced by the amount of such recognized gain.

(4) *Dispositions of substantially all of the assets of a domestic transferred corporation.* Except as otherwise provided in this paragraph (o)(4), the gain recognition agreement shall terminate without further effect if substantially all of the assets of the transferred corporation are disposed of in a transaction in which all gain realized is recognized and included in taxable income during the taxable year of the disposition, but only if, at the time of the initial transfer, the U.S. transferor owned stock in the transferred corporation satisfying the requirements of section 1504(a)(2) and the U.S. transferor and the transferred corporation were members of the same consolidated group. If the initial transfer was part of an indirect stock transfer, the gain recognition agreement shall terminate without further effect if substantially all of the assets of the transferred corporation (taking into account §1.367(a)-3(d)(2)(v)) are disposed of in a transaction in which all gain realized is recognized and included in taxable income during the taxable year of the disposition, but only if at the time of the initial transfer the U.S. transferor owned stock in the transferred corporation satisfying the requirements of section 1504(a)(2) (for example, in the case of a reorganization described in section 368(a)(1)(A) by reason of section 368(a)(2)(E)) and the U.S. transferor and the transferred corporation were members of the same consolidated group.

(5) *Certain distributions or transfers of transferred stock or securities to U.S. persons.* To the extent a distribution or transfer of the transferred stock or securities satisfies the conditions of paragraphs (o)(5)(i) through (iii) of this section, the gain recognition agreement shall terminate without further effect, or the amount of gain subject to the gain recognition agreement shall be reduced, as appropriate.

(i) *Distributions or transfers described in section 337, 355, or 361.* The transferred stock or securities are distributed or transferred pursuant to a transaction described in paragraph (o)(5)(i)(A) through (D) of this section, as appropriate.

(A) A distribution described in section 337 that is pursuant to a complete liquidation described in section 332.

See paragraph (q)(2)(xviii) of this section, for an illustration of the rule provided by this paragraph (o)(5)(i)(A).

(B) A distribution to which section 355 applies. See paragraph (q)(2)(xix) of this section, for an illustration of the rule provided by this paragraph (o)(5)(i)(B).

(C) A section 361 exchange that is pursuant to an asset reorganization. See paragraph (q)(2)(xxii) of this section, for an illustration of the rule provided by this paragraph (o)(5)(i)(C).

(D) A distribution to which section 361(c) applies that is pursuant to an asset reorganization. See paragraph (q)(2)(xxii) of this section, for an illustration of the rule provided by this paragraph (o)(5)(i)(D).

(ii) *Qualified recipient.* The recipient of the transferred stock or securities in the relevant transaction described in paragraph (o)(5)(i) of this section (qualified recipient) is—

(A) The U.S. transferor;

(B) A member of the consolidated group that includes the U.S. transferor immediately after the transaction; or

(C) An individual that is a United States person.

(iii) *Basis requirement—(A) General rule.* Immediately after the relevant transaction described in paragraph (o)(5)(i) of this section, the aggregate basis of the transferred stock or securities received by the qualified recipient is not greater than the aggregate basis of such stock or securities at the time of the initial transfer (as adjusted for gain recognized by the U.S. transferor on the initial transfer attributable to such stock or securities). For this purpose, the basis of the transferred stock in the hands of the qualified recipient shall be determined without regard to any basis attributable to income inclusions with respect to the stock (for example, under section 961(a)). In the case of a distribution to which section 355 applies, any adjustments to basis under §1.367(b)-5(c) shall be made before determining whether the basis condition of this paragraph is satisfied.

(B) *Election to reduce basis in transferred stock or securities.* If the basis condition of paragraph (o)(5)(iii)(A) of this section is not satisfied, each qualified recipient may reduce the basis of

the transferred stock or securities received in the transaction to the extent necessary to satisfy the basis condition. A qualified recipient reduces the basis of the transferred stock or securities by including a statement with its timely-filed return for the taxable year during which the distribution or transfer occurs entitled "Election to Reduce Stock Basis Under § 1.367(a)-8(o)(5)(iii)(B)" and that includes—

(1) A complete description and the date of the distribution or transfer;

(2) The fair market value of the transferred stock or securities received by the qualified recipient in the transaction; and

(3) The basis of the transferred stock or securities received by the qualified recipient immediately before and after the basis reduction.

(6) *Dispositions or other event following certain intercompany transactions.* If, subsequent to an intercompany transaction to which paragraph (k)(12) of this section applies, a disposition or other event occurs that requires the U.S. transferor to take into account the intercompany item related to the intercompany transaction (under the provisions of § 1.1502-13), the gain recognition agreement shall terminate without further effect or the amount of gain subject to the gain recognition agreement shall be reduced based on the principles of paragraph (o)(1)(i) or (ii) of this section, as appropriate. For an illustration of the rules of this paragraph (o)(6), see paragraph (q)(2)(xx) of this section.

(7) *Expropriations under foreign law.* The amount of gain subject to the gain recognition agreement shall be reduced to the extent the stock or securities of the transferee foreign corporation received in the initial transfer, the transferred stock or securities, or substantially all the assets of the transferred corporation, are expropriated, seized, or subjected to a similar taking of such property by the government of a foreign country, any political subdivision thereof, or any agency or instrumentality of the foregoing. Principles similar to those of paragraph (o)(1)(i) or (o)(1)(ii) of this paragraph, as relevant, shall be applied to determine the amount of the reduction.

(p) *Relief for certain failures to file or failures to comply that are not willful—(1) In general.* This paragraph (p) provides relief if there is a failure to file an initial gain recognition agreement as required under paragraph (d)(1) of this section (failure to file), or a failure to comply that is a triggering event under paragraph (j)(8) of this section (failure to comply). A failure to file or failure to comply will be deemed not to have occurred for purposes of paragraph (d)(1) of this section or paragraph (j)(8) of this section if the U.S. transferor demonstrates that the failure was not willful using the procedure set forth in this paragraph (p). For this purpose, willful is to be interpreted consistent with the meaning of that term in the context of other civil penalties, which would include a failure due to gross negligence, reckless disregard, or willful neglect. Whether a failure to file or failure to comply was willful will be determined by the Director (as described in paragraph (j)(8) of this section) based on all the facts and circumstances. The U.S. transferor must submit a request for relief and an explanation as provided in paragraph (p)(2)(i) of this section. Although a U.S. transferor whose failure to file or failure to comply is determined not to be willful will not be subject to gain recognition under paragraph (b), (c), or (e) of § 1.367(a)-3 or paragraph (c)(1) of this section, as applicable, the U.S. transferor will be subject to a penalty under section 6038B if the U.S. transferor fails to satisfy the reporting requirements under that section and does not demonstrate that the failure was due to reasonable cause and not willful neglect. See § 1.6038B-1(b)(2) and (f). The determination of whether the failure to file or failure to comply was willful under this section has no effect on any request for relief made under § 1.6038B-1(f).

(2) *Procedures for establishing that a failure to file or failure to comply was not willful—(i) Time and manner of submission.* A U.S. transferor's statement that a failure to file or failure to comply was not willful will be considered only if, promptly after the U.S. transferor becomes aware of the failure, an amended return is filed for the taxable year to which the failure relates that

includes the information that should have been included with the original return for such taxable year or that otherwise complies with the rules of this section, and that includes a written statement explaining the reasons for the failure to file or failure to comply. The U.S. transferor must file, with the amended return, a Form 8838 extending the period of limitations on assessment of tax with respect to the gain realized but not recognized on the initial transfer to the later of: The close of the eighth full taxable year following the taxable year during which the initial transfer occurred (date one); or the close of the third full taxable year ending after the date on which the required information is provided to the Director (date two). However, the U.S. transferor is not required to file a Form 8838 with the amended return if both date one is later than date two and a Form 8838 was previously filed extending the period of limitations on assessment of tax with respect to the gain realized but not recognized on the initial transfer to date one. If a Form 8838 is not required to be filed with the amended return pursuant to the previous sentence, a copy of the previously filed Form 8838 must be filed with the amended return. The amended return and either a Form 8838 or a copy of the previously filed Form 8838, as the case may be, must be filed with the Internal Revenue Service at the location where the U.S. transferor filed its original return. The U.S. transferor may submit a request for relief from the penalty under section 6038B as part of the same submission. See §1.6038B-1(f).

(ii) *Notice requirement.* In addition to the requirements of paragraph (p)(2)(i) of this section, the U.S. transferor must comply with the notice requirements of this paragraph (p)(2)(ii). If any taxable year of the U.S. transferor is under examination when the amended return is filed, a copy of the amended return and any information required to be included with such return must be delivered to the Internal Revenue Service personnel conducting the examination. If no taxable year of the U.S. transferor is under examination when the amended return is filed, a copy of the amended return and any in-

formation required to be included with such return must be delivered to the Director.

(3) *Examples.* The following examples illustrate the application of this paragraph (p). All of the examples are based solely on the following facts and any additional facts stated in the particular example. DC, a domestic corporation, wholly owns FS and FA, each a foreign corporation. In Year 1, pursuant to a transaction qualifying both as an exchange under section 351 and a reorganization under section 368(a)(1)(B), DC transferred all the FS stock to FA solely in exchange for voting stock of FA (FS Transfer). The fair market value of the FS stock exceeded DC's tax basis in the stock at the time of the FS transfer. Absent the application of section 367 to the transaction, DC's exchange of the FS stock for the stock of FA qualified as a tax-free exchange under sections 351(a) and section 354. Immediately after the transaction, both FA and FS were controlled foreign corporations (as defined in section 957). Furthermore, DC was a section 1248 shareholder (as defined in §1.367(b)-2(b)) with respect to FA and FS, and a 5-percent shareholder with respect to FA for purposes of §1.367(a)-3(b)(ii). Thus, DC was required to recognize gain under section 367(a)(1) by reason of the FS Transfer unless DC timely filed an initial gain recognition agreement (GRA) as required by paragraph (d)(1) of this section and complies in all material respects with the requirements of this section throughout the term of the GRA. The application of section 6038B is not addressed in these examples. DC may be subject to a penalty under section 6038B even if DC demonstrates under this section that a failure to file or failure to comply was not willful. See §1.6038B-1(b) and (f) for the application of section 6038B.

(1) *Example 1. Taxpayer failed to file a GRA due to accidental oversight—(A) Facts.* DC filed its tax return for the year of the FS Transfer, reporting no gain with respect to the exchange of the FS stock. DC, through its tax department, was aware of the requirement to file a GRA in order for DC to avoid recognizing gain with respect to the FS Transfer under section 367(a)(1), and had the experience and competency

to properly prepare the GRA. DC had filed many GRAs over the years and had never failed to timely file a GRA. However, although DC prepared the GRA with respect to the FS Transfer, it was not filed with DC's tax return for the year of the FS Transfer due to an accidental oversight. During the preparation of the following year's tax return, DC discovered that the GRA was not filed. DC filed an amended return to file the GRA and complied with the procedures set forth under paragraph (p)(2) of this section promptly after it became aware of the failure.

(B) *Result.* Because DC failed to file a GRA with its timely filed tax return for the year of the FS Transfer, there is a failure to timely file the GRA as required by paragraph (d)(1) of this section. However, based on the facts of in paragraph (p)(3)(i)(A) of this section (the facts of this *Example 1*), including that the failure to timely file the GRA was an isolated and accidental oversight, the failure to timely file is not a willful failure to file. Accordingly, the timely filed requirement of paragraph (d)(1) of this section is considered to be satisfied, and DC is not required to recognize the gain realized on the FS Transfer under section 367(a)(1).

(ii) *Example 2. Taxpayer's course of conduct is taken into account in determination—(A) Facts.* DC filed its tax return for the year of the FS Transfer, reporting no gain with respect to the exchange of the FS stock, but failed to file a GRA. DC, through its tax department, was aware of the requirement to file a GRA in order for DC to avoid recognizing gain with respect to the FS Transfer under section 367(a)(1). DC had not consistently and in a timely manner filed GRAs in the past, and also had an established history of failing to timely file other tax and information returns for which it was subject to penalties. In a year subsequent to Year 1, DC transferred stock of another foreign subsidiary with respect to which DC had a built-in gain (FS2) to FA in a transaction that qualified as both a reorganization under section 368(a)(1)(B) and an exchange described under section 351 (FS2 Transfer). DC was required to recognize gain on the FS2 Transfer under section 367(a)(1) unless DC timely filed a GRA as required by

paragraph (d)(1) of this section and complied with the requirements of this section during the term of the GRA. DC reported no gain on the FS2 Transfer on its tax return, but failed to file a GRA. At the time of the FS2 Transfer, DC was already aware of its failure to file the GRA required for the prior FS Transfer, but had not implemented any safeguards to ensure that it would timely file GRAs for future transactions. DC filed an amended return to file the GRA for the FS2 Transfer and complied with the procedures set forth under paragraph (p)(2) of this section promptly after it became aware of the failure. DC asserts that its failure to timely file a GRA with respect to the FS2 Transfer was due to an isolated oversight similar to the one that occurred with respect to the FS Transfer. At issue is DC's failure to timely file a GRA for the FS2 Transfer.

(B) *Result.* Because DC failed to file a GRA with its timely filed tax return for the year of the FS2 Transfer, there is a failure to timely file the GRA as required by paragraph (d)(1) of this section. DC's course of conduct is taken into account in determining whether its failure to timely file a GRA for the FS2 Transfer was willful. Based on the facts of in paragraph (p)(3)(ii)(A) of this section (the facts of this *Example 2*), including DC's history of failing to file required tax and information returns in general and GRAs in particular, and its failure to implement safeguards to ensure that it would timely file GRAs, the failure to timely file a GRA with respect to the FS2 Transfer rises to the level of a willful failure to timely file. Accordingly, DC is ineligible for relief under paragraph (p) of this section, the GRA is not considered timely filed for purposes of paragraph (d)(1) of this section, and DC must recognize the full amount of the gain realized on the FS2 Transfer.

(iii) *Example 3. GRA not completed in all material respects—(A) Facts.* DC timely filed its tax return for the year of the FS Transfer, reporting no gain with respect to the exchange of the FS stock. DC was aware of the requirement to file a GRA to avoid recognizing gain under section 367(a)(1), including the requirement to provide the basis and fair market value of the

transferred stock. However, DC filed a purported GRA that did not contain the fair market value of the FS stock. Instead, the GRA was filed with the statement that the fair market value information was “available upon request.” Other than the omission of the fair market value of the FS stock, the GRA contained all other information required by this section.

(B) *Result.* Because DC omitted the fair market value of the FS stock from the GRA, the GRA was not completed in all material respects. Accordingly, there is a failure to timely file the GRA. Furthermore, because DC knowingly omitted such information, DC’s omission is a willful failure to timely file a GRA. Accordingly, DC is ineligible for relief under paragraph (p) of this section, the GRA is not considered timely filed for purposes of paragraph (d)(1) of this section, and DC must recognize the full amount of the gain realized on the FS Transfer. The same result would arise if DC had included the fair market value of the FS stock, but knowingly omitted its tax basis from the GRA.

(iv) *Example 4. Taxpayer knew of GRA filing requirement, but intentionally chose not to file—(A) Facts.* When DC filed its tax return for the tax year of the FS Transfer, it was aware of the requirement to file a GRA to avoid recognizing gain under section 367(a)(1). However, because DC anticipated selling Business A in the following tax year, which was expected to produce a capital loss that could be carried back to fully offset the gain recognized on the FS Transfer, DC intentionally chose not to file a GRA. DC recognized the gain from the FS Transfer under section 367(a)(1) and reported the gain on its timely filed tax return. At the end of the following year, a large class action lawsuit was filed against Business A and, consequently, DC was unable to sell the business. As a result, DC did not realize the expected capital loss, and it was not able to offset the gain from the FS Transfer. DC now seeks to file a GRA for the FS Transfer.

(B) *Result.* Because DC failed to file a GRA with its timely filed tax return for the year of the FS Transfer, there is a failure to timely file the GRA as

required by paragraph (d)(1) of this section. Furthermore, because DC intentionally chose not to file a GRA for the FS Transfer, its actions constitute a willful failure to timely file a GRA. Accordingly, DC is ineligible for relief under paragraph (p) of this section, the GRA is not considered timely filed for purposes of paragraph (d)(1) of this section, and DC must recognize the full amount of the gain realized on the FS Transfer in Year 1.

(q) *Examples—(1) Presumed facts and references.* For purposes of the examples in paragraph (q)(2) of this section, and except where otherwise indicated, the following is presumed.

(i) UST, USP, and DC are domestic corporations that each use a calendar taxable year.

(ii) USP wholly owns UST and is the common parent of the consolidated group of which UST is a member.

(iii) TFC, TFD, F1, and FA are foreign corporations.

(iv) UST wholly owns TFD.

(v) In a section 351 exchange, UST transfers all of the stock of TFD (TFD stock) to TFC in exchange solely for stock of TFC (the initial transfer).

(vi) Pursuant to §1.367(a)-3(b)(1)(ii) and this section, UST enters into a gain recognition agreement in connection with the initial transfer and makes the election described under paragraph (c)(2)(vi) of this section with respect to the gain recognition agreement.

(vii) As applicable, the section 1248 amount (within the meaning of §1.367(b)-2(c)) or all earnings and profits amount (within the meaning of §1.367(b)-2(d)) attributable to the stock of a foreign corporation is zero.

(viii) All transactions are respected under general principles of tax law, including the step transaction doctrine.

(ix) References to a U.S. transferor entering into a gain recognition agreement mean, where applicable, that the common parent of the consolidated group of which the U.S. transferor is a member has filed the gain recognition agreement on behalf of the U.S. transferor in accordance with paragraph (d)(3) of this section.

(x) Taxable years during the GRA term are referred to, for example, as year 1 and year 2.

(2) *Examples.* The following examples illustrate the application of the rules of this section.

(i) *Example 1. Basis adjustments from gain recognized under the gain recognition agreement—(A) Facts.* TFC wholly owns F1. In year 3, pursuant to a section 351 exchange, TFC transfers all of the TFD stock to F1 in exchange solely for voting stock of F1. UST enters into a new gain recognition agreement with respect to the initial transfer under paragraph (k)(3) of this section, and therefore the transfer by TFC of the TFD stock to F1 is not a triggering event. Under paragraph (c)(5)(i) of this section, the existing gain recognition agreement terminates without further effect. In year 4, in an exchange to which section 721 applies, UST contributes the TFC stock received in the initial transfer to PRS, a domestic partnership, in exchange for a partnership interest. UST enters into a new gain recognition agreement with respect to the initial transfer under paragraph (k)(1) of this section, and therefore the transfer by UST of the TFC stock to PRS is not a triggering event. Under paragraph (c)(5)(i) of this section, the new gain recognition agreement filed by UST in year 3 terminates without further effect. In year 5, TFD disposes of substantially all of its assets in a transaction that constitutes a triggering event under paragraph (j)(2)(i) of this section. Under paragraph (c)(1)(i) of this section, UST recognizes the gain realized but not recognized on the initial transfer by reason of entering into the gain recognition agreement.

(B) *Result.* Under paragraph (c)(4) of this section, the basis of the PRS interest held by UST, the TFC stock held by PRS that was received from UST in year 4, the F1 stock held by TFC that was received in exchange for the TFD stock in year 3, and the TFD stock held by F1 that was received from TFC in year 3 is increased by the amount of gain recognized by UST (but not by the additional tax or interest paid as result of such gain) with respect to the initial transfer under the gain recognition agreement. However, the basis of the assets of TFD (including the assets disposed of in year 5) is not increased as a result of the gain recognized by UST.

(ii) *Example 2. Impact of gain recognition event on computation of income—(A) Facts.* At the time of the initial transfer, the TFD stock has a \$50x basis, a \$100x fair market value, and a \$30x section 1248 amount. The amount of gain subject to the gain recognition agreement is \$50x. UST did not make an election under paragraph (c)(2)(vi) of this section with respect to the gain recognition agreement. In year 3, TFC disposes of the TFD stock received in the initial transfer in exchange for \$120x cash.

(B) *Result—(1) Gain recognition without an election.* The disposition by TFC of the TFD stock in year 3 is a triggering event under paragraph (j)(1) of this section. As a result, under paragraph (c)(1)(i) of this section, UST must recognize and include in income \$50x gain under the gain recognition agreement. Under paragraph (c)(1)(iii)(A) of this section, UST must report the \$50x gain on an amended return filed for the taxable year of the initial transfer. Under paragraph (c)(1)(v) of this section, UST must pay applicable interest on any additional tax due with respect to the \$50x gain recognized. Under section 1248(a), \$30x of the gain recognized by UST under the gain recognition agreement is re-characterized as a dividend. Under paragraph (c)(4) of this section, as of the date of the initial transfer, the basis of the TFC stock received by UST in the initial transfer and the TFD stock received by TFC in the initial transfer, respectively, is increased by \$50x. After taking into account the increase to the basis of the TFD stock, TFC recognizes \$20x gain on the disposition of the TFD stock in year 3.

(2) *Gain recognition with an election.* If UST made an election under paragraph (c)(2)(vi) of this section with the gain recognition agreement filed for the initial transfer, the result would be the same as in paragraph (q)(2)(ii)(B)(I) of this section (paragraph (I) in the results in this *Example 2*), except that UST must include in income the \$50x gain recognized under the gain recognition agreement on its tax return filed for year 3. Any additional tax due with respect to the \$50x gain and applicable interest on the additional tax due must be included with such return. The

amount, if any, of the \$50x gain recognized by UST under the gain recognition agreement that is characterized as a dividend under section 1248(a) is determined in year 3.

(iii) *Example 3. Transfer of stock of the transferee foreign corporation to a domestic corporation in a section 351 exchange—(A) Facts.* UST wholly owns DC. In year 3, pursuant to a section 351 exchange, UST transfers all of the TFC stock received in the initial transfer to DC in an exchange solely for voting stock of DC.

(B) *Result.* The year 3 transfer of the TFC stock by UST to DC constitutes a triggering event under paragraph (j)(4) of this section. However, the transfer shall not constitute a triggering event pursuant to paragraph (k)(1)(ii) of this section if DC enters into a new gain recognition agreement with respect to the initial transfer that designates DC as the U.S. transferor for purposes of this section. Pursuant to paragraphs (c)(4)(i) and (ii) of this section, if DC is required to recognize gain under the new gain recognition agreement, the basis of the stock of TFC and TFD would be increased by the amount of gain recognized. However, pursuant to paragraph (c)(4)(iii) of this section, no adjustment would be made to the basis of the DC voting stock received by UST in year 3 as a result of such gain recognition. Alternatively, if the conditions for the application of paragraph (k)(14) of this section are satisfied UST could instead enter into the new gain recognition agreement with respect to the initial transfer.

(iv) *Example 4. Transfer of stock of the transferee foreign corporation in a triangular section 368(a)(1)(B) reorganization—(A) Facts.* DC wholly owns FA. In year 3, pursuant to a triangular reorganization described in section 368(a)(1)(B), UST transfers all of the TFC stock received in the initial transfer to FA in exchange solely for 20% of the outstanding voting stock of DC. At the time of the reorganization, the TFC stock has a basis in excess of fair market value.

(B) *Result.* (1) The transfer by UST of the TFC stock to FA is an indirect stock transfer under § 1.367(a)-3(d)(1)(iii)(B). Accordingly, to preserve nonrecognition treatment, UST must

enter into a separate gain recognition agreement under this section with respect to such transfer.

(2) With respect to the gain recognition agreement filed for the initial transfer of the TFD stock, the transfer by UST of the TFC stock to FA is a triggering event under paragraph (j)(4) of this section. However, the transfer shall not constitute a triggering event if the conditions of the exception provided by paragraph (k)(14) of this section are satisfied.

(i) The condition of paragraph (k)(14)(i) of this section is satisfied because the transfer qualifies as a non-recognition transaction (assuming UST enters into a gain recognition agreement as described in paragraph (q)(2)(iv)(B)(I) of this section (paragraph (I) in the results in this *Example 4*).

(ii) The condition of paragraph (k)(14)(ii) of this section is satisfied because immediately after the transfer DC, a domestic corporation that is eligible to be a U.S. transferor, owns at least 5% (determined as provided in paragraph (k)(14)(ii) of this section) of the total voting power and total fair market value of the outstanding stock of FA. As a result, DC is treated as retaining an indirect interest in the TFD stock immediately following the transfer.

(iii) The condition of paragraph (k)(14)(iii) of this section is satisfied if DC enters into a new gain recognition agreement with respect to the initial transfer of the TFD stock that, based on the principles of paragraph (j) of this section, describes the subsequent dispositions or other events that would constitute triggering events for purposes of the new gain recognition agreement (other than the dispositions and other events described in paragraph (j) of this section). For example, a complete or partial disposition of the stock of FA would constitute a triggering event for purposes of the new gain recognition agreement.

(v) *Example 5. Transfer of stock of the transferee foreign corporation to a domestic corporation pursuant to an asset reorganization—(A) Facts.* At the time of the initial transfer the TFD stock has a \$50x basis and a \$100x fair market value. Therefore, the amount of gain

subject to the gain recognition agreement is \$50x. In year 3, pursuant to an asset reorganization described in section 368(a)(1)(A), UST transfers its assets to DC in exchange solely for 20% of the outstanding stock of DC. UST distributes the stock of DC to USP pursuant to the plan of reorganization.

(B) *Result.* The transfer by UST of the TFC stock to DC constitutes a triggering event under paragraph (j)(4) of this section. However, pursuant to paragraph (k)(6)(i) of this section, if DC enters into a new gain recognition agreement with respect to the initial transfer that designates DC as the U.S. transferor, the transfer shall not constitute a triggering event.

(vi) *Example 6. Transfer of stock of the transferee foreign corporation to a foreign corporation pursuant to an asset reorganization—(A) Facts.* The facts are the same as in Example 5, except the acquiring corporation in the asset reorganization is FA, and, at the time of the asset reorganization, the TFC stock transferred by UST to FA has a \$50x basis and a \$150x fair market value. All of the conditions under section 367(a)(5) and the regulations under that section are satisfied, and no adjustment is required to the basis of the FA stock received by USP in the transaction.

(B) *Result.* (i) The transfer by UST of the TFC stock to FA is described in section 361(a) and is therefore subject to section 367(a)(5). In general, UST cannot file a gain recognition agreement with respect to such transfer, and the transfer therefore is subject to the general rule of section 367(a)(1). However, if the conditions of § 1.367(a)-3(e)(1)(i) through (iv) are satisfied, USP can enter into a gain recognition agreement with respect to the transfer to avoid the recognition of gain by UST on the transfer under section 367(a)(1). If the exception provided by paragraph (k)(14) of this section applies so that the transfer by UST of the TFC stock to FA is not a triggering event with respect to the gain recognition agreement filed for the initial transfer (discussed in paragraph (q)(2)(vi)(B)(2) of this section (paragraph (2) in the results in this *Example 6*), the amount of gain subject to the gain recognition agreement (if entered into) with respect to the transfer by UST of the

TFC stock to FA in the asset reorganization is \$100x.

(2) Under paragraph (j)(4) of this section, the transfer of the TFC stock by UST to FA is a triggering event with respect to the gain recognition agreement for the initial transfer. The exception provided by paragraph (k)(6)(i) of this section does not apply to such transfer because FA, the acquiring corporation in the asset reorganization, is foreign. However, the transfer shall not constitute a triggering event if the conditions of the exception provided by paragraph (k)(14) of this section are satisfied.

(i) The condition of paragraph (k)(14)(i) of this section is satisfied because the transfer of the TFC stock to FA qualifies as a nonrecognition transaction (assuming USP enters into a gain recognition agreement with respect to such transfer).

(ii) The condition of paragraph (k)(14)(ii) of this section is satisfied because immediately after the transfer USP, a domestic corporation that is eligible to be a U.S. transferor, owns at least 5% (determined as provided in paragraph (k)(14)(ii) of this section) of the total voting power and total fair market value of the outstanding stock of FA. As a result, USP is treated as retaining an indirect interest in the TFD stock immediately following the transfer.

(iii) The condition of paragraph (k)(14)(iii) of this section is satisfied if USP enters into a new gain recognition agreement with respect to the initial transfer of the TFD stock that, based on the principles of paragraph (j) of this section, describes the subsequent dispositions or other events that would constitute triggering events for purposes of the new gain recognition agreement, other than those already provided in paragraph (j) of this section. For example, a disposition of the stock of FA would constitute such a triggering event for purposes of the new gain recognition agreement.

(C) *Alternate facts.* Assume the same facts as in paragraph (q)(2)(vi)(A) of this section (the facts in this *Example 6*), including that paragraph (k)(14) of this section applies to the year 3 reorganization so that USP enters into a new gain recognition agreement with

respect to the initial transfer of the TFD stock that occurred in year 1 (GRA 1), and that under §1.367(a)-3(e) USP enters into a separate gain recognition agreement with respect to the initial transfer of the TFC stock by UST to FA pursuant to the year 3 asset reorganization (GRA 2). Assume further that in year 4 TFC disposes of 10% of the TFD stock pursuant to a transaction that constitutes a triggering event with respect to GRA 1. The disposition of the TFD stock is not a triggering event with respect to GRA 2 because the TFD stock disposed of does not constitute substantially all the assets of TFC. Under paragraphs (j)(1) and (c)(1)(i) of this section, USP must recognize \$5x gain (10% of \$50x) under GRA 1. Under paragraph (c)(4)(i) and (ii) of this section, as of the date of the initial transfer (with respect to which GRA 1 was filed), the basis of the TFC stock and TFD stock, respectively, is increased by \$5x. Under paragraph (c)(1)(i) of this section, the amount of gain subject to GRA 1 is reduced from \$50x to \$45x. Similarly, because the transferred stock for purposes of GRA 2 is the TFC stock, the amount of gain subject to GRA 2 is reduced from \$100x to \$95x to reflect the increase to the basis of the TFC stock.

(vii) *Example 7. Transfer of transferred stock to a foreign corporation pursuant to an asset reorganization—(A) Facts.* UST wholly owns FA. In year 4, pursuant to a reorganization described in section 368(a)(1)(D), TFC transfers all of the TFD stock to FA in exchange solely for stock of FA. TFC distributes the FA stock to UST pursuant to the plan of reorganization.

(B) *Analysis.* In general, the year 4 transfer by TFC of the TFD stock to FA and the exchange by UST of the TFC stock for FA stock constitute triggering events under paragraphs (j)(1) and (4) of this section, respectively. However, under paragraph (k)(6)(ii) of this section, the transfers shall not constitute triggering events if UST enters into a new gain recognition agreement with respect to the initial transfer that designates FA as the transferee foreign corporation.

(viii) *Example 8. Transfer of substantially all the assets of the transferred corporation pursuant to an asset reorganiza-*

tion—(A) Facts. In year 4, pursuant to an asset reorganization described in section 368(a)(1)(C), TFD transfers all of its assets to FA in exchange solely for voting stock of FA. TFD distributes the FA voting stock to TFC pursuant to the plan of reorganization.

(B) *Analysis.* The year 4 transfer by TFD of all its assets to FA and the exchange by TFC of its TFD stock for FA voting stock pursuant to the reorganization constitute triggering events under paragraphs (j)(2) and (j)(1) of this section, respectively. However, under paragraph (k)(6)(iii) of this section, the transfers shall not constitute triggering events if UST enters into a new gain recognition agreement with respect to the initial transfer that designates FA as the transferred corporation. In addition, under paragraph (k)(6)(iii) of this section only the assets of TFD acquired by FA in the asset reorganization shall be treated as assets of the transferred corporation for purposes of the new gain recognition agreement.

(ix) *Example 9. Complete liquidation of transferred corporation into transferee foreign corporation—(A) Facts.* UST does not make an election under paragraph (c)(2)(vi) of this section in connection with the gain recognition agreement entered into with respect to the initial transfer. In year 3, TFD distributes all of its assets to TFC pursuant to a complete liquidation to which sections 332 and 337 apply. Under paragraph (k)(8) of this section, UST enters into a new gain recognition agreement with respect to the initial transfer such that the liquidation is not a triggering event. Under paragraph (c)(5)(i) of this section, the new gain recognition agreement is subject to the conditions and requirements of this section to the same extent as the existing gain recognition agreement, except that the transferred stock is no longer subject to the gain recognition agreement because the transferred stock is cancelled by reason of the liquidation. In year 5 TFC disposes of substantially all of the assets received from TFD in the year 3 liquidation.

(B) *Result.* The year 5 disposition by TFC of substantially all of the assets received from TFD in the year 3 liquidation is a triggering event under

paragraph (j)(2) of this section, and therefore UST must recognize the gain subject to the gain recognition agreement. UST must report the gain recognized on an amended return for the taxable year during which the initial transfer occurred. UST must also pay applicable interest on any additional tax due with respect to the gain recognized. Under paragraph (c)(4)(i) of this section, the basis of the TFC stock received by UST in the initial transfer is increased as of the date of the initial transfer by the amount of gain recognized under the gain recognition agreement. The basis of the assets of TFD, however, is not increased.

(x) *Example 10. Transfer of transferred stock to foreign corporation in section 351 exchange, followed by a section 332 liquidation of the foreign corporation—(A) Facts.* In year 3, pursuant to a section 351 exchange, TFC transfers the TFD stock to F1, a newly formed corporation, in exchange solely for voting stock of F1. The transfer by TFC of the TFD stock to F1 is not a triggering event because UST complies with the conditions of paragraph (k)(3) of this section. In year 5, F1 distributes all of its assets to TFC in a complete liquidation to which sections 332 and 337 apply.

(B) *Result.* The distribution of the TFD stock by F1, and the exchange of F1 stock by TFC pursuant to the year 5 liquidation of F1 constitute triggering events under paragraphs (j)(1) and (k)(3)(i) of this section, respectively. However, if paragraph (k)(14) of this section applies, neither the distribution of the TFD stock by F1, nor the exchange by TFC of the F1 stock, shall constitute a triggering event.

(1) The condition of paragraph (k)(14)(i) of this section is satisfied because the distribution of the TFD stock, and the exchange of F1 stock, both qualify as nonrecognition transactions.

(2) The condition of paragraph (k)(14)(ii) of this section is satisfied because immediately after the distribution UST, a domestic corporation that is eligible to be a U.S. transferor, owns at least 5% (determined as provided in paragraph (k)(14)(ii) of this section) of the stock of TFC. As a result, UST is treated as retaining an indirect inter-

est in the TFD stock following the complete liquidation of F1.

(3) The condition of paragraph (k)(14)(iii) of this section is satisfied if UST enters into a new gain recognition agreement. Because after the complete liquidation of F1, UST wholly owns TFC, which wholly owns TFD, as was the case immediately after the initial transfer, UST is not required to describe, with the new gain recognition agreement, other dispositions or events that would constitute triggering events based on the principles of paragraph (j) of this section, other than the dispositions or events described in paragraph (j) of this section.

(xi) *Example 11. Disposition of stock of transferee foreign corporation pursuant to a divisive reorganization—(A) Facts.* In year 3, pursuant to a divisive reorganization described in section 368(a)(1)(D), UST transfers all of the TFC stock to DC, a newly-formed corporation, in exchange solely for stock of DC. UST then distributes all of the DC stock to USP in a transaction to which section 355 applies.

(B) *Result.* The transfer of the TFC stock by UST to DC constitutes a triggering event under paragraph (j)(4) of this section. However, under paragraph (k)(1)(iii) of this section, the transfer of the TFC stock shall not constitute a triggering event if DC enters into a new gain recognition agreement that designates DC as the U.S. transferor for purposes of this section.

(C) *Alternate facts.* The facts are the same as in paragraph (q)(2)(xi)(A) of this section (the facts in this *Example 11*), except that UST transfers only 90% of the TFC stock to DC. Paragraph (k)(1)(iii) of this section applies only with respect to the TFC stock transferred to DC. Thus, the conditions of paragraph (k)(1)(iii) of this section are satisfied if DC enters into a new gain recognition agreement with respect to the TFC stock received from UST. The amount of gain subject to the new gain recognition agreement entered into by DC equals 90% of the amount of gain subject to the gain recognition agreement entered into by UST with respect to the initial transfer. The amount of gain subject to the gain recognition agreement entered into by UST with

respect to the initial transfer is reduced by the amount of gain subject to the new gain recognition agreement entered into by DC. The gain recognition agreement entered into by UST with respect to the initial transfer continues to apply to the remaining TFC stock held by UST.

(xii) *Example 12. Disposition of transferred stock pursuant to a divisive reorganization—(A) Facts.* In year 3, pursuant to a divisive reorganization described in section 368(a)(1)(D), TFC transfers all of the TFD stock to F1, a newly formed corporation, in exchange solely for all of the outstanding stock of F1. TFC then distributes all of the F1 stock to UST in a transaction to which section 355 applies.

(B) *Result.* The transfer by TFC of the TFD stock to F1 constitutes a triggering event under paragraph (j)(1) of this section. However, if paragraph (k)(14) of this section applies, neither the transfer of the TFD stock by TFC to F1, nor the distribution of the F1 stock by TFC to UST, shall constitute triggering events.

(1) The condition of paragraph (k)(14)(i) of this section is satisfied because the dispositions of the TFD stock and F1 stock qualify as nonrecognition transactions.

(2) The condition of paragraph (k)(14)(ii) of this section is satisfied because immediately after the transfer UST, an eligible U.S. transferor, owns at least 5% (determined as provided in paragraph (k)(14)(ii) of this section) of the total voting power and the total fair market value of the outstanding stock of F1. As a result, UST is treated as retaining an indirect interest in the TFD stock following the dispositions.

(3) The condition of paragraph (k)(14)(iii) of this section is satisfied if UST enters into a new gain recognition agreement with respect to the initial transfer that describes the subsequent dispositions or other events that would constitute triggering events based on the principles of paragraph (j) of this section, other than those described in paragraph (j) of this section. For example, a complete or partial disposition of the F1 stock would constitute a triggering event for purposes of the new gain recognition agreement (subject to

the exceptions provided by paragraph (k) of this section).

(xiii) *Example 13. Receipt of boot by the transferee foreign corporation in a subsequent section 351 exchange—(A) Facts.* At the time of the initial transfer, the TFD stock has a \$50x basis and \$100x fair market value. The amount of gain subject to the gain recognition agreement is \$50x. In year 3, TFC and X, an unrelated foreign corporation, form F1. TFC transfers the TFD stock to F1 in exchange for \$35x cash and \$65x stock of F1. At the time of the transfer, the TFD stock has a \$50x basis and \$100x fair market value. The F1 stock received by TFC represents 25% of the outstanding stock of F1. Without regard to the gain recognized under the gain recognition agreement and any adjustments to basis under paragraph (c)(4)(ii) of this section, under section 351(b) TFC would recognize \$35x gain in connection with the transfer of the TFD stock to F1. UST complies with the conditions of paragraph (k)(3) of this section, and therefore the disposition by TFC of the TFD stock does not constitute a triggering event.

(B) *Result.* Under paragraph (m)(1) of this section, UST must recognize \$35x gain under the gain recognition agreement as a result of the year 3 disposition by TFC of the TFD stock. Thus, the amount of gain subject to the new gain recognition agreement entered into by UST pursuant to paragraph (k)(3) of this section is \$15x. Under paragraph (c)(4)(ii) of this section, as of the date of the initial transfer, the basis of the TFD stock held by TFC is increased by \$35x, the amount of the gain recognized by UST under the gain recognition agreement. Under paragraph (c)(4)(i) of this section, the basis of the TFC stock received by UST in the initial transfer is also increased by \$35x. After taking into account the increase to the basis of the TFD stock under paragraph (c)(4)(ii) of this section, TFC recognizes \$15x gain under section 351(b) in connection with the year 3 transfer of the TFD stock to F1. Under section 362(a), the basis of the TFD stock in the hands of F1 is \$100x.

(xiv) *Example 14. Complete disposition of transferred stock pursuant to a section 304(a)(1) transaction—(A) Facts.* UST

wholly owns FA. In year 3, in a transaction to which section 304(a)(1) applies, TFC transfers all of the TFD stock to FA in exchange for cash. Under section 304(a)(1), TFC and FA are treated as if TFC transferred the TFD stock to FA in a section 351 exchange in exchange solely for FA stock, and then FA redeemed the FA stock deemed issued in exchange for the cash. Under section 302(d), the redemption of the FA stock deemed issued by FA to TFC under section 304(a)(1) is treated as a distribution to which section 301 applies.

(B) *Result.* (1) In general, the deemed contribution by TFC of the TFD stock to FA in the section 351 exchange is a triggering event under paragraph (j)(1) of this section. However, under paragraph (k)(3) of this section the deemed contribution shall not be a triggering event if UST enters into a new gain recognition agreement with respect to the initial transfer in which it agrees to treat as a triggering event a complete or partial disposition of the FA stock deemed received by TFC.

(2) Under paragraph (n)(1) of this section, the redemption of the FA stock deemed received by TFC in exchange for the TFD stock shall not constitute a disposition if UST enters into a new gain recognition agreement with respect to the initial transfer that includes appropriate provisions to take into account such redemption. Therefore, under the new gain recognition agreement UST must agree to treat as a triggering event a complete or partial disposition of the stock of FA. Pursuant to paragraph (d)(2)(ii) of this section, UST is permitted to enter into a single new gain recognition agreement in year 3, but the gain recognition agreement must provide a complete description of the section 304(a)(1) transaction including the deemed section 351 exchange and redemption of the FA stock.

(xv) *Example 15. Reduction in amount of gain subject to gain recognition agreement, followed by triggering event—(A) Facts.* In year 3, UST disposes of 60% of the TFC stock received in the initial transfer in a transaction in which the conditions of paragraph (o)(1)(ii) of this section are satisfied. Thus, the amount of gain subject to the gain recognition

agreement is reduced by 60%. In year 5, TFC disposes of 50% of the TFD stock in a transaction that constitutes a triggering event.

(B) *Result.* As a result of the year 5 disposition by TFC of 50% of the TFD stock, under paragraphs (j)(1) and (c)(1)(i) of this section, UST must recognize and include in income 50% of the gain subject to the gain recognition agreement (because of the year 3 disposition of TFC stock, the amount of gain subject to the gain recognition agreement equals 40% of the gain realized, but not recognized, on the initial transfer). UST must pay applicable interest on any additional tax due with respect to the gain recognized. The amount of gain subject to the gain recognition agreement is reduced by the amount of gain recognized by UST (the remaining gain equals 20% of the gain realized, but not recognized, by UST on the initial transfer).

(xvi) *Example 16. Taxable sale of stock of transferee foreign corporation and election to reduce stock basis—(A) Facts.* UST wholly owns F1 and TFD. The F1 stock has a \$100x basis and \$90x fair market value, and the TFD stock has a \$0x basis and \$100x fair market value. UST also owns real property with a \$10x basis and \$10x fair market value. In year 1, pursuant to a section 351 exchange, UST transfers the real property, the TFD stock, and the F1 stock to TFC in exchange solely for 20 shares of TFC stock. UST enters into a gain recognition agreement with respect to the transfer of the TFD stock. The amount of the gain recognition agreement is \$100x. UST takes the position that the basis of each share of TFC stock received in the exchange is \$5.5x (a proportionate amount of the \$110x aggregate basis of the transferred property). In year 3, UST disposes of all its TFC stock in a transaction in which all gain realized is recognized and included in taxable income.

(B) *Result.* The year 3 disposition of the TFC stock is a triggering event under paragraph (j)(4) of this section. The disposition does not terminate the gain recognition agreement pursuant to paragraph (o)(1)(i) of this section because the basis of each share of TFC stock received in exchange for the TFD stock in the initial transfer is \$5.5x,

which exceeds the \$0x basis of the TFD stock at time of the initial transfer. However, under paragraph (o)(1)(iii) of this section, to satisfy the basis condition of paragraph (o)(1)(i) of this section, UST can reduce the basis of the 10 shares of the TFC stock received in exchange for the TFD stock to \$0x. If UST reduces the basis of the 10 shares of TFC stock to \$0x, under paragraph (o)(1)(i) of this section the disposition of the TFC stock shall not constitute a triggering event but instead shall terminate the gain recognition agreement without further effect.

(xvii) *Example 17. Successive section 351 exchanges, section 301 distributions, and transactions involving partnerships—(A) Facts.* UST owns a 40 percent capital and profits interest in a foreign partnership (PRS). PRS wholly owns TFD and other assets with basis equal to fair market value. The TFD stock has a \$50x basis and \$200x fair market value. TFC wholly owns F1. On day 1 of year 1, in a section 351 exchange, UST transfers its PRS interest to TFC in exchange solely for stock of TFC (initial transfer). On that same day, in a section 351 exchange, TFC transfers the PRS interest received from UST to F1 in exchange solely for stock of F1. In year 3, PRS receives a \$150x distribution from TFD to which section 301 applies. Under section 301(c), \$25x of the distribution constitutes a dividend, \$50x is applied against and reduces the basis of the TFD stock held by PRS, and the remaining \$75x is treated as gain from the sale or exchange of property. With respect to the TFD stock deemed transferred by UST in the initial transfer, under section 301(c), \$10x (40% of \$25x) of the distribution constitutes a dividend, \$20x (40% of \$50x) is applied against and reduces the basis of TFD stock, and \$30x (40% of \$75x) is treated as gain from the sale or exchange of property. In year 5, pursuant to a distribution to which section 731 applies, PRS distributes all of the TFD stock to F1.

(B) *Result.* (1) *Successive section 351 transfers.* Under section 367(a)(4) and § 1.367(a)-1T(c)(3)(ii), the transfer of the PRS interest by UST to TFC is treated, for purposes of section 367(a), as a transfer by UST to TFC of its proportionate share of the TFD stock held by

PRS (the initial transfer). The initial transfer by UST of the TFD stock to TFC is subject to the general rule of section 367(a)(1), unless UST enters into a gain recognition agreement with respect to such transfer pursuant to § 1.367(a)-3(b)(1)(ii) and this section. Under paragraph (c)(3)(viii) of this section, the gain recognition agreement must include a complete description of the transfer, including a description of the partners of PRS. Even if UST enters into a gain recognition agreement with respect to the initial transfer, under paragraph (j)(3) of this section, the subsequent transfer by TFC of the PRS interest to F1 is a triggering event unless UST enters into a new gain recognition agreement with respect to the initial transfer under paragraph (k)(14) that provides that, in addition to the triggering events provided in paragraph (j) of this section, a complete or partial disposition of the F1 stock received by TFC in exchange for the PRS interest shall constitute a triggering event for purposes of the gain recognition agreement. The new gain recognition agreement must also provide that any other disposition that is inconsistent with the principles of paragraph (k), including an indirect disposition of the TFD stock or of substantially all of the assets of TFD, shall constitute a triggering event for purposes of the new gain recognition agreement. Under paragraph (d)(2)(ii) of this section, UST is permitted to enter into a single gain recognition agreement with respect to the initial transfer and the subsequent transfer by TFC of the PRS interest, but the agreement must include a complete description of the initial transfer and the subsequent transfer of the PRS interest.

(2) *Section 301 distribution from TFD to PRS.* Under paragraph (b)(1)(iii) of this section, the section 301 distribution received by PRS from TFD is not a disposition (and therefore does not affect the gain recognition agreement) to the extent it is described in section 301(c)(1) or (2). However, under paragraph (n)(2) of this section, to the extent the distribution is described in section 301(c)(3), UST must recognize gain (\$30x) under the gain recognition agreement. For this purpose, the

amount of the distribution that is described in section 301(c)(3) is determined before taking into account the increase to the basis of the TFD stock under paragraph (c)(4)(ii) of this section.

(3) *Distribution of TFD stock by PRS to F1.* The year 5 distribution of the TFD stock by PRS to F1 is a triggering event under paragraph (j)(1) of this section, unless paragraph (k)(14) of this section applies.

(i) The condition of paragraph (k)(14)(i) of this section is satisfied because the distribution qualifies as a nonrecognition transaction.

(ii) The condition of paragraph (k)(14)(ii) of this section is satisfied because immediately after the distribution UST, a domestic corporation that is eligible to be a U.S. transferor, owns at least 5% (determined as provided in paragraph (k)(14)(ii) of this section) of the total voting power and total value of the outstanding stock of F1. As a result, UST is treated as retaining an indirect interest in the TFD stock following the distribution.

(iii) The condition of paragraph (k)(14)(iii) of this section is satisfied if UST enters into a new gain recognition agreement with respect to the initial transfer. The new gain recognition agreement need not describe additional dispositions or other events that would constitute triggering events because, pursuant to paragraph (c)(5) of this section, the dispositions or other events described in paragraph (j) of this section or in the existing gain recognition agreement apply to the new gain recognition agreement.

(xviii) *Example 18. Complete liquidation of transferee foreign corporation—(A) Facts.* TFD has 10 shares of stock outstanding immediately before the initial transfer. On the date of the initial transfer, the TFD stock has a \$0x basis and \$90x fair market value. In year 2, in exchange for 1 share of TFD stock TFC transfers real estate to TFD with a \$10x basis and \$10x fair market value. In year 4, TFC distributes the 11 shares of TFD stock to UST in a complete liquidation to which sections 332 and 337 apply.

(B) *Result.* In determining whether the gain recognition agreement entered into by UST with respect to the

initial transfer is terminated under paragraph (o)(5) of this section, or triggered under paragraphs (j)(1) and (j)(4) of this section, only the 10 shares of TFD stock transferred by UST in the initial transfer are considered. Thus, the 1 share of TFD stock received by TFC in exchange for the real estate in year 2 is not taken into account.

(xix) *Example 19. Spin-off of transferred corporation—(A) Facts.* Before the initial transfer, the TFD stock has an \$80x basis and a \$100x fair market value, and the TFC stock has a \$100x basis and a \$100x fair market value. In year 4, TFC distributes all of the TFD stock to UST in a transaction to which section 355 applies. At the time of the distribution, the TFD stock has a \$200x fair market value, and the TFC stock (without regard to the value of the TFD stock held by TFC) has a \$100x fair market value. At such time, the TFC stock has a \$180x basis. As determined under section 358, immediately after the distribution, the TFC stock has a \$60x basis, and the TFD stock has a \$120x basis.

(B) *Result.* The distribution of the TFD stock by TFC in year 4 is a triggering event under paragraph (j)(1) of this section. The distribution does not terminate the gain recognition agreement under paragraph (o)(5) of this section because after the distribution, the basis of the TFD stock in the hands of UST (\$120x) is greater than the basis of the TFD stock at the time of the initial transfer (\$80x). However, if UST reduces the basis of the TFD stock to \$80x (as provided under paragraph (o)(5)(iii) of this section) the gain recognition agreement will terminate without further effect. If UST does not elect to reduce the basis of the TFD stock, see paragraph (k)(14) of this section.

(xx) *Example 20. Intercompany transaction followed by disposition to non-member—(A) Facts.* At the time of the initial transfer, the TFD stock has a \$50x basis and \$100x fair market value. The amount of the gain recognition agreement is \$50x. In year 3, UST distributes all of the TFC stock to USP in a transaction to which section 301 applies. At the time of the distribution, the TFC stock has a \$50x basis and \$90x fair market value. Under section 311(b),

UST must recognize \$40x gain (the intercompany item) on the distribution, but because the distribution is an intercompany transaction, under the provisions of §1.1502-13, the \$40x gain is not taken into account in year 3. In year 4, USP sells all of the TFC stock to X, an unrelated corporation. Under the provisions of §1.1502-13, in year 4 UST takes into account the \$40x intercompany item as a result of the sale of the TFC stock to X.

(B) *Result.* (1) The year 3 distribution of the TFC stock by UST to USP does not terminate the gain recognition agreement under paragraph (o)(1) of this section because UST does not include the \$40x gain in taxable income during year 3. Under paragraph (j)(4) of this section, the year 3 distribution of the TFC stock by UST to USP is generally a triggering event; however, because the distribution is an intercompany transaction that creates an intercompany item, the distribution shall not constitute a triggering event if the conditions of paragraph (k)(12)(i) of this section are satisfied.

(1) The condition of paragraph (k)(12)(i)(A) of this section is satisfied because the aggregate basis of the TFC stock distributed (\$50x) is not greater than the sum of the aggregate basis of the TFD stock at the time of the initial transfer (\$50x).

(2) The condition of paragraph (k)(12)(i)(B) of this section is satisfied if the next annual certification for the existing gain recognition agreement includes a complete description of the intercompany transaction and an explanation of how the basis condition of paragraph (k)(12)(i)(A) of this section is satisfied.

(2) Under paragraph (o)(6) of this section and the principles of paragraph (o)(1)(i) of this section, because the year 4 sale of the TFC stock to X requires UST to take into account the \$40x gain (the intercompany item) from the year 3 distribution, the year 4 sale terminates the gain recognition agreement. If, alternatively, in year 4 USP had sold only 30% of the TFC stock, then under paragraph (o)(6) of this section and the principles of paragraph (o)(1)(ii) of this section the amount of gain subject to the gain recognition agreement would be reduced by 30%.

(C) *Alternate facts. Intercompany transaction followed by sale of transferee foreign corporation to member.* Assume the same facts as in paragraph (q)(2)(xx)(A) of this section (the facts in this *Example 20*), except that, instead of USP selling the TFC stock to X, in year 4 USP sells the TFC stock to USS in exchange for \$90x cash. UST and USS are members of the USP consolidated group immediately after the sale. The results of the year 3 distribution of the TFC stock by UST to USP are the same as in paragraph (q)(2)(xx)(B) of this section (the results in this *Example 20*). In addition, under paragraph (k)(12)(ii) of this section, the year 4 sale by USP of the TFC stock to USS is not a triggering event, provided UST includes a complete description of the sale with the annual certification filed for the gain recognition agreement in year 4.

(D) *Alternate facts. Intercompany transaction followed by complete liquidation of transferee foreign corporation.* Assume the same facts as in paragraph (q)(2)(xx)(A) of this section (the facts in this *Example 20*), except that, instead of USP selling the TFC stock to X, in year 4 TFC distributes all of its assets to USP in a complete liquidation to which sections 332 and 337 apply. The result is the same as in paragraph (q)(2)(xx)(B) of this section (the facts in this *Example 20*) because, under the provisions of §1.1502-13, in year 4 UST takes into account the \$40x gain (the intercompany item) from the year 3 distribution.

(E) *Alternate facts. Intercompany transaction followed by triggering event.* Assume the same facts as in paragraph (q)(2)(xx)(A) of this section (the facts in this *Example 20*), except that instead of USP selling the TFC stock to X, in year 4 TFC disposes of all of the TFD stock in a transaction that constitutes a triggering event under paragraph (j)(1) of this section. Under paragraph (c)(1)(i) of this section UST must recognize \$50x gain under the gain recognition agreement. Under paragraphs (c)(4)(i) and (ii) of this section, as of the date of the initial transfer the basis of the TFC stock and TFD stock, respectively, is increased by \$50x.

(F) *Alternate facts. Intercompany transaction followed by section 351 transfer to member.* The facts are the same as

in paragraph (q)(2)(xx)(A) of this section (the facts in this *Example 20*), except that, in year 3, in a section 351 exchange UST transfers all of the TFC stock to USS in exchange for \$10x cash and \$80x of stock of USS. USS is a member of the USP consolidated group immediately after the exchange. The transfer of the TFC stock by UST to USS is an intercompany transaction. Under section 351(b), UST must generally recognize \$10x gain (intercompany item) in connection with the transfer; however, under the provisions of §1.1502-13, UST does not take the \$10x gain into account in year 3. Under paragraph (k)(12) of this section, as result of the intercompany transaction creating an intercompany item (\$10x gain), the existing gain recognition agreement (\$50x gain) must be divided between UST and USS. UST shall remain subject to a gain recognition agreement of \$10x (equal to the amount of the intercompany item). The amount of the gain recognition agreement entered into by USS under paragraph (k)(1) of this section is \$40x (equal to the amount of the existing gain recognition agreement, reduced by the amount of the of the gain recognition agreement to which UST remains subject).

(xxi) *Example 21. Transfer of transferred stock to United States person other than U.S. transferor—(A) Facts.* An individual (A) that is a United States citizen wholly owns TFD, TFC, and DC. A transfers the TFD stock to TFC in a section 351 exchange and enters into a gain recognition agreement with respect to such transfer. In year 5, pursuant to an asset reorganization, TFC transfers all of its assets to DC in exchange solely for DC stock. TFC distributes the DC stock to A pursuant to the plan of reorganization.

(B) *Result.* The transfer by TFC of the TFD stock to DC and the exchange by A of the TFC stock for DC stock pursuant to the asset reorganization are triggering events under paragraphs (j)(1) and (j)(4) of this section, respectively. The gain recognition agreement does not terminate under paragraph (o)(5) of this section because DC is neither the U.S. transferor, nor an individual that is a United States person, nor a member of the same consolidated

group of which the U.S. transferor is a member. However, if paragraph (k)(14) of this section applies the exchanges shall not constitute triggering events.

(1) The condition of paragraph (k)(14)(i) of this section is satisfied because the transfer of the TFD stock to DC qualifies as a nonrecognition transaction.

(2) The condition of paragraph (k)(14)(ii) of this section is satisfied because immediately after the transfer DC, a domestic corporation that is eligible to be a U.S. transferor, retains a direct interest in the TFD stock following the transfer.

(3) The condition of paragraph (k)(14)(iii) of this section is satisfied if DC enters into a new gain recognition agreement with respect to the initial transfer. Under paragraph (k)(14)(iii)(B) of this section, DC is not required to describe any subsequent dispositions or other events that (based on the principles of paragraph (j) of this section) would constitute triggering events for purposes of the new gain recognition agreement, other than the dispositions or other events described in paragraph (j) of this section, because DC holds a direct interest in TFD after the asset reorganization.

(xxii) *Example 22. Transfer of transferred stock to consolidated group member—(A) Facts.* UST wholly owns DC, a member of the USP consolidated group that includes UST. In year 5, pursuant to an asset reorganization described in section 368(a)(1)(A) TFC merges with and into DC. Immediately after the asset reorganization, DC wholly owns TFD, and the basis of the TFD stock is not greater than the aggregate basis of such stock at the time of the initial transfer.

(B) *Result.* The gain recognition agreement filed by UST with respect to the initial transfer terminates without further effect if the conditions of paragraph (o)(5) of this section are satisfied.

(1) The condition of paragraph (o)(5)(i) of this section is satisfied because the transfer of the TFD stock is a section 361 exchange.

(2) The condition of paragraph (o)(5)(ii) of this section is satisfied because DC is a member of the consolidated group that includes UST immediately after the section 361 exchange.

(3) The condition of paragraph (o)(5)(iii) of this section is satisfied because the aggregate basis of the TFD stock immediately after the section 361 exchange is not greater than the aggregate basis of the TFD stock at the time of the initial transfer (as adjusted for any gain recognized by UST on such transfer). If the basis condition of paragraph (o)(5)(iii) were not satisfied, under paragraph (o)(5)(iii) of this section, DC could reduce the basis of the TFD stock received in the reorganization. Alternatively, a new gain recognition agreement could be entered into if paragraph (k)(14) of this section applied to the disposition of the TFD stock pursuant to the section 361 exchange.

(C) *Alternate facts.* The facts are the same as in paragraph (q)(2)(xxii)(A) of this section (the facts in this *Example 22*), except that instead of TFC merging into DC, TFC merges into TFD in a reorganization described in section 368(a)(1)(A). The gain recognition agreement terminates without further effect if the conditions of paragraph (o)(5) of this section are satisfied.

(1) The condition of paragraph (o)(5)(i) of this section is satisfied because the TFD stock issued by TFD to TFC in the reorganization, which is treated as transferred stock under paragraph (b)(2)(iii) of this section, is distributed by TFC to UST pursuant to section 361(c).

(2) The condition of paragraph (o)(5)(ii) of this section is satisfied because UST is the U.S. transferor.

(3) The condition of paragraph (o)(5)(iii) of this section is satisfied if the aggregate basis of the TFD stock received by UST from TFC is not greater than the aggregate basis of the TFD stock at the time of the initial transfer (as adjusted for any gain recognized by UST on such transfer). If the basis condition of paragraph (o)(5)(iii) were not satisfied, under paragraph (o)(5)(iii) of this section, UST could reduce the basis of the TFD stock received in the reorganization.

(xxiii) *Example 23. Split-off of transferred stock—(A) Facts.* X, a domestic corporation that is unrelated to USP and UST, wholly owns TFC. Pursuant to a reorganization described in section 368(a)(1)(B), UST transfers all of the TFD stock to TFC in exchange for 50% of the outstanding voting stock of TFC. UST enters into a gain recognition agreement with respect to such transfer. In year 4, in a split-off transaction to which section 355 applies, TFC distributes all of the TFD stock to X in exchange for all the TFC stock held by X.

(B) *Result.* Under paragraph (j)(1) of this section, the year 4 distribution of the TFD stock to X constitutes a triggering event. However, the distribution shall not constitute a triggering event if paragraph (k)(14) of this section applies. The gain recognition agreement does not terminate under paragraph (o)(5) of this section because X is not a recipient described in paragraph (o)(5)(ii) of this section.

(1) The condition of paragraph (k)(14)(i) of this section is satisfied because the distribution of the TFD stock qualifies as a nonrecognition transaction.

(2) The condition of paragraph (k)(14)(ii) of this section is satisfied because immediately after the distribution X, a domestic corporation that is eligible to be a U.S. transferor, retains a direct interest in the TFD stock.

(3) The condition of paragraph (k)(14)(iii) of this section is satisfied if X enters into a new gain recognition agreement with respect to the initial transfer. Under paragraph (k)(14)(iii)(B) of this section, X is not required to describe, with the new gain recognition agreement, any subsequent dispositions or other events that (based on the principles of paragraph (j) of this section) would constitute triggering events, other than the dispositions described in paragraph (j) of this section, because X directly owns TFD after the distribution.

(4) If X were a United States citizen, the gain recognition agreement would terminate if the condition of paragraph (o)(5)(iii) of this section were satisfied. Alternatively, the gain recognition agreement would continue for its remaining term if the conditions for the

application of paragraph (k)(14) of this section were satisfied.

(C) *Alternate facts. Distribution to unrelated foreign corporation.* The facts are the same as in paragraph (q)(2)(xxiii)(A) of this section (the facts in this *Example 23*), except that X is a foreign corporation wholly owned by DC. DC is unrelated to UST. The results are the same as in paragraph (q)(2)(xxiii)(B) of this section (the results in this *Example 23*), except as follows.

(1) The condition of paragraph (k)(14)(ii) of this section is satisfied because immediately after the distribution DC, a domestic corporation that is eligible to be a U.S. transferor, owns at least 5% (determined as provided in paragraph (k)(14)(ii) of this section) of the total voting power and total value of the outstanding stock of X. As a result, DC is treated as retaining an indirect interest in the TFD stock immediately following the distribution.

(2) The condition of paragraph (k)(14)(iii) of this section is satisfied if DC enters into a new gain recognition agreement with respect to the initial transfer. Under paragraph (k)(14)(iii)(B) of this section, DC must, in addition to the dispositions described in paragraph (j) of this section, include as a triggering event a complete or partial disposition of the stock of X.

(D) *Alternate facts. Distribution to non-resident alien individual.* The facts are the same as in paragraph (q)(2)(xxiii)(A) of this section (the facts in this *Example 23*), except that X is a nonresident alien individual. Paragraph (k)(14) of this section does not apply to the distribution because the conditions of paragraph (k)(14)(ii) and (iii) of this section cannot be satisfied. Therefore, the distribution is a triggering event, and UST will recognize gain under the gain recognition agreement as required under paragraphs (c)(1)(i) and (v) of this section. The result would be the same if X were a foreign corporation and, immediately after the distribution, no United States person owned at least 5% (determined as provided in paragraph (k)(14)(ii) of this section) of the total voting power and value of the outstanding stock of X.

(xxiv) *Example 24. Applicability of this section to gain recognition agreements filed before March 13, 2009—(A) Facts.* The facts are the same as in paragraph (q)(2)(vi)(A) of this section (the facts in *Example 6*), except that the initial transfer occurred on March 7, 2007, and the asset reorganization occurred on July 1, 2008.

(B) *Result.* Under paragraph (r)(1)(ii) of this section, the rules of § 1.367(a)-8T (see 26 CFR part 1, revised April 1, 2007) apply to the transfers pursuant to the asset reorganization because the initial transfer occurred on March 7, 2007. As a result of the disposition of the TFC stock pursuant to the asset reorganization, under § 1.367(a)-8T(d), USP is required to recognize the gain subject to the gain recognition agreement and pay applicable interest on any additional tax due with respect to such gain. Because the acquiring corporation in the asset reorganization is foreign, an exception under § 1.367(a)-8T(e) is not available for the exchange of TFC stock by USP. However, pursuant to paragraph (r)(2)(i) of this section, because the exception provided by paragraph (k)(14) of this section is not included in § 1.367(a)-8T, USP may apply paragraph (k)(14) of this section to such exchange (provided the conditions of paragraph (k)(14) of this section are satisfied), if the statute of limitations on assessments of tax for the 2007 tax year has not closed. If USP applies paragraph (k)(14) of this section to its exchange of the TFC stock pursuant to the asset reorganization, under paragraph (r)(2)(ii) of this section USP must include the new gain recognition agreement required under paragraph (k)(14)(iii) of this section with an amended Federal income tax return for its 2008 tax year that is filed August 10, 2009.

(xxv) *Example 25. Applicability of this section to gain recognition agreements filed before March 13, 2009—(A) Facts.* The initial transfer occurs in 2004. In 2005, pursuant to a section 351 exchange, TFC transfers the TFD stock to F1 in exchange solely for F1 voting stock. UST does not file a new gain recognition agreement under § 1.367(a)-8(g)(2) with respect to the exchange.

(B) *Result.* Under paragraph (r)(1)(ii) of this section, the rules of § 1.367(a)-8

(see 26 CFR part 1, revised April 1, 2006) apply to the year 2005 disposition of the TFD stock because UST filed the gain recognition agreement after July 20, 1998, but before March 7, 2007. Under § 1.367(a)-8(e) (see 26 CFR part 1, revised April 1, 2006), as a result of the disposition of the TFD stock by TFC, UST must recognize the amount of gain subject to the gain recognition agreement. Paragraph (r)(2)(i) of this section does not apply because the rule provided by paragraph (k)(3) of this section was included in § 1.367(a)-8(g)(2) (see 26 CFR part 1, revised April 1, 2006). However, UST may request relief for reasonable cause under § 1.367(a)-8(c)(2) (see 26 CFR part 1, revised April 1, 2006) to file a new gain recognition agreement with respect to the disposition of the TFD stock by TFC in 2005.

(r) *Applicability dates*—(1) *General rule*—(i) *Transfers occurring on or after March 13, 2009; relief for certain failures that are not willful.* The rules of this section apply to gain recognition agreements filed with respect to transfers of stock or securities occurring on or after March 13, 2009. However, the rules of this section do not apply to gain recognition agreements filed with respect to any such transfer occurring on or after March 13, 2009, if such transfer was entered into pursuant to a written agreement that was (subject to customary conditions) binding before February 11, 2009, and at all times thereafter. Solely for purposes of this paragraph (r), a transfer described in the preceding sentence shall be deemed to be a transfer occurring before March 13, 2009 to which the rules of § 1.367(a)-8 (see 26 CFR part 1, revised April 1, 2006) apply. See paragraph (r)(2)(iii) of this section for the ability to apply the rules of this section with respect to gain recognition agreements filed for taxable years ending before March 13, 2009. The eleventh sentence of paragraph (a) and paragraphs (b)(1)(iv), (b)(1)(vi), (b)(1)(xiii), (d)(1), (j)(8), and (p) of this section will apply to gain recognition agreement documents that are required to be filed on or after November 19, 2014, as well as to requests for relief submitted on or after November 19, 2014. Paragraph (k)(14)(ii) of this section applies to transfers occurring on or after October 1, 2019, and to

transfers occurring before October 1, 2019, that result from an entity classification election made under § 301.7701-3 of this chapter that is filed on or after October 1, 2019. For transfers occurring before October 1, 2019, other than transfers occurring before October 1, 2019, that result from an entity classification election made under § 301.7701-3 of this chapter that is filed on or after October 1, 2019, a taxpayer may apply paragraph (k)(14)(ii) of this section to transfers occurring during the last taxable year of a transferee foreign corporation beginning before January 1, 2018, and each subsequent taxable year of the foreign corporation, provided that the taxpayer and United States persons that are related (within the meaning of section 267 or 707) to the taxpayer consistently apply such paragraph with respect to all foreign corporations. For transfers occurring before October 1, 2019, other than transfers occurring before October 1, 2019, that result from an entity classification election made under § 301.7701-3 of this chapter that is filed on or after October 1, 2019, where the taxpayer does not apply paragraph (k)(14)(ii) of this section as described in the preceding sentence, see paragraph (k)(14)(ii) of this section as in effect and contained in 26 CFR part 1, as revised April 1, 2020.

(ii) *Transfers occurring before March 13, 2009.* For matters covered in this section for periods before March 13, 2009 but on or after March 7, 2007, the corresponding rules of § 1.367(a)-8T (see 26 CFR part 1, revised April 1, 2007) apply. For matters covered in this section for periods before March 7, 2007 but on or after July 20, 1998, the corresponding rules of § 1.367(a)-8 (see 26 CFR part 1, revised April 1, 2006) apply. For matters covered in this section for periods before July 20, 1998, the corresponding rules of § 1.367(a)-3T(g) (see 26 CFR part 1, revised April 1, 1998) and Notice 87-85 (1987-2 CB 395) apply. In addition, if a U.S. transferor entered into a gain recognition agreement for transfers before July 20, 1998, then the rules of § 1.367(a)-3T(g) (see 26 CFR part 1, revised April 1, 1998) continue to apply in lieu of this section in the

event of any direct or indirect non-recognition transfer of the same property. See also, § 1.367(a)-3(h).

(2) *Applicability to transfers occurring before March 13, 2009*—(i) *General rule.* Taxpayers may apply the rules of this regulation § 1.367(a)-8 that were not included in § 1.367(a)-8T (see 26 CFR part 1, revised April 1, 2007), to gain recognition agreements filed with respect to transfers of stock or securities for all open taxable years, if done consistently to all transfers. A U.S. transferor subject to section 877 and § 1.367(a)-8T(d)(6) shall not apply the rules of this regulation to reach a contrary result. A taxpayer that failed to file a gain recognition agreement for a transfer, or to comply materially with any requirement of this section with respect to an existing gain recognition agreement, must obtain relief for reasonable cause for such failure under § 1.367(a)-8T(e)(10) before applying the rules of this regulation § 1.367(a)-8 that were not included in § 1.367(a)-8T as permitted by this paragraph (r)(2). See paragraphs (q)(2)(xxiv) and (xxv) of this section for illustrations of the rule provided by this paragraph (r)(2)(i).

(ii) *Taxable years ending before March 13, 2009.* Notwithstanding the requirements of § 1.367(a)-8(d), any gain recognition agreement or other filing required by reason of electing to apply the rules of this regulation § 1.367(a)-8 that were not included in § 1.367(a)-8T, as permitted by this paragraph (r)(2), for a taxable year ending before March 13, 2009 shall be considered filed in accordance with the requirements of § 1.367(a)-8(d), provided the gain recognition agreement or other filing is attached to an original or amended return for such taxable year. An amended return required to be filed by reason of electing to apply the rules of this regulation § 1.367(a)-8 that were not included in § 1.367(a)-8T, as permitted by this paragraph (r)(2), must be filed on or before August 10, 2009. A taxpayer that wishes to apply the rules of this regulation § 1.367(a)-8 that were not included in § 1.367(a)-8T, as permitted by this paragraph (r)(2), but that fails to meet the filing requirement described in the preceding sentence must request relief for reasonable cause under paragraph (p) of this section.

(iii) *Taxable years ending after effective date.* A taxpayer that entered into a gain recognition agreement to which § 1.367(a)-8T (see 26 CFR part 1, revised April 1, 2007) applies may apply the rules of this section in a tax year ending on or after March 13, 2009 by attaching the agreement, certification, or other information related to such gain recognition agreement that the rules of this section require in accordance with the rules of this section and with the time and manner rules provided in § 1.367(a)-8(d).

(3) *Applicability to requests for relief submitted before November 19, 2014.* The eleventh sentence of paragraph (a) and paragraphs (b)(1)(iv), (b)(1)(vi), (b)(1)(xiii), (d)(1), (j)(8), and (p) of this section will apply to requests for relief submitted before November 19, 2014 if—

(i) The statute of limitations on the assessment of tax has not expired for any year to which the request relates; and

(ii) The U.S. transferor resubmits the request under paragraph (p) of this section, notes on the request that the request is being submitted pursuant to this paragraph (r)(3), and acknowledges on the request that the last sentence of § 1.6038B-1(g)(6) provides a special rule regarding the application of § 1.6038B-1 to any transfer that is the subject of the request.

[T.D. 9446, 74 FR 6960, Feb. 11, 2009; 74 FR 10175, Mar. 10, 2009, as amended at T.D. 9446, 74 FR 13341, Mar. 27, 2009; T.D. 9614, 78 FR 17039, Mar. 19, 2013; T.D. 9704, 79 FR 68768, Nov. 19, 2014; 80 FR 167, Jan. 5, 2015; T.D. 9760, 81 FR 15169, Mar. 22, 2016; T.D. 9803, 81 FR 91029, Dec. 16, 2016; T.D. 9908, 85 FR 59431, Sept. 22, 2020]

EDITORIAL NOTE: By T.D. 9908, 85 FR 59431, Sept. 22, 2020, § 1.367(a)-8 was amended; however, the a portion of amendment could not be incorporated due to inaccurate amendatory instruction.

§ 1.367(a)-9T Treatment of deemed section 351 exchanges pursuant to section 304(a)(1) (temporary).

(a) *Scope and general rule.* This section applies to the extent that, pursuant to section 304(a)(1), a United States person is treated as transferring stock of a domestic or foreign corporation to a foreign corporation (foreign acquiring corporation) in exchange for stock of the foreign acquiring corporation in

a transaction to which section 351(a) applies (deemed section 351 exchange). Except to the extent provided in paragraph (b) of this section, a transfer of stock by a United States person to a foreign acquiring corporation in a deemed section 351 exchange is not subject to section 367(a)(1).

(b) *Special rule.* Notwithstanding paragraph (a) of this section, if the distribution received by the United States person in redemption of the stock of the foreign acquiring corporation deemed issued in the deemed section 351 exchange is applied against and reduces (in whole or in part), pursuant to section 301(c)(2), the basis of stock of the foreign acquiring corporation held by the United States person other than the stock deemed issued in the deemed section 351 exchange, the United States person shall recognize gain pursuant to this paragraph (b). The exceptions described in § 1.367(a)–3(b)(1) and (c)(1) shall not apply to a transfer of stock described in paragraph (a) of this section. The amount of gain recognized by a United States person pursuant to this paragraph (b) shall equal the amount, if any, by which—

(1) The gain realized by the United States person with respect to the transferred stock in connection with the deemed section 351 exchange exceeds;

(2) The amount of the distribution received by the United States person in redemption of the stock of the foreign acquiring corporation deemed issued in the deemed section 351 exchange that is treated as a dividend under section 301(c)(1) and included in gross income by the United States person.

(c) *Ordering rule.* For purposes of paragraph (b)(1) of this section, the amount of gain realized by the United States person in connection with the deemed section 351 exchange shall be determined without regard to the amount of gain recognized by the United States person under paragraph (b) of this section.

(d) *Allocation of recognized gain.* Gain recognized by a United States person pursuant to paragraph (b) of this section shall be treated as recognized with respect to the stock transferred in the deemed section 351 exchange in proportion to the amount of gain realized by

the United States person with respect to such stock. See § 1.367(a)–1T(b)(4) for additional rules on the character, source, and adjustments relating to gain recognized under section 367(a).

(e) *Example.* The following example illustrates the rules of this section:

Example. (i) *Facts.* (A) USP, a domestic corporation, wholly owns FC1 and FC2, each a foreign corporation. USP, FC1 and FC2 use a calendar taxable year. The FC1 stock has a \$40x basis and \$100x fair market value. The FC2 stock has a \$100x basis and \$100x fair market value. As of December 31, year 1, FC1 has zero earnings and profits, and FC2 has \$20x earnings and profits. On December 31, year 1, in a transaction described in section 304(a)(1), USP sells the FC1 stock to FC2 for \$100x cash.

(B) Because USP wholly owns FC1 before the transactions and is treated, under section 318, as indirectly owning 100% of the FC1 stock after the transfer, under section 304(a)(1), USP and FC2 are treated in the same manner as if USP contributed the FC1 stock to FC2 in a deemed section 351 exchange in exchange solely for \$100x of FC2 stock, and then FC2 redeemed for \$100x cash its stock deemed issued to USP. Because USP wholly owns FC1 before the sale and is treated as owning 100% of FC1 after the sale, section 302(a) does not apply to the redemption. Instead, under section 302(d), the redemption is treated as a distribution to which section 301 applies. Pursuant to section 304(b)(2), \$20x of the distribution is treated as a dividend from FC2. With respect to the remaining \$80x, USP takes the position that \$40x is applied against and reduces the basis of the FC2 stock issued in the deemed section 351 exchange, and \$40x is applied against and reduces the basis of the FC2 stock held by USP prior to (and after) the transaction.

(ii) *Analysis.* Under paragraph (b) of this section, USP must recognize gain of \$40x on its transfer of the FC1 stock to FC2 in the deemed section 351 exchange (the amount by which the \$60x gain realized by USP on the deemed section 351 exchange with respect to the FC1 stock exceeds the \$20x dividend inclusion). Pursuant to paragraph (b) of this section, the exception under § 1.367(a)–3(b) is not available to the transfer of the FC1 stock by USP to FC2 in the deemed section 351 exchange. Thus, USP cannot avoid gain recognition under paragraph (b) of this section by entering into a gain recognition agreement with respect to its transfer of the FC1 stock to FC2 in the deemed section 351 exchange. Under paragraph (d) of this section, the \$40x gain recognized is allocated among the shares of FC1 stock transferred to FC2 in the deemed section 351 exchange in proportion to the gain realized by USP on the

§ 1.367(b)-0

26 CFR Ch. I (4-1-21 Edition)

transfer of such shares. Under paragraph (c) of this section, the application of paragraph (b) of this section is determined prior to taking into account the \$40x increase to the basis of the FC1 stock transferred by USP. Under section 362, the basis of the FC1 stock in the hands of FC2 is increased by \$40x, the amount of gain recognized by the USP on the transfer of the FC1 stock under paragraph (b) of this section. Under section 358, the basis of the FC2 stock received by USP in the deemed section 351 exchange is similarly increased by \$40x. See § 1.367(a)-1T(b)(4). The \$40x increase to the basis of the FC2 stock is taken into account before determining the consequences of the redemption of such stock under section 304(a)(1).

(f) *Effective/applicability date.* This section applies to transfers occurring on or after February 10, 2009. See § 1.367(a)-3(a), as contained in 26 CFR part 1 revised as of April 1, 2008, for transfers occurring on or after February 21, 2006, and before February 10, 2009.

(g) *Expiration date.* This section expires on or before February 10, 2012.

[T.D. 9444, 74 FR 6826, Feb. 11, 2009; 74 FR 10175, Mar. 10, 2009]

§ 1.367(b)-0 Table of contents.

This section lists the paragraphs contained in §§ 1.367(b)-1 through 1.367(b)-13.

§ 1.367(b)-1 Other transfers.

- (a) Scope.
- (b) General rules.
 - (1) Rules.
 - (2) Example.
- (c) Notice required.
 - (1) In general.
 - (2) Persons subject to section 367(b) notice.
 - (3) Time and manner for filing notice.
 - (i) United States persons described in § 1.367(b)-1(c)(2).
 - (ii) Foreign corporations described in § 1.367(b)-1(c)(2).
 - (4) Information required.
 - (5) Abbreviated notice provision for shareholders that make the election described in § 1.367(b)-3(c)(3).
 - (6) Supplemental published guidance.

§ 1.367(b)-2 Definitions and special rules.

- (a) Controlled foreign corporation.
- (b) Section 1248 shareholder.
- (c) Section 1248 amount.
 - (1) Rule.
 - (2) Examples.
- (d) All earnings and profits amount.
 - (1) General rule.

(2) Rules for determining earnings and profits.

- (i) Domestic rules generally applicable.
- (ii) Certain adjustments to earnings and profits.

(iii) Effect of section 332 liquidating distribution.

(3) Amount attributable to a block of stock.

(i) Application of section 1248 principles.

(A) In general.

(1) Rule.

(2) Example.

(B) Foreign shareholders.

(ii) Exclusion of lower-tier earnings.

(e) Treatment of deemed dividends.

(1) In general.

(2) Consequences of dividend characterization.

(3) Ordering rules.

(4) Examples.

(f) Deemed asset transfer and closing of taxable year in certain section 368(a)(1)(F) reorganizations.

(1) Scope.

(2) Deemed asset transfer.

(3) Other applicable rules.

(4) Closing of taxable year.

(g) Stapled stock under section 269B.

(h) Section 953(d) domestication elections.

(1) Effect of election.

(2) Post-election exchanges.

(i) Section 1504(d) elections.

(j) Sections 985 through 989.

(1) Change in functional currency of a qualified business unit.

(i) Rule.

(ii) Example.

(2) Previously taxed earnings and profits.

(i) Exchanging shareholder that is a United States person.

(ii) Exchanging shareholder that is a foreign corporation.

(3) Other rules.

(k) Partnerships, trusts and estates.

(1) Additional definitions.

(1) Foreign income taxes.

(2) Post-1986 undistributed earnings.

(3) Post-1986 foreign income taxes.

(4) Pre-1987 accumulated profits.

(5) Pre-1987 foreign income taxes.

(6) Pre-1987 section 960 earnings and profits.

(7) Pre-1987 section 960 foreign income taxes.

(8) Earnings and profits.

(9) Pooling corporation.

(10) Nonpooling corporation.

(11) Separate category.

(12) Passive category.

(13) General category

§ 1.367(b)-3 Repatriation of foreign corporate assets in certain nonrecognition transactions.

(a) Scope.

Internal Revenue Service, Treasury

§ 1.367(b)-0

(b) Exchange of stock owned directly by a United States shareholder or by certain foreign corporate shareholders.

- (1) Scope.
- (2) United States shareholder.
- (3) Income inclusion.
- (i) Inclusion of all earnings and profits amount.
- (ii) Examples.
- (iii) Recognition of exchange gain or loss with respect to capital. [Reserved]
- (4) [Reserved]

(c) Exchange of stock owned by a United States person that is not a United States shareholder.

- (1) Scope.
- (2) Requirement to recognize gain.
- (3) Election to include all earnings and profits amount.
- (4) De minimis exception.
- (5) Examples.
- (d) Carryover of certain foreign taxes.
- (1) Rule.
- (2) Example.
- (e) Net operating loss and capital loss carryovers.
- (f) Carryover of earnings and profits.
- (1) General rule.
- (2) Previously taxed earnings and profits. [Reserved]

§ 1.367(b)-4 Acquisition of foreign corporate stock or assets by a foreign corporation in certain nonrecognition transactions.

- (a) Scope.
- (b) Income inclusion.
- (1) Exchange that results in loss of status as section 1248 shareholder.
- (i) General rule.
- (ii) Special rules.
- (iii) Examples.
- (2) Receipt by exchanging shareholder of preferred or other stock in certain instances.
- (i) Rule.
- (ii) Examples.
- (3) Certain recapitalizations.
- (c) Exclusion of deemed dividend from foreign personal holding company income.
- (1) Rule.
- (2) Example.
- (d) Rules for subsequent exchanges.
- (1) Rule.
- (2) Example.

§ 1.367(b)-5 Distributions of stock described in section 355.

- (a) In general.
- (1) Scope.
- (2) Treatment of distributees as exchanging shareholders.
- (b) Distribution by a domestic corporation.
- (1) General rule.
- (2) Section 367(e) transactions.
- (3) Determining whether distributees are individuals.
- (4) Applicable cross-references.

(c) Pro rata distribution by a controlled foreign corporation.

- (1) Scope.
- (2) Adjustment to basis in stock and income inclusion.
- (3) Interaction with § 1.367(b)-2(e)(3)(ii).
- (4) Basis redistribution.
- (d) Non-pro rata distribution by a controlled foreign corporation.
- (1) Scope.
- (2) Treatment of certain shareholders as distributees.
- (3) Inclusion of excess section 1248 amount by exchanging shareholder.
- (4) Interaction with § 1.367(b)-2(e)(3)(ii).
- (i) Limited application.
- (ii) Interaction with predistribution amount.
- (e) Definitions.
- (1) Predistribution amount.
- (2) Postdistribution amount.
- (f) Exclusion of deemed dividend from foreign personal holding company income.
- (g) Examples.

§ 1.367(b)-6 Effective/applicability dates and coordination rules.

- (a) Effective/applicability dates.
- (1) In general.
- (2) Exception.
- (b) Certain recapitalizations described in § 1.367(b)-4(b)(3).
- (c) Use of reasonable method to comply with prior published guidance.
- (1) Prior exchanges.
- (2) Future exchanges.
- (d) Effect of removal of attribution rules.

§ 1.367(b)-7 Carryover of earnings and profits and foreign income taxes in certain foreign-to-foreign nonrecognition transactions.

- (a) Scope.
- (b) General rules.
- (1) Non-previously taxed earnings and profits and related taxes.
- (2) Previously taxed earnings and profits. [Reserved]
- (c) Ordering rule for post-transaction distributions.
- (1) If foreign surviving corporation is a pooling corporation.
- (2) If foreign surviving corporation is a nonpooling corporation.
- (d) Post-1986 pool.
- (1) In general.
- (i) Qualifying earnings and taxes.
- (ii) Carryover rule.
- (2) Hovering deficit.
- (i) In general.
- (ii) Offset rule.
- (iii) Related taxes.
- (3) Examples.
- (e) Pre-pooling annual layers.
- (1) If foreign surviving corporation is a pooling corporation.
- (i) Qualifying earnings and taxes.

§ 1.367(b)-1

26 CFR Ch. I (4-1-21 Edition)

- (ii) Carryover rule.
- (iii) Deficits.
 - (A) In general.
 - (B) Aggregate positive pre-1987 accumulated profits.
 - (C) Aggregate deficit in pre-1987 accumulated profits.
 - (D) Deficit and positive separate categories within annual layers
 - (iv) Pre-1987 section 960 earnings and profits and foreign income taxes.
 - (v) Examples.
- (2) If foreign surviving corporation is a nonpooling corporation.
 - (i) Qualifying earnings and taxes.
 - (ii) Carryover rule.
 - (iii) Deficits.
 - (A) In general.
 - (B) Aggregate positive pre-1987 accumulated profits.
 - (C) Aggregate deficit in pre-1987 accumulated profits.
 - (D) Deficit and positive separate categories within annual layers.
 - (iv) Pre-1987 section 960 earnings and profits and foreign income taxes.
 - (v) Examples.
 - (f) Special rules.
 - (1) Treatment of deficit.
 - (i) General rule.
 - (ii) Exceptions.
 - (iii) Examples.
 - (2) Reconciling taxable years.
 - (3) Post-transaction change of status.
 - (4) Ordering rule for multiple hovering deficits.
 - (i) Rule.
 - (ii) Example.
 - (5) Pro rata rule for earnings and deficits during transaction year.
 - (g) Effective date.

§ 1.367(b)-8 Allocation of earnings and profits and foreign income taxes in certain foreign corporate separations. [Reserved]

§ 1.367(b)-9 Special rule for F reorganizations and similar transactions.

- (a) Scope.
- (b) Hovering deficit rules inapplicable.
- (c) Foreign divisive transactions. [Reserved]
- (d) Examples.
- (e) Effective date.

§ 1.367(b)-10 Acquisition of parent stock or securities for property in triangular reorganizations.

- (a) In general.
 - (1) Scope.
 - (2) Exceptions.
 - (3) Definitions.
- (b) General rules.
 - (1) Deemed distribution.
 - (2) Deemed contribution.
 - (3) Timing of deemed distribution and deemed contribution.

- (4) Application of other provisions.
- (5) Example.
- (c) Collateral adjustments.
 - (1) Deemed distribution.
 - (2) Deemed contribution.
- (d) Anti-abuse rule.
- (e) Effective/applicability date.

§ 1.367(b)-12 Subsequent treatment of amounts attributed or included in income.

- (a) In general.
- (b) Applicable rules.
- (c) Effective date.

§ 1.367(b)-13 Special rules for determining basis and holding period.

- (a) Scope and definitions.
 - (1) Scope.
 - (2) Definitions.
- (b) Determination of basis for exchanges of foreign stock or securities under section 354 or 356.
- (c) Determination of basis and holding period for triangular reorganizations.
 - (1) Application.
 - (2) Basis and holding period rules.
 - (i) Portions attributable to S stock.
 - (ii) Portions attributable to T stock.
- (d) Special rules applicable to divided shares of stock.
 - (1) In general.
 - (2) Pre-exchange earnings and profits.
 - (3) Post-exchange earnings and profits.
- (e) Examples.
- (f) Effective date.

[T.D. 8862, 65 FR 3596, Jan. 24, 2000; 65 FR 66501, Nov. 6, 2000, as amended by T.D. 8937, 66 FR 2257, Jan. 11, 2001; T.D. 9273, 71 FR 44984, Aug. 8, 2006; T.D. 9526, 76 FR 28893, May 19, 2011; T.D. 9614, 78 FR 17039, Mar. 19, 2013]

EDITORIAL NOTE: By T.D. 9526, 76 FR 28893, May 19, 2011, § 1.367(b)-0 was amended by redesignating the entries for § 1.367(b)-2(d)(3)(iii)(A) and (B) as entries for (d)(3)(ii)(A) and (B); however, the amendment could not be incorporated due to inaccurate amendatory instruction.

§ 1.367(b)-1 Other transfers.

- (a) *Scope.* The regulations promulgated under section 367(b) (the section 367(b) regulations) set forth rules regarding the proper inclusions and adjustments that must be made as a result of an exchange described in section 367(b) (a section 367(b) exchange). A section 367(b) exchange is any exchange described in section 332, 351, 354, 355, 356 or 361, with respect to which the status of a foreign corporation as a corporation is relevant for determining the extent to which income shall be recognized or for determining the effect of

the transaction on earnings and profits, basis of stock or securities, basis of assets, or other relevant tax attributes. For rules coordinating the concurrent application of sections 367(a) and (b), see § 1.367(a)-3(b)(2).

(b) *General rules*—(1) *Rules*. The following general rules apply under the section 367(b) regulations—

(i) A foreign corporation in a section 367(b) exchange is considered to be a corporation and, as a result, all of the related provisions (*e.g.*, section 381) shall apply, except to the extent provided in the section 367(b) regulations; and

(ii) Nothing in the section 367(b) regulations shall permit—

(A) The nonrecognition of income that would otherwise be required to be recognized under another provision of the Internal Revenue Code or the regulations thereunder; or

(B) The recognition of a loss or deduction that would otherwise not be recognized under another provision of the Internal Revenue Code or the regulations thereunder.

(2) *Example*. The following example illustrates the rules of this paragraph (b):

Example. (i) *Facts*. DC, a domestic corporation, owns 90 percent of P, a partnership. The remaining 10 percent of P is owned by a person unrelated to DC. P owns all of the outstanding stock of FC, a controlled foreign corporation. FC liquidates into P.

(ii) *Result*. FC's liquidation is not a transaction described in section 332. Nothing in the section 367(b) regulations, including § 1.367(b)-2(k), permits FC's liquidation to qualify as a liquidation described in section 332.

(c) *Notice Required*—(1) *In general*. A notice under this paragraph (c) (section 367(b) notice) must be filed with regard to any person described in paragraph (c)(2) of this section. A section 367(b) notice must be filed in the time and manner described in paragraph (c)(3) of this section and must include the information described in paragraph (c)(4) of this section.

(2) *Persons subject to section 367(b) notice*. The following persons are described in this paragraph (c)(2)—

(i) A shareholder described in § 1.367(b)-3(b)(1) that realizes income in a transaction described in § 1.367(b)-3(a);

(ii) A shareholder that makes the election described in § 1.367(b)-3(c)(3);

(iii) A shareholder described in § 1.367(b)-4(b)(1)(i)(A)(I) or (2) that realizes income in a transaction described in § 1.367(b)-4(a);

(iv) A shareholder that realizes income in a transaction described in § 1.367(b)-5(c) or 1.367(b)-5(d) and that is either—

(A) A section 1248 shareholder of the distributing or controlled corporation; or

(B) A foreign corporation with one or more shareholders that are described in paragraph (c)(2)(iv)(A) of this section; and

(v) A foreign surviving corporation described in § 1.367(b)-7(a).

(3) *Time and manner for filing notice*—

(i) *United States persons described in § 1.367(b)-1(c)(2)*. A United States person described in paragraph (c)(2) of this section must file a section 367(b) notice attached to a timely filed Federal tax return (including extensions) for the person's taxable year in which income is realized in the section 367(b) exchange. In the case of a shareholder that makes the election described in § 1.367(b)-3(c)(3), notification of such election must be sent to the foreign acquired corporation (or its successor in interest) on or before the date the section 367(b) notice is filed, so that appropriate corresponding adjustments can be made in accordance with the rules of § 1.367(b)-2(e).

(ii) *Foreign corporations described in § 1.367(b)-1(c)(2)*. Each United States person listed in this paragraph (c)(3)(ii) must file a section 367(b) notice with regard to a foreign corporation described in paragraph (c)(2) of this section. Such notice must be attached to a timely filed Federal tax return (including extensions) for the United States person's taxable year in which income is realized in the section 367(b) exchange and, if the United States person is required to file a Form 5471 (Information Return of U.S. Persons With Respect to Certain Foreign Corporations), the section 367(b) notice must be attached to the Form 5471. The following persons are listed in this paragraph (c)(3)(ii)—

(A) United States shareholders (as defined in § 1.367(b)-3(b)(2)) of foreign

§ 1.367(b)-2

26 CFR Ch. I (4-1-21 Edition)

corporations described in paragraph (c)(2)(i) or (v) of this section; and

(B) Section 1248 shareholders of foreign corporations described in paragraph (c)(2)(iii) or (iv) of this section.

(4) *Information required.* Except as provided in paragraph (c)(5) of this section, a section 367(b) notice shall include the following information—

(i) A statement that the exchange is a section 367(b) exchange;

(ii) A complete description of the exchange;

(iii) A description of any stock, securities or other consideration transferred or received in the exchange;

(iv) A statement that describes any amount (or amounts) required, under the section 367(b) regulations, to be taken into account as income or loss or as an adjustment (including an adjustment under § 1.367(b)-7 or 1.367(b)-9) to basis, earnings and profits, or other tax attributes as a result of the exchange;

(v) Any information that is or would be required to be furnished with a Federal income tax return pursuant to regulations under section 332, 351, 354, 355, 356, 361, 368, or 381 (whether or not a Federal income tax return is required to be filed), if such information has not otherwise been provided by the person filing the section 367(b) notice;

(vi) Any information required to be furnished with respect to the exchange under sections 6038, 6038A, 6038B, 6038C or 6046, or the regulations under those sections, if such information has not otherwise been provided by the person filing the section 367(b) notice; and

(vii) If applicable, a statement that the shareholder is making the election described in § 1.367(b)-3(c)(3). This statement must include—

(A) A copy of the information the shareholder received from the foreign acquired corporation (or its successor in interest) establishing and substantiating the shareholder's all earnings and profits amount with respect to the shareholder's stock in the foreign acquired corporation; and

(B) A representation that the shareholder has notified the foreign acquired corporation (or its successor in interest) that the shareholder is making the election described in § 1.367(b)-3(c)(3).

(5) *Abbreviated notice provision for shareholders that make the election de-*

scribed in § 1.367(b)-3(c)(3). In the case of a foreign acquired corporation that has never had earnings and profits that would result in any shareholder having an all earnings and profits amount, a shareholder making the election described in § 1.367(b)-3(c)(3) may satisfy the information requirements of paragraph (c)(4) of this section by filing a section 367(b) notice that includes—

(i) A statement from the foreign acquired corporation (or its successor in interest) that the foreign acquired corporation has never had any earnings and profits that would result in any shareholder having an all earnings and profits amount; and

(ii) The information described in paragraphs (c)(4) (i) through (iii) of this section.

(6) *Supplemental published guidance.* The section 367(b) notice requirements may be updated or amended by revenue procedure or other published guidance.

[T.D. 8862, 65 FR 3597, Jan. 24, 2000; 65 FR 66501, Nov. 6, 2000, as amended by T.D. 9243, 71 FR 4288, Jan. 26, 2006; T.D. 9273, 71 FR 44894, Aug. 8, 2006]

§ 1.367(b)-2 Definitions and special rules.

(a) *Controlled foreign corporation.* The term *controlled foreign corporation* means a controlled foreign corporation as defined in section 957 (taking into account section 953(c)).

(b) *Section 1248 shareholder.* The term *section 1248 shareholder* means any United States person that satisfies the ownership requirements of section 1248 (a)(2) or (c)(2) with respect to a foreign corporation.

(c) *Section 1248 amount—(1) Rule.* The term *section 1248 amount* with respect to stock in a foreign corporation means the net positive earnings and profits (if any) that would have been attributable to such stock and includible in income as a dividend under section 1248 and the regulations thereunder if the stock were sold by the shareholder. In the case of a transaction in which the shareholder is a foreign corporation (foreign shareholder), the following additional rules shall apply—

(i) The foreign shareholder shall be deemed to be a United States person for purposes of this paragraph (c), except that the foreign shareholder shall

not be considered a United States person for purposes of determining whether the stock owned by the foreign shareholder is stock of a controlled foreign corporation; and

(ii) The foreign shareholder's holding period in the stock of the foreign corporation shall be determined by reference to the period that the foreign shareholder's section 1248 shareholders held (directly or indirectly) an interest in the foreign corporation. This paragraph (c)(1)(ii) applies in addition to the section 1248 regulations' incorporation of section 1223 holding periods. See § 1.1248-8.

(2) *Examples.* The following examples illustrate the rules of this paragraph (c):

Example 1. (i) *Facts.* DC, a domestic corporation, owns all of the outstanding stock of FC1, a controlled foreign corporation (CFC). FC1 owns all of the outstanding stock of FC2, a CFC. DC has always owned all of the stock of FC1, and FC1 has always owned all of the stock of FC2.

(ii) *Result.* Under this paragraph (c), DC's section 1248 amount with respect to its FC1 stock is computed by reference to all of FC1's and FC2's earnings and profits. See section 1248(c)(2). Because FC1's section 1248 shareholder (DC) always indirectly held all of the stock of FC2, FC1's section 1248 amount with respect to its FC2 stock is computed by reference to all of FC2's earnings and profits.

Example 2. (i) *Facts.* DC, a domestic corporation, owns 40 percent of the outstanding stock of FC1, a foreign corporation. The other 60 percent of FC1 stock is owned (directly and indirectly) by foreign persons that are unrelated to DC. FC1 owns all of the outstanding stock of FC2, a foreign corporation. On January 1, 2001, DC purchases the remaining 60 percent of FC1 stock.

(ii) *Result.* Under this paragraph (c), DC's section 1248 amount with respect to its FC1 stock is computed by reference to FC1's and FC2's earnings and profits that accumulated on or after January 1, 2001, the date FC1 and FC2 became controlled foreign corporations (CFCs). See section 1248(a). Because FC1 is not considered a United States person for purposes of determining whether FC2 is a CFC, FC1's section 1248 amount with respect to its FC2 stock is computed by reference to FC2's earnings and profits that accumulated on or after January 1, 2001, the date FC2 became an actual CFC.

Example 3. (i) *Facts.* FC1, a foreign corporation, owns all of the outstanding stock of FC2, a foreign corporation. DC is a domestic corporation that is unrelated to FC1, FC2, and their direct and indirect owners. On Jan-

uary 1, 2001, DC purchases all of the outstanding stock of FC1.

(ii) *Result.* Under this paragraph (c), DC's section 1248 amount with respect to its FC1 stock is computed by reference to FC1's and FC2's earnings and profits that accumulated on or after January 1, 2001, the first day DC held the stock of FC1. See section 1248(a). FC1's section 1248 amount with respect to its FC2 stock is computed by reference to FC2's earnings and profits that accumulated on or after January 1, 2001, the first day FC1's section 1248 shareholder (DC) indirectly held the stock of FC2.

(d) *All earnings and profits amount—(1) General rule.* The term *all earnings and profits amount* with respect to stock in a foreign corporation means the net positive earnings and profits (if any) determined as provided under paragraph (d)(2) of this section and attributable to such stock as provided under paragraph (d)(3) of this section. The all earnings and profits amount shall be determined without regard to the amount of gain that would be realized on a sale or exchange of the stock of the foreign corporation.

(2) *Rules for determining earnings and profits—(i) Domestic rules generally applicable.* For purposes of this paragraph (d), except as provided in sections 312(k)(4) and (n)(8), 964 and 986, the earnings and profits of a foreign corporation for any taxable year shall be determined according to principles substantially similar to those applicable to domestic corporations.

(ii) *Certain adjustments to earnings and profits.* Notwithstanding paragraph (d)(2)(i) of this section, for purposes of this paragraph (d), the earnings and profits of a foreign corporation for any taxable year shall not include the amounts specified in section 1248(d). In the case of amounts specified in section 1248(d)(4), the preceding sentence requires that the earnings and profits for any taxable year be decreased by the net positive amount (if any) of earnings and profits attributable to activities described in section 1248(d)(4), and increased by the net reduction (if any) in earnings and profits attributable to activities described in section 1248(d)(4).

(iii) *Effect of section 332 liquidating distribution.* The all earnings and profits amount with respect to stock of a corporation that distributes all of its

property in a liquidation described in section 332 shall be determined without regard to the adjustments prescribed by section 312(a) and (b) resulting from the distribution of such property in liquidation, except that gain or loss realized by the corporation on the distribution shall be taken into account to the extent provided in section 312(f)(1). See § 1.367(b)-3(b)(3)(ii) *Example 3*.

(3) *Amount attributable to a block of stock—(i) Application of section 1248 principles—(A) In general—(1) Rule.* The all earnings and profits amount with respect to stock of a foreign corporation is determined according to the attribution principles of section 1248 and the regulations thereunder. The attribution principles of section 1248 shall apply without regard to the requirements of section 1248 that are not relevant to the determination of a shareholder's pro rata portion of earnings and profits. Thus, for example, the all earnings and profits amount is determined without regard to whether the foreign corporation was a controlled foreign corporation at any time during the five years preceding the section 367(b) exchange in question, without regard to whether the shareholder owned a 10 percent or greater interest in the stock, and without regard to whether the earnings and profits of the foreign corporation were accumulated in post-1962 taxable years or while the corporation was a controlled foreign corporation.

(2) *Example.* The following example illustrates the rules of this paragraph (d)(3)(i)(A):

Example. (i) *Facts.* On January 1, 2001, DC, a domestic corporation, purchases 9 percent of the outstanding stock of FC, a foreign corporation. On January 1, 2002, DC purchases an additional 1 percent of FC stock. On January 1, 2003, DC exchanges its stock in FC in a section 367(b) exchange in which DC is required to include the all earnings and profits amount in income. FC was not a controlled foreign corporation during the entire period DC held its FC stock.

(ii) *Result.* The all earnings and profits amount with respect to DC's stock in FC is computed by reference to 9 percent of FC's earnings and profits from January 1, 2001, through December 31, 2001, and by reference to 10 percent of FC's earnings and profits from January 1, 2002, through January 1, 2003.

(B) *Foreign shareholders.* In the case of a transaction in which the exchanging shareholder is a foreign corporation (foreign shareholder), the following additional rules shall apply—

(1) The attribution principles of section 1248 shall apply without regard to whether the person directly owning the stock is a United States person; and

(2) The foreign shareholder's holding period in the stock of the foreign acquired corporation shall be determined by reference to the period that the foreign shareholder's United States shareholders (as defined in § 1.367(b)-3(b)(2)) held (directly or indirectly) an interest in the foreign acquired corporation. This paragraph (d)(3)(i)(B)(2) applies in addition to the section 1248 regulations' incorporation of section 1223 holding periods. See § 1.1248-8.

(ii) *Exclusion of lower-tier earnings.* In applying the attribution principles of section 1248 and the regulations thereunder to determine the all earnings and profits amount with respect to stock of a foreign corporation, the earnings and profits of subsidiaries of the foreign corporation shall not be taken into account notwithstanding section 1248(c)(2).

(e) *Treatment of deemed dividends—(1) In general.* In certain circumstances these regulations provide that an exchanging shareholder shall include an amount in income as a deemed dividend. This paragraph provides rules for the treatment of the deemed dividend.

(2) *Consequences of dividend characterization.* A deemed dividend described in paragraph (e)(1) of this section shall be treated as a dividend for purposes of the Internal Revenue Code. The deemed dividend shall be considered as paid out of the earnings and profits with respect to which the amount of the deemed dividend was determined. Thus, for example, a deemed dividend that is determined by reference to the all earnings and profits amount or the section 1248 amount will never be considered as paid out of (and therefore will never reduce) earnings and profits specified in section 1248(d), because such earnings and profits are excluded in computing the all earnings and profits amount (under paragraph (d)(2)(ii) of this section) and the section 1248 amount (under section 1248(d) and paragraph

(c)(1) of this section). If the deemed dividend is determined by reference to the earnings and profits of a foreign corporation that is owned indirectly (*i.e.*, through one or more tiers of intermediate owners) by the person that is required to include the deemed dividend in income, the deemed dividend shall be considered as having been paid by such corporation to such person through the intermediate owners, rather than directly to such person.

(3) *Ordering rules.* In the case of an exchange of stock in which the exchanging shareholder is treated as receiving a deemed dividend from a foreign corporation, the following ordering rules concerning the timing, treatment, and effect of such a deemed dividend shall apply. See also paragraph (j)(2) of this section.

(i) For purposes of the section 367(b) regulations, the gain realized by an exchanging shareholder shall be determined before increasing (as provided in paragraph (e)(3)(ii) of this section) the basis in the stock of the foreign corporation by the amount of the deemed dividend.

(ii) Except as provided in paragraph (e)(3)(i) of this section, the deemed dividend shall be considered to be received immediately before the exchanging shareholder's receipt of consideration for its stock in the foreign corporation, and the shareholder's basis in the stock exchanged shall be increased by the amount of the deemed dividend. Such basis increase shall be taken into account before determining the gain otherwise recognized on the exchange (for example, under section 356), the basis that the exchanging shareholder takes in the property that it receives in the exchange (under section 358(a)(1)), and the basis that the transferee otherwise takes in the transferred stock (under section 362).

(iii) Except as provided in paragraph (e)(3)(i) of this section, the earnings and profits of the appropriate foreign corporation shall be reduced by the deemed dividend amount before determining the consequences of the recognition of gain in excess of the deemed dividend amount (for example, under section 356(a)(2) or sections 356(a)(1) and 1248).

(4) *Examples.* The following examples illustrate the rules of this paragraph (e):

Example 1. DC, a domestic corporation, exchanges stock in FC, a foreign corporation, in a section 367(b) exchange in which DC includes the all earnings and profits amount in income as a deemed dividend. Under paragraph (e)(2) of this section, a deemed dividend is treated as a dividend for purposes of the Internal Revenue Code. As a result, if the requirements of section 902 are met, DC may qualify for a deemed paid foreign tax credit with respect to the deemed dividend that it receives from FC.

Example 2. DC, a domestic corporation, exchanges stock in FC1, a foreign corporation that is a controlled foreign corporation, in a transaction in which DC is required to include the section 1248 amount in income as a deemed dividend. A portion of the section 1248 amount is determined by reference to the earnings and profits of FC1 (the upper-tier portion of the section 1248 amount), and the remainder of the section 1248 amount is determined by reference to the earnings and profits of FC2, which is a wholly owned foreign subsidiary of FC1 (the lower-tier portion of the section 1248 amount). Under paragraph (e)(2) of this section, DC computes its deemed paid foreign tax credit as if the lower-tier portion of the section 1248 amount were distributed as a dividend by FC2 to FC1, and as if such portion and the upper-tier portion of the section 1248 amount were then distributed as a dividend by FC1 to DC.

Example 3. DC, a domestic corporation, exchanges stock in FC, a foreign corporation that is a controlled foreign corporation, in a transaction in which DC realizes gain of \$100 (prior to the application of the section 367(b) regulations). In connection with the transaction, DC is required to include \$40 in income as a deemed dividend under the section 367(b) regulations. In addition to receiving property permitted to be received under section 354 without the recognition of gain, DC also receives cash in the amount of \$70. Under paragraph (e)(3) of this section, the \$40 deemed dividend increases DC's basis in its FC stock before determining the gain to be recognized under section 356. Thus, in applying section 356, DC is considered to realize \$60 of gain on the exchange, all of which is recognized under section 356(a)(1).

(f) *Deemed asset transfer and closing of taxable year in certain section 368(a)(1)(F) reorganizations—(1) Scope.* This paragraph applies to a reorganization described in section 368(a)(1)(F) in which the transferor corporation is a foreign corporation.

(2) *Deemed asset transfer.* In a reorganization described in paragraph (f)(1) of

§ 1.367(b)-2

26 CFR Ch. I (4-1-21 Edition)

this section, there is considered to exist—

(i) A transfer of assets by the foreign transferor corporation to the acquiring corporation in exchange for stock (or stock and securities) of the acquiring corporation and the assumption by the acquiring corporation of the foreign transferor corporation's liabilities;

(ii) A distribution of such stock (or stock and securities) by the foreign transferor corporation to its shareholders (or shareholders and security holders); and

(iii) An exchange by the foreign transferor corporation's shareholders (or shareholders and security holders) of their stock (or stock and securities) for stock (or stock and securities) of the acquiring corporation.

(3) *Other applicable rules.* For purposes of this paragraph (f), it is immaterial that the applicable foreign or domestic law treats the acquiring corporation as a continuation of the foreign transferor corporation.

(4) *Closing of taxable year.* In a reorganization described in paragraph (f)(1) of this section, the taxable year of the foreign transferor corporation shall end with the close of the date of the transfer and, except as otherwise required under the Internal Revenue Code (*e.g.* section 1502 and the regulations thereunder), the taxable year of the acquiring corporation shall end with the close of the date on which the transferor's taxable year would have ended but for the occurrence of the reorganization if—

(i) The acquiring corporation is a domestic corporation; or

(ii) The foreign transferor corporation has effectively connected earnings and profits (as defined in section 884(d)) or accumulated effectively connected earnings and profits (as defined in section 884(b)(2)(B)(ii)).

(g) *Stapled stock under section 269B.* For rules addressing the deemed conversion of a foreign corporation to a domestic corporation under section 269B, see § 1.269B-1(c).

(h) *Section 953(d) domestication elections—(1) Effect of election.* A foreign corporation that elects under section 953(d) to be treated as a domestic corporation shall be treated for purposes of section 367(b) as transferring, as of

the first day of the first taxable year for which the election is effective, all of its assets to a domestic corporation in a reorganization described in section 368(a)(1)(F). Notwithstanding paragraph (d) of this section, for purposes of determining the consequences of the reorganization under § 1.367(b)-3, the all earnings and profits amount shall not be considered to include earnings and profits accumulated in taxable years beginning before January 1, 1988.

(2) *Post-election exchanges.* For purposes of applying section 367(b) to post-election exchanges with respect to a corporation that has made a valid election under section 953(d) to be treated as a domestic corporation, such corporation shall be treated as a domestic corporation as to earnings and profits that were taken into account at the time of the section 953(d) election or which accrue after such election, and shall be treated as a foreign corporation as to earnings and profits accumulated in taxable years beginning before January 1, 1988. Thus, for example, if the section 953(d) corporation subsequently transfers its assets to a domestic corporation (other than another section 953(d) corporation) in a transaction described in section 381(a), the rules of § 1.367(b)-3 shall apply to such transaction to the extent of the section 953(d) corporation's earnings and profits accumulated in taxable years beginning before January 1, 1988.

(i) *Section 1504(d) elections.* An election under section 1504(d), which permits certain foreign corporations to be treated as domestic corporations, is treated as a transfer of property to a domestic corporation and will generally constitute a reorganization described in section 368(a)(1)(F). However, if an election under section 1504(d) is made with respect to a foreign corporation from the first day of the foreign corporation's existence, then the foreign corporation shall be treated as a domestic corporation, and the section 367(b) regulations will not apply.

(j) *Sections 985 through 989—(1) Change in functional currency of a qualified business unit—(i) Rule.* If, as a result of a section 367(b) exchange described in section 381(a), a qualified business unit (as defined in section 989(a)) (QBU) has

a different functional currency determined under the rules of section 985(b) than it used prior to the transaction, then the QBU shall be deemed to have automatically changed its functional currency immediately prior to the transaction. A QBU that is deemed to change its functional currency pursuant to this paragraph (j) must make the adjustments described in §1.985-5.

(ii) *Example.* The following example illustrates the rule of this paragraph (j)(1):

Example. (i) *Facts.* DC, a domestic corporation, owns 100 percent of FC1, a foreign corporation. FC1 owns and operates a qualified business unit (QBU) (B1) in France, whose functional currency is the euro. FC2, an unrelated foreign corporation, owns and operates a QBU (B2) in France, whose functional currency is the dollar. FC2 acquires FC1's assets (including B1) in a reorganization described in section 368(a)(1)(C). As a part of the reorganization, B1 and B2 combine their operations into one QBU. Applying the rules of section 985(b), the functional currency of the combined operations of B1 and B2 is the euro.

(ii) *Result.* FC2's acquisition of FC1's assets is a section 367(b) exchange that is described in section 381(a). Because the functional currency of the combined operations of B1 and B2 after the exchange is the euro, B2 is deemed to have automatically changed its functional currency to the euro immediately prior to the section 367(b) exchange. B2 must make the adjustments described in §1.985-5.

(2) *Previously taxed earnings and profits—(i) Exchanging shareholder that is a United States person.* If an exchanging shareholder that is a United States person is required to include in income either the all earnings and profits amount or the section 1248 amount under the provisions of §1.367(b)-3 or 1.367(b)-4, then immediately prior to the exchange, and solely for the purpose of computing exchange gain or loss under section 986(c), the exchanging shareholder shall be treated as receiving a distribution of previously taxed earnings and profits from the appropriate foreign corporation that is attributable (under the principles of section 1248) to the exchanged stock. If an exchanging shareholder that is a United States person is a distributee in an exchange described in §1.367(b)-5(c) or (d), then immediately prior to the exchange, and solely for the purpose of computing exchange gain or loss under

section 986(c), the exchanging shareholder shall be treated as receiving a distribution of previously taxed earnings and profits from the appropriate foreign corporation to the extent such shareholder has a diminished interest in such previously taxed earnings and profits after the exchange. The exchange gain or loss recognized under this paragraph (j)(2)(i) will increase or decrease the exchanging shareholder's adjusted basis in the stock of the foreign corporation, including for purposes of computing gain or loss realized with respect to the stock on the transaction. The exchanging shareholder's dollar basis with respect to each account of previously taxed income shall be increased or decreased by the exchange gain or loss recognized.

(ii) *Exchanging shareholder that is a foreign corporation.* If an exchanging shareholder that is a foreign corporation is required to include in income either the all earnings and profits amount or the section 1248 amount under the provisions of §1.367(b)-3 or 1.367(b)-4, then, immediately prior to the exchange, the exchanging shareholder shall be treated as receiving a distribution of previously taxed earnings and profits from the appropriate foreign corporation that is attributable (under the principles of section 1248) to the exchanged stock. If an exchanging shareholder that is a foreign corporation is a distributee in an exchange described in §1.367(b)-5(c) or (d), then the exchanging shareholder shall be treated as receiving (immediately prior to the exchange) a distribution of previously taxed earnings and profits from the appropriate foreign corporation. Such distribution shall be measured by the extent to which the exchanging shareholder's direct or indirect United States shareholders (as defined in section 951(b)) have a diminished interest in such previously taxed earnings and profits after the exchange.

(3) *Other rules.* See sections 985 through 989 for other currency rules that may apply in connection with a section 367(b) exchange.

(k) *Partnerships, trusts and estates.* In applying the section 367(b) regulations, stock of a corporation that is owned by a foreign partnership, trust or estate

shall be considered as owned proportionately by its partners, owners, or beneficiaries under the principles of § 1.367(e)-1(b)(2). Stock owned by an entity that is disregarded as an entity separate from its owner under § 301.7701-3 is owned directly by the owner of such entity. In applying § 1.367(b)-5(b), the principles of § 1.367(e)-1(b)(2) shall also apply to a domestic partnership, trust or estate.

(1) *Additional definitions*—(1) *Foreign income taxes*. The term *foreign income taxes* has the meaning set forth in § 1.902-1(a)(7).

(2) *Post-1986 undistributed earnings*. The term *post-1986 undistributed earnings* has the meaning set forth in § 1.902-1(a)(9).

(3) *Post-1986 foreign income taxes*. The term *post-1986 foreign income taxes* has the meaning set forth in § 1.902-1(a)(8).

(4) *Pre-1987 accumulated profits*. The term *pre-1987 accumulated profits* means the earnings and profits described in § 1.902-1(a)(10)(i), computed in accordance with the rules of § 1.902-1(a)(10)(ii).

(5) *Pre-1987 foreign income taxes*. The term *pre-1987 foreign income taxes* has the meaning set forth in § 1.902-1(a)(10)(iii).

(6) *Pre-1987 section 960 earnings and profits*. The term *pre-1987 section 960 earnings and profits* means the earnings and profits of a foreign corporation accumulated in taxable years beginning before January 1, 1987, computed under § 1.964-1(a) through (e), and translated into the functional currency (as determined under section 985) of the foreign corporation at the spot rate on the first day of the foreign corporation's first taxable year beginning after December 31, 1986. For further guidance, see Notice 88-70 (1988-2 C.B. 369, 370) (see also § 601.601(d)(2) of this chapter). The term *pre-1987 section 960 earnings and profits* does not include earnings and profits that represent previously taxed earnings and profits described in section 959.

(7) *Pre-1987 section 960 foreign income taxes*. The term *pre-1987 section 960 foreign income taxes* means the foreign income taxes related to pre-1987 section 960 earnings and profits, determined in accordance with the principles of § 1.902-1(a)(10)(iii), except that the U.S. dollar amounts of pre-1987 section 960

foreign income taxes are determined by reference to the exchange rates in effect when the taxes were paid or accrued.

(8) *Earnings and profits*. For purposes of §§ 1.367(b)-7 and 1.367(b)-9, the term *earnings and profits* means post-1986 undistributed earnings, pre-1987 accumulated profits, and pre-1987 section 960 earnings and profits.

(9) *Pooling corporation*. The term *pooling corporation* means a foreign corporation with respect to which the requirements of section 902(c)(3)(B) have been met in the current taxable year or any prior taxable year.

(10) *Nonpooling corporation*. The term *nonpooling corporation* means a foreign corporation that is not a pooling corporation.

(11) *Separate category*. The term *separate category* has the meaning set forth in section 904(d)(1), and shall also include any other category of income to which section 904(a), (b), and (c) are applied separately under any other provision of the Internal Revenue Code (e.g., sections 56(g)(4)(C)(iii)(IV), 245(a)(10), 865(h), 901(j), and 904(h)(10) (or section 904(g)(10) for taxable years beginning on or before December 31, 2006).

(12) *Passive category*. The term *passive category* means the separate category that includes income described in section 904(d)(1)(A).

(13) *General category*. The term *general category* means the separate category that includes income described in section 904(d)(1)(B) (or section 904(d)(1)(I) for taxable years beginning on or before December 31, 2006).

[T.D. 8862, 65 FR 3598, Jan. 24, 2000; 65 FR 66501, Nov. 6, 2000, as amended by T.D. 9216, 70 FR 43760, July 29, 2005; T.D. 9273, 71 FR 44894, Aug. 8, 2006; T.D. 9345, 72 FR 41444, July 30, 2007; T.D. 9400, 73 FR 30303, May 27, 2008]

§ 1.367(b)-3 Repatriation of foreign corporate assets in certain non-recognition transactions.

(a) *Scope*. This section applies to an acquisition by a domestic corporation (the domestic acquiring corporation) of the assets of a foreign corporation (the foreign acquired corporation) in a liquidation described in section 332 or an asset acquisition described in section 368(a)(1).

(b) *Exchange of stock owned directly by a United States shareholder or by certain foreign corporate shareholders—(1) Scope.* This paragraph (b) applies in the case of an exchanging shareholder that is either—

(i) A United States shareholder of the foreign acquired corporation; or

(ii) A foreign corporation with respect to which there are one or more United States shareholders.

(2) *United States shareholder.* For purposes of this section (and for purposes of the other section 367(b) regulation provisions that specifically refer to this paragraph (b)(2)), the term *United States shareholder* means any shareholder described in section 951(b) (without regard to whether the foreign corporation is a controlled foreign corporation), and also any shareholder described in section 953(c)(1)(A) (but only if the foreign corporation is a controlled foreign corporation as defined in section 953(c)(1)(B) subject to the rules of section 953(c)).

(3) *Income inclusion—(i) Inclusion of all earnings and profits amount.* An exchanging shareholder shall include in income as a deemed dividend the all earnings and profits amount with respect to its stock in the foreign acquired corporation. For the consequences of the deemed dividend, see § 1.367(b)-2(e).

Notwithstanding § 1.367(b)-2(e), however, a deemed dividend from the foreign acquired corporation to an exchanging foreign corporate shareholder shall not qualify for the exception from foreign personal holding company income provided by section 954(c)(3)(A)(i), although it may qualify for the look-through treatment provided by section 904(d)(3) if the requirements of that section are met with respect to the deemed dividend.

(ii) *Examples.* The following examples illustrate the rules of paragraph (b)(3)(i) of this section:

Example 1. (i) Facts. DC, a domestic corporation, owns all of the outstanding stock of FC, a foreign corporation. The stock of FC has a value of \$100, and DC has a basis of \$30 in such stock. The all earnings and profits amount attributable to the FC stock owned by DC is \$20, of which \$15 is described in section 1248(a) and the remaining \$5 is not (for example, because it accumulated prior to 1963). FC has a basis of \$50 in its assets. In a liquidation described in section 332, FC dis-

tributes all of its property to DC, and the FC stock held by DC is canceled.

(ii) *Result.* Under paragraph (b)(3)(i) of this section, DC must include \$20 in income as a deemed dividend from FC. Under section 337(a) FC does not recognize gain or loss in the assets that it distributes to DC, and under section 334(b), DC takes a basis of \$50 in such assets. Because the requirements of section 902 are met, DC qualifies for a deemed paid foreign tax credit with respect to the deemed dividend that it receives from FC.

Example 2. (i) Facts. DC, a domestic corporation, owns all of the outstanding stock of FC, a foreign corporation. The stock of FC has a value of \$100, and DC has a basis of \$30 in such stock. The all earnings and profits amount attributable to the FC stock owned by DC is \$75. FC has a basis of \$50 in its assets. In a liquidation described in section 332, FC distributes all of its property to DC, and the FC stock held by DC is canceled.

(ii) *Result.* Under paragraph (b)(3)(i) of this section, DC must include \$75 in income as a deemed dividend from FC. Under section 337(a) FC does not recognize gain or loss in the assets that it distributes to DC, and under section 334(b), DC takes a basis of \$50 in such assets. Because the requirements of section 902 are met, DC qualifies for a deemed paid foreign tax credit with respect to the deemed dividend that it receives from FC.

Example 3. (i) Facts. DC, a domestic corporation, owns 80 percent of the outstanding stock of FC, a foreign corporation. DC has owned its 80 percent interest in FC since FC was incorporated. The remaining 20 percent of the outstanding stock of FC is owned by a person unrelated to DC (the minority shareholder). The stock of FC owned by DC has a value of \$80, and DC has a basis of \$24 in such stock. The stock of FC owned by the minority shareholder has a value of \$20, and the minority shareholder has a basis of \$18 in such stock. FC's only asset is land having a value of \$100, and FC has a basis of \$50 in the land. Gain on the land would not generate earnings and profits qualifying under section 1248(d) for an exclusion from earnings and profits for purposes of section 1248. FC has earnings and profits of \$20 (determined under the rules of § 1.367(b)-2(d)(2) (i) and (ii)), \$16 of which is attributable to the stock owned by DC under the rules of § 1.367(b)-2(d)(3). FC subdivides the land and distributes to the minority shareholder land with a value of \$20 and a basis of \$10. As part of the same transaction, in a liquidation described in section 332, FC distributes the remainder of its land to DC, and the FC stock held by DC and the minority shareholder is canceled.

(ii) *Result.* Under section 336, FC must recognize the \$10 of gain it realizes in the land it distributes to the minority shareholder,

and under section 331 the minority shareholder recognizes its gain of \$2 in the stock of FC. Such gain is included in income by the minority shareholder as a dividend to the extent provided in section 1248 if the minority shareholder is a United States person that is described in section 1248(a)(2). Under § 1.367(b)-2(d)(2)(iii), the \$10 of gain recognized by FC increases its earnings and profits for purposes of computing the all earnings and profits amount and, as a result, \$8 of such increase (80 percent of \$10) is considered to be attributable to the FC stock owned by DC under § 1.367(b)-2(d)(3)(i)(A)(1). DC's all earnings and profits amount with respect to its stock in FC is \$24 (the \$16 of initial all earnings and profits amount with respect to the FC stock held by DC, plus the \$8 addition to such amount that results from FC's recognition of gain on the distribution to the minority shareholder). Under paragraph (b)(3)(i) of this section, DC must include the \$24 all earnings and profits amount in income as a deemed dividend from FC.

Example 4. (i) *Facts.* DC1, a domestic corporation, owns all of the outstanding stock of DC2, a domestic corporation. DC1 also owns all of the outstanding stock of FC, a foreign corporation. The stock of FC has a value of \$100, and DC1 has a basis of \$30 in such stock. The assets of FC have a value of \$100. The all earnings and profits amount with respect to the FC stock owned by DC1 is \$20. In a reorganization described in section 368(a)(1)(D), DC2 acquires all of the assets of FC solely in exchange for DC2 stock. FC distributes the DC2 stock to DC1, and the FC stock held by DC1 is canceled.

(ii) *Result.* DC1 must include \$20 in income as a deemed dividend from FC under paragraph (b)(3)(i) of this section. Under section 361, FC does not recognize gain or loss in the assets that it transfers to DC2 or in the DC2 stock that it distributes to DC1, and under section 362(b) DC2 takes a basis in the assets that it acquires from FC equal to the basis that FC had therein. Under § 1.367(b)-2(e)(3)(ii) and section 358(a)(1), DC1 takes a basis of \$50 (its \$30 basis in the stock of FC, plus the \$20 that was treated as a deemed dividend to DC1) in the stock of DC2 that it receives in exchange for the stock of FC. Under § 1.367(b)-2(e)(3)(iii) and section 312(a), the earnings and profits of FC are reduced by the \$20 deemed dividend.

Example 5. (i) *Facts.* DC1, a domestic corporation, owns all of the outstanding stock of FC1, a foreign corporation. FC1 owns all of the outstanding stock of FC2, a foreign corporation. The all earnings and profits amount with respect to the FC2 stock owned by FC1 is \$20. In a reorganization described in section 368(a)(1)(A), DC2, a domestic corporation unrelated to FC1 or FC2, acquires all of the assets and liabilities of FC2 pursuant to a State W merger. FC2 receives DC2 stock and distributes such stock to FC1. The

FC2 stock held by FC1 is canceled, and FC2 ceases its separate legal existence.

(ii) *Result.* FC1 must include \$20 in income as a deemed dividend from FC2 under paragraph (b)(3)(i) of this section. The deemed dividend is treated as a dividend for purposes of the Internal Revenue Code as provided in § 1.367(b)-2(e)(2); however, under paragraph (b)(3)(i) of this section the deemed dividend cannot qualify for the exception from foreign personal holding company income provided by section 954(c)(3)(A)(i), even if the provisions of that section would otherwise have been met in the case of an actual dividend.

Example 6. (i) *Facts.* DC1, a domestic corporation, owns 99 percent of USP, a domestic partnership. The remaining 1 percent of USP is owned by a person unrelated to DC1. DC1 and USP each directly own 9 percent of the outstanding stock of FC, a foreign corporation that is not a controlled foreign corporation subject to the rule of section 953(c). In a reorganization described in section 368(a)(1)(C), DC2, a domestic corporation, acquires all of the assets and liabilities of FC in exchange for DC2 stock. FC distributes to its shareholders DC2 stock, and the FC stock held by its shareholders is canceled.

(ii) *Result.* (A) DC1 and USP are United States persons that are exchanging shareholders in a transaction described in paragraph (a) of this section. As a result, DC1 and USP are subject to the rules of paragraph (b) of this section if they qualify as United States shareholders as defined in paragraph (b)(2) of this section. Alternatively, if they do not qualify as United States shareholders as defined in paragraph (b)(2) of this section, DC1 and USP are subject to the rules of paragraph (c) of this section. Paragraph (b)(2) of this section defines the term United States shareholder to include any shareholder described in section 951(b) (without regard to whether the foreign corporation is a controlled foreign corporation). A shareholder described in section 951(b) is a United States person that is considered to own, applying the rules of section 958(a) and 958(b), 10 percent or more of the total combined voting power of all classes of stock entitled to vote of a foreign corporation. Under section 958(b), the rules of section 318(a), as modified by section 958(b) and the regulations thereunder, apply so that, in general, stock owned directly or indirectly by a partnership is considered as owned proportionately by its partners, and stock owned directly or indirectly by a partner is considered as owned by the partnership. Thus, under section 958(b), DC1 is treated as owning its proportionate share of FC stock held by USP, and USP is treated as owning all of the FC stock held by DC1.

(B) Accordingly, for purposes of determining whether DC1 is a United States shareholder under paragraph (b)(2) of this

section, DC1 is considered as owning 99 percent of the 9 percent of FC stock held by USP. Because DC1 also owns 9 percent of FC stock directly, DC1 is considered as owning more than 10 percent of FC stock. DC1 is thus a United States shareholder of FC under paragraph (b)(2) of this section and, as a result, is subject to the rules of paragraph (b) of this section. However, for purposes of determining DC1's all earnings and profits amount, DC1 is not treated as owning the FC stock held by USP. Under §1.367(b)-2(d)(3), DC1's all earnings and profits amount is determined by reference to the 9 percent of FC stock that it directly owns.

(C) For purposes of determining whether USP is a United States shareholder under paragraph (b)(2) of this section, USP is considered as owning the 9 percent of FC stock held by DC1. Because USP also owns 9 percent of FC stock directly, USP is considered as owning more than 10 percent of FC stock. USP is thus a United States shareholder of FC under paragraph (b)(2) of this section and, as a result, is subject to the rules of paragraph (b) of this section. However, for purposes of determining USP's all earnings and profits amount, USP is not treated as owning the FC shares held by DC1. Under §1.367(b)-2(d)(3), USP's all earnings and profits amount is determined by reference to the 9 percent of FC stock that it directly owns.

(iii) *Recognition of exchange gain or loss with respect to capital.* [Reserved]

(4) *Reserved.* For further guidance concerning section 367(b) exchanges occurring before February 23, 2001, see §1.367(b)-3T(b)(4).

(c) *Exchange of stock owned by a United States person that is not a United States shareholder*—(1) *Scope.* This paragraph (c) applies in the case of an exchanging shareholder that is a United States person not described in paragraph (b)(1)(i) of this section (*i.e.*, a United States person that is not a United States shareholder of the foreign acquired corporation).

(2) *Requirement to recognize gain.* An exchanging shareholder described in paragraph (c)(1) of this section shall recognize realized gain (but not loss) with respect to the stock of the foreign acquired corporation.

(3) *Election to include all earnings and profits amount.* In lieu of the treatment prescribed by paragraph (c)(2) of this section, an exchanging shareholder described in paragraph (c)(1) of this section may instead elect to include in income as a deemed dividend the all earnings and profits amount with respect to its stock in the foreign ac-

quired corporation. For the consequences of a deemed dividend, see §1.367(b)-2(e). Such election may be made only if—

(i) The foreign acquired corporation (or its successor in interest) has provided the exchanging shareholder information to substantiate the exchanging shareholder's all earnings and profits amount with respect to its stock in the foreign acquired corporation; and

(ii) The exchanging shareholder complies with the section 367(b) notice requirement described in §1.367(b)-1(c), including the specific rules contained therein concerning the time and manner for electing to apply the rules of this paragraph (c)(3).

(4) *De minimis exception.* This paragraph (c) shall not apply in the case of an exchanging shareholder whose stock in the foreign acquired corporation has a fair market value of less than \$50,000 on the date of the section 367(b) exchange.

(5) *Examples.* The following examples illustrate the rules of this paragraph (c):

Example 1. (i) *Facts.* DC1, a domestic corporation, owns 5 percent of the outstanding stock of FC, a foreign corporation that is not a controlled foreign corporation subject to the rule of section 953(c). Persons unrelated to DC1 own the remaining 95 percent of the outstanding stock of FC. DC1 has owned its 5 percent interest in FC since FC was incorporated. DC1's stock in FC has a basis of \$40,000 and a value of \$100,000. The all earnings and profits amount with respect to DC1's stock in FC is \$50,000. In a reorganization described in section 368(a)(1)(C), DC2, a domestic corporation, acquires all of the assets and liabilities of FC in exchange for DC2 stock. FC distributes DC2 stock to its shareholders, and the FC stock held by its shareholders is canceled.

(ii) *Alternate result 1.* If DC1 does not make the election described in paragraph (c)(3) of this section, then the general rule of paragraph (c)(2) of this section applies and DC1 must recognize its \$60,000 gain in the FC stock. Under section 358(a)(1), DC1 has a \$100,000 basis (its \$40,000 basis in the FC stock, plus the \$60,000 recognized gain) in the DC2 stock that it receives in exchange for its FC stock. Because DC1 is not a shareholder described in section 1248(a)(2), section 1248 does not apply to recharacterize any of DC1's gain as a dividend.

(iii) *Alternate result 2.* If DC1 makes a valid election under paragraph (c)(3) of this section, then DC1 must include in income as a deemed dividend the \$50,000 all earnings and

profits amount with respect to its FC stock. Under § 1.367(b)-2(e)(3) and section 358(a)(1), DC1 has a \$90,000 basis (its \$40,000 basis in the FC stock, plus the \$50,000 that was treated as a deemed dividend to DC1) in the DC2 stock that it receives in exchange for its FC stock. Because DC1 owns less than 10 percent of the voting stock of FC, DC1 does not qualify for a deemed paid foreign tax credit under section 902.

Example 2. (i) *Facts.* The facts are the same as in *Example 1*, except that DC1's stock in FC has a fair market value of \$48,000 on the date DC1 receives the DC2 stock.

(ii) *Result.* Because DC1's stock in FC has a fair market value of less than \$50,000 on the date of the section 367(b) exchange, the de minimis exception of paragraph (c)(4) of this section applies. As a result, DC1 is not subject to the gain or income inclusion requirements of this paragraph (c).

(d) *Carryover of certain foreign taxes—*

(1) *Rule.* Excess foreign taxes under section 904(c) allowable to the foreign acquired corporation under section 906 shall carry over to the domestic acquiring corporation and become allowable under section 901, subject to the limitations prescribed by the Internal Revenue Code (for example, sections 383, 904 and 907). The domestic acquiring corporation shall not succeed to any other foreign taxes paid or incurred by the foreign acquired corporation.

(2) *Example.* The following example illustrates the rules of this paragraph (d):

Example. (i) *Facts.* DC, a domestic corporation owns 100 percent of the outstanding stock of FC, a foreign corporation. FC has net positive earnings and profits, none of which are attributable to DC's FC stock under § 1.367(b)-2(d)(3). FC has paid foreign taxes that are not eligible for credit under section 906. In a liquidation described in section 332, FC distributes all of its property to DC, and the FC stock held by DC is canceled.

(ii) *Result.* The liquidation of FC into DC is a section 367(b) exchange. Thus, DC is subject to the section 367(b) regulations, and must file a section 367(b) notice pursuant to § 1.367(b)-1(c). Pursuant to the provisions of paragraph (d)(1) of this section, the foreign taxes paid by FC do not carryover to DC because FC's foreign taxes are not eligible for credit under section 906.

(e) *Net operating loss and capital loss carryovers.* A net operating loss or capital loss carryover of the foreign acquired corporation is described in section 381(c)(1) and (c)(3) and thus is eli-

gible to carry over from the foreign acquired corporation to the domestic acquiring corporation only to the extent the underlying deductions or losses were allowable under chapter 1 of subtitle A of the Internal Revenue Code. Thus, only a net operating loss or capital loss carryover that is effectively connected with the conduct of a trade or business within the United States (or that is attributable to a permanent establishment, in the context of an applicable United States income tax treaty) is eligible to be carried over under section 381. For further guidance, see Rev. Rul. 72-421 (1972-2 C.B. 166) (see also § 601.601(d)(2) of this chapter).

(f) *Carryover of earnings and profits—*

(1) *General rule.* Except to the extent otherwise specifically provided (see, e.g., Notice 89-79 (1989-2 C.B. 392) (see also § 601.601(d)(2) of this chapter)), earnings and profits of the foreign acquired corporation that are not included in income as a deemed dividend under the section 367(b) regulations (or deficit in earnings and profits) are eligible to carry over from the foreign acquired corporation to the domestic acquiring corporation under section 381(c)(2) only to the extent such earnings and profits (or deficit in earnings and profits) are effectively connected with the conduct of a trade or business within the United States (or are attributable to a permanent establishment in the United States, in the context of an applicable United States income tax treaty). All other earnings and profits (or deficit in earnings and profits) of the foreign acquired corporation shall not carry over to the domestic acquiring corporation and, as a result, shall be eliminated.

(2) *Previously taxed earnings and profits.* [Reserved]

[T.D. 8862, 65 FR 3601, Jan. 24, 2000; 65 FR 66501, Nov. 6, 2000, as amended by T.D. 9243, 71 FR 4288, Jan. 26, 2006; T.D. 9273, 71 FR 44895, Aug. 8, 2006]

§ 1.367(b)-3T Repatriation of foreign corporate assets in certain non-recognition transactions (temporary).

(a)-(b)(3) [Reserved]. For further guidance, see § 1.367(b)-3(a) through (b)(3).

(4) *Election of taxable exchange treatment*—(i) *Rules*—(A) *In general.* In lieu of the treatment prescribed by §1.367(b)-3(b)(3)(i), an exchanging shareholder described in §1.367(b)-3(b)(1) may instead elect to recognize the gain (but not loss) that it realizes in the exchange (taxable exchange election). To make a taxable exchange election, the following requirements must be satisfied—

(1) The exchanging shareholder (and its direct or indirect owners that would be affected by the election, in the case of an exchanging shareholder that is a foreign corporation) reports the exchange in a manner consistent therewith (see, e.g., sections 954(c)(1)(B)(i), 1001 and 1248);

(2) The notification requirements of paragraph (b)(4)(i)(C) of this section are satisfied; and

(3) The adjustments described in paragraph (b)(4)(i)(B) of this section are made when the following circumstances are present—

(i) The transaction is described in section 332 or is an asset acquisition described in section 368(a)(1), with regard to which one U.S. person owns (directly or indirectly) 100 percent of the foreign acquired corporation; and

(ii) The all earnings and profits amount described in §1.367(b)-3(b)(3)(i) with respect to the exchange exceeds the gain recognized by the exchanging shareholder.

(B) *Attribute reduction*—(1) *Reduction of NOL carryovers.* The amount by which the all earnings and profits amount exceeds the gain recognized by the exchanging shareholder (the excess earnings and profits amount) shall be applied to reduce the net operating loss carryovers (if any) of the foreign acquired corporation to which the domestic acquiring corporation would otherwise succeed under section 381(a) and (c)(1). See also Rev. Rul. 72-421 (1972-2 C.B. 166) (see § 601.601(d)(2) of this chapter).

(2) *Reduction of capital loss carryovers.* After the application of paragraph (b)(4)(i)(B)(1) of this section, any remaining excess earnings and profits amount shall be applied to reduce the capital loss carryovers (if any) of the foreign acquired corporation to which the domestic acquiring corporation

would otherwise succeed under section 381(a) and (c)(3).

(3) *Reduction of basis.* After the application of paragraph (b)(4)(i)(B)(2) of this section, any remaining excess earnings and profits amount shall be applied to reduce (but not below zero) the basis of the assets (other than dollar-denominated money) of the foreign acquired corporation that are acquired by the domestic acquiring corporation. Such remaining excess earnings and profits amount shall be applied to reduce the basis of such assets in the following order: first, tangible depreciable or depletable assets, according to their class lives (beginning with those assets with the shortest class life); second, other non-inventory tangible assets; third, intangible assets that are amortizable; and finally, the remaining assets of the foreign acquired corporation that are acquired by the domestic acquiring corporation. Within each of these categories, if the total basis of all assets in the category is greater than the excess earnings and profits amount to be applied against such basis, the taxpayer may choose to which specific assets in the category the basis reduction first applies.

(C) *Notification.* The exchanging shareholder shall elect to apply the rules of this paragraph (b)(4)(i) by attaching a statement of its election to its section 367(b) notice. See §1.367(b)-1(c) For the rules concerning filing a section 367(b) notice.

(D) *Example.* The following example illustrates the rules of this paragraph (b)(4)(i):

Example. (i) *Facts.* DC, a domestic corporation, owns all of the outstanding stock of FC, a foreign corporation. The stock of FC has a value of \$100, and DC has a basis of \$80 in such stock. The assets of FC are one parcel of land with a value of \$60 and a basis of \$30, and tangible depreciable assets with a value of \$40 and a basis of \$80. FC has no net operating loss carryovers or capital loss carryovers. The all earnings and profits amount with respect to the FC stock owned by DC is \$30, of which \$19 is described in section 1248(a) and the remaining \$11 is not (for example, because it was earned prior to 1963). In a liquidation described in section 332, FC distributes all of its property to DC, and the FC stock held by DC is canceled. Rather than including in income as a deemed dividend the all earnings and profits amount of

\$30 as provided in § 1.367(b)-3(b)(3)(i), DC instead elects taxable exchange treatment under paragraph (b)(4)(i)(A) of this section.

(ii) *Result.* DC recognizes the \$20 of gain it realizes on its stock in FC. Of this \$20 amount, \$19 is included in income by DC as a dividend pursuant to section 1248(a). (For the source of the remaining \$1 of gain recognized by DC, see section 865. For the treatment of the \$1 for purposes of the foreign tax credit limitation, see generally section 904(d)(2)(A)(i).) Because the transaction is described in section 332 and because the all earnings and profits amount with respect to the FC stock held by DC (\$30) exceeds by \$10 the income recognized by DC (\$20), the attribute reduction rules of paragraph (b)(4)(i)(B) of this section apply. Accordingly, the \$10 excess earnings and profits amount is applied to reduce the basis of the tangible depreciable assets of FC, beginning with those assets with the shortest class lives. Under section 337(a) FC does not recognize gain or loss in the assets that it distributes to DC, and under section 334(b) (which is applied taking into account the basis reduction prescribed by paragraph (b)(4)(i)(A)(3) of this section) DC takes a basis of \$30 in the land and \$70 in the tangible depreciable assets that it receives from FC.

(ii) *Effective date.* This paragraph (b)(4) applies for section 367(b) exchanges that occur between February 23, 2000, and February 23, 2001.

(c)-(d) [Reserved]. For further guidance, see § 1.367(b)-3(c) through (d).

[T.D. 8863, 65 FR 3588, Jan. 24, 2000, as amended by T.D. 9243, 71 FR 4288, Jan. 26, 2006]

§ 1.367(b)-4 Acquisition of foreign corporate stock or assets by a foreign corporation in certain nonrecognition transactions.

(a) *Scope.* This section applies to certain acquisitions by a foreign corporation of the stock or assets of a foreign corporation in an exchange described in section 351 or in a reorganization described in section 368(a)(1). Paragraph (b) of this section provides a rule regarding when an exchanging shareholder is required to include in income as a deemed dividend the section 1248 amount attributable to the stock that it exchanges. Paragraph (c) of this section provides a rule excluding deemed dividends from foreign personal holding company income. Paragraph (d) of this section provides rules for subsequent sales or exchanges. Paragraphs (e) and (f) of this section provide rules regarding certain exchanges following

inversion transactions. Paragraph (g) of this section provides definitions and special rules, including special rules regarding triangular reorganizations and recapitalizations. Paragraph (h) of this section provides the applicability dates for certain paragraphs of this section. See also § 1.367(a)-3(b)(2) for transactions subject to the concurrent application of sections 367(a) and (b) and § 1.367(b)-2 for additional definitions that apply.

(b) *Income inclusion.* If a foreign corporation (the transferee foreign corporation) acquires the stock of a foreign corporation in an exchange described in section 351 or the stock or assets of a foreign corporation in a reorganization described in section 368(a)(1) (in either case, the foreign acquired corporation), then an exchanging shareholder must, if its exchange is described in paragraph (b)(1)(i), (b)(2)(i), or (b)(3) of this section, include in income as a deemed dividend the section 1248 amount attributable to the stock that it exchanges.

(1) *Exchange that results in loss of status as section 1248 shareholder*—(i) *General rule.* Except as provided in paragraph (b)(1)(ii) of this section, an exchange is described in this paragraph (b)(1)(i) if—

(A) Immediately before the exchange, the exchanging shareholder is—

(1) A United States person that is a section 1248 shareholder with respect to the foreign acquired corporation; or

(2) A foreign corporation, and a United States person is a section 1248 shareholder with respect to such foreign corporation and with respect to the foreign acquired corporation;

(B) Either of the following conditions is satisfied—

(1) Immediately after the exchange, the stock received in the exchange is not stock in a corporation that is a controlled foreign corporation as to which the United States person described in paragraph (b)(1)(i)(A) of this section is a section 1248 shareholder; or

(2) Immediately after the exchange, the transferee foreign corporation or the foreign acquired corporation (in the case of the acquisition of the stock of a foreign acquired corporation) is not a controlled foreign corporation as

to which the United States person described in paragraph (b)(1)(i)(A) of this section is a section 1248 shareholder; and

(C) The exchange is not a specified exchange to which paragraph (e)(1) of this section applies.

(ii) *Special rules—(A) Receipt of foreign stock in an exchange to which § 1.367(a)-7(c) applies.* If an exchanging shareholder is a domestic corporation that transfers stock of a foreign acquired corporation in an exchange under section 361(a) or (b) (section 361 exchange) to which the exception to section 367(a)(5) in § 1.367(a)-7(c) applies, and the exchanging shareholder receives stock in either the transferee foreign corporation or foreign controlling corporation (in the case of a triangular reorganization), such exchange will not be described in paragraph (b)(1)(i) of this section only if immediately after the exchanging shareholder's receipt of the foreign stock in the section 361 exchange, but prior to, and without taking into account, the exchanging shareholder's distribution of the foreign stock under section 361(c)(1), the foreign acquired corporation, transferee foreign corporation, and foreign controlling corporation (in the case of a triangular reorganization) are controlled foreign corporations as to which the exchanging shareholder is a section 1248 shareholder. See paragraph (b)(1)(iii) of this section, *Example 4*, for an illustration of this rule. If an exchange is not described in paragraph (b)(1)(i) of this section as a result of the application of this paragraph, see §§ 1.1248(f)-1(b)(3) and 1.1248(f)-2(c), as applicable. For adjustments to the basis of stock of the foreign surviving corporation in certain triangular reorganizations, see paragraph (b)(1)(ii)(B)(2)(i) of this section.

(B) *Special rules for certain triangular reorganizations—(1) Receipt of domestic stock.* In the case of a triangular reorganization in which the stock received in the exchange is stock of a domestic controlling corporation, such exchange is not described in paragraph (b)(1)(i) of this section if immediately after the exchange the following foreign corporations are controlled foreign corporations as to which the domestic

controlling corporation is a section 1248 shareholder—

(i) The foreign acquired corporation and foreign surviving corporation, in the case of a section 354 exchange of the stock of the foreign acquired corporation pursuant to a triangular B reorganization.

(ii) The foreign surviving corporation, in the case of a section 354 or section 356 exchange of the stock of the foreign acquired corporation pursuant to a forward triangular merger, triangular C reorganization, reverse triangular merger, or triangular G reorganization. See paragraph (b)(1)(iii) of this section, *Example 3B* for an illustration of this rule.

(iii) The foreign acquired corporation and foreign surviving corporation, in the case of a section 361 exchange of the stock of the foreign acquired corporation by an exchanging shareholder that is a foreign corporation described in paragraph (b)(1)(i)(A)(2) of this section and that is a foreign acquired corporation the assets of which are acquired in a triangular reorganization described in paragraph (b)(1)(ii)(B)(1)(ii) of this section.

(iv) The foreign acquired corporation and foreign surviving corporation, in the case of a section 361 exchange of the stock of the foreign acquired corporation by an exchanging shareholder that is a domestic corporation described in paragraph (b)(1)(i)(A)(1) of this section and that is acquired in a triangular reorganization to which the exception to section 367(a)(5) in § 1.367(a)-7(c) applies. See paragraph (b)(1)(iii) of this section, *Example 5* for an illustration of this rule.

(2) *Adjustments to basis of stock of foreign surviving corporation—(i) Section 361 exchanges to which § 1.367(a)-7(c) applies.* If stock of the foreign acquired corporation is acquired by the foreign surviving corporation in a section 361 exchange by reason of triangular reorganization (other than a triangular B reorganization) to which the exception to section 367(a)(5) provided in § 1.367(a)-7(c) applies, and if paragraph (b)(1)(i) of this section does not apply to the section 361 exchange by reason of (b)(1)(ii)(A) of this section (if the stock received is stock of a foreign controlling corporation) or by reason of

(b)(1)(ii)(B)(I)(iv) of this section (if the stock received is stock of a domestic controlling corporation), then the controlling corporation (foreign or domestic) must apply the principles of § 1.367(b)-13 to adjust the basis of the stock of the foreign surviving corporation so that the section 1248 amount in the stock of the foreign acquired corporation (determined when the foreign surviving corporation acquires such stock) is reflected in the stock of the foreign surviving corporation immediately after the exchange. See paragraph (b)(1)(iii) of this section, *Example 5*, for an illustration of this rule.

(ii) *Other exchanges.* See § 1.367(b)-13 for rules regarding the adjustment to the basis of the stock of the foreign surviving corporation in exchanges pursuant to triangular reorganizations that are not subject to paragraph (b)(1)(ii)(B)(2)(i) of this section.

(iii) *Examples.* The following examples illustrate the rules of this paragraph (b)(1):

Example 1. (i) *Facts.* FC1 is a foreign corporation that is owned, directly and indirectly (applying the ownership rules of section 958), solely by foreign persons. DC is a domestic corporation that is unrelated to FC1. DC owns all of the outstanding stock of FC2, a foreign corporation. Thus, under § 1.367(b)-2(a) and (b), DC is a section 1248 shareholder with respect to FC2, and FC2 is a controlled foreign corporation. Under § 1.367(b)-2(c)(1), the section 1248 amount attributable to the stock of FC2 held by DC is \$20. In a reorganization described in section 368(a)(1)(C), FC1 acquires all of the assets and assumes all of the liabilities of FC2 in exchange for FC1 voting stock. The FC1 voting stock received does not represent more than 50 percent of the voting power or value of FC1's stock. FC2 distributes the FC1 stock to DC, and the FC2 stock held by DC is canceled.

(ii) *Result.* FC1 is not a controlled foreign corporation immediately after the exchange. As a result, the exchange is described in paragraph (b)(1)(i) of this section. Under paragraph (b) of this section, DC must include in income, as a deemed dividend from FC2, the section 1248 amount (\$20) attributable to the FC2 stock that DC exchanged.

Example 2. (i) *Facts.* The facts are the same as in *Example 1*, except that the voting stock of FC1, which is received by FC2 in exchange for its assets and distributed by FC2 to DC, represents more than 50 percent of the voting power of FC1's stock under the rules of section 957(a).

(ii) *Result.* Paragraph (b)(1)(i) of this section does not apply to require inclusion in income of the section 1248 amount, because FC1 is a controlled foreign corporation as to which DC is a section 1248 shareholder immediately after the exchange.

Example 3. (i) *Facts.* The facts are the same as in *Example 1*, except that FC2 receives and distributes voting stock of FP, a foreign corporation that is in control (within the meaning of section 368(c)) of FC1, instead of receiving and distributing voting stock of FC1.

(ii) *Result.* For purposes of section 367(a), the transfer is an indirect stock transfer subject to section 367(a). See § 1.367(a)-3(d)(1)(iv). Accordingly, DC's exchange of FC2 stock for FP stock under section 354 will be taxable under section 367(a) (and section 1248 will be applicable) if DC fails to enter into a gain recognition agreement in accordance with § 1.367(a)-8. Under § 1.367(a)-3(b)(2), if DC enters into a gain recognition agreement, the exchange will be subject to the provisions of section 367(b) and the regulations thereunder, as well as section 367(a). If FP and FC1 are controlled foreign corporations as to which DC is a (direct or indirect) section 1248 shareholder immediately after the reorganization, then the section 367(b) result is the same as in *Example 2*—that is, paragraph (b)(1)(i) of this section does not apply to require inclusion in income of the section 1248 amount. Under these circumstances, the amount of the gain recognition agreement would equal the amount of the gain realized on the indirect stock transfer. If FP or FC1 is not a controlled foreign corporation as to which DC is a (direct or indirect) section 1248 shareholder immediately after the exchange, then the section 367(b) result is the same as in *Example 1*—that is, DC must include in income, as a deemed dividend from FC2, the section 1248 amount (\$20) attributable to the FC2 stock that DC exchanged. Under these circumstances, the amount of the gain recognition agreement would equal the amount of the gain realized on the indirect stock transfer, less the \$20 section 1248 amount inclusion.

Example 3A. (i) *Facts.* The facts are the same as in *Example 3*, except that FC1 merges into FC2 in a reorganization described in sections 368(a)(1)(A) and (a)(2)(E). Pursuant to the reorganization, DC exchanges its FC2 stock for stock of FP.

(ii) *Result.* The result is similar to the result in *Example 3*. The transfer is an indirect stock transfer subject to section 367(a). See § 1.367(a)-3(d)(1)(ii). Accordingly, DC's exchange of FC2 stock for FP stock will be taxable under section 367(a) (and section 1248 will be applicable) if DC fails to enter into a gain recognition agreement. If DC enters into a gain recognition agreement, the exchange will be subject to the provisions of section 367(b) and the regulations thereunder, as well as section 367(a). If FP and

FC2 are controlled foreign corporations as to which DC is a section 1248 shareholder immediately after the reorganization, then paragraph (b)(1)(i) of this section does not apply to require DC to include in income the section 1248 amount attributable to the FC2 stock that was exchanged and the amount of the gain recognition agreement is the amount of gain realized on the indirect stock transfer. If FP or FC2 is not a controlled foreign corporation as to which DC is a section 1248 shareholder immediately after the exchange, then DC must include in income as a deemed dividend from FC2 the section 1248 amount (\$20) attributable to the FC2 stock that DC exchanged. Under these circumstances, the gain recognition agreement would be the amount of gain realized on the indirect transfer, less the \$20 section 1248 amount inclusion.

Example 3B. (i) *Facts.* The facts are the same as *Example 3*, except that USP, a domestic corporation, owns the controlling interest (within the meaning of section 368(c)) in FC1 stock. In addition, FC2 merges into FC1 in a reorganization described in sections 368(a)(1)(A) and (a)(2)(D). Pursuant to the reorganization, DC exchanges its FC2 stock for USP stock.

(ii) *Result.* Because DC receives stock of a domestic corporation, USP, in the section 354 exchange, the transfer is not an indirect stock transfer subject to section 367(a). Accordingly, the exchange will be subject only to the provisions of section 367(b) and the regulations thereunder. Under paragraph (b)(1)(ii) of this section, because the stock received is stock of a domestic corporation (USP) and, immediately after the exchange, USP is a section 1248 shareholder of FC1 (the surviving corporation) and FC1 is a controlled foreign corporation, the exchange is not described in paragraph (b)(1)(i) of this section and DC is not required to include in income the section 1248 amount attributable to the FC2 stock that was exchanged. See §1.367(b)-13(c) for the basis and holding period rules applicable to this transaction, which cause USP's adjusted basis and holding period in the stock of FC1 after the transaction to reflect the basis and holding period that DC had in its FC2 stock.

Example 4. (i) *Facts.* DC1, a domestic corporation, owns all of the outstanding stock of DC2, a domestic corporation. DC2 owns various assets, including all of the outstanding stock of FC2, a foreign corporation. The stock of FC2 has a value of \$100, and DC2 has a basis of \$30 in the stock. The section 1248 earnings and profits attributable to the FC2 stock held by DC2 is \$20. DC2 does not own any stock other than the FC2 stock. FC1 is a foreign corporation that is unrelated to DC1, DC2, and FC2. In a reorganization described in section 368(a)(1)(C), FC1 acquires all of the assets of DC2 in exchange for the assumption of DC2's liabilities and voting

stock of FC1 that represents 20% of the outstanding voting stock of FC1. DC2 distributes the FC1 stock to DC1 under section 361(c)(1), and the DC2 stock held by DC1 is canceled. The exception to section 367(a)(5) provided in §1.367(a)-7(c) applies to the section 361 exchange. DC1 properly files a gain recognition agreement that satisfies the conditions of §§1.367(a)-3(e)(6) and 1.367(a)-8 to qualify for nonrecognition treatment under section 367(a) with respect to DC2's transfer of the FC2 stock to FC1. See §1.367(a)-3(e). FC1 is not a surrogate foreign corporation (within the meaning of section 7874) because DC1 does not hold at least 60% of the stock of FC1 by reason of holding stock of DC2.

(ii) *Result.* DC2, the exchanging shareholder, is a U.S. person and a section 1248 shareholder with respect to FC2, the foreign acquired corporation. Whether DC2 is required to include in income the section 1248 amount attributable to the FC2 stock under paragraph (b)(1)(i) of this section depends on whether, immediately after DC2's section 361 exchange of the FC2 stock for FC1 stock (and before the distribution of the FC1 stock to DC1 under section 361(c)(1)), FC1 and FC2 are controlled foreign corporations as to which DC2 is a section 1248 shareholder. See paragraph (b)(1)(ii)(A) of this section. If, immediately after the section 361 exchange (and before the distribution of the FC1 stock to DC1 under section 361(c)(1)), FC1 and FC2 are both controlled foreign corporations as to which DC2 is a section 1248 shareholder, then DC2 is not required to include in income the section 1248 amount attributable to the FC2 stock under paragraph (b)(1)(i) of this section because neither condition in paragraph (b)(1)(i)(B) of this section is satisfied. Alternatively, if immediately after the section 361 exchange (and before the distribution of the FC1 stock to DC1 under section 361(c)(1)) either FC1 or FC2 is not a controlled foreign corporation as to which DC2 is a section 1248 shareholder, then, pursuant to paragraph (b)(1)(i) of this section, DC2 must include in income the section 1248 amount attributable to the FC2 stock. For the treatment of DC2's transfer of assets other than the FC2 stock to FC1, see section 367(a)(1) and (a)(3) and the regulations under that section. Furthermore, because DC2's transfer of any other assets to FC1 is pursuant to a section 361 exchange, see section 367(a)(5) and §1.367(a)-7. If any of the assets transferred are intangible assets for purposes of section 367(d), see section 367(d). With respect to DC2's distribution of the FC1 stock to DC1 under section 361(c)(1), see section 1248(f)(1), and §§1.1248(f)-1 and 1.1248(f)-2.

Example 5. (i) *Facts.* DC1, a domestic corporation, wholly owns DC2, a domestic corporation. The DC2 stock has a \$100x fair market value, and DC1 has a basis of \$30x in the stock. DC2's only asset is all of the outstanding stock of FC2, a foreign corporation.

§ 1.367(b)-4

26 CFR Ch. I (4-1-21 Edition)

The FC2 stock has a \$100x fair market value, and DC2 has a basis of \$30x in the stock. There are \$20x of earnings and profits attributable to the FC2 stock for purposes of section 1248. USP, a domestic corporation unrelated to DC1, DC2, and FC2, wholly owns FC1, a foreign corporation. In a triangular reorganization described in section 368(a)(1)(C), DC2 transfers all the FC2 stock to FC1 in exchange solely for voting stock of USP, and distributes the USP stock to DC1 under section 361(c)(1). DC1 exchanges its DC2 stock for the USP stock under section 354. DC2's transfer of the FC2 stock to FC1 is described in section 361(a) and therefore, under section 367(a)(5) and § 1.367(a)-7, is generally subject to section 367(a)(1). However, the exception to section 367(a)(5) provided in § 1.367(a)-7(c) applies to the section 361 exchange. In addition, DC1 is not required to adjust the basis of its USP stock (determined under section 358) under section 367(a)(5) and § 1.367(a)-7(c)(3). DC1 properly files a gain recognition agreement that satisfies the conditions of §§ 1.367(a)-3(e)(6) and 1.367(a)-8 to qualify for nonrecognition treatment under section 367(a) with respect to DC2's transfer of the FC2 stock to FC1. See § 1.367(a)-3(e).

(ii) *Result.* Immediately after the exchange, FC1 and FC2 are controlled foreign corporations as to which USP is a section 1248 shareholder because USP directly and indirectly owns all the FC1 stock and FC2 stock, respectively. Because DC2 receives stock of a domestic corporation (USP) in exchange for the FC2 stock and, immediately after the exchange, FC1 and FC2 are controlled foreign corporations as to which USP is a section 1248 shareholder, DC2's exchange of the FC2 stock for the USP stock is not described in paragraph (b)(1)(i) of this section. See paragraph (b)(1)(ii)(B)(1)(iv) of this section. Therefore, DC2 is not required to include in income the section 1248 amount in the FC2 stock. Under paragraph (b)(1)(ii)(B)(2)(i) of this section, USP must apply the principles of § 1.367(b)-13 to adjust the basis of its FC1 stock to preserve the section 1248 amount (\$20x) in the FC2 stock. Under the principles of § 1.367(b)-13, each share of FC1 stock held by USP after the exchange must be divided into portions, one portion attributable to the FC1 stock owned before the exchange and one portion attributable to the FC2 stock received in the exchange. The \$30x basis in the FC2 stock and the \$20x earnings and profits attributable to the FC2 stock before the exchange are attributable to the divided portions of the FC1 stock to which the FC2 stock relates.

(2) *Receipt by exchanging shareholder of preferred or other stock in certain instances—(i) Rule.* An exchange is described in this paragraph (b)(2)(i) if—

(A) Immediately before the exchange, the foreign acquired corporation and the transferee foreign corporation are not members of the same affiliated group (within the meaning of section 1504(a), but without regard to the exceptions set forth in section 1504(b), and substituting the words “more than 50” in place of the words “at least 80” in sections 1504(a)(2)(A) and (B));

(B) Immediately after the exchange, a domestic corporation meets the ownership threshold specified by section 902(a) or (b) such that it may qualify for a deemed paid foreign tax credit if it receives a distribution from the transferee foreign corporation (directly or through tiers); and

(C) The exchanging shareholder receives preferred stock (other than preferred stock that is fully participating with respect to dividends, redemptions and corporate growth) in consideration for common stock or preferred stock that is fully participating with respect to dividends, redemptions and corporate growth, or, in the discretion of the Commissioner or the Commissioner's delegate (and without regard to whether the stock exchanged is common stock or preferred stock), receives stock that entitles it to participate (through dividends, redemption payments or otherwise) disproportionately in the earnings generated by particular assets of the foreign acquired corporation or transferee foreign corporation.

(ii) *Examples.* The following examples illustrate the rules of this paragraph (b)(2):

Example 1. (i) *Facts.* FC1 is a foreign corporation. DC is a domestic corporation that is unrelated to FC1. DC owns all of the outstanding stock of FC2, a foreign corporation, and FC2 has no outstanding preferred stock. The value of FC2 is \$100 and DC has a basis of \$50 in the stock of FC2. Under § 1.367(b)-2(c)(1), the section 1248 amount attributable to the stock of FC2 held by DC is \$20. In a reorganization described in section 368(a)(1)(B), FC1 acquires all of the stock of FC2 and, in exchange, DC receives FC1 voting preferred stock that constitutes 10 percent of the voting stock of FC1 for purposes of section 902(a). Immediately after the exchange, FC1 and FC2 are controlled foreign corporations and DC is a section 1248 shareholder of FC1 and FC2, so paragraph (b)(1)(i) of this section does not require inclusion in income of the section 1248 amount.

(ii) *Result.* Pursuant to § 1.367(a)-3(b)(2), the transfer is subject to both section 367(a) and section 367(b). Under § 1.367(a)-3(b)(1), DC will not be subject to tax under section 367(a)(1) if it enters into a gain recognition agreement in accordance with § 1.367(a)-8. Even though paragraph (b)(1)(i) of this section does not apply to require inclusion in income by DC of the section 1248 amount, DC must nevertheless include the \$20 section 1248 amount in income as a deemed dividend from FC2 under paragraph (b)(2)(i) of this section. Thus, if DC enters into a gain recognition agreement, the amount is \$30 (the \$50 gain realized less the \$20 recognized under section 367(b)). If DC fails to enter into a gain recognition agreement, it must include in income under section 367(a)(1) the \$50 of gain realized (\$20 of which is treated as a dividend under section 1248). Section 367(b) does not apply in such case.

Example 2. (i) *Facts.* The facts are the same as in *Example 1*, except that DC owns all of the outstanding stock of FC1 immediately before the transaction.

(ii) *Result.* Both section 367(a) and section 367(b) apply to the transfer. Paragraph (b)(2)(i) of this section does not apply to require inclusion of the section 1248 amount. Under paragraph (b)(2)(i)(A) of this section, the transaction is outside the scope of paragraph (b)(2)(i) of this section because FC1 and FC2 are, immediately before the transaction, members of the same affiliated group (within the meaning of such paragraph). Thus, if DC enters into a gain recognition agreement in accordance with § 1.367(a)-8, the amount of such agreement is \$50. As in *Example 1*, if DC fails to enter into a gain recognition agreement, it must include in income \$50, \$20 of which will be treated as a dividend under section 1248.

Example 3. (i) *Facts.* FC1 is a foreign corporation. DC is a domestic corporation that is unrelated to FC1. DC owns all of the outstanding stock of FC2, a foreign corporation. The section 1248 amount attributable to the stock of FC2 held by DC is \$20. In a reorganization described in section 368(a)(1)(B), FC1 acquires all of the stock of FC2 in exchange for FC1 voting stock that constitutes 10 percent of the voting stock of FC1 for purposes of section 902(a). The FC1 voting stock received by DC in the exchange carries voting rights in FC1, but by agreement of the parties the shares entitle the holder to dividends, amounts to be paid on redemption, and amounts to be paid on liquidation, that are to be determined by reference to the earnings or value of FC2 as of the date of such event, and that are affected by the earnings or value of FC1 only if FC1 becomes insolvent or has insufficient capital surplus to pay dividends.

(ii) *Result.* Under § 1.367(a)-3(b)(1), DC will not be subject to tax under section 367(a)(1) if it enters into a gain recognition agree-

ment with respect to the transfer of FC2 stock to FC1. Under § 1.367(a)-3(b)(2), the exchange will be subject to the provisions of section 367(b) and the regulations thereunder to the extent that it is not subject to tax under section 367(a)(1). Furthermore, even if DC would not otherwise be required to recognize income under this section, the Commissioner or the Commissioner's delegate may nevertheless require that DC include the \$20 section 1248 amount in income as a deemed dividend from FC2 under paragraph (b)(2)(i) of this section.

(3) *Certain recapitalizations.* An exchange pursuant to a recapitalization under section 368(a)(1)(E) shall be deemed to be an exchange described in this paragraph (b)(3) if the following conditions are satisfied—

(i) During the 24-month period immediately preceding or following the date of the recapitalization, the corporation that undergoes the recapitalization (or a predecessor of, or successor to, such corporation) also engages in a transaction that would be described in paragraph (b)(2)(i) of this section but for paragraph (b)(2)(i)(C) of this section, either as the foreign acquired corporation or the transferee foreign corporation; and

(ii) The exchange in the recapitalization is described in paragraph (b)(2)(i)(C) of this section.

(c) *Exclusion of deemed dividend from foreign personal holding company income—(1) Rule.* In the event the section 1248 amount is included in income as a deemed dividend by a foreign corporation under paragraph (b) of this section, such deemed dividend shall not be included as foreign personal holding company income under section 954(c).

(2) *Example.* The following example illustrates the rule of this paragraph (c):

Example. (i) *Facts.* FC1 is a foreign corporation that is owned, directly and indirectly (applying the ownership rules of section 958), solely by foreign persons. DC is a domestic corporation that is unrelated to FC1. DC owns all of the outstanding stock of FC2, a foreign corporation. FC2 owns all of the outstanding stock of FC3, a foreign corporation. Under § 1.367(b)-2(c)(1), the section 1248 amount attributable to the stock of FC3 held by FC2 is \$20. In a reorganization described in section 368(a)(1)(B), FC1 acquires from FC2 all of the stock of FC3 in exchange for FC1 voting stock. The FC1 voting stock received by FC2 does not represent more than 50 percent of the voting power or value of FC1's stock.

(ii) *Result.* FC1 is not a controlled foreign corporation immediately after the exchange. Under paragraph (b)(1) of this section, FC2 must include in income, as a deemed dividend from FC3, the section 1248 amount (\$20) attributable to the FC3 stock that FC2 exchanged. The deemed dividend is treated as a dividend for purposes of the Internal Revenue Code as provided in § 1.367(b)-2(e)(2); however, under this paragraph (c) the deemed dividend is not foreign personal holding company income to FC2.

(d) *Rules for subsequent sales or exchanges—(1) Rule.* If an exchanging shareholder (as defined in § 1.1248-8(b)(1)(iv)) is not required to include in income as a deemed dividend the section 1248 amount under paragraph (b) or paragraph (e)(1) of this section (non-inclusion exchange), then, for purposes of applying section 367(b) or 1248 to subsequent sales or exchanges, and subject to the limitation of § 1.367(b)-2(d)(3)(ii) (in the case of a transaction described in § 1.367(b)-3), the determination of the earnings and profits attributable to the stock an exchanging shareholder receives in the non-inclusion exchange is determined pursuant to the rules of section 1248 and the regulations under that section.

(2) *Example.* The following example illustrates the rules of this section. For purposes of the example, assume that—

(i) There is no immediate gain recognition pursuant to section 367(a)(1) and the regulations under that section (either through operation of the rules or because the appropriate parties have entered into a gain recognition agreement under §§ 1.367(a)-3(b) and 1.367(a)-8);

(ii) References to earnings and profits are to earnings and profits that would be includible in income as a dividend under section 1248 and the regulations under that section if stock to which the earnings and profits are attributable were sold or exchanged by its shareholder;

(iii) Each corporation has only a single class of stock outstanding and uses the calendar year as its taxable year; and

(iv) Each transaction is unrelated to all other transactions.

Example. Acquisition of the stock of a foreign corporation that controls a transferee foreign corporation in a reorganization described in section 368(a)(1)(C). (i) *Facts.* DC1, a domestic

corporation, has owned all the stock of CFC1, a controlled foreign corporation, since its formation on January 1, year 1. CFC1 has owned all the stock of CFC2, a controlled foreign corporation, since its formation on January 1, year 1. FC, a foreign corporation that is not a controlled foreign corporation, has owned all of the stock of FC2, a foreign corporation, since its formation on January 1, year 2. On December 31, year 3, pursuant to a restructuring transaction that was a triangular reorganization described in section 368(a)(1)(C), CFC1 transfers all of its assets, including the CFC2 stock, to FC2 in exchange for 80% of the voting stock of FC. CFC1 transfers the voting stock of FC to DC1 and the CFC1 stock is cancelled. Pursuant to section 1223(1), DC1 is considered to have held the stock of FC since January 1, year 1. Under section 1223(2), FC2 is considered to have held the stock of CFC2 since January 1, year 1. On December 31, year 3, CFC1 has \$100 of earnings and profits. From January 1, year 4, until December 31, year 5, FC (a controlled foreign corporation after the restructuring transaction) accumulates an additional \$50 of earnings and profits. FC2, a controlled foreign corporation after the restructuring transaction, accumulates \$100 of earnings and profits from January 1, year 4, until December 31, year 5. On December 31, year 5, FC is liquidated into DC1 in a transaction described in section 332.

(ii) *Result.* Generally, this paragraph (d) requires that DC1 include in income the earnings and profits attributable to its stock in FC as determined under § 1.1248-8. However, since the liquidation of FC into DC1 is a transaction described in § 1.367(b)-3, the earnings and profits attributable to the stock of FC are limited by § 1.367(b)-2(d)(3)(ii) to that portion of the earnings and profits accumulated by FC itself before or after the restructuring transaction, and do not include the earnings and profits of FC's subsidiaries accumulated before or after the restructuring transaction. Thus, DC1 will include \$40 of earnings and profits in income (80% of the \$50 of earnings and profits accumulated by FC after the restructuring transaction).

(e) *Income inclusion and gain recognition in certain exchanges following an inversion transaction—(1) General rule.* If a foreign corporation (the transferee foreign corporation) acquires stock of a foreign corporation in an exchange described in section 351 or stock or assets of a foreign corporation in a reorganization described in section 368(a)(1) (in either case, the foreign acquired corporation), then an exchanging shareholder must, if its exchange is a specified exchange and the exception in

paragraph (e)(3) of this section does not apply—

(i) Include in income as a deemed dividend the section 1248 amount attributable to the stock that it exchanges; and

(ii) After taking into account the increase in basis provided in § 1.367(b)-2(e)(3)(ii) resulting from the deemed dividend (if any), recognize all realized gain with respect to the stock that would not otherwise be recognized.

(2) *Specified exchanges.* An exchange is a specified exchange if—

(i) Immediately before the exchange, the foreign acquired corporation is an expatriated foreign subsidiary and the exchanging shareholder is either an expatriated entity described in paragraph (b)(1)(i)(A)(I) of this section or an expatriated foreign subsidiary described in paragraph (b)(1)(i)(A)(2) of this section;

(ii) The stock received in the exchange is stock of a foreign corporation; and

(iii) The exchange occurs during the applicable period.

(3) *De minimis exception.* The exception in this paragraph (e)(3) applies if—

(i) Immediately after the exchange, the foreign acquired corporation (in the case of an acquisition of stock of the foreign acquired corporation) or the transferee foreign corporation (in the case of an acquisition of assets of the foreign acquired corporation) is a controlled foreign corporation;

(ii) The post-exchange ownership percentage with respect to the foreign acquired corporation (in the case of an acquisition of stock of the foreign acquired corporation) or the transferee foreign corporation (in the case of an acquisition of assets of the foreign acquired corporation) is at least 90 percent of the pre-exchange ownership percentage with respect to the foreign acquired corporation; and

(iii) The post-exchange ownership percentage with respect to each lower-tier expatriated foreign subsidiary of the foreign acquired corporation is at least 90 percent of the pre-exchange ownership percentage with respect to the lower-tier expatriated foreign subsidiary.

(4) *Certain exceptions from foreign personal holding company not available.* An income inclusion of a foreign corpora-

tion under paragraph (e)(1) of this section does not qualify for the exceptions from foreign personal holding company income provided by sections 954(c)(3)(A)(i) and 954(c)(6) (to the extent in effect).

(5) *Examples.* The following examples illustrate the application of this paragraph (e). For purposes of all of the examples, unless otherwise indicated: FP, a foreign corporation, owns all of the stock of USP, a domestic corporation, and all 40 shares of stock of FS, a controlled foreign corporation for its taxable year beginning January 1, 2017, but not for prior taxable years, except as a result of a transaction described in the facts of an example. USP owns all 50 shares of stock of FT1, a controlled foreign corporation, which, in turn, owns all 50 shares of FT2, a controlled foreign corporation. FP acquired all of the stock of USP in an inversion transaction that was completed on July 1, 2016. Therefore, with respect to that inversion transaction, USP is an expatriated entity; FT1 and FT2 are expatriated foreign subsidiaries; and FP and FS are each a non-EFS foreign related person. All entities have a calendar year tax year for U.S. tax purposes. All shares of stock have a fair market value of \$1x, and each corporation has a single class of stock outstanding.

Example 1. Specified exchange to which general rule applies—(i) Facts. During the applicable period, and pursuant to a reorganization described in section 368(a)(1)(B), FT1 transfers all 50 shares of FT2 stock to FS in exchange solely for 50 newly issued voting shares of FS. Immediately before the exchange, USP is a section 1248 shareholder with respect to FT1 and FT2. At the time of the exchange, the FT2 stock owned by FT1 has a fair market value of \$50x and an adjusted basis of \$5x, such that the FT2 stock has a built-in gain of \$45x. In addition, the earnings and profits of FT2 attributable to FT1's stock in FT2 for purposes of section 1248 is \$30x, taking into account the rules of § 1.367(b)-2(c)(1)(i) and (ii), and therefore the section 1248 amount with respect to the FT2 stock is \$30x (the lesser of the \$45x of built-in gain and the \$30x of earnings and profits attributable to the stock).

(ii) *Analysis.* FT1's exchange is a specified exchange because the requirements set forth in paragraphs (e)(2)(i) through (iii) of this section are satisfied. The requirement set forth in paragraph (e)(2)(i) of this section is

satisfied because, immediately before the exchange, FT2 (the foreign acquired corporation) is an expatriated foreign subsidiary and FT1 (the exchanging shareholder) is an expatriated foreign subsidiary that is described in paragraph (b)(1)(i)(A)(2) of this section. The requirement set forth in paragraph (e)(2)(ii) of this section is also satisfied because the stock received in the exchange (FS stock) is stock of a foreign corporation. The requirement set forth in paragraph (e)(2)(iii) of this section is satisfied because the exchange occurs during the applicable period. Accordingly, under paragraph (e)(1)(i) of this section, FT1 must include in income as a deemed dividend \$30x, the section 1248 amount with respect to its FT2 stock. In addition, under paragraph (e)(1)(ii) of this section, FT1 must, after taking into account the increase in basis provided in § 1.367(b)-2(e)(3)(ii) resulting from the deemed dividend (which increases FT1's basis in its FT2 stock from \$5x to \$35x), recognize \$15x (\$50x amount realized less \$35x basis), the realized gain with respect to the FT2 stock that would not otherwise be recognized.

Example 2. De minimis shift to non-EFS foreign related persons—(i) *Facts.* The facts are the same as in the introductory sentences of this paragraph (e)(5), except as follows. FT1 does not own any shares of FT2, and all 40 shares of FS are owned by DX, a domestic corporation wholly owned by individual A, and thus FS is not a non-EFS foreign related person. During the applicable period and pursuant to a reorganization described in section 368(a)(1)(D), FT1 transfers all of its assets to FS in exchange for 50 newly issued FS shares, FT1 distributes the 50 FS shares to USP in liquidation under section 361(c)(1), and USP exchanges its 50 shares of FT1 stock for the 50 FS shares under section 354. Further, immediately after the exchange, FS is a controlled foreign corporation.

(ii) *Analysis.* Although USP's exchange is a specified exchange, paragraph (e)(1) of this section does not apply to the exchange because, as described in paragraphs (ii)(A) through (C) of this *Example 2*, the requirements of paragraph (e)(3) of this section are satisfied.

(A) Because the assets, rather than the stock, of FT1 (the foreign acquired corporation) are acquired, the requirement set forth in paragraph (e)(3)(i) of this section is satisfied if FS (the transferee foreign corporation) is a controlled foreign corporation immediately after the exchange. As stated in the facts, FS is a controlled foreign corporation immediately after the exchange.

(B) The requirement set forth in paragraph (e)(3)(ii) of this section is satisfied if the post-exchange ownership percentage with respect to FS is at least 90% of the pre-exchange ownership percentage with respect to FT1. Because USP, a domestic corporation that is an expatriated entity, directly owns

50 shares of FT1 stock immediately before the exchange, none of those shares are treated as indirectly owned by FP (a non-EFS foreign related person) for purposes of calculating the pre-exchange ownership percentage with respect to FT1. See paragraph (g)(1) of this section. Thus, for purposes of calculating the pre-exchange ownership percentage with respect to FT1, FP is treated as directly or indirectly owning 0%, or 0 of 50 shares, of the stock of FT1. Accordingly, the pre-exchange ownership percentage with respect to FT1 is 100 (calculated as 100% less 0%, the percentage of FT1 stock that non-EFS foreign related persons are treated as directly or indirectly owning immediately before the exchange). Consequently, for the requirement set forth in paragraph (e)(3)(ii) of this section to be satisfied, the post-exchange ownership percentage with respect to FS must be at least 90. Because USP, a domestic corporation that is an expatriated entity, directly owns 50 shares of FS stock immediately after the exchange, none of those shares are treated as indirectly owned by FP (a non-EFS foreign related person) for purposes of calculating the post-exchange ownership percentage with respect to FS. See paragraph (g)(1) of this section. Thus, for purposes of calculating the post-exchange ownership percentage with respect to FS, FP is treated as directly or indirectly owning 0%, or 0 of 90 shares, of the stock of FS. As a result, the post-exchange ownership percentage with respect to FS is 100 (calculated as 100% less 0%, the percentage of FS stock that non-EFS foreign related persons are treated as directly or indirectly owning immediately after the exchange). Therefore, because the post-exchange ownership percentage with respect to FS (100) is at least 90, the requirement set forth in paragraph (e)(3)(ii) of this section is satisfied.

(C) Because there is not a lower-tier expatriated foreign subsidiary of FT1, the requirement set forth in paragraph (e)(3)(iii) of this section does not apply.

(f) *Gain recognition upon certain transfers of property described in section 351 following an inversion transaction*—(1) *General rule.* If, during the applicable period, an expatriated foreign subsidiary transfers specified property to a foreign corporation (the transferee foreign corporation) in an exchange described in section 351, then the expatriated foreign subsidiary must recognize all realized gain with respect to the specified property transferred that would not otherwise be recognized, unless the exception in paragraph (f)(2) of this section applies.

(2) *De minimis exception.* The exception in this paragraph (f)(2) applies if—

(i) Immediately after the transfer, the transferee foreign corporation is a controlled foreign corporation; and

(ii) The post-exchange ownership percentage with respect to the transferee foreign corporation is at least 90 percent of the pre-exchange ownership percentage with respect to the expatriated foreign subsidiary.

(3) *Examples.* The following examples illustrate the application of this paragraph (f). For purposes of all of the examples, unless otherwise indicated: FP, a foreign corporation, owns all of the stock of USP, a domestic corporation, and all 10 shares of stock of FS, a controlled foreign corporation for its taxable year beginning January 1, 2017, but not for prior taxable years, except as a result of a transaction described in the facts of an example. USP owns all 50 shares of stock of FT, a controlled foreign corporation. FT owns Asset A, which is specified property with a fair market value of \$50x and an adjusted basis of \$10x. FP acquired all of the stock of USP in an inversion transaction that was completed on or after September 22, 2014. Accordingly, with respect to that inversion transaction, USP is an expatriated entity, FT is an expatriated foreign subsidiary, and FP and FS are each a non-EFS foreign related person. All entities have a calendar year tax year for U.S. tax purposes. All shares of stock have a fair market value of \$1x, and each corporation has a single class of stock outstanding.

Example 1. Transfer to which general rule applies—(i) Facts. In addition to the stock of USP and FS, FP owns Asset B, which has a fair market value of \$40x. During the applicable period, and pursuant to an exchange described in section 351, FT transfers Asset A to FS in exchange for 50 newly issued shares of FS stock, and FP transfers Asset B to FS in exchange for 40 newly issued shares of FS stock. (ii) *Analysis.* Paragraph (f)(1) of this section applies to the transfer by FT (an expatriated foreign subsidiary) of Asset A, which is specified property, to FS (the transferee foreign corporation). Thus, FT must recognize gain of \$40x under paragraph (f)(1) of this section, which is the realized gain with respect to Asset A that would not otherwise be recognized (\$50x amount realized less \$10x basis). For rules regarding whether the FS stock held by FT is treated as United States property for purposes of section 956, see § 1.956-2(a)(4)(i).

Example 2. De minimis shift to non-EFS foreign related persons—(i) Facts. Individual, a United States person, owns Asset B, which has a fair market value of \$40x. During the applicable period, and pursuant to an exchange described in section 351, FT transfers Asset A to FS in exchange for 50 newly issued shares of FS stock, and Individual transfers Asset B to FS in exchange for 40 newly issued shares of FS stock.

(ii) *Analysis.* Paragraph (f)(1) of this section does not apply to the transfer by FT (an expatriated foreign subsidiary) of Asset A, which is specified property, to FS (the transferee foreign corporation) because the requirements set forth in paragraph (f)(2) of this section are satisfied. The requirement set forth in paragraph (f)(2)(i) of this section is satisfied because FS is a controlled foreign corporation immediately after the transfer. The requirement set forth in paragraph (f)(2)(ii) of this section is satisfied if the post-exchange ownership percentage with respect to FS is at least 90 percent of the pre-exchange ownership percentage with respect to FT. Because USP, a domestic corporation that is an expatriated entity, directly owns 50 shares of FT stock immediately before the transfer, none of those shares are treated as indirectly owned by FP (a non-EFS foreign related person) for purposes of calculating the pre-exchange ownership percentage with respect to FT. See paragraph (g)(1) of this section. Thus, for purposes of calculating the pre-exchange ownership percentage with respect to FT, FP is treated as directly or indirectly owning 0 percent, or 0 of 50 shares, of the stock of FT. Accordingly, the pre-exchange ownership percentage with respect to FT is 100 (calculated as 100 percent less 0 percent, the percentage of FT stock that non-EFS foreign related persons are treated as directly or indirectly owning immediately before the transfer). Consequently, for the requirement set forth in paragraph (f)(2)(ii) of this section to be satisfied, the post-exchange ownership percentage with respect to FS must be at least 90. Although FP directly owns 10 FS shares, none of the 50 FS shares that FP owns through USP (a domestic corporation that is an expatriated entity) are treated as indirectly owned by FP for purposes of calculating the post-exchange ownership percentage with respect to FS because USP directly owns them. See paragraph (g)(1) of this section. Thus, for purposes of calculating the post-exchange ownership percentage with respect to FS, FP is treated as directly or indirectly owning 10 percent, or 10 of 100 shares, of the stock of FS. As a result, the post-exchange ownership percentage with respect to FS is 90 (calculated as 100 percent less 10 percent, the percentage of FS stock that non-EFS foreign related persons are treated as directly or indirectly owning immediately after the transfer). Therefore, because the post-exchange ownership percentage with respect to FS (90) is at least 90,

§ 1.367(b)-4

26 CFR Ch. I (4-1-21 Edition)

the requirement set forth in paragraph (f)(2)(ii) of this section is satisfied.

(g) *Definitions and special rules.* In addition to the definitions and special rules in §§ 1.367(b)-2 and 1.7874-12, the following definitions and special rules apply for purposes of this section.

(1) *Indirect ownership.* To determine indirect ownership of the stock of a corporation for purposes of calculating a pre-exchange ownership percentage or post-exchange ownership percentage with respect to that corporation, the principles of section 958(a) apply without regard to whether an intermediate entity is foreign or domestic. For this purpose, stock of the corporation that is directly or indirectly (applying the principles of section 958(a) without regard to whether an intermediate entity is foreign or domestic) owned by a domestic corporation that is an expatriated entity is not treated as indirectly owned by a non-EFS foreign related person.

(2) A *lower-tier expatriated foreign subsidiary* means an expatriated foreign subsidiary whose stock is directly or indirectly owned (under the principles of section 958(a)) by an expatriated foreign subsidiary.

(3) *Pre-exchange ownership percentage* means, with respect to a corporation, 100 percent less the percentage of stock (by value) in the corporation that, immediately before an exchange, is owned, in the aggregate, directly or indirectly by non-EFS foreign related persons.

(4) *Post-exchange ownership percentage* means, with respect to a corporation, 100 percent less the percentage of stock (by value) in the corporation that, immediately after the exchange, is owned, in the aggregate, directly or indirectly by non-EFS foreign related persons.

(5) *Specified property* means any property other than stock of a lower-tier expatriated foreign subsidiary.

(6) *Recapitalizations.* A foreign corporation that undergoes a reorganization described in section 368(a)(1)(E) is treated as both the foreign acquired corporation and the transferee foreign corporation.

(7) *Triangular reorganizations—(i) Definition.* A triangular reorganization means a reorganization described in § 1.358-6(b)(2)(i) (forward triangular

merger), (ii) (triangular C reorganization), (iii) (reverse triangular merger), (iv) (triangular B reorganization), and (v) (triangular G reorganization).

(ii) *Special rules—(A) Triangular reorganizations other than a reverse triangular merger.* In the case of a triangular reorganization other than a reverse triangular merger, the surviving corporation is the transferee foreign corporation that acquires the assets or stock of the foreign acquired corporation, and the reference to controlling corporation (foreign or domestic) is to the corporation that controls the surviving corporation.

(B) *Reverse triangular merger.* In the case of a reverse triangular merger, the surviving corporation is the entity that survives the merger, and the controlling corporation (foreign or domestic) is the corporation that before the merger controls the merged corporation. In the case of a reverse triangular merger, this section applies only if stock of the foreign surviving corporation is exchanged for stock of a foreign corporation in control of the merging corporation; in such a case, the foreign surviving corporation is treated as a foreign acquired corporation.

(h) *Applicability date of certain paragraphs in this section.* Except as otherwise provided in this paragraph (h), paragraphs (a), (b) introductory text, (b)(1)(i)(C), (d)(1), (e), (f), and (g) of this section apply to exchanges completed on or after September 22, 2014, but only if the inversion transaction was completed on or after September 22, 2014. Paragraph (e)(1)(ii) of this section applies to exchanges completed on or after November 19, 2015, but only if the inversion transaction was completed on or after September 22, 2014. The portion of paragraph (e)(2)(i) of this section that requires the exchanging shareholder to be an expatriated entity or an expatriated foreign subsidiary apply to exchanges completed on or after April 4, 2016, but only if the inversion transaction was completed on or after September 22, 2014. For inversion transactions completed on or after September 22, 2014, however, taxpayers may elect to apply the portion of paragraph (e)(2)(i) of this section that requires the exchanging shareholder to

be an expatriated entity or an expatriated foreign subsidiary to exchanges completed on or after September 22, 2014, and before April 4, 2016. Paragraphs (f) and (g)(5) of this section apply to transfers completed on or after April 4, 2016, but only if the inversion transaction was completed on or after September 22, 2014. See § 1.367(b)-4, as contained in 26 CFR part 1 revised as of April 1, 2016, for exchanges completed before September 22, 2014.

[T.D. 8862, 65 FR 3603, Jan. 24, 2000; 65 FR 66501, Nov. 6, 2000]

EDITORIAL NOTE: FOR FEDERAL REGISTER citations affecting § 1.367(b)-4, see the List of CFR Sections Affected, which appears in the Finding Aids section of the printed volume and at www.govinfo.gov.

§ 1.367(b)-5 Distributions of stock described in section 355.

(a) *In general*—(1) *Scope*. This section provides rules relating to a distribution described in section 355 (or so much of section 356 as relates to section 355) and to which section 367(b) applies. For purposes of this section, the terms *distributing corporation*, *controlled corporation*, and *distributee* have the same meaning as used in section 355 and the regulations thereunder.

(2) *Treatment of distributees as exchanging shareholders*. For purposes of the section 367(b) regulations, all distributees in a transaction described in paragraph (b), (c), or (d) of this section shall be treated as exchanging shareholders that realize income in a section 367(b) exchange.

(b) *Distribution by a domestic corporation*—(1) *General rule*. In a distribution described in section 355, if the distributing corporation is a domestic corporation and the controlled corporation is a foreign corporation, the following general rules shall apply—

(i) If the distributee is a corporation, then the controlled corporation shall be considered to be a corporation; and

(ii) If the distributee is an individual, then, solely for purposes of determining the gain recognized by the distributing corporation, the controlled corporation shall not be considered to be a corporation, and the distributing corporation shall recognize any gain (but not loss) realized on the distribution.

(2) *Section 367(e) transactions*. The rules of paragraph (b)(1) of this section shall not apply to a foreign distributee to the extent gain is recognized under section 367(e)(1) and the regulations thereunder.

(3) *Determining whether distributees are individuals*. All distributees in a distribution described in paragraph (b)(1) of this section are presumed to be individuals. However, the shareholder identification principles of § 1.367(e)-1(d) (including the reporting procedures in § 1.367(e)-1(d)(2) and (3)) shall apply for purposes of rebutting this presumption.

(4) *Applicable cross-references*. For rules with respect to a distributee that is a partnership, trust or estate, see § 1.367(b)-2(k). For additional rules relating to a distribution of stock of a foreign corporation by a domestic corporation, see section 1248(f) and the regulations thereunder. For additional rules relating to a distribution described in section 355 by a domestic corporation to a foreign distributee, see section 367(e)(1) and the regulations thereunder.

(c) *Pro rata distribution by a controlled foreign corporation*—(1) *Scope*. This paragraph (c) applies to a distribution described in section 355 in which the distributing corporation is a controlled foreign corporation and in which the stock of the controlled corporation is distributed pro rata to each of the distributing corporation's shareholders.

(2) *Adjustment to basis in stock and income inclusion*. If the distributee's postdistribution amount (as defined in paragraph (e)(2) of this section) with respect to the distributing or controlled corporation is less than the distributee's predistribution amount (as defined in paragraph (e)(1) of this section) with respect to such corporation, then the distributee's basis in such stock immediately after the distribution (determined under the normal principles of section 358) shall be reduced by the amount of the difference. However, the distributee's basis in such stock shall not be reduced below zero, and to the extent the foregoing reduction would have reduced basis below zero, the distributee shall instead include such amount in income as a deemed dividend from such corporation.

(3) *Interaction with § 1.367(b)-2(e)(3)(ii).* The basis increase provided in § 1.367(b)-2(e)(3)(ii) shall not apply to a deemed dividend that is included in income pursuant to paragraph (c)(2) of this section.

(4) *Basis redistribution.* If a distributee reduces the basis in the stock of the distributing or controlled corporation (or has an inclusion with respect to such stock) under paragraph (c)(2) of this section, the distributee shall increase its basis in the stock of the other corporation by the amount of the basis decrease (or deemed dividend inclusion) required by paragraph (c)(2) of this section. However, the distributee's basis in such stock shall not be increased above the fair market value of such stock and shall not be increased to the extent the increase diminishes the distributee's postdistribution amount with respect to such corporation.

(d) *Non-pro rata distribution by a controlled foreign corporation—(1) Scope.* This paragraph (d) applies to a distribution described in section 355 in which the distributing corporation is a controlled foreign corporation and in which the stock of the controlled corporation is not distributed pro rata to each of the distributing corporation's shareholders.

(2) *Treatment of certain shareholders as distributees.* For purposes of the section 367(b) regulations, all persons owning stock of the distributing corporation immediately after a transaction described in paragraph (d)(1) of this section shall be treated as distributees of such stock. For other applicable rules, see paragraph (a)(2) of this section.

(3) *Inclusion of excess section 1248 amount by exchanging shareholder.* If the distributee's postdistribution amount (as defined in paragraph (e)(2) of this section) with respect to the distributing or controlled corporation is less than the distributee's predistribution amount (as defined in paragraph (e)(1) of this section) with respect to such corporation, then the distributee shall include in income as a deemed dividend the amount of the difference. For purposes of this paragraph (d)(3), if a distributee owns no stock in the distributing or controlled corporation immediately after the distribution, the

distributee's postdistribution amount with respect to such corporation shall be zero.

(4) *Interaction with § 1.367(b)-2(e)(3)(ii)—(i) Limited application.* The basis increase provided in § 1.367(b)-2(e)(3)(ii) shall apply to a deemed dividend that is included in income pursuant to paragraph (d)(3) of this section only to the extent that such basis increase does not increase the distributee's basis above the fair market value of such stock and does not diminish the distributee's postdistribution amount with respect to such corporation.

(ii) *Interaction with predistribution amount.* For purposes of this paragraph (d), the distributee's predistribution amount (as defined in paragraph (e)(1) of this section) shall be determined without regard to any basis increase permitted under paragraph (d)(4)(i) of this section.

(e) *Definitions—(1) Predistribution amount.* For purposes of this section, the predistribution amount with respect to a distributing or controlled corporation is the distributee's section 1248 amount (as defined in § 1.367(b)-2(c)(1)) computed immediately before the distribution (and after any section 368(a)(1)(D) transfer connected with the section 355 distribution), but only to the extent that such amount is attributable to the distributing corporation and any corporations controlled by it immediately before the distribution (the distributing group) or the controlled corporation and any corporations controlled by it immediately before the distribution (the controlled group), as the case may be, under the principles of §§ 1.1248-1(d)(3), 1.1248-2 and 1.1248-3. However, the predistribution amount with regard to the distributing group shall be computed without taking into account the distributee's predistribution amount with respect to the controlled group.

(2) *Postdistribution amount.* For purposes of this section, the postdistribution amount with respect to a distributing or controlled corporation is the distributee's section 1248 amount (as defined in § 1.367(b)-2(c)(1)) with respect to such stock, computed immediately after the distribution (but without regard to paragraph (c) or (d)

of this section (whichever is applicable)). The postdistribution amount under this paragraph (e)(2) shall be computed before taking into account the effect (if any) of any inclusion under section 356(a) or (b).

(f) *Exclusion of deemed dividend from foreign personal holding company income.* In the event an amount is included in income as a deemed dividend by a foreign corporation under paragraph (c) or (d) of this section (including amounts received as an intermediate owner under the rule of § 1.367(b)-2(e)(2)), such deemed dividend shall not be included as foreign personal holding company income under section 954(c).

(g) *Examples.* The following examples illustrate the rules of this section:

Example 1. (i) *Facts.* USS, a domestic corporation, owns 40 percent of the outstanding stock of FD, a controlled foreign corporation (CFC). USS has owned the stock since FD was incorporated, and FD has always been a CFC. USS has a basis of \$80 in its FD stock, which has a fair market value of \$200. FD owns 100 percent of the outstanding stock of FC, a foreign corporation. FD has owned the stock since FC was incorporated. Neither FD nor FC own stock in any other corporation. FD has earnings and profits of \$0 and a fair market value of \$250 (not considering its ownership of FC). FC has earnings and profits of \$300, none of which is described in section 1248(d), and a fair market value of \$250. In a pro rata distribution described in section 355, FD distributes to USS stock in FC worth \$100; thereafter, USS's FD stock is worth \$100 as well.

(ii) *Result.*—(A) FD's distribution is a transaction described in paragraph (c)(1) of this section. Under paragraph (c)(2) of this section, USS must compare its predistribution amounts with respect to FD and FC to its respective postdistribution amounts. Under paragraph (e)(1) of this section, USS's predistribution amount with respect to FD or FC is its section 1248 amount computed immediately before the distribution, but only to the extent such amount is attributable to FD or FC. Under § 1.367(b)-2(c)(1), USS's section 1248 amount computed immediately before the distribution is \$120, all of which is attributable to FC. Thus, USS's predistribution amount with respect to FD is \$0, and its predistribution amount with respect to FC is \$120. These amounts are computed as follows: If USS had sold its FD stock immediately before the transaction, it would have recognized \$120 of gain (\$200 fair market value \$80 basis). All of the gain would have been treated as a dividend under section 1248, and all of the section 1248 amount would have been attributable to FC

(based on USS's pro rata share of FC's earnings and profits (40 percent \times \$300)).

(B) Under paragraph (e)(2) of this section, USS's postdistribution amount with respect to FD or FC is its section 1248 amount with respect to such corporation, computed immediately after the distribution (but without regard to paragraph (c) of this section). Under § 1.367(b)-2(c)(1), USS's section 1248 amounts computed immediately after the distribution with respect to FD and FC are \$0 and \$60, respectively. These amounts, which are USS's postdistribution amounts, are computed as follows: Under the normal principles of section 358, USS allocates its \$80 predistribution basis in FD between FD and FC according to the stock blocks' relative values, yielding a \$40 basis in each block. If USS sold its FD stock immediately after the distribution, none of the resulting gain would be treated as a dividend under section 1248. If USS sold its FC stock immediately after the distribution, it would have a \$60 gain (\$100 fair market value—\$40 basis), all of which would be treated as a dividend under section 1248.

(C) The basis adjustment and income inclusion rules of paragraph (c)(2) of this section apply to the extent of any difference between USS's postdistribution and predistribution amounts. In the case of FD, there is no difference between the two amounts and, as a result, no adjustment or income inclusion is required. In the case of FC, USS's postdistribution amount is \$60 less than its predistribution amount. Accordingly, under paragraph (c)(2) of this section, USS is required to reduce its basis in its FC stock from \$40 to \$0 and include \$20 in income as a deemed dividend. Under § 1.367(b)-2(e)(2), the \$20 deemed dividend is considered as having been paid by FC to FD, and by FD to USS, immediately prior to the distribution. Under paragraph (f) of this section, the deemed dividend is not included by FD as foreign personal holding company income under section 954(c). Under paragraph (c)(3) of this section, the basis increase provided in § 1.367(b)-2(e)(3)(ii) does not apply with regard to the \$20 deemed dividend. Under the rules of paragraph (c)(4) of this section, USS increases its basis in FD by the amount by which it decreased its basis in FC, as well as by the amount of its deemed dividend inclusion (\$40 + \$40 + \$20 = \$100).

Example 2. (i) *Facts.* USS1 and USS2, domestic corporations, each own 50 percent of the outstanding stock of FD, a controlled foreign corporation (CFC). USS1 and USS2 have owned their FD stock since it was incorporated, and FD has always been a CFC. USS1 and USS2 each have a basis of \$500 in their FD stock, and the fair market value of each block of FD stock is \$750. FD owns 100 percent of the outstanding stock of FC, a foreign corporation. FD owned the stock since FC was incorporated. Neither FD nor FC own

§ 1.367(b)-6

26 CFR Ch. I (4-1-21 Edition)

stock in any other corporation. FD has earnings and profits of \$0 and a fair market value of \$750 (not considering its ownership of FC). FC has earnings and profits of \$500, none of which is described in section 1248(d), and a fair market value of \$750. In a non-pro rata distribution described in section 355, FD distributes all of the stock of FC to USS2 in exchange for USS2's FD stock.

(ii) *Result*—(A) FD's distribution is a transaction described in paragraph (d)(1) of this section. Under paragraph (d)(2) of this section, USS1 is considered a distributee of FD stock. Under paragraph (d)(3) of this section, USS1 and USS2 must compare their predistribution amounts with respect to FD and FC stock to their respective postdistribution amounts. Under paragraph (e)(1) of this section, USS1's predistribution amount with respect to FD or FC is USS1's section 1248 amount computed immediately before the distribution, but only to the extent such amount is attributable to FD or FC. USS2's predistribution amount is determined in the same manner. Under §1.367(b)-2(c)(1), USS1 and USS2 each have a section 1248 amount computed immediately before the distribution of \$250, all of which is attributable to FC. Thus, USS1 and USS2 each have a predistribution amount with respect to FD of \$0, and each have a predistribution amount with respect to FC of \$250. These amounts are computed as follows: If either USS1 or USS2 had sold its FD stock immediately before the transaction, it would have recognized \$250 of gain (\$750 fair market value—\$500 basis). All of the gain would have been treated as a dividend under section 1248, and all of the section 1248 amount would have been attributable to FC (based on USS1's and USS2's pro rata shares of FC's earnings and profits (50 percent × \$500)).

(B) Under paragraph (d)(3) of this section, a distributee that owns no stock in the distributing or controlled corporation immediately after the distribution has a postdistribution amount with regard to that stock of zero. Accordingly, USS2 has a postdistribution amount of \$0 with respect to FD and USS1 has a postdistribution amount of \$0 with respect to FC. Under paragraph (e)(2) of this section, USS1's postdistribution amount with respect to FD is its section 1248 amount with respect to such corporation, computed immediately after the distribution (but without regard to paragraph (d) of this section). USS2's postdistribution amount with respect to FC is determined in the same manner. Under §1.367(b)-2(c)(1), USS1's section 1248 amount computed immediately after the distribution with respect to FD is \$0 and USS2's section 1248 amount computed immediately after the distribution with respect to FC is \$250. These amounts, which are USS1's and USS2's postdistribution amounts, are computed as follows: After the non-pro rata distribution, USS1 owns all the stock of

FD and USS2 owns all the stock of FC. If USS1 sold its FD stock immediately after the distribution, none of the resulting \$250 gain (\$750 fair market value \$500 basis) would be treated as a dividend under section 1248. If USS2 sold its FC stock immediately after the distribution, it would have a \$250 gain (\$750 fair market value—\$500 basis), all of which would be treated as a dividend under section 1248.

(C) The income inclusion rule of paragraph (d)(3) of this section applies to the extent of any difference between USS1's and USS2's postdistribution and predistribution amounts. In the case of USS2, there is no difference between the two amounts with respect to either FD or FC and, as a result, no income inclusion is required. In the case of USS1, there is no difference between the two amounts with respect to its FD stock. However, USS1's postdistribution amount with respect to FC is \$250 less than its predistribution amount. Accordingly, under paragraph (d)(3) of this section, USS1 is required to include \$250 in income as a deemed dividend. Under §1.367(b)-2(e)(2), the \$250 deemed dividend is considered as having been paid by FC to FD, and by FD to USS1, immediately prior to the distribution. This deemed dividend increases USS1's basis in FD (\$500 + \$250 = \$750). Under paragraph (f) of this section, the deemed dividend is not included by FD as foreign personal holding company income under section 954(c).

[T.D. 8862, 65 FR 3606, Jan. 24, 2000; 65 FR 66502, Nov. 6, 2000]

§ 1.367(b)-6 Effective/applicability dates and coordination rules.

(a) *Effective/applicability dates*—(1) *In general.* (i) Except as otherwise provided in this paragraph (a)(1) and paragraph (a)(2) of this section, §§1.367(b)-1 through 1.367(b)-5, and this section, apply to section 367(b) exchanges that occur on or after February 23, 2000.

(ii) The rules of §§1.367(b)-3 and 1.367(b)-4, as they apply to reorganizations described in section 368(a)(1)(A) (including reorganizations described in section 368(a)(2)(D) or (a)(2)(E)) involving a foreign acquiring or foreign acquired corporation, apply only to transfers occurring on or after January 23, 2006.

(iii) Section 1.367(b)-1(c)(2)(v), (c)(3)(ii)(A), (c)(4)(iv), (c)(4)(v), §1.367(b)-2(j)(1)(i) and (l), and §1.367(b)-3(e) and (f), apply to section 367(b) exchanges that occur on or after November 6, 2006. For guidance with respect to §1.367(b)-1(c)(3)(ii)(A), (c)(4)(iv), and

(c)(4)(v) and § 1.367(b)-2(j)(1)(i) for exchanges that occur before November 6, 2006, see 26 CFR part 1 revised as of April 1, 2006.

(iv) Section 1.367(b)-4(b)(1)(i)(B)(2), § 1.367(b)-4(b)(1)(ii), § 1.367(b)-4(b)(1)(iii), *Example 4* and *Example 5* apply to section 367(b) exchanges that occur on or after April 18, 2013. For guidance with respect to § 1.367(b)-4(b)(1)(i)(B)(2), § 1.367(b)-4(b)(1)(ii) and § 1.367(b)-4(b)(1)(iii), *Example 4*, for exchanges that occur before April 18, 2013, see 26 CFR part 1 revised as of April 1, 2012.

(2) *Exception.* A taxpayer may, however, elect to have §§ 1.367(b)-1 through 1.367(b)-5, and this section, apply to section 367(b) exchanges that occur (or occurred) before February 23, 2000, if the due date for the taxpayer's timely filed Federal tax return (including extensions) for the taxable year in which the section 367(b) exchange occurs (or occurred) is after February 23, 2000. The election under this paragraph (a)(2) will be valid only if—

(i) The electing taxpayer makes the election on a timely filed section 367(b) notice;

(ii) In the case of an exchanging shareholder that is a foreign corporation, the election is made on the section 367(b) notice that is filed by each of its shareholders listed in § 1.367(b)-1(c)(3)(ii); and

(iii) The electing taxpayer provides notice of the election to all corporations (or their successors in interest) whose earnings and profits are affected by the election on or before the date the section 367(b) notice is filed.

(b) *Certain recapitalizations described in § 1.367(b)-4(b)(3).* In the case of a recapitalization described in § 1.367(b)-4(b)(3) that occurred prior to July 20, 1998, the exchanging shareholder shall include the section 1248 amount on its tax return for the taxable year that includes the exchange described in § 1.367(b)-4(b)(3)(i) (and not in the taxable year of the recapitalization), except that no inclusion is required if both the recapitalization and the exchange described in § 1.367(b)-4(b)(3)(i) occurred prior to July 20, 1998.

(c) *Use of reasonable method to comply with prior published guidance—*(1) *Prior exchanges.* The taxpayer may use a reasonable method to comply with the fol-

lowing prior published guidance to the extent such guidance relates to section 367(b): Notice 88-71 (1988-2 C.B. 374); Notice 89-30 (1989-1 C.B. 670); and Notice 89-79 (1989-2 C.B. 392) (see § 601.601(d)(2) of this chapter). This rule applies to section 367(b) exchanges that occur (or occurred) before February 23, 2000, or, if a taxpayer makes the election described in paragraph (a)(2) of this section, for section 367(b) exchanges that occur (or occurred) before the date described in paragraph (a)(2) of this section. This rule also applies to section 367(b) exchanges and distributions described in paragraph (d) of this section.

(2) *Future exchanges.* Section 367(b) exchanges that occur on or after February 23, 2000, (or, if a taxpayer makes the election described in paragraph (a)(2) of this section, for section 367(b) exchanges that occur on or after the date described in paragraph (a)(2) of this section) are governed by the section 367(b) regulations and, as a result, paragraph (c)(1) of this section shall not apply.

(d) *Effect of removal of attribution rules.* To the extent that the rules under §§ 7.367(b)-9 and 7.367(b)-10(h) of this chapter, as in effect prior to February 23, 2000 (see 26 CFR part 1, revised as of April 1, 1999), attributed earnings and profits to the stock of a foreign corporation in connection with an exchange described in section 351, 354, 355, or 356 before February 23, 2000, the foreign corporation shall continue to be subject to the rules of § 7.367(b)-12 of this chapter in the event of any subsequent exchanges and distributions with respect to such stock, notwithstanding the fact that such subsequent exchange or distribution occurs on or after the effective date described in paragraph (a) of this section.

[T.D. 8862, 65 FR 3608, Jan. 24, 2000, as amended by T.D. 9243, 71 FR 4289, Jan. 26, 2006; T.D. 9250, 71 FR 8805, Feb. 21, 2006; T.D. 9243, 71 FR 28266, May 16, 2006; T.D. 9273, 71 FR 44895, Aug. 8, 2006; 73 FR 14386, Mar. 18, 2008; T.D. 9614, 78 FR 17041, Mar. 19, 2013; T.D. 9834, 83 FR 32536, July 12, 2018]

§ 1.367(b)-7 Carryover of earnings and profits and foreign income taxes in certain foreign-to-foreign non-recognition transactions.

(a) *Scope.* This section applies to an acquisition by a foreign corporation

(foreign acquiring corporation) of the assets of another foreign corporation (foreign target corporation) in a transaction described in section 381 (foreign section 381 transaction). This section describes the manner and extent to which earnings and profits and foreign income taxes of the foreign acquiring corporation and the foreign target corporation carry over to the surviving foreign corporation (foreign surviving corporation) and the ordering of distributions by the foreign surviving corporation. See § 1.367(b)-9 for special rules governing reorganizations described in section 368(a)(1)(F) and foreign section 381 transactions involving foreign corporations that hold no property and have no tax attributes immediately before the transaction, other than a nominal amount of assets (and related tax attributes).

(b) *General rules*—(1) *Non-previously taxed earnings and profits and related taxes.* Earnings and profits and related foreign income taxes of the foreign acquiring corporation and the foreign target corporation (pre-transaction earnings and pre-transaction taxes, respectively) shall carry over to the foreign surviving corporation in the manner described in paragraphs (d), (e), and (f) of this section. Dividend distributions by the foreign surviving corporation (post-transaction distributions) shall be out of earnings and profits and shall reduce related foreign income taxes in the manner described in paragraph (c) of this section.

(2) *Previously taxed earnings and profits.* [Reserved]

(c) *Ordering rule for post-transaction distributions.* Dividend distributions out of a foreign surviving corporation's earnings and profits shall be ordered in accordance with the rules of paragraph (c)(1) or (2) of this section, depending on whether the foreign surviving corporation is a pooling corporation or a nonpooling corporation.

(1) *If foreign surviving corporation is a pooling corporation.* In the case of a foreign surviving corporation that is a pooling corporation, post-transaction distributions shall be first out of the post-1986 pool (as described in paragraph (d) of this section) and second out of the pre-pooling annual layers (as described in paragraph (e)(1) of this

section) under an annual last-in, first-out (LIFO) method.

(2) *If foreign surviving corporation is a nonpooling corporation.* In the case of a foreign surviving corporation that is a nonpooling corporation, post-transaction distributions shall be out of the pre-pooling annual layers (as described in paragraph (e)(2) of this section) under the LIFO method.

(d) *Post-1986 pool.* If the foreign surviving corporation is a pooling corporation, then the post-1986 pool shall be determined under the rules of this paragraph (d).

(1) *In general*—(i) *Qualifying earnings and taxes.* The post-1986 pool shall consist of the post-1986 undistributed earnings and related post-1986 foreign income taxes of the foreign acquiring corporation and the foreign target corporation.

(ii) *Carryover rule.* Subject to paragraph (d)(2) of this section, the amounts described in paragraph (d)(1)(i) of this section attributable to the foreign acquiring corporation and the foreign target corporation shall carry over to the foreign surviving corporation and shall be combined on a separate category-by-separate category basis.

(2) *Hovering deficit*—(i) *In general.* If immediately prior to the foreign section 381 transaction either the foreign acquiring corporation or the foreign target corporation has a deficit in one or more separate categories of post-1986 undistributed earnings or an aggregate deficit in pre-1987 accumulated profits, such deficit will be a hovering deficit of the foreign surviving corporation. The rules of this paragraph (d)(2) apply to hovering deficits in separate categories of post-1986 undistributed earnings. See paragraphs (e)(1)(iii) and (e)(2)(iii) of this section for rules that apply to hovering deficits in pre-1987 accumulated profits. If the foreign acquiring corporation and the foreign target corporation each have a post-1986 hovering deficit in the same separate category of post-1986 undistributed earnings, such deficits and their related post-1986 foreign income taxes shall be combined for purposes of applying this paragraph (d)(2). See also paragraphs (f)(1) and (4) of this section (describing other rules applicable to a

deficit described in this paragraph (d)(2)).

(ii) *Offset rule.* A hovering deficit in a separate category of post-1986 undistributed earnings shall offset only earnings and profits accumulated by the foreign surviving corporation after the foreign section 381 transaction (post-transaction earnings) in the same separate category of post-1986 undistributed earnings. For purposes of this rule, however, post-transaction earnings do not include post-1986 undistributed earnings in the same category that are earned after the foreign section 381 transaction, but are distributed or deemed distributed in the same year they are earned (that is, that do not become accumulated). The offset shall occur as of the first day of the foreign surviving corporation's first taxable year following the year in which the post-transaction earnings accumulated.

(iii) *Related taxes.* Post-1986 foreign income taxes that are related to a hovering deficit in a separate category of post-1986 undistributed earnings shall only be added to the foreign surviving corporation's post-1986 foreign income taxes in that separate category on a pro rata basis as the hovering deficit is absorbed. Pro rata means in the same proportion as the portion of the hovering deficit that offsets post-transaction earnings in the separate category under paragraph (d)(2)(ii) of this section bears to the total amount of the hovering deficit.

(3) *Examples.* The following examples illustrate the rules of this paragraph (d). The examples assume the following facts: Foreign corporations A and B are controlled foreign corporations (CFCs) that were incorporated after December 31, 1986, have always been pooling corporations, and have always had calendar taxable years. None of the shareholders of foreign corporations A and B are required to include any amount in income under § 1.367(b)-4 as a result of the foreign section 381 transaction. Foreign corporations A and B (and all of their respective qualified business units as defined in section 989) maintain a "u" functional currency. Finally, unless otherwise stated, any post-1986 undistributed earnings in the passive category resulted from a look-

through dividend that was paid by a lower-tier CFC out of earnings accumulated when the CFC was a noncontrolled section 902 corporation and that qualified for the subpart F same-country exception under section 954(c)(3)(A). The examples are as follows:

Example 1. (i) *Facts.* (A) On December 31, 2006, foreign corporations A and B have the following post-1986 undistributed earnings and post-1986 foreign income taxes:

| Separate category | E&P | Foreign taxes |
|------------------------------|------|---------------|
| Foreign Corporation A | | |
| General | 300u | \$60 |
| Passive | 100u | 40 |
| | 400u | \$100 |
| Foreign Corporation B | | |
| General | 300u | \$70 |

(B) On January 1, 2007, foreign corporation B acquires the assets of foreign corporation A in a reorganization described in section 368(a)(1)(C). Immediately following the foreign section 381 transaction, foreign surviving corporation is a CFC.

(ii) *Result.* Under the rules described in paragraph (d)(1) of this section, foreign surviving corporation has the following post-1986 undistributed earnings and post-1986 foreign income taxes:

| Separate category | E&P | Foreign taxes |
|-------------------|------|---------------|
| General | 600u | \$130 |
| Passive | 100u | 40 |
| | 700u | \$170 |

(iii) *Post-transaction distribution.* (A) During 2007, foreign surviving corporation does not accumulate any earnings and profits or pay or accrue any foreign income taxes. On December 31, 2007, foreign surviving corporation distributes 350u to its shareholders. Under the rules described in § 1.902-1(d)(1) and paragraph (c)(1) of this section, the distribution is out of, and reduces, post-1986 undistributed earnings and post-1986 foreign income taxes in the separate categories on a pro rata basis, as follows:

| Separate category | E&P | Foreign taxes |
|-------------------|------|---------------|
| General | 300u | \$65 |
| Passive | 50u | 20 |
| | 350u | \$85 |

(B) The foreign income taxes deemed paid by qualifying shareholders of foreign surviving corporation upon the distribution are

§ 1.367(b)-7

26 CFR Ch. I (4-1-21 Edition)

subject to generally applicable rules and limitations, such as those of sections 78, 902, and 904(d).

(C) Immediately after the distribution, foreign surviving corporation has the following post-1986 undistributed earnings and post-1986 foreign income taxes:

| Separate category | E&P | Foreign taxes |
|-------------------|------|---------------|
| General | 300u | \$65 |
| Passive | 50u | 20 |
| | 350u | \$85 |

Example 2. (i) *Facts.* (A) On December 31, 2006, foreign corporations A and B have the following post-1986 undistributed earnings and post-1986 foreign income taxes:

| Separate category | E&P | Foreign taxes |
|------------------------------|------|---------------|
| Foreign Corporation A | | |
| General | 200u | \$30 |

| Separate category | Earnings & profits | | Foreign taxes | |
|-------------------|--------------------|------------------|-------------------------|--|
| | Positive E&P | Hovering deficit | Foreign taxes available | Foreign taxes associated with hovering deficit |
| General | 500u | | \$ 90 | |
| Passive | 100u | (100u) | 30 | \$10 |
| | 600u | (100u) | \$120 | \$10 |

(iii) *Post-transaction distribution.* (A) During 2007, foreign surviving corporation does not accumulate any earnings and profits or pay or accrue any foreign income taxes. On December 31, 2007, foreign surviving corporation distributes 300u to its shareholders. Under the rules described in §1.902-1(d)(1) and paragraph (c)(1) of this section, the distribution is out of, and reduces, post-1986 undistributed earnings and post-1986 foreign income taxes on a pro rata basis as follows:

| Separate category | E&P | Foreign taxes |
|-------------------|------|---------------|
| General | 250u | \$45 |

| Separate category | Earnings & profits | | Foreign taxes | |
|-------------------|--------------------|------------------|-------------------------|--|
| | Positive E&P | Hovering deficit | Foreign taxes available | Foreign taxes associated with hovering deficit |
| General | 250u | | \$45 | |
| Passive | 50u | (100u) | 15 | \$10 |
| | 300u | (100u) | \$60 | \$10 |

| Separate category | E&P | Foreign taxes |
|-------------------|--------|---------------|
| Passive | (100u) | 10 |
| | 100u | \$40 |

Foreign Corporation B

| Separate category | E&P | Foreign taxes |
|-------------------|------|---------------|
| General | 300u | \$60 |
| Passive | 100u | 30 |
| | 400u | \$90 |

(B) On January 1, 2007, foreign corporation B acquires the assets of foreign corporation A in a reorganization described in section 368(a)(1)(C). Immediately following the foreign section 381 transaction, foreign surviving corporation is a CFC.

(i) *Result.* Under the rules described in paragraphs (d)(1) and (2) of this section, foreign surviving corporation has the following post-1986 undistributed earnings and post-1986 foreign income taxes:

| Separate category | E&P | Foreign taxes |
|-------------------|------|---------------|
| Passive | 50u | 15 |
| | 300u | \$60 |

(B) The foreign income taxes deemed paid by qualifying shareholders of foreign surviving corporation upon the distribution are subject to generally applicable rules and limitations, such as those of sections 78, 902, and 904(d).

(C) Immediately after the distribution, foreign surviving corporation has the following post-1986 undistributed earnings and post-1986 foreign income taxes:

Internal Revenue Service, Treasury

§ 1.367(b)-7

(iv) *Post-transaction earnings*—(A) In its taxable year ending on December 31, 2008, foreign surviving corporation accumulates earnings and profits and pays related foreign income taxes as follows:

| Separate category | E&P | Foreign taxes |
|-------------------|------|---------------|
| General | 100u | \$20 |
| Passive | 50u | \$10 |
| | 150u | \$40 |

(B) None of foreign surviving corporation's earnings and profits for its 2008 taxable year qualifies as subpart F income as defined in

section 952(a). Under the rules described in paragraphs (d)(2)(ii) and (iii) of this section, the hovering deficit in the passive category will offset the post-transaction earnings in that category and a proportionate amount of the foreign taxes related to the hovering deficit will be added to the post-1986 foreign income taxes pool. Because the post-transaction earnings in the passive category are half of the amount of the hovering deficit, half of the related taxes are added to the post-1986 foreign income taxes pool. Accordingly, foreign surviving corporation has the following post-1986 undistributed earnings and post-1986 foreign income taxes on January 1, 2009:

| Separate category | Earnings & profits | | Foreign taxes | |
|-------------------|--------------------|------------------|-------------------------|--|
| | Positive E&P | Hovering deficit | Foreign taxes available | Foreign taxes associated with hovering deficit |
| General | 350u | | \$65 | |
| Passive | 50u | (50u) | 30 | \$5 |
| | 400u | (50u) | \$95 | \$5 |

Example 3. (i) *Facts.* The facts are the same as *Example 2*, except that the 50u of earnings in the passive category accrued by foreign surviving corporation during 2008 is subpart F income, all of which is included in income under section 951(a) by United States shareholders (as defined in section 951(b)). This example assumes that none of the United States shareholders are able to reduce their subpart F income inclusion with a qualified deficit under section 952(c)(1)(B).

(ii) *Result.* (A) Under the rule described in paragraph (f)(1) of this section, the (100u) hovering deficit in the passive category does not reduce foreign surviving corporation's current passive earnings and profits for purposes of determining subpart F income or associated deemed paid credits. Thus, foreign surviving corporation's United States shareholders include their pro rata shares of 50u

in taxable income for the year and are eligible for a deemed paid foreign tax credit under section 960, computed by reference to their pro rata shares of \$12.50 (50u subpart F inclusion / (50u + 50u post-1986 undistributed earnings in the passive category = 100u) = 50%, × \$25 post-1986 foreign income taxes in the passive category = \$12.50). The United States shareholders will also include their pro rata shares of the deemed-paid taxes of \$12.50 in taxable income for the year as a deemed dividend pursuant to section 78.

(B) Immediately after the subpart F inclusion and section 960 deemed paid taxes (and taking into account the taxable year 2008 earnings and profits and related taxes in the general category), foreign surviving corporation has the following post-1986 undistributed earnings and post-1986 foreign income taxes:

| Separate category | Earnings & profits | | Foreign taxes available | Foreign taxes |
|-------------------|--------------------|------------------|-------------------------|--|
| | Positive E&P | Hovering deficit | | Foreign taxes associated with hovering deficit |
| General | 350u | | \$65.00 | |
| Passive | 50u | (100u) | 12.50 | \$10 |
| | 400u | (100u) | 77.50 | 10 |

(C) The 50u included as subpart F income constitutes previously taxed earnings and profits under section 959.

Example 4. (i) *Facts.* (A) On December 31, 2006, foreign corporations A and B have the

§ 1.367(b)-7

26 CFR Ch. I (4-1-21 Edition)

following post-1986 undistributed earnings and post-1986 foreign income taxes:

| Separate category | E&P | Foreign taxes |
|------------------------------|--------|---------------|
| Foreign Corporation A | | |
| General | 50u | \$10 |
| Foreign Corporation B | | |
| General | (100u) | \$20 |

(B) On January 1, 2007, foreign corporation B acquires the assets of foreign corporation A in a reorganization described in section 368(a)(1)(C). Immediately following the foreign section 381 transaction, foreign surviving corporation is a CFC.

(ii) *Result.* (A) Under the rules described in paragraphs (d)(1) and (2) of this section, foreign surviving corporation has the following post-1986 undistributed earnings and post-1986 foreign income taxes:

| Separate category | Earnings & profits | | Foreign taxes available | Foreign taxes |
|-------------------|--------------------|------------------|-------------------------|--|
| | Positive E&P | Hovering deficit | | Foreign taxes associated with hovering deficit |
| General | 50u | (100u) | \$10 | \$20 |

(iii) *Post-transaction earnings and distribution.* (A) In its taxable year ending on December 31, 2007, foreign surviving corporation earns 100u in the general category and pays related foreign income taxes of \$24. On December 31, 2007, foreign surviving corporation distributes 75u to its shareholders.

(B) *Result.* For purposes of determining the dividend amount under section 316 and the foreign income taxes deemed paid with respect to that dividend under section 902, under paragraph (d)(2)(ii) of this section the hovering deficit does not offset the post-transaction current year earnings. Accordingly, the full 75u will be a dividend under section 316. The deemed paid taxes on that dividend are \$17 (75u distribution / (100u current earnings + 50u accumulated earnings) =

50%, × (\$10 accumulated foreign taxes + \$24 current year foreign taxes) = \$17). The 25u of undistributed earnings and profits in 2007 will be offset by (25u) of the hovering deficit for purposes of determining the opening balance of the post-1986 undistributed earnings pool in 2008. Because the amount of earnings offset by the hovering deficit is 25% of the amount of the hovering deficit, under paragraph (d)(2)(iii) of this section \$5 (25% of \$20) of the related taxes are added to the post-1986 foreign income taxes pool at the beginning of the next taxable year. Accordingly, foreign surviving corporation has the following post-1986 undistributed earnings and post-1986 foreign income taxes on January 1, 2008:

| Separate category | Earnings & profits | | Foreign taxes | |
|-------------------|--------------------|------------------|-------------------------|--|
| | Positive E&P | Hovering deficit | Foreign taxes available | Foreign taxes associated with hovering deficit |
| General | 50u | (75u) | \$22 | \$15 |

(e) *Pre-pooling annual layers*—(1) *If foreign surviving corporation is a pooling corporation.* If the foreign surviving corporation is a pooling corporation, the pre-pooling annual layers shall be determined under the rules of this paragraph (e)(1).

(i) *Qualifying earnings and taxes.* The pre-pooling annual layers shall consist of the pre-1987 accumulated profits and the pre-1987 foreign income taxes of the

foreign acquiring corporation and the foreign target corporation.

(ii) *Carryover rule.* Subject to paragraph (e)(1)(iii) of this section, the amounts described in paragraph (e)(1)(i) of this section shall carry over to the foreign surviving corporation but shall not be combined. If the foreign acquiring corporation and the foreign target corporation have pre-1987 accumulated profits in the same year and a distribution is made therefrom,

the rules of §1.902-1(b)(2)(ii) and (b)(3) shall apply separately to reduce pre-1987 accumulated profits and pre-1987 foreign income taxes of the foreign acquiring corporation and the foreign target corporation on a pro rata basis. For further guidance, see Rev. Rul. 68-351 (1968-2 C.B. 307); Rev. Rul. 70-373 (1970-2 C.B. 152) (see also §601.601(d)(2) of this chapter); see also paragraph (f)(2) of this section (governing the reconciliation of taxable years).

(iii) *Deficit*—(A) *In general*. The rules of this paragraph (e)(1)(iii) apply when, immediately prior to the foreign section 381 transaction, the foreign acquiring corporation or the foreign target corporation (or both) has a deficit in earnings and profits for one or more of the years that comprise its pre-1987 accumulated profits (see also paragraphs (f)(1) and (4) of this section, describing other rules applicable to a deficit described in this paragraph (e)(1)(iii)).

(B) *Aggregate positive pre-1987 accumulated profits*. If the foreign acquiring corporation or the foreign target corporation (or both) has an aggregate positive (or zero) amount of pre-1987 accumulated profits, but a deficit in earnings and profits for one or more years, then the rules otherwise applicable to such deficits shall apply separately to the pre-1987 accumulated profits and related pre-1987 foreign income taxes of such corporation. A deficit in pre-1987 accumulated profits for one or more years is applied to reduce pre-1987 accumulated profits on a LIFO basis. Any remaining deficit shall be applied to reduce pre-1987 accumulated profits in succeeding years. See Rev. Rul. 74-550 (1974-2 C.B. 209) (see also §601.601(d)(2) of this chapter); *Champion Int'l Corp. v. Commissioner*, 81 T.C. 424 (1983), acq. in result, 1987-2 C.B. 1; Rev. Rul. 87-72 (1987-2 C.B. 170) (see also §601.601(d)(2) of this chapter). As a result, no amount in excess of the aggregate positive amount of pre-1987 accumulated profits shall be distributed from the pre-transaction earnings of the foreign acquiring corporation or the foreign target corporation.

(C) *Aggregate deficit in pre-1987 accumulated profits*. If the foreign acquiring corporation or the foreign target corporation (or both) has an aggregate

deficit in pre-1987 accumulated profits, a hovering deficit as defined under paragraph (d)(2)(i) of this section, then the rules under §1.902-2(b) shall apply to such hovering deficit (and related pre-1987 foreign income taxes) immediately prior to the transaction, except that the aggregate hovering deficit that is carried forward into the foreign surviving corporation's post-1986 pool shall offset only post-transaction earnings accumulated by the foreign surviving corporation in the same separate category of post-1986 undistributed earnings to which the relevant portion of the hovering deficit is attributable. Post-transaction earnings do not include earnings and profits that are earned after the foreign section 381 transaction but distributed or deemed distributed in the same year they are earned.

(D) *Deficit and positive separate categories within annual layers*. For purposes of applying the rules of paragraphs (e)(1)(iii)(B) and (C) of this section, if within a single pre-pooling annual layer, the foreign acquiring corporation or the foreign target corporation (or both) has a deficit in pre-1987 accumulated profits in a separate category and positive pre-1987 accumulated profits in another separate category, the deficit shall first be used to offset the positive pre-1987 accumulated profits in the other separate category in the same pre-pooling annual layer. Any remaining deficit shall be carried forward or back to other years according to the rules of paragraph (e)(1)(iii)(B) or (C) of this section as applicable.

(iv) *Pre-1987 section 960 earnings and profits and foreign income taxes*. The pre-1987 section 960 earnings and profits and pre-1987 section 960 foreign income taxes of the foreign acquiring corporation and the foreign target corporation shall carry over to the foreign surviving corporation but shall not be combined. The rules otherwise applicable to such amounts shall apply separately to the pre-1987 section 960 earnings and profits and pre-1987 section 960 foreign income taxes of the foreign acquiring corporation and the foreign target corporation on a pro rata basis. For further guidance, see Notice 88-70

§ 1.367(b)-7

(1988-2 C.B. 369) (see also §601.601(d)(2) of this chapter).

(v) *Examples.* The following examples illustrate the rules of this paragraph (e)(1). The examples assume the following facts: Foreign corporation A was incorporated in 2003 and was a non-pooling corporation through December 31, 2004. Foreign corporation A became a CFC on January 1, 2005 and, as a result, began to maintain a pool of post-1986 undistributed earnings on that date. Foreign corporation B was incorporated in 2003 and has always been owned by foreign shareholders (and thus never has met the requirements of section 902(c)(3)(B)). Both foreign corporation A and foreign corporation B have always had calendar taxable years. Foreign corporations A and B (and all of their respective qualified business units as defined in section 989) maintain a “u” functional currency. Finally, unless otherwise stated, all earnings and profits of foreign corporations A and B are in the general category. The examples are as follows:

Example 1. (i) *Facts.* (A) On December 31, 2006, foreign corporations A and B have the following earnings and profits and foreign income taxes:

| | E&P | Foreign taxes |
|-------------------------------|--------|---------------|
| <i>Foreign Corporation A:</i> | | |
| Post-1986 pool | 1,000u | \$350 |
| 2004 | 400u | 160u |
| 2003 | 100u | 5u |
| | 1,500u | |
| <i>Foreign Corporation B:</i> | | |
| 2006 | 100u | 20u |
| 2005 | 150u | 30u |
| 2004 | 0u | 50u |
| 2003 | 50u | 5u |
| | 300u | 105u |

(B) On January 1, 2007, foreign corporation B acquires the assets of foreign corporation A in a reorganization described in section 368(a)(1)(C). Immediately following the foreign section 381 transaction, foreign surviving corporation is a CFC.

(ii) *Result.* Under the rules described in paragraphs (e)(1)(i) and (ii) of this section, foreign surviving corporation has the following earnings and profits and foreign income taxes:

| | E&P | Foreign taxes |
|----------------------|--------|---------------|
| Post-1986 Pool | 1,000u | \$350 |
| 2006 | 100u | 20u |

| | E&P | Foreign taxes |
|---|--------|---------------|
| 2005 | 150u | 30u |
| <i>Two Side-by-Side Layers of 2004 E&P:</i> | | |
| 2004 layer #1 (from Corp A) ... | 400u | 160u |
| 2004 layer #2 (from Corp B) ... | 0u | 50u |
| <i>Two Side-by-Side Layers of 2003 E&P:</i> | | |
| 2003 layer #1 (from Corp A) ... | 100u | 5u |
| 2003 layer #2 (from Corp B) ... | 50u | 5u |
| | 1,800u | |

(iii) *Post-transaction distribution.* (A) During 2007, foreign surviving corporation does not accumulate any earnings and profits or pay or accrue any foreign income taxes. On December 31, 2007, foreign surviving corporation distributes 1,725u to its shareholders. Under the rules of paragraph (c)(1) of this section, the distribution is first out of the post-1986 pool, and then out of the pre-pooling annual layers under the LIFO method, as follows:

| | E&P | Foreign taxes |
|---|--------|---------------|
| Post-1986 pool | 1,000u | \$350 |
| 2006 | 100u | 20u |
| 2005 | 150u | 30u |
| <i>Two Side-by-Side Layers of 2004 E&P:</i> | | |
| 2004 layer #1 | 400u | 160u |
| 2004 layer #2 | 0u | 0u |
| <i>Two Side-by-Side Layers of 2003 E&P:</i> | | |
| 2003 layer #1 | * 50u | 2.5u |
| 2003 layer #2 | ** 25u | 2.5u |
| | 1,725u | |

* 100u in layer/150u aggregate 2003 earnings = 66.67% × 75u distribution.

** 50u in layer/150u aggregate 2003 earnings = 33.33% × 75u distribution.

(B) The foreign income taxes deemed paid by qualifying shareholders of foreign surviving corporation upon the distribution are subject to generally applicable rules and limitations, such as those of sections 78, 902, and 904(d).

(C) Immediately after the distribution, foreign surviving corporation has the following earnings and profits and foreign income taxes:

| | E&P | Foreign taxes |
|---|-----|---------------|
| 2004 layer #2 | 0u | 50u |
| <i>Two Side-by-Side Layers of 2003 E&P:</i> | | |
| 2003 layer #1 | 50u | 2.5u |
| 2003 layer #2 | 25u | 2.5u |
| | 75u | 55u |

(iv) *Post-transaction earnings.* For the taxable year ending on December 31, 2008, foreign surviving corporation has 500u of current earnings and profits in the general category, none of which qualify as subpart F income under section 952(a), and pays \$70 in foreign income taxes. As of the close of the

Internal Revenue Service, Treasury

§ 1.367(b)-7

2008 taxable year, foreign surviving corporation has the following earnings and profits and foreign income taxes:

| | E&P | Foreign taxes |
|---|------|---------------|
| Post-1986 pool | 500u | \$70 |
| 2004 | 0u | 50u |
| Two Side-by-Side Layers of 2003 E&P: | | |
| 2003 layer #1 | 50u | 2.5u |
| 2003 layer #2 | 25u | 2.5u |
| | 575u | |

Example 2. (i) Facts. (A) On December 31, 2006, foreign corporations A and B have the following earnings and profits and foreign income taxes:

| | E&P | Foreign taxes |
|-------------------------------|--------|---------------|
| Foreign Corporation A: | | |
| Post-1986 pool | 1,000u | \$350 |
| 2004 | 100u | 20u |
| 2003 | (50u) | 5u |
| | 1,050u | |

| | E&P | Foreign taxes |
|-------------------------------|-------|---------------|
| Foreign Corporation B: | | |
| 2006 | 100u | 20u |
| 2005 | (50u) | 5u |
| 2004 | 0u | 50u |
| 2003 | 100u | 10u |
| | 150u | 85u |

(B) On January 1, 2007, foreign corporation B acquires the assets of foreign corporation A in a reorganization described in section 368(a)(1)(C). Immediately following the foreign section 381 transaction, foreign surviving corporation is a CFC.

(ii) *Result.* Because foreign corporations A and B have aggregate positive amounts of pre-1987 accumulated profits with a deficit in one or more years, the rules of paragraph (e)(1)(iii)(B) of this section apply. Accordingly, after the foreign section 381 transaction, foreign surviving corporation has the following earnings and profits and foreign income taxes:

| | Earnings & profits | | Foreign taxes | |
|---|--------------------|-------------|-------------------------|---|
| | Positive E&P | Deficit E&P | Foreign taxes available | Foreign taxes associated with deficit E&P |
| Post-1986 pool | 1,000u | | \$350 | |
| 2006 | 100u | | 20u | |
| 2005 | | (50u) | | 5u |
| Two Side-by-Side Layers of 2004 E&P: | | | | |
| 2004 layer #1 (from Corp A) | 100u | | 20u | |
| 2004 layer #2 (from Corp B) | 0u | | 50u | |
| Two Side-by-Side Layers of 2003 E&P: | | | | |
| 2003 layer #1 (from Corp A) | | (50u) | | 5u |
| 2003 layer #2 (from Corp B) | 100u | | 10u | |
| | 1,300u | (100u) | | 10u |

(iii) *Post-transaction distribution.* (A) During 2007, foreign surviving corporation does not accumulate any earnings and profits or pay or accrue any foreign income taxes. On December 31, 2007, foreign surviving corporation distributes 1,175u to its shareholders. Under the rules described in paragraphs (c)(1) and (e)(1)(iii)(B) of this section, the distribution is first out of the post-1986 pool, and then out of the pre-pooling annual layers, as follows:

| Distribution | E&P | Foreign taxes |
|---|--------|---------------|
| Post-1986 pool | 1,000u | \$350 |
| 2006 | 100u | 20u |
| 2005 | 0u | 0u |
| Two Side-by-Side Layers of 2004 E&P: | | |
| 2004 layer #1 | 50u | 20u |
| 2004 layer #2 | 0u | 0u |
| Two Side-by-Side Layers of 2003 E&P: | | |
| 2003 layer #1 | 0u | 0u |

| Distribution | E&P | Foreign taxes |
|---------------------|--------|---------------|
| 2003 layer #2 | 25u | 5u |
| | 1,175u | |

(B) Under paragraph (e)(1)(iii)(B) of this section, the rules otherwise applicable when a foreign corporation has an aggregate positive (or zero) amount of pre-1987 accumulated profits, but a deficit in one or more years, apply separately to the pre-1987 accumulated profits and related foreign income taxes of foreign corporation A and foreign corporation B. As a result, distributions out of the pre-pooling annual layers of foreign corporation A and foreign corporation B cannot exceed the aggregate positive amount of

§ 1.367(b)-7

26 CFR Ch. I (4-1-21 Edition)

pre-1987 accumulated profits of each corporation. Accordingly, only 50u can be distributed from foreign corporation A's pre-pooling annual layers and is out of its 2004 layer #1 (after rolling forward the (50u) deficit in 2003 layer #1 to reduce earnings in 2004 layer #1 to 50u (100u - 50u)). Under the principles of § 1.902-1(b)(3), the full 20u of taxes related to 2004 layer #1 is reduced or deemed paid ($\$20 \times (50/50)$). 100u is distributed from foreign corporation B's 2006 annual layer. Foreign corporation B's (50u) deficit in 2005 is then rolled back to offset its 2003 annual layer to reduce earnings in that layer to 50u, 25u of which is distributed. Thus, after the distribution, 25u remains in 2003 layer # 2 along with 5u of foreign income taxes ($10u \times (25u/50u)$).

(C) The foreign income taxes deemed paid by qualifying shareholders of foreign surviving corporation upon the distribution are subject to generally applicable rules and limitations, such as those of sections 78, 902, and 904(d).

(D) Immediately after the distribution, foreign surviving corporation has the following earnings and profits and foreign income taxes:

| | E&P | Foreign taxes |
|--------------------------------------|-----|---------------|
| 2005 | 0u | 5u |
| 2004 layer #2 | 0u | 50u |
| Two Side-by-Side Layers of 2003 E&P: | | |
| 2003 layer #1 | 0u | 5u |
| 2003 layer #2 | 25u | 5u |
| | 25u | 65u |

(E) Under paragraph (e)(1)(iii)(B) of this section, the 5u, 50u, and 5u of pre-1987 foreign income taxes related to foreign surviving corporation's 2005 layer, 2004 layer #2, and 2003 layer #1, respectively, remain in those layers. These foreign income taxes generally will not be reduced or deemed paid unless a foreign tax refund restores a positive balance

to the associated earnings pursuant to section 905(c), and thus will be trapped. See § 1.902-2(b)(2).

Example 3. (i) Facts. (A) On December 31, 2006, foreign corporations A and B have the following earnings and profits and foreign income taxes:

| | E&P | Foreign taxes |
|------------------------|--------|---------------|
| Foreign Corporation A: | | |
| Post-1986 pool | 1,000u | \$350 |
| 2004 | 150u | 20u |
| 2003 | 100u | 5u |
| | 1,250u | |
| Foreign Corporation B: | | |
| 2006 | 100u | 20u |
| 2005 | (250u) | 5u |
| 2004 | 0u | 50u |
| 2003 | 100u | 10u |
| | (50u) | 85u |

(B) On January 1, 2007, foreign corporation B acquires the assets of foreign corporation A in a reorganization described in section 368(a)(1)(C). Immediately following the foreign section 381 transaction, foreign surviving corporation is a CFC.

(ii) *Result.* (A) Because foreign corporation B has an aggregate hovering deficit in pre-1987 accumulated profits, the rules of paragraph (e)(1)(iii)(C) of this section apply. Accordingly, § 1.902-2(b) applies immediately prior to the foreign section 381 transaction, except that the hovering deficit is carried forward into the foreign surviving corporation's post-1986 undistributed earnings pool and will offset only post-transaction earnings accumulated by foreign surviving corporation in the general category. Accordingly, after the foreign section 381 transaction, foreign surviving corporation has the following earnings and profits and foreign income taxes:

| | Earnings & profits | | Foreign taxes | |
|--------------------------------------|--------------------|------------------|-------------------------|--|
| | Positive E&P | Hovering deficit | Foreign taxes available | Foreign taxes associated with hovering deficit |
| Post-1986 pool | 1,000u | (50u) | \$350 | \$0 |
| 2006 | 0u | | 20u | |
| 2005 | 0u | | 5u | |
| Two Side-by-Side Layers of 2004 E&P: | | | | |
| 2004 layer #1 (from Corp A) | 150u | | 20u | |
| 2004 layer #2 (from Corp B) | 0u | | 50u | |
| Two Side-by-Side Layers of 2003 E&P: | | | | |
| 2003 layer #1 (from Corp A) | 100u | | 5u | |
| 2003 layer #2 (from Corp B) | 0u | | 10u | |
| | 1,250u | (50u) | | \$0 |

(B) Under paragraph (e)(1)(iii)(C) of this section, the 20u, 5u, 50u, and 10u of pre-1987 foreign income taxes associated with foreign corporation B's pre-1987 accumulated profits for 2006, 2005, 2004 layer #2, and 2003 layer #2, respectively, remain in those layers. These foreign income taxes generally will not be reduced or deemed paid unless a foreign tax refund restores a positive balance to the associated earnings pursuant to section 905(c), and thus will be trapped. See §1.902-2(b)(2).

(2) *If foreign surviving corporation is a nonpooling corporation.* If the foreign surviving corporation is a nonpooling corporation, then the pre-pooling annual layers shall be determined under the rules of this paragraph (e)(2).

(i) *Qualifying earnings and taxes.* The pre-pooling annual layers shall consist of the pre-1987 accumulated profits and the pre-1987 foreign income taxes of the foreign acquiring corporation and the foreign target corporation. If the foreign acquiring corporation or the foreign target corporation (or both) has post-1986 undistributed earnings or a deficit in post-1986 undistributed earnings, then those earnings or deficits and any related post-1986 foreign income taxes shall be recharacterized as pre-1987 accumulated profits or deficits and pre-1987 foreign income taxes of the foreign acquiring corporation or the foreign target corporation accumulated immediately prior to the foreign section 381 transaction.

(ii) *Carryover rule.* Subject to paragraph (e)(2)(iii) of this section, the amounts described in paragraph (e)(2)(i) of this section shall carry over to the foreign surviving corporation but shall not be combined. If the foreign acquiring corporation and the foreign target corporation have pre-1987 accumulated profits in the same year and a distribution is made therefrom, the principles of §1.902-1(b)(2)(ii) and (3) shall apply separately to reduce pre-1987 accumulated profits and pre-1987 foreign income taxes of the foreign acquiring corporation and the foreign target corporation on a pro rata basis. For further guidance, see Rev. Rul. 68-351 (1968-2 C.B. 307); Rev. Rul. 70-373 (1970-2 C.B. 152) (see also §601.601(d)(2) of this chapter); see also paragraph (f)(2) of this section (governing the reconciliation of taxable years).

(iii) *Deficits—(A) In general.* The rules of this paragraph (e)(2)(iii) apply when,

immediately prior to the foreign section 381 transaction (and after application of the last sentence of paragraph (e)(2)(i) of this section), the foreign acquiring corporation or the foreign target corporation (or both) has a deficit in one or more years that comprise its pre-1987 accumulated profits. See also paragraphs (f)(1) and (4) of this section (describing other rules applicable to a deficit described in this paragraph (e)(2)(iii)).

(B) *Aggregate positive pre-1987 accumulated profits.* If the foreign acquiring corporation or the foreign target corporation (or both) has an aggregate positive (or zero) amount of pre-1987 accumulated profits, but a deficit in pre-1987 accumulated profits in one or more years, then the rules otherwise applicable to such deficits shall apply separately to the pre-1987 accumulated profits and related foreign income taxes of such corporation. A deficit in pre-1987 accumulated profits for one or more years is applied to reduce pre-1987 accumulated profits on a LIFO basis. Any remaining deficit shall be applied to reduce pre-1987 accumulated profits in succeeding years. See Rev. Rul. 74-550 (1974-2 C.B. 209) (see also §601.601(d)(2) of this chapter); *Champion Int'l Corp. v. Commissioner*, 81 T.C. 424 (1983), acq. in result, 1987-2 C.B. 1; Rev. Rul. 87-72 (1987-2 C.B. 170) (see also §601.601(d)(2) of this chapter). As a result, no amount in excess of the aggregate positive amount of pre-1987 accumulated profits shall be distributed from the pre-transaction earnings of the foreign acquiring corporation or the foreign target corporation.

(C) *Aggregate deficit in pre-1987 accumulated profits.* If the foreign acquiring corporation or the foreign target corporation (or both) has an aggregate deficit in pre-1987 accumulated profits, a hovering deficit as defined under paragraph (d)(2)(i) of this section, then the rules otherwise applicable to such hovering deficits shall apply separately to the pre-transaction earnings and profits and related taxes of the relevant corporation. See, e.g., sections 316(a) and 381(c)(2)(B). Thus, any hovering deficit shall offset only post-transaction earnings accumulated by the foreign surviving corporation in the same separate category of earnings

§ 1.367(b)-7

and profits to which the relevant portion of the hovering deficit is attributable. Post-transaction earnings do not include earnings and profits that are earned after the foreign section 381 transaction but distributed or deemed distributed in the same year they are earned. Following the principles of § 1.902-2(b), if there is an aggregate deficit in pre-1987 accumulated profits, any related pre-1987 foreign income taxes generally will not be reduced or deemed paid unless a foreign tax refund restores a positive balance to the associated earnings pursuant to section 905(c), and creates a pre-transaction aggregate positive balance for pre-1987 accumulated profits.

(D) *Deficit and positive separate categories within annual layers.* For purposes of applying the rules of paragraphs (e)(2)(iii)(B) and (C) of this section, if within a single pre-pooling annual layer, the foreign acquiring corporation or the foreign target corporation (or both) has a deficit in pre-1987 accumulated profits in a separate category and positive pre-1987 accumulated profits in another separate category, the deficit shall first be used to offset the positive pre-1987 accumulated profits in the other separate category in the same pre-pooling annual layer. Any remaining deficit shall be carried forward or back to other years according to the rules of paragraph (e)(2)(iii)(B) or (C) as applicable.

(iv) *Pre-1987 section 960 earnings and profits and foreign income taxes.* The pre-1987 section 960 earnings and profits and pre-1987 section 960 foreign income taxes of the foreign acquiring corporation and the foreign target corporation shall carry over to the foreign surviving corporation but shall not be combined. The rules otherwise applicable to such amounts shall apply separately to the pre-1987 section 960 earnings and profits and pre-1987 section 960 foreign income taxes of the foreign acquiring corporation and the foreign target corporation on a pro rata basis. For further guidance, see Notice 88-70 (1988-2 C.B. 369) (see also § 601.601(d)(2) of this chapter).

(v) *Examples.* The following examples illustrate the rules of this paragraph (e)(2). The examples assume the following facts: Both foreign corporation

A and foreign corporation B have always had calendar taxable years. Foreign corporations A and B (and all of their respective qualified business units as defined in section 989) maintain a “u” functional currency, and 1u = US\$1 at all times. Finally, unless otherwise stated, all earnings and profits of foreign corporations A and B are in the general category. The examples are as follows:

Example 1. (i) *Facts.* (A) Foreign corporations A and B both were incorporated in 2003. Nine percent of the voting stock of foreign corporation A is owned by domestic corporate shareholder C. Nine percent of the voting stock of foreign corporation B is owned by domestic corporate shareholder D. Shareholders C and D are unrelated. The remaining 91% of the voting stock of each foreign corporation is owned by unrelated foreign shareholders. Thus, neither corporation meets the requirements of section 902(c)(3)(B). On December 31, 2006, foreign corporations A and B have the following earnings and profits and foreign income taxes:

| | E&P | Foreign taxes |
|-------------------------------|--------|---------------|
| <i>Foreign Corporation A:</i> | | |
| 2006 | 500u | 350u |
| 2005 | 400u | 300u |
| 2004 | 400u | 160u |
| 2003 | 100u | 5u |
| | 1,400u | 815u |
| <i>Foreign Corporation B:</i> | | |
| 2006 | 100u | 20u |
| 2005 | 300u | 60u |
| 2004 | 0u | 50u |
| 2003 | 50u | 5u |
| | 450u | 135u |

(B) On January 1, 2007, foreign corporation B acquires the assets of foreign corporation A in a reorganization described in section 368(a)(1)(C). Immediately following the foreign section 381 transaction, foreign surviving corporation is a nonpooling corporation that does not meet the requirements of section 902(c)(3)(B).

(ii) *Result.* Under the rules described in paragraphs (e)(2)(i) and (ii) of this section, foreign surviving corporation has the following earnings and profits and foreign income taxes:

| | E&P | Foreign taxes |
|---|------|---------------|
| <i>Two Side-by-Side Layers of 2006 E&P:</i> | | |
| 2006 layer #1 (from Corp A) ... | 500u | 350u |
| 2006 layer #2 (from Corp B) ... | 100u | 20u |
| <i>Two Side-by-Side Layers of 2005 E&P:</i> | | |
| 2005 layer #1 (from Corp A) ... | 400u | 300u |

Internal Revenue Service, Treasury

§ 1.367(b)-7

| | E&P | Foreign taxes |
|---|--------|---------------|
| 2005 layer #2 (from Corp B) ... | 300u | 60u |
| <i>Two Side-by-Side Layers of 2004 E&P:</i> | | |
| 2004 layer #1 (from Corp A) ... | 400u | 160u |
| 2004 layer #2 (from Corp B) ... | 0u | 50u |
| <i>Two Side-by-Side Layers of 2003 E&P:</i> | | |
| 2003 layer #1 (from Corp A) ... | 100u | 5u |
| 2003 layer #2 (from Corp B) ... | 50u | 5u |
| | 1,850u | 950u |

(iii) *Post-transaction distribution.* (A) During 2007, foreign surviving corporation does not accumulate any earnings and profits or pay or accrue any foreign income taxes. On December 31, 2007, foreign surviving corporation distributes 600u to its shareholders. Under the rules of paragraph (c)(3) of this section, the distribution is out of pre-pooling annual layers under the LIFO method as follows:

| | E&P | Foreign taxes |
|---|------|---------------|
| <i>Two Side-by-Side Layers of 2006 E&P:</i> | | |
| 2006 layer #1 (from Corp A) ... | 500u | 350u |
| 2006 layer #2 (from Corp B) ... | 100u | 20u |
| | 600u | 370u |

(B) Foreign surviving corporation's foreign income tax accounts are reduced to reflect the distribution of earnings and profits notwithstanding that no shareholders are eligible to claim deemed paid foreign income taxes under section 902. See §1.902-1(a)(10)(iii).

(C) Immediately after the distribution, foreign surviving corporation has the following earnings and profits and foreign income taxes:

| | E&P | Foreign taxes |
|---|--------|---------------|
| <i>Two Side-by-Side Layers of 2005 E&P:</i> | | |
| 2005 layer #1 (from Corp A) ... | 400u | 300u |
| 2005 layer #2 (from Corp B) ... | 300u | 60u |
| <i>Two Side-by-Side Layers of 2004 E&P:</i> | | |
| 2004 layer #1 (from Corp A) ... | 400u | 160u |
| 2004 layer #2 (from Corp B) ... | 0u | 50u |
| <i>Two Side-by-Side Layers of 2003 E&P:</i> | | |
| 2003 layer #1 (from Corp A) ... | 100u | 5u |
| 2003 layer #2 (from Corp B) ... | 50u | 5u |
| | 1,250u | 580u |

Example 2. (i) *Facts.* (A) The facts are the same as in *Example 1* (i)(A), except that foreign corporation A met the requirements of section 902(c)(3)(B) on January 1, 2005, when U.S. corporate shareholder C acquired an additional 1% of voting stock for a total ownership interest of 10%; foreign corporation A thereby became a pooling corporation. On December 31, 2006, foreign corporations A and B have the following earnings and profits and foreign income taxes:

| | E&P | Foreign taxes |
|-------------------------------|--------|---------------|
| <i>Foreign Corporation A:</i> | | |
| Post-1986 pool | 900u | \$650 |
| 2004 | 400u | 160u |
| 2003 | 100u | 5u |
| | 1,400u | |
| <i>Foreign Corporation B:</i> | | |
| 2006 | 100u | 20u |
| 2005 | 300u | 60u |
| 2004 | 0u | 50u |
| 2003 | 50u | 5u |
| | 450u | 135u |

(B) On January 1, 2007, foreign corporation B acquires the assets of foreign corporation A in a reorganization described in section 368(a)(1)(C). Immediately following the foreign section 381 transaction, foreign surviving corporation is a nonpooling corporation that does not meet the requirements of section 902(c)(3)(B).

(i) *Result.* Under the rules described in paragraphs (e)(2)(i) and (ii) of this section, foreign surviving corporation has the following earnings and profits and foreign income taxes:

| | E&P | Foreign taxes |
|---|--------|---------------|
| <i>Two Side-by-Side Layers of 2006 E&P:</i> | | |
| 2006 layer #1 (from Corp A's pool) | 900u | \$650 |
| 2006 layer #2 (from Corp B's layer) | 100u | 20u |
| 2005 (from Corp B): | 300u | 60u |
| <i>Two Side-by-Side Layers of 2004 E&P:</i> | | |
| 2004 layer #1 (from Corp A) ... | 400u | 160u |
| 2004 layer #2 (from Corp B) ... | 0u | 50u |
| <i>Two Side-by-Side Layers of 2003 E&P:</i> | | |
| 2003 layer #1 (from Corp A) ... | 100u | 5u |
| 2003 layer #2 (from Corp B) ... | 50u | 5u |
| | 1,850u | |

(iii) *Subsequent ownership change.* On July 1, 2010, USS (a domestic corporation) acquires 100% of the stock of foreign surviving corporation. Under the rules of paragraph (f)(3) of this section, foreign surviving corporation begins to pool its earnings and profits under section 902(c)(3) as of January 1, 2010. Foreign surviving corporation's earnings and profits and foreign income taxes accrued before January 1, 2010 retain their character as pre-1987 accumulated profits and pre-1987 foreign income taxes.

Example 3. (i) *Facts.* (A) The facts are the same as in *Example 2*(i)(A), except that on December 31, 2006, foreign corporations A and B have the following earnings and profits and foreign income taxes:

| | E&P | Foreign Taxes |
|-------------------------------|-----|---------------|
| <i>Foreign Corporation A:</i> | | |

§ 1.367(b)-7

26 CFR Ch. I (4-1-21 Edition)

| | E&P | Foreign Taxes |
|------------------------------|--------|---------------|
| Post-1986 pool | 1,000u | \$500 |
| 2004 | (200u) | 10u |
| 2003 | 400u | 5u |
| | 1,200u | |
| <i>Foreign Corporation B</i> | | |
| 2006 | 300u | 20u |
| 2005 | (100u) | 60u |
| 2004 | 0u | 50u |
| 2003 | 50u | 5u |
| | 250u | 135u |

(B) On January 1, 2007, foreign corporation B acquires the assets of foreign corporation

A in a reorganization described in section 368(a)(1)(C). Immediately following the foreign section 381 transaction, foreign surviving corporation is a nonpooling corporation that does not meet the requirements of section 902(c)(3)(B).

(ii) *Result.* Because foreign corporations A and B have aggregate positive amounts of pre-1987 accumulated profits with a deficit in one or more years, the rules of paragraph (e)(2)(iii)(B) of this section apply. Accordingly, after the foreign section 381 transaction, foreign surviving corporation has the following earnings and profits and foreign income taxes:

| | Earnings & profits | | Foreign taxes | |
|---|--------------------|-------------|-------------------------|---|
| | Positive E&P | Deficit E&P | Foreign taxes available | Foreign taxes associated with deficit E&P |
| <i>Two Side-by-Side Layers of 2006 E&P:</i> | | | | |
| 2006 layer #1 (from Corp A's pool) | 1,000u | | \$500 | |
| 2006 layer #2 (from Corp B's layer) | 300u | | 20u | |
| 2005 (from Corp B) | | (100u) | | 60u |
| <i>Two Side-by-Side Layers of 2004 E&P:</i> | | | | |
| 2004 layer #1 (from Corp A) | | (200u) | | 10u |
| 2004 layer #2 (from Corp B) | 0u | | 50u | |
| <i>Two Side-by-Side Layers of 2003 E&P:</i> | | | | |
| 2003 layer #1 (from Corp A) | 400u | | 5u | |
| 2003 layer #2 (from Corp B) | 50u | | 5u | |
| | 1,750u | (300u) | | 70u |

(iii) *Post-transaction distribution.* (A) During 2007, foreign surviving corporation does not accumulate any earnings and profits or pay or accrue any foreign income taxes. On December 31, 2007, foreign surviving corporation distributes 1,300u to its shareholders. Under the rules described in paragraphs (c)(3) and (e)(2)(iii)(B) of this section, the distribution is out of the pre-pooling annual layers, as follows:

| | E&P | Foreign taxes |
|---|--------|----------------------------|
| <i>Two Side-by-Side Layers of 2006 E&P:</i> | | |
| 2006 layer #1 | 1,000u | \$500 |
| 2006 layer #2 | 250u | 20u |
| <i>2003 E&P:</i> | | |
| 2003 layer #1 | 50u | 1.25u (25% of 5u taxes) |
| | 1,300u | |

(B) Under paragraph (e)(2)(iii)(B) of this section, the rules otherwise applicable when a foreign corporation has an aggregate positive (or zero) amount of pre-1987 accumulated profits, but a deficit in one or more years, apply separately to the pre-1987 accumulated profits and related pre-1987 foreign

income taxes of foreign corporation A and foreign corporation B. As a result, distributions out of the pre-pooling annual layers of foreign corporation A and foreign corporation B cannot exceed the aggregate positive amount of pre-1987 accumulated profits of each corporation. Accordingly, only 1,200u and 250u can be distributed out of foreign corporation A's and foreign corporation B's pre-pooling annual layers, respectively. Thus, 1,000u of the distribution is out of foreign corporation A's 2006 layer #1 and 250u is out of foreign corporation B's 2006 layer #2 (after rolling forward (50u) of the deficit in 2005 layer to reduce earnings in 2006 layer #1 to 250u (300u - 50u)). Under the principles of § 1.902-1(b)(3), all of the taxes in each of those respective layers are reduced. The remaining 50u is distributed from foreign corporation A's 2003 layer #1 (after rolling back the (200u) deficit in 2004 layer #1 to reduce earnings in 2003 layer #1 to 200u (400u - 200u)). Thus, after the distribution, 150u remains in the 2003 layer #1 along with 3.75u of foreign income taxes (5u × (150u/200u)).

(C) Foreign surviving corporation's foreign income tax accounts are reduced to reflect the distribution of earnings and profits notwithstanding that no shareholders are eligible to claim a credit for deemed paid foreign

Internal Revenue Service, Treasury

§ 1.367(b)-7

income taxes under section 902. See §1.902-1(a)(10)(iii).

(D) Immediately after the distribution, foreign surviving corporation has the following earnings and profits and foreign income taxes:

| | E&P | Foreign taxes |
|---|------|---------------|
| 2005 | 0u | 60u |
| <i>Two Side-by-Side Layers of 2004 E&P:</i> | | |
| 2004 layer #1 | 0u | 10u |
| 2004 layer #2 | 0u | 50u |
| <i>Two Side-by-Side Layers of 2003 E&P:</i> | | |
| 2003 layer #1 | 150u | 3.75u |
| 2003 layer #2 | 0u | 5u |
| | 150u | 128.75u |

(E) Under paragraph (e)(2)(iii)(B) of this section, the 60u, 10u, 50u, and 5u of foreign income taxes related to foreign surviving corporation's 2005 layer, 2004 layer #1, 2004 layer #2, and 2003 layer #2, respectively, remain in those layers. These foreign income taxes generally will not be reduced or deemed paid unless a foreign tax refund restores a positive balance to the associated earnings pursuant to section 905(c), and thus will be trapped. See §1.902-2(b)(2).

Example 4. (i) *Facts.* (A) The facts are the same as in *Example 2* (i)(A), except that on December 31, 2006, foreign corporations A and B have the following earnings and profits and foreign income taxes:

| | E&P | Foreign Taxes |
|-------------------------------|----------|---------------|
| <i>Foreign Corporation A:</i> | | |
| Post-1986 pool | (1,000u) | \$20 |
| 2004 | (200u) | 10u |
| 2003 | 400u | 5u |

| | E&P | Foreign Taxes |
|-------------------------------|--------|---------------|
| <i>Foreign Corporation B:</i> | (800u) | |
| 2006 | 100u | 20u |
| 2005 | 300u | 60u |
| 2004 | 0u | 50u |
| 2003 | 50u | 5u |
| | 450u | 135u |

(B) On January 1, 2007, foreign corporation A acquires the assets of foreign corporation B in a reorganization described in section 368(a)(1)(C). Immediately following the foreign section 381 transaction, foreign surviving corporation is a nonpooling corporation.

(ii) *Result.* (A) Under paragraph (e)(2)(i) of this section, foreign corporation A's post-1986 pool is recharacterized as a 2006 layer of pre-1987 accumulated profits. Because after the foreign section 381 transaction foreign corporation A has an aggregate deficit in pre-1987 accumulated profits, the rules of paragraph (e)(2)(iii)(C) of this section apply and the rules otherwise applicable apply separately to the pre-1987 accumulated profits that carry over to foreign surviving corporation from foreign corporation A. The (800u) aggregate deficit in foreign corporation A's pre-1987 accumulated profits is a hovering deficit that will offset only post-transaction earnings accumulated by foreign surviving corporation in the general category. Accordingly, after the foreign section 381 transaction, foreign surviving corporation has the following earnings and profits and foreign income taxes:

| | Earnings & profits | | Foreign taxes | |
|--|--------------------|-------------|-------------------------|--------------------------------------|
| | Positive E&P | Deficit E&P | Foreign taxes available | Foreign taxes associated deficit E&P |
| Hovering deficit from Corp A's annual layers | | (800u) | | 0 |
| <i>Two Side-by-Side Layers of 2006 E&P:</i> | | | | |
| 2006 layer #1 (from Corp A's pool) | | 0u | | \$20 |
| 2006 layer #2 (from Corp B's layer) | 100u | | 20u | |
| 2005 (from Corp B) | 300u | | 60u | |
| <i>Two Side-by-Side Layers of 2004 E&P:</i> | | | | |
| 2004 layer #1 (from Corp A) | | 0u | | 10u |
| 2004 layer #2 (from Corp B) | 0u | | 50u | |
| <i>Two Side-by-Side Layers of 2003 E&P:</i> | | | | |
| 2003 layer #1 (from Corp A) | 0u | | 5u | |
| 2003 layer #2 (from Corp B) | 50u | | 5u | |
| | 450u | (800u) | 140u | |

(B) Under paragraph (e)(2)(iii)(C) of this section, the \$20, 10u, and 5u of pre-1987 foreign income taxes associated with foreign corporation A's pre-1987 accumulated profits

for 2006 layer #1, 2004 layer #1, and 2003 layer #1, respectively, remain in those layers. These foreign income taxes generally will

§ 1.367(b)-7

26 CFR Ch. I (4-1-21 Edition)

not be reduced or deemed paid unless a foreign tax refund restores a positive balance to the associated earnings pursuant to section 905(c), and thus will be trapped. See § 1.902-2(b)(2).

(iii) *Post-transaction distribution.* (A) During 2007, foreign surviving corporation does not accumulate any earnings and profits or pay or accrue any foreign income taxes. On December 31, 2007, foreign surviving corporation distributes 200u to its shareholders. Under the rules described in paragraph (e)(2)(iii)(C) of this section, no distribution can be made out of the pre-1987 accumulated profits of foreign corporation A (and the (800u) aggregate hovering deficit will offset only post-transaction earnings accumulated by foreign surviving corporation). Thus, the distribution is out of pre-pooling annual layers as follows:

| | E&P | Foreign taxes paid |
|---------------------|------|--------------------|
| 2006 layer #2 | 100u | 20u |
| 2005 | 100u | 20u |
| | 200u | 40u |

(B) Foreign surviving corporation's foreign income tax accounts are reduced to reflect the distribution of earnings and profits notwithstanding that no shareholders are eligible to claim deemed paid foreign income taxes under section 902. See § 1.902-1(a)(10)(iii).

(C) Immediately after the distribution, foreign surviving corporation has the following earnings and profits and foreign income taxes:

| | Earnings & profits | | Foreign taxes | |
|--|--------------------|-------------|-------------------------|---|
| | Positive E&P | Deficit E&P | Foreign taxes available | Foreign taxes associated with deficit E&P |
| Hovering deficit from Corp A's annual layers | | (800u) | | 0 |
| <i>Two Side-by-Side Layers of 2006 E&P:</i> | | | | |
| 2006 layer #1 (from Corp A's pool) | | 0u | | \$20 |
| 2006 layer #2 (from Corp B's layer) | 0u | | 0u | |
| 2005 (from Corp B) | 200u | | 40u | |
| <i>Two Side-by-Side Layers of 2004 E&P:</i> | | | | |
| 2004 layer #1 (from Corp A) | | 0u | | 10u |
| 2004 layer #2 (from Corp B) | 0u | | 50u | |
| <i>Two Side-by-Side Layers of 2003 E&P:</i> | | | | |
| 2003 layer #1 (from Corp A) | 0u | | 5u | |
| 2003 layer #2 (from Corp B) | 50u | | 5u | |
| | 250u | (800u) | 140u | |

(f) *Special rules*—(1) *Treatment of deficit*—(i) *General rule.* Any deficit described in paragraph (d)(2), (e)(1)(iii), or (e)(2)(iii) of this section shall not be taken into account in determining current or accumulated earnings and profits of a foreign surviving corporation other than to offset post-transaction accumulated earnings, as defined in paragraph (d)(2)(ii) of this section, including for purposes of calculating—

(A) The earnings and profits limitation of section 952(c)(1)(A); and

(B) The amount of the foreign surviving corporation's subpart F income as defined in section 952(a).

(ii) *Exceptions.* The rule in paragraph (i) shall not apply for purposes of calculating an earnings and profits limitation under section 952(c)(1)(B) or (C).

(iii) *Examples.* The following examples illustrate the principles of this paragraph (f)(1). The examples assume

the following facts: foreign corporation A, incorporated in 2002, is and always has been a wholly owned subsidiary of USP, a domestic corporation. Foreign corporation B, incorporated in 2004, is and always has been a wholly owned subsidiary of foreign corporation A. Both foreign corporation A and foreign corporation B are organized under the laws of foreign country X and have always had a calendar taxable year. Foreign corporations A and B (and all of their respective qualified business units as defined in section 989) maintain a "u" functional currency. Unless otherwise stated, any earnings and profits or deficit in earnings and profits of foreign corporation A and B in the general category are attributable to subpart F income derived from foreign base company sales income. Foreign corporation C is a wholly owned subsidiary of USP2 and was organized

Internal Revenue Service, Treasury

§ 1.367(b)-7

in 2004 under the laws of foreign country Y. Foreign corporation C (and all of its qualified business units as defined in section 989) maintains a “u” functional currency. Earnings and profits of foreign corporation C in the general category are not attributable to subpart F income. The examples are as follows:

Example 1. (i) Facts. (A) On December 31, 2007, foreign corporations A and B have the following post-1986 undistributed earnings and post-1986 foreign income taxes:

| | E&P | Foreign taxes |
|---|-----|---------------|
| <i>Foreign Corporation A Separate Category:</i> | | |

| | E&P | Foreign taxes |
|---|--------|---------------|
| General | (100u) | \$25 |
| <i>Foreign Corporation B Separate Category:</i> | | |
| General | 0u | \$10 |

(B) On January 1, 2008, foreign corporation B elects under §301.7701-3(c) of this chapter to be disregarded as an entity separate from foreign corporation A. Accordingly, foreign corporation B is deemed to have distributed all its property to foreign corporation A in a liquidation described in section 332.

(i) *Result.* Under the rules described in paragraphs (d)(1) and (2) of this section, foreign surviving corporation A has the following post-1986 undistributed earnings and post-1986 foreign income taxes:

| Separate category | Earnings & profits: | | Foreign taxes: | |
|-------------------|---------------------|------------------|-------------------------|--|
| | Positive E&P | Hovering deficit | Foreign taxes available | Foreign taxes associated with hovering deficit |
| General | 0u | (100u) | \$10 | \$25 |

(iii) *Post-transaction earnings and subpart F limitations.* (A) In its taxable year ending on December 31, 2008, foreign surviving corporation A earns 300u of subpart F general category income with respect to which it pays \$50 in foreign income taxes. The hovering deficit of (100u) meets the requirements under section 952(c)(1)(B) and therefore is taken into account as a qualified deficit that may be used by USP to offset a portion of its income inclusion related to foreign surviving corporation A’s subpart F income of 300u in the 2008 taxable year. Accordingly, USP includes 200u in taxable income for the year and is eligible for a deemed paid foreign tax credit under section 960 of \$40 (200u subpart F inclusion/300 post-1986 undistributed earnings in the general category = 66.67%, × \$60 foreign income taxes in the general category = \$40). USP will also include the deemed paid foreign taxes of \$40 in taxable income for the

year as a deemed dividend pursuant to section 78. The 100u offset under section 952(c)(1)(B) does not result in a reduction of the hovering deficit for purposes of section 316 or section 902.

(B) Foreign surviving corporation A’s 100u of subpart F income not included in income by USP will accumulate and be added to its post-1986 undistributed earnings as of the beginning of 2009. This 100u of post-transaction earnings will be offset by the (100u) hovering deficit. Because the amount of earnings offset by the hovering deficit is 100% of the total amount of the hovering deficit, all \$25 of the related taxes are added to the post-1986 foreign income taxes pool as well. Accordingly, foreign surviving corporation A has the following post-1986 undistributed earnings and post-1986 foreign income taxes on January 1, 2009:

| Separate category | Earnings & profits | | Foreign taxes | |
|-------------------|--------------------|------------------|-------------------------|--|
| | Positive E&P | Hovering deficit | Foreign taxes available | Foreign taxes associated with hovering deficit |
| General | 0u | (0u) | \$45 | \$0 |

(C) The 200u included as subpart F income constitutes previously taxed earnings under section 959.

Example 2. (i) Facts. (A) On July 1, 2007, foreign corporation B elects under §301.7701-3(c) of this chapter to be disregarded as an entity

§ 1.367(b)-7

26 CFR Ch. I (4-1-21 Edition)

separate from foreign corporation A. Accordingly, foreign corporation B is deemed to have distributed all of its property to foreign corporation A in a liquidation described in section 332.

(B) Neither foreign corporation A nor B has any post-1986 undistributed earnings or post-1986 foreign income taxes as of the beginning of the 2007 taxable year. For its short taxable year ending on June 30, 2007, foreign corporation B has the following post-1986 undistributed earnings and post-1986 foreign income taxes:

| FOREIGN CORPORATION B | | |
|-----------------------|--------|---------------|
| Separate category | E&P | Foreign taxes |
| General | (200u) | \$30 |

(C) For the 2007 taxable year, foreign surviving corporation A earns a total of 200u of subpart F foreign based company sales income in the general category with respect to which it pays \$40 in foreign income taxes.

(i) *Result.* (A) Under paragraph (d)(2) of this section, foreign corporation B's (200u) deficit carries over to foreign surviving corporation A as a hovering deficit. Nevertheless, because it is a deficit of a qualified chain member for a taxable year ending within the 2007 taxable year of foreign surviving corporation A, the (200u) deficit meets the requirements under section 952(c)(1)(C) and therefore may still be taken into account for purposes of limiting foreign surviving corporation A's subpart F income. Accordingly, foreign surviving corporation A's

200u of subpart F income for the 2007 taxable year is fully offset by the (200u) deficit of foreign corporation B, and USP will have no subpart F income inclusion for the 2007 taxable year. The offset under section 952(c)(1)(C) does not result in a reduction of the hovering deficit for purposes of section 316 or section 902. The hovering deficit may not also be taken into account under section 952(c)(1)(B).

(B) Because USP has no subpart F income inclusion, foreign surviving corporation A's subpart F earnings of 200u will accumulate and be added to its post-1986 undistributed earnings as of the beginning of 2008. Under the rules of paragraph (f)(5) of this section, a pro rata amount, in this case 50% or 100u, will be deemed to have been accumulated prior to the foreign section 381 transaction and the other 50%, or 100u, will be deemed to have been accumulated after the foreign section 381 transaction. The 100u of post-transaction earnings will be offset by (100u) of the hovering deficit for purposes of determining the opening balance of the post-1986 undistributed earnings pool in 2008. Because the amount of earnings offset by the hovering deficit is 50% of the total amount of the hovering deficit, \$15 (50% of \$30) of the related taxes are added to the post-1986 foreign income taxes pool as well. The 100u of pre-transaction earnings remain in the post-1986 undistributed earnings pool. Accordingly, foreign surviving corporation A has the following post-1986 undistributed earnings and post-1986 foreign income taxes on January 1, 2008:

| Separate category | Earnings & profits | | Foreign taxes | |
|-------------------|--------------------|------------------|-------------------------|--|
| | Positive E&P | Hovering deficit | Foreign taxes available | Foreign taxes associated with hovering deficit |
| General | 100u | (100u) | \$55 | \$15 |

Example 3. (i) *Facts.* (A) On January 1, 2007, foreign corporation B and foreign corporation C have the following post-1986 undistributed earnings and post-1986 foreign income taxes:

| | E&P | Foreign taxes |
|---|--------|---------------|
| <i>Foreign Corporation B Separate Category:</i> | | |
| General | (100u) | \$0 |
| <i>Foreign Corporation C Separate Category:</i> | | |
| General | 0u | \$10 |

(B) On July 1, 2007, foreign corporation B acquires the assets of foreign corporation C

in a reorganization described in section 368(a)(1)(C). Immediately following the foreign section 381 transaction, foreign surviving corporation B is a CFC.

(C) During the 2007 taxable year foreign surviving corporation B has a current deficit of (400u) and \$60 of related foreign income taxes. During its short taxable year ending on June 30, 2007, foreign corporation C has no additional earnings and pays or accrues no foreign income taxes.

(i) *Result.* (A) Under the rules of paragraph (f)(5) of this section, a pro rata amount, in this case 50% or (200u), of foreign surviving corporation B's (400u) current year deficit for the 2007 taxable year will be deemed to have

Internal Revenue Service, Treasury

§ 1.367(b)-7

been accumulated prior to the foreign section 381 transaction and be treated as a hovering deficit. The other 50%, or (200u) of the deficit will be deemed to have been accumulated after the foreign section 381 transaction. The related foreign income taxes of

\$60 will also be allocated on a similar 50/50 basis.

(B) Under the rules described in paragraphs (d)(1) and (2) of this section, foreign surviving corporation B has the following post-1986 undistributed earnings and post-1986 foreign income taxes as of January 1, 2008:

| Separate category | Earnings & profits | | Foreign taxes | |
|-------------------|--------------------|------------------|-------------------------|--|
| | E&P | Hovering deficit | Foreign taxes available | Foreign taxes associated with hovering deficit |
| General | (200u) | (300u) | \$40 | \$30 |

(iii) *Subpart F income limitations.* Even though (200u) of the current year deficit is treated as a hovering deficit, the full (400u) current year deficit in 2007 of foreign surviving corporation B meets the requirements under section 952(c)(1)(C) and therefore is available as a limitation on subpart F income, to the extent foreign corporation A, which wholly owns foreign surviving corporation B, earns any subpart F income in the 2007 taxable year. Any such offset under section 952(c)(1)(C) will have no effect on the earnings and profits and foreign income tax accounts above of foreign surviving corporation B for purposes of sections 316 and 902. Moreover, to the extent the hovering deficit reduces subpart F income under section 952(c)(1)(C), it may not also be taken into account under section 952(c)(1)(B).

(2) *Reconciling taxable years.* If a foreign acquiring corporation and a foreign target corporation had taxable years ending on different dates, then the pro rata distribution rules of paragraphs (e)(1)(ii) and (e)(2)(ii) of this section shall apply with respect to the taxable years that end within the same calendar year.

(3) *Post-transaction change of status.* If a foreign surviving corporation that is subject to the rules of paragraph (c)(2) of this section subsequently becomes a pooling corporation (by reason, for example, of a reorganization, liquidation, or change of ownership), then post-1986 undistributed earnings and post-1986 foreign income taxes that were recharacterized as pre-1987 accumulated profits and pre-1987 foreign income taxes, respectively, under paragraph (e)(2)(i) of this section retain their characterization as a pre-pooling annual layer.

(4) *Ordering rule for multiple hovering deficits—(i) Rule.* A foreign surviving

corporation shall apply the deficit rules of paragraphs (d)(2), (e)(1)(iii), and (e)(2)(iii) of this section in that order if more than one of such rules applies to the foreign surviving corporation.

(ii) *Example.* The following example illustrates the principles of this paragraph (f)(4). The example assumes the following facts: Foreign corporation A has been a pooling corporation since its incorporation on January 1, 1998. Foreign corporation B has been a non-pooling corporation since its incorporation on January 1, 2000. Foreign corporations A and B have always had calendar taxable years. Foreign corporations A and B (and all of their respective qualified business units as defined in section 989) maintain a “u” functional currency. All earnings and profits of foreign corporation B are in the general category. Finally, unless otherwise stated, any earnings and profits in the passive category resulted from a look-through dividend that was paid by a lower-tier CFC out of earnings accumulated when the CFC was a noncontrolled section 902 corporation and that qualified for the subpart F same-country exception under section 954(c)(3)(A). The example is as follows:

Example. (i) *Facts.* (A) On December 31, 2006, foreign corporations A and B have the following earnings and profits and foreign income taxes:

| | E&P | Foreign taxes |
|---|--------|---------------|
| <i>Foreign Corporation A Post-1986 Pool</i> | | |
| <i>Separate Category:</i> | | |
| Passive | 400u | \$160 |
| General | (300u) | 25 |

§ 1.367(b)-7

26 CFR Ch. I (4-1-21 Edition)

| | E&P | Foreign taxes |
|------------------------|--------|---------------|
| Foreign Corporation B: | 100u | 185 |
| 2006 | (300u) | 50u |
| 2005 | 100u | 25u |
| | (200u) | 75u |

A in a reorganization described in section 368(a)(1)(C). Immediately following the foreign section 381 transaction, foreign surviving corporation is a CFC.

(i) *Result.* Under the rules described in paragraphs (d)(1), (d)(2), (e)(1)(i), (e)(1)(ii), and (e)(1)(iii) of this section, foreign surviving corporation has the following earnings and profits and foreign income taxes:

(B) On January 1, 2007, foreign corporation B acquires the assets of foreign corporation

| | Earnings & profits | | Foreign taxes | |
|--|--------------------|------------------|-------------------------|--|
| | Positive E&P | Hovering deficit | Foreign taxes available | Foreign taxes associated with hovering deficit |
| Post-1986 pool separate category: | | | | |
| Passive | 400u | | \$160 | |
| General | | (300u) | | \$25 |
| Carryforward pre-pooling deficit from Corp B | | (200u) | | 0 |
| 2006 (from Corp B) | 0u | | 50u | |
| 2005 (from Corp B) | 0u | | 25u | |
| | 400u | (500u) | | \$25 |

(iii) *Post-transaction earnings.* (A) In the taxable year ending on December 31, 2007, foreign surviving corporation accumulates earnings and profits and pays related foreign income taxes as follows:

| | E&P | Foreign taxes |
|-----------------------------------|------|---------------|
| Post-1986 pool separate category: | | |
| Passive | 150u | \$40 |
| General | 400u | 60 |
| | 550u | 100 |

tion apply before the rules of paragraph (e)(1)(iii) of this section. Accordingly, post-transaction earnings in a separate category are first offset by a hovering deficit in the same separate category in the post-1986 pool. Thus, foreign surviving corporation's (300u) deficit in the general category offsets 300u of post-transaction earnings in the general category. After application of paragraph (d)(2) of this section, the (200u) deficit in the general category carried forward from foreign corporation B's pre-pooling aggregate deficit offsets the remaining 100u of post-transaction earnings in the general category. Accordingly, foreign surviving corporation has the following earnings and profits and foreign income taxes at the end of 2007:

(B) None of the earnings and profits qualify as subpart F income as defined in section 952(a). Under paragraph (f)(4)(i) of this section, the rules of paragraph (d)(2) of this section,

| | Earnings & profits | | Foreign taxes | |
|--|--------------------|------------------|-------------------------|--|
| | Positive E&P | Hovering deficit | Foreign taxes available | Foreign taxes associated with hovering deficit |
| Post-1986 pool separate category: | | | | |
| Passive | 550u | | \$200 | |
| General | | | \$85 | |
| Carryforward pre-pooling deficit from Corp B | | (100u) | | \$0 |
| 2006 (from Corp B) | 0u | | 50u | |
| 2005 (from Corp B) | 0u | | 25u | |
| | 550u | (100u) | | \$0 |

(C) Under paragraph (d)(2)(iii) of this section, all of the \$25 of post-1986 foreign income taxes related to the (300u) hovering deficit in the general category is added to the foreign

surviving corporation's post-1986 foreign income taxes of \$60 in that category (because

post-transaction earnings in the general category have exceeded the deficit in that category). Under paragraph (e)(1)(iii)(C) of this section, the 50u and 25u of foreign income taxes associated with foreign corporation B's pre-1987 accumulated profits for 2006 and 2005 remain in those layers. These foreign income taxes generally will not be reduced or deemed paid unless a foreign tax refund restores a positive balance to the associated earnings pursuant to section 905(c), and thus will be trapped. See § 1.902-2(b)(2).

(5) *Pro rata rule for earnings and deficits during transaction year.* (i) For purposes of offsetting post-transaction earnings of a foreign surviving corporation under the rules described in paragraphs (d)(2), (e)(1)(iii), and (e)(2)(iii) of this section, the earnings and profits, and any related foreign income taxes, in each separate category for the taxable year of the foreign surviving corporation in which the transaction occurs shall be deemed to have been accumulated after such transaction in an amount which bears the same ratio to the undistributed earnings and profits of the foreign surviving corporation for such taxable year (computed without regard to any earnings and profits carried over) as the number of days in the taxable year after the date of transaction bears to the total number of days in the taxable year. See, e.g., § 1.381(c)(2)-1(a)(7) *Example 2* (illustrating application of this rule with respect to domestic corporations).

(ii) For purposes of determining the amount of pre-transaction deficits described in paragraphs (d)(2), (e)(1)(iii), and (e)(2)(iii) of this section, of a foreign surviving corporation that has a deficit in earnings and profits in any separate category for its taxable year in which the transaction occurs, unless the actual accumulated earnings and profits, or deficit, as of such date can be shown, such pre-transaction deficit, and any related foreign income taxes, shall be deemed to have accumulated in a manner similar to that described in paragraph (f)(5)(i) of this section. See, e.g., § 1.381(c)(2)-1(a)(7) *Example 4* (illustrating application of this rule with respect to domestic corporations).

(g) *Effective date.* This section shall apply to section 367(b) transactions that occur on or after November 6, 2006.

[T.D. 9273, 71 FR 44985, Aug. 8, 2006; 71 FR 57889, Oct. 2, 2006, as amended at 71 FR 70876, Dec. 7, 2006]

§ 1.367(b)-8 Allocation of earnings and profits and foreign income taxes in certain foreign corporate separations. [Reserved]

§ 1.367(b)-9 Special rule for F reorganizations and similar transactions.

(a) *Scope.* This section applies to a foreign section 381 transaction (as defined in § 1.367(b)-7(a)) either—

(1) That is described in section 368(a)(1)(F); or

(2) That involves—

(i) At least one foreign corporation that holds no property and has no tax attributes immediately before the transaction, other than a nominal amount of assets (and related tax attributes) to facilitate its organization or preserve its existence as a corporation; and

(ii) No more than one foreign corporation that holds more than a nominal amount of property or has more than a nominal amount of tax attributes immediately before the transaction.

(b) *Hovering deficit rules inapplicable.* If a transaction is described in paragraph (a) of this section, a foreign surviving corporation shall succeed to earnings and profits, deficits in earnings and profits, and foreign income taxes without regard to the hovering deficit rules of § 1.367(b)-7(d)(2), (e)(1)(iii), and (e)(2)(iii).

(c) *Foreign divisive transactions.* [Reserved]

(d) *Examples.* The following examples illustrate the principles of this section:

Example 1. (i) *Facts.* (A) Foreign corporation A is and always has been a wholly owned subsidiary of USP, a domestic corporation. Foreign corporation A was incorporated in 1995, and has always had a calendar taxable year. Foreign corporation A (and all of its respective qualified business units as defined in section 989) maintains a “u” functional currency. On December 31, 2006, foreign corporation A has the following post-1986 undistributed earnings and post-1986 foreign income taxes:

§ 1.367(b)-10

| Separate Category | E&P | Foreign taxes |
|-------------------|----------|---------------|
| Passive | (1,000u) | \$5 |
| General | 200u | 200 |
| | (800u) | 205 |

(B) On January 1, 2007, foreign corporation A moves its place of incorporation from Country 1 to Country 2 in a reorganization described in section 368(a)(1)(F).

(i) *Result.* Under §1.367(b)-7(d), as modified by paragraph (b) of this section, the pre-transaction deficit of foreign corporation A will not hover. Accordingly, foreign surviving corporation has the following post-1986 undistributed earnings and post-1986 foreign income taxes immediately after the foreign section 381 transaction:

| Separate category | E&P | Foreign taxes |
|-------------------|----------|---------------|
| Passive | (1,000u) | \$5 |
| General | 200u | 200 |
| | (800u) | 205 |

Example 2. (i) *Facts.* (A) Foreign corporations B, C and D are and always have been wholly owned subsidiaries of USP, a domestic corporation. Foreign corporation B was incorporated in 2000 and foreign corporations C and D were incorporated in 2001. Foreign corporation B does not own any significant property and has no earnings and profits or foreign income taxes accounts. Both foreign corporations C and D have always had a calendar taxable year. Foreign corporations C

and D (and all of their respective qualified business units as defined in section 989) maintain a “u” functional currency. On December 31, 2006, foreign corporations C and D have the following post-1986 undistributed earnings and post-1986 foreign income taxes:

| | E&P | Foreign taxes |
|---|---------|---------------|
| <i>Foreign corporation C Separate Category:</i> | | |
| Passive | (900u) | \$50 |
| General | (200u) | 100 |
| | (1100u) | 150 |
| <i>Foreign corporation D Separate Category:</i> | | |
| Passive | 1200u | 400 |
| General | 400u | 100 |
| | 1600u | 500 |

(B) On January 1, 2007, USP foreign corporations C and D merge into foreign corporation B in a reorganization described in section 368(a)(1)(A).

(ii) *Result.* Although the merger is a foreign section 381 transaction involving a foreign corporation with no property or tax attributes, paragraph (b) of this section does not apply because more than one foreign corporation with significant tax attributes is involved in the foreign section 381 transaction. Accordingly, under §1.367(b)-7(d), foreign surviving corporation B has the following post-1986 undistributed earnings and post-1986 foreign income taxes immediately after the foreign section 381 transaction:

| Separate Category | Earnings & profits | | Foreign taxes | |
|-------------------|--------------------|------------------|-------------------------|--|
| | Positive E&P | Hovering deficit | Foreign taxes available | Foreign taxes associated with hovering deficit |
| General | 1200u | (900u) | \$400 | \$50 |
| Passive | 400u | (200u) | 100 | 100 |
| | 1600u | (1100u) | 500 | 150 |

(e) *Effective date.* This section shall apply to section 367(b) transactions that occur on or after November 6, 2006.

[T.D. 9273, 71 FR 44913, Aug. 8, 2006]

§ 1.367(b)-10 Acquisition of parent stock or securities for property in triangular reorganizations.

(a) *In general—(1) Scope.* Except as provided in paragraphs (a)(2)(i) through (iii) of this section, this section applies to a triangular reorganization if P or S (or both) is a foreign corporation and,

in connection with the reorganization, S acquires in exchange for property all or a portion of the P stock or P securities (P acquisition) that are used to acquire the stock, securities or property of T in the triangular reorganization. This section applies to a triangular reorganization regardless of whether P controls (within the meaning of section 368(c)) S at the time of the P acquisition.

(2) *Exceptions.* This section shall not apply if—

(i) P and S are foreign corporations and neither P nor S is a controlled foreign corporation (within the meaning of § 1.367(b)-2(a)) immediately before or immediately after the triangular reorganization;

(ii) S is a domestic corporation, P's stock in S is not a United States real property interest (within the meaning of section 897(c)), and P would not be subject to U.S. tax on a dividend (as determined under section 301(c)(1)) from S under either section 881 (for example, by reason of an applicable treaty) or section 882; or

(iii) In an exchange under section 354 or 356, one or more U.S. persons exchange stock or securities of T and the amount of gain in the T stock or securities recognized by such U.S. persons under section 367(a)(1) is equal to or greater than the sum of the amount of the deemed distribution that would be treated by P as a dividend under section 301(c)(1) and the amount of such deemed distribution that would be treated by P as gain from the sale or exchange of property under section 301(c)(3) if this section would otherwise apply to the triangular reorganization. See § 1.367(a)-3(a)(2)(iv) (providing a similar rule that excludes certain transactions from the application of section 367(a)(1)).

(3) *Definitions.* For purposes of this section, the following definitions apply:

(i) The terms *P*, *S*, and *T* have the meanings set forth in § 1.358-6(b)(1)(i), (ii), and (iii), respectively.

(ii) The term *property* has the meaning set forth in section 317(a), except that the term *property* also includes—

(A) A liability assumed by S to acquire the P stock or securities; and

(B) S stock (or any rights to acquire S stock) to the extent such S stock (or rights to acquire S stock) is used by S to acquire P stock or securities from a person other than P.

(iii) The term *security* means an instrument that constitutes a security for purposes of section 354 or 356.

(iv) The term *triangular reorganization* has the meaning set forth in § 1.358-6(b)(2).

(b) *General rules*—(1) *Deemed distribution.* If this section applies, adjustments shall be made that have the ef-

fect of a distribution of property (with no built-in gain or loss) from S to P under section 301 (deemed distribution). The amount of the deemed distribution shall equal the sum of the amount of money transferred by S, the amount of any liabilities that are assumed by S and constitute property, and the fair market value of other property transferred by S in the P acquisition in exchange for the P stock or P securities described in paragraph (i) or (ii), respectively, of this paragraph (b)(1)—

(i) P stock received by T shareholders or securityholders in an exchange to which section 354 or 356 applies.

(ii) P securities received by T shareholders or securityholders to the extent such securities are “other property” (within the meaning of section 356(d)).

(2) *Deemed contribution.* If this section applies, adjustments shall be made that have the effect of a contribution of property (with no built-in gain or loss) by P to S in an amount equal to the amount of the deemed distribution from S to P under paragraph (b)(1) of this section (deemed contribution).

(3) *Timing of deemed distribution and deemed contribution.* If P controls (within the meaning of section 368(c)) S at the time of the P acquisition, the adjustments described in paragraphs (b)(1) and (2) of this section shall be made as if the deemed distribution and deemed contribution, respectively, are separate transactions occurring immediately before the P acquisition. If P does not control (within the meaning of section 368(c)) S at the time of the P acquisition, the adjustments described in paragraphs (b)(1) and (2) of this section shall be made as if the deemed distribution and deemed contribution, respectively, are separate transactions occurring immediately after P acquires control of S, but prior to the triangular reorganization.

(4) *Application of other provisions.* Nothing in this section shall prevent the application of other provisions of the Internal Revenue Code from applying to the P acquisition. For example, section 304 may apply to the P acquisition. Furthermore, section 1001 or 267 may apply to S's transfer of property to acquire P stock or securities from P

or a person other than P. In addition, generally applicable provisions that apply to triangular reorganizations, such as § 1.358-6 and § 1.1032-2, shall apply to the triangular reorganization in a manner consistent with S acquiring the P stock or securities in exchange for property from P or a person other than P, as the case may be.

(5) *Example.* The rules of this paragraph (b) are illustrated by the following example:

(i) *Facts.* P, a publicly traded domestic corporation, owns all of the outstanding stock of FS, a foreign corporation, and all of the outstanding stock of US1, a domestic corporation that is a member of the P consolidated group. US1 owns all of the outstanding stock of FT, a foreign corporation, the fair market value of which is \$100x. US1's basis in the FT stock is \$100x, such that there is a no built-in gain or loss in the FT stock. FS has earnings and profits in excess of \$100x. FS purchases \$100x of P stock from the public on the open market in exchange for \$100x of cash. Pursuant to foreign law, FT merges with and into FS in a triangular reorganization that qualifies under section 368(a)(1)(A) by reason of section 368(a)(2)(D). In an exchange to which section 354 applies, US1 exchanges all the outstanding stock of FT for the \$100x of P stock purchased by FS on the open market.

(ii) *Analysis.* The triangular reorganization is described in paragraph (a)(1) of this section. P is a domestic corporation and FS is a foreign corporation. In connection with FS purchasing the \$100x of P stock in exchange for property (cash), FS uses the P stock to acquire the FT property in a triangular reorganization, and US1 receives the P stock in an exchange to which section 354 applies. Furthermore, none of the exceptions of paragraphs (a)(2)(i) through (iii) of this section apply. Therefore, pursuant to paragraph (b)(1) of this section, adjustments are made that have the effect of a deemed distribution of property (with no built-in gain or loss) in the amount of \$100x from FS to P under section 301. Pursuant to paragraph (b)(2) of this section, adjustments are made that have the effect of a deemed contribution of property (with no built-in gain or loss) in

the amount of \$100x by P to FS. Pursuant to paragraph (b)(3) of this section, the adjustments described in paragraphs (b)(1) and (2) of this section are made as if the deemed distribution and deemed contribution, respectively, are separate transactions occurring immediately before FS's purchase of the P stock on the open market. Generally applicable provisions apply to FS's purchase of the P stock on the open market (see, for example, section 304) and in determining certain tax consequences to P and FS as a result of the triangular reorganization (see, for example, § 1.358-6(d) and § 1.1032-2(c)).

(c) *Collateral adjustments.* This paragraph (c) provides additional rules that apply by reason of the deemed distribution and deemed contribution described in paragraphs (b)(1) and (b)(2), respectively, of this section.

(1) *Deemed distribution.* A deemed distribution described in paragraph (b)(1) of this section shall be treated as occurring for all purposes of the Internal Revenue Code. Thus, for example, the ordering rules of section 301(c) apply to characterize the deemed distribution to P as a dividend from the earnings and profits of S, return of stock basis, or gain from the sale or exchange of property, as the case may be. Furthermore, sections 902 or 959 may apply to the deemed distribution if S is a foreign corporation, and sections 881, 882, 897, 1442, or 1445 may apply to the deemed distribution if S is a domestic corporation. Appropriate corresponding adjustments shall be made to S's earnings and profits consistent with the principles of section 312.

(2) *Deemed contribution.* A deemed contribution described in paragraph (b)(2) of this section shall be treated as occurring for all purposes of the Internal Revenue Code. Thus, for example, appropriate adjustments shall be made to P's basis in the S stock.

(d) *Anti-abuse rule.* Appropriate adjustments shall be made pursuant to this section if, in connection with a triangular reorganization, a transaction is engaged in with a view to avoid the purpose of this section. For example, if S is created, organized, or funded to avoid the application of this section with respect to the earnings and profits of a corporation related (within the

meaning of section 267(b)) to P or S, the earnings and profits of S will be deemed to include the earnings and profits of such related corporation for purposes of determining the consequences of the adjustments provided in this section, and appropriate corresponding adjustments will be made to account for the application of this section to the earnings and profits of such related corporation.

(e) *Effective/applicability date.* This section applies to triangular reorganizations occurring on or after May 17, 2011. For triangular reorganizations that occur prior to May 17, 2011, see § 1.367(b)-14T as contained in 26 CFR part 1 revised as of April 1, 2011.

[T.D. 9526, 76 FR 28893, May 19, 2011]

§ 1.367(b)-12 Subsequent treatment of amounts attributed or included in income.

(a) *In general.* This section applies to distributions with respect to, or a disposition of, stock—

(1) To which, in connection with an exchange occurring before February 23, 2000, an amount has been attributed pursuant to § 7.367(b)-9 or 7.367(b)-10 of this chapter (as in effect prior to February 23, 2000, see 26 CFR part 1 revised as of April 1, 1999); or

(2) In respect of which, before February 23, 2000, an amount has been included in income or added to earnings and profits pursuant to § 7.367(b)-7 or § 7.367(b)-10 of this chapter (as in effect prior to February 23, 2000, see 26 CFR part 1 revised as of April 1, 1999).

(b) *Applicable rules.* See § 7.367(b)-12(b) through (e) of this chapter (as in effect prior to January 11, 2001, see 26 CFR part 1 revised as of April 1, 2000) for purposes of applying paragraph (a) of this section.

(c) *Effective date.* This section applies to distributions or dispositions that occur on or after January 11, 2001.

[T.D. 8937, 66 FR 2257, Jan. 11, 2001]

§ 1.367(b)-13 Special rules for determining basis and holding period.

(a) *Scope and definitions—(1) Scope.* This section provides special basis and holding period rules to determine the basis and holding period of stock of certain foreign surviving corporations

held by a controlling corporation whose stock is issued in an exchange under section 354 or 356 in a triangular reorganization. This section applies to transactions that are subject to section 367(b) as well as section 367(a), including transactions concurrently subject to sections 367(a) and (b).

(2) *Definitions.* For purposes of this section, the following definitions apply:

(i) A block of stock has the meaning provided in § 1.1248-2(b).

(ii) The terms *P*, *S*, and *T* have the meanings set forth in § 1.358-6(b)(1)(i), (ii), and (iii), respectively.

(iii) A triangular reorganization is a reorganization described in § 1.358-6(b)(2)(i), (ii), or (iii), or (v) (a forward triangular merger, triangular C reorganization, reverse triangular merger, or triangular G reorganization, respectively).

(b) *Determination of basis for exchanges of foreign stock or securities under section 354 or 356.* For rules determining the basis of stock or securities in a foreign corporation received in a section 354 or 356 exchange, see § 1.358-2.

(c) *Determination of basis and holding period for triangular reorganizations—(1) Application.* In the case of a triangular reorganization described in paragraph (a)(2)(ii) of this section, this paragraph (c) applies, if—

(i)(A) Immediately before the transaction, either P is a section 1248 shareholder with respect to S, or P is a foreign corporation and a United States person is a section 1248 shareholder with respect to both P and S; and

(B) In the case of a reverse triangular merger, P's exchange of S stock is not described in § 1.367(b)-3(a) and (b) or in § 1.367(b)-4(b)(1)(i), (2)(i), or (3); or

(ii)(A) Immediately before the transaction, a shareholder of T is a section 1248 shareholder with respect to T, or a shareholder of T is a foreign corporation and a United States person is a section 1248 shareholder with respect to both such foreign corporation and T; and

(B) With respect to at least one of the exchanging shareholders described in paragraph (c)(1)(ii)(A) of this section, the exchange of T stock is not described in § 1.367(b)-3(a) and (b) or in § 1.367(b)-4(b)(1)(i), (2)(i), or (3).

(2) *Basis and holding period rules.* In the case of a triangular reorganization described in paragraph (c)(1) of this section, each share of stock of the surviving corporation (S or T) held by P must be divided into portions attributable to the S stock and the T stock immediately before the exchange. See paragraph (e) of this section *Examples 1 through 4* for illustrations of this rule.

(i) *Portions attributable to S stock—(A)* In the case of a forward triangular merger, a triangular C reorganization, or a triangular G reorganization, the basis and holding period of the portion of each share of surviving corporation stock attributable to the S stock is the basis and holding period of such share of stock immediately before the exchange.

(B) In the case of a reverse triangular merger, the basis and holding period of the portion of each share of surviving corporation stock attributable to the S stock is the basis and the holding period immediately before the exchange of a proportionate amount of the S stock to which the portion relates. If P is a shareholder described in paragraph (c)(1)(i)(A) of this section with respect to S, and P exchanges two or more blocks of S stock pursuant to the transaction, then each share of the surviving corporation (T) attributable to the S stock must be further divided into separate portions to account for the separate blocks of stock in S.

(C) If the value of S stock immediately before the triangular reorganization is less than one percent of the value of the surviving corporation stock immediately after the triangular reorganization, then P may determine its basis in the surviving corporation stock by applying the rules of paragraph (c)(2)(ii) of this section to determine the basis and holding period of the surviving corporation stock attributable to the T stock, and then increasing the basis of each share of surviving corporation stock by the proportionate amount of P's aggregate basis in the S stock immediately before the exchange (without dividing the stock of the surviving corporation into separate portions attributable to the S stock).

(ii) *Portions attributable to T stock—(A)* If any exchanging shareholder of T

stock is described in paragraph (c)(1)(ii) of this section, the basis and holding period of the portion of each share of stock in the surviving corporation attributable to the T stock is the basis and holding period immediately before the exchange of a proportionate amount of the T stock to which such portion relates. If any exchanging shareholder of T stock is described in paragraph (c)(1)(ii) of this section, and such shareholder exchanges two or more blocks of T stock pursuant to the transaction, then each share of surviving corporation stock attributable to the T stock must be further divided into separate portions to account for the separate blocks of T stock.

(B) If no exchanging shareholder of T stock is described in paragraph (c)(1)(ii) of this section, the rules of § 1.358-6 apply to determine the basis of the portion of each share of the surviving corporation attributable to T immediately before the exchange.

(d) *Special rules applicable to divided shares of stock—(1) In general—(i)* Shares of stock in different blocks are aggregated into one divided portion for basis purposes, if such shares immediately before the exchange are owned by one or more shareholders that are—

(A) Not section 1248 shareholders with respect to the corporation; or

(B) Foreign corporate shareholders, provided that no United States persons are section 1248 shareholders with respect to both such foreign corporate shareholders and the corporation.

(ii) For purposes of determining the amount of gain realized on the sale or exchange of stock that has a divided portion pursuant to paragraph (c) of this section, any amount realized on such sale or exchange will be allocated to each divided portion of the stock based on the relative fair market value of the stock to which the portion is attributable at the time the portions were created. See paragraph (e) *Example 5* of this section.

(iii) Shares of stock will no longer be required to be divided if section 1248 or section 964(e) would not apply to a disposition or exchange of such stock.

(2) *Pre-exchange earnings and profits.* All earnings and profits (or deficits) accumulated by a foreign corporation before the reorganization and attributable to a share (or block) of stock for purposes of section 1248 are attributable to the divided portion of stock with the basis and holding period of that share (or block). See § 1.367(b)-4(d).

(3) *Post-exchange earnings and profits.* Any earnings and profits (or deficits) accumulated by the surviving corporation subsequent to the reorganization are attributed to each divided share of stock pursuant to section 1248 and the regulations thereunder. The amount of earnings and profits (or deficits) attributable to a divided share of stock is further attributed to the divided portions of such share of stock based on the relative fair market value of each divided portion of stock. See paragraph (e) *Example 5* of this section.

(e) *Examples.* The rules of this section are illustrated by the following examples:

Example 1. Blocks of stock exchanged in a triangular reorganization. (i) *Facts.* (A) US1, a domestic corporation, owns all the stock of F1, a foreign corporation. F1 owns all the stock of FT, a foreign corporation, with 100 shares of stock outstanding. Each share of FT stock is valued at \$10x. Because F1 acquired the stock of FT at two different dates, F1 owns two blocks of FT stock for purposes of section 1248. The first block consists of 60 shares. The shares in the first block have a basis of \$300x (\$5x per share), a holding period of 10 years, and \$240x (\$4x per share) of earnings and profits attributable to the shares for purposes of section 1248. The second block consists of 40 shares. The shares in the second block have a basis of \$600x (\$15x per share), a holding period of 2 years, and \$80x (\$2x per share) of earnings and profits attributable to the shares for purposes of section 1248.

(B) US2, a domestic corporation, owns all of the stock of FP, a foreign corporation, which owns all of the stock of FS, a foreign corporation. FP owns two blocks of FS stock. Each block consists of 10 shares with a value of \$200x (\$20x per share). The shares in the first block have a basis of \$50x (\$5x per share), a holding period of 10 years, and \$50x (\$5x per share) of earnings and profits attributable to such shares for purposes of section 1248. The shares in the second block had a basis of \$100x (\$10x per share), a holding period of 5 years, and \$20x (\$2x per share) of earnings and profits attributable to such shares for purposes of section 1248.

(C) FT merges into FS, with FS surviving, and F1 receives 50 shares of FP stock with a value of \$1,000x in exchange for its FT stock. The merger of FT into FS qualifies as forward triangular merger, and immediately after the exchange US1 is a section 1248 shareholder with respect to F1, the exchanging shareholder, FP and FS, all of which are controlled foreign corporations.

(i) *Basis and holding period determination.* (1) US1 is a section 1248 shareholder of F1, the exchanging shareholder, and FT (both of which are controlled foreign corporations) immediately before the transaction. Moreover, F1 is not required to include amounts in income under § 1.367(b)-3(b) or 1.367(b)-4(b) as described in paragraph (c)(1)(ii)(B) of this section. Accordingly, the basis and holding period of the FS stock held by FP immediately after the triangular reorganization is determined pursuant to paragraph (c) of this section.

(2) Pursuant to paragraph (c) of this section, each share of FS stock is divided into portions attributable to the basis and holding period of the FS stock held by FP immediately before the exchange (the FS portion) and the FT stock held by F1 immediately before the exchange (the FT portion). The basis and holding period of the FS portion is the basis and holding period of the FS stock held by FP immediately before the exchange. Thus, each share of FS stock in the first block has a portion with a basis of \$5x, a value of \$20x, a holding period of 10 years, and \$5x of earnings and profits attributable to such portion for purposes of section 1248. Each share of FS stock in the second block has a portion with a basis of \$10x, a value of \$20x, a holding period of 5 years, and \$2x of earnings and profits attributable to such portion for purposes of section 1248.

(3) Because the exchanging shareholder of FT stock (F1) has a section 1248 shareholder (US1), the holding period and basis of the FT portion is the holding period and the proportionate amount of the basis of the FT stock immediately before the exchange to which such portion relates. Further, because F1 exchanged two blocks of FT stock, the FT portion must be divided into two separate portions attributable to the two blocks of FT stock. Thus, each share of FS stock will have a second portion with a basis of \$15x (\$300x basis / 20 shares), a value of \$30x (\$600x value / 20 shares), a holding period of 10 years, and \$12x of earnings and profits (\$240x / 20 shares) attributable to such portion for purposes of section 1248. Each share of FS stock will have a third portion with a basis of \$30x (\$600x basis / 20 shares), a value of \$20x (\$400x value / 20 shares), a holding period of 2 years, and \$4x of earnings and profits (\$80x / 20 shares) attributable to such portion for purposes of section 1248.

(iii) *Subsequent disposition—first block.* Assume, immediately after the transaction, FP

disposes of a share of FS stock from the first block. When FP disposes of any share of its FS stock, it is treated as disposing of each divided portion of such share. With respect to the first portion (attributable to the FS stock), FP recognizes a gain of \$15x (\$20x value - \$5x basis), \$5x of which is treated as a dividend under section 1248. With respect to the second portion (attributable to the first block of FT stock), FP recognizes a gain of \$15x (\$30x value - \$15x basis), \$12x of which is treated as a dividend under section 1248. With respect to the third portion (attributable to the second block of FT stock), FP recognizes a capital loss of \$10x (\$20x value - \$30x basis).

(iv) *Subsequent disposition—second block.* Assume further, immediately after the transaction, FP also disposes of a share of stock from the second block of FS stock. With respect to the first portion (attributable to the FS stock), FP recognizes a gain of \$10x (\$20x value - \$10x basis), \$2x of which is treated as a dividend under section 1248. With respect to the second portion (attributable to the first block of FT stock), FP recognizes a gain of \$15x (\$30x value - \$15x basis), \$12x of which is treated as a dividend under section 1248. With respect to the third portion (attributable to the second block of FT stock), FP recognizes a capital loss of \$10x (\$20x value - \$30x basis).

Example 2. (i) *Facts.* The facts are the same as in *Example 1*, except that FS merges into FT with FT surviving in a reverse triangular merger. Pursuant to the merger, F1 receives FP stock with a value of \$1,000x in exchange for its FT stock, and FP receives 10 shares of FT stock with a value of \$1,000x in exchange for its FS stock. Immediately after the exchange, US1 is a section 1248 shareholder with respect to F1, the exchanging shareholder, FP, and FT, all of which are controlled foreign corporations.

(ii) *Basis and holding period determination—*(A) The basis and holding period of the stock of the surviving corporation held by FP are the same as in *Example 1*, except that each share of the surviving corporation (FT, instead of FS) will be divided into four portions instead of three portions. Because FP exchanges two blocks of FS stock, the FS portion must be divided into two separate portions attributable to the two blocks of FS stock. Because F1 exchanges two blocks of FT stock, the FT portion must be divided into two separate portions attributable to the two blocks of FT stock.

(B) Thus, each share of the surviving corporation (FT) will have a first portion (attributable to the first block of FS stock) with a basis of \$5x (\$50x / 10 shares), a value of \$20x (\$200x / 10 shares), a holding period of 10 years, and \$5x of earnings and profits (\$50x / 10 shares) attributable to such portion for purposes of section 1248. Each share of FT stock will have a second portion (attrib-

utable to the second block of FS stock) with a basis of \$10x (\$100x / 10 shares), a value of \$20x (\$200x / 10 shares), a holding period of 5 years, and \$2x of earnings and profits (\$20x / 10 shares) attributable to such portion for purposes of section 1248. Moreover, each share of FT stock will have a third portion (attributable to the first block of FT stock) with a basis of \$30x (\$300x basis / 10 shares), a value of \$60x (\$600x value / 10 shares), a holding period of 10 years, and \$24x of earnings and profits (\$240x / 10 shares) attributable to such portion for purposes of section 1248. Lastly, each share of FT stock will have a fourth portion (attributable to the second block of FT stock) with a basis of \$60x (\$600x basis / 10 shares), a value of \$40x (\$400x value / 10 shares), a holding period of 2 years, and \$8x of earnings and profits (\$80x / 10 shares) attributable to such portion for purposes of section 1248.

Example 3. (i) *Facts.* USP, a domestic corporation, owns all the stock of FS, a foreign corporation with 10 shares of stock outstanding. Each share of FS stock has a value of \$10x, a basis of \$5x, a holding period of 10 years, and \$7x of earnings and profits attributable to such share for purposes of section 1248. FP, a foreign corporation, owns the stock of FT, another foreign corporation. FP and FT do not have any section 1248 shareholders. FT has assets with a value of \$100x, a basis of \$50x, and no liabilities. The FT stock held by FP has a value of \$100x and a basis of \$75x. FT merges into FS with FS surviving in a forward triangular merger. Pursuant to the reorganization, FP receives USP stock with a value of \$100x in exchange for its FT stock.

(ii) *Basis and holding period determination—*(A) Because USP is a section 1248 shareholder of FS immediately before the transaction, the basis and holding period of the FS stock held by USP immediately after the triangular reorganization is determined pursuant to paragraph (c) of this section.

(B) Pursuant to paragraph (c) of this section, each share of FS stock is divided into portions attributable to the basis and holding period of the FS stock held by USP immediately before the exchange (the FS portion) and the FT portion immediately before the exchange. Because FT does not have a section 1248 shareholder immediately before the transaction, the rules of § 1.358-6 apply to determine the basis of the FT portion of each share of FS stock. Those rules determine the basis of FS stock held by USP by reference to the basis of FT's net assets. The basis and holding period of the FS portion is the basis and holding period of the FS stock held by USP immediately before the exchange. Thus, each share of FS stock has a portion with a basis of \$5x, a value of \$10x, a holding period of 10 years, and \$7x of earnings and profits attributable to such portion for section 1248 purposes. The basis of the FT portion is the

basis of the FT assets to which such portion relates. Thus, each share of FS stock has a second portion with a basis of \$5x (\$50x basis in FT's assets / 10 shares) and a value of \$10x (\$100x value of FT's assets / 10 shares). All of FS's earnings and profits prior to the transaction (\$70x) is attributed solely to the FS portion in each share of FS stock. As a result of each share of stock being divided into portions, the basis of the FS stock is not averaged with the basis of the FT assets to increase the section 1248 amount with respect to the stock of the surviving corporation (FS).

Example 4. (i) Facts. US, a domestic corporation, owns all of the stock of FT, a foreign corporation. The FT stock held by US constitutes a single block of stock with a value of \$1,000x, a basis of \$600x, and holding period of 5 years. USP, a domestic corporation, forms FS, a foreign corporation, pursuant to the plan of reorganization and capitalizes it with \$10x of cash. FS merges into FT with FT surviving in a reverse triangular merger and a reorganization described in section 368(a)(1)(B). Pursuant to the reorganization, US receives USP stock with a value of \$1,000x in exchange for its FT stock, and USP receives 10 shares of FT stock with a value of \$1,010x in exchange for its FS stock.

(ii) *Basis and holding period determination.* (A) US and USP are section 1248 shareholders of FT and FS, respectively, immediately before the transaction. Neither US nor USP is required to include amounts in income under § 1.367(b)-3(b) or 1.367(b)-4(b) as described in paragraph (c)(1)(i)(B) or (c)(1)(ii)(B) of this section. The basis and holding period of the FT stock held by USP is determined pursuant to paragraph (c) of this section.

(B) Pursuant to paragraph (c) of this section, because the exchanging shareholder of FT stock (US) is a section 1248 shareholder of FT, each share of the surviving corporation (FT) has a proportionate amount of the basis and holding period of the FT stock immediately before the exchange to which such share relates. Thus, the portion of each share of FT stock attributable to the FT stock has a basis of \$60x (\$600x basis / 10 shares), a value of \$100x (\$1,000x value / 10 shares), and a holding period of 5 years. Because the value of FS stock immediately before the triangular reorganization (\$10x) is less than one percent of the value of the surviving corporation (FT) immediately after the triangular reorganization (\$1,010x), USP may determine its basis in the stock of the surviving corporation (FT) attributable to its FS stock basis held prior to the reorganization by increasing the basis of each share of FT stock by the proportionate amount of USP's aggregate basis in the FS stock immediately before the exchange (without dividing each share of FT stock into separate portions to account for FS and FT). If USP so elects, USP's basis in each share of FT stock

is increased by \$1x (\$10x basis in FS stock / 10 shares). As a result, each share of FT stock has a basis of \$61x, a value of \$101x, and a holding period of 5 years.

Example 5. (i) Facts. US, a domestic corporation, owns all of the stock of F1, a foreign corporation, which owns all the stock of FT, a foreign corporation. The FT stock held by F1 constitutes one block of stock with a basis of \$170x, a value of \$200x, a holding period of 5 years, and \$10x of earnings and profits attributable to such stock for purposes of section 1248. FP, a foreign corporation, owns all the stock of FS, a foreign corporation. FS has 10 shares of stock outstanding. No United States person is a section 1248 shareholder with respect to FP or FS. The FS stock held by FP has a value of \$100x and a basis of \$50x (\$5x per share). FT merges into FS with FS surviving in a forward triangular merger. Pursuant to the merger, F1 receives FP stock with a value of \$200x for its FT stock in an exchange that qualifies for non-recognition under section 354. US is a section 1248 shareholder with respect to F1, the exchanging shareholder, FP, and FS (all of which are controlled foreign corporations) immediately after the exchange.

(ii) *Basis and holding period determination.* (A) Because US is a section 1248 shareholder of F1, the exchanging shareholder, and FT immediately before the transaction, and US is a section 1248 shareholder of F1, FP, and FS immediately after the transactions, F1 is not required to include amounts in income under §§ 1.367(b)-3(b) and 1.367(b)-4(b) as described in paragraph (c)(1)(ii)(B) of this section. Thus, the basis and holding period of the FS stock held by FP immediately after the triangular reorganization is determined pursuant to paragraph (c) of this section.

(B) Pursuant to paragraph (c) of this section, each share of FS stock is divided into portions attributable to the basis and holding period of the FS stock held by FP immediately before the exchange (the FS portion) and the FT stock held by F1 immediately before the exchange (the FT portion). The basis and holding period of the FS portion is the basis and holding period of the FS stock held by FP immediately before the exchange. Thus, each share of FS stock has a portion with a basis of \$5x and a value of \$10x. Because the exchanging shareholder of FT stock (F1) has a section 1248 shareholder of both F1 and FT, the basis and holding period of the FT portion is the proportionate amount of the basis and the holding period of the FT stock immediately before the exchange to which such portion relates. Thus, each share of FS stock will have a second portion with a basis of \$17x (\$170x basis / 10 shares), a value of \$20x (\$200x value / 10 shares), a holding period of 5 years, and \$1x of earnings and profits (\$10x earnings and profits / 10 shares) attributable to such portion for purposes of section 1248.

§ 1.367(d)-1

26 CFR Ch. I (4-1-21 Edition)

(iii) *Subsequent disposition.* (A) Several years after the merger, FP disposes of all of its FS stock in a transaction governed by section 964(e). At the time of the disposition, FS stock has decreased in value to \$210x (a post-merger reduction in value of \$90x), and FS has incurred a post-merger deficit in earnings and profits of \$30x.

(B) Pursuant to paragraph (d)(1)(ii) of this section, for purposes of determining the amount of gain realized on the sale or exchange of stock that has a divided portion, any amount realized on such sale or exchange is allocated to each divided portion of the stock based on the relative fair market value of the stock to which the portion is attributable at the time the portions were created. Immediately before the merger, the value of the FS stock in relation to the value of both the FS stock and the FT stock was one-third ($\$100x / (\$100x \text{ plus } \$200x)$). Likewise, immediately before the merger, the value of the FT stock in relation to the value of both the FT stock and the FS stock was two-thirds ($\$200x / \$100x \text{ plus } \$200x$). Accordingly, one-third of the \$210x amount realized is allocated to the FS portion of each share and two-thirds to the FT portion of each share. Thus, the amount realized allocated to the FS portion of each share is \$7x (one-third of \$210x divided by 10 shares). The amount realized allocated to the FT portion of each share is \$14x (two-thirds of \$210x divided by 10 shares).

(C) Pursuant to paragraph (d)(3) of this section, any earnings and profits (or deficits) accumulated by the surviving corporation subsequent to the reorganization are attributed to the divided portions of shares of stock based on the relative fair market value of each divided portion of stock. Accordingly, one-third of the post-merger earnings and profits deficit of \$30x is allocated to the FS portion of each share and two-thirds to the FT portion of each share. Thus, the deficit in earnings and profits allocated to the FS portion of each share is \$1x (one-third of \$30x divided by 10 shares). The deficit in earnings and profits allocated to the FT portion of each share is \$2x (two-thirds of \$30x divided by 10 shares).

(D) When FP disposes of its FS stock, FP is treated as disposing of each divided portion of a share of stock. With respect to the FS portion of each share of stock, FP recognizes a gain of \$2x (\$7x value - \$5x basis), which is not recharacterized as a dividend because a deficit in earnings and profits of \$1x is attributable to such portion for purposes of section 1248. With respect to the FT portion of each share of stock, FP recognizes a loss of \$3x (\$14x value - \$17x basis).

(f) *Effective date.* This section applies to exchanges occurring on or after January 23, 2006.

[T.D. 9243, 71 FR 4289, Jan. 26, 2006, as amended by T.D. 9400, 73 FR 30303, May 27, 2008; T.D. 9446, 74 FR 6958, Feb. 11, 2009]

§ 1.367(d)-1 Transfers of intangible property to foreign corporations.

(a) [Reserved]. For further guidance, see § 1.367(d)-1T(a).

(b) *Property subject to section 367(d).* Section 367(d) and the rules of this section apply to the transfer of intangible property, as defined in § 1.367(a)-1(d)(5), by a U.S. person to a foreign corporation in an exchange described in section 351 or 361. See section 367(a) and the regulations thereunder for the rules that apply to the transfer of any property other than intangible property.

(c)(1) through (2) [Reserved]. For further guidance, see § 1.367(d)-1T(c)(1) and (2).

(3) *Useful life*—(i) *In general.* For purposes of determining the period of inclusions for deemed payments under § 1.367(d)-1T(c)(1), the useful life of intangible property is the entire period during which exploitation of the intangible property is reasonably anticipated to affect the determination of taxable income, as of the time of transfer. Exploitation of intangible property includes any direct or indirect use or transfer of the intangible property, including use without further development, use in the further development of the intangible property itself (and any exploitation of the further developed intangible property), and use in the development of other intangible property (and any exploitation of the other developed intangible property).

(ii) *Procedure to limit inclusions to 20 years.* In cases where the useful life of the transferred property is indefinite or is reasonably anticipated to exceed twenty years, taxpayers may, in lieu of including amounts during the entire useful life of the intangible property, choose in the year of transfer to increase annual inclusions during the 20-year period beginning with the first year in which the U.S. transferor takes into account income pursuant to section 367(d), to reflect amounts that, but for this paragraph (c)(3)(ii), would have

been required to be included following the end of the 20-year period. See § 1.6038B-1(d)(1)(iv) for guidance on reporting this choice of method. If the taxpayer applies this method during the 20-year period, no adjustments will be made for taxable years beginning after the conclusion of the 20-year period. However, for purposes of determining whether amounts included during the 20-year period are commensurate with the income attributable to the transferred intangible property, the Commissioner may take into account information with respect to taxable years after that period, such as the income attributable to the transferred property during those later years. The application of this paragraph (c)(3)(ii) must be reflected in a statement (titled "Application of 20-Year Inclusion Period to Section 367(d) Transfers") attached to a timely filed original federal income tax return (including extensions) for the year of the transfer. An increase to the deemed payment rate made pursuant to this paragraph (c)(3)(ii) will be irrevocable, and a failure to timely file the statement under this paragraph (c)(3)(ii) may not be remedied.

(iii) *Example.* Property subject to section 367(d) is transferred from USP, a domestic corporation, to FA, a foreign corporation wholly owned by USP. The useful life of the transferred property, inclusive of derivative works, at the time of transfer is indefinite but is reasonably anticipated to exceed 20 years. In the first five years following the transfer, sales related to the property are expected to be \$100x, \$130x, \$160x, \$180x and \$187.2x, respectively. Thereafter, for the remainder of the property's useful life, sales are expected to grow by four percent annually. In the first five years following the transfer, operating profits attributable to the property are expected to be \$5x, \$8x, \$11x, \$12.5x, and \$13x, respectively. Thereafter, for the remainder of the property's useful life, operating profits are expected to grow by four percent annually. It is determined that the appropriate discount rate for sales and operating profits is 10 percent. The present value of operating profits through the property's indefinite use-

ful life is \$185x. The present value of sales through the property's indefinite useful life is \$2698x. Accordingly, the sales based royalty rate during the property's useful life is 6.8 percent ($\$185x/\$2698x$). The taxpayer may choose to take income inclusions into account over a 20-year period. The present value of sales through the 20-year period is \$1787x. Accordingly, the sales based royalty rate under the 20-year option is increased to 10.3 percent ($\$185x/\$1787x$).

(c)(4) through (g)(2) (introductory text) [Reserved]. For further guidance, see § 1.367(d)-1T(c)(4) through (g)(2) (introductory text).

(g)(2)(i) The intangible property transferred constitutes an operating intangible, as defined in § 1.367(a)-1(d)(6).

(g)(2)(ii) through (iii)(D) [Reserved]. For further guidance, see § 1.367(d)-1T(g)(2)(ii) through (iii)(D).

(E) The transferred intangible property will be used in the active conduct of a trade or business outside of the United States within the meaning of § 1.367(a)-2 and will not be used in connection with the manufacture or sale of products in or for use or consumption in the United States.

(g)(2)(iii) undesignated concluding paragraph [Reserved]. For further guidance, see § 1.367(d)-1T(g)(2)(iii) undesignated concluding paragraph.

(3) *Intangible property transferred from branch with previously deducted losses.*

(i) If income is required to be recognized under section 904(f)(3) and the regulations thereunder or under § 1.367(a)-6 upon the transfer of intangible property of a foreign branch that had previously deducted losses, then the income recognized under those sections with respect to that property is credited against amounts that would otherwise be required to be recognized with respect to that same property under paragraphs (c) through (f) of this section in either the current or future taxable years. The amount recognized under section 904(f)(3) or § 1.367(a)-6 with respect to the transferred intangible property is determined in accordance with the following formula:

| | | |
|-----------------------|---|---|
| Loss recapture income | X | <u>gain from intangible property</u> gain from all branch assets |
|-----------------------|---|---|

(ii) For purposes of the formula in paragraph (g)(3)(i) of this section, the “loss recapture income” is the total amount required to be recognized by the U.S. transferor pursuant to section 904(f)(3) or §1.367(a)-6. The “gain from intangible property” is the total amount of gain realized by the U.S. transferor pursuant to section 904(f)(3) and §1.367(a)-6 upon the transfer of items of property that are subject to section 367(d). “Gain from intangible property” does not include gain realized with respect to intangible property by reason of an election under paragraph (g)(2) of this section. The “gain from all branch assets” is the total amount of gain realized by the transferor upon the transfer of items of property of the branch for which gain is realized.

(g)(4) through (i) [Reserved]. For further guidance, see §1.367(d)-1T(g)(4) through (i).

(j) *Effective/applicability dates.* This section applies to transfers occurring on or after September 14, 2015, and to transfers occurring before September 14, 2015, resulting from entity classification elections made under §301.7701-3 that are filed on or after September 14, 2015. For transfers occurring before this section is applicable, see §1.367(d)-1T as contained in 26 CFR part 1 revised as of April 1, 2016.

[T.D. 9803, 81 FR 91029, Dec. 16, 2016]

§ 1.367(d)-1T Transfers of intangible property to foreign corporations (temporary).

(a) *Purpose and scope.* This section provides rules under section 367(d) concerning transfers of intangible property by U.S. persons to foreign corporations pursuant to section 351 or 361. Paragraph (b) of this section specifies the transfers that are subject to section 367(d) and the rules of this section, while paragraph (c) provides rules concerning the consequences of such a transfer. In general, the U.S. transferor will be treated as receiving annual payments contingent on productivity or use of the transferred property, over

the useful life of the property (regardless of whether such payments are in fact made by the transferee). Paragraphs (d), (e), and (f) of this section provide rules for cases in which there is a later direct or indirect disposition of the intangible property transferred. In general, deemed annual license payments will continue if a transfer is made to a related person, while gain must be recognized immediately if the transfer is to an unrelated person. Paragraph (g) of this section provides several special rules, including a rule allowing appropriate adjustments where deemed payments under section 367(d) are not in fact received by the U.S. transferor of the intangible property, and a rule providing for a limited election to treat certain transfers of intangible property as sales at fair market value (in lieu of applying the general useful life-contingent payment rule). In addition, paragraph (g) of this section provides rules coordinating the application of section 367(d) with other relevant Code sections. Paragraph (h) of this section defines the term *related person* for purposes of this section. Finally, paragraph (i) of this section provides the effective date of this section. For rules concerning transfers of intangible property pursuant to section 332, see §1.367(a)-5T(e). For purposes of determining whether a U.S. person has made a transfer of intangible property that is subject to the rules of section 367(d), the rules of §1.367(a)-1T(c) shall apply.

(b) [Reserved]

(c) *Deemed payments upon transfer of intangible property to foreign corporation—(1) In general.* If a U.S. person transfers intangible property that is subject to section 367(d) and the rules of this section to a foreign corporation in an exchange described in section 351 or 361, then such person shall be treated as having transferred that property in exchange for annual payments contingent on the productivity or use of the property. Such person shall, over the useful life of the property, annually include in gross income an amount

that represents an appropriate arms-length charge for the use of the property. The appropriate charge shall be determined in accordance with the provisions of section 482 and regulations thereunder. See §1.482-2(d). The amount of the deemed payment thus calculated shall be reduced by any royalty or other periodic payment made or accrued by the transferee to an unrelated person during that taxable year for the right to use the intangible property. Amounts so included in the transferor's income shall be treated as ordinary income from sources within the United States. For purposes of computing estimated tax payments, deemed payments under this paragraph (c) shall be treated as received by the transferor on the last day of its taxable year.

(2) *Required adjustments.* The following adjustments shall be made with respect to a U.S. person's recognition of a deemed payment for the use of intangible property under this paragraph (c):

(i) For purposes of chapter 1 of the Code, the earnings and profits of the transferee foreign corporation shall be reduced by the amount of such deemed payment; and

(ii) For purposes of subpart F of part III of subchapter N of the Code, the transferee foreign corporation may treat such deemed payment as an expense (whether or not that amount is actually paid), properly allocated and apportioned to gross income subject to subpart F, in accordance with the provisions of §§ 1.954-1(c) and 1.861-8.

No other special adjustments to earning the profits, basis, or gross income shall be permitted by reason of the recognition of a deemed payment under this paragraph (c). However, see paragraph (g)(1) of this section for rules permitting the establishment of an account receivable with respect to deemed payments not actually received by the U.S. person.

(3) [Reserved]

(4) *Blocked income.* No deemed payment included in a taxpayer's income under paragraph (c)(1) of this section shall be treated as deferrable income for purposes of applying rules relating to blocked foreign income. See Revenue Ruling 74-351, 1974-2 C.B. 144.

(d) *Subsequent transfer of stock of transferee foreign corporation to unrelated person—(1) Treatment as sale of intangible property.* If a U.S. person transfers intangible property that is subject to section 367(d) and the rules of this section to a foreign corporation in an exchange described in section 351 or 361, and within the useful life of the intangible property that U.S. transferor subsequently disposes of the stock of the transferee foreign corporation to a person that is not a related person (within the meaning of paragraph (h) of this section), then the U.S. transferor shall be treated as having simultaneously sold the intangible property to the person acquiring the stock of the transferee foreign corporation. The U.S. transferor shall be required to recognize gain (but not loss) from sources within the United States in an amount equal to the difference between the fair market value of the transferred intangible property on the date of the subsequent disposition and the U.S. transferor's former adjusted basis in that property (determined as of the original transfer). If the U.S. transferor's disposition of the stock of the transferee foreign corporation is subject to U.S. tax other than by reason of this paragraph (d), then the amount of gain otherwise required to be recognized with respect to the stock of the transferee foreign corporation shall be reduced by the amount of gain recognized with respect to the intangible property pursuant to this paragraph (d).

(2) *Required adjustments.* If a U.S. person disposes of the stock of a transferee foreign corporation, and under paragraph (d)(1) of this section is treated as having simultaneously sold intangible property, then, for purposes of computing basis and earnings and profits, the person acquiring the stock of the transferee foreign corporation shall be deemed to have purchased that property at fair market value and to have immediately thereafter contributed it to the transferee foreign corporation in a transaction not covered by section 367(d). Therefore, for purposes of chapter 1 of the Code—

(i) The transferee foreign corporation's basis in the intangible property will be equal to its fair market value

§ 1.367(d)-1T

26 CFR Ch. I (4-1-21 Edition)

(as calculated for purposes of determining the gain required to be recognized by the U.S. transferor);

(ii) The acquiring person's basis in the stock of the transferee foreign corporation shall be determined as if no portion of the consideration given by the acquiring person for the stock is attributable to the intangible property; and

(iii) The earnings and profits of the transferee foreign corporation will not be affected by the transfer of its stock or the deemed transfer to it of the intangible property.

(e) *Subsequent transfer of stock of transferee foreign corporation to related person*—(1) *Transfer to related U.S. person treated as disposition of intangible property.* If a U.S. person transfers intangible property that is subject to section 367(d) and the rules of this section to a foreign corporation in an exchange described in section 351 or 361 and, within the useful life of the transferred intangible property, that U.S. transferor subsequently transfers the stock of the transferee foreign corporation to U.S. persons that are related to the transferor within the meaning of paragraph (h) of this section, then the following rules shall apply:

(i) Each such related U.S. person shall be treated as having received (with the stock of the transferee foreign corporation) a right to receive a proportionate share of the contingent annual payments that would otherwise be deemed to be received by the U.S. transferor under paragraph (c) of this section.

(ii) Each such related U.S. person shall, over the useful life of the property, annually include in gross income a proportionate share of the amount that would have been included in the income of the U.S. transferor pursuant to paragraph (c) of this section. Such amounts shall be treated as ordinary income from sources within the United States.

(iii) The amount of income required to be recognized by the U.S. transferor pursuant to the rule of paragraph (d)(1) of this section shall be reduced to the amount determined in accordance with the following formula:

(d)(1) amount \times (100% - (e) percentage)

For purposes of the above formula, the (d)(1) amount is the income that would otherwise be required to be recognized by the transferor corporation pursuant to paragraph (d)(1) of this section, and the (e) percentage is the percentage of the transferor corporation's total deemed rights to receive contingent annual payments under paragraph (c) of this section that is deemed to be transferred to related U.S. persons under the rules of this paragraph (e).

(iv) The rules of paragraphs (d) and (e) of this section shall be reapplied in the case of any later transfer of the stock of the transferee foreign corporation by a related U.S. person that received such stock in a transfer that was subject to the rules of this paragraph (e). For purposes of reapplying the rules of paragraphs (d) and (e), each such related U.S. person shall be treated as a U.S. transferor of intangible property to the transferee foreign corporation (to the extent of the interest attributed to such person pursuant to subdivision (i) of this paragraph (e)(1)).

(2) *Required adjustments.* If a U.S. person transfers stock of a transferee foreign corporation to a U.S. related person in a transaction that is subject to the rules of paragraph (e)(1) of this section, the following adjustments shall be made:

(i) For purposes of chapter 1 of the Code, the earnings and profits of the transferee foreign corporation shall be reduced by the amount of any payment deemed to be received by a related U.S. person under paragraph (e)(1)(ii) of this section;

(ii) For purposes of subpart F of part III of subchapter N of the Code, the transferee foreign corporation may allocate and apportion such deemed payments (whether or not such payments are actually made to gross income subject to subpart F to the extent appropriate under the provisions of §§1.954-1(c) and 1.861-8;

(iii) For purposes of reapplying the rules of paragraph (d) and (e) of this section, if the related U.S. person is deemed to have received a right to contingent annual payments for the use of intangible property, then the U.S. related person shall be deemed to have

held a proportionate share of the property with a basis equal to a proportionate share of the U.S. transferor's adjusted basis plus the gain, if any, recognized by the U.S. transferor on the earlier transfer of the stock to the U.S. related person, and then to have transferred that proportionate share of the property to the foreign corporation in a transfer subject to section 367(d); and

(iv) If the U.S. transferor is itself required to recognize gain upon the transfer by reason of the operation of paragraphs (d)(1) and (e)(1)(iii) of this section (because stock of the transferee foreign corporation is also transferred to unrelated persons), then those unrelated persons shall be deemed to have purchased a proportionate share of the transferred intangible property at fair market value and immediately contributed that property to the transferee foreign corporation, consistent with the general rule of paragraph (d)(2) of this section concerning transfers of stock to unrelated persons. Therefore, for purposes of chapter 1 of the Code—

(A) Each unrelated person's basis in the stock of the transferee foreign corporation shall be increased to the extent of the gain recognized by the U.S. transferor upon the deemed purchase of intangible property by that person; and

(B) The transferee foreign corporation will receive an increase in its basis in the transferred intangible property equal to the fair market value of that portion of the intangible property deemed to be contributed to the transferee foreign corporation by unrelated persons (as calculated for purposes of determining the gain required to be recognized by the U.S. transferor).

(3) *Transfer to related foreign person not treated as disposition of intangible property.* If a U.S. person transfers intangible property that is subject to section 367(d) and the rules of this section to a foreign corporation in an exchange described in section 351 or 361, and within the useful life of the transferred intangible property, that U.S. transferor subsequently transfers any of the stock of the transferee foreign corporation to one or more foreign persons that are related to the transferor within the meaning of paragraph (h) of this section, then the U.S. transferor

shall continue to include in its income the deemed payments described in paragraph (c) of this section in the same manner as if the subsequent transfer of stock had not occurred. The rule of this paragraph (e)(3) shall not apply with respect to the subsequent transfer by the U.S. person of any of the remaining stock to any related U.S. person or unrelated person.

(4) *Proportionate share.* For purposes of this paragraph (e), any "proportionate share" shall be determined by reference to the fair market value (at the time of the original transfer) of the stock of the transferee foreign corporation that was transferred by the U.S. transferor and the fair market value of all of the stock of the transferee foreign corporation originally received by the U.S. transferor.

(f) *Subsequent disposition of transferred intangible property by transferee foreign corporation—(1) In general.* If a U.S. person transfers intangible property that is subject to section 367(d) and the rules of this section to a foreign corporation in an exchange described in section 351 or 361, and within the useful life of the intangible property that transferee foreign corporation subsequently disposes of the intangible property to an unrelated person, then—

(i) The U.S. transferor of the intangible property (or any person treated as such pursuant to paragraph (e)(1) of this section) shall be required to recognize gain from U.S. sources (but not loss) in an amount equal to the difference between the fair market value of the transferred intangible property on the date of the subsequent disposition and the U.S. transferor's former adjusted basis in that property (determined as of the original transfer); and

(ii) The U.S. transferor shall be required to recognize a deemed payment under paragraph (c) of this section for that part of its taxable year that the intangible property was held by the transferee foreign corporation and thereafter shall not be required to recognize any further deemed payments under paragraph (c) or (e)(1) of this section with respect to the transferred intangible property disposed of by the transferee foreign corporation.

(2) *Required adjustments.* If a U.S. transferor is required to recognize gain

§ 1.367(d)-1T

26 CFR Ch. I (4-1-21 Edition)

under paragraph (f)(1) of this section, then—

(i) For purposes of chapter 1 of the Code, the earnings and profits of the transferee foreign corporation shall be reduced by the amount of gain required to be recognized; and

(ii) The U.S. transferor's recognition of gain will permit the establishment of an account receivable from the transferee foreign corporation, in accordance with paragraph (g)(1) of this section.

(3) *Subsequent transfer of intangible property to related person.* The requirement that a U.S. person recognize gain under paragraph (c) or (e) of this section shall not be affected by the transferee foreign corporation's subsequent disposition of the transferred intangible property to a related person. For purposes of any required adjustments, and of any accounts receivable created under paragraph (g)(1) of this section, the related person that receives the intangible property shall be treated as the transferee foreign corporation.

(g) *Special rules*—(1) *Establishment of accounts receivable*—(i) *In general.* If a U.S. person is required to recognize income under the provisions of paragraph (c), (e), or (f) of this section, and the amount deemed to be received is not actually paid by the transferee foreign corporation, then the U.S. person may establish an account receivable from the transferee foreign corporation equal to the amount deemed paid that was not actually paid. A separate account receivable must be established for each taxable year in which payments deemed to be received are not actually made. Payments received from the transferee foreign corporation must be designated as payments upon a particular account and must be deducted from that account. Accounts receivable under this paragraph (g)(1) may be established and paid without further U.S. income tax consequences to the U.S. transferor or the transferee foreign corporation. No interest shall be paid or accrued on an account receivable created under this paragraph (g)(1), nor shall any bad debt deduction be allowed under section 166 with respect to any failure to receive payment on an account.

(ii) *Unpaid receivable treated as contribution to capital.* If any portion of an account receivable established under this paragraph (g)(1) remains unpaid as of the last day of the third taxable year following the taxable year to which the account relates, then—

(A) Such portion shall be deemed to have been paid on that date; and

(B) The U.S. person shall be deemed to have contributed an equivalent amount to the capital of the foreign corporation, and the U.S. person's basis in the stock of the foreign corporation shall, therefore, be increased by that amount.

(2) *Election to treat transfer as sale.* A U.S. person that transfers intangible property to a foreign corporation in a transaction subject to section 367(d) may elect to recognize income in accordance with the rules of this paragraph (g)(2), if—

(i) [Reserved]

(ii) The transfer of the intangible property is either legally required by the government of the country in which the transferee corporation is organized as a condition of doing business in that country, or compelled by a genuine threat of immediate expropriation by the foreign government; or

(iii)(A) The U.S. person transferred the intangible property to the foreign corporation within three months of the organization of that corporation and as part of the original plan of capitalization of that corporation;

(B) Immediately after the transfer, the U.S. person owns at least 40 percent but not more than 60 percent of the total voting power and total value of the stock of the transferee foreign corporation;

(C) Immediately after the transfer, at least 40 percent of the total voting power and total value of the stock of the transferee foreign corporation is owned by foreign persons unrelated to the U.S. person;

(D) Intangible property constitutes at least 50 percent of the fair market value of the property transferred to the foreign corporation by the U.S. transferor; and

(E) [Reserved]

A person that makes the election under this paragraph (g)(2) shall not be subject to the provisions of paragraphs (c)

through (f) of this section. Such person shall instead recognize in the year of the transfer ordinary income from sources within the United States in an amount equal to the difference between the fair market value of the intangible property transferred and its adjusted basis. A U.S. person shall make an election under this paragraph (g)(2) by notifying the Internal Revenue Service of the election in accordance with the requirements of section 6038B and regulations thereunder, and subsequently including the appropriate amounts in gross income in a timely filed tax return for the year of the transfer.

(3) [Reserved]

(4) *Coordination with section 482*—(i) *In general.* Section 367(d) and the rules of this section shall not apply in the case of an actual sale or license of intangible property by a U.S. person to a foreign corporation. If an adjustment under section 482 is required with respect to an actual sale or license of intangible property, then section 367(d) and the rules of this section shall not apply with respect to the required adjustment. If a U.S. person transfers intangible property to a related foreign corporation without consideration, or in exchange for stock or securities of the transferee in a transaction described in sections 351 or 361, no sale or license subject to adjustment under section 482 will be deemed to have occurred. Instead, the U.S. person shall be treated as having made a transfer of the intangible property that is subject to section 367(d).

(ii) *Sham licenses and sales.* For purposes of paragraph (g)(4)(i) of this section, a purported sale or license of intangible property may be disregarded, and treated as a transfer subject to section 367(d) and the rules of this section, if—

(A) The purported sale or license is made to a foreign corporation in which the transferor holds (or is acquiring) an interest; and

(B) The terms of the purported sale or license differ so greatly from the economic substance of the transaction or the terms that would obtain between unrelated persons that the purported sale or license is a sham.

The terms of a purported sale or license, for purposes of applying the rule

of this paragraph (g)(4)(ii), shall be determined by reference not only to the nominal terms of the agreement but also to the actual practice of the parties under that agreement. A sale or license of intangible property shall not be disregarded under this paragraph (g)(4)(ii) solely because other property of an integrated business is simultaneously transferred to the foreign corporation by the U.S. transferor in a transaction described in section 367(a)(1) or any statutory or regulatory exception to section 367(a)(1).

(5) *Determination of fair market value.* For purposes of determining the gain required to be recognized immediately under paragraph (d), (f), or (g)(2) of this section, the fair market value of transferred property shall be the single payment arm's-length price that would be paid for the property by an unrelated purchaser determined in accordance with the principles of section 482 and regulations thereunder. The allocation of a portion of the purchase price to intangible property agreed to by the parties to the transaction shall not necessarily be controlling for this purpose.

(6) *Anti-abuse rule.* If a U.S. person—

(i) Transfers intangible property to a domestic corporation with a principal purpose of avoiding the effect of section 367(d) and the rules of this section; and

(ii) Thereafter transfers the stock of that domestic corporation to a related foreign corporation,

then solely for purposes of section 367(d) that U.S. person shall be treated as having transferred the intangible property directly to the foreign corporation. A U.S. person shall be presumed to have transferred intangible property for a principal purpose of avoiding the effect of section 367(d) if the property is transferred to the domestic corporation less than two years prior to the transfer of the stock of that domestic corporation to a foreign corporation. The presumption created by the previous sentence may be rebutted by clear evidence that the subsequent transfer of the stock of the domestic transferee corporation was not contemplated at the time the intangible property was transferred to that corporation and that avoidance of section 367(d) and the rules of this section

§ 1.367(e)-0

26 CFR Ch. I (4-1-21 Edition)

was not a principal purpose of the transaction. A transfer may have more than one principal purpose.

(h) *Related person.* For purposes of this section, persons are considered to be related if—

(1) They are partners or partnerships described in section 707(b)(1) of the Code; or

(2) They are related within the meaning of section 267 (b), (c), and (f) of the Code, except that—

(i) “10 percent or more” shall be substituted for “more than 50 percent” each place it appears; and

(ii) Section 1563 shall apply (for purposes of section 267(d)), without regard to section 1563(b)(2).

(i) *Effective date.* Except as specifically provided to the contrary elsewhere in this section, this section applies to transfers occurring after December 31, 1984.

[T.D. 8087, 51 FR 17953, May 16, 1986, as amended by T.D. 8770, 63 FR 33568, June 19, 1998; T.D. 9803, 81 FR 91030, Dec. 16, 2016]

§ 1.367(e)-0 Outline of §§ 1.367(e)-1 and 1.367(e)-2.

This section lists captioned paragraphs contained in §§ 1.367(e)-1 and 1.367(e)-2 as follows:

§ 1.367(e)-1 Distributions described in section 367(e)(1).

- (a) Purpose and scope.
- (b) Gain recognition.
 - (1) General rule.
 - (2) Stock owned through partnerships, disregarded entities, trusts, and estates.
 - (3) Gain computation.
 - (4) Treatment of distributee.
 - (c) Nonrecognition of gain.
 - (d) Determining whether distributees are qualified U.S. persons.
 - (1) General rule—presumption of foreign status.
 - (2) Non-publicly traded distributing corporations.
 - (3) Publicly traded distributing corporations.
 - (i) Five percent shareholders.
 - (ii) Other distributees.
 - (4) Qualified exchange or other market.
 - (e) Reporting under section 6038B.
 - (f) Effective date.

§ 1.367(e)-2 Distributions described in section 367(e)(2).

- (a) Purpose and scope.
 - (1) In general.
 - (2) Nonapplicability of section 367(a).

- (b) Distribution by a domestic corporation.
 - (1) General rule.
 - (i) Recognition of gain and loss.
 - (ii) Operating rules.
 - (A) General rule.
 - (B) Overall loss limitation.
 - (f) Overall loss limitation rule.
 - (2) Example.
 - (C) Special rules for built-in gains and losses attributable to property received in liquidations and reorganizations.
 - (iii) Distribution of partnership interest.
 - (A) General rule.
 - (B) Gain or loss calculation. [Reserved]
 - (C) Basis adjustments.
 - (D) Publicly traded partnerships.
 - (2) Exceptions.
 - (i) Distribution of property used in a U.S. trade or business.
 - (A) Conditions for nonrecognition.
 - (B) Qualifying property.
 - (C) Required statement.
 - (f) Declaration and certification.
 - (2) Property description.
 - (3) Distributee identification.
 - (4) Treaty benefits waiver.
 - (5) Statute of limitations extension.
 - (D) Failure to file statement.
 - (E) Operating rules.
 - (f) Gain or loss recognition by the foreign distributee corporation.
 - (i) Taxable dispositions.
 - (ii) Other triggering events.
 - (2) Gain recognition by the domestic liquidating corporation.
 - (i) General rule.
 - (ii) Amended return.
 - (iii) Interest.
 - (iv) Joint and several liability.
 - (3) Schedule for property no longer used in a U.S. trade or business.
 - (4) Nontriggering events.
 - (i) Conversions, certain exchanges, and abandonment.
 - (ii) Amendment to Master Property Description
 - (5) Nontriggering transfers to qualified transferees.
 - (ii) Distribution of certain U.S. real property interests.
 - (iii) Distribution of stock of domestic subsidiary corporations.
 - (A) Conditions for nonrecognition.
 - (B) Exceptions when the liquidating corporation is a U.S. real property holding corporation.
 - (C) Anti-abuse rule.
 - (D) Required statement.
 - (3) Other consequences.
 - (i) Distributee basis in property.
 - (ii) Reporting under section 6038B.
 - (iii) Other rules.
 - (c) Distribution by a foreign corporation.
 - (1) General rule—gain and loss not recognized.
 - (2) Exceptions.

- (i) Property used in a U.S. trade or business.
 - (A) General rule.
 - (B) Ten-year active U.S. business exception.
 - (C) Required statement.
 - (D) Operating rules.
 - (i) Property formerly used in a U.S. trade or business.
 - (3) Other consequences.
 - (i) Distributee basis in property.
 - (ii) Other rules.
 - (d) Anti-abuse rule.
 - (e) Effective date.

[T.D. 8834, 64 FR 43075, Aug. 9, 1999]

§ 1.367(e)-1 Distributions described in section 367(e)(1).

(a) *Purpose and scope.* This section provides rules for recognition (and non-recognition) of gain by a domestic corporation (distributing corporation) on a distribution of stock or securities of a corporation (controlled corporation) to foreign persons that is described in section 355. Paragraph (b) of this section contains the general rule that gain is recognized on the distribution to the extent stock or securities of controlled are distributed to foreign persons. Paragraph (c) of this section provides an exception to the gain recognition rule for distributions of stock or securities of a domestic corporation. Paragraph (d) of this section contains rules for determining whether distributees of stock or securities in a section 355 distribution are qualified U.S. persons. Paragraph (e) of this section provides cross-references. Finally, paragraph (f) of this section specifies the effective date of this section.

(b) *Gain recognition*—(1) *General rule.* If a domestic corporation makes a distribution of stock or securities of a corporation that qualifies for non-recognition under section 355 to a person who is not a qualified U.S. person, then, except as provided in paragraph (c) of this section, the distributing corporation shall recognize gain (but not loss) on the distribution under section 367(e)(1). A distributing corporation shall not recognize gain under this section with respect to a section 355 distribution to a qualified U.S. person. For purposes of this section, a qualified U.S. person is—

- (A) A citizen or resident of the United States; or
- (B) A domestic corporation.

(2) *Stock owned through partnerships, disregarded entities, trusts, and estates.* For purposes of this section, distributing corporation stock or securities owned by or for a partnership (whether foreign or domestic) are owned proportionately by its partners. A partner's proportionate share of the stock or securities of the distributing corporation shall be equal to the partner's distributive share of the gain that would have been recognized had the partnership sold the stock or securities (at a taxable gain) immediately before the distribution. The partner's distributive share of gain shall be determined under the rules and principles of sections 701 through 761 and the regulations thereunder. For purposes of this section, stock or securities owned by or for an entity that is disregarded as an entity separate from its owner (disregarded entity) under § 301.7701-3 of this chapter are owned directly by the owner of such disregarded entity. For purposes of this section, stock or securities owned by or for a trust or estate (whether foreign or domestic) are owned proportionately by the persons who would be treated as owning such stock or securities under section 318(a)(2)(A) and (B). In applying section 318(a)(2)(B)(i), if a trust includes interests that are not actuarially ascertainable, all such interests shall be considered to be owned by foreign persons. In a case where an interest holder in a partnership, a disregarded entity, trust, or estate that (directly or indirectly) owns stock of the distributing corporation is itself a partnership, disregarded entity, trust, or estate, the rules of this paragraph (b)(2) apply to such interest holder.

(3) *Gain computation.* Gain recognized under paragraph (b)(1) of this section shall be equal to the excess of the fair market value of the stock or securities distributed to persons who are not qualified U.S. persons (determined as of the time of the distribution) over the distributing corporation's adjusted basis in the stock or securities distributed to such distributees. For purposes of the preceding sentence, the distributing corporation's adjusted basis in each unit of each class of stock or securities distributed to a distributee shall

be equal to the distributing corporation's total adjusted basis in all of the units of the respective class of stock or securities owned immediately before the distribution, divided by the total number of units of the class of stock or securities owned immediately before the distribution.

(4) *Treatment of distributee.* If the distribution otherwise qualifies for nonrecognition under section 355, each distributee shall be considered to have received stock or securities in a distribution qualifying for nonrecognition under section 355, even though the distributing corporation may recognize gain on the distribution under this section. Thus, the distributee shall not be considered to have received a distribution described in section 301 or a distribution in an exchange described in section 302(b) upon the receipt of the stock or securities of the controlled corporation, and the domestic distributing corporation shall have no withholding responsibilities under section 1441. Except where section 897(e)(1) and the regulations thereunder cause gain to be recognized by the distributee, the basis of the distributed domestic or foreign corporation stock in the hands of the foreign distributee shall be the basis of the distributed stock determined under section 358 without any increase for any gain recognized by the domestic corporation on the distribution.

(c) *Nonrecognition of gain.* A domestic distributing corporation shall not recognize gain under paragraph (b)(1) of this section on the distribution of stock or securities of a domestic corporation.

(d) *Determining whether distributees are qualified U.S. persons*—(1) *General rule—presumption of foreign status.* Except as provided in paragraphs (d)(2) and (3) of this section, all distributions of stock or securities in a distribution described in section 355 in which the distributing corporation is domestic and the controlled corporation is foreign are presumed to be to persons who are not qualified U.S. persons, as defined in paragraph (b)(1) of this section.

(2) *Non-publicly traded distributing corporations.* If the class of stock or securities of the distributing corporation (in respect to which stock or securities

of the controlled corporation are distributed) is not regularly traded on a qualified exchange or other market (as defined in paragraph (d)(4) of this section), then the distributing corporation may only rebut the presumption contained in paragraph (d)(1) of this section by identifying the qualified U.S. persons to which controlled corporation stock or securities were distributed and by certifying the amount of stock or securities that were distributed to the qualified U.S. persons.

(3) *Publicly traded distributing corporations.* If the class of stock or securities of the distributing corporation (in respect to which stock or securities of the controlled corporation are distributed) is regularly traded on a qualified exchange or other market (as defined in paragraph (d)(4) of this section), then the distributing corporation may only rebut the presumption contained in paragraph (d)(1) of this section as described in this paragraph (d)(3).

(i) *Five percent shareholders.* A publicly traded distributing corporation may only rebut the presumption contained in paragraph (d)(1) of this section with respect to distributees that are five percent shareholders of the class of stock or securities of the distributing corporation (in respect to which stock or securities of the controlled corporation are distributed) by identifying the qualified U.S. persons to which controlled corporation stock or securities were distributed and by certifying the amount of stock or securities that were distributed to the qualified U.S. persons. A five percent shareholder is a distributee who is required under U.S. securities laws to file with the Securities and Exchange Commission (SEC) a Schedule 13D or 13G under 17 CFR 240.13d-1 or 17 CFR 240.13d-2, and provide a copy of same to the distributing corporation under 17 CFR 240.13d-7.

(ii) *Other distributees.* A distributing corporation that has made a distribution described in paragraph (d)(3) of this section may rebut the presumption contained in paragraph (d)(1) of this section with respect to distributees that are not five percent

shareholders (as defined in this paragraph (d)(3)) by relying on and providing a reasonable analysis of shareholder records and other relevant information that demonstrates a number of distributees that are qualified U.S. persons. Taxpayers may rely on such analysis, unless it is subsequently determined that there are actually fewer distributees who are qualified U.S. persons than were demonstrated in the analysis.

(4) *Qualified exchange or other market.* For purposes of paragraph (d) of this section, the term qualified exchange or other market means, for any taxable year—

(i) A national securities exchange which is registered with the SEC or the national market system established pursuant to section 11A of the Securities Exchange Act of 1934 (15 U.S.C. 78f); or

(ii) A foreign securities exchange that is regulated or supervised by a governmental authority of the country in which the market is located and which has the following characteristics—

(A) The exchange has trading volume, listing, financial disclosure, and other requirements designed to prevent fraudulent and manipulative acts and practices, to remove impediments to and perfect the mechanism of a free and open market, and to protect investors; and the laws of the country in which the exchange is located and the rules of the exchange ensure that such requirements are actually enforced; and

(B) The rules of the exchange ensure active trading of listed stocks.

(e) *Cross-references.* For additional rules relating to the distribution of the stock of a foreign corporation by a domestic corporation, see §§ 1.367(a)-3(e), 1.367(a)-7, 1.367(b)-5, and 1.1248(f)-1 through 1.1248(f)-3. See the regulations under section 6038B for reporting requirements for distributions under this section.

(f) *Effective/applicability date.* This section shall be applicable to distribu-

tions occurring in taxable years ending after August 8, 1999.

[T.D. 8834, 64 FR 43076, Aug. 9, 1999; 65 FR 14467, Mar. 3, 2000, as amended by T.D. 9614, 78 FR 17041, Mar. 19, 2013; T.D. 9760, 81 FR 15169, Mar. 22, 2016]

§ 1.367(e)-2 Distributions described in section 367(e)(2).

(a) *Purpose and scope—(1) In general.* This section provides rules requiring gain and loss recognition by a corporation on its distribution of property to a foreign corporation in a complete liquidation described in section 332. Paragraph (b)(1) of this section contains the general rule that gain and loss are recognized when a domestic corporation makes a distribution of property in complete liquidation under section 332 to a foreign corporation that meets the stock ownership requirements of section 332(b) with respect to stock in the domestic corporation. Paragraph (b)(2) of this section provides the only exceptions to the gain and loss recognition rule of paragraph (b)(1) of this section. Paragraph (b)(3) of this section refers to other consequences of distributions described in paragraphs (b)(1) and (2) of this section. Paragraph (c)(1) of this section contains the general rule that gain and loss are not recognized when a foreign corporation makes a distribution of property in complete liquidation under section 332 to a foreign corporation that meets the stock ownership requirements of section 332(b) with respect to stock in the foreign liquidating corporation. Paragraph (c)(2) of this section provides the only exceptions to the nonrecognition rule of paragraph (c)(1) of this section. Paragraph (c)(3) of this section refers to other consequences of distributions described in paragraphs (c)(1) and (2) of this section. Paragraph (d) of this section contains an anti-abuse rule. Paragraph (e) of this section provides rules regarding failures to file statements or other documents required under this section or failures to comply with the requirements of this section. Paragraph (f) of this section provides relief for certain failures to file or comply. Finally, paragraph (g) of this section specifies the effective/applicability dates for the rules of this section. The

rules of this section are issued pursuant to the authority conferred by section 367(e)(2).

(2) *Nonapplicability of section 367(a).* Section 367(a) shall not apply to a complete liquidation described in section 332 by a domestic liquidating corporation into a foreign corporation that meets the stock ownership requirements of section 332(b).

(b) *Distribution by a domestic corporation*—(1) *General rule*—(i) *Recognition of gain and loss.* If a domestic corporation (domestic liquidating corporation) makes a distribution of property in complete liquidation under section 332 to a foreign corporation (foreign distributee corporation) that meets the stock ownership requirements of section 332(b) with respect to stock in the domestic liquidating corporation, then—

(A) Section 337(a) and (b)(1) will not apply; and

(B) The domestic liquidating corporation will recognize gain or loss on the distribution of property to the foreign distributee corporation, except as provided in paragraph (b)(2) of this section.

(ii) *Operating rules*—(A) *General rule.* Except as provided in paragraphs (b)(1)(ii) (B) and (C) of this section, the rules contained in section 336 will apply to the gain and loss recognized pursuant to this section.

(B) *Overall loss limitation*—(1) *Overall loss limitation rule.* Loss in excess of gain from the distribution shall not be recognized. If realized losses exceed recognized losses, the losses shall be recognized on a pro rata basis with respect to the realized loss attributable to each distributed loss asset in the category of assets (i.e., capital or ordinary) to which the realized but unrecognized loss relates. For additional limitations on the recognition of losses, see, e.g., section 1211.

(2) *Example.* The following example illustrates the overall loss limitation rule, the pro rata loss allocation method, and the general capital loss limitation rule in section 1211(a):

Example. F, a foreign corporation, owns all stock of US1, a domestic corporation. US1 owns the following capital assets: Asset A, which has a fair market value of \$100 and an adjusted basis of \$40; Asset B, which has a

fair market value of \$60 and an adjusted basis of \$80; and, Asset C, which has a fair market value of \$40 and an adjusted basis of \$100. US1 also owns the following business assets that will generate ordinary income (or loss) upon disposition: Asset D, which has a fair market value of \$100 and an adjusted basis of \$40; Asset E, which has a fair market value of \$60 and an adjusted basis of \$100; and, Asset F, which has a fair market value of \$40 and an adjusted basis of \$80. US1 liquidates into F and distributes all assets to F in liquidation. None of the assets qualify for nonrecognition under paragraph (b)(2) of this section. US1's total realized capital loss is \$80, but it may only recognize \$60 of that loss. See section 1211(a). US1's total realized ordinary loss is \$80, but it may only recognize \$60 of that loss. See paragraph (b)(1)(ii)(B)(1) of this section. US1 will allocate \$15 ($60 \times .25$) of the recognized capital loss to Asset B and will allocate the remaining \$45 ($60 \times .75$) of recognized capital loss to Asset C. See paragraph (b)(1)(ii)(B)(1) of this section. US1 will allocate \$30 ($60 \times .50$) of the recognized ordinary loss to Asset E and will allocate the remaining \$30 ($60 \times .50$) to Asset F. See paragraph (b)(1)(ii)(B)(1) of this section.

(C) *Special rules for built-in gains and losses attributable to property received in liquidations and reorganizations.* Built-in losses attributable to property received in a transaction described in sections 332 or 361 (during the two-year period ending on the date of the distribution in liquidation covered by this section) shall not offset gain from property not received in the same transaction. Built-in gains attributable to property received in a transaction described in sections 332 or 361 (during the two-year period ending on the date of the distribution in liquidation covered by this section) shall not be offset by a loss from property not received in the same transaction. Built-in gain or loss is that amount of gain or loss on property that existed at the time the domestic liquidating corporation acquired such property. See sections 336(d) and 382 for additional limitations on the recognition of losses.

(iii) *Distribution of partnership interest*—(A) *General rule.* If a domestic corporation distributes a partnership interest (whether foreign or domestic) in a distribution described in paragraph (b)(1)(i) of this section, then for purposes of applying this section the domestic liquidating corporation shall be

treated as having distributed a proportionate share of partnership property. Accordingly, the applicability of the recognition rules of paragraphs (b)(1)(i) and (ii) of this section, and of any exception to recognition provided in this section shall be determined with reference to the partnership property, rather than to the partnership interest itself. Where the partnership property includes an interest in a lower-tier partnership, the applicability of any exception with respect to the interest in the lower-tier partnership shall be determined with reference to the lower-tier partnership property. In the case of multiple tiers of partnerships, the applicability of an exception shall be determined with reference to the property of each partnership, applying the rule contained in the preceding sentence. A domestic liquidating corporation's proportionate share of partnership property shall be determined under the rules and principles of sections 701 through 761 and the regulations thereunder.

(B) *Gain or loss calculation.* [Reserved]

(C) *Basis adjustments.* The foreign distributee corporation's basis in the distributed partnership interest shall be equal to the domestic liquidating corporation's basis in such partnership interest immediately prior to the distribution, increased by the amount of gain and reduced by the amount of loss recognized by the domestic liquidating corporation on the distribution of the partnership interest. Solely for purposes of sections 743 and 754, the foreign distributee corporation shall be treated as having purchased the partnership interest for an amount equal to the foreign corporation's adjusted basis therein.

(D) *Publicly traded partnerships.* The distribution by a domestic liquidating corporation of an interest in a publicly traded partnership that is treated as a corporation for U.S. income tax purposes under section 7704(a) shall not be subject to the rules of paragraphs (b)(1)(iii)(A) and (B) of this section. Instead, the distribution of such an interest shall be treated in the same manner as a distribution of stock. Thus, a transfer of an interest in a publicly traded partnership that is treated as a U.S. corporation for U.S. income tax

purposes shall be treated in the same manner as stock in a domestic corporation, and a transfer of an interest in a publicly traded partnership that is treated as a foreign corporation for U.S. income tax purposes shall be treated in the same manner as stock in a foreign corporation.

(2) *Exceptions—(i) Distribution of property used in a U.S. trade or business—(A) Conditions for nonrecognition.* A domestic liquidating corporation shall not recognize gain or loss under paragraph (b)(1) of this section on its distribution of property (including inventory) used by the domestic liquidating corporation in the conduct of a trade or business within United States, if—

(1) The foreign distributee corporation, immediately thereafter and for the ten-year period beginning on the date of the distribution of such property, uses the property in the conduct of a trade or business within the United States;

(2) The domestic liquidating corporation attaches the statement described in paragraph (b)(2)(i)(C) of this section to its timely filed U.S. income tax returns for the taxable years that include the distributions in liquidation; and

(3) The foreign distributee corporation attaches a copy of the property description contained in paragraph (b)(2)(i)(C)(2) of this section to its timely filed U.S. income tax returns for the tax year that includes the date of distribution.

(B) *Qualifying property.* Property is used by the foreign distributee corporation in the conduct of a trade or business in the United States within the meaning of this paragraph (b)(2)(i) only if all income from the use of the property and all income or gain from the sale or exchange of the property would be subject to taxation under section 882(a) as effectively connected income. Also, stock held by a dealer as inventory or for sale in the ordinary course of its trade or business shall be treated as inventory and not as stock in the hands of both the domestic liquidating corporation and the distributee foreign corporation. Notwithstanding the foregoing, the exception provided in this paragraph (b)(2)(i) shall not apply to intangibles described in section 936(h)(3)(B).

(C) *Required statement.* The statement required by paragraph (b)(2)(i)(A) of this section shall be entitled “Required Statement under § 1.367(e)-2(b)(2)(i)” and shall be prepared by the domestic liquidating corporation and signed under penalties of perjury by an authorized officer of the domestic liquidating corporation and by an authorized officer of the foreign distributee corporation. The statement shall contain the following items:

(1) A declaration that the distribution to the foreign distributee corporation is one to which the rules of this paragraph (b)(2)(i) apply and a certification that the domestic liquidating corporation and the foreign distributee corporation agree to comply with all the conditions and requirements of this section, including, as provided in paragraph (e)(4)(ii)(B) of this section, to treat a failure to comply (as described in paragraph (e)(4)(i) of this section) as extending the period of limitations on assessment of tax for the taxable year in which gain is required to be reported.

(2) *Property description.* A description of all property distributed by the domestic liquidating corporation (irrespective of whether the property qualifies for nonrecognition). Such description shall be entitled “Master Property Description” and shall identify the property that continues to be used by the foreign distributee corporation in the conduct of a trade or business within the United States, including the location, adjusted basis, estimated fair market value, a summary of the method (including appraisals if any) used for determining such value, and the date of distribution of such items of property. The description shall also identify the property excepted from gain recognition under paragraphs (b)(2)(ii) and (iii) of this section.

(3) *Distributee identification.* An identification of the foreign distributee corporation, including its name and address, taxpayer identification number, residence, and place of incorporation.

(4) *Treaty benefits waiver.* With respect to property entitled to nonrecognition pursuant to this paragraph (b)(2)(i), a declaration by the foreign distributee corporation that it irrevocably waives any right under any

treaty (whether or not currently in force at the time of the liquidation) to sell or exchange any item of such property without U.S. income taxation or at a reduced rate of taxation, or to derive income from the use of any item of such property without U.S. income taxation or at a reduced rate of taxation.

(5) *Statute of limitations extension.* An agreement by the domestic liquidating corporation and the foreign distributee corporation to extend the statute of limitations on assessments and collections (under section 6501) with respect to the domestic liquidating corporation on the distribution of each item of property until three years after the date on which all such items of property have ceased to be used in a trade or business within the United States, but in no event shall the extension be for a period longer than 13 years from the filing of the original U.S. income tax return for the taxable year of the last distribution of any such item of property. The agreement to extend the statute of limitation shall be executed on a Form 8838, “Consent to Extend the Time to Assess Tax Under Section 367—Gain Recognition Agreement.”

(D) *Failure to file statement.* If a domestic liquidating corporation that would otherwise qualify for nonrecognition on the distribution of property under this paragraph (b)(2)(i) fails to file the statement described in paragraph (b)(2)(i)(C) of this section or files a statement that does not comply with the requirements of paragraph (b)(2)(i)(C) of this section, the Commissioner may treat the domestic liquidating corporation as if it had claimed nonrecognition under this paragraph (b)(2)(i) and met all the requirements of paragraph (b)(2)(i)(C) of this section, if such treatment is necessary to prevent the domestic liquidating corporation or the foreign distributee corporation from otherwise deriving a tax benefit by such failure.

(E) *Operating rules.* By the domestic liquidating corporation’s claiming nonrecognition under this paragraph (b)(2)(i) and filing a statement described in paragraph (b)(2)(i)(C) of this section, the domestic liquidating corporation and the foreign distributee corporation agree to be subject to the rules of this paragraph (b)(2)(i)(E).

(1) *Gain or loss recognition by the foreign distributee corporation—(i) Taxable dispositions.* If, within the ten-year period from the date of a distribution of qualifying property, the foreign distributee corporation disposes of any qualifying property in a transaction subject to tax under section 882(a), then the foreign distributee corporation shall recognize such gain (or loss) and properly report it on a timely filed U.S. income tax return. If the foreign distributee corporation recognizes gain (or loss) under this paragraph (b)(2)(i)(E)(1)(i) and properly reports such gain (or loss) on its U.S. income tax return, then the domestic liquidating corporation shall not recognize gain attributable to such property under paragraph (b)(2)(i)(E)(2) of this section.

(ii) *Other triggering events.* If, within the ten-year period from the date of distribution, any qualifying property ceases to be used by the foreign distributee corporation in the conduct of a trade or business in the United States (other than by reason of a taxable disposition described in paragraph (b)(2)(i)(E)(1)(i) of this section, a non-triggering event described in paragraph (b)(2)(i)(E)(4) of this section, or a non-triggering transfer described in paragraph (b)(2)(i)(E)(5) of this section), then the foreign distributee corporation shall recognize gain (but not loss) attributable to such property and properly report it on a timely filed U.S. income tax return. If the foreign distributee corporation properly reports gain under this paragraph (or if such qualified property is not gain property on the date that it ceases to be used in the foreign distributee corporation's U.S. trade or business), then the domestic liquidating corporation shall not recognize gain attributable to such property under paragraph (b)(2)(i)(E)(2) of this section. The gain recognized under this paragraph (b)(2)(i)(E)(1)(ii) shall be an amount equal to the fair market value of the property on the date it ceases to be used in the foreign distributee corporation's U.S. trade or business less the foreign distributee corporation's adjusted basis in such property.

(2) *Gain recognition by the domestic liquidating corporation—(i) General rule.* If,

within the ten-year period from the date of distribution, any qualifying property described in paragraph (b)(2)(i)(B) of this section ceases to be used by the foreign distributee corporation (or a qualifying transferee described in paragraph (b)(2)(i)(E)(5) of this section) in the conduct of a trade or business in the United States for any reason (including but not limited to the sale or exchange of such property or the removal of the property from conduct of the trade or business), then, except to the extent gain (or loss) is recognized under paragraph (b)(1)(i)(E)(1) of this section, the domestic liquidating corporation shall recognize the gain (but not loss) realized but not recognized upon the initial distribution of such item of property. The domestic liquidating corporation shall recognize gain pursuant to this paragraph (b)(2)(i)(E)(2)(i) on the amended U.S. income tax return described in paragraph (b)(2)(i)(E)(2)(ii) of this section.

(ii) *Amended return.* If gain recognition is required pursuant to paragraph (b)(2)(i)(E)(2)(i) of this section, the foreign distributee corporation shall file an amended U.S. income tax return on behalf of the domestic liquidating corporation for the year of the distribution of such item of property. On the amended return, the domestic liquidating corporation may use any losses (or credits) existing in the year of the distribution to offset the gain recognized pursuant to paragraph (b)(2)(i)(E)(2)(i) of this section (or the tax thereon), provided that the losses (or credits) were otherwise available in the year distribution and were not used in another year. The amended return shall be filed no later than the due date (including extensions) for the return of the foreign distributee corporation for the taxable year in which the property ceases to be used by the foreign distributee corporation in the conduct of a trade or business in the United States.

(iii) *Interest.* If the domestic liquidating corporation owes additional tax pursuant to paragraph (b)(2)(i)(E)(2)(i) of this section for the year of liquidation, then interest must be paid on that amount at the rates determined under section 6621. The interest due

will be calculated from the due date of the domestic liquidating corporation's U.S. income tax return for the year of the distribution to the date on which the additional tax for that year is paid.

(iv) *Joint and several liability.* The foreign distributee corporation shall be jointly and severally liable for any tax owed by the domestic liquidating corporation as a result of the application of this section, and shall succeed to the domestic liquidating corporation's agreement to extend the statute of limitations on assessments and collections under section 6501.

(3) *Schedule for property no longer used in a U.S. trade or business.* If qualifying property (other than inventory) ceases to be used by the foreign distributee corporation in the conduct of a U.S. trade or business in the ten-year period beginning on the date of distribution of such property from the domestic liquidating corporation to the foreign distributee corporation, then the foreign distributee corporation shall list on a separate schedule (attached to its timely filed U.S. income tax return for the year of cessation) all such qualifying property. For purposes of this paragraph (b)(2)(i)(E)(3), property ceases to be used in a U.S. trade or business whenever such property is sold, exchanged, or otherwise removed from the U.S. trade or business, irrespective of whether the domestic liquidating corporation filed an amended return under paragraph (b)(2)(i)(E)(2) of this section, and irrespective of whether the property ceases to be used in the foreign distributee corporation's U.S. trade or business by virtue of a non-triggering event described in paragraph (b)(2)(i)(E)(4) of this section or a non-triggering transfer described in paragraph (b)(2)(i)(E)(5) of this section.

(4) *Nontriggering events—(i) Conversions, certain exchanges, and abandonment.* Gain (or loss) under this paragraph (b)(2)(i)(E) shall not be triggered if qualifying property described in paragraph (b)(2)(i)(B) of this section is involuntarily converted into, or exchanged for, similar qualifying property used in the conduct of a trade or business in the United States, to the extent such conversion or exchange qualifies for nonrecognition under section 1033 or 1031. Also, the abandon-

ment or disposal of worthless or obsolete property shall not trigger gain (or loss) under this paragraph (b)(2)(i)(E).

(ii) *Amendment to Master Property Description.* If the foreign distributee corporation acquires replacement property by virtue of a conversion or exchange of the qualifying property under this paragraph (b)(2)(i)(E)(4), then the foreign distributee corporation shall attach to its timely filed U.S. income tax return for the year of the acquisition such replacement property a schedule entitled "Amendment to Master Property Description Required by § 1.367(e)-2(b)(2)(i)" that lists the replacement property and the property being replaced.

(5) *Nontriggering transfers to qualified transferees.* Gain (or loss) under this paragraph (b)(2)(i)(E) will not be triggered if qualifying property described in paragraph (b)(2)(i)(B) of this section is transferred to another person (qualified transferee) in a transaction qualifying for nonrecognition under the Internal Revenue Code (other than transactions described in paragraphs (b)(2)(i)(E)(4)(i) and (c)(1) of this section), if—

(i) The qualified transferee (and all other subsequent qualified transferees), immediately thereafter and for the ten-year period beginning on the date of the initial distribution of such qualifying property from the domestic liquidating corporation to the foreign distributee corporation, uses the property in the conduct of a trade or business in the United States;

(ii) The foreign distributee corporation (or its successor in interest) prepares and attaches to its timely filed U.S. income tax return for the year of transfer a statement entitled "Required Statement under § 1.367(e)-2(b)(2)(i)(E)(5) for Property Transferred to a Qualified Transferee" that is signed under penalties of perjury by an authorized officer of the foreign distributee corporation and by a person similarly authorized by the qualified transferee;

(iii) The statement described in paragraph (b)(2)(i)(E)(5)(ii) of this section

shall contain a description of all qualifying property transferred by the foreign distributee corporation (or qualified transferee) to the qualified transferee (or subsequent qualified transferee);

(iv) The statement described in paragraph (b)(2)(i)(E)(5)(ii) of this section shall also contain an identification of the qualified transferee (or subsequent qualified transferee), including its name and address, taxpayer identification number, residence, and place of incorporation (if applicable);

(v) The statement described in paragraph (b)(2)(i)(E)(5)(ii) of this section shall also contain a declaration by the qualifying transferee (or subsequent qualifying transferee) that it irrevocably waives any right under any treaty (whether or not currently in force at the time of the liquidation) to sell or exchange any item of such property without U.S. income taxation or at a reduced rate of taxation, or to derive income from the use of any item of such qualifying property without U.S. income taxation or at a reduced rate of taxation; and

(vi) A declaration that the transfer to the qualifying transferee (or subsequent qualifying transferee) is one to which the rules of this paragraph (b)(2)(i)(E)(5) apply and a certification that the foreign distributee corporation (or its successor in interest) and the qualifying transferee (or subsequent qualifying transferee) agree to all of the terms and conditions set forth in paragraph (b)(2)(i)(E)(I) of this section, replacing “foreign distributee corporation” with “qualifying transferee” and replacing references to “section 882(a)” with “section 871(b)” (as the case may be).

(ii) *Distribution of certain U.S. real property interests.* A domestic liquidating corporation shall not recognize gain (or loss) under paragraph (b)(1) of this section on the distribution of a U.S. real property interest (other than stock in a former U.S. real property holding corporation that is treated as a U.S. real property interest for five years under section 897(c)(1)(A)(ii)). If property distributed by the domestic liquidating corporation is a U.S. real property interest that qualifies for nonrecognition under this paragraph

(b)(2)(ii) in addition to nonrecognition provided by paragraph (b)(2)(i) of this section, then the domestic liquidating corporation shall secure nonrecognition pursuant to this paragraph (b)(2)(ii) and not pursuant to the provisions of paragraph (b)(2)(i) of this section.

(iii) *Distribution of stock of domestic subsidiary corporations—(A) Conditions for nonrecognition.* A domestic liquidating corporation shall not recognize gain or loss under paragraph (b)(1) of this section on a distribution of stock of an 80 percent domestic subsidiary corporation, if the domestic liquidating corporation attaches a statement described in paragraph (b)(2)(iii)(D) of this section to its timely filed U.S. income tax return for the year of the distribution of such stock. For purposes of this paragraph (b)(2)(iii), a corporation is an 80 percent domestic subsidiary corporation, if—

(1) The subsidiary corporation is a domestic corporation (but not a foreign corporation that has made an election under section 897(i) to be treated as a U.S. corporation for purposes of section 897);

(2) The domestic liquidating corporation owns (directly and without regard to paragraph (b)(1)(iii) of this section) at least 80 percent of the total voting power of the stock of such corporation; and

(3) The domestic liquidating corporation owns (directly and without regard to paragraph (b)(1)(iii) of this section) at least 80 percent of the total value of all stock of such corporation.

(B) *Exceptions when the liquidating corporation is a U.S. real property holding corporation.* If the domestic liquidating corporation is a U.S. real property holding corporation (as defined in section 897(c)(2)) at the time of liquidation (or is a former U.S. real property holding corporation the stock of which is treated as a U.S. real property interest for five years under section 897(c)(1)(A)(ii)), then the exception in paragraph (b)(2)(iii)(A) of this section shall apply only to the distribution of stock of an 80 percent domestic subsidiary corporation that is a U.S. real property holding corporation (as defined in section 897(c)(2)) at the time of

the liquidation and immediately thereafter.

(C) *Anti-abuse rule.* (1) The exception in paragraph (b)(2)(iii)(A) of this section shall not apply, if a principal purpose of the distribution of the 80 percent domestic subsidiary corporation's stock is the avoidance of U.S. tax that would have been imposed on the domestic liquidating corporation's disposition of such stock when taken together to an unrelated party. A distribution may have a principal purpose of tax avoidance even though the tax avoidance purpose is outweighed by other purposes when taken together.

(2) For purposes of paragraph (b)(2)(iii)(C)(1) of this section, a distribution of stock of the 80 percent domestic subsidiary corporation will be deemed to have been made pursuant to a plan, one of the principal purposes of which was the avoidance of U.S. tax, if the foreign distributee corporation disposes of (whether in a recognition or nonrecognition transaction) any such stock within two years of such distribution. The rule in this paragraph (b)(2)(iii)(C)(2) will not apply if the foreign distributee corporation can demonstrate to the satisfaction of the Commissioner that the avoidance of U.S. tax was not a principal purpose of the liquidation.

(D) *Required statement.* The statement required by paragraph (b)(2)(iii)(A) of this section shall be entitled "Required Statement under § 1.367(e)-2(b)(2)(iii) for Stock of 80 Percent Domestic Subsidiary Corporations" and shall be prepared by the domestic liquidating corporation and shall be signed under penalties of perjury by an authorized officer of the domestic liquidating corporation and by an authorized officer of the foreign distributee corporation. The required statement shall contain a certification that states that if the foreign distributee corporation disposes of any stock subject to paragraph (b)(2)(iii)(A) of this section in a transaction described in paragraph (b)(2)(iii)(C) of this section, then the domestic liquidating corporation shall recognize all realized gain attributable to the distributed stock at the time of distribution, and the domestic liquidating corporation (or the foreign distributee corporation on behalf of the

domestic liquidating corporation) shall file a U.S. income tax return (or amended U.S. income tax return, as the case may be) for the year of distribution reporting the gain attributable to such stock. The required statement shall also state that the domestic liquidating corporation agrees, as provided in paragraph (e)(4)(ii)(B) of this section, to treat a failure to comply (as described in paragraph (e)(4)(i) of this section) as extending the period of limitations on assessment of tax for the taxable year in which gain is required to be reported.

(3) *Other consequences*—(i) *Distributee basis in property.* The foreign distributee corporation's basis in property subject to this paragraph (b) shall be the same as the domestic liquidating corporation's basis in such property immediately before the liquidation, increased by any gain, or reduced by any loss recognized by the domestic liquidating corporation on such property pursuant to paragraph (b)(1) of this section.

(ii) *Reporting under section 6038B.* Section 6038B and the regulations thereunder apply to a domestic liquidating corporation's transfer of property to a foreign distributee corporation under section 367(e)(2).

(iii) *Other rules.* For other rules that may apply, see sections 381, 897, 1248, and § 1.482-1(f)(2)(i)(C).

(c) *Distribution by a foreign corporation*—(1) *General rule—gain and loss not recognized.* If a foreign corporation (foreign liquidating) makes a distribution of property in complete liquidation under section 332 to a foreign corporation (foreign distributee) that meets the stock ownership requirements of section 332(b) with respect to stock in the foreign liquidating corporation, then, except as provided in paragraph (c)(2) of this section, section 337 (a) and (b)(1) shall apply and the foreign liquidating corporation shall not recognize gain (or loss) on the distribution under section 367(e)(2). If a foreign liquidating corporation distributes a partnership interest (whether foreign or domestic), then such corporation shall be treated as having distributed a proportionate share of partnership property in accordance with the principles of paragraph (b)(1)(iii) of this section.

(2) *Exceptions*—(i) *Property used in a U.S. trade or business*—(A) *General rule.* A foreign liquidating corporation (including a corporation that has made an effective election under section 897(i)) that makes a distribution described in paragraph (c)(1) of this section shall recognize gain (or loss in accordance with principles contained in paragraph (b)(1)(ii) of this section) on the distribution of qualified property, as described in paragraph (b)(2)(i)(B) of this section (other than U.S. real property interests), that is used by the foreign liquidating corporation in the conduct of a trade or business within the United States at the time of distribution.

(B) *Ten-year active U.S. business exception.* A foreign liquidating corporation shall not recognize gain under paragraph (c)(2)(i)(A) of this section, if—

(1) The foreign distributee corporation, immediately thereafter and for the ten-year period beginning on the date of the distribution of such property, uses the property in the conduct of a trade or business in the United States;

(2) The foreign distributee corporation is not entitled to benefits under a comprehensive income tax treaty (this requirement shall apply only if the foreign liquidating corporation (or predecessor corporation) was not entitled to benefits under a comprehensive income tax treaty); and

(3) The foreign liquidating corporation and foreign distributee corporation attach the statement described in paragraph (c)(2)(i)(C) of this section to their timely filed U.S. income tax returns for their taxable years that include the distribution.

(C) *Required statement.* The statement required by paragraph (c)(2)(i)(B)(3) of this section shall be entitled “Required Statement under §1.367(e)-2(c)(2)(i),” shall be prepared by foreign liquidating corporation, shall be signed under penalties of perjury by an authorized officer of the foreign liquidating corporation and by an authorized officer of the foreign distributee corporation, and shall be identical to the statement described in paragraph (b)(2)(i)(C) of this section, except that “§1.367(e)-2(c)(2)(i)(B)” shall be substituted for references to “§1.367(e)-2(b)(2)(i)” and

“foreign liquidating corporation” shall be substituted for “domestic liquidating corporation” each time it appears. References in the rules of paragraph (b)(2)(i)(C) of this section to various rules in paragraph (b) of this section shall be applied as if such references were to this paragraph (c). However, the statement described in this paragraph (c)(2)(i)(C) shall be modified as follows:

(1) The foreign distributee corporation shall not be required to waive its income tax treaty benefits as required by §1.367(e)-2(b)(2)(i)(C)(4), unless—

(i) The foreign liquidating corporation was required to waive its treaty benefits under paragraph (b)(2)(i)(C)(4) of this section in connection with the distribution of such property in a prior liquidation distribution subject to the provisions of this section; or (ii) The foreign distributee corporation is entitled benefits under a treaty to which the foreign liquidating corporation was not entitled.

(2) If the foreign distributee is required to waive treaty benefits because of paragraph (c)(2)(i)(C)(1)(ii) of this section, then the foreign distributee shall only be required to waive benefits that were not available to the foreign liquidating corporation (or a predecessor corporation) prior to liquidation.

(3) The property description described in paragraph (b)(2)(i)(C)(2) of this section shall include only the qualified U.S. trade or business property described in paragraph (c)(2)(i) of this section.

(D) *Operating rules.* By the foreign liquidating corporation’s claiming non-recognition under paragraph (c)(2)(i)(B) of this section and filing a statement described in paragraph (c)(2)(i)(C) of this section, the foreign liquidating corporation and the foreign distributee corporation agree to be subject to the rules of paragraph (c)(2)(i) of this section, as well as the rules of paragraphs (b)(2)(i)(D) and (E) of this section. In applying the rules of paragraphs (b)(2)(i)(D) and (E) of this section, “foreign liquidating corporation” shall

be used instead of “domestic liquidating corporation” each time it appears. References in the rules of paragraphs (b)(2)(i)(D) and (E) of this section to various rules in paragraph (b) of this section shall be applied as if such references were to this paragraph (c).

(ii) *Property formerly used in a United States trade or business.* A foreign liquidating corporation that makes a distribution described in paragraph (c)(1) of this section shall recognize gain (but not loss) on the distribution of property (other than U.S. real property interests) that had ceased to be used by the foreign liquidating corporation in the conduct of a U.S. trade or business within the ten-year period ending on the date of distribution and that would have been subject to section 864(c)(7) had it been disposed. Section 864(c)(7) shall govern the treatment of any gain recognized on the distribution of assets described in this paragraph as income effectively connected with the conduct of a trade or business within the United States.

(3) *Other consequences*—(i) *Distributee basis in property.* The foreign distributee corporation’s basis in property subject to this paragraph (c) shall be the same as the foreign liquidating corporation’s basis in such property immediately before the liquidation, increased by any gain, or reduced by any loss recognized by the foreign liquidating corporation on such property, pursuant to paragraph (c)(2) of this section.

(ii) *Other rules.* For other rules that may apply, see sections 367(b) and 381.

(d) *Anti-abuse rule.* The Commissioner may require a domestic liquidating corporation to recognize gain on a distribution in liquidation described in paragraph (b) of this section (or treat the liquidating corporation as if it had recognized loss on a distribution in liquidation), if a principal purpose of the liquidation is the avoidance of U.S. tax (including, but not limited to, the distribution of a liquidating corporation’s earnings and profits with a principal purpose of avoiding U.S. tax). A liquidation may have a principal purpose of tax avoidance even though the tax avoidance purpose is outweighed by other purposes when taken together.

(e) *Failures to file or failures to comply*—(1) *Scope.* This paragraph (e) provides rules regarding a failure to file an initial liquidation document with respect to one or more liquidating distributions by a domestic liquidating corporation that, absent such failure, would qualify for nonrecognition treatment under paragraph (b)(2)(i) or (iii) of this section, or with respect to one or more liquidating distributions by a foreign liquidating corporation that, absent such failure, would qualify for nonrecognition treatment under paragraph (c)(2)(i)(B) of this section (failure to file). This paragraph (e) also provides rules regarding failures to comply in all material respects with the terms of this section with respect to one or more liquidating distributions for which nonrecognition treatment was initially claimed under paragraph (b)(2)(i), (b)(2)(iii), or (c)(2)(i)(B) of this section, as applicable (failure to comply).

(2) *Definitions.* The following definitions apply for purposes of this section.

(i) An *initial liquidation document* means any statement, schedule, or form required to be filed under this section in order for the domestic liquidating corporation or foreign liquidating corporation, as applicable, to initially qualify to claim nonrecognition treatment with respect to one or more liquidating distributions described in this section, including—

(A) The statement and attachments described in paragraph (b)(2)(i)(C) of this section;

(B) The statement described in paragraph (b)(2)(iii)(D) of this section; and

(C) The statement and attachments described in paragraph (c)(2)(i)(C) of this section.

(ii) A *subsequent liquidation document* means any statement, schedule, or form (other than an initial liquidation document) required to be filed under this section in order for the domestic liquidating corporation or foreign liquidating corporation, as applicable, to continue to qualify for nonrecognition treatment with respect to one or more liquidating distributions described in this section, including—

(A) The schedule described in paragraph (b)(2)(i)(E)(3) of this section;

(B) The schedule described in paragraph (b)(2)(i)(E)(4)(ii) of this section; and

(C) The statement and attachments described in paragraph (b)(2)(i)(E)(5) of this section.

(iii) A *timely filed U.S. income tax return* means a Federal income tax return filed on or before the last date prescribed for filing (taking into account any extensions of time therefor) such return.

(3) *Failure to file*—(i) *General rule.* For purposes of this section and except as provided in paragraph (b)(2)(i)(D) or (f) of this section, there is a failure to file an initial liquidation document if—

(A) An initial liquidation document is not filed with the timely filed U.S. income tax return specified under this section, or

(B) An initial liquidation document is not completed in all material respects.

(ii) *Consequences of a failure to file.* If there is a failure to file an initial liquidation document, then nonrecognition treatment under paragraph (b)(2)(i), (b)(2)(iii), or (c)(2)(i)(B) of this section (as appropriate) will not apply.

(4) *Failure to comply*—(i) *General rule.* For purposes of this section and except as provided in paragraph (b)(2)(i)(D) or (f) of this section, a failure to comply includes—

(A) A failure to report gain, or pay any additional tax or interest due, in accordance with the requirements under this section; and

(B) A failure to file a subsequent liquidation document, as determined by applying paragraph (e)(3)(i) of this section, but replacing the term “initial liquidation document” with the term “subsequent liquidation document.”

(ii) *Consequences of a failure to comply.* If there is a failure to comply in any material respect with the terms of paragraph (b)(2)(i), (b)(2)(iii), or (c)(2)(i) of this section, as applicable, then—

(A) Any gain (but not loss) that was not previously recognized by the domestic liquidating corporation or foreign liquidating corporation, as applicable, under paragraph (b)(2)(i), (b)(2)(iii), or (c)(2)(i)(B) of this section must be recognized; and

(B) The period of limitations on assessment of tax for the taxable year in

which gain is required to be reported will be extended until the close of the third full taxable year ending after the date on which the domestic liquidating corporation, foreign distributee corporation, or foreign liquidating corporation, as applicable, furnishes to the Director of Field Operations, Cross Border Activities Practice Area of Large Business & International (or any successor to the roles and responsibilities of such position, as appropriate) (Director) the information that should have been provided under this section.

(f) *Relief for certain failures to file or failures to comply that are not willful*—(1) *In general.* This paragraph (f) provides relief if there is a failure to file an initial liquidation document as described in paragraph (e)(3)(i) of this section (failure to file), or a failure to comply in any material respect with the terms of this section as described in paragraph (e)(4)(i) of this section (failure to comply). A failure to file or a failure to comply will be deemed not to have occurred for purposes of paragraph (e)(3)(ii) or (e)(4)(ii) of this section if the taxpayer demonstrates that the failure was not willful using the procedure set forth in this paragraph (f). For this purpose, willful is to be interpreted consistent with the meaning of that term in the context of other civil penalties, which would include a failure due to gross negligence, reckless disregard, or willful neglect. Whether a failure to file or failure to comply was willful will be determined by the Director (as described in paragraph (e)(4)(ii)(B) of this section) based on all the facts and circumstances. The taxpayer must submit a request for relief and an explanation as provided in paragraph (f)(2)(i) of this section. Although a taxpayer whose failure to file or failure to comply is determined not to be willful will not be subject to gain or loss recognition under this section, the taxpayer will be subject to a penalty under section 6038B if the taxpayer fails to satisfy the reporting requirements, if any, under that section and does not demonstrate that the failure was due to reasonable cause and not willful neglect. See §1.6038B-1(e)(4) and (f). The determination of whether the failure to file or failure to comply was willful under this section has no effect

§ 1.368-1

26 CFR Ch. I (4-1-21 Edition)

on any request for relief made under § 1.6038B-1(f).

(2) *Procedures for establishing that a failure to file or failure to comply was not willful*—(i) *Time and manner of submission.* A taxpayer's statement that a failure to file or failure to comply was not willful will be considered only if, promptly after the taxpayer becomes aware of the failure, an amended return is filed for the taxable year to which the failure relates that includes the information that should have been included with the original return for such taxable year or that otherwise complies with the rules of this section, and that includes a written statement explaining the reasons for the failure. In the case of a liquidating distribution described in paragraph (b)(2)(iii) of this section, the taxpayer must file, with the amended return, a Form 8838 extending the period of limitations on assessment of tax with respect to the gain realized but not recognized with respect to the liquidating distribution to the close of the third full taxable year ending after the date on which the required information is provided to the Director. In the case of a liquidating distribution described in paragraph (b)(2)(i) or (c)(2)(i)(B) of this section, the taxpayer must file, with the amended return, a Form 8838 extending the period of limitations on the assessment of tax with respect to the gain realized but not recognized with respect to the liquidating distribution to the later of: the date provided in paragraph (b)(2)(i)(C)(5), taking into account paragraph (c)(2)(i)(C) and (D), as applicable (date one); or, the close of the third full taxable year ending after the date on which the required information is provided to the Director (date two). However, the taxpayer is not required to file a Form 8838 with the amended return if both date one is later than date two and a Form 8838 was previously filed extending the period of limitations on assessment of tax with respect to the gain realized but not recognized with respect to the liquidating distribution to date one. If a Form 8838 is not required to be filed pursuant to the previous sentence, a copy of the previously filed Form 8838 must be filed with the amended return. The amended return and either a Form 8838 or a copy

of the previously filed Form 8838, as the case may be, must be filed with the Internal Revenue Service at the location where the taxpayer filed its original return. The taxpayer may submit a request for relief from the penalty under section 6038B as part of the same submission. See § 1.6038B-1(f).

(ii) *Notice requirement.* In addition to the requirements of paragraph (f)(2)(i) of this section, the taxpayer must comply with the notice requirements of this paragraph (f)(2)(ii). If any taxable year of the taxpayer is under examination when the amended return is filed, a copy of the amended return and any information required to be included with such return must be delivered to the Internal Revenue Service personnel conducting the examination. If no taxable year of the taxpayer is under examination when the amended return is filed, a copy of the amended return and any information required to be included with such return must be delivered to the Director.

(3) For illustrations of the application of the willfulness standard of this paragraph (f), see the examples in § 1.367(a)-8(p)(3).

(g) *Effective/applicability dates.* Except as otherwise provided, this section applies to distributions occurring on or after September 7, 1999 or, if the taxpayer so elects, to distributions in taxable years ending after August 8, 1999. The ninth, tenth, and eleventh sentences of paragraph (a) of this section, and paragraphs (b)(1)(i), (b)(2)(i)(A)(2), (b)(2)(i)(A)(3), (b)(2)(i)(E)(3), (b)(2)(i)(E)(4)(ii), (b)(2)(i)(E)(5)(ii), (b)(2)(iii)(A), (c)(2)(i)(B)(3), (e), and (f) of this section will apply to liquidation documents that are required to be filed on or after November 19, 2014, as well as to requests for relief submitted on or after November 19, 2014.

[T.D. 8834, 64 FR 43077, Aug. 9, 1999; 65 FR 11467, Mar. 3, 2000, as amended by T.D. 9066, 68 FR 39452, July 2, 2003; T.D. 9704, 79 FR 68771, Nov. 19, 2014; 80 FR 167, Jan. 5, 2015; T.D. 9803, 81 FR 91030, Dec. 16, 2016]

SPECIAL RULE; DEFINITIONS

§ 1.368-1 Purpose and scope of exception of reorganization exchanges.

(a) *Reorganizations.* As used in the regulations under parts I, II, and III

(section 301 and following), subchapter C, chapter 1 of the Code, the terms *reorganization* and *party to a reorganization* mean only a reorganization or a party to a reorganization as defined in subsections (a) and (b) of section 368. In determining whether a transaction qualifies as a reorganization under section 368(a), the transaction must be evaluated under relevant provisions of law, including the step transaction doctrine. But see §§1.368-2 (f) and (k) and 1.338-3(d). The preceding two sentences apply to transactions occurring after January 28, 1998, except that they do not apply to any transaction occurring pursuant to a written agreement which is binding on January 28, 1998, and at all times thereafter. With respect to insolvency reorganizations, see part IV, subchapter C, chapter 1 of the Code.

(b) *Purpose.* Under the general rule, upon the exchange of property, gain or loss must be accounted for if the new property differs in a material particular, either in kind or in extent, from the old property. The purpose of the reorganization provisions of the Code is to except from the general rule certain specifically described exchanges incident to such readjustments of corporate structures made in one of the particular ways specified in the Code, as are required by business exigencies and which effect only a readjustment of continuing interest in property under modified corporate forms. Requisite to a reorganization under the Internal Revenue Code are a continuity of the business enterprise through the issuing corporation under the modified corporate form as described in paragraph (d) of this section, and (except as provided in section 368(a)(1)(D)) a continuity of interest as described in paragraph (e) of this section. (For rules regarding the continuity of interest requirement under section 355, see §1.355-2(c).) For purposes of this section, the term *issuing corporation* means the acquiring corporation (as that term is used in section 368(a)), except that, in determining whether a reorganization qualifies as a triangular reorganization (as defined in §1.358-6(b)(2)), the issuing corporation means the corporation in control of the acquiring corporation. The preceding three sentences apply to

transactions occurring after January 28, 1998, except that they do not apply to any transaction occurring pursuant to a written agreement which is binding on January 28, 1998, and at all times thereafter. The continuity of business enterprise requirement is described in paragraph (d) of this section. Notwithstanding the requirements of this paragraph (b), for transactions occurring on or after February 25, 2005, a continuity of the business enterprise and a continuity of interest are not required for the transaction to qualify as a reorganization under section 368(a)(1)(E) or (F). The Code recognizes as a reorganization the amalgamation (occurring in a specified way) of two corporate enterprises under a single corporate structure if there exists among the holders of the stock and securities of either of the old corporations the requisite continuity of interest in the new corporation, but there is not a reorganization if the holders of the stock and securities of the old corporation are merely the holders of short-term notes in the new corporation. In order to exclude transactions not intended to be included, the specifications of the reorganization provisions of the law are precise. Both the terms of the specifications and their underlying assumptions and purposes must be satisfied in order to entitle the taxpayer to the benefit of the exception from the general rule. Accordingly, under the Code, a short-term purchase money note is not a security of a party to a reorganization, an ordinary dividend is to be treated as an ordinary dividend, and a sale is nevertheless to be treated as a sale even though the mechanics of a reorganization have been set up.

(c) *Scope.* The nonrecognition of gain or loss is prescribed for two specifically described types of exchanges, viz: The exchange that is provided for in section 354(a)(1) in which stock or securities in a corporation, a party to a reorganization, are, in pursuance of a plan of reorganization, exchanged for the stock or securities in a corporation, a party to the same reorganization; and the exchange that is provided for in section 361(a) in which a corporation, a party

to a reorganization, exchanges property, in pursuance of a plan of reorganization, for stock or securities in another corporation, a party to the same reorganization. Section 368(a)(1) limits the definition of the term *reorganization* to six kinds of transactions and excludes all others. From its context, the term *a party to a reorganization* can only mean a party to a transaction specifically defined as a reorganization by section 368(a). Certain rules respecting boot received in either of the two types of exchanges provided for in section 354(a)(1) and section 361(a) are prescribed in sections 356, 357, and 361(b). A special rule respecting a transfer of property with a liability in excess of its basis is prescribed in section 357(c). Under section 367 a limitation is placed on all these provisions by providing that except under specified conditions foreign corporations shall not be deemed within their scope. The provisions of the Code referred to in this paragraph are inapplicable unless there is a plan of reorganization. A plan of reorganization must contemplate the bona fide execution of one of the transactions specifically described as a reorganization in section 368(a) and for the bona fide consummation of each of the requisite acts under which nonrecognition of gain is claimed. Such transaction and such acts must be an ordinary and necessary incident of the conduct of the enterprise and must provide for a continuation of the enterprise. A scheme, which involves an abrupt departure from normal reorganization procedure in connection with a transaction on which the imposition of tax is imminent, such as a mere device that puts on the form of a corporate reorganization as a disguise for concealing its real character, and the object and accomplishment of which is the consummation of a preconceived plan having no business or corporate purpose, is not a plan of reorganization.

(d) *Continuity of business enterprise*—(1) *General rule.* Continuity of business enterprise (COBE) requires that the issuing corporation (P), as defined in paragraph (b) of this section, either continue the target corporation's (T's) historic business or use a significant portion of T's historic business assets

in a business. The preceding sentence applies to transactions occurring after January 28, 1998, except that it does not apply to any transaction occurring pursuant to a written agreement which is binding on January 28, 1998, and at all times thereafter. The application of this general rule to certain transactions, such as mergers of holding companies, will depend on all facts and circumstances. The policy underlying this general rule, which is to ensure that reorganizations are limited to readjustments of continuing interests in property under modified corporate form, provides the guidance necessary to make these facts and circumstances determinations.

(2) *Business continuity.* (i) The continuity of business enterprise requirement is satisfied if P continues T's historic business. The fact P is in the same line of business as T tends to establish the requisite continuity, but is not alone sufficient.

(ii) If T has more than one line of business, continuity of business enterprise requires only that P continue a significant line of business.

(iii) In general, a corporation's historic business is the business it has conducted most recently. However, a corporation's historic business is not one the corporation enters into as part of a plan of reorganization.

(iv) All facts and circumstances are considered in determining the time when the plan comes into existence and in determining whether a line of business is "significant".

(3) *Asset continuity.* (i) The continuity of business enterprise requirement is satisfied if P uses a significant portion of T's historic business assets in a business.

(ii) A corporation's historic business assets are the assets used in its historic business. Business assets may include stock and securities and intangible operating assets such as good will, patents, and trademarks, whether or not they have a tax basis.

(iii) In general, the determination of the portion of a corporation's assets considered "significant" is based on the relative importance of the assets to operation of the business. However, all other facts and circumstances, such as

the net fair market value of those assets, will be considered.

(4) *Acquired assets or stock held by members of the qualified group or partnerships.* The following rules apply in determining whether the COBE requirement of paragraph (d)(1) of this section is satisfied:

(i) *Businesses and assets of members of a qualified group.* The issuing corporation is treated as holding all of the businesses and assets of all of the members of the qualified group, as defined in paragraph (d)(4)(ii) of this section.

(ii) *Qualified group.* A qualified group is one or more chains of corporations connected through stock ownership with the issuing corporation, but only if the issuing corporation owns directly stock meeting the requirements of section 368(c) in at least one other corporation, and stock meeting the requirements of section 368(c) in each of the corporations (except the issuing corporation) is owned directly (or indirectly as provided in paragraph (d)(4)(iii)(D) of this section) by one or more of the other corporations.

(iii) *Partnerships—(A) Partnership assets.* Each partner of a partnership will be treated as owning the T business assets used in a business of the partnership in accordance with that partner's interest in the partnership.

(B) *Partnership businesses.* The issuing corporation will be treated as conducting a business of a partnership if—

(1) Members of the qualified group, in the aggregate, own an interest in the partnership representing a significant interest in that partnership business; or

(2) One or more members of the qualified group have active and substantial management functions as a partner with respect to that partnership business.

(C) *Conduct of the historic T business in a partnership.* If a significant historic T business is conducted in a partnership, the fact that P is treated as conducting such T business under paragraph (d)(4)(iii)(B) of this section tends to establish the requisite continuity, but is not alone sufficient.

(D) *Stock attributed from certain partnerships.* Solely for purposes of paragraph (d)(4)(ii) of this section, if members of the qualified group own inter-

ests in a partnership meeting requirements equivalent to section 368(c) (a section 368(c) controlled partnership), any stock owned by the section 368(c) controlled partnership shall be treated as owned by members of the qualified group. Solely for purposes of determining whether a lower-tier partnership is a section 368(c) controlled partnership, any interest in a lower-tier partnership that is owned by a section 368(c) controlled partnership shall be treated as owned by members of the qualified group.

(iv) *Effective/applicability dates.* Paragraphs (d)(4)(i) and (d)(4)(iii) (other than paragraph (d)(4)(iii)(D)) of this section apply to transactions occurring after January 28, 1998, except that they do not apply to any transaction occurring pursuant to a written agreement which is binding on January 28, 1998, and at all times thereafter. Paragraphs (d)(4)(ii) and (d)(4)(iii)(D) of this section apply to transactions occurring on or after October 25, 2007, except that they do not apply to any transaction occurring pursuant to a written agreement which is binding before October 25, 2007, and at all times after that.

(5) *Examples.* The following examples illustrate this paragraph (d). All the corporations have only one class of stock outstanding. The preceding sentence and paragraph (d)(5) *Example 6* and *Example 8* through *Example 13* apply to transactions occurring after January 28, 1998, except that they do not apply to any transaction occurring pursuant to a written agreement which is binding on January 28, 1998, and at all times thereafter. Paragraph (d)(5) *Example 7*, *Example 14*, and *Example 15* apply to transactions occurring on or after October 25, 2007, except that they do not apply to any transaction occurring pursuant to a written agreement which is binding before October 25, 2007, and at all times after that. The examples read as follows:

Example 1. T conducts three lines of business: manufacture of synthetic resins, manufacture of chemicals for the textile industry, and distribution of chemicals. The three lines of business are approximately equal in value. On July 1, 1981, T sells the synthetic resin and chemicals distribution businesses to a third party for cash and marketable securities. On December 31, 1981, T transfers all of its assets to P solely for P voting stock. P

continues the chemical manufacturing business without interruption. The continuity of business enterprise requirement is met. Continuity of business enterprise requires only that *P* continue one of *T*'s three significant lines of business.

Example 2. *P* manufactures computers and *T* manufactures components for computers. *T* sells all of its output to *P*. On January 1, 1981, *P* decides to buy imported components only. On March 1, 1981, *T* merges into *P*. *P* continues buying imported components but retains *T*'s equipment as a backup source of supply. The use of the equipment as a backup source of supply constitutes use of a significant portion of *T*'s historic business assets, thus establishing continuity of business enterprise. *P* is not required to continue *T*'s business.

Example 3. *T* is a manufacturer of boys' and men's trousers. On January 1, 1978, as part of a plan of reorganization, *T* sold all of its assets to a third party for cash and purchased a highly diversified portfolio of stocks and bonds. As part of the plan *T* operates an investment business until July 1, 1981. On that date, the plan of reorganization culminates in a transfer by *T* of all its assets to *P*, a regulated investment company, solely in exchange for *P* voting stock. The continuity of business enterprise requirement is not met. *T*'s investment activity is not its historic business, and the stocks and bonds are not *T*'s historic business assets.

Example 4. *T* manufactures children's toys and *P* distributes steel and allied products. On January 1, 1981, *T* sells all of its assets to a third party for \$100,000 cash and \$900,000 in notes. On March 1, 1981, *T* merges into *P*. Continuity of business enterprise is lacking. The use of the sales proceeds in *P*'s business is not sufficient.

Example 5. *T* manufactures farm machinery and *P* operates a lumber mill. *T* merges into *P*. *P* disposes of *T*'s assets immediately after the merger as part of the plan of reorganization. *P* does not continue *T*'s farm machinery manufacturing business. Continuity of business enterprise is lacking.

Example 6. Use of a significant portion of *T*'s historic business assets by the qualified group.

(i) *Facts.* *T* operates an auto parts distributorship. *P* owns 80 percent of the stock of a holding company (*HC*). *HC* owns 80 percent of the stock of ten subsidiaries, *S-1* through *S-10*. *S-1* through *S-10* each separately operate a full service gas station. Pursuant to a plan of reorganization, *T* merges into *P* and the *T* shareholders receive solely *P* stock. As part of the plan of reorganization, *P* transfers *T*'s assets to *HC*, which in turn transfers some of the *T* assets to each of the ten subsidiaries. No one subsidiary receives a significant portion of *T*'s historic business assets. Each of the subsidiaries will use the *T* assets in the operation of its full service gas station. No *P* subsidiary will be an auto parts distributor.

(ii) *Continuity of business enterprise.* Under paragraph (d)(4)(i) of this section, *P* is treated as conducting the ten gas station businesses of *S-1* through *S-10* and as holding the historic *T* assets used in those businesses. *P* is treated as holding all the assets and conducting the businesses of all of the members of the qualified group, which includes *S-1* through *S-10* (paragraphs (d)(4)(i) and (ii) of this section). No member of the qualified group continues *T*'s historic distributorship business. However, subsidiaries *S-1* through *S-10* continue to use the historic *T* assets in a business. Even though no one corporation of the qualified group is using a significant portion of *T*'s historic business assets in a business, the COBE requirement of paragraph (d)(1) of this section is satisfied because, in the aggregate, the qualified group is using a significant portion of *T*'s historic business assets in a business.

Example 7. Transfers of acquired stock to members of the qualified group—continuity of business enterprise satisfied. (i) *Facts.* The facts are the same as *Example 6*, except that, instead of *P* acquiring the assets of *T*, *HC* acquires all of the outstanding stock of *T* in exchange solely for stock of *P*. In addition, as part of the plan of reorganization, *HC* transfers 10 percent of the stock of *T* to each of subsidiaries *S-1* through *S-10*. *T* will continue to operate an auto parts distributorship. Without regard to whether the transaction satisfies the COBE requirement, the transaction qualifies as a triangular B reorganization (as defined in § 1.358-6(b)(2)(iv)).

(ii) *Continuity of business enterprise.* Under paragraph (d)(4)(i) of this section, *P* is treated as holding the assets and conducting the business of *T* because *T* is a member of the qualified group (as defined in paragraph (d)(4)(ii) of this section). The COBE requirement of paragraph (d)(1) of this section is satisfied.

Example 8. Continuation of the historic *T* business in a partnership satisfies continuity of business enterprise. (i) *Facts.* *T* manufactures ski boots. *P* owns all of the stock of *S-1*. *S-1* owns all of the stock of *S-2*, and *S-2* owns all of the stock of *S-3*. *T* merges into *P* and the *T* shareholders receive consideration consisting of *P* stock and cash. The *T* ski boot business is to be continued and expanded. In anticipation of this expansion, *P* transfers all of the *T* assets to *S-1*, *S-1* transfers all of the *T* assets to *S-2*, and *S-2* transfers all of the *T* assets to *S-3*. *S-3* and *X* (an unrelated party) form a new partnership (*PRS*). As part of the plan of reorganization, *S-3* transfers all the *T* assets to *PRS*, and *S-3*, in its capacity as a partner, performs active and substantial management functions for the *PRS* ski boot business, including making significant business decisions and regularly participating in the overall supervision, direction, and control of the employees of the ski boot business. *S-3* receives a 20

percent interest in PRS. X transfers cash in exchange for an 80 percent interest in PRS.

(i) *Continuity of business enterprise.* Under paragraph (d)(4)(iii)(B)(2) of this section, P is treated as conducting T's historic business because S-3 performs active and substantial management functions for the ski boot business in S-3's capacity as a partner. P is treated as holding all the assets and conducting the businesses of all of the members of the qualified group, which includes S-3 (paragraphs (d)(4)(i) and (ii) of this section). The COBE requirement of paragraph (d)(1) of this section is satisfied.

Example 9. Continuation of the historic T business in a partnership does not satisfy continuity of business enterprise. (i) *Facts.* The facts are the same as *Example 8*, except that S-3 transfers the historic T business to PRS in exchange for a 1 percent interest in PRS.

(ii) *Continuity of business enterprise.* Under paragraph (d)(4)(iii)(B)(2) of this section, P is treated as conducting T's historic business because S-3 performs active and substantial management functions for the ski boot business in S-3's capacity as a partner. The fact that a significant historic T business is conducted in PRS, and P is treated as conducting such T business under (d)(4)(iii)(B) tends to establish the requisite continuity, but is not alone sufficient (paragraph (d)(4)(iii)(C) of this section). The COBE requirement of paragraph (d)(1) of this section is not satisfied.

Example 10. Continuation of the T historic business in a partnership satisfies continuity of business enterprise. (i) *Facts.* The facts are the same as *Example 8*, except that S-3 transfers the historic T business to PRS in exchange for a 33 $\frac{1}{3}$ percent interest in PRS, and no member of P's qualified group performs active and substantial management functions for the ski boot business operated in PRS.

(ii) *Continuity of business enterprise.* Under paragraph (d)(4)(iii)(B)(1) of this section, P is treated as conducting T's historic business because S-3 owns an interest in the partnership representing a significant interest in that partnership business. P is treated as holding all the assets and conducting the businesses of all of the members of the qualified group, which includes S-3 (paragraphs (d)(4)(i) and (ii) of this section). The COBE requirement of paragraph (d)(1) of this section is satisfied.

Example 11. Use of T's historic business assets in a partnership business. (i) *Facts.* T is a fabric distributor. P owns all of the stock of S-1. T merges into P and the T shareholders receive solely P stock. S-1 and X (an unrelated party) own interests in a partnership (PRS). As part of the plan of reorganization, P transfers all of the T assets to S-1, and S-1 transfers all the T assets to PRS, increasing S-1's percentage interest in PRS from 5 to 33 $\frac{1}{3}$ percent. After the transfer, X owns the remaining 66 $\frac{2}{3}$ percent interest in PRS. Al-

most all of the T assets consist of T's large inventory of fabric, which PRS uses to manufacture sportswear. All of the T assets are used in the sportswear business. No member of P's qualified group performs active and substantial management functions for the sportswear business operated in PRS.

(ii) *Continuity of business enterprise.* Under paragraph (d)(4)(iii)(A) of this section, S-1 is treated as owning 33 $\frac{1}{3}$ percent of the T assets used in the PRS sportswear manufacturing business. Under paragraph (d)(4)(iii)(B)(1) of this section, P is treated as conducting the sportswear manufacturing business because S-1 owns an interest in the partnership representing a significant interest in that partnership business. P is treated as holding all the assets and conducting the businesses of all of the members of the qualified group, which includes S-1 (paragraphs (d)(4)(i) and (ii) of this section). The COBE requirement of paragraph (d)(1) of this section is satisfied.

Example 12. Aggregation of partnership interests among members of the qualified group: use of T's historic business assets in a partnership business. (i) *Facts.* The facts are the same as *Example 11*, except that S-1 transfers all the T assets to PRS, and P and X each transfer cash to PRS in exchange for partnership interests. After the transfers, P owns 11 percent, S-1 owns 22 $\frac{1}{2}$ percent, and X owns 66 $\frac{2}{3}$ percent of PRS.

(ii) *Continuity of business enterprise.* Under paragraph (d)(4)(iii)(B)(1) of this section, P is treated as conducting the sportswear manufacturing business because members of the qualified group, in the aggregate, own an interest in the partnership representing a significant interest in that business. P is treated as owning 11 percent of the assets directly, and S-1 is treated as owning 22 $\frac{1}{2}$ percent of the assets, used in the PRS sportswear business (paragraph (d)(4)(iii)(A) of this section). P is treated as holding all the assets of all of the members of the qualified group, which includes S-1, and thus in the aggregate, P is treated as owning 33 $\frac{1}{3}$ of the T assets (paragraphs (d)(4)(i) and (ii) of this section). The COBE requirement of paragraph (d)(1) of this section is satisfied because P is treated as using a significant portion of T's historic business assets in its sportswear manufacturing business.

Example 13. Tiered partnerships: use of T's historic business assets in a partnership business. (i) *Facts.* T owns and manages a commercial office building in state Z. Pursuant to a plan of reorganization, T merges into P, solely in exchange for P stock, which is distributed to the T shareholders. P transfers all of the T assets to a partnership, PRS-1, which owns and operates television stations nationwide. After the transfer, P owns a 50 percent interest in PRS-1. P does not have active and substantial management functions as a partner with respect to the PRS-1 business. X, not a member of P's qualified

group, owns the remaining 50 percent interest in PRS-1. PRS-1, in an effort to expand its state Z television operation, enters into a joint venture with U, an unrelated party. As part of the plan of reorganization, PRS-1 transfers all the T assets and its state Z television station to PRS-2, in exchange for a 75 percent partnership interest. U contributes cash to PRS-2 in exchange for a 25 percent partnership interest and oversees the management of the state Z television operation. PRS-1 does not actively and substantially manage PRS-2's business. PRS-2's state Z operations are moved into the acquired T office building. All of the assets that P acquired from T are used in PRS-2's business.

(ii) *Continuity of business enterprise.* Under paragraph (d)(4)(iii)(A) of this section, PRS-1 is treated as owning 75 percent of the T assets used in PRS-2's business. P, in turn, is treated as owning 50 percent of PRS-1's interest in the T assets. Thus, P is treated as owning 37½ percent (50 percent × 75 percent) of the T assets used in the PRS-2 business. Under paragraph (d)(4)(iii)(B)(I) of this section, P is treated as conducting PRS-2's business, the operation of the state Z television station, and under paragraph (d)(4)(iii)(A) of this section, P is treated as using 37½ percent of the historic T business assets in that business. The COBE requirement of paragraph (d)(1) of this section is satisfied because P is treated as using a significant portion of T's historic business assets in its television business.

Example 14. Transfer of acquired stock to a partnership—continuity of business enterprise satisfied. (i) *Facts.* Pursuant to a plan of reorganization, the T shareholders transfer all of their T stock to a subsidiary of P, S-1, solely in exchange for P stock. In addition, as part of the plan of reorganization, S-1 transfers the T stock to its subsidiary, S-2, and S-2 transfers the T stock to its subsidiary, S-3. S-2 and S-3 form a new partnership, PRS. Immediately thereafter, S-3 transfers all of the T stock to PRS in exchange for an 80 percent interest in PRS, and S-2 transfers cash to PRS in exchange for a 20 percent interest in PRS.

(ii) *Continuity of business enterprise.* Members of the qualified group, in the aggregate, own all of the interests in PRS. Because these interests in PRS meet requirements equivalent to section 368(c), under paragraph (d)(4)(iii)(D) of this section, the T stock owned by PRS is treated as owned by members of the qualified group. P is treated as holding all of the businesses and assets of T because T is a member of the qualified group (as defined in paragraph (d)(4)(ii) of this section). The COBE requirement of paragraph (d)(1) of this section is satisfied because P is treated as continuing T's business.

Example 15. Transfer of acquired stock to a partnership—continuity of business enterprise not satisfied. (i) *Facts.* The facts are the same

as in *Example 14*, except that S-3 and U, an unrelated corporation, form a new partnership, PRS, and, immediately thereafter, S-3 transfers all of the T stock to PRS in exchange for a 50 percent interest in PRS, and U transfers cash to PRS in exchange for a 50 percent interest in PRS.

(ii) *Continuity of business enterprise.* Members of the qualified group, in the aggregate, own 50 percent of the interests in PRS. Because these interests in PRS do not meet requirements equivalent to section 368(c), the T stock owned by PRS is not treated as owned by members of the qualified group under paragraph (d)(4)(iii)(D) of this section. P is not treated as holding all of the businesses and assets of T because T has ceased to be a member of the qualified group (as defined in paragraph (d)(4)(ii) of this section). The COBE requirement of paragraph (d)(1) of this section is not satisfied because P is not treated as continuing T's business or using T's historic business assets in a business.

(e) *Continuity of interest—(1) General rule.* (i) The purpose of the continuity of interest requirement is to prevent transactions that resemble sales from qualifying for nonrecognition of gain or loss available to corporate reorganizations. Continuity of interest requires that in substance a substantial part of the value of the proprietary interests in the target corporation be preserved in the reorganization. A proprietary interest in the target corporation is preserved if, in a potential reorganization, it is exchanged for a proprietary interest in the issuing corporation (as defined in paragraph (b) of this section), it is exchanged by the acquiring corporation for a direct interest in the target corporation enterprise, or it otherwise continues as a proprietary interest in the target corporation. However, a proprietary interest in the target corporation is not preserved if, in connection with the potential reorganization, it is acquired by the issuing corporation for consideration other than stock of the issuing corporation, or stock of the issuing corporation furnished in exchange for a proprietary interest in the target corporation in the potential reorganization is redeemed. All facts and circumstances must be considered in determining whether, in substance, a proprietary interest in the target corporation is preserved. See paragraph (e)(6) of this section for rules related to when a creditor's claim

against a target corporation is a proprietary interest in the corporation. For purposes of the continuity of interest requirement, a mere disposition of stock of the target corporation prior to a potential reorganization to persons not related (as defined in paragraph (e)(4) of this section determined without regard to paragraph (e)(4)(i)(A) of this section) to the target corporation or to persons not related (as defined in paragraph (e)(4) of this section) to the issuing corporation is disregarded and a mere disposition of stock of the issuing corporation received in a potential reorganization to persons not related (as defined in paragraph (e)(4) of this section) to the issuing corporation is disregarded.

(ii) For purposes of paragraph (e)(1)(i) of this section, a proprietary interest in the target corporation (other than one held by the acquiring corporation) is not preserved to the extent that consideration received prior to a potential reorganization, either in a redemption of the target corporation stock or in a distribution with respect to the target corporation stock, is treated as other property or money received in the exchange for purposes of section 356, or would be so treated if the target shareholder also had received stock of the issuing corporation in exchange for stock owned by the shareholder in the target corporation. A proprietary interest in the target corporation is not preserved to the extent that creditors (or former creditors) of the target corporation that own a proprietary interest in the corporation under paragraph (e)(6) of this section (or would be so treated if they had received the consideration in the potential reorganization) receive payment for the claim prior to the potential reorganization and such payment would be treated as other property or money received in the exchange for purposes of section 356 had it been a distribution with respect to stock.

(2) *Measuring continuity of interest—(i) In general.* In determining whether a proprietary interest in the target corporation is preserved, the consideration to be exchanged for the proprietary interests in the target corporation pursuant to a contract to effect the potential reorganization shall be

valued on the last business day before the first date such contract is a binding contract (the pre-signing date), if such contract provides for fixed consideration. If a portion of the consideration provided for in such a contract consists of other property identified by value, then this specified value of such other property is used for purposes of determining the extent to which a proprietary interest in the target corporation is preserved. If the contract does not provide for fixed consideration, this paragraph (e)(2)(i) is not applicable.

(ii) *Binding contract—(A) In general.* A binding contract is an instrument enforceable under applicable law against the parties to the instrument. The presence of a condition outside the control of the parties (including, for example, regulatory agency approval) shall not prevent an instrument from being a binding contract. Further, the fact that insubstantial terms remain to be negotiated by the parties to the contract, or that customary conditions remain to be satisfied, shall not prevent an instrument from being a binding contract.

(B) *Modifications—(1) In general.* If a term of a binding contract that relates to the amount or type of the consideration the target shareholders will receive in a potential reorganization is modified before the closing date of the potential reorganization, and the contract as modified is a binding contract, the date of the modification shall be treated as the first date there is a binding contract.

(2) *Modification of a transaction that preserves continuity of interest.* Notwithstanding paragraph (e)(2)(ii)(B)(1) of this section, a modification of a term that relates to the amount or type of consideration the target shareholders will receive in a transaction that would have resulted in the preservation of a substantial part of the value of the target corporation shareholders' proprietary interests in the target corporation if there had been no modification will not be treated as a modification if—

(i) The modification has the sole effect of providing for the issuance of additional shares of issuing corporation

stock to the target corporation shareholders;

(ii) The modification has the sole effect of decreasing the amount of money or other property to be delivered to the target corporation shareholders; or

(iii) The modification has the effect of decreasing the amount of money or other property to be delivered to the target corporation shareholders and providing for the issuance of additional shares of issuing corporation stock to the target corporation shareholders.

(3) *Modification of a transaction that does not preserve continuity of interest.* Notwithstanding paragraph (e)(2)(ii)(B)(I) of this section, a modification of a term that relates to the amount or type of consideration the target shareholders will receive in a transaction that would not have resulted in the preservation of a substantial part of the value of the target corporation shareholders' proprietary interests in the target corporation if there had been no modification will not be treated as a modification if—

(i) The modification has the sole effect of providing for the issuance of fewer shares of issuing corporation stock to the target corporation shareholders;

(ii) The modification has the sole effect of increasing the amount of money or other property to be delivered to the target corporation shareholders; or

(iii) The modification has the effect of increasing the amount of money or other property to be delivered to the target corporation shareholders and providing for the issuance of fewer shares of issuing corporation stock to the target corporation shareholders.

(C) *Tender offers.* For purposes of this paragraph (e)(2), a tender offer that is subject to section 14(d) of the Securities and Exchange Act of 1934 [15 U.S.C. 78n(d)(1)] and Regulation 14D (17 CFR 240.14d-1 through 240.14d-101) and is not pursuant to a binding contract, is treated as a binding contract made on the date of its announcement, notwithstanding that it may be modified by the offeror or that it is not enforceable against the offerees. If a modification (not pursuant to a binding contract) of such a tender offer is subject to the provisions of Regulation 14d-6(c) (17 CFR 240.14d-6(c)) and relates to the

amount or type of the consideration received in the tender offer, then the date of the modification shall be treated as the first date there is a binding contract.

(iii) *Fixed consideration—(A) In general.* A contract provides for fixed consideration if it provides the number of shares of each class of stock of the issuing corporation, the amount of money, and the other property (identified either by value or by specific description), if any, to be exchanged for all the proprietary interests in the target corporation, or to be exchanged for each proprietary interest in the target corporation. A shareholder's election to receive a number of shares of stock of the issuing corporation, money, or other property (or some combination of stock of the issuing corporation, money, or other property) in exchange for all of the shareholder's proprietary interests in the target corporation, or each of the shareholder's proprietary interests in the target corporation, will not prevent a contract from satisfying the definition of fixed consideration provided for in this paragraph (e)(2)(iii)(A).

(B) *Shareholder elections.* A contract that provides a target corporation shareholder with an election to receive a number of shares of stock of the issuing corporation, money, or other property (or some combination of stock of the issuing corporation, money, or other property) in exchange for all of the shareholder's proprietary interests in the target corporation, or each of the shareholder's proprietary interests in the target corporation, provides for fixed consideration if the determination of the number of shares of issuing corporation stock to be provided to the target corporation shareholder is determined using the value of the issuing corporation stock on the last business day before the first date there is a binding contract. This is the case even though the shareholder election may preclude a determination, prior to the closing date, of the number of shares of each class of the issuing corporation, the amount of money, and the other property (or the combination of shares, money and other property) to be exchanged for each proprietary interest in the target corporation.

(C) *Contingent adjustments to the consideration—(1) In general.* Except as provided in paragraph (e)(2)(iii)(C)(2) of this section, a contract that provides for contingent adjustments to the consideration will be treated as providing for fixed consideration if it would satisfy the requirements of paragraph (e)(2)(iii)(A) of this section without the contingent adjustment provision.

(2) *Exceptions.* A contract will not be treated as providing for fixed consideration if the contract provides for contingent adjustments to the consideration that prevent (to any extent) the target corporation shareholders from being subject to the economic benefits and burdens of ownership of the issuing corporation stock after the last business day before the first date the contract is a binding contract. For example, a contract will not be treated as providing for fixed consideration if the contract provides for contingent adjustments to the consideration in the event that the value of the stock of the issuing corporation, the value of the assets of the issuing corporation, or the value of any surrogate for either the value of the stock of the issuing corporation or the assets of the issuing corporation increases or decreases after the last business day before the first date there is a binding contract. Similarly, a contract will not be treated as providing for fixed consideration if the contract provides for contingent adjustments to the number of shares of the issuing corporation stock to be provided to the target corporation shareholders computed using any value of the issuing corporation shares after the last business day before the first date there is a binding contract.

(D) *Escrows.* Placing part of the consideration to be exchanged for proprietary interests in the target corporation in escrow to secure target's performance of customary pre-closing covenants or customary target representations and warranties will not prevent a contract from being treated as providing for fixed consideration.

(E) *Anti-dilution clauses.* The presence of a customary anti-dilution clause will not prevent a contract from being treated as providing for fixed consideration. However, the absence of such a clause will prevent a contract from

being treated as providing for fixed consideration if the issuing corporation alters its capital structure between the first date there is an otherwise binding contract to effect the transaction and the effective date of the transaction in a manner that materially alters the economic arrangement of the parties to the binding contract. If the number of shares of the issuing corporation to be issued to the target corporation shareholders is altered pursuant to a customary anti-dilution clause, the value of the shares determined under paragraph (e)(2)(i) of this section must be adjusted accordingly.

(F) *Dissenters' rights.* The possibility that some shareholders may exercise dissenters' rights and receive consideration other than that provided for in the binding contract will not prevent the contract from being treated as providing for fixed consideration.

(G) *Fractional shares.* The fact that money may be paid in lieu of issuing fractional shares will not prevent a contract from being treated as providing for fixed consideration.

(iv) *New issuances.* For purposes of applying paragraph (e)(2)(i) of this section, any class of stock, securities, or indebtedness that the issuing corporation issues to the target corporation shareholders pursuant to the potential reorganization and that does not exist before the first date there is a binding contract to effect the potential reorganization is deemed to have been issued on the last business day before the first date there is a binding contract to effect the potential reorganization.

(v) *Examples.* For purposes of the examples in this paragraph (e)(2)(v), P is the issuing corporation, T is the target corporation, S is a wholly owned subsidiary of P, all corporations have only one class of stock outstanding, A is an individual, no transactions other than those described occur, and the transactions are not otherwise subject to re-characterization. The following examples illustrate the application of this paragraph (e)(2):

Example 1. Application of signing date rule. On January 3 of year 1, P and T sign a binding contract pursuant to which T will be merged with and into P on June 1 of year 1. Pursuant to the contract, the T shareholders

will receive 40 P shares and \$60 of cash in exchange for all of the outstanding stock of T. Twenty of the P shares, however, will be placed in escrow to secure customary target representations and warranties. The P stock is listed on an established market. On January 2 of year 1, the value of the P stock is \$1 per share. On June 1 of year 1, T merges with and into P pursuant to the terms of the contract. On that date, the value of the P stock is \$.25 per share. None of the stock placed in escrow is returned to P. Because the contract provides for the number of shares of P and the amount of money to be exchanged for all of the proprietary interests in T, under this paragraph (e)(2), there is a binding contract providing for fixed consideration as of January 3 of year 1. Therefore, whether the transaction satisfies the continuity of interest requirement is determined by reference to the value of the P stock on the pre-signing date. Because, for continuity of interest purposes, the T stock is exchanged for \$40 of P stock and \$60 of cash, the transaction preserves a substantial part of the value of the proprietary interest in T. Therefore, the transaction satisfies the continuity of interest requirement.

Example 2. Treatment of forfeited escrowed stock. (i) Escrowed stock. The facts are the same as in *Example 1* except that T's breach of a representation results in the escrowed consideration being returned to P. Because the contract provides for the number of shares of P and the amount of money to be exchanged for all of the proprietary interests in T, under this paragraph (e)(2), there is a binding contract providing for fixed consideration as of January 3 of year 1. Therefore, whether the transaction satisfies the continuity of interest requirement is determined by reference to the value of the P stock on the pre-signing date. Pursuant to paragraph (e)(1)(i) of this section, for continuity of interest purposes, the T stock is exchanged for \$20 of P stock and \$60 of cash, and the transaction does not preserve a substantial part of the value of the proprietary interest in T. Therefore, the transaction does not satisfy the continuity of interest requirement.

(ii) *Escrowed stock and cash.* The facts are the same as in paragraph (i) of this *Example 2* except that the consideration placed in escrow consists solely of eight of the P shares and \$12 of the cash. Because the contract provides for the number of shares of P and the amount of money to be exchanged for all of the proprietary interests in T, under this paragraph (e)(2), there is a binding contract providing for fixed consideration as of January 3 of year 1. Therefore, whether the transaction satisfies the continuity of interest requirement is determined by reference to the value of the P stock on the pre-signing date. Pursuant to paragraph (e)(1)(i) of this section, for continuity of interest purposes, the

T stock is exchanged for \$32 of P stock and \$48 of cash, and the transaction preserves a substantial part of the value of the proprietary interest in T. Therefore, the transaction satisfies the continuity of interest requirement.

Example 3. Redemption of stock received pursuant to binding contract. The facts are the same as in *Example 1* except that A owns 50 percent of the outstanding stock of T immediately prior to the merger and receives 10 P shares and \$30 in the merger and an additional 10 P shares upon the release of the stock placed in escrow. In connection with the merger, A and S agree that, immediately after the merger, S will purchase any P shares that A acquires in the merger for \$1 per share. Shortly after the merger, S purchases A's P shares for \$20. Because the contract provides for the number of shares of P and the amount of money to be exchanged for all of the proprietary interests in T, under this paragraph (e)(2), there is a binding contract providing for fixed consideration as of January 3 of year 1. Therefore, whether the transaction satisfies the continuity of interest requirement is determined by reference to the value of the P stock on the pre-signing date. In addition, S is a person related to P under paragraph (e)(4)(i)(A) of this section. Accordingly, A is treated as exchanging his T shares for \$50 of cash. Because, for continuity of interest purposes, the T stock is exchanged for \$20 of P stock and \$80 of cash, the transaction does not preserve a substantial part of the value of the proprietary interest in T. Therefore, the transaction does not satisfy the continuity of interest requirement.

Example 4. Modification of binding contract—continuity not preserved. The facts are the same as in *Example 1* except that on April 1 of year 1, the parties modify their contract. Pursuant to the modified contract, which is a binding contract, the T shareholders will receive 50 P shares (an additional 10 shares) and \$75 of cash (an additional \$15 of cash) in exchange for all of the outstanding T stock. On March 31 of year 1, the value of the P stock is \$.50 per share. Under this paragraph (e)(2), although there was a binding contract providing for fixed consideration as of January 3 of year 1, terms of that contract relating to the consideration to be provided to the target shareholders were modified on April 1 of year 1. The execution of the transaction without modification would have resulted in the preservation of a substantial part of the value of the target corporation shareholders' proprietary interests in the target corporation if there had been no modification. However, because the modified contract provides for additional P stock and cash to be exchanged for all the proprietary interests in T, the exception in paragraph (e)(2)(ii)(B)(2) of this section does not apply

to preserve the original signing date. Therefore, whether the transaction satisfies the continuity of interest requirement is determined by reference to the value of the P stock on March 31 of year 1. Because, for continuity of interest purposes, the T stock is exchanged for \$25 of P stock and \$75 of cash, the transaction does not preserve a substantial part of the value of the proprietary interest in T. Therefore, the transaction does not satisfy the continuity of interest requirement.

Example 5. Modification of binding contract disregarded—continuity preserved. The facts are the same as in *Example 4* except that, pursuant to the modified contract, which is a binding contract, the T shareholders will receive 60 P shares (an additional 20 shares as compared to the original contract) and \$60 of cash in exchange for all of the outstanding T stock. In addition, on March 31 of year 1, the value of the P stock is \$.40 per share. Under this paragraph (e)(2), although there was a binding contract providing for fixed consideration as of January 3 of year 1, terms of that contract relating to the consideration to be provided to the target shareholders were modified on April 1 of year 1. Nonetheless, the modification has the sole effect of providing for the issuance of additional P shares to the T shareholders. In addition, the execution of the terms of the contract without regard to the modification would have resulted in the preservation of a substantial part of the value of the T shareholders' proprietary interest in T because, for continuity of interest purposes, the T stock would have been exchanged for \$40 of P stock and \$60 of cash. Pursuant to paragraph (e)(2)(ii)(B)(2) of this section, the modification is not treated as a modification for purposes of paragraph (e)(2)(ii)(B)(1) of this section. Accordingly, whether the transaction satisfies the continuity of interest requirement is determined by reference to the value of the P stock on the pre-signing date. Because, for continuity of interest purposes, the T stock is exchanged for \$60 of P stock and \$60 of cash, the transaction preserves a substantial part of the value of the proprietary interest in T. Therefore the transaction satisfies the continuity of interest requirement.

Example 6. New issuance. The facts are the same as in *Example 1*, except that, instead of cash, the T shareholders will receive a new class of P securities that will be publicly traded. In the aggregate, the securities will have a stated principal amount of \$60 and bear interest at the average LIBOR (London Interbank Offered Rates) during the 10 days prior to the potential reorganization. If the T shareholders had been issued the P securities on January 2 of year 1, the P securities would have had a value of \$60 (determined by reference to the value of comparable publicly traded securities). Whether the transaction

satisfies the continuity of interest requirement is determined by reference to the value of the P stock and the P securities to be issued to the T shareholders on January 2 of year 1. Under paragraph (e)(2)(iv) of this section, for purposes of valuing the new P securities, they will be treated as having been issued on the pre-signing date. Because, for continuity of interest purposes, the T stock is exchanged for \$40 of P stock and \$60 of other property, the transaction preserves a substantial part of the value of the proprietary interest in T. Therefore, the transaction satisfies the continuity of interest requirement.

Example 7. Fixed consideration—continuity not preserved. On January 3 of year 1, P and T sign a binding contract pursuant to which T will be merged with and into P on June 1 of year 1. Pursuant to the contract, 60 shares of the T stock will be exchanged for \$80 of cash and 40 shares of the T stock will be exchanged for 20 shares of P stock. On January 2 of year 1, the value of the P stock is \$1 per share. On June 1 of year 1, T merges with and into P pursuant to the terms of the contract. This contract provides for fixed consideration and therefore whether the transaction satisfies the continuity of interest requirement is determined by reference to the value of the P stock on the pre-signing date. However, applying the signing date rule, the P stock represents only 20 percent of the value of the total consideration to be received by the T shareholders. Accordingly, based on the economic realities of the exchange, the transaction does not preserve a substantial part of the value of the proprietary interest in T. Therefore, the transaction does not satisfy the continuity of interest requirement.

Example 8. Anti-dilution clause. (i) *Absence of anti-dilution clause.* On January 3 of year 1, P and T sign a binding contract pursuant to which T will be merged with and into P on June 1 of year 1. Pursuant to the contract, the T shareholders will receive 40 P shares and \$60 of cash in exchange for all of the outstanding stock of T. The contract does not contain a customary anti-dilution provision. The P stock is listed on an established market. On January 2 of year 1, the value of the P stock is \$1 per share. On April 10 of year 1, P issues its stock to effect a stock split; each shareholder of P receives an additional share of P for each P share that it holds. On April 11 of year 1, the value of the P stock is \$.50 per share. Because P altered its capital structure between January 3 and June 1 of year 1 in a manner that materially alters the economic arrangement of the parties, under paragraph (e)(2)(iii)(E) of this section, the contract is not treated as a binding contract that provides for fixed consideration. Accordingly, whether the transaction satisfies the continuity of interest requirement cannot be determined by reference to the value of the P stock on January 2 of year 1.

(ii) *Adjustment for anti-dilution clause.* The facts are the same as in paragraph (i) of this *Example 8* except that the contract contains a customary anti-dilution provision, and the T shareholders receive 80 P shares and \$60 of cash in exchange for all of the outstanding stock of T. Under paragraph (e)(2)(iii)(E) of this section, the contract is treated as a binding contract that provides for fixed consideration as of January 3 of year 1. Therefore, whether the transaction satisfies the continuity of interest requirement is generally determined by reference to the value of the P stock on January 2 of year 1. However, under paragraph (e)(2)(iii)(E) of this section, the value of the P stock on the pre-signing date must be adjusted to take the stock split into account. For continuity of interest purposes, the T stock is exchanged for \$40 of P stock ($(\$1/2) \times 80$) and \$60 of cash. Therefore, the transaction satisfies the continuity of interest requirement.

Example 9. Shareholder election. On January 3 of year 1, P and T sign a binding contract pursuant to which T will be merged with and into P on June 1 of year 1. On January 2 of year 1, the value of the P stock and the T stock is \$1 per share. Pursuant to the contract, at the shareholders' election, each share of T's 100 shares will be exchanged for cash of \$1, or alternatively, P stock. The contract provides that the determination of the number of shares of P stock to be exchanged for a share of T stock is made using the value of the P stock on the last business day before the first date there is a binding contract (that is, \$1 per share). The contract further provides that, in the aggregate, 40 shares of P stock and \$60 will be delivered, and contains a proration mechanism in the event that either item of consideration is oversubscribed. On the closing date, the value of the P stock is \$.20 per share, and all target shareholders elect to receive cash. Pursuant to the proration provision, each target share is exchanged for \$.60 of cash and \$.08 of P stock. Pursuant to paragraph (e)(2)(iii)(A) of this section, the contract provides for fixed consideration because it provides for the number of shares of P stock and the amount of money to be exchanged for all the proprietary interests in the target corporation. Furthermore, pursuant to paragraph (e)(2)(iii)(B) of this section, the contract provides for fixed consideration because the number of shares of issuing corporation stock to be provided to the target corporation shareholders is determined using the pre-signing date value of P stock. Accordingly, whether the transaction satisfies the continuity of interest requirement is determined by reference to the value of the P stock on January 2 of year 1. Because, for continuity purposes, the T stock is exchanged for \$40 of P stock and \$60 of cash, the transaction preserves a substantial part of the value of the proprietary interest in T.

Therefore, the transaction satisfies the continuity of interest requirement.

Example 10. Contingent adjustment based on the value of the issuing corporation stock—continuity not preserved. On January 3 of year 1, P and T sign a binding contract pursuant to which T will be merged with and into P on June 1 of year 1. On January 2 of year 1, the value of the P stock is \$1 per share. Pursuant to the contract, if the value of the P stock does not decrease after January 2 of year 1, the T shareholders will receive 40 P shares and \$60 of cash in exchange for all of the outstanding stock of T. Furthermore, the contract provides that the T shareholders will receive \$.16 of additional P shares and \$.24 for every \$.01 decrease in the value of one share of P stock after January 2 of year 1. On June 1 of year 1, T merges with and into P pursuant to the terms of the contract. On that date, the value of the P stock is \$.40 per share. Pursuant to the terms of the contract, the consideration is adjusted so that the T shareholders receive 24 more P shares ($(60 \times \$.16)/\40) and \$14.40 more cash ($60 \times \$.24$) than they would absent an adjustment. Accordingly, at closing the T shareholders receive 64 P shares and \$74.40 of cash. Because the contract provides that additional P shares and cash will be delivered to the T shareholders if the value of the stock of P decreases after January 2 of year 1, under paragraph (e)(2)(iii)(C)(2) of this section, the contract is not treated as providing for fixed consideration, and therefore whether the transaction satisfies the continuity of interest requirement cannot be determined by reference to the value of the P stock on January 2 of year 1. For continuity of interest purposes, the T stock is exchanged for \$25.60 of P stock ($64 \times \$.40$) and \$74.40 of cash and the transaction does not preserve a substantial part of the value of the proprietary interest in T. Therefore, the transaction does not satisfy the continuity of interest requirement.

Example 11. Contingent adjustment to boot based on the value of the target corporation stock—continuity not preserved. On January 3 of year 1, P and T sign a binding contract pursuant to which T will be merged with and into P on June 1 of year 1. On January 2 of year 1, T has 100 shares outstanding, and each T share is worth \$1. On January 2 of year 1, each P share is worth \$1. Pursuant to the contract, if the value of the T stock does not increase after January 3 of year 1, the T shareholders will receive 40 P shares and \$60 of cash in exchange for all of the outstanding stock of T. Furthermore, the contract provides that the T shareholders will receive \$1 of additional cash for every \$.01 increase in the value of one share of T stock after January 3 of year 1. On June 1 of year 1, the value of the T stock is \$1.40 per share and the value of the P stock is \$.75 per share. Pursuant to the terms of the contract, the consideration

is adjusted so that the T shareholders receive \$40 more cash ($40 \times \1) than they would absent an adjustment. Accordingly, at closing the T shareholders receive 40 P shares and \$100 of cash. Because the contract provides the number of shares of P stock and the amount of money to be exchanged for all the proprietary interests in T, and the contingent adjustment to the cash consideration is not based on changes in the value of the P stock, P assets, or any surrogate thereof, after January 2 of year 1, there is a binding contract providing for fixed consideration as of January 3 of year 1. Therefore, whether the transaction satisfies the continuity of interest requirement is determined by reference to the value of the P stock on January 2 of year 1. For continuity of interest purposes, the T stock is exchanged for \$40 of P stock ($40 \times \1) and \$100 of cash. Therefore, the transaction does not satisfy the continuity of interest requirement.

Example 12. Contingent adjustment to stock based on the value of the target corporation stock—continuity preserved. On January 3 of year 1, P and T sign a binding contract pursuant to which T will be merged with and into P on June 1 of year 1. On that date T has 100 shares outstanding, and each T share is worth \$1. On January 2 of year 1, each P share is worth \$1. Pursuant to the contract, if the value of the T stock does not decrease after January 3 of year 1, the T shareholders will receive 40 P shares and \$60 of cash in exchange for all of the outstanding stock of T. Furthermore, the contract provides that the T shareholders will receive \$.40 less P stock and \$.60 less cash for every \$.01 decrease in the value of one share of T stock after January 3 of year 1. The contract also provides that the number of P shares by which the consideration will be reduced as a result of this adjustment will be determined based on the value of the P stock on January 2 of year 1. On June 1 of year 1, T merges with and into P pursuant to the terms of the contract. On that date, the value of the T stock is \$.70 per share and the value of the P stock is \$.75 per share. Pursuant to the terms of the contract, the consideration is adjusted so that the T shareholders receive 12 fewer P shares ($(30 \times \$.40)/\1) and \$18 less cash ($30 \times \$.60$) than they would absent an adjustment. Accordingly, at closing the T shareholders receive 28 P shares and \$42 of cash. Because the contract provides for the number of shares of P stock and the amount of money to be exchanged for all of the proprietary interests in T, the contract does not provide for contingent adjustments to the consideration based on a change in value of the P stock, P assets, or any surrogate thereof, after January 2 of year 1, and the adjustment to the number of P shares the T shareholders receive is determined based on the value of the P shares on January 2 of year 1, there is a binding contract providing for fixed consid-

eration as of January 3 of year 1. Therefore, whether the transaction satisfies the continuity of interest requirement is determined by reference to the value of the P stock on January 2 of year 1. For continuity of interest purposes, the T stock is exchanged for \$28 of P stock ($28 \times \1) and \$42 of cash. Accordingly, the transaction satisfies the continuity of interest requirement.

(3) *Related persons acquisitions.* A proprietary interest in the target corporation is not preserved if, in connection with a potential reorganization, a person related (as defined in paragraph (e)(4) of this section) to the issuing corporation acquires, for consideration other than stock of the issuing corporation, either a proprietary interest in the target corporation or stock of the issuing corporation that was furnished in exchange for a proprietary interest in the target corporation. The preceding sentence does not apply to the extent those persons who were the direct or indirect owners of the target corporation prior to the potential reorganization maintain a direct or indirect proprietary interest in the issuing corporation.

(4) *Definition of related person—(i) In general.* For purposes of this paragraph (e), two corporations are related persons if either—

(A) The corporations are members of the same affiliated group as defined in section 1504 (determined without regard to section 1504(b)); or

(B) A purchase of the stock of one corporation by another corporation would be treated as a distribution in redemption of the stock of the first corporation under section 304(a)(2) (determined without regard to §1.1502-80(b)).

(ii) *Special rules.* The following rules apply solely for purposes of this paragraph (e)(4):

(A) A corporation will be treated as related to another corporation if such relationship exists immediately before or immediately after the acquisition of the stock involved.

(B) A corporation, other than the target corporation or a person related (as defined in paragraph (e)(4) of this section determined without regard to paragraph (e)(4)(i)(A) of this section) to the target corporation, will be treated as related to the issuing corporation if

the relationship is created in connection with the potential reorganization.

(5) *Acquisitions by partnerships.* For purposes of this paragraph (e), each partner of a partnership will be treated as owning or acquiring any stock owned or acquired, as the case may be, by the partnership in accordance with that partner's interest in the partnership. If a partner is treated as acquiring any stock by reason of the application of this paragraph (e)(5), the partner is also treated as having furnished its share of any consideration furnished by the partnership to acquire the stock in accordance with that partner's interest in the partnership.

(6) *Creditors' claims as proprietary interests—(i) In general.* A creditor's claim against a target corporation may be a proprietary interest in the target corporation if the target corporation is in a title 11 or similar case (as defined in section 368(a)(3)) or the amount of the target corporation's liabilities exceeds the fair market value of its assets immediately prior to the potential reorganization. In such cases, if any creditor receives a proprietary interest in the issuing corporation in exchange for its claim, every claim of that class of creditors and every claim of all equal and junior classes of creditors (in addition to the claims of shareholders) is a proprietary interest in the target corporation immediately prior to the potential reorganization to the extent provided in paragraph (e)(6)(ii) of this section.

(ii) *Value of proprietary interest—(A) Claims of most senior class of creditors receiving stock.* A claim of the most senior class of creditors receiving a proprietary interest in the issuing corporation and a claim of any equal class of creditors will be treated as a proprietary interest in accordance with the rules of this paragraph (e)(6)(ii). For a claim of the most senior class of creditors receiving a proprietary interest in the issuing corporation, and a claim of any equal class of creditors, the value of the proprietary interest in the target corporation represented by the claim is determined by multiplying the fair market value of the claim by a fraction, the numerator of which is the fair market value of the proprietary interests in the issuing corporation that

are received in the aggregate in exchange for the claims of those classes of creditors, and the denominator of which is the sum of the amount of money and the fair market value of all other consideration (including the proprietary interests in the issuing corporation) received in the aggregate in exchange for such claims. If only one class (or one set of equal classes) of creditors receives stock, such class (or set of equal classes) is treated as the most senior class of creditors receiving stock. When only one class (or one set of equal classes) of creditors receives issuing corporation stock in exchange for a creditor's proprietary interest in the target corporation, such stock will be counted for measuring continuity of interest provided that the stock issued by the issuing corporation is not de minimis in relation to the total consideration received by the insolvent target corporation, its shareholders, and its creditors.

(B) *Claims of junior classes of creditor receiving stock.* The value of a proprietary interest in the target corporation held by a creditor whose claim is junior to the claims of other classes of target claims which are receiving proprietary interests in the issuing corporation is the fair market value of the junior creditor's claim.

(iii) *Bifurcated claims.* If a creditor's claim is bifurcated into a secured claim and an unsecured claim pursuant to an order in a title 11 or similar case (as defined in section 368(a)(3)) or pursuant to an agreement between the creditor and the debtor, the bifurcation of the claim and the allocation of consideration to each of the resulting claims will be respected in applying the rules of this paragraph (e)(6).

(iv) *Effect of treating creditors as proprietors.* The treatment of a creditor's claim as a proprietary interest in the target corporation shall not preclude treating shares of the target corporation as proprietary interests in the target corporation.

(7) *Successors and predecessors.* For purposes of this paragraph (e), any reference to the issuing corporation or the target corporation includes a reference to any successor or predecessor of such corporation, except that the target corporation is not treated as a

predecessor of the issuing corporation and the issuing corporation is not treated as a successor of the target corporation.

(8) *Examples.* For purposes of the examples in this paragraph (e)(7), P is the issuing corporation, T is the target corporation, S is a wholly owned subsidiary of P, all corporations have only one class of stock outstanding, A and B are individuals, PRS is a partnership, all reorganization requirements other than the continuity of interest requirement are satisfied, and the transaction is not otherwise subject to recharacterization. The following examples illustrate the application of this paragraph (e):

Example 1. Sale of stock to third party. (i) *Sale of issuing corporation stock after merger.* A owns all of the stock of T. T merges into P. In the merger, A receives P stock having a fair market value of \$50x and cash of \$50x. Immediately after the merger, and pursuant to a preexisting binding contract, A sells all of the P stock received by A in the merger to B. Assume that there are no facts and circumstances indicating that the cash used by B to purchase A's P stock was in substance exchanged by P for T stock. Under paragraphs (e)(1) and (3) of this section, the sale to B is disregarded because B is not a person related to P within the meaning of paragraph (e)(4) of this section. Thus, the transaction satisfies the continuity of interest requirement because 50 percent of A's T stock was exchanged for P stock, preserving a substantial part of the value of the proprietary interest in T.

(ii) *Sale of target corporation stock before merger.* The facts are the same as paragraph (i) of this *Example 1*, except that B buys A's T stock prior to the merger of T into P and then exchanges the T stock for P stock having a fair market value of \$50x and cash of \$50x. The sale by A is disregarded. The continuity of interest requirement is satisfied because B's T stock was exchanged for P stock, preserving a substantial part of the value of the proprietary interest in T.

Example 2. Relationship created in connection with potential reorganization. Corporation X owns 60 percent of the stock of P and 30 percent of the stock of T. A owns the remaining 70 percent of the stock of T. X buys A's T stock for cash in a transaction which is not a qualified stock purchase within the meaning of section 338. T then merges into P. In the merger, X exchanges all of its T stock for additional stock of P. As a result of the issuance of the additional stock to X in the merger, X's ownership interest in P increases from 60 to 80 percent of the stock of P. X is not a person related to P under paragraph

(e)(4)(i)(B) of this section, because a purchase of stock of P by X would not be treated as a distribution in redemption of the stock of P under section 304(a)(2). However, X is a person related to P under paragraphs (e)(4)(i)(A) and (ii)(B) of this section, because X becomes affiliated with P in the merger. The continuity of interest requirement is not satisfied, because X acquired a proprietary interest in T for consideration other than P stock, and a substantial part of the value of the proprietary interest in T is not preserved. See paragraph (e)(3) of this section.

Example 3. Participation by issuing corporation in post-merger sale. A owns 80 percent of the T stock and none of the P stock, which is widely held. T merges into P. In the merger, A receives P stock. In addition, A obtains rights pursuant to an arrangement with P to have P register the P stock under the Securities Act of 1933, as amended. P registers A's stock, and A sells the stock shortly after the merger. No person who purchased the P stock from A is a person related to P within the meaning of paragraph (e)(4) of this section. Under paragraphs (e)(1) and (3) of this section, the sale of the P stock by A is disregarded because no person who purchased the P stock from A is a person related to P within the meaning of paragraph (e)(4) of this section. The transaction satisfies the continuity of interest requirement because A's T stock was exchanged for P stock, preserving a substantial part of the value of the proprietary interest in T.

Example 4. Redemptions and purchases by issuing corporation or related persons. (i) *Redemption by issuing corporation.* A owns 100 percent of the stock of T and none of the stock of P. T merges into S. In the merger, A receives P stock. In connection with the merger, P redeems all of the P stock received by A in the merger for cash. The continuity of interest requirement is not satisfied, because, in connection with the merger, P redeemed the stock exchanged for a proprietary interest in T, and a substantial part of the value of the proprietary interest in T is not preserved. See paragraph (e)(1) of this section.

(ii) *Purchase of target corporation stock by issuing corporation.* The facts are the same as paragraph (i) of this *Example 4*, except that, instead of P redeeming its stock, prior to and in connection with the merger of T into S, P purchases 90 percent of the T stock from A for cash. The continuity of interest requirement is not satisfied, because in connection with the merger, P acquired a proprietary interest in T for consideration other than P stock, and a substantial part of the value of the proprietary interest in T is not preserved. See paragraph (e)(1) of this section. However, see §1.338-3(d) (which may change the result in this case by providing that, by virtue of section 338, continuity of

interest is satisfied for certain parties after a qualified stock purchase).

(iii) *Purchase of issuing corporation stock by person related to issuing corporation.* The facts are the same as paragraph (i) of this *Example 4*, except that, instead of P redeeming its stock, S buys all of the P stock received by A in the merger for cash. S is a person related to P under paragraphs (e)(4)(i)(A) and (B) of this section. The continuity of interest requirement is not satisfied, because S acquired P stock issued in the merger, and a substantial part of the value of the proprietary interest in T is not preserved. See paragraph (e)(3) of this section.

Example 5. Redemption in substance by issuing corporation. A owns 100 percent of the stock of T and none of the stock of P. T merges into P. In the merger, A receives P stock. In connection with the merger, B buys all of the P stock received by A in the merger for cash. Shortly thereafter, in connection with the merger, P redeems the stock held by B for cash. Based on all the facts and circumstances, P in substance has exchanged solely cash for T stock in the merger. The continuity of interest requirement is not satisfied, because in substance P redeemed the stock exchanged for a proprietary interest in T, and a substantial part of the value of the proprietary interest in T is not preserved. See paragraph (e)(1) of this section.

Example 6. Purchase of issuing corporation stock through partnership. A owns 100 percent of the stock of T and none of the stock of P. S is an 85 percent partner in PRS. The other 15 percent of PRS is owned by unrelated persons. T merges into P. In the merger, A receives P stock. In connection with the merger, PRS purchases all of the P stock received by A in the merger for cash. Under paragraph (e)(5) of this section, S, as an 85 percent partner of PRS, is treated as having acquired 85 percent of the P stock exchanged for A's T stock in the merger, and as having furnished 85 percent of the cash paid by PRS to acquire the P stock. S is a person related to P under paragraphs (e)(4)(i)(A) and (B) of this section. The continuity of interest requirement is not satisfied, because S is treated as acquiring 85 percent of the P stock issued in the merger, and a substantial part of the value of the proprietary interest in T is not preserved. See paragraph (e)(3) of this section.

Example 7. Exchange by acquiring corporation for direct interest. A owns 30 percent of the stock of T. P owns 70 percent of the stock of T, which was not acquired by P in connection with the acquisition of T's assets. T merges into P. A receives cash in the merger. The continuity of interest requirement is satisfied, because P's 70 percent proprietary interest in T is exchanged by P for a direct interest in the assets of the target corporation enterprise.

Example 8. Maintenance of direct or indirect interest in issuing corporation. X, a corpora-

tion, owns all of the stock of each of corporations P and Z. Z owns all of the stock of T. T merges into P. Z receives P stock in the merger. Immediately thereafter and in connection with the merger, Z distributes the P stock received in the merger to X. X is a person related to P under paragraph (e)(4)(i)(A) of this section. The continuity of interest requirement is satisfied, because X was an indirect owner of T prior to the merger who maintains a direct or indirect proprietary interest in P, preserving a substantial part of the value of the proprietary interest in T. See paragraph (e)(3) of this section.

Example 9. Preacquisition redemption by target corporation. T has two shareholders, A and B. P expresses an interest in acquiring the stock of T. A does not wish to own P stock. T redeems A's shares in T in exchange for cash. No funds have been or will be provided by P for this purpose. P subsequently acquires all the outstanding stock of T from B solely in exchange for voting stock of P. The cash received by A in the preorganization redemption is not treated as other property or money under section 356, and would not be so treated even if A had received some stock of P in exchange for his T stock. The preorganization redemption by T does not affect continuity of interest, because B's proprietary interest in T is unaffected, and the value of the proprietary interest in T is preserved.

Example 10. Creditors treated as owning a proprietary interest. (i) *More than one class of creditor receives issuing corporation stock.* T has assets with a fair market value of \$150x and liabilities of \$200x. T has two classes of creditors: two senior creditors with claims of \$25x each; and one junior creditor with a claim of \$150x. T transfers all of its assets to P in exchange for \$95x in cash and shares of P stock with a fair market value of \$55x. Each T senior creditor receives \$20x in cash and P stock with a fair market value of \$5x in exchange for his claim. The T junior creditor receives \$55x in cash and P stock with a fair market value of \$45x in exchange for his claim. The T shareholders receive no consideration in exchange for their T stock. Under paragraph (e)(6) of this section, because the amount of T's liabilities exceeds the fair market value of its assets immediately prior to the potential reorganization, the claims of the creditors of T may be proprietary interests in T. Because the senior creditors receive proprietary interests in P in the transaction in exchange for their claims, their claims and the claim of the junior creditor and the T stock are treated as proprietary interests in T immediately prior to the transaction. Under paragraph (e)(6)(ii)(A) of this section, the value of the proprietary interest of each of the senior creditors' claims is \$5x (the fair market value of the senior creditor's claim, \$25x, multiplied by a fraction, the numerator of which is \$10x, the fair

market value of the proprietary interests in the issuing corporation, P, received in the aggregate in exchange for the claims of all the creditors in the senior class, and the denominator of which is \$50x, the sum of the amount of money and the fair market value of all other consideration (including the proprietary interests in P) received in the aggregate in exchange for such claims). Accordingly, \$5x of the stock that each of the senior creditors receives is counted in measuring continuity of interest. Under paragraph (e)(6)(ii)(B) of this section, the value of the junior creditor's proprietary interest in T immediately prior to the transaction is \$100x, the value of his claim. Thus, the value of the creditors' proprietary interests in total is \$110x and the creditors received \$55x worth of P stock in total in exchange for their proprietary interests. Therefore, P acquired 50 percent of the value of the proprietary interests in T in exchange for P stock. Because a substantial part of the value of the proprietary interests in T is preserved, the continuity of interest requirement is satisfied.

(ii) *One class of creditor receives issuing corporation stock and cash in disproportionate amounts.* T has assets with a fair market value of \$80x and liabilities of \$200x. T has one class of creditor with two creditors, A and B, each having a claim of \$100x. T transfers all of its assets to P for \$60x in cash and shares of P stock with a fair market value of \$20x. A receives \$40x in cash in exchange for its claim. B receives \$20x in cash and P stock with a fair market value of \$20x in exchange for its claim. The T shareholders receive no consideration in exchange for their T stock. The P stock is not de minimis in relation to the total consideration received. Under paragraph (e)(6) of this section, because the amount of T's liabilities exceeds the fair market value of its assets immediately prior to the potential reorganization, the claims of the creditors of T may be proprietary interests in T. Because the creditors of T received proprietary interests in P in the transaction in exchange for their claims, their claims and the T stock are treated as proprietary interests in T immediately prior to the transaction. Under paragraph (e)(6)(ii)(A) of this section, the value of the proprietary interest of each of the senior creditors is \$10x (the fair market value of a senior creditor's claim, \$40x, multiplied by a fraction, the numerator of which is \$20x, the fair market value of the proprietary interests in the issuing corporation, P, received in the aggregate in exchange for the claims of all the creditors in the class, and the denominator of which is \$80x, the sum of the amount of money and the fair market value of all other consideration (including the proprietary interests in P) received in the aggregate in exchange for such claims). Accordingly, \$10x of the cash that was received by A and \$10x of

the P stock that was received by B are counted in measuring continuity of interest. Thus, the value of the creditors' proprietary interests in total is \$20x and the creditors received \$10x worth of P stock in total in exchange for their proprietary interests. Therefore, P acquired 50 percent of the value of the proprietary interests in T in exchange for P stock. Because a substantial part of the value of the proprietary interests in T is preserved, the continuity of interest requirement is satisfied.

(9) *Effective/applicability dates*—(i) *In general.* Paragraphs (e)(1) and (e)(3) through (e)(7) of this section apply to transactions occurring after January 28, 1998, except that they do not apply to any transaction occurring pursuant to a written agreement which is binding on January 28, 1998, and at all times thereafter. Paragraph (e)(1)(ii) of this section, however, applies to transactions occurring after August 30, 2000, unless the transaction occurs pursuant to a written agreement that is (subject to customary conditions) binding on that date and at all times thereafter. Taxpayers who entered into a binding agreement on or after January 28, 1998, and before August 30, 2000, may request a private letter ruling permitting them to apply the final regulations to their transaction. A private letter ruling will not be issued unless the taxpayer establishes to the satisfaction of the IRS that there is not a significant risk of different parties to the transaction taking inconsistent positions, for Federal tax purposes, with respect to the applicability of the final regulations to the transaction. The sixth sentence of paragraph (e)(1)(i) of this section, the last sentence of paragraph (e)(1)(ii) of this section, paragraph (e)(3) of this section, paragraph (e)(6) of this section, and *Example 10* of paragraph (e)(8) of this section apply to transactions occurring after December 12, 2008.

(ii) *COI measurement date.* Paragraph (e)(2) of this section applies to transactions occurring pursuant to binding contracts entered into after December 19, 2011. For transactions entered into after March 19, 2010, and occurring pursuant to binding contracts entered into on or before December 19, 2011, the parties to the transaction may elect to apply the provisions of §1.368-1T as contained in 26 CFR, Part 1, §§1.301-

1.400, revised as of April 1, 2009. However, the target corporation, the issuing corporation, the controlling corporation of the acquiring corporation if stock thereof is provided as consideration in the transaction, and any direct or indirect transferee of transferred basis property from any of the foregoing, may not elect to apply the provisions of §1.368-1T as contained in 26 CFR, Part 1, §§1.301-1.400, revised as of April 1, 2009, unless all such taxpayers elect to apply such provisions. This election requirement will be satisfied if none of the specified parties adopts inconsistent treatment. For transactions entered into on or before March 19, 2010, see §1.368-1T as contained in 26 CFR, Part 1, §§1.301-1.400, revised as of April 1, 2009.

[T.D. 6500, 25 FR 11607, Nov. 26, 1960]

EDITORIAL NOTE: For FEDERAL REGISTER citations affecting §1.368-1, see the List of CFR Sections Affected, which appears in the Finding Aids section of the printed volume and at www.govinfo.gov.

§ 1.368-2 Definition of terms.

(a) The application of the term *reorganization* is to be strictly limited to the specific transactions set forth in section 368(a). The term does not embrace the mere purchase by one corporation of the properties of another corporation. The preceding sentence applies to transactions occurring after January 28, 1998, except that it does not apply to any transaction occurring pursuant to a written agreement which is binding on January 28, 1998, and at all times thereafter. If the properties are transferred for cash and deferred payment obligations of the transferee evidenced by short-term notes, the transaction is a sale and not an exchange in which gain or loss is not recognized.

(b)(1)(i) *Definitions.* For purposes of this paragraph (b)(1), the following terms shall have the following meanings:

(A) *Disregarded entity.* A disregarded entity is a business entity (as defined in §301.7701-2(a) of this chapter) that is disregarded as an entity separate from its owner for Federal income tax purposes. Examples of disregarded entities include a domestic single member limited liability company that does not

elect to be classified as a corporation for Federal income tax purposes, a corporation (as defined in §301.7701-2(b) of this chapter) that is a qualified REIT subsidiary (within the meaning of section 856(i)(2)), and a corporation that is a qualified subchapter S subsidiary (within the meaning of section 1361(b)(3)(B)).

(B) *Combining entity.* A combining entity is a business entity that is a corporation (as defined in §301.7701-2(b) of this chapter) that is not a disregarded entity.

(C) *Combining unit.* A combining unit is composed solely of a combining entity and all disregarded entities, if any, the assets of which are treated as owned by such combining entity for Federal income tax purposes.

(ii) *Statutory merger or consolidation generally.* For purposes of section 368(a)(1)(A), a statutory merger or consolidation is a transaction effected pursuant to the statute or statutes necessary to effect the merger or consolidation, in which transaction, as a result of the operation of such statute or statutes, the following events occur simultaneously at the effective time of the transaction—

(A) All of the assets (other than those distributed in the transaction) and liabilities (except to the extent such liabilities are satisfied or discharged in the transaction or are non-recourse liabilities to which assets distributed in the transaction are subject) of each member of one or more combining units (each a transferor unit) become the assets and liabilities of one or more members of one other combining unit (the transferee unit); and

(B) The combining entity of each transferor unit ceases its separate legal existence for all purposes; provided, however, that this requirement will be satisfied even if, under applicable law, after the effective time of the transaction, the combining entity of the transferor unit (or its officers, directors, or agents) may act or be acted against, or a member of the transferee unit (or its officers, directors, or agents) may act or be acted against in the name of the combining entity of the transferor unit, provided that such actions relate to assets or obligations

of the combining entity of the transferor unit that arose, or relate to activities engaged in by such entity, prior to the effective time of the transaction, and such actions are not inconsistent with the requirements of paragraph (b)(1)(ii)(A) of this section.

(iii) *Examples.* The following examples illustrate the rules of paragraph (b)(1) of this section. In each of the examples, except as otherwise provided, each of R, V, Y, and Z is a C corporation. X is a domestic limited liability company. Except as otherwise provided, X is wholly owned by Y and is disregarded as an entity separate from Y for Federal income tax purposes. The examples are as follows:

Example 1. Divisive transaction pursuant to a merger statute. (i) *Facts.* Under State W law, Z transfers some of its assets and liabilities to Y, retains the remainder of its assets and liabilities, and remains in existence for Federal income tax purposes following the transaction. The transaction qualifies as a merger under State W corporate law.

(ii) *Analysis.* The transaction does not satisfy the requirements of paragraph (b)(1)(ii)(A) of this section because all of the assets and liabilities of Z, the combining entity of the transferor unit, do not become the assets and liabilities of Y, the combining entity and sole member of the transferee unit. In addition, the transaction does not satisfy the requirements of paragraph (b)(1)(ii)(B) of this section because the separate legal existence of Z does not cease for all purposes. Accordingly, the transaction does not qualify as a statutory merger or consolidation under section 368(a)(1)(A).

Example 2. Merger of a target corporation into a disregarded entity in exchange for stock of the owner. (i) *Facts.* Under State W law, Z merges into X. Pursuant to such law, the following events occur simultaneously at the effective time of the transaction: all of the assets and liabilities of Z become the assets and liabilities of X and Z's separate legal existence ceases for all purposes. In the merger, the Z shareholders exchange their stock of Z for stock of Y.

(ii) *Analysis.* The transaction satisfies the requirements of paragraph (b)(1)(ii) of this section because the transaction is effected pursuant to State W law and the following events occur simultaneously at the effective time of the transaction: all of the assets and liabilities of Z, the combining entity and sole member of the transferor unit, become the assets and liabilities of one or more members of the transferee unit that is comprised of Y, the combining entity of the transferee unit, and X, a disregarded entity the assets of which Y is treated as owning for

Federal income tax purposes, and Z ceases its separate legal existence for all purposes. Accordingly, the transaction qualifies as a statutory merger or consolidation for purposes of section 368(a)(1)(A).

Example 3. Merger of a target S corporation that owns a QSub into a disregarded entity. (i) *Facts.* The facts are the same as in *Example 2*, except that Z is an S corporation and owns all of the stock of U, a QSub.

(ii) *Analysis.* The deemed formation by Z of U pursuant to § 1.1361-5(b)(1) (as a consequence of the termination of U's QSub election) is disregarded for Federal income tax purposes. The transaction is treated as a transfer of the assets of U to X, followed by X's transfer of these assets to U in exchange for stock of U. See § 1.1361-5(b)(3) *Example 9*. The transaction will, therefore, satisfy the requirements of paragraph (b)(1)(ii) of this section because the transaction is effected pursuant to State W law and the following events occur simultaneously at the effective time of the transaction: all of the assets and liabilities of Z and U, the sole members of the transferor unit, become the assets and liabilities of one or more members of the transferee unit that is comprised of Y, the combining entity of the transferee unit, and X, a disregarded entity the assets of which Y is treated as owning for Federal income tax purposes, and Z ceases its separate legal existence for all purposes. Moreover, the deemed transfer of the assets of U in exchange for U stock does not cause the transaction to fail to qualify as a statutory merger or consolidation. See § 368(a)(2)(C). Accordingly, the transaction qualifies as a statutory merger or consolidation for purposes of section 368(a)(1)(A).

Example 4. Triangular merger of a target corporation into a disregarded entity. (i) *Facts.* The facts are the same as in *Example 2*, except that V owns 100 percent of the outstanding stock of Y and, in the merger of Z into X, the Z shareholders exchange their stock of Z for stock of V. In the transaction, Z transfers substantially all of its properties to X.

(ii) *Analysis.* The transaction is not prevented from qualifying as a statutory merger or consolidation under section 368(a)(1)(A), provided the requirements of section 368(a)(2)(D) are satisfied. Because the assets of X are treated for Federal income tax purposes as the assets of Y, Y will be treated as acquiring substantially all of the properties of Z in the merger for purposes of determining whether the merger satisfies the requirements of section 368(a)(2)(D). As a result, the Z shareholders that receive stock of V will be treated as receiving stock of a corporation that is in control of Y, the combining entity of the transferee unit that is the acquiring corporation for purposes of section 368(a)(2)(D). Accordingly, the merger

will satisfy the requirements of section 368(a)(2)(D).

Example 5. Merger of a target corporation into a disregarded entity owned by a partnership. (i) *Facts.* The facts are the same as in *Example 2*, except that Y is organized as a partnership under the laws of State W and is classified as a partnership for Federal income tax purposes.

(ii) *Analysis.* The transaction does not satisfy the requirements of paragraph (b)(1)(ii)(A) of this section. All of the assets and liabilities of Z, the combining entity and sole member of the transferor unit, do not become the assets and liabilities of one or more members of a transferee unit because neither X nor Y qualifies as a combining entity. Accordingly, the transaction cannot qualify as a statutory merger or consolidation for purposes of section 368(a)(1)(A).

Example 6. Merger of a disregarded entity into a corporation. (i) *Facts.* Under State W law, X merges into Z. Pursuant to such law, the following events occur simultaneously at the effective time of the transaction: all of the assets and liabilities of X (but not the assets and liabilities of Y other than those of X) become the assets and liabilities of Z and X's separate legal existence ceases for all purposes.

(ii) *Analysis.* The transaction does not satisfy the requirements of paragraph (b)(1)(ii)(A) of this section because all of the assets and liabilities of a transferor unit do not become the assets and liabilities of one or more members of the transferee unit. The transaction also does not satisfy the requirements of paragraph (b)(1)(ii)(B) of this section because X does not qualify as a combining entity. Accordingly, the transaction cannot qualify as a statutory merger or consolidation for purposes of section 368(a)(1)(A).

Example 7. Merger of a corporation into a disregarded entity in exchange for interests in the disregarded entity. (i) *Facts.* Under State W law, Z merges into X. Pursuant to such law, the following events occur simultaneously at the effective time of the transaction: all of the assets and liabilities of Z become the assets and liabilities of X and Z's separate legal existence ceases for all purposes. In the merger of Z into X, the Z shareholders exchange their stock of Z for interests in X so that, immediately after the merger, X is not disregarded as an entity separate from Y for Federal income tax purposes. Following the merger, pursuant to § 301.7701-3(b)(1)(i) of this chapter, X is classified as a partnership for Federal income tax purposes.

(ii) *Analysis.* The transaction does not satisfy the requirements of paragraph (b)(1)(ii)(A) of this section because immediately after the merger X is not disregarded as an entity separate from Y and, consequently, all of the assets and liabilities of Z, the combining entity of the transferor

unit, do not become the assets and liabilities of one or more members of a transferee unit. Accordingly, the transaction cannot qualify as a statutory merger or consolidation for purposes of section 368(a)(1)(A).

Example 8. Merger transaction preceded by distribution. (i) *Facts.* Z operates two unrelated businesses, Business P and Business Q, each of which represents 50 percent of the value of the assets of Z. Y desires to acquire and continue operating Business P, but does not want to acquire Business Q. Pursuant to a single plan, Z sells Business Q for cash to parties unrelated to Z and Y in a taxable transaction, and then distributes the proceeds of the sale pro rata to its shareholders. Then, pursuant to State W law, Z merges into Y. Pursuant to such law, the following events occur simultaneously at the effective time of the transaction: all of the assets and liabilities of Z related to Business P become the assets and liabilities of Y and Z's separate legal existence ceases for all purposes. In the merger, the Z shareholders exchange their Z stock for Y stock.

(ii) *Analysis.* The transaction satisfies the requirements of paragraph (b)(1)(ii) of this section because the transaction is effected pursuant to State W law and the following events occur simultaneously at the effective time of the transaction: all of the assets and liabilities of Z, the combining entity and sole member of the transferor unit, become the assets and liabilities of Y, the combining entity and sole member of the transferee unit, and Z ceases its separate legal existence for all purposes. Accordingly, the transaction qualifies as a statutory merger or consolidation for purposes of section 368(a)(1)(A).

Example 9. State law conversion of target corporation into a limited liability company. (i) *Facts.* Y acquires the stock of V from the V shareholders in exchange for consideration that consists of 50 percent voting stock of Y and 50 percent cash. Immediately after the stock acquisition, V files the necessary documents to convert from a corporation to a limited liability company under State W law. Y's acquisition of the stock of V and the conversion of V to a limited liability company are steps in a single integrated acquisition by Y of the assets of V.

(ii) *Analysis.* The acquisition by Y of the assets of V does not satisfy the requirements of paragraph (b)(1)(ii)(B) of this section because V, the combining entity of the transferor unit, does not cease its separate legal existence. Although V is an entity disregarded from its owner for Federal income tax purposes, it continues to exist as a juridical entity after the conversion. Accordingly, Y's acquisition of the assets of V does not qualify as a statutory merger or consolidation for purposes of section 368(a)(1)(A).

Example 10. Dissolution of target corporation. (i) *Facts.* Y acquires the stock of Z from the

Z shareholders in exchange for consideration that consists of 50 percent voting stock of Y and 50 percent cash. Immediately after the stock acquisition, Z files a certificate of dissolution pursuant to State W law and commences winding up its activities. Under State W dissolution law, ownership and title to Z's assets does not automatically vest in Y upon dissolution. Instead, Z transfers assets to its creditors in satisfaction of its liabilities and transfers its remaining assets to Y in the liquidation stage of the dissolution. Y's acquisition of the stock of Z and the dissolution of Z are steps in a single integrated acquisition by Y of the assets of Z.

(ii) *Analysis.* The acquisition by Y of the assets of Z does not satisfy the requirements of paragraph (b)(1)(ii) of this section because Y does not acquire all of the assets of Z as a result of Z filing the certificate of dissolution or simultaneously with Z ceasing its separate legal existence. Instead, Y acquires the assets of Z by reason of Z's transfer of its assets to Y. Accordingly, Y's acquisition of the assets of Z does not qualify as a statutory merger or consolidation for purposes of section 368(a)(1)(A).

Example 11. Merger of corporate partner into a partnership. (i) *Facts.* Y owns an interest in X, an entity classified as a partnership for Federal income tax purposes, that represents a 60 percent capital and profits interest in X. Z owns an interest in X that represents a 40 percent capital and profits interest. Under State W law, Z merges into X. Pursuant to such law, the following events occur simultaneously at the effective time of the transaction: all of the assets and liabilities of Z become the assets and liabilities of X and Z ceases its separate legal existence for all purposes. In the merger, the Z shareholders exchange their stock of Z for stock of Y. As a result of the merger, X becomes an entity that is disregarded as an entity separate from Y for Federal income tax purposes.

(ii) *Analysis.* The transaction satisfies the requirements of paragraph (b)(1)(ii) of this section because the transaction is effected pursuant to State W law and the following events occur simultaneously at the effective time of the transaction: all of the assets and liabilities of Z, the combining entity and sole member of the transferor unit, become the assets and liabilities of one or more members of the transferee unit that is comprised of Y, the combining entity of the transferee unit, and X, a disregarded entity the assets of which Y is treated as owning for Federal income tax purposes immediately after the transaction, and Z ceases its separate legal existence for all purposes. Accordingly, the transaction qualifies as a statutory merger or consolidation for purposes of section 368(a)(1)(A).

Example 12. State law consolidation. (i) *Facts.* Under State W law, Z and V consolidate. Pursuant to such law, the following events

occur simultaneously at the effective time of the transaction: all of the assets and liabilities of Z and V become the assets and liabilities of Y, an entity that is created in the transaction, and the existence of Z and V continues in Y. In the consolidation, the Z shareholders and the V shareholders exchange their stock of Z and V, respectively, for stock of Y.

(ii) *Analysis.* With respect to each of Z and V, the transaction satisfies the requirements of paragraph (b)(1)(ii) of this section because the transaction is effected pursuant to State W law and the following events occur simultaneously at the effective time of the transaction: all of the assets and liabilities of Z and V, respectively, each of which is the combining entity of a transferor unit, become the assets and liabilities of Y, the combining entity and sole member of the transferee unit, and Z and V each ceases its separate legal existence for all purposes. Accordingly, the transaction qualifies as the statutory merger or consolidation of each of Z and V into Y for purposes of section 368(a)(1)(A).

Example 13. Transaction effected pursuant to foreign statutes. (i) *Facts.* Z and Y are entities organized under the laws of Country Q and classified as corporations for Federal income tax purposes. Z and Y combine. Pursuant to statutes of Country Q the following events occur simultaneously: all of the assets and liabilities of Z become the assets and liabilities of Y and Z's separate legal existence ceases for all purposes.

(ii) *Analysis.* The transaction satisfies the requirements of paragraph (b)(1)(ii) of this section because the transaction is effected pursuant to statutes of Country Q and the following events occur simultaneously at the effective time of the transaction: all of the assets and liabilities of Z, the combining entity of the transferor unit, become the assets and liabilities of Y, the combining entity and sole member of the transferee unit, and Z ceases its separate legal existence for all purposes. Accordingly, the transaction qualifies as a statutory merger or consolidation for purposes of section 368(a)(1)(A).

Example 14. Foreign law amalgamation using parent stock. (i) *Facts.* Z and V are entities organized under the laws of Country Q and classified as corporations for Federal income tax purposes. Z and V amalgamate. Pursuant to statutes of Country Q, the following events occur simultaneously: all the assets and liabilities of Z and V become the assets and liabilities of R, an entity that is created in the transaction and that is wholly owned by Y immediately after the transaction, and Z's and V's separate legal existences cease for all purposes. In the transaction, the Z and V shareholders exchange their Z and V stock, respectively, for stock of Y.

(ii) *Analysis.* With respect to each of Z and V, the transaction satisfies the requirements of paragraph (b)(1)(ii) of this section because

the transaction is effected pursuant to Country Q law and the following events occur simultaneously at the effective time of the transaction: all of the assets and liabilities of Z and V, respectively, each of which is the combining entity of a transferor unit, become the assets and liabilities of R, the combining entity and sole member of the transferee unit, with regard to each of the above transfers, and Z and V each ceases its separate legal existence for all purposes. Because Y is in control of R immediately after the transaction, the Z shareholders and the V shareholders will be treated as receiving stock of a corporation that is in control of R, the combining entity of the transferee unit that is the acquiring corporation for purposes of section 368(a)(2)(D). Accordingly, the transaction qualifies as the statutory merger or consolidation of each of Z and V into R, a corporation controlled by Y, and is a reorganization under section 368(a)(1)(A) by reason of section 368(a)(2)(D).

(v) *Effective date*—(A) *In general.* This paragraph (b)(1) applies to transactions occurring on or after January 23, 2006. For rules regarding statutory mergers or consolidation occurring before January 23, 2006, see § 1.368-2T as contained in 26 CFR part 1, revised April 1, 2005, and § 1.368-2(b)(1) as in effect before January 24, 2003 (see 26 CFR part 1, revised April 1, 2002).

(B) *Transitional rule.* A taxpayer may elect to apply the provisions of § 1.368-2T(b) as contained in 26 CFR part 1, revised April 1, 2005 (the temporary regulations), instead of the provisions of this paragraph (b), to a transaction that occurs on or after January 23, 2006, pursuant to a written agreement which is (subject to customary conditions) binding on January 22, 2006, and at all times thereafter, or pursuant to a tender offer announced prior to January 23, 2006. However, the combining entity of the transferor unit, the combining entity of the transferee unit, any controlling corporation of the combining entity of the transferee unit if stock thereof is provided as consideration in the transaction, and any direct or indirect transferee of transferred basis property from any of the foregoing, may not elect to apply the provisions of the temporary regulations unless all such taxpayers elect to apply the provisions of the temporary regulations.

(2) In order for the transaction to qualify under section 368(a)(1)(A) by reason of the application of section

368(a)(2)(D), one corporation (the acquiring corporation) must acquire substantially all of the properties of another corporation (the acquired corporation) partly or entirely in exchange for stock of a corporation which is in control of the acquiring corporation (the controlling corporation), provided that (i) the transaction would have qualified under section 368(a)(1)(A) if the merger had been into the controlling corporation, and (ii) no stock of the acquiring corporation is used in the transaction. The foregoing test of whether the transaction would have qualified under section 368(a)(1)(A) if the merger had been into the controlling corporation means that the general requirements of a reorganization under section 368(a)(1)(A) (such as a business purpose, continuity of business enterprise, and continuity of interest) must be met in addition to the special requirements of section 368(a)(2)(D). Under this test, it is not relevant whether the merger into the controlling corporation could have been effected pursuant to State or Federal corporation law. The term *substantially all* has the same meaning as it has in section 368(a)(1)(C). Although no stock of the acquiring corporation can be used in the transaction, there is no prohibition (other than the continuity of interest requirement) against using other property, such as cash or securities, of either the acquiring corporation or the parent or both. In addition, the controlling corporation may assume liabilities of the acquired corporation without disqualifying the transaction under section 368(a)(2)(D), and for purposes of section 357(a) the controlling corporation is considered a party to the exchange. For example, if the controlling corporation agrees to substitute its stock for stock of the acquired corporation under an outstanding employee stock option agreement, this assumption of liability will not prevent the transaction from qualifying as a reorganization under section 368(a)(2)(D) and the assumption of liability is not treated as money or other property for purposes of section 361(b). Section 368(a)(2)(D) applies whether or not the controlling corporation (or the acquiring corporation) is formed immediately before the merger,

in anticipation of the merger, or after preliminary steps have been taken to merge directly into the controlling corporation. Section 368(a)(2)(D) applies only to statutory mergers occurring after October 22, 1968.

(3) For regulations under section 368(a)(2)(E), see paragraph (j) of this section.

(c) In order to qualify as a "reorganization" under section 368(a)(1)(B), the acquisition by the acquiring corporation of stock of another corporation must be in exchange solely for all or a part of the voting stock of the acquiring corporation (or, in the case of transactions occurring after December 31, 1963, solely for all or a part of the voting stock of a corporation which is in control of the acquiring corporation), and the acquiring corporation must be in control of the other corporation immediately after the transaction. If, for example, Corporation X in one transaction exchanges non-voting preferred stock or bonds in addition to all or a part of its voting stock in the acquisition of stock of Corporation Y, the transaction is not a reorganization under section 368(a)(1)(B). Nor is a transaction a reorganization described in section 368(a)(1)(B) if stock is acquired in exchange for voting stock both of the acquiring corporation and of a corporation which is in control of the acquiring corporation. The acquisition of stock of another corporation by the acquiring corporation solely for its voting stock (or solely for voting stock of a corporation which is in control of the acquiring corporation) is permitted tax-free even though the acquiring corporation already owns some of the stock of the other corporation. Such an acquisition is permitted tax-free in a single transaction or in a series of transactions taking place over a relatively short period of time such as 12 months. For example, Corporation A purchased 30 percent of the common stock of Corporation W (the only class of stock outstanding) for cash in 1939. On March 1, 1955, Corporation A offers to exchange its own voting stock for all the stock of Corporation W tendered within 6 months from the date of the offer. Within the 6-months' period Corporation A acquires an additional 60 percent of stock of Corporation W sole-

ly for its own voting stock, so that it owns 90 percent of the stock of Corporation W. No gain or loss is recognized with respect to the exchanges of stock of Corporation A for stock of Corporation W. For this purpose, it is immaterial whether such exchanges occurred before Corporation A acquired control (80 percent) of Corporation W or after such control was acquired. If Corporation A had acquired 80 percent of the stock of Corporation W for cash in 1939, it could likewise acquire some or all of the remainder of such stock solely in exchange for its own voting stock without recognition of gain or loss.

(d) In order to qualify as a reorganization under section 368(a)(1)(C), the transaction must be one described in subparagraph (1) or (2) of this paragraph:

(1) One corporation must acquire substantially all the properties of another corporation solely in exchange for all or a part of its own voting stock, or solely in exchange for all or a part of the voting stock of a corporation which is in control of the acquiring corporation. For example, Corporation P owns all the stock of Corporation A. All the properties of Corporation W are transferred to Corporation A either solely in exchange for voting stock of Corporation P or solely in exchange for less than 80 percent of the voting stock of Corporation A. Either of such transactions constitutes a reorganization under section 368(a)(1)(C). However, if the properties of Corporation W are acquired in exchange for voting stock of both Corporation P and Corporation A, the transaction will not constitute a reorganization under section 368(a)(1)(C). In determining whether the exchange meets the requirement of "solely for voting stock", the assumption by the acquiring corporation of liabilities of the transferor corporation, or the fact that property acquired from the transferor corporation is subject to a liability, shall be disregarded. Though such an assumption does not prevent an exchange from being solely for voting stock for the purposes of the definition of a reorganization contained in section 368(a)(1)(C), it may in some cases, however, so alter the character of the transaction as to place the

transaction outside the purposes and assumptions of the reorganization provisions. Section 368(a)(1)(C) does not prevent consideration of the effect of an assumption of liabilities on the general character of the transaction but merely provides that the requirement that the exchange be solely for voting stock is satisfied if the only additional consideration is an assumption of liabilities.

(2) One corporation:

(i) Must acquire substantially all of the properties of another corporation in such manner that the acquisition would qualify under (1) above, but for the fact that the acquiring corporation exchanges money, or other property in addition to such voting stock, and

(ii) Must acquire solely for voting stock (either of the acquiring corporation or of a corporation which is in control of the acquiring corporation) properties of the other corporation having a fair market value which is at least 80 percent of the fair market value of all the properties of the other corporation.

(3) For the purposes of subparagraph (2)(ii) only, a liability assumed or to which the properties are subject is considered money paid for the properties. For example, Corporation A has properties with a fair market value of \$100,000 and liabilities of \$10,000. In exchange for these properties, Corporation Y transfers its own voting stock, assumes the \$10,000 liabilities, and pays \$8,000 in cash. The transaction is a reorganization even though a part of the properties of Corporation A is acquired for cash. On the other hand, if the properties of Corporation A worth \$100,000, were subject to \$50,000 in liabilities, an acquisition of all the properties, subject to the liabilities, for any consideration other than solely voting stock would not qualify as a reorganization under this section since the liabilities alone are in excess of 20 percent of the fair market value of the properties. If the transaction would qualify under either subparagraph (1) or (2) of this paragraph and also under section 368(a)(1)(D), such transaction shall not be treated as a reorganization under section 368(a)(1)(C).

(4)(i) For purposes of paragraphs (d)(1) and (2)(ii) of this section, prior

ownership of stock of the target corporation by an acquiring corporation will not by itself prevent the solely for voting stock requirement of such paragraphs from being satisfied. In a transaction in which the acquiring corporation has prior ownership of stock of the target corporation, the requirement of paragraph (d)(2)(ii) of this section is satisfied only if the sum of the money or other property that is distributed in pursuance of the plan of reorganization to the shareholders of the target corporation other than the acquiring corporation and to the creditors of the target corporation pursuant to section 361(b)(3), and all of the liabilities of the target corporation assumed by the acquiring corporation (including liabilities to which the properties of the target corporation are subject), does not exceed 20 percent of the value of all of the properties of the target corporation. If, in connection with a potential acquisition by an acquiring corporation of substantially all of a target corporation's properties, the acquiring corporation acquires the target corporation's stock for consideration other than the acquiring corporation's own voting stock (or voting stock of a corporation in control of the acquiring corporation if such stock is used in the acquisition of the target corporation's properties), whether from a shareholder of the target corporation or the target corporation itself, such consideration is treated, for purposes of paragraphs (d)(1) and (2) of this section, as money or other property exchanged by the acquiring corporation for the target corporation's properties. Accordingly, the transaction will not qualify under section 368(a)(1)(C) unless, treating such consideration as money or other property, the requirements of section 368(a)(2)(B) and paragraph (d)(2)(ii) of this section are met. The determination of whether there has been an acquisition in connection with a potential reorganization under section 368(a)(1)(C) of a target corporation's stock for consideration other than an acquiring corporation's own voting stock (or voting stock of a corporation in control of the acquiring corporation if such stock is used in the acquisition of the target corporation's

properties) will be made on the basis of all of the facts and circumstances.

(ii) The following examples illustrate the principles of this paragraph (d)(4):

Example 1. Corporation P (P) holds 60 percent of the Corporation T (T) stock that P purchased several years ago in an unrelated transaction. T has 100 shares of stock outstanding. The other 40 percent of the T stock is owned by Corporation X (X), an unrelated corporation. T has properties with a fair market value of \$110 and liabilities of \$10. T transfers all of its properties to P. In exchange, P assumes the \$10 of liabilities, and transfers to T \$30 of P voting stock and \$10 of cash. T distributes the P voting stock and \$10 of cash to X and liquidates. The transaction satisfies the solely for voting stock requirement of paragraph (d)(2)(ii) of this section because the sum of \$10 of cash paid to X and the assumption by P of \$10 of liabilities does not exceed 20% of the value of the properties of T.

Example 2. The facts are the same as in *Example 1* except that P purchased the 60 shares of T for \$60 in cash in connection with the acquisition of T's assets. The transaction does not satisfy the solely for voting stock requirement of paragraph (d)(2)(ii) of this section because P is treated as having acquired all of the T assets for consideration consisting of \$70 of cash, \$10 of liability assumption and \$30 of P voting stock, and the sum of \$70 of cash and the assumption by P of \$10 of liabilities exceeds 20% of the value of the properties of T.

(iii) This paragraph (d)(4) applies to transactions occurring after December 31, 1999, unless the transaction occurs pursuant to a written agreement that is (subject to customary conditions) binding on that date and at all times thereafter.

(e) A "recapitalization", and therefore a reorganization, takes place if, for example:

(1) A corporation with \$200,000 par value of bonds outstanding, instead of paying them off in cash, discharges them by issuing preferred shares to the bondholders;

(2) There is surrendered to a corporation for cancellation 25 percent of its preferred stock in exchange for no par value common stock;

(3) A corporation issues preferred stock, previously authorized but unissued, for outstanding common stock;

(4) An exchange is made of a corporation's outstanding preferred stock, having certain priorities with reference

to the amount and time of payment of dividends and the distribution of the corporate assets upon liquidation, for a new issue of such corporation's common stock having no such rights;

(5) An exchange is made of an amount of a corporation's outstanding preferred stock with dividends in arrears for other stock of the corporation. However, if pursuant to such an exchange there is an increase in the proportionate interest of the preferred shareholders in the assets or earnings and profits of the corporation, then under § 1.305-7(c)(2), an amount equal to the lesser of (i) the amount by which the fair market value or liquidation preference, whichever is greater, of the stock received in the exchange (determined immediately following the recapitalization) exceeds the issue price of the preferred stock surrendered, or (ii) the amount of the dividends in arrears, shall be treated under section 305(c) as a deemed distribution to which sections 305(b)(4) and 301 apply.

(f) The term *a party to a reorganization* includes a corporation resulting from a reorganization, and both corporations, in a transaction qualifying as a reorganization where one corporation acquires stock or properties of another corporation. If a transaction otherwise qualifies as a reorganization, a corporation remains a party to the reorganization even though stock or assets acquired in the reorganization are transferred in a transaction described in paragraph (k) of this section. If a transaction otherwise qualifies as a reorganization, a corporation shall not cease to be a party to the reorganization solely by reason of the fact that part or all of the assets acquired in the reorganization are transferred to a partnership in which the transferor is a partner if the continuity of business enterprise requirement is satisfied. See § 1.368-1(d). The preceding three sentences apply to transactions occurring after January 28, 1998, except that they do not apply to any transaction occurring pursuant to a written agreement which is binding on January 28, 1998, and at all times thereafter. A corporation controlling an acquiring corporation is a party to the reorganization when the stock of such controlling corporation is used in the acquisition of

properties. Both corporations are parties to the reorganization if, under statutory authority, Corporation A is merged into Corporation B. All three of the corporations are parties to the reorganization if, pursuant to statutory authority, Corporation C and Corporation D are consolidated into Corporation E. Both corporations are parties to the reorganization if Corporation F transfers substantially all its assets to Corporation G in exchange for all or a part of the voting stock of Corporation G. All three corporations are parties to the reorganization if Corporation H transfers substantially all its assets to Corporation K in exchange for all or a part of the voting stock of Corporation L, which is in control of Corporation K. Both corporations are parties to the reorganization if Corporation M transfers all or part of its assets to Corporation N in exchange for all or a part of the stock and securities of Corporation N, but only if (1) immediately after such transfer, Corporation M, or one or more of its shareholders (including persons who were shareholders immediately before such transfer), or any combination thereof, is in control of Corporation N, and (2) in pursuance of the plan, the stock and securities of Corporation N are transferred or distributed by Corporation M in a transaction in which gain or loss is not recognized under section 354 or 355, or is recognized only to the extent provided in section 356. Both Corporation O and Corporation P, but not Corporation S, are parties to the reorganization if Corporation O acquires stock of Corporation P from Corporation S in exchange solely for a part of the voting stock of Corporation O, if (1) the stock of Corporation P does not constitute substantially all of the assets of Corporation S, (2) Corporation S is not in control of Corporation O immediately after the acquisition, and (3) Corporation O is in control of Corporation P immediately after the acquisition. If a transaction otherwise qualifies as a reorganization under section 368(a)(1)(B) or as a reverse triangular merger (as defined in § 1.358-6(b)(2)(iii)), the target corporation (in the case of a transaction that otherwise qualifies as a reorganization under section 368(a)(1)(B)) or the surviving corporation (in the case of a

transaction that otherwise qualifies as a reverse triangular merger) remains a party to the reorganization even though its stock or assets are transferred in a transaction described in paragraph (k) of this section. If a transaction otherwise qualifies as a forward triangular merger (as defined in § 1.358-6(b)(2)(i)), a triangular B reorganization (as defined in § 1.358-6(b)(2)(iv)), a triangular C reorganization (as defined in § 1.358-6(b)(2)(ii)), or a reorganization under section 368(a)(1)(G) by reason of section 368(a)(2)(D), the acquiring corporation remains a party to the reorganization even though its stock is transferred in a transaction described in paragraph (k) of this section. The two preceding sentences apply to transactions occurring on or after October 25, 2007, except that they do not apply to any transaction occurring pursuant to a written agreement which is binding before October 25, 2007, and at all times after that.

(g) The term *plan of reorganization* has reference to a consummated transaction specifically defined as a reorganization under section 368(a). The term is not to be construed as broadening the definition of *reorganization* as set forth in section 368(a), but is to be taken as limiting the nonrecognition of gain or loss to such exchanges or distributions as are directly a part of the transaction specifically described as a reorganization in section 368(a). Moreover, the transaction, or series of transactions, embraced in a plan of reorganization must not only come within the specific language of section 368(a), but the readjustments involved in the exchanges or distributions effected in the consummation thereof must be undertaken for reasons germane to the continuance of the business of a corporation a party to the reorganization. Section 368(a) contemplates genuine corporate reorganizations which are designed to effect a readjustment of continuing interests under modified corporate forms.

(h) As used in section 368, as well as in other provisions of the Internal Revenue Code, if the context so requires, the conjunction “or” denotes both the conjunctive and the disjunctive, and the singular includes the plural. For

example, the provisions of the statute are complied with if “stock and securities” are received in exchange as well as if “stock or securities” are received.

(i) [Reserved]

(j)(1) This paragraph (j) prescribes rules relating to the application of section 368 (a)(2)(E).

(2) Section 368(a)(2)(E) does not apply to a consolidation.

(3) A transaction otherwise qualifying under section 368(a)(1)(A) is not disqualified by reason of the fact that stock of a corporation (the controlling corporation) which before the merger was in control of the merged corporation is used in the transaction, if the conditions of section 368(a)(2)(E) are satisfied. Those conditions are as follows:

(i) In the transaction, shareholders of the surviving corporation must surrender stock in exchange for voting stock of the controlling corporation. Further, the stock so surrendered must constitute control of the surviving corporation. Control is defined in section 368(c). The amount of stock constituting control is measured immediately before the transaction. For purposes of this subdivision (i), stock in the surviving corporation which is surrendered in the transaction (by any shareholder except the controlling corporation) in exchange for consideration furnished by the surviving corporation (and not by the controlling corporation of the merged corporation) is considered not to be outstanding immediately before the transaction. For effect on “substantially all” test of consideration furnished by the surviving corporation, see paragraph (j)(3)(iii) of this section.

(ii) Except as provided in paragraph (k) of this section, the controlling corporation must control the surviving corporation immediately after the transaction.

(iii) After the transaction, the surviving corporation must hold substantially all of its own properties and substantially all of the properties of the merged corporation (other than stock of the controlling corporation distributed in the transaction). The surviving corporation may transfer such properties as provided in paragraph (k) of this section. After the transaction, ex-

cept as provided in paragraph (k)(2) of this section, the surviving corporation must hold substantially all of its own properties and substantially all of the properties of the merged corporation (other than stock of the controlling corporation distributed in the transaction). The term *substantially all* has the same meaning as in section 368(a)(1)(C). The “substantially all” test applies separately to the merged corporation and to the surviving corporation. In applying the “substantially all” test to the surviving corporation, consideration furnished in the transaction by the surviving corporation in exchange for its stock is property of the surviving corporation which it does not hold after the transaction. In applying the “substantially all” test to the merged corporation, assets transferred from the controlling corporation to the merged corporation in pursuance of the plan of reorganization are not taken into account. Thus, for example, money transferred from the controlling corporation to the merged corporation to be used for the following purposes is not taken into account for purposes of the “substantially all” test:

(A) To pay additional consideration to shareholders of the surviving corporation;

(B) To pay dissenting shareholders of the surviving corporation;

(C) To pay creditors of the surviving corporation;

(D) To pay reorganization expenses; or

(E) To enable the merged corporation to satisfy state minimum capitalization requirements (where the money is returned to the controlling corporation as part of the transaction).

(iv) Paragraph (j)(3)(ii) and the first two sentences of paragraph (j)(3)(iii) of this section apply to transactions occurring on or after October 25, 2007, except that they do not apply to any transaction occurring pursuant to a written agreement which is binding before October 25, 2007, and at all times thereafter. The remainder of paragraph (j)(3)(iii) of this section applies to transactions occurring after January 28, 1998, except that it does not apply to any transaction occurring pursuant to a written agreement which is binding

on January 28, 1998, and at all times after that.

(4) The controlling corporation may assume liabilities of the surviving corporation without disqualifying the transaction under section 368(a)(2)(E). An assumption of liabilities of the surviving corporation by the controlling corporation is a contribution to capital by the controlling corporation to the surviving corporation. If, in pursuance of the plan of reorganization, securities of the surviving corporation are exchanged for securities of the controlling corporation, or for other securities of the surviving corporation, see sections 354 and 356.

(5) In applying section 368(a)(2)(E), it makes no difference if the merged corporation is an existing corporation, or is formed immediately before the merger, in anticipation of the merger, or after preliminary steps have been taken to otherwise acquire control of the surviving corporation.

(6) The following examples illustrate the application of this paragraph (j). In each of the examples, Corporation P owns all of the stock of Corporation S and, except as otherwise stated, Corporation T has outstanding 1,000 shares of common stock and no shares of any other class. In each of the examples, it is also assumed that the transaction qualifies under section 368(a)(1)(A) if the conditions of section 368(a)(2)(E) are satisfied.

Example 1. P owns no T stock. On January 1, 1981, S merges into T. In the merger, T's shareholders surrender 950 shares of common stock in exchange for P voting stock. The holders of the other 50 shares (who dissent from the merger) are paid in cash with funds supplied by P. After the transaction, T holds all of its own assets and all of S's assets. Based on these facts, the transaction qualifies under section 368(a)(1)(A) by reason of the application of section 368(a)(2)(E). In the transaction, former shareholders of T surrender, in exchange for P voting stock, an amount of T stock (950/1,000 shares or 95 percent) which constitutes control of T.

Example 2. The facts are the same as in *Example (1)* except that holders of 100 shares in corporation T, who dissented from the merger, are paid in cash with funds supplied by T (and not by P or S) and in the merger, T's remaining shareholders surrender 720 shares of common stock in exchange for P voting stock and 180 shares of common stock for cash supplied by P. The requirements of sec-

tion 368(a)(2)(E)(ii) are satisfied since, in the transaction, former shareholders of T surrender, in exchange for P voting stock, an amount of T stock (720/900 shares or 80 percent) which constitutes control of T. The T stock surrendered in exchange for consideration furnished by T is not considered outstanding for purposes of determining whether the amount of T stock surrendered by T shareholders for P stock constitutes control of T.

Example 3. T has outstanding 1,000 shares of common stock, 100 shares of nonvoting preferred stock, and no shares of any other class. On January 1, 1981, S merges into T. Prior to the merger, as part of the transaction, T distributes its own cash in redemption of the 100 shares of preferred stock. In the transaction, T's remaining shareholders surrender their 1,000 shares of common stock in exchange for P voting stock. The requirements of section 368(a)(2)(E)(ii) are satisfied since, in the transaction, former shareholders of T surrender, in exchange for P voting stock, an amount of T stock (1,000/1,000 shares or 100 percent) which constitutes control of T. The preferred stock surrendered in exchange for consideration furnished by T is not considered outstanding for purposes of determining whether the amount of T stock surrendered by T shareholders for P stock constitutes control of T. However, the consideration furnished by T for its stock is property of T which T does not hold after the transaction for purposes of the substantially all test in paragraph (j)(3)(iii) of this section.

Example 4. On January 1, 1971, P purchased 201 shares of T's stock. On January 1, 1981, S merges into T. In the merger, T's shareholders (other than P) surrender 799 shares of T stock in exchange for P voting stock. Based on these facts, in the transaction, former shareholders of T do not surrender, in exchange for P voting stock, an amount of T stock which constitutes control of T (799/1,000 shares being less than 80 percent). Therefore, the transaction does not qualify under section 368(a)(1)(A). However, if S is a transitory corporation, formed solely for purposes of effectuating the transaction, the transaction may qualify as a reorganization described in section 368(a)(1)(B) provided all of the applicable requirements are satisfied.

Example 5. On January 1, 1971, P purchased 200 shares of T's stock. On January 1, 1981, S merges into T. Prior to the merger, as part of the transaction, T distributes its own cash in redemption of 1 share of T stock from a T shareholder other than P. In the merger, T's remaining shareholders (other than P) surrender 799 shares of T stock in exchange for P voting stock. Based on these facts, in the transaction, former shareholders of T do not surrender, in exchange for P voting stock, an amount of T stock which constitutes control of T (799/999 shares being less than 80 percent). Therefore, the transaction does not

qualify under section 368(a)(1)(A). However, if S is a transitory corporation, formed for purposes of effectuating the transaction, the transaction may qualify as a reorganization described in section 368(a)(1)(B) provided all of the applicable requirements are satisfied.

Example 6. The stock of S has a value of \$25,000. The stock of T has a value of \$75,000. On January 1, 1984, S merges into T. In the merger, T's shareholders surrender all of their T stock in exchange for P voting stock. After the transaction, T holds all of its own assets and all of S's assets. Based on these facts, the transaction qualifies under section 368(a)(1)(A) by reason of the application of section 368(a)(2)(E). In the transaction, former shareholders of T surrender, in exchange for P voting stock, an amount of T stock (1,000/1,000 shares or 100 percent) which constitutes control of T. The stock of T received by P in exchange for P's prior interest in S is not taken into account for purposes of section 368(a)(2)(E)(ii) since the amount of T stock constituting control of T is measured before the transaction.

Example 7. The stock of T has a value of \$75,000. On January 1, 1984, S merges into T. In the merger, T's shareholders surrender all of their T stock in exchange for P voting stock. As part of the transaction, P contributes \$25,000 to T in exchange for new shares of T stock. None of the cash received by T is distributed or otherwise paid out to former T shareholders. After the transaction, T holds all of its own assets and all of S's assets. Based on these facts, the transaction qualifies under section 368(a)(1)(A) by reason of the application of section 368(a)(2)(E). In the transaction, former shareholders of T surrender, in exchange for P voting stock, an amount of T stock (1,000/1,000 shares or 100 percent) which constitutes control of T. The T stock received by P in exchange for its contribution to T is not taken into account for purposes of section 368(a)(2)(E)(ii) since the amount of T stock constituting control of T is measured before the transaction.

Example 8. The facts are the same as in *Example (7)* except that, as part of the transaction, corporation R, instead of P, contributes \$25,000 to T in exchange for T stock. Based on these facts, the transaction does not qualify under section 368(a)(1)(A) by reason of section 368(a)(2)(E) since P does not control T immediately after the transaction.

Example 9. T stock has a value of \$75,000. P owns 500 shares (½) of that stock with a value of \$37,500. The stock of S has a value of \$125,000. On January 1, 1984, S merges into T. In the merger, T's shareholders (other than P) surrender their T stock in exchange for P voting stock. Based on these facts, in the transaction, former shareholders of T do not surrender, in exchange for P voting stock, an amount of T stock which constitutes control of T (500/1,000 shares being less than 80 percent). Therefore, the transaction does not

qualify under section 368(a)(1)(A). The stock of T received by P in exchange for P's prior interest in S does not contribute to satisfaction of the requirement of section 368(a)(2)(E)(ii).

(k) *Certain transfers of assets or stock in reorganizations—(1) General rule.* A transaction otherwise qualifying as a reorganization under section 368(a) shall not be disqualified or recharacterized as a result of one or more subsequent transfers (or successive transfers) of assets or stock, provided that the requirements of §1.368-1(d) are satisfied and the transfer(s) are described in either paragraph (k)(1)(i) or (k)(1)(ii) of this section. However, this paragraph (k) shall not apply to a transfer to the former shareholders of the acquired corporation (other than a former shareholder that is also the acquiring corporation) or the surviving corporation, as the case may be, to the extent it constitutes the receipt of consideration for a proprietary interest in the acquired corporation or the surviving corporation, as the case may be. Similarly, this paragraph (k) shall not apply to a transfer by the former shareholders of the acquired corporation (other than a former shareholder that is also the acquiring corporation) or the surviving corporation, as the case may be, of consideration initially received in the potential reorganization to the issuing corporation or a person related to the issuing corporation (see definition of "related person" in §1.368-1(e)).

(i) *Distributions.* One or more distributions to shareholders (including distribution(s) that involve the assumption of liabilities) are described in this paragraph (k)(1)(i) if—

(A) The property distributed consists of—

(1) Assets of the acquired corporation, the acquiring corporation, or the surviving corporation, as the case may be, or an interest in an entity received in exchange for such assets in a transfer described in paragraph (k)(1)(ii) of this section;

(2) Stock of the acquired corporation provided that such distribution(s) of stock do not cause the acquired corporation to cease to be a member of the qualified group (as defined in §1.368-1(d)(4)(ii)); or

(3) A combination thereof; and
 (B) The aggregate of such distributions does not consist of—

(1) An amount of assets of the acquired corporation, the acquiring corporation (disregarding assets held prior to the potential reorganization), or the surviving corporation (disregarding assets of the merged corporation), as the case may be, that would result in a liquidation of such corporation for Federal income tax purposes; or

(2) All of the stock of the acquired corporation that was acquired in the transaction.

(ii) *Transfers Other Than Distributions.* One or more other transfers are described in this paragraph (k)(1)(ii) if—

(A) The transfer(s) do not consist of one or more distributions to shareholders;

(B) The property transferred consists of—

(1) Part or all of the assets of the acquired corporation, the acquiring corporation, or the surviving corporation, as the case may be;

(2) Part or all of the stock of the acquired corporation, the acquiring corporation, or the surviving corporation, as the case may be, provided that such transfer(s) of stock do not cause such corporation to cease to be a member of the qualified group (as defined in § 1.368-1(d)(4)(ii)); or

(3) A combination thereof; and

(C) The acquired corporation, the acquiring corporation, or the surviving corporation, as the case may be, does not terminate its corporate existence for Federal income tax purposes in connection with the transfer(s).

(2) *Examples.* The following examples illustrate the application of this paragraph (k). Except as otherwise noted, P is the issuing corporation, and T is an unrelated target corporation. All corporations have only one class of stock outstanding. T operates a bakery that supplies delectable pastries and cookies to local retail stores. The acquiring corporate group produces a variety of baked goods for nationwide distribution. Except as otherwise noted, P owns all of the stock of S-1 and 80 percent of the stock of S-4, S-1 owns 80 percent of the stock of S-2 and 50 percent of the stock of S-5, S-2 owns 80 percent of the stock of S-3, and S-4

owns the remaining 50 percent of the stock of S-5. The examples are as follows:

Example 1. Transfers of acquired assets to members of the qualified group after a reorganization under section 368(a)(1)(C). (i) *Facts.* Pursuant to a plan of reorganization, T transfers all of its assets to S-1 solely in exchange for P stock, which T distributes to its shareholders, and S-1's assumption of T's liabilities. In addition, pursuant to the plan, S-1 transfers all of the T assets to S-2, and S-2 transfers all of the T assets to S-3.

(ii) *Analysis.* Under this paragraph (k), the transaction, which otherwise qualifies as a reorganization under section 368(a)(1)(C), is not disqualified by the successive transfers of all of the T assets to S-2 and from S-2 to S-3 because the transfers are not one or more distributions to shareholders, the transfers consist of part or all of the assets of the acquiring corporation, the acquiring corporation does not terminate its corporate existence for Federal income tax purposes in connection with the transfers, and the transaction satisfies the requirements of § 1.368-1(d).

Example 2. Distribution of acquired assets to a member of the qualified group after a reorganization under section 368(a)(1)(C). (i) *Facts.* Pursuant to a plan of reorganization, T transfers all of its assets to S-1 solely in exchange for P stock, which T distributes to its shareholders, and S-1's assumption of T's liabilities. In addition, pursuant to the plan, S-1 distributes half of the T assets to P, and P assumes half of the T liabilities.

(ii) *Analysis.* Under this paragraph (k), the transaction, which otherwise qualifies as a reorganization under section 368(a)(1)(C), is not disqualified by the distribution of half of the T assets from S-1 to P, or P's assumption of half of the T liabilities from S-1, because the distribution consists of assets of the acquiring corporation, the distribution does not consist of an amount of S-1's assets that would result in a liquidation of S-1 for Federal income tax purposes (disregarding S-1's assets held prior to the acquisition of T), and the transaction satisfies the requirements of § 1.368-1(d).

Example 3. Indirect distribution of acquired assets to a member of the qualified group after a reorganization under section 368(a)(1)(C). (i) *Facts.* The facts are the same as *Example 2*, except that, instead of S-1 distributing half of the T assets to P and having P assume half of the T liabilities, S-1 contributes half of the T assets to newly formed S-6, S-6 assumes half of the T liabilities, and S-1 distributes all of the S-6 stock to P.

(ii) *Analysis.* Under this paragraph (k), the transaction, which otherwise qualifies as a reorganization under section 368(a)(1)(C), is not disqualified by the transfer of half of the T assets to S-6 and the distribution of the S-

6 stock to P because the transfer of half of the T assets to S-6 is described in paragraph (k)(1)(ii) of this section, the distribution of the S-6 stock to P is an indirect distribution of assets of the acquiring corporation, the distribution does not consist of an amount of S-1's assets that would result in a liquidation of S-1 for Federal income tax purposes (disregarding S-1's assets held prior to the acquisition of T), and the transaction satisfies the requirements of §1.368-1(d).

Example 4. Distribution of acquired stock to a controlled partnership after a reorganization under section 368(a)(1)(B). (i) *Facts.* P owns 80 percent of the stock of S-1, and an 80-percent interest in PRS, a partnership. S-4 owns the remaining 20-percent interest in PRS. PRS owns the remaining 20 percent of the stock of S-1. Pursuant to a plan of reorganization, the T shareholders transfer all of their T stock to S-1 solely in exchange for P stock. In addition, pursuant to the plan, S-1 distributes 90 percent of the T stock to PRS in redemption of 5 percent of the stock of S-1 owned by PRS.

(ii) *Analysis.* Under this paragraph (k), the transaction, which otherwise qualifies as a reorganization under section 368(a)(1)(B), is not disqualified by the distribution of 90 percent of the T stock from S-1 to PRS because the distribution consists of less than all of the stock of the acquired corporation that was acquired in the transaction, the distribution does not cause T to cease to be a member of the qualified group (as defined in §1.368-1(d)(4)(ii)), and the transaction satisfies the requirements of §1.368-1(d).

Example 5. Transfer of acquired stock to a non-controlled partnership. (i) *Facts.* Pursuant to a plan, the T shareholders transfer all of their T stock to S-1 solely in exchange for P stock. In addition, as part of the plan, T distributes half of its assets to S-1, S-1 assumes half of the T liabilities, and S-1 transfers the T stock to S-2. S-2 and U, an unrelated corporation, form a new partnership, PRS. Immediately thereafter, S-2 transfers all of the T stock to PRS in exchange for a 50 percent interest in PRS, and U transfers cash to PRS in exchange for a 50 percent interest in PRS.

(ii) *Analysis.* Under this paragraph (k), the transaction, which otherwise qualifies as a reorganization under section 368(a)(1)(B), is not disqualified by the distribution of half of the T assets from T to S-1, or S-1's assumption of half of the T liabilities from T, because the distribution consists of assets of the acquired corporation, the distribution does not consist of an amount of T's assets that would result in a liquidation of T for Federal income tax purposes, and the transaction satisfies the requirements of §1.368-1(d). Further, this paragraph (k) describes the transfer of the acquired stock from S-1 to S-2, but does not describe the transfer of the acquired stock from S-2 to PRS because such transfer causes T to cease to be a mem-

ber of the qualified group (as defined in §1.368-1(d)(4)(ii)). Therefore, the characterization of this transaction must be determined under the relevant provisions of law, including the step transaction doctrine. See §1.368-1(a). The transaction fails to meet the control requirement of a reorganization described in section 368(a)(1)(B) because immediately after the acquisition of the T stock, the acquiring corporation does not have control of T.

Example 6. Transfers of acquired assets to members of the qualified group after a reorganization under section 368(a)(1)(D). (i) *Facts.* P owns all of the stock of T. Pursuant to a plan of reorganization, T transfers all of its assets to S-1 solely in exchange for S-1 stock, which T distributes to P, and S-1's assumption of T's liabilities. In addition, pursuant to the plan, S-1 transfers all of the T assets to S-2, and S-2 transfers all of the T assets to S-3.

(ii) *Analysis.* Under this paragraph (k), the transaction, which otherwise qualifies as a reorganization under section 368(a)(1)(D), is not disqualified by the successive transfers of all the T assets from S-1 to S-2 and from S-2 to S-3 because the transfers are not one or more distributions to shareholders, the transfers consist of part or all of the assets of the acquiring corporation, the acquiring corporation does not terminate its corporate existence for Federal income tax purposes in connection with the transfers, and the transaction satisfies the requirements of §1.368-1(d).

Example 7. Transfer of stock of the acquiring corporation to a member of the qualified group after a reorganization under section 368(a)(1)(A) by reason of section 368(a)(2)(D). (i) *Facts.* Pursuant to a plan of reorganization, S-1 acquires all of the T assets in the merger of T into S-1. In the merger, the T shareholders receive solely P stock. Also, pursuant to the plan, P transfers all of the S-1 stock to S-4.

(ii) *Analysis.* Under this paragraph (k), the transaction, which otherwise qualifies as a reorganization under section 368(a)(1)(A) by reason of section 368(a)(2)(D), is not disqualified by the transfer of all of the S-1 stock to S-4 because the transfer is not a distribution to shareholders, the transfer consists of part or all of the stock of the acquiring corporation, the transfer does not cause S-1 to cease to be a member of the qualified group (as defined in §1.368-1(d)(4)(ii)), the acquiring corporation does not terminate its corporate existence for Federal income tax purposes in connection with the transfer, and the transaction satisfies the requirements of §1.368-1(d).

Example 8. Transfer of acquired assets to a partnership after a reorganization under section 368(a)(1)(A) by reason of section 368(a)(2)(D). (i) *Facts.* Pursuant to a plan of reorganization, S-1 acquires all of the T assets in the merger

of T into S-1. In the merger, the T shareholders receive solely P stock. In addition, pursuant to the plan, S-1 transfers all of the T assets to PRS, a partnership in which S-1 owns a 33⅓-percent interest. PRS continues T's historic business. S-1 does not perform active and substantial management functions as a partner with respect to PRS' business.

(ii) *Analysis.* Under this paragraph (k), the transaction, which otherwise qualifies as a reorganization under section 368(a)(1)(A) by reason of section 368(a)(2)(D), is not disqualified by the transfer of T assets from S-1 to PRS because the transfer is not a distribution to shareholders, the transfer consists of part or all of the assets of the acquiring corporation, the acquiring corporation does not terminate its corporate existence for Federal income tax purposes in connection with the transfers, and the transaction satisfies the requirements of § 1.368-1(d).

Example 9. Sale of acquired assets to a member of the qualified group after a reorganization under section 368(a)(1)(C). (i) *Facts.* Pursuant to a plan of reorganization, T transfers all of its assets to S-1 in exchange for P stock, which T distributes to its shareholders, and S-1's assumption of T's liabilities. In addition, pursuant to the plan, S-1 sells all of the T assets to S-5 for cash equal to the fair market value of those assets.

(ii) *Analysis.* Under this paragraph (k), the transaction, which otherwise qualifies as a reorganization under section 368(a)(1)(C), is not disqualified by the sale of all of the T assets from S-1 to S-5 because the transfer is not a distribution to shareholders, the transfer consists of part or all of the assets of the acquiring corporation, the acquiring corporation does not terminate its corporate existence for Federal income tax purposes in connection with the transfer, and the transaction satisfies the requirements of § 1.368-1(d).

(3) *Effective/applicability dates.* This paragraph (k) applies to transactions occurring on or after *May 9, 2008*, except that it does not apply to any transaction occurring pursuant to a written agreement which is binding before *May 9, 2008*, and at all times after that.

(1) *Certain transactions treated as reorganizations described in section 368(a)(1)(D)—(1) General rule.* In order to qualify as a reorganization under section 368(a)(1)(D), a corporation (transferor corporation) must transfer all or part of its assets to another corporation (transferee corporation) and immediately after the transfer the transferor corporation, or one or more of its shareholders (including persons who

were shareholders immediately before the transfer), or any combination thereof, must be in control of the transferee corporation; but only if, in pursuance of the plan, stock or securities of the transferee are distributed in a transaction which qualifies under section 354, 355, or 356.

(2) *Distribution requirement—(i) In general.* For purposes of paragraph (1)(1) of this section, a transaction otherwise described in section 368(a)(1)(D) will be treated as satisfying the requirements of sections 368(a)(1)(D) and 354(b)(1)(B) notwithstanding that there is no actual issuance of stock and/or securities of the transferee corporation if the same person or persons own, directly or indirectly, all of the stock of the transferor and transferee corporations in identical proportions. In cases where no consideration is received or the value of the consideration received in the transaction is less than the fair market value of the transferor corporation's assets, the transferee corporation will be treated as issuing stock with a value equal to the excess of the fair market value of the transferor corporation's assets over the value of the consideration actually received in the transaction. In cases where the value of the consideration received in the transaction is equal to the fair market value of the transferor corporation's assets, the transferee corporation will be deemed to issue a nominal share of stock to the transferor corporation in addition to the actual consideration exchanged for the transferor corporation's assets. The nominal share of stock in the transferee corporation will then be deemed distributed by the transferor corporation to the shareholders of the transferor corporation, as part of the exchange for the stock of such shareholders. Where appropriate, the nominal share will be further transferred through chains of ownership to the extent necessary to reflect the actual ownership of the transferor and transferee corporations. Similar treatment to that of the preceding two sentences shall apply where the transferee corporation is treated as issuing stock with a value equal to the excess of the fair market value of the transferor corporation's assets over the

value of the consideration actually received in the transaction.

(ii) *Attribution.* For purposes of paragraph (1)(2)(i) of this section, ownership of stock will be determined by applying the principles of section 318(a)(2) without regard to the 50 percent limitation in section 318(a)(2)(C). In addition, an individual and all members of his family described in section 318(a)(1) shall be treated as one individual.

(iii) *De minimis variations in ownership and certain stock not taken into account.* For purposes of paragraph (1)(2)(i) of this section, the same person or persons will be treated as owning, directly or indirectly, all of the stock of the transferor and transferee corporations in identical proportions notwithstanding the fact that there is a de minimis variation in shareholder identity or proportionality of ownership. Additionally, for purposes of paragraph (1)(2)(i) of this section, stock described in section 1504(a)(4) is not taken into account.

(iv) *Exception.* Paragraph (1)(2) of this section does not apply to a transaction otherwise described in §1.358-6(b)(2).

(3) *Examples.* The following examples illustrate the principles of paragraph (1) of this section. For purposes of these examples, each of A, B, C, and D is an individual, T is the acquired corporation, S is the acquiring corporation, P is the parent corporation, and each of S1, S2, S3, and S4 is a direct or indirect subsidiary of P. Further, all of the requirements of section 368(a)(1)(D) other than the requirement that stock or securities be distributed in a transaction to which section 354 or 356 applies are satisfied. The examples are as follows:

Example 1. A owns all the stock of T and S. The T stock has a fair market value of \$100x. T sells all of its assets to S in exchange for \$100x of cash and immediately liquidates. Because there is complete shareholder identity and proportionality of ownership in T and S, under paragraph (1)(2)(i) of this section, the requirements of sections 368(a)(1)(D) and 354(b)(1)(B) are treated as satisfied notwithstanding the fact that no S stock is issued. Pursuant to paragraph (1)(2)(i) of this section, S will be deemed to issue a nominal share of S stock to T in addition to the \$100x of cash actually exchanged for the T assets, and T will be deemed to distribute all such consideration to A. The transaction qualifies as a reorganization described in section 368(a)(1)(D).

Example 2. The facts are the same as in *Example 1* except that C, A's son, owns all of the stock of S. Under paragraph (1)(2)(ii) of this section, A and C are treated as one individual. Accordingly, there is complete shareholder identity and proportionality of ownership in T and S. Therefore, under paragraph (1)(2)(i) of this section, the requirements of sections 368(a)(1)(D) and 354(b)(1)(B) are treated as satisfied notwithstanding the fact that no S stock is issued. Pursuant to paragraph (1)(2)(i) of this section, S will be deemed to issue a nominal share of S stock to T in addition to the \$100x of cash actually exchanged for the T assets, and T will be deemed to distribute all such consideration to A. A will be deemed to transfer the nominal share of S stock to C. The transaction qualifies as a reorganization described in section 368(a)(1)(D).

Example 3. P owns all of the stock of S1 and S2. S1 owns all of the stock of S3, which owns all of the stock of T. S2 owns all of the stock of S4, which owns all of the stock of S. The T stock has a fair market value of \$70x. T sells all of its assets to S in exchange for \$70x of cash and immediately liquidates. Under paragraph (1)(2)(ii) of this section, there is indirect, complete shareholder identity and proportionality of ownership in T and S. Accordingly, the requirements of sections 368(a)(1)(D) and 354(b)(1)(B) are treated as satisfied notwithstanding the fact that no S stock is issued. Pursuant to paragraph (1)(2)(i) of this section, S will be deemed to issue a nominal share of S stock to T in addition to the \$70x of cash actually exchanged for the T assets, and T will be deemed to distribute all such consideration to S3. S3 will be deemed to distribute the nominal share of S stock to S1, which, in turn, will be deemed to distribute the nominal share of S stock to P. P will be deemed to transfer the nominal share of S stock to S2, which, in turn, will be deemed to transfer such share of S stock to S4. The transaction qualifies as a reorganization described in section 368(a)(1)(D).

Example 4. A, B, and C own 34%, 33%, and 33%, respectively, of the stock of T. The T stock has a fair market value of \$100x. A, B, and C each own 33% of the stock of S. D owns the remaining 1% of the stock of S. T sells all of its assets to S in exchange for \$100x of cash and immediately liquidates. For purposes of determining whether the distribution requirement of sections 368(a)(1)(D) and 354(b)(1)(B) is met, under paragraph (1)(2)(iii) of this section, D's ownership of a de minimis amount of stock of S is disregarded and the transaction is treated as if there is complete shareholder identity and proportionality of ownership in T and S. Because there is complete shareholder identity and proportionality of ownership in T and S, under paragraph (1)(2)(i) of this section, the requirements of sections 368(a)(1)(D) and

354(b)(1)(B) are treated as satisfied notwithstanding the fact that no S stock is issued. Pursuant to paragraph (1)(2)(i) of this section, S will be deemed to issue a nominal share of S stock to T in addition to the \$100x of cash actually exchanged for the T assets, T will be deemed to distribute all such consideration to A, B, and C, and the nominal S stock will be deemed transferred among the S shareholders to the extent necessary to reflect their actual ownership of S. The transaction qualifies as a reorganization described in section 368(a)(1)(D).

Example 5. The facts are the same as in *Example 4* except that A, B, and C own 34%, 33%, and 33%, respectively, of the common stock of T and S. D owns preferred stock in S described in section 1504(a)(4). For purposes of determining whether the distribution requirement of sections 368(a)(1)(D) and 354(b)(1)(B) is met, under paragraph (1)(2)(iii) of this section, D's ownership of S stock described in section 1504(a)(4) is ignored and the transaction is treated as if there is complete shareholder identity and proportionality of ownership in T and S. Because there is complete shareholder identity and proportionality of ownership in T and S, under paragraph (1)(2)(i) of this section, the requirements of sections 368(a)(1)(D) and 354(b)(1)(B) are treated as satisfied notwithstanding the fact that no S stock is issued. Pursuant to paragraph (1)(2)(i) of this section, S will be deemed to issue a nominal share of S stock to T in addition to the \$100x of cash actually exchanged for the T assets, and T will be deemed to distribute all such consideration to A, B, and C. The transaction qualifies as a reorganization described in section 368(a)(1)(D).

Example 6. A and B each own 50% of the stock of T. The T stock has a fair market value of \$100x. B and C own 90% and 10%, respectively, of the stock of S. T sells all of its assets to S in exchange for \$100x of cash and immediately liquidates. Because complete shareholder identity and proportionality of ownership in T and S does not exist, paragraph (1)(2)(i) of this section does not apply. The requirements of sections 368(a)(1)(D) and 354(b)(1)(B) are not satisfied, and the transaction does not qualify as a reorganization described in section 368(a)(1)(D).

(4) *Effective/applicability date*—(i) *In general.* This section applies to transactions occurring on or after *December 18, 2009*. For rules regarding transactions occurring before *December 18, 2009*, see section 1.368-2T(1) as contained in 26 CFR part 1.

(ii) *Transitional rule.* A taxpayer may apply the provisions of these regulations to transactions occurring before *December 18, 2009*. However, the transferor corporation, the transferee cor-

poration, any direct or indirect transferee of transferred basis property from either of the foregoing, and any shareholder of the transferor or transferee corporation may not apply the provisions of these regulations unless all such taxpayers apply the provisions of the regulations.

(m) *Qualification as a reorganization under section 368(a)(1)(F)*—(1) *Mere change.* To qualify as a reorganization under section 368(a)(1)(F), a transaction must result in a mere change in identity, form, or place of organization of one corporation, however effected (a mere change). A mere change can consist of a transaction that involves an actual or deemed transfer of property from one corporation (a transferor corporation) to one other corporation (a resulting corporation). Such a transaction is a mere change and qualifies as a reorganization under section 368(a)(1)(F) only if all the requirements set forth in paragraphs (m)(1)(i) through (vi) of this section are satisfied. For purposes of this paragraph (m), a transaction or a series of related transactions that can be tested against the requirements set forth in paragraphs (m)(1)(i) through (vi) of this section (a potential F reorganization) begins when the transferor corporation begins transferring (or is deemed to begin transferring) its assets, directly or indirectly, to the resulting corporation, and it ends when the transferor corporation has distributed (or is deemed to have distributed) to its shareholders the consideration it receives (or is deemed to receive) from the resulting corporation and has completely liquidated for federal income tax purposes. For purposes of this paragraph (m), deemed transfers include, for example, those provided in § 301.7701-3(g)(1)(iv) of this chapter (when an entity disregarded as separate from its owner elects under paragraph § 301.7701-3(c)(1)(i) of this chapter to be classified as an association, the owner of the entity is deemed to transfer all of the assets and liabilities of the entity to the association in exchange for stock of the association). Deemed transfers also include those resulting from the application of step transaction principles. For example,

step transaction principles may disregard a transitory holding of property by an individual after a liquidation of the transferor corporation and before a subsequent transfer of the transferor corporation's property to the resulting corporation. Step transaction principles may also treat a contribution of all the stock of the transferor corporation to the resulting corporation, followed by a liquidation (or deemed liquidation) of the transferor corporation, as a deemed transfer of the transferor corporation's property to the resulting corporation, followed by a distribution of stock of the resulting corporation in complete liquidation of the transferor corporation.

(i) *Resulting corporation stock distributed in exchange for transferor corporation stock.* Immediately after the potential F reorganization, all the stock of the resulting corporation, including any stock of the resulting corporation issued before the potential F reorganization, must have been distributed (or deemed distributed) in exchange for stock of the transferor corporation in the potential F reorganization. However, for purposes of this paragraph (m)(1)(i) and paragraph (m)(1)(ii) of this section, a de minimis amount of stock issued by the resulting corporation other than in respect of stock of the transferor corporation to facilitate the organization of the resulting corporation or maintain its legal existence is disregarded.

(ii) *Identity of stock ownership.* The same person or persons must own all of the stock of the transferor corporation, determined immediately before the potential F reorganization, and of the resulting corporation, determined immediately after the potential F reorganization, in identical proportions. However, this requirement is not violated if one or more holders of stock in the transferor corporation exchange stock in the transferor corporation for stock of equivalent value in the resulting corporation, but having different terms from those of the stock in the transferor corporation, or receive a distribution of money or other property from either the transferor corporation or the resulting corporation, whether or not in exchange for stock in the transferor

corporation or the resulting corporation.

(iii) *Prior assets or attributes of resulting corporation.* The resulting corporation may not hold any property or have any tax attributes (including those specified in section 381(c)) immediately before the potential F reorganization. However, this requirement is not violated if the resulting corporation holds or has held a de minimis amount of assets to facilitate its organization or maintain its legal existence, and has tax attributes related to holding those assets, or holds the proceeds of borrowings undertaken in connection with the potential F reorganization.

(iv) *Liquidation of transferor corporation.* The transferor corporation must completely liquidate, for federal income tax purposes, in the potential F reorganization. However, the transferor corporation is not required to dissolve under applicable law and may retain a de minimis amount of assets for the sole purpose of preserving its legal existence.

(v) *Resulting corporation is the only acquiring corporation.* Immediately after the potential F reorganization, no corporation other than the resulting corporation may hold property that was held by the transferor corporation immediately before the potential F reorganization, if such other corporation would, as a result, succeed to and take into account the items of the transferor corporation described in section 381(c).

(vi) *Transferor corporation is the only acquired corporation.* Immediately after the potential F reorganization, the resulting corporation may not hold property acquired from a corporation other than the transferor corporation if the resulting corporation would, as a result, succeed to and take into account the items of such other corporation described in section 381(c).

(2) *Non-application of continuity of interest and continuity of business enterprise requirements.* A continuity of the business enterprise and a continuity of interest are not required for a potential F reorganization to qualify as a reorganization under section 368(a)(1)(F). See § 1.368-1(b).

(3) *Related transactions*—(i) *Series of transactions*. A potential F reorganization consisting of a series of related transactions that together result in a mere change of one corporation may qualify as a reorganization under section 368(a)(1)(F), whether or not certain steps in the series, viewed in isolation, could be subject to other Code provisions, such as sections 304(a), 331, 332, or 351. However, *see* paragraph (k) of this section for transactions that qualify as reorganizations under section 368(a) and will not be recharacterized as a mere change as a result of one or more subsequent transfers of assets or stock.

(ii) *Mere change within a larger transaction*. A potential F reorganization that qualifies as a reorganization under section 368(a)(1)(F) may occur before, within, or after other transactions that effect more than a mere change, even if the resulting corporation has only transitory existence. Related events that precede or follow the potential F reorganization generally will not cause that potential F reorganization to fail to qualify as a reorganization under section 368(a)(1)(F). Qualification of a potential F reorganization as a reorganization under section 368(a)(1)(F) will not alter the character of other transactions for federal income tax purposes, and step transaction principles may be applied to other transactions without regard to whether certain steps qualify as a reorganization or part of a reorganization under section 368(a)(1)(F).

(iii) *Distributions treated as separate transactions*. As provided in paragraph (m)(1)(ii) of this section, a potential F reorganization may qualify as a mere change even though a holder of stock in the transferor corporation receives a distribution of money or other property from either the transferor corporation or the resulting corporation. If a shareholder receives money or other property (including in exchange for its shares) from the transferor corporation or the resulting corporation in a potential F reorganization that qualifies as a reorganization under section 368(a)(1)(F), then the receipt of money or other property (including any exchanged for shares) is treated as an unrelated, separate transaction

from the reorganization, whether or not connected in a formal sense. *See* § 1.301-1(1).

(iv) *Transactions also qualifying under other provisions of section 368(a)(1)*. In certain cases, a potential F reorganization would (but for this paragraph (m)(3)(iv)) qualify both as a reorganization under section 368(a)(1)(F) and as a reorganization or part of a reorganization under another provision of section 368(a)(1). The following rules determine which of these overlapping qualifications applies.

(A) If the potential F reorganization or a step thereof qualifies as a reorganization or part of a reorganization under another provision of section 368(a)(1), and if a corporation in control (within the meaning of section 368(c)) of the resulting corporation is a party to such other reorganization (within the meaning of section 368(b)), the potential F reorganization will not qualify as a reorganization under section 368(a)(1)(F).

(B) Except as provided in paragraph (m)(3)(iv)(A) of this section, if, but for this paragraph (m)(3)(iv)(B), the potential F reorganization would qualify as a reorganization under both section 368(a)(1)(F) and one or more of sections 368(a)(1)(A), 368(a)(1)(C), or 368(a)(1)(D), then for all federal income tax purposes the potential F reorganization will qualify as a reorganization only under section 368(a)(1)(F).

(4) *Examples*. The following examples illustrate the application of this paragraph (m). Unless the facts otherwise indicate, A, B, and C are domestic individuals; P, S, T, X, Y, and Z (and similar designations) are domestic corporations; each transaction is entered into for a valid business purpose; all persons and transactions are unrelated; and all other relevant facts are set forth in the examples.

Example 1. Cash contribution and redemption—no mere change. C owns all of the stock of X, a State A corporation. The net value of X's assets and liabilities is \$1,000,000. Y, a State B corporation, seeks to acquire the assets of X for cash. To effect the acquisition, Y and X enter into an agreement under which Y will contribute \$1,000,000 to Z, a newly formed corporation of which Y is the sole shareholder, in exchange for Z stock and X will merge into Z. In the merger, C surrenders all of the X stock and receives the

\$1,000,000 Y contributed to Z. C receives no Z stock in the transaction. After the merger, Y holds all of the Z stock, and Z holds all of the assets and liabilities previously held by X. Z stock is not distributed to the shareholders of X in exchange for their stock in X as required by paragraph (m)(1)(i) of this section, and the transaction results in a change in the ownership of X that does not result from an exchange or distribution described in paragraph (m)(1)(ii) of this section. Therefore, the merger of X into Z is not a mere change of X and does not qualify as a reorganization under section 368(a)(1)(F).

Example 2. Cash redemption—mere change. A owns 75%, and B owns 25%, of the stock of X, a State A corporation. The management of X determines that it would be in the best interest of X to reorganize under the laws of State B. Accordingly, X forms Y, a State B corporation, and X and Y enter into an agreement under which X will merge into Y. A does not wish to own stock in Y. In the merger, A surrenders A's X stock and receives cash, and B surrenders all of B's X stock and receives all the stock of Y. The change in ownership caused by A's surrender of X stock results from a distribution and exchange described in paragraph (m)(1)(ii) of this section. Therefore, the merger of X into Y is a mere change of X and qualifies as a reorganization under section 368(a)(1)(F). Under paragraph (m)(3)(iii) of this section, A's surrender of X stock for cash is treated as a transaction, separate from the reorganization, to which section 302(a) applies.

Example 3. Pre-transaction de minimis stock issuance—mere change—other provisions of section 368(a)(1). P owns all of the stock of S, a Country A corporation. The management of P determines that it would be in the best interest of S to change its place of incorporation to Country B. Under Country B law, a corporation must have at least two shareholders to enjoy limited liability. P is advised by its Country B advisors that the new corporation should issue 1% of its stock to a shareholder that is not P's nominee to assure satisfaction of the two-shareholder requirement. As part of an integrated plan, C, an officer of S, organizes Y, a Country B corporation with 1,000 shares of common stock authorized, and contributes cash to Y in exchange for ten of the common shares. S then merges into Y under the laws of Country A and Country B. Pursuant to the plan of merger, P surrenders its shares of S stock and receives 990 shares of Y common stock. The ten shares of Y stock issued to C not in respect of the S stock are de minimis and are used to facilitate the organization of Y within the meaning of paragraph (m)(1)(i) of this section. Therefore, the issuance of this stock to a new shareholder does not prevent the merger of S into Y from qualifying as a mere change of S. Accordingly, the merger is a reorganization under section 368(a)(1)(F). With-

out regard to the merger's qualification under section 368(a)(1)(F), the merger would also qualify as a reorganization under both section 368(a)(1)(A) and section 368(a)(1)(D). Under paragraph (m)(3)(iv)(B) of this section, if a potential F reorganization qualifies as a reorganization under section 368(a)(1)(F), and would also qualify under one or more of sections 368(a)(1)(A) or 368(a)(1)(D), the potential F reorganization qualifies only as a reorganization under 368(a)(1)(F), and neither section 368(a)(1)(A) nor section 368(a)(1)(D) will apply.

Example 4. Pre-transaction assets, attributes—no mere change. A owns all of the stock of P, and P owns all of the stock of S, which is engaged in a manufacturing business. P has owned the stock of S for many years. P owns no assets other than the stock of S. A decides to eliminate the holding company structure by merging P into S. Because it operates a manufacturing business, the potential resulting corporation, S, holds property and has tax attributes immediately before the potential F reorganization. Therefore, under paragraph (m)(1)(iii) of this section, the merger of P into S is not a mere change of P and does not qualify as a reorganization under section 368(a)(1)(F). The same result would occur under paragraph (m)(1)(iii) of this section if, instead of P merging into S, S merged into P, because P, the potential resulting corporation, holds property (the stock of S) and has tax attributes immediately before the potential F reorganization.

Example 5. Series of related transactions—mere change. P owns all of the stock of S1, a State A corporation. The management of P determines that it would be in the best interest of S1 to change its place of incorporation to State B. Accordingly, under an integrated plan, P forms S2, a new State B corporation; P contributes the S1 stock to S2; and S1 merges into S2 under the laws of State A and State B. Under paragraph (m)(3)(i) of this section, a series of transactions that together result in a mere change of one corporation may qualify as a reorganization under section 368(a)(1)(F). The contribution of S1 stock to S2 and the merger of S1 into S2 together constitute a mere change of S1. Therefore, the potential F reorganization qualifies as a reorganization under section 368(a)(1)(F). Without regard to its qualification under section 368(a)(1)(F), the potential F reorganization would also qualify as a reorganization under both section 368(a)(1)(A) and section 368(a)(1)(D). Under paragraph (m)(3)(iv)(B) of this section, if a potential F reorganization qualifies as a reorganization under section 368(a)(1)(F) and would also qualify under one or more of sections 368(a)(1)(A) or 368(a)(1)(D), it qualifies only as a reorganization under 368(a)(1)(F), and neither section 368(a)(1)(A) nor section 368(a)(1)(D) will apply. The result would be

the same with respect to qualification under section 368(a)(1)(F) if, instead of merging into S2, S1 completely liquidates or is deemed to liquidate by reason of a conversion in an entity disregarded as separate from its owner under §301.7701-3 of this chapter.

Example 6. Post-transaction stock sale—mere change. P owns all of the stock of S1, a State A corporation. The management of P determines that it would be in the best interest of S1 to change its place of incorporation to State B. Accordingly, P forms S2, a new State B corporation. S1 then merges into S2 under the laws of State A and State B. Immediately thereafter, and as part of the same plan, P sells all of its stock in S2 to an unrelated party. Without regard to P's sale of S2 stock, the merger of S1 into S2 is a potential F reorganization that qualifies as a mere change of S1 within the meaning of paragraph (m)(1) of this section. Under paragraph (m)(3)(ii) of this section, related events that occur before or after a potential F reorganization that qualifies as a mere change generally do not cause that potential F reorganization to fail to qualify as a reorganization under section 368(a)(1)(F). Therefore, P's sale of the S2 stock is disregarded in determining whether the merger of S1 into S2 is a mere change of S1. Accordingly, the merger of S1 into S2 qualifies as a reorganization under section 368(a)(1)(F). The result would be the same if, instead of the S2 stock being sold by P, S2 merges into a previously unrelated corporation and terminates its separate existence.

Example 7. Post-transaction redemption—mere change. A owns all of the stock of T. P owns all of the stock of S. Each of T and S is a State A corporation engaged in a manufacturing business. The following transactions occur pursuant to a single plan. Each of T, P, and S is a State A corporation engaged in a manufacturing business. Second, P changes its state of incorporation to State B by merging into newly incorporated New P under the laws of State A and State B. Third, New P redeems all the New P stock issued to A in respect of A's P stock (initially issued to A in respect of A's T stock) for cash. Without regard to the other steps, the merger of P into New P is a potential F reorganization that qualifies as a reorganization under section 368(a)(1)(F). Under paragraph (m)(3)(ii) of this section, related events that occur before or after a potential F reorganization that qualifies as a mere change generally do not prevent that potential F reorganization from qualifying as a reorganization under section 368(a)(1)(F). Therefore, the merger of P into New P qualifies as a reorganization under section 368(a)(1)(F). Under paragraph (m)(3)(ii) of this section, the qualification of the merger of P into New P as a reorganization under section 368(a)(1)(F) does not alter the tax treatment of the merger of

T into S. Because the P shares received by A in respect of the T shares (exchanged for New P shares in the mere change of P into New P) are redeemed for cash pursuant to the plan, the merger of T into S does not satisfy the continuity of interest requirement of §1.368-1(e) and therefore does not qualify as a reorganization under section 368(a).

Example 8. Series of related transactions—mere change. P owns all of the stock of S, a State A corporation. The management of P determines that it would be in the best interest of S to change its form from a State A corporation to a State A limited partnership but to continue to be treated as a corporation for federal tax purposes. Accordingly, P contributes 1% of the S stock to newly formed LLC, a limited liability company, in exchange for all of the membership interests in LLC. P is the sole member of LLC. Under §301.7701-3 of this chapter, LLC is disregarded as an entity separate from its owner, P. Then, under a State A statute, S converts to a State A limited partnership. In the conversion, P's interest as a 99% shareholder of S is converted into a 99% limited partner interest, and LLC's interest as a 1% shareholder of S is converted into a 1% general partner interest. S also elects, under §301.7701-3(c) of this chapter, to be classified as a corporation for federal income tax purposes, effective on the same day as the conversion. Under paragraph (m)(3)(i) of this section, the conversion of S from a State A corporation to a State A limited partnership, together with the election to treat S as a corporation for federal tax purposes, results in a mere change of S and qualifies as a reorganization under section 368(a)(1)(F).

Example 9. Other acquiring corporation—no mere change. P owns 80%, and A owns 20%, of the stock of S. A and the management of P determine that it would be in the best interest of S to completely liquidate while A continues to operate part of the business of S in corporate form. Accordingly, S distributes 80% of its assets to P and 20% of its assets to A; S dissolves; and A contributes the assets it receives from S to newly incorporated New S in exchange for all of the stock of New S. S's distribution of 80% of its property to P as part of the complete liquidation of S meets the requirements of section 332. Thus, section 381(a)(1) applies to P's acquisition of 80% of the property held by S immediately before the transaction. Under paragraph (m)(1)(v) of this section, the potential F reorganization in which 20% of the property held by S immediately before the transaction is transferred to New S cannot be a mere change of S, because section 381(a) applies to P's acquisition of property held by S immediately before the potential F reorganization. Accordingly, sections 331 and 336 apply to A's acquisition of property from S and S's distribution of property to A, and section 351

applies to A's contribution of that property to New S.

Example 10. Other acquiring corporation—no mere change. P owns all of the stock of S1. The management of P determines that it would be in the best interest of S1 to merge S1 into P. Accordingly, pursuant to a state merger statute, S1 merges into P. Immediately afterward and as part of the same plan, P contributes 50% of the former assets of S1 to newly incorporated S2 in exchange for all of the stock of S2. The transaction does not qualify as a complete liquidation of S1 under section 332 (because of the reincorporation of some of S1's assets) but does qualify as a reorganization under section 368(a)(1)(A) by reason of section 368(a)(2)(C) and paragraph (k) of this section. Under paragraph (m)(1)(v) of this section, the potential F reorganization in which some of the former assets of S1 are transferred (in form) first to P, and then to S2, is not a mere change of S1, because section 381(a) applies to P's acquisition of property held by S1 immediately before the potential F reorganization. Furthermore, under paragraph (m)(3)(iv)(A) of this section, P, the corporation in control of S2 within the meaning of section 368(c), is a party to the reorganization within the meaning of section 368(b). Thus, the indirect transfer of property from S1 to S2 does not qualify under section 368(a)(1)(F).

Example 11. Other acquiring corporation—mere change. P owns all of the stock of S1. S1's only asset is all of the equity interest in LLC2, a domestic limited liability company. Under §301.7701-3 of this chapter, LLC2 is disregarded as an entity separate from its owner, S1. Pursuant to an integrated plan to undergo a reorganization under 368(a)(1)(F), S1 and LLC2 undergo the following two state law conversions. First, under state law LLC2 converts into S2, a corporation. Second, under state law S1 converts into LLC1, a domestic limited liability company. Under §301.7701-3 of this chapter, LLC1 is disregarded as an entity separate from its owner, P. As a result of the two conversions, S1 is deemed to transfer its assets to S2 in exchange for all of the stock in S2 and then distribute the S2 stock to P in complete liquidation of S1. The two conversions, viewed as a potential F reorganization, constitute a mere change of S1, and that potential F reorganization qualifies as a reorganization under section 368(a)(1)(F). The result would be the same if, instead of converting into S2 pursuant to state law, LLC2 elected under §301.7701-3(c) to change its classification for federal tax purposes and be treated as an association taxable as a corporation, provided the effective date of the election (and its resulting deemed transactions) occurs before the conversion of S1.

Example 12. Other acquiring corporation—no mere change. The facts are the same facts as

in *Example 11*, except that S1 converts into LLC1 prior to the conversion of LLC2 into S2. As a result of these conversions, S1 is deemed to distribute all of its assets to P in exchange for all of P's S1 stock, and P is deemed to transfer all of those assets to S2 in exchange for all of the stock in S2. The transaction does not qualify as a complete liquidation of S1 under section 332 (because of the reincorporation of S1's assets), but does qualify as a reorganization under section 368(a)(1)(C) by reason of section 368(a)(2)(C) and paragraph (k) of this section. Under paragraph (m)(1)(v) of this section, the potential F reorganization in which the former assets of S1 are deemed transferred, first by S1 to P, and then by P to S2, is not a mere change of S1 because section 381(a) applies to P's acquisition of property held by S1 immediately before the potential F reorganization. Furthermore, the corporation in control of S2, within the meaning of section 368(c), is a party to the reorganization within the meaning of section 368(b). Thus, the indirect transfer of property from S1 to S2 does not qualify under section 368(a)(1)(F).

Example 13. Series of related transactions—no mere change. X owns all of the stock of T. P acquires all of the stock of T in exchange for consideration consisting of \$50 cash and P voting stock with \$50 value. No election is made under section 338. Immediately thereafter and as part of the same plan, P forms S as a wholly-owned subsidiary, and T is merged into S. Viewed in isolation as a potential F reorganization, the merger of T into S appears to constitute a mere change of T. However, the acquisition of the T stock by P and the merger of T into S, viewed together, qualify as a reorganization under section 368(a)(1)(A) by reason of section 368(a)(2)(D). The step transaction doctrine is applied to treat the transaction as a statutory merger of T into S in exchange for \$50 cash and \$50 of P's voting stock (and S's assumption of T's liabilities), P's momentary ownership of T stock is disregarded. Under paragraph (m)(3)(iv)(A) of this section, P, the corporation in control of S, is a party to the reorganization within the meaning of section 368(b). Thus, the transfer of property from T to S does not qualify under section 368(a)(1)(F).

Example 14. Multiple transferor corporations—no mere change. P owns all the stock of S1 and S2. The management of P determines it would be in the best interest of S1 and S2 to operate as a single corporation. P forms S3 and, under applicable corporate law, S1 and S2 simultaneously merge into S3. Immediately after the merger, P owns all the stock of S3. Each of the mergers can be tested as a potential F reorganization. However, immediately after the simultaneous mergers, the resulting corporation, S3, holds property acquired from a corporation other than the transferor corporation, and section

381(a) would apply to the acquisition of such property. Therefore, under paragraph (m)(1)(vi) of this section, neither potential F reorganization is a mere change, and neither merger into S3 qualifies as a reorganization under section 386(a)(1)(F). The result would be different if the mergers were not simultaneous. If S1 completed its merger into S3 before S2 began its merger into S3, the merger of S1 into S3 would qualify as a reorganization under section 368(a)(1)(F), but the merger of S2 into S3 would not so qualify (although it would qualify as a reorganization under sections 368(a)(1)(A) and 368(a)(1)(D)).

(5) *Effective/Applicability Date.* This paragraph (m) applies to transactions occurring on or after September 21, 2015.

[T.D. 6500, 25 FR 11607, Nov. 26, 1960]

EDITORIAL NOTE: For FEDERAL REGISTER citations affecting § 1.368-2, see the List of CFR Sections Affected, which appears in the Finding Aids section of the printed volume and at www.govinfo.gov.

§ 1.368-3 Records to be kept and information to be filed with returns.

(a) *Parties to the reorganization.* The plan of reorganization must be adopted by each of the corporations that are parties thereto. Each such corporation must include a statement entitled, “STATEMENT PURSUANT TO § 1.368-3(a) BY [INSERT NAME AND EMPLOYER IDENTIFICATION NUMBER (IF ANY) OF TAXPAYER], A CORPORATION A PARTY TO A REORGANIZATION,” on or with its return for the taxable year of the exchange. If any such corporation is a controlled foreign corporation (within the meaning of section 957), each United States shareholder (within the meaning of section 951(b)) with respect thereto must include this statement on or with its return. However, it is not necessary for any taxpayer to include more than one such statement on or with the same return for the same reorganization. The statement must include—

(1) The names and employer identification numbers (if any) of all such parties;

(2) The date of the reorganization;

(3) The value and basis of the assets, stock or securities of the target corporation transferred in the transaction, determined immediately before the transfer and aggregated as follows—

(i) Importation property transferred in a loss importation transaction, as defined in § 1.362-3(c)(2) and (3), respectively;

(ii) Loss duplication property as defined in § 1.362-4(g)(1);

(iii) Property with respect to which any gain or loss was recognized on the transfer (without regard to whether such property is also identified in paragraph (a)(3)(i) or (ii) of this section);

(iv) Property not described in paragraph (a)(3)(i), (ii), or (iii) of this section; and

(4) The date and control number of any private letter ruling(s) issued by the Internal Revenue Service in connection with this reorganization.

(b) *Significant holders.* Every significant holder, other than a corporation a party to the reorganization, must include a statement entitled, “STATEMENT PURSUANT TO § 1.368-3(b) BY [INSERT NAME AND TAXPAYER IDENTIFICATION NUMBER (IF ANY) OF TAXPAYER], A SIGNIFICANT HOLDER,” on or with such holder’s return for the taxable year of the exchange. If a significant holder is a controlled foreign corporation (within the meaning of section 957), each United States shareholder (within the meaning of section 951(b)) with respect thereto must include this statement on or with its return. The statement must include—

(1) The names and employer identification numbers (if any) of all of the parties to the reorganization;

(2) The date of the reorganization; and

(3) The value and basis of all the stock or securities of the target corporation held by the significant holder that is transferred in the transaction and such holder’s basis in that stock or securities, determined immediately before the transfer and aggregated as follows—

(i) Stock and securities with respect to which an election is made under section 362(e)(2)(C); and

(ii) Stock and securities not described in paragraph (b)(3)(i) of this section.

(c) *Definitions.* For purposes of this section:

(1) *Significant holder* means—

(i) A holder of stock of the target corporation that receives stock or securities in an exchange described in section 354 (or so much of section 356 as relates to section 354) if, immediately before the exchange, such holder—

(A) Owned at least five percent (by vote or value) of the total outstanding stock of the target corporation if the stock owned by such holder is publicly traded; or

(B) Owned at least one percent (by vote or value) of the total outstanding stock of the target corporation if the stock owned by such holder is not publicly traded; or

(ii) A holder of securities of the target corporation that receives stock or securities in an exchange described in section 354 (or so much of section 356 as relates to section 354) if, immediately before the exchange, such holder owned securities in such target corporation with a basis of \$1,000,000 or more.

(2) *Publicly traded stock* means stock that is listed on—

(i) A national securities exchange registered under section 6 of the Securities Exchange Act of 1934 (15 U.S.C. 78f); or

(ii) An interdealer quotation system sponsored by a national securities association registered under section 15A of the Securities Exchange Act of 1934 (15 U.S.C. 78o-3).

(d) *Substantiation information.* Under § 1.6001-1(e), taxpayers are required to retain their permanent records and make such records available to any authorized Internal Revenue Service officers and employees. In connection with the reorganization described in this section, these records should specifically include information regarding the amount, basis, and fair market value of all transferred property, and relevant facts regarding any liabilities assumed or extinguished as part of such reorganization.

(e) *Effective/applicability date.* This section applies to any taxable year beginning on or after May 30, 2006. However, taxpayers may apply this section to any original Federal income tax return (including any amended return filed on or before the due date (including extensions) of such original return) timely filed on or after May 30, 2006. For taxable years beginning before

May 30, 2006, see § 1.368-3 as contained in 26 CFR part 1 in effect on April 1, 2006. Paragraphs (a)(3) and (b)(3) of this section apply with respect to reorganizations occurring on or after March 28, 2016, and also with respect to reorganizations occurring before such date as a result of an entity classification election under § 301.7701-3 of this chapter filed on or after March 28, 2016, unless such reorganization is pursuant to a binding agreement that was in effect prior to March 28, 2016 and at all times thereafter.

[T.D. 9329, 72 FR 32800, June 14, 2007, as amended by T.D. 9759, 81 FR 17083, Mar. 28, 2016]

INSOLVENCY REORGANIZATIONS

CARRYOVERS

§ 1.381(a)-1 General rule relating to carryovers in certain corporate acquisitions.

(a) *Allowance of carryovers.* Section 381 provides that a corporation which acquires the assets of another corporation in certain liquidations and reorganizations shall succeed to, and take into account, as of the close of the date of distribution or transfer, the items described in section 381(c) of the distributor or transferor corporation. These items shall be taken into account by the acquiring corporation subject to the conditions and limitations specified in sections 381, 382(b), and 383 and the regulations thereunder.

(b) *Determination of transactions and items to which section 381 applies—*(1) *Qualified transactions.* Except to the extent provided in section 381(c)(20), relating to the carryover of unused pension trust deductions in certain liquidations, the items described in section 381(c) are required by section 381 to be carried over to the acquiring corporation (as defined in subparagraph (2) of this paragraph) only in the following liquidations and reorganizations:

(i) The complete liquidation of a subsidiary corporation upon which no gain or loss is recognized in accordance with the provisions of section 332;

(ii) A statutory merger or consolidation qualifying under section 368(a)(1)(A) to which section 361 applies;

§ 1.381(b)-1

26 CFR Ch. I (4-1-21 Edition)

(iii) A reorganization qualifying under section 368(a)(1)(C);

(iv) A reorganization qualifying under section 368(a)(1)(D) if the requirements of section 354(b)(1)(A) and (B) are satisfied; and

(v) A mere change in identity, form, or place of organization qualifying under section 368(a)(1)(F).

(2) *Acquiring corporation defined.* (i) Only a single corporation may be an acquiring corporation for purposes of section 381 and the regulations thereunder. The corporation which acquires the assets of its subsidiary corporation in a complete liquidation to which section 381(a)(1) applies is the acquiring corporation for purposes of section 381. In a transaction to which section 381(a)(2) applies, the acquiring corporation is the corporation that, pursuant to the plan of reorganization, directly acquires the assets transferred by the transferor corporation, even if that corporation ultimately retains none of the assets so transferred.

(ii) The application of this subparagraph may be illustrated by the following examples:

Example 1. Y Corporation, a wholly-owned subsidiary of X Corporation, directly acquired all the assets of Z Corporation solely in exchange for voting stock of X Corporation in a transaction qualifying under section 368(a)(1)(C). Y Corporation is the acquiring corporation for purposes of section 381.

Example 2. X Corporation acquired all the assets of Z Corporation solely in exchange for voting stock of X Corporation in a transaction qualifying under section 368(a)(1)(C). Thereafter, pursuant to the plan of reorganization X Corporation transferred all the assets so acquired to Y Corporation, its wholly-owned subsidiary (see section 368(a)(2)(C)). X Corporation is the acquiring corporation for purposes of section 381.

Example 3. X Corporation acquired all the assets of Z Corporation solely in exchange for the voting stock of X Corporation in a transaction qualifying under section 368(a)(1)(C). Thereafter, pursuant to the plan of reorganization X Corporation transferred one-half of the assets so acquired to Y Corporation, its wholly-owned subsidiary, and retained the other half of such assets. X Corporation is the acquiring corporation for purposes of section 381.

Example 4. X Corporation acquired all the assets of Z Corporation solely in exchange for voting stock of X Corporation in a transaction qualifying under section 368(a)(1)(C). Thereafter, pursuant to the plan of reorganization X Corporation transferred one-half

of the assets so acquired to Y Corporation, its wholly-owned subsidiary, and the other half of such assets to M Corporation, another wholly-owned subsidiary of X Corporation. X Corporation is the acquiring corporation for purposes of section 381.

(3) *Transactions and items not covered by section 381.* Section 381 does not apply to partial liquidations, divisive reorganizations, or other transactions not described in subparagraph (1) of this paragraph. Moreover, section 381 does not apply to the carryover of an item or tax attribute not specified in subsection (c) thereof. In a case where section 381 does not apply to a transaction, item, or tax attribute by reason of either of the preceding sentences, no inference is to be drawn from the provisions of section 381 as to whether any item or tax attribute shall be taken into account by the successor corporation.

(c) *Foreign corporations.* For additional rules involving foreign corporations, see §§ 1.367(b)-7 through 1.367(b)-9.

(d) *Internal Revenue Code of 1939.* Any reference in the regulations under section 381 to any provision of the Internal Revenue Code of 1954 shall, where appropriate, be deemed also to refer to the corresponding provision of the Internal Revenue Code of 1939.

(e) *Effective/applicability date.* The rules of paragraph (b)(1)(i) of this section apply to corporate reorganizations and tax-free liquidations described in section 381(a) that occur on or after August 31, 2011. The last sentence of paragraph (b)(2)(i) of this section and *Example 2* of paragraph (b)(2)(ii) of this section apply to transactions occurring on or after November 10, 2014.

[T.D. 6500, 25 FR 11607, Nov. 26, 1960, as amended by T.D. 7343, 40 FR 1698, Jan. 9, 1975; T.D. 9273, 71 FR 44914, Aug. 8, 2006; T.D. 9534, 76 FR 45675, Aug. 1, 2011; T.D. 9700; 79 FR 66617, Nov. 10, 2014]

§ 1.381(b)-1 Operating rules applicable to carryovers in certain corporate acquisitions.

(a) *Closing of taxable year—(1) In general.* Except in the case of certain reorganizations qualifying under section 368(a)(1)(F), the taxable year of the distributor or transferor corporation shall end with the close of the date of distribution or transfer. With regard to

the closing of the taxable year of the transferor corporation in certain reorganizations under section 368(a)(1)(F) involving a foreign corporation after December 31, 1986, see §§ 1.367(a)-1(e) and 1.367(b)-2(f).

(2) *Reorganizations under section 368(a)(1)(F).* In the case of a reorganization qualifying under section 368(a)(1)(F) (whether or not such reorganization also qualifies under any other provision of section 368(a)(1)), the acquiring corporation shall be treated (for purposes of section 381) just as the transferor corporation would have been treated if there had been no reorganization. Thus, the taxable year of the transferor corporation shall not end on the date of transfer merely because of the transfer; a net operating loss of the acquiring corporation for any taxable year ending after the date of transfer shall be carried back in accordance with section 172(b) in computing the taxable income of the transferor corporation for a taxable year ending before the date of transfer; and the tax attributes of the transferor corporation enumerated in section 381(c) shall be taken into account by the acquiring corporation as if there had been no reorganization.

(b) *Date of distribution or transfer.* (1) The date of distribution or transfer shall be that day on which are distributed or transferred all those properties of the distributor or transferor corporation which are to be distributed or transferred pursuant to a liquidation or reorganization described in paragraph (b)(1) of § 1.381(a)-1. If the distribution or transfer of all such properties is not made on one day, then, except as provided in subparagraph (2) of this paragraph, the date of distribution or transfer shall be that day on which the distribution or transfer of all such properties is completed.

(2) If the distributor or transferor and acquiring corporations file the statements described in subparagraph (3) of this paragraph, the date of distribution or transfer shall be that day as of which (i) substantially all of the properties to be distributed or transferred have been distributed or transferred, and (ii) the distributor or transferor corporation has ceased all operations (other than liquidating activi-

ties). Such day also shall be the date of distribution or transfer if the completion of the distribution or transfer is unreasonably postponed beyond the date as of which substantially all the properties to be distributed or transferred have been distributed or transferred and the distributor or transferor corporation has ceased all operations other than liquidating activities. A corporation shall be considered to have distributed or transferred substantially all of its properties to be distributed or transferred even though it retains money or other property in a reasonable amount to pay outstanding debts or preserve the corporation's legal existence. A corporation shall be considered to have ceased all operations, other than liquidating activities, when it ceases to be a going concern and its activities are merely for the purpose of winding up its affairs, paying its debts, and distributing any remaining balance of its money or other properties to its shareholders.

(3) *Election*—(i) *Content of statements.* The statements referred to in paragraph (b)(2) of this section must be entitled, "ELECTION OF DATE OF DISTRIBUTION OR TRANSFER PURSUANT TO § 1.381(b)-1(b)(2)," and must include: [INSERT NAME AND EMPLOYER IDENTIFICATION NUMBER (IF ANY) OF DISTRIBUTOR OR TRANSFEROR CORPORATION] AND [INSERT NAME AND EMPLOYER IDENTIFICATION NUMBER (IF ANY) OF ACQUIRING CORPORATION] ELECT TO DETERMINE THE DATE OF DISTRIBUTION OR TRANSFER UNDER § 1.381(b)-1(b)(2). SUCH DATE IS [INSERT DATE (mm/dd/yyyy)].

(ii) *Filing of statements.* One statement must be included on or with the timely filed Federal income tax return of the distributor or transferor corporation for its taxable year ending with the date of distribution or transfer. An identical statement must be included on or with the timely filed Federal income tax return of the acquiring corporation for its first taxable year ending after that date. If the distributor or transferor corporation, or the acquiring corporation, is a controlled foreign corporation (within the meaning of section 957), each United

§ 1.381(c)(1)-1

26 CFR Ch. I (4-1-21 Edition)

States shareholder (within the meaning of section 951(b)) with respect thereto must include this statement on or with its return.

(4) If—

(i) The last day of the acquiring corporation's taxable year is a Saturday, Sunday, or legal holiday, and

(ii) The day specified in subparagraph (1) or (2) of this paragraph as the date of distribution or transfer is the last business day before such Saturday, Sunday, or holiday,

then the last day of the acquiring corporation's taxable year shall be the date of distribution or transfer for purposes of section 381(b) and this section. For purposes of this subparagraph, the term *business day* means a day which is not a Saturday, Sunday, or legal holiday, and also means a Saturday, Sunday, or legal holiday if the date of distribution or transfer determined under subparagraph (1) or (2) of this paragraph is such Saturday, Sunday, or holiday.

(c) *Return of distributor or transferor corporation.* The distributor or transferor corporation shall file an income tax return for the taxable year ending with the date of distribution or transfer described in paragraph (b) of this section. If the distributor or transferor corporation remains in existence after such date of distribution or transfer, it shall file an income tax return for the taxable year beginning on the day following the date of distribution or transfer and ending with the date on which the distributor or transferor corporation's taxable year would have ended if there had been no distribution or transfer.

(d) *Carryback of net operating losses.* For provisions relating to the carryback of net operating losses of the acquiring corporation, see paragraph (b) of § 1.381(c)(1)-1.

(e) *Effective/applicability date.* Paragraph (b)(3) of this section applies to any taxable year beginning on or after May 30, 2006. However, taxpayers may apply paragraph (b)(3) of this section to any original Federal income tax return (including any amended return filed on or before the due date (including extensions) of such original return) timely filed on or after May 30, 2006. For taxable years beginning before May 30,

2006, see § 1.381(b)-1 as contained in 26 CFR part 1 in effect on April 1, 2006.

[T.D. 6500, 25 FR 11607, Nov. 26, 1960, as amended at T.D. 8280, 55 FR 1417, Jan. 16, 1990; T.D. 8862, 65 FR 3609, Jan. 24, 2000; T.D. 9264, 71 FR 30598, May 30, 2006; T.D. 9329, 72 FR 32801, June 14, 2007; T.D. 9739, 80 FR 56915, Sept. 21, 2015]

§ 1.381(c)(1)-1 Net operating loss carryovers in certain corporate acquisitions.

(a) *Carryover requirement.* (1) Section 381(c)(1) requires the acquiring corporation to succeed to, and take into account, the net operating loss carryovers of the distributor or transferor corporation. To determine the amount of these carryovers as of the close of the date of distribution or transfer, and to integrate them with any carryovers and carrybacks of the acquiring corporation for purposes of determining the taxable income of the acquiring corporation for taxable years ending after the date of distribution or transfer, it is necessary to apply the provisions of section 172 in accordance with the conditions and limitations of section 381(c)(1) and this section. See also section 382(b) and the regulations thereunder.

(2) The net operating loss carryovers and carrybacks of the acquiring corporation determined as of the close of the date of distribution or transfer shall be computed without reference to any net operating loss of a distributor or transferor corporation. The net operating loss carryovers of a distributor or transferor corporation as of the close of the date of distribution or transfer shall be determined without reference to any net operating loss of the acquiring corporation.

(3) For purposes of the tax imposed under section 56, the acquiring corporation succeeding to and taking into account any net operating loss carryovers of the distributor or transferor corporation shall also succeed to and take into account along with such net operating loss carryforward any deferred tax liability under section 56(b) and the regulations thereunder attributable to such net operating loss carryover.

(b) *Carryback of net operating losses.* A net operating loss of the acquiring corporation for any taxable year ending after the date of distribution or transfer shall not be carried back in computing the taxable income of a distributor or transferor corporation. However, a net operating loss of the acquiring corporation for any such taxable year shall be carried back in accordance with section 172(b) in computing the taxable income of the acquiring corporation for a taxable year ending on or before the date of distribution or transfer. If a distributor or transferor corporation remains in existence after the date of distribution or transfer, a net operating loss sustained by it for any taxable year beginning after such date shall be carried back in accordance with section 172(b) in computing the taxable income of such corporation for a taxable year ending on or before that date, but may not be carried back or over in computing the taxable income of the acquiring corporation. This paragraph may be illustrated by the following examples:

Example 1. On December 31, 1954, X Corporation merged into Y Corporation in a statutory merger to which section 361 applies, and the charter of Y Corporation continued after the merger. Y Corporation sustained a net operating loss for the calendar year 1955. Y Corporation's net operating loss for 1955 may not be carried back in computing the taxable income of X Corporation but shall be carried back in computing the taxable income of Y Corporation.

Example 2. On December 31, 1954, X Corporation and Y Corporation transferred all their assets to Z Corporation in a statutory consolidation to which section 361 applies. Z Corporation sustained a net operating loss for the calendar year 1955. Z Corporation's net operating loss for 1955 may not be carried back in computing the taxable income of X Corporation or Y Corporation.

Example 3. On December 31, 1954, X Corporation ceased all operations (other than liquidating activities) and transferred substantially all its properties to Y Corporation in a reorganization qualifying under section 368(a)(1)(C). Such properties comprised all of X Corporation's properties which were to be transferred pursuant to the reorganization. In the process of liquidating its assets and winding up its affairs, X Corporation sustained a net operating loss for its taxable year beginning on January 1, 1955. This net operating loss of X Corporation shall be carried back in computing the taxable income of that corporation but may not be carried

back or over in computing the taxable income of Y Corporation.

(c) *First taxable year to which carryovers apply.* (1) The net operating loss carryovers available to the distributor or transferor corporation as of the close of the date of distribution or transfer shall first be carried to the first taxable year of the acquiring corporation ending after that date. This rule applies irrespective of whether the date of distribution or transfer is on the last day, or any other day, of the acquiring corporation's taxable year. Thus, such net operating loss carryovers shall first be used by the acquiring corporation with respect to the computation of its net operating loss deduction under section 172(a), and its taxable income determined under the provisions of section 172(b)(2), for such first taxable year. However, see paragraph (f) of this section.

(2) The net operating loss carryovers available to the distributor or transferor corporation as of the close of the date of distribution or transfer shall be carried to the acquiring corporation without diminution by reason of the fact that the acquiring corporation does not acquire 100 percent of the assets of the distributor or transferor corporation. Thus, if a parent corporation owning 80 percent of all classes of stock of its subsidiary corporation were to acquire its share of the assets of the subsidiary corporation upon a complete liquidation described in paragraph (b)(1)(i) of § 1.381(a)-1, then, subject to the conditions and limitations of this section, 100 percent of the net operating loss carryovers available to the subsidiary corporation as of the close of the date of distribution would be carried over to the parent corporation.

(d) *Limitation on net operating loss deduction for first taxable year ending after date of distribution or transfer.* (1) That part of the acquiring corporation's net operating loss deduction, determined in accordance with sections 172(a) and 381(c)(1), for its first taxable year ending after the date of distribution or transfer which is attributable to the net operating loss carryovers of the distributor or transferor corporation, is limited by section 381(c)(1)(B) and this paragraph to an amount equal to

§ 1.381(c)(1)-1

the acquiring corporation's postacquisition part year taxable income. Such postacquisition part year taxable income is the amount which bears the same ratio to the acquiring corporation's taxable income for the first taxable year ending after the date of distribution or transfer (determined under section 63 without regard to any net operating loss deduction but taking into account other items to which the acquiring corporation succeeds under section 381) as the number of days in such first taxable year which follow the date of distribution or transfer bears to the total number of days in such taxable year. Thus, if the date of distribution or transfer is the last day of the acquiring corporation's taxable year, the net operating loss carryovers of the distributor or transferor are allowed in full in computing under section 172(a) the net operating loss deduction of the acquiring corporation for its first taxable year ending after that date. In such instance, the number of days in the first taxable year which follow the date of distribution or transfer is the total number of days in such taxable year.

(2) The limitation provided by section 381(c)(1)(B) applies solely for the purpose of computing the net operating loss deduction of the acquiring corporation under section 172(a) for the acquiring corporation's first taxable year ending after the date of distribution or transfer. The limitation does not apply for purposes of determining the portion of any net operating loss (whether of the distributor, transferor, or acquiring corporation) which may be carried to any taxable year of the acquiring corporation following its first taxable year ending after the date of distribution or transfer since such determination is made pursuant to section 172(b) and section 381(c)(1)(C). See paragraphs (e) and (f) of this section.

(3) The limitation provided by section 381(c)(1)(B) shall be applied to the aggregate of the allowable net operating loss carryovers of the distributor or transferor corporation without reference to the taxable years in which the net operating losses were sustained by such corporation. If the acquiring corporation has acquired the assets of two or more distributor or transferor

corporations on the same date of distribution or transfer, then the limitation provided by section 381(c)(1)(B) shall be applied to the aggregate of the net operating loss carryovers from all of such distributor or transferor corporations.

(4) If the acquiring corporation succeeds to the net operating loss carryovers of two or more distributor or transferor corporations on two or more different dates of distribution or transfer within one taxable year of the acquiring corporation, the limitation to be applied under section 381(c)(1)(B) to the aggregate of such carryovers shall be governed by the rules prescribed in paragraph (b) of § 1.381(c)(1)-2.

(5) *Illustrations.* The application of this paragraph may be illustrated by the following examples:

Example 1. (i) X Corporation and Y Corporation were organized on January 1, 1956, and make their returns on the calendar year basis. On December 16, 1957, X Corporation transferred all its assets to Y Corporation in a statutory merger to which section 361 applies. The net operating losses and taxable income (computed without the net operating loss deduction) of the two corporations are as follows, the assumption being made that none of the modifications specified in section 172(b)(2)(A) apply to any taxable year:

| Taxable year | X Corporation (transferor) | Y Corporation (acquirer) |
|-----------------------|----------------------------|--------------------------|
| 1956 | (\$35,000) | (\$5,000) |
| Ending 12-16-57 | (30,000) | xxx |
| 1957 | xxx | 36,500 |

(ii) The aggregate of the net operating loss carryovers of X Corporation carried under section 381(c)(1)(A) to Y Corporation's taxable year ending December 31, 1957, is \$65,000; but pursuant to section 381(c)(1)(B), only \$1,500 of such aggregate amount ($\$36,500 \times 15/365$) may be used in computing the net operating loss deduction of Y Corporation for such taxable year under section 172(a). This limitation applies even though Y Corporation's own net operating loss carryover to such year is only \$5,000, with the result that Y Corporation has taxable income under section 63 of \$30,000 for its taxable year ending December 31, 1957, that is, \$36,500 less the sum of \$5,000 and \$1,500.

(iii) For rules determining the portion of any given loss of X Corporation or Y Corporation which may be carried to a taxable year of Y Corporation following its taxable year ending December 31, 1957, see sections

Internal Revenue Service, Treasury

§ 1.381(c)(1)-1

172(b)(2) and 381(c)(1)(C) and paragraph (f) of this section.

Example 2. (i) X Corporation was organized on January 1, 1954, and Y Corporation was organized on January 1, 1956. Each corporation makes its return on the basis of the calendar year. On December 31, 1956, X Corporation transferred all its assets to Y Corporation in a statutory merger to which section 361 applies. The net operating losses and the taxable income (computed without any net operating loss deduction) of the two corporations are as follows, the assumption being made that none of the modifications specified in section 172(b)(2)(A) apply to any taxable year:

| Taxable year | X Corporation (transferor) | Y Corporation (acquirer) |
|--------------|----------------------------|--------------------------|
| 1954 | (\$5,000) | xxx |
| 1955 | (15,000) | xxx |
| 1956 | (10,000) | \$20,000 |
| 1957 | xxx | 40,000 |

(ii) The aggregate of the net operating loss carryovers of X Corporation carried under section 381(c)(1)(A) to Y Corporation's taxable year 1957 is \$30,000, and the full amount of such carryovers is allowed in such taxable year to Y Corporation as a deduction under section 172(a), since such amount does not exceed the limitation (\$40,000 × 365/365) for such taxable year under section 381(c)(1)(B).

Example 3. (i) X Corporation, Y Corporation, and Z Corporation were organized on January 1, 1954, and each corporation makes its return on the basis of the calendar year. On September 30, 1956, X Corporation and Y Corporation transferred all their assets to Z Corporation in a statutory merger to which section 361 applies. The net operating losses and the taxable income (computed without any net operating loss deduction) of the three corporations are as follows, the assumption being made that none of the modifications specified in section 172(b)(2)(A) apply to any taxable year:

| Taxable year | X Corporation (transferor) | Y Corporation (transferor) | Z Corporation (acquirer) |
|----------------------|----------------------------|----------------------------|--------------------------|
| 1954 | (\$5,000) | (\$3,000) | (\$40,000) |
| 1955 | (4,000) | (2,000) | 10,000 |
| Ending 9-30-56 | (1,000) | (9,000) | xxx |
| 1956 | xxx | xxx | 73,200 |

(ii) The aggregate of the net operating loss carryovers of X Corporation and Y Corporation carried under section 381(c)(1)(A) to Z Corporation's taxable year 1956 is \$24,000; but, pursuant to section 381(c)(1)(B), only \$18,400 of such aggregate amount (\$73,200 × 92/366) may be used in computing the net operating loss deduction of Z Corporation for such taxable year under section 172(a). For this purpose, Z Corporation may not use the total of the aggregate carryovers (\$10,000

from X Corporation plus the aggregate carryovers (\$14,000) from Y Corporation, even though each such aggregate of carryovers is separately less than the limitation (\$18,400) applicable under section 381(c)(1)(B) and this section.

(iii) For rules determining the portion of any given loss of X Corporation, Y Corporation, or Z Corporation which may be carried to a taxable year of Z Corporation following its taxable year ending December 31, 1956, see sections 172(b)(2) and 381(c)(1)(C) and paragraph (f) of this section.

(e) *Computation of carryovers and carrybacks; general rule—(1) Sequence for applying losses and computation of taxable income.* The portion of any net operating loss which is carried back or carried over to any taxable year is the excess, if any, of the amount of the loss over the sum of the taxable income for each of the prior taxable years to which the loss may be carried under sections 172(b)(1) and 381. In determining the taxable income for each such prior taxable year for this purpose, the various net operating loss carryovers and carrybacks to such prior taxable year are considered to be applied in reduction of the taxable income in the order of the taxable years in which the net operating losses are sustained, beginning with the loss for the earliest taxable year. The application of this rule to the taxable income of the acquiring corporation for any taxable year ending after the date of distribution or transfer involves the use of carryovers of the distributor or transfer corporation, and of carryovers and carrybacks of the acquiring corporation. In such instance, the sequence for the use of loss years remains the same, and the requirement is to begin with the net operating loss of the earliest taxable year, whether or not it is a loss of the distributor, transferor, or acquiring corporation. The taxable income of the acquiring corporation for any taxable year ending after the date of distribution or transfer shall be determined in the manner prescribed by section 172(b)(2), except that, if the date of distribution or transfer is on a day other than the last day of a taxable year of the acquiring corporation, the taxable income of such corporation for the taxable year which includes such date shall be computed in the special manner prescribed

§ 1.381(c)(1)-1

by section 381(c)(1)(C) and paragraph (f) of this section.

(2) *Loss year of transferor or distributor considered prior taxable year.* Section 381(c)(1)(C) provides that, for the purpose of determining the net operating loss carryovers under section 172(b)(2), a net operating loss for a loss year of a distributor or transferor corporation which ends on or before the last day of a loss year of the acquiring corporation shall be considered to be a net operating loss for a year prior to such loss year of the acquiring corporation. In a case where the acquiring corporation has acquired the assets of two or more distributor or transferor corporations on the same date of distribution or transfer, the loss years of the distributor or transferor corporations shall be taken into account in the order in which such loss years terminate; if any one of the loss years of a distributor or transferor corporation ends on the same day as the loss year of another distributor or transferor corporation, either loss year may be taken into account before the other.

(3) *Years to which losses may be carried.* The taxable years to which a net operating loss shall be carried back or carried over are prescribed by section 172(b)(1). Since the taxable year of the distributor or transferor corporation ends with the close of the date of distribution or transfer, such taxable year and the first taxable year of the acquiring corporation which ends after that date shall be considered two separate taxable years to which a net operating loss of the distributor or transferor corporation for any taxable year ending before that date may be carried over. This rule applies even though the taxable year of the distributor or transferor corporation which ends on the date of distribution or transfer is a period of less than twelve months. However, for the purpose of determining under section 172(b)(1) the taxable years to which a net operating loss of the acquiring corporation is carried over or carried back, the first taxable year of the acquiring corporation which ends after the date of distribution or transfer shall be treated as only one taxable year even though such taxable year is considered under section 381(c)(1)(C) and paragraph (f)(2) of this

section as two taxable years. The application of this subparagraph may be illustrated by the following example:

Example. X Corporation was organized on January 1, 1954, and thereafter it sustained net operating losses in its calendar years 1954, 1955, and 1956. On June 30, 1957, X Corporation transferred all its assets to Y Corporation, which was organized on January 1, 1955, in a statutory merger to which section 361 applies. In its taxable year ending June 30, 1957, X Corporation sustained a net operating loss. Y Corporation sustained net operating losses in its calendar years 1955, 1956, and 1958, but had taxable income for the year 1957. The years to which these losses of X Corporation and Y Corporation shall be carried, and the sequence in which carried, are as follows:

| Loss year | |
|-----------------|---|
| X 1954 | X 1955, X 1956, X 6/30/57, Y 1957, Y 1958. |
| X 1955 | X 1954, X 1956, X 6/30/57, Y 1957, Y 1958, Y 1959. |
| Y 1955 | Y 1956, Y 1957, Y 1958, Y 1959, Y 1960. |
| X 1956 | X 1954, X 1955, X 6/30/57, Y 1957, Y 1958, Y 1959, Y 1960. |
| Y 1956 | Y 1955, Y 1957, Y 1958, Y 1959, Y 1960, Y 1961. |
| X 6-30-57 | X 1955, X 1956, Y 1957, Y 1958, Y 1959, Y 1960, Y 1961. |
| Y 1958 | Y 1955, Y 1956, Y 1957, Y 1959, Y 1960, Y 1961, Y 1962, Y 1963. |

(4) *Computation of carryovers in a case where the date of distribution or transfer occurs on last day of acquiring corporation's taxable year.* The computation of the net operating loss carryovers from the distributor or transferor corporation and from the acquiring corporation in a case where the date of distribution or transfer occurs on the last day of a taxable year of the acquiring corporation may be illustrated by the following example:

Example. X Corporation and Y Corporation were organized on January 1, 1955, and each corporation makes its return on the basis of the calendar year. On December 31, 1956, X Corporation transferred all its assets to Y Corporation in a statutory merger to which section 361 applies. The net operating losses and the taxable income (computed without any net operating loss deduction) of the two corporations are as follows, the assumption being made that none of the modifications specified in section 172(b)(2)(A) apply to any taxable year:

| Taxable year | X Corpora- tion (trans- feror) | Y Corpora- tion (acquirer) |
|--------------|--------------------------------------|----------------------------------|
| 1955 | (\$2,000) | (\$11,000) |
| 1956 | (3,000) | 10,000 |
| 1957 | xxx | (15,000) |

The sequence in which the losses of X Corporation and Y Corporation are applied, and the computation of the carryovers to Y Corporation's calendar year 1958, may be illustrated as follows:

(i) *X Corporation's 1955 loss.* The carryover to 1958 is \$2,000, computed as follows:

| | |
|-------------------------------|---------|
| Net operating loss | \$2,000 |
| Less: | |
| X's 1956 taxable income | 0 |
| Y's 1957 taxable income | 0 |
| | 0 |
| Carryover | 2,000 |

(ii) *Y Corporation's 1955 loss.* The carryover to 1958 is \$1,000, computed as follows:

| | |
|-------------------------------|----------|
| Net operating loss | \$11,000 |
| Less: | |
| Y's 1956 taxable income | \$10,000 |
| Y's 1957 taxable income | 0 |
| | 10,000 |
| Carryover | 1,000 |

(iii) *X Corporation's 1956 loss.* The carryover to 1958 is \$3,000, computed as follows:

| | |
|-------------------------------|---------|
| Net operating loss | \$3,000 |
| Less: | |
| X's 1955 taxable income | 0 |
| Y's 1957 taxable income | 0 |
| | 0 |
| Carryover | 3,000 |

(iv) *Y Corporation's 1957 loss.* The carryover to 1958 is \$15,000, computed as follows:

| | |
|---|----------|
| Net operating loss | \$15,000 |
| Less: | |
| Y's 1955 taxable income | 0 |
| Y's 1956 taxable in- come before net op- erating loss deduc- tion | \$10,000 |
| Minus Y's 1956 net operating loss de- duction (i.e., Y's 1955 carryover) | 11,000 |
| | 0 |
| Carryover | 15,000 |

(v) *Summary of carryovers to 1958.* The aggregate of the net operating loss carryovers to 1958 is \$21,000, computed as follows:

| | |
|---------------------|---------|
| X's 1955 loss | \$2,000 |
| Y's 1955 loss | 1,000 |
| X's 1956 loss | 3,000 |
| Y's 1957 loss | 15,000 |
| Total | 21,000 |

(f) *Computation of carryovers and carrybacks when date of distribution or transfer is not on last day of acquiring corporation's taxable year—(1) General rule.* Pursuant to the provisions of section 381(c)(1)(C), the taxable income of the acquiring corporation for its taxable year which is a prior taxable year for purposes of section 172(b)(2) and paragraph (e) of this section shall be determined in the manner prescribed in this paragraph, if the date of distribution or transfer occurs within, but not on the last day of, such taxable year.

(2) *Taxable year considered as two taxable years.* Such taxable year of the acquiring corporation shall be considered as though it were two taxable years, but only for the limited purpose of applying section 172(b)(2). The first of such two taxable years shall be referred to in this section as the preacquisition part year; the second, as the postacquisition part year. For purposes of section 172(b)(2), a net operating loss of the acquiring corporation shall be carried to the preacquisition part year and then to the postacquisition part year, whereas a net operating loss of a distributor or transferor corporation shall be carried to the postacquisition part year and then to the acquiring corporation's subsequent taxable years. In determining under section 172(b)(2) and this paragraph the portion of any net operating loss of a distributor or transferor corporation which is carried to any taxable year of the acquiring corporation ending after the postacquisition part year, the taxable income (as determined under this paragraph) of the postacquisition part year shall be taken into account but the taxable income of the preacquisition part year (as so determined) shall not be taken into account. Though considered as two separate taxable years for purposes of section 172(b)(2), the preacquisition part year and the postacquisition part year are treated as one taxable year in determining the years to which a net operating loss is carried under section 172(b)(1). See paragraph (e)(3) of this section.

(3) *Preacquisition part year.* The preacquisition part year shall begin with the beginning of such taxable year of the acquiring corporation and shall

§ 1.381(c)(1)-1

26 CFR Ch. I (4-1-21 Edition)

end with the close of the date of distribution or transfer.

(4) *Postacquisition part year.* The postacquisition part year shall begin with the day following the date of distribution or transfer and shall end with the close of such taxable year of the acquiring corporation.

(5) *Division of taxable income.* The taxable income for such taxable year (computed with the modifications specified in section 172(b)(2)(A) but without any net operating loss deduction) of the acquiring corporation shall be divided between the preacquisition part year and the postacquisition part year in proportion to the number of days in each. Thus, if in a statutory merger to which section 361 applies Y Corporation acquires the assets of X Corporation on June 30, 1960, and Y Corporation has taxable income (computed in the manner so prescribed) of \$36,600 for its calendar year 1960, then the preacquisition part year taxable income would be \$18,200 ($\$36,600 \times 182/366$) and the postacquisition part year taxable income would be \$18,400 ($\$36,600 \times 184/366$).

(6) *Net operating loss deduction.* After obtaining the taxable income of the preacquisition part year and of the postacquisition part year in the manner described in subparagraph (5) of this paragraph, it is necessary to compute the net operating loss deduction for each such part year. This deduction shall be determined in the manner prescribed by section 172(b)(2)(B) but subject to the provisions of this subparagraph. The net operating loss deduction for the preacquisition part year shall, for purposes of section 172(b)(2) only, be determined in the same manner as that prescribed by section 172(b)(2)(B) but shall be computed without taking into account any net operating loss of the distributor or transferor corporation. Therefore, only net operating loss carryovers and carrybacks of the acquiring corporation to the preacquisition part year shall be taken into account in computing the net operating loss deduction for such part year. The net operating loss deduction for the post-acquisition part year shall, for purposes of section 172(b)(2) only, be determined in the same manner as that prescribed by sec-

tion 172(b)(2)(B) and shall be computed by taking into account all the net operating loss carryovers available to the distributor or transferor corporation as of the close of the date of distribution or transfer, as well as the net operating loss carryovers and carrybacks of the acquiring corporation to the postacquisition part year. The sequence in which the net operating losses of the two corporations shall be applied for purposes of this subparagraph shall be determined in the manner prescribed in paragraph (e) of this section.

(7) *Limitation on taxable income.* In no case shall the taxable income of the preacquisition part year or the postacquisition part year, as computed under this paragraph, be considered to be less than zero.

(8) *Cross reference.* If the acquiring corporation succeeds to the net operating loss carryovers of two or more distributors or transferor corporations on two or more dates of distribution or transfer during the same taxable year of the acquiring corporation, the determination of the taxable income of the acquiring corporation for such year pursuant to section 381(c)(1)(C) shall be governed by the rules prescribed in paragraph (c) of § 1.381(c)(1)-2.

(9) *Illustration.* The application of this paragraph may be illustrated by the following example:

Example. (i) *Facts.* X Corporation was organized on January 1, 1955, and Y Corporation was organized on January 1, 1954. Each corporation makes its return on the basis of the calendar year. On June 30, 1956, X Corporation transferred all its assets to Y Corporation in a statutory merger to which section 361 applies. The net operating losses and the taxable income (computed without any net operating loss deduction) of the two corporations are as follows, the assumption being made that none of the modifications specified in section 172(b)(2)(A) apply to any taxable year:

| Taxable year | X Corporation (transferor) | Y Corporation (acquirer) |
|----------------------------|----------------------------|--------------------------|
| 1954 | xxx | (\$5,000) |
| 1955 | (\$65,000) | (20,000) |
| Ending June 30, 1956 | 1,000 | xxx |
| 1956 | xxx | 36,600 |

(ii) *Y Corporation's 1954 loss.* The carryover to 1957 is \$0, computed as follows:

| | |
|--------------------------|---------|
| Net operating loss | \$5,000 |
|--------------------------|---------|

Internal Revenue Service, Treasury

§ 1.381(c)(1)-1

| | | | |
|---|----------|----------|---|
| Less: | | | 0 |
| Y's 1955 taxable income | | | 0 |
| | | 5,000 | |
| Carryover to Y's preacquisition part year | | | |
| Less: | | | |
| Y's preacquisition part year taxable income computed under subparagraph (5) of this paragraph (\$36,600 × 182/366) | \$18,200 | | |
| Minus Y's net operating loss deduction for preacquisition part year | xxx | 18,200 | |
| | | 0 | |
| Carryover to Y's postacquisition part year and also to Y 1957 | | | |
| (iii) X Corporation's 1955 loss. The carryover to 1957 is \$45,600, computed as follows: | | | |
| Net operating loss | | \$65,000 | |
| Less: | | | |
| X's 6/30/56 year taxable income | | 1,000 | |
| | | 64,000 | |
| Carryover to Y's postacquisition part year | | | |
| Less: | | | |
| Y's postacquisition part year taxable income computed under subparagraph (5) of this paragraph (\$36,600 × 184/366) | \$18,400 | | |
| Minus Y's net operating loss deduction for postacquisition part year (i.e., Y's 1954 carryover of \$0 to such part year) | | \$18,400 | |
| | | 45,600 | |
| Carryover to Y 1957 | | | |
| (iv) Y Corporation's 1955 loss. The carryover to 1957 is \$6,800, computed as follows: | | | |
| Net operating loss | | \$20,000 | |
| Less: | | | |
| Y's 1954 taxable income | | 0 | |
| | | 20,000 | |
| Carryover to Y's preacquisition part year | | | |
| Less: | | | |
| Y's preacquisition part year taxable income computed under subparagraph (5) of this paragraph | \$18,200 | | |
| Minus Y's net operating loss deduction for preacquisition part year (i.e., Y's 1954 carryover to such part year) | | 5,000 | |
| | | 13,200 | |
| | | 6,800 | |
| Carryover to Y's postacquisition part year | | | |
| Less: | | | |
| Y's postacquisition part year taxable income computed under subparagraph (5) of this paragraph | \$18,400 | | |
| Minus Y's net operating loss deduction for postacquisition part year (i.e., Y's 1954 carryover of \$0, and X's 1955 carryover of \$64,000, to such part year) | | 64,000 | |

| | |
|---|----------|
| Carryover to Y 1957 | 6,800 |
| (v) Summary of carryovers to 1957. The aggregate of the net operating loss carryovers to 1957 is \$52,400, determined as follows: | |
| Y's 1954 loss | 0 |
| X's 1955 loss | \$45,600 |
| Y's 1955 loss | 6,800 |
| Total | 52,400 |

(g) Successive acquiring corporations. An acquiring corporation which, in a distribution or transfer to which section 381(a) applies, acquires the assets of a distributor or transferor corporation which previously acquired the assets of another corporation in a transaction to which section 381(a) applies, shall succeed to and take into account, subject to the conditions and limitations of sections 172 and 381, the net operating loss carryovers available to the first acquiring corporation under sections 172 and 381.

(h) Illustration. The application of this section may be further illustrated by the following example:

Example. (1) Facts. X Corporation was organized on January 1, 1954, and Y Corporation was organized on January 1, 1955. Each corporation makes its return on the basis of the calendar year. On August 31, 1957, X Corporation transferred all its assets to Y Corporation in a statutory merger to which section 361 applies. The net operating losses and the taxable income of the two corporations for the taxable years involved are set forth in the tabulation below. The taxable income so shown is computed without the modifications required by section 172(b)(2)(A) and without the benefit of any net operating loss deduction. In its calendar year 1957, Y Corporation had a deduction of \$365 which is disallowed by section 172(b)(2)(A).

| Taxable year | X Corporation (transferor) | Y Corporation (acquirer) |
|----------------------|----------------------------|--------------------------|
| 1954 | (\$7,000) | xxx |
| 1955 | (10,000) | (\$10,000) |
| 1956 | (25,000) | (15,000) |
| Ending 8-31-57 | 1,000 | xxx |
| 1957 | xxx | 54,750 |
| 1958 | xxx | (5,000) |
| 1959 | xxx | 50,000 |

(2) Computation of carryovers and carrybacks. The sequence in which the losses of X Corporation and Y Corporation are applied and the computation of the carryovers to Y Corporation's calendar year 1959 may be illustrated as follows:

(i) X Corporation's 1954 loss. The carryover to 1958, which is the last year to which this

§ 1.381(c)(1)-1

26 CFR Ch. I (4-1-21 Edition)

loss may be carried, is \$0, computed as follows:

| | |
|---|---------------|
| Net operating loss | \$7,000 |
| Less: | |
| X's 1955 taxable income | 0 |
| X's 1956 taxable income | 0 |
| | <u>0</u> |
| Carryover to X's 8/31/57-year | 7,000 |
| Less: | |
| X's 8/31/57-year taxable income | 1,000 |
| Carryover to Y's postacquisition part year | 6,000 |
| Less: | |
| Y's postacquisition part year taxable income computed under paragraph (f)(5) of this section (($\$54,750 + \365) \times $122/365$) | \$18,422 |
| Minus Y's net operating loss deduction for postacquisition part year | xxx |
| | <u>18,422</u> |
| Carryover to Y 1958 | 0 |

(ii) X Corporation's 1955 loss. The carryover to 1959 is \$0, computed as follows:

| | |
|---|---------------|
| Net operating loss | \$10,000 |
| Less: | |
| X's 1954 taxable income | 0 |
| X's 1956 taxable income | 0 |
| | <u>0</u> |
| Carryover to X's 8/31/57-year | 10,000 |
| Less: | |
| X's 8/31/57-year taxable income before net operating loss deduction | \$1,000 |
| Minus X's net operating loss deduction for 8/31/57-year (i.e., X's 1954 carryover) | 7,000 |
| | <u>0</u> |
| Carryover to Y's postacquisition part year | 10,000 |
| Less: | |
| Y's postacquisition part year taxable income computed under paragraph (f)(5) of this section | \$18,422 |
| Minus Y's net operating loss deduction for postacquisition part year (i.e., X's 1954 carryover to such part year) | 6,000 |
| | <u>12,422</u> |
| Carryover to Y 1958 and Y 1959 | 0 |

(iii) Y Corporation's 1955 loss. The carryover to 1959 is \$0, computed as follows:

| | |
|---|----------|
| Net operating loss | \$10,000 |
| Less: | |
| Y's 1956 taxable income | 0 |
| Carryover to Y's preacquisition part year | 10,000 |

Less:

| | |
|--|---------------|
| Y's preacquisition part year taxable income computed under paragraph (f)(5) of this section (($\$54,750 + \365) \times $243/365$) | \$36,693 |
| Minus Y's net operating loss deduction for preacquisition part year | xxx |
| | <u>36,693</u> |
| Carryover to Y's postacquisition part year, to Y 1958, and to Y 1959 | 0 |

(iv) X Corporation's 1956 loss. The carryover to 1959 is \$22,578, computed as follows:

| | |
|---|--------------|
| Net operating loss | \$25,000 |
| Less: | |
| X's 1954 taxable income | 0 |
| X's 1955 taxable income | 0 |
| X's 8/31/57-year taxable income before net operating loss deduction | \$1,000 |
| Minus X's net operating loss deduction for 8/31/57-year (i.e., X's 1954 carryover of \$7,000 and X's 1955 carryover of \$10,000) | \$17,000 |
| | <u>0</u> |
| Carryover to Y's postacquisition part year | \$25,000 |
| Less: | |
| Y's postacquisition part year taxable income computed under paragraph (f)(5) of this section | \$18,422 |
| Minus Y's net operating loss deduction for postacquisition part year (i.e., X's 1954 carryover of \$6,000, X's 1955 carryover of \$10,000 and Y's 1955 carryover of \$0, to such part year) | 16,000 |
| | <u>2,422</u> |
| Carryover to Y 1958 | 22,578 |

Less: Y's 1958 taxable income

| | |
|-------------------------------|--------|
| Y's 1958 taxable income | 0 |
| Carryover to Y 1959 | 22,578 |

(v) Y Corporation's 1956 loss. The carryover to 1959 is \$0, computed as follows:

| | |
|--|----------|
| Net operating loss | \$15,000 |
| Less: | |
| Y's 1955 taxable income | 0 |
| Carryover to Y's preacquisition part year | 15,000 |
| Less: | |
| Y's preacquisition part year taxable income computed under paragraph (f)(5) of this section | \$36,693 |
| Minus Y's net operating loss deduction for preacquisition part year (i.e., Y's 1955 carryover to such part year) | 10,000 |

Internal Revenue Service, Treasury

§ 1.381(c)(1)-2

| | |
|---|----------|
| | 26,693 |
| Carryover to Y's postacquisition part year, to Y 1958, and to Y 1959 | 0 |
| <i>(vi) Y Corporation's 1958 loss. The carryover to 1959 is \$0, computed as follows:</i> | |
| Net operating loss | \$5,000 |
| Less: | |
| Y's 1955 taxable income ¹ | 0 |
| Y's 1956 taxable income | 0 |
| | 0 |
| Carryback to Y's preacquisition part year | \$5,000 |
| Less: | |
| Y's preacquisition part year taxable income computed under paragraph (f)(5) of this section | \$36,693 |
| Minus Y's net operating loss deduction for preacquisition part year (i.e., Y's 1955 carryover of \$10,000, and Y's 1956 carryover of \$15,000, to such part year) | 25,000 |
| | 11,693 |
| Carryback to Y's postacquisition part year and carryover to Y 1959 | 0 |
| ¹ Three-year carryback in case of loss years ending after December 31, 1957. | |
| <i>(vii) Summary of carryovers to 1959. The aggregate of the net operating loss carryovers to 1959 is \$22,578, computed as follows:</i> | |
| X's 1955 loss | 0 |
| Y's 1955 loss | 0 |
| X's 1956 loss | \$22,578 |
| Y's 1956 loss | 0 |
| Y's 1958 loss | 0 |
| | 22,578 |

(3) *Net operating loss deduction for 1957.* (i) The net operating loss deduction available to Y Corporation under section 172(a) for the calendar year 1957, determined in accordance with paragraph (d) of this section, is \$48,300, computed as follows:

| | |
|---|----------|
| Aggregate of the net operating loss carryovers available to the transferor corporation as of the close of August 31, 1957, but limited by paragraph (d) of this section to \$18,300 (Y's 1957 taxable income of \$54,750, computed without any net operating loss deduction, multiplied by 122/365) | |
| Carryover of X's 1954 loss | \$6,000 |
| Carryover of X's 1955 loss | 10,000 |
| Carryover of X's 1956 loss | 25,000 |
| | \$41,000 |
| Aggregate of carryovers, limited as above | \$18,300 |
| Carryover of Y's 1955 loss | 10,000 |
| Carryover of Y's 1956 loss | 15,000 |
| Carryback of Y's 1958 loss | 5,000 |
| | 48,800 |
| Net operating loss deduction | 48,800 |

(ii) The taxable income under section 63 for 1957 is \$6,450, computed as follows:

| | |
|--|----------|
| Taxable income determined without any net operating loss deduction | \$54,750 |
|--|----------|

| | |
|---|----------|
| Less: | |
| Net operating loss deduction for 1957, as determined under subdivision (i) of this subparagraph | \$48,300 |
| Taxable income under section 63 | 6,450 |
| <i>(4) Net operating loss deduction for 1959. The taxable income under section 63 for 1959 is \$27,422, computed as follows:</i> | |
| Taxable income determined without any net operating loss deduction | \$50,000 |
| Less: | |
| Net operating loss deduction for 1959 (i.e., the aggregate carryovers determined under subparagraph (2)(vii) of this paragraph) | 22,578 |
| Taxable income under section 63 | 27,422 |

(5) *Years to which losses may be carried.* The taxable years to which the losses of X Corporation and Y Corporation may be carried, and the sequence in which carried, are as follows:

| Loss year | Carried to |
|--------------|---|
| X 1954 | X 1955, X 1956, X 8/31/57, Y 1957, Y 1958. |
| X 1955 | X 1954, X 1956, X 8/31/57, Y 1957, Y 1958, Y 1959. |
| Y 1955 | Y 1956, Y 1957, Y 1958, Y 1959, Y 1960. |
| X 1956 | X 1954, X 1955, X 8/31/57, Y 1957, Y 1958, Y 1959, Y 1960. |
| Y 1956 | Y 1955, Y 1957, Y 1958, Y 1959, Y 1960, Y 1961. |
| Y 1958 | Y 1955, Y 1956, Y 1957, Y 1959, Y 1960, Y 1961, Y 1962, Y 1963. |

[T.D. 6500, 25 FR 11607, Nov. 26, 1960, as amended by T.D. 7564, 43 FR 40493, Sept. 12, 1978]

§ 1.381(c)(1)-2 Net operating loss carryovers; two or more dates of distribution or transfer in the taxable year.

(a) *In general.* If the acquiring corporation succeeds to the net operating loss carryovers of two or more distributor or transferor corporations on two or more dates of distribution or transfer within one taxable year of the acquiring corporation, the limitation to be applied under section 381(c)(1)(B) to the aggregate of the net operating loss carryovers to that taxable year from all of the distributor or transferor corporations shall be determined by applying the rules prescribed in paragraph (b) of this section, and the taxable income of the acquiring corporation for that taxable year under sections 381(c)(1)(C) and 172(b)(2) shall be determined by applying the rules prescribed in paragraph (c) of this section. For purposes of this section, the term *postacquisition income* means

§ 1.381(c)(1)-2

26 CFR Ch. I (4-1-21 Edition)

postacquisition part year taxable income determined under paragraph (d)(1) of § 1.381(c)(1)-1 by treating the first date of distribution or transfer as though it were the only date of distribution or transfer during the taxable year of the acquiring corporation.

(b) *Determination of limitation under section 381(c)(1)(B)*—(1) *In general.* If the acquiring corporation succeeds to the net operating loss carryovers of two or more distributor or transferor corporations on two or more dates of distribution or transfer during the same taxable year of the acquiring corporation, and if the amount of the net operating loss carryovers acquired on the first date of distribution or transfer equals or exceeds the postacquisition income, then the limitation under section 381(c)(1)(B) shall be an amount equal to such postacquisition income. If the amount of the net operating loss carryovers acquired on the first date of distribution or transfer is less than such postacquisition income, then the limitation under section 381(c)(1)(B) shall be determined as provided in subparagraphs (2) through (5) of this paragraph.

(2) *Allocation of postacquisition income among partial postacquisition years.* That part of the taxable year of the acquiring corporation beginning on the day following the first date of distribution or transfer and ending with the close of the taxable year of the acquiring corporation shall be divided into the same number of partial postacquisition years as the number of dates of distribution or transfer on which the acquiring corporation succeeds to net operating loss carryovers during its taxable year. The first partial postacquisition year shall begin with the day following the first date of distribution or transfer and shall end with the close of the second date of distribution or transfer. The second and succeeding partial postacquisition years shall begin with the day following the close of the preceding such partial year and shall end with the close of the succeeding date of distribution or transfer, or, if there is no such succeeding date, then with the close of the taxable year of the acquiring corporation. The postacquisition income of the acquiring corporation shall be allocated among the partial

postacquisition years in proportion to the number of days in each such partial year.

(3) *Two dates of distribution or transfer.* If the acquiring corporation succeeds to the net operating loss carryovers of two distributor or transferor corporations on two dates of distribution or transfer during the same taxable year of the acquiring corporation, and if the amount of the net operating loss carryovers acquired on the first date equals or exceeds the income for the first partial postacquisition year, the limitation provided by section 381(c)(1)(B) shall be the amount of the postacquisition income. If the income for the first partial postacquisition year exceeds the net operating loss carryovers acquired on the first date of distribution or transfer, the limitation provided by section 381(c)(1)(B) shall be the amount of the postacquisition income reduced by the amount of such excess. The application of this subparagraph may be illustrated by the following example:

Example. (i) X Corporation has taxable income (computed without any net operating loss deduction) of \$36,500 for its calendar year 1955. During 1955, X Corporation acquires the assets of Y and Z Corporations in statutory mergers to each of which section 361 applies, the dates of transfer being January 1 and December 1, respectively. The net operating loss carryovers of each transferor corporation and the income for each partial postacquisition year are:

| Corp. | Carryovers | Income for partial years | Reduction |
|---------|------------|-------------------------------------|-----------|
| Y | \$1,000 | \$33,400 (\$36,500 × 334/365) | \$32,400 |
| Z | 50,000 | 3,000 (\$36,500 × 30/ 365) | 0 |
| | 51,000 | 36,400 | 32,400 |

(ii) The limitation provided by section 381(c)(1)(B) equals the postacquisition income of \$36,400 reduced by \$32,400, the excess of the income for the first partial year (\$33,400) over the net operating loss carryovers acquired on the first date of transfer (\$1,000). Accordingly, the limitation is \$4,000 (\$36,400 minus \$32,400). Therefore, although X Corporation acquired carryovers aggregating \$51,000 during 1955, it can utilize only \$4,000 of such carryovers in computing its net operating loss deduction for 1955.

Internal Revenue Service, Treasury

§ 1.381(c)(1)-2

(4) *Three dates of distribution or transfer.* If the acquiring corporation succeeds to the net operating loss carryovers of three distributor or transferor corporations on three dates of distribution or transfer during the same taxable year of the acquiring corporation, and if the amount of the net operating loss carryovers acquired on the first date equals or exceeds the income for the first and second partial postacquisition years, the limitation provided by section 381(c)(1)(B) shall be the amount of the postacquisition income. If the amount of the carryovers acquired on the first date equals or exceeds the income for the first partial postacquisition year but does not equal or exceed the income for the first and second partial postacquisition years, the limitation shall be the amount of the postacquisition income reduced by the excess of the income for the first and second partial postacquisition years over the amount of carryovers acquired on the first and second dates of distribution or transfer. If the income for the first partial postacquisition year exceeds the carryovers acquired on the first date, the limitation shall be the postacquisition income reduced by the sum of the amount of such excess plus the amount, if any, by which the income for the second partial postacquisition year exceeds the carryovers acquired on the second date. This subparagraph may be illustrated by the following examples:

Example 1. (i) X Corporation has taxable income (computed without any net operating loss deduction) of \$36,500 for its calendar year 1955. During 1955, X Corporation acquires the assets of M, N, and Z Corporations in statutory mergers to each of which section 361 applies, the dates of transfer being January 1, January 31, and December 1, respectively. The net operating loss carryovers of each transferor corporation and the income for each partial postacquisition year are:

| Corp. | Carryovers | Income for partial years | Reduction |
|---------|------------|------------------------------------|-----------|
| M | \$4,000 | \$3,000 (\$36,500 × 30/ 365) | \$23,400 |
| N | 6,000 | 30,400 (\$36,500 × 304/365) | |

| Corp. | Carryovers | Income for partial years | Reduction |
|---------|------------|----------------------------------|-----------|
| Z | 50,000 | 3,000 (\$36,500 × 30/ 365) | 0 |
| | 60,000 | 36,400 | 23,400 |

(ii) Since the carryovers of \$4,000 acquired on the first date of transfer exceed the income for the first partial year (\$3,000), the limitation provided by section 381(c)(1)(B) is the amount of the postacquisition income (\$36,400) reduced by the excess of the income for the first and second partial years (\$33,400) over the carryovers acquired on the first and second dates of transfer (\$10,000). Therefore, the limitation is \$13,000 (\$36,400 less \$23,400).

Example 2. (i) Assume the same facts as in *Example 1* except that the amount of the net operating loss carryovers acquired from M Corporation is \$1,000. The net operating loss carryovers of each transferor corporation and the income for each partial postacquisition year are:

| Corp. | Carryovers | Income for partial years | Reduction |
|---------|------------|------------------------------------|-----------|
| M | \$1,000 | \$3,000 (\$36,500 × 30/ 365) | \$2,000 |
| N | 6,000 | 30,400 (\$36,500 × 304/365) | 24,400 |
| Z | 50,000 | 3,000 (\$36,500 × 30/ 365) | 0 |
| | 57,000 | 36,400 | 26,400 |

(ii) Since the income for the first partial year (\$3,000) exceeds the \$1,000 of carryovers acquired on the first date by \$2,000, the limitation provided by section 381(c)(1)(B) is the postacquisition income of \$36,400 reduced by such excess and also reduced by the excess of the income for the second partial year (\$30,400) over the carryovers acquired on the second date of transfer (\$6,000). Therefore, the limitation is \$10,000 (\$36,400 less the sum of \$2,000 and \$24,400).

Example 3. (i) Assume the same facts as in *Example 2* except that the carryovers acquired from N Corporation are \$75,000. The net operating loss carryovers of each transferor corporation and the income for each partial postacquisition year are:

| Corp. | Carryovers | Income for partial years | Reduction |
|---------|------------|------------------------------------|-----------|
| M | \$1,000 | \$3,000 (\$36,500 × 30/ 365) | \$2,000 |
| N | 75,000 | 30,400 (\$36,500 × 304/365) | 0 |

§ 1.381(c)(1)-2

| Corp. | Carryovers | Income for partial years | Reduction |
|---------|------------|----------------------------------|-----------|
| Z | 50,000 | 3,000 (\$36,500 × 30/ 365) | 0 |
| | 126,000 | 36,400 | 2,000 |

(ii) Since the income for the first partial year (\$3,000) exceeds the \$1,000 of carryovers acquired on the first date by \$2,000, the limitation provided by section 381(c)(1)(B) is the postacquisition income of \$36,400 reduced by \$2,000, or \$34,400. No further reduction is made since the income for the second partial year (\$30,400) does not exceed the carryovers of \$75,000 acquired on the second date of transfer.

(5) *Four or more dates of distribution or transfer.* If the acquiring corporation succeeds to the net operating loss carryovers of four or more distributor or transferor corporations on four or more dates of distribution or transfer during the same taxable year of the acquiring corporation, the limitation provided by section 381(c)(1)(B) shall be determined consistently with the methods prescribed in subparagraphs (3) and (4) of this paragraph. The application of this subparagraph may be illustrated by the following example:

Example. (i) X Corporation has taxable income (computed without any net operating loss deduction) of \$36,500 for its calendar year 1955. During 1955, X Corporation acquired the assets of M, N, O, Y, and Z Corporations in statutory mergers to each of which section 361 applied, the dates of transfer being, respectively, January 1, January 31, March 3, April 2, and December 1. The net operating loss carryovers of each transferor corporation and the income for each partial postacquisition year are:

| Corp. | Carryovers | Income for partial years | Reduction |
|---------|------------|------------------------------------|-----------|
| M | \$1,000 | \$3,000 (\$36,500 × 30/ 365) | \$2,000 |
| N | 4,000 | 3,100 (\$36,500 × 31/ 365) | |
| O | 1,000 | 3,000 (\$36,500 × 30/ 365) | 1,100 |
| Y | 10,000 | 24,300 (\$36,500 × 243/365) | 14,300 |
| Z | 20,000 | 3,000 (\$36,500 × 30/ 365) | 0 |
| | 36,000 | 36,400 | 17,400 |

(ii) The limitation provided by section 381(c)(1)(B) equals the postacquisition income of \$36,400 reduced by the sum of (a) the \$2,000 excess of the income for the first partial year (\$3,000) over the carryovers acquired from M Corporation (\$1,000), (b) the \$1,100 excess of the income for the second and third partial years (\$6,100) over the carryovers acquired from N and O Corporations (\$5,000), and (c) the \$14,300 excess of the income for the fourth partial year (\$24,300) over the carryovers acquired from Y Corporation (\$10,000). Accordingly, the limitation is \$19,000 (\$36,400 minus \$17,400). Therefore, although X Corporation acquired carryovers aggregating \$36,000 during 1955, it can utilize only \$19,000 of such carryovers in computing its net operating loss deduction for 1955.

(c) *Determination of taxable income of acquiring corporation under section 381(c)(1)(C)—(1) In general.* If the acquiring corporation succeeds to the net operating loss carryovers of two or more distributor or transferor corporations on two or more dates of distribution or transfer within one taxable year of the acquiring corporation, then pursuant to section 381(c)(1)(C) the taxable income of the acquiring corporation for its taxable year which is a prior taxable year for purposes of section 172(b)(2) and paragraph (e) of § 1.381(c)(1)-1 shall be determined as provided in this paragraph.

(2) *Division of taxable income.* The taxable income of the acquiring corporation (computed with the modifications specified in section 172(b)(2)(A) but without any net operating loss deduction) shall be allocated proportionately on a daily basis among a preacquisition part year (determined under paragraph (f)(3) of § 1.381(c)(1)-1 by treating the first date of distribution or transfer as though it were the only date of distribution or transfer during the taxable year of the acquiring corporation) and two or more partial postacquisition years (determined as provided in paragraph (b)(2) of this section). The preacquisition part year and each partial postacquisition year shall be considered a separate taxable year, but only for the limited purpose of applying sections 172(b)(2) and 381(c)(1)(C).

(3) *Net operating loss deduction.* The net operating loss deduction of the preacquisition part year and the partial postacquisition years shall be determined consistently with the manner

Internal Revenue Service, Treasury

§ 1.381(c)(1)-2

described in paragraph (f)(6) of §1.381(c)(1)-1 but by taking into account, in the case of any partial postacquisition year, only the net operating loss carryovers and carrybacks of the acquiring corporation and those net operating loss carryovers from a distributor or transferor corporation which become available to the acquiring corporation as of the close of those dates of distribution or transfer which occur before the beginning of that specific partial postacquisition year. The sequence in which the net operating losses of the distributor or transferor and acquiring corporations shall be applied for this purpose shall be determined in the manner described in paragraph (e) of §1.381(c)(1)-1. Subject to the preceding sentence, the net operating loss carryovers to any specific partial postacquisition year, whether from a distributor, transferor, or acquiring corporation, shall be taken into account in the order of the taxable years in which the net operating losses arose, beginning with the loss for the earliest taxable year.

(4) *Illustration.* The application of this paragraph may be illustrated by the following example:

Example. (i) *Facts.* X Corporation, which was organized on January 1, 1957, sustained a net operating loss of \$20,000 for its calendar year 1957 and had taxable income (computed without any net operating loss deduction) of \$36,500 for its calendar year 1958. During 1958, X Corporation acquired the assets of Y and Z Corporations in statutory mergers to each of which section 361 applied, the dates of transfer being June 30 and September 30, respectively. None of the modifications specified in section 172(b)(2)(A) apply to any of the corporations for any taxable year. The taxable income (computed without any net operating loss deduction) and net operating losses of Y and Z Corporations (which were organized on January 1, 1957, and January 1, 1954, respectively) are set forth below:

| Taxable year | Acquiring corporation X | Transferor corporation Y | Transferor corporation Z |
|----------------------|-------------------------|--------------------------|--------------------------|
| 1954 | xxx | xxx | (\$30,000) |
| 1955 | xxx | xxx | 1,000 |
| 1956 | xxx | xxx | 1,000 |
| 1957 | (\$20,000) | (\$25,000) | 1,000 |
| Ending 6-30-58 | xxx | 1,000 | xxx |
| Ending 9-30-58 | xxx | xxx | 1,000 |
| 1958 | 36,500 | xxx | xxx |

The sequence in which the losses of the acquiring corporation and the transferor corporations are applied and the computation of the carryovers to X Corporation's calendar year 1959 are illustrated in the following subdivisions of this example.

(ii) *Computation of taxable income.* X Corporation's taxable income, determined in the manner described in subparagraph (2) of this paragraph, for the preacquisition part year and for the partial postacquisition year is as follows:

| Year | Taxable income | Computation |
|-----------------------------|----------------|--------------------|
| Preacquisition part year .. | \$18,100 | \$36,500 × 181/365 |
| Partial No. 1 | 9,200 | 36,500 × 92/365 |
| Partial No. 2 | 9,200 | 36,500 × 92/365 |

(iii) *Z Corporation's 1954 loss.* The carryover to 1959 is \$0, computed as follows:

| | |
|--|---------------|
| Net operating loss | \$30,000 |
| Less: | |
| Z's 1955, 1956, 1957, and 9/30/58-3 year income | 4,000 |
| Net operating loss carryover to Partial No. 2 year | 26,000 |
| Less: | |
| Partial No. 2 year taxable income | 9,200 |
| | <u>16,800</u> |

The balance of \$16,800 is not carried over to 1959 since X Corporation's taxable year 1958 is the last of the five years to which Z's 1954 loss may be carried under section 172(b)(1).

(iv) *Y Corporation's 1957 loss.* The carryover to 1959 is \$14,800, computed as follows:

| | |
|--|----------|
| Net operating loss | \$25,000 |
| Less: | |
| Y's 6/30/58-year income | 1,000 |
| Net operating loss carryover to Partial No. 1 year | 24,000 |
| Less: | |
| Partial No. 1 year taxable income | 9,200 |
| Carryover to Partial No. 2 year | 14,800 |
| Less: | |
| X's Partial No. 2 year taxable income | \$9,200 |
| Minus X's net operating loss deduction for Partial No. 2 year (i.e., Z's 1954 carryover of \$26,000 to such partial year) .. | 26,000 |
| | <u>0</u> |

Carryover to 1959

14,800

(v) *X Corporation's 1957 loss.* The carryover to 1959 is \$1,900, computed as follows:

| | |
|--|----------|
| Net operating loss | \$20,000 |
| Less: | |
| X's preacquisition part year taxable income .. | 18,100 |
| Carryover to Partial No. 1 year | 1,900 |
| Less: | |
| Partial No. 1 year taxable income | \$9,200 |

§ 1.381(c)(2)-1

| | | |
|---|----------|--------|
| Minus X's net operating loss deduction for Partial No. 1 year (i.e., Y's 1957 carryover of \$24,000 to such partial year) .. | 24,000 | 0 |
| | | 0 |
| Carryover to Partial No. 2 year | 1,900 | |
| Less: | | |
| Partial No. 2 year taxable income | \$9,200 | |
| Minus X's net operating loss deduction for Partial No. 2 year (i.e., Z's 1954 carryover of \$26,000, and Y's 1957 carryover of \$14,800, to such partial year | 40,800 | 0 |
| | | 0 |
| Carryover to 1959 | \$1,900 | |
| (vi) <i>Summary of carryovers to 1959.</i> The aggregate of the net operating loss carryovers to 1959 is \$16,700, computed as follows: | | |
| Z's 1954 loss | xxx | |
| Y's 1957 loss | \$14,800 | |
| X's 1957 loss | 91,900 | |
| Total | | 16,700 |

§ 1.381(c)(2)-1 Earnings and profits.

(a) *In general.* (1) Section 381(c)(2) requires the acquiring corporation in a transaction to which section 381(a) applies to succeed to, and take into account, the earnings and profits, or deficit in earnings and profits, of the distributor or transferor corporation as of the close of the date of distribution or transfer. In determining the amount of such earnings and profits, or deficit, to be carried over, and the manner in which they are to be used by the acquiring corporation after such date, the provisions of section 381(c)(2) and this section shall apply. For purposes of section 381(c)(2) and this section, if the distributor or transferor corporation accumulates earnings and profits, or incurs a deficit in earnings and profits, after the date of distribution or transfer and before the completion of the reorganization or liquidation, such earnings and profits, or deficit, shall be deemed to have been accumulated or incurred as of the close of the date of distribution or transfer.

(2) If the distributor or transferor corporation has accumulated earnings and profits as of the close of the date of distribution or transfer, such earnings and profits shall (except as hereinafter provided in this section) be deemed to be received by, and to become a part of the accumulated earnings and profits

of, the acquiring corporation as of such time. Similarly, if the distributor or transferor corporation has a deficit in accumulated earnings and profits as of the close of the date of distribution or transfer, such deficit shall (except as hereinafter provided in this section) be deemed to be incurred by the acquiring corporation as of such time. In no event, however, shall the accumulated earnings and profits, or deficit, of the distributor or transferor corporation be taken into account in determining earnings and profits of the acquiring corporation for the taxable year during which occurs the date of distribution or transfer.

(3) Any part of the accumulated earnings and profits, or deficit in accumulated earnings and profits, of the distributor or transferor corporation which consists of earnings and profits, or deficits, accumulated before March 1, 1913, shall be deemed to become earnings and profits, or deficits, of the acquiring corporation accumulated before March 1, 1913, and any part of the accumulated earnings and profits of the distributor or transferor corporation which consists of increase in value of property accrued before March 1, 1913, shall be deemed to become earnings and profits of the acquiring corporation consisting of increase in value of property accrued before March 1, 1913.

(4) If the acquiring corporation and each distributor or transferor corporation has accumulated earnings and profits as of the close of the date of distribution or transfer, or if each of such corporations has a deficit in accumulated earnings and profits as of such time, then the accumulated earnings and profits (or deficit) of each such corporation shall be consolidated as of the close of the date of distribution or transfer in the accumulated earnings and profits account of the acquiring corporation. See subparagraph (6) of this paragraph for determination of the accumulated earnings and profits (or deficit) of the acquiring corporation as of the close of the date of distribution or transfer.

(5) If (i) one or more corporations a party to a distribution or transfer has accumulated earnings and profits as of the close of the date of distribution or

transfer, and (ii) one or more of such corporations has a deficit in accumulated earnings and profits as of such time, the total of any such deficits shall be used only to offset earnings and profits accumulated, or deemed to have been accumulated under subparagraph (6) of this paragraph, by the acquiring corporation after the date of distribution or transfer. In such instance, the acquiring corporation will be considered as maintaining two separate earnings and profits accounts after the date of distribution or transfer. The first such account shall contain the total of the accumulated earnings and profits as of the close of the date of distribution or transfer of each corporation which has accumulated earnings and profits as of such time, and the second such account shall contain the total of the deficits in accumulated earnings and profits of each corporation which has a deficit as of such time. The total deficit in the second account may not be used to reduce the accumulated earnings and profits in the first account (although such earnings and profits may be offset by deficits incurred, or deemed to have been incurred, after the date of distribution or transfer) but shall be used only to offset earnings and profits accumulated, or deemed to have been accumulated under subparagraph (6) of this paragraph, by the acquiring corporation after the date of distribution or transfer.

(6) In any case in which it is necessary to compute the accumulated earnings and profits, or the deficit in accumulated earnings and profits, of the acquiring corporation as of the close of the date of distribution or transfer and such date is a day other than the last day of a taxable year of the acquiring corporation—

(i) If the acquiring corporation has earnings and profits for its taxable year during which occurs the date of distribution or transfer, such earnings and profits (a) shall be deemed to have accumulated as of the close of such date in an amount which bears the same ratio to the undistributed earnings and profits of such corporation for such year as the number of days in the taxable year preceding the date following the date of distribution or

transfer bears to the total number of days in the taxable year, and (b) shall be deemed to have accumulated after the date of distribution or transfer in an amount which bears the same ratio to the undistributed earnings and profits of such corporation for such year as the number of days in the taxable year following such date bears to the total number of days in such taxable year. For purposes of the preceding sentence, the undistributed earnings and profits of the acquiring corporation for such taxable year shall be the earnings and profits for such taxable year reduced by any distributions made therefrom during such taxable year.

(ii) If the acquiring corporation has an operating deficit for its taxable year during which occurs the date of distribution or transfer, then, unless the actual accumulated earnings and profits, or deficit, as of such date can be shown, such operating deficit shall be deemed to have accumulated in a manner similar to that described in subdivision (i) of this subparagraph.

(7) This paragraph may be illustrated by the following examples, in which it is assumed that none of the accumulated earnings and profits, or deficits, consist of earnings and profits or deficits accumulated, or increase in value of property accrued, before March 1, 1913.

Example 1. (i) M and N Corporations make their returns on the basis of the calendar year. On June 30, 1959, M Corporation transfers all its assets to N Corporation in a statutory merger to which section 361 applies. The books of the two corporations reveal the following information:

| Description | M Corporation (transferor) | N Corporation (acquirer) |
|--|----------------------------|--------------------------|
| Accumulated earnings and profits at close of calendar year 1958 .. | \$100,000 | \$150,000 |
| Earnings and profits of taxable year ending June 30, 1959 | 15,000 | |
| Earnings and profits of calendar year 1959 | | 36,500 |
| Distributions during calendar year 1959 | 0 | 0 |

(ii) As of the close of June 30, 1959, N acquires from M accumulated earnings and profits of \$115,000. Since M and N each has accumulated earnings and profits as of the close of the date of transfer, M's accumulated earnings and profits are added to N's accumulated earnings and profits as of such time. However, no part of M's accumulated

§ 1.381(c)(2)-1

26 CFR Ch. I (4-1-21 Edition)

earnings and profits is taken into account in determining N's earnings and profits for the calendar year 1959. Therefore, N's earnings and profits for the calendar year 1959 are \$36,500.

Example 2. (i) X and Y Corporations make their returns on the basis of the calendar year. On June 30, 1959, X Corporation transfers all its assets to Y Corporation in a statutory merger to which section 361 applies. The books of the two corporations reveal the following information:

| Description | X Corporation (transferor) | Y Corporation (acquirer) |
|--|----------------------------|--------------------------|
| Accumulated earnings and profits at close of calendar year 1958 .. | \$20,000 | \$100,000 |
| Deficit in earnings and profits for taxable year ending June 30, 1959 .. | 80,000 | |
| Earnings and profits of calendar year 1959 .. | | 36,500 |
| Distributions during calendar year 1959 .. | 0 | 0 |

(ii) As of the close of June 30, 1959, Y acquires from X a deficit in accumulated earnings and profits in the amount of \$60,000. This deficit may be used only to reduce those earnings and profits of Y which are accumulated, or deemed to have accumulated, after June 30, 1959. Accordingly, as of December 31, 1959, the accumulated earnings and profits of Y amount to \$118,100; at such time Y also has a separate deficit in accumulated earnings and profits in the amount of \$41,600. These amounts are determined as follows:

| | |
|---|-----------|
| Accumulated earnings and profits of Y as of the close of 1958 .. | \$100,000 |
| Add: | |
| Portion of undistributed earnings and profits of Y for 1959 deemed to have accumulated as of close of June 30, 1959 (\$36,500 × 181/365) .. | 18,100 |
| Accumulated earnings and profits of Y as of close of June 30, 1959, and also as of Dec. 31, 1959 .. | 118,100 |
| Portion of undistributed earnings and profits of Y for 1959 deemed to have accumulated after June 30, 1959 (\$36,500 × 184/365) .. | 18,400 |
| Less: | |
| Deficit in accumulated earnings and profits acquired by Y from X Corporation as of close of June 30, 1959 .. | 60,000 |
| Separate deficit in accumulated earnings and profits of Y as of Dec. 31, 1959 .. | 41,600 |

Example 3. Assume the same facts as in *Example (2)*, except that on September 15, 1959, Y Corporation makes a cash distribution of \$96,500. The entire distribution is a dividend: \$36,500 from earnings and profits for the taxable year 1959 and \$60,000 from earnings and profits accumulated as of December 31, 1958. Accordingly, as of December 31, 1959, Y has

accumulated earnings and profits of \$40,000, and also has a separate deficit in accumulated earnings and profits of \$60,000. These amounts are determined as follows:

| | |
|--|----------|
| Earnings and profits of Y for calendar year 1959 .. | \$36,500 |
| Accumulated earnings and profits of Y as of close of 1958 .. | 100,000 |
| Total .. | 136,500 |
| Less: | |
| Distributions during 1959 .. | 96,500 |
| Accumulated earnings and profits of Y as of Dec. 31, 1959 .. | 40,000 |
| Deficit in accumulated earnings and profits acquired from X as of close of June 30, 1959 .. | \$60,000 |
| Less: | |
| Portion of Y's undistributed earnings and profits for 1959 deemed to have accumulated after June 30, 1959 .. | 0 |
| Separate deficit in accumulated earnings and profits of Y as of Dec. 31, 1959 .. | 60,000 |

Example 4. (i) M and N Corporations make their returns on the basis of the calendar year. On June 30, 1959, M Corporation transfers all its assets to N Corporation in a statutory merger to which section 361 applies. The books of the two corporations reveal the following information:

| Description | M Corporation (transferor) | N Corporation (acquirer) |
|--|----------------------------|--------------------------|
| Accumulated earnings and profits at close of calendar year 1958 .. | \$100,000 | \$50,000 |
| Earnings and profits for taxable year ending June 30, 1959 .. | 10,000 | |
| Deficit in earnings and profits for calendar year 1959 .. | | 146,000 |
| Distributions during calendar year 1959 .. | 0 | 0 |

(ii) Assuming that N has not shown its actual accumulated earnings and profits, or deficit, as of the close of June 30, 1959, N has a deficit in accumulated earnings and profits at such time which amounts to \$22,400, determined as follows:

| | |
|---|----------|
| Accumulated earnings and profits of N as of close of 1958 .. | \$50,000 |
| Less: | |
| Portion of deficit in earnings and profits of N for 1959 deemed to have accumulated as of close of June 30, 1959 (\$146,000 × 181/365) .. | 72,400 |
| Deficit in accumulated earnings and profits of N as of close of June 30, 1959, and also as of Dec. 31, 1959 .. | 22,400 |

As of the close of June 30, 1959, N acquires from M accumulated earnings and profits in the amount of \$110,000, no part of which may be offset by N's own deficit of \$22,400; however, such earnings and profits may be offset by deficits incurred, or deemed incurred, by N after June 30, 1959. Thus, as of December 31, 1959, N has the above-mentioned deficit of

Internal Revenue Service, Treasury

§ 1.381(c)(2)-1

\$22,400; at such time N also has accumulated earnings and profits in the amount of \$36,400, determined as follows:

| | |
|---|-----------|
| Accumulated earnings and profits acquired from M as of close of June 30, 1959 | \$110,000 |
| Less: | |
| Portion of deficit in earnings and profits of N for 1959 deemed to have accumulated after June 30, 1959 (\$146,000 × 184/365) | 73,600 |
| Accumulated earnings and profits of N as of Dec. 31, 1959 | 36,400 |

Example 5. Assume the same facts as in *Example (4)*, except that on September 9, 1959, N Corporation makes a cash distribution of \$100,000. The amount of \$82,000 is a dividend from accumulated earnings and profits, computed as follows:

| | |
|--|-----------|
| Accumulated earnings and profits acquired from M as of close of June 30, 1959 | \$110,000 |
| Less: | |
| Deficit in earnings and profits of N for 1959 deemed to have accumulated from June 30 through Sept. 8, 1959 (\$146,000 × 70/365) | 28,000 |

| | |
|---|--------|
| Accumulated earnings and profits as of close of Sept. 8, 1959 | 82,000 |
|---|--------|

As of December 31, 1959, N Corporation has a deficit in accumulated earnings and profits of \$68,000, computed as follows:

| | |
|---|----------|
| Deficit in accumulated earnings and profits of N as of close of June 30, 1959 | \$22,400 |
| Add: | |
| Portion of N's deficit in earnings and profits for 1959 deemed to have accumulated after Sept. 8, 1959 (\$146,000 × 114/365) .. | 45,600 |
| Deficit in accumulated earnings and profits of N as of Dec. 31, 1959 | 68,000 |

Example 6. (i) X, Y, and Z Corporations make their returns on the basis of the calendar year. On June 30, 1959, X Corporation and Y Corporation transfer all their assets to Z Corporation in a statutory merger to which section 361 applies. The books of the three corporations reveal the following information:

| Description | X Corporation (transferor) | Y Corporation (transferor) | Z Corporation (acquirer) |
|--|----------------------------|----------------------------|--------------------------|
| Accumulated earnings and profits (or deficit) at close of calendar year 1958 | \$35,000 | (\$25,000) | (\$20,000) |
| Earnings and profits (or deficit) for taxable year ended June 30, 1959 | 5,000 | (5,000) | |
| Earnings and profits for calendar year 1959 | | | 36,500 |
| Distributions during 1959 | 0 | 0 | 0 |

(ii) As of the close of June 30, 1959, Z acquires from Y a deficit in accumulated earnings and profits of \$30,000. As of such time, Z's own deficit in accumulated earnings and profits amounts to \$1,900, determined as follows:

| | |
|--|----------|
| Deficit in accumulated earnings and profits of Z as of close of 1958 | \$20,000 |
| Less: | |
| Portion of undistributed earnings and profits of Z for 1959 deemed to have accumulated as of close of June 30, 1959 (\$36,500 × 181/365) | 18,100 |
| Deficit in accumulated earnings and profits as of close of June 30, 1959 .. | 1,900 |

The total deficit of \$31,900 may be used only to offset earnings and profits of Z accumulated, or deemed to have accumulated, after June 30, 1959; such deficit may not be used to reduce the accumulated earnings and profits of \$40,000 acquired from X as of the close of June 30, 1959. Thus, as of December 31, 1959, the accumulated earnings and profits of Z amount to \$40,000; at such time Z Corporation also has a separate deficit in accumulated earnings and profits in the amount of \$13,500, determined as follows:

| | |
|--|----------|
| Deficit in accumulated earnings and profits as of close of June 30, 1959 | \$31,900 |
|--|----------|

| | |
|---|--------|
| Less: | |
| Portion of undistributed earnings and profits of Z for 1959 deemed to have accumulated after June 30, 1959 (\$36,500 × 184/365) | 18,400 |
| Separate deficit in accumulated earnings and profits as of Dec. 31, 1959 | 13,500 |

Example 7. X and Y Corporations make their returns on the basis of the calendar year. On December 31, 1954, X transfers all its assets to Y in a statutory merger to which section 361 applies. The books of the two corporations reveal the following information:

| Description | X Corporation (transferor) | Y Corporation (acquirer) |
|--|----------------------------|--------------------------|
| Accumulated earnings and profits (or deficit) at close of calendar year 1954 | (\$50,000) | \$210,000 |
| Earnings and profits (or deficit) for calendar year: | | |
| 1955 | | 5,000 |
| 1956 | | (20,000) |
| 1957 | | 70,000 |
| 1958 | | 60,000 |
| 1959 | | 55,000 |
| Cash distributions on: | | |
| Sept. 1, 1957 | | 80,000 |
| Sept. 1, 1958 | | 40,000 |
| Sept. 1, 1959 | | 30,000 |

§ 1.381(c)(2)-1

26 CFR Ch. I (4-1-21 Edition)

The balances in the accumulated earnings and profits account and the separate deficit account of Y Corporation at the close of the taxable year involved are as follows:

| Year | Deficit acquired from X Corporation | Accumulated earnings and profits of Y Corporation |
|------------|-------------------------------------|---|
| 1954 | \$50,000 | \$210,000 |
| 1955 | 45,000 | 210,000 |
| 1956 | 45,000 | 190,000 |
| 1957 | 45,000 | 180,000 |
| 1958 | 25,000 | 180,000 |
| 1959 | None | 180,000 |

(b) *Successive acquisitions.* (1) If, as of the date of distribution or transfer, either the acquiring corporation, or the distributor or transferor corporation, or both, is considered under paragraph (a) of this section to be maintaining separate earnings and profits accounts as the result of a prior transaction or transactions to which section 381(a) applied, the accumulated earnings and profits, or deficit in accumulated earnings and profits, of each such corporation shall be combined with the appropriate earnings and profits account of the other such corporation. For example, if, as of the date of transfer, the acquiring corporation and the trans-

feror corporation are each maintaining separate accounts, one containing accumulated earnings and profits and the other containing a deficit in accumulated earnings and profits, the amounts in the two accumulated earnings and profits accounts shall be combined into one account, and the amounts in the two deficit accounts shall be combined into a second account, and the amount in one combined account may not be used to offset the amount in the other combined account.

(2) This paragraph may be illustrated by the following examples, in which it is assumed that none of the accumulated earnings and profits, or deficits, consist of earnings and profits or deficits accumulated, or increase in value of property accrued, before March 1, 1913.

Example 1. (i) X, Y, and Z Corporations make their returns on the basis of the calendar year. On June 30, 1958, X Corporation transfers all its assets to Z Corporation in a statutory merger to which section 361 applies, and on August 31, 1958, Y Corporation transfers all its assets to Z Corporation in another statutory merger to which section 361 applies. The books of the three corporations reveal the following information:

| Description | X Corporation (transferor) | Y Corporation (transferor) | Z Corporation (acquirer) |
|---|----------------------------|----------------------------|--------------------------|
| Accumulated earnings and profits (deficit) at close of calendar year 1957 | (\$40,000) | \$10,000 | \$60,000 |
| Deficit in earnings and profits for taxable year ending June 30, 1958 | (5,000) | | |
| Earnings and profits for taxable year ending Aug. 31, 1958 | | 2,000 | |
| Earnings and profits of calendar year 1958 | | | 36,500 |
| Distributions during calendar year 1958 | 0 | 0 | 0 |

(ii) As of the close of June 30, 1958, Z acquires from X a deficit in accumulated earnings and profits in the amount of \$45,000, which deficit may be used only to reduce those earnings and profits of Z which are accumulated, or deemed to have been accumulated, after June 30, 1958. As of the close of August 31, 1958, Z acquires from Y earnings and profits of \$12,000, no portion of which may be reduced by the deficit acquired by Z from X. Accordingly, as of December 31, 1958, Z has accumulated earnings and profits of \$90,100, and also has a separate deficit in accumulated earnings and profits of \$26,600. These amounts are determined as follows:

| | |
|---|----------|
| Accumulated earnings and profits of Z as of Dec. 31, 1957 | \$60,000 |
|---|----------|

| | | |
|--|--|--------|
| Add: | | |
| Portion of undistributed earnings and profits of Z for 1958 deemed to have accumulated as of close of June 30, 1958 (\$36,500 × 181/365) | | 18,100 |
| Accumulated earnings and profits of Z as of June 30, 1958 | | 78,100 |
| Add: | | |
| Accumulated earnings and profits acquired by Z from Y as of close of Aug. 31, 1958 | | 12,000 |
| Accumulated earnings and profits of Z as of close of Aug. 31, 1958, and also as of Dec. 31, 1958 | | 90,100 |
| Deficit in accumulated earnings and profits acquired by Z from X as of close of June 30, 1958 | | 45,000 |

Internal Revenue Service, Treasury

§ 1.381(c)(2)-1

Less:

| | |
|---|--------|
| Portion of undistributed earnings and profits of Z for 1958 deemed to have accumulated from June 30 through Aug. 31, 1958 (\$36,500 × 62/365) | 6,200 |
| Separate deficit in accumulated earnings and profits of Z as of Aug. 31, 1958 | 38,800 |

Less:

| | |
|---|--------|
| Portion of undistributed earnings and profits of Z for 1958 deemed to have accumulated after Aug. 31, 1958 (\$36,500 × 122/365) | 12,200 |
| Separate deficit in accumulated earnings and profits of Z as of Dec. 31, 1958 | 26,600 |

Plus:

| | |
|--|--------|
| Deficit of Z as of June 30, 1959 | 21,600 |
| Combined deficit of M as of close of June 30, 1959 | 33,500 |

Less:

| | |
|--|--------|
| Portion of M's undistributed earnings and profits for 1959 deemed to have accumulated after June 30, 1959 (\$36,500 × 184/365) | 18,400 |
| Separate deficit of M as of Dec. 31, 1959 | 15,100 |

| | |
|--|---------|
| Accumulated earnings and profits of M as of Dec. 31, 1958, and also as of June 30, 1959 | 50,000 |
| Accumulated earnings and profits of Z as of Dec. 31, 1958, and also as of June 30, 1959 | 90,100 |
| Combined accumulated earnings and profits of M as of close of June 30, 1959, and also as of Dec. 31, 1959 .. | 140,100 |

Example 2. (i) Assume the same facts as in Example (1), plus the additional fact that on June 30, 1959, Z Corporation transfers all its assets to M Corporation (which makes its return on the basis of the calendar year) in a statutory merger to which section 361 applies, and that as of such time M Corporation is considered to be maintaining separate earnings and profits accounts as the result of a previous transaction to which section 381(a) applied. The books of the two corporations reveal the following information:

| Description | Z Corporation (transferor) | M Corporation (acquirer) |
|--|----------------------------|--------------------------|
| Accumulated earnings and profits as of Dec. 31, 1958 | \$90,100 | \$50,000 |
| Separate deficit in accumulated earnings and profits as of Dec. 31, 1958 | 26,600 | 30,000 |
| Earnings and profits for taxable year ending June 30, 1959 | 5,000 | |
| Earnings and profits of calendar year 1959 | | 36,500 |
| Distributions during 1959 | 0 | 0 |

(ii) As of June 30, 1959, M acquires from Z accumulated earnings and profits of \$90,100, which amount is combined with M's own accumulated earnings and profits of \$50,000; M also acquires from Z a deficit in accumulated earnings and profits of \$21,600 (\$26,600 minus \$5,000), which amount is combined with M's own deficit of \$11,900. The total deficit of \$33,500 may be used only to reduce earnings and profits of M which are accumulated, or deemed to have accumulated, after June 30, 1959. Accordingly, as of December 31, 1959, M has accumulated earnings and profits of \$140,100, and also has a separate deficit in accumulated earnings and profits in the amount of \$15,100. These amounts are determined as follows:

| | |
|---|----------|
| Deficit of M as of Dec. 31, 1958 | \$30,000 |
| Less: | |
| Portion of M's undistributed earnings and profits for 1959 deemed to have accumulated as of close of June 30, 1959 (\$36,500 × 181/365) | 18,100 |
| Deficit of M as of June 30, 1959 | 11,900 |

(c) Distribution of earnings and profits pursuant to reorganization or liquidation. (1) If, in a reorganization to which section 381(a)(2) applies, the transferor corporation pursuant to the plan of reorganization distributes to its stockholders property consisting not only of property permitted by section 354 to be received without recognition of gain, but also of other property or money, then the accumulated earnings and profits of the transferor corporation as of the close of the date of transfer shall be computed by taking into account the amount of earnings and profits properly applicable to the distribution, regardless of whether such distribution occurs before or after the close of the date of transfer.

(2) If, in a distribution to which section 381(a)(1) (relating to certain liquidations of subsidiaries) applies, the acquiring corporation receives less than 100 percent of the assets distributed by the distributor corporation, then the accumulated earnings and profits of the distributor corporation as of the close of the date of distribution shall be computed by taking into account the amount of earnings and profits properly applicable to the distributions to minority stockholders, regardless of whether such distributions occur before or after the close of the date of distribution.

[T.D. 6586, 26 FR 12550, Dec. 28, 1961, as amended by T.D. 6692, 28 FR 12817, Dec. 3, 1963; T.D. 9700, 79 FR 66617, Nov. 10, 2014]

§ 1.381(c)(3)-1 Capital loss carryovers.

(a) *Carryover requirement.* (1) Section 381(c)(3) requires the acquiring corporation in a transaction to which section 381(a) applies to succeed to, and take into account, the capital loss carryovers of the distributor or transferor corporation. To determine the amount of these carryovers as of the close of the date of distribution or transfer, and to integrate them with the capital loss carryovers of the acquiring corporation for purposes of determining the taxable income of the acquiring corporation for taxable years ending after the date of distribution or transfer, it is necessary to apply the provisions of section 1212 in accordance with the conditions and limitations of section 381(c)(3) and this section.

(2) The capital loss carryovers of the acquiring corporation as of the close of the date of distribution or transfer shall be determined without reference to any capital gains or capital losses of the distributor or transferor corporation. The capital loss carryovers of a distributor or transferor corporation as of the close of the date of distribution or transfer shall be determined without reference to any capital gains or capital losses of the acquiring corporation.

(3) This section contains rules applicable to capital loss carryovers determined without reference to the amendment of section 1212(a) made by section 7 of the Act of September 2, 1964 (Public Law 88-571, 78 Stat. 860) in respect of foreign expropriation capital losses. If the distributor, transferor, or acquiring corporation sustains a net capital loss in a taxable year ending after December 31, 1958, any portion of which is attributable to a foreign expropriation capital loss, such portion shall be carried over to each of the ten succeeding taxable years consistently with the rules prescribed in this section and paragraph (a)(2) of § 1.1212-1.

(b) *First taxable year to which carryovers apply.* (1) The capital loss carryovers available to the distributor or transferor corporation as of the close of the date of distribution or transfer shall first be carried to the first taxable year of the acquiring corporation ending after that date. This rule applies irrespective of whether the date of distribution or transfer is on

the last day, or any other day, of the acquiring corporation's taxable year.

(2) The capital loss carryovers available to the distributor or transferor corporation as of the close of the date of distribution or transfer shall be carried to the acquiring corporation without diminution by reason of the fact that the acquiring corporation does not acquire 100 percent of the assets of the distributor or transferor corporation.

(c) *Limitation on capital loss carryovers for first taxable year ending after date of distribution or transfer.* (1) Any capital loss carryover of a distributor or transferor corporation which is available to the acquiring corporation as of the close of the date of distribution or transfer shall be a short-term capital loss of the acquiring corporation in each of the taxable years to which the net capital loss giving rise to such carryover may be carried to the extent provided in section 1212 and this section. However, in the first taxable year of the acquiring corporation ending after the date of distribution or transfer, the total capital loss carryovers of the distributor or transferor corporation which may be treated in that year as short-term capital losses of the acquiring corporation is limited by section 381(c)(3)(B) to an amount which bears the same ratio to the acquiring corporation's capital gain net income (net capital gain for taxable years beginning before January 1, 1977) for such first taxable year (determined without regard to any capital loss carryovers) as the number of days in such first taxable year which follow the date of distribution or transfer bears to the total number of days in such taxable year. Thus, if the date of distribution or transfer is the last day of the acquiring corporation's taxable year, there is no limitation under section 381(c)(3)(B) on the amount of such carryovers which may be treated as short-term capital losses of the acquiring corporation for its first taxable year ending after that date.

(2) The limitation provided by section 381(c)(3)(B) shall be applied to the aggregate of the capital loss carryovers of the distributor or transferor corporation without reference to the taxable years in which the net capital losses giving rise to the carryovers

were sustained. If the acquiring corporation has acquired the assets of two or more distributor or transferor corporations on the same date of distribution or transfer, then the limitation provided by section 381(c)(3)(B) shall be applied to the aggregate of the capital loss carryovers from all of such distributor or transferor corporations.

(3) If the acquiring corporation succeeds to the capital loss carryovers of two or more distributor or transferor corporations on two or more dates of distribution or transfer during the same taxable year of the acquiring corporation, the limitation to be applied under section 381(c)(3)(B) to the aggregate of such carryovers shall be determined consistently with the rules prescribed in paragraph (b) of § 1.381(c)(1)-2.

(4) The application of this paragraph may be illustrated by the following example:

Example. (i) X and Y Corporations are organized on January 1, 1954, and make their returns on the basis of the calendar year. On July 4, 1957, X Corporation transfers all its assets to Y Corporation in a statutory merger to which section 361 applies. The net capital losses and the net capital gains (capital gain net income for taxable years beginning after Dec. 31, 1976), (computed without regard to any capital loss carryovers) of the two corporations are as follows:

| Taxable year | X Corporation (transferor) | Y Corporation (acquirer) |
|---------------------|----------------------------|--------------------------|
| 1954 | (\$5,000) | 0 |
| 1955 | (10,000) | \$5,000 |
| 1956 | (25,000) | (7,000) |
| Ending 7-4-57 | (8,000) | |
| 1957 | | 36,500 |

(ii) The capital loss carryovers of X Corporation which are available to Y Corporation as of the close of July 4, 1957, amount to \$48,000 in the aggregate; but only \$18,000 ($\$36,500 \times 180/365$) of such amount may be treated as short-term capital losses of Y Corporation for 1957.

(d) *Computation of carryovers; general rule*—(1) *Sequence for applying losses and determination of capital gain net income.* Section 1212 provides that a net capital loss sustained in any taxable year (hereinafter referred to as the “loss year”) shall be carried over to each of the five succeeding taxable years and treated in each of such succeeding years as a short-term capital loss to

the extent not allowed as a deduction against any capital gain net income (net capital gain for taxable years beginning before January 1, 1977) of any taxable years intervening between the loss year and the taxable year to which such loss is carried. For this purpose, the capital gain net income (net capital gain for taxable years beginning before January 1, 1977) of any intervening taxable year is determined without regard to the net capital loss for the loss year or for any taxable year thereafter, and the various capital loss carryovers from taxable years preceding the loss year to any such intervening taxable year are considered to be applied in reduction of the capital gain net income (net capital gain for taxable years beginning before January 1, 1977) for such year in the order of the taxable years in which the losses were sustained, beginning with the loss for the earliest preceding taxable year. The application of these rules to the capital gain net income (net capital gain for taxable years beginning before January 1, 1977) of the acquiring corporation for any taxable year ending after the date of distribution or transfer involves the use of carryovers of the distributor or transferor corporation and of the acquiring corporation. In determining the order in which the capital loss carryovers of the distributor or transferor and acquiring corporations from taxable years ending on or before the date of distribution or transfer are considered to be applied in reduction of the capital gain net income (net capital gain for taxable years beginning before January 1, 1977) of the acquiring corporation for any intervening taxable year ending after such date, the following rules shall apply:

(i) Each taxable year of the distributor or transferor and acquiring corporations which, with respect to the first taxable year of the acquiring corporation ending after the date of distribution or transfer, constitutes a first preceding taxable year, shall be treated as if each such year ended on the same day, whether or not such taxable years actually end on the same day. In like manner, each taxable year of the distributor or transferor and acquiring corporations which, with respect to such first taxable year of the

acquiring corporation ending after the date of distribution or transfer, constitutes a second preceding taxable year, shall be treated as if each such year ended on the same day (whether or not such taxable years actually end on the same day), and a similar rule shall be applied with respect to those taxable years of the distributor or transferor and acquiring corporations which constitute third, fourth, and fifth preceding taxable years;

(ii) If in the same preceding taxable year both the distributor or transferor and acquiring corporations incurred a net capital loss which is a carryover to an intervening taxable year of the acquiring corporation ending after the date of distribution or transfer, then in applying such losses in reduction of the capital gain net income (net capital gain for taxable years beginning before January 1, 1977) for such an intervening year, either such loss may be taken into account before the other; and

(iii) The rules of subdivisions (i) and (ii) of this subparagraph shall apply regardless of the number of distributor or transferor corporations the assets of which are acquired by the acquiring corporation on the same date of distribution or transfer.

(2) *Cross reference.* If the date of distribution or transfer is a day other than the last day of a taxable year of the acquiring corporation, then in determining the capital gain net income (net capital gain for taxable years beginning before January 1, 1977) of the acquiring corporation for its first taxable year ending after the date of distribution or transfer, section 1212 and this paragraph shall be applied in the special manner set forth in paragraph (e) of this section.

(3) *Years to which losses may be carried.* The taxable years to which a net capital loss shall be carried are prescribed by section 1212. Since the taxable year of a distributor or transferor corporation ends with the close of the date of distribution or transfer, such taxable year and the first taxable year of the acquiring corporation which ends after that date are considered two separate taxable years to which a net capital loss of the distributor or transferor corporation for any taxable year ending before that date shall be car-

ried. This rule applies even though the taxable year of the distributor or transferor corporation which ends on the date of distribution or transfer is a period of less than twelve months. However, the distribution or transfer has no effect in determining under section 1212 the taxable years to which a net capital loss of the acquiring corporation is carried. For this purpose, the first taxable year of the acquiring corporation which ends after the date of distribution or transfer constitutes only one taxable year even though such taxable year is considered under paragraph (e) of this section as two taxable years for certain purposes. The application of this subparagraph may be illustrated by the following example:

Example. R and S Corporations are organized on January 1, 1954, and both corporations make their returns on the basis of the calendar year. R Corporation has net capital losses for its years 1954, 1955, and 1957, and S Corporation has net capital losses for its years 1954 and 1956. On June 30, 1958, R Corporation transfers all its assets to S Corporation in a statutory merger to which section 361 applies. The taxable years to which these losses of R and S Corporations may be carried are as follows:

| Loss year | Carried to |
|-------------|---------------------------------------|
| R1954 | R1955, R1956, R1957, R6/30/58, S1958. |
| S1954 | S1955, S1956, S1957, S1958, S1959. |
| R1955 | R1956, R1957, R6/30/58, S1958, S1959. |
| S1956 | S1957, S1958, S1959, S1960, S1961. |
| R1957 | R6/30/58, S1958, S1959, S1960, S1961. |

(4) *Computation of carryovers in case where date of distribution or transfer occurs on last day of acquiring corporation's taxable year.* The computation of the capital loss carryovers from the distributor or transferor corporation and from the acquiring corporation in a case where the date of distribution or transfer occurs on the last day of a taxable year of the acquiring corporation may be illustrated by the following example:

Example. X and Y Corporations are organized on January 1, 1955, and make their returns on the basis of the calendar year. On December 31, 1956, X Corporation transfers all its assets to Y Corporation in a statutory merger to which section 361 applies. The net capital losses and the net capital gains (capital gain net income for taxable years beginning after December 31, 1976), (computed without regard to any capital loss

Internal Revenue Service, Treasury

§ 1.381(c)(3)-1

carryovers) of the two corporations are as follows:

| Taxable year | X Corporation (transferor) | Y Corporation (acquirer) |
|--------------|----------------------------|--------------------------|
| 1955 | (\$20,000) | (\$2,000) |
| 1956 | (10,000) | (8,000) |
| 1957 | | 25,000 |
| 1958 | | 10,000 |

The sequence in which the net capital losses of X and Y Corporations are applied, and the computation of the capital loss carryovers to Y Corporation's taxable year 1959, may be illustrated as follows. (For purposes of this example, the carryover from a preceding taxable year of the transferor corporation will be applied before the carryover from the same preceding taxable year of the acquiring corporation):

(i) *X Corporation's 1955 loss.* The carryover to 1959 is \$0, computed as follows:

| | |
|--|----------|
| Net capital loss | \$20,000 |
| Less: Y's 1957 net capital gain (computed without regard to any capital loss carryovers) | 25,000 |
| Carryover to Y 1958 and Y 1959 | 0 |

(ii) *Y Corporation's 1955 loss.* The carryover to 1959 is \$0, computed as follows:

| | |
|--|----------|
| Net capital loss | \$2,000 |
| Less: | |
| Y's 1957 net capital gain (computed without regard to any capital loss carryovers) | \$25,000 |
| Minus capital loss carryovers to Y 1957 (i.e., carryover of \$20,000 from X 1955) | 20,000 |
| | 5,000 |
| Carryover to Y 1958 and Y 1959 | 0 |

(iii) *X Corporation's 1956 loss.* The carryover to 1959 is \$0, computed as follows:

| | |
|--|----------|
| Net capital loss | \$10,000 |
| Less: | |
| Y's 1957 net capital gain (computed without regard to any capital loss carryovers) | \$25,000 |
| Minus capital loss carryovers to Y 1957 (i.e., carryovers of \$20,000 from X 1955 and \$2,000 from Y 1955) | 22,000 |
| | 3,000 |
| Carryover to Y 1958 | 7,000 |

| | |
|--|----------|
| Less: | |
| Y's 1958 net capital gain (computed without regard to any capital loss carryovers) | \$10,000 |
| Minus capital loss carryovers to Y 1958 | 0 |
| | 10,000 |
| Carryover to Y 1959 | 0 |

(iv) *Y Corporation's 1956 loss.* The carryover to 1959 is \$5,000, computed as follows:

| | |
|------------------------|---------|
| Net capital loss | \$8,000 |
|------------------------|---------|

| | | |
|---|----------|-------|
| Less: | | |
| Y's 1957 net capital gain (computed without regard to any capital loss carryovers) | \$25,000 | |
| Minus capital loss carryovers to Y 1957 (i.e., carryovers of \$20,000 from X 1955, \$2,000 from Y 1955, and \$10,000 from X 1956) | 32,000 | |
| | | 0 |
| Carryover to Y 1958 | | 8,000 |

| | | |
|--|----------|-------|
| Less: | | |
| Y's 1958 net capital gain (computed without regard to any capital loss carryovers) | \$10,000 | |
| Minus capital loss carryovers to Y 1958 (i.e., carryover of \$7,000 from X 1956) | 7,000 | |
| | | 3,000 |
| Carryover to Y 1959 | | 5,000 |

(e) *Computation of carryovers when date of distribution or transfer is not on last day of acquiring corporation's taxable year—(1) General rule.* If, in determining under paragraph (d) of this section the portion of a net capital loss for any taxable year which is carried over to a succeeding taxable year, an intervening taxable year is a taxable year of the acquiring corporation which includes, but does not end on, the date of distribution or transfer, the capital gain net income (net capital gain for taxable years beginning before January 1, 1977) of such intervening year shall be determined by applying section 1212 in the special manner provided by this paragraph.

(2) *Taxable year considered as two taxable years.* Such intervening taxable year of the acquiring corporation shall be considered as though it were two taxable years, but only for the limited purpose of computing capital loss carryovers to subsequent taxable years. The first of such two taxable years shall be referred to in this paragraph as the preacquisition part year; the second, as the postacquisition part year. Though considered as two separate taxable years for purposes of this paragraph, the preacquisition part year and the postacquisition part year are treated as one taxable year in determining the years to which a net capital loss is carried under section 1212. See paragraph (d)(3) of this section.

(3) *Preacquisition part year.* The preacquisition part year shall begin with the beginning of such taxable year

of the acquiring corporation and shall end with the close of the date of distribution or transfer.

(4) *Postacquisition part year.* The postacquisition part year shall begin with the day following the date of distribution or transfer and shall end with the close of such taxable year of the acquiring corporation.

(5) *Division of capital gain net income.* The capital gain net income (net capital gain for taxable years beginning before January 1, 1977) for such intervening taxable year (computed without regard to any capital loss carryovers) of the acquiring corporation shall be divided between the preacquisition part year and the postacquisition part year in proportion to the number of days in each. Thus, if in a statutory merger to which section 361 applies Y Corporation acquires the assets of X Corporation on June 30, 1956, and Y Corporation has net capital gain (computed in the manner so prescribed) of \$36,600 for its calendar year 1956, then the preacquisition part year capital gain net income (net capital gain for taxable years beginning before January 1, 1977) would be \$18,200 ($\$36,600 \times 182/366$) and the postacquisition part year capital gain net income (net capital gain for taxable years beginning before January 1, 1977) would be \$18,400 ($\$36,600 \times 184/366$).

(6) *Application of capital loss carryovers.* After obtaining the capital gain net income (net capital gain for taxable years beginning before January 1, 1977) of the preacquisition part year and postacquisition part year in the manner described in subparagraph (5) of this paragraph, it is necessary to determine the capital loss carryovers which are taken into account with respect to each such part year. The carryovers to be taken into account and the sequence in which such carryovers are applied, shall be determined in accordance with paragraph (d)(1) of this section but subject to the provisions of this subparagraph. With respect to the preacquisition part year, no capital loss carryovers of the distributor or transferor corporation shall be taken into account; that is, only capital loss carryovers of the acquiring corporation shall be taken into account. With respect to the

postacquisition part year, capital loss carryovers of both the distributor or transferor corporation and the acquiring corporation shall be taken into account.

(7) *Cross reference.* If an intervening taxable year is a taxable year of the acquiring corporation during which the acquiring corporation succeeds to the capital loss carryovers of two or more distributor or transferor corporations on two or more dates of distribution or transfer, the capital gain net income (net capital gain for taxable years beginning before January 1, 1977) of the acquiring corporation for such intervening taxable year shall be determined consistently with the rules prescribed in paragraph (c) of § 1.381(c)(1)-2, except that the sequence in which the capital loss carryovers of the distributor or transferor and acquiring corporations shall be applied shall be determined under paragraph (d)(1) of this section.

(8) *Illustration.* The application of this paragraph may be illustrated as follows:

Example. X Corporation is organized on April 1, 1959, and makes its return on the basis of the fiscal year ending March 31. Y Corporation is organized on January 1, 1959, and makes its return on the basis of the calendar year. On June 30, 1961, X Corporation transfers all its assets to Y Corporation in a statutory merger to which section 361 applies. The net capital losses and the net capital gains (capital gain net income for taxable years beginning after December 31, 1976) (computed without regard to any capital loss carryovers) of the two corporations are as follows:

| Taxable year | X Corporation (transferor) | Y Corporation (acquirer) |
|----------------------|----------------------------|--------------------------|
| 1959 | | (\$24,000) |
| Ending 3-31-60 | (\$19,000) | |
| 1960 | | (6,000) |
| Ending 3-31-61 | (5,000) | |
| Ending 6-30-61 | 0 | |
| 1961 | | 36,500 |
| 1962 | | 12,000 |

The following table shows those taxable years of the transferor and acquiring corporations which, with respect to Y Corporation's calendar year 1961, are first, second, and third preceding taxable years:

Internal Revenue Service, Treasury

§ 1.381(c)(3)-1

| Taxable year | X Corporation (transferor) | Y Corporation (acquirer) |
|-----------------------------|----------------------------|--------------------------|
| First preceding year | Ending June 30, 1961 | 1960 |
| Second preceding year | Ending March 31, 1961 | 1959 |
| Third preceding year | Ending March 31, 1960. | |

The sequence in which the net capital losses of X and Y Corporations are applied, and the computation of the capital loss carryovers to Y Corporation's calendar year 1963, may be illustrated as follows. (For purposes of this example, the carryover from a preceding taxable year of the acquiring corporation will be applied before the carryover from the same preceding taxable year of the transferor corporation):

(i) *X Corporation's 3/31/60 loss.* The carryover to 1963 is \$0, computed as follows:

| | |
|---|----------|
| Net capital loss | \$19,000 |
| Less: Y's postacquisition part year net capital gain computed under subparagraph (5) of this paragraph (\$36,500 × 184/365) | 18,400 |
| Carryover to Y 1962 | 600 |
| Less: Y's 1962 net capital gain (computed without regard to any capital loss carryovers) | 12,000 |
| Carryover to Y 1963 | 0 |

(ii) *Y Corporation's 1959 loss.* The carryover to 1963 is \$0, computed as follows:

| | |
|--|----------|
| Net capital loss | \$24,000 |
| Less: Y's preacquisition part year net capital gain computed under subparagraph (5) of this paragraph (\$36,500 × 181/365) | 18,100 |
| Carryover to Y's postacquisition part year ... | 5,900 |
| Less: | |
| Y's postacquisition part year net capital gain computed under subparagraph (5) of this paragraph | \$18,400 |
| Minus capital loss carryovers to postacquisition part year (i.e., carryover of \$19,000 from X 3/31/60) | 19,000 |
| Carryover to Y 1962 | 5,900 |
| Less: | |
| Y's 1962 net capital gain (computed without regard to any capital loss carryovers) | \$12,000 |
| Minus capital loss carryovers to Y 1962 (i.e., carryover of \$600 from X 3/31/60) | 600 |
| Carryover to Y 1963 | 0 |

(iii) *X Corporation's 3/31/61 loss.* The carryover to 1963 is \$0, computed as follows:

| | |
|--|----------|
| Net capital loss | \$5,000 |
| Less: | |
| Y's postacquisition part year net capital gain computed under subparagraph (5) of this paragraph | \$18,400 |
| Minus capital loss carryovers to postacquisition part year (i.e., carryovers of \$19,000 from X 3/31/60 and \$5,900 from Y 1959) | 24,900 |

| | |
|--|----------|
| Carryover to Y 1962 | 5,000 |
| Less: | |
| Y's 1962 net capital gain (computed without regard to any capital loss carryovers) | \$12,000 |
| Minus capital loss carryovers to Y 1962 (i.e., carryovers of \$600 from X 3/31/60 and \$5,900 from Y 1959) | 6,500 |
| Carryover to Y 1963 | 0 |

(iv) *Y Corporation's 1960 loss.* The carryover to 1963 is \$5,500, computed as follows:

| | |
|--|----------|
| Net capital loss | \$6,000 |
| Less: | |
| Y's preacquisition part year net capital gain computed under subparagraph (5) of this paragraph | \$18,100 |
| Minus capital loss carryovers to preacquisition part year (i.e., carryover of \$24,000 from Y 1959) | 24,000 |
| Carryover to Y's postacquisition part year | 6,000 |
| Less: | |
| Y's postacquisition part year net capital gain computed under subparagraph (5) of this paragraph | \$18,400 |
| Minus capital loss carryovers to postacquisition part year (i.e., carryovers of \$19,000 from X 3/31/60, \$5,900 from Y 1959, and \$5,000 from X 3/31/61) .. | 29,900 |
| Carryover to Y 1962 | 6,000 |
| Less: | |
| Y's 1962 net capital gain (computed without regard to any capital loss carryovers) | \$12,000 |
| Minus capital loss carryovers to Y 1962 (i.e., carryovers of \$600 from X 3/31/60, \$5,900 from Y 1959, and \$5,000 from X 3/31/61) | 11,500 |
| Carryover to Y 1963 | 5,500 |

(f) *Successive acquiring corporations.*

An acquiring corporation which, in a transaction to which section 381(a) applies, acquires the assets of a distributor or transferor corporation which previously acquired the assets of another corporation in a transaction to which section 381(a) applies, shall succeed to and take into account, subject to the conditions and limitations of sections 1212 and 381, the capital loss

§ 1.381(c)(4)-1

26 CFR Ch. I (4-1-21 Edition)

carryovers available to the first acquiring corporation under sections 1212 and 381.

[T.D. 6552, 26 FR 1985, Mar. 8, 1961, as amended by T.D. 6867, 30 FR 15094, Dec. 12, 1965; T.D. 7728, 45 FR 72650, Nov. 3, 1980]

§ 1.381(c)(4)-1 Method of accounting.

(a) *Introduction*—(1) *Purpose*. This section provides guidance regarding the method of accounting or combination of methods (other than inventory and depreciation methods) an acquiring corporation must use following a distribution or transfer to which sections 381(a) and 381(c)(4) apply and how to implement any associated change in method of accounting. See § 1.381(c)(5)-1 for guidance regarding the inventory method an acquiring corporation must use following a distribution or transfer to which sections 381(a) and 381(c)(5) apply. See § 1.381(c)(6)-1 for guidance regarding the depreciation method an acquiring corporation must use following a distribution or transfer to which sections 381(a) and 381(c)(6) apply.

(2) *Carryover method requirement for separate and distinct trades or businesses*. In a transaction to which section 381(a) applies, if an acquiring corporation continues to operate a trade or business of the parties to the section 381(a) transaction as a separate and distinct trade or business after the date of distribution or transfer, the acquiring corporation must use a carryover method as defined in paragraph (b)(5) of this section for each continuing trade or business, unless either the carryover method is impermissible and must be changed under paragraph (a)(4) of this section or the acquiring corporation changes the carryover method in accordance with paragraph (a)(5) of this section. The carryover method requirement applies to the overall method of accounting (for example, an accrual method of accounting) and any special method of accounting (for example, the percentage of completion method of accounting described in section 460) as defined in paragraph (b)(2) of this section used by each trade or business after the date of distribution or transfer. The acquiring corporation need not secure the Commissioner's

consent to continue a carryover method.

(3) *Principal method requirement for trades or businesses not operated as separate and distinct trades or businesses*. In a transaction to which section 381(a) applies, if an acquiring corporation does not operate the trades or businesses of the parties to the section 381(a) transaction as separate and distinct trades or businesses after the date of distribution or transfer, the acquiring corporation must use a principal method determined under paragraph (c) of this section, unless either the principal method is impermissible and must be changed under paragraph (a)(4) of this section or the acquiring corporation changes the principal method in accordance with paragraph (a)(5) of this section. The principal method requirement applies to the overall method of accounting (for example, the cash receipts and disbursements method of accounting) and any special method of accounting (for example, the installment method under section 453) as defined in paragraph (b)(2) of this section used by each integrated trade or business after the date of distribution or transfer. The acquiring corporation must change to a principal method in accordance with paragraph (d)(1) of this section for each integrated trade or business and need not secure the Commissioner's consent to use a principal method.

(4) *Carryover method or principal method not a permissible method*. If a carryover method or principal method is not a permissible method of accounting, the acquiring corporation must secure the Commissioner's consent to change to a permissible method of accounting as provided in paragraph (d)(2) of this section. If the acquiring corporation must use a single method of accounting for a particular item after the date of distribution or transfer regardless of the number of separate and distinct trades or businesses operated on that date, the acquiring corporation must use the principal method for that item as determined under paragraph (c) of this section, unless either the principal method is impermissible and must be changed under this paragraph (a)(4) or the acquiring corporation changes the

principal method in accordance with paragraph (a)(5) of this section.

(5) *Voluntary change.* Any party to a section 381(a) transaction may request permission under section 446(e) to change a method of accounting for the taxable year in which the transaction occurs or is expected to occur. For trades or businesses that will not operate as separate and distinct trades or businesses after the date of distribution or transfer, a change in method of accounting for the taxable year that includes that date will be granted only if the requested method is the method that the acquiring corporation must use after the date of distribution or transfer. The time and manner of obtaining the Commissioner's consent to change to a different method of accounting is described in paragraph (d)(2) of this section.

(6) *Examples.* The following examples illustrate the rules of this paragraph (a). Unless otherwise noted, the carryover method is a permissible method of accounting.

Example (1). Carryover method for separate and distinct trades or businesses after the date of distribution or transfer. (i) *Facts.* X Corporation operates an employment agency that uses the overall cash receipts and disbursements method of accounting. T Corporation operates an educational institution that uses an overall accrual method of accounting. X Corporation acquires the assets of T Corporation in a transaction to which section 381(a) applies. After the date of distribution or transfer, X Corporation operates the employment agency as a trade or business that is separate and distinct from the educational institution.

(ii) *Conclusion.* Because after the date of distribution or transfer X Corporation operates the employment agency as a separate and distinct trade or business, under paragraph (a)(2) of this section X Corporation must use the carryover method for each continuing trade or business, unless either the carryover method is impermissible and must be changed under paragraph (a)(4) of this section or X Corporation changes the carryover method in accordance with paragraph (a)(5) of this section. As defined in paragraph (b)(5) of this section, the carryover method for the employment agency is the cash receipts and disbursements method of accounting and the carryover method for the educational institution is the accrual method of accounting used by T Corporation immediately prior to the date of distribution or transfer. There is no change in method of accounting, and X Corporation need not secure the Commis-

sioner's consent to use either carryover method.

Example (2). Carryover method for a special method of accounting. (i) *Facts.* X Corporation provides personal grooming consulting and T Corporation provides weight management consulting. Both X Corporation and T Corporation use the same overall accrual method of accounting. X Corporation has elected to use the recurring item exception under §1.461-5. T Corporation does not use the recurring item exception. X Corporation acquires the assets of T Corporation in a transaction to which section 381(a) applies. After the date of distribution or transfer, X Corporation operates the personal grooming consulting business as a trade or business that is separate and distinct from the weight management consulting business.

(ii) *Conclusion.* Because after the date of distribution or transfer, X Corporation operates the personal grooming consulting business as a separate and distinct trade or business, under paragraph (a)(2) of this section X Corporation must use a carryover method for each continuing trade or business, unless either the carryover method is impermissible and must be changed under paragraph (a)(4) of this section or X Corporation changes the carryover method in accordance with paragraph (a)(5) of this section. As defined in paragraph (b)(5) of this section, the carryover method for the overall method of accounting for each trade or business is the accrual method used immediately prior to the date of distribution or transfer. The carryover method for the special method of accounting for the personal grooming consulting business is the recurring item exception under §1.461-5 while the carryover method for the weight management consulting business is not to use the recurring item exception under §1.461-5. There is no change in method of accounting, and X Corporation need not secure the Commissioner's consent to use the carryover methods of accounting.

Example (3). Carryover method for a special method of accounting not permissible. (i) *Facts.* X Corporation is an engineering firm that uses the overall cash receipts and disbursements method of accounting and has elected under section 171 to amortize bond premium with respect to its taxable bonds acquired at a premium. T Corporation is a manufacturer that uses an overall accrual method of accounting and has not made a section 171 election to amortize bond premium with respect to its taxable bonds acquired at a premium. X Corporation acquires the assets of T Corporation in a transaction to which section 381(a) applies. After the date of distribution or transfer, X Corporation operates the engineering firm as a trade or business that is separate and distinct from the manufacturing business.

(ii) *Conclusion.* Because after the date of distribution or transfer X Corporation operates the engineering firm as a separate and distinct trade or business, under paragraph (a)(2) of this section X Corporation must use a carryover method for each continuing trade or business, unless either the carryover method is impermissible and must be changed under paragraph (a)(4) of this section or X Corporation changes the carryover method in accordance with paragraph (a)(5) of this section. As defined in paragraph (b)(5) of this section, the carryover method for the overall method of accounting for the engineering firm is the cash receipts and disbursements method used by X Corporation immediately prior to the date of distribution or transfer, and the carryover method for the overall method of accounting for the manufacturing business is the accrual method used by T Corporation immediately prior to the date of distribution or transfer. There is no change in method of accounting, and X Corporation need not secure the Commissioner's consent to use either carryover method. Notwithstanding that after the date of distribution or transfer X Corporation has two separate and distinct trades or businesses, X Corporation is permitted only one method of accounting for amortizable bond premium under section 171. Because after the date of distribution or transfer X Corporation must use a single method of accounting for bond premium for all trades or businesses, X Corporation must use the principal method for that item as determined under paragraph (c) of this section, unless either the principal method is impermissible and must be changed under paragraph (a)(4) of this section or X Corporation changes that method in accordance with paragraph (a)(5) of this section. X Corporation must change to the principal method in accordance with paragraph (d)(1) of this section. If amortizing bond premium is not the principal method, X Corporation may make an election to amortize bond premium to the extent permitted by section 171. See paragraph (e)(2) of this section for rules on making elections.

(b) *Definitions.* For purposes of this section—

(1) *Method of accounting.* A method of accounting has the same meaning as provided in section 446 and any applicable Internal Revenue Code Regulations.

(2) *Special method of accounting.* A special method of accounting is a method expressly permitted or required by the Internal Revenue Code, Internal Revenue Code Regulations, or administrative guidance published in the Internal Revenue Bulletin that deviates from the normal application of the cash receipts and disbursements method or an ac-

crual method of accounting. The installment method under section 453, the mark-to-market method under section 475, the amortization of bond premium under section 171, the percentage of completion method under section 460, the recurring item exception of § 1.461-5, and the income deferral method under section 455 are examples of special methods of accounting. See § 1.446-1(c)(1)(iii).

(3) *Adoption of a method of accounting.* Adoption of a method of accounting has the same meaning as provided in § 1.446-1(e)(1).

(4) *Change in method of accounting.* A change in method of accounting has the same meaning as provided in § 1.446-1(e)(2).

(5) *Carryover method.* A carryover method for the overall method of accounting is the overall method of accounting that each party to a section 381(a) transaction uses for each separate and distinct trade or business immediately prior to the date of distribution or transfer. The carryover method for a special method of accounting for an item is the special method of accounting for that item that each party to a section 381(a) transaction uses for each separate and distinct trade or business immediately prior to the date of distribution or transfer.

(6) *Principal method.* A principal method is an overall or special method of accounting that is determined under paragraph (c) of this section.

(7) *Permissible method of accounting.* A permissible method of accounting is a method of accounting that is proper or permitted under the Internal Revenue Code or any applicable Internal Revenue Code Regulations.

(8) *Acquiring corporation.* An acquiring corporation has the same meaning as provided in § 1.381(a)-1(b)(2).

(9) *Distributor corporation.* A distributor corporation means the corporation, foreign or domestic, that distributes its assets to another corporation described in section 332(b) in a distribution to which section 332 (relating to liquidations of subsidiaries) applies.

(10) *Transferor corporation.* A transferor corporation means the corporation, foreign or domestic, that transfers its assets to another corporation

in a transfer to which section 361 (relating to nonrecognition of gain or loss to corporations) applies, but only if—

(i) The transfer is in connection with a reorganization described in section 368(a)(1)(A), (a)(1)(C), or (a)(1)(F), or

(ii) The transfer is in connection with a reorganization described in section 368(a)(1)(D) or (a)(1)(G), provided the requirements of section 354(b) are met.

(11) *Parties to the section 381(a) transaction.* Parties to the section 381(a) transaction means the acquiring corporation and the distributor or transferor corporation that participate in a transaction to which section 381(a) applies.

(12) *Date of distribution or transfer.* The date of distribution or transfer has the same meaning as provided in section 381(b)(2) and § 1.381(b)-1(b).

(13) *Separate and distinct trades or businesses.* Separate and distinct trades or businesses has the same meaning as provided in § 1.446-1(d).

(14) *Gross receipts.* Gross receipts means all the receipts, including amounts that are excludible from gross income, that must be taken into account under the method of accounting used in a representative period (determined without regard to this section) for federal income tax purposes. For example, gross receipts includes income from investments, amounts received for services, rents, total sales (net of returns and allowances), and both taxable and tax-exempt interest. See paragraph (e)(5) of this section for rules on determining the representative period.

(15) *Audit protection.* Audit protection means, for purposes of paragraph (d)(1) of this section, that the IRS will not require an acquiring corporation that is required to change a method of accounting under paragraph (a)(3) of this section to change that method for a taxable year ending prior to the taxable year that includes the date of distribution or transfer.

(16) *Section 481(a) adjustment.* The section 481(a) adjustment means an adjustment that must be taken into account as required under section 481(a) to prevent amounts from being duplicated or omitted when the taxable income of an acquiring corporation is computed under a method of account-

ing different from the method used to compute taxable income for the preceding taxable year.

(17) *Cut-off basis.* A cut-off basis means a manner in which a change in method of accounting is made without a section 481(a) adjustment and under which only the items arising after the beginning of the year of change (or, in the case of a change made under paragraph (d)(1) of this section, after the date of distribution or transfer) are accounted for under the new method of accounting.

(18) *Adjustment period.* The adjustment period means the number of taxable years for taking into account the section 481(a) adjustment required as a result of a change in method of accounting.

(19) *Component trade or business.* A component trade or business is a trade or business of a party to the section 381(a) transaction that will be combined and integrated with a trade or business of the other party to the section 381 transaction. See paragraph (e)(4)(ii) of this section for the determination of whether a trade or business is operated as a separate and distinct trade or business after the date of distribution or transfer.

(c) *Principal method—(1) In general.* For each integrated trade or business, the principal method is generally the method of accounting used by the component trade or business of the acquiring corporation immediately prior to the date of distribution or transfer. If, however, the component trade or business of the distributor or transferor corporation is larger than the component trade or business of the acquiring corporation on the date of distribution or transfer, the principal method is the method used by the component trade or business of the distributor or transferor corporation immediately prior to that date. If the larger component trade or business does not have a special method of accounting for a particular item immediately prior to the date of distribution or transfer, the principal method for that item is the method of accounting used by the component trade or business that does have a special method of accounting for that

item. See paragraph (e)(9) of this section for special rules concerning methods of accounting that are elected on a project-by-project, job-by-job, or other similar basis. For each integrated trade or business, the component trade or business of the distributor or transferor corporation is larger than the component trade or business of the acquiring corporation on the date of distribution or transfer if—

(i) The aggregate of the adjusted bases of the assets held by each component trade or business of the distributor or transferor corporation (determined under section 1011 and any applicable Income Tax Regulations) exceeds the aggregate of the adjusted bases of the assets of each component trade or business of the acquiring corporation immediately prior to the date of distribution or transfer, and

(ii) The aggregate of the gross receipts for a representative period of each component trade or business of the distributor or transferor corporation exceeds the aggregate of the gross receipts for the same period of each component trade or business of the acquiring corporation. See paragraph (e)(5) of this section for rules on determining the representative period.

(2) *Multiple component trades or businesses with different principal methods.* If a party to the section 381(a) transaction has multiple component trades or businesses and more than one principal overall method of accounting or more than one principal special method of accounting for an item, then the acquiring corporation may choose which of the principal methods of accounting used by such component trades or businesses will be the principal methods of the integrated trade or business. The acquiring corporation must choose a principal method that is a permissible method of accounting. In general, a change to a principal method in a transaction to which section 381(a) and paragraph (a)(3) of this section applies is made under paragraph (d)(1) of this section.

(3) *Examples.* The following examples illustrate the rules of this paragraph (c). Unless otherwise noted, the principal method is a permissible method of accounting.

Example (1). Principal method is the method used by the acquiring corporation. (i) *Facts.* X Corporation and T Corporation each operate an employment agency. X Corporation uses the overall cash receipts and disbursements method of accounting, and T Corporation uses an overall accrual method of accounting. X Corporation acquires the assets of T Corporation in a transaction to which section 381(a) applies. The adjusted bases of the assets in X Corporation's employment agency immediately prior to the date of distribution or transfer exceed the adjusted bases of the assets in T Corporation's employment agency, and the gross receipts in X Corporation's employment agency for the representative period exceed the gross receipts of T Corporation's employment agency for the period. After the date of distribution or transfer, X Corporation's employment agency will not be operated as a trade or business that is separate and distinct from T Corporation's employment agency.

(ii) *Conclusion.* Because after the date of distribution or transfer X Corporation will not operate its employment agency as a separate and distinct trade or business, X Corporation must use a principal method under paragraph (a)(3) of this section, unless either the principal method is impermissible and must be changed under paragraph (a)(4) of this section or X Corporation changes the principal method in accordance with paragraph (a)(5) of this section. Because on the date of distribution or transfer T Corporation's employment agency is not larger than X Corporation's employment agency, the principal method for the overall method of accounting is the cash receipts and disbursements method used by X Corporation's employment agency. X Corporation need not secure the Commissioner's consent to use this method of accounting. However, in accordance with paragraph (d)(1) of this section, X Corporation must change the method of accounting for the employment agency acquired from T Corporation to the cash receipts and disbursements method.

Example (2). Principal method is the method used by the acquiring corporation. (i) *Facts.* The facts are the same as in *Example (1)*, except that the gross receipts of T Corporation's employment agency for the representative period exceed the gross receipts of X Corporation's employment agency for the period.

(ii) *Conclusion.* The result is the same as in *Example (1)*. Although the gross receipts of T Corporation's employment agency exceed the gross receipts of X Corporation's employment agency, T Corporation's employment agency is not larger than X Corporation's employment agency because the adjusted bases of the assets of T Corporation's employment agency do not exceed the adjusted

bases of the assets of X Corporation's employment agency. Thus, the principal method for the overall method of accounting is the cash receipts and disbursements method of accounting used by X Corporation's employment agency immediately prior to the date of distribution or transfer. X Corporation need not secure the Commissioner's consent to use this method of accounting. However, in accordance with paragraph (d)(1) of this section, X Corporation must change the method of accounting for the employment agency business acquired from T Corporation to the cash receipts and disbursements method.

Example (3). Principal method is the method used by the distributor or transferor corporation. (i) *Facts.* The facts are the same as in *Example (2)*, except that the adjusted bases of the assets held by T Corporation's employment agency immediately prior to the date of distribution or transfer exceed the adjusted bases of the assets held by X Corporation's employment agency.

(ii) *Conclusion.* The principal method for the overall method of accounting is the accrual method of accounting used by T Corporation's employment agency immediately prior to the date of distribution or transfer because on the date of distribution or transfer T Corporation's employment agency is larger than X Corporation's employment agency. The adjusted bases of the assets of T Corporation's employment agency exceed the adjusted bases of the assets of X Corporation's employment agency, and the gross receipts of T Corporation's employment agency exceed the gross receipts of X Corporation's employment agency. X Corporation need not secure the Commissioner's consent to use this method of accounting. However, in accordance with paragraph (d)(1) of this section, X Corporation must change the method of accounting for the employment agency business it operated prior to the date of distribution or transfer to the accrual method of accounting used by T Corporation's employment agency immediately prior to the date of distribution or transfer.

Example (4). Impermissible principal method. (i) *Facts.* The facts are the same as in *Example (1)*, except that X Corporation is prohibited under section 448 from using the cash receipts and disbursements method of accounting after the date of distribution or transfer.

(ii) *Conclusion.* Because section 448 prohibits X Corporation from using the cash receipts and disbursements method of accounting, X Corporation is not permitted to use the principal method for the overall method of accounting as determined in *Example (1)*. Because after the date of distribution or transfer that method is not a permissible method, under paragraph (a)(4) of this section X Corporation must secure the Commissioner's consent to change to a permissible

method in accordance with the procedures set forth in paragraph (d)(2) of this section.

Example (5). Voluntary change not allowable. (i) *Facts.* The facts are the same as in *Example (4)*, except that T Corporation wants to discontinue using the overall accrual method of accounting for its employment agency and change to the cash receipts and disbursements method for the taxable year in which the section 381(a) transaction occurs or is expected to occur.

(ii) *Conclusion.* Under paragraph (a)(5) of this section, the Commissioner will grant a request to change a method of accounting for the taxable year that includes the date of distribution or transfer only if the requested method is the method that the acquiring corporation must use after the date of distribution or transfer. The Commissioner will not consent to a request by T Corporation to change to the cash receipts and disbursements method for the taxable year in which the section 381(a) transaction occurs or is expected to occur because X Corporation cannot use the cash receipts and disbursements method after the date of distribution or transfer.

Example (6). Principal methods are the acquiring corporation's methods. (i) *Facts.* X Corporation and T Corporation each publishes magazines. X Corporation acquires the assets of T Corporation in a transaction to which section 381(a) applies. Both X Corporation and T Corporation use an overall accrual method of accounting. X Corporation has elected to defer income from its subscription sales under section 455. T Corporation has not elected to defer income from its subscription sales under section 455 and instead has recognized the income from these sales in accordance with section 451. The adjusted bases of the assets in X Corporation's publication business immediately prior to the date of distribution or transfer exceed the adjusted bases of the assets in T Corporation's publication business, and the gross receipts in X Corporation's publication business for the representative period exceed the gross receipts in T Corporation's publication business for the representative period. After the date of distribution or transfer, X Corporation will not operate its publication business as a trade or business that is separate and distinct from T Corporation's publication business.

(ii) *Conclusion.* Because after the date of distribution or transfer X Corporation will not operate its publication business as a separate and distinct trade or business, X Corporation must use the principal method under paragraph (a)(3) of this section, unless either the principal method is impermissible and must be changed under paragraph (a)(4) of this section or X Corporation changes the principal method in accordance with paragraph (a)(5) of this section. The adjusted

bases of the assets in T Corporation's publication business do not exceed the adjusted bases of the assets in X Corporation's publication business, and the gross receipts in T Corporation's publication business do not exceed the gross receipts in X Corporation's publication business. Because on the date of distribution or transfer T Corporation's publication business is not larger than X Corporation's publication business, the principal method for the overall method of accounting is the accrual method used by X Corporation's publication business immediately prior to the date of distribution or transfer. The principal method for subscription sales is the section 455 deferral method used by X Corporation immediately prior to the date of distribution or transfer. X Corporation need not secure the Commissioner's consent to use the principal method for either the overall method of accounting or the special method of accounting. However, in accordance with paragraph (d)(1) of this section, X Corporation must change both the overall method of accounting and the special method of accounting for the publication business acquired from T Corporation to the accrual method and the section 455 deferral method used by X Corporation immediately prior to the date of distribution or transfer.

Example (7). Principal methods are the acquiring corporation's methods. (i) *Facts.* The facts are the same as in *Example (6)*, except that the adjusted bases of the assets in T Corporation's publication business immediately prior to the date of distribution or transfer exceed the adjusted bases of the assets in X Corporation's business.

(ii) *Conclusion.* The result is the same as in *Example (6)*. Because on the date of distribution or transfer T Corporation's publication business is not larger than X Corporation's publication business, the principal method for the overall method of accounting is the accrual method used by X Corporation's publication business immediately prior to the date of distribution or transfer. The principal method for subscription sales is the section 455 deferral method used by X Corporation immediately prior to the date of distribution or transfer. X Corporation need not secure the Commissioner's consent to use the principal method for either the overall method of accounting or the special method of accounting. However, in accordance with paragraph (d)(1) of this section, X Corporation must change both the overall method of accounting and the special method of accounting for the publication business acquired from T Corporation to the accrual method and the section 455 deferral method used by X Corporation immediately prior to the date of distribution or transfer.

Example (8). Principal method determination when larger component trade or business does not have a special method of accounting. (i) *Facts.* X Corporation and T Corporation both

install ice skating rinks. Both X Corporation and T Corporation use an overall accrual method of accounting for their respective businesses. X Corporation completes its installation contracts within the contracting year and uses an accrual method of accounting to recognize the revenue from its installation contracts. T Corporation's installation contracts are subject to section 460, and T Corporation recognizes the revenue from such contracts under the percentage-of-completion method. X Corporation acquires the assets of T Corporation in a transaction to which section 381(a) applies. The adjusted bases of the assets in X Corporation's installation business immediately prior to the date of distribution or transfer exceed the adjusted bases of the assets in T Corporation's installation business, and the gross receipts in X Corporation's installation business for the representative period exceed the gross receipts in T Corporation's installation business for the representative period. After the date of distribution or transfer, X Corporation will not operate its installation business as a trade or business that is separate and distinct from T Corporation's installation business.

(ii) *Conclusion.* Because after the date of distribution or transfer X Corporation will not operate its installation business as a separate and distinct trade or business, X Corporation must use a principal method under paragraph (a)(3) of this section, unless either the principal method is impermissible and must be changed under paragraph (a)(4) of this section or X Corporation changes the principal method in accordance with paragraph (a)(5) of this section. The adjusted bases of the assets in T Corporation's installation business do not exceed the adjusted bases of the assets in X Corporation's installation business, and the gross receipts in T Corporation's installation business do not exceed the gross receipts in X Corporation's installation business. Because on the date of distribution or transfer T Corporation's installation business is not larger than X Corporation's installation business, the principal method for the overall method of accounting is the accrual method used by X Corporation's installation business immediately prior to the date of distribution or transfer. X Corporation need not secure the Commissioner's consent to use the principal method for the overall method of accounting. However, in accordance with paragraph (d)(1) of this section, X Corporation must change the overall method of accounting for the installation business acquired from T Corporation to the accrual method used by X Corporation. Under paragraph (c) of this section, the principal method for T Corporation's long-term contracts is the percentage-of-completion method used by T Corporation immediately prior to the date of distribution

or transfer because X Corporation's installation business does not have a method of accounting for long-term contracts. There is no change in method of accounting, and X Corporation need not secure the Commissioner's consent to use T Corporation's percentage-of-completion method.

Example (9). Principal method determination with a combined trade or business and a separate and distinct trade or business. (i) *Facts.* X Corporation operates a tennis academy as a trade or business that is separate and distinct from its trade or business of operating a golf academy. X Corporation uses the overall cash receipts and disbursements method of accounting for the tennis academy and an overall accrual method of accounting for the golf academy. T Corporation operates a tennis academy and uses an accrual method of accounting for the overall method. X Corporation acquires the assets of T Corporation in a transaction to which section 381(a) applies. After the date of distribution or transfer, X Corporation will not operate its tennis academy as a trade or business that is separate and distinct from T Corporation's tennis academy. X Corporation will continue to operate its golf academy as a trade or business that is separate and distinct from the operation of the tennis academy. The adjusted bases of the assets in T Corporation's tennis academy exceed the adjusted bases of the assets in X Corporation's tennis academy immediately prior to the date of distribution or transfer. The gross receipts of T Corporation's tennis academy for the representative period exceed the gross receipts of X Corporation's tennis academy for that period.

(ii) *Conclusion.* Because after the date of distribution or transfer X Corporation will not operate its tennis academy as a separate and distinct trade or business, X Corporation must use a principal method under paragraph (a)(3) of this section, unless either the principal method is impermissible and must be changed under paragraph (a)(4) of this section or X Corporation changes the principal method in accordance with paragraph (a)(5) of this section. Because on the date of distribution or transfer the tennis academy operated by T Corporation is larger than the tennis academy operated by X Corporation, the principal method for the overall method of accounting for the combined tennis academy business is the accrual method used by T Corporation's tennis academy immediately prior to the date of distribution or transfer. X Corporation need not secure the Commissioner's consent to use the principal method for the overall method of accounting. However, in accordance with paragraph (d)(1) of this section, X Corporation must change the method of accounting for its tennis academy to the accrual method. Because X Corporation will operate the golf academy as a separate trade or business, under paragraph (a)(2) of this section X Corporation must continue

to use the accrual method that it used immediately prior to the date of distribution or transfer as the carryover method for the golf academy. There is no change in method of accounting, and X Corporation need not secure the Commissioner's consent to use the carryover method.

Example (10). Principal method determination with multiple component trades or businesses.

(i) *Facts.* The facts are the same as in *Example (9)*, except that after the date of distribution or transfer X Corporation will not operate its golf academy as a trade or business that is separate and distinct from the tennis academy. In addition, X Corporation's component trades or businesses are larger than T Corporation's component trade or business: (1) the adjusted bases of the assets of X Corporation's tennis academy and golf academy businesses, in the aggregate, exceed the adjusted bases of the assets held by T Corporation's tennis academy; and (2) the gross receipts for the representative period of X Corporation's tennis academy and golf academy businesses, in the aggregate, exceed the gross receipts in T Corporation's tennis academy.

(ii) *Conclusion.* Because on the date of distribution or transfer T Corporation's tennis academy is not larger than X Corporation's combined tennis academy and golf academy, the principal method for the overall method of accounting is the method of accounting used by the component trades or businesses of X Corporation that will be combined with T Corporation's component trade or business on that date. Because on the date of distribution or transfer X Corporation operates two component trades or businesses with different overall methods of accounting that will be integrated after the date of distribution or transfer, X Corporation may choose under paragraph (c)(2) of this section which overall method (and any special method of accounting) used by its component trades or businesses will be the principal method. X Corporation may choose to use either the accrual method used by the golf academy or the cash receipts and disbursements method used by its tennis academy as the principal method after the date of distribution or transfer, if either method is a permissible method. In accordance with paragraph (d)(1) of this section, X Corporation must change T Corporation's overall method of accounting to the principal method. Under paragraph (a)(3) of this section, X Corporation also must change either its golf academy business or its tennis academy business, depending on which principal method X Corporation selects, to the principal method.

(d) *Procedures for changing a method of accounting—(1) Change made to principal method under paragraph (a)(3) of this section—(i) Section 481(a) adjustment—(A) In general.* An acquiring corporation

that changes its method of accounting or the distributor or transferor corporation's method of accounting under paragraph (a)(3) of this section does not need to secure the Commissioner's consent to use the principal method. To the extent the use of a principal method constitutes a change in method of accounting, the change in method is treated as a change initiated by the acquiring corporation for purposes of section 481(a)(2). Any change to a principal method, whether the change relates to a trade or business of the acquiring corporation or a trade or business of the distributor or transferor corporation, must be reflected on the acquiring corporation's federal income tax return for the taxable year that includes the date of distribution or transfer. The amount of the section 481(a) adjustment and the adjustment period, if any, necessary to implement a change to the principal method are determined under § 1.446-1(e) and the applicable administrative procedures that govern voluntary changes in methods of accounting under section 446(e). If the Internal Revenue Code, the Income Tax Regulations, or administrative procedures require that a method of accounting be implemented on a cut-off basis, the acquiring corporation must implement the change on a cut-off basis as of the date of distribution or transfer on its federal income tax return for the taxable year that includes the date of distribution or transfer. If the Internal Revenue Code, the Income Tax Regulations, or administrative procedures require a section 481(a) adjustment, the acquiring corporation must determine the section 481(a) adjustment and include the appropriate amount of the section 481(a) adjustment on its federal income tax return for the taxable year that includes the date of distribution or transfer and subsequent taxable year(s), as necessary. This adjustment is determined by the acquiring corporation as of the beginning of the day that is immediately after the date of distribution or transfer.

(B) *Example.* The following example illustrates the rules of this paragraph (d)(1)(i):

Example. X Corporation uses the overall cash receipts and disbursements method of

accounting, and T Corporation uses an overall accrual method of accounting. X Corporation acquires the assets of T Corporation in a transaction to which section 381(a) applies. X Corporation determines that under the rules of paragraph (c)(1) of this section X Corporation must change the method of accounting for the business acquired from T Corporation to the cash receipts and disbursements method. X Corporation will determine the section 481(a) adjustment pertaining to the change to the cash receipts and disbursements method by consolidating the adjustments (whether the amounts thereof represent increases or decreases in items of income or deductions) arising with respect to balances in the various accounts, such as accounts receivable, as of the beginning of the day that immediately follows the day on which X Corporation acquires the assets of T Corporation. X Corporation will reflect this adjustment, or an appropriate part thereof, on its federal income tax return for the taxable year that includes the date of distribution or transfer.

(ii) *Audit protection.* Notwithstanding any other provision in any other Income Tax Regulation or administrative procedure, no audit protection is provided for any change in method of accounting under paragraph (d)(1) of this section.

(iii) *Other terms and conditions.* Except as otherwise provided in this section, other terms and conditions provided in § 1.446-1(e) and the applicable administrative procedures for voluntary changes in method of accounting under section 446(e) apply to a change in method of accounting under this section. Thus, for example, if the administrative procedures for a particular change in method of accounting have a term and condition that provides for the acceleration of the section 481(a) adjustment period, this term and condition applies to a change made under this paragraph (d)(1). However, any scope limitation in the applicable administrative procedures will not apply for purposes of making a change under this paragraph (d)(1). For example, if the administrative procedures provide as a limitation that an identical change in method of accounting is barred for a period of years, this limitation will not bar a change to the principal method made under this section.

(2) *Change made to a method of accounting under paragraph (a)(4) or (a)(5) of this section—(i) In general.* A party to

a section 381(a) transaction that changes a method of accounting under either paragraph (a)(4) or paragraph (a)(5) of this section must follow the provisions of §1.446-1(e) and the applicable administrative procedures, including scope limitations, for voluntary changes in method of accounting under section 446(e), except as provided in paragraphs (d)(2)(ii) and (d)(2)(iii) of this section. An application on Form 3115, "Application for Change in Accounting Method," filed with the IRS to change a method of accounting under this paragraph (d)(2) should be labeled "Filed under section 381(c)(4)" at the top.

(ii) *Final year limitation.* Any scope limitation relating to the final year of a trade or business will not apply to a taxpayer that changes its method of accounting in the final year of a trade or business that is terminated as the result of a section 381(a) transaction.

(iii) *Time to file.* Under the authority of §1.446-1(e)(3)(ii), for a change in method of accounting requiring advance consent, the application for a change in method of accounting (for example, Form 3115) must be filed with the IRS on or before the later of—

(A) The due date for filing a Form 3115 as specified in §1.446-1(e), for example, the last day of the taxable year in which the distribution or transfer occurred, or

(B) The earlier of—

(1) The day that is 180 days after the date of distribution or transfer, or

(2) The day on which the acquiring corporation files its federal income tax return for the taxable year in which the distribution or transfer occurred.

(e) *Rules and procedures—(1) No method of accounting.* If a party to a section 381(a) transaction is not using a method of accounting, does not have a method of accounting for a particular item, or came into existence as a result of the transaction, the party will not be treated as having a method of accounting different from that used by another party to the section 381(a) transaction.

(2) *Elections and adoptions allowed.* If an election does not require the Commissioner's consent, an acquiring corporation or a distributor or transferor corporation is not precluded from mak-

ing any election that is otherwise permissible for the taxable year that includes the date of distribution or transfer. For purposes of this section, a corporation shall be deemed as having made any election as of the first day of the taxable year that includes the date of distribution or transfer. Similarly, where adoption is permissible, an acquiring corporation or a distributor or transferor corporation may adopt any permissible method of accounting for the taxable year that includes the date of distribution or transfer.

(3) *Elections continue after section 381(a) transaction—(i) General rule.* An acquiring corporation is not required to renew any election not otherwise requiring renewal and previously made by it or by a distributor or transferor corporation for a carryover method or a principal method if the acquiring corporation uses the method after the section 381(a) transaction. If the acquiring corporation uses a method after the date of distribution or transfer, an election made by the acquiring corporation or by a distributor or transferor corporation for that method that was in effect on the date of distribution or transfer continues after the section 381(a) transaction as though the distribution or transfer had not occurred.

(ii) *Example.* The following example illustrates the rules of this paragraph (e)(3):

Example. The acquiring corporation, X Corporation, previously elected to amortize bond premium under section 171. X Corporation acquires the assets of T Corporation in a transaction to which section 381(a) applies. X Corporation determines under the rules of paragraph (c)(1) of this section that X Corporation's method of amortizing bond premium is the principal method. After the date of distribution or transfer, X Corporation is not required to renew its bond premium amortization election and is bound by it. Additionally, X Corporation would not be required to renew its election to amortize bond premium if the method were the carryover method under paragraph (a)(2) of this section.

(4) *Appropriate times for certain determinations—(i) Determining the method of accounting.* The method of accounting used by a party to a section 381(a) transaction on the date of distribution or transfer is the method of accounting used by that party as of the end of the

day that is immediately prior to the date of distribution or transfer.

(ii) *Determining whether there are separate and distinct trades or businesses after the date of distribution or transfer.* Whether an acquiring corporation will operate the trades or businesses of the parties to a section 381(a) transaction as separate and distinct trades or businesses after the date of distribution or transfer will be determined as of the date of distribution or transfer based upon the facts and circumstances. Intent to combine books and records of the trades or businesses may be demonstrated by contemporaneous records and documents or by other objective evidence that reflects the acquiring corporation's ultimate plan of operation, even though the actual combination of the books and records may extend beyond the end of the taxable year that includes the date of distribution or transfer.

(5) *Representative period for aggregating gross receipts.* The representative period for measuring gross receipts is generally the 12 consecutive months preceding the date of distribution or transfer. If a component trade or business was not in existence for the 12 consecutive months preceding the date of distribution or transfer, then all component trades or businesses of each integrated trade or business will compare their gross receipts for the period that such trade or business was in existence. For example, if the acquiring corporation's component trade or business was formed in August and the date of distribution or transfer occurred in December of the same year, the gross receipts for those five months will be compared with the gross receipts of the other component trades or businesses for the same period.

(6) *Establishing a method of accounting.* A method of accounting used by the distributor or transferor corporation immediately prior to the date of distribution or transfer that continues to be used by the acquiring corporation after the date of distribution or transfer is an established method of accounting for purposes of section 446(e), whether or not such method is proper or is permitted under the Internal Revenue Code or any applicable Income Tax Regulations.

(7) *Other applicable provisions.* This section does not preempt any other provision of the Internal Revenue Code or the Income Tax Regulations that is applicable to the acquiring corporation's circumstances. For example, income, deductions, credits, allowances, and exclusions may be allocated among the parties to a section 381(a) transaction and other taxpayers under sections 269 and 482, if appropriate. Similarly, transfers of contracts accounted for using a long-term contract method of accounting are governed by the rules provided in § 1.460-4(k). Further, if other paragraphs of section 381(c) apply for purposes of determining the methods of accounting to be used following the date of distribution or transfer, section 381(c)(4) and this § 1.381(c)(4)-1 will not apply to the tax treatment of the items. For example, this section does not apply to inventories that an acquiring corporation obtains in a transaction to which section 381(a) applies. Instead, the rules of section 381(c)(5) govern the inventory method to be used by the acquiring corporation after the distribution or transfer. Similarly, if the acquiring corporation assumes an obligation of the distributor or transferor corporation that gives rise to a liability after the date of distribution or transfer and to which § 1.381(c)(16)-1 applies, the deductibility of the item is determined under this section only after the rules of section 381(c)(16) are applied.

(8) *Character of items of income and deduction.* After the date of distribution or transfer, items of income and deduction have the same character in the hands of the acquiring corporation as they would have had in the hands of the distributor or transferor corporation if no distribution or transfer had occurred.

(9) *Method of accounting selected by project or job.* If other sections of the Internal Revenue Code, Income Tax Regulations, or other administrative guidance permit an acquiring corporation to elect a method of accounting on a project-by-project, job-by-job, or other similar basis, then for purposes of this section the method elected with respect to each project or job is the established method only for that project or job. For example, the election under

section 460 to classify a contract to perform both manufacturing and construction activities as a long-term construction contract if at least 95 percent of the estimated total allocable contract costs are reasonably allocated to the construction activities is made on a contract-by-contract basis. Accordingly, the method of accounting previously elected for a project or job generally continues after the date of distribution or transfer. However, if the trades or businesses of the parties to a section 381(a) transaction are not operated as separate and distinct trades or businesses after the date of distribution or transfer, and two or more of the parties to the section 381(a) transaction previously worked on the same project or job and used different methods of accounting for the project or job immediately before the distribution or transfer, then the acquiring corporation must determine the principal method for that project or job under paragraph (c) of this section and make changes, if necessary, to the principal method in accordance with paragraph (d)(1) of this section.

(10) *Impermissible method of accounting.* This section does not limit the Commissioner's ability under section 446(b) to determine whether a taxpayer's method of accounting is an impermissible method or otherwise fails to clearly reflect income. For example, an acquiring corporation may not use the method of accounting determined under paragraph (a)(2) of this section if the method fails to clearly reflect the acquiring corporation's income within the meaning of section 446(b).

(f) *Effective/applicability date.* This section applies to corporate reorganizations and tax-free liquidations described in section 381(a) that occur on or after August 31, 2011.

[T.D. 9534, 76 FR 45675, Aug. 1, 2011, as amended by T.D. 9870, 84 FR 33692, July 15, 2019]

§ 1.381(c)(5)-1 Inventory method.

(a) *Introduction*—(1) *Purpose.* This section provides guidance regarding the inventory method an acquiring corporation must use following a distribution or transfer to which sections 381(a) and 381(c)(5) apply and how to implement any associated change in method of accounting. See § 1.381(c)(4)-1 for

guidance regarding the method of accounting or combination of methods (other than inventory and depreciation methods) an acquiring corporation must use following a distribution or transfer to which sections 381(a) and 381(c)(4) apply. See § 1.381(c)(6)-1 for guidance regarding the depreciation method an acquiring corporation must use following a distribution or transfer to which sections 381(a) and 381(c)(6) apply.

(2) *Carryover method requirement for separate and distinct trades or businesses.* In a transaction to which section 381(a) applies, if an acquiring corporation continues to operate a trade or business of the parties to the section 381(a) transaction as a separate and distinct trade or business after the date of distribution or transfer, the acquiring corporation must use a carryover method as defined in paragraph (b)(4) of this section for each continuing trade or business, unless either the carryover method is impermissible and must be changed under paragraph (a)(4) of this section or the acquiring corporation changes the carryover method in accordance with paragraph (a)(5) of this section. The acquiring corporation need not secure the Commissioner's consent to continue a carryover method.

(3) *Principal method requirement for trades or businesses not operated as separate and distinct trades or businesses.* In a transaction to which section 381(a) applies, if an acquiring corporation does not operate the trades or businesses of the parties to the section 381(a) transaction as separate and distinct trades or businesses after the date of distribution or transfer, the acquiring corporation must use a principal method determined under paragraph (c) of this section, unless either the principal method is impermissible and must be changed under paragraph (a)(4) of this section or the acquiring corporation changes the principal method in accordance with paragraph (a)(5) of this section. The acquiring corporation must change to a principal method in accordance with paragraph (d)(1) of this section for each integrated trade or business and need not secure the Commissioner's consent to use a principal method.

(4) *Carryover method or principal method not a permissible method.* If a carryover method or principal method is not a permissible inventory method, the acquiring corporation must secure the Commissioner's consent to change to a permissible inventory method as provided in paragraph (d)(2) of this section. If the acquiring corporation must use a single inventory method for a particular type of goods after the date of distribution or transfer regardless of the number of separate and distinct trades or businesses operated on that date, the acquiring corporation must use the principal method for that type of goods as determined under paragraph (c) of this section, unless either the principal method is impermissible and must be changed under this paragraph (a)(4) or the acquiring corporation changes the principal method in accordance with paragraph (a)(5) of this section.

(5) *Voluntary change.* Any party to a section 381(a) transaction may request permission under section 446(e) to change an inventory method for the taxable year in which the transaction occurs or is expected to occur. For trades or businesses that will not operate as separate and distinct trades or businesses after the date of distribution or transfer, a change in method of accounting for the taxable year that includes that date will be granted only if the requested inventory method is the method that the acquiring corporation must use after the date of distribution or transfer. The time and manner of obtaining the Commissioner's consent to change to a different inventory method is described in paragraph (d)(2) of this section.

(6) *Examples.* The following examples illustrate the rules of this paragraph (a). Unless otherwise noted, the carryover method is a permissible inventory method.

(i) *Example (1).* Carryover method for separate and distinct trades or businesses after the date of distribution or transfer.

(A) *Facts.* X Corporation manufactures radios and television sets. X Corporation uses the first-in, first-out (FIFO) method of inventory identification, the cost method of valuing its inventories, and capitalizes inventory

costs in accordance with section 263A. T Corporation manufactures washing machines and dryers. T Corporation uses the last-in, first-out (LIFO) method of inventory identification, the cost method of valuing its inventories, and capitalizes inventory costs under section 263A using methods other than those used by X Corporation. X Corporation acquires the inventory of T Corporation in a transaction to which section 381(a) applies. After the date of distribution or transfer, X Corporation operates its radio and television manufacturing business as a trade or business that is separate and distinct from its washing machines and dryers manufacturing business.

(B) *Conclusion.* Because after the date of distribution or transfer X Corporation operates its manufacturing businesses as separate and distinct trades or businesses, under paragraph (a)(2) of this section X Corporation must use the carryover methods for each continuing trade or business, unless either the carryover methods are impermissible and must be changed under paragraph (a)(4) of this section or X Corporation changes the carryover methods in accordance with paragraph (a)(5) of this section. As defined in paragraph (b)(4) of this section, the carryover methods for the radios and television sets manufacturing business are the FIFO method, the cost basis of valuation, and X Corporation's methods of accounting for section 263A costs immediately prior to the date of distribution or transfer. The carryover methods for the washing machines and dryers manufacturing business are the LIFO method, the cost basis of valuation, and T Corporation's methods of accounting for section 263A costs immediately prior to the date of distribution or transfer. There is no change in method of accounting, and X Corporation need not secure the Commissioner's consent to use any carryover method.

(ii) *Example (2).* Carryover method not permissible.

(A) *Facts.* X Corporation manufactures food and beverages and uses the

FIFO method of inventory identification, the cost method of valuing its inventories, and capitalizes costs in accordance with section 263A. T Corporation sells sporting equipment. T Corporation uses the FIFO method of inventory identification and the cost method of valuing its inventories. T Corporation does not capitalize costs under section 263A because it meets the small business taxpayer exception under section 263A. X Corporation acquires the inventory of T Corporation in a transaction to which section 381(a) applies. After the date of distribution or transfer, X Corporation operates the food and beverages business as a trade or business that is separate and distinct from the sporting equipment business, and X Corporation does not qualify for the small business taxpayer exception under section 263A for its sporting equipment business.

(B) *Conclusion.* Because after the date of distribution or transfer X Corporation operates the food and beverages business as a separate and distinct trade or business, under paragraph (a)(2) of this section X Corporation must use the carryover methods for each continuing trade or business, unless either the carryover methods are impermissible and must be changed under paragraph (a)(4) of this section or X Corporation changes the carryover methods in accordance with paragraph (a)(5) of this section. As defined in paragraph (b)(4) of this section, the carryover methods for the food and beverages business are the FIFO method, the cost basis of valuation, and X Corporation's methods of capitalizing costs under section 263A immediately prior to the date of distribution or transfer. The carryover methods for the sporting equipment business are the FIFO method and the cost basis of valuation. There is no change in method of accounting, and X Corporation need not secure the Commissioner's consent to use any carryover method. However, because X Corporation does not qualify for the small business taxpayer exception under section 263A for its sporting equipment business, X Corporation's method of not capitalizing additional section 263A costs is an impermissible carryover method under paragraph (a)(4) of this section. X Cor-

poration must secure the Commissioner's consent to change to a permissible method of capitalizing costs under section 263A for the sporting equipment business as provided in paragraph (d)(2) of this section.

(b) *Definitions.* For purposes of this section—

(1) *Inventory method.* An inventory method is a method of accounting used to account for merchandise on hand (including finished goods, work in process, and raw materials) at the beginning of a year for purposes of computing taxable income for that year. The term includes not only the method for identifying inventory, for example, the FIFO inventory method or the LIFO inventory method, but also all other methods necessary to account for merchandise.

(2) *Adoption of a method of accounting.* Adoption of a method of accounting has the same meaning as provided in § 1.446-1(e)(1).

(3) *Change in method of accounting.* A change in method of accounting has the same meaning as provided in § 1.446-1(e)(2).

(4) *Carryover method.* A carryover method is an inventory method that each party to a section 381(a) transaction uses for each separate and distinct trade or business immediately prior to the date of distribution or transfer.

(5) *Principal method.* A principal method is an inventory method that is determined under paragraph (c) of this section.

(6) *Permissible method of accounting.* A permissible method of accounting is a method of accounting that is proper or permitted under the Internal Revenue Code or any applicable Income Tax Regulations.

(7) *Acquiring corporation.* An acquiring corporation has the same meaning as provided in § 1.381(a)-1(b)(2).

(8) *Distributor corporation.* A distributor corporation means the corporation, foreign or domestic, that distributes its assets to another corporation described in section 332(b) in a distribution to which section 332 (relating to liquidations of subsidiaries) applies.

(9) *Transferor corporation.* A transferor corporation means the corporation, foreign or domestic, that transfers its assets to another corporation in a transfer to which section 361 (relating to nonrecognition of gain or loss to corporations) applies, but only if—

(i) The transfer is in connection with a reorganization described in section 368(a)(1)(A), (a)(1)(C), or (a)(1)(F), or

(ii) The transfer is in connection with a reorganization described in section 368(a)(1)(D) or (a)(1)(G), provided the requirements of section 354(b) are met.

(10) *Parties to the section 381(a) transaction.* Parties to the section 381(a) transaction means the acquiring corporation and the distributor or transferor corporation that participate in a transaction to which section 381(a) applies.

(11) *Date of distribution or transfer.* The date of distribution or transfer has the same meaning as provided in section 381(b)(2) and § 1.381(b)-1(b).

(12) *Separate and distinct trades or businesses.* Separate and distinct trades or businesses has the same meaning as provided in § 1.446-1(d).

(13) *Audit protection.* Audit protection means, for purposes of paragraph (d)(1) of this section, that the IRS will not require an acquiring corporation that is required to change a method of accounting under paragraph (a)(3) of this section to change that method for a taxable year ending prior to the taxable year that includes the date of distribution or transfer.

(14) *Section 481(a) adjustment.* The section 481(a) adjustment means an adjustment that must be taken into account as required under section 481(a) to prevent amounts from being duplicated or omitted when the taxable income of an acquiring corporation is computed under a method of accounting different from the method used to compute taxable income for the preceding taxable year.

(15) *Cut-off basis.* A cut-off basis means a manner in which a change in method of accounting is made without a section 481(a) adjustment and under which only the items arising after the beginning of the year of change (or, in the case of a change made under paragraph (d)(1) of this section, after the date of distribution or transfer) are ac-

counted for under the new method of accounting. When it implements the change on a cut-off basis, a taxpayer using the LIFO inventory method to identify its inventory goods that makes a change in method of accounting within the LIFO inventory method from one LIFO method or sub-method to another LIFO method or sub-method uses the new LIFO inventory method to determine its current-year cost and base-year cost of ending inventories for the year of change, but does not recompute the cost of beginning inventories for the year of change using the new LIFO inventory method.

(16) *Adjustment period.* The adjustment period means the number of taxable years for taking into account the section 481(a) adjustment required as a result of a change in method of accounting.

(17) *Component trade or business.* A component trade or business is a trade or business of a party to the section 381(a) transaction that will be combined and integrated with a trade or business of the other party to the section 381 transaction. See paragraph (e)(7)(ii) of this section for the determination of whether a trade or business is operated as a separate and distinct trade or business after the date of distribution or transfer.

(c) *Principal method—(1) In general.* For each integrated trade or business, the principal method for a particular type of goods is generally the inventory method used by the component trade or business of the acquiring corporation immediately prior to the date of distribution or transfer for that type of goods. If, however, on the date of distribution or transfer the component trade or business of the distributor or transferor corporation holds more inventory of a type of goods than the component trade or business of the acquiring corporation, the principal method for such goods is the inventory method used by the component trade or business of the distributor or transferor corporation immediately prior to that date. For each integrated trade or business, the component trade or business of the distributor or transferor corporation holds more inventory if, for a particular type of goods, the aggregate of the fair market value of the

goods held by each component trade or business of the distributor or transferor corporation exceeds the aggregate of the fair market value of the goods held by each component trade or business of the acquiring corporation immediately prior to the date of distribution or transfer. Alternatively, as a simplifying convention, the acquiring corporation may elect to apply the preceding sentence to the aggregate fair market value of the entire inventories, held by each component trade or business of the distributor or transferor corporation, that will be integrated after the date of distribution or transfer. If the component trade or business with the larger aggregate fair market value of the entire inventories does not have an inventory method for a particular type of goods immediately prior to the date of distribution or transfer, the principal method for that type of goods is the inventory method used by the component trade or business that does have an inventory method for that type of goods.

(2) *Multiple component trades or businesses with different principal methods.* If a party to the section 381(a) transaction has multiple component trades or businesses and more than one principal inventory method for a particular type of goods, then the acquiring corporation may choose which of the inventory methods used by such component trades or businesses will be the principal method of the integrated trade or business. The acquiring corporation must choose a principal method that is a permissible method of accounting. In general, a change to a principal method in a transaction to which section 381(a) and paragraph (a)(3) of this section apply is made under paragraph (d)(1) of this section.

(3) *Examples.* The following examples illustrate the rules of this paragraph (c). Unless otherwise noted, the principal method is a permissible inventory method.

Example (1). Principal methods are the methods used by the acquiring corporation. (i) Facts. X Corporation and T Corporation each manufacture tennis equipment. X Corporation's manufacturing business uses the FIFO method of inventory identification, the cost

method of valuing inventories, and allocates indirect costs to the property produced using the burden rate method provided in §1.263A-1(f)(3)(i). T Corporation's manufacturing business uses the LIFO method of inventory identification, the cost method of valuing its inventories, and allocates indirect costs to the property it produces using the standard cost method provided in §1.263A-1(f)(3)(ii). X Corporation acquires the inventory of T Corporation in a transaction to which section 381(a) applies. The fair market value of each particular type of goods held by X Corporation's manufacturing business immediately prior to the date of distribution or transfer exceeds the fair market value of each particular type of goods held by T Corporation's manufacturing business on that date. After the date of distribution or transfer, X Corporation will not operate its manufacturing business as a trade or business that is separate and distinct from T Corporation's manufacturing business.

(ii) *Conclusion.* Because after the date of distribution or transfer X Corporation will not operate its manufacturing business as a separate and distinct trade or business, X Corporation must use the principal methods under paragraph (a)(3) of this section, unless either the principal methods are impermissible and must be changed under paragraph (a)(4) of this section or X Corporation changes the principal methods in accordance with paragraph (a)(5) of this section. The fair market value of each particular type of goods held by T Corporation's manufacturing business immediately prior to the date of distribution or transfer does not exceed the fair market value of each particular type of goods held by X Corporation's manufacturing business on that date. Because on the date of distribution or transfer T Corporation's manufacturing business does not hold more inventory than X Corporation's manufacturing business, the principal methods are the FIFO method of inventory identification, the cost method of valuation, and X Corporation's method of allocating indirect costs under section 263A using the burden rate method. X Corporation need not secure the Commissioner's consent to use these methods. However, in accordance with paragraph (d)(1) of this section, X Corporation must change the inventory methods for the manufacturing business acquired from T Corporation to the principal methods.

Example (2). Principal methods are the methods used by the acquiring corporation. (i) Facts. The facts are the same as in *Example (1)*, except that the fair market value of each particular type of goods held by X Corporation's manufacturing business immediately prior to the date of distribution or transfer is identical to the fair market value of each particular type of goods held by T Corporation's manufacturing business on that date.

(ii) *Conclusion.* The result is the same as in *Example (1)*. The principal methods are the FIFO method of inventory identification, the cost method of valuation, and X Corporation's method of allocating indirect costs under section 263A using the burden rate method. X Corporation need not secure the Commissioner's consent to use the principal methods. However, in accordance with paragraph (d)(1) of this section, X Corporation must change the inventory methods for the manufacturing business acquired from T Corporation to the principal methods.

Example (3). Principal methods are the methods used by the distributor or transferor corporation. (i) *Facts.* The facts are the same as in *Example (1)*, except that the fair market value of each particular type of goods held by T Corporation's manufacturing business immediately prior to the date of distribution or transfer exceeds the fair market value of each particular type of goods held by X Corporation's manufacturing business on that date.

(ii) *Conclusion.* Because after the date of distribution or transfer X Corporation will not operate its manufacturing business as a separate and distinct trade or business, X Corporation must use the principal methods under paragraph (a)(3) of this section, unless either the principal methods are impermissible and must be changed under paragraph (a)(4) of this section or X Corporation changes the principal methods in accordance with paragraph (a)(5) of this section. The fair market value of each particular type of goods held by T Corporation's manufacturing business immediately prior to the date of distribution or transfer exceeds the fair market value of each particular type of goods held by X Corporation's manufacturing business on that date. Because on the date of distribution or transfer T Corporation's manufacturing business holds more inventory than X Corporation's manufacturing business, the principal methods are the LIFO method of inventory identification, the cost method of valuation, and T Corporation's method of allocating indirect costs under section 263A using the standard cost method. X Corporation need not secure the Commissioner's consent to use the principal methods. However, in accordance with paragraph (d)(1) of this section, X Corporation must change the inventory methods for the manufacturing business operated by X Corporation prior to the date of distribution or transfer to the principal methods.

Example (4). Voluntary change allowable. (i) *Facts.* The facts are the same as in *Example (1)*, except that T Corporation wants to discontinue using the LIFO method for its manufacturing business and change to the FIFO method for the taxable year in which the section 381(a) transaction occurs or is expected to occur.

(ii) *Conclusion.* Under paragraph (a)(5) of this section, the Commissioner will grant a request to change a method of accounting for the taxable year that includes the date of distribution or transfer only if the requested method is the method that the acquiring corporation must use after the date of distribution or transfer. The Commissioner will consent to a request by T Corporation to change to the FIFO method for the taxable year in which the section 381(a) transaction occurs or is expected to occur because X Corporation will use this method after the date of distribution or transfer.

Example (5). Principal method determination when larger component trade or business does not have a method of accounting for a particular type of goods. (i) *Facts.* The facts are the same as in *Example (1)*, except that T Corporation's manufacturing business has a particular type of goods that is not held by X Corporation's manufacturing business.

(ii) *Conclusion.* The result is similar to *Example (1)*. In general, the principal methods are the FIFO method of inventory identification, the cost method of valuation, and X Corporation's method of allocating indirect costs to the property produced using the burden rate method. X Corporation need not secure the Commissioner's consent to use the principal methods. However, in accordance with paragraph (d)(1) of this section, X Corporation must change the inventory methods for the manufacturing business acquired from T Corporation to the principal methods. Under paragraph (c) of this section, the principal methods for the particular type of goods held only by T Corporation's manufacturing business are the LIFO method of inventory identification, the cost method of valuation, and T Corporation's method of allocating indirect costs to the property it produces using the standard cost method. X Corporation must determine whether the principal methods for the type of goods previously held by T Corporation are permissible given that such methods are different than the principal methods that must be used by X for all other goods. If X Corporation's use of the standard cost method would be impermissible after the date of distribution or transfer, X Corporation must change to a permissible method under section 263A for those goods in accordance with paragraph (a)(4) of this section.

Example (6). Inventory convention elected. (i) *Facts.* X Corporation manufactures planes and T Corporation manufactures planes and communications satellites. X Corporation's manufacturing business uses the FIFO method of inventory identification and values its inventories at cost or market, whichever is lower, while T Corporation's manufacturing business uses the LIFO method of inventory identification and values its inventories at cost. X Corporation's manufacturing business and T Corporation's manufacturing

business use the same methods to capitalize costs under section 263A. X Corporation acquires the inventory of T Corporation in a transaction to which section 381(a) applies. In lieu of determining the fair market value of each particular type of goods held on the date of distribution or transfer, X Corporation elects to value the entire inventories of its manufacturing business and the entire inventories of T Corporation's manufacturing business in accordance with paragraph (c)(1) of this section. The fair market value of the inventory held by T Corporation's manufacturing business immediately prior to the date of distribution or transfer does not exceed the fair market value of the inventory held by X Corporation's manufacturing business on that date. After the date of distribution or transfer, X Corporation will not operate its manufacturing business as a trade or business that is separate and distinct from T Corporation's manufacturing business.

(ii) *Conclusion.* Because after the date of distribution or transfer X Corporation will not operate its manufacturing business as a separate and distinct trade or business, X Corporation must use the principal methods under paragraph (a)(3) of this section, unless either the principal methods are impermissible and must be changed under paragraph (a)(4) of this section or X Corporation changes the principal methods in accordance with paragraph (a)(5) of this section. The fair market value of the entire inventory held by T Corporation's manufacturing business immediately prior to the date of distribution or transfer does not exceed the fair market value of the entire inventory of X Corporation's manufacturing business on that date. Because on the date of distribution or transfer T Corporation's manufacturing business does not hold more inventory than X Corporation's manufacturing business, the principal methods are the FIFO method, the cost or market, whichever is lower, method of valuation, and X Corporation's method of capitalizing costs under section 263A on the date of distribution or transfer. X Corporation need not secure the Commissioner's consent to use the principal methods. However, in accordance with paragraph (d)(1) of this section, X Corporation must change the inventory methods for the manufacturing business acquired from T Corporation to the principal methods.

Example (7). Principal method determination with a combined trade or business and a separate and distinct trade or business. (i) *Facts.* X Corporation manufactures tennis equipment in a trade or business that is separate and distinct from its trade or business of manufacturing golf equipment. X Corporation uses the FIFO method of inventory identification for its tennis equipment and the LIFO method of inventory identification for its golf equipment. X Corporation values the goods in both inventories at cost and allocates in-

direct costs to the property produced using the burden rate method provided in § 1.263A-1(f)(3)(i). T Corporation manufactures tennis equipment. T Corporation's manufacturing business uses the FIFO method of inventory identification, values inventories at cost, and allocates indirect costs to the property it produces using the standard cost method provided in § 1.263A-1(f)(3)(ii). X Corporation acquires the inventory of T Corporation in a transaction to which section 381(a) applies. Immediately prior to the date of distribution or transfer, the fair market value of T Corporation's inventories in the tennis equipment manufacturing business exceeds the fair market value of the inventories held by X Corporation's tennis equipment manufacturing business. After the date of distribution or transfer, X Corporation will not operate its tennis equipment manufacturing business as a trade or business that is separate and distinct from T Corporation's tennis equipment manufacturing business, but X Corporation will operate its golf equipment manufacturing business as a trade or business that is separate and distinct from the tennis equipment manufacturing business.

(ii) *Conclusion.* Because after the date of distribution or transfer X Corporation will not operate its tennis equipment manufacturing business as a separate and distinct trade or business, X Corporation must use the principal methods under paragraph (a)(3) of this section, unless either the principal methods are impermissible and must be changed under paragraph (a)(4) of this section or X Corporation changes the principal methods in accordance with paragraph (a)(5) of this section. Under paragraph (c)(1) of this section, X Corporation elects to compare the fair market values of the entire inventories of the component trades or businesses on the date of distribution or transfer to determine whether T Corporation holds more inventory than X Corporation. The fair market value of the inventory held by T Corporation's tennis equipment manufacturing business exceeds the fair market value of the tennis equipment held by X Corporation's tennis equipment manufacturing business. Because on the date of distribution or transfer T Corporation's tennis equipment manufacturing business holds more inventory than X Corporation's tennis equipment manufacturing business, the principal methods for the combined tennis equipment business are the FIFO method of inventory identification, the cost basis of valuation, and T Corporation's methods of allocating indirect costs under section 263A using the standard cost method provided in § 1.263A-1(f)(3)(ii). X Corporation need not secure the Commissioner's consent to use the principal methods. However, in accordance with paragraph (d)(1) of this section, X Corporation must change the methods of accounting for its tennis equipment manufacturing business to the principal

methods. Under paragraph (a)(2) of this section, because X Corporation will operate the golf equipment manufacturing business as a separate trade or business, for the inventories held by the golf equipment manufacturing business X Corporation must continue to use the LIFO method of inventory identification, use the cost basis of valuation, and allocate indirect costs under section 263A using the burden rate method provided in § 1.263A-1(f)(3)(i). There are no changes in method of accounting for the golf manufacturing business, and X Corporation need not secure the Commissioner's consent to use these carryover methods.

Example (8). Principal method determination with multiple component trades or businesses. (i) *Facts.* The facts are the same as in *Example (7)*, except that after the date of distribution or transfer X Corporation will not operate the golf equipment manufacturing business as a trade or business that is separate and distinct from the tennis equipment manufacturing business. In addition, the fair market value of the inventories of X Corporation's tennis equipment manufacturing business and golf equipment manufacturing business, in the aggregate, exceed the fair market value of the inventories of T Corporation's tennis equipment manufacturing business.

(ii) *Conclusion.* Because on the date of distribution or transfer T Corporation's tennis equipment manufacturing business does not hold more inventory than X Corporation's tennis equipment manufacturing business and golf equipment manufacturing business, in the aggregate, the principal method for identifying inventory is the method used by X Corporation's component trade or business on the date of distribution or transfer. However, because on the date of distribution or transfer X Corporation operates two separate and distinct trades or businesses with different inventory identification methods that will be combined after the date of distribution or transfer, X Corporation may choose under paragraph (c)(2) of this section which method used by its component trades or businesses will be the principal method. After the date of distribution or transfer, X Corporation may use either the FIFO method of inventory identification used by the tennis equipment manufacturing business or the LIFO method of inventory identification used by the golf equipment manufacturing business as the principal method of identification, if either method is a permissible method. For the integrated trade or business, X Corporation will use the cost method of valuation and allocate indirect costs under section 263A using the burden rate method provided in § 1.263A-1(f)(3)(i). In accordance with paragraph (d)(1) of this section, X Corporation must change the inventory methods of T Corporation's manufacturing business to the principal methods.

Under paragraph (a)(3) of this section, X Corporation also must change either its golf equipment manufacturing business or its tennis equipment manufacturing business, depending on which principal method X Corporation selects, to the principal method.

(d) *Procedures for changing a method of accounting—(1) Change made to principal method under paragraph (a)(3) of this section—(i) Section 481(a) adjustment—(A) In general.* An acquiring corporation that changes its method of accounting or the distributor or transferor corporation's method of accounting under paragraph (a)(3) of this section does not need to secure the Commissioner's consent to use a principal method. To the extent the use of a principal method constitutes a change in method of accounting, the change in method is treated as a change initiated by the acquiring corporation for purposes of section 481(a)(2). Any change to a principal method, whether the change relates to a trade or business of the acquiring corporation or a trade or business of the distributor or transferor corporation, must be reflected on the acquiring corporation's federal income tax return for the taxable year that includes the date of distribution or transfer. The amount of the section 481(a) adjustment and the adjustment period, if any, necessary to implement a change to the principal method are determined under § 1.446-1(e) and the applicable administrative procedures that govern voluntary changes in methods of accounting under section 446(e). If the Internal Revenue Code, the Income Tax Regulations, or administrative procedures require that a method of accounting be implemented on a cut-off basis, the acquiring corporation must implement the change, on a cut-off basis as of the date of distribution or transfer, on its federal income tax return for the taxable year that includes the date of distribution or transfer. If the Internal Revenue Code, the Income Tax Regulations, or administrative procedures require a section 481(a) adjustment, the acquiring corporation must determine the section 481(a) adjustment and include the appropriate amount of the section 481(a) adjustment on its federal income

tax return for the taxable year that includes the date of distribution or transfer and subsequent taxable year(s), as necessary. This adjustment is determined by the acquiring corporation as of the beginning of the day that is immediately after the date of distribution or transfer.

(B) *Example.* The following example illustrates the rules of this paragraph (d)(1)(i):

Example. X Corporation uses the FIFO method of inventory identification, and T Corporation uses the LIFO method of inventory identification. X Corporation acquires the inventory of T Corporation in a transaction to which section 381(a) applies. X Corporation determines that under the rules of paragraph (c)(1) of this section, X Corporation must change the inventory method for the business acquired from T Corporation to the FIFO method. X Corporation will determine the section 481(a) adjustment pertaining to the change to the FIFO method (whether the amounts thereof represent increases or decreases in income) as of the beginning of the day that immediately follows the day on which X Corporation acquires the inventory of T Corporation. X Corporation will reflect this adjustment, or an appropriate part thereof, on its federal income tax return for the taxable year that includes the date of distribution or transfer.

(ii) *Audit protection.* Notwithstanding any other provision in any other Income Tax Regulation or administrative procedure, no audit protection is provided for any change in method of accounting under paragraph (d)(1) of this section.

(iii) *Other terms and conditions.* Except as otherwise provided in this section, other terms and conditions provided in §1.446-1(e) and the applicable administrative procedures for voluntary changes in method of accounting under section 446(e) apply to a change in method of accounting under this section. Thus, for example, if the administrative procedures for a particular change in method of accounting have a term and condition that provides for the acceleration of the section 481(a) adjustment period, this term and condition applies to a change made under this paragraph (d)(1). However, any scope limitation in the applicable administrative procedures will not apply for purposes of making a change under this paragraph (d)(1). For example, if the administrative proce-

dures provide as a limitation that an identical change in method of accounting is barred for a period of years, this limitation will not bar a change to the principal method made under this section.

(2) *Change made to a method of accounting under paragraph (a)(4) or (a)(5) of this section—(i) In general.* A party to a section 381(a) transaction that changes a method of accounting under either paragraph (a)(4) or paragraph (a)(5) of this section must follow the provisions of §1.446-1(e) and the applicable administrative procedures, including scope limitations, for voluntary changes in method of accounting under section 446(e), except as provided in paragraphs (d)(2)(ii) and (d)(2)(iii) of this section. An application on Form 3115, “Application for Change in Accounting Method,” filed with the IRS to change a method of accounting under this paragraph (d)(2) should be labeled “Filed under section 381(c)(5)” at the top.

(ii) *Final year limitation.* Any scope limitation relating to the final year of a trade or business will not apply to a taxpayer that changes its method of accounting in the final year of a trade or business that is terminated as the result of a section 381(a) transaction.

(iii) *Time to file.* Under the authority of §1.446-1(e)(3)(ii), for a change in method of accounting requiring advance consent, the application for a change in method of accounting (for example, Form 3115), must be filed with the IRS on or before the later of—

(A) The due date for filing a Form 3115 as specified in §1.446-1(e), for example, the last day of the taxable year in which the distribution or transfer occurred, or

(B) The earlier of—

(1) The day that is 180 days after the date of distribution or transfer, or

(2) The day on which the acquiring corporation files its federal income tax return for the taxable year in which the distribution or transfer occurred.

(e) *Rules and procedures—(1) Inventory method selected for a particular type of goods.* If other sections of the Internal Revenue Code or Income Tax Regulations allow a taxpayer to elect an inventory method for a particular type of goods, the method elected with respect

to those goods is the established inventory method only for those goods. For example, an election to use the LIFO inventory method to identify specified goods in inventory, such as certain products in finished goods, is the inventory method only for those products.

(2) *No method of accounting.* If a party to a section 381(a) transaction is not using an inventory method, does not have an inventory method for a particular type of goods, or came into existence as a result of the transaction, the party will not be treated as having an inventory method different from that used by another party to the section 381(a) transaction.

(3) *Elections and adoptions allowed.* If an election does not require the Commissioner's consent, an acquiring corporation or a distributor or transferor corporation is not precluded from making any election that is otherwise permissible for the taxable year that includes the date of distribution or transfer. For example, an acquiring corporation may elect to identify its inventory using the LIFO inventory method in the year of the distribution or transfer. For purposes of this section, a corporation shall be deemed as having made any election as of the first day of the taxable year that includes the date of distribution or transfer. Similarly, where adoption is permissible, an acquiring corporation or a distributor or transferor corporation may adopt any permissible method of accounting for the taxable year that includes the date of distribution or transfer.

(4) *Elections continue after section 381(a) transaction—(i) General rule.* An acquiring corporation is not required to renew any election not requiring renewal and previously made by it or by a distributor or transferor corporation for a carryover method or a principal method if the acquiring corporation uses the method after the section 381(a) transaction. If the acquiring corporation uses a method after the date of distribution or transfer, an election made by the acquiring corporation or by a distributor or transferor corporation for that method that was in effect on the date of distribution or transfer continues after the section 381(a) trans-

action as though the distribution or transfer had not occurred.

(ii) *Example.* The following example illustrates the rules of paragraph (e)(4):

Example. Since its incorporation in 1982, X Corporation elected to use the LIFO inventory method under section 472 to identify its inventory of tennis balls. Since its incorporation in 2002, T Corporation elected to use the FIFO inventory method to identify its inventory of tennis balls. X Corporation acquires the assets of T Corporation in a transaction to which section 381(a) applies. Immediately prior to the date of distribution or transfer, the fair market value of X Corporation's inventory in its tennis balls exceeds the fair market value of the tennis balls inventory held by T Corporation. After the date of distribution or transfer, X Corporation will not operate its business as a trade or business that is separate and distinct from T Corporation's business. Because on the date of distribution or transfer T Corporation does not hold more inventory than X Corporation, the principal method for identifying inventory is the method used by X Corporation on the date of distribution or transfer. After the date of distribution or transfer, X Corporation need not renew its election to identify inventory using the LIFO inventory method, and X Corporation is bound by the election.

(5) *Adopting the LIFO inventory method.* A party to a section 381(a) transaction will be deemed to be using the LIFO inventory method for a particular type of goods on the date of distribution or transfer if that party elects under section 472 to adopt that inventory method with respect to those goods for its taxable year within which the date of distribution or transfer occurs. See section 472 for the requirements to adopt the LIFO inventory method.

(6) *Inventory layers treatment—(i) Adjustments required after a section 381(a) transaction.* An acquiring corporation that determines the principal method of taking an inventory after a section 381(a) transaction under paragraphs (a)(3) and (c) of this section after the date of distribution or transfer may need to integrate inventories and make appropriate adjustments as provided in paragraphs (e)(6)(ii) and (e)(6)(iii) of this section.

(ii) *LIFO inventory method used after the section 381(a) transaction—(A) LIFO inventory method used by the acquiring*

corporation and the distributor or transferor corporation—(1) Principal method is the dollar-value LIFO method. If, under paragraphs (a)(3) and (c) of this section, the acquiring corporation changes its inventory method or the inventory method of the distributor or transferor corporation from the specific goods LIFO method of pricing inventories to the dollar-value LIFO method of pricing inventories (dollar-value LIFO method) for a particular type of goods, the inventory accounted for under the specific goods method shall be placed on the dollar-value method as provided in §1.472-8(f), and then the inventory shall be integrated with the inventory previously accounted for under the dollar-value LIFO method. If pools of each corporation are permitted or required to be combined, the pools must be combined as provided in §1.472-8(g)(2). For purposes of combining pools, all base year inventories or layers of increment that occur in taxable years including the same December 31 shall be combined. A base year inventory or layer of increment occurring in any short taxable year of a distributor or transferor corporation shall be merged with and considered a layer of increment of its immediately preceding taxable year.

(2) *Principal method is the specific goods LIFO method.* If, under paragraphs (a)(3) and (c) of this section, the acquiring corporation changes its inventory method or the inventory method of the distributor or transferor corporation from the dollar-value LIFO method of pricing inventories to the specific goods LIFO method of pricing inventories, the acquiring corporation shall treat the inventory being changed to the specific goods LIFO method as having the same acquisition dates and costs as such inventory had under the dollar-value LIFO method.

(B) *Change from the FIFO inventory method to either the specific goods LIFO method or the dollar-value LIFO method.* If, under paragraphs (a)(3) and (c) of this section, the acquiring corporation changes its inventory method or the inventory method of the distributor or transferor corporation from the FIFO inventory method to either the specific goods LIFO method or the dollar-value method of pricing LIFO inventories,

the inventory accounted for under the FIFO inventory method shall be treated by the acquiring corporation as having been acquired at their average unit cost in a single transaction on the date of the distribution or transfer. Thus, if an inventory of a particular type of goods is combined in an existing dollar-value pool, the goods shall be treated as if they were purchased by the acquiring corporation at the average unit cost on the date of the distribution or transfer with respect to such pool. Alternatively, if the goods are not combined in an existing pool, the goods will be treated as if they were purchased by the acquiring corporation at the average unit cost on the date of the distribution or transfer with respect to a new pool, with the base-year being the year of the section 381(a) transaction. Adjustments resulting from a restoration to cost of any write-down to market value of the inventories shall be taken into account by the acquiring corporation ratably in each of the three taxable years beginning with the taxable year that includes the date of the distribution or transfer. See section 472(d).

(iii) *FIFO inventory method used after the section 381(a) transaction—(A) FIFO inventory method used by the acquiring corporation and the distributor or transferor corporation.* If, under paragraphs (a)(3) and (c) of this section, the FIFO inventory method is the principal method and the component trades or businesses of both the acquiring corporation and the distributor or transferor corporation use the FIFO method immediately prior to the distribution or transfer, the acquiring corporation must treat the inventory that must change to the principal method as having the same acquisition dates and costs as such inventory had immediately prior to the date of distribution or transfer. However, if the principal method of valuing inventories is the cost or market, whichever is lower, method, the acquiring corporation must treat the inventories that must change to the principal method as having been acquired at cost or market, whichever is lower.

(B) *Change from either the specific goods LIFO method or the dollar-value LIFO method to the FIFO inventory*

§ 1.381(c)(5)-1**26 CFR Ch. I (4-1-21 Edition)**

method. If, under paragraphs (a)(3) and (c) of this section, the acquiring corporation changes its inventory method or the inventory method of the distributor or transferor corporation from either the specific goods LIFO method or the dollar-value LIFO method to the FIFO inventory method, the acquiring corporation must treat the inventory accounted for under the LIFO method as having the same acquisition dates and costs that the inventory would have had if the FIFO inventory method had been used on the date of distribution or transfer. However, if the principal method of valuing inventories is the cost or market, whichever is lower, method, the acquiring corporation must treat the inventories accounted for under the LIFO method as having been acquired at cost or market, whichever is lower.

(7) *Appropriate times for certain determinations—(i) Determining the inventory method.* The inventory method used by a party to a section 381(a) transaction on the date of distribution or transfer is the method used by that party as of the end of the day that is immediately prior to the date of distribution or transfer.

(ii) *Determining whether there are separate and distinct trades or businesses after the date of distribution or transfer.* Whether an acquiring corporation will operate the trades or businesses of the parties to a section 381(a) transaction as separate and distinct trades or businesses after the date of distribution or transfer will be determined as of the date of distribution or transfer based upon the facts and circumstances. Intent to combine books and records of the trades or businesses may be demonstrated by contemporaneous records and documents or by other objective evidence that reflects the acquiring corporation's ultimate plan of operation, even though the actual combination of the books and records may extend beyond the end of the taxable year that includes the date of distribution or transfer.

(8) *Establishing an inventory method.* An inventory method used by the distributor or transferor corporation immediately prior to the date of distribution or transfer that continues to be used by the acquiring corporation after

the date of distribution or transfer is an established method of accounting for purposes of section 446(e), whether or not such method is proper or is permitted under the Internal Revenue Code or any applicable Income Tax Regulations.

(9) *Other applicable provisions.* This section does not preempt any other provision of the Internal Revenue Code or the Income Tax Regulations that is applicable to the acquiring corporation's circumstances. Section 381(c)(5) and this § 1.381(c)(5)-1 determine only the inventory method to be used after a section 381(a) transaction. If other paragraphs of section 381(c) apply for purposes of determining the methods of accounting to be used following the date of distribution or transfer, section 381(c)(5) and this § 1.381(c)(5)-1 will not apply to the tax treatment of the items. Specifically, section 381(c)(5) and this § 1.381(c)(5)-1 do not apply to assets other than inventory that an acquiring corporation obtains in a transaction to which section 381(a) applies.

(10) *Use of the cash receipts and disbursements method of accounting.* If immediately prior to the date of distribution or transfer, an acquiring corporation or a distributor or transferor corporation uses the cash receipts and disbursements method of accounting within the meaning of section 446(c)(1) and § 1.446-1(c)(1)(i), or is not required to use an inventory method for its goods, section 381(c)(5) and § 1.381(c)(5)-1 do not apply. Instead, section 381(c)(4) and § 1.381(c)(4)-1 must be applied to determine the methods of accounting that continue after the transaction.

(11) *Character of items of income and deduction.* After the date of distribution or transfer, items of income and deduction have the same character in the hands of the acquiring corporation as they would have had in the hands of the distributor or transferor corporation if no distribution or transfer had occurred.

(12) *Impermissible inventory method.* This section does not limit the Commissioner's ability under section 446(b) to determine whether a taxpayer's inventory method is an impermissible

method or otherwise fails to clearly reflect income. For example, an acquiring corporation may not use the method of accounting determined under paragraph (a)(2) of this section if the method fails to clearly reflect the acquiring corporation's income within the meaning of section 446(b).

(f) *Effective/applicability date.* This section applies to corporate reorganizations and tax-free liquidations described in section 381(a) that occur on or after August 31, 2011. The designations of paragraphs (a)(6)(ii)(A) and (B) of this section and removal of the term "small reseller" and replacement with the term "small business taxpayer" apply to taxable years beginning on or after January 5, 2021.

[T.D. 9534, 76 FR 45682, Aug. 1, 2011; 76 FR 53820, Aug. 30, 2011; T.D. 9942, 86 FR 268, Jan. 5, 2021]

§ 1.381(c)(6)-1 Depreciation method.

(a) *Carryover requirement*—(1) *Distributions in taxable years ending before July 25, 1969.* (i) Section 381(c)(6) provides that if, in a transaction in a taxable year which ends before July 25, 1969, to which section 381(a) applies, an acquiring corporation acquires depreciable property from a distributor or transferor corporation which computes its allowance for the depreciation of the property under section 167(b)(2), (3), or (4), the acquiring corporation shall compute its depreciation allowance by the same method used by the distributor or transferor corporation with respect to such property. Thus, if the distributor or transferor corporation used the sum of the years-digits method under section 167(b)(3) with respect to an asset distributed or transferred to an acquiring corporation, the acquiring corporation will be required to use the sum of the years-digits method with respect to such asset acquired. The computation of the depreciation allowance with respect to the property acquired shall be made under the provisions of section 167 and the regulations thereunder.

(ii) The rules provided in section 381(c)(6) and subdivision (i) of this subparagraph will apply only with respect to that part or all of the basis of the property in the hands of the acquiring corporation immediately after the date

of distribution or transfer as does not exceed the basis of the property in the hands of the distributor or transferor corporation on the date of the distribution or transfer. For this purpose, the basis of the property in the hands of the distributor or transferor corporation shall be the adjusted basis provided in section 1011 for the purpose of determining gain on the sale or other disposition of such property. For provisions defining the date of distribution or transfer see § 1.381(b)-1(b).

(2) *Distributions in taxable years ending after July 24, 1969.* (i) Section 381(c)(6) provides that if, in a transaction in a taxable year ending after July 24, 1969, to which section 381(a) applies, an acquiring corporation acquires depreciable property from a distributor or transferor corporation which computes its allowances for the depreciation of the property under subsection (b), (j), or (k) of section 167, the acquiring corporation shall compute its depreciation allowance by the same method used by the distributor or transferor corporation with respect to such property. Thus, if the distributor or transferor corporation used the straight line method under section 167(b)(1) with respect to an asset distributed or transferred to an acquiring corporation, the acquiring corporation will be required to use the straight line method with respect to such asset. Similarly, if the distributor or transferor corporation elected to compute depreciation under section 167(k) with respect to property attributable to rehabilitation expenditures, and such property is transferred to an acquiring corporation, the acquiring corporation will be required to compute depreciation under section 167(k) with respect to the property acquired. The computation of the depreciation allowance with respect to the property acquired shall be made under the provisions of section 167 and the regulations thereunder.

(ii) The rules provided in section 381(c)(6) and subdivision (i) of this subparagraph shall apply only with respect to that part or all of the basis of the property in the hands of the acquiring corporation immediately after the date of distribution or transfer as does not exceed the basis of the property in

the hands of the distributor or transferor corporation on the date of the distribution or transfer. For this purpose, the basis of the property in the hands of the distributor or transferor corporation shall be the adjusted basis provided in section 1011 for the purpose of determining gain on the sale or other disposition of such property. For provisions defining the date of distribution or transfer see § 1.38(b)-1(b).

(b) *Portion in excess of distributor or transferor corporation's basis*—(1) *General rule.* With respect to that part of the basis of the depreciable property (other than certain section 1250 property described in subparagraph (2) of this paragraph) which in the hands of the acquiring corporation exceeds the adjusted basis to the distributor or transferor corporation, the acquiring corporation may use any reasonable method of computing depreciation, other than the methods provided in section 167(b)(2), (3), or (4). See paragraph (b) of § 1.167(b)-0 for methods which are acceptable under section 167(a) with respect to such property. See also sections 334(b)(1) and 362(b) for the determination of basis of property in the hands of the acquiring corporation in connection with a transaction to which section 381(a) applies.

(2) *Section 1250 property.* With respect to that part of the basis of section 1250 property acquired after July 24, 1969, which in the hands of the acquiring corporation exceeds the adjusted basis to the distributor or transferor corporation, the acquiring corporation shall be subject to the limitations contained in section 167(j)(4) (relating to used section 1250 property) or 167(j)(5) (relating to used residential rental property). Thus, for example, if section 1250 property which is not residential rental property is acquired in a section 381(a) transaction after July 24, 1969, the straight line method of depreciation (or other method allowable under section 167(j)(4)(B)) is the only acceptable method with respect to that portion of the basis of the property which, in the hands of the acquiring corporation, exceeds the adjusted basis to the transferor or distributor corporation.

(c) *Records required.* Records shall be maintained in sufficient detail to identify any depreciable property to which

this section applies, and to establish the basis thereof.

(d) *Agreement under section 167(d).* To the extent not inconsistent with paragraph (b) of this section, an acquiring corporation shall be treated as the distributor or transferor corporation in the case of an agreement between the distributor or transferor corporation and the district director under section 167(d) and § 1.167(d)-1 with respect to property to which section 381(c)(6) and this section apply. Thus, in the case where the basis of an asset in the hands of an acquiring corporation exceeds the basis of such asset in the hands of the distributor or the transferor corporation, such an agreement will not have the effect of permitting the acquiring corporation to compute its depreciation allowance with respect to such excess basis under the methods provided in section 167(b)(2), (3), or (4). However, the provisions of the agreement will continue to apply with respect to the useful life of the asset.

(e) *Change of method of depreciation.* Although the acquiring corporation is required to use the method of computing depreciation used by the distributor or transferor with respect to depreciable property to which this section applies, such acquiring corporation may use another method with respect to such property if consent of the Commissioner is obtained in accordance with paragraph (e) of § 1.446-1. Further, subject to the provisions of paragraph (b) of § 1.167(e)-1 the acquiring corporation may change from the declining balance method described in section 167(b)(2) to the straight line method without consent of the Commissioner.

(f) *Successive transactions to which section 381(a) applies.* The provisions of this section shall apply in the case of successive transactions to which section 381(a) applies. Thus, for example, if X Corporation, a transferor corporation, used the sum of the years-digits method under section 167(b)(3) with respect to an asset transferred to Y Corporation, an acquiring corporation, in a transaction to which section 381(a) applies, and subsequently Y Corporation, using the same method, transfers

such asset to Z Corporation in a transaction to which section 381(a) also applies, then Z Corporation shall be required to use the sum of the years-digits method with respect to such asset.

(g) *Illustration.* The application of this section may be illustrated by the following example:

Example. M and N Corporations compute their taxable incomes on the basis of the calendar year. On December 31, 1959, M Corporation transfers all of its assets to N Corporation in a transaction to which section 381(a) applies. Included among these assets is an item of depreciable property which on that date has an adjusted basis (for determining gain) of \$800,000 after M Corporation takes into account for 1959 its allowance for depreciation under section 167(b)(2). The basis attributable to the asset under section 362(b) is determined to be \$900,000 in the hands of N Corporation. Under the provisions of section 381(c)(6) and paragraph (a) of this section, N Corporation is required to compute its allowance for the depreciation of the asset under section 167(b)(2) for 1960 and subsequent years but only in respect of \$800,000 of its basis. N Corporation may use any reasonable method other than the methods provided in section 167(b)(2), (3), or (4) in computing its depreciation allowance of the remaining \$100,000.

[T.D. 6559, 26 FR 2983, Apr. 7, 1961, as amended by T.D. 7166, 37 FR 5246, Mar. 11, 1972; 37 FR 6400, Mar. 29, 1972]

§ 1.381(c)(8)-1 Installment method.

(a) *Carryover requirement.* (1) Section 381(c)(8) provides that if, in a transaction to which section 381(a) applies, an acquiring corporation acquires installment obligations, the income from which the distributor or transferor corporation has elected under section 453 and the regulations thereunder to report on the installment method, then the acquiring corporation shall be treated as the distributor or transferor corporation would have been treated under section 453 had it not transferred the installment obligations. Thus, if the distributor or transferor corporation had properly elected to return income from the sale or other disposition of property giving rise to the obligations on the installment method, then the acquiring corporation shall be required to return the income from all such installment obligations in the same manner and to the same extent as the distributor or transferor corpora-

tion, unless consent of the Commissioner to use another method is obtained in accordance with paragraph (e) of §1.446-1. Amounts received by the acquiring corporation on or after the date of distribution or transfer with respect to an installment sale made by the distributor or transferor corporation will not be taken into account in applying the limitation under section 453(b)(2) with respect to the amount of payments received in the year of sale or other disposition.

(2) Section 381(c)(8) and this section have no application to sales or other dispositions of property made by the acquiring corporation on or after the date of distribution or transfer. For provisions defining the date of distribution or transfer, see §1.381(b)-1(b). See section 381(c)(4) and the regulations thereunder for rules relating to the proper method or combination of methods of accounting to be used by the acquiring corporation.

(b) *Basis of obligations.* The basis in the hands of an acquiring corporation of installment obligations described in section 381(c)(8) and paragraph (a) of this section shall be the same as in the hands of the distributor or transferor corporation.

(c) *Repossession of property sold in prior years.* If the acquiring corporation repossesses property, previously sold by the distributor or transferor corporation, by reason of default by the purchaser in payment of the acquired installment obligations, then the acquiring corporation shall be treated as though it were the vendor corporation for purposes of determining, under section 453 and the regulations thereunder, the gain, loss, income, or deduction with respect to the property repossessed.

[T.D. 6559, 26 FR 2983, Apr. 7, 1961]

§ 1.381(c)(9)-1 Amortization of bond discount or premium.

(a) *Carryover requirement.* If, in a transaction to which section 381(a) applies, the acquiring corporation assumes liability for the payment of bonds of a distributor or transferor corporation which were issued at a discount or premium, then under the provisions of section 381(c)(9) the acquiring corporation is to be treated as the

distributor or transferor corporation after the date of distribution or transfer for purposes of determining the amount of amortization allowable, or includible, with respect to such discount or premium in computing taxable income. Thus, if subsequent to February 28, 1913, a distributor or transferor corporation issues bonds at a premium and the liability for them is assumed by the acquiring corporation in a transaction to which section 381(a) applies, then the net amount of the premium is income which should be prorated or amortized over the life of the bonds, including the period during which the acquiring corporation is liable upon the obligations assumed. On the other hand, if a distributor or transferor corporation issues bonds at a discount and the liability for them is assumed by the acquiring corporation in a transaction to which section 381(a) applies, then the net amount of the discount is deductible in computing taxable income but should be prorated or amortized over the life of the bonds, including the period during which the acquiring corporation is liable upon the obligations assumed.

(b) *Expense incurred upon issuance of bonds.* If, in a transaction to which section 381(a) applies, the acquiring corporation assumes liability for bonds of a distributor or transferor corporation which were issued at a discount or premium, the acquiring corporation shall be treated as the distributor or transferor corporation after the date of distribution or transfer with respect to the expense incurred upon the issuance of such bonds.

(c) *Purchase of bonds.* If, in a transaction to which section 381(a) applies, the acquiring corporation assumes liability for bonds of a distributor or transferor corporation which were issued at a discount or premium and if the acquiring corporation subsequently purchases such bonds, then the acquiring corporation shall be treated as the distributor or transferor corporation for the purpose of determining the amount of any income or deduction resulting from the purchase. See paragraph (c) of § 1.61-12. For rules relating to the exchange or substitution of bonds issued by the acquiring corporation for bonds of a distributor or trans-

feror corporation, see paragraph (d) of this section.

(d) *Exchange of new for old bonds.* Notwithstanding any other provision of this section, if—

(1) In a transaction to which section 381(a) applies, bonds of the acquiring corporation are exchanged or substituted for bonds of a distributor or transferor corporation which were issued at a discount or premium, or

(2) Bonds of the acquiring corporation are exchanged or substituted for bonds of a distributor or transferor corporation which were issued at a discount or premium and in respect of which the acquiring corporation has assumed the liability in a transaction to which section 381(a) applies,

then, with respect to any unamortized discount, premium, or expense of issuance attributable to such bonds of the distributor or transferor corporation, the acquiring corporation shall be treated as the distributor or transferor corporation.

(e) *Bonds of a distributor or transferor corporation.* For purposes of applying section 381(c)(9), the term *bonds of a distributor or transferor corporation* includes not only bonds issued by the distributor or transferor corporation but also bonds for which the distributor or transferor corporation has assumed liability. Thus, if the distributor or transferor corporation has assumed liability for bonds in a transaction in which any unamortized discount or premium attributable to such bonds carried over to such corporation, then the acquiring corporation assuming liability for the bonds shall be treated as the distributor or transferor corporation after the date of distribution or transfer for purposes of determining the amount of amortization allowable, or includible, with respect to such discount or premium. On the other hand, if the distributor or transferor corporation has assumed liability for bonds in a transaction in which any unamortized discount or premium attributable to such bonds did not carry over to such corporation, then there can be no carryover to the acquiring corporation under this section.

[T.D. 6532, 26 FR 405, Jan. 19, 1961]

§ 1.381(c)(10)-1 Deferred exploration and development expenditures.

(a) *Carryover requirement.* (1) If for any taxable year a distributor or transferor corporation has elected under section 615 or section 616 (or corresponding provisions of prior law) to defer and deduct on a ratable basis any exploration or development expenditures made in connection with any ore, mineral, mine, or other natural deposit transferred to the acquiring corporation in a transaction described in section 381(a), then under the provisions of section 381(c)(10) the acquiring corporation shall be entitled to deduct such expenditures on a ratable basis in the same manner, and to the same extent, as they would have been deductible by the distributor or transferor corporation in the absence of the distribution or transfer. For this purpose, the acquiring corporation shall be treated as though it were the distributor or transferor corporation. The principles set forth in paragraph (e) of § 1.615-3 and paragraph (f) of § 1.616-2 are applicable in computing the amount of the deduction allowable to the acquiring corporation in respect of expenditures deferred by a distributor or transferor corporation.

Example. X and Y Corporations are both organized on January 1, 1955, and both corporations compute their taxable income on the basis of the calendar year. During 1955, X Corporation purchases a mineral property which it begins to develop in 1956. During 1956, X Corporation incurs development expenditures of \$500,000 in respect of such property which it elects to defer under section 616(b). On December 31, 1956, Y Corporation acquires all of the assets of X Corporation in a reorganization to which section 381(a) applies, no gain being recognized to X Corporation on the transfer. In 1957, Y Corporation sells 150,000 units of produced ore benefited by the development expenditures incurred and deferred by X Corporation, and the number of units remaining as of the end of 1957, plus the number of units sold during that year, is estimated to be 1,000,000. In addition to its deduction for depletion, Y Corporation is, in 1957, entitled to a deduction under sections 616(b) and 381(c)(10) of \$75,000 of the development expenditures previously deferred by X Corporation, that is, $\$500,000 \times 150,000 / 1,000,000$.

(2) If a distributor or transferor corporation has elected under section 615 or section 616 (or corresponding provi-

sions of prior law) to defer exploration or development expenditures in respect of a mine or other natural deposit which it subsequently disposes of except for a retained economic interest therein, such as the right to royalty income or in-ore payments, and such retained economic interest is transferred to the acquiring corporation in a transaction to which section 381(a) applies, then the acquiring corporation shall be entitled to deduct such deferred expenditures attributable to the economic interest retained on a ratable basis to the same extent they would have been deductible by the distributor or transferor corporation in the absence of the distribution or transfer. See paragraph (c) of § 1.615-3 and paragraph (c) of § 1.616-2.

(3) For purposes of this section, the terms *exploration expenditures* and *development expenditures* shall have the same meaning as that ascribed to them in the regulations under sections 615 and 616 of the Internal Revenue Code of 1954, or under sections 23(cc) and 23(ff) of the Internal Revenue Code of 1939, whichever applies. See, for example, paragraph (a) of § 1.615-1 and paragraph (a) of § 1.616-1.

(b) *Effect and identification of election previously made.* (1) The election made by a distributor or transferor corporation under the provisions of section 615 or section 616 (or corresponding provisions of prior law) to defer exploration or development expenditures in respect of any taxable year may not be revoked by the acquiring corporation for any reason whatsoever.

(2) When filing its return for the first taxable year for which it deducts exploration or development expenditures which were deferred under section 615 or section 616 (or corresponding provisions of prior law) by a distributor or transferor corporation, the acquiring corporation shall attach thereto a statement properly identifying the taxable year for which the election to defer was made by the distributor or transferor corporation, the name of the corporation which made the election, and the district director with whom the election was filed.

(3) It is unnecessary for an acquiring corporation to renew an election to

defer exploration or development expenditures which was made by a distributor or transferor corporation.

(c) *Successive transactions to which section 381(a) applies.* If, by virtue of section 381(c)(10), the acquiring corporation is entitled to deduct exploration or development expenditures deferred by a distributor or transferor corporation, then such acquiring corporation shall be deemed to have made the election to defer such expenditures for purposes of applying section 381(c)(10) to any subsequent transaction in which such acquiring corporation is a distributor or transferor corporation.

(d) *Carryover of limitation requirements.* (1) If a distributor or transferor corporation transfers any mineral property to the acquiring corporation in a transaction described in section 381(a) and the acquiring corporation pays or incurs exploration expenditures in a taxable year ending after the date of the distribution or transfer, then in applying the 4-year or \$400,000 limitations described in section 615(c) and paragraphs (a) and (b) of § 1.615-4, whichever is applicable, the acquiring corporation shall be deemed to have been allowed any deduction which, for any taxable year ending on or before the date of distribution or transfer, was allowed to the distributor or transferor corporation under section 615(a), or under section 23(ff)(1) of the Internal Revenue Code of 1939, or to have made any election which, for any such preceding year, was made by the distributor or transferor corporation under section 615(b), or under section 23(ff)(2) of the Internal Revenue Code of 1939. Thus, in such instance, the acquiring corporation shall take into account the years in which the distributor or transferor corporation exercised the election to deduct or defer exploration expenditures and any amounts so deducted or deferred. For this purpose, it is immaterial whether the deduction has been allowed to, or the election has been made by, the distributor or transferor corporation with respect to the specific mineral property transferred by that corporation to the acquiring corporation.

(2) Generally, for purposes of applying the 4-year limitation described in paragraph (a) of § 1.615-4, if there are

two or more distributor or transferor corporations that transfer any mineral property to the acquiring corporation, each taxable year of any such corporation ending on or before the date of distribution or transfer in which exploration expenditures were deducted or deferred shall be treated as a separate taxable year regardless of the fact that the taxable years of two or more such corporations normally end on the same date. However, if the date of distribution or transfer is the same with respect to more than one distributor or transferor corporation, then the taxable years of such corporations ending on the same date of distribution or transfer shall be considered as one taxable year for purposes of applying the 4-year limitation even though more than one such corporation deducted or deferred exploration expenditures for such taxable years.

(3) For purposes of applying the \$400,000 limitation described in paragraph (b) of § 1.615-4, if there are two or more distributor or transferor corporations that transfer any mineral property to the acquiring corporation, any exploration expenditures which were deducted or treated as deferred expenses by such corporations for taxable years ending after December 31, 1950, shall be taken into account by the acquiring corporation.

(4) If a distributor or transferor corporation that transfers any mineral property to the acquiring corporation was required to take into account any taxable years or amounts of its transferor, as provided by paragraph (e) of § 1.615-4, for purposes of either the 4-year limitation described in paragraph (a) of § 1.615-4 or the \$400,000 limitation described in paragraph (b) of § 1.615-4, then the acquiring corporation shall also take these taxable years and amounts into account in applying the same limitations.

(5) The provisions of this paragraph may be illustrated by the following examples:

Example 1. M and N Corporations were organized on January 1, 1956, and each corporation computes its taxable income on the basis of the calendar year. For each of its taxable years 1956 and 1957, M Corporation expended \$60,000 for exploration expenditures and exercised the option to deduct such amounts under section 615(a). N Corporation

made no exploration expenditures during its taxable years 1956 and 1957. On December 31, 1957, M Corporation transferred all of its assets to N Corporation in a transaction to which section 381(a) applies, no gain being recognized to the transferor corporation on the transfer. N Corporation made exploration expenditures of \$100,000, \$120,000, \$110,000, and \$100,000 for the years 1958, 1959, 1960, and 1961, respectively, which expenditures it desired to deduct under section 615(a) to the extent allowable. On the basis of these facts, N Corporation may deduct up to \$100,000 for each of the years 1958 and 1959. No deduction or deferral is allowable for 1960 since the benefits of section 615(c) were previously availed of for 4 taxable years. However, N Corporation may deduct \$80,000 for 1961 (the 4-year limitation not applying to such year) but, if such deduction is made, N Corporation will not be allowed any further deductions or deferrals since the \$400,000 limitation of paragraph (b) of § 1.615-4 will have been reached.

Example 2. R and S Corporations were organized on January 1, 1955, and each corporation computes its income on the basis of the calendar year. For the 1955 taxable year neither corporation made any exploration expenditures under section 615(a). On June 30, 1956, R Corporation transferred all its assets to S Corporation in a transaction to which section 381(a) applies, no gain being recognized to the transferor corporation on the transfer. During its short taxable year ending June 30, 1956, R Corporation made exploration expenditures of \$60,000 which it elected to deduct under section 615. For its taxable year ending December 31, 1956, S Corporation may deduct or defer exploration expenditures up to \$100,000 since this is a separate election for purposes of utilizing section 615 and is not affected by the \$60,000 previously deducted by R Corporation. Assuming S Corporation exercises an election under section 615 for its taxable year ending December 31, 1956, S Corporation may elect to apply the benefits of section 615 to exploration expenditures for two more taxable years. However, for taxable years beginning after July 6, 1960 (the 4-year limitation not applying), S Corporation is entitled under section 615 to deduct or defer exploration expenditures made in such years to the extent that the combined deductions and deferrals by R and S Corporations in prior years did not exceed \$400,000.

Example 3. O and P Corporations were organized on January 1, 1955, and each corporation computes its taxable income on the basis of the calendar year. For their taxable years 1955, 1956, and 1957, each corporation deducted exploration expenditures made in such years under section 615(a). On June 30, 1958, O Corporation transferred all its assets to P Corporation in a transaction to which section 381(a) applies, no gain being recog-

nized to the transferor corporation on the transfer. If, during its short taxable year ending June 30, 1958, O Corporation made additional exploration expenditures, it may deduct or defer such expenditures (up to \$100,000) under section 615 since O Corporation has utilized section 615 in only three previous taxable years. For its taxable years ending after June 30, 1958, and beginning before July 7, 1960, P Corporation may not deduct or defer exploration expenditures under section 615, since the benefits of that section were utilized by O and P Corporations for 4 taxable years. However, for taxable years beginning after July 6, 1960 (the 4-year limitation not applying), P is entitled under section 615 to deduct or defer exploration expenditures made in such years to the extent that the combined deductions and deferrals by O and P Corporations in prior years do not exceed \$400,000. See paragraph (b) of § 1.615-4.

Example 4. X, Y, and Z Corporations were organized on January 1, 1955, and each corporation computes its taxable income on the basis of the calendar year. For their taxable years ending December 31, 1955, X and Y Corporations each deferred \$100,000 for exploration expenditures made in such taxable years under section 615(b). Z Corporation made no exploration expenditures during its taxable year ending December 31, 1955. On March 31, 1956, X and Y Corporations transferred all their assets to Z Corporation in a transaction to which section 381(a) applies, no gain being recognized to the transferor corporations on the transfer. X and Y Corporations each made exploration expenditures of \$75,000 during their short taxable years ending March 31, 1956, which they deducted under section 615(a). For purposes of taxable years beginning before July 7, 1960, Z Corporation must take into account the taxable years in which X and Y Corporations deducted or deferred exploration expenditures. In so doing, each taxable year in which exploration expenditures were deducted or deferred must be taken into account except that the taxable years of X and Y Corporations ending on March 31, 1956, shall be considered as one taxable year. Therefore, Z Corporation may deduct or defer exploration expenditures in accordance with section 615 for any one taxable year ending after March 31, 1956, and beginning before July 7, 1960. However, for taxable years beginning after July 6, 1960 (the 4-year limitation not applying), Z Corporation must take into account for purposes of the \$400,000 limitation all of the \$350,000 of exploration expenditures deducted or deferred by X, Y, and Z Corporations during taxable years ending after December 31, 1955. Therefore, Z Corporation, assuming it has not deducted or deferred any exploration expenditures, is entitled under section 615 to deduct or defer in taxable years beginning after July 6, 1960, up to

\$50,000 for exploration expenditures made in such years.

Example 5. For purposes of this example, assume that each taxpayer computes taxable income on the basis of the calendar year. Taxpayer A, an individual who has deducted exploration expenditures of \$75,000 under section 23(ff) of the Internal Revenue Code of 1939 for each of his taxable years 1952 and 1953, transferred a mineral property to K Corporation on January 1, 1954, in a transaction in which the basis of the mineral property in the hands of K Corporation is determined under section 362(a). For its taxable year 1954 and pursuant to section 615(a), K Corporation deducted exploration expenditures of \$100,000 which it made in such year. K Corporation had made no exploration expenditures in any preceding taxable year. On December 31, 1954, K Corporation transferred all its assets to L Corporation in a reorganization to which section 381(a) applies, no gain being recognized to the transferor corporation on the transfer. Assuming that L Corporation has not deducted or deferred exploration expenditures in any preceding taxable year, L Corporation may deduct or defer exploration expenditures (up to \$100,000) in accordance with section 615 for any one taxable year ending after December 31, 1954, and beginning before July 7, 1960, in view of the 4-year limitation. However, if L Corporation does not deduct or defer exploration expenditures in that period, then for taxable years beginning after July 6, 1960 (the 4-year limitation not applying), L Corporation is entitled to deduct or defer up to \$150,000 (but not to exceed \$100,000 per year) for exploration expenditures made in such years. See paragraph (b) of § 1.615-4.

[T.D. 6552, 26 FR 1988, Mar. 8, 1961, as amended by T.D. 6685, 28 FR 11406, Oct. 24, 1963]

§ 1.381(c)(11)-1 Contributions to pension plan, employees' annuity plans, and stock bonus and profit-sharing plans.

(a) *Carryover requirement.* Section 381(c)(11) provides that, for purposes of determining amounts deductible under section 404 for any taxable year, the acquiring corporation shall be considered after the date of distribution or transfer to be the distributor or transferor corporation in respect of any pension, annuity, stock bonus, or profit-sharing plan.

(b) *Nature of carryover.* (1) Primarily, section 381(c)(11) and this section apply to the amount of any unused deductions or excess contributions carryovers which, in the absence of the transaction causing section 381 to apply, would have been available to the

distributor or transferor corporation under section 404. Thus, for example, this section applies to unused deductions under a profit-sharing or stock bonus trust which, in accordance with the second sentence of section 404(a)(3)(A), would have been available in succeeding taxable years to the transferor corporation if the transfer of assets to the acquiring corporation had not occurred.

(2) Section 381(c)(11) also permits or requires the acquiring corporation to be treated as though it were the distributor or transferor corporation for the purpose of satisfying any conditions which would have been required of the distributor or transferor corporation in the absence of the distribution or transfer, so that it may be determined whether the distributor or transferor corporation, or the acquiring corporation, is entitled to take a deduction under section 404 in respect of a trust or plan established by the distributor or transferor corporation. Thus, for example, in a case when the taxable year of the transferor corporation ends on the date of transfer pursuant to section 381(b)(1), that corporation is entitled, pursuant to the provisions of section 404(a)(6) and paragraph (c) of § 1.404(a)-1, to a deduction in such taxable year for a payment to a qualified trust of that corporation made by the acquiring corporation after the close of such taxable year but within the time specified in section 404(a)(6). In further illustration, if the transferor corporation were to establish a qualified plan, and if the plan were maintained as a qualified plan by the acquiring corporation, then any contributions paid under the plan by the acquiring corporation (other than those which are deductible by the transferor corporation by reason of section 404(a)(6)) would be deductible under section 404 by the acquiring corporation even though the plan were exclusively for the benefit of former employees of the transferor corporation. Also, for example, if the transferor corporation were to adopt an annuity plan during its taxable year ending on the date of transfer, the acquiring corporation would be entitled, subject to the provisions of section 401(b), to amend the

plan so as to make it retroactively satisfy the requirements of section 401(a)(3), (4), (5), and (6) for the period beginning with the date on which the plan was put into effect.

(c) *Taxable year of deduction.* The first taxable year of the acquiring corporation in which any amount shall be allowed as a deduction to that corporation by reason of section 381(c)(11) and this section shall be its first taxable year ending after the date of distribution or transfer.

(d) *Requirements for deductions.* (1) In order for any amount paid by the acquiring corporation (other than amounts deductible under section 404(a)(5)) to be deductible by the acquiring corporation by reason of this section in respect of a trust or nontrusteed annuity plan which is established by a distributor or transferor corporation and maintained by the acquiring corporation, the contributions must be paid (or deemed to have been paid under section 404(a)(6)) by the acquiring corporation in a taxable year of that corporation which ends with or within a year of the trust for which it is exempt under section 501(a), or, in the case of a nontrusteed annuity plan, for which it meets the requirements of section 404(a)(2). See, however, section 404(a)(4) and § 1.404(a)-11 for rules relating to deductions for contributions to foreign-situs trusts. The trust or plan which is established by the distributor or transferor corporation and maintained by the acquiring corporation may separately satisfy the requirements of section 401(a) or section 404(a)(2) or may, together with other trusts or plans of the acquiring corporation, constitute a single plan which qualifies under section 401(a) or meets the requirements of section 404(a)(2).

(2) Excess contributions paid under a qualified trust or plan established by the transferor or distributor corporation may be carried over and, subject to the applicable limitations, deducted by the acquiring corporation in a taxable year ending after the date of distribution or transfer regardless of whether the trust is exempt, or the plan meets the requirements of section 404(a)(2), during such taxable year. There are, however, special rules for

computing the limitations on the amount of excess contributions which are deductible in a taxable year ending after the trust or plan has terminated (see paragraph (a) of § 1.404(a)-13). For this purpose, the pension, annuity, stock bonus, or profit-sharing plan of the distributor or transferor corporation under which the excess contributions were made shall be considered continued (and not terminated) by the acquiring corporation if, after the date of distribution or transfer, the acquiring corporation continues the plan as a separate and distinct plan of its own which continues to qualify under section 401(a), or to meet the requirements of section 404(a)(2), or consolidates or replaces that plan with a comparable plan. See subparagraph (4) of this paragraph for rules relating to what constitutes a “comparable” plan.

(3) In order for any amount paid by the acquiring corporation to be deductible by the acquiring corporation as an unused deduction carried over from a qualified profit-sharing or stock bonus trust established by a distributor or transferor corporation, the acquiring corporation must continue such trust established by the distributor or transferor corporation as a separate and distinct trust of its own which continues to qualify under section 401(a), or must consolidate or replace that trust with a comparable trust. In addition, the amount paid by the acquiring corporation will be deductible as an unused deduction carried over from the transferor or distributor corporation only if it is paid into the profit-sharing or stock bonus trust established by the transferor or distributor corporation, or the comparable trust, in a taxable year of the acquiring corporation which ends with or within a year of such trust (or such comparable trust) for which it meets the requirements of section 401(a) and is exempt under section 501(a). See subparagraph (4) of this paragraph for rules relating to what constitutes a “comparable” trust.

(4) For purposes of subparagraphs (2) and (3) of this paragraph, a plan under which deductions are determined pursuant to paragraph (1) or (2) of section 404(a) shall be considered comparable

to another plan under which deductions are determined pursuant to either of those paragraphs, and a plan under which deductions are determined pursuant to paragraph (3) of section 404(a) shall be considered comparable to another plan under which deductions are determined pursuant to such paragraph (3). Thus, a profit-sharing plan (which qualifies under section 401(a)) established by the transferor or distributor corporation shall, for purposes of subparagraphs (2) and (3) of this paragraph, be considered terminated if, after the date of distribution or transfer, the acquiring corporation transfers the funds accumulated under the profit-sharing plan into a pension plan covering the same employees. In such a case, excess contributions paid under the profit-sharing plan by the distributor or transferor corporation may be carried over and deducted by the acquiring corporation in a taxable year ending after the date of distribution or transfer subject to the limitations in section 404(a)(3)(A). On the other hand, unused deductions attributable to the profit sharing plan may not be carried over and used by the acquiring corporation as a basis for deducting amounts contributed by it to the pension plan.

(e) *Effect of consolidation or replacement of plan on prior contributions.* If a pension, annuity, stock bonus, or profit-sharing plan which was established by a distributor or transferor corporation is terminated after the date of distribution or transfer because of consolidation or replacement with a comparable plan of the acquiring corporation, then the contributions paid to or under its plan by the distributor or transferor corporation on or before the date of distribution or transfer shall not be disallowed under section 404 merely because of the termination of the plan which was established by that corporation, provided that the termination does not cause the plan to fail to qualify under section 401(a).

(f) *Amounts deductible under section 404.* Section 381(c)(11) and this section apply only to amounts which are otherwise deductible under section 404 and the regulations thereunder. See §§ 1.404(a)-1 through 1.404(d)-1. Thus, to be deductible by reason of this section,

contributions paid by the acquiring corporation must be expenses which otherwise satisfy the conditions of section 162 (relating to trade or business expenses). No deduction shall be allowed by reason of section 381(c)(11) and this section for a contribution which is allowable under section 162 but is not allowable under section 404. Thus, the acquiring corporation shall not be allowed a deduction by reason of this section in respect of a plan established by a distributor or transferor corporation if the contribution would not otherwise be deductible under section 404 by reason of section 404(c) and § 1.404(c)-1. On the other hand, any unused deductions or excess contributions of a distributor or transferor corporation which are carried over from 1939 Code years shall be deductible by the acquiring corporation if the requirements of this section, section 404(d), and § 1.404(d)-1 are satisfied.

(g) *Cost of past service credits.* In computing the cost of past service credits under a plan with respect to employees of the distributor or transferor corporation, the acquiring corporation may include the cost of credits for periods during which the employees were in the service of the distributor or transferor corporation.

(h) *Separate carryovers required.* The excess contributions which are available to a distributor or transferor corporation under the provisions of section 404(a)(1)(D) and section 404(a)(3)(A) at the close of the date of distribution or transfer and are carried over to the acquiring corporation under this section shall be kept separate and distinct from each other and from any excess contributions which are available to the distributor or transferor corporation at that time under the provisions of section 404(a)(7) and are carried over to the acquiring corporation under this section. If there are excess contributions carried over to the acquiring corporation from more than one transferor or distributor corporation, the excess contributions of each transferor or distributor corporation shall be kept separate and distinct from those of the other transferor or distributor corporations and, with respect to each such transferor or distributor corporation, shall be kept separate and distinct as

provided in the preceding sentence. See, however, paragraph (i) of this section for rules for applying the provisions of section 404(a)(3)(A) when the acquiring corporation maintains two or more profit-sharing or stock bonus trusts, one or more of which was established by a distributor or transferor corporation. The requirements in this paragraph shall apply with respect to any excess contributions which are carried over to the acquiring corporation from a distributor or transferor corporation under the provisions of section 404(d) and this section.

(i) *Limitations applicable to profit-sharing or stock bonus trusts.* When contributions are paid by the acquiring corporation after the date of distribution or transfer to two or more profit-sharing or stock bonus trusts, and one or more of such trusts was established by a distributor or transferor corporation, such trusts shall be considered as a single trust in applying the provisions of section 404(a)(3)(A) under this section. Accordingly, in determining its secondary limitation, and its excess contributions carryover, under section 404(a)(3)(A) in any taxable year ending after the date of distribution or transfer, the acquiring corporation shall take into accounts its primary limitations, and the deductions allowed or allowable to it, for all prior years under the limitations provided in those sections, and also the primary limitations of, and deductions allowed or allowable to, the distributor or transferor corporation or corporations for all prior years under the limitations provided in those sections.

(j) *Successive carryovers.* The provisions of section 381(c)(11) and this section shall apply to an acquiring corporation which, in a distribution or transfer to which section 381(a) applies acquires the assets of a distributor or transferor corporation which has previously acquired the assets of another corporation in a transaction to which section 381(a) applies, even though, in computing an unused deductions or excess contributions carryover to the second acquiring corporation, it is necessary to take into account contributions paid by, and limitations applicable to, the first distributor or transferor corporation.

(k) *Information to be furnished by acquiring corporation.* The acquiring corporation shall furnish such information with respect to a plan established by a distributor or transferor corporation as will, consistently with the principles of section 404, establish that the provisions of such section and this section apply. For purposes of this section, the district director may require any other information that he considers necessary to determine deductions allowable under section 404 and this section or qualification under section 401. Any unused deductions or excess contributions carried over from a distributor or transferor corporation pursuant to this section shall be properly identified with the corporation which would have been permitted to use those deductions or contributions in the absence of the transaction causing section 381 to apply.

(1) *Illustration.* The application of this section may be illustrated by the following example:

Example. In 1955, X Corporation, which makes its return on the basis of the calendar year, paid \$400,000 to completely fund past service credits under a qualified pension plan and deducted 10 percent (\$40,000) of that cost in each of the taxable years 1955, 1956, and 1957. The pension plan established by X Corporation had an anniversary date of January 1. On December 31, 1957, on which date the undeducted part of the cost amounted to \$280,000, X Corporation transferred all its assets to Y Corporation in a statutory merger to which section 361 applies. Y Corporation, which also makes its return on the basis of the calendar year, had a qualified pension plan and trust which also had an anniversary date of January 1. Since Y Corporation had many more employees than X Corporation on the date of transfer, it covered the former employees of X Corporation under its own plan. Y Corporation is entitled to deductions under section 404(a)(1)(D) and this section in 1958 and succeeding taxable years, in order of time, with respect to the undeducted balance of \$280,000, to the extent of the difference between the amount paid and deductible by that corporation in each such taxable year and the maximum amount deductible by that corporation for such taxable year in accordance with the applicable limitations of section 404(a)(1). In computing the maximum amount deductible by Y Corporation for 1958 and 1959 under section 404(a)(1)(C), that corporation may include \$40,000 for each year, the amount that X Corporation could have included for each of those years in computing the maximum amount that would

have been deductible by X Corporation under section 404(a)(1)(C) if the merger had not occurred. Thus, assuming that Y Corporation's appropriate limitation so computed under section 404(a)(1)(C) is \$1,000,000 (including the \$40,000 carried over from X Corporation under this section) for each of those taxable years, and that Y Corporation contributed \$925,000 to its trust in 1958 and \$975,000 in 1959, then Y Corporation is entitled under section 404(a)(1)(D) and this section to deduct in 1958 \$75,000, and in 1959 \$25,000, of the amount (\$280,000) carried over from X Corporation. The undeducted balance of such amount (\$180,000) available to Y Corporation on December 31, 1959, would be deductible by that corporation in succeeding taxable years in accordance with section 404(a)(1)(D) and this section.

[T.D. 6556, 26 FR 2405, Mar. 22, 1961, as amended by T.D. 7168, 37 FR 5024, Mar. 9, 1972; T.D. 9849, 84 FR 9233, Mar. 14, 2019]

§ 1.381(c)(12)–1 Recovery of bad debts, prior taxes, or delinquency amounts.

(a) *Carryover requirement.* (1) If, as a result of a distribution or transfer to which section 381(a) applies, the acquiring corporation is entitled to the recovery of a bad debt, prior tax, or delinquency amount on account of which a deduction or credit was allowed to a distributor or transferor corporation for a prior taxable year, and such debt, tax, or amount is recovered by the acquiring corporation after the date of distribution or transfer, then under the provisions of section 381(c)(12) the acquiring corporation is required to include in its gross income for the taxable year of recovery the same amount of income attributable to the recovery as the distributor or transferor corporation would have been required to include under section 111 and the regulations thereunder had the distribution or transfer not occurred.

(2) The rule prescribed by paragraph (a)(1) of this section and by section 381(c)(12) with respect to bad debts, prior taxes, and delinquency amounts applies equally with respect to the recovery by the acquiring corporation of all other losses, expenditures, and accruals made on the basis of deductions from the gross income of a distributor or transferor corporation for prior taxable years, including war losses referred to in section 127 of the Internal Revenue Code of 1939, but not including

deductions with respect to depreciation, depletion, amortization, or amortizable bond premiums. An item which is not a "section 111 item" for purposes of the regulations under section 111 is not subject to the provisions of section 381(c)(12). The provisions of section 111(c) shall be applied with respect to a recovery by the acquiring corporation in the same manner as they would have been applied by the distributor or transferor corporation.

(b) *Amount of recovery exclusion allowable for year of recovery.* For the year of any recovery by the acquiring corporation, the amount of the recovery exclusion for the original taxable year shall be determined in accordance with paragraph (b) of § 1.111–1. For the purpose of this paragraph and section 381(c)(12), the recovery exclusion for any year with respect to section 111 items of the acquiring corporation shall be kept separate from the recovery exclusion for any year with respect to section 111 items of each distributor or transferor corporation. The recovery by the acquiring corporation of any section 111 item of such corporation after the date of the distribution or transfer shall be considered separately from recoveries by the acquiring corporation of any such item which was deducted or credited by a distributor or transferor corporation. Any recovery by the acquiring corporation of a section 111 item shall be excluded from the gross income of the acquiring corporation to the extent of the recovery exclusion (1) determined for the original year for which that item was deducted or credited by the specific corporation which claimed the deduction or credit and (2) reduced by the excludable recoveries (whether made by the acquiring corporation, or by the distributor or transferor corporation) in intervening years with respect to the recovery exclusion of such corporation for such original year. There shall be taken into account the effect of net operating loss carryovers and carrybacks or capital loss carryovers.

(c) *Illustration of carryover of recovery exclusion—(1) Facts.* (i) The application of section 381(c)(12) may be illustrated

Internal Revenue Service, Treasury

§ 1.381(c)(12)-1

by the following example. M and N Corporations are both organized on January 1, 1957, and both corporations compute their taxable income on the basis of the calendar year. On December 31, 1959, M Corporation transfers all its assets to N Corporation in a reorganization to which section 381(a) applies.

(ii) The section 111 items of the two corporations for the following taxable years are as follows, identification of such items being made by an appropriate letter:

| Taxable year of deduction or credit | M Corporation (transferor) | N Corporation (acquirer) |
|-------------------------------------|----------------------------|--------------------------|
| 1957 | \$500(g) | \$200(h) |
| 1958 | 300(i) | 400(j) |
| 1959 | 600(k) | 100(m) |

(iii) The recovery exclusions in respect of such taxable years, computed in accordance with §1.111-1(b)(2), are assumed to be as follows:

| Taxable year | M Corporation (transferor) | N Corporation (acquirer) |
|--------------|----------------------------|--------------------------|
| 1957 | \$400 | \$150 |
| 1958 | 200 | 300 |
| 1959 | 500 | 75 |

(iv) The recoveries of the above-mentioned section 111 items by the two corporations are as follows:

| Taxable year of recovery | M Corporation (transferor) | N Corporation (acquirer) |
|--------------------------|----------------------------|--------------------------|
| 1958 | \$25 (g) | \$50 (h) |
| 1959 | 50 (g) | 20 (h) |
| | 30 (i) | 15 (j) |
| 1960 | | 350 (g) |
| | | 225 (i) |
| | | 550 (k) |
| | | 100 (h) |
| | | 350 (j) |
| | | 85 (m) |

(2) M Corporation's 1958 recovery.

| | |
|---|------|
| Total recovery of section 111 items for 1957 | \$25 |
| Less: Recovery exclusion for 1957 | 400 |
| Amount included in gross income of M Corporation for 1958 | 0 |

(3) M Corporation's 1959 recoveries.

| | |
|---|-------|
| (i) Total recovery of section 111 items for 1957 | \$50 |
| Less: Recovery exclusion for 1957 | \$400 |
| Minus excludable recovery | 25 |
| Amount included in gross income of M Corporation for 1959 | 375 |
| (ii) Total recovery of section 111 items for 1958 | 30 |

| | |
|---|-----|
| Less: Recovery exclusion for 1958 | 200 |
| Amount included in gross income of M Corporation for 1959 | 0 |

(4) N Corporation's 1958 recovery.

| | |
|---|------|
| Total recovery of section 111 items for 1957 | \$50 |
| Less: Recovery exclusion for 1957 | 150 |
| Amount included in gross income of N Corporation for 1958 | 0 |

(5) N Corporation's 1959 recoveries.

| | |
|---|-------|
| (i) Total recovery of section 111 items for 1957 | \$20 |
| Less: Recovery exclusion for 1957 | \$150 |
| Minus excludable recovery in 1958 | 50 |
| Amount included in gross income of N Corporation for 1959 | 100 |
| (ii) Total recovery of section 111 items for 1958 | 0 |
| Less: Recovery exclusion for 1958 | 300 |

(6) N Corporation's 1960 recoveries.

| | |
|---|-------|
| (i) Total recovery of section 111 items of M Corporation for 1957 | \$350 |
| Less: Recovery exclusion of M Corporation for 1957 | \$400 |
| Minus: | |
| Excludable recovery in 1959 | \$50 |
| Excludable recovery in 1958 | 25 |
| | 75 |
| Amount included in gross income of N Corporation for 1960 | 325 |
| (ii) Total recovery of section 111 items of M Corporation for 1958 | 25 |
| Less: Recovery exclusion of M Corporation for 1958 | \$200 |
| Minus excludable recovery in 1959 | 30 |
| Amount included in gross income of N Corporation for 1960 | 170 |
| (iii) Total recovery of section 111 items of M Corporation for 1959 | 55 |
| Less: Recovery exclusion of M Corporation for 1959 | 500 |
| Amount included in gross income of N Corporation for 1960 | 50 |
| (iv) Total recovery of section 111 items of N Corporation for 1957 | 100 |
| Less: Recovery exclusion of N Corporation for 1957 | \$150 |
| Minus: | |
| Excludable recovery in 1959 | \$20 |
| Excludable recovery in 1958 | 50 |
| | 70 |
| Amount included in gross income of N Corporation for 1960 | 80 |
| (v) Total recovery of section 111 items of N Corporation for 1958 | 20 |
| Less: Recovery exclusion of N Corporation for 1958 | \$300 |
| Minus excludable recovery in 1959 | 15 |

§ 1.381(c)(13)-1

| | |
|---|-------|
| | 285 |
| Amount included in gross income of N Corporation for 1960 | 65 |
| (vi) Total recovery of section 111 items of N Corporation for 1959 | 85 |
| Less: Recovery exclusion of N Corporation for 1959 | 75 |
| | 10 |
| Amount included in gross income of N Corporation for 1960 | 10 |
| (7) Summary of recoveries included in gross income of N Corporation for 1960. | |
| (i) Recovery of M Corporation items for: | |
| 1957 | \$25 |
| 1958 | 55 |
| 1959 | 50 |
| | \$130 |
| (ii) Recovery of N corporation items for: | |
| 1957 | 20 |
| 1958 | 65 |
| 1959 | 10 |
| | 95 |
| Total amount included in gross income | 225 |

[T.D. 6559, 26 FR 2984, Apr. 7, 1961]

§ 1.381(c)(13)-1 **Involuntary conversions.**

(a) *Carryover requirement*—(1) *General rule.* Section 381(c)(13) requires that after the date of distribution or transfer the acquiring corporation, in a transaction to which section 381(a) applies, shall be treated as the distributor or transferor corporation for purposes of applying section 1033, relating to involuntary conversions. This rule shall apply even though the property similar or related in service or use to the property converted, or the stock of a corporation owning such similar property, is purchased by the acquiring corporation after the date of distribution or transfer and is not received from the distributor or transferor corporation in the transaction to which section 381(a) applies. Accordingly, if any factor essential to the application of section 1033 occurs on or before the date of distribution or transfer and any other such factor also occurs after that date, then, in accordance with section 381(c)(13) and this section, the provisions of section 1033 shall apply to the acquiring corporation in the same manner that they would have applied to the distributor or transferor corporation in the absence of the distribution or transfer. For purposes of this section, the terms *involuntary conversion* and *disposition of the converted*

property shall have the meaning ascribed to them by the regulations under section 1033.

(2) *Application to other transactions.* The provisions of this section shall apply to any transaction which, under provisions of the Internal Revenue Code of 1954, is treated as though it were an involuntary conversion within the meaning of section 1033. See, for example, section 1071, relating to gain from a sale or exchange to effectuate the policies of the Federal Communications Commission; and sections 1332(b)(3) and 1333(3), relating to war loss recoveries.

(b) *Conversion into similar property.* Section 1033(a)(1) provides that no gain shall be recognized if property is involuntarily converted only into property which is similar or related in service or use to the property so converted. If there is a disposition of property of a distributor or transferor corporation and, subsequent to the date of distribution or transfer, property similar or related in service or use to the property disposed of is received by the acquiring corporation as compensation for the property so disposed of, then no gain shall be recognized to the acquiring corporation, provided that no gain would have been recognized under section 1033(a)(1) if the similar property had been received directly by the distributor or transferor corporation.

Example. Property of S Corporation with an adjusted basis of \$100 is condemned by the local government. Shortly after the property is so condemned, S Corporation liquidates and distributes its assets to P Corporation in a distribution to which section 381(a) applies. Subsequent to the date of distribution, P Corporation receives from the government (in settlement of the condemnation proceedings) property with a market value of \$500 which is similar or related in service or use to the property so condemned. No gain is recognized to either corporation upon P Corporation's receipt of the similar property, and the property so received has a basis of \$100 in the hands of P Corporation on the date of its acquisition.

(c) *Conversion into money or dissimilar property when disposition occurs after December 31, 1950*—(1) *General rule.* Section 1033(a)(3) and § 1.1033(a)-2 provide rules for involuntary conversions of property into money or dissimilar property where the disposition of the

converted property occurs after December 31, 1950. In such a case, the gain on the conversion, if any, shall be recognized, at the election of the taxpayer, only to the extent that the amount realized on the conversion exceeds the cost of other property purchased by the taxpayer which is similar or related in service or use to the property so converted, or exceeds the cost of stock purchased by the taxpayer in the acquisition of control of a corporation owning such other property, provided (i) the taxpayer purchases such other property or stock for the purpose of replacing the property so converted and (ii) the purchase occurs during the period of time specified in section 1033(a)(3)(B). The provisions of this paragraph shall apply to involuntary conversions where the disposition of the property occurs after December 31, 1950, and where the election to have section 1033(a)(3) apply to the treatment of the gain upon the conversion is contingent upon activities of both the distributor or transferor corporation and the acquiring corporation. For purposes of section 381(c)(13), the period of time specified in section 1033(a)(3)(B) shall be determined by taking into account taxable years of, and extensions of time granted to, both the distributor or transferor corporation and the acquiring corporation.

(2) *Replacement period.* The period during which the purchase of similar property or stock must be made in order to prevent the recognition of gain on the involuntary conversion terminates 2 years (or, in the case of a disposition occurring before Dec. 31, 1969, 1 year) after the close of the first taxable year in which any part of the gain upon the conversion is realized, or at the close of such later date as may be designated pursuant to an application of the taxpayer. See paragraph (c)(3) of § 1.1033(a)-2. Therefore, if, in a case to which this subparagraph applies, the first taxable year in which gain is realized is the taxable year of the distributor or transferor corporation ending with the close of the date of distribution or transfer, the acquiring corporation will have a maximum of only 2 years (or, in the case of a disposition occurring before Dec. 31, 1969, 1 year) after that date in which to pur-

chase the similar property or stock, unless an extension of time has been granted upon application by the distributor, transferor, or acquiring corporation within the time prescribed. See paragraph (a) of § 1.381(b)-1 as to the termination of the taxable year of the distributor or transferor corporation. See paragraph (c)(3) of § 1.1033(a)-2 as to applications to extend the period within which to replace the converted property. In addition to the information otherwise required under paragraph (c)(3) of § 1.1033(a)-2, the application shall contain sufficient detail in connection with the distribution or transfer to establish that section 381(c)(13) applies to the involuntary conversion involved.

(3) *Examples.* The application of this paragraph may be illustrated by the following examples:

Example 1. A and B Corporations compute their taxable income on the basis of the calendar year, and both corporations use the cash method of accounting. During 1970 property of A Corporation is destroyed by fire, and in January 1971, A Corporation receives \$15,000 from an insurance company as compensation for its loss of property. The adjusted basis of the property on the date of destruction is \$10,000; as a consequence, A Corporation realizes a gain of \$5,000 on the involuntary conversion. On June 30, 1971, B Corporation acquires all of the assets of A Corporation in a reorganization to which section 381(a) applies. In accordance with paragraph (c)(2) of § 1.1033(a)-2, A Corporation reports in its return for the short taxable year ending June 30, 1971, all the details in connection with the involuntary conversion but does not include the realized gain in gross income, thereby electing to have the gain recognized only to the extent provided in section 1033(a)(3). On June 15, 1973, B Corporation purchases for \$20,000 property which is similar or related in service or use to the property previously destroyed. In its return for 1973, B Corporation reports all of the details in connection with its replacement of the property, as required by paragraph (c)(2) of § 1.1033(a)-2. As a result of this replacement by B Corporation, none of the gain realized by A Corporation is recognized. The replacement property which is purchased by B Corporation has a basis to that corporation of \$15,000 on the date of its purchase, that is, the cost of such property (\$20,000) decreased by the amount of gain not recognized to A Corporation on the involuntary conversion (\$5,000).

Example 2. Assume the same facts as in *Example 1*, except that B Corporation does not

purchase similar property on or before June 30, 1973, and does not apply on or before that date (in accordance with paragraph (c)(3) of § 1.1033(a)-2) for an extension of time in which to make a replacement. In such event, the gain realized by A Corporation is recognized to that corporation for its taxable year ending June 30, 1971. A Corporation's tax liability for such taxable year must be recomputed in accordance with paragraph (c)(2) of § 1.1033(a)-2 in order to reflect this additional income.

Example 3. Assume the same facts as in *Example 1*, except that the property of A Corporation is destroyed in 1968. A Corporation receives the \$15,000 from an insurance company in January 1969. B Corporation acquires all of the assets of A Corporation on June 30, 1969, and A Corporation's return is filed for the short taxable year ending June 30, 1969. B Corporation would have to purchase property which is similar or related in service or use to the property previously destroyed by June 30, 1970, in order to take advantage of the provisions of section 1033.

Example 4. M and N Corporations compute their taxable income on the basis of the calendar year, and both corporations use the cash method of accounting. During 1970, property of M Corporation is destroyed by fire. The adjusted basis of the property on the date of destruction is \$10,000. The property is insured against loss by fire, but the insurance claim is not satisfied on or before June 30, 1971, the date on which N Corporation acquires all of the assets (including the insurance claim) of M Corporation in a reorganization to which section 381(a) applies. On September 1, 1972, N Corporation receives \$15,000 from the insurance company as compensation for the fire loss suffered by M Corporation. Upon receipt of the insurance proceeds, N Corporation realizes a gain of \$5,000 upon the involuntary conversion; however, in its return for 1972, N Corporation elects under the provisions of paragraph (c)(2) of § 1.1033(a)-2 to have the gain recognized only to the extent provided by section 1033(a)(3). On December 30, 1974, N Corporation purchases for \$20,000 property which is similar or related in service or use to the property previously destroyed in the hands of M Corporation. As a result of this replacement by N Corporation, none of the gain realized by N Corporation in 1972 is recognized. The replacement property which is purchased by N Corporation has a basis to that corporation of \$15,000 on the date of its purchase, that is, the cost of such property (\$20,000) decreased by the amount of gain not recognized to N Corporation on the involuntary conversion (\$5,000).

Example 5. R and S Corporations compute their taxable income on the basis of the calendar year, and both corporations use the cash method of accounting. During 1970 property of R Corporation is destroyed by fire.

The adjusted basis of the property on the date of destruction is \$10,000. In anticipation of taking the benefit of section 1033(a)(3), R Corporation purchases for \$20,000 on June 1, 1971, property which is similar or related in service or use to the destroyed property. In its return for 1971, R Corporation reports all of the details in connection with the replacement of the property, as required by paragraph (c)(2) of § 1.1033(a)-2. The property destroyed in 1970 is insured against loss by fire, but the insurance claim is not satisfied on or before March 1, 1972, the date on which S Corporation acquires all of the assets (including the insurance claim) of R Corporation in a reorganization to which section 381(a) applies. On October 1, 1972, S Corporation receives \$12,000 from the insurance company as compensation for the fire loss suffered by R Corporation. Upon receipt of the insurance proceeds, S Corporation realizes a gain of \$2,000 upon the involuntary conversion; however, in its return for 1972, S Corporation elects under the provisions of paragraph (c)(2) of § 1.1033(a)-2 to have the gain recognized only to the extent provided by section 1033(a)(3). As a result of the replacement by R Corporation, none of the gain realized by S Corporation in 1972 is recognized. Assuming there are no adjustments for depreciation, the replacement property has a basis on October 1, 1972, of \$18,000, that is, the cost of such property (\$20,000) decreased by the amount of gain not recognized to S Corporation on the involuntary conversion (\$2,000).

(d) *Conversion into money when disposition occurs before January 1, 1951.* Section 1033(a)(2) provides that, if property is disposed of in an involuntary conversion before January 1, 1951, and money is received as compensation for the conversion, no gain shall be recognized if such money is forthwith expended in the acquisition of other property similar or related in service or use to the property so converted, or in the acquisition of control of a corporation owning such other property, or in the establishment of a replacement fund. That section also provides that, if any part of the money is not so expended, the gain, if any, shall be recognized to the extent of the money which is not so expended. For example, if, pursuant to section 381(c)(13) and section 1033(a)(2), property of a distributor or transferor corporation is disposed of before January 1, 1951, in an involuntary conversion, and the proceeds from the conversion are received by the acquiring corporation so that the gain on the conversion is realized by that corporation,

the acquiring corporation may avoid recognition of the gain if it complies with the provisions of section 1033(a)(2) for nonrecognition of gain. Thus, the acquiring corporation must forthwith expend the proceeds in the acquisition of similar property or stock, or in the establishment of a replacement fund, in order to avoid recognition of the gain, if the disposition occurred before January 1, 1951. See the provisions of §§1.1033(a)-3 and 1.1033(a)-4 relating to involuntary conversions and replacement funds when disposition of the converted property occurred before January 1, 1951.

(e) *Successive acquiring corporations.* An acquiring corporation which, in a transaction to which section 381(a) applies, acquires the assets of a corporation which previously acquired the assets of another corporation in a transaction to which section 381(a) applies, shall be treated as such other corporation for purposes of applying sections 381(c)(13) and 1033 (relating to involuntary conversions). Thus, for example, if any factor essential to the application of section 1033 occurs on or before the date of distribution or transfer in one transaction to which section 381(a) applies, and any other such factor occurs after the date of distribution or transfer in a subsequent transaction to which section 381(a) applies, then the acquiring corporation in such subsequent transaction shall be treated as the first distributor or transferor corporation subject to the rules and limitations of this section for purposes of sections 381(c)(13) and 1033.

[T.D. 6552, 26 FR 1989, Mar. 8, 1961, as amended by T.D. 7075, 35 FR 17995, Nov. 24, 1970]

§ 1.381(c)(14)-1 Dividend carryover to personal holding company.

(a) *Carryover requirement.* Section 381(c)(14) provides that an acquiring corporation shall succeed to and take into account the dividend carryover (described in section 564) of a distributor or transferor corporation in computing its dividends paid deduction under section 561 for taxable years ending after the date of distribution or transfer for which the acquiring corporation is a personal holding company under section 542. To determine the amount of such dividend carryover and

to integrate it with the dividend carryover of the acquiring corporation in computing the dividends paid deduction for taxable years ending after the date of distribution or transfer, it is necessary to apply the provisions of section 564 and §1.564-1 in accordance with this section.

(b) *Manner of computing dividend carryover*—(1) *Preceding taxable years.* If the acquiring corporation is a personal holding company under section 542 for its first taxable year ending after the date of distribution or transfer, the taxable year of the distributor or transferor corporation ending with such date is a first preceding taxable year for purposes of section 564, and the taxable year of the distributor or transferor corporation immediately preceding such first preceding year is a second preceding taxable year for purposes of section 564. If the acquiring corporation is a personal holding company for its second taxable year ending after the date of distribution or transfer, the taxable year of the distributor or transferor corporation ending with such date is a second preceding taxable year for purposes of section 564.

(2) *Determination of dividends paid deduction and taxable income.* The dividends paid deduction of any distributor or transferor corporation (determined under section 561 but without regard to any dividend carryover) and the taxable income of any such corporation (adjusted as provided in section 545(b)) for any taxable year ending on or before the date of distribution or transfer shall be determined without reference to any dividends paid deduction, or taxable income, of the acquiring corporation or any other distributor or transferor corporation; in like manner, the dividends paid deduction and the taxable income of the acquiring corporation for any such taxable year shall be determined without reference to any dividends paid deduction, or taxable income, of a distributor or transferor corporation.

(3) *Computation of dividend carryover.* (i) For the purpose of determining the dividend carryover to the first taxable year of the acquiring corporation ending after the date of distribution or transfer, the amount of the dividend carryover from the distributor or

transferor corporation shall be determined under section 564 without reference to the dividends paid deduction or taxable income of the acquiring corporation or any other corporation. If two or more transactions to which section 381(a) applies have the same date of distribution or transfer, or if a particular taxable year of the acquiring corporation is the first taxable year ending after the dates of distribution or transfer of two or more such transactions occurring on different dates, the amount of the dividend carryover from each distributor or transferor corporation shall be determined separately as provided in the preceding sentence. Except as provided in subdivision (iii) of this subparagraph, the aggregate of the dividend carryovers from each distributor or transferor corporation and the dividend carryover of the acquiring corporation (computed without regard to this section) shall constitute the dividend carryover under section 561(a)(3) of the acquiring corporation for its first taxable year ending after the date (or dates) of distribution or transfer.

(ii) For the purpose of determining the dividend carryover to the second taxable year of the acquiring corporation ending after the date (or dates) of distribution or transfer, the excess, if any, of the dividends paid deduction (determined under section 561 without regard to any dividend carryover) over the taxable income (adjusted as provided in section 545(b)) for the taxable year of each distributor or transferor corporation and the acquiring corporation referred to as a second preceding taxable year shall be determined separately without reference to the dividends paid deduction or taxable income of any other of such corporations. The excesses thus determined shall be aggregated, and such aggregate shall be—

(a) Increased by the excess of the dividends paid deduction (determined without regard to any dividend carryover) over the taxable income (adjusted as provided in section 545(b)), or

(b) Reduced by the excess of the taxable income (adjusted as provided in section 545(b)) over the dividends paid deduction (determined without regard to any dividend carryover),

for the first preceding taxable year of the acquiring corporation. Except as provided in subdivision (iii) of this subparagraph, the amount thus determined shall constitute the dividend carryover under section 561(a)(3) of the acquiring corporation for its second taxable year ending after the date (or dates) of distribution or transfer.

(iii) If a particular taxable year of the acquiring corporation is its first taxable year ending after the date (or dates) of distribution or transfer of one or more transactions to which section 381(a) applies, and if the same taxable year of the acquiring corporation is also its second taxable year ending after the date (or dates) of distribution or transfer of one or more other transactions to which section 381(a) applies, then, for the purpose of determining the dividend carryover to such taxable year of the acquiring corporation, the rules contained in both subdivisions (i) and (ii) of this subparagraph shall be applied. Insofar as such taxable year constitutes the first taxable year ending after the date (or dates) of distribution or transfer of any transaction, the amount of the dividend carryover from any distributor or transferor corporation involved in such transaction shall be determined separately as provided in subdivision (i) of this subparagraph. Insofar as such taxable year constitutes the second taxable year ending after the date (or dates) of distribution or transfer of any transaction, the amount of the dividend carryover from any distributor or transferor corporation involved in the transaction and the acquiring corporation shall be determined as provided in subdivision (ii) of this subparagraph. The aggregate of the dividend carryovers thus determined shall constitute the dividend carryover under section 561(a)(3) of the acquiring corporation for such taxable year. See *Example (4)* in paragraph (c) of this section.

(c) *Illustrations.* The rules set forth in paragraphs (a) and (b) of this section may be illustrated by the following examples:

Example 1. (i) *Facts.* N Corporation acquired on June 30, 1960, all the assets of M Corporation in a reorganization to which section 381(a) applies. Both corporations compute taxable income on the basis of the calendar

Internal Revenue Service, Treasury

§ 1.381(c)(14)-1

year. N Corporation is a personal holding company for its taxable years ending December 31, 1960, and December 31, 1961.

(ii) *Dividend carryover to N Corporation's taxable year ending December 31, 1960.* With respect to N Corporation's taxable year ending December 31, 1960, the taxable years referred to as first preceding taxable years and second preceding taxable years are—

(a) M Corporation's taxable years ending June 30, 1960, and December 31, 1959, respectively; and

(b) N Corporation's taxable years ending December 31, 1959, and December 31, 1958, respectively.

The dividend carryover to N Corporation's taxable year ending December 31, 1960, is \$22,000 computed as follows, assuming the dividends paid deduction before dividend carryovers, and the taxable income after section 545(b) adjustments, to be as stated in the computation:

| | <i>M Corporation</i> | <i>N Corporation</i> |
|---------------------------------------|----------------------|----------------------|
| Second preceding taxable year: | | |
| Dividends paid deduction | \$25,000 | \$12,000 |
| Taxable income | 15,000 | 13,000 |
| Excess dividends paid deduction | \$10,000 | |
| First preceding taxable year: | | |
| Dividends paid deduction | 23,000 | 20,000 |
| Taxable income | 21,000 | 10,000 |
| Excess dividends paid deduction | 2,000 | \$10,000 |
| Separate dividend carryovers | 12,000 | 10,000 |

The aggregate dividend carryover of \$22,000 is the sum of \$12,000 (the separate dividend carryover from M Corporation) and \$10,000 (the separate dividend carryover from N Corporation's own preceding taxable years).

(iii) *Dividend carryover to N Corporation's taxable year ending December 31, 1961.* With respect to N Corporation's taxable year ending December 31, 1961, the first preceding taxable year is N Corporation's taxable year ending December 31, 1960; and the taxable years referred to as second preceding taxable years are M Corporation's taxable year ending June 30, 1960, and N Corporation's taxable year ending December 31, 1959. The dividend carryover to N Corporation's taxable year ending December 31, 1961, is \$17,000 computed as follows, assuming the dividends paid deduction before dividend carryovers, and the taxable income after section 545(b) adjustments, to be as stated in the computation:

| | |
|--|----------|
| Aggregate excess of dividends paid deduction for second preceding taxable year | \$12,000 |
| Dividends paid deduction of N Corporation for first preceding taxable year | \$50,000 |
| Taxable income of N Corporation for first preceding taxable year .. | 45,000 |
| Dividend carryover to N Corporation's taxable year ending December 31, 1961 | \$5,000 |
| | 17,000 |

Example 2. (i) *Facts.* X Corporation is organized on May 1, 1956, and computes its taxable income on the basis of the fiscal year ending April 30. Y Corporation and Z Corporation are both organized on January 1, 1955, and both compute their taxable income on the basis of the calendar year. On July 31, 1957, X Corporation and Y Corporation transfer all their assets to Z Corporation in a statutory merger to which section 381(a) applies. For its taxable years ending December 31, 1957, and December 31, 1958, Z Corporation is a personal holding company.

(ii) *Dividend carryover to Z Corporation's taxable year ending December 31, 1957.* With respect to Z Corporation's taxable year ending December 31, 1957, the taxable years referred to as first preceding taxable years and second preceding taxable years are—

(a) X Corporation's taxable years ending July 31, 1957, and April 30, 1957, respectively;

(b) Y Corporation's taxable years ending July 31, 1957, and December 31, 1956, respectively; and

(c) Z Corporation's taxable years ending December 31, 1956, and December 31, 1955, respectively.

| Second preceding taxable year | M Corporation | N Corporation |
|--|---------------|---------------|
| Dividends paid deduction | \$23,000 | \$20,000 |
| Taxable income | 21,000 | 10,000 |
| Separate excess of dividends paid deduction over taxable income .. | 2,000 | 10,000 |

The aggregate excess of dividends paid deduction over taxable income for the second preceding taxable year is \$12,000, the sum of \$2,000 (separate excess from N Corporation) and \$10,000 (separate excess from M Corporation). Such aggregate excess is increased by the excess dividends paid deduction, or is reduced by the excess of taxable income, for the first preceding taxable year as follows:

§ 1.381(c)(14)-1

26 CFR Ch. I (4-1-21 Edition)

The dividend carryover to Z Corporation's taxable year ending December 31, 1957, is \$40,000 computed as follows, assuming the dividends paid deduction before dividend

carryovers, and the taxable income after section 545(b) adjustments, to be as stated in the computation:

| | X Corporation | Y Corporation | Z Corporation | |
|------------------------------------|---------------|---------------|---------------|---------|
| Second preceding taxable year: | | | | |
| Dividends paid deduction | \$56,000 | \$19,000 | \$6,000 | |
| Taxable income | 24,000 | 17,000 | 5,000 | |
| Excess | \$32,000 | | \$2,000 | \$1,000 |
| First preceding taxable year: | | | | |
| Dividends paid deduction | 9,000 | 4,000 | 10,000 | |
| Taxable income | 7,000 | 8,000 | 5,000 | |
| Excess | 2,000 | (4,000) | | 5,000 |
| Separate dividend carryovers | 34,000 | | 0 | 6,000 |

The aggregate dividend carryover of \$40,000 is the sum of \$34,000 (the separate dividend carryover from X Corporation) and \$6,000 (the separate dividend carryover from Z Corporation's own preceding taxable years).

(iii) *Dividend carryover to Z Corporation's taxable year ending December 31, 1958.* With respect to Z Corporation's taxable year ending December 31, 1958, the first preceding taxable year is Z Corporation's taxable year ending December 31, 1957; and the taxable years referred to as second preceding taxable years are X Corporation's taxable year ending July 31, 1957, Y Corporation's taxable year ending

July 31, 1957, and Z Corporation's taxable year ending December 31, 1956. The dividend carryover to Z Corporation's taxable year ending December 31, 1958, is \$1,000 computed as follows, assuming the dividends paid deduction before dividend carryovers, and the taxable income after section 545(b) adjustments, to be as stated in the computation:

| | X Corporation | Y Corporation | Z Corporation |
|---|---------------|---------------|---------------|
| Second preceding taxable year: | | | |
| Dividends paid deduction | \$9,000 | \$4,000 | \$10,000 |
| Taxable income | 7,000 | 8,000 | 5,000 |
| Separate excess of dividends paid deduction over taxable income | 2,000 | 0 | 5,000 |

The aggregate excess of dividends paid deduction over taxable income for the second preceding taxable year is \$7,000, the sum of \$2,000 (separate excess from X Corporation) and \$5,000 (separate excess from Z Corporation). Such aggregate excess is increased by the excess dividends paid deduction, or is reduced by the excess of taxable income, for the first preceding taxable year as follows:

| | | |
|--|-----------|---------|
| Aggregate excess of dividends paid deduction for second preceding taxable year | \$7,000 | |
| Dividends paid deduction of Z Corporation for first preceding taxable year | \$102,000 | |
| Taxable income of Z Corporation for first preceding taxable year | 108,000 | (6,000) |
| Dividend carryover to Z Corporation's taxable year ending December 31, 1958 | | 1,000 |

Example 3. Assume the facts stated in *Example (2)*, except that Y Corporation transferred all its assets to Z Corporation on May 31, 1957. Assume also that the facts for Y Corporation's taxable year ending May 31, 1957,

are otherwise the same as those stated for its taxable year in *Example (2)* ending July 31, 1957. In such case, the dividend carryovers to Z Corporation's taxable years ending on December 31, 1957, and December 31, 1958, are the same as in *Example (2)* notwithstanding the fact that the transfers from X Corporation and Y Corporation occurred on the different dates.

Example 4. (i) Facts. T Corporation acquired on June 30, 1960, all the assets of U Corporation in a statutory merger to which section 381(a) applies, and in a like transaction acquired on June 30, 1961, all the assets of V Corporation. Such corporations all compute taxable income on the basis of the calendar year. T Corporation is a personal holding company for its taxable years 1960 and 1961.

(ii) *Dividend carryover to T Corporation's taxable year 1960.* With respect to T Corporation's taxable year ending December 31, 1960, the taxable years referred to as first preceding taxable years and second preceding taxable years are—

Internal Revenue Service, Treasury

§ 1.381(c)(14)-1

(a) U Corporation's taxable years ending June 30, 1960, and December 31, 1959, respectively; and

(b) T Corporation's taxable years ending December 31, 1959, and December 31, 1958, respectively.

The dividend carryover to T Corporation's taxable year ending December 31, 1960, is \$7,000 computed as follows, assuming the dividends paid deduction before dividend carryovers, and the taxable income after section 545(b) adjustments, to be as stated in the computation:

| | U Corporation | T Corporation | |
|------------------------------------|---------------|---------------|---------|
| Second preceding taxable year: | | | |
| Dividends paid deduction | \$16,000 | \$10,000 | |
| Taxable income | 12,000 | 13,000 | |
| Excess | \$4,000 | | 0 |
| First preceding taxable year: | | | |
| Dividends paid deduction | 7,000 | 17,000 | |
| Taxable income | 5,000 | 16,000 | |
| Excess | 2,000 | | \$1,000 |
| Separate dividend carryovers | 6,000 | | 1,000 |

The aggregate dividend carryover of \$7,000 is the sum of \$6,000 (the separate dividend carryover from U Corporation) and \$1,000 (the separate dividend carryover from T Corporation's own first preceding taxable year).

(iii) *Dividend carryover to T Corporation's taxable year 1961.* Inasmuch as T Corporation's taxable year 1961 is the second taxable year ending after the date of distribution or transfer from U Corporation, paragraph (b)(3)(ii) of this section governs the determination of the dividend carryover from taxable years of T Corporation and U Corporation. On the other hand, inasmuch as T Corporation's taxable year 1961 is the first taxable year ending after the date of distribution or transfer from V Corporation, paragraph (b)(3)(i) governs the determination of the dividend carryover from taxable years of V Corporation.

(a) *Application of paragraph (b)(3)(ii) of this section.* With respect to T Corporation's taxable year 1961, the first preceding taxable year is T Corporation's taxable year ending December 31, 1960; and the taxable years referred to as second preceding taxable year are T Corporation's taxable year ending December 31, 1959, and U Corporation's taxable year ending June 30, 1960. The dividend carryover from taxable years of T Corporation and U Corporation is \$1,500 computed as follows, assuming the dividends paid deduction before dividend carryovers, and the taxable income after section 545(b) adjustments, to be as stated in the computation:

| Second preceding taxable year | U Corporation | T Corporation |
|--|---------------|---------------|
| Dividends paid deduction | \$7,000 | \$17,000 |
| Taxable income | 5,000 | 16,000 |
| Separate excess of dividends paid deduction over taxable income .. | 2,000 | 1,000 |

The aggregate excess of dividends paid deduction over taxable income for the second preceding taxable year is \$3,000, the sum of \$2,000 (separate excess from U Corporation) and \$1,000 (separate excess from T Corporation). Such aggregate is increased by the excess dividends paid deduction, or is reduced by the excess of taxable income, for the first preceding taxable year as follows:

| | T Corporation |
|--|---------------|
| Aggregate excess of dividends paid deduction for second preceding taxable year | \$3,000 |
| First preceding taxable year: | |
| Dividends paid deduction of T Corporation | \$21,000 |
| Taxable income of T Corporation | 22,500 |
| Excess taxable income | (1,500) |
| Separate dividend carryover (without regard to V Corporation) | 1,500 |

(b) *Application of paragraph (b)(3)(i) of this section.* With respect to T Corporation's taxable year 1961, V Corporation's taxable year ending June 30, 1961, is a first preceding taxable year, and its taxable year ending December 31, 1960, is a second preceding taxable year. The separate dividend carryover from V Corporation is \$8,000 computed as follows, assuming the dividends paid deduction before dividend carryovers, and the taxable income after section 545(b) adjustments, to be as stated in the computation:

| Second preceding taxable year | V Corporation | |
|--------------------------------|---------------|---------|
| Dividends paid deduction | \$11,000 | |
| Taxable income | 6,000 | |
| Excess | | \$5,000 |
| First preceding taxable year: | | |
| Dividends paid deduction | \$9,000 | |
| Taxable income | 6,000 | |

§ 1.381(c)(15)-1

| | |
|--|---------------|
| | V Corporation |
| Second preceding taxable year | |
| Excess | 3,000 |
| Separate dividend carryover from V Corporation | 8,000 |

(c) *Dividend carryover.* The dividend carryover to T Corporation's taxable year 1961 is \$9,500, the sum of \$8,000 (the separate dividend carryover from V Corporation) and \$1,500 (the aggregate dividend carryover from T Corporation and U Corporation).

(d) *Successive carryovers.* The provisions of this section shall apply for the purpose of determining a dividend carryover to an acquiring corporation which, in a distribution or transfer to which section 381(a) applies, acquires the assets of a distributor or transferor corporation which has previously acquired the assets of another corporation in a transaction to which section 381(a) applies; even though, in computing the dividend carryover to such second acquiring corporation, it is necessary to take into account the deduction for dividends paid, and the adjusted taxable income, of the first distributor or transferor corporation.

(e) *Acquiring corporation not receiving all the assets.* The dividend carryover acquired from a distributor or transferor corporation by an acquiring corporation in a transaction to which section 381(a) applies is not reduced by reason of the fact that the acquiring corporation does not acquire 100 percent of the assets of the distributor or transferor corporation.

(f) *Dividends paid after the close of taxable year.* A transaction to which section 381(a) applies does not prevent the application of section 563(b) to a dividend paid by a distributor or transferor corporation after the close of its taxable year ending with the date of distribution or transfer but on or before the 15th day of the third month following the close of such taxable year. However, dividends paid by the acquiring corporation may not be taken into account under section 563(b) for the purpose of determining the dividends paid deduction of the distributor or transferor corporation for its taxable year ending with the date of distribution or transfer.

[T.D. 6532, 26 FR 406, Jan. 19, 1961]

§ 1.381(c)(15)-1 Indebtedness of certain personal holding companies.

(a) *Qualified indebtedness—(1) Carryover requirement.* If, in a transaction to which section 381(a) applies, the acquiring corporation assumes liability for any indebtedness which was qualified indebtedness (as defined in section 545(c) and § 1.545-3) in the hands of the distributor or transferor corporation immediately before the assumption of such indebtedness, then, under section 381(c)(15), in computing its undistributed personal holding company income for any taxable year beginning after December 31, 1963, and ending after the date of distribution or transfer, the acquiring corporation shall be considered the distributor or transferor corporation for purposes of computing the deduction under section 545(c) and § 1.545-3. Such deduction shall be allowed to the acquiring corporation in accordance with section 545(c) and § 1.545-3.

(2) *Successive transactions to which section 381(a) applies.* If in a transaction to which section 381(a) applies, an acquiring corporation assumes liability for qualified indebtedness, such acquiring corporation shall be deemed to have incurred such qualified indebtedness for the purpose of applying section 381(c)(15) to any subsequent transaction in which such acquiring corporation is the distributor or transferor corporation.

(b) *Pre-1934 indebtedness—(1) Carryover requirement.* If, in a transaction to which section 381(a) applies, the acquiring corporation assumes liability for any indebtedness incurred, or assumed, before January 1, 1934, by a distributor or transferor corporation, then under section 381(c)(15) the acquiring corporation shall be allowed, in computing its undistributed personal holding company income for any taxable year ending after the date of distribution or transfer, a deduction under section 545(b)(7) for amounts used or irrevocably set aside to pay or to retire such indebtedness. Such deduction shall be allowed to the acquiring corporation in accordance with section 545(b)(7) and paragraph (g) of § 1.545-2 as though the indebtedness had been incurred, or assumed, by the acquiring corporation before January 1, 1934.

(2) *Successive transactions to which section 381(a) applies.* If, in a transaction to which section 381(a) applies, an acquiring corporation assumes liability for indebtedness described in subparagraph (1) of this paragraph, such acquiring corporation shall be deemed to have incurred the indebtedness before January 1, 1934, for the purpose of applying section 381(c)(15) to any subsequent transaction in which such acquiring corporation is the distributor or transferor corporation.

(c) *Special rule.* For purposes of this section, if, in a transaction otherwise described in this section, an acquiring corporation acquires real estate—(1) of which the distributor or transferor corporation is the legal or equitable owner immediately before the acquisition, and (2) which is subject to indebtedness that, with respect to the distributor or transferor corporation, is indebtedness described in this section immediately before the acquisition, then the acquiring corporation will be treated as having assumed such indebtedness, provided it shows to the satisfaction of the Commissioner that under all the facts and circumstances it bears the burden of discharging such indebtedness.

[T.D. 6949, 33 FR 5524, Apr. 9, 1968; 33 FR 6091, Apr. 20, 1968]

§ 1.381(c)(16)-1 Obligations of distributor or transferor corporation.

(a) *Deduction allowed to acquiring corporation.* (1) If, in a transaction to which section 381(a) applies, the acquiring corporation assumes an obligation of a distributor or transferor corporation which gives rise to a liability after the date of distribution or transfer and if the distributor or transferor corporation would be entitled to deduct such liability in computing taxable income were it paid or accrued after that date by such corporation, then, under the provisions of section 381(c)(16) and this section, the acquiring corporation shall be entitled to deduct such liability as if it were the distributor or transferor corporation. However, in the case of a transaction to which section 381(a)(2) applies, section 381(c)(16) shall not apply to an obligation which is reflected in the amount of consideration, that is, the stock, securities, or other property, transferred by the acquiring

corporation to a transferor corporation or its shareholders in exchange for the property of that transferor corporation. An obligation which is so reflected in the amount of consideration will be treated as an item or tax attribute not specified in section 381(c)(16). Such an obligation is subject to section 381(c)(4). See subparagraph (2) of this paragraph. Any deduction allowed under section 381(c)(16) to the acquiring corporation shall be taken by that corporation in the taxable year ending after the date of distribution or transfer in which the liability is paid or accrued by that corporation, as the case may be.

(2) In order to determine whether, in the case of obligations of a distributor or transferor corporation assumed by an acquiring corporation, section 381(c)(16) and this section, or section 381(c)(4) and the regulations thereunder, apply, the following rules shall govern:

(i) If the obligation gave rise to a liability before the date of distribution or transfer, see section 381(c)(4) and the regulations thereunder.

(ii) If the obligation gives rise to a liability after the date of distribution or transfer, and the obligation was not reflected in the amount of consideration transferred by the acquiring corporation to the distributor or transferor corporation or its shareholders in exchange for the property of the distributor or transferor corporation, then section 381(c)(16) and this section shall apply.

(iii) In the case of a transaction to which section 381(a)(1) applies, if the obligation gives rise to a liability after the date of a distribution, and the obligation was reflected in the amount of consideration transferred by the acquiring corporation to the distributor corporation or its shareholders in exchange for the property of the distributor corporation, then section 381(c)(16) and this section shall apply.

(iv) In the case of a transaction to which section 381(a)(2) applies, if the obligation gives rise to a liability after the date of a transfer, and the obligation was reflected in the amount of consideration transferred by the acquiring corporation to the transferor

§ 1.381(c)(16)-1**26 CFR Ch. I (4-1-21 Edition)**

corporation or its shareholders in exchange for the property of the transferor corporation, then see section 381(c)(4) and the regulations thereunder.

(3) The rules of this section apply to obligations assumed by agreement of the parties as well as by operation of law.

(4) For purposes of this section, an obligation of a distributor or transferor corporation gives rise to a liability when the liability would be accruable by a taxpayer using the accrual method of accounting notwithstanding the fact that the distributor or transferor corporation is not using the accrual method of accounting. See paragraph (a)(2) of § 1.461-1.

(5) In the case of a transaction to which section 381(a)(2) applies, the determination as to whether or not an obligation was reflected in the amount of consideration transferred by the acquiring corporation to the transferor corporation or its shareholders in exchange for the property of the transferor corporation shall be made on the basis of all the facts of each particular transfer. Where, on the date of distribution or transfer, the parties were aware of the existence of a specific obligation and reduced the amount of consideration to be transferred by the acquiring corporation by a specific amount because of the existence of such obligation, then such obligation shall be considered to have been reflected in the amount of consideration transferred. In the absence of such facts, it shall be presumed that the obligation was not reflected in the amount of consideration transferred.

(b) *Distribution or transfer occurring under the Internal Revenue Code of 1939.* Subject to the provisions of section 381(c)(16) and this section, a corporation which would have been an acquiring corporation (under the provisions of paragraph (b) of § 1.381(a)-1) in a transaction to which section 381(a) applies if the date of distribution or transfer had occurred on or after the effective date of the provisions of subchapter C, chapter 1 of the Internal Revenue Code of 1954, applicable to a liquidation or reorganization, as the case may be, shall be entitled to take a deduction for amounts paid or accrued

in any taxable year beginning after December 31, 1953, in respect of any obligation which it has assumed from a corporation which would have been a distributor or transferor corporation in such transaction. However, this paragraph shall have no application to a situation described in paragraph (a)(2)(iv) of this section.

(c) *Examples.* The application of the foregoing rules may be illustrated by the following examples:

Example 1. X Corporation and Y Corporation compute their taxable income on the basis of the calendar year, and both corporations use an accrual method of accounting. On December 31, 1954, Y Corporation acquires the assets of X Corporation in a transfer to which section 381(a)(2) applies. By reason of State law, Y Corporation assumes responsibility for all of the obligations for which X Corporation is then, or may become, liable. The parties have no knowledge of any specific obligations of X Corporation which are not yet fixed and ascertainable, but it is agreed to reduce the amount of consideration that Y Corporation is to transfer in exchange for the assets of X Corporation by \$5,000 to reflect any unforeseen contingent liabilities of X Corporation for which Y Corporation might subsequently become liable. After the date of the transfer, a claim for damages on account of the alleged negligence of an alleged agent of X Corporation is filed. After commencement of legal action by the claimant and in order to eliminate the possibility of injury to its business, Y Corporation settles the claim in 1955 by paying the claimant the amount of \$3,000. Assuming that such sum would have been deductible under section 162 if paid by X Corporation, Y Corporation is entitled to deduct such sum in accordance with the provisions of section 381(c)(16) and this section in computing its taxable income for 1955, since the claim gave rise to a liability after the date of transfer, the parties were not aware of a specific obligation, and the specific obligation was not reflected in the consideration transferred by Y Corporation in exchange for the assets of X Corporation.

Example 2. Assume the same facts as in *Example 1*, except that the claim for damages was filed prior to the transfer of X Corporation's assets to Y Corporation, but the parties considered the chances for recovery by the claimant so remote that no specific amount other than the \$5,000 reduction in consideration for all contingent liabilities as a whole is reflected in the consideration transferred by Y Corporation in exchange for the assets of X Corporation. Assuming that such sum would have been deductible under section 162 if paid by X Corporation, the

\$3,000 paid by Y Corporation in 1955 is deductible in accordance with the provisions of section 381(c)(16) and this section in 1955.

Example 3. Assume the same facts as in *Example (1)*, except that the parties consider the chances of recovery by the claimant of sufficient probability that Y Corporation reduces the amount of consideration it transfers in exchange for the assets of X Corporation by \$1,000 in addition to the \$5,000 reduction for all other contingent liabilities. The \$3,000 paid by Y Corporation in 1955 is not deductible under section 381(c)(16) and this section, since the specific obligation was reflected in the consideration transferred by Y Corporation in exchange for the assets of X Corporation. The deductibility of the payment is accordingly governed by the provisions of section 381(c)(4) and the regulations thereunder. Similarly, if in this case Y Corporation had transferred \$10,000 less in consideration for the assets of X Corporation because of this particular claim, Y Corporation would not be entitled to any deduction for the \$3,000 paid in 1955 under section 381(c)(16) and this section, and the deductibility of the payment would be governed by the provisions of section 381(c)(4) and the regulations thereunder. If the date of transfer of X Corporation's assets had occurred prior to the effective date of subchapter C, chapter 1 of the Internal Revenue Code of 1954, applicable to a reorganization, no deduction would be allowed to Y Corporation under that section.

[T.D. 6750, 29 FR 11267, Aug. 5, 1964]

§ 1.381(c)(17)-1 Deficiency dividend of personal holding company.

(a) *Carryover requirement.* If a determination (as defined in section 547(c)) establishes that a distributor or transferor corporation in a transaction to which section 381(a) applies is liable for personal holding company tax imposed by section 541 (or by a corresponding provision of prior income tax law) for any taxable year ending on or before the date of distribution or transfer, then in computing such tax the deduction described in section 547 shall be allowed pursuant to section 381(c)(17) to such corporation for the amount of deficiency dividends paid by the acquiring corporation with respect to the distributor or transferor corporation. Except as otherwise provided in this section, the provisions of section 547 and the regulations thereunder apply with respect to a deficiency dividend deduction allowable pursuant to section 381(c)(17).

(b) *Deficiency dividends paid by the acquiring corporation with respect to the*

distributor or transferor corporation. A deficiency dividend paid by the acquiring corporation with respect to the distributor or transferor corporation is a distribution that would satisfy the definition of a deficiency dividend under section 547(d)(1) if paid by the distributor or transferor corporation to its own shareholders except that it shall be paid by the acquiring corporation to its own shareholders and shall be paid after the date of distribution or transfer and on, or within 90 days after, the date of the determination but before the acquiring corporation files claim under paragraph (c) of this section.

(c) *Claim for deduction.* A claim for a deduction under this section shall be made by the acquiring corporation on Form 976, and shall be filed within 120 days after the date of the determination. The form shall contain, or be accompanied by, the information required under paragraph (b)(2) of § 1.547-2 in sufficient detail to properly identify the facts with the distributor or transferor corporation and the acquiring corporation. The statement required with respect to the shareholders on the date of payment of the deficiency dividend shall relate to the shareholders of the acquiring corporation, and the required certified copy of the resolution authorizing the payment of the dividend shall be that of the board of directors, or other authority, of the acquiring corporation. Necessary changes may be made in Form 976 in order to carry out the provisions of this paragraph. The claim shall be filed with the district director for the internal revenue district in which the return of the distributor or transferor corporation to which such claim relates was filed.

(d) *Effect on dividends paid deduction.* A deficiency dividend paid by the acquiring corporation, which is allowable as a deduction to a distributor or transferor corporation pursuant to section 381(c)(17), shall not become a part of the dividends paid deduction of the acquiring corporation under section 561 for any taxable year.

(e) *Successive transactions to which section 381(a) applies.* The provisions of this section shall apply in the case of

successive transactions to which section 381(a) applies. Thus, if X Corporation transfers its assets to Y Corporation in a transaction to which section 381(a) applies and if Y Corporation transfers its assets to Z Corporation in a subsequent transaction to which section 381(a) applies, then, subject to the provisions of this section, X Corporation may take a deficiency dividend deduction for the amount of deficiency dividends paid by Z Corporation with respect to X Corporation.

(f) *Example.* The provisions of this section may be illustrated by the following example:

Example. M Corporation, a personal holding company, computes its taxable income on the basis of the calendar year. On December 31, 1956, N Corporation acquires the assets of M Corporation in a transaction to which section 381(a) applies. On July 31, 1958, a determination (as defined in section 547(c)) establishes that M Corporation is liable for the taxable year 1955 for personal holding company tax in the amount of \$35,500 based on undistributed personal holding company income of \$42,000 for such taxable year. N Corporation complies with the provisions of this section and on September 30, 1958, distributes \$42,000 to its shareholders as deficiency dividends with respect to M Corporation's taxable year 1955. The distribution of \$42,000 by N Corporation is a taxable dividend under section 316(b)(2) regardless of whether N Corporation is a personal holding company for the taxable year 1958 or whether it had any current or accumulated earnings and profits. See *Example (3)* in paragraph (e) of § 1.316-1. Because N Corporation has paid deficiency dividends of \$42,000 in accordance with this section, M Corporation is entitled to a deficiency dividend deduction of \$42,000 for the taxable year 1955 and is thus relieved of its liability for personal holding company tax of \$35,500 for such taxable year. To prevent a duplication of deductions, the amount distributed by N Corporation in 1958 does not become a part of N Corporation's dividends paid deduction under section 561 for any taxable year.

[T.D. 6532, 26 FR 409, Jan. 19, 1961, as amended by T.D. 7604, 44 FR 18661, Mar. 29, 1979; T.D. 7767, 45 FR 11264, Feb. 6, 1981]

§ 1.381(c)(18)-1 Depletion on extraction of ores or minerals from the waste or residue of prior mining.

(a) *Carryover requirement.* Section 381(c)(18) provides that the acquiring corporation in a transaction described in section 381(a) shall be considered as though it were the distributor or trans-

feror corporation after the date of distribution or transfer for the purpose of determining the applicability of section 613(c)(3) (relating to extraction of ores or minerals from the ground). Thus, an acquiring corporation which has acquired the waste or residue of prior mining from a distributor or transferor corporation in a transaction described in section 381(a) shall be entitled, after the date of distribution or transfer, to an allowance for depletion under section 611 in respect of ores or minerals extracted from such waste or residue if the distributor or transferor corporation would have been entitled to such an allowance for depletion in the absence of the distribution or transfer. See paragraph (f) of § 1.613-4 to determine whether a distributor or transferor corporation is entitled to an allowance for depletion with respect to the waste or residue of prior mining.

(b) *Application of section 614 to waste or residue of prior mining.* If, in a transaction described in section 381(a), the acquiring corporation acquires waste or residue of prior mining from a distributor or transferor corporation, then the acquiring corporation shall be considered as though it were the distributor or transferor corporation for the purpose of applying section 614 and the regulations thereunder to the waste or residue so acquired. Thus, if the distributor or transferor corporation was required under paragraph (c) of § 1.614-1 to treat the waste or residue as part of the mineral deposit from which it was extracted and if the acquiring corporation acquires both the waste or residue and the mineral deposit from which it was extracted in a transaction described in section 381(a), then such waste or residue shall be treated as a part of such mineral deposit in the hands of the acquiring corporation. On the other hand, if the waste or residue was required to be treated as a separate mineral deposit in the hands of the distributor or transferor corporation, such waste or residue shall be treated as a separate mineral deposit in the hands of the acquiring corporation.

[T.D. 6552, 26 FR 1991, Mar. 8, 1961, as amended by T.D. 7170, 37 FR 5373, Mar. 15, 1972]

§ 1.381(c)(19)-1 Charitable contribution carryovers in certain acquisitions.

(a) *Carryover requirement.* Section 381(c)(19) provides that, in computing taxable income for its taxable years which begin after the date of distribution or transfer to which section 381(a) applies, the acquiring corporation shall take into account any charitable contributions made by a distributor or transferor corporation during the taxable year ending on the date of distribution or transfer, and in certain immediately preceding taxable years, which are in excess of the maximum amount deductible for those taxable years under section 170(b)(2) in the following manner:

(1) If the taxable year of the distributor or transferor corporation ending on the date of distribution or transfer begins before January 1, 1962, the acquiring corporation shall, in computing taxable income for its first 2 taxable years which begin after the date of such distribution or transfer, take into account the excess contributions made by the distributor or transferor corporation in the taxable year ending on the date of distribution or transfer and in the immediately preceding taxable year;

(2) If the taxable year of the distributor or transferor corporation ending on the date of distribution or transfer begins after December 31, 1961, the acquiring corporation shall, in computing taxable income for certain taxable years which begin after the date of distribution or transfer, take into account the excess contributions made by the distributor or transferor corporation in the taxable year ending on such date of distribution or transfer and in any of the four taxable years immediately preceding such taxable year but excluding any taxable year beginning before January 1, 1962 (see paragraph (c)(3) of this section). Notwithstanding the preceding sentence, if the taxable year of the distributor or transferor corporation ending on the date of distribution or transfer begins after December 31, 1961, and before January 1, 1963, the acquiring corporation shall, in computing taxable income for its first taxable year which begins after the date of distribution or transfer, also

take into account the excess contributions made by the distributor or transferor corporation in the taxable year immediately preceding the taxable year of the distributor or transferor corporation ending on the date of distribution or transfer (see paragraph (c)(2) of this section).

To determine the amount of excess contributions made by a distributor or transferor corporation and to integrate them with contributions made by the acquiring corporation for the purpose of determining the charitable contributions deductible by the acquiring corporation for its taxable years beginning immediately after the date of distribution or transfer, it is necessary to apply the provisions of section 170(b)(2) and § 1.170-3 (or, if applicable, section 170(b)(2) and (d)(2) and § 1.170A-11) in accordance with the conditions and limitations of section 381(c)(19) and this section. For taxable years beginning before January 1, 1970, see section 170 for provisions of section 170(b)(2) as referred to in this section. For taxable years beginning after December 31, 1969, see section 170A for provisions of section 170(b)(2) or (d)(2) as referred to in this section. For special rules for applying section 170(d)(2) with respect to contributions paid, or treated as paid, in taxable years beginning before January 1, 1970, see paragraph (d) of § 1.170A-11.

(b) *Manner of computing excess charitable contribution carryovers.* (1) The amount of any charitable contribution made by a distributor or transferor corporation in any taxable year ending on or before the date of distribution or transfer, or made by the acquiring corporation in any taxable year before its taxable year beginning after the date of distribution or transfer, in excess of the amount allowable as a deduction to such corporation for such taxable year under section 170(b)(2) shall be determined by taking into account the taxable income of, and the contributions made by, that corporation only.

(2) An acquiring corporation which, in a distribution or transfer to which section 381(a) applies, acquires the assets of a distributor or transferor corporation which previously acquired the assets of another corporation in a

transaction to which section 381(a) applies, shall succeed to and take into account, subject to the conditions and limitations of sections 170 and 381, the charitable contribution carryovers available to the first acquiring corporation under sections 170 and 381, including those derived by such first acquiring corporation from its distributor or transferor corporation.

(3) The excess charitable contributions made by a distributor or transferor corporation in its taxable year ending on the date of distribution or transfer and in certain immediately preceding taxable years (see paragraph (c) of this section) which are not deductible by the distributor or transferor corporation because of the 5-percent limitation of section 170(b)(2) shall be available to the acquiring corporation without diminution by reason of the fact that the acquiring corporation does not acquire 100 percent of the assets of the distributor or transferor corporation. Thus, if a parent corporation owning 80 percent of all classes of stock of its subsidiary corporation were to acquire its share of the assets of the subsidiary corporation upon a complete liquidation described in paragraph (b)(1)(i) of § 1.381(a)-1, then, subject to the conditions and limitations of this section, 100 percent of the excess contributions made by the subsidiary corporation would be available to the acquiring corporation.

(c) *Taxable years to which carryovers apply and amount deductible*—(1) *Taxable years beginning before January 1, 1962.* If the taxable year of the distributor or transferor corporation ending on the date of distribution or transfer begins before January 1, 1962:

(i) The excess charitable contributions made by a distributor or transferor corporation in its taxable year immediately preceding that ending on the date of distribution or transfer, to the extent not deductible by it because of the limitations of section 170(b)(2) in its taxable year ending on that date, shall be deductible by the acquiring corporation to the extent prescribed by section 170(b)(2) in its first taxable year beginning after the date of distribution or transfer. Any portion of such excess which is not deductible under this section by the acquiring corporation in

such first taxable year shall not be deducted by that corporation in any other taxable year.

(ii) The excess charitable contributions made by a distributor or transferor corporation in its taxable year ending on the date of distribution or transfer shall first be deductible by the acquiring corporation to the extent prescribed by section 170(b)(2) and this section in its first taxable year beginning after that date and then, to the extent prescribed by section 170(b)(2) and this section, in its second taxable year beginning after that date. Any portion of such excess which is not deductible under this section by the acquiring corporation in such first and second taxable years shall not be deducted by that corporation in any other taxable year.

(2) *Taxable years beginning in 1962.* If the taxable year of the distributor or transferor corporation ending on the date of distribution or transfer begins after December 31, 1961, and before January 1, 1963:

(i) The excess charitable contributions made by a distributor or transferor corporation in its taxable year immediately preceding that ending on the date of distribution or transfer, to the extent not deductible by it because of the limitations of section 170(b)(2) in its taxable year ending on that date, shall be deductible by the acquiring corporation to the extent prescribed by section 170(b)(2) in its first taxable year beginning after the date of distribution or transfer. Any portion of such excess which is not deductible under this section by the acquiring corporation in such first year shall not be deducted by that corporation in any other taxable year.

(ii) The excess charitable contributions made by a distributor or transferor corporation in its taxable year ending on the date of distribution or transfer and beginning after December 31, 1961, and before January 1, 1963, shall first be deductible by the acquiring corporation to the extent prescribed by section 170(b)(2) and this section in its first taxable year beginning after that date and then, to the extent prescribed by section 170(b)(2) and this section, in its second, third, fourth, and fifth taxable year, in order of time,

beginning after that date. Any portion of such excess which is not deductible under this section by the acquiring corporation in such 5 taxable years shall not be deducted by that corporation in any other taxable year.

(3) *Taxable years beginning after December 31, 1962.* (i) If the taxable year of the distributor or transferor corporation ending on the date of distribution or transfer begins after December 31, 1962, the excess charitable contributions made by a distributor or transferor corporation in its taxable year ending on the date of distribution or transfer and in each of its four immediately preceding taxable years (excluding any taxable year beginning before January 1, 1962), to the extent not deductible by it because of the limitations of section 170(b)(2) in its taxable year ending on the date of distribution or transfer or its prior taxable years, shall be deductible by the acquiring corporation to the extent prescribed by section 170(b)(2) (or, if applicable, section 170(d)(2)) and subdivision (ii) of this subparagraph, in its taxable years which begin after the date of distribution or transfer. However, any portion of the excess charitable contributions made by a distributor or transferor corporation in a particular taxable year, to which this subparagraph is applicable, which is not deductible under this section within the 5 taxable years immediately following the taxable year in which the contribution was paid by the distributor or transferor corporation shall not be deductible by the acquiring corporation in any other taxable year.

(ii) For purposes of determining the 5 taxable years in which the excess contributions may be deducted, all taxable years of the distributor or transferor corporation subsequent to the taxable year in which the excess contribution was made, including the taxable year ending on the date of distribution or transfer shall be treated as taxable years of the acquiring corporation.

(iii) The provisions of this subparagraph may be illustrated by the following example:

Example. X Corporation and Y Corporation both compute taxable income on the calendar year basis. X Corporation has excess charitable contributions for 1962 and 1964. On

December 31, 1966, X Corporation distributes all its assets to Y Corporation in a complete liquidation to which section 381(a) applies. The excess 1962 charitable contributions of X Corporation (to the extent not deductible by X because of the limitations of section 170(b)(2) in its taxable years 1963 through 1966) may be deducted by Y Corporation only in 1967. Y Corporation's taxable year 1967 is the fifth taxable year succeeding the taxable year 1962 (the year in which the excess contributions were made), and the portion of such excess contributions which is not deductible in the 5 taxable years immediately succeeding 1962 (1963 through 1967) is not deductible by Y Corporation in any other taxable year. Any excess charitable contributions for 1964 to which Y Corporation may be entitled must be deducted by Y Corporation (if deductible at all) in 1967, 1968, and 1969 since such years are the third, fourth, and fifth taxable years succeeding the taxable year 1964 (the year in which the excess contributions were paid).

(4) *General rules.* No excess charitable contributions made by a distributor or transferor corporation shall be deductible by the acquiring corporation in its taxable year which includes the date of distribution or transfer. In addition, an excess charitable contribution made by a distributor or transferor corporation in a taxable year prior to the taxable year of the transfer is only deductible by the distributor or transferor corporation, subject to the limitations of section 170(b)(2) (or, if applicable, section 170(d)(2)), in its subsequent taxable years which begin on or before the date of distribution or transfer, and by the acquiring corporation in its taxable year or years beginning after the date of distribution or transfer.

(d) *Rules governing amounts deductible by acquiring corporations.* (1) In applying the provisions of section 170(b)(2) (or, if applicable, section 170(d)(2)) for the purpose of determining the amount of excess charitable contributions which are deductible by the acquiring corporation in its taxable years beginning after the date of distribution or transfer, all taxable years of the distributor or transferor and acquiring corporations which, with respect to a particular taxable year beginning after the date of distribution or transfer, constitute the same numbered preceding taxable year shall together be considered as a 1 taxable year even though the taxable years involved may not end on the

§ 1.381(c)(19)-1

26 CFR Ch. I (4-1-21 Edition)

same date. Thus, for example, all taxable years of the distributor or transferor and acquiring corporations which, with respect to the first taxable year of the acquiring corporation beginning after the date of distribution or transfer, constitutes the second preceding taxable year shall together be considered as 1 taxable year even though the taxable years involved may not end on the same date. Any excess charitable contributions carried over from preceding taxable years which are considered as 1 taxable year shall be taken into account by the acquiring corporation as one amount, without regard to the extent to which the contributions were made by a distributor or transferor corporation or the acquiring corporation.

(2) For purposes of this paragraph, each taxable year of the distributor or transferor corporation beginning on or before the date of distribution or transfer shall be treated as a preceding taxable year with reference to the acquiring corporation's taxable years beginning after such date. For example, the taxable year of a distributor or transferor corporation which ends on the date of distribution or transfer shall be considered a first preceding taxable year with reference to the acquiring corporation's first taxable year beginning after that date, a second preceding taxable year with reference to the acquiring corporation's second taxable year beginning after that date, and so forth with respect to succeeding taxable years of the acquiring corporation. Also, for example, the taxable year of a distributor or transferor corporation which immediately precedes its taxable year ending on the date of distribution or transfer shall be considered a second preceding taxable year with reference to the acquiring corporation's first taxable year beginning after that date.

(e) *Illustration.* The application of this section may be illustrated by the following example:

Example. (i) X Corporation is organized on April 1, 1956, and computes its taxable income on the basis of the fiscal year ending March 31. Y Corporation is organized on July 1, 1955, and computes its taxable income on the basis of the fiscal year ending June 30. Z Corporation is organized on January 1, 1956, and computes its taxable income on the basis

of the calendar year. On June 30, 1957, X Corporation distributes all its assets to Y Corporation in a complete liquidation to which section 381(a) applies. On November 30, 1957, Y Corporation transfers all its assets to Z Corporation in a statutory merger to which section 381(a) applies.

(ii) The 5-percent limitation (computed in the manner prescribed by section 170(b)(2)), the charitable contributions actually paid, and the excess contributions with respect to each such corporation during the taxable years involved are as follows:

| Name of corporation | X | X | |
|-----------------------------|----------|---------|--|
| Taxable year ending | 3-31-57 | 6-30-57 | |
| 5-percent limitation | \$20,000 | \$9,000 | |
| Current contributions | 32,000 | 15,000 | |
| (Excess contributions) | (12,000) | (6,000) | |

| Name of corporation | Y | Y | Y |
|---------------------------------------|----------|----------|----------|
| Taxable year ending | 6-30-56 | 6-30-57 | 11-30-57 |
| 5-percent limitation | \$15,000 | \$10,000 | \$18,000 |
| Current contributions | 29,000 | 0 | 17,000 |
| (Excess contributions) | (14,000) | | |
| Balance of 5-percent limitation | | 10,000 | 1,000 |

| Name of corporation | Z | Z | Z |
|---------------------------------------|----------|----------|----------|
| Taxable year ending | 12-31-56 | 12-31-57 | 12-31-58 |
| 5-percent limitation | \$10,000 | \$30,000 | \$58,000 |
| Current contributions | 40,000 | 28,000 | 92,000 |
| (Excess contributions) | (30,000) | | |
| Balance of 5-percent limitation | | 2,000 | 56,000 |

(iii) X Corporation was in existence for two taxable years, in each of which it made charitable contributions in excess of the maximum amount deductible for those years under section 170(b)(2). The excess contributions made in the year ending March 31, 1957, of \$12,000, are deductible by X Corporation in its short taxable year ending June 30, 1957, and then by Y Corporation in its short taxable year ending November 30, 1957, in each instance in the manner and to the extent prescribed by section 170(b)(2) and this section. The excess contributions made by X Corporation in the year ending June 30, 1957, of \$6,000, are deductible by Y Corporation in its short taxable year ending November 30, 1957, and then by Z Corporation in its taxable year 1958, in each instance in the manner and to the extent prescribed by section 170(b)(2) and this section.

(iv) Y Corporation was in existence for three taxable years. In the year ended June 30, 1956, its contributions in excess of the amount deductible for that year under section 170(b)(2) amounted to \$14,000. Such excess is deductible by Y Corporation in its taxable year ending June 30, 1957, and, together with X Corporation's excess contributions of \$18,000, in its short taxable year ending November 30, 1957, in each instance in the manner and to the extent prescribed by

section 170(b)(2) and this section. Accordingly, since Y Corporation made no contributions in its taxable year ending June 30, 1957, its deduction for that year on account of excess contributions carried over is \$10,000, an amount equal to the 5-percent limitation of section 170(b)(2). The deduction is attributable to excess contributions made by Y Corporation in the taxable year ended June 30, 1956; thus, the excess of those contributions over \$10,000, namely, \$4,000, is deductible by Y Corporation in its short taxable year ending November 30, 1957, in the manner and to the extent prescribed by section 170(b)(2) and this section. With respect to the short taxable year ending November 30, 1957, the excess contributions of the second preceding year are X Corporation's excess contributions of \$12,000 made in the year ending March 31, 1957, and Y Corporation's excess contributions of \$4,000 made in the year ending June 30, 1956, which were not deductible by Y Corporation in the taxable year ending June 30, 1957, because of the 5-percent limitation prescribed by section 170(b)(2), an aggregate of \$16,000. Inasmuch as Y Corporation's limitation for the short taxable year ended November 30, 1957, exceeds the contributions made in that year by \$1,000, the excess contributions of the second preceding taxable year are deductible in the taxable year ending November 30, 1957, to the extent of \$1,000 and the remainder (\$15,000) is not deductible by any corporation in any taxable year. The excess contributions of the first preceding taxable year, namely, X Corporation's excess contributions made in the short taxable year ending June 30, 1957, are deductible by Z Corporation in its taxable year 1958, in the manner and to the extent prescribed in section 170(b)(2) and this section.

(v) Z Corporation has been in existence for 3 taxable years. The contributions made in 1956 in excess of the amount deductible for that year under section 170(b)(2) amounted to \$30,000. Such excess is deductible by Z Corporation in its taxable year 1957 and, together with X Corporation's excess contributions of \$6,000 (derived through Y Corporation) made in the taxable year ending June 30, 1957, in the taxable year 1958, in each instance in the manner and to the extent prescribed by section 170(b)(2) and this section. Thus, \$2,000 of the \$30,000 excess contributions made in the year 1956 are deducted in 1957 and the remainder (\$28,000), together with X Corporation's excess contributions of \$6,000 made in the short taxable year ending June 30, 1957, are deducted in 1958 since the aggregate of such amounts plus the contributions actually made in that year does not exceed the 5-percent limitation prescribed by section 170(b)(2).

[T.D. 6552, 26 FR 1992, Mar. 8, 1961, as amended by T.D. 6900, 31 FR 14642, Nov. 17, 1966; T.D. 7207, 37 FR 20795, Oct. 5, 1972]

§ 1.381(c)(20)-1 Carryforward of disallowed business interest.

(a) *Carryover requirement.* Section 381(c)(20) provides that the acquiring corporation in a transaction described in section 381(a) will succeed to and take into account the carryover of disallowed business interest described in section 163(j)(2) to taxable years ending after the date of distribution or transfer.

(b) *Carryover of disallowed business interest described in section 163(j)(2).* For purposes of section 381(c)(20) and this section, the term *carryover of disallowed business interest described in section 163(j)(2)* means the disallowed business interest expense carryforward (as defined in § 1.163(j)-1(b)(11)), including any disallowed disqualified interest (as defined in § 1.163(j)-1(b)(12)), and including the distributor or transferor corporation's disallowed business interest expense from the taxable year that ends on the date of distribution or transfer. For the application of section 382 to disallowed business interest expense described in section 163(j)(2), see the regulations in this part under section 382 of the Code, including but not limited to § 1.382-2.

(c) *Limitation on use of disallowed business interest expense carryforwards in the acquiring corporation's first taxable year ending after the date of distribution or transfer—(1) In general.* In determining the extent to which the acquiring corporation may use disallowed business interest expense carryforwards in its first taxable year ending after the date of distribution or transfer, the principles of §§ 1.381(c)(1)-1 and 1.381(c)(1)-2 apply with appropriate adjustments, including but not limited to the adjustments described in paragraphs (c)(2) and (3) of this section.

(2) *One date of distribution or transfer within the acquiring corporation's taxable year.* If the acquiring corporation succeeds to the disallowed business interest expense carryforwards of one or more distributor or transferor corporations on a single date of distribution or transfer within one taxable year of the acquiring corporation, then, for the acquiring corporation's first taxable year ending after the date of distribution or

transfer, that part of the acquiring corporation's business interest expense deduction (if any) that is attributable to the disallowed business interest expense carryforwards of the distributor or transferor corporation is limited under this paragraph (c) to an amount equal to the post-acquisition portion of the acquiring corporation's section 163(j) limitation, as defined in paragraph (c)(4) of this section.

(3) *Two or more dates of distribution or transfer in the taxable year.* If the acquiring corporation succeeds to the disallowed business interest expense carryforwards of two or more distributor or transferor corporations on two or more dates of distribution or transfer within one taxable year of the acquiring corporation, the limitation to be applied under this paragraph (c) is determined by applying the principles of § 1.381(c)(1)-2(b) to the post-acquisition portion of the acquiring corporation's section 163(j) limitation, as defined in paragraph (c)(4) of this section.

(4) *Definition.* For purposes of this paragraph (c), the term *post-acquisition portion of the acquiring corporation's section 163(j) limitation* means the amount that bears the same ratio to the acquiring corporation's section 163(j) limitation (within the meaning of § 1.163(j)-1(b)(31)) (or, if the acquiring corporation is a member of a consolidated group, the consolidated group's section 163(j) limitation) for the first taxable year ending after the date of distribution or transfer (taking into account items to which the acquiring corporation succeeds under section 381, other than disallowed business interest expense carryforwards) as the number of days in that year after the date of distribution or transfer bears to the total number of days in that year.

(5) *Examples.* For purposes of this paragraph (c)(5), unless otherwise stated, X, Y, and Z are taxable domestic C corporations that were incorporated on January 1, 2021 and that file their tax returns on a calendar-year basis; none of X, Y, or Z is a member of a consolidated group; the small business exemption in § 1.163(j)-2(d) does not apply; interest expense is deductible except to the extent of the potential application of section 163(j); and the facts set forth

the only corporate activity. The principles of this paragraph (c) are illustrated by the following examples.

(i) *Example 1: Transfer before last day of acquiring corporation's taxable year—*(A) *Facts.* On October 31, 2022, X transferred all of its assets to Y in a statutory merger to which section 361 applies. For the 2021 taxable year, X had \$400x of disallowed business interest expense, and Y had \$0 of disallowed business interest expense. For the taxable year ending October 31, 2022, X had an additional \$350x of disallowed business interest expense (X did not deduct any of its 2021 carryforwards in its 2022 taxable year). For the taxable year ending December 31, 2022, Y had business interest expense of \$100x, business interest income of \$200x, and ATI of \$1,000x. Y's section 163(j) limitation for the 2022 taxable year was \$500x ($\$200x + (30 \text{ percent} \times \$1,000x) = \$500x$).

(B) *Analysis.* Pursuant to § 1.163(j)-5(b)(2), Y deducts its \$100x of current-year business interest expense (as defined in § 1.163(j)-1(b)(9)) before any disallowed business interest expense carryforwards (including X's carryforwards) from a prior taxable year are deducted. The aggregate disallowed business interest expense of X carried forward under section 381(c)(20) to Y's taxable year ending December 31, 2022, is \$750x. However, pursuant to paragraph (c)(2) of this section, for Y's first taxable year ending after the date of distribution or transfer, the maximum amount of X's disallowed business interest expense carryforwards that Y can deduct is equal to the post-acquisition portion of Y's section 163(j) limitation. Pursuant to paragraph (c)(4) of this section, the post-acquisition portion of Y's section 163(j) limitation means Y's section 163(j) limitation times the ratio of the number of days in the taxable year after the date of distribution or transfer to the total number of days in that year. Therefore, only \$84x of the aggregate amount ($\$500x \times (61/365) = \$84x$) may be deducted by Y in that year, and the remaining \$666x ($\$750x - \$84x = \$666x$) is carried forward to the succeeding taxable year.

(C) *Transfer on last day of acquiring corporation's taxable year.* The facts are the same as in *Example 1* in paragraph (c)(5)(i)(A) of this section, except that

X's transfer of its assets to Y occurred on December 31, 2022. For the taxable year ending December 31, 2022, X had an additional \$350x of disallowed business interest expense (X did not deduct any of its 2021 carryforwards in its 2022 taxable year). For the taxable year ending December 31, 2023, Y had business interest expense of \$100x, business interest income of \$200x, and ATI of \$1,000x. Y's section 163(j) limitation for the 2023 taxable year was \$500x ($\$200x + (30 \text{ percent} \times \$1,000x) = \$500x$). The aggregate disallowed business interest expense of X carried under section 381(c)(20) to Y's taxable year ending December 31, 2023, is \$750x. Paragraph (c)(2) of this section does not limit the amount of X's disallowed business interest expense carryforwards that may be deducted by Y in the 2023 taxable year. Since the amount of Y's section 163(j) limit for the 2023 taxable year was \$500x, Y may deduct the full amount (\$100x) of its own business interest expense for the 2023 taxable year, along with \$400x of X's disallowed business interest expense carryforwards.

(ii) *Example 2: Multiple transferors on same date*—(A) *Facts*. On October 31, 2022, X and Y transferred all of their assets to Z in statutory mergers to which section 361 applies. For the 2021 taxable year, X had \$300x of disallowed business interest expense, Y had \$200x, and Z had \$0. For the taxable year ending October 31, 2022, each of X and Y had an additional \$125x of disallowed business interest expense (neither X nor Y deducted any of its 2021 carryforwards in 2022). For the taxable year ending December 31, 2022, Z had business interest expense of \$100x, business interest income of \$200x, and ATI of \$1,000x. Z's section 163(j) limitation for the 2022 taxable year was \$500x ($\$200x + (30 \text{ percent} \times \$1,000x) = \$500x$).

(B) *Analysis*. The aggregate disallowed business interest expense of X and Y carried under section 381(c)(20) to Z's taxable year ending December 31, 2022, is \$750x. However, pursuant to paragraph (c)(2) of this section, only \$84x of the aggregate amount ($\$500x \times (61/365) = \$84x$) may be deducted by Z in that year. Moreover, under paragraph (b)(2) of this section, this amount only may be deducted by Z in that year

after Z has deducted its \$100x of current-year business interest expense (as defined in §1.163(j)-1(b)(9)).

(d) *Applicability date*. This section applies to taxable years beginning on or after November 13, 2020. However, taxpayers and their related parties, within the meaning of sections 267(b) and 707(b)(1), may choose to apply the rules of this section to a taxable year beginning after December 31, 2017, so long as the taxpayers and their related parties consistently apply the rules of the section 163(j) regulations (as defined in §1.163(j)-1(b)(37)), and, if applicable, §§1.263A-9, 1.263A-15, 1.382-1, 1.382-2, 1.382-5, 1.382-6, 1.382-7, 1.383-0, 1.383-1, 1.469-9, 1.469-11, 1.704-1, 1.882-5, 1.1362-3, 1.1368-1, 1.1377-1, 1.1502-13, 1.1502-21, 1.1502-36, 1.1502-79, 1.1502-91 through 1.1502-99 (to the extent they effectuate the rules of §§1.382-2, 1.382-5, 1.382-6, and 1.383-1), and 1.1504-4, to that taxable year.

[T.D. 9905, 85 FR 56832, Sept. 14, 2020]

§ 1.381(c)(21)-1 Pre-1954 adjustments resulting from change in method of accounting.

(a) *Carryover requirement*. Section 381(c)(21) provides that, in a transaction to which section 381(a) applies, an acquiring corporation shall take into account the net amount of any adjustments described in section 481(b)(4) (relating to adjustments arising from changes in accounting methods initiated by the taxpayer attributable to pre-1954 Code years) of the distributor or transferor corporation to the extent that such net amount of such adjustments has not been taken into account in any taxable year, including a short taxable year, by the distributor or transferor corporation. The acquiring corporation shall take into account in each taxable year beginning with the taxable year ending after the date of distribution or transfer the net amount of such adjustments in the same manner and at the same time as such net amount would have been taken into account by the distributor or transferor corporation. Thus, the amount of any such adjustment which the acquiring corporation shall take into account in each taxable year shall be the same amount that would have been taken into account in each taxable year by

§ 1.381(c)(22)-1

the distributor or transferor corporation.

(b) This section may be illustrated by the following example:

Example. On January 1, 1960, X Corporation, a calendar year taxpayer, voluntarily changed its method of accounting giving rise to a \$50,000 adjustment under section 481(a), of which \$20,000 is attributable to pre-1954 Code years. Under section 481(b)(4) the \$20,000 adjustment is to be spread over 1960 and the following 9 years at the rate of \$2,000 each year. On November 1, 1963, all the assets of X Corporation are acquired by Y Corporation in a transaction to which section 381(a) applies. Y Corporation reports its income on a fiscal year ending June 30. X and Y Corporations must take into account the \$20,000 adjustment at the rate of \$2,000 in each taxable year in the following time and manner:

| X Corporation | | |
|--|---------|---------|
| Calendar years 1960-62 (\$2,000 × 3) | \$6,000 | |
| Short taxable year ending Nov. 1, 1963 (\$2,000 × 1) | 2,000 | \$8,000 |
| | | |
| Y Corporation | | |
| Fiscal years ending: | | |
| June 30, 1964 (\$2,000 × 1) | 2,000 | |
| June 30, 1965-69 (\$2,000 × 5) .. | 10,000 | 12,000 |
| | | 20,000 |

(c) *Successive transactions to which section 381(a) applies.* The provisions of this section shall apply in the case of successive transactions to which section 381(a) applies. Thus, if R Corporation, which was taking into account adjustments described in section 481(b)(4), distributes or transfers its assets to S Corporation in a transaction to which section 381(a) applies, and S Corporation was required to take into account any remaining portion of such adjustments under section 381(c)(21) and this section, and if subsequently S Corporation distributes or transfers its assets to T Corporation in a transaction to which section 381(a) applies, then T Corporation, under section 381(c)(21) and this section, shall take into account any remaining portion of such adjustments not previously taken into account by R and S Corporations.

(d) *Acquiring corporation not receiving all the assets.* The adjustments described in this section acquired from a distributor or transferor corporation by an acquiring corporation in a transaction to which section 381(a) applies is not reduced by reason of the fact that the acquiring corporation does not ac-

quire 100 percent of the assets of the distributor or transferor corporation.

[T.D. 6553, 26 FR 2171, Mar. 15, 1961]

§ 1.381(c)(22)-1 Successor life insurance company.

(a) *Carryover requirement.* If in a taxable year beginning after December 31, 1957, a distributor or transferor corporation which is an insurance company is acquired by a corporation which is an insurance company in a transaction to which section 381(a) applies, section 381(c)(22) provides that the acquiring corporation shall take into account the appropriate items which the distributor or transferor corporation was required to take into account for purposes of part I, subchapter L, chapter 1 of the Internal Revenue Code. Furthermore, except as otherwise provided by this section, the acquiring corporation shall take into account the items described in paragraphs (2) through (21), other than paragraphs (14), (15), and (17), of section 381(c) and the regulations thereunder. For example, the acquiring corporation shall take into account the reserves described in section 810(c) distributed or transferred to it as of the close of the date of distribution or transfer by the distributor or transferor corporation in accordance with the provisions of section 381(c)(4) and the regulations thereunder. For provisions defining the date of distribution or transfer, see paragraph (b) of § 1.381(b)-1.

(b) *Items required to be taken into account by acquiring corporation.* If a transaction meets the requirements of paragraph (a) of this section, the acquiring corporation shall, except as otherwise provided, take into account as of the close of the date of distribution or transfer the following items of the distributor or transferor corporation:

(1) The operations loss carryovers (as determined under section 812), subject to conditions and limitations consistent with the conditions and limitations prescribed in section 381(c)(1) and the regulations thereunder. For example, a loss from operations for a loss year of a distributor or transferor corporation which ends on or before the last day of a loss year of the acquiring corporation shall be considered to be a

loss from operations for a year prior to such loss year of the acquiring corporation. All references in section 381(c)(1) and the regulations thereunder to section 172 shall be construed as referring to the appropriate corresponding provisions of section 812. Thus, a reference to section 172(b) shall be construed as referring to section 812 (b) and (d). In determining the span of years for which a loss from operations may be carried, the number of taxable years for which the distributor or transferor corporation was authorized to do business as an insurance company shall be taken into account. For purposes of this determination, the taxable year of the distributor or transferor corporation which ends on the date of distribution or transfer shall be taken into account even though such taxable year is a period of less than 12 months.

(2)(i) The investment yield and the beginning of the year asset balance for the distributor or transferor corporation's taxable year ending with the close of the date of distribution or transfer. Such items shall be integrated with the investment yield and beginning of the year asset balance of the acquiring corporation for its first taxable year ending after such date of distribution or transfer for purposes of determining the current earnings rate of the acquiring corporation for such taxable year. Furthermore, for purposes of determining the average earnings rate of the acquiring corporation,

the investment yield and mean of the assets of the distributor or transferor corporation for its 4 taxable years immediately preceding its taxable year which closes with the date of distribution or transfer shall be integrated with the investment yield and mean of the assets of the acquiring corporation for such corresponding taxable years.

(ii) The provisions of this subparagraph may be illustrated by the following examples:

Example 1. X qualified as a life insurance company in 1949. Y qualified as a life insurance company in 1951. On June 30, 1961, at which time both X and Y were life insurance companies (as defined in section 801(a)), X transferred all its assets to Y in a statutory merger to which section 361 applies. For its taxable year ending on June 30, 1961, X had investment yield of \$15 and assets at the beginning of such taxable year of \$450. For purposes of determining its current earnings rate for its taxable year ending on December 31, 1961, Y had investment yield of \$45 (including the \$15 of investment yield of X), assets at the beginning of such taxable year of \$1,250 (including the \$450 of X's assets at the beginning of its taxable year 1961), and assets at the end of such taxable year of \$1,750 (after the application of section 806(a)). Under the provisions of subdivision (i) of this subparagraph, the current earnings rate of Y for the taxable year 1961 would be 3 percent, determined by dividing the investment yield of Y, \$45, by the mean of the assets of Y, \$1,500 ($\$1,250 + \$1,750 \div 2$). In order to determine its average earnings rate and adjusted reserves rate for the taxable year 1961, Y would make up the following schedule:

| Taxable year | Investment yield | | | Mean of assets | | | Current earnings rate of Y |
|--------------|------------------|----------------|---|----------------|----------------|--|----------------------------------|
| | Column 1— X | Column 2— Y | Column 3 (Col. 1 + Col. 2) inte- grated in- vestment yield | Column 4— X | Column 5— Y | Column 6 (Col. 4 + Col. 5) inte- grated means of assets | Column 7 (Col. 3 + Col. 6) |
| 1960 | \$16 | \$26 | \$42 | \$400 | \$800 | \$1,200 | 3.5 |
| 1959 | 16 | 24 | 40 | 500 | 750 | 1,250 | 3.2 |
| 1958 | 17 | 22 | 39 | 650 | 650 | 1,300 | 3.0 |
| 1957 | 19 | 21 | 40 | 700 | 500 | 1,200 | 3.3 |

For the taxable year 1961, Y would have an average earnings rate of 3.2 percent, computed by taking into account the current earnings rates for the taxable year 1961 and each of the 4 taxable years immediately preceding such taxable year. The adjusted reserves rate for such taxable year would be 3 percent since the current earnings rate of 3 percent for 1961 is lower than the average earnings rate of 3.2 percent.

Example 2. The facts are the same as in *Example (1)*, except that the taxable year in issue is 1962, and the current earnings rate of Y for such taxable year was 3.8 percent. For the taxable year 1962, Y would have an average earnings rate of 3.3 percent, computed by taking into account only the current earnings rates for the taxable year 1962 and each of the 4 taxable years immediately preceding such taxable year. The adjusted reserves rate

§ 1.381(c)(22)-1

26 CFR Ch. I (4-1-21 Edition)

for such taxable year would be 3.3 percent since the average earnings rate of 3.3 percent is lower than the 1962 current earnings rate of 3.8 percent.

(3) To the extent there are any amounts accrued for discounts in the nature of interest which have not been included as interest paid under section 805(e)(3), the acquiring corporation shall be treated as the distributor or transferor corporation for purposes of including such amounts as interest paid.

(4) Any adjustment required by section 806(b) with respect to an item described in section 810(c) shall be made by the acquiring corporation in its first taxable year which begins after the date of distribution or transfer.

(5) The amount of the deduction provided by section 809(d)(6), as limited by section 809(f), for all taxable years of the distributor or transferor corporation which end on and before the date of distribution or transfer (irrespective of whether or not the distributor or transferor corporation claimed this deduction for such taxable years) for the purpose of determining the limitation under section 809(d)(6).

(6) [Reserved]

(7)(i) The dollar balances in the shareholders surplus account, policyholders surplus account, and other accounts provided, however, that the acquiring corporation is a stock life insurance company. The dollar balance in the policyholders surplus account shall reflect the amount (if any) treated as a subtraction from such account by reason of the application of the limitation provided under section 815(d)(4) immediately prior to the close of the date of distribution or transfer. To the extent that any amount must be added to the shareholders surplus account as a result of the application of the limitation provided under section 815(d)(4), the acquiring corporation shall be treated as the distributor or transferor corporation as of its first taxable year which begins after the date of distribution or transfer. However, any amounts attributable to money or other property not permitted to be received without the recognition of gain (*i.e.*, boot) distributed to a person other than the acquiring corporation under section

381(a) shall be treated as a distribution under section 815.

(ii) Notwithstanding paragraph (b)(7)(i) of this section, if the distributor or transferor corporation distributes or transfers less than 50 percent of its insurance business to the acquiring corporation, then the acquiring corporation shall succeed to a ratable portion of the dollar balances in the distributor's or transferor's shareholders surplus account, policyholders surplus account, and other accounts. The percentage of the accounts to which the acquiring corporation succeeds is determined by the ratio of the distributor's or transferor's insurance reserves for the contracts transferred to the acquiring corporation, as maintained under section 816(b), to the distributor's or transferor's reserves for all of its contracts maintained under section 816(b) immediately before the earlier of the distribution or transfer or the adoption of the plan of liquidation or reorganization. For transactions in which the distributor liquidates pursuant to an election under section 338(h)(10), see § 1.338-11(f) for the treatment of its remaining policyholders surplus account. For all other transactions subject to this paragraph, the distributor or transferor must take into account as income its remaining policyholders surplus account to the extent the fair market value of its assets (net of liabilities) distributed or transferred to the acquiring corporation or to the transferor's shareholders pursuant to the plan of liquidation or reorganization exceeds the distributor's or transferor's remaining shareholders surplus account.

(iii) If, pursuant to a plan in existence at the time of the liquidation or reorganization, the acquiring corporation transfers any insurance or annuity contract it received in the liquidation or reorganization to another person, then, for purposes of paragraph (b)(7)(ii) of this section, that contract shall be deemed to have been transferred by the transferor to that other person after the adoption of the plan of liquidation or reorganization. If the transferor is an old target within the meaning of § 1.338(h)(10)-1(d)(2), any transfer by the acquiring corporation

to the purchasing corporation (as defined in § 1.338-2(c)(11)) or to any person related to the purchasing corporation within the meaning of section 197(f)(9)(C) within two years of the transfer described in section 381(a) will be presumed to have been pursuant to a plan in existence at the time of the liquidation or reorganization.

(iv) If the acquiring corporation is a mutual life insurance company, the dollar balances in the shareholders surplus account, policyholders surplus account, and other accounts shall not be taken into account by such acquiring corporation and the distributor or transferor corporation shall be subject to the provisions of section 815(d)(2)(A) as of the close of the date of distribution or transfer.

(v) The provisions of this paragraph (b)(7) are illustrated by the following examples:

Example 1. P buys the stock of insurance company target, T, from S for \$16, and P and S make a section 338(h)(10) election for T. T transfers no insurance contracts to S, or any related party, in connection with the transaction. Further, assume that T had \$10 in its policyholders surplus account and no balance in its shareholders surplus account or other accounts. Immediately before the deemed asset sale, old T is required to include as ordinary income the \$10 in the policyholders surplus account.

Example 2. Assume the same facts as in *Example 1*, except that T holds a block of life insurance contracts P does not wish to acquire, and, immediately before the sale of T stock, S causes T to distribute the unwanted block of insurance contracts to S. Further, assume that S is an insurance company, that the distribution of contracts is one of series of distributions in complete cancellation or redemption of all of its stock (the others occurring under § 1.338(h)(10)-1(d)(4)(i)) that qualifies as a complete liquidation under section 332, and that old T's tax reserves with respect to the distributed contracts represent one-tenth of old T's tax reserves with respect to all of its life insurance contracts. Because T transfers less than 50 percent of its life insurance business to S in a transaction to which section 381(a) applies, S succeeds to a ratable portion of old T's policyholders surplus account (\$1), and old T includes as ordinary income the remaining \$9 of that account.

Example 3. Assume the same facts as in *Example 2*, except that 14 months after the deemed asset sale, S and X, a person related to new T under section 197(f)(9)(C), engage in an indemnity reinsurance transaction in-

volving the contracts transferred to S from old T. Because X is related to the purchasing corporation (P) under section 197(f)(9)(C), and X receives contracts from the acquiring corporation (S) that S acquired from old T within two years of the transfer from old T to S, the contracts are presumed to have been transferred pursuant to a plan in existence at the time of old T's liquidation. If S cannot establish otherwise, old T is treated as having distributed the remainder of its policyholders surplus account. In that case, in the taxable year of the indemnity reinsurance transaction, S takes into account as ordinary income the portion of the old T's accounts (\$1) that old T or S has not previously taken into account as income.

(8) To the extent that any amount must be added to the shareholders surplus account as a result of an election made under section 815(d)(1) by the distributor or transferor corporation, the acquiring corporation shall be treated as the distributor or transferor corporation as of its first taxable year which begins after the date of distribution or transfer.

(9) The amount of the life insurance reserves at the end of 1958, but only for the purpose of applying the limitation provided under section 815(d)(4)(B).

(10) To the extent there are amounts subject to the provisions of section 817(d), the acquiring corporation shall be treated as the distributor or transferor corporation.

(11) To the extent there are any installments of tax imposed by section 818(e)(3)(A) remaining to be paid, the acquiring corporation shall be treated as the distributor or transferor corporation for the purpose of paying such installments.

(12) The capital loss carryovers, subject to conditions and limitations consistent with the conditions and limitations prescribed in section 381(c)(3) and the regulations thereunder, except that any net capital loss of the distributor or transferor corporation for a taxable year beginning before January 1, 1959, shall not be taken into account. See section 817(c).

(13)(i) The transferor's unamortized policy acquisition expenses or positive or negative capitalization requirements on its specified insurance contracts.

(ii) Notwithstanding paragraph (b)(13)(i) of this section, if the distributor or transferor corporation

transfers less than 50 percent of its insurance business to the acquiring corporation, then the acquiring corporation shall succeed to a ratable portion of the transferor's unamortized policy acquisition expenses or positive or negative capitalization requirements on its specified insurance contracts. The percentage of such acquisition expenses or positive or negative capitalization requirements to which the acquiring corporation succeeds is determined by the ratio of the distributor's or transferor's insurance reserves for the contracts transferred to the acquiring corporation, as maintained under section 816(b), to the distributor's or transferor's reserves for all of its contracts maintained under section 816(b) immediately before the earlier of the distribution or transfer or the adoption of the plan of liquidation or reorganization. For amounts of the distributor's or transferor's unamortized policy acquisition expenses or positive or negative capitalization requirements on its specified insurance contracts to which the acquirer does not succeed to under this paragraph, and, for transactions in which the transferor liquidates pursuant to an election under section 338(h)(10), see § 1.338-11(f) for the treatment of its capitalized amounts under section 848.

(iii) If, pursuant to a plan in existence at the time of the liquidation or reorganization, the acquiring corporation transfers any insurance or annuity contract it received in the liquidation or reorganization to another person, then, for purposes of paragraph (b)(13)(ii) of this section, that contract shall be deemed to have been transferred by the transferor to that other person after the adoption of the plan of liquidation or reorganization. If the transferor is an old target within the meaning of § 1.338(h)(10)-1(d)(2), any transfer by the acquiring corporation to the purchasing corporation (as defined in § 1.338-2(c)(11)) or to any person related to the purchasing corporation within the meaning of section 197(f)(9)(C) within two years of the transfer described in section 381(a) will be presumed to have been pursuant to a plan in existence at the time of the liquidation or reorganization.

(14) The special loss discount account, provided, however, that the acquiring corporation will succeed to the special loss discount account only to the extent that it is attributable to the portion of the transferor's insurance business acquired by the acquiring corporation in the section 381 transaction.

(c) *Effective dates*—(1) *In general.* This section applies to the acquisition of assets of an insurance company by another insurance company in a transaction to which section 381 applies for taxable years beginning after December 31, 1957.

(2) *Special rules for section 381 transactions.* Paragraphs (a), (b)(7), (b)(13), and (b)(14) of this section apply to the acquisition of assets of an insurance company by another insurance company in a transaction to which section 381 applies on or after April 10, 2006.

(3) *Joint retroactive election.* The distributor or transferor and the acquiring corporation may jointly make an irrevocable election to apply paragraphs (a), (b)(7), (b)(13), and (b)(14) of this section to a transaction to which section 381 applies occurring before April 10, 2006 provided that the taxable year that includes the acquisition and all subsequent affected taxable years of both the distributor or transferor and the acquiring corporation are years for which an assessment of deficiency or a refund for overpayment is not prevented by any law or rule of law.

(4) *Time and manner of making the joint election.* The distributor or transferor and the acquiring corporation may make an election described in paragraph (c)(2) of this section by each attaching a statement to its original or amended income tax return for the taxable year that includes the acquisition of assets in a transaction to which section 381 applies. The statement must be entitled "Election to retroactively apply the rules of section 1.381(c)(22)-1 to a transaction completed before April 10, 2006" and must include the following information—

(i) The name and EIN of the distributor or transferor and the acquiring corporation; and

(ii) The following declaration (or a substantially similar declaration): The distributor or transferor and the acquiring corporation have each amended

its income tax returns for the taxable year that includes the acquisition of assets in a transaction to which section 381 applies and for all affected subsequent years to reflect the rules in paragraphs (a), (b)(7), (b)(13), and (b)(14) of section 1.381(c)(22)-1.

[T.D. 6625, 27 FR 12541, Dec. 19, 1962, as amended by T.D. 9257, 71 FR 18004, Apr. 10, 2006; T.D. 9377, 73 FR 3873, Jan. 23, 2007; T.D. 9911, 85 FR 64392, Oct. 13, 2020]

§ 1.381(c)(23)-1 Investment credit carryovers in certain corporate acquisitions.

(a) *Carryover requirement.* (1) Section 381(c)(23) requires the acquiring corporation in a transaction to which section 381 applies to succeed to and take into account under such regulations as may be prescribed by the Secretary or his delegate, the investment credit carryovers of the distributor or transferor corporation. To determine the amount of these carryovers as of the close of the date of distribution or transfer, and to integrate them with any carryovers and carrybacks of the acquiring corporation for purposes of determining the amount of credit allowed by section 38 to the acquiring corporation for taxable years ending after the date of distribution or transfer, it is necessary to apply the provisions of sections 46, 47, and 48 in accordance with the conditions and limitations of this section.

(2) The investment credit carryovers and carrybacks of the acquiring corporation determined as of the close of the date of distribution or transfer shall be computed without reference to any unused credit of a distributor or transferor corporation. The investment credit carryovers of a distributor or transferor corporation as of the close of the date of distribution or transfer shall be determined without reference to any unused credit of the acquiring corporation.

(b) *Carryback of unused credits.* An unused credit of the acquiring corporation for any taxable year ending after the date of distribution or transfer shall not be carried back in computing the credit allowed by section 38 to a distributor or transferor corporation. However, an unused credit of the acquiring corporation for any such tax-

able year shall be carried back in accordance with section 46(b)(1) in computing the credit allowed to the acquiring corporation for a taxable year ending on or before the date of distribution or transfer. If a distributor or transferor corporation remains in existence after the date of distribution or transfer, an unused credit sustained by it for any taxable year beginning after such date shall be carried back in accordance with section 46(b)(1) in computing the credit allowed by section 38 to such corporation for a taxable year ending on or before that date, but may not be carried back or over in computing the credit allowed by section 38 to the acquiring corporation.

(c) *Computation of carryovers and carrybacks.* (1) Subject to the modifications set forth in this paragraph, the provisions of §1.46-2 shall apply in computing carryovers and carrybacks of unused credits to taxable years of the acquiring corporation.

(2)(i) The investment credit carryovers available to the distributor or transferor corporation as of the close of the date of distribution or transfer shall first be carried to the first taxable year of the acquiring corporation ending after that date. This rule applies whether the date of distribution or transfer is on the last day, or any other day, of the acquiring corporation's taxable year.

(ii) The investment credit carryovers available to the distributor or transferor corporation as of the close of the date of distribution or transfer shall be carried to the acquiring corporation without diminution by reason of the fact that the acquiring corporation does not acquire 100 percent of the assets of the distributor or transferor corporation.

(3) An unused credit of a distributor or transferor corporation for a taxable year which ends on or before the last day of a taxable year of the acquiring corporation shall be considered to be an unused credit for a year prior to such taxable year of the acquiring corporation. If the acquiring corporation has acquired the assets of two or more distributor or transferor corporations on the same date of distribution or transfer, the unused credit years of the distributor or transferor corporations

§ 1.381(c)(23)-1

26 CFR Ch. I (4-1-21 Edition)

shall be taken into account in the order in which such years terminate. If any one of the unused credit years of a distributor or transferor corporation ends on the same day as the unused credit year of another distributor or transferor corporation, either unused credit year may be taken into account before the other.

(4) The extent to which an investment credit carryover of a distributor or transferor corporation or of an acquiring corporation from an unused credit year ending before January 1, 1971, may be taken into account by the acquiring corporation for a taxable year beginning after December 31, 1970, shall be determined without regard to the credit earned by the acquiring corporation for such year. Thus, in such a case, the amount of unused credit from such unused credit years which may be taken into account in a taxable year of the acquiring corporation beginning after December 31, 1970, shall be determined solely with reference to the limitation based on amount of tax for such taxable year (without reduction for the credit earned for such year).

(d) *Computation of carryovers when date of distribution or transfer occurs on last day of acquiring corporation's taxable year.* The computation of the investment credit carryovers from the distributor or transferor corporation and from the acquiring corporation in a case where the date of distribution or transfer occurs on the last day of a taxable year of the acquiring corporation may be illustrated by the following example:

Example. X Corporation and Y Corporation were organized on January 1, 1971, and each corporation files its return on the calendar year basis. On December 31, 1972, X transfers all its assets to Y in a statutory merger to which section 361 applies. X's credit earned and its limitation based on amount of tax for its taxable years 1971 and 1972 are as follows:

| X Corporation's taxable year | Credit earned | Limitation based on amount of tax |
|------------------------------|---------------|-----------------------------------|
| 1971 | \$10,000 | \$5,000 |
| 1972 | 5,000 | 3,000 |

Y's credit earned and its limitation based on amount of tax for its taxable years 1971 through 1973 are as follows:

| Y Corporation's | Credit earned | Limitation based on amount of tax |
|-----------------|---------------|-----------------------------------|
| 1971 | \$6,000 | \$5,000 |
| 1972 | 5,000 | 3,000 |
| 1973 | 3,000 | 10,000 |

The sequence for the allowance of unused credits of X Corporation and Y Corporation, and the computation of the carryovers to Y Corporation's calendar year 1974, may be illustrated as follows:

(1) *X Corporation's 1971 unused credit.* The carryover to Y 1974 is \$0, computed as follows:

| | |
|---|---------|
| Unused credit | \$5,000 |
| Excess of X's 1972 limitation based on tax over credit earned | 0 |
| Carryover to Y's year 1973 | 5,000 |
| Excess of Y's 1973 limitation based on tax over credit earned | 7,000 |
| Carryover to Y's year 1974 | 0 |

(2) *Y Corporation's 1971 unused credit.* The carryover to Y 1974 is \$0, computed as follows:

| | |
|---|---------|
| Unused credit | \$1,000 |
| Excess of Y's 1972 limitation based on tax over credit earned | 0 |
| Carryover to Y's year 1973 | 1,000 |
| Excess of Y's 1973 limitation based on tax over credit earned | 7,000 |
| Less: X's \$5,000 carryover from 1971 | 5,000 |
| | 2,000 |
| Carryover to Y's year 1974 | 0 |

(3) *X Corporation's 1972 unused credit.* The carryover to Y 1974 is \$1,000, computed as follows:

| | |
|---|---------|
| Unused credit | \$2,000 |
| Excess of Y's 1973 limitation based on tax over credit earned | 7,000 |
| Less: X's \$5,000 carryover from 1971 and Y's \$1,000 carryover from 1971 | 6,000 |
| | 1,000 |
| Carryover to Y's year 1974 | 1,000 |

(4) *Y Corporation's 1972 unused credit.* The carryover to Y 1974 is \$2,000, computed as follows:

| | |
|---|---------|
| Unused credit | \$2,000 |
| Excess of Y's 1973 limitation based on tax over credit earned | 7,000 |
| Less: X's \$5,000 carryover from 1971 Y's \$1,000 carryover from 1971 and X's \$1,000 carryover from 1972 | 7,000 |
| | 0 |
| Carryover to Y's year 1974 | 2,000 |

(5) The aggregate of the investment credit carryovers to Y's year 1974 is \$3,000, computed as follows:

Internal Revenue Service, Treasury

§ 1.381(c)(23)-1

| | |
|------------------------------|---------|
| X's 1972 unused credit | \$1,000 |
| Y's 1972 unused credit | 2,000 |
| Total | 3,000 |

(e) *Computation of carryovers when date of distribution or transfer is not on last day of acquiring corporation's taxable year.* (1) If the date of distribution or transfer occurs on any day other than the last day of a taxable year of the acquiring corporation, the amount which may be added to the amount allowable as a credit by section 38 for the first taxable year of the acquiring corporation ending after the date of distribution or transfer (hereinafter called the "year of acquisition") shall be determined in the following manner. The year of acquisition shall be considered as though it were 2 taxable years. The first of such 2 taxable years shall be referred to in this paragraph as the preacquisition part year and shall begin with the beginning of the year of acquisition and end with the close of the date of distribution or transfer. The second of such 2 taxable years shall be referred to in this paragraph as the postacquisition part year and shall begin with the day following the date of distribution or transfer and shall end with the close of the year of acquisition.

(2) The excess limitation for the year of acquisition (i.e., the excess of the limitation based on the amount of tax for such year over the amount of credit earned for such year) shall be divided between the preacquisition part year and the postacquisition part year in proportion to the number of days in each. Thus, if in a statutory merger to which section 361 applies Y Corporation, a calendar year taxpayer, acquires the assets of X Corporation on June 30, 1975, and Y Corporation has an excess limitation of \$36,500 for its calendar year 1975, then the excess limitation for the preacquisition part year would be \$18,100 ($\$36,500 \times 181/365$) and the excess limitation for the postacquisition part year would be \$18,400 ($\$36,500 \times 184/365$).

(3) An unused credit of the acquiring corporation shall be carried to and applied against the excess limitation for the preacquisition part year and then carried to and applied against the excess limitation for the postacquisition

part year, whereas an unused credit of the distributor or transferor corporation shall not be carried to the preacquisition part year but shall only be carried to and applied against the excess limitation for the postacquisition part year. For special rule relating to carryovers from taxable years ending before January 1, 1971, to taxable years beginning after December 31, 1970, see subparagraph (6) of this paragraph.

(4) Though considered as two separate taxable years for purposes of this paragraph, the preacquisition part year and the postacquisition part year are treated as one taxable year in determining the years to which an unused credit is carried under section 46(b)(1).

(5) The preceding subparagraphs may be illustrated by the following example:

Example. X Corporation and Y Corporation were organized on January 1, 1971, and each corporation files its return on the calendar year basis. On May 1, 1972, X transfers all its assets to Y in a statutory merger to which section 361 applies. X's credit earned and its limitation based on amount of tax for its taxable years 1971 and ending May 1, 1972, are as follows:

| X Corporation's taxable year | Credit earned | Limitation based on amount of tax |
|------------------------------|---------------|-----------------------------------|
| 1971 | \$11,000 | \$5,000 |
| Ending 5-1-72 | 3,000 | 6,000 |

Y's credit earned and its limitation based on amount of tax for its taxable years 1971 and 1972 are as follows:

| Y Corporation's taxable year | Credit earned | Limitation based on amount of tax |
|------------------------------|---------------|-----------------------------------|
| 1971 | \$7,000 | \$3,000 |
| 1972 | 3,000 | 9,000 |

The sequence for the allowance of unused credits of X Corporation and Y Corporation, and the computation of carryovers to Y Corporation's calendar year 1973, may be illustrated as follows:

(i) *X Corporation's 1971 unused credit.* The carryover to Y 1973 is \$0, computed as follows:

| | |
|--|---------|
| Unused credit | \$6,000 |
| Excess of X's 5-1-72 limitation based on tax over credit earned | 3,000 |
| Carryover to Y's postacquisition part year 1972 ... | 3,000 |
| Excess limitation for Y's postacquisition part year ($\$6,000 \times 244/366$) | 4,000 |

§ 1.381(c)(23)-1

26 CFR Ch. I (4-1-21 Edition)

Carryover to Y's year 1973 0

(ii) *Y Corporation's 1971 unused credit.* The carryover to Y 1973 is \$1,000, computed as follows:

| | |
|---|---------|
| Unused credit | \$4,000 |
| Excess limitation for Y's preacquisition part year (\$6,000 × 122/ 366) | 2,000 |
| <hr/> | |
| Carryover to Y's postacquisition part year | 2,000 |
| Excess limitation for Y's postacquisition part year (\$6,000 × 244/366) | 4,000 |
| Less: X's \$3,000 carryover from 1971 | 3,000 |
| <hr/> | 1,000 |
| Carryover to Y's year 1973 | 1,000 |

(iii) The aggregate of the investment credit carryovers to Y's year 1973 is \$1,000, computed as follows:

| | |
|------------------------------|---------|
| X's 1971 unused credit | 0 |
| Y's 1971 unused credit | \$1,000 |
| <hr/> | |
| Total | 1,000 |

(6) If the year of acquisition is a taxable year beginning after December 31, 1970, and if there is an unused credit of the distributor or transferor corporation or of the acquiring corporation arising in an unused credit year ending before January 1, 1971, which may be carried to such year of acquisition (see paragraph (c)(4) of this section), then in applying subparagraphs (1), (2), and (3) of this paragraph, in lieu of dividing the excess limitation for the year of acquisition between the preacquisition and postacquisition part years, only the limitation based on the amount of tax for such year (i.e., without reduction for the credit earned) shall be divided between the preacquisition and postacquisition part years. If there is also an unused credit arising in an unused credit year ending after December 31, 1970, which may be carried to the year of acquisition, then for the purpose of determining the amount of such unused credit which may be taken into account for such year of acquisition, the credit earned for the year of acquisition shall first be applied against the limitation based on amount of tax for the preacquisition part year (reduced by any investment credit carryovers to such part year from unused credit years ending before January 1, 1971) and the excess, if any, shall then be applied against the limitation based on amount of tax for the postacquisition part year (also reduced by any investment credit carryovers to such part

year from unused credit years ending before January 1, 1971).

(7) Subparagraph (6) of this paragraph may be illustrated by the following example:

Example. X Corporation and Y Corporation were organized on January 1, 1970, and each corporation files its return on the calendar year basis. On May 1, 1972, X transfers all its assets to Y in a statutory merger to which section 361 applies. X's credit earned and its limitation based on amount of tax for its taxable years 1970, 1971, and ending May 1, 1972, are as follows:

| X Corporation's taxable year | Credit earned | Limitation based on amount of tax |
|------------------------------|---------------|-----------------------------------|
| 1970 | \$300 | |
| 1971 | 100 | |
| Ending 5-1-72 | 200 | |

Y's credit earned and its limitation based on amount of tax for its taxable years 1970 through 1972 are as follows:

| Y Corporation's taxable year | Credit earned | Limitation based on amount of tax |
|------------------------------|---------------|-----------------------------------|
| 1970 | \$100 | |
| 1971 | 200 | |
| 1972 | 300 | \$900 |

The sequence for the allowance of unused credits of X Corporation and Y Corporation, and the computation of carryovers to Y Corporation's calendar year 1973, may be illustrated as follows:

(i) *X Corporation's 1970 unused credit.* The carryover to Y 1973 is \$0, computed as follows:

| | |
|--|-------|
| Unused credit | \$300 |
| X Corporation's 1971 limitation based on tax | 0 |
| X Corporation's 5-1-72 limitation based on tax | 0 |
| <hr/> | |
| Carryover to Y's postacquisition part year 1972 | 300 |
| Limitation based on tax for Y's postacquisition part year 1972 (\$900 × 244/366) | 600 |
| <hr/> | |
| Carryover to Y's year 1973 | 0 |

(ii) *Y Corporation's 1970 unused credit.* The carryover to Y 1973 is \$0, computed as follows:

| | |
|---|-------|
| Unused credit | \$100 |
| Y Corporation's 1971 limitation based on tax | 0 |
| <hr/> | |
| Carryover to Y's preacquisition part year 1972 | 100 |
| Limitation based on tax for Y's preacquisition part year 1972 (\$900 × 122/366) | 300 |
| <hr/> | |
| Carryover to Y's postacquisition part year 1972 ... | 0 |

Internal Revenue Service, Treasury

§ 1.381(c)(23)-1

(iii) *Y Corporation's credit earned for 1972.* The carryover to Y 1973 is \$0, computed as follows:

| | |
|--|-------|
| Credit earned | \$300 |
| Limitation based on tax for preacquisition part year 1972 (\$900 × 122/366) | 300 |
| Less: Y's \$100 carryover from 1970 | 100 |
| | \$200 |
| Carryover to Y's postacquisition part year 1972 ... | 100 |
| Limitation based on tax for postacquisition part year 1972 (\$900 × 244/366) | 600 |
| Less: X's \$300 carryover from 1970 | \$300 |
| | 300 |
| Carryover to Y's year 1973 | 0 |

(iv) *X Corporation's 1971 unused credit.* The carryover to Y 1973 is \$0, computed as follows:

| | |
|--|-------|
| Unused credit | \$100 |
| Excess of X's 1972 limitation based on tax over credit earned | 0 |
| Carryover to Y's postacquisition part year 1972 ... | 100 |
| Limitation based on tax for postacquisition part year 1972 (\$900 × 244/366) | 600 |
| Less: | |
| X's \$300 carryover from 1970 | 300 |
| Y's 1972 credit earned for postacquisition part year | 100 |
| | 400 |
| | 200 |
| Carryover to Y's year 1973 | 0 |

(v) *Y Corporation's 1971 unused credit.* The carryover to Y 1973 is \$100, computed as follows:

| | |
|---|-------|
| Unused credit | \$200 |
| Limitation based on tax for preacquisition part year 1972 (\$900 × 122/366) | 300 |
| Less: | |
| Y's \$100 carryover from 1970 | 100 |
| Y's 1972 credit earned for preacquisition part year 1972 | 200 |
| | 300 |
| | 0 |
| Carryover to Y's postacquisition part year | 200 |

| | |
|--|-----|
| Limitation based on tax for postacquisition part year 1972 (\$900 × 244/366) | 600 |
| Less: | |
| X's \$300 carryover from 1970 | 300 |
| Y's 1972 credit earned for postacquisition part year 1972 | 100 |
| X's \$100 carryover from 1971 | 100 |
| | 500 |
| | 100 |
| Carryover to Y's year 1973 | 100 |

(vi) *X Corporation's 5-1-72 unused credit.* The carryover to Y 1973 is \$200, computed as follows:

| | |
|--|-------|
| Unused credit | \$200 |
| Limitation based on tax for postacquisition part year 1972 (\$900 × 244/366) | 600 |
| Less: | |
| X's \$300 carryover from 1970 | 300 |
| Y's 1972 credit earned for postacquisition part year 1972 | 100 |
| X's \$100 carryover from 1971, and Y's \$100 carryover from 1971 | 200 |
| | 600 |
| | 0 |
| Carryover to Y's year 1973 | 200 |

(vii) The aggregate of the investment credit carryovers to Y 1973 is \$300, computed as follows:

| | |
|------------------------------|-------|
| Y's 1971 unused credit | \$100 |
| X's 1972 unused credit | 200 |
| Total | 300 |

(8) If the year of acquisition is a taxable year to which the limitation provided in §1.46-2(b)(2) (relating to 20-percent limitation on carryovers and carrybacks to certain taxable years) applies, then for purposes of applying such limitation the preacquisition part year and the postacquisition part year shall each be considered a fractional part of a year, but, if the date of distribution or transfer is not on the last day of a month, the entire month in which the date of distribution or transfer occurs shall be considered as included in the preacquisition part year and no portion thereof shall be considered as included in the postacquisition part year.

(9) If the acquiring corporation succeeds to the investment credit carryovers of two or more distributor or transferor corporations on two or more dates of distribution or transfer during the same taxable year of the acquiring corporation, the manner in which the unused credits of the distributor or transferor corporations shall be applied shall be determined consistently with the rules prescribed in paragraph (c) of §1.381(c)(1)-2.

(f) *Successive acquiring corporations.* An acquiring corporation which, in a distribution or transfer to which section 381(a) applies, acquires the assets

§ 1.381(c)(24)-1

of a distributor or transferor corporation which previously acquired the assets of another corporation in a transaction to which section 381(a) applies, shall succeed to and take into account, subject to the conditions and limitations of § 1.46-2 and this section, the investment credit carryovers available to the first acquiring corporation under § 1.46-2 and this section.

(g) *Recomputation of credit allowed by section 38 on certain property of acquiring corporation.* If section 38 property acquired by an acquiring corporation in a transaction to which section 381(a) applies is disposed of, or otherwise ceases to be section 38 property (or becomes public utility property) with respect to the acquiring corporation, before the close of the estimated useful life which was taken into account in computing the distributor or transferor corporation's qualified investment, see paragraph (e) of § 1.47-3.

(h) *Electing small business corporation.* An unused credit of a distributor or transferor corporation arising in an unused credit year for which such corporation is not an electing small business corporation (as defined in section 1371(b)) may not be carried over in a transaction to which section 381 applies to a taxable year of the acquiring corporation for which such corporation is an electing small business corporation and may not be added to the amount allowable as a credit under section 38 to the shareholders of the acquiring corporation for such taxable year. However, in such a case, a taxable year for which the acquiring corporation is an electing small business corporation shall be counted as a taxable year for purposes of determining the taxable years to which such unused credit may be carried.

(i) [Reserved]

(j) *Carryover of operating capacity for qualified intercity bus.* For rules for determining an acquiring corporation's qualified investment for the energy credit for a qualified intercity bus, see § 1.48-9(q)(11).

(Sec. 38(b) (76 Stat. 963, 26 U.S.C. 38(b)), 48(1)(16) (94 Stat. 264, 26 U.S.C. 48(1)(16)), and 7805 (68A Stat. 917, 26 U.S.C. 7805))

[T.D. 7289, 38 FR 30554, Nov. 6, 1973, as amended by T.D. 7982, 49 FR 39544, Oct. 9, 1984; 49 FR 41246, Oct. 22, 1984]

26 CFR Ch. I (4-1-21 Edition)

§ 1.381(c)(24)-1 Work incentive program credit carryovers in certain corporate acquisitions.

The computation of carryovers and carrybacks of unused WIN credits in a transaction to which section 381 applies shall be made under the principles of § 1.381(c)(23)-1 (relating to the computation of carryovers and carrybacks of unused investment credits), except that the provisions of paragraph (c)(4) and paragraph (e)(6), (7), and (8) of such section shall not apply.

(Secs. 381(c)(23), 76 Stat. 971 (26 U.S.C. 381(c)(23), 381(c)(24)) 85 Stat. 557 (26 U.S.C. 381(c)(24)), 7805, 68A Stat. 917 (26 U.S.C. 7805))

[T.D. 7289, 38 FR 30557, Nov. 6, 1973]

§ 1.381(c)(25)-1 Deficiency dividend of a qualified investment entity.

(a) *Carryover requirement.* If a distributor or transferor corporation in a transaction to which section 381(a) applies—

(1) Was a qualified investment entity (within the meaning of section 860(b)) for any taxable year ending on or before the date of distribution or transfer, and

(2) A determination (as defined in section 860(e)) establishes that the transferor or distributor corporation is liable for the tax imposed by section 11(a), 56(a), 852(b), 857(b)(1), 857(b)(3)(A), or 1201(a) for such taxable year, then in determining the liability for such tax the deduction described in section 860 shall be allowed pursuant to section 381(c)(25) to such corporation for the amount of deficiency dividends paid by the acquiring corporation with respect to the distributor or transferor corporation. Except as otherwise provided in this section, the provisions of section 860 and the regulations thereunder apply with respect to a deficiency dividend deduction allowable pursuant to section 381(c)(25).

(b) *Deficiency dividends paid by the acquiring corporation with respect to the distributor or transferor corporation.* A deficiency dividend paid by the acquiring corporation with respect to the distributor or transferor corporation must be a distribution that would satisfy the definition of a deficiency dividend under section 860(f) if paid by the distributor or transferor corporation to

its own shareholders. The distribution, however, shall be paid by the acquiring corporation to its own shareholders. The distribution also shall be paid after the date of distribution or transfer and on, or within 90 days after, the date of the determination but before the acquiring corporation files a claim under paragraph (c) of this section.

(c) *Claim for deduction.* A claim for deduction under this section shall be made by the acquiring corporation on Form 976 and shall be filed within 120 days after the date of the determination. The form shall contain, or be accompanied by, the information required under §1.860-2(b)(2) in sufficient detail to properly identify the facts with respect to the distributor or transferor corporation and the acquiring corporation. The required certified copy of the resolution authorizing the payment of the dividend shall be that of the trustees, board of directors, or other authority, of the acquiring corporation. Necessary changes may be made in Form 976 in order to carry out the provisions of this paragraph. The claim shall be filed with the district director, or director of the internal revenue service center, with whom the return of the distributor or transferor corporation to which the claim relates was filed.

(d) *Effect on dividends paid deduction.* A deficiency dividend paid by the acquiring corporation that is allowable as a deduction to a distributor or transferor corporation pursuant to section 381(c)(25) shall not become a part of the dividends paid deduction of the acquiring corporation under section 561 for any taxable year.

(e) *Successive transactions to which section 381(a) applies.* The provisions of this section shall apply in the case of successive transactions to which section 381(a) applies. Thus, if X corporation transfers its assets to Y corporation in a transaction to which section 381(a) applies and if Y corporation transfers its assets to Z corporation in a subsequent transaction to which section 381(a) applies, then, subject to the provisions of this section, X corporation may take a deficiency dividend deduction for the amount of deficiency

dividends paid by Z corporation with respect to X corporation.

(Sec. 860(1) (92 Stat. 2849, 26 U.S.C. 860(1)); sec. 860(g) (92 Stat. 2850, 26 U.S.C. 860(g)); and sec. 7805 (68A Stat. 917, 26 U.S.C. 7805))

[T.D. 7767, 46 FR 11264, Feb. 6, 1981, as amended by T.D. 7936, 49 FR 2106, Jan. 18, 1984]

§ 1.381(c)(26)-1 Credit for employment of certain new employees.

(a) *Carryovers and carrybacks.* For taxable years beginning before January 1, 1984, the computation of carryovers and carrybacks of unused targeted jobs credit (new jobs credit in the case of wages paid before 1979) under section 44B (as in effect prior to enactment of the Tax Reform Act of 1984) in a transaction to which section 381(a) applies shall be made under the principles of §1.381(c)(23)-1 (relating to the computation of carryovers and carrybacks of unused investment credit), except that the provisions of paragraph (c)(4) and paragraph (e)(6), (7) and (8) of such section shall not apply.

(b) *Other items.* See §1.51-1(h) for a rule that applies to certain transfers of a trade or business in which a member of a targeted group is employed.

[T.D. 8062, 50 FR 46003, Nov. 6, 1985]

§ 1.381(d)-1 Operations loss carryovers of life insurance companies.

For the application of part V, subchapter C, chapter 1 of the Code to operations loss carryovers of life insurance companies, see section 812(f) and §1.812-7 and section 381(c)(22) and §1.381(c)(22)-1.

[T.D. 6625, 27 FR 12543, Dec. 19, 1962]

§ 1.382-1 Table of contents.

This section lists the captions that appear in the regulations for §§1.382-2 through 1.382-12.

§ 1.382-2 General rules for ownership change.

(a) Certain definitions for purposes of sections 382 and 383 and the regulations thereunder.

(1) Loss corporation.

(i) In general.

(ii) Distributor of transferor loss corporation in a transaction under section 381.

(iii) Separate accounting required for losses and credits of an acquiring corporation and a distributor or transferor loss corporation.

§ 1.382-1

26 CFR Ch. I (4-1-21 Edition)

(iv) End of separate accounting for losses and credits of distributor or transferor corporation.

(v) Application to other successor corporations.

(vi) Any section 382 disallowed business interest carryforward.

(2) Pre-change loss.

(3) Stock.

(i) In general.

(ii) Convertible stock.

(4) Testing date.

(i) In general.

(ii) Exceptions.

(5) Successor corporation.

(6) Predecessor corporation.

(7) Section 382 disallowed business interest carryforward.

(8) Testing period.

(b) Effective dates.

(1) In general. [Reserved]

(2) Rules provided in paragraph (a)(3)(ii) of this section.

(i) In general.

(ii) Certain convertible preferred stock.

(3) Rules provided in paragraphs (a)(1)(i)(A), (a)(1)(ii), (iv), and (v), (a)(2)(iv) through (vi), (a)(3)(i), and (a)(4) through (8) of this section.

§ 1.382-3 Definitions and rules relating to a 5-percent shareholder.

(a) Definitions.

(1) Entity.

(i) In general.

(ii) Examples.

(iii) Effective date.

(A) In general

(B) Special rule.

(C) Example.

(2) [Reserved]

(b)-(i) [Reserved]

(j) Modification of the segregation rules of § 1.382-2T(j)(2)(iii) in the case of certain issuances of stock.

(1) Introduction.

(2) Small issuance exception.

(i) In general.

(ii) Small issuance defined.

(iii) Small issuance limitation.

(A) In general.

(B) Class of stock defined.

(C) Adjustments for stock splits and similar transactions.

(D) Exception.

(iv) Short taxable years.

(3) Other issuances of stock for cash.

(i) In general.

(ii) Solely for cash.

(A) In general.

(B) Related issuances.

(iii) Coordination with paragraph (j)(2) of this section.

(4) Limitation on exempted stock.

(5) Proportionate acquisition of exempted stock.

(i) In general.

(ii) Actual knowledge of greater overlapping ownership.

(6) Exception for equity structure shifts.

(7) Transitory ownership by underwriter disregarded.

(8) Certain related issuances.

(9) Application to options.

(10) Issuance of stock pursuant to the exercise of certain options.

(11) Application to first tier and higher tier entities.

(12) Certain non-stock ownership interests.

(13) Examples.

(14) Effective date.

(i) In general.

(ii) Effective date for paragraph (j)(10) of this section.

(iii) Election to apply this paragraph (j) retroactively.

(A) Election.

(B) Amended returns.

(C) Revised information statements.

(k) Special rules for certain regulated investment companies.

(1) In general.

(2) Effective date.

(i) General rule.

(ii) Election to apply prospectively.

§ 1.382-4 Constructive ownership of stock.

(a) In general. [Reserved]

(b) Attribution from corporations, partnerships, estates and trusts.

(1) [Reserved]

(2) Limitation.

(c) Attribution to corporations, partnerships, estates and trusts. [Reserved]

(d) Treatment of options as exercised.

(1) General rule.

(2) Options treated as exercised.

(i) Issuance or transfer.

(ii) Subsequent testing dates.

(3) The ownership test.

(4) The control test.

(i) In general.

(ii) Operating rules.

(A) Person and related persons.

(B) Indirect ownership interest.

(5) The income test.

(6) Application of the ownership, control, and income tests.

(i) In general.

(ii) Application of ownership test.

(iii) Application of control test.

(iv) Application of income test.

(7) Safe harbors.

(i) Contracts to acquire stock.

(ii) Escrow, pledge, or other security agreements.

(iii) Compensatory options.

(iv) Options exercisable only upon death, disability, mental incompetency or retirement.

(v) Rights of first refusal.

(vi) Options designated in the Internal Revenue Bulletin.

(8) Additional rules.

- (i) Contracts to acquire stock.
- (ii) Indirect transfer of an option.
- (iii) Options related to interests in non-corporate entities.
- (iv) Puts.
- (9) Definition of option.
 - (i) In general.
 - (ii) Convertible stock.
 - (iii) Series of options.
 - (iv) General principles of tax law.
- (10) Subsequent treatment of options treated as exercised on a change date.
 - (i) In general.
 - (ii) Alternative look-back rule for options exercised within 3 years after change date.
 - (11) Transfers not subject to deemed exercise.
 - (12) Certain rules regarding non-stock interests as stock.
 - (e) Stock transferred under certain agreements. [Reserved]
 - (f) Family attribution. [Reserved]
 - (g) Definitions.
 - (h) Effective date.
 - (1) In general. [Reserved]
 - (2) Option attribution rules.
 - (i) General rule.
 - (ii) Special rule for control test.
 - (iii) Convertible stock issued prior to July 20, 1988.
 - (A) In general.
 - (B) Exceptions.
 - (1) Nonvoting convertible preferred stock.
 - (2) Other convertible stock.
 - (iv) Convertible stock issued on or after July 20, 1988, and before November 5, 1992.
 - (v) Certain options in existence immediately before and after an ownership change.
 - (vi) Election to apply § 1.382-2T(h)(4).
 - (A) In general.
 - (B) Additional consequences of election.
 - (C) Time and manner of making the election.
 - (D) Amended returns.
 - (3) Special rule for options subject to attribution under § 1.382-2T(h)(4).

§ 1.382-5 Section 382 limitation.

- (a) Scope.
- (b) Computation of value.
- (c) Short taxable year.
- (d) Successive ownership changes and absorption of a section 382 limitation.
 - (1) In general.
 - (2) Recognized built-in gains and losses.
 - (3) Effective date.
 - (e) Controlled groups.
 - (f) Effective date.

§ 1.382-6 Allocation of income and loss to periods before and after the change date for purposes of section 382.

- (a) General rule.
 - (1) In general.
 - (2) Allocation of business interest expense.

- (i) Scope.
 - (ii) Deductibility of business interest expense.
 - (b) Closing-of-the-books election.
 - (1) In general.
 - (2) Making the closing-of-the-books election.
 - (i) Time and manner.
 - (ii) Election irrevocable.
 - (3) Special rules relating to consolidated and controlled groups.
 - (i) Consolidated groups.
 - (ii) Controlled groups.
 - (4) Allocation of business interest expense.
 - (i) Scope.
 - (ii) Deductibility of business interest expense.
 - (iii) Example.
 - (c) Operating rules for determining net operating loss, taxable income, net capital loss, modified capital gain net income, and special allocations.
 - (1) In general.
 - (2) Adjustment to net operating loss.
 - (i) Determination of remaining capital gain.
 - (ii) Reduction of net operating loss by remaining capital gain.
 - (d) Coordination with rules relating to the allocation of income under § 1.1502-76(b).
 - (e) Allocation of certain credits.
 - (f) Examples.
 - (g) Definitions and nomenclature.
 - (1) Change year.
 - (2) Pre-change period.
 - (3) Post-change period.
 - (4) Modified capital gain net income.
 - (h) Applicability date.
 - (1) In general.
 - (2) Paragraphs (a) and (b)(1) and (4) of this section.

§ 1.382-7 Built-in gains and losses.

- (a) Treatment of prepaid income.
- (b) Effective/applicability dates.
- (c) [Reserved]
- (d) Special rules.
 - (1)-(4) [Reserved]
 - (5) Section 382 disallowed business interest carryforwards.
- (e)-(f) [Reserved]
- (g) Applicability dates.
 - (1)-(3) [Reserved]
 - (4) Paragraph (d)(5) of this section.

§ 1.382-8 Controlled groups.

- (a) Introduction.
 - (b) Controlled group loss and controlled group with respect to a controlled group loss.
 - (1) In general.
 - (2) Presumption regarding net unrealized built-in loss.
 - (c) Computation of value.
 - (1) Reduction in value by the amount restored.

§ 1.382-1

26 CFR Ch. I (4-1-21 Edition)

- (2) Restoration of value.
 - (3) Reduction in value by the amount restored.
 - (4) Appropriate adjustments.
 - (5) Certain reductions in the value of members of a controlled group.
 - (d) No double reduction.
 - (e) Definitions and nomenclature.
 - (1) Definitions in Section 382 and the regulations thereunder.
 - (2) Controlled group.
 - (3) Component member.
 - (4) Foreign component member.
 - (i) In general.
 - (ii) Exception.
 - (5) Predecessor and successor corporation.
 - (f) Coordination between consolidated groups and controlled groups.
 - (g) Examples.
 - (h) Time and manner of filing election to restore.
 - (1) Statements required.
 - (i) Filing by loss corporation.
 - (ii) Filing by electing member.
 - (iii) Agreement.
 - (2) Special rule for foreign component members.
 - (i) Deemed election to restore full value.
 - (ii) Election not to restore full value.
 - (iii) Agreement.
 - (3) Revocation of election.
 - (i) [Reserved]
 - (j) Effective date.
 - (1) In general.
 - (2) Transition rule.
 - (i) In general.
 - (ii) Special transition rules for controlled groups that had ownership changes before January 29, 1991.
 - (3) Amended returns.
 - (4) Effective/applicability date.
- § 1.382-9 Special rules under section 382 for corporations under the jurisdiction of a court in a title 11 or similar case.*
- (a) Introduction.
 - (b) Application of section 382(1)(5).
 - (c) [Reserved]
 - (d) Rules for determining whether stock of the loss corporation is owned as a result of being a qualified creditor.
 - (1) Qualified creditor.
 - (2) General rules for determining whether indebtedness is qualified indebtedness.
 - (i) Definition.
 - (ii) Determination of beneficial ownership.
 - (iii) Duty of inquiry.
 - (iv) Ordinary course indebtedness.
 - (3) Treatment of certain indebtedness as continuously owned by the same owner.
 - (i) In general.
 - (ii) Operating rules.
 - (iii) Indebtedness owned by beneficial owner who becomes a 5-percent shareholder or 5-percent entity.
 - (iv) Example.

- (4) Special rule if indebtedness is a large portion of creditor's assets.
 - (i) In general.
 - (ii) Applicable period.
 - (iii) Determination of ownership change.
 - (iv) Reliance on statement.
 - (5) Tacking of ownership periods.
- (i) Transferee treated as owning indebtedness for period owned by transferor.
 - (ii) Qualified transfer.
 - (iii) Exception.
 - (iv) Debt-for-debt exchanges.
- (6) Effective date.
 - (i) In general.
 - (ii) Elections and amended returns.
 - (A) Election to apply this paragraph (d) retroactively.
 - (B) Election to revoke section 382(1)(5)(H) election.
 - (C) Amended returns.
 - (e) Option attribution for purposes of determining stock ownership under section 382(1)(5)(A)(ii).
 - (1) In general.
 - (2) Special rules.
 - (i) Lapse or forfeiture of options deemed exercised.
 - (ii) Actual exercise of options not deemed exercised.
 - (iii) Amended returns.
 - (3) Examples.
 - (4) Effective dates.
 - (i) In general.
 - (ii) Special rule for interest or dividends.
 - (f)-(h) [Reserved]
 - (i) Election not to apply section 382(1)(5).
 - (j) Value of the loss corporation in an ownership change to which section 382(1)(6) applies.
 - (k) Rules for determining the value of the stock of the loss corporation.
 - (1) Certain ownership interests treated as stock.
 - (2) Coordination with section 382(e)(2).
 - (3) Coordination with section 382(e)(3).
 - (4) Coordination with section 382(1)(1).
 - (5) Coordination with section 382(1)(4).
 - (6) Special rule for stock not subject to the risk of corporate business operations.
 - (i) In general.
 - (ii) Coordination of special rule and other rules affecting value.
 - (7) Limitation on value of stock.
 - (1) Rules for determining the value of the loss corporation's pre-change assets.
 - (1) In general.
 - (2) Coordination with section 382(e)(2).
 - (3) Coordination with section 382(e)(3).
 - (4) Coordination with section 382(1)(1).
 - (5) Coordination with section 382(1)(4).
 - (m) Continuity of business requirement.
 - (1) Under section 382(1)(5).
 - (2) Under section 382(1)(6).
 - (n) Ownership change in a title 11 or similar case succeeded by another ownership change within two years.

Internal Revenue Service, Treasury

§ 1.382-1T

(1) Section 382(1)(5) applies to the first ownership change.

(2) Section 382(1)(6) applies to the first ownership change.

(o) Options not subject to attribution.

(p) Effective date for rules relating to section 382(1)(6).

(1) In general.

(2) Ownership change to which section 382(1)(6) applies occurring before March 17, 1994.

§ 1.382-10 Special rules for determining time and manner of acquisition of an interest in a loss corporation.

§ 1.382-11 Reporting requirements.

(a) Information statement required.

(b) Effective/applicability date.

§ 1.382-12 Determination of adjusted Federal long-term rate.

(a) In general.

(b) Adjusted Federal long-term rate.

(c) Adjustment factor.

(d) Effective/applicability date.

[T.D. 8149, 52 FR 29674, Aug. 11, 1987. Redesignated by T.D. 8440, 57 FR 45711, Oct. 5, 1992]

EDITORIAL NOTE: For FEDERAL REGISTER citations affecting § 1.382-1, see the List of CFR Sections Affected, which appears in the Finding Aids section of the printed volume and at www.govinfo.gov.

§ 1.382-1T Table of contents (temporary).

This section lists the captions that appear in the regulations for § 1.382-2T.

1.382-2T Definition of ownership change under section 382, as amended by the Tax Reform Act of 1986 (temporary).

(a) Ownership change.

(1) In general.

(2) Events requiring a determination of whether an ownership change has occurred.

(i) Testing dates prior to November 5, 1992.

(ii) [Reserved]

(iii) Records to be maintained by loss corporation.

(b) Nomenclature and assumptions.

(c) Computing the amount of increases in percentage ownership.

(1) In general.

(2) Example.

(3) Related and unrelated increases in percentage stock ownership.

(4) Example.

(d) Testing period.

(1) In general.

(2) Effect of a prior ownership change.

(3) Commencement of the testing period.

(i) In general.

(ii) Exception for corporations with net unrealized built-in loss.

(4) Disregarding testing dates.

(5) Example.

(e) Owner shift and equity structure shift.

(1) Owner shift.

(i) Defined.

(ii) Transactions between persons who are not 5-percent shareholders disregarded.

(iii) Examples.

(2) Equity structure shift.

(i) Tax-free reorganizations.

(ii) Transactions designated under section 382(g)(3)(B) treated as equity structure shifts.

(iii) Overlap of owner shift and equity structure shift.

(iv) Examples.

(f) Definitions.

(1) Loss corporation.

(2) Old loss corporation.

(3) New loss corporation.

(4) Successor corporation.

(5) Predecessor corporation.

(6) Shift.

(7) Entity.

(8) Direct ownership interest.

(9) First tier entity.

(10) 5-percent owner.

(11) Public shareholder.

(12) Public owner.

(13) Public group.

(14) Higher tier entity.

(15) Indirect ownership interest.

(16) Highest tier entity.

(17) Next lower tier entity.

(18) Stock.

(i) In general.

(ii) Treating stock as not stock.

(iii) Treating interests not constituting stock as stock.

(iv) Stock of the loss corporation.

(19) Change date.

(20) Year.

(21) Old section 382.

(22) Pre-change loss.

(23) Unrelated.

(24) Percentage ownership interest.

(g) 5-percent shareholder.

(1) In general.

(2) Determination of whether a person is a 5-percent shareholder.

(3) Determination of the percentage stock ownership interest of a 5-percent shareholder.

(4) Examples.

(5) Stock ownership presumptions in connection with certain acquisitions and dispositions of loss corporation stock.

(i) In general.

(ii) Example.

(h) Constructive ownership of stock.

(1) In general.

(2) Attribution from corporations, partnerships, estates and trusts.

(i) In general.

(ii) Limitation on attribution from entities with respect to certain interests.

Internal Revenue Service, Treasury

§ 1.382-2

(6) First tier entity or higher tier entity that is a foreign corporation or entity. [Reserved]

(1) Changes in percentage ownership which are attributable to fluctuations in value. [Reserved]

(m) Effective date.

(1) In general.

(2) Plan of reorganization.

(3) Earliest commencement of the testing period.

(4) Transitional rules.

(i) Rules provided in paragraph (j) of this section for testing dates before September 4, 1987.

(ii) Example.

(iii) Rules provided in paragraph (j) of this section for testing dates on or after September 4, 1987.

(iv) Rules provided in paragraphs (f)(18)(ii) and (iii) of this section.

(v) Rules provided in paragraph (a)(2)(ii) of this section.

(vi) Rules provided in paragraph (h)(4) of this section.

(vii) Rules provided in paragraph (a)(2)(i) of this section.

(5) Bankruptcy proceedings.

(i) In general.

(ii) Example.

(6) Transactions of domestic building and loan associations.

(7) Transactions not subject to section 382.

(i) Application of old section 382.

(ii) Effect on testing period.

(iii) Termination of old section 382. [Reserved]

(8) Options issued or transferred before January 1, 1987.

(i) Options issued before May 6, 1986.

(ii) Options issued on or after May 6, 1986 and before September 18, 1986.

(iii) Options issued on or after September 18, 1986 and before January 1, 1987.

(9) Examples.

[T.D. 9487, 75 FR 33991, June 16, 2010]

§ 1.382-2 General rules for ownership change.

(a) *Certain definitions for purposes of sections 382 and 383 and the regulations thereunder.* The following definitions apply for purposes of sections 382 and 383 and the regulations thereunder.

(1) *Loss corporation*—(i) *In general.* The term *loss corporation* means a corporation which—

(A) Is entitled to use a net operating loss carryforward, a capital loss carryover, a carryover of excess foreign taxes under section 904(c), a carryforward of a general business credit under section 39, a carryover of a minimum tax credit under section 53,

or a section 382 disallowed business interest carryforward described in paragraph (a)(7) of this section;

(B) For the taxable year that includes a testing date, as defined in paragraph (a)(4) of this section or § 1.382-2T(a)(2)(i), whichever is applicable (determined for purposes of this paragraph (a)(1) without regard to whether the corporation is a loss corporation), has a net operating loss, a net capital loss, excess foreign taxes under section 904(c), unused general business credits under section 38, or an unused minimum tax credit under section 53; or

(C) Has a net unrealized built-in loss (determined for purposes of this paragraph (a)(1) by treating the date on which such determination is made as the change date). See section 382(h)(3) for the definition of net unrealized built-in loss.

See section 383 and § 1.383-1 for rules relating to a loss corporation that has an ownership change and has capital losses, excess foreign taxes, general business credits or minimum tax credits. Any predecessor or successor to a loss corporation described in this paragraph (a)(1) is also a loss corporation.

(ii) *Distributor or transferor loss corporation in a transaction under section 381.* Notwithstanding that a loss corporation ceases to exist under state law, if its disallowed business interest expense carryforwards, net operating loss carryforwards, excess foreign taxes, or other items described in section 381(c) are succeeded to and taken into account by an acquiring corporation in a transaction described in section 381(a), such loss corporation will be treated as continuing in existence until—

(A) Any pre-change losses (excluding pre-change credits described in § 1.383-1(c)(3)), determined as if the date of such transaction were the change date, are fully utilized or expire under section 163(j), 172, or 1212;

(B) Any net unrealized built-in losses, determined as if the date of such transaction were the change date, may no longer be treated as pre-change losses; and

(C) Any pre-change credits (described in § 1.383-1(c)(3)), determined as if the date of such transaction were the

change date, are fully utilized or expire under sections 39, 53, or 904(c).

Following a transaction described in the preceding sentence, the stock of the acquiring corporation shall be treated as the stock of the loss corporation for purposes of determining whether an ownership change occurs with respect to the pre-change losses and net unrealized built-in losses that may be treated as pre-change losses of the distributor or transferor corporation.

(iii) *Separate accounting required for losses and credits of an acquiring corporation and a distributor or transferor loss corporation.* Except as provided in paragraph (a)(1)(iv) of this section, pre-change losses (determined as if the testing date were the change date and treating the amount of any net unrealized built-in loss as a pre-change loss), that are succeeded to and taken into account by an acquiring corporation in a transaction to which section 381(a) applies must be accounted for separately from losses and credits of the acquiring corporation for purposes of applying this section. See *Example (2)* of § 1.382-2T(e)(2)(iv) of this section.

(iv) *End of separate accounting for losses and credits of distributor or transferor loss corporation.* The separate tracking of owner shifts of the stock of an acquiring corporation required by paragraph (a)(1)(iii) of this section with respect to the net operating loss carryovers and other attributes described in paragraph (a)(1)(ii) of this section ends when a fold-in event occurs. A fold-in event is either an ownership change of the distributor or transferor corporation in connection with, or after, the transaction to which section 381(a) applies, or a period of 5 consecutive years following the section 381(a) transaction during which the distributor or transferor corporation has not had an ownership change. Starting on the day after the earlier of the change date (but not earlier than the day of the section 381(a) transaction) or the last day of the 5 consecutive year period, the losses and other attributes of the distributor or transferor corporation are treated as losses and attributes of the acquiring corporation for purposes of determining whether an ownership change occurs with respect

to such losses. Also, for purposes of determining the beginning of the acquiring corporation's testing period, such losses are considered to arise either in a taxable year that begins not earlier than the later of the day following the change date or the day of the section 381(a) transaction, or in a taxable year that begins 3 years before the end of the 5 consecutive year period. Pre-change losses of a distributor or transferor corporation that are subject to a limitation under section 382 continue to be subject to the limitation notwithstanding the occurrence of a fold-in event. Any ownership change that occurs in connection with, or subsequent to, the section 381 transaction may result in an additional, lesser limitation with respect to such pre-change losses.

(v) *Application to other successor corporations.* This paragraph (a)(1) also applies, as the context may require, to successor corporations other than successors in section 381(a) transactions. For example, if a corporation receives assets from the loss corporation that have basis in excess of value, the recipient corporation's basis for the assets is determined, directly or indirectly, in whole or in part, by reference to the loss corporation's basis, and the amount by which basis exceeds value is material, the recipient corporation is a successor corporation subject to this paragraph (a)(1).

(2) *Pre-change loss.* The term *pre-change loss* means—

(i) Any net operating loss carryforward of the old loss corporation to the taxable year ending on the change date or in which the change date occurs;

(ii) Any net operating loss of the old loss corporation for the taxable year in which the ownership change occurs to the extent such loss is allocable to the period in such year on or before the change date;

(iii) Any recognized built-in loss for any recognition period taxable year (within the meaning of 382(h));

(iv) Any pre-change capital losses described in § 1.383-1T(c)(2)(i) and (ii);

(v) Any pre-change credits described in 1.383-1T(c)(3); and

(vi) Any section 382 disallowed business interest carryforward.

(3) *Stock*—(i) *In general.* Except as provided in this paragraph (a)(3)(i) and §1.382-2T(f)(18)(ii) and (iii), the term *stock* means stock other than stock described in section 1504(a)(4). Notwithstanding the preceding sentence, stock that is not described in section 1504(a)(4) solely because it is entitled to vote as a result of dividend arrearages shall be treated as so described and thus shall not be considered stock. Stock described in section 1504(a)(4), however, is not excluded for purposes of determining the value of the loss corporation under section 382(e). The determination of the percentage of stock of any corporation owned by any person shall be made on the basis of the relative fair market value of the stock owned by such person to the total fair market value of the outstanding stock of the corporation. Solely for purposes of determining the percentage of stock owned by a person, each share of all the outstanding shares of stock that have the same material terms is treated as having the same value. Thus, for example, a control premium or blockage discount is disregarded in determining the percentage of stock owned by any person.

(ii) *Convertible stock.* The term *stock* includes any convertible stock. For rules regarding the treatment of certain convertible stock as an option, see §1.382-4(d)(9)(ii).

(4) *Testing date*—(i) *In general.* Except as provided in paragraph (a)(4)(ii) of this section, a loss corporation is required to determine whether an ownership change has occurred immediately after any owner shift, or issuance or transfer (including an issuance or transfer described in §1.382-4(d)(8)(i) or (ii)) of an option with respect to stock of the loss corporation that is treated as exercised under §1.382-4(d)(2). Each date on which a loss corporation is required to make a determination of whether an ownership change has occurred is referred to as a testing date. All computations of increases in percentage ownership are to be made as of the close of the testing date and any transactions described in this paragraph (a)(4) that occur on that date are treated as occurring simultaneously at the close of the testing date. See §1.382-2T(e)(1) for the definition of

owner shift. The term *option*, as used in this paragraph (a)(4), includes interests that are treated as options under §1.382-4(d)(9).

(ii) *Exceptions.* A loss corporation is not required to determine whether an ownership change has occurred immediately after—

(A) Any transfer of stock, or an option with respect to stock, of the loss corporation in any of the circumstances described in section 382(l)(3)(B) (death, gift, divorce, etc.); or

(B) The transfer of an option described in §1.382-4(d)(11)(i) or (ii) (relating to transfers between persons who are not 5-percent shareholders or between members of certain public groups).

(5) *Successor corporation.* A successor corporation is a distributee or transferee corporation that succeeds to and takes into account items described in section 381(c) from a corporation as the result of an acquisition of assets described in section 381(a). A successor corporation also includes, as the context may require, a corporation which receives an asset or assets from another corporation if the corporation's basis for the asset(s) is determined, directly or indirectly, in whole or in part, by reference to the other corporation's basis and the amount by which basis differs from value is, in the aggregate, material.

(6) *Predecessor corporation.* A predecessor corporation is a distributor or transferor corporation that distributes or transfers its assets to an acquiring corporation in a transaction described in section 381(a). A predecessor corporation also includes, as the context may require, a corporation which transfers an asset or assets to another corporation if the transferee's basis for the asset(s) is determined, directly or indirectly, in whole or in part, by reference to the corporation's basis and the amount by which basis differs from value is, in the aggregate, material.

(7) *Section 382 disallowed business interest carryforward.* The term *section 382 disallowed business interest carryforward* includes the following items:

(i) The loss corporation's disallowed business interest expense carryforwards (as defined in §1.163(j)-

§ 1.382-2T

26 CFR Ch. I (4-1-21 Edition)

1(b)(11)), including disallowed disqualified interest (as defined in § 1.163(j)-1(b)(12)), as of the date of the ownership change.

(ii) The loss corporation's current-year business interest expense (as defined in § 1.163(j)-1(b)(9)) in the change year (as defined in § 1.382-6(g)(1)) that is allocable to the pre-change period (as defined in § 1.382-6(g)(2)) under § 1.382-6(a) or (b) and that becomes disallowed business interest expense (as defined in § 1.163(j)-1(b)(10)).

(8) *Testing period.* Notwithstanding the temporal limitations provided in § 1.382-2T(d)(3)(i), the testing period for a loss corporation can begin as early as the first day of the first taxable year from which there is a section 382 disallowed business interest carryforward to the first taxable year ending after the testing date.

(b) *Effective dates—(1) In general.* [Reserved]

(2) *Rules provided in paragraph (a)(3)(ii) of this section—(i) In general.* Except as provided in paragraph (b)(2)(ii) of this section, the rules provided in paragraph (a)(3)(ii) of this section apply with respect to any convertible stock.

(ii) *Certain convertible preferred stock.* Convertible stock that, when issued, would be described in section 1504(a)(4) by disregarding subparagraph (D) thereof and by ignoring the potential participation in corporate growth that the conversion feature may offer is treated as stock described in that section (and thus is not treated as stock for the purpose of determining whether an ownership change occurs, but is taken into account for the purpose of determining the value of the loss corporation immediately before an ownership change; see sections 382(e)(1) and 382(k)(6)(A)) if—

(A) The stock was issued on or after July 20, 1988, and prior to November 5, 1992; or

(B) The stock was issued prior to July 20, 1988, and the loss corporation makes the election described in Notice 88-67, 1988-1 C.B. 555, (see § 601.601(d)(2)(ii)(b) of this chapter for availability of Cumulative Bulletins (C.B.)) on or before the earlier of the date prescribed in the Notice or December 7, 1992.

(3) *Rules provided in paragraphs (a)(1)(i)(A), (a)(1)(ii), (iv), and (v), (a)(2)(iv) through (vi), (a)(3)(i), and (a)(4) through (8) of this section.* The rules provided in paragraphs (a)(1)(i)(A), (a)(1)(ii), (iv), and (v), (a)(2)(iv) through (vi), (a)(3)(i), and (a)(4) through (8) of this section apply to testing dates occurring on or after November 13, 2020. For loss corporations that have testing dates occurring before November 13, 2020, see § 1.382-2 as contained in 26 CFR part 1, revised April 1, 2019. However, taxpayers and their related parties, within the meaning of sections 267(b) and 707(b)(1), may choose to apply the rules of this section to testing dates occurring during a taxable year beginning after December 31, 2017, and before November 13, 2020, so long as the taxpayers and their related parties consistently apply the rules of this section, the section 163(j) regulations (as defined in § 1.163(j)-1(b)(37)), §§ 1.382-1, 1.382-5, 1.382-6, 1.382-7, 1.383-0, and 1.383-1, and, if applicable, §§ 1.263A-9, 1.263A-15, 1.381(c)(20)-1, 1.469-9, 1.469-11, 1.704-1, 1.882-5, 1.1362-3, 1.1368-1, 1.1377-1, 1.1502-13, 1.1502-21, 1.1502-36, 1.1502-79, 1.1502-91 through 1.1502-99 (to the extent they effectuate the rules of §§ 1.382-2, 1.382-5, 1.382-6, and 1.383-1), and 1.1504-4, to that taxable year.

[T.D. 8352, 56 FR 29434, June 27, 1991, as amended by T.D. 8405, 57 FR 10740, Mar. 30, 1992; 57 FR 24188, June 8, 1992; T.D. 8531, 59 FR 12836, Mar. 18, 1994; T.D. 8679, 61 FR 33315, June 27, 1996; T.D. 8825, 64 FR 36177, 36178, July 2, 1999; T.D. 9905, 85 FR 56834, Sept. 14, 2020]

§ 1.382-2T Definition of ownership change under section 382, as amended by the Tax Reform Act of 1986 (temporary).

(a) *Ownership change—(1) In general.* A corporation is a new loss corporation and thus subject to limitation under section 382 only if an ownership change has occurred with respect to such corporation. An ownership change occurs with respect to a corporation if it is a loss corporation on a testing date and, immediately after the close of the testing date, the percentage of stock of the corporation owned by one or more 5-percent shareholders has increased by more than 50 percentage points over the lowest percentage of stock of such

corporation owned by such shareholders at any time during the testing period. See paragraph (a)(2)(i) of this section for the definition of testing date. See paragraph (d) of this section for the definition of testing period. See § 1.382-2(a)(1) and paragraph (f)(3) of this section for the respective definition of loss corporation and new loss corporation. See paragraph (g) of this section for the definition of 5-percent shareholder. See section 383 and § 1.383-1 for rules relating to loss corporations that have an ownership change and have capital loss carryovers, excess foreign taxes carried over under section 904(c), carryovers of general business credits under section 39, or unused minimum tax credits under section 53.

(2) *Events requiring a determination of whether an ownership change has occurred*—(i) *Testing dates prior to November 5, 1992.* Except as otherwise provided in this paragraph (a)(2)(i), a loss corporation is required to determine whether an ownership change has occurred immediately after any owner shift, any equity structure shift, or any transaction in which an option with respect to stock of the loss corporation is—

(A) Transferred to (or by) a 5-percent shareholder (or a person who would be 5-percent shareholder if the option were treated as exercised), or

(B) Issued by the loss corporation, a first tier entity, or a higher tier entity that owns five percent or more of the loss corporation (determined without regard to the application of paragraph (h)(2)(i)(A) of this section). Notwithstanding the preceding sentence, any transfer of stock of the loss corporation (or an option with respect to such stock) in any of the circumstances described in section 382(1)(3)(B), or any equity structure shift that is not also an owner shift, is not an event that requires the loss corporation to make a determination of whether an ownership change has occurred. For purposes of this section, each date on which a loss corporation is required to make a determination of whether an ownership change has occurred is referred to as a testing date, all computations of increases in percentage ownership are to be made as of the close of the testing date, and any transactions described in

this paragraph (a)(2)(i) that occur on that date are treated as occurring simultaneously at the close of the testing date. See paragraphs (e)(1) and (2) of this section for the respective definitions of owner shift and equity structure shift. See paragraphs (f)(9) and (14) of this section for the respective definitions of first tier entity and higher tier entity. See paragraph (m)(4)(vii) of this section for special rules regarding the effective date of the provisions of this paragraph (a)(2)(i).

(ii) [Reserved]. For further guidance, see § 1.382-11(a).

(iii) *Records to be maintained by loss corporation.* A loss corporation shall keep such records as are necessary to determine: (A) The identity of its 5-percent shareholders, (B) the percentage of its stock owned by each such 5-percent shareholder, and (C) whether the section 382 limitation is applicable. Such records shall be retained so long as they may be material in the administration of any internal revenue law.

(b) *Nomenclature and assumptions.* For purposes of the example in this section—

(1) L is a loss corporation, and, if there is more than one loss corporation, they are designated as L₁, L₂, L₃, etc.

(2) P is a corporation that is not a loss corporation, and, if there is more than one such corporation, they are designated as P₁, P₂, P₃, etc.

(3) HC is a corporation whose assets consist solely of the stock of other corporations.

(4) E is an entity other than a corporation (e.g., a partnership), and, if there is more than one such entity, they are designated as E₁, E₂, E₃, etc.

(5) Unless otherwise stated—

(i) A, B, C, D, AA, BB, CC, and DD are unrelated individuals who own interests in corporations or other entities only to the extent expressly stated,

(ii) All corporations have one class of stock outstanding and each share of stock has the same fair market value as each other share,

(iii) The capital structure of the loss corporation and its business do not change over time, and

(iv) The rules of paragraphs (k)(2) and (4) of this section are not applicable.

(6) Public L represents a group of unrelated individuals and entities that own direct (and not indirect) stock ownership interests in loss corporation L, each of whom owns less than five percent of the stock of the loss corporation, and, if there is more than one loss corporation, such groups are designated as Public L₁, Public L₂, Public L₃, etc.

(7) Public P represents a group of unrelated individuals and entities that own direct (and not indirect) stock ownership interests in corporation P, each of whom owns less than five percent of the stock of the corporation, and, if there is more than one corporation, such groups are designated as Public P₁, P₂, P₃, etc.

(8) Public E represents a group of unrelated individuals and entities that own direct (and not indirect) ownership interests in entity E, each of whom owns less than five percent of the entity, and, if there is more than one entity, such groups are designated as Public E₁, Public E₂, Public E₃, etc.

(c) *Computing the amount of increases in percentage ownership*—(1) *In general.* In order to determine whether an ownership change has occurred on a testing date, the loss corporation must identify each 5-percent shareholder whose percentage of stock ownership in the loss corporation immediately after the close of the testing date has increased, compared to such shareholder's lowest percentage of stock ownership in such corporation at any time during the testing period. The amount of the increase in the percentage of stock ownership in the loss corporation of each 5-percent shareholder must be computed separately by comparing the percentage ownership of each such 5-percent shareholder immediately after the close of the testing date to such shareholder's lowest percentage ownership at any time during the testing period. Each such increase in the percentage ownership of a 5-percent shareholder is then added together with any other such increases of other 5-percent shareholders to determine whether an ownership change has occurred. Because only those 5-percent shareholders whose percentages of stock ownership have increased are taken into account, a 5-percent shareholder is disregarded

if his percentage of stock ownership, immediately after the close of the testing date, has decreased (or has remained the same), compared to his lowest percentage ownership interest on any previous date during the testing period.

(2) *Example.*

Example. (i) A and B each own 40 percent of the outstanding L stock. The remaining 20 percent of the L stock is owned by 100 unrelated individuals, none of whom own as much as five percent of L stock ("Public L"). C negotiates with A and B to purchase all their stock in L.

(ii) The acquisitions from both A and B are completed on September 13, 1990. C's acquisition of 80 percent of L stock results in an ownership change because C's percentage ownership has increased by 80 percentage points as of the testing date, compared to his lowest percentage ownership in L at any time during the testing period (0 percent).

(3) *Related and unrelated increases in percentage stock ownership.* The determination whether an ownership change has occurred is made without regard to whether the changes in stock ownership of the loss corporation (by one or more 5-percent shareholders) result from related or unrelated events.

(4) *Example.*

Example. (i) L has outstanding 200 shares of common stock. A, B and C respectively own 100, 50 and 50 shares of the L stock. On January 2, 1988, A sells 60 shares of L stock to B. Thus, B's percentage ownership interest in L increases by 30 percentage points, from 50 shares to 110 shares. On January 1, 1989, A purchases C's entire interest in L. Thus, A's percentage ownership interest in L increases by 25 percentage points, compared to his lowest percentage ownership interest in L, from 40 shares immediately following the January 2, 1988 sale to B to 90 shares. Even though A's ownership interest in L as of January 1, 1989 has decreased, compared to his 50 percent ownership interest at the beginning of the testing period, A is a 5-percent shareholder who must be taken into account for purposes of the computation required under paragraph (c)(1) of this section because his interest in L on that testing date (45 percent) has increased, compared to his lowest percentage ownership interest in L at any time during the testing period (20 percent following the sale to B).

(ii) Accordingly, although A and B jointly have increased their aggregate total ownership interest in L between January 2, 1988 and January 1, 1989 by only 25 percentage points (*i.e.*, the total ownership interest in L held by A and B at all times is not less than

a 75 percent interest), the total of their separate increases in the percentage stock ownership of L, compared to their respective lowest percentage ownership interests at any time during the testing period, is 55 percentage points. Thus, an ownership change occurs as a result of A's acquisition of L stock on January 1, 1989.

(d) *Testing period*—(1) *In general.* Except as otherwise provided in paragraphs (d) and (m) of this section, the testing period for any testing date is the three-year period ending on the testing date. See paragraph (a)(2)(i) of this section for the definition of testing date.

(2) *Effect of a prior ownership change.* Following an ownership change, the testing period for determining whether a subsequent ownership change has occurred shall begin no earlier than the first day following the change date of the most recent ownership change. See paragraph (f)(19) of this section for the definition of change date.

(3) *Commencement of the testing period*—(i) *In general.* Except as otherwise provided in paragraph (d)(3)(ii) of this section, the testing period for any loss corporation shall not begin before the earlier of the first day of either—

(A) The first taxable year from which there is a loss or excess credit carryforward to the first taxable year ending after the testing date, or

(B) The taxable year in which the testing date occurs.

(ii) *Exception for corporations with net unrealized built-in loss.* Paragraph (d)(3)(i) of this section shall not apply if the corporation has a net unrealized built-in loss (determined after application of section 382(h)(3)(B)) on the testing date, unless the loss corporation establishes the taxable year in which the net unrealized built-in loss first accrued.

In that event, the testing period shall not begin before the earlier of—

(A) The first day of the taxable year in which the net unrealized built-in loss first accrued, or

(B) The day described in paragraph (d)(3)(i) of this section. See section 382(h) for the definition of net unrealized built-in loss.

(4) *Disregarding testing dates.* Any testing date that occurs before the beginning of the testing period shall be

disregarded for purposes of this section.

(5) *Example.*

Example. (i) A owns all 100 outstanding shares of L stock. A sells 40 shares to B on January 1, 1988. C purchases 20 shares of L stock from A on July 1, 1991. In determining if an ownership change occurs on the July 1, 1991 testing date, B's acquisition of L stock is disregarded because it occurred before the testing period that ends on such testing date. Thus, B's ownership interest in L does not increase during the testing period, and no ownership change results from C's acquisition.

(ii) The facts are the same as in (i), except that throughout the period during which B negotiated his stock purchase transaction with A, B knew that C intended to attempt to acquire a significant stock interest in L. Also, B and C have been partners in a number of significant business ventures. The result is the same as in (i).

(e) *Owner shift and equity structure shift*—(1) *Owner shift*—(i) *Defined.* For purposes of this section, an owner shift is any change in the ownership of the stock of a loss corporation that affects the percentage of such stock owned by any 5-percent shareholder. See paragraph (g) of this section for the definition of a 5-percent shareholder. An owner shift includes, but is not limited to, the following transactions:

(A) A purchase or disposition of loss corporation stock by a 5-percent shareholder,

(B) A section 351 exchange that affects the percentage of stock owned by a 5-percent shareholder,

(C) A redemption or a recapitalization that affects the percentage of stock owned by a 5-percent shareholder,

(D) An issuance of loss corporation stock that affects the percentage of stock owned by a 5-percent shareholder, and

(E) An equity structure shift that affects the percentage of stock owned by a 5-percent shareholder.

(ii) *Transactions between persons who are not 5-percent shareholders disregarded.* Transfers of loss corporation stock between persons who are not 5-percent shareholders of such corporation (and between members of separate public groups resulting from the application of the segregation rules of paragraphs (j)(2) and (3)(iii) of this section) are not owner shifts and thus are not

taken into account. See paragraph (h)(4)(xi) of this section for a similar rule applicable to transfers of options.

(iii) *Examples.*

Example 1. A has owned all 1000 shares of outstanding L stock for more than three years. On June 15, 1988, A sells 300 of his L shares to B. This transaction is an owner shift. No other 5-percent shareholder has increased his percentage ownership of L stock during the testing period. Thus, the owner shift resulting from B's acquisition does not result in an ownership change, because B has increased his stock ownership in L by only 30 percentage points.

Example 2. The facts are the same as in *Example (1)*. In addition, on June 15, 1989, L issues 100 shares to each of C, D and AA. The stock issuance is an owner shift. The transaction, however, does not result in an ownership change, because B, C, D and AA (the 5-percent shareholders whose stock ownership has increased as of the testing date, compared to any other time during the testing period) have increased their percentage of stock ownership in L by a total of only 46.2 percentage points during the testing period (by 23.1 percentage points [300 shares/1300 shares] for B, and 7.7 percentage points [100 shares/1300 shares] for each of C, D and AA).

Example 3. All 1000 shares of L stock are owned by a group of 100 unrelated individuals, none of whom own as much as five percent of L stock ("Public L"). Several of the members of Public L sell their L stock, amounting to a 30 percent ownership interest in L, to B on June 15, 1988. The sale of stock to B is an owner shift. Between June 16, 1988 and June 15, 1989, each of the remaining individuals in Public L sells his stock to another person who is not a 5-percent shareholder. Under paragraph (e)(1)(ii) of this section, trading activity among the members of Public L is disregarded and does not result in an owner shift. On June 15, 1989, L issues 100 shares to each of C, D and AA. The only sale transactions by members of Public L that are taken into account in determining whether an ownership change occurs on June 15, 1989 are the sales to B on June 15, 1988. Because B, C, D and AA together have increased their percentage ownership of L stock as a result of B's purchase and the stock issuance by an amount not in excess of 50 percentage points during the testing period ending on June 15, 1988, an ownership change does not occur on that date.

Example 4. The facts are the same as in *Example (2)*. In addition, on December 15, 1989, L redeems 200 of the L shares from A. The redemption is an owner shift that results in an ownership change, because B, C, D and AA are 5-percent shareholders whose percentage ownership of L increase by a total of 54.6 percentage points during the testing period (by 27.3 percentage points [300 shares/1100 shares]

for B and 9.1 percentage points [100 shares/1100 shares] for each of C, D and AA).

Example 5. L is owned entirely by 10,000 unrelated shareholders, none of whom owns as much as five percent of the stock of L ("Public L"). Accordingly, Public L is L's only 5-percent shareholder. See paragraph (j)(1) of this section. There are one million shares of common stock outstanding. On December 1, 1988, L issues two million new shares of its common stock to members of the public, none of whom owned any L stock prior to the issuance. Following the public offering, no shareholder of L owns, directly or indirectly, five percent or more of L stock. Under paragraph (j)(2) of this section, however, all of the newly issued stock is treated as acquired by a 5-percent shareholder ("Public NL") that is unrelated to Public L. Therefore, the public offering constitutes an owner shift that results in an ownership change because Public NL's percentage of stock ownership in L increased by 66⅔ percentage points (two million shares acquired in the public offering/three million shares outstanding following the offering) over its lowest percentage ownership during the testing period (0 percent prior to the offering).

Example 6. The facts are the same as in *Example (5)*, except that L issues only 500,000 new shares of L stock on December 1, 1988, and Public NL's percentage ownership interest in L increases by only 33⅓ percentage points (500,000 shares acquired in the public offering/1.5 million shares outstanding following the offering). During the two years following December 2, 1988, 14 percent of the stock outstanding on that date is sold over a public stock exchange. On December 3, 1990, A purchases five percent of L stock (75,000 shares) over a public stock exchange. The purchase of five percent of L stock by A is an owner shift and is presumed to have been made proportionately from Public L and Public NL under paragraph (j)(1)(vi) of this section. Under paragraph (e)(1)(ii) of this section, transfers of L stock in transactions not involving A (i.e., in transactions among or between members of separate public groups resulting from the application of paragraphs (j)(2) and (3) of this section) are not taken into account, and do not constitute owner shifts. (Transfers between members of Public NL and Public L, which are treated as separate 5-percent shareholders solely by virtue of paragraph (j)(2) of this section, are disregarded even if L has actual knowledge of any such transfers.) A and Public NL, the only 5-percent shareholders whose interests in L have increased during the testing period, have increased their respective stock ownership by only 36⅔ percentage points—five percentage points for A [75,000 shares/1.5 million shares outstanding] and 31⅔ percentage points for Public NL [(500,000 shares issued in the public offering)–(5 percent ×

500,000 shares presumed to have been acquired by A) /1.5 million shares outstanding]. Accordingly, there is no ownership change with respect to L notwithstanding that, taking into account the public trading, a change of more than 50 percentage points in the ultimate beneficial ownership of L stock occurred during the three-year period ending on the December 3, 1990 testing date.

Example 7. The facts are the same as in *Example 6*, except that five percent of the L stock has always been owned by P which, in turn, has always been owned by Public P. On December 6, 1990, P sells all of its L stock over a public stock exchange. Although the trading of P stock among persons that are not 5-percent share-holders (without regard to the segregation rules of paragraph (j) of this section) are disregarded under paragraph (e)(1)(ii) of this section, the disposition of the L stock by P is not disregarded because the L stock is transferred in a transaction that is subject to paragraph (j)(3)(i) of this section.

(2) *Equity structure shift*—(i) *Tax-free reorganizations.* An equity structure shift is any reorganization within the meaning of section 368 with respect to which the loss corporation is a party to the reorganization, except that such term does not include a reorganization described in—

(A) Section 368(a)(1)(D) or (G) unless the requirements of section 354(b)(1) are met, or

(B) Section 368(a)(1)(F).

(ii) *Transactions designated under section 382(g)(3)(B) treated as equity structure shifts.* [Reserved]

(iii) *Overlap of owner shift and equity structure shift.* Any equity structure shift that affects the percentage of loss corporation stock owned by a 5-percent shareholder also constitutes an owner shift. See paragraph (e)(i)(E) of this section

(iv) *Examples.*

Example 1. A owns all of the stock of L and B owns all of the stock of P. On October 13, 1988, L merges into P in a reorganization described in section 368a(1)(A). As a result of the merger, A and B own 25 and 75 percent, respectively, of the stock of P. The merger is an equity structure shift (and, because it affects the percentage of L stock owned by 5-percent shareholders, it also constitutes an owner shift). On the October 13, 1988 testing date, B is a 5-percent shareholder whose stock ownership in the loss corporation following the merger has increased by 75 percentage points over his lowest percentage of stock ownership in L at any time during the

testing period (0 percent prior to the merger). Accordingly, an ownership change occurs as a result of the merger. P is thus a new loss corporation and L's pre-change losses are subject to limitation under section 382.

Example 2. (i) A owns 100 percent of L₁ stock and B owns 100 percent of L₂ stock. On January 1, 1988, L₁ merges into L₂ in a reorganization described in section 368(a)(1)(A). Immediately after the merger, A and B own 40 percent and 60 percent, respectively, of the L₂ stock. There is an equity structure shift (as well as an owner shift) with respect to both L₁ and L₂ on January 1, 1988.

(ii) Because the percentage of L₂ stock owned by B immediately after the merger (60 percent) increases by more than 50 percentage points over the lowest percentage of the stock of L₁ owned by B during the testing period (0 percent prior to the merger), there is an ownership change with respect to L₁. L₂ is a new loss corporation and thus, under §1.382-2(a)(1)(iii) of this section, the pre-change losses of L₁ must be accounted for separately by L₂ from the losses of L₂ (immediately before the ownership change) and are subject to limitation under section 382. See §1.382-2(a)(1)(iv) of this section for rules that end separate accounting for L₁'s pre-change losses on any testing date occurring on or after January 29, 1991.

(iii) L₂ is a new loss corporation because it is a successor corporation to L₁. There is no ownership change with respect to L₂, however, because A's stock ownership in L₂ increased by only 40 percentage points (to 40 percent) over the amount owned by A prior to the merger (0 percent). Therefore, the pre-change losses of L₂ are not limited under section 382 as a result of the merger.

Example 3. The result in *Example 2* would be the same if L₁ had survived the merger (i.e., L₂ merged into L₁) with A and B owning 40 and 60 percent, respectively, of L₁ stock. L₁'s pre-change losses would be accounted for separately and limited under section 382 and the pre-change losses of L₂ would be accounted for separately under §1.382-2(a)(1)(iii) of this section, but would not be limited under section 382. See §1.382-2(a)(1)(ii) for the treatment of L₂ following the transaction.

Example 4. The facts are the same as *Example 2*, except, instead of acquiring L₁ in a merger, L₂ acquires all of the L₁ stock from A on January 1, 1988, solely in exchange for stock representing a 40 percent interest in L₂, in a reorganization described in section 368(a)(1)(B). The acquisition of stock by L₂ is an equity structure shift (as well as an owner shift) with respect to L₁ that results in an ownership change with respect to L₁ because the percentage of L₁ stock owned by B immediately after the reorganization (60 percent, by virtue of B's ownership of L₂, through the operation of the constructive ownership

rules of paragraph (h) of this section) increases by more than 50 percentage points over the lowest percentage of L₁ stock owned by B at any time during the testing period (0 percent prior to the reorganization). The acquisition also results in an equity structure shift and an owner shift with respect to L₂, but L₂ incurs no ownership change, because A's stock ownership in L₂ increased by only 40 percentage points over the percentage of L₂ stock owned by A prior to the reorganization (0 percent).

(f) *Definitions.* For purposes of this section—

(1) *Loss corporation.* See section 382 and § 1.382-2(a)(1) for the definition of a loss corporation.

(2) *Old loss corporation.* The term *old loss corporation* means any corporation with respect to which there is an ownership change and that was a loss corporation immediately before the ownership change.

(3) *New loss corporation.* The term *new loss corporation* means a corporation with respect to which there is an ownership change if, immediately after such change, it is a loss corporation. A successor corporation to the corporation described in the preceding sentence also is a new loss corporation.

(4) *Successor corporation.* See § 1.382-2(a)(5) for the definition of *successor corporation*.

(5) *Predecessor corporation.* See § 1.382-2(a)(6) for the definitions of *predecessor corporation*.

(6) *Shift.* As the context may require, a shift means an equity structure shift, an owner shift or both.

(7) *Entity.* See § 1.382-3(a)(1) for the definition of an entity.

(8) *Direct ownership interest.* A *direct ownership interest* means the interest a person owns in an entity, including a loss corporation, without regard to the constructive ownership rules of paragraph (h) of this section.

(9) *First tier entity.* A first tier entity is an entity that, at any time during the testing period, owns a five percent or more direct ownership interest in the loss corporation.

(10) *5-percent owner.* A 5-percent owner is any individual that, at any time during the testing period, owns a five percent or more direct ownership interest in a first tier entity or a higher tier entity. See paragraph (g) of this section for rules to determine whether,

as a result of the constructive ownership rules of paragraph (h) of this section, a 5-percent owner is a 5-percent shareholder.

(11) *Public shareholder.* A public shareholder is any individual, entity, or other person with a direct ownership interest in a loss corporation of less than five percent at all times during the testing period.

(12) *Public owner.* A public owner is any individual, entity, or other person that, at all times during the testing period, owns less than a five percent direct ownership interest in a first tier entity or any higher tier entity.

(13) *Public group.* A public group is a group of individuals, entities, or other persons each of whom owns, directly or constructively, less than five percent of the loss corporation. See paragraphs (g) and (j) of this section for the rules applicable to identify public groups and to determine whether a public group is a 5-percent shareholder.

(14) *Higher tier entity.* A higher tier entity is any entity that, at any time during the testing period, owns a five percent or more direct ownership interest in a first tier entity or in any higher tier entity.

(15) *Indirect ownership interest.* An indirect ownership is an interest a person owns in an entity determined solely as a result of the application of the constructive ownership rules of paragraph (h) of this section and without regard to any direct ownership interest (or other beneficial ownership interest) in the entity.

(16) *Highest tier entity.* A highest tier entity is a first tier entity or a higher tier entity that is not owned, in whole or in part, at any time during the testing period by a higher tier entity.

(17) *Next lower tier entity.* The next lower tier entity with respect to a first tier entity is the loss corporation. The next lower tier entity with respect to a higher tier entity is any first tier entity or other higher tier entity in which the higher tier entity owns, at any time during the testing period, a five percent or more direct ownership interest.

(18) *Stock*—(i) *In general.* For further guidance, see § 1.382-2(a)(3)(i).

(ii) *Treating stock as not stock.* Any ownership interest that otherwise

would be treated as stock under paragraph (f)(18)(i) of this section shall not be treated as stock if—

(A) As of the time of its issuance or transfer to (or by) a 5-percent shareholder, the likely participation of such interest in future corporate growth is disproportionately small when compared to the value of such stock as a proportion of the total value of the outstanding stock of the corporation,

(B) Treating the interest as not constituting stock would result in an ownership change, and

(C) The amount of the pre-change loss (determined as if the testing date were the change and treating the amount of any net unrealized built-in loss as a pre-change loss) is more than twice the amount determined by multiplying

(1) the value of the loss corporation (as determined under section 382(e)) on the testing date, by

(2) the long-term tax exempt rate (as defined in section 382(f)) for the calendar month in which the testing date occurs.

Stock that is not treated as stock under this paragraph (f)(18)(ii), however, is taken into account for purposes of determining the value of the loss corporation under section 382(e).

(iii) *Treating interests not constituting stock as stock.* Any ownership interest that would not be treated as stock under paragraph (f)(18)(i) of this section (other than an option that is subject to paragraph (h)(4) of this section) shall be treated as constituting stock if—

(A) As of the time of its issuance or transfer to (or by) a 5-percent shareholder (or a person who would be a 5-percent shareholder if the interest not constituting stock were treated as stock), such interest offers a potential significant participation in the growth of the corporation,

(B) Treating the interest as constituting stock would result in an ownership change, and

(C) The amount of the pre-change losses (determined as if the testing date were the change date and treating the amount of any net unrealized built-in loss as a pre-change loss) is more than twice the amount determined by multiplying

(1) The value of the loss corporation (as determined under section 382(e)) on the testing date, by

(2) The long-term tax exempt rate (as defined in section 382(f)) for the calendar month in which the testing date occurs.

An ownership interest is that treated as stock under this paragraph (f)(18)(iii) is taken into account for purposes of determining the value of the loss corporation under section 382(e). See §1.382-4(d)(12) for rules that apply with respect to options and this paragraph (f)(18)(iii).

(iv) *Stock of the loss corporation.* The *stock of the loss corporation* means stock of such corporation within the meaning of this paragraph (f)(18) and, as the context may require, includes any indirect ownership interest in the loss corporation.

(19) *Change date.* The *change date* means the date on which a shift (or any other transaction described in paragraph (a)(2)(i) of this section) that is the last component of an ownership change occurs.

(20) *Year.* A *year*, or any multiple thereof, means a 365-day period (or a 366-day period in the case of a leap year), or any multiple thereof, unless the year is specifically identified as a taxable year.

(21) *Old section 382.* “Old section 382” means section 382, as in effect prior to the effective date of section 382 in the Tax Reform Act of 1986 (the “Act”), but taking into account section 621(f)(2) of the Act.

(22) *Pre-change loss.* See section 382 and §1.382-2(a)(2) for the definition of pre-change loss.

(23) *Unrelated.* Any two persons are unrelated if the constructive ownership rules of paragraph (h) of this section do not apply to treat either person as owning stock that is owned, directly or constructively, by the other person.

(24) *Percentage ownership interest.* A person’s percentage ownership interest in—

(i) A corporation shall be determined under the rules of this section that are applicable to the determination of a shareholder’s percentage stock ownership interest in a loss corporation (see paragraphs (f)(18)(i) through (iii) of this section),

(ii) A partnership shall be equal to the relative fair market value of such person's partnership interest to the total fair market value of all outstanding partnership interests, determined without regard to any limited and preferred partnership interest that is described in paragraph (h)(2)(ii)(C) of this section,

(iii) A trust shall be determined in accordance with the principles of section 318(a)(2)(B) for determining the constructive ownership of stock,

(iv) An estate shall be determined in accordance with the principles of section 318(a)(2)(A) for determining the constructive ownership of stock, and

(v) All other entities shall be determined by reference to the person's relative economic interest in the entity, taking into account all of the relevant facts and circumstances.

(g) *5-percent shareholder*—(1) *In general.* Subject to the rules of paragraphs (k)(2) and (4) of this section, the term *5-percent shareholder* means—

(i) An individual that owns, at any time during the testing period,

(A) A direct ownership interest in the stock of the loss corporation of five percent or more or

(B) An indirect ownership interest in the stock of the loss corporation of five percent or more by virtue of an ownership interest in any one first tier entity or higher tier entity,

(ii) A public group, of either a first tier entity or a higher tier entity, identified as a 5-percent shareholder under paragraph (j)(1)(iv)(A) or (B) of this section,

(iii) A public group of the loss corporation identified as a 5-percent shareholder under paragraph (j)(1)(iv)(C) of this section, and

(iv) A public group, of the loss corporation, a first tier entity or a higher tier entity, identified as a 5-percent shareholder under paragraph (j)(2) or (3) of this section. An individual owning five percent or more of the stock of the loss corporation at any time during the testing period is a 5-percent shareholder notwithstanding that the individual may own less than five percent of the stock of the loss corporation on the testing date. See paragraph

(g)(5)(i)(B) of this section for rules permitting a loss corporation to make an adjustment in cases described in the preceding sentence.

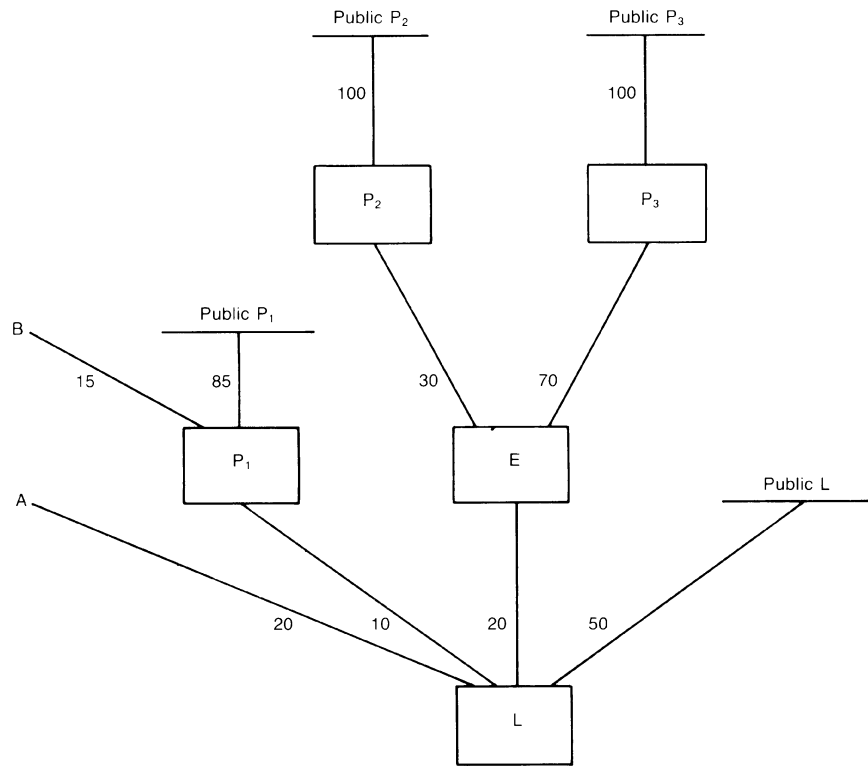
(2) *Determination of whether a person is a 5-percent shareholder.* Except as provided in paragraphs (k)(2) and (4) of this section, a person shall be treated as constructively owning stock of the loss corporation pursuant to paragraph (h)(2) of this section only if the loss corporation stock is attributed to such person in the person's capacity as a higher tier entity or a 5-percent owner of the first tier entity or higher tier entity from which such stock is attributed. See paragraph (k)(3) of this section for rules explaining the extent of the obligation of the loss corporation to determine the identity of its 5-percent shareholders. Nothing in this paragraph (g)(2), however, shall limit the attribution of loss corporation stock under section 318(a)(2) and paragraph (h) of this section to a public owner.

(3) *Determination of the percentage stock ownership interest of a 5-percent shareholder.* Subject to the rules of paragraphs (k)(2) and (4) of this section, in determining a 5-percent shareholder's percentage ownership interest in the loss corporation, the shareholder's direct ownership interest, if any, and each indirect ownership interest that he may have in the loss corporation in his capacity as a 5-percent owner of any one first tier entity or higher tier entity, if any, are required to be added together and taken into account with respect to such shareholder only to the extent that each such direct or indirect ownership interest constitutes five percent or more of the stock of the loss corporation.

(4) *Examples.*

Example 1. (i) Twenty percent of L stock is owned by A, 10 percent is owned by P₁, 20 percent is owned by E, a joint venture, and the remaining 50 percent of L stock is owned by Public L. P₁ is owned 15 percent by B and 85 percent by Public P₁. E is owned 30 percent by P₂ and 70 percent by P₃, which, in turn, are owned by Public P₂ and Public P₃, respectively.

(ii) The ownership structure of L is illustrated by the following chart:



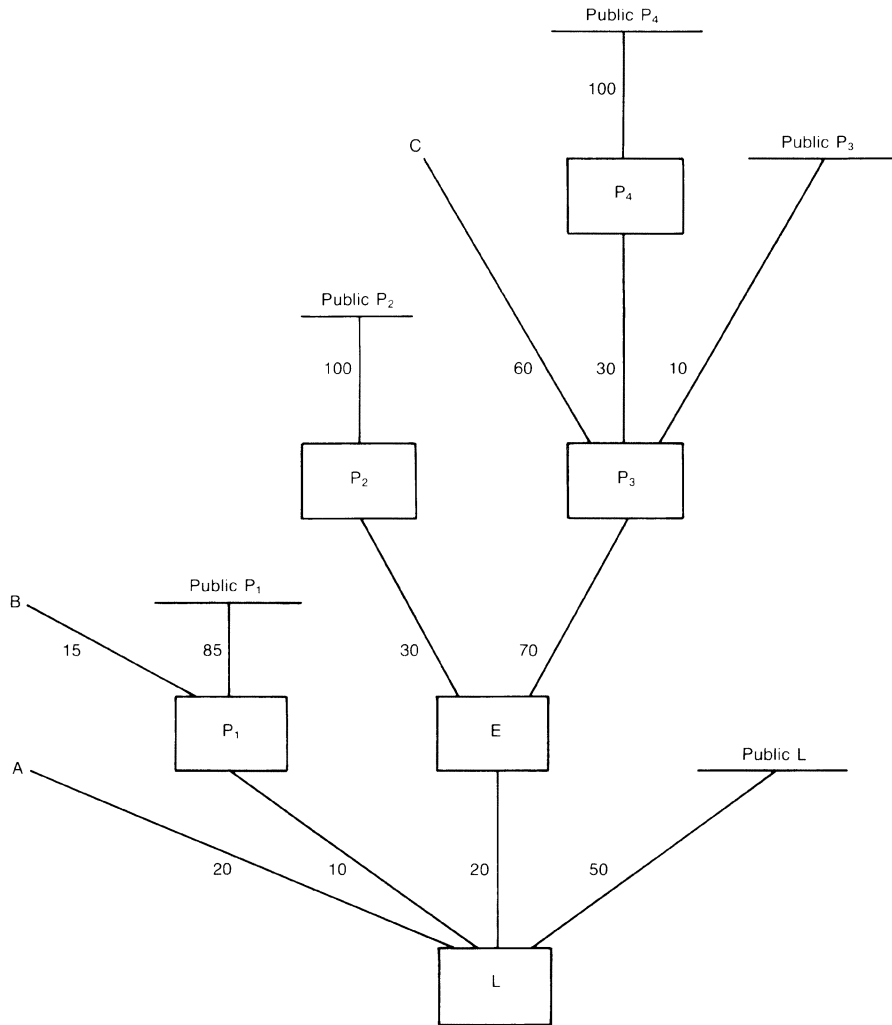
(iii) P₁ and E, each of which has a direct ownership interest in L of five percent or more, are first tier entities. The shareholders with direct ownership interests in L who individually own less than five percent of L are public shareholders (Public L). B, who has a direct ownership interest of five percent or more in P₁, is a 5-percent owner of P₂ and P₃, and P₃, each of which has a direct ownership interest in a first tier entity (E) of five percent or more, are higher tier entities with respect to L and, because neither entity is owned at any time during the testing period by a higher tier entity, they also are highest tier entities. The shareholders of P₂ and P₃ (Public P₂ and Public P₃, respectively) are public owners of such entities, because none of those shareholders own five percent or more of either entity at any time during the testing period.

(iv) A, who has a 20 percent direct ownership interest in L, is a 5-percent shareholder

of L. Because, by application of the constructive ownership rules of paragraph (h) of this section, B owns only 1.5 percent of L stock in his capacity as a 5-percent owner of P₁ (15 percent ownership of P₁ × 10 percent ownership of L), B is not a 5-percent shareholder of L, even though he is a 5-percent owner of P₁. Under the rules of paragraph (j) of this section, therefore, B is treated as a member of Public P₁. See *Example (3)* of paragraph (j)(1)(vi) of this section for a determination of which public owners and public shareholders constitute public groups that are treated as 5-percent shareholders of L.

Example 2. (i) The facts are the same as in *Example (1)*, except that P₃ is owned 60 percent by C, 30 percent by P₄, and 10 percent by Public P₃. The stock of P₄ is owned by a group of persons (Public P₄), none of whom own five percent or more of the stock of P₄.

(ii) The ownership structure of L is illustrated by the following chart:



(iii) The defined terms are the same as in *Example (1)*, except that P₃ is a higher tier entity, not a highest tier entity, because five percent or more of P₃ is, in turn, owned by another entity (P₄). P₄, which owns five percent or more of a higher tier entity (P₃), also is a higher tier entity and, because it is not owned at any time during any testing period by any entity that is also a higher tier entity, P₄ is a highest tier entity. All of the shareholders of P₄, none of which own a direct ownership interest of five percent or more in P₄, are public owners of P₄.

(iv) C is a 5-percent owner of P₃ and, under the constructive ownership rules of para-

graph (h) of this section, C indirectly owns 8.4 percent of L ([60 percent ownership of P₃] × [70 percent ownership of E] × [20 percent ownership of L]), in his capacity as a 5-percent owner of P₃. B is a 5-percent owner of P₁ and, under the constructive ownership rules of paragraph (h) of this section, B owns 1.5 percent of L ([15 percent ownership of P₁] × [10 percent ownership of L]) in his capacity as a 5-percent owner of P₁. Therefore, C is a 5-percent shareholder of L, but B is not a 5-percent shareholder of L, even though he is a 5-percent owner of P₁. See *Example (4)* of

paragraph (j)(1)(vi) of this section for a determination of which public owners and public shareholders constitute public groups that are treated as separate 5-percent shareholders of L.

Example 3. (i) L is owned 30 percent by A and 70 percent by P. A owns six percent of P stock and the balance (94 percent) is owned equally by 500 unrelated shareholders ("Public P").

(ii) A is a 5-percent shareholder because he directly owns 30 percent of L. Even though A is a 5-percent owner of P, A's 4.2 percent indirect ownership interest in L (six percent ownership interest in P × P's 70 percent ownership of L) is generally not taken into account in determining A's ownership interest, because such indirect ownership interest is less than five percent. Instead, A's 4.2 percent indirect interest is treated under paragraph (j)(1)(iv) of this section as owned by Public P. If, however, L has actual knowledge of A's less-than-five-percent indirect ownership interest in L and is thus subject to paragraph (k)(2) of this section, or paragraph (k)(4) of this section otherwise applies, L must take A's total 34.2 percent ownership interest into account in determining A's percentage ownership in L.

Example 4. The facts are the same as in *Example 3*, except that A owns ten percent of P's stock. Because A's indirect ownership interest in L in his capacity as a 5-percent owner of P is five percent or more, both A's 30 percent direct ownership interest in L and his seven percent indirect ownership interest in L (10 percent ownership interest in P × P's 70 percent ownership of L) are taken into account in determining his ownership interest in L, without regard to L's actual knowledge or whether paragraph (k)(4) of this section applies.

Example 5. See § 1.382-3(a)(1)(ii) for additional examples with respect to the definition of an entity.

(5) *Stock ownership presumptions in connection with certain acquisitions, and dispositions of loss corporation stock*—(i) *In general.* For purposes of this section—

(A) If an individual owns less than five percent of the stock of a loss corporation during the testing period (excluding the testing date) and acquires an amount of such stock so that the individual becomes a 5-percent shareholder on the testing date, the loss corporation may treat any interest in the loss corporation owned by such individual prior to that acquisition as owned by a public group during the period of such individual's ownership of that interest and as not owned by the

5-percent shareholder during the same period, and

(B) If a 5-percent shareholder's percentage ownership interest in the loss corporation is reduced to less than five percent, the loss corporation may presume that the remaining stock owned by such 5-percent shareholder immediately after such reduction is the stock owned by such shareholder for each subsequent testing date having a testing period that includes the date on which the reduction occurred as long as such shareholder continues to own less than five percent of the stock of the loss corporation. In that event, such ownership interest shall be treated as owned by a separate public group for purposes of the rules of paragraph (j)(2)(vi) of this section.

(ii) *Example.*

Example. L has 100,000 shares of stock outstanding. All of the L stock is owned equally by 40 unrelated, individual shareholders, including A (who owns 2.5 percent of L stock). Because no person owns as much as five percent of L stock, Public L is the only 5-percent shareholder of L. See paragraph (j)(1) of this section. A purchases 5,000 shares of L stock over a public stock exchange on June 8, 1989. The purchase is an owner shift. When added to his ownership interest before that date (the testing date), A owns 7,500 shares of L stock (7.5 percent). Under paragraph (g)(5)(i)(A) of this section, L may treat A and Public L as having owned 0 percent and 100 percent, respectively, at all times prior to June 8, 1989 (rather than having owned 2.5 percent by A and 97.5 percent by Public L, even if L has actual knowledge of A's less than five percent ownership interest). The increase in A's stock ownership of L as of June 8, 1989 thus would be 7.5 percentage points, rather than 5.0 percentage points, for purposes of determining whether an ownership change occurs on that testing date and any subsequent testing date.

(h) *Constructive ownership of stock*—(1) *In general.* Subject to certain modifications set forth in this section and section 382(1)(3), the constructive ownership rules of section 318(a) generally apply for purposes of determining ownership of loss corporation stock.

(2) *Attribution from corporations, partnerships, estates and trusts*—(i) *In general.* Stock owned (directly or indirectly) by an entity shall be attributed to its owners—

(A) Except as otherwise provided in this section, by treating the stock attributed pursuant to section 318(a)(2) as no longer being owned by the entity from which it is attributed, and

(B) If attribution is from a corporation, without regard to the 50 percent stock ownership limitation contained in section 318(a)(2)(C).

(ii) *Limitation on attribution from entities with respect to certain interests.* Section 318(a)(2) shall not apply to treat the stock of the loss corporation that is owned directly by a first tier entity (or indirectly by any higher tier entity) as being indirectly owned by any person that has an ownership interest in the first tier entity (or any higher tier entity) to the extent that such interest is (or is attributable to)—

(A) Stock of any such entity that is described in section 1504(a)(4),

(B) Any ownership interest in any such entity that does not constitute stock under paragraph (f)(18)(ii) of this section, or

(C) If the entity is not a corporation, any ownership interest in any such entity that has characteristics similar to the interests described in paragraph (h)(2)(ii)(A) or (B) of this section.

The ownership interests described in this paragraph (h)(2)(ii) shall not be taken into account in determining a person's percentage ownership interest in an entity under paragraph (f)(24) of this section.

(iii) *Limitation on attribution from certain entities.* For purposes of this section, except as provided in paragraphs (k)(2) and (4) of this section, each of the following shall be treated as an individual who is unrelated to any other owner (direct or indirect) of the loss corporation—

(A) Any entity other than a higher tier entity that owns five percent or more of the loss corporation stock (determined without regard to paragraph (h)(2)(i)(A) of this section) on a testing date, a first tier entity or the loss corporation,

(B) A qualified trust described in section 401(a),

(C) Any State, any possession of the United States, the District of Columbia, the United States (or any agency or instrumentality thereof), any for-

eign government, or any political subdivision of any of the foregoing, and

(D) Any other person designated by the Internal Revenue Service in the Internal Revenue Bulletin.

Stock of a loss corporation that is owned by any such person shall thus not be attributed to any other person for purposes of this section. See paragraph (g)(2) of this section limiting attribution from a first tier entity or a higher tier entity to any person that is not a 5-percent owner or a higher tier entity.

(iv) *Examples.*

Example 1. All the stock of L is owned by A. B and C respectively own 70 and 30 percent of the outstanding P stock. P acquires 60 percent of the outstanding L stock from A on July 1, 1988 (a testing date). After the acquisition, P is a first tier entity and a higher tier entity of L. B and C are each 5-percent owners of P and also are 5-percent shareholders of L having a 42 percent and 18 percent stock ownership interest in L, respectively, through the operation of the constructive ownership rules of paragraph (h) of this section. Because B and C together have increased their ownership in L by more than 50 percentage points during the testing period ending on the testing date (60 percent on the testing date and 0 percent prior thereto), an ownership change occurs with respect to L on July 1, 1988.

Example 2. The facts are the same as in *Example (1)*, except that B and C are not shareholders in a corporation, but instead are partners in a general partnership. E, B and C respectively own 70 percent and 30 percent of E. E acquires 60 percent of the L stock on July 1, 1988. The results are the same as in *Example (1)*.

Example 3. The facts are the same as in *Example (1)*, except that the acquisition is accomplished in a transaction that qualifies under section 351(a). In that transaction, HC is formed through (i) a contribution of money by P in exchange for 60 shares of HC common stock and (ii) a contribution of all the outstanding shares of L stock plus cash by A in exchange for 40 shares of HC common stock and 30 shares of HC preferred stock that is described in section 1504(a)(4). The respective values of each share of HC stock, common and preferred, are equal. The stock of L is attributed to A through his interest in HC common stock, but not through his interest in HC preferred stock (see paragraph (h)(2)(ii)(A) of this section). Thus, A is treated as owning indirectly only 40 percent of L. B and C are 5-percent shareholders of L having indirect ownership interests in L of 42 percent and 18 percent, respectively, through their ownership of HC common stock. The

results are therefore the same as in *Example 1*).

(3) *Attribution to corporations, partnerships, estates and trusts.* Except as otherwise provided by regulation under section 382 or by the Internal Revenue Service in the Internal Revenue Bulletin, the rules of section 318(a)(3) shall not apply in determining the ownership of stock under this section.

(4) *Option attribution—(i) In general.* Solely for the purpose of determining whether there is an ownership change on any testing date, stock of the loss corporation that is subject to an option shall be treated as acquired on any such date, pursuant to an exercise of the option by its owner on that date, if such deemed exercise would result in an ownership change. The preceding sentence shall be applied separately with respect to—

(A) Each class of options (*i.e.*, options with terms that are identical, issued by the same issuer, and issued on the same date) owned by each 5-percent shareholder (or person who would be a 5-percent shareholder if the option were treated as exercised), and

(B) Each 5-percent shareholder, each owner of an option who would be a 5-percent shareholder if the option were treated as exercised, and each combination of such persons.

(ii) *Examples.*

Example 1. (i) A owns all of the 100 shares of outstanding L stock. A grants options for the purchase of his L stock, exercisable for 10 years from the date of issuance, in the following transactions: An option to B for four shares (issued January 1, 1988), an option to C for six shares (issued June 1, 1989), and an option to D for 15 shares (issued July 30, 1989). On July 30, 1990, A sells 41 shares of his L stock to BB.

(ii) Pursuant to paragraph (a)(2)(i) of this section, the date on which each option is acquired is a testing date. The issuance of options to acquire L stock to each of B, C, and D is not treated as an acquisition of the underlying stock on any such testing date since such treatment with respect to any one of the option owners (or any combination thereof) would not have resulted in an ownership change on any of those testing dates.

(iii) The date on which BB acquires 41 shares also is a testing date. BB's acquisition of 41 percent of the L stock, taken together with the shift in ownership that would result if the options held by B, C and D were exercised, would result in an ownership change,

because the stock owned or treated as owned by Public L (a group including only B, the sole shareholder who owns less than five percent of L stock), C, D and BB would have increased by 66 percentage points (four, six, 15, and 41 percentage points, respectively) during the testing period. Subject to paragraph (h)(4)(ix) of this section, the options are treated as exercised and an ownership change occurs on July 30, 1990, pursuant to paragraph (h)(4)(i) of this section. Accordingly, no new testing period can begin before July 31, 1990. Under paragraph (h)(4)(x)(F) of this section, the option attribution rules of paragraph (h)(4)(i) of this section shall not be applicable with respect to any of the options owned by B, C, and D immediately before the ownership change until such time, if any, that such options are transferred to (or by) 5-percent shareholder (or a person who would be a 5-percent shareholder if such option were exercised). In addition, the subsequent exercise of any of those options by A, B, or C (the persons owning such options immediately before the ownership change) is disregarded. See paragraph (h)(4)(vi) of this section. Also see paragraph (h)(4)(viii) of this section for the treatment of options that lapse or are forfeited.

(iv) The facts are the same as in (i), except that the sale of A's 41 shares of L stock to BB occurs on July 30, 1995. Because the options are treated as exercised and the related stock is treated as acquired on the July 30, 1995 testing date, the results are the same as described in (iii).

Example 2. (i) A owns all of the outstanding 100 shares of the stock of L. On July 22, 1988, the value of A's stock in L is \$500 and the following agreements are entered into: (i) A sells 40 shares of his L stock to B for \$200, (ii) in exchange for \$10, A grants B an option to acquire the balance of his L stock for \$305 at any time before July 22, 1992, and (iii) L grants A an option to acquire 100 shares of L stock at a price of \$600 exercisable until such time as B's option is no longer outstanding.

(ii) If the stock subject to the options owned by both A and B were treated as acquired on the July 22, 1988 testing date, B would have increased his ownership interest in L by only 50 percentage points to 50 percent ([40 shares purchased + 60 shares acquired pursuant to the option]/200 outstanding shares of L stock, including 100 shares deemed outstanding pursuant to the option issued to A by L) as compared with 0 percent prior to July 22, 1988. In determining whether the options with respect to the stock of L would, if exercised, result in an ownership change, paragraph (h)(4)(i)(B) of this section requires that such options be treated as exercised separately with respect to each 5-percent shareholder, each person who would be a 5-percent shareholder if the option were treated as exercised or each combination of such persons. Therefore, by

treating the option owned by A as not having been exercised and the option owned by B as having been exercised, B's interest in L increases by 100 percentage points during the testing period. An ownership change with respect to L therefore results from the transactions occurring on July 22, 1988.

(iii) *Contingencies.* Except as provided in paragraph (h)(4)(x)(D) of this section, the extent to which an option is contingent or otherwise not currently exercisable shall be disregarded for purposes of this section.

(iv) *Series of options.* For purposes of this section, an option to acquire an option with respect to the stock of the loss corporation, and each one of a series of such options, shall be considered as an option to acquire such stock.

(v) *Interests that are similar to options.* For purposes of this section,

(A) An interest that is similar to an option includes, but is not limited to, a warrant, a convertible debt instrument, an instrument other than debt that is convertible into stock, a put, a stock interest subject to risk of forfeiture, and a contract to acquire or sell stock, and

(B) Any such interest shall be treated as an option.

(vi) *Actual exercise of options—(A) In general.* The actual exercise of any option in existence immediately before and after an ownership change, whether or not the option was treated as exercised in connection with the ownership change under paragraph (h)(4)(i) of this section, shall be disregarded for purposes of this section, but only if the option is exercised by the 5-percent shareholder (or person who would have been a 5-percent shareholder if the options owned by such person had been exercised immediately before the ownership change) who owned the option immediately before and after such ownership change.

(B) *Actual exercise within 120 days of deemed exercise.* If the actual exercise of an option occurs on or before the end of the period which is 120 days after the date on which the option is treated as exercised under paragraph (h)(4)(i) of this section, the loss corporation may elect to treat paragraphs (h)(4)(i) and (vi)(A) of this section as not applying to such option and take into account only the acquisition of loss corporation stock resulting from the actual exer-

cise of the option. An election under this paragraph (h)(4)(vi)(B) shall have no effect on the determination of whether an ownership change occurs, but shall apply only for the purpose of determining the date on which the change date occurs. An election under this paragraph (h)(4)(vi)(B) shall be made in the statement described in § 1.382-11(a).

(vii) *Effect of deemed exercise of options on the outstanding stock of the loss corporation—(A) Right or obligation to issue stock.* Solely for purposes of determining whether an ownership change has occurred under paragraph (h)(4)(i) of this section, the deemed exercise of an option with respect to unissued stock (or treasury stock) of a corporation shall result in a corresponding increase in the amount of its total outstanding stock.

(B) *Right or obligation to acquire outstanding stock by the loss corporation.* Solely for purposes of determining whether an ownership change has occurred under paragraph (h)(4)(i) of this section, the deemed exercise of a right to transfer outstanding stock to the issuing corporation (or a right of the issuing corporation to acquire its stock) shall result in a corresponding decrease in the amount of its total outstanding stock.

(C) *Effect on value of old loss corporation.* The deemed exercise of an option with respect to unissued stock (or treasury stock) under paragraph (h)(4)(i) of this section shall have no effect on the determination of the value of the old loss corporation and the computation of the section 382 limitation. See section 382(l)(1)(B) disregarding capital contributions made during the two-year period preceding the change date for purposes of computing the section 382 limitation.

(viii) *Options that lapse or are forfeited.* If an option that is treated as exercised under paragraph (h)(4)(i) of this section lapses unexercised or the owner of such option irrevocably forfeits his right to acquire stock pursuant to the option, the option shall be treated for purposes of this section as if it never had been issued. In that case, the loss corporation may file an amended return for prior years (subject to any applicable statute of limitations) if the

section 382 limitation was thus inapplicable. If paragraph (h)(4)(i) of this section applied to an option (or options) with respect to a taxable year for which an income tax return has not been filed by the date that the option (or options) lapses or is irrevocably forfeited, the loss corporation may treat paragraph (h)(4)(i) of this section as inapplicable to such option (or options).

(ix) *Option rule inapplicable if pre-change losses are de minimis.* Paragraph (h)(4)(i) of this section shall not apply to treat the stock of the loss corporation as acquired by the owner of an option if, on a testing date, the amount of pre-change losses (determined as if the testing date were a change date and treating the amount of any net unrealized built-in loss as a pre-change loss) is less than twice the amount determined by multiplying.

(A) The value of the loss corporation (as determined under section 382(e)) on the testing date, by

(B) The long-term tax exempt rate (as defined in section 382(f)) for the calendar month in which the testing date occurs.

(x) *Options not subject to attribution.* Paragraph (h)(4)(i) of this section shall not apply to—

(A) *Long-held options with respect to actively traded stock.* Any option with respect to stock of the loss corporation which stock is actively traded on an established securities market (within the meaning of section 1273(b)) for which market quotations are readily available, if such option has been continuously owned by the same 5-percent shareholder (or a person who would be a 5-percent shareholder if such option were exercised) for at least three years, but only until the earlier of such time as—

(1) The option is transferred by or to a 5-percent shareholder (or a person who would be a 5-percent shareholder if such option were exercised), or

(2) The fair market value of the stock that is subject to the option exceeds the exercise price for such stock on the testing date. For purposes of this paragraph (h)(4)(x)(A), options with respect to the stock of a loss corporation that are assumed (or substituted) in a reorganization and converted into options with respect to the stock of another

party to the reorganization shall not be treated as transferred, provided that there are no changes in the terms of the options, other than that the stock that may be acquired pursuant to the option is that of another party to the reorganization and that the amount of stock subject to the option is adjusted only to reflect the exchange ratio for the exchange of stock of the loss corporation in the reorganization.

(B) *Right to receive or obligation to issue a fixed dollar amount of value of stock upon maturity of certain debt.* Any right to receive or obligation to issue stock pursuant to the terms of a debt instrument that, in economic terms, is equivalent to nonconvertible debt because the right to receive stock of the issuer of a fixed dollar amount is based upon the fair market value for such stock determined at or about the date the stock is transferred pursuant to such right or obligation (*i.e.*, the amount of the stock transferred pursuant to the option is equal to a fixed dollar amount, divided by the value of each share of such stock at or about the date of the stock transfer). This paragraph (h)(4)(x)(B) shall not apply if the method for determining the fair market value of the stock of the issuer is intended to or, in fact, provides the owner of the debt instrument with a participation in any appreciation of any stock of the issuer.

(C) *Right or obligation to redeem stock of the loss corporation.* Any right or obligation of the loss corporation to redeem any of its stock at the time such stock is issued, but only to the extent such stock is issued to persons who are not 5-percent shareholders immediately before the issuance.

(D) *Options exercisable only upon death, disability or mental incompetency.* Any option entered into between owners of the same entity (or an owner and the entity in which the owner has a direct ownership interest) with respect to such owner's ownership interest in the entity that is exercisable only upon the death, complete disability or mental incompetency of such owner.

(E) *Right to receive or obligation to issue stock as interest or dividends.* Any right to receive or obligation to issue stock of a corporation in payment of interest or dividends by the issuing

corporation. (For an example illustrating this exception, see paragraph (j)(2)(iv)(B) of this section.)

(F) *Options outstanding following an ownership change—(1) In general.* Any option in existence immediately before and after an ownership change, whether or not the option was treated as exercised in connection with the ownership change under paragraph (h)(4)(i) of this section, but only so long as the option continues to be owned by the 5-percent shareholder (or person who was treated as a 5-percent shareholder) who owned the option immediately before and after such ownership change.

(2) *Example (i)* A, B, C and D own all of the outstanding stock of L. A owns 70 shares of L stock and each of B, C and D own 10 shares of L stock. On July 12, 1988, L issues warrants to each of its shareholders entitling them to acquire an additional 8.5 shares of L stock for each share of stock owned.

(ii) If B, C and D, but not A, each exercise their respective rights to acquire an additional 85 shares of L stock (10 shares \times 8.5 shares that may be acquired for each share owned) on July 12, 1988, their combined ownership interest in L on that date would exceed 80 percent (255 shares deemed to be acquired + 30 shares actually owned)/355 shares outstanding (actual and deemed)). B, C and D thus would increase their ownership interest in L by 50.3 percentage points during the testing period, causing an ownership change, because, under paragraph (h)(4)(i)(B) of this section, the options are treated as exercised if the exercise would cause an ownership change.

(iii) Following the ownership change, paragraph (h)(4)(i) of this section applies to prevent A's right to acquire 595 shares of L stock (70 shares \times 8.5 shares that may be acquired for each share owned) or the rights held by B, C, or D, to be treated as exercised on any subsequent testing date, except to the extent that those rights are transferred. To the extent any of those options are transferred following the ownership change, paragraph (h)(4)(i) of this section will apply to any such options on the date of the transfer and on any subsequent testing date.

(G) *Right to acquire loss corporation stock pursuant to a default under a loan*

agreement. Any right to acquire stock of a corporation by a bank (as that term is defined in section 581), an insurance company (as that term is defined in § 1.801-3(a)), or a trust qualified under section 401(a) solely as the result of a default under a loan agreement entered into in the ordinary course of the trade or business of such bank, life insurance company or qualified trust.

(H) *Agreement to acquire or sell stock owned by certain shareholders upon retirement.* Any option entered into between noncorporate owners of the same entity (or a noncorporate owner and the entity in which the owner has a direct ownership interest) with respect to such owner's ownership interest in the entity, but only if each of such owners actively participate in the management of the entity's trade or business, the option is issued at a time that the loss corporation is not a loss corporation and the option is exercisable solely upon the retirement of such owner. An option with terms described in both this paragraph (h)(4)(x)(H) and in paragraph (h)(4)(x)(D) of this section shall also not be subject to paragraph (h)(4)(i) of this section.

(I) [Reserved]

(J) *Title 11 or similar case.* See § 1.382-9(o) which excepts certain options created by or under a plan of reorganization in a title 11 or similar case from the operation of paragraph (h)(4)(i) of this section.

(K)–(Y) [Reserved]

(xi) *Certain transfers of options disregarded.* Transfers of options between persons who are not 5-percent shareholders (and between members of separate public groups resulting from the application of the segregation rules of paragraphs (j)(2) and (3)(iii) of this section) are not taken into account. Transfers of options in any of the circumstances described in section 382(1)(3)(B) are also disregarded and the transferee shall be treated as having owned the option for the period that it was owned by the transferor.

(xii) *Exercise of an option that has not been treated as stock.* The acquisition of stock pursuant to the actual exercise of an option (other than an option described in paragraph (h)(4)(vi)(A) of this section) shall not be disregarded.

(xiii) *Effective date.* See paragraph (m)(4)(vi) of this section for special rules regarding the effective date of the provisions of this paragraph (h)(4).

(5) *Stock transferred under certain agreements.* Notwithstanding paragraph (h)(4) of this section, no shift results solely because under section 1058(a)—

(i) A shareholder transfers stock of a corporation pursuant to an agreement that meets the requirements of section 1058(b), or

(ii) A person having rights under such an agreement exchanges those rights for stock identical to the stock transferred pursuant to the agreement.

(6) *Family attribution.* For purposes of this section—

(i) Paragraphs (1) and (5)(B) of section 318(a) shall not apply.

(ii) An individual and all members of his family described in section 318(a)(1) shall be treated as one individual.

(iii) Subject to paragraph (k)(2) of this section, paragraph (h)(6)(ii) of this section shall not apply to members of a family who, without regard to that paragraph (h)(6)(ii), would not be 5-percent shareholders, and

(iv) If under paragraph (h)(6)(ii) of this section, an individual may be treated as a member of more than one family, and each family that is treated as one individual is a 5-percent shareholder (or would be treated as a 5-percent shareholder if such individual were treated as a member of such family), then such individual shall be treated only as a member of the family that results in the smallest increase in the total percentage stock ownership of the 5-percent shareholders on the testing date and shall not be treated as the member of any other family.

(i) [Reserved]

(j) *Aggregation and segregation rules.* For purposes of this section, except as provided in paragraphs (k)(2) and (4) of this section—

(1) *Aggregation of public shareholders and public owners into public groups—(i) Public group.* Under this paragraph (j), a loss corporation or other entity can be treated as owned, in whole or in part, by one or more public groups. A public group can include public shareholders, public owners, and 5-percent owners who are not 5-percent shareholders of the loss corporation.

(ii) *Treatment of a public group that is a 5-percent shareholder.* Each public group that is treated as a 5-percent shareholder under paragraph (g)(1)(ii), (iii) or (iv) of this section shall be treated as one individual. See paragraph (j)(2)(iv) for a rule combining certain de minimis public groups.

(iii) *Presumption of no cross-ownership.* The public owners, 5-percent owners who are not 5-percent shareholders and public shareholders in any public group, subject to paragraphs (j)(2)(iii), (k)(2) and (k)(4) of this section, are presumed not to be members of any other public group. It also is presumed that each such person is unrelated to all other shareholders (direct and indirect) of the loss corporation. See paragraph (h)(6)(iii) of this section. The members of a public group that exists by virtue of its direct ownership interest in an entity are presumed not to be members (and not to be related to a member) of any other public group that exists at any time by virtue of its direct ownership interest in any other entity. To the extent that the presumptions adopted in this paragraph (j)(1)(iii) are not applicable because the loss corporation has actual knowledge of facts to the contrary and is thus subject to paragraph (k)(2) of this section, public shareholders, public owners and 5-percent owners who are not 5-percent shareholders may be aggregated into additional public groups.

(iv) *Identification of the public groups treated as 5-percent shareholders—(A) Analysis of highest tier entities.* The loss corporation must identify first tier entities and higher tier entities in order to identify any highest tier entities that must be identified under paragraph (k)(3) of this section. The loss corporation must then identify any 5-percent owners of each such highest tier entity who indirectly own, at any time during the testing period, five percent or more of the loss corporation through the ownership interest in such highest tier entity. Under paragraph (g)(1)(i)(B) of this section, any such 5-percent owner is a 5-percent shareholder. See paragraph (k)(3) of this section for rules explaining the extent of the obligation of the loss corporation

to determine the identity of its shareholders. Each person who has an ownership interest in any highest tier entity and who is not treated as a 5-percent shareholder (*i.e.*, persons who are public owners or 5-percent owners who are not 5-percent shareholders) is a member of the public group of that highest tier entity. A public group, so identified, that indirectly owns five percent or more of the loss corporation on the testing date is treated under paragraph (g)(1)(ii) of this section as a 5-percent shareholder. If the public group so identified owns less than five percent of the loss corporation on the testing date, such public group is treated as part of the public group of the next lower tier entity.

(B) *Analysis of other higher tier entities and first tier entities.* The analysis and aggregation of public groups described in paragraph (j)(1)(iv)(A) of this section is repeated for any next lower tier entity and successively for any next lower tier entity of any entity described in this paragraph (j)(1)(iv)(B) until applied to each first tier entity.

(C) *Aggregation of the public shareholders.* The public shareholders are aggregated and, under paragraph (g)(1)(iii) of this section, are treated as a public group that is a 5-percent shareholder without regard to whether such group, at any time during the testing period, owns five percent or more of the loss corporation. For this purpose, if the public group of any first tier entity indirectly owns less than five percent of the loss corporation on the testing date, and is thus not treated as a 5-percent shareholder, but is treated as part of the public group of the loss corporation under paragraph (j)(1)(iv)(A) or (B) of this section, the ownership interest of that group is included in the public group of the loss corporation referred to in the preceding sentence.

(v) *Appropriate adjustments.* A loss corporation may apply the principles of paragraph (g)(5) of this section with respect to—

(A) Any public group that is treated as a 5-percent shareholder on the testing date if such public group, at any time during the testing period, was treated as part of the public group of the next lower tier entity, or

(B) Any public group that is treated as part of the public group of a next lower tier entity if such public group, at any time during the testing period, was part of the public group of a higher tier entity that was treated as a 5-percent shareholder and had a direct or indirect ownership interest in such lower tier entity.

(vi) *Examples.*

Example 1. (i) All of the stock of L is owned by 1,000 shareholders, none of whom own as much as five percent of L stock (“Public L”). All of the stock of P is owned by 150,000 shareholders, none of whom own as much as five percent of P stock (“Public P”). Between July 12, 1988 and August 13, 1988, P purchases all of the L stock through a series of transactions on the public stock exchange. P’s percentage of direct stock ownership in L increases from 4.9 percent to five percent on July 15, 1988, and from 50 percent to 51 percent on July 30, 1988.

(ii) Before July 15, 1988, P is a public shareholder of L. On and after July 15, 1988, P is a first tier entity (and a highest tier entity) of L. Accordingly, under the rules of paragraph (j)(1) of this section, Public P, on and after July 15, 1988, is treated as a public group that is a 5-percent shareholder. Each acquisition by P on and after such date affects the percentage of L stock that is owned by Public P and thus constitutes an owner shift.

(iii) Immediately after the transaction on July 30, 1988, P owns 51 percent of L stock. Under paragraph (j)(1)(iv)(A) of this section, Public P thus owns 51 percent of L. Under paragraph (j)(1)(iv)(C) of this section, Public L, the public group that includes the public shareholders of L, is treated as a 5-percent shareholder that owns 49 percent of L. Under paragraph (j)(1)(iii) of this section, Public L and Public P are presumed not to have any common members and it is also presumed that no member of either public group is related to any other member of either of the two public groups.

(iv) Assuming that the presumption provided in paragraph (j)(1)(iii) of this section (*i.e.*, that no person owns stock in both P and L) is not rebutted to any extent, Public P is treated as a 5-percent shareholder whose stock ownership in L, as of the July 30, 1988 testing date, has increased by 51 percentage points over its lowest percentage of stock ownership in L at any time during the testing period (0 percent prior to July 12, 1988). Accordingly, an ownership change with respect to L occurs as a result of P’s acquisition on July 30, 1988. L is thus a new loss corporation and its pre-change losses are subject to limitation under section 382.

Example 2. (i) All of the stock of P is owned by 1,000 unrelated shareholders, none of

whom owns as much as five percent of P stock. L₁ is a wholly owned subsidiary of P. On January 2, 1988, P distributes all of the L₁ stock pro rata to its shareholders.

(i) Prior to the stock distribution, the public owners of P are members of a public group ("Public P") that is treated as a 5-percent shareholder owning 100 percent of the stock of L₁.

See paragraph (j)(1)(iv)(A) of this section. Following the stock distribution to the P shareholders, L₁ is owned by 1,000 public shareholders that are members of a public group ("Public L₁") that is treated as a 5-percent shareholder owning 100 percent of the stock of L₁. See paragraph (j)(1)(iv)(C) of this section.

(iii) Public P and Public L₁ are treated as unrelated, individual 5-percent shareholders under paragraph (j)(1)(iii) of this section. Although the members of one public group are presumed not to be members of any other public group under paragraph (j)(1)(iii) of this section, L₁ has actual knowledge that all of its public shareholders immediately following the distribution (Public L₁) received L₁ stock pro rata in respect to the outstanding P stock and thus were also members of Public P. Applying paragraph (k)(2) of this section, the loss corporation may take into account the identity of ownership interests between Public L₁ and Public P to establish that Public L₁ did not increase its percentage ownership in L₁. Accordingly, the transaction would not constitute an owner shift.

Example 3. (i) The facts are the same as in *Example 1* of paragraph (g)(4) of this section. Thus, 20 percent of L stock is owned by A, 10 percent is owned by P₁, 20 percent is owned by E, a joint venture, and the remaining 50 percent of L stock is owned by Public L. P₁ is owned 15 percent by B and 85 percent by Public P₁. E is owned 30 percent by P₂ and 70 percent by P₃, which are owned by Public P₂ and Public P₃, respectively. See *Example 1(i)(ii)* of paragraph (g)(4) of this section for a chart illustrating this ownership structure.

(ii) The public owners of P₂ and P₃ (Public P₂ and Public P₃, respectively), are public groups that are treated as 5-percent shareholders of L, because each such public group indirectly owns five percent or more of L stock (six percent by Public P₂ [(30 percent ownership of E) × (20 percent ownership of L)] and 14 percent by Public P₃ [(70 percent ownership of E) × (20 percent ownership of L)]). The public owners of P₁ ("Public P₁"), who indirectly own 8.5 percent of L stock [(85 percent ownership of P₁) × (10 percent owner-

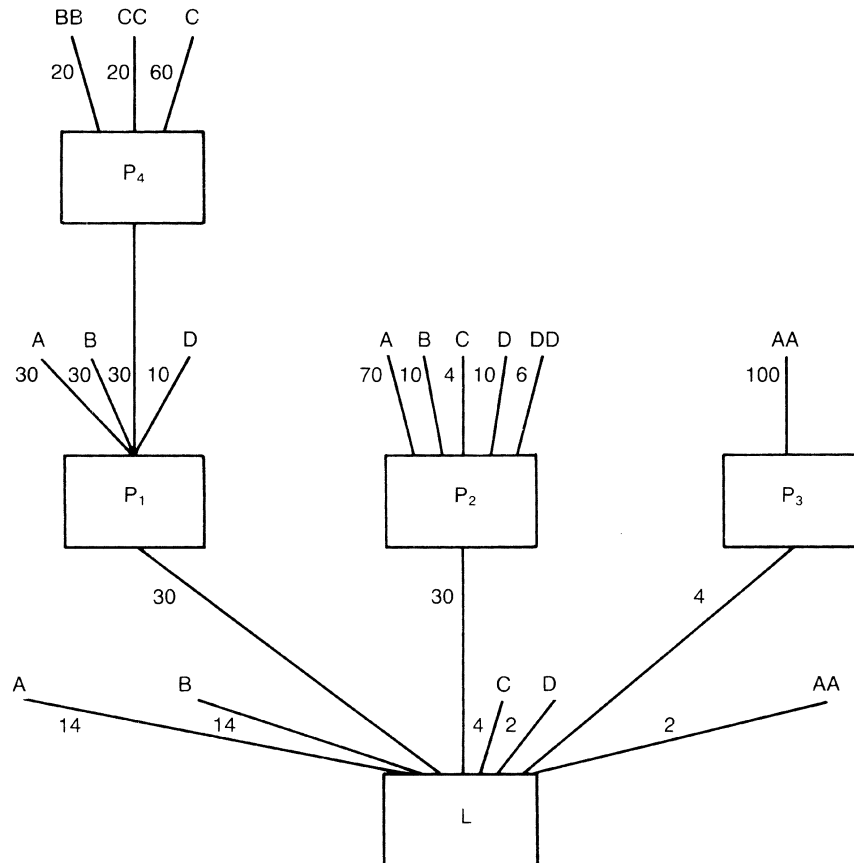
ship of L)] and B, who indirectly owns 1.5 percent of L and is thus included in Public P₁ under paragraph (j)(1)(iv)(A) of this section, are members of a public group that is treated as a 5-percent shareholder of L that owns ten percent of L stock. Finally, the public group of L ("Public L") is a 5-percent shareholder that owns 50 percent of L. Accordingly, A, Public L, Public P₁ (including B), Public P₂, and Public P₃ are the only 5-percent shareholders of L.

Example 4. (i) The facts are the same as *Example 3* above, except that P₃ is owned 60 percent by C, 30 percent by P₄, and 10 percent by P₃. The stock of P₄ is publicly traded and is owned by Public P₄. The facts are thus the same as in *Example 2* in paragraph (g)(4) of this section. See *Example 2(ii)* of paragraph (g)(4) of this section for a chart illustrating this ownership structure.

(ii) The public owners of P₄ (a highest tier entity) are members of a public group that indirectly owns 4.2 percent of L [(30 percent ownership of P₃) × [70 percent ownership of E] × [20 percent ownership of L]]. For purposes of identifying public groups that are 5-percent shareholders, L is not required to identify P₄ as a highest tier entity under paragraph (k)(3) of this section because P₄ does not own five percent or more of L stock. Moreover, under paragraph (h)(2)(iii) of this section, P₄ generally is treated as an individual from which there is no attribution of loss corporation stock. The public group of P₃ (including P₄) indirectly owns 5.6 percent of L [(40 percent of P₃) × [70 percent ownership of E] × [20 percent of L]], and is thus a 5-percent shareholder of L. The public groups of P₂ and P₁ (both Public P₁ and B), respectively, also own five percent or more of L stock and are thus 5-percent shareholders of L. In addition, the public group of L is a 5-percent shareholder regardless of whether it owns five percent of L stock. Accordingly, A, Public L, Public P₃ (including P₄), Public P₂, and Public P₁ (including B), are the only 5-percent shareholders of L.

Example 5(i) On September 4, 1987, L is owned 14 percent by each of A and B, 30 percent by each of P₁ and P₂, four percent by each of C and P₃, and two percent by each of D and AA. P₁ is owned 30 percent by each of A, B, and P₄ and 10 percent by D. P₂ is owned 70 percent by A, 10 percent by each of B and D, six percent by DD and four percent by C. AA owns 100 percent of the stock of P₃. P₄ is owned 60 percent by C and 20 percent by each of BB and CC.

(ii) The ownership structure of L is illustrated by the following chart:



(iii) In order to identify L's 5-percent shareholders and their respective ownership interests in L on September 4, 1987, the rules of paragraph (j)(1) of this section apply to identify the public groups that are treated as separate 5-percent shareholders. Analysis begins with any highest tier entity, such as P₄. Each of P₄'s shareholders is a 5-percent owner of P₄. C₄ owns 5.4 percent of L in his capacity as a 5-percent owner of P₄ and therefore is a 5-percent shareholder. Notwithstanding that C actually owns, directly and by attribution, 10.6 percent of L (four percent directly, 5.4 percent indirectly through P₄, and 1.2 percent through P₂), C's ownership interest in L as a 5-percent shareholder is presumed to include only the 5.4 percent indirect ownership through P₄. (Under paragraphs (g) and (k)(2) of this section, however, L must account for C's direct and indirect ownership interests in deter-

mining whether an ownership change occurs on any testing date if it has actual knowledge of such ownership on or before the date that its income tax return is filed for the taxable year that includes the testing date). Although BB and CC are each 5-percent owners of P₄, they are not 5-percent shareholders and therefore are members of the public group of P₄. Because the public group of P₄ indirectly owns only 3.6 percent of L, it is treated under paragraph (j)(1)(iv)(A) of this section as part of the public group of the next lower tier entity, P₁.

(iv) With respect to P₁, a first tier entity, each of its shareholders are 5-percent owners. Because A and B each indirectly own nine percent of L as 5-percent owners of P₁ and A indirectly owns 21 percent of L as a 5-percent owner of P₂, they are each 5-percent shareholders without regard to their direct

ownership interests in L. A's ownership interest in L as a 5-percent shareholder is 44 percent (14 percent directly, nine percent in his capacity as a 5-percent owner of P₁, and 21 percent in his capacity as a 5-percent owner of P₂). B's ownership interest in L as a 5-percent shareholder is 23 percent (14 percent directly and nine percent in his capacity as a 5-percent and nine percent in his capacity as a 5-percent owner of P₁). B's ownership interest as a 5-percent shareholder does not include the three percent interest he owns indirectly through P₂. (Under paragraphs (g) and (k)(2) of this section, however, L must account for B's direct and indirect ownership interests, including his three percent interest through P₂, in determining whether an ownership change occurs on any testing date if L has actual knowledge of such ownership on or before the date that its income tax return is filed for the taxable year that includes the testing date.) D is a 5-percent owner of P₁. Although D owns eight percent of L (two percent directly, three percent indirectly through P₁, and three percent indirectly through P₂), he is not a 5-percent shareholder because he does not own five percent or more of L stock either directly or in his capacity as a 5-percent owner of either P₁ or P₂. (Under paragraphs (g) and (k)(2) of this section, however, L must account for D's direct and indirect ownership interests in determining whether an ownership change occurs on any testing date to the extent L has actual knowledge of such ownership amounting to five percent or more of L stock before the date that its income tax return is filed for the taxable year that includes the testing date.) The public group of P₁ (comprised of the public group of P₄ and D's direct ownership interest in P₁) has a 6.6 percent interest in L and is therefore treated as a separate 5-percent shareholder.

(v) With respect to highest tier entity P₂, D is a 5-percent owner who is not a 5-percent shareholder for the reason described in the preceding subdivision. DD is a 5-percent owner of P₂, who is not a 5-percent shareholder, because DD indirectly owns only 1.8 percent of L. Assuming that L does not have actual knowledge of B's and C's direct ownership interest in P₂, those interests are accounted for in computing the ownership interest are accounted for in computing the ownership interest of the public group of P₂. Therefore, each of P₂'s shareholders, except A who is a 5-percent shareholder in his capacity as a 5-percent owner of P₂, are treated as members of the public group of P₂ that owns nine percent of L and is thus treated as a separate 5-percent shareholder.

(vi) Because the direct ownership interest of P₃ is less than five percent, it is a public shareholder. Therefore, assuming that L does not have actual knowledge of C's, D's, or AA's direct and/or indirect ownership interests in L, the public group of L is a separate

5-percent shareholder owning 12 percent of L (comprised of the direct ownership interests of C, D, AA and P₃).

(2) *Segregation rules applicable to transactions involving the loss corporation*—(i) *In general*. For purposes of this section, if—

(A) A transaction is described in paragraph (j)(2)(iii) of this section, and

(B) The loss corporation has one or more direct public groups immediately before and after the transaction,

the stock owned by such direct public group or groups is subject to the segregation rules described in paragraph (j)(2)(iii) of this section for purposes of determining whether an ownership change has occurred on the date of the transaction (and on any subsequent testing date with a testing period that includes the date of such transaction). See paragraph (j)(3) of this section for the application of the rules of this paragraph (j)(2) to transactions involving first tier entities or higher tier entities.

(ii) *Direct public group*. For purposes of this section, a direct public group is any public group of the loss corporation described in paragraph (j)(1)(iv)(C) of this section or any public group of the loss corporation resulting from the application of paragraph (j)(2)(iii) or (j)(3)(i) of this section.

(iii) *Transactions to which segregation rules apply*—(A) *In general*. The segregation rules of this paragraph (j)(2)(iii) apply to any transaction described in paragraph (j)(2)(iii)(B), (C), (D), (E), or (F) of this section in the manner specified. The presumptions adopted by this paragraph (j)(2)(iii) shall not apply only if, and to the extent that, the loss corporation either has actual knowledge of facts to the contrary regarding its stock ownership and is thus subject to paragraph (k)(2) of this section, or is subject to paragraph (k)(4) of this section. Any direct public group that is required to be identified as a result of a transaction described in paragraph (j)(2)(iii) of this section shall be treated as a 5-percent shareholder under paragraph (g)(1)(iv) of this section without regard to whether such group, at any time during the testing period, owns five percent or more of the loss corporation stock. To the extent that the presumptions are rebutted, the public

shareholders, public owners and 5-percent owners who are not 5-percent shareholders may be aggregated into additional public groups. For an exception applicable to certain regulated investment companies, see § 1.382-3(k)(1).

(B) *Certain equity structure shifts and transactions to which section 1032 applies—(1) In general.* In the case of—

(i) A transaction that is an equity structure shift that also is described in section 381(a)(2) and in which the loss corporation is a party to the reorganization, or

(ii) A transfer of the stock of the loss corporation (including treasury stock) by the loss corporation in any other transaction to which section 1032 applies,

each direct public group that exists immediately after such transaction shall be segregated so that each direct public group that existed immediately before the transaction is treated separately from the direct public group that acquires stock of the loss corporation in the transaction. The direct public group that acquires stock of the loss corporation in the transaction is presumed not to include any members of any direct public group that existed immediately before the transaction. For purposes of this paragraph (j)(2)(iii)(B), a person is treated as acquiring stock of the loss corporation in a reorganization as the result of the person's ownership interest in another corporation that succeeds to the loss corporation's pre-change losses (determined as if the testing date were the change date and treating the amount of any net unrealized built-in loss as a pre-change loss) in a transaction to which section 381(a)(2) applies. In determining whether a transaction is described in section 1032 for purposes of this paragraph (j)(2)(iii)(B), the transfer by the loss corporation of any interest not constituting stock that is treated as stock under paragraph (f)(18)(iii) of this section shall be treated as the transfer of stock. See § 1.382-3(j) for exceptions to the segregation rules of this paragraph (j)(2)(iii)(B)(1).

(2) *Examples.*

Example 1. (i) P₁ owns 60 percent of the stock of L. The remaining L stock (40 percent) is owned by Public L. A owns 40 percent of the P₁ stock. The remaining P₁ stock

(60 percent) is owned by Public P₁. P₂ is a publicly traded corporation owned by shareholders who each own less than five percent of P₂ stock (Public P₂).

(ii) On May 22, 1988, L merges into P₂ in a transaction described in section 368(a)(1)(A), with the shareholders of L receiving an amount of P₂ stock equal to 70 percent of the value of P₂ immediately after the reorganization.

(iii) Immediately before the merger, L's 5-percent shareholders were Public L (40 percent), Public P₁ (36 percent), and A (24 percent). Although the shareholders of P₂ (immediately before the merger) do not acquire any stock in the merger, they are treated as acquiring a direct ownership interest in the loss corporation in the reorganization because P₂ succeeds to the pre-change losses of L in a transaction to which section 381(a)(2) applies. As a result of the merger, which constitutes a transaction described in (j)(2)(iii)(B)(1) of this section, L's direct public group, Public L, must be segregated from the direct public group that would otherwise exist after the transaction (Public L and Public P₂). Public L, the direct public group that exists before the merger, has a continuing 28 percent interest in the loss corporation [70 percent of P₂ shares received in the merger × 40 percent shares of L owned prior to the merger] that must be segregated from the interests acquired by Public P₂.

(iv) In addition, Public P₁, which owns five percent or more of the stock of P₂ through P₁'s ownership interest in P₂, also is segregated from any other public group (*i.e.*, both Public L and Public P₂) under paragraph (j)(1) of this section. Therefore, under paragraphs (j)(1) and (2) of this section, Public P₂ (excluding the members of Public L and Public P₁ immediately before the merger) is treated as a separate public group and 5-percent shareholder.

(v) The only 5-percent shareholder whose interest in the loss corporation, P₂, has increased during the testing period is Public P₂. Its interest has increased by 30 percentage points. Accordingly, no ownership change results from the merger. For purposes of measuring the shift in ownership of P₂ on any subsequent testing date with a testing period that includes May 22, 1988 (the date on which L merged into P₂), Public P₂ will continue to be treated as a direct public group, separate from Public L (the members of which own P₂ stock as a result of the merger) and Public P₁.

Example 2. (i) P and L are each owned by 21 equal shareholders. Each of 14 of the shareholders of P and L are owners of both corporations ("common owners"). L has actual knowledge of this cross ownership. Therefore, as a group, these persons own 66⅔ percent of each of P and L. P stock has a value of \$600 and L stock has a value of \$400.

(ii) P merges into L under section 368(a)(1)(A) on June 10, 1988. Ordinarily, the direct public group of L that exists immediately before the transaction would be segregated from the direct public group that acquires stock in the merger (the public group of P immediately before the merger). In view of the common ownership of P and L, however, a third group may be created under paragraph (j)(2)(iii)(A) of this section so that L's owners following the merger would be: The common owners (66⅔ percent), Public L, less the common owners, 13⅓ percent, and Public P, less the common owners (20 percent). Accordingly, the only 5-percent shareholder increasing its ownership interest by 20 percentage points and no ownership change occurs as a result of the merger.

Example 3. (i) L is entirely owned by Public L. L commences and completes a public offering of common stock on January 22, 1988, with the result that its outstanding stock increases from 100,000 shares to 300,000 shares. No person owns as much as five percent of L stock following the public offering.

(ii) The public offering of L stock is a transaction to which section 1032 applies. Immediately before the public offering, L's only 5-percent shareholder was Public L, a direct public group. Therefore, Public L (as in existence immediately before the transaction) must be segregated from the direct public group that would otherwise exist immediately after the transaction. Under paragraph (j)(2)(iii)(B)(i) of this section, the acquisition of 200,000 shares of L stock in the public offering must be treated as acquired by a direct public group ("New Public L") that is separate from Public L. Each such public group is treated as an individual that is a separate 5-percent shareholder. See paragraphs (g)(1)(iv) and (j)(1)(ii) of this section.

(iii) As a result of the public offering, L has two 5-percent shareholders, Public L and New Public L, which own 33⅓ percent and 66⅔ percent of the stock of L, respectively. Because the members of New Public L are presumed not to be members of Public L (and not to be related to any such members), the ownership interest of New Public L immediately prior to the offering of stock was 0 percent.

(iv) New Public L is a 5-percent shareholder that has increased its ownership interest in L by more than 50 percentage points during the testing period (by 66⅔ percentage points). Thus, there is an ownership change with respect to L. For purposes of subsequent transactions, Public L and New Public L will not be segregated into two public groups because a new testing period commences on the day following the change date, January 23, 1988 (*i.e.*, any subsequent testing date will not have a testing period that includes the date of the public offering).

Example 4. The facts are the same as in *Example 3*, but L establishes that 60,000 shares

of the newly issued L stock were acquired by its shareholders of record on the date of the stock issuance (*i.e.*, members of Public L, referred to as Acquiring Public L) by persons owning 27 percent of the L stock immediately before the stock issuance. Accordingly, L has actual knowledge that New Public L acquired no more than 140,000 shares of L stock in the public offering. Under paragraphs (j)(2)(iii) and (k)(2) of this section, New Public L may be treated as having increased its ownership interest in L by 46⅔ percentage points (140,000 shares acquired in the offering/300,000 shares outstanding). L also has actual knowledge that the members of Public L owning 27 percent of L stock immediately before the stock issuance (27,000 shares/100,000 shares outstanding) own 29 percent of L stock immediately after such issuance [(27,000 shares + 60,000 shares acquired in the offering)/300,000 shares outstanding]. Assuming that L chooses to take its actual knowledge into account for purposes of determining whether an ownership change occurred on January 22, 1988, Public L is segregated into two direct public groups immediately before the stock issuance so that the two percentage point increase in the ownership interest in L by Acquiring Public L is taken into account. The total increased ownership interest in L by New Public L and Acquiring Public L on the testing date over their lowest ownership interest during the testing period is 48⅔ percent. Thus, no ownership change occurs with respect to L.

Example 5. (i) L is owned entirely by 10,000 unrelated individuals, none of whom own as much as five percent of L stock ("Public L"). P is owned entirely by 1,500 unrelated individuals, none of whom own as much as five percent of P stock ("Public P"). On December 22, 1988, L acquires all of the P stock from Public P in exchange for L stock representing 25 percent of the value of L, in a transaction described in section 368(a)(1)(B).

(ii) Under paragraph (j)(2)(iii)(B)(i) of this section, Public L, the direct public group that owns L stock immediately before and after the transaction to which section 1032 applies, is treated separately from Public P, the direct public group that acquires L stock in the transaction. Because Public P's percentage ownership interest in L increases to only 25 percent (as compared with 0 percent before the acquisition), no ownership change occurs. For purposes of determining whether an ownership change occurs on any testing date with a testing period that includes December 22, 1988, Public L and Public P will continue to be treated as separate 5-percent shareholders.

(iii) See *Example 4* in paragraph (j)(3)(iv) of this section for the application of paragraph (j)(2)(iii)(B) of this section to a reorganization under section 368(a)(1)(B) in which the loss corporation is acquired.

(C) *Redemption-type transactions—(1) In general.* In the case of a transaction in which the loss corporation acquires its stock in exchange for property, each direct public group that exists immediately before the transaction shall be segregated at that time (and thereafter) so that the stock that is acquired in the transaction is treated as owned by a separate public group from each public group that owns the stock that is not acquired. For purposes of the preceding sentence, the term property shall include stock described in section 1504(a)(4) and stock described in paragraph (f)(18)(ii) of this section. Each direct public group that owned the stock that is acquired in the transaction is presumed not to own any such stock immediately after the transaction.

(2) *Examples.*

Example 1. L is entirely owned by Public L. There are 500,000 shares of L stock outstanding. On July 12, 1988, L acquires 150,000 shares of its stock for cash. Because L's acquisition is a redemption, Public L is segregated into two different public groups immediately before the transaction (and thereafter) so that the redeemed interests ("Public RL") are treated as part of a public group that is separate from the ownership interests that are not redeemed ("Public CL"). Therefore, as a result of the redemption, Public CL's interest in L increases by 30 percentage points (from 70 percent (350,000/500,000) to 100 percent) on the July 12, 1988 testing date. Because the resulting increase is not more than 50 percentage points, no ownership change occurs. For purposes of determining whether an ownership change occurs on any subsequent testing date having a testing period that includes such redemption, Public CL is treated as a 5-percent shareholder whose percentage ownership interests in L increased by 30 percentage points as a result of the redemption.

Example 2. L is entirely owned by Public L. There are 250,000 shares of L common stock outstanding. On April 22, 1988, L acquires 100,000 shares of its outstanding common stock in exchange for 100,000 shares of preferred stock described in section 1504(a)(4). (The transaction thus constitutes a recapitalization within the meaning of section 368(a)(1)(E).) As a result of the recapitalization, which is a transaction described in paragraph (j)(2)(iii)(C) of this section, Public L is segregated into two different public groups immediately before the transaction (and thereafter) so that the stock acquired by L is treated as owned by a public group ("Public RL") that is separate from the pub-

lic group that owns the stock that is not so acquired ("Public CL"). Therefore, as a result of the transaction, Public CL's interest in L increases by 40 percentage points (from 60 percent to 100 percent). Because the resulting increase is not more than 50 percentage points, no ownership change occurs. For purposes of determining whether an ownership change occurs on any subsequent testing date with a testing period that includes the date of the recapitalization, Public CL is treated as a separate 5-percent shareholder whose percentage ownership interest increased by 40 percentage points as a result of the redemption type transaction.

(D) *Acquisition of loss corporation stock as the result of the ownership of a right to acquire stock—(1) In general.* In the case of a deemed acquisition of stock of the loss corporation as the result of the ownership of a right issued by the loss corporation to acquire such stock (see paragraph (h)(4) of this section), each direct public group that exists immediately after such acquisition shall be segregated so that each direct public group that existed immediately before the transaction is treated separately from the direct public group that is deemed to acquire stock of the loss corporation as a result of the ownership of the right to acquire such stock. The direct public group that is treated as acquiring stock of the loss corporation in the transaction is presumed not to include any members of any direct public group that existed immediately before the transaction. In applying the rules of paragraph (h)(4) of this section, the segregation rules of this paragraph (j)(2)(iii)(D) shall apply before making the determination required under that paragraph (h)(4) of this section. See § 1.382-3(j)(9) for rules relating to this paragraph (j)(2)(iii)(D).

(2) *Example.*

Example. (i) L has 700,000 shares of common stock outstanding. Public L owns all of the outstanding L common stock. On May 20, 1988, L issues a class of debentures to the public that, in the aggregate, may be converted into 300,000 shares of L common stock. On September 7, 1988, P₁ acquires 210,000 shares of L common stock over a public stock exchange. None of the L debentures have been converted as of that date.

(ii) By virtue of L's issuance of convertible debentures, May 20, 1988 is a testing date. See paragraph (a)(2)(i) of this section. Immediately before the issuance of the convertible debentures, L's only 5-percent shareholder

was Public L, a direct public group. Therefore, under paragraph (j)(2)(iii)(D) of this section, Public L must be segregated from the direct public group that would otherwise exist immediately after the transaction for the purpose of applying paragraph (h)(4) of this section, so that any acquisition of L stock through the conversion of L's debentures is treated as made by a public group other than Public L ("New Public L"). Assuming the largest increase in the total percentage stock ownership of New Public L on the testing date (see paragraph (h)(4) of this section), New Public L would have increased its ownership interest in L by 30 percentage points. Therefore, the stock of L would not be treated as acquired pursuant to a deemed conversion of the L debentures on May 20, 1988, under paragraph (h)(4) of this section, because the conversion would not cause an ownership change.

(iii) P₁'s acquisition of L common stock results in second testing date. For the purpose of applying paragraph (h)(4) of this section, Public L must again be segregated from the direct public group that would otherwise result from conversion of the debentures, so that a deemed acquisition of L stock through the conversion of L's debentures on September 7, 1988 is treated as made by a public group other than Public L ("New Public L"). As on the previous testing date, New Public L would have increased its ownership interest in L by 30 percentage points if it were treated as having acquired L common stock pursuant to the conversion of the L debentures. The increase in New Public L's ownership, taken together with P₁'s 21 percentage point ownership increase in L during the testing period [210,000 shares deemed converted/(700,000 (actual) + 300,000 (deemed) shares outstanding)], results in an ownership change.

(E) *Transactions identified in the Internal Revenue Bulletin.* Any transaction that is designated by the Internal Revenue Service in the Internal Revenue Bulletin shall be subject to the rules, as provided in such bulletin, similar to the rules described in this paragraph (j)(2)(iii).

(F) *Issuance of rights to acquire loss corporation stock—(1) In general.* In the case of any transaction that is described in paragraph (j)(2)(iii)(B), (D) or (E) of this section in which the loss corporation issues rights to acquire its stock to the members of more than one public group, those rights shall be presumed to be exercised pro rata by each such public group as those rights are actually exercised. See § 1.382-3(j)(10) for an exception to the application of the rule of this paragraph

(j)(2)(iii)(F)(1) to stock issued on the exercise of a transferable option.

(2) *Example.*

Example. (i) L, which has six million shares outstanding, is owned entirely by Public L and P is owned entirely by Public P. On November 30, 1988, P merges into L in a transaction qualifying under section 368(a)(1)(A) with Public P receiving four million shares of L stock as a result of the reorganization. Under paragraph (j)(2)(iii)(B) of this section, Public L and Public P continue to be treated as separate public groups following the merger. Pursuant to the plan of reorganization, L also issues an amount of warrants in L stock pro rata to Public L and Public P that, if exercised, would result in the issuance of an additional two million shares of L stock. On November 30, 1989, when only one-half of the outstanding warrants have been exercised, A acquires all of the unexercised warrants.

(ii) Without regard to the warrants distributed in reorganization, Public P's ownership interest in L increases by 40 percentage points on November 30, 1988, relative to its lowest ownership interest in L at any time during the testing period (0 percent prior to the merger). For purposes of determining whether an ownership change occurs on November 30, 1988, the segregation rules of paragraphs (j)(2)(iii)(B) and (D) of this section does not require that a third direct public group be separately identified and treated as acquiring the warrants, because L has actual knowledge that Public L and Public P acquired the distributed warrants in proportion to their respective ownership interests in L stock. Because the largest increase in the ownership of L on the testing date results from treating only Public P as exercising the distributing warrants, in which event, its ownership interest would increase by 44.4 percentage points ([four million shares acquired in the merger + 800,000 shares deemed acquired]/10.8 million (actual and deemed) shares outstanding), the issuance of the warrants by L does not cause an ownership change on November 30, 1988.

(iii) Under paragraph (j)(2)(iii)(F)(1) of this section, each actual exercise of warrants to acquire one million shares of L stock between November 30, 1988 and November 30, 1989 is treated as made pro rata by Public L and Public P (600,000 shares to Public L and 400,000 shares to Public P). Accordingly, as a result of the actual exercises of warrants during that period the ownership interests of the only 5-percent shareholders, Public L and Public P, are proportionately increased.

(iv) A's acquisition of the all of the outstanding warrants on November 30, 1989 requires the determination whether there has been an ownership change with respect to L, because A would be 5-percent shareholder

under paragraph (g)(1)(i) of this section owning $8\frac{1}{3}$ percent of the L stock if the acquired warrants were exercised (one million shares deemed acquired/12 million (actual and deemed) shares outstanding). See paragraph (a)(2)(i) of this section. Under paragraph (h)(4)(i) of this section, A is not treated as having exercised those warrants, because an ownership change would not result. (Public P's $36\frac{2}{3}$ percentage point increase [(four million shares acquired in the merger + 400,000 shares deemed acquired)/12 million (actual and deemed) shares outstanding] and A's $8\frac{1}{3}$ percentage point increase is not greater than 50 percentage points).

(iv) *Combination of de minimis public groups—(A) In general.* Notwithstanding paragraph (j)(2)(iii)(A) of this section, any public group first identified during a taxable year, as a result of any transaction described in paragraph (j)(2)(iii)(B), (D), (E), or (F) of this section, that owns less than five percent of loss corporation stock may be combined, at the option of the loss corporation, with any other such groups also first identified as a result of any such transaction that occurs during such taxable year.

(B) *Example.*

Example. (i) L is widely held with no person owning as much as five percent of the L stock at any time ("Public L"). L's taxable year ends on December 31. On January 1, 1989, L issues a class of debt maturing on December 31, 2019 ("Class A Debentures") with respect to which it will semi-annually issue L stock in discharge of its interest obligation. In addition, L issues an amount of L stock to the public in two separate transactions during 1989. As a percentage of the L stock outstanding at the close of L's taxable year on December 31, 1989, L issued .45 percent of its stock on each of two dates in payment of interest with respect to the Class A Debentures, 4.5 percent of its stock in the first stock offering and six percent of its stock in the second stock offering. During 1990, L did not issue stock other than in payment of interest with respect to the Class A Debentures. As a percentage of L stock outstanding on December 31, 1990, L issued .41 percent of its stock on each of two dates during 1990 with respect to its outstanding debt.

(ii) Under paragraph (h)(4)(x)(E) of this section, L's obligation to issue stock in satisfaction of the interest with respect to the Class A Debentures until December 31, 2019, is not subject to paragraph (h)(4)(i) of this section and thus is taken into account only as such stock is issued.

(iii) The application of the segregation rules of paragraphs (j)(2)(iii)(B) and (iv) of this section require the identification of at

least two additional, separate direct public groups during 1989. First, the persons who acquire six percent of L stock in a public offering to which section 1032 applies must be treated as a separate 5-percent shareholder ("Public 1L"). See paragraph (j)(2)(iii)(B) of this section. Even though this group was first identified in 1989, it may not be combined with other public groups also first identified in 1989 because it owns five percent or more of L stock. Second, although each of the three other issuances of L stock during the year ordinarily result in the identification of an additional, separate direct public group, each such direct public group may be combined with the two other such groups into a single public group ("Public 2L"). As of the end of 1989, Public 2L would own a total of 5.4 percent of the stock of L.

(iv) The application of the segregation rules of paragraphs (j)(2)(iii)(B) and (iv) of this section require the identification of at least one additional, direct public group during 1990. Because each additional, direct public group first identified in 1990 acquires less than five percent of L stock, they may be combined into a single public group ("Public 3L") owning .82 percent of the stock of L. Public 3L is treated as a five percent shareholder even though it owns less than five percent of the stock of L. See paragraph (j)(2)(iv)(A) of this section.

(v) *Multiple transactions—(A) In general.* If a transaction (or any part thereof) is described by more than one subdivision of paragraph (j)(2)(iii) of this section, each such subdivision shall apply to the transaction (or each part of the transaction) in the manner that results in the largest increase in the percentage stock ownership by the 5-percent shareholders.

(B) *Example.*

Example. (i) All of the common stock of L is owned by 1,000 unrelated persons, none of whom owns as much as five percent of the L stock ("Public CL"). L has outstanding a class of preferred stock described in section 1504(a)(4) that is owned in equal amounts by 500 unrelated persons ("Public PL").

(ii) On September 4, 1988, L rearranges its capital structure by redeeming 70 percent of the common stock owned by 700 of the shareholders in exchange for cash. In addition, all of the preferred stock is exchanged for a new class of common stock (nonvoting) representing 40 percent of the value of L.

(iii) With respect to the part of the transaction that is treated as a redemption under paragraph (j)(2)(iii)(C) of this section (the exchange of common stock for cash), Public CL is segregated into two different public groups immediately before the transaction (and

thereafter) so that the owners of the redeemed stock ("Public RCL") are treated as part of a public group that is separate from the public group comprised of the owners of the stock that is not redeemed ("Public CCL"). As a result of the redemption, Public CCL's percentage ownership interest in L thus increases by 30 percentage points from 30 percent to 60 percent (taking into account all transactions occurring on the testing date, because the change in ownership is measured under paragraph (a)(1)(i) of this section by reference to each 5-percent shareholder's ownership interest immediately after the testing date). In addition, the exchange of preferred stock for nonvoting common stock is a transaction to which section 1032 applies. Under paragraph (j)(2)(v) of this section, the part of the transaction to which section 1032 applies is also subject to the segregation rules in the manner specified in paragraph (j)(2)(iii)(B) of this section. Accordingly, Public PL, the direct public group that acquires L nonvoting common stock in exchange for L preferred stock, must be treated as a separate public group from the other direct public groups, Public CCL and Public RCL. As a separate public group, Public PL's percentage stock ownership in L increases by 40 points (as compared to 0 percent prior to the transaction).

(iv) In summary, Public CCL increases its percentage ownership in L by 30 percentage points and Public PL increases its percentage ownership by 40 percentage points. Consequently, an ownership change occurs with respect to L on September 4, 1988.

(vi) *Acquisitions made by either a 5-percent shareholder or the loss corporation following application of the segregation rules.* Unless a different proportion is established by either the loss corporation or the Internal Revenue Service, the acquisition of loss corporation stock by either a 5-percent shareholder or the loss corporation on any date on which more than one public group of the loss corporation exists by virtue of the application of the rules of this paragraph (j)(2) shall be treated as being made proportionately from each public group existing immediately before such acquisition. See paragraph (g)(5)(i)(B) of this section for the application of this paragraph to the ownership interest of a 5-percent shareholder that owns less than five percent of the stock of the loss corporation on the testing date.

(3) *Segregation rules applicable to transactions involving first tier entities or higher tier entities—(i) Dispositions.* If a loss corporation is owned, in whole or

in part, by a public group (or groups), the rules of paragraphs (j)(2)(iii)(B) and (iv) of this section shall apply to any transaction in which a first tier entity or an individual that owns a direct ownership interest in the loss corporation of five percent or more transfers a direct ownership interest in the loss corporation to public shareholders. Therefore, each direct public group that exists immediately after such a disposition shall be segregated so that the ownership interests of each public group that existed immediately before the transaction are treated separately from the public group that acquires stock of the loss corporation as a result of the disposition by the individual or first tier entity. The principles of this paragraph (j)(3)(i) shall also apply to transactions in which an ownership interest in a higher tier entity that owns five percent or more of the loss corporation (determined without regard to the application of paragraph (h)(2)(i)(A) of this section) or a first tier entity is transferred to a public owner or 5-percent owner who is not a 5-percent shareholder.

(ii) *Example.*

Example. (A) L is owned equally by Public L, P and E. Public L consists of 150 equal, unrelated shareholders. P is owned by Public P, a group consisting of 1,500 equal, unrelated shareholders. E is a partnership and none of its partners are 5-percent owners. On October 22, 1988, E sells its entire interest in L over a public stock exchange. No individual or entity acquires as much as five percent of L's stock as the result of E's disposition of the L stock.

(B) The disposition of the L stock by E is a transaction that causes the segregation of L's direct public group that exists immediately before the transaction (Public L) from the direct public group that acquires L stock in the transaction (Public EL). As a result, L has three 5-percent shareholders, Public L, Public P (through the application of paragraph (j)(1) of this section) and Public EL, each of which owns 33⅓ percent of L stock. Therefore, Public EL is a 5-percent shareholder that has increased its ownership interest in L by 33⅓ percentage points during the testing period. For purposes of subsequent transactions, Public L and Public EL will continue to be treated as separate direct public groups until any subsequent testing date that does not have a testing period that includes E's disposition of L stock.

(iii) *Other transactions affecting direct public groups of a first tier entity or higher tier entity.* The rules of paragraphs (j)(2)(i), (iii), (iv) and (v) of this section shall apply to transactions described in such paragraphs that involve either a higher tier entity that owns five percent or more of the loss corporation (determined without regard to the application of paragraph (h)(2)(i)(A) of this section) or a first tier entity. In applying those rules for purposes of this paragraph (j)(3)(iii), each direct public group of a first tier entity or a higher tier entity is any public group of any such entity identified in paragraph (j)(1)(iv)(A) or (B) of this section or resulting from the application of this paragraph (j)(3)(iii). The principles of paragraph (j)(2)(iii)(C) of this section also shall apply to any transaction that has the effect of a redemption-type transaction (e.g., an acquisition by the loss corporation of stock in a first tier entity).

(iv) *Examples.*

Example 1. The facts are the same as in *Example 1* of paragraph (j)(2)(iii)(B)(2) of this section, except that Public L and P₁ own 40 percent and 60 percent, respectively, of the stock of HC which, in turn, owns 100 percent of L and HC merges into P₂. Under paragraph (j)(3)(iii) of this section, the rules of paragraph (j)(2)(iii)(B) of this section apply to segregate HC's direct public group (Public L) immediately before the merger from the direct public group (Public P₂) that acquires loss corporation stock in the merger. The consequences of the merger of HC into P₂ are thus the same as in *Example (1)* of paragraph (j)(2)(iii)(B)(2) of this section.

Example 2. (i) Twenty-five individual shareholders each own four percent of L ("Public L"). Public L is therefore the only 5-percent shareholder of L. Each of the shareholders of L contribute their L stock to a newly formed corporation, HC. In exchange for their contribution of L stock, HC issues 100 percent of each of its two classes of common stock (voting and nonvoting).

(ii) The formation of HC, a first tier entity of L, is a transaction to which section 1032 applies. Under paragraph (j)(3)(iii) of this section, the rules of paragraphs (j)(1)(iii) and (j)(2)(iii)(B) of this section are applied to this transaction with the result that the shareholders of HC, immediately after the issuance of HC stock, are presumed not to include any persons that previously had a direct or indirect ownership interest in L. The presumption underlying those rules, however, is rebutted by establishing that all of the HC stock outstanding immediately after

the transaction was issued solely in exchange for L stock. Thus, Public HC (immediately after the transaction) and Public L (immediately before the transaction) would be treated owned by the same direct public group.

Example 3. (i) All of the stock of L is owned by unrelated shareholders, none of whom owns as much as five percent of L stock. P also is owned by unrelated shareholders, none of whom owns as much as five percent of P stock. On November 22, 1988, P incorporates P₁ with a contribution of P stock. Immediately thereafter, P₁ acquires all of the properties of L in exchange for its P stock in a forward triangular merger qualifying under sections 368 (a)(1)(A) and (a)(2)(D). The P stock transferred by P₁ equals 45 percent of the total outstanding P stock.

(ii) Immediately before the merger of L into P₁, P's only 5-percent shareholder was Public P, a direct public group of P. The rules of paragraph (j)(2)(iii)(B) of this section thus apply to the transaction under paragraph (j)(3)(i) of this section since P, a first tier entity, is a party to the reorganization described in such paragraph. Although Public P does not acquire any stock in the merger, it is treated as acquiring stock in the loss corporation, P₁, because such corporation succeeds to the pre-change losses of L in a transaction to which 381(a) applies. As a result of the merger, Public P, the direct public group of P that exists immediately before the merger, must be segregated from the direct public groups acquiring P stock in the reorganization. Public P is, therefore, treated as acquiring 55 percent of the outstanding stock of the loss corporation, P₁, in the transaction. The transaction, therefore, results in an ownership change for P₁.

Example 4. (i) L is owned 20 percent by A and 80 percent by 1,000 unrelated individuals and entities, none of whom owns as much as five percent of L stock ("Public L"). P is owned 10 percent by B, 40 percent by E, and 50 percent by 5,000 unrelated individuals, none of whom owns as much as five percent of P stock ("Public P"). E is owned 30 percent by C and 70 percent by 30 unrelated individuals, none of whom owns as much as five percent of E ("Public E").

(ii) On October 31, 1987, P acquires all of the L stock from A and Public L in exchange for P stock representing 20 percent of the value of P (determined immediately after the acquisition) in a transaction described in section 368(a)(1)(B). After the acquisition, P is owned eight percent by B, 32 percent by E, four percent by A, and 56 percent by 6,000 unrelated individuals, none of whom owns as much as five percent of P. Because L is wholly owned by P immediately after the acquisition, L, under paragraph (j)(1) of this section, is treated as owned as follows: Eight percent by B, 9.6 percent by C (through C's ownership

interest in E, a highest tier entity, and E's ownership interest in P, a first tier entity), 22.4 percent by Public E (through its ownership interest in E and E's ownership interest in P), four percent by A, and 56 percent by the shareholders who each own less than five percent of L through their ownership interest in P.

(iii) Under paragraph (j)(3)(iii) of this section, the rules of paragraph (j)(2)(iii)(B) of this section apply to the reorganization since the transaction involved a first tier entity of L. Thus, the direct public group of P that exists immediately after the transaction must be segregated into two public groups—the direct public group of P that existed immediately before the acquisition (Public P) is treated separately from the direct public group consisting of the persons who acquire P stock in the transaction (Public L). Accordingly, immediately after the reorganization, Public P and Public L own 40 percent and 16 percent of L, respectively. See paragraph (h) of this section. (Under paragraph (g)(5)(ii)(B) of this section, L may treat the four percent of L stock owned by A immediately after the reorganization as the amount of L stock owned by A for each subsequent testing date having a testing period that includes the reorganization.)

(iv) In summary, after applying the rules of paragraphs (j)(1) and (3) of this section, L is treated as owned as follows:

| 5-percent shareholder | Percentage ownership interest |
|-----------------------|-------------------------------|
| A | 4.0 |
| B | 8.0 |
| C | 9.6 |
| Public E | 22.4 |
| Public P | 40.0 |
| Public L | 16.0 |

(v) The reorganization results in an ownership change, because B, C, Public E and Public P, all of whom are 5-percent shareholders, together have increased their percentage ownership in L by 80 percentage points as compared to their lowest percentage ownership in L at any time during the testing period (0 percent prior to the acquisition).

(v) *Acquisitions made by a 5-percent shareholder, a higher tier entity, or a first tier entity following application of the segregation rules.* The rules of paragraph (j)(2)(vi) of this section shall apply to the acquisition of an ownership interest in a first tier entity (or higher tier entity) if more than one direct public group of any such entity are segregated under the rules of this paragraph (j)(3). Accordingly, an acquisition by such an entity or a 5-percent shareholder of any ownership interest in such an enti-

ty shall be treated as made proportionately from the direct public groups resulting from the application of this paragraph (j)(3).

(k) *Operating rules—(1) Presumptions regarding stock ownership.* Subject to paragraphs (k)(2) and (4) of this section, for purposes of applying paragraphs (f), (g), (h), and (j)(1) of this section—

(i) *Stock subject to regulation by the Securities and Exchange Commission.* With respect to loss corporation stock that is described in Rule 13d-1(d) of Regulation 13D-G (or any rule or regulation to generally the same effect), promulgated by the Securities and Exchange Commission under the Securities and Exchange Act of 1934 (“registered stock”), a loss corporation may rely on the existence and absence of filings of Schedules 13D and 13G (or any similar schedules) as of any date to identify all of the corporation's shareholders who have a direct ownership interest of five percent or more (both individuals and first tier entities) on such date. A loss corporation may similarly rely on the existence and absence of such filings as of any date with respect to registered stock of any first tier entity or any higher tier entity to identify the 5-percent owners of any such entities on such date who indirectly own five percent or more of the loss corporation stock, and are thus 5-percent shareholders, and to identify any higher tier entities of such entities.

(ii) *Statements under penalties of perjury.* A loss corporation may rely on a statement, signed under penalties of perjury, by an officer, director, partner, trustee, executor or similar responsible person, on behalf of a first tier entity or a higher tier entity to establish the extent, if any, to which the ownership interests of any 5-percent owners or higher tier entities with respect to such entities have changed during a testing period. A loss corporation may not rely on such a statement (A) that it knows to be false or (B) that is made by either a first tier entity or higher tier entity that owns 50 percent or more of the stock of the loss corporation. For purposes of the preceding sentence, any first tier entities and higher tier entities that are known by the loss corporation to be members of

the same controlled group (within the meaning of section 267(f)) shall be treated as one corporation.

(2) *Actual knowledge regarding stock ownership.* For purposes of this section (other than paragraphs (g)(5) and (j)(1)(v) of this section), to the extent that the loss corporation has actual knowledge of stock ownership on any testing date (or acquires such knowledge before the date that the income tax return is filed for the taxable year in which the testing date occurs) by—

(i) An individual who would be a 5-percent shareholder, but for the application of paragraphs (h)(2)(iii), (h)(6)(iii) or (g)(2) of this section, or

(ii) A 5-percent shareholder that would be taken into account, but for paragraphs (h)(2)(iii), (h)(6)(iii) or (g)(3) of this section,

the loss corporation must take such stock ownership into account for purposes of determining whether an ownership change has occurred on that testing date. If a loss corporation acquires such knowledge after such income tax return is filed, the loss corporation may take such ownership into account for purposes of determining whether an ownership change occurred on that testing date and, if appropriate, file an amended income tax return (subject to any applicable statute of limitations). To the extent the loss corporation has actual knowledge on or after any testing date regarding the ownership interest in the loss corporation by members of one public group (described in paragraphs (g)(1)(ii), (iii) or (iv) of this section) and the ownership interest of those members in the loss corporation as members in another such public group, the loss corporation may take such ownership into account for purposes of determining whether an ownership change occurred on that testing date.

(3) *Duty to inquire as to actual stock ownership in the loss corporation.* For purposes of this section, the loss corporation is required to determine the stock ownership on each testing date (and, except as otherwise provided in this section, the changes in the stock ownership during the testing period) of—

(i) Any individual shareholder who has a direct ownership interest of five

percent or more in the loss corporation,

(ii) Any first tier entity,

(iii) Any higher tier entity that has an indirect ownership interest of five percent or more in the loss corporation (determined without regard to paragraph (h)(2)(i)(A) of this section), and

(iv) Any 5-percent owner who indirectly owns five percent or more of the stock of the loss corporation in his capacity as a 5-percent owner in any one first tier entity or higher tier entity.

The loss corporation does not have any obligation to inquire or to determine facts relating to the stock ownership of any shareholders other than those described in the preceding sentence. In addition, the loss corporation does not have any obligation to inquire or to determine if the actual facts relating to the stock ownership of any shareholder are consistent with the ownership interests of the loss corporation as determined by applying the presumptions and other rules of paragraphs (g), (h), (j) or (k)(1) of this section.

(4) *Ownership interest structured to avoid the section 382 limitation.* For purposes of this section, if the ownership interests in a loss corporation are structured by a person with a direct or indirect ownership interest in the loss corporation to avoid treating a person as a 5-percent shareholder (or to permit the loss corporation to rely on the presumption provided in paragraph (g)(5)(i)(B) of this section) for a principal purpose of circumventing the section 382 limitation, then—

(i) Paragraph (h)(2)(iii) of this section shall not apply with respect to the ownership interests so structured and the constructive ownership rules of paragraph (h)(2)(i) of this section shall thus apply to attribute stock from any entity without regard to the amount of stock it owns in the loss corporation or any other corporation,

(ii) Paragraphs (g)(2) and (3) of this section shall be modified with respect to the ownership interests so structured so that the ownership interest of a person includes all of an individual's direct and indirect ownership in the loss corporation, without regard to whether each such interest represents five percent or more of the stock of the loss corporation, and

(iii) Paragraph (g)(5)(i)(B) of this section shall not apply with respect to the ownership interests so structured so that the ownership interest of a person takes into account his actual ownership interest in the loss corporation.

This paragraph (k)(4) shall apply, however, only if application would result in an ownership change.

(5) *Example.*

Example. L is owned by 25 individuals who each own four percent of the outstanding L stock. A purchases 40 percent of L stock from such shareholders on August 13, 1988. Thereafter, B plans to acquire 15 percent of the L stock. B is advised concerning the potential application of section 382 to L. On February 1, 1989, B acquires a 15 percent interest in L pursuant to a program in which each of four corporations, P₁ through P₄, each of which is wholly-owned by B, acquire a 3.75 percent interest in L. A principal purpose of acquiring the L stock through four corporations is to avoid treating B as owning any ownership interest in L amounting to as much as five percent, and thus to circumvent the section 382 limitation by avoiding an ownership change. Under paragraph (k)(4) of this section, the limitation on the constructive ownership rules of paragraph (h)(2)(iii) of this section are disregarded and B is treated as a 5-percent shareholder owning 15 percent of the stock of L by virtue of his ownership interests in P₁ through P₄, notwithstanding paragraph (g)(2) of this section. Accordingly, an ownership change occurs with respect to L.

(6) *First tier entity or higher tier entity that is a foreign corporation or entity.* [Reserved]

(1) *Changes in percentage ownership which are attributable to fluctuations in value.* [Reserved]

(m) *Effective date—(1) In general.* Except as provided in this paragraph (m), section 382 shall apply to any ownership change that occurs immediately after an owner shift or an equity structure shift that occurs after December 31, 1986, or any other event occurring after such date that requires the determination of whether an ownership change has occurred under paragraph (a)(2)(i) of this section. In the case of an equity structure shift (including an equity structure shift that also constitutes an owner shift), any equity structure shift completed pursuant to a plan of reorganization adopted before January 1, 1987, shall be treated as occurring on the date such plan was

adopted. Therefore, section 382 shall apply to any ownership change occurring immediately after—

(i) An owner shift (excluding an owner shift that also constitutes an equity structure shift) that occurs on or after January 1, 1987,

(ii) An equity structure shift that occurs after December 31, 1986, if it is completed pursuant to a plan of reorganization adopted on or after January 1, 1987, or

(iii) Any transfer or issuance of an option, or other interest that is similar to an option, that occurs on or after January 1, 1987 and that is taken into account under paragraph (a)(2)(i) of this section.

With respect to equity structure shifts completed pursuant to plans adopted before January 1, 1987, section 382 shall be inapplicable only if the equity structure shift that is treated as occurring on the date the plan of reorganization for such shift was adopted (or other event occurring after the adoption of such plan) results in an ownership change before January 1, 1987. In that event, a new testing period for the loss corporation shall begin on the day after such ownership change.

(2) *Plan of reorganization.* For purposes of paragraph (m)(1) of this section, a plan of reorganization shall be treated as adopted on the earlier of—

(i) The first date that the boards of directors of all the parties to the reorganization have adopted the plan or have recommended adoption to their shareholders, or

(ii) The date the shareholders approve such reorganization.

If there is an ownership change with respect to a subsidiary as the result of a reorganization of the parent, the treatment of the subsidiary under this paragraph (m)(2) shall be governed by the classification of the parent-level transaction. For purposes of the preceding sentence, a corporation shall be treated as a subsidiary of another corporation only if the other corporation owns stock in that corporation meeting the requirements of section 1504(a)(2).

(3) *Earliest commencement of the testing period.* For purposes of determining if an ownership change has occurred at any time after May 5, 1986, the testing

period shall begin no earlier than May 6, 1986. Under paragraph (d)(4) of this section, therefore, shifts in the ownership of stock of the loss corporation prior to May 6, 1986 are disregarded.

(4) *Transitional rules*—(i) *Rules provided in paragraph (j) of this section for testing dates before September 4, 1987.* For purposes of determining whether an ownership change occurs for any testing date before September 4, 1987.

(A) The rules of paragraph (j)(1) of this section shall apply only to stock of the loss corporation acquired after May 5, 1986, by any first tier entity or higher tier entity and shall not apply to any stock acquired by such an entity on or before that date.

(B) The rules of paragraph (j)(2) of this section shall apply only to equity structure shifts in which more than one corporation is a party to the reorganization and shall not apply to any other transactions, and

(C) The rules of paragraph (j)(3) of this section shall apply only to—

(1) Dispositions of stock acquired by an individual, a first tier entity or higher tier entity after May 5, 1986 (and shall not apply to dispositions of stock acquired on or before such date), and

(2) Equity structure shifts in which more than one corporation is a party to the reorganization (and shall not apply to any other transactions).

For any testing date before September 4, 1987, however, the loss corporation is permitted to apply all of the rules of paragraph (j) of this section. A loss corporation that applies the rules of paragraph (j) of this section under the preceding sentence must apply all of the rules of such paragraph in determining whether any ownership change occurs on any testing dates after May 5, 1986.

(ii) *Example.*

Example. (i) L is owned entirely by 10,000 unrelated individuals, none of whom owns as much as five percent of the stock of L (“Public L”). P is owned entirely by 1,000 unrelated individuals, none of whom owns as much as five percent of the stock of P (“Public P”).

(ii) Between March 1, 1987 and June 1, 1987, P acquires 45 percent of L stock in a series of transactions. On June 15, 1987, L redeems 20 percent of the L stock from Public L.

(iii) Under paragraph (m)(4)(i)(A) of this section, the rules of paragraph (j)(1) of this section apply to the acquisitions made by P,

because they occurred after May 5, 1986. Accordingly, following those acquisitions, the stock of L is owned 45 percent by Public P and 55 percent by Public L. Because the increase in the percentage ownership by Public P as a result of P’s stock purchases is not more than 50 percent, no ownership change occurs as the result of P’s purchases.

(iv) On or after September 4, 1987, the rules of paragraph (j)(2)(iii)(C) of this section apply to treat any L stock that is redeemed as owned by a public group that is separate from the public group owning the stock that is not redeemed. (Under paragraph (j)(2)(iii)(C) of this section, the continuing shareholders of Public L, who owned 35 percent of the stock of L before the redemption ([55 percent—20 percent]/100 percent) increase their ownership interest in L by 8.8 percentage points as a result of such redemption (43.8 percent—35 percent)). Those rules, however, do not apply to the June 15, 1987 redemption because it occurs before the date that paragraph (j)(2)(iii) of this section generally is effective. (Until September 4, 1987, paragraph (j)(2)(iii) of this section generally is effective only for equity structure shifts in which more than one corporation is a party to the reorganization.) Solely because of the application of paragraph (j)(1) of this section to P’s acquisitions of L stock, Public P’s ownership interest in L as a result of the redemption has increased from 45 percentage points to 56.2 percentage points which, compared to its lowest percentage ownership interest at any time during the testing period (0 percent prior to March 1, 1987), is a more than 50 percentage point increase thus causing an ownership change with respect to L on June 15, 1987.

(iii) *Rules provided in paragraph (j) of this section for testing dates on or after September 4, 1987.* For purposes of determining whether an ownership change occurs for any testing date on or after September 4, 1987, the rules of paragraphs (j)(2) and (3) of this section shall not apply to identify any public group resulting from—

(A) Any transaction described in such paragraphs (j)(2) and (3), unless that transaction is also described in paragraph (m)(4)(i)(B) or (C) of this section, or

(B) Any disposition of stock acquired on or before May 5, 1986, but only if such disposition or other transaction occurs before September 4, 1987. Thus, for example, the rules of paragraph (j)(2)(iii)(D) of this section shall apply only to rights to acquire stock of the loss corporation issued on or after such date.

(iv) *Rules provided in paragraphs (f)(18)(ii) and (iii) of this section.* For purposes of determining whether an ownership change occurs for any testing date, the rules of paragraphs (f)(18)(ii) and (iii) of this section apply only to stock (or any other ownership interest) that is—

(A) Issued on or after September 4, 1987, or

(B) Transferred to (or by) a person who is a 5-percent shareholder (or would be a 5-percent shareholder if paragraph (f)(18)(iii) of this section were applicable) on or after September 4, 1987.

(v) *Rules provided in paragraph (a)(2)(ii) of this section.* The information statement required under paragraph (a)(2)(ii) of this section is not required to be filed with respect to any taxable year for which the due date (including extensions) of the income tax return of the loss corporation is on or before October 5, 1987.

(vi) *Rules provided in paragraph (h)(4) of this section.* The rules provided in paragraph (h)(4) of this section do not apply on any testing date on or after November 5, 1992. The rule provided in paragraph (h)(4)(viii) of this section applies to the lapse or forfeiture of any option treated as exercised under paragraph (h)(4)(i) of this section. If an option is treated as exercised under paragraph (h)(4)(i) of this section, and the option is actually exercised on a day that is within 120 days after the date on which the option is treated as exercised, the rule provided in paragraph (h)(4)(vi)(B) of this section applies (even if the actual exercise of the option occurs on a date on which the rules of paragraph (h)(4) of this section would not otherwise apply). Thus, in such a case, the loss corporation may elect to treat paragraphs (h)(4)(i) and (vi)(A) of this section as not applying to the option and take into account only the acquisition of loss corporation stock resulting from the actual exercise of the option.

(vii) *Rules provided in paragraph (a)(2)(i) of this section.* The rules provided in paragraph (a)(2)(i) of this section apply to determine whether dates prior to November 5, 1992, are testing dates. For rules regarding the determination of whether dates on or after

November 5, 1992, are testing dates, see § 1.382-2(a)(4).

(5) *Bankruptcy proceedings—(i) In general.* In the case of a reorganization described in section 368(a)(1)(G) or an exchange of debt for stock in a title 11 or similar case (within the meaning of section 368(a)(3)), section 382 shall not apply to any ownership change resulting from such a reorganization or proceeding if a petition in such case was filed with the court before August 14, 1986. Accordingly, any shift in ownership in the loss corporation arising out of such reorganization or proceeding shall not be taken into account for purposes of determining whether an ownership change occurs on any testing date that occurs after December 31, 1986.

(ii) *Example.*

Example. (i) L filed a petition in bankruptcy on September 29, 1985. As a result of a title 11 bankruptcy reorganization of L that is confirmed by a court on February 2, 1988, there is a shift in the ownership of L so that JK increased her interest in L by 24 percentage points relative to her lowest ownership interest in L during the testing period. JK is the only 5-percent shareholder of L following the reorganization whose interest in L increased as a result of the transaction. On December 25, 1988, GK purchases 42 percent of the outstanding stock of L from shareholders other than JK.

(ii) There is no ownership change on December 25, 1988 because the 24 percentage point increase in JK's ownership interest in L is not taken into account under paragraph (m)(6)(i) of this section.

(iii) The facts are the same as in (i), except that the acquisitions by JK and GK occurred on August 5, 1986 and September 26, 1986, respectively. Because paragraph (m)(6)(i) of this section is only applicable with respect to the determination of whether an ownership change has occurred on any testing date that occurs after December 31, 1986, there is an ownership change as a result of GK's acquisition on September 26, 1986. Accordingly, section 382 is inapplicable to such ownership change under paragraph (m)(1) of this section because it occurred prior to January 1, 1987. Under paragraph (d)(2) of this section, the testing period for determining whether an ownership change occurs on any subsequent testing date shall commence no earlier than September 27, 1986.

(6) *Transactions of domestic building and loan associations.* The rules of paragraph (j)(2)(iii)(B) of this section (and the application of those rules by virtue

of paragraph (j)(3) of this section) shall not apply to a public offering of stock by a domestic building and loan association described in section 591 (or any corporation that owns stock in the association meeting the requirements of section 1504(a)(2)) prior to January 1, 1989. In the case of any transaction described in the preceding sentence, any transitory ownership of stock by any entity that is an underwriter shall be disregarded so that the rules of paragraph (j)(1) of this section shall not apply to treat such stock as owned by the owners of the underwriter and thus the rules of paragraph (j)(3)(i) of this section shall not apply to the disposition of such stock by the underwriter. For purposes of this paragraph (m)(7)—

(i) Ownership shall be considered transitory only with respect to an underwriter acquiring stock in a firm commitment underwriting to the extent the stock is disposed of pursuant to the offer (but in no event later than sixty (60) days after the initial offering) and,

(ii) To the extent a transaction may be described both by paragraph (j)(2)(iii)(B) of this section and any other provision of paragraph (j)(2)(iii) or (3) of this section, paragraph (j)(2)(v)(A) of this section shall not apply and the transaction shall be treated as described solely by paragraph (j)(2)(iii)(B) of this section.

(7) *Transactions not subject to section 382*—(i) *Application of old section 382*. Old section 382 shall not apply to a loss corporation on or after the date on which an ownership change occurs, but only if such ownership change results in the application of the section 382 limitation (as defined in section 382(b)) with respect to the loss corporation.

(ii) *Effect on testing period*. The application of old section 382 to a transaction is disregarded for purposes of paragraph (d)(2) of this section unless the transaction that results in such application is the last component of an ownership change after May 5, 1986 that is not subject to section 382 under the effective date rules of this paragraph (m) (e.g., an ownership change occurring as the result of an individual's purchase of more than 50 percent of L stock on any date on or before December 31, 1986).

(iii) *Termination of old section 382*. [Reserved]

(8) *Options issued or transferred before January 1, 1987*—(i) *Options issued before May 6, 1986*. An option issued before May 6, 1986, is subject to the rules of paragraph (h)(4) of this section only if it is transferred by (or to) a 5-percent shareholder (or a person who would be a 5-percent shareholder if the option were treated as exercised) on or after such date. In all other cases, such an option shall not be subject to paragraph (h)(4)(i) of this section, but shall be subject to paragraph (h)(4)(xii) of this section. Thus, for example, a warrant to acquire stock of the loss corporation issued before May 6, 1986 shall not be subject to paragraph (h)(4) of this section unless the warrant is transferred by (or to) a 5-percent shareholder. The exercise of such a warrant, however, would be taken into account as required by this paragraph (m)(8)(i) and paragraph (h)(4)(xii) of this section.

(ii) *Options issued on or after May 6, 1986 and before September 18, 1986*. An option issued or transferred on or after May 6, 1986, and before September 18, 1986, is subject to the rules of paragraph (h)(4) of this section.

(iii) *Options issued on or after September 18, 1986 and before January 1, 1987*. An option issued or transferred on or after September 18, 1986, and before January 1, 1987, is subject to the rules of paragraph (h)(4) of this section, except that the option shall be treated for purposes of this section as if it never had been issued in the event that either—

(A) The option lapses unexercised or is irrevocably forfeited by the holder thereof, or

(B) On the date the option was issued, there was no significant likelihood that such option would be exercised within the five-year period from the date of such issuance and a purpose for the issuance of the option was to cause an ownership change prior to January 1, 1987.

(9) *Examples*. The rules of this paragraph (m) may be illustrated by the following examples.

Example 1. (i) A owns all 100 outstanding shares of L stock. A sells 11 shares to B on January 1, 1986. The January 1, 1986 testing

date is disregarded under paragraph (m)(3) of this section. A sells another 40 shares to B on January 1, 1988. B's second stock purchase is an owner shift that does not result in an ownership change. B's percentage ownership interest on the testing date (51 percent) is only 40 percentage points greater than the lowest percentage of L stock owned by B at any time during the testing period (11 percent on and after May 6, 1986).

(ii) The facts are the same as in (i). In addition A sells 20 shares of his L stock to C on July 1, 1990. C's stock purchase is an owner shift. Because B and C together have increased their respective ownership interests in L by 40 and 20 percentage points relative to their lowest percentage stock ownership interests in L at any time during the testing period, C's purchase causes an ownership change. The testing period for any subsequent ownership change begins on the first day following C's acquisition, July 2, 1990.

Example 2. (i) C has owned 100 percent of L since March 22, 1980. On October 13, 1986, P merges into L. As a result of the merger, 40 percent of L stock is acquired by A, the sole shareholder of P. The merger of P into L is both an equity structure shift and an owner shift. The transaction, however, is not an ownership change with respect to L, because A's percentage ownership interest has increased by only 40 percentage points. On August 22, 1987, B purchases 15 percent of the L stock from C. B's purchase constitutes an owner shift resulting in an ownership change that is subject to section 382 because the aggregate increases in percentage ownership by B and C (respectively 40 percent and 15 percent) is more than 50 percentage points.

(ii) The facts are the same as in (i), except that the plan of reorganization is adopted on October 13, 1986, and the merger is completed on July 22, 1987. The result is the same as in (i).

(iii) The facts are the same as in (ii), except that the reorganization is completed on August 22, 1987, and B's purchase of the L stock occurs one month earlier, on July 22, 1987. Assume that after the reorganization on August 22, 1987, A and B own 40 percent and 15 percent, respectively, of L stock. Although the merger occurred pursuant to a plan of reorganization adopted before 1987, L is subject to section 382 following the equity structure shift, because the merger would not have caused an ownership change if it had been completed in 1986 after the commencement of the L's testing period.

(iv) The facts are the same as in (ii), except that B's purchase occurs on June 7, 1986. Assume that immediately after the reorganization on August 22, 1987, A and B own 40 percent and 15 percent, respectively, of L stock. Since the reorganization pursuant to a plan adopted before 1987, taken together with the other shifts in the ownership of L's stock between May 5, 1986, and December 31, 1986,

would have caused an ownership change, section 382 does not apply as a result of the merger. Since an ownership change occurs as a result of the merger, L's testing period for purposes of any subsequent ownership change begins on October 14, 1986.

(v) The facts are the same as in (iv), except that B makes an additional purchase from C of one percent of L's stock on February 14, 1987. The result is the same as in (iv). B's additional purchase, however, is taken into account for the purpose of determining whether there is a second ownership change with respect to L.

[T.D. 8149, 52 FR 29675, Aug. 11, 1987]

EDITORIAL NOTE: For FEDERAL REGISTER citations affecting §1.382-2T, see the List of CFR Sections Affected, which appears in the Finding Aids section of the printed volume and at www.govinfo.gov.

§ 1.382-3 Definitions and rules relating to a 5-percent shareholder.

(a) *Definitions*—(1) *Entity*—(i) *In general.* An entity is any corporation, estate, trust, association, company, partnership or similar organization. An entity includes a group of persons who have a formal or informal understanding among themselves to make a coordinated acquisition of stock. A principal element in determining if such an understanding exists is whether the investment decision of each member of a group is based upon the investment decision of one or more other members. However, the participation by creditors in formulating a plan for an insolvency workout or a reorganization in a title 11 or similar case (whether as members of a creditors' committee or otherwise) and the receipt of stock by creditors in satisfaction of indebtedness pursuant to the workout or reorganization do not cause the creditors to be considered an entity.

(ii) *Examples.* The following examples illustrate the provisions of paragraph (a)(1)(i) of this section.

Example 1. (i) L corporation has 1,000 shares of common stock outstanding. For the three-year period ending on October 1, 1992, L's stock was owned by unrelated individuals, none of whom owned five percent or more of L. A group of 20 individuals who previously owned no stock (the "Group") agree among themselves to acquire more than 5 percent of L's stock. The Group is not a corporation, trust, association, partnership or company.

On October 1, 1992, pursuant to their understanding, the members of the Group purchase 600 shares of L common stock from the old shareholders of L (a total of 60 percent of L stock), with each member purchasing 30 shares.

(ii) Before the members of the Group acquired L's stock on October 1, 1992, no individual or entity owned, directly or indirectly, five percent or more of the stock of L. As a result, all shareholders were aggregated into a public group and L was considered to be owned by a single 5-percent shareholder ("Public L") in accordance with § 1.382-2T (g)(1) and (j)(1).

(iii) Under paragraph (a)(1)(i) of this section, the members of the Group have a formal or informal understanding among themselves to make a coordinated acquisition of stock and, therefore, the Group is an entity. Thus, the acquisition of more than five percent of the stock of L on October 1, 1992, by members of the Group is not disregarded under § 1.382-2T(e)(1)(ii). Because no member of the Group owns, directly or indirectly, five percent or more of the stock of L, §§ 1.382-2T (g)(1) and (j)(1) require that the members of the Group be aggregated into a separate public group, which will be presumed to consist of persons unrelated to the members of Public L. Because there is a shift of more than fifty percentage points in the ownership of L stock during the three-year testing period ending on October 1, 1992, an ownership change occurs on October 1, 1992, as a result of the Group's purchase of the 600 shares.

Example 2. (i) Prior to October 1, 1992, L's 1,000 shares of outstanding stock were owned by unrelated individuals, none of whom owned five percent or more of the stock of L. L's management is concerned that L may become subject to a takeover bid. In separate meetings, L's management meets with potential investors who own no stock and are friendly to management to convince them to acquire L's stock based on an understanding that L will assemble a group that in the aggregate will acquire more than 50 percent of L's stock. On October 1, 1992, 15 of these investors each purchase 4 percent of L's stock.

(ii) Under paragraph (a)(1)(i) of this section, the 15 investors (the "Group") are treated as an entity because the members of the Group purchase L stock pursuant to a formal or informal understanding among themselves to make a coordinated acquisition of stock. Sections 1.382-2T (g)(1) and (j)(1) require that on October 1, 1992, the Group be aggregated into a separate public group, which has increased its ownership of L stock by 60 percentage points over its lowest level of ownership in the three-year period ending on October 1, 1992. Accordingly, an ownership change occurs on that date.

Example 3. (i) Prior to October 1, 1992, L's 1,000 shares of outstanding stock were owned

by unrelated individuals, none of whom owned five percent or more of the stock of L. On October 1, 1992, an investment advisor advises its clients that it believes L's stock is undervalued and recommends that they acquire L stock. Acting on the investment advisor's recommendation, 20 unrelated individuals purchase 6 percent of L's stock in aggregate, with each individual purchasing less than 5 percent. Each client's decision was not based upon the investment decisions made by one or more other clients.

(ii) Because there is no formal or informal understanding among the clients to make a coordinated acquisition of L stock, their purchase of stock is not made by an entity under paragraph (a)(1)(i) of this section. As a result, they remain part of the public group which owns L stock, and no owner shift results upon their purchase of L stock under § 1.382-2T(e)(1)(ii).

(iii) The result in this example would be the same under paragraph (a)(3)(i) of this section if the only additional fact was that the investment advisor is also the underwriter (without regard to whether it is a firm commitment or best efforts underwriting) for a primary or secondary offering of L stock.

(iv) Assume that the facts are the same except that, instead of an investment advisor recommending that clients purchase L stock, the trustee of several trusts qualified under section 401(a) sponsored by unrelated corporations causes each trust to purchase the L stock. In this case, the result is the same, so long as the investment decision made on behalf of each trust was not based on the investment decision made on behalf of one or more of the other trusts.

(iii) *Effective date.* (A) *In general.* The second, third and fourth sentences of paragraph (a)(1)(i) of this section and *Examples 1, 2 and 3* of paragraph (a)(1)(ii) of this section apply to testing dates (determined by applying such sentence and examples) on or after November 20, 1990, but with respect to any group of persons that pursuant to a formal or informal understanding among themselves makes a coordinated acquisition of stock before November 20, 1990, only if the group increases or decreases its ownership of stock of the loss corporation relative to its percentage ownership interest at the close of November 19, 1990, by five percentage points or more on or after November 20, 1990.

(B) *Special rule.* If pursuant to a formal or informal understanding among themselves a group consisting only of regulated investment companies under

section 851, qualified trusts under section 401, common trust funds under section 584, or trusts or estates that are clients of a trust department of a bank under section 581, make a coordinated acquisition of stock before November 20, 1990, the second, third and fourth sentences of paragraph (a)(1)(i) of this section and *Examples 1, 2, and 3* of paragraph (a)(1)(ii) of this section apply for testing dates (determined by applying such sentences and examples) on or after November 20, 1990, only if the group increases its ownership of stock of the loss corporation relative to its percentage ownership interest at the close of November 19, 1990, by five percentage points or more on or after November 20, 1990.

(C) *Example.* The following example illustrates the provisions of paragraph (a)(1)(iii) of this section.

Example. Prior to November 1, 1990, L, a loss corporation, is owned entirely by 1,000 unrelated individuals, none of whom owns as much as 5 percent of the stock of L ("Public L"). On November 1, 1990, 15 individuals (the "Group") each acquired 3 percent, or 45 percent, in total, of L stock pursuant to an understanding among themselves to make a coordinated acquisition of stock. The Group is not a corporation, trust, association, partnership or company. On March 1, 1992, six members of the Group each purchased an additional one percent of L stock, or 6 percent, in total, pursuant to the understanding. Accordingly, the Group increased its ownership in L stock by 51 percentage points during the three-year testing period ending on March 1, 1992. As a result, an ownership change of L occurs on March 1, 1992.

(2) [Reserved]

(b)-(i) [Reserved]

(j) *Modification of the segregation rules of § 1.382-2T(j)(2)(iii) and (3)*—(1) *Introduction.* This paragraph (j) exempts, in whole or in part, certain transfers of stock from the segregation rules of § 1.382-2T(j)(2)(iii) and (3). Terms and nomenclature used in this paragraph (j), and not otherwise defined herein, have the same meanings as in section 382 and the regulations issued under section 382.

(2) *Small issuance exception*—(i) *In general.* Section 1.382-2T(j)(2)(iii)(B) does not apply to a small issuance (as defined in paragraph (j)(2)(ii) of this section), except to the extent that the total amount of stock issued in that issuance and all other small issuances

previously made in the same taxable year (determined in each case on issuance) exceeds the small issuance limitation. This paragraph (j)(2) does not apply to an issuance of stock that, by itself, exceeds the small issuance limitation.

(ii) *Small issuance defined.* "Small issuance" means an issuance (other than an issuance described in paragraph (j)(6) of this section) by the loss corporation of an amount of stock not exceeding the small issuance limitation. For purposes of this paragraph (j)(2)(ii), all stock issued in the issuance is taken into account, including stock owned immediately after the issuance by a 5-percent shareholder that is not a direct public group.

(iii) *Small issuance limitation*—(A) *In general.* For each taxable year, the loss corporation may, at its option, apply this paragraph (j)(2)—

(1) On a corporation-wide basis, in which case the small issuance limitation is 10 percent of the total value of the loss corporation's stock outstanding at the beginning of the taxable year (excluding the value of stock described in section 1504(a)(4)); or

(2) On a class-by-class basis, in which case the small issuance limitation is 10 percent of the number of shares of the class outstanding at the beginning of the taxable year.

(B) *Class of stock defined.* For purposes of this paragraph (j)(2)(iii), a class of stock includes all stock with the same material terms.

(C) *Adjustments for stock splits and similar transactions.* Appropriate adjustments to the number of shares of a class outstanding at the beginning of a taxable year must be made to take into account any stock split, reverse stock split, stock dividend to which section 305(a) applies, recapitalization, or similar transaction occurring during the taxable year.

(D) *Exception.* The loss corporation may not apply this paragraph (j)(2)(iii) on a class-by-class basis if, during the taxable year, more than one class of stock is issued in a single issuance (or in two or more issuances that are treated as a single issuance under paragraph (j)(8)(ii) of this section).

(iv) *Short taxable years.* In the case of a taxable year that is less than 365

days, the small issuance limitation is reduced by multiplying it by a fraction, the numerator of which is the number of days in the taxable year, and the denominator of which is 365.

(3) *Other issuances of stock for cash—*
 (i) *In general.* If the loss corporation issues stock solely for cash, § 1.382-2T(j)(2)(iii)(B) does not apply to such stock in an amount equal (as a percentage of the total stock issued) to one-half of the aggregate percentage ownership interest of direct public groups immediately before the issuance.

(ii) *Solely for cash—(A) In general.* A share of stock is not issued solely for cash if—

(1) The acquiror, as a condition of acquiring that share for cash, is required to purchase other stock for consideration other than cash; or

(2) The share is acquired upon the exercise of an option that was not issued solely for cash or was not distributed with respect to stock.

(B) *Related issuances.* Paragraph (j)(8)(i) of this section (relating to the treatment of one or more issuances as a single issuance) does not apply in determining whether stock is issued solely for cash.

(iii) *Coordination with paragraph (j)(2) of this section.* This paragraph (j)(3) does not apply to a small issuance exempted in whole from § 1.382-2T(j)(2)(iii)(B) under paragraph (j)(2) of this section. In the case of a small issuance exempted in part from § 1.382-2T(j)(2)(iii)(B) under paragraph (j)(2) of this section, this paragraph (j)(3) applies only to the portion of the issuance not so exempted, and that portion is treated as a separate issuance for purposes of this paragraph (j)(3).

(4) *Limitation on exempted stock.* The total amount of stock that is exempted from the application of § 1.382-2T(j)(2)(iii)(B) under paragraphs (j)(2) and (j)(3) of this section cannot exceed the total amount of stock issued in the issuance less the amount of that stock owned by a 5-percent shareholder (other than a direct public group) immediately after the issuance. Except to the extent that the loss corporation has actual knowledge to the contrary, any increase in the amount of the loss corporation's stock owned by a 5-percent shareholder on the day of the

issuance is considered to be attributable to an acquisition of stock in the issuance.

(5) *Proportionate acquisition of exempted stock—(i) In general.* Each direct public group that exists immediately before an issuance to which paragraph (j)(2) or (j)(3) of this section applies is treated as acquiring its proportionate share of the amount of stock exempted from the application of § 1.382-2T(j)(2)(iii)(B) under paragraph (j)(2) or (j)(3) of this section.

(ii) *Actual knowledge of greater overlapping ownership.* Under the last sentence of § 1.382-2T(k)(2), the loss corporation may treat direct public groups existing immediately before an issuance to which paragraph (j)(2) or (j)(3) of this section applies as acquiring in the aggregate more stock than the amount determined under paragraph (j)(5)(i) of this section, but only if the loss corporation actually knows that the aggregate amount acquired by those groups in the issuance exceeds the amount so determined.

(6) *Exception for equity structure shifts.* This paragraph (j) does not apply to any issuance of stock in an equity structure shift, except that paragraph (j)(2) of this section applies (if its requirements are met) to the issuance of stock in a recapitalization under section 368(a)(1)(E).

(7) *Transitory ownership by underwriter disregarded.* For purposes of § 1.382-2T(g)(1) and (j), and this paragraph (j), the transitory ownership of stock by an underwriter of the issuance is disregarded.

(8) *Certain related issuances.* For purposes of this paragraph (j), two or more issuances (including issuances of stock by first tier or higher tier entities) are treated as a single issuance if—

(i) The issuances occur at approximately the same time pursuant to the same plan or arrangement; or

(ii) A principal purpose of issuing the stock in separate issuances rather than in a single issuance is to minimize or avoid an owner shift under the rules of this paragraph (j).

(9) *Application to options.* The principles of this paragraph (j) apply for purposes of applying § 1.382-2T(j)(2)(iii)(D) (relating to the deemed

acquisition of stock as a result of the ownership of an option).

(10) *Issuance of stock pursuant to the exercise of certain options.* If stock is issued on the exercise of a transferable option issued by the loss corporation, §1.382-2T(j)(2)(iii)(F) does not apply and, in applying the last sentence of §1.382-2T(k)(2), the loss corporation must take into account any transfers of the option (including transfers described in §1.382-2T(h)(4)(xi)). Therefore, even if transferable options are distributed pro rata to members of existing public groups, the actual knowledge exception of §1.382-2T(k)(2) applies only to the extent that the loss corporation actually knows that the persons acquiring stock on exercise of the options are members of a pre-existing public group. Moreover, if transferable options are issued to more than one public group, §1.382-2T(j)(2)(iii)(F) does not apply to treat the options as exercised pro rata by each such public group as the options are actually exercised.

(11) *Application to first tier and higher tier entities—(i) In general.* The principles of paragraphs (j)(1) through (10) and paragraph (j)(12) apply to issuances of stock by a first tier entity or a higher tier entity that owns 5 percent or more of the loss corporation's stock (determined without regard to §1.382-2T(h)(2)(1)(A)).

(ii) *Small issuance limitation.* In applying paragraph (j)(2) of this section to any issuance of stock by a first tier or higher tier entity, the small issuance limitations of paragraph (j)(2)(iii)(A) and (B) of this section are computed by reference to the stock value and the stock classes of the issuing corporation.

(12) *Certain non-stock ownership interests.* As the context may require, a non-stock ownership interest in an entity other than a corporation is treated as stock for purposes of this paragraph (j).

(13) *Secondary transfer exception.* The segregation rules of §1.382-2T(j)(3)(i) will not apply to the transfer of a direct ownership interest in the loss corporation by a first tier entity or an individual that owns five percent or more of the loss corporation to public shareholders. Instead, each public group existing at the time of the transfer will

be treated under §1.382-2T(j)(3)(i) as acquiring its proportionate share of the stock exempted from the application of §1.382-2T(j)(3)(i). The segregation rules also will not apply if an ownership interest in an entity that owns five percent or more of the loss corporation (determined without regard to the application of §1.382-2T(h)(2)(i)(A)) is transferred to a public owner or a 5-percent owner who is not a 5-percent shareholder of the loss corporation. Instead, provided that the transferor is either a 5-percent owner that is a 5-percent shareholder of the loss corporation or a higher tier entity owning five percent or more of the loss corporation (determined without regard to the application of section 1.382-2T(h)(2)(i)(A)), each public group of the entity existing at the time of the transfer is treated under §1.382-2T(j)(3)(i) as acquiring its proportionate share of the transferred ownership interest. With regard to a transferor that is neither a 5-percent shareholder of the loss corporation nor a higher tier entity owning five percent or more of the loss corporation (determined without regard to the application of §1.382-2T(h)(2)(i)(A)), see generally §1.382-2T(e)(1)(ii) (disregarding these transactions if the transferee is not a 5-percent shareholder).

(14) *Small redemption exception—(i) In general.* Section 1.382-2T(j)(2)(iii)(C) does not apply to a small redemption (as defined in paragraph (j)(14)(ii) of this section), except to the extent that the total amount of stock redeemed in that redemption and all other small redemptions previously made in the same taxable year (determined in each case on redemption) exceeds the small redemption limitation. This paragraph (j)(14) does not apply to a redemption of stock that, by itself, exceeds the small redemption limitation.

(ii) *Small redemption defined.* *Small redemption* means a redemption of public shareholders by the loss corporation of an amount of stock not exceeding the small redemption limitation.

(iii) *Small redemption limitation—(A) In general.* For each taxable year, the loss corporation may, at its option, apply this paragraph (j)(14)—

(1) On a corporation-wide basis, in which case the small redemption limitation is 10 percent of the total value

of the loss corporation's stock outstanding at the beginning of the taxable year (excluding the value of stock described in section 1504(a)(4)); or

(2) On a class-by-class basis, in which case the small redemption limitation is 10 percent of the number of shares of the class redeemed that are outstanding at the beginning of the taxable year.

(B) *Class of stock defined.* For purposes of this paragraph (j)(14)(iii), a class of stock includes all stock with the same material terms.

(C) *Adjustments for stock splits and similar transactions.* Appropriate adjustments to the number of shares of a class outstanding at the beginning of a taxable year must be made to take into account any stock split, reverse stock split, stock dividend to which section 305(a) applies, recapitalization, or similar transaction occurring during the taxable year.

(D) *Exception.* The loss corporation may not apply this paragraph (j)(14)(iii) on a class-by-class basis if, during the taxable year, more than one class of stock is redeemed in a single redemption (or in two or more redemptions that are treated as a single redemption under paragraph (j)(14)(v) of this section).

(E) *Short taxable years.* In the case of a taxable year that is less than 365 days, the small redemption limitation is reduced by multiplying it by a fraction, the numerator of which is the number of days in the taxable year, and the denominator of which is 365.

(iv) *Proportionate redemption of exempted stock—(A) In general.* Each direct public group that exists immediately before a redemption to which this paragraph (j)(14) applies is treated as having been redeemed of its proportionate share of the amount of stock exempted from the application of § 1.382-2T(j)(2)(iii)(C) under this paragraph (j)(14).

(B) *Actual knowledge of greater redemption.* Under the last sentence of § 1.382-2T(k)(2), the loss corporation may treat direct public groups existing immediately before a redemption to which this paragraph (j)(14) applies as having been redeemed of more stock than the amount determined under paragraph (j)(14)(iv)(A) of this section,

but only if the loss corporation actually knows that the amount redeemed from those groups in the redemption exceeds the amount so determined.

(v) *Certain related redemptions.* For purposes of this paragraph (j)(14), two or more redemptions (including redemptions of stock by first tier or higher tier entities) are treated as a single redemption if—

(A) The redemptions occur at approximately the same time pursuant to the same plan or arrangement; or

(B) A principal purpose of redeeming the stock in separate redemptions rather than in a single redemption is to minimize or avoid an owner shift under the rules of this paragraph (j)(14).

(vi) *Certain non-stock ownership interests.* As the context may require, a non-stock ownership interest in an entity other than a corporation is treated as stock for purposes of this paragraph (j)(14).

(vii) *Application to first tier and higher tier entities—(A) In general.* The principles of this paragraph (j)(14) apply to redemptions of stock by a first tier entity or a higher tier entity that owns 5 percent of the loss corporation stock (determined without regard to § 1.382-2T(h)(2)(i)(A)).

(B) *Small redemption limitation.* In applying this paragraph (j)(14) to any redemption of stock by a first tier or a higher tier entity, the small redemption limitations of paragraph (j)(14)(iii)(A) of this section are computed by reference to the stock value and the stock classes of the redeeming corporation.

(15) *Exception for first tier and higher tier entities—(i) In general.* The segregation rules of § 1.382-2T(j)(3)(iii) will not apply to a transaction involving stock in a first tier or a higher tier entity if, after taking into account the results of such transaction and all other transactions occurring on that date, the first tier or higher tier entity owns 10 percent or less (by value) of all the outstanding stock (without regard to § 1.382-2(a)(3)) of the loss corporation.

(ii) *Anti-avoidance rule.* The rules of paragraph (j)(15)(i) of this section do not apply to a transaction involving an ownership interest in a first tier or higher tier entity if the loss corporation, directly or through one or more

persons, has participated in planning or structuring the transaction with a view to avoiding the application of the segregation rules. For this purpose, a transaction includes any event that would result in segregation under § 1.382-2T(j)(3)(iii), absent the application of this paragraph (j)(15), and any event (for example, the formation of a holding company) occurring as part of the same plan that includes the event that would result in segregation (without the application of this paragraph (j)(15)). Other anti-avoidance rules continue to be applicable. See, for example, §§ 1.382-2T(k)(4) and 1.382-3(a)(1).

(iii) *Special rules.* If application of paragraph (j)(15)(i) of this section results in the combination of public groups, then—

(A) The amount of increase in the percentage of stock ownership of the continuing public group will be the sum of its increase and a proportionate amount of any increase by any public group that is combined with the continuing public group (the former public group); and

(B) The continuing public group's lowest percentage ownership will be the sum of its lowest percentage ownership and a proportionate amount of the former public group's lowest percentage ownership.

(iv) *Ownership of the loss corporation.* In making the determination under paragraph (j)(15)(i) of this section—

(A) The rules of § 1.382-2T(h)(2) will not apply;

(B) The entity will be treated as owning the loss corporation stock that it actually owns, and any other loss corporation stock if that other stock would be attributed to the entity under section 318(a) (without regard to paragraph (4) thereof unless an option is treated as exercised under § 1.382-4(d)); and

(C) The operating rules of paragraph (j)(15)(v) of this section will apply.

(v) *Operating rules.* Subject to the principles of § 1.382-2T(k)(4), a loss corporation may establish the ownership limitation of paragraph (j)(15)(i) of this section through either—

(A) Actual knowledge; or

(B) Absent actual knowledge to the contrary, the presumptions regarding stock ownership in § 1.382-2T(k)(1).

(16) *Examples.* The provisions of this paragraph (j) are illustrated by the following examples:

Example 1. (i) L corporation is a calendar year taxpayer. On January 1, 1994, L has 1,000 shares of a single class of common stock outstanding, all of which are owned by a single direct public group (Public L). On February 1, 1994, L issues to employees as compensation 60 new common shares of the same class. On May 1, 1994, L issues 50 new common shares of the same class solely for cash. Following each issuance, L's stock is owned entirely by public shareholders. No other changes in the ownership of L's stock occur prior to May 1, 1994. L chooses to determine its small issuance limitation for 1994 on a class-by-class basis under paragraph (j)(2)(iii)(A)(2) of this section.

(ii) The February issuance is a small issuance because the number of shares issued (60) does not exceed 100, the small issuance limitation (10 percent of the number of common shares outstanding on January 1, 1994). Under paragraph (j)(2) of this section, the segregation rules of § 1.382-2T(j)(2)(iii)(B) do not apply to the February issuance. Under paragraph (j)(5) of this section, Public L is treated as acquiring all 60 shares issued.

(iii) The May issuance is a small issuance because the number of shares issued (50) does not exceed 100, the small issuance limitation (10 percent of the number of common shares outstanding on January 1, 1994). However, under paragraph (j)(2) of this section, only 40 of the 50 shares issued are exempted from the segregation rules of § 1.382-2T(j)(2)(iii)(B) because the total number of shares of common stock issued in the February and May issuances exceeds 100, the small issuance limitation, by 10. Because the May issuance is solely for cash, paragraph (j)(3) of this section exempts 5 of the 10 remaining shares from the segregation rules of § 1.382-2T(j)(2)(iii)(B) (10 shares multiplied by 50 percent, one-half of Public L's 100 percent ownership interest immediately before the May issuance—1,060 shares/1,060 shares). Accordingly, under paragraph (j)(5) of this section, Public L is treated as acquiring 45 shares in the May issuance. Section 1.382-2T(j)(2)(iii)(B) applies to the remaining 5 shares issued, which are treated as acquired by a direct public group separate from Public L. Each such public group is treated as an individual who is a separate 5-percent shareholder. See § 1.382-2T(g)(1)(iv) and (j)(1)(ii).

(iv) Assume that L actually knows that at least 10 shares of the May issuance are acquired by members of Public L. The result is the same. See paragraph (j)(5)(ii) of this section.

(v) Assume instead that L actually knows that all 50 shares of the May issuance are acquired by members of Public L. Under paragraph (j)(5)(ii) of this section, L may treat

Public L as acquiring 50 shares in the May issuance.

Example 2. (i) L corporation is a calendar year taxpayer. On January 1, 1995, L has 1,000 shares of Class A common stock outstanding, the aggregate value of which is \$1,000. Five hundred shares are owned by one direct public group (Public 1), and 500 shares are owned by another direct public group (Public 2). On August 1, 1995, L issues 200 shares of Class B common stock for \$200 cash. A, an individual, acquires 120 Class B shares in the transaction. The remaining 80 Class B shares are acquired by public shareholders. No other changes in ownership of L's stock occur prior to August 1, 1995.

(ii) The August issuance is not a small issuance. The total value of the Class B stock issued (\$200) exceeds \$100, the small issuance limitation as calculated under paragraph (j)(2)(iii)(A)(I) of this section (10 percent of the value of L's stock on January 1, 1995). The total number of Class B shares issued (200) exceeds 0, the small issuance limitation as calculated under paragraph (j)(2)(iii)(A)(2) of this section (10 percent of the number of Class B shares outstanding on January 1, 1995). Accordingly, paragraph (j)(2) of this section does not apply to the August issuance.

(iii) Paragraph (j)(3) of this section, as limited by paragraph (j)(4) of this section, exempts 80 Class B shares from the segregation rule of § 1.382-2T(j)(2)(iii)(B). Paragraph (j)(3) of this section, without regard to paragraph (j)(4) of this section, would exempt 100 Class B shares: the product of the 200 Class B shares issued and 50 percent (one-half of the combined 100 percent pre-issuance ownership interest of Public 1 and Public 2). Paragraph (j)(4), however, limits the total number of Class B shares that may be excluded to 80 Class B shares: the difference between the 200 shares issued and the 120 shares acquired by A. Under paragraph (j)(5) of this section, Public 1 and Public 2 are treated as acquiring the 80 exempted Class B shares. Because Public 1 and Public 2 each owned 500 Class A shares prior to the issuance, Public 1 and Public 2 are considered to acquire 40 Class B shares each.

Example 3. (i) L has 1,000 shares of a single class of common stock outstanding, all of which are owned by a direct public group (Public L). At the same time pursuant to the same plan, L issues 500 shares of its stock to its creditors in exchange for its outstanding debt and 500 shares of its stock to the public for cash. Assume that the separate issuances of stock for debt and stock for cash do not have a principal purpose of minimizing or avoiding an owner shift. L has no individual 5-percent shareholders immediately after the issuances.

(ii) The 500 shares of stock issued by L to its former creditors were not issued solely for cash. Therefore, paragraph (j)(3) of this

section does not apply to those 500 shares, which are treated as owned by a public group separate from Public L. See § 1.382-2T(j)(2)(iii)(B)(I)(ii).

(iii) Paragraph (j)(3) of this section applies to the 500 shares of stock issued by L to the public because that stock was issued solely for cash. Because the two issuances occur at the same time pursuant to the same plan, they are generally treated as a single issuance for purposes of this paragraph (j). See paragraph (j)(8)(i) of this section. The treatment of the two issuances as a single issuance does not apply, however, for the purpose of determining whether the stock issued to the public was issued solely for cash. See paragraph (j)(3)(ii)(B) of this section.

(iv) Paragraph (j)(3) of this section applies to exempt 250 of the 500 shares issued solely for cash from the segregation rules of § 1.382-2T(j)(2)(iii)(B) (the product of the 500 shares issued for cash and 50 percent (one-half of the 100 percent pre-issuance ownership interest of Public L)). The creditors that receive stock in exchange for their debt would not be treated as acquiring any of the 250 exempted shares even if their exchange of debt for stock occurs prior to the cash issuance. Paragraph (j)(5)(i) of this section allocates exempted shares among the direct public groups that exist immediately before an issuance. Because the issuance for cash and the issuance for debt are generally treated as a single issuance, the public group comprised of the former creditors of L was not a public group that existed immediately before the issuance.

(v) Three public groups owning L stock exist immediately after the two issuances. Public L owns 1,250 shares—the 1,000 shares it owned prior to the issuances plus the 250 shares it is treated as acquiring in the cash issuance. A separate group comprised of the former creditors of L owns the 500 shares issued for debt. A third public group owns the 250 shares that are not treated as acquired by Public L in the cash issuance.

Example 4. (i) L has 1,000 shares of a single class of common stock outstanding, all of which are owned by a direct public group (Public L). L issues 1,000 shares pursuant to an offer under which 500 shares must be acquired in exchange for debt and the remainder may be acquired for cash. Under the terms of the offer, only persons that acquire stock for debt are eligible to acquire stock for cash. L has no 5-percent shareholders other than direct public groups immediately after the issuance.

(ii) As a condition of acquiring shares for cash, the creditors are required to purchase stock for debt. Therefore, paragraph (j)(3) of this section does not apply to any part of the issuance because it is not an issuance of stock solely for cash. The segregation rules of § 1.382-2T(j)(2)(iii)(B) apply to treat all

1,000 shares as acquired by a new public group separate from Public L.

Example 5. Secondary transfer exception to segregation rules—no new public group. (i) *Facts.* L is owned 60 percent by one public group (Public L₁) and 40 percent by another public group (Public L₂). On July 1, 2014, individual A acquires 10 percent of L's stock over a public stock exchange. On December 31, 2014, A sells all of his L stock over a public stock exchange. No individual or entity acquires as much as five percent of L's stock as a result of A's disposition of his L stock. On January 3, 2015, individual B acquires 10 percent of L's stock over a public stock exchange. On June 30, 2015, B sells all of her L stock over a public stock exchange. No individual or entity acquires as much as five percent of L's stock as a result of B's disposition of her L stock.

(ii) *Analysis.* The dispositions of the L stock by A and B are not transactions that cause the segregation of L's direct public groups that exist immediately before the transaction (Public L₁ and Public L₂). When A and B sell their shares to public shareholders over the public stock exchange, the shares are treated as being reacquired by Public L₁ and Public L₂. As a result, Public L₁'s ownership interest is treated as increasing from 54 percent to 60 percent during the testing period, and Public L₂'s ownership interest is treated as increasing from 36 percent to 40 percent during the testing period.

Example 6. Secondary transfer exception—first tier entity. (i) *Facts.* L has a single class of common stock outstanding that is owned 60 percent by a direct public group (Public L) and 40 percent by P. P is owned 20 percent by individual A and 80 percent by a direct public group (Public P). On October 6, 2014, A sells 50 percent of his interest in P to B, an individual who is, and remains, a member of Public P.

(ii) *Analysis.* P is an entity that owns five percent or more of L. A is a 5-percent owner of P that is a 5-percent shareholder of L. Because A's sale of the P stock is to a member of Public P, the disposition of the P stock by A is not a transaction that causes the segregation of P's direct public group that exists immediately before the transaction (Public P). See paragraph (j)(13) of this section. When A sells his shares to B, the shares are treated as being acquired by Public P. As a result, Public P's ownership interest in L is treated as increasing from 32 percent to 36 percent during the testing period.

Example 7. Small redemption exception. (i) *Facts.* L is a calendar year taxpayer. On January 1, 2014, L has 1,060 shares of a single class of common stock outstanding, all of which are owned by a single direct public group (Public L). On July 1, 2014, L acquires 60 shares of its stock for cash. On December 31, 2014, in an unrelated redemption, L acquires 90 more shares of its stock for cash.

Following each redemption, L's stock is owned entirely by public shareholders. No other changes in the ownership of L's stock occur prior to December 31, 2014.

(ii) *Analysis—(A) July redemption.* The July redemption is a small redemption because the number of shares redeemed (60) does not exceed 106, the small redemption limitation (10 percent of the number of common shares outstanding on January 1, 2014). Under paragraph (j)(14) of this section, the segregation rules of §1.382-2T(j)(2)(iii)(C) do not apply to the July redemption. Under paragraph (j)(14)(iv) of this section, Public L is treated as having all 60 shares redeemed.

(B) *December redemption.* The December redemption is a small redemption because the number of shares redeemed (90) does not exceed 106, the small redemption limitation (10 percent of the number of common shares outstanding on January 1, 2014). However, under paragraph (j)(14)(i) of this section, only 46 of the 90 shares redeemed are exempted from the segregation rules of §1.382-2T(j)(2)(iii)(C) because the total number of shares of common stock redeemed in the July and December redemptions exceeds 106, the small redemption limitation, by 44. Accordingly, under paragraph (j)(14)(iv) of this section, Public L is treated as having 46 shares redeemed in the December redemption. Section 1.382-2T(j)(2)(iii)(C) applies to the remaining 44 shares redeemed. Accordingly, Public L is segregated into two different public groups immediately before the transaction (and thereafter) so that the redeemed interests (Public RL) are treated as part of a public group that is separate from the ownership interests that are not redeemed (Public CL). Therefore, as a result of the December redemption, Public CL's interest in L increases by 4.4 percentage points (from 95.6 percent (956/1,000) to 100 percent (910/910)) on the December 31, 2014 testing date. For purposes of determining whether an ownership change occurs on any subsequent testing date having a testing period that includes the December redemption, Public CL is treated as a 5-percent shareholder whose percentage ownership interests in L increased by 4.4 percentage points as a result of such redemption.

Example 8. Segregation rules inapplicable—proportionate amount. (i) *Facts.* P₁ is a corporation that owns 8 percent of the stock of

L. The remaining L stock (92 percent) is owned by Public L. P₁ is entirely owned by Public P₁. P₂ is a corporation owned 90 percent by individual A and 10 percent by a public group (Public P₂). On May 22, 2014, P₁ merges into P₂ with the shareholders of P₁ receiving an amount of P₂ stock equal to 25 percent of the value of P₂ immediately after the reorganization. L was owned 92 percent by Public L and 8 percent by P₁ throughout the testing period ending on the date of the merger.

(ii) *Analysis.* Assuming L can establish that P₂ owns 10 percent or less (by value) of L on May 22, 2014 pursuant to the operating rules of paragraph (j)(15)(v) of this section, the segregation rules of § 1.382-2T(j)(3)(iii) will not apply to segregate P₁'s direct public group (Public P₁) immediately before the merger from P₂'s direct public group (Public P₂). Thus, following the merger, P₂ is owned 67.5 percent (90 percent × 75 percent) by A and 32.5 percent (25 percent + (10 percent × 75 percent)) by Public P₂. Pursuant to paragraph (j)(15)(iii)(B) of this section, Public P₂'s lowest percentage of ownership is the sum of its lowest percentage of ownership (zero) and a proportionate amount of former Public P₁'s lowest ownership percentage of L of 2.6 percent (32.5 percent × 8 percent). P₂ will be treated as having one public group whose ownership interest in L was 2.6 percent before the merger and remains 2.6 percent after the merger. Because Public P₂ owns less than 5 percent of L, Public P₂ is treated as part of Public L. See § 1.382-2T(j)(1)(iv). Thus, pursuant to paragraph (j)(15)(iii)(B) of this section, Public L's lowest ownership percentage of L during the testing period is 94.6 percent.

Example 9. Segregation rules inapplicable—prior increase in ownership by former public group during testing period. (i) *Facts.* The facts are the same as *Example 8*, except that P₁ acquired its 8 percent interest in L during the testing period that includes the merger.

(ii) *Analysis.* Pursuant to the rules of paragraph (j)(15)(iii)(A) of this section, the amount of increase in the percentage of stock ownership by Public P₂ is the sum of its increase (zero) and a proportionate amount of the increase by former Public P₁ of 2.6 percent (32.5 percent × 8 percent). Pursuant to paragraph (j)(15)(iii)(B) of this section, Public P₂'s lowest percentage of ownership is zero, because both former Public P₁ and Public P₂ owned no L stock at the beginning of the testing period. Accordingly, Public P₂, the continuing public group, is treated as having increased its ownership interest by 2.6 percent. Because Public P₂ is treated as part of Public L, Public L is treated as increasing its ownership interest by 2.6 percent.

Example 10. Ownership limitation based upon fair market value. (i) *Facts.* L has one class of common stock and one class of preferred

stock outstanding. The preferred stock is stock within the meaning of § 1.382-2(a)(3). Before December 23, 2014, a direct public group (Public L) owns all of the common stock of L. On December 23, 2014, P purchases all of the preferred stock of L and a portion of the common stock of L. On the date of purchase, the value of the L common stock held by P was greater than 5 percent of the value of L, and the total value of L common and L preferred stock held by P was less than 10 percent of the value of all stock of L. P has one class of common stock outstanding, all of which is owned by a direct public group (Public P). On October 7, 2015, P redeems 30 percent of its single outstanding class of common stock. On the redemption date of the P stock, due to a decline in the relative value of the common stock of L, the preferred stock of L owned by P represents 40 percent of the value of all the outstanding stock of L. No ownership change of L occurs between December 23, 2014, and October 7, 2015.

(ii) *Analysis.* The rules of paragraph (j)(15) of this section do not apply to the redemption because P owns more than 10 percent of L (by value) on that date.

Example 11. Ownership limitation—fair market value includes preferred stock. The facts are the same as in *Example 10*, except that the preferred stock is not stock within the meaning of § 1.382-2(a)(3). Although the preferred stock is not stock for the purpose of determining owner shifts, the value of that stock is taken into account in computing the 10-percent limitation of paragraph (j)(15)(i) of this section. Therefore, the results are the same as in *Example 10*.

Example 12. Ownership limitation—application of attribution rules. (i) *Facts.* Individual A owns all the outstanding stock of X. A also owns preferred stock in Y that is not stock within the meaning § 1.382-2(a)(3), which represents 50 percent of the value of Y. All the Y common stock is owned by public owners. Each of X and Y own 6 percent of the single class of L stock outstanding. On October 6, 2014, Y redeems 15 percent of its common stock.

(ii) *Analysis.* In determining satisfaction of the ownership limitation of paragraph (j)(15)(i) of this section, the attribution rules of section 318(a) apply. Pursuant to section 318(a)(2), A is treated as owning the L stock owned by X. Pursuant to section 318(a)(3), Y is treated as owning the L stock that A indirectly owns. Because Y's ownership of L exceeds the 10 percent ownership limitation of paragraph (j)(15)(i) of this section, the rules of paragraph (j)(15) of this section do not apply.

Example 13. Anti-avoidance rule. (i) *Facts.* P₁ is a corporation that owns 10 percent of the stock of L. P₁ is owned entirely by a direct public group (Public P). L has had owner shifts of 45 percentage points in its current

testing period. P₁ is planning to merge into P₂, a corporation which has a public group. Advisers to L, upon learning of the proposed merger, asked the management of P₁ for details of the proposed merger, including the stock ownership of P₂ after P₁ merges into P₂. After finding out that information, L or L's advisers did not request any changes in the planned transaction.

(ii) *Analysis.* The anti-avoidance rule of paragraph (j)(15)(ii) of this section does not apply because L did not participate in planning or structuring the transaction. Pursuant to paragraph (j)(15)(i) of this section, §1.382-2T(j)(3)(iii) does not apply to cause the segregation of P₁'s public group from P₂'s public group.

(17) *Effective/applicability date.* This paragraph (j) generally applies to issuances or deemed issuances of stock in taxable years beginning on or after November 4, 1992. However, paragraphs (j)(11)(ii) and (j)(13) through (15) of this section and *Examples 5 through 13* of paragraph (j)(16) of this section apply to testing dates occurring on or after October 22, 2013, other than with respect to the sale of a Program Instrument by the Treasury Department. For purposes of this paragraph (j)(17), a Program Instrument is an instrument issued pursuant to a Program, as defined in Internal Revenue Service Notice 2010-2 (2010-2 IRB 251 (December 16, 2009)) (see §601.601(a)(2)(ii)(b) of this chapter), or a Covered Instrument, as defined in that Notice. Taxpayers may apply paragraphs (j)(11)(ii) and (j)(13) through (15) of this section and *Examples 5 through 13* of paragraph (j)(16) of this section in their entirety (other than with respect to a sale of a Program Instrument by the Treasury Department) to all testing dates that are included in a testing period beginning before and ending on or after October 22, 2013. However, the provisions described in the preceding sentence may not be applied to any date on or before the date of any ownership change that occurred before October 22, 2013, under the regulations in effect before October 22, 2013, and they may not be applied as described in the preceding sentence if such application would result in an ownership change occurring on a date before October 22, 2013, that did not occur under the regulations in effect before October 22, 2013. See §1.382-3(j)(14)(ii) and (iii), as contained in 26 CFR part 1 revised as of April 1, 1994 for

the application of paragraph (j)(10) of this section to stock issued on the exercise of certain options exercised on or after November 4, 1992, and for an election to apply paragraphs (j)(1) through (12) of this section retroactively to certain issuances and deemed issuances of stock occurring in taxable years prior to November 4, 1992.

(k) *Special rules for certain regulated investment companies—(1) In general.* The segregation rules of §1.382-2T(j)(2) do not apply to the issuance (as described in §1.382-2T(j)(2)(iii)(B)(1)(ii)) or the redemption (as described in §1.382-2T(j)(2)(iii)(C)) of any redeemable security, as defined in 15 U.S.C. 80a-2(a)(32), by a regulated investment company in the ordinary course of business.

(2) *Effective date—(i) General rule.* Paragraph (k)(1) of this section applies to testing dates after December 31, 1986. A corporation may file an amended return for taxable years ending before August 21, 1992 (subject to any applicable statute of limitations) to take into account paragraph (k)(1) of this section only if corresponding adjustments are made in amended returns for all affected taxable years ending after December 31, 1986 (subject to any applicable statute of limitations).

(ii) *Election to apply prospectively.* A corporation may elect to apply paragraph (k)(1) of this section only to testing dates on or after October 29, 1991. The election must be made on the first return which is filed after October 20, 1992 by stating on such return, "This is an Election To Apply §1.382-3(k)(1) Only to Testing Dates on or After October 29, 1991."

[T.D. 8428, 57 FR 38282, Aug. 24, 1992. Redesignated by T.D. 8440, 57 FR 45712, Oct. 5, 1992; 57 FR 52827, Nov. 5, 1992; T.D. 8490, 59 FR 51573, Oct. 4, 1993; T.D. 9638, 78 FR 62423, Oct. 22, 2013; T.D. 9685, 79 FR 44282, July 31, 2014; T.D. 9721, 80 FR 31997, June 5, 2015]

§ 1.382-4 Constructive ownership of stock.

(a) *In general.* [Reserved]

(b) *Attribution from corporations, partnerships, estates and trusts.* (1) [Reserved].

(2) *Limitation.* Section 1.382-2T(h)(2)(i)(A) applies solely for purposes of determining whether a loss corporation has an ownership change.

(c) *Attribution to corporations, partnerships, estates and trusts.* [Reserved]

(d) *Treatment of options as exercised—*

(1) *General rule.* Except as provided in paragraph (d)(2) of this section, an option is not treated as exercised under section 382(1)(3)(A).

(2) *Options treated as exercised—(i) Issuance or transfer.* For purposes of determining whether an ownership change occurs, an option is treated as exercised on the date of its issuance or transfer if, on that date, the option satisfies—

(A) The ownership test of paragraph (d)(3) of this section,

(B) The control test of paragraph (d)(4) of this section, or

(C) The income test of paragraph (d)(5) of this section.

(ii) *Subsequent testing dates.* Except as provided in paragraph (d)(10) of this section, an option that is treated as exercised on the date of its issuance or transfer is treated as exercised on any subsequent testing date (as defined in § 1.382-2(a)(4)) for purposes of determining whether an ownership change occurs.

(3) *The ownership test.* An option satisfies the ownership test if a principal purpose of the issuance, transfer, or structuring of the option (alone or in combination with other arrangements) is to avoid or ameliorate the impact of an ownership change of the loss corporation by providing the holder of the option, prior to its exercise or transfer, with a substantial portion of the attributes of ownership of the underlying stock.

(4) *The control test—(i) In general.* An option satisfies the control test if—

(A) A principal purpose of the issuance, transfer, or structuring of the option (alone or in combination with other arrangements) is to avoid or ameliorate the impact of an ownership change of the loss corporation, and

(B) The holder of the option and any persons related to the option holder have, in the aggregate, a direct and indirect ownership interest in the loss corporation of more than 50 percent (determined as if the increase in such persons' percentage ownership interest that would result from the exercise of the option in question and any other options to acquire stock held by such

persons, and any other intended increases in such persons' percentage ownership interest, actually occurred on the date the option is issued or transferred).

(ii) *Operating rules—(A) Person and related persons.* For purposes of this paragraph (d)(4)—

(1) The term *person* includes an individual or entity, but not a public group, as defined in § 1.382-2T(f)(13), and

(2) Persons are related if they bear a relationship specified in section 267(b) or 707(b) or if they have a formal or informal understanding among themselves to make a coordinated acquisition of stock, within the meaning of § 1.382-3(a)(1)(i).

(B) *Indirect ownership interest.* The indirect ownership interest that the holder of the option and any persons related to the holder have in the loss corporation is determined by applying the constructive ownership rules of § 1.382-2T(h), other than § 1.382-2T(h)(2)(i)(A) (which treats stock attributed pursuant to section 318(a)(2) as no longer being owned by the entity from which it is attributed) and § 1.382-2T(h)(4) (which treats options as exercised in certain circumstances). If, however, the application of such constructive ownership rules without regard to § 1.382-2T(h)(2)(i)(A) would result in the same stock of the loss corporation being owned by two or more such persons, appropriate adjustments must be made so that such stock is not counted more than once in computing the aggregate ownership interests of such persons.

(5) *The income test.* An option satisfies the income test if a principal purpose of the issuance, transfer, or structuring of the option (alone or in combination with other arrangements) is to avoid or ameliorate the impact of an ownership change of the loss corporation by facilitating the creation of income (including accelerating income or deferring deductions) or value (including unrealized built-in gains) prior to the exercise or transfer of the option.

(6) *Application of the ownership, control, and income tests—(i) In general.* Whether an option satisfies the ownership, control, or income test depends on all the relevant facts and circumstances. Among the factors that

are relevant in applying all three tests are any business purposes for the issuance, transfer, or structure of the option, the likelihood of exercise of the option (taking into account, for example, any contingencies to its exercise), transactions related to the issuance or transfer of the option, and the consequences of treating the option as exercised.

An option is not treated as exercised under any of the three tests, however, if a principal purpose of its issuance, transfer, or structuring is to avoid an ownership change by having it treated as exercised. Paragraphs (d)(6)(ii), (iii) and (iv) of this section describe additional examples of factors that are relevant in applying each test. The weight given to any factor depends on all the facts and circumstances. The presence or absence of any factor described in this paragraph (d)(6) does not create a presumption.

(ii) *Application of ownership test.* Among the additional factors that are taken into account in applying the ownership test are the relationship, at the time of issuance or transfer of the option, between the exercise price of the option and the value of the underlying stock, whether the option provides its holder or a related person with the right to participate in the management of the loss corporation or with other rights that ordinarily would be afforded to owners of the underlying stock, and the existence of reciprocal options (e.g., a call option held by the prospective purchaser and a corresponding put option held by the prospective seller). The ability of the holder of an option with a fixed exercise price to share in future appreciation of the underlying stock is also a relevant factor, but is not sufficient, by itself, for the option to satisfy the ownership test. Conversely, the fact that the holder of such an option does not bear the risk of loss due to declines in value of the underlying stock does not preclude the option from satisfying the ownership test.

(iii) *Application of control test.* Among the additional factors that are taken into account in applying the control test are the economic interests in the loss corporation of the option holder or related persons and the influence of

those persons over the management of the loss corporation (in either case, through the option or a related arrangement, or through rights in stock).

(iv) *Application of income test.* Among the additional factors that are taken into account in applying the income test are whether, in connection with the issuance or transfer of the option, the loss corporation engages in income acceleration transactions or the holder of the option or a related person purchases stock (including section 1504(a)(4) stock) from, or makes a capital contribution or loan to, the loss corporation that can reasonably be expected to avoid or ameliorate the impact of an ownership change. Examples of income acceleration transactions are those outside the ordinary course of the loss corporation's business that accelerate income or gain into the period prior to the exercise of the option (or defer deductions to the period after the exercise of the option). A stock purchase, capital contribution, or loan is more probative toward an option satisfying the income test the larger the amount received by the loss corporation in the transaction or related transactions. A stock purchase, capital contribution, or loan is generally not taken into account in applying the income test if it is made to enable the loss corporation to continue basic operations of its business (e.g., to meet the monthly payroll or fund other operating expenses of the loss corporation).

(7) *Safe harbors.* Except as provided in paragraph (d)(7)(i) of this section, an option described in this paragraph (d)(7) is not treated as exercised pursuant to the ownership, control, or income test. The failure of an option to be described in this paragraph (d)(7) does not affect the determination of whether the option satisfies the ownership, income, or control test. The following options are described in this paragraph (d)(7):

(i) *Contracts to acquire stock.* A stock purchase agreement or a similar arrangement, the terms of which are commercially reasonable, in which the parties' obligations to complete the transaction are subject only to reasonable closing conditions, and which is closed on a change date within one year after it is entered into. An option

is not exempt from the income test of paragraph (d)(5) of this section solely by reason of its description in this paragraph (d)(7)(i).

(ii) *Escrow, pledge, or other security agreements.* An option that is part of a security arrangement in a typical lending transaction (including a purchase money loan), if the arrangement is subject to customary commercial conditions. For this purpose, a security arrangement includes, for example, an agreement for holding stock in escrow or under a pledge or other security agreement, or an option to acquire stock contingent upon a default under a loan.

(iii) *Compensatory options.* An option to acquire stock in a corporation with customary terms and conditions provided to an employee, director, or independent contractor in connection with the performance of services for the corporation or a related person (and that is not excessive by reference to the services performed) and which—

(A) Is nontransferable within the meaning of §1.83-3(d); and

(B) Does not have a readily ascertainable fair market value as defined in §1.83-7(b) on the date the option is issued.

(iv) *Options exercisable only upon death, disability, mental incompetency, or retirement.* An option entered into between stockholders of a corporation (or a stockholder and the corporation) with respect to stock of either stockholder, that is exercisable only upon the death, disability, mental incompetency of the stockholder, or, in the case of stock acquired in connection with the performance of services for the corporation or a related person (and that is not excessive by reference to the services performed), the stockholder's retirement.

(v) *Rights of first refusal.* A bona fide right of first refusal with customary terms, entered into between stockholders of a corporation (or between the corporation and a stockholder), and regarding the corporation's stock.

(vi) *Options designated in the Internal Revenue Bulletin.* An option designated by the Internal Revenue Service in the Internal Revenue Bulletin as being exempt from one or more of the ownership, control, or income tests. See

§601.601(d)(2)(ii) of this chapter (relating to the Internal Revenue Bulletin).

(8) *Additional rules—(i) Contracts to acquire stock.* For purposes of this paragraph (d), a contract is considered to be issued or transferred on the date it is entered into or assigned, respectively.

(ii) *Indirect transfer of an option.* If an entity is formed or availed of for a principal purpose of facilitating an indirect transfer of an option by issuing or transferring interests in the entity, an issuance or transfer of an interest in the entity will be treated as a transfer of the option for purposes of applying the ownership, control, and income tests of paragraphs (d)(3) through (5) of this section.

(iii) *Options related to interests in non-corporate entities.* The rules of this paragraph (d) apply, with appropriate adjustments, to options to acquire or transfer interests in non-corporate entities.

(iv) *Puts.* In applying the rules of this section to puts, appropriate adjustments must be made to take into account that the put provides its holder with a right to transfer, instead of acquire, stock.

(9) *Definition of option—(i) In general.* Any contingent purchase, warrant, convertible debt, put, stock subject to a risk of forfeiture, contract to acquire stock, or similar interest is treated as an option for purposes of this paragraph (d), regardless of whether it is contingent or otherwise not currently exercisable.

(ii) *Convertible stock.* Convertible stock is treated as an option for purposes of this paragraph (d) (in addition to being treated as stock under §1.382-2(a)(3)(ii)) only if the terms of the conversion feature permit or require consideration other than the stock being converted.

(iii) *Series of options.* For purposes of this paragraph (d), an option to acquire an option with respect to the stock of the loss corporation, and each one of a series of such options, is treated as an option to acquire such stock.

(iv) *General principles of tax law.* This paragraph (d) does not affect the determination under general principles of tax law (such as substance over form) of whether an instrument is an option or stock.

(10) *Subsequent treatment of options treated as exercised on a change date*—(i) *In general.* The following rules apply to options that are treated as exercised under paragraph (d)(2) of this section on a change date:

(A) The option is not treated as exercised under paragraph (d)(2) of this section on any testing date after the change date and prior to a transfer of the option that would itself (*i.e.*, without regard to the purposes for the issuance or any prior transfers of the option) cause the option to satisfy the ownership test of paragraph (d)(3) of this section, the control test of paragraph (d)(4) of this section, or the income test of paragraph (d)(5) of this section; and

(B) The exercise of the option, if by the person who owned the option immediately after the ownership change (or by a transferee of the option who acquired the option, directly or indirectly, from that person in one or more transfers described in paragraph (d)(11) of this section), does not contribute to another ownership change on any testing date on or after the date of exercise.

(ii) *Alternative look-back rule for options exercised within 3 years after change date.* If a loss corporation, on its return, as originally filed, for a taxable year that includes a change date, properly treats an option as exercised under paragraph (d)(2) of this section on the change date, and the option is actually exercised within three years after the change date, the loss corporation may treat the rules of paragraph (d)(10)(i) of this section as inapplicable to the option and instead treat the option as having been exercised on the change date for the purpose of determining whether an ownership change occurs on any and all testing dates after the change date (filing such amended returns as may be necessary for taxable years ending after the change date and before the date of exercise of the option). A transfer after the change date of an option to which this paragraph (d)(10)(ii) applies is treated as a transfer of the stock subject to the option. The exercise of an option to which this paragraph (d)(10)(ii) applies is not taken into account for the purpose of determining whether an ownership

change occurs on or after the date of exercise.

(11) *Transfers not subject to deemed exercise.* Paragraph (d)(2) of this section does not apply to the transfer of an option (including a transfer described in paragraph (d)(8)(i) or (ii) of this section), if—

(i) Neither the transferor nor the transferee is a 5-percent shareholder and neither person would be a 5-percent shareholder if all options held by that person to acquire stock were treated as exercised;

(ii) The transfer is between members of separate public groups resulting from the application of the segregation rules of § 1.382-2T(j)(2) and (3)(iii); or

(iii) The transfer occurs in any of the circumstances described in section 382(l)(3)(B) (relating to stock acquired by reason of death, gift, divorce, separation, etc.).

(12) *Certain rules regarding non-stock interests as stock.* Section 1.382-2T(f)(18)(iii) does not apply to treat an option (whether or not treated as exercised under this paragraph (d)) as stock.

(e) *Stock transferred under certain agreements.* [Reserved]

(f) *Family attribution.* [Reserved]

(g) *Definitions.* The terms and nomenclature used in this section, and not otherwise defined herein, have the same meaning as in section 382 and the regulations thereunder.

(h) *Effective date*—(1) *In general.* [Reserved]

(2) *Option attribution rules*—(i) *General rule.* The rules of paragraph (d) of this section apply, instead of the rules of § 1.382-2T(h)(4), on any testing date on or after November 5, 1992. See paragraph (h)(2)(vi) of this section for an election relating to the effective date.

(ii) *Special rule for control test.* An option issued on or before March 17, 1994, or an option issued within 60 days after that date pursuant to a plan existing before that date, is not treated as exercised under the control test provided in paragraph (d)(4) of this section on any testing date prior to a transfer of the option after March 17, 1994 that would itself cause the option to satisfy the control test.

(iii) *Convertible stock issued prior to July 20, 1988*—(A) *In general.* Except as

provided in paragraph (h)(2)(iii)(B) of this section, convertible stock issued prior to July 20, 1988, is not treated as an option subject to the rules of § 1.382-2T(h)(4) or paragraph (d)(2) of this section.

(B) *Exceptions*—(1) *Nonvoting convertible preferred stock.* Convertible stock issued prior to July 20, 1988, is treated as an option subject to the rules of § 1.382-2T(h)(4) or paragraph (d)(2) of this section if—

(i) The stock, when issued, would be described in section 1504(a)(4) by disregarding subparagraph (D) thereof and by ignoring the potential participation in corporate growth that the conversion feature may offer; and

(ii) The loss corporation makes the election described in Notice 88-67, 1988-1 C.B. 555 (see § 601.601(d)(2)(ii)(b) of this chapter for availability of Cumulative Bulletins (C.B.)), on or before the earlier of the date prescribed in Notice 88-67 or December 7, 1992.

(2) *Other convertible stock.* Convertible stock issued prior to July 20, 1988, is treated as an option subject to the rules of § 1.382-2T(h)(4) or paragraph (d)(2) of this section if—

(i) The terms of the conversion feature permit or require the tender of consideration other than the stock being converted; and

(ii) The loss corporation makes the election described in Notice 88-67 on or before the date prescribed in the Notice.

(iv) *Convertible stock issued on or after July 20, 1988, and before November 5, 1992.* Convertible stock issued on or after July 20, 1988, and before November 5, 1992, is treated as an option subject to the rules of § 1.382-2T(h)(4) or paragraph (d) of this section only if—

(A) The stock, when issued, would be described in section 1504(a)(4) by disregarding subparagraph (D) thereof and by ignoring the potential participation in corporate growth that the conversion feature may offer; or

(B) The terms of the conversion feature permit or require the tender of consideration other than the stock being converted.

(v) *Certain options in existence immediately before and after an ownership change.* If an option existed immediately before and after an ownership

change occurring on a testing date to which § 1.382-2T(h)(4) applies—

(A) The option is not treated as exercised under paragraph (d)(2) of this section on any testing date after the change date and prior to a transfer of the option that would itself cause the option to satisfy the ownership test of paragraph (d)(3) of this section, the control test of paragraph (d)(4) of this section, or the income test of paragraph (d)(5) of this section; and

(B) Except as provided in § 1.382-2T(m)(4)(vi) (which relates to the effective date of the rules provided in § 1.382-2T(h)(4) and includes a special rule related to options that are actually exercised within 120 days after they are treated as exercised under that section), the actual exercise of the option, if by the person who owned the option immediately after the ownership change (or by a transferee of the option who acquired the option, directly or indirectly, from that person in one or more transfers described in paragraph (d)(11) of this section), will not contribute to an ownership change on any testing date on or after the date of exercise.

(vi) *Election to apply § 1.382-2T(h)(4)*—

(A) *In general.* If a loss corporation makes an election under this paragraph (h)(2)(vi), §§ 1.382-2T(a)(2)(i) and (h)(4) (relating to testing dates and option attribution) apply (instead of the definition of testing date in § 1.382-2(a)(4) and paragraph (d) of this section) for the purpose of determining whether an ownership change occurs—

(1) On any testing date on or before May 17, 1994, or

(2) In the case of a loss corporation that is under the jurisdiction of a court in a title 11 or similar case filed on or before May 17, 1994, subject to § 1.382-9(o)(1), on any testing date at or before the time the plan of reorganization becomes effective.

(B) *Additional consequences of election.* If a loss corporation makes an election under this paragraph (h)(2)(vi)—

(1) In determining whether any convertible preferred stock issued by the loss corporation during the period that the election is in effect is treated as stock or as an option, the convertible preferred stock is treated as if it were issued on November 4, 1992, and

(2) The special effective date for the control test provided in paragraph (h)(2)(ii) of this section does not apply to any option with respect to stock of the loss corporation.

(C) *Time and manner of making the election.* The election described in paragraph (h)(2)(vi)(A) of this section is made by attaching a statement to the loss corporation's income tax return for the first taxable year ending after November 4, 1992, in which a testing date (within the meaning of §1.382-2T(a)(2)(i)) occurs, or if such return is filed on or before May 17, 1994, with its first return filed after May 17, 1994. However, a loss corporation that is under the jurisdiction of a court in a title 11 or similar case filed on or before May 17, 1994, may make the election described in paragraph (h)(2)(vi)(A) by attaching a statement to its tax return for its first taxable year ending after that date. The statement must say "THIS IS AN ELECTION UNDER §1.382-4(h)(2)(vi) TO APPLY §1.382-2T(h)(4) ON OR AFTER NOVEMBER 5, 1992." Any amended returns required by paragraph (h)(2)(vi)(D) of this section must accompany the return with which the election is made. An election under paragraph (h)(2)(vi)(A) of this section is irrevocable.

(D) *Amended returns.* If an election under this paragraph (h)(2)(vi) affects the amount of taxable income or loss for a prior taxable year, the loss corporation (or the common parent of any consolidated group of which the loss corporation was a member for the year) must file an amended return for the year that reflects the effect of the election.

(3) *Special rule for options subject to attribution under §1.382-2T(h)(4).* Section §1.382-2T(h)(4)(i) does not apply to any option designated by the Internal Revenue Service in the Internal Revenue Bulletin as being excepted from the operation of §1.382-2T(h)(4)(i).

[T.D. 8531, 59 FR 12837, Mar. 18, 1994, as amended by T.D. 8825, 64 FR 36178, July 2, 1999]

§ 1.382-5 Section 382 limitation.

(a) *Scope.* Following an ownership change, the section 382 limitation for any post-change year is an amount

equal to the value of the loss corporation multiplied by the long-term tax-exempt rate that applies with respect to the ownership change, and adjusted as required by section 382 and the regulations thereunder. See, for example, section 382(b)(2) (relating to the carryforward of unused section 382 limitation), section 382(b)(3)(B) (relating to the section 382 limitation for the post-change year that includes the change date), section 382(m)(2) (relating to short taxable years), and section 382(h) (relating to recognized built-in gains and section 338 gains).

(b) *Computation of value.* [Reserved]

(c) *Short taxable year.* The section 382 limitation for any post-change year that is less than 365 days is the amount that bears the same ratio to the section 382 limitation determined under section 382(b)(1) as the number of days in the post-change year bears to 365. The section 382 limitation, as so determined, is adjusted as required by section 382 and the regulations thereunder. This paragraph (c) does not apply to a 52-53 week taxable year that is less than 365 days unless a return is required under section 443 (relating to short periods) for such year.

(d) *Successive ownership changes and absorption of a section 382 limitation—(1) In general.* If a loss corporation has two (or more) ownership changes, any losses or section 382 disallowed business interest carryforwards ((within the meaning of §1.382-2(a)(7)) attributable to the period preceding the earlier ownership change are treated as pre-change losses with respect to both ownership changes. Thus, the later ownership change may result in a lesser (but never in a greater) section 382 limitation with respect to such pre-change losses. In any case, the amount of taxable income for any post-change year that can be offset by pre-change losses may not exceed the section 382 limitation for such ownership change, reduced by the amount of taxable income offset by pre-change losses subject to any earlier ownership change(s).

(2) *Recognized built-in gains and losses.* [Reserved]

(3) *Effective date.* This paragraph (d) applies to taxable years of a loss corporation beginning on or after January 1, 1997.

(e) *Controlled groups.* See § 1.382-8 for rules for determining the value of a loss corporation that is a member of a controlled group.

(f) *Effective date.* Except as otherwise provided, this section applies to a loss corporation that has an ownership change to which section 382(a), as amended by the Tax Reform Act of 1986, applies. Paragraph (d)(1) of this section applies with respect to an ownership change occurring on or after November 13, 2020. For loss corporations that have undergone an ownership change before or after November 13, 2020, see § 1.382-5 as contained in 26 CFR part 1, revised April 1, 2019. However, taxpayers and their related parties, within the meaning of sections 267(b) and 707(b)(1), may choose to apply the rules of this section to testing dates occurring during a taxable year beginning after December 31, 2017, so long as the taxpayers and their related parties consistently apply the rules of this section, the section 163(j) regulations (as defined in § 1.163(j)-1(b)(37)), §§ 1.382-1, 1.382-2, 1.382-6, 1.382-7, 1.383-0, and 1.383-1, and, if applicable, §§ 1.263A-9, 1.263A-15, 1.381(c)(20)-1, 1.469-9, 1.469-11, 1.704-1, 1.882-5, 1.1362-3, 1.1368-1, 1.1377-1, 1.1502-13, 1.1502-21, 1.1502-36, 1.1502-79, 1.1502-91 through 1.1502-99 (to the extent they effectuate the rules of §§ 1.382-2, 1.382-5, 1.382-6, and 1.383-1), and 1.1504-4, to that taxable year.

[T.D. 8679, 61 FR 33316, June 27, 1996, as amended by T.D. 8825, 64 FR 36178, July 2, 1999; T.D. 9905, 85 FR 56835, Sept. 14, 2020]

§ 1.382-6 Allocation of income and loss to periods before and after the change date for purposes of section 382.

(a) *General rule—(1) In general.* Except as provided in paragraphs (b) and (d) of this section, a loss corporation must allocate its net operating loss or taxable income (see section 382(k)(4)), and its net capital loss (see section 1222(10)) or modified capital gain net income (as defined in paragraph (g)(4) of this section), for the change year between the pre-change period and the post-change period by ratably allocating an equal portion to each day in the year.

(2) *Allocation of business interest expense—(i) Scope.* Except as provided in paragraph (b)(4) of this section, this

paragraph (a)(2) applies if a loss corporation has business interest expense (as defined in § 1.163(j)-1(b)(3)) in the change year. The rules of this paragraph (a)(2) apply to determine the amount of current-year business interest expense (as defined in § 1.163(j)-1(b)(9)) that is deducted in the change year. These rules also apply to determine the amount of any current-year business interest expense that is characterized as disallowed business interest expense (as defined in § 1.163(j)-1(b)(10)) allocable to the pre-change period and the post-change period, and to allocate disallowed business interest expense carryforwards (as defined in § 1.163(j)-1(b)(11)) to the change year for deduction in the pre-change period and the post-change period.

(ii) *Deductibility of business interest expense.* The rules of this paragraph (a)(2)(ii) apply in the following order.

(A) First, the loss corporation calculates its section 163(j) limitation (as defined in § 1.163(j)-1(b)(36)) for the change year.

(B) Second, the loss corporation calculates its deductible current-year BIE and deducts this amount in determining its taxable income or net operating loss for the change year. For purposes of this paragraph (a)(2)(ii), the term *deductible current-year BIE* means the loss corporation's current-year business interest expense (including its floor plan financing interest expense, as defined in § 1.163(j)-1(b)(19)), to the extent of its section 163(j) limitation.

(C) Third, if the loss corporation has disallowed business interest expense paid or accrued (without regard to section 163(j)) in the change year that is carried forward to post-change years, it allocates an equal portion of that disallowed business interest expense to each day in the change year. Any amount of disallowed business interest expense that is allocated to the pre-change period pursuant to this paragraph (a)(2)(ii)(C) is carried forward subject to section 382(d)(3). Any amount of disallowed business interest expense that is allocated to the post-change period pursuant to this paragraph (a)(2)(ii)(C) is carried forward and is not subject to section 382(d)(3).

(D) Fourth, if the loss corporation has excess section 163(j) limitation,

then the loss corporation calculates its deductible disallowed business interest expense carryforward and allocates an equal portion to each day in the change year. For purposes of this paragraph (a)(2)(ii), the term *excess section 163(j) limitation* means the excess, if any, of the loss corporation's section 163(j) limitation over its deductible current-year BIE, and the term *deductible disallowed business interest expense carryforward* means the loss corporation's disallowed business interest expense carryforward to the extent of its excess section 163(j) limitation.

(E) Fifth, the loss corporation deducts its deductible disallowed business interest expense carryforward that was allocated to the pre-change period under paragraph (a)(2)(ii)(D) of this section. Subject to the application of sections 382(b)(3)(B) and 382(d)(3), the loss corporation deducts its deductible disallowed business interest expense carryforward that was allocated to the post-change period under paragraph (a)(2)(ii)(D) of this section. Any amount of disallowed business interest expense carryforward that is not deducted pursuant to this paragraph (a)(2)(ii)(E) is carried forward subject to section 382(d)(3).

(b) *Closing-of-the-books election*—(1) *In general.* Subject to paragraphs (b)(3)(ii), (b)(4), and (d) of this section, a loss corporation may elect to allocate its net operating loss or taxable income and its net capital loss or modified capital gain net income for the change year between the pre-change period and the post-change period as if the loss corporation's books were closed on the change date. An election under this paragraph (b)(1) does not terminate the loss corporation's taxable year as of the change date (e.g., the change year is a single tax year for purposes of section 172).

(2) *Making the closing-of-the-books election*—(i) *Time and manner.* A loss corporation makes the closing-of-the-books election by including the following statement on the information statement required by §1.382-11(a) for the change year: “THE CLOSING-OF-THE-BOOKS ELECTION UNDER §1.382-6(b) IS HEREBY MADE WITH RESPECT TO THE OWNERSHIP CHANGE OCCURRING ON [INSERT

DATE].” The election must be made on or before the due date (including extensions) of the loss corporation's income tax return for the change year.

(ii) *Election irrevocable.* An election under this paragraph (b) is irrevocable.

(3) *Special rules relating to consolidated and controlled groups*—(i) *Consolidated groups.* If an election under this paragraph (b) is made with respect to an ownership change occurring in a consolidated return year, all allocations under this section with respect to that ownership change must be consistent with the election.

(ii) *Controlled groups.* If paragraph (b)(3)(i) of this section does not apply, and if, as part of the same plan or arrangement, two or more members of a controlled group (as defined in section 1563(a), determined by substituting “50 percent” for “80 percent” each place that it appears, and without regard to section 1563(a)(4)), have ownership changes and continue to be members of the controlled group (or become members of the same other controlled group), a closing-of-the-books election applies only if the election is made by all members having the ownership changes.

(4) *Allocation of business interest expense*—(i) *Scope.* This paragraph (b)(4) applies if a loss corporation makes a closing-of-the-books election pursuant to paragraph (b) of this section and has business interest expense in the change year. The rules of this paragraph (b)(4) apply to determine the amount of deductible current-year business interest expense that is allocable to the pre-change period and the post-change period for purposes of the allocations referred to in paragraph (b)(1) of this section. These rules also apply to determine the amount of any current-year business interest expense that is characterized as disallowed business interest expense allocable to the pre-change period and the post-change period, and to allocate disallowed business interest expense carryforwards to the change year between the pre-change period and the post-change period for deduction.

(ii) *Deductibility of business interest expense.* The rules of this paragraph (b)(4)(ii) apply in the order provided.

(A) The loss corporation calculates its ATI limit, which is the product of

its ATI (as defined in § 1.163(j)-1(b)(1)) for the change year and 30 percent. For purposes of this paragraph (b)(4)(ii), the terms *pre-change ATI limit* and *post-change ATI limit* mean the amount of ATI limit allocated to the pre-change period or the post-change period, respectively, computed by allocating an equal portion of the ATI limit to each day in the change year.

(B) Pursuant to paragraph (b)(1) of this section, the loss corporation allocates its current-year business interest expense (including its floor plan financing interest expense) and its business interest income (as defined in § 1.163(j)-1(b)(4)) to the pre-change and post-change periods as if the loss corporation's books were closed on the change date. For purposes of this paragraph (b)(4)(ii), the terms *pre-change BIE* and *post-change BIE* mean the amount of the loss corporation's current-year business interest expense that is allocated to the pre-change period or the post-change period, respectively, under this paragraph (b)(4)(ii)(B).

(C) The loss corporation deducts its pre-change BIE to the extent of its pre-change section 163(j) limit, and the loss corporation deducts its post-change BIE to the extent of its post-change section 163(j) limit. For purposes of this paragraph (b)(4)(ii), the term *pre-change section 163(j) limit* means the sum of the pre-change ATI and the amount of business interest income and floor plan financing interest expense allocated to the pre-change period; the term *post-change section 163(j) limit* means the sum of the post-change ATI limit and the amount of business interest income and floor plan financing interest expense allocated to the post-change period.

(D) If any pre-change BIE or post-change BIE has not been deducted under paragraph (b)(4)(ii)(C) of this section, the loss corporation deducts either any pre-change BIE that has not been deducted to the extent of its surplus post-change section 163(j) limit or any post-change BIE that has not been deducted to the extent of its surplus pre-change section 163(j) limit. For purposes of this paragraph (b)(4)(ii), the term *surplus pre-change section 163(j) limit* means the amount by which the

pre-change section 163(j) limit exceeds the amount of pre-change BIE deducted pursuant to paragraph (b)(4)(ii)(C) of this section; the term *surplus post-change section 163(j) limit* means the amount by which the post-change section 163(j) limit exceeds the amount of post-change BIE deducted pursuant to paragraph (b)(4)(ii)(C) of this section.

(E) If the loss corporation has any excess pre-change section 163(j) limit or excess post-change section 163(j) limit, the loss corporation allocates its disallowed business interest expense carryforward, if any, ratably between the pre-change and post-change periods based upon the relative amounts of excess pre-change section 163(j) limit and excess post-change section 163(j) limit. For purposes of this paragraph (b)(4)(ii), the term *excess pre-change section 163(j) limit* means the amount by which the surplus pre-change section 163(j) limit exceeds the amount of post-change BIE deducted pursuant to paragraph (b)(4)(ii)(D) of this section; the term *excess post-change section 163(j) limit* means the amount by which the surplus post-change section 163(j) limit exceeds the amount of pre-change BIE deducted pursuant to paragraph (b)(4)(ii)(D) of this section.

(F) The loss corporation deducts its disallowed business interest expense carryforward that was allocated to the pre-change period under paragraph (b)(4)(ii)(E) of this section to the extent of its excess pre-change section 163(j) limit. Subject to the application of sections 382(b)(3)(B) and 382(d)(3), the loss corporation deducts its disallowed business interest expense carryforward that was allocated to the post-change period under paragraph (b)(4)(ii)(E) of this section to the extent of its excess post-change section 163(j) limit. Any amount of disallowed business interest expense carryforward that is not deducted pursuant to this paragraph (b)(4)(ii)(F) is subject to section 382(d)(3) irrespective of the period to which it was allocated pursuant to paragraph (b)(4)(ii)(E) of this section.

(iii) *Example 1—(A) Facts.* X is a calendar-year domestic C corporation that is not a member of a consolidated group. As of January 1, 2021, X has no disallowed business interest expense carryforwards. On October 19, 2021, X

experiences an ownership change under section 382(g). For calendar year 2021, X's ATI is \$500. For the period beginning on January 1, 2021 and ending on October 19, 2021, X pays or accrues \$250 of current-year business interest expense that is deductible but for the potential application of section 163(j), including \$50 of floor plan financing interest expense, and X has \$60 of business interest income. For the period beginning on October 20, 2021 and ending on December 31, 2021, X pays or accrues \$100 of current-year business interest expense that is deductible but for the potential application of section 163(j), including \$40 of floor plan financing interest expense, and X has \$70 of business interest income. X makes a closing-of-the-books election pursuant to paragraph (b) of this section.

(B) *Analysis—(1) Calculation and allocation of ATI limit.* For purposes of allocating its net operating loss or taxable income for the change year between the pre-change period and the post-change period under § 1.382-6, X applies paragraph (b)(4) of this section to allocate items related to section 163(j). X's ATI for calendar year 2021 is \$500x. Therefore, pursuant to paragraph (b)(4)(ii)(A) of this section, X's ATI limit is \$150 ($\500×30 percent). Additionally, pursuant to paragraph (b)(4)(ii)(A) of this section, X's pre-change ATI limit is \$120 ($\$150 \times (292 \text{ days}/365 \text{ days})$), and X's post-change ATI limit is \$30 ($\$150 \times (73 \text{ days}/365 \text{ days})$).

(2) *Determination of pre-change BIE and post-change BIE.* Pursuant to paragraph (b)(4)(ii)(B) of this section, X's pre-change BIE and post-change BIE are \$250 and \$100, respectively.

(3) *Determination of pre-change section 163(j) limit and post-change section 163(j) limit.* Pursuant to paragraph (b)(4)(ii)(C) of this section, X's pre-change section 163(j) limit is \$230 ($\120 (X's pre-change ATI limit) + \$60 (X's business interest income allocated to the pre-change period) + \$50 (X's floor plan financing interest expense allocated to the pre-change period)). Additionally, pursuant to paragraph (b)(4)(ii)(C) of this section, X's post-change section 163(j) limit is \$140 ($\30 (X's post-change ATI limit) + \$70 (X's business interest income allocated to

the post-change period) + \$40 (X's floor plan financing interest expense allocated to the post-change period)).

(4) *Initial deduction of BIE.* Pursuant to paragraph (b)(4)(ii)(C) of this section, X deducts \$230 (its pre-change section 163(j) limit) of its \$250 pre-change BIE and all \$100 (less than its \$140 post-change section 163(j) limit) of its post-change BIE.

(5) *Deduction of BIE due to surplus post-change section 163(j) limit.* After applying paragraph (b)(4)(ii)(C) of this section, X has \$20 of pre-change BIE that has not been deducted ($\$250 - \230) and a surplus post-change section 163(j) limit of \$40 ($\$140 - \100). As a result, pursuant to paragraph (b)(4)(ii)(D) of this section, X deducts its remaining \$20 of pre-change BIE. (If, after applying paragraph (b)(4)(ii)(C) of this section, X instead had \$20 of post-change BIE that had not yet been deducted and a \$40 surplus pre-change section 163(j) limit, then X would deduct its remaining \$20 of post-change BIE pursuant to paragraph (b)(4)(ii)(D) of this section.)

(iv) *Example 2—Potential deduction of disallowed business interest expense carryforwards.* The facts are the same as in paragraph (b)(4)(iii)(A) of this section, except that, as of January 1, 2021, X has \$90 of disallowed business interest expense carryforwards and \$150 (rather than \$250) of pre-change BIE. X's pre-change section 163(j) limit and post-change section 163(j) limit are the same as in paragraph (b)(4)(iii)(B)(3) of this section. Pursuant to paragraph (b)(4)(ii)(C) of this section, X deducts all \$150 of its pre-change BIE and all \$100 of its post-change BIE. X has no remaining pre-change BIE or post-change BIE to deduct under paragraph (b)(4)(ii)(D) of this section. Paragraph (b)(4)(ii)(E) of this section applies because X has \$80 of excess pre-change section 163(j) limit ($\$230 - \150) and \$40 of excess post-change section 163(j) limit ($\$140 - \100). Under paragraph (b)(4)(ii)(E) of this section, X allocates \$60 of its disallowed business interest expense carryforwards to the pre-change period ($\$90 \times (\$80/(\$80 + \$40))$) and \$30 of its disallowed business interest expense carryforwards to the post-change period ($\$90 \times (\$40/(\$80 + \$40))$). As provided in paragraph (b)(4)(ii)(F) of

this section, X deducts all \$60 of its disallowed business interest expense carryforwards that are allocated to the pre-change period; subject to the application of section 382, X deducts all \$30 of its disallowed business interest expense carryforwards that are allocated to the post-change period.

(c) *Operating rules for determining net operating loss, taxable income, net capital loss, modified capital gain net income, and special allocations.* For purposes of this section, for the change year—

(1) *In general*—(i) Net operating loss or taxable income is determined without regard to gains or losses on the sale or exchange of capital assets; and

(ii) Net operating loss or taxable income and net capital loss or modified capital gain net income are determined without regard to the section 382 limitation and do not include the following items, which are allocated entirely to the post-change period—

(A) Any income, gain, loss, or deduction to which section 382(h)(5)(A) applies; and

(B) Any income or gain recognized on the disposition of assets transferred to the loss corporation during the post-change period for a principal purpose of ameliorating the section 382 limitation.

(2) *Adjustment to net operating loss*—(i) *Determination of remaining capital gain.* The amount of modified capital gain net income (defined in paragraph (g)(4) of this section) allocated to each period is offset by capital losses to which section 382(h)(5)(A) applies and capital loss carryovers, subject to the section 382 limitation (in the case of modified capital gain net income allocated to the post-change period).

(ii) *Reduction of net operating loss by remaining capital gain.* The amount of net operating loss allocated to each period is reduced (but not below zero) without regard to the section 382 limitation, first by the modified capital gain net income remaining in the same period, and then by the modified capital gain net income remaining in the other period.

(d) *Coordination with rules relating to the allocation of income under § 1.1502-76(b).* If § 1.1502-76 applies (relating to the taxable year of members of a consolidated group), an allocation of items

under paragraph (a) or (b) of this section is determined after applying § 1.1502-76. Thus, if a short taxable year under § 1.1502-76 is a change year for which an allocation under this section is to be made, the allocation under this section applies only to the items allocated to that short taxable year under § 1.1502-76.

(e) *Allocation of certain credits.* The principles of this section apply for purposes of allocating, under section 383, excess foreign taxes under section 904(c), current year business credits under section 38, and the minimum tax credit under section 53. The loss corporation must use the same method of allocation (ratable allocation or closing-of-the-books) for purposes of sections 382 and 383.

(f) *Examples.* The rules of this section are illustrated by the following examples:

Example 1. (i) Assume that the loss corporation, L, a calendar year taxpayer with a May 26, 1995, change date, determines a section 382 limitation under section 382(b)(1) of \$100,000. Thus, for the change year, its section 382 limitation is $\$100,000 \times (219/365) = \$60,000$. L makes the closing-of-the-books election under paragraph (b) of this section.

(ii) Assume that L has a \$150,000 capital loss carryover (from its 1994 taxable year) and a \$300,000 net operating loss carryover (from its 1994 taxable year) to the change year. L recognizes, in the pre-change period, \$200,000 of ordinary loss, and, in the post-change period, \$150,000 of capital gain and \$100,000 of ordinary income. Assume that section 382(h) does not apply to the capital gain or the ordinary income.

(iii) L has a \$100,000 net operating loss for the change year (\$200,000 pre-change loss less \$100,000 post-change income), as determined under paragraph (c)(1)(i) of this section. Because L has no current year capital losses, L's \$150,000 capital gain recognized in the post-change period is its modified capital gain net income for the change year (as defined at paragraph (g)(4) of this section). L allocates \$100,000 of net operating loss to the pre-change period and \$150,000 of modified capital gain net income to the post-change period.

(iv) Under paragraph (c)(2)(i) of this section, L uses its capital loss carryover to offset its modified capital gain net income allocated to the post-change period, subject to its section 382 limitation. L's section 382 limitation is \$60,000, so L uses \$60,000 of its capital loss carryover to offset \$60,000 of its \$150,000 modified capital gain net income. L has absorbed its entire section 382 limitation

for the change year and has \$90,000 of modified capital gain net income remaining in the post-change period.

(v) Under paragraph (c)(2)(ii) of this section, L offsets its \$100,000 net operating loss allocated to the pre-change period by the \$90,000 of modified capital gain net income remaining in the post-change period, without regard to the section 382 limitation, thereby reducing its pre-change net operating loss to \$10,000.

(vi) From its 1994 taxable year, L will carry over \$90,000 of capital loss and \$300,000 of net operating loss to its 1996 taxable year. From its 1995 taxable year, L will carry over \$10,000 of net operating loss subject to the section 382 limitation to its 1996 taxable year.

Example 2. (i) Assume the facts of *Example 1*, except that L does not make the closing-of-the-books election under paragraph (b) of this section.

(ii) L ratably allocates its \$100,000 net operating loss and its \$150,000 of modified capital gain net income for the change year. \$40,000 of net operating loss ($\$100,000 \times (146/365)$) and \$60,000 of modified capital gain net income ($\$150,000 \times (146/365)$) are allocated to the pre-change period. \$60,000 of net operating loss ($\$100,000 \times (219/365)$) and \$90,000 of modified capital gain net income ($\$150,000 \times (219/365)$) are allocated to the post-change period.

(iii) Under paragraph (c)(2)(i) of this section, L uses its capital loss carryovers to offset modified capital gain net income. The capital loss carryovers offset the \$60,000 modified capital gain net income allocated to the pre-change period without limitation. Subject to the section 382 limitation, the remaining \$90,000 of capital loss carryovers offset the modified capital gain net income allocated to the post-change period. Accordingly, L uses \$60,000 of its capital loss carryovers to offset \$60,000 of its \$90,000 modified capital gain net income allocated to the post-change period. L has absorbed its entire section 382 limitation for the change year.

(iv) Under paragraph (c)(2)(ii) of this section, L's \$60,000 net operating loss allocated to the post-change period is offset by its remaining \$30,000 of post-change modified capital gain net income, reducing its post-change net operating loss to \$30,000.

(v) From its 1994 taxable year, L will carry over \$30,000 of capital loss and \$300,000 of net operating loss to its 1996 taxable year. From its 1995 taxable year, L will carry over \$70,000 of net operating loss (\$40,000 pre-change + \$30,000 post-change) to its 1996 taxable year. The \$40,000 pre-change portion of that carryover is subject to the section 382 limitation.

(g) *Definitions and nomenclature.* The terms and nomenclature used in this section and not otherwise defined herein have the same meanings as in sections 382 and 383 and the regulations

thereunder. For purposes of this section:

(1) *Change year.* A loss corporation's taxable year that includes the change date is its *change year*.

(2) *Pre-change period.* The *pre-change period* is the portion of the change year ending on the close of the change date.

(3) *Post-change period.* The *post-change period* is the portion of the change year beginning with the day after the change date.

(4) *Modified capital gain net income.* A loss corporation's *modified capital gain net income* is the excess of the gains from sales or exchanges of capital assets over the losses from such sales or exchanges for the change year, determined by excluding any short-term capital losses under section 1212.

(h) *Applicability date*—(1) *In general.* This section applies to ownership changes occurring on or after June 22, 1994.

(2) *Ownership changes.* Paragraphs (a) and (b)(1) and (4) of this section apply with respect to an ownership change occurring during a taxable year beginning on or after November 13, 2020. For ownership changes occurring during a taxable year beginning before November 13, 2020, see § 1.382-6 as contained in 26 CFR part 1, revised April 1, 2019. However, taxpayers and their related parties, within the meaning of sections 267(b) and 707(b)(1), may choose to apply the rules of this section to testing dates occurring during a taxable year beginning after December 31, 2017, so long as the taxpayers and their related parties consistently apply the rules of this section, the section 163(j) regulations (as defined in § 1.163(j)-1(b)(37)), §§ 1.382-1, 1.382-2, 1.382-5, 1.383-0, and 1.383-1, and, if applicable, §§ 1.263A-9, 1.263A-15, 1.381(c)(20)-1, 1.469-9, 1.469-11, 1.704-1, 1.882-5, 1.1362-3, 1.1368-1, 1.1377-1, 1.1502-13, 1.1502-21, 1.1502-36, 1.1502-79, 1.1502-91 through 1.1502-99 (to the extent they effectuate the rules of §§ 1.382-2, 1.382-5, 1.382-6, 1.382-7, and 1.383-1), and 1.1504-4, to taxable years beginning after December 31, 2017.

[T.D. 8546, 59 FR 32080, June 22, 1994, as amended by T.D. 9264, 71 FR 30607, May 30, 2006; T.D. 9329, 72 FR 32808, June 14, 2007; T.D. 9905, 85 FR 56835, Sept. 14, 2020]

§ 1.382-7

26 CFR Ch. I (4-1-21 Edition)

§ 1.382-7 Built-in gains and losses.

(a) *Treatment of prepaid income.* For purposes of section 382(h), prepaid income is not recognized built-in gain. The term *prepaid income* means any amount received prior to the change date that is attributable to performance occurring on or after the change date. Examples to which this paragraph (a) will apply include, but are not limited to, income received prior to the change date that is deferred under section 455 or Rev. Proc. 2004-34 (2004-1 CB 991 (June 1, 2004)) (or any successor revenue procedure) (see § 601.601(d)(2)(ii)(b)).

(b) *Effective/applicability dates.* This section applies to loss corporations that have undergone an ownership change on or after June 11, 2010. For loss corporations that have undergone an ownership change before June 11, 2010, see § 1.382-7T as contained in 26 CFR part 1, revised April 1, 2009.

(c) [Reserved]

(d) *Special rules.* This paragraph (d) contains special rules regarding the identification of recognized built-in losses.

(1)-(4) [Reserved]

(5) *Section 382 disallowed business interest carryforwards.* Section 382 disallowed business interest carryforwards are not treated as recognized built-in losses.

(e)-(f) [Reserved]

(g) *Applicability dates.*

(1)-(3) [Reserved]

(4) *Paragraph (d)(5) of this section.* Paragraph (d)(5) of this section applies with respect to an ownership change occurring on or after November 13, 2020. For loss corporations that have undergone an ownership change before or after November 13, 2020, see § 1.382-7 as contained in 26 CFR part 1, revised April 1, 2019. However, taxpayers and their related parties, within the meaning of sections 267(b) and 707(b)(1), may choose to apply the rules of paragraph (d)(5) of this section to testing dates occurring during a taxable year beginning after December 31, 2017.

[T.D. 9487, 75 FR 33992, June 16, 2010, as amended by T.D. 9870, 84 FR 33692, July 15, 2019; T.D. 9905, 85 FR 56837, Sept. 14, 2020]

§ 1.382-8 Controlled groups.

(a) *Introduction.* This section provides rules to adjust the value of a loss corporation that is a member of a controlled group of corporations on a change date so that the same value is not included more than once in computing the limitations under section 382 for the loss corporations that are members of the controlled group. In general, the adjustment is made under paragraph (c) of this section by reducing the value of the loss corporation by the value of the stock of each component member of the controlled group that the loss corporation owns immediately after the ownership change. The loss corporation's value may, however, be increased under paragraph (c) of this section by any amount of value that the other member elects to restore to the loss corporation.

(b)(1) *Controlled group loss and controlled group with respect to a controlled group loss—(1) In general.* A controlled group loss is a pre-change loss (or a net unrealized built-in loss) of a loss corporation that is attributable to a taxable year of the corporation with respect to which the corporation is a component member of a controlled group (as defined by paragraphs (e)(2) and (3) of this section). The controlled group with respect to each controlled group loss is composed of the loss corporation and each other corporation that is a component member of a controlled group that includes the loss corporation both—

(1)(i) With respect to the taxable year to which the controlled group loss is attributable; and

(1)(ii) On the date the loss corporation has an ownership change.

(2) *Presumption regarding net unrealized built-in loss.* For purposes of determining whether a net unrealized built-in loss of a loss corporation is attributable to a taxable year (the determination year) with respect to which the corporation is a component member of a controlled group, the built-in loss in a prior change date asset is deemed to be attributable to a period ending before the determination year. A prior change date asset is any asset held by the loss corporation at all times during the period beginning on

the change date of its most recent ownership change after 1986 (the first change date), and ending on the first day of the determination year. The built-in loss in a prior change date asset is the amount by which the adjusted basis of the asset on the first change date exceeds the fair market value of the asset on that date. The principles of this paragraph (b)(2) also apply to items described in section 382(h)(6)(B).

(c) *Computation of value.* For purposes of computing the limitation under section 382 with respect to each controlled group loss, the value of the stock of each component member of the controlled group with respect to that loss is determined immediately before the ownership change, and is adjusted by applying the following rules:

(1) *Reduction in value.* The value of the stock of each component member is reduced by the value (immediately before the ownership change and without regard to any restoration of value or other adjustment under this section) of the stock of any other component member directly owned by the component member immediately after the ownership change.

(2) *Restoration of value.* After the value of the stock of each component member is reduced pursuant to paragraph (c)(1) of this section, the value of the stock of each component member is increased by the amount of value, if any, restored to the component member by another component member (the electing member) pursuant to this paragraph (c)(2). The electing member may elect (or may be deemed to elect under paragraph (h)(2)(i) of this section in the case of a foreign component member) to restore value to another component member in an amount that does not exceed the lesser of—

(i) The sum of—

(A) The value, determined immediately before the ownership change, of the electing member's stock (after adjustment under paragraph (c)(1) of this section and before any restoration of value under this paragraph (c)(2)); plus

(B) Any amount of value restored to the electing member by another component member under this paragraph (c)(2); or

(ii) The value, determined immediately before any ownership change, of the electing member's stock (without regard to any adjustment under this section) that is directly owned by the other component member immediately after the ownership change.

(3) *Reduction in value by the amount restored.* The value of the stock of the electing member is reduced by any amount of value that the electing member elects to restore under paragraph (c)(2) of this section to another component member.

(4) *Appropriate adjustments.* Appropriate additional adjustments consistent with paragraphs (c)(1), (2), and (3) of this section must be made to prevent any duplication of value. Thus, for example, adjustments must be made to reflect—

(i) Any indirect ownership interest in another component member;

(ii) Any cross ownership of stock by component members of the controlled group with respect to the controlled group loss; and

(iii) Any value used to determine a limitation under section 382 with respect to controlled group losses from the same period.

(5) *Certain reductions in the value of members of a controlled group.* A loss corporation that has an ownership change is required to make adjustments consistent with this paragraph (c) with respect to its stock if the stock of another corporation in which it had a direct or indirect ownership interest was disposed of before the ownership change, and;

(i) Both corporations were component members of a controlled group—

(A) With respect to a taxable year to which a controlled group loss of the loss corporation is attributable; and

(B) At any time during the 2 year period before the ownership change; and

(ii) Both corporations are component members of a controlled group at any time during the 2 year period following the ownership change.

(d) *No double reduction.* To the extent consistent with the purposes of this section, section 382 and this section shall not be applied to duplicate a reduction in the value of a loss corporation. Thus, for example, if the value of

a loss corporation is reduced under section 382(1)(1) to reflect a capital contribution of stock of a component member, it is not again reduced by such amount under paragraph (c)(1) of this section. If this paragraph (d) applies to prevent a reduction in value from being duplicated, the application of the other rules of this section, such as those relating to the restoration of value, is correspondingly limited in a manner consistent with the principles of this section.

(e) *Definitions and nomenclature*—(1) *Definitions in section 382 and the regulations thereunder.* Except as otherwise provided, the definitions and nomenclature contained in section 382 and the regulations thereunder apply to this section.

(2) *Controlled group.* Controlled group has the same meaning as in section 1563(a), determined by substituting “50 percent” for “80 percent” each place that it appears, and without regard to section 1563(a)(4).

(3) *Component member.* Component member has the same meaning as in section 1563(b), determined by substituting “December 31 (or the change date, if earlier)” for “December 31” each place it appears, and without regard to section 1563 (b)(2), (b)(3)(C), and (b)(4).

(4) *Foreign component member*—(i) *In general.* Except as provided in paragraph (e)(4)(ii) of this section, foreign component member means a component member that is a foreign corporation.

(ii) *Exception.* A foreign component member shall not include a foreign corporation that has items treated as connected with the conduct of a trade or business in the United States that it takes into account in determining its value pursuant to section 382(e)(3).

(5) *Predecessor and successor corporation.* As the context may require, a reference to a corporation, or component member includes a reference to a predecessor or successor corporation.

(f) *Coordination between consolidated groups and controlled groups.* Some or all of the component members of a controlled group may also be members of a consolidated group, and a controlled group loss may be subject to a consolidated section 382 limitation or sub-

group section 382 limitation determined under §1.1502-93. Except as otherwise provided in this paragraph (f) and §§1.1502-91 through 1.1502-99, §1.1502-93 applies instead of this section when both sections, by their terms, are otherwise applicable. This section is applicable and may require an adjustment to value if a member of a consolidated group, a loss group, or loss subgroup (as those terms are defined in §§1.1502-1(h) and 1.1502-91) is also a component member of a controlled group with respect to a controlled group loss. Solely for purposes of applying this section, a consolidated group, loss group, or loss subgroup is treated as a single corporation. Thus to determine the limitation with respect to any portion of the pre-change consolidated attributes or pre-change subgroup attributes of the loss group or loss subgroup that is a controlled group loss, the consolidated section 382 limitation or subgroup section 382 limitation is computed by treating the loss group or the loss subgroup as a single corporation, and adjusting value in accordance with paragraph (c) of this section. See paragraph (g) *Example 4* of this section.

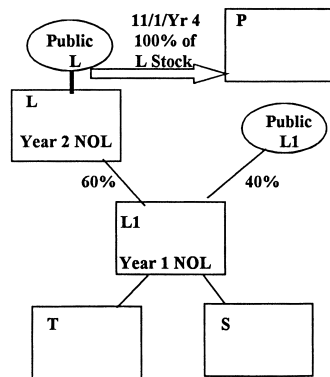
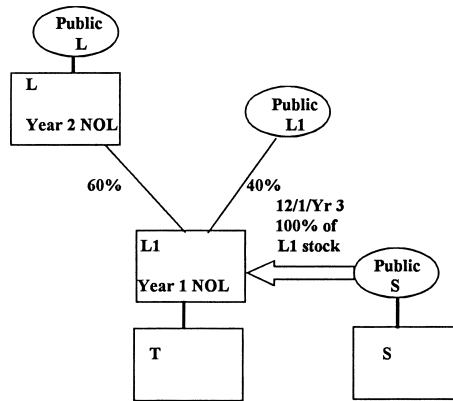
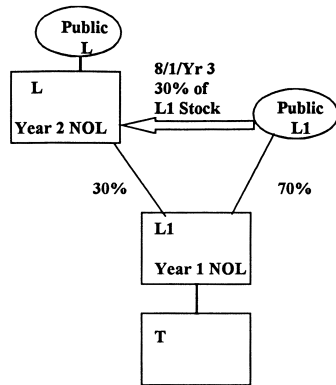
(g) *Examples.* For purposes of the examples in this section, unless otherwise stated, the nomenclature and assumptions of the examples in §1.382-2T(b) apply, all corporations file separate income tax returns on a calendar year basis, the only 5-percent shareholder of a corporation is a public group, and the facts set forth the only owner shifts with respect to the corporations during the testing period.

Example 1. Controlled group with respect to a controlled group loss. (a) Public L owns all of the L stock, L and Public L1 own 30 percent and 70 percent, respectively, of the L1 stock, and L1 owns all of the corporation T stock. L1 has a net operating loss arising in Year 1 that is carried over to Year 4. L has a net operating loss arising in Year 2 that is carried over to Year 4. On August 1, Year 3, L acquires 30 percent of the stock of L1, thereby increasing its percentage ownership interest in L1 to 60 percent. On December 1, Year 3, L1 purchases all of the stock of corporation S from Public S. On November 1, Year 4, P acquires all of the L stock. The acquisition by P of all of the L stock on November 1, Year 4, causes ownership changes of both L

Internal Revenue Service, Treasury

§ 1.382-8

and L1 under the rules of §1.382-2T. The following is a graphic illustration of these facts.



§ 1.382-8

26 CFR Ch. I (4-1-21 Edition)

(b)(1) Under paragraph (b) of this section, the Year 1 net operating loss carryover of L1 is a controlled group loss because L1 is a component member of a controlled group with respect to Year 1, the year to which the loss is attributable. L1 and T compose a controlled group with respect to the net operating loss carryover because L1 and T are component members of a controlled group both—

(A) With respect to the taxable year to which L1's net operating loss carryover is attributable (i.e., Year 1); and

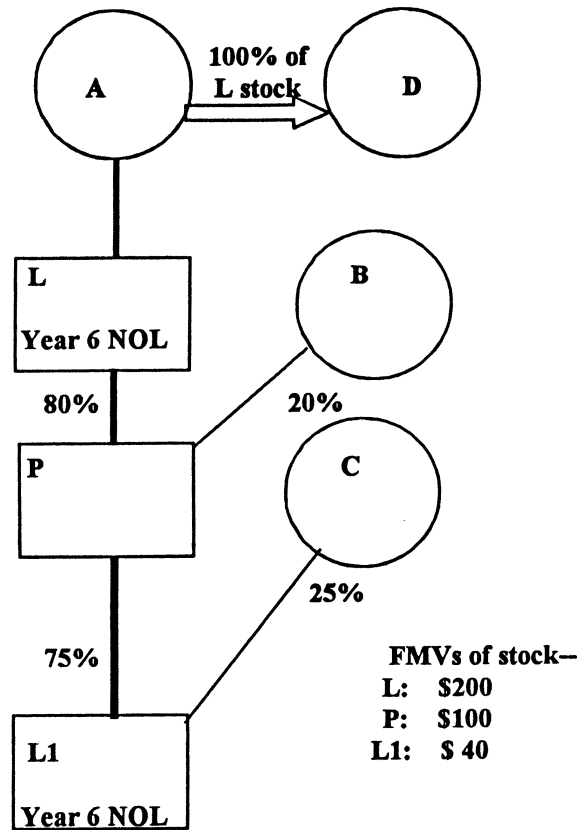
(B) On November 1, Year 4, L1's change date. Although L and S are component members of L1's controlled group on L1's change date, they are not component members of the controlled group with respect to the Year 1 net operating loss carryover because they were not component members with respect to the year to which the net operating loss carryover is attributable.

(2) The value of L1's stock must therefore be adjusted in accordance with paragraph (c) of this section to take into account an adjustment with respect to the T stock (but not the S stock) in computing L1's limitation under section 382 with respect to its net operating loss carryover.

(c) Although L is a member of a controlled group composed of L, L1, S, and T on Novem-

ber 1, Year 4, L's change date, it is not a component member of a controlled group with respect to Year 2, the taxable year to which its net operating loss carryover is attributable. Therefore, L's Year 2 net operating loss carryover is not a controlled group loss under paragraph (b) of this section and the value of L's stock is not adjusted in accordance with paragraph (c) of this section to compute L's limitation under section 382 with respect to the Year 2 net operating loss carryover.

Example 2. Adjustments to value of the controlled group members. (a) Since Year 1, A has owned all of the stock of L, L and B have owned 80 percent and 20 percent, respectively, of the stock of corporation P, and P and C have owned 75 percent and 25 percent, respectively, of the stock of L1. L and L1 each has a net operating loss for the Year 6 taxable year that is carried over to its respective Year 7 taxable year. On December 1, Year 7, A sells all of the L stock to D. The sale results in ownership changes of both L and L1. Immediately before the ownership changes, the total value of the L1 stock is \$40, the total value of the P stock (including the value of its L1 stock) is \$100, and the total value of the L stock (including the value of the P stock) is \$200. The following is a graphic illustration of these facts.



(b) Under paragraph (b) of this section, the Year 6 net operating loss carryovers of each of L and L1 are controlled group losses because each of L and L1 is a component member of a controlled group with respect to Year 6, the year to which the losses are attributable. L, P, and L1 compose controlled groups with respect to both Year 6 net operating loss carryovers because L, P, and L1 are component members of a controlled group both—

(1) With respect to the taxable years to which the net operating loss carryovers are attributable (i.e., Year 6); and

(2) On December 1, Year 7, the change date.

(c) The value of the stock of L1 for purposes of determining its limitation under section 382 with respect to its net operating loss carryover from Year 6 is \$40. L1 does not elect to restore any value to P paragraph (c)(2) of this section.

(d) The value of the stock of P (\$100) is reduced under paragraph (c)(1) of this section by the value of the stock of L1 that it di-

rectly owns, \$30 (75% × \$40). Following the adjustment, the value of the stock of P is \$70. P elects to restore this entire \$70 of value to L.

(e) The value of the stock of L, \$200, is reduced under paragraph (c)(1) of this section by the value of the stock of P it directly owns, i.e., \$80 (80% × \$100), and increased paragraph (c)(2) of this section by the amount P elects to restore to L, i.e., \$70. Thus, the value of the L stock for purposes of determining L's limitation under section 382 with respect to its net operating loss carryover from Year 6 is \$190 (\$200 - \$80 + \$70).

Example 3. Limitation on restoration of value.

(a) The facts are the same as in Example 2, except that L1 elects to restore \$20 to P. For purposes of determining L1's limitation under section 382 with respect to the Year 6 net operating loss carryover, the value of the stock of L1 is \$20 (\$40 - \$20) because the value of its stock is reduced under paragraph (c)(3) of this section by the \$20 of value it elects to restore to P.

(b) The value of the stock of P (\$100) is reduced under paragraph (c)(1) of this section by the value of the L1 stock it directly owns (\$30), and is increased paragraph (c)(2) of this section by the value that L1 elects to restore to P (\$20). Thus, the value of the P stock is \$90 (\$100 - \$30 + \$20).

(c)(1) P elects to restore to L the maximum value permitted under this section. The value of the stock of L, \$200, is reduced under paragraph (c)(1) of this section by the value of the P stock it directly owns (\$80), and is increased by the value that P elects to restore to L. P may elect to restore to L the lesser of—

(A) The sum of the value of its stock immediately after adjustment under paragraph (c)(1) of this section (i.e., \$70) plus the value restored to it by L1 (i.e., \$20) (a total of \$90); or

(B) The value of the P stock (without regard to the adjustment required by paragraph (c)(1) and (2) of this section) that is directly owned by L immediately before the ownership change (i.e., \$80).

(2) Thus, \$80 is the maximum amount that P may elect to restore to L. Following the restoration of value by P, the value of the L stock for purposes of determining L's limitation under section 382 is \$200 (\$200 - \$80 + \$80).

Example 4. Coordination with consolidated return regulations. (a) P and its wholly owned subsidiary L file a consolidated return. L owns 79 percent of the outstanding stock of L1. P acquired the stock of L in Year 1 and L acquired the stock of L1 in Year 2. The P consolidated group has a consolidated net operating loss arising in the Year 6 consolidated return year that is carried over to Year 8. L1 has a net operating loss arising in its Year 6 taxable year that is also carried over to Year 8. On January 1, Year 8, the P consolidated group has an ownership change under § 1.1502-92(b)(1)(i) and L1 has an ownership change under § 1.382-2T.

(b)(1) Under paragraph (b) of this section, the Year 6 net operating loss carryover of the P group is a controlled group loss because P, L, and L1 are component members of a controlled group with respect to Year 6, the year to which the loss is attributable. P, L, and L1 compose a controlled group with respect to the Year 6 net operating loss carryover of the P loss group because they are component members of a controlled group both—

(A) With respect to the taxable years to which the net operating loss carryover is attributable (i.e., Year 6); and

(B) On January 1, Year 8, the P group's change date.

(2) Because P and L compose a loss group (within the meaning of § 1.1502-91(c)) with respect to its Year 6 net operating loss carryover, the P loss group must compute a consolidated section 382 limitation with respect

to its Year 6 net operating loss carryover as a result of the ownership change.

(c) In computing the consolidated section 382 limitation under § 1.1502-93 with respect to the Year 6 net operating loss carryover, the value of the P stock immediately before the ownership change is reduced under paragraphs (c)(1) and (f) of this section by the value immediately before the ownership change of the L1 stock directly owned by L immediately after the ownership change. L1 may, however, elect to restore such value to the P consolidated group to the extent permitted under paragraph (c)(2) of this section § 1.382-8T.

Example 5. Appropriate adjustments for indirect ownership interest. (a) Individual A owns all of the stock of L, L owns an 80 percent interest in the capital and profits of partnership PS, and PS owns 75 percent of the stock of L1. Both L and L1 have net operating losses for the Year 1 taxable year that are carried over to their respective Year 2 taxable years. On December 19, Year 2, A sells all of the L stock to an unrelated individual. The sale results in an ownership change of L and L1.

(b) Under paragraph (b) of this section, the Year 1 net operating loss carryovers of each of L and L1 are controlled group losses because each of L and L1 is a component member of a controlled group with respect to Year 1, the year to which the losses are attributable. L and L1 compose controlled groups with respect to each corporation's net operating loss carryovers because L and L1 are component members of a controlled group both—

(1) With respect to the taxable years to which the net operating loss carryovers are attributable (i.e., Year 1); and

(2) On December 19, Year 2, the change date.

(c) L has an indirect ownership interest in L1 which, under paragraph (c)(4) of this section, must be taken into account in applying this section. As a result, the value of the L stock for purposes of determining its limitation under section 382 with respect to the Year 1 net operating loss carryover must be reduced by the value of L's indirect ownership interest in the L1 stock (60 percent) that it owns through PS immediately before the ownership change, and is increased by the amount (if any) that L1 elects to restore to L under paragraph (c)(2) of this section. The value of L1 is reduced under paragraph (c)(3) of this section to the extent that L1 elects to restore value to L.

(h) *Time and manner of filing election to restore—(1) Statements required—(i) Filing by loss corporation.* The election to restore value described in paragraph (c)(2) of this section must be in the form set forth in this paragraph

(h)(1)(i). It must be filed by the loss corporation by including a statement on or with its income tax return for the taxable year in which the ownership change occurs (or with an amended return for that year filed on or before the due date (including extensions) of the income tax return of any component member with respect to the taxable year in which the ownership change occurs). The common parent of a consolidated group must make the election on behalf of the group. The election is made in the form of a statement entitled, "STATEMENT PURSUANT TO §1.382-8(h)(1) TO ELECT TO RESTORE ALL OR PART OF THE VALUE OF [INSERT NAME AND EMPLOYER IDENTIFICATION NUMBER (IF ANY) OF THE ELECTING MEMBER] TO [INSERT NAME AND EMPLOYER IDENTIFICATION NUMBER (IF ANY) OF THE CORPORATION TO WHICH VALUE IS RESTORED]." The statement must include the amount of the value being restored and must also indicate that an agreement signed and dated by both parties, as described in paragraph (h)(1)(iii) of this section, has been entered into. Each such party must retain either the original or a copy of this agreement as part of its records. See §1.6001-1(e).

(ii) *Filing by electing member.* An electing member must include a statement identical to the one described in paragraph (h)(1)(i) of this section on or with its income tax return (or with an amended return for that year filed on or before the due date (including extensions) of the income tax return of any component member with respect to the taxable year in which the ownership change occurs) (if any) for the taxable year which includes the change date in connection with which the election described in paragraph (c)(2) of this section is made. If the electing member is a controlled foreign corporation (within the meaning of section 957), each United States shareholder (within the meaning of section 951(b)) with respect thereto must include this statement on or with its return. It is not necessary for the electing member (or the United States shareholder, as the case may be) to include this statement on or with its return if the loss corporation includes

an identical statement on or with the same return for the same election.

(iii) *Agreement.* Both the electing member and the corporation to which value is restored must sign and date an agreement. The agreement must—

(A) Identify the change date for the loss corporation in connection with which the election is made;

(B) State the value of the electing member's stock (without regard to any adjustment under paragraph (c) of this section) immediately before the ownership change;

(C) State the amount of any reduction required under paragraph (c)(1) of this section with respect to stock of the electing member that is owned directly or indirectly by the corporation to which value is restored;

(D) State the amount of value that the electing member elects to restore to the corporation; and

(E) State whether the value of either component member's stock was adjusted pursuant to paragraph (c)(4) of this section.

(2) *Special rule for foreign component members—(i) Deemed election to restore full value.* Unless the election described in paragraph (h)(2)(ii) of this section is made for a foreign component member, each foreign component member of the controlled group is deemed to have elected to restore to each other component member the maximum value allowable under paragraph (c)(2) of this section, taking into account the limitations of this section.

(ii) *Election not to restore full value.*

(A) A loss corporation may elect to reduce the amount of value restored from a foreign component member (the electing foreign component member) to another component member under paragraph (h)(2)(i) of this section in the form set forth in this paragraph (h)(2)(ii). It must be filed by the loss corporation by including a statement on or with its income tax return for the taxable year in which the ownership change occurs (or with an amended return for that year filed on or before the due date (including extensions) of the income tax return of any component member with respect to the taxable year in which the ownership change occurs). The common parent of a consolidated group must make the

election on behalf of the group. The election is made in the form of a statement entitled, "STATEMENT PURSUANT TO §1.382-8(h)(2)(ii) TO ELECT NOT TO RESTORE FULL VALUE OF [INSERT NAME AND EMPLOYER IDENTIFICATION NUMBER (IF ANY) OF ELECTING FOREIGN COMPONENT MEMBER] TO [INSERT NAME AND EMPLOYER IDENTIFICATION NUMBER (IF ANY) OF THE CORPORATION TO WHICH SUCH VALUE IS NOT TO BE RESTORED]." The statement must include the amount of the value not being restored and must also indicate that an agreement signed and dated by both parties, as described in paragraph (h)(2)(iii) of this section, has been entered into. Each such party must retain either the original or a copy of the agreement as part of its records. See §1.6001-1(e).

(B) An electing foreign component member must include a statement identical to the one described in paragraph (h)(2)(ii)(A) of this section on or with its income tax return (or with an amended return for that year filed on or before the due date (including extensions) of the income tax return of any component member with respect to the taxable year in which the ownership change occurs) (if any) for the taxable year which includes the change date in connection with which the election described in paragraph (h)(2)(ii)(A) of this section is made. If the electing foreign component member is a controlled foreign corporation (within the meaning of section 957), each United States shareholder (within the meaning of section 951(b)) with respect thereto must include this statement on or with its return. It is not necessary for the electing foreign component member (or United States shareholder, as the case may be) to include this statement on or with its return if the loss corporation includes an identical statement on or with the same return for the same election.

(iii) *Agreement.* Both the electing foreign component member and the corporation to which full value is not restored must sign and date an agreement. The agreement must—

(A) Identify the change date for the loss corporation in connection with which the election is made;

(B) State the value of the electing foreign component member's stock (without regard to any adjustment under paragraph (c) of this section) immediately before the ownership change;

(C) State the amount of any reduction required under paragraph (c)(1) of this section with respect to stock of the electing foreign component member that is owned directly or indirectly by the corporation to which value is not restored;

(D) State the amount of value that the electing foreign component member elects not to restore to the corporation; and

(E) State whether the value of either component member's stock was adjusted pursuant to paragraph (c)(4) of this section.

(3) *Revocation of election.* An election (other than the deemed election described in paragraph (h)(2)(i) of this section) made under this section is revocable only with the consent of the Commissioner.

(i) *References to former temporary regulations.* As the context requires, a reference in this section to §1.382-8 includes a reference to §1.382-8T in effect prior to June 25, 1999, as contained in 26 CFR part 1 revised as of April 1, 1999, a reference to §§1.1502-91, 1.1502-92, 1.1502-93, and §§1.1502-91 through 1.1502-99 includes a reference to §§1.1502-91A, 1.1502-92A, 1.1502-93A and §§1.1502-91A through 1.1502-99A.

(j) *Effective date—(1) In general.* This section applies to a loss corporation that has an ownership change with respect to a controlled group loss on or after January 1, 1997.

(2) *Transition rule—(i) In general.* The members of a controlled group on January 1, 1997, that have had an ownership change with respect to a controlled group loss before January 1, 1997, must determine the limitations under section 382 for any post-change year with respect to controlled group losses by using a reasonable method to preclude the value of stock of a component member that was owned directly or indirectly by another member immediately after an ownership change from being taken into account more than once in determining the limitations under section 382 with respect to

controlled group losses. If such a reasonable method was not used for a post-change year, subject to the exception in paragraph (j)(3) of this section, the members of the controlled group described in the preceding sentence must reduce their limitations under section 382 for post-change years for which the income tax return is filed after January 1, 1997, to recapture, as quickly as possible, any limitation that members took into account in excess of the amount that would be allowable under this section.

(ii) *Special transition rule for controlled groups that had ownership changes before January 29, 1991.* For purposes of this section, in the case of an ownership change occurring before January 29, 1991, the controlled group with respect to a controlled group loss does not include a corporation that is not a component member of the controlled group on January 29, 1991. Thus, in the case of an ownership change occurring before January 29, 1991, paragraph (c) of this section does not require that a loss corporation that is a component member of a controlled group to disregard the value of stock of another corporation directly owned immediately after the ownership change in determining the value of its own stock unless the other corporation is a component member of the controlled group on January 29, 1991.

(3) *Amended returns.* A taxpayer that has had an ownership change before January 1, 1997, may file an amended return for any taxable year to modify the amount of a limitation under section 382 with respect to a controlled group loss only if—

(i) The modification complies with the rules contained in this section for computing a limitation under section 382;

(ii) Any other component member of the controlled group with respect to the controlled group loss who elects to restore value and whose taxable income is affected by the election to restore value also files amended returns that comply with such rules; and

(iii) Corresponding adjustments are made in amended returns for all taxable years ending after December 31, 1986.

(4) *Effective/applicability date.* Paragraphs (c)(2), (e)(4) and (h) of this section apply to any taxable year beginning on or after May 30, 2006. However, taxpayers may apply paragraphs (c)(2), (e)(4) and (h) of this section to any original Federal income tax return (including any amended return filed on or before the due date (including extensions) of such original return) timely filed on or after May 30, 2006. For taxable years beginning before May 30, 2006, see § 1.382-8 as contained in 26 CFR part 1 in effect on April 1, 2006.

[T.D. 8679, 61 FR 33316, June 27, 1996, as amended by T.D. 8825, 64 FR 36178, July 2, 1999; T.D. 9264, 71 FR 30599, 30607, May 30, 2006; T.D. 9329, 72 FR 32801, June 14, 2007]

§ 1.382-9 Special rules under section 382 for corporations under the jurisdiction of a court in a title 11 or similar case.

(a) *Introduction.* Either section 382(l)(5) or section 382(l)(6) may apply to an ownership change which occurs in a title 11 or similar case (as defined in section 368(a)(3)(A)) if the transaction resulting in the ownership change is ordered by the court or is pursuant to a plan approved by the court. Terms and nomenclature used in this section, and not otherwise defined herein (including the nomenclature and assumptions in § 1.382-2T(b) relating to the examples) have the same respective meanings as in section 382 and the regulations thereunder.

(b) *Application of section 382(l)(5).* section 382(a) does not apply to any ownership change if—

(1) The old loss corporation is (immediately before the ownership change) under the jurisdiction of the court in a title 11 or similar case; and

(2) The pre-change shareholders and qualified creditors of the old loss corporation (determined immediately before the ownership change) own (after the ownership change and as a result of being pre-change shareholders or qualified creditors immediately before the ownership change) stock of the new loss corporation (or stock of a controlling corporation if also in bankruptcy) that meets the requirements of section 1504(a)(2) (determined by substituting “50 percent” for “80 percent” each place it appears).

(c) [Reserved]

(d) *Rules for determining whether stock of the loss corporation is owned as a result of being a qualified creditor—(1) Qualified creditor.* A qualified creditor is the beneficial owner, immediately before the ownership change, of qualified indebtedness of the loss corporation. A qualified creditor owns stock of the new loss corporation (or a controlling corporation) as a result of being a qualified creditor only to the extent that the qualified creditor receives stock in full or partial satisfaction of qualified indebtedness (including interest accrued on such indebtedness) in a transaction that is ordered by the court or is pursuant to a plan approved by the court in a title 11 or similar case. For purposes of this paragraph (d)(1), ownership of stock after the ownership change is determined without applying the attribution rules generally applicable under section 382(1)(3)(A) or § 1.382-2T(h).

(2) *General rules for determining whether indebtedness is qualified indebtedness—*

(i) *Definition.* Indebtedness of the loss corporation is qualified indebtedness if it—

(A) Has been owned by the same beneficial owner since the date that is 18 months before the date of the filing of the title 11 or similar case; or

(B) Arose in the ordinary course of the trade or business of the loss corporation and has been owned at all times by the same beneficial owner.

(ii) *Determination of beneficial ownership.* For purposes of paragraph (d)(2)(i) of this section, beneficial ownership of indebtedness is determined without applying attribution rules.

(iii) *Duty of inquiry.* The loss corporation must determine that indebtedness that the loss corporation treats as qualified indebtedness, other than indebtedness to which paragraph (d)(3)(i) of this section applies, has been owned for the requisite period by the beneficial owner who owns the indebtedness immediately before the ownership change. The loss corporation may rely on a statement, signed under penalties of perjury, by a beneficial owner regarding the amount of indebtedness the beneficial owner owns and the length of time that the beneficial owner has owned the indebtedness.

(iv) *Ordinary course indebtedness.* For purposes of this paragraph (d)(2), indebtedness arises in the ordinary course of the loss corporation's trade or business only if the indebtedness is incurred by the loss corporation in connection with the normal, usual, or customary conduct of business, determined without regard to whether the indebtedness funds ordinary or capital expenditures of the loss corporation. For example, indebtedness (other than indebtedness acquired for a principal purpose of being exchanged for stock) arises in the ordinary course of the loss corporation's trade or business if it is trade debt; a tax liability; a liability arising from a past or present employment relationship, a past or present business relationship with a supplier, customer, or competitor of the loss corporation, a tort, a breach of warranty, or a breach of statutory duty; or indebtedness incurred to pay an expense deductible under section 162 or included in the cost of goods sold. A claim that arises upon the rejection of a burdensome contract or lease pursuant to the title 11 or similar case is treated as arising in the ordinary course of the loss corporation's trade or business if the contract or lease so arose.

(3) *Treatment of certain indebtedness as continuously owned by the same owner—*

(i) *In general.* For purposes of paragraph (d)(2) of this section, a loss corporation may treat indebtedness as always having been owned by the beneficial owner of the indebtedness immediately before the ownership change if the beneficial owner is not, immediately after the ownership change, either a 5-percent shareholder or an entity through which a 5-percent shareholder owns an indirect ownership interest in the loss corporation (a *5-percent entity*). This paragraph (d)(3)(i) does not apply to indebtedness beneficially owned by a person whose participation in formulating a plan of reorganization makes evident to the loss corporation (whether or not the loss corporation had previous knowledge) that the person has not owned the indebtedness for the requisite period.

(ii) *Operating rules.* For purposes of paragraph (d)(3)(i) of this section: (A) If

a loss corporation has actual knowledge of a coordinated acquisition of its indebtedness by a group of persons, through a formal or informal understanding among themselves, for a principal purpose of exchanging the indebtedness for stock, the indebtedness (and any stock received in exchange therefor) is treated as owned by an entity. A principal element in determining if an understanding exists among members of a group is whether the investment decision of each member is based upon the investment decision of one or more other members.

(B) If the loss corporation has actual knowledge regarding stock ownership described in §1.382-2T(k)(2), the loss corporation must take that ownership into account in determining which beneficial owners of indebtedness are, immediately after the ownership change, 5-percent shareholders or 5-percent entities. The loss corporation is not required to take into account an ownership interest described in §1.382-2T(k)(4) unless the loss corporation has actual knowledge of the ownership interest.

(C) The term *5-percent shareholder* includes any person who is a 5-percent shareholder of the loss corporation within the meaning of §1.382-2T(g), without regard to the option attribution rules of section 382(l)(3)(A) or §1.382-4(d) (or, if applicable, §1.382-2T(h)(4)).

(D) Paragraph (d)(3)(i) of this section does not apply to indebtedness if the loss corporation has actual knowledge immediately after the ownership change that the exercise of an option to acquire or dispose of stock of the loss corporation would cause the beneficial owner of the indebtedness immediately before the ownership change to be, after the ownership change, either a 5-percent shareholder or a 5-percent entity. An interest that is treated as an option under §1.382-4(d)(9) (or §1.382-2T(h)(4)(v) if applicable) is treated as an option for purposes of this paragraph (d)(3)(ii)(D).

(iii) *Indebtedness owned by beneficial owner who becomes a 5-percent shareholder or 5-percent entity.* If the beneficial owner of indebtedness immediately before the ownership change is a 5-percent shareholder or 5-percent en-

tity immediately after the ownership change, the general rules of paragraph (d)(2) of this section apply to determine whether the indebtedness has been owned for the requisite period by the beneficial owner.

(iv) *Example.* The following example illustrates paragraph (d)(3) of this section.

Example. (A)(1) L is a loss corporation in a title 11 case. The plan of reorganization of L approved by the bankruptcy court provides for the satisfaction of claims by the issuance of new L common stock to its creditors as follows:

A—2 percent
 B—7.5 percent
 C—2.5 percent
 P1—3 percent
 P2—10 percent
 P3—4.9 percent
 P4—4.9 percent
 P5—4.9 percent

(2) P2 is owned by Public P2. B owns 10 percent of the stock of P1 and L has no actual knowledge of this ownership. L has actual knowledge that D owns P3, P4 and P5. In addition, L has actual knowledge, immediately after the ownership change, that C owns an option to acquire newly-issued stock of L that, if exercised, would increase C's percentage ownership of L stock from 2.5 percent to 8 percent. An ownership change of L occurs on the date the plan becomes effective.

(B) Under paragraph (d)(3)(i) of this section, L may treat the indebtedness owned by A and P1 immediately before the ownership change as always having been owned by A and P1. Neither A nor P1 is a 5-percent shareholder immediately after the ownership change. Further, because P1 owns less than 5 percent of the L stock (and L has no actual knowledge of B's ownership interest in P1), P1 is treated as an individual, and the L stock owned by P1 is not attributed to any other person, including B. See §1.382-2T(h)(2)(iii). Therefore, P1 is not a 5-percent entity.

(C) Paragraph (d)(3)(i) of this section does not apply to the indebtedness owned by B, C, P2, P3, P4, or P5. B is a 5-percent shareholder immediately after the ownership change. L has actual knowledge immediately after the ownership change that the exercise of C's option would cause C to be a 5-percent shareholder immediately after the ownership change. (L does not take into account the effect of the exercise of the option, however, in determining the percentage stock ownership of any person other than C because the deemed exercise would not cause any other person to be a 5-percent shareholder or a 5-percent entity after the ownership change.) P2 is a 5-percent entity, because Public P2, a

5-percent shareholder, owns an indirect ownership interest in L through P2. P3, P4, and P5 are 5-percent entities because D, a 5-percent shareholder, owns an indirect ownership interest in L through P3, P4, and P5. Because L has actual knowledge that D would be a 5-percent shareholder but for the application of § 1.382-2T(h)(2)(iii), that section does not apply to P3, P4, or P5. See § 1.382-2T(k)(2). Thus, under § 1.382-2T(h)(2)(i), the L stock owned by P3, P4, and P5 is attributed to D, and D is a 5-percent shareholder. Because paragraph (d)(3)(i) of this section does not apply to the indebtedness owned by B, C, P2, P3, P4, and P5, L may treat as qualified indebtedness only indebtedness that it determines had been owned by such persons for the requisite period. See paragraph (d)(2)(iii) of this section.

(4) *Special rule if indebtedness is a large portion of creditor's assets*—(i) *In general.* Indebtedness is not qualified indebtedness if—

(A) The beneficial owner of the indebtedness is a corporation or other entity that had an ownership change on any day during the applicable period;

(B) The indebtedness represents more than 25 percent of the fair market value of the total gross assets (excluding cash or cash equivalents) of the beneficial owner on its change date; and

(C) The beneficial owner is a 5-percent entity immediately after the ownership change of the loss corporation (determined by applying the rules of paragraph (d)(3) of this section).

(ii) *Applicable period.* For purposes of paragraph (d)(4)(i) of this section, the term *applicable period* means the period beginning on the day 18 months before the filing of the title 11 or similar case (or the day on which the beneficial owner acquired the indebtedness, if later) and ending with the change date of the loss corporation.

(iii) *Determination of ownership change.* For purposes of paragraph (d)(4)(i) of this section, the determination whether a beneficial owner of indebtedness has an ownership change is made under the principles of section 382 and the regulations thereunder, without regard to whether the beneficial owner is a loss corporation and by beginning the testing period no earlier than the latest of the day three years before the change date, the day 18 months before the filing of the title 11 or similar case, or the day on which

the beneficial owner acquired the indebtedness.

(iv) *Reliance on statement.* Paragraph (d)(4)(i) of this section does not apply to indebtedness if the loss corporation obtains a statement, signed under penalties of perjury, by the beneficial owner of the indebtedness that states that paragraph (d)(4)(i) of this section does not apply to the indebtedness.

(5) *Tacking of ownership periods*—(i) *Transferee treated as owning indebtedness for period owned by transferor.* To determine whether indebtedness transferred in a qualified transfer is qualified indebtedness, the transferee is treated as having owned the indebtedness for the period that it was owned by the transferor.

(ii) *Qualified transfer.* For purposes of paragraph (d)(5)(i) of this section, a transfer of indebtedness is a qualified transfer if—

(A) The transfer is between parties who bear a relationship to each other described in section 267(b) or 707(b) (substituting at least 80 percent for more than 50 percent each place it appears in section 267(b) (and section 267(f)(1)) or 707(b));

(B) The transfer is a transfer of a loan within 90 days after its origination, pursuant to a customary syndication transaction;

(C) The transfer is a transfer of newly incurred indebtedness by an underwriter that owned the indebtedness for a transitory period pursuant to an underwriting;

(D) The transferee's basis in the indebtedness is determined under section 1014, 1015, or 1022 or with reference to the transferor's basis in the indebtedness;

(E) The transfer is in satisfaction of a right to receive a pecuniary bequest;

(F) The transfer is pursuant to any divorce or separation instrument (within the meaning of section 71(b)(2));

(G) The transfer is pursuant to a subrogation in which the transferee acquires a claim against the loss corporation by reason of a payment to the claimant pursuant to an insurance policy or a guarantee, letter of credit or similar security arrangement; or

(H) The transfer is a transfer of an account receivable in a customary

commercial factoring transaction made within 30 days after the account arose to a transferee that regularly engages in such transactions.

(iii) *Exception.* A transfer of indebtedness is not a qualified transfer for purposes of paragraph (d)(5)(i) of this section if the transferee acquired the indebtedness for a principal purpose of benefiting from the losses of the loss corporation by—

(A) Exchanging the indebtedness for stock of the loss corporation pursuant to the title 11 or similar case; or

(B) Selling the indebtedness at a profit that reflects the expectation that, by reason of section 382(1)(5), section 382(a) will not apply to any ownership change resulting from the title 11 or similar case.

(iv) *Debt-for-debt exchanges.* If the loss corporation satisfies its indebtedness with new indebtedness, either through an exchange of new indebtedness for old indebtedness or a change in the terms of indebtedness that results in an exchange under section 1001—

(A) The owner of the new indebtedness is treated as having owned that indebtedness for the period that it owned the old indebtedness; and

(B) The new indebtedness is treated as having arisen in the ordinary course of the trade or business of the loss corporation if the old indebtedness so arose.

(6) *Effective date*—(i) *In general.* This paragraph (d) applies to ownership changes occurring on or after March 17, 1994. The provisions of paragraph (d)(5)(ii)(D) of this section relating to section 1022 are effective on and after January 19, 2017.

(ii) *Elections and amended returns*—(A) *Election to apply this paragraph (d) retroactively.* A loss corporation may elect to apply this paragraph (d) to an ownership change occurring prior to March 17, 1994. This election must be made by the later of the due date (including any extensions of time) of the loss corporation's tax return for the taxable year which includes the change date or the date that the loss corporation files its first tax return after May 16, 1994. The election is made by attaching the following statement to the return: "This is an Election to Apply §1.382-9(d) Retroactively with Respect to the

Ownership Change on [Insert Date of Ownership Change] That Occurred in Connection with the title 11 or Similar Case filed on [Insert Date of Filing]." This statement must be accompanied by the amended returns described in paragraph (d)(6)(ii)(C) of this section. An election under this paragraph (d)(6) is irrevocable.

(B) *Election to revoke section 382(1)(5)(H) election.* A loss corporation may elect to revoke a prior election made under section 382(1)(5)(H) with respect to an ownership change occurring before March 17, 1994 by including the following statement with its election to apply §1.382-9(d) retroactively: "This is an Election to Revoke a Prior Election Made Under Section 382(1)(5)(H) With Respect to the Ownership Change on [Insert Date of Ownership Change] That Occurred in Connection With the title 11 or Similar Case Filed on [Insert Date of Filing]."

(C) *Amended returns.* If the retroactive application of this paragraph (d) affects the amount of taxable income or loss for a prior taxable year, then, except as precluded by the applicable statute of limitations, the loss corporation (or the common parent of any consolidated group of which the loss corporation was a member for the year) must file an amended return for the year that reflects the effects of the retroactive application of the rules of this paragraph (d). If the statute of limitations precludes the filing of an amended return for one or more such prior taxable years, the loss corporation (or the common parent) must make appropriate adjustments under the principles of section 382(1)(2)(A) in subsequent taxable years to reflect the difference between the losses and credits actually used in such prior taxable years and the amount that would have been used in those years applying the rules of this paragraph (d).

(e) *Option attribution for purposes of determining stock ownership under section 382(1)(5)(A)(ii)*—(1) *In general.* Solely for purposes of determining whether the stock ownership requirements of section 382(1)(5)(A)(ii) are satisfied at the time of an ownership change, stock of the loss corporation (or of a controlling corporation if also in bankruptcy) that is subject to an option is treated

as acquired at that time, pursuant to an exercise of the option by its owner, if such deemed exercise would cause the pre-change shareholders and qualified creditors of the loss corporation to own (after such ownership change and as a result of being pre-change shareholders or qualified creditors immediately before such change) less than an amount of such stock sufficient to satisfy the ownership requirements of section 382(1)(5)(A)(ii). An option that is owned as a result of being a pre-change shareholder or qualified creditor and that, if exercised, would result in the ownership of stock by a pre-change shareholder or qualified creditor is not treated as exercised under this paragraph (e). For purposes of this paragraph (e)(1), rules similar to those option attribution rules under § 1.382-2T(h)(4)(iii), (iv), (v), (vii), and (x)(A), (B) (except with respect to a debt instrument that was issued after the filing of the petition in the title 11 or similar case), (D), (E) (except with respect to a right to receive or obligation to issue stock as interest or dividends on a debt instrument or stock that was issued after the filing of the petition in the title 11 or similar case), (G), (H), and (Z), apply.

(2) *Special rules*—(i) *Lapse or forfeiture of options deemed exercised*. A loss corporation may apply rules similar to the rules of § 1.382-2T(h)(4)(viii) with respect to an option except to the extent any person owning the option at any time on or after the change date acquires additional stock or an option to acquire additional stock during the period of time on or after the ownership change and on or before the lapse or forfeiture of the option.

(ii) *Actual exercise of options not deemed exercised*. In determining whether the ownership change pursuant to the plan of reorganization qualifies under section 382(1)(5), a loss corporation may take into account stock acquired pursuant to the actual exercise of an option issued pursuant to the plan of reorganization if that option was not deemed exercised under paragraph (e)(1) of this section. However, this paragraph (e)(2)(ii) applies only if the option is actually exercised within the 3 years of the ownership change by the 5-percent shareholder who, as a re-

sult of being a pre-change shareholder or qualified creditor, acquired the option under the plan.

(iii) *Amended returns*. A loss corporation may file an amended return for a prior taxable year (subject to any applicable statute of limitations) if it determines that section 382(1)(5) applies to an ownership change as a result of the operation of paragraph (e)(2)(i) or (ii) of this section, but only if the loss corporation makes corresponding adjustments on amended returns for all affected taxable years (subject to any applicable statute of limitations).

(3) *Examples*. In each of the examples in this paragraph (e)(3), assume that there is an ownership change of loss corporation L on the date the plan of reorganization is effective.

Example 1. L is a loss corporation in a title 11 case. The plan of reorganization of L approved by the bankruptcy court provides for the cancellation of all existing L stock, the issuance of 100 shares of new L common stock to qualified creditors, and the issuance of an option to a new investor to acquire, at any time during the next 3 years, 90 shares of new L common stock from L at its fair market value on the date the plan becomes effective. Under paragraph (e)(1) of this section, on the date the plan becomes effective, the option held by the new investor is deemed exercised if the exercise would cause the qualified creditors of L to own less than 50 percent of the total voting power or value of the L stock after the ownership change. Because the qualified creditors would receive at least 50 percent of the voting power and value of the new L common stock even if the option were deemed exercised, the stock ownership requirements of section 382(1)(5)(A)(ii) are satisfied.

Example 2. The facts are the same as in *Example 1*, except that L issues an option to the new investor to acquire 110 shares of new L common stock. This option is deemed exercised under paragraph (e)(1) of this section on the date the plan becomes effective, because, as a result of the deemed exercise, the qualified creditors would own only 100 of 210 shares of the new L common stock (approximately 48 percent) after the ownership change. Accordingly, the stock ownership requirements of section 382(1)(5)(A)(ii) are not satisfied and section 382(a) applies to the ownership change.

Example 3. (a) L is a loss corporation in a title 11 case. The plan of reorganization of L approved by the bankruptcy court provides for the cancellation of all existing L stock, the issuance of new L common stock and 5-year options to acquire L common stock as follows:

(i) To qualified creditors—100 shares of stock and options to acquire 50 shares;

(ii) To a new investor—options to acquire 110 shares.

(b) Under paragraph (e)(1) of this section, the option held by the new investor is deemed exercised on the date the plan becomes effective because the exercise would cause the qualified creditors of L to own less than 50 percent of the total voting power and value of the L stock after the ownership change (100 of 210 shares or approximately 48 percent). Accordingly, the stock ownership requirements of section 382(1)(5)(A)(ii) are not satisfied initially and section 382(a) applies to the ownership change.

(c) Assume, however, that the qualified creditors actually exercise enough options that were acquired pursuant to the plan of reorganization to purchase 30 additional shares during the 3 year period after the plan becomes effective. Under paragraph (e)(2)(i) of this section, L may take into account the 30 shares purchased by the qualified creditors by the exercise of the options in determining whether the stock ownership requirements of section 382(1)(5)(A)(ii) were satisfied on the date the plan of reorganization became effective. If L takes such purchases into account, the qualified creditors of L are deemed to own as of the date of the ownership change more than 50 percent of the total voting power or value of the L stock after the ownership change (130 of 240 shares or approximately 54 percent), with the result that the stock ownership requirements of section 382(1)(5)(A)(ii) are satisfied and section 382(1)(5) applies to the ownership change as of the effective date of the plan.

(d) Assume instead that the qualified creditors acquire 30 additional shares by exercise of options more than 3 years after the plan becomes effective. Such exercise is not taken into account under paragraph (e)(2)(i) of this section for purposes of determining whether the stock ownership requirements of section 382(1)(5)(A)(ii) are satisfied as of the effective date of the plan. Thus, the qualified creditors are deemed to own less than 50 percent of the total voting power and value of the L stock after the ownership change (100 of 210 shares) and section 382(1)(5) does not apply to the ownership change.

(e) Assume instead that, during the 3 year period after the plan becomes effective, the new investor exercises part of his option and purchases 105 shares of stock. The exercise causes a lapse of the rights to acquire the remaining 5 shares of stock. Also during that time, the qualified creditors exercise part of their options and acquire 6 additional shares of stock. Under paragraph (e)(2)(i) of this section, L may treat the lapse of that part of the new investor's option to acquire 5 shares of stock as if that part of the option had never been issued for purposes of determining whether the stock ownership require-

ments of section 382(1)(5)(A)(ii) are satisfied as of the effective date of the plan. Also, under paragraph (e)(2)(i) of this section, L may take into account the 6 shares purchased by the qualified creditors by the exercise of the options in determining whether the stock ownership requirements of section 382(1)(5)(A)(ii) are satisfied as of the effective date of the plan. If L takes all of this information into account, the qualified creditors are deemed to own more than 50 percent of the total voting power or value of the L stock after the ownership change (106 of 211 shares or approximately 50.2 percent) and section 382(1)(5) applies to the ownership change as of the effective date of the plan.

(4) *Effective dates*—(i) *In general.* This paragraph (e) applies to ownership changes occurring on or after September 5, 1990.

(ii) *Special rule for interest or dividends.* Rules similar to the rules of § 1.382-2T(h)(4)(x)(E) (relating to option attribution for purposes of determining whether an ownership change occurs) apply to a right to receive or obligation to issue stock as interest or dividends on a debt instrument or stock that was issued after the filing of the petition in the title 11 or similar case for ownership changes occurring before April 8, 1992.

(f)–(h) [Reserved]

(i) *Election not to apply section 382(1)(5).* Under section 382(1)(5)(H), a loss corporation may elect not to have the provisions of section 382(1)(5) apply to an ownership change in a title 11 or similar case. This election is irrevocable and must be made by the due date (including any extensions of time) of the loss corporation's tax return for the taxable year which includes the change date. The election is to be made by attaching the following statement to the tax return of the loss corporation for that taxable year: "This is an Election Under § 1.382-9(i) not to Apply the Provisions of Section 382(1)(5) to the Ownership Change Occurring Pursuant to a Plan of Reorganization Confirmed by the Court on [Insert Confirmation Date]."

(j) *Value of the loss corporation in an ownership change to which section 382(1)(6) applies.* Section 382(1)(6) applies to any ownership change occurring pursuant to a plan of reorganization in a title 11 or similar case to which section 382(1)(5) does not apply. In such case, the value of the loss corporation

under section 382(e) is equal to the lesser of—

(1) The value of the stock of the loss corporation immediately after the ownership change (determined under the rules of paragraph (k) of this section); or

(2) The value of the loss corporation's pre-change assets (determined under the rules of paragraph (l) of this section).

(k) *Rules for determining the value of the stock of the loss corporation*—(1) *Certain ownership interests treated as stock.* For purposes of paragraph (j)(1) of this section—

(i) Stock includes stock described in section 1504(a)(4) and any stock that is not treated as stock under §1.382-2T(f)(18)(ii) for purposes of determining whether a loss corporation has an ownership change; and

(ii) Stock does not include an ownership interest that is treated as stock under §1.382-2T(f)(18)(iii) for purposes of determining whether a loss corporation has an ownership change.

(2) *Coordination with section 382(e)(2).* In the case of a redemption or other corporate contraction occurring after and in connection with the ownership change, the value of the stock of the loss corporation under paragraph (j)(1) of this section is reduced under section 382(e)(2).

(3) *Coordination with section 382(e)(3).* If the loss corporation is a foreign corporation, in determining the value of the stock under paragraph (j)(1) of this section, only items treated as connected with the conduct of a trade or business in the United States are taken into account.

(4) *Coordination with section 382(l)(1).* Section 382(l)(1) does not apply in determining the value of the stock of the loss corporation under paragraph (j)(1) of this section.

(5) *Coordination with section 382(l)(4).* If, immediately after the ownership change, the loss corporation has substantial nonbusiness assets (as determined under section 382(l)(4)(B) taking into account only those assets the loss corporation held immediately before the ownership change), the value of the stock of the loss corporation under paragraph (j)(1) of this section is reduced by the excess of the value of such

nonbusiness assets over those assets' share of the loss corporation's indebtedness (determined under section 382(l)(4)(D) taking into account the loss corporation's assets and liabilities immediately after the ownership change).

(6) *Special rule for stock not subject to the risk of corporate business operations*—

(i) *In general.* The value of the stock of the loss corporation under paragraph (j)(1) of this section is reduced by the value of stock that is issued as part of a plan one of the principal purposes of which is to increase the section 382 limitation without subjecting the investment to the entrepreneurial risks of corporate business operations.

(ii) *Coordination of special rule and other rules affecting value.* If the value of the loss corporation is modified under another rule affecting value, appropriate adjustments are to be made so that such modification is not duplicated under this paragraph (k)(6).

(7) *Limitation on value of stock.* For purposes of paragraph (j)(1) of this section, the value of stock of the loss corporation issued in connection with the ownership change cannot exceed the cash and the value of any property (including indebtedness of the loss corporation) received by the loss corporation in consideration for the issuance of that stock.

(l) *Rules for determining the value of the loss corporation's pre-change assets*—

(1) *In general.* Except as otherwise provided in this paragraph (l), the value of the loss corporation's pre-change assets is the value of its assets (determined without regard to liabilities) immediately before the ownership change.

(2) *Coordination with section 382(e)(2).* Section 382(e)(2) does not apply in determining the value of the pre-change assets of the loss corporation under paragraph (j)(2) of this section.

(3) *Coordination with section 382(e)(3).* If the loss corporation is a foreign corporation, in determining the value of the pre-change assets under paragraph (j)(2) of this section, only assets treated as connected with the conduct of a trade or business in the United States are taken into account.

(4) *Coordination with section 382(l)(1).* For purposes of paragraph (j)(2) of this

section, the value of the pre-change assets of the loss corporation is determined without regard to the amount of any capital contribution to which section 382(l)(1) applies. For purposes of applying this paragraph (l)(4), the receipt of cash or property by the loss corporation in exchange for the issuance of indebtedness is considered a capital contribution if it is part of a plan one of the principal purposes of which is to increase the value of the loss corporation under paragraph (j) of this section.

(5) *Coordination with section 382(l)(4).* If, immediately after the ownership change, the loss corporation has substantial nonbusiness assets (as determined under section 382(l)(4)(B) taking into account only those assets the loss corporation held immediately before the ownership change), the value of the loss corporation's pre-change assets is reduced by the value of the nonbusiness assets.

(m) *Continuity of business requirement—(1) Under section 382(l)(5).* If section 382(l)(5) applies to an ownership change of a loss corporation, section 382(c) and the regulations thereunder do not apply with respect to the ownership change.

(2) *Under section 382(l)(6).* If section 382(l)(6) applies to an ownership change of a loss corporation, section 382(c) and the regulations thereunder apply to the ownership change.

(n) *Ownership change in a title 11 or similar case succeeded by another ownership change within two years—(1) Section 382(l)(5) applies to the first ownership change.* If section 382(l)(5) applies to an ownership change and, within the two-year period immediately following such ownership change, a second ownership change occurs, section 382(l)(5) cannot apply to the second ownership change and the section 382(a) limitation with respect to the second ownership change is zero.

(2) *Section 382(l)(6) applies to the first ownership change.* If the value of a loss corporation in an ownership change was determined under section 382(l)(6) and a second ownership change occurs within the two-year period immediately following the first ownership change, the value of the loss corporation under section 382(e) with respect

to the second ownership change is not reduced under section 382(l)(1) for any increase in value of the loss corporation previously taken into account under section 382(l)(6) with respect to the first ownership change.

(o) *Treatment of certain options for ownership change purposes—(1) Neither §1.382-2T(h)(4)(i) nor §1.382-4(d) (relating to the treatment of options as exercised) applies to the following options to acquire stock of a loss corporation reorganized pursuant to a plan of reorganization that is confirmed in a title 11 or similar case (within the meaning of section 368(a)(3)(A)) but only until the time the plan becomes effective—*

(i) Any option created by the solicitation or receipt of acceptances to the plan;

(ii) The option created by the confirmation of the plan; and

(iii) Any option created under the plan.

(2) This paragraph (o) generally applies to any testing date occurring on or after September 5, 1990. However, this paragraph (o) does not apply on any testing date occurring on or after April 8, 1992, if, in connection with the plan of reorganization, the loss corporation issues stock (including stock described in section 1504(a)(4)) or otherwise receives a capital contribution before the effective date of the plan for a principal purpose of using before the effective date losses and credits that would be subject to limitation under section 382(a) or would be eliminated under section 382(l)(5)(B) or (C) if this paragraph (o) did not apply on the testing date. A loss corporation may elect to apply this paragraph (o) to any testing date occurring before September 5, 1990, by filing a statement substantially similar to the following with its income tax return: "THIS IS AN ELECTION TO APPLY §1.382-3(o) (OR §1.382-9(o) AFTER REDESIGNATION) FOR TESTING DATES PRIOR TO SEPTEMBER 5, 1990, TO OPTIONS CREATED BY OR UNDER A PLAN OF REORGANIZATION CONFIRMED IN A TITLE 11 OR SIMILAR CASE." A loss corporation may elect to not apply this paragraph (o) to testing dates occurring on or after September 5, 1990, to April 8, 1992, by filing a statement substantially similar to the following with

its income tax return: “THIS IS AN ELECTION TO NOT APPLY §1.382-3(o) (OR §1.382-9(o) AFTER REDESIGNATION) FOR TESTING DATES OCCURRING ON OR AFTER SEPTEMBER 5, 1990, TO APRIL 8, 1992, TO OPTIONS CREATED BY OR UNDER A PLAN OF REORGANIZATION CONFIRMED IN A TITLE 11 OR SIMILAR CASE.”

(p) *Effective date for rules relating to section 382(l)(6)*—(1) *In general.* Paragraphs (i), (j), (k), (l), (m)(2), and (n)(2) of this section apply to any ownership change occurring on or after March 17, 1994.

(2) *Ownership change to which section 382(l)(6) applies occurring before March 17, 1994.* In the case of an ownership change occurring before March 17, 1994, the loss corporation may elect to apply the rules of paragraphs (j), (k), (l), (m)(2), and (n)(2) of §1.382-9 in their entirety. The election must be made by the later of the due date (including any extensions of time) of the loss corporation’s tax return for the taxable year which includes the change date or the date that the loss corporation files its first tax return after May 16, 1994. The election is made by attaching the following statement to the return: “This is an Election to Apply §§1.382-9 (j), (k), (l), (m)(2), and (n)(2) of the Income Tax Regulations to the Ownership Change Occurring Pursuant to a Plan of Reorganization Confirmed by the Court on [Insert Confirmation Date].” In connection with making this election, on the same return the loss corporation may also elect not to apply section 382(l)(5) to the ownership change under paragraph (i) of this section (if the loss corporation has not already done so pursuant to §301.9100-7T(a) of this chapter). If, under the applicable statute of limitations, the loss corporation may file amended returns for the year of the ownership change and all subsequent years (an open year), an electing loss corporation must file an amended return for each prior affected year to reflect the elections. If, under the applicable statute of limitations, the loss corporation may not file an amended return for the year of the ownership change or any subsequent year (a closed year), an electing loss corporation must file an amended return for each affected open year to reflect the

elections and the section 382 limitation resulting from the ownership change must be appropriately adjusted for the earliest open year (or years) to reflect the difference between the amount of pre-change losses actually used in closed years and the amount of pre-change losses that would have been used in such years applying the rules of paragraphs (j), (k), (l), (m)(2), (n)(2) of this section to the ownership change.

[T.D. 8388, 57 FR 346, Jan. 6, 1992; T.D. 8407, 57 FR 12210, Apr. 9, 1992. Redesignated by T.D. 8440, 57 FR 45712, 45713, Oct. 5, 1992; 57 FR 52827, Nov. 5, 1992; T.D. 8531, 59 FR 12840, Mar. 18, 1994; T.D. 8530, 59 FR 12843, Mar. 18, 1994; T.D. 8529, 59 FR 12846, Mar. 18, 1994; T.D. 9811, 82 FR 6237, Jan. 19, 2017]

§ 1.382-10 Special rules for determining time and manner of acquisition of an interest in a loss corporation.

(a) *Distributions from qualified trusts*—(1) *In general.* For purposes of §1.382-2T, if a qualified trust described in section 401(a) (qualified trust) distributes an ownership interest in an entity (as defined in §1.382-3(a)(1)), then for testing dates on or after the date of the distribution, the distributed ownership interest is treated as having been acquired by the distributee on the date and in the manner acquired by the trust and not as having been acquired or disposed of by the trust. The distribution does not cause the day of the distribution to be a testing date.

(2) *Accounting for dispositions*—(i) *General rule.* For purposes of this paragraph (a), in order to determine which ownership interest in an entity is distributed from a qualified trust, a loss corporation must either specifically identify the ownership interests that are the subject of all dispositions by the qualified trust of ownership interests in an entity, or apply the first-in, first-out (FIFO) method to all such dispositions.

(ii) *Special rules.* For purposes of this paragraph (a)(2):

(A) The FIFO method must be applied on a class-by-class basis; and

(B) The term *dispositions* includes distributions, sales, and other transfers.

(3) *Examples.* The following examples illustrate the principles of this paragraph (a). For purposes of these examples, unless otherwise stated, the nomenclature and assumptions of the examples in § 1.382-2T(b) apply, all corporations file separate income tax returns on a calendar year basis, the only 5-percent shareholder of a loss corporation is a public group, and the facts set forth the only acquisitions of stock by any participants in a qualified plan and the only owner shifts with respect to the loss corporation during the testing period. The examples are as follows:

Example 1. (i) *Facts.* In 1994, E, a qualified trust established under Plan F, acquires 10 percent of L stock. A is a participant in Plan F. On January 1, 2002, A acquires 4 percent of L stock, and B, who is not a participant or a beneficiary of a participant in Plan F, acquires 5 percent of L stock. On January 1, 2004, E distributes 2 percent of L stock to A. On July 1, 2004, A acquires 1 percent of L stock.

(ii) *Analysis.* January 1, 2002, is a testing date because B's acquisition of 5 percent of L stock causes an increase in the percentage ownership of B, a 5-percent shareholder. As of the close of that testing date, A is treated as owning only 4 percent of L stock. Therefore, A is treated as a member of the public group of L. In addition, E is treated as owning 10 percent of L stock that it acquired in 1994.

(iii) As a result of the application of paragraph (a)(1) of this section to E's distribution of 2 percent of L stock to A on January 1, 2004, for testing dates on and after January 1, 2004, A is treated as having acquired that 2 percent interest in L in 1994, and E is treated as having acquired only 8 percent of L stock in 1994. Because there are no owner shifts on January 1, 2004, that date is not a testing date.

(iv) July 1, 2004, is a testing date because on that date A, a 5-percent shareholder, acquires 1 percent of L stock. As of the close of that testing date, A's percentage of ownership of L stock is 7 percent, and A's lowest percentage of ownership of L stock at any time within the testing period is 2 percent (deemed acquired in 1994), representing an increase of 5 percentage points. In addition, as of the close of July 1, 2004, B's percentage of ownership of L stock is 5 percent, and B's lowest percentage of ownership of L stock at any time within the testing period is 0 percent, representing an increase of 5 percentage points. Thus, on July 1, 2004, L must take into account an increase of 10 (5 + 5) percentage points in determining whether it has an ownership change.

Example 2. (i) *Facts.* E is a qualified trust established under Plan F. L, a publicly traded corporation, has 100x shares of stock outstanding. As of January 1, 2006, C owns 5x shares of L stock and is not a participant or beneficiary of a participant in Plan F. At all times prior to January 1, 2006, E owns no L stock. On January 1, 2006, E acquires 10x shares of L stock from members of the public group of L. On December 1, 2007, E distributes 5x shares of L stock to some of the participants in Plan F. No one participant acquires all 5x shares as a result of the distribution. On February 1, 2008, C purchases 1x shares of L stock from the public group of L.

(ii) *Analysis.* Because E's acquisition of 10x shares of L stock on January 1, 2006, is an owner shift, that date is a testing date. As of the close of that date, E's percentage of stock ownership in L has increased by 10 percentage points.

(iii) As a result of the application of paragraph (a)(1) of this section to E's distribution of 5x shares of L stock to some Plan F participants on December 1, 2007, for testing dates on and after December 1, 2007, those distributees are treated as having acquired those shares of stock on January 1, 2006, from members of the public group of L, and E is not treated as having acquired those shares on that date. E's distribution of the 5x shares is not an owner shift. Therefore, December 1, 2007, is not a testing date.

(iv) February 1, 2008, is a testing date because on that date an owner shift results from C's purchase of 1x shares of L stock. As of the close of that testing date, the distributees of 5x shares of L stock are treated as members of the public group of L having acquired 5x shares of L stock from other members of the public group of L on January 1, 2006. Because those acquisitions are not by 5-percent shareholders, L does not take them into account. In addition, as of the close of February 1, 2008, E's percentage of stock ownership in L is 5 percent, and E's lowest percentage of stock ownership in L at any time within the testing period is 0 percent, representing an increase of 5 percentage points. In addition, as of the close of February 1, 2008, C's percentage of stock ownership in L is 6 percent, and C's lowest percentage of stock ownership in L at any time within the testing period is 5 percent, representing an increase of 1 percentage point. Therefore, on February 1, 2008, L must take into account an increase of 6 (5 + 1) percentage points in determining whether it has an ownership change.

(4) *Effective dates.* This section applies to all distributions after June 23, 2006. For distributions on or before

§ 1.382-11

June 23, 2006, see § 1.382-10T as contained in 26 CFR part 1, revised April 1, 2006.

(b) [Reserved]

[T.D. 9269, 71 FR 36677, June 28, 2006]

§ 1.382-11 Reporting requirements.

(a) *Information statement required.* A loss corporation must include a statement entitled, "STATEMENT PURSUANT TO § 1.382-11(a) BY [INSERT NAME AND EMPLOYER IDENTIFICATION NUMBER OF TAXPAYER], A LOSS CORPORATION," on or with its income tax return for each taxable year that it is a loss corporation in which an owner shift, equity structure shift or other transaction described in § 1.382-2T(a)(2)(i) occurs. The statement must include the date(s) of any owner shifts, equity structure shifts, or other transactions described in § 1.382-2T(a)(2)(i), the date(s) on which any ownership change(s) occurred, and the amount of any attributes described in § 1.382-2(a)(1)(i) that caused the corporation to be a loss corporation. A loss corporation may also be required to include certain elections on this statement, including—

(1) An election made under § 1.382-2T(h)(4)(vi)(B) to disregard the deemed exercise of an option if the actual exercise of that option occurred within 120 days of the ownership change; and

(2) An election made under § 1.382-6(b)(2) to close the books of the loss corporation for purposes of allocating income and loss to periods before and after the change date for purposes of section 382.

(b) *Effective/applicability date.* This section applies to any taxable year beginning on or after May 30, 2006. However, taxpayers may apply this section to any original Federal income tax return (including any amended return filed on or before the due date (including extensions) of such original return) timely filed on or after May 30, 2006. For taxable years beginning before May 30, 2006, see § 1.382-2T as contained in 26 CFR part 1 in effect on April 1, 2006.

[T.D. 9329, 72 FR 32803, June 14, 2007]

26 CFR Ch. I (4-1-21 Edition)

§ 1.382-12 Determination of adjusted Federal long-term rate.

(a) *In general.* The long-term tax-exempt rate for an ownership change is the highest of the adjusted Federal long-term rates in effect for any month in the 3-calendar-month period ending with the calendar month in which the change date occurs. For purposes of the previous sentence, the adjusted Federal long-term rate is the Federal long-term rate determined under section 1274(d) (without regard to paragraphs (2) and (3) thereof), adjusted for differences between rates on long-term taxable and tax-exempt obligations. The Secretary calculates the adjusted Federal long-term rate as provided in paragraph (b) of this section. The Internal Revenue Service publishes the long-term tax-exempt rate and the adjusted Federal long-term rate for each month in the Internal Revenue Bulletin (see § 601.601(d)(2)(ii) of this chapter).

(b) *Adjusted Federal long-term rate.* The adjusted Federal long-term rate for a calendar month is the product of the Federal long-term rate determined under section 1274(d) for that month, based on annual compounding, multiplied by the adjustment factor described in paragraph (c) of this section.

(c) *Adjustment factor.* The adjustment factor is a percentage equal to—

(1) The excess of 100 percent, over

(2) The product of—

(i) 59 percent, and

(ii) The sum of the maximum rate in effect under section 1 applicable to individuals and the maximum rate in effect under section 1411 applicable to individuals for the month to which the adjusted applicable Federal rate applies.

(d) *Effective/applicability date.* The rules of this section apply to the determination of the long-term tax-exempt rate and the adjusted Federal long-term rate beginning with the rates determined during August 2016 that apply during September 2016.

[T.D. 9763, 81 FR 24483, Apr. 26, 2016]

§ 1.383-0 Effective date.

(a) The regulations in this part under section 383 of the Code (other than the regulations described in paragraph (b)

of this section) reflect the amendments made to sections 382 and 383 by the Tax Reform Act of 1986 and the amendments made to section 382 by Public Law 115-97 (2017). See § 1.383-1(j) for effective date rules.

(b) Sections 1.383-1A, 1.383-2A, and 1.383-3A do not reflect the amendments made to sections 382 and 383 by the Tax Reform Act of 1986.

[T.D. 8352, 56 FR 29434, June 27, 1991, as amended by T.D. 9905, 85 FR 56837, Sept. 14, 2020]

§ 1.383-1 Special limitations on certain capital losses and excess credits.

(a) *Outline of topics.* In order to facilitate the use of this section, this paragraph lists the paragraphs, subparagraphs and subdivisions contained in this section.

- (a) Outline of topics.
- (b) In general.
- (c) Definitions.
 - (1) Coordination with definitions and nomenclature used in section 382.
 - (2) Pre-change capital loss.
 - (3) Pre-change credit.
 - (4) Pre-change loss.
 - (5) Regular tax liability.
 - (6) Section 383 credit limitation.
 - (i) Definition.
 - (ii) Example.
- (d) Limitation on use of pre-change losses and pre-change credits.
 - (1) In general.
 - (i) In general.
 - (ii) Ordering rule for losses or credits from same taxable year.
 - (2) Ordering rules for utilization of pre-change losses and pre-change credits and for absorption of the section 382 limitation and the section 383 credit limitation.
 - (3) Coordination with other limitations.
 - (i) In general.
 - (ii) Examples.
 - (e) Carryforward of unused section 382 limitation.
 - (1) Computation of carryforward amount.
 - (2) Section 383 credit reduction amount.
 - (3) [Reserved]
 - (4) Special rules for determining the section 383 credit reduction amount.
 - (i) Ordering rules.
 - (ii) Special rule for credits under section 38(a).
 - (f) Examples.
 - (g) Coordination with section 382 and the regulations thereunder.
 - (h) Alternative minimum tax.
 - (i) [Reserved]
 - (j) Applicability date.
 - (1) In general.

(2) Interaction with section 163(j).

(b) *In general.* Under section 383, if an ownership change occurs with respect to a loss corporation, the section 382 limitation and the section 383 credit limitation (as defined in paragraph (c)(6) of this section) for a post-change year shall apply to limit the amount of taxable income and regular tax liability, respectively, that can be offset by pre-change capital losses and pre-change credits of the new loss corporation. The section 383 credit limitation for a post-change year bears a direct relationship to the amount, if any, of the section 382 limitation that remains after taking into account the reduction in the loss corporation's taxable income during a post-change year as a result of its pre-change losses (as defined in paragraph (c)(4) of this section). In general, the section 383 credit limitation is an amount equal to the tax liability of the new loss corporation for the post-change year which is attributable to so much of the corporation's taxable income that would be reduced by allowing as a deduction its section 382 limitation remaining after accounting for the use of pre-change losses. As pre-change losses and pre-change credits of a corporation are used, they absorb the section 382 limitation and the section 383 credit limitation, respectively, in the manner prescribed by paragraph (d) of this section. See also section 382 and the regulations thereunder.

(c) *Definitions*—(1) *Coordination with definitions and nomenclature used in section 382.* Terms and nomenclature used in this section, and not otherwise defined herein, shall have the same respective meanings as in section 382 and the regulations thereunder, taking into account that the limitations of section 383 and this section apply to pre-change capital losses and pre-change credits.

(2) *Pre-change capital loss.* The term *pre-change capital loss* means—

(i) Any capital loss carryover under section 1212 of the old loss corporation to the taxable year ending on the change date or in which the change date occurs,

(ii) Any net capital loss of the old loss corporation for the taxable year in which the ownership change occurs, to

the extent such loss is allocable to the period in such year ending on or before the change date, and

(iii) If the old loss corporation has a net unrealized built-in loss, any recognized built-in loss for any recognition period taxable year (within the meaning of section 382(h)) that is a capital loss.

(3) *Pre-change credit.* The term *pre-change credit* means—

(i) Any excess foreign taxes under section 904(c) of the old loss corporation—

(A) carried forward to the taxable year ending on the change date or in which the change date occurs, or

(B) carried forward from the taxable year that includes the change date, to the extent such credit is allocable to the period in such year ending on or before the change date,

(ii) Any credit under section 38 of the old loss corporation—

(A) carried forward to the taxable year ending on the change date or in which the change date occurs, or

(B) carried forward from a taxable year that includes the change date to the extent such credit is allocable to the period in such year ending on or before the change date, and

(iii) The available minimum tax credit of the old loss corporation under section 53 to the extent attributable to periods ending on or before the change date.

(4) *Pre-change loss.* Solely for purposes of this section, the term *prechange loss* means any pre-change loss described in §1.382-2(a)(2) other than pre-change credits described in paragraph (c)(3) of this section.

(5) *Regular tax liability.* For purposes of this section, the term *regular tax liability* has the same meaning as provided in section 26(b).

(6) *Section 383 credit limitation—(i) Definition.* The *section 383 credit limitation* for a post-change year of a new loss corporation is an amount equal to the excess of—

(A) The new loss corporation's regular tax liability for the post-change year, over

(B) The new loss corporation's regular tax liability for the post-change year computed, for this purpose, by allowing as an additional deduction an

amount equal to the section 382 limitation remaining after the application of paragraphs (d)(2)(i) through (v) of this section.

(ii) *Example.* L, a new loss corporation, is a calendar-year taxpayer. L has an ownership change on December 31, 2021. For 2022, L has taxable income (prior to the use of any pre-change losses) of \$100,000. In addition, L has a section 382 limitation of \$25,000, a pre-change net operating loss carryover of \$12,000, a pre-change general business credit carryforward under section 39 of \$50,000, and no items described in §1.383-1(d)(2)(i) through (iv). L's section 383 credit limitation for 2022 is the excess of its regular tax liability computed after allowing a \$12,000 net operating loss deduction (taxable income of \$88,000; regular tax liability of \$18,480), over its regular tax liability computed after allowing an additional deduction in the amount of L's section 382 limitation remaining after the application of paragraphs (d)(2)(i) through (v) of this section, or \$13,000 (taxable income of \$75,000; regular tax liability of \$15,750). L's section 383 credit limitation is therefore \$2,730 (\$18,480 minus \$15,750).

(d) *Limitation on use of pre-change losses and pre-change credits—(1) In general—(i) General rule.* The amount of taxable income of a new loss corporation for any post-change year that may be offset by pre-change losses shall not exceed the amount of the section 382 limitation for the post-change year. The amount of the regular tax liability of a new loss corporation for any post-change year that may be offset by pre-change credits shall not exceed the amount of the section 383 credit limitation for the post-change year.

(ii) *Ordering rule for losses or credits from same taxable year.* A loss corporation's taxable income is offset first by losses subject to a section 382 limitation, to the extent the section 382 limitation for that taxable year has not yet been absorbed, before being offset by losses of the same type from the same taxable year that are not subject to a section 382 limitation. For example, assume that Corporation X has an ownership change in Year 1 and carries over disallowed business interest expense as defined in §1.163(j)-1(b)(10), some of

which constitutes a section 382 disallowed business interest carryforward, from Year 1 to Year 2. To the extent of its section 163(j) limitation, as defined in § 1.163(j)-1(b)(36), and its remaining section 382 limitation, Corporation X offsets its Year 2 income with the section 382 disallowed business interest carryforward before using any of the disallowed business interest expense that is not a section 382 disallowed business interest carryforward. Similar principles apply to the use of tax credits.

(2) *Ordering rules for utilization of pre-change losses and pre-change credits and for absorption of the section 382 limitation and the section 383 credit limitation.* Pre-change losses described in any subdivision of this paragraph (d)(2) can offset taxable income in a post-change year only to the extent that the section 382 limitation for that year has not been absorbed by pre-change losses described in any lower-numbered subdivisions. Pre-change credits described in any subdivision of this paragraph (d)(2) can offset regular tax liability in a post-change year only to the extent that the section 383 credit limitation for that year has not been absorbed by pre-change credits described in any lower numbered subdivisions. The section 382 limitation is absorbed by one dollar for each dollar of pre-change loss that is used to offset taxable income. The section 383 credit limitation is absorbed by one dollar for each dollar of pre-change credit that is used to offset regular tax liability. For each post-change year, the section 382 limitation and the section 383 credit limitation of a new loss corporation are absorbed by such corporation's pre-change losses and pre-change credits in the following order:

(i) Pre-change capital losses described in paragraph (c)(2)(iii) of this section that are recognized and are subject to the section 382 limitation in such post-change year;

(ii) Pre-change capital losses described in paragraphs (c)(2)(i) and (ii) of this section;

(iii) Pre-change losses that are described in § 1.382-2(a)(2)(iii), other than losses that are pre-change capital losses, that are recognized and are sub-

ject to the section 382 limitation in such post-change year;

(iv)(A) With respect to an ownership change date occurring prior to November 13, 2020, but during the taxable year which includes November 13, 2020, the pre-change loss described in section 382(d)(3);

(B) With respect to an ownership change date occurring on or after November 13, 2020, section 382 disallowed business interest carryforwards (within the meaning of § 1.382-2(a)(7));

(v) Pre-change losses not described in paragraphs (d)(2)(i) through (iv) of this section;

(vi) Pre-change credits described in paragraph (c)(3)(i) of this section (excess foreign taxes),

(vii) Pre-change credits described in paragraph (c)(3)(ii) of this section (business credits); and

(viii) Pre-change credits described in paragraph (c)(3)(iii) of this section (minimum tax credit).

(3) *Coordination with other limitations—(i) In general.* Paragraphs (d)(1) and (2) of this section shall be applied after the application of all other limitations contained in subtitle A which are applicable to the use of a pre-change loss or pre-change credit in a post-change year. Thus, only otherwise currently allowable pre-change losses and pre-change credits will result in the absorption of the section 382 limitation and the section 383 credit limitation. The application of section 59A is not a limitation contained in subtitle A for purposes of this paragraph (d)(3)(i). Therefore, the treatment of pre-change losses and pre-change credits in the computation of the base erosion minimum tax amount will not affect whether such losses or credits result in absorption of the section 382 limitation and the section 383 credit limitation.

(ii) *Example.* L, a calendar-year taxpayer, has an ownership change on December 31, 2021. For 2022, L has taxable income of \$300,000 and a regular tax liability of \$63,000. L has no pre-change losses, but it has a business credit carryforward from 2020 of \$25,000. L has a section 382 limitation for 2022 of \$50,000. L's section 383 credit limitation is \$10,500, an amount equal to the excess of L's regular tax liability (\$63,000)

over its regular tax liability calculated by allowing an additional deduction of \$50,000 (\$52,500). Pursuant to the limitation contained in section 38(c), however, L is entitled to use only \$9,500 $((\$63,000 - \$25,000) \times 25 \text{ percent})$ of its business credit carryforward in 2022. The unabsorbed portion of L's section 382 limitation, \$1,000 (computed pursuant to paragraph (e) of this section), is carried forward under section 382(b)(2). The unused portion of L's business credit carryforward, \$14,500, is carried forward to the extent provided in section 39.

(e) *Carryforward of unused section 382 limitation—(1) Computation of carryforward amount.* The section 382 limitation that can be carried forward under section 382(b)(2) is the excess, if any, of (i) the section 382 limitation for the post-change year remaining after the application of paragraphs (d)(2)(i) through (v) of this section, over (ii) the section 383 credit reduction amount for that post-change year.

(2) *Section 383 credit reduction amount.* The section 383 credit reduction amount for a post-change year is equal to the amount of taxable income attributable to the portion of the new loss corporation's regular tax liability for the year that is offset by pre-change credits. Each dollar of regular tax liability that is offset by a dollar of pre-change credit is divided by the effective marginal rate at which that dollar of tax was imposed to determine the amount of taxable income that resulted in that particular dollar of regular tax liability. The sum of these "grossed-up" amounts for the taxable year is the section 383 credit reduction amount. In determining the effective marginal rate at which a dollar of tax was imposed, special rules regarding rates of tax (e.g., section 15 or taxable income brackets (e.g., section 1561), or both, shall be taken into account.

(3) [Reserved]

(4) *Special rules for determining the section 383 credit reduction amount—(i) Ordering rules.* For purposes of this paragraph (e), credits, including pre-change credits, are considered to offset regular tax liability in the order that such credits are applied under the ordering rules of part IV of subchapter A of chapter 1 and section 904. For example,

for purposes of this paragraph (e), excess foreign taxes carried over under section 904(c) (whether or not a pre-change credit) are considered (under section 38(c)) to offset regular tax liability before the general business credit carryovers to the taxable year are considered (under section 39) to offset regular tax liability before general business credits arising in the taxable year.

(ii) *Special rule for credits under section 38(a).* For purposes of applying this paragraph (e), credits under section 38(a) that, under section 38(c)(2) as applicable, taking into account amendments made by section 11813 of the Revenue Reconciliation Act of 1990, effectively offset both regular tax liability and the tax imposed by section 55 (relating to minimum tax), are considered to offset regular tax liability.

(f) *Examples.* The following examples illustrate the operation of paragraphs (b) through (e) of this section. For purposes of these examples, the term *modified tax liability* means the amount determined under paragraph (c)(6)(i)(B) of this section.

(1) *Example 1.* (i) L, a calendar year taxpayer, has an ownership change on December 31, 1987. Before the application of carryovers, L, a new loss corporation, has \$60,000 of capital gain, \$100,000 of ordinary taxable income and a section 382 limitation of \$100,000 for its first post-change year beginning after the change date. L's only carryovers are an \$80,000 capital loss carryover and a \$100,000 net operating loss carryover. Both carryovers are from taxable years ending before the change date and thus are pre-change losses.

(ii) L first uses \$60,000 of its pre-change capital loss carryover to offset its capital gain. This reduces its section 382 limitation to \$40,000 (i.e., \$100,000 - \$60,000). L's pre-change net operating loss carryover can therefore be used only to the extent of \$40,000. L's remaining \$20,000 pre-change capital loss carryover and remaining \$60,000 pre-change net operating loss carryover are carried to later years to the extent permitted under this section and sections 172, 382(1)(2) and 1212.

(2) *Example 2—(i) Facts.* L, a calendar-year taxpayer, has an ownership

Internal Revenue Service, Treasury

§ 1.383-1

change on December 31, 2021. For 2022, L has \$750,000 of ordinary taxable income (before the application of carryovers) and a section 382 limitation of \$1,500,000. L's only carryovers are from pre-2021 taxable years and consist of a \$500,000 net operating loss (NOL) carryover, and a \$200,000 foreign tax credit carryover (all of which may be

used under the section 904 limitation). The NOL carryover is a pre-change loss, and the foreign tax credit carryover is a pre-change credit. L has no other pre-change losses or credits that can be used in 2022.

(ii) *Analysis.* The following computation illustrates the application of this section for 2022:

TABLE 1 TO PARAGRAPH (f)(2)(ii)

| | |
|---|-----------|
| 1. Taxable income before carryovers | \$750,000 |
| 2. Pre-change NOL carryover | 500,000 |
| 3. Section 382 limitation | 1,500,000 |
| 4. Amount of pre-change NOL carryover that can be used (least of line 1, 2, or 3) | 500,000 |
| 5. Taxable income (line 1 minus line 4) | 250,000 |
| 6. Section 382 limitation remaining (line 3 minus line 4) | 1,000,000 |
| 7. Pre-change credit carryover | 200,000 |
| 8. Regular tax liability (line 5 × section 11 rates) | 52,500 |
| 9. Modified tax liability (line 5 minus line 6 (but not less than zero) × section 11 rates) | 0 |
| 10. Section 383 credit limitation (line 8 minus line 9) | 52,500 |
| 11. Amount of pre-change credits that can be used in 2022 (lesser of line 7 or line 10) | 52,500 |
| 12. Amount of pre-change credits to be carried over to 2023 under section 904(c) (line 7 minus line 11) | 147,500 |
| 13. Section 383 credit reduction amount: \$52,500/0.21 | 250,000 |
| 14. Section 382 limitation to be carried to 2023 under section 382(b)(2) (line 6 minus line 13) | 750,000 |

(3) *Example 3—(i) Facts.* L, a calendar-year taxpayer, has an ownership change on December 31, 2021. L has \$80,000 of ordinary taxable income (before the application of carryovers) and a section 382 limitation of \$25,000 for 2022, a post-change year. L's only carryover is from a pre-2021 taxable year and is a general business credit carryforward under section 39 in the

amount of \$10,000 (no portion of which is attributable to the investment tax credit under section 46). The general business credit carryforward is a pre-change credit. L has no other credits which can be used in 2022.

(ii) *Analysis.* The following computation illustrates the application of this section:

TABLE 2 TO PARAGRAPH (f)(3)(ii)

| | |
|--|----------|
| 1. Taxable income before carryovers | \$80,000 |
| 2. Section 382 limitation | 25,000 |
| 3. Pre-change credit carryover | 10,000 |
| 4. Regular tax liability (line 1 × section 11 rates) | 16,800 |
| 5. Modified tax liability ((line 1 minus line 2) × section 11 rates) | 11,550 |
| 6. Section 383 credit limitation (line 4 minus line 5) | 5,250 |
| 7. Amount of pre-change credits that can be used (lesser of line 3 or line 6) | 5,250 |
| 8. Amount of pre-change credits to be carried over to 2023 under sections 39 and 382(l)(2) (line 3 minus line 7) | 4,750 |
| 9. Regular tax payable (line 4 minus line 7) | 11,550 |
| 10. Section 383 credit reduction amount: \$5,250/0.21 | 25,000 |
| 11. Section 382 limitation to be carried to 2023 under section 382(b)(2) (line 2 minus line 10) | 0 |

§ 1.383-2

26 CFR Ch. I (4-1-21 Edition)

(g) *Coordination with section 382 and the regulations thereunder.* The rules and principles of section 382 (including, for example, section 382(b)(3) and section 382(l)(2)) and the regulations thereunder shall also apply with respect to section 383 and this section. To the extent section 382(h)(6) applies to credits, the principles of this section apply to such credits. In applying the rules and principles of section 382 and the regulations thereunder, appropriate adjustments shall be made to take into account that section 383 and this section apply to pre-change capital losses and pre-change credits. For example, in applying § 1.382-2T(f)(18)(ii)(C), (f)(18)(iii)(C) and (h)(4)(ix), any pre-change credits, as defined in paragraph (c)(3) of this section, must be converted to a deduction equivalent by dividing the amount of such credits by the maximum effective rate of tax provided for under section 11.

(h) *Alternative minimum tax.* See § 1.383-2T for the application of the limitations contained in sections 382 and 383 in computing the alternative minimum tax under section 55.

(i) [Reserved]

(j) *Applicability date—(1) In general.* Subject to any exception from the application of section 382 or the section 382 limitation with respect to a loss corporation, section 383 and this section apply to any loss corporation with respect to which an ownership change occurs after December 31, 1986. See § 1.382-2T(m) for effective date rules relating to ownership changes. If section 383 was not taken into account or was applied other than in accordance with this section in a prior taxable year with respect to which section 383 applies, the taxpayer should, within the period of limitation, file an amended return and pay any additional tax due plus interest.

(2) *Interaction with section 163(j).* Paragraphs (c)(6)(i)(B) and (c)(6)(ii), (d)(1), (d)(2)(iii) through (viii), (d)(3)(ii), (e)(1) through (3), (f), and (g) of this section apply with respect to ownership changes occurring during a taxable year beginning on or after November 13, 2020. For loss corporations that have undergone an ownership change during a taxable year beginning before November 13, 2020, see § 1.383-1 as con-

tained in 26 CFR part 1, revised April 1, 2019. However, taxpayers and their related parties, within the meaning of sections 267(b) and 707(b)(1), may choose to apply the rules of this section to an ownership change occurring during a taxable year beginning after December 31, 2017, so long as the taxpayers and their related parties consistently apply either the rules of this section (except paragraph (d)(2)(iv)(B) of this section), the section 163(j) regulations (as defined in § 1.163(j)-1(b)(37)), §§ 1.382-1, 1.382-2, 1.382-5, 1.382-6, 1.382-7, and 1.383-0, and, if applicable, §§ 1.263A-9, 1.263A-15, 1.381(c)(20)-1, 1.469-9, 1.469-11, 1.704-1, 1.882-5, 1.1362-3, 1.1368-1, 1.1377-1, 1.1502-13, 1.1502-21, 1.1502-36, 1.1502-79, 1.1502-91 through 1.1502-99 (to the extent they effectuate the rules of §§ 1.382-2, § 1.382-5, 1.382-6, and 1.383-1), and 1.1504-4; or the rules of this section (except paragraph (d)(2)(iv)(A) of this section), the section 163(j) regulations (as defined in § 1.163(j)-1(b)(37)) and §§ 1.382-1, 1.382-2, 1.382-5, 1.382-6, and 1.383-0, and, if applicable, §§ 1.263A-9, 1.263A-15, 1.381(c)(20)-1, 1.469-9, 1.469-11, 1.704-1, 1.882-5, 1.1362-3, 1.1368-1, 1.1377-1, 1.1502-13, 1.1502-21, 1.1502-36, 1.1502-79, 1.1502-91 through 1.1502-99 (to the extent they effectuate the rules of §§ 1.382-2, 1.382-5, 1.382-6, 1.382-7, and 1.383-1), and 1.1504-4, to those ownership changes.

[T.D. 8264, 54 FR 38668, Sept. 20, 1989; T.D. 8264, 54 FR 46187, Nov. 1, 1989; T.D. 8264, 54 FR 50043, Dec. 4, 1989. Redesignated and amended by T.D. 8352, 56 FR 29434, June 27, 1991; T.D. 9885, 84 FR 67038, Dec. 6, 2019; T.D. 9905, 85 FR 56837, Sept. 14, 2020]

§ 1.383-2 Limitations on certain capital losses and excess credits in computing alternative minimum tax. [Reserved]

§ 1.385-1 General provisions.

(a) *Overview of section 385 regulations.* This section and §§ 1.385-3 through 1.385-4 (collectively, the section 385 regulations) provide rules under section 385 to determine the treatment of an interest in a corporation as stock or indebtedness (or as in part stock and in part indebtedness) in particular factual situations. Paragraph (b) of this section provides the general rule for determining the treatment of an interest based on provisions of the Internal

Revenue Code and on common law, including the factors prescribed under common law. Paragraphs (c), (d), and (e) of this section provide definitions and rules of general application for purposes of the section 385 regulations. Section 1.385-3 sets forth additional factors that, when present, control the determination of whether an interest in a corporation that is held by a member of the corporation's expanded group is treated (in whole or in part) as stock or indebtedness.

(b) *General rule.* Except as otherwise provided in the Internal Revenue Code and the regulations thereunder, including the section 385 regulations, whether an interest in a corporation is treated for purposes of the Internal Revenue Code as stock or indebtedness (or as in part stock and in part indebtedness) is determined based on common law, including the factors prescribed under such common law.

(c) *Definitions.* The definitions in this paragraph (c) apply for purposes of the section 385 regulations. For additional definitions that apply for purposes of their respective sections, see §§ 1.385-3(g) and 1.385-4(e).

(1) *Controlled partnership.* The term controlled partnership means, with respect to an expanded group, a partnership with respect to which at least 80 percent of the interests in partnership capital or profits are owned, directly or indirectly, by one or more members of the expanded group. For purposes of identifying a controlled partnership, indirect ownership of a partnership interest is determined by applying the principles of paragraph (c)(4)(iii) of this section. Such determination is separate from the determination of the status of a corporation as a member of an expanded group. An unincorporated organization described in § 1.761-2 that elects to be excluded from all of subchapter K of chapter 1 of the Internal Revenue Code is not a controlled partnership.

(2) *Covered member.* The term covered member means a member of an expanded group that is—

- (i) A domestic corporation; and
- (ii) [Reserved]

(3) *Disregarded entity.* The term disregarded entity means a business entity (as defined in § 301.7701-2(a) of this

chapter) that is disregarded as an entity separate from its owner for federal income tax purposes under §§ 301.7701-1 through 301.7701-3 of this chapter.

(4) *Expanded group—(i) In general.* The term expanded group means one or more chains of corporations (other than S corporations) connected through stock ownership with a common parent corporation that is not an S corporation or a regulated investment company or a real estate investment trust subject to tax under subchapter M of chapter 1 of the Internal Revenue Code (a RIC or a REIT, respectively) (such common parent corporation, an expanded group parent), but only if—

(A) The expanded group parent owns directly or indirectly stock meeting the requirements of section 1504(a)(2) (modified by substituting “or” for “and” in section 1504(a)(2)(A)) in at least one of the other corporations; and

(B) Stock meeting the requirements of section 1504(a)(2) (modified by substituting “or” for “and” in section 1504(a)(2)(A)) in each of the other corporations (except the expanded group parent) is owned directly or indirectly by one or more of the other corporations.

(ii) *Definition of stock.* For purposes of paragraph (c)(4)(i) of this section, the term stock has the same meaning as “stock” in section 1504 (without regard to § 1.1504-4) and all shares of stock within a single class are considered to have the same value. Thus, control premiums and minority and blockage discounts within a single class are not taken into account.

(iii) *Indirect stock ownership.* For purposes of paragraph (c)(4)(i) of this section, indirect stock ownership is determined by applying the constructive ownership rules of section 318(a) with the following modifications:

(A) Section 318(a)(1) and (a)(3) do not apply except as set forth in paragraph (c)(4)(v) of this section;

(B) Section 318(a)(2)(C) applies by substituting “5 percent” for “50 percent;” and

(C) Section 318(a)(4) only applies to options (as defined in § 1.1504-4(d)) that are reasonably certain to be exercised as described in § 1.1504-4(g).

(iv) *Member of an expanded group or expanded group member.* The expanded group parent and each of the other corporations described in paragraphs (c)(4)(i)(A) and (c)(4)(i)(B) of this section is a member of an expanded group (also referred to as an expanded group member). For purposes of the section 385 regulations, a corporation is a member of an expanded group if it is described in this paragraph (c)(4)(iv) immediately before the relevant time for determining membership (for example, immediately before the issuance of a debt instrument (as defined in § 1.385-3(g)(4)) or immediately before a distribution or acquisition that may be subject to § 1.385-3(b)(2) or (3)).

(v) *Brother-sister groups with non-corporate owners.* [Reserved]

(vi) *Special rule for indirect ownership through options for certain members of consolidated groups.* In the case of an option of which a member of a consolidated group, other than the common parent, is the issuing corporation (as defined in § 1.1504-4(c)(1)), section 318(a)(4) only applies (for purposes of applying paragraph (c)(4)(iii)(C) of this section) to the option if the option is treated as stock or as exercised under § 1.1504-4(b) for purposes of determining whether a corporation is a member of an affiliated group.

(vii) *Examples.* The following examples illustrate the rules of this paragraph (c)(4). Except as otherwise stated, for purposes of the examples in this paragraph (c)(4)(vii), all persons described are corporations that have a single class of stock outstanding and file separate federal tax returns and are not an S corporation, a RIC, or a REIT. In addition, the stock of each publicly traded corporation is widely held such that no person directly or indirectly owns stock in the publicly traded corporation meeting the requirements of section 1504(a)(2) (as modified by this paragraph (c)(4)).

(A) *Example 1. Two different expanded group parents—(1) Facts.* P has two classes of common stock outstanding: Class A and Class B. X, a publicly traded corporation, directly owns all shares of P's Class A common stock, which is high-vote common stock representing 85% of the vote and 15% of the value of the stock of P. Y, a publicly traded cor-

poration, directly owns all shares of P's Class B common stock, which is low-vote common stock representing 15% of the vote and 85% of the value of the stock of P. P directly owns 100% of the stock of S1.

(2) *Analysis.* X owns directly 85% of the vote of the stock of P, which is stock meeting the requirements of section 1504(a)(2) (as modified by paragraph (c)(4)(i)(A) of this section). Therefore, X is an expanded group parent described in paragraph (c)(4)(i) of this section with respect to P. Y owns 85% of the value of the stock of P, which is stock meeting the requirements of section 1504(a)(2) (as modified by paragraph (c)(4)(i)(A) of this section). Therefore, Y is also an expanded group parent described in paragraph (c)(4)(i) of this section with respect to P. P owns directly 100% of the voting power and value of the stock of S1, which is stock meeting the requirements of section 1504(a)(2) (as modified by paragraph (c)(4)(i)(B) of this section). Therefore, X, P, and S1 constitute an expanded group as defined in paragraph (c)(4)(i) of this section. Additionally, Y, P, and S1 constitute an expanded group as defined in paragraph (c)(4) of this section. X and Y are not members of the same expanded group under paragraph (c)(4) of this section because X does not directly or indirectly own any of the stock of Y and Y does not directly or indirectly own any of the stock of X, such that X and Y do not comprise a chain of corporations described in paragraph (c)(4)(i) of this section.

(B) *Example 2. Inclusion of a REIT within an expanded group—(1) Facts.* All of the stock of P is publicly traded. In addition to other assets representing 85% of the value of its total assets, P directly owns all of the stock of S1. S1 owns 99% of the stock of S2. The remaining 1% of the stock of S2 is owned by 100 unrelated individuals. In addition to other assets representing 85% of the value of its total assets, S2 owns all of the stock of S3, which has elected to be treated as a taxable REIT subsidiary of S2 under section 856(l)(1). Both P and S2 are REITs.

(2) *Analysis.* P directly owns 100% of the stock of S1. However, under paragraph (c)(4)(i) of this section, P cannot

be the expanded group parent because P is a REIT. Because no other corporation owns stock in P meeting the requirements described in paragraph (c)(4)(i) of this section, P is not an expanded group member. S1 directly owns 99% of the stock of S2, which is stock meeting the requirements of section 1504(a)(2) (as modified by paragraph (c)(4)(i)(A) of this section). Although S2 is a corporation that is a REIT, a REIT may be a member of an expanded group described under paragraph (c)(4)(i) of this section provided the corporation is not the expanded group parent. In this case, S1 is the expanded group parent. S2 directly owns 100% of the stock of S3, which is stock meeting the requirements of section 1504(a)(2) (as modified by paragraph (c)(4)(i)(B) of this section). Therefore, S1, S2, and S3 constitute an expanded group as defined in paragraph (c)(4) of this section.

(C) *Example 3. Attribution of hook stock—(1) Facts.* P, a publicly traded corporation, directly owns 50% of the stock of S1. S1 directly owns 100% of the stock of S2. S2 directly owns the remaining 50% of the stock of S1.

(2) *Analysis.* (i) P directly owns 50% of the stock of S1. Under paragraph (c)(4)(iii) of this section (which applies section 318(a)(2) with modifications), P constructively owns 50% of the stock of S2 because P directly owns 50% of the stock of S1, which directly owns 100% of S2. Under section 318(a)(5)(A), stock constructively owned by P by reason of the application of section 318(a)(2) is, for purposes of section 318(a)(2), considered as actually owned by P.

(ii) S2 directly owns 50% of the stock of S1. Thus, under paragraph (c)(4)(iii) of this section, P is treated as constructively owning an additional 25% of the stock of S1. For purposes of determining the expanded group, P's ownership must be recalculated treating the additional 25% of S1 stock as actually owned. Under the second application of section 318(a)(2)(C) as modified by paragraph (c)(4)(iii) of this section, P constructively owns an additional 12.5% of the stock of S1 as follows: 25% (P's new attributed ownership of S1) \times 100% (S1's ownership of S2) \times 50% (S2's ownership of S1) = 12.5%. After two iterations, P's ownership in S1 is 87.5% (50% direct ownership + 25%

first order constructive ownership + 12.5% second order constructive ownership) and thus S1 is a member of the expanded group that includes P and S2. Subsequent iterative calculations of P's ownership, treating constructive ownership as actual ownership, would demonstrate that P owns, directly and indirectly, 100% of the stock of S1. P, S1, and S2 therefore constitute an expanded group as defined in paragraph (c)(4) of this section and P is the expanded group parent.

(D) *Example 4. Attribution of hook stock when an intermediary has multiple owners—(1) Facts.* The facts are the same as in paragraph (c)(4)(vii)(C)(1) of this section (*Example 3*), except that P directly owns only 25% of the stock of S1. X, a corporation unrelated to P, also directly owns 25% of the stock of S1.

(2) *Analysis.* (i) P and X each directly owns 25% of the stock of S1. Under paragraph (c)(4)(iii) of this section, P and X each constructively owns 25% of the stock of S2 because P and X each directly owns 25% of the stock of S1, which directly owns 100% of the stock of S2. Under section 318(a)(5)(A), stock constructively owned by P or X by reason of the application of section 318(a)(2) is, for purposes of section 318(a)(2), considered as actually owned by P or X, respectively.

(ii) S2 directly owns 50% of the stock of S1. Thus, under paragraph (c)(4)(iii) of this section, P and X each is treated as constructively owning an additional 12.5% of the stock of S1. Under a second application of section 318(a)(2)(C) as modified by paragraph (c)(4)(iii) of this section, P and X each constructively owns an additional 6.25% of the stock of S1 as follows: 12.5% (each of P's and X's new attributed ownership of S1) \times 100% (S1's ownership of S2) \times 50% (S2's ownership of S1) = 6.25%. After two iterations, each of P's and X's ownership in S1 is 43.75% (25% direct ownership + 12.5% first order constructive ownership + 6.25% second order constructive ownership). Subsequent iterative calculations of each of P's and X's ownership, treating constructive ownership as actual ownership, would demonstrate that P and X each owns, directly and indirectly, 50% of the stock of S1.

(iii) S1 and S2 constitute an expanded group as defined under paragraph (c)(4)(i) of this section because S1 directly owns 100% of the stock of S2. S1 is the expanded group parent of the expanded group and neither P nor X are a member of the expanded group that includes S1 and S2.

(5) *Regarded owner.* The term *regarded owner* means a person (which cannot be a disregarded entity) that is the single owner (within the meaning of §301.7701-2(c)(2)(i) of this chapter) of a disregarded entity.

(d) *Treatment of deemed exchanges—(1) Debt instrument deemed to be exchanged for stock—(i) In general.* If a debt instrument (as defined in §1.385-3(g)(4)) is deemed to be exchanged under the section 385 regulations, in whole or in part, for stock, the holder is treated for all Federal tax purposes as having realized an amount equal to the holder's adjusted basis in that portion of the debt instrument as of the date of the deemed exchange (and as having basis in the stock deemed to be received equal to that amount), and, except as provided in paragraph (d)(1)(iv)(B) of this section, the issuer is treated for all Federal tax purposes as having retired that portion of the debt instrument for an amount equal to its adjusted issue price as of the date of the deemed exchange. In addition, neither party accounts for any accrued but unpaid qualified stated interest on the debt instrument or any foreign exchange gain or loss with respect to that accrued but unpaid qualified stated interest (if any) as of the deemed exchange. This paragraph (d)(1)(i) does not affect any rules in Title 26 of the United States Code that otherwise apply to the debt instrument prior to the date of the deemed exchange (for example, this paragraph (d)(1)(i) does not affect the issuer's deduction of accrued but unpaid qualified stated interest otherwise deductible prior to the date of the deemed exchange). Moreover, the stock issued in the deemed exchange is not treated as a payment of accrued but unpaid original issue discount or qualified stated interest on the debt instrument for Federal tax purposes.

(ii) *Section 988.* Notwithstanding the first sentence of paragraph (d)(1)(i) of

this section, the rules of §1.988-2(b)(13) apply to require the holder and the issuer of a debt instrument that is deemed to be exchanged under the section 385 regulations, in whole or in part, for stock to recognize any exchange gain or loss, other than any exchange gain or loss with respect to accrued but unpaid qualified stated interest that is not taken into account under paragraph (d)(1)(i) of this section at the time of the deemed exchange. For purposes of this paragraph (d)(1)(ii), in applying §1.988-2(b)(13) the exchange gain or loss under section 988 is treated as the total gain or loss on the exchange.

(iii) *Section 108(e)(8).* For purposes of section 108(e)(8), if the issuer of a debt instrument is treated as having retired all or a portion of the debt instrument in exchange for stock under paragraph (d)(1)(i) of this section, the stock is treated as having a fair market value equal to the adjusted issue price of that portion of the debt instrument as of the date of the deemed exchange.

(iv) *Issuer of stock deemed exchanged for debt.* For purposes of applying paragraph (d)(1)(i) of this section—

(A) A debt instrument that is issued by a disregarded entity is deemed to be exchanged for stock of the regarded owner under §1.385-3(d)(4);

(B) A debt instrument that is issued by a partnership that becomes a deemed transferred receivable, in whole or in part, is deemed to be exchanged by the holder for deemed partner stock under §1.385-3(f)(4) and the partnership is therefore not treated for any federal tax purpose as having retired any portion of the debt instrument; and

(C) A debt instrument that is issued in any situation not described in paragraph (d)(1)(iv)(A) or (B) of this section is deemed to be exchanged for stock of the issuer of the debt instrument.

(2) *Stock deemed to be exchanged for newly-issued debt instrument.*

(i) [Reserved]

(ii) *Debt instruments recharacterized under §1.385-3.* If a debt instrument treated as stock under §1.385-3(b) is deemed to be exchanged under §1.385-3(d)(2), in whole or in part, for a newly-issued debt instrument, the issue price of the newly-issued debt instrument is

determined under either section 1273(b)(4) or 1274, as applicable.

(e) *Indebtedness in part.* [Reserved]

(f) *Applicability date.* This section applies to taxable years ending on or after January 19, 2017.

[T.D. 9790, 81 FR 72950, Oct. 21, 2016, as amended by T.D. 9790, 82 FR 8166, Jan. 24, 2017; T.D. 9880, 84 FR 59301, Nov. 4, 2019; T.D. 9897, 85 FR 28870, May 14, 2020]

§ 1.385-3 Certain distributions of debt instruments and similar transactions.

(a) *Scope.* This section sets forth factors that control the determination of whether an interest is treated as stock or indebtedness. Specifically, this section addresses the issuance of a covered debt instrument to a related person as part of a transaction or series of transactions that does not result in new investment in the operations of the issuer. Paragraph (b) of this section sets forth rules for determining when these factors are present, such that a covered debt instrument is treated as stock under this section. Paragraph (c) of this section provides exceptions to the application of paragraph (b) of this section. Paragraph (d) of this section provides operating rules. Paragraph (e) of this section reserves on the affirmative use of this section. Paragraph (f) of this section provides rules for the aggregate treatment of controlled partnerships. Paragraph (g) of this section provides definitions. Paragraph (h) of this section provides examples illustrating the application of the rules of this section. Paragraph (j) of this section provides dates of applicability. For rules regarding the application of this section to members of a consolidated group, see generally § 1.385-4.

(b) *Covered debt instrument treated as stock—(1) Effect of characterization as stock.* Except as otherwise provided in paragraph (d)(7) of this section, to the extent a covered debt instrument is treated as stock under paragraphs (b)(2), (3), or (4) of this section, it is treated as stock for all federal tax purposes.

(2) *General rule.* Except as otherwise provided in paragraphs (c) and (e) of this section, a covered debt instrument is treated as stock to the extent the covered debt instrument is issued by a

covered member to a member of the covered member's expanded group in one or more of the following transactions:

- (i) In a distribution;
- (ii) In exchange for expanded group stock, other than in an exempt exchange; or
- (iii) In exchange for property in an asset reorganization, but only to the extent that, pursuant to the plan of reorganization, a shareholder in the transferor corporation that is a member of the issuer's expanded group immediately before the reorganization receives the covered debt instrument with respect to its stock in the transferor corporation.

(3) *Funding rule—(i) In general.* Except as otherwise provided in paragraphs (c) and (e) of this section, a covered debt instrument that is not a qualified short-term debt instrument (as defined in paragraph (b)(3)(vii) of this section) is treated as stock to the extent that it is both issued by a covered member to a member of the covered member's expanded group in exchange for property and, pursuant to paragraph (b)(3)(iii) or (b)(3)(iv) of this section, treated as funding a distribution or acquisition described in one or more of paragraphs (b)(3)(i)(A) through (C) of this section. A covered member that makes a distribution or acquisition described in paragraphs (b)(3)(i)(A) through (C) is referred to as a "funded member," regardless of when it issues a covered debt instrument in exchange for property.

(A) A distribution of property by the funded member to a member of the funded member's expanded group, other than in an exempt distribution;

(B) An acquisition of expanded group stock, other than an exempt exchange, by the funded member from a member of the funded member's expanded group in exchange for property other than expanded group stock; or

(C) An acquisition of property by the funded member in an asset reorganization but only to the extent that, pursuant to the plan of reorganization, a shareholder in the transferor corporation that is a member of the funded member's expanded group immediately before the reorganization receives other property or money within the

meaning of section 356 with respect to its stock in the transferor corporation.

(ii) *Transactions described in more than one paragraph.* For purposes of this section, to the extent that a distribution or acquisition by a funded member is described in more than one of paragraphs (b)(3)(i)(A) through (C) of this section, the funded member is treated as making only a single distribution or acquisition described in paragraph (b)(3)(i) of this section. In the case of an asset reorganization, to the extent an acquisition by the transferee corporation is described in paragraph (b)(3)(i)(C) of this section, a distribution or acquisition by the transferor corporation is not also described in paragraph (b)(3)(i)(A) through (C) of this section. For purposes of this paragraph (b)(3)(ii), whether a distribution or acquisition is described in paragraphs (b)(3)(i)(A) through (C) of this section is determined without regard to paragraph (c) of this section.

(iii) *Per se funding rule—(A) In general.* A covered debt instrument is treated as funding a distribution or acquisition described in paragraphs (b)(3)(i)(A) through (C) of this section if the covered debt instrument is issued by a funded member during the period beginning 36 months before the date of the distribution or acquisition, and ending 36 months after the date of the distribution or acquisition (*per se period*).

(B) *Multiple interests.* If, pursuant to paragraph (b)(3)(iii)(A) of this section, two or more covered debt instruments may be treated as stock by reason of this paragraph (b)(3), the covered debt instruments are tested under paragraph (b)(3)(iii)(A) of this section based on the order in which they are issued, with the earliest issued covered debt instrument tested first. See paragraph (h)(3) of this section, *Example 6*, for an illustration of this rule.

(C) *Multiple distributions or acquisitions.* If, pursuant to paragraph (b)(3)(iii)(A) of this section, a covered debt instrument may be treated as funding more than one distribution or acquisition described in paragraphs (b)(3)(i)(A) through (C) of this section, the covered debt instrument is treated as funding one or more distributions or acquisitions based on the order in

which the distributions or acquisitions occur, with the earliest distribution or acquisition treated as the first distribution or acquisition that is funded. See paragraph (h)(3) of this section, *Example 9*, for an illustration of this rule.

(D) *Transactions that straddle different expanded groups—(1) In general.* For purposes of paragraph (b)(3)(iii)(A) of this section, a covered debt instrument is not treated as issued by a funded member during the per se period with respect to a distribution or acquisition described in paragraphs (b)(3)(i)(A) through (C) of this section if all of the conditions described in paragraphs (b)(3)(iii)(D)(1)(i) through (iii) of this section are satisfied.

(i) The distribution or acquisition occurs prior to the issuance of the covered debt instrument by the funded member or, if the funded member is treated as making the distribution or acquisition of a predecessor or a successor, the predecessor or successor is not a member of the expanded group of which the funded member is a member on the date on which the distribution or the acquisition occurs.

(ii) The distribution or acquisition is made by the funded member when the funded member is a member of an expanded group that does not have an expanded group parent that is the funded member's expanded group parent when the covered debt instrument is issued. For purposes of the preceding sentence, a reference to an expanded group parent includes a reference to a predecessor or successor of the expanded group parent.

(iii) On the date of the issuance of the covered debt instrument, the recipient member (as defined in paragraph (b)(3)(iii)(D)(2) of this section) is neither a member nor a controlled partnership of an expanded group of which the funded member is a member.

(2) *Recipient member.* For purposes of this paragraph (b)(3)(iii)(D), the term *recipient member* means, with respect to a distribution or acquisition by a funded member described in paragraphs (b)(3)(i)(A) through (C) of this section, the expanded group member that receives a distribution of property, property in exchange for expanded group stock, or other property or money within the meaning of section 356 with

respect to its stock in the transferor corporation. For purposes of this paragraph (b)(3)(iii)(D), a reference to the recipient member includes a predecessor or successor of the recipient member or one or more other entities that, in the aggregate, acquire substantially all of the property of the recipient member.

(E) *Modifications of a covered debt instrument—(1) In general.* For purposes of paragraph (b)(3)(iii)(A) of this section, if a covered debt instrument is treated as exchanged for a modified covered debt instrument pursuant to § 1.1001-3(b), the modified covered debt instrument is treated as issued on the original issue date of the covered debt instrument.

(2) *Effect of certain modifications.* Notwithstanding paragraph (b)(3)(iii)(E)(1) of this section, if a covered debt instrument is treated as exchanged for a modified covered debt instrument pursuant to § 1.1001-3(b) and the modification, or one of the modifications, that results in the deemed exchange includes the substitution of an obligor on the covered debt instrument, the addition or deletion of a co-obligor on the covered debt instrument, or the material deferral of scheduled payments due under the covered debt instrument, then the modified covered debt instrument is treated as issued on the date of the deemed exchange for purposes of paragraph (b)(3)(iii)(A) of this section.

(3) *Additional principal amount.* For purposes of paragraph (b)(3)(iii)(A) of this section, if the principal amount of a covered debt instrument is increased, the portion of the covered debt instrument attributable to such increase is treated as issued on the date of such increase.

(iv) *Principal purpose rule.* For purposes of this paragraph (b)(3), a covered debt instrument that is not issued by a funded member during the per se period with respect to a distribution or acquisition described in paragraphs (b)(3)(i)(A) through (C) of this section is treated as funding the distribution or acquisition to the extent that it is issued by a funded member with a principal purpose of funding a distribution or acquisition described in paragraphs (b)(3)(i)(A) through (C) of this section. Whether a covered debt instrument is

issued with a principal purpose of funding a distribution or acquisition described in paragraphs (b)(3)(i)(A) through (C) of this section is determined based on all the facts and circumstances. A covered debt instrument may be treated as issued with a principal purpose of funding a distribution or acquisition described in paragraphs (b)(3)(i)(A) through (C) of this section regardless of whether it is issued before or after the distribution or acquisition.

(v) *Predecessors and successors—(A) In general.* Subject to the limitations in paragraph (b)(3)(v)(B) of this section, for purposes of this paragraph (b)(3), references to a funded member include references to any predecessor or successor of such member. See paragraph (h)(3) of this section, *Examples 9 and 10*, for illustrations of this rule.

(B) *Limitations to the application of the per se funding rule.* For purposes of paragraph (b)(3)(iii)(A) of this section, a covered debt instrument issued by a funded member that satisfies the condition described in paragraph (b)(3)(iii)(A) with respect to a distribution or acquisition described in paragraphs (b)(3)(i)(A) through (C) of this section made by a predecessor or successor of the funded member is not treated as issued during the per se period with respect to the distribution or acquisition unless the conditions described in paragraphs (b)(3)(v)(B)(1) and (2) of this section are satisfied:

(1) The covered debt instrument is issued by the funded member during the period beginning 36 months before the date of the transaction in which the predecessor or successor becomes a predecessor or successor and ending 36 months after the date of the transaction.

(2) The distribution or acquisition is made by the predecessor or successor during the period beginning 36 months before the date of the transaction in which the predecessor or successor becomes a predecessor or successor of the funded member and ending 36 months after the date of the transaction.

(vi) *Treatment of funded transactions.* When a covered debt instrument is treated as stock pursuant to paragraph (b)(3) of this section, the distribution or acquisition described in paragraphs (b)(3)(i)(A) through (C) of this section

that is treated as funded by such covered debt instrument is not re-characterized as a result of the treatment of the covered debt instrument as stock.

(vii) *Qualified short-term debt instrument.* The term qualified short-term debt instrument means a covered debt instrument that is described in paragraphs (b)(3)(vii)(A) through (D) of this section.

(A) *Short-term funding arrangement.* A covered debt instrument is described in this paragraph (b)(3)(vii)(A) if the requirements of the specified current assets test described in paragraph (b)(3)(vii)(A)(I) of this section or the 270-day test described in paragraph (b)(3)(vii)(A)(2) of this section (the alternative tests) are satisfied, provided that an issuer may only claim the benefit of one of the alternative tests with respect to covered debt instruments issued by the issuer in the same taxable year.

(I) *Specified current assets test—(i) In general.* The requirements of this paragraph (b)(3)(vii)(A)(I) are satisfied with respect to a covered debt instrument if the requirement of paragraph (b)(3)(vii)(A)(I)(ii) of this section is satisfied, but only to the extent the requirement of paragraph (b)(3)(vii)(A)(I)(iii) of this section is satisfied.

(ii) *Maximum interest rate.* The rate of interest charged with respect to the covered debt instrument does not exceed an arm's length interest rate, as determined under section 482 and §§1.482-1 through 1.482-9, that would be charged with respect to a comparable debt instrument of the issuer with a term that does not exceed the longer of 90 days and the issuer's normal operating cycle.

(iii) *Maximum outstanding balance.* The amount owed by the issuer under covered debt instruments issued to members of the issuer's expanded group that satisfy the requirements of paragraph (b)(3)(vii)(A)(I)(ii), (b)(3)(vii)(A)(2) (if the covered debt instrument was issued in a prior taxable year), or (b)(3)(vii)(B) or (C) of this section immediately after the covered debt instrument is issued does not exceed the maximum of the amounts of specified current assets reasonably ex-

pected to be reflected, under applicable accounting principles, on the issuer's balance sheet as a result of transactions in the ordinary course of business during the subsequent 90-day period or the issuer's normal operating cycle, whichever is longer. For purposes of the preceding sentence, in the case of an issuer that is a qualified cash pool header, the amount owed by the issuer shall not take into account deposits described in paragraph (b)(3)(vii)(D) of this section. Additionally, the amount owed by any issuer shall be reduced by the amount of the issuer's deposits with a qualified cash pool header, but only to the extent of amounts borrowed from the same qualified cash pool header that satisfy the requirements of paragraph (b)(3)(vii)(A)(2) (if the covered debt instrument was issued in a prior taxable year) or (b)(3)(vii)(A)(I)(ii) of this section.

(iv) *Specified current assets.* For purposes of paragraph (b)(3)(vii)(A)(I)(iii) of this section, the term *specified current assets* means assets that are reasonably expected to be realized in cash or sold (including by being incorporated into inventory that is sold) during the normal operating cycle of the issuer, other than cash, cash equivalents, and assets that are reflected on the books and records of a qualified cash pool header.

(v) *Normal operating cycle.* For purposes of paragraph (b)(3)(vii)(A)(I) of this section, the term *normal operating cycle* means the issuer's normal operating cycle as determined under applicable accounting principles, except that if the issuer has no single clearly defined normal operating cycle, then the normal operating cycle is determined based on a reasonable analysis of the length of the operating cycles of the multiple businesses and their sizes relative to the overall size of the issuer.

(vi) *Applicable accounting principles.* For purposes of paragraph (b)(3)(vii)(A)(I) of this section, the term *applicable accounting principles* means the financial accounting principles generally accepted in the United States, or an international financial accounting standard, that is applicable to the issuer in preparing its financial

statements, computed on a consistent basis.

(2) *270-day test*—(i) *In general.* A covered debt instrument is described in this paragraph (b)(3)(vii)(A)(2) if the requirements of paragraphs (b)(3)(vii)(A)(2)(ii) through (iv) of this section are satisfied.

(ii) *Maximum term and interest rate.* The covered debt instrument must have a term of 270 days or less or be an advance under a revolving credit agreement or similar arrangement and must bear a rate of interest that does not exceed an arm's length interest rate, as determined under section 482 and §§1.482-1 through 1.482-9, that would be charged with respect to a comparable debt instrument of the issuer with a term that does not exceed 270 days.

(iii) *Lender-specific indebtedness limit.* The issuer is a net borrower from the lender for no more than 270 days during the taxable year of the issuer, and in the case of a covered debt instrument outstanding during consecutive tax years, the issuer is a net borrower from the lender for no more than 270 consecutive days, in both cases taking into account only covered debt instruments that satisfy the requirement of paragraph (b)(3)(vii)(A)(2)(ii) of this section other than covered debt instruments described in paragraph (b)(3)(vii)(B) or (C) of this section.

(iv) *Overall indebtedness limit.* The issuer is a net borrower under all covered debt instruments issued to members of the issuer's expanded group that satisfy the requirements of paragraphs (b)(3)(vii)(A)(2)(ii) and (iii) of this section, other than covered debt instruments described in paragraph (b)(3)(vii)(B) or (C) of this section, for no more than 270 days during the taxable year of the issuer, determined without regard to the identity of the lender under such covered debt instruments.

(v) *Inadvertent error.* An issuer's failure to satisfy the 270-day test will be disregarded if the failure is reasonable in light of all the facts and circumstances and the failure is promptly cured upon discovery. A failure to satisfy the 270-day test will be considered reasonable if the taxpayer maintains due diligence procedures to prevent such failures, as evidenced by having

written policies and operational procedures in place to monitor compliance with the 270-day test and management-level employees of the expanded group having undertaken reasonable efforts to establish, follow, and enforce such policies and procedures.

(B) *Ordinary course loans.* A covered debt instrument is described in this paragraph (b)(3)(vii)(B) if the covered debt instrument is issued as consideration for the acquisition of property other than money in the ordinary course of the issuer's trade or business, provided that the obligation is reasonably expected to be repaid within 120 days of issuance.

(C) *Interest-free loans.* A covered debt instrument is described in this paragraph (b)(3)(vii)(C) if the instrument does not provide for stated interest or no interest is charged on the instrument, the instrument does not have original issue discount (as defined in section 1273 and §§1.1273-1 and 1.1273-2), interest is not imputed under section 483 or section 7872 and §§1.483-1 through 1.483-4 or §§1.7872-1 through 1.7872-16, respectively, and interest is not required to be charged under section 482 and §§1.482-1 through 1.482-9.

(D) *Deposits with a qualified cash pool header*—(1) *In general.* A covered debt instrument is described in this paragraph (b)(3)(vii)(D) if it is a demand deposit received by a qualified cash pool header described in paragraph (b)(3)(vii)(D)(2) of this section pursuant to a cash-management arrangement described in paragraph (b)(3)(vii)(D)(3) of this section. This paragraph (b)(3)(vii)(D) does not apply if a purpose for making the demand deposit is to facilitate the avoidance of the purposes of this section with respect to a qualified business unit (as defined in section 989(a) and §1.989(a)-1) (QBU) that is not a qualified cash pool header.

(2) *Qualified cash pool header.* The term *qualified cash pool header* means an expanded group member, controlled partnership, or QBU described in §1.989(a)-1(b)(2)(ii), that has as its principal purpose managing a cash-management arrangement for participating expanded group members, provided that the excess (if any) of funds on deposit with such expanded group member, controlled partnership, or QBU

(header) over the outstanding balance of loans made by the header is maintained on the books and records of the header in the form of cash or cash equivalents, or invested through deposits with, or the acquisition of obligations or portfolio securities of, persons that do not have a relationship to the header (or, in the case of a header that is a QBU described in §1.989(a)-1(b)(2)(ii), its owner) described in section 267(b) or section 707(b).

(3) *Cash-management arrangement.* The term cash-management arrangement means an arrangement the principal purpose of which is to manage cash for participating expanded group members. For purposes of the preceding sentence, managing cash means borrowing excess funds from participating expanded group members and lending funds to participating expanded group members, and may also include foreign exchange management, clearing payments, investing excess cash with an unrelated person, depositing excess cash with another qualified cash pool header, and settling intercompany accounts, for example through netting centers and pay-on-behalf-of programs.

(viii) *Distributions or acquisitions occurring before April 5, 2016.* A distribution or acquisition that occurs before April 5, 2016, is not taken into account for purposes of applying this paragraph (b)(3).

(4) *Anti-abuse rule.* If a member of an expanded group enters into a transaction with a principal purpose of avoiding the purposes of this section or §1.385-3, an interest issued or held by that member or another member of the member's expanded group may, depending on the relevant facts and circumstances, be treated as stock. Paragraphs (b)(4)(i) and (ii) of this section include a non-exhaustive list of transactions that could result in an interest being treated as stock under this paragraph (b)(4).

(i) *Interests.* An interest is treated as stock if it is issued with a principal purpose of avoiding the purposes of this section or §1.385-3. Interests subject to this paragraph (b)(4)(i) may include:

(A) An interest that is not a covered debt instrument for purposes of this section (for example, a contract to which section 483 applies that is not

otherwise a covered debt instrument or a non-periodic swap payment that is not otherwise a covered debt instrument).

(B) A covered debt instrument issued to a person that is not a member of the issuer's expanded group, if the covered debt instrument is later acquired by a member of the issuer's expanded group or such person later becomes a member of the issuer's expanded group.

(C) A covered debt instrument issued to an entity that is not taxable as a corporation for federal tax purposes.

(D) A covered debt instrument issued in connection with a reorganization or similar transaction.

(E) A covered debt instrument issued as part of a plan or a series of transactions to expand the applicability of the transition rules described in §1.385-3(j)(2) or §1.385-3(k)(2).

(ii) *Other transactions.* A covered debt instrument is treated as stock if the funded member or any member of the expanded group engages in a transaction (including a distribution or acquisition) with a principal purpose of avoiding the purposes of this section or §1.385-3. Transactions subject to this paragraph (b)(4)(ii) may include:

(A) A member of the issuer's expanded group is substituted as a new obligor or added as a co-obligor on an existing covered debt instrument.

(B) A covered debt instrument is transferred in connection with a reorganization or similar transaction.

(C) A covered debt instrument funds a distribution or acquisition where the distribution or acquisition is made by a member other than the funded member and the funded member acquires the assets of the other member in a transaction that does not make the other member a predecessor to the funded member.

(D) Members of a consolidated group engage in transactions as part of a plan or a series of transactions through the use of the consolidated group rules set forth in §1.385-4, including through the use of the departing member rules.

(5) *Coordination between general rule and funding rule.* For purposes of this section, a distribution or acquisition described in paragraph (b)(2) of this section is not also described in paragraph (b)(3)(i) of this section. In the

case of an asset reorganization, an acquisition described in paragraph (b)(2)(iii) of this section by the transferee corporation is not also a distribution or acquisition described in paragraph (b)(3)(i) of this section by the transferor corporation. For purposes of this paragraph (b)(5), whether a distribution or acquisition is described in paragraphs (b)(2)(i) through (iii) of this section is determined without regard to paragraph (c) of this section.

(6) *Non-duplication.* Except as otherwise provided in paragraph (d)(2) of this section, to the extent a distribution or acquisition described in paragraphs (b)(3)(i)(A) through (C) of this section is treated as funded by a covered debt instrument under paragraph (b)(3) of this section, the distribution or acquisition is not treated as funded by another covered debt instrument and the covered debt instrument is not treated as funding another distribution or acquisition for purposes of paragraph (b)(3).

(c) *Exceptions—(1) In general.* This paragraph (c) provides exceptions for purposes of applying paragraphs (b)(2) and (b)(3) of this section to a covered member. These exceptions are applied in the following order: First, paragraph (c)(2) of this section; second, paragraph (c)(3) of this section; and, third, paragraph (c)(4) of this section. The exceptions under §1.385-3(c)(2) and (c)(3) apply to distributions and acquisitions that are otherwise described in paragraph (b)(2) or (b)(3)(i) of this section after applying paragraphs (b)(3)(ii) and (b)(5) of this section. Except as otherwise provided, the exceptions are applied by taking into account the aggregate treatment of controlled partnerships described in §1.385-3(f).

(2) *Exclusions for transactions otherwise described in paragraph (b)(2) or (b)(3)(i) of this section—(i) Exclusion for certain acquisitions of subsidiary stock—(A) In general.* An acquisition of expanded group stock (including by issuance) is not treated as described in paragraph (b)(2)(ii) or (b)(3)(i)(B) of this section if, immediately after the acquisition, the covered member that acquires the expanded group stock (acquirer) controls the member of the expanded group from which the expanded group stock is acquired (seller),

and the acquirer does not relinquish control of the seller pursuant to a plan that existed on the date of the acquisition, other than in a transaction in which the seller ceases to be a member of the expanded group of which the acquirer is a member. For purposes of the preceding sentence, an acquirer and seller do not cease to be members of the same expanded group by reason of a complete liquidation described in section 331.

(B) *Control.* For purposes of this paragraph (c)(2)(i) and paragraph (c)(3)(ii)(E) of this section, control of a corporation means the direct or indirect ownership of more than 50 percent of the total combined voting power of all classes of stock of the corporation entitled to vote and more than 50 percent of the total value of the stock of the corporation. For purposes of the preceding sentence, indirect ownership is determined by applying the principles of section 958(a) without regard to whether an intermediate entity is foreign or domestic.

(C) *Rebuttable presumption.* For purposes of paragraph (c)(2)(i)(A) of this section, the acquirer is presumed to have a plan to relinquish control of the seller on the date of the acquisition if the acquirer relinquishes control of the seller within the 36-month period following the date of the acquisition. The presumption created by the previous sentence may be rebutted by facts and circumstances clearly establishing that the loss of control was not contemplated on the date of the acquisition and that the avoidance of the purposes of this section or §1.385-3 was not a principal purpose for the subsequent loss of control.

(ii) *Exclusion for compensatory stock acquisitions.* An acquisition of expanded group stock is not treated as described in paragraph (b)(2)(ii) or (b)(3)(i)(B) of this section if the expanded group stock is delivered to individuals that are employees, directors, or independent contractors in consideration for services rendered by such individuals to a member of the expanded group or a controlled partnership in which a member of the expanded group is an expanded group partner.

(iii) *Exclusion for distributions or acquisitions resulting from transfer pricing*

adjustments. A distribution or acquisition deemed to occur under § 1.482-1(g) (including adjustments made pursuant to Revenue Procedure 99-32, 1999-2 C.B. 296) is not treated as described in paragraph (b)(3)(i)(A) or (B) of this section.

(iv) *Exclusion for acquisitions of expanded group stock by a dealer in securities.* An acquisition of expanded group stock by a dealer in securities (within the meaning of section 475(c)(1)), or by an expanded group partner treated as acquiring expanded group stock pursuant to § 1.385-3(f)(2) if the relevant controlled partnership is a dealer in securities, is not treated as described in paragraph (b)(2)(ii) or (b)(3)(i)(B) of this section to the extent the expanded group stock is acquired in the ordinary course of the dealer's business of dealing in securities. The preceding sentence applies solely to the extent that—

(A) The dealer accounts for the stock as securities held primarily for sale to customers in the ordinary course of business;

(B) The dealer disposes of the stock within a period of time that is consistent with the holding of the stock for sale to customers in the ordinary course of business, taking into account the terms of the stock and the conditions and practices prevailing in the markets for similar stock during the period in which it is held; and

(C) The dealer does not sell or otherwise transfer the stock to a person in the same expanded group, other than in a sale to a dealer that in turn satisfies the requirements of paragraph (c)(2)(iv) of this section.

(v) *Exclusion for certain acquisitions of expanded group stock resulting from application of this section.* The following deemed acquisitions are not treated as acquisitions of expanded group stock described in paragraph (b)(3)(i)(B) of this section, provided that they are not part of a plan or arrangement to prevent the application of paragraph (b)(3)(i) to a covered debt instrument:

(A) An acquisition of a covered debt instrument that is treated as stock by means of paragraph (b)(3) of this section.

(B) An acquisition of stock of a regarded owner that is deemed to be issued under § 1.385-3(d)(4).

(C) An acquisition of deemed partner stock pursuant to a deemed transfer or a specified event described in § 1.385-3(f)(4) or (5).

(3) *Reductions for transactions described in paragraph (b)(2) or (b)(3)(i) of this section—(i) Reduction for expanded group earnings—(A) In general.* The aggregate amount of any distributions or acquisitions by a covered member described in paragraph (b)(2) or (b)(3)(i) of this section in a taxable year during the covered member's expanded group period is reduced by the covered member's expanded group earnings account (as defined in paragraph (c)(3)(i)(B) of this section) for the expanded group period as of the close of the taxable year. The reduction described in this paragraph (c)(3)(i)(A) applies to one or more distributions or acquisitions based on the order in which the distributions or acquisitions occur, regardless of whether any distribution or acquisition would be treated as funded by a covered debt instrument without regard to this paragraph (c)(3).

(B) *Expanded group earnings account.* The term *expanded group earnings account* means, with respect to a covered member and an expanded group period (as defined in paragraph (c)(3)(i)(E) of this section) of the covered member, the excess, if any, of the covered member's expanded group earnings (as defined in paragraph (c)(3)(i)(C) of this section) for the expanded group period over the covered member's expanded group reductions (as defined in paragraph (c)(3)(i)(D) of this section) for the expanded group period.

(C) *Expanded group earnings—(1) In general.* The term *expanded group earnings* means, with respect to a covered member and an expanded group period of the covered member, the earnings and profits accumulated by the covered member during the expanded group period, computed as of the close of the taxable year of the covered member, without diminution by reason of any distributions or acquisitions by the covered member described in paragraphs (b)(2) and (b)(3)(i) of this section. Notwithstanding the preceding sentence, the expanded group earnings of a covered member do not include earnings and profits accumulated by

the covered member in any taxable year ending before April 5, 2016.

(2) *Special rule for change in expanded group within a taxable year.* For purposes of calculating a covered member's expanded group earnings for a taxable year that is not wholly included in an expanded group period, the covered member's expanded group earnings are ratably allocated among the portion of the taxable year included in the expanded group period and the portion of the taxable year not included in the expanded group period. For purposes of the preceding sentence, the expanded group period is determined by excluding the day on which the covered member becomes a member of an expanded group with the same expanded group parent and including the day on which the covered member ceases to be a member of an expanded group with the same expanded group parent.

(3) *Look-through rule for dividends—(i) In general.* For purposes of paragraph (c)(3)(i)(C)(I) of this section, a dividend from a member of the same expanded group (*distributing member*) is not taken into account for purposes of calculating a covered member's expanded group earnings, except to the extent the dividend is attributable to earnings and profits accumulated by the distributing member in a taxable year ending after April 4, 2016, during its expanded group period (*qualified earnings and profits*). For purposes of the preceding sentence, a dividend received from a member (*intermediate distributing member*) is not taken into account for purposes of calculating the qualified earnings and profits of a distributing member (or another intermediate distributing member), except to the extent the dividend is attributable to qualified earnings and profits of the intermediate distributing member. A dividend from a distributing member or an intermediate distributing member is considered to be attributable to qualified earnings and profits to the extent thereof. If the distributing member or the intermediate distributing member is not a covered member, the expanded group period of the member is determined under the principles of paragraph (c)(3)(i)(E) of this section. If a controlled partnership receives a divi-

dend from a distributing member and a portion of the dividend is allocated (including through one or more partnerships) to a covered member, then, for purposes of this paragraph (c)(3)(i)(C)(3), the covered member is treated as receiving the dividend from the distributing member.

(ii) *Dividend.* For purposes of paragraph (c)(3)(i)(C)(3)(i) of this section, the term dividend has the meaning specified in section 316, including the portion of gain recognized under section 1248 that is treated as a dividend and deemed dividends under section 367(b) and the regulations thereunder. In addition, the term dividend includes inclusions with respect to stock (for example, inclusions under sections 951(a) and 1293).

(4) *Effect of interest deductions.* For purposes of calculating the expanded group earnings of a covered member for a taxable year, expanded group earnings are calculated without regard to the application of this section during the taxable year to a covered debt instrument issued by the covered member that was not treated as stock under paragraph (b) of this section as of the close of the preceding taxable year, or, if the covered member is an expanded group partner in a controlled partnership that is the issuer of a debt instrument, without regard to the application of § 1.385-3(f)(4)(i) during the taxable year with respect to the covered member's share of the debt instrument. To the extent that the application of this paragraph (c)(3)(i)(C)(4) reduces the expanded group earnings of the covered member for the taxable year, the expanded group earnings of the covered member are increased as of the beginning of the succeeding taxable year during the expanded group period.

(D) *Expanded group reductions.* The term expanded group reductions means, with respect to a covered member and an expanded group period of the covered member, the amounts by which acquisitions or distributions described in paragraph (b)(2) or (b)(3)(i) of this section were reduced by reason of paragraph (c)(3)(i)(A) of this section during the portion of the expanded group period preceding the taxable year.

(E) *Expanded group period*—(1) *In general.* For purposes of this paragraph (c)(3)(i) and paragraph (c)(3)(ii) of this section, the term expanded group period means, with respect to a covered member, the period during which a covered member is a member of an expanded group with the same expanded group parent.

(2) *Mere change.* For purposes of paragraph (c)(3)(i)(E)(1) of this section, an expanded group parent that is a resulting corporation (within the meaning of § 1.368-2(m)(1)) in a reorganization described in section 368(a)(1)(F) is treated as the same expanded group parent as an expanded group parent that is a transferor corporation (within the meaning of § 1.368-2(m)(1)) in the same reorganization, provided that either—

(i) The transferor corporation is not a covered member; or

(ii) Both the transferor corporation and the resulting corporation are covered members.

(F) *Special rules for certain corporate transactions*—(1) *Reduction for expanded group earnings in an asset reorganization.* For purposes of applying paragraph (c)(3)(i) of this section, a distribution or acquisition described in paragraph (b)(2) or (b)(3)(i) of this section that occurs pursuant to a reorganization described in section 381(a)(2) is reduced solely by the expanded group earnings account of the acquiring member after taking into account the adjustment to its expanded group earnings account provided in paragraph (c)(3)(i)(F)(2)(ii) of this section.

(2) *Effect of certain corporate transactions on the calculation of expanded group earnings account*—(i) *In general.* Section 381 and § 1.312-10 are not taken into account for purposes of calculating a covered member's expanded group earnings account for an expanded group period. The expanded group earnings account that a covered member succeeds to under paragraphs (c)(3)(i)(F)(2)(ii) through (iv) of this section is attributed to the covered member's expanded group period as of the close of the date of the distribution or transfer.

(ii) *Section 381 transactions.* If a covered member (*acquiring member*) acquires the assets of another covered member (*acquired member*) in a trans-

action described in section 381(a), and, immediately before the transaction, both corporations are members of the same expanded group, then the acquiring member succeeds to the expanded group earnings account of the acquired member, if any, determined after application of paragraph (c)(3)(i) of this section with respect to the final taxable year of the acquired member.

(iii) *Section 1.312-10(a) transactions.* If a covered member (*transferor member*) transfers property to another covered member (*transferee member*) in a transaction described in § 1.312-10(a), the expanded group earnings account of the transferor member is allocated between the transferor member and the transferee member in the same proportion as the earnings and profits of the transferor member are allocated between the transferor member and the transferee member under § 1.312-10(a).

(iv) *Section 1.312-10(b) transactions.* If a covered member (*distributing member*) distributes the stock of another covered member (*controlled member*) in a transaction described in § 1.312-10(b), the expanded group earnings account of the distributing member is decreased by the amount that the expanded group earnings account of the distributing member would have been decreased under paragraph (c)(3)(i)(F)(2)(iii) of this section if the distributing member had transferred the stock of the controlled member to a newly formed corporation in a transaction described in § 1.312-10(a). If the amount of the decrease described in the preceding sentence exceeds the expanded group earnings account of the controlled member immediately before the transaction described in § 1.312-10(b), then the expanded group earnings account of the controlled member after the transaction is equal to the amount of the decrease.

(G) *Overlapping expanded groups.* A covered member that is a member of two expanded groups at the same time has a single expanded group earnings account with respect to a single expanded group period. In this case, the expanded group period is determined by reference to the shorter of the two periods during which the covered member is a member of an expanded group with the same expanded group parent.

(ii) *Reduction for qualified contributions*—(A) *In general.* The amount of a distribution or acquisition by a covered member described in paragraph (b)(2) or (b)(3)(i) of this section is reduced by the aggregate fair market value of the stock issued by the covered member in one or more qualified contributions (as defined in paragraph (c)(3)(ii)(B) of this section) during the qualified period (as defined in paragraph (c)(3)(ii)(C) of this section), but only to the extent the qualified contribution or qualified contributions have not reduced another distribution or acquisition. The reduction described in this paragraph (c)(3)(ii)(A) applies to one or more distributions or acquisitions based on the order in which the distributions or acquisitions occur, regardless of whether any distribution or acquisition would be treated as funded by a covered debt instrument without regard to this paragraph (c)(3).

(B) *Qualified contribution.* The term *qualified contribution* means, with respect to a covered member, except as provided in paragraph (c)(3)(ii)(E) of this section, a contribution of property, other than excluded property (defined in paragraph (c)(3)(ii)(D) of this section), to the covered member by a member of the covered member's expanded group (or by a controlled partnership of the expanded group) in exchange for stock.

(C) *Qualified period.* The term *qualified period* means, with respect to a covered member, a qualified contribution, and a distribution or acquisition described in paragraph (b)(2) or (b)(3)(i) of this section, the period beginning on the later of the beginning of the periods described in paragraphs (c)(3)(ii)(C)(1) and (2) of this section, and ending on the earlier of the ending of the periods described in paragraphs (c)(3)(ii)(C)(1) and (2) of this section or the date described in paragraph (c)(3)(ii)(C)(3) of this section.

(1) The period beginning 36 months before the date of the distribution or acquisition, and ending 36 months after the date of the distribution or acquisition.

(2) The covered member's expanded group period (as defined in paragraph (c)(3)(i)(E) of this section) that includes the distribution or acquisition.

(3) The last day of the first taxable year that a covered debt instrument issued by the covered member would, absent the application of this paragraph (c)(3)(ii) with respect to the distribution or acquisition, be treated, in whole or in part, as stock under paragraph (b) of this section or, in the case of a covered debt instrument issued by a controlled partnership in which the covered member is an expanded group partner, the covered debt instrument would be treated, in whole or in part, as a specified portion.

(D) *Excluded property.* The term *excluded property* means—

(1) Expanded group stock;

(2) Property acquired by the covered member in an asset reorganization from a member of the expanded group of which the covered member is a member;

(3) A covered debt instrument of any member of the same expanded group, including a covered debt instrument issued by the covered member;

(4) Property acquired by the covered member in exchange for a covered debt instrument issued by the covered member that is recharacterized under paragraph (b)(3) of this section;

(5) A debt instrument issued by a controlled partnership of the expanded group of which the covered member is a member, including the portion of such a debt instrument that is a deemed transferred receivable or a retained receivable; and

(6) Any other property acquired by the covered member with a principal purpose to avoid the purposes of this section or § 1.385-3, including a transaction involving an indirect transfer of property described in paragraphs (c)(3)(ii)(D)(1) through (5) of this section.

(E) *Excluded contributions*—(1) *Upstream contributions from certain subsidiaries.* For purposes of paragraph (c)(3)(ii)(B) of this section, a contribution of property from a corporation (*controlled member*) that the covered member controls, within the meaning of paragraph (c)(2)(i)(B) of this section, is not a qualified contribution.

(2) *Contributions to a predecessor or successor.* For purposes of paragraph (c)(3)(ii)(B) of this section, a contribution of property to a covered member

from a corporation of which the covered member is a predecessor or successor, or from a corporation controlled by that corporation within the meaning of paragraph (c)(2)(i)(B) of this section, is not a qualified contribution.

(3) *Contributions that do not increase fair market value.* A contribution of property to a covered member that is not described in paragraph (c)(3)(ii)(E)(1) or (2) of this section is not a qualified contribution to the extent that the contribution does not increase the aggregate fair market value of the outstanding stock of the covered member immediately after the transaction and taking into account all related transactions, other than distributions and acquisitions described in paragraphs (b)(2) and (b)(3)(i) of this section.

(4) *Contributions that become excluded contributions after the date of the contribution.* If a contribution of property described in paragraph (c)(3)(ii)(E)(1) or (2) of this section occurs before the covered member acquires control of the controlled member described in paragraph (c)(3)(ii)(E)(1) or before the transaction in which the corporation described in paragraph (c)(3)(ii)(E)(2) becomes a predecessor or successor to the covered member, the contribution of property ceases to be a qualified contribution on the date that the covered member acquires control of the controlled member or on the date of the transaction in which the corporation becomes a predecessor or successor to the covered member (*transaction date*). If the contribution of property occurs within 36 months before the transaction date, the covered member is treated as making a distribution described in paragraph (b)(3)(i)(A) of this section on the transaction date equal to the amount by which any distribution or acquisition described in paragraph (b)(2) or (b)(3)(i) of this section was reduced under paragraph (c)(3)(ii)(A) of this section because the contribution of property was treated as a qualified contribution.

(F) *Special rules for certain corporate transactions—(1) Reduction for qualified contributions in an asset reorganization.* For purposes of applying paragraph (c)(3)(ii)(A) of this section, a distribu-

tion or acquisition described in paragraph (b)(2) or (b)(3)(i) of this section that occurs pursuant to a reorganization described in section 381(a)(2) is reduced solely by the qualified contributions of the acquiring member after taking into account the adjustment to its qualified contributions provided in paragraph (c)(3)(ii)(F)(2) of this section.

(2) *Effect of certain corporate transactions on the calculation of qualified contributions—(i) In general.* This paragraph (c)(3)(ii)(F)(2) provides rules for allocating or reducing the qualified contributions of a covered member as a result of certain corporation transactions. For purposes of paragraph (c)(3)(ii)(C)(1) of this section, a qualified contribution that a covered member succeeds to under paragraphs (c)(3)(ii)(F)(2)(ii) and (iii) of this section is treated as made to the covered member on the date on which the qualified contribution was made to the covered member that received the qualified contribution. For purposes of paragraph (c)(3)(ii)(C)(2) of this section, a qualified contribution that a covered member succeeds to under paragraphs (c)(3)(ii)(F)(2)(ii) and (iii) of this section is attributed to the covered member's expanded group period as of the close of the date of the distribution or transfer. For purposes of paragraph (c)(3)(ii)(C)(3) of this section, a qualified contribution a covered member succeeds to under paragraphs (c)(3)(ii)(F)(2)(ii) and (iii) of this section is treated as made to the covered member as of the close of the date of the distribution or transfer.

(ii) *Section 381 transactions.* If a covered member (acquiring member) acquires the assets of another covered member (acquired member) in a transaction described in section 381(a), and, immediately before the transaction, both corporations are members of the same expanded group, the acquiring member succeeds to the qualified contributions of the acquired member, if any, adjusted for the application of paragraph (c)(3)(ii)(E)(4) of this section.

(iii) *Section 1.312-10(a) transactions.* If a covered member (transferor member) transfers property to another covered member (transferee member) in a transaction described in § 1.312-10(a), each qualified contribution of the

transferor member is allocated between the transferor member and the transferee member in the same proportion as the earnings and profits of the transferor member are allocated between the transferor member and the transferee member under §1.312-10(a).

(iv) *Section 1.312-10(b) transactions.* If a covered member (distributing member) distributes the stock of another covered member (controlled member) in a transaction described in §1.312-10(b), each qualified contribution of the distributing member is decreased by the amount that each qualified contribution of the distributing member would have been decreased under paragraph (c)(3)(i)(F)(2)(iii) of this section if the distributing member had transferred the stock of the controlled member to a newly formed corporation in a transaction described in §1.312-10(a). No amount of the qualified contributions of the distributing member is allocated to the controlled member.

(iii) *Predecessors and successors.* For purposes of this paragraph (c)(3), references to a covered member do not include references to any corporation of which the covered member is a predecessor or successor. Accordingly, a distribution or acquisition by a covered member described in paragraphs (b)(3)(i)(A) through (C) is reduced solely by the expanded group earnings account of the covered member (taking into account the application of paragraph (c)(3)(i)(F)(2) of this section) and the qualified contributions of the covered member (taking into account the application of paragraph (c)(3)(ii)(F)(2) of this section), notwithstanding that the distribution or acquisition is treated as made by a funded member of which the covered member is a predecessor or successor.

(iv) *Ordering rule.* The exceptions described in this paragraph (c)(3) are applied in the following order: First, paragraph (c)(3)(i) of this section; and, second, paragraph (c)(3)(ii) of this section.

(4) *Threshold exception.* A covered debt instrument is not treated as stock under this section if, immediately after the covered debt instrument would be treated as stock under this section but for the application of this paragraph (c)(4), the aggregate adjusted issue

price of covered debt instruments held by members of the issuer's expanded group that would be treated as stock under this section but for the application of this paragraph (c)(4) does not exceed \$50 million. To the extent a debt instrument issued by a controlled partnership would be treated as a specified portion (as defined in paragraph (g)(23) of this section) but for the application of this paragraph (c)(4), the debt instrument is treated as a covered debt instrument described in the preceding sentence for purposes of this paragraph (c)(4). To the extent that, immediately after a covered debt instrument would be treated as stock under this section but for the application of this paragraph (c)(4), the aggregate adjusted issue price of covered debt instruments held by members of the issuer's expanded group that would be treated as stock under this section but for the application of this paragraph (c)(4) exceeds \$50 million, only the amount of the covered debt instrument in excess of \$50 million is treated as stock under this section. For purposes of this rule, any covered debt instrument that is not denominated in U.S. dollars is translated into U.S. dollars at the spot rate (as defined in §1.988-1(d)) on the date that the covered debt instrument is issued.

(d) *Operating rules—(1) Timing.* This paragraph (d)(1) provides rules for determining when a covered debt instrument is treated as stock under paragraph (b) of this section. For special rules regarding the treatment of a deemed exchange of a covered debt instrument that occurs pursuant to paragraphs (d)(1)(ii), (d)(1)(iii), or (d)(1)(iv) of this section, see §1.385-1(d).

(i) *General timing rule.* Except as otherwise provided in this paragraph (d)(1), when paragraph (b) of this section applies to treat a covered debt instrument as stock, the covered debt instrument is treated as stock when the covered debt instrument is issued. When paragraph (b)(3) of this section applies to treat a covered debt instrument as stock when the covered debt instrument is issued, see also paragraph (b)(3)(vi) of this section.

(ii) *Exception when a covered debt instrument is treated as funding a distribution or acquisition that occurs after the*

issuance of the covered debt instrument. When paragraph (b)(3)(iii) of this section applies to treat a covered debt instrument as funding a distribution or acquisition described in paragraph (b)(3)(i)(A) through (C) of this section that occurs after the covered debt instrument is issued, the covered debt instrument is deemed to be exchanged for stock on the date that the distribution or acquisition occurs. See paragraph (h)(3) of this section, *Examples 4 and 9*, for an illustration of this rule.

(iii) *Exception for certain predecessor and successor transactions.* To the extent that a covered debt instrument would not be treated as stock but for the fact that a funded member is treated as the predecessor or successor of another expanded group member under paragraph (b)(3)(v) of this section, the covered debt instrument is deemed to be exchanged for stock on the later of the date that the funded member completes the transaction causing it to become a predecessor or successor of the other expanded group member or the date that the covered debt instrument would be treated as stock under paragraph (d)(1)(i) or (ii) of this section.

(iv) *Exception when a covered debt instrument is re-tested under paragraph (d)(2) of this section.* When paragraph (b)(3)(iii) of this section applies to treat a covered debt instrument as funding a distribution or acquisition described in paragraphs (b)(3)(i)(A) through (C) of this section as a result of a re-testing described in paragraph (d)(2)(ii) of this section that occurs in a taxable year subsequent to the taxable year in which the covered debt instrument is issued, the covered debt instrument is deemed to be exchanged for stock on the later of the date of the re-testing or the date that the covered debt instrument would be treated as stock under paragraph (d)(1)(i) or (ii) of this section. See paragraph (h)(3) of this section, *Example 7*, for an illustration of this rule.

(2) *Covered debt instrument treated as stock that leaves the expanded group—(i) Events that cause a covered debt instrument to cease to be treated as stock.* Subject to paragraph (b)(4) of this section, this paragraph (d)(2)(i) applies with respect to a covered debt instrument that is treated as stock under this sec-

tion when the holder and issuer of a covered debt instrument cease to be members of the same expanded group, either because the covered debt instrument is transferred to a person that is not a member of the expanded group that includes the issuer or because the holder or the issuer ceases to be a member of the same expanded group, or in the case of a holder that is a controlled partnership, when the holder ceases to be a controlled partnership with respect to the expanded group of which the issuer is a member, either because the partnership ceases to be a controlled partnership or because the issuer ceases to be a member of the same expanded group with respect to which the holder is a controlled partnership. In such a case, the covered debt instrument ceases to be treated as stock under this section. For this purpose, immediately before the transaction that causes the holder and issuer of the covered debt instrument to cease to be members of the same expanded group, or, if the holder is a controlled partnership, that causes the holder to cease to be a controlled partnership with respect to the expanded group of which the issuer is a member, the issuer is deemed to issue a new covered debt instrument to the holder in exchange for the covered debt instrument that was treated as stock in a transaction that is disregarded for purposes of paragraphs (b)(2) and (b)(3) of this section.

(ii) *Re-testing of covered debt instruments and certain distributions and acquisitions—(A) General rule.* For purposes of paragraph (b)(3)(iii) of this section, when paragraph (d)(2)(i) of this section or § 1.385-4(c)(2) causes a covered debt instrument that previously was treated as stock pursuant to paragraph (b)(3) of this section to cease to be treated as stock, all other covered debt instruments of the issuer that are not treated as stock on the date that the transaction occurs that causes paragraph (d)(2)(i) of this section to apply are re-tested to determine whether those other covered debt instruments are treated as funding the distribution or acquisition that previously was treated as funded by the covered debt instrument that ceases to

be treated as stock pursuant to paragraph (d)(2)(i) of this section. In addition, a covered debt instrument that is issued after an application of paragraph (d)(2)(i) of this section and within the per se period may also be treated as funding that distribution or acquisition. See paragraph (h)(3) of this section, *Example 7*, for an illustration of this rule.

(B) *Re-testing upon a specified event with respect to a debt instrument issued by a controlled partnership.* If, with respect to a covered member that is an expanded group partner and a debt instrument issued by the controlled partnership, there is reduction in the covered member's specified portion under § 1.385-3(f)(5)(i) by reason of a specified event, the covered member must re-test its debt instruments as described in paragraph (d)(2)(ii)(A) of this section.

(3) *Inapplicability of section 385(c)(1).* Section 385(c)(1) does not apply with respect to a covered debt instrument to the extent that it is treated as stock under this section.

(4) *Treatment of disregarded entities.* This paragraph (d)(4) applies to the extent that a covered debt instrument issued by a disregarded entity, the regarded owner of which is a covered member, would, absent the application of this paragraph (d)(4), be treated as stock under this section. In this case, rather than the covered debt instrument being treated as stock to such extent (applicable portion), the covered member that is the regarded owner of the disregarded entity is deemed to issue its stock in the manner described in this paragraph (d)(4). If the applicable portion otherwise would have been treated as stock under paragraph (b)(2) of this section, then the covered member is deemed to issue its stock to the expanded group member to which the covered debt instrument was, in form, issued (or transferred) in the transaction described in paragraph (b)(2) of this section. If the applicable portion otherwise would have been treated as stock under paragraph (b)(3)(i) of this section, then the covered member is deemed to issue its stock to the holder of the covered debt instrument in exchange for a portion of the covered debt instrument equal to the applicable

portion. In each case, the covered member that is the regarded owner of the disregarded entity is treated as the holder of the applicable portion of the debt instrument issued by the disregarded entity, and the actual holder is treated as the holder of the remaining portion of the covered debt instrument and the stock deemed to be issued by the regarded owner. Under Federal tax principles, the applicable portion of the debt instrument issued by the disregarded entity generally is disregarded. This paragraph (d)(4) must be applied in a manner that is consistent with the principles of paragraph (f)(4) of this section. Thus, for example, stock deemed issued is deemed to have the same terms as the covered debt instrument issued by the disregarded entity, other than the identity of the issuer, and payments on the stock are determined by reference to payments made on the covered debt instrument issued by the disregarded entity. See § 1.385-4(b)(3) for additional rules that apply if the regarded owner of the disregarded entity is a member of a consolidated group. If the regarded owner of a disregarded entity is a controlled partnership, then paragraph (f) of this section applies as though the controlled partnership were the issuer in form of the debt instrument.

(5) *Payments with respect to partially recharacterized covered debt instruments—(i) General rule.* Except as otherwise provided in paragraph (d)(5)(ii) of this section, a payment with respect to an instrument that is partially recharacterized as stock is treated as made pro rata to the portion treated as stock and to the portion treated as indebtedness.

(ii) *Special rule for payments not required pursuant to the terms of the instrument.* A payment with respect to an instrument that is partially recharacterized as stock and that is a payment that is not required to be made pursuant to the terms of the instrument (for example, a prepayment of principal) may be designated by the issuer and the holder as with respect to the portion treated as stock or to the portion treated as indebtedness, in whole or in part. In the absence of such designation, see paragraph (d)(5)(i) of this section.

(6) *Treatment of a general rule transaction to which an exception applies.* To the extent a covered member would, absent the application of paragraph (c)(2) or (c)(3) of this section, be treated as making a distribution or acquisition described in paragraph (b)(2) of this section, then, solely for purposes of applying paragraph (b)(3) of this section, the covered member is treated as issuing the covered debt instrument issued in the distribution or acquisition to a member of the covered member's expanded group in exchange for property.

(7) *Treatment for purposes of section 1504(a)*—(i) *Debt instruments treated as stock.* A covered debt instrument that is treated as stock under paragraph (b)(2), (3), or (4) of this section and that is not described in section 1504(a)(4) is not treated as stock for purposes of determining whether the issuer is a member of an affiliated group (within the meaning of section 1504(a)).

(ii) *Deemed partner stock and stock deemed issued by a regarded owner.* If deemed partner stock or stock that is deemed issued by a regarded owner under § 1.385-3(d)(4) is not described in section 1504(a)(4), then that stock is not treated as stock for purposes of determining whether the issuer of the stock is a member of an affiliated group (within the meaning of section 1504(a)).

(e) *No affirmative use.* [Reserved]

(f) *Treatment of controlled partnerships*—(1) *In general.* For purposes of this section and § 1.385-4, a controlled partnership is treated as an aggregate of its partners in the manner described in this paragraph (f). Paragraph (f)(2) of this section sets forth rules concerning the aggregate treatment when a controlled partnership acquires property from a member of the expanded group. Paragraph (f)(3) of this section sets forth rules concerning the aggregate treatment when a controlled partnership issues a debt instrument. Paragraph (f)(4) of this section deems a debt instrument issued by a controlled partnership to be held by an expanded group partner rather than the holder-in-form in certain cases. Paragraph (f)(5) of this section sets forth the rules concerning events that cause the deemed results described in paragraph

(f)(4) of this section to cease. Paragraph (f)(6) of this section exempts certain issuances of a controlled partnership's debt to a partner and a partner's debt to a controlled partnership from the application of this section. For definitions applicable for this section, see paragraph (g) of this section. For examples illustrating the application of this section, see paragraph (h) of this section.

(2) *Acquisitions of property by a controlled partnership*—(i) *Acquisitions of property when a member of the expanded group is a partner on the date of the acquisition*—(A) *Aggregate treatment.* Except as otherwise provided in paragraphs (f)(2)(i)(C) and (f)(6) of this section, if a controlled partnership, with respect to an expanded group, acquires property from a member of the expanded group (transferor member), then, for purposes of this section, a member of the expanded group that is an expanded group partner on the date of the acquisition is treated as acquiring its share (as determined under paragraph (f)(2)(i)(B) of this section) of the property. The expanded group partner is treated as acquiring its share of the property from the transferor member in the manner (for example, in a distribution, in an exchange for property, or in an issuance), and on the date on which, the property is actually acquired by the controlled partnership from the transferor member. Accordingly, this section applies to a member's acquisition of property described in this paragraph (f)(2)(i)(A) in the same manner as if the member actually acquired the property from the transferor member, unless explicitly provided otherwise.

(B) *Expanded group partner's share of property.* For purposes of paragraph (f)(2)(i)(A) of this section, a partner's share of property acquired by a controlled partnership is determined in accordance with the partner's liquidation value percentage (as defined in paragraph (g)(17) of this section) with respect to the controlled partnership. The liquidation value percentage is determined on the date on which the controlled partnership acquires the property.

(C) *Exception if transferor member is an expanded group partner.* If a transferor

member is an expanded group partner in the controlled partnership, paragraph (f)(2)(i)(A) of this section does not apply to such partner.

(ii) *Acquisitions of expanded group stock when a member of the expanded group becomes a partner after the acquisition—(A) Aggregate treatment.* Except as otherwise provided in paragraph (f)(2)(ii)(C) of this section, if a controlled partnership, with respect to an expanded group, owns expanded group stock, and a member of the expanded group becomes an expanded group partner in the controlled partnership, then, for purposes of this section, the member is treated as acquiring its share (as determined under paragraph (f)(2)(ii)(B) of this section) of the expanded group stock owned by the controlled partnership. The member is treated as acquiring its share of the expanded group stock on the date on which the member becomes an expanded group partner. Furthermore, the member is treated as if it acquires its share of the expanded group stock from a member of the expanded group in exchange for property other than expanded group stock, regardless of the manner in which the partnership acquired the stock and in which the member acquires its partnership interest. Accordingly, this section applies to a member's acquisition of expanded group stock described in this paragraph (f)(2)(ii)(A) in the same manner as if the member actually acquired the stock from a member of the expanded group in exchange for property other than expanded group stock, unless explicitly provided otherwise.

(B) *Expanded group partner's share of expanded group stock.* For purposes of paragraph (f)(2)(ii)(A) of this section, a partner's share of expanded group stock owned by a controlled partnership is determined in accordance with the partner's liquidation value percentage with respect to the controlled partnership. The liquidation value percentage is determined on the date on which a member of the expanded group becomes an expanded group partner in the controlled partnership.

(C) *Exception if an expanded group partner acquires its interest in a controlled partnership in exchange for expanded group stock.* Paragraph (f)(2)(ii)(A) of this section does not

apply to a member of an expanded group that acquires its interest in a controlled partnership either from another partner in exchange solely for expanded group stock or upon a partnership contribution to the controlled partnership comprised solely of expanded group stock.

(3) *Issuances of debt instruments by a controlled partnership to a member of an expanded group—(i) Aggregate treatment.* If a controlled partnership, with respect to an expanded group, issues a debt instrument to a member of the expanded group, then, for purposes of this section, a covered member that is an expanded group partner is treated as the issuer with respect to its share (as determined under paragraph (f)(3)(ii) of this section) of the debt instrument issued by the controlled partnership. This section applies to the portion of the debt instrument treated as issued by the covered member as described in this paragraph (f)(3)(i) in the same manner as if the covered member actually issued the debt instrument to the holder-in-form, unless otherwise provided. See paragraph (f)(4) of this section, which deems a debt instrument issued by a controlled partnership to be held by an expanded group partner rather than the holder-in-form in certain cases.

(ii) *Expanded group partner's share of a debt instrument issued by a controlled partnership—(A) General rule.* An expanded group partner's share of a debt instrument issued by a controlled partnership is determined on each date on which the partner makes a distribution or acquisition described in paragraph (b)(2) or (b)(3)(i) of this section (testing date). An expanded group partner's share of a debt instrument issued by a controlled partnership to a member of the expanded group is determined in accordance with the partner's issuance percentage (as defined in paragraph (g)(16) of this section) on the testing date. A partner's share determined under this paragraph (f)(3)(ii)(A) is adjusted as described in paragraph (f)(3)(ii)(B) of this section.

(B) *Additional rules if there is a specified portion with respect to a debt instrument—(1)* An expanded group partner's share (as determined under paragraph

(f)(3)(ii)(A) of this section) of a debt instrument issued by a controlled partnership is reduced, but not below zero, by the sum of all of the specified portions (as defined in paragraph (g)(23) of this section), if any, with respect to the debt instrument that correspond to one or more deemed transferred receivables (as defined in paragraph (g)(8) of this section) that are deemed to be held by the partner.

(2) If the aggregate of all of the expanded group partners' shares (as determined under paragraph (f)(3)(ii)(A) of this section and reduced under paragraph (f)(3)(ii)(B)(I) of this section) of the debt instrument exceeds the adjusted issue price of the debt, reduced by the sum of all of the specified portions with respect to the debt instrument that correspond to one or more deemed transferred receivables that are deemed to be held by one or more expanded group partners (excess amount), then each expanded group partner's share (as determined under paragraph (f)(3)(ii)(A) of this section and reduced under paragraph (f)(3)(ii)(B)(I) of this section) of the debt instrument is reduced. The amount of an expanded group partner's reduction is the excess amount multiplied by a fraction, the numerator of which is the partner's share, and the denominator of which is the aggregate of all of the expanded group partners' shares.

(iii) *Qualified short-term debt instrument.* The determination of whether a debt instrument is a qualified short-term debt instrument for purposes of paragraph (b)(3)(vii) of this section is made at the partnership-level without regard to paragraph (f)(3)(i) of this section.

(4) *Recharacterization when there is a specified portion with respect to a debt instrument issued by a controlled partnership—(i) General rule.* A specified portion, with respect to a debt instrument issued by a controlled partnership and an expanded group partner, is not treated as stock under paragraph (b)(2) or (b)(3)(i) of this section. Except as otherwise provided in paragraphs (f)(4)(ii) and (iii) of this section, the holder-in-form (as defined in paragraph (g)(15) of this section) of the debt instrument is deemed to transfer a por-

tion of the debt instrument (a deemed transferred receivable, as defined in paragraph (g)(8) of this section) with a principal amount equal to the adjusted issue price of the specified portion to the expanded group partner in exchange for stock in the expanded group partner (deemed partner stock, as defined in paragraph (g)(6) of this section) with a fair market value equal to the principal amount of the deemed transferred receivable. Except as otherwise provided in paragraph (f)(4)(vi) of this section (concerning the treatment of a deemed transferred receivable for purposes of section 752) and paragraph (f)(5) of this section (concerning specified events subsequent to the deemed transfer), the deemed transfer described in this paragraph (f)(4)(i) is deemed to occur for all Federal tax purposes.

(ii) *Expanded group partner is the holder-in-form of a debt instrument.* If the specified portion described in paragraph (f)(4)(i) of this section is with respect to an expanded group partner that is the holder-in-form of the debt instrument, then paragraph (f)(4)(i) of this section will not apply with respect to that specified portion except that only the first sentence of paragraph (f)(4)(i) of this section is applicable.

(iii) *Expanded group partner is a consolidated group member.* This paragraph (f)(4)(iii) applies when one or more expanded group partners is a member of a consolidated group that files (or is required to file) a consolidated U.S. Federal income tax return. In this case, notwithstanding § 1.385-4(b)(1) (which generally treats members of a consolidated group as one corporation for purposes of this section), the holder-in-form of the debt instrument issued by the controlled partnership is deemed to transfer the deemed transferred receivable or receivables to the expanded group partner or partners that are members of a consolidated group that make, or are treated as making under paragraph (f)(2) of this section, the regarded distributions or acquisitions (within the meaning of § 1.385-4(e)(5)) described in paragraph (b)(2) or (b)(3)(i) of this section in exchange for deemed partner stock in such partner or partners. To the extent those regarded distributions or acquisitions are made by

a member of the consolidated group that is not an expanded group partner (excess amount), the holder-in-form is deemed to transfer a portion of the deemed transferred receivable or receivables to each member of the consolidated group that is an expanded group partner in exchange for deemed partner stock in the expanded group partner. The portion is the excess amount multiplied by a fraction, the numerator of which is the portion of the consolidated group's share (as determined under paragraph (f)(3)(ii) of this section) of the debt instrument issued by the controlled partnership that would have been the expanded group partner's share if the partner was not a member of a consolidated group, and the denominator of which is the consolidated group's share of the debt instrument issued by the controlled partnership.

(iv) *Rules regarding deemed transferred receivables and deemed partner stock*—(A) *Terms of deemed partner stock.* Deemed partner stock has the same terms as the deemed transferred receivable with respect to the deemed transfer, other than the identity of the issuer.

(B) *Treatment of payments with respect to a debt instrument for which there is one or more deemed transferred receivables.* When a payment is made with respect to a debt instrument issued by a controlled partnership for which there is one or more deemed transferred receivables, then, if the amount of the retained receivable (as defined in paragraph (g)(22) of this section) held by the holder-in-form is zero and a single deemed holder is deemed to hold all of the deemed transferred receivables, the entire payment is allocated to the deemed transferred receivables held by the single deemed holder. If the amount of the retained receivable held by the holder-in-form is greater than zero or there are multiple deemed holders of deemed transferred receivables, or both, the payment is apportioned among the retained receivable, if any, and each deemed transferred receivable in proportion to the principal amount of all the receivables. The portion of a payment allocated or apportioned to a retained receivable or a deemed transferred receivable reduces the principal amount of, or accrued interest with re-

spect to, as applicable depending on the payment, the retained receivable or deemed transferred receivable. When a payment allocated or apportioned to a deemed transferred receivable reduces the principal amount of the receivable, the expanded group partner that is the deemed holder with respect to the deemed transferred receivable is deemed to redeem the same amount of deemed partner stock, and the specified portion with respect to the debt instrument is reduced by the same amount. When a payment allocated or apportioned to a deemed transferred receivable reduces accrued interest with respect to the receivable, the expanded group partner that is the deemed holder with respect to the deemed transferred receivable is deemed to make a matching distribution in the same amount with respect to the deemed partner stock. The controlled partnership is treated as the paying agent with respect to the deemed partner stock.

(v) *Holder-in-form transfers debt instrument in a transaction that is not a specified event.* If the holder-in-form transfers the debt instrument (which is disregarded for Federal tax purposes) to a member of the expanded group or a controlled partnership (and therefore the transfer is not a specified event described in paragraph (f)(5)(iii)(F) of this section), then, for Federal tax purposes, the holder-in-form is deemed to transfer the retained receivable and the deemed partner stock to the transferee.

(vi) *Allocation of deemed transferred receivable under section 752.* A partnership liability that is a debt instrument with respect to which there is one or more deemed transferred receivables is allocated for purposes of section 752 without regard to any deemed transfer.

(5) *Specified events affecting ownership following a deemed transfer*—(i) *General rule.* If a specified event (within the meaning of paragraph (f)(5)(iii) of this section) occurs with respect to a deemed transfer, then, immediately before the specified event, the expanded group partner that is both the issuer of the deemed partner stock and the

deemed holder of the deemed transferred receivable is deemed to distribute the deemed transferred receivable (or portion thereof, as determined under paragraph (f)(5)(iv) of this section) to the holder-in-form in redemption of the deemed partner stock (or portion thereof, as determined under paragraph (f)(5)(iv) of this section) deemed to be held by the holder-in-form. The deemed distribution is deemed to occur for all Federal tax purposes, except that the distribution is disregarded for purposes of paragraph (b) of this section. Except when the deemed transferred receivable (or portion thereof, as determined under paragraph (f)(5)(iv) of this section) is deemed to be retransferred under paragraph (f)(5)(ii) of this section, the principal amount of the retained receivable held by the holder-in-form is increased by the principal amount of the deemed transferred receivable, the deemed transferred receivable ceases to exist for Federal tax purposes, and the specified portion (or portion thereof) that corresponds to the deemed transferred receivable (or portion thereof) ceases to be treated as a specified portion for purposes of this section.

(ii) *New deemed transfer when a specified event involves a transferee that is a covered member that is an expanded group partner.* If the specified event is described in paragraph (f)(5)(iii)(E) of this section, the holder-in-form of the debt instrument is deemed to retransfer the deemed transferred receivable (or portion thereof, as determined under paragraph (f)(5)(iv) of this section) that the holder-in-form is deemed to have received pursuant to paragraph (f)(5)(i) of this section, to the transferee expanded group partner in exchange for deemed partner stock issued by the transferee expanded group partner with a fair market value equal to the principal amount of the deemed transferred receivable (or portion thereof) that is retransferred. For purposes of this section, this deemed transfer is treated in the same manner as a deemed transfer described in paragraph (f)(4)(i) of this section.

(iii) *Specified events.* A specified event, with respect to a deemed transfer, occurs when, immediately after the

transaction and taking into account all related transactions:

(A) The controlled partnership that is the issuer of the debt instrument either ceases to be a controlled partnership or ceases to have an expanded group partner that is a covered member.

(B) The holder-in-form is a member of the expanded group immediately before the transaction, and the holder-in-form and the deemed holder cease to be members of the same expanded group for the reasons described in paragraph (d)(2) of this section.

(C) The holder-in-form is a controlled partnership immediately before the transaction, and the holder-in-form ceases to be a controlled partnership.

(D) The expanded group partner that is both the issuer of deemed partner stock and the deemed holder transfers (directly or indirectly through one or more partnerships) all or a portion of its interest in the controlled partnership to a person that neither is a covered member nor a controlled partnership with an expanded group partner that is a covered member. If there is a transfer of only a portion of the interest, see paragraph (f)(5)(iv) of this section.

(E) The expanded group partner that is both the issuer of deemed partner stock and the deemed holder transfers (directly or indirectly through one or more partnerships) all or a portion of its interest in the controlled partnership to a covered member or a controlled partnership with an expanded group partner that is a covered member. If there is a transfer of only a portion of the interest, see paragraph (f)(5)(iv) of this section.

(F) The holder-in-form transfers the debt instrument (which is disregarded for Federal tax purposes) to a person that is neither a member of the expanded group nor a controlled partnership. See paragraph (f)(4)(v) of this section if the holder-in-form transfers the debt instrument to a member of the expanded group or a controlled partnership.

(iv) *Specified event involving a transfer of only a portion of an interest in a controlled partnership.* If, with respect to a specified event described in paragraph (f)(5)(iii)(D) or (E) of this section, an

expanded group partner transfers only a portion of its interest in a controlled partnership, then, only a portion of the deemed transferred receivable that is deemed to be held by the expanded group partner is deemed to be distributed in redemption of an equal portion of the deemed partner stock. The portion of the deemed transferred receivable referred to in the preceding sentence is equal to the product of the entire principal amount of the deemed transferred receivable deemed to be held by the expanded group partner multiplied by a fraction, the numerator of which is the portion of the expanded group partner's capital account attributable to the interest that is transferred, and the denominator of which is the expanded group partner's capital account with respect to its entire interest, determined immediately before the specified event.

(6) *Issuance of a partnership's debt instrument to a partner and a partner's debt instrument to a partnership.* If a controlled partnership, with respect to an expanded group, issues a debt instrument to an expanded group partner, or if a covered member that is an expanded group partner issues a covered debt instrument to a controlled partnership, and in each case, no partner deducts or receives an allocation of expense with respect to the debt instrument, then this section does not apply to the debt instrument.

(g) *Definitions.* The definitions in this paragraph (g) apply for purposes of this section and §§ 1.385-3 and 1.385-4.

(1) *Asset reorganization.* The term asset reorganization means a reorganization described in section 368(a)(1)(A), (C), (D), (F), or (G).

(2) *Consolidated group.* The term consolidated group has the meaning specified in § 1.1502-1(h).

(3) *Covered debt instrument—(i) In general.* The term covered debt instrument means a debt instrument issued after April 4, 2016, that is not a qualified dealer debt instrument (as defined in paragraph (g)(3)(ii) of this section) or an excluded statutory or regulatory debt instrument (as defined in paragraph (g)(3)(iii) of this section), and that is issued by a covered member that is not an excepted regulated financial company (as defined in paragraph

(g)(3)(iv) of this section) or a regulated insurance company (as defined in paragraph (g)(3)(v) of this section).

(ii) *Qualified dealer debt instrument.* For purposes of this paragraph (g)(3), the term qualified dealer debt instrument means a debt instrument that is issued to or acquired by an expanded group member that is a dealer in securities (within the meaning of section 475(c)(1)) in the ordinary course of the dealer's business of dealing in securities. The preceding sentence applies solely to the extent that—

(A) The dealer accounts for the debt instruments as securities held primarily for sale to customers in the ordinary course of business;

(B) The dealer disposes of the debt instruments (or the debt instruments mature) within a period of time that is consistent with the holding of the debt instruments for sale to customers in the ordinary course of business, taking into account the terms of the debt instruments and the conditions and practices prevailing in the markets for similar debt instruments during the period in which it is held; and

(C) The dealer does not sell or otherwise transfer the debt instrument to a member of the dealer's expanded group unless that sale or transfer is to a dealer that satisfies the requirements of this paragraph (g)(3)(ii).

(iii) *Excluded statutory or regulatory debt instrument.* For purposes of this paragraph (g)(3), the term excluded statutory or regulatory debt instrument means a debt instrument that is described in any of the following paragraphs:

(A) Production payments treated as a loan under section 636(a) or (b).

(B) A "regular interest" in a real estate mortgage investment conduit described in section 860G(a)(1).

(C) A debt instrument that is deemed to arise under § 1.482-1(g)(3) (including adjustments made pursuant to Revenue Procedure 99-32, 1999-2 C.B. 296).

(D) A stripped bond or coupon described in section 1286, unless such instrument was issued with a principal purpose of avoiding the purposes of this section or § 1.385-3.

(E) A lease treated as a loan under section 467.

(iv) *Excepted regulated financial company.* For purposes of this paragraph (g)(3), the term excepted regulated financial company means a covered member that is a regulated financial company (as defined in paragraph (g)(3)(iv)(A) of this section) or a member of a regulated financial group (as defined in paragraph (g)(3)(iv)(B) of this section).

(A) *Regulated financial company.* For purposes of paragraph (g)(3)(iv), the term regulated financial company means—

(1) A bank holding company, as defined in 12 U.S.C. 1841;

(2) A covered savings and loan holding company, as defined in 12 CFR 217.2;

(3) A national bank;

(4) A bank that is a member of the Federal Reserve System and is incorporated by special law of any State, or organized under the general laws of any State, or of the United States, including a Morris Plan bank, or other incorporated banking institution engaged in a similar business;

(5) An insured depository institution, as defined in 12 U.S.C. 1813(c)(2);

(6) A nonbank financial company subject to a determination under 12 U.S.C. 5323(a)(1) or (b)(1);

(7) A U.S. intermediate holding company formed by a foreign banking organization in compliance with 12 CFR 252.153;

(8) An Edge Act corporation organized under section 25A of the Federal Reserve Act (12 U.S.C. 611-631);

(9) Corporations having an agreement or undertaking with the Board of Governors of the Federal Reserve System under section 25 of the Federal Reserve Act (12 U.S.C. 601-604a);

(10) A supervised securities holding company, as defined in 12 U.S.C. 1850a(a)(5);

(11) A broker or dealer that is registered with the Securities and Exchange Commission under 15 U.S.C. 78o(b);

(12) A futures commission merchant, as defined in 7 U.S.C. 1a(28);

(13) A swap dealer, as defined in 7 U.S.C. 1a(49);

(14) A security-based swap dealer, as defined in 15 U.S.C. 78c(a)(71);

(15) A Federal Home Loan Bank, as defined in 12 U.S.C. 1422(1)(A);

(16) A Farm Credit System Institution chartered and subject to the provisions of the Farm Credit Act of 1971 (12 U.S.C. 2001 *et seq.*); or

(17) A small business investment company, as defined in 15 U.S.C. 662(3).

(B) *Regulated financial group—(1) General rule.* For purposes of paragraph (g)(3)(iv) of this section, except as otherwise provided in paragraph (g)(3)(iv)(B)(2) of this section, the term regulated financial group means any expanded group of which a covered member that is a regulated financial company within the meaning of paragraphs (g)(3)(iv)(A)(1) through (10) of this section would be the expanded group parent if no person owned, directly or indirectly (as defined in § 1.385-1(c)(4)(iii)), the regulated financial company. A domestic eligible entity (within the meaning of § 301.7701-5(a) of this chapter) treated as a partnership or disregarded as an entity separate from its owner is, for purposes of this paragraph (g)(3)(iv)(B), also treated as a covered member.

(2) *Exception for certain non-financial entities.* A corporation is not a member of a regulated financial group if it is held by a regulated financial company pursuant to 12 U.S.C. 1843(k)(1)(B), 12 U.S.C. 1843(k)(4)(H), or 12 U.S.C. 1843(o).

(v) *Regulated insurance company.* For purposes of this paragraph (g)(3), the term regulated insurance company means a covered member that is—

(A) Subject to tax under subchapter L of chapter 1 of the Internal Revenue Code;

(B) Domiciled or organized under the laws of one of the 50 states or the District of Columbia (for purposes of paragraph (g)(3)(v) of this section, each being a “state”);

(C) Licensed, authorized, or regulated by one or more states to sell insurance, reinsurance, or annuity contracts to persons other than related persons (within the meaning of section 954(d)(3)) in such states, but in no case will a corporation satisfy the requirements of this paragraph (g)(3)(v)(C) if a principal purpose for obtaining such license, authorization, or regulation was to qualify the issuer as a regulated insurance company; and

(D) Engaged in regular issuances of (or subject to ongoing liability with respect to) insurance, reinsurance, or annuity contracts with persons that are not related persons (within the meaning of section 954(d)(3)).

(4) *Debt instrument.* The term debt instrument means an interest that would, but for the application of this section, be treated as a debt instrument as defined in section 1275(a) and § 1.1275-1(d).

(5) *Deemed holder.* The term *deemed holder* means, with respect to a deemed transfer, the expanded group partner that is deemed to hold a deemed transferred receivable by reason of the deemed transfer.

(6) *Deemed partner stock.* The term *deemed partner stock* means, with respect to a deemed transfer, the stock deemed issued by an expanded group partner as described in paragraphs (f)(4)(i) and (iii) and (f)(5)(ii) of this section. The amount of deemed partner stock is reduced as described in paragraphs (f)(4)(iv)(B) and (f)(5)(i) of this section.

(7) *Deemed transfer.* The term *deemed transfer* means, with respect to a specified portion, the transfer described in paragraph (f)(4)(i) or (iii) or (f)(5)(ii) of this section.

(8) *Deemed transferred receivable.* The term *deemed transferred receivable* means, with respect to a deemed transfer, the portion of the debt instrument described in paragraph (f)(4)(i) or (iii) or (f)(5)(ii) of this section. The deemed transferred receivable is reduced as described in paragraphs (f)(4)(iv)(B) and (f)(5)(i) of this section.

(9) *Distribution.* The term distribution means any distribution made by a corporation with respect to its stock.

(10) *Exempt distribution.* The term exempt distribution means either—

(i) A distribution of stock that is permitted to be received without the recognition of gain or income under section 354(a)(1) or 355(a)(1), or, if section 356 applies, that is not treated as other property or money described in section 356; or

(ii) A distribution of property in a complete liquidation under section 336(a) or 337(a).

(11) *Exempt exchange.* The term exempt exchange means an acquisition of expanded group stock in which either—

(i) In a case in which the transferor and transferee of the expanded group stock are parties to an asset reorganization, either—

(A) Section 361(a) or (b) applies to the transferor of the expanded group stock and the stock is not transferred by issuance; or

(B) Section 1032 or § 1.1032-2 applies to the transferor of the expanded group stock and the stock is distributed by the transferee pursuant to the plan of reorganization;

(ii) The transferor of the expanded group stock is a shareholder that receives property in a complete liquidation to which section 331 or 332 applies; or

(iii) The transferor of the expanded group stock is an acquiring entity that is deemed to issue the stock in exchange for cash from an issuing corporation in a transaction described in § 1.1032-3(b).

(12) *Expanded group partner.* The term expanded group partner means, with respect to a controlled partnership of an expanded group, a member of the expanded group that is a partner (directly or indirectly through one or more partnerships).

(13) *Expanded group stock.* The term expanded group stock means, with respect to a member of an expanded group, stock of a member of the same expanded group.

(14) *Funded member.* The term funded member has the meaning provided in paragraph (b)(3)(i) of this section.

(15) *Holder-in-form.* The term *holder-in-form* means, with respect to a debt instrument issued by a controlled partnership, the person that, absent the application of paragraph (f)(4) of this section, would be the holder of the debt instrument for Federal tax purposes. Therefore, the term holder-in-form does not include a deemed holder (as defined in paragraph (g)(5) of this section).

(16) *Issuance percentage.* The term *issuance percentage* means, with respect

to a controlled partnership and an expanded group partner, the ratio (expressed as a percentage) of the partner's reasonably anticipated distributive share of all the partnership's interest expense over a reasonable period, divided by all of the partnership's reasonably anticipated interest expense over that same period, taking into account any and all relevant facts and circumstances. The relevant facts and circumstances include, without limitation, the term of the debt instrument; whether the partnership anticipates issuing other debt instruments; and the partnership's anticipated section 704(b) income and expense, and the partners' respective anticipated allocation percentages, taking into account anticipated changes to those allocation percentages over time resulting, for example, from anticipated contributions, distributions, recapitalizations, or provisions in the controlled partnership agreement.

(17) *Liquidation value percentage.* The term *liquidation value percentage* means, with respect to a controlled partnership and an expanded group partner, the ratio (expressed as a percentage) of the liquidation value of the expanded group partner's interest in the partnership divided by the aggregate liquidation value of all the partners' interests in the partnership. The liquidation value of an expanded group partner's interest in a controlled partnership is the amount of cash the partner would receive with respect to the interest if the partnership (and any partnership through which the partner indirectly owns an interest in the controlled partnership) sold all of its property for an amount of cash equal to the fair market value of the property (taking into account section 7701(g)), satisfied all of its liabilities (other than those described in § 1.752-7), paid an unrelated third party to assume all of its § 1.752-7 liabilities in a fully taxable transaction, and then the partnership (and any partnership through which the partner indirectly owns an interest in the controlled partnership) liquidated.

(18) *Member of a consolidated group.* The term *member of a consolidated group* means a corporation described in § 1.1502-1(b).

(19) *Per se period.* The term *per se period* has the meaning provided in paragraph (b)(3)(iii)(A) of this section.

(20) *Predecessor*—(i) *In general.* Except as otherwise provided in paragraph (g)(20)(ii) of this section, the term *predecessor* means, with respect to a corporation—

(A) The distributor or transferor corporation in a transaction described in section 381(a) in which the corporation is the acquiring corporation; or

(B) The distributing corporation in a distribution or exchange to which section 355 (or so much of section 356 that relates to section 355) applies in which the corporation is a controlled corporation.

(ii) *Predecessor ceasing to be a member of the same expanded group as corporation.* The term *predecessor* does not include the distributing corporation described in paragraph (g)(20)(i)(B) of this section from the date that the distributing corporation ceases to be a member of the expanded group of which the controlled corporation is a member.

(iii) *Multiple predecessors.* A corporation may have more than one predecessor, including by reason of a predecessor of the corporation having a predecessor or successor. Accordingly, references to a corporation also include references to a predecessor or successor of a predecessor of the corporation.

(21) *Property.* The term *property* has the meaning specified in section 317(a).

(22) *Retained receivable.* The term *retained receivable* means, with respect to a debt instrument issued by a controlled partnership, the portion of the debt instrument that is not transferred by the holder-in-form pursuant to one or more deemed transfers. The retained receivable is adjusted for decreases described in paragraph (f)(4)(iv)(B) of this section and increases described in paragraph (f)(5)(i) of this section.

(23) *Specified portion.* The term *specified portion* means, with respect to a debt instrument issued by a controlled partnership and a covered member that is an expanded group partner, the portion of the debt instrument that is treated under paragraph (f)(3)(i) of this section as issued on a testing date (within the meaning of paragraph (f)(3)(ii) of this section) by the covered

member and that, absent the application of paragraph (f)(4)(i) of this section, would be treated as stock under paragraph (b)(2) or (b)(3)(i) of this section on the testing date. A specified portion is reduced as described in paragraphs (f)(4)(iv)(B) and (f)(5)(i) of this section.

(24) *Successor*—(i) *In general.* Except as otherwise provided in paragraph (g)(24)(iii) of this section, the term successor means, with respect to a corporation—

(A) The acquiring corporation in a transaction described in section 381(a) in which the corporation is the distributor or transferor corporation;

(B) A controlled corporation in a distribution or exchange to which section 355 (or so much of section 356 that relates to section 355) applies in which the corporation is the distributing corporation; or

(C) Subject to the rules in paragraph (g)(24)(ii) of this section, a seller in an acquisition described in paragraph (c)(2)(i)(A) of this section in which the corporation is the acquirer.

(ii) *Special rules for certain acquisitions of subsidiary stock.* The following rules apply with respect to a successor described in paragraph (g)(24)(i)(C) of this section:

(A) The seller is a successor to the acquirer only to the extent of the value (adjusted as described in paragraph (g)(24)(ii)(C) of this section) of the expanded group stock acquired from the seller in exchange for property (other than expanded group stock) in the acquisition described in paragraph (c)(2)(i)(A) of this section.

(B) A distribution or acquisition by either the seller or a successor seller to or from either the acquirer, the seller, or a successor seller is not treated as described in paragraph (b)(3) of this section for purposes of applying paragraph (b)(3) of this section to a covered debt instrument of the acquirer. For purposes of the preceding sentence, the term successor seller means a member of the expanded group that receives property (other than expanded group stock) in a distribution or acquisition from the seller or another successor seller and is controlled by the acquirer as determined under the principles of paragraph (c)(2)(i) of this section. A

successor seller is treated as a successor to the acquirer to the extent of the value of the property received in a distribution or acquisition described in the preceding sentence and, for purposes of applying this paragraph (g)(24)(ii)(B).

(C) To the extent that a covered debt instrument of the acquirer is treated as funding a distribution or acquisition by the seller or successor seller described in paragraphs (b)(3)(i)(A) through (C) of this section, or would be treated but for the exceptions described in paragraphs (c)(3)(i) and (ii) of this section, the value of the expanded group stock described in paragraph (g)(24)(ii)(A) of this section is reduced by an amount equal to the distribution or acquisition for purposes of any further application of paragraph (g)(24)(ii)(A) of this section with respect to the acquirer and seller.

(iii) *Successor ceasing to be a member of the same expanded group as corporation.* The term successor does not include a controlled corporation described in paragraph (g)(24)(i)(B) of this section with respect to a distributing corporation or a seller described in paragraph (g)(24)(i)(C) of this section with respect to an acquirer from the date that the controlled corporation or the seller ceases to be a member of the expanded group of which the controlled corporation or acquirer, respectively, is a member.

(iv) *Multiple successors.* A corporation may have more than one successor, including by reason of a successor of the corporation having a predecessor or successor. Accordingly, references to a corporation also include references to a predecessor or successor of a successor of the corporation.

(25) *Taxable year.* The term taxable year refers to the taxable year of the issuer of the covered debt instrument.

(h) *Examples*—(1) *Assumed facts.* Except as otherwise stated, the following facts are assumed for purposes of the examples in paragraph (h)(3) of this section:

(i) FP is a foreign corporation that owns 100% of the stock of USS1, a covered member, 100% of the stock of USS2, a covered member, and 100% of the stock of FS, a foreign corporation;

(ii) USS1 owns 100% of the stock of DS, a covered member, and CFC, which is a controlled foreign corporation within the meaning of section 957;

(iii) At the beginning of Year 1, FP is the common parent of an expanded group comprised solely of FP, USS1, USS2, FS, DS, and CFC (the FP expanded group);

(iv) The FP expanded group has more than \$50 million of covered debt instruments described in paragraph (c)(4) of this section at all times;

(v) No issuer of a covered debt instrument has a positive expanded group earnings account within the meaning of paragraph (c)(3)(i)(B) of this section or has received qualified contributions within the meaning of paragraph (c)(3)(ii) of this section;

(vi) All notes are covered debt instruments (as defined in paragraph (g)(3) of this section) and are not qualified short-term debt instruments (as defined in paragraph (b)(3)(vii) of this section);

(vii) Each entity has as its taxable year the calendar year;

(viii) PRS is a partnership for federal income tax purposes;

(ix) No corporation is a member of a consolidated group;

(x) No domestic corporation is a United States real property holding corporation within the meaning of section 897(c)(2);

(xi) Each note is issued with adequate stated interest (as defined in section 1274(c)(2)); and

(xii) Each transaction occurs after January 19, 2017.

(2) *No inference.* Except as otherwise provided in this section, it is assumed for purposes of the examples in paragraph (h)(3) of this section that the form of each transaction is respected for federal tax purposes. No inference is intended, however, as to whether any particular note would be respected as indebtedness or as to whether the form of any particular transaction described in an example in paragraph (h)(3) of this section would be respected for federal tax purposes.

(3) *Examples.* The following examples illustrate the rules of this section.

(i) *Example 1. Distribution of a covered debt instrument—(A) Facts.* On Date A in Year 1, FS lends \$100x to USS1 in ex-

change for USS1 Note A. On Date B in Year 2, USS1 issues USS1 Note B, which has a value of \$100x, to FP in a distribution.

(B) *Analysis.* USS1 Note B is a covered debt instrument that is issued by USS1 to FP, a member of the expanded group of which USS1 is a member, in a distribution. Accordingly, USS1 Note B is treated as stock under paragraph (b)(2)(i) of this section. Under paragraph (d)(1)(i) of this section, USS1 Note B is treated as stock when it is issued by USS1 to FP on Date B in Year 2. Accordingly, USS1 is treated as distributing USS1 stock to its shareholder FP in a distribution that is subject to section 305. Under paragraph (b)(5) of this section, because the distribution of USS1 Note B is described in paragraph (b)(2)(i) of this section, the distribution of USS1 Note B is not treated as a distribution of property described in paragraph (b)(3)(i)(A) of this section. Accordingly, USS1 Note A is not treated as funding the distribution of USS1 Note B for purposes of paragraph (b)(3)(i)(A) of this section.

(ii) *Example 2. Covered debt instrument issued for expanded group stock that is exchanged for stock in a corporation that is not a member of the same expanded group—(A) Facts.* UST is a publicly traded domestic corporation. On Date A in Year 1, USS1 issues USS1 Note to FP in exchange for FP stock. Subsequently, on Date B of Year 1, USS1 transfers the FP stock to UST's shareholders, which are not members of the FP expanded group, in exchange for all of the stock of UST.

(B) *Analysis.* (1) Because USS1 and FP are both members of the FP expanded group, USS1 Note is treated as stock when it is issued by USS1 to FP in exchange for FP stock on Date A in Year 1 under paragraphs (b)(2)(ii) and (d)(1)(i) of this section. This result applies even though, pursuant to the same plan, USS1 transfers the FP stock to persons that are not members of the FP expanded group. The exchange of USS1 Note for FP stock is not an exempt exchange within the meaning of paragraph (g)(11) of this section.

(2) Because USS1 Note is treated as stock for federal tax purposes when it is issued by USS1, pursuant to section

§1.367(b)-10(a)(3)(ii) (defining property for purposes of §1.367(b)-10) there is no potential application of §1.367(b)-10(a) to USS1's acquisition of the FP stock.

(iii) *Example 3. Issuance of a note in exchange for expanded group stock—(A) Facts.* On Date A in Year 1, USS1 issues USS1 Note to FP in exchange for 40% of the FS stock owned by FP.

(B) *Analysis.* (1) Because USS1 and FP are both members of the FP expanded group, USS1 Note is treated as stock when it is issued by USS1 to FP in exchange for FS stock on Date A in Year 1 under paragraphs (b)(2)(ii) and (d)(1)(i) of this section. The exchange of USS1 Note for FS stock is not an exempt exchange within the meaning of paragraph (g)(11) of this section.

(2) Because USS1 Note is treated as stock for federal tax purposes when it is issued by USS1, USS1 Note is not treated as property for purposes of section 304(a) because it is not property within the meaning specified in section 317(a). Therefore, USS1's acquisition of FS stock from FP in exchange for USS1 Note is not an acquisition described in section 304(a)(1).

(iv) *Example 4. Funding occurs in same taxable year as distribution—(A) Facts.* On Date A in Year 1, FP lends \$200x to DS in exchange for DS Note A. On Date B in Year 1, DS distributes \$400x of cash to USS1 in a distribution.

(B) *Analysis.* Under paragraph (b)(3)(iii)(A) of this section, DS Note A is treated as funding the distribution by DS to USS1 because DS Note A is issued to a member of the FP expanded group during the per se period with respect to DS's distribution to USS1. Accordingly, under paragraphs (b)(3)(i)(A) and (d)(1)(ii) of this section, DS Note A is treated as stock on Date B in Year 1.

(v) *Example 5. Additional funding—(A) Facts.* The facts are the same as in paragraph (h)(3)(iv)(A) of this section (*Example 4*), except that, in addition, on Date C in Year 2, FP lends an additional \$300x to DS in exchange for DS Note B.

(B) *Analysis.* The analysis is the same as in paragraph (h)(3)(iv)(B) of this section (*Example 4*) with respect to DS Note A. DS Note B is also issued to a member of the FP expanded group during the per se period with respect to DS's distribution to USS1. Under para-

graphs (b)(3)(iii)(A) and (b)(6) of this section, DS Note B is treated as funding only the remaining portion of DS's distribution to USS1, which is \$200x. Accordingly, \$200x of DS Note B is treated as stock under paragraph (b)(3)(i)(A) of this section. Under paragraph (d)(1)(i) of this section, \$200x of DS Note B is treated as stock when it is issued by DS to FP on Date C in Year 2. The remaining \$100x of DS Note B continues to be treated as indebtedness.

(vi) *Example 6. Funding involving multiple interests—(A) Facts.* On Date A in Year 1, FP lends \$300x to USS1 in exchange for USS1 Note A. On Date B in Year 2, USS1 distributes \$300x of cash to FP. On Date C in Year 3, FP lends another \$300x to USS1 in exchange for USS1 Note B.

(B) *Analysis.* (1) Under paragraph (b)(3)(iii)(B) of this section, USS1 Note A is tested under paragraph (b)(3) of this section before USS1 Note B is tested. USS1 Note A is issued during the per se period with respect to USS1's \$300x distribution to FP and, therefore, is treated as funding the distribution under paragraph (b)(3)(iii)(A) of this section. Beginning on Date B in Year 2, USS1 Note A is treated as stock under paragraphs (b)(3)(i)(A) and (d)(1)(ii) of this section.

(2) Under paragraph (b)(3)(iii)(B) of this section, USS1 Note B is tested under paragraph (b)(3) of this section after USS1 Note A is tested. Because USS1 Note A is treated as funding the entire \$300x distribution by USS1 to FP, USS1 Note B will continue to be treated as indebtedness. See paragraph (b)(6) of this section.

(vii) *Example 7. Re-testing—(A) Facts.* The facts are the same as in paragraph (h)(3)(vi)(A) of this section (*Example 6*), except that on Date D in Year 4, FP sells USS1 Note A to Bank.

(B) *Analysis.* (1) Under paragraph (d)(2)(i) of this section, USS1 Note A ceases to be treated as stock when FP sells USS1 Note A to Bank on Date D in Year 4. Immediately before FP sells USS1 Note A to Bank, USS1 is deemed to issue a debt instrument to FP in exchange for USS1 Note A in a transaction that is disregarded for purposes of paragraphs (b)(2) and (b)(3) of this section.

(2) Under paragraph (d)(2)(ii) of this section, after USS1 Note A is deemed exchanged for a new debt instrument, USS1's other covered debt instruments that are not treated as stock as of Date D in Year 4 (USS1 Note B) are re-tested for purposes of paragraph (b)(3)(iii) of this section to determine whether the instruments are treated as funding the \$300x distribution by USS1 to FP on Date B in Year 2. USS1 Note B was issued by USS1 to FP during the per se period. Accordingly, USS1 Note B is re-tested under paragraph (b)(3)(iii) of this section. Under paragraph (b)(3)(iii) of this section, USS1 Note B is treated as funding the distribution on Date C in Year 3 and, accordingly, is treated as stock under paragraph (b)(3)(i)(A) of this section. USS1 Note B is deemed to be exchanged for stock on Date D in Year 4, the re-testing date, under paragraph (d)(1)(iv) of this section. See § 1.385-1(d) for rules regarding the treatment of this deemed exchange.

(viii) *Example 8. Distribution of expanded group stock and covered debt instrument in a reorganization that qualifies under section 355—(A) Facts.* On Date A in Year 1, FP lends \$200x to USS2 in exchange for USS2 Note. In a transaction that is treated as independent from the transaction on Date A in Year 1, on Date B in Year 2, USS2 transfers a portion of its assets to DS2, a newly formed domestic corporation, in exchange for all of the stock of DS2 and DS2 Note. Immediately afterwards, USS2 distributes all of the DS2 stock and the DS2 Note to FP with respect to FP's USS2 stock in a transaction that qualifies under section 355. USS2's transfer of a portion of its assets to DS2 qualifies as a reorganization described in section 368(a)(1)(D). The DS2 stock has a value of \$150x and DS2 Note has a value of \$50x. The DS2 stock is not non-qualified preferred stock as defined in section 351(g)(2). Absent the application of this section, DS2 Note would be treated by FP as other property within the meaning of section 356.

(B) *Analysis.* (1) The contribution and distribution transaction is a reorganization described in section 368(a)(1)(D) involving a transfer of property by USS2 to DS2 in exchange for DS2 stock and DS2 Note. The transfer of property by USS2 to DS2 is a

contribution of excluded property described in paragraph (c)(3)(ii)(D)(2) of this section and an excluded contribution described in paragraph (c)(3)(ii)(E)(2) of this section. Accordingly, USS2's contribution of property to DS2 is not a qualified contribution described in paragraph (c)(3)(ii)(B) of this section.

(2) DS2 Note is a covered debt instrument that is issued by DS2 to USS2, both members of the FP expanded group, in exchange for property of USS2 in an asset reorganization (as defined in paragraph (g)(1) of this section), and received by FP, another FP expanded group member immediately before the reorganization, as other property with respect to FP's USS2 stock. Accordingly, the transaction is described in paragraph (b)(2)(iii) of this section, and DS2 Note is treated as stock when it is issued by DS2 to USS2 on Date B in Year 2 pursuant to paragraphs (b)(2)(iii) and (d)(1)(i) of this section.

(3) Because the issuance of DS2 Note by DS2 in exchange for the property of USS2 in an asset reorganization is described in paragraph (b)(2)(iii) of this section, the distribution and acquisition of DS2 Note by USS2 is not treated as a distribution or acquisition described in paragraph (b)(3)(i) of this section. Accordingly, USS2 Note is not treated as funding the distribution of DS2 Note for purposes of paragraph (b)(3)(i) of this section.

(4) USS2's acquisition of DS2 stock is not an acquisition described in paragraph (b)(3)(i)(B) of this section because it is an exempt exchange (as defined in paragraph (g)(11) of this section). USS2's acquisition of DS2 stock is an exempt exchange because USS2 and DS2 are both parties to a reorganization that is an asset reorganization, section 1032 applies to DS2, the transferor of the expanded group stock, and the DS2 stock is distributed by USS2, the transferee of the expanded group stock, pursuant to the plan of reorganization.

(5) USS2's distribution of \$150x of the DS2 stock is a distribution of stock that is permitted to be received by FP without recognition of gain under section 355(a)(1). Accordingly, USS2's distribution of the DS2 stock (other than

the DS2 Note) to FP is an exempt distribution, and is not described in paragraph (b)(3)(i)(A) of this section.

(6) Because USS2 has not made a distribution or acquisition that is described in paragraph (b)(3)(i)(A), (B), or (C) of this section, USS2 Note is not treated as stock.

(ix) *Example 9. Funding a distribution by a successor to funded member—(A) Facts.* The facts are the same as in *Example 8* of this paragraph (h)(3), except that on Date C in Year 3, DS2 distributes \$200x of cash to FP and, subsequently, on Date D in Year 3, USS2 distributes \$100x of cash to FP.

(B) *Analysis.* (1) USS2 is a predecessor of DS2 under paragraph (g)(20)(i)(B) of this section and DS2 is a successor to USS2 under paragraph (g)(24)(i)(B) of this section because USS2 is the distributing corporation and DS2 is the controlled corporation in a distribution to which section 355 applies. Accordingly, under paragraph (b)(3)(v) of this section, a distribution by DS2 is treated as a distribution by USS2. Under paragraphs (b)(3)(iii)(A) and (b)(3)(v)(B) of this section, USS2 Note is treated as funding the distribution by DS2 to FP because USS2 Note was issued during the per se period with respect to DS2's \$200x cash distribution, and because both the issuance of USS2 Note and the distribution by DS2 occur during the per se period with respect to the section 355 distribution. Accordingly, under paragraphs (b)(3)(i)(A) and (d)(1)(ii) of this section, USS2 Note is treated as stock beginning on Date C in Year 3. See § 1.385-1(d) for rules regarding the treatment of this deemed exchange.

(2) Because the entire amount of USS2 Note is treated as funding DS2's \$200x distribution to FP, under paragraph (b)(3)(iii)(C) of this section, USS2 Note is not treated as funding the subsequent distribution by USS2 on Date D in Year 3.

(x) *Example 10. Asset reorganization; section 354 qualified property—(A) Facts.* On Date A in Year 1, FS lends \$100x to USS2 in exchange for USS2 Note. On Date B in Year 2, in a transaction that qualifies as a reorganization described in section 368(a)(1)(D), USS2 transfers all of its assets to USS1 in exchange for stock of USS1 and the assumption by

USS1 of all of the liabilities of USS2, and USS2 distributes to FP, with respect to FP's USS2 stock, all of the USS1 stock that USS2 receives. FP does not recognize gain under section 354(a)(1).

(B) *Analysis.* (1) USS1 is a successor to USS2 under paragraph (g)(24)(i)(A) of this section. For purposes of paragraph (b)(3) of this section, USS2 and, under paragraph (b)(3)(v)(A) of this section, its successor, USS1, are funded members with respect to USS2 Note. Although USS2, a funded member, distributes property (USS1 stock) to its shareholder, FP, pursuant to the reorganization, the distribution of USS1 stock is not described in paragraph (b)(3)(i)(A) of this section because the stock is distributed in an exempt distribution (as defined in paragraph (g)(10) of this section). In addition, neither USS1's acquisition of the assets of USS2 nor USS2's acquisition of USS1 stock is described in paragraph (b)(3)(i)(C) of this section because FP does not receive other property within the meaning of section 356 with respect to its stock in USS2.

(2) USS2's acquisition of USS1 stock is not an acquisition described in paragraph (b)(3)(i)(B) of this section because it is an exempt exchange (as defined in paragraph (g)(11) of this section). USS2's acquisition of USS1 stock is an exempt exchange because USS1 and USS2 are both parties to an asset reorganization, section 1032 applies to USS1, the transferor of the USS1 stock, and the USS1 stock is distributed by USS2, the transferee, pursuant to the plan of reorganization. Furthermore, USS2's acquisition of its own stock from FS is not an acquisition described in paragraph (b)(3)(i)(B) of this section because USS2 acquires its stock in exchange for USS1 stock.

(3) Because neither USS1 nor USS2 has made a distribution or acquisition described in paragraph (b)(3)(i)(A), (B), or (C) of this section, USS2 Note is not treated as stock under paragraph (b)(3)(iii)(A) of this section.

(xi) *Example 11. Distribution of a covered debt instrument and issuance of a covered debt instrument with a principal purpose of avoiding the purposes of this section—(A) Facts.* On Date A in Year 1, USS1 issues USS1 Note A, which has a

value of \$100x, to FP in a distribution. On Date B in Year 1, with a principal purpose of avoiding the purposes of this section, FP sells USS1 Note A to Bank for \$100x of cash and lends \$100x to USS1 in exchange for USS1 Note B.

(B) *Analysis.* USS1 Note A is a covered debt instrument that is issued by USS1 to FP, a member of USS1's expanded group, in a distribution. Accordingly, under paragraphs (b)(2)(i) and (d)(1)(i) of this section, USS1 Note A is treated as stock when it is issued by USS1 to FP on Date A in Year 1. Accordingly, USS1 is treated as distributing USS1 stock to FP. Because the distribution of USS1 Note A is described in paragraph (b)(2)(i) of this section, the distribution of USS1 Note A is not described in paragraph (b)(3)(i)(A) of this section under paragraph (b)(5) of this section. Under paragraph (d)(2)(i) of this section, USS1 Note A ceases to be treated as stock when FP sells USS1 Note A to Bank on Date B in Year 1. Immediately before FP sells USS1 Note A to Bank, USS1 is deemed to issue a debt instrument to FP in exchange for USS1 Note A in a transaction that is disregarded for purposes of paragraphs (b)(2) and (b)(3)(i) of this section. USS1 Note B is not treated as stock under paragraph (b)(3)(i)(A) of this section because the funded member, USS1, has not made a distribution of property. However, because the transactions occurring on Date B of Year 1 were undertaken with a principal purpose of avoiding the purposes of this section, USS1 Note B is treated as stock on Date B of Year 1 under paragraph (b)(4) of this section.

(xii) *Example 12: Distribution of a covered debt instrument to a controlled partnership—(A) Facts.* CFC and FS are equal partners in PRS. PRS owns 100% of the stock in X Corp, a domestic corporation. On Date A in Year 1, X Corp issues X Note to PRS in a distribution.

(B) *Analysis.* (1) Under § 1.385-1(c)(4), in determining whether X Corp is a member of the FP expanded group that includes CFC and FS, CFC and FS are each treated as owning 50% of the X Corp stock held by PRS. Accordingly, 100% of X Corp's stock is treated as owned by CFC and FS, and X Corp is a member of the FP expanded group.

(2) Together CFC and FS own 100% of the interests in PRS capital and profits, such that PRS is a controlled partnership under § 1.385-1(c)(1). CFC and FS are both expanded group partners on the date on which PRS acquired X Note. Therefore, pursuant to paragraph (f)(2)(i)(A) of this section, each of CFC and FS is treated as acquiring its share of X Note in the same manner (in this case, by a distribution of X Note), and on the date on which, PRS acquired X Note. Likewise, X Corp is treated as issuing to each of CFC and FS its share of X Note. Under paragraph (f)(2)(i)(B) of this section, each of CFC's and FS's share of X Note, respectively, is determined in accordance with its liquidation value percentage determined on Date A in Year 1, the date X Corp distributed X Note to PRS. On Date A in Year 1, pursuant to paragraph (g)(17) of this section, each of CFC's and FS's liquidation value percentages is 50%. Accordingly, on Date A in Year 1, under paragraph (f)(2)(i)(A) of this section, for purposes of this section, CFC and FS are each treated as acquiring 50% of X Note in a distribution.

(3) Under paragraphs (b)(2)(i) and (d)(1)(i) of this section, X Note is treated as stock on the date of issuance, which is Date A in Year 1. Under paragraph (f)(2)(i)(A) of this section, each of CFC and FS are treated as acquiring 50% of X Note in a distribution for purposes of this section. Therefore, X Corp is treated as distributing its stock to PRS in a distribution described in section 305.

(xiii) *Example 13: Loan to a controlled partnership; proportionate distributions by expanded group partners—(A) Facts.* DS, USS2, and USP are partners in PRS. USP is a domestic corporation that is not a member of the FP expanded group. Each of DS and USS2 own 45% of the interests in PRS profits and capital, and USP owns 10% of the interests in PRS profits and capital. The PRS partnership agreement provides that all items of PRS income, gain, loss, deduction, and credit are allocated in accordance with the percentages in the preceding sentence. On Date A in Year 1, FP lends \$200x to PRS in exchange for PRS Note with stated principal amount of \$200x, which is payable at maturity. PRS Note also

provides for annual payments of interest that are qualified stated interest. PRS uses all \$200x in its business and does not distribute any money or other property to a partner. Subsequently, on Date B in Year 1, DS distributes \$90x to USS1, USS2 distributes \$90x to FP, and USP distributes \$20x to its shareholder. Each of DS's and USS2's issuance percentage is 45% on Date B in Year 1, the date of the distributions and therefore a testing date under paragraph (f)(3)(ii)(A) of this section.

(B) *Analysis.* (1) DS and USS2 together own 90% of the interests in PRS profits and capital and therefore PRS is a controlled partnership under § 1.385-1(c)(1). Under § 1.385-1(c)(2), each of DS and USS2 is a covered member.

(2) Under paragraph (f)(3)(i) of this section, each of DS and USS2 is treated as issuing its share of PRS Note, and under paragraph (f)(3)(ii)(A) of this section, DS's and USS2's share is each \$90x (45% of \$200x). USP is not an expanded group partner and therefore has no issuance percentage and is not treated as issuing any portion of PRS Note.

(3) The \$90x distributions made by DS to USS1 and by USS2 to FP are described in paragraph (b)(3)(i)(A) of this section. Under paragraph (b)(3)(iii)(A) of this section, the portions of PRS Note treated as issued by each of DS and USS2 are treated as funding the distribution made by DS and USS2 because the distributions occurred within the per se period with respect to PRS Note. Under paragraph (b)(3)(i) of this section, the portions of PRS Note treated as issued by each of DS and USS2 would, absent the application of paragraph (f)(4)(i) of this section, be treated as stock of DS and USS2 on Date B in Year 1, the date of the distributions. See paragraph (d)(1)(ii) of this section. Under paragraph (g)(23) of this section, each of the \$90x portions is a specified portion.

(4) Under paragraph (f)(4)(i) of this section, the specified portions are not treated as stock under paragraph (b)(3)(i) of this section. Instead, FP is deemed to transfer a portion of PRS Note with a principal amount equal to \$90x (the adjusted issue price of the specified portion with respect to DS) to DS in exchange for deemed partner stock in DS with a fair market value of

\$90x. Similarly, FP is deemed to transfer a portion of PRS Note with a principal amount equal to \$90x (the adjusted issue price of the specified portion with respect to USS2) to USS2 in exchange for deemed partner stock in USS2 with a fair market value of \$90x. The principal amount of the retained receivable held by FP is \$20x (\$200x - \$90x - \$90x).

(xiv) *Example 14: Loan to a controlled partnership; disproportionate distributions by expanded group partners—(A) Facts.* The facts are the same as in paragraph (h)(3)(xiii)(A) of this section (*Example 13*), except that on Date B in Year 1, DS distributes \$45x to USS1 and USS2 distributes \$135x to FP.

(B) *Analysis.* (1) The analysis is the same as in paragraph (h)(3)(xiii)(B)(1) of this section (*Example 13*).

(2) The analysis is the same as in paragraph (h)(3)(xiii)(B)(2) of this section (*Example 13*).

(3) The \$45x and \$135x distributions made by DS to USS1 and by USS2 to FP, respectively, are described in paragraph (b)(3)(i)(A) of this section. Under paragraph (b)(3)(iii)(A) of this section, the portion of PRS Note treated as issued by DS is treated as funding the distribution made by DS because the distribution occurred within the per se period with respect to PRS Note, but under paragraph (b)(3)(i) of this section, only to the extent of DS's \$45x distribution. USS2 is treated as issuing \$90x of PRS Note, all of which is treated as funding \$90x of USS2's \$135x distribution under paragraph (b)(3)(iii)(A) of this section. Under paragraph (b)(3)(i) of this section, absent the application of paragraph (f)(4)(i) of this section, \$45x of PRS Note would be treated as stock of DS and \$90x of PRS Note would be treated as stock of USS2 on Date B in Year 1, the date of the distributions. See paragraph (d)(1)(ii) of this section. Under paragraph (g)(23) of this section, \$45x of PRS Note is a specified portion with respect to DS and \$90x of PRS Note is a specified portion with respect to USS2.

(4) Under paragraph (f)(4)(i) of this section, the specified portions are not treated as stock under paragraph (b)(3)(i) of this section. Instead, FP is deemed to transfer a portion of PRS Note with a principal amount equal to

\$45x (the adjusted issue price of the specified portion with respect to DS) to DS in exchange for stock of DS with a fair market value of \$90x. Similarly, FP is deemed to transfer a portion of PRS Note with a principal amount equal to \$90x (the adjusted issue price of the specified portion with respect to USS2) to USS2 in exchange for stock of USS2 with a fair market value of \$90x. The principal amount of the retained receivable held by FP is \$65x (\$200x - \$45x - \$90x).

(xv) *Example 15: Loan to partnership; distribution in later year—(A) Facts.* The facts are the same as in paragraph (h)(3)(xiii)(A) of this section (*Example 13*), except that USS2 does not distribute \$90x to FP until Date C in Year 2, which is less than 36 months after Date A in Year 1. On Date C in Year 2, DS's, USS2's, and USP's issuance percentages under paragraph (g)(16) of this section are unchanged at 45%, 45%, and 10%, respectively.

(B) *Analysis.* (1) The analysis is the same as in paragraph (h)(3)(xiii)(B)(1) of this section (*Example 13*).

(2) The analysis is the same as in paragraph (h)(3)(xiii)(B)(2) of this section (*Example 13*).

(3) With respect to the distribution made by DS, the analysis is the same as in paragraph (h)(3)(xiii)(B)(3) of this section (*Example 13*).

(4) With respect to the deemed transfer to DS, the analysis is the same as in paragraph (h)(3)(xiii)(B)(4) of this section (*Example 13*). Accordingly, the amount of the retained receivable held by FP as of Date B in Year 1 is \$110x (\$200x - \$90x).

(5) Under paragraph (f)(3)(ii)(A) of this section, USS2's share of PRS Note is determined on Date C in Year 2. On Date C in Year 2, DS's, USS2's, and USP's respective shares of PRS Note under paragraph (f)(3)(ii)(A) of this section are \$90x, \$90x, and \$20x. However, because DS is treated as the issuer with respect to a \$90x specified portion of PRS Note, DS's share of PRS Note is reduced by \$90x to \$0 under paragraph (f)(3)(ii)(B)(1) of this section. No reduction to either of USS2's or USP's share of PRS Note is required under paragraph (f)(3)(ii)(B)(2) of this section because the aggregate of DS's, USS2's, and USP's shares of PRS Note as re-

duced is \$110x (DS has a \$0 share, USS2 has a \$90x share, and USP has a \$20x share), which does not exceed \$110x (the \$200x adjusted issue price of PRS Note reduced by the \$90x specified portion with respect to DS). Under paragraph (f)(3)(i) of this section, USS2 is treated as issuing its share of PRS Note.

(6) The \$90x distribution made by USS2 to FP is described in paragraph (b)(3)(i)(A) of this section. Under paragraph (b)(3)(iii)(A) of this section, the portion of PRS Note treated as issued by USS2 is treated as funding the distribution made by USS2, because the distribution occurred within the per se period with respect to PRS Note. Accordingly, the portion of PRS Note treated as issued by USS2 would, absent the application of paragraph (f)(4)(i) of this section, be treated as stock of USS2 under paragraph (b)(3)(i) of this section on Date C in Year 2. See paragraph (d)(1)(ii) of this section. Under paragraph (g)(23) of this section, the \$90x portion is a specified portion.

(7) Under paragraph (f)(4)(i) of this section, the specified portion of PRS Note treated as issued by USS2 is not treated as stock under paragraph (b)(3)(i) of this section. Instead, on Date C in Year 2, FP is deemed to transfer a portion of PRS Note with a principal amount equal to \$90x (the adjusted issue price of the specified portion with respect to USS2) to USS2 in exchange for stock in USS2 with a fair market value of \$90x. The principal amount of the retained receivable held by FP is reduced from \$110x to \$20x.

(xvi) *Example 16: Loan to a controlled partnership; partnership ceases to be a controlled partnership—(A) Facts.* The facts are the same as in paragraph (h)(3)(xiii)(A) of this section (*Example 13*), except that on Date C in Year 4, USS2 sells its entire interest in PRS to an unrelated person.

(B) *Analysis.* (1) On date C in Year 4, PRS ceases to be a controlled partnership with respect to the FP expanded group under § 1.385-1(c)(1). This is the case because DS, the only remaining partner that is a member of the FP expanded group, only owns 45% of the total interest in PRS profits and capital. Because PRS ceases to be a controlled partnership, a specified event (within the meaning of paragraph

(f)(5)(iii)(A) of this section) occurs with respect to the deemed transfers with respect to each of DS and USS2.

(2) Under paragraph (f)(5)(i) of this section, on Date C in Year 4, immediately before PRS ceases to be a controlled partnership, each of DS and USS2 is deemed to distribute its deemed transferred receivable to FP in redemption of FP's deemed partner stock in DS and USS2. The specified portion that corresponds to each of the deemed transferred receivables ceases to be treated as a specified portion. Furthermore, the deemed transferred receivables cease to exist, and the retained receivable held by FP increases from \$20x to \$200x.

(xvii) *Example 17: Transfer of an interest in a partnership to a covered member—(A) Facts.* The facts are the same as in paragraph (h)(3)(xiii)(A) of this section (*Example 13*), except that on Date C in Year 4, USS2 sells its entire interest in PRS to USS1.

(B) *Analysis.* (1) After USS2 sells its interest in PRS to USS1, DS and USS1 together own 90% of the interests in PRS profits and capital and therefore PRS continues to be a controlled partnership under § 1.385-1(c)(1). A specified event (within the meaning of paragraph (f)(5)(iii)(E) of this section) occurs as result of the sale only with respect to the deemed transfer with respect to USS2.

(2) Under paragraph (f)(5)(i) of this section, on Date C in Year 4, immediately before USS2 sells its entire interest in PRS to USS1, USS2 is deemed to distribute its deemed transferred receivable to FP in redemption of FP's deemed partner stock in USS2. Because the specified event is described in paragraph (f)(5)(iii)(E) of this section, under paragraph (f)(5)(ii) of this section, FP is deemed to retransfer the deemed transferred receivable deemed received from USS2 to USS1 in exchange for deemed partner stock in USS1 with a fair market value equal to the principal amount of the deemed transferred receivable that is retransferred to USS1.

(xviii) *Example 18: Loan to partnership and all partners are members of a consolidated group—(A) Facts.* USS1 and DS are equal partners in PRS. USS1 and DS are members of a consolidated

group, as defined in § 1.1502-1(h). The PRS partnership agreement provides that all items of PRS income, gain, loss, deduction, and credit are allocated equally between USS1 and DS. On Date A in Year 1, FP lends \$200x to PRS in exchange for PRS Note. PRS uses all \$200x in its business and does not distribute any money or other property to any partner. On Date B in Year 1, DS distributes \$200x to USS1, and USS1 distributes \$200x to FP. If neither of USS1 or DS were a member of the consolidated group, each would have an issuance percentage under paragraph (g)(16) of this section, determined as of Date A in Year 1, of 50%.

(B) *Analysis.* (1) Pursuant to § 1.385-4(b)(6), PRS is treated as a partnership for purposes of this section. Under § 1.385-4(b)(1), DS and USS1 are treated as one corporation for purposes of this section, and thus a single covered member under § 1.385-1(c)(2). For purposes of this section, the single covered member owns 100% of the PRS profits and capital and therefore PRS is a controlled partnership under § 1.385-1(c)(1). Under paragraph (f)(3)(i) of this section, the single covered member is treated as issuing all \$200x of PRS Note to FP, a member of the same expanded group as the single covered member. DS's distribution to USS1 is a disregarded distribution because it is a distribution between members of a consolidated group that is disregarded under the one-corporation rule described in § 1.385-4(b)(1). However, under paragraph (b)(3)(iii)(A) of this section, PRS Note, treated as issued by the single covered member, is treated as funding the distribution by USS1 to FP, which is described in paragraph (b)(3)(i)(A) of this section and which is a regarded distribution. Accordingly, PRS Note, absent the application of paragraph (f)(4)(i) of this section, would be treated as stock under paragraph (b) of this section on Date B in Year 1. Thus, pursuant to paragraph (g)(23) of this section, the entire PRS Note is a specified portion.

(2) Under paragraphs (f)(4)(i) and (iii) of this section, the specified portion is not treated as stock and, instead, FP is deemed to transfer PRS Note with a principal amount equal to \$200x to USS1 in exchange for stock of USS1

with a fair market value of \$200x. Under paragraph (f)(4)(iii) of this section, FP is deemed to transfer PRS Note to USS1 because only USS1 made a regarded distribution described in paragraph (b)(3)(i) of this section.

(ix) *Example 19: Loan to a disregarded entity*—(A) *Facts.* DS owns DRE, a disregarded entity within the meaning of § 1.385-1(c)(3). On Date A in Year 1, FP lends \$200x to DRE in exchange for DRE Note. Subsequently, on Date B in Year 1, DS distributes \$100x of cash to USS1.

(B) *Analysis.* Under paragraph (b)(3)(iii)(A) of this section, \$100x of DRE Note would be treated as funding the distribution by DS to USS1 because DRE Note is issued to a member of the FP expanded group during the per se period with respect to DS's distribution to USS1. Accordingly, under paragraphs (b)(3)(i)(A) and (d)(1)(ii) of this section, \$100x of DRE Note would be treated as stock on Date B in Year 1. However, under paragraph (d)(4) of this section, DS, as the regarded owner, within the meaning of § 1.385-1(c)(5), of DRE is deemed to issue its stock to FP in exchange for a portion of DRE Note equal to the \$100x applicable portion (as defined in paragraph (d)(4) of this section). Thus, DS is treated as the holder of \$100x of DRE Note, which is disregarded, and FP is treated as the holder of the remaining \$100x of DRE Note. The \$100x of stock deemed issued by DS to FP has the same terms as DRE Note, other than the issuer, and payments on the stock are determined by reference to payments on DRE Note.

(i) [Reserved]

(j) *Applicability date and transition rules*—(1) *In general.* Except as provided in paragraph (j)(2) or (3) or (k) of this section, this section applies to taxable years ending on or after January 19, 2017.

(2) *Transition rules*—(i) *Transition rule for covered debt instruments that would be treated as stock in taxable years ending before January 19, 2017.* If paragraphs (b) and (d)(1) of this section, taking into account §§ 1.385-1, 1.385-3, and 1.385-4, would have treated a covered debt instrument as stock in a taxable year ending before January 19, 2017 but for the application of paragraph (j)(1) of this section, to the extent that the cov-

ered debt instrument is held by a member of the expanded group of which the issuer is a member immediately after January 19, 2017, then the covered debt instrument is deemed to be exchanged for stock immediately after January 19, 2017.

(ii) *Transition rule for certain covered debt instruments treated as stock in taxable years ending on or after January 19, 2017.* If paragraphs (b) and (d)(1) of this section, taking into account §§ 1.385-1, 1.385-3, and 1.385-4, would treat a covered debt instrument as stock on or before January 19, 2017 but in a taxable year ending on or after January 19, 2017, that covered debt instrument is not treated as stock during the 90-day period after October 21, 2016. Instead, to the extent that the covered debt instrument is held by a member of the expanded group of which the issuer is a member immediately after January 19, 2017, the covered debt instrument is deemed to be exchanged for stock immediately after January 19, 2017.

(iii) *Transition funding rule.* When a covered debt instrument would be recharacterized as stock after April 4, 2016, and on or before January 19, 2017 (the *transition period*), but that covered debt instrument is not recharacterized as stock on such date due to the application of paragraph (j)(1), (j)(2)(i), or (j)(2)(ii) of this section, any payments made with respect to such covered debt instrument (other than stated interest), including pursuant to a refinancing, after the date that the covered debt instrument would have been recharacterized as stock and through the remaining portion of the transition period are treated as distributions for purposes of applying paragraph (b)(3) of this section for taxable years ending on or after January 19, 2017. In addition, to the extent that the holder and the issuer of the covered debt instrument cease to be members of the same expanded group during the transition period, the distribution or acquisition that would have caused the covered debt instrument to be treated as stock is available to be treated as funded by other covered debt instruments of the issuer for purposes of paragraph (b)(3) of this section (to the extent provided in paragraph (b)(3)(iii) of this section).

The prior sentence is applied in a manner that is consistent with the rules set forth in paragraph (d)(2) of this section.

(iv) *Coordination between the general rule and funding rule.* When a covered debt instrument would be recharacterized as stock pursuant to paragraph (b)(2) of this section after April 4, 2016, and on or before January 19, 2017, but that covered debt instrument is not recharacterized as stock on such date due to the application of paragraph (j)(1), (j)(2)(i), or (j)(2)(ii) of this section, the issuance of such covered debt instrument is not treated as a distribution or acquisition described in §1.385-3(b)(3)(i), but only to the extent that the covered debt instrument is held by a member of the expanded group of which the issuer is a member immediately after January 19, 2017.

(v) *Option to apply proposed regulations.* In lieu of applying §§1.385-1, 1.385-3, and 1.385-4, taxpayers may apply the provisions matching §§1.385-1, 1.385-3, and 1.385-4 from the Internal Revenue Bulletin (IRB) 2016-17 (<https://www.irs.gov/pub/irs-irbs/irb16-17.pdf>) to all debt instruments issued by a particular issuer (and members of its expanded group that are covered members) after April 4, 2016, and before October 13, 2016, solely for purposes of determining whether a debt instrument is treated as stock, provided that those sections are consistently applied.

(3) *Paragraph (f)(4)(iii) of this section.* Paragraph (f)(4)(iii) of this section applies to taxable years for which the U.S. Federal income tax return is due, without extensions, after May 14, 2020. For taxable years ending on or after January 19, 2017, and for which the U.S. Federal income tax return is due, without extensions, on or before May 14, 2020, see §1.385-3T(f)(4)(iii), as contained in 26 CFR in part 1 in effect on April 1, 2019. In the case of a taxable year that ends after October 13, 2019, and on or before May 14, 2020, a taxpayer may choose to apply paragraph (f)(4)(iii) of this section to the portion of the taxable year that occurs after the expiration of §1.385-3T on October 13, 2019, provided that all members of the taxpayer's expanded group apply such paragraph.

(k) *Additional transition rules.* See transition rules in §1.385-3T(k)(2) as

contained in 26 CFR in part 1 in effect on April 1, 2019.

[T.D. 9790, 81 FR 72960, Oct. 21, 2016, as amended by T.D. 9790, 82 FR 8167, Jan. 24, 2017; T.D. 9880, 84 FR 59302, Nov. 4, 2019; T.D. 9897, 85 FR 28870, May 14, 2020]

§ 1.385-4 Treatment of consolidated groups.

(a) *Scope.* This section provides rules for applying §1.385-3 to members of consolidated groups. Paragraph (b) of this section sets forth rules concerning the extent to which, solely for purposes of applying §1.385-3, members of a consolidated group that file (or that are required to file) a consolidated U.S. Federal income tax return are treated as one corporation. Paragraph (c) of this section sets forth rules concerning the treatment of a debt instrument that ceases to be, or becomes, a consolidated group debt instrument. Paragraph (d) of this section provides rules for applying the funding rule of §1.385-3(b)(3) to members that depart a consolidated group. For definitions applicable to this section, see paragraph (e) of this section and §§1.385-1(c) and 1.385-3(g). For examples illustrating the application of this section, see paragraph (f) of this section.

(b) *Treatment of consolidated groups—*
 (1) *Members treated as one corporation.* For purposes of this section and §1.385-3, and except as otherwise provided in this section and §1.385-3, all members of a consolidated group (as defined in §1.1502-1(h)) that file (or that are required to file) a consolidated U.S. Federal income tax return are treated as one corporation. Thus, for example, when a member of a consolidated group issues a covered debt instrument that is not a consolidated group debt instrument, the consolidated group generally is treated as the issuer of the covered debt instrument for purposes of this section and §1.385-3. Also, for example, when one member of a consolidated group issues a covered debt instrument that is not a consolidated group debt instrument and therefore is treated as issued by the consolidated group, and another member of the consolidated group makes a distribution or acquisition described in §1.385-3(b)(3)(i)(A) through (C) with an expanded group member that is not a member of the

§ 1.385-4

26 CFR Ch. I (4-1-21 Edition)

consolidated group, § 1.385-3(b)(3)(i) may treat the covered debt instrument as funding the distribution or acquisition made by the consolidated group. In addition, except as otherwise provided in this section, acquisitions and distributions described in § 1.385-3(b)(2) and (b)(3)(i) in which all parties to the transaction are members of the same consolidated group both before and after the transaction are disregarded for purposes of this section and § 1.385-3.

(2) *One-corporation rule inapplicable to expanded group member determination.* The one-corporation rule described in paragraph (b)(1) of this section does not apply in determining the members of an expanded group. Notwithstanding the previous sentence, an expanded group does not exist for purposes of this section and § 1.385-3 if it consists only of members of a single consolidated group.

(3) *Application of § 1.385-3 to debt instruments issued by members of a consolidated group—(i) Debt instrument treated as stock of the issuing member of a consolidated group.* If a covered debt instrument treated as issued by a consolidated group under the one-corporation rule described in paragraph (b)(1) of this section is treated as stock under § 1.385-3, the covered debt instrument is treated as stock in the member of the consolidated group that would be the issuer of such debt instrument without regard to this section. But see § 1.385-3(d)(7) (providing that a covered debt instrument that is treated as stock under § 1.385-3(b)(2), (3), or (4) and that is not described in section 1504(a)(4) is not treated as stock for purposes of determining whether the issuer is a member of an affiliated group (within the meaning of section 1504(a))).

(ii) *Application of the covered debt instrument exclusions.* For purposes of determining whether a debt instrument issued by a member of a consolidated group is a covered debt instrument, each test described in § 1.385-3(g)(3) is applied on a separate member basis without regard to the one-corporation rule described in paragraph (b)(1) of this section.

(iii) *Qualified short-term debt instrument.* The determination of whether a member of a consolidated group has

issued a qualified short-term debt instrument for purposes of § 1.385-3(b)(3)(vii) is made on a separate member basis without regard to the one-corporation rule described in paragraph (b)(1) of this section.

(4) *Application of the reductions of § 1.385-3(c)(3) to members of a consolidated group—(i) Application of the reduction for expanded group earnings—(A) In general.* A consolidated group maintains one expanded group earnings account with respect to an expanded group period, and only the earnings and profits, determined in accordance with § 1.1502-33 (without regard to the application of § 1.1502-33(b)(2), (e), and (f)), of the common parent (within the meaning of section 1504) of the consolidated group are considered in calculating the expanded group earnings for the expanded group period of the consolidated group. Accordingly, a regarded distribution or acquisition made by a member of a consolidated group is reduced to the extent of the expanded group earnings account of the consolidated group.

(B) *Effect of certain corporate transactions on the calculation of expanded group earnings—(1) Consolidation.* A consolidated group succeeds to the expanded group earnings account of a joining member under the principles of § 1.385-3(c)(3)(i)(F)(2)(ii).

(2) *Deconsolidation—(i) In general.* Except as otherwise provided in paragraph (b)(4)(i)(B)(2)(ii) of this section, no amount of the expanded group earnings account of a consolidated group for an expanded group period, if any, is allocated to a departing member. Accordingly, immediately after leaving the consolidated group, the departing member has no expanded group earnings account with respect to its expanded group period.

(ii) *Allocation of expanded group earnings to a departing member in a distribution described in section 355.* If a departing member leaves the consolidated group by reason of an exchange or distribution to which section 355 (or so much of section 356 that relates to section 355) applies, the expanded group earnings account of the consolidated group is allocated between the consolidated group and the departing member

in proportion to the earnings and profits of the consolidated group and the earnings and profits of the departing member immediately after the transaction.

(ii) *Application of the reduction for qualified contributions—(A) In general.* For purposes of applying §1.385-3(c)(3)(ii)(A) to a consolidated group—

(1) A qualified contribution to any member of a consolidated group that remains a member of the consolidated group immediately after the qualified contribution from a person other than a member of the same consolidated group is treated as made to the one corporation described in paragraph (b)(1) of this section;

(2) A qualified contribution that causes a member of a consolidated group to become a departing member of that consolidated group is treated as made to the departing member and not to the consolidated group of which the departing member was a member immediately prior to the qualified contribution; and

(3) No contribution of property by a member of a consolidated group to any other member of the consolidated group is a qualified contribution.

(B) *Effect of certain corporate transactions on the calculation of qualified contributions—(1) Consolidation.* A consolidated group succeeds to the qualified contributions of a joining member under the principles of §1.385-3(c)(3)(ii)(F)(2)(ii).

(2) *Deconsolidation—(i) In general.* Except as otherwise provided in paragraph (b)(4)(ii)(B)(2)(ii) of this section, no amount of the qualified contributions of a consolidated group for an expanded group period, if any, is allocated to a departing member. Accordingly, immediately after leaving the consolidated group, the departing member has no qualified contributions with respect to its expanded group period.

(ii) *Allocation of qualified contributions to a departing member in a distribution described in section 355.* If a departing member leaves the consolidated group by reason of an exchange or distribution to which section 355 (or so much of section 356 that relates to section 355) applies, each qualified contribution of the consolidated group is allocated be-

tween the consolidated group and the departing member in proportion to the earnings and profits of the consolidated group and the earnings and profits of the departing member immediately after the transaction.

(5) *Order of operations.* For purposes of this section and §1.385-3, the consequences of a transaction involving one or more members of a consolidated group are determined as provided in paragraphs (b)(5)(i) and (ii) of this section.

(i) First, determine the characterization of the transaction under Federal tax law without regard to the one-corporation rule described in paragraph (b)(1) of this section.

(ii) Second, apply this section and §1.385-3 to the transaction as characterized to determine whether to treat a debt instrument as stock, treating the consolidated group as one corporation under paragraph (b)(1) of this section, unless otherwise provided.

(6) *Partnership owned by a consolidated group.* For purposes of this section and §1.385-3, and notwithstanding the one-corporation rule described in paragraph (b)(1) of this section, a partnership that is wholly owned by members of a consolidated group is treated as a partnership. Thus, for example, if members of a consolidated group own all of the interests in a controlled partnership that issues a debt instrument to a member of the consolidated group, such debt instrument would be treated as a consolidated group debt instrument because, under §1.385-3(f)(3)(i), for purposes of this section and §1.385-3, a consolidated group member that is an expanded group partner is treated as the issuer with respect to its share of the debt instrument issued by the partnership.

(7) *Predecessor and successor—(i) In general.* Pursuant to paragraph (b)(5) of this section, the determination as to whether a member of an expanded group is a predecessor or successor of another member of the consolidated group is made without regard to paragraph (b)(1) of this section. For purposes of §1.385-3(b)(3), if a consolidated group member is a predecessor or successor of a member of the same expanded group that is not a member of

the same consolidated group, the consolidated group is treated as a predecessor or successor of the expanded group member (or the consolidated group of which that expanded group member is a member). Thus, for example, a departing member that departs a consolidated group in a distribution or exchange to which section 355 applies is a successor to the consolidated group and the consolidated group is a predecessor of the departing member.

(ii) *Joining members.* For purposes of § 1.385-3(b)(3), the term *predecessor* also means, with respect to a consolidated group, a joining member and the term *successor* also means, with respect to a joining member, a consolidated group.

(c) *Consolidated group debt instruments*—(1) *Debt instrument ceases to be a consolidated group debt instrument but continues to be issued and held by expanded group members*—(i) *Consolidated group member leaves the consolidated group.* For purposes of this section and § 1.385-3, when a debt instrument ceases to be a consolidated group debt instrument as a result of a transaction in which the member of the consolidated group that issued the instrument (the issuer) or the member of the consolidated group holding the instrument (the holder) ceases to be a member of the same consolidated group but both the issuer and the holder continue to be members of the same expanded group, the issuer is treated as issuing a new debt instrument to the holder in exchange for property immediately after the debt instrument ceases to be a consolidated group debt instrument. To the extent the newly-issued debt instrument is a covered debt instrument that is treated as stock under § 1.385-3(b)(3), the covered debt instrument is then immediately deemed to be exchanged for stock of the issuer. For rules regarding the treatment of the deemed exchange, see § 1.385-1(d). For examples illustrating the rule in this paragraph (c)(1)(i), see paragraphs (f)(3)(iv) and (v) of this section (*Examples 4 and 5*).

(ii) *Consolidated group debt instrument that is transferred outside of the consolidated group.* For purposes of this section and § 1.385-3, when a member of a consolidated group that holds a consolidated group debt instrument trans-

fers the debt instrument to an expanded group member that is not a member of the same consolidated group (transferee expanded group member), the debt instrument is treated as issued by the consolidated group to the transferee expanded group member immediately after the debt instrument ceases to be a consolidated group debt instrument. Thus, for example, for purposes of this section and § 1.385-3, the sale of a consolidated group debt instrument to a transferee expanded group member is treated as an issuance of the debt instrument by the consolidated group to the transferee expanded group member in exchange for property. To the extent the newly-issued debt instrument is a covered debt instrument that is treated as stock upon being transferred, the covered debt instrument is deemed to be exchanged for stock of the member of the consolidated group treated as the issuer of the debt instrument (determined under paragraph (b)(3)(i) of this section) immediately after the covered debt instrument is transferred outside of the consolidated group. For rules regarding the treatment of the deemed exchange, see § 1.385-1(d). For examples illustrating the rule in this paragraph (c)(1)(ii), see paragraphs (f)(3)(ii) and (iii) of this section (*Examples 2 and 3*).

(iii) *Overlap transactions.* If a debt instrument ceases to be a consolidated group debt instrument in a transaction to which both paragraphs (c)(1)(i) and (ii) of this section apply, then only the rules of paragraph (c)(1)(ii) of this section apply with respect to such debt instrument.

(iv) *Subgroup exception.* A debt instrument is not treated as ceasing to be a consolidated group debt instrument for purposes of paragraphs (c)(1)(i) and (ii) of this section if both the issuer and the holder of the debt instrument are members of the same consolidated group immediately after the transaction described in paragraph (c)(1)(i) or (ii) of this section.

(2) *Covered debt instrument treated as stock becomes a consolidated group debt instrument.* When a covered debt instrument that is treated as stock under § 1.385-3 becomes a consolidated group debt instrument, then immediately

after the covered debt instrument becomes a consolidated group debt instrument, the issuer is deemed to issue a new covered debt instrument to the holder in exchange for the covered debt instrument that was treated as stock. In addition, in a manner consistent with § 1.385-3(d)(2)(ii)(A), when the covered debt instrument that previously was treated as stock becomes a consolidated group debt instrument, other covered debt instruments issued by the issuer of that instrument (including a consolidated group that includes the issuer) that are not treated as stock when the instrument becomes a consolidated group debt instrument are retested to determine whether those other covered debt instruments are treated as funding the regarded distribution or acquisition that previously was treated as funded by the instrument (unless such distribution or acquisition is disregarded under paragraph (b)(1) of this section). Further, also in a manner consistent with § 1.385-3(d)(2)(ii)(A), a covered debt instrument that is issued by the issuer (including a consolidated group that includes the issuer) after the application of this paragraph (c)(2) and within the per se period may also be treated as funding that regarded distribution or acquisition.

(3) *No interaction with the intercompany obligation rules of § 1.1502-13(g).* The rules of this section do not affect the application of the rules of § 1.1502-13(g). Thus, any deemed satisfaction and reissuance of a debt instrument under § 1.1502-13(g) and any deemed issuance and deemed exchange of a debt instrument under this paragraph (c) that arise as part of the same transaction or series of transactions are not integrated. Rather, each deemed satisfaction and reissuance under the rules of § 1.1502-13(g), and each deemed issuance and exchange under the rules of this section, are respected as separate steps and treated as separate transactions.

(d) *Application of the funding rule of § 1.385-3(b)(3) to members departing a consolidated group.* This paragraph (d) provides rules for applying the funding rule of § 1.385-3(b)(3) when a departing member ceases to be a member of a consolidated group, but only if the de-

parting member and the consolidated group are members of the same expanded group immediately after the deconsolidation.

(1) *Continued application of the one-corporation rule.* A disregarded distribution or acquisition by any member of the consolidated group continues to be disregarded when the departing member ceases to be a member of the consolidated group.

(2) *Continued recharacterization of a departing member's covered debt instrument as stock.* A covered debt instrument of a departing member that is treated as stock of the departing member under § 1.385-3(b) continues to be treated as stock when the departing member ceases to be a member of the consolidated group.

(3) *Effect of issuances of covered debt instruments that are not consolidated group debt instruments on the departing member and the consolidated group.* If a departing member has issued a covered debt instrument (determined without regard to the one-corporation rule described in paragraph (b)(1) of this section) that is not a consolidated group debt instrument and that is not treated as stock immediately before the departing member ceases to be a consolidated group member, then the departing member (and not the consolidated group) is treated as issuing the covered debt instrument on the date and in the manner the covered debt instrument was issued. If the departing member is not treated as the issuer of a covered debt instrument pursuant to the preceding sentence, then the consolidated group continues to be treated as issuing the covered debt instrument on the date and in the manner the covered debt instrument was issued.

(4) *Treatment of prior regarded distributions or acquisitions.* This paragraph (d)(4) applies when a departing member ceases to be a consolidated group member in a transaction other than a distribution to which section 355 (or so much of section 356 as relates to section 355) applies, and the consolidated group has made a regarded distribution or acquisition. In this case, to the extent the distribution or acquisition has not caused a covered debt instrument of the consolidated group to be treated as stock under § 1.385-3(b) on or before

the date the departing member leaves the consolidated group, then—

(i) If the departing member made the regarded distribution or acquisition (determined without regard to the one-corporation rule described in paragraph (b)(1) of this section), the departing member (and not the consolidated group) is treated as having made the regarded distribution or acquisition.

(ii) If the departing member did not make the regarded distribution or acquisition (determined without regard to the one-corporation rule described in paragraph (b)(1) of this section), then the consolidated group (and not the departing member) continues to be treated as having made the regarded distribution or acquisition.

(e) *Definitions.* The definitions in this paragraph (e) apply for purposes of this section.

(1) *Consolidated group debt instrument.* The term *consolidated group debt instrument* means a covered debt instrument issued by a member of a consolidated group and held by a member of the same consolidated group.

(2) *Departing member.* The term *departing member* means a member of an expanded group that ceases to be a member of a consolidated group but continues to be a member of the same expanded group. In the case of multiple members leaving a consolidated group as a result of a single transaction that continue to be members of the same expanded group, if such members are treated as one corporation under paragraph (b)(1) of this section immediately after the transaction, that one corporation is a departing member with respect to the consolidated group.

(3) *Disregarded distribution or acquisition.* The term *disregarded distribution or acquisition* means a distribution or acquisition described in § 1.385-3(b)(2) or (b)(3)(i) between members of a consolidated group that is disregarded under the one-corporation rule described in paragraph (b)(1) of this section.

(4) *Joining member.* The term *joining member* means a member of an expanded group that becomes a member of a consolidated group and continues to be a member of the same expanded group. In the case of multiple members joining a consolidated group as a result of a single transaction that continue to

be members of the same expanded group, if such members were treated as one corporation under paragraph (b)(1) of this section immediately before the transaction, that one corporation is a joining member with respect to the consolidated group.

(5) *Regarded distribution or acquisition.* The term *regarded distribution or acquisition* means a distribution or acquisition described in § 1.385-3(b)(2) or (b)(3)(i) that is not disregarded under the one-corporation rule described in paragraph (b)(1) of this section.

(f) *Examples—(1) Assumed facts.* Except as otherwise stated, the following facts are assumed for purposes of the examples in paragraph (f)(3) of this section:

(i) FP is a foreign corporation that owns 100% of the stock of USS1, a covered member, and 100% of the stock of FS, a foreign corporation;

(ii) USS1 owns 100% of the stock of DS1 and DS3, both covered members;

(iii) DS1 owns 100% of the stock of DS2, a covered member;

(iv) FS owns 100% of the stock of UST, a covered member;

(v) At the beginning of Year 1, FP is the common parent of an expanded group comprised solely of FP, USS1, FS, DS1, DS2, DS3, and UST (the FP expanded group);

(vi) USS1, DS1, DS2, and DS3 are members of a consolidated group of which USS1 is the common parent (the USS1 consolidated group);

(vii) The FP expanded group has outstanding more than \$50 million of debt instruments described in § 1.385-3(c)(4) at all times;

(viii) No issuer of a covered debt instrument has a positive expanded group earnings account, within the meaning of § 1.385-3(c)(3)(i)(B), or has received a qualified contribution, within the meaning of § 1.385-3(c)(3)(ii)(B);

(ix) All notes are covered debt instruments, within the meaning of § 1.385-3(g)(3), and are not qualified short-term debt instruments, within the meaning of § 1.385-3(b)(3)(vii);

(x) All notes between members of a consolidated group are intercompany obligations within the meaning of § 1.1502-13(g)(2)(ii);

(xi) Each entity has as its taxable year the calendar year;

(xii) No domestic corporation is a United States real property holding corporation within the meaning of section 897(c)(2);

(xiii) Each note is issued with adequate stated interest (as defined in section 1274(c)(2)); and

(xiv) Each transaction occurs after January 19, 2017.

(2) *No inference.* Except as otherwise provided in this section, it is assumed for purposes of the examples in paragraph (f)(3) of this section that the form of each transaction is respected for Federal tax purposes. No inference is intended, however, as to whether any particular note would be respected as indebtedness or as to whether the form of any particular transaction described in an example in paragraph (f)(3) of this section would be respected for Federal tax purposes.

(3) *Examples.* The following examples illustrate the rules of this section.

(i) *Example 1: Order of operations—(A) Facts.* On Date A in Year 1, UST issues UST Note to USS1 in exchange for DS3 stock representing less than 20% of the value and voting power of DS3.

(B) *Analysis.* UST is acquiring the stock of DS3, the non-common parent member of a consolidated group. Pursuant to paragraph (b)(5)(i) of this section, the transaction is first analyzed without regard to the one-corporation rule described in paragraph (b)(1) of this section, and therefore UST is treated as issuing a covered debt instrument in exchange for expanded group stock. The exchange of UST Note for DS3 stock is not an exempt exchange within the meaning of §1.385-3(g)(11) because UST and USS1 are not parties to an asset reorganization. Pursuant to paragraph (b)(5)(ii) of this section, §1.385-3 (including §1.385-3(b)(2)(ii)) is then applied to the transaction, thereby treating UST Note as stock for Federal tax purposes when it is issued by UST to USS1. The UST Note is not treated as property for purposes of section 304(a) because it is not property within the meaning specified in section 317(a). Therefore, UST's acquisition of DS3 stock from USS1 in exchange for UST Note is not an acquisition described in section 304(a)(1).

(ii) *Example 2: Distribution of consolidated group debt instrument—(A) Facts.*

On Date A in Year 1, DS1 issues DS1 Note to USS1 in a distribution. On Date B in Year 2, USS1 distributes DS1 Note to FP.

(B) *Analysis.* Under paragraph (b)(1) of this section, the USS1 consolidated group is treated as one corporation for purposes of §1.385-3. Accordingly, when DS1 issues DS1 Note to USS1 in a distribution on Date A in Year 1, DS1 is not treated as issuing a debt instrument to another member of DS1's expanded group in a distribution for purposes of §1.385-3(b)(2), and DS1 Note is not treated as stock under §1.385-3. When USS1 distributes DS1 Note to FP, DS1 Note is deemed satisfied and reissued under §1.1502-13(g)(3)(ii), immediately before DS1 Note ceases to be an intercompany obligation. Under paragraph (c)(1)(ii) of this section, when USS1 distributes DS1 Note to FP, the USS1 consolidated group is treated as issuing DS1 Note to FP in a distribution on Date B in Year 2. Accordingly, DS1 Note is treated as stock under §1.385-3(b)(2)(i). Under paragraph (c)(1)(ii) of this section, DS1 Note is deemed to be exchanged for stock of the issuing member, DS1, immediately after DS1 Note is transferred outside of the USS1 consolidated group. Under paragraph (c)(3) of this section, the deemed satisfaction and reissuance under §1.1502-13(g)(3)(ii) and the deemed issuance and exchange under paragraph (c)(1)(ii) of this section, are respected as separate steps and treated as separate transactions.

(iii) *Example 3: Sale of consolidated group debt instrument—(A) Facts.* On Date A in Year 1, DS1 lends \$200x of cash to USS1 in exchange for USS1 Note. On Date B in Year 2, USS1 distributes \$200x of cash to FP. Subsequently, on Date C in Year 2, DS1 sells USS1 Note to FS for \$200x.

(B) *Analysis.* Under paragraph (b)(1) of this section, the USS1 consolidated group is treated as one corporation for purposes of §1.385-3. Accordingly, when USS1 issues USS1 Note to DS1 for property on Date A in Year 1, the USS1 consolidated group is not treated as a funded member, and when USS1 distributes \$200x to FP on Date B in Year 2, that distribution is a transaction described in §1.385-3(b)(3)(i)(A), but does

not cause USS1 Note to be recharacterized under § 1.385-3(b)(3). When DS1 sells USS1 Note to FS, USS1 Note is deemed satisfied and reissued under § 1.1502-13(g)(3)(ii), immediately before USS1 Note ceases to be an intercompany obligation. Under paragraph (c)(1)(ii) of this section, when the USS1 Note is transferred to FS for \$200x on Date C in Year 2, the USS1 consolidated group is treated as issuing USS1 Note to FS in exchange for \$200x on that date. Because USS1 Note is issued by the USS1 consolidated group to FS within the per se period as defined in § 1.385-3(g)(19) with respect to the distribution by the USS1 consolidated group to FP, USS1 Note is treated as funding the distribution under § 1.385-3(b)(3)(iii)(A) and, accordingly, is treated as stock under § 1.385-3(b)(3). Under § 1.385-3(d)(1)(i) and paragraph (c)(1)(ii) of this section, USS1 Note is deemed to be exchanged for stock of the issuing member, USS1, immediately after USS1 Note is transferred outside of the USS1 consolidated group. Under paragraph (c)(3) of this section, the deemed satisfaction and reissuance under § 1.1502-13(g)(3)(ii) and the deemed issuance and exchange under paragraph (c)(1)(ii) of this section are respected as separate steps and treated as separate transactions.

(iv) *Example 4: Treatment of consolidated group debt instrument and departing member's regarded distribution or acquisition when the issuer of the instrument leaves the consolidated group—(A) Facts.* The facts are the same as provided in paragraph (f)(1) of this section, except that USS1 and FS own 90% and 10% of the stock of DS1, respectively. On Date A in Year 1, DS1 distributes \$80x of cash and newly-issued DS1 Note, which has a value of \$10x, to USS1. Also on Date A in Year 1, DS1 distributes \$10x of cash to FS. On Date B in Year 2, FS purchases all of USS1's stock in DS1 (90% of the stock of DS1), resulting in DS1 ceasing to be a member of the USS1 consolidated group.

(B) *Analysis.* Under paragraph (b)(1) of this section, the USS1 consolidated group is treated as one corporation for purposes of § 1.385-3. Accordingly, DS1's distribution of \$80x of cash to USS1 on Date A in Year 1 is a disregarded distribution or acquisition, and under

paragraph (d)(1) of this section, continues to be a disregarded distribution or acquisition when DS1 ceases to be a member of the USS1 consolidated group. In addition, when DS1 issues DS1 Note to USS1 in a distribution on Date A in Year 1, DS1 is not treated as issuing a debt instrument to a member of DS1's expanded group in a distribution for purposes of § 1.385-3(b)(2)(i), and DS1 Note is not treated as stock under § 1.385-3(b)(2)(i). DS1's issuance of DS1 Note to USS1 is also a disregarded distribution or acquisition, and under paragraph (d)(1) of this section, continues to be a disregarded distribution or acquisition when DS1 ceases to be a member of the USS1 consolidated group. The distribution of \$10x cash by DS1 to FS on Date A in Year 1 is a regarded distribution or acquisition. When FS purchases 90% of the stock of DS1's from USS1 on Date B in Year 2 and DS1 ceases to be a member of the USS1 consolidated group, DS1 Note is deemed satisfied and reissued under § 1.1502-13(g)(3)(ii), immediately before DS1 Note ceases to be an intercompany obligation. Under paragraph (c)(1)(i) of this section, for purposes of § 1.385-3, DS1 is treated as issuing a new debt instrument to USS1 in exchange for property immediately after DS1 Note ceases to be a consolidated group debt instrument. Under paragraph (d)(4)(i) of this section, the departing member, DS1 (and not the USS1 consolidated group) is treated as having distributed \$10x to FS on Date A in Year 1 (a regarded distribution or acquisition) for purposes of applying § 1.385-3(b)(3) after DS1 ceases to be a member of the USS1 consolidated group. Because DS1 Note is reissued by DS1 to USS1 within the per se period (as defined in § 1.385-3(g)(19)) with respect to DS1's regarded distribution to FS, DS1 Note is treated as funding the distribution under § 1.385-3(b)(3)(iii)(A) and, accordingly, is treated as stock under § 1.385-3(b)(3). Under § 1.385-3(d)(1)(i) and paragraph (c)(1)(i) of this section, DS1 Note is immediately deemed to be exchanged for stock of DS1 on Date B in Year 2. Under paragraph (c)(3) of this section, the deemed satisfaction and reissuance under § 1.1502-13(g)(3)(ii) and the deemed issuance and exchange under paragraph (c)(1)(i) of this section are

respected as separate steps and treated as separate transactions. Under §1.385-3(d)(7)(i), after DS1 Note is treated as stock held by USS1, DS1 Note is not treated as stock for purposes of determining whether DS1 is a member of the USS1 consolidated group.

(v) *Example 5: Treatment of consolidated group debt instrument and consolidated group's regarded distribution or acquisition—(A) Facts.* On Date A in Year 1, DS1 issues DS1 Note to USS1. On Date B in Year 2, USS1 distributes \$100x of cash to FP. On Date C in Year 3, USS1 sells all of its interest in DS1 to FS, resulting in DS1 ceasing to be a member of the USS1 consolidated group.

(B) *Analysis.* Under paragraph (b)(1) of this section, the USS1 consolidated group is treated as one corporation for purposes of §1.385-3. Accordingly, when DS1 issues DS1 Note to USS1 in a distribution on Date A in Year 1, DS1 is not treated as issuing a debt instrument to a member of DS1's expanded group in a distribution for purposes of §1.385-3(b)(2)(i), and DS1 Note is not treated as stock under §1.385-3(b)(2)(i). DS1's issuance of DS1 Note to USS1 is also a disregarded distribution or acquisition, and under paragraph (d)(1) of this section, continues to be a disregarded distribution or acquisition when DS1 ceases to be a member of the USS1 consolidated group. The distribution of \$100x cash by DS1 to USS1 on Date B in Year 2 is a regarded distribution or acquisition. When FS purchases all of the stock of DS1 from USS1 on Date C in Year 3 and DS1 ceases to be a member of the USS1 consolidated group, DS1 Note is deemed satisfied and reissued under §1.1502-13(g)(3)(ii), immediately before DS1 Note ceases to be an intercompany obligation. Under paragraph (c)(1)(i) of this section, for purposes of §1.385-3, DS1 is treated as issuing a new debt instrument to USS1 in exchange for property immediately after DS1 Note ceases to be a consolidated group debt instrument. Under paragraph (d)(4)(ii) of this section, the USS1 consolidated group (and not DS1) is treated as having distributed \$100x to FP on Date B in Year 2 (a regarded distribution or acquisition) for purposes of applying §1.385-3(b)(3) after DS1 ceases to be a member of the USS1

consolidated group. Because DS1 has not engaged in a regarded distribution or acquisition that would have been treated as funded by the reissued DS1 Note, the reissued DS1 Note is not treated as stock.

(vi) *Example 6: Treatment of departing member's issuance of a covered debt instrument—(A) Facts.* On Date A in Year 1, FS lends \$100x of cash to DS1 in exchange for DS1 Note. On Date B in Year 2, USS1 distributes \$30x of cash to FP. On Date C in Year 2, USS1 sells all of its DS1 stock to FP, resulting in DS1 ceasing to be a member of the USS1 consolidated group.

(B) *Analysis.* Under paragraph (b)(1) of this section, the USS1 consolidated group is treated as one corporation for purposes of §1.385-3. Accordingly, on Date A in Year 1, the USS1 consolidated group is treated as issuing DS1 Note to FS, and on Date B in Year 2, the USS1 consolidated group is treated as distributing \$30x of cash to FP. Because DS1 Note is issued by the USS1 consolidated group to FS within the per se period as defined in §1.385-3(g)(19) with respect to the distribution by the USS1 consolidated group of \$30x cash to FP, \$30x of DS1 Note is treated as funding the distribution under §1.385-3(b)(3)(iii)(A), and, accordingly, is treated as stock on Date B in Year 2 under §1.385-3(b)(3) and §1.385-3(d)(1)(ii). Under paragraph (d)(3) of this section, DS1 (and not the USS1 consolidated group) is treated as the issuer of the remaining portion of DS1 Note for purposes of applying §1.385-3(b)(3) after DS1 ceases to be a member of the USS1 consolidated group.

(g) *Applicability date.* This section applies to taxable years for which the U.S. Federal income tax return is due, without extensions, after May 14, 2020. For taxable years ending on or after January 19, 2017, and for which the U.S. Federal income tax return is due, without extensions, on or before May 14, 2020, see §1.385-4T, as contained in 26 CFR in part 1 in effect on April 1, 2019. In the case of a taxable year that ends after October 13, 2019, and on or before May 14, 2020, a taxpayer may choose to apply this section to the portion of the taxable year that occurs after the expiration of §1.385-4T on October 13, 2019,

§§ 1.386-1.400

26 CFR Ch. I (4-1-21 Edition)

provided that all members of the tax-

payer's expanded group apply this section in its entirety.

[T.D. 9897, 85 FR 28878, May 14, 2020]

§§ 1.386-1.400 [Reserved]