



# CODE OF FEDERAL REGULATIONS

## **Title 28** Judicial Administration

---

Parts 0 to 42

Revised as of July 1, 2017

Containing a codification of documents  
of general applicability and future effect

As of July 1, 2017

Published by the Office of the Federal Register  
National Archives and Records Administration  
as a Special Edition of the Federal Register



## U.S. GOVERNMENT OFFICIAL EDITION NOTICE

### Legal Status and Use of Seals and Logos



The seal of the National Archives and Records Administration (NARA) authenticates the Code of Federal Regulations (CFR) as the official codification of Federal regulations established under the Federal Register Act. Under the provisions of 44 U.S.C. 1507, the contents of the CFR, a special edition of the Federal Register, shall be judicially noticed. The CFR is prima facie evidence of the original documents published in the Federal Register (44 U.S.C. 1510).

It is prohibited to use NARA's official seal and the stylized Code of Federal Regulations logo on any republication of this material without the express, written permission of the Archivist of the United States or the Archivist's designee. Any person using NARA's official seals and logos in a manner inconsistent with the provisions of 36 CFR part 1200 is subject to the penalties specified in 18 U.S.C. 506, 701, and 1017.

### Use of ISBN Prefix

This is the Official U.S. Government edition of this publication and is herein identified to certify its authenticity. Use of the 0-16 ISBN prefix is for U.S. Government Publishing Office Official Editions only. The Superintendent of Documents of the U.S. Government Publishing Office requests that any reprinted edition clearly be labeled as a copy of the authentic work with a new ISBN.



U.S. GOVERNMENT PUBLISHING OFFICE

U.S. Superintendent of Documents • Washington, DC 20402-0001

<http://bookstore.gpo.gov>

Phone: toll-free (866) 512-1800; DC area (202) 512-1800

# Table of Contents

	<i>Page</i>
Explanation .....	v
Title 28:	
Chapter I—Department of Justice .....	3
Finding Aids:	
Table of CFR Titles and Chapters .....	1205
Alphabetical List of Agencies Appearing in the CFR .....	1225
List of CFR Sections Affected .....	1235

---

*Cite this Code:* CFR

*To cite the regulations in  
this volume use title,  
part and section num-  
ber. Thus, 28 CFR 0.1  
refers to title 28, part 0,  
section 1.*

---



## Explanation

The Code of Federal Regulations is a codification of the general and permanent rules published in the Federal Register by the Executive departments and agencies of the Federal Government. The Code is divided into 50 titles which represent broad areas subject to Federal regulation. Each title is divided into chapters which usually bear the name of the issuing agency. Each chapter is further subdivided into parts covering specific regulatory areas.

Each volume of the Code is revised at least once each calendar year and issued on a quarterly basis approximately as follows:

Title 1 through Title 16.....	as of January 1
Title 17 through Title 27.....	as of April 1
Title 28 through Title 41.....	as of July 1
Title 42 through Title 50.....	as of October 1

The appropriate revision date is printed on the cover of each volume.

### LEGAL STATUS

The contents of the Federal Register are required to be judicially noticed (44 U.S.C. 1507). The Code of Federal Regulations is prima facie evidence of the text of the original documents (44 U.S.C. 1510).

### HOW TO USE THE CODE OF FEDERAL REGULATIONS

The Code of Federal Regulations is kept up to date by the individual issues of the Federal Register. These two publications must be used together to determine the latest version of any given rule.

To determine whether a Code volume has been amended since its revision date (in this case, July 1, 2017), consult the "List of CFR Sections Affected (LSA)," which is issued monthly, and the "Cumulative List of Parts Affected," which appears in the Reader Aids section of the daily Federal Register. These two lists will identify the Federal Register page number of the latest amendment of any given rule.

### EFFECTIVE AND EXPIRATION DATES

Each volume of the Code contains amendments published in the Federal Register since the last revision of that volume of the Code. Source citations for the regulations are referred to by volume number and page number of the Federal Register and date of publication. Publication dates and effective dates are usually not the same and care must be exercised by the user in determining the actual effective date. In instances where the effective date is beyond the cut-off date for the Code a note has been inserted to reflect the future effective date. In those instances where a regulation published in the Federal Register states a date certain for expiration, an appropriate note will be inserted following the text.

### OMB CONTROL NUMBERS

The Paperwork Reduction Act of 1980 (Pub. L. 96-511) requires Federal agencies to display an OMB control number with their information collection request.

Many agencies have begun publishing numerous OMB control numbers as amendments to existing regulations in the CFR. These OMB numbers are placed as close as possible to the applicable recordkeeping or reporting requirements.

#### PAST PROVISIONS OF THE CODE

Provisions of the Code that are no longer in force and effect as of the revision date stated on the cover of each volume are not carried. Code users may find the text of provisions in effect on any given date in the past by using the appropriate List of CFR Sections Affected (LSA). For the convenience of the reader, a “List of CFR Sections Affected” is published at the end of each CFR volume. For changes to the Code prior to the LSA listings at the end of the volume, consult previous annual editions of the LSA. For changes to the Code prior to 2001, consult the List of CFR Sections Affected compilations, published for 1949-1963, 1964-1972, 1973-1985, and 1986-2000.

#### “[RESERVED]” TERMINOLOGY

The term “[Reserved]” is used as a place holder within the Code of Federal Regulations. An agency may add regulatory information at a “[Reserved]” location at any time. Occasionally “[Reserved]” is used editorially to indicate that a portion of the CFR was left vacant and not accidentally dropped due to a printing or computer error.

#### INCORPORATION BY REFERENCE

*What is incorporation by reference?* Incorporation by reference was established by statute and allows Federal agencies to meet the requirement to publish regulations in the Federal Register by referring to materials already published elsewhere. For an incorporation to be valid, the Director of the Federal Register must approve it. The legal effect of incorporation by reference is that the material is treated as if it were published in full in the Federal Register (5 U.S.C. 552(a)). This material, like any other properly issued regulation, has the force of law.

*What is a proper incorporation by reference?* The Director of the Federal Register will approve an incorporation by reference only when the requirements of 1 CFR part 51 are met. Some of the elements on which approval is based are:

- (a) The incorporation will substantially reduce the volume of material published in the Federal Register.
- (b) The matter incorporated is in fact available to the extent necessary to afford fairness and uniformity in the administrative process.
- (c) The incorporating document is drafted and submitted for publication in accordance with 1 CFR part 51.

*What if the material incorporated by reference cannot be found?* If you have any problem locating or obtaining a copy of material listed as an approved incorporation by reference, please contact the agency that issued the regulation containing that incorporation. If, after contacting the agency, you find the material is not available, please notify the Director of the Federal Register, National Archives and Records Administration, 8601 Adelphi Road, College Park, MD 20740-6001, or call 202-741-6010.

#### CFR INDEXES AND TABULAR GUIDES

A subject index to the Code of Federal Regulations is contained in a separate volume, revised annually as of January 1, entitled CFR INDEX AND FINDING AIDS. This volume contains the Parallel Table of Authorities and Rules. A list of CFR titles, chapters, subchapters, and parts and an alphabetical list of agencies publishing in the CFR are also included in this volume.

An index to the text of “Title 3—The President” is carried within that volume. The Federal Register Index is issued monthly in cumulative form. This index is based on a consolidation of the “Contents” entries in the daily Federal Register.

A List of CFR Sections Affected (LSA) is published monthly, keyed to the revision dates of the 50 CFR titles.

#### REPUBLICATION OF MATERIAL

There are no restrictions on the republication of material appearing in the Code of Federal Regulations.

#### INQUIRIES

For a legal interpretation or explanation of any regulation in this volume, contact the issuing agency. The issuing agency’s name appears at the top of odd-numbered pages.

For inquiries concerning CFR reference assistance, call 202-741-6000 or write to the Director, Office of the Federal Register, National Archives and Records Administration, 8601 Adelphi Road, College Park, MD 20740-6001 or e-mail [fedreg.info@nara.gov](mailto:fedreg.info@nara.gov).

#### SALES

The Government Publishing Office (GPO) processes all sales and distribution of the CFR. For payment by credit card, call toll-free, 866-512-1800, or DC area, 202-512-1800, M-F 8 a.m. to 4 p.m. e.s.t. or fax your order to 202-512-2104, 24 hours a day. For payment by check, write to: US Government Publishing Office – New Orders, P.O. Box 979050, St. Louis, MO 63197-9000.

#### ELECTRONIC SERVICES

The full text of the Code of Federal Regulations, the LSA (List of CFR Sections Affected), The United States Government Manual, the Federal Register, Public Laws, Public Papers of the Presidents of the United States, Compilation of Presidential Documents and the Privacy Act Compilation are available in electronic format via [www.ofr.gov](http://www.ofr.gov). For more information, contact the GPO Customer Contact Center, U.S. Government Publishing Office. Phone 202-512-1800, or 866-512-1800 (toll-free). E-mail, [ContactCenter@gpo.gov](mailto:ContactCenter@gpo.gov).

The Office of the Federal Register also offers a free service on the National Archives and Records Administration’s (NARA) World Wide Web site for public law numbers, Federal Register finding aids, and related information. Connect to NARA’s web site at [www.archives.gov/federal-register](http://www.archives.gov/federal-register).

The e-CFR is a regularly updated, unofficial editorial compilation of CFR material and Federal Register amendments, produced by the Office of the Federal Register and the Government Publishing Office. It is available at [www.ecfr.gov](http://www.ecfr.gov).

OLIVER A. POTTS,  
*Director,*  
*Office of the Federal Register.*  
*July 1, 2017.*



## THIS TITLE

Title 28—JUDICIAL ADMINISTRATION is composed of two volumes. The parts in these volumes are arranged in the following order: Parts 0–42 and part 43 to end. The contents of these volumes represent all current regulations codified by the Department of Justice, the Federal Prison Industries, Inc., the Bureau of Prisons, Department of Justice, the Offices of Independent Counsel, Department of Justice, and the Office of Independent Counsel under this title of the CFR as of July 1, 2017.

For this volume, Bonnie Fritts was Chief Editor. The Code of Federal Regulations publication program is under the direction of John Hyrum Martinez, assisted by Stephen J. Frattini.



# Title 28—Judicial Administration

(This book contains parts 0 to 42)

---

	<i>Part</i>
CHAPTER I—Department of Justice .....	0





## CHAPTER I—DEPARTMENT OF JUSTICE

---

<i>Part</i>		<i>Page</i>
0	Organization of the Department of Justice .....	5
1	Executive clemency .....	101
2	Parole, release, supervision and recommitment of prisoners, youth offenders, and juvenile delinquents .....	104
3	Gambling devices .....	211
4	Procedure governing applications for certificates of exemption under the Labor-Management Reporting and Disclosure Act of 1959, and the Employee Retirement Income Security Act of 1974 ...	212
5	Administration and enforcement of Foreign Agents Registration Act of 1938, as amended .....	216
6	Traffic in contraband articles in Federal penal and correctional institutions .....	227
7	Rewards for capture of escaped Federal prisoners ..	227
8	Forfeiture authority for certain statutes .....	228
9	Regulations governing the remission or mitigation of administrative, civil, and criminal forfeitures	240
10	Registration of certain organizations carrying on activities within the United States .....	252
11	Debt collection .....	253
12	Registration of certain persons having knowledge of foreign espionage, counterespionage, or sabotage matters under the Act of August 1, 1956 .....	270
13	Atomic weapons and special nuclear materials rewards regulations .....	273
14	Administrative claims under Federal Tort Claims Act .....	275
15	Certification and decertification in connection with certain suits based upon acts or omissions of Federal employees and other persons .....	282
16	Production or disclosure of material or information .....	284
17	Classified National Security Information and access to classified information .....	414
18	Office of Justice Programs hearing and appeal procedures .....	430

28 CFR Ch. I (7-1-17 Edition)

<i>Part</i>		<i>Page</i>
19	Use of penalty mail in the location and recovery of missing children .....	435
20	Criminal justice information systems .....	438
21	Witness fees .....	451
22	Confidentiality of identifiable research and statistical information .....	456
23	Criminal intelligence systems operating policies ...	460
24	Implementation of the Equal Access to Justice Act in Department of Justice administrative proceedings .....	464
25	Department of Justice information systems .....	469
26	Death sentences procedures .....	483
27	Whistleblower protection for Federal Bureau of Investigation employees .....	487
28	DNA identification system .....	490
29	Motor Vehicle Theft Prevention Act regulations ...	497
30	Intergovernmental review of Department of Justice programs and activities .....	499
31	OJJDP grant programs .....	503
32	Public safety officers' death, disability, and educational assistance benefit claims .....	522
33	Bureau of Justice Assistance grant programs .....	550
34	OJJDP competition and peer review procedures ....	567
35	Nondiscrimination on the basis of disability in State and local government services .....	572
36	Nondiscrimination on the basis of disability by public accommodations and in commercial facilities .....	740
37	Procedures for coordinating the investigation of complaints or charges of employment discrimination based on disability subject to the Americans with Disabilities Act and section 504 of the Rehabilitation Act of 1973 .....	1100
38	Partnerships with faith-based and other neighborhood organizations .....	1107
39	Enforcement of nondiscrimination on the basis of handicap in programs or activities conducted by the Department of Justice .....	1112
40	Standards for inmate grievance procedures .....	1135
41	Implementation of Executive Order 12250, nondiscrimination on the basis of handicap in federally assisted programs .....	1140
42	Nondiscrimination; equal employment opportunity; policies and procedures .....	1147

SUPPLEMENTARY PUBLICATIONS: *The official opinions of the Attorneys General of the United States. (Op. A. G.) Irregular, 1789—; Washington, v. 1—, 1852—.*

**PART 0—ORGANIZATION OF THE  
DEPARTMENT OF JUSTICE**

**Subpart A—Organizational Structure of the  
Department of Justice**

Sec.

0.1 Organizational units.

**Subpart B—Office of the Attorney General**

0.5 Attorney General.

0.10 Attorney General's Advisory Committee of U.S. Attorneys.

0.11 Incentive Awards Board.

0.12 Young American Medals Committee.

0.13 Legal proceedings.

**Subpart C—Office of the Deputy Attorney  
General**

0.15 Deputy Attorney General.

0.17 Office of Investigative Agency Policies.

0.18a Office of Small and Disadvantaged Business Utilization.

**Subpart C-1—Office of the Associate  
Attorney General**

0.19 Associate Attorney General.

**Subpart D—Office of the Solicitor General**

0.20 General functions.

0.21 Authorizing intervention by the Government in certain cases.

**Subpart D-1—Executive Office for U.S.  
Attorneys**

0.22 General functions.

**Subpart D-2—Office of Legal Policy**

0.23 General functions.

0.23a [Reserved]

0.23b Office of Asylum Policy and Review.

**Subpart D-3—Office of Information Policy**

0.24 General functions.

**Subpart E—Office of Legal Counsel**

0.25 General functions.

**Subpart E-1—Office of International  
Programs**

0.26 Organization.

**Subpart E-2—Office of Legislative and  
Intergovernmental Affairs**

0.27 General functions.

**Subpart E-3—Office of Public Affairs**

0.28 General functions.

**Subpart E-4—Office of the Inspector  
General**

0.29 Organization.

0.29a General functions.

0.29b Reporting allegations of waste, fraud, or abuse.

0.29c Reporting allegations of employee misconduct.

0.29d Whistleblower protection for FBI employees.

0.29e Relationship to other departmental units.

0.29f Confidentiality.

0.29g Reprisals.

0.29h Specific authorities of the Inspector General.

0.29i Audit, inspection, and review authority.

0.29j Law enforcement authority.

**Subpart F—Community Relations Service**

0.30 General functions.

0.31 Designating officials to perform the functions of the Director.

0.32 Applicability of existing departmental regulations.

**Subpart F-1—Office for Access to Justice**

0.33 Office for Access to Justice.

**Subpart F-2—INTERPOL-United States  
National Central Bureau**

0.34 General functions.

**Subpart G—Office of the Pardon Attorney**

0.35 General functions; delegation of authority.

0.36 Recommendations.

**Subpart G-1—Executive Office for United  
States Trustees**

0.37 Organization.

0.38 Functions.

**Subpart G-2—Office of Professional  
Responsibility**

0.39 Office of Professional Responsibility.

0.39a Functions.

0.39b Confidentiality of information.

0.39c Relationship to other departmental units.

**Subpart H—Antitrust Division**

0.40 General functions.

0.41 Special functions.

**Pt. 0**

**28 CFR Ch. I (7–1–17 Edition)**

APPENDIX TO SUBPART H OF PART 0—DELEGATION OF AUTHORITY RESPECTING DENIALS OF FREEDOM OF INFORMATION AND PRIVACY ACT REQUESTS

**Subpart I—Civil Division**

- 0.45 General functions.
- 0.46 Certain civil litigation and foreign criminal proceedings.
- 0.47 Alien property matters.
- 0.48 International trade litigation.
- 0.49 International judicial assistance.

**Subpart J—Civil Rights Division**

- 0.50 General functions.
- 0.51 Leadership and coordination of non-discrimination laws.
- 0.52 Certifications under 18 U.S.C. 3503.
- 0.53 Immigrant and Employee Rights Section.

APPENDIX TO SUBPART J OF PART 0

**Subpart K—Criminal Division**

- 0.55 General functions.
- 0.56 Exclusive or concurrent jurisdiction.
- 0.57 Criminal prosecutions against juveniles.
- 0.58 Delegation respecting payment of benefits for disability or death of law enforcement officers not employed by the United States.
- 0.59 Certain certifications under 18 U.S.C. 3331 and 3503.
- 0.61–0.62 [Reserved]
- 0.63 Delegation respecting admission and naturalization of certain aliens.
- 0.64 [Reserved]
- 0.64–1 Central or Competent Authority under treaties and executive agreements on mutual assistance in criminal matters.
- 0.64–2 Delegation respecting transfer of offenders to or from foreign countries.
- 0.64–3 Delegation respecting designation of certain Department of Agriculture employees (Tick Inspectors) to carry and use firearms.
- 0.64–4 Delegation respecting temporary transfers, in custody, of certain prisoner-witnesses from a foreign country to the United States to testify in Federal or State criminal proceedings.
- 0.64–5 Policy with regard to bringing charges under the Economic Espionage Act of 1996, Pub. L. 104–294, effective October 11, 1996.

APPENDIX TO SUBPART K OF PART 0

**Subpart L—Environment and Natural Resources Division**

- 0.65 General functions.
- 0.65a Litigation involving Environmental Protection Agency.

- 0.66 Delegation respecting title opinions.
- 0.67 Delegation respecting conveyances for public-airport purposes.
- 0.68 Delegation respecting mineral leasing.
- 0.69 Delegation of authority to make determinations and grants.
- 0.69a Delegation respecting approval of conveyances.
- 0.69b Delegation of authority respecting conveyances for public airports.
- 0.69c Litigation involving the Resource Conservation and Recovery Act.

**Subpart M—Tax Division**

- 0.70 General functions.
- 0.71 Delegation respecting immunity matters.

**Subpart N—National Security Division**

- 0.72 National Security Division.

**Subpart O—Justice Management Division**

- 0.75 Policy functions.
- 0.76 Specific functions.
- 0.77 Operational functions.
- 0.78 Implementation of financial disclosure requirements.
- 0.79 Redelegation of authority.

**Subpart P—Federal Bureau of Investigation**

- 0.85 General functions.
- 0.85a Criminal justice policy coordination.
- 0.86 Seizure of gambling devices.
- 0.87 Representation on committee for visit-exchange.
- 0.88 Certificates for expenses of unforeseen emergencies.
- 0.89 Authority to seize arms and munitions of war.
- 0.89a Delegations respecting claims against the FBI.

**Subpart P–1—Office of Justice Programs and Related Agencies**

- 0.90 Office of Justice Programs.
- 0.91 Office for Victims of Crime.
- 0.92 National Institute of Justice.
- 0.93 Bureau of Justice Statistics.
- 0.94 Office of Juvenile Justice and Delinquency Prevention.
- 0.94–1 Bureau of Justice Assistance.

**Subpart Q—Bureau of Prisons**

- 0.95 General functions.
- 0.96 Delegations.
- 0.96a Interstate Agreement on Detainers.
- 0.96b Exchange of prisoners.
- 0.96c Cost of incarceration.
- 0.97 Redelegation of authority.
- 0.98 Functions of Commissioner of Federal Prison Industries.
- 0.99 Compensation to Federal prisoners.

**Department of Justice**

**Pt. 0**

**APPENDIX TO SUBPART Q OF PART 0—CONFINEMENT OF PERSONS IN DISTRICT OF COLUMBIA CORRECTIONAL INSTITUTIONS**

**Subpart R—Drug Enforcement Administration**

- 0.100 General functions.
- 0.101 Specific functions.
- 0.102 Drug enforcement policy coordination.
- 0.103 Release of information.
- 0.103a Delegations respecting claims against the Drug Enforcement Administration.
- 0.104 Redefinition of authority.

**APPENDIX TO SUBPART R OF PART 0—REDELEGATION OF FUNCTIONS**

**Subpart S—Immigration and Naturalization Service**

- 0.105 General functions.
- 0.106 Certificates for expenses of unforeseen emergencies.
- 0.107 Representation on committee for visit-exchange.
- 0.108 Redefinition of authority.
- 0.109 Implementation of the Treaty of Friendship and General Relations Between the United States and Spain.
- 0.110 Implementation of the Convention Between the United States and Greece.

**Subpart T—United States Marshals Service**

- 0.111 General functions.
- 0.111a Temporary prisoner-witness transfers.
- 0.111B Witness Security Program.
- 0.112 Special deputation.
- 0.113 Redefinition of authority.
- 0.114 Fees for services.

**Subpart U—Executive Office for Immigration Review**

- 0.115 General functions.
- 0.116 Board of Immigration Appeals.
- 0.117 Office of Chief Immigration Judge.
- 0.118 Office of Chief Administrative Hearing Officer.

**Subpart U-1—Office of Community Oriented Policing Services**

- 0.119 Organization.
- 0.120 General functions.
- 0.121 Applicability of existing departmental regulations.

**Subpart U-2—Office on Violence Against Women**

- 0.122 Office on Violence Against Women.

**Subpart U-3—Office of the Federal Detention Trustee**

- 0.123 Federal Detention Trustee.

**Subpart V—United States Parole Commission**

- 0.124 United States Parole Commission.
- 0.125 Chairman of U.S. Parole Commission.
- 0.126 Administrative support.
- 0.127 Indigent prisoners.

**Subpart V-1—Foreign Claims Settlement Commission**

- 0.128 Organization.
- 0.128a General functions.
- 0.128b Regulations.

**Subpart V-2—Professional Responsibility Advisory Office**

- 0.129 Professional Responsibility Advisory Office.

**Subpart W—Bureau of Alcohol, Tobacco, Firearms, and Explosives**

- 0.130 General functions.
- 0.131 Specific functions.
- 0.132 Delegation respecting claims against the Bureau of Alcohol, Tobacco, Firearms, and Explosives.
- 0.133 Transition and continuity of regulations.

**Subpart W-1—Office of Tribal Justice**

- 0.134 Office of Tribal Justice.

**Subpart W-2—Additional Assignments of Functions and Designation of Officials To Perform the Duties of Certain Offices in Case of Vacancy, or Absence Therein or in Case of Inability or Disqualification to Act**

- 0.135 Functions common to heads of organizational units.
- 0.136 [Reserved]
- 0.137 Designating officials to perform the functions and duties of certain offices in case of absence, disability or vacancy.

**Subpart X—Authorizations With Respect to Personnel and Certain Administrative Matters**

- 0.138 Federal Bureau of Investigation, Drug Enforcement Administration, Bureau of Alcohol, Tobacco, Firearms, and Explosives, Bureau of Prisons, Federal Prison Industries, Immigration and Naturalization Service, United States Marshals Service, Office of Justice Programs, Executive Office for Immigration Review,

**Pt. 0**

Executive Office for United States Attorneys, Executive Office for United States Trustees.

- 0.139 [Reserved]
- 0.140 Authority relating to advertisements, and purchase of certain supplies and services.
- 0.141 Audit and ledger accounts.
- 0.142 Per diem and travel allowances.
- 0.143 Incentive Award Program.
- 0.144 Determination of basic workweek.
- 0.145 Overtime pay.
- 0.146 Seals.
- 0.147 Certification of obligations.
- 0.148 Certifying officers.
- 0.149 Cash payments.
- 0.150 Collection of erroneous payments.
- 0.151 Administering oath of office.
- 0.152 Approval of funds for attendance at meetings.
- 0.153 Selection and assignment of employees for training.
- 0.154 Advance and evacuation payments and special allowances.
- 0.155 Waiver of claims for erroneous payments of pay and allowances.
- 0.156 Execution of U.S. Marshals' deeds or transfers of title.
- 0.157 Federal Bureau of Investigation—Drug Enforcement Administration Senior Executive Service.
- 0.158 [Reserved]
- 0.159 Redelegation of authority.

**Subpart Y—Authority to Compromise and Close Civil Claims and Responsibility for Judgments, Fines, Penalties, and Forfeitures**

- 0.160 Offers that may be accepted by Assistant Attorneys General.
- 0.161 Acceptance of certain offers by the Deputy Attorney General or Associate Attorney General, as appropriate.
- 0.162 Offers which may be rejected by Assistant Attorneys General.
- 0.163 Approval by Solicitor General of action on compromise offers in certain cases.
- 0.164 Civil claims that may be closed by Assistant Attorneys General.
- 0.165 Recommendations to the Deputy Attorney General or Associate Attorney General, as appropriate, that certain claims be closed.
- 0.166 Memorandum pertaining to closed claim.
- 0.167 Submission to Associate Attorney General by Director of Office of Alien Property of certain proposed allowances and disallowances.
- 0.168 Redelegation by Assistant Attorneys General.
- 0.169 Definition of "gross amount of the original claim".
- 0.170 Interest on monetary limits.

**28 CFR Ch. I (7–1–17 Edition)**

- 0.171 Judgments, fines, penalties, and forfeitures.
- 0.172 Authority: Federal tort claims.

**APPENDIX TO SUBPART Y OF PART 0—REDELEGATIONS OF AUTHORITY TO COMPROMISE AND CLOSE CIVIL CLAIMS**

**Subpart Z—Assigning Responsibility Concerning Applications for Orders Compelling Testimony or Production of Evidence by Witnesses**

- 0.175 Judicial and administrative proceedings.
- 0.176 Congressional proceedings.
- 0.177 Applications for orders under the Comprehensive Drug Abuse Prevention and Control Act.
- 0.177a Antitrust civil investigative demands.
- 0.178 Redelegation of authority.

**Subpart Z–1—Prosecutions for Obstruction of Justice and Related Charges**

- 0.179 Scope.
- 0.179a Enforcement responsibilities.

**Subpart AA—Orders of the Attorney General**

- 0.180 Documents designated as orders.
- 0.181 Requirements for orders.
- 0.182 Submission of proposed orders to the Office of Legal Counsel.
- 0.183 Distribution of orders.

**Subpart BB—Sections and Subunits**

- 0.190 Changes within organizational units.
- 0.191 Changes which affect the overall structure of the Department.

**Subpart CC—Jurisdictional Disagreements**

- 0.195 Procedure with respect to jurisdictional disagreements.
- 0.196 Procedures for resolving disagreements concerning mail or case assignments.
- 0.197 Agreements, in connection with criminal proceedings or investigations, promising non-deportation or other immigration benefits.

AUTHORITY: 5 U.S.C. 301; 28 U.S.C. 509, 510, 515–519.

SOURCE: Order No. 423–69, 34 FR 20388, Dec. 31, 1969, unless otherwise noted.

EDITORIAL NOTE: Nomenclature changes to part 0 appear at 73 FR 73 FR 54947, Sept. 24, 2008.

## Department of Justice

## §0.10

### Subpart A—Organizational Structure of the Department of Justice

#### §0.1 Organizational units.

The Department of Justice shall consist of the following principal organizational units:

##### Offices

Office of the Attorney General.  
Office of the Deputy Attorney General.  
Office of the Associate Attorney General.  
Office of the Solicitor General.  
Office of Legal Counsel.  
Office of Legislative Affairs.  
Office of Professional Responsibility.  
Office of Legal Policy.  
Office of Public Affairs.  
Office of the Pardon Attorney.  
Office of Special Counsel for Immigration Related Unfair Employment Practices.  
Community Relations Service.  
Executive Office for Immigration Review.  
Executive Office for United States Attorneys.  
Executive Office for United States Trustees.  
INTERPOL—United States National Central Bureau.  
Office of International Programs.  
Office of Community Oriented Policing Services.  
Office on Violence Against Women.  
Office of the Federal Detention Trustee.  
Professional Responsibility Advisory Office.  
Office of Tribal Justice.  
Office for Access to Justice.

##### Divisions

Antitrust Division.  
Civil Division.  
Civil Rights Division.  
Criminal Division.  
Environment and Natural Resources Division.  
National Security Division.  
Tax Division.  
Justice Management Division.

##### Bureaus

Federal Bureau of Investigation.  
Bureau of Prisons.  
Drug Enforcement Administration.  
Office of Justice Programs (and related agencies)  
United States Marshals Service.  
Bureau of Alcohol, Tobacco, Firearms, and Explosives

##### Boards

Board of Immigration Appeals.  
U.S. Parole Commission.  
Foreign Claims Settlement Commission.

[Order No. 900-80, 45 FR 43702, June 30, 1980]

EDITORIAL NOTE: For FEDERAL REGISTER citations affecting §0.1, see the List of CFR Sections Affected, which appears in the Finding Aids section of the printed volume and at [www.fdsys.gov](http://www.fdsys.gov).

### Subpart B—Office of the Attorney General

#### §0.5 Attorney General.

The Attorney General shall:

(a) Supervise and direct the administration and operation of the Department of Justice, including the offices of U.S. Attorneys and U.S. Marshals, which are within the Department of Justice.

(b) Represent the United States in legal matters generally.

(c) Furnish advice and opinions, formal and informal, on legal matters to the President and the Cabinet and to the heads of the executive departments and agencies of the Government, as provided by law.

(d) Appear in person to represent the Government in the Supreme Court of the United States, or in any other court, in which he may deem it appropriate.

(e) Designate, pursuant to Executive Orders 9788 of October 4, 1946, and 10254 of June 15, 1951, officers and agencies of the Department of Justice to act as disbursing officers for the Office of Alien Property.

(f) Perform or supervise the performance of other duties required by statute or Executive order.

#### §0.10 Attorney General's Advisory Committee of U.S. Attorneys.

(a) The Attorney General's Advisory Committee of United States Attorneys shall consist of an appropriate number of United States Attorneys, designated by the Attorney General. The membership shall be selected to represent the various geographic areas of the Nation and various sized United States Attorneys' Offices. Members shall serve at the pleasure of the Attorney General, but such service normally shall not exceed three years and shall be subject to adjustment by the Attorney General so as to assure the annual rotation of approximately one-third of the Committee's membership. The United States Attorney for the District of Columbia

## §0.11

shall serve as an *ex officio* member of the Committee. The Attorney General may designate additional personnel from United States Attorneys' Offices to serve as members of the Committee.

(b) The Committee shall make recommendations to the Attorney General, to the Deputy Attorney General and to the Associate Attorney General concerning any matters which the Committee believes to be in the best interests of justice, including, but not limited to, the following:

(1) Establishing and modifying policies and procedures of the Department;

(2) Improving management, particularly with respect to the relationships between the Department and the U.S. Attorneys;

(3) Cooperating with State Attorneys General and other State and local officials for the purpose of improving the quality of justice in the United States;

(4) Promoting greater consistency in the application of legal standards throughout the Nation and at the various levels of government; and

(5) Aiding the Attorney General, the Deputy Attorney General and the Associate Attorney General in formulating new programs for improvement of the criminal justice system at all levels, including proposals relating to legislation and court rules.

(c) The Attorney General will select from the Committee's membership a chairperson and a vice-chairperson. The Attorney General may establish such subcommittees as deemed necessary to carry out the Committee's objectives. The Committee, in consultation with the Director of the Executive Office for United States Attorneys, will select chairpersons for such subcommittees. United States Attorneys who are not members of the Committee may be included in the membership of subcommittees.

(d) The Executive Office for U.S. Attorneys shall provide the Committee with such staff assistance and funds as are reasonably necessary to carry out the Committee's responsibilities.

[Order No. 640-76, 41 FR 7748, Feb. 20, 1976, as amended by Order No. 960-81, 46 FR 52340, Oct. 27, 1981; Order No. 3108-2009, 74 FR 47097, Sept. 15, 2009]

## 28 CFR Ch. I (7-1-17 Edition)

### § 0.11 Incentive Awards Board.

The Incentive Awards Board shall consist of the Deputy Attorney General or a designee of the Deputy Attorney General, who shall be the chairperson, and four members designated by the Attorney General from among the Assistant Attorneys General, bureau heads or persons of equivalent rank in the Department. The duties of the Board shall be:

(a) Consider and make recommendations to the Attorney General concerning honorary awards and cash awards in excess of \$7,500 to be granted for suggestions, inventions, superior accomplishment, or other personal effort which contributes to the efficiency, economy, or other improvement of Government operations or achieves a significant reduction in paperwork.

(b) Consider and make recommendations to the Attorney General for transmittal to the Office of Personnel Management and the President for Presidential awards under 5 U.S.C. 4504 and 5403.

(c) Evaluate periodically the effectiveness of the employee recognition program and recommend needed improvements to the Attorney General.

[Order No. 960-81, 46 FR 52340, Oct. 27, 1981, as amended by Order No. 2949-2008, 73 FR 8815, Feb. 15, 2008]

### § 0.12 Young American Medals Committee.

There shall be in the Office of the Attorney General a Young American Medals Committee, which shall be composed of four members, one of whom shall be the Director of Public Affairs who shall be the Executive Secretary of the Committee. The Chairman of the Committee shall be designated by the Attorney General. The Committee shall issue regulations relating to the establishment of the Young American Medal for Bravery and Young American Medal for Service provided for by the act of August 3, 1950, 64 Stat. 397, and governing the requirements and procedures for the award of such medals. The regulations of the Committee in effect on the effective date of this part shall continue in



## Department of Justice

## § 0.15

effect until amended, modified, or revoked by the Committee.

[Order No. 423-69, 34 FR 20388, Dec. 31, 1969, as amended by Order No. 445-70, 35 FR 19397, Dec. 23, 1970. Redesignated by Order No. 543-73, 38 FR 29583, Oct. 26, 1973, as amended by Order No. 960-81, 46 FR 52340, Oct. 27, 1981]

### § 0.13 Legal proceedings.

(a) Each Assistant Attorney General and Deputy Assistant Attorney General is authorized to exercise the authority of the Attorney General under 28 U.S.C. 515(a), in cases assigned to, conducted, handled, or supervised by such official, to designate Department attorneys to conduct any legal proceeding, civil or criminal, including grand jury proceedings and proceedings before committing magistrates, which United States attorneys are authorized by law to conduct, whether or not the designated attorney is a resident of the district in which the proceedings is brought.

(b) Each Assistant Attorney General is authorized to redelegate to Section Chiefs the authority delegated by paragraph (a) of this section, except that such re delegation shall not apply to the designation of attorneys to conduct grand jury proceedings.

[Order No. 725-77, 42 FR 26205, May 23, 1977]

## Subpart C—Office of the Deputy Attorney General

### § 0.15 Deputy Attorney General.

(a) The Deputy Attorney General is authorized to exercise all the power and authority of the Attorney General, unless any such power or authority is required by law to be exercised by the Attorney General personally.

(b) The Deputy Attorney General shall advise and assist the Attorney General in formulating and implementing Department policies and programs and in providing overall supervision and direction to all organizational units of the Department. Subject to the general supervision of the Attorney General, the Deputy Attorney General shall direct the activities of organizational units as assigned. In addition, the Deputy Attorney General shall:

(1) Except as assigned to the Associate Attorney General by § 0.19(a)(1), exercise the power and authority vested in the Attorney General to take final action in matters pertaining to:

(i) The appointment, employment, pay, separation, and general administration of personnel, including attorneys, in the Senior Executive Service or the equivalent; Senior-Level and Scientific and Professional positions; and of attorneys and law students regardless of grade or pay in the Department.

(ii) The appointment of special attorneys and special assistants to the Attorney General (28 U.S.C. 515(b));

(iii) The appointment of Assistant U.S. Trustees and fixing of their compensation; and

(iv) The approval of the appointment by U.S. Trustees of standing trustees and the fixing of their maximum annual compensation and percentage fees as provided in 28 U.S.C. 587(e).

(v) The appointment, employment, separation, and general administration of Assistant United States Attorneys and other attorneys to assist United States Attorneys when the public interest so requires and the fixing of their salaries.

(2) Administer the Department's recruitment programs for law graduates and law students.

(3) Coordinate Departmental liaison with White House Staff and the Executive Office of the President.

(4) Coordinate and control the Department's reaction to civil disturbances and terrorism.

(5) Perform such other duties and functions as may be assigned from time to time by the Attorney General.

(c) The Deputy Attorney General may redelegate the authority provided in paragraphs (b)(1)(i), (ii), (iii), (v), and paragraph (b)(2) of this section to take final action in matters pertaining to the:

(1) Appointment, employment, pay, separation, and general administration of personnel, including attorneys, in the Senior Executive Service or the equivalent, and Senior-Level and Scientific and Professional positions;

(2) Appointment, employment, pay, separation, and general administration

## §0.17

## 28 CFR Ch. I (7–1–17 Edition)

of attorneys and law students regardless of grade or pay;

(3) Appointment of special attorneys and special assistants to the Attorney General pursuant to 28 U.S.C. 515(b);

(4) Appointment of Assistant United States Trustees and the fixing of their compensation;

(5) Appointment, employment, separation, and general administration of Assistant United States Attorneys and other attorneys to assist United States Attorneys when the public interest so requires and the fixing of their salaries; and

(6) Administration of the Department's recruitment programs for law graduates and law students.

(d) The Deputy Attorney General may redelegate the authority provided in paragraph (b)(1)(iv) of this section to take final action in matters pertaining to the approval of the appointment by U.S. Trustees of standing trustees and the fixing of their maximum annual compensation and percentage fees as provided in 28 U.S.C. 587(e) to the Director of the Executive Office for U.S. Trustees.

(e) The officials to whom the Deputy Attorney General delegates authority under paragraph (c) of this section and any of the officials who may be otherwise authorized by the Deputy Attorney General to perform any other attorney personnel duties may redelegate those authorities and duties.

(f) The Deputy Attorney General is authorized, and may delegate authority to the Director of the Asylum Policy and Review Unit within the Office of Legal Policy, to:

(1) Compile and disseminate to Immigration and Naturalization Service (INS) officers information concerning the persecution of persons in countries on account of race, religion, nationality, membership in a particular social group, or political opinion.

(2) Review cases decided by the Board of Immigration Appeals pursuant to 8 CFR 3.1(h)(1)(i);

(3) Review INS asylum decisions in cases which the Deputy Attorney General directs INS to refer to him.

(4) Assist INS in conducting training concerning asylum and assist in resolving questions of policy that may arise.

(g) The Deputy Attorney General is authorized to exercise the authority vested in the Attorney General under section 528(a), Public Law 101–509, to accept from federal departments and agencies the services of attorneys and non-law enforcement personnel to assist the Department of Justice in the investigation and prosecution of fraud or other criminal or unlawful activity in or against any federally insured financial institution or the Resolution Trust Corporation, and to supervise such personnel in the conduct of such investigations and prosecutions.

(h) [Reserved]

[Order No. 960–81, 46 FR 52340, Oct. 27, 1981]

EDITORIAL NOTE: For FEDERAL REGISTER citations affecting §0.15, see the List of CFR Sections Affected, which appears in the Finding Aids section of the printed volume and at [www.fdsys.gov](http://www.fdsys.gov).

### §0.17 Office of Investigative Agency Policies.

(a) *Organization.* The Office of Investigative Agency Policies is headed by a Director appointed by the Attorney General. The Director shall be responsible to, and report directly to, the Deputy Attorney General, and shall serve at the pleasure of the Attorney General. The Director shall be chosen from among the heads of the criminal investigative agencies of the Department, i.e., the Federal Bureau of Investigation, Drug Enforcement Administration, United States Marshals Service and Immigration and Naturalization Service. The Director shall serve concurrently as the Director of Investigative Agency Policies and as head of the agency for which he or she was nominated and confirmed. The Director shall be supported by a staff consisting of personnel detailed from the criminal investigative agencies of the Department, and from the Criminal Division. The staff shall be nominated by these various agencies, subject to the approval of the Director.

(b) *Functions.* Subject to the general supervision and direction of the Attorney General and Deputy Attorney General, the Director shall in the areas of overlapping jurisdiction of the criminal investigative agencies:

(1) Take all steps necessary to improve coordination among the criminal

## Department of Justice

## §0.18a

investigative agencies of the Department, both within the United States and abroad;

(2) Assure, to the extent appropriate, consistent operational guidelines for the criminal investigative agencies of the Department;

(3) Establish procedures, structures and mechanisms for coordinating the collection and dissemination of intelligence relating to the Department's law enforcement responsibilities;

(4) Establish procedures and policies relating to procurement for the criminal investigative agencies of the Department, including but not limited to procurement of communications and computer systems;

(5) Determine and establish procedures for the coordination of all automation systems;

(6) Determine and establish plans to ensure the effective deployment of criminal investigative agency task forces;

(7) Establish procedures for coordinating the apprehension of fugitives;

(8) Establish programs to coordinate training among the criminal investigative agencies of the Department;

(9) Provide advice to the Attorney General and the Deputy Attorney General on all investigative policies, procedures and activities that warrant uniform treatment or coordination among the criminal investigative agencies of the Department;

(10) Provide advice to the Attorney General and the Deputy Attorney General on the budgetary and resource requests of the criminal investigative agencies of the Department;

(11) Perform such other functions as may be necessary for the effective policy-level coordination of criminal investigations by the criminal investigative agencies of the Department, particularly with respect to drug trafficking, fugitive apprehension, violence, and related areas, and for the elimination of waste and duplication in these functions.

(12) Perform such special duties as may be assigned by the Attorney General or the Deputy Attorney General from time to time.

(c) *Cooperation.* Officials of the Federal Bureau of Investigation, the Drug Enforcement Administration, the

United States Marshals Service, the Immigration and Naturalization Service and all other components of the Department that may be requested by the Director of Investigative Agency Policies shall provide such information as the Director may request.

(d) *Review.* Prior to making any decision having a significant impact on any criminal investigative agency of the Department, the Director shall consult with the head of such agency, or the designee of the head of such agency. Any head of a criminal investigative agency shall have an opportunity to seek review of any decision of the Director by the Deputy Attorney General or the Attorney General.

(e) *Scope.* Nothing in this section shall be interpreted to alter or diminish the responsibilities of the Department's criminal investigative agencies, or of other components of the Department, including the Criminal Division and the United States Attorneys, in the investigation and prosecution of violations of federal criminal law.

(f) *Reservation.* This policy is set forth solely for the purpose of internal Department of Justice guidance. It is not intended to, does not, and may not be relied upon to create any rights, substantive or procedural, that are enforceable at law by any party in any matter, civil or criminal, nor does it place any limitations on otherwise lawful investigative or litigative prerogatives of the Department of Justice.

[Order No. 1814-93, 58 FR 62260, Nov. 26, 1993]

### §0.18a Office of Small and Disadvantaged Business Utilization.

The Office of Small and Disadvantaged Business Utilization is headed by a Director appointed by the Attorney General, who shall be responsible to, and report directly to, the Deputy Attorney General. Subject to the general supervision and direction of the Deputy Attorney General, the Director shall:

(a) Be responsible for the implementation and execution of the functions and duties required by sections 637 and 644 of title 15 U.S. Code;

(b) Establish Department goals for the participation by small businesses, including small businesses owned and

## §0.19

## 28 CFR Ch. I (7–1–17 Edition)

controlled by socially and economically disadvantaged individuals, in Department procurement contracts;

(c) Have supervisory authority over Department personnel to the extent that the functions and duties of such personnel relate to the functions and duties described in paragraph (a) of this section;

(d) Provide resource information and technical training and assistance regarding utilization of small businesses, including small businesses owned and controlled by socially and economically disadvantaged individuals, to Department personnel who perform procurement functions;

(e) Assign a small business technical adviser to any Department offices to which the Small Business Administration assigns a procurement center representative, in accordance with section 644(k)(6) of title 15 U.S. Code;

(f) Develop and implement appropriate outreach programs to include small minority businesses in procurement contracts;

(g) Cooperate and consult regularly with the Small Business Administration with respect to the functions and duties described in paragraph (a) of this section;

(h) Review, evaluate and report to the Deputy Attorney General on the performance of organizational units of the Department in accomplishing the goals for utilization of small and disadvantaged businesses; and

(i) Prepare the Department's annual report to the Small Business Administration on the extent of participation by small and disadvantaged businesses in Department procurement contracts.

[Order No. 906–80, 45 FR 52145, Aug. 6, 1980]

### **Subpart C–1—Office of the Associate Attorney General**

#### **§0.19 Associate Attorney General.**

(a) The Associate Attorney General shall advise and assist the Attorney General and the Deputy Attorney General in formulating and implementing Departmental policies and programs. The Associate Attorney General shall also provide overall supervision and direction to organizational units as as-

signed. In addition the Associate Attorney General shall:

(1) Exercise the power and the authority vested in the Attorney General to take final action in matters pertaining to the appointment, employment, pay, separation, and general administration of attorneys and law students in pay grades GS–15 and below in organizational units subject to his direction.

(2) Perform such other duties as may be especially assigned from time to time by the Attorney General.

(3) Exercise the power and authority vested in the Attorney General to authorize the Director of the U.S. Marshals Service to deputize persons to perform the functions of a Deputy U.S. Marshal.

(b) The Associate Attorney General may redelegate the authority provided in paragraph (a)(1) of this section to the Director, Office of Attorney Recruitment and Management.

(c) The Associate Attorney General is the Attorney General's designee for purposes of determining whether, under part 39 of this title, a handicapped person can achieve the purpose of a program without fundamental changes in its nature, and whether an action would result in a fundamental alteration in the nature of a program or activity or in undue financial and administrative burdens. The Associate Attorney General may not redelegate this authority.

(d) [Reserved]

[Order No. 960–81, 46 FR 52341, Oct. 27, 1981, as amended by Order No. 1047–84, 49 FR 6485, Feb. 22, 1984; Order No. 1106–85, 50 FR 36055, Sept. 5, 1985; Order No. 1251–88, 53 FR 5370, Feb. 24, 1988; Order No. 2800–2006, 71 FR 6207, Feb. 7, 2006; Order No. 2897–2007, 72 FR 41624, July 31, 2007]

### **Subpart D—Office of the Solicitor General**

#### **§0.20 General functions.**

The following-described matters are assigned to, and shall be conducted, handled, or supervised by, the Solicitor General, in consultation with each agency or official concerned:

## Department of Justice

## § 0.23

(a) Conducting, or assigning and supervising, all Supreme Court cases, including appeals, petitions for and in opposition to certiorari, briefs and arguments, and, in accordance with § 0.163, settlement thereof.

(b) Determining whether, and to what extent, appeals will be taken by the Government to all appellate courts (including petitions for rehearing *en banc* and petitions to such courts for the issuance of extraordinary writs) and, in accordance with § 0.163, advising on the approval of settlements of cases in which he had determined that an appeal would be taken.

(c) Determining whether a brief *amicus curiae* will be filed by the Government, or whether the Government will intervene, in any appellate court.

(d) Assisting the Attorney General, the Deputy Attorney General and the Associate Attorney General in the development of broad Department program policy.

[Order No. 423-69, 34 FR 20388, Dec. 31, 1969, as amended by Order No. 445-70, 35 FR 19397, Dec. 23, 1970; Order No. 960-81, 46 FR 52341, Oct. 27, 1981]

### § 0.21 Authorizing intervention by the Government in certain cases.

The Solicitor General may in consultation with each agency or official concerned, authorize intervention by the Government in cases involving the constitutionality of acts of Congress.

### Subpart D-1—Executive Office for U.S. Attorneys

#### § 0.22 General functions.

The Executive Office for United States Attorneys shall be under the direction of a Director who shall:

(a) Provide general executive assistance and supervision to the offices of the U.S. Attorneys, including:

(1) Evaluating the performance of the offices of the U.S. Attorneys, making appropriate reports and inspections and taking corrective action where indicated.

(2) Coordinating and directing the relationship of the offices of the U.S. Attorneys with other organizational units of the Department of Justice.

(b) Publish and maintain a U.S. Attorneys' Manual and a United States

Attorneys' Bulletin for the internal guidance of the U.S. Attorneys' offices and those other organizational units of the Department concerned with litigation.

(c) Supervise the operation of the Office of Legal Education, the Attorney General's Advocacy Institute and the Legal Education Institute, which shall develop, conduct and authorize the training of all Federal legal personnel.

(d) Provide the Attorney General's Advisory Committee of United States Attorneys with such staff assistance and funds as are reasonably necessary to carry out the Committee's responsibilities (28 CFR 0.10(d)).

(e) Establish policy and procedures for the satisfaction, collection, or recovery of criminal fines, special assessments, penalties, interest, bail bond forfeitures, restitution, and court costs in criminal cases consistent with § 0.171 of this chapter.

[Order No. 960-81, 46 FR 52341, Oct. 27, 1981, as amended by Order No. 1413-90, 55 FR 19064, May 8, 1990]

### Subpart D-2—Office of Legal Policy

#### § 0.23 General functions.

The Office of Legal Policy shall be headed by an Assistant Attorney General. The principal responsibilities of the Office shall be to plan, develop, and coordinate the implementation of major policy initiatives of high priority to the Department and to the Administration. In addition, the Assistant Attorney General, Office of Legal Policy, shall:

(a) Examine and study legislation and other policy proposals and coordinate Departmental efforts to secure enactment of those of special interest to the Department and the Administration.

(b) Assist the Attorney General and the Deputy Attorney General in fulfilling responsibilities of the Federal Legal Council to promote coordination and communication among Federal legal offices with the goal of achieving effective, consistent, and efficient management of legal resources throughout the Federal Government.

## § 0.23a

(c) Manage and coordinate the discharge of Departmental responsibilities related to the Freedom of Information Act (5 U.S.C. 552) and the Privacy Act (5 U.S.C. 552a), including coordination and implementation of policy development and compliance within executive agencies and Departmental units relative to the Freedom of Information Act and within Departmental units relative to the Privacy Act; and supervise the Office of Information and Privacy which will, except as otherwise directed by the Attorney General, act on appeals taken from Departmental denials of access to records under the Privacy Act and the Freedom of Information Act.

(d) Advise and assist the Attorney General and the Deputy Attorney General regarding the selection and appointment of Federal judges.

(e) Administer the Federal Justice Research Program.

(f) Represent the Department on the Administrative Conference of the United States and, as appropriate, on regulatory reform matters.

(g) Participate, as appropriate, in internal budget hearings of the Department with regard to policy implications of resource allocations and resource implications of major policy initiatives; and advise the Assistant Attorney General for Administration with regard to information requirements for Departmental policy formulation.

(h) Advise appropriate Departmental officials, from time to time, on investigation, litigation, negotiation, penal, or correctional policies to insure the compatibility of those policies with overall Departmental goals.

(i) Perform such other duties and functions as may be specially assigned by the Attorney General and the Deputy Attorney General.

In carrying out his responsibilities under this section, the Assistant Attorney General, Office of Legal Policy, shall have the right to call upon the relevant Departmental units for personnel and other assistance.

[Order No. 960-81, 46 FR 52341, Oct. 27, 1981, as amended by Order No. 1054-84, 49 FR 10118, Mar. 19, 1984; Order No. 1055-84, 49 FR 12253, Mar. 29, 1984]

## 28 CFR Ch. I (7-1-17 Edition)

### § 0.23a [Reserved]

### § 0.23b Office of Asylum Policy and Review.

There is established, in the Office of Legal Policy, the Asylum Policy and Review Unit, headed by a Director, under the general supervision and direction of the Assistant Attorney General, Office of Legal Policy, and exercising such duties as the Deputy Attorney General delegates pursuant to 28 CFR 0.15(f) or otherwise assigns to it.

[Order No. 1176-87, 52 FR 11044, Apr. 7, 1987]

## Subpart D-3—Office of Information Policy

### § 0.24 General functions.

The Office of Information Policy shall be headed by a Director appointed by the Attorney General. The Director shall report to the Associate Attorney General. The following functions are assigned to, and shall be conducted, handled, or supervised by the Director of the Office of Information Policy:

(a) Exercising the power and performing the functions vested in the Attorney General under 5 U.S.C. 552(e).

(b) Developing, coordinating, and implementing policy with regard to the Freedom of Information Act ("FOIA"), including publishing guidance and other material related to FOIA matters;

(c) Providing legal assistance and advice to government agencies and organizational components of the Department on questions regarding the interpretation and application of the FOIA;

(d) Undertaking, arranging, or supporting training and informational programs concerning the FOIA for government agencies and the Department;

(e) Responding to initial requests made under the FOIA and the Privacy Act for the Office of Information Policy, as well as for the following Leadership Offices:

- (i) Office of the Attorney General;
- (ii) Office of the Deputy Attorney General;
- (iii) Office of the Associate Attorney General;
- (iv) Office of Legal Policy;
- (v) Office of Legislative Affairs;
- (vi) Office of Public Affairs;

## Department of Justice

## § 0.25

(vii) Office of Intergovernmental and Public Liaison; and

(viii) Any other Department component that the Attorney General assigns to the Office of Information Policy for responding to requests made to such component under the FOIA and the Privacy Act.

(f) Acting on behalf of the Attorney General on FOIA and Privacy Act access administrative appeals for all components of the Department, except that a denial of a request by the Attorney General is the final action of the Department on that request;

(g) Representing government agencies in civil litigation claims arising under the FOIA through and under the direction of the United States Attorney's Office for the District of Columbia and any such other districts as may be designated;

(h) Providing staff support to the Department Review Committee, established by § 17.14 of this chapter; and

(i) Encouraging all Federal agencies that intend to deny FOIA requests raising novel issues to consult with the Office of Information Policy to the extent practicable.

[Order No. 3085-2009, 74 FR 29129, June 19, 2009]

### Subpart E—Office of Legal Counsel

#### § 0.25 General functions.

The following-described matters are assigned to, and shall be conducted, handled, or supervised by, the Assistant Attorney General, Office of Legal Counsel:

(a) Preparing the formal opinions of the Attorney General; rendering informal opinions and legal advice to the various agencies of the Government; and assisting the Attorney General in the performance of his functions as legal adviser to the President and as a member of, and legal adviser to, the Cabinet.

(b) Preparing and making necessary revisions of proposed Executive orders and proclamations, and advising as to their form and legality prior to their transmission to the President; and performing like functions with respect to regulations and other similar matters

which require the approval of the President or the Attorney General.

(c) Rendering opinions to the Attorney General and to the heads of the various organizational units of the Department on questions of law arising in the administration of the Department.

(d) Approving proposed orders of the Attorney General, and orders which require the approval of the Attorney General, as to form and legality and as to consistency and conformity with existing orders and memoranda.

(e) Coordinating the work of the Department of Justice with respect to the participation of the United States in the United Nations and related international organizations and advising with respect to the legal aspects of treaties and other international agreements.

(f) When requested, advising the Attorney General in connection with his review of decisions of the Board of Immigration Appeals and other organizational units of the Department.

(g) Designating within the Office of Legal Counsel:

(1) A liaison officer, and an alternate, as a representative of the Department in all matters concerning the filing of departmental documents with the Office of the Federal Register, and

(2) A certifying officer, and an alternate, to certify copies of documents required to be filed with the Office of the Federal Register (1 CFR 16.1).

(h) Approving certain blind trusts, as required by section 202(f)(4)(B) of the Ethics in Government Act of 1978, 92 Stat. 1843.

(i) Consulting with the Director of the Office of Government Ethics regarding the development of policies, rules, regulations, procedures and forms relating to ethics and conflicts of interest, as required by section 402 of the Ethics in Government Act of 1978, 92 Stat. 1862.

(j) Taking actions to ensure implementation of Executive Order 12612 (entitled "Federalism"), including determining which Department policies have sufficient federalism implications to warrant preparation of a Federalism Assessment, reviewing Assessments for adequacy, and executing certifications for the Assessments.

## § 0.26

## 28 CFR Ch. I (7–1–17 Edition)

(k) Performing such special duties as may be assigned by the Attorney General, the Deputy Attorney General, or the Associate Attorney General from time to time.

[Order No. 423–69, 34 FR 20388, Dec. 31, 1969, as amended by Order No. 445–70, 35 FR 19397, Dec. 23, 1970; Order No. 623–75, 40 FR 42746, Sept. 16, 1975; Order No. 960–81, 46 FR 52342, Oct. 27, 1981; Order No. 1054–84, 49 FR 10118, Mar. 19, 1984; Order No. 1260–88, 53 FR 9435, Mar. 23, 1988]

### Subpart E–1—Office of International Programs

#### § 0.26 Organization.

There shall be within the Office of the Deputy Attorney General an Office of International Programs.

(a) *Director.* The Office of International Programs shall be headed by a Director appointed by the Attorney General.

(b) *Functions.* The Director of the Office of International Programs shall discharge the following duties:

(1) Coordinate all proposals for the Department of Justice, or Department of Justice personnel, to provide foreign countries with training or technical assistance in the fields of law enforcement, administration of justice, legislation, and economic reform and democratic institution-building initiatives.

(2) Assist the Deputy Attorney General in coordinating the activities of the International Criminal Investigative Training Assistance Program and in coordinating responses to requests for international training and technical assistance submitted to the INTERPOL-U.S. National Central Bureau and other Department of Justice units.

(3) Serve as the focal point, on behalf of the Deputy Attorney General, for administrative matters involving international activities, including overseas staffing, of all Department of Justice units.

(4) Coordinate arrangements and preparations for contacts by the Attorney General and Deputy Attorney General with officials of foreign governments, foreign non-governmental organizations, and international organizations.

(5) As required, advise the Deputy Attorney General on matters relating to non-operational foreign travel by Department of Justice personnel.

(6) Serve as a primary liaison with the Department of State, with other appropriate federal, state and local agencies, and with appropriate non-governmental institutions, regarding training and technical assistance to foreign countries in the fields of law enforcement, administration of justice, legislation, and economic reform and democratic institution-building initiatives.

(7) Review and coordinate all planned and ongoing training and technical assistance activities in the fields of law enforcement, administration of justice, legislation, and economic reform and democratic institution-building initiatives by Department of Justice personnel in foreign countries.

(8) As needed, facilitate logistical arrangements for Department of Justice personnel to engage in approved training and technical assistance activities in the fields of law enforcement, administration of justice, legislation, and economic reform and democratic institution-building initiatives in foreign countries.

(9) Coordinate Department of Justice views on proposals for entities outside the Department, including international organizations, to conduct training and technical assistance activities in the fields of law enforcement, administration of justice, legislation, and economic reform and democratic institution-building initiatives in or for foreign countries.

(10) Serve as a focal point, on behalf of the Deputy Attorney General, for resolution, within the Department of Justice, of issues regarding international policy.

(11) Coordinate, on behalf of the Deputy Attorney General, legislation relevant to Department of Justice training and technical assistance activities in or for foreign countries.

(12) Perform such other duties and functions as may be specially assigned by the Deputy Attorney General.

(c) *Relationship with other Departmental units.* The Office of International Programs shall:



## Department of Justice

§ 0.29

(1) Maintain continual liaison with interested components of the Department on international matters.

(2) Develop and administer effective mechanisms to ensure thorough consideration, by interested components of the Department, of all proposals for international training and technical assistance by Department personnel.

(d) *Redelegation of authority.* The Director is authorized to redelegate to any subordinate member of the Office of International Programs any of the authority, functions or duties vested in the Director by this subpart.

[Order No. 1606-92, 57 FR 32438, July 22, 1992]

### Subpart E-2—Office of Legislative and Intergovernmental Affairs

#### § 0.27 General functions.

The following-described matters are assigned to, and shall be conducted, handled, or supervised by, the Assistant Attorney General, Office of Legislative and Intergovernmental Affairs:

(a) Maintaining liaison between the Department and the Congress.

(b) Reviewing, coordinating and submitting departmental legislative reports.

(c) Coordinating the preparation and submission of proposed departmental legislation.

(d) Maintaining liaison between the Department and State and local governments and their representative organizations.

(e) Consulting with State and local officials and their representative organizations to inform them of Department policy and law enforcement initiatives that may affect State and local governments.

(f) Performing such other duties respecting legislative matters as may be assigned by the Attorney General, the Deputy Attorney General, or the Associate Attorney General.

[Order No. 504-73, 38 FR 6893, Mar. 14, 1973, as amended by Order No. 623-75, 40 FR 42746, Sept. 16, 1975; Order No. 960-81, 46 FR 52343, Oct. 27, 1981; Order No. 1054-84, 49 FR 10118, Mar. 19, 1984. Redesignated by Order No. 1497-91, 56 FR 25629, June 5, 1991]

### Subpart E-3—Office of Public Affairs

#### § 0.28 General functions.

The Office of Public Affairs is headed by a Director of Public Affairs who shall:

(a) Handle matters pertaining to relations with the public generally.

(b) Disseminate information to the press, the radio and television services, the public, members of Congress, officials of Government, schools, colleges, and civic organizations.

(c) Coordinate the relations of the Department of Justice with the news media.

(d) Serve as a central agency for information relating to the work and activities of all agencies of the Department.

(e) Prepare public statements and news releases.

(f) Coordinate Department publications.

(g) Assist the Attorney General and other officials of the Department in preparing for news conferences, interviews and other contacts with the news media.

[Order No. 960-81, 46 FR 52343, Oct. 27, 1981. Redesignated by Order No. 1497-91, 56 FR 25629, June 5, 1991]

### Subpart E-4—Office of the Inspector General

SOURCE: Order No. 2167-98, 63 FR 36847, July 8, 1998, unless otherwise noted.

#### § 0.29 Organization.

(a) The Office of the Inspector General consists of an immediate office, which is composed of the Inspector General, the Deputy Inspector General, and the Office of the General Counsel, and five major divisions, each headed by an Assistant Inspector General. The five OIG divisions are: Audit; Investigations; Evaluation and Inspections; Oversight and Review; and Management and Planning.

(b) The OIG is headquartered in Washington, DC. Investigations Field Offices and Audit Regional Offices are located in Washington, DC and throughout the United States. For a listing of specific office locations, see

## §0.29a

the OIG Internet Website at <http://www.usdoj.gov/oig>.

[Order No. 2167-98, 63 FR 36847, July 8, 1998, as amended by Order No. 2835-2006, 71 FR 54413, Sept. 15, 2006]

### § 0.29a General functions.

(a) The OIG is a statutorily created independent entity within the Department of Justice subject to the general supervision of the Attorney General that conducts and supervises audits, inspections, and investigations relating to the programs and operations of the Department; recommends policies to promote economy, efficiency, and effectiveness and to prevent and detect fraud and abuse in Departmental programs and operations; and keeps the Attorney General and Congress informed about the problems and deficiencies relating to the administration of the Department and the necessity for and progress of corrective action.

(b) In order to carry out its responsibilities the OIG:

(1) Audits and inspects Department programs and operations as well as non-Department entities contracting with or receiving benefits from the Department;

(2) Investigates allegations of criminal wrongdoing and administrative misconduct on the part of Department employees, as provided in §0.29c of this subpart;

(3) Investigates allegations that individuals and entities outside of the Department have engaged in activity that adversely affects the Department's programs and operations;

(4) Undertakes sensitive investigations of Department operations and/or personnel, often at the request of senior Department officials or Congress.

### § 0.29b Reporting allegations of waste, fraud, or abuse.

Employees shall report evidence and non-frivolous allegations of waste, fraud, or abuse relating to the programs and operations of the Department to the OIG or to a supervisor for referral to the OIG.

### § 0.29c Reporting allegations of employee misconduct.

(a) *Reporting to the OIG.* Evidence and non-frivolous allegations of criminal

## 28 CFR Ch. I (7-1-17 Edition)

wrongdoing or serious administrative misconduct by Department employees shall be reported to the OIG, or to a supervisor or a Department component's internal affairs office for referral to the OIG, except as provided in paragraph (b) of this section.

(b) *Reporting to the Department's Office of Professional Responsibility (DOJ-OPR).* Employees shall report to DOJ-OPR evidence and non-frivolous allegations of serious misconduct by Department attorneys that relate to the exercise of their authority to investigate, litigate, or provide legal advice. Employees shall also report to DOJ-OPR evidence and non-frivolous allegations of serious misconduct by Department law enforcement personnel that are related to allegations of misconduct by a Department attorney that relate to the exercise of the attorney's authority to investigate, litigate, or provide legal advice.

(c) *Reporting to the Drug Enforcement Administration Office of Professional Responsibility (DEA-OPR).* Evidence and non-frivolous allegations of serious misconduct by employees of the Drug Enforcement Administration (DEA) shall be reported by the OIG to the Drug Enforcement Administration Office of Professional Responsibility (DEA-OPR) or to the Deputy Attorney General.

(d) *Reporting to the Federal Bureau of Investigation Office of Professional Responsibility (FBI-OPR).* Evidence and non-frivolous allegations of serious misconduct by employees of the Federal Bureau of Investigation (FBI) shall be reported by the OIG to the FBI-OPR except as provided in §0.29d of this subpart, or to the Deputy Attorney General.

[Order No. 2167-98, 63 FR 36847, July 8, 1998, as amended by Order No. 2492-2001, 66 FR 37903, July 20, 2001]

### § 0.29d Whistleblower protection for FBI employees.

(a) *Protected disclosures by FBI employees.* Disclosures of information by an FBI employee that the employee reasonably believes evidences a violation of any law, rule, or regulation, or mismanagement, gross waste of funds, an abuse of authority, or a substantial and specific danger to public health or

## Department of Justice

## § 0.29f

safety are protected disclosures when they are reported as provided in § 27.1 of this chapter. Any office or official (other than the OIG or DOJ-OPR) receiving a protected disclosure shall promptly report such disclosure to the OIG or DOJ-OPR. The OIG or DOJ-OPR may refer such allegations to FBI Inspection Division (FBI-INSD) Internal Investigations Section for investigation unless the Deputy Attorney General determines that such referral shall not be made.

(b) *Allegations of retaliation against FBI employees.* Allegations of retaliation against an employee of the FBI who makes a protected disclosure shall be reported to the OIG, DOJ-OPR, or the Deputy Attorney General.

[Order No. 2167-98, 63 FR 36847, July 8, 1998, as amended by Order No. 2492-2001, 66 FR 37903, July 20, 2001; Order No. 2926-2008, 73 FR 1494, Jan. 9, 2008]

### § 0.29e Relationship to other departmental units.

(a) The OIG works cooperatively with other Department components to assure that allegations of employee misconduct are investigated by the appropriate entity:

(1) The OIG refers to DOJ-OPR allegations of misconduct within DOJ-OPR's jurisdiction and may refer to another component the investigation of an allegation of misconduct on the part of an employee of that component;

(2) The OIG may refer to a Department component's internal affairs office allegations of misconduct within that office's jurisdiction or may investigate such allegations on its own;

(3) DOJ-OPR refers to the OIG allegations involving misconduct by Department attorneys or investigators that do not relate to the exercise of an attorney's authority to investigate, litigate, or provide legal advice.

(4) The OIG and the FBI notify each other of the existence of criminal investigations that fall within their joint jurisdiction to investigate crimes involving the operations of the Department, except where such notification could compromise the integrity of an investigation;

(5) All Department components report to the OIG all non-frivolous allegations of criminal wrongdoing and se-

rious administrative misconduct involving any of their employees except allegations involving Department attorneys and investigators that relate to an attorney's authority to litigate, investigate, or provide legal advice.

(6) At the request of the Inspector General, the Deputy Attorney General may assign to the OIG a matter within the investigative jurisdiction of DOJ-OPR. In such instances, the OIG shall either:

(i) Notify DOJ-OPR of its request to the Deputy Attorney General or

(ii) Request that the Deputy Attorney General determine that such notification would undermine the integrity of the investigation nor jeopardize the interests of the complainant.

(7) While an issue of investigative jurisdiction or assignment is pending before the Deputy Attorney General, neither the OIG DOJ-OPR shall undertake any investigative activity without authorization from the Deputy Attorney General.

(b) OIG investigations that result in findings of potential criminal misconduct or civil liability are referred to the appropriate prosecutorial or litigative office.

(c) The OIG advises DOJ-OPR of the existence and results of any investigation that reflects upon the ethics, competence, or integrity of a Department attorney for appropriate action by DOJ-OPR.

(d) OIG investigations that result in findings of administrative misconduct are reported to management for appropriate disposition.

[Order No. 2167-98, 63 FR 36847, July 8, 1998; 63 FR 40788, July 30, 1998, as amended by Order No. 2492-2001, 66 FR 37903, July 20, 2001]

### § 0.29f Confidentiality.

The Inspector General shall not, during the pendency of an investigation, disclose the identity of an employee who submits a complaint to the OIG without the employee's consent, unless the Inspector General determines that such disclosure is unavoidable in the course of the investigation.

## § 0.29g

## 28 CFR Ch. I (7–1–17 Edition)

### § 0.29g Reprisals.

Any employee who has authority to take, direct others to take, recommend, or approve any personnel action shall not, with respect to such authority, take or threaten to take any action against any employee as a reprisal for the employee making a complaint or disclosing information to the OIG unless the complaint was made or the information was disclosed with knowledge that it was false or with willful disregard for its truth or falsity.

### § 0.29h Specific authorities of the Inspector General.

The Inspector General is authorized to:

(a) Conduct investigations and issue reports relating to criminal wrongdoing and administrative misconduct of Department employees and administration of the programs and operations of the Department as are, in the judgment of the Inspector General, necessary or desirable;

(b) Receive and investigate complaints or information from an employee of the Department concerning the possible existence of an activity constituting a violation of law, rules, or regulations, or mismanagement, gross waste of funds, an abuse of authority, or a substantial and specific danger to the public health and safety;

(c) Have direct and prompt access to the Attorney General when necessary for any purpose pertaining to the performance of the functions and responsibilities of the OIG;

(d) Have access to all records, reports, audits, reviews, documents, papers, recommendations, or other material available to the Department and its components that relate to programs and operations with respect to which the OIG has responsibilities unless the Attorney General notifies the Inspector General, in writing, that such access shall not be available because it is necessary to prevent the disclosure of

(1) Sensitive information concerning ongoing civil or criminal investigations or proceedings;

(2) Undercover operations;

(3) The identity of confidential sources, including protected witnesses;

(4) Intelligence or counterintelligence matters; or

(5) Other matters the disclosure of which would constitute a serious threat to national security or significantly impair the national interests of the United States;

(e) Request such information or assistance as may be necessary for carrying out the duties and responsibilities of the OIG from any office, board, division, or component of the Department, and any Federal, State, or local governmental agency or unit thereof;

(f) Issue subpoenas to individuals, and entities, other than Federal government agencies, for the production of information, records, data, and other documentary evidence necessary to carry out the functions of the OIG;

(g) Obtain information from Federal government agencies by means other than subpoena and advise the head of such agency whenever information is unreasonably refused or not provided;

(h) Select, appoint, and employ such officers and employees as may be necessary for carrying out the functions, powers, and duties of the OIG;

(i) Employ on a temporary basis such experts and consultants as may be necessary to carry out the duties of the OIG;

(j) Enter into contracts and other arrangements for audits, studies, analyses, and other services with public agencies and with private persons, and to make such payments as may be necessary to carry out the duties of the OIG;

(k) Take from any person an oath, affirmation, or affidavit whenever necessary in the performance of the functions of the OIG.

[Order No. 2167–98, 63 FR 36847, July 8, 1998, as amended by Order No. 2492–2001, 66 FR 37903, July 20, 2001]

### § 0.29i Audit, inspection, and review authority.

The OIG is authorized to perform audits, inspections, and reviews of the programs and operations of the Department of Justice and of entities contracting with or obtaining benefits from the Department.

## Department of Justice

## § 0.33

### § 0.29j Law enforcement authority.

Subject to guidelines promulgated by the Attorney General, Special Agents of the Office of the Inspector General are authorized to:

(a) Detect and assist in the prosecution of crimes in violation of the laws of the United States and to conduct such other investigations regarding matters that are within the jurisdiction of the Inspector General;

(b) Serve legal writs, summons, complaints, and subpoenas issued by the Inspector General or by a Federal grand jury;

(c) Receive, transport, and provide safekeeping of arrestees and other persons in the custody of the Attorney General or detained aliens;

(d) Arrest without warrant any person for an offense against the United States committed in the presence of the Special Agent or whom the Special Agent has reasonable grounds to believe has committed or is committing a felony cognizable under the laws of the United States;

(e) Seek and execute search and arrest warrants;

(f) Carry firearms while on-duty; and

(g) Carry firearms while off-duty as authorized by the Inspector General.

[Order No. 2835-2006, 71 FR 54413, Sept. 15, 2006]

### Subpart F—Community Relations Service

#### § 0.30 General functions.

The following-described matters are assigned to, and shall be conducted, handled, or supervised by, the Director of the Community Relations Service:

(a) Exercise of the powers and performance of the functions vested in the Attorney General by sections 204(d), 205, 1002, and 1003(a) of the Civil Rights Act of 1964 (78 Stat. 267) and section 2 of Reorganization Plan No. 1 of 1966.

(b) Preparation and submission of the annual report to the Congress required by section 1004 of that Act.

[Order No. 423-69, 34 FR 20388, Dec. 31, 1969, as amended by Order No. 445-70, 35 FR 19397, Dec. 23, 1970; Order No. 699-77, 42 FR 15315, Mar. 21, 1977; Order No. 960-81, 46 FR 52343, Oct. 27, 1981]

### § 0.31 Designating officials to perform the functions of the Director.

(a) In case of a vacancy in the Office of the Director of the Community Relations Service, the Deputy Director of the Service shall perform the functions and duties of the Director.

(b) The Director is authorized, in case of absence from his office or in case of his inability or disqualification to act, to designate the Deputy Director to act in his stead. In unusual circumstances, or in the absence of the Deputy Director, a person other than the Deputy Director may be so designated by the Director.

### § 0.32 Applicability of existing departmental regulations.

Departmental regulations which are generally applicable to units or personnel of the Department of Justice shall be applicable with respect to the Community Relations Service and to the Director and personnel thereof, except to the extent, if any, that such regulations may be inconsistent with the intent and purposes of section 1003(b) of the Civil Rights Act of 1964.

### Subpart F-1—Office for Access to Justice

#### § 0.33 Office for Access to Justice.

The Office for Access to Justice shall be headed by a Director appointed by the Attorney General. The principal responsibilities of the Office shall be to plan, develop, and coordinate the implementation of access to justice policy initiatives of high priority to the Department and the executive branch, including in the areas of criminal indigent defense and civil legal aid. In addition, the Director shall:

(a) Promote uniformity of Department of Justice and government-wide policies and litigation positions relating to equal access to justice;

(b) Examine proposed legislation, proposed rules, and other policy proposals to ensure that access to justice principles are properly considered in the development of policy; and

(c) Perform such other duties and functions as may be authorized by law or directed by the Attorney General,

## § 0.34

Deputy Attorney General, or Associate Attorney General.

[AG Order 3691-2016, 81 FR 43066, July 1, 2016]

### Subpart F-2—INTERPOL-United States National Central Bureau

#### § 0.34 General functions.

The following functions are assigned to, and shall be conducted, handled, or supervised by, the Chief of the United States National Central Bureau, International Criminal Police Organization (INTERPOL—U.S. National Central Bureau), as authorized by statute and within guidelines prescribed by the Department of Justice, in conjunction with the Department of Treasury:

(a) Facilitate international law enforcement cooperation as the United States representative with the International Criminal Police Organization (INTERPOL), on behalf of the Attorney General, pursuant to 22 U.S.C. 263a.

(b) Represent the U.S. National Central Bureau at criminal law enforcement and international law enforcement conferences and symposia.

(c) Serve as a member of the Executive Committee of INTERPOL-United States National Central Bureau (INTERPOL-USNCB).

(d) Transmit information of a criminal justice, humanitarian, or other law enforcement related nature between National Central Bureaus of INTERPOL member countries, and law enforcement agencies within the United States and abroad; and respond to requests by law enforcement agencies, and other legitimate requests by appropriate organizations, institutions and individuals, when in agreement with the INTERPOL constitution.

(e) Coordinate and integrate information for investigations of an international nature and identify those involving patterns and trends of criminal activities.

(f) Conduct analyses of patterns of international criminal activities, when specific patterns are observed.

(g) Establish and collect user fees to process name checks and background

## 28 CFR Ch. I (7-1-17 Edition)

records for licensing, humanitarian and other non-law enforcement purposes.

[Order No. 960-81, 46 FR 52343, Oct. 27, 1981, as amended by Order No. 1295-88, 53 FR 30990, Aug. 17, 1988; Order No. 1441-90, 55 FR 32403, Aug. 9, 1990; Order No. 1491-91, 56 FR 21600, May 10, 1991]

### Subpart G—Office of the Pardon Attorney

CROSS REFERENCE: For regulations pertaining to the Office of Pardon Attorney, see part 1 of this chapter.

#### § 0.35 General functions; delegation of authority.

Under the general supervision of the Attorney General and the direction of the Deputy Attorney General, the following-described matters are assigned to, and shall be conducted, handled or supervised by, the Pardon Attorney but subject to the limitation contained in § 0.36 of this chapter.

(a) Exercise of the powers and performance of the functions vested in the Attorney General by §§ 1.1 through 1.8 inclusive of this chapter.

(b) Performance of such other duties as may be assigned by the Attorney General or the Deputy Attorney General.

[Order No. 1012-83, 48 FR 22290, May 18, 1983, as amended by AG Order No. 3464-2014, 79 FR 54188, Sept. 11, 2014]

#### § 0.36 Recommendations.

The Pardon Attorney shall submit all recommendations in clemency cases through the Deputy Attorney General and the Deputy Attorney General shall exercise such discretion and authority as is appropriate and necessary for the handling and transmittal of such recommendations to the President.

[Order No. 1012-83, 48 FR 22290, May 18, 1983, as amended by AG Order No. 3464-2014, 79 FR 54188, Sept. 11, 2014]

### Subpart G-1—Executive Office for United States Trustees

#### § 0.37 Organization.

The Executive Office for United States Trustees shall be headed by a

## Department of Justice

## § 0.39a

Director appointed by the Attorney General.

[Order No. 960-81, 46 FR 52344, Oct. 27, 1981]

### § 0.38 Functions.

The Director shall have responsibility for assisting the Attorney General and the Deputy Attorney General in supervising and providing general coordination and assistance to United States Trustees. The Director shall perform such duties relating to such functions and others under the Bankruptcy Reform Act of 1978 as may be assigned by the Attorney General or the Deputy Attorney General.

[Order No. 960-81, 46 FR 52344, Oct. 27, 1981]

### Subpart G-2—Office of Professional Responsibility

SOURCE: Order No. 2835-2006, 71 FR 54414, Sept. 15, 2006, unless otherwise noted.

### § 0.39 Office of Professional Responsibility.

The Office of Professional Responsibility (DOJ-OPR) shall be headed by a Counsel, who shall be appointed by the Attorney General and subject to the general supervision and direction of the Attorney General or, whenever appropriate, the Deputy Attorney General.

#### § 0.39a Functions.

(a) The Counsel shall:

(1) Receive, review, investigate and refer for appropriate action allegations of misconduct involving Department attorneys that relate to the exercise of their authority to investigate, litigate or provide legal advice, as well as allegations of misconduct by law enforcement personnel when such allegations are related to allegations of attorney misconduct within the jurisdiction of DOJ-OPR;

(2) Receive, review, investigate and refer for appropriate action;

(i) Any allegation of reprisal against an employee or applicant who discloses information pursuant to paragraph (a)(1) of this section; and

(ii) Allegations of reprisal taken against any Federal Bureau of Investigation employee for disclosing information pursuant to 28 CFR 27.1;

(3) Report to the responsible Department official the results of inquiries and investigations arising under paragraphs (a)(1) and (2) of this section, and, when appropriate, make recommendations for disciplinary and other corrective action;

(4) Refer any allegation not arising under paragraphs (a)(1) or (2) of this section to the Inspector General or another appropriate Department official;

(5) Notify any person who has made allegations pursuant to paragraphs (a)(1) or (2) of this section and any person who was the subject of such allegations of the completion and, as appropriate, the results of, any inquiry or investigation undertaken, where such notification is permitted by law and consistent with the law enforcement interests of the Department;

(6) Engage in liaison with the bar disciplinary authorities of the states, territories, and the District of Columbia with respect to professional misconduct matters;

(7) Submit an annual report to the Attorney General summarizing the work of the Office;

(8) Submit recommendations to the Attorney General and the Deputy Attorney General on the need for changes in policies and procedures that become evident during the course of the Counsel's inquiries and investigations;

(9) Review proposals from Department employees to refer to appropriate licensing authorities apparent professional misconduct by attorneys outside the Department, and make such referrals where warranted, except that referrals made pursuant to 8 CFR 1003.106(d) do not require the Counsel's review; and

(10) Perform any other responsibilities assigned by the Attorney General or the Deputy Attorney General.

(b) For the purpose of paragraph (a)(2)(i) of this section, any disclosure by an employee or applicant to a supervisor, Professional Responsibility Officer, the Office of Professional Responsibility, the Office of the Inspector General, the Executive Office for United States Attorneys, or other appropriate individual or component shall constitute disclosure to the Attorney General or the Counsel.

**§ 0.39b Confidentiality of information.**

The Counsel shall not disclose the identity of any person submitting an allegation of misconduct or reprisal pursuant to 28 CFR 0.39a(a)(1) or (2) unless the person consents to the disclosure of his identity or the disclosure is necessary to carry out the authority of the Office of Professional Responsibility, including conducting an investigation or referring the allegation to another component.

**§ 0.39c Relationship to other departmental units.**

(a) Primary responsibility for assuring the maintenance of the highest standards of professional responsibility by Department employees rests with the heads of the offices, divisions, bureaus, and boards of the Department.

(b) The heads of the offices, divisions, bureaus, and boards shall assure that any judicial finding of misconduct or serious judicial criticism relating to the duties described in § 0.39(a)(1), or any nonfrivolous allegation of serious misconduct concerning an employee in their component and relating to those duties, is reported to the Counsel.

(c) The heads of the offices, divisions, bureaus, and boards shall provide information and assistance requested by the Counsel in connection with any inquiries or investigations conducted by the Counsel or by the Counsel's staff. As set forth in part 45, all Department personnel, including the subject(s) of any inquiry or investigation, shall cooperate fully with any investigation conducted by the Counsel or his designee.

**Subpart H—Antitrust Division****§ 0.40 General functions.**

The following functions are assigned to and shall be conducted, handled, or supervised by, the Assistant Attorney General, Antitrust Division:

(a) General enforcement, by criminal and civil proceedings, of the Federal antitrust laws and other laws relating to the protection of competition and the prohibition of restraints of trade and monopolization, including conduct of surveys of possible violations of antitrust laws, conduct of grand jury

proceedings, issuance and enforcement of civil investigative demands, civil actions to obtain orders and injunctions, civil actions to recover forfeitures or damages for injuries sustained by the United States as a result of antitrust law violations, proceedings to enforce compliance with final judgments in antitrust suits and negotiation of consent judgments in civil actions, civil actions to recover penalties, criminal actions to impose penalties including actions for the imposition of penalties for conspiring to defraud the Federal Government by violation of the antitrust laws, participation as *amicus curiae* in private antitrust litigation; and prosecution or defense of appeals in antitrust proceedings.

(b) Intervention or participation before administrative agencies functioning wholly or partly under regulatory statutes in administrative proceedings which require consideration of the antitrust laws or competitive policies, including such agencies as the Civil Aeronautics Board, Interstate Commerce Commission, Federal Communications Commission, Federal Maritime Commission, Federal Energy Regulatory Commission, Federal Reserve Board, Federal Trade Commission, Nuclear Regulatory Commission, and Securities and Exchange Commission, except proceedings referred to any agency by a federal court as an incident to litigation being conducted under the supervision of another Division in this Department.

(c) Developing procedures to implement, receiving information, maintaining records, and preparing reports by the Attorney General to the President as required by Executive Order 10936 of April 25, 1961 relating to identical bids submitted to Federal and State departments and agencies.

(d) As the delegate of the Attorney General furnishing reports and summaries thereof respecting the competitive factors involved in proposed mergers or consolidations of insured banks required by the Federal Deposit Insurance Act, as amended (12 U.S.C. 1828(c)), furnishing reports respecting the competitive factors involved in proposed acquisitions under the Savings and Loan Holding Company Amendments of 1967 (12 U.S.C. 1730a(e)),



## Department of Justice

## §0.41

furnishing advice regarding the proposed disposition of surplus Government property required by the Federal Property and Administrative Services Act of 1949, as amended (40 U.S.C. 488), furnishing reports regarding deepwater port licenses under the Deepwater Port Act of 1974 (33 U.S.C. 1506), furnishing advice and reports regarding federal coal leases under the Federal Coal Leasing Amendments Act of 1976 (30 U.S.C. 184(1)), furnishing advice on oil and gas leasing under the Outer Continental Shelf Lands Act Amendments of 1978 (43 U.S.C. 1334(a) 1334(f)(3). 1337), furnishing reports and recommendations regarding the issuance of licenses for exploration or permits for commercial recovery of deep seabed hard minerals pursuant to the Deep Seabed Hard Minerals Resources Act (30 U.S.C. 1413(d)), furnishing advice or reports regarding contracts or operating agreements concerning exploration, development or production of petroleum reserves under the Naval Petroleum Reserves Production Act of 1976 (10 U.S.C. 7430(g)(1)), and furnishing advice regarding nuclear licenses under the Atomic Energy Act of 1954 (42 U.S.C. 2135).

(e) Preparing the approval or disapproval of the Attorney General whenever such action is required by statute from the standpoint of the antitrust laws as a prerequisite to the development of Defense Production Act voluntary programs or agreements and small business production or raw material pools, the national defense program and atomic energy matters.

(f) Assembling information and preparing reports required or requested by the Congress or the Attorney General as to the effect upon the maintenance and preservation of competition under the free enterprise system of various Federal laws or programs, including the Defense Production Act of 1950, the Small Business Act, the Federal Coal Leasing Amendments Act of 1976 (30 U.S.C. 208-2), the Naval Petroleum Reserves Production Act of 1976 (10 U.S.C. 7431(b)(2)), and the joint resolution of July 28, 1955, giving consent to the Interstate Compact to Conserve Oil and Gas.

(g) Preparing for transmittal to the President, Congress, or other depart-

ments or agencies views or advice as to the propriety or effect of any action, program or practice upon the maintenance and preservation or competition under the free enterprise system.

(h) Representing the Attorney General on interdepartmental or inter-agency committees concerned with the maintenance and preservation of competition generally and in various sections of the economy and the operation of the free enterprise system and when authorized participating in conferences and committees with foreign governments and treaty organizations concerned with competition and restrictive business practices in international trade.

(i) Collecting fines, penalties, judgments, and forfeitures arising in anti-trust cases.

(j) [Reserved]

(k) As the delegate of the Attorney General, performance of all functions which the Attorney General is required or authorized to perform by title III of Public Law 97-290 (15 U.S.C. 4011-4021) with respect to export trade certificates of review.

[Order No. 617-75, 40 FR 36118, Aug. 19, 1975, as amended by Order No. 699-77, 42 FR 15315, Mar. 21, 1977; Order No. 960-81, 46 FR 52344, Oct. 27, 1981; Order Nos. 1002-83, 1003-83, 48 FR 9522, 9523, Mar. 7, 1983]

### §0.41 Special functions.

The following functions are assigned to, and shall be conducted, handled, or supervised by, the Assistant Attorney General, Antitrust Division:

(a) Institution of proceedings to impose penalties for violations of section 202(a) of the Communications Act of 1934 (48 Stat. 1070), as amended (47 U.S.C. 202(a)), which prohibits common carriers by wire or radio from unjustly or unreasonably discriminating among persons, classes of persons, or localities.

(b) Representing the United States in suits pending as of February 28, 1975, before three-judge district courts under sections 2321-2325 of title 28 of the U.S. Code, to enforce, suspend, enjoin, annul, or set aside, in whole or in part, any order of the Interstate Commerce Commission. (Pub. L. 93-584, Sec. 10, 88 Stat. 1917)

(c) Representing the United States in proceedings before courts of appeals to review orders of the Interstate Commerce Commission, the Federal Communications Commission, the Federal Maritime Commission and the Nuclear Regulatory Commission (28 U.S.C. 2341-2350).

(d) Representing the Civil Aeronautics Board, and the Secretary of the Treasury or his delegates under the Federal Alcohol Administration Act, in courts of appeals reviewing their respective administrative orders.

(e) Defending the Secretary of the Treasury or his delegates under the Federal Alcohol Administration Act, and the agencies named in paragraphs (c), (d) and (e) of this section or their officers against the injunctive actions brought in Federal courts when the matter which is the subject of the actions will ultimately be the subject of review under paragraph (c), (d), (e) or (g) of this section, or of an enforcement action under paragraph (b) of this section.

(f) Seeking review of or defending judgments rendered in proceedings under paragraphs (a) through (e) of this section.

(g) Acting on behalf of the Attorney General with respect to sections 252 and 254 of the Energy Policy and Conservation Act, 42 U.S.C. 6272, 6274, including acting on behalf of the Attorney General with respect to voluntary agreements or plans of action established pursuant to section 252 of that Act.

(h) [Reserved]

(i) Acting on behalf of the Attorney General with respect to sections 4(b), 4(c) and 4(d) of the National Cooperative Production Amendments of 1993, Pub. L. No. 103-42, 107 Stat. 117 (15 U.S.C. 4305 note).

(j) Defending the Secretary of Commerce and the Attorney General, or their delegates, in actions to set aside a determination with respect to export trade certificates of review under section 305(a) of Public Law 97-290 (15 U.S.C. 4015(a)).

(k) Acting on behalf of the Attorney General with respect to section 6 of the National Cooperative Research and Production Act of 1984, Pub. L. 98-462, 98 Stat. 1815, as amended by the Na-

tional Cooperative Production Amendments of 1993, Pub. L. No. 103-42, 107 Stat. 117 (15 U.S.C. 4305).

[Order No. 615-75, 40 FR 36118, Aug. 19, 1975, as amended by Order No. 699-77, 42 FR 15315, Mar. 21, 1977; Order No. 769-78, 43 FR 8256, Mar. 1, 1978; Order No. 960-81, 46 FR 52344, Oct. 27, 1981; Order Nos. 1002-83, 1003-83, 48 FR 9522, 9523, Mar. 7, 1983; Order No. 1077-85, 49 FR 46372, Nov. 26, 1984; Order No. 1857-94, 59 FR 14101, Mar. 25, 1994]

APPENDIX TO SUBPART H OF PART 0—  
DELEGATION OF AUTHORITY RE-  
SPECTING DENIALS OF FREEDOM OF  
INFORMATION AND PRIVACY ACT RE-  
QUESTS

[MEMO No. 79-1]

1. The Deputy Assistant Attorney General for Litigation, Antitrust Division, will assume the duties and responsibilities previously assigned to the Assistant Attorney General by 28 CFR 16.5 (b) and (c) and 16.45(a), as amended July 1, 1977, and defined in those sections, for denying requests and obtaining statutory extensions of time under the Freedom of Information Act, 5 U.S.C. 552, *et seq.*, and the Privacy Act, 5 U.S.C. 552a, *et seq.*

2. The Deputy Assistant Attorney General for Litigation, Antitrust Division, who signs a denial or partial denial of a request for records made under the Freedom of Information Act or the Privacy Act shall be the "person responsible for the denial" within the meaning of 5 U.S.C. 552(a) and 5 U.S.C. 552a (j) and (k).

[44 FR 54045, Sept. 18, 1979]

### Subpart I—Civil Division

CROSS REFERENCE: For regulations pertaining to the Civil Division, see part 15 of this chapter.

#### § 0.45 General functions.

The following-described matters are assigned to, and shall be conducted, handled, or supervised by, the Assistant Attorney General, Civil Division:

(a) *Admiralty and shipping cases*—civil and admiralty litigation in any court by or against the United States, its officers and agents, which involves ships or shipping (except suits to enjoin final orders of the Federal Maritime Commission under the Shipping Act of 1916 and under the Intercoastal Shipping Act assigned to the Antitrust Division by subpart H of this part), defense of

## Department of Justice

## §0.45

regulatory orders of the Maritime Administration affecting navigable waters or shipping thereon (except as assigned to the Environment and Natural Resources Division by §0.65(a)), workmen's compensation, and litigation and waiver of claims under reciprocal-aid maritime agreements with foreign governments.

(b) *Court of claims cases*—litigation by and against the United States in the Court of Claims, except cases assigned to the Environment and Natural Resources Division and the Tax Division by subparts M and N of this part, respectively.

(c) *International trade*—all litigation before the Court of International Trade, including suits instituted pursuant to 28 U.S.C. 1581(i) and suits by the United States to recover customs duties, to recover upon a bond relating to the importation of merchandise required by the laws of the United States or by the Secretary of the Treasury and to recover a civil penalty under sections 592, 704(i)(2), or 734(i)(2) of the Tariff Act of 1930, and the presentation of appeals in the Court of International Trade.

(d) *Fraud cases*—civil claims arising from fraud on the Government (other than antitrust, land and tax frauds), including alleged claims under the False Claims Act, the Program Fraud Civil Remedies Act of 1986, the Surplus Property Act of 1944, the Anti-Kickback Act, the Contract Settlement Act of 1944, the Contract Disputes Act of 1978, 19 U.S.C. 1592 and common law fraud.

(e) *Gifts and bequests*—handling matters arising out of devises and bequests and inter vivos gifts to the United States, except determinations as to the validity of title to any lands involved and litigation pertaining to such determinations.

(f) *Patent and allied cases and other patent matters*—patent, copyright, and trademark litigation before the U.S. courts and the Patent Office, including patent and copyright infringement suits in the Court of Claims (28 U.S.C. 1498), suits for compensation under the Patent Secrecy Act where the invention was ordered to be kept secret in the interest of national defense (35 U.S.C. 183), suits for compensation for unauthorized practice of a patented in-

vention in the furnishing of assistance under the Foreign Assistance Act (22 U.S.C. 2356), suits for compensation for the unauthorized communication of restricted data by the Atomic Energy Commission to other nations (42 U.S.C. 2223), interference proceedings (35 U.S.C. 135, 141, 142, 146), defense of the Register of Copyrights in his administrative acts, suits for specific performance to acquire title to patents, and civil patent-fraud cases.

(g) *Tort cases*—defense of tort suits against the United States arising under the Federal Tort Claims Act and special acts of Congress; similar litigation against cost-plus Government contractors and Federal employees whose official conduct is involved (except actions against Government contractors and Federal employees which are assigned to the Environment and Natural Resources Division by §0.65(a)); prosecution of tort claims for damage to Government property, and actions for the recovery of medical expenses under Public Law 87-693 and part 43 of this title.

(h) *General civil matters*—litigation by and against the United States, its agencies, and officers in all courts and administrative tribunals to enforce Government rights, functions, and monetary claims (except defense of injunctive proceedings assigned to the Antitrust Division by subpart H of this part, civil proceedings seeking exclusively equitable relief assigned to the Criminal Division by §§0.55(i) and 0.61(d), and proceedings involving judgments, fines, penalties, and forfeitures assigned to other divisions by §0.171), and to defend challenged actions of Government agencies and officers, not otherwise assigned, including, but not limited to, civil penalties and forfeitures, actions in the Court of Claims under the Renegotiation Act, claims against private persons or organizations for which the Government is, or may ultimately be, liable, except as provided in §0.70(c)(2), defense of actions arising under section 2410 of title 28 of the U.S. Code whenever the United States is named as a party as the result of the existence of a Federal lien against property, defense of actions for the recovery of U.S. Government Life Insurance and National

Service Life Insurance (38 U.S.C. 784), enforcement of reemployment rights in private industry pursuant to the Military Selective Service Act of 1967 (50 U.S.C., App. 459); reparations suits brought by the United States as a shipper under the Interstate Commerce Act; civil actions by the United States for penalties for violations of car service orders (49 U.S.C. 1(17a)); actions restraining violations of part II of the Interstate Commerce Act (49 U.S.C. 322(b) and 322(h)); civil actions under part I of the Interstate Commerce Act (49 U.S.C. 6(10) and 16(9)); injunctions against violations of Interstate Commerce Commission orders (49 U.S.C. 16(12)); mandamus to compel the furnishing of information to the Interstate Commerce Commission (49 U.S.C. 19a(1) and 20(9)); recovery of rebates under the Elkins Act (49 U.S.C. 41(3)); compelling the appearance of witnesses before the Interstate Commerce Commission and enforcement of subpoenas and punishment for contempt (49 U.S.C. 12(3)); suits to enforce final orders of the Secretary of Agriculture under the Perishable Agricultural Commodities Act (7 U.S.C. 499g), and the Packers and Stockyards Act (7 U.S.C. 216); suits to set aside orders of State regulatory agencies (49 U.S.C. 13(4)); and civil matters, except those required to be handled by the Board of Parole, under section 504(a) of the Labor-Management Reporting and Disclosure Act of 1959 (29 U.S.C. 504(a)).

(i) *Appeals under section 8(b)(1)(B) of the Contract Disputes Act of 1978*—the grant and/or legal denial of prior approval of the Attorney General as described in section 8(g)(1)(B) of the Contract Disputes Act of 1978. The Assistant Attorney General is authorized to redelegate, to the extent and subject to such limitations as may be deemed advisable, to subordinate division officials the responsibilities covered by this subsection and delineated in section 8(g)(1)(B) of the Contract Disputes Act of 1978.

(j) *Consumer litigation*—All civil and criminal litigation and grand jury proceedings arising under the Federal Food, Drug and Cosmetic Act (21 U.S.C. 301 *et seq.*), the Federal Hazardous Substances Act (15 U.S.C. 1261 *et seq.*), the Fair Packaging and Labeling Act (15

U.S.C. 1451 *et seq.*), the Automobile Information Disclosure Act (15 U.S.C. 1231 *et seq.*), the odometer requirements section and the fuel economy labeling section of the Motor Vehicle Information and Cost Savings Act (15 U.S.C. 1981 *et seq.*), the Federal Cigarette Labeling and Advertising Act (15 U.S.C. 1331 *et seq.*), the Poison Prevention Packaging Act of 1970 (15 U.S.C. 1471 *et seq.*), the Federal Caustic Poison Act (15 U.S.C. 401 note), the Consumer Credit Protection Act (15 U.S.C. 1611, 1681q and 1681r), the Wool Products Labeling Act of 1939 (15 U.S.C. 68), the Fur Products Labeling Act (15 U.S.C. 69), the Textile Fiber Products Identification Act (15 U.S.C. 70 *et seq.*), the Consumer Product Safety Act (15 U.S.C. 2051 *et seq.*), the Flammable Fabrics Act (15 U.S.C. 1191 *et seq.*), the Refrigerator Safety Device Act (15 U.S.C. 1211 *et seq.*), title I of the Magnuson-Moss Warranty—Federal Trade Commission Improvement Act (15 U.S.C. 2301 *et seq.*), the Federal Trade Commission Act (15 U.S.C. 41 *et seq.*), and section 11(1) of the Clayton Act (15 U.S.C. 21(1)) relating to violations of orders issued by the Federal Trade Commission. Upon appropriate certification by the Federal Trade Commission, the institution of criminal proceedings, under the Federal Trade Commission Act (15 U.S.C. 56(b)), the determination whether the Attorney General will commence, defend or intervene in civil proceedings under the Federal Trade Commission Act (15 U.S.C. 56(a)), and the determination under the Consumer Product Safety Act (15 U.S.C. 2076(b)(7)), whether the Attorney General will initiate, prosecute, defend or appeal an action relating to the Consumer Product Safety Commission.

(k) All civil litigation arising under the passport, visa and immigration and nationality laws and related investigations and other appropriate inquiries pursuant to all the power and authority of the Attorney General to enforce the Immigration and Nationality Act and all other laws relating to the immigration and naturalization of aliens except all civil litigation, investigations, and advice with respect to forfeitures, return of property actions, Nazi war criminals identified in 8 U.S.C. 1182(a)(33), 1251(a)(19) and civil

## Department of Justice

## §0.47

actions seeking exclusively equitable relief which relate to national security within the jurisdiction of the Criminal Division under §0.55 (d), (f), (i) and §0.61(d).

(1) *Civil penalties for drug possession*—the authority and responsibilities of the Attorney General under section 6486 of the Anti-Drug Abuse Act of 1988 (21 U.S.C. 844a) and the regulations implementing that Act (28 CFR part 76). Such authority and responsibilities may be redelegated by the Assistant Attorney General to subordinate division officials to the extent and subject to limitations deemed advisable.

[Order No. 423-69, 34 FR 20388, Dec. 31, 1969]

EDITORIAL NOTE: For FEDERAL REGISTER citations affecting §0.45, see the List of CFR Sections Affected, which appears in the Finding Aids section of the printed volume and at [www.fdsys.gov](http://www.fdsys.gov).

### §0.46 Certain civil litigation and foreign criminal proceedings.

The Assistant Attorney General in charge of the Civil Division shall, in addition to litigation coming within the scope of §0.45, direct all other civil litigation including claims by or against the United States, its agencies or officers, in domestic or foreign courts, special proceedings, and similar civil matters not otherwise assigned, and shall employ foreign counsel to represent before foreign criminal courts, commissions or administrative agencies officials of the Department of Justice and all other law enforcement officers of the United States who are charged with violations of foreign law as a result of acts which they performed in the course and scope of their Government service.

[Order No. 441-70, 35 FR 16318, Oct. 17, 1970]

### §0.47 Alien property matters.

The Office of Alien Property shall be a part of the Civil Division:

(a) The following described matters are assigned to, and shall be conducted, handled, or supervised by the Assistant Attorney General in charge of the Civil Division, who shall also be the Director of the Office of Alien Property:

(1) Exercising or performing all the authority, rights, privileges, powers, duties, and functions delegated to or

vested in the Attorney General under the Trading with the Enemy Act, as amended, title II of the International Claims Settlement Act of 1949, as amended, the act of September 28, 1950, 64 Stat. 1079 (50 U.S.C. App. 40), the Philippine Property Act of 1946, as amended, and the Executive orders relating to such acts, including, but not limited to, vesting, supervising, controlling, administering, liquidating, selling, paying debt claims out of, returning, and settling of intercustodial disputes relating to, property subject to one or more of such acts.

(2) Conducting and directing all civil litigation with respect to the Trading with the Enemy Act, title II of the International Claims Settlement Act, the Foreign Funds Control Program and the Foreign Assets Control Program.

(3) Designating within the Office of Alien Property a certifying officer, and an alternate, to certify copies of documents issued by the Director, or his designee, which are required to be filed with the Office of the Federal Register.

(b) The Director of the Office of Alien Property shall act for and on behalf of the Attorney General.

(c) All the authority, rights, privileges, powers, duties, and functions of the Director of the Office of Alien Property may be exercised or performed by any agencies, instrumentalities, agents, delegates, or other personnel designated by him.

(d) Existing delegations by the Assistant Attorney General, Director, Office of Alien Property, or the Director, Office of Alien Property, shall continue in force and effect until modified or revoked.

(e) The Assistant Attorney General in charge of the Civil Division is authorized to administer and give effect to the provisions of the agreement entitled "Agreement Between the United States of America and the Republic of Austria Regarding the Return of Austrian Property, Rights and Interests," which was concluded on January 30, 1959, and was ratified by the Senate of the United States on February 25, 1964.

**§ 0.48 International trade litigation.**

The Attorney-in-Charge, International Trade Field Office, at 26 Federal Plaza, New York, New York 10007, in the Office of the Assistant Attorney General, Civil Division, is designated to accept service of notices of appeals to the Court of Customs and Patent Appeals and all other papers filed in the Court of International Trade, when the United States is an adverse party. (28 U.S.C. 2633(c); 28 U.S.C. 2601(b)).

[Order No. 960-81, 46 FR 52345, Oct. 27, 1981]

**§ 0.49 International judicial assistance.**

The Assistant Attorney General in charge of the Civil Division shall direct and supervise the following functions:

(a) The functions of the “Central Authority” under the Convention between the United States and other Governments on the Taking of Evidence Abroad in Civil and Commercial Matters, TIAS 7444, which entered into force on October 7, 1972.

(b) The functions of the “Central Authority” under the Convention between the United States and other Governments on the Service Abroad of Judicial and Extrajudicial Documents, TIAS 6638, which entered into force on February 10, 1969.

(c) To receive letters of requests issued by foreign and international judicial authorities which are referred to the Department of Justice through diplomatic or other governmental channels, and to transmit them to the appropriate courts or officers in the United States for execution.

(d) To receive and transmit through proper channels letters of request addressed by courts in the United States to foreign tribunals in connection with litigation to which the United States is a party.

[Order No. 555-73, 38 FR 32805, Nov. 28, 1973]

**Subpart J—Civil Rights Division****§ 0.50 General functions.**

The following functions are assigned to, and shall be conducted, handled, or supervised by, the Assistant Attorney General, Civil Rights Division:

(a) Enforcement of all Federal statutes affecting civil rights, including

those pertaining to elections and voting, public accommodations, public facilities, school desegregation, employment (including 42 U.S.C. 2000e-6), housing, abortion, sterilization, credit, and constitutional and civil rights of Indians arising under 25 U.S.C. 1301 *et seq.*, and of institutionalized persons, and authorization of litigation in such enforcement, including criminal prosecutions and civil actions and proceedings on behalf of the Government and appellate proceedings in all such cases. Notwithstanding the provisions of the foregoing sentence, the responsibility for the enforcement of the following described provisions of the U.S. Code is assigned to the Assistant Attorney General, Criminal Division:

(1) Sections 591 through 593 and sections 595 through 612 of title 18, U.S. Code, relating to elections and political activities;

(2) Sections 241, 242, and 594 of title 18, and sections 1973i and 1973j of title 42, U.S. Code, insofar as they relate to voting and election matters not involving discrimination or intimidation on grounds of race or color, and section 245(b)(1) of title 18, U.S. Code, insofar as it relates to matters not involving discrimination or intimidation on grounds of race, color, religion, or national origin;

(3) Section 245(b)(3) of title 18, U.S. Code, pertaining to forcible interference with persons engaged in business during a riot or civil disorder; and

(4) Sections 241 through 256 of title 2, U.S. Code (Federal Corrupt Practices Act).

(b) Requesting and reviewing investigations arising from reports or complaints of public officials or private citizens with respect to matters affecting civil rights.

(c) Conferring with individuals and groups who call upon the Department in connection with civil rights matters, advising such individuals and groups thereon, and initiating action appropriate thereto.

(d) Coordination within the Department of Justice of all matters affecting civil rights.

(e) Consultation with and assistance to other Federal departments and agencies and State and local agencies on matters affecting civil rights.

## Department of Justice

## §0.53

(f) Research on civil rights matters, and the making of recommendations to the Attorney General as to proposed policies and legislation relating thereto.

(g) Representation of Federal officials in private litigation arising under 42 U.S.C. 2000d or under other statutes pertaining to civil rights.

(h) Administration of sections 3(c) and 5 of the Voting Rights Act of 1965, as amended (42 U.S.C. 1973a(c), 1973c).

(i) Upon request, assisting, as appropriate, the Commission on Civil Rights or other similar Federal bodies in carrying out research and formulating recommendations.

(j) Administration of section 105 of the Civil Liberties Act of 1988 (50 U.S.C. App. 1989b).

(k) Upon request, certifications under 18 U.S.C. 245.

(l) Enforcement and administration of the Americans with Disabilities Act of 1990, Public Law 101-336.

(m) Community education, enforcement, and investigatory activities under section 102 of the Immigration Reform and Control Act of 1986, as amended.

(n) Upon request, certification under 18 U.S.C. 249, relating to hate crimes.

[Order No. 423-69, 34 FR 20388, Dec. 31, 1969]

EDITORIAL NOTE: For FEDERAL REGISTER citations affecting §0.50, see the List of CFR Sections Affected, which appears in the Finding Aids section of the printed volume and at [www.fdsys.gov](http://www.fdsys.gov).

### §0.51 Leadership and coordination of nondiscrimination laws.

(a) The Assistant Attorney General in charge of the Civil Rights Division shall, except as reserved herein, exercise the authority vested in and perform the functions assigned to the Attorney General by Executive Order 12250 (“Leadership and Coordination of Nondiscrimination Laws”). This delegation does not include the function, vested in the Attorney General by sections 1-101 and 1-102 of the Executive order, of approving agency rules, regulations, and orders of general applicability issued under the Civil Rights Act of 1964 and section 902 of the Education Amendments of 1972. Likewise, this delegation does not include the authority to issue those regulations under

section 1-303 of the Executive Order which are required, by §0.180 of this part, to be issued by the Attorney General.

(b) Under paragraph (a) of this section, the Assistant Attorney General in charge of the Civil Rights Division shall be responsible for coordinating the implementation and enforcement by Executive agencies of the non-discrimination provisions of the following laws:

(1) Title VI of the Civil Rights Act of 1964 (42 U.S.C. 2000d *et seq.*).

(2) Title IX of the Education Amendments of 1972 (20 U.S.C. 1681 *et seq.*).

(3) Section 504 of the Rehabilitation Act of 1973, as amended (29 U.S.C. 794).

(4) Any other provision of Federal statutory law which provides, in whole or in part, that no person in the United States shall, on the ground of race, color, national origin, handicap, religion, or sex, be excluded from participation in, be denied the benefits of, or be subject to discrimination under any program or activity receiving Federal financial assistance.

[Order No. 944-81, 46 FR 29704, June 3, 1981]

### §0.52 Certifications under 18 U.S.C. 3503.

The Assistant Attorney General in charge of the Civil Rights Division and his Deputy Assistant Attorney Generals are each authorized to exercise or perform the functions or duties conferred upon the Attorney General by section 3503 of title 18, U.S. Code, to certify that the legal proceeding, in which a motion to take testimony by deposition is made, is against a person who is believed to have participated in an organized criminal activity, where the subject matter of the case or proceeding in which the motion is sought is within the cognizance of the Civil Rights Division pursuant to §0.50.

[Order No. 452-71, 36 FR 2601, Feb. 9, 1971]

### §0.53 Immigrant and Employee Rights Section.

(a) The Immigrant and Employee Rights Section shall be headed by a Special Counsel for Immigration-Related Unfair Employment Practices (“Special Counsel”). The Special Counsel shall be appointed by the President

**Pt. 0, Subpt. J, App.**

**28 CFR Ch. I (7-1-17 Edition)**

for a term of four years, by and with the advice and consent of the Senate, pursuant to section 274B of the Immigration and Nationality Act (INA), 8 U.S.C. 1324b. The Immigrant and Employee Rights Section shall be part of the Civil Rights Division of the Department of Justice, and the Special Counsel shall report directly to the Assistant Attorney General, Civil Rights Division.

(b) In carrying out the Special Counsel's responsibilities under section 274B of the INA, the Special Counsel is authorized to:

(1) Investigate charges of unfair immigration-related employment practices filed with the Immigrant and Employee Rights Section and, when appropriate, file complaints with respect to those practices before specially designated administrative law judges within the Office of the Chief Administrative Hearing Officer, Executive Office for Immigration Review, U.S. Department of Justice;

(2) Intervene in proceedings involving complaints of unfair immigration-related employment practices that are brought directly before such administrative law judges by parties other than the Special Counsel;

(3) Conduct, on the Special Counsel's own initiative, investigations of unfair immigration-related employment practices and, where appropriate, file complaints with respect to those practices before such administrative law judges;

(4) Conduct, handle, and supervise litigation in U.S. District Courts for judicial enforcement of subpoenas or orders of administrative law judges regarding unfair immigration-related employment practices;

(5) Initiate, conduct, and oversee activities relating to the dissemination of information to employers, employees, and the general public concerning unfair immigration-related employment practices;

(6) Establish such regional offices as may be necessary, in accordance with regulations of the Attorney General;

(7) Perform such other functions as the Assistant Attorney General, Civil Rights Division may direct; and

(8) Delegate to any subordinate any of the authority, functions, or duties vested in the Special Counsel.

[AG Order 3791-2016, 81 FR 91789, Dec. 19, 2016]

**APPENDIX TO SUBPART J OF PART 0**

**CIVIL RIGHTS DIVISION**

[MEMO 75-2]

NOTE: Civil Rights Division Memo 75-2, was superseded by Civil Rights Division, Memo 78-1 appearing at 48 FR 3367, Jan. 25, 1983.

[MEMO 78-1]

NOTE: Civil Rights Division Memo 78-1 was superseded by Civil Rights Division Memo 92-3 appearing at 57 FR 19377, May 6, 1992.

[MEMO 79-1]

**DELEGATION OF AUTHORITY FOR ADMINISTRATION OF SECTION 5 OF THE VOTING RIGHTS ACT**

1. The authority of the Attorney General regarding administration of section 5 of the Voting Rights Act of 1965, as amended, (42 U.S.C. 1973c) has been delegated to the Assistant Attorney General in charge of the Civil Rights Division.

2. That authority is delegated to the Chief of the Voting Section, provided that any determination to object to a change affecting voting (see 28 CFR part 51) or to withdraw such an objection shall be made by the Assistant Attorney General.

3. The Chief of the Voting Section may authorize the Deputy Chief or the Director of the section 5 unit to act on his or her behalf.

[44 FR 53080, Sept. 12, 1979]

[MEMO 92-93]

**DELEGATION OF AUTHORITY TO DENY FREEDOM OF INFORMATION ACT AND PRIVACY ACT REQUESTS**

1. The Chief of the Freedom of Information/Privacy Acts Branch will assume the duties and responsibilities previously assigned to the Assistant Attorney General by 28 CFR 16.4 (b) and (c) and 28 CFR 16.42(b), as amended July 1, 1991, and defined in those sections, for denying requests and obtaining extensions of time under the Freedom of Information Act, 5 U.S.C. 552 *et seq.*, and the Privacy Act, 5 U.S.C. 552a *et seq.*

2. The Chief of the Freedom of Information/Privacy Acts Branch who signs a denial or partial denial of a request for records made under the Freedom of Information Act or the Privacy Act shall be the "person responsible for the denial" within the meaning of 5 U.S.C. 552(a)(6)(C) and shall be responsible for denials made in accordance with 5 U.S.C. 552a (j) and (k).



## Department of Justice

## § 0.55

3. This authority is limited to those records which are in the systems of records under the custody and control of the Civil Rights Division of the United States Department of Justice. The authority delegated herein may be redelegated by the Assistant Attorney General by internal memorandum.

[57 FR 19377, May 6, 1992]

### Subpart K—Criminal Division

#### § 0.55 General functions.

The following functions are assigned to and shall be conducted, handled, or supervised by, the Assistant Attorney General, Criminal Division:

(a) Prosecutions for Federal crimes not otherwise specifically assigned.

(b) Cases involving criminal frauds against the United States except cases assigned to the Antitrust Division by § 0.40(a) involving conspiracy to defraud the Federal Government by violation of the antitrust laws, and tax fraud cases assigned to the Tax Division by subpart N of this part.

(c) All criminal and civil litigation under the Controlled Substances Act, 84 Stat. 1242, and the Controlled Substances Import and Export Act, 84 Stat. 1285 (titles II and III of the Comprehensive Drug Abuse Prevention and Control Act of 1970).

(d) Civil or criminal forfeiture or civil penalty actions (including petitions for remission or mitigation of forfeitures and civil penalties, offers in compromise, and related proceedings) under the Federal Aviation Act of 1958, the Contraband Transportation Act, the Copyrights Act, the customs laws (except those assigned to the Civil Division which involve sections 592, 704(i)(2) or 734(i)(2) of the Tariff Act of 1930), the Export Control Act of 1949, the Federal Alcohol Administration Act, the Federal Seed Act, the Gold Reserve Act of 1934, the Hours of Service Act, the Animal Welfare Act, the Immigration and Nationality Act (except civil penalty actions and petitions and offers related thereto), the neutrality laws, laws relating to cigarettes, liquor, narcotics and dangerous drugs, other controlled substances, gambling, war materials, pre-Colombian artifacts, coinage, and firearms, locomotive inspection (45 U.S.C. 22, 23, 28-34), the Organized Crime Control Act of

1970, prison-made goods (18 U.S.C. 1761-1762), the Safety Appliance Act, standard barrels (15 U.S.C. 231-242), the Sugar Act of 1948, and the Twenty-Eight Hour Law.

(e) Subject to the provisions of subpart Y of this part, consideration, acceptance, or rejection of offers in compromise of criminal and tax liability under the laws relating to liquor, narcotics and dangerous drugs, gambling, and firearms, in cases in which the criminal liability remains unresolved.

(f) All criminal litigation and related investigations and inquiries pursuant to all the power and authority of the Attorney General to enforce the Immigration and Nationality Act and all other laws relating to the immigration and naturalization of aliens; all advice to the Attorney General with respect to the exercise of his parole authority under 8 U.S.C. 1182(d)(5) concerning aliens who are excludable under 8 U.S.C. 1182(a)(23), (28), (29), or (33); and all civil litigation with respect to the individuals identified in 8 U.S.C. 1182(a)(33), 1251(a)(19).

(g) Coordination of enforcement activities directed against organized crime and racketeering.

(h) Enforcement of the Act of January 2, 1951, 64 Stat. 1134, as amended by the Gambling Devices Act of 1962, 76 Stat. 1075, 15 U.S.C. 1171 *et seq.*, including registration thereunder. (See also 28 CFR 3.2)

(i) All civil proceedings seeking exclusively equitable relief against Criminal Division activities including criminal investigations, prosecutions, and other criminal justice activities (including without limitation, applications for writs of coram nobis and writs of habeas corpus not challenging exclusion, deportation, or detention under the immigration laws), except that any proceeding may be conducted, handled, or supervised by the Assistant Attorney General for National Security or another Division by agreement between the head of such Division and the Assistant Attorney General, Criminal Division.

(j) International extradition proceedings.

(k) Relation of military to civil authority with respect to criminal matters affecting both.

## §0.56

(l) All criminal matters arising under the Labor-Management Reporting and Disclosure Act of 1959 (73 Stat. 519).

(m) Enforcement of the following-described provisions of the United States Code—

(1) Sections 591 through 593 and sections 595 through 612 of title 18, U.S. Code, relating to elections and political activities;

(2) Sections 241, 242, and 594 of title 18, and sections 1973i and 1973j of title 42, U.S. Code, insofar as they relate to voting and election matters not involving discrimination or intimidation on grounds of race or color, and section 245(b)(1) of title 18 U.S. Code, insofar as it relates to matters not involving discrimination or intimidation on grounds of race, color, religion, or national origin;

(3) Section 245(b)(3) of title 18, U.S. Code, pertaining to forcible interference with persons engaged in business during a riot or civil disorder; and

(4) Sections 241 through 256 of title 2, U.S. Code (Federal Corrupt Practices Act). (See §0.50(a).)

(n) Civil actions arising under 39 U.S.C. 3010, 3011 (Postal Reorganization Act).

(o) Resolving questions that arise as to Federal prisoners held in custody by Federal officers or in Federal prisons, commitments of mentally defective defendants and juvenile delinquents, validity and construction of sentences, probation, and parole.

(p) Supervision of matters arising under the Escape and Rescue Act (18 U.S.C. 751, 752), the Fugitive Felon Act (18 U.S.C. 1072, 1073), and the Obstruction of Justice Statute (18 U.S.C. 1503).

(q) Supervision of matters arising under the Bail Reform Act of 1966 (28 U.S.C. 3041-3143, 3146-3152, 3568).

(r) Supervision of matters arising under the Narcotic Addict Rehabilitation Act of 1966 (18 U.S.C. 4251-4255; 28 U.S.C. 2901-2906; 42 U.S.C. 3411-3426, 3441, 3442).

(s) Civil proceedings in which the United States is the plaintiff filed under the Organized Crime Control Act of 1970, 18 U.S.C. 1963-1968.

(t) Upon request, certifications under 18 U.S.C. 245.

(u) Exercise of the authority vested in the Attorney General under 10

## 28 CFR Ch. I (7-1-17 Edition)

U.S.C. 374(b)(2)(E) to approve the use of military equipment by Department of Defense personnel to provide transportation and base of operations support in connection with a civilian law enforcement operation.

(v) Upon request, certification under 18 U.S.C. 249, relating to hate crimes, in cases involving extraterritorial crimes that also involve charges filed pursuant to the Military Extraterritorial Jurisdiction Act (18 U.S.C. 3261 *et seq.*), or pursuant to chapters of the Criminal Code prohibiting genocide (18 U.S.C. 1091), torture (18 U.S.C. 2340A), war crimes (18 U.S.C. 2441), or recruitment or use of child soldiers (18 U.S.C. 2442).

[Order No. 423-69, 34 FR 20388, Dec. 31, 1969]

EDITORIAL NOTE: For FEDERAL REGISTER citations affecting §0.55, see the List of CFR Sections Affected, which appears in the Finding Aids section of the printed volume and at [www.fdsys.gov](http://www.fdsys.gov).

### §0.56 Exclusive or concurrent jurisdiction.

The Assistant Attorney General in charge of the Criminal Division is authorized to determine administratively whether the Federal Government has exclusive or concurrent jurisdiction over offenses committed upon lands acquired by the United States, and to consider problems arising therefrom.

### §0.57 Criminal prosecutions against juveniles.

The Assistant Attorney General in charge of the Criminal Division and his Deputy Assistant Attorneys General are each authorized to exercise the power and authority vested in the Attorney General by sections 5032 and 5036 of title 18, United States Code, relating to criminal proceedings against juveniles. The Assistant Attorney General in charge of the Criminal Division is authorized to redelegate any function delegated to him under this section to United States Attorneys and to the Chief of the Section within the Criminal Division which supervises the implementation of the Juvenile Justice and Delinquency Prevention Act (18 U.S.C. 5031 *et seq.*).

[Order No. 579-74, 39 FR 37771, Oct. 24, 1974, as amended by Order No. 894-80, 45 FR 34269, May 22, 1980]

## Department of Justice

## § 0.64-1

### **§ 0.58 Delegation respecting payment of benefits for disability or death of law enforcement officers not employed by the United States.**

The Assistant Attorney General in charge of the Criminal Division and his Deputy Assistant Attorneys General are each authorized to exercise or perform any of the functions or duties conferred upon the Attorney General by the Act to Compensate Law Enforcement Officers not Employed by the United States Killed or Injured While Apprehending Persons Suspected of Committing Federal Crimes (5 U.S.C. 8191, 8192, 8193). The Assistant Attorney General in charge of the Criminal Division is authorized to re-delegate any function delegated to him under this section to the Chief of the Section within the Criminal Division which supervises the implementation of the aforementioned Compensation Act.

[Order No. 1010-83, 48 FR 19023, Apr. 27, 1983]

### **§ 0.59 Certain certifications under 18 U.S.C. 3331 and 3503.**

(a) The Assistant Attorney General in charge of the Criminal Division is authorized to exercise or perform the functions or duties conferred upon the Attorney General by section 3331 of title 18, United States Code, to certify that in his judgment a special grand jury is necessary in any judicial district of the United States because of criminal activity within such district.

(b) The Assistant Attorney General in charge of the Criminal Division and his Deputy Assistant Attorney Generals are each authorized to exercise or perform the functions or duties conferred upon the Attorney General by section 3503 of title 18, United States Code, to certify that the legal proceeding, in which a motion to take testimony by deposition is made, is against a person who is believed to have participated in an organized criminal activity, where the subject matter of the case or proceeding in which the motion is sought is within the cognizance of the Criminal Division pursuant to § 0.55, or is not within

the cognizance of the Civil Rights Division.

[Order No. 452-71, 36 FR 2601, Feb. 9, 1971, as amended by Order No. 511-73, 38 FR 8152, Mar. 29, 1973]

### **§§ 0.61-0.62 [Reserved]**

### **§ 0.63 Delegation respecting admission and naturalization of certain aliens.**

(a) The Assistant Attorney General in charge of the Criminal Division and the Deputy Assistant Attorney General, Criminal Division, are each authorized to exercise the power and authority vested in the Attorney General by section 7 of the Central Intelligence Agency Act of 1949, as amended, 50 U.S.C. 403h, with respect to entry of certain aliens into the United States for permanent residence.

(b) The Assistant Attorney General in charge of the Criminal Division and the Deputy Assistant Attorneys General, Criminal Division, are each authorized to exercise the power and authority vested in the Attorney General by section 316(f) of the Immigration and Nationality Act, 8 U.S.C. 1427(f), with respect to the naturalization of certain foreign intelligence sources.

[Order No. 1556-92, 57 FR 1643, Jan. 15, 1992]

### **§ 0.64 [Reserved]**

### **§ 0.64-1 Central or Competent Authority under treaties and executive agreements on mutual assistance in criminal matters.**

The Assistant Attorney General, Criminal Division, in consultation with the Assistant Attorney General for National Security in matters related to the National Security Division's activities, shall have the authority and perform the functions of the "Central Authority" or "Competent Authority" (or like designation) under treaties and executive agreements between the United States of America and other countries on mutual assistance in criminal matters that designate the Attorney General or the Department of Justice as such authority. The Assistant Attorney General, Criminal Division, is authorized to re-delegate this authority to the Deputy Assistant Attorneys General, Criminal Division, and to the

## §0.64-2

Director, Deputy Directors, and Associate Directors of the Office of International Affairs, Criminal Division.

[Order No. 2865-2007, 72 FR 10065, Mar. 7, 2007, as amended by AG Order 3847-2017, 82 FR 10547, Feb. 14, 2017]

### **§0.64-2 Delegation respecting transfer of offenders to or from foreign countries.**

The Assistant Attorney General, Criminal Division, in consultation with the Assistant Attorney General for National Security in matters related to the National Security Division's activities, is authorized to exercise all of the power and authority vested in the Attorney General under 18 U.S.C. 4102 that has not been delegated to the Director of the Bureau of Prisons under 28 CFR 0.96b, including specifically the authority to find appropriate or inappropriate the transfer of offenders to or from a foreign country under a treaty as referred to in Public Law 95-144. The Assistant Attorney General, Criminal Division is authorized to redelegate this authority within the Criminal Division to the Deputy Assistant Attorneys General, the Director of the Office of Enforcement Operations, and the Senior Associate Director and Associate Directors of the Office of Enforcement Operations.

[Order No. 2865-2007, 72 FR 10065, Mar. 7, 2007]

### **§0.64-3 Delegation respecting designation of certain Department of Agriculture employees (Tick Inspectors) to carry and use firearms.**

The Assistant Attorney General in charge of the Criminal Division is authorized to exercise all the power and authority vested in the Attorney General under section 2274 of title 7, U.S. Code, concerning the designation of certain Department of Agriculture employees (Tick Inspectors) to carry and use firearms. This delegation includes the power and authority to issue, with the Department of Agriculture, joint rules and regulations pertaining to the carrying and use of such firearms, which would, when promulgated, supersede the existing regulations pertaining to the carrying and use of firearms by Tick Inspectors, promulgated by the Attorney General and contained in Attorney General's Order No. 1059-

## 28 CFR Ch. I (7-1-17 Edition)

84. The Assistant Attorney General in charge of the Criminal Division is authorized to redelegate all of this authority under section 2274 to his Deputy Assistant Attorneys General and appropriate Office Directors and Section Chiefs.

[Order No. 1064-84, 49 FR 35934, Sept. 13, 1984]

### **§0.64-4 Delegation respecting temporary transfers, in custody, of certain prisoner-witnesses from a foreign country to the United States to testify in Federal or State criminal proceedings.**

The Assistant Attorney General, Criminal Division, in consultation with the Assistant Attorney General for National Security in matters related to the National Security Division's activities, is authorized to exercise all of the power and authority vested in the Attorney General under 18 U.S.C. 3508 that has not been delegated to the Director of the United States Marshals Service under 28 CFR 0.111a, including specifically the authority to determine whether and under what circumstances temporary transfer of a prisoner-witness to the United States is appropriate or inappropriate; to determine the point at which the witness should be returned to the transferring country; and to enter into appropriate agreements with the transferring country regarding the terms and conditions of the transfer. The Assistant Attorney General, Criminal Division is authorized to redelegate this authority within the Criminal Division to the Deputy Assistant Attorneys General and to the Director and Deputy Directors of the Office of International Affairs.

[Order No. 2865-2007, 72 FR 10066, Mar. 7, 2007]

### **§0.64-5 Policy with regard to bringing charges under the Economic Espionage Act of 1996, Pub. L. 104-294, effective October 11, 1996.**

The United States may not file a charge under 18 U.S.C. 1831 of the Economic Espionage Act of 1996 (the "EEA") (18 U.S.C. 1831 *et seq.*), or use a violation under section 1831 of the EEA as a predicate offense under any other law, without the personal approval of the Attorney General, the Deputy Attorney General, the Assistant Attorney General for National Security, or the

## Department of Justice

## Pt. 0, Subpt. K, App.

Assistant Attorney General, Criminal Division (or the Acting official in each of these positions if a position is filled by an Acting official). Violations of this regulation are appropriately sanctionable and will be reported by the Attorney General to the Senate and House Judiciary Committees. Responsibility for reviewing proposed charges under section 1831 of the EEA rests with the Counterespionage Section of the National Security Division, which will consult, as necessary, with the Computer Crime and Intellectual Property Section of the Criminal Division. This regulation shall remain in effect until October 11, 2011.

[Order No. 2865-2007, 72 FR 10066, Mar. 7, 2007]

### APPENDIX TO SUBPART K OF PART 0

#### CRIMINAL DIVISION

[Directive 8-75]

EDITORIAL NOTE: Criminal Division Directive 8-75, was superseded by Criminal Division Directive 58, appearing at 44 FR 18661, Mar. 29, 1979.

[Directive 58]

#### DELEGATION RESPECTING DENIAL OF INFORMATION REQUESTS

The Assistant Attorney General in charge of the Criminal Division, hereby, delegates pursuant to 28 CFR 16.5(b) (as amended March 1, 1975) and 28 CFR 16.45(a), his authority under those sections to deny a request for information under 5 U.S.C. 552(a) or 5 U.S.C. 552a to the Director and Associate Director of the Office of Legal Support Services of the Criminal Division and to the Deputy Assistant Attorney General of the Criminal Division who supervises that Office. The Director, Associate Director, or Deputy Assistant Attorney General making the denial shall be the "person responsible for the denial," within the meaning of 5 U.S.C. 552(a).

[Directive No. 73]

#### REDELEGATION OF AUTHORITY TO DEPUTY ASSISTANT ATTORNEYS GENERAL AND DIRECTOR OF THE OFFICE OF INTERNATIONAL AFFAIRS RESPECTING TRANSFER OF OFFENDERS TO AND FROM FOREIGN COUNTRIES

By virtue of the authority vested in me by §0.64-2 of title 28 of the Code of Federal Regulations, the authority delegated to me by that section to exercise all of the power and authority vested in the Attorney General under Section 4102 of title 18, U.S. Code, which has not been delegated to the Director

of the Bureau of Prisons, including specifically the authority to find the transfer of offenders to or from a foreign country under a treaty as referred to in Public Law 95-44 appropriate or inappropriate, is hereby redelegated to each of the Deputy Assistant Attorneys General and the Director of the Office of International Affairs of the Criminal Division.

[Directive No. 81A]

#### REDELEGATION OF AUTHORITY TO DEPUTY ASSISTANT ATTORNEYS GENERAL AND DIRECTOR AND DEPUTY DIRECTORS OF THE OFFICE OF INTERNATIONAL AFFAIRS REGARDING AUTHORITY TO ACT AS CENTRAL AUTHORITY OR COMPETENT AUTHORITY UNDER TREATIES AND EXECUTIVE AGREEMENTS ON MUTUAL ASSISTANCE IN CRIMINAL MATTERS

By virtue of the authority vested in me by §0.64-1 of title 28 of the Code of Federal Regulations, the Authority delegated to me by that section to exercise all of the power and authority vested in the Attorney General under treaties and executive agreements on mutual assistance in criminal matters is hereby redelegated to each of the Deputy Assistant Attorneys General, to the Director of the Office of International Affairs and to each of the Deputy Directors of the Office of International Affairs, Criminal Division.

[Directive No. 81B]

#### REDELEGATION OF AUTHORITY TO DEPUTY ASSISTANT ATTORNEYS GENERAL AND DIRECTOR AND DEPUTY DIRECTORS OF THE OFFICE OF INTERNATIONAL AFFAIRS RESPECTING TEMPORARY TRANSFERS, IN CUSTODY, OF CERTAIN PRISONER-WITNESSES FROM A FOREIGN COUNTRY TO THE UNITED STATES .

By virtue of the authority vested in me by 28 CFR 0.64-4, the authority delegated to me by that section to exercise all of the power and authority vested in the Attorney General under section 3508 of title 18, United States Code, which has not been delegated to the Director, United States Marshals Service under 28 CFR 0.111a, is hereby redelegated to each of the Deputy Assistant Attorneys General, and to the Director and each of the Deputy Directors of the Office International Affairs, Criminal Division.

[44 FR 18661, Mar. 29, 1979, as amended at 45 FR 6541, Jan. 29, 1980; 48 FR 54595, Dec. 6, 1983; 59 FR 42161, Aug. 17, 1994; 59 FR 46550, Sept. 9, 1994]

### Subpart L—Environment and Natural Resources Division

SOURCE: Order No. 423-69, 34 FR 20388, Dec. 31, 1969, unless otherwise noted. Redesignated by Order No. 2865-2007, 72 FR 10066, Mar. 7, 2007.

#### § 0.65 General functions.

The following functions are assigned to and shall be conducted, handled, or supervised by the Assistant Attorney General in charge of the Environment and Natural Resources Division:

(a) Civil suits and matters in Federal and State courts (and administrative tribunals), by or against the United States, its agencies, officers, or contractors, or in which the United States has an interest, whether for specific or monetary relief, and also nonlitigation matters, relating to:

(1) The public domain lands and the outer continental shelf of the United States.

(2) Other lands and interests in real property owned, leased, or otherwise claimed or controlled, or allegedly impaired or taken, by the United States, its agencies, officers, or contractors, including the acquisition of such lands by condemnation proceedings or otherwise.

(3) The water and air resources controlled or used by the United States, its agencies, officers, or contractors, without regard to whether the same are in or related to the lands enumerated in paragraphs (a) (1) and (2) of this section, and

(4) The other natural resources in or related to such lands, water, and air, except that the following matters which would otherwise be included in such assignment are excluded therefrom:

(i) Suits and matters relating to the use or obstruction of navigable waters or the navigable capacity of such waters by ships or shipping thereon, the same being specifically assigned to the Civil Division;

(ii) Suits and matters involving tort claims against the United States under the Federal Tort Claims Act and special acts of Congress, the same being specifically assigned to the Civil Division;

(iii) Suits and matters involving the foreclosure of mortgages and other liens held by the United States, the same being specifically assigned to the Civil and Tax Divisions according to the nature of the lien involved;

(iv) Suits arising under 28 U.S.C. 2410 to quiet title or to foreclose a mortgage or other lien, the same being specifically assigned to the Civil and Tax Divisions according to the nature of the lien held by the United States, and all other actions arising under 28 U.S.C. 2410 involving federal tax liens held by the United States, which are specifically assigned to the Tax Division;

(v) Matters involving the immunity of the Federal Government from State and local taxation specifically delegated to the Tax Division by § 0.71.

(b) Representation of the interests of the United States in all civil litigation in Federal and State courts, and before the Indian Claims Commission, pertaining to Indians, Indian tribes, and Indian affairs, and matters relating to restricted Indian property, real or personal, and the treaty rights of restricted Indians (except matters involving the constitutional and civil rights of Indians assigned to the Civil Rights Division by subpart J of this part).

(c) Rendering opinions as to the validity of title to all lands acquired by the United States, except as otherwise specified by statute.

(d) Civil and criminal suits and matters involving air, water, noise, and other types of pollution, the regulation of solid wastes, toxic substances, pesticides under the Federal Insecticide, Fungicide, and Rodenticide Act, and the control of the environmental impacts of surface coal mining.

(e) Civil and criminal suits and matters involving obstructions to navigation, and dredging or filling (33 U.S.C. 403).

(f) Civil and criminal suits and matters arising under the Atomic Energy Act of 1954 (42 U.S.C. 2011, *et seq.*) insofar as it relates to the prosecution of violations committed by a company in matters involving the licensing and operations of nuclear power plants.

## Department of Justice

## §0.67

(g) Civil and criminal suits and matters relating to the natural and biological resources of the coastal and marine environments, the outer continental shelf, the fishery conservation zone and, where permitted by law, the high seas.

(h) Performance of the Department's functions under §706.5 of the regulations for the prevention of conflict of interests promulgated by the Secretary of the Interior under the authority of the Surface Mining Control and Reclamation Act of 1977, section 201(f), 91 Stat. 450, and contained in 30 CFR part 706.

(i) Conducting the studies of processing sites required by section 115(b) of the Uranium Mill Tailings Radiation Control Act of 1978, publishing the results of the studies and furnishing the results thereof to the Congress.

(j) Criminal suits and civil penalty and forfeiture actions relating to wildlife law enforcement under the Endangered Species Act of 1973 (16 U.S.C. 1531-1543); the Lacey Act and related provisions (18 U.S.C. 41-44, 47); the Black Bass Act (16 U.S.C. 851-856); the Airborne Hunting Act (16 U.S.C. 742j-1); the Migratory Bird Act (16 U.S.C. 701, *et seq.*); the Wild Horses and Wild Burros Act (16 U.S.C. 1331-1340); the Bald and Golden Eagle Protection Act (16 U.S.C. 668-668d); and the Fish and Wildlife Coordination Act (16 U.S.C. 661 *et seq.*).

[Order No. 423-69, 34 FR 20388, Dec. 31, 1969, as amended by Order No. 540-73, 38 FR 26910, Sept. 27, 1973; Order No. 699-77, 42 FR 15315, Mar. 21, 1977; Order No. 764-78, 43 FR 3115, Jan. 23, 1978; Order No. 809-78, 43 FR 55394, Nov. 28, 1978; Order No. 960-81, 46 FR 52346, Oct. 27, 1981; Order No. 1083-85, 50 FR 8607, Mar. 4, 1985]

### §0.65a Litigation involving Environmental Protection Agency.

With respect to any matter assigned to the Environment and Natural Resources Division in which the Environmental Protection Agency is a party, the Assistant Attorney General in charge of the Environment and Natural Resources Division, and such members of his staff as he may specifically designate in writing, are authorized to exercise the functions and responsibilities undertaken by the Attorney General in the Memorandum of Under-

standing between the Department of Justice and the Environmental Protection Agency (42 FR 48942), except that subpart Y of this part shall continue to govern as authority to compromise and close civil claims in such matters.

[Order No. 764-78, 43 FR 3115, Jan. 23, 1978]

### §0.66 Delegation respecting title opinions.

(a) The Assistant Attorney General in charge of the Environment and Natural Resources Division or such members of his staff as he may specifically designate in writing, are authorized to sign the name of the Attorney General to opinions on the validity of titles to property acquired by or on behalf of the United States, except those which, in the opinion of the Assistant Attorney General involve questions of policy or for any other reason require the personal attention of the Attorney General.

(b) Pursuant to the provisions of section 1 of Public Law 91-393, approved September 1, 1970, 84 Stat. 835, the Assistant Attorney General in charge of the Environment and Natural Resources Division is authorized:

(1) To exercise the Attorney General's power of delegating to other departments and agencies his (the Attorney General's) responsibility for approving the title to lands acquired by them,

(2) With respect to delegations so made to other departments and agencies, to exercise the Attorney General's function of general supervision regarding the carrying out by such departments and agencies of the responsibility so entrusted to them, and

(3) To promulgate regulations and any appropriate amendments thereto governing the approval of land titles by such departments and agencies.

[Order No. 440-70, 35 FR 16084, Oct. 14, 1970]

### §0.67 Delegation respecting conveyances for public-airport purposes.

The Assistant Attorney General in charge of the Environment and Natural Resources Division, and such members of his staff as he may specifically designate in writing, are authorized to exercise the power and authority vested in the Attorney General by section

## §0.68

23(b) of the Airport and Airway Development Act of 1970 (84 Stat. 219; 49 U.S.C. 1723) with respect to approving the performance of acts and execution of instruments necessary to make the conveyances requested in carrying out the purposes of that section, except those acts and instruments which, in the opinion of the Assistant Attorney General, involve questions of policy or for any other reason require the personal attention of the Attorney General.

[Order No. 468-71, 36 FR 20428, Oct. 22, 1971]

### §0.68 Delegation respecting mineral leasing.

The Assistant Attorney General in charge of the Environment and Natural Resources Division, and such members of his staff as he may specifically designate in writing, are authorized to execute the power and authority of the Attorney General under the provisions of section 3 of the act of August 7, 1947, 61 Stat. 914, 30 U.S.C. 352, respecting the leasing of minerals on lands under the jurisdiction of the Department of Justice.

[Order No. 542-73, 38 FR 28289, Oct. 12, 1973]

### §0.69 Delegation of authority to make determinations and grants.

The Assistant Attorney General in charge of the Environment and Natural Resources Division, or such members of his staff as he may specifically designate in writing, are authorized to exercise the power and authority vested in the Attorney General by Public Law 87-852, approved October 23, 1962 (40 U.S.C. 319), with respect to making the determinations and grants necessary in carrying out the purposes of that Act, except those acts and instruments which in the opinion of the Assistant Attorney General involve questions of policy or for any other reason require the personal attention of the Attorney General.

[Order No. 736-77, 42 FR 38177, July 27, 1977]

### §0.69a Delegation respecting approval of conveyances.

The Assistant Attorney General in charge of the Environment and Natural Resources Division, and such members of his staff as he may specifically des-

## 28 CFR Ch. I (7-1-17 Edition)

ignate in writing, are authorized to exercise the power and authority vested in the Attorney General by the Act of June 4, 1934, 48 Stat. 836, with respect to approving the making or acceptance of conveyances by the Secretary of the Interior on behalf of the United States.

[Order No. 947-81, 46 FR 29931, June 4, 1981]

### §0.69b Delegation of authority respecting conveyances for public airports.

The Assistant Attorney General in charge of the Environment and Natural Resources Division, and such members of his staff as he may specifically designate in writing, are authorized to exercise the power and authority vested in the Attorney General of section 516(b) of The Airport and Airway Improvement Act of 1982 (96 Stat. 671, 692) with respect to approving the performance of acts and execution of instruments necessary to make the conveyance requested in carrying out the purposes of that section, except those acts and instruments which in the opinion of the Assistant Attorney General, involve questions of policy or for any other reason require the personal attention of the Attorney General.

[Order No. 1069-84, 49 FR 39843, Oct. 11, 1984]

### §0.69c Litigation involving the Resource Conservation and Recovery Act.

(a) The authority to receive complaints served upon the Attorney General pursuant to section 401 of the Hazardous Waste Amendments of 1984 (Pub. L. 616, 98th Cong.; 42 U.S.C. 6872(b)(2)(F)) is hereby delegated to the Assistant Attorney General, Environment and Natural Resources Division. Every plaintiff required to serve upon the Attorney General a copy of their complaint, should do so by sending a copy of the complaint, together with all attachments thereto required by the Federal Rules of Civil Procedure and the Local Rules for the Federal District Court in which the complaint is filed, via first class mail, to the Assistant Attorney General, Environment and Natural Resources Division, U.S. Department of Justice, NW., Washington, DC 20530.

(b) Services pursuant to section 401 shall be deemed effective upon the date



## Department of Justice

## §0.72

the complaint is received by the Assistant Attorney General.

[Order No. 1099-85, 50 FR 26198, June 25, 1985]

### Subpart M—Tax Division

SOURCE: Order No. 423-69, 34 FR 20388, Dec. 31, 1969, unless otherwise noted. Redesignated by Order No. 2865-2007, 72 FR 10066, Mar. 7, 2007.

#### §0.70 General functions.

The following functions are assigned to and shall be conducted, handled, or supervised by, the Assistant Attorney General, Tax Division:

(a) Prosecution and defense in all courts, other than the Tax Court, of civil suits, and the handling of other matters, arising under the internal revenue laws, and litigation resulting from the taxing provisions of other Federal statutes (except civil forfeiture and civil penalty matters arising under laws relating to liquor, narcotics, gambling, and firearms assigned to the Criminal Division by §0.55(d)).

(b) Criminal proceedings arising under the internal revenue laws, except the following: Proceedings pertaining to misconduct of Internal Revenue Service personnel, to taxes on liquor, narcotics, firearms, coin-operated gambling and amusement machines, and to wagering, forcible rescue of seized property (26 U.S.C. 7212(b)), corrupt or forcible interference with an officer or employee acting under the Internal Revenue laws (26 U.S.C. 7212(a)), unauthorized disclosure of information (26 U.S.C. 7213), and counterfeiting, mutilation, removal, or reuse of stamps (26 U.S.C. 7208).

(c)(1) Enforcement of tax liens, and mandamus, injunctions, and other special actions or general matters arising in connection with internal revenue matters.

(2) Defense of actions arising under section 2410 of title 28 of the U.S. Code whenever the United States is named as a party to an action as the result of the existence of a Federal tax lien, including the defense of other actions arising under section 2410, if any, involving the same property whenever a tax-lien action is pending under that section.

(d) Appellate proceedings in connection with civil and criminal cases enumerated in paragraphs (a) through (c) of this section and in §0.71, including petitions to review decisions of the Tax Court of the United States.

[Order No. 423-69, 34 FR 20388, Dec. 31, 1969, as amended by Order No. 445-70, 35 FR 19397, Dec. 23, 1970; Order No. 699-77, 42 FR 15315, Mar. 21, 1977; Order No. 960-81, 46 FR 52346, Oct. 27, 1981]

#### §0.71 Delegation respecting immunity matters.

The Assistant Attorney General in charge of the Tax Division is authorized to handle matters involving the immunity of the Federal Government from State or local taxation (except actions to set aside ad valorem taxes, assessments, special assessments, and tax sales of Federal real property, and matters involving payments in lieu of taxes), as well as State or local taxation involving contractors performing contracts for or on behalf of the United States.

### Subpart N—National Security Division

SOURCE: Order No. 2865-2007, 72 FR 10066, Mar. 7, 2007, unless otherwise noted.

#### §0.72 National Security Division.

The following functions are assigned to and shall be conducted, handled, or supervised by the Assistant Attorney General for National Security:

(a) *General functions.* (1) Advise the Attorney General, the Office of Management and Budget, and the White House, and brief Congress, as appropriate, on matters relating to the national security activities of the United States, and ensure that all of the Department's national security activities are effectively coordinated;

(2) Develop, enforce, and supervise the application of all federal criminal laws related to the national counterterrorism and counterespionage enforcement programs, except those specifically assigned to other Divisions;

(3) Represent the Department on interdepartmental boards, committees, and other groups dealing with national security, intelligence, or counterintelligence matters;

## §0.72

## 28 CFR Ch. I (7–1–17 Edition)

(4) Oversee the development, coordination, and implementation of Department policy, in conjunction with other components of the Department as appropriate, with regard to intelligence, counterintelligence, or national security matters;

(5) Provide legal assistance and advice, in coordination with the Office of Legal Counsel as appropriate, to Government agencies on matters of national security law and policy;

(6) Administer the Foreign Intelligence Surveillance Act;

(7) Prosecute Federal crimes involving national security, foreign relations, and terrorism, and coordinate the Department's activities and advice on all issues with respect to the Foreign Intelligence Surveillance Act of 1978, as amended, and the Classified Information Procedures Act arising in connection with any such prosecutions;

(8) Prosecute and coordinate prosecutions and investigations targeting individuals and organizations involved in terrorist acts at home or against U.S. persons or interests abroad, or that assist in the financing of or providing support to those acts;

(9) Except in the case of emergencies where there is an immediate threat to life or property, review for concurrence the Department's use of criminal proceedings in connection with all matters relating to intelligence, counterintelligence, or counterterrorism. Such criminal proceedings include, but are not limited to, grand jury proceedings, the filing of search and arrest warrants or applications for electronic surveillance pursuant to 18 U.S.C. 2510 *et seq.*, and 18 U.S.C. 2701 *et seq.*, the filing of complaints, the return of indictments, criminal forfeiture proceedings, and appeals;

(10) Evaluate Departmental activities and existing and proposed domestic and foreign intelligence, counterintelligence, or national security activities to determine their consistency with United States national security policies and law;

(11) Formulate policy alternatives and recommend action by the Department and other executive agencies in achieving lawful United States intelligence, counterintelligence, or national security objectives;

(12) Analyze and interpret current statutes, executive orders, guidelines, and other directives pertaining to intelligence, counterintelligence, or national security matters;

(13) Formulate legislative initiatives, policies, and guidelines relating to intelligence, counterintelligence, or national security matters;

(14) Review and comment upon proposed statutes, guidelines, and other directives with regard to national security matters, and, in conjunction with the Office of Legal Counsel, review and comment upon the form and legality of proposed executive orders that touch upon matters related to the function of this Division;

(15) Provide training for Departmental components on legal topics related to intelligence, counterintelligence, or national security matters;

(16) Advise, assist, coordinate with, and train those in the law enforcement community, including federal, state, and local prosecutors, investigative agencies, and foreign criminal justice entities (provided that any training of foreign criminal justice entities should be conducted in coordination with the Criminal Division);

(17) Provide oversight of intelligence, counterintelligence, or national security matters by executive branch agencies to ensure conformity with applicable law, executive branch regulations, and Departmental objectives and report to the Attorney General on such activities;

(18) Supervise the preparation of the National Security Division's submission for the annual budget;

(19) Serve as primary liaison to the Director of National Intelligence for the Department of Justice;

(20) Represent the Department on the Committee on Foreign Investments in the United States; and

(21) Perform other duties pertaining to intelligence, counterintelligence, counterterrorism, or national security matters as may be assigned by the Attorney General or the Deputy Attorney General.

(b) *Functions related to intelligence policy and operations.* (1) Advise and assist the Attorney General in carrying out his responsibilities under Executive

## Department of Justice

## §0.72

Order 12333, “United States Intelligence Activities,” and other statutes, executive orders, and authorities related to intelligence, counterintelligence, or national security matters;

(2) Supervise the preparation of certifications and applications for orders under the Foreign Intelligence Surveillance Act of 1978, as amended, and the representation of the United States before the United States Foreign Intelligence Surveillance Court and the United States Foreign Intelligence Court of Review;

(3) Participate in the development, implementation, and review of United States intelligence, counterintelligence, and national security policies, including procedures for the conduct of intelligence, counterintelligence, or national security activities;

(4) Supervise sensitive areas of law enforcement related to the activities of the National Security Division, except for tasks assigned to other Divisions; and

(5) Recommend action by the Department of Justice with regard to applications under the Foreign Intelligence Surveillance Act of 1978, as amended, as well as with regard to other investigative activities by executive branch agencies; and

(6) To the extent deemed appropriate by the Assistant Attorney General for National Security, prepare periodic and special intelligence reports describing and evaluating domestic and foreign intelligence and counterintelligence activities and assessing trends or changes in these activities.

(c) *Functions related to counterterrorism.* (1) Participate in the systematic collection and analysis of data and information relating to the investigation and prosecution of terrorism cases;

(2) Coordinate with Government departments and agencies to facilitate prevention of terrorist activity through daily detection and analysis and to provide information and support to the Offices of the United States Attorneys;

(3) Prosecute matters involving counterterrorism;

(4) Prosecute terrorist financing matters, including material support cases, through the Division’s counterterrorism programs;

(5) Formulate legislative initiatives, policies, and guidelines relating to terrorism;

(6) Prosecute matters involving torture, genocide, and war crimes to the extent such matters involve the activities of the National Security Division;

(7) Assist in the foreign terrorist organization designation process with the Department of State, the Department of the Treasury, and the components of the Department of Justice; and

(8) Provide legal advice to attorneys for the Government concerning federal national security statutes, including but not limited to: aircraft piracy and related offenses (49 U.S.C. 46501–07); aircraft sabotage (18 U.S.C. 32); crimes against internationally protected persons (18 U.S.C. 112, 878, 1116, 1201(a)(4)); sea piracy (18 U.S.C. 1651); hostage taking (18 U.S.C. 1203); terrorist acts abroad, including murder, against United States nationals (18 U.S.C. 2332); acts of terrorism transcending national boundaries (18 U.S.C. 2332b); conspiracy within the United States to murder, kidnap, or maim persons or to damage property overseas (18 U.S.C. 956); providing material support to terrorists and terrorist organizations (18 U.S.C. 2339A, 2339B, 2339C); and using biological, nuclear, chemical or other weapons of mass destruction (18 U.S.C. 175, 831, 2332c, 2332a).

(d) *Functions related to internal security.* (1) Enforcement of all criminal laws relating to subversive activities and kindred offenses directed against the internal security of the United States, including the laws relating to treason, sabotage, espionage, and sedition; enforcement of the Foreign Assets Control Regulations issued under the Trading With the Enemy Act (31 CFR 500.101 *et seq.*); criminal prosecutions under the Atomic Energy Act of 1954, the Smith Act, the neutrality laws, the Arms Export Control Act, the Federal Aviation Act of 1958 (49 U.S.C. 1523) relating to offenses involving the security control of air traffic, and 18 U.S.C. 799 and criminal prosecutions for offenses, such as perjury and false statements, arising out of offenses relating to national security;

(2) Administration and enforcement of the Foreign Agents Registration Act

## § 0.75

of 1938, as amended; the Act of August 1, 1956, 70 Stat. 899 (50 U.S.C. 851-857), including the determination in writing that the registration of any person coming within the purview of that Act would not be in the interest of national security; and the Voorhis Act (18 U.S.C. 2386);

(3) Administration and enforcement of the Internal Security Act of 1950, as amended;

(4) Conduct of civil proceedings seeking exclusively equitable relief against laws, investigations or administrative actions designed to protect the national security (including without limitation personnel security programs and the foreign assets control program);

(5) Interpretation of Executive Order 10450 of April 27, 1953, as amended, and advising other departments and agencies in connection with the administration of the federal employees security program, including the designation of organizations as required by the order; the interpretation of Executive Order 10501 of November 5, 1953, as amended, and of regulations issued thereunder in accordance with section 11 of that order; and the interpretation of Executive Order 10865 of February 20, 1960;

(6) Conduct of libels and civil penalty actions (including petitions for remission or mitigation of civil penalties and forfeitures, offers in compromise and related proceedings) arising out of violations of the Trading with the Enemy Act, the neutrality statutes, and the Arms Export Control Act;

(7) Enforcement and administration of the provisions of 2 U.S.C. 441e, relating to contributions by foreign nationals;

(8) Enforcement and administration of the provisions of 18 U.S.C. 219, relating to officers and employees of the United States acting as agents of foreign principals; and

(9) Enforcement and administration of criminal matters arising under the Military Selective Service Act of 1967.

(e) *Relationship to other offices.* Nothing in this subpart shall be construed as affecting the functions or overriding the authority of the Office of Legal Counsel as established by 28 CFR 0.25.

## 28 CFR Ch. I (7-1-17 Edition)

### Subpart O—Justice Management Division

#### § 0.75 Policy functions.

The Assistant Attorney General for Administration shall head the Justice Management Division and shall provide advice relating to basic Department policy for budget and financial management, program evaluation, auditing, personnel management and training, procurement, information processing and telecommunications, security and for all matters pertaining to organization, management, and administration. The following matters are assigned to, and shall be conducted, handled, or supervised by, the Assistant Attorney General for Administration:

(a) Conduct, direct, review, and evaluate management studies and surveys of the Department's organizational structure, functions, and programs, operating procedures and supporting systems, and management practices throughout the Department; and make recommendations to reduce costs and increase productivity.

(b) Supervise, direct, and review the preparation, justification and execution of the Department of Justice budget, including the coordination and control of the programming and reprogramming of funds.

(c) Review, analyze, and coordinate the Department's programs and activities to ensure that the Department's use of resources and estimates of future requirements are consistent with the policies, plans, and mission priorities of the Attorney General.

(d) Plan, direct, and coordinate Department-wide personnel management programs, and develop and issue Department-wide policy in all personnel program areas, including training, position classification and pay administration, staffing, employee performance evaluation, employee development, employee relations and services, employee recognition and incentives, equal employment opportunity programs, including the equal opportunity recruitment program (5 U.S.C. 7201), personnel program evaluation, labor management relations, adverse action hearings and appeals, employee grievances, and employee health programs.

## Department of Justice

## §0.76

(e) Develop and direct Department-wide financial management policies, programs, procedures, and systems including financial accounting, planning, analysis, and reporting.

(f) Supervise and direct the operation of the Department's central payroll system, automated information services, publication services, library services and any other Department-wide central services which are established by or assigned to the Justice Management Division.

(g) Formulate and administer the General Administration Appropriation of the Department's budget.

(h) Formulate Department-wide audit policies, standards and procedures; develop, direct and supervise independent and comprehensive internal audits, including examinations authorized by 28 U.S.C. 526, of all organizations, programs, and functions of the Department, and audits of expenditures made under the Department's contracts and grants to ensure compliance with laws, regulations and generally accepted accounting principles; economy and efficiency in operation; and that desired results are being achieved.

(i) Develop and direct a Department-wide directives management program and administer the directives management system.

(j) Plan, direct, administer, and monitor compliance with Department-wide policies, procedures, and regulations concerning records, reports, procurement, printing, graphics, audiovisual activities (including the approval or disapproval of production and equipment requests), forms management, supply management, motor vehicles, real and personal property, space assignment and utilization, and all other administrative services functions.

(k) Formulate Department policies, standards, and procedures for information systems and the management and use of automatic data processing equipment; review the use and performance of information systems with respect to Department objectives, plans, policies, and procedures; provide technical leadership and support to new Department-wide information systems; review and approve all contracts for information processing let by the Department, and provide the final review and approval

of systems and procedures and standards for use of data elements and codes.

(l) Formulate policies, standards, and procedures for Department telecommunications systems and equipment and review their implementation.

(m) Provide computer and digital telecommunications services on an equitable resource-sharing basis to all organizational units within the Department.

(n) Formulate Department policies for the use of consultants and non-personal service contracts, review, and approve all nonpersonal service contracts, and review the implementation of Department policies.

(o) Serve as liaison with state and local governments on management affairs, and coordinate the Department's participation in Federal regional inter-agency bodies.

(p) Direct all Department security programs including personnel, physical, document, information processing and telecommunications, special intelligence, and employee health and safety programs and formulate and implement Department defense mobilization and contingency planning.

(q) Review legislation for potential impact on the Department's resources.

(r) Develop and implement a legal information coordination system for the use of the Department of Justice and, as appropriate, the Federal Government as a whole.

[Order No. 543-73, 38 FR 29585, Oct. 26, 1973, as amended by Order No. 565-74, 39 FR 15875, May 6, 1974; Order No. 699-77, 42 FR 15315, Mar. 21, 1977; Order No. 722-77, 42 FR 25499, May 18, 1977; Order No. 960-81, 46 FR 52346, Oct. 27, 1981]

### §0.76 Specific functions.

The functions delegated to the Assistant Attorney General for Administration by this subpart O shall also include the following specific policy functions:

(a) Directing the Department's financial management operations, including control of the accounting for appropriations and expenditures, employment limitations, voucher examination and audit, overtime pay, establishing

## §0.76

## 28 CFR Ch. I (7–1–17 Edition)

per diem rates, promulgation of policies for travel, transportation, and relocation expenses, and issuance of necessary regulations pertaining thereto.

(b) Submission of requests to the Office of Management and Budget for apportionment or reapportionment of appropriations, including the determination, whenever required, that such apportionment or reapportionment indicates the necessity for the submission of a request for a deficiency or supplemental estimate, and to make allotments to organizational units of the Department of funds made available to the Department within the limits of such apportionments or reapportionments (31 U.S.C. 665).

(c) Approving per diem allowances for travel by airplane, train or boat outside the continental United States in accordance with paragraph 1–7.2 of the Federal Travel Regulations (FPMR 101–7).

(d) Exercising the claims settlement authority under the Federal Claims Collection Act of 1966 (31 U.S.C. 952).

(e) Authorizing payment of actual expense of subsistence (5 U.S.C. 5702(c)).

(f) Prescribing regulations providing for premium pay pursuant to 5 U.S.C. 5541–5550a.

(g) Settling and authorizing payment of employee claims under the Military and Civilian Employees' Claims Act of 1964, as amended (31 U.S.C. 240–243).

(h) Submitting requests to the Comptroller General for decisions (31 U.S.C. 74, 82d) and deciding questions involving the payment of \$25 or less (Comp. Gen. B–161457, July 14, 1976).

(i) Making determinations with respect to employment and wages under section 3122 of the Federal Insurance Contributions Act (26 U.S.C. 3122).

(j) Excluding the Office of Justice Assistance, Research and Statistics, supervising and directing the Department's procurement and contracting functions and assuring that equal employment opportunity is practiced by the Department's contractors and subcontractors and in federally assisted programs under the Department's control.

(k) Designating Contracts Compliance Officers pursuant to Executive Order 11246, as amended.

(l) Making the certificate required with respect to the necessity for including illustrations in printing (44 U.S.C. 1104).

(m) Making the certificates with respect to the necessity of long distance telephone calls (31 U.S.C. 680a).

(n) Making certificates of need for space (68 Stat. 518, 519).

(o) Exercising, except for the authority conferred in §§0.15(b)(1), 0.19(a)(1), 0.137, and 0.138 of this part, the power and authority vested in the Attorney General to take final action on matters pertaining to the employment, separation, and general administration of personnel in General Schedule grade GS–1 through GS–15, and in wage board positions; classify positions in the Department under the General Schedule and wage board systems regardless of grade; postaudit and correct any personnel action within the Department; and inspect at any time any personnel operations of the various organizational units of the Department.

(p) Selecting and assigning employees for training by, in, or through non-Government facilities, paying the expenses of such training or reimbursing employees therefor, and preparing and submitting the required annual report to the Office of Personnel Management (5 U.S.C. 4103–4118).

(q) Exercising authority for the temporary employment of experts or consultants of organizations thereof, including stenographic reporting services (5 U.S.C. 3109(b)).

(r) Providing assistance in furnishing information to the public under the Public Information Section of the Administrative Procedure Act (5 U.S.C. 552).

(s) Representing the Department in its contacts on matters relating to administration and management with the Congressional Appropriations Committees, Office of Management and Budget, the General Accounting Office, the Office of Personnel Management, the General Services Administration, the Joint Committee on Printing, the Government Printing Office and all other Federal departments and agencies.

(t) Taking final action, including making all required determinations and findings, in connection with the

## Department of Justice

## §0.77

acquisition of real property for use by the Department of Justice.

(u) Perform functions with respect to the operation, maintenance, repair, preservation, alteration, furnishing, equipment and custody of buildings occupied by the Department of Justice as delegated by the Administrator of the General Services Administration.

(v) Implementing Office of Management and Budget Circular No. A-76, "Performance of Commercial Activities".

[Order No. 543-73, 38 FR 29585, Oct. 26, 1973]

EDITORIAL NOTE: FOR FEDERAL REGISTER citations affecting §0.76, see the List of CFR Sections Affected, which appears in the Finding Aids section of the printed volume and at [www.fdsys.gov](http://www.fdsys.gov).

### §0.77 Operational functions.

The Assistant Attorney General for Administration shall provide all direct administrative support services to the Offices, Boards and Divisions of the Department and to the U.S. Marshals Service, except where independent administrative authority has been conferred. These services shall include the following:

(a) Planning, directing and coordinating the personnel management program; providing personnel services including employment and staffing, employee relations, and classification, and including the employment, separation and general administration of employees, except attorneys, in General Schedule grades GS-15 and below, or equivalent pay levels.

(b) Formulating policies and plans for efficient administrative management and organization and developing and coordinating all management studies and reports on the operations of the Offices, Divisions and Boards.

(c) Planning, justifying, and compiling the annual and supplemental budget estimates of the Offices, Divisions and Boards.

(d) Planning, directing and executing accounting operations for the Offices, Divisions and Boards.

(e) Providing information systems analysis, design, computer programming, and systems implementation services consistent with Departmental information systems plans, policies and procedures.

(f) Implementing and administering management programs for the creation, organization, maintenance, use, and disposition of Federal records, and providing mail and messenger service.

(g) Implementing and administering programs for procurement, personal property, supply, motor vehicle, space management, and operations and management of buildings as delegated by the Administrator of the General Services Administration.

(h) Operating and maintaining the Department Library.

(i) Routing and controlling correspondence, maintaining indices of legal cases and matters, replying to correspondence not assignable to a division, safeguarding confidential information, attesting to the correctness of records, and related matters.

(j) Accepting service of summonses, complaints, or other papers, including, without limitation, subpoenas, directed to the Attorney General in his official capacity, as a representative of the Attorney General, under the Federal Rules of Civil and Criminal Procedure or in any suit within the purview of subsection (a) of section 208 of the Department of Justice Appropriation Act, 1953 (66 Stat. 560 (43 U.S.C. 666(a))).

(k) Making the certificates required in connection with the payment of expenses of collecting evidence: *Provided*, That each such certificate shall be approved by the Attorney General.

(l) Taking final action, including making all required determinations and findings, in connection with negotiated purchases and contracts as provided in 41 U.S.C. 252(c) (1) through (11), (14), (15) except that the authority provided in 41 U.S.C. 252(c)(11) shall be limited not to exceed an expenditure of \$25,000 per contract and shall not be further delegated.

(m) Serving as Contracting Officer for the Offices, Boards and Divisions, with authority of redelegation to the Deputy Assistant Attorney General, Office of Personnel and Administration, Justice Management Division. The authority so delegated includes the authority of redelegation to subordinates and to officials within the Offices, Boards and Divisions.

## § 0.78

(n) Authorizing payment of extraordinary expenses incurred by ministerial officers of the United States in executing acts of Congress (28 U.S.C. 1929).

(o) Representing the Attorney General with the Secretary of State in arranging for reimbursement by foreign governments of expenses incurred in extradition cases, and certifying to the Secretary the amounts to be paid to the United States as reimbursement (18 U.S.C. 3195).

[Order No. 565-74, 39 FR 15876, May 6, 1974, as amended by Order No. 699-77, 42 FR 15315, Mar. 21, 1977; Order No. 722-77, 42 FR 25499, May 18, 1977; Order No. 960-81, 46 FR 52347, Oct. 27, 1981; Order No. 996-83, 48 FR 7171, Feb. 18, 1983; Order No. 1001-83, 48 FR 9524, Mar. 7, 1983; Order No. 1977-95, 60 FR 36711, July 18, 1995]

## § 0.78 Implementation of financial disclosure requirements.

The Assistant Attorney General for Administration shall serve as the designated agency ethics official under title II of the Ethics in Government Act of 1978, 92 Stat. 1836, for purposes of administering the public and confidential financial disclosure programs applicable to officers and employees of the Department of Justice. His duties shall include the following:

(a) Providing necessary report forms and other information to officers and employees of the Department;

(b) Developing and maintaining a list of positions covered by the public and confidential financial reporting requirements;

(c) Monitoring compliance by department officers and employees with applicable requirements for filing and review of financial disclosure reports;

(d) Providing for retention of reports and transmittal, where necessary, of copies of reports to the Director of the Office of Government Ethics;

(e) Establishing procedures for public access to reports filed under title II of the Ethics in Government Act of 1978;

(f) Performing such other functions as may be necessary for the effective implementation of title II of the Ethics in Government Act.

[Order No. 832-79, 44 FR 29891, May 23, 1979, as amended by Order No. 960-81, 46 FR 52347, Oct. 27, 1981]

## 28 CFR Ch. I (7-1-17 Edition)

## § 0.79 Redelegation of authority.

The Assistant Attorney General for Administration is authorized to redelegate to any Department official any of the power or authority vested in him by this subpart O. Existing redelegations by the Assistant Attorney General for Administration shall continue in force and effect until modified or revoked.

[Order No. 543-73, 38 FR 29585, Oct. 26, 1973. Redesignated by Order No. 565-74, 39 FR 15876, May 6, 1974, and further redesignated by Order No. 832-79, 44 FR 29891, May 23, 1979]

## Subpart P—Federal Bureau of Investigation

CROSS REFERENCE: For regulations pertaining to the Federal Bureau of Investigation, see part 3 of this chapter.

## § 0.85 General functions.

The Director of the Federal Bureau of Investigation shall:

(a) Investigate violations of the laws, including the criminal drug laws, of the United States and collect evidence in cases in which the United States is or may be a party in interest, except in cases in which such responsibility is by statute or otherwise exclusively assigned to another investigative agency. The Director's authority to investigate violations of and collect evidence in cases involving the criminal drug laws of the United States is concurrent with such authority of the Administrator of the Drug Enforcement Administration under § 0.100 of this part. In investigating violations of such laws and in collecting evidence in such cases, the Director may exercise so much of the authority vested in the Attorney General by sections 1 and 2 of Reorganization Plan No. 1 of 1968, section 1 of Reorganization Plan No. 2 of 1973 and the Comprehensive Drug Abuse Prevention and Control Act of 1970, as amended, as he determines is necessary. He may also release FBI information on the same terms and for the same purposes that the Administrator of the Drug Enforcement Administration may disclose DEA information under § 0.103 of this part. The Director and his authorized delegates may seize, forfeit and remit or mitigate the forfeiture of



## Department of Justice

## §0.85

property in accordance with 21 U.S.C. 881, 21 CFR 1316.71 through 1316.81, and 28 CFR 9.1 through 9.7.

(b) Conduct the acquisition, collection, exchange, classification and preservation of fingerprints and identification records from criminal justice and other governmental agencies, including fingerprints voluntarily submitted by individuals for personal identification purposes; provide expert testimony in Federal, State and local courts as to fingerprint examinations; and provide fingerprint training and provide identification assistance in disasters and for other humanitarian purposes.

(c) Conduct personnel investigations requisite to the work of the Department of Justice and whenever required by statute or otherwise.

(d) Carry out the Presidential directive of September 6, 1939, as reaffirmed by Presidential directives of January 8, 1943, July 24, 1950, and December 15, 1953, designating the Federal Bureau of Investigation to take charge of investigative work in matters relating to espionage, sabotage, subversive activities, and related matters, including investigating any potential violations of the Arms Export Control Act, the Export Administration Act, the Trading with the Enemy Act, or the International Emergency Economic Powers Act, relating to any foreign counterintelligence matter.

(e) Establish and conduct law enforcement training programs to provide training for State and local law enforcement personnel; operate the Federal Bureau of Investigation National Academy; develop new approaches, techniques, systems, equipment, and devices to improve and strengthen law enforcement and assist in conducting State and local training programs, pursuant to section 404 of the Omnibus Crime Control and Safe Streets Act of 1968, 82 Stat. 204.

(f) Operate a central clearinghouse for police statistics under the Uniform Crime Reporting Program, and a computerized nationwide index of law enforcement information under the National Crime Information Center.

(g) Operate the Federal Bureau of Investigation Laboratory to serve not only the Federal Bureau of Investigation, but also to provide, without cost,

technical and scientific assistance, including expert testimony in Federal or local courts, for all duly constituted law enforcement agencies, other organizational units of the Department of Justice, and other Federal agencies, which may desire to avail themselves of the service. As provided for in procedures agreed upon between the Secretary of State and the Attorney General, the services of the Federal Bureau of Investigation Laboratory may also be made available to foreign law enforcement agencies and courts.

(h) Make recommendations to the Office of Personnel Management in connection with applications for retirement under 5 U.S.C. 8336(c).

(i) Investigate alleged fraudulent conduct in connection with operations of the Department of Housing and Urban Development and other alleged violations of the criminal provisions of the National Housing Act, including 18 U.S.C. 1010.

(j) Exercise the power and authority vested in the Attorney General to approve and conduct the exchanges of identification records enumerated at §50.12(a) of this chapter.

(k) Payment of awards (including those over \$10,000) under 28 U.S.C. 524(c)(2), and purchase of evidence (including the authority to pay more than \$100,000) under 28 U.S.C. 524(c)(1)(F).

(l) Exercise Lead Agency responsibility in investigating all crimes for which it has primary or concurrent jurisdiction and which involve terrorist activities or acts in preparation of terrorist activities within the statutory jurisdiction of the United States. Within the United States, this would include the collection, coordination, analysis, management and dissemination of intelligence and criminal information as appropriate. If another Federal agency identifies an individual who is engaged in terrorist activities or in acts in preparation of terrorist activities, that agency is requested to promptly notify the FBI. Terrorism includes the unlawful use of force and violence against persons or property to intimidate or coerce a government, the civilian population, or any segment thereof, in furtherance of political or social objectives.

## § 0.85a

(m) Carry out the Department's responsibilities under the Hate Crime Statistics Act.

(n) Exercise the authority vested in the Attorney General under section 528(a), Public Law 101-509, to accept from federal departments and agencies the services of law enforcement personnel to assist the Department of Justice in the investigation and prosecution of fraud or other criminal or unlawful activity in or against any federally insured financial institution or the Resolution Trust Corporation, and to coordinate the activities of such law enforcement personnel in the conduct of such investigations and prosecutions.

(o) Carry out the responsibilities conferred upon the Attorney General under the Communications Assistance for Law Enforcement Act, Title I of Pub. L. 103-414 (108 Stat. 4279), subject to the general supervision and direction of the Attorney General.

[Order No. 423-69, 34 FR 20388, Dec. 31, 1969]

EDITORIAL NOTE: For FEDERAL REGISTER citations affecting § 0.85, see the List of CFR Sections Affected, which appears in the Finding Aids section of the printed volume and at [www.fdsys.gov](http://www.fdsys.gov).

## § 0.85a Criminal justice policy coordination.

The Federal Bureau of Investigation shall report to the Attorney General on all its activities.

[Order No. 960-81, 46 FR 52347, Oct. 27, 1981]

## § 0.86 Seizure of gambling devices.

The Director, Associate Director, Assistants to the Director, Executive Assistant Directors, Assistant Directors, inspectors and agents of the Federal Bureau of Investigation are authorized to exercise the power and authority vested in the Attorney General to make seizures of gambling devices (18 U.S.C. 1955(d), 15 U.S.C. 1171 *et seq.*) and wire or oral communication intercepting devices (18 U.S.C. 2513).

[Order No. 960-81, 46 FR 52347, Oct. 27, 1981]

## § 0.87 Representation on committee for visit-exchange.

The Director of the Federal Bureau of Investigation shall be a member of the committee which represents the

## 28 CFR Ch. I (7-1-17 Edition)

Department of Justice in the development and implementation of plans for exchanging visits between the Iron Curtain countries and the United States and shall have authority to designate an alternate to serve on such committee.

## § 0.88 Certificates for expenses of unforeseen emergencies.

The Director of the Federal Bureau of Investigation is authorized to exercise the power and authority vested in the Attorney General by 28 U.S.C. 537, to make certificates with respect to expenses of unforeseen emergencies of a confidential character: *Provided*, That each such certificate made by the Director of the Federal Bureau of Investigation shall be approved by the Attorney General.

## § 0.89 Authority to seize arms and munitions of war.

The Director of the Federal Bureau of Investigation is authorized to exercise the authority conferred upon the Attorney General by section 1 of E.O. 10863 of February 18, 1960 (25 FR 1507), relating to the seizure of arms and munitions of war, and other articles, pursuant to section 1 of title VI of the act of June 15, 1917, 40 Stat. 223, as amended by section 1 of the Act of August 13, 1953, 67 Stat. 577 (22 U.S.C. 401).

## § 0.89a Delegations respecting claims against the FBI.

(a) The Director of the Federal Bureau of Investigation is authorized to exercise the power and authority vested in the Attorney General under the Act of December 7, 1989, Public Law 101-203, 103 Stat. 1805 (31 U.S.C. 3724), with regard to claims thereunder not exceeding \$50,000 in any one case.

(b) The Director of the Federal Bureau of Investigation is authorized to redelegate to the General Counsel of the FBI or his designee within the Office of the General Counsel or to the primary legal advisors of the FBI field offices, any of the authority, functions, or duties vested in him by paragraph (a) of this section and by 28 CFR 0.172.

## Department of Justice

## § 0.94-1

This authority shall not be further re-delegated.

[Order No. 884-80, 45 FR 22023, Apr. 3, 1980, as amended by Order No. 1417-90, 55 FR 27808, July 6, 1990; Order No. 1551-91, 56 FR 64192, Dec. 9, 1991; Order No. 1904-94, 59 FR 41242, Aug. 11, 1994; Order No. 2314-2000, 65 FR 44683, July 19, 2000; AG Order No. 3330-2012, 77 FR 26183, May 3, 2012]

### Subpart P-1—Office of Justice Programs and Related Agencies

SOURCE: Order No. 1111-85, 50 FR 43385, Oct. 25, 1985, unless otherwise noted.

#### § 0.90 Office of Justice Programs.

The Office of Justice Programs is headed by an Assistant Attorney General appointed by the President. Under the general authority of the Attorney General, the Assistant Attorney General maintains liaison with the provides information to Federal, State, local, and private agencies and organizations on criminal justice matters, and provides staff support to and coordinates the activities of the National Institute of Justice, the Bureau of Justice Statistics, the Office of Juvenile Justice and Delinquency Prevention, and the Bureau of Justice Assistance. The Office includes the Office for Victims of Crime.

#### § 0.91 Office for Victims of Crime.

The Office for Victims of Crime is headed by a Director appointed by the Assistant Attorney General, Office of Justice Programs. Under a delegation by the Attorney General (DOJ Order No. 1079-84, Dec. 14, 1984), the Assistant Attorney General and the Director are responsible for providing national leadership to encourage improved treatment of victims by implementing the recommendations of the President's Task Force on Victims of Crime and the Attorney General's Task Force on Family Violence, and by administering the Crime Victims Fund and the Federal Crime Victim Assistance Program, established under the Victims of Crime Act of 1984, title II, chapter XIV, of Public Law 98-473, 42 U.S.C. 10601 *et seq.*, 98 Stat. 2170 (Oct. 12, 1984).

#### § 0.92 National Institute of Justice.

The National Institute of Justice is headed by a Director appointed by the President. Under the general authority of the Attorney General and reporting through the Assistant Attorney General, Office of Justice Programs, the Director performs functions and administers programs, including provision of financial assistance, under 42 U.S.C. 3721-3723 to support basic and applied research into justice issues.

#### § 0.93 Bureau of Justice Statistics.

The Bureau of Justice Statistics is headed by a Director appointed by the President. Under the general authority of the Attorney General and reporting through the Assistant Attorney General, Office of Justice Programs, the Director performs functions and administers programs, including provision of financial assistance, under 42 U.S.C. 3731-3734, to provide a variety of statistical services for the criminal justice community.

#### § 0.94 Office of Juvenile Justice and Delinquency Prevention.

The Office of Juvenile Justice and Delinquency Prevention is headed by an Administrator appointed by the President. Under the general authority of the Attorney General and reporting through the Assistant Attorney General, Office of Justice Programs, the Administrator performs functions and administers programs, including provision of financial assistance, under 42 U.S.C. 5601 *et seq.*, relating to juvenile delinquency, the improvement of juvenile justice systems and missing children.

#### § 0.94-1 Bureau of Justice Assistance.

(a) The Bureau of Justice Assistance is headed by a Director appointed by the Attorney General. Under the general authority of the Attorney General and reporting through the Assistant Attorney General, Office of Justice Programs, the Director performs functions and administers programs, including provision of financial assistance, under 42 U.S.C. 3741-3748; 3761-3764; and 3769, relating to the administration of State and local criminal justice systems. The Director also administers the Public Safety Officers' Death

## §0.95

Benefits Program under 42 U.S.C. 3796, *et seq.*

(b) Subject to the authority and direction of the Attorney General, the Director of the Bureau of Justice Assistance is authorized to exercise the power and authority vested in the Attorney General by Executive Order No. 11755 of December 29, 1973, 39 FR 779, with respect to certification and revoking certification of work-release laws or regulations.

[Order No. 1111-85, 50 FR 43385, Oct. 25, 1985; Order No. 1145-86, 51 FR 29464, Aug. 18, 1986]

### Subpart Q—Bureau of Prisons

CROSS REFERENCE: For regulations pertaining to the Bureau of Prisons, see parts 6 and 7 of this chapter.

#### §0.95 General functions.

The Director of the Bureau of Prisons shall direct all activities of the Bureau of Prisons including:

(a) Management and regulation of all Federal penal and correctional institutions (except military or naval institutions), and prison commissaries.

(b) Provision of suitable quarters for, and safekeeping, care, and subsistence of, all persons charged with or convicted of offenses against the United States or held as witnesses or otherwise.

(c) Provision for the protection, instruction, and discipline of all persons charged with or convicted of offenses against the United States.

(d) Classification, commitment, control, or treatment of persons committed to the custody of the Attorney General.

(e) Payment of rewards with respect to escaped Federal prisoners (18 U.S.C. 3059).

(f) Certification with respect to the insanity or mental incompetence of a prisoner whose sentence is about to expire pursuant to section 4247 of title 18 of the U.S. Code.

(g) Entering into contracts with State or territorial officials for the custody, care, subsistence, education, treatment, and training of State or territorial prisoners, upon certification with respect to the availability of proper and adequate treatment facilities

## 28 CFR Ch. I (7-1-17 Edition)

and personnel, pursuant to section 5003 of title 18 of the U.S. Code.

(h) Conduct of studies and the preparation and submission of reports and recommendations to committing courts respecting disposition of cases in which defendants have been committed for such purposes pursuant to 18 U.S.C. 4205(c).

(i) Conduct and prepare, or cause to be conducted and prepared, studies and submit reports to the court and the attorneys with respect to disposition of cases in which juveniles have been committed, pursuant to 18 U.S.C. 5037, and to contract with public or private agencies or individuals or community-based facilities for the observation and study and the custody and care of juveniles, pursuant to 18 U.S.C. 5040.

(j) Observation, conduct of studies, and preparation of reports in cases in which youth offenders have been committed by the courts for such purposes pursuant to section 5010(e) of title 18 of the United States Code.

(k) Conduct of examinations to determine whether an offender is an addict and is likely to be rehabilitated through treatment, as well as the preparation and submission of reports to committing courts, pursuant to section 4252 of title 18 of the United States Code.

(l) Transmittal of reports of boards of examiners and certificates to clerks of the district courts pursuant to section 4245 of title 18 of the U.S. Code.

(m) Providing technical assistance to State and local governments in the improvement of their correctional systems (18 U.S.C. 4042).

[Order No. 423-69, 34 FR 20388, Dec. 31, 1969, as amended by Order No. 445-70, 35 FR 19397, Dec. 23, 1970; Order No. 579-74, 39 FR 37771, Oct. 24, 1974; Order No. 960-81, 46 FR 52348, Oct. 27, 1981]

#### §0.96 Delegations.

The Director of the Bureau of Prisons is authorized to exercise or perform any of the authority, functions, or duties conferred or imposed upon the Attorney General by any law relating to the commitment, control, or treatment of persons (including insane prisoners and juvenile delinquents) charged with or convicted of offenses against the United States, including the taking of

## Department of Justice

## §0.96

final action in the following-described matters:

(a) Requesting the detail of Public Health Service officers for the purpose of furnishing services to Federal penal and correctional institutions (18 U.S.C. 4005).

(b) Consideration, determination, adjustment, and payment of claims in accordance with 31 U.S.C. 3722.

(c) Designating places of imprisonment or confinement where the sentences of prisoners shall be served and ordering transfers from one institution to another, whether maintained by the Federal Government or otherwise, pursuant to 18 U.S.C. 4082 as it existed before the enactment of Pub. L. 98-473 (applicable to offenses committed prior to November 1, 1987).

(d) Extending the limits of the place of confinement of prisoners for the purposes specified, and within the limits established, by 18 U.S.C. 4082(c) as it existed before the enactment of Public Law 98-473, and otherwise performing the functions of the Attorney General under that section (applicable to offenses committed prior to November 1, 1987).

(e) Designation of agents for the transportation of prisoners (18 U.S.C. 4008).

(f) Prescribing regulations for the use of surplus funds in "Commissary Funds, Federal Prisons" to provide advances not in excess of \$150 to prisoners at the time of their release pursuant to 18 U.S.C. 4284 as it existed before the enactment of Public Law 98-473 (applicable to offenses committed prior to November 1, 1987).

(g) Allowance, forfeiture, and restoration of all good time pursuant to 18 U.S.C. 4161, 4162, 4165, and 4166 as those sections existed before the enactment of Public Law 98-473 (applicable to offenses committed prior to November 1, 1987).

(h) Release of prisoners held solely for nonpayment of fine as provided in 18 U.S.C. 3569 as it existed before the enactment of Public Law 98-473 (applicable to offenses committed prior to November 1, 1987).

(i) Furnishing transportation, clothing, and payments to released prisoners pursuant to 18 U.S.C. 4281 as it existed before the enactment of Public Law 98-

473 (applicable to offenses committed prior to November 1, 1987).

(j) Performing the functions of the Attorney General under the provisions of 18 U.S.C. chapter 313, Offenders with Mental Disease or Defect (18 U.S.C. 4241-4247).

(k) Settlement of claims arising under the Federal Tort Claims Act as provided in 28 CFR 0.172.

(l) Entering into reciprocal agreements with fire organizations for mutual aid and rendering emergency assistance in connection with extinguishing fires within the vicinity of a Federal correctional facility, as authorized by sections 2 and 3 of the Act of May 27, 1955 (42 U.S.C. 1856a, 1856b).

(m) Deciding upon requests by states for temporary transfers of custody of inmates for prosecution under Article IV of the Interstate Agreement on Detainers (84 Stat. 1399) and pursuant to other available procedures; and receiving and reviewing requests by the executive authority of states or the District of Columbia for, and authorizing the transfer of, inmates pursuant to 18 U.S.C. 4085 as it existed before the enactment of Public Law 98-473 (applicable to offenses committed prior to November 1, 1987).

(n) Prescribing rules and regulations applicable to the carrying of firearms by Bureau of Prisons officers and employees (18 U.S.C. 3050).

(o) Promulgating rules governing the control and management of Federal penal and correctional institutions and providing for the classification, government, discipline, treatment, care, rehabilitation, and reformation of inmates confined therein (18 U.S.C. 4001, 4041, and 4042).

(p) Establishing and designating Bureau of Prisons Institutions (18 U.S.C. 4001, 4042).

(q) Granting permits to states or public agencies for rights-of-way upon lands administered by the Director in accordance with the provisions of 43 U.S.C. 931c and 43 U.S.C. 961 (18 U.S.C. 4001, 4041, 4042, 43 U.S.C. 931c, 961).

(r) Authority under the provisions of 18 U.S.C. 4082(b) to provide law enforcement representatives with information on Federal prisoners who have been convicted of felony offenses and who

## §0.96a

## 28 CFR Ch. I (7-1-17 Edition)

are confined at a residential community treatment center located in the geographical area in which the requesting agency has jurisdiction (18 U.S.C. 4082).

(s) Approving inmate disciplinary and good time regulations (18 U.S.C. 3624).

(t) Contracting, for a period not exceeding three years, with the proper authorities of any State, Territory, or political subdivision thereof, for the imprisonment, subsistence, care, and proper employment of persons convicted of offenses against the United States (18 U.S.C. 4002).

[Order No. 1617-92, 57 FR 38772, Aug. 27, 1992, as amended by Order No. 1884-94, 59 FR 29717, June 9, 1994; Order No. 2204-99, 64 FR 4295, Jan. 28, 1999]

### § 0.96a Interstate Agreement on Detainers.

The Director of the Bureau of Prisons is designated as the U.S. Officer under Article VII of the Interstate Agreement on Detainers (84 Stat. 1402).

[Order No. 462-71, 36 FR 12212, June 29, 1971]

### § 0.96b Exchange of prisoners.

The Director of the Bureau of Prisons and officers of the Bureau of Prisons designated by him are authorized to receive custody of offenders and to transfer offenders to and from the United States of America under a treaty as referred to in Public Law 95-144; to make arrangements with the States and to receive offenders from the States for transfer to a foreign country; to act as an agent of the United States to receive the delivery from a foreign government of any person being transferred to the United States under such a treaty; to render to foreign countries and to receive from them certifications and reports required under a treaty; and to receive custody and carry out the sentence of imprisonment of such a transferred offender as required by that statute and any such treaty.

[Order No. 758-77, 42 FR 63139, Dec. 15, 1977]

### § 0.96c Cost of incarceration.

(a) The Attorney General is required to establish and collect a fee to cover the cost of one year of incarceration. These provisions apply to any person

who is convicted in a United States District Court and committed to the custody of the Attorney General, and who begins service of sentence on or after December 27, 1994. For the purposes of this subpart, revocation of parole or supervised release shall be treated as a separate period of incarceration for which a fee may be imposed.

(b) The fee to cover the costs of incarceration shall be calculated by dividing the number representing the obligation encountered in Bureau of Prisons facilities (excluding activation costs) by the number of inmate-days incurred for the year, and by then multiplying the quotient by 365. The resulting figure represents the average cost to the Bureau for confining an inmate for one year.

(c) The Director of the Bureau of Prisons is delegated the authority to collect the fee to cover the cost of incarceration from inmates committed to the custody of the Attorney General and to promulgate all regulations concerning the collection of the fee.

(d) The Director shall review and determine the amount of the fee not less than annually in accordance with the formula set forth in paragraph (b) of this section. The Director shall publish each year's fee as a Notice in the FEDERAL REGISTER.

[Order No. 1932-94, 59 FR 60558, Nov. 25, 1994]

### § 0.97 Redelegation of authority.

The Director of the Bureau of Prisons is authorized to redelegate to any of his subordinates any of the authority, functions or duties vested in him by this subpart Q. The Director may make similar delegations to any other employee of any Bureau, Board, Office, or Division of the Department of Justice with the consent of the head of that Bureau, Board, Office, or Division, and after written notification to the Attorney General or designee. A redelegation of authority is limited to employees of the Department of Justice. Existing redelegations by the Director of the Bureau of Prisons shall continue in force and effect until modified or revoked.

[Order No. 1150-86, 51 FR 31939, Sept. 8, 1986]

**§ 0.98 Functions of Commissioner of Federal Prison Industries.**

The Director of the Bureau of Prisons is authorized as ex officio Commissioner of Federal Prison Industries and in accordance with the policy fixed by its Board of Directors to:

(a) Exercise jurisdiction over all industrial enterprises in all Federal penal and correctional institutions.

(b) Sponsor vocational training programs in Federal penal and correctional institutions.

(c) Contract for the transfer of property or equipment from the District of Columbia for industrial employment and training of prisoners confined in a penal or correctional institution of the District of Columbia, pursuant to 18 U.S.C. 4122.

**§ 0.99 Compensation to Federal prisoners.**

The Board of Directors of Federal Prison Industries, or such officer of the corporation as the Board may designate, may exercise the authority vested in the Attorney General by section 4126 of title 18 of the U.S. Code, as amended, to prescribe rules and regulations governing the payment of compensation to inmates of Federal penal and correctional institutions employed in any industry, or performing outstanding services in institutional operations, and to inmates or their dependents for injuries suffered in any industry or in any work activity in connection with the maintenance of operation of the institution where confined.

APPENDIX TO SUBPART Q OF PART 0—  
CONFINEMENT OF PERSONS IN DISTRICT OF COLUMBIA CORRECTIONAL INSTITUTIONS

By virtue of the authority vested in me by the Act of September 1, 1916, 39 Stat. 711 (D.C. Code section 24-402), by section 11 of the Act of July 15, 1932, as added by the Act of June 6, 1940, 54 Stat. 244 (D.C. Code section 24-425), and by the Act of September 10, 1965 (18 U.S.C. 4082).

(a) The Mayor of the District of Columbia or his authorized representative is hereby authorized to transfer such prisoners as may be in his custody and supervision, by virtue of having been placed in a correctional institution of the District of Columbia pursuant to the authority of the Attorney General, from such institution to any available, suit-

able, or appropriate institution or facility (including a residential community treatment center) within the District of Columbia, and the Mayor or his authorized representative is further authorized to extend the limits of the place of confinement of such prisoners for the purposes specified, and within the limits established, by the Act of September 10, 1965 (18 U.S.C. 4082).

(b) The authority conferred by subsection (a) shall not include any extension of the limits of confinement for any prisoner serving a sentence for a crime of violence and not participating in a furlough program as of December 22, 1976, unless such prisoner has served at least twelve months, has not been denied parole, without recommendation for furlough, at his most recent parole hearing (whether such hearing was held before or after extension of the limits of his confinement was granted), and

(1) Is within twelve months of the expiration of his maximum sentence, without reduction, or

(2) Is within twelve months of a date on which he will be eligible for parole from confinement, or

(3) Has served at least ninety percent of his minimum sentence, without reduction.

By October 15 of each year, there shall be submitted to the Associate Attorney General a report concerning each prisoner serving a sentence for a crime of violence whose limits of confinement have been extended during the twelve-month period ending the preceding September 30, indicating the offense and term for which, and the court by which, the prisoner was sentenced with respect to his present confinement; all other criminal offenses of which the prisoner has been convicted; the date, duration and purpose of each extension of the limits of his confinement; all parole board actions with respect to the prisoner; and all infractions of the terms of extension, violations of prison rules, or criminal offenses with which the prisoner has been officially charged since the beginning of his confinement.

(c) With respect to all other prisoners, the authority conferred by subsection (a) may be exercised by an authorized representative designated by the Mayor.

(d) As used in this Order *crime of violence* means murder, manslaughter, rape, kidnapping, robbery, burglary, assault with intent to kill, assault with intent to rape, assault with intent to rob or extortion involving the threat or use of violence to person.

[Order No. 636-76, 41 FR 3289, Jan. 26, 1976, as amended by Order No. 676-76, 41 FR 56802, Dec. 30, 1976; Order No. 960-81, 46 FR 52348, Oct. 27, 1981]

### Subpart R—Drug Enforcement Administration

#### §0.100 General functions.

The following-described matters are assigned to, and shall be conducted, handled, or supervised by, the Administrator of the Drug Enforcement Administration:

(a) Functions vested in the Attorney General by sections 1 and 2 of Reorganization Plan No. 1 of 1968.

(b) Except where the Attorney General has delegated authority to another Department of Justice official to exercise such functions, and except where functions under 21 U.S.C. 878(a)(5) do not relate to, arise from, or supplement investigations of matters concerning drugs, functions vested in the Attorney General by the Comprehensive Drug Abuse Prevention and Control Act of 1970, as amended. This will include functions which may be vested in the Attorney General in subsequent amendments to the Comprehensive Drug Abuse Prevention and Control Act of 1970, and not otherwise specifically assigned or reserved by him.

(c) Functions vested in the Attorney General by section 1 of Reorganization Plan No. 2 of 1973 and not otherwise specifically assigned.

[Order No. 520-73, 38 FR 18380, July 10, 1973, as amended by Order No. 960-81, 46 FR 52348, Oct. 27, 1981; Order No. 1203-87, 52 FR 24447, July 1, 1987; Order No. 2204-99, 64 FR 4295, Jan. 28, 1999; Order No. 2666-2003, 68 FR 14899, Mar. 27, 2003]

#### §0.101 Specific functions.

The Administrator of the Drug Enforcement Administration shall be responsible for:

(a) The development and implementation of a concentrated program throughout the Federal Government for the enforcement of Federal drug laws and for cooperation with State and local governments in the enforcement of their drug abuse laws.

(b) The development and maintenance of a National Narcotics Intelligence System in cooperation with Federal, State, and local officials, and the provision of narcotics intelligence to any Federal, State, or local official that the Administrator determines has

a legitimate official need to have access to such intelligence.

(c) The development and implementation of a procedure to release property seized under section 511 of the Controlled Substances Act (21 U.S.C. 881) to any innocent party having an immediate right to possession of the property, when the Administrator, in his discretion, determines it is not in the interests of justice to initiate forfeiture proceedings against the property.

(d) Payment of awards (including those over \$10,000) under 28 U.S.C. 524(c)(2) and purchase of evidence (including the authority to pay more than \$100,000) under 28 U.S.C. 524(c)(1)(F).

[Order No. 520-73, 38 FR 18380, July 10, 1973, as amended by Order No. 565-74, 39 FR 15876, May 6, 1974; Order No. 898-80, 45 FR 44267, July 1, 1980; Order No. 960-81, 46 FR 52348, Oct. 27, 1981; Order No. 1126-86, 51 FR 7443, Mar. 4, 1986]

#### §0.102 Drug enforcement policy coordination.

The Administrator of the Drug Enforcement Administration shall report to the Attorney General, through the Deputy Attorney General or the Associate Attorney General, as directed by the Attorney General.

[Order No. 1429-90, 55 FR 28909, July 16, 1990]

#### §0.103 Release of information.

(a) The Administrator of DEA is authorized—

(1) To release information obtained by DEA and DEA investigative reports to Federal, State, and local officials engaged in the enforcement of laws related to controlled substances.

(2) To release information obtained by DEA and DEA investigative reports to Federal, State, and local prosecutors, and State licensing boards, engaged in the institution and prosecution of cases before courts and licensing boards related to controlled substances.

(3) To authorize the testimony of DEA officials in response to subpoenas or demands issued by the prosecution in Federal, State, or local criminal cases involving controlled substances.

(b) Except as provided in paragraph (a) of this section, all other production



of information or testimony of DEA officials in response to subpoenas or demands of courts or other authorities is governed by subpart B of part 16 of this chapter. However, it should be recognized that subpart B is not intended to restrict the release of noninvestigative information and reports as deemed appropriate by the Administrator of DEA. For example, it does not inhibit the exchange of information between governmental officials concerning the use and abuse of controlled substances as provided for by section 503(a)(1) of the Controlled Substances Act (21 U.S.C. 873(a)(1)).

[Order No. 520-73, 38 FR 18380, July 10, 1973, as amended by Order No. 2614-2002, 67 FR 58990, Sept. 19, 2002]

**§ 0.103a Delegations respecting claims against the Drug Enforcement Administration.**

(a) The Administrator of DEA is authorized to exercise the power and authority vested in the Attorney General under the Act of December 7, 1989, Public Law 101-203, 103 Stat. 1805 (31 U.S.C. 3724) with regard to claims thereunder arising out of the lawful activities of DEA personnel in an amount not to exceed \$50,000.00 in any one case.

(b) Notwithstanding the provisions of 28 CFR 0.104, the Administrator of DEA is authorized to redelegate the power and authority vested in him in paragraph (a) of this section to the Chief Counsel of DEA and the Chief Counsel's designee within the Office of Chief Counsel. This authority shall not be further redelegated below the Associate Chief Counsel level.

[Order No. 1751-93, 58 FR 35371, July 1, 1993]

**§ 0.104 Redelegation of authority.**

The Administrator of the Drug Enforcement Administration is authorized to redelegate to any of his subordinates or any of the officers or employees of the Immigration and Naturalization Service any of the powers and functions vested in him by this subpart R.

[Order No. 1146-86, 51 FR 30485, Aug. 27, 1986]

APPENDIX TO SUBPART R OF PART 0—  
REDELEGATION OF FUNCTIONS

SECTION 1. *Scope of authority.* The authority delegated by this order is applicable to all officers and employees of the Drug Enforcement Administration (DEA) and Federal Bureau of Investigation (FBI).

SEC. 2. *Supervisors.* All Special Agents-in-Charge of the DEA and the FBI are authorized to conduct enforcement hearings under 21 U.S.C. 883, and to take custody of seized property under 21 U.S.C. 881. All Special Agents-in-Charge of the DEA and the FBI, the DEA Deputy Administrator, Assistant Administrators and Office Heads, and the FBI Executive Assistant Directors, Assistant Directors, Deputy Assistant Directors, and Section Chiefs, are authorized to release information pursuant to 28 CFR 0.103(a)(1) and (2) that is obtained by the DEA and the FBI, and to authorize the testimony of DEA and FBI officials in response to prosecution subpoenas or demands under 28 CFR 0.103(a)(3). All DEA Laboratory Directors are authorized to release information pursuant to 28 CFR 0.103(a)(1) and (2) that is obtained by a DEA laboratory, and to authorize the testimony of DEA laboratory personnel in response to prosecution subpoenas or demands under 28 CFR 0.103(a)(3). All DEA Special Agents-in-Charge are authorized to take custody of, and make disposition of, controlled substances seized pursuant to 21 U.S.C. 824(g).

SEC. 3. *Enforcement officers.* (a) All DEA criminal investigators (series 1811 under Office of Personnel Management regulations) and special agents of the FBI are authorized to exercise all of the powers of enforcement personnel granted by 21 U.S.C. 876, 878, and 879; to serve subpoenas, administer oaths, examine witnesses, and receive evidence under 21 U.S.C. 875; to execute administrative inspection warrants under 21 U.S.C. 880; and to seize property under 21 U.S.C. 881 and 21 CFR 1316.71 *et seq.*

(b) All DEA Diversion Investigators (series 1801 under Office of Personnel Management regulations) are authorized to administer oaths and serve subpoenas under 21 U.S.C. 875 and 876; to conduct administrative inspections and execute administrative inspection warrants under 21 U.S.C. 878(2) and 880; to seize property incident to compliance and registration inspections and investigations under 21 U.S.C. 881; and to seize or place controlled substances under seal pursuant to 21 U.S.C. 824.

SEC. 4. *Issuance of subpoenas.* (a) The Chief Inspector of the DEA; the Deputy Chief Inspectors and Associate Deputy Chief Inspectors of the Office of Inspections and the Office of Professional Responsibility of the DEA; all Special Agents-in-Charge of the DEA and the FBI; DEA Inspectors assigned to the Inspection Division; DEA Associate

Special Agents-in-Charge; DEA and FBI Assistant Special Agents-in-Charge; DEA Resident Agents-in-Charge; DEA Diversion Program Managers; FBI Supervisory Senior Resident Agents; DEA Special Agent Group Supervisors; those FBI Special Agent Squad Supervisors who have management responsibility over Organized Crime/Drug Program Investigations; and DEA Regional Directors, Assistant Regional Directors, and Country Attachés, are authorized to sign and issue subpoenas with respect to controlled substances, listed chemicals, tableting machines or encapsulating machines under 21 U.S.C. 875 and 876 in regard to matters within their respective jurisdictions.

(b) The Administrative Law Judge of DEA is authorized to sign and issue subpoenas to compel the attendance of witnesses and the production of documents and materials to the extent necessary to conduct administrative hearings pending before him.

SEC. 5. *Legal functions.* The Chief Counsel and the Director of DEA's Mid-Atlantic Laboratory are authorized to execute any certification required to authenticate any documents pursuant to 28 CFR 0.146. The Chief Counsel is also authorized to adjust, determine, compromise, and settle any claims involving the Drug Enforcement Administration under 28 U.S.C. 2672 relating to tort claims where the amount of the proposed adjustment, compromise, settlement or award does not exceed \$2,500; to formulate and coordinate the proceedings relating to the conduct of hearings under 21 U.S.C. 875, including the signing and issuance of subpoenas, examining of witnesses, and receiving evidence; to adjust, determine, compromise and settle *any* tort claims when such claims arise in foreign countries in connection with DEA operations abroad, and to conduct enforcement hearings under 21 U.S.C. 883. The Forfeiture Counsel of the DEA is authorized to exercise all necessary functions with respect to decisions on petitions under 19 U.S.C. 1618 for remission or mitigation of forfeitures incurred under 21 U.S.C. 881.

SEC. 6. *Import and export permits.* The Deputy Assistant Administrator of the DEA Office of Diversion Control, the Deputy Director of the DEA Office of Diversion Control, the Chief of the Drug Operations Section of the DEA Office of Diversion Control, and the Chief of the International Drug Unit of the Drug Operations Section of the DEA Office of Diversion Control are authorized to perform all and any functions with respect to the issuance of importation and exportation permits for controlled substances under 21 U.S.C. 952 and 953, and all functions in regard to transshipments and intranet shipments of controlled substances under 21 U.S.C. 954.

SEC. 7. *Promulgation of regulations.* The Deputy Assistant Administrator of the DEA Office of Diversion Control is authorized to exercise all necessary functions with respect

to the promulgation and implementation of the following regulations published in chapter II, title 21, Code of Federal Regulations:

(a) Part 1301, incident to the registration of manufacturers, distributors, and dispensers of controlled substances, except that final orders in connection with suspension, denial or revocation of registration shall be made by the Deputy Administrator of DEA.

(b) Part 1302 relating to labelling and packaging requirements for controlled substances.

(c) Part 1304 relating to records and reports of registrants.

(d) Part 1305 relating to order forms.

(e) Part 1306 relating to prescriptions, except provisions relating to dispensing of narcotic drugs for maintenance purposes.

(f) Part 1307, title 21, Code of Federal Regulations, relating to miscellaneous provisions, except §1307.31 concerning special exempt persons.

(g) The following sections of part 1308: §§1308.21 and 1308.22 relating to excluded non-narcotic substances; §§1308.23 and 1308.24 relating to exempt chemical preparations; §§1308.25 and 1308.26 relating to excluded veterinary anabolic steroid implant products; §§1308.31 and 1308.32 relating to exempted prescription products; and §§1308.33 and 1308.34 relating to exempt anabolic steroid products, except that any final order following a contested proposed rulemaking shall be issued by the Deputy Administrator of DEA.

(h) Part 1309, incident to the registration of manufacturers, distributors, importers and exporters of List I chemicals, except that final orders in connection with suspension, denial or revocation of registration shall be made by the Deputy Administrator of DEA.

(i) Part 1310, relating to records, reports and identification of parties to transactions in listed chemicals and certain machinery, but not including the authority to add and delete listed chemicals pursuant to 21 CFR 1310.02.

(j) Part 1311 relating to registration of importers and exporters of controlled substances, except that final orders in connection with suspension, denial or revocation of registration shall be made by the Deputy Administrator of DEA.

(k) Part 1312 relating to importation and exportation of controlled substances, except that all final orders following a contested proposed rulemaking regarding the denial of an application for an import, export or transshipment permit shall be made by the Deputy Administrator of DEA.

(l) Part 1313, relating to the importation and exportation of precursors and essential chemicals, but not including the authority to suspend shipments under 21 CFR 1313.41.

(m) Part 1314, incident to the retail sale of scheduled listed chemical products by regulated sellers and distributors required to submit reports under section 310(b)(3) of the Act (21 U.S.C. 830(b)(3)), except that final orders in connection with suspension or revocation of the regulated seller's or mail order distributor's right to sell scheduled listed chemical products shall be made by the Deputy Administrator of the Drug Enforcement Administration.

SEC. 8. *Financial functions.* The Controller of the DEA is authorized to settle any employee claims filed under the Military Personnel and Civilian Employees' Claims Act in an amount not to exceed \$25,000.

SEC. 9. *Chemical Diversion Act functions.* The Chief of Operations of the DEA, Operations Division, is authorized to furnish, or cause to be furnished, descriptions of persons with whom regulated transactions may not be completed without prior approval of the DEA; to approve such transactions pursuant to 21 U.S.C. 830(b) and 21 CFR 1310.05(b); and to approve or disapprove regular customer or regular importer status under 21 U.S.C. 971 and 21 CFR 1313.15 and 1313.24.

SEC. 10. *Deputization of State and Local Law Enforcement Officers.* The Chief, Investigative Support Section, Office of Operations Management, Operations Division, is authorized to exercise all necessary functions with respect to the deputization of state and local law enforcement officers as Task Force Officers of DEA pursuant to 21 U.S.C. 878(a).

SEC. 11. *Cross-Designation of Federal Law Enforcement Officers.* The Chief, Investigative Support Section, Office of Operations Management, Operations Division is authorized to exercise all necessary functions with respect to the cross-designation of Federal law enforcement officers to undertake title 21 drug investigations under supervision of the DEA pursuant to 21 U.S.C. 873(b).

SEC. 12. *All other functions.* The Deputy Administrator is authorized to exercise all necessary functions under 21 CFR parts 1300 through 1316, except those functions otherwise delegated within this subpart. This will include functions which may be vested in the Administrator in subsequent amendments to 21 CFR parts 1300 through 1316 and not otherwise specifically assigned or reserved by him.

[47 FR 43370, Oct. 1, 1982]

EDITORIAL NOTE: For FEDERAL REGISTER citations affecting the appendix, see the List of CFR Sections Affected, which appears in the Finding Aids section of the printed volume and at [www.fdsys.gov](http://www.fdsys.gov).

## Subpart S—Immigration and Naturalization Service

### § 0.105 General functions.

The Commissioner of the Immigration and Naturalization Service shall:

(a) Subject to limitations contained in section 103 of the Immigration and Nationality Act (8 U.S.C. 1103) and excepting the authority delegated to the Executive Office for Immigration Review, the Board of Immigration Appeals, the Office of the Chief Immigration Judge, Immigration Judges, and the Office of the Chief Administrative Hearing Officer, administer and enforce the Immigration and Nationality Act and all other laws relating to immigration (including but not limited to admission, exclusion, and deportation), naturalization, and nationality. Nothing in this paragraph shall be construed to authorize the Commissioner of Immigration and Naturalization to supervise the litigation of or to approve the filing of records on review, appeals, or petitions for writs of certiorari or to intervene or have independent representation in cases under the immigration and nationality laws except as provided in paragraph (e) of this section.

(b) For the purposes of paragraph (a) of this section, and as limited therein, exercise or perform any of the authority, functions, or duties conferred or imposed upon the Attorney General by the laws mentioned in that paragraph, including the authority to issue regulations.

(c) Investigate alleged violations of the immigration and nationality laws, and make recommendations for prosecutions when deemed advisable.

(d) Patrol the borders of the United States to prevent the entry of aliens into the United States in violation of law.

(e) Supervise naturalization work in the specific courts designated by section 310 of the Immigration and Nationality Act (8 U.S.C. 1421) to have jurisdiction in such matters, including the requiring of accountings from the clerks of such courts for naturalization fees collected, investigation through field officers of the qualifications of

## §0.106

citizenship applicants, and representation of the Government at all court hearings.

(f) Cooperate with the public schools in providing citizenship textbooks and other services for the preparation of candidates for naturalization.

(g) Register and fingerprint aliens in the United States, as required by section 262 of the Immigration and Nationality Act (8 U.S.C. 1304).

(h) Prepare reports on private bills pertaining to immigration matters.

(i) Designate within the Immigration and Naturalization Service a certifying officer, and an alternate, to certify copies of documents issued by the Commissioner, or his designee, which are required to be filed with the Office of the Federal Register.

(j) Direct officers and employees of the Immigration and Naturalization Service, assigned to accompany commercial aircraft, to perform the functions of a U.S.C. deputy marshal as a peace officer, in particular those set forth in 28 U.S.C. 570 and 18 U.S.C. 3053: (1) While aboard any aircraft to which they have been assigned, or (2) while within the general vicinity of such aircraft so long as it is within the jurisdiction of the United States. Such functions shall be in addition to those vested in such officers and employees pursuant to law.

(k) Insure that a copy of any asylum application filed with INS shall be sent simultaneously to the Asylum Policy and Review Unit and to the Bureau of Human Rights and Humanitarian Affairs at the Department of State.

[Order No. 423-69, 34 FR 20388, Dec. 31, 1969, as amended by Order No. 445-70, 35 FR 19397, Dec. 23, 1970; Order No. 699-77, 42 FR 15315, Mar. 21, 1977; Order No. 960-81, 46 FR 52348, Oct. 27, 1981; Order No. 998-83, 48 FR 8056, Feb. 25, 1983; Order No. 1176-87, 52 FR 11044, Apr. 7, 1987; Order No. 1237-87, 52 FR 44971, Nov. 24, 1987; Order No. 1245-87, 52 FR 48998, Dec. 29, 1987]

### §0.106 Certificates for expenses of unforeseen emergencies.

The Commissioner of Immigration and Naturalization is authorized to exercise the power and authority vested in the Attorney General by section 6 of the act of July 28, 1950, 64 Stat. 380 (8 U.S.C. 1555), to make certificates with respect to expenses of unforeseen emer-

## 28 CFR Ch. I (7-1-17 Edition)

gencies of a confidential character: *Provided*, That each such certificate made by the Commissioner of Immigration and Naturalization shall be approved by the Attorney General.

### §0.107 Representation on committee for visit-exchange.

The Commissioner of Immigration and Naturalization shall be a member of the committee which represents the Department of Justice in the development and implementation of plans for exchanging visits between the Iron Curtain countries and the United States and shall have authority to designate an alternate to serve on such committee.

### §0.108 Redelegation of authority.

The Commissioner of the Immigration and Naturalization Services may redelegate to any employee of the Service or the Department of Justice any of the powers, privileges, or duties conferred or imposed on the Commissioner by §0.105. The Commissioner is authorized to confer or impose upon any employee of the United States, with the consent of the head of the Department or other independent establishment under whose jurisdiction the employee is serving, any of the powers, privileges, or duties conferred or imposed on the Commissioner by §0.105. Existing redelegations by the Commissioner shall continue in force and effect until modified or revoked.

[Order No. 1150-86, 51 FR 31939, Sept. 8, 1986]

### §0.109 Implementation of the Treaty of Friendship and General Relations Between the United States and Spain.

The Commissioner of Immigration and Naturalization and immigration officers (as defined in 8 CFR 103.1(i)) are hereby designated as "competent national authorities" on the part of the United States within the meaning of Article XXIV of the Treaty of Friendship and General Relations Between the United States and Spain (33 Stat. 2105, 2117), and shall fulfill the obligations assumed by the United States pursuant to that Article in the manner and form prescribed.

## Department of Justice

## §0.111

### §0.110 Implementation of the Convention Between the United States and Greece.

The Commissioner of Immigration and Naturalization and immigration officers (as defined in 8 CFR 103.1(i)) are hereby designated as “local authorities” and “competent officers” on the part of the United States within the meaning of Article XIII of the Convention Between the United States and Greece (33 Stat. 2122, 2131), and shall fulfill the obligations assumed by the United States pursuant to that Article in the manner and form prescribed.

### Subpart T—United States Marshals Service

#### §0.111 General functions.

The Director of the United States Marshals Service shall direct and supervise all activities of the U.S. Marshals Service including:

(a) Execution of Federal arrest warrants pursuant to rule 4 of the Federal Rules of Criminal Procedure, Federal parole violator warrants pursuant to section 4206 of title 18 U.S. Code, and Federal custodial and extradition warrants as directed.

(b) The service of all civil and criminal process emanating from the Federal judicial system including the execution of lawful writs and court orders pursuant to section 569(b), title 28, U.S. Code.

(c) Provisions for the health, safety, and welfare of Government witnesses and their families, including the psychological well-being and social adjustment of such persons, pursuant to 18 U.S.C. 3521, *et seq.*, and issuance of necessary regulations for this purpose on behalf of the Attorney General.

(d) Administration and implementation of courtroom security requirements for the Federal judiciary.

(e) Protection of Federal jurists, court officers, and other threatened persons in the interests of justice where criminal intimidation impedes the functioning of the Federal judicial process.

(f) Provision of assistance in the protection of Federal property and buildings.

(g) Direction and supervision of a training school for United States Marshals Service personnel.

(h) Disbursement of appropriated funds to satisfy Government obligations incurred in the administration of justice pursuant to 28 U.S.C. 571.

(i) Maintenance of custody, management control, and disposal of property and money seized or forfeited pursuant to any law enforced or administered by the Department of Justice, when the property is seized by the U.S. Marshals Service or delivered to the U.S. Marshals Service in accordance with regulations; and administer the Department of Justice Asset Forfeiture Fund.

(j) Receipt, processing and transportation of prisoners held in the custody of a marshal or transported by the U.S. Marshals Service under cooperative or intergovernmental agreements.

(k) Sustention of custody of Federal prisoners from the time of their arrest by a marshal or their remand to a marshal by the court, until the prisoner is committed by order of the court to the custody of the Attorney General for the service of sentence, otherwise released from custody by the court, or returned to the custody of the U.S. Parole Commission or the Bureau of Prisons.

(l) Coordination and direction of the relationship of the offices of U.S. Marshals with the other organizational units of the Department of Justice.

(m) Approval of staffing requirements of the offices of U.S. Marshals.

(n) Investigation of alleged improper conduct on the part of U.S. Marshals Service personnel.

(o) Acquisition of adequate and suitable detention space, health care and other services and materials required to support prisoners under the custody of the U.S. Marshal who are not housed in Federal facilities.

(p) Approval of “other necessary expenditures in the line of duty” of U.S. Marshals and Deputy U.S. Marshals under 28 U.S.C. 567(3).

(q) Exercising the power and authority vested in the Attorney General under 28 U.S.C. 510 to conduct and investigate fugitive matters, domestic and foreign, involving escaped federal

## §0.111a

prisoners, probation, parole, mandatory release, and bond default violators.

[Order No. 516-73, 38 FR 12917, May 17, 1973, as amended by Order No. 905-80, 45 FR 52145, Aug. 6, 1980; Order No. 960-81, 46 FR 52348, Oct. 27, 1981; Order No. 1108-85, 50 FR 40197, Oct. 2, 1985; Order No. 1131-86, 51 FR 15612, Apr. 25, 1986; Order No. 1376-89, 54 FR 47353, Nov. 14, 1989]

### §0.111a Temporary prisoner-witness transfers.

The Director of the United States Marshals Service and officers of the United States Marshals Service designated by him are authorized to exercise the power and authority vested in the Attorney General under 18 U.S.C. 3508 to receive custody from foreign authorities of prisoner-witnesses whose temporary transfer to the United States has been requested; to transport such persons in custody from the cooperating foreign country to the place in the United States at which the criminal proceedings in which they are to testify are pending; to maintain such persons in custody while they are in the United States, subject to any agreement entered into by the Assistant Attorney General for the Criminal Division or his or her delegee with the transferring country regarding the terms or conditions of the transfer; and to return such persons, in custody, to the foreign country when and in the manner designated by the Assistant Attorney General for the Criminal Division or his or her delegee. The Director of the United States Marshals Service and officers of the United States Marshals Service designated by him shall also be authorized to transport, surrender, receive and maintain custody of prisoner-witnesses temporarily transferred from or to the United States pursuant to a treaty, executive agreement, or other legal authority, and accept reimbursement from foreign authorities when appropriate.

[Order No. 1913-94, 59 FR 46551, Sept. 9, 1994]

### §0.111B Witness Security Program.

(a) In connection with the protection of a witness, a potential witness, or an immediate family member or close associate of a witness or potential witness, the Director of the United States

## 28 CFR Ch. I (7-1-17 Edition)

Marshals Service and officers of the United States Marshals Service designated by the Director may:

(1) Provide suitable documents to enable the person to establish a new identity or otherwise protect the person;

(2) Provide housing for the person;

(3) Provide for the transportation of household furniture and other personal property to a new residence of the person;

(4) Provide to the person a payment to meet basic living expenses in a sum established in accordance with regulations issued by the Director, for such time as the Attorney General determines to be warranted;

(5) Assist the person in obtaining employment;

(6) Provide other services necessary to assist the person in becoming self-sustaining;

(7) Protect the confidentiality of the identity and location of persons subject to registration requirements as convicted offenders under Federal or State law, including prescribing alternative procedures to those otherwise provided by Federal or State law for registration and tracking of such persons; and

(8) Exempt procurement for services, materials, and supplies, and the renovation and construction of safe sites within existing buildings from other provision of law as may be required to maintain the security of protective witnesses and the integrity of the Witness Security Program.

(b) The identity or location or any other information concerning a person receiving protection under 18 U.S.C. 3521 *et seq.*, or any other matter concerning the person or the Program, shall not be disclosed except at the direction of the Attorney General, the Assistant Attorney General in charge of the Criminal Division, or the Director of the Witness Security Program. However, upon request of State or local law enforcement officials, the Director shall, without undue delay, disclose to such officials the identity, location, criminal records, and fingerprints relating to the person relocated or protected when the Director knows or the request indicates that the person is under investigation for or has been arrested for or charged with an offense that is punishable by more than one

## Department of Justice

## §0.114

year in prison or that is a crime of violence.

[Order No. 2511-2001, 66 FR 47383, Sept. 12, 2001]

### §0.112 Special deputation.

The Director, United States Marshals Service, is authorized to deputize the following persons to perform the functions of a Deputy U.S. Marshal in any district designated by the Director:

(a) Selected officers or employees of the Department of Justice;

(b) Selected federal, state, or local law enforcement officers whenever the law enforcement needs of the U.S. Marshals Service so require;

(c) Selected employees of private security companies in providing courtroom security for the Federal judiciary;

(d) Other persons designated by the Associate Attorney General pursuant to 28 CFR 0.19(a)(3).

All such deputations shall expire on a date certain which shall be stated on the face of the deputation.

[Order No. 1047-84, 49 FR 6485, Feb. 22, 1984, as amended at 61 FR 33657, June 28, 1996]

### §0.113 Redelegation of authority.

The Director, U.S. Marshals Service, is authorized to redelegate to any of his subordinates any of the powers and functions vested in him by this subpart, except that the authority to approve "other necessary expenditures in the line of duty" of U.S. Marshals and Deputy U.S. Marshals may not be delegated below the Assistant Director level.

[Order No. 905-80, 45 FR 52145, Aug. 6, 1980]

### §0.114 Fees for services.

(a) The United States Marshals Service shall routinely collect fees according to the following schedule:

(1) For process forwarded for service from one U.S. Marshals Service Office or suboffice to another—\$8 per item forwarded;

(2) For process served by mail—\$8 per item mailed;

(3) For process served or executed personally—\$65 per hour (or portion thereof) for each item served by one U.S. Marshals Service employee, agent, or contractor, plus travel costs and any

other out-of-pocket expenses. For each additional U.S. Marshals Service employee, agent, or contractor who is needed to serve process—\$65 per person per hour for each item served, plus travel costs and any other out-of-pocket expenses.

(4) For copies at the request of any party—\$.10 per page;

(5) For preparing notice of sale, bill of sale, or U.S. Marshal deed—\$20 per item;

(6) For keeping and advertisement of property attached—actual expenses incurred in seizing, maintaining, and disposing of property.

(b) Out-of-pocket expenses include, but are not limited to, advertising, inventorying, storage, moving, insurance, guard hire, prisoner transportation and housing, and any other third-party expenditure incurred in executing process.

(c) Travel costs, including mileage, shall be calculated according to 5 U.S.C. chapter 57.

(d) "Item" is defined as all documents issued in one action which are served simultaneously on one person or organization.

(e) "Process" is defined to include, but is not limited to, a summons and complaint, subpoena, writ, orders, and the execution of court-ordered injunctions, and civil commitments on behalf of a requesting party. Process may also include the execution of ancillary court orders (other than subpoenas issued on behalf of indigent defendants and arrest warrants) in criminal cases.

(f) The United States Marshals Service shall collect the fees enumerated in paragraph (a) of this section, where applicable, even when process is returned to the court or the party unexecuted, as long as service is endeavored.

(g) Pursuant to 28 U.S.C. 565, the Director of the United States Marshals Service is authorized to use funds appropriated for the Service to make payments for expenses incurred pursuant to personal services contracts and cooperative agreements for the service of summonses on complaints, subpoenas, and notices, and for security guards.

(h) The United States Marshals Service shall collect a commission of 3 percent of the first \$1,000 collected and 1.5 percent on the excess of any sum over

## §0.115

\$1,000, for seizing or levying on property (including seizures in admiralty), disposing of such property by sale, setoff, or otherwise, and receiving and paying over money, except that the amount of commission shall not be less than \$100.00 and shall not exceed \$50,000. The U.S. Marshal's commission shall apply to all judicially ordered sales and/or execution sales, including but not limited to all private mortgage foreclosure sales. If the property is not disposed of by Marshal's sale, the commission shall be set by the court within the range established above.

[56 FR 2437, Jan. 23, 1991, as amended by Order No. 2316-2000, 65 FR 47862, Aug. 4, 2000; AG Order No. 3017-2008, 73 FR 69554, Nov. 19, 2008; 78 FR 59819, Sept. 30, 2013]

### Subpart U—Executive Office for Immigration Review

SOURCE: Order No. 1237-87, 52 FR 44971, Nov. 24, 1987, unless otherwise noted.

#### §0.115 General functions.

(a) The Executive Office for Immigration Review shall be headed by a Director who shall be assisted by a Deputy Director. The Director shall be responsible for the general supervision of the Board of Immigration Appeals, the Office of the Chief Immigration Judge, and the Office of the Chief Administrative Hearing Officer in the execution of their duties.

(b) The Director may redelegate the authority delegated to him by the Attorney General to the Deputy Director, the Chairman of the Board of Immigration Appeals, the Chief Immigration Judge, or the Chief Administrative Hearing Officer.

[Order No. 2180-98, 63 FR 51519, Sept. 28, 1998]

#### §0.116 Board of Immigration Appeals.

The Board of Immigration Appeals shall consist of a Chairman, two Vice Chairmen, and twenty other members. The Chairman shall be responsible for providing supervision and establishing internal operating procedures of the Board in the exercise of its authorities

## 28 CFR Ch. I (7-1-17 Edition)

and responsibilities as delineated in 8 CFR 3.1 through 3.8.

[Order No. 1237-87, 52 FR 44971, Nov. 24, 1987, as amended by Order No. 1992-95, 60 FR 53268, Oct. 13, 1995; Order No. 2062-96, 61 FR 59305, Nov. 22, 1996; Order No. 2180-98, 63 FR 51519, Sept. 28, 1998; Order No. 2297-2000, 65 FR 20069, Apr. 14, 2000; Order No. 2511-2001, 66 FR 47380, Sept. 12, 2001]

#### §0.117 Office of Chief Immigration Judge.

The Chief Immigration Judge shall provide general supervision to the Immigration Judges in performance of their duties in accordance with the Immigration and Nationality Act, 8 U.S.C. 1226 and 1252 and 8 CFR 3.9.

#### §0.118 Office of Chief Administrative Hearing Officer.

The Chief Administrative Hearing Officer shall provide general supervision to the Administrative Law Judges in performance of their duties in accordance with 8 U.S.C. 1324 A and B.

### Subpart U-1—Office of Community Oriented Policing Services

SOURCE: Order No. 1948-95, 60 FR 8933, Feb. 16, 1995, unless otherwise noted.

#### §0.119 Organization.

The Office of Community Oriented Policing Services shall be headed by a Director appointed by the Attorney General. The Director shall report to the Attorney General through the Associate Attorney General.

#### §0.120 General functions.

The Director, Office of Community Oriented Policing Services shall:

(a) Exercise the powers and perform the functions vested in the Attorney General by title I and subtitle H of title III of the Violent Crime Control and Law Enforcement Act of 1994 (Pub. L. 103-322); and

(b) Perform such other duties and functions relating to policing and law enforcement as may be specially assigned by the Attorney General or the Associate Attorney General.



## Department of Justice

## § 0.123

### § 0.121 Applicability of existing departmental regulations.

Unless superseded by regulations promulgated by the Office of Community Oriented Policing Services, Departmental regulations set forth in part 18 of this title, applicable to grant programs administered through the Office of Justice Programs, shall apply with equal force and effect to grant programs administered by the Office of Community Oriented Policing Services, with references to the Office of Justice Programs and its components in such regulations deemed to refer to the Office of Community Oriented Policing Services, as appropriate.

### Subpart U-2—Office on Violence Against Women

SOURCE: Order No. 2811-2006, 71 FR 19827, Apr. 18, 2006, unless otherwise noted.

#### § 0.122 Office on Violence Against Women.

(a) The Director, Office on Violence Against Women, under the general authority of the Attorney General, shall:

(1) Exercise the powers and perform the duties and functions described in section 402(3) of title IV of the 21st Century Department of Justice Appropriations Authorization Act (Pub. L. 107-273); and

(2) Perform such other duties and functions relating to such duties as may be authorized by law or assigned or delegated by the Attorney General, consistent with constitutional limits on the Federal Government's authority to act in this area.

(b) Departmental regulations set forth in 28 CFR part 61, Appendix D, applicable to the Office of Justice Programs, shall apply with equal force and effect to the Office on Violence Against Women, with references to the Office of Justice Assistance, Research and Statistics, and its components, in such regulations deemed to refer to the Office on Violence Against Women, as appropriate.

(c) Departmental regulations set forth in part 18 of this title, shall apply with equal force and effect to grant programs administered by the Office on Violence Against Women, with ref-

erences to the Office of Justice Programs and its components in such regulations deemed to refer to the Office on Violence Against Women, as appropriate.

[Order No. 2811-2006, 71 FR 19827, Apr. 18, 2006, as amended at 80 FR 1006, Jan. 8, 2015]

### Subpart U-3—Office of the Federal Detention Trustee

SOURCE: Order No. 2825-2006, 71 FR 36193, June 26, 2006, unless otherwise noted.

#### § 0.123 Federal Detention Trustee.

(a) The Office of the Federal Detention Trustee shall be headed by a Detention Trustee appointed by the Attorney General. The Detention Trustee shall exercise all powers and functions authorized by law related to the detention of Federal prisoners in non-Federal institutions or otherwise in the custody of the United States Marshals Service in accordance with 28 U.S.C. 530C(b)(7).

(b) The Detention Trustee shall:

(1) Manage funds appropriated to the Department in the exercise of such detention functions.

(2) Oversee the construction of detention facilities or housing related to such detention.

(3) Set policy regarding such detention, and perform such functions as may be necessary for the effective policy-level coordination of detention operations.

(4) Oversee contracts for detention services, including, when the Detention Trustee deems appropriate, negotiating purchases and entering into contracts and intergovernmental agreements for detention services, and making required determinations and findings for the acquisition of services.

(5) Manage the Justice Prisoner and Alien Transportation System.

(c) This regulation sets forth the general functions of the Detention Trustee solely for the purpose of internal Department of Justice guidance. It is not intended to, does not, and may not be relied upon to create any rights, substantive or procedural, that are enforceable at law by any party in any matter, civil or criminal.

### Subpart V—United States Parole Commission

CROSS REFERENCE: For regulations pertaining to the United States Parole Commission, see parts 2 and 4 of this chapter.

SOURCE: Order No. 663-76, 41 FR 35184, Aug. 20, 1976, unless otherwise noted.

#### §0.124 United States Parole Commission.

The U.S. Parole Commission is composed of nine Commissioners of whom one is designated Chairman. The Commission:

(a) Has authority, under 18 U.S.C. 4201 *et seq.*, to grant, modify, or revoke paroles of eligible U.S. prisoners serving sentences of more than 1 year, and is responsible for the supervision of parolees and prisoners mandatorily released prior to the expiration of their sentences, and for the determination of supervisory conditions and terms;

(b) Has responsibility in cases in which the committing court specifies that the Parole Commission shall determine the date of parole eligibility of the prisoner;

(c) Has responsibility for determining, in accordance with the Labor-Management Reporting and Disclosure Act of 1959 (29 U.S.C. 504), whether the service as officials in the field of organized labor or in labor oriented management positions of persons convicted of certain crimes is contrary to the purposes of that act; and

(d) Has responsibility under the Employee Retirement Income Security Act of 1974 (29 U.S.C. 1111), for determining whether persons convicted of certain crimes may provide services to, or be employed by, employment benefit plans.

[Order No. 960-81, 46 FR 52349, Oct. 27, 1981]

#### §0.125 Chairman of U.S. Parole Commission.

The Chairman of the United States Parole Commission shall make any temporary assignment of a Commissioner to act as Vice Chairman, National Appeals Board member, or Regional Commissioner in the case of an absence or vacancy in the position, without the concurrence of the Attorney General.

#### §0.126 Administrative support.

The Department of Justice shall furnish administrative support to the Commission.

#### §0.127 Indigent prisoners.

The U.S. Parole Commission is authorized to exercise the authority vested in the Attorney General by section 3569 of title 18, U.S. Code, to make a finding that a parolee is unable to pay a fine in whole or in part and to direct release of such parolee based on such finding.

### Subpart V-1—Foreign Claims Settlement Commission

SOURCE: Order No. 960-81, 46 FR 52349, Oct. 27, 1981, unless otherwise noted.

#### §0.128 Organization.

The Foreign Claims Settlement Commission of the United States is a separate agency within the Department of Justice. It is composed of a full-time Chairman, and two part-time Commissioners. All functions, powers, and duties of the Commission not directly related to adjudicating claims are vested in the Chairman of the Commission, including the functions set forth in section 3 of Reorganization Plan No. 1 of 1954 and the authority to issue rules and regulations. The Attorney General provides necessary administrative support and services to the Commission.

#### §0.128a General functions.

The Foreign Claims Settlement Commission has been authorized to determine claims of United States nationals for loss of property in specific foreign countries as a result of nationalization or other taking by the government of those countries by the International Claims Settlement Act of 1949, as amended, (22 U.S.C. 1621-1645o); and to determine claims of U.S. nationals and organizations in territories of the United States for damage and loss of property as a result of military operations during World War II and claims of U.S. military personnel and civilian American citizens for having been held in a captured status in specified areas during World War II, the Korean conflict and the Vietnam conflict by the

## Department of Justice

## § 0.130

War Claims Act of 1948, as amended (50 U.S.C. app. 2001–2017p).

### § 0.128b Regulations.

All rules of practice and regulations applicable to the management of the affairs of and the adjudication of claims by the Foreign Claims Settlement Commission of the United States are published in 45 CFR chapter V.

### Subpart V–2—Professional Responsibility Advisory Office

SOURCE: Order No. 2791–2005, 70 FR 76164, Dec. 23, 2005, unless otherwise noted.

#### § 0.129 Professional Responsibility Advisory Office.

(a) The Professional Responsibility Advisory Office is headed by a Director appointed by the Deputy Attorney General. The Director shall be responsible to, and report directly to, the Deputy Attorney General and shall be a member of the Senior Executive Service.

(b) The Professional Responsibility Advisory Office shall:

(1) Advise Department of Justice attorneys on specific questions involving professional responsibility, including compliance with 28 U.S.C. 530b (“Section 530B”), which requires certain federal attorneys to comply with state rules of ethics.

(2) Assist or support training and informational programs for Department attorneys and client agencies concerning Section 530B and other professional responsibility requirements, including disseminating relevant and timely information.

(3) Assemble, centralize and maintain ethics reference materials, including the codes of ethics of the District of Columbia and every state and territory, and any relevant interpretations thereof.

(4) Coordinate with the relevant litigating components of the Department to defend attorneys in any disciplinary or other proceeding where it is alleged that they failed to meet their ethical obligations, provided that the attorney made a good-faith effort to ascertain the ethics requirements and made a good-faith effort to comply with those requirements.

(5) Serve as a liaison with the state and federal bar associations in matters relating to the implementation and interpretation of Section 530B, and amendments and revisions to the various state ethics codes.

(6) Perform such other duties and assignments as deemed necessary from time to time by the Attorney General or the Deputy Attorney General.

(c) Nothing in this subpart shall be construed as affecting the functions or overriding the authority of the Office of Legal Counsel as established by 28 CFR 0.25.

### Subpart W—Bureau of Alcohol, Tobacco, Firearms, and Explosives

SOURCE: Order No. 2650–2003, 68 FR 4926, Jan. 31, 2003, unless otherwise noted.

#### § 0.130 General functions.

Subject to the direction of the Attorney General and the Deputy Attorney General, the Director of the Bureau of Alcohol, Tobacco, Firearms, and Explosives shall:

(a) Investigate, administer, and enforce the laws related to alcohol, tobacco, firearms, explosives, and arson, and perform other duties as assigned by the Attorney General, including exercising the functions and powers of the Attorney General under the following provisions of law:

(1) 18 U.S.C. chapters 40 (related to explosives), 44 (related to firearms), 59 (related to liquor trafficking), and 114 (related to trafficking in contraband cigarettes);

(2) Chapter 53 of the Internal Revenue Code of 1986, 26 U.S.C. chapter 53 (related to certain firearms and destructive devices);

(3) Chapters 61 through 80, inclusive, of the Internal Revenue Code of 1986, 26 U.S.C. chapters 61–80, insofar as they relate to activities administered and enforced with respect to chapter 53 of the Internal Revenue Code of 1986, 26 U.S.C. chapter 53;

(4) 18 U.S.C. 1952 and 3667, insofar as they relate to liquor trafficking;

(5) 49 U.S.C. 80303 and 80304, insofar as they relate to contraband described in section 80302(a)(2) or 80302(a)(5); and

(6) 18 U.S.C. 1956 and 1957, insofar as they involve violations of:

## §0.131

(i) 18 U.S.C. 844(f) or (i) (relating to explosives or arson),

(ii) 18 U.S.C. 922(1) (relating to the illegal importation of firearms),

(iii) 18 U.S.C. 924(n) (relating to illegal firearms trafficking),

(iv) 18 U.S.C. 1952 (relating to traveling in interstate commerce in aid of racketeering enterprises insofar as they concern liquor on which Federal excise tax has not been paid);

(v) 18 U.S.C. 2341-2346 (trafficking in contraband cigarettes);

(vi) Section 38 of the Arms Export Control Act, as added by Public Law 94-329, section 212(a)(1), as amended, 22 U.S.C. 2778 (relating to the importation of items on the U.S. Munitions Import List), except violations relating to exportation, in transit, temporary import, or temporary export transactions;

(vii) 18 U.S.C. 1961 insofar as the offense is an act or threat involving arson that is chargeable under State law and punishable by imprisonment for more than one year; and

(viii) Any offense relating to the primary jurisdiction of Bureau of Alcohol, Tobacco, Firearms, and Explosives that the United States would be obligated by a multilateral treaty either to extradite the alleged offender or to submit the case for prosecution if the offender were found within the territory of the United States;

(b)(1) Investigate, seize, and forfeit property involved in a violation or attempted violation within the investigative jurisdiction set out in paragraph (a), under 18 U.S.C. 981 and 982;

(2) Seize, forfeit, and remit or mitigate the forfeiture of property in accordance with 21 U.S.C. 881 and applicable Department of Justice regulations.

(c) Subject to the limitations of 3 U.S.C. 301, exercise the authorities of the Attorney General under section 38 of the Arms Export Control Act, 22 U.S.C. 2778, relating to the importation of defense articles and defense services, including those authorities set forth in 27 CFR part 47; and

(d) Perform any other function related to the investigation of violent crime or domestic terrorism as may be delegated to the Bureau of Alcohol, To-

## 28 CFR Ch. I (7-1-17 Edition)

bacco, Firearms, and Explosives by the Attorney General.

[Order No. 2650-2003, 68 FR 4926, Jan. 31, 2003, as amended at 77 FR 51699, Aug. 27, 2012; AG Order No. 3421-2014, 79 FR 12062, Mar. 4, 2014; AG Order No. 3495-2015, 80 FR 9989, Feb. 25, 2015]

### §0.131 Specific functions.

The Director of the Bureau of Alcohol, Tobacco, Firearms, and Explosives shall:

(a) Operate laboratories in support of Bureau activities; provide, with or without cost, technical and scientific assistance, including expert testimony, to Federal, State, or local agencies; and make available the services of the laboratories to foreign law enforcement agencies and courts under procedures agreed upon by the Secretary of State and the Attorney General;

(b) Operate the National Explosives Licensing Center to review applications for explosives licenses and permits; determine the eligibility of applicants; issue licenses and permits on approved explosives applications; coordinate with field offices the inspection of applicants, licensees, and permittees; and maintain an explosives license and permit database;

(c) Operate the National Firearms Licensing Center to review applications for firearms licenses; determine the eligibility of applicants; issue licenses on approved firearms applications; coordinate with field offices the inspection of applicants and licensees; and maintain a firearms license database;

(d) Maintain and operate the National Firearms Registration and Transfer Record (NFRTR), pursuant to section 5841 of the Internal Revenue Code of 1986, 26 U.S.C. 5841, as a registry of all National Firearms Act (NFA) firearms in the United States that are not in the possession or under the control of the United States;

(e) Maintain and operate the Arson and Explosives National Repository, a national repository of information on incidents involving arson and the suspected criminal misuse of explosives, under 18 U.S.C. 846(b);

(f) Maintain and operate the National Tracing Center to process requests from Federal, State, local, and foreign

## Department of Justice

## §0.133

law enforcement agencies for the tracing of crime guns; and collect and analyze trace data, out-of-business records, reports of firearms stolen or lost from the inventories of licensees or interstate shipments, and multiple sales reports contained in the Firearms Tracing System (FTS), under 18 U.S.C. chapter 44;

(g) Establish, maintain and operate an Explosives Training and Research Facility to train Federal, State, and local law enforcement officers to investigate bombings and explosions, properly handle, utilize, and dispose of explosives materials and devices, train canines as explosives detection canines, and conduct research on explosives, as authorized by section 1114 of the Homeland Security Act of 2002;

(h) Pay awards for information or assistance and pay for the purchase of evidence or information as authorized by 28 U.S.C. 524;

(i) Subject to applicable statutory restrictions on the disclosure of records of information:

(1) Release information obtained by the Bureau and Bureau investigative reports to Federal, State, and local officials engaged in the enforcement of laws related to alcohol, tobacco, arson, firearms, and explosives offenses;

(2) Release information obtained by Bureau and Bureau investigative reports to Federal, State, and local prosecutors, and State licensing boards, engaged in the institution and prosecution of cases before courts and licensing boards related to alcohol, tobacco, arson, firearms and explosives offenses;

(3) Authorize the testimony of Bureau officials in response to subpoenas or demands issued by the prosecution in Federal, State, or local criminal cases involving offenses under the jurisdiction of the Bureau; and

(4) Except as provided in paragraph (i)(1) of this section, authorize all other production of information or testimony of Bureau officials in response to subpoenas or demands of courts or other authorities as governed by subpart B of part 16 of this chapter.

### **§0.132 Delegation respecting claims against the Bureau of Alcohol, Tobacco, Firearms, and Explosives.**

(a) The Director of the Bureau of Alcohol, Tobacco, Firearms, and Explosives is authorized to exercise the power and authority vested in the Attorney General under 31 U.S.C. 3724, with regard to claims arising out of the lawful activities of Bureau of Alcohol, Tobacco, Firearms, and Explosives personnel, in an amount not to exceed \$50,000 in any one case.

(b) The Director of the Bureau of Alcohol, Tobacco, Firearms, and Explosives is authorized to redelegate the power and authority vested in him by paragraph (a) of this section and by 28 CFR 0.172 to the Chief Counsel of the Bureau of Alcohol, Tobacco, Firearms, and Explosives and the Chief Counsel's designee within the Office of Chief Counsel. This authority shall not be further redelegated below the Associate Chief Counsel level.

[Order No. 2650-2003, 68 FR 4926, Jan. 31, 2003, as amended by AG Order No. 3330-2012, 77 FR 26183, May 3, 2012]

### **§0.133 Transition and continuity of regulations.**

(a) Except as otherwise provided in this section, and to the extent applicable to the functions transferred to the Department of Justice by the Homeland Security Act of 2002:

(1) The regulations contained in 27 CFR part 46, subpart F (Distribution of Cigarettes), part 47 (Importation of Arms, Ammunition and Implements of War), part 55 (Commerce in Explosives), part 178 (Commerce in Firearms and Ammunition), and part 179 (Machine Guns, Destructive Devices, and Certain Other Firearms) as in effect on January 23, 2003 (see 27 CFR chapter I, revised as of July 1, 2002), shall continue in effect with respect to the operations of the Bureau of Alcohol, Tobacco, Firearms, and Explosives according to their terms until amended, modified, superseded, terminated, set aside, or revoked in accordance with law.

(2) The regulations promulgated by the Department of the Treasury relating to the Bureau of Alcohol, Tobacco

## § 0.134

and Firearms, or by the Bureau of Alcohol, Tobacco and Firearms of the Department of the Treasury, in effect as of January 23, 2003, shall continue to apply to the operations of the Bureau of Alcohol, Tobacco, Firearms, and Explosives until amended, modified, superseded, terminated, set aside, or revoked in accordance with law, unless the application of such regulations would be inconsistent with statutes or regulations applicable to the Department of Justice.

(3) All orders, delegations, determinations, rules, personnel actions, permits, agreements, grants, contracts, certificates, licenses, registrations, and privileges of the Bureau of Alcohol, Tobacco and Firearms completed or in effect as of January 23, 2003, and all matters and proceedings pending therein on January 23, 2003, shall continue in effect according to their terms, to the extent that they relate to the authorities or functions transferred to the Department of Justice pursuant to the Homeland Security Act of 2002, until amended, modified, superseded, terminated, set aside, or revoked in accordance with law, unless such application would be inconsistent with statutes or regulations applicable to the Department of Justice.

(4) References in such regulations, orders, delegations, determinations, rules, personnel actions, permits, agreements, grants, contracts, certificates, licenses, registrations, and privileges to the Secretary of Treasury, the Department of Treasury, the Director of the Bureau of Alcohol, Tobacco and Firearms, or the Bureau of Alcohol, Tobacco and Firearms or its officers, employees, agents or organizational units or functions shall be deemed to refer, as appropriate, on and after January 24, 2003, to the Attorney General, the Department of Justice, the Director of the Bureau of Alcohol, Tobacco, Firearms, and Explosives, the Bureau of Alcohol, Tobacco, Firearms, and Explosives or to its officers, employees, or agents or its corresponding organizational units or functions, respectively.

(b) *Exceptions.* Notwithstanding the provisions of paragraph (a) of this section, 27 CFR part 72, and 27 CFR 46.155, 178.152 and 179.182 as in effect on Janu-

## 28 CFR Ch. I (7–1–17 Edition)

ary 23, 2003, shall not be deemed applicable to the Bureau of Alcohol, Tobacco, Firearms, and Explosives.

### Subpart W–1—Office of Tribal Justice

SOURCE: Order No. 3229–2010, 75 FR 70123, Nov. 17, 2010, unless otherwise noted.

#### § 0.134 Office of Tribal Justice.

(a) *Organization.* The Office of Tribal Justice is headed by a Director appointed by the Attorney General. The Director shall be responsible to, and report directly to, the Deputy Attorney General and the Associate Attorney General and shall be a member of the Senior Executive Service.

(b) *Mission.* The mission of the Office of Tribal Justice shall be to provide a principal point of contact within the Department of Justice to listen to the concerns of Indian Tribes and other parties interested in Indian affairs and to communicate the Department's policies to the Tribes and the public; to promote internal uniformity of Department of Justice policies and litigation positions relating to Indian country; and to coordinate with other Federal agencies and with State and local governments on their initiatives in Indian country.

(c) *Function.* Subject to the general supervision and direction of the Deputy Attorney General and the Associate Attorney General, the Office of Tribal Justice shall:

(1) Serve as the program and legal policy advisor to the Attorney General with respect to the treaty and trust relationship between the United States and Indian Tribes;

(2) Serve as the Department's initial and ongoing point of contact, and as the Department's principal liaison, for Federally recognized Tribal governments and Tribal organizations;

(3) Coordinate the Department's activities, policies, and positions relating to Indian Tribes, including the treaty and trust relationship between the United States and Indian Tribes;

(4) Ensure that the Department and its components work with Indian Tribes on a government-to-government basis;

(5) Collaborate with Federal and other government agencies to promote consistent, informed government-wide policies, operations, and initiatives related to Indian Tribes;

(6) Serve as a clearinghouse for coordination among the various components of the Department on Federal Indian law issues, and with other Federal agencies on the development of policy or Federal litigation positions involving Indians and Indian Tribes;

(7) Coordinate with each component of the Department to ensure that each component of the Department has an accountable process to ensure meaningful and timely consultation with Tribal leaders in the development of regulatory policies and other actions that affect the trust responsibility of the United States to Indian Tribes, any Tribal treaty provision, the status of Indian Tribes as sovereign governments, or any other Tribal interest.

(8) Ensure that the consultation process of each component of the Department is consistent with Executive Order 13175 and with the Department's consultation policy;

(9) Serve, through its Director, as the official responsible for implementing the Department's Tribal consultation policy and for certifying compliance with Executive Order 13175 to the Office of Management and Budget; and

(10) Perform such other duties and assignments as deemed necessary from time to time by the Attorney General, the Deputy Attorney General, or the Associate Attorney General.

**Subpart W-2—Additional Assignments of Functions and Designation of Officials To Perform the Duties of Certain Offices in Case of Vacancy, or Absence Therein or in Case of Inability or Disqualification to Act**

**§0.135 Functions common to heads of organizational units.**

Subject to the general supervision and direction of the Attorney General, the head of each organizational unit within the Department shall:

(a) Direct and supervise the personnel, administration, and operation

of the office, division, bureau, or board of which he is in charge.

(b) Under regulations prescribed by the Attorney General with the approval of the Director of the Office of Management and Budget, have authority to reallocate funds allotted by the Assistant Attorney General for Administration and to redelegate to persons within his organizational unit authority and responsibility for the reallocation of such funds and control of obligations and expenditures within reallocations.

(c) Perform such special assignments as may from time to time be made to him by the Attorney General.

(d) Except as otherwise provided in this chapter, receive submittals and requests relative to the functions of his organizational unit.

[Order No. 423-69, 34 FR 20388, Dec. 31, 1969, as amended by Order No. 445-70, 35 FR 19397, Dec. 23, 1970; Order No. 960-81, 46 FR 52349, Oct. 27, 1981. Redesignated by Order No. 2650-2003, 68 FR 4926, Jan. 31, 2003. Further redesignated by Order No. 3229-2010, 75 FR 70123, Nov. 17, 2010]

**§0.136 [Reserved]**

**§0.137 Designating officials to perform the functions and duties of certain offices in case of absence, disability or vacancy.**

(a) In case of vacancy in the office of Attorney General, or of his absence or disability, the Deputy Attorney General shall, pursuant to 28 U.S.C. 508(a) perform the functions and duties of and act as Attorney General. When by reason of absence, disability, or vacancy in office, neither the Attorney General nor the Deputy Attorney General is available to exercise the duties of the office of Attorney General, the Associate Attorney General shall, pursuant to 28 U.S.C. 508(b), perform the functions and duties of and act as Attorney General. In the event of vacancy, absence, or disability in each of these offices, the Solicitor General shall perform the functions and duties of and act as Attorney General.

(b) Every office within the Department to which appointment is required to be made by the President with the advice and consent of the Senate

**§0.138**

28 CFR Ch. I (7-1-17 Edition)

(“PAS office”) shall have a First Assistant within the meaning of the Federal Vacancies Reform Act of 1998. Where there is a position of Principal Deputy to the PAS office, the Principal Deputy shall be the First Assistant. Where there is no position of Principal Deputy to the PAS office, the First Assistant shall be the person whom the Attorney General designates in writing.

(c) In the event of a vacancy in the office of the head of an organizational unit that is not covered by paragraphs (a) or (b) of this section, the ranking deputy (or an equivalent official) in such unit who is available shall perform the functions and duties of and act as such head, unless the Attorney General directs otherwise. Except as otherwise provided by law, if there is no ranking deputy available, the Attorney General shall designate another official of the Department to perform the functions and duties of and act as such head.

(d) The head of an organizational unit of the Department not covered by paragraphs (a) or (b) of this section is authorized, in the case of absence from office or disability, to designate the ranking deputy (or an equivalent official) in the unit who is available to act as head. If there is no deputy available to act, any other official in such unit may be designated. Alternatively, in his discretion, the Attorney General may designate any official in the Department to act as head when a head who is not covered by paragraphs (a) or (b) of this section is absent or disabled.

[Order No. 755-77, 42 FR 59334, Nov. 17, 1977, as amended by Order No. 1043-84, 49 FR 4469, Feb. 7, 1984; Order No. 1097-85, 50 FR 25708, June 21, 1985; Order No. 1858-94, 59 FR 13883, Mar. 24, 1994; Order No. 2205-99, 64 FR 6526, Feb. 10, 1999. Redesignated by Order No. 2650-2003, 68 FR 4926, Jan. 31, 2003. Further redesignated by Order No. 3229-2010, 75 FR 70123, Nov. 17, 2010]

**Subpart X—Authorizations With Respect to Personnel and Certain Administrative Matters**

**§0.138 Federal Bureau of Investigation, Drug Enforcement Administration, Bureau of Alcohol, Tobacco, Firearms, and Explosives, Bureau of Prisons, Federal Prison Industries, Immigration and Naturalization Service, United States Marshals Service, Office of Justice Programs, Executive Office for Immigration Review, Executive Office for United States Attorneys, Executive Office for United States Trustees.**

(a) The Director of the Federal Bureau of Investigation, the Administrator of the Drug Enforcement Administration, the Director of the Bureau of Alcohol, Tobacco, Firearms, and Explosives, the Director of the Bureau of Prisons, the Commissioner of Federal Prison Industries, the Commissioner of Immigration and Naturalization Service, the Director of the United States Marshals Service, the Assistant Attorney General for the Office of Justice Programs, the Director of the Executive Office for Immigration Review, the Director of the Executive Office for United States Attorneys, and the Director of the Executive Office for United States Trustees are, as to their respective jurisdictions, authorized to exercise the power and authority vested in the Attorney General by law to take final action in matters pertaining to the employment, direction, and general administration (including appointment, assignment, training, promotion, demotion, compensation, leave, awards, classification, and separation) of personnel in General Schedule grades GS-1 through GS-15 and in wage board positions, but excluding therefrom all attorney and U.S. Marshal positions. Such officials are, as to their respective jurisdictions, authorized to exercise the power and authority vested in the Attorney General by law to employ on a temporary basis experts or consultants or organizations thereof, including stenographic reporting services (5 U.S.C. 3109(b)).

(b) All personnel actions taken under this section shall be subject to post-



## Department of Justice

## §0.142

audit and correction by the Assistant Attorney General for Administration.

[Order No. 2250-99, 64 FR 46846, Aug. 27, 1999, as amended by Order No. 2650-2003, 68 FR 4927, Jan. 31, 2003]

### § 0.139 [Reserved]

### § 0.140 Authority relating to advertisements, and purchase of certain supplies and services.

The Director of the Federal Bureau of Investigation, the Director of the Bureau of Prisons, the Commissioner of Federal Prison Industries, the Commissioner of Immigration and Naturalization, the Administrator of the Drug Enforcement Administration, the Director of the Bureau of Alcohol, Tobacco, Firearms, and Explosives, the Director of the Office of Justice Research and Statistics and the Director of the United States Marshals Service as to their respective jurisdictions, and the Assistant Attorney General for Administration, as to all other organizational units of the Department (including U.S. Attorneys), are authorized to exercise the power and authority vested in the Attorney General by law to take final action in the following-described matters:

(a) Authorizing the publication of advertisements, notices, or proposals under (44 U.S.C. 3702).

(b) Making determinations as to the acquisition of articles, materials, or supplies in accordance with sections 2 and 3 of the Buy American Act (47 Stat. 1520; 41 U.S.C. 10a., 10b).

(c) Placing orders with other agencies of the Government for materials or services, and accepting orders therefor, in accordance with section 686 of title 31 of the U.S. Code.

[Order No. 423-69, 34 FR 20388, Dec. 31, 1969, as amended by Order No. 516-73, 38 FR 12918, May 17, 1973; Order No. 520-73, 38 FR 18380, July 10, 1973; Order No. 960-81, 46 FR 52350, Oct. 27, 1981; Order No. 2650-2003, 68 FR 4927, Jan. 31, 2003]

### § 0.141 Audit and ledger accounts.

The Director of the Federal Bureau of Investigation, the Director of the Bureau of Prisons, the Commissioner of Immigration and Naturalization, the Administrator of the Drug Enforcement Administration, the Director of

the Bureau of Alcohol, Tobacco, Firearms, and Explosives, and the Director of the Office of Justice Assistance, Research and Statistics are, as to their respective jurisdictions, authorized to audit vouchers and to maintain general ledger accounts with respect to appropriations allotted to them.

[Order No. 423-69, 34 FR 20388, Dec. 31, 1969, as amended by Order No. 520-73, 38 FR 18380, July 10, 1973; Order No. 960-81, 46 FR 52350, Oct. 27, 1981; Order No. 2650-2003, 68 FR 4927, Jan. 31, 2003]

### § 0.142 Per diem and travel allowances.

The Director of the Federal Bureau of Investigation, Director of the Bureau of Prisons, Commissioner of Federal Prison Industries, Inc., Commissioner of Immigration and Naturalization Service, Administrator of the Drug Enforcement Administration, Director of the Bureau of Alcohol, Tobacco, Firearms, and Explosives, Director of the United States Marshals Service, and Assistant Attorney General, Office of Justice Programs, as to their respective jurisdictions, and the Assistant Attorney General for Administration as to all other organizational units of the Department (including U.S. Attorneys), except as provided in paragraphs (f) and (g) of this section, are authorized to exercise the authority of the Attorney General to take final action in the following matters:

(a) Authorizing travel, subsistence, and mileage allowances under sections 5702-5707 of title 5 of the U.S. Code in accordance with regulations prescribed by the Administrator of General Services and the Assistant Attorney General for Administration.

(b) Fixing rates in accordance with sections 5702-5704 and 5707 of title 5, U.S. Code, and regulations prescribed by the Administrator of General Services and the Assistant Attorney General for Administration.

(c) Authorizing travel advances pursuant to 5 U.S.C. 5705 in accordance with the regulations prescribed by the Administrator of General Services and the Assistant Attorney General for Administration.

(d) Authorizing travel and transportation expenses, and, when applicable,

## §0.143

relocation expenses for transferred employees, new appointees and student trainees, in accordance with 5 U.S.C. 5721-5733 and regulations prescribed by the Administrator of General Services and the Assistant Attorney General for Administration.

(e) Authorizing or approving, for purposes of security, the use of compartments or other transportation accommodations superior to lowest first-class accommodations under applicable travel regulations subject to 5 U.S.C. 5731.

(f) The heads of Offices, Boards and Divisions, in addition to the Bureaus, have the authority to approve the use of cash in excess of \$100 in lieu of Government Transportation Requests in emergency circumstances, in accordance with regulations prescribed by the Administrator of the General Services Administration.

(g) The Director of the Federal Bureau of Investigation, the Director of the Bureau of Alcohol, Tobacco, Firearms, and Explosives, and the Administrator of the Drug Enforcement Administration are authorized to approve travel expenses of newly appointed special agents and the transportation expenses of their families and household goods and personal effects from place of residence at time of selection to the first duty station, in accordance with 28 U.S.C. 530 and regulations prescribed by the Assistant Attorney General for Administration.

[Order No. 423-69, 34 FR 20388, Dec. 31, 1969]

EDITORIAL NOTE: For FEDERAL REGISTER citations affecting §0.142, see the List of CFR Sections Affected, which appears in the Finding Aids section of the printed volume and at [www.fdsys.gov](http://www.fdsys.gov).

### §0.143 Incentive Award Program.

The Director of the Federal Bureau of Investigation, the Director of the Bureau of Prisons, the Commissioner of Federal Prison Industries, the Administrator of the Drug Enforcement Administration, the Director of the Bureau of Alcohol, Tobacco, Firearms, and Explosives, the Assistant Attorney General for the Office of Justice Programs, the Director of the Executive Office for U.S. Attorneys, the Director of the Executive Office for U.S. Trustees, the Director of the Executive Office for Immigration Review, and the

## 28 CFR Ch. I (7-1-17 Edition)

Director of the U.S. Marshals Service, as to their respective jurisdictions, and the Assistant Attorney General for Administration, as to all other organizational units of the Department, are authorized to exercise the power and authority vested in the Attorney General by law with respect to the administration of the Incentive Award Program and to approve honorary awards and cash awards under such program not in excess of \$7,500 for personnel in General Schedule grades GS-1 through GS-15, administratively determined pay systems, and wage board positions, but excluding all Schedule C positions.

[Order No. 2949-2008, 73 FR 8816, Feb. 15, 2008]

### §0.144 Determination of basic workweek.

The Director of the Federal Bureau of Investigation, Director of the Bureau of Prisons, Commissioner of Federal Prison Industries, Inc., Commissioner of the Immigration and Naturalization Service, Administrator of the Drug Enforcement Administration, Director of the Bureau of Alcohol, Tobacco, Firearms, and Explosives, Director of the Office of Justice Assistance, Research and Statistics, Director of the Executive Office for United States Attorneys and Director of the United States Marshals Service, as to their respective jurisdictions, and the Assistant Attorney General for Administration, as to all other organizational units of the Department, are authorized to exercise the authority vested in the Attorney General by 5 U.S.C. 6101(a), to determine that the organizational unit concerned would be seriously handicapped in carrying out its functions or that costs would be substantially increased except upon modification of the basic workweek, and when such determination is made to fix the basic workweek of officers and employees of the unit concerned.

[Order No. 960-81, 46 FR 52350, Oct. 27, 1981, as amended by Order No. 2650-2003, 68 FR 4928, Jan. 31, 2003]

### §0.145 Overtime pay.

The Director of the Federal Bureau of Investigation, the Director of the Bureau of Prisons, the Commissioner of

## Department of Justice

## §0.148

Federal Prison Industries, the Commissioner of Immigration and Naturalization, the Administrator of the Drug Enforcement Administration, the Director of the Bureau of Alcohol, Tobacco, Firearms, and Explosives, the Director of the Office of Justice Assistance, Research and Statistics and the Director of the U.S. Marshals Service as to their respective jurisdictions, and the Assistant Attorney General for Administration, as to all other organizational units of the Department (including U.S. Attorneys), may, subject to any regulations which the Attorney General may prescribe, authorize overtime pay (including additional compensation in lieu of overtime of not less than 10 percent nor more than 25 percent pursuant to section 5545(c)(2) of title 5, U.S. Code) for such positions as may be designated by them.

[Order No. 423-69, 34 FR 20388, Dec. 31, 1969, as amended by Order No. 516-73, 38 FR 12918, May 17, 1973; Order No. 520-73, 38 FR 18380, July 10, 1973; Order No. 960-81, 46 FR 52350, Oct. 27, 1981; Order No. 2650-2003, 68 FR 4928, Jan. 31, 2003]

### §0.146 Seals.

The Director of the Federal Bureau of Investigation, the Director of the Bureau of Prisons, the Commissioner of Federal Prison Industries, the Commissioner of Immigration and Naturalization, the Chairman of the Board of Parole, the Administrator of the Drug Enforcement Administration, the Director of the Bureau of Alcohol, Tobacco, Firearms, and Explosives, the Director of the Office of Justice Assistance, Research and Statistics, and the Director of the U.S. Marshals Service shall each have custody of the seal pertaining to his respective jurisdiction and he, or such person or persons as he may designate, may execute under seal any certification required to authenticate any books, records, papers, or other documents as true copies of official records of their respective jurisdictions. The Assistant Attorney General for Administration shall have custody of the seal of the Department of Justice, and he, or such person or persons as he may designate, may execute under seal any certification required to authenticate any books, records, papers, or other documents as true copies

of official records of the Department of Justice. He may also prescribe regulations governing the use of the seal of the Department and various organizational units.

[Order No. 423-69, 34 FR 20388, Dec. 31, 1969, as amended by Order No. 516-73, 38 FR 12918, May 17, 1973; Order No. 520-73, 38 FR 18380, July 10, 1973; Order No. 960-81, 46 FR 52350, Oct. 27, 1981; Order No. 2650-2003, 68 FR 4928, Jan. 31, 2003]

### §0.147 Certification of obligations.

The following designated officials are authorized to make the certifications required by 31 U.S.C. 200(c): For the Federal Bureau of Investigation, the Assistant Director, Administrative Services Division; for the Bureau of Prisons, the Assistant Director for Planning and Development; for Federal Prison Industries, Inc., the Secretary; for the Immigration and Naturalization Service, the Comptroller; for the Drug Enforcement Administration, the Director of the Office of Administration and Management; for the Bureau of Alcohol, Tobacco, Firearms, and Explosives, the Assistant Director, Management; for the Office of Justice Assistance, Research and Statistics, the Comptroller; and for all other organizational units of the Department (including U.S. Attorneys and U.S. Marshals), the Deputy Assistant Attorney General, Office of the Controller, Justice Management Division.

[Order No. 972-82, 47 FR 9823, Mar. 8, 1982, as amended by Order No. 2650-2003, 68 FR 4928, Jan. 31, 2003]

### §0.148 Certifying officers.

The Director of the Federal Bureau of Investigation, the Director of the Bureau of Prisons, the Commissioner of the Federal Prison Industries, Inc., the Commissioner of the Immigration and Naturalization Service, the Administrator of the Drug Enforcement Administration, the Director of the Bureau of Alcohol, Tobacco, Firearms, and Explosives, Assistant Attorney General for the Office of Justice Programs, the Director of the United States Marshals Service, and the Director of the Executive Office for United States Attorneys, as to their respective jurisdictions, and

## §0.149

the Assistant Attorney General for Administration, as to all other organizational units of the Department are authorized to designate employees to certify vouchers.

[Order No. 1142-86, 51 FR 25049, July 10, 1986, as amended by Order No. 2650-2003, 68 FR 4928, Jan. 31, 2003]

### §0.149 Cash payments.

(a) The Director of the Federal Bureau of Investigation, the Director of the Bureau of Prisons, the Commissioner of the Federal Prison Industries, Inc., the Commissioner of the Immigration and Naturalization Service, the Administrator of the Drug Enforcement Administration, the Director of the Bureau of Alcohol, Tobacco, Firearms, and Explosives, the Assistant Attorney General for the Office of Justice Programs, the Director of the United States Marshals Service, and the Director of the Executive Office for United States Attorneys, as to their respective jurisdictions, and the Assistant Attorney General for Administration, as to all other organizational units of the Department, are authorized to:

(1) Request Department of the Treasury designation of disbursing employees (including cashiers),

(2) Approve waivers of the Department of the Treasury maximum limitation on routine payments of cash from imprest funds, and

(3) Approve requests to place imprest funds in depositary cash demand withdrawal accounts and establish the maximum amount of each account.

(b) Guidelines are to be promulgated by each component for the establishment and maintenance of such accounts in accordance with the provisions set forth in the Treasury Financial Manual, Volume I, Part 4, Chapter 3000. Existing authorizations to request designations of disbursing employees shall remain in effect until terminated by the official who by this section would be authorized to request such designations.

[Order No. 1142-86, 51 FR 25049, July 10, 1986, as amended by Order No. 2650-2003, 68 FR 4928, Jan. 31, 2003]

## 28 CFR Ch. I (7-1-17 Edition)

### §0.150 Collection of erroneous payments.

The Director of the Federal Bureau of Investigation for the FBI and the Assistant Attorney General for Administration for all other organizational units of the Department are authorized, in accordance with the regulations prescribed by the Attorney General under section 5514(b) of title 5, U.S. Code, to collect indebtedness resulting from erroneous payments to employees.

[Order No. 634-75, 40 FR 58644, Dec. 18, 1975]

### §0.151 Administering oath of office.

The Director of the Federal Bureau of Investigation, the Director of the Bureau of Prisons, the Commissioner of Federal Prison Industries, the Commissioner of Immigration and Naturalization, the Administrator of the Drug Enforcement Administration, the Director of the Bureau of Alcohol, Tobacco, Firearms, and Explosives, the Director of the Office of Justice Assistance, Research and Statistics, the Director of the Executive Office for U.S. Attorneys, and the Director of the U.S. Marshals Service, as to their respective jurisdictions, and the Assistant Attorney General for Administration, as to all other organizational units of the Department are authorized to designate, in writing, pursuant to the provisions of sections 2903(b) and 2904 of title 5, U.S. Code, officers or employees to administer the oath of office required by section 3331 of title 5, U.S. Code, and to administer any other oath required by law in connection with employment in the executive branch of the Federal Government.

[Order No. 423-69, 34 FR 20388, Dec. 31, 1969, as amended by Order No. 516-73, 38 FR 12918, May 17, 1973; Order No. 520-73, 38 FR 18380, July 10, 1973; Order No. 772-78, 43 FR 14009, Apr. 4, 1978; Order No. 960-81, 46 FR 52351, Oct. 27, 1981; Order No. 2650-2003, 68 FR 4928, Jan. 31, 2003]

### §0.152 Approval of funds for attendance at meetings.

The Director of the Federal Bureau of Investigation, the Director of the Bureau of Prisons, the Commissioner of Immigration and Naturalization, the Administrator of the Drug Enforcement Administration, the Director of

## Department of Justice

## §0.155

the Bureau of Alcohol, Tobacco, Firearms, and Explosives, and the Director of the Office of Justice Assistance, Research and Statistics, as to their respective jurisdictions, and the Assistant Attorney General for Administration, as to all other organizational units of the Department (including U.S. Attorneys and Marshals), are authorized to exercise the power and authority vested in the Attorney General by law to prescribe regulations for the expenditure of appropriated funds available for expenses of attendance at meetings of organizations.

[Order No. 423-69, 34 FR 20388, Dec. 31, 1969, as amended by Order No. 520-73, 38 FR 18380, July 10, 1973; Order No. 960-81, 46 FR 52351, Oct. 27, 1981; Order No. 2650-2003, 68 FR 4928, Jan. 31, 2003]

### **§0.153 Selection and assignment of employees for training.**

The Director of the Federal Bureau of Investigation, the Director of the Bureau of Prisons, the Commissioner of Federal Prison Industries, Inc., the Commissioner of the Immigration and Naturalization Service, the Administrator of the Drug Enforcement Administration, the Director of the Bureau of Alcohol, Tobacco, Firearms, and Explosives, the Director of the Office of Justice Assistance, Research and Statistics, the Director of the Executive Office for United States Attorneys and the Director of the United States Marshals Service, as to their respective jurisdictions, and the Assistant Attorney General for Administration, as to all other organizational units of the Department, are hereby authorized to exercise the authority vested in the Attorney General by 5 U.S.C. 4109, with respect to the selection and assignment of employees for training by, in, or through Government facilities and the payment or reimbursement of expenses for such training.

[Order No. 960-81, 46 FR 52351, Oct. 27, 1981, as amended by Order No. 2650-2003, 68 FR 4928, Jan. 31, 2003]

### **§0.154 Advance and evacuation payments and special allowances.**

The Director of the Federal Bureau of Investigation, the Director of the Bureau of Prisons, the Commissioner of Federal Prison Industries, the Commis-

sioner of Immigration and Naturalization, the Administrator of the Drug Enforcement Administration, the Director of the Bureau of Alcohol, Tobacco, Firearms, and Explosives, the Director of the United States Marshals Service, and the Director of the Office of Justice Assistance, Research and Statistics, as to their respective jurisdictions, and the Assistant Attorney General for Administration, as to all other organizational units of the Department (including U.S. Attorneys), are hereby authorized to exercise the authority vested in the Attorney General by sections 5522-5527 of title 5, U.S. Code, and Executive Order 10982 of December 25, 1961, and to administer the regulations adopted by the Attorney General in Order No. 269-62 with respect to advance and evacuation payments and special allowances.

[Order No. 423-69, 34 FR 20388, Dec. 31, 1969, as amended by Order No. 520-73, 38 FR 18380, July 10, 1973; Order No. 565-74, 39 FR 15877, May 6, 1974; Order No. 960-81, 46 FR 52351, Oct. 27, 1981; Order No. 2650-2003, 68 FR 4928, Jan. 31, 2003]

### **§0.155 Waiver of claims for erroneous payments of pay and allowances.**

The Director of the Federal Bureau of Investigation, the Director of the Bureau of Prisons, the Commissioner of Federal Prison Industries, the Commissioner of Immigration and Naturalization, the Administrator of the Drug Enforcement Administration, the Director of the Bureau of Alcohol, Tobacco, Firearms, and Explosives, and the Director of the Office of Justice Assistance, Research and Statistics, as to their respective jurisdictions, and the Assistant Attorney General for Administration as to all other organizational units of the Department (including U.S. Attorneys and Marshals) are authorized to exercise the authority under 5 U.S.C. 5584 for the waiver of claims of the United States for erroneous payments of pay and allowances to employees of the Department of Justice.

[Order No. 514-73, 38 FR 12110, May 17, 1973, as amended by Order No. 520-73, 38 FR 18380, July 10, 1973; Order No. 960-81, 46 FR 52351, Oct. 27, 1981; Order No. 2650-2003, 68 FR 4928, Jan. 31, 2003; Order No. 2735-2004, 69 FR 57640, Sept. 27, 2004]

**§0.156**

**§0.156 Execution of U.S. Marshals' deeds or transfers of title.**

A chief deputy or deputy U.S. Marshal who sells property—real, personal, or mixed—on behalf of a U.S. Marshal, may execute a deed or transfer of title to the purchaser on behalf of and in the name of the U.S. Marshal.

**§0.157 Federal Bureau of Investigation—Drug Enforcement Administration Senior Executive Service.**

(a) Pursuant to 5 U.S.C. 3151, there is established a personnel system for senior personnel within the Federal Bureau of Investigation (FBI) and the Drug Enforcement Administration (DEA) to be known as the FBI-DEA Senior Executive Service (FBI-DEA SES).

(b) Pursuant to 5 U.S.C. 3151(b)(2)(B), a career employee in the civil service is one who occupies, or who within the last 5 years occupied, a permanent position in the competitive service, a career-type permanent position in the excepted service, or a permanent position in the SES while serving under a career appointment. A career-type permanent position in the excepted service does not include:

- (1) A Schedule C position authorized under 5 CFR 213.3301;
- (2) A position that meets the same criteria as a Schedule C position; and
- (3) A position where the incumbent is traditionally removed upon a change in Presidential Administration.

(c) Except as to the position of Deputy Director of the FBI (which remains subject to the exclusive authority of the Attorney General), the FBI-DEA SES is subject to the overall supervision and direction of the Deputy Attorney General, who shall ensure that the FBI-DEA SES is designed and administered in compliance with all statutory and regulatory requirements.

(d) The Attorney General retains the authority to recommend members of the FBI-DEA SES for Presidential Rank Awards.

[Order No. 1600-92, 57 FR 31314, July 15, 1992, as amended by Order No. 1975-95, 60 FR 35335, July 7, 1995; Order No. 2250-99, 64 FR 46846, Aug. 27, 1999]

**§0.158 [Reserved]**

**§0.159 Redelegation of authority.**

Except as to the authority delegated by §0.147, the authority conferred by this subpart X upon heads of organizational units may be redelegated by them, respectively, to any of their subordinates. Existing delegations of authority to officers and employees and to U.S. Attorneys, not inconsistent with this subpart X, made by any officer named in this section or by the Assistant Attorney General for Administration, shall continue in force and effect until modified or revoked.

[Order No. 543-73, 38 FR 29587, Oct. 26, 1973]

**Subpart Y—Authority To Compromise and Close Civil Claims and Responsibility for Judgments, Fines, Penalties, and Forfeitures**

**§0.160 Offers that may be accepted by Assistant Attorneys General.**

(a) Subject to the limitations set forth in paragraph (d) of this section, Assistant Attorneys General are authorized, with respect to matters assigned to their respective divisions, to:

- (1) Accept offers in compromise of claims asserted by the United States in all cases in which the difference between the gross amount of the original claim and the proposed settlement does not exceed \$10,000,000 or 15 percent of the original claim, whichever is greater;
- (2) Accept offers in compromise of claims asserted by the United States in all cases in which a qualified financial expert has determined that the offer in compromise is likely the maximum that the offeror has the ability to pay;
- (3) Accept offers in compromise of, or settle administratively, claims against the United States in all cases in which the principal amount of the proposed settlement does not exceed \$4,000,000; and
- (4) Accept offers in compromise in all nonmonetary cases.

(b) Subject to the limitations set forth in paragraph (d) of this section, the Assistant Attorney General, Tax Division, is further authorized to accept offers in compromise of, or settle

## Department of Justice

## §0.163

administratively, claims against the United States, regardless of the amount of the proposed settlement, in all cases in which the Joint Committee on Taxation has indicated that it has no adverse criticism of the proposed settlement.

(c) Subject to the limitations set forth in paragraph (d) of this section, the Assistant Attorney General, Environment and Natural Resources Division, is further authorized to approve settlements under the Comprehensive Environmental Response, Compensation and Liability Act, 42 U.S.C. 9601 *et seq.*, regardless of the amount of the proposed settlement, with:

(1) Parties whose contribution to contamination at a hazardous waste site is *de minimis* within the meaning of 42 U.S.C. 9622(g); or

(2) Parties whose responsibility can be equitably allocated and are paying at least the allocated amount.

(d) Any proposed settlement, regardless of amount or circumstances, must be referred to the Deputy Attorney General or the Associate Attorney General, as appropriate:

(1) When, for any reason, the compromise of a particular claim would, as a practical matter, control or adversely influence the disposition of other claims and the compromise of all the claims taken together would exceed the authority delegated by paragraph (a) of this section; or

(2) When the Assistant Attorney General concerned is of the opinion that because of a question of law or policy presented, or because of opposition to the proposed settlement by a department or agency involved, or for any other reason, the proposed settlement should receive the personal attention of the Deputy Attorney General or the Associate Attorney General, as appropriate;

(3) When the proposed settlement converts into a mandatory duty the otherwise discretionary authority of a department or agency to promulgate, revise, or rescind regulations;

(4) When the proposed settlement commits a department or agency to expend funds that Congress has not appropriated and that have not been budgeted for the action in question, or commits a department or agency to

seek particular appropriation or budget authorization; or

(5) When the proposed settlement otherwise limits the discretion of a department or agency to make policy or managerial decisions committed to the department or agency by Congress or by the Constitution.

[Order No. 1958-95, 60 FR 15674, Mar. 27, 1995, as amended by Order No. 3001-2008, 73 FR 54947, Sept. 24, 2008; AG Order No. 3532-2015, 80 FR 30618, May 29, 2015]

### **§0.161 Acceptance of certain offers by the Deputy Attorney General or Associate Attorney General, as appropriate.**

(a) In all cases in which the acceptance of a proposed offer in compromise would exceed the authority delegated by §0.160, the Assistant Attorney General concerned shall, when he is of the opinion that the proposed offer should be accepted, transmit his recommendation to that effect to the Deputy Attorney General or the Associate Attorney General, as appropriate.

(b) The Deputy Attorney General or the Associate Attorney General, as appropriate, is authorized to exercise the settlement authority of the Attorney General as to all claims asserted by or against the United States.

[Order No. 1958-95, 60 FR 15675, Mar. 27, 1995]

### **§0.162 Offers which may be rejected by Assistant Attorneys General.**

Each Assistant Attorney General is authorized, with respect to matters assigned to his division or office, to reject offers in compromise of any claims in behalf of the United States, or, in compromises or administrative actions to settle, against the United States, except in those cases which come under §0.160(d)(2).

[Order No. 423-69, 34 FR 20388, Dec. 31, 1969, as amended by Order No. 445-70, 35 FR 19397, Dec. 23, 1970; Order No. 960-81, 46 FR 52352, Oct. 27, 1981; AG Order No. 3532-2015, 80 FR 30618, May 29, 2015]

### **§0.163 Approval by Solicitor General of action on compromise offers in certain cases.**

In any Supreme Court case the acceptance, recommendation of acceptance, or rejection, under §0.160, §0.161, or §0.162, of a compromise offer by the

## §0.164

Assistant Attorney General concerned, shall have the approval of the Solicitor General. In any case in which the Solicitor General has authorized an appeal to any other court, a compromise offer, or any other action, which would terminate the appeal, shall be accepted or acted upon by the Assistant Attorney General concerned only upon advice from the Solicitor General that the principles of law involved do not require appellate review in that case.

### **§0.164 Civil claims that may be closed by Assistant Attorneys General.**

Assistant Attorneys General are authorized, with respect to matters assigned to their respective divisions, to close (other than by compromise or by entry of judgment) claims asserted by the United States in all cases in which they would have authority to accept offers in compromise of such claims under §0.160(a), except:

(a) When for any reason, the closing of a particular claim would, as a practical matter, control or adversely influence the disposition of other claims and the closing of all the claims taken together would exceed the authority delegated by this section; or

(b) When the Assistant Attorney General concerned is of the opinion that because of a question of law or policy presented, or because of opposition to the proposed closing by the department or agency involved, or for any other reason, the proposed closing should receive the personal attention of the Attorney General, the Deputy Attorney General or the Associate Attorney General, as appropriate.

[Order No. 1958-95, 60 FR 15675, Mar. 27, 1995]

### **§0.165 Recommendations to the Deputy Attorney General or Associate Attorney General, as appropriate, that certain claims be closed.**

In all cases in which the closing of a claim asserted by the United States would exceed the authority delegated by §§0.160(a) and 0.164, the Assistant Attorney General concerned shall, when he is of the opinion that the claim should be closed, transmit his recommendation to that effect, together with a report on the matter, to the Deputy Attorney General or the Associate Attorney General, as appro-

## 28 CFR Ch. I (7-1-17 Edition)

priate, for review and final action. Such report shall be in such form as the Deputy Attorney General or the Associate Attorney General may require.

[Order No. 1958-95, 60 FR 15675, Mar. 27, 1995]

### **§0.166 Memorandum pertaining to closed claim.**

In each case in which a claim is closed under §0.164 the Assistant Attorney General concerned shall execute and place in the file pertaining to the claim a memorandum which shall contain a description of the claim and a full statement of the reasons for closing it.

### **§0.167 Submission to Associate Attorney General by Director of Office of Alien Property of certain proposed allowances and disallowances.**

In addition to the matters which he is required to submit to the Associate Attorney General under preceding sections of this subpart Y, the Director of the Office of Alien Property, shall submit to the Associate Attorney General for such review as he may desire to make the following:

(a) Any proposed allowance by the Director, without hearing, of a title or debt claim.

(b) Any final determination of a title of debt claim, whether by allowance or disallowance.

(c) Any proposed allowance or disallowance by the Director, without hearing, of a title claim under section 9(a) of the Trading with the Enemy Act, as amended, filed less than 2 years after the date of vesting in or transfer to the Alien Property Custodian or the Attorney General of the property or interest in respect of which the claim is made:

*Provided*, That any such title or debt claim is within one of the following-described categories.

(1) Any title claim which involves the return of assets having a value of \$50,000 or more, or any debt claim in the amount of \$50,000 or more.

(2) Any title claim which will, as a practical matter, control the disposition of related title claims involving, with the principal claim, assets having a value of \$50,000 or more; or any debt claim which will, as a practical matter,



## Department of Justice

## §0.171

control the disposition of related debt claims in the aggregate amount, including the principal claim, of \$50,000 or more.

(3) Any title claim or debt claim presenting a novel question of law or a question of policy which, in the opinion of the Director, should receive the personal attention of the Associate Attorney General or the Attorney General.

(d) Any sale or other disposition of vested property involving assets of \$50,000 or more.

[Order No. 423-69, 34 FR 20388, Dec. 31, 1969, as amended by Order No. 445-70, 35 FR 19397, Dec. 23, 1970; Order No. 543-73, 38 FR 29587, Oct. 26, 1973; Order No. 568-74, 39 FR 18646, May 29, 1974; Order No. 699-77, 42 FR 15315, Mar. 21, 1977; Order No. 960-81, 46 FR 52352, Oct. 27, 1981]

### §0.168 Redelegation by Assistant Attorneys General.

(a) Assistant Attorneys General are authorized, with respect to matters assigned to their respective divisions, to redelegate to subordinate division officials and United States Attorneys any of the authority delegated by §§0.160 (a), (b), and (c), 0.162, 0.164, and 0.172(b), except that any disagreement between a United States Attorney or other Department attorney and a client agency over a proposed settlement that cannot be resolved below the Assistant Attorney General level must be presented to the Assistant Attorney General for resolution.

(b) Redelegations of authority under this section shall be in writing and shall be approved by the Deputy Attorney General or the Associate Attorney General, as appropriate, before taking effect.

(c) Existing delegations and redelegations of authority to subordinate division officials and United States Attorneys to compromise or close civil claims shall continue in effect until modified or revoked by the respective Assistant Attorneys General.

(d) Subject to the limitations set forth in §0.160(d) and paragraph (a) of this section, redelegations by the Assistant Attorneys General to United States Attorneys may include the authority to:

(1) Accept offers in compromise of claims asserted by the United States in

all cases in which the gross amount of the original claim does not exceed \$10,000,000; and

(2) Accept offers in compromise of, or settle administratively, claims against the United States in all cases in which the principal amount of the proposed settlement does not exceed \$1,000,000.

[Order No. 1958-95, 60 FR 15675, Mar. 27, 1995, as amended by AG Order No. 3532-2015, 80 FR 30618, May 29, 2015]

### §0.169 Definition of “gross amount of the original claim”.

(a) The phrase *gross amount of the original claim* as used in this subpart Y and as applied to any civil fraud claim described in §0.45(d), shall mean the amount of single damages involved.

(b) The phrase *gross amount of the original claim* as used in this subpart Y and as applied to any civil claim brought under section 592 of the Tariff Act of 1930, as amended (see §0.45(c)), shall mean the actual amount of lost customs duties involved. In nonrevenue loss cases brought under section 592 of the Tariff Act of 1930, as amended, the phrase *gross amount of the original claim* shall mean the amount demanded in the United States Customs and Border Protection’s mitigation decision issued pursuant to 19 U.S.C. 1618 or, if no mitigation decision has been issued, the *gross amount of the original claim* shall mean twenty percent of the dutiable value of the merchandise.

[Order No. 2343-2000, 65 FR 78414, Dec. 15, 2000, as amended by AG Order No. 3532-2015, 80 FR 30619, May 29, 2015]

### §0.170 Interest on monetary limits.

In computing the gross amount of the original claim and the amount of the proposed settlement pursuant to this subpart Y, accrued interest shall be excluded.

### §0.171 Judgments, fines, penalties, and forfeitures.

(a) Each United States Attorney shall be responsible for conducting, handling, or supervising such litigation or other actions as may be appropriate to accomplish the satisfaction, collection, or recovery of judgments, fines, penalties, and forfeitures (including bail bond forfeitures) imposed in his district, unless the Assistant Attorney

**§0.171**

**28 CFR Ch. I (7-1-17 Edition)**

General, or his delegate, of the litigating division which has jurisdiction of the case in which such judgment, fine, penalty or forfeiture is imposed notifies the United States Attorney in writing that the division will assume such enforcement responsibilities.

(b) Each U.S. Attorney shall designate an Assistant U.S. Attorney, and such other employees as may be necessary, or shall establish an appropriate unit within his office, to be responsible for activities related to the satisfaction, collection, or recovery, as the case may be, of judgments, fines, penalties, and forfeitures (including bail-bond forfeitures).

(c) The Director of the Executive Office for United States Attorneys shall be responsible for the establishment of policy and procedures and other appropriate action to accomplish the satisfaction, collection, or recovery of fines, special assessments, penalties, interest, bail bond forfeitures, restitution, and court costs arising from the prosecution of criminal cases by the Department of Justice and the United States Attorneys. He shall also prepare regulations required by 18 U.S.C. 3613(c), pertaining to the application of tax lien provisions to criminal fines, for issuance by the Attorney General.

(d) The United States Attorney for the judicial district in which a criminal monetary penalty has been imposed is authorized to receive all notifications of payment, certified copies of judgments or orders, and notifications of change of address pertaining to an unpaid fine, which are otherwise required to be delivered to the Attorney General pursuant to 18 U.S.C. 3612. If an Assistant Attorney General of a litigating division has notified the United States Attorney, pursuant to paragraph (a) of this section that such division will assume responsibility for enforcement of a criminal monetary penalty, the United States Attorney shall promptly transmit such notifications and certified copies of judgments or orders to such division.

(e) With respect to cases assigned to his office, each United States Attorney—

(1) Shall be responsible for collection of any unpaid fine with respect to

which a certification has been issued as provided in 18 U.S.C. 3612(b);

(2) Shall provide notification of delinquency or default of any fine as provided in 18 U.S.C. 3612 (d) and (e);

(3) May waive all or any part of any interest or penalty relating to a fine imposed under any prior law if, as determined by such United States Attorney, reasonable efforts to collect the interest or penalty are not likely to be effective; and

(4) Is authorized to accept delivery of the amount or property due as restitution for transfer to the victim or person eligible under 18 U.S.C. 3663 (or under 18 U.S.C. 3579 (f)(4) with respect to offenses committed prior to November 1, 1987).

(f) With respect to offenses committed after December 31, 1984, and prior to November 1, 1987, each United States Attorney is authorized with respect to cases assigned to his office—

(1) At his discretion, to declare the entire unpaid balance of a fine or penalty payable immediately in accordance with 18 U.S.C. 3565(b)(3);

(2) If a fine or penalty exceeds \$500, to receive a certified copy of the judgment, otherwise required to be delivered by the clerk of the court to the Attorney General;

(3) When a fine or penalty is satisfied as provided by law,

(i) To file with the court a notice of satisfaction of judgment if the defendant makes a written request to the United States Attorney for such filing; or,

(ii) If the amount of the fine or penalty exceeds \$500 to enter into a written agreement with the defendant to extend the twenty-year period of obligation to pay fine.

(g) With respect to offenses committed prior to November 1, 1987, each United States Attorney is hereby authorized, with respect to the discharge of indigent prisoners under 18 U.S.C. 3569, to make a finding as to whether the retention by a convict of property, in excess of that which is by law exempt from being taken on civil process for debt, is reasonably necessary for the convict's support or that of his family.

(h) The Director of the Bureau of Prisons shall take such steps as may be

## Department of Justice

## Pt. 0, Subpt. Y, App.

necessary to assure that the appropriate U.S. Attorney is notified whenever a prisoner is released prior to the payment of his fine.

(i) The Pardon Attorney shall notify the appropriate U.S. Attorney whenever the President issues a pardon and whenever the President remits or commutes a fine.

[Order No. 423-69, 34 FR 20388, Dec. 31, 1969, as amended by Order No. 445-70, 35 FR 19397, Dec. 23, 1970; Order No. 699-77, 42 FR 15315, Mar. 21, 1977; Order No. 960-81, 46 FR 52352, Oct. 27, 1981; Order No. 1034-83, 48 FR 50714, Nov. 3, 1983; Order No. 1413-90, 55 FR 19064, May 8, 1990]

### § 0.172 Authority: Federal tort claims.

(a) *Delegation of authority.* Subject to the limitations set forth in paragraph (b) of this section, the Director of the Bureau of Prisons, the Commissioner of Federal Prison Industries, the Director of the United States Marshals Service, the Administrator of the Drug Enforcement Administration, the Director of the Federal Bureau of Investigation, and the Director of the Bureau of Alcohol, Tobacco, Firearms, and Explosives shall have authority under section 2672 of title 28, United States Code, relating to the administrative settlement of Federal tort claims, to consider, ascertain, adjust, determine, compromise, and settle any claim involving their respective components, provided that any award, compromise, or settlement shall not exceed \$50,000.

(b) *Limitations on authority.* Any proposed award, compromise, or settlement under section 2672 of title 28, United States Code, must be referred to the Assistant Attorney General in charge of the Civil Division, or his delegee, when—

(1) Because a significant question of law or policy is presented, or for any other reason, the head of the referring component is of the opinion that the proposed award, compromise, or settlement should receive the personal attention of the Assistant Attorney General or his delegee;

(2) Two or more claims arise from the same subject matter and the total amount of any award, compromise, or settlement of all claims will or may exceed \$50,000; or

(3) The award, compromise, or settlement of a particular claim, as a practical matter, will or may control or adversely influence the disposition of other claims and the total settlement value of all claims will or may exceed \$50,000.

(c) Subject to the provisions of § 0.160, the Assistant Attorney General in charge of the Civil Division shall have authority to consider, ascertain, adjust, determine, compromise, and settle any other claim involving the Department under section 2672, of title 28, U.S. Code, relating to the administrative settlement of Federal tort claims.

[AG Order No. 3330-2012, 77 FR 26183, May 3, 2012]

### APPENDIX TO SUBPART Y OF PART 0— REDELEGATIONS OF AUTHORITY TO COMPROMISE AND CLOSE CIVIL CLAIMS

#### CIVIL DIVISION

#### REDELEGATION OF AUTHORITY, TO BRANCH DIRECTORS, HEADS OF OFFICES AND UNITED STATES ATTORNEYS IN CIVIL DIVISION CASES

[Directive No. 1-15]

By virtue of the authority vested in me by part 0 of title 28 of the Code of Federal Regulations, particularly §§ 0.45, 0.160, 0.164, and 0.168, it is hereby ordered as follows:

#### *Section 1. Scope of Delegation Authority*

(a) Delegation to Deputy Assistant Attorneys General. The Deputy Assistant Attorneys General are hereby delegated all the power and authority of the Assistant Attorney General in charge of the Civil Division, including with respect to the institution of suits, the acceptance or rejection of compromise offers, the administrative settlement of claims, and the closing of claims or cases, unless any such authority or power is required by law to be exercised by the Assistant Attorney General personally or has been specifically delegated to another Department official.

(b) Delegation to United States Attorneys; Branch, Office and Staff Directors; and Attorneys-in-Charge of Field Offices. Subject to the limitations imposed by 28 CFR 0.160(d) and 0.164, and sections 1(e) and 4(b) of this directive, and the authority of the Solicitor General set forth in 28 CFR 0.163, United States Attorneys; Branch, Office, and Staff Directors; and Attorneys-in-Charge of Field Offices, with respect to matters assigned or delegated to their respective components, are hereby delegated the authority to:

(1) Accept offers in compromise of claims asserted by the United States in all cases in which the gross amount of the original claim does not exceed \$10,000,000;

(2) Accept offers in compromise of, or settle administratively, claims against the United States in all cases in which the principal amount of the proposed settlement does not exceed \$1,000,000;

(3) Reject any offers in compromise; and

(4) Close any affirmative claim or case where the gross amount of the original claim does not exceed \$10,000,000.

(c) Subject to the limitations imposed by sections 1(e), 4(b), and 5 of this directive, United States Attorneys, Directors, and Attorneys-in-Charge are hereby delegated the authority to:

(1) File suits, counterclaims, and cross-claims, or take any other action necessary to protect the interests of the United States in all routine nonmonetary cases, in all routine loan collection and foreclosure cases, and in other monetary claims or cases where the gross amount of the original claim does not exceed \$10,000,000. Such actions in non-monetary cases which are other than routine will be submitted for the approval of the Assistant Attorney General, Civil Division; and,

(2) Issue subpoenas, civil investigative demands, and any other compulsory process.

(d) United States Attorneys may redelegate in writing the above-conferred compromise and suit authority to Assistant United States Attorneys who supervise other Assistant United States Attorneys who handle civil litigation.

(e) Limitations on delegations.

(1) The authority to compromise cases, settle claims administratively, file suits, counterclaims, and cross-claims, to close claims or cases, or take any other action necessary to protect the interests of the United States, delegated by paragraphs (a), (b), and (c) of this section, may not be exercised, and the matter shall be submitted for resolution to the Assistant Attorney General, Civil Division, when:

(i) For any reason, the proposed action, as a practical matter, will control or adversely influence the disposition of other claims totaling more than the respective amounts designated in the above paragraphs.

(ii) Because a novel question of law or a question of policy is presented, or for any other reason, the proposed action should, in the opinion of the officer or employee concerned, receive the personal attention of the Assistant Attorney General, Civil Division.

(iii) The agency or agencies involved are opposed to the proposed action. The views of an agency must be solicited with respect to any significant proposed action if it is a party, if it has asked to be consulted with respect to any such proposed action, or if such

proposed action in a case would adversely affect any of its policies.

(iv) The United States Attorney involved is opposed to the proposed action and requests that the matter be submitted to the Assistant Attorney General for decision.

(v) The case is on appeal, except as determined by the Director of the Appellate Staff.

(2) In fraud or False Claims Act cases and matters, for reasons similar to those listed in sub-section 1(e)(1)(i) through 1(e)(1)(iii) above, the Director of the Fraud Section of the Commercial Litigation Branch, after consultation with the United States Attorney, may determine that a case or matter will not be delegated to the United States Attorney, but personally or jointly handled, or monitored, by the Civil Division.

#### *Section 2. Action Memoranda*

(a) Whenever, pursuant to the authority delegated by this Directive, an official of the Civil Division or a United States Attorney accepts a compromise, closes a claim or files a suit or claim, a memorandum fully explaining the basis for the action taken shall be executed and placed in the file. In the case of matters compromised, closed, or filed by United States Attorneys, a copy of the memorandum must, upon request therefrom, be sent to the appropriate Branch or Office of the Civil Division.

(b) The compromising of cases or closing of claims or the filing of suits for claims, which a United States Attorney is not authorized to approve, shall be referred to the appropriate Branch or Office within the Civil Division, for decision by the Assistant Attorney General or the appropriate authorized person within the Civil Division. The referral memorandum should contain a detailed description of the matter, the United States Attorney's recommendation, the agency's recommendation where applicable, and a full statement of the reasons therefor.

#### *Section 3. Return of Civil Judgment Cases to Agencies*

Claims arising out of judgments in favor of the United States which cannot be permanently closed as uncollectible may be returned to the referring Federal agency for servicing and surveillance whenever all conditions set forth in USAM 4-3.230 have been met.

#### *Section 4. Authority for Direct Reference and Delegation of Civil Division Cases to United States Attorneys*

(a) Direct reference to United States Attorneys by agencies. The following civil actions under the jurisdiction of the Assistant Attorney General, Civil Division, may be referred by the agency concerned directly to the appropriate United States Attorney for

## Department of Justice

## Pt. 0, Subpt. Y, App.

handling in trial courts, subject to the limitations imposed by paragraph (b) of this section. United States Attorneys are hereby delegated the authority to take all necessary steps to protect the interests of the United States, without prior approval of the Assistant Attorney General, Civil Division, or his representatives, subject to the limitations set forth in section 1(e) of this directive. Agencies may, however, if special handling is desired, refer these cases to the Civil Division. Also, when constitutional questions or other significant issues arise in the course of such litigation, or when an appeal is taken by any party, the Civil Division should be consulted.

(1) Money claims by the United States where the gross amount of the original claim does not exceed \$10,000,000.

(2) Single family dwelling house foreclosures arising out of loans made or insured by the Department of Housing and Urban Development, the Department of Veterans Affairs, or the Farm Service Agency.

(3) Suits to enjoin violations of, or to collect penalties under, the Agricultural Adjustment Act of 1938, 7 U.S.C. 1376; the Packers and Stockyards Act, 7 U.S.C. 203, 207(g), 213, 215, 216, 222, and 228a; the Perishable Agricultural Commodities Act, 1930, 7 U.S.C. 499c(a) and 499h(d); the Egg Products Inspection Act, 21 U.S.C. 1031 *et seq.*; the Potato Research and Promotion Act, 7 U.S.C. 2611 *et seq.*; the Cotton Research and Promotion Act of 1966, 7 U.S.C. 2101 *et seq.*; the Federal Meat Inspection Act, 21 U.S.C. 601 *et seq.*; and the Agricultural Marketing Agreement Act of 1937, as amended, 7 U.S.C. 601 *et seq.*

(4) Suits by social security beneficiaries under the Social Security Act, 42 U.S.C. 402 *et seq.*

(5) Social Security disability suits under 42 U.S.C. 423 *et seq.*

(6) Black lung beneficiary suits under the Federal Coal Mine Health and Safety Act of 1969, 30 U.S.C. 921 *et seq.*

(7) Suits by Medicare beneficiaries under 42 U.S.C. 1395ff.

(8) Garnishment actions authorized by 42 U.S.C. 659 for child support or alimony payments and actions for general debt, 5 U.S.C. 5520a.

(9) Judicial review of actions of the Secretary of Agriculture under the food stamp program, pursuant to the provisions of 7 U.S.C. 2022 involving retail food stores.

(10) Cases referred by the Department of Labor for the collection of penalties or for injunctive action under the Fair Labor Standards Act of 1938 and the Occupational Safety and Health Act of 1970.

(11) Cases referred by the Department of Labor solely for the collection of civil penalties under the Farm Labor Contractor Registration Act of 1963, 7 U.S.C. 2048(b).

(12) Cases referred by the Surface Transportation Board to enforce orders of the Sur-

face Transportation Board or to enjoin or suspend such orders pursuant to 28 U.S.C. 1336.

(13) Cases referred by the United States Postal Service for injunctive relief under the nonmailable matter laws, 39 U.S.C. 3001 *et seq.*

(b) Cases not covered. Regardless of the amount in controversy (unless otherwise specified), the following matters normally will not be delegated to United States Attorneys for handling but will be personally or jointly handled or monitored by the appropriate Branch or Office within the Civil Division:

(1) Cases in the Court of Federal Claims.

(2) Cases within the jurisdiction of the Commercial Litigation Branch involving patents, trademarks, copyrights, etc.

(3) Cases before the United States Court of International Trade.

(4) Any case involving bribery, conflict of interest, breach of fiduciary duty, breach of employment contract, or exploitation of public office.

(5) Any case involving vessel-caused pollution in navigable waters.

(6) Cases on appeal, except as determined by the Director of the Appellate Staff.

(7) Any case involving litigation in a foreign court.

(8) Criminal proceedings arising under statutes enforced by the Food and Drug Administration, the Consumer Product Safety Commission, the Federal Trade Commission, and the National Highway Traffic Safety Administration (relating to odometer tampering), except as determined by the Director of the Consumer Protection Branch.

(9) Nonmonetary civil cases, including injunction suits, declaratory judgment actions, and applications for inspection warrants, and cases seeking civil penalties where the gross amount of the original claim exceeds \$10,000,000.

(10) Cases arising under the statutes listed in 28 CFR 0.45(j), except as determined by the Director of the Consumer Protection Branch.

(11) Administrative claims arising under the Federal Tort Claims Act.

### Section 5. Civil Investigative Demands

Authority relating to Civil Investigative Demands issued under the False Claims Act is hereby delegated to United States Attorneys in cases that are delegated or assigned as monitored to their respective components. In accordance with guidelines provided by the Assistant Attorney General, each United States Attorney must provide notice and a report of Civil Investigative Demands issued by the United States Attorney. Authority relating to Civil Investigative Demands issued under the False Claims Act in cases that are jointly or personally handled by the Civil Division is hereby delegated to the Director of

the Fraud Section of the Commercial Litigation Branch. When a case is jointly handled by the Civil Division and a United States Attorney's Office, the Director of the Fraud Section will issue a Civil Investigative Demand only after requesting the United States Attorney's recommendation.

*Section 6. Adverse Decisions*

All final judicial decisions adverse to the Government, other than bankruptcy court decisions except as provided herein, involving any direct reference or delegated case must be reported promptly to the Assistant Attorney General, Civil Division, attention Director, Appellate Staff. Consult title 2 of the United States Attorney's Manual for procedures and time limitations. An appeal of such a decision, as well as an appeal of an adverse decision by a district court or bankruptcy appellate panel reviewing a bankruptcy court decision or a direct appeal of an adverse bankruptcy court decision to a court of appeals, cannot be taken without approval of the Solicitor General. Until the Solicitor General has made a decision whether an appeal will be taken, the Government attorney handling the case must take all necessary procedural actions to preserve the Government's right to take an appeal, including filing a protective notice of appeal when the time to file a notice of appeal is about to expire and the Solicitor General has not yet made a decision. Nothing in the foregoing directive affects this obligation.

*Section 7. Definitions*

(a) For purposes of this directive, in the case of claims involving only civil penalties, other than claims defined in 28 CFR 0.169(b), the phrase "gross amount of the original claim" shall mean the maximum amount of penalties sought.

(b) For purposes of this directive, in the case of claims asserted in bankruptcy proceedings, the phrase "gross amount of the original claim" shall mean liquidation value. Liquidation value is the forced sale value of the collateral, if any, securing the claim(s) plus the dividend likely to be paid for the unsecured portion of the claim(s) in an actual or hypothetical liquidation of the bankruptcy estate.

*Section 8. Supersession*

This directive supersedes Civil Division Directive No. 1-10 regarding redelegation of the Assistant Attorney General's authority in Civil Division cases to Branch Directors, heads of offices, and United States Attorneys.

*Section 9. Applicability*

This directive applies to all cases pending as of the date of this directive and is effective immediately.

*Section 10. No Private Right of Action*

This directive consists of rules of agency organization, procedure, and practice and does not create a private right of action for any private party to challenge the rules or actions taken pursuant to them.

CRIMINAL DIVISION

[Memo No. 375]

STANDARDS AND PROCEDURES WITH RESPECT TO CRIMINAL PROSECUTIONS INVOLVING CERTAIN AGRICULTURAL MARKETING QUOTA PENALTY CASES

By virtue of the authority vested in me by part 0 of title 28 of the Code of Federal Regulations, particularly §§0.55, 0.160, 0.162, 0.164, 0.166, and 0.168, it is hereby ordered as follows:

SECTION 1. *Purpose.* The purpose of this Memorandum is to prescribe standards and procedures for U.S. Attorneys with respect to the handling of the criminal aspects of agricultural marketing quota penalty cases which are submitted to the U.S. Attorneys by direct referral from the attorney in charge of the local office of the General Counsel of the Department of Agriculture (hereinafter in this Memorandum referred to as the General Counsel). Supplement No. 1 of October 26, 1955, to Memorandum No. 119 is hereby superseded. Attention is invited to the fact that Memorandum No. 374, of June 3, 1964, which superseded Memorandum No. 119 of December 8, 1954, deals with the civil aspects of agricultural marketing quota penalty cases.

SEC. 2. *Scope of authority.* (a) The authority conferred by this Memorandum is applicable to alleged criminal violations involving the provisions of the Agricultural Adjustment Act of 1938, as amended (7 U.S.C. 1311-1376), in cases in which the gross amount involved does not exceed \$5,000.

(b) Matters involving alleged criminal violations of the Agricultural Adjustment Act of 1938, as amended, shall be referred directly to the U.S. Attorney concerned by the attorney in charge of the local office of the General Counsel which has jurisdiction over any such matter requiring action. U.S. Attorneys may initiate criminal prosecution or decline to do so as they, in their judgment, may deem appropriate. U.S. Attorneys are, of course, urged to obtain the advice and assistance of this Department whenever they feel that such advice and assistance might be helpful.

SEC. 3. *Correspondence*—(a) *With the Department of Justice.* Inquiries to the Department concerning any matters covered by this Memorandum should be directed to the attention of the Assistant Attorney General in charge of the Criminal Division (hereinafter in this Memorandum referred to as the Assistant Attorney General). Any such inquiry

Department of Justice

Pt. 0, Subpt. Y, App.

should be accompanied by copies of all pertinent correspondence and other documents, including the indictment if one shall have been returned, since files concerning these matters will not be maintained in Washington.

(b) *With the Department of Agriculture.* Correspondence calling for additional factual details, and requests for investigations, documents, witnesses, and similar matters, should be directed to the General Counsel's attorney in charge who originated the matter. However, only the U.S. Attorney and his duly appointed assistants are authorized to exercise any control whatsoever over the handling of any such matter referred to the U.S. Attorney for action. The U.S. Attorney is charged with the entire responsibility for the manner in which such matters are handled.

SEC. 4. *Closing of the Prosecution.* (a) U.S. Attorneys may decline to prosecute any case involving a matter covered by this Memorandum without prior consultation or approval of the Assistant Attorney General. If, however, prosecution has been initiated by way of indictment or information, the indictment or information shall not be dismissed until authority to do so has been obtained from the Assistant Attorney General or his representative unless the reason for the dismissal is one which does not necessitate the prior approval of the Criminal Division. (See U.S. Attorneys' Manual, title 2: Criminal Division, pages 18-20.)

(b) In each instance in which a case is closed by a U.S. Attorney and in which prior approval of the Assistant Attorney General or his representative has not been obtained, a memorandum shall be prepared and placed in the file describing the action taken and the reasons therefor.

SEC. 5. *Appeals.* The instructions existing with reference to criminal appeals shall govern appeals in cases covered by this Memorandum.

[Attorney General Order No. 1598-92]

REDELEGATIONS OF AUTHORITY TO UNITED STATES ATTORNEYS, DEPUTY ASSISTANT ATTORNEYS GENERAL, SECTION CHIEFS, AND DIRECTOR, ASSET FORFEITURE OFFICE, IN THE CRIMINAL DIVISION

By virtue of the authority vested in me by part 0 of title 28 of the Code of Federal Regulations, as amended, particularly §§0.160, 0.162, 0.164, 0.168 and 0.171, it is hereby ordered as follows:

(a)(1) Each U.S. Attorney is authorized in cases delegated to the Assistant Attorney General of the Criminal Division—

(A) To accept or reject offers in compromise of—

(i) Claims in behalf of the United States in all cases (other than forfeiture cases) in which the original claim did not exceed

\$500,000, and in all cases in which the original claim was between \$500,000 and \$5,000,000, so long as the difference between the gross amount of the original claim and the proposed settlement does not exceed 15 percent of the original claim; and in all civil or criminal forfeiture cases, except that the U.S. Attorney shall consult with the Asset Forfeiture Office of the Criminal Division before accepting offers in compromise or plea offers in forfeiture cases in which the original claim was \$5,000,000 or more, and in forfeiture cases in which the original claim was between \$500,000 and \$5,000,000, when the difference between the gross amount of the original forfeiture sought and the proposed settlement exceeds 15 percent of the original claim; and

(ii) Claims against the United States in all cases, or in administrative actions to settle, in which the amount of the proposed settlement does not exceed \$500,000; and

(B) To close (other than by compromise or entry of judgment) claims asserted by the United States in all cases (other than forfeiture cases) in which the gross amount of the original claim does not exceed \$500,000, and in all civil or criminal forfeiture cases, except that the U.S. Attorney shall consult with the Asset Forfeiture Office of the Criminal Division before closing a forfeiture case in which the gross amount of the original forfeiture sought is \$500,000 or more.

(2) This subsection does not apply—

(A) When, for any reason, the compromise or closing of a particular claim (other than a forfeiture case) will, as a practical matter, control or adversely influence the disposition of other claims, which, when added to the claim in question, total more than the respective amounts designated above;

(B) When the U.S. Attorney is of the opinion that because of a question of law or policy presented, or for any other reason, the matter should receive the personal attention of the Assistant Attorney General;

(C) When a settlement converts into a mandatory duty the otherwise discretionary authority of an agency or department to revise, amend, or promulgate regulations;

(D) When a settlement commits a department or agency to expend funds that Congress has not appropriated and that have not been budgeted for the action in question, or commits a department or agency to seek a particular appropriation or budget authorization; or

(E) When a settlement limits the discretion of a Secretary or agency administrator to make policy or managerial decisions committed to the Secretary or agency administrator by Congress or by the Constitution.

(b) Notwithstanding the provisions of this Order, the Assistant Attorney General of the Criminal Division may delegate to U.S. Attorneys authority to compromise or close other cases, including those involving

amounts greater than as set forth in paragraph (a) above, and up to the maximum limit of his authority, where the circumstances warrant such delegation.

(c) All other authority delegated to me by §§ 0.160, 0.162, 0.164 and 0.171 of title 28 of the Code of Federal Regulations not falling within the limitations of paragraph (a) of this Order is hereby redelegated to Section Chiefs in the Criminal Division, except that—

(1) The authority delegated to me by §§ 0.160, 0.162, 0.164 and 0.171 of that title relating to conducting, handling, or supervising civil and criminal forfeiture litigation (other than bail bond forfeiture), including acceptance or denial of petitions for remission or mitigation of forfeiture, is hereby redelegated to the Director of the Asset Forfeiture Office; and

(2) When a Section Chief or the Director of the Asset Forfeiture Office is of the opinion that because of a question of law or policy presented, or for any other reason, a matter described in paragraph (c) should receive the personal attention of a Deputy Assistant Attorney General or Assistant Attorney General, he shall refer the matter to the appropriate Deputy Assistant Attorney General or to the Assistant Attorney General.

(d) Notwithstanding any of the above redelegations, when the agency or agencies involved have objected in writing to the proposed closing or dismissal of a case, or to the acceptance or rejection of an offer in compromise, any such unresolved objection shall be referred to the Assistant Attorney General for resolution.

ENVIRONMENT AND NATURAL RESOURCES  
DIVISION

[Directive No. 7-76]

REDELEGATION OF AUTHORITY TO INITIATE  
AND TO COMPROMISE ENVIRONMENT AND  
NATURAL RESOURCES DIVISION CASES

This directive supersedes Land and Natural Resources Memorandum No. 388 (appendix to subpart Y) and Directives Nos. 4-72 and 5-72. By virtue of the authority vested in me by part 0 of title 28 of the Code of Federal Regulations, and particularly §§ 0.65, 0.160, 0.162, 0.164, 0.166, and 0.168 thereof, I hereby redelegate to the Deputy Assistant Attorney General, certain Section Chiefs, and to the United States Attorneys, the following authority to act in connection with, and to compromise, Environment and Natural Resources Division cases:

SECTION I—AUTHORITY TO INITIATE CASES

A. *Delegation to United States Attorneys*—1. *Land Cases.* United States Attorneys are hereby authorized to act in matters concerning real property of the United States, including tribal and restricted individual Indian land, not involving new or unusual

questions or questions of title or water rights, on behalf of any other department or agency in response to a direct request in writing from an authorized field officer of the department or agency concerned, without prior authorization from the Environment and Natural Resources Division, in the following-described cases:

(a) Actions to recover possession of property from tenants, squatters, trespassers, or others, and actions to enjoin trespasses on Federal property;

(b) Actions to recover damages resulting from trespasses when the amount of the claim for actual damage based upon an innocent trespass does not exceed \$200,000 (The United States Attorneys may seek recovery of amounts exceeding \$200,000 (i) if the actual damages are \$200,000 or less and State statutes permit the recovery of multiple damages, e.g., double or treble, for either a willful or an innocent trespass; or (ii) if the actual damages are \$200,000 or less, but the action is for conversion to obtain recovery of the enhanced value of property severed and removed in the trespass);

(c) Actions to collect delinquent rentals or damages for use and occupancy of not more than \$200,000;

(d) Actions to collect costs of forest fire suppression and other damages resulting from such fires if the total claim does not exceed \$200,000;

(e) Actions to collect delinquent operation and maintenance charges accruing on Indian irrigation projects and federal reclamation projects of not more than \$200,000; and

(f) Actions to collect loans of money or livestock made by the United States to individual Indians without limitation on amount, including loans made by Indian tribal organizations to individual Indians if the loan agreements, notes and securities have been assigned by the tribal organizations to the United States.

2. *Environmental cases.* Pursuant to paragraph 10 of the memorandum of understanding between the Department of Justice and the Environmental Protection Agency (42 FR 48942) with respect to the handling of litigation to which the Environmental Protection Agency is a party, all requests of the Environmental Protection Agency for litigation must be submitted by the Agency through its General Counsel or its Assistant Administrator for Enforcement to the Assistant Attorney General, except that matters requiring an immediate temporary restraining order may be submitted by regional Administrators of the Environmental Protection Agency simultaneously to a U.S. Attorney and the Assistant Attorney General. Consequently, except for matters requiring an immediate temporary restraining order, U.S. Attorneys are not authorized to



## Department of Justice

## Pt. 0, Subpt. Y, App.

accept on a direct reference basis any matters or cases originating in any office of the Environmental Protection Agency.

U.S. Attorneys are authorized to act, without prior authorization from the Environment and Natural Resources Division, on behalf of Federal departments or agencies other than the Environmental Protection Agency, in response to a direct request in writing from an authorized field officer of the department or agency concerned, in the following environmental cases:

(a) Civil or criminal actions involving the filling or the deposit of dredged or fill material upon, or the alteration of the channels of, the waters of the United States, in violation of section 10 of the River and Harbor Act of March 3, 1899 (33 U.S.C. 403), or of section 404 of the Federal Water Pollution Control Act Amendments of 1972 (33 U.S.C. 1344), or of both statutes;

(b) Civil or criminal actions involving the discharge of refuse into the navigable waters of the United States, and, in certain cases, their tributaries, in violation of section 13 of the Act of March 3, 1899 (33 U.S.C. 407), except for

(i) In rem actions against vessels, which actions shall continue to be handled in the manner set forth in departmental memorandums 374 and 376, dated June 3, 1964, and shall continue to be under the jurisdiction of the Civil Division; and

(ii) Criminal actions involving the discharge either of oil or of hazardous substances, for which discharge a government agency either has imposed a civil penalty pursuant to section 311(b)(6) of the Federal Water Pollution Control Act Amendments of 1972 (33 U.S.C. 1321(b)(6)), or has under consideration the imposition of such a penalty.

3. *Notification to Division of Direct Referral.* In each case referred to the United States Attorneys pursuant to the authority set forth in Subparagraphs 1 and 2 above, the United States Attorney shall, prior to taking action, assure that a copy of the authorized field officer's written request has been forwarded to the Assistant Attorney General, Environment and Natural Resources Division, Department of Justice, Washington, DC, 20530.

### SECTION II—AUTHORITY TO COMPROMISE, DISMISS, OR CLOSE CASES

A. *Delegation to Deputy Assistant Attorney General.* Subject to the limitations imposed by Paragraph D of this Section, the Deputy Assistant Attorney General in the Environment and Natural Resources Division is hereby authorized, with respect to matters assigned to the Environment and Natural Resources Division, to accept or reject offers in compromise of claims against the United States in which the amount of the proposed settlement does not exceed \$500,000, and of claims in behalf of the United States in

which the gross amount of the original claim does not exceed \$500,000.

B. *Delegation to Section Chiefs.* Subject to the limitations imposed by Paragraph D of this Section, the Chiefs of the Land Acquisition, Indian Claims, Pollution Control, Indian Resources, and General Litigation Sections of the Environment and Natural Resources Division are hereby authorized, with respect to matters assigned to their respective sections, to accept or reject offers in compromise of claims against the United States in which the amount of the proposed settlement does not exceed \$300,000, and of claims in behalf of the United States in which the gross amount of the original claim does not exceed \$300,000.

C. *Delegations to United States Attorneys—1. Compromise of land cases.* Subject to the limitations imposed by paragraph D of this section, U.S. Attorneys are authorized, without the prior approval of the Environment and Natural Resources Division, to accept or reject offers in compromise in the direct referral land cases listed in subparagraph A-1 of section I, and in claims against the United States in which the amount of the proposed settlement does not exceed \$200,000, if the authorized field officer of the interested agency concurs in writing, except that where the United States is a plaintiff, a U.S. Attorney may accept an offer without the concurrence of the field officer if the acceptance is based solely upon the financial circumstances of the debtor.

2. *Compromise of environmental cases.* Prior delegations of authority to the U.S. Attorneys to settle any type of case in which the Department of Justice represents the Environmental Protection Agency, or the Administrator or any other official of that Agency, are hereby revoked; all offers in compromise of such cases shall be submitted to the Assistant Attorney General of the Environment and Natural Resources Division, for appropriate action.

3. *Compromise of Condemnation Cases.* (a) Subject to the limitations imposed in Paragraph D of this section, United States Attorneys are hereby authorized, without the prior approval of the Environment and Natural Resources Division, to accept or reject offers in compromise of claims against the United States for just compensation in condemnation proceedings in any case in which

(i) The gross amount of the proposed settlement does not exceed \$100,000; and

(ii) The settlement is approved in writing (the written approval to be retained in the file of the United States Attorney concerned) by the authorized field representative of the acquiring agency if the amount of the settlement exceeds the amount deposited with the declaration of taking as to the particular tract of land involved; and

(iii) The amount of the settlement is compatible with the sound appraisal, or appraisals, upon which the United States would rely as evidence in the event of trial, due regard being had for probable minimum trial costs and risks; and

(iv) The case does not involve the reversion of any land or improvements or any interest, or interests, in land under the Act of October 21, 1942, 56 Stat. 797 (40 U.S.C. 258f). 3(b). When a United States Attorney has settled a condemnation proceeding under the authority conferred upon him by the foregoing subparagraph, he shall promptly secure the entry of judgment and distribution of the award, and shall take all other steps necessary to dispose of the matter completely. The United States Attorney concerned shall also immediately forward to the Department a report, in the form of a letter or memorandum, bearing his signature or showing his personal approval, stating the action taken and containing an adequate statement of the reasons therefor. In routine cases, a form, containing the minimum elements of the required report, may be used in lieu of a letter or memorandum. In any case, special care shall be taken to see that the report contains a statement as to what the valuation testimony of the United States would have been if the case had been tried.

4. *Closing or Dismissal of Matters and Cases.* Subject to the limitations imposed in Paragraph D of this section, a direct referral matter described in Section I may be closed without action by the United States Attorney or, if filed in court, may be dismissed by him, if the field officer of the interested agency concurs in writing that it is without merit legally or factually. Except for claims on behalf of Indians or Indian tribes, the United States Attorney may close a claim without consulting the field officer of the interested agency if the claim is for money only and if he concludes (a) that the cost of collection under the circumstances would exceed the amount of the claim, or (b) that the claim is uncollectible. With respect to claims asserted by the United States on behalf of individual Indians or Indian tribes, the United States Attorney may close a claim without consulting the field officer of the interested agency if the claim is for money only and if he concludes that the claim is uncollectible; claims on behalf of Indian individuals and tribes may not be closed merely because the cost of collection might exceed the amount of the claim.

D. *Limitations on delegations.* The authority to compromise, close or dismiss cases delegated by Paragraphs A, B and C of this section may not be exercised when,

(a) For any reason, the compromise of a particular claim, as a practical matter, will control or adversely influence the disposition of other claims totaling more than the respective amounts designated above;

(b) Because a novel question of law or a question of policy is presented, or for any other reason, the offer should, in the opinion of the officer or employee concerned, receive the personal attention of the Assistant Attorney General in charge of the Environment and Natural Resources Division; and

(c) The agency or agencies involved are opposed to the proposed closing or dismissal of a case, or acceptance or rejection of the offer in compromise.

If any of the conditions listed above exist, the matter shall be submitted for resolution to the Assistant Attorney General in charge of the Environment and Natural Resources Division.

*Effective date of this directive.* This Directive shall be effective on December 8, 1976.

[Directive No. 90-50]

#### REDELEGATION OF AUTHORITY TO INITIATE AND TO COMPROMISE ENVIRONMENT AND NATURAL RESOURCES DIVISION CASES

Pursuant to the authority vested in me by title 28 of the Code of Federal Regulations, and particularly §§0.65, 0.65(a), 0.160, 0.162, 0.164, 0.166, 0.168 and 50.7 thereof, I hereby redelegate to the Section Chief of the Environmental Enforcement Section, the following authority to initiate and to compromise Environment and Natural Resources Division cases and to approve FEDERAL REGISTER Notices describing settlements of actions to enjoin discharges of pollutants into the environment.

##### *Authority To Initiate Cases*

The Section Chief of the Environmental Enforcement Section is hereby authorized to initiate civil actions on behalf of any other department or agency in response to a written request from an authorized official of the department or agency concerned, under the following environmental statutes:

1. Cases under section 14 of the Federal Insecticide, Fungicide, and Rodenticide Act, 7 U.S.C. 136l(a), section 16 of the Toxic Substances Control Act, 15 U.S.C. 2615(a) and section 309(g)(9) of the Clean Water Act, 33 U.S.C. 309(g)(9), for collection of civil penalties previously assessed by the Environmental Protection Agency in a formal administrative proceeding.

2. Cases under sections 112 and 113 of the Clean Air Act, 42 U.S.C. 7412 and 7413 for violations of the national emission standards for asbestos hazardous air pollutants.

3. Cases under section 311 of the Clean Water Act, 33 U.S.C. 1321, for recovery of costs expended by the United States' to remove oil or hazardous substances discharged into or upon the navigable waters of the United States, adjoining shorelines, or into or upon the waters of the contiguous zone where such costs do not exceed \$1 million, exclusive of interest.

## Department of Justice

## Pt. 0, Subpt. Y, App.

4. Cases under section 104(e) of the Comprehensive Environmental Response, Compensation and Liability Act, 42 U.S.C. 9604(e) to enforce requests for access to information, entry and/or inspection and samples.

5. Cases under section 107 of the Comprehensive Environmental Response, Compensation and Liability Act, 42 U.S.C. 9607, for recovery of costs of removal or remedial action incurred by the United States where such costs do not exceed \$1 million, exclusive of interest.

Any case initiation under paragraphs 1-5 above, should be referred to the Assistant Attorney General, Environment and Natural Resources Division, for approval, whenever the Section Chief of the Environmental Enforcement Section is of the opinion that because of a question of law or policy presented, or for any other reason, the matter should receive the attention of the Assistant Attorney General, Environment and Natural Resources Division.

### *Authority To Compromise Cases*

The Section Chief of the Environmental Enforcement Section is hereby authorized to compromise civil claims on behalf of the United States under the following environmental statutes:

1. Cases under section 14 of the Federal Insecticide, Fungicide, and Rodenticide Act, 7 U.S.C. 1361(a), section 16 of the Toxic Substances Control Act, 15 U.S.C. 2615(a) and section 309(g)(9) of the Clean Water Act, 33 U.S.C. 309(g)(9), for collection of civil penalties previously assessed by the Environmental Protection Agency in a formal administrative proceeding.

2. Cases under sections 112 and 113 of the Clean Air Act, 42 U.S.C. 7412 and 7413 for violations of the national emission standards for asbestos hazardous air pollutants.

3. Cases under the Safe Drinking Water Act, 42 U.S.C. 300(f) *et seq.*, the Resource Conservation and Recovery Act, 42 U.S.C. 6901 *et seq.*, the Clean Air Act, 42 U.S.C. 7401 *et seq.*, the Clean Water Act, 33 U.S.C. 1251 *et seq.*, the Federal Insecticide, Fungicide and Rodenticide Act, 7 U.S.C. 136 *et seq.*, and the Toxic Substances Control Act, 15 U.S.C. 2601 *et seq.*, where the amount of the civil penalty to be paid to the United States does not exceed \$100,000.

4. Cases under section 311 of the Clean Water Act, 33 U.S.C. 1321, for recovery of costs expended by the United States to remove oil or hazardous substances discharged into or upon the navigable waters of the United States, adjoining shorelines, or into or upon the waters of the contiguous zone, where such costs do not exceed \$1 million, exclusive of interest, and the difference between the United States' claim and the proposed settlement does not exceed \$500,000.

5. Cases under section 104(e) of the Comprehensive Environmental Response, Com-

pensation and Liability Act, 42 U.S.C. 9604(e), to enforce requests for access to information, entry and/or inspection and samples.

6. Cases under section 107 of the Comprehensive Environmental Response, Compensation and Liability Act, 42 U.S.C. 9607, for recovery of costs of removal or remedial action incurred by the United States, where such costs do not exceed \$1 million, exclusive of interest, and the difference between the United States' claim and the proposed settlement does not exceed \$500,000.

Any settlement under paragraphs 4 and 6 above, regardless of the amount or circumstances, should be referred to the Assistant Attorney General, Environment and Natural Resources Division, when for any reason, the compromise of a particular claim, as a practical matter, will control or adversely influence the disposition of other claims totaling more than \$500,000. In addition, any settlement under paragraphs 1-6 above should be referred to the Assistant Attorney General, Environment and Natural Resources Division, whenever the Section Chief of the Environmental Enforcement Section is of the opinion that because of a question of law or policy presented, or because of opposition to the proposed settlement by the agency or agencies involved, or for any other reason, the offer should receive the personal attention of the Assistant Attorney General, Environment and Natural Resources Division.

### *Authority To Approve Federal Register Notices*

The Section Chief of the Environmental Enforcement Section is hereby authorized to approve all FEDERAL REGISTER Notices under 28 CFR 50.7 and to transmit those notices to the Assistant Attorney General, Office of Legal Counsel, for publication.

### *Authority of Persons Acting in the Capacity of the Section Chief, Environmental Enforcement Section*

In the event that another person is acting in the capacity of the Section Chief, Environmental Enforcement Section, that person will have the authority to initiate and to compromise cases under these delegations only if specifically authorized in writing by the Assistant Attorney General, Environment and Natural Resources Division.

### *Date of Delegations*

This Directive shall be effective December 24, 1990, and the United States Attorneys' Manual will be revised accordingly.

[Directive 1-86]

Pursuant to the authority vested in me under 28 CFR §16.4(b) and §16.42(b), I delegate to the Deputy Assistant Attorney General who supervises the Policy, Legislation and Special Litigation Section, or to whoever is

acting in that capacity, the authority to grant to deny any request for a record of the Environment and Natural Resources Division made pursuant to the Freedom of Information Act, 5 U.S.C. 552, or the Privacy Act of 1974, 5 U.S.C. 552a.

*Effective Date:* January 9, 1986.

[Directive 6-85]

DELEGATION OF AUTHORITY TO CHIEF, LAND ACQUISITION SECTION, TO STIPULATE OR AGREE IN BEHALF OF THE UNITED STATES TO EXCLUDE PROPERTY TAKEN ON BEHALF OF THE UNITED STATES BY DECLARATION OF TAKING OR OTHERWISE

Section 258f of the Declaration of Taking Act, 40 U.S.C. 258a, *et seq.*, contains the following provision:

In any condemnation proceeding instituted by or on behalf of the United States, the Attorney General is authorized to stipulate or agree in behalf of the United States to exclude any property or any part thereof, or any interest therein, that may have been, or may be, taken by or on behalf of the United States by declaration of taking or otherwise.

The foregoing authority has been delegated to the Assistant Attorney General, Environment and Natural Resources Division, by the Attorney General, chapter I, part O, subpart M, §§0.65 and 0.160(a)(2), title 28, Code of Federal Regulations.

In view of the frequency of agency requests that this office stipulate or agree to exclude property or parts of property taken by declaration of taking or otherwise, and in the interest of efficient administration of the duties and responsibilities of this office, I hereby make the following limited delegation of authority to stipulate or agree to such exclusions (revestments).

The Chief, Land Acquisition Section, is authorized to stipulate or agree in behalf of the United States to exclude (revest) any property or any part thereof, or any interest therein, that may have been, or may be taken by or on behalf of the United States by declaration of taking or otherwise, when:

1. The exclusion (revestment) has been requested or approved in writing by a duly authorized officer of the agency for which the property was taken; and
2. In the case of a partial exclusion (revestment) in connection with an overall settlement of the case, the combined amount of the monetary payment of compensation and the government's appraised value of the land to be excluded (revested) does not exceed the monetary limitation on the Section Chief's settlement authority; or
3. In the case of an exclusion (revestment) that is not part of an overall settlement of the case, the government's appraised value of the land to be excluded (revested) together with any payment of compensation for possession and/or litigation expenses do not ex-

ceed the monetary limitations of the Section Chief's settlement authority.

Provided that the delegation of settlement authority shall not extend to any revestment which raises precedential questions or policy issues. In such instances, the decision on whether to stipulate or agree to exclusions of property shall remain with the Assistant Attorney General of the Environment and Natural Resources Division.

*Effective Date:* February 4, 1985.

[Directive 6-83]

By virtue of the authority vested in me by part 0 of title 28, Code of Federal Regulations §0.65, the Section Chief of the Wildlife and Marine Resources Section is now authorized to rule upon petitions for remission or mitigation of civil or criminal forfeitures filed with the Attorney General pursuant to the Endangered Species Act of 1973 (16 U.S.C. 1531-1543); the Lacey Act and related provisions (18 U.S.C. 41-44, 47); the Airborne Hunting Act (16 U.S.C. 742j-1); the Migratory Bird Act (16 U.S.C. 701, *et seq.*); the Bald and Golden Eagle Protection Act (16 U.S.C. 668-668d); the Fish and Wildlife Coordination Act (16 U.S.C. 661 *et seq.*); the National Wildlife Refuge System Administration Act (16 U.S.C. 668dd, 668ee); the Magnuson Fishery Conservation and Management Act (16 U.S.C. 1801 *et seq.*); the Tuna Conventions Act (16 U.S.C. 951 *et seq.*); the Marine Mammal Protection Act (16 U.S.C. 1361 *et seq.*); the Sockeye Salmon or Pink Salmon Fishing Act (16 U.S.C. 776 *et seq.*); the Protection of Sea Otters on the High Seas Act (16 U.S.C. 1171 *et seq.*); the Northern Pacific Halibut Act (16 U.S.C. 772 *et seq.*); and the North Pacific Fisheries Act (16 U.S.C. 1021 *et seq.*).

The Section Chief of the Wildlife and Marine Resources Section shall base his decision upon a review of all the pertinent facts including the petition for remission or mitigation, the report and recommendation of the appropriate United States Attorney, the report of the seizing law enforcement agency, and the report prepared within the Section.

Following the adverse decision a petitioner may request the Assistant Attorney General for the Environment and Natural Resources Division to review the decision of the Section Chief.

The above directive shall be effective immediately and shall be the interim procedure in effect until promulgation of regulations by the Department of Justice which address the remission and mitigation process in the Environment and Natural Resources Division.

*Effective Date:* April 12, 1983.

[Directive 6-81]

This directive establishes the Division's policy of notice to appropriate state officials

**Department of Justice**

**Pt. 0, Subpt. Y, App.**

of action against states. The Chief of each section in the Environment and Natural Resources Division shall:

1. Insure that each attorney in his or her respective section reads, becomes familiar with, and complies with this directive.

2. In each suit or claim brought against state government, agencies, and entities;

(a) Satisfy the Deputy Assistant Attorney General to whom the section reports of compliance with this directive,

(b) Before such suit or claim is brought, advise the Attorney General and governor of any affected state as to the nature of the contemplated action and the terms of the remedy sought and

(c) Place a memorandum in the file of the case of matter, indicating compliance with this directive.

Such prior notice may:

(1) Result in settlement of the action in advance of its filing on terms acceptable to the United States,

(2) Permit the state to bring to our attention facts or issues that may change our outlook on the action, or

(3) Permit the State Attorney General and the Governor to respond knowledgeably to inquiries from local officials and the media when the action is commenced.

Because the actual situation covered by this directive may vary from section to section, no single detailed procedure can be established but common sense should prevail. To that end, the state through its Attorney General and Governor should get fair warning and an opportunity to resolve the litigation. The notice should be given sufficiently in advance of the contemplated action to allow state officials to respond.

Where a Section Chief believes he has good cause to seek an exception from the terms of this directive he should discuss the matter with the Deputy Assistant Attorney General to whom he or she reports.

*Effective Date:* April 27, 1981.

**TAX DIVISION**

**[Directive No. 83]**

By virtue of the authority vested in me by part 0 of title 28 of the Code of Federal Regulations, particularly sections 0.70, 0.160, 0.162, 0.164, 0.166, and 0.168, it is hereby ordered as follows:

Section 1. The U.S. Attorney for each district in which is located real property, which is subject to a right of redemption of the United States in respect of Federal tax liens, arising under section 2410(c) of title 28 of the United States Code, or under State law when the United States has been joined as a party to a suit, is authorized to release the right of redemption, subject to the following limitations and conditions—

(1) This redelegation of authority relates only to real property on which is located

only one single-family residence, and to all other real property having a fair market value not exceeding \$200,000. That limitation as to value or use shall not apply in those cases in which the release is requested by the Department of Veterans Affairs or any other Federal agency.

(2) The consideration paid for the release must be equal to the value of the right of redemption, or fifty dollars (\$50), whichever is greater. However, no consideration shall be required for releases issued to the Department of Veterans Affairs or any other Federal agency.

(3) The following described documents must be placed in the U.S. Attorney's file in each case in which a release is issued—

(A) Appraisals by two disinterested and well-qualified persons. In those cases in which the applicant is a Federal agency, the appraisal of that agency may be substituted for the two appraisals generally required.

(B) Such other information and documents as the Tax Division may prescribe.

Section 2. This directive supersedes Tax Division Directive No. 55, effective May 7, 1986.

Section 3. This directive shall become effective on the date of its publication in the FEDERAL REGISTER.

**[TAX DIVISION DIRECTIVE NO. 139]**

By virtue of the authority vested in me by Part 0 of Title 28 of the Code of Federal Regulations, particularly Sections 0.70, 0.160, 0.162, 0.164, 0.166, and 0.168, it is hereby ordered as follows:

Section 1. The Chiefs of the Civil Trial Sections, the Court of Federal Claims Section, and the Appellate Section are authorized to reject offers in compromise, regardless of amount, provided that such action is not opposed by the agency or agencies involved.

Section 2. Subject to the conditions and limitations set forth in Section 11 hereof, the Chiefs of the Civil Trial Sections and the Court of Federal Claims Section are authorized to:

(A) Accept offers in compromise in, settle administratively, and close (other than by compromise or by entry of judgment), all civil cases in which the amount of the Government's concession, exclusive of statutory interest, does not exceed \$500,000;

(B) Accept offers in compromise in injunction or declaratory judgment suits against the United States in which the principal amount of the related liability, if any, does not exceed \$500,000; and

(C) Accept offers in compromise in all other nonmonetary cases;

provided that such action is not opposed by the agency or agencies involved, and provided further that the proposed compromise or concession is not subject to reference to the Joint Committee on Taxation.

Section 3. The Chiefs of the Civil Trial Sections and the Court of Federal Claims Section are authorized on a case-by-case basis to redelegate in writing to their respective Assistant Section Chiefs or Reviewers the authority delegated to them in Section 1 hereof to reject offers, and in Section 2 hereof, to accept offers in compromise in, settle administratively, and close (other than by compromise or by entry of judgment), all civil cases in which the amount of the Government's concession, exclusive of statutory interest, does not exceed \$250,000; provided that such redelegation is not made to the attorney-of-record in the case. Redelegations pursuant to this section shall be by memorandum signed by the Section Chief, which shall be placed in the Department of Justice file for the applicable case.

Section 4. Subject to the conditions and limitations set forth in Section 11 hereof, the Chief of the Appellate Section is authorized to:

(A) Accept offers in compromise with reference to litigating hazards of the issue(s) on appeal in all civil cases (other than claims for attorneys' fees, litigation expenses and court costs) in which the amount of the Government's concession, exclusive of statutory interest, does not exceed \$500,000;

(B) Accept offers in compromise in injunction [see sec. 2(B)] or declaratory judgment suits against the United States in which the principal amount of the related liability, if any, does not exceed \$500,000;

(C) Accept offers in compromise in, or settle administratively, all civil claims for attorneys' fees, litigation expenses and court costs in which the aggregate amount of the Government's concession on these claims does not exceed \$200,000, and in which the aggregate amount of the Government's concession in the case, exclusive of statutory interest, does not exceed \$500,000; and

(D) Accept offers in compromise in all other nonmonetary cases which do not involve issues concerning collectibility;

provided that (i) such acceptance is not opposed by the agency or agencies involved or the chief of the section in which the case originated, and (ii) the proposed compromise is not subject to reference to the Joint Committee on Taxation.

Section 5. The Chief of the Appellate Section is authorized on a case-by case basis to redelegate in writing to the Appellate Section's Assistant Section Chiefs the authority delegated to the Chief of the Appellate Section in Section 1 hereof to reject offers, and in Section 4 hereof, to:

(A) Accept offers in compromise with reference to litigation hazards of the issue(s) on appeal in all civil cases (other than claims for attorneys' fees, litigation expenses and court costs) in which the amount of the Government's concession, exclusive of statutory interest, does not exceed \$250,000; and

(B) Accept offers in compromise in, or settle administratively, all civil claims for attorneys' fees, litigation expenses and court costs in which the aggregate amount of the Government's concession on these claims does not exceed \$100,000, and in which the aggregate amount of the Government's concession in the case, exclusive of statutory interest, does not exceed \$250,000;

provided that such redelegation is not made to the attorney-of-record in the case. The redelegations pursuant to this section shall be by memorandum signed by the Chief of the Appellate Section, which shall be placed in the Department of Justice file for the applicable case.

Section 6. Subject to the conditions and limitations set forth in Section 11 hereof, the Chief of the Office of Review is authorized to:

(A) Accept offers in compromise and settle administratively claims against the United States in all civil cases in which the amount of the Government's concession, exclusive of statutory interest, does not exceed \$1,500,000; and

(B) Accept offers in compromise and close (other than by compromise or by entry of judgment), claims by the United States in all civil cases in which the difference between the gross amount of the original claim and the proposed settlement does not exceed \$1,500,000 or 15 percent of the original claim, whichever is greater;

(C) Accept offers in compromises in all nonmonetary cases; and

(D) Reject offers in compromise or disapprove concessions, regardless of amount;

provided that such action is not opposed by the agency or agencies involved or the chief of the section to which the case is assigned, and provided further that the proposed compromise or concession is not subject to reference to the Joint Committee on Taxation.

Section 7. The Chief, Office of Review, is authorized on a case-by-case basis to redelegate in writing to the office's Assistant Section Chief or Reviewer the authority delegated to the Chief, Office of Review in Section 6 hereof to reject offers, and in Section 6 hereof, to accept offers in compromise in, settle administratively, and close (other than by compromise or by entry of judgment), all civil cases in which the amount of the Government's concession, exclusive of statutory interest, does not exceed \$750,000; provided that such redelegation is not made to the attorney-of-record in the case. The redelegations pursuant to this section shall be made by memorandum signed by the Section Chief, which shall be placed in the Department of Justice file for the applicable case.

Section 8. Subject to the conditions and limitations set forth in Section 11 hereof, each of the Deputy Assistant Attorneys General is authorized to:

## Department of Justice

## Pt. 0, Subpt. Y, App.

(A) Accept offers in compromise and settle administratively claims against the United States in all civil cases in which the amount of the Government's concession, exclusive of statutory interest, does not exceed \$2,000,000;

(B) Accept offers in compromise and close (other than by compromise or by entry of judgment), claims by the United States in all civil cases in which the difference between the gross amount of the original claim and the proposed settlement does not exceed \$2,000,000 or 15 percent of the original claim, whichever is greater;

(C) Accept offers in compromise in all non-monetary cases; and

(D) Reject offers in compromise or disapprove concessions, regardless of amount; provided that such action is not opposed by the agency or agencies involved and the proposed compromise or concession is not subject to reference to the Joint Committee on Taxation.

Section 9. In addition to the actions authorized by Section 8 hereof, and subject to the conditions and limitations set forth in Section 10 hereof, a Principal Deputy Assistant Attorney General is authorized to:

(A) Accept offers in compromise and settle administratively claims against the United States in all civil cases, regardless of amount in all cases in which the Joint Committee on Taxation has indicated that it has no adverse criticism of the proposed settlement, provided that such action is not opposed by the agency or agencies involved.

(B) Consistent with, and subject to the limitations of, 28 CFR 0.168, and in the absence of an Assistant Attorney General, redelegate authority under this Directive to subordinate division officials and United States Attorneys.

Section 10. Subject to the conditions and limitations set forth in Section 11 hereof, United States Attorneys are authorized to:

(A) Reject offers in compromise of judgments in favor of the United States, regardless of the amount;

(B) Accept offers in compromise of judgments in favor of the United States where the amount of the judgment does not exceed \$300,000; and

(C) Terminate collection activity by his or her office as to judgments in favor of the United States which do not exceed \$300,000 if the United States Attorney concludes that the judgment is uncollectible;

provided that such action has the concurrence in writing of the agency or agencies involved, provided further that this authorization extends only to judgments which have been formally referred to the United States Attorney for collection.

Section 11. The authority re delegated herein shall be subject to the following conditions and limitations;

(A) When, for any reason, the compromise or concession of a particular claim, as a practical matter, will control or adversely influence the disposition of other claims totaling more than the respective amounts designated in Sections 2, 3, 4, 5, 6, 7, 8, 9, and 10 hereof, the case shall be forwarded for review at the appropriate level for the cumulative amount of the affected claims;

(B) When, because of the importance of a question of law or policy presented, the position taken by the agency or agencies or by the United States Attorney involved, or any other considerations, the person otherwise authorized herein to take final action is of the opinion that the proposed disposition should be reviewed at a higher level, the case shall be forwarded for such review;

(C) If the Department has previously submitted a case to the Joint Committee on Taxation leaving one or more issues unresolved, any subsequent compromise or concession in that case must be submitted to the Joint Committee, whether or not the overpayment exceeds the amount specified in Section 6405 of the Internal Revenue Code;

(D) Nothing in this Directive shall be construed as altering any provision of Subpart Y of Part 0 of Title 28 of the Code of Federal Regulations requiring the submission of certain cases to the Attorney General, the Associate Attorney General, or the Solicitor General;

(E) Authority to approve recommendations that the Government confess error in or to concede cases on appeal is excepted from the foregoing redelegations; and

(F) The Assistant Attorney General, at any time, may withdraw any authority delegated by this Directive as it relates to any particular case or category of cases, or to any part thereof.

Section 12. With respect to a claim by the United States (also sometimes referred to as a claim on behalf of the United States), the term "offer in compromise" as used in this Directive is any settlement of such a claim, except settlements in which the United States would receive nothing or virtually nothing in exchange for giving up its claim; and the term "to close (other than by compromise or entry of judgment)," refers to a settlement under which the United States would receive nothing, or virtually nothing in exchange for giving up its claim.

Section 13. For a claim against the United States, the term "offer in compromise" as used in this Directive is any settlement of such a claim, except settlements in which the United States would receive nothing, or virtually nothing, in exchange for conceding the claim against it; and the term to "settle administratively," means a settlement in which the United States would receive nothing, or virtually nothing, for conceding the claim against it.

## §0.175

Section 14. This Directive supersedes Tax Division Directive No. 135, which was effective November 21, 2007.

Section 15. This Directive shall become effective on March 21, 2011.

### ATTORNEY GENERAL ORDER NO. 1147-86

By virtue of the authority vested in the Attorney General by 18 U.S.C. 2254, the Attorney General hereby designates the Postal Service with the authority to conduct civil forfeitures under section 2254 of the Protection of Children Against Sexual Exploitation Act, as amended by the Child Protection of 1984, 18 U.S.C. 2251-2255.

In utilizing the authority hereby granted, all rules, regulations, and procedures of the Federal Bureau of Investigation relating to the aforementioned Act must be followed, including the Federal Bureau of Investigation's Manual of Investigative Operations and Guidelines.

The authority hereby granted to enforce section 2254 of the Protection of Children Against Sexual Exploitation Act, as amended by the Child Protection Act of 1984, is subject to the direction of the Attorney General.

[34 FR 20388, Dec. 31, 1969]

EDITORIAL NOTE: For FEDERAL REGISTER citations affecting the appendix, see the List of CFR Sections Affected, which appears in the Finding Aids section of the printed volume and at [www.fdsys.gov](http://www.fdsys.gov).

### **Subpart Z—Assigning Responsibility Concerning Applications for Orders Compelling Testimony or Production of Evidence by Witnesses**

#### **§0.175 Judicial and administrative proceedings.**

(a) When the subject matter of a case or proceeding is within his or her respective jurisdiction, the Assistant Attorney General, Criminal Division, the Assistant Attorney General for National Security, or any Deputy Assistant Attorney General, Criminal Division or of the National Security Division is authorized to exercise the authority vested in the Attorney General by 18 U.S.C. 6003, to approve the application of a U.S. Attorney to a federal court for an order compelling testimony or the production of information by a witness in any proceeding before or ancillary to a court or grand jury of the United States, and the authority vested in the Attorney General by 18

## 28 CFR Ch. I (7-1-17 Edition)

U.S.C. 6004, to approve the issuance by an agency of the United States of an order compelling testimony or the production of information by a witness in a proceeding before the agency, when the subject matter of the case or proceeding is either within the cognizance of the Assistant Attorney General, Criminal Division, the Assistant Attorney General for National Security, or is not within the cognizance of the Divisions or Administration designated in paragraphs (b) and (c) of this section.

(b) The Assistant Attorneys General or any Deputy Assistant Attorney General of the Antitrust Division, the Civil Division, the Civil Rights Division, the Environment and Natural Resources Division and the Tax Division are authorized to exercise the power and authority vested in the Attorney General by 18 U.S.C. 6003 to approve the application of a U.S. Attorney to a Federal court for an order compelling testimony or the production of information in any proceeding before or ancillary to a court or grand jury of the United States when the subject matter of the case or proceeding is within the cognizance of their respective Divisions: *Provided, however,* That no approval shall be granted unless the Criminal Division indicates that it has no objection to the proposed grant of immunity.

(c) The Assistant Attorneys General and Deputy Assistant Attorneys General designated in paragraph (b) of this section, and the Administrator of the Drug Enforcement Administration are authorized to exercise the authority vested in the Attorney General by 18 U.S.C. 6004 to approve the issuance by an agency of the United States of an order compelling testimony or the production of information by a witness in a proceeding before the agency when the subject matter of the proceeding is within the cognizance of their respective Divisions or the Administration: *Provided, however,* That no approval shall be granted unless the Criminal Division indicates that it has no objection to the proposed grant of immunity.

[Order No. 1310-88, 54 FR 297, Jan. 5, 1989, as amended by Order No. 2865-2007, 72 FR 10068, Mar. 7, 2007]



## Department of Justice

## §0.179

### §0.176 Congressional proceedings.

(a) A notice of an intention to request an order from a district court compelling testimony or the production of information in a congressional proceeding when submitted to the Attorney General by either House of Congress or a committee or a subcommittee of the Congress pursuant to 18 U.S.C. 6005 shall be referred to the Assistant Attorney General of the Division or the Administrator of the Administration having cognizance of the subject matter of the proceedings: *Provided, however,* That either the notice or a copy thereof shall in any event be referred to the Assistant Attorney General in charge of the Criminal Division.

(b) The Assistant Attorneys General and Deputy Assistant Attorneys General designated in §0.175 (a) and (b) are authorized to exercise the power and authority vested in the Attorney General by 18 U.S.C. 6005 to apply to a district court of the United States to defer the issuance of an order compelling the testimony of a witness or the production of information in a proceeding before either House of Congress, or any committee or subcommittee of either House, or any joint committee of the two Houses.

[Order No. 445-70, 35 FR 19397, Dec. 23, 1970, as amended by Order No. 520-73, 38 FR 18381, July 10, 1973; Order No. 960-81, 46 FR 52353, Oct. 27, 1981; Order No. 1310-88, 54 FR 298, Jan. 5, 1989]

### §0.177 Applications for orders under the Comprehensive Drug Abuse Prevention and Control Act.

Notwithstanding the delegation of functions contained in subpart R of this part, the Assistant Attorney General in charge of the Criminal Division is authorized to exercise the authority vested in the Attorney General by section 514 of the Comprehensive Drug Abuse Prevention and Control Act of 1970, 84 Stat. 1276, to approve the application of a U.S. Attorney to a Federal court for an order compelling testimony or the production of information in any proceeding before a court or grand jury of the United States. Immunity shall be granted in agency proceedings under that Act only with the concurrence of the Assistant Attorney

General in charge of the Criminal Division.

[Order No. 445-70, 35 FR 19397, Dec. 23, 1970]

### §0.177a Antitrust civil investigative demands.

The Assistant Attorney General in charge of the Antitrust Division is authorized to issue orders pursuant to section 6004 of title 18, United States Code, to compel testimony in response to antitrust civil investigative demands for oral testimony. Issuance of such orders shall be subject to the concurrence of the Assistant Attorney General in charge of the Criminal Division.

[Order No. 753-77, 42 FR 56730, Oct. 28, 1977]

### §0.178 Redelegation of authority.

The Administrator of the Drug Enforcement Administration is authorized to redelegate the authority delegated by this subpart to the Deputy Administrator of DEA, to be exercised solely during the absence of the Administrator from the City of Washington.

[Order No. 445-70, 35 FR 19397, Dec. 23, 1970, as amended by Order No. 520-73, 38 FR 18381, July 10, 1973; Order No. 960-81, 46 FR 52354, Oct. 27, 1981; Order No. 1310-88, 54 FR 298, Jan. 5, 1989]

## Subpart Z-1—Prosecutions for Obstruction of Justice and Related Charges

### §0.179 Scope.

This subpart applies to the following matters:

(a) Obstruction of justice and obstruction of a criminal investigation (18 U.S.C. 1501-1511);

(b) Perjury and subornation of perjury (18 U.S.C. 1621, 1622);

(c) False declarations before a grand jury or court (18 U.S.C. 1623);

(d) Fraud and false statements in matters within the jurisdiction of a government agency (18 U.S.C. 1001); and

(e) Conspiracy to defraud the United States (18 U.S.C. 371).

[Order No. 630-75, 40 FR 53390, Nov. 18, 1975]

## §0.179a

## 28 CFR Ch. I (7-1-17 Edition)

### §0.179a Enforcement responsibilities.

(a) Matters involving charges of obstruction of justice, perjury, fraud or false statement, as described in §0.179, shall be under the supervisory jurisdiction of the Division having responsibility for the case or matter in which the alleged obstruction occurred. The Assistant Attorney General in charge of each Division shall have full authority to conduct prosecution of such charges, including authority to appoint special attorneys to present evidence to grand juries. However, such enforcement shall be preceded by consultation with the Assistant Attorney General in charge of the Criminal Division, to determine the appropriate supervisory jurisdiction. (See 38 CFR 0.55(p).)

(b) In the event the Assistant Attorney General in charge of the Division having responsibility for the case or matter does not wish to assume supervisory jurisdiction he shall refer the matter to the Assistant Attorney General in charge of the Criminal Division for handling by that Division.

[Order No. 630-75, 40 FR 53390, Nov. 18, 1975]

### Subpart AA—Orders of the Attorney General

SOURCE: Order No. 460-71, 36 FR 12096, June 25, 1971, unless otherwise noted.

### §0.180 Documents designated as orders.

All documents relating to the organization of the Department or to the assignment, transfer, or delegation of authority, functions, or duties by the Attorney General or to general departmental policy shall be designated as orders and shall be issued only by the Attorney General in a separate, numbered series. Classified orders shall be identified as such, included within the numbered series, and limited to the distribution provided for in the order or determined by the Assistant Attorney General for Administration. All documents amending, modifying, or revoking such orders, in whole or in part, shall likewise be designated as orders within such numbered series, and no other designation of such documents shall be used.

### §0.181 Requirements for orders.

Each order prepared for issuance by or approval of the Attorney General shall be given a suitable title, shall contain a clear and concise statement explaining the substance of the order, and shall cite the authority for its issuance.

### §0.182 Submission of proposed orders to the Office of Legal Counsel.

All orders prepared for the approval or signature of the Attorney General shall be submitted to the Office of Legal Counsel for approval as to form and legality and consistency with existing orders.

### §0.183 Distribution of orders.

The distribution of orders, unless otherwise provided by the Attorney General, shall be determined by the Assistant Attorney General for Administration.

## Subpart BB—Sections and Subunits

### §0.190 Changes within organizational units.

(a) The head of each Office, Board, Division or Bureau may from time to time propose the establishment, transfer, reorganization or termination of major functions within his organizational unit as he may deem necessary or appropriate. In each instance, the head of the Office, Board, Division or Bureau shall submit the proposed change in writing to the Assistant Attorney General for Administration. The Assistant Attorney General for Administration shall evaluate the proposal and shall submit the proposed change, along with his recommendation, to the Associate Attorney when appropriate, and in all other cases directly to the Deputy Attorney General. Where the Associate Attorney General has received a proposed change, he shall evaluate it, and shall submit it along, with his recommendation, to the Deputy Attorney General. The Deputy Attorney General shall then approve or disapprove the change.

(b) The approval shall be final in the case of changes which do not affect the overall structure of the Department.

## Department of Justice

## § 1.1

Proposed changes which are determined by the Deputy Attorney General to affect the overall structure of the Department's organization shall be forwarded by the Deputy Attorney General to the Attorney General for final approval prior to implementation, and shall be effectuated by issuance of an Attorney General's order, in accordance with subpart AA of this part.

[Order No. 960-81, 46 FR 52354, Oct. 27, 1981]

### § 0.191 Changes which affect the overall structure of the Department.

Changes to the overall structure of the Department include: The establishment, merger or abolishment of Offices, Boards, Divisions, and Bureaus; changes in reporting lines of Offices, Boards, Divisions and Bureaus to the Department; and transfers of major functions between or among Offices, Boards, Divisions and Bureaus.

[Order No. 808-78, 43 FR 54929, Nov. 24, 1978]

### Subpart CC—Jurisdictional Disagreements

#### § 0.195 Procedure with respect to jurisdictional disagreements.

Any disagreement between or among heads of the organizational units as to their respective jurisdictions shall be resolved by the Attorney General, who may, if he so desires, issue an order in the numbered series disposing of the matter.

[Order No. 423-69, 34 FR 20388, Dec. 31, 1969. Redesignated by Order No. 445-70, 35 FR 19397, Dec. 23, 1970]

#### § 0.196 Procedures for resolving disagreements concerning mail or case assignments.

When an assignment for the handling of mail or a case has been made through established procedures and the appropriate authorities in any organizational unit of the Department disagree concerning jurisdiction of the unit for handling the matter or matters assigned, the disagreement, together with a statement of the view of the unit or units involved, shall be referred to the Assistant Attorney General for Administration for determination. If the disagreement cannot be resolved, the matter shall be referred to

the Deputy Attorney General for final disposition.

[Order No. 900-80, 45 FR 43703, June 30, 1980]

#### § 0.197 Agreements, in connection with criminal proceedings or investigations, promising non-deportation or other immigration benefits.

The Immigration and Naturalization Service (Service) shall not be bound, in the exercise of its authority under the immigration laws, through plea agreements, cooperation agreements, or other agreements with or for the benefit of alien defendants, witnesses, or informants, or other aliens cooperating with the United States Government, except by the authorization of the Commissioner of the Service or the Commissioner's delegate. Both the agreement itself and the necessary authorization must be in writing to be effective, and the authorization shall be attached to the agreement.

[Order No. 2055-96, 61 FR 48406, Sept. 13, 1996]

## PART 1—EXECUTIVE CLEMENCY

### Sec.

- 1.1 Submission of petition; form to be used; contents of petition.
- 1.2 Eligibility for filing petition for pardon.
- 1.3 Eligibility for filing petition for commutation of sentence.
- 1.4 Offenses against the laws of possessions or territories of the United States.
- 1.5 Disclosure of files.
- 1.6 Consideration of petitions; notification of victims; recommendations to the President.
- 1.7 Notification of grant of clemency.
- 1.8 Notification of denial of clemency.
- 1.9 Delegation of authority.
- 1.10 Procedures applicable to prisoners under a sentence of death imposed by a United States District Court.
- 1.11 Advisory nature of regulations.

AUTHORITY: U.S. Const., Art. II, sec. 2; authority of the President as Chief Executive; and 28 U.S.C. 509, 510.

SOURCE: Order No. 1798-93, 58 FR 53658, Oct. 18, 1993, unless otherwise noted.

#### § 1.1 Submission of petition; form to be used; contents of petition.

A person seeking executive clemency by pardon, reprieve, commutation of sentence, or remission of fine shall execute a formal petition. The petition shall be addressed to the President of

## § 1.2

the United States and shall be submitted to the Pardon Attorney, Department of Justice, Washington, DC 20530, except for petitions relating to military offenses. Petitions and other required forms may be obtained from the Pardon Attorney. Petition forms for commutation of sentence also may be obtained from the wardens of federal penal institutions. A petitioner applying for executive clemency with respect to military offenses should submit his or her petition directly to the Secretary of the military department that had original jurisdiction over the court-martial trial and conviction of the petitioner. In such a case, a form furnished by the Pardon Attorney may be used but should be modified to meet the needs of the particular case. Each petition for executive clemency should include the information required in the form prescribed by the Attorney General.

### § 1.2 Eligibility for filing petition for pardon.

No petition for pardon should be filed until the expiration of a waiting period of at least five years after the date of the release of the petitioner from confinement or, in case no prison sentence was imposed, until the expiration of a period of at least five years after the date of the conviction of the petitioner. Generally, no petition should be submitted by a person who is on probation, parole, or supervised release.

### § 1.3 Eligibility for filing petition for commutation of sentence.

No petition for commutation of sentence, including remission of fine, should be filed if other forms of judicial or administrative relief are available, except upon a showing of exceptional circumstances.

### § 1.4 Offenses against the laws of possessions or territories of the United States.

Petitions for executive clemency shall relate only to violations of laws of the United States. Petitions relating to violations of laws of the possessions of the United States or territories subject to the jurisdiction of the United States should be submitted to the ap-

## 28 CFR Ch. I (7-1-17 Edition)

propriate official or agency of the possession or territory concerned.

### § 1.5 Disclosure of files.

Petitions, reports, memoranda, and communications submitted or furnished in connection with the consideration of a petition for executive clemency generally shall be available only to the officials concerned with the consideration of the petition. However, they may be made available for inspection, in whole or in part, when in the judgment of the Attorney General their disclosure is required by law or the ends of justice.

### § 1.6 Consideration of petitions; notification of victims; recommendations to the President.

(a) Upon receipt of a petition for executive clemency, the Attorney General shall cause such investigation to be made of the matter as he or she may deem necessary and appropriate, using the services of, or obtaining reports from, appropriate officials and agencies of the Government, including the Federal Bureau of Investigation.

(b)(1) When a person requests clemency (in the form of either a commutation of a sentence or a pardon after serving a sentence) for a conviction of a felony offense for which there was a victim, and the Attorney General concludes from the information developed in the clemency case that investigation of the clemency case warrants contacting the victim, the Attorney General shall cause reasonable effort to be made to notify the victim or victims of the crime for which clemency is sought:

(i) That a clemency petition has been filed;

(ii) That the victim may submit comments regarding clemency; and

(iii) Whether the clemency request ultimately is granted or denied by the President.

(2) In determining whether contacting the victim is warranted, the Attorney General shall consider the seriousness and recency of the offense, the nature and extent of the harm to the victim, the defendant's overall criminal history and history of violent

## Department of Justice

## § 1.10

behavior, and the likelihood that clemency could be recommended in the case.

(3) For the purposes of this paragraph (b), “victim” means an individual who:

(i) Has suffered direct or threatened physical, emotional, or pecuniary harm as a result of the commission of the crime for which clemency is sought (or, in the case of an individual who died or was rendered incompetent as a direct and proximate result of the commission of the crime for which clemency is sought, one of the following relatives of the victim (in order of preference): the spouse; an adult offspring; or a parent); and

(ii) Has on file with the Federal Bureau of Prisons a request to be notified pursuant to 28 CFR 551.152 of the offender’s release from custody.

(4) For the purposes of this paragraph (b), “reasonable effort” is satisfied by mailing to the last-known address reported by the victim to the Federal Bureau of Prisons under 28 CFR 551.152.

(5) The provisions of this paragraph (b) apply to clemency cases filed on or after September 28, 2000.

(c) The Attorney General shall review each petition and all pertinent information developed by the investigation and shall determine whether the request for clemency is of sufficient merit to warrant favorable action by the President. The Attorney General shall report in writing his or her recommendation to the President, stating whether in his or her judgment the President should grant or deny the petition.

[Order No. 2323-2000, 65 FR 58223, Sept. 28, 2000]

### § 1.7 Notification of grant of clemency.

When a petition for pardon is granted, the petitioner or his or her attorney shall be notified of such action and the warrant of pardon shall be mailed to the petitioner. When commutation of sentence is granted, the petitioner shall be notified of such action and the warrant of a commutation shall be sent to the petitioner through the officer in charge of his or her place of confinement, or directly to the petitioner if he/she is on parole, probation, or supervised release.

### § 1.8 Notification of denial of clemency.

(a) Whenever the President notifies the Attorney General that he has denied a request for clemency, the Attorney General shall so advise the petitioner and close the case.

(b) Except in cases in which a sentence of death has been imposed, whenever the Attorney General recommends that the President deny a request for clemency and the President does not disapprove or take other action with respect to that adverse recommendation within 30 days after the date of its submission to him, it shall be presumed that the President concurs in that adverse recommendation of the Attorney General, and the Attorney General shall so advise the petitioner and close the case.

### § 1.9 Delegation of authority.

The Attorney General may delegate to any officer of the Department of Justice any of his or her duties or responsibilities under §§ 1.1 through 1.8.

### § 1.10 Procedures applicable to prisoners under a sentence of death imposed by a United States District Court.

The following procedures shall apply with respect to any request for clemency by a person under a sentence of death imposed by a United States District Court for an offense against the United States. Other provisions set forth in this part shall also apply to the extent they are not inconsistent with this section.

(a) Clemency in the form of reprieve or commutation of a death sentence imposed by a United States District Court shall be requested by the person under the sentence of death or by the person’s attorney acting with the person’s written and signed authorization.

(b) No petition for reprieve or commutation of a death sentence should be filed before proceedings on the petitioner’s direct appeal of the judgment of conviction and first petition under 28 U.S.C. 2255 have terminated. A petition for commutation of sentence should be filed no later than 30 days after the petitioner has received notification from the Bureau of Prisons of

## § 1.11

the scheduled date of execution. All papers in support of a petition for commutation of sentence should be filed no later than 15 days after the filing of the petition itself. Papers filed by the petitioner more than 15 days after the commutation petition has been filed may be excluded from consideration.

(c) The petitioner's clemency counsel may request to make an oral presentation of reasonable duration to the Office of the Pardon Attorney in support of the clemency petition. The presentation should be requested at the time the clemency petition is filed. The family or families of any victim of an offense for which the petitioner was sentenced to death may, with the assistance of the prosecuting office, request to make an oral presentation of reasonable duration to the Office of the Pardon Attorney.

(d) Clemency proceedings may be suspended if a court orders a stay of execution for any reason other than to allow completion of the clemency proceeding.

(e) Only one request for commutation of a death sentence will be processed to completion, absent a clear showing of exceptional circumstances.

(f) The provisions of this § 1.10 apply to any person under a sentence of death imposed by a United States District Court for whom an execution date is set on or after August 1, 2000.

[Order No. 2317-2000, 65 FR 48381, Aug. 8, 2000]

### § 1.11 Advisory nature of regulations.

The regulations contained in this part are advisory only and for the internal guidance of Department of Justice personnel. They create no enforceable rights in persons applying for executive clemency, nor do they restrict the authority granted to the President under Article II, section 2 of the Constitution.

[Order No. 1798-93, 58 FR 53658, Oct. 18, 1993. Redesignated by Order No. 2317-2000, 65 FR 48381, Aug. 8, 2000]

## 28 CFR Ch. I (7-1-17 Edition)

### PART 2—PAROLE, RELEASE, SUPERVISION AND RECOMMITMENT OF PRISONERS, YOUTH OFFENDERS, AND JUVENILE DELINQUENTS

#### Subpart A—United States Code Prisoners and Parolees

- Sec.
- 2.1 Definitions.
  - 2.2 Eligibility for parole; adult sentences.
  - 2.3 Same: Narcotic Addict Rehabilitation Act.
  - 2.4 Same: Youth offenders and juvenile delinquents.
  - 2.5 Sentence aggregation.
  - 2.6 Withheld and forfeited good time.
  - 2.7 Committed fines and restitution orders.
  - 2.8 Mental competency proceedings.
  - 2.9 Study prior to sentencing.
  - 2.10 Date service of sentence commences.
  - 2.11 Application for parole; notice of hearing.
  - 2.12 Initial hearings: Setting presumptive release dates.
  - 2.13 Initial hearing; procedure.
  - 2.14 Subsequent proceedings.
  - 2.15 Petition for consideration of parole prior to date set at hearing.
  - 2.16 Parole of prisoner in state, local, or territorial institution.
  - 2.17 Original jurisdiction cases.
  - 2.18 Granting of parole.
  - 2.19 Information considered.
  - 2.20 Paroling policy guidelines: Statement of general policy.
  - 2.21 Reparole consideration guidelines.
  - 2.22 Communication with the Commission.
  - 2.23 Delegation to hearing examiners.
  - 2.24 Review of panel recommendation by the Regional Commissioner.
  - 2.25 Hearings by videoconference.
  - 2.26 Appeal to National Appeals Board.
  - 2.27 Petition for reconsideration of original jurisdiction decisions.
  - 2.28 Reopening of cases.
  - 2.29 Release on parole.
  - 2.30 False information or new criminal conduct: Discovery after release.
  - 2.31 Parole to detainers: Statement of policy.
  - 2.32 Parole to local or immigration detainers.
  - 2.33 Release plans.
  - 2.34 Rescission of parole.
  - 2.35 Mandatory release in the absence of parole.
  - 2.36 Rescission guidelines.
  - 2.37 Disclosure of information concerning parolees; Statement of policy.
  - 2.38 Community supervision by U.S. Probation Officers.
  - 2.39 Jurisdiction of the Commission.
  - 2.40 Conditions of release.
  - 2.41 Travel approval.

## Department of Justice

Pt. 2

- 2.42 Probation officer's reports to Commission.
- 2.43 Early termination.
- 2.44 Summons to appear or warrant for retaking of parolee.
- 2.45 Same; youth offenders.
- 2.46 Execution of warrant and service of summons.
- 2.47 Warrant placed as a detainer and dispositional review.
- 2.48 Revocation: Preliminary interview.
- 2.49 Place of revocation hearing.
- 2.50 Revocation hearing procedure.
- 2.51 Issuance of a subpoena for the appearance of witnesses or production of documents.
- 2.52 Revocation decisions.
- 2.53 Mandatory parole.
- 2.54 Reviews pursuant to 18 U.S.C. 4215(c).
- 2.55 Disclosure of file prior to parole hearing.
- 2.56 Disclosure of Parole Commission file.
- 2.57 Special parole terms.
- 2.58 Prior orders.
- 2.59 Designation of a Commissioner to act as a hearing examiner.
- 2.60 Superior program achievement.
- 2.61 Qualifications of representatives.
- 2.62 Rewarding assistance in the prosecution of other offenders; criteria and guidelines.
- 2.63 Quorum.
- 2.64 Youth Corrections Act.
- 2.65 Paroling policy for prisoners serving aggregate U.S. and D.C. Code sentences.
- 2.66 Revocation decision without hearing.

### Subpart B—Transfer Treaty Prisoners and Parolees

- 2.68 Prisoners transferred pursuant to treaty.
- 2.69 [Reserved]

### Subpart C—District of Columbia Code: Prisoners and Parolees

- 2.70 Authority and functions of the U.S. Parole Commission with respect to District of Columbia Code offenders.
- 2.71 Application for parole.
- 2.72 Hearing procedure.
- 2.73 Parole suitability criteria.
- 2.74 Decision of the Commission.
- 2.75 Reconsideration proceedings.
- 2.76 Reduction in minimum sentence.
- 2.77 Medical parole.
- 2.78 Geriatric parole.
- 2.79 Good time forfeiture.
- 2.80 Guidelines for D.C. Code offenders.
- 2.81 Reparole decisions.
- 2.82 Effective date of parole.
- 2.83 Release planning.
- 2.84 Release to other jurisdictions.
- 2.85 Conditions of release.
- 2.86 Release on parole; rescission for misconduct.

- 2.87 Mandatory release.
- 2.88 Confidentiality of parole records.
- 2.89 Miscellaneous provisions.
- 2.90 Prior orders of the Board of Parole.
- 2.91 Supervision responsibility.
- 2.92 Jurisdiction of the Commission.
- 2.93 Travel approval.
- 2.94 Supervision reports to Commission.
- 2.95 Early termination from supervision.
- 2.96 Order of early termination.
- 2.97 Withdrawal of order of release.
- 2.98 Summons to appear or warrant for retaking of parolee.
- 2.99 Execution of warrant and service of summons.
- 2.100 Warrant placed as detainer and dispositional review.
- 2.101 Probable cause hearing and determination.
- 2.102 Place of revocation hearing.
- 2.103 Revocation hearing procedure.
- 2.104 Issuance of subpoena for appearance of witnesses or production of documents.
- 2.105 Revocation decisions.
- 2.106 Youth Rehabilitation Act.
- 2.107 Interstate Compact.

### Subpart D—District of Columbia Supervised Releasees

- 2.200 Authority, jurisdiction, and functions of the U.S. Parole Commission with respect to offenders serving terms of supervised release imposed by the Superior Court of the District of Columbia.
- 2.201 Period of supervised release.
- 2.202 Prerelease procedures.
- 2.203 Certificate of supervised release.
- 2.204 Conditions of supervised release.
- 2.205 Confidentiality of supervised release records.
- 2.206 Travel approval and transfers of supervision.
- 2.207 Supervision reports to Commission.
- 2.208 Termination of a term of supervised release.
- 2.209 Order of termination.
- 2.210 Extension of term.
- 2.211 Summons to appear or warrant for retaking releasee.
- 2.212 Execution of warrant and service of summons.
- 2.213 Warrant placed as detainer and dispositional review.
- 2.214 Probable cause hearing and determination.
- 2.215 Place of revocation hearing.
- 2.216 Revocation hearing procedure.
- 2.217 Issuance of subpoena for appearance of witnesses or production of documents.
- 2.218 Revocation decisions.
- 2.219 Maximum terms of imprisonment and supervised release.
- 2.220 Appeal.

AUTHORITY: 18 U.S.C. 4203(a)(1) and 4204(a)(6).

## § 2.1

SOURCE: 42 FR 39809, Aug. 5, 1977, unless otherwise noted.

### Subpart A—United States Code Prisoners and Parolees

#### § 2.1 Definitions.

As used in this part:

(a) The term *Commission* refers to the U.S. Parole Commission.

(b) The term *Commissioner* refers to members of the U.S. Parole Commission.

(c) The term *National Appeals Board* refers to the three-member Commission sitting as a body to decide appeals taken from decisions of a Regional Commissioner, who participates as a member of the National Appeals Board. The Vice Chairman shall be Chairman of the National Appeals Board.

(d) The term *National Commissioners* refers to the Chairman of the Commission and to the Commissioner who is not serving as the Regional Commissioner in respect to a particular case.

(e) The term *Regional Commissioner* refers to Commissioners who are assigned to make initial decisions, pursuant to the authority delegated by these rules, in respect to prisoners and parolees in regions defined by the Commission.

(f) The term *eligible prisoner* refers to any Federal prisoner eligible for parole pursuant to this part and includes any Federal prisoner whose parole has been revoked and who is not otherwise ineligible for parole.

(g) The term *parolee* refers to any Federal prisoner released on parole or as if on parole pursuant to 18 U.S.C. 4164 or 4205(f). The term *mandatory release* refers to release pursuant to 18 U.S.C. 4163 and 4164.

(h) The term *effective date of parole* refers to a parole date that has been approved following an in-person hearing held within nine months of such date, or following a pre-release record review.

(i) All other terms used in this part shall be deemed to have the same meaning as identical or comparable terms as used in chapter 311 of part IV

## 28 CFR Ch. I (7–1–17 Edition)

of title 18 of the U.S. Code or 28 CFR chapter I, part 0, subpart V.

[42 FR 39809, Aug. 5, 1977, as amended at 43 FR 22707, May 26, 1978; Order No. 960–81, 46 FR 52354, Oct. 27, 1981; 60 FR 51350, Oct. 2, 1995; 61 FR 55743, Oct. 29, 1996]

#### § 2.2 Eligibility for parole; adult sentences.

(a) A Federal prisoner serving a maximum term or terms of more than one year imposed pursuant to 18 U.S.C. 4205 (a) (or pursuant to former 18 U.S.C. 4202) may be released on parole in the discretion of the Commission after completion of one-third of such term or terms, or after completion of ten years of a life sentence or of a sentence of over thirty years.

(b) A Federal prisoner serving a maximum term or terms of more than one year imposed pursuant to 18 U.S.C. 4205(b)(1) (or pursuant to former 18 U.S.C. 4208(a)(1)) may be released on parole in the discretion of the Commission after completion of the court-designated minimum term, which may be less than but not more than one-third of the maximum sentence imposed.

(c) A Federal prisoner serving a maximum term or terms of more than one year imposed pursuant to 18 U.S.C. 4205(b)(2) (or pursuant to former 18 U.S.C. 4208(a)(2)) may be released on parole at any time in the discretion of the Commission.

(d) If the Court has imposed a maximum term or terms of more than one year pursuant to 18 U.S.C. 924(a) or 26 U.S.C. 5871 [violation of Federal gun control laws], a Federal prisoner serving such term or terms may be released in the discretion of the Commission as if sentenced pursuant to 18 U.S.C. 4205(b)(2). However, if the prisoner's offense was committed on or after October 12, 1984, and the Court imposes a term or terms under 26 U.S.C. 5871, the prisoner is eligible for parole only after service of one-third of such term or terms, pursuant to 18 U.S.C. 4205(a).

(e) A Federal prisoner serving a maximum term or terms of one year or less is not eligible for parole consideration by the Commission.

[42 FR 41408, Aug. 17, 1977, as amended at 50 FR 36423, Sept. 6, 1985; 53 FR 46870, Nov. 21, 1988]



**§ 2.3 Same: Narcotic Addict Rehabilitation Act.**

A Federal prisoner committed under the Narcotic Addict Rehabilitation Act may be released on parole in the discretion of the Commission after completion of at least six months in treatment, not including any period of time for "study" prior to final judgment of the court. Before parole is ordered by the Commission, the Surgeon General or his designated representative must certify that the prisoner has made sufficient progress to warrant his release and the Attorney General or his designated representative must also report to the Commission whether the prisoner should be released. Recertification by the Surgeon General prior to reparole consideration is not required (18 U.S.C. 4254).

[48 FR 22918, May 23, 1983]

**§ 2.4 Same: Youth offenders and juvenile delinquents.**

Committed youth offenders and juvenile delinquents may be released on parole at any time in the discretion of the Commission.

(18 U.S.C. 5017(a) and 5041)

[45 FR 44925, July 2, 1980]

**§ 2.5 Sentence aggregation.**

When multiple sentences are aggregated by the Bureau of Prisons pursuant to 18 U.S.C. 4161 and 4205, such sentences are treated as a single aggregate sentence for the purpose of every action taken by the Commission pursuant to these rules, and the prisoner has a single parole eligibility date as determined by the Bureau of Prisons.

[45 FR 44925, July 2, 1980]

**§ 2.6 Withheld and forfeited good time.**

While neither a forfeiture of good time nor a withholding of good time shall bar a prisoner from receiving a parole hearing, section 4206 of title 18 of the U.S. Code permits the Commission to parole only those prisoners who have substantially observed the rules of the institution.

[43 FR 38822, Aug. 31, 1978]

**§ 2.7 Committed fines and restitution orders.**

(a) *Committed fines.* In any case in which a prisoner shall have had a fine imposed upon him by the committing court for which he is to stand committed until it is paid or until he is otherwise discharged according to law, such prisoner shall not be released on parole or mandatory release until payment of the fine, or until the fine commitment order is discharged according to law under the regulations of the Bureau of Prisons. Discharge from the commitment obligation of any committed fine does not discharge the prisoner's obligation to pay the fine as a debt due the United States.

(b) *Restitution orders.* Where a prisoner applying for parole is under an order of restitution, and it appears that the prisoner has the ability to pay and has willfully failed to do so, the Commission shall require that approval of a parole release plan be contingent upon the prisoner first satisfying such restitution order. The prisoner shall be notified that failure to satisfy this condition shall result in retardation of parole under the provisions of § 2.28(e).

[48 FR 44527, Sept. 29, 1983, as amended at 50 FR 36422, Sept. 6, 1985]

**§ 2.8 Mental competency proceedings.**

(a) Whenever a prisoner (or parolee) is scheduled for a hearing in accordance with the provisions of this part and reasonable doubt exists as to his mental competency, i.e., his ability to understand the nature of and participate in scheduled proceedings, a preliminary inquiry to determine his mental competency shall be conducted by the hearing panel, hearing examiner or other official (including a U.S. Probation Officer) designated by the Regional Commissioner.

(b) The hearing examiner(s) or designated official shall receive oral or written psychiatric or psychological testimony and other evidence that may be available. A preliminary determination of mental competency shall be made upon the testimony, evidence, and personal observation of the prisoner (or parolee). If the examiner(s) or designated official determines that the prisoner is mentally competent, the

## §2.8

## 28 CFR Ch. I (7-1-17 Edition)

previously scheduled hearing shall be held. If they determine that the prisoner is not mentally competent, the previously scheduled hearing shall be temporarily postponed.

(c) Whenever the hearing examiner(s) or designated official determine that a prisoner is mentally incompetent and postpone the previously scheduled hearing, they shall forward the record of the preliminary hearing with their findings to the Regional Commissioner for review.

(1) In the case of a prisoner, if the Regional Commissioner concurs with their findings, the Commissioner shall order the temporarily postponed hearing to be postponed indefinitely until such time as it is determined that the prisoner has recovered sufficiently to understand the proceedings. The Regional Commissioner shall require a progress report on the mental health of the prisoner at least every six months. When the Regional Commissioner determines that the prisoner has recovered sufficiently, the Commissioner shall reschedule the hearing for the earliest feasible date.

(2) In the case of a parolee in a revocation proceeding, the Regional Commissioner shall postpone the revocation hearing and order that the parolee be given a mental health examination in a suitable facility of the Bureau of Prisons or the District of Columbia. The postponed revocation hearing shall be held within 60 days, or as soon as a satisfactory mental health report is submitted. The Regional Commissioner shall order that appointment of counsel be sought in any case where the parolee does not have counsel for the revocation hearing. If the parolee's mental incompetency is raised at a preliminary interview or probable cause hearing, the Commission (or hearing official) will make a determination of probable cause and, if probable cause is found, schedule a revocation hearing as provided in this paragraph.

(d) If the Regional Commissioner disagrees with the findings of the hearing examiner(s) or designated official as to the mental competency of the prisoner, he shall take such action as he deems appropriate.

(e) At a postponed revocation hearing under this section, the hearing exam-

iner shall make a preliminary determination as to the parolee's mental competency, taking into account all available mental health reports, any evidence submitted on the parolee's behalf, any report from counsel as to counsel's ability to communicate with the parolee, and the parolee's own responses to the examiner's questioning.

(1) If the hearing examiner determines the parolee to be mentally competent, the examiner shall conduct the revocation hearing. If counsel has previously asserted the parolee's incompetence, the examiner shall offer counsel a brief recess to consult with the parolee before proceeding.

(2) If the hearing examiner determines the parolee to be mentally incompetent, the examiner shall conduct the revocation hearing, and shall take into full account the parolee's mental condition in determining the facts and recommending a decision as to revocation and reparole.

(3) If the Commission revokes parole, the Commission may grant reparole conditioned on the parolee's acceptance into a particular type of mental health program prior to release from prison, or may grant reparole with a special condition of supervision that requires appropriate mental health treatment, including medication. In cases where no other option appears appropriate, the Commission may grant reparole conditioned upon the parolee's voluntary self-commitment to a mental health institution until such time as the parolee has sufficiently recovered for the Commission to permit the parolee's return to supervision.

(4) If the Commission finds that the parolee did not commit the charged violations of parole, but also finds that the parolee is unable to fulfill the normal obligations of a parolee by reason of his mental condition, the Commission may reinstate the parolee to parole with any appropriate special condition, including the special condition, if necessary, that the parolee voluntarily commit himself to a mental institution until such time as the parolee

## Department of Justice

## § 2.11

has sufficiently recovered for the Commission to permit a return to supervision.

[44 FR 3408, Jan. 16, 1979, as amended at 68 FR 70711, Dec. 19, 2003]

### § 2.9 Study prior to sentencing.

When an adult Federal offender has been committed to an institution by the sentencing court for observation and study prior to sentencing, under the provisions of 18 U.S.C. 4205(c), the report to the sentencing court is prepared and submitted directly by the Bureau of Prisons.

[50 FR 36423, Sept. 6, 1985, as amended at 68 FR 41528, July 14, 2003]

### § 2.10 Date service of sentence commences.

(a) Service of a sentence of imprisonment commences to run on the date on which the person is received at the penitentiary, reformatory, or jail for service of the sentence: *Provided, however,* That any such person shall be allowed credit toward the service of his sentence for any days spent in custody in connection with the offense or acts for which sentence was imposed.

(b) The imposition of a sentence of imprisonment for civil contempt shall interrupt the running of any sentence of imprisonment being served at the time the sentence of civil contempt is imposed, and the sentence or sentences so interrupted shall not commence to run again until the sentence of civil contempt is lifted.

(c) Service of the sentence of a committed youth offender or person committed under the Narcotic Addict Rehabilitation Act commences to run from the date of conviction and is interrupted only when such prisoner or parolee:

- (1) Is on court-ordered bail;
- (2) Is in escape status;
- (3) Has absconded from parole supervision; or
- (4) Comes within the provisions of paragraph (b) of this section.

[42 FR 39809, Aug. 5, 1977, as amended at 47 FR 36634, Aug. 23, 1982]

### § 2.11 Application for parole; notice of hearing.

(a) A federal prisoner (including a committed youth offender or prisoner sentenced under the Narcotic Addict Rehabilitation Act) desiring to apply for parole shall execute an application form as prescribed by the Commission. Such forms shall be available at each federal institution and shall be provided to each prisoner who is eligible for an initial parole hearing pursuant to § 2.12. Prisoners committed under the Federal Juvenile Delinquency Act shall be considered for parole without application and may not waive parole consideration. A prisoner who receives an initial hearing need not apply for subsequent hearings.

(b) A prisoner may knowingly and intelligently waive any parole consideration on a form provided for that purpose. If a prisoner waives parole consideration, he may later apply for parole and may be heard during the next visit of the Commission to the institution at which he is confined, provided that he has applied at least 60 days prior to the first day of the month in which such visit of the Commission occurs.

(c) A prisoner who declines either to apply for or waive parole consideration is deemed to have waived parole consideration.

(d) In addition to the above procedures relating to parole application, all prisoners prior to initial hearing shall be provided with an inmate background statement by the Bureau of Prisons for completion by the prisoner.

(e) At least sixty days prior to the initial hearing (and prior to any hearing conducted pursuant to § 2.14), the prisoner shall be provided with written notice of the time and place of the hearing and of his right to review the documents to be considered by the Commission, as provided by § 2.55. A prisoner may waive such notice, except that if such notice is not waived, the case shall be continued to the time of the next regularly scheduled proceeding of the Commission at the institution in which the prisoner is confined.

[42 FR 39809, Aug. 5, 1977, as amended at 45 FR 6381, Jan. 28, 1980; 47 FR 21041, May 17, 1982; 49 FR 7228, Feb. 28, 1984]

## § 2.12

### § 2.12 Initial hearings: Setting presumptive release dates.

(a) An initial hearing shall be conducted within 120 days of a prisoner's arrival at a federal institution or as soon thereafter as practicable; except that in a case of a prisoner with a minimum term of parole ineligibility of ten years or more, the initial hearing will be conducted nine months prior to the completion of such a minimum term, or as soon thereafter as practicable.

(b) Following initial hearing, the Commission shall (1) set a presumptive release date (either by parole or by mandatory release) within fifteen years of the hearing; (2) set an effective date of parole; or (3) continue the prisoner to a fifteen year reconsideration hearing pursuant to § 2.14(c).

(c) Notwithstanding the above paragraph, a prisoner may not be paroled earlier than the completion of any judicially set minimum term of imprisonment or other period of parole ineligibility fixed by law.

(d) A presumptive parole date shall be contingent upon an affirmative finding by the Commission that the prisoner has a continued record of good conduct and a suitable release plan and shall be subject to the provisions of §§ 2.14 and 2.28. In the case of a prisoner sentenced under the Narcotic Addict Rehabilitation Act, 18 U.S.C. 4254, a presumptive parole date shall also be contingent upon certification by the Surgeon General pursuant to § 2.3 of these rules. Consideration of disciplinary infractions in cases with presumptive parole dates may be deferred until the commencement of the next in-person hearing or the prerelease record review required by § 2.14(b). While prisoners are encouraged to earn the restoration of forfeited or withheld good time, the Commission will consider the prisoner's overall institutional record in determining whether the conditions of a presumptive parole date have been satisfied.

[42 FR 39809, Aug. 5, 1977, as amended at 44 FR 3405, 3407, Jan. 16, 1979; 48 FR 22919, May 23, 1983; 49 FR 34208, Aug. 29, 1984; 57 FR 41391, Sept. 10, 1992; 60 FR 51350, Oct. 2, 1995]

## 28 CFR Ch. I (7-1-17 Edition)

### § 2.13 Initial hearing; procedure.

(a) An initial hearing shall be conducted by a single hearing examiner unless the Regional Commissioner orders that the hearing be conducted by a panel of two examiners. The examiner shall discuss with the prisoner his offense severity rating and salient factor score as described in § 2.20, his institutional conduct and, in addition, any other matter the examiner may deem relevant.

(b) A prisoner may be represented at a hearing by a person of his or her choice. The function of the prisoner's representative shall be to offer a statement at the conclusion of the interview of the prisoner by the examiner, and to provide such additional information as the examiner shall request. Interested parties who oppose parole may select a representative to appear and offer a statement. The hearing examiner shall limit or exclude any irrelevant or repetitious statement.

(c) At the conclusion of the hearing, the examiner shall discuss the decision to be recommended by the examiner and the reasons therefor, except in the extraordinary circumstance of a complex issue that requires further deliberation before a recommendation can be made. Written notice of the decision shall be mailed or transmitted to the prisoner within 21 days of the date of the hearing, except in emergencies. Whenever the Commission initially establishes a release date (or modifies the release date thereafter), the prisoner shall also receive in writing the reasons therefor.

(d) In accordance with 18 U.S.C. 4206, the reasons for establishment of a release date shall include a guidelines evaluation statement containing the prisoner's offense severity rating and salient factor score (including the points credited on each item of such score) as described in § 2.20, as well as the specific factors and information relied upon for any decision outside the range indicated by the guidelines.

(e) No interviews with the Commission, or any representative thereof, shall be granted to a prisoner unless his name is docketed for a hearing in accordance with Commission procedures. Hearings shall not be open to the public.

## Department of Justice

## § 2.14

(f) A full and complete record of every hearing shall be retained by the Commission. Upon a request, pursuant to § 2.56, the Commission shall make available to any eligible prisoner such record as the Commission has retained of the hearing.

[42 FR 39809, Aug. 5, 1977, as amended at 45 FR 6381, Jan. 28, 1980; 47 FR 25736, June 15, 1982; 48 FR 23183, May 24, 1983; 59 FR 45625, Sept. 2, 1994; 68 FR 41528, July 14, 2003]

### § 2.14 Subsequent proceedings.

(a) *Interim proceedings.* The purpose of an interim hearing required by 18 U.S.C. 4208(h) shall be to consider any significant developments or changes in the prisoner's status that may have occurred subsequent to the initial hearing.

(1) Notwithstanding a previously ordered presumptive release date or fifteen year reconsideration hearing, interim hearings shall be conducted pursuant to the procedures of § 2.13(b), (c), (e), and (f) at the following intervals from the date of the last hearing:

(i) In the case of a prisoner with a maximum term or terms of less than seven years, every eighteen months (until released);

(ii) In the case of a prisoner with a maximum term or terms of seven years or more, every twenty-four months (until released);

(iii) In the case of a prisoner with an unsatisfied minimum term, the first interim hearing shall be scheduled under paragraphs (a)(1)(i) or (ii) of this section, or on the docket of hearings that is nine months prior to the month of parole eligibility, whichever is later.

(2) Following an interim hearing, the Commission may:

(i) Order no change in the previous decision;

(ii) Advance a presumptive release date, or the date of a fifteen year reconsideration hearing. However, it shall be the policy of the Commission that once set, a presumptive release date or the date of a fifteen year reconsideration hearing shall be advanced only:

(1) For superior program achievement under the provisions of § 2.60; or

(2) For other clearly exceptional circumstances.

(iii) Retard or rescind a presumptive parole date for reason of disciplinary infractions. In a case in which disciplinary infractions have occurred, the interim hearing shall be conducted in accordance with the procedures of § 2.34(c) through (f). (Prior to each interim hearing, prisoners shall be notified on the progress report furnished by the Bureau of Prisons that any finding of misconduct by the Discipline Hearing Officer since the previous hearing will be considered for possible action under this paragraph);

(iv) If a presumptive date falls within nine months after the date of an interim hearing, the Commission may treat the interim hearing as a prerelease review in lieu of the record review required by paragraph (b) of this section.

(b) *Pre-release reviews.* The purpose of a pre-release review shall be to determine whether the conditions of a presumptive release date by parole have been satisfied.

(1) At least sixty days prior to a presumptive parole date, the case shall be reviewed on the record, including a current institutional progress report.

(2) Following review, the Regional Commissioner may:

(i) Approve the parole date;

(ii) Advance or retard the parole date for purpose of release planning as provided by § 2.28(e);

(iii) Retard the parole date or commence rescission proceedings as provided by § 2.34;

(iv) Advance the parole date for superior program achievement under the provisions of § 2.60.

(3) A pre-release review pursuant to this section shall not be required if an in-person hearing has been held within nine months of the parole date.

(4) Where:

(i) There has been no finding of misconduct by an Institutional Disciplinary Committee nor any allegation of criminal conduct since the last hearing; and

(ii) No other modification of the release date appears warranted, the Executive Hearing Examiner may act for the Regional Commissioner under paragraph (b)(2) of this section to approve conversion of the presumptive parole date to an effective date of parole.

## § 2.15

(c) *Fifteen year reconsideration hearings.* A fifteen year reconsideration hearing shall be a full reassessment of the case pursuant to the procedures at § 2.13.

(1) A fifteen year reconsideration hearing shall be ordered following initial hearing in any case in which a release date is not set.

(2) Following a fifteen year reconsideration hearing, the Commission may take any one of the actions authorized by § 2.12(b).

[46 FR 39136, July 31, 1981; 47 FR 25735, June 15, 1982, as amended at 48 FR 9247, Mar. 4, 1983; 48 FR 44525, Sept. 29, 1983; 49 FR 34208, Aug. 29, 1984; 55 FR 290, Jan. 4, 1990; 60 FR 51350, Oct. 2, 1995; 68 FR 41529, July 14, 2003]

### § 2.15 Petition for consideration of parole prior to date set at hearing.

When a prisoner has served the minimum term of imprisonment required by law, the Bureau of Prisons may petition the responsible Regional Commissioner for reopening the case under § 2.28(a) and consideration for parole prior to the date set by the Commission at the initial or review hearing. The petition must show cause why it should be granted, i.e., an emergency, hardship, or the existence of other extraordinary circumstances that would warrant consideration of early parole.

[42 FR 39809, Aug. 5, 1977, as amended at 44 FR 3407, Jan. 16, 1979]

### § 2.16 Parole of prisoner in state, local, or territorial institution.

(a) Any person who is serving a sentence of imprisonment for any offense against the United States, but who is confined therefor in a state reformatory or other state or territorial institution, shall be eligible for parole by the Commission on the same terms and conditions, by the same authority, and subject to recommittal for the violation of such parole, as though he were confined in a Federal penitentiary, reformatory, or other correctional institution.

(b) Federal prisoners serving concurrent state and Federal sentences in state, local, or territorial institutions shall be furnished upon request parole application forms. Upon receipt of the application and any supplementary classification material submitted by

## 28 CFR Ch. I (7-1-17 Edition)

the institution, parole consideration shall be made by an examiner panel of the appropriate region on the record only. If such prisoner is released from his state sentence prior to a Federal grant of parole, he shall be given a personal hearing as soon as feasible after receipt at a Federal institution.

(c) Prisoners who are serving Federal sentences exclusively but who are being boarded in State, local, or territorial institutions may be provided hearings at such facilities or may be transferred by the Bureau of Prisons to Federal Institutions for hearings by examiner panels of the Commission.

(18 U.S.C. 4203, 4204)

[42 FR 39809, Aug. 5, 1977, as amended at 45 FR 44924, July 2, 1980; 50 FR 36424, Sept. 6, 1985]

### § 2.17 Original jurisdiction cases.

(a) Following any hearing conducted pursuant to these rules, the Regional Commissioner may designate that a case should be decided as an original jurisdiction case. If the Regional Commissioner makes such a designation, the Regional Commissioner shall vote on the case and then refer the case to the other Commissioners for their votes. The decision in an original jurisdiction case shall be made on the basis of a majority vote of Commissioners holding office at the time of the decision.

(b) A Commissioner may designate a case as an original jurisdiction case if the case involves an offender:

(1) Who committed a serious crime against the security of the nation;

(2) Whose offense behavior included an unusual degree of sophistication or planning or was part of a large scale criminal conspiracy or continuing criminal enterprise;

(3) Who received national or unusual attention because of the nature of the crime, arrest, trial, or prisoner status, or because of the community status of the offender or a victim of the crime;

(4) Whose offense behavior caused the death of a law enforcement officer while the officer was in the line of duty; or

(5) Who was sentenced to a maximum term of at least 45 years or life imprisonment.

## Department of Justice

## §2.19

(c)(1) Any case designated for the original jurisdiction of the Commission shall remain an original jurisdiction case unless designation is removed pursuant to this subsection.

(2) A case found to be inappropriately designated for the Commission's original jurisdiction, or to no longer warrant such designation, may be removed from original jurisdiction under the procedures specified in paragraph (a) of this section following a regularly scheduled hearing or the reopening of the case pursuant to §2.28. Removal from original jurisdiction may also occur by majority vote of the Commission considering a petition for reconsideration pursuant to §2.27. Where the circumstances warrant, a case may be redesignated as original jurisdiction pursuant to the provisions of paragraphs (a) and (b) of this section.

[42 FR 39809, Aug. 5, 1977, as amended at 42 FR 44234, Sept. 2, 1977; 48 FR 53409, Nov. 28, 1983; 61 FR 13763, Mar. 28, 1996; 61 FR 55743, Oct. 29, 1996; 68 FR 41529, July 14, 2003; 75 FR 81459, Dec. 28, 2010]

### §2.18 Granting of parole.

The granting of parole to an eligible prisoner rests in the discretion of the U.S. Parole Commission. As prerequisites to a grant of parole, the Commission must determine that the prisoner has substantially observed the rules of the institution or institutions in which he has been confined; and upon consideration of the nature and circumstances of the offense and the history and characteristics of the prisoner, must determine that release would not depreciate the seriousness of his offense or promote disrespect for the law, and that release would not jeopardize the public welfare (i.e., that there is a reasonable probability that, if released, the prisoner would live and remain at liberty without violating the law or the conditions of his parole).

### §2.19 Information considered.

(a) In making a parole or reparole determination the Commission shall consider, if available and relevant:

(1) Reports and recommendations which the staff of the facility in which such prisoner is confined may make;

(2) Official reports of the prisoner's prior criminal record, including a re-

port or record of earlier probation and parole experiences;

(3) Pre-sentence investigation reports;

(4) Recommendations regarding the prisoner's parole made at the time of sentencing by the sentencing judge and prosecuting attorney;

(5) Reports of physical, mental, or psychiatric examination of the offender; and

(6) A statement, which may be presented orally or otherwise, by any victim of the offense for which the prisoner is imprisoned about the financial, social, psychological, and emotional harm done to, or loss suffered by such victim.

(b)(1) There shall also be taken into consideration such additional relevant information concerning the prisoner (including information submitted by the prisoner) as may be reasonably available (18 U.S.C. 4207). The Commission encourages the submission of relevant information concerning an eligible prisoner by interested persons.

(2) To permit adequate review of information concerning the prisoner, materials submitted to the Commission should be received by the Commission no later than the first day of the month preceding the month of the scheduled hearing docket.

(3) If material of more than six (6), double-spaced, letter-sized pages is first submitted at the time of the hearing (or preliminary interview) and the hearing panel (or person conducting the hearing or preliminary interview) concludes that it is not feasible to read all the material at that time, the person submitting the material will be permitted to summarize it briefly at the hearing (or preliminary interview). All of the material submitted will become part of the record to be considered by the Commission in its review of the proceedings.

(4) The Commission will normally consider only verbal and written evidence at hearings. Recorded audio and visual material will be reviewed at hearings only if there is no adequate substitute to permit a finding under paragraph (c) of this section. Otherwise, recorded audio and visual material should be submitted prior to the hearing for review and summarization,

## § 2.20

## 28 CFR Ch. I (7-1-17 Edition)

pursuant to paragraph (b)(2) of this section.

(c) The Commission may take into account any substantial information available to it in establishing the prisoner's offense severity rating, salient factor score, and any aggravating or mitigating circumstances, provided the prisoner is apprised of the information and afforded an opportunity to respond. If the prisoner disputes the accuracy of the information presented, the Commission shall resolve such dispute by the preponderance of the evidence standard; that is, the Commission shall rely upon such information only to the extent that it represents the explanation of the facts that best accords with reason and probability. If the Commission is given evidence of criminal behavior that has been the subject of an acquittal in a federal, state, or local court, the Commission may consider that evidence if:

(1) The Commission finds that it cannot adequately determine the prisoner's suitability for release on parole, or to remain on parole, unless the evidence is taken into account;

(2) The Commission is satisfied that the record before it is adequate notwithstanding the acquittal;

(3) The prisoner has been given the opportunity to respond to the evidence before the Commission; and

(4) The evidence before the Commission meets the preponderance standard.

In any other case, the Commission shall defer to the trial jury. Offense behavior in Category 5 or above shall presumptively support a finding under paragraph (c)(1) of this section.

(d) Recommendations and information from sentencing judges, defense attorneys, prosecutors, and other interested parties are welcomed by the Commission. In evaluating a recommendation concerning parole, the Commission must consider the degree to which such recommendation provides the Commission with specific facts and reasoning relevant to the statutory criteria for parole (18 U.S.C. 4206) and the application of the Commission's guidelines (including reasons for departure therefrom). Thus, to be most helpful, a recommendation should state its underlying factual basis and reasoning. However, no recommenda-

tion (including a prosecutorial recommendation pursuant to a plea agreement) may be considered as binding upon the Commission's discretionary authority to grant or deny parole.

[42 FR 39809, Aug. 5, 1977, as amended at 44 FR 26550, May 4, 1979; 44 FR 27658, May 11, 1979; 44 FR 31638, June 1, 1979; 49 FR 34207, Aug. 29, 1984; 49 FR 44098, Nov. 2, 1984; 50 FR 36423, Sept. 6, 1985; 51 FR 7064, Feb. 28, 1986; 56 FR 16270, Apr. 22, 1991; 56 FR 30868, July 8, 1991; 58 FR 16612, Mar. 30, 1993]

### § 2.20 Paroling policy guidelines: Statement of general policy.

(a) To establish a national paroling policy, promote a more consistent exercise of discretion, and enable fairer and more equitable decision-making without removing individual case consideration, the U.S. Parole Commission has adopted guidelines for parole release consideration.

(b) These guidelines indicate the customary range of time to be served before release for various combinations of offense (severity) and offender (parole prognosis) characteristics. The time ranges specified by the guidelines are established specifically for cases with good institutional adjustment and program progress.

(c) These time ranges are merely guidelines. Where the circumstances warrant, decisions outside of the guidelines (either above or below) may be rendered.

(d) The guidelines contain instructions for the rating of certain offense behaviors. However, especially mitigating or aggravating circumstances in a particular case may justify a decision or a severity rating different from that listed.

(e) An evaluation sheet containing a "salient factor score" serves as an aid in determining the parole prognosis (potential risk of parole violation). However, where circumstances warrant, clinical evaluation of risk may override this predictive aid.

(f) Guidelines for reparole consideration are set forth at § 2.21.

(g) The Commission shall review the guidelines, including the salient factor score, periodically and may revise or modify them at any time as deemed appropriate.



**Department of Justice**

**§ 2.20**

(h) If an offender was less than 18 years of age at the time of the current offense, such youthfulness shall, in itself, be considered as a mitigating factor.

(i) For criminal behavior committed while in confinement see § 2.36 (Rescission Guidelines).

(j)(1) In probation revocation cases, the original federal offense behavior and any new criminal conduct on probation (federal or otherwise) is considered in assessing offense severity. The original federal conviction is also counted in the salient factor score as a prior conviction. Credit is given toward the guidelines for any time spent in confinement on any offense considered in assessing offense severity.

(2) Exception: Where probation has been revoked on a complex sentence (i.e., a committed sentence of more than six months on one count or more of an indictment or information followed by a probation term on other count(s) of an indictment or information), the case shall be considered for guideline purposes under § 2.21 as if parole rather than probation had been revoked.

**GUIDELINES FOR DECISIONMAKING**

[Guidelines for decisionmaking, customary total time to be served before release (including jail time)]

Offense characteristics: Severity of offense behavior	Offender characteristics: Parole prognosis (salient factor score 1998)			
	Very good (10 to 8)	Good (7 to 6)	Fair (5 to 4)	Poor (3 to 0)
	Guideline range (months)			
Category:				
1 .....	≤ 4	≤ 8	8-12	12-16
2 .....	≤ 6	≤ 10	12-16	16-22
3 .....	≤ 10	12-16	18-24	24-32
4 .....	12-18	20-26	26-34	34-44
5 .....	24-36	36-48	48-60	60-72
6 .....	40-52	52-64	64-78	78-100
7 .....	52-80	64-92	78-110	100-148

**GUIDELINES FOR DECISIONMAKING—Continued**

[Guidelines for decisionmaking, customary total time to be served before release (including jail time)]

Offense characteristics: Severity of offense behavior	Offender characteristics: Parole prognosis (salient factor score 1998)			
	Very good (10 to 8)	Good (7 to 6)	Fair (5 to 4)	Poor (3 to 0)
	Guideline range (months)			
8 <sup>1</sup> .....	100+	120+	150+	180+

<sup>1</sup>Note: For Category Eight, no upper limits are specified due to the extreme variability of the cases within this category. For decisions exceeding the lower limit of the applicable guideline category by more than 48 months, the Commission will specify the pertinent case factors upon which it relied in reaching its decision, which may include the absence of any factors mitigating the offense. This procedure is intended to ensure that the prisoner understands that individualized consideration has been given to the facts of the case, and not to suggest that a grant of parole is to be presumed for any class of Category Eight offenders. However, a murder committed to silence a victim or witness, a contract murder, a murder by torture, the murder of a law enforcement officer to carry out an offense, or a murder committed to further the aims of an on-going criminal operation, shall not justify a grant of parole at any point in the prisoner's sentence unless there are compelling circumstances in mitigation (e.g., a youthful offender who participated in a murder planned and executed by his parent). Such aggravated crimes are considered, by definition, at the extreme high end of Category Eight offenses. For these cases, the expiration of the sentence is deemed to be a decision at the maximum limit of the guideline range. (The fact that an offense does not fall under the definition contained herein does not mean that the Commission is obliged to grant a parole.)

**U.S. PAROLE COMMISSION OFFENSE BEHAVIOR SEVERITY INDEX**

- Chapter One Offenses of General Applicability
- Chapter Two Offenses Involving the Person
  - Subchapter A—Homicide Offenses
  - Subchapter B—Assault Offenses
  - Subchapter C—Kidnaping and Related Offenses
  - Subchapter D—Sexual Offenses
  - Subchapter E—Offenses Involving Aircraft
  - Subchapter F—Communication of Threats
- Chapter Three Offenses Involving Property
  - Subchapter A—Arson and Property Destruction Offenses
  - Subchapter B—Criminal Entry Offenses
  - Subchapter C—Robbery, Extortion, and Blackmail
  - Subchapter D—Theft and Related Offenses
  - Subchapter E—Counterfeiting and Related Offenses
  - Subchapter F—Bankruptcy Offenses
  - Subchapter G—Violations of Securities or Investment Regulations and Antitrust Offenses
- Chapter Four Offenses Involving Immigration, Naturalization, and Passports
- Chapter Five Offenses Involving Revenue
  - Subchapter A—Internal Revenue Offenses
  - Subchapter B—Customs Offenses
  - Subchapter C—Contraband Cigarettes
- Chapter Six Offenses Involving Governmental Process
  - Subchapter A—Impersonation of Officials
  - Subchapter B—Obstructing Justice

## § 2.20

- Subchapter C—Official Corruption
- Chapter Seven Offenses Involving Individual Rights
  - Subchapter A—Offenses Involving Civil Rights
  - Subchapter B—Offenses Involving Privacy
- Chapter Eight Offenses Involving Explosives and Weapons
  - Subchapter A—Explosives and Other Dangerous Articles
  - Subchapter B—Firearms
- Chapter Nine Offenses Involving Illicit Drugs
  - Subchapter A—Heroin and Opiate Offenses
  - Subchapter B—Marihuana and Hashish Offenses
  - Subchapter C—Cocaine Offenses
  - Subchapter D—Other Illicit Drug Offenses
- Chapter Ten Offenses Involving National Defense
  - Subchapter A—Treason and Related Offenses
  - Subchapter B—Sabotage and Related Offenses
  - Subchapter C—Espionage and Related Offenses
  - Subchapter D—Selective Service Offenses
  - Subchapter E—Other National Defense Offenses
- Chapter Eleven Offenses Involving Organized Criminal Activity, Gambling, Obscenity, Sexual Exploitation of Children, Prostitution, and Non-Governmental Bribery
  - Subchapter A—Organized Crime Offenses
  - Subchapter B—Gambling Offenses
  - Subchapter C—Obscenity
  - Subchapter D—Sexual Exploitation of Children
  - Subchapter E—Prostitution and White Slave Traffic
  - Subchapter F—Non-Governmental Bribery
  - Subchapter G—Currency Offenses
- Chapter Twelve Miscellaneous Offenses
- Chapter Thirteen General Notes and Definitions
  - Subchapter A—General Notes
  - Subchapter B—Definitions

### CHAPTER ONE OFFENSES OF GENERAL APPLICABILITY

- 101 *Conspiracy*  
Grade conspiracy in the same category as the underlying offense.
- 102 *Attempt*  
Grade attempt in the same category as the offense attempted.
- 103 *Aiding and Abetting*  
Grade aiding and abetting in the same category as the underlying offense.
- 104 *Accessory After the Fact*  
Grade accessory after the fact as two categories below the underlying offense, but not less than Category One.
- 105 *Solicitation to Commit a Crime of Violence*  
Grade solicitation to commit a crime of violence in the same category as the under-

## 28 CFR Ch. I (7–1–17 Edition)

lying offense if the crime solicited would be graded as Category Eight. In all other cases grade solicitation to commit a crime of violence one category below the underlying offense, but not less than Category One.

NOTE TO CHAPTER ONE: The reasons for a conspiracy or attempt not being completed may, where the circumstances warrant, be considered as a mitigating factor (e.g., where there is voluntary withdrawal by the offender prior to completion of the offense).

### CHAPTER TWO OFFENSES INVOLVING THE PERSON

#### SUBCHAPTER A—HOMICIDE OFFENSES

- 201 *Murder*  
Murder, or a forcible felony\* resulting in the death of a person other than a participating offender, shall be graded as Category Eight.
- 202 *Voluntary Manslaughter*  
Category Seven.
- 203 *Involuntary Manslaughter*  
Category Four.

#### SUBCHAPTER B—ASSAULT OFFENSES

- 211 *Assault During Commission of Another Offense*
  - (a) If serious bodily injury\* results or if 'serious bodily injury is the result intended', grade as Category Seven;
  - (b) If bodily injury\* results, or a weapon is fired by any offender, grade as Category Six;
  - (c) Otherwise, grade as Category Five.
- 212 *Assault*
  - (a) If serious bodily injury\* results or if 'serious bodily injury is the result intended', grade as Category Seven;
  - (b) If bodily injury\* results or a dangerous weapon is used by any offender, grade as Category Five;
  - (c) Otherwise, grade as Category Two;
  - (d) *Exception:* (1) If the victim was known to be a "protected person"\* or law enforcement, judicial, or correctional official, grade conduct under (a) as Category Seven, (b) as Category six, and (c) as Category Three.
  - (2) If an assault is committed while resisting an arrest or detention initiated by a law enforcement officer or a civilian acting under color of law, grade conduct under (a) as Category Seven, (b) as Category Six, and (c) as Category Three.
- 213 *Firing a Weapon at a Structure Where Occupants are Physically Present*  
Grade according to the underlying offense if one can be established, but not less than Category Five.

#### SUBCHAPTER C—KIDNAPING AND RELATED OFFENSES

- 221 *Kidnaping*

\*Terms marked by an asterisk are defined in Chapter Thirteen.

## Department of Justice

## § 2.20

(a) If the purpose of the kidnaping is for ransom or terrorism, grade as Category Eight;

(b) If a person is held hostage in a known place for purposes of extortion (e.g., forcing a bank manager to drive to a bank to retrieve money by holding a family member hostage at home), grade as Category Seven;

(c) If a victim is used as a shield or hostage in a confrontation with law enforcement authorities, grade as Category Seven;

(d) Otherwise, grade as Category Seven.

(e) *Exception:* If not for ransom or terrorism, and no bodily injury to victim, and limited duration (e.g., abducting the driver of a truck during a hijacking and releasing him unharmed within an hour), grade as Category Six.

### 222 Demand for Ransom

(a) If a kidnapping has, in fact, occurred, but it is established that the offender was not acting in concert with the kidnapper(s), grade as Category Seven;

(b) If no kidnapping has occurred, grade as "extortion".

## SUBCHAPTER D—SEXUAL OFFENSES

### 231 Rape or Forcible Sodomy

(a) Category Seven.

(b) *Exception:* If a prior consensual sexual relationship between victim and offender is present, grade as Category Six.

### 232 Carnal Knowledge\* or Sodomy Involving Minors

(a) Grade as Category Four, except as provided below.

(b) If the relationship is clearly consensual and the victim is at least fourteen years old, and the age difference between the victim and offender is less than four years, grade as Category One.

(c) If the victim is less than twelve years old, grade as Category Seven.

(d) If the offender is an adult who has abused a position of trust (e.g., teacher, counselor, or physician), or the offense involved predatory sexual behavior, grade as Category Seven. Sexual behavior is deemed predatory when the offender repeatedly uses any trick or other device to attract, lure, or bribe victims into the initial contact that results in the offense.

### 233 Other Unlawful Sexual Conduct With Minors

(a) Category Four

(b) *Exception:* If the victim is less than twelve years old grade as Category Six.

## SUBCHAPTER E—OFFENSES INVOLVING AIRCRAFT

### 241 Aircraft Piracy

Category Eight.

### 242 Interference with a Flight Crew

(a) If the conduct or attempted conduct has potential for creating a significant safe-

ty risk to an aircraft or passengers, grade as Category Seven.

(b) Otherwise, grade as Category Two.

## SUBCHAPTER F—COMMUNICATION OF THREATS

### 251 Communicating a Threat [to kill, assault, or kidnap]

(a) Category Four;

(b) *Notes:*

(1) Any overt act committed for the purposes of carrying out a threat in this subchapter may be considered as an aggravating factor.

(2) If for purposes of extortion or obstruction of justice, grade according to Chapter Three, subchapter C, or Chapter Six, subchapter B, as applicable.

## CHAPTER THREE OFFENSES INVOLVING PROPERTY

### SUBCHAPTER A—ARSON AND OTHER PROPERTY DESTRUCTION OFFENSES

#### 301 Property Destruction by Fire or Explosives

(a) If the conduct results in serious bodily injury\* or if "serious bodily injury is the result intended", grade as Category Seven;

(b) If the conduct (i) involves any place where persons are present or likely to be present; or (ii) involves a residence, building, or other structure; or (iii) results in bodily injury\*, grade as Category Six;

(c) Otherwise, grade as "property destruction other than listed above" but not less than Category Five.

#### 302 Wrecking a Train

Category Seven.

#### 303 Property Destruction Other Than Listed Above

(a) If the conduct results in bodily injury\*, or serious bodily injury\*, or if serious bodily injury is the result intended\*, grade as if "assault during commission of another offense;"

(b) If damage of more than \$5,000,000 is caused, grade as Category Seven;

(c) If damage of more than \$1,000,000 but not more than \$5,000,000 is caused, grade as Category Six;

(d) If damage of more than \$200,000 but not more than \$1,000,000 is caused, grade as Category Five;

(e) If damage of at least \$40,000 but not more than \$200,000 is caused, grade as Category Four;

(f) If damage of at least \$2,000 but less than \$40,000 is caused, grade as Category Three;

(g) If damage of less than \$2,000 is caused, grade as Category One;

(h) *Exception:* If a significant interruption of a government or public utility function is caused, grade as not less than Category Three.

\*Terms marked by an asterisk are defined in Chapter Thirteen.

§ 2.20

28 CFR Ch. I (7-1-17 Edition)

SUBCHAPTER B—CRIMINAL ENTRY OFFENSES

311 *Burglary or Unlawful Entry*

(a) If the conduct involves an armory or similar facility (e.g., a facility where automatic weapons or war materials are stored) for the purpose of theft or destruction of weapons or war materials, grade as Category Six;

(b) If the conduct involves an inhabited dwelling (whether or not a victim is present), or any premises with a hostile confrontation with a victim, grade as Category Five;

(c) If the conduct involves use of explosives or safecracking, grade as Category Five;

(d) Otherwise, grade as “theft” offense, but not less than Category Two.

(e) *Exception:* If the grade of the applicable “theft” offense exceeds the grade under this subchapter, grade as a “theft” offense.

SUBCHAPTER C—ROBBERY, EXTORTION, AND BLACKMAIL

321 *Robbery*

(a) Category Five.

(b) *Exceptions:*

(1) If the grade of the applicable “theft” offense exceeds the grade for robbery, grade as a “theft” offense.

(2) If any offender forces a victim to accompany any offender to a different location, or if a victim is forcibly detained by being tied, bound, or locked up, grade as Category Six.

(3) Pickpocketing (stealth—no force or fear), see subchapter D.

(c) *Note:* Grade purse snatching (fear or force) as robbery.

322 *Extortion*

(a) If by threat of physical injury to person or property, or extortionate extension of credit (loansharking), grade as Category Five;

(b) If by use of official governmental position, grade according to Chapter Six, subchapter C.

(c) If neither (a) nor (b) is applicable, grade under Chapter Eleven, subchapter F;

323 *Blackmail [threat to injure reputation or accuse of crime]*

Grade as a “theft” offense according to the value of the property demanded, but not less than Category Three. Actual damage to reputation may be considered as an aggravating factor.

SUBCHAPTER D—THEFT AND RELATED OFFENSES

331 *Theft, Forgery, Fraud, Trafficking in Stolen Property\*, Interstate Transportation of Stolen Property, Receiving Stolen Property, Embezzlement, and Related Offenses*

(a) If the value of the property\* is more than \$5,000,000, grade as Category Seven;

(b) If the value of the property\* is more than \$1,000,000 but not more than \$5,000,000, grade as Category Six;

(c) If the value of the property\* is more than \$200,000 but not more than \$1,000,000, grade as Category Five;

(d) If the value of the property\* is at least \$40,000 but not more than \$200,000, grade as Category Four;

(e) If the value of the property\* is at least \$2,000 but less than \$40,000, grade as Category Three;

(f) If the value of the property\* is less than \$2,000, grade as Category One.

(g) *Exceptions:*

(1) Offenses involving stolen checks, credit cards, money orders or mail, forgery, fraud, interstate transportation of stolen or forged securities, trafficking in stolen property, or embezzlement shall be graded as not less than Category Two;

(2) Theft of an automobile shall be graded as no less than Category Three. Note: where the vehicle was recovered within 72 hours with no significant damage and the circumstances indicate that the only purpose of the theft was temporary use (e.g., joyriding), such circumstances may be considered as a mitigating factor.

(3) Grade obtaining drugs for own use by a fraudulent or fraudulently obtained prescription as Category Two.

(4) Grade manufacture, sale, and fraudulent use of credit cards as follows:

(i) Grade the manufacture, distribution or possession of counterfeit or altered credit cards as not less than Category Four.

(ii) Grade the distribution or possession of multiple stolen credit cards as not less than Category Three.

(iii) Grade the distribution or possession of a single stolen credit card as not less than Category Two.

(h) *Note:* In “theft” offenses, the total amount of the theft committed or attempted by the offender, or others acting in concert with the offender, is to be used.

(2) Grade fraudulent sale of drugs (e.g., sale of sugar as heroin) as ‘fraud’.

332 *Pickpocketing [stealth-no force or fear]*  
Grade as a “theft” offense, but not less than Category Three.

333 *Fraudulent Loan Applications*

Grade as a “fraud” offense according to the amount of the loan.

334 *Preparation or Possession of Fraudulent Documents*

(a) If for purposes of committing another offense, grade according to the offense intended;

(b) Otherwise, grade as Category Two.

335 *Criminal Copyright Offenses*

\*Terms marked by an asterisk are defined in Chapter Thirteen.

## Department of Justice

## § 2.20

(a) If very large scale (e.g., more than 100,000 sound recordings or more than 10,000 audio visual works), grade as Category Five;

(b) If large scale (e.g., 20,000–100,000 sound recordings or 2,000–10,000 audio visual works), grade as Category Four;

(c) If medium scale (e.g., 2,000–19,999 sound recordings or 200–1,999 audio visual works), grade as Category Three;

(d) If small scale (e.g., less than 2,000 sound recordings or less than 200 audio visual works), grade as Category Two.

### Subchapter E—Counterfeiting and Related Offenses

#### 341 *Passing or Possession of Counterfeit Currency or Other Medium of Exchange\**

(a) If the face value of the currency or other medium of exchange is more than \$5,000,000, grade as Category Seven;

(b) If the face value of the currency or other medium of exchange is more than \$1,000,000 but not more than \$5,000,000, grade as Category Six;

(c) If the face value is more than \$200,000 but not more than \$1,000,000, grade as Category Five;

(d) If the face value is at least \$40,000 but not more than \$200,000, grade as Category Four;

(e) If the face value is at least \$2,000 but less than \$40,000, grade as Category Three;

(f) If the face value is less than \$2,000, grade as Category Two.

#### 342 *Manufacture of Counterfeit Currency or Other Medium of Exchange\* or Possession of Instruments for Manufacture*

Grade manufacture or possession of instruments for manufacture (e.g., a printing press or plates) according to the quantity printed (see passing or possession), but not less than Category Five. The term *manufacture* refers to the capacity to print or generate multiple copies; it does not apply to pasting together parts of different notes.

### Subchapter F—Bankruptcy Offenses

#### 351 *Fraud in Bankruptcy or Concealing Property*

Grade as a “fraud” offense.

### Subchapter G—Violation of Securities or Investment Regulations and Antitrust Offenses

#### 361 *Violation of Securities or Investment Regulations*

(a) If for purposes of fraud, grade according to the underlying offense;

(b) Otherwise, grade as Category Two.

#### 362 *Antitrust Offenses*

(a) If estimated economic impact is more than one million dollars, grade as Category Four;

(b) If the estimated economic impact is more than \$100,000 but not more than one million dollars, grade as Category Three;

(c) Otherwise, grade as Category Two.

(d) *Note:* The term ‘economic impact’ refers to the estimated loss to any victims (e.g., loss to consumers from a price fixing offense).

#### 363 *Insider Trading*

(a) If the estimated economic impact is more than \$5,000,000, grade as Category Seven;

(b) If the estimated economic impact is more than \$1,000,000 but not more than \$5,000,000, grade as Category Six;

(c) If the estimated economic impact is more than \$200,000 but not more than \$1,000,000, grade as Category Five;

(d) If the estimated economic impact is at least \$40,000 but not more than \$200,000, grade as Category Four;

(e) If the estimated economic impact is at least \$2,000 but less than \$40,000, grade as Category Three;

(f) If the estimated economic impact is less than \$2,000, grade as Category Two.

(g) *NOTE:* The term ‘economic impact’ includes the damage sustained by the victim whose information was unlawfully used, plus any other illicit profit resulting from the offense.

## CHAPTER FOUR OFFENSES INVOLVING IMMIGRATION, NATURALIZATION, AND PASSPORTS

#### 401 *Unlawfully Entering the United States as an Alien*

Category One.

#### 402 *Transportation of Unlawful Alien(s)*

(a) If the transportation of unlawful alien(s) involves detention and demand for payment, grade as Category Five;

(b) Otherwise, grade as Category Three.

#### 403 *Offenses Involving Passports*

(a) If making an unlawful passport for distribution to another, possession with intent to distribute, or distribution of an unlawful passport, grade as Category Three;

(b) If fraudulently acquiring or improperly using a passport, grade as Category Two.

#### 404 *Offenses Involving Naturalization or Citizenship Papers*

(a) If forging or falsifying naturalization or citizenship papers for distribution to another, possession with intent to distribute, or distribution, grade as Category Three;

(b) If acquiring fraudulent naturalization or citizenship papers for own use or improper use of such papers, grade as Category Two;

(c) If failure to surrender canceled naturalization or citizenship certificate(s), grade as Category One.

## CHAPTER FIVE OFFENSES INVOLVING REVENUE

### Subchapter A—Internal Revenue Offenses

#### 501 *Tax Evasion [income tax or other taxes]*

§2.20

28 CFR Ch. I (7-1-17 Edition)

(a) If the amount of tax evaded or evasion attempted is more than \$5,000,000, grade as Category Seven;

(b) If the amount of tax evaded or evasion attempted is more than \$1,000,000 but not more than \$5,000,000, grade as Category Six;

(c) If the amount of tax evaded or evasion attempted is more than \$200,000 but not more than \$1,000,000, grade as Category Five;

(d) If the amount of tax evaded or evasion attempted is at least \$40,000 but not more than \$200,000, grade as Category Four;

(e) If the amount of tax evaded or evasion attempted is at least \$2,000 but less than \$40,000, grade as Category Three;

(f) If the amount of tax evaded or evasion attempted is less than \$2,000, grade as Category One.

(g) Notes:

(1) Grade according to the amount of tax evaded or evasion attempted, not the gross amount of income.

(2) Tax evasion refers to failure to pay applicable taxes. Grade a false claim for a tax refund (where tax has not been withheld) as a "fraud" offense.

502 Operation of an Unregistered Still

Grade as a "tax evasion" offense.

Subchapter B—Customs Offenses

511 Smuggling Goods into the United States

(a) If the conduct is for the purpose of tax evasion, grade as a 'tax evasion' offense.

(b) If the article is prohibited from entry to the country absolutely (e.g., illicit drugs or weapons), use the grading applicable to possession with intent to distribute of such articles, or the grading applicable to tax evasion, whichever is higher, but not less than Category Two;

(c) If the conduct involves breaking seals, or altering or defacing customs marks, or concealing invoices, grade according to (a) or (b), as applicable, but not less than Category Two.

512 Smuggling Goods into Foreign Countries in Violation of Foreign Law (re: 18 U.S.C. 546) Category Two.

Subchapter C—Contraband Cigarettes

521 Trafficking in Contraband Cigarettes (re: 18 U.S.C. 2342)

Grade as a tax evasion offense.

CHAPTER SIX OFFENSES INVOLVING GOVERNMENTAL PROCESS

Subchapter A—Impersonation of Officials

601 Impersonation of Official

(a) If for purposes of commission of another offense, grade according to the offense attempted, but not less than Category Two;

(b) Otherwise, grade as Category Two.

Subchapter B—Obstructing Justice

611 Perjury

(a) If the perjured testimony concerns a criminal offense, grade as accessory after the fact, but not less than Category Three;

(b) Otherwise, grade as Category Three.

(c) Suborning perjury, grade as perjury.

612 Unlawful False Statements Not Under Oath Category One.

613 Tampering With Evidence or Witness, Victim, Informant or Juror

(a) If concerning a criminal offense, grade as accessory after the fact, but not less than Category Three.

(b) Otherwise, grade as Category Three.

(c) Exception: Intimidation by threat of physical harm, grade as not less than Category Five.

614 Misprision of a Felony\*

Grade as if "accessory after the fact" but not higher than Category Three.

615 Harboring a Fugitive

Grade as if 'accessory after the fact' to the offense for which the fugitive is wanted, but not higher than Category Three.

616 Escape

If in connection with another offense for which a severity rating can be assessed, grade the underlying offense and apply the rescission guidelines to determine an additional penalty. Otherwise, grade as Category Three.

617 Failure To Appear\*

(a) In Felony Proceedings. If in connection with an offense for which a severity rating can be assessed, add to the guidelines otherwise appropriate the following: (i) <=6 months if voluntary return within 6 days, or (ii) 6-12 months in any other case. Otherwise, grade as Category Three.

(b) In Misdemeanor Proceedings. Grade as Category One.

(c) Note: For purposes of this subsection, a misdemeanor is defined as an offense for which the maximum penalty authorized by law (not necessarily the penalty actually imposed) does not exceed one year.

618 Contempt of Court

(a) Criminal Contempt (re: 18 U.S.C. 402). Where imposed in connection with a prisoner serving a sentence for another offense, add <=<=6 months to the guidelines otherwise appropriate.

(b) Exception: If a criminal sentence is imposed under 18 U.S.C. 401 for refusal to testify concerning a criminal offense, grade such conduct as if accessory after the fact.

(c) Civil Contempt. See 28 CFR 2.10.

Subchapter C—Official Corruption

621 Bribery or Extortion [use of official position—no physical threat]

(a) Grade as a "theft offense" according to the value of the bribe demanded or received, or the favor received by the bribe-giver (whichever is greater), but not less than Category Three. The "favor received" is the

## Department of Justice

## § 2.20

gross value of the property, contract, obligation, interest, or payment intended to be awarded to the bribe-giver in return for the bribe. Grade the bribe-taker in the same manner.

(b) If the above conduct involves a pattern of corruption (e.g., multiple instances), grade as not less than Category Four.

(c) If the purpose of the conduct is the obstruction of justice, grade as if “perjury”.

(d) *Notes:*

(1) The grading in this subchapter applies to each party to a bribe.

(2) The extent to which the criminal conduct involves a breach of public trust, causing injury beyond that describable by monetary gain, may be considered as an aggravating factor.

622 *Other Unlawful Use of Governmental Position*  
Category Two.

### Subchapter D—Voting Fraud

631 *Voting Fraud*  
Category Four.

## CHAPTER SEVEN OFFENSES INVOLVING INDIVIDUAL RIGHTS

### Subchapter A—Offenses Involving Civil Rights

701 *Conspiracy Against Rights of Citizens* (re: 18 U.S.C. 241)

(a) If death results, grade as Category Eight;

(b) Otherwise, grade as if “assault”.

702 *Deprivation of Rights Under Color of Law* (re: 18 U.S.C. 242)

(a) If death results, grade as Category Eight;

(b) Otherwise, grade as if “assault”.

703 *Federally Protected Activity* (re: 18 U.S.C. 245)

(a) If death results, grade as Category Eight;

(b) Otherwise, grade as if “assault”.

704 *Intimidation of Persons in Real Estate Transactions Based on Racial Discrimination* (re: 42 U.S.C. 3631)

(a) If death results, grade as Category Eight;

(b) Otherwise, grade as if “assault”.

705 *Transportation of Strikebreakers* (re: 18 U.S.C. 1231)  
Category Two.

### Subchapter B—Offenses Involving Privacy

711 *Interception and Disclosure of Wire or Oral Communications* (re: 18 U.S.C. 2511)  
Category Two.

712 *Manufacture, Distribution, Possession, and Advertising of Wire or Oral Communication Intercepting Devices* (re: 18 U.S.C. 2512)

(a) *Category Three.*

(b) *Exception:* If simple possession, grade as Category Two.

713 *Unauthorized Opening of Mail*  
Category Two.

## CHAPTER EIGHT OFFENSES INVOLVING EXPLOSIVES AND WEAPONS

### Subchapter A—Explosives Offenses and Other Dangerous Articles

801 *Unlawful Possession or Distribution of Explosives; or Use of Explosives During a Felony*

Grade according to offense intended, but not less than Category Five.

802 *Mailing Explosives or Other Injurious Articles With Intent To Commit a Crime*

Grade according to offense intended, but not less than Category Five.

### Subchapter B—Firearms

811 *Possession by Prohibited Person* (e.g., ex-felon)

(a) If single weapon (rifle, shotgun, or handgun) with ammunition of the same caliber, or ammunition of a single caliber (without weapon), grade as Category Three;

(b) If multiple weapons (rifles, shotguns, or handguns), or ammunition of different calibers, or single weapon and ammunition of a different caliber, grade as Category Four.

812 *Unlawful Possession or Manufacture of Sawed-off Shotgun, Machine Gun, Silencer, or “Assassination kit”*

(a) If silencer or “assassination kit”, grade as Category Six;

(b) If sawed-off shotgun or machine gun, grade as Category Five.

813 *Unlawful Distribution of Weapons or Possession With Intent To Distribute*

(a) If silencer(s) or “assassination kit(s)”, grade as Category Six;

(b) If sawed-off shotgun(s) or machine gun(s), grade as Category Five;

(c) If multiple weapons (rifles, shotguns, or handguns), or ammunition of different calibers, or single weapon and ammunition of a different caliber, grade as Category Four;

(d) If single weapon (rifle, shotgun, or handgun) with ammunition of the same caliber, or ammunition of a single caliber (without weapon), grade as Category Three.

## CHAPTER NINE OFFENSES INVOLVING ILLICIT DRUGS

### Subchapter A—Heroin and Opiate\* Offenses

901 *Distribution or Possession With Intent To Distribute*

(a) If extremely large scale (e.g., involving 3 kilograms or more of 100% pure heroin, or equivalent amount), grade as Category Eight [except as noted in (c) below];

(b) if very large scale (e.g., involving 1 kilogram but less than 3 kilograms of 100% pure heroin, or equivalent amount), grade as Category Seven [except as noted in (c) below];

## § 2.20

(c) Where the Commission finds that the offender had only a peripheral role\*, grade conduct under (a) or (b) as Category Six;

(d) If large scale (e.g., involving 50-999 grams of 100% pure heroin, or equivalent amount), grade as Category Six [except as noted in (e) below];

(e) Where the Commission finds that the offender had only a peripheral role\*, grade conduct under (d) as Category Five.

(f) If medium scale (e.g., involving 5-49 grams of 100% pure heroin, or equivalent amount), grade as Category Five;

(g) If small scale (e.g., involving less than 5 grams of 100% pure heroin, or equivalent amount), grade as Category Four;

902 *Simple Possession*

Category One.

### Subchapter B—Marihuana and Hashish Offenses

911 *Distribution or Possession With Intent To Distribute*

(a) If extremely large scale (e.g., involving 20,000 pounds or more of marihuana/6,000 pounds or more of hashish/600 pounds or more of hash oil), grade as Category Six [except as noted in (b) below];

(b) Where the Commission finds that the offender had only a peripheral role, grade\* conduct under (a) as Category Five;

(c) If very large scale (e.g., involving 2,000-19,999 pounds of marihuana/600-5,999 pounds of hashish/60-599 pounds of hash oil), grade as Category Five;

(d) If large scale (e.g., involving 200-1,999 pounds of marihuana/60-599 pounds of hashish/6-59.9 pounds of hash oil), grade as Category Four;

(e) If medium scale (e.g., involving 50-199 pounds of marihuana/15-59.9 pounds of hashish/1.5-5.9 pounds of hash oil), grade as Category Three;

(f) If small scale (e.g., involving 10-49 pounds of marihuana/3-14.9 pounds of hashish/.3-1.4 pounds of hash oil), grade as Category Two;

(g) If very small scale (e.g., involving less than 10 pounds of marihuana/less than 3 pounds of hashish/less than .3 pounds of hash oil), grade as Category One.

912 *Simple Possession*

Category One.

### Subchapter C—Cocaine Offenses

921 *Distribution or Possession With Intent to Distribute*

(a) If extremely large scale (e.g., involving 15 kilograms or more of 100% purity, or equivalent amount; or 1.5 kilograms or more of freebased cocaine), grade as Category Eight [except as noted in (c) below];

(b) If very large scale (e.g., involving 5 kilograms, but less than 15 kilograms of 100% purity, or equivalent amount; or 500 grams but less than 1.5 kilograms of

freebased cocaine), grade as Category Seven [except as noted in (c) below];

(c) Where the Commission finds that the offender had only a peripheral role\*, grade conduct under (a) or (b) as Category Six;

(d) If large scale (e.g., involving more than 1 kilogram, but less than 5 kilograms of 100% purity, or equivalent amount; or more than 100 grams, but less than 500 grams of freebased cocaine) grade as Category Six [except as noted in (e) below];

(e) Where the Commission finds that the offender had only a peripheral role, grade conduct under (d) as Category Five;

(f) If medium scale (e.g., involving 100 grams-1 kilogram of 100% purity, or equivalent amount; or 10 grams-100 grams of freebased cocaine), grade as Category Five;

(g) If small scale (e.g., involving 5-99 grams of 100% purity, or equivalent amount; or 1 gram-9.9 grams of freebased cocaine), grade as Category Four;

(h) If very small scale (e.g., involving less than 1.0-4.9 grams of 100% purity, or equivalent amount; or less than 1 gram of freebased cocaine), grade as Category Three;

(i) If extremely small scale (e.g., involving less than 1 gram of 100% purity, or equivalent amount), grade as Category Two.

922 *Simple Possession*

Category One.

### Subchapter D—Other Illicit Drug Offenses

931 *Distribution or Possession With Intent To Distribute*

(a) If very large scale (e.g., involving more than 200,000 doses), grade as Category Six [except as noted in (b) below];

(b) Where the Commission finds that the offender had only a peripheral role\*, grade conduct under (a) as Category Five;

(c) If large scale (e.g., involving 20,000-200,000 doses), grade as Category Five;

(d) If medium scale (e.g., involving 1,000-19,999 doses), grade as Category Four;

(e) If small scale (e.g., involving 200-999 doses), grade as Category Three;

(f) If very small scale (e.g., involving less than 200 doses), grade as Category Two.

932 *Simple Possession*

Category One.

#### NOTES TO CHAPTER NINE:

(1) Grade manufacture of synthetic illicit drugs as listed above, but not less than Category Five.

(2) "Equivalent amounts" for the cocaine and opiate categories may be computed as follows: 1 gram of 100% pure is equivalent to 2 grams of 50% pure and 10 grams of 10% pure, etc.

(3) Grade unlawful possession or distribution of precursors of illicit drugs as Category Five (i.e., aiding and abetting the manufacture of synthetic illicit drugs).

(4) If weight, but not purity is available, the following grading may be used:



## Department of Justice

## § 2.20

### *Heroin*

Extremely large scale—6 kilograms or more  
Very large scale—2–5.99 kilograms  
Large scale—200 gms.–1.99 kilograms  
Medium scale—28.35–199.99 gms.  
Small scale—Less than 28.35 gms.

### *Cocaine*

Extremely large scale—18.75 kilograms or more  
Very large scale—6.25–18.74 kilograms  
Large scale—1.25–6.24 kilograms  
Medium scale—200 gms.–1.24 kilograms  
Small scale—20 gms.–199.99 gms.  
Very small scale—4 gms.–19.99 gms.  
Extremely small scale—Less than 4 gms.

### CHAPTER TEN OFFENSES INVOLVING NATIONAL DEFENSE

#### Subchapter A—Treason and Related Offenses

##### 1001 *Treason*

Category Eight.

##### 1002 *Rebellion or Insurrection*

Category Seven.

#### Subchapter B—Sabotage and Related Offenses

##### 1011 *Sabotage*

Category Eight.

##### 1012 *Enticing Desertion*

(a) In time of war or during a national defense emergency, grade as Category Four;

(b) Otherwise, grade as Category Three.

##### 1013 *Harboring or Aiding a Deserter*

Category One.

#### Subchapter C—Espionage and Related Offenses

##### 1021 *Espionage*

Category Eight.

#### Subchapter D—Selective Service Offenses

##### 1031 *Failure to Register, Report for Examination or Induction*

(a) If committed during time of war or during a national defense emergency, grade as Category Four;

(b) If committed when draftees are being inducted into the armed services, grade as Category Three;

(c) Otherwise, grade as Category One.

#### Subchapter E—Other National Defense Offenses

##### 1041 *Offenses Involving Nuclear Energy*

Unauthorized production, possession, or transfer of nuclear weapons or special nuclear material or receipt of or tampering with restricted data on nuclear weapons or special nuclear material, grade as Category Eight.

##### 1042 *Violations of Export Administration Act* (50 U.S.C. 2410)

Grade conduct involving “national security controls” or “nuclear nonproliferation controls” as Category Six.

##### 1043 *Violations of the Arms Control Act* (22 U.S.C. 2278)

(a) Grade conduct involving export of sophisticated weaponry (e.g., aircraft, helicopters, armored vehicles, or “high technology” items) as Category Six.

(b) Grade Conduct involving export of other weapons (e.g., rifles, handguns, machine guns, or hand grenades) as if a weapons/explosive distribution offense under Offenses Involving Explosives and Weapons (Chapter Eight).

### CHAPTER ELEVEN—OFFENSES INVOLVING ORGANIZED CRIME ACTIVITY, GAMBLING, OBSCENITY, SEXUAL EXPLOITATION OF CHILDREN, PROSTITUTION, NON-GOVERNMENTAL CORRUPTION, AND THE ENVIRONMENT

#### Subchapter A—Organized Crime Offenses

##### 1101 *Racketeer Influence and Corrupt Organizations* (re: 18 U.S.C. 1961–63)

Grade according to the underlying offense attempted, but not less than Category Five.

##### 1102 *Interstate or Foreign Travel or Transportation in Aid of Racketeering Enterprise* (re: 18 U.S.C. 1952)

Grade according to the underlying offense attempted, but not less than Category Three.

#### Subchapter B—Gambling Offenses

##### 1111 *Gambling Law Violations—Operating or Employment in an Unlawful Business* (re: 18 U.S.C. 1955)

(a) If large scale operation [e.g., Sports books (estimated daily gross more than \$15,000); Horse books (estimated daily gross more than \$4,000); Numbers bankers (estimated daily gross more than \$2,000); Dice or card games (estimated daily ‘house cut’ more than \$1,000); video gambling (eight or more machines)]; grade as Category Four;

(b) If medium scale operation [e.g., Sports books (estimated daily gross \$5,000–\$15,000); Horse books (estimated daily gross \$1,500–\$4,000); Numbers bankers (estimated daily gross \$750–\$2,000); Dice or card games (estimated daily ‘house cut’ \$400–\$1,000); video gambling (four-seven machines)]; grade as Category Three;

(c) If small scale operation [e.g., Sports books (estimated daily gross less than \$5,000); Horse books (estimated daily gross less than \$1,500); Numbers bankers (estimated daily gross less than \$750); Dice or card games (estimated daily ‘house cut’ less than \$400); video gambling (three or fewer machines)]; grade as Category Two;

(d) *Exception:* Where it is established that the offender had no proprietary interest or managerial role, grade as Category One.

##### 1112 *Interstate Transportation of Wagering Paraphernalia* (re: 18 U.S.C. 1953)

## § 2.20

Grade as if ‘operating a gambling business’.

1113 *Wire Transmission of Wagering Information* (re: 18 U.S.C. 1084)

Grade as if ‘‘operating a gambling business’’.

1114 *Operating or Owning a Gambling Ship* (re: 18 U.S.C. 1082)

Category Three.

1115 *Importing or Transporting Lottery Tickets; Mailing Lottery Tickets or Related Matter* (re: 18 U.S.C. 1301, 1302)

(a) Grade as if ‘‘operating a gambling business’’;

(b) *Exception*: If non-commercial, grade as Category One.

### Subchapter C—Obscenity

1121 *Mailing, Importing, or Transporting Obscene Matter*

(a) If for commercial purposes, grade as Category Three;

(b) Otherwise, Category One.

1122 *Broadcasting Obscene Language*

Category One.

### Subchapter D—Sexual Exploitation of Children

1131 *Sexual Exploitation of Children\** (re: 18 U.S.C. 2251, 2252)

(a) Category Six;

(b) *Exception*: Where the Commission finds the offender had only a peripheral role (e.g., a retailer receiving such material for resale but with no involvement in the production or wholesale distribution of such material), grade as Category Five.

### Subchapter E—Prostitution and White Slave Traffic

1141 *Interstate Transportation for Commercial Purposes*

(a) If physical coercion, or involving person(s) of age less than 18, grade as Category Six;

(b) Otherwise, grade as Category Four.

1142 *Prostitution*

Category One.

### Subchapter F—Non-Governmental Corruption

1151 *Demand or Acceptance of Unlawful Gratuity Not Involving Federal, State, or Local Government Officials*

Grade as if a fraud offense according to (1) the amount of the bribe offered or demanded, or (2) the financial loss to the victim, whichever is higher.

1152 *Sports Bribery*

If the conduct involves bribery in a sporting contest, grade as if a theft offense according to the amount of the bribe, but not less than Category Three.

## 28 CFR Ch. I (7–1–17 Edition)

### Subchapter G—Currency Offenses

1161 *Reports on Monetary Instrument Transactions*

(a) If extremely large scale (e.g., the estimated gross amount of currency involved is more than \$5,000,000), grade as Category Seven;

(b) If very large scale (e.g., the estimated gross amount of currency involved is more than \$1,000,000 but not more than \$5,000,000), grade as Category Six;

(c) If large scale (e.g., the estimated gross amount of currency involved is more than \$200,000 but not more than \$1,000,000), grade as Category Five;

(d) If medium scale (e.g., the estimated gross amount of currency involved is at least \$40,000 but not more than \$200,000), grade as Category Four;

(e) If small scale (e.g., the estimated gross amount of currency involved is less than \$40,000), grade as Category Three.

### Subchapter H—Environmental Offenses

1171 *Knowing Endangerment Resulting From Unlawful Treatment, Transportation, Storage, or Disposal of Hazardous Waste* [Re: 42 U.S.C. 6928(e)]

(a) If death results, grade as Category Seven;

(b) If serious bodily injury results, grade as Category Six;

(c) Otherwise, grade as Category Five.

(d) *Note*: Knowing Endangerment requires a finding that the offender knowingly transported, treated, stored, or disposed of any hazardous waste and knew that he thereby placed another person in imminent danger of death or serious bodily injury.

1172 *Knowing Disposal and/or Storage and Treatment of Hazardous Waste Without a Permit; Transportation of Hazardous Waste to an Unpermitted Facility* [Re: 42 U.S.C. 6928(d)(1–2)]

(a) If death results, grade as Category Six;

(b) If (1) serious bodily injury results; or (2) a substantial potential for death or serious bodily injury in the future results; or (3) a substantial disruption to the environment results (e.g., estimated cleanup cost exceeds \$200,000, or a community is evacuated for more than 72 hours), grade as Category Five;

(c) If (1) bodily injury results, or (2) a significant disruption to the environment results (e.g., estimated cleanup costs of \$40,000–\$200,000, or a community is evacuated for 72 hours or less), grade as Category Four;

(d) Otherwise, grade as Category Three;

(e) *Exception*: Where the offender is a non-managerial employee (i.e., a truck driver or loading dock worker) acting under the orders of another person, grade as two categories below the underlying offense, but not less than Category One.

**Department of Justice**

**§ 2.20**

**CHAPTER TWELVE MISCELLANEOUS OFFENSES**

If an offense behavior is not listed, the proper category may be obtained by comparing the severity of the offense behavior with those of similar offense behaviors listed in Chapters One-Eleven. If, and only if, an offense behavior cannot be graded by reference to Chapters One-Eleven, the following formula may be used as a guide.

Maximum sentence authorized by statute (not necessarily the sentence imposed)	Grading (category)
<<2 years .....	1
2 to 3 years .....	2
4 to 5 years .....	3
6 to 10 years .....	4
11 to 20 years .....	5
21 to 29 years .....	6
30 years to life .....	7

**CHAPTER THIRTEEN GENERAL NOTES AND DEFINITIONS**

**Subchapter A—General Notes**

1. If an offense behavior can be classified under more than one category, the most serious applicable category is to be used.

2. If an offense behavior involved multiple separate offenses, the severity level may be increased. Exception: in cases graded as Category Seven, multiple separate offenses are to be taken into account by consideration of a decision above the guidelines rather than by increasing the severity level.

(a) In certain instances, the guidelines specify how multiple offenses are to be rated. In offenses rated by monetary loss (e.g., theft and related offenses, counterfeiting, tax evasion) or drug offenses, the total amount of the property or drugs involved is used as the basis for the offense severity rating. In instances not specifically covered in the guidelines, the decision-makers must exercise discretion as to whether or not the multiple offense behavior is sufficiently aggravating to justify increasing the severity rating. The following chart is intended to provide guidance in assessing whether the severity of multiple offenses is sufficient to raise the offense severity level; it is not intended as a mechanical rule.

**MULTIPLE SEPARATE OFFENSES**

Severity	Points	Severity	Points
Category One .....	= 1/9	Category Five .....	= 9
Category Two .....	= 1/3	Category Six .....	= 27
Category Three .....	= 1	Category Seven .....	= 45
Category Four .....	= 3	.....	.....

Examples: 3 Category Five Offense [3 × (9) = 27] = Category Six, 5 Category Five Offenses [5 × (9) = 45] = Category Seven, 2 Category Six Offenses [2 × (27) = 54] = Category Seven

(b) The term ‘multiple separate offenses’ generally refers to offenses committed at different times. However, there are certain circumstances in which offenses committed at the same time are properly considered multiple separate offenses for the purpose of establishing the offense severity rating. These include (1) unrelated offenses, and (2) offenses involving the unlawful possession of weapons during commission of another offense.

(c) For offenses graded according to monetary value (e.g., theft) and drug offenses, the severity rating is based on the amount or quantity involved and not on the number of separate instances.

(d) Intervening Arrests. Where offenses ordinarily graded by aggregation of value/quantity (e.g., property or drug offenses) are separated by an intervening arrest, grade (1) by aggregation of value/quantity or (2) as multiple separate offenses, whichever results in a higher severity category.

(e) Income Tax Violations Related to Other Criminal Activity. Where the circumstances indicate that the offender’s income tax violations are related to failure to report income from other criminal activity (e.g., failure to report income from a fraud offense) grade as tax evasion or according to the underlying criminal activity established, whichever is higher. Do not grade as multiple separate offenses.

3. In cases where multiple sentences have been imposed (whether consecutive or concurrent, and whether aggregated or not) an offense severity rating shall be established to reflect the overall severity of the underlying criminal behavior. This rating shall apply whether or not any of the component sentences have expired.

4. The prisoner is to be held accountable for his own actions and actions done in concert with others; however, the prisoner is not to be held accountable for activities committed by associates over which the prisoner has no control and could not have been reasonably expected to foresee. However, if the prisoner has been convicted of a conspiracy, he must be held accountable for the criminal activities committed by his co-conspirators, provided such activities were committed in furtherance of the conspiracy and subsequent to the date the prisoner joined the conspiracy, except in the case of an independent, small-scale operator whose role in the conspiracy was neither established nor significant. An offender has an ‘established’ role in a conspiracy if, for example, he takes orders to perform a function that assists others to further the objectives of the conspiracy, even if his activities did not significantly contribute to those objectives. For such offenders, however, a ‘peripheral role’ reduction may be considered.

5. The following are examples of circumstances that may be considered as aggravating factors: extreme cruelty or brutality to a victim; the degree of permanence or likely permanence of serious bodily injury resulting from the offender's conduct; an offender's conduct while attempting to evade arrest that causes circumstances creating a significant risk of harm to other persons (e.g., causing a high speed chase or provoking the legitimate firing of a weapon by law enforcement officers).

6. The phrase "may be considered an aggravating/mitigating factor" is used in this index to provide guidance concerning certain circumstances which may warrant a decision above or below the guidelines. This does not restrict consideration of above or below guidelines decisions only to these circumstances, nor does it mean that a decision above or below the guidelines is mandated in every such case.

#### Subchapter B—Definitions

1. "Accessory after the fact" refers to the conduct of one who, knowing an offense has been committed, assists the offender to avoid apprehension, trial, or punishment (e.g., by assisting in disposal of the proceeds of an offense).

NOTE: Where the conduct consists of concealing an offense by making false statements not under oath, grade as "misprision of felony". Where the conduct consists of harboring a fugitive, grade as "harboring a fugitive".

2. "Assassination kit" refers to a disguised weapon designed to kill without attracting attention. Unlike other weapons such as sawed-off shotguns which can be used to intimidate, assassination kits are intended to be undetectable in order to make the victim and bystanders unaware of the threat. A typical assassination kit is usually, but not always, a firearm with a silencer concealed in a briefcase or similar disguise and fired without showing the weapon.

3. "Bodily injury" refers to injury of a type normally requiring medical attention [e.g., broken bone(s), laceration(s) requiring stitches, severe bruises].

4. "Carnal knowledge" refers to sexual intercourse with a female who is less than 16 years of age and is not the wife of the offender.

5. "Extortionate extension of credit" refers to any extension of credit with respect to which it is the understanding of the creditor and the debtor at the time it is made that delay in making repayment or failure to make repayment could result in the use of violence or other criminal means to cause harm to the person, reputation, or property of any person.

6. "Failure to appear" refers to the violation of court imposed conditions of release pending trial, appeal, or imposition or execu-

tion of sentence by failure to appear before the court or to surrender for service of sentence.

7. "Forcible felony" includes, but shall not be limited to, kidnapping, rape or sodomy, aircraft piracy or interference with a flight crew, arson or property destruction offenses, escape, robbery, extortion, or criminal entry offenses, and attempts to commit such offenses.

8. "Involuntary manslaughter" refers to the unlawful killing of a human being without malice in the commission of an unlawful act not amounting to a felony, or in the commission in a unlawful manner, or without due caution and circumspection, of a lawful act which might produce death.

9. "Misprision of felony" refers to the conduct of one who, having knowledge of the actual commission of a felony, conceals and does not as soon as possible make known the same to some judge or other person in civil or military authority. The "concealment" described above requires an act of commission (e.g., making a false statement to a law enforcement officer).

10. "Murder" refers to the unlawful killing of a human being with malice aforethought. "With malice aforethought" generally refers to a finding that the offender formed an intent to kill or do serious bodily harm to the victim without just cause or provocation.

11. "Opiate" includes heroin, morphine, opiate derivatives, and synthetic opiate substitutes.

12. "Other illicit drug offenses" include, but are not limited to, offenses involving the following: amphetamines, hallucinogens, barbiturates, methamphetamines, and phencyclidine (PCP).

13. "Other medium of exchange" includes, but is not limited to, postage stamps, governmental money orders, or governmental coupons redeemable for cash or goods.

14. "Peripheral role" in drug offenses refers to conduct such as that of a person hired as a deckhand on a marijuana boat, a person hired to help offload marijuana, a person with no special skills hired as a simple courier of drugs on a commercial airline flight, or a person hired as a chauffeur in a drug transaction. This definition does not include persons with decision-making or supervisory authority, persons with relevant special skills (e.g., a boat captain, chemist, or airplane pilot), or persons who finance such operations. Individuals who transport unusually large amounts of drugs (e.g., 50 kilos of cocaine or more) or who otherwise appear to have a high degree of trust, professionalism, or control will be considered to be "transporters" and not "simple couriers."

15. "Protected person" refers to a person listed in 18 U.S.C. 351 (relating to Members of Congress), 1116 (relating to foreign officials, official guests, and internationally protected

## Department of Justice

## § 2.20

persons), or 1751 (relating to presidential assassination and officials in line of succession).

16. "Serious bodily injury" refers to injury creating a substantial risk of death, major disability or loss of a bodily function, or disfigurement.

17. "Serious bodily injury is the result intended" refers to a limited category of offense behaviors where the circumstances indicate that the bodily injury intended was serious (e.g., throwing acid in a person's face, or firing a weapon at a person) but where it is not established that murder was the intended object. Where the circumstances establish that murder was the intended object, grade as an 'attempt to murder'.

18. "Sexual exploitation of children" refers to employing, using, inducing, enticing, or coercing a person less than 18 years of age to engage in any sexually explicit conduct for the purpose of producing a visual or print medium depicting such conduct with knowledge or reason to know that such visual or print medium will be distributed for sale, transported in interstate or foreign commerce, or mailed. It also includes knowingly transporting, shipping, or receiving such visual or print medium for the purposes of distributing for sale, or knowingly distribution for sale such visual or print medium.

19. "Trafficking in stolen property" refers to receiving stolen property with intent to sell.

20. The "value of the property" is determined by estimating the actual or potential replacement cost to the victim. The "actual replacement cost" is the value or money permanently lost to the victim through theft/forgery/fraud. The "potential replacement cost" refers to the total loss the offender specifically intended to cause by theft/forgery/fraud, or the total amount of the victim's money or property unlawfully exposed to risk of loss through theft/forgery/fraud notwithstanding subsequent recovery by the victim. The highest of these three values is the value to be used in rating the offense on the guidelines.

21. "Voluntary manslaughter" refers to the unlawful killing of a human being without malice upon a sudden quarrel or heat of passion."

### SALIENT FACTOR SCORING MANUAL

The following instructions serve as a guide in computing the salient factor score.

ITEM A. PRIOR CONVICTIONS/ADJUDICATIONS (ADULT OR JUVENILE) [[None = 3; One = 2; Two or three = 1; Four or more. . . = 0]]

#### A.1 In General.

(a) Count all convictions/adjudications (adult or juvenile) for criminal offenses (other than the current offense) that were

committed prior to the present period of confinement, except as specifically noted.

(b) Convictions for prior offenses that are not separated from each other by an intervening arrest (e.g., two burglaries followed by an arrest for both offenses) are counted as a single prior conviction. Prior offenses that are separated by an intervening arrest are counted separately (e.g., three convictions for larceny and a conviction for an additional larceny committed after the arrest for the first three larcenies would be counted as two prior convictions, even if all the four offenses were adjudicated together).

(c) Do not count the current federal offense or state/local convictions resulting from the current federal offense (i.e., offenses that are considered in assessing the severity of the current offense). Exception: Where the first and last overt acts of the current offense behavior are separated by an intervening federal conviction (e.g., after conviction for the current federal offense, the offender commits another federal offense while on appeal bond), both offenses are counted in assessing offense severity; the earlier offense is also counted as a prior conviction in the salient factor score.

A.2 *Convictions.* (a) Felony convictions are counted. Non-felony convictions are counted, except as listed under (b) and (c). Convictions for driving while intoxicated/while under the influence/while impaired, or leaving the scene of an accident involving injury or an attended vehicle are counted. For the purpose of scoring Item A of the salient factor score, use the offense of conviction.

(b) Convictions for the following offenses are counted only if the sentence resulting was a commitment of more than thirty days (as defined in item B) or probation of one year or more (as defined in Item E), or if the record indicates that the offense was classified by the jurisdiction as a felony (regardless of sentence):

1. Contempt of court;
2. Disorderly conduct/disorderly person/breach of the peace/disturbing the peace/uttering loud and abusive language;
3. Driving without a license/with a revoked or suspended license/with a false license;
4. False information to a police officer;
5. Fish and game violations;
6. Gambling (e.g., betting on dice, sports, cards) [Note: Operation or promotion of or employment in an unlawful gambling business is not included herein];
7. Loitering;
8. Non-support;
9. Prostitution;
10. Resisting arrest/evade and elude;
11. Trespassing;
12. Reckless driving;
13. Hindering/failure to obey a police officer;
14. Leaving the scene of an accident (except as listed under (a)).

## § 2.20

## 28 CFR Ch. I (7-1-17 Edition)

(c) Convictions for certain minor offenses are not counted, regardless of sentence. These include:

1. Hitchhiking;
2. Local regulatory violations;
3. Public intoxication/possession of alcohol by a minor/possession of alcohol in an open container;
4. Traffic violations (except as specifically listed);
5. Vagrancy/vagabond and rogue;
6. Civil contempt.

**A.3 Juvenile Conduct.** Count juvenile convictions/adjudications except as follows:

(a) Do not count any status offense (e.g., runaway, truancy, habitual disobedience) unless the behavior included a criminal offense which would otherwise be counted;

(b) Do not count any criminal offense committed at age 15 or less, unless it resulted in a commitment of more than 30 days.

**A.4 Military Conduct.** Count military convictions by general or special court-martial (not summary court-martial or Article 15 disciplinary proceeding) for acts that are generally prohibited by civilian criminal law (e.g., assault, theft). Do not count convictions for strictly military offenses. *Note:* This does not preclude consideration of serious or repeated military misconduct as a negative indicant of parole prognosis (i.e., a possible reason for overriding the salient factor score in relation to this item).

**A.5 Diversion.** Conduct resulting in diversion from the judicial process without a finding of guilt (e.g., deferred prosecution, probation without plea, or a District of Columbia juvenile consent decree) is not to be counted in scoring this item. However, an instance of criminal behavior resulting in a judicial determination of guilt or an admission of guilt before a judicial body shall be counted as a conviction even if a conviction is not formally entered.

**A.6 Setting Aside of Convictions/Restoration of Civil Rights.** Setting aside or removal of juvenile convictions/adjudications is normally for civil purposes (to remove civil penalties and stigma). Such convictions/adjudications are to be counted for purposes of assessing parole prognosis. This also applies to adult convictions/adjudications which may be set aside by various methods (including pardon). However, convictions/adjudications that were set aside or pardoned on grounds of innocence are not to be counted.

**A.7 Convictions Reversed or Vacated on Grounds of Constitutional or Procedural Error.** Exclude any conviction reversed or vacated for constitutional or procedural grounds, unless the prisoner has been retried and reconvicted. It is the Commission's presumption that a conviction/adjudication is valid, except under the limited circumstances described in the first note below. If a prisoner challenges such conviction he/she should be advised to petition for a reversal of such con-

viction in the court in which he/she was originally tried, and then to provide the Commission with evidence of such reversal. *Note:* Occasionally the presentence report documents facts clearly indicating that a conviction was unconstitutional for deprivation of counsel [this occurs only when the conviction was for a felony, or for a lesser offense for which imprisonment was actually imposed; and the record is clear that the defendant (1) was indigent, and (2) was not provided counsel, and (3) did not waive counsel]. In such case, do not count the conviction. Similarly, do not count a conviction if: (1) the offender has petitioned the appropriate court to overturn a felony conviction that occurred prior to 1964, or a misdemeanor/petty offense conviction that occurred prior to 1973 (and the offender claims he served a jail sentence for the non-felony conviction); (2) the offender asserts he was denied his right to counsel in the prior conviction; and (3) the offender provides evidence (e.g., a letter from the court clerk) that the records of the prior conviction are unavailable. *Note:* If a conviction found to be invalid is nonetheless supported by persuasive information that the offender committed the criminal act, this information may be considered as a negative indicant of parole prognosis (i.e., a possible reason for overriding the salient factor score).

**A.8 Ancient Prior Record.** If both of the following conditions are met: (1) The offender's only countable convictions under Item A occurred at least ten years prior to the commencement of the current offense behavior (the date of the last countable conviction under Item A refers to the date of the conviction, itself, not the date of the offense leading to conviction), and (2) there is at least a ten year commitment free period in the community (including time on probation or parole) between the last release from a countable commitment (under Item B) and the commencement of the current offense behavior; then convictions/commitments prior to the above ten year period are not to be counted for purposes of Item A, B, or C. *Note:* This provision does not preclude consideration of earlier behavior (e.g., repetition of particularly serious or assaultive conduct) as a negative indicant of parole prognosis (i.e., a possible reason for overriding the salient factor score). Similarly, a substantial crime free period in the community, not amounting to ten years, may, in light of other factors, indicate that the offender belongs in a better risk category than the salient factor score indicates.

**A.9 Foreign Convictions.** Foreign convictions (for behavior that would be criminal in the United States) are counted.

**A.10 Tribal Court Convictions.** Tribal court convictions are counted under the same terms and conditions as any other conviction.

## Department of Justice

## § 2.20

A.11 *Forfeiture of Collateral*. If the only known disposition is forfeiture of collateral, count as a conviction (if a conviction for such offense would otherwise be counted).

A.12 *Conditional/Unconditional Discharge (New York State)*. In N.Y. State, the term “conditional discharge” refers to a conviction with a suspended sentence and unsupervised probation; the term “unconditional discharge” refers to a conviction with a suspended sentence. Thus, such N.Y. State dispositions for countable offenses are counted as convictions.

A.13 *Adjudication Withheld (Florida)*. In Florida, the term “adjudication withheld” refers to a disposition in which a formal conviction is not entered at the time of sentencing, the purpose of which is to allow the defendant to retain his civil rights and not to be classified as a convicted felon. Since the disposition of adjudication withheld is characterized by an admission of guilt and/or a finding of guilt before a judicial body, dispositions of “adjudication withheld” are to be counted as convictions for salient factor scoring purposes. However, it is not considered a conviction on which forfeiture of street time can be based.

A.14 *Juvenile Consent Decree (District of Columbia)*. A juvenile consent decree in the District of Columbia is a diversionary disposition not requiring an admission or finding of guilt. Therefore, it is not to be used in scoring this item.

ITEM B. PRIOR COMMITMENTS OF MORE THAN THIRTY DAYS (ADULT OR JUVENILE) [[None = -2; One or two = 1; Three or more = 0]]

B.1 Count all prior commitments of more than thirty days (adult or juvenile) resulting from a conviction/adjudication listed under Item A, except as noted below. Also count commitments of more than thirty days imposed upon revocation of probation or parole where the original probation or parole resulted from a conviction/adjudication counted under Item A.

B.2 Count only commitments that were imposed prior to the commission of the last overt act of the current offense behavior. Commitments imposed after the current offense are not counted for purposes of this item. Concurrent or consecutive sentences (whether imposed as the same time or at different times) that result in a continuous period of confinement count as a single commitment. However, a new court commitment of more than thirty days imposed for an escape/attempted escape or for criminal behavior committed while in confinement/escape status counts as a separate commitment.

B.3 *Definitions*. (a) This item only includes commitments that were actually imposed. Do not count a suspended sentence as a commitment. Do not count confinement pending trial or sentencing or for study and observa-

tion as a commitment unless the sentence is specifically to “time served”. If a sentence imposed is subsequently reconsidered and reduced, do not count as a commitment if it is determined that the total time served, including jail time, was 30 days or less. Count a sentence to intermittent confinement (e.g., weekends) totaling more than 30 days.

(b) This item includes confinement in adult or juvenile institutions, community corrections centers, and other residential treatment centers (e.g., halfway houses and community treatment centers). It does not include foster home placement. Count confinement in a community corrections center (CCC) or other residential treatment center only when it is part of a committed sentence. Do not count confinement in a community corrections center or other residential treatment center when imposed as a condition of probation or parole. Do not count self-commitment for drug or alcohol treatment.

(c) If a committed sentence of more than 30 days is imposed prior to the current offense but the offender avoids or delays service of the sentence (e.g., by absconding, escaping, bail pending appeal), count as a prior commitment. NOTE: Where the subject unlawfully avoids service of a prior commitment by escaping or failing to appear for service of sentence, this commitment is also to be considered in Items D and E. Example: An offender is sentenced to a three-year prison term, released on appeal bond, and commits the current offense. Count as a previous commitment under Item B, but not under Items D and E. To be considered under Items D and E, the avoidance of sentence must have been unlawful (e.g., escape or failure to report for service of sentence). Example: An offender is sentenced to a three-year prison term, escapes, and commits the current offense. Count as a previous commitment under Items B, D, and E.

(d) District of Columbia Juvenile Commitment to Department of Human Services. In the District of Columbia, juvenile offenders may be committed to the Department of Human Services for placement ranging from a foster home to a secure juvenile facility. Such a commitment is counted only if it can be established that the juvenile was actually committed for more than 30 days to a secure juvenile institution or residential treatment center rather than a foster home.

ITEM C. AGE AT COMMENCEMENT OF THE CURRENT OFFENSE/PRIOR COMMITMENTS OF MORE THAN THIRTY DAYS (ADULT OR JUVENILE)

C.1 Score 3 if the subject was 26 years of age or more at the commencement of the current offense and has three or fewer prior commitments.

C.2 Score 2 if the subject was 26 years of age or more at the commencement of the

## § 2.20

## 28 CFR Ch. I (7-1-17 Edition)

current offense and has four prior commitments.

C.3 Score 1 if the subject was 26 years of age or more at the commencement of the current offense and has five or more prior commitments.

C.4 Score 2 if the subject was 22-25 years of age at the commencement of the current offense and has three or fewer prior commitments.

C.5 Score 1 if the subject was 22-25 years of age at the commencement of the current offense and has four prior commitments.

C.6 Score 0 if the subject was 22-25 years of age at the commencement of the current offense and has five or more prior commitments.

C.7 Score 1 if the subject was 20-21 years of age at the commencement of the current offense and has three or fewer prior commitments.

C.8 Score 0 if the subject was 20-21 years of age at the commencement of the current offense and has four prior commitments.

C.9 Score 0 if the subject was 19 years of age or less at the commencement of the current offense with any number of prior commitments.

C.10 Definitions (a) Use the age of the commencement of the subject's current offense behavior, except as noted under the special instructions for probation/parole/confinement/escape status violators.

(b) Prior commitment is defined under Item B.

### ITEM D. RECENT COMMITMENT FREE PERIOD (THREE YEARS)

D.1 Score 1 if the subject has no prior commitments; or if the subject was released to the community from his/her last prior commitment at least three years prior to commencement of his/her current offense behavior.

D.2 Score 0 if the subject's last release to the community from a prior commitment occurred less than three years prior to the current offense behavior; or if the subject was in confinement/escape status at the time of the current offense.

D.3 Definitions. (a) Prior commitment is defined under Item B.

(b) Confinement/escape status is defined under Item E.

(c) Release to the community means release from confinement status (e.g., a person paroled through a CTC is released to the community when released from the CTC, not when placed in the CTC).

### ITEM E. PROBATION/PAROLE/CONFINEMENT/ESCAPE STATUS VIOLATOR THIS TIME

E.1 Score 1 if the subject was not on probation or parole, nor in confinement or escape status at the time of the current offense behavior; and was not committed as a proba-

tion, parole, confinement, or escape status violator this time.

E.2 Score 0 if the subject was on probation or parole or in confinement or escape status at the time of the current offense behavior; or if the subject was committed as a probation, parole, confinement, or escape status violator this time.

E.3 Definitions. (a) The term probation/parole refers to a period of federal, state, or local probation or parole supervision. Occasionally, a court disposition such as 'summary probation' or 'unsupervised probation' will be encountered. If it is clear that this disposition involved no attempt at supervision, it will not be counted for purposes of this item. *Note:* Unsupervised probation/parole due to deportation is counted in scoring this item.

(b) The term "parole" includes parole, mandatory parole, supervised release, conditional release, or mandatory release supervision (*i.e.*, any form of supervised release).

(c) The term "confinement/escape status" includes institutional custody, work or study release, pass or furlough, community corrections center or other residential treatment center confinement (when such confinement is counted as a commitment under Item B), or escape from any of the above.

#### Item F. Older Offenders.

F.1 Score 1 if the offender was 41 years of age or more at the commencement of the current offense and the total score from Items A-E is 9 or less.

F.2 Score 0 if the offender was less than 41 years of age at the commencement of the current offense or if the total score from Items A-E is 10.

### SPECIAL INSTRUCTIONS—PROBATION VIOLATOR THIS TIME

Item A Count the original conviction that led to the sentence of probation as a prior conviction. Do not count the probation revocation as a prior conviction.

Item B Count all prior commitments of more than thirty days which were imposed prior to the behavior resulting in the current probation revocation. If the subject is committed as a probation violator following a 'split sentence' for which more than thirty days were served, count the confinement portion of the 'split sentence' as a prior commitment. *Note:* The prisoner is still credited with the time served toward the current commitment.

Item C Use the age at commencement of the probation violation, not the original offense.

Item D Count backwards three years from the commencement of the probation violation.

Item E By definition, no point is credited for this item. Exception: A person placed on



## Department of Justice

## § 2.23

unsupervised probation (other than for deportation) would not lose credit for this item.

Item F Use the age at commencement of the probation violation, not the original offense.

### SPECIAL INSTRUCTIONS—PAROLE OR SUPERVISED RELEASE VIOLATOR THIS TIME

Item A The conviction from which paroled or placed on supervised release counts as a prior conviction.

Item B The commitment from which paroled or released to supervised release (including a prison term ordered for a prior supervised release revocation), counts as a prior commitment.

Item C Use the age at commencement of the violation behavior (including new criminal behavior).

Item D Count backwards three years from the commencement of the violation behavior (including new criminal behavior).

Item E By definition, no point is credited for this item.

Item F Use the age at commencement of the violation behavior (including new criminal behavior).

### SPECIAL INSTRUCTIONS—CONFINEMENT/ESCAPE STATUS VIOLATOR WITH NEW CRIMINAL BEHAVIOR IN THE COMMUNITY THIS TIME

Item A The conviction being served at the time of the confinement/escape status violation counts as a prior conviction.

Item B The commitment being served at the time of the confinement/escape status violation counts as a prior commitment.

Item C Use the age at commencement of the confinement/escape status violation.

Item D By definition, no point is credited for this item.

Item E By definition, no point is credited for this item.

Item F Use the age at commencement of the confinement/escape status violation.

(18 U.S.C. 4203(a)(1); 18 U.S.C. 4204(a)(6))

[47 FR 56336, Dec. 16, 1982]

EDITORIAL NOTE: For FEDERAL REGISTER citations affecting § 2.20, see the List of CFR Sections Affected, which appears in the Finding Aids section of the printed volume and at [www.fdsys.gov](http://www.fdsys.gov).

### § 2.21 Reparole consideration guidelines.

(a)(1) If revocation is based upon administrative violation(s) only, grade the behavior as if a Category One offense under § 2.20.

(2) If a finding is made that the prisoner has engaged in behavior constituting new criminal conduct, the appropriate severity rating for the new

criminal behavior shall be calculated. New criminal conduct may be determined either by a new federal, state, or local conviction or by an independent finding by the Commission at revocation hearing. As violations may be for state or local offenses, the appropriate severity level may be determined by analogy with listed federal offense behaviors.

(b) The guidelines for parole consideration specified at 28 CFR 2.20 shall then be applied with the salient factor score recalculated. The conviction and commitment from which the offender was released shall be counted as a prior conviction and commitment.

(c) Time served on a new state or federal sentence shall be counted as time in custody for reparole guideline purposes. This does not affect the computation of the expiration date of the violator term as provided by §§ 2.47(e) and 2.52 (c) and (d).

(d) The above are merely guidelines. A decision outside these guidelines (either above or below) may be made when circumstances warrant.

[50 FR 40368, Oct. 3, 1985, as amended at 68 FR 41529, July 14, 2003]

### § 2.22 Communication with the Commission.

Attorneys, relatives, or interested parties wishing a personal interview to discuss a specific case with a representative of the Commission must submit a written request to the appropriate office setting forth the nature of the information to be discussed. Such interview may be conducted by a Commissioner or assigned staff, and a written summary of each such interview shall be prepared and placed in the prisoner's file.

[43 FR 22707, May 28, 1978]

### § 2.23 Delegation to hearing examiners.

(a) There is hereby delegated to hearing examiners the authority necessary to conduct hearings and to make recommendations relative to the grant or denial of parole or reparole, revocation or reinstatement of parole or mandatory release, and conditions of parole. Any hearing may be conducted by a

## § 2.24

single examiner or by a panel of examiners. A Executive Hearing Examiner shall function as a hearing examiner for the purpose of obtaining a panel recommendation whenever the Regional Commissioner has not ordered that a hearing be conducted by a panel of two examiners. Notwithstanding the provisions of §§ 2.48 through 2.51, §§ 2.101 through 2.104, and §§ 2.214 through 2.217, there is also delegated to hearing examiners the authority necessary to make a probable cause finding, to determine the location of a revocation hearing, and to determine the witnesses who will attend the hearing, including the authority to issue subpoenas for witnesses and evidence.

(b) The concurrence of two hearing examiners, or of a hearing examiner and the Executive Hearing Examiner, shall be required to obtain a panel recommendation to the Regional Commissioner. A panel recommendation is required in each case decided by a Regional Commissioner after the holding of a hearing.

(c) An examiner panel recommendation consists of two concurring examiner votes. In the event of divergent votes, the case shall be referred to another hearing examiner (or to the Executive Hearing Examiner in the case of a hearing conducted by a panel of examiners) for another vote. If concurring votes do not result from such a referral, the case shall be referred to any available hearing examiner until a panel recommendation is obtained.

(d) A recommendation of a hearing examiner panel shall become an effective Commission decision only upon the Regional Commissioner's approval, and docketing at the regional office.

[44 FR 3408, Jan. 16, 1979, as amended at 45 FR 84052, Dec. 12, 1980; 59 FR 45625, Sept. 2, 1994; 60 FR 51349, Oct. 2, 1995; 66 FR 51302, Oct. 9, 2001]

## § 2.24 Review of panel recommendation by the Regional Commissioner.

(a) Upon review of the examiner panel recommendation, the Regional Commissioner may make the decision by concurring with the panel recommendation. If the Regional Commissioner does not concur, the Regional Commissioner shall refer the case to another Commissioner and the decision

## 28 CFR Ch. I (7-1-17 Edition)

shall be made on the concurring votes of two Commissioners.

(b) Upon review of the panel recommendation, the Regional Commissioner may also:

(1) Designate the case for the original jurisdiction of the Commission pursuant to § 2.17, vote on the case, and then refer the case to another Commissioner for further review; or

(2) Remand the case for a rehearing, with the notice of action specifying the purpose of the rehearing.

[68 FR 41529, July 14, 2003]

## § 2.25 Hearings by videoconference.

The Commission may conduct a parole determination hearing (including a rescission hearing), a probable cause hearing, and an institutional revocation hearing, by a videoconference between the hearing examiner and the prisoner or releasee.

[72 FR 53118, Sept. 18, 2007]

## § 2.26 Appeal to National Appeals Board.

(a)(1) A prisoner or parolee may submit to the National Appeals Board a written appeal of any decision to grant (other than a decision to grant parole on the date of parole eligibility), rescind, deny, or revoke parole, except that any appeal of a Commission decision pursuant to § 2.17 shall be submitted as a petition for reconsideration under § 2.27.

(2) The appeal must be filed on a form provided for that purpose within 30 days from the date of entry of the decision that is the subject of the appeal. The appeal must include an opening paragraph that briefly summarizes the grounds for the appeal. The appellant shall then list each ground separately and concisely explain the reasons supporting each ground. Appeals that do not conform to the above requirements may be returned at the Commission's discretion, in which case the appellant shall have 30 days from the date the appeal is returned to submit an appeal that complies with the above requirements. The appellant may provide any additional information for the Commission to consider in an addendum to the appeal. Exhibits may be attached to an appeal, but the appellant should

## Department of Justice

## § 2.27

not attach exhibits that are copies of documents already in the possession of the Commission. Any exhibits that are copies of documents already in the Commission's files will not be retained by the Commission.

(b)(1) The National Appeals Board may: Affirm the decision of a Regional Commissioner on the vote of a single Commissioner other than the Commissioner who issued the decision from which the appeal is taken; or modify or reverse the decision of a Regional Commissioner, or order a new hearing, upon the concurrence of two Commissioners. The Commissioner first reviewing the case may in his discretion circulate the case for review and vote by the other Commissioners notwithstanding his own vote to affirm the Regional Commissioner's decision. In such event, the case shall be decided by the concurrence of two out of three votes.

(2) All Commissioners serve as members of the National Appeals Board, and it shall in no case be an objection to a decision of the Board that the Commissioner who issued the decision from which an appeal is taken participated as a voting member on appeal.

(c) The National Appeals Board shall act within sixty days of receipt of the appellant's papers, to affirm, modify, or reverse the decision. Decisions of the National Appeals Board shall be final.

(d) If no appeal is filed within thirty days of the date of entry of the original decision, such decision shall stand as the final decision of the Commission.

(e) Appeals under this section may be based upon the following grounds:

(1) That the guidelines were incorrectly applied as to any or all of the following:

- (i) Severity rating;
- (ii) Salient factor score;
- (iii) Time in custody;

(2) That a decision outside the guidelines was not supported by the reasons or facts as stated;

(3) That especially mitigating circumstances (for example, facts relating to the severity of the offense or the prisoner's probability of success on parole) justify a different decision;

(4) That a decision was based on erroneous information, and the actual facts justify a different decision;

(5) That the Commission did not follow correct procedure in deciding the case, and a different decision would have resulted if the error had not occurred;

(6) There was significant information in existence but not known at the time of the hearing;

(7) There are compelling reasons why a more lenient decision should be rendered on grounds of compassion.

(f) Upon the written request of the Attorney General seeking review of a decision of a Regional Commissioner, which is received within 30 days of such decision, the National Appeals Board shall reaffirm, modify, or reverse the Regional Commissioner's decision within 60 days of receipt of the Attorney General's request. The National Appeals Board shall inform the Attorney General and the prisoner to whom the decision applies in writing of its decision and the reasons therefor. In the event the Attorney General submits new and significant information that has not previously been disclosed to the prisoner prior to a hearing under these rules, the National Appeals Board shall act within 60 days to reaffirm, modify or reverse the Regional Commissioner's decision, but shall also remand the case for a new hearing if its decision is adverse to the prisoner. The prisoner shall have disclosure of the new information, and the opportunity to dispute that information under § 2.19(c) of this part. Following the hearing, the case shall be returned to the National Appeals Board, together with a recommendation from the hearing examiner, to render a final Commission decision as to the disposition of the case.

[49 FR 44098, Nov. 2, 1984, as amended at 51 FR 32785, Sept. 16, 1986; 59 FR 40258, Aug. 8, 1994; 61 FR 55743, Oct. 29, 1996; 68 FR 41699, July 15, 2003]

### § 2.27 Petition for reconsideration of original jurisdiction decisions.

(a) A petition for reconsideration may be filed with the Commission in a case decided under the procedure specified in § 2.17 within thirty days of the date of such decision. A form is provided for this purpose. A petition for reconsideration will be reviewed at the next regularly scheduled meeting of

## § 2.28

## 28 CFR Ch. I (7–1–17 Edition)

the Commission provided the petition is received thirty days in advance of such meeting. A petition received by the Commission less than thirty days in advance of a regularly scheduled meeting will be reviewed at the next regularly scheduled meeting. The previous decision made under § 2.17 may be modified or reversed only by a majority vote of the Commissioners holding office at the time of the review of the petition. If a majority vote is not obtained, the previous decision shall stand. A decision under this rule shall be final.

(b) Attorneys, relatives, and other interested parties who wish to submit written information concerning a petition for reconsideration should send such information to the National Appeals Board, United States Parole Commission, 5550 Friendship Boulevard, Chevy Chase, Maryland 20815. Petitions and all supporting material are to be submitted thirty days in advance of the meeting at which such petitions will be considered.

(c) If no petition for reconsideration is filed within 30 days of the entry of a decision under § 2.17, that decision shall stand as the final decision of the Commission.

[61 FR 13763, Mar. 28, 1996, as amended at 61 FR 55743, Oct. 29, 1996; 68 FR 41530, July 14, 2003]

### § 2.28 Reopening of cases.

(a) *Favorable information.* Upon the receipt of new information of substantial significance favorable to the prisoner, the Regional Commissioner may reopen a case (including an original jurisdiction case), and order a special reconsideration hearing on the next available docket, or modify the previous decision. The advancement of a presumptive release date requires the concurrence of two Commissioners.

(b) *Institutional misconduct.* Consideration of disciplinary infractions and allegations of new criminal conduct occurring after the setting of a parole date are subject to the provisions of § 2.14 (in the case of a prisoner with a presumptive date) and § 2.34 (in the case of a prisoner with an effective date of parole).

(c) *Additional sentences.* If a prisoner receives an additional concurrent or

consecutive federal sentence following his initial parole consideration, the Regional Commissioner shall reopen his case for a new initial hearing on the next regularly scheduled docket to consider the additional sentence and reevaluate the case. Such action shall void the previous presumptive or effective release date. However, a new initial hearing is not mandatory where the Commission has previously evaluated the new criminal behavior, which led to the additional federal sentence, at a rescission hearing under 28 CFR 2.34; except where the new sentence extends the mandatory release date for a prisoner previously continued to the expiration of his sentence.

(d) *Conviction after revocation.* Upon receipt of information subsequent to the revocation hearing that a prisoner whose parole has been revoked has sustained a new conviction for conduct while on parole, the Regional Commissioner may reopen the case pursuant to § 2.52(c)(2) for a special reconsideration hearing on the next regularly scheduled docket to consider forfeiture of time spent on parole and such further action as may be appropriate. The entry of a new order shall void any presumptive or effective release date previously established.

(e) *Release planning.* When an effective date of parole has been set by the Commission, release on that date shall be conditioned upon the completion of a satisfactory plan for parole supervision. The appropriate Regional Commissioner may on his own motion reconsider any case prior to release and may reopen and advance or retard an effective parole date for purposes of release planning. Retardation without a hearing may not exceed 120 days.

(f) *New adverse information.* Upon receipt of new and significant adverse information that is not covered by paragraphs (a) through (e) of this section, a Commissioner may refer the case to the National Commissioners with his recommendation and vote to schedule the case for a special reconsideration hearing. Such referral shall automatically retard the prisoner's scheduled release date until a final decision is reached in the case. The decision to schedule a case for a special reconsideration hearing shall be based on the

## Department of Justice

## § 2.32

concurrence of two Commissioner votes, including the vote of the referring Commissioner. The hearing shall be conducted in accordance with the procedures set forth in §§ 2.12 and 2.13. The entry of a new order following such hearing shall void the previously established release date.

[44 FR 3406, Jan. 16, 1979, as amended at 46 FR 36138, July 14, 1981; 49 FR 44098, Nov. 2, 1984; 61 FR 55743, Oct. 29, 1996; 68 FR 41529, July 14, 2003]

### § 2.29 Release on parole.

(a) A grant of parole shall not be deemed to be operative until a certificate of parole has been delivered to the prisoner.

(b) An effective date of parole shall not be set for a date more than nine months from the date of the hearing. Residence in a community corrections center as part of a parole release plan generally shall not exceed one hundred and twenty days.

(c) When an effective date of parole falls on a Saturday, Sunday, or legal holiday, the Warden of the appropriate institution shall be authorized to release the prisoner on the first working day preceding such date.

[42 FR 39809, Aug. 5, 1977, as amended at 44 FR 3407, Jan. 16, 1979; 60 FR 51350, Oct. 2, 1995; 68 FR 41530, July 14, 2003]

### § 2.30 False information or new criminal conduct: Discovery after release.

If evidence comes to the attention of the Commission after a prisoner's release that such prisoner has willfully provided false information or misrepresented information deemed significant to his application for parole or has engaged in any criminal conduct during the current sentence prior to the delivery of the parole certificate, the Regional Commissioner may reopen the case pursuant to the procedures of § 2.28(f) and order the prisoner summoned or retaken for hearing pursuant to the procedures of §§ 2.49 and 2.50, as applicable, to determine whether the order of parole should be cancelled.

[47 FR 36635, Aug. 23, 1982]

### § 2.31 Parole to detainees: Statement of policy.

(a) Where a detainer is lodged against a prisoner, the Commission may grant parole if the prisoner in other respects meets the criteria set forth in § 2.18. The presence of a detainer is not in itself a valid reason for the denial of parole.

(b) The Commission will cooperate in working out arrangements for concurrent supervision with other jurisdictions where it is feasible and where release on parole appears to be justified.

### § 2.32 Parole to local or immigration detainees.

(a) When a State or local detainer is outstanding against a prisoner whom the Commission wishes to parole, the Commission may order either of the following:

(1) Parole to the actual physical custody of the detaining authorities only. In this event, release is not to be effected except to the detainer. When such a detainer is withdrawn, the prisoner is not to be released unless and until the Commission makes a new order of parole.

(2) Parole to the actual physical custody of the detaining authorities or an approved plan. In this event, release is to be effected to the community if detaining officials withdraw the detainer or make no effort to assume custody of the prisoner, providing there is an acceptable plan for community supervision.

(b) When the Commission wishes to parole a prisoner subject to a detainer filed by Federal immigration officials, the Commission shall order the following: Parole to the actual physical custody of the immigration authorities or an approved plan. In this event, release is to be effected regardless of whether immigration officials take the prisoner into custody, providing there is an acceptable plan for community supervision.

(c) As used in this section "parole to a detainer" means release to the "physical custody" of the authorities who have lodged the detainer. Temporary detention in a jail in the county where the institution of confinement is located does not constitute release on

### § 2.33

### 28 CFR Ch. I (7-1-17 Edition)

parole to such detainee. If the authorities who lodged the detainee do not take the prisoner into custody for any reason, he shall be returned to the institution to await further order of the Commission.

[43 FR 38822, Aug. 31, 1978, as amended at 44 FR 3409, Jan. 16, 1979; 44 FR 31637, June 1, 1979; 44 FR 34494, June 15, 1979; 47 FR 36635, Aug. 23, 1982]

#### § 2.33 Release plans.

(a) A grant of parole is conditioned upon the approval of release plans by the Regional Commissioner. In general, the following factors are considered as elements in the prisoner's release plan:

(1) Availability of legitimate employment and an approved residence for the prospective parolee; and

(2) Availability of necessary aftercare for a parolee who is ill or who requires special care.

(b) Generally, parolees will be released only to the place of their legal residence unless the Commission is satisfied that another place of residence will serve the public interest more effectively or will improve the probability of the applicant's readjustment.

(c) Where the circumstances warrant, the Commission on its own motion, or upon recommendation of the probation officer, may require that an advisor who is a responsible, reputable, and law-abiding citizen living in or near the community in which the releasee will reside be available to the releasee. Such advisor shall serve under the direction of and in cooperation with the probation officer to whom the parolee is assigned.

(d) When the prisoner has an unsatisfied fine or restitution order, a reasonable plan for payment [or performance of services, if so ordered by the court] shall, where feasible, be included in the parole release plan.

[42 FR 39809, Aug. 5, 1977; 42 FR 44234, Sept. 2, 1977, as amended at 50 FR 36422, Sept. 6, 1985; 68 FR 41530, July 14, 2003]

#### § 2.34 Rescission of parole.

(a) When an effective date of parole has been set by the Commission, release on that date is conditioned upon continued satisfactory conduct by the prisoner. If a prisoner granted such a date has been found in violation of in-

stitution rules by a Discipline Hearing Officer or is alleged to have committed a new criminal act at any time prior to the delivery of the certificate of parole, the Regional Commissioner shall be advised promptly of such information. The prisoner shall not be released until the institution has been notified that no change has been made in the Commission's order to parole. Following receipt of such information, the Regional Commissioner may reopen the case and retard the parole date for up to 90 days without a hearing, or schedule a rescission hearing under this section on the next available docket at the institution or on the first docket following return to a federal institution from a community corrections center or a state or local halfway house.

(b) Upon the ordering of a rescission hearing under this section, the prisoner shall be afforded written notice specifying the information to be considered at the hearing. The notice shall further state that the purpose of the hearing will be to decide whether rescission of the parole date is warranted based on the charges listed on the notice, and shall advise the prisoner of the procedural rights described below.

(c) A hearing before a Discipline Hearing Officer resulting in a finding that the prisoner has committed a violation of disciplinary rules may be relied upon by the Commission as conclusive evidence of institutional misconduct. However, the prisoner will be afforded an opportunity to explain any mitigating circumstances, and to present documentary evidence in mitigation of the misconduct at the rescission hearing.

(d) In the case of allegations of new criminal conduct committed prior to delivery of the parole certificate, the Commission may consider documentary evidence and/or written testimony presented by the prisoner, arresting authorities, or other persons.

(e) The prisoner may be represented at a rescission hearing by a person of his choice. The function of the prisoner's representative shall be to offer a statement following the discussion of the charges with the prisoner, and to provide such additional information as the hearing examiner may require. However, the hearing examiner may

## Department of Justice

## § 2.36

limit or exclude any irrelevant or repetitious statement.

(f) The evidence upon which the rescission hearing is to be conducted shall be disclosed to the prisoner upon request, subject to the exemptions set forth at § 2.55. If the parole grant is rescinded, the Commission shall furnish to the prisoner a written statement of its findings and the evidence relied upon.

[44 FR 3406, Jan. 16, 1979, as amended at 45 FR 59871, Sept. 11, 1980; 47 FR 2313, Jan. 15, 1982; 54 FR 15173, Apr. 17, 1989; 68 FR 41530, July 14, 2003]

### § 2.35 Mandatory release in the absence of parole.

(a) A prisoner shall be mandatorily released by operation of law at the end of the sentence imposed by the court less such good time deductions as he may have earned through his behavior and efforts at the institution of confinement. If released pursuant to 18 U.S.C. 4164, such prisoner shall be released, as if on parole, under supervision until the expiration of the maximum term or terms for which he was sentenced less 180 days. If released pursuant to 18 U.S.C. 4205(f), such prisoner shall remain under supervision until the expiration of the maximum term or terms for which he was sentenced. Insofar as possible, release plans shall be completed before the release of any such prisoner.

(b) It is the Commission's interpretation of the statutory scheme for parole and good time that the only function of good time credits is to determine the point in a prisoner's sentence when, in the absence of parole, the prisoner is to be conditionally released on supervision, as described in subsection (a). Once an offender is conditionally released from imprisonment, either by parole or mandatory release, the good time earned during that period of imprisonment is of no further effect either to shorten the period of supervision or to shorten the period of imprisonment which the offender may be required to serve for violation of parole or mandatory release.

(c) A prisoner committed under the Youth Corrections Act must be initially released conditionally under supervision not later than two years be-

fore the expiration of the term imposed by the court.

(d) If the Commission orders a military prisoner who is under the Commission's jurisdiction for an offense committed after August 15, 2001 continued to the expiration of his sentence (or otherwise does not grant parole), the Commission shall place such prisoner on mandatory supervision after release if the Commission determines that such supervision is appropriate to provide an orderly transition to civilian life for the prisoner and to protect the community into which such prisoner is released. The Commission shall presume that mandatory supervision is appropriate for all such prisoners unless case-specific factors indicate that supervision is inappropriate. A prisoner who is placed on mandatory supervision shall be deemed to be released as if on parole, and shall be subject to the conditions of release at § 2.40 until the expiration of the maximum term for which he was sentenced, unless the prisoner's sentence is terminated early by the appropriate military clemency board.

[42 FR 39809, Aug. 5, 1977, as amended at 50 FR 46283, Nov. 7, 1985; 67 FR 67792, Nov. 7, 2002; 68 FR 16720, Apr. 7, 2003]

### § 2.36 Rescission guidelines.

(a) The following guidelines shall apply to the sanctioning of disciplinary infractions or new criminal conduct committed by a prisoner during any period of confinement that is credited to his current sentence (whether before or after sentence is imposed), but prior to his release on parole; and by a parole violator during any period of confinement prior to or following the revocation of his parole (except when such period of confinement has resulted from initial parole to a detainer). These guidelines specify the customary time to be served for such behavior which shall be added to the time required by the original presumptive or effective date. Credit shall be given towards service of these guidelines for any time spent in custody on a new offense that has not been credited towards service of the original presumptive or effective date. If a new concurrent or consecutive sentence is imposed for such behavior, these guidelines shall also be

**§2.37**

**28 CFR Ch. I (7-1-17 Edition)**

applied at the initial hearing on such term.

(1) Administrative rule infraction(s) (including alcohol abuse) normally can be adequately sanctioned by postponing a presumptive or effective date by 0-60 days per instance of misconduct, or by 0-8 months in the case of use or simple possession of illicit drugs or refusal to provide a urine sample. Escape or other new criminal conduct shall be considered in accordance with the guidelines set forth below.

(2) *Escape/new criminal behavior in a prison facility* (including a community corrections center). The time required pursuant to the guidelines set forth in paragraphs (a)(2) (i) and (ii) of this section shall be added to the time required by the original presumptive or effective date.

(i) *Escape or attempted escape*—(A) Escape or attempted escape, except as listed below—8-16 months.

(B) If from non-secure custody with voluntary return in 6 days or less—≤6 months.

(C) If by fear or force applied to person(s), grade under (ii) but not less than Category Five.

NOTES: (1) If other criminal conduct is committed during the escape or during time spent in escape status, then time to be served for the escape/attempted escape shall be added to that assessed for the other new criminal conduct.

(2) Time in escape status shall not be credited.

(3) Voluntary return is defined as returning voluntarily to the facility or voluntarily turning one's self in to a law enforcement authority as an escapee (not in connection with an arrest on other charges).

(4) Non-secure custody refers to custody with no significant physical restraint [e.g., walkaway from a work detail outside the security perimeter of an institution; failure to return to any institution from a pass or unescorted furlough; or escape by stealth from an institution with no physical perimeter barrier (usually a camp or community corrections center)].

(ii) *Other new criminal behavior in a prison facility.*

Severity rating in the new criminal behavior (from §2.20)	Guideline range
Category One .....	<=8 months.
Category Two .....	<=10 months.
Category Three .....	12-16 months.
Category Four .....	20-26 months.
Category Five .....	36-48 months.

Severity rating in the new criminal behavior (from §2.20)	Guideline range
Category Six .....	52-64 months.
Category Seven .....	64-92 months.
Category Eight .....	120+ months.

NOTE: Grade unlawful possession of a firearm or explosives in a prison facility, other than a community corrections center, as Category Six. Grade unlawful possession of a firearm in a community corrections center as Category Four. Grade unlawful possession of a dangerous weapon other than a firearm or explosives (e.g., a knife) in a prison facility or community corrections center as Category Three.

(3) *New criminal behavior in the community* (e.g., while on pass, furlough, work release, or on escape). In such cases, the guidelines applicable to parole violators under §2.21 shall be applied, using the new offense severity (from §2.20) and recalculated salient factor score (such score shall be recalculated as if the prisoner had been on parole at the time of the new criminal behavior). The time required pursuant to these guidelines shall be added to the time required by the original presumptive or effective date.

NOTE: Offenses committed in a prison or in a community corrections center that are not limited to the confines of the prison or community corrections center (e.g., mail fraud of a victim outside the prison) are graded as new criminal behavior in the community.

(b) The above are merely guidelines. Where the circumstances warrant, a decision outside the guidelines (above or below) may be rendered provided specific reasons are given. For example, a substantial period of good conduct since the last disciplinary infraction in cases not involving new criminal conduct may be treated as a mitigating circumstance.

[45 FR 59871, Sept. 11, 1980, as amended at 51 FR 32072, Sept. 9, 1986; 52 FR 5763, Feb. 26, 1987; 52 FR 17399, May 8, 1987; 64 FR 59623, Nov. 3, 1999; 68 FR 41530, July 14, 2003]

**§2.37 Disclosure of information concerning parolees; Statement of policy.**

(a) Information concerning a parolee under the Commission's supervision may be disclosed to a person or persons who may be exposed to harm through contact with that particular parolee if



## Department of Justice

## § 2.40

such disclosure is deemed to be reasonably necessary to give notice that such danger exists.

(b) Information concerning parolees may be released by a Chief U.S. Probation Officer to a law enforcement agency (1) as deemed appropriate for the protection of the public or the enforcement of the conditions of parole or (2) pursuant to a request under 18 U.S.C. 4203(e).

(c) Information deemed to be "public sector" information may be disclosed to third parties without the consent of the file subject. Public sector information encompasses the following:

- (1) Name;
- (2) Register number;
- (3) Offense of conviction;
- (4) Past and current places of incarceration;
- (5) Age;
- (6) Sentence data on the Bureau of Prisons sentence computation record (BP-5);
- (7) Date(s) of parole and parole revocation hearings; and
- (8) The decision(s) rendered by the Commission following a parole or parole revocation proceeding, including the dates of continuances and parole dates. An inmate's designated future place of incarceration is not public information.

[47 FR 13521, Mar. 31, 1982, as amended at 52 FR 33408, Sept. 3, 1987; 63 FR 25772, May 11, 1998]

### § 2.38 Community supervision by U.S. Probation Officers.

(a) Pursuant to sections 3655 and 4203(b)(4) of title 18 of the U.S. Code, U.S. Probation Officers shall provide such parole services as the Commission may request. In conformity with the foregoing, probation officers function as parole officers and provide supervision to persons released by parole or as if on parole (mandatory release) under the Commission's jurisdiction.

(b) A parolee may be transferred to a new district of supervision with the permission of the probation officers of both the transferring and receiving district, provided such transfer is not contrary to instructions from the Commission.

[44 FR 3409, Jan. 16, 1979]

### § 2.39 Jurisdiction of the Commission.

(a) Jurisdiction of the Commission over a parolee shall terminate no later than the date of expiration of the maximum term or terms for which he was sentenced, except as provided by § 2.35, § 2.43, or § 2.52.

(b) The parole of any parolee shall run concurrently with the period of parole or probation under any other Federal, State, or local sentence.

(c) Upon the termination of jurisdiction, the Commission shall issue a certificate of discharge to such parolee and to such other agencies as it may determine.

[42 FR 39809, Aug. 5, 1977, as amended at 48 FR 22919, May 23, 1983]

### § 2.40 Conditions of release.

(a)(1) *General conditions of release and notice by certificate of release.* All persons on supervision must follow the conditions of release described in § 2.204(a)(3) through (6). These conditions are necessary to satisfy the purposes of release conditions stated in 18 U.S.C. 4209. Your certificate of release informs you of these conditions and special conditions that we have imposed for your supervision.

(2) *Refusing to sign the certificate of release.* (i) If you have been granted a parole date and you refuse to sign the certificate of release (or any other document necessary to fulfill a condition of release), we will consider your refusal as a withdrawal of your application for parole as of the date of your refusal. You will not be released on parole and you will have to reapply for parole consideration.

(ii) If you are scheduled for release to supervision through good-time deduction and you refuse to sign the certificate of release, you will be released but you still must follow the conditions listed in the certificate.

(b) *Special conditions of release.* We may impose a condition of release other than a condition described in § 2.204(a)(3) through (6) if we determine that imposing the condition is reasonably related to the nature and circumstances of your offense or your history and characteristics, and at least one of the following purposes of criminal sentencing: The need to deter you

## §2.41

## 28 CFR Ch. I (7–1–17 Edition)

from criminal conduct; protection of the public from further crimes; or the need to provide you with training or correctional treatment or medical care. In choosing a condition we will also consider whether the condition involves no greater deprivation of liberty than is reasonably necessary for the purposes of deterrence of criminal conduct, protection of the public from crime and offender rehabilitation. We list some examples of special conditions of release at §2.204(b)(2).

(c) *Participation in a drug-treatment program.* If we require your participation in a drug-treatment program, you must submit to a drug test within 15 days of your release and to at least two other drug tests, as determined by your supervision officer. If we decide not to impose the special condition on drug-treatment, because available information indicates you are a low risk for substance abuse, this decision constitutes good cause for suspending the drug testing requirements of 18 U.S.C. 4209(a). You must pass all pre-release drug tests administered by the Bureau of Prisons before you are paroled. If you fail a drug test your parole date may be rescinded.

(d) *Changing conditions of release.* After your release, we may change or add to the conditions of release if we decide that such action is consistent with the criteria described in paragraph (b) of this section. In making these changes we will use the procedures described in §2.204(c) and (d). You may appeal our action as provided in §§2.26 and 2.220.

(e) *Application of release conditions to an absconder.* If you abscond from supervision, you will stop the running of your sentence as of the date of your absconding and you will prevent the expiration of your sentence. You will still be bound by the conditions of release while you are an absconder, even after the original expiration date of your sentence. We may revoke your release for a violation of a release condition that you commit before the revised expiration date of your sentence (the original expiration date plus the time you were an absconder).

(f) *Revocation for possession of a controlled substance (18 U.S.C. 4214(f)).* If we find after a revocation hearing that

you have illegally possessed a controlled substance, we must revoke your release. If you fail a drug test, we must consider whether the availability of appropriate substance abuse programs, or your current or past participation in such programs, justifies an exception from the requirement of mandatory revocation. We will not revoke your release on the basis of a single, unconfirmed positive drug test if you challenge the test result and there is no other violation found by us to support revocation.

(g) *Supervision officer guidance.* See §2.204(g).

(h) *Definitions.* See §2.204(h).

[79 FR 51257, Aug. 28, 2014]

### §2.41 Travel approval.

(a) The probation officer may approve travel outside the district without approval of the Commission in the following situations:

(1) Vacation trips not to exceed thirty days.

(2) Trips, not to exceed thirty days, to investigate reasonably certain employment possibilities.

(3) Recurring travel across a district boundary, not to exceed fifty miles outside the district, for purpose of employment, shopping, or recreation.

(b) Specific advance approval by the Commission is required for all foreign travel, employment requiring recurring travel more than fifty miles outside the district (except employment at offshore locations), and vacation travel outside the district exceeding thirty days. A request for such permission shall be in writing and must demonstrate a substantial need for such travel.

(c) A special condition imposed by the Regional Commissioner prohibiting certain travel shall supersede any general rules relating to travel as set forth above.

[42 FR 39809, Aug. 5, 1977, as amended at 44 FR 3408, Jan. 16, 1979; 48 FR 9247, Mar. 4, 1983; 57 FR 59916, Dec. 17, 1992]

## Department of Justice

## § 2.44

### § 2.42 Probation officer's reports to Commission.

A supervision report shall be submitted by the responsible probation officer to the Commission for each parolee after the completion of 24 months of continuous supervision and annually thereafter. The probation officer shall submit such additional reports as the Commission may direct.

[51 FR 11017, Apr. 1, 1986]

### § 2.43 Early termination.

(a)(1) Upon its own motion or upon request of a parolee, the Commission may terminate a parolee's supervision, and legal custody over the parolee, before the sentence expires.

(2) The Commission may terminate supervision of a committed youth offender after the offender serves one year on supervision. Upon terminating supervision before the sentence expires, the Commission shall set aside the committed youth offender's conviction and issue a certificate setting aside the conviction instead of a certificate of termination.

(b) Two years after releasing a prisoner on supervision, and at least annually thereafter, the Commission shall review the status of the parolee to determine the need for continued supervision. The Commission shall also conduct a status review whenever the supervision officer recommends early termination of the parolee's supervision.

(c) Five years after releasing a prisoner on supervision, the Commission shall terminate supervision over the parolee unless the Commission determines, after a hearing conducted in accordance with the procedures prescribed in 18 U.S.C. 4214(a)(2), that such supervision should not be terminated because there is a likelihood that the parolee will engage in conduct violating any criminal law. If the Commission does not terminate supervision under this paragraph, the parolee may request a hearing annually thereafter, and the Commission shall conduct an early termination hearing at least every two years.

(d) In calculating the two-year and five-year periods provided in paragraphs (b) and (c) of this section, the Commission shall not include any pe-

riod of parole before the most recent release, or any period served in confinement on any other sentence.

(e) A parolee may appeal an adverse decision under paragraph (c) of this section under § 2.26 or § 2.27 as applicable.

(f) If the case is designated for the original jurisdiction of the Commission, a decision to terminate supervision under paragraphs (a)(2) and (b) of this section, or a decision to terminate or continue supervision under paragraph (c) of this section shall be made under the provisions of § 2.17.

(g)(1) In determining whether to grant early termination from supervision, the Commission shall consider the guidelines of this paragraph. The guidelines are advisory and the Commission may disregard the outcome indicated by the guidelines based on case-specific factors. Termination of supervision is indicated if the parolee:

(i) Has a salient factor score in the very good risk category and has completed two continuous years of supervision free from an incident of new criminal behavior or serious parole violation; or

(ii) Has a salient factor score in a risk category other than very good and has completed three continuous years of supervision free from an incident of new criminal behavior or serious parole violation.

(2) As used in this paragraph (g), the term "an incident of new criminal behavior or serious parole violation" includes a new arrest or report of a parole violation if supported by substantial evidence of guilt, even if no conviction or parole revocation results. The Commission shall not terminate supervision of a parolee until it determines the disposition of a pending criminal charge.

(h) Case-specific factors that may justify a departure either above or below the early termination guidelines may relate to the current behavior of the parolee, or to the parolee's background and criminal history.

[75 FR 9519, Mar. 3, 2010]

### § 2.44 Summons to appear or warrant for retaking of parolee.

(a) If a parolee is alleged to have violated the conditions of his release, and

## § 2.45

satisfactory evidence thereof is presented, the Commission or a member thereof may:

(1) Issue a summons requiring the offender to appear for a preliminary interview or local revocation hearing.

(2) Issue a warrant for the apprehension and return of the offender to custody.

A summons or warrant may be issued or withdrawn only by the Commission, or a member thereof.

(b) Any summons or warrant under this section shall be issued as soon as practicable after the alleged violation is reported to the Commission, except when delay is deemed necessary. Issuance of a summons or warrant may be withheld until the frequency or seriousness of violations, in the opinion of the Commission, requires such issuance. In the case of any parolee charged with a criminal offense and awaiting disposition of the charge, issuance of a summons or warrant may be withheld, a warrant may be issued and held in abeyance, or a warrant may be issued and a detainer may be placed.

(c) A summons or warrant may be issued only within the prisoner's maximum term or terms except that in the case of a prisoner released as if on parole pursuant to 18 U.S.C. 4164, such summons or warrant may be issued only within the maximum term or terms, less one hundred eighty days. A summons or warrant shall be considered issued when signed and either—

(1) Placed in the mail or

(2) Sent by electronic transmission to the intended authorities.

(d) The issuance of a warrant under this section operates to bar the expiration of the parolee's sentence. Such warrant maintains the Commission's jurisdiction to retake the parolee either before or after the normal expiration date of the sentence and to reach a final decision as to revocation of parole and forfeiture of time pursuant to § 2.52(c).

(e) A summons or warrant issued pursuant to this section shall be accompanied by a statement of the charges against the parolee, the applicable procedural rights under the Commission's regulations and the possible actions which may be taken by the Commission. A summons shall specify the time

## 28 CFR Ch. I (7-1-17 Edition)

and place the parolee shall appear for a revocation hearing. Failure to appear in response to a summons shall be grounds for issuance of a warrant.

[42 FR 39809, Aug. 5, 1977, as amended at 45 FR 84055, Dec. 22, 1980; 54 FR 11688, Mar. 21, 1989; 63 FR 25771, May 11, 1998]

### § 2.45 Same; youth offenders.

(a) In addition to the issuance of a summons or warrant pursuant to § 2.44 of this part, the Commission or a member thereof, when of the opinion that a youth offender will be benefited by further treatment in an institution or other facility, may direct his return to custody or issue a warrant for his apprehension and return to custody.

(b) Upon his return to custody, such youth offender shall be scheduled for a revocation hearing.

### § 2.46 Execution of warrant and service of summons.

(a) Any officer of any Federal correctional institution or any Federal officer authorized to serve criminal process within the United States, to whom a warrant is delivered shall execute such warrant by taking the parolee and returning him to the custody of the Attorney General.

(b) On arrest of the parolee the officer executing the warrant shall deliver to him a copy of the Warrant Application listing the charges against the parolee, the applicable procedural rights under the Commission's regulations and the possible actions which may be taken by the Commission.

(c) If execution of the warrant is delayed pending disposition of local charges, for further investigation, or for some other purpose, the parolee is to be continued under supervision by the probation officer until the normal expiration of the sentence, or until the warrant is executed, whichever first occurs. Monthly supervision reports are to be submitted, and the parolee must continue to abide by all the conditions of release.

(d) A summons to appear at a preliminary interview or revocation hearing shall be served upon the parolee in person by delivering to the parolee a copy of the summons. Service shall be made by any Federal officer authorized to serve criminal process within the

## Department of Justice

## § 2.47

United States, and certification of such service shall be returned to the appropriate regional office of the Commission.

[42 FR 39809, Aug. 5, 1977, as amended at 44 FR 3409, Jan. 16, 1979]

### § 2.47 Warrant placed as a detainer and dispositional review.

(a) When a parolee is serving a new sentence in a federal, state or local institution, a parole violation warrant may be placed against him as a detainer.

(1) If the prisoner is serving a new sentence in a federal institution, a revocation hearing shall be scheduled within 120 days of notification of placement of the detainer, or as soon thereafter as practicable, provided the prisoner is eligible for and has applied for an initial hearing on the new sentence, or is serving a new sentence of one year or less. In any other case, the detainer shall be reviewed on the record pursuant to paragraph (a)(2) of this section.

(2) If the prisoner is serving a new sentence in a state or local institution, the violation warrant shall be reviewed by the Regional Commissioner not later than 180 days following notification to the Commission of such placement. The parolee shall receive notice of the pending review, and shall be permitted to submit a written application containing information relative to the disposition of the warrant. He shall also be notified of his right to request counsel under the provisions of § 2.48(b) to assist him in completing this written application.

(b) If the prisoner is serving a new federal sentence, the Regional Commissioner, following a dispositional record review, may:

(1) Pursuant to the general policy of the Commission, let the warrant stand as a detainer and order that the revocation hearing be scheduled to coincide with the initial hearing on the new federal sentence or upon release from the new sentence, whichever comes first;

(2) Withdraw the warrant, and either order reinstatement of the parolee to supervision upon release from confinement or close the case if the expiration date has passed.

(c) If the prisoner is serving a new state or local sentence, the Regional Commissioner, following a dispositional record review may:

(1) Withdraw the detainer and order reinstatement of the parolee to supervision upon release from custody, or close the case if the expiration date has passed.

(2) Order a revocation hearing to be conducted by a hearing examiner or an official designated by the Regional Commissioner at the institution in which the parolee is confined.

(3) Let the detainer stand and order further review at an appropriate time. If the warrant is not withdrawn and no revocation hearing is conducted while the prisoner is in state or local custody, an institutional revocation hearing shall be conducted after the prisoner's return to federal custody.

(d) Revocation hearings pursuant to this section shall be conducted in accordance with the provisions governing institutional revocation hearings, except that a hearing conducted at a state or local facility may be conducted by a hearing examiner, hearing examiner panel, or other official designated by the Regional Commissioner. Following a revocation hearing conducted pursuant to this section, the Commission may take any action specified in § 2.52.

(e)(1) A parole violator whose parole is revoked shall be given credit for all time in federal, state, or local confinement on a new offense for purposes of satisfaction of the reparole guidelines at § 2.20 and § 2.21.

(2) However, it shall be the policy of the Commission that the revoked parolee's original sentence (which due to the new conviction, stopped running upon his last release from federal confinement on parole) again start to run only upon release from the confinement portion of the new sentence or the date of reparole granted pursuant of these rules, whichever comes first. This subsection does not apply to cases where, by law, the running of the original sentence is not interrupted by a new conviction (e.g., YCA; NARA; Mexican or Canadian treaty cases).

(f) If a Regional Commissioner determines that additional information is required in order to make a decision

## § 2.48

## 28 CFR Ch. I (7-1-17 Edition)

pursuant to paragraph (a)(2) of this section, he may schedule a dispositional hearing at the state or local institution where the parolee is confined to obtain such information. Such hearing may be conducted by a hearing examiner, hearing examiner panel, or other official designated by the Regional Commissioner. The parolee shall have notice of such hearing, be allowed to testify in his behalf, and have opportunity for counsel as provided in § 2.48(b).

[52 FR 17400, May 8, 1987, as amended at 61 FR 33657, June 28, 1996]

### § 2.48 Revocation: Preliminary interview.

(a) *Interviewing officer.* A parolee who is retaken on a warrant issued by a Commissioner shall be given a preliminary interview by an official designated by the Regional Commissioner to enable the Commission to determine if there is probable cause to believe that the parolee has violated his parole as charged, and if so, whether a revocation hearing should be conducted. The official designated to conduct the preliminary interview may be a U.S. Probation Officer in the district where the prisoner is confined, provided he is not the officer who recommended that the warrant be issued.

(b) *Notice and opportunity to postpone interview.* At the beginning of the preliminary interview, the interviewing officer shall ascertain that the Warrant Application has been given to the parolee as required by § 2.46(b), and shall advise the parolee that he may have the preliminary interview postponed in order to obtain representation by an attorney or arrange for the attendance of witnesses. The parolee shall also be advised that if he cannot afford to retain an attorney he may apply to a U.S. District Court for appointment of counsel to represent him at the preliminary interview and the revocation hearing pursuant to 18 U.S.C. 3006A. In addition, the parolee may request the Commission to obtain the presence of persons who have given information upon which revocation may be based. Such adverse witnesses shall be requested to attend the preliminary interview unless the parolee admits a violation or has been convicted of a

new offense while on supervision or unless the interviewing officer finds good cause for their non-attendance. Pursuant to § 2.51 a subpoena may issue for the appearance of adverse witnesses or the production of documents.

(c) *Review of the charges.* At the preliminary interview, the interviewing officer shall review the violation charges with the parolee, apprise the parolee of the evidence which has been presented to the Commission, receive the statements of witnesses and documentary evidence on behalf of the parolee, and allow cross-examination of those witnesses in attendance. Disclosure of the evidence presented to the Commission shall be made pursuant to § 2.50(d).

(d) At the conclusion of the preliminary interview, the interviewing officer shall inform the parolee of his recommended decision as to whether there is probable cause to believe that the parolee has violated the conditions of his release, and shall submit to the Commission a digest of the interview together with his recommended decision.

(1) If the interviewing officer's recommended decision is that no probable cause may be found to believe that the parolee has violated the conditions of his release, the responsible Regional Commissioner shall review such recommended decision and notify the parolee of his final decision concerning probable cause as expeditiously as possible following receipt of the interviewing officer's digest. A decision to release the parolee shall be implemented without delay.

(2) If the interviewing officer's recommended decision is that probable cause may be found to believe that the parolee has violated a condition (or conditions) of his release, the responsible Regional Commissioner shall notify the parolee of his final decision concerning probable cause within 21 days of the date of the preliminary interview.

(3) Notice to the parolee of any final decision of a Regional Commissioner finding probable cause and ordering a revocation hearing shall state the charges upon which probable cause has been found and the evidence relied upon.

(e) *Release notwithstanding probable cause.* If the Commission finds probable cause to believe that the parolee has violated the conditions of his release, reinstatement to supervision or release pending further proceeding may nonetheless be ordered if it is determined that:

(1) Continuation of revocation proceedings is not warranted despite the violations found; or

(2) Incarceration pending further revocation proceedings is not warranted by the alleged frequency or seriousness of such violation or violations, and that the parolee is not likely to fail to appear for further proceedings, and that the parolee does not constitute a danger to himself or others.

(f) *Conviction as probable cause.* Conviction of a Federal, State, or local crime committed subsequent to release by a parolee shall constitute probable cause for the purposes of this section and no preliminary interview shall be conducted unless otherwise ordered by the Regional Commissioner.

(g) *Local revocation hearing.* A postponed preliminary interview may be conducted as a local revocation hearing by an examiner panel or other interviewing officer designated by the Regional Commissioner provided that the parolee has been advised that the postponed preliminary interview will constitute his final revocation hearing.

[42 FR 39809, Aug. 5, 1977, as amended at 44 FR 3408, 3409, Jan. 16, 1979; 46 FR 42842, Aug. 25, 1981; 47 FR 25735, June 15, 1982]

#### § 2.49 Place of revocation hearing.

(a) If the parolee requests a local revocation hearing, he shall be given a revocation hearing reasonably near the place of the alleged violation(s) or arrest, if the following conditions are met:

(1) The parolee has not been convicted of a crime committed while under supervision; and

(2) The parolee denies that he has violated any condition of his release.

(b) The parolee shall also be given a local revocation hearing if he admits (or has been convicted of) one or more charged violations, but denies at least one unadjudicated charge that may be determinative of the Commission's decision regarding revocation and/or re-

parole, and requests the presence of one or more adverse witnesses regarding that contested charge. If the appearance of such witness at the hearing is precluded by the Commission for good cause, a local revocation hearing shall not be ordered.

(c) If there are two or more alleged violations, the hearing may be conducted near the place of the violation chiefly relied upon as a basis for the issuance of the warrant or summons as determined by the Regional Commissioner.

(d)(1) A parolee shall be given an institutional revocation hearing upon the parolee's return or recommitment to an institution if the parolee:

(i) Voluntarily waives the right to a local revocation hearing; or

(ii) Admits (or has been convicted of) one or more charged violations without contesting any unadjudicated charge that may be determinative of the Commission's decision regarding revocation and/or reparole.

(2) On his own motion, the Regional Commissioner may designate any case described in paragraph (d)(1) of this section for a local revocation hearing. The difference in procedures between a "local revocation hearing" and an "institutional revocation hearing" is set forth in § 2.50(c).

(e) A parolee retaken on a warrant issued by the Commission shall be retained in custody until final action relative to revocation of his release, unless otherwise ordered by the Regional Commissioner under § 2.48(e)(2). A parolee who has been given a revocation hearing pursuant to the issuance of a summons under § 2.44 shall remain on supervision pending the decision of the Commission.

(f) A local revocation hearing shall be scheduled to be held within sixty days of the probable cause determination. Institutional revocation hearings shall be scheduled to be held within ninety days of the date of the execution of the violator warrant upon which the parolee was retaken. However, if a parolee requests and receives any postponement or consents to a postponed revocation proceeding, or if a parolee by his actions otherwise precludes the prompt conduct of such proceedings, the above-stated time limits

## § 2.50

may be extended. A local revocation hearing may be conducted by a hearing examiner, hearing examiner panel, or other official designated by the Regional Commissioner.

[42 FR 39809, Aug. 5, 1977, as amended at 44 FR 3408, 3409, Jan. 16, 1979; 68 FR 41530, July 14, 2003]

### § 2.50 Revocation hearing procedure.

(a) The purpose of the revocation hearing shall be to determine whether the parolee has violated the conditions of his release and, if so, whether his parole or mandatory release should be revoked or reinstated.

(b) The alleged violator may present witnesses, and documentary evidence in his behalf. However, the presiding hearing officer or examiner panel may limit or exclude any irrelevant or repetitious statement or documentary evidence.

(c) At a local revocation hearing, the Commission may on the request of the alleged violator or on its own motion, request the attendance of persons who have given statements upon which revocation may be based. Those witnesses who are present shall be made available for questioning and cross-examination in the presence of the alleged violator unless the presiding hearing officer or examiner panel finds good cause for their non-attendance. Adverse witnesses will not be requested to appear at institutional revocation hearings.

(d) All evidence upon which the finding of violation may be based shall be disclosed to the alleged violator at or before the revocation hearing. The hearing officer or examiner panel may disclose documentary evidence by permitting the alleged violator to examine the document during the hearing, or where appropriate, by reading or summarizing the document in the presence of the alleged violator.

(e) In lieu of an attorney, an alleged violator may be represented at a revocation hearing by a person of his choice. However, the role of such non-attorney representative shall be limited to offering a statement on the alleged violator's behalf with regard to reparole or reinstatement to supervision.

## 28 CFR Ch. I (7-1-17 Edition)

(f) A revocation decision may be appealed under the provisions of § 2.26 or § 2.27 as applicable.

[42 FR 39809, Aug. 5, 1977, as amended at 44 FR 3408, Jan. 16, 1979; 51 FR 32785, Sept. 16, 1986; 52 FR 33409, Sept. 3, 1987]

### § 2.51 Issuance of a subpoena for the appearance of witnesses or production of documents.

(a)(1) Preliminary interview or local revocation hearing: If any person who has given information upon which revocation may be based refuses, upon request by the Commission to appear, the Regional Commissioner may issue a subpoena for the appearance of such witness. Such subpoena may also be issued at the discretion of the Regional Commissioner in the event such adverse witness is judged unlikely to appear as requested.

(2) In addition, the Regional Commissioner may, upon his own motion or upon a showing by the parolee that a witness whose testimony is necessary to the proper disposition of his case will not appear voluntarily at a local revocation hearing or provide an adequate written statement of his testimony, issue a subpoena for the appearance of such witness at the revocation hearing.

(3) Both such subpoenas may also be issued at the discretion of the Regional Commissioner if it is deemed necessary for orderly processing of the case.

(b) A subpoena issued pursuant to paragraph (a) of this section above may require the production of documents as well as, or in lieu of, a personal appearance. The subpoena shall specify the time and the place at which the person named therein is commanded to appear, and shall specify any documents required to be produced.

(c) A subpoena may be served by any Federal officer authorized to serve criminal process. The subpoena may be served at any place within the judicial district in which the place specified in the subpoena is located, or any place where the witness may be found. Service of a subpoena upon a person named therein shall be made by delivering a copy thereof to such person.

(d) If a person refuses to obey such subpoena, the Commission may petition a court of the United States for



## Department of Justice

## § 2.52

the judicial district in which the parole proceeding is being conducted, or in which such person may be found, to require such person to appear, testify, or produce evidence. The court may issue an order requiring such person to appear before the Commission, and failure to obey such an order is punishable by contempt.

### § 2.52 Revocation decisions.

(a) Whenever a parolee is summoned or retaken by the Commission, and the Commission finds by a preponderance of the evidence, that the parolee has violated a condition of the parole, the Commission may take any of the following actions:

(1) Restore the parolee to supervision including where appropriate:

(i) Reprimand;

(ii) Modification of the parolee's conditions of release;

(iii) Referral to a community corrections center for all or part of the remainder of his original sentence; or

(2) Revoke parole.

(b) If parole is revoked pursuant to this section, the Commission shall also determine, on the basis of the revocation hearing, whether reparole is warranted or whether the prisoner should be continued for further review.

(c) A parolee whose release is revoked by the Commission will receive credit on service of his sentence for time spent under supervision, except as provided below:

(1) If the Commission finds that such parolee intentionally refused or failed to respond to any reasonable request, order, summons or warrant of the Commission or any agent thereof, the Commission may order the forfeiture of the time during which the parolee so refused or failed to respond, and such time shall not be credited to service of the sentence.

(2) It is the Commission's interpretation of 18 U.S.C. 4210(b)(2) that, if a parolee has been convicted of a new offense committed subsequent to his release on parole, which is punishable by any term of imprisonment, detention, or incarceration in any penal facility, forfeiture of time from the date of such release to the date of execution of the warrant is an automatic statutory penalty, and such time shall not be cred-

ited to the service of the sentence. An actual term of confinement or imprisonment need not have been imposed for such conviction; it suffices that the statute under which the parolee was convicted permits the trial court to impose any term of confinement or imprisonment in any penal facility. If such conviction occurs subsequent to a revocation hearing the Commission may reopen the case and schedule a further hearing relative to time forfeiture and such further disposition as may be appropriate. However, in no event shall the violator term imposed under this subsection, taken together with the time served before release, exceed the total length of the original sentence.

(d)(1) Notwithstanding the above, prisoners committed under the Narcotic Addict Rehabilitation Act or the Youth Corrections Act shall not be subject to any forfeiture provision, but shall serve uninterrupted sentences from the date of conviction, except as provided in § 2.10 (b) and (c).

(2) The commitment of a juvenile offender under the Federal Juvenile Delinquency Act may not be extended past the offender's twenty-first birthday unless the juvenile has attained his nineteenth birthday at the time of his commitment, in which case his commitment shall not exceed the lesser of two years or the maximum term which could have been imposed on an adult convicted of the same offense.

(e) In determining whether to revoke parole for non-compliance with a condition of fine, restitution, court costs or assessment, and/or court ordered child support or alimony payment, the Parole Commission shall consider the parolee's employment status, earning ability, financial resources, and any other special circumstances that may have a bearing on the matter. Revocation shall not be ordered unless the parolee is found to be deliberately evading or refusing compliance.

#### APPENDIX TO § 2.52—GENERAL STATEMENT OF POLICY

In the case of any revocation hearing conducted within the Ninth Circuit, the Commission will exercise discretion in determining whether or not to order forfeiture of all or part of the time spent on parole pursuant to 18 U.S.C. 4210(b)(2). The Commission's

## § 2.53

policy shall be to consider granting credit for time on parole in the case of a parole violator originally classified in the very good risk category (pursuant to 28 CFR 2.20) if the following conditions are met. The conviction must not be for a felony offense. The parole violation behavior (the offense of conviction plus any other violations) must be non-violent, and not involve a repeat of the parole violator's original offense behavior. Further, an adequate period of reimprisonment pursuant to the reparole guidelines at 28 CFR 2.21, and an adequate period of renewed supervision following release from reimprisonment or reinstatement to supervision, must be available without forfeiting street time. In the case of a parole violator originally classified in other than the "very good risk" category, it shall be the Commission's policy to order the forfeiture of all time spent on parole absent extraordinary circumstances. In no instance will the Commission grant credit in the case of a repeat violator on the current sentence.

[42 FR 39809, Aug. 5, 1977, as amended at 44 FR 3408, 3410, Jan. 16, 1979; 50 FR 36422, Sept. 6, 1985; 53 FR 47187, Nov. 22, 1988; 55 FR 42185, Oct. 18, 1990; 68 FR 41530, July 14, 2003]

### § 2.53 Mandatory parole.

(a) A prisoner (including a prisoner sentenced under the Narcotic Addict Rehabilitation Act, Federal Juvenile Delinquency Act, or the provisions of 5010(c) of the Youth Corrections Act) serving a term or terms of 5 years or longer shall be released on parole after completion of two-thirds of each consecutive term or terms or after completion of 30 years of each term or terms of more than 45 years (including life terms), whichever comes earlier, unless pursuant to a hearing under this section, the Commission determines that there is a reasonable probability that the prisoner will commit any Federal, State, or local crime or that the prisoner has frequently or seriously violated the rules of the institution in which he is confined. If parole is denied pursuant to this section, such prisoner shall serve until the expiration of his sentence less good time.

(b) When feasible, at least 60 days prior to the scheduled two-thirds date, a review of the record shall be conducted by an examiner panel. If a mandatory parole is ordered following this review, no hearing shall be conducted.

(c) A prisoner released on mandatory parole pursuant to this section shall remain under supervision until the ex-

## 28 CFR Ch. I (7-1-17 Edition)

piration of the full term of his sentence unless the Commission terminates parole supervision pursuant to § 2.43 prior to the full term date of the sentence.

(d) A prisoner whose parole has been revoked and whose parole violator term is 5 years or more shall be eligible for mandatory parole under the provisions of this section upon completion of two-thirds of the violator term and shall be considered for mandatory parole under the same terms as any other eligible prisoner.

[43 FR 38822, Aug. 31, 1978]

### § 2.54 Reviews pursuant to 18 U.S.C. 4215(c).

The Attorney General, within thirty days after entry of a Regional Commissioner's decision, may request in writing that the National Appeals Board review such decision. Within sixty days of the receipt of the request the National Appeals Board shall, upon the concurrence of two members, affirm, modify, or reverse the decision, or order a rehearing at the institutional or regional level. The Attorney General and the prisoner affected shall be informed in writing of the decision, and the reasons therefor.

[42 FR 39821, Aug. 5, 1977, as amended at 43 FR 17470, Apr. 25, 1978; 44 FR 3408, Jan. 16, 1979]

### § 2.55 Disclosure of file prior to parole hearing.

(a) *Processing disclosure requests.* At least 60 days prior to a hearing scheduled pursuant to 28 CFR 2.12 or 2.14 each prisoner shall be given notice of his right to request disclosure of the reports and other documents to be used by the Commission in making its determination.

(1) The Commission's file consists mainly of documents provided by the Bureau of Prisons. Therefore, disclosure of documents used by the Commission can normally be accomplished by disclosure of documents in a prisoner's institutional file. Requests for disclosure of a prisoner's institutional file will be handled under the Bureau of Prison's disclosure regulations. The Bureau of Prisons has 15 days from date of receipt of a disclosure request to respond to that request.

## Department of Justice

## § 2.56

(2) A prisoner may also request disclosure of documents used by the Commission which are contained in the Commission's regional office file but not in the prisoner's institutional file.

(3) Upon the prisoner's request, a representative shall be given access to the presentence investigation report reasonably in advance of the initial hearing, interim hearing, and a 15-year reconsideration hearing, pursuant and subject to the regulations of the U.S. Bureau of Prisons. Disclosure shall not be permitted with respect to confidential material withheld by the sentencing court under Rule 32(c)(3)(A), F.R.Crim.P.

(b) *Scope of disclosure.* The scope of disclosure under this section is limited to reports and other documents to be used by the Commission in making its determination. At statutory interim hearings conducted pursuant to 28 CFR 2.14 the Commission only considers information concerning significant developments or changes in the prisoner's status since the initial hearing or a prior interim hearing. Therefore, pre-hearing disclosure for interim hearings will be limited to such information.

(c) *Exemption to disclosure (18 U.S.C. 4208(c)).* A document may be withheld from disclosure to the extent it contains:

(1) Diagnostic opinions which, if known to the prisoner, could lead to a serious disruption of his institutional program;

(2) Material which would reveal a source of information obtained upon a promise of confidentiality; or

(3) Any other information which, if disclosed, might result in harm, physical or otherwise to any person.

(d) *Summarizing nondisclosable documents.* If any document or portion of a document is found by the Commission, the Bureau of Prisons or the originating agency to fall within an exemption to disclosure, the agency shall:

(1) Identify the material to be withheld; and

(2) State the exemption to disclosure under paragraph (c) of this section; and

(3) Provide the prisoner with a summary of the basic content of the material withheld with as much specificity as possible without revealing the nondisclosable information.

(e) *Waiver of disclosure.* When a timely request has been made for disclosure, if any document or summary of a document relevant to the parole determination has not been disclosed 30 days prior to the hearing, the prisoner shall be offered the opportunity to waive disclosure of such document without prejudice to his right to later review the document or a summary of the document. The examiner panel may disclose the document and proceed with the hearing so long as the prisoner waives his right to advance disclosure. If the prisoner chooses not to waive pre-hearing disclosure, the examiner panel shall continue the hearing to the next docket to permit disclosure. A continuance for disclosure should not be extended beyond the next hearing docket.

(f) *Late received documents.* If a document containing new and significant adverse information is received after a parole hearing but before all review and appellate procedures have been concluded, the prisoner shall be given a rehearing on the next docket. A copy of the document shall be forwarded to the institution for inclusion in the prisoner's institutional file. The Commission shall notify the prisoner of the new hearing and his right to request disclosure of the document pursuant to this section. If a late received document provides favorable information, merely restates already available information or provides insignificant information, the case will not be reopened for disclosure.

(g) *Reopened cases.* Whenever a case is reopened for a new hearing and there is a document the Commission intends to use in making its determination, a copy of the document shall be forwarded for inclusion in the prisoner's institutional file and the prisoner shall be informed of his right to request disclosure of the document pursuant to this section.

[50 FR 40374, Oct. 3, 1985]

### § 2.56 Disclosure of Parole Commission file.

(a) *Procedure.* Copies of disclosable records pertaining to a prisoner or a parolee which are contained in the subject's Parole Commission file may be obtained by that prisoner or parolee upon written request pursuant to this

## § 2.56

## 28 CFR Ch. I (7-1-17 Edition)

section. Such requests shall be answered as soon as possible in the order of their receipt. Other persons may obtain copies of such documents only upon proof of authorization from the prisoner or parolee concerned or to the extent permissible under the Freedom of Information Act or the Privacy Act of 1974.

(b) *Scope of disclosure.* Disclosure under this section shall extend to Commission documents concerning the prisoner or parolee making the request. Documents which are contained in the regional file and which are prepared by agencies other than the Commission which are also subject to the provisions of the Freedom of Information Act, shall be referred to the appropriate agency for a response pursuant to its regulations, unless the document has previously been prepared for disclosure pursuant to § 2.55, or is fully disclosable on its face, or has been prepared by the Bureau of Prisons. Any Bureau of Prisons documents in a parole file are duplicates of records in the inmate's institutional file. Before referring these documents to the Bureau of Prisons (BOP), the Commission will ask the requestor whether he also wants the BOP documents in his parole file processed.

(1) Requests that are only for a copy of the tape recording of a hearing will be processed ahead of requests seeking multiple documents from the Parole Commission file (priority processing). A requester may limit the scope of the request to a tape recording only (or to a tape recording and/or up to two documents) and thereby qualify for priority processing. For example, a request for the tape recording and the examiner's summary of a hearing qualifies for priority processing.

(2) [Reserved]

(c) *Exemptions to disclosure.* A document or segregable portion thereof may be withheld from disclosure to the extent it contains material exempt from disclosure under the Freedom of Information Act, 5 U.S.C. 552(b)(1)-(9).

(d) *Specification of documents withheld.* Documents that are withheld pursuant to paragraph (c) of this section shall be identified for the requester together with the applicable exemption for withholding each document or portion thereof. In addition, the requester

must be informed of the right to appeal any non-disclosure to the Office of the Chairman.

(e) *Hearing record.* Upon request by the prisoner or parolee concerned, the Commission shall make available a copy of any verbatim record (e.g., tape recording) which it has retained of a hearing, pursuant to 18 U.S.C. 4208(f).

(f) *Costs.* In any case in which billable costs exceed \$14.00 (based upon the provisions and fee schedules as set forth in the Department of Justice regulation 28 CFR 16.10), requesters will be notified that they will be required to reimburse the United States for such costs before copies are released.

(g) *Relation to other provisions.* Disclosure under this section is authorized by 28 CFR 16.85 under which the Parole Commission is exempt from the record disclosure provisions of the Privacy Act of 1974, as well as certain other provisions of the Act pursuant to 5 U.S.C. 552a(j)(2). Requests submitted under the Freedom of Information Act or the Privacy Act for the requester's own records will be processed under this section. In no event will the Commission consider satisfaction of a request under this section, the Freedom of Information Act, or the Privacy Act of 1974, to be a prerequisite to an adequate parole hearing under 18 U.S.C. 4208 (for which disclosure is exclusively governed by § 2.55 of this part) or to the exercise of a parole applicant's appeal rights under 18 U.S.C. 4215. Provisions of the Freedom of Information Act not specifically addressed by these regulations (including the reading room) are covered by 28 CFR, part 16, subpart A.

(h) *Appeals—(1) Appeals to the Chairman.* When a request for access to Parole Commission records or a waiver of fees has been denied in whole or in part, or when the Commission fails to respond to a request within the time limits set forth in the FOIA, the requester may appeal the denial of the request to the Chairman of the Commission within thirty days from the date of the notice denying the request. An appeal to the Chairman shall be made in writing and addressed to the Office of the Chairman, U.S. Parole Commission, 5550 Friendship Boulevard, Suite 420, Chevy Chase, Maryland 20815.

## Department of Justice

## §2.57

(2) *Decision on appeal.* A decision affirming in whole or in part the denial of a request shall include a brief statement of the reason or reasons for the affirmance, including each FOIA exemption relied upon and its relation to each record withheld, and a statement that judicial review of the denial is available in the U.S. district court for the judicial district in which the requester resides or has his principal place of business, the judicial district in which the requested records are located, or in the District of Columbia. If the denial of a request is reversed on appeal to the Chairman, the requester shall be so notified and the request shall be processed promptly by Commission staff in accordance with the Chairman's decision on appeal.

(i) Expedited processing of Requests.

(1) The Commission will provide expedited processing of a request when a requester has demonstrated a compelling need as defined in this section and has presented a statement certified by such person to be true and correct to the best of such person's knowledge and belief. A requester may demonstrate "compelling need" by establishing one of the following:

(i) That failure to obtain the requested records on an expedited basis could reasonably be expected to pose an imminent threat to the life or physical safety of an individual; or

(ii) With respect to a request made by a person primarily engaged in disseminating information, urgency to inform the public concerning actual or alleged federal government activity.

(2) A determination as to whether to provide expedited processing shall be made within ten days after the date of the request. However, the fact of lawful imprisonment in a correctional facility or revocation of parole shall not be deemed to pose an imminent threat to the life or physical safety of an individual. The Commission shall process as soon as practicable any request for records to which it has granted expedited processing. An administrative appeal of a denial of expedited processing may be made to the Chairman of the Commission within thirty days from

the date of notice denying expedited processing.

[50 FR 40375, Oct. 3, 1985, as amended at 52 FR 47921, Dec. 17, 1987; 53 FR 24933, July 1, 1988; 53 FR 47187, Nov. 22, 1988; 54 FR 27839, June 30, 1989; 58 FR 51780, Oct. 5, 1993; 62 FR 51602, Oct. 2, 1997]

### §2.57 Special parole terms.

(a) The Drug Abuse Prevention and Control Act, 21 U.S.C. sections 801 to 966, provides that, on conviction of certain offenses, mandatory "special parole terms" must be imposed by the court as part of the sentence. This term is an additional period of supervision which commences upon completion of any period on parole or mandatory release supervision from the regular sentence; or if the prisoner is released without supervision, commences upon such release.

(b) At the time of release under the regular sentence, whether under full term expiration or under a mandatory release certificate or a parole certificate, a separate Special Parole Term certificate will be issued to the prisoner by the Bureau of Prisons.

(c) Should a parolee be found to have violated conditions of release during supervision under his regular sentence, i.e., before commencement of the Special Parole Term, he may be returned as a violator under his regular sentence; the Special Parole Term will follow unaffected, as in paragraph (a) of this section. Should a parolee violate conditions of release during the Special Parole Term he will be subject to revocation on the Special Parole Term as provided in §2.52, and subject to re-parole or mandatory release under the Special Parole Term. Notwithstanding the provisions of §2.52(c), a special parole term violator whose parole is revoked shall receive no credit for time spent on parole pursuant to 21 U.S.C. 841(c).

(d) If a prisoner is re-paroled under the revoked Special Parole Term a certificate of parole to Special Parole Term is issued by the Commission. If the prisoner is mandatorily released under the revoked "special parole term" a certificate of mandatory release to Special Parole Term will be issued by the Bureau of Prisons.

**§2.58**

(e) If regular parole or mandatory release supervision is terminated under §2.43, the Special Parole Term commences to run at that point in time. Early termination from supervision from a Special Parole Term may occur as in the case of a regular parole term, except that the time periods considered shall commence from the beginning of the Special Parole Term.

[42 FR 39809, Aug. 5, 1977, as amended at 44 FR 3410, Jan. 16, 1979. Redesignated at 44 FR 26551, May 4, 1979, as amended at 54 FR 11689, Mar. 21, 1989]

**§2.58 Prior orders.**

Any order of the United States Board of Parole entered prior to May 14, 1976, including, but not limited to, orders granting, denying, rescinding or revoking parole or mandatory release, shall be a valid order of the United States Parole Commission according to the terms stated in the order.

[42 FR 39809, Aug. 5, 1977. Redesignated at 44 FR 26551, May 4, 1979]

**§2.59 Designation of a Commissioner to act as a hearing examiner.**

The Chairman may designate a Commissioner, with the Commissioner's consent, to serve as a hearing examiner on specified hearing dockets. The Commissioner who serves as a hearing examiner may not vote in the same proceeding as a Commissioner.

[60 FR 40094, Aug. 7, 1995]

**§2.60 Superior program achievement.**

(a) Prisoners who demonstrate superior program achievement (in addition to a good conduct record) may be considered for a limited advancement of the presumptive date previously set according to the schedule below. Such reduction will normally be considered at an interim hearing or pre-release review. It is to be stressed that a clear conduct record is expected; this reduction applies only to cases with documented sustained superior program achievement over a period of 9 months or more in custody.

(b) Superior program achievement may be demonstrated in areas such as educational, vocational, industry, or counseling programs, and is to be considered in light of the specifics of each

case. A report from the Bureau of Prisons based upon successful completion of a residential substance abuse program of at least 500 hours will be given prompt review by the Commission for a possible advancement under this section.

(c) Upon a finding of superior program achievement, a previously set presumptive date may be advanced. The normal maximum advancement permissible for superior program achievement during the prisoner's entire term shall be as set forth in the following schedule. It is the intent of the Commission that this maximum be exceeded only in the most clearly exceptional cases.

(d) Partial advancements may be given (for example, a case with superior program achievement during only part of the term or a case with both superior program achievement and minor disciplinary infraction(s)). Advancements may be given at different times; however, the limits set forth in the following schedule shall apply to the total combined advancement.

(e) Schedule of Permissible Reductions for Superior Program Achievement.

Total months required by original presumptive date	Permissible reduction
14 months or less .....	Not applicable.
15 to 22 months .....	Up to 1 month.
23 to 30 months .....	Up to 2 months.
31 to 36 months .....	Up to 3 months.
37 to 42 months .....	Up to 4 months.
43 to 48 months .....	Up to 5 months.
49 to 54 months .....	Up to 6 months.
55 to 60 months .....	Up to 7 months.
61 to 66 months .....	Up to 8 months.
67 to 72 months .....	Up to 9 months.
73 to 78 months .....	Up to 10 months.
79 to 84 months .....	Up to 11 months.
85 to 90 months .....	Up to 12 months.
91 plus months .....	Up to 13 months. <sup>1</sup>

<sup>1</sup>Plus up to 1 additional month for each 6 months or fraction thereof, by which the original date exceeds 96 months.

(f) For cases originally continued to expiration, the statutory good time date (calculated under 18 U.S.C. 4161) will be used for computing the maximum reduction permissible and as the base from which the reduction is to be subtracted for prisoners serving sentences of less than five years. For prisoners serving sentences of five or more, the two-thirds date (calculated pursuant to 18 U.S.C. 4206(d)) will be used for

## Department of Justice

## § 2.62

these purposes. If the prisoner's presumptive release date has been further reduced by extra good time (18 U.S.C. 4162) and such reduction equals or exceeds the reduction applicable for superior program achievement, the Commission will not give an additional reduction for superior program achievement.

[44 FR 55004, Sept. 24, 1979; 44 FR 59527, Oct. 16, 1979, as amended at 49 FR 26580, June 28, 1984; 61 FR 4351, Feb. 6, 1996]

### § 2.61 Qualifications of representatives.

(a) A prisoner or parolee may select any person to appear as his or her representative in any proceeding, and any representative will be deemed qualified unless specifically disqualified under paragraph (b) or (c) of this section. However, an examiner or examiner panel may bar an otherwise qualified representative from participating in a particular hearing, provided good cause for such action is found and stated in the record (e.g., willfully disruptive conduct during the hearing by repeated interruption or use of abusive language). In certain situations, good cause may be found in advance of the hearing (e.g., that the proposed representative is a prisoner in disciplinary segregation whose presence at the hearing would pose a risk to security, or has a personal interest in the case which appears to conflict with that of the parole applicant).

(b) The Commission may disqualify any representative from appearing before it for up to a five-year period if, following a hearing, the Commission finds that the representative has engaged in any conduct which demonstrates a clear lack of personal integrity or fitness to practice before the Commission (including, but not limited to, deliberate or repetitive provision of false information to the Commission, or solicitation of clients on the strength of purported personal influence with U.S. Parole Commissioners or staff).

(c)(1) In addition to the prohibitions contained in 18 U.S.C. 207, no former employee of any Federal criminal justice agency (in either the Executive or Judicial Branch of the Government) with the exception of the Federal De-

fender Service, shall be qualified to act as a representative for hire in any case before the Commission for one year following termination of Federal employment. However, such persons may be employed by, or perform consulting services for, a private firm or other organization providing representation before the agency, to the extent that such employment or service does not include the performance of any representational act before the Commission.

(2) No prisoner or parolee may serve as a representative before the Commission, at the hire of individual clients, in any case.

[48 FR 14377, Apr. 4, 1983, as amended at 48 FR 44528, Sept. 29, 1983]

### § 2.62 Rewarding assistance in the prosecution of other offenders; criteria and guidelines.

(a) The Commission may consider as a factor in the parole release decision-making a prisoner's assistance to law enforcement authorities in the prosecution of other offenders.

(1) The assistance must have been an important factor in the investigation and/or prosecution of an offender other than the prisoner. Other significant assistance (e.g., providing information critical to prison security) may also be considered.

(2) The assistance must be reported to the Commission in sufficient detail to permit a full evaluation. However, no promises, express or implied, as to a Parole Commission reward shall be given any weight in evaluating a recommendation for leniency.

(3) The release of the prisoner must not threaten the public safety.

(4) The assistance must not have been adequately rewarded by other official action.

(b) If the assistance meets the above criteria, the Commission may consider providing a reduction of up to one year from the presumptive parole date that the Commission would have deemed warranted had such assistance not occurred. If the prisoner would have been continued to the expiration of sentence, any reduction will be taken from the actual date of the expiration of the sentence. Reductions exceeding the one

## § 2.63

year limit specified above may be considered only in exceptional circumstances.

(c) In the case of an eligible DC Code prisoner whose assistance meets the criteria of this section, the Commission may consider deducting a point under Category V of the Point Assignment Table at § 2.80, in addition to any other deduction for positive program achievement, when considering such prisoner for parole. In the case of a DC Code prisoner with an unserved minimum term, the Commission may consider filing an application under § 2.76 for a reduction of up to one-third of such term less applicable good time.

[52 FR 44389, Nov. 19, 1987. Redesignated at 63 FR 39176, July 21, 1998, as amended at 64 FR 5613, Feb. 4, 1999]

## § 2.63 Quorum.

(a) Any Commission action authorized by law may be taken on a majority vote of the Commissioners holding office at the time the action is taken.

(b)(1) In the event of a tie vote of the Commission's membership on a matter, the matter that is the subject of the vote is not adopted by the Commission.

(2) If the matter that is the subject of the tie vote is the disposition of an offender's case, then the result of the tie vote is the offender's status quo ante, *i.e.*, no action is taken that is more favorable or more adverse regarding the offender. If in an earlier decision the Commission has given an offender a presumptive release date or a date for a 15-year reconsideration hearing, then the result of the tie vote is no change in the presumptive date or the date of the 15-year reconsideration hearing. If an offender is facing possible parole rescission or revocation, the result of the tie vote is the offender's retention of the parole effective date or the offender's return to supervision. *Exception:* If there is a tie vote in making one of the findings required by § 2.53 in a mandatory parole determination, the result of the tie vote is that the prisoner must be granted mandatory parole.

(3) The Commission may re-vote on a case disposition to resolve a tie vote or

## 28 CFR Ch. I (7-1-17 Edition)

other impasse in satisfying a voting requirement of these rules.

[61 FR 55743, Oct. 29, 1996. Redesignated at 63 FR 39176, July 21, 1998, as amended at 75 FR 81459, Dec. 28, 2010]

## § 2.64 Youth Corrections Act.

(a) The provisions of this section only apply to offenders serving sentences imposed under former 18 U.S.C. section 5010 (b) and (c).

(b) *Approval of program plans.* (1) The criteria outlined in paragraph (d) of this section (on determining successful response to treatment) shall be considered in determining whether a proposed program plan will effectively reduce the risk to the public welfare presented by the YCA prisoner's release.

(2) If the prisoner's program plan has not already been approved by the Commission, the examiner panel shall be given the plan at a hearing for review and approval. The examiners shall indicate their approval or disapproval of the program plan (with relevant comments and recommendations) in the hearing summary.

(3) If the examiners consider the plan inadequate, they will discuss their concerns with institutional staff. If there is still a disagreement on the plan, the case will be referred to the Bureau's regional correctional programs administrator with the recommended changes. Unresolved disputes concerning the adequacy of the program plan shall be decided by the Regional Commissioner and the Regional Director of the Bureau of Prisons. The Regional Commissioner shall render the final decision on approving or disapproving each program plan on behalf of the Commission. Once the program plan has been approved, subsequent approvals are not necessary, unless significant modifications are made by institutional staff.

(c) *Parole hearings and progress reports.* (1) Initial hearings shall be conducted in accordance with §§ 2.12 and 2.13. The examiner panel will discuss with the prisoner and a staff member who is knowledgeable about the case the program plan and the importance of good conduct and program participation in setting the release date.

(2) An interim hearing must be scheduled for an inmate every nine months if the inmate is serving a sentence of



less than seven years. If the inmate is serving a sentence of seven years or more, the interim hearing must be scheduled every twelve months. If the inmate has been continued to the expiration of his sentence, and he has less than twelve months remaining to be served prior to his release or his transfer to a community corrections center, no further hearing is required. In addition, within 60 days of receipt of any special progress report from the warden recommending parole, the prisoner shall be scheduled for a special interim hearing, unless the recommendation can be timely considered at a regularly scheduled interim hearing. An institutional staff member who has personal knowledge of the case shall be present to assist the examiners in their evaluation of the prisoner's conduct, program performance, and response to treatment.

(3) After any interim hearing or review on the record, the Commission may advance the presumptive release date, let the date stand, or retard/re-scind the date if the prisoner has committed disciplinary infractions or new criminal conduct.

(4) An interim hearing will not be scheduled after receipt of a progress report, if the Commission decides on the record to parole the prisoner as soon as a release plan is approved (normally within 60 days of the decision).

(5) The institution shall send a progress report to the Commission:

(i) No more than 60 days before each interim hearing;

(ii) Upon determining that a prisoner should be recommended for parole; and

(iii) Before presumptive parole date to allow for the pre-release record review under § 2.14(b).

The warden may forward progress reports to the Commission at other times in his discretion. Progress reports shall also be sent to the Commission every six months for prisoners who have waived interim hearings to enable the Commission to verify that these prisoners have satisfied the conditions of securing their release on an alternative parole date granted under the former YCA compliance plan (*i.e.*, completion of the program plan) or the normal presumptive release date (*i.e.*, obedience to institutional rules).

(6) For prisoners granted earlier parole dates under former compliance plans in *Watts v. Bleaski*: A prisoner may waive interim hearings under this section, in which case he would retain an alternative parole date previously granted to him or a presumptive parole date granted as a result of a finding that the prisoner had responded to treatment. A prisoner who waives an interim hearing under this section may, at any time, re-apply for the hearing and be considered under this section in accordance with the application/waiver provisions at § 2.11. The Commission will not review the program plans for prisoners who waive interim hearings pursuant to this paragraph, unless the prisoner subsequently is scheduled for a hearing to consider new criminal conduct or a rule infraction and a modification of the original program plan appears warranted due to the prisoner's new criminal offense or infraction. If the prisoner is scheduled for a hearing that may not be waived (*e.g.*, an interim hearing where there has been a finding of a disciplinary infraction since the last hearing, or any hearing scheduled pursuant to § 2.28 (b) through (f), this section will be applied at such hearing.

(7) *Warden's recommendation*. Based on the completion of the program by the prisoner, and the quality of effort demonstrated by the prisoner in completing the plan, the warden will recommend to the Commission a conditional release date for its consideration. This recommendation shall be accompanied by a report on the prisoner's participation and level of achievement in different aspects of his program.

(d) *Criteria for finding successful response to treatment programs*. (1) In determining whether a prisoner has successfully "responded to treatment" the Commission shall examine whether the prisoner has shown that he has received sufficient corrective training, counseling, education, and therapy that the public would not be endangered by his release. See former 18 U.S.C. 5006(f) (definition of "treatment" under the YCA). The Bureau of Prisons shall assist the Commission in this determination by informing the Commission when the prisoner has

completed his program plan and by advising the Commission of the quality of effort demonstrated by the prisoner in completing the plan.

(2) In determining the extent of a prisoner's positive response to treatment, the Commission shall examine the degree by which the prisoner has increased the likelihood that his release would not jeopardize public welfare through his program performance and conduct record. See 18 U.S.C. 4206(a)(2). The starting report for the analysis of a prisoner's response to treatment will be the original parole prognosis reached by the use of the salient factor score, and an evaluation of the nature of the prisoner's prior criminal history and other characteristics of the prisoner. The nature of the current offense may also be considered in determining the risk to the public welfare presented by the prisoner's release. The Commission will then proceed to evaluate whether the prisoner's program participation and institutional conduct has improved the original risk prognosis and evidences an alteration of his valued system, including an understanding of the wrongfulness of his past criminal conduct. For those prisoners who have exhibited serious or violent criminal behavior, the Commission will exercise more caution in making a finding that the prisoner has responded to treatment to the degree that he should be released.

(3) With regard to program performance, significant weight will be given to the following factors in determining a prisoner's response to treatment. This is not intended as an exhaustive list.

(i) *Vocational training*: Where the inmate originally had few job skills, the acquisition of a marketable job skill through vocational training or an apprenticeship program.

(ii) *Education*: Participation in educational programs to acquire an educational level at least the level of a high school graduate.

(iii) *Psychological counseling and therapy*: Where the prisoner's behavior has shown that he may be affected by personality disorders or a mental illness that has hampered his ability to lead a law-abiding life, or that he may otherwise benefit from such programs, par-

ticipation in psychological and/or other specialized programs which lead to a judgment by the therapist/counselor that the prisoner has significantly improved his ability to obey the law and favorably modified his value system. Participation in these programs will normally be required for a significant advancement of the presumptive release date for a prisoner who has either committed or attempted a crime of violence.

(iv) *Drug/alcohol abuse programs*: Where the prisoner has a history of drug/alcohol abuse, participation in a drug/alcohol abuse program which leads to the judgment by the therapist/counselor that there is a significant likelihood that the prisoner will not revert to drug/alcohol abuse and has thereby significantly improved his ability to obey the law.

(v) *Work*: Assuming the prisoner is physically and mentally able to do so and is not otherwise engaged in an institutional activity which prevents him from obtaining a job, participation in a job on a regular basis so as to demonstrate a stable life pattern and a favorable modification of his value system.

(4) Prison misconduct (*i.e.*, disobedience to institutional rules, escape) and new criminal conduct in the institution shall be considered in the decision as to whether (or to what degree) a prisoner has successfully responded to treatment. The rescission guidelines of 2.36 shall be used in retarding or rescinding the original presumptive release date set according to the guidelines and the factors described in 18 U.S.C. 4206. If the original presumptive date has been advanced based on response to treatment, the rescission guidelines may also be used to retard or rescind the new date to maintain institutional discipline, if the misconduct is not deemed serious enough to affect the decision that the prisoner has responded to treatment. But misconduct subsequent to the advancement of a release date based on a finding of response to treatment may also result in a reversal of that finding and the cancellation of any advancement of the original presumptive release date.

## Department of Justice

## § 2.65

(e) *Setting the parole date (balancing section 4206 factors with response to treatment).* At any hearing or review on the record, the presumptive release date may be advanced if it is determined that the prisoner has responded to a sufficient degree to his treatment programs. The amount of the advancement should be proportional to the degree of response evidenced by the prisoner. In making the advancement, no rule restricting the amount of the reduction—whether based on the guidelines (§ 2.20) or the rule on superior program achievement (§ 2.60)—shall be used. The decision will be the result of a case-by-case evaluation in which response to treatment programs, the seriousness of the offense, and the original parole prognosis are all weighed by the Commission with no one factor capable of excluding all others.

(f) *Parole violators.* Parole violators returned to an institution following a local revocation hearing shall normally be considered for reparole under this section at a hearing within six months of their arrival at the institution.

(g) *Early termination from supervision.* (1) A review of the YCA parolee's file will be conducted at the conclusion of each year of supervision (following receipt of the annual progress report—Form F-3) and six months prior to the expiration of his sentence (after receipt of the final report).

(2) A YCA parolee shall not be continued on supervision beyond the time periods specified in the early termination guidelines (§ 2.43), unless case-specific factors indicate further supervision is warranted. The guidelines at § 2.43 shall not be routinely used to deny early discharge to a YCA parolee who has yet to complete two (or three) years of clean supervision.

(3) The Commission shall consider the facts and circumstances of each YCA parolee's case, focusing on the risk he poses to the public and the benefit he may obtain from further supervision. The nature of the offense and parolee's past criminal record shall be taken into account only to evaluate the risk that the parolee may still pose to the public.

(4) In denying early discharge, the Commission shall inform the probation

office by letter (with a copy to the YCA parolee) of the reasons for continued supervision. The reasons should pertain, whenever possible, to the facts and circumstances of the YCA parolee's case. If there are no case-specific factors which indicate that discharge should be either granted to denied and further supervision appears warranted, the Commission may inform the YCA parolee that he is continued on supervision because of its experience with similarly situated offenders.

[53 FR 49654, Dec. 9, 1988, as amended at 55 FR 289, Jan. 4, 1990. Redesignated at 63 FR 39176, July 21, 1998, and amended at 68 FR 41530, July 14, 2003]

### **§ 2.65 Paroling policy for prisoners serving aggregate U.S. and D.C. Code sentences.**

(a) *Applicability.* This regulation applies to all prisoners serving any combination of U.S. and D.C. Code sentences that have been aggregated by the U.S. Bureau of Prisons. Such individuals are considered for parole on the basis of a single parole eligibility and mandatory release date on the aggregate sentence. Pursuant to § 2.5, every decision made by the Commission, including the grant, denial, and revocation of parole, is made on the basis of the aggregate sentence.

(b) *Basic policy.* The Commission shall apply the guidelines at § 2.20 to the prisoner's U.S. Code crimes, and the guidelines of the District of Columbia Board of Parole to the prisoner's D.C. Code crimes.

(c) *Determining the federal guideline range.* The Commission shall first consider the U.S. Code offenses pursuant to the guidelines at § 2.20, and shall determine the appropriate number of months to be served (the prisoner's "federal time"). The Commission shall deem the "federal time" to have commenced with the prisoner's initial commitment on the current aggregate sentence, including jail time.

(d) *Decisions above the federal guideline range.* The "federal time" thus determined may be a decision within, below or above the federal guidelines, but it shall not exceed the limit of the U.S. Code sentence, *i.e.*, the number of months that would be required by the statutory release date if the U.S. Code

sentence is less than five years, or the two-thirds date if the U.S. Code sentence is five years or more. The D.C. Code criminal behavior may not be used as an aggravating offense factor, but may be used as predictive basis for exceeding the federal guideline range to account for the actual degree and/or seriousness of risk.

(e) *Scheduling the D.C. parole hearing.* The Commission shall then schedule a D.C. parole hearing to be conducted not later than four months prior to the parole eligibility date, or the expiration of the “federal time,” whichever is later. At the D.C. parole hearing the Commission shall apply the point score system of the D.C. Board of Parole, pursuant to the regulations of the D.C. Board of Parole, to determine the prisoner’s suitability for release on parole.

(f) *Granting parole.* In determining whether or not to grant parole pursuant to the point score system of the D.C. Board of Parole, and the length of any continuance for a rehearing if parole is denied, the Commission shall presume that the eligible prisoner has satisfied basic accountability for the D.C. Code offense behavior. However, the Commission retains the authority to consider any unusual offense circumstances pursuant to 28 DCMR 204.22 to deny parole despite a favorable point score, and to set a rehearing date beyond the ordinary schedule. The Commission shall also consider whether the totality of the prisoner’s offense behaviors (U.S. and D.C. Code) warrants a continuance to reflect the true seriousness or the degree of the risk that the release of the prisoner would pose for the public welfare. Nonetheless, the Commission shall not deny parole or order a continuance, solely on the ground of punishment for the U.S. Code offenses standing alone, or on grounds that have been adequately accounted for in a decision to exceed the federal guideline range.

(g) *Hearings.* The Commission shall, in accordance with §2.12 of these regulations, conduct an initial hearing to determine the federal time. This portion of the decision shall be subject to appeal pursuant to §2.26 of these regulations. A D.C. parole hearing to determine the prisoner’s suitability for parole under the D.C. guidelines shall be

conducted as ordered at the initial hearing. Prior to the D.C. parole hearing, statutory interim hearings shall be conducted pursuant to §2.14 of these regulations, including an interim hearing at eligibility on the aggregate sentence if no other interim hearing would be held. After the D.C. parole hearing, rehearings shall be conducted pursuant to the rules and policy guidelines of the D.C. Board of Parole, if release on parole is not granted.

(h) *Revocation decisions.* Violations of parole are violations on the aggregate sentence, and a parole violation warrant is therefore issued under the authority of the aggregate sentence. With regard to the reparole decision, the Commission shall follow the guidelines at §2.21 of these rules, but rehearings shall be scheduled according to the guidelines of the D.C. Board of Parole.

(i) *Forfeiture of parole time.* All time on parole shall be forfeited if required under §2.52(c) and §2.105(d) of this part. If not, the Commission shall divide the total time on parole according to the proportional relationship of the DC sentence to the U.S. sentence, and shall order the forfeiture of the portion corresponding to the DC sentence pursuant to §2.105(d). For example, if the parolee is serving a two-year DC Code sentence and a three-year U.S. Code sentence, the DC sentence is two fifths, or 40 percent, of the aggregate sentence (five years). If the parolee was on parole 100 days and parole is revoked for a misdemeanor conviction, a period of 40 days is subject to possible forfeiture under §2.105(d).

[54 FR 27842, June 30, 1989, as amended at 57 FR 41395, 41396, Sept. 10, 1992. Redesignated at 63 FR 39176, July 21, 1998, and amended at 68 FR 41530, July 14, 2003; 74 FR 28604, June 17, 2009; 74 FR 29940, June 24, 2009; 75 FR 9519, Mar. 3, 2010]

#### **§2.66 Revocation decision without hearing.**

(a) If the releasee agrees to the decision, the Commission may make a revocation decision without a hearing if—

(1) The alleged violation would be graded no higher than Category Two under the guidelines at §2.20;

(2) The alleged violation is in any category under the guidelines at §2.20

## Department of Justice

## § 2.68

and the decision imposes the maximum sanction authorized by law; or

(3) The Commission determines that the releasee has already served sufficient time in custody as a sanction for the violation but that forfeiture of time on parole is necessary to provide an adequate period of supervision.

(b) A releasee who agrees to such a disposition shall indicate such agreement by—

(1) Accepting the decision proposed by the Commission in the Notice of Eligibility for Expedited Revocation Procedure that the Commission sent to the releasee, thereby agreeing that the releasee does not contest the validity of the charge and waives a revocation hearing; or

(2) Offering in writing, before the finding of probable cause or at a probable cause hearing, not to contest the validity of the charge, to waive a revocation hearing, and to accept a decision that is at the bottom of the applicable guideline range as determined by the Commission if the violation would be graded no higher than Category Two under the guidelines at § 2.20, or is the maximum sanction authorized by law.

(c) An alleged violator's agreement under this provision shall not preclude the Commission from taking any action authorized by law or limit the statutory consequences of a revocation decision.

(d) *Special procedures for swift and short-term sanctions for administrative violations of supervision.* (1) An alleged violator may, at the time of the probable cause hearing or preliminary interview, waive the right to a revocation hearing and apply in writing for an immediate prison sanction of no more than 8 months. Notwithstanding the reparole guidelines at § 2.21, the Commission will consider such a sanction if—

(i) The releasee has not already postponed the initial probable cause hearing/preliminary interview by more than 30 days;

(ii) The charges alleged by the Commission do not include a violation of the law;

(iii) The releasee has accepted responsibility for the violations;

(iv) The releasee has agreed to modify the non-compliant behavior to suc-

cessfully complete any remaining period of supervision; and

(v) The releasee has not already been sanctioned pursuant to this paragraph (d)(1).

(2) A sanction imposed pursuant to paragraph (d)(1) of this section may include any other action authorized by § 2.52, § 2.105, or § 2.218.

(3) Any case not approved by the Commission for a revocation sanction pursuant to paragraph (d)(1) of this section shall receive the normal revocation hearing procedures including the application of the guidelines at § 2.21.

NOTE TO PARAGRAPH (d). For purpose of paragraph (d)(1) of this section only, the Commission will consider the sanctioning of the following crimes as administrative violations if they have been charged only as misdemeanors:

1. Public Intoxication
2. Possession of an Open Container of Alcohol
3. Urinating in Public
4. Traffic Violations
5. Disorderly Conduct/Breach of Peace
6. Driving without a License or with a revoked/suspended license
7. Providing False Information to a Police Officer
8. Loitering
9. Failure to Pay court ordered support (*i.e.* child support/alimony)
10. Solicitation/Prostitution
11. Resisting Arrest
12. Reckless Driving
13. Gambling
14. Failure to Obey a Police Officer
15. Leaving the Scene of an Accident (only if no injury occurred)-
16. Hitchhiking
17. Vending without a License
18. Possession of Drug Paraphernalia (indicating purpose of personal use only)
19. Possession of a Controlled Substance (for personal use only)

[72 FR 53115, Sept. 18, 2007, as amended at 80 FR 52984, Sept. 2, 2015]

### Subpart B—Transfer Treaty Prisoners and Parolees

#### § 2.68 Prisoners transferred pursuant to treaty.

(a) *Applicability, jurisdiction and statutory interpretation.* (1) Prisoners transferred pursuant to treaty (transferees) who committed their offenses on or after November 1, 1987, shall receive a special transferee hearing pursuant to the procedures found in this section

and 18 U.S.C. 4106A. Transferees who committed their offenses prior to November 1, 1987, are immediately eligible for parole and shall receive a parole hearing pursuant to procedures found at 28 CFR 2.13. The Parole Commission shall treat the foreign conviction as though it were a lawful conviction in a United States District Court.

(2) The jurisdiction of the Commission to set a release date and periods and conditions of supervised release extends until the transferee is released from prison or the transferee's case is otherwise transferred to a district court pursuant to an order of the Commission.

(3) It is the Commission's interpretation of 18 U.S.C. 4106A that every transferee is entitled to a release date determination by the Commission after considering the applicable sentencing guidelines in effect at the time of the hearing. Upon release from imprisonment the transferee may be required to serve a period of supervised release pursuant to section 5D1.2 of the sentencing guidelines. The combination of the period of imprisonment that results from the release date set by the Commission and the period of supervised release shall not exceed the full term of the sentence imposed by the foreign court. The combined periods of imprisonment and supervised release may be less than the full term of the sentence imposed by the foreign court unless the applicable treaty is found to require otherwise.

(4) The applicable offense guideline provision is determined by selecting the offense in the U.S. Code that is most similar to the offense for which the transferee was convicted in the foreign court. In so doing, the Commission considers itself required by law and treaty to respect the offense definitions contained in the foreign criminal code under which the prisoner was convicted, as well as the official documents supplied by the foreign court.

(5) The release date that is determined by the Commission under 18 U.S.C. 4106A(b)(1)(A) is a prison release determination and does not represent the imposition of a new sentence for the transferee. However, the release date shall be treated by the Bureau of Prisons as if it were the full term date

of a sentence for the purpose of establishing a release date pursuant to 18 U.S.C. 4105(c)(1). The Bureau of Prisons release date shall supersede the release date established by the Parole Commission under 18 U.S.C. 4106A and shall be the date upon which the transferee's period of supervised release commences. If the Commission has ordered "continue to expiration," the 4106A release date is the same as the full term date of the foreign sentence. It is the Commission's interpretation of 18 U.S.C. 4105(c)(1) that the deduction of service credits in either case does not operate to reduce the foreign sentence or otherwise limit the Parole Commission's authority to establish a period of supervised release extending from the date of actual release from prison to the full term date of the foreign sentence.

(6) If the Commission sets a release date under 18 U.S.C. 4106A(b)(1)(A) that is earlier than the mandatory release date established by the Bureau of Prisons under 18 U.S.C. 4105(c)(1), then the release date set by the Commission controls. If the release date set by the Commission under 18 U.S.C. 4106A(b)(1)(A) is equal to or later than the mandatory release date established by the Bureau of Prisons under 18 U.S.C. 4105(c)(1), then the mandatory release date established by the Bureau of Prisons controls.

(7) It is the Commission's interpretation of 18 U.S.C. 4106A that U.S. Code provisions for mandatory minimum terms of imprisonment and supervised release, as well as sentencing guideline provisions implementing such U.S. Code requirements (*e.g.*, section 5G1.1(b) of the sentencing guidelines), were not intended by Congress to be applicable in an 18 U.S.C. 4106A(b)(1)(A) determination. Alternatively, it is the Commission's position that there is good cause in every transfer treaty case for a departure from any statutorily required minimum sentence provision in the sentencing guidelines, including section 5G1.1(b) of the sentencing guidelines, because Congress did not enact mandatory sentence laws with transferees in mind. Thus, in every transfer treaty case, the release

date will be determined through an exercise of Commission discretion, according to the sentencing guideline range that is derived from a case-specific “similar offense” determination, rather than by reference to any provision concerning mandatory minimum sentences of imprisonment or terms of supervised release.

(b) *Interview upon entry.* Following the transferee’s entry into the United States, the transferee shall, without unnecessary delay, be interviewed by a United States Probation Officer who shall inform the transferee of his rights under this regulation. The transferee shall be given the appropriate forms for appointment of counsel pursuant to 18 U.S.C. 3006(A) at the interview if appointment of counsel is requested.

(c) *Postsentence report.* A postsentence investigation report, which shall include an estimated sentencing classification and sentencing guideline range, shall be prepared by the probation office in the district of entry (or the transferee’s home district). Disclosure of the postsentence report shall be made as soon as the report is completed, by delivery of a copy of the report to the transferee and his or her counsel (if any). Confidential material contained in the postsentence investigation report may be withheld pursuant to the procedures of 18 U.S.C. 4208(c). Copies of all documents provided by the transferring country relating to the transferee shall be appended to the postsentence report when disclosed to the transferee and when transmitted to the Commission.

(d) *Opportunity to object.* The transferee (or counsel) shall have thirty calendar days after disclosure of the postsentence report to transmit any objections to the report he or she may have, in writing, to the Commission with a copy to the probation officer. The Commission shall review the objections and may request that additional information be submitted by the probation officer in the form of an addendum to the postsentence report. Any disputes of fact or disputes concerning application of the sentencing guidelines shall be resolved at the special transferee hearing.

(e) *Special transferee hearing.* A special transferee hearing shall be con-

ducted within 180 days from the transferee’s entry into the United States, or as soon as is practicable following completion of the postsentence report along with any corrections or addendum to the report and appointment of counsel for an indigent transferee.

(1) *Waivers.* The transferee may waive the special transferee hearing on a form provided for that purpose, and the Commission may either:

(A) Set a release date that falls within 60 days of receipt of the waiver and establish a period and conditions of supervised release; or

(B) Reject the waiver and schedule a hearing.

(2) *Short-term cases.* In the case of a transferee who has less than six months from the date of his entry into the United States to his release date as calculated by the Bureau of Prisons under 18 U.S.C. 4105, the Commission may, without conducting a hearing or awaiting a waiver, set a release date and a period and conditions of supervised release. In such cases, the period of supervised release shall not exceed the minimum necessary to satisfy the applicable sentencing guideline (but may extend to the full-term of the foreign sentence if such period is shorter than the minimum of applicable sentencing guideline). The transferee may petition the Commission for a more favorable decision within 60 days of the Commission’s determination, and the Commission may act upon the petition regardless of whether or not the transferee has been released from prison.

(f) *Representation.* The transferee shall have the opportunity to be represented by counsel (retained by the transferee or, if financially unable to retain counsel, counsel shall be provided pursuant to 18 U.S.C. 3006(A)), at all stages of the proceeding set forth in this section. The transferee may select a non-lawyer representative as provided in 28 CFR 2.61.

(g) *The decisionmaking criteria.* The Commission will consider the United States Sentencing Guidelines as advisory guidelines in making its decisions, as though the transferee were convicted in a United States District Court of a statutory offense most nearly similar to the offense of which the transferee was convicted in the foreign

## § 2.68

## 28 CFR Ch. I (7-1-17 Edition)

court. The Commission shall take into account the offense definition under foreign law, the length of the sentence permitted by that law, and the underlying circumstances of the offense behavior, to establish a guideline range that fairly reflects the seriousness of the offense behavior committed in the foreign country.

(h) *Hearing procedures.* Special transferee hearings shall be conducted by a hearing examiner. Each special transferee hearing shall be recorded by the hearing examiner. The following procedures shall apply at a special transferee proceeding, unless waived by the transferee:

(1) The examiner shall inquire whether the transferee and his counsel have had an opportunity to read and discuss the postsentence investigation report and whether the transferee is prepared to go forward with the hearing. If not, the transferee shall be given the opportunity to continue the hearing.

(2) The transferee shall have an opportunity to present documentary evidence and to testify on his own behalf.

(3) Oral testimony of interested parties may be taken with prior advance permission of the Regional Commissioner.

(4) The transferee and his counsel shall be afforded the opportunity to comment upon the guideline estimate contained in the postsentence investigation report (and the addendum, if any), and to present arguments and information relating to the Commission's final guideline determination and decision.

(5) Disputes of material fact shall be resolved by a preponderance of the evidence, with written recommended findings by the examiner unless the examiner determines, on the record, not to take the controverted matter into account.

(6) The transferee shall be notified of the examiner's recommended findings of fact, and the examiner's recommended determination and reasons therefore, at the conclusion of the hearing. The case shall thereafter be reviewed by the Executive Hearing Examiner pursuant to § 2.23, and the Commission shall make its determination upon a panel recommendation.

(i) *Final decision.* (1) The Commission shall render a decision as soon as practicable and without unnecessary delay. Decisions shall be made upon a concurrence of two votes of the National Commissioners. The decision shall set a release date and a period and conditions of supervised release. If the Commission determines that the appropriate release date under 18 U.S.C. 4106A is the full term date of the foreign sentence, the Commission will order the transferee to "continue to expiration".

(2) Whenever the Bureau of Prisons applies service credits under 18 U.S.C. 4105 to a release date established by the Commission, the release date used by the Bureau of Prisons shall be the date established by the Parole Commission pursuant to the sentencing guidelines and not a date that resulted from any adjustment made to achieve comparable punishment with a similarly-situated U.S. Code offender. The application of service credits under 18 U.S.C. 4105 shall supersede any previous release date set by the Commission. The Commission may, for the purpose of facilitating the application of service credits by the Bureau of Prisons, reopen any case on the record to clarify the correct release date to be used, and the period of supervised release to be served.

(3) The Commission may, in its discretion, defer a decision and order a rehearing, provided that a statement of the reason for ordering a rehearing is issued to the transferee and the transferee's counsel (if any).

(4) The Commission's final decision shall be supported by a statement of reasons explaining:

(i) The similar offense selected as the basis for the Commission's decision;

(ii) The basis for the guideline range applied; and

(iii) The reason for making a release determination above or below the guideline range. If the release date is within a guideline range that exceeds twenty-four months, the Commission shall identify the reason for the release date selected.

(j) *Appeal.* The transferee shall be advised of his right to appeal the decision of the Commission to the United States Court of Appeals that has jurisdiction



## Department of Justice

## § 2.70

over the district in which the transferee is confined.

(k) *Reopening or modification of a determination prior to transfer of jurisdiction.* (1) A hearing and assistance of counsel will be provided to the transferee whenever a case is reopened under subparagraphs (2), (3), (4), and (5) below unless:

(i) Waived by the transferee; or

(ii) The action to be taken is favorable and no factual issue must be resolved.

(2) The Commission may reopen and modify a determination based upon information which was not previously considered. Such information must, however, be contained in the record of the foreign sentencing court.

(3) The Commission may reopen and modify a determination of the terms and conditions of supervised release. Modifications may include approval or disapproval of the transferee's release plan.

(4) The Commission shall reopen and modify a determination that has been found on appeal to have been imposed in violation of the law, to have been imposed as a result of an incorrect application of the sentencing guidelines, or to have been unreasonable.

(5) The Commission may reopen and modify a determination upon consideration of the factors listed in section 5K1.1 of the sentencing guidelines if the transferee provides substantial assistance to law enforcement authorities, and that assistance was not previously considered by the Commission. The Commission will treat a request from a foreign or a domestic law enforcement authority as the equivalent of a "motion of the government."

(6) The Commission may modify a determination based upon a clerical mistake or other error in accordance with Federal Rules of Criminal Procedure Rule 36.

(7) The Commission may reopen and modify the release date if it determines that a circumstance set forth in 18 U.S.C. 3582(c) is satisfied.

(1) *Supervised release.* (1) If a period of supervised release is imposed, the Commission presumes that the recommended conditions of supervised release in section 5D1.3(a) and (c) of the sentencing guidelines, a condition re-

quiring the transferee to report to the probation office within 72 hours of release from the custody of the Bureau of Prisons, a condition that the transferee not commit another Federal, state or local crime, and a condition that the transferee not possess a firearm or other dangerous weapon are reasonably necessary in every case. These conditions, therefore, shall be imposed unless the Commission finds otherwise. The Commission may also impose special conditions of supervised release whenever deemed reasonably necessary in an individual case.

(2) If the transferee is released pursuant to a date established by the Bureau of Prisons under 18 U.S.C. 4105(c)(1), then the period of supervised release commences upon the transferee's release from imprisonment.

[54 FR 27840, June 30, 1989, as amended at 55 FR 39269, Sept. 26, 1990; 58 FR 30705, May 27, 1993; 59 FR 26425, May 20, 1994; 60 FR 18354, Apr. 11, 1995; 61 FR 38570, July 25, 1996; 61 FR 54096, 54097, Oct. 17, 1996; 62 FR 40270, July 28, 1997. Redesignated at 63 FR 39176, July 21, 1998, and amended at 67 FR 70694, Nov. 26, 2002; 73 FR 12637, Mar. 10, 2008]

### § 2.69 [Reserved]

### Subpart C—District of Columbia Code: Prisoners and Parolees

SOURCE: 65 FR 45888, July 26, 2000, unless otherwise noted.

### § 2.70 Authority and functions of the U.S. Parole Commission with respect to District of Columbia Code offenders.

(a) The U.S. Parole Commission shall exercise authority over District of Columbia Code offenders pursuant to section 11231 of the National Capital Revitalization and Self-Government Improvement Act of 1997, Public Law 105-33, 111 Stat. 712, and D.C. Code 24-409. The rules in this subpart shall govern the operation of the U.S. Parole Commission with respect to D.C. Code offenders and shall constitute the parole rules of the District of Columbia, as amended and supplemented pursuant to section 11231(a)(1) of the Act.

(b) The Commission shall have sole authority to grant parole, and to establish the conditions of release, for all District of Columbia Code prisoners

## § 2.71

who are serving sentences for felony offenses, and who are eligible for parole by statute, including offenders who have been returned to prison upon the revocation of parole or mandatory release. (D.C. Code 24-404 and 408). The above authority shall include youth offenders who are committed to prison for treatment and rehabilitation based on felony convictions under the D.C. Code. (D.C. Code 24-904(a).)

(c) The Commission shall have authority to recommend to the Superior Court of the District of Columbia a reduction in the minimum sentence of a District of Columbia Code prisoner, if the Commission deems such recommendation to be appropriate. (D.C. Code 24-401(c).)

(d) The Commission shall have authority to grant parole to a prisoner who is found to be geriatric, permanently incapacitated, or terminally ill, notwithstanding the minimum term imposed by the sentencing court. (D.C. Code 24-461 through 467.)

(e) The Commission shall have authority over all District of Columbia Code felony offenders who have been released to parole or mandatory release supervision, including the authority to return such offenders to prison upon an order of revocation. (D.C. Code 24-406.)

[65 FR 45888, July 26, 2000, as amended at 68 FR 41530, July 14, 2003]

### § 2.71 Application for parole.

(a) A prisoner (including a committed youth offender) desiring to apply for parole shall execute an application form as prescribed by the Commission. Such forms shall be available at each institution and shall be provided to a prisoner who is eligible for parole consideration. The Commission may then conduct an initial hearing or grant an effective date of parole on the record. A prisoner who receives an initial hearing need not apply for subsequent hearings.

(b) To the extent practicable, the initial hearing for an eligible adult prisoner who has applied for parole shall be held at least 180 days prior to such prisoner's date of eligibility for parole. The initial hearing for a committed youth offender shall be scheduled during the first 120 days after admission to

## 28 CFR Ch. I (7-1-17 Edition)

the institution that is responsible for developing his rehabilitative program.

(c) A prisoner may knowingly and intelligently waive any parole consideration on a form provided for that purpose. A prisoner who declines either to apply for or waive parole consideration shall be deemed to have waived parole consideration.

(d) A prisoner who waives parole consideration may later apply for parole and be heard during the next visit of the Commission to the institution at which the prisoner is confined, provided that the prisoner has applied for parole at least 60 days prior to the first day of the month in which such visit of the Commission occurs. In no event, however, shall such prisoner be heard at an earlier date than that set forth in paragraph (b) of this section.

### § 2.72 Hearing procedure.

(a) At the initial hearing the examiner shall review with the prisoner the guidelines at § 2.80, and shall discuss with the prisoner such information as the examiner deems relevant, including the prisoner's offense behavior, criminal history, institutional record, health status, release plans, and community support. If the examiner determines that the available file material is not adequate for this purpose the examiner may order the hearing to be postponed to the next docket so that the missing information can be requested.

(b) A prisoner may have a representative at the hearing pursuant to § 2.13(b) and the opportunity for prehearing disclosure of file material pursuant to § 2.55.

(c) A victim of a crime, or a representative of the immediate family of a victim if the victim has died, shall have the right:

(1) To be present at the parole hearings of each offender who committed the crime, and

(2) To testify and/or offer a written or recorded statement as to whether or not parole should be granted, including information and reasons in support of such statement. A written statement may be submitted at the hearing or provided separately. The prisoner may

## Department of Justice

## § 2.74

be excluded from the hearing room during the appearance of a victim or representative who gives testimony. In lieu of appearing at a parole hearing, a victim or representative may request permission to appear before an examiner (or other staff member), who shall record and summarize the victim's or representative's testimony. Whenever new and significant information is provided under this rule, the hearing examiner will summarize the information at the parole hearing and will give the prisoner an opportunity to respond. Such summary shall be consistent with a reasonable request for confidentiality by the victim or representative.

(d) Attorneys, family members, relatives, friends of the prisoner, or other interested persons desiring to submit information pertinent to any prisoner, may do so at any time, but such information must be received by the Commission at least 30 days prior to a scheduled hearing in order to be considered at that hearing. Such persons may also request permission to appear at the offices of the Commission to speak to a Commission staff member, provided such request is received at least 30 days prior to the scheduled hearing. The purpose of this office visit will be to supplement the Commission's record with pertinent factual information concerning the prisoner, which shall be placed in the record for consideration at the hearing. An office visit at a time other than set forth in this paragraph may be authorized only if the Commission finds good cause based upon a written request setting forth the nature of the information to be discussed. See § 2.22.

(e) A full and complete recording of every parole hearing shall be retained by the Commission. Upon a request pursuant to § 2.56, the Commission shall make available to any eligible prisoner such record as the Commission has retained of the hearing.

(f) Because parole decisions must be reached through a record-based hearing and voting process, no contacts shall be permitted between any person attempting to influence the Commission's decision-making process, and the examiners and Commissioners of the

Commission, except as expressly provided in this subpart.

[65 FR 45888, July 26, 2000, as amended at 68 FR 41530, July 14, 2003; 69 FR 5274, Feb. 4, 2004]

### § 2.73 Parole suitability criteria.

(a) In accordance with D.C. Code 24-404(a), the Commission shall be authorized to release a prisoner on parole in its discretion after the prisoner has served the minimum term of the sentence imposed, if the following criteria are met:

(1) The prisoner has substantially observed the rules of the institution;

(2) There is a reasonable probability that the prisoner will live and remain at liberty without violating the law; and

(3) In the opinion of the Commission, the prisoner's release is not incompatible with the welfare of society.

(b) It is the policy of the Commission with respect to District of Columbia Code offenders that the minimum term imposed by the sentencing court presumptively satisfies the need for punishment for the crime of which the prisoner has been convicted, and that the responsibility of the Commission is to account for the degree and the seriousness of the risk that the release of the prisoner would entail. This responsibility is carried out by reference to the Salient Factor Score and the Point Assignment Table at § 2.80. However, there may be exceptional cases in which the gravity of the offense is sufficient to warrant an upward departure from § 2.80 and denial of parole.

[65 FR 45888, July 26, 2000, as amended at 68 FR 41530, July 14, 2003]

### § 2.74 Decision of the Commission.

(a) Following each initial or subsequent hearing, the Commission shall render a decision granting or denying parole, and shall provide the prisoner with a notice of action that includes an explanation of the reasons for the decision. The decision shall ordinarily be issued within 21 days of the hearing, excluding weekends and holidays.

(b) Whenever a decision is rendered within the applicable guideline established in this subpart, it will be deemed

## § 2.75

## 28 CFR Ch. I (7–1–17 Edition)

a sufficient explanation of the Commission's decision for the notice of action to set forth how the guideline was calculated. If the decision is a departure from the guidelines, the notice of action shall include the reasons for such departure.

(c) The Commission shall resolve relevant issues of fact in accordance with § 2.19(c). Decisions granting or denying parole shall be based on the concurrence of two Commissioners, except that three Commissioners votes shall be required if the decision differs from the decision recommended by the examiner panel by more than six months. All other decisions, including decisions on revocation and reparole made pursuant to § 2.105(c), and decisions terminating a parolee early from supervision, shall be based on the vote of one Commissioner, except as otherwise provided in this subpart.

[65 FR 45888, July 26, 2000, as amended at 69 FR 68792, Nov. 26, 2004; 74 FR 28605, June 17, 2009; 75 FR 9519, Mar. 3, 2010; 81 FR 13975, Mar. 16, 2016]

### § 2.75 Reconsideration proceedings.

(a)(1) Following an initial or subsequent hearing, the Commission may—

(i) Set an effective date of parole within nine months of the date of the hearing;

(ii) Set a presumptive parole date at least ten months but not more than three years from the date of the hearing;

(iii) Continue the prisoner to the expiration of sentence if the prisoner's mandatory release date is within three years of the date of the hearing;

(iv) Schedule a reconsideration hearing at three years from the month of the hearing; or

(v) Remand the case for a rehearing on the next available docket (but no later than 180 days from the date of the hearing) for the consideration of additional information.

(2) *Exceptions.* (i) With respect to the rule on three-year reconsideration hearings. If the prisoner's current offense behavior resulted in the death of a victim and, at the time of the hearing, the prisoner must serve more than three years before reaching the minimum of the applicable guideline range, the Commission may schedule a

reconsideration hearing at a date up to five years from the month of the last hearing, but not beyond the minimum of the applicable guideline range.

(ii) With respect to youth offenders. Regardless of whether a presumptive parole date has been set, a reconsideration hearing shall be conducted every twelve months for a youth offender, and on the next available docket after the Commission is informed that the prisoner has completed his program plan.

(b) When a rehearing is scheduled, the prisoner shall be given a rehearing during the month specified by the Commission, or on the docket of hearings immediately preceding that month if no docket of hearings is scheduled for the month specified.

(c) At a reconsideration hearing, the Commission may take any action that it could take at an initial hearing. The scheduling of a reconsideration hearing does not imply that parole will be granted at such hearing.

(d) Prior to a parole reconsideration hearing, the Commission shall review the prisoner's record, including an institutional progress report which shall be submitted 60 days prior to the hearing. Based on its review of the record, the Commission may grant an effective date of parole without conducting the scheduled hearing.

(e) Notwithstanding a previously established reconsideration hearing, the Commission may reopen any case for a special reconsideration hearing, as provided in § 2.28, upon the receipt of new and significant information concerning the prisoner.

[65 FR 70664, Nov. 27, 2000, as amended at 67 FR 57945, Sept. 13, 2002; 69 FR 5274, Feb. 4, 2004]

### § 2.76 Reduction in minimum sentence.

(a) A prisoner who has served three or more years of the minimum term of his or her sentence may request the Commission to file an application with the sentencing court for a reduction in the minimum term pursuant to D.C. Code 24–401c. The prisoner's request to the Commission shall be in writing and shall state the reasons that the prisoner believes such request should be granted. The Commission shall require

## Department of Justice

## §2.77

the submission of a special progress report before approving such a request.

(b) Approval of a prisoner's request under this section shall require the concurrence of a majority of the Commissioners holding office.

(c) Pursuant to D.C. Code 24-401c, the Commission may file an application to the sentencing court for a reduction of a prisoner's minimum term if the Commission finds that:

(1) The prisoner has completed three years of the minimum term imposed by the court;

(2) The prisoner has shown, by report of the responsible prison authorities, an outstanding response to the rehabilitative program(s) of the institution;

(3) The prisoner has fully observed the rules of each institution in which the prisoner has been confined;

(4) The prisoner appears to be an acceptable risk for parole based on both the prisoner's pre- and post-incarceration record; and

(5) Service of the minimum term imposed by the court does not appear necessary to achieve appropriate punishment and deterrence.

(d) If the Commission approves a prisoner's request under this section, an application for a reduction in the prisoner's minimum term shall be forwarded to the U.S. Attorney for the District of Columbia for filing with the sentencing court. If the U.S. Attorney objects to the Commission's recommendation, the U.S. Attorney shall provide the government's objections in writing for consideration by the Commission. If, after consideration of the material submitted, the Commission declines to reconsider its previous decision, the U.S. Attorney shall file the application with the sentencing court.

(e) If a prisoner's request under this section is denied by the Commission, there shall be a waiting period of two years before the Commission will again consider the prisoner's request, absent exceptional circumstances.

[65 FR 45888, July 26, 2000, as amended at 68 FR 41530, July 14, 2003]

### §2.77 Medical parole.

(a) Upon receipt of a report from the institution in which the prisoner is confined that the prisoner is terminally ill, or is permanently and irre-

versibly incapacitated by a physical or medical condition that is not terminal, the Commission shall determine whether or not to release the prisoner on medical parole. Release on medical parole may be ordered by the Commission at any time, whether or not the prisoner has completed his or her minimum sentence. Consideration for medical parole shall be in addition to any other parole for which a prisoner may be eligible.

(b) A prisoner may be granted a medical parole on the basis of terminal illness if:

(1) The institution's medical staff has provided the Commission with a reasonable medical judgment that the prisoner is within six months of death due to an incurable illness or disease; and

(2) The Commission finds that:

(i) The prisoner will not be a danger to himself or others; and

(ii) Release on parole will not be incompatible with the welfare of society.

(c) A prisoner may be granted a medical parole on the basis of permanent and irreversible incapacitation only if the Commission finds that:

(1) The prisoner will not be a danger to himself or others because his condition renders him incapable of continued criminal activity; and

(2) Release on parole will not be incompatible with the welfare of society.

(d) The seriousness of the prisoner's crime shall be considered in determining whether or not a medical parole should be granted prior to completion of the prisoner's minimum sentence.

(e) A prisoner, or the prisoner's representative, may apply for a medical parole by submitting an application to the institution case management staff, who shall forward the application, accompanied by a medical report and any recommendations, within 15 days. The Commission shall render a decision within 15 days of receiving the application and report.

(f) A prisoner, the prisoner's representative, or the institution may request the Commission to reconsider its decision on the basis of changed circumstances.

(g) Notwithstanding any other provision of this section :

## § 2.78

## 28 CFR Ch. I (7–1–17 Edition)

(1) A prisoner who has been convicted of first degree murder or who has been sentenced for a crime committed while armed under D.C. Code 22–4502, 22–4504(b), or 22–2803, shall not be eligible for medical parole (D.C. Code 24–467); and

(2) A prisoner shall not be eligible for medical parole on the basis of a physical or medical condition that existed at the time the prisoner was sentenced (D.C. Code 24–462).

[65 FR 45888, July 26, 2000, as amended at 68 FR 41530, July 14, 2003]

### § 2.78 Geriatric parole.

(a) Upon receipt of a report from the institution in which the prisoner is confined that a prisoner who is at least 65 years of age has a chronic infirmity, illness, or disease related to aging, the Commission shall determine whether or not to release the prisoner on geriatric parole. Release on geriatric parole may be ordered by the Commission at any time, whether or not the prisoner has completed his or her minimum sentence. Consideration for geriatric parole shall be in addition to any other parole for which a prisoner may be eligible.

(b) A prisoner may be granted a geriatric parole if the Commission finds that:

(1) There is a low risk that the prisoner will commit new crimes; and

(2) The prisoner's release would not be incompatible with the welfare of society.

(c) The seriousness of the prisoner's crime, and the age at which it was committed, shall be considered in determining whether or not a geriatric parole should be granted prior to completion of the prisoner's minimum sentence.

(d) A prisoner, or a prisoner's representative, may apply for a geriatric parole by submitting an application to the institution case management staff, who shall forward the application, accompanied by a medical report and any recommendations, within 30 days. The Commission shall render a decision within 30 days of receiving the application and report.

(e) In determining whether or not to grant a geriatric parole, the Commis-

sion shall consider the following factors (D.C. Code 24–465(c)(1)–(7)):

(1) Age of the prisoner;

(2) Severity of illness, disease, or infirmities;

(3) Comprehensive health evaluation;

(4) Institutional behavior;

(5) Level of risk for violence;

(6) Criminal history; and

(7) Alternatives to maintaining geriatric long-term prisoners in traditional prison settings.

(f) A prisoner, the prisoner's representative, or the institution, may request the Commission to reconsider its decision on the basis of changed circumstances.

(g) Notwithstanding any other provision of this section:

(1) A prisoner who has been convicted of first degree murder or who has been sentenced for a crime committed while armed under D.C. Code 22–4502, 22–4504(b), or 22–2803, shall not be eligible for geriatric parole (D.C. Code 24–467); and

(2) A prisoner shall not be eligible for geriatric parole on the basis of a physical or medical condition that existed at the time the prisoner was sentenced (D.C. Code 24–462).

[65 FR 45888, July 26, 2000, as amended at 68 FR 41530, July 14, 2003]

### § 2.79 Good time forfeiture.

Although a forfeiture of good time will not bar a prisoner from receiving a parole hearing, D.C. Code 24–404 permits the Commission to parole only those prisoners who have substantially observed the rules of the institution. Consequently, the Commission will consider a grant of parole for a prisoner with forfeited good time only after a thorough review of the circumstances underlying the disciplinary infraction(s). The Commission must be satisfied that the prisoner has served a period of imprisonment sufficient to outweigh the seriousness of the prisoner's misconduct.

[65 FR 45888, July 26, 2000, as amended at 68 FR 41531, July 14, 2003]

### § 2.80 Guidelines for D.C. Code offenders.

(a)(1) *Applicability in general.* Except as provided below, the guidelines in paragraphs (b)–(n) of this section apply

## Department of Justice

## § 2.80

at an initial hearing or rehearing conducted for any prisoner.

(2) *Reparole decisions.* Reparole decisions shall be made in accordance with § 2.81.

(3) *Youth offenders.* A prisoner sentenced under the Youth Rehabilitation Act shall be considered for parole under these guidelines pursuant to paragraph (a)(1) of this section, except that the prisoner shall be given rehearings in accordance with the schedule at § 2.75(a)(2)(ii) and the prisoner's program achievements shall be considered in the parole release decision in accordance with § 2.106. The guidelines at paragraphs (k)–(m) of this section for awarding superior program achievement and subtracting the award in determining the total guideline range shall not apply.

(4) Prisoners considered under the guidelines of the former District of Columbia Board of Parole. For a prisoner whose initial hearing was held before August 5, 1998, the Commission shall render its decision by reference to the guidelines of the former D.C. Board of Parole in effect on August 4, 1998. However, when a decision outside such guidelines has been made by the Board, or is ordered by the Commission, the Commission may determine the appropriateness and extent of the departure by comparison with the guidelines of § 2.80. The Commission may also correct any error in the calculation of the D.C. Board's guidelines.

(5) Prisoners given initial hearings under the guidelines in effect from August 5, 1998 through December 3, 2000 (the guidelines formerly found in 28 CFR 2.80, Appendix to § 2.80 (2000)). For a prisoner given an initial hearing under the § 2.80 guidelines in effect from August 5, 1998 through December 3, 2000, the guidelines in paragraphs (b)–(n) of this section shall be applied retroactively subject to the provisions of paragraph (o) of this section.

(b) *Guidelines.* In determining whether an eligible prisoner should be paroled, the Commission shall apply the guidelines set forth in this section. The guidelines assign numerical values to pre-and post-incarceration factors. Decisions outside the guidelines may be made, where warranted, pursuant to paragraph (n) of this section.

(c) *Salient factor score and criminal record.* The prisoner's Salient Factor Score shall be determined by reference to the Salient Factor Scoring Manual in § 2.20. The Salient Factor Score is used to assist the Commission in assessing the probability that an offender will live and remain at liberty without violating the law. The prisoner's record of criminal conduct (including the nature and circumstances of the current offense) shall be used to assist the Commission in determining the probable seriousness of the recidivism that is predicted by the Salient Factor Score.

(d) *Disciplinary infractions.* The Commission shall assess whether the prisoner has been found guilty of committing significant disciplinary infractions while under confinement for the current offense.

(e) *Program achievement.* (1) The Commission shall assess whether the prisoner has demonstrated ordinary or superior achievement in the area of prison programs, industries, or work assignments while under confinement for the current offense. Superior program achievement means program achievement that is beyond the level that the prisoner might ordinarily be expected to accomplish. Credit for program achievement may be granted regardless of whether the guidelines for disciplinary infractions have been applied for misconduct during the same period. The guidelines in this section presume that the prisoner will have ordinary program achievement.

(2) In the case of a prisoner who has declined to participate in institutional programming, a decision in the upper half of the applicable guideline range generally will be warranted, except that in the case of a prisoner who has a base point score of 3 or less, or who has a criminal record involving violence or sexual offenses and who has not participated in available programming to address a potential for criminal behavior of a violent or sexual nature, a decision above the guidelines may be warranted.

(f) *Base point score.* Add the applicable points from Categories I-III of the Point Assignment Table to determine the base point score.

§2.80

28 CFR Ch. I (7-1-17 Edition)

POINT ASSIGNMENT TABLE

Categories	Points
<b>CATEGORY I: RISK OF RECIDIVISM (Salient Factor Score)</b>	
10-8 (Very Good Risk) .....	+0
7-6 (Good Risk) .....	+1
5-4 (Fair Risk) .....	+2
3-0 (Poor Risk) .....	+3
<b>CATEGORY II: CURRENT OR PRIOR VIOLENCE (Type of Risk)</b>	
<b>Note:</b> Use the highest applicable subcategory. If no subcategory is applicable, score = 0.	
A. Violence in current offense, and any felony violence in two or more prior offenses .....	+4
B. Violence in current offense, and any felony violence in one prior offense .....	+3
C. Violence in current offense .....	+2
D. No violence in current offense and any felony violence in two or more prior offenses .....	+2
E. Possession of firearm in current offense if current offense is not scored as a crime of violence .....	+2
F. No violence in current offense and any felony violence in one prior offense .....	+1
<b>CATEGORY III: DEATH OF VICTIM OR HIGH LEVEL VIOLENCE</b>	
<b>Note:</b> Use highest applicable subcategory. If no subcategory is applicable, score = 0. A current offense that involved high level violence must be scored under both Category II (A, B, or C) and under Category III.	
A. Current offense involved violence (high level violence or other violence) with death of victim resulting .....	+3
B. Current offense involved attempted murder, conspiracy to murder, solicitation to murder, or any willful violence in which the victim survived despite death having been the most probable result at the time the offense was committed .....	+2
C. Current offense involved high level violence (other than the behaviors described above) .....	+1
<b>BASE POINT SCORE (Total of Categories I-III)</b>	

(g) *Definitions and instructions for application of point assignment table*—(1) *Salient factor score* means the salient factor score set forth at §2.20.

(2) *High level violence* in Category III means any of the following offenses—

- (i) Murder;
- (ii) Voluntary manslaughter;
- (iii) Arson of a building in which a person other than the offender was present or likely to be present at the time of the offense;
- (iv) Forcible rape or forcible sodomy (first degree sexual abuse);
- (v) Kidnapping, hostage taking, or any armed abduction of a victim during a carjacking or other offense;

(vi) Burglary of a residence while armed with any weapon if a victim was in the residence during the offense;

(vii) Obstruction of justice through violence or threats of violence;

(viii) Any offense involving sexual abuse of a person less than sixteen years of age;

(ix) Mayhem, malicious disfigurement, or any offense defined as other violence in paragraph (g)(4) of this section that results in *serious bodily injury* as defined in paragraph (g)(3) of this section;

(x) Any offense defined as *other violence* in paragraph (g)(4) of this section in which the offender intentionally discharged a firearm;

(3) *Serious bodily injury* means bodily injury that involves a substantial risk of death, unconsciousness, extreme physical pain, protracted and obvious disfigurement, or protracted loss or impairment of the function of a bodily member, organ, or mental faculty.

(4) *Other violence* means any of the following felony offenses that does not qualify as *high level violence*

- (i) Robbery;
- (ii) Residential burglary;
- (iii) Felony assault;
- (iv) Felony offenses involving a threat, or risk, of bodily harm;
- (v) Felony offenses involving sexual abuse or sexual contact;
- (vi) Involuntary manslaughter (excluding negligent homicide).

(5) Attempts, conspiracies, and solicitations shall be scored by reference to the substantive offense that was the object of the attempt, conspiracy, or solicitation; except that Category IIIA shall apply only if death actually resulted.

(6) *Current offense* means any criminal behavior that is either:

- (i) Reflected in the offense of conviction, or
- (ii) Is not reflected in the offense of conviction but is found by the Commission to be related to the offense of conviction (i.e., part of the same course of conduct as the offense of conviction). In probation violation cases, the current offense includes both the original offense and the violation offense, except that the original offense shall be scored as a prior conviction (with a prior commitment) rather than as part



**Department of Justice**

**§ 2.80**

of the current offense, if the prisoner served more than six months in prison for the original offense before his probation commenced

(7) Category IIE applies whenever a firearm is possessed by the offender during, or is used by the offender to commit, any offense that is not scored under Category II(A-D). Category IIE also applies when the current offense is felony unlawful possession of a firearm and there is no other current offense. Possession for purposes of Category IIE includes constructive possession.

(8) Category IIIA applies if the death of a victim is:

- (i) Caused by the offender, or
- (ii) Caused by an accomplice and the killing was planned or approved by the offender in furtherance of a joint criminal venture.

(h) *Determining the base guideline range.* Determine the base guideline range for adult prisoners from the following table:

Base point score	Base guideline range (months)
3 or less .....	0
4 .....	12-18
5 .....	18-24
6 .....	36-48
7 .....	54-72
8 .....	72-96
9 .....	110-140
10 .....	156-192

(i) *Months to parole eligibility.* Determine the total number of months until parole eligibility.

(j) *Guideline range for disciplinary infractions.* Determine the applicable guideline range from § 2.36 for any significant disciplinary infractions since the beginning of confinement on the current offense in the case of an initial hearing, and since the last hearing in the case of a rehearing. If there are no significant disciplinary infractions, this step is not applicable.

(k) *Guidelines for superior program achievement.* If superior program achievement is found, the award for superior program achievement shall be one-third of the number of months during which the prisoner demonstrated superior program achievement. The award is determined on the basis of all time in confinement on the current offense in the case of an initial hearing, and on the basis of time in confinement

since the last hearing in the case of a rehearing. If superior program achievement is not found, this step is not applicable.

NOTE: When superior program achievement is found, it is presumed that the award will be based on the total number of months since the beginning of confinement on the current offense in the case of an initial hearing, or since the last hearing in the case of a rehearing. Where, however, the Commission determines that the prisoner did not have superior program achievement during the entire period, it may base its decision solely on the number of months during which the prisoner had superior program achievement.

(1) *Determining the total guideline range at an initial hearing.* At an initial hearing

(1) Add together the minimum of the base point guideline range (from paragraph (h) of this section), the number of months required by the prisoner's parole eligibility date (from (i) of this section), and the minimum of the guideline range for disciplinary infractions, if applicable (from paragraph (j) of this section). Then subtract the award for superior program achievement, if applicable (from paragraph (k) of this section). The result is the minimum of the Total Guideline Range.

(2) Add together the maximum of the base point guideline range (from paragraph (h) of this section), the number of months required by the prisoner's parole eligibility date (from paragraph (i) of this section), and the maximum of the guideline range for disciplinary infractions, if applicable (from paragraph (j) of this section). Then subtract the award for superior program achievement, if applicable (from paragraph (k) of this section). The result is the maximum of the Total Guideline Range.

(m) *Determining the total guideline range at a reconsideration hearing.* At a reconsideration hearing—

(1) Add together the minimum of the Total Guideline Range from the previous hearing, and the minimum of the guideline range for disciplinary infractions since the previous hearing, if applicable (from paragraph (j) of this section). Then subtract the award for superior program achievement, if applicable (from paragraph (k) of this section). The result is the minimum of the

## §2.80

## 28 CFR Ch. I (7-1-17 Edition)

Total Guideline Range for the current hearing.

(2) Add together the maximum of the Total Guideline Range from the previous hearing, and the maximum of the guideline range for disciplinary infractions since the previous hearing, if applicable (from paragraph (j) of this section). Then subtract the award for superior program achievement since the previous hearing, if applicable (from paragraph (k) of this section). The result is the maximum of the Total Guideline Range for the current hearing.

(n) *Decisions outside the guidelines.* (1) The Commission may, in unusual circumstances, grant or deny parole to a prisoner notwithstanding the guidelines. Unusual circumstances are case-specific factors that are not fully taken into account in the guidelines, and that are relevant to the grant or denial of parole. In such cases, the Commission shall specify in the notice of action the specific factors that it relied on in departing from the applicable guideline or guideline range. If the prisoner is deemed to be a poorer or more serious risk than the guidelines indicate, the Commission shall determine what Base Point Score would more appropriately fit the prisoner's case, and shall render its initial and rehearing decisions as if the prisoner had that higher Base Point Score. It is to be noted that, in some cases, an extreme level of risk presented by the prisoner may make it inappropriate for the Commission to contemplate a parole at any hearing without a significant change in the prisoner's circumstances.

(2) Factors that may warrant a decision above the guidelines include, but are not limited to, the following:

(i) *Poorer parole risk than indicated by salient factor score.* The offender is a poorer parole risk than indicated by the salient factor score because of—

(A) Unusually persistent failure under supervision (pretrial release, probation, or parole);

(B) Unusually persistent history of criminally related substance (drug or alcohol) abuse and resistance to treatment efforts; or

(C) Unusually extensive prior record (sufficient to make the offender a poorer

risk than the "poor" prognosis category).

(ii) *More serious parole risk.* The offender is a more serious parole risk than indicated by the total point score because of—

(A) Prior record of violence more extensive or serious than that taken into account in the guidelines;

(B) Current offense demonstrates extraordinary criminal sophistication, criminal professionalism in the employment of violence or threats of violence, or leadership role in instigating others to commit a serious offense;

(C) Unusual cruelty to the victim (beyond that accounted for by scoring the offense as high level violence), or predation upon extremely vulnerable victim;

(D) Unusual propensity to inflict unprovoked and potentially homicidal violence, as demonstrated by the circumstances of the current offense; or

(E) Additional serious offense(s) committed after (or while on bond or fugitive status from) current offense that show unusual capacity for sustained, repeated violent criminal activity.

(3) Factors that may warrant a decision below the guidelines include, but are not limited to, the following:

(i) *Better parole risk than indicated by salient factor score.* The offender is a better parole risk than indicated by the salient factor score because of (applicable only to offenders who are not already in the very good risk category)—

(A) A prior criminal record resulting exclusively from minor offenses;

(B) A substantial crime-free period in the community for which credit is not already given on the Salient Factor Score;

(C) A change in the availability of community resources leading to a better parole prognosis;

(ii) *Other factors:*

(A) Unusually lengthy period of incarceration on the minimum sentence (in relation to the seriousness of the offense and prior record) that warrants an initial parole determination as if the offender were being considered at a rehearing;

(B) Substantial period in custody on other sentence(s) sufficient to warrant

## Department of Justice

## § 2.80

a finding in paragraph (n)(3) of this section; or

(C) Clearly exceptional program achievement.

(o) (1) A prisoner who is eligible under the criteria of paragraph (o)(2) may receive a parole determination using the 1987 guidelines of the former District of Columbia Board of Parole (hereinafter “the 1987 Board guidelines”).

(2) A prisoner must satisfy the following criteria to obtain a determination using the 1987 Board guidelines:

(i) The prisoner committed the offense of conviction after March 3, 1985 and before August 5, 1998;

(ii) The prisoner is not incarcerated as a parole violator;

(iii) The prisoner received his initial hearing after August 4, 1998; and

(iv) The prisoner does not have a parole effective date, or a presumptive parole date before January 1, 2010.

(3) For a prisoner eligible for application of the 1987 Board guidelines, a hearing examiner shall first review the case on the record. If the hearing examiner recommends that the prisoner receive a parole effective date and the Commission concurs in the recommendation, the case shall not be scheduled for a hearing. If the hearing examiner does not recommend a parole effective date, a hearing shall be conducted on an appropriate hearing docket.

(4) At the hearing, the hearing examiner shall evaluate the prisoner’s case using the 1987 Board guidelines, as if the prisoner were receiving an initial hearing. If appropriate, the hearing examiner shall evaluate the case using the 1987 Board guidelines for re-hearings, revising the initial point score based on the prisoner’s prison conduct record and program performance. The Commission shall use the former Board’s policy guidelines in making its determinations under this paragraph, according to the policy guideline in effect at the time of the prisoner’s offense.

(5) If the Commission denies parole after the hearing, and the prisoner received a presumptive parole date under the parole determination that preceded the hearing under this paragraph, the prisoner shall not forfeit the presump-

tive parole date unless the presumptive date is rescinded for institutional misconduct, new criminal conduct, or for new adverse information.

(6) Decisions resulting from hearings under this paragraph may not be appealed to the Commission.

(p)(1) A prisoner who is eligible under the criteria of paragraph (p)(2) of this section may receive a parole determination using the parole guidelines in the 1972 regulations of the former District of Columbia Board of Parole (9 DCMR section 105.1) (hereinafter “the 1972 Board guidelines”).

(2) A prisoner must satisfy the following criteria to obtain a determination using the 1972 Board guidelines:

(i) The prisoner committed the offense of conviction on or before March 3, 1985;

(ii) The prisoner is not incarcerated as a parole violator; and

(iii) The prisoner has not been granted a parole effective date.

(3) The granting of a parole is neither a constitutional or statutory requirement, and release to parole supervision by Commission action is not mandatory.

(4) Factors considered: Among others, the U.S. Parole Commission takes into account some of the following factors in making its determination as to parole:

(i) The offense, noting the nature of the violation, mitigating or aggravating circumstances and the activities and adjustment of the offender following arrest if on bond or in the community under any pre-sentence type arrangement.

(ii) Prior history of criminality, noting the nature and pattern of any prior offenses as they may relate to the current circumstances.

(iii) Personal and social history of the offender, including such factors as his family situation, educational development, socialization, marital history, employment history, use of leisure time and prior military experience, if any.

(iv) Physical and emotional health and/or problems which may have played a role in the individual’s socialization process, and efforts made to overcome any such problems.

## §2.81

## 28 CFR Ch. I (7–1–17 Edition)

(v) Institutional experience, including information as to the offender's overall general adjustment, his ability to handle interpersonal relationships, his behavior responses, his planning for himself, setting meaningful goals in areas of academic schooling, vocational education or training, involvements in self-improvement activity and therapy and his utilization of available resources to overcome recognized problems. Achievements in accomplishing goals and efforts put forth in any involvements in established programs to overcome problems are carefully evaluated.

(vi) Community resources available to assist the offender with regard to his needs and problems, which will supplement treatment and training programs begun in the institution, and be available to assist the offender to further serve in his efforts to reintegrate himself back into the community and within his family unit as a productive useful individual.

(5) A prisoner who committed the offense of conviction on or before March 3, 1985 who is not incarcerated as a parole violator and is serving a maximum sentence of five years or more who was denied parole at their original hearing ordinarily will receive a rehearing one year after a hearing conducted by the U.S. Parole Commission. In all cases of rehearings, the U.S. Parole Commission may establish a rehearing date at any time it feels such would be proper, regardless of the length of sentence involved. No hearing may be set for more than five years from the date of the previous hearing.

(6) If a prisoner has been previously granted a presumptive parole date under the Commission's guidelines in paragraphs (b) through (m) of this section, the presumptive date will not be rescinded unless the Commission would rescind the date for one of the accepted bases for such action, *i.e.*, new criminal conduct, new institutional misconduct, or new adverse information.

(7) Prisoners who have previously been considered for parole under the 1987 guidelines of the former DC Board of Parole will continue to receive consideration under those guidelines.

(8) Decisions resulting from hearings under this section may not be appealed to the U.S. Parole Commission.

[65 FR 70665, Nov. 27, 2000, as amended at 67 FR 67946, Sept. 13, 2002; 74 FR 34690, July 17, 2009; 74 FR 58543, Nov. 13, 2009; 80 FR 63116, Oct. 19, 2015]

### §2.81 Reparole decisions.

(a) If the prisoner is not serving a new, parolable D.C. Code sentence, the Commission's decision to grant or deny reparole on the parole violation term shall be made by reference to the reparole guidelines at §2.21. The Commission shall establish a presumptive or effective release date pursuant to §2.12(b), and conduct interim hearings pursuant to §2.14.

(b) If the prisoner is eligible for parole on a new D.C. Code felony sentence that has been aggregated with the prisoner's parole violation term, the Commission shall make a decision to grant or deny parole on the basis of the aggregate sentence, and in accordance with the guidelines at §2.80.

(c) If the prisoner is eligible for parole on a new D.C. Code felony sentence but the prisoner's parole violation term has not commenced (*i.e.*, the warrant has not been executed), the Commission shall make a single parole/reparole decision by applying the guidelines at §2.80. The Commission shall establish an appropriate date for the execution of the outstanding warrant in order for the guidelines at §2.80 to be satisfied. In cases where the execution of the warrant will not result in the aggregation of the new sentence and the parole violation term, the Commission shall make parole and reparole decisions that are consistent with the guidelines at §2.80.

(d) All reparole hearings shall be conducted according to the procedures set forth in §2.72, and may be combined with the holding of a revocation hearing if the prisoner's parole has not previously been revoked. If the prisoner is serving a period of imprisonment imposed upon revocation of his parole by the D.C. Board of Parole, the Commission shall consider all available and relevant information concerning the prisoner's conduct while on parole, including any allegations of criminal or

## Department of Justice

## § 2.85

administrative violations left unresolved by the Board, pursuant to the procedures applicable to initial hearings under § 2.72 and § 2.19(c). The same procedures shall apply in the case of any new information concerning criminal or administrative violations of parole presented to the Commission for the first time following the conclusion of a revocation proceeding that resulted in the revocation of parole and the return of the offender to prison.

[65 FR 45888, July 26, 2000, as amended at 66 FR 37137, July 17, 2001]

### § 2.82 Effective date of parole.

(a) An effective date of parole may be granted up to nine months from the date of the hearing.

(b) Except in the case of a medical or geriatric parole, a parole that is granted prior to the completion of the prisoner's minimum term shall not become effective until the prisoner becomes eligible for release on parole.

[65 FR 45888, July 26, 2000, as amended at 67 FR 57946, Sept. 13, 2002]

### § 2.83 Release planning.

(a) All grants of parole shall be conditioned on the development of a suitable release plan and the approval of that plan by the Commission. A parole certificate shall not be issued until a release plan has been approved by the Commission. In the case of mandatory release, the Commission shall review each prisoner's release plan to determine whether the imposition of any special conditions should be ordered to promote the prisoner's rehabilitation and protect the public safety.

(b) If a parole date has been granted, but the prisoner has not submitted a proposed release plan, the appropriate correctional or supervision staff shall assist the prisoner in formulating a release plan for investigation.

(c) After investigation by a Supervision Officer, the proposed release plan shall be submitted to the Commission 30 days prior to the prisoner's parole or mandatory release date.

(d) A Commissioner may retard a parole date for purposes of release planning for up to 120 days without a hearing. If efforts to formulate an acceptable release plan prove futile by the ex-

piration of such period, or if the Offender Supervision staff reports that there are insufficient resources to provide effective supervision for the individual in question, the Commission shall be promptly notified in a detailed report. If the Commission does not order the prisoner to be paroled, the Commission shall suspend the grant of parole and conduct a reconsideration hearing on the next available docket. Following such reconsideration hearing, the Commission may deny parole if it finds that the release of the prisoner without a suitable plan would fail to meet the criteria set forth in § 2.73. However, if the prisoner subsequently presents an acceptable release plan, the Commission may reopen the case and issue a new grant of parole.

(e) The following shall be considered in the formulation of a suitable release plan:

(1) Evidence that the parolee will have an acceptable residence;

(2) Evidence that the parolee will be legitimately employed as soon as released; provided, that in special circumstances, the requirement for immediate employment upon release may be waived by the Commission;

(3) Evidence that the necessary aftercare will be available for parolees who are ill, or who have any other demonstrable problems for which special care is necessary, such as hospital facilities or other domiciliary care; and

(4) Evidence of availability of, and acceptance in, a community program in those cases where parole has been granted conditioned upon acceptance or participation in a specific community program.

### § 2.84 Release to other jurisdictions.

The Commission, in its discretion, may parole any prisoner to live and remain in a jurisdiction other than the District of Columbia.

### § 2.85 Conditions of release.

(a)(1) *General conditions of release and notice by certificate of release.* All persons on supervision must follow the conditions of release described in § 2.204(a)(3) through (6). Your certificate of release informs you of these conditions and other special conditions that we have imposed for your supervision.

## § 2.86

## 28 CFR Ch. I (7–1–17 Edition)

(2) *Refusing to sign the certificate of release.* (i) If you have been granted a parole date and you refuse to sign the certificate of release (or any other document necessary to fulfill a condition of release), we will consider your refusal as a withdrawal of your application for parole as of the date of your refusal. You will not be released on parole and you will have to reapply for parole consideration.

(ii) If you are scheduled for release to supervision through good-time deduction and you refuse to sign the certificate of release, you will be released but you still must follow the conditions listed in the certificate.

(b) *Special conditions of release.* We may impose a condition of release other than a condition described in § 2.204(a)(3) through (6) if we determine that imposing the condition is reasonably related to the nature and circumstances of your offense or your history and characteristics, and at least one of the following purposes of criminal sentencing: The need to deter you from criminal conduct; protection of the public from further crimes; or the need to provide you with training or correctional treatment or medical care. In choosing a condition we will also consider whether the condition involves no greater deprivation of liberty than is reasonably necessary for the purposes of deterrence of criminal conduct, protection of the public from crime and offender rehabilitation. We list some examples of special conditions of release at § 2.204(b)(2).

(c) *Changing conditions of release.* We may at any time change or add to the conditions of release if we decide that such action is consistent with the criteria described in paragraph (b) of this section. In making these changes we will use the procedures described in § 2.204(c) and (d). You may not appeal the decision.

(d) *Application of release conditions to an absconder.* If you abscond from supervision, you will stop the running of your sentence as of the date of your absconding and you will prevent the expiration of your sentence. You will still be bound by the conditions of release while you are an absconder, even after the original expiration date of your sentence. We may revoke your release

for a violation of a release condition that you commit before the revised expiration date of your sentence (the original expiration date plus the time you were an absconder).

(e) *Supervision officer guidance.* See § 2.204(g).

(f) *Definitions.* See § 2.204(h).

[79 FR 51258, Aug. 28, 2014]

### § 2.86 Release on parole; rescission for misconduct.

(a) When a parole effective date has been set, actual release on parole on that date shall be conditioned upon the individual maintaining a good conduct record in the institution or prerelease program to which the prisoner has been assigned.

(b) The Commission may reconsider any grant of parole prior to the prisoner's actual release on parole, and may advance or retard a parole effective date or rescind a parole date previously granted based upon the receipt of any new and significant information concerning the prisoner, including disciplinary infractions. The Commission may retard a parole date for disciplinary infractions (*e.g.*, to permit the use of graduated sanctions) for up to 120 days without a hearing, in addition to any retardation ordered under § 2.83(d).

(c) If a parole effective date is rescinded for disciplinary infractions, an appropriate sanction shall be determined by reference to § 2.36.

(d) After a prisoner has been granted a parole effective date, the institution shall notify the Commission of any serious disciplinary infractions committed by the prisoner prior to the date of actual release. In such case, the prisoner shall not be released until the institution has been advised that no change has been made in the Commission's order granting parole.

(e) A grant of parole becomes operative upon the authorized delivery of a certificate of parole to the prisoner, and the signing of that certificate by the prisoner, who thereafter becomes a parolee.

[65 FR 70669, Nov. 27, 2000, as amended at 67 FR 57946, Sept. 13, 2002]

## Department of Justice

## § 2.92

### § 2.87 Mandatory release.

(a) When a prisoner has been denied parole at the initial hearing and all subsequent considerations, or parole consideration is expressly precluded by statute, the prisoner shall be released at the expiration of his or her imposed sentence less the time deducted for any good time allowances provided by statute.

(b) Any prisoner having served his or her term or terms less deduction for good time shall, upon release, be deemed to be released on parole until the expiration of the maximum term or terms for which he or she was sentenced, except that if the offense of conviction was committed before April 11, 1987, such expiration date shall be less one hundred eighty (180) days. Every provision of these rules relating to an individual on parole shall be deemed to include individuals on mandatory release.

### § 2.88 Confidentiality of parole records.

(a) Consistent with the Privacy Act of 1974 (5 U.S.C. 552(b)), the contents of parole records shall be confidential and shall not be disclosed outside the Commission except as provided in paragraphs (b) and (c) of this section.

(b) Information that is subject to release to the general public without the consent of the prisoner shall be limited to the information specified in § 2.37.

(c) Information other than as described in § 2.37 may be disclosed without the consent of the prisoner only pursuant to the provisions of the Privacy Act of 1974 (5 U.S.C. 552(b)) and § 2.56.

### § 2.89 Miscellaneous provisions.

Except to the extent otherwise provided by law, the following sections in Subpart A of this part are also applicable to District of Columbia Code offenders:

- 2.5 (Sentence aggregation)
- 2.7 (Committed fines and restitution orders)
- 2.8 (Mental competency procedures)
- 2.10 (Date service of sentence commences)
- 2.16 (Parole of prisoner in State, local, or territorial institution)
- 2.19 (Information considered)
- 2.23 (Delegation to hearing examiners)
- 2.25 (Hearings by video conference)

2.30 (False information or new criminal conduct; Discovery after release)

2.32 (Parole to local or immigration detainees)

2.56 (Disclosure of Parole Commission file)

2.62 (Rewarding assistance in the prosecution of other offenders: criteria and guidelines)

2.65 (Paroling policy for prisoners serving aggregated U.S. and D.C. Code sentences)

2.66 (Revocation Decision Without Hearing)

[65 FR 45888, July 26, 2000, as amended at 69 FR 5274, Feb. 4, 2004; 72 FR 53116, Sept. 18, 2007]

### § 2.90 Prior orders of the Board of Parole.

Any order entered by the Board of Parole of the District of Columbia shall be accorded the status of an order of the Parole Commission unless duly reconsidered and changed by the Commission at a regularly scheduled hearing. It shall not constitute grounds for reopening a case that the prisoner is subject to an order of the Board of Parole that fails to conform to a provision of this part.

### § 2.91 Supervision responsibility.

(a) Pursuant to D.C. Code 24-133(c), the District of Columbia Court Services and Offender Supervision Agency (CSOSA) shall provide supervision, through qualified Supervision Officers, for all D.C. Code parolees and mandatory releasees under the jurisdiction of the Commission who are released to the District of Columbia. Individuals under the jurisdiction of the Commission who are released to districts outside the D.C. metropolitan area, or who are serving mixed U.S. and D.C. Code sentences, shall be supervised by a U.S. Probation Officer pursuant to 18 U.S.C. 3655.

(b) A parolee or mandatory releasee may be transferred to a new district of supervision with the permission of the supervision offices of both the transferring and receiving district, provided such transfer is not contrary to instructions from the Commission.

[65 FR 45888, July 26, 2000, as amended at 68 FR 41531, July 14, 2003]

### § 2.92 Jurisdiction of the Commission.

(a) The jurisdiction of the Commission over a parolee shall expire on the date of expiration of the maximum

## §2.93

## 28 CFR Ch. I (7–1–17 Edition)

term or terms for which he was sentenced, or upon the early termination of supervision as provided in §2.95, subject to the provisions of this subpart relating to warrant issuance, time in absconder status, and the forfeiture of time on parole in the case of revocation.

(b) The parole of any parolee shall run concurrently with the period of parole, probation, or supervised release under any other Federal, State, or local sentence.

(c) When the parolee's sentence expires, the supervision officer shall issue a certificate of discharge to the parolee and to such other agencies as may be appropriate. If the Commission terminates the parolee's supervision early under §2.95, the Commission shall issue a certificate of discharge for delivery to the parolee by the supervision officer.

(d) An order of revocation shall not affect the Commission's jurisdiction to grant and enforce any further periods of parole, up to the date of expiration of the offender's maximum term, or upon the early termination of supervision under §2.95.

[65 FR 45888, July 26, 2000, as amended at 68 FR 41531, July 14, 2003; 74 FR 28605, June 17, 2009; 75 FR 9519, Mar. 3, 2010]

### §2.93 Travel approval.

(a) A parolee's Supervision Officer may approve travel outside the district of supervision without approval of the Commission in the following situations:

(1) Vacation trips not to exceed thirty days.

(2) Trips, not to exceed thirty days, to investigate reasonably certain employment possibilities.

(3) Recurring travel across a district boundary, not to exceed fifty miles outside the district, for purpose of employment, shopping, or recreation.

(b) Specific advance approval by the Commission is required for all foreign travel, employment requiring recurring travel more than fifty miles outside the district, and vacation travel outside the district of supervision exceeding thirty days. A request for such permission shall be in writing and must demonstrate a substantial need for such travel.

(c) A special condition imposed by the Commission prohibiting certain travel shall apply instead of any general rules relating to travel as set forth in paragraph (a) of this section.

(d) The district of supervision for a parolee under the supervision of the D.C. Community Supervision Office of CSOSA shall be the District of Columbia, except that for the purpose of travel permission under this section the district of supervision will include the D.C. metropolitan area as defined in the certificate of parole.

### §2.94 Supervision reports to Commission.

A supervision report shall be submitted by the responsible supervision officer to the Commission for each parolee after the completion of 24 months of continuous supervision and annually thereafter. The supervision officer shall submit such additional reports and information concerning both the parolee, and the enforcement of the conditions of the parolee's supervision, as the Commission may direct. All reports shall be submitted according to the format established by the Commission.

[81 FR 13976, Mar. 16, 2016]

### §2.95 Early termination from supervision.

(a)(1) Upon its own motion or upon request of a parolee, the Commission may terminate a parolee's supervision, and legal custody over the parolee, before the sentence expires.

(2) The Commission may terminate supervision of a committed youth offender after the offender serves one year on supervision. Upon terminating supervision before the sentence expires, the Commission shall set aside the committed youth offender's conviction and issue a certificate setting aside the conviction instead of a certificate of termination.

(b) Two years after releasing a prisoner on supervision, and at least annually thereafter, the Commission shall review the status of the parolee to determine the need for continued supervision. The Commission shall also conduct a status review whenever the supervision officer recommends early termination of the parolee's supervision.



## Department of Justice

## § 2.98

(c) Five years after releasing a prisoner on supervision, the Commission shall terminate supervision over the parolee unless the Commission determines, after a hearing conducted in accordance with the procedures prescribed in 18 U.S.C. 4214(a)(2), that such supervision should not be terminated because there is a likelihood that the parolee will engage in conduct violating any criminal law. If the Commission does not terminate supervision under this paragraph, the parolee may request a hearing annually thereafter, and the Commission shall conduct an early termination hearing at least every two years.

(d) In calculating the two-year and five-year periods provided in paragraphs (b) and (c) of this section, the Commission shall not include any period of parole before the most recent release, or any period the parolee served in confinement on any other sentence.

(e)(1) In determining whether to grant early termination from supervision, the Commission shall consider the guidelines of this paragraph (e). The guidelines are advisory and the Commission may disregard the outcome indicated by the guidelines based on case-specific factors. Termination of supervision is indicated if the parolee:

(i) Has a salient factor score in the very good risk category and has completed two continuous years of supervision free from an incident of new criminal behavior or serious parole violation; or

(ii) Has a salient factor score in a risk category other than very good and has completed three continuous years of supervision free from an incident of new criminal behavior or serious parole violation.

(2) As used in this paragraph (e), the term “an incident of new criminal behavior or serious parole violation” includes a new arrest or report of a parole violation if supported by substantial evidence of guilt, even if no conviction or parole revocation results. The Commission shall not terminate supervision of a parolee until it determines the disposition of a pending criminal charge.

(3) Case-specific factors that may justify a departure either above or below

the early termination guidelines may relate to the current behavior of the parolee, or to the parolee’s background and criminal history.

[75 FR 9520, Mar. 3, 2010]

### § 2.96 Order of early termination.

When the Commission orders early termination from supervision, the Commission shall issue a certificate to the parolee granting a full discharge from the sentence. The termination and discharge shall take effect only upon the actual delivery of the certificate of discharge to the parolee by the supervision officer, and may be rescinded for good cause at any time before such delivery.

[75 FR 9520, Mar. 3, 2010]

### § 2.97 Withdrawal of order of release.

If, after an order for release from active supervision under former § 2.95 has been issued by the Commission, and prior to the expiration date of the sentence(s) being served, the parolee commits any new criminal offense or engages in any conduct that might bring discredit to the parole system, the Commission may, in its discretion, do any of the following:

(a) Issue a summons or warrant to commence the revocation process;

(b) Withdraw the order of release from supervision and return the parolee to active supervision; or

(c) Impose any special conditions to the order of release from supervision.

[65 FR 45888, July 26, 2000, as amended at 74 FR 28605, June 17, 2009; 75 FR 9520, Mar. 3, 2010]

### § 2.98 Summons to appear or warrant for retaking of parolee.

(a) If a parolee is alleged to have violated the conditions of his release, and satisfactory evidence thereof is presented, the Commission or a member thereof may:

(1) Issue a summons requiring the offender to appear for a probable cause hearing or local revocation hearing; or

(2) Issue a warrant for the apprehension and return of the offender to custody.

(b) A summons or warrant under paragraph (a)(1) of this section may be

issued or withdrawn only by the Commission, or a member thereof.

(c) Any summons or warrant under this section shall be issued as soon as practicable after the alleged violation is reported to the Commission, except when delay is deemed necessary. Issuance of a summons or warrant may be withheld until the frequency or seriousness of the violations, in the opinion of the Commission, requires such issuance. In the case of any parolee who is charged with a criminal offense and who is awaiting disposition of such charge, issuance of a summons or warrant may be:

(1) Temporarily withheld;

(2) Issued by the Commission and held in abeyance;

(3) Issued by the Commission and a detainer lodged with the custodial authority; or

(4) Issued for the retaking of the parolee.

(d) A summons or warrant may be issued only within the prisoner's maximum term or terms, except that in the case of a prisoner who has been mandatorily released from a sentence imposed for an offense committed before April 11, 1987, such summons or warrant may be issued only within the maximum term or terms less one hundred eighty days. A summons or warrant shall be considered issued when signed and either:

(1) Placed in the mail; or

(2) Sent by electronic transmission to the appropriate law enforcement authority.

(e) The issuance of a warrant under this section operates to bar the expiration of the parolee's sentence. Such warrant maintains the Commission's jurisdiction to retake the parolee either before or after the normal expiration date of the sentence and to reach a final decision as to the revocation of parole and the forfeiture of time pursuant to D.C. Code 24-406(c).

(f) A summons or warrant issued pursuant to this section shall be accompanied by a warrant application (or other notice) stating:

(1) The charges against the parolee;

(2) The specific reports and other documents upon which the Commission intends to rely in determining whether a

violation occurred and whether to revoke parole;

(3) Notice of the Commission's intent, if the parolee is arrested within the District of Columbia, to hold a probable cause hearing within five days of the parolee's arrest;

(4) A statement of the purpose of the probable cause hearing;

(5) The days of the week on which the Commission regularly holds its dockets of probable cause hearings at the Central Detention Facility;

(6) The parolee's procedural rights in the revocation process; and

(7) The possible actions that the Commission may take.

(g) Every warrant issued by the Board of Parole of the District of Columbia prior to August 5, 2000, shall be deemed to be a valid warrant of the U.S. Parole Commission unless withdrawn by the Commission. Such warrant shall be executed as provided in §2.99, and every offender retaken upon such warrant shall be treated for all purposes as if retaken upon a warrant issued by the Commission.

[65 FR 45888, July 26, 2000, as amended at 67 FR 2569, Jan. 18, 2002; 68 FR 41531, July 14, 2003; 74 FR 28605, June 17, 2009]

EDITORIAL NOTE: At 75 FR 9520, Mar. 3, 2010, §2.98(e) was amended by removing "DC Code 24-406(a)" and adding in its place "DC Code 24-406(c)."; however, the amendment could not be incorporated because "DC Code 24-406(a)" does not exist in that paragraph.

#### **§2.99 Execution of warrant and service of summons.**

(a) Any officer of any Federal or District of Columbia correctional institution, any Federal Officer authorized to serve criminal process, or any officer or designated civilian employee of the Metropolitan Police Department of the District of Columbia, to whom a warrant is delivered, shall execute such warrant by taking the parolee and returning him to the custody of the Attorney General.

(b) Upon the arrest of the parolee, the officer executing the warrant shall deliver to the parolee a copy of the warrant application (or other notice provided by the Commission) containing the information described in §2.98 (f).

(c) If execution of the warrant is delayed pending disposition of local charges, for further investigation, or for some other purpose, the parolee is to be continued under supervision by the Supervision Officer until the normal expiration of the sentence, or until the warrant is executed, whichever first occurs. Monthly supervision reports are to be submitted, and the parolee must continue to abide by all the conditions of release.

(d) If any other warrant for the arrest of the parolee has been executed or is outstanding at the time the Commission's warrant is executed, the arresting officer may, within 72 hours of executing the Commission's warrant, release the parolee to such other warrant and lodge the Commission's warrant as a detainer, voiding the execution thereof, if such action is consistent with the instructions of the Commission. In other cases, a parolee may be released from an executed warrant whenever the Commission finds such action necessary to serve the ends of justice.

(e) A summons to appear at a probable cause hearing or revocation hearing shall be served upon the parolee in person by delivering to the parolee a copy of the summons and the application therefor. Service shall be made by any Federal or District of Columbia officer authorized to serve criminal process and certification of such service shall be returned to the Commission.

(f) Official notification of the issuance of a Commission warrant shall authorize any law enforcement officer within the United States to hold the parolee in custody until the warrant can be executed in accordance with paragraph (a) of this section.

[ 65 FR 45888, July 26, 2000, as amended at 67 FR 2569, Jan. 18, 2002]

**§ 2.100 Warrant placed as detainer and dispositional review.**

(a) When a parolee is in the custody of other law enforcement authorities, or is serving a new sentence of imprisonment imposed for a crime committed while on parole or for a violation of some other form of community supervision, a parole violation warrant may be lodged against him as a detainer.

(b) If the parolee is serving a new sentence of imprisonment, and is eligi-

ble and has applied for parole under the Commission's jurisdiction, a dispositional revocation hearing shall be scheduled simultaneously with the initial hearing on the new sentence. In such cases, the warrant shall not be executed except upon final order of the Commission following such hearing, as provided in § 2.81(c). In any other cases, the detainer shall be reviewed on the record pursuant to paragraph (c) of this section.

(c) If the parolee is serving a new sentence of imprisonment that does not include eligibility for parole under the Commission's jurisdiction, the Commission shall review the detainer upon the request of the parolee. Following such review, the Commission may:

(1) Withdraw the detainer and order reinstatement of the parolee to supervision upon release from custody, or close the case if the expiration date has passed.

(2) Order a dispositional revocation hearing to be conducted by a hearing examiner or an official designated by the Commission at the institution in which the parolee is confined. In such case, the warrant shall not be executed except upon final order of the Commission following such hearing.

(3) Let the detainer stand until the new sentence is completed. Following the release of the parolee, and the execution of the Commission's warrant, an institutional revocation hearing shall be conducted after the parolee is returned to federal custody.

(d) Dispositional revocation hearings pursuant to this section shall be conducted in accordance with the provisions at § 2.103 governing institutional revocation hearings, except that a hearing conducted at a state or local facility may be conducted by a hearing examiner, hearing examiner panel, or other official designated by the Commission. Following a revocation hearing conducted pursuant to this section, the Commission may take any action specified in § 2.105.

(1) The date the violation term commences is the date the Commission's warrant is executed. It shall be the policy of the Commission that the parolee's violation term (i.e., the unexpired term that remained to be served at the time the parolee was last released on

parole) shall start to run only upon his release from the confinement portion of the sentence for the new offense, or the date of reparole granted pursuant to this subpart, whichever comes first.

(2) A parole violator whose parole is revoked shall be given credit for all time in confinement resulting from any new offense or violation that is considered by the Commission as a basis for revocation, but solely for the limited purpose of satisfying the time ranges in the reparole guidelines at §2.81. The computation of the prisoner's sentence, and forfeiture of time on parole pursuant to D.C. Code 24–406(c), is not affected by such guideline credit.

[65 FR 45888, July 26, 2000, as amended at 68 FR 41531, July 14, 2003; 74 FR 28605, June 17, 2009]

EDITORIAL NOTE: At 75 FR 9520, Mar. 3, 2010, §2.100(d)(2) was amended by removing “DC Code 24–406(a)” and adding in its place “DC Code 24–406(c).”; however, the amendment could not be incorporated because “DC Code 24–406(a)” does not exist in that paragraph.

**§2.101 Probable cause hearing and determination.**

(a) *Hearing.* A parolee who is retaken and held in custody in the District of Columbia on a warrant issued by the Commission, and who has not been convicted of a new crime, shall be given a probable cause hearing by an examiner of the Commission no later than five days from the date of such retaking. A parolee who is retaken and held in custody outside the District of Columbia, but within the Washington DC metropolitan area, and who has not been convicted of a new crime, shall be given a probable cause hearing by an examiner of the Commission within five days of the parolee's arrival at a facility where probable cause hearings are conducted. The purpose of a probable cause hearing is to determine whether there is probable cause to believe that the parolee has violated parole as charged, and if so, whether a local or institutional revocation hearing should be conducted. If the examiner finds probable cause, the examiner shall schedule a final revocation hearing to be held within 65 days of such parolee's arrest.

(b) *Notice and opportunity to postpone hearing.* Prior to the commencement of

each docket of probable cause hearings in the District of Columbia, a list of the parolees who are scheduled for probable cause hearings, together with a copy of the warrant application for each parolee, shall be sent to the D.C. Public Defender Service. At or before the probable cause hearing, the parolee (or the parolee's attorney) may submit a written request that the hearing be postponed for any period up to thirty days, and the Commission shall ordinarily grant such requests. Prior to the commencement of the probable cause hearing, the examiner shall advise the parolee that the parolee may accept representation by the attorney from the D.C. Public Defender Service who is assigned to that docket, waive the assistance of an attorney at the probable cause hearing, or have the probable cause hearing postponed in order to obtain another attorney and/or witnesses on his behalf. In addition, the parolee may request the Commission to require the attendance of adverse witnesses (*i.e.*, witnesses who have given information upon which revocation may be based) at a postponed probable cause hearing. Such adverse witnesses may be required to attend either a postponed probable cause hearing, or a combined postponed probable cause and local revocation hearing, provided the parolee meets the requirements of §2.102(a) for a local revocation hearing. The parolee shall also be given notice of the time and place of any postponed probable cause hearing.

(c) *Review of the charges.* At the beginning of the probable cause hearing, the examiner shall ascertain that the notice required by §2.99 (b) has been given to the parolee. The examiner shall then review the violation charges with the parolee and shall apprise the parolee of the evidence that has been submitted in support of the charges. The examiner shall ascertain whether the parolee admits or denies each charge listed on the warrant application (or other notice of charges), and shall offer the parolee an opportunity to rebut or explain the allegations contained in the evidence giving rise to each charge. The examiner shall also receive the statements of any witnesses and documentary evidence that may be presented by the parolee. At a

postponed probable cause hearing, the examiner shall also permit the parolee to confront and cross-examine any adverse witnesses in attendance, unless good cause is found for not allowing confrontation. Whenever a probable cause hearing is postponed to secure the appearance of adverse witnesses, the Commission will ordinarily order a combined probable cause and local revocation hearing as provided in paragraph (i) of this section.

(d) *Probable cause determination.* At the conclusion of the probable cause hearing, the examiner shall determine whether probable cause exists to believe that the parolee has violated parole as charged, and shall so inform the parolee. The examiner shall then take either of the following actions:

(1) If the examiner determines that no probable cause exists for any violation charge, the examiner shall order that the parolee be released from the custody of the warrant and either reinstated to parole, or discharged from supervision if the parolee's sentence has expired.

(2) If the hearing examiner determines that probable cause exists on any violation charge, and the parolee has requested (and is eligible for) a local revocation hearing in the District of Columbia as provided by §2.102 (a), the examiner shall schedule a local revocation hearing for a date that is within 65 days of the parolee's arrest. After the probable cause hearing, the parolee (or the parolee's attorney) may submit a written request for a postponement. Such postponements will normally be granted if the request is received no later than fifteen days before the date of the revocation hearing. A request for a postponement that is received by the Commission less than fifteen days before the scheduled date of the revocation hearing will be granted only for a compelling reason. The parolee (or the parolee's attorney) may also request, in writing, a hearing date that is earlier than the date scheduled by the examiner, and the Commission will accommodate such request if practicable.

(e) *Institutional revocation hearing.* If the parolee is not eligible for a local revocation hearing as provided by §2.102 (a), or has requested to be trans-

ferred to an institution for his revocation hearing, the Commission will request the Bureau of Prisons to designate the parolee to an appropriate institution, and an institutional revocation hearing shall be scheduled for a date that is within ninety days of the parolee's retaking.

(f) *Digest of the probable cause hearing.* At the conclusion of the probable cause hearing, the examiner shall prepare a digest summarizing the evidence presented at the hearing, the responses of the parolee, and the examiner's findings as to probable cause.

(g) *Release notwithstanding probable cause.* Notwithstanding a finding of probable cause, the Commission may order the parolee's reinstatement to supervision or release pending further proceedings, if it determines that:

(1) Continuation of revocation proceedings is not warranted despite the finding of probable cause; or

(2) Incarceration pending further revocation proceedings is not warranted by the frequency or seriousness of the alleged violation(s), and the parolee is neither likely to fail to appear for further proceedings, nor is a danger to himself or others.

(h) *Conviction as probable cause.* Conviction of any crime committed subsequent to release by a parolee shall constitute probable cause for the purposes of this section, and no probable cause hearing shall be conducted unless a hearing is needed to consider additional violation charges that may be determinative of the Commission's decision whether to revoke parole.

(i) *Combined probable cause and local revocation hearing.* A postponed probable cause hearing may be conducted as a combined probable cause and local revocation hearing, provided such hearing is conducted within 65 days of the parolee's arrest and the parolee has been notified that the postponed probable cause hearing will constitute his final revocation hearing. The Commission's policy is to conduct a combined probable cause and local revocation hearing whenever adverse witnesses are required to appear and give testimony with respect to contested charges.

(j) *Late received charges.* If the Commission is notified of an additional charge after probable cause has been

## § 2.102

## 28 CFR Ch. I (7–1–17 Edition)

found to proceed with a revocation hearing, the Commission may:

(1) Remand the case for a supplemental probable cause hearing if the new charge may be contested by the parolee and possibly result in the appearance of witness(es) at the revocation hearing;

(2) Notify the parolee that the additional charge will be considered at the revocation hearing without conducting a supplemental probable cause hearing; or

(3) Determine that the new charge shall not be considered at the revocation hearing.

[67 FR 2569, Jan. 18, 2002, as amended at 68 FR 3390, Jan. 24, 2003]

### § 2.102 Place of revocation hearing.

(a) If the parolee requests a local revocation hearing, he shall be given a revocation hearing reasonably near the place of the alleged violation(s) or arrest, with the opportunity to contest the charges against him, if the following conditions are met:

(1) The parolee has not been convicted of a crime committed while under supervision; and

(2) The parolee denies all charges against him.

(b) The parolee shall also be given a local revocation hearing if he admits (or has been convicted of) one or more charged violations, but denies at least one unadjudicated charge that may be determinative of the Commission's decision regarding revocation and/or reparole, and requests the presence of one or more adverse witnesses regarding that contested charge. If the appearance of such witness at the hearing is precluded by the Commission for good cause, a local revocation hearing shall not be ordered.

(c) If there are two or more contested charges, a local revocation hearing may be conducted near the place of the violation chiefly relied upon by the Commission as a basis for the issuance of the warrant or summons.

(d)(1) A parolee shall be given an institutional revocation hearing upon the parolee's return or recommitment to an institution if the parolee:

(i) Voluntarily waives the right to a local revocation hearing; or

(ii) Admits (or has been convicted of) one or more charged violations without contesting any unadjudicated charge that may be determinative of the Commission's decision regarding revocation and/or reparole.

(2) An institutional revocation hearing may also be conducted in the District of Columbia jail or prison facility in which the parolee is being held. On his own motion, a Commissioner may designate any case described in paragraph (d)(1) of this section for a local revocation hearing. The difference in procedures between a "local revocation hearing" and an "institutional revocation hearing" is set forth in § 2.103(b).

(e) A parolee retaken on a warrant issued by the Commission shall be retained in custody until final action relative to revocation of his parole, unless otherwise ordered by the Commission under § 2.101(e)(3). A parolee who has been given a revocation hearing pursuant to the issuance of a summons shall remain on supervision pending the decision of the Commission, unless the Commission has provided otherwise.

(f) A local revocation hearing shall be held not later than sixty-five days from the retaking of the parolee on the parole violation warrant. An institutional revocation hearing shall be held within ninety days of the retaking of the parolee on the parole violation warrant. If the parolee requests and receives any postponement, or consents to any postponement, or by his actions otherwise precludes the prompt completion of revocation proceedings in his case, the above-stated time limits shall be correspondingly extended.

[65 FR 45888, July 26, 2000, as amended at 67 FR 2570, Jan. 18, 2002; 68 FR 41531, July 14, 2003]

### § 2.103 Revocation hearing procedure.

(a) The purpose of the revocation hearing shall be to determine whether the parolee has violated the conditions of his release and, if so, whether his parole or mandatory release should be revoked or reinstated.

(b) At a local revocation hearing, the alleged violator may present voluntary witnesses and documentary evidence in his behalf. The alleged violator may also seek the compulsory attendance of

any adverse witnesses for cross-examination, and any relevant favorable witnesses who have not volunteered to attend. At an institutional revocation hearing, the alleged violator may present voluntary witnesses and documentary evidence in his behalf, but may not request the Commission to secure the attendance of any adverse or favorable witness. At any hearing, the presiding hearing officer or examiner may limit or exclude any irrelevant or repetitious statement or documentary evidence, and may prohibit the parolee from contesting matters already adjudicated against him in other forums.

(c) At a local revocation hearing, the Commission shall, on the request of the alleged violator, require the attendance of any adverse witnesses who have given statements upon which revocation may be based. The adverse witnesses who are present shall be made available for questioning and cross-examination in the presence of the alleged violator. The Commission may also require the attendance of adverse witnesses on its own motion, and may excuse any requested adverse witness from appearing at the hearing (or from appearing in the presence of the alleged violator) if it finds good cause for so doing. A finding of good cause for the non-appearance of a requested adverse witness may be based, for example, on a significant possibility of harm to the witness, the witness not being reasonably available, and/or the availability of documentary evidence that is an adequate substitute for live testimony.

(d) All evidence upon which a finding of violation may be based shall be disclosed to the alleged violator before the revocation hearing. Such evidence shall include the Community Supervision Officer's letter summarizing the parolee's adjustment to parole and requesting the warrant, all other documents describing the charged violation or violations of parole, and any additional evidence upon which the Commission intends to rely in determining whether the charged violation or violations, if sustained, would warrant revocation of parole. If the parolee is represented by an attorney, the attorney shall be provided, prior to the revocation hearing, with a copy of the parol-

ee's presentence investigation report, if such report is available to the Commission. If disclosure of any information would reveal the identity of a confidential informant or result in harm to any person, that information may be withheld from disclosure, in which case a summary of the withheld information shall be disclosed to the parolee prior to the revocation hearing.

(e) An alleged violator may be represented by an attorney at either a local or an institutional revocation hearing. In lieu of an attorney, an alleged violator may be represented at any revocation hearing by a person of his choice. However, the role of such non-attorney representative shall be limited to offering a statement on the alleged violator's behalf. Only licensed attorneys shall be permitted to question witnesses, make objections, and otherwise provide legal representation for parolees, except in the case of law students appearing before the Commission as part of a court-approved clinical practice program, with the consent of the alleged violator, and under the personal direction of a lawyer or law professor who is physically present at the hearing.

(f) At a local revocation hearing, the Commission shall secure the presence of the parolee's Community Supervision Officer, or a substitute Community Supervision Officer, who shall bring the parolee's supervision file, if the parolee's Community Supervision Officer is not available. At the request of the hearing examiner, such officer shall provide testimony at the hearing concerning the parolee's adjustment to parole.

(g) After the revocation hearing, the hearing examiner shall prepare a summary of the hearing that includes a description of the evidence against the parolee and the evidence submitted by the parolee in defense or mitigation of the charges, a summary of the arguments against revocation presented by the parolee, and the examiner's recommended decision. The hearing examiner's summary, together with the parolee's file (including any documentary evidence and letters submitted on behalf of the parolee), shall be given to another examiner for review. When two

## § 2.104

hearing examiners concur in a recommended disposition, that recommendation, together with the parolee's file and the hearing examiner's summary of the hearing, shall be submitted to the Commission for decision.

[65 FR 45888, July 26, 2000, as amended at 67 FR 2570, Jan. 18, 2002]

### § 2.104 Issuance of subpoena for appearance of witnesses or production of documents.

(a)(1) If any adverse witness (*i.e.*, a person who has given information upon which revocation may be based) refuses, upon request by the Commission, to appear at a probable cause hearing or local revocation hearing, a Commissioner may issue a subpoena for the appearance of such witness. Such subpoena may also be issued at the discretion of a Commissioner in the event such adverse witness is judged unlikely to appear as requested.

(2) In addition, a Commissioner may, upon a showing by the parolee that a witness whose testimony is necessary to the proper disposition of his case will not appear voluntarily at a local revocation hearing or provide an adequate written statement of his testimony, issue a subpoena for the appearance of such witness at the revocation hearing.

(3) Such subpoenas may also be issued at the discretion of a Commissioner if deemed necessary for the orderly processing of the case.

(b) A subpoena issued pursuant to paragraph (a) of this section may require the production of documents as well as, or in lieu of, a personal appearance. The subpoena shall specify the time and the place at which the person named therein is commanded to appear, and shall specify any documents required to be produced.

(c) A subpoena may be served by any Federal or District of Columbia officer authorized to serve criminal process. The subpoena may be served at any place within the judicial district in which the place specified in the subpoena is located, or any place where the witness may be found. Service of a subpoena upon a person named therein shall be made by delivering a copy thereof to such a person.

## 28 CFR Ch. I (7-1-17 Edition)

(d) If a person refuses to obey such subpoena, the Commission may petition a court of the United States for the judicial district on which the parole proceeding is being conducted, or in which such person may be found, to require such person to appear, testify, or produce evidence. If the court issues an order requiring such person to appear before the Commission, failure to obey such an order is punishable as contempt. 18 U.S.C. 4214 (1976).

[65 FR 45888, July 26, 2000, as amended at 67 FR 2571, Jan. 18, 2002]

### § 2.105 Revocation decisions.

(a) Whenever a parolee is summoned or retaken by the Commission, and the Commission finds by a preponderance of the evidence that the parolee has violated one or more conditions of parole, the Commission may take any of the following actions:

(1) Restore the parolee to supervision, including where appropriate:

(i) Reprimand the parolee;

(ii) Modify the parolee's conditions of release; or

(iii) Refer the parolee to a residential community treatment center for all or part of the remainder of his original sentence; or

(2) Revoke parole.

(b) If parole is revoked under this section, the Commission shall determine whether immediate reparole is warranted or whether the parolee should be returned to prison. If the parolee is returned to prison, the Commission shall also determine whether to set a presumptive release date pursuant to § 2.81.

(c) Decisions under this section shall be made by one Commissioner, except that a decision to override an examiner panel recommendation shall require the concurrence of two Commissioners. The final decision following a local revocation hearing shall be issued within 86 days of the retaking of the parolee on the parole violation warrant. The final decision following an institutional revocation hearing shall be issued within 21 days of the hearing, excluding weekends and holidays.

(d)(1) Except as provided in paragraphs (d)(2) and (d)(3) of this section, the Commission shall grant a revoked parolee credit toward completion of



## Department of Justice

## §2.106

the sentence for all time served on parole.

(2)(i) The Commission shall forfeit credit for the period of parole if a parolee is convicted of a crime committed during a period of parole and that is punishable by a term of imprisonment of more than one year.

(ii) If the crime is punishable by any other term of imprisonment, the Commission shall forfeit credit for the period of parole unless the Commission determines that such forfeiture is not necessary to protect the public welfare. In making this decision, the Commission shall consider the nature and circumstances of the violation behavior, the history and characteristics of the offender, including the offender's supervision history, family support and stability, employment record, participation in applicable treatment programs, and other available and relevant information.

(3) If, during the period of parole, a parolee intentionally refuses or fails to respond to any reasonable request, order, summons, or warrant of the Commission or any member or agent of the Commission, the Commission may order that the parolee not receive credit for the period of time that the Commission determines that the parolee failed or refused to respond to such a request, order, summons, or warrant.

(4) The provisions of this paragraph (e) shall apply only to any period of parole that is being served on or after May 20, 2009, and shall not apply to any period of parole that was revoked before that date.

(e) Notwithstanding paragraphs (a) through (d) of this section, prisoners committed under the Federal Youth Corrections Act shall not be subject to forfeiture of time on parole, but shall serve uninterrupted sentences from the date of conviction except as provided in §2.10(b) and (c). DC Code 24-406(c) and paragraphs (a) through (d) of this section are fully applicable to prisoners serving sentences under the DC Youth Rehabilitation Act.

(f) In determining whether to revoke parole for non-compliance with a condition requiring payment of a fine, restitution, court costs or assessment, and/or court ordered child support or alimony payment, the Commission

shall consider the parolee's employment status, earning ability, financial resources, and any other special circumstances that may have a bearing on the matter. Revocation shall not be ordered unless the parolee is found to be deliberately evading or refusing compliance.

(g) A parolee may appeal a decision made under this section to revoke parole, to grant or deny reparole, or to modify the conditions of release. The provisions of §2.26 on the time limits for filing and deciding the appeal, the grounds for appeal, the format of the appeal, the limits regarding the submission of exhibits, and voting requirements apply to an appeal submitted under this paragraph.

[65 FR 45888, July 26, 2000, as amended at 67 FR 2571, Jan. 18, 2002; 68 FR 41531, July 14, 2003; 69 FR 68793, Nov. 26, 2004; 74 FR 28605, June 17, 2009; 74 FR 29941, June 24, 2009; 75 FR 9520, Mar. 3, 2010]

### §2.106 Youth Rehabilitation Act.

(a) *Regulations governing YRA offenders and D.C. Code FYCA offenders.* Unless the judgment and commitment order provides otherwise, the provisions of this section shall apply to an offender sentenced under the Youth Rehabilitation Act of 1985 (D.C. Code 24-901 *et seq.*) (YRA) who committed his offense before 5 p.m., August 11, 2000, and a D.C. Code offender sentenced under the former Federal Youth Corrections Act (former 18 U.S.C. 5005 *et seq.*) (FYCA). An offender sentenced under the YRA who committed his offense (or who continued to commit his offense) on or after 5 p.m., August 11, 2000, is not eligible for release on parole, but may be terminated from a term of supervised release before the expiration of the term and receive a certificate setting aside the conviction under §2.208(f). *See* D.C. Code 24-904(c) and 24-906(c).

(b) *Application of this subpart to YRA offenders.* All provisions of this subpart that apply to adult offenders also apply to YRA offenders unless a specific exception is made for YRA (or youth) offenders.

(c) *No further benefit finding.* If there is a finding that a YRA offender will derive no further benefit from treatment, such prisoner shall be considered

for parole, and for any other action, exclusively under the provisions of this subpart that are applicable to adult offenders. Such a finding may be made pursuant to D.C. Code 24-905 by the Department of Corrections or by the Bureau of Prisons, and shall be promptly forwarded to the Commission. However, if the finding is appealed to the sentencing judge, the prisoner will continue to be treated under the provisions pertaining to YRA offenders until the judge makes a final decision denying the appeal.

(d)(1) *Program plans and using program achievement to set the parole date.* At a YRA prisoner's initial parole hearing, a program plan for the prisoner's treatment shall be submitted by institutional staff and reviewed by the hearing examiner. Any proposed modifications to the plan shall be discussed at the hearing, although further relevant information may be presented and considered after the hearing. The plan shall adequately account for the risk implications of the prisoner's current offense and criminal history and shall address the prisoner's need for rehabilitational training. The program plan shall also include an estimated date of completion. The criteria at §2.64(d) for successful response to treatment programs shall be considered by the Commission in determining whether the proposed program plan would effectively reduce the risk to the public welfare.

(2) The youth offender's response to treatment programs and program achievement shall be considered with other relevant factors, such as the offense and parole prognosis, in determining when the youth offender should be conditionally released under supervision. See §2.64(e). The guidelines at §2.80(k)-(m) on awarding superior program achievement and the subtraction of any award in determining the total guideline range shall not be used in the decision.

(e) *Parole violators.* A YRA parolee who has had his parole revoked shall be scheduled for a rehearing within six months of the revocation hearing to review the new program plan prepared by institutional staff, unless a parole effective date is granted after the revocation hearing. Such program plan

shall reflect a thorough reassessment of the prisoner's rehabilitational needs in light of the prisoner's failure on parole. Decisions on reparole shall be made using the guidelines at §2.80. If a YRA parolee is sentenced to a new prison term of one year or more for a crime committed while on parole, the case shall be referred to correctional authorities for consideration of a "no further benefit" finding.

(f) *Unconditional discharge from supervision.* (1) A YRA parolee may be unconditionally discharged from supervision after service of one year on parole supervision if the Commission finds that supervision is no longer needed to protect the public safety. A review of the parolee's file shall be conducted after the conclusion of each year of supervision upon receipt of an annual progress report, and upon receipt of a final report to be submitted by the supervision officer six months prior to the sentence expiration date.

(2) In making a decision concerning unconditional discharge, the Commission shall consider the facts and circumstances of each case, focusing on the risk the parolee poses to the public and the benefit he may obtain from further supervision. The decision shall be made after an analysis of case-specific factors, including, but not limited to, the parolee's prior criminal history, the offense behavior that led to his conviction, record of drug or alcohol dependence, employment history, stability of residence and family relationships, and the number and nature of any incidents while under supervision (including new arrests, alleged parole violations, and criminal investigations).

(3) An order of unconditional discharge from supervision terminates the YRA offender's sentence. Whenever a YRA offender is unconditionally discharged from supervision, the Commission shall issue a certificate setting aside the offender's conviction. If the YRA offender is not unconditionally discharged from supervision prior to the expiration of his sentence, a certificate setting aside the conviction may be issued nunc pro tunc if the Commission finds that the failure to issue the decision on time was due to administrative delay or error, or that

## Department of Justice

## § 2.200

the Supervision Officer failed to present the Commission with a progress report before the end of the supervision term, and the offender's own actions did not contribute to the absence of the final report. However, the offender must have deserved to be unconditionally discharged from supervision before the end of his supervision term for a nunc pro tunc certificate to issue.

[65 FR 45888, July 26, 2000, as amended at 67 FR 57946, Sept. 13, 2002; 68 FR 41531, July 14, 2003]

### § 2.107 Interstate Compact.

(a) Pursuant to D.C. Code 24-133(b)(2)(G), the Director of the Court Services and Offender Supervision Agency (CSOSA), or his designee, shall be the Compact Administrator with regard to the following individuals on parole supervision pursuant to the Interstate Parole and Probation Compact authorized by D.C. Code 24-451:

(1) All D.C. Code parolees who are under the supervision of agencies in jurisdictions outside the District of Columbia; and

(2) All parolees from other jurisdictions who are under the supervision of CSOSA within the District of Columbia.

(b) Transfers of supervision pursuant to the Interstate Compact, where appropriate, may be arranged by the Compact Administrator, or his designee, and carried out with the approval of the Parole Commission. A D.C. Code parolee who is under the Parole Commission's jurisdiction will ordinarily be released or transferred to the supervision of a U.S. Probation Office outside the District of Columbia.

(c) Upon receipt of a report that a D.C. Code parolee, who is under supervision pursuant to the Interstate Compact in a jurisdiction outside the District of Columbia, has violated his or her parole, the Commission may issue a warrant pursuant to the procedures of § 2.98. The warrant may be executed as provided as in § 2.99. A parolee who is arrested on such a warrant shall be considered to be a prisoner in federal custody, and may be returned to the District of Columbia or designated to a facility of the Bureau of Prisons at the request of the Commission.

(d) If a parolee from another jurisdiction, who is under the supervision of CSOSA pursuant to the Interstate Compact, is alleged to have violated his or her parole, the Compact Administrator or his designee may issue a temporary warrant to secure the arrest of the parolee pending issuance of a warrant by the original paroling agency. If so requested, the Commission will conduct a courtesy revocation hearing on behalf of the original paroling agency whenever a revocation hearing within the District of Columbia is required.

(e) The term "D.C. Code parolee" shall include any felony offender who is serving a period of parole or mandatory release supervision pursuant to a sentence of imprisonment imposed under the District of Columbia Code.

[65 FR 45888, July 26, 2000, as amended at 68 FR 41531, July 14, 2003]

### Subpart D—District of Columbia Supervised Releasees

SOURCE: 68 FR 41700, July 15, 2003, unless otherwise noted.

### § 2.200 Authority, jurisdiction, and functions of the U.S. Parole Commission with respect to offenders serving terms of supervised release imposed by the Superior Court of the District of Columbia.

(a) The U.S. Parole Commission has jurisdiction, pursuant to D.C. Code 24-133(c)(2), over all offenders serving terms of supervised release imposed by the Superior Court of the District of Columbia under the Sentencing Reform Emergency Amendment Act of 2000.

(b) The U.S. Parole Commission shall have and exercise the same authority with respect to a term of supervised release as is vested in the United States district courts by 18 U.S.C. 3583(d) through (i), except that:

(1) The procedures followed by the Commission in exercising that authority shall be those set forth with respect to offenders on federal parole at 18 U.S.C. 4209 through 4215 (Chapter 311 of 18 United States Code); and

(2) An extension of a term of supervised release under subsection (e)(2) of 18 U.S.C. 3583 may only be ordered by

## §2.201

## 28 CFR Ch. I (7-1-17 Edition)

the Superior Court upon motion from the Commission.

(c) Within the District of Columbia, supervision of offenders on terms of supervised release under the Commission's jurisdiction is carried out by the Community Supervision Officers of the Court Services and Offender Supervision Agency (CSOSA), pursuant to D.C. Code 24-133(c)(2). Outside the District of Columbia, supervision is carried out by United States Probation Officers pursuant to 18 U.S.C. 3655. For the purpose of this subpart, any reference to a "supervision officer" shall include both a Community Supervision Officer of CSOSA and a United States Probation Officer in the case of a releasee who is under supervision outside the District of Columbia.

### §2.201 Period of supervised release.

(a) A period of supervised release that is subject to the Commission's jurisdiction begins to run on the day the offender is released from prison and continues to the expiration of the full term imposed by the Superior Court, unless early termination is granted by the Commission.

(b) A term of supervised release shall run concurrently with any federal, state, or local term of probation, parole or supervised release for another offense, but does not run while the offender is imprisoned in connection with a conviction for a federal, state, or local crime (including a term of imprisonment resulting from a probation, parole, or supervised release revocation) unless the period of imprisonment is less than 30 days. Such interruption of the term of supervised release is required by D.C. Code 24-403.01(b)(5), and is not dependent upon the issuance of a warrant or an order of revocation by the Commission.

(c)(1) For an offender serving multiple terms of supervised release imposed by the Superior Court, the duration of the Commission's jurisdiction over the offender shall be governed by the longest term imposed.

(2) If the Commission terminates such an offender from supervision on the longest term imposed, this order shall have the effect of terminating the offender from all terms of supervised

release that the offender is serving at the time of the order.

(3) If the Commission issues a warrant or summons for such an offender, or revokes supervised release for such an offender, the Commission's action shall have the effect of commencing revocation proceedings on, or revoking, all terms that the offender is serving at the time of the action. In revoking supervised release the Commission shall impose a term of imprisonment and a further term of supervised release as if the Commission were revoking a single term of supervised release. For the purpose of calculating the maximum authorized term of imprisonment at first revocation and the original maximum authorized term of supervised release, the Commission shall use the unexpired supervised release term imposed for the offense punishable by the longest maximum term of imprisonment.

(4) If such an offender is released to a further term of supervised release after serving a prison term resulting from a supervised release revocation, the Commission shall consider the offender to be serving only the single term of supervised release ordered after revocation.

### §2.202 Prerelease procedures.

(a) At least three months, but not more than six months, prior to the release of a prisoner who has been sentenced to a term or terms of supervised release by the Superior Court, the responsible prison officials shall have the prisoner's release plan forwarded to CSOSA (or to the appropriate U.S. Probation Office) for investigation. If the supervision officer believes that any special condition of supervised release should be imposed prior to the release of the prisoner, the officer shall forward a request for such condition to the Commission. The Commission may, upon such request or of its own accord, impose any special condition in addition to the standard conditions specified in §2.204, which shall take effect on the day the prisoner is released.

(b) Upon the release of the prisoner, the responsible prison officials shall instruct the prisoner, in writing, to report to the assigned supervision office within 72 hours, and shall inform the prisoner that failure to report on time

shall constitute a violation of supervised release. If the prisoner is released to the custody of other authorities, the prisoner shall be instructed to report to the supervision office within 72 hours after his release from the physical custody of such authorities. If the prisoner is unable to report to the supervision office within 72 hours of release because of an emergency, the prisoner shall be instructed to report to the nearest U.S. Probation Office and obey the instructions given by the duty officer.

**§ 2.203 Certificate of supervised release.**

When an offender who has been released from prison to serve a term of supervised release reports to the supervision officer for the first time, the supervision officer shall deliver to the releasee a certificate listing the conditions of supervised release imposed by the Commission and shall explain the conditions to the releasee.

**§ 2.204 Conditions of supervised release.**

(a)(1) *General conditions of release and notice by certificate of release.* All persons on supervision must follow the conditions of release described in paragraphs (a)(3) through (6) of this section. These conditions are necessary to satisfy the purposes of release conditions stated in 18 U.S.C. 3583(d) and 3553(a)(2)(B) through (D). Your certificate of release informs you of these conditions and other special conditions that we have imposed for your supervision.

(2) *Refusing to sign the certificate of release does not excuse compliance.* If you refuse to sign the certificate of release, you must still follow the conditions listed in the certificate.

(3) *Report your arrival.* After you are released from custody, you must go directly to the district named in the certificate. You must appear in person at the supervision office and report your home address to the supervision officer. If you cannot appear in person at that office within 72 hours of your release because of an emergency, you must report to the nearest CSOSA or U.S. probation office and obey the instructions given by the duty officer. If

you were initially released to the custody of another authority, you must follow the procedures described in this paragraph after you are released from the custody of the other authority.

(4) *Provide information to and cooperate with the supervision officer—(i) Written reports.* Between the first and third day of each month, you must make a written report to the supervision officer on a form provided to you. You must also report to the supervision officer as that officer directs. You must answer the supervision officer completely and truthfully when the officer asks you for information.

(ii) *Promptly inform the supervision officer of an arrest or questioning, or a change in your job or address.* Within two days of your arrest or questioning by a law-enforcement officer, you must inform your supervision officer of the contact with the law-enforcement officer. You must also inform your supervision officer of a change in your employment or address within two days of the change.

(iii) *Allow visits of the supervision officer.* You must allow the supervision officer to visit your home and workplace.

(iv) *Allow seizure of prohibited items.* You must allow the supervision officer to seize any item that the officer reasonably believes is an item you are prohibited from possessing (for example, an illegal drug or a weapon), and that is in plain view in your possession, including in your home, workplace or vehicle.

(v) *Take drug or alcohol tests.* You must take a drug or alcohol test whenever your supervision officer orders you to take the test.

(5) *Prohibited conduct—(i) Do not violate any law.* You must not violate any law and must not associate with any person who is violating any law.

(ii) *Do not possess a firearm or dangerous weapon.* You must not possess a firearm or other dangerous weapon or ammunition.

(iii) *Do not illegally possess or use a controlled substance or drink alcohol to excess.* You must not illegally possess or use a controlled substance and you must not drink alcoholic beverages to excess. You must stay away from a place where a controlled substance is illegally sold, used or given away.

(iv) *Do not leave the district of supervision without permission.* You must not leave the district of supervision without the written permission of your supervision officer.

(v) *Do not associate with a person with a criminal record.* You must not associate with a person who has a criminal record without the permission of your supervision officer.

(vi) *Do not act as an informant.* You must not agree to act as an informant for any law-enforcement officer without the prior approval of the Commission.

(6) *Additional conditions—(i) Work.* You must make a good faith effort to work regularly, unless excused by your supervision officer. You must support your children and any legal dependent. You must participate in an employment-readiness program if your supervision officer directs you to do so.

(ii) *Pay court-ordered obligations.* You must make a good faith effort to pay any fine, restitution order, court costs or assessment or court-ordered child support or alimony payment. You must provide financial information relevant to the payment of such a financial obligation when your supervision officer asks for such information. You must cooperate with your supervision officer in setting up an installment plan to pay the obligation.

(iii) *Participate in a program for preventing domestic violence.* If the term of supervision results from your conviction for a domestic violence crime, and such conviction is your first conviction for such a crime, you must attend, as directed by your supervision officer, an approved offender-rehabilitation program for the prevention of domestic violence if such a program is readily available within 50 miles of your home.

(iv) *Register if you are covered by a special offender registration law.* You must comply with any applicable special offender registration law, for example, a law that requires you to register as a sex-offender or a gun-offender.

(v) *Provide a DNA sample.* You must provide a DNA sample, as directed by your supervision officer, if collection of such sample is authorized by the DNA Analysis Backlog Elimination Act of 2000.

(vi) *Comply with a graduated sanction.* If you are supervised by CSOSA, you must comply with the sanction(s) imposed by the supervision officer and as established by an approved schedule of graduated sanctions. We may decide to begin revocation proceedings for you even if the supervision officer has earlier imposed a graduated sanction for your alleged violation of a release condition.

(vii) *Inform another person of your criminal record or personal history as directed by the supervision officer.* You must inform a person of your criminal record or personal history if your supervision officer determines that your relationship or contact with this person may pose a risk of harm to this person. The supervision officer may direct you to give this notice and then confirm with the person that you obeyed the officer's direction. The supervision officer may also give the notice directly to the person.

(b)(1) *Special conditions of release.* We may impose a condition of release other than a condition described in paragraphs (a)(3) through (6) of this section if we determine that imposing the condition is reasonably related to the nature and circumstances of your offense or your history and characteristics, and at least one of the following purposes of criminal sentencing: The need to deter you from criminal conduct; protection of the public from further crimes; or the need to provide you with training or correctional treatment or medical care. In choosing a condition we will also consider whether the condition involves no greater deprivation of liberty than is reasonably necessary for the purposes of deterrence of criminal conduct, protection of the public from crime and offender rehabilitation.

(2) *Examples.* The following are examples of special conditions that we may impose—

(i) That you reside in and/or participate in a program of a community corrections center for all or part of the period of supervision;

(ii) That you participate in a drug- or alcohol-treatment program, and not use alcohol and other intoxicants at any time;

(iii) That you remain at home during hours you are not working or going to school, and have your compliance with this condition checked by telephone or an electronic signaling device; and

(iv) That you permit a supervision officer to conduct a search of your person, or of any building, vehicle or other area under your control, at such time as that supervision officer decides, and to seize any prohibited items the officer, or a person assisting the officer, may find.

(3) *Participation in a drug-treatment program.* If we require your participation in a drug-treatment program, you must submit to a drug test within 15 days of your release and to at least two other drug tests, as determined by your supervision officer. If we decide not to impose the special condition on drug-treatment, because available information indicates you are a low risk for substance abuse, this decision constitutes good cause for suspending the drug testing requirements of 18 U.S.C. 3583(d).

(c)(1) *Changing conditions of release.* After your release, we may change or add to the conditions of release if we decide that such action is consistent with the criteria described in paragraph (b)(1) of this section.

(2) *Objecting to the proposed change.* (i) We will notify you of the proposed change, the reason for the proposed change and give you 10 days from your receipt of the notice to comment on the proposed change. You can waive the 10-day comment period and agree to the proposed change. You are not entitled to the notice and 10-day comment period if:

(A) You ask for the change;

(B) We make the change as part of a revocation hearing or an expedited revocation decision; or

(C) We find that the change must be made immediately to prevent harm to you or another person.

(ii) We will make a decision on the proposed change within 21 days (excluding holidays) after the 10-day comment period ends, and notify you in writing of the decision. You may appeal our action as provided in §§ 2.26 and 2.220.

(d) *Imposing special conditions for a sex offender.* (1) If your criminal record in-

cludes a conviction for a sex offense, we may impose a special condition that you undergo an evaluation for sex offender treatment, and participate in a sex offender treatment program as directed by your supervision officer. We will impose the sex offender evaluation and treatment conditions using the procedures described in paragraph (c) of this section.

(2)(i) If your criminal record does not include a conviction for a sex offense, we may decide that the nature and circumstances of your offense or your history and characteristics show that you should be evaluated for sex offender treatment. In this case, we may impose a special condition requiring an evaluation for sex offender treatment using the procedures described in paragraph (c) of this section.

(ii) At the conclusion of the evaluation, if sex offender treatment appears warranted and you object to such treatment, we will conduct a hearing to consider whether you should be required to participate in sex offender treatment. You will be given notice of the date and time of the hearing and the subject of the hearing, disclosure of the information supporting the proposed action, the opportunity to testify concerning the proposed action and to present evidence and the testimony of witnesses, the opportunity to be represented by retained or appointed counsel and written findings regarding the decision. You will have the opportunity to confront and cross-examine persons who have given information that is relied on for the proposed action, if you ask that these witnesses appear at the hearing, unless we find good cause for excusing the appearance of the witness.

(iii) A hearing is not required if we impose the sex offender treatment condition at your request, as part of a revocation hearing or an expedited revocation decision, or if a hearing on the need for sex offender treatment (including a revocation hearing) was conducted within 24 months of the request for the special condition.

(iv) In most cases we expect that a hearing conducted under this paragraph will be held in person with you, especially if you are supervised in the

## § 2.205

## 28 CFR Ch. I (7–1–17 Edition)

District of Columbia. But we may conduct the hearing by videoconference.

(3) Whether your criminal record includes a conviction for a sex offense or not, if we propose to impose other restrictions on your activities, we will use either the notice and comment procedures of paragraph (c) of this section or the hearing procedures of this paragraph, depending on a case-by-case evaluation of the your interest and the public interest.

(e) *Application of release conditions to an absconder.* If you abscond from supervision, you will stop the running of your supervised release term as of the date of your absconding and you will prevent the expiration of your supervised release term. But you will still be bound by the conditions of release while you are an absconder, even after the original expiration date of your supervised release term. We may revoke the term of supervised release for a violation of a release condition that you commit before the revised expiration date of the supervised release term (the original expiration date plus the time you were an absconder).

(f) *Revocation for certain violations of release conditions.* If we find after a revocation hearing that you have possessed a controlled substance, refused to comply with drug testing, possessed a firearm or tested positive for illegal controlled substances more than three times in one year, we must revoke your supervised release and impose a prison term as provided at § 2.218. When considering mandatory revocation for repeatedly failing a drug test, we must consider whether the availability of appropriate substance abuse programs, or your current or past participation in such programs, justifies an exception from the requirement of mandatory revocation.

(g) *Supervision officer guidance.* We expect you to understand the conditions of release according to the plain meaning of the conditions. You should ask for guidance from your supervision officer if there are conditions you do not understand and before you take actions that may risk violation of your release conditions. The supervision officer may instruct you to refrain from particular conduct, or to take specific actions or to correct an existing violation of a re-

lease condition. If the supervision officer directs you to report on your compliance with an officer's instruction and you fail to do so, we may consider that your failure is itself a release violation.

(h) *Definitions.* As used for any person under our jurisdiction, the term—

(1) *Supervision officer* means a community supervision officer of the District of Columbia Court Services and Offender Supervision Agency or a United States probation officer;

(2) *Domestic violence crime* has the meaning given that term by 18 U.S.C. 3561, except that the term “court of the United States” as used in that definition shall be deemed to include the Superior Court of the District of Columbia;

(3) *Approved offender-rehabilitation program* means a program that has been approved by CSOSA (or the United States Probation Office) in consultation with a State Coalition Against Domestic Violence or other appropriate experts;

(4) *Releasee* means a person who has been released to parole supervision, released to supervision through good-time deduction or released to supervised release;

(5) *Certificate of release* means the certificate of supervised release delivered to the releasee under § 2.203;

(6) *Firearm* has the meaning given by 18 U.S.C. 921;

(7) *Sex offense* means any “registration offense” as that term is defined at D.C. Code 22–4001(8) and any “sex offense” as that term is defined at 42 U.S.C. 16911(5); and

(8) *Conviction*, used with respect to a sex offense, includes an adjudication of delinquency for a juvenile, but only if the offender was 14 years of age or older at the time of the sex offense and the offense adjudicated was comparable to or more severe than aggravated sexual abuse (as described in 18 U.S.C. 2241), or was an attempt or conspiracy to commit such an offense.

[79 FR 51258, Aug. 28, 2014]

### § 2.205 Confidentiality of supervised release records.

(a) Consistent with the Privacy Act of 1974 (5 U.S.C 552a(b)), the contents of



supervised release records shall be confidential and shall not be disclosed outside the Commission and CSOSA (or the U.S. Probation Office) except as provided in paragraphs (b) and (c) of this section.

(b) Information pertaining to a releasee may be disclosed to the general public, without the consent of the releasee, as authorized by § 2.37.

(c) Information other than as described in § 2.37 may be disclosed without the consent of the releasee only pursuant to the provisions of the Privacy Act of 1974 (5 U.S.C. 552a(b)) and the implementing rules of the Commission or CSOSA, as applicable.

**§ 2.206 Travel approval and transfers of supervision.**

(a) A releasee's supervision officer may approve travel outside the district of supervision without approval of the Commission in the following situations:

(1) Trips not to exceed thirty days for family emergencies, vacations, and similar personal reasons;

(2) Trips, not to exceed thirty days, to investigate reasonably certain employment possibilities; and

(3) Recurring travel across a district boundary, not to exceed fifty miles outside the district, for purpose of employment, shopping, or recreation.

(b) Specific advance approval by the Commission is required for all foreign travel, employment requiring recurring travel more than fifty miles outside the district, and vacation travel outside the district of supervision exceeding thirty days. A request for such permission shall be in writing and must demonstrate a substantial need for such travel.

(c) A special condition imposed by the Commission prohibiting certain travel shall apply instead of any general rules relating to travel as set forth in paragraph (a) of this section.

(d) The district of supervision for a releasee under the supervision of CSOSA shall be the District of Columbia, except that for the purpose of travel permission under this section, the district of supervision shall include the D.C. metropolitan area as defined in the certificate of supervised release.

(e) A supervised releasee who is under the jurisdiction of the Commission, and who is released or transferred to a district outside the District of Columbia, shall be supervised by a U.S. Probation Officer pursuant to 18 U.S.C. 3655.

(f) A supervised releasee may be transferred to a new district of supervision with the permission of the supervision offices of both the transferring and receiving district, provided such transfer is not contrary to instructions from the Commission.

**§ 2.207 Supervision reports to Commission.**

A supervision report shall be submitted by the responsible supervision officer to the Commission for each releasee after the completion of 24 months of continuous supervision and annually thereafter. The supervision officer shall submit such additional reports and information concerning both the releasee, and the enforcement of the conditions of the supervised release, as the Commission may direct. All reports shall be submitted according to the format established by the Commission.

[81 FR 13976, Mar. 16, 2016]

**§ 2.208 Termination of a term of supervised release.**

(a)(1) The Commission may terminate a term of supervised release and discharge the releasee from supervision after the expiration of one year of supervised release, if the Commission is satisfied that such action is warranted by the conduct of the releasee and the interest of justice.

(2) Upon terminating supervision of a committed youth offender before the sentence expires, the Commission shall set aside the offender's conviction and issue a certificate setting aside the conviction instead of a certificate of discharge. The Commission may issue a set-aside certificate *nunc pro tunc* for a youth offender previously under supervised release on the sentence and who was not considered for early termination from supervision, using the criteria stated at § 2.106(f)(3). If the youth offender was sentenced only to a term of incarceration without any supervision to follow release, the Commission may issue a set-aside certificate

## § 2.209

after the expiration of the sentence. In such cases, the Commission shall determine whether to grant the set-aside certificate after considering factors such as the offender's crime, criminal history, social and employment history, record of institutional conduct, efforts at rehabilitation, and any other relevant and available information.

(b) Two years after a prisoner is released on supervision, and at least annually thereafter, the Commission shall review the status of the releasee to determine the need for continued supervision. The Commission shall also conduct a status review whenever the supervision officer recommends termination of the supervised release term. If the term of supervised release imposed by the court is two years or less, the Commission shall consider termination of supervision only if recommended by the releasee's supervision officer.

(c) In calculating the two-year period provided in paragraph (b) of this section, the Commission shall not include any period of release before the most recent release, or any period served in confinement on any other sentence.

(d)(1) In deciding whether to terminate supervised release, the Commission shall consider the guidelines of this paragraph (d). The guidelines are advisory and the Commission may disregard the outcome indicated by the guidelines based on case-specific factors. Termination of supervision is indicated if the releasee:

(i) Has a salient factor score in the very good risk category and has completed two continuous years of supervision free from an incident of new criminal behavior or serious release violation; or

(ii) Has a salient factor score in a risk category other than very good and has completed three continuous years of supervision free from an incident of new criminal behavior or serious release violation.

(2) As used in this paragraph (d), the term "an incident of new criminal behavior or serious release violation" includes a new arrest or report of a release violation if supported by substantial evidence of guilt, even if no conviction or release revocation results. The Commission shall not terminate super-

## 28 CFR Ch. I (7-1-17 Edition)

vision of a releasee until it determines the disposition of a pending criminal charge.

(3) Case-specific factors that may justify a departure either above or below the early termination guidelines may relate to the current behavior of the releasee, or to the releasee's background and criminal history.

[75 FR 9521, Mar. 3, 2010, as amended at 75 FR 51179, Aug. 19, 2010]

### § 2.209 Order of termination.

When the Commission orders the termination of a term of supervised release, it shall issue a certificate to the releasee granting the releasee a full discharge from his term of supervised release. The termination and discharge shall take effect only upon the actual delivery of the certificate of discharge to the releasee by the supervision officer, and may be rescinded for good cause at any time prior to such delivery.

### § 2.210 Extension of term.

(a) At any time during service of a term of supervised release, the Commission may submit to the Superior Court a motion to extend the term of supervised release to the maximum term authorized by law, if less than the maximum authorized term was originally imposed. If the Superior Court grants the Commission's motion prior to the expiration of the term originally imposed, the extension ordered by the court shall take effect upon issuance of the order.

(b) The Commission may submit the motion for an extension of a term of supervised release if the Commission finds that the rehabilitation of the releasee or the protection of the public from further crimes by the releasee is likely to require a longer period of supervision than the court originally contemplated. The Commission's grounds for making such a finding shall be stated in the motion filed with the court.

(c) The provisions of this section shall not apply to the Commission's determination of an appropriate period of further supervised release following revocation of a term of supervised release.

## Department of Justice

## §2.211

### §2.211 Summons to appear or warrant for retaking releasee.

(a) If a releasee is alleged to have violated the conditions of his release, and satisfactory evidence thereof is presented, a Commissioner may:

- (1) Issue a summons requiring the releasee to appear for a probable cause hearing or local revocation hearing; or
- (2) Issue a warrant for the apprehension and return of the releasee to custody.

(b) A summons or warrant under paragraph (a) of this section may be issued or withdrawn only by a Commissioner.

(c) Any summons or warrant under this section shall be issued as soon as practicable after the alleged violation is reported to the Commission, except when delay is deemed necessary. Issuance of a summons or warrant may be withheld until the frequency or seriousness of the violations, in the opinion of a Commissioner, requires such issuance. In the case of any releasee who is charged with a criminal offense and who is awaiting disposition of such charge, issuance of a summons or warrant may be:

- (1) Temporarily withheld;
- (2) Issued by the Commission and held in abeyance;
- (3) Issued by the Commission and a detainer lodged with the custodial authority; or
- (4) Issued for the retaking of the releasee.

(d) A summons or warrant may be issued only within the maximum term or terms of the period of supervised release being served by the releasee, except as provided for an absconder from supervision in §2.204(i). A summons or warrant shall be considered issued when signed and either:

- (1) Placed in the mail; or
- (2) Sent by electronic transmission to the appropriate law enforcement authority.

(e) The issuance of a warrant under this section operates to bar the expiration of the term of supervised release. Such warrant maintains the Commission's jurisdiction to retake the releasee either before or after the normal expiration date of the term, and for such time as may be reasonably necessary for the Commission to reach

a final decision as to revocation of the term of supervised release.

(f) A summons or warrant issued pursuant to this section shall be accompanied by a warrant application (or other notice) stating:

- (1) The charges against the releasee;
- (2) The specific reports and other documents upon which the Commission intends to rely in determining whether a violation of supervised release has occurred and whether to revoke supervised release;
- (3) Notice of the Commission's intent, if the releasee is arrested within the District of Columbia, to hold a probable cause hearing within five days of the releasee's arrest;
- (4) A statement of the purpose of the probable cause hearing;
- (5) The days of the week on which the Commission regularly holds its dockets of probable cause hearings at the Central Detention Facility;
- (6) The releasee's procedural rights in the revocation process; and
- (7) The possible actions that the Commission may take.

(g) In the case of an offender who is serving concurrent terms of parole and supervised release under the Commission's jurisdiction, the Commission may take any action permitted by this section on the basis of one or more of the terms (*e.g.*, the Commission may issue warrants on both terms, and order that the first warrant should be executed, and that the second warrant should be placed as a detainer and executed only when the offender is released from the prison term that begins with the execution of the first warrant). The Commission may conduct separate revocation hearings, or consider all parole and supervised release violation charges in one combined hearing and make dispositions on the parole and supervised release terms. If the Commission conducts separate revocation hearings and revokes parole or supervised release at the first hearing, the Commission may conduct the subsequent hearing on the same violation behavior as an institutional hearing.

## §2.212

### §2.212 Execution of warrant and service of summons.

(a) Any officer of any Federal or District of Columbia correctional institution, any Federal Officer authorized to serve criminal process, or any officer or designated civilian employee of the Metropolitan Police Department of the District of Columbia, to whom a warrant is delivered, shall execute such warrant by taking the releasee and returning him to the custody of the Attorney General.

(b) Upon the arrest of the releasee, the officer executing the warrant shall deliver to the releasee a copy of the warrant application (or other notice provided by the Commission) containing the information described in §2.211(f).

(c) If execution of the warrant is delayed pending disposition of local charges, for further investigation, or for some other purpose, the releasee is to be continued under supervision by the supervision officer until the normal expiration of the sentence, or until the warrant is executed, whichever first occurs. Monthly supervision reports are to be submitted, and the releasee must continue to abide by all the conditions of release.

(d) If any other warrant for the arrest of the releasee has been executed or is outstanding at the time the Commission's warrant is executed, the arresting officer may, within 72 hours of executing the Commission's warrant, release the arrestee to such other warrant and lodge the Commission's warrant as a detainer, voiding the execution thereof, provided such action is consistent with the instructions of the Commission. In other cases, the arrestee may be released from an executed warrant whenever the Commission finds such action necessary to serve the ends of justice.

(e) A summons to appear at a probable cause hearing or revocation hearing shall be served upon the releasee in person by delivering to the releasee a copy of the summons and the application therefor. Service shall be made by any Federal or District of Columbia officer authorized to serve criminal process and certification of such service shall be returned to the Commission.

## 28 CFR Ch. I (7-1-17 Edition)

(f) Official notification of the issuance of a Commission warrant shall authorize any law enforcement officer within the United States to hold the releasee in custody until the warrant can be executed in accordance with paragraph (a) of this section.

### §2.213 Warrant placed as detainer and dispositional review.

(a) When a releasee is a prisoner in the custody of other law enforcement authorities, or is serving a new sentence of imprisonment imposed for a crime (or for a violation of some other form of community supervision) committed while on supervised release, a violation warrant may be lodged against him as a detainer.

(b) The Commission shall review the detainer upon the request of the prisoner pursuant to the procedure set forth in §2.47(a)(2). Following such review, the Commission may:

(1) Withdraw the detainer and order reinstatement of the prisoner to supervision upon release from custody;

(2) Order a dispositional revocation hearing to be conducted at the institution in which the prisoner is confined; or

(3) Let the detainer stand until the new sentence is completed. Following the execution of the Commission's warrant, and the transfer of the prisoner to an appropriate federal facility, an institutional revocation hearing shall be conducted.

(c) Dispositional revocation hearings pursuant to this section shall be conducted in accordance with the provisions at §2.216 governing institutional revocation hearings. A hearing conducted at a state or local facility may be conducted either by a hearing examiner or by any federal, state, or local official designated by a Commissioner. Following a revocation hearing conducted pursuant to this section, the Commission may take any action authorized by §§2.218 and 2.219.

(d) The date the violation term commences is the date the Commission's warrant is executed. A releasee's violation term (*i.e.*, the term of imprisonment and/or further term of supervised release that the Commission may require the releasee to serve after revocation) shall start to run only upon

the offender's release from the confinement portion of the intervening sentence.

(e) An offender whose supervised release is revoked shall be given credit for all time in confinement resulting from any new offense or violation that is considered by the Commission as a basis for revocation, but solely for the purpose of satisfying the time ranges in the reparole guidelines at §2.21. The computation of the offender's sentence, and the forfeiture of time on supervised release, are not affected by such guideline credit.

**§2.214 Probable cause hearing and determination.**

(a) *Hearing.* A supervised releasee who is retaken and held in custody in the District of Columbia on a warrant issued by the Commission, and who has not been convicted of a new crime, shall be given a probable cause hearing by an examiner of the Commission no later than five days from the date of such retaking. A releasee who is retaken and held in custody outside the District of Columbia, but within the Washington D.C. metropolitan area, and who has not been convicted of a new crime, shall be given a probable cause hearing by an examiner of the Commission within five days of the releasee's arrival at a facility where probable cause hearings are conducted. The purpose of a probable cause hearing is to determine whether there is probable cause to believe that the releasee has violated the conditions of supervised release as charged, and if so, whether a local or institutional revocation hearing should be conducted. If the examiner finds probable cause, the examiner shall schedule a final revocation hearing to be held within 65 days of the releasee's arrest.

(b) *Notice and opportunity to postpone hearing.* Prior to the commencement of each docket of probable cause hearings in the District of Columbia, a list of the releasees who are scheduled for probable cause hearings, together with a copy of the warrant application for each releasee, shall be sent to the D.C. Public Defender Service. At or before the probable cause hearing, the releasee (or the releasee's attorney) may submit a written request that the

hearing be postponed for any period up to thirty days, and the Commission shall ordinarily grant such requests. Prior to the commencement of the probable cause hearing, the examiner shall advise the releasee that the releasee may accept representation by the attorney from the D.C. Public Defender Service who is assigned to that docket, waive the assistance of an attorney at the probable cause hearing, or have the probable cause hearing postponed in order to obtain another attorney and/or witnesses on his behalf. In addition, the releasee may request the Commission to require the attendance of adverse witnesses (*i.e.*, witnesses who have given information upon which revocation may be based) at a postponed probable cause hearing. Such adverse witnesses may be required to attend either a postponed probable cause hearing, or a combined postponed probable cause and local revocation hearing, provided the releasee meets the requirements of §2.215(a) for a local revocation hearing. The releasee shall also be given notice of the time and place of any postponed probable cause hearing.

(c) *Review of the charges.* At the beginning of the probable cause hearing, the examiner shall ascertain that the notice required by §2.212(b) has been given to the releasee. The examiner shall then review the violation charges with the releasee and shall apprise the releasee of the evidence that has been submitted in support of the charges. The examiner shall ascertain whether the releasee admits or denies each charge listed on the warrant application (or other notice of charges), and shall offer the releasee an opportunity to rebut or explain the allegations contained in the evidence giving rise to each charge. The examiner shall also receive the statements of any witnesses and documentary evidence that may be presented by the releasee. At a postponed probable cause hearing, the examiner shall also permit the releasee to confront and cross-examine any adverse witnesses in attendance, unless good cause is found for not allowing confrontation. Whenever a probable cause hearing is postponed to secure the appearance of adverse witnesses (or counsel in the case of a probable cause

## §2.214

## 28 CFR Ch. I (7-1-17 Edition)

hearing conducted outside the District of Columbia), the Commission will ordinarily order a combined probable cause and local revocation hearing as provided in paragraph (i) of this section.

(d) *Probable cause determination.* At the conclusion of the probable cause hearing, the examiner shall determine whether probable cause exists to believe that the releasee has violated the conditions of release as charged, and shall so inform the releasee. The examiner shall then take either of the following actions:

(1) If the examiner determines that no probable cause exists for any violation charge, the examiner shall order that the releasee be released from the custody of the warrant and either reinstated to supervision, or discharged from supervision if the term of supervised release has expired.

(2) If the hearing examiner determines that probable cause exists on any violation charge, and the releasee has requested (and is eligible for) a local revocation hearing in the District of Columbia as provided by §2.215(a), the examiner shall schedule a local revocation hearing for a date that is within 65 days of the releasee's arrest. After the probable cause hearing, the releasee (or the releasee's attorney) may submit a written request for a postponement. Such postponements will normally be granted if the request is received no later than fifteen days before the date of the revocation hearing. A request for a postponement that is received by the Commission less than fifteen days before the scheduled date of the revocation hearing will be granted only for a compelling reason. The releasee (or the releasee's attorney) may also request, in writing, a hearing date that is earlier than the date scheduled by the examiner, and the Commission will accommodate such request if practicable.

(e) *Institutional revocation hearing.* If the releasee is not eligible for a local revocation hearing as provided by §2.215(a), or has requested to be transferred to an institution for his revocation hearing, the Commission will request the Bureau of Prisons to designate the releasee to an appropriate institution, and an institutional rev-

ocation hearing shall be scheduled for a date that is within 90 days of the releasee's retaking.

(f) *Digest of the probable cause hearing.* At the conclusion of the probable cause hearing, the examiner shall prepare a digest summarizing the evidence presented at the hearing, the responses of the releasee, and the examiner's findings as to probable cause.

(g) *Release notwithstanding probable cause.* Notwithstanding a finding of probable cause, the Commission may order the releasee's reinstatement to supervision or release pending further proceedings, if it determines that:

(1) Continuation of revocation proceedings is not warranted despite the finding of probable cause; or

(2) Incarceration pending further revocation proceedings is not warranted by the frequency or seriousness of the alleged violation(s), and the releasee is neither likely to fail to appear for further proceedings, nor is a danger to himself or others.

(h) *Conviction as probable cause.* Conviction of any crime committed subsequent to the commencement of a term of supervised release shall constitute probable cause for the purposes of this section, and no probable cause hearing shall be conducted unless a hearing is needed to consider additional violation charges that may be determinative of the Commission's decision whether to revoke supervised release.

(i) *Combined probable cause and local revocation hearing.* A postponed probable cause hearing may be conducted as a combined probable cause and local revocation hearing, provided such hearing is conducted within 65 days of the releasee's arrest and the releasee has been notified that the postponed probable cause hearing will constitute the final revocation hearing. The Commission's policy is to conduct a combined probable cause and local revocation hearing whenever adverse witnesses are required to appear and give testimony with respect to contested charges.

(j) *Late received charges.* If the Commission is notified of an additional charge after probable cause has been found to proceed with a revocation hearing, the Commission may:

(1) Remand the case for a supplemental probable cause hearing to determine if the new charge is contested by the releasee and if witnesses must be presented at the revocation hearing;

(2) Notify the releasee that the additional charge will be considered at the revocation hearing without conducting a supplemental probable cause hearing; or

(3) Determine that the new charge shall not be considered at the revocation hearing.

**§2.215 Place of revocation hearing.**

(a) If the releasee requests a local revocation hearing, the releasee shall be given a revocation hearing reasonably near the place of the alleged violation(s) or arrest, with the opportunity to contest the violation charges, if the following conditions are met:

(1) The releasee has not been convicted of a crime committed while under supervision; and

(2) The releasee denies all violation charges.

(b) The releasee shall also be given a local revocation hearing if the releasee admits (or has been convicted of) one or more charged violations, but denies at least one unadjudicated charge that may be determinative of the Commission's decision regarding revocation or the length of any new term of imprisonment, and the releasee requests the presence of one or more adverse witnesses regarding that contested charge. If the appearance of such witnesses at the hearing is precluded by the Commission for good cause, a local revocation hearing shall not be ordered.

(c) If there are two or more contested charges, a local revocation hearing may be conducted near the place of the violation chiefly relied upon by the Commission as a basis for the issuance of the warrant or summons.

(d)(1) A releasee shall be given an institutional revocation hearing upon the releasee's return or recommitment to an institution if the releasee:

(i) Voluntarily waives the right to a local revocation hearing; or

(ii) Admits (or has been convicted of) one or more charged violations without contesting any unadjudicated charge that may be determinative of the Commission's decision regarding revocation

and/or imposition of a new term of imprisonment.

(2) An institutional revocation hearing may also be conducted in the District of Columbia jail or prison facility in which the releasee is being held. On his own motion, a Commissioner may designate any case described in paragraph (d)(1) of this section for a local revocation hearing. The difference in procedures between a "local revocation hearing" and an "institutional revocation hearing" is set forth in §2.216(b).

(e) Unless the Commission orders release notwithstanding a probable cause finding under §2.214(g), a releasee who is retaken on a warrant issued by the Commission shall remain in custody until a decision is made on the revocation of the term of supervised release. A releasee who has been given a revocation hearing pursuant to the issuance of a summons shall remain on supervision pending the decision of the Commission, unless the Commission has ordered otherwise.

(f) A local revocation hearing shall be held not later than 65 days from the retaking of the releasee on a supervised release violation warrant. An institutional revocation hearing shall be held within 90 days of the retaking of the releasee on a supervised release violation warrant. If the releasee requests and receives any postponement, or consents to any postponement, or by his actions otherwise precludes the prompt completion of revocation proceedings in his case, the above-stated time limits shall be correspondingly extended.

(g) A local revocation hearing may be conducted by a hearing examiner or by any federal, state, or local official who is designated by a Commissioner to be the presiding hearing officer. An institutional revocation hearing may be conducted by a hearing examiner.

**§2.216 Revocation hearing procedure.**

(a) The purpose of the revocation hearing shall be to determine whether the releasee has violated the conditions of the term of supervised release, and, if so, whether the term should be revoked or the releasee restored to supervised release.

(b) At a local revocation hearing, the alleged violator may present voluntary witnesses and documentary evidence.

The alleged violator may also request the Commission to compel the attendance of any adverse witnesses for cross-examination, and any other relevant witnesses who have not volunteered to attend. At an institutional revocation hearing, the alleged violator may present voluntary witnesses and documentary evidence, but may not request the Commission to secure the attendance of any adverse or favorable witness. At any hearing, the presiding hearing officer may limit or exclude any irrelevant or repetitious statement or documentary evidence, and may prohibit the releasee from contesting matters already adjudicated against him in other forums.

(c) At a local revocation hearing, the Commission shall, on the request of the alleged violator, require the attendance of any adverse witnesses who have given statements upon which revocation may be based, subject to a finding of good cause as described in paragraph (d) of this section. The adverse witnesses who are present shall be made available for questioning and cross-examination in the presence of the alleged violator. The Commission may also require the attendance of adverse witnesses on its own motion.

(d) The Commission may excuse any requested adverse witness from appearing at the hearing (or from appearing in the presence of the alleged violator) if the Commission finds good cause for so doing. A finding of good cause for the non-appearance of a requested adverse witness may be based, for example, on a significant possibility of harm to the witness, or the witness not being reasonably available when the Commission has documentary evidence that is an adequate substitute for live testimony.

(e) All evidence upon which a finding of violation may be based shall be disclosed to the alleged violator before the revocation hearing. Such evidence shall include the community supervision officer's letter summarizing the releasee's adjustment to supervision and requesting the warrant, all other documents describing the charged violation or violations, and any additional evidence upon which the Commission intends to rely in determining whether the charged violation or violations, if

sustained, would warrant revocation of supervised release. If the releasee is represented by an attorney, the attorney shall be provided, prior to the revocation hearing, with a copy of the releasee's presentence investigation report, if such report is available to the Commission. If disclosure of any information would reveal the identity of a confidential informant or result in harm to any person, that information may be withheld from disclosure, in which case a summary of the withheld information shall be disclosed to the releasee prior to the revocation hearing.

(f) An alleged violator may be represented by an attorney at either a local or an institutional revocation hearing. In lieu of an attorney, an alleged violator may be represented at any revocation hearing by a person of his choice. However, the role of such non-attorney representative shall be limited to offering a statement on the alleged violator's behalf. Only licensed attorneys shall be permitted to question witnesses, make objections, and otherwise provide legal representation for supervised releasees, except in the case of law students appearing before the Commission as part of a court-approved clinical practice program. Such law students must be under the personal direction of a lawyer or law professor who is physically present at the hearing, and the examiner shall ascertain that the releasee consents to the procedure.

(g) At a local revocation hearing, the Commission shall secure the presence of the releasee's community supervision officer, or a substitute community supervision officer who shall bring the releasee's supervision file if the releasee's community supervision officer is not available. At the request of the hearing examiner, such officer shall provide testimony at the hearing concerning the releasee's adjustment to supervision.

(h) After the revocation hearing, the hearing examiner shall prepare a summary of the hearing that includes a description of the evidence against the releasee and the evidence submitted by the releasee in defense or mitigation of the charges, a summary of the arguments against revocation presented by



## Department of Justice

## §2.218

the releasee, and the examiner's recommended decision. The hearing examiner's summary, together with the releasee's file (including any documentary evidence and letters submitted on behalf of the releasee), shall be given to another examiner for review. When two hearing examiners concur in a recommended disposition, that recommendation, together with the releasee's file and the hearing examiner's summary of the hearing, shall be submitted to the Commission for decision.

### §2.217 Issuance of subpoena for appearance of witnesses or production of documents.

(a)(1) If any adverse witness (*i.e.*, a person who has given information upon which revocation may be based) refuses, upon request by the Commission, to appear at a probable cause hearing or local revocation hearing, a Commissioner may issue a subpoena for the appearance of such witness.

(2) In addition, a Commissioner may, upon a showing by the releasee that a witness whose testimony is necessary to the proper disposition of his case will not appear voluntarily at a local revocation hearing or provide an adequate written statement of his testimony, issue a subpoena for the appearance of such witness at the revocation hearing.

(3) A subpoena may also be issued at the discretion of a Commissioner if an adverse witness is judged unlikely to appear as requested, or if the subpoena is deemed necessary for the orderly processing of the case.

(b) A subpoena may require the production of documents as well as, or in lieu of, a personal appearance. The subpoena shall specify the time and the place at which the person named therein is commanded to appear, and shall specify any documents required to be produced.

(c) A subpoena may be served by any Federal or District of Columbia officer authorized to serve criminal process. The subpoena may be served at any place within the judicial district in which the place specified in the subpoena is located, or any place where the witness may be found. Service of a subpoena upon a person named therein

shall be made by delivering a copy of the subpoena to such a person.

(d) If a person refuses to obey such subpoena, the Commission may petition a court of the United States for the judicial district in which the revocation proceeding is being conducted, or in which such person may be found, to require such person to appear, testify, or produce evidence. If the court issues an order requiring such person to appear before the Commission, failure to obey such an order is punishable as contempt, as provided in 18 U.S.C. 4214(a)(2).

### §2.218 Revocation decisions.

(a) Whenever a releasee is summoned or retaken by the Commission, and the Commission finds by a preponderance of the evidence that the releasee has violated one or more conditions of supervised release, the Commission may take any of the following actions:

(1) Restore the releasee to supervision, and where appropriate:

(i) Reprimand the releasee;

(ii) Modify the releasee's conditions of release;

(iii) Refer the releasee to a residential community corrections center for all or part of the remainder of the term of supervised release; or

(2) Revoke the term of supervised release.

(b) If supervised release is revoked, the Commission shall determine whether the releasee shall be returned to prison to serve a new term of imprisonment, and the length of that term, or whether a new term of imprisonment shall be imposed but limited to time served. If the Commission imposes a new term of imprisonment that is less than the applicable maximum term of imprisonment authorized by law, the Commission shall also determine whether to impose a further term of supervised release to commence after the new term of imprisonment has been served. If the new term of imprisonment is limited to time served, any further term of supervised release shall commence upon the issuance of the Commission's order. Notwithstanding the above, if a releasee is serving another term of imprisonment of 30 days or more in connection with a conviction for a federal, state, or local

## §2.219

crime (including a term of imprisonment resulting from a probation, parole, or supervised release revocation), a further term of supervised release imposed by the Commission under this paragraph shall not commence until that term of imprisonment has been served.

(c) A releasee whose term of supervised release is revoked by the Commission shall receive no credit for time spent on supervised release, including any time spent in confinement on other sentences (or in a halfway house as a condition of supervised release) prior to the execution of the Commission's warrant.

(d) The Commission's decision regarding the imposition of a term of imprisonment following revocation of supervised release, and any further term of supervised release, shall be made pursuant to the limitations set forth in §2.219. Within those limitations, the appropriate length of any term of imprisonment shall be determined by reference to the guidelines at §2.21. If the term of imprisonment authorized under §2.219 is less than the minimum of the appropriate guideline range determined under §2.21, the term authorized under §2.219 shall be the guideline range.

(e) Whenever the Commission imposes a term of imprisonment upon revocation of supervised release that is less than the authorized maximum term of imprisonment, it shall be the Commission's general policy to impose a further term of supervised release that is the maximum term of supervised release permitted by §2.219. If the Commission imposes a new term of imprisonment that is equal to the maximum term of imprisonment authorized by law (or in the case of a subsequent revocation, that uses up the remainder of the maximum term of imprisonment authorized by law), the Commission may not impose a further term of supervised release.

(f) Where deemed appropriate, the Commission may depart from the guidelines at §2.21 (with respect to the imposition of a new term of imprisonment) in order to permit the imposition of a further term of supervised release.

(g) Decisions under this section shall be made upon the vote of one Commis-

## 28 CFR Ch. I (7-1-17 Edition)

sioner, except that a decision to override an examiner panel recommendation shall require the concurrence of two Commissioners. The final decision following a local revocation hearing shall be issued within 86 days of the retaking of the releasee on a supervised release violation warrant. The final decision following an institutional revocation hearing shall be issued within 21 days of the hearing, excluding weekends and holidays.

### §2.219 Maximum terms of imprisonment and supervised release.

(a) *Imprisonment; first revocation.* When a term of supervised release is revoked, the maximum authorized term of imprisonment that the Commission may require the offender to serve, in accordance with D.C. Code 24-403.01(b)(7), is determined by reference to the maximum authorized term of imprisonment for the offense of conviction. The maximum authorized term of imprisonment at the first revocation shall be:

(1) Five years, if the maximum term of imprisonment authorized for the offense is life, or if the offense is statutorily designated as a Class A felony;

(2) Three years, if the maximum term of imprisonment authorized for the offense is 25 years or more, but less than life, and the offense is not statutorily designated as a Class A felony;

(3) Two years, if the maximum term of imprisonment authorized for the offense is 5 years or more, but less than 25 years; or

(4) One year, if the maximum term of imprisonment authorized for the offense is less than 5 years.

(b) *Further term of supervised release; first revocation.* (1) When a term of supervised release is revoked, and the Commission imposes less than the maximum term of imprisonment permitted by paragraph (a) of this section, the Commission may also impose a further term of supervised release after imprisonment. A term of imprisonment is "less than the maximum authorized term of imprisonment" if the term is one day or more shorter than the maximum authorized term of imprisonment.

Department of Justice

§2.219

(2) The maximum authorized length of such further term of supervised release shall be the original maximum term of supervised release that the sentencing court was authorized to impose for the offense of conviction, less the term of imprisonment imposed by the Commission upon revocation of supervised release. The original maximum authorized term of supervised release is as follows:

- (i) Five years if the maximum term of imprisonment authorized for the offense is 25 years or more;
- (ii) Three years if the maximum term of imprisonment authorized for the offense is more than one year but less than 25 years; and
- (iii) Life if the person is required to register for life, and 10 years in any other case, if the offender has been sentenced for an offense for which registration is required by the Sex Offender Registration Act of 1999.

(3) For example, if the maximum authorized term of imprisonment at the first revocation is three years and the original maximum authorized term of supervised release is five years, the Commission may impose a three-year term of imprisonment with no supervised release to follow, or any term of imprisonment of less than three years with a further term of supervised release of five years minus the term of imprisonment actually imposed (such as a one-year term of imprisonment followed by a four-year term of supervised release, or a two-year term of imprisonment followed by a three-year term of supervised release).

(c) *Reference table.* The following table may be used in most cases as a reference to determine both the maximum authorized term of imprisonment at the first revocation and the original maximum authorized term of supervised release:

D.C. Code reference for conviction offense (former code reference in brackets)	Offense description	Original maximum authorized term of supervised release	Maximum authorized term of imprisonment at the first revocation
<i>Title 22</i>			
22-301 [22-401] .....	Arson .....	3 years .....	2 years.
22-302 [22-402] .....	Arson: own property .....	3 years .....	2 years.
22-303 [22-403] .....	Destruction of property over \$200 .....	3 years .....	2 years.
22-401 [22-501] .....	Assault: with intent to kill/rob/poison, to commit sex abuse (1st or 2nd degree) or child sex abuse.	3 years (10 years if SOR).	2 years.
22-401, 4502 [22-501, 3202] .....	Assault: with intent to kill etc. while armed *	5 years (10 years if SOR).	5 years.
22-402 [22-502] .....	Assault: with a dangerous weapon .....	3 years .....	2 years.
22-403 [22-503] .....	Assault: with intent to commit an offense other than those in §22-401.	3 years .....	2 years.
22-404(d) [22-504] .....	Stalking—2nd+ offense .....	3 years .....	1 year.
22-404.01, 4502 [22-504.1, 3202] .....	Assault; aggravated while armed * .....	5 years .....	5 years.
22-404.01(b) [22-504.1] .....	Assault; aggravated .....	3 years .....	2 years.
22-404.01(c) [22-504.1] .....	Assault: attempted aggravated .....	3 years .....	2 years.
22-405(a) [22-505] .....	Assault: on a police officer .....	3 years .....	2 years.
22-405(b) [22-505] .....	Assault: on a police officer while armed .....	3 years .....	2 years.
22-406 [22-506] .....	Mayhem/malicious disfigurement .....	3 years .....	2 years.
22-406, 4502 [22-506, 3202] .....	Mayhem/malicious disfigurement armed * .....	5 years .....	5 years.
22-501 [22-601] .....	Bigamy .....	3 years .....	2 years.
22-601 [22-3427] .....	Breaking and entering machines .....	3 years .....	1 year.
22-704(a) .....	Corrupt influence .....	3 years .....	2 years.
22-712(c) .....	Bribery: public servant .....	3 years .....	2 years.
22-713(c) .....	Bribery: witness .....	3 years .....	2 years.
22-722(b) .....	Obstructing justice * .....	5 years .....	5 years.
22-723(b) .....	Evidence tampering .....	3 years .....	1 year.
22-801(a) [22-1801] .....	Burglary 1st degree .....	5 years .....	3 years
22-801(b) [22-1801] .....	Burglary 2nd degree .....	3 years .....	2 years.
22-801, 4502 [22-1801, 3202] .....	Burglary: armed * .....	5 years .....	5 years
22-902(b)(2) [22-752] .....	Counterfeiting (see statute for offense circumstances).	3 years .....	1 year.
22-902(b)(3) [22-752] .....	Counterfeiting (see statute for offense circumstances).	3 years .....	2 years.
22-1101(a), (c)(1) [22-901] .....	Cruelty to children 1st degree .....	3 years .....	2 years.
22-1101(b), (c)(2) [22-901] .....	Cruelty to children 2nd degree .....	3 years .....	2 years.
22-1322(d) [22-1122] .....	Inciting riot (with injury) .....	3 years .....	2 years

D.C. Code reference for conviction offense (former code reference in brackets)	Offense description	Original maximum authorized term of supervised release	Maximum authorized term of imprisonment at the first revocation
22-1403 [22-1303] .....	False personation .....	3 years .....	2 years.
22-1404 [22-1304] .....	Impersonating a public official .....	3 years .....	1 year.
22-1510 [22-1410] .....	Bad checks \$100 or more .....	3 years .....	1 year.
22-1701 [22-1501] .....	Illegal lottery .....	3 years .....	1 year.
22-1704 [22-1504] .....	Gaming .....	3 years .....	2 years.
22-1710, 1711 [22-1510, 1511] .....	Bucketing: 2nd+ offense .....	3 years .....	2 years.
22-1713(a) [22-1513] .....	Corrupt influence: Athletics .....	3 years .....	2 years.
22-1803 [22-103] .....	Attempted crime of violence .....	3 years .....	2 years.
22-1804 [22-104] .....	Second conviction		
	<i>One prior conviction</i>		
	If the underlying offense is punishable by life imprisonment.	5 years .....	5 years.
	If the underlying offense is punishable by 16 <sup>2</sup> / <sub>3</sub> years or more.	5 years .....	3 years.
	If the underlying offense is punishable by 3 <sup>1</sup> / <sub>3</sub> years or more but less than 16 <sup>2</sup> / <sub>3</sub> years.	3 years .....	2 years.
	If underlying offense is punishable by less than 3 <sup>1</sup> / <sub>3</sub> years.	3 years .....	1 year.
	<i>Two or more prior convictions</i>		
	If the underlying offense is punishable by life imprisonment.	5 years .....	5 years.
	If the underlying offense is punishable by 8 <sup>1</sup> / <sub>3</sub> years or more.	5 years .....	3 years.
	If the underlying offense is punishable by 1 <sup>2</sup> / <sub>3</sub> years or more but less than 8 <sup>1</sup> / <sub>3</sub> years.	3 years .....	2 years.
	If underlying offense is punishable by less than 1 <sup>2</sup> / <sub>3</sub> years.	3 years .....	1 year.
22-1804a(a)(1) [22-104a] .....	Three strikes for felonies * .....	5 years .....	5 years.
22-1804a(a)(2) [22-104a] .....	Three strikes for violent felonies * .....	5 years .....	5 years.
22-1805 [22-105] .....	Aiding or abetting .....	same as for the offense aided or abetted.	same as for the offense aided or abetted
22-1805a(a) [22-105a] .....	Conspiracy .....	3 years .....	2 years.
	If underlying offense is punishable by less than 5 years.	3 years .....	1 year.
22-1806 [22-106] .....	Accessory after the fact		
	If the underlying offense is punishable by 10 years or more.	3 years .....	2 years.
	If the underlying offense is punishable by more than 2 years but less than 10 years.	3 years .....	1 year.
22-1807 [22-107] .....	Offenses not covered by D.C. Code .....	3 years .....	2 years.
22-1810 [22-2307] .....	Threats (felony) .....	3 years .....	2 years.
22-1901 .....	Incest .....	3 years (10 years if SOR).	2 years.
22-2001 [22-2101] .....	Kidnapping * .....	5 years .....	5 years.
22-2201, 4502 [22-2101, 3202] .....	Kidnapping: armed * .....	5 years .....	5 years.
22-2101, 2104 [22-2401, 2404] .....	Murder 1st degree * .....	5 years .....	5 years.
22-2101, 2104, 4502 [22-2401, 2404, 3202].	Murder 1st degree while armed * .....	5 years .....	5 years.
22-2102, 2104 [22-2402, 2404] .....	Murder 1st degree: obstruction of railway * .....	5 years .....	5 years.
22-2103, 2104 [22-2403, 2404] .....	Murder 2nd degree * .....	5 years .....	5 years.
22-2103, 2104, 4502 [22-2403, 2404, 3202].	Murder 2nd degree while armed * .....	5 years .....	5 years.
22-2105 [22-2405] .....	Manslaughter .....	5 years .....	3 years.
22-2105, 4502 [22-2405, 3202] .....	Manslaughter: armed * .....	5 years .....	5 years.
22-2201(e) [22-2001] .....	Obscenity: 2nd+ offense .....	3 years (10 years if SOR).	1 year.
22-2402(b) [22-2511] .....	Perjury .....	3 years .....	2 years.
22-2403 [22-2512] .....	Subornation of perjury .....	3 years .....	2 years.
22-2404(b) [22-2413] .....	False swearing .....	3 years .....	1 year.
22-2501 [22-3601] .....	Possessing implements of crime 2nd+ offense.	3 years .....	2 years.
22-2601(b) .....	Escape .....	3 years .....	2 years.
22-2603 .....	Introducing contraband into prison .....	3 years .....	2 years.

Department of Justice

§2.219

D.C. Code reference for conviction offense (former code reference in brackets)	Offense description	Original maximum authorized term of supervised release	Maximum authorized term of imprisonment at the first revocation
22-2704	Child prostitution: abducting or harboring ...	3 years (10 years if SOR).	2 years.
22-2705 to 2712	Prostitution: arranging and related offenses	3 years (10 years if child victim and SOR).	2 years.
22-2801 [22-2901]	Robbery	3 years	2 years.
22-2801, 4502 [22-2901, 3202]	Robbery: armed *	5 years	5 years.
22-2802 [22-2902]	Robbery: attempted	3 years	1 year.
22-2802, 4502 [22-2902, 3202]	Robbery: attempted while armed *	5 years	5 years.
22-2803(a) [22-2903]	Carjacking	3 years	2 years.
22-2803(b) [22-2903]	Carjacking: armed *	5 years	5 years.
22-3002 [22-4102]	Sex abuse 1st degree *	5 years (life if SOR).	5 years.
22-3002, 4502 [22-4102, 3202]	Sex abuse 1st degree while armed *	5 years (life if SOR).	5 years.
22-3003 [22-4103]	Sex abuse 2nd degree	3 years (life if SOR).	2 years.
22-3003, 4502 [22-4103, 3202]	Sex abuse 2nd degree while armed *	5 years (life if SOR).	5 years.
22-3004 [22-4104]	Sex abuse 3rd degree	3 years (10 years if SOR).	2 years.
22-3005 [22-4105]	Sex abuse 4th degree	3 years (10 years if SOR).	2 years.
22-3008 [22-4108]	Child sex abuse 1st degree *	5 years (life if SOR).	5 years.
22-3008, 3020 [22-4108, 4120]	Child sex abuse 1st degree with aggravating circumstances *	5 years (life if SOR).	5 years.
22-3008, 4502 [22-4108, 3202]	Child sex abuse 1st degree while armed * ..	5 years (10 years if SOR).	5 years.
22-3009 [22-4109]	Child sex abuse 2nd degree	3 years (10 years if SOR).	2 years.
22-3009, 4502 [22-4109, 3202]	Child sex abuse 2nd degree while armed *	5 years (10 years if SOR).	5 years.
22-3010 [22-4110]	Enticing a child	3 years (10 years if SOR).	2 years.
22-3013 [22-4113]	Sex abuse ward 1st degree	3 years (10 years if SOR).	2 years.
22-3014 [22-4114]	Sex abuse ward 2nd degree	3 years (10 years if SOR).	2 years.
22-3015 [22-4115]	Sex abuse patient 1st degree	3 years (10 years if SOR).	2 years.
22-3016 [22-4116]	Sex abuse patient 2nd degree	3 years (10 years if SOR).	2 years.
22-3018 [22-4118]	Sex abuse: attempted 1st degree/child sex abuse 1st degree.	3 years (life if SOR).	2 years.
22-3018 [22-4118]	Sex abuse: other attempts		
	If offense attempted is punishable by 10 years or more.	3 years (life if SOR).	2 years.
	If the offense attempted is punishable by more than 2 years but less than 10 years.	3 years (life if SOR).	1 year.
22-3020 [22-4120]	Sex abuse 1st degree/child sex abuse 1st degree, with aggravating circumstances.	5 years (life if SOR).	5 years.
22-3020 [22-4120]	Sex abuse: other offenses with aggravating circumstances.		
	If the underlying offense is punishable by life imprisonment.	5 years (10 years if SOR).	5 years.

§2.219

28 CFR Ch. I (7–1–17 Edition)

D.C. Code reference for conviction offense (former code reference in brackets)	Offense description	Original maximum authorized term of supervised release	Maximum authorized term of imprisonment at the first revocation
	If the underlying offense is punishable by 16 <sup>2</sup> / <sub>3</sub> years or more.	5 years (10 years if SOR).	3 years.
	If the underlying offense is punishable by 3 <sup>1</sup> / <sub>3</sub> years or more but less than 16 <sup>2</sup> / <sub>3</sub> years.	3 years (10 years if SOR).	2 years.
	If underlying offense is punishable by less than 3 <sup>1</sup> / <sub>3</sub> years.	3 years (10 years if SOR).	1 year.
22–3102, 3103 [22–2012, 2013]	Sex performance with minors	3 years (10 years if SOR).	2 years.
22–3153	Terrorism—Act of Murder 1st degree	5 years	5 years.
	Murder of law enforcement officer or public safety employee.	5 years	5 years.
	Murder 2nd degree	5 years	5 years.
	Manslaughter	5 years	5 years.
	Kidnapping	5 years	5 years.
	Assault with intent to kill	5 years	3 years.
	Mayhem/malicious disfigurement	3 years	2 years.
	Arson	3 years	2 years.
	Malicious destruction of property	3 years	2 years.
	Attempt/conspiracy to commit first degree murder, murder of law enforcement officer, second degree murder, manslaughter, kidnapping.	5 years	3 years.
	Attempt/conspiracy to commit assault with intent to kill.	3 years	2 years.
	Attempt/conspiracy to commit mayhem, malicious disfigurement, arson, malicious destruction of property.	3 years	2 years.
	Providing or soliciting material support for act of terrorism.	3 years	2 years.
22–3153, 22–4502 [22–3202]	Committing any of the above acts of terrorism while armed*.	5 years	5 years.
22–3154	Manufacture/possession of weapon of mass destruction.	5 years	5 years.
	Attempt/conspiracy to possess or manufacture weapon of mass destruction.	5 years	3 years.
22–3155	Use, dissemination, or detonation of weapon of mass destruction.	5 years	5 years.
	Attempt/conspiracy to use, disseminate, or detonate weapon of mass destruction.	5 years	3 years.
22–3155, 22–4502 [22–3202]	Manufacture, possession, use or detonation of weapon of mass destruction while armed or attempts to commit such crimes while armed*.	5 years	5 years.
22–3212 [22–3812]	Theft 1st degree	3 years	2 years.
22–3214.03(d)(2) [22–3814.1]	Deceptive labeling	3 years	2 years.
22–3215(d)(1) [22–3815]	Vehicle: Unlawful use of (private)	3 years	2 years.
22–3215(d)(2) [22–3815]	Vehicle: Unlawful use of (rental)	3 years	1 year.
22–3221(a), 3222(a) [22–3821, 3822]	Fraud 1st degree \$250 or more	3 years	2 years.
22–3221(b), 3222(b) [22–3821, 3822]	Fraud 2nd degree \$250 or more	3 years	1 year.
22–3223(d)(1) [22–3823]	Fraud: credit card \$250 or more	3 years	2 years.
22–3225.02, 3225.04(a) [22–3825.2, 3825.4].	Fraud: insurance 1st degree	3 years	2 years.
22–3225.03, 3225.04(b) [22–3825.3, 3825.4].	Fraud: insurance 2nd degree	3 years	2 years.
22–3231(d) [22–3831]	Stolen Property: trafficking in	3 years	2 years.
22–3232(c)(1) [22–3832]	Stolen property: receiving (\$250 or more)	3 years	2 years.
22–3241, 3242 [22–3841, 3842]	Forgery:		
	Legal tender, public record, etc.	2 years..	
	Token, prescription	2 years.	
	Other	1 years..	
	3 years		
	3 years		
	3 years		
22–3251(b) [22–3851]	Extortion	3 years	2 years.
22–3251(b), 3252(b), 4502 [22–3851, 3852, 3202].	Extortion while armed or blackmail with threats of violence*.	5 years	5 years.

Department of Justice

§2.219

D.C. Code reference for conviction offense (former code reference in brackets)	Offense description	Original maximum authorized term of supervised release	Maximum authorized term of imprisonment at the first revocation
22-3252(b) [22-3852] .....	Blackmail .....	3 years .....	2 years.
22-3303 [22-3103] .....	Grave robbing .....	3 years .....	1 year.
22-3305 [22-3105] .....	Destruction of property by explosives .....	3 years .....	2 years.
22-3318 [22-3318] .....	Water pollution (malicious) .....	3 years .....	1 year.
22-3319 [22-3119] .....	Obstructing railways .....	3 years .....	2 years.
22-3601 [22-3901] .....	Senior citizen victim of robbery, attempted robbery, theft, attempted theft, extortion, and fraud.		
	If the underlying offense is punishable by life imprisonment.	5 years .....	5 years.
	If the underlying offense is punishable by 16 <sup>2</sup> / <sub>3</sub> years or more.	5 years .....	3 years.
	If the underlying offense is punishable by 3 <sup>1</sup> / <sub>3</sub> years or more but less than 16 <sup>2</sup> / <sub>3</sub> years.	3 years .....	2 years.
	If the underlying offense is punishable by less than 3 <sup>1</sup> / <sub>3</sub> years.	3 years .....	1 year.
22-3602 [22-3902] .....	Citizen patrol victim of various violent offenses.		
	If the underlying offense is punishable by life imprisonment.	5 years .....	5 years.
	If the underlying offense is punishable by 16 <sup>2</sup> / <sub>3</sub> years or more.	5 years .....	3 years.
	If the underlying offense is punishable by 3 <sup>1</sup> / <sub>3</sub> years or more but less than 16 <sup>2</sup> / <sub>3</sub> years.	3 years .....	2 years.
	If the underlying offense is punishable by less than 3 <sup>1</sup> / <sub>3</sub> years.	3 years .....	1 year.
22-3703 [22-4003] .....	Bias-related crime		
	If underlying offense is punishable by life imprisonment.	5 years .....	5 years.
	If underlying offense is punishable by 16 <sup>2</sup> / <sub>3</sub> years.	5 years .....	3 years.
	If underlying offense is punishable by more than or equal to 3 <sup>1</sup> / <sub>3</sub> years but less than 16 <sup>2</sup> / <sub>3</sub> years.	3 years .....	2 years.
	If underlying offense is punishable by less than 3 <sup>1</sup> / <sub>3</sub> years.	3 years .....	1 year.
22-4015 [24-2235] .....	Sex offender, failure to register (2nd offense).	3 years .....	2 years.
22-4502 [22-3202] .....	Violent crimes: committing or attempting to commit while armed.	5 years .....	5 years.
22-4502.01 [22-3202.1] .....	Gun-free zone violations		
	If underlying offense is a violation of 22-4504.	3 years .....	2 years.
	If underlying offense is a violation of 22-4504(b) (possession of firearm while committing crime of violence or dangerous crime).	5 years .....	3 years.
22-4503 [22-3203] .....	Pistol: unlawful possession by a felon, etc. 2nd+ offense.	3 years .....	2 years.
22-4504(a)(1)-(2) [22-3204] .....	Pistol: carrying without a license .....	3 years .....	2 years.
22-4504(b) [22-3204] .....	Firearm: possession while committing crime of violence or dangerous crime.	3 years .....	2 years.
22-4514 [22-3214] .....	Prohibited weapon: possession of 2nd+ offense.	3 years .....	2 years.
22-4515a [22-3215a] .....	Molotov cocktails—1st or 2nd offense .....	3 years .....	2 years.
	3rd offense .....	5 years .....	5 years.
<i>Title 23</i>			
23-1327(a)(1) .....	Bail Reform Act .....	3 years .....	2 years.
23-1328(a)(1) .....	Committing a felony on release .....	3 years .....	2 years.
<i>Title 48</i>			
48-904.01(a)-(b) [33-541] .....	Drugs: distribute or possess with intent to distribute		
	If schedule I or II narcotics or abusive drugs (e.g., heroin, cocaine, PCP, methamphetamine).	5 years .....	3 years.
	If schedule I or II drugs other than above (e.g., marijuana/hashish), or schedule III drugs.	3 years .....	2 years.

§2.219

28 CFR Ch. I (7-1-17 Edition)

D.C. Code reference for conviction offense (former code reference in brackets)	Offense description	Original maximum authorized term of supervised release	Maximum authorized term of imprisonment at the first revocation
48-904.01, 22-4502 [33-541, 22-3202]	If schedule IV drugs ..... Drugs: distribute or possess with intent to distribute while armed*.	3 years ..... 5 years .....	1 year. 5 years.
48-904.03 [33-543] .....	Drugs: acquiring by fraud .....	3 years .....	1 year.
48-904.03a [33-543a] .....	Drugs: maintaining place for manufacture or distribution.	5 years .....	3 years.
48-904.06 [33-546] .....	Drugs: distribution to minors If a schedule I or II narcotic drug (e.g., heroin or cocaine) or PCP.	5 years .....	3 years.
	If schedule I or II drugs other than above (e.g., marijuana, hashish, methamphetamine), or schedule III or IV drugs.	3 years .....	2 years.
48-904.07 [33-547] .....	If schedule V drugs .....	3 years .....	1 year.
48-904.07a [33-547.1] .....	Drugs: enlisting minors to sell .....	3 years .....	2 years.
	Drugs: distribute or possess with intent to distribute in drug-free zones.	5 years .....	3 years.
	If schedule I or II narcotics or abusive drugs (e.g., heroin, cocaine, methamphetamine, or PCP).	3 years .....	2 years.
	If schedule I or II drugs other than above (e.g., marijuana, hashish), or schedule III or IV drugs.	3 years .....	1 year.
48-904.08 [33-548] .....	Drugs: 2nd+ offense	3 years .....	1 year.
	Note: This section does not apply if the offender was sentenced under 48-904.06.		
	If schedule I or II narcotics or abusive drugs (e.g., heroin, cocaine, methamphetamine, or PCP).	5 years .....	3 years.
	If schedule I or II drugs other than above (e.g., marijuana, hashish), or schedule III or IV drugs.	3 years .....	2 years.
48-904.09 [33-549] .....	If schedule V drugs .....	3 years .....	1 year.
	Drugs: attempt/conspiracy .....	the same as for the offense that was the object of the attempt or conspiracy.	the same as for the offense that was the object of the attempt or conspiracy.
48-1103(b) [33-603] .....	Drugs: possession of drug paraphernalia with intent to deliver or sell (2nd + offense).	3 years .....	1 year.
48-1103(c) [33-603] .....	Drugs: delivering drug paraphernalia to a minor.	3 years .....	2 years.
<i>Title 50</i>			
50-2203.01 [40-713] .....	Negligent homicide (vehicular) .....	3 years .....	2 years.
50-2207.01 [40-718] .....	Smoke screens .....	3 years .....	2 years.

NOTES: (1) An asterisk next to the offense description indicates that the offense is statutorily designated as a Class A felony.  
 (2) If the defendant must register as a sex offender, the Original Maximum Authorized Term of Supervised Release is the maximum period for which the offender may be required to register as a sex offender under D.C. Code 22-4002(a) and (b) (ten years or life). See D.C. Code 24-403.01(b)(4). Sex offender registration is required for crimes such as first degree sexual abuse, and these crimes are listed in this table with the notation "10 years if SOR" or "life if SOR" as the Original Maximum Authorized Term of Supervised Release. Sex offender registration, however, may also be required for numerous crimes (such as burglary or murder) if a sexual act or contact was involved or was the offender's purpose. In such cases, the offender's status will be determined by the presence of an order from the sentencing judge certifying that the defendant is a sex offender.  
 (3) If the defendant committed the offense before 5 p.m., August 11, 2000, the maximum authorized terms of imprisonment and supervised release shall be determined by reference to 18 U.S.C. 3583.

(d) *Imprisonment; successive revocations.* (1) When the Commission revokes a term of supervised release that was imposed by the Commission after a previous revocation of supervised release, the maximum authorized term of imprisonment is the maximum term of

imprisonment permitted by paragraph (a) of this section, less the term or terms of imprisonment that were previously imposed by the Commission. In calculating such previously-imposed term or terms of imprisonment, the



Commission shall use the term as imposed without deducting any good time credits that may have been earned by the offender prior to his release from prison. In no case shall the total of successive terms of imprisonment imposed by the Commission exceed the maximum authorized term of imprisonment at the first revocation.

(2) For example, if the maximum authorized term of imprisonment at the first revocation is three years and the original maximum authorized term of supervised release is five years, the Commission at the first revocation may have imposed a one-year term of imprisonment and a further four-year term of supervised release. At the second revocation, the maximum authorized term of imprisonment will be two years, *i.e.*, the maximum authorized term of imprisonment at the first revocation (three years) minus the one-year term of imprisonment that was imposed at the first revocation.

(e) *Further term of supervised release; successive revocations.* (1) When the Commission revokes a term of supervised release that was imposed by the Commission following a previous revocation of supervised release, the Commission may also impose a further term of supervised release. The maximum authorized length of such a term of supervised release shall be the original maximum authorized term of supervised release permitted by paragraph (b) of this section, less the total of the terms of imprisonment imposed by the Commission on the same sentence (including the term of imprisonment imposed in the current revocation).

(2) For example, if the maximum authorized term of imprisonment at the first revocation is three years and the original maximum authorized term of supervised release is five years, the Commission at the first revocation may have imposed a one-year term of imprisonment and a four-year further term of supervised release. If, at a second revocation, the Commission imposes another one-year term of imprisonment, the maximum authorized further term of supervised release will be three years (the original five-year period minus the total of two years of imprisonment).

(f) *Effect of sentencing court imposing less than the original maximum authorized term of supervised release.* If the Commission has revoked supervised release, the maximum authorized period of further supervised release is determined by reference to the original maximum authorized term permitted for the offense of conviction (see paragraph (b) of this section), even if the sentencing court did not impose the original maximum authorized term permitted for the offense of conviction.

#### **§ 2.220 Appeal.**

(a) As a supervised releasee you may appeal a decision to: Change or add a special condition of supervised release, revoke supervised release, or impose a term of imprisonment or a new term of supervised release after revocation. You may not appeal one of the general conditions of release.

(b) If we add a special condition to take effect immediately upon your supervised release, you may appeal the imposition of the special condition no later than 30 days after the date you begin your supervised release. If we change or add the special condition sometime after you begin your supervised release, you may appeal within 30 days of the notice of action changing or adding the condition. You must follow the appealed condition until we change the condition in response to your appeal.

(c) You cannot appeal if we made the decision as part of an expedited revocation, or if you asked us to change or add a special condition of release.

(d) You must follow the procedures of § 2.26 in preparing your appeal. We will follow the same rule in voting on and deciding your appeal.

[79 FR 51260, Aug. 28, 2014]

### **PART 3—GAMBLING DEVICES**

Sec.

3.1 Definition.

3.2 Assistant Attorney General, Criminal Division.

3.3 Registration.

3.4 Registration to be made by letter.

3.5 Forfeiture of gambling devices.

AUTHORITY: 89 Stat. 379; 5 U.S.C. 301, sec. 2, Reorganization Plan No. 2 of 1950, 64 Stat. 1261; 3 CFR, 1949–1953 Comp.

### § 3.1

CROSS REFERENCE: For Organization Statement, Federal Bureau of Investigation, see subpart P of part 0 of this chapter.

SOURCE: Order No. 331-65, 30 FR 2316, Feb. 20, 1965, unless otherwise noted.

#### § 3.1 Definition.

For the purpose of this part, the term *Act* means the Act of January 2, 1951, 64 Stat. 1134, as amended by the Gambling Devices Act of 1962, 76 Stat. 1075, 15 U.S.C. 1171 *et seq.*

#### § 3.2 Assistant Attorney General, Criminal Division.

The Assistant Attorney General, Criminal Division, is authorized to exercise the power and authority of and to perform the functions vested in the Attorney General by the Act. (See also 28 CFR 0.55(i).)

(28 U.S.C. 509 and 510)

[Order No. 960-81, 46 FR 52354, Oct. 27, 1981]

#### § 3.3 Registration.

Persons required to register pursuant to section 3 of the Act shall register with the Assistant Attorney General, Criminal Division, Department of Justice, Washington, DC 20530.

#### § 3.4 Registration to be made by letter.

No special forms are prescribed for the purpose of registering under the Act. Registration shall be accomplished by a letter addressed to the Assistant Attorney General, Criminal Division, setting forth the information required by section 3(b)(4) of the Act. Registration should be made by registered or certified mail inasmuch as receipt of registrations will not otherwise be acknowledged. The registration requirement of the Act is an annual requirement. Any person engaged in any one or more of the activities for which registration is required under the Act must, in conformity with the provisions of the Act, register in each calendar year in which he engages in such activities.

#### § 3.5 Forfeiture of gambling devices.

For purposes of seizure and forfeiture of gambling devices see section 8 of this chapter.

[Order No. 1128-86, 51 FR 8817, Mar. 17, 1986]

### 28 CFR Ch. I (7-1-17 Edition)

## PART 4—PROCEDURE GOVERNING APPLICATIONS FOR CERTIFICATES OF EXEMPTION UNDER THE LABOR-MANAGEMENT REPORTING AND DISCLOSURE ACT OF 1959, AND THE EMPLOYEE RETIREMENT INCOME SECURITY ACT OF 1974

Sec.

- 4.1 Definitions.
- 4.2 Who may apply for Certificate of Exemption.
- 4.3 Contents of application.
- 4.4 Supporting affidavit; additional information.
- 4.5 Character endorsements.
- 4.6 Institution of proceedings.
- 4.7 Notice of hearing; postponements.
- 4.8 Hearing.
- 4.9 Representation.
- 4.10 Waiver of oral hearing.
- 4.11 Appearance; testimony; cross-examination.
- 4.12 Evidence which may be excluded.
- 4.13 Record for decision. Receipt of documents comprising record; timing and extension.
- 4.14 Administrative law judge's recommended decision; exceptions thereto; oral argument before Commission.
- 4.15 Certificate of Exemption.
- 4.16 Rejection of application.
- 4.17 Availability of decisions.

AUTHORITY: Secs. 504, 606, 73 Stat. 536, 540 (29 U.S.C. 504, 526); and secs. 411, 507a, 88 Stat. 887, 894 (29 U.S.C. 1111, 1137).

CROSS REFERENCE: For Organization Statement, U.S. Parole Commission, see subpart V of part 0 of this chapter.

SOURCE: 44 FR 6890, Feb. 2, 1979, unless otherwise noted.

#### § 4.1 Definitions.

As used in this part:

- (a) *Labor Act* means the Labor-Management Reporting and Disclosure Act of 1959 (73 Stat. 519).
- (b) *Pension Act* means the Employee Retirement Income Security Act of 1974 (Pub. L. 93-406) (88 Stat. 829).
- (c) *Acts* means both of the above statutes.
- (d) *Commission* means the United States Parole Commission.
- (e) *Secretary* means the Secretary of Labor or his designee.
- (f) For proceedings under the "Labor Act"

## Department of Justice

## § 4.4

(1) *Employer* means the labor organization, or person engaged in an industry or activity affecting commerce, or group or association of employers dealing with any labor organization, which an applicant under § 4.2 desires to serve in a capacity for which he is ineligible under section 504(a) of the "Labor Act".

(2) All other terms used in this part shall have the same meaning as identical or comparable terms when those terms are used in the "Labor Act".

(g) For proceedings under the "Pension Act"

(1) *Employer* means the employee benefit plan with which an applicant under § 4.2 desires to serve in a capacity for which he is ineligible under section 411(a) of the "Pension Act" (29 U.S.C. section 1111).

(2) All other terms used in this part shall have the same meaning as identical or comparable terms when those terms are used in the "Pension Act".

### § 4.2 Who may apply for Certificate of Exemption.

Any person who has been convicted of any of the crimes enumerated in section 504(a) of the "Labor Act" whose service, present or prospective, as described in that section is or would be prohibited by that section because of such a conviction or a prison term resulting therefrom; or any person who has been convicted of any of the crimes enumerated in section 411(a) of the "Pension Act" (29 U.S.C. section 1111) whose service, present or prospective, as described in that section is or would be prohibited by that section because of such a conviction or a prison term resulting therefrom, may apply to the Commission for a Certificate of Exemption from such a prohibition under the applicable Act.

### § 4.3 Contents of application.

A person applying for a Certificate of Exemption shall file with the Office of General Counsel, U.S. Parole Commission, 5550 Friendship Boulevard, Chevy Chase, Maryland 20815-7286, a signed application under oath, in seven copies, which shall set forth clearly and completely the following information:

(a) The name and address of the applicant and any other names used by the applicant and dates of such use.

(b) A statement of all convictions and imprisonments which prohibit the applicant's service under the provisions of the applicable Act.

(c) Whether any citizenship rights were revoked as a result of conviction or imprisonment and if so the name of the court and date of judgment thereof and the extent to which such rights have been restored.

(d) The name and location of the employer and a description of the office or paid position, including the duties thereof, for which a Certificate of Exemption is sought.

(e) A full explanation of the reasons or grounds relied upon to establish that the applicant's service in the office or employment for which a Certificate of Exemption is sought would not be contrary to the purposes of the applicable Act.

(f) A statement that the applicant does not, for the purpose of the proceeding, contest the validity of any conviction.

(28 U.S.C. 509 and 510, 5 U.S.C. 301)

[44 FR 6890, Feb. 2, 1979, as amended at 46 FR 52354, Oct. 27, 1981]

### § 4.4 Supporting affidavit; additional information.

(a) Each application filed with the Commission must be accompanied by a signed affidavit, in 7 copies, setting forth the following concerning the personal history of the applicant:

(1) Place and date of birth. If the applicant was not born in the United States, the time of first entry and port of entry, whether he is a citizen of the United States, and if naturalized, when, where and how he became naturalized and the number of his Certificate of Naturalization.

(2) Extent of education, including names of schools attended.

(3) History of marital and family status, including a statement as to whether any relatives by blood or marriage are currently serving in any capacity with any employee benefit plan, or labor organization, group or association of employers dealing with labor organizations or industrial labor relations group, or currently advising or

#### § 4.5

representing any employer with respect to employee organizing, concerted activities, or collective bargaining activities.

(4) Present employment, including office or offices held, with a description of the duties thereof.

(5) History of employment, including military service, in chronological order.

(6) Licenses held, at the present time or at any time in the past five years, to possess or carry firearms.

(7) Veterans' Administration claim number and regional office handling claim, if any.

(8) A listing (not including traffic offenses for which a fine of not more than \$25 was imposed or collateral of not more than \$25 was forfeited) by date and place of all arrests, convictions for felonies, misdemeanors, or offenses and all imprisonment or jail terms resulting therefrom, together with a statement of the circumstances of each violation which led to arrest or conviction.

(9) Whether applicant was ever on probation or parole, and if so the names of the courts by which convicted and the dates of conviction.

(10) Names and locations of all employee benefit plans, labor organizations or employer groups with which the applicant has ever been associated or employed, and all employers or employee benefit plans which he has advised or represented concerning employee organizing, concerted activities, or collective bargaining activities, together with a description of the duties performed in each such employment or association.

(11) A statement of applicant's net worth, including all assets held by him or in the names of others for him, the amount of each liability owed by him or by him together with any other person and the amount and source of all income during the immediately preceding five calendar years plus income to date of application.

(12) Any other information which the applicant feels will assist the Commission in making its determination.

(b) The Commission may require of the applicant such additional information as it deems appropriate for the

#### 28 CFR Ch. I (7-1-17 Edition)

proper consideration and disposition of his application.

#### § 4.5 Character endorsements.

Each application filed with the Commission must be accompanied by letters or other forms of statement (in three copies) from six persons addressed to the Chairman, U.S. Parole Commission, attesting to the character and reputation of the applicant. The statement as to character shall indicate the length of time the writer has known applicant, and shall describe applicant's character traits as they relate to the position for which the exemption is sought and the duties and responsibilities thereof. The statement as to reputation shall attest to applicant's reputation in his community or in his circle of business or social acquaintances. Each letter or other form of statement shall indicate that it has been submitted in compliance with procedures under the respective Act and that applicant has informed the writer of the factual basis of his application. The persons submitting letters or other forms of statement shall not include relatives by blood or marriage, prospective employers, or persons serving in any official capacity with an employee benefit plan, labor organization, group or association of employers dealing with labor organizations or industrial labor relations group.

#### § 4.6 Institution of proceedings.

All applications and supporting documents received by the Commission shall be reviewed for completeness by the Office of General Counsel of the Parole Commission and if complete and fully in compliance with the regulations of this part the Office of General Counsel shall accept them for filing. Applicant and/or his representative will be notified by the Office of General Counsel of any deficiency in the application and supporting documents. The amount of time allowed for deficiencies to be remedied will be specified in said notice. In the event such deficiencies are not remedied within the specified period or any extension thereof, granted after application to the Commission in writing within the specified period, the application shall be deemed to have

## Department of Justice

## § 4.11

been withdrawn and notice thereof shall be given to applicant.

### § 4.7 Notice of hearing; postponements.

Upon the filing of an application, the Commission shall:

(a) Set the application for a hearing on a date within a reasonable time after its filing and notify the applicant of such date by certified mail;

(b) Give notice, as required by the respective Act, to the appropriate State, County, or Federal prosecuting officials in the jurisdiction or jurisdictions in which the applicant was convicted that an application for a Certificate of Exemption has been filed and the date for hearing thereon; and

(c) Notify the Secretary that an application has been filed and the date for hearing thereon and furnish him copies of the application and all supporting documents.

Any party may request a postponement of a hearing date in writing from the Office of General Counsel at any time prior to ten (10) days before the scheduled hearing. No request for postponement other than the first for any party will be considered unless a showing is made of cause entirely beyond the control of the requester. The granting of such requests will be within the discretion of the Commission. In the event of a failure to appear on the hearing date as originally scheduled or extended, the absent party will be deemed to have waived his right to a hearing. The hearing will be conducted with the parties present participating and documentation, if any, of the absent party entered into the record.

### § 4.8 Hearing.

The hearing on the application shall be held at the offices of the Commission in Washington, DC, or elsewhere as the Commission may direct. The hearing shall be held before the Commission, before one or more Commissioners, or before one or more administrative law judges appointed as provided by section 11 of the Administrative Procedure Act (5 U.S.C. 3105) as the Commission by order shall determine. Hearings shall be conducted in accordance with sections 7 and 8 of the Administrative Procedure Act (5 U.S.C. 556, 557).

### § 4.9 Representation.

The applicant may be represented before the Commission by any person who is a member in good standing of the bar of the Supreme Court of the United States or of the highest court of any State or territory of the United States, or the District of Columbia, and who is not under any order of any court suspending, enjoining, restraining, or disbaring him from, or otherwise restricting him in, the practice of law. Whenever a person acting in a representative capacity appears in person or signs a paper in practice before the Commission, his personal appearance or signature shall constitute a representation to the Commission that under the provisions of this part and applicable law he is authorized and qualified to represent the particular person in whose behalf he acts. Further proof of a person's authority to act in a representative capacity may be required. When any applicant is represented by an attorney at law, any notice or other written communication required or permitted to be given to or by such applicant shall be given to or by such attorney. If an applicant is represented by more than one attorney, service by or upon any one of such attorneys shall be sufficient.

### § 4.10 Waiver of oral hearing.

The Commission upon receipt of a statement from the Secretary that he does not object, and in the absence of any request for oral hearing from the others to whom notice has been sent pursuant to § 4.7 may grant an application without receiving oral testimony with respect to it.

### § 4.11 Appearance; testimony; cross-examination.

(a) The applicant shall appear and, except as otherwise provided in § 4.10, shall testify at the hearing and may cross-examine witnesses.

(b) The Secretary and others to whom notice has been sent pursuant to § 4.7 shall be afforded an opportunity to appear and present evidence and cross-examine witnesses, at any hearing.

(c) In the discretion of the Commission or presiding officer, other witnesses may testify at the hearing.

## § 4.12

### § 4.12 Evidence which may be excluded.

The Commission or officer presiding at the hearing may exclude irrelevant, untimely, immaterial, or unduly repetitious evidence.

### § 4.13 Record for decision. Receipt of documents comprising record; timing and extension.

(a) The application and all supporting documents, the transcript of the testimony and oral argument at the hearing, together with any exhibits received and other documents filed pursuant to these procedures and/or the Administrative Procedures Act shall be made parts of the record for decision.

(b) At the conclusion of the hearing the presiding officer shall specify the time for submission of proposed findings of fact and conclusions of law (unless waived by the parties); transcript of the hearing, and supplemental exhibits, if any. He shall set a tentative date for the recommended decision based upon the timing of these preliminary steps. Extensions of time may be requested by any party, in writing, from the Parole Commission. Failure of any party to comply with the time frame as established or extended will be deemed to be a waiver on his part of his right to submit the document in question. The adjudication will proceed and the absence of said document and reasons therefor will be noted in the record.

### § 4.14 Administrative law judge's recommended decision; exceptions thereto; oral argument before Commission.

Whenever the hearing is conducted by an administrative law judge, at the conclusion of the hearing he shall submit a recommended decision to the Commission, which shall include a statement of findings and conclusions, as well as the reasons therefor. The applicant, the Secretary and others to whom notice has been sent pursuant to § 4.7 may file with the Commission, within 10 days after having been furnished a copy of the recommended decision, exceptions thereto and reasons in support thereof. The Commission may order the taking of additional evidence and may request the applicant

## 28 CFR Ch. I (7-1-17 Edition)

and others to appear before it. The Commission may invite oral argument before it on such questions as it desires.

### § 4.15 Certificate of Exemption.

The applicant, the Secretary and others to whom notice has been sent pursuant to § 4.7 shall be served a copy of the Commission's decision and order with respect to each application. Whenever the Commission decision is that the application be granted, the Commission shall issue a Certificate of Exemption to the applicant. The Certificate of Exemption shall extend only to the stated employment with the prospective employer named in the application.

### § 4.16 Rejection of application.

No application for a Certificate of Exemption shall be accepted from any person whose application for a Certificate of Exemption has been withdrawn, deemed withdrawn due to failure to remedy deficiencies in a timely manner, or denied by the Commission within the preceding 12 months.

### § 4.17 Availability of decisions.

The Commission's Decisions under both Acts are available for examination in the Office of the U.S. Parole Commission, 5550 Friendship Boulevard, Chevy Chase, Maryland 20815-7286. Copies will be mailed upon written request to the Office of General Counsel, U.S. Parole Commission, at the above address at a cost of ten cents per page.

(28 U.S.C. 509 and 510, 5 U.S.C. 301)

[44 FR 6890, Feb. 2, 1979, as amended at 46 FR 52354, Oct. 27, 1981]

## PART 5—ADMINISTRATION AND ENFORCEMENT OF FOREIGN AGENTS REGISTRATION ACT OF 1938, AS AMENDED

Sec.

- 5.1 Administration and enforcement of the Act.
- 5.2 Inquiries concerning application of the Act.
- 5.3 Filing of a registration statement.
- 5.4 Computation of time.
- 5.5 Registration fees.
- 5.100 Definition of terms.

## Department of Justice

## § 5.2

- 5.200 Registration.
- 5.201 Exhibits.
- 5.202 Short form registration statement.
- 5.203 Supplemental statement.
- 5.204 Amendments.
- 5.205 Termination of registration.
- 5.206 Language and wording of registration statement.
- 5.207 Incorporation by reference.
- 5.208 Disclosure of foreign principals.
- 5.209 Information relating to employees.
- 5.210 Amount of detail required in information relating to registrant's activities and expenditures.
- 5.211 Sixty-day period to be covered in initial statement.
- 5.300 Burden of establishing availability of exemption.
- 5.301 Exemption under section 3(a) of the Act.
- 5.302 Exemptions under sections 3(b) and (c) of the Act.
- 5.303 Exemption available to persons accredited to international organizations.
- 5.304 Exemptions under sections 3(d) and (e) of the Act.
- 5.305 Exemption under section 3(f) of the Act.
- 5.306 Exemption under section 3(g) of the Act.
- 5.307 Exemption under 3(h) of the Act.
- 5.400 Filing of informational materials.
- 5.402 Labeling informational materials.
- 5.500 Maintenance of books and records.
- 5.501 Inspection of books and records.
- 5.600 Public examination of records.
- 5.601 Copies of records and information available.
- 5.800 Ten-day filing requirement.
- 5.801 Activity beyond 10-day period.
- 5.1101 Copies of the Report of the Attorney General.

AUTHORITY: 28 U.S.C. 509, 510; Section 1, 56 Stat. 248, 257 (22 U.S.C. 620); title I, Pub. L. 102-395, 106 Stat. 1828, 1831 (22 U.S.C. 612 note).

SOURCE: Order No. 376-67, 32 FR 6362, Apr. 22, 1967, unless otherwise noted.

### § 5.1 Administration and enforcement of the Act.

(a) The administration and enforcement of the Foreign Agents Registration Act of 1938, as amended (22 U.S.C. 611-621) (Act), subject to the general supervision and direction of the Attorney General, is assigned to, and conducted, handled, and supervised by, the Assistant Attorney General for National Security.

(b) The Assistant Attorney General for National Security is authorized to prescribe such forms, in addition to or in lieu of those specified in the regula-

tions in this part, as may be necessary to carry out the purposes of this part.

(c) Copies of the Act, and of the rules, regulations, and forms prescribed pursuant to the Act, and information concerning the foregoing may be obtained upon request without charge from the National Security Division, Department of Justice, Washington, DC 20530.

[Order No. 2865-2007, 72 FR 10068, Mar. 7, 2007]

### § 5.2 Inquiries concerning application of the Act.

(a) *General.* Any present or prospective agent of a foreign principal, or the agent's attorney, may request from the Assistant Attorney General for National Security a statement of the present enforcement intentions of the Department of Justice under the Act with respect to any presently contemplated activity, course of conduct, expenditure, receipt of money or thing of value, or transaction, and specifically with respect to whether the same requires registration and disclosure pursuant to the Act, or is excluded from coverage or exempted from registration and disclosure under any provision of the Act.

(b) *Anonymous, hypothetical, non-party and ex post facto review requests excluded.* The entire transaction which is the subject of the review request must be an actual, as opposed to hypothetical, transaction and involve disclosed, as opposed to anonymous, agents and principals. Review requests must be submitted by a party to the transaction or the party's attorney, and have no application to a party that does not join in the request. A review request may not involve only past conduct.

(c) *Fee.* All requests for statements of the Department's present enforcement intentions must be accompanied by a non-refundable filing fee submitted in accordance with § 5.5.

(d) *Address.* A review request must be submitted in writing to the Assistant Attorney General for National Security, Department of Justice, Washington, DC 20530.

(e) *Contents.* A review request shall be specific and contain in detail all relevant and material information bearing on the actual activity, course of conduct, expenditure, receipt of money

### § 5.3

### 28 CFR Ch. I (7-1-17 Edition)

or thing of value, or transaction for which review is requested. There is no prescribed format for the request, but each request must include:

(1) The identity(ies) of the agent(s) and foreign principal(s) involved;

(2) The nature of the agent's activities for or in the interest of the foreign principal;

(3) A copy of the existing or proposed written contract with the foreign principal or a full description of the terms and conditions of each existing or proposed oral agreement; and

(4) The applicable statutory or regulatory basis for the exemption or exclusion claimed.

(f) *Certification.* If the requesting party is an individual, the review request must be signed by the prospective or current agent, or, if the requesting party is not an individual, the review request must be signed on behalf of each requesting party by an officer, a director, a person performing the functions of an officer or a director of, or an attorney for, the requesting party. Each such person signing the review request must certify that the review request contains a true, correct and complete disclosure with respect to the proposed conduct.

(g) *Additional information.* Each party shall provide any additional information or documents the National Security Division may thereafter request in order to review a matter. Any information furnished orally shall be confirmed promptly in writing, signed by the same person who signed the initial review request and certified to be a true, correct and complete disclosure of the requested information.

(h) *Outcomes.* After submission of a review request, the National Security Division, in its discretion, may state its present enforcement intention under the Act with respect to the proposed conduct; may decline to state its present enforcement intention; or, if circumstances warrant, may take such other position or initiate such other action as it considers appropriate. Any requesting party or parties may withdraw a review request at any time. The National Security Division remains free, however, to submit such comments to the requesting party or parties as it deems appropriate. Failure to

take action after receipt of a review request, documents or information, whether submitted pursuant to this procedure or otherwise, shall not in any way limit or stop the National Security Division from taking any action at such time thereafter as it deems appropriate. The National Security Division reserves the right to retain any review request, document or information submitted to it under this procedure or otherwise and to use any such request, document or information for any governmental purpose.

(i) *Time for response.* The National Security Division shall respond to any review request within 30 days after receipt of the review request and of any requested additional information and documents.

(j) *Written decisions only.* The requesting party or parties may rely only upon a written Foreign Agents Registration Act review letter signed by the Assistant Attorney General for National Security or his delegate.

(k) *Effect of review letter.* Each review letter can be relied upon by the requesting party or parties to the extent the disclosure was accurate and complete and to the extent the disclosure continues accurately and completely to reflect circumstances after the date of issuance of the review letter.

(l) *Compliance.* Neither the submission of a review request, nor its pendency, shall in any way alter the responsibility of the party or parties to comply with the Act.

(m) *Confidentiality.* Any written material submitted pursuant to a request made under this section shall be treated as confidential and shall be exempt from disclosure.

[Order No. 1757-93, 58 FR 37418, July 12, 1993, as amended by Order No. 2865-2007, 72 FR 10068, Mar. 7, 2007]

### § 5.3 Filing of a registration statement.

All statements, exhibits, amendments, and other documents and papers required to be filed under the Act or under this part shall be submitted in triplicate to the Registration Unit. An original document and two duplicates meeting the requirements of Rule 1001(4), Federal Rules of Evidence (28 U.S.C. Appendix), shall be deemed to meet this requirement. Filing of such



## Department of Justice

## § 5.5

documents may be made in person or by mail, and they shall be deemed to be filed upon their receipt by the Registration Unit.

[Order No. 376-67, 32 FR 6362, Apr. 22, 1967, as amended by Order No. 523-73, 38 FR 18235, July 9, 1973; Order No. 1757-93, 58 FR 37419, July 12, 1993]

### § 5.4 Computation of time.

Sundays and holidays shall be counted in computing any period of time prescribed in the Act or in the rules and regulations in this part.

### § 5.5 Registration fees.

(a) A registrant shall pay a registration fee with each initial registration statement filed under § 5.200 and each supplemental registration statement under § 5.203 at the time such registration statement is filed. The registration fee may be paid by cash or by check or money order made payable to "FARA Registration Unit". The Registration Unit, in its discretion, may require that the fee be paid by a certified or cashier's check or by a United States Postal money order.

(b) Payment of fees shall accompany any order for copies or request for information, and all applicable fees shall be collected before copies or information will be made available. Payment may be made by cash or by check or money order made payable to "FARA Registration Unit". The Registration Unit, in its discretion, may require that the fee be paid by a certified or cashier's check or by a United States Postal money order.

(c) Registration fees shall be waived in whole or in part, as appropriate, in the case of any individual person required to register under the Act who has demonstrated to the satisfaction of the Registration Unit that he or she is financially unable to pay the fees in their entirety. An individual seeking to avail himself or herself of this provision shall file with the registration statement a declaration made in compliance with section 1746 of title 28, United States Code, setting forth the information required by Form 4, Federal Rules of Appellate Procedure (28 U.S.C. appendix).

(d) The fees shall be as follows:

(1) For initial registration statements (including an exhibit A for one foreign principal) under § 5.200: \$305.00;

(2) For supplemental registration statements under § 5.203: \$305.00 per foreign principal;

(3) For exhibit A under § 5.201(a)(1): \$305.00 per foreign principal not currently reported under § 5.200 or § 5.203;

(4) For exhibit B under § 5.201(a)(2): no fee;

(5) For exhibits C and D (no forms) under § 5.201: no fee;

(6) For short-form registration statements under § 5.202: no fee;

(7) For amendments under § 5.204: no fee;

(8) For statements of present enforcement intentions under § 5.2: \$96.00 per review request;

(9) For each quarter hour of search time under § 5.601: \$4.00;

(10) For copies of registration statements and supplements, amendments, exhibits thereto, dissemination reports, informational materials, and copies of political propaganda and other materials contained in the public files, under § 5.601: fifty cents (\$.50) per copy of each page of the material requested;

(11) For copies of registration statements and supplements, amendments, exhibits thereto, dissemination reports, informational materials, and copies of political propaganda and other materials contained in the public files, produced by computer, such as tapes or printouts, under § 5.601: actual direct cost of producing the copy, including the apportionable salary costs; and

(12) For computer searches of records through the use of existing programming: Direct actual costs, including the cost of operating a central processing unit for that portion of operating time that is directly attributable to searching for records responsive to a request and the salary costs apportionable to the search.

(e) The cost of delivery of any document by the Registration Unit by any means other than ordinary mail shall be charged to the requester at a rate sufficient to cover the expense to the Registration Unit.

(f) The Assistant Attorney General is hereby authorized to adjust the fees established by this section from time to time to reflect and recover the costs of the administration of the Registration Unit under the Act.

(g) Fees collected under this provision shall be available for the support of the Registration Unit.

(h) Notwithstanding § 5.3, no document required to be filed under the Act shall be deemed to have been filed unless it is accompanied by the applicable fee except as provided by paragraph (c) of this section.

[Order No. 1757-93, 58 FR 37419, July 12, 1993, as amended by Order No. 2674-2003, 68 FR 33630, June 5, 2003]

#### § 5.100 Definition of terms.

(a) As used in this part:

(1) The term *Act* means the Foreign Agents Registration Act of 1938, as amended (22 U.S.C. 611-621).

(2) The term *Attorney General* means the Attorney General of the United States.

(3) The term *Assistant Attorney General* means the Assistant Attorney General for National Security, Department of Justice, Washington, DC 20530.

(4) The term *Secretary of State* means the Secretary of State of the United States.

(5) The term *rules and regulations* includes the regulations in this part and all other rules and regulations prescribed by the Attorney General pursuant to the Act and all registration forms and instructions thereon that may be prescribed by the regulations in this part or by the Assistant Attorney General for National Security.

(6) The term *registrant* means any person who has filed a registration statement with the Registration Unit, pursuant to section 2(a) of the Act and § 5.3.

(7) Unless otherwise specified, the term *agent of a foreign principal* means an agent of a foreign principal required to register under the Act.

(8) The term *foreign principal* includes a person any of whose activities are directed or indirectly supervised, directed, controlled, financed, or subsidized in whole or in major part by a foreign principal as that term is defined in section 1(b) of the Act.

(9) The term *initial statement* means the statement required to be filed with the Attorney General under section 2(a) of the Act.

(10) The term *supplemental statement* means the supplement required to be filed with the Attorney General under section 2(b) of the Act at intervals of 6 months following the filing of the initial statement.

(11) The term *final statement* means the statement required to be filed with the Attorney General following the termination of the registrant's obligation to register.

(12) The term *short form registration statement* means the registration statement required to be filed by certain partners, officers, directors, associates, employees, and agents of a registrant.

(b) As used in the Act, the term *control* or any of its variants shall be deemed to include the possession or the exercise of the power, directly or indirectly, to determine the policies or the activities of a person, whether through the ownership of voting rights, by contract, or otherwise.

(c) The term *agency* as used in sections 1(c), 1(o), 3(g), and 4(e) of the Act shall be deemed to refer to every unit in the executive and legislative branches of the Government of the United States, including committees of both Houses of Congress.

(d) The term *official* as used in sections 1(c), 1(o), 3(g), and 4(e) of the Act shall be deemed to include Members and officers of both Houses of Congress as well as officials in the executive branch of the Government of the United States.

(e) The terms *formulating, adopting, or changing*, as used in section 1(o) of the Act, shall be deemed to include any activity which seeks to maintain any existing domestic or foreign policy of the United States. They do not include making a routine inquiry of a Government official or employee concerning a current policy or seeking administrative action in a matter where such policy is not in question.

(f) The term *domestic or foreign policies of the United States*, as used in sections 1 (o) and (p) of the Act, shall be deemed to relate to existing and proposed legislation, or legislative action

## Department of Justice

## § 5.202

generally; treaties; executive agreements, proclamations, and orders; decisions relating to or affecting departmental or agency policy, and the like.

[Order No. 376-67, 32 FR 6362, Apr. 22, 1967, as amended by Order No. 523-73, 38 FR 18235, July 9, 1973; Order No. 2674-2003, 68 FR 33630, June 5, 2003; Order No. 2865-2007, 72 FR 10068, Mar. 7, 2007]

### § 5.200 Registration.

(a) Registration under the Act is accomplished by the filing of an initial statement together with all the exhibits required by § 5.201 and the filing of a supplemental statement at intervals of 6 months for the duration of the principal-agent relationship requiring registration.

(b) The initial statement shall be filed on a form provided by the Registration Unit.

(28 U.S.C. 509 and 510; 5 U.S.C. 301)

[Order No. 376-67, 32 FR 6362, Apr. 22, 1967, as amended by Order No. 960-81, 46 FR 52355, Oct. 27, 1981; Order No. 2674-2003, 68 FR 33630, June 5, 2003]

### § 5.201 Exhibits.

(a) The following described exhibits are required to be filed for each foreign principal of the registrant:

(1) *Exhibit A.* This exhibit, which shall be filed on a form provided by the Registration Unit, shall set forth the information required to be disclosed concerning each foreign principal.

(2) *Exhibit B.* This exhibit, which shall be filed on a form provided by the Registration Unit, shall set forth the agreement or understanding between the registrant and each of his foreign principals as well as the nature and method of performance of such agreement or understanding and the existing or proposed activities engaged in or to be engaged in, including political activities, by the registrant for the foreign principal.

(b) Any change in the information furnished in exhibit A or B shall be reported to the Registration Unit within 10 days of such change. The filing of a new exhibit may then be required by the Assistant Attorney General.

(c) Whenever the registrant is an association, corporation, organization, or any other combination of individuals,

the following documents shall be filed as exhibit C:

(1) A copy of the registrant's charter, articles of incorporation or association, or constitution, and a copy of its bylaws, and amendments thereto;

(2) A copy of every other instrument or document, and a statement of the terms and conditions of every oral agreement, relating to the organization, powers and purposes of the registrant.

(d) The requirement to file any of the documents described in paragraphs (c) (1) and (2) of this section may be wholly or partially waived upon written application by the registrant to the Assistant Attorney General setting forth fully the reasons why such waiver should be granted.

(e) Whenever a registrant, within the United States, receives or collects contributions, loans, money, or other things of value, as part of a fund-raising campaign, for or in the interests of his foreign principal, he shall file as exhibit D a statement so captioned setting forth the amount of money or the value of the thing received or collected, the names and addresses of the persons from whom such money or thing of value was received or collected, and the amount of money or a description of the thing of value transmitted to the foreign principal as well as the manner and time of such transmission.

(28 U.S.C. 509 and 510; 5 U.S.C. 301)

[Order No. 376-67, 32 FR 6362, Apr. 22, 1967, as amended by Order No. 523-73, 38 FR 18235, July 9, 1973; Order No. 960-81, 46 FR 52355, Oct. 27, 1981; Order No. 2674-2003, 68 FR 33630, June 5, 2003]

### § 5.202 Short form registration statement.

(a) Except as provided in paragraphs (b), (c), and (d) of this section, each partner, officer, director, associate, employee, and agent of a registrant is required to file a registration statement under the Act. Unless the Assistant Attorney General specifically directs otherwise, this obligation may be satisfied by the filing of a short form registration statement.

(b) A partner, officer, director, associate, employee, or agent of a registrant who does not engage directly in

## § 5.203

registrable activity in furtherance of the interests of the foreign principal is not required to file a short form registration statement.

(c) An employee or agent of a registrant whose services in furtherance of the interests of the foreign principal are rendered in a clerical, secretarial, or in a related or similar capacity, is not required to file a short form registration statement.

(d) Whenever the agent of a registrant is a partnership, association, corporation, or other combination of individuals, and such agent is not within the exemption of paragraph (b) of this section, only those partners, officers, directors, associates, and employees who engage directly in activity in furtherance of the interests of the registrant's foreign principal are required to file a short form registration statement.

(e) The short form registration statement shall be filed on Form OBD-66. Any change affecting the information furnished with respect to the nature of the services rendered by the person filing the statement, or the compensation he receives, shall require the filing of a new short form registration statement within 10 days after the occurrence of such change. There is no requirement to file exhibits or supplemental statements to a short form registration statement.

(28 U.S.C. 509 and 510; 5 U.S.C. 301)

[Order No. 376-67, 32 FR 6362, Apr. 22, 1967, as amended by Order No. 960-81, 46 FR 52355, Oct. 27, 1981; Order No. 2674-2003, 68 FR 33630, June 5, 2003]

### § 5.203 Supplemental statement.

(a) Supplemental statements shall be filed on a form provided by the Registration Unit.

(b) The obligation to file a supplemental statement at 6-month intervals during the agency relationship shall continue even though the registrant has not engaged during the period in any activity in the interests of his foreign principal.

(c) The time within which to file a supplemental statement may be extended for sufficient cause shown in a

## 28 CFR Ch. I (7-1-17 Edition)

written application to the Assistant Attorney General.

(28 U.S.C. 509 and 510; 5 U.S.C. 301)

[Order No. 376-67, 32 FR 6362, Apr. 22, 1967, as amended by Order No. 960-81, 46 FR 52355, Oct. 27, 1981; Order No. 2674-2003, 68 FR 33630, June 5, 2003]

### § 5.204 Amendments.

(a) An initial, supplemental, or final statement which is deemed deficient by the Assistant Attorney General must be amended upon his request. Such amendment shall be filed upon a form provided by the Registration Unit and shall identify the item of the statement to be amended.

(b) A change in the information furnished in an initial or supplemental statement under clauses (3), (4), (6), and (9) of section 2(a) of the Act shall be by amendment, unless the notice which is required to be given of such change under section 2(b) is deemed sufficient by the Assistant Attorney General.

(28 U.S.C. 509 and 510; 5 U.S.C. 301)

[Order No. 376-67, 32 FR 6362, Apr. 22, 1967, as amended by Order No. 960-81, 46 FR 52355, Oct. 27, 1981; Order No. 2674-2003, 68 FR 33630, June 5, 2003]

### § 5.205 Termination of registration.

(a) A registrant shall, within 30 days after the termination of his obligation to register, file a final statement on the supplemental statement form with the Registration Unit for the final period of the agency relationship not covered by any previous statement.

(b) Registration under the Act shall be terminated upon the filing of a final statement, if the registrant has fully discharged all his obligations under the Act.

(c) A registrant whose activities on behalf of each of his foreign principals become confined to those for which an exemption under section 3 of the Act is available may file a final statement notwithstanding the continuance of the agency relationship with the foreign principals.

(d) Registration under the Act may be terminated upon a finding that the registrant is unable to file the appropriate forms to terminate the registration as a result of the death, disability, or dissolution of the registrant or

## Department of Justice

## § 5.301

where the requirements of the Act cannot be fulfilled by a continuation of the registration.

(28 U.S.C. 509 and 510; 5 U.S.C. 301)

[Order No. 376-67, 32 FR 6362, Apr. 22, 1967, as amended by Order No. 523-73, 38 FR 18235, July 9, 1973; Order No. 960-81, 46 FR 52355, Oct. 27, 1981; Order No. 1757-93, 58 FR 37419, July 12, 1993; Order No. 2674-2003, 68 FR 33630, June 5, 2003]

### § 5.206 Language and wording of registration statement.

(a) Except as provided in the next sentence, each statement, amendment, exhibit, or notice required to be filed under the Act shall be submitted in the English language. An exhibit may be filed even though it is in a foreign language if it is accompanied by an English translation certified under oath by the translator before a notary public, or other person authorized by law to administer oaths for general purposes, as a true and accurate translation.

(b) A statement, amendment, exhibit, or notice required to be filed under the Act should be typewritten, but will be accepted for filing if it is written legibly in ink, or if it is filed in an electronic format acceptable to the Registration Unit.

(c) Copies of any document made by any of the duplicating processes may be filed pursuant to the Act if they are clear and legible.

(d) A response shall be made to every item on each pertinent form, unless a registrant is specifically instructed otherwise in the form. Whenever the item is inapplicable or the appropriate response to an item is "none," an express statement to that effect shall be made.

[Order No. 376-67, 32 FR 6362, Apr. 22, 1967, as amended by Order No. 2674-2003, 68 FR 33630, June 5, 2003]

### § 5.207 Incorporation by reference.

(a) Each initial, supplemental, and final statement shall be complete in and of itself. Incorporation of information by reference to statements previously filed is not permissible.

(b) Whenever insufficient space is provided for response to any item in a form, reference shall be made in such space to a full insert page or pages on

which the item number and inquiry shall be restated and a complete answer given. Inserts and riders of less than full page size should not be used.

### § 5.208 Disclosure of foreign principals.

A registrant who represents more than one foreign principal is required to list in the statements he files under the Act only those foreign principals for whom he is not entitled to claim exemption under section 3 of the Act.

### § 5.209 Information relating to employees.

A registrant shall list in the statements he files under the Act only those employees whose duties require them to engage directly in activities in furtherance of the interests of the foreign principal.

### § 5.210 Amount of detail required in information relating to registrant's activities and expenditures.

A statement is "detailed" within the meaning of clauses 6 and 8 of section 2 (a) of the Act when it has that degree of specificity necessary to permit meaningful public evaluation of each of the significant steps taken by a registrant to achieve the purposes of the agency relation.

### § 5.211 Sixty-day period to be covered in initial statement.

The 60-day period referred to in clauses 5, 7, and 8 of section 2(a) of the Act shall be measured from the time that a registrant has incurred an obligation to register and not from the time that he files his initial statement.

### § 5.300 Burden of establishing availability of exemption.

The burden of establishing the availability of an exemption from registration under the Act shall rest upon the person for whose benefit the exemption is claimed.

### § 5.301 Exemption under section 3(a) of the Act.

(a) A consular officer of a foreign government shall be considered duly accredited under section 3(a) of the Act whenever he has received formal recognition as such, whether provisionally

## § 5.302

or by exequatur, from the Secretary of State.

(b) The exemption provided by section 3(a) of the Act to a duly accredited diplomatic or consular officer is personal and does not include within its scope an office, bureau, or other entity.

### § 5.302 Exemptions under sections 3(b) and (c) of the Act.

The exemptions provided by sections 3(b) and (c) of the Act shall not be available to any person described therein unless he has filed with the Secretary of State a fully executed Notification of Status with a Foreign Government (Form D.S. 394).

### § 5.303 Exemption available to persons accredited to international organizations.

Persons designated by foreign governments as their representatives in or to an international organization, other than nationals of the United States, are exempt from registration under the Act in accordance with the provisions of the International Organizations Immunities Act, if they have been duly notified to and accepted by the Secretary of State as such representatives, officers, or employees, and if they engage exclusively in activities which are recognized as being within the scope of their official functions.

### § 5.304 Exemptions under sections 3(d) and (e) of the Act.

(a) As used in section 3(d), the term *trade or commerce* shall include the exchange, transfer, purchase, or sale of commodities, services, or property of any kind.

(b) For the purpose of section 3(d) of the Act, activities of an agent of a foreign principal as defined in section 1(c) of the Act, in furtherance of the bona fide trade or commerce of such foreign principal, shall be considered "private," even though the foreign principal is owned or controlled by a foreign government, so long as the activities do not directly promote the public or political interests of the foreign government.

(c) For the purpose of section 3(d)(2) of the Act, a person engaged in political activities on behalf of a foreign corporation, even if owned in whole or

## 28 CFR Ch. I (7-1-17 Edition)

in part by a foreign government, will not be serving predominantly a foreign interest where the political activities are directly in furtherance of the bona fide commercial, industrial, or financial operations of the foreign corporation, so long as the political activities are not directed by a foreign government or foreign political party and the political activities do not directly promote the public or political interests of a foreign government or of a foreign political party.

(d) The exemption provided by section 3(e) of the Act shall not be available to any person described therein if he engages in political activities as defined in section 1(o) of the Act for or in the interests of his foreign principal.

[Order No. 376-67, 32 FR 6362, Apr. 22, 1967, as amended by Order No. 463-71, 36 FR 12212, June 29, 1971; Order No. 2674-2003, 68 FR 33630, June 5, 2003]

### § 5.305 Exemption under section 3(f) of the Act.

The exemption provided by section 3(f) of the Act shall not be available unless the President has, by publication in the FEDERAL REGISTER, designated for the purpose of this section the country the defense of which he deems vital to the defense of the United States.

### § 5.306 Exemption under section 3(g) of the Act.

For the purpose of section 3(g) of the Act—

(a) Attempts to influence or persuade agency personnel or officials other than in the course of judicial proceedings, criminal or civil law enforcement inquiries, investigations, or proceedings, or agency proceedings required by statute or regulation to be conducted on the record, shall include only such attempts to influence or persuade with reference to formulating, adopting, or changing the domestic or foreign policies of the United States or with reference to the political or public interests, policies, or relations of a government of a foreign country or a foreign political party; and

(b) If an attorney engaged in legal representation of a foreign principal

## Department of Justice

## § 5.402

before an agency of the U.S. Government is not otherwise required to disclose the identity of his principal as a matter of established agency procedure, he must make such disclosure, in conformity with this section of the Act, to each of the agency's personnel or officials before whom and at the time his legal representation is undertaken. The burden of establishing that the required disclosure was made shall fall upon the person claiming the exemption.

[Order No. 376-67, 32 FR 6362, Apr. 22, 1967, as amended by Order No. 463-71, 36 FR 12212, June 29, 1971; Order No. 2674-2003, 68 FR 33630, June 5, 2003]

### § 5.307 Exemption under 3(h) of the Act.

For the purpose of section 3(h) of the Act, the burden of establishing that registration under the Lobbying Disclosure Act of 1995, 2 U.S.C. 1601 *et seq.* (LDA), has been made shall fall upon the person claiming the exemption. The Department of Justice will accept as prima facie evidence of registration a duly executed registration statement filed pursuant to the LDA. In no case where a foreign government or foreign political party is the principal beneficiary will the exemption under 3(h) be recognized.

[Order No. 2674-2003, 68 FR 33631, June 5, 2003]

### § 5.400 Filing of informational materials.

(a) The informational materials required to be filed with the Attorney General under section 4(a) of the Act shall be filed with the Registration Unit no later than 48 hours after the beginning of the transmittal of the informational materials.

(b) Whenever informational materials have been filed pursuant to section 4(a) of the Act, an agent of a foreign principal shall not be required, in the event of further dissemination of the same materials, to forward additional copies thereof to the Registration Unit.

(c) Unless specifically directed to do so by the Assistant Attorney General, a registrant is not required to file a copy of a motion picture which he disseminates on behalf of his foreign principal, so long as he files monthly re-

ports on its dissemination. In each such case this registrant shall submit to the Registration Unit either a film strip showing the label required by section 4(b) of the Act or an affidavit certifying that the required label has been made a part of the film.

[Order No. 376-67, 32 FR 6362, Apr. 22, 1967, as amended by Order No. 523-73, 38 FR 18235, July 9, 1973; Order No. 568-74, 39 FR 18646, May 29, 1974; Order No. 2674-2003, 68 FR 33631, June 5, 2003]

### § 5.402 Labeling informational materials.

(a) Within the meaning of this part, informational materials shall be deemed labeled whenever they have been marked or stamped conspicuously at their beginning with a statement setting forth such information as is required under section 4(b) of the Act.

(b) Informational materials which are required to be labeled under section 4(b) of the Act and which are in the form of prints shall be marked or stamped conspicuously at the beginning of such materials with a statement in the language or languages used therein, setting forth such information as is required under section 4(b) of the Act.

(c) Informational materials required to be labeled under section 4(b) of the Act but which are not in the form of prints shall be accompanied by a statement setting forth such information as is required under section 4(b) of the Act.

(d) Informational materials that are televised or broadcast, or which are caused to be televised or broadcast, by an agent of a foreign principal, shall be introduced by a statement which is reasonably adapted to convey to the viewers or listeners thereof such information as is required under section 4(b) of the Act.

(e) An agent of a foreign principal who transmits or causes to be transmitted in the U.S. mails or by any means or instrumentality of interstate or foreign commerce a still or motion picture film which contains informational materials shall insert at the beginning of such film a statement which is reasonably adapted to convey to the viewers thereof such information as is required under section 4(b) of the Act.

## § 5.500

(f) For the purpose of section 4(e) of the Act, the statement that must preface or accompany informational materials or a request for information shall be in writing.

[Order No. 376-67, 32 FR 6362, Apr. 22, 1967, as amended by Order No. 2674-2003, 68 FR 33631, June 5, 2003]

### § 5.500 Maintenance of books and records.

(a) A registrant shall keep and preserve in accordance with the provisions of section 5 of the Act the following books and records:

(1) All correspondence, memoranda, cables, telegrams, teletype messages, and other written communications to and from all foreign principals and all other persons, relating to the registrant's activities on behalf of, or in the interest of any of his foreign principals.

(2) All correspondence, memoranda, cables, telegrams, teletype messages, and other written communications to and from all persons, other than foreign principals, relating to the registrant's political activity, or relating to political activity on the part of any of the registrant's foreign principals.

(3) Original copies of all written contracts between the registrant and any of his foreign principals.

(4) Records containing the names and addresses of persons to whom informational materials have been transmitted.

(5) All bookkeeping and other financial records relating to the registrant's activities on behalf of any of his foreign principals, including canceled checks, bank statements, and records of income and disbursements, showing names and addresses of all persons who paid moneys to, or received moneys from, the registrant, the specific amounts so paid or received, and the date on which each item was paid or received.

(6) If the registrant is a corporation, partnership, association, or other combination of individuals, all minute books.

(7) Such books or records as will disclose the names and addresses of all employees and agents of the registrant, including persons no longer acting as such employees or agents.

## 28 CFR Ch. I (7-1-17 Edition)

(8) Such other books, records, and documents as are necessary properly to reflect the activities for which registration is required.

(b) The books and records listed in paragraph (a) of this section shall be kept and preserved in such manner as to render them readily accessible for inspection pursuant to section 5 of the Act.

(c) A registrant shall keep and preserve the books and records listed in paragraph (a) of this section for a period of 3 years following the termination of his registration under § 5.205.

(d) Upon good and sufficient cause shown in writing to the Assistant Attorney General, a registrant may be permitted to destroy books and records in support of the information furnished in an initial or supplemental statement which he filed 5 or more years prior to the date of his application to destroy.

[Order No. 376-67, 32 FR 6362, Apr. 22, 1967, as amended by Order No. 2674-2003, 68 FR 33631, June 5, 2003]

### § 5.501 Inspection of books and records.

Officials of the National Security Division and the Federal Bureau of Investigation are authorized under section 5 of the Act to inspect the books and records listed in § 5.500(a).

[Order No. 376-67, 32 FR 6362, Apr. 22, 1967, as amended by Order No. 523-73, 38 FR 18235, July 9, 1973; Order No. 2865-2007, 72 FR 10068, Mar. 7, 2007]

### § 5.600 Public examination of records.

Registration statements, informational materials, Dissemination Reports, and copies of political propaganda filed under section 4(a) of the Act, shall be available for public examination at the Registration Unit on official business days, during the posted hours of operation.

[Order No. 376-67, 32 FR 6362, Apr. 22, 1967, as amended by Order No. 2674-2003, 68 FR 33631, June 5, 2003]

### § 5.601 Copies of records and information available.

(a) Copies of registration statements and supplements, amendments, exhibits thereto, informational materials, dissemination reports, and copies of political propaganda and other materials



contained in the public files, may be obtained from the Registration Unit upon payment of a fee as prescribed in §5.5.

(b) Information as to the fee to be charged for copies of registration statements and supplements, amendments, exhibits thereto, informational materials, dissemination reports, and copies of political propaganda and other materials contained in the public files, or research into and information therefrom, and the time required for the preparation of such documents or information may be obtained upon request to the Registration Unit. Fee rates are established in §5.5.

(c) The Registration Unit may, in its discretion, conduct computer searches of records through the use of existing programming upon written request. Information as to the fee for the conduct of such computer searches, and the time required to conduct such computer searches, may be obtained upon request to the Registration Unit. A written request for computer searches of records shall include a deposit in the amount specified by the Registration Unit, which shall be the Registration Unit's estimate of the actual fees. The Registration Unit is not required to alter or develop programming to conduct a search. Fee rates are established in §5.5.

[Order No. 1757-93, 58 FR 37420, July 12, 1993, as amended by Order No. 2674-2003, 68 FR 33631, June 5, 2003]

**§ 5.800 Ten-day filing requirement.**

The 10-day filing requirement provided by section 8(g) of the Act shall be deemed satisfied if the amendment to the registration statement is deposited in the U.S. mails no later than the 10th day of the period.

**§ 5.801 Activity beyond 10-day period.**

A registrant who has within the 10-day period filed an amendment to his registration statement pursuant to a Notice of Deficiency given under section 8(g) of the Act may continue to act as an agent of a foreign principal beyond this period unless he receives a

Notice of Noncompliance from the Registration Unit.

[Order No. 376-67, 32 FR 6362, Apr. 22, 1967, as amended by Order No. 523-73, 38 FR 18235, July 9, 1973]

**§ 5.1101 Copies of the Report of the Attorney General.**

Copies of the Report of the Attorney General to the Congress on the Administration of the Foreign Agents Registration Act of 1938, as amended, shall be sold to the public by the Registration Unit, as available, at a charge not less than the actual cost of production and distribution.

[Order No. 1757-93, 58 FR 37420, July 12, 1993]

**PART 6—TRAFFIC IN CONTRABAND ARTICLES IN FEDERAL PENAL AND CORRECTIONAL INSTITUTIONS**

AUTHORITY: Pub. L. 772, 80th Cong.; 18 U.S.C. 1791.

**§ 6.1 Consent of warden or superintendent required.**

The introduction or attempt to introduce into or upon the grounds of any Federal penal or correctional institution or the taking or attempt to take or send therefrom anything whatsoever without the knowledge and consent of the warden or superintendent of such Federal penal or correctional institution is prohibited.

CROSS REFERENCE: For Organization Statement, Bureau of Prisons, see subpart Q of part 0 of this chapter.

[13 FR 5660, Sept. 30, 1948]

**PART 7—REWARDS FOR CAPTURE OF ESCAPED FEDERAL PRISONERS**

Sec.

- 7.1 Standing offer of reward.
- 7.2 Amount of reward.
- 7.3 Eligibility for reward.
- 7.4 Procedure for claiming reward.
- 7.5 Certification.

AUTHORITY: 5 U.S.C. 301; 18 U.S.C. 3059.

CROSS REFERENCE: For Organization Statement, Bureau of Prisons, see subpart Q of part 0 of this chapter.

SOURCE: 25 FR 2420, Mar. 23, 1960, unless otherwise noted.

## § 7.1

### § 7.1 Standing offer of reward.

A standing offer of reward is made for the capture, or for assisting in, or furnishing information leading to, the capture, of an escaped Federal prisoner, in accordance with the conditions stated in this part.

### § 7.2 Amount of reward.

Within the discretion of the Warden or U.S. Marshal concerned, a reward not in excess of \$200 may be granted for each capture of a prisoner and to more than one claimant, as determined applicable and appropriate. The Director of the Bureau of Prisons may in exceptional circumstances, as determined by him, grant rewards in excess of \$200. Bodily harm, damage, violence, intimidation, terrorizing, risks, etc., will be considered in determining the appropriate amount of reward.

### § 7.3 Eligibility for reward.

A reward may be paid to any person, except an official or employee of the Department of Justice or a law-enforcement officer of the U.S. Government, who personally captures and surrenders an escaped Federal prisoner to proper officials, or who assists in the capture, of an escaped Federal prisoner.

### § 7.4 Procedure for claiming reward.

A person claiming a reward under this part shall present his claim, within six months from the date of the capture, in the form of a letter to the Warden or U.S. Marshal concerned. The letter shall state fully the facts and circumstances on which the claim is based, and shall include the name of each escapee captured and the time and place of the capture, and details as to how the arrest was made by the claimant or as to how assistance was rendered to others who made the arrest.

### § 7.5 Certification.

The claim letter required under § 7.4 shall contain the following certification immediately preceding the signature of the claimant:

I am not an officer or employee of the Department of Justice or a law-enforcement officer of the United States Government.

## 28 CFR Ch. I (7-1-17 Edition)

### PART 8—FORFEITURE AUTHORITY FOR CERTAIN STATUTES

#### Subpart A—Seizure and Forfeiture of Property

##### Sec.

- 8.1 Scope of regulations.
- 8.2 Definitions.
- 8.3 Seizing property subject to forfeiture.
- 8.4 Inventory.
- 8.5 Custody.
- 8.6 Appraisal.
- 8.7 Release before claim.
- 8.8 Commencing the administrative forfeiture proceeding.
- 8.9 Notice of administrative forfeiture.
- 8.10 Claims.
- 8.11 Interplay of administrative and criminal judicial forfeiture proceedings.
- 8.12 Declaration of administrative forfeiture.
- 8.13 Return of property pursuant to 18 U.S.C. 983(a)(3)(B).
- 8.14 Disposition of property before forfeiture.
- 8.15 Requests for hardship release of seized property.
- 8.16 Attorney fees and costs.

#### Subpart B—Expedited Forfeiture Proceedings for Property Seizures Based on Violations Involving the Possession of Personal Use Quantities of a Controlled Substance

- 8.17 Purpose and scope.
- 8.18 Definitions.
- 8.19 Petition for expedited release in an administrative forfeiture proceeding.
- 8.20 Ruling on petition for expedited release in an administrative forfeiture.
- 8.21 Posting of substitute monetary amount in an administrative forfeiture.
- 8.22 Special notice provision.

#### Subpart C—Other Applicable Provisions

- 8.23 Redelegation of authority.
- AUTHORITY: 5 U.S.C. 301; 8 U.S.C. 1103, 1324(b); 18 U.S.C. 981, 983, 3051; 19 U.S.C. 1606, 1607, 1608, 1610, 1612(b), 1613, 1618; 21 U.S.C. 822, 871, 872, 880, 881, 883, 958, 965; 28 U.S.C. 509, 510; Pub. L. 100-690, sec. 6079, 102 Stat. 4181.

SOURCE: 77 FR 56101, Sept. 12, 2012, unless otherwise noted.

#### Subpart A—Seizure and Forfeiture of Property

##### § 8.1 Scope of regulations.

- (a) This part applies to all forfeitures administered by the Department of

Justice with the exception of seizures and forfeitures under the statutes listed in 18 U.S.C. 983(i)(2). The authority of seizing agencies to conduct administrative forfeitures derives from the procedural provisions of the Customs laws (19 U.S.C. 1602–1618) where those provisions are incorporated by reference in the substantive forfeiture statutes enforced by the agencies.

(b) The regulations in this part will apply to all forfeiture actions commenced on or after October 12, 2012.

### § 8.2 Definitions.

As used in this part, the following terms shall have the meanings specified:

*Administrative forfeiture* means the process by which property may be forfeited by a seizing agency rather than through a judicial proceeding. Administrative forfeiture has the same meaning as nonjudicial forfeiture, as that term is used in 18 U.S.C. 983.

*Appraised value* means the estimated market value of property at the time and place of seizure if such or similar property were freely offered for sale by a willing seller to a willing buyer.

*Appropriate official* means, in the case of the Drug Enforcement Administration (DEA), the Forfeiture Counsel, DEA. In the case of the Bureau of Alcohol, Tobacco, Firearms, and Explosives (ATF), it means the Associate Chief Counsel, Office of Chief Counsel, ATF. In the case of the Federal Bureau of Investigation (FBI), it means the Unit Chief, Legal Forfeiture Unit, Office of the General Counsel, FBI, except as used in §§ 8.9(a)(2), 8.9(b)(2), 8.10, and 8.15, where the term appropriate official means the office or official identified in the published notice or personal written notice in accordance with § 8.9.

*Civil forfeiture proceeding* means a civil judicial forfeiture action as that term is used in 18 U.S.C. 983.

*Contraband* means—

(1) Any controlled substance, hazardous raw material, equipment or container, plants, or other property subject to summary forfeiture pursuant to sections 511(f) or (g) of the Controlled Substances Act (21 U.S.C. 881(f) or (g)); or

(2) Any controlled substance imported into the United States, or ex-

ported out of the United States, in violation of law.

*Domestic value* means the same as the term *appraised value* as defined in this section.

*Expense* means all costs incurred to detain, inventory, safeguard, maintain, advertise, sell, or dispose of property seized, detained, or forfeited pursuant to any law.

*File* or *filed* has the following meanings:

(1) A claim or any other document submitted in an administrative forfeiture proceeding is not deemed filed until actually received by the appropriate official identified in the personal written notice and the published notice specified in § 8.9. It is not considered filed if it is received by any other office or official, such as a court, U.S. Attorney, seizing agent, local ATF or DEA office, or FBI Headquarters. In addition, a claim in an administrative forfeiture proceeding is not considered filed if received only by an electronic or facsimile transmission.

(2) For purposes of computing the start of the 90-day period set forth in 18 U.S.C. 983(a)(3), an administrative forfeiture claim is filed on the date when the claim is received by the designated appropriate official, even if the claim is received from an incarcerated *pro se* prisoner.

*Interested party* means any person who reasonably appears to have an interest in the property based on the facts known to the seizing agency before a declaration of forfeiture is entered.

*Mail* includes regular or certified U.S. mail and mail and package transportation and delivery services provided by other private or commercial interstate carriers.

*Nonjudicial forfeiture* has the same meaning as administrative forfeiture as defined in this section.

*Person* means an individual, partnership, corporation, joint business enterprise, estate, or other legal entity capable of owning property.

*Property subject to administrative forfeiture* means any personal property of the kinds described in 19 U.S.C. 1607(a).

*Property subject to forfeiture* refers to all property that federal law authorizes to be forfeited to the United States of

### § 8.3

### 28 CFR Ch. I (7–1–17 Edition)

America in any administrative forfeiture proceeding, in any civil judicial forfeiture proceeding, or in any criminal forfeiture proceeding.

*Seizing agency* refers to ATF, DEA, or FBI.

#### § 8.3 Seizing property subject to forfeiture.

(a) *Authority of seizing agents.* All special agents of any seizing agency may seize assets under any federal statute over which the agency has investigative or forfeiture jurisdiction.

(b) *Turnover of assets seized by state and local agencies.* (1) Property that is seized by a state or local law enforcement agency and transferred to a seizing agency for administrative or civil forfeiture may be adopted for administrative forfeiture without the issuance of any federal seizure warrant or other federal judicial process.

(2) Where a state or local law enforcement agency maintains custody of property pursuant to process issued by a state or local judicial authority, and notifies a seizing agency of the impending release of such property, the seizing agency may seek and obtain a federal seizure warrant in anticipation of a state or local judicial authority releasing the asset from state process for purposes of federal seizure, and may execute such seizure warrant when the state or local law enforcement agency releases the property as allowed or directed by its judicial authority.

#### § 8.4 Inventory.

The seizing agent shall prepare an inventory of any seized property.

#### § 8.5 Custody.

(a) All property seized for forfeiture by ATF, DEA, or FBI shall be delivered to the custody of the U.S. Marshals Service (USMS), or a custodian approved by the USMS, as soon as practicable after seizure, unless it is retained as evidence by the seizing agency.

(b) Seized U.S. currency (and, to the extent practicable, seized foreign currency and negotiable instruments) must be deposited promptly in the Seized Asset Deposit Fund pending forfeiture. Provisional exceptions to this requirement may be granted as follows:

(1) If the seized currency has a value less than \$5,000 and a supervisory official within a U.S. Attorney's Office determines in writing that the currency is reasonably likely to serve a significant, independent, tangible evidentiary purpose, or that retention is necessary while the potential evidentiary significance of the currency is being determined by scientific testing or otherwise; or

(2) If the seized currency has a value greater than \$5,000 and the Chief of the Asset Forfeiture and Money Laundering Section (AFMLS), Criminal Division, determines in writing that the currency is reasonably likely to serve a significant, independent, tangible evidentiary purpose, or that retention is necessary while the potential evidentiary significance of the currency is being determined by scientific testing or otherwise.

(c) Seized currency has a *significant independent, tangible evidentiary purpose* as those terms are used in § 8.5(b)(1) and (b)(2) if, for example, it bears fingerprint evidence, is packaged in an incriminating fashion, or contains a traceable amount of narcotic residue or some other substance of evidentiary significance. If only a portion of the seized currency has evidentiary value, only that portion should be retained; the balance should be deposited.

#### § 8.6 Appraisal.

The seizing agency or its designee shall determine the domestic value of seized property as soon as practicable following seizure.

#### § 8.7 Release before claim.

(a) After seizure for forfeiture and prior to the filing of any claim, ATF's Chief, Asset Forfeiture and Seized Property Branch, or designee, the appropriate DEA Special Agent in Charge, or designee, or the appropriate FBI Special Agent in Charge, or designee, whichever is applicable, is authorized to release property seized for forfeiture, provided:

(1) The property is not contraband, evidence of a violation of law, or any property, the possession of which by the claimant, petitioner, or the person from whom it was seized is prohibited by state or federal law, and does not

## Department of Justice

## § 8.9

have a design or other characteristic that particularly suits it for use in illegal activities; and

(2) The official designated in paragraph (a) of this section determines within 10 days of seizure that there is an innocent party with the right to immediate possession of the property or that the release would be in the best interest of justice or the Government.

(b) Further, at any time after seizure and before any claim is referred, such seized property may be released if the appropriate official of the seizing agency determines that there is an innocent party with the right to immediate possession of the property or that the release would be in the best interest of justice or the Government.

### § 8.8 Commencing the administrative forfeiture proceeding.

An administrative forfeiture proceeding begins when notice is first published in accordance with § 8.9(a), or the first personal written notice is sent in accordance with § 8.9(b), whichever occurs first.

### § 8.9 Notice of administrative forfeiture.

(a) *Notice by publication.* (1) After seizing property subject to administrative forfeiture, the appropriate official of the seizing agency shall select from the following options a means of publication reasonably calculated to notify potential claimants of the seizure and intent to forfeit and sell or otherwise dispose of the property:

(i) Publication once each week for at least three successive weeks in a newspaper generally circulated in the judicial district where the property was seized; or

(ii) Posting a notice on an official internet government forfeiture site for at least 30 consecutive days.

(2) The published notice shall:

(i) Describe the seized property;

(ii) State the date, statutory basis, and place of seizure;

(iii) State the deadline for filing a claim when personal written notice has not been received, at least 30 days after the date of final publication of the notice of seizure; and

(iv) State the identity of the appropriate official of the seizing agency and address where the claim must be filed.

(b) *Personal written notice.* (1) *Manner of providing notice.* After seizing property subject to administrative forfeiture, the seizing agency, in addition to publishing notice, shall send personal written notice of the seizure to each interested party in a manner reasonably calculated to reach such parties.

(2) *Content of personal written notice.* The personal written notice sent by the seizing agency shall:

(i) State the date when the personal written notice is sent;

(ii) State the deadline for filing a claim, at least 35 days after the personal written notice is sent;

(iii) State the date, statutory basis, and place of seizure;

(iv) State the identity of the appropriate official of the seizing agency and the address where the claim must be filed; and

(v) Describe the seized property.

(c) *Timing of notice.* (1) *Date of personal notice.* Personal written notice is sent on the date when the seizing agency causes it to be placed in the mail, delivered to a commercial carrier, or otherwise sent by means reasonably calculated to reach the interested party. The personal written notice required by § 8.9(b) shall be sent as soon as practicable, and in no case more than 60 days after the date of seizure (or 90 days after the date of seizure by a state or local law enforcement agency if the property was turned over to a federal law enforcement agency for the purpose of forfeiture under federal law).

(2) *Civil judicial forfeiture.* If, before the time period for sending notice expires, the Government files a civil judicial forfeiture action against the seized property and provides notice of such action as required by law, personal notice of administrative forfeiture is not required under paragraph (c)(1) of this section.

(3) *Criminal indictment.* If, before the time period for sending notice under paragraph (c)(1) of this section expires, no civil judicial forfeiture action is

filed, but a criminal indictment or information is obtained containing an allegation that the property is subject to forfeiture, the seizing agency shall either:

(i) Send timely personal written notice and continue the administrative forfeiture proceeding; or

(ii) After consulting with the U.S. Attorney, terminate the administrative forfeiture proceeding and notify the custodian to return the property to the person having the right to immediate possession unless the U.S. Attorney takes the steps necessary to maintain custody of the property as provided in the applicable criminal forfeiture statute.

(4) *Subsequent federal seizure.* If property is seized by a state or local law enforcement agency, but personal written notice is not sent to the person from whom the property is seized within the time period for providing notice under paragraph (c)(1) of this section, then any administrative forfeiture proceeding against the property may commence if:

(i) The property is subsequently seized or restrained by the seizing agency pursuant to a federal seizure warrant or restraining order and the seizing agency sends notice as soon as practicable, and in no case more than 60 days after the date of the federal seizure; or

(ii) The owner of the property consents to forfeiture of the property.

(5) *Tolling.* (i) In states or localities where orders are obtained from a state court authorizing the turnover of seized assets to a federal seizing agency, the period from the date an application or motion is presented to the state court for the turnover order through the date when such order is issued by the court shall not be included in the time period for providing notice under paragraph (c)(1) of this section.

(ii) If property is detained at an international border or port of entry for the purpose of examination, testing, inspection, obtaining documentation, or other investigation relating to the importation of the property into, or the exportation of the property from, the United States, such period of detention shall not be included in the period described in paragraph (c)(1) of

this section. In such cases, the 60-day period shall begin to run when the period of detention ends, if a seizing agency seizes the property for the purpose of forfeiture to the United States.

(6) *Identity of interested party.* If a seizing agency determines the identity or interest of an interested party after the seizure or adoption of the property, but before entering a declaration of forfeiture, the agency shall send written notice to such interested party under paragraph (c)(1) of this section not later than 60 days after determining the identity of the interested party or the interested party's interest.

(7) *Extending deadline for notice.* The appropriate official of the seizing agency may extend the period for sending personal written notice under the regulations in this part in a particular case for a period not to exceed 30 days (which period may not be further extended except by a court pursuant to 18 U.S.C. 983(a)(1)(C) and (D)), if the appropriate official determines, and states in writing, that there is reason to believe that notice may have an adverse result, including: Endangering the life or physical safety of an individual; flight from prosecution; destruction of or tampering with evidence; intimidation of potential witnesses; or otherwise seriously jeopardizing an investigation or unduly delaying a trial.

(8) *Certification.* The appropriate official of the seizing agency shall provide the written certification required under 18 U.S.C. 983(a)(1)(C) when the Government requests it and the conditions described in section 983(a)(1)(D) are present.

#### § 8.10 Claims.

(a) *Filing.* In order to contest the forfeiture of seized property in federal court, any person asserting an interest in seized property subject to an administrative forfeiture proceeding under the regulations in this part must file a claim with the appropriate official, after the commencement of the administrative forfeiture proceeding as defined in § 8.8, and not later than the deadline set forth in a personal notice

## Department of Justice

## §8.11

letter sent pursuant to §8.9(b). If personal written notice is sent but not received, then the intended recipient must file a claim with the appropriate official not later than 30 days after the date of the final publication of the notice of seizure.

(b) *Contents of claim.* A claim shall:

(1) Identify the specific property being claimed;

(2) Identify the claimant and state the claimant's interest in the property; and

(3) Be made under oath by the claimant, not counsel for the claimant, and recite that it is made under penalty of perjury, consistent with the requirements of 28 U.S.C. 1746. An acknowledgment, attestation, or certification by a notary public alone is insufficient.

(c) *Availability of claim forms.* The claim need not be made in any particular form. However, each seizing agency conducting forfeitures under the regulations in this part must make claim forms generally available on request. Such forms shall be written in easily understandable language. A request for a claim form does not extend the deadline for filing a claim. Any person may obtain a claim form by requesting one in writing from the appropriate official.

(d) *Cost bond not required.* Any person may file a claim under §8.10(a) without posting bond, except in forfeitures under statutes listed in 18 U.S.C. 983(i).

(e) *Referral of claim.* Upon receipt of a claim that meets the requirements of §§8.10(a) and (b), the seizing agency shall return the property or shall suspend the administrative forfeiture proceeding and promptly transmit the claim, together with a description of the property and a complete statement of the facts and circumstances surrounding the seizure, to the appropriate U.S. Attorney for commencement of judicial forfeiture proceedings. Upon making the determination that the seized property will be released, the agency shall promptly notify the person with a right to immediate possession of the property, informing that person to contact the property custodian within a specified period for release of the property, and further informing that person that failure to contact the property custodian within

the specified period for release of the property will result in abandonment of the property pursuant to applicable regulations. The seizing agency shall notify the property custodian of the identity of the person to whom the property should be released. The property custodian shall have the right to require presentation of proper identification or to take other steps to verify the identity of the person who seeks the release of property, or both.

(f) *Premature filing.* If a claim is filed with the appropriate official after the seizure of property, but before the commencement of the administrative forfeiture proceeding as defined in §8.8, the claim shall be deemed filed on the 30th day after the commencement of the administrative forfeiture proceeding. If such claim meets the requirements of §8.10(b), the seizing agency shall suspend the administrative forfeiture proceedings and promptly transmit the claim, together with a description of the property and a complete statement of the facts and circumstances surrounding the seizure to the appropriate U.S. Attorney for commencement of judicial forfeiture proceedings.

(g) *Defective claims.* If the seizing agency determines that an otherwise timely claim does not meet the requirements of §8.10(b), the seizing agency may notify the claimant of this determination and allow the claimant a reasonable time to cure the defect(s) in the claim. If, within the time allowed by the seizing agency, the requirements of §8.10(b) are not met, the claim shall be void and the forfeiture proceedings shall proceed as if no claim had been submitted. If the claimant timely cures the deficiency, then the claim shall be deemed filed on the date when the appropriate official receives the cured claim.

### **§8.11 Interplay of administrative and criminal judicial forfeiture proceedings.**

An administrative forfeiture proceeding pending against seized or restrained property does not bar the Government from alleging that the same property is forfeitable in a criminal case. Notwithstanding the fact that an

## § 8.12

allegation of forfeiture has been included in a criminal indictment or information, the property may be administratively forfeited in a parallel proceeding.

### § 8.12 Declaration of administrative forfeiture.

If the seizing agency commences a timely proceeding against property subject to administrative forfeiture, and no valid and timely claim is filed, the appropriate official of the seizing agency shall declare the property forfeited. The declaration of forfeiture shall have the same force and effect as a final decree and order of forfeiture in a federal judicial forfeiture proceeding.

### § 8.13 Return of property pursuant to 18 U.S.C. 983(a)(3)(B).

(a) If, under 18 U.S.C. 983(a)(3), the United States is required to return seized property, the U.S. Attorney in charge of the matter shall immediately notify the appropriate seizing agency that the 90-day deadline was not met. Under this subsection, the United States is not required to return property for which it has an independent basis for continued custody, including but not limited to contraband or evidence of a violation of law.

(b) Upon becoming aware that the seized property must be released, the agency shall promptly notify the person with a right to immediate possession of the property, informing that person to contact the property custodian within a specified period for release of the property, and further informing that person that failure to contact the property custodian within the specified period for release of the property may result in initiation of abandonment proceedings against the property pursuant to 41 CFR part 128-48. The seizing agency shall notify the property custodian of the identity of the person to whom the property should be released.

(c) The property custodian shall have the right to require presentation of proper identification and to verify the identity of the person who seeks the release of property.

## 28 CFR Ch. I (7-1-17 Edition)

### § 8.14 Disposition of property before forfeiture.

(a) Whenever it appears to the seizing agency that any seized property is liable to perish or to waste, or to be greatly reduced in value during its detention for forfeiture, or that the expense of keeping the property is or will be disproportionate to its value, the appropriate official of the seizing agency may order destruction, sale, or other disposition of such property prior to forfeiture. In addition, the owner may obtain release of the property by posting a substitute monetary amount with the seizing agency to be held subject to forfeiture proceedings in place of the seized property to be released. Upon approval by the appropriate official of the seizing agency, the property will be released to the owner after the payment of an amount equal to the Government appraised value of the property if the property is not evidence of a violation of law, is not contraband, and has no design or other characteristics that particularly suit it for use in illegal activities. This payment must be in the form of a money order, an official bank check, or a cashier's check made payable to the United States Marshals Service. A bond in the form of a cashier's check or official bank check will be considered as paid once the check has been accepted for payment by the financial institution that issued the check. If a substitute amount is posted and the property is administratively forfeited, the seizing agency will forfeit the substitute amount in lieu of the property. The pre-forfeiture destruction, sale, or other disposition of seized property pursuant to this section shall not extinguish any person's rights to the value of the property under applicable law. The authority vested in the appropriate official under this subsection may not be delegated.

(b) The seizing agency shall commence forfeiture proceedings, regardless of the disposition of the property under § 8.14(a). A person with an interest in the property that was destroyed or otherwise disposed of under § 8.14(a) may file a claim to contest the forfeiture of the property or a petition for



## Department of Justice

## § 8.16

remission or mitigation of the forfeiture. No government agent or employee shall be liable for the destruction or other disposition of property made pursuant to § 8.14(a). The destruction or other disposition of the property pursuant to this section does not impair in rem jurisdiction.

### § 8.15 Requests for hardship release of seized property.

(a) Under certain circumstances a claimant may be entitled to immediate release of seized property on the basis of hardship.

(b) Any person filing a request for hardship release must also file a claim to the seized property pursuant to § 8.10 and as defined in 18 U.S.C. 983(a).

(c) The timely filing of a valid claim pursuant to § 8.10 does not entitle claimant to possession of the seized property, but a claimant may request immediate release of the property while the forfeiture is pending, based on hardship.

(d) A claimant seeking hardship release of property under 18 U.S.C. 983(f) and the regulations in this part must file a written request with the appropriate official. The request must establish that:

(1) The claimant has a possessory interest in the property;

(2) The claimant has sufficient ties to the community to provide assurance that the property will be available at the time of trial;

(3) The continued possession by the Government pending the final disposition of forfeiture proceedings will cause substantial hardship to the claimant, such as preventing the functioning of a business, preventing an individual from working, or leaving an individual homeless;

(4) The claimant's likely hardship from the continued possession by the Government of the seized property outweighs the risk that the property will be destroyed, damaged, lost, concealed, or transferred if it is returned to the claimant during the pendency of the proceeding; and

(5) The seized property is not:

(i) Contraband;

(ii) Any property, the possession of which by the claimant, petitioner, or

the person from whom it was seized is prohibited by state or federal law;

(iii) Currency, or other monetary instrument, or electronic funds unless such currency or other monetary instrument or electronic funds constitutes the assets of a legitimate business that has been seized;

(iv) Intended to be used as evidence of a violation of law;

(v) By reason of design or other characteristic, particularly suited for use in illegal activities; or

(vi) Likely to be used to commit additional criminal acts if returned to the claimant.

(e) A hardship release request pursuant to this section shall be deemed to have been made on the date when it is received by the appropriate official as defined in § 8.2(c) or the date the claim was deemed filed under § 8.10(f). If the request is ruled on and denied by the appropriate official or the property has not been released within the 15-day time period, the claimant may file a petition in federal district court pursuant to 18 U.S.C. 983(f)(3). If a petition is filed in federal district court, the claimant must send a copy of the petition to the agency to which the hardship petition was originally submitted and to the U.S. Attorney in the judicial district in which the judicial petition was filed.

(f) If a civil forfeiture complaint is filed on the property and the claimant files a claim with the court pursuant to 18 U.S.C. 983(a)(4)(A) and Rule G(5) of the Supplemental Rules for Certain Admiralty and Maritime Claims, a hardship petition may be submitted to the individual identified in the public or personal notice of the civil judicial forfeiture action.

### § 8.16 Attorney fees and costs.

The United States is not liable for attorney fees or costs in any administrative forfeiture proceeding, including such proceedings in which a claim is filed, even if the matter is referred to the U.S. Attorney, and the U.S. Attorney declines to commence judicial forfeiture proceedings.

**Subpart B—Expedited Forfeiture Proceedings for Property Seizures Based on Violations Involving the Possession of Personal Use Quantities of a Controlled Substance**

**§ 8.17 Purpose and scope.**

(a) The following definitions, regulations, and criteria in this subpart are designed to establish and implement procedures required by section 6079 of the Anti-Drug Abuse Act of 1988, Public Law 100–690, 102 Stat. 4181. They are intended to supplement existing law and procedures relative to the forfeiture of property under the identified statutory authority. These regulations do not affect the existing legal and equitable rights and remedies of those with an interest in property seized for forfeiture, nor do these provisions relieve interested parties from their existing obligations and responsibilities in pursuing their interests through such courses of action. These regulations are intended to reflect the intent of Congress to minimize the adverse impact on those entitled to legal or equitable relief occasioned by the prolonged detention of property subject to forfeiture due to violations of law involving personal use quantities of controlled substances. The definition of *personal use quantities* of a controlled substance as contained herein is intended to distinguish between those small quantities that are generally considered to be possessed for personal consumption and not for further distribution, and those larger quantities generally considered to be intended for further distribution.

(b) In this regard, for violations involving the possession of personal use quantities of a controlled substance, section 6079(b)(2) requires either that administrative forfeiture be completed within 21 days of the seizure of the property, or alternatively, that procedures be established that provide a means by which an individual entitled to relief may initiate an expedited administrative review of the legal and factual basis of the seizure for forfeiture. Should an individual request relief pursuant to these regulations and be entitled to the return of the

seized property, such property shall be returned immediately following that determination, and in no event later than 20 days after the filing of a petition for expedited release by an owner, and the administrative forfeiture process shall cease. Should the individual not be entitled to the return of the seized property, however, the administrative forfeiture of that property shall proceed. The owner may, in any event, obtain release of property pending the administrative forfeiture by submitting to the agency making the determination property sufficient to preserve the Government's vested interest for purposes of the administrative forfeiture.

**§ 8.18 Definitions.**

As used in this subpart, the following terms shall have the meanings specified: *Commercial fishing industry vessel* means a vessel that:

(1) Commercially engages in the catching, taking, or harvesting of fish or an activity that can reasonably be expected to result in the catching, taking, or harvesting of fish;

(2) Commercially prepares fish or fish products other than by gutting, decapitating, gilling, skinning, shucking, icing, freezing, or brine chilling; or

(3) Commercially supplies, stores, refrigerates, or transports fish, fish products, or materials directly related to fishing or the preparation of fish to or from a fishing, fish processing, or fish tender vessel or fish processing facility.

*Controlled substance* has the meaning given in 21 U.S.C. 802(6).

*Normal and customary manner* means that inquiry suggested by particular facts and circumstances that would customarily be undertaken by a reasonably prudent individual in a like or similar situation. Actual knowledge of such facts and circumstances is unnecessary, and implied, imputed, or constructive knowledge is sufficient. An established norm, standard, or custom is persuasive but not conclusive or controlling in determining whether an owner acted in a normal and customary manner to ascertain how property would be used by another legally in possession of the property. The failure to act in a normal and customary

manner as defined herein will result in the denial of a petition for expedited release of the property and is intended to have the desirable effect of inducing owners of the property to exercise greater care in transferring possession of their property.

*Owner* means one having a legal and possessory interest in the property seized for forfeiture. Even though one may hold primary and direct title to the property seized, such person may not have sufficient actual beneficial interest in the property to support a petition as owner if the facts indicate that another person had dominion and control over the property.

*Personal use quantities* means those amounts of controlled substances in possession in circumstances where there is no other evidence of an intent to distribute, or to facilitate the manufacturing, compounding, processing, delivering, importing, or exporting of any controlled substance.

(1) Evidence that possession of quantities of a controlled substance is for other than personal use may include, for example:

(i) Evidence, such as drug scales, drug distribution paraphernalia, drug records, drug packaging material, method of drug packaging, drug “cutting” agents and other equipment, that indicates an intent to process, package or distribute a controlled substance;

(ii) Information from reliable sources indicating possession of a controlled substance with intent to distribute;

(iii) The arrest or conviction record of the person or persons in actual or constructive possession of the controlled substance for offenses under federal, state or local law that indicates an intent to distribute a controlled substance;

(iv) Circumstances or reliable information indicating that the controlled substance is related to large amounts of cash or any amount of prerecorded government funds;

(v) Circumstances or reliable information indicating that the controlled substance is a sample intended for distribution in anticipation of a transaction involving large quantities, or is part of a larger delivery;

(vi) Statements by the possessor, or otherwise attributable to the pos-

essor, including statements of conspirators, that indicate possession with intent to distribute; or

(vii) The fact that the controlled substance was recovered from sweepings.

(2) Possession of a controlled substance shall be presumed to be for personal use when there are no indicia of illicit drug trafficking or distribution—such as, but not limited to, the factors listed above—and the amounts do not exceed the following quantities:

(i) One gram of a mixture or substance containing a detectable amount of heroin;

(ii) One gram of a mixture or substance containing a detectable amount of—

(A) Coca leaves, except coca leaves and extracts of coca leaves from which cocaine, ecgonine, and derivations of ecgonine or their salts have been removed;

(B) Cocaine, its salts, optical and geometric isomers, and salts of isomers;

(C) Ecgonine, its derivatives, their salts, isomers, and salts of isomers; or

(D) Any compound, mixture, or preparation that contains any quantity of any of the substances referred to in paragraphs (2)(ii)(A) through (2)(ii)(C) of this definition;

(iii) 1/10th gram of a mixture or substance described in paragraph (e)(2)(ii) of this section which contains cocaine base;

(iv) 1/10th gram of a mixture or substance containing a detectable amount of phencyclidine (PCP);

(v) 500 micrograms of lysergic acid diethylamide (LSD);

(vi) One ounce of a mixture or substance containing a detectable amount of marijuana;

(vii) One gram of methamphetamine, its salts, isomers, and salts of its isomers, or one gram of a mixture or substance containing a detectable amount of methamphetamine, its salts, isomers, or salts of its isomers.

(3) The possession of a narcotic, a depressant, a stimulant, a hallucinogen, or a cannabis-controlled substance will be considered in excess of personal use quantities if the dosage unit amount possessed provides the same or greater equivalent efficacy as the quantities

## § 8.19

## 28 CFR Ch. I (7–1–17 Edition)

described in paragraph (e)(2) of this section.

*Property* means property subject to forfeiture under 21 U.S.C. 881(a) (4), (6), and (7); 19 U.S.C. 1595a; and 49 U.S.C. 80303.

*Seizing agency* means the federal agency that has seized the property or adopted the seizure of another agency and has the responsibility for administratively forfeiting the property;

*Statutory rights or defenses to the forfeiture* means all legal and equitable rights and remedies available to a claimant of property seized for forfeiture.

### **§ 8.19 Petition for expedited release in an administrative forfeiture proceeding.**

(a) Where property is seized for administrative forfeiture involving controlled substances in personal use quantities the owner may petition the seizing agency for expedited release of the property.

(b) Where property described in § 8.19(a) is a commercial fishing industry vessel proceeding to or from a fishing area or intermediate port of call or actually engaged in fishing operations, which would be subject to seizure for administrative forfeiture for a violation of law involving controlled substances in personal use quantities, a summons to appear shall be issued in lieu of a physical seizure. The vessel shall report to the port designated in the summons. The seizing agency shall be authorized to effect administrative forfeiture as if the vessel had been physically seized. Upon answering the summons to appear on or prior to the last reporting date specified in the summons, the owner of the vessel may file a petition for expedited release pursuant to § 8.19(a), and the provisions of § 8.19(a) and other provisions in this section pertaining to a petition for expedited release shall apply as if the vessel had been physically seized.

(c) The owner filing the petition for expedited release shall establish the following:

(1) The owner has a valid, good faith interest in the seized property as owner or otherwise;

(2) The owner reasonably attempted to ascertain the use of the property in a normal and customary manner; and

(3) The owner did not know of or consent to the illegal use of the property, or in the event that the owner knew or should have known of the illegal use, the owner did what reasonably could be expected to prevent the violation.

(d) In addition to those factors listed in § 8.19(c), if an owner can demonstrate that the owner has other statutory rights or defenses that would cause the owner to prevail on the issue of forfeiture, such factors shall also be considered in ruling on the petition for expedited release.

(e) A petition for expedited release must be received by the appropriate seizing agency within 20 days from the date of the first publication of the notice of seizure in order to be considered by the seizing agency. The petition must be executed and sworn to by the owner and both the envelope and the request must be clearly marked “PETITION FOR EXPEDITED RELEASE.” Such petition shall be filed with the appropriate office or official identified in the personal written notice and the publication notice.

(f) The petition shall include the following:

(1) A complete description of the property, including identification numbers, if any, and the date and place of seizure;

(2) The petitioner’s interest in the property, which shall be supported by title documentation, bills of sale, contracts, mortgages, or other satisfactory documentary evidence; and

(3) A statement of the facts and circumstances, to be established by satisfactory proof, relied upon by the petitioner to justify expedited release of the seized property.

### **§ 8.20 Ruling on petition for expedited release in an administrative forfeiture proceeding.**

(a) If a final administrative determination of the case, without regard to the provisions of this section, is made within 21 days of the seizure, the seizing agency need take no further action under this section on a petition for expedited release received pursuant to § 8.19(a).

## Department of Justice

## § 8.23

(b) If no such final administrative determination is made within 21 days of the seizure, the following procedure shall apply. The seizing agency shall, within 20 days after the receipt of the petition for expedited release, determine whether the petition filed by the owner has established the factors listed in § 8.19(c) and:

(1) If the seizing agency determines that those factors have been established, it shall terminate the administrative proceedings and return the property to the owner (or in the case of a commercial fishing industry vessel for which a summons has been issued shall dismiss the summons), except where it is evidence of a violation of law; or

(2) If the seizing agency determines that those factors have not been established, the agency shall proceed with the administrative forfeiture.

### **§ 8.21 Posting of substitute monetary amount in an administrative forfeiture proceeding.**

(a) Where property is seized for administrative forfeiture involving controlled substances in personal use quantities, the owner may obtain release of the property by posting a substitute monetary amount with the seizing agency to be held subject to forfeiture proceedings in place of the seized property to be released. The property will be released to the owner upon the payment of an amount equal to the government appraised value of the property if the property is not evidence of a violation of law and has no design or other characteristics that particularly suit it for use in illegal activities. This payment must be in the form of a traveler's check, a money order, a cashier's check, or an irrevocable letter of credit made payable to the seizing agency. A bond in the form of a cashier's check will be considered as paid once the check has been accepted for payment by the financial institution which issued the check.

(b) If a substitute amount is posted and the property is administratively forfeited, the seizing agency will forfeit the substitute amount in lieu of the property.

### **§ 8.22 Special notice provision.**

At the time of seizure of property defined in § 8.18 for violations involving the possession of personal use quantities of a controlled substance, the seizing agency must provide written notice to the possessor of the property specifying the procedures for the filing of a petition for expedited release and for the posting of a substitute monetary bond as set forth in section 6079 of the Anti-Drug Abuse Act of 1988 and implementing regulations.

## **Subpart C—Other Applicable Provisions**

### **§ 8.23 Redelegation of authority.**

(a) *Redelegation of authority permitted.*

(1) The powers and responsibilities delegated to the DEA Forfeiture Counsel by the regulations in this part may be redelegated to attorneys working under the direct supervision of the DEA Forfeiture Counsel.

(2) The powers and responsibilities delegated to the FBI Unit Chief, Legal Forfeiture Unit, by the regulations in this part may be redelegated to the attorneys working under the direct supervision of the FBI Unit Chief, Legal Forfeiture Unit.

(3) The powers and responsibilities delegated to the Associate Chief Counsel, Office of Chief Counsel, ATF may be redelegated to the attorneys working under the direct supervision of the Associate Chief Counsel, Office of Chief Counsel, ATF.

(b) *Redelegation of authority not permitted.* (1) The powers and responsibilities delegated to the DEA Forfeiture Counsel, the FBI Unit Chief, Legal Forfeiture Unit, and the ATF Associate Chief Counsel, Office of Chief Counsel to make decisions regarding the disposition of property before forfeiture pursuant to § 8.14 may not be redelegated.

(2) The powers and responsibilities delegated to the DEA Forfeiture Counsel, the FBI Unit Chief, Legal Forfeiture Unit, and the ATF Associate Chief Counsel, Office of Chief Counsel to make decisions regarding the delay of notice of forfeiture pursuant to §§ 8.9(c)(7) and (8) and 18 U.S.C.

983(a)(1)(B) and (C) may not be redelegated.

**PART 9—REGULATIONS GOVERNING THE REMISSION OR MITIGATION OF ADMINISTRATIVE, CIVIL, AND CRIMINAL FORFEITURES**

Sec.

9.1 Purpose, authority, and scope.

9.2 Definitions.

9.3 Petitions in administrative forfeiture cases.

9.4 Petitions in judicial forfeiture cases.

9.5 Criteria governing administrative and judicial remission and mitigation.

9.6 Special rules for specific petitioners.

9.7 Terms and conditions of remission and mitigation.

9.8 Remission procedures for victims.

9.9 Miscellaneous provisions.

AUTHORITY: 5 U.S.C. 301; 8 U.S.C. 1103, 1324(b); 18 U.S.C. 981, 983, 3051; 19 U.S.C. 1606, 1607, 1608, 1610, 1612(b), 1613, 1618; 21 U.S.C. 822, 871, 872, 880, 881, 883, 958, 965; 28 U.S.C. 509, 510; Pub. L. 100–690, sec. 6079.

SOURCE: 77 FR 56108, Sept. 12, 2012, unless otherwise noted.

**§ 9.1 Purpose, authority, and scope.**

(a) *Purpose.* This part sets forth the procedures for agency officials to follow when considering remission or mitigation of administrative forfeitures under the jurisdiction of the agency, and civil judicial and criminal judicial forfeitures under the jurisdiction of the Department of Justice's Criminal Division. The purpose of this part is to provide a basis for the partial or total remission of forfeiture for individuals who have an interest in the forfeited property but who did not participate in, or have knowledge of, the conduct that resulted in the property being subject to forfeiture and, where required, took all reasonable steps under the circumstances to ensure that such property would not be used, acquired, or disposed of contrary to law. Additionally, the regulations provide for partial or total mitigation of the forfeiture and imposition of alternative conditions in appropriate circumstances.

(b) *Authority to grant remission and mitigation.* (1) Remission and mitigation functions in administrative forfeitures are performed by the agency

seizing the property. Within the Federal Bureau of Investigation (FBI), authority to grant remission and mitigation is delegated to the Forfeiture Counsel, who is the Unit Chief, Legal Forfeiture Unit, Office of the General Counsel; within the Drug Enforcement Administration (DEA), authority to grant remission and mitigation is delegated to the Forfeiture Counsel, Office of Chief Counsel; and within the Bureau of Alcohol, Tobacco, Firearms, and Explosives (ATF), authority to grant remission and mitigation is delegated to the Associate Chief Counsel, Office of Chief Counsel.

(2) Remission and mitigation functions in judicial cases are performed by the Criminal Division of the Department of Justice. Within the Criminal Division, authority to grant remission and mitigation is delegated to the Chief, Asset Forfeiture and Money Laundering Section.

(3) The powers and responsibilities delegated by this part may be redelegated to attorneys or managers working under the supervision of the designated officials.

(c) *Scope.* This part governs any petition for remission filed with the Attorney General and supersedes any Department of Justice regulation governing petitions for remission, to the extent such regulation is inconsistent with this part.

(d) The time periods and internal requirements established in this part are designed to guide the orderly administration of the remission and mitigation process and are not intended to create rights or entitlements in favor of individuals seeking remission or mitigation. This part applies to all forfeiture actions commenced on or after October 12, 2012.

**§ 9.2 Definitions.**

As used in this part:

*Administrative forfeiture* means the process by which property may be forfeited by a seizing agency rather than through judicial proceedings. *Administrative forfeiture* has the same meaning as nonjudicial forfeiture, as that term is used in 18 U.S.C. 983.

*Appraised value* means the estimated market value of property at the time and place of seizure if such or similar

property were freely offered for sale between a willing seller and a willing buyer.

*Assets Forfeiture Fund* means the Department of Justice Assets Forfeiture Fund or Department of the Treasury Forfeiture Fund, depending upon the identity of the seizing agency.

*Attorney General* means the Attorney General of the United States or his or her designee.

*Beneficial owner* means a person with actual use of, as well as an interest in, the property subject to forfeiture.

*Chief, Asset Forfeiture and Money Laundering Section*, and *Chief*, refer to the Chief of the Asset Forfeiture and Money Laundering Section, Criminal Division, United States Department of Justice.

*General creditor* means one whose claim or debt is not secured by a specific right to obtain satisfaction against the particular property subject to forfeiture.

*Judgment creditor* means one who has obtained a judgment against the debtor but has not yet received full satisfaction of the judgment.

*Judicial forfeiture* means either a civil or a criminal proceeding in a United States District Court that may result in a final judgment and order of forfeiture.

*Lienholder* means a creditor whose claim or debt is secured by a specific right to obtain satisfaction against the particular property subject to forfeiture. A lien creditor qualifies as a lienholder if the lien:

- (1) Was established by operation of law or contract;
- (2) Was created as a result of an exchange of money, goods, or services; and
- (3) Is perfected against the specific property forfeited for which remission or mitigation is sought (*e.g.*, a real estate mortgage; a mechanic's lien).

*Net equity* means the amount of a lienholder's monetary interest in property subject to forfeiture. Net equity shall be computed by determining the amount of unpaid principal and unpaid interest at the time of seizure and by adding to that sum unpaid interest calculated from the date of seizure through the last full month prior to the date of the decision on the petition.

Where a rate of interest is set forth in a security agreement, the rate of interest to be used in this computation will be the annual percentage rate so specified in the security agreement that is the basis of the lienholder's interest. In this computation, however, there shall be no allowances for attorney fees, accelerated or enhanced interest charges, amounts set by contract as damages, unearned extended warranty fees, insurance, service contract charges incurred after the date of seizure, allowances for dealer's reserve, or any other similar charges.

*Nonjudicial forfeiture* has the same meaning as administrative forfeiture as defined in this section.

*Owner* means the person in whom primary title is vested or whose interest is manifested by the actual and beneficial use of the property, even though the title is vested in another. A victim of an offense, as defined in this section, may also be an owner if he or she has a present legally cognizable ownership interest in the property forfeited. A nominal owner of property will not be treated as its true owner if he or she is not its beneficial owner.

*Person* means an individual, partnership, corporation, joint business enterprise, estate, or other legal entity capable of owning property.

*Petition* means a petition for remission or mitigation of forfeiture under the regulations in this part. This definition includes a petition for restoration of the proceeds of sale of forfeited property and a petition for the value of forfeited property placed into official use.

*Petitioner* means the person applying for remission, mitigation, or restoration of the proceeds of sale, or for the appraised value of forfeited property, under this part. A petitioner may be an owner as defined in this section, a lienholder as defined in this section, or a victim as defined in this section, subject to the limitations of §9.8.

*Property* means real or personal property of any kind capable of being owned or possessed.

*Record* means two or more arrests for related crimes, unless the arrestee was acquitted or the charges were dismissed for lack of evidence, a conviction for a related crime or completion

of sentence within ten years of the acquisition of the property subject to forfeiture, or two convictions for a related crime at any time in the past.

*Related crime* as used in this section and §9.6(e) means any crime similar in nature to that which gives rise to the seizure of property for forfeiture. For example, where property is seized for a violation of the federal laws relating to drugs, a related crime would be any offense involving a violation of the federal laws relating to drugs or the laws of any state or political subdivision thereof relating to drugs.

*Related offense* as used in §9.8 means:

(1) Any predicate offense charged in a federal Racketeer Influenced and Corrupt Organizations Act (RICO) count for which forfeiture was ordered; or

(2) An offense committed as part of the same scheme or design, or pursuant to the same conspiracy, as was involved in the offense for which forfeiture was ordered.

*Ruling official* means any official to whom decision-making authority has been delegated pursuant to §9.1(b).

*Seizing agency* means the federal agency that seized the property or adopted the seizure of another agency for federal forfeiture.

*Victim* means a person who has incurred a pecuniary loss as a direct result of the commission of the offense underlying a forfeiture. A drug user is not considered a victim of a drug trafficking offense under this definition. A victim does not include one who acquires a right to sue the perpetrator of the criminal offense for any loss by assignment, subrogation, inheritance, or otherwise from the actual victim, unless that person has acquired an actual ownership interest in the forfeited property; provided however, that if a victim has received compensation from insurance or any other source with respect to a pecuniary loss, remission may be granted to the third party who provided the compensation, up to the amount of the victim's pecuniary loss as defined in §9.8(c).

*Violator* means the person whose use or acquisition of the property in violation of the law subjected such property to seizure for forfeiture.

### §9.3 Petitions in administrative forfeiture cases.

(a) *Notice of seizure.* The notice of seizure and intent to forfeit the property shall advise any persons who may have a present ownership interest in the property to submit their petitions for remission or mitigation within 30 days of the date they receive the notice in order to facilitate processing. Petitions shall be considered any time after notice until the property has been forfeited, except in cases involving petitions to restore the proceeds from the sale of forfeited property. A notice of seizure shall include the title of the seizing agency, the ruling official, the mailing and street address of the official to whom petitions should be sent, and an asset identifier number.

(b) *Persons who may file.* (1) A petition for remission or mitigation must be filed by a petitioner as defined in §9.2 or as prescribed in §9.9(g) and (h). A person or person on their behalf may not file a petition if, after notice or knowledge of the fact that a warrant or process has been issued for his apprehension, in order to avoid criminal prosecution, the person:

(i) Purposely leaves the jurisdiction of the United States;

(ii) Declines to enter or reenter the United States to submit to its jurisdiction; or

(iii) Otherwise evades the jurisdiction of the court in which a criminal matter is pending against the person.

(2) Paragraph (b)(1) of this section applies to a petition filed by a corporation if any majority shareholder, or individual filing the claim on behalf of the corporation:

(i) Purposely leaves the jurisdiction of the United States;

(ii) Declines to enter or reenter the United States to submit to its jurisdiction; or

(iii) Otherwise evades the jurisdiction of the court in which a criminal matter is pending against the person.

(c) *Contents of petition.* (1) All petitions must include the following information in clear and concise terms:

(i) The name, address, and social security or other taxpayer identification number of the person claiming an interest in the seized property who is seeking remission or mitigation;



(ii) The name of the seizing agency, the asset identifier number, and the date and place of seizure;

(iii) A complete description of the property, including make, model, and serial numbers, if any; and

(iv) A description of the petitioner's interest in the property as owner, lienholder, or otherwise, supported by original or certified bills of sale, contracts, deeds, mortgages, or other documentary evidence. Such documentation includes evidence establishing the source of funds for seized currency or the source of funds used to purchase the seized asset.

(2) Any factual recitation or documentation of any type in a petition must be supported by a declaration under penalty of perjury that meets the requirements of 28 U.S.C. 1746.

(d) *Releases.* In addition to the contents of the petition for remission or mitigation set forth in paragraph (c) of this section, upon request of the agency, the petitioner shall also furnish the agency with an instrument executed by the titled or registered owner and any other known claimant of an interest in the property releasing interest in such property.

(e) *Filing petition with agency.* (1) A petition for remission or mitigation subject to administrative forfeiture is to be sent to the official address provided in the notice of seizure and shall be sworn to by the petitioner or by the petitioner's attorney upon information and belief, supported by the client's sworn notice of representation pursuant to 28 U.S.C. 1746, as set out in § 9.9(g).

(2) If the notice of seizure does not provide an official address, the petition shall be addressed to the appropriate federal agency as follows:

(i)(A) DEA: All submissions must be filed with the Forfeiture Counsel, Asset Forfeiture Section, Office of Chief Counsel, Drug Enforcement Administration, HQS Forfeiture Response, P.O. Box 1475, Quantico, Virginia 22134-1475.

(B) Correspondence via private delivery must be filed with The Forfeiture Counsel, Asset Forfeiture Section (CCF), Office of Chief Counsel, Drug Enforcement Administration, 8701 Morrisette Drive, Springfield, Virginia 22152.

(C) Submission by facsimile or other electronic means will not be accepted.

(ii)(A) FBI: All submissions must be filed with the FBI Special Agent in Charge at the Field Office that seized the property.

(B) Submission by facsimile or other electronic means will not be accepted.

(iii)(A) ATF: All submissions must be filed with the Office of Chief Counsel, Attention: Forfeiture Counsel, 99 New York Avenue NE., Washington, DC 20226.

(B) Submission by facsimile or other electronic means will not be accepted.

(f) *Agency investigation.* Upon receipt of a petition, the seizing agency shall investigate the merits of the petition and may prepare a written report containing the results of that investigation. This report shall be submitted to the ruling official for review and consideration.

(g) *Ruling.* Upon receipt of the petition and the agency report, the ruling official for the seizing agency shall review the petition and the report, if any, and shall rule on the merits of the petition. No hearing shall be held.

(h) *Petitions granted.* If the ruling official grants a remission or mitigation of the forfeiture, a copy of the decision shall be mailed to the petitioner or, if represented by an attorney, to the petitioner's attorney. A copy shall also be sent to the United States Marshals Service (USMS) or other property custodian. The written decision shall include the terms and conditions, if any, upon which the remission or mitigation is granted and the procedures the petitioner must follow to obtain release of the property or the monetary interest therein.

(i) *Petitions denied.* If the ruling official denies a petition, a copy of the decision shall be mailed to the petitioner or, if represented by an attorney, to the petitioner's attorney of record. A copy of the decision shall also be sent to the USMS or other property custodian. The decision shall specify the reason that the petition was denied. The decision shall advise the petitioner that a request for reconsideration of the denial of the petition may be submitted to the ruling official in accordance with paragraph (j) of this section.

(j) *Request for reconsideration.* (1) A request for reconsideration of the denial of the petition shall be considered if:

(i) It is postmarked or received by the office of the ruling official within 10 days from the receipt of the notice of denial of the petition by the petitioner; and

(ii) The request is based on information or evidence not previously considered that is material to the basis for the denial or presents a basis clearly demonstrating that the denial was erroneous.

(2) In no event shall a request for reconsideration be decided by the same ruling official who ruled on the original petition.

(3) Only one request for reconsideration of a denial of a petition shall be considered.

(k) *Restoration of proceeds from sale.* (1) A petition for restoration of the proceeds from the sale of forfeited property, or for the appraised value of forfeited property when the forfeited property has been retained by or delivered to a government agency for official use, may be submitted by an owner or lienholder in cases in which the petitioner:

(i) Did not know of the seizure prior to the entry of a declaration of forfeiture; and

(ii) Could not reasonably have known of the seizure prior to the entry of a declaration of forfeiture.

(2) Such a petition shall be submitted pursuant to paragraphs (b) through (e) of this section within 90 days of the date the property is sold or otherwise disposed of.

#### §9.4 Petitions in judicial forfeiture cases.

(a) *Notice of seizure.* The notice of seizure and intent to forfeit the property shall advise any persons who may have a present ownership interest in the property to submit their petitions for remission or mitigation within 30 days of the date they receive the notice in order to facilitate processing. Petitions shall be considered any time after notice until such time as the forfeited property is placed in official use, sold, or otherwise disposed of according to law, except in cases involving petitions to restore property. A notice of seizure

shall include the title of the ruling official and the mailing and street address of the official to whom petitions should be sent, the name of the agency seizing the property, an asset identifier number, and the district court docket number.

(b) *Persons who may file.* A petition for remission or mitigation must be filed by a petitioner as defined in §9.2 or as prescribed in §9.9(g) and (h).

(c) *Contents of petition.* (1) All petitions must include the following information in clear and concise terms:

(i) The name, address, and social security or other taxpayer identification number of the person claiming an interest in the seized property who is seeking remission or mitigation;

(ii) The name of the seizing agency, the asset identifier number, and the date and place of seizure;

(iii) The district court docket number;

(iv) A complete description of the property, including the address or legal description of real property, and make, model, and serial numbers of personal property, if any; and

(v) A description of the petitioner's interest in the property as owner, lienholder, or otherwise, supported by original or certified bills of sale, contracts, mortgages, deeds, or other documentary evidence.

(2) Any factual recitation or documentation of any type in a petition must be supported by a declaration under penalty of perjury that meets the requirements of 28 U.S.C. 1746.

(d) *Releases.* In addition to the content of the petition for remission or mitigation set forth in paragraph (c) of this section, the petitioner, upon request, also shall furnish the agency with an instrument executed by the titled or registered owner and any other known claimant of an interest in the property releasing the interest in such property.

(e) *Filing petition with Department of Justice.* A petition for remission or mitigation of a judicial forfeiture shall be addressed to the Attorney General; shall be sworn to by the petitioner or by the petitioner's attorney upon information and belief, supported by the client's sworn notice of representation pursuant to 28 U.S.C. 1746, as set forth

## Department of Justice

## §9.4

in §9.9(g); and shall be submitted to the U.S. Attorney for the district in which the judicial forfeiture proceedings are brought.

(f) *Agency investigation and recommendation; U.S. Attorney's recommendation.* Upon receipt of a petition, the U.S. Attorney shall direct the seizing agency to investigate the merits of the petition based on the information provided by the petitioner and the totality of the agency's investigation of the underlying basis for forfeiture. The agency shall submit to the U.S. Attorney a report of its investigation and its recommendation on whether the petition should be granted or denied. Upon receipt of the agency's report and recommendation, the U.S. Attorney shall forward to the Chief, Asset Forfeiture and Money Laundering Section, the petition, the seizing agency's report and recommendation, and the U.S. Attorney's recommendation on whether the petition should be granted or denied.

(g) *Ruling.* The Chief shall rule on the petition. No hearing shall be held. The Chief shall not rule on any petition for remission if such remission was previously denied by the agency pursuant to §9.3.

(h) *Petitions under Internal Revenue Service liquor laws.* The Chief shall accept and consider petitions submitted in judicial forfeiture proceedings under the Internal Revenue Service liquor laws only prior to the time a decree of forfeiture is entered. Thereafter, the district court has exclusive jurisdiction.

(i) *Petitions granted.* If the Chief grants a remission or mitigates the forfeiture, the Chief shall mail a copy of the decision to the petitioner (or, if represented by an attorney, to the petitioner's attorney) and shall mail or transmit electronically a copy of the decision to the appropriate U.S. Attorney, the USMS or other property custodian, and the seizing agency. The written decision shall include the terms and conditions, if any, upon which the remission or mitigation is granted and the procedures the petitioner must follow to obtain release of the property or the monetary interest therein. The Chief shall advise the petitioner or the petitioner's attorney to

consult with the U.S. Attorney as to such terms and conditions. The U.S. Attorney shall confer with the seizing agency regarding the release and shall coordinate disposition of the property with that office and the USMS or other property custodian.

(j) *Petitions denied.* If the Chief denies a petition, a copy of that decision shall be mailed to the petitioner (or, if represented by an attorney, to the petitioner's attorney of record) and mailed or transmitted electronically to the appropriate U.S. Attorney, the USMS or other property custodian, and to the seizing agency. The decision shall specify the reason that the petition was denied. The decision shall advise the petitioner that a request for reconsideration of the denial of the petition may be submitted to the Chief at the address provided in the decision, in accordance with paragraph (k) of this section.

(k) *Request for reconsideration.* (1) A request for reconsideration of the denial shall be considered if:

(i) It is postmarked or received by the Asset Forfeiture and Money Laundering Section at the address contained in the decision denying the petition within 10 days from the receipt of the notice of denial of the petition by the petitioner;

(ii) A copy of the request is also received by the appropriate U.S. Attorney within 10 days of the receipt of the denial by the petitioner; and

(iii) The request is based on information or evidence not previously considered that is material to the basis for the denial or presents a basis clearly demonstrating that the denial was erroneous.

(2) In no event shall a request for reconsideration be decided by the ruling official who ruled on the original petition.

(3) Only one request for reconsideration of a denial of a petition shall be considered.

(4) Upon receipt of the request for reconsideration of the denial of a petition, disposition of the property will be delayed pending notice of the decision at the request of the Chief. If the request for reconsideration is not received within the prescribed period, the

## §9.5

## 28 CFR Ch. I (7-1-17 Edition)

USMS or other property custodian may dispose of the property.

(1) *Restoration of proceeds from sale.* (1) A petition for restoration of the proceeds from the sale of forfeited property, or for the appraised value of forfeited property when the forfeited property has been retained by or delivered to a government agency for official use, may be submitted by an owner or lienholder in cases in which the petitioner:

(i) Did not know of the seizure prior to the entry of a final order of forfeiture; and

(ii) Could not reasonably have known of the seizure prior to the entry of a final order of forfeiture.

(2) Such a petition must be submitted pursuant to paragraphs (b) through (e) of this section within 90 days of the date the property was sold or otherwise disposed of.

### §9.5 Criteria governing administrative and judicial remission and mitigation.

(a) *Remission.* (1) The ruling official shall not grant remission of a forfeiture unless the petitioner establishes that the petitioner has a valid, good faith, and legally cognizable interest in the seized property as owner or lienholder as defined in this part and is an innocent owner within the meaning of 18 U.S.C. 983(d)(2)(A) or 983(d)(3)(A).

(2) For purposes of paragraph (a)(1) of this section, the knowledge and responsibilities of a petitioner's representative, agent, or employee are imputed to the petitioner where the representative, agent, or employee was acting in the course of his or her employment and in furtherance of the petitioner's business.

(3) The petitioner has the burden of establishing the basis for granting a petition for remission or mitigation of forfeited property, a restoration of proceeds of sale or appraised value of forfeited property, or a reconsideration of a denial of such a petition. Failure to provide information or documents and to submit to interviews, as requested, may result in a denial of the petition.

(4) The ruling official shall presume a valid forfeiture and shall not consider

whether the evidence is sufficient to support the forfeiture.

(5) Willful, materially false statements or information made or furnished by the petitioner in support of a petition for remission or mitigation of forfeited property, the restoration of proceeds or appraised value of forfeited property, or the reconsideration of a denial of any such petition, shall be grounds for denial of such petition and possible prosecution for the filing of false statements.

(b) *Mitigation.* (1) The ruling official may grant mitigation to a party not involved in the commission of the offense underlying forfeiture:

(i) Where the petitioner has not met the minimum conditions for remission, but the ruling official finds that some relief should be granted to avoid extreme hardship, and that return of the property combined with imposition of monetary or other conditions of mitigation in lieu of a complete forfeiture will promote the interest of justice and will not diminish the deterrent effect of the law. Extenuating circumstances justifying such a finding include those circumstances that reduce the responsibility of the petitioner for knowledge of the illegal activity, knowledge of the criminal record of a user of the property, or failure to take reasonable steps to prevent the illegal use or acquisition by another for some reason, such as a reasonable fear of reprisal; or

(ii) Where the minimum standards for remission have been satisfied but the overall circumstances are such that, in the opinion of the ruling official, complete relief is not warranted.

(2) The ruling official may in his or her discretion grant mitigation to a party involved in the commission of the offense underlying the forfeiture where certain mitigating factors exist, including, but not limited to: the lack of a prior record or evidence of similar criminal conduct; if the violation does not include drug distribution, manufacturing, or importation, the fact that the violator has taken steps, such as drug treatment, to prevent further criminal conduct; the fact that the violation was minimal and was not part of a larger criminal scheme; the fact that

the violator has cooperated with federal, state, or local investigations relating to the criminal conduct underlying the forfeiture; or the fact that complete forfeiture of an asset is not necessary to achieve the legitimate purposes of forfeiture.

(3) Mitigation may take the form of a monetary condition or the imposition of other conditions relating to the continued use of the property, and the return of the property, in addition to the imposition of any other costs that would be chargeable as a condition to remission. This monetary condition is considered as an item of cost payable by the petitioner, and shall be deposited into the Assets Forfeiture Fund as an amount realized from forfeiture in accordance with the applicable statute. If the petitioner fails to accept the ruling official's mitigation decision or any of its conditions, or fails to pay the monetary amount within 20 days of the receipt of the decision, the property shall be sold, and the monetary amount imposed and other costs chargeable as a condition to mitigation shall be subtracted from the proceeds of the sale before transmitting the remainder to the petitioner.

#### §9.6 Special rules for specific petitioners.

(a) *General creditors.* A general creditor may not be granted remission or mitigation of forfeiture unless he or she otherwise qualifies as petitioner under this part.

(b) *Rival claimants.* If the beneficial owner of the forfeited property and the owner of a security interest in the same property each file a petition, and if both petitions are found to be meritorious, the claims of the beneficial owner shall take precedence.

(c) *Voluntary bailments.* A petitioner who allows another to use his or her property without cost, and who is not in the business of lending money secured by property or of leasing or renting property for profit, shall be granted remission or mitigation of forfeiture in accordance with the provisions of §9.5.

(d) *Lessors.* A person engaged in the business of leasing or renting real or personal property on a long-term basis with the right to sublease shall not be entitled to remission or mitigation of a

forfeiture of such property unless the lessor can demonstrate compliance with all the requirements of §9.5.

(e) *Straw owners.* A petition by any person who has acquired a property interest recognizable under this part, and who knew or had reason to believe that the interest was conveyed by the previous owner for the purpose of circumventing seizure, forfeiture, or the regulations in this part, shall be denied. A petition by a person who purchases or owns property for another who has a record for related crimes as defined in §9.2, or a petition by a lienholder who knows or has reason to believe that the purchaser or owner of record is not the real purchaser or owner, shall be denied unless both the purchaser of record and the real purchaser or owner meet the requirements of §9.5.

(f) *Judgment creditors.* (1) A judgment creditor will be recognized as a lienholder if:

(i) The judgment was duly recorded before the seizure of the property for forfeiture;

(ii) Under applicable state or local law, the judgment constitutes a valid lien on the property that attached to it before the seizure of the property for forfeiture; and

(iii) The petitioner had no knowledge of the commission of any act or acts giving rise to the forfeiture at the time the judgment became a lien on the forfeited property.

(2) A judgment creditor will not be recognized as a lienholder if the property in question is not property of which the judgment debtor is entitled to claim ownership under applicable state or local law (*e.g.*, stolen property). A judgment creditor is entitled under this part to no more than the amount of the judgment, exclusive of any interest, costs, or other fees including attorney fees associated with the action that led to the judgment or its collection.

(3) A judgment creditor's lien must be registered in the district where the property is located if the judgment was obtained outside the district.

**§9.7 Terms and conditions of remission and mitigation.**

(a) *Owners.* (1) An owner's interest in property that has been forfeited is represented by the property itself or by a monetary interest equivalent to that interest at the time of seizure. Whether the property or a monetary equivalent will be remitted to an owner shall be determined at the discretion of the ruling official.

(2) If a civil judicial forfeiture action against the property is pending, release of the property must await an appropriate court order.

(3) Where the Government sells or disposes of the property prior to the grant of the remission, the owner shall receive the proceeds of that sale, less any costs incurred by the Government in the sale. The ruling official, at his or her discretion, may waive the deduction of costs and expenses incident to the forfeiture.

(4) Where the owner does not comply with the conditions imposed upon release of the property by the ruling official, the property shall be sold. Following the sale, the proceeds shall be used to pay all costs of the forfeiture and disposition of the property, in addition to any monetary conditions imposed. The remaining balance shall be paid to the owner.

(b) *Lienholders.* (1) When the forfeited property is to be retained for official use or transferred to a state or local law enforcement agency or foreign government pursuant to law, and remission or mitigation has been granted to a lienholder, the recipient of the property shall assure that:

(i) In the case of remission, the lien is satisfied as determined through the petition process; or

(ii) In the case of mitigation, an amount equal to the net equity, less any monetary conditions imposed, is paid to the lienholder prior to the release of the property to the recipient agency or foreign government.

(2) When the forfeited property is not retained for official use or transferred to another agency or foreign government pursuant to law, the lienholder shall be notified by the ruling official of the right to select either of the following alternatives:

(i) *Return of property.* The lienholder may obtain possession of the property after paying the United States, through the ruling official, the costs and expenses incident to the forfeiture, the amount, if any, by which the appraised value of the property exceeds the lienholder's net equity in the property, and any amount specified in the ruling official's decision as a condition to remit the property. The ruling official, at his or her discretion, may waive costs and expenses incident to the forfeiture. The ruling official shall forward a copy of the decision, a memorandum of disposition, and the original releases to the USMS or other property custodian who shall thereafter release the property to the lienholder; or

(ii) *Sale of property and payment to lienholder.* Subject to §9.9(a), upon sale of the property, the lienholder may receive the payment of a monetary amount up to the sum of the lienholder's net equity, less the expenses and costs incident to the forfeiture and sale of the property, and any other monetary conditions imposed. The ruling official, at his or her discretion, may waive costs and expenses incident to the forfeiture.

(3) If the lienholder does not notify the ruling official of the selection of one of the two options set forth in paragraph (b)(2) of this section within 20 days of the receipt of notification, the ruling official shall direct the USMS or other property custodian to sell the property and pay the lienholder an amount up to the net equity, less the costs and expenses incurred incident to the forfeiture and sale, and any monetary conditions imposed. In the event a lienholder subsequently receives a payment of any kind on the debt owed for which he or she received payment as a result of the granting of remission or mitigation, the lienholder shall reimburse the Assets Forfeiture Fund to the extent of the payment received.

(4) Where the lienholder does not comply with the conditions imposed upon the release of the property, the property shall be sold after forfeiture. From the proceeds of the sale, all costs incident to the forfeiture and sale shall first be deducted, and the balance up to

the net equity, less any monetary conditions, shall be paid to the lienholder.

**§ 9.8 Remission procedures for victims.**

This section applies to victims of an offense underlying the forfeiture of property, or of a related offense, who do not have a present ownership interest in the forfeited property (or, in the case of multiple victims of an offense, who do not have a present ownership interest in the forfeited property that is clearly superior to that of other petitioner victims). This section applies only with respect to property forfeited pursuant to statutes that explicitly authorize restoration or remission of forfeited property to victims. A victim requesting remission under this section may concurrently request remission as an owner, pursuant to the regulations set forth in §§ 9.3, 9.4, and 9.7. The claims of victims granted remission as both an owner and victim shall, like claims of other owners, have priority over the claims of any non-owner victims whose claims are recognized under this section.

(a) *Remission procedure for victims.* (1) *Where to file.* Persons seeking remission as victims shall file petitions for remission with the appropriate deciding official as described in §§ 9.3(e) (administrative forfeiture) or 9.4(e) (judicial forfeiture).

(2) *Time of decision.* The deciding official or his designee as described in § 9.1(b) may consider petitions filed by persons claiming eligibility for remission as victims at any time prior to the disposal of the forfeited property in accordance with law.

(3) *Request for reconsideration.* Persons denied remission under this section may request reconsideration of the denial, in accordance with §§ 9.3(j) (administrative forfeiture) or 9.4(k) (judicial forfeiture).

(b) *Qualification to file.* A victim, as defined in § 9.2, may be granted remission, if in addition to complying with the other applicable provisions of § 9.8, the victim satisfactorily demonstrates that:

(1) A pecuniary loss of a specific amount has been directly caused by the criminal offense, or related offense, that was the underlying basis for the forfeiture, and that the loss is sup-

ported by documentary evidence including invoices and receipts;

(2) The pecuniary loss is the direct result of the illegal acts and is not the result of otherwise lawful acts that were committed in the course of a criminal offense;

(3) The victim did not knowingly contribute to, participate in, benefit from, or act in a willfully blind manner towards the commission of the offense, or related offense, that was the underlying basis of the forfeiture;

(4) The victim has not in fact been compensated for the wrongful loss of the property by the perpetrator or others; and

(5) The victim does not have recourse reasonably available to other assets from which to obtain compensation for the wrongful loss of the property.

(c) *Pecuniary loss.* The amount of the pecuniary loss suffered by a victim for which remission may be granted is limited to the fair market value of the property of which the victim was deprived as of the date of the occurrence of the loss. No allowance shall be made for interest forgone or for collateral expenses incurred to recover lost property or to seek other recompense.

(d) *Torts.* A tort associated with illegal activity that formed the basis for the forfeiture shall not be a basis for remission, unless it constitutes the illegal activity itself, nor shall remission be granted for physical injuries to a petitioner or for damage to a petitioner's property.

(e) *Denial of petition.* In the exercise of his or her discretion, the ruling official may decline to grant remission where:

(1) There is substantial difficulty in calculating the pecuniary loss incurred by the victim or victims;

(2) The amount of the remission, if granted, would be small compared with the amount of expenses incurred by the Government in determining whether to grant remission; or

(3) The total number of victims is large and the monetary amount of the remission so small as to make its granting impractical.

(f) *Pro rata basis.* In granting remission to multiple victims pursuant to this section, the ruling official should generally grant remission on a pro rata

basis to recognized victims when petitions cannot be granted in full due to the limited value of the forfeited property. However, the ruling official may consider the following factors, among others, in establishing appropriate priorities in individual cases:

(1) The specificity and reliability of the evidence establishing a loss;

(2) The fact that a particular victim is suffering an extreme financial hardship;

(3) The fact that a particular victim has cooperated with the Government in the investigation related to the forfeiture or to a related prosecution or civil action; and

(4) In the case of petitions filed by multiple victims of related offenses, the fact that a particular victim is a victim of the offense underlying the forfeiture.

(g) *Reimbursement.* Any petitioner granted remission pursuant to this part shall reimburse the Assets Forfeiture Fund for the amount received to the extent the individual later receives compensation for the loss of the property from any other source. The petitioner shall surrender the reimbursement upon payment from any secondary source.

(h) *Claims of financial institution regulatory agencies.* In cases involving property forfeitable under 18 U.S.C. 981(a)(1)(C) or (a)(1)(D), the ruling official may decline to grant a petition filed by a petitioner in whole or in part due to the lack of sufficient forfeitable funds to satisfy both the petition and claims of the financial institution regulatory agencies pursuant to 18 U.S.C. 981(e)(3) or (7). Generally, claims of financial institution regulatory agencies pursuant to 18 U.S.C. 981(e)(3) or (7) shall take priority over claims of victims.

(i) *Amount of remission.* Consistent with the Assets Forfeiture Fund statute (28 U.S.C. 524(c)), the amount of remission shall not exceed the victim's share of the net proceeds of the forfeitures associated with the activity that caused the victim's loss. The calculation of net proceeds includes, but is not limited to, the deduction of allowable government expenses and valid third-party claims.

### §9.9 Miscellaneous provisions.

(a) *Priority of payment.* Except where otherwise provided in this part, costs incurred by the USMS and other agencies participating in the forfeiture that were incident to the forfeiture, sale, or other disposition of the property shall be deducted from the amount available for remission or mitigation. Such costs include, but are not limited to, court costs, storage costs, brokerage and other sales-related costs, the amount of any liens and associated costs paid by the Government on the property, costs incurred in paying the ordinary and necessary expenses of a business seized for forfeiture, awards for information as authorized by statute, expenses of trustees or other assistants pursuant to paragraph (c) of this section, investigative or prosecutive costs specially incurred incident to the particular forfeiture, and costs incurred incident to the processing of the petition(s) for remission or mitigation. The remaining balance shall be available for remission or mitigation. The ruling official shall direct the distribution of the remaining balance in the following order of priority, except that the ruling official may exercise discretion in determining the priority between petitioners belonging to classes described in paragraphs (a)(3) and (4) of this section in exceptional circumstances:

(1) Owners;

(2) Lienholders;

(3) Federal financial institution regulatory agencies (pursuant to paragraph (e) of this section), not constituting owners or lienholders; and

(4) Victims not constituting owners or lienholders (pursuant to §9.8).

(b) *Sale or disposition of property prior to ruling.* If forfeited property has been sold or otherwise disposed of prior to a ruling, the ruling official may grant relief in the form of a monetary amount. The amount realized by the sale of the property is presumed to be the value of the property. Monetary relief shall not be greater than the appraised value of the property at the time of seizure and shall not exceed the amount realized from the sale or other disposition. The proceeds of the sale shall be distributed as follows:



## Department of Justice

## §9.9

(1) Payment of the Government's expenses incurred incident to the forfeiture and sale, including court costs and storage charges, if any;

(2) Payment to the petitioner of an amount up to his or her interest in the property;

(3) Payment to the Assets Forfeiture Fund of all other costs and expenses incident to the forfeiture;

(4) In the case of victims, payment of any amount up to the amount of his or her loss; and

(5) Payment of the balance remaining, if any, to the Assets Forfeiture Fund.

(c) *Trustees and other assistants.* In the exercise of his or her discretion, the ruling official, with the approval of the Asset Forfeiture and Money Laundering Section, may use the services of a trustee, other government official, or appointed contractors to notify potential petitioners, process petitions, and make recommendations to the ruling official on the distribution of property to petitioners. The expense for such assistance shall be paid out of the forfeited funds.

(d) *Other agencies of the United States.* Where another agency of the United States is entitled to remission or mitigation of forfeited assets because of an interest that is recognizable under this part or is eligible for such transfer pursuant to 18 U.S.C. 981(e)(6), such agency shall request the transfer in writing, in addition to complying with any applicable provisions of §§9.3 through 9.5. The decision to make such transfer shall be made in writing by the ruling official.

(e) *Financial institution regulatory agencies.* A ruling official may direct the transfer of property under 18 U.S.C. 981(e) to certain federal financial institution regulatory agencies or an entity acting on their behalf, upon receipt of a written request, in lieu of ruling on a petition for remission or mitigation.

(f) *Transfers to foreign governments.* A ruling official may decline to grant remission to any petitioner other than an owner or lienholder so that forfeited assets may be transferred to a foreign government pursuant to 18 U.S.C. 981(i)(1), 19 U.S.C. 1616a(c)(2), or 21 U.S.C. 881(e)(1)(E).

(g) *Filing by attorneys.* (1) A petition for remission or mitigation may be filed by a petitioner or by his or her attorney or legal guardian. If an attorney files on behalf of the petitioner, the petition must include a signed and sworn statement by the client-petitioner stating that:

(i) The attorney has the authority to represent the petitioner in this proceeding;

(ii) The petitioner has fully reviewed the petition; and

(iii) The petition is truthful and accurate in every respect.

(2) Verbal notification of representation is not acceptable. Responses and notification of rulings shall not be sent to an attorney claiming to represent a petitioner unless a written notice of representation is filed. No extensions of time shall be granted due to delays in submission of the notice of representation.

(h) *Consolidated petitions.* At the discretion of the ruling official in individual cases, a petition may be filed by one petitioner on behalf of other petitioners, provided the petitions are based on similar underlying facts, and the petitioner who files the petition has written authority to do so on behalf of the other petitioners. This authority must be either expressed in documents giving the petitioner the authority to file petitions for remission, or reasonably implied from documents giving the petitioner express authority to file claims or lawsuits related to the course of conduct in question on behalf of these petitioners. An insurer or an administrator of an employee benefit plan, for example, which itself has standing to file a petition as a "victim" within the meaning of §9.2, may also file a petition on behalf of its insured or plan beneficiaries for any claims they may have based on co-payments made to the perpetrator of the offense underlying the forfeiture or the perpetrator of a "related offense" within the meaning of §9.2, if the authority to file claims or lawsuits is contained in the document or documents establishing the plan. Where such a petition is filed, any amounts granted as a remission must be transferred to the other petitioners, not the party filing the petition; although, in his or her

discretion, the ruling official may use the actual petitioner as an intermediary for transferring the amounts authorized as a remission to the other petitioners.

## PART 10—REGISTRATION OF CERTAIN ORGANIZATIONS CARRYING ON ACTIVITIES WITHIN THE UNITED STATES

### REGISTRATION STATEMENT

Sec.

- 10.1 Form of registration statement.
- 10.2 Language of registration statement.
- 10.3 Effect of acceptance of registration statement.
- 10.4 Date of filing.
- 10.5 Incorporation of papers previously filed.
- 10.6 Necessity for further registration.
- 10.7 Cessation of activity.

### SUPPLEMENTAL REGISTRATION STATEMENT

- 10.8 Information to be kept current.
- 10.9 Requirements for supplemental registration statement.

### INSPECTION OF REGISTRATION STATEMENT

- 10.10 Public inspection.

AUTHORITY: Pub. L. 772, 80th Cong.; 18 U.S.C. 2386.

CROSS REFERENCES: For regulations under the Foreign Agents Registration Act, see part 5 of this chapter.

For Organization Statement, Internal Security Section, see subpart K of part 0 of this chapter.

SOURCE: 6 FR 369, Jan. 15, 1941, unless otherwise noted.

### REGISTRATION STATEMENT

#### § 10.1 Form of registration statement.

Every organization required to submit a registration statement<sup>1</sup> to the Attorney General for filing in compliance with the terms of section 2 of the act approved October 17, 1940, entitled, “An act to require the registration of certain organizations carrying on activities within the United States, and for other purposes” (Pub. L. 772, 80th Cong.; 18 U.S.C. 2386), and the rules and regulations issued pursuant thereto, shall submit such statement on such

<sup>1</sup>Filed as a part of the original document. Copies may be obtained from the Department of Justice.

forms as are prescribed by the Attorney General. Every statement required to be filed with the Attorney General shall be subscribed under oath by all of the officers of the organization registering.

#### § 10.2 Language of registration statement.

Registration statements must be in English if possible. If in a foreign language they must be accompanied by an English translation certified under oath by the translator, before a notary public or other person authorized by law to administer oaths for general purposes as a true and adequate translation. The statements, with the exception of signature, must be typewritten if practicable but will be accepted if written legibly in ink.

#### § 10.3 Effect of acceptance of registration statement.

Acceptance by the Attorney General of a registration statement submitted for filing shall not necessarily signify a full compliance with the said act on the part of the registrant, and such acceptance shall not preclude the Attorney General from seeking such additional information as he deems necessary under the requirements of the said act, and shall not preclude prosecution as provided for in the said act for a false statement of a material fact, or the willful omission of a material fact required to be stated therein, or necessary to make the statements made not misleading.

#### § 10.4 Date of filing.

The date on which a registration statement properly executed is accepted by the Attorney General for filing shall be considered the date of the filing of such registration statement pursuant to the said act. All statements must be filed not later than thirty days after January 15, 1941.

#### § 10.5 Incorporation of papers previously filed.

Papers and documents already filed with the Attorney General pursuant to the said act and regulations issued pursuant thereto may be incorporated by reference in any registration statement

## Department of Justice

## § 11.1

subsequently submitted to the Attorney General for filing, provided such papers and documents are adequately identified in the registration statement in which they are incorporated by reference.

### § 10.6 Necessity for further registration.

The filing of a registration statement with the Attorney General as required by the act shall not operate to remove the necessity for filing a registration statement with the Attorney General as required by the act of June 8, 1938, as amended, entitled "An act to require the registration of certain persons employed by agencies to disseminate propaganda in the United States and for other purposes" (52 Stat. 631, 56 Stat. 248; 22 U.S.C. 611), or for filing a notification statement with the Secretary of State as required by the act of June 15, 1917 (40 Stat. 226).

[13 FR 8292, Dec. 24, 1948]

### § 10.7 Cessation of activity.

The chief officer or other officer of the registrant organization must notify the Attorney General promptly upon the cessation of the activity of the organization, its branches, chapters, or affiliates by virtue of which registration has been required pursuant to the act.

#### SUPPLEMENTAL REGISTRATION STATEMENT

### § 10.8 Information to be kept current.

A supplemental statement must be filed with the Attorney General within thirty days after the expiration of each period of six months succeeding the original filing of a registration statement. Each supplemental statement must contain information and documents as may be necessary to make information and documents previously filed accurate and current with respect to the preceding six months' period.

### § 10.9 Requirements for supplemental registration statement.

The rules and regulations in this part with respect to registration statements submitted to the Attorney General under section 2 of the said act shall apply with equal force and effect to

supplemental registration statements required thereunder to be filed with the Attorney General.

#### INSPECTION OF REGISTRATION STATEMENT

### § 10.10 Public inspection.

Registration statements filed with the Attorney General pursuant to the said act shall be available for public inspection in the Department of Justice, Washington, DC, from 10 a.m. to 4 p.m. on each official business day.

[13 FR 8292, Dec. 24, 1948]

## PART 11—DEBT COLLECTION

### Subpart A—Retention of Private Counsel for Debt Collection

Sec.

- 11.1 Delegation of authority.
- 11.2 Private counsel debt collection program.
- 11.3 Compliance with existing laws.

### Subpart B—Administration of Debt Collection

- 11.4 Purpose and scope.
- 11.5 Delegation of authority.
- 11.6 Definitions.
- 11.7 Salary adjustments.
- 11.8 Salary offset.
- 11.9 Administrative offset.

### Subpart C—Collection of Debts by Administrative and Tax Refund Offset

- 11.10 Scope.
- 11.11 Definitions.
- 11.12 Centralized offset.
- 11.13 Non-centralized offset.

### Subpart D—Administrative Wage Garnishment

- 11.21 Administrative wage garnishment.

AUTHORITY: 5 U.S.C. 301, 5514; 28 U.S.C. 509, 510; 31 U.S.C. 3711, 3716, 3718, 3720A, 3720D.

SOURCE: Order No. 1201-87, 52 FR 24449, July 1, 1987, unless otherwise noted.

### Subpart A—Retention of Private Counsel for Debt Collection

#### § 11.1 Delegation of authority.

The Assistant Attorney General for Administration shall exercise the full authority of the Attorney General to

## § 11.2

## 28 CFR Ch. I (7–1–17 Edition)

develop and administer the Department of Justice program for debt collection by private counsel. This authority shall include, but is not limited to, the authority to set policies and procedures for the program, and to enter into contracts for the retention of private counsel. The Assistant Attorney General for Administration can in turn delegate authority regarding debt collection to subordinate officials as appropriate. Existing delegations of authority with respect to settlement determinations on disputed claims shall remain in force. See generally, 28 CFR 0.160 *et seq.*

[Order No. 1201–87, 52 FR 24449, July 1, 1987, as amended by AG Order 3689–2016, 81 FR 43943, July 6, 2016]

### § 11.2 Private counsel debt collection program.

The Assistant Attorney General for Administration, in consultation with the Executive Office for United States Attorneys, shall designate the districts that will participate in the program. U.S. Attorneys in the districts chosen for the program, shall direct the full cooperation and assistance of their respective offices in implementing the program. Among other things, the U.S. Attorneys shall designate an Assistant U.S. Attorney to serve as the Contracting Officer’s Representative (COR) on the contracts with private debt collection lawyers in their respective districts. The CORs will be responsible for assisting the contracting officer by supervising the work of the private counsel in their respective districts and providing necessary approvals with respect to the initiation or settlement of lawsuits or similar matters.

[Order No. 1201–87, 52 FR 24449, July 1, 1987, as amended by AG Order 3689–2016, 81 FR 43943, July 6, 2016]

### § 11.3 Compliance with existing laws.

The procurement of the services of private attorneys for debt collection shall be accomplished in accordance with the competitive procurement procedures mandated by Federal law, and set forth in 41 U.S.C. 3307. Best efforts shall be made to encourage extensive participation by law firms owned and controlled by socially and economically disadvantaged individuals and

law firms that are qualified HUBZone small business concerns in the competition for award of these contracts in the program districts. Such efforts shall include, at minimum, publication of the requirement for these services in FedBizOpps and in a selection of pertinent legal publications likely to reach socially and economically disadvantaged firms, as well as sending written notice of the requirements to bar associations that have a significant socially and economically disadvantaged membership in the program districts. These special recruitment efforts will not authorize or permit preferential consideration to any bidders in selection for award of these contracts. The Department’s Office of Small and Disadvantaged Business Utilization shall also make its resources available to assist in encouraging broad participation in this competition.

[Order No. 1201–87, 52 FR 24449, July 1, 1987, as amended by AG Order 3689–2016, 81 FR 43944, July 6, 2016]

## Subpart B—Administration of Debt Collection

SOURCE: Order No. 1625–92, 57 FR 44107, Sept. 24, 1992, unless otherwise noted.

### § 11.4 Purpose and scope.

(a) *Purpose.* The purpose of this subpart is to implement 5 U.S.C. 5514 and 31 U.S.C. 3716, which authorize the collection by salary or administrative offset of debts owed by persons, organizations, or entities to the federal government. This subpart is consistent with the Office of Personnel Management (OPM) regulations on salary offset, codified at 5 CFR part 550, subpart K, and with regulations on administrative offset contained within the Federal Claims Collection Standards (FCCS), 31 CFR part 901.

(b) *Scope.* (1) This subpart establishes Departmental procedures for the collection of certain debts owed the government.

(2) This subpart applies to collections by the Department from:

- (i) Federal employees who are indebted to the Department;
- (ii) Employees of the Department who are indebted to other agencies; and

## Department of Justice

## § 11.6

(iii) Other persons, organizations, or entities that are indebted to the Department.

(3) This subpart does not apply:

(i) To debts or claims arising under the Internal Revenue Code of 1986 (26 U.S.C. 1 *et seq.*), the Social Security Act (42 U.S.C. 301 *et seq.*), or the tariff laws of the United States;

(ii) To a situation to which the Contract Disputes Act (41 U.S.C. 601 *et seq.*) applies; or

(iii) In the case where collection of a debt is explicitly provided for or prohibited by another statute. The provisions of § 11.8 of this subpart do not apply to salary offset to recover travel advances under 5 U.S.C. 5705 or employee training expenses under 5 U.S.C. 4108.

(4) Nothing in this subpart precludes the compromise, suspension, or termination of collection actions where appropriate under the FCCS.

(5) This subpart does not govern debt collection procedures implemented by other agencies.

[Order No. 1625-92, 57 FR 44107, Sept. 24, 1992, as amended by Order No. 3089-2009, 74 FR 35117, July 20, 2009; AG Order 3689-2016, 81 FR 43944, July 6, 2016]

### § 11.5 Delegation of authority.

Authority to conduct the following activities is hereby delegated to heads of Department organizations with respect to debts arising in their respective organizations:

(a) Initiate and effectuate the administrative collection process.

(b) Accept or reject compromise offers and suspend or terminate collection actions where the claim does not exceed \$100,000 or such higher amount as the Attorney General may from time to time prescribe, exclusive of interest, administrative costs, and penalties as provided herein, as set forth in 31 U.S.C. 3711(a)(2).

(c) Report to consumer reporting agencies certain data pertaining to delinquent debts.

(d) Use offset procedures to effectuate collection.

(e) Take any other action necessary to facilitate and augment collection in accordance with the policies contained

herein and as otherwise provided by law.

[Order No. 1625-92, 57 FR 44107, Sept. 24, 1992, as amended by Order No. 3089-2009, 74 FR 35117, July 20, 2009]

### § 11.6 Definitions.

Except where the context clearly indicates otherwise or where the term is otherwise defined elsewhere in this subpart, the following definitions shall apply to this subpart.

(a) *Agency* means:

(1) An executive agency as defined by 5 U.S.C. 105;

(2) A military department as defined by 5 U.S.C. 102;

(3) The United States Postal Service and the Postal Rate Commission;

(4) An agency of the judicial branch, including a court as defined by 28 U.S.C. 610, the District Court for the Northern Mariana Islands, and the Judicial Panel on Multidistrict Litigation;

(5) An agency of the legislative branch, including the U.S. Senate and the U.S. House of Representatives; and

(6) Other entities that are establishments of the federal government.

(b) *Bureau* means the Bureau of Prisons, the Drug Enforcement Administration, the Federal Bureau of Investigation (FBI), the Bureau of Alcohol, Tobacco, Firearms, and Explosives (ATF), Federal Prison Industries, the Office of Justice Programs, and the United States Marshals Service (USMS).

(c) *Certification* means a written statement received by a paying agency from a creditor agency that requests the paying agency to offset the salary of an employee and specifies that appropriate procedural protections have been afforded the employee.

(d) *Components* means the bureaus, offices, boards, and divisions of the Department.

(e) *Compromise* means the forgiveness of a debt in accordance with 31 U.S.C. 3711(a)(2) and Departmental order.

(f) *Creditor agency* means an agency of the federal government to which the debt is owed.

(g) *Department* or *Justice Department* means the Department of Justice and its components.

(h) *Disposable pay* means that part of current basic pay, special pay, incentive pay, retired pay, retainer pay, and, in the case of an employee not entitled to basic pay, other authorized pay, remaining after the deduction of any amount required by law to be withheld. The Department shall allow the following deductions in determining the amount of disposable pay that is subject to salary offset:

(1) Amounts withheld from benefits payable under title II of the Social Security Act where the withholding is required by law;

(2) Federal employment taxes;

(3) Amounts mandatorily withheld for the United States Soldiers' and Airmen's Home;

(4) Fines and forfeiture ordered by a court-martial or by a commanding officer;

(5) Amounts deducted for Medicare;

(6) Federal, state, or local income taxes to the extent authorized or required by law, but no greater than would be the case if the employee claimed all dependents to which he or she is entitled and such additional amounts for which the employee presents evidence of a tax obligation supporting the additional withholding;

(7) Health insurance premiums;

(8) Normal retirement contributions (e.g., Civil Service Retirement deductions, Survivor Benefit Plan payments, or Retired Servicemen's Family Protection Plan payments), not including amounts deducted for supplementary coverage; and

(9) Normal life insurance premiums (e.g., Serviceman's Group Life Insurance and "Basic Life" Federal Employee's Group Life Insurance premiums), not including amounts deducted for supplementary coverage.

(i) *Employee* means a current employee of the Justice Department or other agency, including a current member of the Armed Forces or a Reserve of the Armed Forces of the United States.

(j) *Federal Claims Collection Standards (FCCS)* means standards jointly published by the Secretary of the Treasury and the Attorney General at 31 CFR parts 900–904.

(k) *Hearing official* means an individual responsible for conducting any

hearing with respect to the existence or amount of a debt claimed and for rendering a decision on the basis of such hearing. A hearing official may not be under the supervision or control of the Attorney General when the Department is the creditor agency but may be an administrative law judge.

(l) *Notice of Intent to Offset* or *Notice of Intent* means a written notice from a creditor agency to an employee, organization, or entity stating that the debtor is indebted to the creditor agency and apprising the debtor of certain procedural rights.

(m) *Notice of Salary Offset* means a written notice from the paying agency to an employee after a certification has been issued by a creditor agency, informing the employee that salary offset will begin at the next officially established pay interval.

(n) *Organization* means the bureaus individually and the offices, boards, and divisions collectively.

(o) *Organization head* means any Director, Administrator, or Commissioner of the respective Department bureaus, the Director of the United States Trustee System, the Director of the Executive Office for United States Attorneys, and the Assistant Attorney General for Administration, who shall serve as the organization head for the offices, boards, and divisions.

(p) *Paying agency* means the agency of the federal government that employs the individual who owes a debt to an agency of the federal government. In some cases, the Department may be both the creditor agency and the paying agency.

(q)(1) *Payroll office* means the payroll office in the paying agency that is primarily responsible for the payroll records and the coordination of pay matters with the appropriate personnel office with respect to an employee.

(2) *Applicable payroll office* means the Federal Bureau of Investigation voucher and Payroll Section with respect to FBI employees and the Justice Employee Data Service for all other employees of the Department.

(r) *Salary offset coordination officer* means an official designated by an organization head who is responsible for

## Department of Justice

## § 11.8

coordinating the debt collection activities of that organization.

[Order No. 1625-92, 57 FR 44107, Sept. 24, 1992, as amended by Order No. 2650-2003, 68 FR 4928, Jan. 31, 2003; Order No. 3089-2009, 74 FR 35117, July 20, 2009]

### § 11.7 Salary adjustments.

The following debts shall not be subject to the salary offset procedures of § 11.8:

(a) Any adjustment to pay arising out of an employee's election of coverage or a change in coverage under a Federal benefits program requiring periodic deductions from pay, if the amount to be recovered was accumulated over 4 pay periods or less;

(b) A routine intra-agency adjustment of pay that is made to correct an overpayment of pay attributable to clerical or administrative errors or delays in processing pay documents, if the overpayment occurred within the 4 pay periods preceding the adjustment and, at the time of such adjustment, or as soon thereafter as practical, the individual is provided written notice of the nature and the amount of the adjustment and point of contact for contesting such adjustment; or

(c) Any adjustment to collect a debt amounting to \$50 or less, if, at the time of such adjustment, or as soon thereafter as practical, the individual is provided written notice of the nature and the amount of the adjustment and a point of contact for contesting such adjustment.

[Order No. 3089-2009, 74 FR 35117, July 20, 2009]

### § 11.8 Salary offset.

(a) *Notice requirements before offset.* Deductions under the authority of 5 U.S.C. 5514 will not be made unless the creditor agency provides the employee with a written Notice of Intent to Offset a minimum of 30 calendar days before salary offset is initiated. The Notice of Intent shall state:

(1) That the organization head has reviewed the records relating to the claim and has determined that a debt is owed, including the amount of the debt and the facts giving rise to the debt;

(2) The organization head's intention to collect the debt by means of deduc-

tion from the employee's current disposable pay account until the debt and all accumulated interest is paid in full;

(3) A repayment schedule that includes the amount, frequency, proposed beginning date, and duration of the intended deductions;

(4) The opportunity for the employee to propose an alternative written schedule for the voluntary repayment of the debt, in lieu of offset, on terms acceptable to the Department. The employee shall include a justification in the request for the alternative schedule. The schedule shall be agreed to and signed by both the employee and the organization head;

(5) An explanation of the Department's policy concerning interest, penalties, and administrative costs, including a statement that such assessments must be made unless excused in accordance with the Federal Claims Collection Standards;

(6) The employee's right to inspect and copy all records of the Department pertaining to the debt claimed or to receive copies of such records if the debtor is unable personally to inspect the records, due to geographical or other constraints;

(7) The name, address, and telephone number of an officer or employee of the Department to whom requests for access to Department records relating to the debt must be sent;

(8) The employee's right to a hearing conducted by an impartial hearing official (an administrative law judge or other hearing official not under the supervision or control of the Attorney General) with respect to the existence and amount of the debt claimed or the repayment schedule (*i.e.*, the percentage of disposable pay to be deducted each pay period), so long as a petition is filed by the employee as prescribed in paragraph (c)(1) of this section.

(9) The name, address, and telephone number of the officer or employee of the Department to whom a proposal for voluntary repayment must be sent; and the name, address, and telephone number of an officer or employee of the Department who may be contacted concerning procedures for requesting a hearing;

(10) The method and deadline for requesting a hearing;

§ 11.8

28 CFR Ch. I (7-1-17 Edition)

(11) That the timely filing of a petition for a hearing on or before the 15th calendar day following receipt of the Notice of Intent will stay the commencement of collection proceedings;

(12) The name and address of the office to which the petition should be sent;

(13) That the Department will initiate certification procedures to implement a salary offset not less than 30 days from the date of receipt of the Notice of Intent to Offset, unless the employee files a timely petition for a hearing;

(14) That a final decision on whether a hearing will be held (if one is requested) will be issued at the earliest practical date, but not later than 60 days after the filing of the petition requesting the hearing;

(15) That any knowingly false or frivolous statements, representations, or evidence may subject the employee to:

(i) Disciplinary procedures appropriate under 5 U.S.C. chapter 75, 5 CFR part 752, or any other applicable statutes or regulations;

(ii) Penalties under the False Claims Act, 31 U.S.C. 3729-3731, or under any other applicable statutory authority; or

(iii) Criminal penalties under 18 U.S.C. 286, 287, 1001, and 1002 or under any other applicable statutory authority;

(16) Any other rights and remedies available to the employee under statutes or regulations governing the program for which the collection is being made;

(17) That unless there are applicable contractual or statutory provisions to the contrary, amounts paid on or deducted from debts that are later waived or found not to be owed to the United States will be promptly refunded to the employee, and

(i) Interest shall be paid on any amount paid on or deducted from a debt that is found not to be owed to the United States; and

(ii) Interest shall not be paid on any amount paid on or deducted from a debt that is later waived; and

(18) That proceedings with respect to such debt are governed by 5 U.S.C. 5514.

(b) *Review of Departmental records related to the debt.* (1) An employee who

desires to inspect or copy Department records related to the debt must send a letter to the official designated in the Notice of Intent requesting access to the relevant records. The letter must be received in the office of the salary offset coordination official within 15 days after the employee's receipt of the Notice of Intent.

(2) In response to a timely request submitted by the debtor, the designated salary offset coordination officer will notify the employee of the location and time when the employee may inspect and copy records related to the debt.

(3) If the employee is unable personally to inspect the records, due to geographical or other constraints, the salary offset coordination officer shall arrange to send copies of such records to the employee.

(c) *Opportunity for a hearing where the Department is the creditor agency—*(1) *Request for a hearing.* (i) An employee who requests a hearing on the existence or amount of the debt held by the Department or on the offset schedule proposed by the Department must send such request to the office designated in the Notice of Intent. The request or petition for a hearing must be received by the designated office on or before the 15th calendar day following receipt by the employer of the notice.

(ii) The employee must specify whether an oral hearing is requested. If an oral hearing is desired, the request should explain why the matter cannot be resolved by review of the documentary evidence alone. The request must be signed by the employee and must fully identify and explain with reasonable specificity all the facts, evidence, and witnesses, if any, that the employee believes support his or her position.

(2) *Failure to timely submit.* If the employee files a request or petition for hearing after the expiration of the 15-calendar-day period provided for in paragraph (c)(1) of this section, the organization head may accept the request if the employee can show that the delay was the result of circumstances beyond his or her control or that he or she failed to receive actual notice of the filing deadline.



(3) *Obtaining the services of hearing official.* (i) When the debtor is not a Department employee and the Department cannot provide a prompt and appropriate hearing before an administrative law judge or other hearing official, the Department may request a hearing official from an agent of the paying agency, as designated in 5 CFR part 581, appendix A, or as otherwise designated by the paying agency.

(ii) When the debtor is a Department employee, the Department may contact any agent of another agency, as designated in 5 CFR part 581, appendix A, or as otherwise designated by the agency, to request a hearing official.

(4) *Procedure*—(i) *Notice.* After the employee requests a hearing, the hearing official shall notify the employee of the form of the hearing to be provided. If the hearing will be oral, the notice shall set forth the date, time, and location of the hearing, which must occur no more than 30 days after the request is received by the hearing officer. If the hearing will be conducted by examination of documents, the employee shall be notified within 30 days that he or she should submit evidence and arguments in writing to the hearing official.

(ii) *Oral hearing.* An employee who requests an oral hearing shall be provided an oral hearing if the hearing official determines that the matter cannot be resolved by review of documentary evidence alone (e.g., when an issue of credibility or veracity is involved). The hearing need not be an adversarial adjudication, and rules of evidence need not apply. Oral hearings may take the form of, but are not limited to:

(A) Informal conferences with the hearing official in which the employee and agency representative are given full opportunity to present evidence, witnesses, and argument;

(B) Informal meetings in which the hearing examiner interviews the employee; or

(C) Formal written submissions followed by an opportunity for oral presentation.

Witnesses who testify in oral hearings shall do so under oath or affirmation.

(iii) *Documentary hearing.* If the hearing official determines that an oral hearing is not necessary, he or she

shall make the determination based upon a review of the written record.

(iv) *Record.* The hearing official shall maintain a summary record of any hearing conducted under this section.

(5) *Date of decision.* The hearing officer shall issue a written opinion stating his or her decision, based upon all evidence and information developed at the hearing, as soon as practicable after the hearing, but not later than 60 days after the date on which the petition was received by the hearing officer, unless the hearing was delayed at the request of the employee, in which case the 60-day decision period shall be extended by the number of days by which the hearing was postponed. Decisions not timely rendered shall result in the waiver of penalty and interest costs. The decision of the hearing official shall be final.

(6) *Content of decision.* The written decision shall include:

(i) A summary of the facts concerning the origin, nature, and amount of the debt;

(ii) The hearing official's findings, analysis, and conclusions; and

(iii) The terms of any repayment schedules, if applicable.

(7) *Failure to appear.* If, in the absence of good cause shown (e.g., illness), the employee or the representative of the Department fails to appear, the hearing official shall proceed with the hearing as scheduled, and make his or her determination based upon the oral testimony presented and the documentation submitted by both parties. At the request of both parties, the hearing official may schedule a new hearing date. Both parties shall be given reasonable notice of the time and place of this new hearing.

(d) *Certification where the Department is the creditor agency.* (1) The salary offset coordination officer shall provide a certification to the appropriate payroll office in all cases where:

(i) The hearing official determines that a debt exists; or

(ii) The employee admits the existence and amount of the debt by failing to request a hearing.

(2) The certification must be in writing and must state:

(i) That the employee owes the debt;

(ii) The amount and basis of the debt;

## § 11.8

## 28 CFR Ch. I (7–1–17 Edition)

(iii) The date the government's right to collect the debt first accrued;

(iv) That the Department's regulations have been approved by OPM pursuant to 5 CFR part 550, subpart K;

(v) If the collection is to be made by lump-sum payment, the amount and data such payment will be collected;

(vi) If the collection is to be made in installments, the number of installments to be collected, the amount of each installment, and the commencing date of the first installment, if a date other than the next officially established pay period; and

(vii) The date the employee was notified of the debt, the action(s) taken under 5 U.S.C. 5514(a), and the dates such actions were taken.

(e) *Voluntary repayment agreements as alternative to salary offset where the Department is the creditor agency.* (1) In response to a Notice of Intent, an employee may propose to repay the debt in accordance with scheduled installment payments. Any employee who wishes to repay a debt without salary offset shall submit in writing a proposed agreement to repay the debt. The proposal shall set forth a proposed repayment schedule. Any proposal under this subsection must be received by the office of the official designated in the notice within 15 calendar days after receipt of the Notice of Intent.

(2) In response to a timely proposal by the debtor, the organization head shall notify the employee whether the employee's proposed written agreement for repayment is acceptable. It is within the organization head's discretion to accept or reject a repayment agreement.

(3) If the organization head decides that the proposed repayment agreement is unacceptable, the employee shall have 15 days from the date he or she received notice of the decision in which to file a petition for a hearing.

(4) If the organization head decides that the proposed repayment agreement is acceptable, the arrangement shall be put in writing and signed by both the employee and the organization head.

(f) *Special review where the Department is the creditor agency.* (1) An employee subject to salary offset or a voluntary repayment agreement may, at any

time, request a special review by the Department of the amount of the salary offset or voluntary payment, based on materially changed circumstances, including but not limited to catastrophic illness, divorce, death, or disability.

(2) In determining whether, as a result of materially changed circumstances, an offset would prevent the employee from meeting essential subsistence expenses (costs incurred for food, housing, clothing, transportation, and medical care), the employee shall submit a detailed statement and supporting documents for the employee, his or her spouse, and dependents indicating:

(i) Income for all sources;

(ii) Assets;

(iii) Liabilities;

(iv) Number of dependents;

(v) Expenses for food, housing, clothing, and transportation;

(vi) Medical expenses; and

(vii) Exceptional expenses, if any.

(3) If the employee requests a special review under this paragraph, the employee shall file an alternative proposed offset or payment schedule and a statement, with supporting documents, showing why the current salary offset or payments result in an extreme financial hardship to the employee.

(4) The organization head shall evaluate the statement and supporting documents and determine whether the original offset or repayment schedule imposes an extreme financial hardship on the employee. The organization head shall notify the employee in writing within 30 days of such determination, including, if appropriate, his or her acceptance of a revised offset or payment schedule.

(5) If the special review results in a revised offset or repayment schedule, the salary offset coordination officer shall provide a new certification to the paying agency.

(g) *Notice of salary offset where the Department is the paying agency.* (1) Upon receipt of proper certification from the creditor agency, the applicable payroll office shall send the employee a written notice of salary offset. Such notice shall advise the employee that:

(i) The certification has been received from the creditor agency; and

## Department of Justice

## § 11.8

(ii) Salary offset will be initiated at the next officially established pay interval.

(2) The applicable payroll office shall provide a copy of the notice to the creditor agency and advise such agency of the dollar amount to be offset and the pay period when the offset will begin.

(h) *Procedures for salary offset where the Department is the paying agency*—(1) *Generally.* (i) The salary offset coordination officer shall coordinate salary deductions under this section.

(ii) The applicable payroll office shall determine the amount of an employee's disposable pay and offset salary.

(iii) Deductions shall begin the pay period following receipt by the applicable payroll office of the certification or as soon thereafter as possible.

(2) *Types of collection*—(i) *Lump-sum payment.* If the amount of the debt is equal to or less than 15 percent of the employee's disposable pay, such debt ordinarily will be collected in one lump-sum payment.

(ii) *Installment deductions.* Installment deductions will be made over a period not greater than the anticipated period of employment. The size and frequency of installment deductions will bear a reasonable relation to the size of the debt and the employee's ability to pay. However, the amount deducted from any period will not exceed 15 percent of the disposable pay from which the deduction is made unless the employee has agreed in writing to the deduction of a greater amount. The installment payment should normally be sufficient in size and frequency to liquidate the debt in no more than three years. Installment payments of less than \$50 should be accepted only in the most unusual circumstances.

(iii) *Lump-sum deductions from final check.* A lump-sum deduction exceeding 15 percent of disposable pay may be made pursuant to 31 U.S.C. 3716 from any final salary payment due a former employee in order to liquidate a debt, whether the former employee was separated voluntarily or involuntarily.

(iv) *Lump-sum deductions from other sources.* Whenever an employee subject to salary offset is separated from the Department, and the balance of the debt cannot be liquidated by offset of

the final salary check, the Department, pursuant to 31 U.S.C. 3716, may offset any later payments of any kind against the balance of the debt.

(3) *Multiple debts.* Where two or more creditor agencies are seeking salary offset, or where two or more debts are owed to a single creditor agency, the applicable payroll office may, at its discretion, determine whether one or more debts should be offset simultaneously within the 15 percent limitation. The best interests of the government shall be the primary consideration in the determination by the payroll office of the order of the debt collection.

(4) *Precedence of salary deductions by the Department.* (i) For Department employees, debts owed shall be paid out of disposable pay in the following order of precedence:

(A) Indebtedness due the Department.

(B) Indebtedness due other agencies.

(C) Garnishments for alimony and child support payments.

(D) Court-ordered bankruptcy payments under the Bankruptcy Code.

(E) Optional life insurance premiums.

(F) Other voluntary deductions including allotments and assignments, in the order determined by the paying agency.

(ii) In the event that a debt to the Department is certified while an employee is subject to salary offset to repay another agency, the applicable payroll office may decide whether the debt to the other agency should be repaid in full before collecting the Department's claim or whether changes should be made in the salary deduction being sent to the other agency. If debts owed to the Department can be collected in one pay period, the payroll office may suspend the salary offset to the other agency for that pay period in order to liquidate the Department's debt.

(i) *Coordinating salary offset with other agencies*—(1) *Responsibility of the Department as the creditor agency.* (i) The salary offset coordination officer shall be responsible for:

(A) Arranging for hearing upon proper petition by a federal employee;

(B) Preparing the Notice of Intent to Offset consistent with the requirements of paragraph (a) of this section;

(C) Obtaining hearing officials from other agencies pursuant to paragraph (c)(3) of this section; and

(D) Ensuring that each certification of debt is sent to a paying agency pursuant to paragraph (d)(2) of this section.

(ii) Upon completion of the procedures established in paragraphs (a) through (f) of this section, the salary offset coordination officer shall submit a debt claim and an installment agreement or other instruction on the payment schedule, if applicable, to the employee's paying agency.

(iii) If the employee is in the process of separating from government employment, the Department shall submit its debt claim to the employee's paying agency for collection by lump-sum deductions from the employee's final check. The paying agency shall certify the total amount of its collection and furnish a copy of the certification to the Department and to the employee.

(iv) If the employee is already separated and all payments due from his or her former paying agency have been paid, the Department may, unless otherwise prohibited, request that money due and payable to the employee from the federal government be administratively offset to collect the debt.

(v) When an employee transfers to another paying agency, the Department shall not repeat the procedures described in paragraphs (a) through (f) of this section in order to resume collecting the debt. Instead, the Department shall review the debt upon receiving the former paying agency's notice of the employee's transfer and shall ensure the collection is resumed by the new paying agency.

(2) *Responsibility of the Department as the paying agency*—(i) *Complete claim.* When the Department receives a certified claim from a creditor agency, the employee shall be given written notice of the certification, the date salary offset will begin, and the amount of the periodic deductions. Deductions shall be scheduled to begin at the next officially established pay interval or as soon thereafter as possible.

(ii) *Incomplete claim.* When the Department receives an incomplete certification of debt from a creditor agency, the Department shall return the debt claim with notice that procedures under 5 U.S.C. 5514 and 5 CFR 550.1104 must be followed and that a properly certified debt claim must be received before action will be taken to collect from the employee's current pay account.

(iii) *Review.* The Department is not authorized to review the merits of the creditor agency's determination with respect to the amount or validity of the debt certified by the creditor agency.

(iv) *Employees who transfer from one paying agency to another.* If, after the creditor agency has submitted the debt claim to the Department, the employee transfers to an agency outside the Department before the debt is collected in full, the Department must certify the total amount collected on the debt. One copy of the certification shall be furnished to the employee and one copy shall be sent to the creditor agency along with notice of the employee's transfer.

(j) *Interest, penalties, and administrative costs.* Where the Department is the creditor agency, it shall assess interest, penalties, and administrative costs pursuant to 31 U.S.C. 3717 and 31 CFR 901.9.

(k) *Refunds.* (1) Where the Department is the creditor agency, it shall promptly refund any amount deducted under the authority of 5 U.S.C. 5514 when:

(i) The debt is compromised or otherwise found not to be owing to the United States; or

(ii) An administrative or judicial order directs the Department to make a refund.

(2) Unless required by law or contract, refunds under this paragraph (k) shall not bear interest.

(1) *Request from a creditor agency for the services of a hearing official.* (1) The Department may provide a hearing official upon request of the creditor agency when the debtor is employed by the Department and the creditor agency cannot provide a prompt and appropriate hearing before a hearing official

## Department of Justice

## § 11.10

furnished pursuant to another lawful arrangement.

(2) The Department may provide a hearing official upon request of a creditor agency when the debtor works for the creditor agency and that agency cannot arrange for a hearing official.

(3) The salary offset coordination officer shall arrange for qualified personnel to serve as hearing officials.

(4) Services rendered under this paragraph (1) shall be provided on a fully reimbursable basis pursuant to 31 U.S.C. 1535.

(m) *Non-waiver of rights by payments.* A debtor's payment, whether voluntary or involuntary, of all or any portion of a debt being collected pursuant to this section shall not be construed as a waiver of any rights that the debtor may have under any statute, regulation, or contract except as otherwise provided by law or contract.

[Order No. 1625-92, 57 FR 44107, Sept. 24, 1992, as amended by Order No. 3089-2009, 74 FR 35117, July 20, 2009]

### § 11.9 Administrative offset.

(a) *Collection.* The organization head may collect a claim pursuant to 31 U.S.C. 3716 from a person, organization, or entity other than an agency of the United States Government by administrative offset of monies other than salaries payable by the government. Collection by administrative offset shall be undertaken where the claim is certain in amount, where offset is feasible and desirable and not otherwise prohibited, where the applicable statute of limitations has not expired, and where the offset is in the best interest of the United States.

(b) *Withholding of payment.* Prior to the completion of the procedures described in paragraph (c) of this section, the Department may withhold a payment to be made to a debtor, if:

(1) Failure to withhold payment would substantially prejudice the Department's ability to collect the debt; and

(2) The time before the payment is to be made does not reasonably permit completion of the procedures described in paragraph (c) of this section. Such prior withholding shall be followed promptly by the completion of the pro-

cedures described in paragraph (c) of this section.

(c) *Debtor's rights.* Unless the procedures described in paragraph (b) of this section are used, prior to collecting any claim by administrative offset, the organization head shall provide the debtor with the following:

(1) Written notification of the nature and amount of the claim, the intention of the organization head to collect the claim through administrative offset, and a statement of the rights of the debtor under this paragraph;

(2) An opportunity to inspect and copy the records of the Department with respect to the claim;

(3) An opportunity to have the Department's determination of indebtedness reviewed by the organization head. Any request for review by the debtor shall be in writing and be submitted to the Department within 30 days of the date of the notice of the offset. The organization head may waive the time limit for requesting review for good cause shown by the debtor; and

(4) An opportunity to enter into a written agreement for the repayment of the amount of the claim at the discretion of the Department.

If the procedures described in paragraph (b) of this section are employed, the procedures described in this paragraph shall be effected after offset.

(d) *Interest.* The Department is authorized to assess interest and related charges on debts that are not subject to 31 U.S.C. 3717 to the extent authorized under the common law or other applicable statutory authority.

### Subpart C—Collection of Debts by Administrative and Tax Refund Offset

SOURCE: Order No. 1792-93, 58 FR 51223, Oct. 1, 1993, unless otherwise noted.

#### § 11.10 Scope.

(a) The provisions of 31 U.S.C. 3716 allow the head of an agency to collect a debt through administrative offset. The provisions of 31 U.S.C. 3716 and 3720A authorize the Secretary of the Treasury, acting through the Bureau of the Fiscal Service (BFS) and other Federal disbursing officials, to offset

## § 11.11

## 28 CFR Ch. I (7–1–17 Edition)

certain payments to collect delinquent debts owed to the United States. This subpart authorizes the collection of debts owed to the United States by persons, organizations, and other entities by offsetting Federal and certain state payments due to the debtor. It allows for collection of debts that are past due and legally enforceable through offset, regardless of whether the debts have been reduced to judgment.

(b) Nothing in this subpart precludes the Department from pursuing other debt collection procedures to collect a debt that has been submitted to the Department of the Treasury under this subpart. The Department may use such debt collection procedures separately or in conjunction with the offset procedures of this subpart.

[AG Order 3689–2016, 81 FR 43944, July 6, 2016]

### § 11.11 Definitions.

(a) *Debt*. Debt means any amount of funds or property that an appropriate official of the Federal Government or a court of competent jurisdiction determines is owed to the United States, including any amounts owed to the United States for the benefit of a third party, by a person, organization, or entity other than another Federal agency. For purposes of this section, the term debt does not include debts arising under the Internal Revenue Code of 1986 (26 U.S.C. 1 *et seq.*), the tariff laws of the United States, or the Social Security Act (42 U.S.C. 301 *et seq.*), except that “delinquent amounts” as defined in sections 204(f) and 1631(b)(4) of such Act (42 U.S.C. 404(f) and 1383(b)(4)(A), respectively) are included in the term debt, as are “administrative offset[s]” collectible pursuant to 31 U.S.C. 3716(c). Debts that have been referred to the Department of Justice by other agencies for collection are included in this definition.

(b) *Past due*. A past due debt means a debt that has not been paid or otherwise resolved by the date specified in the initial demand for payment, or in an applicable agreement or other instrument (including a post-delinquency repayment agreement), unless other payment arrangements satisfactory to the Department have been made. Judgment debts remain past due until paid in full.

(c) *Notice*. Notice means the information sent to the debtor pursuant to § 11.12(b). The date of the notice is the date shown on the notice letter as its date of issuance.

(d) *Dispute*. A dispute is a written statement supported by documentation or other evidence that all or part of an alleged debt is not past due or legally enforceable, that the amount is not the amount currently owed, that the outstanding debt has been satisfied, or, in the case of a debt reduced to judgment, that the judgment has been satisfied or stayed.

(e) *Legally enforceable*. Legally enforceable means that there has been a final agency or court determination that the debt, in the amount stated, is due, and there are no legal bars to collection by offset.

[Order No. 1792–93, 58 FR 51223, Oct. 1, 1993, as amended by AG Order 3689–2016, 81 FR 43944, July 6, 2016]

### § 11.12 Centralized offset.

(a) The Department must refer any legally enforceable debt more than 120 days past-due to BFS for administrative offset under 31 U.S.C. 3716(c)(6). The Department must refer any past-due, legally enforceable debt to BFS for tax refund offset purposes pursuant to 31 U.S.C. 3720A(a) at least once a year. Before referring debts for offset, the Department must certify to BFS compliance with the provisions of 31 U.S.C. 3716(a) and 3720A(b). There is no time limit on when a debt can be collected by offset.

(b) The Department will provide the debtor with written notice of its intent to offset before initiating the offset. Notice will be mailed to the debtor at the current address of the debtor, as determined from information obtained from the IRS pursuant to 26 U.S.C. 6103(m)(2), (4), (5) or from information regarding the debt maintained by the Department of Justice. The notice sent to the debtor will state the amount of the debt and inform the debtor that:

- (1) The debt is past due;
- (2) The Department intends to refer the debt to BFS for offset purposes;
- (3) Before the debt is referred to BFS for offset purposes, the debtor has 60 days from the date of notice to present evidence that all or part of the debt is

## Department of Justice

## § 11.13

not past due, that the amount is not the amount currently owed, that the outstanding debt has been satisfied, or, if the debt is a judgment debt, that the debt has been satisfied, or that collection action on the debt has been stayed.

(c) If the debtor neither pays the amount due nor presents evidence that the amount is not past due or is satisfied or that collection action is stayed, the Department will refer the debt to BFS for offset purposes.

(d) A debtor may request a review by the Department if the debtor believes that all or part of the debt is not past due or is not legally enforceable, or, in the case of a judgment debt, that the debt has been stayed or the amount satisfied, as follows:

(1) The debtor must send a written request for review to the address provided in the notice.

(2) The request must state the amount disputed and the reasons why the debtor believes that the debt is not past due, is not legally enforceable, has been satisfied, or, if a judgment debt, has been satisfied or stayed.

(3) The request must include any documents that the debtor wishes to be considered or state that additional information will be submitted within the time permitted.

(4) If the debtor wishes to inspect records establishing the nature and amount of the debt, the debtor must request an opportunity for such an inspection in writing. The office holding the relevant records shall make them available for inspection during normal business hours.

(5) The request for review and any additional information submitted pursuant to the request must be received by the Department at the address stated in the notice within 60 days of the date of issuance of the notice.

(6) The Department will review disputes and shall consider its records and any documentation and arguments submitted by the debtor. The Department's decision to refer to the BFS any disputed portion of the debt shall be made by the Assistant Attorney General for Administration or his designee, who shall hold a position at least one supervisory level above the person who made the decision to offset the debt.

The Department shall send a written notice of its decision to the debtor. There is no administrative appeal of this decision.

(7) If the evidence presented by the debtor is considered by a non-Departmental agent or other entities or persons acting on the Department's behalf, the debtor will be accorded at least 30 days from the date the agent or other entity or person determines that all or part of the debt is past-due and legally enforceable to request review by an officer or employee of the Department of any unresolved dispute.

(8) Any debt that previously has been reviewed pursuant to this section or any other section of this part, or that has been reduced to a judgment, may not be disputed except on the grounds of payments made or events occurring subsequent to the previous review of judgment.

(e) The Department will notify the BFS of any change in the amount due promptly after receipt of payments or notice of other reductions.

(f) If more than one debt is owed, payments eligible for offset will be applied in the order in which the debts became past due.

[Order No. 1792-93, 58 FR 51223, Oct. 1, 1993, as amended by AG Order 3689-2016, 81 FR 43944, July 6, 2016]

### § 11.13 Non-centralized offset.

(a) When offset under § 11.12 of this part is not available or appropriate, the Department may collect past-due, legally enforceable debts through non-centralized administrative offset. See 31 CFR 901.3(c). In these cases, the Department may offset a payment internally or make an offset request directly to a Federal payment agency.

(b) At least 30 days before offsetting a payment internally or requesting a Federal payment agency to offset a payment, the Department will send notice to the debtor in accordance with the requirements of 31 U.S.C. 3716(a). When referring a debt for offset under this paragraph (b), the Department will certify, in writing, that the debt is valid, delinquent, legally enforceable, and that there are no legal bars to collection by offset. In addition, the Department will certify its compliance

## § 11.21

## 28 CFR Ch. I (7–1–17 Edition)

with these regulations concerning administrative offset. See 31 CFR 901.3(c)(2)(ii).

[AG Order 3689–2016, 81 FR 43944, July 6, 2016]

### Subpart D—Administrative Wage Garnishment

SOURCE: AG Order 3689–2016, 81 FR 43944, July 6, 2016, unless otherwise noted.

#### § 11.21 Administrative wage garnishment.

(a) *Purpose.* In accordance with the Department of the Treasury government-wide regulation at 31 CFR 285.11, this section provides procedures for the Department of Justice (Department) to collect money from a debtor's disposable pay by means of administrative wage garnishment to satisfy delinquent nontax debt owed to the United States through operation of Department programs.

(b) *Scope.* (1) This section shall apply notwithstanding any provision of State law.

(2) Nothing in this section precludes the compromise of a debt or the suspension or termination of collection action in accordance with applicable law. See, for example, the Federal Claims Collection Standards (FCCS), 31 CFR parts 900–904.

(3) The receipt of payments pursuant to this section does not preclude the Department from pursuing other debt collection remedies, including the offset of Federal payments to satisfy delinquent nontax debt owed to the United States. The Department may pursue such debt collection remedies separately or in conjunction with administrative wage garnishment.

(4) This section does not apply to the collection of delinquent nontax debt owed to the United States from the wages of Federal employees from their Federal employment. Federal pay is subject to the Federal salary offset procedures set forth in 5 U.S.C. 5514 and other applicable laws.

(5) Nothing in this section requires the Department to duplicate notices or administrative proceedings required by contract or other laws or regulations.

(c) *Definitions.* As used in this section the following definitions shall apply:

*Agency* means the Department of Justice.

*Business day* means Monday through Friday. For purposes of computation, the last day of the period will be included unless it is a Federal legal holiday.

*Day* means calendar day. For purposes of computation, the last day of the period will be included unless it is a Saturday, a Sunday, or a Federal legal holiday.

*Debt or claim* means any amount of money, funds or property that an appropriate official of the Federal Government determines is owed to the United States by an individual, including debt administered by a third party as an agent for the Federal Government.

*Debtor* means an individual who owes a delinquent nontax debt to the United States.

*Delinquent nontax debt* means any nontax debt that has not been paid by the date specified in the agency's initial written demand for payment, or applicable agreement, unless other satisfactory payment arrangements have been made. For purposes of this section, the terms "debt" and "claim" are synonymous and refer to delinquent nontax debt.

*Disposable pay* means that part of the debtor's compensation (including, but not limited to, salary, bonuses, commissions, and vacation pay) from an employer remaining after the deduction of health insurance premiums and any amounts required by law to be withheld. For purposes of this section, "amounts required by law to be withheld" include amounts for deductions such as Social Security taxes and withholding taxes, but do not include any amount withheld pursuant to a court order.

*Employer* means a person or entity that employs the services of others and that pays their wages or salaries. The term employer includes, but is not limited to, State and local Governments, but does not include an agency of the Federal Government.

*Evidence of service* means information retained by the agency indicating the nature of the document to which it pertains, the date of mailing of the document, and to whom the document is



being sent. Evidence of service may be retained electronically so long as the manner of retention is sufficient for evidentiary purposes.

*Garnishment* means the process of withholding amounts from an employee's disposable pay and the paying of those amounts to a creditor in satisfaction of a withholding order.

*Withholding order* means any order for withholding or garnishment of pay issued by the agency, or judicial or administrative body. For purposes of this section, the terms "wage garnishment order" and "garnishment order" have the same meaning as "withholding order."

(d) *General rule.* Whenever the agency determines that a delinquent debt is owed by an individual, the agency may initiate proceedings administratively to garnish the wages of the delinquent debtor.

(e) *Notice requirements.* (1) At least 30 days before initiating garnishment proceedings, the agency shall mail, by first class mail, to the debtor's last known address, a written notice informing the debtor of:

(i) The nature and amount of the debt;

(ii) The intention of the agency to initiate proceedings to collect the debt through deductions from pay until the debt and all accumulated interest, penalties, and administrative costs are paid in full; and

(iii) An explanation of the debtor's rights, including those set forth in paragraph (e)(2) of this section, and the time frame within which the debtor may exercise those rights.

(2) The debtor shall be afforded the opportunity:

(i) To inspect and copy agency records related to the debt;

(ii) To enter into a written repayment agreement with the agency under terms agreeable to the agency; and

(iii) For a hearing in accordance with paragraph (f) of this section concerning the existence or the amount of the debt or the terms of the proposed repayment schedule under the garnishment order. However, the debtor is not entitled to a hearing concerning the terms of the proposed repayment schedule if these terms have been established by written

agreement under paragraph (e)(2)(ii) of this section.

(3) The agency will retain evidence of service indicating the date of mailing of the notice.

(f) *Hearing*—(1) *Request for hearing.* If the debtor submits a written request for a hearing concerning the existence or amount of the debt or the terms of the repayment schedule (for those repayment schedules not established by written agreement under paragraph (e)(2)(ii) of this section), the agency shall provide a hearing, which at the agency's option may be oral or written.

(2) *Type of hearing or review.* (i) For purposes of this section, whenever the agency is required to afford a debtor a hearing, the agency shall provide the debtor with a reasonable opportunity for an oral hearing when the agency determines that the issues in dispute cannot be resolved by review of the documentary evidence, as, for example, when the validity of the claim turns on the issue of credibility or veracity.

(ii) If the agency determines that an oral hearing is appropriate, the time and location of the hearing shall be established by the agency. An oral hearing may, at the debtor's option, be conducted either in person or by telephone conference. All travel expenses incurred by the debtor in connection with an in-person hearing will be borne by the debtor. All telephonic charges incurred during the hearing will be the responsibility of the agency.

(iii) In those cases where an oral hearing is not provided under this section, the agency shall nevertheless accord the debtor a "paper hearing," that is, the agency will decide the issues in dispute based upon a review of the written record. The agency will establish a reasonable deadline for the submission of evidence.

(3) *Effect of agency receipt of hearing request within 15 business days of notice.* Subject to paragraph (f)(12) of this section, if the debtor's written request is received by the agency on or before the 15th business day following the mailing of the notice described in paragraph (e)(1) of this section, the agency shall not issue a withholding order under paragraph (g) of this section until the agency provides the debtor the requested hearing and renders a decision

in accordance with paragraphs (f)(9) and (10) of this section.

(4) *Effect of agency receipt of hearing request after 15 business days of notice.* If the debtor's written request is received by the agency after the 15th business day following the mailing of the notice described in paragraph (e)(1) of this section, the agency shall provide a hearing to the debtor. However, the agency will not delay issuance of a withholding order unless the agency determines that the delay in filing the request was caused by factors over which the debtor had no control, or the agency receives information that the agency believes justifies a delay or cancellation of the withholding order.

(5) *Hearing official.* A hearing official may be any qualified individual, as determined by the head of the agency, including an administrative law judge.

(6) *Procedure.* After the debtor requests a hearing, the hearing official shall notify the debtor of:

- (i) The date and time of a telephonic hearing;
- (ii) The date, time, and location of an in-person oral hearing; or
- (iii) The deadline for the submission of evidence for a written hearing.

(7) *Burden of proof.* (i) The agency will have the initial burden of proving, by a preponderance of the evidence, the existence or amount of the debt.

(ii) If the agency satisfies its initial burden, and the debtor disputes the existence or amount of the debt, the debtor must prove, by a preponderance of the evidence, that no debt exists or that the amount of the debt is incorrect. In addition, the debtor may present evidence that the terms of the repayment schedule are unlawful or would cause a financial hardship to the debtor, or that collection of the debt may not be pursued due to operation of law.

(8) *Record.* The hearing official must maintain a summary record of any hearing provided under this section. A hearing is not required to be a formal evidentiary-type hearing. However, witnesses who testify in in-person or telephonic hearings will do so under oath or affirmation.

(9) *Date of decision.* The hearing official shall issue a written opinion stating the decision as soon as practicable,

but not later than 60 days after the date on which the request for such hearing was received by the agency. If an agency is unable to provide the debtor with a hearing and render a decision within 60 days after the receipt of the request for such hearing:

(i) The agency may not issue a withholding order until the hearing is held and a decision rendered; or

(ii) If the agency had previously issued a withholding order to the debtor's employer, the agency must suspend the withholding order beginning on the 61st day after the receipt of the hearing request and continuing until a hearing is held and a decision is rendered.

(10) *Content of decision.* The written decision shall include:

- (i) A summary of the facts presented;
- (ii) The hearing official's findings, analysis, and conclusions; and
- (iii) The terms of any repayment schedules, if applicable.

(11) *Final agency action.* The hearing official's decision will be final agency action for purposes of judicial review under the Administrative Procedure Act (5 U.S.C. 701 *et seq.*).

(12) *Failure to appear.* In the absence of good cause shown, a debtor who fails to appear at a hearing scheduled pursuant to paragraph (f)(3) of this section will be deemed as not having timely filed a request for a hearing.

(g) *Wage garnishment order.* (1) Unless the agency receives information that the agency believes justifies a delay or cancellation of the withholding order, the agency will send, by first class mail, a withholding order to the debtor's employer:

(i) Within 30 days after the debtor fails to make a timely request for a hearing (*i.e.*, within 15 business days after the mailing of the notice described in paragraph (e)(1) of this section), or,

(ii) If the debtor makes a timely request for a hearing, within 30 days after a final decision is made by the agency to proceed with garnishment, or

(iii) As soon as reasonably possible thereafter.

(2) The withholding order sent to the employer under paragraph (g)(1) of this section shall be in a form prescribed by

## Department of Justice

## § 11.21

the Secretary of the Treasury. The withholding order shall contain the signature of, or the image of the signature of, the head of the agency or that person's delegatee. The order shall contain only the information necessary for the employer to comply with the withholding order. Such information includes the debtor's name, address, and Social Security Number, as well as instructions for withholding and information as to where payments should be sent.

(3) The agency will retain evidence of service indicating the date of mailing of the order.

(h) *Certification by employer.* Along with the withholding order, the agency shall send to the employer a certification in a form prescribed by the Secretary of the Treasury. The employer shall complete and return the certification to the agency within the time frame prescribed in the instructions to the form. The certification will address matters such as information about the debtor's employment status and disposable pay available for withholding.

(i) *Amounts withheld.* (1) After receipt of the garnishment order issued under this section, the employer shall deduct from all disposable pay paid to the applicable debtor during each pay period the amount of garnishment described in paragraph (i)(2) of this section.

(2)(i) Subject to the provisions of paragraphs (i)(3) and (4) of this section, the amount of garnishment shall be the lesser of:

(A) The amount indicated on the garnishment order up to 15% of the debtor's disposable pay; or

(B) The amount set forth in 15 U.S.C. 1673(a)(2) (Restriction on Garnishment). That amount is the amount by which a debtor's disposable pay exceeds an amount equivalent to thirty times the Federal minimum wage. See 29 CFR 870.10.

(3) When a debtor's pay is subject to withholding orders with priority the following shall apply:

(i) Unless otherwise provided by Federal law, withholding orders issued under this section shall be paid in the amounts set forth under paragraph (i)(2) of this section and shall have priority over withholding orders that are served later in time. Notwithstanding

the foregoing, withholding orders for family support shall have priority over withholding orders issued under this section.

(ii) If amounts are being withheld from a debtor's pay pursuant to a withholding order served on an employer before a withholding order issued pursuant to this section, or if a withholding order for family support is served on an employer at any time, the amounts withheld pursuant to the withholding order issued under this section shall be the lesser of:

(A) The amount calculated under paragraph (i)(2) of this section, or

(B) An amount equal to 25% of the debtor's disposable pay less the amount(s) withheld under the withholding order(s) with priority.

(iii) If a debtor owes more than one debt to the agency, the agency may issue multiple withholding orders if the total amount garnished from the debtor's pay for such orders does not exceed the amount set forth in paragraph (i)(2) of this section.

(4) An amount greater than that set forth in paragraphs (i)(2) and (3) of this section may be withheld upon the written consent of the debtor.

(5) The employer shall promptly pay to the agency all amounts withheld under the withholding order issued pursuant to this section.

(6) An employer shall not be required to vary its normal pay and disbursement cycles in order to comply with the withholding order.

(7) Any assignment or allotment by an employee of the employee's earnings shall be void to the extent it interferes with or prohibits execution of the withholding order issued under this section, except for any assignment or allotment made pursuant to a family support judgment or order.

(8) The employer shall withhold the appropriate amount from the debtor's wages for each pay period until the employer receives notification from the agency to discontinue wage withholding. The garnishment order shall indicate a reasonable period of time within which the employer is required to commence wage withholding.

(j) *Exclusions from garnishment.* The agency may not garnish the wages of a

debtor who it knows has been involuntarily separated from employment until the debtor has been reemployed continuously for at least 12 months. To qualify for this exclusion, upon the request of the agency, the debtor must inform the agency of the circumstances surrounding an involuntary separation from employment.

(k) *Financial hardship.* (1) A debtor whose wages are subject to a wage withholding order under this section, may, at any time, request a review by the agency of the amount garnished, based on materially changed circumstances such as disability, divorce, or catastrophic illness that result in financial hardship.

(2) A debtor requesting a review under paragraph (k)(1) of this section shall submit the basis for claiming that the current amount of garnishment results in a financial hardship to the debtor, along with supporting documentation. The agency shall consider any information submitted in accordance with procedures and standards established by the agency.

(3) If the agency finds financial hardship, it shall downwardly adjust, by an amount and for a period of time agreeable to the agency, the amount garnished to reflect the debtor's financial condition. The agency will notify the employer of any adjustments to the amounts to be withheld.

(l) *Ending garnishment.* (1) Once the agency has fully recovered the amounts owed by the debtor, including interest, penalties, and administrative costs consistent with the FCCS, the agency shall send the debtor's employer notification to discontinue wage withholding.

(2) At least annually, an agency shall review its debtors' accounts to ensure that accounts that have been paid in full are no longer subject to garnishment.

(m) *Actions prohibited by the employer.* An employer may not discharge, refuse to employ, or take disciplinary action against the debtor due to the issuance of a withholding order under this section.

(n) *Refunds.* (1) If a hearing official, at a hearing held pursuant to paragraph (f)(2) of this section, determines that a debt is not legally due and

owing to the United States, the agency shall promptly refund any amount collected by means of administrative wage garnishment.

(2) Unless required by Federal law or contract, refunds under this section shall not bear interest.

(o) *Right of action.* The agency may sue any employer for any amount that the employer fails to withhold from wages owed and payable to an employee in accordance with paragraphs (g) and (i) of this section. However, a suit may not be filed before the termination of the collection action involving a particular debtor, unless earlier filing is necessary to avoid expiration of any applicable statute of limitations period. For purposes of this section, "termination of the collection action" occurs when the agency has terminated collection action in accordance with the FCCS or other applicable standards. In any event, termination of the collection action will be deemed to have occurred if the agency has not received any payments to satisfy the debt from the particular debtor whose wages were subject to garnishment, in whole or in part, for a period of 1 year.

## PART 12—REGISTRATION OF CERTAIN PERSONS HAVING KNOWLEDGE OF FOREIGN ESPIONAGE, COUNTERESPIONAGE, OR SABOTAGE MATTERS UNDER THE ACT OF AUGUST 1, 1956

### Sec.

- 12.1 Definitions.
- 12.2 Administration of act.
- 12.3 Prior registration with the Foreign Agents Registration Unit.
- 12.4 Inquiries concerning application of act.
- 12.20 Filing of registration statement.
- 12.21 Time within which registration statement must be filed.
- 12.22 Material contents of registration statement.
- 12.23 Deficient registration statement.
- 12.24 Forms.
- 12.25 Amended registration statement.
- 12.30 Burden of establishing availability of exemptions.
- 12.40 Public examination.
- 12.41 Photocopies.
- 12.70 Partial compliance not deemed compliance.

AUTHORITY: Sec. 5, 70 Stat. 900; 50 U.S.C. 854.

## Department of Justice

## § 12.22

CROSS REFERENCE: For Organization Statement, Internal Security Section, see subpart K of part 0 of this chapter.

SOURCE: 21 FR 5928, Aug. 8, 1956, unless otherwise noted.

### § 12.1 Definitions.

As used in this part, unless the context otherwise requires:

(a) The term *act* means the act of August 1, 1956, Public Law 893, 84th Congress, 2d Session, requiring the registration of certain persons who have knowledge of, or have received instruction or assignment in the espionage, counterespionage, or sabotage service or tactics of a foreign government or foreign political party.

(b) The term *Attorney General* means the Attorney General of the United States.

(c) The term *rules and regulations* refers to all rules, regulations, registration forms, and instruction to forms made and prescribed by the Attorney General pursuant to the act.

(d) The term *registration statement* means the registration required to be filed with the Attorney General under section 2 of the act.

(e) The term *registrant* means the person by whom a registration statement is filed pursuant to the provisions of the act.

### § 12.2 Administration of act.

The administration of the act is assigned to the National Security Division, Department of Justice. Communications with respect to the act shall be addressed to the National Security Division, Department of Justice, Washington, DC 20530. Copies of the act and the regulations contained in this part, including the forms mentioned therein, may be obtained upon request without charge.

[Order No. 2865-2007, 72 FR 10068, Mar. 7, 2007]

### § 12.3 Prior registration with the Foreign Agents Registration Unit.

No person who has filed a registration statement under the terms of the Foreign Agents Registration Act of 1938, as amended by section 20(a) of the Internal Security Act of 1950, shall be required to file a registration statement under the act, unless otherwise

determined by the Chief, Registration Unit.

[21 FR 5928, Aug. 8, 1956, as amended by Order No. 524-73, 38 FR 18235, July 9, 1973; Order No. 960-81, 46 FR 52355, Oct. 27, 1981]

### § 12.4 Inquiries concerning application of act.

Inquiries concerning the application of the act must be accompanied by a detailed statement of all facts necessary for a determination of the question submitted, including the identity of the person on whose behalf the inquiry is made, the facts which may bring such person within the registration provisions of the act, and the identity of the foreign government or foreign political party concerned.

### § 12.20 Filing of registration statement.

Registration statements shall be filed in duplicate with the National Security Division, Department of Justice, Washington, DC 20530. Filing may be made in person or by mail, and shall be deemed to have taken place upon the receipt thereof by the Division.

[Order No. 2865-2007, 72 FR 10068, Mar. 7, 2007]

### § 12.21 Time within which registration statement must be filed.

Every person who is or becomes subject to the registration provisions of the act after its effective date shall file a registration statement within fifteen days after the obligation to register arises.

### § 12.22 Material contents of registration statement.

The registration statement shall include the following, all of which shall be regarded as material for the purposes of the act:

(a) The registrant's name, principal business address, and all other business addresses in the United States or elsewhere, and all residence addresses.

(b) The registrant's citizenship status and how such status was acquired.

(c) A detailed statement setting forth the nature of the registrant's knowledge of the espionage, counterespionage, or sabotage service or tactics of a foreign government or foreign political party, and the manner in

## § 12.23

which, place where, and date when such knowledge was obtained.

(d) A detailed statement as to any instruction or training received by the registrant in the espionage, counter-espionage, or sabotage service or tactics of a foreign government or foreign political party, including a description of the type of instruction or training received, a description of any courses taken, the dates when such courses commenced and when they ceased, and the name and official title of the instructor or instructors under whose supervision the courses were received as well as the name and location of schools and other institutions attended, the dates of such attendance, and the names of the directors of the schools and institutions attended.

(e) A detailed statement describing any assignment received in the espionage, counterespionage, or sabotage service or tactics of a foreign government or foreign political party, including the type of assignment, the date when each assignment began, the date of completion of each assignment, name and title of the person or persons under whose supervision the assignment was executed, and a complete description of the nature of the assignment and the execution thereof.

(f) A detailed statement of any relationship which may exist at the time of registration, other than through employment, between the registrant and any foreign government or foreign political party.

(g) Such other statements, information, or documents pertinent to the purposes and objectives of the act as the Attorney General, having due regard for the national security and the public interest, may require by this part or amendments thereto.

### § 12.23 Deficient registration statement.

A registration statement which is determined to be incomplete, inaccurate, misleading, or false, by the Chief Registration Unit, may be returned by him to the registrant as being unacceptable for filing under the terms of the act.

[21 FR 5928, Aug. 8, 1956, as amended by Order No. 524-73, 38 FR 18235, July 9, 1973]

## 28 CFR Ch. I (7-1-17 Edition)

### § 12.24 Forms.

(a) Every person required to register under the act shall file a registration statement on Form GA-1, and such other forms as may from time to time be prescribed by the Attorney General.

(b) Matter contained in any part of the registration statement or other document may not be incorporated by reference as answer, or partial answer, to any other item in the registration statement required to be filed under the act.

(c) Except as specifically provided otherwise, if any item on the form is inapplicable, or the answer is "None," an express statement to such effect shall be made.

(d) Every statement, amendment, and every duplicate thereof, shall be executed under oath and shall be sworn to before a notary public or other officer authorized to administer oaths.

(e) A registration statement or amendment thereof required to be filed shall, if possible, be typewritten, but will be regarded as in substantial compliance with this regulation if written legibly in black ink.

(f) Riders shall not be used. If the space on the registration statement or other form is insufficient for any answer, reference shall be made in the appropriate space to a full insert page or pages on which the item number and item shall be restated and the complete answer given.

### § 12.25 Amended registration statement.

(a) An amended registration statement may be required by the Chief, Registration Unit, of any person subject to the registration provisions of the act whose original registration statement filed pursuant thereto is deemed to be incomplete, inaccurate, false, or misleading.

(b) Amendments shall conform in all respects to the regulations herein prescribed governing execution and filing of original registration statements.

(c) Amendments shall in every case make appropriate reference by number or otherwise to the items in original registration statements to which they relate.

## Department of Justice

## § 13.2

(d) Amendments shall be deemed to have been filed upon the receipt thereof by the Registration Unit.

(e) Failure of the Chief, Registration Unit, to request any person described in section 2 of the act to file an amended registration statement shall not preclude prosecution of such person for a willfully false statement of a material fact, the willful omission of a material fact, or the willful omission of a material fact necessary to make the statements therein not misleading, in an original registration statement.

[21 FR 5928, Aug. 8, 1956, as amended by Order No. 524-73, 38 FR 18235, July 9, 1973]

### § 12.30 Burden of establishing availability of exemptions.

In all matters pertaining to exemptions, the burden of establishing the availability of the exemption shall rest with the person for whose benefit the exemption is claimed.

### § 12.40 Public examination.

Registration statements shall be available for public examination at the offices of the Registration Unit, Department of Justice, Washington, DC, from 10 a.m. to 4 p.m. on each official business day, except to the extent that the Attorney General having due regard for national security and public interest may withdraw such statements from public examination.

[Order No. 524-73, 38 FR 18235, July 9, 1973]

### § 12.41 Photocopies.

(a) Photocopies of registration statements filed in accordance with section 2 of the act are available to the public upon payment of fifty cents per photocopy of each page, whether several copies of a single original page or one or more copies of several original pages are ordered.

(b) Estimates as to prices for photocopies and the time required for their preparation will be furnished upon request addressed to the Registration Unit, Internal Security Section, Criminal Division, Department of Justice, Washington, DC 20530.

(c) Payment shall accompany the order for photocopies and shall be made in cash, or by United States money order, or by certified bank check pay-

able to the Treasurer of the United States. Postage stamps will not be accepted.

[21 FR 5928, Aug. 8, 1956, as amended by Order No. 524-73, 38 FR 18235, July 9, 1973]

### § 12.70 Partial compliance not deemed compliance.

The fact that a registration statement has been filed shall not necessarily be deemed a full compliance with the act on the part of the registrant; nor shall it preclude prosecution, as provided for in the act, for willful failure to file a registration statement, or for a willfully false statement of a material fact therein, or for the willful omission of a material fact required to be stated therein.

## PART 13—ATOMIC WEAPONS AND SPECIAL NUCLEAR MATERIALS REWARDS REGULATIONS

Sec.

13.1 Purpose.

13.2 Policy.

13.3 Definitions.

13.4 Procedures: Responsibilities of the Attorney General.

13.5 Procedures: Responsibilities of the intra-departmental committee.

13.6 Criteria for reward.

13.7 Judicial review.

AUTHORITY: 50 U.S.C. 47d.

SOURCE: Order No. 974-82, 47 FR 11516, Mar. 17, 1982, unless otherwise noted.

### § 13.1 Purpose.

This part implements the responsibility given to the Attorney General under the Atomic Weapons and Special Nuclear Materials Rewards Act, 50 U.S.C. 47a-47f, for determining what persons are entitled to a reward for furnishing certain original information to the United States pertaining to atomic weapons and special nuclear material.

### § 13.2 Policy.

This program is intended to reward the provision of original information regarding situations involving an illegal diversion, an attempted illegal diversion, or a conspiracy to divert special nuclear material or atomic weapons. The broad scope of this program is to help guard against the loss or diversion of such material and to prevent

any use or disposition thereof inimical to the common defense and security.

**§ 13.3 Definitions.**

*Atomic energy* means all forms of energy released in the course of nuclear fission or nuclear transformation.

*Atomic weapon* means any device utilizing atomic energy, exclusive of the means for transporting or propelling the device (where such means is a separable and divisible part of the device), the principal purpose of which is for use as, or for development of, a weapon, a weapon prototype, or a weapon test device.

*Original information* means information first supplied to the Federal government by the applicant, which was created or compiled through his own skill and judgment.

*Special nuclear material* means plutonium, or uranium enriched in the isotope 233 or in the isotope 235, or any other material which is found to be special nuclear material pursuant to the provisions of the Atomic Energy Act of 1954, 42 U.S.C. 2011 *et seq.*

*United States*, when used in a geographical sense, includes Puerto Rico, all Territories and possessions of the United States and the Canal Zone except in § 13.4(a)(4). In § 13.4(a)(4), *United States*, when used in a geographical sense, means the continental United States, Alaska, Hawaii, Puerto Rico, Guam, and the Virgin Islands of the United States.

**§ 13.4 Procedures: Responsibilities of the Attorney General.**

When a submission is made to the Department of Justice for a reward under the Atomic Weapons and Special Nuclear Materials Rewards Act, the Attorney General shall:

(a) Refer such submission for review to an intra-departmental committee composed of the Assistant Attorneys General for the Land and Natural Resources Division, the Criminal Division, and the Office of Legal Counsel or their delegates;

(b) Review the proposed finding of the review committee and determine whether a reward is justified and the amount of same;

(c) Secure the approval of the President for any reward over \$50,000;

(d) Jointly determine (along with the Secretary of State and the Director of Central Intelligence), if the award is to go to an alien, whether the entry of such alien into the United States is in the public interest and whether that alien and members of his immediate family may receive immigrant visas and be admitted to the United States for permanent residence, notwithstanding the requirements of the Immigration and Nationality Act;

(e) Notify any person claiming an award of the determination regarding the claim and the amount of the reward, if any. If no reward is determined to be justified, state the reasons, consistent with national security, for the denial;

(f) Certify and transmit, along with the approval of the President if necessary, any award to be made to the Director of Central Intelligence for payment out of funds appropriated or available for the administration of the National Security Act of 1947, as amended, 50 U.S.C. 401 *et seq.*

(g) Not certify any amount over \$500,000.

**§ 13.5 Procedures: Responsibilities of the intra-departmental committee.**

When the Attorney General refers a submission for a reward to the intra-departmental committee, this committee:

(a) Shall consult with the Nuclear Regulatory Commission and the Department of Energy regarding the reward;

(b) May consult with the Central Intelligence Agency and any other departments or agencies it deems appropriate to aid in the determination of whether a reward should be given and the proper amount of the reward;

(c) May hold hearings for the purpose of securing and evaluating information; a full hearing on the record with oral presentation and cross-examination is not required;

(d) Shall determine whether the information submitted fits one or more of the rewardable categories outlined in § 13.6;

(e) Shall determine whether the applicant is eligible for the reward. Federal employees and military personnel



## Department of Justice

## § 14.2

whose duties include investigating activities covered by this Act are not eligible for a reward for information acquired in the course of their investigation;

(f) Shall submit to the Attorney General a proposed finding as to eligibility and a recommendation for the amount of the reward within 60 days of the date of referral from the Attorney General, unless good cause is shown for extending the time of review.

### § 13.6 Criteria for reward.

(a) Information provided by any person to the United States for a reward under the Atomic Weapons and Special Nuclear Materials Rewards Act must be original, and must concern the unlawful:

- (1) Introduction, manufacture or acquisition, or
- (2) Attempted introduction, manufacture or acquisition of, or
- (3) Export or attempt to export, or
- (4) Conspiracy to introduce, manufacture, acquire or export special nuclear material or atomic weapons, or
- (5) Loss, diversion or disposal or special nuclear material or atomic weapons.

(b) The amount of the reward shall depend on:

- (1) The amount of the material recovered or potentially recoverable, and the role the information played in the recovery, and
- (2) The danger the material posed or poses to the common defense and security or public health and welfare, and
- (3) The difficulty in ascertaining the information submitted to claim the reward, and the quality of the information, and
- (4) Any other considerations which the Attorney General or the intra-departmental committee deems necessary or helpful to the individual determination.

### § 13.7 Judicial review.

The decision of the Attorney General is final and conclusive and no court shall have power or jurisdiction to review it.

## PART 14—ADMINISTRATIVE CLAIMS UNDER FEDERAL TORT CLAIMS ACT

Sec.

- 14.1 Scope of regulations.
- 14.2 Administrative claim; when presented.
- 14.3 Administrative claim; who may file.
- 14.4 Administrative claims; evidence and information to be submitted.
- 14.5 Review by legal officers.
- 14.6 Dispute resolution techniques and limitations on agency authority.
- 14.7 [Reserved]
- 14.8 Investigation and examination.
- 14.9 Final denial of claim.
- 14.10 Action on approved claims.
- 14.11 Supplementing regulations.

APPENDIX TO PART 14—DELEGATIONS OF SETTLEMENT AUTHORITY

AUTHORITY: 5 U.S.C. 301; 28 U.S.C. 509, 510, and 2672.

SOURCE: Order No. 371-66, 31 FR 16616, Dec. 29, 1966, unless otherwise noted.

### § 14.1 Scope of regulations.

These regulations shall apply only to claims asserted under the Federal Tort Claims Act. The terms *Federal agency* and *agency*, as used in this part, include the executive departments, the military departments, independent establishments of the United States, and corporations primarily acting as instrumentalities or agencies of the United States but do not include any contractor with the United States.

[Order No. 960-81, 46 FR 52355, Oct. 27, 1981]

### § 14.2 Administrative claim; when presented.

(a) For purposes of the provisions of 28 U.S.C. 2401(b), 2672, and 2675, a claim shall be deemed to have been presented when a Federal agency receives from a claimant, his duly authorized agent or legal representative, an executed Standard Form 95 or other written notification of an incident, accompanied by a claim for money damages in a sum certain for injury to or loss of property, personal injury, or death alleged to have occurred by reason of the incident; and the title or legal capacity of the person signing, and is accompanied by evidence of his authority to present a claim on behalf of the claimant as agent, executor, administrator, parent, guardian, or other representative.

### § 14.3

### 28 CFR Ch. I (7-1-17 Edition)

(b)(1) A claim shall be presented to the Federal agency whose activities gave rise to the claim. When a claim is presented to any other Federal agency, that agency shall transfer it forthwith to the appropriate agency, if the proper agency can be identified from the claim, and advise the claimant of the transfer. If transfer is not feasible the claim shall be returned to the claimant. The fact of transfer shall not, in itself, preclude further transfer, return of the claim to the claimant or other appropriate disposition of the claim. A claim shall be presented as required by 28 U.S.C. 2401(b) as of the date it is received by the appropriate agency.

(2) When more than one Federal agency is or may be involved in the events giving rise to the claim, an agency with which the claim is filed shall contact all other affected agencies in order to designate the single agency which will thereafter investigate and decide the merits of the claim. In the event that an agreed upon designation cannot be made by the affected agencies, the Department of Justice shall be consulted and will thereafter designate an agency to investigate and decide the merits of the claim. Once a determination has been made, the designated agency shall notify the claimant that all future correspondence concerning the claim shall be directed to that Federal agency. All involved Federal agencies may agree either to conduct their own administrative reviews and to coordinate the results or to have the investigations conducted by the designated Federal agency, but, in either event, the designated Federal agency will be responsible for the final determination of the claim.

(3) A claimant presenting a claim arising from an incident to more than one agency should identify each agency to which the claim is submitted at the time each claim is presented. Where a claim arising from an incident is presented to more than one Federal agency without any indication that more than one agency is involved, and any one of the concerned Federal agencies takes final action on that claim, the final action thus taken is conclusive on the claims presented to the other agencies in regard to the time required for

filing suit set forth in 28 U.S.C. 2401(b). However, if a second involved Federal agency subsequently desires to take further action with a view towards settling the claim the second Federal agency may treat the matter as a request for reconsideration of the final denial under 28 CFR 14.9(b), unless suit has been filed in the interim, and so advise the claimant.

(4) If, after an agency final denial, the claimant files a claim arising out of the same incident with a different Federal agency, the new submission of the claim will not toll the requirement of 28 U.S.C. 2401(b) that suit must be filed within six months of the final denial by the first agency, unless the second agency specifically and explicitly treats the second submission as a request for reconsideration under 28 CFR 14.9(b) and so advises the claimant.

(c) A claim presented in compliance with paragraph (a) of this section may be amended by the claimant at any time prior to final agency action or prior to the exercise of the claimant's option under 28 U.S.C. 2675(a). Amendments shall be submitted in writing and signed by the claimant or his duly authorized agent or legal representative. Upon the timely filing of an amendment to a pending claim, the agency shall have six months in which to make a final disposition of the claim as amended and the claimant's option under 28 U.S.C. 2675(a) shall not accrue until six months after the filing of an amendment.

[Order No. 870-79, 45 FR 2650, Jan. 14, 1980, as amended by Order No. 960-81, 46 FR 52355, Oct. 27, 1981; Order No. 1179-87, 52 FR 7411, Mar. 11, 1987]

#### § 14.3 Administrative claim; who may file.

(a) A claim for injury to or loss of property may be presented by the owner of the property, his duly authorized agent or legal representative.

(b) A claim for personal injury may be presented by the injured person, his duly authorized agent, or legal representative.

(c) A claim based on death may be presented by the executor or administrator of the decedent's estate, or by

## Department of Justice

## § 14.4

any other person legally entitled to assert such a claim in accordance with applicable State law.

(d) A claim for loss wholly compensated by an insurer with the rights of a subrogee may be presented by the insurer. A claim for loss partially compensated by an insurer with the rights of a subrogee may be presented by the parties individually as their respective interests appear, or jointly.

[Order No. 371-66, 31 FR 16616, Dec. 29, 1966, as amended by Order No. 1179-87, 52 FR 7412, Mar. 11, 1987]

### § 14.4 Administrative claims; evidence and information to be submitted.

(a) *Death.* In support of a claim based on death, the claimant may be required to submit the following evidence or information:

(1) An authenticated death certificate or other competent evidence showing cause of death, date of death, and age of the decedent.

(2) Decedent's employment or occupation at time of death, including his monthly or yearly salary or earnings (if any), and the duration of his last employment or occupation.

(3) Full names, addresses, birth dates, kinship, and marital status of the decedent's survivors, including identification of those survivors who were dependent for support upon the decedent at the time of his death.

(4) Degree of support afforded by the decedent to each survivor dependent upon him for support at the time of his death.

(5) Decedent's general physical and mental condition before death.

(6) Itemized bills for medical and burial expenses incurred by reason of the incident causing death, or itemized receipts of payment for such expenses.

(7) If damages for pain and suffering prior to death are claimed, a physician's detailed statement specifying the injuries suffered, duration of pain and suffering, any drugs administered for pain, and the decedent's physical condition in the interval between injury and death.

(8) Any other evidence or information which may have a bearing on either the responsibility of the United States for the death or the damages claimed.

(b) *Personal injury.* In support of a claim for personal injury, including pain and suffering, the claimant may be required to submit the following evidence or information:

(1) A written report by his attending physician or dentist setting forth the nature and extent of the injury, nature and extent of treatment, any degree of temporary or permanent disability, the prognosis, period of hospitalization, and any diminished earning capacity. In addition, the claimant may be required to submit to a physical or mental examination by a physician employed by the agency or another Federal agency. A copy of the report of the examining physician shall be made available to the claimant upon the claimant's written request provided that he has, upon request, furnished the report referred to in the first sentence of this paragraph and has made or agrees to make available to the agency any other physician's reports previously or thereafter made of the physical or mental condition which is the subject matter of his claim.

(2) Itemized bills for medical, dental, and hospital expenses incurred, or itemized receipts of payment for such expenses.

(3) If the prognosis reveals the necessity for future treatment, a statement of expected expenses for such treatment.

(4) If a claim is made for loss of time from employment, a written statement from his employer showing actual time lost from employment, whether he is a full or part-time employee, and wages or salary actually lost.

(5) If a claim is made for loss of income and the claimant is self-employed, documentary evidence showing the amounts of earnings actually lost.

(6) Any other evidence or information which may have a bearing on either the responsibility of the United States for the personal injury or the damages claimed.

(c) *Property damage.* In support of a claim for injury to or loss of property, real or personal, the claimant may be required to submit the following evidence or information:

(1) Proof of ownership.

## § 14.5

(2) A detailed statement of the amount claimed with respect to each item of property.

(3) An itemized receipt of payment for necessary repairs or itemized written estimates of the cost of such repairs.

(4) A statement listing date of purchase, purchase price and salvage value, where repair is not economical.

(5) Any other evidence or information which may have a bearing on either the responsibility of the United States for the injury to or loss of property or the damages claimed.

### § 14.5 Review by legal officers.

The authority to adjust, determine, compromise, and settle a claim under the provisions of section 2672 of title 28, United States Code, shall, if the amount of a proposed compromise, settlement, or award exceeds \$5,000, be exercised by the head of an agency or his designee only after review by a legal officer of the agency.

[Order No. 371-66, 31 FR 16616, Dec. 29, 1966, as amended by Order No. 757-77, 42 FR 62001, Dec. 8, 1977; Order No. 960-81, 46 FR 52355, Oct. 27, 1981]

### § 14.6 Dispute resolution techniques and limitations on agency authority.

(a) *Guidance regarding dispute resolution.* The administrative process established pursuant to 28 U.S.C. 2672 and this part 14 is intended to serve as an efficient effective forum for rapidly resolving tort claims with low costs to all participants. This guidance is provided to agencies to improve their use of this administrative process and to maximize the benefit achieved through application of prompt, fair, and efficient techniques that achieve an informal resolution of administrative tort claims without burdening claimants or the agency. This section provides guidance to agencies only and does not create or establish any right to enforce any provision of this part on behalf of any claimant against the United States, its agencies, its officers, or any other person. This section also does not require any agency to use any dispute resolution technique or process.

(1) Whenever feasible, administrative claims should be resolved through in-

## 28 CFR Ch. I (7-1-17 Edition)

formal discussions, negotiations, and settlements rather than through the use of any formal or structured process. At the same time, agency personnel processing administrative tort claims should be trained in dispute resolution techniques and skills that can contribute to the prompt, fair, and efficient resolution of administrative claims.

(2) An agency may resolve disputed factual questions regarding claims against the United States under the FTCA, including 28 U.S.C. 2671-2680, through the use of any alternative dispute resolution technique or process if the agency specifically agrees to employ the technique or process, and reserves to itself the discretion to accept or reject the determinations made through the use of such technique or process.

(3) Alternative dispute resolution techniques or processes should not be adopted arbitrarily but rather should be based upon a determination that use of a particular technique is warranted in the context of a particular claim or claims, and that such use will materially contribute to the prompt, fair, and efficient resolution of the claims. If alternative dispute resolution techniques will not materially contribute to the prompt, fair, and efficient resolution of claims, the dispute resolution processes otherwise used pursuant to these regulations shall be the preferred means of seeking resolution of such claims.

(b) *Alternative dispute resolution—(1) Case-by-case.* In order to use, and before using, any alternative dispute resolution technique or process to facilitate the prompt resolution of disputes that are in excess of the agency's delegated authority, an agency may use the following procedure to obtain written approval from the Attorney General, or his or her designee, to compromise a claim or series of related claims.

(i) A request for settlement authority under paragraph (b)(1) of this section shall be directed to the Director, Torts Branch, Civil Division, Department of Justice, ("Director") and shall contain information justifying the request, including:

(A) The basis for concluding that liability exists under the FTCA;

## Department of Justice

## § 14.6

(B) A description of the proposed alternative dispute resolution technique or process and a statement regarding why this proposed form of alternative dispute resolution is suitable for the claim or claims;

(C) A statement reflecting the claimant's or claimants' consent to use of the proposed form of alternative dispute resolution, indicating the proportion of any additional cost to the United States from use of the proposed alternative dispute resolution technique or process that shall be borne by the claimant or claimants, and specifying the manner and timing of payment of that proportion to be borne by the claimant or claimants;

(D) A statement of how the requested action would facilitate use of an alternative dispute resolution technique or process;

(E) An explanation of the extent to which the decision rendered in the alternative dispute resolution proceeding would be made binding upon claimants; and,

(F) An estimate of the potential range of possible settlements resulting from use of the proposed alternative dispute resolution technique.

(ii) The Director shall forward a request for expedited settlement action under paragraph (b)(1)(i) of this section, along with the Director's recommendation as to what action should be taken, to the Department of Justice official who has authority to authorize settlement of the claim or related claims. If that official approves the request, a written authorization shall be promptly forwarded to the requesting agency.

(2) *Delegation of authority.* Pursuant to, and within the limits of, 28 U.S.C. 2672, the head of an agency or his or her designee may request delegations of authority to make any award, compromise, or settlement without the prior written approval of the Attorney General or his or her designee in excess of the agency's authority. In considering whether to delegate authority pursuant to 28 U.S.C. 2672 in excess of previous authority conferred upon the agency, consideration shall be given to:

(i) The extent to which the agency has established an office whose responsibilities expressly include the admin-

istrative resolution of claims presented pursuant to the Federal Tort Claims Act;

(ii) The agency's experience with the resolution of administrative claims presented pursuant to 28 U.S.C. 2672;

(iii) The Department of Justice's experiences with regard to administrative resolution of tort claims arising out of the agency's activities.

(c) *Monetary authority.* An award, compromise, or settlement of a claim by an agency under 28 U.S.C. 2672, in excess of \$25,000 or in excess of the authority delegated to the agency by the Attorney General pursuant to 28 U.S.C. 2672, whichever is greater, shall be effected only with the prior written approval of the Attorney General or his or her designee. For purposes of this paragraph, a principal claim and any derivative or subrogated claim shall be treated as a single claim.

(d) *Limitations on settlement authority—(1) Policy.* An administrative claim may be adjusted, determined, compromised, or settled by an agency under 28 U.S.C. 2672 only after consultation with the Department of Justice when, in the opinion of the agency:

(i) A new precedent or a new point of law is involved; or

(ii) A question of policy is or may be involved; or

(iii) The United States is or may be entitled to indemnity or contribution from a third party and the agency is unable to adjust the third party claim; or

(iv) The compromise of a particular claim, as a practical matter, will or may control the disposition of a related claim in which the amount to be paid may exceed \$25,000 or may exceed the authority delegated to the agency by the Attorney General pursuant to 28 U.S.C. 2672, whichever is greater.

(2) *Litigation arising from the same incident.* An administrative claim may be adjusted, determined, compromised, or settled by an agency under 28 U.S.C. 2672 only after consultation with the Department of Justice when the agency is informed or is otherwise aware that the United States or an employee, agent, or cost-plus contractor of the United States is involved in litigation based on a claim arising out of the same incident or transaction.

## § 14.7

(e) *Procedure.* When Department of Justice approval or consultation is required, or the advice of the Department of Justice is otherwise to be requested, under this section, the written referral or request of the Federal agency shall be directed to the Director at any time after presentment of a claim to the Federal agency, and shall contain:

(1) A short and concise statement of the facts and of the reasons for the referral or request;

(2) Copies of relevant portions of the agency's claim file; and

(3) A statement of the recommendations or views of the agency.

[Order No. 1591-92, 57 FR 21738, May 22, 1992]

## § 14.7 [Reserved]

### § 14.8 Investigation and examination.

A Federal agency may request any other Federal agency to investigate a claim filed under section 2672, title 28, U.S. Code, or to conduct a physical examination of a claimant and provide a report of the physical examination. Compliance with such requests may be conditioned by a Federal agency upon reimbursement by the requesting agency of the expense of investigation or examination where reimbursement is authorized, as well as where it is required, by statute or regulation.

### § 14.9 Final denial of claim.

(a) Final denial of an administrative claim shall be in writing and sent to the claimant, his attorney, or legal representative by certified or registered mail. The notification of final denial may include a statement of the reasons for the denial and shall include a statement that, if the claimant is dissatisfied with the agency action, he may file suit in an appropriate U.S. District Court not later than 6 months after the date of mailing of the notification.

(b) Prior to the commencement of suit and prior to the expiration of the 6-month period provided in 28 U.S.C. 2401(b), a claimant, his duly authorized agent, or legal representative, may file a written request with the agency for reconsideration of a final denial of a claim under paragraph (a) of this section. Upon the timely filing of a request for reconsideration the agency

## 28 CFR Ch. I (7-1-17 Edition)

shall have 6 months from the date of filing in which to make a final disposition of the claim and the claimant's option under 28 U.S.C. 2675(a) shall not accrue until 6 months after the filing of a request for reconsideration. Final agency action on a request for reconsideration shall be effected in accordance with the provisions of paragraph (a) of this section.

[Order No. 371-66, 31 FR 16616, Dec. 29, 1966, as amended by Order No. 422-69, 35 FR 315, Jan. 8, 1970]

### § 14.10 Action on approved claims.

(a) Any award, compromise, or settlement in an amount of \$2,500 or less made pursuant to 28 U.S.C. 2672 shall be paid by the head of the Federal agency concerned out of the appropriations available to that agency. Payment of an award, compromise, or settlement in excess of \$2,500 shall be obtained by the agency by forwarding Standard Form 1145 to the Claims Division, General Accounting Office. When an award is in excess of \$25,000, or in excess of the authority delegated to the agency by the Attorney General pursuant to 28 U.S.C. 2672, whichever is greater, Standard Form 1145 must be accompanied by evidence that the award, compromise, or settlement has been approved by the Attorney General or his designee. When the use of Standard Form 1145 is required, it shall be executed by the claimant, or it shall be accompanied by either a claims settlement agreement or a Standard Form 95 executed by the claimant. When a claimant is represented by an attorney, the voucher for payment shall designate both the claimant and his attorney as payees; the check shall be delivered to the attorney, whose address shall appear on the voucher.

(b) Acceptance by the claimant, his agent, or legal representative, of any award, compromise or settlement made pursuant to the provisions of section 2672 or 2677 of title 28, United States Code, shall be final and conclusive on the claimant, his agent or legal representative and any other person on whose behalf or for whose benefit the claim has been presented, and shall constitute a complete release of any claim against the United States and

## Department of Justice

against any employee of the Government whose act or omission gave rise to the claim, by reason of the same subject matter.

[Order No. 371-66, 31 FR 16616, Dec. 29, 1966, as amended by Order No. 834-79, 44 FR 33399, June 11, 1979; Order No. 1591-92, 57 FR 21740, May 22, 1992]

### § 14.11 Supplementing regulations.

Each agency is authorized to issue regulations and establish procedures consistent with the regulations in this part.

#### APPENDIX TO PART 14—DELEGATIONS OF SETTLEMENT AUTHORITY

##### DELEGATION OF AUTHORITY TO THE SECRETARY OF VETERANS AFFAIRS

###### *Section 1. Authority to Compromise Tort Claims.*

(a) The Secretary of Veterans Affairs shall have the authority to adjust, determine, compromise, and settle a claim involving the Department of Veterans Affairs under section 2672 of title 28, United States Code, relating to the administrative settlement of federal tort claims, if the amount of the proposed adjustment, compromise, or award does not exceed \$300,000. When the Secretary believes a claim pending before him presents a novel question of law or of policy, he shall obtain the advice of the Assistant Attorney General in charge of the Civil Division.

(b) The Secretary may redelegate, in writing, the settlement authority delegated to him under this section.

###### *Section 2. Memorandum.*

Whenever the Secretary of Veterans Affairs settles any administrative claim pursuant to the authority granted by section 1 for an amount in excess of \$100,000 and within the amount delegated to him under section 1, a memorandum fully explaining the basis for the action taken shall be executed. A copy of this memorandum shall be sent contemporaneously to the Director, FTCA Staff, Torts Branch of the Civil Division.

###### *Delegation of Authority to the Postmaster General*

###### *Section 1. Authority to Compromise Tort Claims.*

(a) The Postmaster General shall have the authority to adjust, determine, compromise, and settle a claim involving the United States Postal Service under section 2672 of title 28, United States Code, relating to the administrative settlement of federal tort claims, if the amount of the proposed adjustment, compromise, or award does not exceed \$300,000. When the Postmaster General be-

## Pt. 14, App.

lieves a claim pending before him presents a novel question of law or of policy, he shall obtain the advice of the Assistant Attorney General in charge of the Civil Division.

(b) The Postmaster General may redelegate, in writing, the settlement authority delegated to him under this section.

###### *Section 2. Memorandum.*

Whenever the Postmaster General settles any administrative claim pursuant to the authority granted by section 1 for an amount in excess of \$100,000 and within the amount delegated to him under section 1, a memorandum fully explaining the basis for the action taken shall be executed. A copy of this memorandum shall be sent contemporaneously to the Director, FTCA Staff, Torts Branch of the Civil Division.

##### DELEGATION OF AUTHORITY TO THE SECRETARY OF DEFENSE

###### *Section 1. Authority To Compromise Tort Claims.*

(a) The Secretary of Defense shall have the authority to adjust, determine, compromise, and settle a claim involving the Department of Defense under section 2672 of title 28, United States Code, relating to the administrative settlement of federal tort claims, if the amount of the proposed adjustment, compromise, or award does not exceed \$300,000. When the Secretary believes a claim pending before him presents a novel question of law or of policy, he shall obtain the advice of the Assistant Attorney General in charge of the Civil Division.

(b) The Secretary may redelegate, in writing, the settlement authority delegated to him under this section.

###### *Section 2. Memorandum.*

Whenever the Secretary of Defense settles any administrative claim pursuant to the authority granted by section 1 for an amount in excess of \$100,000 and within the amount delegated to him under section 1, a memorandum fully explaining the basis for the action taken shall be executed. A copy of this memorandum shall be sent contemporaneously to the Director, FTCA Staff, Torts Branch of the Civil Division.

##### DELEGATION OF AUTHORITY TO THE SECRETARY OF TRANSPORTATION

###### *Section 1. AUTHORITY TO COMPROMISE TORT CLAIMS.*

(a) The Secretary of Transportation shall have the authority to adjust, determine, compromise and settle a claim involving the United States Department of Transportation under section 2672 of title 28, United States Code, relating to the administrative settlement of federal tort claims, if the amount of

**Pt. 15**

**28 CFR Ch. I (7-1-17 Edition)**

the proposed adjustment, compromise, or award does not exceed \$100,000. When the Secretary of Transportation believes a claim pending before him presents a novel question of law or of policy, he shall obtain the advice of the Assistant Attorney General in charge of the Civil Division.

(b) The Secretary of Transportation may redelegate in writing the settlement authority delegated to him under this section.

*Section 2. MEMORANDUM.*

Whenever the Secretary of Transportation settles any administrative claim pursuant to the authority granted by section 1 for an amount in excess of \$50,000 and within the amount delegated to him under section 1, a memorandum fully explaining the basis for the action taken shall be executed. A copy of this memorandum shall be sent to the Director, FTCA Staff, Torts Branch of the Civil Division.

**DELEGATION OF AUTHORITY TO THE SECRETARY OF HEALTH AND HUMAN SERVICES**

*Section 1. AUTHORITY TO COMPROMISE TORT CLAIMS.*

(a) The Secretary of Health and Human Services shall have the authority to adjust, determine, compromise, and settle a claim involving the Department of Health and Human Services under section 2672 of title 28, United States Code, relating to the administrative settlement of federal tort claims, if the amount of the proposed adjustment, compromise, or award does not exceed \$200,000. When the Secretary of Health and Human Services believes a claim pending before him presents a novel question of law or policy, he shall obtain the advice of the Assistant Attorney General in charge of the Civil Division.

(b) The Secretary of Health and Human Services may redelegate, in writing, the settlement authority delegated to him under this section.

*Section 2. MEMORANDUM.*

Whenever the Secretary of Health and Human Services settles any administrative claim pursuant to the authority granted by section 1 for an amount in excess of \$100,000 and within the amount delegated to him under section 1, a memorandum fully explaining the basis for the action taken shall be executed. A copy of this memorandum shall be sent to the Director, FTCA Staff, Torts Branch of the Civil Division.

**DELEGATION OF AUTHORITY TO THE SECRETARY OF THE DEPARTMENT OF HOMELAND SECURITY AUTHORITY TO COMPROMISE TORT CLAIMS**

(a) The Secretary of the Department of Homeland Security shall have the authority

to adjust, determine, compromise, and settle a claim involving the Department of Homeland Security under Section 2672 of Title 28, United States Code, relating to the administrative settlement of federal tort claims if the amount of the proposed adjustment, compromise, or award does not exceed \$50,000. When the Secretary believes a claim pending before him presents a novel question of law or of policy, he shall obtain the advice of the Assistant Attorney General in charge of the Civil Division.

(b) The Secretary may redelegate, in writing, the settlement authority delegated to him under this section.

[Order No. 1302-88, 53 FR 37753, Sept. 28, 1988, as amended by Order No. 1471-91, 56 FR 4943, Feb. 7, 1991; Order No. 1482-91, 56 FR 12846, Mar. 28, 1991; Order No. 1583-92, 57 FR 13320, Apr. 16, 1992; 58 FR 36867, July 9, 1993; 61 FR 66220, Dec. 17, 1996; 68 FR 62517, Nov. 5, 2003; 73 FR 48299, Aug. 19, 2008; 73 FR 70276, 70277, Nov. 20, 2008]

**PART 15—CERTIFICATION AND DE-CERTIFICATION IN CONNECTION WITH CERTAIN SUITS BASED UPON ACTS OR OMISSIONS OF FEDERAL EMPLOYEES AND OTHER PERSONS**

Sec.

- 15.1 General provisions.
- 15.2 Expeditious delivery of process and pleadings.
- 15.3 Agency report.
- 15.4 Removal and defense of suits.

AUTHORITY: 5 U.S.C. 301, 8477(e)(4); 10 U.S.C. 1054, 1089; 22 U.S.C. 2702; 28 U.S.C. 509, 510, and 2679; 38 U.S.C. 7316; 42 U.S.C. 233, 2212, 2458a, and 5055(f); and the National Swine Flu Immunization Program of 1976, 90 Stat. 1113 (1976).

SOURCE: Order No. 2697-2003, 68 FR 74188, Dec. 23, 2003, unless otherwise noted.

**§ 15.1 General provisions.**

(a) This part contains the regulations of the Department of Justice governing the application for and the issuance of statutory certifications and decertifications in connection with certain suits based upon the acts or omissions of Federal employees and certain other persons as to whom the remedy provided by the Federal Tort Claims Act, 28 U.S.C. 1346(b) and 2672, is made exclusive of any other civil action or proceeding for money damages by reason of the same subject matter against



## Department of Justice

## § 15.3

such Federal employees and other persons.

(b) As used in this part:

(1) *Appropriate Federal agency* means the Federal agency most closely associated with the program out of which the claim or suit arose. When it cannot be ascertained which Federal agency is the most closely associated with the program out of which the claim or suit arose, the responsible Director of the Torts Branch, Civil Division, Department of Justice, shall be consulted and will thereafter designate the appropriate Federal agency.

(2) *Federal employee* means “employee of the United States” as that term is defined by 28 U.S.C. 2671.

(3) *Covered person* means any person other than a Federal employee or the estate of a Federal employee as to whom Congress has provided by statute that the remedy provided by 28 U.S.C. 1346(b) and 2672 is made exclusive of any other civil action or proceeding for money damages by reason of the same subject matter against such person.

### § 15.2 Expedient delivery of process and pleadings.

(a) Any Federal employee against whom a civil action or proceeding is brought for money damages for loss or damage to property, or personal injury or death, on account of any act or omission in the scope of the employee’s office or employment with the Federal Government, shall promptly deliver all process and pleadings served on the employee, or an attested true copy thereof, to the employee’s immediate superior or to whomever is designated by the head of the employee’s department or agency to receive such papers. In addition, if prior to the employee’s receipt of such process or pleadings, the employee receives information regarding the commencement of such a civil action or proceeding, he shall immediately so advise his superior or the designee. If the action is brought against the employee’s estate this procedure shall apply to the employee’s personal representative. The superior or designee shall provide the United States Attorney for the district embracing the place where the action or proceeding is brought and the responsible Branch Director of the Torts

Branch, Civil Division, Department of Justice, information concerning the commencement of such action or proceeding, and copies of all process and pleadings.

(b) Any covered person against whom a civil action or proceeding is brought for money damages for loss or damage to property, or personal injury or death, on account of any act or omission, under circumstances in which Congress has provided by statute that the remedy provided by the Federal Tort Claims Act is made the exclusive remedy, shall promptly deliver to the appropriate Federal agency all process and pleadings served on the covered person, or an attested true copy thereof. In addition, if prior to the covered person’s receipt of such process or pleadings, the covered person receives information regarding the commencement of such a civil action or proceeding, he shall immediately so advise the appropriate Federal agency. The appropriate Federal agency shall provide to the United States Attorney for the district embracing the place where the action or proceeding is brought, and the responsible Branch Director of the Torts Branch, Civil Division, Department of Justice, information concerning the commencement of such action or proceeding, and copies of all process and pleadings.

### § 15.3 Agency report.

(a) The Federal employee’s employing Federal agency shall submit a report to the United States Attorney for the district embracing the place where the civil action or proceeding is brought fully addressing whether the employee was acting within the scope of his office or employment with the Federal Government at the time of the incident out of which the suit arose, and a copy of the report shall be sent by the employing Federal agency to the responsible Branch Director of the Torts Branch, Civil Division, Department of Justice.

(b) The appropriate Federal agency shall submit a report to the United States Attorney for the district embracing the place where the civil action or proceeding is brought fully addressing whether the person was acting as a covered person at the time of the

## § 15.4

incident out of which the suit arose, and a copy of the report shall be sent by the appropriate Federal agency to the responsible Branch Director of the Torts Branch, Civil Division, Department of Justice.

(c) A report under this section shall be submitted at the earliest possible date, or within such time as shall be fixed upon request by the United States Attorney or the responsible Branch Director of the Torts Branch.

### § 15.4 Removal and defense of suits.

(a) The United States Attorney for the district where the civil action or proceeding is brought, or any Director of the Torts Branch, Civil Division, Department of Justice, is authorized to make the statutory certification that the Federal employee was acting within the scope of his office or employment with the Federal Government at the time of the incident out of which the suit arose.

(b) The United States Attorney for the district where the civil action or proceeding is brought, or any Director of the Torts Branch, Civil Division, Department of Justice, is authorized to make the statutory certification that the covered person was acting at the time of the incident out of which the suit arose under circumstances in which Congress has provided by statute that the remedy provided by the Federal Tort Claims Act is made the exclusive remedy.

(c) A certification under this section may be withdrawn if a further evaluation of the relevant facts or the consideration of new or additional evidence calls for such action. The making, withholding, or withdrawing of certifications, and the removal and defense of, or refusal to remove or defend, such civil actions or proceedings shall be subject to the instructions and supervision of the Assistant Attorney General in charge of the Civil Division or his or her designee.

## 28 CFR Ch. I (7-1-17 Edition)

### PART 16—PRODUCTION OR DISCLOSURE OF MATERIAL OR INFORMATION

#### Subpart A—Procedures for Disclosure of Records Under the Freedom of Information Act

Sec.

- 16.1 General provisions.
- 16.2 Proactive disclosure of Department records.
- 16.3 Requirements for making requests.
- 16.4 Responsibility for responding to requests.
- 16.5 Timing of responses to requests.
- 16.6 Responses to requests.
- 16.7 Confidential commercial information.
- 16.8 Administrative appeals.
- 16.9 Preservation of records.
- 16.10 Fees.
- 16.11 Other rights and services.

#### Subpart B—Production or Disclosure in Federal and State Proceedings

- 16.21 Purpose and scope.
- 16.22 General prohibition of production or disclosure in Federal and State proceedings in which the United States is not a party.
- 16.23 General disclosure authority in Federal and State proceedings in which the United States is a party.
- 16.24 Procedure in the event of a demand where disclosure is not otherwise authorized.
- 16.25 Final action by the Deputy or Associate Attorney General.
- 16.26 Considerations in determining whether production or disclosure should be made pursuant to a demand.
- 16.27 Procedure in the event a department decision concerning a demand is not made prior to the time a response to the demand is required.
- 16.28 Procedure in the event of an adverse ruling.
- 16.29 Delegation by Assistant Attorneys General.

APPENDIX TO SUBPART B OF PART 16—REDELEGATION OF AUTHORITY TO THE DEPUTY ASSISTANT ATTORNEY GENERAL FOR LITIGATION, ANTITRUST DIVISION, TO AUTHORIZE PRODUCTION OR DISCLOSURE OF MATERIAL OR INFORMATION

#### Subpart C—Production of FBI Identification Records in Response to Written Requests by Subjects Thereof

- 16.30 Purpose and scope.
- 16.31 Definition of identification record.
- 16.32 Procedure to obtain an identification record.

## Department of Justice

Pt. 16

- 16.33 Fee for production of identification record.
- 16.34 Procedure to obtain change, correction or updating of identification records.

### Subpart D—Protection of Privacy and Access to Individual Records Under the Privacy Act of 1974

- 16.40 General provisions.
- 16.41 Requests for access to records.
- 16.42 Responsibility for responding to requests for access to records.
- 16.43 Responses to requests for access to records.
- 16.44 Classified information.
- 16.45 Appeals from denials of requests for access to records.
- 16.46 Requests for amendment or correction of records.
- 16.47 Requests for an accounting of record disclosures.
- 16.48 Preservation of records.
- 16.49 Fees.
- 16.50 Notice of court-ordered and emergency disclosures.
- 16.51 Security of systems of records.
- 16.52 Contracts for the operation of record systems.
- 16.53 Use and collection of social security numbers.
- 16.54 Employee standards of conduct.
- 16.55 Other rights and services.

### Subpart E—Exemption of Records Systems Under the Privacy Act

- 16.70 Exemption of the Office of the Attorney General System—limited access.
- 16.71 Exemption of the Office of the Deputy Attorney General System—limited access.
- 16.72 Exemption of Office of the Associate Attorney General System—limited access.
- 16.73 Exemption of Office of Legal Policy System—limited access.
- 16.74 Exemption of National Security Division Systems—limited access.
- 16.75 Exemption of the Office of the Inspector General Systems/Limited Access.
- 16.76 Exemption of Justice Management Division.
- 16.77 Exemption of U.S. Trustee Program System—limited access.
- 16.78 Exemption of the Special Counsel for Immigration-Related, Unfair Employment Practices Systems.
- 16.79 Exemption of Pardon Attorney System.
- 16.80 Exemption of Office of Professional Responsibility System—limited access.
- 16.81 Exemption of United States Attorneys Systems—limited access.

- 16.82 Exemption of the National Drug Intelligence Center Data Base—limited access.
- 16.83 Exemption of the Executive Office for Immigration Review System—limited access.
- 16.84 Exemption of Immigration Appeals System.
- 16.85 Exemption of U.S. Parole Commission—limited access.
- 16.88 Exemption of Antitrust Division Systems—limited access.
- 16.89 Exemption of Civil Division Systems—limited access.
- 16.90 Exemption of Civil Rights Division Systems.
- 16.91 Exemption of Criminal Division Systems—limited access, as indicated.
- 16.92 Exemption of Environment and Natural Resources Division Systems—limited access.
- 16.93 Exemption of Tax Division Systems—limited access.
- 16.96 Exemption of Federal Bureau of Investigation Systems—limited access.
- 16.97 Exemption of Bureau of Prisons Systems—limited access.
- 16.98 Exemption of the Drug Enforcement Administration (DEA) Systems—limited access.
- 16.99 Exemption of the Immigration and Naturalization Service Systems—limited access.
- 16.100 Exemption of Office of Justice Programs—limited access.
- 16.101 Exemption of U.S. Marshals Service Systems—limited access, as indicated.
- 16.102 Exemption of Drug Enforcement Administration and Immigration and Naturalization Service Joint System of Records.
- 16.103 Exemption of the INTERPOL-United States National Central Bureau (INTERPOL-USNCB) System.
- 16.104 Exemption of Office of Special Counsel—Waco System.
- 16.105 Exemption of Foreign Terrorist Tracking Task Force System.
- 16.106 Exemption of the Bureau of Alcohol, Tobacco, Firearms, and Explosives (ATF)—Limited Access.
- 16.130 Exemption of Department of Justice Systems: Correspondence Management Systems for the Department of Justice (DOJ-003); Freedom of Information Act, Privacy Act and Mandatory Declassification Review Requests and Administrative Appeals for the Department of Justice (DOJ-004).
- 16.131 Exemption of Department of Justice (DOJ)/Nationwide Joint Automated Booking System (JABS), DOJ-005.
- 16.132 Exemption of Department of Justice System—Personnel Investigation and Security Clearance Records for the Department of Justice (DOJ), DOJ-006.

## § 16.1

## 28 CFR Ch. I (7–1–17 Edition)

- 16.133 Exemption of Department of Justice Regional Data Exchange System (RDEX), DOJ-012.
- 16.134 Exemption of Debt Collection Enforcement System, Justice/DOJ-016.
- 16.135 Exemptions of Executive Office for Organized Crime Drug Enforcement Task Forces Systems.
- 16.136 Exemptions of the Department of Justice, Giglio Information System, Justice/DOJ-017.

### Subpart F—Public Observation of Parole Commission Meetings

- 16.200 Definitions.
- 16.201 Voting by the Commissioners without joint deliberation.
- 16.202 Open meetings.
- 16.203 Closed meetings—Formal procedure.
- 16.204 Public notice.
- 16.205 Closed meetings—Informal procedures.
- 16.206 Transcripts, minutes, and miscellaneous documents concerning Commission meetings.
- 16.207 Public access to nonexempt transcripts and minutes of closed Commission meetings—Documents used at meetings—Record retention.
- 16.208 Annual report.

### Subpart G—Access to Documents by Former Employees of the Department

- 16.300 Access to documents for the purpose of responding to an official inquiry.
- 16.301 Limitations.

#### APPENDIX I TO PART 16—COMPONENTS OF THE DEPARTMENT OF JUSTICE

AUTHORITY: 5 U.S.C. 301, 552, 552a, 553; 28 U.S.C. 509, 510, 534; 31 U.S.C. 3717.

### Subpart A—Procedures for Disclosure of Records Under the Freedom of Information Act

SOURCE: AG Order No. 3517–2015, 80 FR 18106, Apr. 3, 2015, unless otherwise noted.

#### § 16.1 General provisions.

(a) This subpart contains the rules that the Department of Justice follows in processing requests for records under the Freedom of Information Act (“FOIA”), 5 U.S.C. 552. The rules in this subpart should be read in conjunction with the text of the FOIA and the Uniform Freedom of Information Fee Schedule and Guidelines published by the Office of Management and Budget (“OMB Guidelines”). Additionally, the Department’s “FOIA Reference Guide”

and its attachments contain information about the specific procedures particular to the Department with respect to making FOIA requests and descriptions of the types of records maintained by different Department components. This resource is available at [http://www.justice.gov/oip/04\\_3.html](http://www.justice.gov/oip/04_3.html). Requests made by individuals for records about themselves under the Privacy Act of 1974, 5 U.S.C. 552a, are processed under subpart D of part 16 as well as under this subpart.

(b) As referenced in this subpart, component means each separate bureau, office, division, commission, service, center, or administration that is designated by the Department as a primary organizational entity.

(c) The Department has a decentralized system for processing requests, with each component handling requests for its records.

[AG Order No. 3517–2015, 80 FR 18106, Apr. 3, 2015, as amended by AG Order 3803–2016, 82 FR 727, Jan. 4, 2017]

### § 16.2 Proactive disclosure of Department records.

Records that are required by the FOIA to be made available for public inspection in an electronic format may be accessed through the Department’s Web site at [http://justice.gov/oip/04\\_2.html](http://justice.gov/oip/04_2.html). Each component is responsible for determining which of its records are required to be made publicly available, as well as identifying additional records of interest to the public that are appropriate for public disclosure, and for posting and indexing such records. Each component shall ensure that its Web site of posted records and indices is reviewed and updated on an ongoing basis. Each component has a FOIA Public Liaison who can assist individuals in locating records particular to a component. A list of the Department’s FOIA Public Liaisons is available at <http://www.justice.gov/oip/foiacontact/index-list.html>.

[AG Order No. 3517–2015, 80 FR 18106, Apr. 3, 2015, as amended by AG Order 3803–2016, 82 FR 727, Jan. 4, 2017]

## Department of Justice

## § 16.4

### § 16.3 Requirements for making requests.

(a) *General information.* (1) The Department has a decentralized system for responding to FOIA requests, with each component designating a FOIA office to process records from that component. All components have the capability to receive requests electronically either through email or a web portal. To make a request for records of the Department, a requester should write directly to the FOIA office of the component that maintains the records being sought. A request will receive the quickest possible response if it is addressed to the FOIA office of the component that maintains the records sought. The Department's FOIA Reference Guide, which may be accessed as described in §16.1(a), contains descriptions of the functions of each component and provides other information that is helpful in determining where to make a request. Each component's FOIA office and any additional requirements for submitting a request to a given component are listed in Appendix I to this part. Part 0 of this chapter also summarizes the functions of each component. These references can all be used by requesters to determine where to send their requests within the Department.

(2) A requester may also send requests to the FOIA/PA Mail Referral Unit, Justice Management Division, Department of Justice, 950 Pennsylvania Avenue NW., Washington, DC 20530-0001, or via email to [MRUFOIA.Requests@usdoj.gov](mailto:MRUFOIA.Requests@usdoj.gov), or via fax to (202) 616-6695. The Mail Referral Unit will forward the request to the component(s) that it determines to be most likely to maintain the records that are sought.

(3) A requester who is making a request for records about himself or herself must comply with the verification of identity provision set forth in subpart D of this part.

(4) Where a request for records pertains to a third party, a requester may receive greater access by submitting either a notarized authorization signed by that individual or a declaration made in compliance with the requirements set forth in 28 U.S.C. 1746 by that individual authorizing disclosure

of the records to the requester, or by submitting proof that the individual is deceased (*e.g.*, a copy of a death certificate or an obituary). As an exercise of administrative discretion, each component can require a requester to supply additional information if necessary in order to verify that a particular individual has consented to disclosure.

(b) *Description of records sought.* Requesters must describe the records sought in sufficient detail to enable Department personnel to locate them with a reasonable amount of effort. To the extent possible, requesters should include specific information that may assist a component in identifying the requested records, such as the date, title or name, author, recipient, subject matter of the record, case number, file designation, or reference number. Requesters should refer to Appendix I to this part for additional, component-specific requirements. In general, requesters should include as much detail as possible about the specific records or the types of records that they are seeking. Before submitting their requests, requesters may contact the component's FOIA contact or FOIA Public Liaison to discuss the records they are seeking and to receive assistance in describing the records. If after receiving a request a component determines that it does not reasonably describe the records sought, the component shall inform the requester what additional information is needed or why the request is otherwise insufficient. Requesters who are attempting to reformulate or modify such a request may discuss their request with the component's designated FOIA contact, its FOIA Public Liaison, or a representative of the Office of Information Policy ("OIP"), each of whom is available to assist the requester in reasonably describing the records sought. If a request does not reasonably describe the records sought, the agency's response to the request may be delayed.

### § 16.4 Responsibility for responding to requests.

(a) *In general.* Except in the instances described in paragraphs (c) and (d) of this section, the component that first receives a request for a record and

maintains that record is the component responsible for responding to the request. In determining which records are responsive to a request, a component ordinarily will include only records in its possession as of the date that it begins its search. If any other date is used, the component shall inform the requester of that date. A record that is excluded from the requirements of the FOIA pursuant to 5 U.S.C. 552(c), is not considered responsive to a request.

(b) *Authority to grant or deny requests.* The head of a component, or designee, is authorized to grant or to deny any requests for records that are maintained by that component.

(c) *Re-routing of misdirected requests.* Where a component's FOIA office determines that a request was misdirected within the Department, the receiving component's FOIA office shall route the request to the FOIA office of the proper component(s).

(d) *Consultation, referral, and coordination.* When reviewing records located by a component in response to a request, the component shall determine whether another component or another agency of the Federal Government is better able to determine whether the record is exempt from disclosure under the FOIA. As to any such record, the component shall proceed in one of the following ways:

(1) *Consultation.* When records originated with the component processing the request, but contain within them information of interest to another component, agency, or other Federal Government office, the component processing the request should typically consult with that other component or agency prior to making a release determination.

(2) *Referral.* (i) When the component processing the request believes that a different component, agency, or other Federal Government office is best able to determine whether to disclose the record, the component typically should refer the responsibility for responding to the request regarding that record, as long as the referral is to a component or agency that is subject to the FOIA. Ordinarily, the component or agency that originated the record will be presumed to be best able to make the dis-

closure determination. However, if the component processing the request and the originating component or agency jointly agree that the former is in the best position to respond regarding the record, then the record may be handled as a consultation.

(ii) Whenever a component refers any part of the responsibility for responding to a request to another component or agency, it shall document the referral, maintain a copy of the record that it refers, and notify the requester of the referral and inform the requester of the name(s) of the component or agency to which the record was referred, including that component's or agency's FOIA contact information.

(3) *Coordination.* The standard referral procedure is not appropriate where disclosure of the identity of the component or agency to which the referral would be made could harm an interest protected by an applicable exemption, such as the exemptions that protect personal privacy or national security interests. For example, if a non-law enforcement component responding to a request for records on a living third party locates within its files records originating with a law enforcement agency, and if the existence of that law enforcement interest in the third party was not publicly known, then to disclose that law enforcement interest could cause an unwarranted invasion of the personal privacy of the third party. Similarly, if a component locates within its files material originating with an Intelligence Community agency, and the involvement of that agency in the matter is classified and not publicly acknowledged, then to disclose or give attribution to the involvement of that Intelligence Community agency could cause national security harms. In such instances, in order to avoid harm to an interest protected by an applicable exemption, the component that received the request should coordinate with the originating component or agency to seek its views on the disclosability of the record. The release determination for the record that is the subject of the coordination should then be conveyed to the requester by the component that originally received the request.

(e) *Classified information.* On receipt of any request involving classified information, the component shall determine whether the information is currently and properly classified and take appropriate action to ensure compliance with part 17 of this title. Whenever a request involves a record containing information that has been classified or may be appropriate for classification by another component or agency under any applicable executive order concerning the classification of records, the receiving component shall refer the responsibility for responding to the request regarding that information to the component or agency that classified the information, or that should consider the information for classification. Whenever a component's record contains information that has been derivatively classified (for example, when it contains information classified by another component or agency), the component shall refer the responsibility for responding to that portion of the request to the component or agency that classified the underlying information.

(f) *Timing of responses to consultations and referrals.* All consultations and referrals received by the Department will be handled according to the date that the FOIA request initially was received by the first component or agency.

(g) *Agreements regarding consultations and referrals.* Components may establish agreements with other components or agencies to eliminate the need for consultations or referrals with respect to particular types of records.

[AG Order No. 3517-2015, 80 FR 18106, Apr. 3, 2015, as amended by AG Order 3803-2016, 82 FR 727, Jan. 4, 2017]

#### § 16.5 Timing of responses to requests.

(a) *In general.* Components ordinarily will respond to requests according to their order of receipt. Appendix I to this part contains the list of the Department components that are designated to accept requests. In instances involving misdirected requests that are re-routed pursuant to § 16.4(c), the response time will commence on the date that the request is received by the proper component's office that is designated to receive requests, but in any event not later than 10 working days

after the request is first received by any component's office that is designated by these regulations to receive requests.

(b) *Multitrack processing.* All components must designate a specific track for requests that are granted expedited processing, in accordance with the standards set forth in paragraph (e) of this section. A component may also designate additional processing tracks that distinguish between simple and more complex requests based on the estimated amount of work or time needed to process the request. Among the factors a component may consider are the number of pages involved in processing the request and the need for consultations or referrals. Components shall advise requesters of the track into which their request falls and, when appropriate, shall offer the requesters an opportunity to narrow their request so that it can be placed in a different processing track.

(c) *Unusual circumstances.* Whenever the statutory time limit for processing a request cannot be met because of "unusual circumstances," as defined in the FOIA, and the component extends the time limit on that basis, the component shall, before expiration of the 20-day period to respond, notify the requester in writing of the unusual circumstances involved and of the date by which processing of the request can be expected to be completed. Where the extension exceeds 10 working days, the component shall, as described by the FOIA, provide the requester with an opportunity to modify the request or arrange an alternative time period for processing. The component shall make available its designated FOIA contact and its FOIA Public Liaison for this purpose. The component must also alert requesters to the availability of the Office of Government Information Services to provide dispute resolution services.

(d) *Aggregating requests.* For the purposes of satisfying unusual circumstances under the FOIA, components may aggregate requests in cases where it reasonably appears that multiple requests, submitted either by a requester or by a group of requesters acting in concert, constitute a single request that would otherwise involve

unusual circumstances. Components shall not aggregate multiple requests that involve unrelated matters.

(e) *Expedited processing.* (1) Requests and appeals shall be processed on an expedited basis whenever it is determined that they involve:

(i) Circumstances in which the lack of expedited processing could reasonably be expected to pose an imminent threat to the life or physical safety of an individual;

(ii) An urgency to inform the public about an actual or alleged Federal Government activity, if made by a person who is primarily engaged in disseminating information;

(iii) The loss of substantial due process rights; or

(iv) A matter of widespread and exceptional media interest in which there exist possible questions about the government's integrity that affect public confidence.

(2) A request for expedited processing may be made at any time. Requests based on paragraphs (e)(1)(i), (ii), and (iii) of this section must be submitted to the component that maintains the records requested. When making a request for expedited processing of an administrative appeal, the request should be submitted to OIP. Requests for expedited processing that are based on paragraph (e)(1)(iv) of this section must be submitted to the Director of Public Affairs at the Office of Public Affairs, Department of Justice, 950 Pennsylvania Avenue NW., Washington, DC 20530-0001. A component that receives a misdirected request for expedited processing under the standard set forth in paragraph (e)(1)(iv) of this section shall forward it immediately to the Office of Public Affairs for its determination. The time period for making the determination on the request for expedited processing under paragraph (e)(1)(iv) of this section shall commence on the date that the Office of Public Affairs receives the request, provided that it is routed within 10 working days.

(3) A requester who seeks expedited processing must submit a statement, certified to be true and correct, explaining in detail the basis for making the request for expedited processing. For example, under paragraph (e)(1)(ii)

of this section, a requester who is not a full-time member of the news media must establish that the requester is a person whose primary professional activity or occupation is information dissemination, though it need not be the requester's sole occupation. Such a requester also must establish a particular urgency to inform the public about the government activity involved in the request—one that extends beyond the public's right to know about government activity generally. The existence of numerous articles published on a given subject can be helpful in establishing the requirement that there be an "urgency to inform" the public on the topic. As a matter of administrative discretion, a component may waive the formal certification requirement.

(4) A component shall notify the requester within 10 calendar days of the receipt of a request for expedited processing of its decision whether to grant or deny expedited processing. If expedited processing is granted, the request shall be given priority, placed in the processing track for expedited requests, and shall be processed as soon as practicable. If a request for expedited processing is denied, any appeal of that decision shall be acted on expeditiously.

[AG Order No. 3517-2015, 80 FR 18106, Apr. 3, 2015, as amended by AG Order 3803-2016, 82 FR 727, Jan. 4, 2017]

#### § 16.6 Responses to requests.

(a) *In general.* Components should, to the extent practicable, communicate with requesters having access to the Internet using electronic means, such as email or web portal.

(b) *Acknowledgments of requests.* A component shall acknowledge the request and assign it an individualized tracking number if it will take longer than 10 working days to process. Components shall include in the acknowledgment a brief description of the records sought to allow requesters to more easily keep track of their requests.

(c) *Grants of requests.* Once a component makes a determination to grant a request in full or in part, it shall notify the requester in writing. The component also shall inform the requester of



## Department of Justice

## § 16.7

any fees charged under § 16.10 and shall disclose the requested records to the requester promptly upon payment of any applicable fees. The component must inform the requester of the availability of the FOIA Public Liaison to offer assistance.

(d) *Adverse determinations of requests.* A component making an adverse determination denying a request in any respect shall notify the requester of that determination in writing. Adverse determinations, or denials of requests, include decisions that: the requested record is exempt, in whole or in part; the request does not reasonably describe the records sought; the information requested is not a record subject to the FOIA; the requested record does not exist, cannot be located, or has been destroyed; or the requested record is not readily reproducible in the form or format sought by the requester. Adverse determinations also include denials involving fees or fee waiver matters or denials of requests for expedited processing.

(e) *Content of denial.* The denial shall be signed by the head of the component, or designee, and shall include:

(1) The name and title or position of the person responsible for the denial;

(2) A brief statement of the reasons for the denial, including any FOIA exemption applied by the component in denying the request;

(3) An estimate of the volume of any records or information withheld, such as the number of pages or some other reasonable form of estimation, although such an estimate is not required if the volume is otherwise indicated by deletions marked on records that are disclosed in part or if providing an estimate would harm an interest protected by an applicable exemption; and

(4) A statement that the denial may be appealed under § 16.8(a), and a description of the requirements set forth therein.

(5) A statement notifying the requester of the assistance available from the component's FOIA Public Liaison and the dispute resolution services offered by the Office of Government Information Services.

(f) *Markings on released documents.* Markings on released documents must

be clearly visible to the requester. Records disclosed in part shall be marked to show the amount of information deleted and the exemption under which the deletion was made unless doing so would harm an interest protected by an applicable exemption. The location of the information deleted shall also be indicated on the record, if technically feasible.

(g) *Use of record exclusions.* (1) In the event that a component identifies records that may be subject to exclusion from the requirements of the FOIA pursuant to 5 U.S.C. 552(c), the component must confer with OIP to obtain approval to apply the exclusion.

(2) Any component invoking an exclusion shall maintain an administrative record of the process of invocation and approval of the exclusion by OIP.

[AG Order No. 3517-2015, 80 FR 18106, Apr. 3, 2015, as amended by AG Order 3803-2016, 82 FR 727, Jan. 4, 2017]

### § 16.7 Confidential commercial information.

(a) *Definitions.* (1) *Confidential commercial information* means commercial or financial information obtained by the Department from a submitter that may be protected from disclosure under Exemption 4 of the FOIA, 5 U.S.C. 552(b)(4).

(2) *Submitter* means any person or entity, including a corporation, State, or foreign government, but not including another Federal Government entity, that provides information, either directly or indirectly to the Federal Government.

(b) *Designation of confidential commercial information.* A submitter of confidential commercial information must use good faith efforts to designate by appropriate markings, either at the time of submission or within a reasonable time thereafter, any portion of its submission that it considers to be protected from disclosure under Exemption 4. These designations shall expire 10 years after the date of the submission unless the submitter requests and provides justification for a longer designation period.

(c) *When notice to submitters is required.* (1) A component shall promptly provide written notice to a submitter of confidential commercial information

whenever records containing such information are requested under the FOIA if, after reviewing the request, the responsive records, and any appeal by the requester, the component determines that it may be required to disclose the records, provided:

(i) The requested information has been designated in good faith by the submitter as information considered protected from disclosure under Exemption 4; or

(ii) The component has a reason to believe that the requested information may be protected from disclosure under Exemption 4, but has not yet determined whether the information is protected from disclosure under that exemption or any other applicable exemption.

(2) The notice shall either describe the commercial information requested or include a copy of the requested records or portions of records containing the information. In cases involving a voluminous number of submitters, notice may be made by posting or publishing the notice in a place or manner reasonably likely to accomplish it.

(d) *Exceptions to submitter notice requirements.* The notice requirements of this section shall not apply if:

(1) The component determines that the information is exempt under the FOIA;

(2) The information has been lawfully published or has been officially made available to the public;

(3) Disclosure of the information is required by a statute other than the FOIA or by a regulation issued in accordance with the requirements of Executive Order 12600 of June 23, 1987; or

(4) The designation made by the submitter under paragraph (b) of this section appears obviously frivolous, except that, in such a case, the component shall give the submitter written notice of any final decision to disclose the information and must provide that notice within a reasonable number of days prior to a specified disclosure date.

(e) *Opportunity to object to disclosure.*

(1) A component shall specify a reasonable time period within which the submitter must respond to the notice referenced above. If a submitter has any

objections to disclosure, it should provide the component a detailed written statement that specifies all grounds for withholding the particular information under any exemption of the FOIA. In order to rely on Exemption 4 as basis for nondisclosure, the submitter must explain why the information constitutes a trade secret or commercial or financial information that is privileged or confidential.

(2) A submitter who fails to respond within the time period specified in the notice shall be considered to have no objection to disclosure of the information. Information received by the component after the date of any disclosure decision shall not be considered by the component. Any information provided by a submitter under this subpart may itself be subject to disclosure under the FOIA.

(f) *Analysis of objections.* A component shall consider a submitter's objections and specific grounds for nondisclosure in deciding whether to disclose the requested information.

(g) *Notice of intent to disclose.* Whenever a component decides to disclose information over the objection of a submitter, the component shall provide the submitter written notice, which shall include:

(1) A statement of the reasons why each of the submitter's disclosure objections was not sustained;

(2) A description of the information to be disclosed; and

(3) A specified disclosure date, which shall be a reasonable time subsequent to the notice.

(h) *Notice of FOIA lawsuit.* Whenever a requester files a lawsuit seeking to compel the disclosure of confidential commercial information, the component shall promptly notify the submitter.

(i) *Requester notification.* The component shall notify a requester whenever it provides the submitter with notice and an opportunity to object to disclosure; whenever it notifies the submitter of its intent to disclose the requested information; and whenever a submitter files a lawsuit to prevent the disclosure of the information.

**§ 16.8 Administrative appeals.**

(a) *Requirements for making an appeal.* A requester may appeal any adverse determinations to OIP. The contact information for OIP is contained in the FOIA Reference Guide, which is available at [http://www.justice.gov/oip/04\\_3.html](http://www.justice.gov/oip/04_3.html). Appeals can be submitted through the web portal accessible on OIP's Web site. Examples of adverse determinations are provided in § 16.6(d). The requester must make the appeal in writing and to be considered timely it must be postmarked, or in the case of electronic submissions, transmitted, within 90 calendar days after the date of the response. The appeal should clearly identify the component's determination that is being appealed and the assigned request number. To facilitate handling, the requester should mark both the appeal letter and envelope, or subject line of the electronic transmission, "Freedom of Information Act Appeal."

(b) *Adjudication of appeals.* (1) The Director of OIP or designee will act on behalf of the Attorney General on all appeals under this section.

(2) An appeal ordinarily will not be adjudicated if the request becomes a matter of FOIA litigation.

(3) On receipt of any appeal involving classified information, OIP shall take appropriate action to ensure compliance with part 17 of this title.

(c) *Decisions on appeals.* A decision on an appeal must be made in writing. A decision that upholds a component's determination will contain a statement that identifies the reasons for the affirmance, including any FOIA exemptions applied. The decision will provide the requester with notification of the statutory right to file a lawsuit and will inform the requester of the mediation services offered by the Office of Government Information Services of the National Archives and Records Administration as a non-exclusive alternative to litigation. If a component's decision is remanded or modified on appeal, the requester will be notified of that determination in writing. The component will thereafter further process the request in accordance with that appeal determination and respond directly to the requester.

(d) *Engaging in dispute resolution services provided by OGIS.* Mediation is a voluntary process. If a component agrees to participate in the mediation services provided by the Office of Government Information Services, it will actively engage as a partner to the process in an attempt to resolve the dispute.

(e) *When appeal is required.* Before seeking review by a court of a component's adverse determination, a requester generally must first submit a timely administrative appeal.

[AG Order No. 3517–2015, 80 FR 18106, Apr. 3, 2015, as amended by AG Order 3803–2016, 82 FR 728, Jan. 4, 2017]

**§ 16.9 Preservation of records.**

Each component shall preserve all correspondence pertaining to the requests that it receives under this subpart, as well as copies of all requested records, until disposition or destruction is authorized pursuant to title 44 of the United States Code or the General Records Schedule 14 of the National Archives and Records Administration. Records shall not be disposed of or destroyed while they are the subject of a pending request, appeal, or lawsuit under the FOIA.

**§ 16.10 Fees.**

(a) *In general.* Components shall charge for processing requests under the FOIA in accordance with the provisions of this section and with the OMB Guidelines. In order to resolve any fee issues that arise under this section, a component may contact a requester for additional information. Components shall ensure that searches, review, and duplication are conducted in the most efficient and the least expensive manner. A component ordinarily will collect all applicable fees before sending copies of records to a requester. Requesters must pay fees by check or money order made payable to the Treasury of the United States.

(b) *Definitions.* For purposes of this section:

(1) *Commercial use request* is a request that asks for information for a use or a purpose that furthers a commercial, trade, or profit interest, which can include furthering those interests

through litigation. A component's decision to place a requester in the commercial use category will be made on a case-by-case basis based on the requester's intended use of the information.

(2) *Direct costs* are those expenses that an agency incurs in searching for and duplicating (and, in the case of commercial use requests, reviewing) records in order to respond to a FOIA request. For example, direct costs include the salary of the employee performing the work (*i.e.*, the basic rate of pay for the employee, plus 16 percent of that rate to cover benefits) and the cost of operating computers and other electronic equipment, such as photocopiers and scanners. Direct costs do not include overhead expenses such as the costs of space, and of heating or lighting a facility.

(3) *Duplication* is reproducing a copy of a record, or of the information contained in it, necessary to respond to a FOIA request. Copies can take the form of paper, audiovisual materials, or electronic records, among others.

(4) *Educational institution* is any school that operates a program of scholarly research. A requester in this fee category must show that the request is made in connection with the requester's role at the educational institution. Components may seek assurance from the requester that the request is in furtherance of scholarly research and will advise requesters of their placement in this category.

*Example 1.* A request from a professor of geology at a university for records relating to soil erosion, written on letterhead of the Department of Geology, would be presumed to be from an educational institution.

*Example 2.* A request from the same professor of geology seeking drug information from the Food and Drug Administration in furtherance of a murder mystery he is writing would not be presumed to be an institutional request, regardless of whether it was written on institutional stationery.

*Example 3.* A student who makes a request in furtherance of the student's coursework or other school-sponsored activities and provides a copy of a course syllabus or other reasonable documentation to indicate the research purpose for the request, would qualify as part of this fee category.

(5) *Noncommercial scientific institution* is an institution that is not operated on a "commercial" basis, as defined in

paragraph (b)(1) of this section and that is operated solely for the purpose of conducting scientific research the results of which are not intended to promote any particular product or industry. A requester in this category must show that the request is authorized by and is made under the auspices of a qualifying institution and that the records are sought to further scientific research and are not for a commercial use.

(6) *Representative of the news media* is any person or entity that actively gathers information of potential interest to a segment of the public, uses its editorial skills to turn the raw materials into a distinct work, and distributes that work to an audience. The term "news" means information that is about current events or that would be of current interest to the public. Examples of news media entities include television or radio stations that broadcast "news" to the public at large and publishers of periodicals that disseminate "news" and make their products available through a variety of means to the general public, including news organizations that disseminate solely on the Internet. A request for records supporting the news-dissemination function of the requester shall not be considered to be for a commercial use. "Freelance" journalists who demonstrate a solid basis for expecting publication through a news media entity shall be considered as a representative of the news media. A publishing contract would provide the clearest evidence that publication is expected; however, components shall also consider a requester's past publication record in making this determination.

(7) *Review* is the examination of a record located in response to a request in order to determine whether any portion of it is exempt from disclosure. Review time includes processing any record for disclosure, such as doing all that is necessary to prepare the record for disclosure, including the process of redacting the record and marking the appropriate exemptions. Review costs are properly charged even if a record ultimately is not disclosed. Review

time also includes time spent both obtaining and considering any formal objection to disclosure made by a confidential commercial information submitter under §16.7, but it does not include time spent resolving general legal or policy issues regarding the application of exemptions.

(8) *Search* is the process of looking for and retrieving records or information responsive to a request. Search time includes page-by-page or line-by-line identification of information within records and the reasonable efforts expended to locate and retrieve information from electronic records.

(c) *Charging fees.* In responding to FOIA requests, components shall charge the following fees unless a waiver or reduction of fees has been granted under paragraph (k) of this section. Because the fee amounts provided below already account for the direct costs associated with a given fee type, components should not add any additional costs to charges calculated under this section.

(1) *Search.* (i) Requests made by educational institutions, noncommercial scientific institutions, or representatives of the news media are not subject to search fees. Search fees shall be charged for all other requesters, subject to the restrictions of paragraph (d) of this section. Components may properly charge for time spent searching even if they do not locate any responsive records or if they determine that the records are entirely exempt from disclosure.

(ii) For each quarter hour spent by personnel searching for requested records, including electronic searches that do not require new programming, the fees shall be as follows: professional—\$10.00; and clerical/administrative—\$4.75.

(iii) Requesters shall be charged the direct costs associated with conducting any search that requires the creation of a new computer program to locate the requested records. Requesters shall be notified of the costs associated with creating such a program and must agree to pay the associated costs before the costs may be incurred.

(iv) For requests that require the retrieval of records stored by an agency at a Federal records center operated by

the National Archives and Records Administration (NARA), additional costs shall be charged in accordance with the Transactional Billing Rate Schedule established by NARA.

(2) *Duplication.* Duplication fees shall be charged to all requesters, subject to the restrictions of paragraph (d) of this section. A component shall honor a requester's preference for receiving a record in a particular form or format where it is readily reproducible by the component in the form or format requested. Where photocopies are supplied, the component shall provide one copy per request at a cost of five cents per page. For copies of records produced on tapes, disks, or other media, components shall charge the direct costs of producing the copy, including operator time. Where paper documents must be scanned in order to comply with a requester's preference to receive the records in an electronic format, the requester shall pay the direct costs associated with scanning those materials. For other forms of duplication, components shall charge the direct costs.

(3) *Review.* Review fees shall be charged to requesters who make commercial use requests. Review fees shall be assessed in connection with the initial review of the record, *i.e.*, the review conducted by a component to determine whether an exemption applies to a particular record or portion of a record. No charge will be made for review at the administrative appeal stage of exemptions applied at the initial review stage. However, if a particular exemption is deemed to no longer apply, any costs associated with a component's re-review of the records in order to consider the use of other exemptions may be assessed as review fees. Review fees shall be charged at the same rates as those charged for a search under paragraph (c)(1)(ii) of this section.

(d) *Restrictions on charging fees.* (1) No search fees will be charged for requests by educational institutions (unless the records are sought for a commercial use), noncommercial scientific institutions, or representatives of the news media.

(2) If a component fails to comply with the FOIA's time limits in which to respond to a request, it may not

§ 16.10

28 CFR Ch. I (7-1-17 Edition)

charge search fees, or, in the instances of requests from requesters described in paragraph (d)(1) of this section, may not charge duplication fees, except as described in paragraphs (d)(2)(i) through (iii) of this section.

(i) If a component has determined that unusual circumstances as defined by the FOIA apply and the agency provided timely written notice to the requester in accordance with the FOIA, a failure to comply with the time limit shall be excused for an additional 10 days.

(ii) If a component has determined that unusual circumstances as defined by the FOIA apply, and more than 5,000 pages are necessary to respond to the request, the component may charge search fees, or, in the case of requesters described in paragraph (d)(1) of this section, may charge duplication fees if the following steps are taken. The component must have provided timely written notice of unusual circumstances to the requester in accordance with the FOIA and the component must have discussed with the requester via written mail, email, or telephone (or made not less than three good-faith attempts to do so) how the requester could effectively limit the scope of the request in accordance with 5 U.S.C. 552(a)(6)(B)(ii). If this exception is satisfied, the component may charge all applicable fees incurred in the processing of the request.

(iii) If a court has determined that exceptional circumstances exist as defined by the FOIA, a failure to comply with the time limits shall be excused for the length of time provided by the court order.

(3) No search or review fees will be charged for a quarter-hour period unless more than half of that period is required for search or review.

(4) Except for requesters seeking records for a commercial use, components shall provide without charge:

(i) The first 100 pages of duplication (or the cost equivalent for other media); and

(ii) The first two hours of search.

(5) When, after first deducting the 100 free pages (or its cost equivalent) and the first two hours of search, a total fee calculated under paragraph (c) of

this section is \$25.00 or less for any request, no fee will be charged.

(e) *Notice of anticipated fees in excess of \$25.00.* (1) When a component determines or estimates that the fees to be assessed in accordance with this section will exceed \$25.00, the component shall notify the requester of the actual or estimated amount of the fees, including a breakdown of the fees for search, review or duplication, unless the requester has indicated a willingness to pay fees as high as those anticipated. If only a portion of the fee can be estimated readily, the component shall advise the requester accordingly. If the requester is a noncommercial use requester, the notice shall specify that the requester is entitled to the statutory entitlements of 100 pages of duplication at no charge and, if the requester is charged search fees, two hours of search time at no charge, and shall advise the requester whether those entitlements have been provided.

(2) In cases in which a requester has been notified that the actual or estimated fees are in excess of \$25.00, the request shall not be considered received and further work will not be completed until the requester commits in writing to pay the actual or estimated total fee, or designates some amount of fees the requester is willing to pay, or in the case of a noncommercial use requester who has not yet been provided with the requester's statutory entitlements, designates that the requester seeks only that which can be provided by the statutory entitlements. The requester must provide the commitment or designation in writing, and must, when applicable, designate an exact dollar amount the requester is willing to pay. Components are not required to accept payments in installments.

(3) If the requester has indicated a willingness to pay some designated amount of fees, but the component estimates that the total fee will exceed that amount, the component shall toll the processing of the request when it notifies the requester of the estimated fees in excess of the amount the requester has indicated a willingness to pay. The component shall inquire whether the requester wishes to revise the amount of fees the requester is

willing to pay or modify the request. Once the requester responds, the time to respond will resume from where it was at the date of the notification.

(4) Components shall make available their FOIA Public Liaison or other FOIA professional to assist any requester in reformulating a request to meet the requester's needs at a lower cost.

(f) *Charges for other services.* Although not required to provide special services, if a component chooses to do so as a matter of administrative discretion, the direct costs of providing the service shall be charged. Examples of such services include certifying that records are true copies, providing multiple copies of the same document, or sending records by means other than first class mail.

(g) *Charging interest.* Components may charge interest on any unpaid bill starting on the 31st day following the date of billing the requester. Interest charges shall be assessed at the rate provided in 31 U.S.C. 3717 and will accrue from the billing date until payment is received by the component. Components shall follow the provisions of the Debt Collection Act of 1982 (Pub. L. 97-365, 96 Stat. 1749), as amended, and its administrative procedures, including the use of consumer reporting agencies, collection agencies, and offset.

(h) *Aggregating requests.* When a component reasonably believes that a requester or a group of requesters acting in concert is attempting to divide a single request into a series of requests for the purpose of avoiding fees, the component may aggregate those requests and charge accordingly. Components may presume that multiple requests of this type made within a 30-day period have been made in order to avoid fees. For requests separated by a longer period, components will aggregate them only where there is a reasonable basis for determining that aggregation is warranted in view of all the circumstances involved. Multiple requests involving unrelated matters shall not be aggregated.

(i) *Advance payments.* (1) For requests other than those described in paragraphs (i)(2) or (i)(3) of this section, a component shall not require the re-

quester to make an advance payment before work is commenced or continued on a request. Payment owed for work already completed (*i.e.*, payment before copies are sent to a requester) is not an advance payment.

(2) When a component determines or estimates that a total fee to be charged under this section will exceed \$250.00, it may require that the requester make an advance payment up to the amount of the entire anticipated fee before beginning to process the request. A component may elect to process the request prior to collecting fees when it receives a satisfactory assurance of full payment from a requester with a history of prompt payment.

(3) Where a requester has previously failed to pay a properly charged FOIA fee to any component or agency within 30 calendar days of the billing date, a component may require that the requester pay the full amount due, plus any applicable interest on that prior request, and the component may require that the requester make an advance payment of the full amount of any anticipated fee before the component begins to process a new request or continues to process a pending request or any pending appeal. Where a component has a reasonable basis to believe that a requester has misrepresented the requester's identity in order to avoid paying outstanding fees, it may require that the requester provide proof of identity.

(4) In cases in which a component requires advance payment, the request shall not be considered received and further work will not be completed until the required payment is received. If the requester does not pay the advance payment within 30 calendar days after the date of the component's fee determination, the request will be closed.

(j) *Other statutes specifically providing for fees.* The fee schedule of this section does not apply to fees charged under any statute that specifically requires an agency to set and collect fees for particular types of records. In instances where records responsive to a request are subject to a statutorily-based fee schedule program, the component shall inform the requester of the contact information for that program.

(k) *Requirements for waiver or reduction of fees.* (1) Requesters may seek a waiver of fees by submitting a written application demonstrating how disclosure of the requested information is in the public interest because it is likely to contribute significantly to public understanding of the operations or activities of the government and is not primarily in the commercial interest of the requester.

(2) A component must furnish records responsive to a request without charge or at a reduced rate when it determines, based on all available information, that disclosure of the requested information is in the public interest because it is likely to contribute significantly to public understanding of the operations or activities of the government and is not primarily in the commercial interest of the requester. In deciding whether this standard is satisfied the component must consider the factors described in paragraphs (k)(2)(i) through (iii) of this section:

(i) Disclosure of the requested information would shed light on the operations or activities of the government. The subject of the request must concern identifiable operations or activities of the Federal Government with a connection that is direct and clear, not remote or attenuated.

(ii) Disclosure of the requested information would be likely to contribute significantly to public understanding of those operations or activities. This factor is satisfied when the following criteria are met:

(A) Disclosure of the requested records must be meaningfully informative about government operations or activities. The disclosure of information that already is in the public domain, in either the same or a substantially identical form, would not be meaningfully informative if nothing new would be added to the public's understanding.

(B) The disclosure must contribute to the understanding of a reasonably broad audience of persons interested in the subject, as opposed to the individual understanding of the requester. A requester's expertise in the subject area as well as the requester's ability and intention to effectively convey information to the public must be consid-

ered. Components will presume that a representative of the news media will satisfy this consideration.

(iii) The disclosure must not be primarily in the commercial interest of the requester. To determine whether disclosure of the requested information is primarily in the commercial interest of the requester, components will consider the following criteria:

(A) Components must identify whether the requester has any commercial interest that would be furthered by the requested disclosure. A commercial interest includes any commercial, trade, or profit interest. Requesters must be given an opportunity to provide explanatory information regarding this consideration.

(B) If there is an identified commercial interest, the component must determine whether that is the primary interest furthered by the request. A waiver or reduction of fees is justified when the requirements of paragraphs (k)(2)(i) and (ii) of this section are satisfied and any commercial interest is not the primary interest furthered by the request. Components ordinarily will presume that when a news media requester has satisfied the requirements of paragraphs (k)(2)(i) and (ii) of this section, the request is not primarily in the commercial interest of the requester. Disclosure to data brokers or others who merely compile and market government information for direct economic return will not be presumed to primarily serve the public interest.

(3) Where only some of the records to be released satisfy the requirements for a waiver of fees, a waiver shall be granted for those records.

(4) Requests for a waiver or reduction of fees should be made when the request is first submitted to the component and should address the criteria referenced above. A requester may submit a fee waiver request at a later time so long as the underlying record request is pending or on administrative appeal. When a requester who has committed to pay fees subsequently asks for a waiver of those fees and that waiver is denied, the requester shall be required to pay any costs incurred up



## Department of Justice

## § 16.22

to the date the fee waiver request was received.

[AG Order No. 3517–2015, 80 FR 18106, Apr. 3, 2015, as amended by AG Order 3803–2016, 82 FR 728, Jan. 4, 2017]

### § 16.11 Other rights and services.

Nothing in this subpart shall be construed to entitle any person, as of right, to any service or to the disclosure of any record to which such person is not entitled under the FOIA.

### Subpart B—Production or Disclosure in Federal and State Proceedings

SOURCE: Order No. 919–80, 45 FR 83210, Dec. 18, 1980, unless otherwise noted.

#### § 16.21 Purpose and scope.

(a) This subpart sets forth procedures to be followed with respect to the production or disclosure of any material contained in the files of the Department, any information relating to material contained in the files of the Department, or any information acquired by any person while such person was an employee of the Department as a part of the performance of that person's official duties or because of that person's official status:

(1) In all federal and state proceedings in which the United States is a party; and

(2) In all federal and state proceedings in which the United States is not a party, including any proceedings in which the Department is representing a government employee solely in that employee's individual capacity, when a subpoena, order, or other demand (hereinafter collectively referred to as a "demand") of a court or other authority is issued for such material or information.

(b) For purposes of this subpart, the term *employee of the Department* includes all officers and employees of the United States appointed by, or subject to the supervision, jurisdiction, or control of the Attorney General of the United States, including U.S. Attorneys, U.S. Marshals, U.S. Trustees and members of the staffs of those officials.

(c) Nothing in this subpart is intended to impede the appropriate dis-

closure, in the absence of a demand, of information by Department law enforcement agencies to federal, state, local and foreign law enforcement, prosecutive, or regulatory agencies.

(d) This subpart is intended only to provide guidance for the internal operations of the Department of Justice, and is not intended to, and does not, and may not be relied upon to create any right or benefit, substantive or procedural, enforceable at law by a party against the United States.

#### § 16.22 General prohibition of production or disclosure in Federal and State proceedings in which the United States is not a party.

(a) In any federal or state case or matter in which the United States is not a party, no employee or former employee of the Department of Justice shall, in response to a demand, produce any material contained in the files of the Department, or disclose any information relating to or based upon material contained in the files of the Department, or disclose any information or produce any material acquired as part of the performance of that person's official duties or because of that person's official status without prior approval of the proper Department official in accordance with §§ 16.24 and 16.25 of this part.

(b) Whenever a demand is made upon an employee or former employee as described in paragraph (a) of this section, the employee shall immediately notify the U.S. Attorney for the district where the issuing authority is located. The responsible United States Attorney shall follow procedures set forth in § 16.24 of this part.

(c) If oral testimony is sought by a demand in any case or matter in which the United States is not a party, an affidavit, or, if that is not feasible, a statement by the party seeking the testimony or by his attorney, setting forth a summary of the testimony sought and its relevance to the proceeding, must be furnished to the responsible U.S. Attorney. Any authorization for testimony by a present or former employee of the Department shall be limited to the scope of the demand as summarized in such statement.

## § 16.23

(d) When information other than oral testimony is sought by a demand, the responsible U.S. Attorney shall request a summary of the information sought and its relevance to the proceeding.

### **§ 16.23 General disclosure authority in Federal and State proceedings in which the United States is a party.**

(a) Every attorney in the Department of Justice in charge of any case or matter in which the United States is a party is authorized, after consultation with the “originating component” as defined in § 16.24(a) of this part, to reveal and furnish to any person, including an actual or prospective witness, a grand jury, counsel, or a court, either during or preparatory to a proceeding, such testimony, and relevant unclassified material, documents, or information secured by any attorney, or investigator of the Department of Justice, as such attorney shall deem necessary or desirable to the discharge of the attorney’s official duties: *Provided*, Such an attorney shall consider, with respect to any disclosure, the factors set forth in § 16.26(a) of this part: *And further provided*, An attorney shall not reveal or furnish any material, documents, testimony or information when, in the attorney’s judgment, any of the factors specified in § 16.26(b) exists, without the express prior approval by the Assistant Attorney General in charge of the division responsible for the case or proceeding, the Director of the Executive Office for United States Trustees (hereinafter referred to as “the EOUST”), or such persons’ designees.

(b) An attorney may seek higher level review at any stage of a proceeding, including prior to the issuance of a court order, when the attorney determines that a factor specified in § 16.26(b) exists or foresees that higher level approval will be required before disclosure of the information or testimony in question. Upon referral of a matter under this subsection, the responsible Assistant Attorney General, the Director of EOUST, or their designees shall follow procedures set forth in § 16.24 of this part.

(c) If oral testimony is sought by a demand in a case or matter in which the United States is a party, an affi-

## 28 CFR Ch. I (7–1–17 Edition)

avit, or, if that is not feasible, a statement by the party seeking the testimony or by the party’s attorney setting forth a summary of the testimony sought must be furnished to the Department attorney handling the case or matter.

### **§ 16.24 Procedure in the event of a demand where disclosure is not otherwise authorized.**

(a) Whenever a matter is referred under § 16.22 of this part to a U.S. Attorney or, under § 16.23 of this part, to an Assistant Attorney General, the Director of the EOUST, or their designees (hereinafter collectively referred to as the “responsible official”), the responsible official shall immediately advise the official in charge of the bureau, division, office, or agency of the Department that was responsible for the collection, assembly, or other preparation of the material demanded or that, at the time the person whose testimony was demanded acquired the information in question, employed such person (hereinafter collectively referred to as the “originating component”), or that official’s designee. In any instance in which the responsible official is also the official in charge of the originating component, the responsible official may perform all functions and make all determinations that this regulation vests in the originating component.

(b) The responsible official, subject to the terms of paragraph (c) of this section, may authorize the appearance and testimony of a present or former Department employee, or the production of material from Department files if:

(1) There is no objection after inquiry of the originating component;

(2) The demanded disclosure, in the judgment of the responsible official, is appropriate under the factors specified in § 16.26(a) of this part; and

(3) None of the factors specified in § 16.26(b) of this part exists with respect to the demanded disclosure.

(c) It is Department policy that the responsible official shall, following any necessary consultation with the originating component, authorize testimony by a present or former employee of the Department or the production of

material from Department files without further authorization from Department officials whenever possible: *Provided*, That, when information is collected, assembled, or prepared in connection with litigation or an investigation supervised by a division of the Department or by the EOUST, the Assistant Attorney General in charge of such a division or the Director of the EOUST may require that the originating component obtain the division's or the EOUST's approval before authorizing a responsible official to disclose such information. Prior to authorizing such testimony or production, however, the responsible official shall, through negotiation and, if necessary, appropriate motions, seek to limit the demand to information, the disclosure of which would not be inconsistent with the considerations specified in §16.26 of this part.

(d)(1) In a case in which the United States is not a party, if the responsible U.S. attorney and the originating component disagree with respect to the appropriateness of demanded testimony or of a particular disclosure, or if they agree that such testimony or such a disclosure should not be made, they shall determine if the demand involves information that was collected, assembled, or prepared in connection with litigation or an investigation supervised by a division of this Department or the EOUST. If so, the U.S. attorney shall notify the Director of the EOUST or the Assistant Attorney General in charge of the division responsible for such litigation or investigation, who may:

(i) Authorize personally or through a Deputy Assistant Attorney General, the demanded testimony or other disclosure of the information if such testimony or other disclosure, in the Assistant or Deputy Assistant Attorney General's judgment or in the judgment of the Director of the EOUST, is consistent with the factors specified in §16.26(a) of this part, and none of the factors specified in §16.26(b) of this part exists with respect to the demanded disclosure;

(ii) Authorize, personally or by a designee, the responsible official, through negotiations and, if necessary, appropriate motions, to seek to limit the de-

mand to matters, the disclosure of which, through testimony or documents, considerations specified in §16.26 of this part, and otherwise to take all appropriate steps to limit the scope or obtain the withdrawal of a demand; or

(iii) If, after all appropriate steps have been taken to limit the scope or obtain the withdrawal of a demand, the Director of the EOUST or the Assistant or Deputy Assistant Attorney General does not authorize the demanded testimony or other disclosure, refer the matter, personally or through a Deputy Assistant Attorney General, for final resolution to the Deputy or Associate Attorney General, as indicated in §16.25 of this part.

(2) If the demand for testimony or other disclosure in such a case does not involve information that was collected, assembled, or prepared in connection with litigation or an investigation supervised by a division of this Department, the originating component shall decide whether disclosure is appropriate, except that, when especially significant issues are raised, the responsible official may refer the matter to the Deputy or Associate Attorney General, as indicated in §16.25 of this part. If the originating component determines that disclosure would not be appropriate and the responsible official does not refer the matter for higher level review, the responsible official shall take all appropriate steps to limit the scope or obtain the withdrawal of a demand.

(e) In a case in which the United States is a party, the Assistant General or the Director of the EOUST responsible for the case or matter, or such persons' designees, are authorized, after consultation with the originating component, to exercise the authorities specified in paragraph (d)(1) (i) through (iii) of this section: *Provided*, That if a demand involves information that was collected, assembled, or prepared originally in connection with litigation or an investigation supervised by another unit of the Department, the responsible official shall notify the other division or the EOUST concerning the demand and the anticipated response. If two litigating units of the Department are

## § 16.25

unable to resolve a disagreement concerning disclosure, the Assistant Attorneys General in charge of the two divisions in disagreement, or the Director of the EOUST and the appropriate Assistant Attorney General, may refer the matter to the Deputy or Associate Attorney General, as indicated in § 16.25(b) of this part.

(f) In any case or matter in which the responsible official and the originating component agree that it would not be appropriate to authorize testimony or otherwise to disclose the information demanded, even if a court were so to require, no Department attorney responding to the demand should make any representation that implies that the Department would, in fact, comply with the demand if directed to do so by a court. After taking all appropriate steps in such cases to limit the scope or obtain the withdrawal of a demand, the responsible official shall refer the matter to the Deputy or Associate Attorney General, as indicated in § 16.25 of this part.

(g) In any case or matter in which the Attorney General is personally involved in the claim of privilege, the responsible official may consult with the Attorney General and proceed in accord with the Attorney General's instructions without subsequent review by the Deputy or Associate Attorney General.

### **§ 16.25 Final action by the Deputy or Associate Attorney General.**

(a) Unless otherwise indicated, all matters to be referred under § 16.24 by an Assistant Attorney General, the Director of the EOUST, or such person's designees to the Deputy or Associate Attorney General shall be referred (1) to the Deputy Attorney General, if the matter is referred personally by or through the designee of an Assistant Attorney General who is within the general supervision of the Deputy Attorney General, or (2) to the Associate Attorney General, in all other cases.

(b) All other matters to be referred under § 16.24 to the Deputy or Associate Attorney General shall be referred (1) to the Deputy Attorney General, if the originating component is within the supervision of the Deputy Attorney General or is an independent agency

## 28 CFR Ch. I (7-1-17 Edition)

that, for administrative purposes, is within the Department of Justice, or (2) to the Associate Attorney General, if the originating component is within the supervision of the Associate Attorney General.

(c) Upon referral, the Deputy or Associate Attorney General shall make the final decision and give notice thereof to the responsible official and such other persons as circumstances may warrant.

### **§ 16.26 Considerations in determining whether production or disclosure should be made pursuant to a demand.**

(a) In deciding whether to make disclosures pursuant to a demand, Department officials and attorneys should consider:

(1) Whether such disclosure is appropriate under the rules of procedure governing the case or matter in which the demand arose, and

(2) Whether disclosure is appropriate under the relevant substantive law concerning privilege.

(b) Among the demands in response to which disclosure will not be made by any Department official are those demands with respect to which any of the following factors exist:

(1) Disclosure would violate a statute, such as the income tax laws, 26 U.S.C. 6103 and 7213, or a rule of procedure, such as the grand jury secrecy rule, F.R.Cr.P., Rule 6(e).

(2) Disclosure would violate a specific regulation;

(3) Disclosure would reveal classified information, unless appropriately declassified by the originating agency,

(4) Disclosure would reveal a confidential source or informant, unless the investigative agency and the source or informant have no objection,

(5) Disclosure would reveal investigatory records compiled for law enforcement purposes, and would interfere with enforcement proceedings or disclose investigative techniques and procedures the effectiveness of which would thereby be impaired,

(6) Disclosure would improperly reveal trade secrets without the owner's consent.

(c) In all cases not involving considerations specified in paragraphs (b)(1)

Department of Justice

Pt. 16, Subpt. B, App.

through (b)(6) of this section, the Deputy or Associate Attorney General will authorize disclosure unless, in that person's judgment, after considering paragraph (a) of this section, disclosure is unwarranted. The Deputy or Associate Attorney General will not approve disclosure if the circumstances specified in paragraphs (b)(1) through (b)(3) of this section exist. The Deputy or Associate Attorney General will not approve disclosure if any of the conditions in paragraphs (b)(4) through (b)(6) of this section exist, unless the Deputy or Associate Attorney General determines that the administration of justice requires disclosure. In this regard, if disclosure is necessary to pursue a civil or criminal prosecution or affirmative relief, such as an injunction, consideration shall be given to:

- (1) The seriousness of the violation or crime involved,
- (2) The past history or criminal record of the violator or accused,
- (3) The importance of the relief sought,
- (4) The importance of the legal issues presented,
- (5) Other matters brought to the attention of the Deputy or Associate Attorney General.

(d) Assistant Attorneys General, U.S. Attorneys, the Director of the EOUST, U.S. Trustees, and their designees, are authorized to issue instructions to attorneys and to adopt supervisory practices, consistent with this subpart, in order to help foster consistent application of the foregoing standards and the requirements of this subpart.

**§ 16.27 Procedure in the event a department decision concerning a demand is not made prior to the time a response to the demand is required.**

If response to a demand is required before the instructions from the appropriate Department official are received, the responsible official or other Department attorney designated for the purpose shall appear and furnish the court or other authority with a copy of the regulations contained in this subpart and inform the court or other authority that the demand has been or is being, as the case may be, referred for the prompt consideration of the appropriate Department official

and shall respectfully request the court or authority to stay the demand pending receipt of the requested instructions.

**§ 16.28 Procedure in the event of an adverse ruling.**

If the court or other authority declines to stay the effect of the demand in response to a request made in accordance with § 16.27 of this chapter pending receipt of instructions, or if the court or other authority rules that the demand must be complied with irrespective of instructions rendered in accordance with §§ 16.24 and 16.25 of this part not to produce the material or disclose the information sought, the employee or former employee upon whom the demand has been made shall, if so directed by the responsible Department official, respectfully decline to comply with the demand. See United States ex rel. Touhy v. Ragen, 340 U.S. 462 (1951).

**§ 16.29 Delegation by Assistant Attorneys General.**

With respect to any function that this subpart permits the designee of an Assistant Attorney General to perform, the Assistant Attorneys General are authorized to delegate their authority, in any case or matter or any category of cases or matters, to subordinate division officials or U.S. attorneys, as appropriate.

APPENDIX TO SUBPART B OF PART 16—  
REDELEGATION OF AUTHORITY TO THE DEPUTY ASSISTANT ATTORNEY GENERAL FOR LITIGATION, ANTI-TRUST DIVISION, TO AUTHORIZE PRODUCTION OR DISCLOSURE OF MATERIAL OR INFORMATION

1. By virtue of the authority vested in me by 28 CFR 16.23(b)(1) the authority delegated to me by that section to authorize the production of material and disclosure of information described in 28 CFR 16.21(a) is hereby redelegated to the Deputy Assistant Attorney General for Litigation, Antitrust Division.

2. This directive shall become effective on the date of its publication in the FEDERAL REGISTER.

[Order No. 960-81, 46 FR 52356, Oct. 27, 1981]

**§ 16.30**

**28 CFR Ch. I (7-1-17 Edition)**

**Subpart C—Production of FBI Identification Records in Response to Written Requests by Subjects Thereof**

SOURCE: Order No. 556-73, 38 FR 32806, Nov. 28, 1973, unless otherwise noted.

**§ 16.30 Purpose and scope.**

This subpart contains the regulations of the Federal Bureau of Investigation (FBI) concerning procedures to be followed when the subject of an identification record requests production of that record to review it or to obtain a change, correction, or updating of that record.

[Order No. 2258-99, 64 FR 52226, Sept. 28, 1999]

**§ 16.31 Definition of identification record.**

An FBI identification record, often referred to as a “rap sheet,” is a listing of certain information taken from fingerprint submissions retained by the FBI in connection with arrests and, in some instances, includes information taken from fingerprints submitted in connection with federal employment, naturalization, or military service. The identification record includes the name of the agency or institution that submitted the fingerprints to the FBI. If the fingerprints concern a criminal offense, the identification record includes the date of arrest or the date the individual was received by the agency submitting the fingerprints, the arrest charge, and the disposition of the arrest if known to the FBI. All arrest data included in an identification record are obtained from fingerprint submissions, disposition reports, and other reports submitted by agencies having criminal justice responsibilities. Therefore, the FBI Criminal Justice Information Services Division is not the source of the arrest data reflected on an identification record.

[Order No. 2258-99, 64 FR 52226, Sept. 28, 1999]

**§ 16.32 Procedure to obtain an identification record.**

The subject of an identification record may obtain a copy thereof by submitting a written request via the U.S. mails directly to the FBI, Criminal Justice Information Services

(CJIS) Division, ATTN: SCU, Mod. D-2, 1000 Custer Hollow Road, Clarksburg, WV 26306. Such request must be accompanied by satisfactory proof of identity, which shall consist of name, date and place of birth and a set of rolled-in inked fingerprint impressions placed upon fingerprint cards or forms commonly utilized for applicant or law enforcement purposes by law enforcement agencies.

[Order No. 1134-86, 51 FR 16677, May 6, 1986, as amended by Order No. 2258-99, 64 FR 52226, Sept. 28, 1999]

**§ 16.33 Fee for production of identification record.**

Each written request for production of an identification record must be accompanied by a fee of \$18 in the form of a certified check or money order, payable to the Treasury of the United States. This fee is established pursuant to the provisions of 31 U.S.C. 9701 and is based upon the clerical time beyond the first quarter hour to be spent in searching for, identifying, and reproducing each identification record requested as specified in §16.10. Any request for waiver of the fee shall accompany the original request for the identification record and shall include a claim and proof of indigency. Subject to applicable laws, regulations, and directions of the Attorney General of the United States, the Director of the FBI may from time to time determine and establish a revised fee amount to be assessed under this authority. Notice relating to revised fee amounts shall be published in the FEDERAL REGISTER.

[Order No. 1943-94, 60 FR 38, Jan. 3, 1995, as amended by Order No. 2258-99, 64 FR 52226, Sept. 28, 1999]

**§ 16.34 Procedure to obtain change, correction or updating of identification records.**

If, after reviewing his/her identification record, the subject thereof believes that it is incorrect or incomplete in any respect and wishes changes, corrections or updating of the alleged deficiency, he/she should make application directly to the agency which contributed the questioned information. The subject of a record may also direct his/her challenge as to the accuracy or completeness of any entry on his/her

## Department of Justice

## § 16.41

record to the FBI, Criminal Justice Information Services (CJIS) Division, ATTN: SCU, Mod. D-2, 1000 Custer Hollow Road, Clarksburg, WV 26306. The FBI will then forward the challenge to the agency which submitted the data requesting that agency to verify or correct the challenged entry. Upon the receipt of an official communication directly from the agency which contributed the original information, the FBI CJIS Division will make any changes necessary in accordance with the information supplied by that agency.

[Order No. 1134-86, 51 FR 16677, May 6, 1986, as amended by Order No. 2258-99, 64 FR 52226, Sept. 28, 1999]

### Subpart D—Protection of Privacy and Access to Individual Records Under the Privacy Act of 1974

SOURCE: Order No. 2156-98, 63 FR 29600, June 1, 1998, unless otherwise noted.

#### § 16.40 General provisions.

(a) *Purpose and scope.* This subpart contains the rules that the Department of Justice follows under the Privacy Act of 1974, 5 U.S.C. 552a. These rules should be read together with the Privacy Act, which provides additional information about records maintained on individuals. The rules in this subpart apply to all records in systems of records maintained by the Department that are retrieved by an individual's name or personal identifier. They describe the procedures by which individuals may request access to records about themselves, request amendment or correction of those records, and request an accounting of disclosures of those by the Department. In addition, the Department processes all Privacy Act requests for access to records under the Freedom of Information Act (FOIA), 5 U.S.C. 552, following the rules contained in subpart A of this part, which gives requests the benefit of both statutes.

(b) *Definitions.* As used in this subpart:

(1) *Component* means each separate bureau, office, board, division, commission, service, or administration of the Department of Justice.

(2) *Request for access* to a record means a request made under Privacy Act subsection (d)(1).

(3) *Request for amendment or correction* of a record means a request made under Privacy Act subsection (d)(2).

(4) *Request for an accounting* means a request made under Privacy Act subsection (c)(3).

(5) *Requester* means an individual who makes a request for access, a request for amendment or correction, or a request for an accounting under the Privacy Act.

(c) *Authority to request records for a law enforcement purpose.* The head of a component or a United States Attorney, or either's designee, is authorized to make written requests under subsection (b)(7) of the Privacy Act for records maintained by other agencies that are necessary to carry out an authorized law enforcement activity.

[Order No. 2156-98, 63 FR 29600, June 1, 1998; 63 FR 51401, Sept. 25, 1998]

#### § 16.41 Requests for access to records.

(a) *How made and addressed.* You may make a request for access to a Department of Justice record about yourself by appearing in person or by writing directly to the Department component that maintains the record. Your request should be sent or delivered to the component's Privacy Act office at the address listed in appendix I to this part. In most cases, a component's central Privacy Act office is the place to send a Privacy Act request. For records held by a field office of the Federal Bureau of Investigation (FBI) or the Immigration and Naturalization Service (INS), however, you must write directly to that FBI or INS field office address, which can be found in most telephone books or by calling the component's central Privacy Act office. (The functions of each component are summarized in Part 0 of this title and in the description of the Department and its components in the "United States Government Manual," which is issued annually and is available in most libraries, as well as for sale from the Government Printing Office's Superintendent of Documents. This manual also can be accessed electronically at the Government Printing Office's World Wide Web site (which can be

## § 16.42

## 28 CFR Ch. I (7–1–17 Edition)

found at [http://www.access.gpo.gov/su\\_docs](http://www.access.gpo.gov/su_docs)). If you cannot determine where within the Department to send your request, you may send it to the FOIA/PA Mail Referral Unit, Justice Management Division, U.S. Department of Justice, 950 Pennsylvania Avenue, NW., Washington, DC 20530-0001, and that office will forward it to the component(s) it believes most likely to have the records that you seek. For the quickest possible handling, you should mark both your request letter and the envelope “Privacy Act Request.”

(b) *Description of records sought.* You must describe the records that you want in enough detail to enable Department personnel to locate the system of records containing them with a reasonable amount of effort. Whenever possible, your request should describe the records sought, the time periods in which you believe they were compiled, and the name or identifying number of each system of records in which you believe they are kept. The Department publishes notices in the FEDERAL REGISTER that describe its components’ systems of records. A description of the Department’s systems of records also may be found as part of the “Privacy Act Compilation” published by the National Archives and Records Administration’s Office of the Federal Register. This compilation is available in most large reference and university libraries. This compilation also can be accessed electronically at the Government Printing Office’s World Wide Web site (which can be found at [http://www.access.gpo.gov/su\\_docs](http://www.access.gpo.gov/su_docs)).

(c) *Agreement to pay fees.* If you make a Privacy Act request for access to records, it shall be considered an agreement by you to pay all applicable fees charged under § 16.49, up to \$25.00. The component responsible for responding to your request ordinarily shall confirm this agreement in an acknowledgement letter. When making a request, you may specify a willingness to pay a greater or lesser amount.

(d) *Verification of identity.* When you make a request for access to records about yourself, you must verify your identity. You must state your full name, current address, and date and place of birth. You must sign your request and your signature must either

be notarized or submitted by you under 28 U.S.C. 1746, a law that permits statements to be made under penalty of perjury as a substitute for notarization. While no specific form is required, you may obtain forms for this purpose from the FOIA/PA Mail Referral Unit, Justice Management Division, U.S. Department of Justice, 950 Pennsylvania Avenue, NW., Washington, DC 20530-0001. In order to help the identification and location of requested records, you may also, at your option, include your social security number.

(e) *Verification of guardianship.* When making a request as the parent or guardian of a minor or as the guardian of someone determined by a court to be incompetent, for access to records about that individual, you must establish:

(1) The identity of the individual who is the subject of the record, by stating the name, current address, date and place of birth, and, at your option, the social security number of the individual;

(2) Your own identity, as required in paragraph (d) of this section;

(3) That you are the parent or guardian of that individual, which you may prove by providing a copy of the individual’s birth certificate showing your parentage or by providing a court order establishing your guardianship; and

(4) That you are acting on behalf of that individual in making the request.

[Order No. 2156-98, 63 FR 29600, June 1, 1998; 63 FR 34965, June 26, 1998; 63 FR 51401, Sept. 25, 1998]

### § 16.42 Responsibility for responding to requests for access to records.

(a) *In general.* Except as stated in paragraphs (c), (d), and (e) of this section, the component that first receives a request for access to a record, and has possession of that record, is the component responsible for responding to the request. In determining which records are responsive to a request, a component ordinarily shall include only those records in its possession as of the date the component begins its search for them. If any other date is used, the component shall inform the requester of that date.



## Department of Justice

## § 16.43

(b) *Authority to grant or deny requests.* The head of a component, or the component head's designee, is authorized to grant or deny any request for access to a record of that component.

(c) *Consultations and referrals.* When a component receives a request for access to a record in its possession, it shall determine whether another component, or another agency of the Federal Government, is better able to determine whether the record is exempt from access under the Privacy Act. If the receiving component determines that it is best able to process the record in response to the request, then it shall do so. If the receiving component determines that it is not best able to process the record, then it shall either:

(1) Respond to the request regarding that record, after consulting with the component or agency best able to determine whether the record is exempt from access and with any other component or agency that has a substantial interest in it; or

(2) Refer the responsibility for responding to the request regarding that record to the component best able to determine whether it is exempt from access, or to another agency that originated the record (but only if that agency is subject to the Privacy Act). Ordinarily, the component or agency that originated a record will be presumed to be best able to determine whether it is exempt from access.

(d) *Law enforcement information.* Whenever a request is made for access to a record containing information that relates to an investigation of a possible violation of law and that was originated by another component or agency, the receiving component shall either refer the responsibility for responding to the request regarding that information to that other component or agency or shall consult with that other component or agency.

(e) *Classified information.* Whenever a request is made for access to a record containing information that has been classified by or may be appropriate for classification by another component or agency under Executive Order 12958 or any other executive order concerning the classification of records, the receiving component shall refer the re-

sponsibility for responding to the request regarding that information to the component or agency that classified the information, should consider the information for classification, or has the primary interest in it, as appropriate. Whenever a record contains information that has been derivatively classified by a component because it contains information classified by another component or agency, the component shall refer the responsibility for responding to the request regarding that information to the component or agency that classified the underlying information.

(f) *Notice of referral.* Whenever a component refers all or any part of the responsibility for responding to a request to another component or agency, it ordinarily shall notify the requester of the referral and inform the requester of the name of each component or agency to which the request has been referred and of the part of the request that has been referred.

(g) *Timing of responses to consultations and referrals.* All consultations and referrals shall be handled according to the date the Privacy Act access request was initially received by the first component or agency, not any later date.

(h) *Agreements regarding consultations and referrals.* Components may make agreements with other components or agencies to eliminate the need for consultations or referrals for particular types of records.

[Order No. 2156-98, 63 FR 29600, June 1, 1998; 63 FR 34965, June 26, 1998; 63 FR 51401, Sept. 25, 1998]

### § 16.43 Responses to requests for access to records.

(a) *Acknowledgements of requests.* On receipt of a request, a component ordinarily shall send an acknowledgement letter to the requester which shall confirm the requester's agreement to pay fees under § 16.41(c) and provide an assigned request number for further reference.

(b) *Grants of requests for access.* Once a component makes a determination to grant a request for access in whole or in part, it shall notify the requester in writing. The component shall inform the requester in the notice of any fee charged under § 16.49 and shall disclose

## § 16.44

records to the requester promptly on payment of any applicable fee. If a request is made in person, the component may disclose records to the requester directly, in a manner not unreasonably disruptive of its operations, on payment of any applicable fee and with a written record made of the grant of the request. If a requester is accompanied by another person, the requester shall be required to authorize in writing any discussion of the records in the presence of the other person.

(c) *Adverse determinations of requests for access.* A component making an adverse determination denying a request for access in any respect shall notify the requester of that determination in writing. Adverse determinations, or denials of requests, consist of: A determination to withhold any requested record in whole or in part; a determination that a requested record does not exist or cannot be located; a determination that what has been requested is not a record subject to the Privacy Act; a determination on any disputed fee matter; and a denial of a request for expedited treatment. The notification letter shall be signed by the head of the component, or the component head's designee, and shall include:

- (1) The name and title or position of the person responsible for the denial;
- (2) A brief statement of the reason(s) for the denial, including any Privacy Act exemption(s) applied by the component in denying the request; and
- (3) A statement that the denial may be appealed under §16.45(a) and a description of the requirements of §16.45(a).

### § 16.44 Classified information.

In processing a request for access to a record containing information that is classified under Executive Order 12958 or any other executive order, the originating component shall review the information to determine whether it should remain classified. Information determined to no longer require classification shall not be withheld from a requester on the basis of Exemption (k)(1) of the Privacy Act. On receipt of any appeal involving classified information, the Office of Information and Privacy shall take appropriate action

## 28 CFR Ch. I (7-1-17 Edition)

to ensure compliance with part 17 of this title.

### § 16.45 Appeals from denials of requests for access to records.

(a) *Appeals.* If you are dissatisfied with a component's response to your request for access to records, you may appeal an adverse determination denying your request in any respect to the Office of Information and Privacy, U.S. Department of Justice, Flag Building, Suite 570, Washington, DC 20530-0001. You must make your appeal in writing and it must be received by the Office of Information and Privacy within 60 days of the date of the letter denying your request. Your appeal letter may include as much or as little related information as you wish, as long as it clearly identifies the component determination (including the assigned request number, if known) that you are appealing. For the quickest possible handling, you should mark both your appeal letter and the envelope "Privacy Act Appeal." Unless the Attorney General directs otherwise, a Director of the Office of Information and Privacy will act on behalf of the Attorney General on all appeals under this section, except that:

- (1) In the case of an adverse determination by the Deputy Attorney General or the Associate Attorney General, the Attorney General or the Attorney General's designee will act on the appeal;
- (2) An adverse determination by the Attorney General will be the final action of the Department; and
- (3) An appeal ordinarily will not be acted on if the request becomes a matter of litigation.

(b) *Responses to appeals.* The decision on your appeal will be made in writing. A decision affirming an adverse determination in whole or in part will include a brief statement of the reason(s) for the affirmance, including any Privacy Act exemption applied, and will inform you of the Privacy Act provisions for court review of the decision. If the adverse determination is reversed or modified on appeal in whole or in part, you will be notified in a written decision and your request will be reprocessed in accordance with that appeal decision.

## Department of Justice

## § 16.46

(c) *When appeal is required.* If you wish to seek review by a court of any adverse determination or denial of a request, you must first appeal it under this section.

### § 16.46 Requests for amendment or correction of records.

(a) *How made and addressed.* Unless the record is not subject to amendment or correction as stated in paragraph (f) of this section, you may make a request for amendment or correction of a Department of Justice record about yourself by writing directly to the Department component that maintains the record, following the procedures in § 16.41. Your request should identify each particular record in question, state the amendment or correction that you want, and state why you believe that the record is not accurate, relevant, timely, or complete. You may submit any documentation that you think would be helpful. If you believe that the same record is in more than one system of records, you should state that and address your request to each component that maintains a system of records containing the record.

(b) *Component responses.* Within ten working days of receiving your request for amendment or correction of records, a component shall send you a written acknowledgment of its receipt of your request, and it shall promptly notify you whether your request is granted or denied. If the component grants your request in whole or in part, it shall describe the amendment or correction made and shall advise you of your right to obtain a copy of the corrected or amended record, in disclosable form. If the component denies your request in whole or in part, it shall send you a letter signed by the head of the component, or the component head's designee, that shall state:

- (1) The reason(s) for the denial; and
- (2) The procedure for appeal of the denial under paragraph (c) of this section, including the name and business address of the official who will act on your appeal.

(c) *Appeals.* You may appeal a denial of a request for amendment or correction to the Office of Information and Privacy in the same manner as a denial of a request for access to records (see

§ 16.45) and the same procedures shall be followed. If your appeal is denied, you shall be advised of your right to file a Statement of Disagreement as described in paragraph (d) of this section and of your right under the Privacy Act for court review of the decision.

(d) *Statements of Disagreement.* If your appeal under this section is denied in whole or in part, you have the right to file a Statement of Disagreement that states your reason(s) for disagreeing with the Department's denial of your request for amendment or correction. Statements of Disagreement must be concise, must clearly identify each part of any record that is disputed, and should be no longer than one typed page for each fact disputed. Your Statement of Disagreement must be sent to the component involved, which shall place it in the system of records in which the disputed record is maintained and shall mark the disputed record to indicate that a Statement of Disagreement has been filed and where in the system of records it may be found.

(e) *Notification of amendment/correction or disagreement.* Within 30 working days of the amendment or correction of a record, the component that maintains the record shall notify all persons, organizations, or agencies to which it previously disclosed the record, if an accounting of that disclosure was made, that the record has been amended or corrected. If an individual has filed a Statement of Disagreement, the component shall append a copy of it to the disputed record whenever the record is disclosed and may also append a concise statement of its reason(s) for denying the request to amend or correct the record.

(f) *Records not subject to amendment or correction.* The following records are not subject to amendment or correction:

- (1) Transcripts of testimony given under oath or written statements made under oath;
- (2) Transcripts of grand jury proceedings, judicial proceedings, or quasi-judicial proceedings, which are the official record of those proceedings;
- (3) Presentence records that originated with the courts; and

## § 16.47

(4) Records in systems of records that have been exempted from amendment and correction under Privacy Act, 5 U.S.C. 552a(j) or (k) by notice published in the FEDERAL REGISTER.

### § 16.47 Requests for an accounting of record disclosures.

(a) *How made and addressed.* Except where accountings of disclosures are not required to be kept (as stated in paragraph (b) of this section), you may make a request for an accounting of any disclosure that has been made by the Department to another person, organization, or agency of any record about you. This accounting contains the date, nature, and purpose of each disclosure, as well as the name and address of the person, organization, or agency to which the disclosure was made. Your request for an accounting should identify each particular record in question and should be made by writing directly to the Department component that maintains the record, following the procedures in § 16.41.

(b) *Where accountings are not required.* Components are not required to provide accountings to you where they relate to:

(1) Disclosures for which accountings are not required to be kept—in other words, disclosures that are made to employees within the agency and disclosures that are made under the FOIA;

(2) Disclosures made to law enforcement agencies for authorized law enforcement activities in response to written requests from those law enforcement agencies specifying the law enforcement activities for which the disclosures are sought; or

(3) Disclosures made from law enforcement systems of records that have been exempted from accounting requirements.

(c) *Appeals.* You may appeal a denial of a request for an accounting to the Office of Information and Privacy in the same manner as a denial of a request for access to records (see § 16.45) and the same procedures will be followed.

### § 16.48 Preservation of records.

Each component will preserve all correspondence pertaining to the requests that it receives under this sub-

## 28 CFR Ch. I (7–1–17 Edition)

part, as well as copies of all requested records, until disposition or destruction is authorized by title 44 of the United States Code or the National Archives and Records Administration's General Records Schedule 14. Records will not be disposed of while they are the subject of a pending request, appeal, or lawsuit under the Act.

### § 16.49 Fees.

Components shall charge fees for duplication of records under the Privacy Act in the same way in which they charge duplication fees under § 16.11. No search or review fee may be charged for any record unless the record has been exempted from access under Exemptions (j)(2) or (k)(2) of the Privacy Act.

### § 16.50 Notice of court-ordered and emergency disclosures.

(a) *Court-ordered disclosures.* When a record pertaining to an individual is required to be disclosed by a court order, the component shall make reasonable efforts to provide notice of this to the individual. Notice shall be given within a reasonable time after the component's receipt of the order—except that in a case in which the order is not a matter of public record, the notice shall be given only after the order becomes public. This notice shall be mailed to the individual's last known address and shall contain a copy of the order and a description of the information disclosed. Notice shall not be given if disclosure is made from a criminal law enforcement system of records that has been exempted from the notice requirement.

(b) *Emergency disclosures.* Upon disclosing a record pertaining to an individual made under compelling circumstances affecting health or safety, the component shall notify that individual of the disclosure. This notice shall be mailed to the individual's last known address and shall state the nature of the information disclosed; the person, organization, or agency to which it was disclosed; the date of disclosure; and the compelling circumstances justifying the disclosure.

[Order No. 2156-98, 63 FR 29600, June 1, 1998; 63 FR 51401, Sept. 25, 1998]

## Department of Justice

## § 16.54

### § 16.51 Security of systems of records.

(a) Each component shall establish administrative and physical controls to prevent unauthorized access to its systems of records, to prevent unauthorized disclosure of records, and to prevent physical damage to or destruction of records. The stringency of these controls shall correspond to the sensitivity of the records that the controls protect. At a minimum, each component's administrative and physical controls shall ensure that:

(1) Records are protected from public view;

(2) The area in which records are kept is supervised during business hours to prevent unauthorized persons from having access to them;

(3) Records are inaccessible to unauthorized persons outside of business hours; and

(4) Records are not disclosed to unauthorized persons or under unauthorized circumstances in either oral or written form.

(b) Each component shall have procedures that restrict access to records to only those individuals within the Department who must have access to those records in order to perform their duties and that prevent inadvertent disclosure of records.

[Order No. 2156-98, 63 FR 29600, June 1, 1998; 63 FR 34965, June 26, 1998]

### § 16.52 Contracts for the operation of record systems.

Any approved contract for the operation of a record system will contain the standard contract requirements issued by the General Services Administration to ensure compliance with the requirements of the Privacy Act for that record system. The contracting component will be responsible for ensuring that the contractor complies with these contract requirements.

### § 16.53 Use and collection of social security numbers.

Each component shall ensure that employees authorized to collect information are aware:

(a) That individuals may not be denied any right, benefit, or privilege as a result of refusing to provide their social security numbers, unless the col-

lection is authorized either by a statute or by a regulation issued prior to 1975; and

(b) That individuals requested to provide their social security numbers must be informed of:

(1) Whether providing social security numbers is mandatory or voluntary;

(2) Any statutory or regulatory authority that authorizes the collection of social security numbers; and

(3) The uses that will be made of the numbers.

### § 16.54 Employee standards of conduct.

Each component will inform its employees of the provisions of the Privacy Act, including the Act's civil liability and criminal penalty provisions. Unless otherwise permitted by law, an employee of the Department of Justice shall:

(a) Collect from individuals only the information that is relevant and necessary to discharge the responsibilities of the Department;

(b) Collect information about an individual directly from that individual whenever practicable;

(c) Inform each individual from whom information is collected of:

(1) The legal authority to collect the information and whether providing it is mandatory or voluntary;

(2) The principal purpose for which the Department intends to use the information;

(3) The routine uses the Department may make of the information; and

(4) The effects on the individual, if any, of not providing the information;

(d) Ensure that the component maintains no system of records without public notice and that it notifies appropriate Department officials of the existence or development of any system of records that is not the subject of a current or planned public notice;

(e) Maintain all records that are used by the Department in making any determination about an individual with such accuracy, relevance, timeliness, and completeness as is reasonably necessary to ensure fairness to the individual in the determination;

(f) Except as to disclosures made to an agency or made under the FOIA,

**§ 16.55**

**28 CFR Ch. I (7-1-17 Edition)**

make reasonable efforts, prior to disseminating any record about an individual, to ensure that the record is accurate, relevant, timely, and complete;

(g) Maintain no record describing how an individual exercises his or her First Amendment rights, unless it is expressly authorized by statute or by the individual about whom the record is maintained, or is pertinent to and within the scope of an authorized law enforcement activity;

(h) When required by the Act, maintain an accounting in the specified form of all disclosures of records by the Department to persons, organizations, or agencies;

(i) Maintain and use records with care to prevent the unauthorized or inadvertent disclosure of a record to anyone; and

(j) Notify the appropriate Department official of any record that contains information that the Privacy Act does not permit the Department to maintain.

[Order No. 2156-98, 63 FR 29600, June 1, 1998; 63 FR 34965, June 26, 1998; 63 FR 51401, Sept. 25, 1998]

**§ 16.55 Other rights and services.**

Nothing in this subpart shall be construed to entitle any person, as of right, to any service or to the disclosure of any record to which such person is not entitled under the Privacy Act.

**Subpart E—Exemption of Records Systems Under the Privacy Act**

SOURCE: Order No. 645-76, 41 FR 12640, Mar. 26, 1976, unless otherwise noted.

**§ 16.70 Exemption of the Office of the Attorney General System—limited access.**

(a) The following system of records is exempt from 5 U.S.C. 552a(c) (3) and (4); (d); (e) (1), (2) and (3), (e)(4) (G) and (H), (e)(5); and (g):

(1) General Files System of the Office of the Attorney General (JUSTICE/OAG-001).

These exemptions apply only to the extent that information in the system is subject to exemption pursuant to 5 U.S.C. 552a (j)(2), (k)(1), (k)(2), and (k)(5).

(b) Exemptions from the particular subsections are justified for the following reasons:

(1) From subsection (c)(3) because making available to a record subject the accounting of disclosures from records concerning him/her would reveal investigative interest on the part of the Department of Justice as well as the recipient agency. This would permit record subjects to impede the investigation, e.g., destroy evidence, intimidate potential witnesses, or flee the area to avoid inquiries or apprehension by law enforcement personnel.

(2) From subsection (c)(4) because this system is exempt from the access provisions of subsection (d) pursuant to subsections (j) and (k) of the Privacy Act.

(3) From subsection (d) because the records contained in this system relate to official Federal investigations. Individual access to these records might compromise ongoing investigations, reveal confidential informants or constitute unwarranted invasions of the personal privacy of third parties who are involved in a certain investigation. Amendment of the records would interfere with ongoing criminal law enforcement proceedings and impose an impossible administrative burden by requiring criminal investigations to be continuously reinvestigated.

(4) From subsections (e) (1) and (5) because in the course of law enforcement investigations, information may occasionally be obtained or introduced the accuracy of which is unclear or which is not strictly relevant or necessary to a specific investigation. In the interests of effective law enforcement, it is appropriate to retain all information that may aid in establishing patterns of criminal activity. Moreover, it would impede the specific investigative process if it were necessary to assure the relevance, accuracy, timeliness and completeness of all information obtained.

(5) From subsection (e)(2) because in a law enforcement investigation the requirement that information be collected to the greatest extent possible from the subject individual would present a serious impediment to law enforcement in that the subject of the investigation would be informed of the

existence of the investigation and would therefore be able to avoid detection, apprehension, or legal obligations of duties.

(6) From subsection (e)(3) because to comply with the requirements of this subsection during the course of an investigation could impede the information gathering process, thus hampering the investigation.

(7) From subsections (e)(4) (G) and (H) because this system is exempt from the access provisions of subsection (d) pursuant to subsections (j) and (k) of the Privacy Act.

(8) From subsection (g) because this system is exempt from the access and amendment provisions of subsection (d) pursuant to subsections (j) and (k) of the Privacy Act.

[Order No. 31-85, 51 FR 751, Jan. 8, 1986]

**§ 16.71 Exemption of the Office of the Deputy Attorney General System—limited access.**

(a) The following systems of records and exempt from 5 U.S.C. 552a(d)(1) and (e)(1):

(1) Presidential Appointee Candidate Records System (JUSTICE/DAG-006).

(2) Presidential Appointee Records System (JUSTICE/DAG-007).

(3) Special Candidates for Presidential Appointments Records System (JUSTICE/DAG-008).

(4) Miscellaneous Attorney Personnel Records System (JUSTICE/DAG-011).

These exemptions apply only to the extent that information in these systems is subject to exemption pursuant to 5 U.S.C. 552a(k)(5).

(b) Exemptions from the particular subsections are justified for the following reasons:

(1) From subsection (d)(1) because many persons are contacted who, without an assurance of anonymity, refuse to provide information concerning a candidate for a Presidential appointee or Department attorney position. Access could reveal the identity of the source of the information and constitute a breach of the promise of confidentiality on the part of the Department of Justice. Such breaches ultimately would restrict the free flow of information vital to a determination of a candidate's qualifications and suitability.

(2) From subsection (e)(1) because in the collection of information for investigative and evaluative purposes, it is impossible to determine in advance what exact information may be of assistance in determining the qualifications and suitability of a candidate. Information which may appear irrelevant, when combined with other seemingly irrelevant information, can on occasion provide a composite picture of a candidate for a position which assists in determining whether that candidate should be nominated for appointment.

(c) The General Files System of the Office of the Deputy Attorney General (JUSTICE/DAG-013) is exempt from 5 U.S.C. 552a(c)(3) and (4); (d); (e)(1), (2), (3) and (5); and (g).

(d) The exemptions for the General Files System apply only to the extent that information is subject to exemption pursuant to 5 U.S.C. 552a(j)(2), (k)(1), (k)(2) and (k)(5).

(e) Exemptions from the particular subsections are justified for the following reasons:

(1) From subsection (c)(3) because making available to a record subject the accounting of disclosures from records concerning him/her could reveal investigative interest on the part of the Department of Justice, as well as the recipient agency. This would permit record subjects to impede the investigation, e.g., destroy evidence, intimidate potential witnesses, or flee the area to avoid inquiries or apprehension by law enforcement personnel. Further, making available to a record subject the accounting of disclosures could reveal the identity of a confidential source. In addition, release of an accounting of disclosures from the General Files System may reveal information that is properly classified pursuant to Executive Order 12356, and thereby cause damage to the national security.

(2) From subsection (c)(4) because these systems are exempt from the access provisions of subsection (d) pursuant to subsections (j) and (k) of the Privacy Act.

(3) From subsection (d) because the records contained in these systems relate to official Federal investigations. Individual access to these records could

## § 16.72

compromise ongoing investigations, reveal confidential informants and/or sensitive investigative techniques used in particular investigations, or constitute unwarranted invasions of the personal privacy of third parties who are involved in a certain investigation. In addition, release of records from the General Files System may reveal information that is properly classified pursuant to Executive Order 12356, and thereby cause damage to the national security. Amendment of the records in either of these systems would interfere with ongoing law enforcement proceedings and impose an impossible administrative burden by requiring law enforcement investigations to be continuously reinvestigated.

(4) From subsections (e)(1) and (e)(5) because in the course of law enforcement investigations information may occasionally be obtained or introduced the accuracy of which is unclear or which is not strictly relevant or necessary to a specific investigation. In the interests of effective law enforcement, it is appropriate to retain all information that may aid in establishing patterns of criminal activity. Moreover, it would impede any investigative process, whether civil or criminal, if it were necessary to assure the relevance, accuracy, timeliness and completeness of all information obtained.

(5) From subsection (e)(2) because in a law enforcement investigation the requirement that information be collected to the greatest extent possible from the subject individual would present a serious impediment to law enforcement in that the subject of the investigation would be informed of the existence of the investigation and may therefore be able to avoid detection, apprehension, or legal obligations or duties.

(6) From subsection (e)(3) because to comply with the requirements of this subsection during the course of an investigation could impede the information gathering process, thus hampering the investigation.

(7) From subsection (g) because these systems of records are exempt from the access and amendment provisions of

## 28 CFR Ch. I (7-1-17 Edition)

subsection (d) pursuant to subsections (j) and (k) of the Privacy Act.

[Order No. 57-91, 56 FR 58305, Nov. 19, 1991, as amended by Order No. 006-2013, 78 FR 69754, Nov. 21, 2013]

### § 16.72 Exemption of Office of the Associate Attorney General System—limited access.

(a) The following system of records is exempt from 5 U.S.C. 552a(c) (3) and (4); (d); (e)(1), (2), (3) and (5); and (g):

(1) General Files System of the Office of the Associate Attorney General (JUSTICE/AAG-001).

These exemptions apply only to the extent that information in the system is subject to exemption pursuant to 5 U.S.C. 552a(j)(2), (k)(1), (k)(2) and (k)(5).

(b) Exemptions from the particular subsections are justified for the following reasons:

(1) From subsection (c)(3) because making available to a record subject the accounting of disclosures from records concerning him/her could reveal investigative interest on the part of the Department of Justice, as well as the recipient agency. This would permit record subjects to impede the investigation, e.g., destroy evidence, intimidate potential witnesses, or flee the area to avoid inquiries or apprehension by law enforcement personnel. Further, making available to a record subject the accounting of disclosures could reveal the identity of a confidential source. In addition, release of an accounting of disclosures may reveal information that is properly classified pursuant to Executive Order 12356, and thereby cause damage to the national security.

(2) From subsection (c)(4) because this system is exempt from the access provisions of subsection (d) pursuant to subsections (j)(2), (k)(1), (k)(2) and (k)(5) of the Privacy Act.

(3) From subsection (d) because the records contained in this system relate to official Federal investigations. Individual access to these records could compromise ongoing investigations, reveal confidential informants and/or sensitive investigative techniques used in particular investigations, or constitute unwarranted invasions of the personal privacy of third parties who are involved in a certain investigation.



## Department of Justice

## § 16.73

In addition, release of these records may reveal information that is properly classified pursuant to Executive Order 12356, and thereby cause damage to the national security. Amendment of the records in this system would interfere with ongoing law enforcement proceedings and impose an impossible administrative burden by requiring law enforcement investigations to be continuously reinvestigated.

(4) From subsections (e)(1) and (e)(5) because in the course of law enforcement investigations information may occasionally be obtained or introduced the accuracy of which is unclear or which is not strictly relevant or necessary to a specific investigation. In the interests of effective law enforcement, it is appropriate to retain all information that may aid in establishing patterns of criminal activity. Moreover, it would impede any investigative process, whether civil or criminal, if it were necessary to assure the relevance, accuracy, timeliness and completeness of all information obtained.

(5) From subsection (e)(2) because in a law enforcement investigation the requirement that information be collected to the greatest extent possible from the subject individual would present a serious impediment to law enforcement in that the subject of the investigation would be informed of the existence of the investigation and may therefore be able to avoid detection, apprehension, or legal obligations or duties.

(6) From subsection (e)(3) because to comply with the requirements of this subsection during the course of an investigation could impede the information gathering process, thus hampering the investigation.

(7) From subsection (g) because this system of records is exempt from the access and amendment provisions of subsection (d) pursuant to subsections (j)(2), (k)(1), (k)(2) and (k)(5) of the Privacy Act.

[Order No. 57-91, 56 FR 58305, Nov. 19, 1991]

### § 16.73 Exemption of Office of Legal Policy System—limited access.

(a) The following system of records is exempt from 5 U.S.C 552a (d)(1), (2), (3) and (4); (e)(1) and (2), (e)(4)(G) and (H), (e)(5); and (g):

(1) Freedom of Information and Privacy Appeals Index (JUSTICE/OLP-001).

These exemptions apply only to the extent that information in this system is subject to exemption pursuant to 5 U.S.C. 552a(j)(2), (k)(2) and (k)(5).

(b) Exemptions from the particular subsections are justified for the following reasons:

(1) From subsections (d)(1), (2), (3), and (4) to the extent that information in this record system relates to official Federal investigations and matters of law enforcement. Individual access to these records might compromise ongoing investigations, reveal confidential informants or constitute unwarranted invasions of the personal privacy of third parties who are involved in a certain investigation. Amendment of the records would interfere with ongoing criminal law enforcement proceedings and impose an impossible administrative burden by requiring criminal investigations to be continuously reinvestigated.

(2) From subsections (e)(1) and (5) because in the course of law enforcement investigations, information may occasionally be obtained or introduced the accuracy of which is unclear or which is not strictly relevant or necessary to a specific investigation. In the interests of effective law enforcement, it is appropriate to retain all information that may aid in establishing patterns of criminal activity. Moreover, it would impede the specific investigative process if it were necessary to assure the relevance, accuracy, timeliness, and completeness of all information obtained.

(3) From subsection (e)(2) because in a law enforcement investigation the requirement that information be collected to the greatest extent possible from the subject individual would present a serious impediment to law enforcement in that the subject of the investigation would be informed of the existence of the investigation and would therefore be able to avoid detection, apprehension, or legal obligations or duties.

(4) From subsections (e)(4)(G) and (H) because this system is exempt from the

**§ 16.73**

**28 CFR Ch. I (7-1-17 Edition)**

access provisions of subsection (d) pursuant to subsections (j) and (k) of the Privacy Act.

(5) From subsection (g) because this system is exempt from the access provisions of subsection (d) pursuant to subsections (j) and (k) of the Privacy Act.

(c) The following system of records is exempt from 5 U.S.C. 552a(d)(1) and (e)(1):

(1) U.S. Judges Records System (JUSTICE/OLP-002).

These exemptions apply to the extent that information in this system is subject to exemption pursuant to 5 U.S.C. 552a(k)(5).

(d) Exemptions from the particular subsections are justified for the following reasons:

(1) From subsection (d)(1) because many persons are contacted who, without an assurance of anonymity, refuse to provide information concerning a candidate for a judgeship. Access could reveal the identity of the source of the information and constitute a breach of the promised confidentiality on the part of the Department. Such breaches ultimately would restrict the free flow of information vital to the determination of a candidate's qualifications and suitability.

(2) From subsection (e)(1) because in the collection of information for investigative and evaluative purposes, it is impossible to determine advance what exact information may be of assistance in determining the qualifications and suitability of a candidate. Information which may seem irrelevant, when combined with other seemingly irrelevant information, can on occasion provide a composite picture of a candidate which assists in determining whether that candidate should be nominated for appointment.

(e) The following system of records is exempt from U.S.C. 552a(c) (3) and (4); (d); (e)(1), (2) and (3), (e)(4)(G) and (H) (e)(5); and (g):

(1) General Files System of the Office of Legal Policy (JUSTICE/OLP-003).

These exemptions apply only to the extent that information in the system is subject to exemption pursuant to 5 U.S.C. 552a(j)(2), (k)(1), (k)(2), and (k)(5).

(f) Exemptions from the particular subsections are justified for the following reasons:

(1) From subsection (c)(3) because making available to a record subject the accounting of disclosures from records concerning him/her would reveal investigative interest on the part of the Department as well as the recipient agency. This would permit record subjects to impede the investigation, e.g., destroy evidence, intimidate potential witnesses, or flee the area to avoid inquiries or apprehension by law enforcement personnel.

(2) From subsection (c)(4) because this system is exempt from the access provisions of subsection (d) pursuant to subsections (j) and (k) of the Privacy Act.

(3) From subsection (d) because the records contained in this system relate to official Federal investigations. Individual access to these records might compromise ongoing investigations, reveal confidential informants, or constitute unwarranted invasions of the personal privacy of third parties who are involved in a certain investigation. Amendment of records would interfere with ongoing criminal law enforcement proceedings and impose an impossible administrative burden by requiring criminal investigations to be continuously reinvestigated.

(4) From subsections (e) (1) and (5) because in the course of law enforcement investigations, information may occasionally be obtained or introduced the accuracy of which is unclear or which is not strictly relevant or necessary to a specific investigation. In the interests of effective law enforcement, it is appropriate to retain all information since it may aid in establishing patterns of criminal activity. Moreover, it would impede the specific investigation process if it were necessary to assure the relevance, accuracy, timeliness and completeness of all information obtained.

(5) From subsections (e)(2) because in a law enforcement investigation the requirement that information be collected to the greatest extent possible from the subject individual would present a serious impediment to law enforcement in that the subject of the investigation would be informed of the

existence of the investigation and would therefore be able to avoid detection, apprehension, or legal obligations and duties.

(6) From subsection (e)(3) because to comply with the requirements of this subsection during the course of an investigation could impede the information gathering process, thus hampering the investigation.

(7) From subsections (e)(4) (G) and (H) because this system is exempt from the access provisions of subsection (d) pursuant to subsections (j) and (k) of the Privacy Act.

(8) From subsection (g) because this system is exempt from the access and amendment provisions of subsection (d) pursuant to subsections (j) and (k) of the Privacy Act.

(g) The following system of records is exempt from 5 U.S.C. 552a (c)(3) and (4); (d); (e)(1), (2) and (3), (e)(4)(G) and (H), (e)(5); and (g):

(1) Declassification Review System (JUSTICE/OLP-004).

These exemptions apply only to the extent that information in this system is subject to exemption pursuant to 5 U.S.C. 552(j)(2), (k)(1), (k)(2), and (k)(5).

(h) Exemptions from the particular subsections are justified for the following reasons:

(1) From subsection (c)(3) because making available to a record subject the accounting of disclosures from records concerning him/her would reveal investigative interest on the part of the Department of Justice as well as the recipient agency. This would permit record subjects to impede the investigation e.g., destroy evidence, intimidate potential witnesses, or flee the area to avoid inquiries or apprehension by law enforcement personnel.

(2) From subsection (c)(4) because this system is exempt from the access provisions of subsection (d) pursuant to subsections (j) and (k) of the Privacy Act.

(3) From subsection (d) to the extent that information in this record system relates to official Federal investigations and matters of law enforcement and/or is properly classified pursuant to E.O. 12356. Individual access to these records might compromise ongoing investigations, reveal confidential sources or constitute unwarranted in-

vasions of the personal privacy of third parties who are involved in a certain investigation, or jeopardize national security or foreign policy interests. Amendment of the records would interfere with ongoing criminal law enforcement proceedings and impose an impossible administrative burden by requiring criminal investigations to be continuously reinvestigated.

(4) From subsections (e) (1) and (5) because in the course of law enforcement investigations, information may occasionally be obtained or introduced the accuracy of which is unclear or which is not strictly relevant or necessary to a specific investigation. In the interests of effective law enforcement, it is appropriate to retain all information which may aid in establishing patterns of criminal activity. Moreover, it would impede the specific investigative process if it were necessary to assure the relevance, accuracy, timeliness, and completeness of all information obtained.

(5) From subsection (e)(2) because in a law enforcement investigation the requirement that information be collected to the greatest extent possible from the subject individual would present a serious impediment to law enforcement in that the subject of the investigation would be informed of the existence of the investigation and would therefore be able to avoid detection, apprehension, or legal obligations or duties.

(6) From subsection (e)(3) because to comply with the requirements of this subsection during the course of an investigation could impede the information gathering process, thus hampering the investigation.

(7) From subsections (e)(4) (G) and (H), and (g) because this system is exempt from the access provisions of subsection (d) pursuant to subsections (j) and (k) of the Privacy Act.

[Order No. 34-85, 51 FR 754, Jan. 8, 1986. Redesignated by Order No. 6-86, 51 FR 15476, Apr. 24, 1986, and further redesignated and amended by Order No. 19-86, 51 FR 39373, Oct. 28, 1986]

**§ 16.74 Exemption of National Security Division Systems—limited access.**

(a) The following system of records is exempted from subsections (c)(3) and

(4); (d); (e)(1), (2), (3), (4)(G),(H) and (I), (5) and (8); (f); (g); and (h) of the Privacy Act pursuant to 5 U.S.C. 552a(j)(2), (k)(1), (2) and (5); Foreign Intelligence and Counterintelligence Records System (JUSTICE/NSD-001). These exemptions apply only to the extent that information in the system is subject to exemption pursuant to 5 U.S.C. 552a(j)(2), (k)(1), (2), and (5).

(b) Exemptions from the particular subsections are justified for the following reasons:

(1) *Subsection (c)(3)*. To provide the target of a surveillance or collection activity with the disclosure accounting records concerning him or her would hinder authorized United States intelligence activities by informing that individual of the existence, nature, or scope of information that is properly classified pursuant to Executive Order 12958, as amended, and thereby cause damage to the national security.

(2) *Subsection (c)(4)*. This subsection is inapplicable to the extent that an exemption is being claimed for subsection (d).

(3) *Subsection (d)(1)*. Disclosure of foreign intelligence and counterintelligence information would interfere with collection activities, reveal the identity of confidential sources, and cause damage to the national security of the United States. To ensure unhampered and effective collection and analysis of foreign intelligence and counterintelligence information, disclosure must be precluded.

(4) *Subsection (d)(2)*. Amendment of the records would interfere with ongoing intelligence activities thereby causing damage to the national security.

(5) *Subsections (d)(3) and (4)*. These subsections are inapplicable to the extent exemption is claimed from (d)(1) and (2).

(6) *Subsection (e)(1)*. It is often impossible to determine in advance if intelligence records contained in this system are relevant and necessary, but, in the interests of national security, it is necessary to retain this information to aid in establishing patterns of activity and provide intelligence leads.

(7) *Subsection (e)(2)*. Although this office does not conduct investigations, the collection efforts of agencies that

supply information to this office would be thwarted if the agencies were required to collect information with the subject's knowledge.

(8) *Subsection (e)(3)*. To inform individuals as required by this subsection could reveal the existence of collection activity and compromise national security. For example, a target could, once made aware that collection activity exists, alter his or her manner of engaging in intelligence or terrorist activities in order to avoid detection.

(9) *Subsections (e)(4)(G), (H) and (I), and (f)*. These subsections are inapplicable to the extent that this system is exempt from the access provisions of subsection (d).

(10) *Subsection (e)(5)*. It is often impossible to determine in advance if intelligence records contained in this system are accurate, relevant, timely and complete, but, in the interests of national security, it is necessary to retain this information to aid in establishing patterns of activity and providing intelligence leads.

(11) *Subsection (e)(8)*. Serving notice could give persons sufficient warning to evade intelligence collection and anti-terrorism efforts.

(12) *Subsections (g) and (h)*. These subsections are inapplicable to the extent that this system is exempt from other specific subsections of the Privacy Act.

[Order No. 023-2007, 72 FR 44382, Aug. 8, 2007]

**§ 16.75 Exemption of the Office of the Inspector General Systems/Limited Access.**

(a) The following system of records is exempted pursuant to the provisions of 5 U.S.C. 552a(j)(2) from subsections (c)(3) and (4), (d), (e)(1), (2), (3), (5), and (8), and (g) of 5 U.S.C. 552a. In addition, the following system of records is exempted pursuant to the provisions of 5 U.S.C. 552a(k)(1) and (k)(2) from subsections (c)(3), (d), and (e)(1) of 5 U.S.C. 552a:

(1) Office of the Inspector General Investigative Records (JUSTICE/OIG-001).

These exemptions apply only to the extent that information in this system is subject to exemption pursuant to 5 U.S.C. 552a (j)(2), (k)(1) and (k)(2). Where compliance would not appear to

interfere with or adversely affect the law enforcement process, and/or where it may be appropriate to permit individuals to contest the accuracy of the information collected, e.g., public source materials, the applicable exemption may be waived, either partially or totally, by the Office of the Inspector General (OIG).

(b) Exemptions from the particular subsections are justified for the following reasons:

(1) From subsection (c)(3) because release of disclosure accounting could alert the subject of an investigation of an actual or potential criminal, civil, or regulatory violation to the existence of the investigation and the fact that they are subjects of the investigation, and reveal investigative interest by not only the OIG, but also by the recipient agency. Since release of such information to the subjects of an investigation would provide them with significant information concerning the nature of the investigation, release could result in the destruction of documentary evidence, improper influencing of witnesses, endangerment of the physical safety of confidential sources, witnesses, and law enforcement personnel, the fabrication of testimony, flight of the subject from the area, and other activities that could impede or compromise the investigation. In addition, accounting for each disclosure could result in the release of properly classified information which would compromise the national defense or disrupt foreign policy.

(2) From subsection (c)(4) because this system is exempt from the access provisions of subsection (d) pursuant to subsections (j) and (k) of the Privacy Act.

(3) From the access and amendment provisions of subsection (d) because access to the records contained in this system of records could inform the subject of an investigation of an actual or potential criminal, civil, or regulatory violation, of the existence of that investigation; of the nature and scope of the information and evidence obtained as to his activities; of the identity of confidential sources, witnesses, and law enforcement personnel, and of information that may enable the subject to avoid detection or apprehension.

These factors would present a serious impediment to effective law enforcement where they prevent the successful completion of the investigation, endanger the physical safety of confidential sources, witnesses, and law enforcement personnel, and/or lead to the improper influencing of witnesses, the destruction of evidence, or the fabrication of testimony. In addition, granting access to such information could disclose security-sensitive or confidential business information or information that would constitute an unwarranted invasion of the personal privacy of third parties. Finally, access to the records could result in the release of properly classified information which would compromise the national defense or disrupt foreign policy. Amendment of the records would interfere with ongoing investigations and law enforcement activities and impose an impossible administrative burden by requiring investigations to be continuously reinvestigated.

(4) From subsection (e)(1) because the application of this provision could impair investigations and interfere with the law enforcement responsibilities of the OIG for the following reasons:

(i) It is not possible to detect relevance or necessity of specific information in the early stages of a civil, criminal or other law enforcement investigation, case, or matter, including investigations in which use is made of properly classified information. Relevance and necessity are questions of judgment and timing, and it is only after the information is evaluated that the relevance and necessity of such information can be established.

(ii) During the course of any investigation, the OIG may obtain information concerning actual or potential violations of laws other than those within the scope of its jurisdiction. In the interest of effective law enforcement, the OIG should retain this information, as it may aid in establishing patterns of criminal activity, and can provide valuable leads for Federal and other law enforcement agencies.

(iii) In interviewing individuals or obtaining other forms of evidence during an investigation, information may

be supplied to an investigator which relates to matters incidental to the primary purpose of the investigation but which may relate also to matters under the investigative jurisdiction of another agency. Such information cannot readily be segregated.

(5) From subsection (e)(2) because, in some instances, the application of this provision would present a serious impediment to law enforcement for the following reasons:

(i) The subject of an investigation would be placed on notice as to the existence of an investigation and would therefore be able to avoid detection or apprehension, to improperly influence witnesses, to destroy evidence, or to fabricate testimony.

(ii) In certain circumstances the subject of an investigation cannot be required to provide information to investigators, and information relating to a subject's illegal acts, violations of rules of conduct, or any other misconduct must be obtained from other sources.

(iii) In any investigation it is necessary to obtain evidence from a variety of sources other than the subject of the investigation in order to verify the evidence necessary for successful litigation.

(6) From subsection (e)(3) because the application of this provision would provide the subject of an investigation with substantial information which could impede or compromise the investigation. Providing such notice to a subject of an investigation could interfere with an undercover investigation by revealing its existence, and could endanger the physical safety of confidential sources, witnesses, and investigators by revealing their identities.

(7) From subsection (e)(5) because the application of this provision would prevent the collection of any data not shown to be accurate, relevant, timely, and complete at the moment it is collected. In the collection of information for law enforcement purposes, it is impossible to determine in advance what information is accurate, relevant, timely, and complete. Material which may seem unrelated, irrelevant, or incomplete when collected may take on added meaning or significance as an investigation progresses. The restrictions

of this provision could interfere with the preparation of a complete investigative report, and thereby impede effective law enforcement.

(8) From subsection (e)(8) because the application of this provision could prematurely reveal an ongoing criminal investigation to the subject of the investigation, and could reveal investigative techniques, procedures, or evidence.

(9) From subsection (g) to the extent that this system is exempt from the access and amendment provisions of subsection (d) pursuant to subsections (j)(2) and (k)(1) and (k)(2) of the Privacy Act.

(c) The following system of records is exempted from 5 U.S.C. 552a(d).

(1) Office of the Inspector General, Freedom of Information/Privacy Acts (FOI/PA) Records (JUSTICE/OIG-003).

This exemption applies only to the extent that information in this system is subject to exemption pursuant to 5 U.S.C. 552a (j)(2), (k)(1), and (k)(2). To the extent that information in a record pertaining to an individual does not relate to official Federal investigations and law enforcement matters, the exemption does not apply. In addition, where compliance would not appear to interfere with or adversely affect the overall law enforcement process, the applicable exemption may be waived by the Office of the Inspector General (OIG).

(d) Exemption from subsection (d) is justified for the following reasons:

(1) From the access and amendment provisions of subsection (d) because access to the records contained in this system of records could inform the subject of an investigation of an actual or potential criminal, civil, or regulatory violation of the existence of that investigation; of the nature and scope of the information and evidence obtained as to his activities; of the identity of confidential sources, witnesses, and law enforcement personnel; and of information that may enable the subject to avoid detection or apprehension. These factors would present a serious impediment to effective law enforcement where they prevent the successful completion of the investigation, endanger the physical safety of confidential

sources, witnesses, and law enforcement personnel, and/or lead to the improper influencing of witnesses, the destruction of evidence, or the fabrication of testimony. In addition, granting access to such information could disclose security-sensitive or confidential business information or information that would constitute an unwarranted invasion of the personal privacy of third parties. Finally, access to the records could result in the release of properly classified information which would compromise the national defense or disrupt foreign policy. Amendment of the records would interfere with ongoing investigations and law enforcement activities and impose an impossible administrative burden by requiring investigations to be continuously reinvestigated.

(2) [Reserved]

[Order No. 63-92, 57 FR 8263, Mar. 9, 1992, as amended by Order No. 64-92, 57 FR 8263, Mar. 9, 1992]

**§ 16.76 Exemption of Justice Management Division.**

(a) The following system of records is exempt from 5 U.S.C. 552a(d):

(1) Controlled Substances Act Non-public Records (JUSTICE/JMD-002).

This exemption applies only to the extent that information in this system is subject to exemption pursuant to 5 U.S.C. 552a(j)(2).

(b) Exemption from subsection (d) is justified for the following reasons:

(1) Access to and use of the nonpublic records maintained in this system are restricted by law. Section 3607(b) of Title 18 U.S.C. (enacted as part of the Sentencing Reform Act of 1984, Pub. L. 98-473, Chapter II) provides that the sole purpose of these records shall be for use by the courts in determining whether a person found guilty of violating section 404 of the Controlled Substances Act qualifies:

(i) For the disposition available under 18 U.S.C. 3607(a) to persons with no prior conviction under a Federal or State law relating to controlled substances, or

(ii) For an order, under 18 U.S.C. 3607(c), expunging all official records (except the nonpublic records to be retained by the Department of Justice) of

the arrest and any subsequent criminal proceedings relating to the offense.

(2) Information in this system consists of arrest records, including those of co-defendants. The records include reports of informants and investigations. Therefore, access could disclose investigative techniques, reveal the identity of confidential sources, and invade the privacy of third parties.

(c) The following system of records is exempted from 5 U.S.C. 552a(c)(3) and (4); (d)(1), (2), (3), and (4); (e)(1), (2), (3), (5), and (8); and (g): Federal Bureau of Investigation Whistleblower Case Files (Justice/JMD-023). These exemptions apply only to the extent that information in a record contained within this system is subject to exemptions pursuant to 5 U.S.C. 552a(j)(2) and (k).

(d) Exemption from the particular subsections is justified for the following reasons:

(1) *Subsection (c)(3)*. To provide the subject with an accounting of disclosures of records in this system could inform that individual of the existence, nature, or scope of an actual or potential law enforcement or counterintelligence investigation, and thereby seriously impede law enforcement or counterintelligence efforts by permitting the record subject and other persons to whom he might disclose the records to avoid criminal penalties, civil remedies, or counterintelligence measures.

(2) *Subsection (c)(4)*. This subsection is inapplicable to the extent that an exemption is being claimed for subsection (d).

(3) *Subsection (d)(1)*. Information within this record system could relate to official federal investigations and matters of law enforcement. Individual access to these records could compromise ongoing investigations, reveal confidential informants and/or sensitive investigative techniques used in particular investigations, or constitute unwarranted invasions of the personal privacy of third parties who are involved in a certain investigation. Disclosure may also reveal information relating to actual or potential law enforcement investigations. Disclosure of classified national security information would cause damage to the national security of the United States.

## § 16.77

## 28 CFR Ch. I (7-1-17 Edition)

(4) *Subsection (d)(2)*. Amendment of these records could interfere with ongoing criminal or civil law enforcement proceedings and impose an impossible administrative burden by requiring investigations to be continuously reinvestigated.

(5) *Subsections (d)(3) and (4)*. These subsections are inapplicable to the extent exemption is claimed from (d)(1) and (2).

(6) *Subsection (e)(1)*. It is often impossible to determine in advance if investigatory information contained in this system is accurate, relevant, timely and complete, but, in the interests of effective law enforcement and counterintelligence, it is necessary to retain this information to aid in establishing patterns of activity and provide investigative leads.

(7) *Subsection (e)(2)*. To collect information from the subject individual could serve to notify the subject individual that he or she is the subject of a criminal investigation and thereby present a serious impediment to such investigations.

(8) *Subsection (e)(3)*. To inform individuals as required by this subsection could reveal the existence of a criminal investigation and compromise investigative efforts.

(9) *Subsection (e)(5)*. It is often impossible to determine in advance if investigatory information contained in this system is accurate, relevant, timely and complete, but, in the interests of effective law enforcement and counterintelligence, it is necessary to retain this information to aid in establishing patterns of activity and provide investigative leads.

(10) *Subsection (e)(8)*. To serve notice could give persons sufficient warning to evade investigative efforts.

(11) *Subsection (g)*. This subsection is inapplicable to the extent that the system is exempt from other specific subsections of the Privacy Act.

[Order No. 645-76, 41 FR 12640, Mar. 26, 1976, as amended by Order No. 688-77, 42 FR 9999, Feb. 18, 1977; Order No. 899-80, 45 FR 43703, June 30, 1980; Order No. 6-86, 51 FR 15476, Apr. 24, 1986; Order No. 246-2001, 66 FR 54663, Oct. 30, 2001; Order No. 297-2002, 67 FR 70163, Nov. 21, 2002; Order No. 019-2005, 71 FR 17, Jan. 3, 2006]

### § 16.77 Exemption of U.S. Trustee Program System—limited access.

(a) The following system of records is exempt from 5 U.S.C. 552a (c) (3) and (4); (d); (e) (1), (2) and (3), (e)(4) (G) and (H), (e) (5) and (8); (f) and (g):

(1) U.S. Trustee Program Case Referral System, JUSTICE/UST-004.

These exemptions apply to the extent that information in this system is subject to exemption pursuant to 5 U.S.C. 552a(j)(2) and (k)(2).

(b) Exemptions from the particular subsections are justified for the following reasons:

(1) From subsection (c)(3) because the release of the disclosure accounting would permit the subject of an investigation to obtain valuable information concerning the nature of that investigation. This would permit record subjects to impede the investigation, e.g., destroy evidence, intimidate potential witnesses, or flee the area to avoid inquiries or apprehension by law enforcement personnel.

(2) From subsection (c)(4) since an exemption being claimed for subsection (d) makes this subsection inapplicable.

(3) From subsection (d) because access to the records contained in this system might compromise ongoing investigations, reveal confidential informants, or constitute unwarranted invasions of the personal privacy of third parties who are involved in a certain investigation. Amendment of the records would interfere with ongoing criminal law enforcement proceedings and impose an impossible administrative burden by requiring criminal investigations to be continuously reinvestigated.

(4) From subsections (e)(1) and (e)(5) because in the course of law enforcement investigations, information may occasionally be obtained or introduced the accuracy of which is unclear or which is not strictly relevant or necessary to a specific investigation. In the interest of effective law enforcement, it is appropriate to retain all information that may aid in establishing patterns of criminal activity. Moreover, it would impede the specific investigative process if it were necessary to assure the relevance, accuracy,



## Department of Justice

## § 16.79

timeliness, and completeness of all information obtained.

(5) From subsection (e)(2) because in a criminal investigation the requirement that information be collected to the greatest extent possible from the subject individual would present a serious impediment to law enforcement because the subject of the investigation would be placed on notice as to the existence of the investigation and would therefore be able to avoid detection or apprehension, to influence witnesses improperly, to destroy evidence, or to fabricate testimony.

(6) From subsection (e)(3) because the requirement that individuals supplying information be provided with a form stating the requirements of subsection (e)(3) would constitute a serious impediment to law enforcement in that it would compromise the existence of a confidential investigation or reveal the identity of witnesses or confidential informants.

(7) From subsections (e)(4) (G) and (H) because this system of records is exempt from the access provisions of subsection (d) pursuant to subsections (j) and (k).

(8) From subsection (e)(8) because the individual notice requirement of this subsection could present a serious impediment to law enforcement in that this could interfere with the U.S. Attorney's ability to issue subpoenas.

(9) From subsections (f) and (g) because this system has been exempted from the access provisions of subsection (d).

[Order No. 1-87, 52 FR 3631, Feb. 5, 1987]

### **§ 16.78 Exemption of the Special Counsel for Immigration-Related, Unfair Employment Practices Systems.**

(a) The following system of records is exempt from 5 U.S.C. 552a(c)(3) and (d).

(1) Central Index File and Associated Records, JUSTICE/OSC-001.

These exemptions apply to the extent that information in this system is subject to exemption pursuant to 5 U.S.C. 552a(k)(2).

(b) Exemptions from the particular subsections are justified for the following reasons:

(1) From subsection (c)(3) because the release of the disclosure accounting

would permit the subject of an investigation to obtain valuable information concerning the nature of that investigation. This would permit record subjects to impede the investigation, e.g., destroy evidence, intimidate potential witnesses, or flee the area to avoid inquiries.

(2) From subsection (d) because access to the records might compromise ongoing investigations, reveal confidential informants, or constitute unwarranted invasions of the personal privacy of third parties who are involved in a certain investigation.

[Order No. 10-88, 53 FR 7735, Mar. 10, 1988]

### **§ 16.79 Exemption of Pardon Attorney System.**

(a) The following system of records is exempt from 5 U.S.C. 552a, subsections (c)(3), (c)(4), (d)(1), (d)(2), (d)(3), (d)(4), and (e)(5): Executive Clemency Case Files/Executive Clemency Tracking System (JUSTICE/OPA-001). These exemptions apply only to the extent that information in this system of records is subject to exemption pursuant to 5 U.S.C. 552a(j)(2).

(b) Exemption from the particular subsections is justified for the following reasons:

(1) From subsection (c)(3) because:

(i) The purpose of the creation and maintenance of the Executive Clemency Case Files/Executive Clemency Tracking System (JUSTICE/OPA-001) is to enable the Justice Department to prepare reports and recommendations to the President for his ultimate decisions on clemency matters, which are committed to exclusive discretion of the President pursuant to Article II, Section 2, Clause 1 of the Constitution.

(ii) Release of the disclosure accounting, for disclosures pursuant to the routine uses published for this system, would permit the requester to obtain valuable information concerning the nature and scope of a clemency investigation, invade the right of candid and confidential communications among officials concerned with making recommendations to the President in clemency matters, and disclose the identity of persons who furnished information to the Government under an express or implied promise that their identities would be held in confidence.

**§ 16.80**

**28 CFR Ch. I (7-1-17 Edition)**

(2) From subsection (c)(4) because the exemption from subsections (d)(1), (d)(2), (d)(3), and (d)(4) will make notification of disputes inapplicable.

(3) From subsections (d)(1), (d)(2), (d)(3), and (d)(4) is justified for the reasons stated in paragraph (b)(1) of this section.

(4) From subsection (e)(5) is justified for the reasons stated in paragraph (b)(1) of this section.

[Order No. 005-2003, 68 FR 4929, Jan. 31, 2003]

**§ 16.80 Exemption of Office of Professional Responsibility System—limited access.**

(a) The following system of records is exempt from 5 U.S.C. 552a(c)(3) and (4), (d), (e)(1), (2) and (3), (e)(4)(G) and (H), (e)(5) and (8), (f) and (g):

(1) Office of Professional Responsibility Record Index (JUSTICE/OPR-001).

These exemptions apply only to the extent that information in the system is subject to exemption pursuant to 5 U.S.C. 552a(j)(2), (k)(1), (k)(2), and (k)(5).

(b) Exemptions from the particular subsections are justified for the following reasons:

(1) From subsection (c)(3) because release of the disclosure accounting would enable the subject of an investigation to gain information concerning the existence, nature and scope of the investigation and seriously hamper law enforcement efforts.

(2) From subsections (c)(4), (d), (e)(4)(G) and (H), (f) and (g) because these provisions concern individual access to records and such access might compromise ongoing investigations, reveal confidential informants and constitute unwarranted invasions of the personal privacy of third persons who provide information in connection with a particular investigation.

(3) From subsections (e)(1) and (5) because the collection of information during an investigation necessarily involves material pertaining to other persons or events which is appropriate in a thorough investigation, even though portions thereof are not ultimately connected to the person or event subject to the final action or rec-

ommendation of the Office of Professional Responsibility.

(4) From subsection (e)(2) because collecting the information from the subject would thwart the investigation by placing the subject on notice of the investigation.

(5) From subsections (e)(3) and (e)(8) because disclosure and notice would provide the subject with substantial information which could impede or compromise the investigation. For example, an investigatory subject occupying a supervisory position could, once made aware that a misconduct investigation was ongoing, put undue pressure on subordinates so as to preclude their cooperation with investigators.

(c) The following system of records is exempted from 5 U.S.C. 552a(d).

(1) Freedom of Information/Privacy Act (FOI/PA) Records (JUSTICE/OPR-002).

This exemption applies only to the extent that information in this system is subject to exemption pursuant to 5 U.S.C. 552a(j)(2), (k)(1), and (k)(2). To the extent that information in a record pertaining to an individual does not relate to national defense or foreign policy, official Federal investigations and/or law enforcement matters, the exemption does not apply. In addition, where compliance would not appear to interfere with or adversely affect the overall law enforcement process, the applicable exemption may be waived by OPR.

(d) Exemption from subsection (d) is justified for the following reasons:

(1) From the access and amendment provisions of subsection (d) because access to the records contained in this system of records could inform the subject of an investigation of an actual or potential criminal, civil, or regulatory violation of the existence of that investigation; of the nature and scope of the information and evidence obtained as to his activities; of the identity of confidential sources, witnesses, and law enforcement personnel; and of information that may enable the subject to avoid detection or apprehension. These factors would present a serious impediment to effective law enforcement where they prevent the successful completion of the investigation, endanger the physical safety of confidential

sources, witnesses, and law enforcement personnel, and/or lead to the improper influencing of witnesses, the destruction of evidence, or the fabrication of testimony. In addition, granting access to such information could disclose security-sensitive or confidential business information or information that would constitute an unwarranted invasion of the personal privacy of third parties. Finally, access to the records could result in the release of properly classified information which would compromise the national defense or disrupt foreign policy. Amendment of the records would interfere with ongoing investigations and law enforcement activities and impose an enormous administrative burden by requiring investigations to be continuously reinvestigated.

[Order No. 58-81, 46 FR 3509, Jan. 15, 1981, as amended by Order No. 159-99, 64 FR 17977, Apr. 13, 1999]

**§ 16.81 Exemption of United States Attorneys Systems—limited access.**

(a) The following systems of records are exempt from 5 U.S.C. 552a(c) (3) and (4), (d), (e) (1), (2) and (3), (e)(4) (G) and (H), (e) (5) and (8), (f), and (g):

(1) Citizen Complaint Files (JUSTICE/USA-003).

(2) Civil Case Files (JUSTICE/USA-005).

(3) Consumer Complaints (JUSTICE/USA-006).

(4) Criminal Case Files (JUSTICE/USA-007).

(5) Kline-District of Columbia and Maryland-Stock and Land Fraud Inter-relationship Filing System (JUSTICE/USA-009).

(6) Major Crimes Division Investigative Files (JUSTICE/USA-010).

(7) Prosecutor's Management Information System (PROMIS) (JUSTICE/USA-011).

(8) United States Attorney, District of Columbia Superior Court Division, Criminal Files (JUSTICE/USA-013).

(9) Pre-trial Diversion Program Files (JUSTICE/USA-014).

These exemptions apply to the extent that information in these systems is subject to exemption pursuant to U.S.C. 552a(j)(2), (k)(1) and (k)(2).

(b) Exemptions from the particular subsections are justified for the following reasons:

(1) From subsection (c)(3) because the release of the disclosure accounting, for disclosures pursuant to the routine uses published for these systems, would permit the subject of a criminal investigation and/or civil case or matter under investigation, litigation, regulatory or administrative review or action, to obtain valuable information concerning the nature of that investigation, case or matter and present a serious impediment to law enforcement or civil legal activities.

(2) From subsection (c)(4) since an exemption is being claimed for subsection (d), this subsection will not be applicable.

(3) From subsection (d) because access to the records contained in these systems would inform the subject of criminal investigation and/or civil investigation, matter or case of the existence of that investigation, provide the subject of the investigation with information that might enable him to avoid detection, apprehension or legal obligations, and present a serious impediment to law enforcement and other civil remedies.

(4) From subsection (e)(1) because in the course of criminal investigations and/or civil investigations, cases or matters, the U.S. Attorneys often obtain information concerning the violation of laws or civil obligations other than those relating to an active case or matter. In the interests of effective law enforcement and civil litigation, it is necessary that the U.S. Attorneys retain this information since it can aid in establishing patterns of activity and provide valuable leads for other agencies and future cases that may be brought within the U.S. Attorneys' offices.

(5) From subsection (e)(2) because in a criminal investigation the requirement that information be collected to the greatest extent possible from the subject individual would present a serious impediment to law enforcement in that the subject of the investigation would be placed on notice of the existence of the investigation and would therefore be able to avoid detection,

**§ 16.81**

**28 CFR Ch. I (7-1-17 Edition)**

apprehension or legal obligations and duties.

(6) From subsection (e)(3) because the requirement that individuals supplying information be provided with a form stating the requirements of subsection (e)(3) would constitute a serious impediment to law enforcement in that it could compromise the existence of a confidential investigation, reveal the identity of confidential sources of information and endanger the life and physical safety of confidential informants.

(7) From subsections (e)(4) (G) and (H) because these systems of records are exempt from individual access pursuant to subsections (j) and (k) of the Privacy Act of 1974.

(8) From subsection (e)(5) because in the collection of information for law enforcement purposes it is impossible to determine in advance what information is accurate, relevant, timely, and complete. With the passage of time, seemingly irrelevant or untimely information may acquire new significance as further investigation brings new details to light and the accuracy of such information can only be determined in a court of law. The restrictions of subsection (e)(5) would restrict the ability of trained investigators and intelligence analysts to exercise their judgment in reporting on investigations and impede the development of intelligence necessary for effective law enforcement.

(9) From subsection (e)(8) because the individual notice requirements of subsection (e)(8) could present a serious impediment to law enforcement as this could interfere with the United States Attorneys' ability to issue subpoenas and could reveal investigative techniques and procedures.

(10) From subsection (f) because these systems of records have been exempted from the access provisions of subsection (d).

(11) From subsection (g) because these systems of records are compiled for law enforcement purposes and have been exempted from the access provisions of subsections (d) and (f).

(c) The following system of records is exempt from 5 U.S.C. 552a(c) (3) and (4), (d), (e) (1), (2) and (3), (e)(4) (G) and (H), (e) (5) and (8), (f), and (g):

(1) Freedom of Information Act/Privacy Act Files (JUSTICE/USA-008)

These exemptions apply to the extent that information in this system is subject to exemption pursuant to 5 U.S.C. 552a(j)(2), (k)(1) and (k)(2).

(d) Because this system contains Department of Justice civil and criminal law enforcement, investigatory records, exemptions from the particular subsections are justified for the following reasons:

(1) From subsection (c)(3) because the release of the disclosure accounting would permit the subject of a criminal investigation and/or civil case or matter under investigation, in litigation, or under regulatory or administrative review or action to obtain valuable information concerning the nature of that investigation, case or matter, and present a serious impediment to law enforcement or civil legal activities.

(2) From subsection (c)(4) because an exemption is being claimed for subsection (d) of the Act (Access to Records), rendering this subsection inapplicable to the extent that this system of records is exempted from subsection (d).

(3) From subsection (d) because access to the records contained in these systems would inform the subject of a criminal or civil investigation, matter or case of the existence of such, and provide the subject with information that might enable him to avoid detection, apprehension or legal obligations, and present a serious impediment to law enforcement and other civil remedies. Amendment of the records would interfere with ongoing criminal law enforcement proceedings and impose an impossible administrative burden by requiring criminal investigations to be continuously reinvestigated.

(4) From subsection (e)(1) because in the course of criminal investigations and/or civil investigations, cases or matters, the U.S. Attorneys often obtain information concerning the violation of laws or civil obligations other than those relating to an active case or matter. In the interests of effective law enforcement and civil litigation, it is necessary that the U.S. Attorneys retain this information since it can aid in establishing patterns of activity and

## Department of Justice

## § 16.81

provide valuable leads for other agencies and future cases that may be brought within the U.S. Attorneys' offices.

(5) From subsection (e)(2) because to collect information to the greatest extent possible from the subject individual of a criminal investigation or prosecution would present a serious impediment to law enforcement in that the subject of the investigation would be placed on notice of the existence of the investigation and would therefore be able to avoid detection, apprehension, or legal obligations and duties.

(6) From subsection (e)(3) because to provide individuals supplying information with a form stating the requirements of subsection (e)(3) would constitute a serious impediment to law enforcement in that it could compromise the existence of a confidential investigation, reveal the identity of confidential sources of information, and endanger the life and physical safety of confidential informants.

(7) From subsections (e)(4) (G) and (H) because this system of records is exempt from the individual access provisions of subsection (d) and the rules provisions of subsection (f).

(8) From subsection (e)(5) because in the collection of information for law enforcement purposes it is impossible to determine in advance what information is accurate, relevant, timely, and complete. With the passage of time, seemingly irrelevant or untimely information may acquire new significance as further investigation brings new details to light and the accuracy of such information can only be determined in a court of law. The restrictions of subsection (e)(5) would inhibit the ability of trained investigator and intelligence analysts to exercise their judgment in reporting on investigations and impede the development of intelligence necessary for effective law enforcement.

(9) From subsection (e)(8) because the individual notice requirements of subsection (e)(8) could present a serious impediment to law enforcement as this could interfere with the U.S. Attorneys' ability to issue subpoenas and could reveal investigative techniques and procedures.

(10) From subsection (f) because this system has been exempted from the in-

dividual access provisions of subsection (d).

(11) From subsection (g) because the records in this system are generally compiled for law enforcement purposes and are exempt from the access provisions of subsections (d) and (f), rendering subsection (g) inapplicable.

(e) The following systems of records are exempt from 5 U.S.C. 552a(d)(1) and (e)(1):

(1) Assistant U.S. Attorneys Applicant Records System (JUSTICE/USA-016).

(2) Appointed Assistant U.S. Attorneys Personnel System (JUSTICE/USA-017).

These exemptions apply only to the extent that information in these systems is subject to exemption pursuant to 5 U.S.C. 552a(k)(5).

(f) Exemptions from the particular subsections are justified for the following reasons:

(1) From subsection (d)(1) because many persons are contacted who, without an assurance of anonymity, refuse to provide information concerning a candidate for an Assistant U.S. Attorney position. Access could reveal the identity of the source of the information and constitute a breach of the promise of confidentiality on the part of the Department of Justice. Such breaches ultimately would restrict the free flow of information vital to a determination of a candidate's qualifications and suitability.

(2) From subsection (e)(1) because in the collection of information for investigative and evaluative purposes, it is impossible to determine in advance what exact information may be of assistance in determining the qualifications and suitability of a candidate. Information which may appear irrelevant, when combined with other seemingly irrelevant information, can on occasion provide a composite picture of a candidate for a position which assists in determining whether that candidate should be nominated for appointment.

(g)-(h) [Reserved]

(i) Consistent with the legislative purpose of the Privacy Act of 1974, the Executive Office for United States Attorneys will grant access to nonexempt

material in records which are maintained by the U.S. Attorneys. Disclosure will be governed by the Department's Privacy regulations, but will be limited to the extent that the identity of confidential sources will not be compromised; subjects of an investigation of an actual or potential criminal, civil or regulatory violation will not be alerted to the investigation; the physical safety of witnesses, informants and law enforcement personnel will not be endangered, the privacy of third parties will not be violated; and that the disclosure would not otherwise impede effective law enforcement. Whenever possible, information of the above nature will be deleted from the requested documents and the balance made available. The controlling principle behind this limited access is to allow disclosures except those indicated above. The decisions to release information from these systems will be made on a case-by-case basis.

[Order No. 645-76, 41 FR 12640, Mar. 26, 1976, as amended by Order No. 716-77, 42 FR 23506, May 9, 1977; Order No. 738-77, 42 FR 38177, July 27, 1977; Order No. 6-86, 51 FR 15476, Apr. 24, 1986; Order No. 57-91, 56 FR 58306, Nov. 19, 1991; Order No. 224-2001, 66 FR 17809, Apr. 4, 2001; Order No. 008-2015, 80 FR 34051, June 15, 2015]

**§ 16.82 Exemption of the National Drug Intelligence Center Data Base—limited access.**

(a) The following system of records is exempted pursuant to the provisions of 5 U.S.C. 552a(j)(2) from subsections (c) (3) and (4); (d); (e) (1), (2), and (3); (e)(4)(I); (e) (5) and (8); and (g) of 5 U.S.C. 552a. In addition, the following system of records is exempted pursuant to the provisions of 5 U.S.C. 552a (k)(1) and (k)(2) from subsections (c)(3), (d), and (e)(1) and (e)(4)(I) of 5 U.S.C. 552a:

(1) National Drug Intelligence Center Data Base (JUSTICE/NDIC-001).

(2) [Reserved]

(b) These exemptions apply only to the extent that information in this system is subject to exemption pursuant to 5 U.S.C. 552a(j)(2), (k)(1), and (k)(2). Where compliance would not appear to interfere with or adversely affect the law enforcement process, and/or where it may be appropriate to permit individuals to contest the accuracy of the information collected, e.g., public

source materials, the applicable exemption may be waived, either partially or totally, by the National Drug Intelligence Center (NDIC). Exemptions from the particular subsections are justified for the following reasons:

(1) From subsection (c)(3) for the same reasons that the system is exempted from the provisions of subsection (d).

(2) From subsection (c)(4) because this system is exempt from the access provisions of subsection (d) pursuant to subsection (j)(2) of the Privacy Act.

(3) From subsection (d) because disclosure to the subject could alert the subject of an investigation pertaining to narcotic trafficking or related activity of the fact and nature of the investigation, and/or of the investigative interest of NDIC and other intelligence or law enforcement agencies (including those responsible for civil proceedings related to laws against drug trafficking); lead to the destruction of evidence, improper influencing of witnesses, fabrication of testimony, and/or flight of the subject; reveal the details of a sensitive investigative or intelligence technique, or the identity of a confidential source; or otherwise impede, compromise, or interfere with investigative efforts and other related law enforcement and/or intelligence activities. In addition, disclosure could invade the privacy of third parties and/or endanger the life and safety of law enforcement personnel, confidential informants, witnesses, and potential crime victims. Finally, access to records could result in the release of properly classified information that could compromise the national defense or foreign policy. Amendment of the records would interfere with ongoing investigations and law enforcement activities and impose an impossible administrative burden by requiring investigations, analyses, and reports to be continuously reinvestigated and revised.

(4) From subsection (e)(1) because, in the course of its acquisition, collation, and analysis of information, NDIC will need to retain information not immediately shown to be relevant to counterdrug law enforcement to establish patterns of activity and to assist

other agencies charged with the enforcement of laws and regulations regarding drug trafficking and charged with the acquisition of intelligence related to international aspects of drug trafficking. This consideration applies equally to information acquired from, or collated or analyzed for, both law enforcement agencies and agencies of the U.S. foreign intelligence community.

(5) From subsection (e)(2) because application of this provision could present a serious impediment to law enforcement in that it would put the subject of an investigation, study or analysis on notice of the fact of such investigation, study, or analysis, thereby permitting the subject to engage in conduct intended to frustrate the activity; because, in some circumstances, the subject of an investigation may not be required to provide to investigators certain information; and because thorough analysis and investigation may require seeking information from a number of different sources.

(6) From subsection (e)(3) (to the extent applicable) because the requirement that individuals supplying information be provided a form stating the requirements of subsection (e)(3) would constitute a serious impediment to law enforcement in that it could compromise the existence of a confidential investigation and reveal the identity of confidential informants and endanger their lives and safety.

(7) From subsection (e)(4)(I), to the extent that this subsection is interpreted to require more detail regarding the record sources in this system than have been published in the FEDERAL REGISTER. Should the subsection be so interpreted, exemption from this provision is necessary to protect the confidentiality of the sources of criminal and other law enforcement information and to protect the privacy and physical safety of witnesses and informants. Furthermore, greater specificity concerning the sources of properly classified records could compromise national defense or foreign policy.

(8) From subsection (e)(5) because the acquisition, collation, and analysis of information for law enforcement purposes does not permit advance determination whether such information is

accurate or relevant, nor can such information be limited to that which is complete or apparently timely. Information of this type often requires further analysis and investigation to develop into a comprehensive whole that which is otherwise incomplete or even fragmentary. Moreover, its accuracy is continually subject to analysis and review, and, upon careful examination, seemingly irrelevant or untimely information may acquire added significance as additional information brings new details to light. The restrictions imposed by subsection (e)(5) would restrict the ability of trained investigators and intelligence analysts to exercise their judgment in collating and analyzing information and would impede the development of criminal intelligence necessary for effective law enforcement.

(9) From subsection (e)(8) because the individual notice requirements of subsection (e)(8) could present a serious impediment to law enforcement by revealing investigative techniques, procedures, or evidence.

(10) From subsection (g) to the extent that the system is exempt from subsection (d).

[Order No. 78-93, 58 FR 41038, Aug. 2, 1993]

**§ 16.83 Exemption of the Executive Office for Immigration Review System—limited access.**

(a) The following system of records is exempt from 5 U.S.C. 552a(d):

(1) The Executive Office for Immigration Review's Records and Management Information System (JUSTICE/EOIR-001).

This exemption applies only to the extent that information in the system is subject to exemption pursuant to 5 U.S.C. 552a(k) (1) and (2).

(b) Exemption from the particular subsections are justified for the following reasons:

(1) From subsection (d) because access to information which has been properly classified pursuant to an Executive Order could have an adverse effect on the national security. In addition, from subsection (d) because unauthorized access to certain investigatory material could compromise ongoing or potential investigations; reveal

## § 16.84

## 28 CFR Ch. I (7-1-17 Edition)

the identity of confidential informants; or constitute unwarranted invasions of the personal privacy of third parties.

(2) From subsection (d) (2), (3), and (4) because the record of proceeding constitutes an official record which includes transcripts of quasi-judicial administrative proceedings, investigatory materials, evidentiary materials such as exhibits, decisional memoranda, and other case-related papers. Administrative due process could not be achieved by the ex parte “correction” of such materials by the individual who is the subject thereof.

(c) The following system of records is exempted from 5 U.S.C. 552a(d).

(1) Practitioner Compliant/Disciplinary Files (JUSTICE/EOIR 003). This exemption applies only to the extent that information in this system is subject to exemption pursuant to 5 U.S.C. 552a(j)(2), (k)(1), and (k)(2). To the extent that information in a record pertaining to an individual does not relate to national defense or foreign policy, official Federal investigations and/or law enforcement matters, the exemption does not apply. In addition, where compliance would not appear to interfere with or adversely affect the overall law or regulatory enforcement process, the applicable exemption may be waived by the Executive Office for Immigration Review.

(d) Exemption from subsection (d) is justified for the following reasons:

(1) From the access and amendment provisions of subsection (d) because access to the records contained in this system of records could inform the subject of the investigation of an actual or potential criminal, civil, or regulatory violation or the existence of that investigation; of the nature and scope of the information and evidence obtained as to the subject’s activities; of the identity of confidential sources, witnesses, and law enforcement personnel; and of information that may enable the subject to avoid detection or apprehension. These factors would present a serious impediment to effective law and regulatory enforcement where they prevent the successful completion of the investigation, endanger the physical safety of confidential sources, witnesses, and law enforcement personnel, and/or lead to the improper influencing

of witnesses, the destruction of evidence, or the fabrication of testimony. In addition, granting access to such information could disclose security-sensitive or confidential business information or information that would constitute an unwarranted invasion of the personal privacy of third parties. Finally, access to the records could result in the release of properly classified information which would compromise the national defense or disrupt foreign policy. Amendment of the records would interfere with ongoing investigations and law enforcement activities and impose an enormous administrative burden by requiring investigations to be continuously reinvestigated.

[Order No. 18-86, 51 FR 32305, Sept. 11, 1986, as amended by Order No. 180-99, 64 FR 61787, Nov. 15, 1999]

### § 16.84 Exemption of Immigration Appeals System.

(a) The following system of records is exempt from 5 U.S.C. 552a(d) (2), (3) and (4):

(1) Decisions of the Board of Immigration Appeals (JUSTICE/BIA-001).

This exemption applies only to the extent that information in this system is subject to exemption pursuant to 5 U.S.C. 552a(k).

(b) Exemptions from the particular subsections are justified for the following reasons:

(1) From subsections (d) (2), (3) and (4) because the decisions reflected constitute official records of opinions rendered in quasi-judicial proceedings. Administrative due process could not be achieved by the ex parte “correction” of such opinions by the subject of the opinion.

### § 16.85 Exemption of U.S. Parole Commission—limited access.

(a) The following systems of records are exempt from 5 U.S.C. 552a (c) (3) and (4), (d), (e) (2) and (3), (e)(4) (G) and (H), (e)(8), (f) and (g):

(1) Docket Scheduling and Control System (JUSTICE/PRC-001).

(2) Inmate and Supervision Files System (JUSTICE/PRC-003).

(3) Labor and Pension Case, Legal File, and General Correspondence System (JUSTICE/PRC-004).



## Department of Justice

## § 16.85

(4) Statistical, Educational and Developmental System (JUSTICE/PRC-006).

(5) Workload Record, Decision Result, and Annual Report System (JUSTICE/PRC-007).

These exemptions apply only to the extent that information in these systems is subject to exemptions pursuant to 5 U.S.C. 552a(j)(2).

(b) Exemptions from the particular subsections are justified for the following reasons:

(1) From subsection (c)(3) because revealing disclosure of accountings to inmates and persons on supervision could compromise legitimate law enforcement activities and U.S. Parole Commission responsibilities.

(2) From subsection (c)(4) because the exemption from subsection (d) will make notification of disputes inapplicable.

(3) From subsection (d) because this is essential to protect internal processes by which Commission personnel are able to formulate decisions and policies with regard to federal prisoners and persons under supervision, to prevent disclosures of information to federal inmates or persons on supervision that would jeopardize legitimate correctional interests of security, custody, supervision, or rehabilitation, to permit receipt of relevant information from other federal agencies, state and local law enforcement agencies, and federal and state probation and judicial offices, to allow private citizens to express freely their opinions for or against parole, to allow relevant criminal history type information of co-defendants to be kept in files, to allow medical, psychiatric and sociological material to be available to professional staff, and to allow a candid process of fact selection, opinion formulation, evaluation and recommendation to be continued by professional staff. The legal files contain case development material and, in addition to other reasons, should be exempt under the attorney-client privilege. Each labor or pension applicant has had served upon him the material in his file which he did not prepare and may see his own file at any time.

(4) From subsection (e)(2) because primary collection of information di-

rectly from federal inmates or persons on supervision about criminal sentence, criminal records, institutional performance, readiness for release from custody, or need to be returned to custody is highly impractical and inappropriate.

(5) From subsection (e)(3) because application of this provision to the operations and collection of information by the Commission which is primarily from sources other than the individual, is inappropriate.

(6) From subsections (e)(4) (G) and (H) because exemption from the access provisions of (d) makes publication of agency procedures under (d) inapplicable.

(7) From subsection (e)(8) because the nature of the Commission's activities renders notice of compliance with compulsory legal process impractical.

(8) From subsection (f) because exemption from the provisions of subsection (d) will render compliance with provisions of this subsection inapplicable.

(9) From subsection (g) because exemption from the provisions of subsection (d) will render the provisions on suits to enforce (d) inapplicable.

(c) Consistent with the legislative purpose of the Privacy Act of 1974 the U.S. Parole Commission will initiate a procedure whereby present and former prisoners and parolees may obtain copies of material in files relating to them that are maintained by the U.S. Parole Commission. Disclosure of the contents will be affected by providing copies of documents to requesters through the mails. Disclosure will be made to the same extent as would be made under the substantive exemptions of the Parole Commission and Reorganization Act of 1976 (18 U.S.C. 4208) and Rule 32 of the Federal Rules of Criminal Procedure. The procedure relating to disclosure of documents may be changed generally in the interest of improving the Commission's system of disclosure or when required by pending or future decisions and directions of the Department of Justice.

[Order No. 645-76, 41 FR 12640, Mar. 26, 1976, as amended by Order No. 14-78, 43 FR 45993, Oct. 5, 1978; Order No. 899-80, 45 FR 43703, June 30, 1980; Order No. 6-86, 51 FR 15477, Apr. 24, 1986]

**§ 16.88**

**28 CFR Ch. I (7-1-17 Edition)**

**§ 16.88 Exemption of Antitrust Division Systems—limited access.**

(a) The following system of records is exempt from 5 U.S.C. 552a (c)(3), (d), (e)(4) (G) and (H), and (f):

(1) Antitrust Caseload Evaluation System (ACES)—Monthly Report (JUSTICE/ATR-006).

These exemptions apply only to the extent that information in this system is subject to exemption pursuant to 5 U.S.C. 552a (k)(2).

(b) Exemption from the particular subsections are justified for the following reasons:

(1) From subsection (c)(3) because information in this system is maintained in aid of ongoing antitrust enforcement investigations and proceedings. The release of the accounting of disclosures made under subsection (b) of the Act would permit the subject of an investigation of an actual or potential criminal or civil violation to determine whether he is the subject of an investigation. Disclosure of the accounting would therefore present a serious impediment to antitrust law enforcement efforts.

(2) From subsection (d) because access to the information retrievable from this system and compiled for law enforcement purposes could result in the premature disclosure of the identity of the subject of an investigation of an actual or potential criminal or civil violation and information concerning the nature of that investigation. This information could enable the subject to avoid detection or apprehension. This would present a serious impediment to effective law enforcement since the subject could hinder or prevent the successful completion of the investigation. Further, confidential business and financial information, the identities of confidential sources of information, third party privacy information, and statutorily confidential information such as grand jury information must be protected from disclosure.

(3) From subsections (e)(4)(G) and (H), and (f) because this system is exempt from the individual access provisions of subsection (d).

(c) The following system of records is exempt from 5 U.S.C. 552a (c)(3), (d), (e)(4)(G) and (H), and (f):

(1) Freedom of Information/Privacy—Requester/Subject Index File (JUSTICE/ATR-008).

These exemptions apply to the extent that information in this system is subject to exemption pursuant to 5 U.S.C. 552a (k)(2).

(d) Because this system contains Department of Justice civil and criminal law enforcement, investigatory records, exemptions from the particular subsections are justified for the following reasons:

(1) From subsection (c)(3) because the release of the accounting of disclosures made under subsection (b) of the Act would permit the subject of an investigation of an actual or potential criminal or civil violation to determine whether he is the subject of an investigation. Disclosure of accounting would therefore present a serious impediment to antitrust law enforcement efforts.

(2) From subsection (d) because access to information in this system could result in the premature disclosure of the identity of the subject of an investigation of an actual or potential criminal or civil violation and information concerning the nature of the investigation. This information could enable the subject to avoid detection or apprehension. This would present a serious impediment to effective law enforcement since the subject could hinder or prevent the successful completion of the investigation. Further, confidential business and financial information, the identities of confidential sources of information, third party privacy information, and statutorily confidential information such as grand jury information must be protected from disclosure.

(3) From subsections (e)(4)(G) and (H), and (f) because this system is exempt from the individual access provisions of subsection (d).

[Order No. 2-86, 51 FR 884, Jan. 9, 1986]

**§ 16.89 Exemption of Civil Division Systems—limited access.**

(a) The following systems of records are exempted pursuant to 5 U.S.C.

552a(j)(2) from subsections (c) (3) and (4), (d), (e)(1), (e)(2), (e)(3), (e)(4) (G) and (H), (e)(5), (e)(8), and (g); in addition, the following systems of records are exempted pursuant to 5 U.S.C. 552a (k)(1) and (k)(2) from subsections (c)(3), (d), (e)(1), (e)(4) (G) and (H):

(1) Civil Division Case File System, JUSTICE/CIV-001.

(2) Freedom of Information/Privacy Acts File System, JUSTICE/CIV-005.

These exemptions apply only to the extent that information in these systems is subject to exemption pursuant to 5 U.S.C. 552a (j)(2), (k)(1) and (k)(2).

(b) Only that information which relates to the investigation, prosecution, or defense of actual or potential criminal or civil litigation, or which has been properly classified in the interest of national defense and foreign policy is exempted for the reasons set forth from the following subsections:

(1) *Subsection (c)(3)*. To provide the subject of a criminal or civil matter or case under investigation with an accounting of disclosures of records concerning him or her would inform that individual (and others to whom the subject might disclose the records) of the existence, nature, or scope of that investigation and thereby seriously impede law enforcement efforts by permitting the record subject and others to avoid criminal penalties and civil remedies.

(2) *Subsections (c)(4), (e)(4) (G) and (H), and (g)*. These provisions are inapplicable to the extent that these systems of records are exempted from subsection (d).

(3) *Subsection (d)*. To the extent that information contained in these systems has been properly classified, relates to the investigation and/or prosecution of grand jury, civil fraud, and other law enforcement matters, disclosure could compromise matters which should be kept secret in the interest of national security or foreign policy; compromise confidential investigations or proceedings; hamper sensitive civil or criminal investigations; impede affirmative enforcement actions based upon alleged violations of regulations or of civil or criminal laws; reveal the identity of confidential sources; and result in unwarranted invasions of the privacy of others. Amendment of the

records would interfere with ongoing criminal law enforcement proceedings and impose an impossible administrative burden by requiring criminal investigations to be continuously re-investigated.

(4) *Subsection (e)(1)*. In the course of criminal or civil investigations, cases, or matters, the Civil Division may obtain information concerning the actual or potential violation of laws which are not strictly within its statutory authority. In the interest of effective law enforcement, it is necessary to retain such information since it may establish patterns of criminal activity or avoidance of other civil obligations and provide leads for Federal and other law enforcement agencies.

(5) *Subsection (e)(2)*. To collect information from the subject of a criminal investigation or prosecution would present a serious impediment to law enforcement in that the subject (and others to whom the subject might be in contact) would be informed of the existence of the investigation and would therefore be able to avoid detection or apprehension, to influence witnesses improperly, to destroy evidence, or to fabricate testimony.

(6) *Subsection (e)(3)*. To comply with this requirement during the course of a criminal investigation or prosecution could jeopardize the investigation by disclosing the existence of a confidential investigation, revealing the identity of witnesses or confidential informants, or impeding the information gathering process.

(7) *Subsection (e)(5)*. In compiling information for criminal law enforcement purposes, the accuracy, completeness, timeliness and relevancy of the information obtained cannot always be immediately determined. As new details of an investigation come to light, seemingly irrelevant or untimely information may acquire new significance and the accuracy of such information can often only be determined in a court of law. Compliance with this requirement would therefore restrict the ability of government attorneys in exercising their judgment in developing information necessary for effective law enforcement.

(8) *Subsection (e)(8)*. To serve notice would give persons sufficient warning to evade law enforcement efforts.

(c) The following system of records is exempted pursuant to 5 U.S.C. 552a(j)(2) from subsections (c) (3) and (4), (d), (e)(1) and (e)(5); in addition, this system is also exempted pursuant to 5 U.S.C. 552a(k)(2) from subsections (c)(3), (d), and (e)(1).

Consumer Inquiry/Investigatory System, JUSTICE/CIV-006.

These exemptions apply only to the extent that information in this system of records is subject to exemption pursuant to 5 U.S.C. 552a (j)(2) and (k)(2).

(d) Only that information compiled for criminal or civil law enforcement purposes is exempted for the reasons set forth from the following subsections:

(1) *Subsections (c)(3)*. This system occasionally contains investigatory material based on complaints of actual or alleged criminal or civil violations. To provide the subject of a criminal or civil matter or case under investigation with an accounting of disclosures of records concerning him/her would inform that individual of the existence, nature, or scope of that investigation, and thereby seriously impede law enforcement efforts by permitting the record subject and other persons to whom he might disclose the records to avoid criminal penalties and civil remedies.

(2) *Subsections (c)(4)*. This subsection is inapplicable to the extent that an exemption is being claimed for subsection (d).

(3) *Subsection (d)*. Disclosure of information relating to the investigation of complaints of alleged violation of criminal or civil law could interfere with the investigation, reveal the identity of confidential sources, and result in an unwarranted invasion of the privacy of others. Amendment of the records would interfere with ongoing criminal law enforcement proceedings and impose an impossible administrative burden by requiring criminal investigations to be continuously re-investigated.

(4) *Subsection (e)(1)*. In the course of criminal or civil investigations, cases, or matters, the Civil Division may ob-

tain information concerning the actual or potential violation of laws which are not strictly within its statutory authority. In the interest of effective law enforcement, it is necessary to retain such information since it may establish patterns of criminal activity or avoidance of other civil obligations and provide leads for Federal and other law enforcement agencies.

(5) *Subsection (e)(5)*. In compiling information for criminal law enforcement purposes, the accuracy, completeness, timeliness and relevancy of the information obtained cannot always be immediately determined. As new details of an investigation come to light, seemingly irrelevant or untimely information may acquire new significance and the accuracy of such information can often only be determined in a court of law. Compliance with this requirement would therefore restrict the ability of government attorneys in exercising their judgment in developing information necessary for effective law enforcement.

(e) The following system of records is exempt pursuant to 5 U.S.C. 552a (j)(2) and (k)(2) from subsection (d):

Congressional and Citizen Correspondence File, JUSTICE/CIV-007.

This exemption applies only to the extent that information in this system is subject to exemption pursuant to 5 U.S.C 552a (j)(2) and (k)(2).

(f) Only that portion of the Congressional and Citizen Correspondence File maintained by the Communications Office which consists of criminal or civil investigatory information is exempted for the reasons set forth from the following subsection:

(1) *Subsection (d)*. Disclosure of investigatory information would jeopardize the integrity of the investigative process, disclose the identity of individuals who furnished information to the government under an express or implied promise that their identities would be held in confidence, and result in an unwarranted invasion of the privacy of others. Amendment of the records would interfere with ongoing criminal

law enforcement proceedings and impose an impossible administrative burden by requiring criminal investigations to be continuously reinvestigated.

[Order No. 27-88, 54 FR 113, Jan. 4, 1989]

**§ 16.90 Exemption of Civil Rights Division Systems.**

(a) The following system of records is exempted from subsections (c)(3) and (4); (d)(1), (2), (3) and (4); (e)(1), (2), (3), (5), and (8); and (g) of the Privacy Act pursuant to 5 U.S.C. 552a (j) and (k): Central Civil Rights Division Index File and Associated Records (JUSTICE/CRT-001). These exemptions apply only to the extent that information in a record is subject to exemption pursuant to 5 U.S.C. 552a (j)(2), (k)(1) and (k)(2).

(b) Exemptions from the particular subsections are justified for the following reasons:

(1) *Subsection (c)(3)*. To provide the subject of a criminal, civil, or administrative matter or case under investigation with an accounting of disclosures of records concerning him or her could inform that individual of the existence, nature, or scope of an actual or potential criminal or civil violation to gain valuable information concerning the nature and scope of the investigation, to determine whether he or she is the subject of the investigation, and seriously impede law enforcement efforts by permitting the record subject and other persons to whom he or she might disclose the records to avoid criminal penalties, civil remedies, or administrative measures.

(2) *Subsection (c)(4)*. This subsection is inapplicable to the extent that an exemption is being claimed for subsection (d).

(3) *Subsection (d)(1)*. Disclosure of investigatory information could interfere with the investigation, reveal the identity of confidential sources, and result in an unwarranted invasion of the privacy of others. Disclosure of classified national security information would cause damage to the national security of the United States. In addition, these records may be subject to protective orders entered by federal courts to protect their confidentiality. Further, many of the records contained in this

system are copies of documents which are the property of state agencies and were obtained under express or implied promises to strictly protect their confidentiality.

(4) *Subsection (d)(2)*. Amendment of the records could interfere with ongoing criminal or civil law enforcement proceedings and impose an impossible administrative burden by requiring investigations to be continuously reinvestigated.

(5) *Subsection (d)(3) and (4)*. These subsections are inapplicable to the extent exemption is claimed from (d)(1) and (2).

(6) *Subsection (e)(1)*. It is often impossible to determine in advance if investigatory records contained in this system are accurate, relevant, timely and complete, but, in the interests of effective law enforcement, it is necessary to retain this information to aid in establishing patterns of activity and provide investigative leads.

(7) *Subsection (e)(2)*. To collect information from the subject individual could serve notice that he or she is the subject of a criminal investigation and thereby present a serious impediment to such investigation.

(8) *Subsection (e)(3)*. To inform individuals as required by this subsection could reveal the existence of a criminal or civil investigation and compromise investigative efforts.

(9) *Subsection (e)(5)*. It is often impossible to determine in advance if investigatory records contained in this system are accurate, relevant, timely and complete, but, in the interests of effective law enforcement, it is necessary to retain this information to aid in establishing patterns of activity and provide investigative leads.

(10) *Subsection (e)(8)*. To serve notice could give persons sufficient warning to evade investigative efforts.

(11) *Subsection (g)*. This subsection is inapplicable to the extent that the system is exempt from other specific subsections of the Privacy Act.

(c) The following system of records is exempted from subsections (d)(1), (2), (3) and (4) of the Privacy Act pursuant to 5 U.S.C. 552a (k): "Files on Employment Civil Rights Matters Referred by the Equal Employment Opportunity Commission (JUSTICE/CRT-007)."

These exemptions apply only to the extent that information in a record is subject to exemption pursuant to 5 U.S.C. 552a (k)(2).

(d) Exemptions from the particular subsections are justified for the following reasons:

(1) *Subsection (d)(1)*. Disclosure of investigatory information could interfere with the investigation, reveal the identity of confidential sources, and result in an unwarranted invasion of the privacy of others. In addition, these records may be subject to protective orders entered by federal courts to protect their confidentiality. Further, many of the records contained in this system are copies of documents which are the property of state agencies and were obtained under express or implied promises to strictly protect their confidentiality.

(2) *Subsection (d)(2)*. Amendment of the records could interfere with ongoing criminal or civil law enforcement proceedings and impose an impossible administrative burden by requiring investigations to be continuously re-investigated.

(3) *Subsection (d)(1), (2), (3) and (4)*. This system contains investigatory material compiled by the Equal Opportunity Commission pursuant to its authority under 42 U.S.C. 2000e-8, Titles 42 U.S.C. 2000e-5(b), 42 U.S.C. 2000e-8(e), and 44 U.S.C. 3508 make it unlawful to make public in any manner whatsoever any information obtained by the Commission pursuant to the authority.

(4) *Subsection (d)(3) and (4)*. These subsections are inapplicable to the extent exemption is claimed from (d)(1) and (2).

[Order No. 019-2003, 68 FR 61622, Oct. 29, 2003]

**§ 16.91 Exemption of Criminal Division Systems—limited access, as indicated.**

(a) The following systems of records are exempted pursuant to the provisions of 5 U.S.C. 552a(j)(2) from subsections (c) (3) and (4), (d), (e) (1), (2) and (3), (e)(4) (G), (H) and (I), (e) (5) and (8), (f) and (g) of 5 U.S.C. 552a; in addition, the following systems of records are exempted pursuant to the provisions of 5 U.S.C. 552a (k)(1) and (k)(2) from subsections (c)(3), (d), (e)(1), (e)(4) (G), (H), and (I), and (f) of 5 U.S.C. 552a:

(1) Central Criminal Division, Index File and Associated Records System of Records (JUSTICE/CRM-001)—Limited Access. This system of records and associated exemptions is adopted by and applies with equal force and effect to the National Security Division, until modified, superseded, or revoked in accordance with law.

(2) General Crimes Section, Criminal Division, Central Index File and Associated Records System of Records (JUSTICE/CRM-004)—Limited Access.

These exemptions apply to the extent that information in those systems are subject to exemption pursuant to 5 U.S.C. 552a (j)(2), (k)(1) and (k)(2).

(b) The systems of records listed under paragraphs (b)(1) and (b)(2) of this section are exempted, for the reasons set forth, from the following provisions of 5 U.S.C. 552a:

(1). (c)(3). The release of the disclosure accounting for disclosures made pursuant to subsection (b) of the Act, including those permitted under the routine uses published for these systems of records, would permit the subject of an investigation of an actual or potential criminal, civil, or regulatory violation to determine whether he is the subject of investigation, or to obtain valuable information concerning the nature of that investigation, and the information obtained, or the identity of witnesses and informants and would therefore present a serious impediment to law enforcement. In addition, disclosure of the accounting would amount to notice to the individual of the existence of a record; such notice requirement under subsection (f)(1) is specifically exempted for these systems of records.

(2). (c)(4). Since an exemption is being claimed for subsection (d) of the Act (Access to Records) this subsection is inapplicable to the extent that these systems of records are exempted from subsection (d).

(3). (d). Access to the records contained in these systems would inform the subject of an investigation of an actual or potential criminal, civil, or regulatory violation of the existence of that investigation, or the nature and scope of the information and evidence obtained as to his activities, of the identity of witnesses and informants,

or would provide information that could enable the subject to avoid detection or apprehension. These factors would present a serious impediment to effective law enforcement because they could prevent the successful completion of the investigation, endanger the physical safety of witnesses or informants, and lead to the improper influencing of witnesses, the destruction of evidence, or the fabrication of testimony.

(4). (e)(1). The notices of these systems of records published in the FEDERAL REGISTER set forth the basic statutory or related authority for maintenance of this system. However, in the course of criminal or other law enforcement investigations, cases, and matters, the Criminal Division or its components will occasionally obtain information concerning actual or potential violations of law that are not strictly within its statutory or other authority or may compile information in the course of an investigation which may not be relevant to a specific prosecution. In the interests of effective law enforcement, it is necessary to retain such information in these systems of records since it can aid in establishing patterns of criminal activity and can provide valuable leads for federal and other law enforcement agencies.

(5). (e)(2). In a criminal investigation or prosecution, the requirement that information be collected to the greatest extent practicable from the greatest individual would present a serious impediment to law enforcement because the subject of the investigation or prosecution would be placed on notice as to the existence of the investigation and would therefore be able to avoid detection or apprehension, to influence witnesses improperly, to destroy evidence, or to fabricate testimony.

(6). (e)(3). The requirement that individuals supplying information be provided with a form stating the requirements of subsection (e)(3) would constitute a serious impediment to law enforcement in that it could compromise the existence of a confidential investigation or reveal the identity of witnesses or confidential informants.

(7). (e)(4) (G) and (H). Since an exemption is being claimed for sub-

sections (f) (Agency Rules) and (d) (Access to Records) of the Act these subsections are inapplicable to the extent that these systems of records are exempted from subsections (f) and (d).

(8). (e)(4)(I). The categories of sources of the records in these systems have been published in the FEDERAL REGISTER in broad generic terms in the belief that this is all that subsection (e)(4)(I) of the Act requires. In the event, however, that this subsection should be interpreted to require more detail as to the identity of sources of the records in these systems, exemption from this provision is necessary in order to protect the confidentiality of the sources of criminal and other law enforcement information. Such exemption is further necessary to protect the privacy and physical safety of witnesses and informants.

(9). (e)(5). In the collection of information for criminal law enforcement purposes it is impossible to determine in advance what information is accurate, relevant, timely, and complete. With the passage of time, seemingly irrelevant or untimely information may acquire new significance as further investigation brings new details to light and the accuracy of such information can often only be determined in a court of law. The restrictions of subsection (e)(5) would restrict the ability of trained investigators, intelligence analysts, and government attorneys in exercising their judgment in reporting on information and investigations and impede the development of criminal or other intelligence necessary for effective law enforcement.

(10). (e)(8). The individual notice requirements of subsection (e)(8) could present a serious impediment to law enforcement as this could interfere with the ability to issue warrants or subpoenas and could reveal investigative techniques, procedures, or evidence.

(11). (f). Procedures for notice to an individual pursuant to subsection (f)(1) as to the existence of records pertaining to him dealing with an actual or potential criminal, civil, or regulatory investigation or prosecution must be exempted because such notice to an individual would be detrimental

to the successful conduct and/or completion of an investigation or prosecution pending or future. In addition, mere notice of the fact of an investigation could inform the subject or others that their activities are under or may become the subject of an investigation and could enable the subjects to avoid detection or apprehension, to influence witnesses improperly, to destroy evidence, or to fabricate testimony.

Since an exemption is being claimed for subsection (d) of the Act (Access to Records) the rules require pursuant to subsection (f) (2) through (5) are inapplicable to these systems of records to the extent that these systems of records are exempted from subsection (d).

(12). (g). Since an exemption is being claimed for subsections (d) (Access to Records) and (f) (Agency Rules) this section is inapplicable, and is exempted for the reasons set forth for those subsections, to the extent that these systems of records are exempted from subsections (d) and (f).

(13). In addition, exemption is claimed for these systems of records from compliance with the following provisions of the Privacy Act of 1974 (5 U.S.C. 552a) pursuant to the provisions of 5 U.S.C. 552a(k)(1): Subsections (c)(3), (d), (e)(1), (e)(4) (G), (H) and (I) and (f) to the extent that the records contained in these systems are specifically authorized to be kept secret in the interests of national defense and foreign policy.

(c) The following system of records is exempted pursuant to the provisions of 5 U.S.C. 552a(j) (2) from subsection (c) (3) and (4), (d), (e) (1), (2) and (3), (e) (4) (G), (H) and (I), (e) (5) and (8), (f) and (g) of 5 U.S.C. 552a:

Criminal Division Witness Security File System of Records(JUSTICE/CRM-002).

These exemptions apply to the extent that information in this system is subject to exemption pursuant to 5 U.S.C. 552a(j)(2).

(d) The system of records listed under paragraph (c) of this section is exempted, for the reasons set forth, from the following provisions of 5 U.S.C. 552a:

(1). (c)(3) The release of the disclosure accounting for disclosures made pursuant to subsection (b) of the Act,

including those permitted under the routine uses published for these systems of records, would permit the subject of an investigation of an actual or potential criminal violation, which may include those protected under the Witness Security Program, to determine whether he is the subject of a criminal investigation, to obtain valuable information concerning the nature of that investigation and the information obtained, or the identity of witnesses and informants and the nature of their reports, and would therefore present a serious impediment to law enforcement. In addition, disclosure of the accounting would amount to notice to the individual of the existence of a record; such notice requirement under subsection (f)(1) is specifically exempted for these systems of records. Moreover, disclosure of the disclosure accounting to an individual protected under the Witness Security Program could jeopardize the effectiveness and security of the Program by revealing the methods and techniques utilized in relocating witnesses and could therefore jeopardize the ability to obtain, and to protect the confidentiality of, information compiled for purposes of a criminal investigation.

(2). (c)(4) Since an exemption is being claimed for subsection (d) of the Act (Access to Records) this section is inapplicable.

(3). (d) Access to the records contained in these systems would inform the subject of an investigation of an actual or potential criminal violation, which may include those protected under the Witness Security Program, of the existence of that investigation, of the nature and scope of the information and evidence obtained as to his activities, of the identity of witnesses and informants, or would provide information that could enable the subject to avoid detection or apprehension. These factors would present a serious impediment to effective law enforcement because they could prevent the successful completion of the investigation, endanger the physical safety of witnesses or informants, and lead to the improper influencing of witnesses, the destruction of evidence, or the fabrication of testimony. In addition, access to the



records in these systems to an individual protected under the Witness Security Program could jeopardize the effectiveness and security of the Program by revealing the methods and techniques utilized in relocating witnesses and could therefore jeopardize the ability to obtain, and to protect the confidentiality of, information compiled for purposes of a criminal investigation.

(4). Exemption is claimed from subsection (e)(1) for the reasons stated in subsection (b)(4) of this section.

(5). (e)(2) In the course of preparing a Witness Security Program for an individual, much of the information is collected from the subject. However, the requirement that the information be collected to the greatest extent practicable from the subject individual would present a serious impediment to criminal law enforcement because the individual himself may be the subject of a criminal investigation or have been a participant in, or observer of, criminal activity. As a result, it is necessary to seek information from other sources. In addition, the failure to verify the information provided from the individual when necessary and to seek other information could jeopardize the confidentiality of the Witness Security Program and lead to the obtaining and maintenance of incorrect and uninvestigated information on criminal matters.

(6). (e)(3) The requirement that individuals supplying information be provided with a form stating the requirements of subsection (e)(3) would constitute a serious impediment to law enforcement in that it could compromise or reveal the identity of witnesses and informants protected under the Witness Security Program.

(7). (e)(4) (G) and (H). Since an exemption is being claimed for subsections (f) (Agency Rules) and (d) (Access to Records) of the Act these subsections are inapplicable.

(8). (e)(4)(I). The categories of sources of the records in these systems have been published in the FEDERAL REGISTER in broad generic terms in the belief that this is all that subsection (e)(4)(I) of the Act requires. In the event, however, that this subsection should be interpreted to require more

detail as to the identity of sources of the records in the system, exemption from this provision is necessary in order to protect the confidentiality of the sources of criminal law, enforcement information and of witnesses and informants protected under the Witness Security Program.

(9). Exemption is claimed from subsections (e)(5) and (e)(8) for the reasons stated in subsection (b)(9) and (b)(10) of this section.

(10). Procedures for notice to an individual pursuant to subsection (f)(1) as to the existence of records contained in these systems pertaining to him would inform the subject of an investigation of an actual or potential criminal violation, which may include those protected under the Witness Security Program, of the existence of that investigation, of the nature and scope of the information and evidence obtained as to his activities, of the identity of witnesses and informants, or would provide information that could enable the subject to avoid detection or apprehension. These factors would present a serious impediment to effective law enforcement because they could prevent the successful conduct and/or completion of an investigation pending or future, endanger the physical safety of witnesses or informants, and lead to the improper influencing of witnesses, the destruction of evidence, or the fabrication of testimony. In addition, notices as to the existence of records contained in these systems to an individual protected under the Witness Security Program could jeopardize the effectiveness and security of the Program by revealing the methods and techniques utilized in relocating witnesses and could therefore jeopardize the ability to obtain, and to protect the confidentiality of, information compiled for purposes of a criminal investigation.

Since an exemption is being claimed for subsection (d) of the Act (Access to Records) the rules required pursuant to subsection (f) (2) through (5) are inapplicable.

(11). (g) Since an exemption is being claimed for subsections (d) (Access to Records) and (f) (Agency Rules) this section is inapplicable and is exempted

**§ 16.91**

**28 CFR Ch. I (7-1-17 Edition)**

for the reasons set forth for those subsections.

(e) The following system of records is exempted pursuant to the provisions of 5 U.S.C. 552a(j)(2) from subsections (c) (3) and (4), (d), (e) (4) (G), (H) and (I), (f), and (g) of 5 U.S.C. 552a:

Organized Crime and Racketeering Section,  
Intelligence and Special Services Unit, In-  
formation Request System of Records  
(JUSTICE/CRM-014).

These exemptions apply to the extent that information in this system is subject to exemption pursuant to 5 U.S.C. 552a(j)(2).

(f) The system of records listed under paragraph (e) of this section is exempted for the reasons set forth, from the following provisions of 5 U.S.C. 552a:

(1). (c)(3). The release of the disclosure accounting for disclosures made pursuant to subsection (b) of the Act, including those permitted under the routine uses published for these systems of records, would permit the subject of an investigation of an actual or potential criminal violation to determine whether he is the subject of a criminal investigation and would therefore present a serious impediment to law enforcement. The records in these systems contain the names of the subjects of the files in question and the system is accessible by name of the person checking out the file and by name of the subject of the file. In addition, disclosure of the accounting would amount to notice to the individual of the existence of a record; such notice requirement under subsection (f)(1) is specifically exempted for these systems of records.

(2). (c)(4). Since an exemption is being claimed for subsection (d) of the Act (Access to Records) this section is inapplicable.

(3). (d). Access to the records contained in these systems would inform the subject of an investigation of an actual or potential criminal violation of the existence of that investigation. This would present a serious impediment to effective law enforcement because it could prevent the successful completion of the investigation, endanger the physical safety of witnesses or informants, and lead to the improper influencing of witnesses, the destruc-

tion of evidence, or the fabrication of testimony.

(4). Exemption is claimed from subsections (e)(4) (G), (H) and (I) for the reasons stated in subsections (b)(7) and (b)(8) of this section.

(5). (f). These systems may be accessed by the name of the person who is the subject of the file and who may also be the subject of a criminal investigation. Procedures for notice to an individual pursuant to subsection (f)(1) as to the existence of records pertaining to him, which may deal with an actual or potential criminal investigation or prosecution, must be exempted because such notice to an individual would be detrimental to the successful conduct and/or completion of the investigation or prosecution pending or future. In addition mere notice of the fact of an investigation could inform the subject or others that their activities are under or may become the subject of an investigation and could enable the subjects to avoid detection or apprehension, to influence witnesses improperly, to destroy evidence, or to fabricate testimony.

Since an exemption is being claimed for subsection (d) of the Act (Access to Records) the rules required pursuant to subsection (f) (2) through (5) are inapplicable.

(6). (g). Since an exemption is being claimed for subsections (d) (Access to Records) and (f) (Agency Rules) of the Act this section is inapplicable and is exempted for the reasons set forth for those subsections.

(g) The following system of records is exempted pursuant to the provisions of 5 U.S.C. 552a(j)(2) from subsections (c)(4), (d), (e)(4) (G), (H) and (I), (f) and (g) of 5 U.S.C. 552a.

File of Names Checked to Determine If  
Those Individuals Have Been the Subject of  
an Electronic Surveillance System of  
Records (JUSTICE/CRM-003).

These exemptions apply to the extent that information in this system is subject to exemption pursuant to 5 U.S.C. 552a(j)(2).

(h) The system of records listed under paragraph (g) of this section is exempted, for the reasons set forth, from the following provisions of 5 U.S.C. 552a:

## Department of Justice

## § 16.91

(1). (c)(4). Since an exemption is being claimed for subsection (d) of the Act (Access to Records) this section is inapplicable to the extent that this system of records is exempted from subsection (d).

(2). (d). The records contained in this system of records generally consist of information filed with the court in response to the request and made available to the requestor. To the extent that these records have been so filed, no exemption is sought from the provisions of this subsection. Occasionally, the records contain pertinent logs of intercepted communications and other investigative reports not filed with the court. These records must be exempted because access to such records could inform the subject of an investigation of an actual or potential criminal violation of the existence of that investigation and of the nature of the information and evidence obtained by the government. This would present a serious impediment to effective law enforcement because it could prevent the successful completion of the investigation, endanger the physical safety of witnesses or informants, and lead to the improper influencing of witnesses, the destruction of evidence, or the fabrication of testimony.

(3). Exemption is claimed from subsections (e)(4) (G), (H) and (I) for the reasons stated in subsections (b)(7) and (b)(8) of this section.

(4). (f). The records contained in this system of records generally consist of information filed with the court and made available to the requestor. To the extent that these records have been so filed, no exemption is sought from the provisions of this subsection. Occasionally, the records contain pertinent logs of intercepted communications and other investigative reports not filed with the court. These records must be exempted from a requirement of notification as to their existence because such notice to an individual would be detrimental to the successful conduct and/or completion of a criminal investigation or prosecution pending or future. In addition, mere notice of the existence of such logs or investigative reports could inform the subject or others that their activities are under or may become the subject of an inves-

tigation and could enable the subjects to avoid detection or apprehension, to influence witnesses improperly, to destroy evidence, or to fabricate testimony.

Since an exemption is being claimed for subsection (d) of the Act (Access to Records) the rules required pursuant to subsection (f) (2) through (5) are inapplicable to the extent that this system of records is exempted for subsection (d).

(6). (g). Since an exemption is being claimed for subsections (d) (Access to Records) and (f) (Agency Rules) this section is inapplicable, and is exempted for the reasons set forth for those subsections, to the extent that this system of records is exempted from subsections (d) and (f).

(i) The following systems of records are exempted pursuant to the provisions of 5 U.S.C. 552a(j)(2) from subsections (c) (3) and (4), (d), (e) (1), (2), and (3), (e)(4) (G), (H), and (I), (e) (5) and (8), (f) and (g) of 5 U.S.C. 552a:

(1) Information File on Individuals and Commercial Entities Known or Suspected of Being Involved in Fraudulent Activities System of Records (JUSTICE/CRM-006).

(2) The Stocks and Bonds Intelligence Control Card File System of Records (JUSTICE/CRM-021).

(3) Tax Disclosure Index File and Associated Records (JUSTICE/CRM-025).

These exemptions apply only to the extent that information in these systems is subject to exemption pursuant to 5 U.S.C. 552a(j)(2).

(j) The systems of records listed in paragraphs (i)(1), (i)(2), and (i)(3) of this section are exempted, for the reasons set forth, from the following provisions of 5 U.S.C. 552a:

(1)(c)(3) The release of the disclosure accounting for disclosures made pursuant to subsection (b) of the act, including those permitted under the routine uses published for these systems of records, would permit the subject of an investigation of an actual or potential criminal violation to determine whether he is the subject of a criminal investigation, to obtain valuable information concerning the nature of that investigation, and the information obtained, or the identity of witnesses and

informants, and would therefore present a serious impediment to law enforcement. In addition, disclosure of the accounting would amount to notice to the individual of the existence of a record; such notice requirement under subsection (f)(1) is specifically exempted for this system of records.

(2)(c)(4) Since an exemption is being claimed for subsection (d) of the act (access to records), this section is inapplicable to the extent that these systems of records are exempted from subsection (d).

(3)(d) Access to the records contained in these systems would inform the subject of an investigation of an actual or potential criminal violation of the existence of that investigation, of the nature and scope of the information and evidence obtained as to his activities, of the identity of witnesses and informants, or would provide information that could enable the subject to avoid detection or apprehension. These factors would present a serious impediment to effective law enforcement because they could prevent the successful completion of the investigation, endanger the physical safety of witnesses or informants, and lead to the improper influencing of witnesses, the destruction of evidence, or the fabrication of testimony.

(4) Exemption is claimed from subsections (e) (1), (2), and (3), (e)(4) (G), (H), and (I), (e)(5) and (e)(8) for the reasons stated in subsections (b)(4), (b)(5), (b)(6), (b)(7), (b)(8), (b)(9), and (b)(10) of this section.

(5)(f) Procedures for notice to an individual pursuant to subsection (f)(1) as to the existence of records pertaining to him dealing with an actual or potential criminal investigation or prosecution must be exempted because such notice to an individual would be detrimental to the successful conduct and/or completion of an investigation or prosecution pending or future. In addition, mere notice of the fact of an investigation could inform the subject or others that their activities are under or may become the subject of an investigation and could enable the subjects to avoid detection or apprehension, to influence witnesses improperly, to destroy evidence, or to fabricate testimony. Since an exemption is being

claimed for subsection (d) of the act (access to records), the rules required pursuant to subsection (f) (2) through (5) are inapplicable to these systems of records.

(6)(g) Since an exemption is being claimed for subsections (d) (access to records) and (f) (Agency rules), this section is inapplicable and is exempted for the reasons set forth for those subsections.

(k) The following system of records is exempted pursuant to the provisions of 5 U.S.C. 552a(j)(2) from subsections (c) (3) and (4), (d), (e) (1), (2) and (3), (e)(4) (G), (H) and (I), (e) (5) and (8), (f) and (g) of 5 U.S.C. 552a; in addition, the following systems of records are exempted pursuant to the provisions of 5 U.S.C. 552a(k)(1) from subsections (c) (3), (d), (e)(1), (e)(4) (G), (H) and (I) and (f) of 5 U.S.C. 552a:

Organized Crime and Racketeering Section,  
Criminal Division, General Index File and  
Associated Records System of Records  
(JUSTICE/CRM-012).

These exemptions apply to the extent that information in this system is subject to exemption pursuant to 5 U.S.C. 552a(j)(2) and (k)(1).

(1) The system of records listed under paragraph (m)<sup>1</sup> of this section is exempted, for the reasons set forth, from the following provisions of 5 U.S.C. 552a:

(1). Exemption is claimed from subsections (c) (3) and (4) and (d) for the reasons stated in subsections (j)(1), (j)(2) and (j)(3) of this section.

(2). (e)(1). The notice for this system of records published in the FEDERAL REGISTER sets forth the basic statutory or related authority for maintenance of this system. However, in the course of criminal investigations, cases, and matters, the Organized Crime and Racketeering Section will occasionally obtain information concerning actual or potential violations of law that are not strictly within its statutory or other authority, or may compile information in the course of an investigation which may not be relevant to a specific prosecution. In the interests of

<sup>1</sup>Paragraph (m) was redesignated as paragraph (k) at 44 FR 54046, Sept. 18, 1979.

effective law enforcement, it is necessary to retain such information in this system of records since it can aid in establishing patterns of criminal activity and can provide valuable leads for federal and other law enforcement agencies.

(3). Exemption is claimed from subsections (e) (2) and (3), (e)(4) (G), (H) and (I), (e) (5) and (8), (f) and (g) for the reasons stated in subsections (b)(5), (b)(6), (b)(7), (b)(8), (b)(9), (b)(10), (b)(11) and (b)(12) of this section.

(4). In addition, exemption is claimed for this system of records from compliance with the following provisions of the Privacy Act of 1974 (5 U.S.C. 552a) pursuant to the provisions of 5 U.S.C. 552a(k)(1): Subsections (c)(3), (d), (e)(1), (e)(4) (G), (H) and (I) and (f) to the extent that the records contained in this system are specifically authorized to be kept secret in the interests of national defense and foreign policy.

(m) The following system of records is exempted pursuant to the provisions of 5 U.S.C. 552a(j)(2) from subsections (c) (3) and (4), (d), (e) (2) and (3), (e) (4) (G), (H) and (I), (e) (8), (f) and (g) of 5 U.S.C. 552a:

Requests to the Attorney General For Approval of Applications to Federal Judges For Electronic Interceptions System of Records (JUSTICE/CRM-019).

These exemptions apply only to the extent that information in this system is subject to exemption pursuant to 5 U.S.C. 552a(j)(2).

(n) The system of records listed in paragraph (m) of this section is exempted for the reasons set forth, from the following provisions of 5 U.S.C. 552a:

(1). (c)(3). The release of the disclosure accounting for disclosures made pursuant to subsection (b) of the Act, including those permitted under the routine uses published for these systems of records, would permit the subject of an electronic interception to obtain valuable information concerning the interception, including information as to whether he is the subject of a criminal investigation, by means other than those provided for by statute. Such information could interfere with the successful conduct and/or completion of a criminal investigation, and

would therefore present a serious impediment to law enforcement. In addition, disclosure of the accounting would amount to notice to the individual of the existence of a record; such notice requirement under subsection (f)(1) is specifically exempted for these systems of records.

(2). (c)(4). Since an exemption is being claimed for subsection (d) of the Act (Access to Records) this section is inapplicable.

(3). (d). Access to the records contained in these systems would inform the subject of an electronic interception of the existence of such surveillance including information as to whether he is the subject of a criminal investigation by means other than those provided for by statute. This could interfere with the successful conduct and/or completion of a criminal investigation and therefore present a serious impediment to law enforcement.

(4). (e)(2). In the context of an electronic interception, the requirement that information be collected to the greatest extent practicable from the subject individual would present a serious impediment to law enforcement because the subject of the investigation or prosecution would be placed on notice as to the existence of the investigation and this would therefore destroy the efficacy of the interception.

(5). (e)(3). The requirement that individuals supplying information be provided with a form stating the requirements of subsection (e)(3) would constitute a serious impediment to law enforcement in that it could compromise the existence of a confidential electronic interception or reveal the identity of witnesses or confidential informants.

(6). (e)(4) (G) and (H). Since an exemption is being claimed for subsections (f) (Agency Rules) and (d) (Access to Records) of the Act these subsections are inapplicable.

(7). Exemption is claimed from subsections (e)(4)(I) and (e)(8) for the reasons stated in subsections (b)(8) and (b)(10) of this section.

(8). (f). Procedures for notice to an individual pursuant to subsection (f)(1) as to the existence of records pertaining to him dealing with an electronic

interception other than pursuant to statute must be exempted because such notice to an individual would be detrimental to the successful conduct and/or completion of an investigation pending or future. In addition, mere notice of the fact of an electronic interception could inform the subject or others that their activities are under or may become the subject of an investigation and could enable the subjects to avoid detection or apprehension, to influence witnesses improperly, to destroy evidence, or to fabricate testimony.

Since an exemption is being claimed for subsection (d) of the Act (Access to Records) the rules required pursuant to subsection (f)(2) through (5) are inapplicable to these systems of records to the extent that these systems of records are exempted from subsection (d).

(9). (g). Since an exemption is being claimed for subsection (d) (Access to Records) and (f) (Agency Rules) this section is inapplicable, and is exempted for the reasons set forth for those subsections, to the extent that these systems of records are exempted from subsection (d) and (f).

(o) The following system of records is exempted pursuant to the provisions of 5 U.S.C. 552a(j)(2) from subsections (c) (3) and (4), (d), (e) (2) and (3), (e) (4) (G), (H), and (I), (e)(8), (f) and (g) of 5 U.S.C. 552a; in addition the following system of records is exempted pursuant to the provisions of 5 U.S.C. 552a(k)(1) and (k)(2) from subsections (c)(3), (d), (e)(4) (G), (H) and (I), and (f) of 5 U.S.C. 552a:

Witness Immunity Records System of Records (JUSTICE/CRM-022).

These exemptions apply only to the extent that information in this system is subject to exemption pursuant to 5 U.S.C. 552a (j)(2) and (k)(1) and (k)(2).

(p) The system of records listed under paragraph (q)<sup>2</sup> of this section is exempted, for the reasons set forth, from the following provisions of 5 U.S.C. 552a:

(1). (c)(3). Release of the accounting of disclosures made pursuant to subsection (b) of the Act, including those permitted under the routine uses pub-

lished for this system of records, (a) as to a witness for whom immunity has been proposed, would inform the individual of the existence of the proposed immunity prematurely, thus creating a serious impediment to effective law enforcement in that the witness could flee, destroy evidence, or fabricate testimony; and (b) as to a witness to whom immunity has been granted, or for whom it has been denied, would reveal the nature and scope of the activities, if any, of the witness known to the government, which would also create a serious impediment to effective law enforcement.

(2). (c)(4). Since an exemption is being claimed for subsection (d) of the Act (Access to Records) this section is inapplicable to the extent that this system of records is exempted from subsection (d).

(3). (d). Access to the records contained in this system (a) as to a witness for whom immunity has been proposed, would inform the individual of the existence of the proposed immunity prematurely, thus presenting a serious impediment to effective law enforcement in that the witness could flee, destroy evidence, or fabricate testimony; and (b) as to a witness to whom immunity has been granted, or for whom it has been denied, would reveal the nature and scope of the activities, if any, of the witness known to the government, which would also create a serious impediment to effective law enforcement.

(4). (e)(2). In a witness immunity request matter, the requirement that information be collected to the greatest extent practicable from the subject individual would present a serious impediment to law enforcement because the subject of the immunity request and often the subject of the underlying investigation or prosecution would be placed on notice as to the existence of the investigation and would therefore be able to avoid detection or apprehension, to influence witnesses improperly, to destroy evidence, or to fabricate testimony.

(5). Exemption is claimed from subsections (e)(3), (e)(4)(G), (H) and (I), and (e)(8) for the reasons stated in subsections (b)(6), (b)(7), (b)(8) and (b)(10) of this section.

<sup>2</sup> Paragraph (q) was redesignated as paragraph (o) at 44 FR 54046, Sept. 18, 1979.

(6). (f). Procedures for notice to an individual pursuant to subsection (f)(1) as to the existence of records pertaining to him (a) as to a witness for whom immunity has been proposed, would inform the individual of the existence of the proposed immunity prematurely, thus presenting a serious impediment to effective law enforcement in that the witness could flee, destroy evidence, or fabricate testimony; and (b) as to a witness to whom immunity has been granted, or for whom it has been denied, would reveal the nature and scope of the activity, if any, of the witness known to the government, which would also create a serious impediment to effective law enforcement.

Since an exemption is being claimed for subsection (d) of the Act (Access to Records) the rules required pursuant to subsection (f)(2) through (5) are inapplicable to this system of records to the extent that this system of records is exempted from subsection (d).

(7). (g). Since an exemption is being claimed for subsections (d) (Access to Records) and (f) (Agency Rules) this section is inapplicable, and is exempted for the reasons set forth for those subsections, to the extent that this system of records is exempted for subsections (d) and (f).

(8). In addition, exemption is claimed for this system of records from compliance with the following provisions of the Privacy Act of 1974 (5 U.S.C. 552a) pursuant to the provisions of 5 U.S.C. 552a(k)(1): subsections (c)(3), (d), (e)(1), (e)(4) (G), (H) and (I) and (f) to the extent that the records contained in this system are specifically authorized to be kept secret in the interests of national defense and foreign policy.

(q) The following system of records is exempt from 5 U.S.C. 552a(c) (3) and (4), (d), (e) (1), (2) and (3), (e)(4) (G), (H) and (I), (e) (5) and (8), (f), and (g):

(1) Freedom of Information/Privacy Act Records (JUSTICE/CRM-024)

These exemptions apply to the extent that information in this system is subject to exemption pursuant to 5 U.S.C. 552a(j)(2), (k)(1) and (k)(2).

(r) Because this system contains Department of Justice civil and criminal law enforcement, investigatory records, it is exempted for the reasons

set forth from the following provisions of 5 U.S.C. 552a:

(1)(c)(3). The release of the disclosure accounting would present a serious impediment to law enforcement by permitting the subject of an investigation of an actual or potential criminal, civil, or regulatory violation to determine whether he is the subject of investigation, or to obtain valuable information concerning the nature of that investigation and the information obtained, or to identify witnesses and informants.

(2)(c)(4). Since an exemption is being claimed for subsection (d) of the Act (Access to Records), this subsection is inapplicable to the extent that this system of records is exempted from subsection (d).

(3)(d). Access to records contained in this system would enable the subject of an investigation of an actual or potential criminal or civil case or regulatory violation to determine whether he or she is the subject of investigation, to obtain valuable information concerning the nature and scope of the investigation, and information or evidence obtained as to his/her activities, to identify witnesses and informants, or to avoid detection or apprehension. Such results could prevent the successful completion of the investigation, endanger the physical safety of witnesses or informants, lead to the improper influencing of witnesses, the destruction of evidence, or the fabrication of testimony, and thereby present a serious impediment to effective law enforcement. Amendment of the records would interfere with ongoing criminal law enforcement proceedings and impose an impossible administrative burden by requiring criminal investigations to be continuously reinvestigated.

(4)(e)(1). In the course of criminal or other law enforcement investigations, cases, and matters, the Criminal Division will occasionally obtain information concerning actual or potential violations of law that are not strictly within its statutory or other authority, or it may compile information in the course of an investigation which may not be relevant to a specific prosecution. In the interests of effective law enforcement, it is necessary to retain

such information since it can aid in establishing patterns of criminal activity and can provide valuable leads for Federal and other law enforcement agencies.

(5)(e)(2). To collect information to the greatest extent practicable from the subject individual of a criminal investigation or prosecution would present a serious impediment to law enforcement. The nature of criminal and other investigative activities is such that vital information about an individual can only be obtained from other persons who are familiar with such individual and his/her activities. In such investigations it is not feasible to rely upon information furnished by the individual concerning his own activities.

(6) (e)(3). To provide individuals supplying information with a form stating the requirements of subsection (e)(3) would constitute a serious impediment to law enforcement in that it could compromise the existence of a confidential investigation or reveal the identity of witnesses or confidential informants.

(7)(e)(4) (G) and (H). These subsections are inapplicable to the extent that this system is exempt from the access provisions of subsection (d) and the rules provisions of subsection (f).

(8)(e)(4)(I). The categories of sources of the records in this system have been published in the FEDERAL REGISTER in broad generic terms in the belief that this is all that subsection (e)(4)(I) of the Act requires. In the event, however, that this subsection should be interpreted to require more detail as to the identity of sources of the records in this system, exemption from this provision is necessary to protect the confidentiality of the sources of criminal and other law enforcement information. Such exemption is further necessary to protect the privacy and physical safety of witnesses and informants.

(9) (e)(5). In the collection of information for criminal law enforcement purposes it is impossible to determine in advance what information is accurate, relevant, timely, and complete. With the passage of time, seemingly irrelevant or untimely information may acquire new significance as further investigation brings new details to light and

the accuracy of such information can often only be determined in a court of law. The restrictions of subsection (e)(5) would inhibit the ability of trained investigators, intelligence analysts, and government attorneys in exercising their judgment in reporting on information and investigations and impede the development of criminal or other intelligence necessary for effective law enforcement.

(10)(e)(8). The individual notice requirements of subsection (e)(8) could present a serious impediment to law enforcement as this could interfere with the ability to issue warrants or subpoenas and could reveal investigative techniques, procedures, or evidence.

(11)(f). This subsection is inapplicable to the extent that this system is exempt from the access provisions of subsection (d).

(12)(g). Because some of the records in this system contain information which was compiled for law enforcement purposes and have been exempted from the access provisions of subsection (d), subsection (g) is inapplicable.

(s) The following system of records is exempted from 5 U.S.C. 552a(d).

Office of Special Investigations Displaced Persons Listings (JUSTICE/CRM-027).

This exemption applies to the extent that the records in this system are subject to exemption pursuant to 5 U.S.C. 552a(k)(2).

(t) Exemption from subsection (d) is justified for the following reasons:

(1) Access to records contained in this system could inform the subject of the identity of witnesses or informants. The release of such information could present a serious impediment to effective law enforcement by endangering the physical safety of witnesses



or informants; by leading to the improper influencing of witnesses, the destruction of evidence, or the fabrication of testimony; or by otherwise preventing the successful completion of an investigation.

[Order No. 645-76, 41 FR 12640, Mar. 26, 1976, as amended by Order No. 659-76, 41 FR 32423, Aug. 3, 1976; Order No. 11-78, 43 FR 38386, Aug. 28, 1978; Order No. 30-79, 44 FR 54046, Sept. 18, 1979; Order No. 6-86, 7-86, 51 FR 15475, 15477, Apr. 24, 1986; Order No. 018-2004, 69 FR 72114, Dec. 13, 2004; Order No. 015-2006, 71 FR 58278, Oct. 3, 2006; Order No. 003-2009, 74 FR 42776, Aug. 25, 2009; Order No. 006-2013, 78 FR 69754, Nov. 21, 2013]

**§ 16.92 Exemption of Environment and Natural Resources Division Systems—limited access.**

(a)(1) The following system of records is exempted pursuant to 5 U.S.C. 552a(j)(2) from subsections (c)(3) and (4), (d), (e)(1), (e)(2), (e)(3), (e)(5), (e)(8), (f) and (g); in addition, the following systems of records are exempted pursuant to 5 U.S.C. 552a(k)(1) and (k)(2) from subsections (c)(3), (d), and (e)(1):

(i) Environment and Natural Resources Division Case and Related Files System, JUSTICE/ENRD-003.

(ii) [Reserved]

(2) These exemptions apply only to the extent that information in this system relates to the investigation, prosecution or defense of actual or potential criminal or civil litigation, or which has been properly classified in the interest of national defense and foreign policy, and therefore is subject to exemption pursuant to 5 U.S.C. 552a(j)(2), (k)(1) and (k)(2). To the extent that information in a record pertaining to an individual does not relate to national defense or foreign policy, official Federal investigations, and/or law enforcement matters, the exemption does not apply. In addition, where compliance would not appear to interfere with or adversely affect the overall law or regulatory enforcement process, the applicable exemption may be waived by the Environment and Natural Resources Division.

(b) Only that information that relates to the investigation, prosecution or defense of actual or potential criminal or civil litigation, or which has been properly classified in the interest of national defense and foreign policy

is exempted for the reasons set forth from the following subsections:

(1) *Subsection (c)(3)*. Subsection (c)(3) requires an agency to provide an accounting of disclosures of records concerning an individual. To provide the subject of a criminal or civil matter or case under investigation with an accounting of disclosures of records would inform that individual (and others to whom the subject might disclose the records) of the existence, nature, or scope of that investigation and thereby seriously impede law enforcement efforts by permitting the record subject and others to avoid criminal penalties and civil remedies.

(2) *Subsections (c)(4) (requiring an agency to inform individuals about any corrections made to a record that has been disclosed) and (g) (providing for civil remedies when an agency fails to comply with these provisions)*. These provisions are inapplicable to the extent that this system of records is exempted from subsection (d).

(3) *Subsection (d)*. Subsection (d) requires an agency to allow individuals to gain access to a record about him or herself; to dispute the accuracy, relevance, timeliness or completeness of such records; and to have an opportunity to amend his or her record or seek judicial review. To the extent that information contained in this system has been properly classified, relates to the investigation and/or prosecution of grand jury, civil fraud, and other law enforcement matters, disclosure could compromise matters which should be kept secret in the interest of national security or foreign policy; compromise confidential investigations or proceedings; impede affirmative enforcement actions based upon alleged violations of regulations or of civil or criminal laws; reveal the identity of confidential sources; and result in unwarranted invasions of the privacy of others. Amendment of the records would interfere with ongoing criminal law enforcement proceedings and impose an impossible administrative burden by requiring criminal investigations to be continuously reinvestigated.

(4) *Subsection (e)(1)*. Subsection (e)(1) requires an agency to maintain in its records only such information about an

individual that is relevant and necessary to accomplish the agency's purpose. In the course of criminal or civil investigations, cases, or other matters, the Environment and Natural Resources Division may obtain information concerning the actual or potential violation of laws which are not strictly within its statutory authority. In the interest of effective law enforcement, it is necessary to retain such information since it may establish patterns of criminal activity or avoidance of other civil obligations and provide leads for Federal and other law enforcement agencies.

(5) *Subsection (e)(2)*. Subsection (e)(2) requires an agency to collect information to the greatest extent practicable from the subject individual when the information may result in adverse determinations about an individual's rights, benefits and privileges under Federal programs. To collect information from the subject of a criminal investigation or prosecution would present a serious impediment to law enforcement in that the subject (and others with whom the subject might be in contact) would be informed of the existence of the investigation and would therefore be able to avoid detection or apprehension, to influence witnesses improperly, to destroy evidence, or to fabricate testimony.

(6) *Subsection (e)(3)*. Subsection (e)(3) requires an agency to inform each individual whom it asks to supply information, on a form that can be retained by the individual, the authority which authorizes the solicitation, the principal purpose for the information, the routine uses of the information, and the effects on the individual of not providing the requested information. To comply with this requirement during the course of a criminal investigation or prosecution could jeopardize the investigation by disclosing the existence of a confidential investigation, revealing the identity of witnesses or confidential informants, or impeding the information gathering process.

(7) *Subsection (e)(5)*. Subsection (e)(5) requires an agency to maintain records with such accuracy, relevance, timeliness, and completeness as is reasonably necessary to assure fairness to the individual. In compiling information for

criminal law enforcement purposes, the accuracy, completeness, timeliness and relevancy of the information obtained cannot always be immediately determined. As new details of an investigation come to light, seemingly irrelevant or untimely information may acquire new significance and the accuracy of such information can often only be determined in a court of law. Compliance with this requirement would therefore restrict the ability of government attorneys in exercising their judgment in developing information necessary for effective law enforcement.

(8) *Subsection (e)(8)*. Subsection (e)(8) requires agencies to make reasonable efforts to serve notice on an individual when any record on the individual is made available to any person under compulsory legal process. To serve notice would give persons sufficient warning to evade law enforcement efforts.

(9) *Subsections (f) and (g)*. Subsection (f) requires an agency to establish procedures to allow an individual to have access to information about him or herself and to contest information kept by an agency about him or herself. Subsection (g) provides for civil remedies against agencies who fail to comply with the Privacy Act requirements. These provisions are inapplicable to the extent that this system is exempt from the access and amendment provisions of subsection (d).

(c) The following system of records is exempt from 5 U.S.C. 552a (c)(3) and (d):

(1) Freedom of Information/Privacy Act Records System. (Justice/LDN-005).

These exemptions apply only to the extent that information in this system is subject to exemption pursuant to 5 U.S.C. 552a(k)(2).

(d) Exemptions from the particular subsections are justified for the following reasons:

(1) From subsection (c) (3) because that portion of the Freedom of Information/Privacy Act Records System that consists of investigatory materials compiled for law enforcement purposes is being exempted from access and contest; the provision for disclosure of accounting is not applicable.

(2) From subsection (d) because of the need to safeguard the identity of confidential informants and avoid interference with ongoing investigations or law enforcement activities by preventing premature disclosure of information relating to those efforts.

[Order No. 688-77, 42 FR 10000, Feb. 18, 1977, as amended by Order No. 207-2000, 65 FR 75158, Dec. 1, 2000]

**§ 16.93 Exemption of Tax Division Systems—limited access.**

(a) The following systems of records are exempted pursuant to the provisions of 5 U.S.C. 552a (j)(2) from subsections (c)(3), (c)(4), (d)(1), (d)(2), (d)(3), (d)(4), (e)(1), (e)(2), (e)(3), (e)(4)(G), (e)(4)(H), (e)(4)(I), (e)(5), (e)(8), (f) and (g) of 5 U.S.C. 552a:

(1) Tax Division Central Classification Cards, Index Docket Cards, and Associated Records—Criminal Tax Cases (JUSTICE/TAX-001)—Limited Access.

(2) These exemptions apply to the extent that information in these systems is subject to exemption pursuant to 5 U.S.C. 552a(j)(2).

(b) The system of records listed under paragraph (a)(1) of this section is exempted for the reasons set forth below, from the following provisions of 5 U.S.C. 552a:

(1)(c)(3). The release of the disclosure accounting, for disclosures made pursuant to subsection (b) of the Act, including those permitted under the routine uses published for those systems of records, would enable the subject of an investigation of an actual or potential criminal tax case to determine whether he or she is the subject of investigation, to obtain valuable information concerning the nature of that investigation and the information obtained, and to determine the identity of witnesses or informants. Such access to investigative information would, accordingly, present a serious impediment to law enforcement. In addition, disclosure of the accounting would constitute notice to the individual of the existence of a record even though such notice requirement under subsection (f)(1) is specifically exempted for these systems of records.

(2)(c)(4). Since an exemption is being claimed for subsection (d) of the Act

(Access to Records) this subsection is inapplicable to the extent that these systems of records are exempted from subsection (d).

(3) (d)(1); (d)(2); (d)(3); (d)(4). Access to the records contained in these systems would inform the subject of an actual or potential criminal tax investigation of the existence of that investigation, of the nature and scope of the information and evidence obtained as to his or her activities, and of the identity of witnesses or informants. Such access would, accordingly, provide information that could enable the subject to avoid detection, apprehension and prosecution. This result, therefore, would constitute a serious impediment to effective law enforcement not only because it would prevent the successful completion of the investigation but also because it could endanger the physical safety of witnesses or informants, lead to the improper influencing of witnesses, the destruction of evidence, or the fabrication of testimony.

(4)(e)(1). The notices for these systems of records published in the FEDERAL REGISTER, set forth the basic statutory or related authority for maintenance of these systems. However, in the course of criminal tax and related law enforcement investigations, cases, and matters, the Tax Division will occasionally obtain information concerning actual or potential violations of law that may not be technically within its statutory or other authority or may compile information in the course of an investigation which may not be relevant to a specific prosecution. In the interests of effective law enforcement, it is necessary to retain some or all of such information in these systems of records since it can aid in establishing patterns of criminal activity and can provide valuable leads for Federal and other law enforcement agencies.

(5)(e)(2). In a criminal tax investigation or prosecution, the requirement that information be collected to the greatest extent practicable from the subject individual would present a serious impediment to law enforcement because the subject of the investigation or prosecution would be placed on notice as to the existence of the investigation and would therefore be able to

avoid detection or apprehension, influence witnesses improperly, destroy evidence, or fabricate testimony.

(6)(e)(3). The requirement that individuals supplying information be provided with a form stating the requirements of subsection (e)(3) would constitute a serious impediment to law enforcement in that it could compromise the existence of a confidential investigation or reveal the identity of witnesses or confidential informants.

(7)(e)(4) (G) and (H). Since an exemption is being claimed for subsections (f) (Agency Rules) and (d) (Access to Records) of the Act these subsections are inapplicable to the extent that these systems of records are exempted from subsection (f) and (d).

(8)(e)(4)(I). The categories of sources of the records in the systems have been published in the FEDERAL REGISTER in broad generic terms in the belief that this is all that subsection (e)(4)(I) of the Act requires. In the event, however, that this subsection should be interpreted to require more detail as to the identity of sources of the records in these systems, exemption from this provision is necessary in order to protect the confidentiality of the sources of criminal tax and related law enforcement information. Such exemption is further necessary to protect the privacy and physical safety of witnesses and informants.

(9)(e)(5). In the collection of information for criminal tax enforcement purposes it is impossible to determine in advance what information is accurate, relevant, timely, and complete. With the passage of time, seemingly irrelevant or untimely information may acquire new significance as further investigation brings new details to light. Furthermore, the accuracy of such information can often only be determined in a court of law. The restrictions of subsection (e)(5) would restrict the ability of government attorneys in exercising their judgment in reporting on information and investigations and impede the development of criminal tax information and related data necessary for effective law enforcement.

(10)(e)(8). The individual notice requirements of subsection (e)(8) could present a serious impediment to law enforcement as this could interfere

with the ability to issue warrants or subpoenas and could reveal investigative techniques, procedures, or evidence.

(11)(f). Procedures for notice to an individual pursuant to subsection (f)(1) as to the existence of records pertaining to him dealing with an actual or potential criminal tax, civil tax, or regulatory investigation or prosecution must be exempted because such notice to an individual would be detrimental to the successful conduct and/or completion of an investigation or prosecution pending or future. In addition, mere notice of the fact of an investigation could inform the subject or others that their activities are under or may become the subject of an investigation and could enable the subjects to avoid detection or apprehension, to influence witnesses improperly, to destroy evidence, or to fabricate testimony.

Since an exemption is being claimed for subsection (d) of the Act (Access to Records) the rules required pursuant to subsection (f) (2) through (5) are inapplicable to these systems of records to the extent that these systems of records are exempted from subsection (d).

(12)(g). Since an exemption is being claimed for subsections (d) (Access to Records) and (f) (Agency Rules) this section is inapplicable, and is exempted for the reasons set forth for those subsections, to the extent that these systems of records are exempted from subsections (d) and (f).

(c) The following system of records is exempted pursuant to the provisions of 5 U.S.C. 552a(k)(2) from subsections (c)(3), (d)(1), (d)(2), (d)(3), (d)(4), (e)(1), (e)(4)(G), (e)(4)(H), (e)(4)(I) and (f) of 5 U.S.C. 552a:

(1) Tax Division Central Classification Cards, Index Docket Cards, and Associated Records—Civil Tax Cases (JUSTICE/TAX-002)—Limited Access.

These exemptions apply to the extent that information in this system is subject to exemption pursuant to 5 U.S.C. 552a(k)(2).

(d) The system of records listed under paragraph (c)(1) is exempted for the reasons set forth below, from the following provisions of 5 U.S.C. 552a:

(1)(c)(3). The release of the disclosure accounting, for disclosures made pursuant to subsection (b) of the Act, including those permitted under the routine uses published for this system of records, would enable the subject of an investigation of an actual or potential civil tax case to determine whether he or she is the subject of investigation, to obtain valuable information concerning the nature of that investigation and the information obtained, and to determine the identity of witnesses or informants. Such access to investigative information would, accordingly, present a serious impediment to law enforcement. In addition, disclosure of the accounting would constitute notice to the individual of the existence of a record even though such notice requirement under subsection (f)(1) is specifically exempted for this system of records.

(2) (d)(1); (d)(2); (d)(3); (d)(4). Access to the records contained in this system would inform the subject of an actual or potential civil tax investigation of the existence of that investigation, of the nature and scope of the information and evidence obtained as to his or her activities and of the identity of witnesses or informants. Such access would, accordingly, provide information that could enable the subject to avoid detection. This result, therefore, would constitute a serious impediment to effective law enforcement not only because it would prevent the successful completion of the investigation but also because it could endanger the physical safety of witnesses or informants, lead to the improper influencing of witnesses, the destruction of evidence, or the fabrication of testimony.

(3)(e)(1). The notices for this system of records published in the FEDERAL REGISTER set forth the basic statutory or related authority for maintenance of this system. However, in the course of civil tax and related law enforcement investigations, cases and matters, the Tax Division will occasionally obtain information concerning actual or potential violations of law that are not strictly or technically within its statutory or other authority or may compile information in the course of an investigation which may not be relevant to a specific case. In the interests of effec-

tive law enforcement, it is necessary to retain some or all of such information in this system of records since it can aid in establishing patterns of tax compliance and can provide valuable leads for Federal and other law enforcement agencies.

(4)(e)(4) (G) and (H). Since an exemption is being claimed for subsections (f) (Agency Rules) and (d) (Access to Records) of the Act these subsections are inapplicable to the extent that this system of records is exempted from subsection (f) and (d).

(5)(e)(4)(I). The categories of sources of the records in this system have been published in the FEDERAL REGISTER in broad generic terms in the belief that this is all that subsection (e)(4)(I) of the Act requires. In the event, however, that this subsection should be interpreted to require more detail as to the identity of sources of the records in this system, exemption from this provision is necessary in order to protect the confidentiality of the sources of civil tax and related law enforcement information. Such exemption is further necessary to protect the privacy and physical safety of witnesses and informants.

(6)(f). Procedures for notice to an individual pursuant to subsection (f)(1) as to existence of records pertaining to the individual dealing with an actual or potential criminal tax, civil tax, or regulatory investigation or prosecution must be exempted because such notice to an individual would be detrimental to the successful conduct and/or completion of an investigation or case, pending or future. In addition, mere notice of the fact of an investigation could inform the subject or others that their activities are under or may become the subject of an investigation and could enable the subjects to avoid detection, to influence witnesses improperly, to destroy evidence, or to fabricate testimony.

Since an exemption is being claimed for subsection (d) of the Act (Access to Records) the rules required pursuant to subsection (f) (2) through (5) are inapplicable to this system of records to the extent that this system of records is exempted from subsection (d).

(e) The following system of records is exempt from subsections (c)(3) and

(d)(1) of the Privacy Act pursuant to 5 U.S.C. 552a(k)(5): Files of Applicants for Attorney and Non-Attorney Positions with the Tax Division, Justice/TAX-003. These exemptions apply only to the extent that information in a record is subject to exemption pursuant to 5 U.S.C. 552a(k)(5).

(f) Exemption from the particular subsections is justified for the following reasons:

(1) From subsection (c)(3) because an accounting could reveal the identity of confidential sources and result in an unwarranted invasion of the privacy of others. Many persons are contacted who, without an assurance of anonymity, refuse to provide information concerning an applicant for a position with the Tax Division. Disclosure of an accounting could reveal the identity of a source of information and constitutes a breach of the promise of confidentiality by the Tax Division. This would result in the reduction in the free flow of information vital to a determination of an applicant's qualifications and suitability for federal employment.

(2) From subsection (d)(1) because disclosure of records in the system could reveal the identity of confidential sources and result in an unwarranted invasion of the privacy of others. Many persons are contacted who, without an assurance of anonymity, refuse to provide information concerning an applicant for a Tax Division position. Access could reveal the identity of the source of the information and constitute a breach of the promise of confidentiality on the part of the Tax Division. Such breaches ultimately would restrict the free flow of information vital to a determination of an applicant's qualifications and suitability.

[Order No. 742-77, 42 FR 40906, Aug. 12, 1977, as amended by Order No. 6-86, 51 FR 15478, Apr. 24, 1986; Order No. 003-2006, 71 FR 11309, Mar. 7, 2006]

**§ 16.96 Exemption of Federal Bureau of Investigation Systems—limited access.**

(a) The following system of records is exempt from 5 U.S.C. 552a(c)(3), (d), (e)(1), (e)(2), (e)(3), (e)(4)(G) and (H), (e)(5), (e)(8), (f) and (g):

(1) Central Records System (CRS) (JUSTICE/FBI-002).

These exemptions apply only to the extent that information in this system is subject to exemption pursuant to 5 U.S.C. 552(j) and (k). Where compliance would not appear to interfere with or adversely affect the overall law enforcement process, the applicable exemption may be waived by the FBI.

(b) Exemptions from the particular subsections are justified for the following reasons:

(1) From subsection (c)(3) because making available to a record subject the accounting of disclosures from records concerning him/her would reveal investigative interest by not only the FBI, but also by the recipient agency. This would permit the record subject to take appropriate measures to impede the investigation, e.g., destroy evidence, intimidate potential witnesses or flee the area to avoid the thrust of the investigation.

(2)(i) From subsections (d), (e)(4) (G) and (H), (f) and (g) because these provisions concern individual access to investigative records, compliance with which could compromise sensitive information classified in the interest of national security, interfere with the overall law enforcement process by revealing a pending sensitive investigation, possibly identify a confidential source or disclose information which would constitute an unwarranted invasion of another individual's personal privacy, reveal a sensitive investigative technique, or constitute a potential danger to the health or safety to law enforcement personnel.

(ii) Also, individual access to non-criminal investigative records, e.g., civil investigations and administrative inquiries, as described in subsection (k) of the Privacy Act, could also compromise classified information related to national security, interfere with a pending investigation or internal inquiry, constitute an unwarranted invasion of privacy, reveal a confidential source or sensitive investigative technique, or pose a potential threat to law enforcement personnel. In addition, disclosure of information collected pursuant to an employment suitability or similar inquiry could reveal the identity of a source who provided information under an express promise of confidentiality, or could compromise the

objectivity or fairness of a testing or examination process.

(iii) In addition, from paragraph (d)(2) of this section, because to require the FBI to amend information thought to be incorrect, irrelevant or untimely, because of the nature of the information collected and the essential length of time it is maintained, would create an impossible administrative and investigative burden by forcing the agency to continuously retrograde its investigations attempting to resolve questions of accuracy, etc.

(3) From subsection (e)(1) because:

(i) It is not possible in all instances to determine relevancy or necessity of specific information in the early stages of a criminal or other investigation.

(ii) Relevance and necessity are questions of judgment and timing; what appears relevant and necessary when collected ultimately may be deemed unnecessary. It is only after the information is assessed that its relevancy and necessity in a specific investigative activity can be established.

(iii) In any investigation the FBI might obtain information concerning violations of law not under its jurisdiction, but in the interest of effective law enforcement, dissemination will be made to the agency charged with enforcing such law.

(iv) In interviewing individuals or obtaining other forms of evidence during an investigation, information could be obtained, the nature of which would leave in doubt its relevancy and necessity. Such information, however, could be relevant to another investigation or to an investigative activity under the jurisdiction of another agency.

(4) From subsection (e)(2) because the nature of criminal and other investigative activities is such that vital information about an individual can only be obtained from other persons who are familiar with such individual and his/her activities. In such investigations it is not feasible to rely upon information furnished by the individual concerning his own activities.

(5) From subsection (e)(3) because disclosure would provide the subject with substantial information which could impede or compromise the investigation. The individual could seriously interfere with undercover investigative

activities and could take appropriate steps to evade the investigation or flee a specific area.

(6) From subsection (e)(5) because in the collection of information for law enforcement purposes it is impossible to determine in advance what information is accurate, relevant, timely and complete. With the passage of time, seemingly irrelevant or untimely information may acquire new significance as further investigation brings new details to light. The restrictions imposed by subsection (e)(5) would limit the ability of trained investigators and intelligence analysts to exercise their judgment in reporting on investigations and impede the development of criminal intelligence necessary for effective law enforcement. In addition, because many of these records come from other federal, state, local, joint, foreign, tribal, and international agencies, it is administratively impossible to ensure compliance with this provision.

(7) From subsection (e)(8) because the notice requirements of this provision could seriously interfere with a law enforcement activity by alerting the subject of a criminal or other investigation of existing investigative interest.

(c) The following system of records is exempt from 5 U.S.C. 552a(c) (3) and (4), (d), (e) (1), (2) and (3), (e)(4) (G) and (H), (e) (5) and (8), (f), (g) and (m):

(1) Electronic Surveillance (Elsur) Indices (JUSTICE/FBI-006).

These exemptions apply only to the extent that information in the system is subject to exemption pursuant to 5 U.S.C. 552a(j).

(d) Exemptions from the particular subsections are justified for the following reasons:

(1) From subsection (c)(3) because the release of accounting disclosures would place the subject of an investigation on notice that he is under investigation and provide him with significant information concerning the nature of the investigation, resulting in a serious impediment to law enforcement.

(2) From subsections (c)(4), (d), (e)(4) (G) and (H), and (g) because these provisions concern an individual's access to records which concern him and such access to records in this system would

compromise ongoing investigations, reveal investigatory techniques and confidential informants, and invade the privacy of private citizens who provide information in connection with a particular investigation.

(3) From subsection (e)(1) because these indices must be maintained in order to provide the information as described in the “routine uses” of this particular system.

(4) From subsections (e) (2) and (3) because compliance is not feasible given the subject matter of the indices.

(5) From subsection (e)(5) because this provision is not applicable to the indices in view of the “routine uses” of the indices. For example, it is impossible to predict when it will be necessary to utilize information in the system and, accordingly it is not possible to determine when the records are timely.

(6) From subsection (e)(8) because the notice requirement could present a serious impediment to law enforcement by revealing investigative techniques, procedures and the existence of confidential investigations.

(7) From subsection (m) for the reasons stated in subsection (b)(7) of this section.

(e) The following system of records is exempt from 5 U.S.C. 552a(c) (3) and (4), (d), (e) (1), (2) and (3), (e)(4) (G) and (H), (e) (5) and (8), (f), and (g):

(1) Identification Division Records System (JUSTICE/FBI-009).

These exemptions apply only to the extent that information in this system is subject to exemption pursuant to 5 U.S.C. 552a(j).

(f) Exemptions from the particular subsections are justified for the following reasons:

(1) From subsection (c)(3) for the reasons stated in subsection (d)(1) of this section.

(2) From subsections (c)(4), (d), (e)(4) (G) and (H), (f) and (g) because these provisions concern an individual’s access to records which concern him. Such access is directed at allowing the subject of a record to correct inaccuracies in it. Although an alternate system of access has been provided in 28 CFR 16.30 to 34 and 28 CFR 20.34, the vast majority of records in this system concern local arrests which it would be

inappropriate for the FBI to undertake to correct.

(3) From subsection (e)(1) because it is impossible to state with any degree of certainty that all information on these records is relevant to accomplish a purpose of the FBI, even though acquisition of the records from state and local law enforcement agencies is based on a statutory requirement. In view of the number of records in the system it is impossible to review them for relevancy.

(4) From subsection (e)(2) because the records in the system are necessarily furnished by criminal justice agencies due to their very nature.

(5) From subsection (e)(3) because compliance is not feasible due to the nature of the records.

(6) From subsection (e)(5) because the vast majority of these records come from local criminal justice agencies and it is administratively impossible to ensure that the records comply with this provision. Submitting agencies are, however, urged on a continuing basis to ensure that their records are accurate and include all dispositions.

(7) From subsection (e)(8) because the FBI has no logical manner to ascertain whether process has been made public and compliance with this provision would in any case, provide an impediment to law enforcement by interfering with the ability to issue warrants or subpoenas and by revealing investigative techniques, procedures or evidence.

(g) The following system of records is exempt from 5 U.S.C. 552a (c)(3) and (4), (d), (e)(1), (e)(2), (e)(3), (e)(4)(G) and (H), (e)(5), (e)(8), (f), and (g):

(1) National Crime Information Center (NCIC) (JUSTICE/FBI-001). These exemptions apply only to the extent that information in the system is subject to exemption pursuant to 5 U.S.C. 552a(j)(2) and (k)(3).

(h) Exemptions from the particular subsections are justified for the following reasons:

(1) From subsection (c)(3) for the reasons stated in subsection (d)(1) of this section.

(2) From subsections (c)(4), (d), (e)(4) (G) and (H), and (g) for the reasons stated in subsection (d)(2) of this section. When records are properly subject



to access by the individual, an alternate means of access is provided in subsection (i) of this section.

(3) From subsection (e)(1) because information contained in this system is primarily from state and local records, and it is for the official use of agencies outside the Federal Government in accordance with 28 U.S.C. 534.

(4) From subsections (e) (2) and (3) because it is not feasible to comply with these provisions given the nature of this system.

(5) From subsection (e)(5) because in the collection of information for law enforcement purposes it is impossible to determine in advance what information is accurate, relevant, timely and complete. With the passage of time, seemingly irrelevant or untimely information may acquire new significance as further investigation brings new details to light. The restrictions imposed by subsection (e)(5) would limit the ability of trained investigators and intelligence analysts to exercise their judgment in reporting on investigations and impede the development of criminal intelligence necessary for effective law enforcement. In addition, the vast majority of these records come from other federal, state, local, joint, foreign, tribal, and international agencies and it is administratively impossible to ensure that the records comply with this provision. Submitting agencies are, however, urged on a continuing basis to ensure that their records are accurate and include all dispositions.

(6) From subsection (e)(8) for the reasons stated in subsection (d)(6) of this section.

(i) Access to computerized criminal history records in the National Crime Information Center is available to the individual who is the subject of the record pursuant to procedures and requirements specified in the Notice of Systems of Records compiled by the National Archives and Records Service and published under the designation:

(j) The following system of records is exempt from 5 U.S.C. 552a (c)(3), (d), (e)(1), (e)(4)(G) and (H), (e)(5), (f) and (g):

(1) National Center for the Analysis of Violent Crime (NCAVC) (JUSTICE/FBI-015).

These exemptions apply only to the extent that information in this system is subject to exemption pursuant to 5 U.S.C. 552a (j)(2) and (k)(2).

(k) Exemptions from the particular subsections are justified for the following reasons:

(1) From subsection (c)(3) because providing the accounting of disclosures to the subject could prematurely reveal investigative interest by the FBI and other law enforcement agencies, thereby providing the individual an opportunity to impede an active investigation, destroy or alter evidence, and possibly render harm to violent crime victims and/or witnesses.

(2) From subsections (d), (e)(4) (G) and (H), and (f) because disclosure to the subject could interfere with enforcement proceedings of a criminal justice agency, reveal the identity of a confidential source, result in an unwarranted invasion of another's privacy, reveal the details of a sensitive investigative technique, or endanger the life and safety of law enforcement personnel, potential violent crime victims, and witnesses. Disclosure also could prevent the future apprehension of a violent or exceptionally dangerous criminal fugitive should he or she modify his or her method of operation in order to evade law enforcement. Also, specifically from subsection (d)(2), which permits an individual to request amendment of a record, because the nature of the information in the system is such that an individual criminal offender would frequently demand amendment of derogatory information, forcing the FBI to continuously retrograde its criminal investigations in an attempt to resolve questions of accuracy, etc.

(3) From subsection (g) because the system is exempt from the access and amendment provisions of subsection (d).

(4) From subsection (e)(1) because it is not always possible to establish relevance and necessity of the information at the time it is obtained or developed. Information, the relevance and necessity of which may not be readily apparent, frequently can prove to be of investigative value at a later date and time.

(5) From subsection (e)(5) because in the collection of information for law enforcement purposes it is impossible to determine in advance what information is accurate, relevant, timely and complete. With the passage of time, seemingly irrelevant or untimely information may acquire new significance as further investigation brings new details to light. The restrictions imposed by subsection (e)(5) would limit the ability of trained investigators and intelligence analysts to exercise their judgment in reporting on investigations and impede the development of criminal intelligence necessary for effective law enforcement. In addition, because many of these records come from other federal, state, local, joint, foreign, tribal, and international agencies, it is administratively impossible to ensure compliance with this provision.

(1) The following system of records is exempt from 5 U.S.C. 552a (c)(3), (c)(4), (d), (e) (1), (2), and (3), (e)(4) (G) and (H), (e)(5), (e)(8), (f) and (g).

(1) FBI Counterdrug Information Indices System (CIIS) (JUSTICE/FBI-016)

(2) [Reserved]

(m) These exemptions apply only to the extent that information in this system is subject to exemption pursuant to 5 U.S.C. 552a (j)(2). Exemptions from the particular subsections are justified for the following reasons:

(1) From subsection (c)(3) because making available to a record subject the accounting of disclosures from records concerning him/her would reveal investigative interest by not only the FBI, but also by the recipient agency. This would permit the record subject to take appropriate measures to impede the investigation, e.g., destroy evidence, intimidate potential witnesses or flee the area to avoid the thrust of the investigation.

(2) From subsection (c)(4) to the extent it is not applicable because an exemption is being claimed from subsection (d).

(3)(i) From subsections (d), (e)(4) (G) and (H) because these provisions concern individual access to records, compliance with which could compromise sensitive information, interfere with the overall law enforcement process by

revealing a pending sensitive investigation, possibly identify a confidential source or disclose information which would constitute an unwarranted invasion of another individual's personal privacy, reveal a sensitive investigative technique, or constitute a potential danger to the health or safety of law enforcement personnel.

(ii) In addition, from paragraph (d), because to require the FBI to amend information thought to be incorrect, irrelevant or untimely, because of the nature of the information collected and the essential length of time it is maintained, would create an impossible administrative and investigative burden by forcing the agency to continuously retrograde its investigations attempting to resolve questions of accuracy, etc.

(4)(i) From subsection (e)(1) because it is not possible in all instances to determine relevancy or necessity of specific information in the early stages of a criminal or other investigation.

(ii) Relevancy and necessity are questions of judgment and timing; what appears relevant and necessary when collected ultimately may be deemed otherwise. It is only after the information is assessed that its relevancy and necessity in a specified investigative activity can be established.

(iii) In any investigation the FBI might obtain information concerning violations of law not under its jurisdiction, but in the interest of effective law enforcement, dissemination will be made to the agency charged with enforcing such law.

(iv) In interviewing individuals or obtaining other forms of evidence during an investigation, information could be obtained, the nature of which would leave in doubt its relevancy and necessity. Such information, however, could be relevant to another investigations or to an investigative activity under the jurisdiction of another agency.

(5) From subsection (e)(2) because the nature of criminal and other investigative activities is such that vital information about an individual often can only be obtained from other persons who are familiar with such individual and his/her activities. In such investigations it is not feasible to principally rely upon information furnished

by the individual concerning his own activities.

(6) From subsection (e)(3) because disclosure would provide the subject with information which could impede or compromise the investigation. The individual could seriously interfere with undercover investigative activities and could take appropriate steps to evade the investigation or flee a specific area.

(7) From subsection (e)(5) because in the collection of information for law enforcement purposes it is impossible to determine in advance what information is accurate, relevant, timely and complete. With the passage of time, seemingly irrelevant or untimely information may acquire new significance as further investigation brings new details to light. The restrictions imposed by subsection (e)(5) would restrict the ability of trained investigators and intelligence analysts to exercise their judgment in reporting on investigations and impede the development of criminal intelligence necessary for effective law enforcement.

(8) From subsection (e)(8) because the notice requirements of this provision could seriously interfere with a law enforcement activity by alerting the subject of a criminal or other investigation of existing investigative interest.

(9) From subsection (f) to the extent that this system is exempt from the provisions of subsection (d).

(10) From subsection (g) to the extent that this system of records is exempt from the provisions of subsection (d).

(n) The following system of records is exempt from 5 U.S.C. 552a (c) (3) and (4); (d); (e) (1), (2), and 3; (e)(4) (G) and (H); (e) (5) and (8); and (g):

(1) National DNA Index System (NDIS) (JUSTICE/FBI-017).

(2) [Reserved]

(o) These exemptions apply only to the extent that information in the system is subject to exemption pursuant to 5 U.S.C. 552a(j)(2). Exemptions from the particular subsections are justified for the following reasons:

(1) From subsection (c)(3) because making available the accounting of disclosures of records to the subject of the record would prematurely place the subject on notice of the investigative interest of law enforcement agencies,

provide the subject with significant information concerning the nature of the investigation, or permit the subject to take measures to impede the investigation (e.g., destroy or alter evidence, intimidate potential witnesses, or flee the area to avoid investigation and prosecution), and result in a serious impediment to law enforcement.

(2)(i) From subsections (c)(4), (d), (e)(4) (G) and (H), and (g) because these provisions concern an individual's access to records which concern him/her and access to records in this system would compromise ongoing investigations. Such access is directed at allowing the subject of the record to correct inaccuracies in it. The vast majority of records in this system are from the DNA records of local and State NDIS agencies which would be inappropriate and not feasible for the FBI to undertake to correct. Nevertheless, an alternate method to access and/or amend records in this system is available to an individual who is the subject of a record pursuant to procedures and requirements specified in the Notice of Systems of Records compiled by the National Archives and Records Administration and published in the FEDERAL REGISTER under the designation: National DNA Index System (NDIS) (JUSTICE/FBI-017)

(ii) In addition, from paragraph (d)(2) of this section, because to require the FBI to amend information thought to be incorrect, irrelevant, or untimely, because of the nature of the information collected and the essential length of time it is maintained, would create an impossible administrative and investigative burden by forcing the agency to continuously retrograde investigations attempting to resolve questions of accuracy, etc.

(iii) In addition, from subsection (g) to the extent that the system is exempt from the access and amendment provisions of subsection (d).

(3) From subsection (e)(1) because:

(i) Information in this system is primarily from State and local records and it is for the official use of agencies outside the Federal Government.

(ii) It is not possible in all instances to determine the relevancy or necessity of specific information in the early

stages of the criminal investigative process.

(iii) Relevance and necessity are questions of judgment and timing; what appears relevant and necessary when collected ultimately may be deemed unnecessary, and vice versa. It is only after the information is assessed that its relevancy in a specific investigative activity can be established.

(iv) Although the investigative process could leave in doubt the relevancy and necessity of evidence which had been properly obtained, the same information could be relevant to another investigation or investigative activity under the jurisdiction of the FBI or another law enforcement agency.

(4) From subsections (e)(2) and (3) because it is not feasible to comply with these provisions given the nature of this system. Most of the records in this system are necessarily furnished by State and local criminal justice agencies and not by individuals due to the very nature of the records and the system.

(5) From subsection (e)(5) because the vast majority of these records come from State and local criminal justice agencies and because it is administratively impossible for them and the FBI to insure that the records comply with this provision. Submitting agencies are urged and make every effort to insure records are accurate and complete; however, since it is not possible to predict when information in the indexes of the system (whether submitted by State and local criminal justice agencies or generated by the FBI) will be matched with other information, it is not possible to determine when most of them are relevant or timely.

(6) From subsection (e)(8) because the FBI has no logical manner to determine whenever process has been made public and compliance with this provision would provide an impediment to law enforcement by interfering with ongoing investigations.

(p) The National Instant Criminal Background Check System (NICS), (JUSTICE/FBI-018), a Privacy Act system of records, is exempt:

(1) Pursuant to 5 U.S.C. 552a(j)(2), from subsections (c) (3) and (4); (d); (e)

(1), (2) and (3); (e)(4) (G) and (H); (e) (5) and (8); and (g); and

(2) Pursuant to 5 U.S.C. 552a(k) (2) and (3), from subsections (c)(3), (d), (e)(1), and (e)(4) (G) and (H).

(q) These exemptions apply only to the extent that information in the system is subject to exemption pursuant to 5 U.S.C. 552a(j)(2), (k)(2), and (k)(3). Exemptions from the particular subsections are justified for the following reasons:

(1) From subsection (c)(3) because the release of the accounting of disclosures would place the subject on notice that the subject is or has been the subject of investigation and result in a serious impediment to law enforcement.

(2) From subsection (c)(4) to the extent that it is not applicable since an exemption is claimed from subsection (d).

(3)(i) From subsections (d) and (e)(4) (G) and (H) because these provisions concern an individual's access to records which concern the individual and such access to records in the system would compromise ongoing investigations, reveal investigatory techniques and confidential informants, invade the privacy of persons who provide information in connection with a particular investigation, or constitute a potential danger to the health or safety of law enforcement personnel.

(ii) In addition, from subsection (d)(2) because, to require the FBI to amend information thought to be not accurate, timely, relevant, and complete, because of the nature of the information collected and the essential length of time it is maintained, would create an impossible administrative burden by forcing the agency to continuously update its investigations attempting to resolve these issues.

(iii) Although the Attorney General is exempting this system from subsections (d) and (e)(4) (G) and (H), an alternate method of access and correction has been provided in 28 CFR, part 25, subpart A.

(4) From subsection (e)(1) because it is impossible to state with any degree of certainty that all information in these records is relevant to accomplish a purpose of the FBI, even though acquisition of the records from state and local law enforcement agencies is based

on a statutory requirement. In view of the number of records in the system, it is impossible to review them for relevancy.

(5) From subsections (e) (2) and (3) because the purpose of the system is to verify information about an individual. It would not be realistic to rely on information provided by the individual. In addition, much of the information contained in or checked by this system is from Federal, State, and local criminal history records.

(6) From subsection (e)(5) because it is impossible to predict when it will be necessary to use the information in the system, and, accordingly, it is not possible to determine in advance when the records will be timely. Since most of the records are from State and local or other Federal agency records, it would be impossible to review all of them to verify that they are accurate. In addition, an alternate procedure is being established in 28 CFR, part 25, subpart A, so the records can be amended if found to be incorrect.

(7) From subsection (e)(8) because the notice requirement could present a serious impediment to law enforcement by revealing investigative techniques and confidential investigations.

(8) From subsection (g) to the extent that, pursuant to subsections (j)(2), (k)(2), and (k)(3), the system is exempted from the other subsections listed in paragraph (p) of this section.

(r) The following system of records is exempt from 5 U.S.C. 552a(c)(3) and (4); (d)(1), (2), (3), and (4); (e)(1), (2), (3), (5), and (8); and (g):

(1) Terrorist Screening Records System (TSRS) (JUSTICE/FBI-019).

(2) These exemptions apply only to the extent that information in this system is subject to exemption pursuant to 5 U.S.C. 552a(j)(2), (k)(1), and (k)(2). Where compliance would not appear to interfere with or adversely affect the counterterrorism purposes of this system, and the overall law enforcement process, the applicable exemption may be waived by the FBI in its sole discretion.

(s) Exemptions from the particular subsections are justified for the following reasons:

(1) From subsection (c)(3) because making available to a record subject

the accounting of disclosures from records concerning him/her would specifically reveal any investigative interest in the individual. Revealing this information could reasonably be expected to compromise ongoing efforts to investigate a known or suspected terrorist by notifying the record subject that he/she is under investigation. This information could also permit the record subject to take measures to impede the investigation, *e.g.*, destroy evidence, intimidate potential witnesses, or flee the area to avoid or impede the investigation. Similarly, disclosing this information to individuals who have been misidentified as known or suspected terrorists due to a close name similarity could reveal the Government's investigative interest in a terrorist suspect, because it could make known the name of the individual who actually is the subject of the Government's interest. Consequently, the Government has as great an interest in protecting the confidentiality of identifying information of misidentified persons as it does in protecting the confidentiality of the identities of known or suspected terrorists.

(2) From subsection (c)(4) because this system is exempt from the access and amendment provisions of subsection (d).

(3) From subsections (d)(1), (2), (3), and (4) because these provisions concern individual access to and amendment of records contained in this system, which consists of counterterrorism, investigatory and intelligence records. Compliance with these provisions could alert the subject of a terrorism investigation of the fact and nature of the investigation, and/or the investigative interest of the FBI and/or other intelligence or law enforcement agencies; compromise sensitive information classified in the interest of national security; interfere with the overall law enforcement process by leading to the destruction of evidence, improper influencing of witnesses, fabrication of testimony, and/or flight of the subject; could identify a confidential source or disclose information which would constitute an unwarranted invasion of another's personal

privacy; reveal a sensitive investigative or intelligence technique; or constitute a potential danger to the health or safety of law enforcement personnel, confidential informants, and witnesses. Amendment of these records would interfere with ongoing counterterrorism investigations and analysis activities and impose an impossible administrative burden by requiring investigations, analyses, and reports to be continuously reinvestigated and revised. Similarly, compliance with these provisions with respect to records on individuals who have been misidentified as known or suspected terrorists due to a close name similarity could reveal the Government's investigative interest in a terrorist suspect, because it could make known the name of the individual who actually is the subject of the Government's interest.

(4) From subsection (e)(1) because it is not always possible for TSC to know in advance what information is relevant and necessary for it to complete an identity comparison between the individual being screened and a known or suspected terrorist. Also, because TSC and the FBI may not always know what information about an encounter with a known or suspected terrorist will be relevant to law enforcement for the purpose of conducting an operational response.

(5) From subsection (e)(2) because application of this provision could present a serious impediment to counterterrorism efforts in that it would put the subject of an investigation, study or analysis on notice of that fact, thereby permitting the subject to engage in conduct designed to frustrate or impede that activity. The nature of counterterrorism investigations is such that vital information about an individual frequently can be obtained only from other persons who are familiar with such individual and his/her activities. In such investigations it is not feasible to rely upon information furnished by the individual concerning his own activities.

(6) From subsection (e)(3), to the extent that this subsection is interpreted to require TSC to provide notice to an individual if TSC receives information about that individual from a third

party. Should the subsection be so interpreted, exemption from this provision is necessary to avoid impeding counterterrorism efforts by putting the subject of an investigation, study or analysis on notice of that fact, thereby permitting the subject to engage in conduct intended to frustrate or impede that activity.

(7) From subsection (e)(5) because many of the records in this system are derived from other domestic and foreign agency record systems and therefore it is not possible for the FBI and the TSC to vouch for their compliance with this provision; however, the TSC has implemented internal quality assurance procedures to ensure that TSC terrorist screening data is as thorough, accurate, and current as possible. In addition, TSC supports but does not conduct investigations; therefore, it must be able to collect information related to terrorist identities and encounters for distribution to law enforcement and intelligence agencies that do conduct terrorism investigations. In the collection of information for law enforcement, counterterrorism, and intelligence purposes, it is impossible to determine in advance what information is accurate, relevant, timely, and complete. With the passage of time, seemingly irrelevant or untimely information may acquire new significance as further investigation brings new details to light. The restrictions imposed by (e)(5) would limit the ability of those agencies' trained investigators and intelligence analysts to exercise their judgment in conducting investigations and impede the development of intelligence necessary for effective law enforcement and counterterrorism efforts. The TSC has, however, implemented internal quality assurance procedures to ensure that TSC terrorist screening data is as thorough, accurate, and current as possible. The FBI also is exempting the TSRS from the requirements of subsection (e)(5) in order to prevent the use of a challenge under subsection (e)(5) as a collateral means to obtain access to records in the TSRS. The FBI has exempted TSRS records from the access and amendment requirements of subsection (d) of the Privacy Act in order to protect the integrity of counterterrorism

investigations. Exempting the TSRS from subsection (e)(5) serves to prevent the assertion of challenges to a record's accuracy, timeliness, completeness, and/or relevance under subsection (e)(5) to circumvent the exemption claimed from subsection (d).

(8) From subsection (e)(8) because to require individual notice of disclosure of information due to compulsory legal process would pose an impossible administrative burden on the FBI and the TSC and could alert the subjects of counterterrorism, law enforcement, or intelligence investigations to the fact of those investigations when not previously known.

(9) From subsection (g) to the extent that the system is exempt from other specific subsections of the Privacy Act.

(t) The following system of records is exempt from 5 U.S.C. 552a(c)(3) and (4); (d)(1), (2), (3) and (4); (e)(1), (2), (3), (5) and (8); and (g) of the Privacy Act:

(1) Law Enforcement National Data Exchange (N-DEX), (JUSTICE/FBI-020).

(2) These exemptions apply only to the extent that information in this system is subject to exemption pursuant to 5 U.S.C. 552a(j)(2). Where compliance would not appear to interfere with or adversely affect the law enforcement purposes of this system, or the overall law enforcement process, the applicable exemption may be waived by the FBI in its sole discretion.

(u) Exemptions from the particular subsections are justified for the following reasons:

(1) From subsection (c)(3) because this system is exempt from the access provisions of subsection (d). Also, because making available to a record subject the accounting of disclosures from records concerning him/her would specifically reveal any investigative interest in the individual. Revealing this information may thus compromise ongoing law enforcement efforts. Revealing this information may also permit the record subject to take measures to impede the investigation, such as destroying evidence, intimidating potential witnesses or fleeing the area to avoid the investigation.

(2) From subsection (c)(4) because this system is exempt from the access and amendment provisions of subsection (d).

(3) From subsections (d)(1), (2), (3), and (4), because these provisions concern individual access to and amendment of investigatory records, compliance with which could alert the subject of an investigation of the fact and nature of the investigation, and/or the investigative interest of the FBI and other law enforcement agencies; interfere with the overall law enforcement process by leading to the destruction of evidence, improper influencing of witnesses, fabrication of testimony, and/or flight of the subject; possibly identify a confidential source or disclose information which would constitute an unwarranted invasion of another's personal privacy; reveal a sensitive investigative or intelligence technique; or constitute a potential danger to the health or safety of law enforcement personnel, confidential informants, and witnesses. Amendment of these records would interfere with ongoing investigations and other law enforcement activities and impose an impossible administrative burden by requiring investigations, analyses, and reports to be continuously reinvestigated and revised.

(4) From subsection (e)(1) because it is not always possible to know in advance what information is relevant and necessary for law enforcement purposes and, in fact, a major tenet of the N-DEX information sharing system is that the relevance of certain information may not always be evident in the absence of the ability to correlate that information with other existing law enforcement data.

(5) From subsection (e)(2) because application of this provision could present a serious impediment to efforts to solve crimes and improve homeland security in that it would put the subject of an investigation on notice of that fact, thereby permitting the subject to engage in conduct intended to frustrate or impede that activity.

(6) From subsection (e)(3) because disclosure would put the subject of an investigation on notice of that fact and would permit the subject to engage in conduct intended to thwart that activity.

(7)(i) From subsection (e)(5) because many of the records in this system are records contributed by other agencies and the restrictions imposed by (e)(5)

would limit the utility of the N-DEx system. All data contributors are expected to ensure that information they share is relevant, timely, complete and accurate. In fact, rules for use of the N-DEx system will require that information be updated periodically and not be used as a basis for action or disseminated beyond the recipient without the recipient first obtaining permission from the record owner/contributor. These rules will be enforced through robust audit procedures. The existence of these rules should ameliorate any perceived concerns about the integrity of the information in the N-DEx system. Nevertheless, exemption from this provision is warranted in order to reduce the administrative burden on the FBI to vouch for compliance with the provision by all N-DEx data contributors and to encourage those contributors to share information the significance of which may only become apparent when combined with other information in the N-DEx system.

(ii) The FBI is also exempting the N-DEx from subsection (e)(5) in order to block the use of a challenge under subsection (e)(5) as a collateral means to obtain access to records in the N-DEx. The FBI has exempted these records from the access and amendment requirements of subsection (d) of the Privacy Act in order to protect the integrity of law enforcement investigations. Exempting the N-DEx system from subsection (e)(5) complements this exemption and will provide the FBI with the ability to prevent the assertion of challenges to a record's accuracy, timeliness, completeness and/or relevance under subsection (e)(5) to circumvent the exemption claimed from subsection (d).

(8) From subsection (e)(8), because to require individual notice of disclosure of information due to compulsory legal process would pose an impossible administrative burden on the FBI and may alert the subjects of law enforcement investigations to the fact of those investigations, when not previously known.

(9) From subsection (g) to the extent that the system is exempt from other specific subsections of the Privacy Act.

(v) The following system of records is exempt from 5 U.S.C. 552a(c)(3) and (4);

(d)(1), (2), (3), and (4); (e)(1), (2), (3), (4)(G), (H), and (I), (5), and (8); (f); and (g) of the Privacy Act:

(1) FBI Data Warehouse System, (JUSTICE/FBI-022).

(2) These exemptions apply only to the extent that information in this system is subject to exemption pursuant to 5 U.S.C. 552a(j) and (k). Where compliance with an exempted provision could not appear to interfere with or adversely affect interests of the United States or other system stakeholders, the Department of Justice (DOJ) in its sole discretion may waive an exemption in whole or in part; exercise of this discretionary waiver prerogative in a particular matter shall not create any entitlement to or expectation of waiver in that matter or any other matter. As a condition of discretionary waiver, the DOJ in its sole discretion may impose any restrictions deemed advisable by the DOJ (including, but not limited to, restrictions on the location, manner, or scope of notice, access, or amendment).

(w) Exemptions from the particular subsections are justified for the following reasons:

(1) From subsection (c)(3), the requirement that an accounting be made available to the named subject of a record, because this system is exempt from the access provisions of subsection (d). Also, because making available to a record subject the accounting of disclosures from records concerning him/her would specifically reveal any law enforcement or national security investigative interest in the individual by the FBI or agencies that are recipients of the disclosures. Revealing this information could compromise ongoing, authorized law enforcement and intelligence efforts, particularly efforts to identify and defuse any potential acts of terrorism or other potential violations of criminal law. Revealing this information could also permit the record subject to obtain valuable insight concerning the information obtained during any investigation and to take measures to circumvent the investigation.

(2) From subsection (c)(4) notification requirements because this system is exempt from the access and amendment provisions of subsection (d) as



well as the accounting of disclosures provision of subsection (c)(3).

(3) From subsections (d)(1), (2), (3), and (4) and (e)(4)(G) and (H) because these provisions concern individual access to and amendment of law enforcement, intelligence and counterintelligence, and counterterrorism records, and compliance could alert the subject of an authorized law enforcement or intelligence activity about that particular activity and the investigative interest of the FBI or other law enforcement or intelligence agencies. Providing access could compromise sensitive information classified to protect national security; disclose information that would constitute an unwarranted invasion of another's personal privacy; reveal a sensitive investigative or intelligence technique; could provide information that would allow a subject to avoid detection or apprehension; or constitute a potential danger to the health or safety of law enforcement personnel, confidential sources, and witnesses. The FBI takes seriously its obligation to maintain accurate records despite its assertion of this exemption, and to the extent it, in its sole discretion, agrees to permit amendment or correction of FBI records, it will share that information in appropriate cases with subjects of the information.

(4) From subsection (e)(1) because it is not always possible to know in advance what information is relevant and necessary for law enforcement and intelligence purposes. The relevance and utility of certain information that may have a nexus to terrorism or other crimes may not always be evident until and unless it is vetted and matched with other sources of information that are necessarily and lawfully maintained by the FBI.

(5) From subsections (e)(2) and (3) because application of these provisions could present a serious impediment to efforts to solve crimes and improve national security. Application of these provisions would put the subject of an investigation on notice of that fact and allow the subject an opportunity to engage in conduct intended to impede that activity or avoid apprehension.

(6) From subsection (e)(4)(I), to the extent that this subsection is inter-

preted to require more detail regarding the record sources in this system than has been published in the FEDERAL REGISTER. Should the subsection be so interpreted, exemption from this provision is necessary to protect the sources of law enforcement and intelligence information and to protect the privacy and safety of witnesses and informants and others who provide information to the FBI. Further, greater specificity of properly classified records could compromise national security.

(7) From subsection (e)(5) because in the collection of information for authorized law enforcement and intelligence purposes, it is impossible to determine in advance what information is accurate, relevant, timely and complete. With time, seemingly irrelevant or untimely information may acquire new significance when new details are brought to light. Additionally, the information may aid in establishing patterns of activity and providing criminal or intelligence leads. It could impede investigative progress if it were necessary to assure relevance, accuracy, timeliness and completeness of all information obtained during the scope of an investigation. Further, some of the records in this system come from other agencies and it would be administratively impossible for the FBI to vouch for the compliance of these agencies with this provision.

(8) From subsection (e)(8) because to require individual notice of disclosure of information due to compulsory legal process would pose an impossible administrative burden on the FBI and may alert the subjects of law enforcement investigations, who might be otherwise unaware, to the fact of those investigations.

(9) From subsections (f) and (g) to the extent that the system is exempt from other specific subsections of the Privacy Act.

[Order No. 40-80, 45 FR 5301, Jan. 23, 1980]

EDITORIAL NOTE: For FEDERAL REGISTER citations affecting § 16.96, see the List of CFR Sections Affected, which appears in the Finding Aids section of the printed volume and at [www.fdsys.gov](http://www.fdsys.gov).

**§ 16.97 Exemption of Bureau of Prisons Systems—limited access.**

(a) The following systems of records are exempt from 5 U.S.C. 552a (c) (3) and (4), (d), (e) (2) and (3), (e)(4) (H), (e)(8), (f) and (g):

- (1) Custodial and Security Record System (JUSTICE/BOP-001).
- (2) Industrial Inmate Employment Record System (JUSTICE/BOP-003).
- (3) Inmate Administrative Remedy Record System (JUSTICE/BOP-004).
- (4) Inmate Commissary Accounts Record System (JUSTICE/BOP-006).
- (5) Inmate Physical and Mental Health Record System (JUSTICE/BOP-007).
- (6) Inmate Safety and Accident Compensation Record System (JUSTICE/BOP-008).
- (7) Federal Tort Claims Act Record System (JUSTICE/BOP-009).
- (8) Federal Tort Claims Act Record System (JUSTICE/BOP-009).

These exemptions apply only to the extent that information in these systems is subject to exemption pursuant to 5 U.S.C. 552a(j).

(b) Exemptions from the particular subsections are justified for the following reasons:

- (1) From subsection (c)(3) because inmates will not be permitted to gain access or to contest contents of these record systems under the provisions of subsection (d) of 5 U.S.C. 552a. Revealing disclosure accountings can compromise legitimate law enforcement activities and Bureau of Prisons responsibilities.
- (2) From subsection (c)(4) because exemption from provisions of subsection (d) will make notification of formal disputes inapplicable.
- (3) From subsection (d) because exemption from this subsection is essential to protect internal processes by which Bureau personnel are able to formulate decisions and policies with regard to federal prisoners, to prevent disclosure of information to federal inmates that would jeopardize legitimate correctional interests of security, custody, or rehabilitation, and to permit receipt of relevant information from other federal agencies, state and local law enforcement agencies, and federal and state probation and judicial offices.

(4) From subsection (e)(2) because primary collection of information directly from federal inmates about criminal sentences or criminal records is highly impractical and inappropriate.

(5) From subsection (e)(3) because in view of the Bureau of Prisons' responsibilities, application of this provision to its operations and collection of information is inappropriate.

(6) From subsection (e)(4)(H) because exemption from provisions of subsection (d) will make publication of agency procedures under this subsection inapplicable.

(7) From subsection (e)(8) because the nature of Bureau of Prisons law enforcement activities renders notice of compliance with compulsory legal process impractical.

(8) From subsection (f) because exemption from provisions of subsection (d) will render compliance with provisions of this subsection inapplicable.

(9) From subsection (g) because exemption from provisions of subsection (d) will render provisions of this subsection inapplicable.

(c) The following system of records is exempted pursuant to 5 U.S.C. 552a(j)(2) from subsections (c)(3) and (4), (d), (e)(1), (2) and (3), (e)(5) and (e)(8), and (g). In addition, the following system of records is exempted pursuant to 5 U.S.C. 552a(k)(2) from subsections (c)(3), (d), and (e)(1):

Bureau of Prisons Access Control Entry/Exit, (JUSTICE/BOP-010).

(d) These exemptions apply only to the extent that information in these systems is subject to exemption pursuant to 5 U.S.C. 552a(j)(2) or (k)(2). Where compliance would not appear to interfere with or adversely affect the law enforcement process, and/or where it may be appropriate to permit individuals to contest the accuracy of the information collected, e.g. public source materials, or those supplied by third parties, the applicable exemption may be waived, either partially or totally, by the BOP. Exemptions from the particular subsections are justified for the following reasons:

- (1) From subsection (c)(3) for similar reasons as those enumerated in paragraph (3).

## Department of Justice

## § 16.97

(2) From subsection (c)(4) to the extent that exemption from subsection (d) will make notification of corrections or notations of disputes inapplicable.

(3) From the access provisions of subsection (d) to the extent that exemption from this subsection may appear to be necessary to prevent access by record subjects to information that may jeopardize the legitimate correctional interests of safety, security, and good order of Bureau of Prisons facilities; to protect the privacy of third parties; and to protect access to relevant information received from third parties, such as other Federal State, local and foreign law enforcement agencies, Federal and State probation and judicial offices, the disclosure of which may permit a record subject to evade apprehension, prosecution, etc.; and/or to otherwise protect investigatory or law enforcement information, whether received from other third parties, or whether developed internally by the BOP.

(4) From the amendment provisions of subsection (d) because amendment of the records would interfere with law enforcement operations and impose an impossible administrative burden. In addition to efforts to ensure accuracy so as to withstand possible judicial scrutiny, it would require that law enforcement and investigatory information be continuously reexamined, even where the information may have been collected from the record subject. Also, where records are provided by other Federal criminal justice agencies or other State, local and foreign jurisdictions, it may be administratively impossible to ensure compliance with this provision.

(5) From subsection (e)(1) to the extent that the BOP may collect information that may be relevant to the law enforcement operations of other agencies. In the interests of overall, effective law enforcement, such information should be retained and made available to those agencies with relevant responsibilities.

(6) From subsection (e)(2) because primary collection of information directly from the record subject is often highly impractical, inappropriate and could result in inaccurate information.

(7) From subsection (e)(3) because compliance with this subsection may impede the collection of information that may be valuable to law enforcement interests.

(8) From subsection (e)(5) because in the collection and maintenance of information for law enforcement purposes, it is impossible to determine in advance what information is accurate, relevant, timely and complete. Data which may seem unrelated, irrelevant or incomplete when collected may take on added meaning or significance as an investigation progresses or with the passage of time, and could be relevant to future law enforcement decisions.

(9) From subsection (e)(8) because the nature of BOP law enforcement activities renders notice of compliance with compulsory legal process impractical and could seriously jeopardize institution security and personal safety and/or impede overall law enforcement efforts.

(10) From subsection (g) to the extent that the system is exempted from subsection (d).

(e) The following system of records is exempt from 5 U.S.C. 552a (c) (3) and (4), (d), (e) (2) and (3), (e)(5) and (e)(8), (f) and (g):

Telephone Activity Record System (JUSTICE/BOP-011).

(f) These exemptions apply only to the extent that information in this system is subject to exemption pursuant to 5 U.S.C. 552a (j)(2) and/or (k)(2). Where compliance would not appear to interfere with or adversely affect the law enforcement process, and/or where it may be appropriate to permit individuals to contest the accuracy of the information collected, the applicable exemption may be waived, either partially or totally, by the BOP. Exemptions from the particular subsections are justified for the following reasons:

(1) From subsection (c)(3) to the extent that this system of records is exempt from subsection (d), and for such reasons as those cited for subsection (d) in paragraph (f)(3) below.

(2) From subsection (c)(4) to the extent that exemption from subsection (d) makes this exemption inapplicable.

(3) From the access provisions of subsection (d) because exemption from

this subsection is essential to prevent access of information by record subjects that may invade third party privacy; frustrate the investigative process; jeopardize the legitimate correctional interests of safety, security, and good order to prison facilities; or otherwise compromise, impede, or interfere with BOP or other law enforcement agency activities.

(4) From the amendment provisions from subsection (d) because amendment of the records may interfere with law enforcement operations and would impose an impossible administrative burden by requiring that, in addition to efforts to ensure accuracy so as to withstand possible judicial scrutiny, it would require that law enforcement information be continuously reexamined, even where the information may have been collected from the record subject. Also, some of these records come from other Federal criminal justice agencies or State, local and foreign jurisdictions, or from Federal and State probation and judicial offices, and it is administratively impossible to ensure that the records comply with this provision.

(5) From subsection (e)(2) because the nature of criminal and other investigative activities is such that vital information about an individual can be obtained from other persons who are familiar with such individual and his/her activities. In such investigations it is not feasible to rely solely upon information furnished by the individual concerning his/her own activities since it may result in inaccurate information.

(6) From subsection (e)(3) because in view of BOP's operational responsibilities, application of this provision to the collection of information is inappropriate. Application of this provision could provide the subject with substantial information which may in fact impede the information gathering process or compromise an investigation.

(7) From subsection (e)(5) because in the collection and maintenance of information for law enforcement purposes, it is impossible to determine in advance what information is accurate, relevant, timely and complete. Material which may seem unrelated, irrelevant or incomplete when collected may

take on added meaning or significance at a later date or as an investigation progresses. Also, some of these records may come from other Federal, State, local and foreign law enforcement agencies, and from Federal and State probation and judicial offices and it is administratively impossible to ensure that the records comply with this provision. It would also require that law enforcement information be continuously reexamined even where the information may have been collected from the record subject.

(8) From subsection (e)(8) because the nature of BOP law enforcement activities renders impractical the notice of compliance with compulsory legal process. This requirement could present a serious impediment to law enforcement such as revealing investigative techniques or the existence of confidential investigations, jeopardize the security of third parties, or otherwise compromise law enforcement efforts.

(9)-(10) [Reserved]

(11) From subsections (f) and (g) to the extent that this system is exempt from the access and amendment provisions of subsection (d).

(g) The following system of records is exempt pursuant to the provisions of 5 U.S.C. 552a(j)(2) from subsections (c) (3) and (4), (d), (e) (1), (2), and (3), (e)(5) and (e)(8), and (g) of 5 U.S.C. 552a. In addition, the following system of records is exempt pursuant to the provisions of 5 U.S.C. 552a (k)(1) and (k)(2) from subsections (c)(3), (d), and (e)(1) of 5 U.S.C. 552a:

Bureau of Prisons, Office of Internal Affairs  
Investigative Records, JUSTICE/BOP-012

(h) These exemptions apply only to the extent that information in this system is subject to exemption pursuant to 5 U.S.C. 552a (j)(2), (k)(1), and (k)(2). Where compliance would not appear to interfere with or adversely affect the law enforcement process, and/or where it may be appropriate to permit individuals to contest the accuracy of the information collected, e.g., public source materials, the applicable exemption may be waived, either partially or totally, by the Office of Internal Affairs (OIA). Exemptions from the

particular subsections are justified for the following reasons:

(1) From subsection (c)(3) because release of disclosure accounting could alert the subject of an investigation of an actual or potential criminal, civil, or regulatory violation to the existence of the investigation and the fact that they are subjects of the investigation, and reveal investigative interest by not only the OIA but also by the recipient agency. Since release of such information to the subjects of an investigation would provide them with significant information concerning the nature of the investigation, release could result in activities that would impede or compromise law enforcement such as: the destruction of documentary evidence; improper influencing of witnesses; endangerment of the physical safety of confidential sources, witnesses, and law enforcement personnel; fabrication of testimony; and flight of the subject from the area. In addition, release of disclosure accounting could result in the release of properly classified information which could compromise the national defense or disrupt foreign policy.

(2) From subsection (c)(4) because this system is exempt from the access provisions of subsection (d) pursuant to subsections (j) and (k) of the Privacy Act.

(3) From the access and amendment provisions of subsection (d) because access to the records contained in this system of records could provide the subject of an investigation with information concerning law enforcement activities such as that relating to an actual or potential criminal, civil or regulatory violation; the existence of an investigation; the nature and scope of the information and evidence obtained as to his activities; the identity of confidential sources, witnesses, and law enforcement personnel; and information that may enable the subject to avoid detection or apprehension. Such disclosure would present a serious impediment to effective law enforcement where they prevent the successful completion of the investigation; endanger the physical safety of confidential sources, witnesses, and law enforcement personnel; and/or lead to the improper influencing of witnesses, the de-

struction of evidence, or the fabrication of testimony. In addition, granting access to such information could disclose security-sensitive or confidential business information or information that would constitute an unwarranted invasion of the personal privacy of third parties. Finally, access to the records could result in the release of properly classified information which could compromise the national defense or disrupt foreign policy. Amendment of the records would interfere with ongoing investigations and law enforcement activities and impose an impossible administrative burden by requiring investigations to be continuously reinvestigated.

(4) From subsection (e)(1) because the application of this provision could impair investigations and interfere with the law enforcement responsibilities of the OIA for the following reasons:

(i) It is not possible to detect relevance or necessity of specific information in the early stages of a civil, criminal or other law enforcement investigation, case, or matter, including investigations in which use is made of properly classified information. Relevance and necessity are questions of judgment and timing, and it is only after the information is evaluated that the relevance and necessity of such information can be established.

(ii) During the course of any investigation, the OIA may obtain information concerning actual or potential violations of laws other than those within the scope of its jurisdiction. In the interest of effective law enforcement, the OIA should retain this information as it may aid in establishing patterns of criminal activity, and can provide valuable leads for Federal and other law enforcement agencies.

(iii) In interviewing individuals or obtaining other forms of evidence during an investigation, information may be supplied to an investigator which relates to matters incidental to the primary purpose of the investigation but which may relate also to matters under the investigative jurisdiction of another agency. Such information cannot readily be segregated.

(5) From subsection (e)(2) because, in some instances, the application of this

**§ 16.97**

**28 CFR Ch. I (7-1-17 Edition)**

provision would present a serious impediment to law enforcement for the following reasons:

(i) The subject of an investigation would be placed on notice as to the existence of an investigation and would therefore be able to avoid detection or apprehension, to improperly influence witnesses, to destroy evidence, or to fabricate testimony.

(ii) In certain circumstances the subject of an investigation cannot be required to provide information to investigators, and information relating to a subject's illegal acts, violations of rules of conduct, or any other misconduct must be obtained from other sources.

(iii) In any investigation it is necessary to obtain evidence from a variety of sources other than the subject of the investigation in order to verify the evidence necessary for successful litigation.

(6) From subsection (e)(3) because the application of this provision would provide the subject of an investigation with substantial information which could impede or compromise the investigation. Providing such notice to a subject of an investigation could interfere with an undercover investigation by revealing its existence, and could endanger the physical safety of confidential sources, witnesses, and investigators by revealing their identities.

(7) From subsection (e)(5) because the application of this provision would prevent the collection of any data not shown to be accurate, relevant, timely, and complete at the moment it is collected. In the collection of information for law enforcement purposes, it is impossible to determine in advance what information is accurate, relevant, timely, and complete. Material which may seem unrelated, irrelevant, or incomplete when collected may take on added meaning or significance as an investigation progresses. The restrictions of this provision could interfere with the preparation of a complete investigation report, and thereby impede effective law enforcement.

(8) From subsection (e)(8) because the application of this provision could prematurely reveal an ongoing criminal investigation to the subject of the investigation, and could reveal investiga-

tion techniques, procedures, and/or evidence.

(9) From subsection (g) to the extent that this system is exempt from the access and amendment provisions of subsection (d) pursuant to subsections (j)(2), (k)(1), and (k)(2) of the Privacy Act.

(i) Consistent with the legislative purpose of the Privacy Act of 1974 (Pub. L. 93-579) the BOP has initiated a procedure whereby federal inmates in custody may gain access and review their individual prison files maintained at the institution of incarceration. Access to these files will be limited only to the extent that the disclosure of records to the inmate would jeopardize internal decision-making or policy determinations essential to the effective operation of the Bureau of Prisons; to the extent that disclosure of the records to the inmate would jeopardize privacy rights of others, or a legitimate correctional interest of security, custody, or rehabilitation; and to the extent information is furnished with a legitimate expectation of confidentiality. The Bureau of Prisons will continue to provide access to former inmates under existing regulations as is consistent with the interests listed above. Under present Bureau of Prisons regulations, inmates in federal institutions may file administrative complaints on any subject under the control of the Bureau. This would include complaints pertaining to information contained in these systems of records.

(j) The following system of records is exempt pursuant to 5 U.S.C. 552a(j) and (k) from subsections (c)(3) and (4); (d); (e)(1), (2), (3), (4)(G), (H), and (I), (5), (8); (f); and (g): Inmate Central Records System (JUSTICE/BOP-005).

(k) These exemptions apply only to the extent that information in this system is subject to exemption pursuant to 5 U.S.C. 552a (j)(2) and/or (k)(2). Where compliance would not appear to interfere with or adversely affect the law enforcement process, and/or where it may be appropriate to permit individuals to contest the accuracy of the information collected, the applicable exemption may be waived, either partially or totally, by the BOP. Exemptions from the particular subsections are justified for the following reasons:

(1) From subsection (c)(3), the requirement that an accounting be made available to the named subject of a record, because this system is exempt from the access provisions of subsection (d). Also, because making available to a record subject the accounting of disclosures from records concerning the subject individual would specifically reveal any investigative interest in the individual. Revealing this information may thus compromise ongoing law enforcement efforts, as well as efforts to identify and defuse any potential acts of terrorism. Revealing this information may also permit the subject individual to take measures to impede the investigation, such as destroying evidence, intimidating potential witnesses, or fleeing the area to avoid the investigation.

(2) From subsection (c)(4) notification requirements because this system is exempt from the access and amendment provisions of subsection (d).

(3) From subsections (d)(1), (2), (3), and (4), because these provisions concern individual access to and amendment of records, compliance with which could jeopardize the legitimate correctional interests of safety, security, and good order of prison facilities; alert the subject of a suspicious activity report of the fact and nature of the report and any underlying investigation and/or the investigative interest of the BOP and other law enforcement agencies; interfere with the overall law enforcement process by leading to the destruction of evidence, improper influencing of witnesses, and/or flight of the subject; possibly identify a confidential source or disclose information which would constitute an unwarranted invasion of another's personal privacy; reveal a sensitive investigative or intelligence technique; or constitute a potential danger to the health or safety of law enforcement personnel, confidential informants, and witnesses. Although the BOP has rules in place emphasizing that records should be kept up to date, the requirement for amendment of these records would interfere with ongoing law enforcement activities and impose an impossible administrative burden by requiring investigations, analyses, and reports to be

continuously reinvestigated and revised.

(4) From subsection (e)(1) because it is not always possible to know in advance what information is relevant and necessary for the proper safekeeping, care, and custody of incarcerated persons, and for the proper security and safety of federal prisons and the public. In addition, to the extent that the BOP may collect information that may also be relevant to the law enforcement operations of other agencies, in the interests of overall, effective law enforcement, such information should be retained and made available to those agencies with such relevant responsibilities.

(5) From subsections (e)(2) because the nature of criminal investigative and correctional activities is such that vital information about an individual can be obtained from other persons who are familiar with such individual and his/her activities. In such investigations and activities, it is not feasible to rely solely upon information furnished by the individual concerning his/her own activities since it may result in inaccurate information and compromise ongoing criminal investigations or correctional management decisions.

(6) From subsections (e)(3) because in view of BOP's operational responsibilities, the application of this provision would provide the subject of an investigation or correctional matter with significant information which may in fact impede the information gathering process or compromise ongoing criminal investigations or correctional management decisions.

(7) From subsections (e)(4)(G) and (H) because this system is exempt from the access provisions of subsection (d).

(8) From subsection (e)(4)(I) because publishing further details regarding categories of sources of records in the system may compromise ongoing investigations, reveal investigatory techniques and descriptions of confidential informants, or constitute a potential danger to the health or safety of law enforcement personnel.

(9) From subsection (e)(5) because in the collection and maintenance of information for law enforcement purposes, it is difficult to determine in advance what information is accurate, relevant, timely, and complete. Data which may seem unrelated, irrelevant, or incomplete when collected may take on added meaning or significance during the course of an investigation or with the passage of time, and could be relevant to future law enforcement decisions. In addition, because many of these records come from courts and other state and local criminal justice agencies, it is administratively impossible for them and the BOP to ensure compliance with this provision. The restrictions of subsection (e)(5) would restrict and delay trained correctional managers from timely exercising their judgment in managing the inmate population and providing for the safety and security of the prisons and the public.

(10) From subsection (e)(8), because to require individual notice of disclosure of information due to a compulsory legal process would pose an impossible administrative burden on BOP and may alert subjects of investigations, who might otherwise be unaware, to the fact of those investigations.

(11) From subsection (f) to the extent that this system is exempt from the provisions of subsection (d).

(12) From subsection (g) to the extent that this system is exempted from other provisions of the Act.

(l) The following system of records is exempted pursuant to 5 U.S.C. 552a(j) from subsections (e)(1) and (e)(5): Bureau of Prisons Inmate Trust Fund Accounts and Commissary Record System, (Justice/BOP-006).

(m) These exemptions apply only to the extent that information in this system is subject to exemption pursuant to 5 U.S.C. 552a(j). Where compliance would not appear to interfere with or adversely affect the law enforcement process, and/or where it may be appropriate to permit individuals to contest the accuracy of the information collected, *e.g.* public source materials, or those supplied by third parties, the applicable exemption may be waived, either partially or totally, by the Bu-

reau. Exemptions from the particular subsections are justified for the following reasons:

(1) From subsection (e)(1) to the extent that the Bureau may collect information that may be relevant to the law enforcement operations of other agencies. In the interests of overall, effective law enforcement, such information should be retained and made available to those agencies with relevant responsibilities.

(2) From subsection (e)(5) because in the collection and maintenance of information for law enforcement purposes, it is impossible to determine in advance what information is accurate, relevant, timely and complete. Data which may seem unrelated, irrelevant or incomplete when collected may take on added meaning or significance as an investigation progresses or with the passage of time, and could be relevant to future law enforcement decisions. In addition, amendment of the records may interfere with law enforcement operations and would impose an impossible administrative burden by requiring that law enforcement information be continuously reexamined, even where the information may have been collected from the record subject or other criminal justice agencies. The restrictions of subsection (e)(5) would restrict and delay trained correctional managers from timely exercising their judgment in managing the inmate population and providing for the safety and security of the prisons and the public.

(n) The following system of records is exempted pursuant to 5 U.S.C. 552a(j) from subsections (e)(1) and (e)(5): Bureau of Prisons Inmate Physical and Mental Health Records System, (Justice/BOP-007).

(o) These exemptions apply only to the extent that information in this system is subject to exemption pursuant to 5 U.S.C. 552a(j). Where compliance would not appear to interfere with or adversely affect the law enforcement process, and/or where it may be appropriate to permit individuals to contest the accuracy of the information collected, *e.g.* public source materials, or



## Department of Justice

## § 16.97

those supplied by third parties, the applicable exemption may be waived, either partially or totally, by the Bureau. Exemptions from the particular subsections are justified for the following reasons:

(1) From subsection (e)(1) to the extent that the Bureau may collect information that may be relevant to the law enforcement operations of other agencies. In the interests of overall, effective law enforcement, such information should be retained and made available to those agencies with relevant responsibilities.

(2) From subsection (e)(5) because in the collection and maintenance of information for law enforcement purposes, it is impossible to determine in advance what information is accurate, relevant, timely and complete. Data which may seem unrelated, irrelevant or incomplete when collected may take on added meaning or significance during the course of an investigation or with the passage of time, and could be relevant to future law enforcement decisions. In addition, because many of these records come from sources outside the Bureau of Prisons, it is administratively impossible for them and the Bureau to ensure compliance with this provision. The restrictions of subsection (e)(5) would restrict and delay trained correctional managers from timely exercising their judgment in managing the inmate population and providing for the health care of the inmates and the safety and security of the prisons and the public.

(p) The following system of records is exempt from 5 U.S.C. 552a (c)(3) and (4), (d)(1)–(4), (e)(2) and (3), (e)(5), and (g):

Inmate Electronic Message Record System (JUSTICE /BOP–013).

(q) These exemptions apply only to the extent that information in this system is subject to exemption pursuant to 5 U.S.C. 552a (j)(2) and/or (k)(2). Where compliance would not appear to interfere with or adversely affect the law enforcement process, and/or where it may be appropriate to permit individuals to contest the accuracy of the information collected, the applicable exemption may be waived, either partially or totally, by the BOP. Exemptions from the particular subsections are justified for the following reasons:

(1) From subsection (c)(3) to the extent that this system of records is exempt from subsection (d), and for such reasons as those cited for subsection (d) in paragraph (q)(3) below.

(2) From subsection (c)(4) to the extent that exemption from subsection (d) makes this exemption inapplicable.

(3) From the access provisions of subsection (d) because exemption from this subsection is essential to prevent access of information by record subjects that may invade third party privacy; frustrate the investigative process; jeopardize the legitimate correctional interests of safety, security and good order to prison facilities; or otherwise compromise, impede, or interfere with BOP or other law enforcement agency activities.

(4) From the amendment provisions of subsection (d) because amendment of the records may interfere with law enforcement operations and would impose an impossible administrative burden by requiring that, in addition to efforts to ensure accuracy so as to withstand possible judicial scrutiny, it would require that law enforcement information be continuously reexamined, even where the information may have been collected from the record subject. Also, some of these records come from other Federal criminal justice agencies or State, local and foreign jurisdictions, or from Federal and State probation and judicial offices, and it is administratively impossible to ensure that records comply with this provision.

(5) From subsection (e)(2) because the nature of criminal and other investigative activities is such that vital information about an individual can be obtained from other persons who are familiar with such individual and his/her activities. In such investigations it is not feasible to rely solely upon information furnished by the individual concerning his/her own activities since it may result in inaccurate information and compromise ongoing criminal investigations or correctional management decisions.

(6) From subsection (e)(3) because in view of BOP's operational responsibilities, application of this provision to the collection of information is inappropriate. Application of this provision

could provide the subject with substantial information which may in fact impede the information gathering process or compromise ongoing criminal investigations or correctional management decisions.

(7) From subsection (e)(5) because in the collection and maintenance of information for law enforcement purposes, it is impossible to determine in advance what information is accurate, relevant, timely and complete. Material which may seem unrelated, irrelevant or incomplete when collected may take on added meaning or significance at a later date or as an investigation progresses. Also, some of these records may come from other Federal, State, local and foreign law enforcement agencies, and from Federal and State probation and judicial offices and it is administratively impossible to ensure that the records comply with this provision. It would also require that law enforcement information be continuously reexamined even where the information may have been collected from the record subject.

(8) From subsection (g) to the extent that this system is exempted from other provisions of the Act.

[Order No. 645-76, 41 FR 12640, Mar. 26, 1976]

EDITORIAL NOTE: For FEDERAL REGISTER citations affecting § 16.97, see the List of CFR Sections Affected, which appears in the Finding Aids section of the printed volume and at [www.fdsys.gov](http://www.fdsys.gov).

**§ 16.98 Exemption of the Drug Enforcement Administration (DEA) Systems—limited access.**

(a) The following systems of records are exempt from 5 U.S.C. 552a(c)(3) and (d):

(1) Automated Records and Consummated Orders System/Diversion Analysis and Detection System (ARCOS/DADS) (Justice/DEA-003)

(2) Controlled Substances Act Registration Records (Justice/DEA-005)

(3) Registration Status/Investigatory Records (Justice/DEA-012)

(b) These exemptions apply only to the extent that information in these systems is subject to exemption pursuant to 5 U.S.C. 552a(k)(2). Exemptions from the particular subsections are justified for the following reasons:

(1) From subsection (c)(3) because release of the disclosure accounting would enable the subject of an investigation to gain valuable information concerning the nature and scope of the investigation and seriously hamper the regulatory functions of the DEA.

(2) From subsection (d) because access to records contained in these systems may provide the subject of an investigation information that could enable him to avoid compliance with the Drug Abuse Prevention and Control Act of 1970 (Pub. L. 91-513).

(c) Systems of records identified in paragraphs (c)(1) through (6) of this section are exempted pursuant to the provisions of 5 U.S.C. 552a (j)(2) from subsections (c)(3) and (4); (d)(1), (2), (3), and (4); (e)(1), (2), (3), (5), and (8); and (g) of 5 U.S.C. 552a. In addition, systems of records identified in paragraphs (c)(1) through (5) of this section are also exempted pursuant to the provisions of 5 U.S.C. 552a(k)(1) from subsections (c)(3); (d)(1), (2), (3) and (4); and (e)(1):

(1) Air Intelligence Program (Justice/DEA-001).

(2) Clandestine Laboratory Seizure System (CLSS) (Justice/DEA-002).

(3) Planning and Inspection Division Records (Justice/DEA-010).

(4) Operation Files (Justice/DEA-011).

(5) Security Files (Justice/DEA-013).

(6) System to Retrieve Information from Drug Evidence (STRIDE/Ballistics) (Justice/DEA-014).

(d) Exemptions apply to the following systems of records only to the extent that information in the systems is subject to exemption pursuant to 5 U.S.C. 552a(j)(2), (k)(1), and (k)(2): Air Intelligence Program (Justice/DEA-001); Clandestine Laboratory Seizure System (CLSS) (Justice/DEA-002); Planning and Inspection Division Records (Justice/DEA-010); and Security Files (Justice/DEA-013). Exemptions apply to the Operations Files (Justice/DEA-011) only to the extent that information in the system is subject to exemption pursuant to 5 U.S.C. 552a(j)(2) and (k)(2). Exemptions apply to the System to Retrieve Information from Drug Evidence (STRIDE/Ballistics) (Justice/DEA-014) only to the extent that information in the system is subject to exemption pursuant to 5 U.S.C. 552a(j)(2). Exemption

from the particular subsections is justified for the following reasons:

(1) From subsection (c)(3) because release of disclosure accounting would provide to the subjects of an investigation significant information concerning the nature of the investigation and thus would present the same impediments to law enforcement as those enumerated in paragraph (d)(3) regarding exemption from subsection (d).

(2) From subsection (c)(4) to the extent that it is not applicable because an exemption is being claimed from subsection (d).

(3) From the access provisions of subsection (d) because access to records in this system of records would present a serious impediment to law enforcement. Specifically, it could inform the record subject of an actual or potential criminal, civil, or regulatory investigation; of the existence of that investigation; of the nature and scope of the information and evidence obtained as to his activities; of the identity of confidential sources, witnesses, and law enforcement personnel; and of information that may enable the subject to avoid detection or apprehension. Similarly, it may alert collateral suspects yet unprosecuted in closed cases. It could prevent the successful completion of the investigation; endanger the life, health, or physical safety of confidential sources, witnesses, and law enforcement personnel, and/or lead to the improper influencing of witnesses, the destruction of evidence, or the fabrication of testimony; or it may simply reveal a sensitive investigative technique. In addition, granting access to such information could result in the disclosure of confidential/security-sensitive or other information that would constitute an unwarranted invasion of the personal privacy of third parties. Finally, access to the records could result in the release of properly classified information which would compromise the national defense or disrupt foreign policy. From the amendment provisions of subsection (d) because amendment of the records would interfere with ongoing investigations and law enforcement activities and impose an impossible administrative burden by requiring investigations to be continuously reinvestigated.

(4) From subsection (e)(1) because the application of this provision could impair investigations and interfere with the law enforcement responsibilities of the DEA for the following reasons:

(i) It is not possible to detect relevance or necessity of specific information in the early stages of a civil, criminal or other law enforcement investigation, case, or matter, including investigations during which DEA may obtain properly classified information. Relevance and necessity are questions of judgment and timing, and it is only after the information is evaluated that the relevance and necessity of such information can be established.

(ii) During the DEA's investigative activities DEA may detect the violation of either drug-related or non-drug related laws. In the interests of effective law enforcement, it is necessary that DEA retain all information obtained because it can aid in establishing patterns of activity and provide valuable leads for Federal and other law enforcement agencies or otherwise assist such agencies in discharging their law enforcement responsibilities. Such information may include properly classified information, the retention of which could be in the interests of national defense and/or foreign policy.

(5) From subsection (e)(2) because, in some instances, the application of this provision would present a serious impediment to law enforcement for the following reasons:

(i) The subject of an investigation would be placed on notice as to the existence of an investigation and would therefore be able to avoid detection or apprehension, to improperly influence witnesses, to destroy evidence, or to fabricate testimony.

(ii) In certain circumstances the subject of an investigation cannot be required to provide information to investigators, and information relating to a subject's illegal acts must be obtained from other sources.

(iii) In any investigation it is necessary to obtain evidence from a variety of sources other than the subject of the investigation in order to verify the evidence necessary for successful prosecution.

(6) From subsection (e)(3) because the requirements thereof would constitute

a serious impediment to law enforcement in that they could compromise the existence of an actual or potential confidential investigation and/or permit the record subject to speculate on the identity of a potential confidential source, and endanger the life, health or physical safety or either actual or potential confidential informants and witnesses, and of investigators/law enforcement personnel. In addition, the notification requirement of subsection (e)(3) could impede collection of that information from the record subject, making it necessary to collect the information solely from third party sources and thereby inhibiting law enforcement efforts.

(7) From subsection (e)(5) because in the collection of information for law enforcement purposes it is impossible to determine in advance what information is accurate, relevant, timely and complete. With the passage of time, seemingly irrelevant or untimely information may acquire new significance as further investigation brings new details to light and the accuracy of such information can only be determined in a court of law. The restrictions imposed by subsection (e)(5) would restrict the ability of trained investigators and intelligence analysts to exercise their judgment in reporting on investigations and impede the development of criminal intelligence necessary for effective law enforcement.

(8) From subsection (e)(8) because the application of this provision could prematurely reveal an ongoing criminal investigation to the subject of the investigation, and could reveal investigative techniques, procedures, or evidence.

(9) From subsection (g) to the extent that this system is exempt from the access and amendment provisions of subsection (d) pursuant to subsections (j)(2), (k)(1) and (k)(2) of the Privacy Act.

(e) The following systems of records are exempt from 5 U.S.C. 552a (d)(1) and (e)(1):

(1) Grants of Confidentiality Files (GCF) (Justice/DEA-017), and

(2) DEA Applicant Investigations (Justice/DEA-018).

(f) These exemptions apply only to the extent that information in these

systems is subject to exception pursuant to 5 U.S.C. 552a(k)(5). Exemptions from the particular subsections are justified for the following reasons:

(1) From subsection (d)(1) because many persons are contacted who, without an assurance of anonymity, refuse to provide information concerning an applicant for a grant of confidentiality with DEA. By permitting access to information which may reveal the identity of the source of that information—after a promise of confidentiality has been given—DEA would breach the promised confidentiality. Ultimately, such breaches would restrict the free flow of information which is vital to a determination of an applicant's qualifications for a grant.

(2) From subsection (e)(1) because in the collection of information for investigative and evaluation purposes, it is impossible to determine in advance what exact information may be of assistance in determining the qualifications and suitability of a candidate. Information which may appear irrelevant, when combined with other apparently irrelevant information, can on occasion provide a composite picture of an applicant which assists in determining whether a grant of confidentiality is warranted.

(g) The following system of records is exempt from 5 U.S.C. 552a (c)(3) and (4); (d)(1), (2), (3), and (4); (e)(1), (2), (3), (5), and (8); and (g): El Paso Intelligence Center (EPIC) Seizure System (ESS) (JUSTICE/DEA-022). These exemptions apply only to the extent that information in this system is subject to exemption pursuant to 5 U.S.C. 552a (j)(2), (k)(1), and (k)(2). Where compliance would not appear to interfere with or adversely affect the law enforcement and counter-drug purposes of this system, and the overall law enforcement process, the applicable exemption may be waived by the DEA in its sole discretion.

(h) Exemptions from the particular subsections are justified for the following reasons:

(1) From subsection (c)(3) because making available to a record subject the accounting of disclosures from records concerning him/her would potentially reveal any investigative interest in the individual. Revealing this

information would permit the subject of an investigation of an actual or potential criminal, civil, or regulatory violation to determine whether he is the subject of investigation, or to obtain valuable information concerning the nature of that investigation, and the information obtained, or the identity of witnesses and informants. Similarly, disclosing this information could reasonably be expected to compromise ongoing investigatory efforts by notifying the record subject that he/she is under investigation. This information could also permit the record subject to take measures to impede the investigation, e.g., destroy evidence, intimidate potential witnesses, or flee the area to avoid or impede the investigation.

(2) From subsection (c)(4) because this system is exempt from the access and amendment provisions of subsection (d).

(3) From subsections (d)(1), (2), (3), and (4) because these provisions concern individual access to and amendment of records contained in this system, which consists of counter-drug and criminal investigatory records. Compliance with these provisions could alert the subject of an investigation of an actual or potential criminal, civil, or regulatory violation of the existence of that investigation, of the nature and scope of the information and evidence obtained as to his activities, of the identity of witnesses and informants, or would provide information that could enable the subject to avoid detection or apprehension. These factors would present a serious impediment to effective law enforcement because they could prevent the successful completion of the investigation; endanger the physical safety of witnesses or informants; or lead to the improper influencing of witnesses, the destruction of evidence, or the fabrication of testimony.

(4) From subsection (e)(1) because it is not always possible to know in advance what information is relevant and necessary to complete an identity comparison between the individual being screened and a known or suspected criminal or terrorist. Also, it may not always be known what information will be relevant to law enforcement for the

purpose of conducting an operational response or on-going investigation.

(5) From subsection (e)(2) because application of this provision could present a serious impediment to law enforcement and counter-drug efforts in that it would put the subject of an investigation, study or analysis on notice of that fact, thereby permitting the subject to engage in conduct designed to frustrate or impede that activity. The nature of counter-drug investigations is such that vital information about an individual frequently can be obtained only from other persons who are familiar with such individual and his/her activities. In such investigations it is not feasible to rely upon information furnished by the individual concerning his own activities.

(6) From subsection (e)(3) because the requirements thereof would constitute a serious impediment to law enforcement in that they could compromise the existence of an actual or potential confidential investigation and/or permit the record subject to speculate on the identity of a potential confidential source, and endanger the life, health or physical safety of either actual or potential confidential informants and witnesses, and of investigators/law enforcement personnel. In addition, the notification requirement of subsection (e)(3) could impede collection of that information from the record subject, making it necessary to collect the information solely from third party sources and thereby inhibiting law enforcement efforts.

(7) From subsection (e)(5) because many of the records in this system are derived from other domestic record systems and therefore it is not possible for the DEA and EPIC to vouch for their compliance with this provision. In addition, EPIC supports but does not conduct investigations; therefore, it must be able to collect information related to illegal drug and other criminal activities and encounters for distribution to law enforcement and intelligence agencies that do conduct counter-drug investigations. In the collection of information for law enforcement and counter-drug purposes, it is impossible to determine in advance what information is accurate, relevant, timely, and complete. With the passage

of time, seemingly irrelevant or untimely information may acquire new significance as further investigation brings new details to light. The restrictions imposed by (e)(5) would limit the ability of those agencies' trained investigators and intelligence analysts to exercise their judgment in conducting investigations and impede the development of intelligence necessary for effective law enforcement and counterterrorism efforts. EPIC has, however, implemented internal quality assurance procedures to ensure that ESS data is as thorough, accurate, and current as possible. ESS is also exempt from the requirements of subsection (e)(5) in order to prevent the use of a collateral means to obtain access to records in the ESS. ESS records are exempt from the access and amendment requirements of subsection (d) of the Privacy Act in order to protect the integrity of investigations. Exempting ESS from subsection (e)(5) serves to prevent the assertion of challenges to a record's accuracy, timeliness, completeness, and/or relevance under subsection (e)(5) to circumvent the exemption claimed from subsection (d).

(8) From subsection (e)(8) because to require individual notice of disclosure of information due to compulsory legal process would pose an impossible administrative burden on the DEA and EPIC and could alert the subjects of counter-drug, counterterrorism, law enforcement, or intelligence investigations to the fact of those investigations when not previously known. Additionally, compliance could present a serious impediment to law enforcement as this could interfere with the ability to issue warrants or subpoenas and could reveal investigative techniques, procedures, or evidence.

(9) From subsection (g) to the extent that the system is exempt from other specific subsections of the Privacy Act.

(i) The following system of records is exempt from 5 U.S.C. 552a (c)(3) and (4); (d)(1), (2), (3), and (4); (e)(1), (2), (3), (4)(G), (H), (I), (5), and (8); (f); (g); and (h): Investigative Reporting and Filing System (IRFS) (JUSTICE/DEA-008). These exemptions apply only to the extent that information in this system is subject to exemption pursuant to 5

U.S.C. 552a (j)(2), (k)(1), or (k)(2). Where compliance would not appear to interfere with or adversely affect the law enforcement or counterterrorism purposes of this system, or the overall law enforcement process, the applicable exemption may be waived by the DEA in its sole discretion.

(j) Exemptions from the particular subsections are justified for the following reasons:

(1) From subsection (c)(3) because to provide a record subject with an accounting of disclosure of records in this system could impede or compromise an ongoing investigation, interfere with a law enforcement activity, lead to the disclosure of properly classified information which could compromise the national defense or disrupt foreign policy, invade the privacy of a person who provides information in connection with a particular investigation, or result in danger to an individual's safety, including the safety of a law enforcement officer.

(2) From subsection (c)(4) because this subsection is inapplicable to the extent that an exemption is being claimed for subsections (d)(1), (2), (3), and (4).

(3) From subsection (d)(1) because disclosure of records in the system could alert the subject of an investigation of an actual or potential criminal, civil, or regulatory violation of the existence of that investigation, of the nature and scope of the information and evidence obtained as to his activities, of the identity of confidential witnesses and informants, or of the investigative interest of the DEA; lead to the destruction of evidence, improper influencing of witnesses, fabrication of testimony, and/or flight of the subject; reveal the details of a sensitive investigative or intelligence technique, or the identity of a confidential source; or otherwise impede, compromise, or interfere with investigative efforts and other related law enforcement and/or intelligence activities. In addition, disclosure could invade the privacy of third parties and/or endanger the life, health, and physical safety of law enforcement personnel, confidential informants, witnesses, and potential crime victims. Access to records could

also result in the release of information properly classified pursuant to Executive order, thereby compromising the national defense or foreign policy.

(4) From subsection (d)(2) because amendment of the records thought to be incorrect, irrelevant, or untimely would also interfere with ongoing investigations, criminal or civil law enforcement proceedings, and other law enforcement activities; would impose an impossible administrative burden by requiring investigations, analyses, and reports to be continuously reinvestigated and revised; and may impact information properly classified pursuant to Executive order.

(5) From subsections (d)(3) and (4) because these subsections are inapplicable to the extent exemption is claimed from (d)(1) and (2).

(6) From subsection (e)(1) because, in the course of its acquisition, collation, and analysis of information under the statutory authority granted to it, an agency may occasionally obtain information, including information properly classified pursuant to Executive order, that concerns actual or potential violations of law that are not strictly within its statutory or other authority, or may compile information in the course of an investigation which may not be relevant to a specific prosecution. It is impossible to determine in advance what information collected during an investigation will be important or crucial to the investigation and the apprehension of fugitives. In the interests of effective law enforcement, it is necessary to retain such information in this system of records because it can aid in establishing patterns of criminal activity and can provide valuable leads for federal and other law enforcement agencies. This consideration applies equally to information acquired from, or collated or analyzed for, both law enforcement agencies and agencies of the U.S. foreign intelligence community and military community.

(7) From subsection (e)(2) because in a criminal investigation, prosecution, or proceeding, the requirement that information be collected to the greatest extent practicable from the subject individual would present a serious impediment to law enforcement because the subject of the investigation, pros-

ecution, or proceeding would be placed on notice as to the existence and nature of the investigation, prosecution, and proceeding and would therefore be able to avoid detection or apprehension, to influence witnesses improperly, to destroy evidence, or to fabricate testimony. Moreover, thorough and effective investigation and prosecution may require seeking information from a number of different sources.

(8) From subsection (e)(3) because the requirement that individuals supplying information be provided a form stating the requirements of subsection (e)(3) would constitute a serious impediment to criminal law enforcement in that it could compromise the existence of a confidential investigation or reveal the identity of witnesses or confidential informants and endanger their lives, health, and physical safety. The individual could seriously interfere with undercover investigative techniques and could take appropriate steps to evade the investigation or flee a specific area.

(9) From subsections (e)(4)(G) and (H) because this system is exempt from the access provisions of subsection (d) pursuant to subsections (j) and (k) of the Privacy Act, and from subsection (e)(4)(I) to preclude any claims that the Department must provide more detail regarding the record sources for this system than the Department publishes in the system of records notice for this system. Exemption from providing any additional details about sources is necessary to preserve the security of sensitive law enforcement and intelligence information and to protect the privacy and safety of witnesses and informants and others who provide information to the DEA; and further, greater specificity of properly classified records could compromise national security.

(10) From subsection (e)(5) because the acquisition, collation, and analysis of information for criminal law enforcement purposes from various agencies does not permit a determination in advance or a prediction of what information will be matched with other information and thus whether it is accurate, relevant, timely, and complete. With the passage of time, seemingly irrelevant or untimely information may

acquire new significance as further investigation brings new details to light and the accuracy of such information can often only be determined in a court of law. The restrictions imposed by subsection (e)(5) would restrict the ability of trained investigators, intelligence analysts, and government attorneys to exercise their judgment in collating and analyzing information and would impede the development of criminal or other intelligence necessary for effective law enforcement.

(11) From subsection (e)(8) because the individual notice requirements of subsection (e)(8) could present a serious impediment to criminal law enforcement by revealing investigative techniques, procedures, evidence, or interest, and by interfering with the ability to issue warrants or subpoenas; could give persons sufficient warning to evade investigative efforts; and would pose an impossible administrative burden on the maintenance of these records and the conduct of the underlying investigations.

(12) From subsections (f) and (g) because these subsections are inapplicable to the extent that the system is exempt from other specific subsections of the Privacy Act.

(13) From subsection (h) when application of this provision could impede or compromise an ongoing criminal investigation, interfere with a law enforcement activity, reveal an investigatory technique or confidential source, invade the privacy of a person who provides information for an investigation, or endanger law enforcement personnel.

[Order No. 88-94, 59 FR 29717, June 9, 1994, as amended by Order No. 127-97, 62 FR 2903, Jan. 21, 1997; Order No. 009-2003, 68 FR 14140, Mar. 24, 2003; 72 FR 54825, Sept. 27, 2007; CPCLC Order No. 002-2013, 78 FR 14672, Mar. 7, 2013]

**§ 16.99 Exemption of the Immigration and Naturalization Service Systems-limited access.**

(a) The following systems of records of the Immigration and Naturalization Service are exempt from 5 U.S.C. 552a (c) (3) and (4), (d), (e) (1), (2) and (3), (e) (4)(G) and (H), (e) (5) and (8), and (g):

(1) The Immigration and Naturalization Service Alien File (A-File) and

Central Index System (CIS), JUSTICE/INS-001A.

(2) The Immigration and Naturalization Service Index System, JUSTICE/INS-001 which consists of the following subsystems:

(i) Agency Information Control Record Index.

(ii) Alien Enemy Index.

(iii) Congressional Mail Unit Index.

(iv) Air Detail Office Index.

(v) Anti-smuggling Index (general).

(vi) Anti-smuggling Information Centers Systems for Canadian and Mexican Borders.

(vii) Border Patrol Sectors General Index System.

(viii) Contact Index.

(ix) Criminal, Narcotic, Racketeer and Subversive Indexes.

(x) Enforcement Correspondence Control Index System.

(xi) Document Vendors and Alterers Index.

(xii) Informant Index.

(xiii) Suspect Third Party Index.

(xiv) Examination Correspondence Control Index.

(xv) Extension Training Enrollee Index.

(xvi) Intelligence Index.

(xvii) Naturalization and Citizenship Indexes.

(xviii) Personnel Investigations Unit Indexes.

(xix) Service Look-Out Subsystem.

(xx) White House and Attorney General Correspondence Control Index.

(xxi) Fraudulent Document Center Index.

(xxii) Emergency Reassignment Index.

(xxiii) Alien Documentation, Identification, and Telecommunication (ADIT) System.

The exemptions apply to the extent that information in these subsystems is subject to exemption pursuant to 5 U.S.C. 552a (j)(2) and (k)(2).

(3) The Immigration and Naturalization Service "National Automated Immigration Lookout System (NAILS) JUSTICE/INS-032." The exemptions apply only to the extent that records in the system are subject to exemptions pursuant to 5 U.S.C. 552a(j)(2) and (k)(2).



(b) Exemptions from the particular subsections are justified for the following reasons:

(1) From subsection (c)(3) because the release of the disclosure accounting for disclosure pursuant to the routine uses published for these subsystems would permit the subject of a criminal or civil investigation to obtain valuable information concerning the nature of that investigation and present a serious impediment to law enforcement.

(2) From subsection (c)(4) since an exemption is being claimed for subsection (d), this subsection will not be applicable.

(3) From subsection (d) because access to the records contained in these subsystems would inform the subject of a criminal or civil investigation of the existence of that investigation, provide the subject of the investigation with information that might enable him to avoid detection or apprehension, and present a serious impediment to law enforcement.

(4) From subsection (e)(1) because in the course of criminal or civil investigations, the Immigration and Naturalization Service often obtains information concerning the violation of laws other than those relating to violations over which INS has investigative jurisdiction. In the interests of effective law enforcement, it is necessary that INS retain this information since it can aid in establishing patterns of criminal activity and provide valuable leads for those law enforcement agencies that are charged with enforcing other segments of the criminal law.

(5) From subsection (e)(2) because in a criminal or civil investigation, the requirement that information be collected to the greatest extent possible from the subject individual would present a serious impediment to law enforcement in that the subject of the investigation would be placed on notice of the existence of the investigation and would therefore be able to avoid detection or apprehension.

(6) From subsection (e)(3) because the requirement that individuals supplying information be provided with a form stating the requirements of subsection (e)(3) would constitute a serious impediment to law enforcement in that it could compromise the existence of a

confidential investigation, reveal the identity of confidential sources of information and endanger the life or physical safety of confidential informants.

(7) From subsections (e)(4) (G) and (H) because these subsystems of records are exempt from individual access pursuant to subsection (j) of the Privacy Act of 1974.

(8) From subsection (e)(5) because in the collection of information for law enforcement purposes it is impossible to determine in advance what information is accurate, relevant, timely, and complete. With the passage of time, seemingly irrelevant or untimely information may acquire new significance as further investigation brings new details to light and the accuracy of such information can only be determined in a court of law. The restrictions of subsection (e)(5) would restrict the ability of trained investigators and intelligence analysts to exercise their judgment in reporting on investigations and impede the development of criminal intelligence necessary for effective law enforcement.

(9) From subsection (e)(8) because the individual notice requirements of subsection (e)(8) could present a serious impediment to law enforcement as this could interfere with the Immigration and Naturalization Service's ability to issue administrative subpoenas and could reveal investigative techniques and procedures.

(10) From subsection (g) because these subsystems of records are compiled for law enforcement purposes and have been exempted from the access provisions of subsections (d) and (f).

(11) In addition, these systems of records are exempt from subsections (c)(3), (d), (e)(1), (e)(4) (G) and (H) to the extent they are subject to exemption pursuant to 5 U.S.C. 552a(k)(1). To permit access to records classified pursuant to Executive Order would violate the Executive Order protecting classified information.

(c) The Border Patrol Academy Index Subsystem is exempt from 5 U.S.C. 552a (d) and (f).

This exemption applies only to the extent that information in this subsystem is subject to exemption pursuant to 5 U.S.C. 552a(k).

(d) Exemptions for the particular subsections are justified for the following reasons.

(1) From subsection (d) because exemption is claimed only for those testing and examination materials used to determine an individual's qualifications for retention and promotion in the Immigration and Naturalization Service. This is necessary to protect the integrity of testing materials and to insure fair and uniform examinations.

(2) From subsection (f) because the subsystem of records has been exempted from the access provisions of subsection (d).

(e) The Orphan Petitioner Index and Files (Justice/INS-007) system of records is exempt from 5 U.S.C. 552a(d). This exemption applies only to the extent that information in this system is subject to exemption pursuant to 5 U.S.C. 552a(k)(1).

(f) Exemption from paragraph (d) of this section is claimed solely because of the possibility of receipt of classified information during the course of INS investigation of prospective adoptive parents.

Although it would be rare, prospective adoptive parents may originally be from foreign countries (for example) and information received on them from their native countries may require classification under Executive Order 12356 which safeguards national security information. If such information is relevant to the INS determination with respect to adoption, the information would be kept in the file and would be classified accordingly. Therefore, access could not be granted to the record subject under the Privacy Act without violating E.O. 12356.

(g) The Office of Internal Audit Investigations Index and Records (Justice/INS-002) system of records is exempt under the provisions of 5 U.S.C. 552a(j)(2) from subsections (c)(3) and (4); (d); (e)(1), (2), (3), (5) and (8); and (g), but only to the extent that this system contains records within the scope of subsection (j)(2), and to the extent that records in the system are subject to exemption therefrom. In addition, this system of records is also exempt under the provisions of 5 U.S.C. 552a(k)(2) from subsections (c)(3); (d);

and (e)(1), but only to the extent that this system contains records within the scope of subsection (k)(2), and to the extent that records in the system are subject to exemption therefrom.

(h) The following justification apply to the exemptions from particular subsections:

(1) From subsection (c)(3) because the release of the disclosure accounting for disclosure could permit the subject of an actual or potential criminal or civil investigation to obtain valuable information concerning the existence and nature of the investigation, the fact that individuals are subjects of the investigation, and present a serious impediment to law enforcement.

(2) From subsection (c)(4) to the extent that the exemption from subsection (d) is applicable. Subsection (c)(4) will not be applicable to the extent that records in the system are properly withholdable under subsection (d).

(3) From the access and amendment provisions of subsection (d) because access to the records contained in this system of records could inform the subject of a criminal or civil investigation of the existence of that investigation; of the nature and scope of the information and evidence obtained as to their activities; of the identity of confidential sources, witnesses and law enforcement personnel; and of information that may enable the subject to avoid detection or apprehension. Such disclosures would present a serious impediment to effective law enforcement where they prevent the successful completion of the investigation; endanger the physical safety of confidential sources, witnesses, and law enforcement personnel; and/or lead to the improper influencing of witnesses, the destruction of evidence, or the fabrication of testimony. In addition, granting access to these records could result in a disclosure that would constitute an unwarranted invasion of the privacy of third parties. Amendment of the records would interfere with ongoing investigations and law enforcement activities and impose an impossible administrative burden by requiring investigations to be continuously reinvestigated.

## Department of Justice

## § 16.99

(4) From subsection (e)(1) because in the course of criminal or civil investigations, the Immigration and Naturalization Service often obtains information concerning the violation of laws other than those relating to violations over which INS has investigative jurisdiction, in the interests of effective law enforcement, it is necessary that INS retain this information since it can aid in establishing patterns of criminal activity and provide valuable leads for those law enforcement agencies that are charged with enforcing other segments of the criminal law.

(5) From subsection (e)(2) because in a criminal investigation, the requirement that information be collected to the greatest extent possible from the subject individual would present a serious impediment to law enforcement in that the subject of the investigation would be placed on notice of the existence of the investigation and would therefore be able to avoid detection or apprehension.

(6) From subsection (e)(3) because the requirement that individuals supplying information be provided with a form stating the requirements of subsection (e)(3) would constitute a serious impediment of criminal law enforcement in that it could compromise the existence of a confidential investigation, reveal the identify of confidential sources of information and endanger the life or physical safety of confidential informants.

(7) From subsection (e)(5) because in the collection of information for criminal law enforcement purposes it is impossible to determine in advance what information is accurate, relevant, timely, and complete. With the passage of time, seemingly irrelevant or untimely information may acquire new significance as further investigation brings new details to light and the accuracy of such information can only be determined in a court of law. The restrictions of subsection (e)(5) would restrict the ability of trained investigators and intelligence analysts to exercise their judgment in reporting on investigations and impede the development of criminal intelligence necessary for effective law enforcement.

(8) From subsection (e)(8) because the individual notice requirements of sub-

section (e)(8) could present a serious impediment to criminal law enforcement as this could interfere with the Immigration and Naturalization Service's ability to issue administrative subpoenas and could reveal investigative techniques and procedures.

(9) From subsection (g) for those portions of this system of records that were compiled for criminal law enforcement purposes and which are subject to exemption from the access provisions of subsections (d) pursuant to subsection (j)(2).

(i) The Law Enforcement Support Center Database (LESC) (Justice/INS-023) system of records is exempt under the provisions of 5 U.S.C. 552a(j)(2) from subsections (c) (3) and (4); (d); (e) (1), (2), (3), (5), (8) and (g); but only to the extent that this system contains records within the scope of subsection (j)(2), and to the extent that records in the system are subject to exemption therefrom. In addition, this system of records is also exempt in part under the provisions of 5 U.S.C. 552a(k)(2) from subsections (c)(3); (d); and (e)(1), but only to the extent that this system contains records within the scope of subsection (k)(2), and to the extent that records in the system are subject to exemption therefrom.

(j) The following justifications apply to the exemptions from particular subsections:

(1) From subsection (c)(3) for reasons stated in paragraph (h)(1) of this section.

(2) From subsection (c)(4) for reasons stated in paragraph (h)(2) of this section.

(3) From the access and amendment provisions of subsection (d) because access to the records contained in this system of records could inform the subject of a criminal or civil investigation of the existence of that investigation; of the nature and scope of the information and evidence obtained as to their activities; and of information that may enable the subject to avoid detection or apprehension. Such disclosures would present a serious impediment to effective law enforcement where they prevent the successful completion of the investigation or other law enforcement operation such as deportation or exclusion. In addition, granting access to

**§ 16.99**

**28 CFR Ch. I (7-1-17 Edition)**

these records could result in a disclosure that would constitute an unwarranted invasion of the privacy of third parties. Amendment of the records would interfere with ongoing investigations and law enforcement activities and impose an impossible administrative burden by requiring investigations to be continuously reinvestigated.

(4) From subsection (e)(1) for reasons stated in paragraph (h)(4) of this section.

(5) From subsection (e)(2) for reasons stated in paragraph (h)(5) of this section.

(6) From subsection (e)(3) because the requirement that individuals supplying information be provided with a form stating the requirements of subsection (e)(3) would constitute a serious impediment to criminal law enforcement in that it could compromise the existence of a confidential investigation.

(7) From subsection (e)(5) for reasons stated in paragraph (h)(7) of this section.

(8) From subsection (e)(8) for reasons stated in paragraph (h)(8) of this section.

(9) From subsection (g) to the extent that this system is exempt from the access and amendment provisions of subsection (d).

(k) The Attorney/Representative Complaint/Petition File (JUSTICE/INS-022) system of records is exempt under the provisions of 5 U.S.C. 552a (j)(2) from subsections (c)(3) and (4); (d); (e)(1), (2), (3), (5), and (8); and (g); but only to the extent that this system contains records within the scope of subsection (j)(2), and to the extent that records in this system are subject to exemption therefrom. In addition, this system of records is also exempt in part under the provisions of 5 U.S.C. 552a (k)(2) from subsections (c)(3); (d); and (e)(1), but only to the extent that this system contains records within the scope of subsection (k)(2), and to the extent that records in this system are subject to exemption therefrom.

(1) The following justifications apply to the exemptions from particular subsections:

(1) From subsection (c)(3) for reasons stated in paragraph (h)(1) of this section.

(2) From subsection (c)(4) for reasons stated in paragraph (h)(2) of this section.

(3) From the access and amendment provisions of subsection (d) for reasons stated in paragraph (h)(3) of this section.

(4) From subsection (e)(1) for reasons stated in paragraph (h)(4) of this section.

(5) From subsection (e)(2) for reasons stated in paragraph (h)(5) of this section.

(6) From subsection (e)(3) for reasons stated in paragraph (h)(6) of this section.

(7) From subsection (e)(5) for reasons stated in paragraph (h)(7) of this section.

(8) From subsection (e)(8) for reasons stated in paragraph (h)(8) of this section.

(9) From subsection (g) to the extent that the system is exempt from the access and amendment provisions of subsection (d).

(m) The Worksite Enforcement Activity and Records Index (LYNX) (JUSTICE/INS-025) system of records is exempt under the provisions of 5 U.S.C. 552a (j)(2) from subsections (c)(3) and (4); (d); (e)(1), (2), (3), (5), and (8); and (g); but only to the extent that this system contains records within the scope of subsection (j)(2), and to the extent that records in this system are subject to exemption therefrom. In addition, this system of records is also exempt in part under the provisions of 5 U.S.C. 552a(k)(2) from subsections (c)(3); (d); and (e)(1), but only to the extent that this system contains records within the scope of subsection (k)(2), and to the extent that records in this system are subject to exemption therefrom.

(n) The following justifications apply to the exemptions from particular subsections:

(1) From subsection (c)(3) for reasons stated in paragraph (h)(1) of this section.

(2) From subsection (c)(4) for reasons stated in paragraph (h)(2) of this section.

(3) From the access and amendment provisions of subsection (d) for reasons stated in paragraph (h)(3) of this section.

## Department of Justice

## § 16.101

(4) From subsection (e)(1) for reasons stated in paragraph (h)(4) of this section.

(5) From subsection (e)(2) for reasons stated in paragraph (h)(5) of this section.

(6) From subsection (e)(3) for reasons stated in paragraph (h)(6) of this section.

(7) From subsection (e)(5) for reasons stated in paragraph (h)(7) of this section.

(8) From subsection (e)(8) for reasons stated in paragraph (h)(8) of this section.

(9) From subsection (g) to the extent that the system is exempt from the access and amendment provisions of subsection (d).

[Order No. 645-76, 41 FR 12640, Mar. 26, 1976, as amended by Order No. 688-77, 42 FR 10001, Feb. 18, 1977; Order No. 6-84, 49 FR 20812, May 17, 1984; Order No. 25-88, 53 FR 41161, Oct. 20, 1988; Order No. 137-97, 62 FR 34169, June 25, 1997; Order No. 142-97, 62 FR 44083, Aug. 19, 1997; Order No. 196-2000, 65 FR 21139, Apr. 20, 2000; Order No. 197-2000, 65 FR 21140, Apr. 20, 2000]

### § 16.100 Exemption of Office of Justice Programs—limited access.

(a) The following system of records is exempt from 5 U.S.C. 552a(d):

(1) The Civil Rights Investigative System (JUSTICE/OJP-008).

This exemption applies only to the extent that information in this system is subject to exemption pursuant to 5 U.S.C. 552a(k)(2).

(b) Exemption from subsection (d) is claimed since access to information in the Civil Rights Investigative System prior to final administrative resolution will deter conciliation and compliance efforts. Consistent with the legislative purpose of the Privacy Act of 1974, decisions to release information from the system will be made on a case-by-case basis and information will be made available where it does not compromise the complaint and compliance process. In addition, where explicit promises of confidentiality must be made to a source during an investigation, disclosure will be limited to the extent that

the identity of such confidential sources will not be compromised.

[Order No. 645-76, 41 FR 12640, Mar. 26, 1976, as amended by Order No. 5-78, 43 FR 36439, Aug. 17, 1978; Order No. 43-80, 45 FR 6780, Jan. 30, 1980; Order No. 6-86, 51 FR 15479, Apr. 24, 1986; Order No. 6-236-2001, 66 FR 35374, July 5, 2001]

### § 16.101 Exemption of U.S. Marshals Service Systems—limited access, as indicated.

(a) The following system of records is exempt from 5 U.S.C. 552(a)(c) (3) and (4), (d), (e) (1), (2) and (3), (e)(4) (G) and (H), (e)(5), (e)(8), (f) and (g):

(1) Warrant Information System (JUSTICE/USM-007).

These exemptions apply only to the extent that information in this system is subject to exemption pursuant to 5 U.S.C. 552a(j)(2).

(b) Exemptions from the particular subsections are justified for the following reasons:

(1) From subsection (c)(3) because the release of disclosure accounting for disclosure made pursuant to subsection (b) of the Act, including those permitted under routine uses published for this system of records would permit a person to determine whether he is the subject of a criminal investigation, and to determine whether a warrant has been issued against him, and therefore present a serious impediment to law enforcement.

(2) From subsection (c)(4) since an exemption is being claimed for subsection (d) of the Act, this section is inapplicable.

(3) From subsection (d) because access to records would inform a person for whom a federal warrant has been issued of the nature and scope of information obtained as to his activities, of the identity of informants, and afford the person sufficient information to enable the subject to avoid apprehension. These factors would present a serious impediment to law enforcement in that they would thwart the warrant process and endanger lives of informants etc.

(4) From subsections (e)(1) and (e)(5) because the requirements of these subsections would present a serious impediment to law enforcement in that it is impossible to determine in advance what information collected during an

investigation will be important or crucial to the apprehension of Federal fugitives. In the interest of effective law enforcement, it is appropriate in a thorough investigation to retain seemingly irrelevant, untimely, or inaccurate information which, with the passage of time, would aid in establishing patterns of activity and provide investigative leads toward fugitive apprehension and assist in law enforcement activities of other agencies.

(5) From subsection (e)(2) because the requirement that information be collected to the greatest extent practical from the subject individual would present a serious impediment to law enforcement because the subject of the investigation or prosecution would be placed on notice as to the existence of the warrant and would therefore be able to avoid detection or apprehension.

(6) From subsection (e)(3) because the requirement that individuals supplying information be provided with a form stating the requirements of subsection (e)(3) would constitute a serious impediment to law enforcement in that it could compromise the existence of a confidential investigation or reveal identity of confidential informants.

(7) From subsections (e)(4) (G) and (H) since an exemption is being claimed for subsections (f) and (d) of the Act, these subsections are inapplicable.

(8) From subsection (e)(8) because the individual notice requirement of this subsection would present a serious impediment to law enforcement in that it would give persons sufficient warning to avoid warrants, subpoena, etc.

(9) From subsection (f) because procedures for notice to an individual pursuant to subsection (f)(1) as to existence of records pertaining to him dealing with warrants must be exempted because such notice to individuals would be detrimental to the successful service of a warrant. Since an exemption is being claimed for subsection (d) of the Act the rules required pursuant to subsections (f) (2) through (5) are inapplicable to this system of records.

(10) From subsection (g) since an exemption is being claimed for subsection (d) and (f) this section is inap-

plicable and is exempted for the reasons set forth for these subsections.

(c) The following system of records is exempt from 5 U.S.C. 552a (c) (3) and (4), (d), (e) (2) and (3), (e)(4) (G) and (H), (e)(8), (f)(2) and (g):

(1) Witness Security System (JUSTICE/USM-008).

These exemptions apply only to the extent that information in this system is subject to exemption pursuant to 5 U.S.C. 552a(j)(2).

(d) Exemptions from the particular subsections are justified for the following reasons:

(1) From subsection (c)(3) because the release of the disclosure accounting for disclosures made pursuant to subsection (b) of the Act including those permitted under routine uses published for this system of records would hamper the effective functioning of the Witness Security Program which by its very nature requires strict confidentiality vis-a-vis the records.

(2) From subsection (c)(4) for the reason stated in (b)(2) of this section.

(3) From subsection (d) because the U.S. Marshals Service Witness Security Program aids efforts of law enforcement officials to prevent, control or reduce crime. Access to records would present a serious impediment to effective law enforcement through revelation of confidential sources and through disclosure of operating procedures of the program, and through increased exposure of the program to the public.

(4) From subsection (e)(2) because in the Witness Security Program the requirement that information be collected to the greatest extent possible from the subject individual would constitute an impediment to the program, which is sometimes dependent on sources other than the subject witness for verification of information pertaining to the witness.

(5) From subsection (e)(3) for the reason stated in (b)(6) of this section.

(6) From subsection (e)(4) (G) and (H) for the reason stated in (b)(7) of this section.

(7) From subsection (e)(8) for the reason stated in (b)(8) of this section.

(8) From subsection (f)(2) since an exemption is being claimed for subsection (d) of the Act the rules required

**Department of Justice**

**§ 16.101**

pursuant to subsection (f) (2) through (5) are inapplicable to this system of records.

(9) From subsection (g) for the reason stated in (b)(10) of this section.

(e) The following system of records is exempt from 5 U.S.C. 552a(c)(3) and (4), (d), (e)(1), (2) and (3), (e)(4)(G) and (H), (e)(5), (e)(8), (f) and (g).

(1) Internal Affairs System (JUSTICE/USM-002)—Limited access. These exemptions apply only to the extent that information in this system is subject to exemption pursuant to 5 U.S.C. 552a(j)(2), (k)(2) or (k)(5). Where compliance would not interfere with or adversely affect the law enforcement process, the USMS may waive the exemptions, either partially or totally.

(f) Exemptions from the particular subsections are justified for the following reasons:

(1) From subsections (c)(3) and (d) to the extent that release of the disclosure accounting may impede or interfere with civil or criminal law enforcement efforts, reveal a source who furnished information to the Government in confidence, and/or result in an unwarranted invasion of the personal privacy of collateral record subjects or other third party individuals.

(2) From subsection (c)(4) for the reason stated in (b)(2) of this section.

(3) From subsection (e)(1) to the extent that it is necessary to retain all information in order not to impede, compromise, or interfere with civil or criminal law enforcement efforts, e.g., where the significance of the information may not be readily determined and/or where such information may provide leads or assistance to Federal and other law agencies in discharging their law enforcement responsibilities.

(4) From subsection (e)(2) because the requirement that information be collected to the greatest extent practicable from the subject individual would present a serious impediment to law enforcement because the subject of the investigation or prosecution would be placed on notice as to the existence of the investigation and would therefore be able to compromise the investigation and avoid detection or apprehension.

(5) From subsection (e)(3) for the reason stated in (b)(6) of this section.

(6) From subsections (e)(4) (G) and (H) for the reason stated in (b)(7) of this section.

(7) From subsection (e)(5) because in the collection of information for law enforcement purposes it is impossible to determine in advance what information is accurate, relevant, timely and complete. With the passage of time, seemingly irrelevant or untimely information may acquire new significance and the accuracy of such information can only be determined in a court of law. The restrictions imposed by subsection (e)(5) would restrict the ability to collect information for law enforcement purposes and interfere with the preparation of a complete investigative report or otherwise impede effective law enforcement.

(8) From subsection (e)(8) because the individual notice requirement of this subsection would present a serious impediment to law enforcement in that the subject of the investigation would be alerted as to the existence of the investigation and therefore be able to compromise the investigation and avoid detection, subpoena, etc.

(9) From subsection (f) because procedures for notice to an individual pursuant to subsection (f)(1) as to the existence of records dealing with investigations of criminal or civil law violations would enable the individual to compromise the investigation and evade detection or apprehension. Since an exemption is being claimed for subsection (d) of the Act, the rules required pursuant to subsections (f)(2) through (f)(5) are not applicable to this system.

(10) From subsection (g) for the reason stated in (b)(10) of this section.

(g) The following system of records is exempt from 5 U.S.C. 552a(c) (3) and (4), (d), (e)(1), (2) and (3), (e)(4) (G) and (H), (e)(5), (e)(8), (f) and (g):

(1) U.S. Marshals Service Threat Analysis Information System (JUSTICE/USM-009).

These exemptions apply only to the extent that information in this system is subject to exemption pursuant to 5 U.S.C. 552a(j)(2).

(h) Exemptions from the particular subsections are justified for the following reasons:

(1) From subsection (c)(3) because to release the disclosure accounting would permit a person to determine whether he or she has been identified as a specific threat to USMS protectees and to determine the need for countermeasures to USMS protective activities and thereby present a serious impediment to law enforcement.

(2) From subsection (c)(4) because it is inapplicable since an exemption is being claimed for subsection (d).

(3) From subsection (d) because to permit access to records would inform a person of the nature and scope of information obtained as to his or her threat-related activities and of the identity of confidential sources, and afford the person sufficient information to develop countermeasures to thwart protective arrangements and endanger lives of USMS protectees, informants, etc. To permit amendment of the records would interfere with ongoing criminal law enforcement and impose an impossible administrative burden requiring criminal investigations to be continuously reinvestigated.

(4) From subsections (e) (1) and (5) because the collection of investigatory information used to assess the existence, extent and likelihood of a threat situation necessarily includes material from which it is impossible to identify and segregate information which may not be important to the conduct of a thorough assessment. It is often impossible to determine in advance if all information collected is accurate, relevant, timely and complete but, in the interests of developing effective protective measures, it is necessary that the U.S. Marshals Service retain this information in order to establish patterns of activity to aid in accurately assessing threat situations. The restrictions of subsections (e) (1) and (5) would impede the protective responsibilities of the Service and could result in death or serious injury to Marshals Service protectees.

(5) From subsection (e)(2) because to collect information from the subject individual would serve notice that he or she is identified as a specific threat to USMS protectees and would enable the subject individual to develop countermeasures to protective activities

and thereby present a serious impediment to law enforcement.

(6) From subsection (e)(3) because to inform individuals as required by this subsection would enable the subject individual to develop countermeasures to USMS protective arrangements or identify confidential sources and thereby present a serious impediment to law enforcement.

(7) From subsections (e)(4) (G) and (H) because they are inapplicable since an exemption is being claimed for subsections (d) and (f) of the Act.

(8) From subsection (e)(8) because to serve notice would give persons sufficient warning to develop countermeasures to protective arrangements and thereby present a serious impediment to law enforcement through compromise of protective procedures, etc.

(9) From subsection (f) because this system of records is exempt from the provisions of subsection (d).

(10) From subsection (g) because it is inapplicable since an exemption is being claimed for subsections (d) and (f).

(i) The following system of records is exempt from 5 U.S.C. 552a(c) (3) and (d):

(1) Judicial Facility Security Index System (JUSTICE/USM-010)

These exemptions apply only to the extent that information in this system is exempt pursuant to 5 U.S.C. 552a(k)(5).

(j) Exemptions from the particular subsections are justified for the following reasons:

(1) From subsection (c)(3) only to the extent that release of the disclosure accounting would reveal the identity of a confidential source.

(2) From subsection (d) only to the extent that access to information would reveal the identity of a confidential source.

(k) The following system of records is exempt from 5 U.S.C. 552a(c) (3) and (4), (d), (e)(1), (2) and (3), (e)(4) (G) and (H), (e)(5), (e)(8), (f) and (g):

(1) U.S. Marshals Service Freedom of Information/Privacy Act (FOIA/PA) Files (JUSTICE/USM-012).

These exemptions apply only to the extent that information in this system is subject to exemption pursuant to 5 U.S.C. 552a (j)(2), (k)(2) and (k)(5).



## Department of Justice

## § 16.101

(1) Because this system contains Department of Justice civil and criminal law enforcement, investigatory records, exemptions from the particular subsections are justified for the following reasons:

(1) From subsection (c)(3) because to release the disclosure accounting would permit the subject of an investigation to obtain valuable information concerning the existence and nature of the investigation and present a serious impediment to law enforcement.

(2) From subsection (c)(4) because that portion of this system which consists of investigatory records compiled for law enforcement purposes is being exempted from the provisions of subsection (d), rendering this provision not applicable.

(3) From subsection (d) because to permit access to investigatory records would reveal the identity of confidential sources and impede ongoing investigative or law enforcement activities by the premature disclosure of information related to those efforts. To permit amendment of the records would interfere with ongoing criminal law enforcement and impose an impossible administrative burden by requiring criminal investigations to be continuously reinvestigated.

(4) From subsections (e) (1) and (5) because it is often impossible to determine in advance if investigatory records contained in this system are accurate, relevant, timely and complete but, in the interests of effective law enforcement, it is necessary to retain this information to aid in establishing patterns of activity and provide leads in criminal investigations.

(5) From subsection (e)(2) because to collect information from the subject individual would serve notice that he or she is the subject of criminal investigative or law enforcement activity and thereby present a serious impediment to law enforcement.

(6) From subsection (e)(3) because to inform individuals as required by this subsection would enable the subject individual to identify confidential sources, reveal the existence of an investigation, and compromise law enforcement efforts.

(7) From subsections (e)(4) (G) and (H) because they are inapplicable since

an exemption is being claimed for subsections (d) and (f) for investigatory records contained in this system.

(8) From subsection (e)(8) because to serve notice would give persons sufficient warning to evade law enforcement efforts.

(9) From subsection (f) because investigatory records contained in this system are exempt from the provisions of subsection (d).

(10) From subsection (g) because it is inapplicable since an exemption is being claimed for subsections (d) and (f).

(m) The following system of records is exempt from 5 U.S.C. 552a(c) (3) and (4), (d), (e) (2) and (3), (e)(4) (G) and (H), (e)(8), (f) and (g):

(1) U.S. Marshals Service Administrative Proceedings, Claims and Civil Litigation Files (JUSTICE/USM-013).

These exemptions apply only to the extent that information in this system is subject to exemption pursuant to 5 U.S.C. 552a(j)(2) or (k)(5).

(n) Exemptions from the particular subsections are justified for the following reasons:

(1) From subsection (c)(3) because to release the disclosure accounting for disclosures pursuant to the routine uses published for this system would permit the subject of a criminal or civil case or matter under investigation, or a case or matter in litigation, or under regulatory or administrative review or action, to obtain valuable information concerning the nature of that investigation, case or matter, and present a serious impediment to law enforcement or civil legal activities, or reveal a confidential source.

(2) From subsection (c)(4) because the exemption claimed for subsection (d) will make this section inapplicable.

(3) From subsection (d) because to permit access to records contained in this system would provide information concerning litigation strategy, or case development, and/or reveal the nature of the criminal or civil case or matter under investigation or administrative review, or in litigation, and present a serious impediment to law enforcement or civil legal activities, or reveal a confidential source.

(4) From subsection (e)(2) because effective legal representation, defense, or

claim adjudication necessitates collecting information from all individuals having knowledge of the criminal or civil case or matter. To collect information primarily from the subject individual would present a serious impediment to law enforcement or civil legal activities.

(5) From subsection (e)(3) because to inform the individuals as required by this subsection would permit the subject of a criminal or civil matter under investigation or administrative review to compromise that investigation or administrative review and thereby impede law enforcement efforts or civil legal activities.

(6) From subsections (e)(4) (G) and (H) because these provisions are inapplicable since this system is exempt from subsections (d) and (f) of the Act.

(7) From subsection (e)(8) because to serve notice would give persons sufficient warning to compromise a criminal or civil investigation or administrative review and thereby impede law enforcement of civil legal activities.

(8) From subsection (f) because this system of records is exempt from the provisions of subsection (d).

(9) From subsection (g) because it is inapplicable since an exemption is claimed for subsections (d) and (f).

(o) The following system of records is exempt from 5 U.S.C. 552a(c) (3) and (4), (d), (e) (1), (2), (5) and (g):

(1) U.S. Marshals Service Prisoner Transportation System (JUSTICE/USM-003).

These exemptions apply only to the extent that information in this system is subject to exemption pursuant to 5 U.S.C. 552a(j)(2).

(p) Exemptions from the particular subsections are justified for the following reasons:

(1) From subsection (c)(3) where the release of the disclosure accounting for disclosures made pursuant to subsection (b) of the Act would reveal a source who furnished information to the Government in confidence.

(2) From subsection (c)(4) to the extent that the system is exempt from subsection (d).

(3) From subsection (d) because access to records would reveal the names and other information pertaining to prisoners, including sensitive security information such as the identities and

locations of confidential sources, *e.g.*, informants and protected witnesses; and disclose access codes, data entry codes and message routing symbols used in law enforcement communications systems to schedule and effect prisoner movements. Thus, such a compromise of law enforcement communications systems would subject law enforcement personnel and other prisoners to harassment and possible danger, and present a serious threat to law enforcement activities. To permit amendment of the records would interfere with ongoing criminal law enforcement and impose an impossible administrative burden by requiring that information affecting the prisoner's security classification be continuously re-investigated when contested by the prisoner, or by anyone on his behalf.

(4) From subsections (e) (1) and (5) because the security classification of prisoners is based upon information collected during official criminal investigations; and, in the interest of ensuring safe and secure prisoner movements it may be necessary to retain information the relevance, necessity, accuracy, timeliness, and completeness of which cannot be readily established, but which may subsequently prove useful in establishing patterns of criminal activity or avoidance, and thus be essential to assigning an appropriate security classification to the prisoner. The restrictions of subsection (e) (1) and (5) would impede the information collection responsibilities of the USMS, and the lack of all available information could result in death or serious injury to USMS and other law enforcement personnel, prisoners in custody, and members of the public.

(5) From subsection (e)(2) because the requirement to collect information from the subject individual would impede the information collection responsibilities of the USMS in that the USMS is often dependent upon sources other than the subject individual for verification of information pertaining to security risks posed by the individual prisoner.

(6) From subsection (g) to the extent that the system is exempt from subsection (d).

(q) The following system of records is exempt from 5 U.S.C. 552a(c)(3) and (4),

**Department of Justice**

**§ 16.101**

(d), (e)(1), (2), (3), (e)(5) and (e)(8) and (g):

(1) U.S. Marshals Service Prisoner Processing and Population Management System (JUSTICE/USM-005).

These exemptions apply only to the extent that information in this system is subject to exemption pursuant to 5 U.S.C. 552a(j)(2).

(r) Exemptions from the particular subsections are justified for the following reasons:

(1) From subsection (c)(3) because to release the disclosure accounting would permit the subject of a criminal proceeding to determine the extent or nature of law enforcement authorities' knowledge regarding his/her alleged misconduct or criminal activities. The disclosure of such information could alert the subject to devise ways in which to conceal his/her activities and/or prevent law enforcement from learning additional information about his/her activities, or otherwise inhibit law enforcement efforts. In addition, where the individual is the subject of an ongoing or potential inquiry/investigation, such release could reveal the nature thereof prematurely, and may also enable the subject to determine the identity of witnesses and informants. Such disclosure could compromise the ongoing or potential inquiry/investigation, endanger the lives of witnesses and informants, or otherwise impede or thwart law enforcement efforts.

(2) From subsection (c)(4) to the extent that the system is exempt from subsection (d).

(3) From subsection (d) because to permit unlimited access would permit the subject of a criminal proceeding to determine the extent or nature of law enforcement authorities' knowledge regarding his/her alleged misconduct or criminal activities. The disclosure of such information could alert the subject to devise ways in which to conceal his/her activities and/or prevent law enforcement from learning additional information about his/her activities, or otherwise inhibit law enforcement efforts. Disclosure would also allow the subject to obtain sensitive information concerning the existence and nature of security measures and jeopardize the safe and secure transfer of the prisoner, the safety and security of other pris-

oners, informants and witnesses, law enforcement personnel, and the public. In addition, disclosure may enable the subject to learn prematurely of an ongoing or potential inquiry/investigation, and may also permit him/her to determine the identities of confidential sources, informants, or protected witnesses. Such disclosure could compromise the ongoing or potential inquiry/investigation, endanger the lives of witnesses and informants, or otherwise impede or thwart law enforcement efforts. Disclosure may also constitute an unwarranted invasion of the personal privacy of third parties. Further, disclosure would reveal access codes, data entry codes and message routing symbols used in law enforcement communications systems. Access to such codes and symbols would permit the subject to impede the flow of law enforcement communications and compromise the integrity of law enforcement information, and thus present a serious threat to law enforcement activities. To permit amendment of the records would expose security matters, and would impose an impossible administrative burden by requiring that security precautions, and information pertaining thereto, be continuously re-evaluated if contested by the prisoner, or by anyone on his or her behalf. Similarly, to permit amendment could interfere with ongoing or potential inquiries/investigations by requiring that such inquiries/investigations be continuously reinvestigated, or that information collected (the relevance and accuracy of which cannot readily be determined) be subjected to continuous change.

(4) From subsections (e)(1) and (5) because the system may contain investigatory information or information which is derived from information collected during official criminal investigations. In the interest of effective law enforcement and litigation, of securing the prisoner and of protecting the public, it may be necessary to retain information the relevance, necessity, accuracy, timeliness and completeness of which cannot be readily established. Such information may nevertheless provide investigative leads to other Federal or law enforcement agencies, or prove necessary to establish

patterns of criminal activity or behavior, and/or prove essential to the safe and secure detention (and movement) of prisoners. Further, the provisions of (e)(1) and (e)(5) would restrict the ability of the USMS in exercising its judgment in reporting information during investigations or during the development of appropriate security measures, and thus present a serious impediment to law enforcement efforts.

(5) From subsection (e)(2) because the requirement to collect information from the subject individual would impede the information collection responsibilities of the USMS which is often dependent upon sources other than the subject individual for verification of information pertaining to security risks posed by the individual prisoner, to alleged misconduct or criminal activity of the prisoner, or to any matter affecting the safekeeping and disposition of the individual prisoner.

(6) From subsection (e)(3) because to inform individuals as required by this subsection could impede the information gathering process, reveal the existence of an ongoing or potential inquiry/investigation or security procedure, and compromise law enforcement efforts.

(7) From subsection (e)(8) because to serve notice would give persons sufficient warning to compromise an ongoing or potential inquiry/investigation and thereby evade and impede law enforcement and security efforts.

(8) From subsection (g) to the extent that the system is exempt from subsection (d).

(s) The following system of records is exempt from 5 U.S.C. 552a(c) (3) and (4), (d), (e) (1), (2), (3), (e) (5) and (e) (8) and (g):

Joint Automated Booking Stations,  
Justice/USM-014

(t) These exemptions apply only to the extent that information in the system is subject to exemption pursuant to 5 U.S.C. 552a(j)(2). Where compliance would not interfere with or adversely affect the law enforcement process, the USMS may waive the exemptions, either partially or totally. Exemption from the particular subsections are justified for the following reasons:

(1) From subsections (c)(3) and (d) to the extent that access to records in this system of records may impede or interfere with law enforcement efforts, result in the disclosure of information that would constitute and unwarranted invasion of the personal privacy of collateral record subjects or other third parties, and/or jeopardize the health and/or safety of third parties.

(2) Where access to certain records may be appropriate, exemption from the amendment provisions of subsection (d)(2) in necessary to the extent that the necessary and appropriate justification, together with proof of record inaccuracy, is not provided, and/or to the extent that numerous, frivolous requests to amend could impose an impossible administrative burden by requiring agencies to continuously review booking and arrest data, much of which is collected from the arrestee during the arrest.

(3) From subsection (e)(1) to the extent that it is necessary to retain all information in order not to impede, compromise, or interfere with law enforcement efforts, e.g., where the significance of the information may not be readily determined and/or where such information may provide leads or assistance to Federal and other law enforcement agencies in discharging their law enforcement responsibilities.

(4) From subsection (e)(2) because, in some instances, the application of this provision would present a serious impediment to law enforcement since it may be necessary to obtain and verify information from a variety of sources other than the record subject to ensure safekeeping, security, and effective law enforcement. For example, it may be necessary that medical and psychiatric personnel provide information regarding the subject's behavior, physical health, or mental stability, etc. To ensure proper care while in custody, or it may be necessary to obtain information from a case agent or the court to ensure proper disposition of the subject individual.

(5) From subsection (e)(3) because the requirement that agencies inform each individual whom it asks to supply information of such information as is required by subsection (e)(3) may, in some cases, impede the information

gathering process or otherwise interfere with or compromise law enforcement efforts, e.g., the subject may deliberately withhold information, or give erroneous information.

(6) From subsection (e)(5) because in the collection of information for law enforcement purposes it is impossible to determine in advance what information is accurate, relevant, timely and complete. With the passage of time, seemingly irrelevant or untimely information may acquire new significance and the accuracy of such information can only be determined in a court of law. The restrictions imposed by subsection (e)(5) would restrict the ability to collect information for law enforcement purposes and may prevent the eventual development of the necessary criminal intelligence or otherwise impede effective law enforcement.

(7) From subsection (e)(8) to the extent that such notice may impede, interfere with, or otherwise compromise law enforcement and security efforts.

(8) From subsection (g) to the extent that this system is exempt from the access and amendment provisions of subsection (d).

(u) Consistent with the legislative purpose of the Privacy Act of 1974, the United States Marshals Service will grant access to nonexempt material in records which are maintained by the Service. Disclosure will be governed by the Department's Privacy Regulations, but will be limited to the extent that the identity of confidential sources will not be compromised; subjects of an investigation of an actual or potential criminal, civil or regulatory violation will not be alerted to the investigation; the physical safety of witnesses, informants and law enforcement personnel will not be endangered; the privacy of third parties will not be violated; and that the disclosure would not otherwise impede effective law enforcement. Whenever possible, information of the above nature will be deleted from the requested documents and the balance made available. The controlling principle behind this limited access is to allow disclosures except those indicated above. The decisions to

release information from these systems will be made on a case-by-case basis.

[Order No. 645-76, 41 FR 12640, Mar. 26, 1976, as amended by Order No. 8-83, 48 FR 19024, Apr. 27, 1983; Order No. 10-86, 51 FR 20275, June 4, 1986; Order No. 11-86, 51 FR 20277, June 4, 1986; Order No. 61-92, 57 FR 3284, Jan. 29, 1992; Order No. 66-92, 57 FR 20654, May 14, 1992; Order No. 105-95, 60 FR 30467, June 9, 1995; Order No. 212-2001, 66 FR 6470, Jan. 22, 2001]

**§ 16.102 Exemption of Drug Enforcement Administration and Immigration and Naturalization Service Joint System of Records.**

(a) The following system of records is exempted pursuant to provisions of 5 U.S.C. 552a(j)(2) from subsections (c) (3) and (4), (d), (e) (1), (2) and (3), (e)(4) (G), (H), and (I), (e)(5) and (8), (f), (g), and (h) of 5 U.S.C. 552a; in addition the following system of records is exempted pursuant to the provisions of 5 U.S.C. 552 (k)(1) and (k)(2) from subsections (c)(3), (d), (e)(1), (e)(4) (G), (H), and (I), and (f) of 5 U.S.C. 552a.

(1) Automated Intelligence Record System (Pathfinder), JUSTICE/DEA-INS-111.

These exemptions apply to the extent that information in those systems is subject to exemption pursuant to 5 U.S.C. 552a (j)(2), (k)(1) and (k)(2).

(b) The system of records listed under paragraph (a) of this section is exempted, for the reasons set forth from the following provisions of 5 U.S.C. 552a:

(1)(c)(3). The release of the disclosure accounting for disclosures made pursuant to subsection (b) of the Act, including those permitted under the routine uses published for these systems of records, would permit the subject of an investigation of an actual or potential criminal, civil, or regulatory violation to determine whether he is the subject of investigation, or to obtain valuable information concerning the nature of that investigation, and the information obtained, or the identity of witnesses and informants and would therefore present a serious impediment to law enforcement. In addition, disclosure of the accounting would amount to notice to the individual of the existence of a record; such notice requirement under subsection (f)(1) is specifically exempted for these systems of records.

(2)(c)(4). Since an exemption is being claimed for subsection (d) of the Act (Access to Records) this subsection is inapplicable to the extent that these systems of records are exempted from subsection (d).

(3)(d). Access to the records contained in these systems would inform the subject of an investigation of an actual or potential criminal, civil, or regulatory violation of the existence of that investigation, or the nature and scope of the information and evidence obtained as to his activities, of the identity of witnesses and informants, or would provide information that could enable the subject to avoid detection or apprehension. These factors would present a serious impediment to effective law enforcement because they could prevent the successful completion of the investigation, endanger the physical safety of witnesses or informants, and lead to the improper influencing of witnesses, the destruction of evidence, or the fabrication of testimony.

(4)(e)(1). The notices of these systems of records published in the FEDERAL REGISTER set forth the basic statutory or related authority for maintenance of this system. However, in the course of criminal or other law enforcement investigations, cases, and matters, the Immigration and Naturalization Service or the Drug Enforcement Administration will occasionally obtain information concerning actual or potential violations of law that are not strictly within its statutory or other authority or may compile information in the course of an investigation which may not be relevant to a specific prosecution. In the interests of effective law enforcement, it is necessary to retain such information in these systems of records since it can aid in establishing patterns of criminal activity and can provide valuable leads for federal and other law enforcement agencies.

(5)(e)(2). In a criminal investigation or prosecution, the requirement that information be collected to the greatest extent practicable from the subject individual would present a serious impediment to law enforcement because the subject of the investigation or prosecution would be placed on notice as to the existence of the investigation

and would therefore be able to avoid detection or apprehension, to influence witnesses improperly, to destroy evidence, or to fabricate testimony.

(6)(e)(3). The requirement that individuals supplying information be provided with a form stating the requirements of subsection (e)(3) would constitute a serious impediment to law enforcement in that it could compromise the existence of a confidential investigation or reveal the identity of witnesses or confidential informants.

(7)(e)(4) (G) and (H). Since an exemption is being claimed for subsections (f) (Agency Rules) and (d) (Access to Records) of the Act these subsections are inapplicable to the extent that these systems of records are exempted from subsections (f) and (d).

(8)(e)(4)(I). The categories of sources of the records in these systems have been published in the FEDERAL REGISTER in broad generic terms in the belief that this is all that subsection (e)(4)(I) of the Act requires. In the event, however, that this subsection should be interpreted to require more detail as to the identity of sources of the records in these systems, exemption from this provision is necessary in order to protect the confidentiality of the sources of criminal and other law enforcement information. Such exemption is further necessary to protect the privacy and physical safety of witnesses and informants.

(9)(e)(5). In the collection of information for criminal law enforcement purposes it is impossible to determine in advance what information is accurate, relevant, timely, and complete. With the passage of time, seemingly irrelevant or untimely information may acquire new significance as further investigation brings new details to light and the accuracy of such information can often only be determined in a court of law. The restrictions of subsection (e)(5) would restrict the ability of trained investigators, intelligence analysts, and government attorneys in exercising their judgment in reporting on information and investigations and impede the development of criminal or other intelligence necessary for effective law enforcement.

(10)(e)(8). The individual notice requirements of subsection (e)(8) could

present a serious impediment to law enforcement as this could interfere with the ability to issue warrants or subpoenas and could reveal investigative techniques, procedures, or evidence.

(11)(f). Procedures for notice to an individual pursuant to subsection (f)(1) as to the existence of records pertaining to him dealing with an actual or potential criminal, civil, or regulatory investigation or prosecution must be exempted because such notice to an individual would be detrimental to the successful conduct and/or completion of an investigation or prosecution pending or future. In addition, mere notice of the fact of an investigation could inform the subject or others that their activities are under or may become the subject of an investigation and could enable the subjects to avoid detection or apprehension, to influence witnesses improperly, to destroy evidence, or to fabricate testimony.

Since an exemption is being claimed for subsection (d) of the Act (Access to Records) the rules required pursuant to subsections (f) (2) through (5) are inapplicable to these systems of records to the extent that these systems of records are exempted from subsection (d).

(12)(g). Since an exemption is being claimed for subsections (d) (Access to Records) and (f) (Agency Rules) this section is inapplicable, and is exempted for the reasons set forth for those subsections, to the extent that these systems of records are exempted from subsections (d) and (f).

(13)(h). Since an exemption is being claimed for subsection (d) (Access to Records) and (f) (Agency Rules) this section is inapplicable, and is exempted for the reasons set forth for those subsections, to the extent that these systems of records are exempted from subsections (d) and (f).

(14) In addition, exemption is claimed for these systems of records from compliance with the following provisions of the Privacy Act of 1974 (5 U.S.C. 552a) pursuant to the provisions of 5 U.S.C. 552a(k)(1): subsections (c)(3), (d), (e)(1), (e)(4) (G), (H), and (I), and (f) to the extent that the records contained in these systems are specifically author-

ized to be kept secret in the interests of national defense and foreign policy.

[Order No. 742-77, 42 FR 40907, Aug. 12, 1977]

**§ 16.103 Exemption of the INTERPOL-United States National Central Bureau (INTERPOL-USNCB) System.**

(a) The following system of records is exempt from 5 U.S.C. 552a(c) (3) and (4), (d), (e) (1), (2), and (3), (e)(4) (G) and (H), (e)(5) and (8), (f) and (g):

(1) The INTERPOL-United States National Central Bureau (INTERPOL-USNCB) (Department of Justice) INTERPOL-USNCB Records System (JUSTICE/INTERPOL-001).

This exemption applies only to the extent that information in this system is subject to exemption pursuant to 5 U.S.C. 552a (j)(2), (k)(2), and (k)(5).

(b) Exemptions from the particular subsections are justified for the following reasons:

(1) From subsection (c)(3) because the release of accounting disclosures would place the subject of an investigation on notice that he is under investigation and provide him with significant information concerning the nature of the investigation, thus resulting in a serious impediment to law enforcement.

(2) From subsections (c)(4), (d), (e)(4) (G), and (H), (f) and (g) because these provisions concern individual access to records and such access might compromise ongoing investigations reveal investigatory techniques and confidential informants, and invade the privacy of private citizens who provide information in connection with a particular investigation.

(3) From subsection (e)(1) because information received in the course of an international criminal investigation may involve a violation of state or local law, and it is beneficial to maintain this information to provide investigative leads to state and local law enforcement agencies.

(4) From subsection (e)(2) because collecting information from the subject of criminal investigations would thwart the investigation by placing the subject on notice.

(5) From subsection (e)(3) because supplying an individual with a statement of the intended use of the requested information could compromise

the existence of a confidential investigation, and may inhibit cooperation.

(6) From subsection (e)(5) because the vast majority of these records come from local criminal justice agencies and it is administratively impossible to ensure that the records comply with this provision. Submitting agencies are, however, urged on a continuing basis to ensure that their records are accurate and include all dispositions.

(7) From subsection (e)(8) because the notice requirements of this provision could present a serious impediment to law enforcement by revealing investigative techniques, procedures, and the existence of confidential investigations.

[Order No. 8-82, 47 FR 44255, Oct. 7, 1982, as amended by Order No. 6-86, 51 FR 15479, Apr. 24, 1986]

**§ 16.104 Exemption of Office of Special Counsel—Waco System.**

(a) The following system of records is exempted from subsections (c)(3) and (4); (d)(1), (2), (3), and (4); (e)(1), (2), (3), (5) and (8); and (g) of the Privacy Act pursuant to 5 U.S.C. 552a(j) and (k): CaseLink Document Database for Office of Special Counsel—Waco, JUSTICE/OSCW-001. These exemptions apply only to the extent that information in a record is subject to exemption pursuant to 5 U.S.C. 552a(j) and (k).

(b) Only that portion of this system which consists of criminal or civil investigatory information is exempted for the reasons set forth from the following subsections:

(1) *Subsection (c)(3)*. To provide the subject of a criminal or civil matter or case under investigation with an accounting of disclosures of records concerning him or her would inform that individual of the existence, nature, or scope of that investigation and thereby seriously impede law enforcement efforts by permitting the record subject and other persons to whom he might disclose the records to avoid criminal penalties and civil remedies.

(2) *Subsection (c)(4)*. This subsection is inapplicable to the extent that an exemption is being claimed for subsection (d).

(3) *Subsection (d)(1)*. Disclosure of investigatory information could interfere with the investigation, reveal the iden-

tity of confidential sources, and result in an unwarranted invasion of the privacy of others.

(4) *Subsection (d)(2)*. Amendment of the records would interfere with ongoing criminal law enforcement proceedings and impose an impossible administrative burden by requiring criminal investigations to be continuously reinvestigated.

(5) *Subsections (d)(3) and (4)*. These subsections are inapplicable to the extent exemption is claimed from (d)(1) and (2).

(6) *Subsections (e)(1) and (5)*. It is often impossible to determine in advance if investigatory records contained in this system are accurate, relevant, timely and complete; but, in the interests of effective law enforcement, it is necessary to retain this information to aid in establishing patterns of activity and provide leads in criminal investigations.

(7) *Subsection (e)(2)*. To collect information from the subject individual would serve notice that he or she is the subject of criminal investigative or law enforcement activity and thereby present a serious impediment to law enforcement.

(8) *Subsection (e)(3)*. To inform individuals as required by this subsection would reveal the existence of an investigation and compromise law enforcement efforts.

(9) *Subsection (e)(8)*. To serve notice would give persons sufficient warning to evade law enforcement efforts.

(10) *Subsection (g)*. This subsection is inapplicable to the extent that the system is exempt from other specific subsections of the Privacy Act.

[Order No. 208-2000, 65 FR 75160, Dec. 1, 2000]

**§ 16.105 Exemption of Foreign Terrorist Tracking Task Force System.**

(a) The following system of records is exempt from 5 U.S.C. 552a, subsections (c)(3), (d)(1), (2), (3) and (4), and (e)(1) and (4)(I): Flight Training Candidates File System (JUSTICE/FTTTF-001). This exemption applies only to the extent that information is subject to exemption pursuant to 5 U.S.C. 552a(k)(1).

(b) Exemption from the particular subsections is justified for the following reasons:



(1) From subsection (c)(3) because making available to a record subject the accounting of disclosures could reveal information that is classified in the interest of national security.

(2) From subsection (d)(1), (2), (3) and (4) because access to and amendment of certain portions of records within the system would tend to reveal or compromise information classified in the interest of national security.

(3) From subsection (e)(1) because it is often impossible to determine in advance if information obtained will be relevant for the purposes of conducting the risk analysis for flight training candidates.

(4) From subsection (e)(4)(I) to the extent that this subsection is interpreted to require more detail regarding the record sources in this system than have been published in the FEDERAL REGISTER. Should the subsection be so interpreted, exemption from this provision is necessary because greater specificity concerning the sources of these records could compromise national security.

[Order No. 278-2002, 67 FR 51756, Aug. 9, 2002]

**§ 16.106 Exemption of the Bureau of Alcohol, Tobacco, Firearms, and Explosives (ATF)—Limited Access.**

(a) The following system of records is exempt from 5 U.S.C. 552a(c)(3) and (4), (d)(1), (2), (3) and (4), (e)(1), (2), and (3), (e)(4)(G), (H) and (I), (e)(5) and (8), (f) and (g).

(1) Criminal Investigation Report System (JUSTICE/ATF-003).

(2) These exemptions apply only to the extent that information in this system is subject to exemption pursuant to 5 U.S.C. 552a(j)(2). Where compliance would not appear to interfere with or adversely affect the overall law enforcement process, ATF may waive the applicable exemption.

(b) Exemptions from the particular subsections are justified for the following reasons:

(1) From subsection (c)(3) because making available to a record subject the accounting of disclosures from records concerning him/her would reveal investigative interest not only of ATF, but also of the recipient agency. This would permit the record subject to take measures to impede the inves-

tigation, e.g., destroy evidence, intimidate potential witnesses or flee the area to avoid the thrust of the investigation.

(2) From subsection (c)(4) because an exemption being claimed for subsection (d) makes this subsection inapplicable.

(3) From subsections (d)(1), (e)(4)(G) and (H), (f) and (g) because these provisions concern individual access to investigative records, compliance with which could compromise sensitive information, interfere with the overall law enforcement process by revealing a pending sensitive investigation, possibly identify a confidential source or disclose information, including actual or potential tax information, which would constitute an unwarranted invasion of another individual's personal privacy, reveal a sensitive investigative technique, or constitute a potential danger to the health or safety of law enforcement personnel.

(4) From subsection (d)(2) because, due to the nature of the information collected and the essential length of time it is maintained, to require ATF to amend information thought to be incorrect, irrelevant or untimely, would create an impossible administrative and investigative burden by forcing the agency to continuously retrograde its investigations attempting to resolve questions of accuracy, etc.

(5) From subsections (d)(3) and (4) because these subsections are inapplicable to the extent exemption is claimed from (d)(1) and (2).

(6) From subsection (e)(1) because: (i) It is not possible in all instances to determine relevancy or necessity of specific information in the early stages of a criminal or other investigation.

(ii) Relevance and necessity are questions of judgment and timing; what appears relevant and necessary when collected ultimately may be deemed unnecessary. It is only after the information is assessed that its relevancy and necessity in a specific investigative activity can be established.

(iii) In any investigation, ATF might obtain information concerning violations of law not under its jurisdiction, but in the interest of effective law enforcement, dissemination will be made to the agency charged with enforcing such law.

(iv) In interviewing individuals or obtaining other forms of evidence during an investigation, information could be obtained, the nature of which would leave in doubt its relevancy and necessity. Such information, however, could be relevant to another investigation or to an investigative activity under the jurisdiction of another agency.

(7) From subsection (e)(2) because the nature of criminal and other investigative activities is such that vital information about an individual can only be obtained from other persons who are familiar with such individual and his/her activities. In such investigations it is not feasible to rely upon information furnished by the individual concerning his own activities.

(8) From subsection (e)(3) because disclosure would provide the subject with substantial information that could impede or compromise the investigation. The individual could seriously interfere with undercover investigative activities and could take steps to evade the investigation or flee a specific area.

(9) From subsection (e)(4)(I) because the categories of sources of the records in these systems have been published in the FEDERAL REGISTER in broad generic terms in the belief that this is all that subsection (e)(4)(I) of the Act requires. In the event, however, that this subsection should be interpreted to require more detail as to the identity of sources of the records in these systems, exemption from this provision is necessary in order to protect the confidentiality of the sources of criminal and other law enforcement information. Such exemption is further necessary to protect the privacy and physical safety of witnesses and informants.

(10) From subsection (e)(5) because in the collection of information for law enforcement purposes it is impossible to determine in advance what information is accurate, relevant, timely and complete. With the passage of time, seemingly irrelevant or untimely information may acquire new significance as further investigation brings new details to light. The restrictions imposed by subsection (e)(5) would restrict the ability of trained investigators and intelligence analysts to exercise their judgment in reporting on investiga-

tions and impede the development of criminal intelligence necessary for effective law enforcement.

(11) From subsection (e)(8) because the notice requirements of this provision could seriously interfere with a law enforcement activity by alerting the subject of a criminal or other investigation of existing investigative interest.

(c) The following system of records is exempt from 5 U.S.C. 552a(c)(3), (d)(1), (2), (3) and (4), (e)(1), (e)(4)(G), (H) and (I), and (f).

(1) Internal Security Record System (JUSTICE/ATF-006).

(2) These exemptions apply only to the extent that information in this system is subject to exemption pursuant to 5 U.S.C. 552a(k)(2) and (k)(5). Where compliance would not appear to interfere with or adversely affect the overall law enforcement process, ATF may waive the applicable exemption.

(d) Exemptions from the particular subsections are justified for the following reasons:

(1) From subsection (c)(3) because to provide the subject with an accounting of disclosures of records in this system could inform that individual of the existence, nature, or scope of an actual or potential law enforcement investigation, and thereby seriously impede law enforcement efforts by permitting the record subject and other persons to whom he might disclose the records to avoid criminal penalties, civil remedies, or other measures.

(2) From subsection (d)(1) because disclosure of records in the system could reveal the identity of confidential sources and result in an unwarranted invasion of the privacy of others. Disclosure may also reveal information relating to actual or potential criminal investigations. Such breaches would restrict the free flow of information which is vital to the law enforcement process and the determination of an applicant's qualifications.

(3) From subsection (d)(2) because, due to the nature of the information collected and the essential length of time it is maintained, to require ATF to amend information thought to be incorrect, irrelevant or untimely, would create an impossible administrative and investigative burden by forcing the

## Department of Justice

## § 16.106

agency to continuously retrograde its investigations attempting to resolve questions of accuracy, etc.

(4) From subsections (d)(3) and (4) because these subsections are inapplicable to the extent exemption is claimed from (d)(1) and (2).

(5) From subsection (e)(1) because it is often impossible to determine in advance if investigative records contained in this system are accurate, relevant, timely, complete, or of some assistance to either effective law enforcement investigations, or to the determination of the qualifications and suitability of an applicant. It also is necessary to retain this information to aid in establishing patterns of activity and provide investigative leads. Information that may appear irrelevant, when combined with other apparently irrelevant information, can on occasion provide a composite picture of a subject or an applicant which assists the law enforcement process and the determination of an applicant's suitability qualifications.

(6) From subsection (e)(4)(G) and (H), and (f) because these provisions concern individual access to investigative records, compliance with which could compromise sensitive information, interfere with the overall law enforcement or qualification process by revealing a pending sensitive investigation, possibly identify a confidential source or disclose information which would constitute an unwarranted invasion of another individual's personal privacy, reveal a sensitive investigative technique, or constitute a potential danger to the health or safety of law enforcement personnel. In addition, disclosure of information collected pursuant to an employment suitability or similar inquiry could reveal the identity of a source who provided information under an express promise of confidentiality, or could compromise the objectivity or fairness of a testing or examination process.

(7) From subsection (e)(4)(I) because the categories of sources of the records in these systems have been published in the FEDERAL REGISTER in broad generic terms in the belief that this is all that subsection (e)(4)(I) of the Act requires. In the event, however, that this subsection should be interpreted to re-

quire more detail as to the identity of sources of the records in these systems, exemption from this provision is necessary in order to protect the confidentiality of the sources of criminal and other law enforcement information. Such exemption is further necessary to protect the privacy and physical safety of witnesses and informants.

(e) The following system of records is exempt from 5 U.S.C. 552a(c)(3), (d)(1), (2), (3) and (4), (e)(1), (e)(4)(G), (H) and (I), and (f).

(1) Personnel Record System (JUSTICE/ATF-007).

(2) These exemptions apply only to the extent that information in this system is subject to exemption pursuant to 5 U.S.C. 552a(k)(5). Where compliance would not appear to interfere with or adversely affect the overall law enforcement process, ATF may waive the applicable exemption.

(f) Exemptions from the particular subsections are justified for the following reasons:

(1) From subsection (c)(3) because making available to a record subject the accounting of disclosures from records concerning him/her would reveal the existence, nature, or scope of an actual or potential personnel action. This would permit the record subject to take measures to hamper or impede such actions.

(2) From subsections (d)(1), (e)(4)(G) and (H), and (f) because many persons are contacted who, without an assurance of anonymity, refuse to provide information concerning a candidate for a position with ATF. Access could reveal the identity of the source of the information and constitute a breach of the promise of confidentiality on the part of ATF. Such breaches ultimately would restrict the free flow of information vital to a determination of a candidate's qualifications and suitability.

(3) From subsection (d)(2) because, due to the nature of the information collected and the essential length of time it is maintained, to require ATF to amend information thought to be incorrect, irrelevant or untimely, would create an impossible administrative and investigative burden by forcing the agency to continuously retrograde its investigations attempting to resolve questions of accuracy, etc.

(4) From subsections (d)(3) and (4) because these subsections are inapplicable to the extent exemption is claimed from (d)(1) and (2).

(5) From subsection (e)(1) because:

(i) It is not possible in all instances to determine relevancy or necessity of specific information in the early stages of a personnel-related action.

(ii) Relevance and necessity are questions of judgment and timing; what appears relevant and necessary when collected ultimately may be deemed unnecessary. It is only after the information is assessed that its relevancy and necessity in a specific investigative activity can be established.

(iii) ATF might obtain information concerning violations of law not under its jurisdiction, but in the interest of effective law enforcement, dissemination will be made to the agency charged with enforcing such law.

(iv) In interviewing individuals or obtaining other forms of evidence during an investigation, information could be obtained, the nature of which would leave in doubt its relevancy and necessity. Such information, however, could be relevant to another investigation or to an investigative activity under the jurisdiction of another agency.

(6) From subsection (e)(4)(I) because the categories of sources of the records in these systems have been published in the FEDERAL REGISTER in broad generic terms in the belief that this is all that subsection (e)(4)(I) of the Act requires. In the event, however, that this subsection should be interpreted to require more detail as to the identity of sources of the records in these systems, exemption from this provision is necessary in order to protect the confidentiality of the sources of criminal and other law enforcement information. Such exemption is further necessary to protect the privacy and physical safety of witnesses and informants.

(g) The following systems of records are exempt from 5 U.S.C. 552a(c)(3), (d)(1), (2), (3) and (4), (e)(1), (e)(4)(G), (H) and (I), and (f).

(1) Regulatory Enforcement Record System (JUSTICE/ATF-008).

(2) Technical and Scientific Services Record System (JUSTICE/ATF-009).

(3) These exemptions apply only to the extent that information in this sys-

tem is subject to exemption pursuant to 5 U.S.C. 552a(k)(2). Where compliance would not appear to interfere with or adversely affect the overall law enforcement process, ATF may waive the applicable exemption.

(h) Exemptions from the particular subsections are justified for the following reasons:

(1) From subsection (c)(3) because making available to a record subject the accounting of disclosures from records concerning him/her would reveal investigative interest, whether civil, criminal or regulatory, not only of ATF, but also of the recipient agency. This would permit the record subject to take measures to impede the investigation, *e.g.*, destroy evidence, intimidate potential witnesses or flee the area to avoid the thrust of the investigation thus seriously hampering the regulatory and law enforcement functions of ATF.

(2) From subsections (d)(1), (e)(4)(G) and (H), and (f) because these provisions concern individual access to investigative and compliance records, disclosure of which could compromise sensitive information, interfere with the overall law enforcement and regulatory process by revealing a pending sensitive investigation, possibly identify a confidential source or disclose information, including actual or potential tax information, which would constitute an unwarranted invasion of another individual's personal privacy, reveal a sensitive investigative technique, or constitute a potential danger to the health or safety of law enforcement personnel.

(3) From subsection (d)(2) because, due to the nature of the information collected and the essential length of time it is maintained, to require ATF to amend information thought to be incorrect, irrelevant or untimely, would create an impossible administrative and investigative burden by forcing the agency to continuously retrograde its investigations and compliance actions attempting to resolve questions of accuracy, etc.

(4) From subsections (d)(3) and (4) because these subsections are inapplicable to the extent exemption is claimed from (d)(1) and (2).

(5) From subsection (e)(1) because:

## Department of Justice

## § 16.130

(i) It is not possible in all instances to determine relevancy or necessity of specific information in the early stages of a criminal, civil, regulatory, or other investigation.

(ii) Relevance and necessity are questions of judgment and timing; what appears relevant and necessary when collected ultimately may be deemed unnecessary. It is only after the information is assessed that its relevancy and necessity in a specific investigative or regulatory activity can be established.

(iii) In any investigation or compliance action ATF might obtain information concerning violations of law not under its jurisdiction, but in the interest of effective law enforcement, dissemination will be made to the agency charged with enforcing such law.

(iv) In interviewing individuals or obtaining other forms of evidence during an investigation, information could be obtained, the nature of which would leave in doubt its relevancy and necessity. Such information, however, could be relevant to another investigation or compliance action or to an investigative activity under the jurisdiction of another agency.

(6) From subsection (e)(4)(I) because the categories of sources of the records in these systems have been published in the FEDERAL REGISTER in broad generic terms in the belief that this is all that subsection (e)(4)(I) of the Act requires. In the event, however, that this subsection should be interpreted to require more detail as to the identity of sources of the records in these systems, exemption from this provision is necessary in order to protect the confidentiality of the sources of criminal, regulatory, and other law enforcement information. Such exemption is further necessary to protect the privacy and physical safety of witnesses and informants.

[Order No. 002-2003, 68 FR 3393, Jan. 24, 2003]

### **§ 16.130 Exemption of Department of Justice Systems: Correspondence Management Systems for the Department of Justice (DOJ-003); Freedom of Information Act, Privacy Act and Mandatory Declassification Review Requests and Administrative Appeals for the Department of Justice (DOJ-004).**

(a) The following Department of Justice systems of records are exempted from subsections (c)(3) and (4); (d)(1), (2), (3) and (4); (e)(1), (2), (3), (5) and (8); and (g) of the Privacy Act pursuant to 5 U.S.C. 552a(j) and (k). These exemptions apply only to the extent that information in a record is subject to exemption pursuant to 5 U.S.C. 552a(j) and (k).

(1) Correspondence Management Systems (CMS) for the Department of Justice (DOJ), DOJ/003.

(2) Freedom of Information Act, Privacy Act, and Mandatory Declassification Review Requests and Administrative Appeals for the Department of Justice (DOJ), DOJ/004.

(b) These systems are exempted for the reasons set forth from the following subsections:

(1) *Subsection (c)(3)*. To provide the subject of a criminal, civil, or counterintelligence matter or case under investigation with an accounting of disclosures of records concerning him or her could inform that individual of the existence, nature, or scope of that investigation, and thereby seriously impede law enforcement or counterintelligence efforts by permitting the record subject and other persons to whom he might disclose the records to avoid criminal penalties, civil remedies, or counterintelligence measures.

(2) *Subsection (c)(4)*. This subsection is inapplicable to the extent that an exemption is being claimed for subsection (d).

(3) *Subsection (d)(1)*. Disclosure of investigatory information could interfere with the investigation, reveal the identity of confidential sources, and result in an unwarranted invasion of the privacy of others. Disclosure of classified national security information would cause damage to the national security of the United States.

(4) *Subsection (d)(2)*. Amendment of the records would interfere with ongoing criminal or civil law enforcement

proceedings and impose an impossible administrative burden by requiring investigations to be continuously re-investigated.

(5) *Subsections (d)(3) and (4)*. These subsections are inapplicable to the extent exemption is claimed from (d)(1) and (2).

(6) *Subsection (e)(1)*. It is often impossible to determine in advance if investigatory records contained in this system are accurate, relevant, timely and complete, but, in the interests of effective law enforcement and counterintelligence, it is necessary to retain this information to aid in establishing patterns of activity and provide investigative leads.

(7) *Subsection (e)(2)*. To collect information from the subject individual could serve notice that he or she is the subject of a criminal investigation and thereby present a serious impediment to such investigations.

(8) *Subsection (e)(3)*. To inform individuals as required by this subsection could reveal the existence of a criminal investigation and compromise investigative efforts.

(9) *Subsection (e)(5)*. It is often impossible to determine in advance if investigatory records contained in this system are accurate, relevant, timely and complete, but, in the interests of effective law enforcement, it is necessary to retain this information to aid in establishing patterns of activity and provide investigative leads.

(10) *Subsection (e)(8)*. To serve notice could give persons sufficient warning to evade investigative efforts.

(11) *Subsection (g)*. This subsection is inapplicable to the extent that the system is exempt from other specific subsections of the Privacy Act.

[Order No. 241–2001, 66 FR 41445, Aug. 8, 2001; 66 FR 43308, Aug. 17, 2001]

**§ 16.131 Exemption of Department of Justice (DOJ)/Nationwide Joint Automated Booking System (JABS), DOJ-005.**

(a) The following system of records is exempt from 5 U.S.C. 552a(c)(3) and (4), (d), (e)(1), (2), (3), (4)(G) and (H), (e)(5) and (8), (f) and (g): Nationwide Joint Automated Booking System, Justice/DOJ-005. These exemptions apply only to the extent that information in the

system is subject to exemption pursuant to 5 U.S.C. 552a(j)(2) and (k)(2). Where compliance would not interfere with or adversely affect the law enforcement process, the DOJ may waive the exemptions, either partially or totally.

(b) Exemption from the particular subsections are justified for the following reasons:

(1) From subsections (c)(3), (c)(4), and (d) to the extent that access to records in this system of records may impede or interfere with law enforcement efforts, result in the disclosure of information that would constitute an unwarranted invasion of the personal privacy of collateral record subjects or other third parties, and/or jeopardize the health and/or safety of third parties.

(2) From subsection (e)(1) to the extent that it is necessary to retain all information in order not to impede, compromise, or interfere with law enforcement efforts, e.g., where the significance of the information may not be readily determined and/or where such information may provide leads or assistance to Federal and other law enforcement agencies in discharging their law enforcement responsibilities.

(3) From subsection (e)(2) because, in some instances, the application of this provision would present a serious impediment to law enforcement since it may be necessary to obtain and verify information from a variety to sources other than the record subject to ensure safekeeping, security, and effective law enforcement. For example, it may be necessary that medical and psychiatric personnel provide information regarding the subject's behavior, physical health, or mental stability, etc. to ensure proper care while in custody, or it may be necessary to obtain information from a case agent or the court to ensure proper disposition of the subject individual.

(4) From subsection (e)(3) because the requirement that agencies inform each individual whom it asks to supply information of such information as is required by subsection (e)(3) may, in some cases, impede the information

gathering process or otherwise interfere with or compromise law enforcement efforts, e.g., the subject may deliberately withhold information, or give erroneous information.

(5) From subsection (4)(G) and (H) because the application of these provisions would present a serious impediment to law enforcement efforts.

(6) From subsection (e)(5) because in the collection of information for law enforcement purposes it is impossible to determine in advance what information is accurate, relevant, timely and complete. With the passage of time, seemingly irrelevant or untimely information may acquire new significance and the accuracy of such information can only be determined in a court of law. The restrictions imposed by subsection (e)(5) would restrict the ability to collect information for law enforcement purposes, may prevent the eventual development of the necessary criminal intelligence, or otherwise impede law enforcement or delay trained law enforcement personnel from timely exercising their judgment in managing the arrestee.

(7) From subsection (e)(8) to the extent that such notice may impede, interfere with, or otherwise compromise law enforcement and security efforts.

(8) From subsection 5 U.S.C. 552a(f) to the extent that compliance with the requirement for procedures providing individual access to records, compliance could impede, compromise, or interfere with law enforcement efforts.

(9) From subsection (g) to the extent that this system is exempt from the access and amendment provisions of subsection (d).

[Order No. 242-2001, 66 FR 41445, Aug. 8, 2001; 66 FR 44308, Aug. 17, 2001]

**§ 16.132 Exemption of Department of Justice System—Personnel Investigation and Security Clearance Records for the Department of Justice (DOJ), DOJ-006.**

(a) The following Department of Justice system of records is exempted from subsections (c)(3) and (4); (d)(1), (2), (3) and (4); (e)(1),(2),(3),(5) and (8); and (g) of the Privacy Act pursuant to 5 U.S.C. 552a(j) and (k): Personnel Investigation and Security Clearance

Records for the Department of Justice (DOJ), DOJ-006. These exemptions apply only to the extent that information in a record is subject to exemption pursuant to 5 U.S.C. 552a(j) and (k).

(b) Exemption from the particular subsections is justified for the following reasons:

(1) *Subsection (c)(3)*. To provide the subject with an accounting of disclosures of records in this system could inform that individual of the existence, nature, or scope of an actual or potential law enforcement or counterintelligence investigation, and thereby seriously impede law enforcement or counterintelligence efforts by permitting the record subject and other persons to whom he might disclose the records to avoid criminal penalties, civil remedies, or counterintelligence measures.

(2) *Subsection (c)(4)*. This subsection is inapplicable to the extent that an exemption is being claimed for subsection (d).

(3) *Subsection (d)(1)*. Disclosure of records in the system could reveal the identity of confidential sources and result in an unwarranted invasion of the privacy of others. Disclosure may also reveal information relating to actual or potential criminal investigations. Disclosure of classified national security information would cause damage to the national security of the United States.

(4) *Subsection (d)(2)*. Amendment of the records could interfere with ongoing criminal or civil law enforcement proceedings and impose an impossible administrative burden by requiring investigations to be continuously re-investigated.

(5) *Subsections (d)(3) and (4)*. These subsections are inapplicable to the extent exemption is claimed from (d)(1) and (2).

(6) *Subsection (e)(1)*. It is often impossible to determine in advance if investigatory records contained in this system are accurate, relevant, timely and complete, but, in the interests of effective law enforcement and counterintelligence, it is necessary to retain this information to aid in establishing patterns of activity and provide investigative leads.

(7) *Subsection (e)(2)*. To collect information from the subject individual

could serve notice that he or she is the subject of a criminal investigation and thereby present a serious impediment to such investigations.

(8) *Subsection (e)(3)*. To inform individuals as required by this subsection could reveal the existence of a criminal investigation and compromise investigative efforts.

(9) *Subsection (e)(5)*. It is often impossible to determine in advance if investigatory records contained in this system are accurate, relevant, timely and complete, but, in the interests of effective law enforcement, it is necessary to retain this information to aid in establishing patterns of activity and provide investigative leads.

(10) *Subsection (e)(8)*. To serve notice could give persons sufficient warning to evade investigative efforts.

(11) *Subsection (g)*. This subsection is inapplicable to the extent that the system is exempt from other specific subsections of the Privacy Act.

[Order No. 297-2002, 67 FR 70163, Nov. 21, 2002]

**§ 16.133 Exemption of Department of Justice Regional Data Exchange System (RDEX), DOJ-012.**

(a) The Department of Justice Regional Data Exchange System (RDEX), DOJ-012, is exempted from subsections (c)(3) and (4); (d)(1), (2), (3), and (4); (e)(1), (2), (3), (5), and (8); and (g) of the Privacy Act pursuant to 5 U.S.C. 552a(j)(2). These exemptions apply only to the extent that information in a record is subject to exemption pursuant to 5 U.S.C. 552a(j)(2).

(b) This system is exempted from the following subsections for the reasons set forth below:

(1) From subsection (c)(3) because making available to a record subject the accounting of disclosures of criminal law enforcement records concerning him or her could inform that individual of the existence, nature, or scope of an investigation, or could otherwise seriously impede law enforcement efforts.

(2) From subsection (c)(4) because this system is exempt from subsections (d)(1), (2), (3), and (4).

(3) From subsection (d)(1) because disclosure of criminal law enforcement information could interfere with an investigation, reveal the identity of con-

fidential sources, and result in an unwarranted invasion of the privacy of others.

(4) From subsection (d)(2) because amendment of the records would interfere with ongoing criminal law enforcement proceedings and impose an impossible administrative burden by requiring investigations to be continuously reinvestigated.

(5) From subsections (d)(3) and (4) because these subsections are inapplicable to the extent that exemption is claimed from subsections (d)(1) and (2).

(6) From subsection (e)(1) because it is often impossible to determine in advance if criminal law enforcement records contained in this system are relevant and necessary, but, in the interests of effective law enforcement, it is necessary to retain this information to aid in establishing patterns of activity and provide investigative leads.

(7) From subsection (e)(2) because collecting information from the subject individual could serve notice that he or she is the subject of a criminal law enforcement matter and thereby present a serious impediment to law enforcement efforts. Further, because of the nature of criminal law enforcement matters, vital information about an individual frequently can be obtained only from other persons who are familiar with the individual and his or her activities and it often is not practicable to rely on information provided directly by the individual.

(8) From subsection (e)(3) because informing individuals as required by this subsection could reveal the existence of a criminal law enforcement matter and compromise criminal law enforcement efforts.

(9) From subsection (e)(5) because it is often impossible to determine in advance if criminal law enforcement records contained in this system are accurate, relevant, timely, and complete, but, in the interests of effective law enforcement, it is necessary to retain this information to aid in establishing patterns of activity and obtaining investigative leads.

(10) From subsection (e)(8) because serving notice could give persons sufficient warning to evade criminal law enforcement efforts.



(11) From subsection (g) to the extent that this system is exempt from other specific subsections of the Privacy Act. [Order No. 007–2005, 70 FR 49870, Aug. 25, 2005]

**§ 16.134 Exemption of Debt Collection Enforcement System, Justice/DOJ–016.**

(a) The following system of records is exempt pursuant to 5 U.S.C. 552a(j)(2) from subsections (c)(3) and (4); (d)(1), (2), (3), and (4); (e)(1), (2), (3), (4)(G), (H) and (I), (5) and (8); (f) and (g) of the Privacy Act. In addition, the system is exempt pursuant to 5 U.S.C. 552a(k)(2) from subsections (c)(3); (d)(1), (2), (3), and (4); (e)(1); (4)(G), (H), and (I); and (f). These exemptions apply only to the extent that information in this system is subject to exemption pursuant to 5 U.S.C. 552a(j)(2) or (k)(2). Where compliance would not appear to interfere with or adversely affect the law enforcement purposes of this system, or the overall law enforcement process, the applicable exemption may be waived by the DOJ in its sole discretion.

(b) Exemptions from the particular subsections are justified for the following reasons:

(1) From subsection (c)(3), the requirement that an accounting be made available to the named subject of a record, because certain records in this system are exempt from the access provisions of subsection (d). Also, because making available to a record subject the accounting of disclosures from records concerning him/her would specifically reveal any investigative interest in the individual. Revealing this information may thus compromise ongoing law enforcement efforts. Revealing this information may also permit the record subject to take measures to impede the investigation, such as destroying evidence, intimidating potential witnesses or fleeing the area to avoid the investigation.

(2) From subsection (c)(4) notification requirements because certain records in this system are exempt from the access and amendment provisions of subsection (d) as well as the access to accounting of disclosures provision of subsection (c)(3).

(3) From subsections (d)(1), (2), (3), and (4) because access to the records

contained in this system might compromise ongoing investigations, reveal confidential informants, or constitute unwarranted invasions of the personal privacy of third parties who are involved in a certain investigation. Amendment of the records would interfere with ongoing debt collection investigations or other law enforcement proceedings and impose an impossible administrative burden by requiring investigations to be continuously reinvestigated.

(4) From subsection (e)(1) because it is not always possible to know in advance what information is relevant and necessary for law enforcement purposes.

(5) From subsection (e)(2) to avoid impeding law enforcement efforts associated with debt collection by putting the subject of an investigation on notice of that fact, thereby permitting the subject to engage in conduct intended to frustrate or impede that investigation.

(6) From subsection (e)(3) to avoid impeding law enforcement efforts in conjunction with debt collection by putting the subject of an investigation on notice of that fact, thereby permitting the subject to engage in conduct intended to frustrate or impede that investigation.

(7) From subsection (e)(4)(G), (H) and (I) because portions of this system are exempt from the access provisions of subsection (d) pursuant to subsections (j) and (k) of the Privacy Act.

(8) From subsection (e)(5) because many of the records in this system are records contributed by other agencies and the restrictions imposed by (e)(5) would limit the utility of the system.

(9) From subsection (e)(8), because to require individual notice of disclosure of information due to compulsory legal process would pose an impossible administrative burden on the DOJ and may alert the subjects of law enforcement investigations, who might be otherwise unaware, to the fact of those investigations.

(10) From subsections (f) and (g) to the extent that the system is exempt from other specific subsections of the Privacy Act.

[Order No. 009–2012, 77 FR 23117, Apr. 18, 2012]

**§ 16.135 Exemptions of Executive Office for Organized Crime Drug Enforcement Task Forces Systems.**

(a) The following systems of records are exempt from 5 U.S.C. 552a(c)(3) and (4); (d)(1), (2), (3), and (4); (e)(1), (2), (3), (4)(G), (H), and (I), (5), and (8); (f); and (g):

(1) The Organized Crime Drug Enforcement Task Forces Management Information System (OCDETF MIS) (JUSTICE/OCDETF-001); and

(2) The Organized Crime Drug Enforcement Task Force Fusion Center and International Organized Crime Intelligence and Operations Center System (JUSTICE/OCDETF-002).

(b) These exemptions apply only to the extent that information is subject to exemption under 5 U.S.C. 552a(j) and/or (k).

(c) Exemptions from the particular subsections are justified for the following reasons:

(1) From subsection (c)(3) because to provide the subject with an accounting of disclosures of records in these systems could inform that individual of the existence, nature, or scope of an actual or potential law enforcement or counterintelligence investigation by the Organized Crime Drug Enforcement Task Forces, the Organized Crime Drug Enforcement Task Force Fusion Center, the International Organized Crime Intelligence and Operations Center, or the recipient agency, and could permit that individual to take measures to avoid detection or apprehension, to learn of the identity of witnesses and informants, or to destroy evidence, and would therefore present a serious impediment to law enforcement or counterintelligence efforts. In addition, disclosure of the accounting would amount to notice to the individual of the existence of a record. Moreover, release of an accounting may reveal information that is properly classified pursuant to Executive Order.

(2) From subsection (c)(4) because this subsection is inapplicable to the extent that an exemption is being claimed for subsections (d)(1), (2), (3), and (4).

(3) From subsection (d)(1) because disclosure of records in the system could alert the subject of an actual or potential criminal, civil, or regulatory

violation of the existence of that investigation, of the nature and scope of the information and evidence obtained as to his or her activities, of the identity of confidential witnesses and informants, of the investigative interest of the Organized Crime Drug Enforcement Task Forces, the Organized Crime Drug Enforcement Task Force Fusion Center, the International Organized Crime Intelligence and Operations Center, and other intelligence or law enforcement agencies (including those responsible for civil proceedings related to laws against drug trafficking or related financial crimes or international organized crime); could lead to the destruction of evidence, improper influencing of witnesses, fabrication of testimony, and/or flight of the subject; could reveal the details of a sensitive investigative or intelligence technique, or the identity of a confidential source; or could otherwise impede, compromise, or interfere with investigative efforts and other related law enforcement and/or intelligence activities. In addition, disclosure could invade the privacy of third parties and/or endanger the life, health, and physical safety of law enforcement personnel, confidential informants, witnesses, and potential crime victims. Access to records could also result in the release of information properly classified pursuant to Executive Order.

(4) From subsection (d)(2) because amendment of the records thought to be inaccurate, irrelevant, incomplete, or untimely would also interfere with ongoing investigations, criminal or civil law enforcement proceedings, and other law enforcement activities; would impose an impossible administrative burden by requiring investigations, analyses, and reports to be continuously reinvestigated and revised; and may impact information properly classified pursuant to Executive Order.

(5) From subsections (d)(3) and (4) because these subsections are inapplicable to the extent that exemption is claimed from subsections (d)(1) and (2) and for the reasons stated in § 16.135(c)(3) and (c)(4).

(6) From subsection (e)(1) because, in the course of their acquisition, collation, and analysis of information under the statutory authority granted, the

Organized Crime Drug Enforcement Task Forces, the Organized Crime Drug Enforcement Task Force Fusion Center, and the International Organized Crime Intelligence and Operations Center will occasionally obtain information, including information properly classified pursuant to Executive Order, that concerns actual or potential violations of law that are not strictly within their statutory or other authority or may compile and maintain information which may not be relevant to a specific investigation or prosecution. This is because it is impossible to determine in advance what information collected during an investigation or in support of these mission activities will be important or crucial to an investigation. In the interests of effective law enforcement, it is necessary to retain such information in these systems of records because it can aid in establishing patterns of criminal activity of a suspect and can provide valuable leads for federal and other law enforcement agencies. This consideration applies equally to information acquired from, or collated or analyzed for, both law enforcement agencies and agencies of the U.S. foreign intelligence community and military community.

(7) From subsection (e)(2) because in a criminal, civil, or regulatory investigation, prosecution, or proceeding, the requirement that information be collected to the greatest extent practicable from the subject individual would present a serious impediment to law enforcement because the subject of the investigation, prosecution, or proceeding would be placed on notice as to the existence and nature of the investigation, prosecution, or proceeding and would therefore be able to avoid detection or apprehension, to influence witnesses improperly, to destroy evidence, or to fabricate testimony. Moreover, thorough and effective investigation and prosecution may require seeking information from a number of different sources.

(8) From subsection (e)(3) because to comply with the requirements of this subsection during the course of an investigation could impede the information-gathering process, thus hampering the investigation or intelligence gathering. Disclosure to an individual of in-

vestigative interest would put the subject on notice of that fact and allow the subject an opportunity to engage in conduct intended to impede that activity or avoid apprehension. Disclosure to other individuals would likewise put them on notice of what might still be a sensitive law enforcement interest and could result in the further intentional or accidental disclosure to the subject or other inappropriate recipients, convey information that might constitute unwarranted invasions of the personal privacy of other persons, unnecessarily burden law enforcement personnel in information-collection activities, and chill the willingness of witnesses to cooperate.

(9) From subsections (e)(4)(G) and (H) because this system is exempt from the access and amendment provisions of subsection (d).

(10) From subsection (e)(4)(I) to the extent that this subsection could be interpreted to require more detail regarding system record sources than has been published in the FEDERAL REGISTER. Should this subsection be so interpreted, exemption from this provision is necessary to protect the sources of law enforcement and intelligence information and to protect the privacy and safety of witnesses and informants and other information sources. Further, greater specificity could compromise other sensitive law enforcement information, techniques, and processes.

(11) From subsection (e)(5) because the acquisition, collation, and analysis of information for law enforcement purposes from various agencies does not permit a determination in advance or a prediction of what information will be matched with other information and thus whether it is accurate, relevant, timely, and complete. With the passage of time, seemingly irrelevant or untimely information may acquire new significance as further investigation brings new details to light, and the accuracy of such information can often only be determined in a court of law. The restrictions imposed by subsection (e)(5) would restrict the ability of trained investigators, intelligence analysts, and government attorneys to exercise their judgment in collating and analyzing information and would

impede the development of criminal or other intelligence necessary for effective law enforcement.

(12) From subsection (e)(8) because the individual notice requirements could present a serious impediment to law enforcement by revealing investigative techniques, procedures, evidence, or interest, and by interfering with the ability to issue warrants or subpoenas; could give persons sufficient warning to evade investigative efforts; and would pose an unacceptable administrative burden on the maintenance of these records and the conduct of the underlying investigations.

(13) From subsections (f) and (g) because these subsections are inapplicable to the extent that the system is exempt from other specific subsections of the Privacy Act.

[Order No. 006–2013, 78 FR 69754, Nov. 21, 2013; 78 FR 77586, Dec. 24, 2013]

**§ 16.136 Exemption of the Department of Justice, Giglio Information System, Justice/DOJ-017.**

(a) The Department of Justice, Giglio Information Files (JUSTICE/DOJ-017) system of records is exempted from subsections (c)(3) and (4); (d)(1), (2), (3), and (4); (e)(1), (2), (3), (4)(G), (H), and (I), (5), and (8); (f); and (g) of the Privacy Act. These exemptions apply only to the extent that information in this system is subject to exemption pursuant to 5 U.S.C. 552a(j) and/or (k).

(b) Exemptions from the particular subsections are justified for the following reasons:

(1) From subsection (c)(3) because this subsection is inapplicable to the extent that an exemption is being claimed for subsection (d).

(2) From subsection (c)(4) because this subsection is inapplicable to the extent that an exemption is being claimed for subsection (d).

(3) From subsection (d) because access to the records contained in this system may interfere with or impede an ongoing investigation as it may be related to allegations against an agent or witness who is currently being investigated. Further, other records that are derivative of the subject's employing agency files may be accessed through the employing agency's files.

(4) From subsection (e)(1) because it may not be possible to determine in advance if potential impeachment records collected and maintained in order to sufficiently meet the Department's *Giglio* requirements and obligations are all relevant and necessary. In order to ensure that the Department's prosecutors and investigative agencies receive sufficient information to meet their obligations under *Giglio*, it is appropriate to maintain potential impeachment information in accordance with Department policy as such records could later be relevant and necessary in a different case in which the same witness or affiant subsequently testifies.

(5) From subsection (e)(2) because collecting information directly from the subject individual could serve notice that the individual is the subject of investigation and because of the nature of the records in this system, which are used to impeach or demonstrate bias of a witness, requires that the information be collected from others.

(6) From subsection (e)(3) because federal law enforcement officers receive notice from their supervisors and prosecuting attorneys that impeachment information may be used at trial. Law enforcement officers are also given notice by the *Giglio* decision itself.

(7) From subsections (e)(4)(G), (H), and (I) because this system of records is exempt from the access and amendment provisions of subsection (d).

(8) From subsection (e)(5) because it may not be possible to determine in advance if all potential impeachment records collected and maintained in order to sufficiently meet the Department's *Giglio* requirements and obligations are all accurate, relevant, timely, and complete at the time of collection. Although the Department has policies in place to verify the records, the records may be originated from another agency, third party, or open source media and it may be impossible to ensure the accuracy, relevance, timeliness, and completeness of potential impeachment information maintained prior to and during the process of being verified.

## Department of Justice

## § 16.201

(9) From subsection (e)(8) because the nature of the *Giglio* discovery process renders notice of compliance with the compulsory discovery process impractical.

(10) From subsections (f) and (g) because these subsections are inapplicable to the extent that the system is exempt from other specific subsections of the Privacy Act.

[Order No. 008–2015, 80 FR 34051, June 15, 2015]

### Subpart F—Public Observation of Parole Commission Meetings

SOURCE: 42 FR 14713, Mar. 16, 1977, unless otherwise noted.

#### § 16.200 Definitions.

As used in this part:

(a) The term *Commission* means the U.S. Parole Commission and any subdivision thereof authorized to act on its behalf.

(b) The term *meeting* refers to the deliberations of at least the number of Commissioners required to take action on behalf of the Commission where such deliberations determine or result in the joint conduct or disposition of official Commission business.

(c) Specifically included in the term *meeting* are:

(1) Meetings of the Commission required to be held by 18 U.S.C. 4203(a);

(2) Special meetings of the Commission called pursuant to 18 U.S.C. 4204(a)(1);

(3) Meetings of the National Commissioners in original jurisdiction cases pursuant to 28 CFR 2.17(a);

(4) Meetings of the entire Commission to determine original jurisdiction appeal cases pursuant to 28 CFR 2.27; and

(5) Meetings of the National Appeals Board pursuant to 28 CFR 2.26.

(6) Meetings of the Commission to conduct a hearing on the record in conjunction with applications for certificates of exemption under section 504(a) of the Labor-Management Reporting and Disclosure Act of 1959, and section 411 of the Employee Retirement In-

come Security Act of 1974 (28 CFR 4.1–17 and 28 CFR 4a.1–17).<sup>1</sup>

(d) Specifically excluded from the term *meeting* are:

(1) Determination made through independent voting of the Commissioners without the joint deliberation of the number of Commissioners required to take such action, pursuant to § 16.201;

(2) Original jurisdiction cases determined by sequential vote pursuant to 28 CFR 2.17;

(3) Cases determined by sequential vote pursuant to 28 CFR 2.24 and 2.25;

(4) National Appeals Board cases determined by sequential vote pursuant to 28 CFR 2.26;

(5) Meetings of special committees of Commissioners not constituting a quorum of the Commission, which may be established by the Chairman to report and make recommendations to the Commission or the Chairman on any matter.

(6) Determinations required or permitted by these regulations to open or close a meeting, or to withhold or disclose documents or information pertaining to a meeting.

(e) All other terms used in this part shall be deemed to have the same meaning as identical terms used in chapter I, part 2 of this title.

[42 FR 14713, Mar. 16, 1977, as amended at 43 FR 4978, Feb. 7, 1978]

#### § 16.201 Voting by the Commissioners without joint deliberation.

(a) Whenever the Commission's Chairman so directs, any matter which (1) does not appear to require joint deliberation among the members of the Commission, or (2) by reason of its urgency, cannot be scheduled for consideration at a Commission meeting, may be disposed of by presentation of the matter separately to each of the members of the Commission. After consideration of the matter each Commission member shall report his vote to the Chairman.

(b) Whenever any member of the Commission so requests, any matter presented to the Commissioners for disposition pursuant to paragraph (a) of

<sup>1</sup>Part 4a was removed at 44 FR 6890, Feb. 2, 1979.

## § 16.202

this section shall be withdrawn and scheduled instead for consideration at a Commission meeting.

(c) The provisions of §16.206(a) of these rules shall apply in the case of any Commission determination made pursuant to this section.

### § 16.202 Open meetings.

(a) Every portion of every meeting of the Commission shall be open to public observation unless closed to the public pursuant to the provisions of §16.203 (Formal Procedure) or §16.205 (Informal Procedure).

(b) The attendance of any member of the public is conditioned upon the orderly demeanor of such person during the conduct of Commission business. The public shall be permitted to observe and to take notes, but unless prior permission is granted by the Commission, shall not be permitted to record or photograph by means of any mechanical or electronic device any portion of meetings which are open to the public.

(c) The Commission shall be responsible for arranging a suitable site for each open Commission meeting so that ample seating, visibility, and acoustics are provided to the public and ample security measures are employed for the protection of Commissioners and Staff. The Commission shall be responsible for recording or developing the minutes of Commission meetings.

(d) Public notice of open meetings shall be given as prescribed in §16.204(a), and a record of votes kept pursuant to §16.206(a).

### § 16.203 Closed meetings—Formal procedure.

(a) The Commission, by majority vote, may close to public observation any meeting or portion thereof, and withhold from the public announcement concerning such meeting any information, if public observation or the furnishing of such information is likely to:

(1) Disclose matters:

(i) Specifically authorized under criteria established by an executive order to be kept secret in the interests of national defense or foreign policy and

(ii) In fact properly classified pursuant to such executive order;

## 28 CFR Ch. I (7–1–17 Edition)

(2) Relate solely to the internal personnel rules and practices of the Commission or any agency of the Government of the United States;

(3) Disclose matters specifically exempted from disclosure by statute (other than 5 U.S.C. 552, or the Federal Rules of Criminal Procedure): *Provided*, That such statute or rule (i) requires that the matters be withheld in such a manner as to leave no discretion on the issue, or (ii) establishes particular criteria for withholding or refers to particular types of matters to be withheld, including exempted material under the Privacy Act of 1974 or the Commission's Alternate Means of Access under the Privacy Act of 1974, as set forth at 28 CFR 16.85;

(4) Disclose a trade secret or commercial or financial information obtained from any person, corporation, business, labor or pension organization, which is privileged or obtained upon a promise of confidentiality, including information concerning the financial condition or funding of labor or pension organizations, or the financial condition of any individual, in conjunction with applications for exemption under 29 U.S.C. 504 and 1111, and information concerning income, assets and liabilities of inmates, and persons on supervision;

(5) Involve accusing any person of a crime or formally censuring any person;

(6) Disclose information of a personal nature, where disclosure would constitute a clearly unwarranted invasion of personal privacy;

(7) Disclose an investigatory record compiled for law enforcement purposes, or information derived from such a record, which describes the criminal history or associations of any person under the Commission's jurisdiction or which describes the involvement of any person in the commission of a crime, but only to the extent that the production of such records or information would:

(i) Interfere with enforcement proceedings;

(ii) Deprive a person of a right to a fair trial or an impartial adjudication;

(iii) Constitute an unwarranted invasion of personal privacy;

(iv) Disclose the identity of a confidential source and, in the case of a

record compiled by a criminal law enforcement authority in the course of a criminal investigation, or an agency conducting a lawful national security intelligence investigation, confidential information furnished only by the confidential source;

(v) Disclose investigative techniques and procedures, or

(vi) Endanger the life or physical safety of law enforcement personnel;

(8) Disclose information, the premature disclosure of which would be likely to significantly frustrate implementation of proposed Commission action except where

(i) The Commission has already publicly disclosed the content or nature of its proposed action or

(ii) The Commission is required by law to make such disclosure on its own initiative prior to taking final Commission action on such proposal;

(9) Specifically concern the Commission's issuance of subpoena or participation in a civil action or proceeding; or

(10) Specifically concern the initiation, conduct, or disposition of a particular case of formal adjudication pursuant to the procedures in 5 U.S.C. 554, or of any case involving a determination on the record after opportunity for a hearing. Included under the above terms are:

(i) Record review hearings following opportunity for an in-person hearing pursuant to the procedures of 28 CFR 4.1 through 4.17 and 28 CFR 4a.1 through 4a.17<sup>1</sup> (governing applications for certificates of exemption under the Labor-Management Reporting and Disclosure Act of 1959 and the Employee Retirement Income Security Act of 1974), and

(ii) The initiation, conduct, or disposition by the Commission of any matter pursuant to the procedures of 28 CFR 2.1 through 2.58 (parole, release, supervision, and recommitment of prisoners, youth offenders, and juvenile delinquents).

(b) *Public interest provision.* Notwithstanding the exemptions at paragraphs (a)(1) through (a)(10) of this section, the Commission may conduct a meet-

ing or portion of a meeting in public when the Commission determines, in its discretion, that the public interest in an open meeting clearly outweighs the need for confidentiality.

(c) *Nonpublic matter in announcements.* The Commission may delete from any announcement or notice required in these regulations information the disclosure of which would be likely to have any of the consequences described in paragraphs (a)(1) through (a)(10) of this section, including the name of any individual considered by the Commission in any case of formal or informal adjudication.

(d) *Voting and certification.* (1) A separate recorded vote of the Commission shall be taken with respect to each meeting or portion thereof which is proposed to be closed, and with respect to any information which is proposed to be withheld pursuant to this section. Voting by proxy shall not be permitted. In the alternative, the Commission may, by a single majority vote, close to public observation a series of meetings, or portion(s) thereof or withhold information concerning such series of meetings, provided that:

(i) Each meeting in such series involves the same particular matters, and

(ii) Each meeting is scheduled to be held no more than thirty days after the initial meeting in the series.

(2) Upon the request of any Commissioner, the Commission shall make a determination as to closure pursuant to this subsection if any person whose interests may be directly affected by a portion of a meeting requests the Commission to close such portion or portions to the public observation for any of the grounds specified in paragraph (a) (5), (6) or (7) of this section.

(3) The determination to close any meeting to public observation pursuant to this section shall be made at least one week prior to the meeting or the first of a series of meetings as the case may be. If a majority of the Commissioners determines by recorded vote that agency business requires the meeting to take place at any earlier date, the closure determination and announcement thereof shall be made at the earliest practicable time. Within one day of any vote taken on whether

<sup>1</sup>Part 4a was removed at 44 FR 6890, Feb. 2, 1979.

## § 16.204

to close a meeting under this section, the Commission shall make available to the public a written record reflecting the vote of each Commissioner on the question, including a full written explanation of its action in closing the meeting, portion(s) thereof, or series of meetings, together with a list of all persons expected to attend the meeting(s) or portion(s) thereof and their affiliation, subject to the provisions of paragraph (c) of this section.

(4) For every meeting or series of meetings closed pursuant to this section, the General Counsel of the Parole Commission shall publicly certify that, in Counsel's opinion, the meeting may be closed to the public and shall state each relevant exemptive provision.

### § 16.204 Public notice.

(a) *Requirements.* Every open meeting and meeting closed pursuant to § 16.203 shall be preceded by a public announcement posted before the main entrance to the Chairman's Office at the Commission's headquarters, 5550 Friendship Boulevard, Chevy Chase, Maryland 20815-7286, and, in the case of a meeting held elsewhere, in a prominent place at the location in which the meeting will be held. Such announcement shall be transmitted to the FEDERAL REGISTER for publication and, in addition, may be issued through the Department of Justice, Office of Public Affairs, as a press release, or by such other means as the Commission shall deem reasonable and appropriate. The announcement shall furnish:

(1) A brief description of the subject matter to be discussed;

(2) The date, place, and approximate time of the meeting;

(3) Whether the meeting will be open or closed to public observation; and

(4) The name and telephone number of the official designated to respond to requests for information concerning the meeting. See § 16.205(d) for the notice requirement applicable to meetings closed pursuant to that section.

(b) *Time of notice.* The announcement required by this section shall be released to the public at least one week prior to the meeting announced therein except where a majority of the members of the Commission determines by a recorded vote that Commission busi-

## 28 CFR Ch. I (7-1-17 Edition)

ness requires earlier consideration. In the event of such a determination, the announcement shall be made at the earliest practicable time.

(c) *Amendments to notice.* The time or place of a meeting may be changed following the announcement only if the Commission publicly announces such change at the earliest practicable time. The subject matter of a meeting, or determination of the Commission to open or close a meeting, or portion of a meeting, to the public may be changed following the announcement only if:

(1) A majority of the entire membership of the Commission determines by a recorded vote that Commission business so requires and that no earlier announcement of the change was possible, and

(2) The Commission publicly announces such change and the vote of each member upon such change at the earliest practicable time: *Provided*, That individual items which have been announced for Commission consideration at a closed meeting may be deleted without notice.

[42 FR 14713, Mar. 16, 1977, as amended by Order No. 960-81, 46 FR 52357, Oct. 27, 1981]

### § 16.205 Closed meetings—Informal procedures.

(a) *Finding.* Based upon a review of the meetings of the U.S. Parole Commission since the effective date of the Parole Commission and Reorganization Act (May 14, 1976), the regulations issued pursuant thereto (28 CFR part 2) the experience of the U.S. Board of Parole, and the regulations pertaining to the Commission's authority under 29 U.S.C. 504 and 29 U.S.C. 1111 (28 CFR parts 4 and 4a), the Commission finds that the majority of its meetings may properly be closed to the public pursuant to 5 U.S.C. 552 (d)(4) and (c)(10). The major part of normal Commission business lies in the adjudication of individual parole cases, all of which proceedings commence with an initial parole or revocation hearing and are determined on the record thereof.

Original jurisdiction cases are decided at bi-monthly meetings of the National Commissioners (28 CFR 2.17) and by the entire Commission in conjunction with



## Department of Justice

## § 16.206

each business meeting of the Commission (held at least quarterly) (28 CFR 2.27).

The National Appeals Board normally decides cases by sequential vote on a daily basis, but may meet from time to time for joint deliberations. In the period from October, 1975 through September, 1976, the National Appeals Board made 2,072 Appellate decisions.

Finally, over the last two years the Commission determined eleven cases under the Labor and Pension Acts, which are proceedings pursuant to 5 U.S.C. 554. The only meetings of the Commission not of an adjudicative nature involving the most sensitive inquiry into the personal background and behavior of the individual concerned, or involving sensitive financial information concerning the parties before the Commission, are the normal business meetings of the Commission, which are held at least quarterly.

(b) *Meetings to which applicable.* The following types of meetings may be closed in the event that a majority of the Commissioners present at the meeting, and authorized to act on behalf of the Commission, votes by recorded vote at the beginning of each meeting or portion thereof, to close the meeting or portions thereof:

(1) Original jurisdiction initial and appellate case deliberations conducted pursuant to 28 CFR 2.17 and 2.27;

(2) National Appeals Board deliberations pursuant to 28 CFR 2.26;

(3) Meetings of the Commission to conduct a hearing on the record regarding applications for certificates of exemption pursuant to the Labor-Management Reporting and Disclosure Act of 1959, 29 U.S.C. 504, and the Employee Retirement Income Security Act of 1974, 29 U.S.C. 1111 (28 CFR 4.1-17 and 29 CFR 4a.1-17).<sup>1</sup>

(c) *Written record of action to close meeting.* In the case of a meeting or portion of a meeting closed pursuant to this section, the Commission shall make available to the public as soon as practicable:

(1) A written record reflecting the vote of each member of the Commission to close the meeting; and

(2) A certification by the Commission's General Counsel to the effect that in Counsel's opinion, the meeting may be closed to the public, which certification shall state each relevant exemptive provision.

(d) *Public notice.* In the case of meetings closed pursuant to this section the Commission shall make a public announcement of the subject matter to be considered, and the date, place, and time of the meeting. The announcement described herein shall be released to the public at the earliest practicable time.

### § 16.206 Transcripts, minutes, and miscellaneous documents concerning Commission meetings.

(a) In the case of any Commission meeting, whether open or closed, the Commission shall maintain and make available for public inspection a record of the final vote of each member on rules, statements of policy, and interpretations adopted by it: 18 U.S.C. 4203(d).

(b) The Commission shall maintain a complete transcript or electronic recording adequate to record fully the proceedings of each meeting, or portion of a meeting, closed to the public pursuant to §16.203. In the case of a meeting, or portion of a meeting, closed to the public pursuant to §16.205 of these regulations, the Commission may maintain either the transcript or recording described above, or a set of minutes unless a recording is required by title 18 U.S.C. 4208(f). The minutes required by this section shall fully and clearly describe all matters discussed and shall provide a full and accurate summary of any actions taken, and the reasons therefor, including a description of each of the views expressed on any item and the record of any rollcall vote (reflecting the vote of each Commissioner on the question). All documents considered in connection with any action shall be identified in such minutes.

(c) The Commission shall retain a copy of every certification executed by the General Counsel's Office pursuant to these regulations, together with a statement from the presiding officer of the meeting, or portion of a meeting to which the certification applies, setting

<sup>1</sup>Part 4a was removed at 44 FR 6890, Feb. 2, 1979.

## § 16.207

forth the time and place of the meeting, and the persons present.

(d) Nothing herein shall affect any other provision in Commission procedures or regulations requiring the preparation and maintenance of a record of all official actions of the Commission.

### **§ 16.207 Public access to nonexempt transcripts and minutes of closed Commission meetings—Documents used at meetings—Record retention.**

(a) *Public access to records.* Within a reasonable time after any closed meeting, the Commission shall make available to the public, in the Commission's Public Reading Room located at 5550 Friendship Boulevard, Chevy Chase, Maryland 20815-7286, the transcript, electronic recording, or minutes of the discussion of any item on the agenda, or of any item of the testimony of any witness received at such meeting, maintained hereunder, except for such item or items of such discussion or testimony which contain information exempt under any provision of the Government in the Sunshine Act (Pub. L. 94-409), or of any amendment thereto. Copies of nonexempt transcripts, or minutes, or a transcription of such recording disclosing the identity of each speaker, shall be furnished to any person at the actual cost of duplication or transcription.

(b) Access to documents identified or discussed in any Commission meeting, open or closed, shall be governed by Department of Justice regulations at this part 16, subparts C and D. The Commission reserves the right to invoke statutory exemptions to disclosure of such documents under 5 U.S.C. 552 and 552a, and applicable regulations. The exemptions provided in 5 U.S.C. 552b(c) shall apply to any request made pursuant to 5 U.S.C. 552 or 552a to copy and inspect any transcripts, recordings or minutes prepared or maintained pursuant hereto.

(c) *Retention of records.* The Commission shall maintain a complete verbatim copy of the transcript, or a complete copy of the minutes, or a complete electronic recording of each meeting, or portion of a meeting, closed to the public, for a period of at least two years after such meeting, or until one year after the conclusion of

## 28 CFR Ch. I (7-1-17 Edition)

any Commission proceeding with respect to which the meeting or portion thereof was held, whichever occurs later.

[42 FR 14713, Mar. 16, 1977, as amended by Order No. 960-81, 46 FR 52357, Oct. 27, 1981]

### **§ 16.208 Annual report.**

The Commission shall report annually to Congress regarding its compliance with Sunshine Act requirements, including a tabulation of the total number of meetings open to the public, the total number of meetings closed to the public, the reasons for closing such meetings, and a description of any litigation brought against the Commission under this section, including any costs assessed against the Commission in such litigation and whether or not paid.

### **Subpart G—Access to Documents by Former Employees of the Department**

SOURCE: Order No. 2333-2000, 65 FR 68892, Nov. 15, 2000, unless otherwise noted.

### **§ 16.300 Access to documents for the purpose of responding to an official inquiry.**

(a) To the extent permitted by law, former employees of the Department shall be given access to documents that they originated, reviewed, or signed while employees of the Department, for the purpose of responding to an official inquiry by a federal, state, or local government entity or professional licensing authority. Documents include memoranda, drafts, reports, notes, written communications, and documents stored electronically that are in the possession of the Department. Access ordinarily will be provided on government premises.

(b) Requests for access to documents under this section must be submitted in writing to the head of the component where the employee worked when originating, reviewing, or signing the documents. If the employee requesting access was the Attorney General, Deputy Attorney General, or Associate Attorney General, the request may be granted by the Assistant Attorney

## Department of Justice

## Pt. 16, App. I

General Administration. This authority may not be delegated below the level of principal deputy component head.

(c) The written request should describe with specificity the documents to which access is sought (including time periods wherever possible), the reason for which access is sought (including the timing of the official inquiry involved), and any intended disclosure of any of the information contained in the documents.

(d) The requester must agree in writing to safeguard the information from unauthorized disclosure and not to further disclose the information, by any means of communication, or to make copies, without the permission of the Department. Determinations regarding any further disclosure of information or removal of copies shall be made in accordance with applicable standards and procedures.

### § 16.301 Limitations.

(a) The Department may deny or limit access under this subpart where providing the requested access would be unduly burdensome.

(b) Access under this subpart to classified information is governed by Executive Order 12958 and 28 CFR 17.46. Requests for access to classified information must be submitted to (or will be referred to) the Department Security Officer and may be granted by the Department Security Officer in consultation with the appropriate component head.

(c) Nothing in this subpart shall be construed to supplant the operation of other applicable prohibitions against disclosure.

(d) This subpart is not intended to, does not, and may not be relied upon to, create any right or benefit, substantive or procedural, enforceable at law by a party against the United States.

### APPENDIX I TO PART 16—COMPONENTS OF THE DEPARTMENT OF JUSTICE

Please consult Attachment B of the Department of Justice FOIA Reference Guide for the contact information and a detailed description of the types of records maintained by each Department component. The FOIA Reference Guide is available at [http://www.justice.gov/oip/04\\_3.html](http://www.justice.gov/oip/04_3.html) or upon request to the Office of Information Policy.

[www.justice.gov/oip/04\\_3.html](http://www.justice.gov/oip/04_3.html) or upon request to the Office of Information Policy.

The FOIA offices of Department components and any component-specific requirements for making a FOIA request are listed below. The Certification of Identity form, available at [http://www.justice.gov/oip/forms/cert\\_ind.pdf](http://www.justice.gov/oip/forms/cert_ind.pdf), may be used by individuals who are making requests for records pertaining to themselves. For each of the six components marked with an asterisk, FOIA and Privacy Act (PA) access requests must be sent to OIP, which handles initial requests for those six components.

Antitrust Division, FOIA/PA Unit  
Bureau of Alcohol, Tobacco, Firearms, and Explosives, Disclosure Division  
Civil Division, FOIA/PA Officer

Requests for records from case files must include a case caption or name, civil court case number, and judicial district.  
Civil Rights Division, FOIA/PA Branch  
Community Relations Service, FOIA/PA Coordinator

Criminal Division, FOIA/PA Unit  
Drug Enforcement Administration, Freedom of Information Operations Unit, FOI/Records Management Section  
Environment and Natural Resources Division, FOIA Coordinator, Law and Policy Section

Requests for records from case files must include a case caption or name, civil or criminal court case number, and judicial district.

Executive Office for Immigration Review, Office of the General Counsel

When seeking access to records concerning a named alien individual, requesters must include an alien registration number ("A" number). If the "A" number is not known or the case occurred before 1988, the date of an Order to Show Cause, country of origin, and location of the immigration hearing must be provided.

Executive Office for United States Attorneys, FOIA/Privacy Unit

Executive Office for Organized Crime Drug Enforcement Task Forces

Requests for records from case files must include the judicial district in which the investigation/prosecution or other litigation occurred.

Executive Office for United States Trustees, FOIA/PA Counsel, Office of the General Counsel

Requests for records from bankruptcy case files must include a case caption or name, case number, and judicial district.  
Federal Bureau of Investigation, Record/Information Dissemination Section, Records Management Division

Federal Bureau of Prisons, FOIA/PA Section  
Foreign Claims Settlement Commission

INTERPOL—U.S. National Central Bureau, FOIA/PA Specialist, Office of General Counsel

**Pt. 17**

**28 CFR Ch. I (7–1–17 Edition)**

Justice Management Division, FOIA Contact  
National Security Division, FOIA Initiatives  
Coordinator  
Office of the Associate Attorney General\*  
Office of the Attorney General\*  
Office of Community Oriented Policing Services, FOIA Officer, Legal Division  
Office of the Deputy Attorney General\*  
Office of Information Policy  
Office of the Inspector General, Office of the  
General Counsel  
Office of Justice Programs, Office of the  
General Counsel  
Office of Legal Counsel  
Office of Legal Policy\*  
Office of Legislative Affairs\*  
Office of the Pardon Attorney, FOIA Officer  
Office of Professional Responsibility, Special  
Counsel for Freedom of Information and  
Privacy Acts  
Office of Public Affairs\*  
Office of the Solicitor General  
Requests for records from case files must  
include a case name, docket number, or  
citation to case.  
Office on Violence Against Women  
Professional Responsibility Advisory Office,  
Information Management Specialist  
Tax Division, Division Counsel for FOIA and  
PA Matters  
Requests for records from case files must  
include a case caption or name, civil or  
criminal court case number, and judicial  
district.  
United States Marshals Service, Office of the  
General Counsel  
Requests for records concerning seized  
property must specify the judicial district  
of the seizure, civil court case number,  
asset identification number, and an  
accurate description of the property.  
United States Parole Commission, FOIA/PA  
Specialist

[AG Order No. 3517–2015, 80 FR 18113, Apr. 3,  
2015]

**PART 17—CLASSIFIED NATIONAL  
SECURITY INFORMATION AND  
ACCESS TO CLASSIFIED INFORMATION**

Sec.

- 17.1 Purpose.
- 17.2 Scope.
- 17.3 Definitions.

**Subpart A—Administration**

- 17.11 Authority of the Assistant Attorney  
General for Administration.
- 17.12 Component head responsibilities.
- 17.13 National Security Division; interpretation  
of Executive Orders.
- 17.14 Department Review Committee.
- 17.15 Access Review Committee.

- 17.16 Violations of classified information requirements.
- 17.17 Judicial proceedings.
- 17.18 Prepublication review.

**Subpart B—Classified Information**

- 17.21 Classification and declassification authority.
- 17.22 Classification of information; limitations.
- 17.23 Emergency classification requests.
- 17.24 Duration of classification.
- 17.25 Identification and markings.
- 17.26 Derivative classification.
- 17.27 Declassification and downgrading.
- 17.28 Automatic declassification.
- 17.29 Documents of permanent historical value.
- 17.30 Classification challenges.
- 17.31 Mandatory review for declassification requests.
- 17.32 Notification of classification changes.

**Subpart C—Access to Classified  
Information**

- 17.41 Access to classified information.
- 17.42 Positions requiring financial disclosure.
- 17.43 Reinvestigation requirements.
- 17.44 Access eligibility.
- 17.45 Need-to-know.
- 17.46 Access by persons outside the Executive  
Branch.
- 17.47 Denial or revocation of eligibility for  
access to classified information.

AUTHORITY: 28 U.S.C. 501, 509, 510, 515–519; 5  
U.S.C. 301; E.O. 12958, 60 FR 19825, 3 CFR, 1995  
Comp., p. 333; E.O. 12968, 60 FR 40245, 3 CFR,  
1995 Comp., p. 391; 32 CFR part 2001.

SOURCE: Order No. 2091–97, 62 FR 36984, July  
10, 1997, unless otherwise noted.

**§ 17.1 Purpose.**

The purpose of this part is to ensure that information within the Department of Justice (the “Department”) relating to the national security is classified, protected, and declassified pursuant to the provisions of Executive Orders 12958 (3 CFR, 1995 Comp., p. 333) and 12968 (3 CFR, 1995 Comp., p. 391) and implementing directives from the Information Security Oversight Office of the National Archives and Records Administration (“ISOO”). Executive Orders 12958 and 12968 made numerous substantive changes in the system of classification, declassification, and downgrading of classified National Security Information and the criteria for

## Department of Justice

## § 17.11

access to this information. Accordingly, this part is a revision of the Department's classified information security rules.

(a) Subpart A of this part prescribes the implementation of Executive Orders 12958 and 12968 within the Department through the Assistant Attorney General for Administration, as the senior responsible agency official. Subpart A of this part also provides for certain relationships within the Department between the Assistant Attorney General for Administration, other component heads, and the National Security Division.

(b) Subpart B of this part prescribes an orderly and progressive system for ensuring that every necessary safeguard and procedure is in place to assure that information is properly classified and that classified information is protected from unauthorized disclosure. Subpart B of this part requires original classification authorities to make classification decisions based on specific criteria; provides that most newly created classified information be considered for declassification after 10 years; provides that historically valuable information that is more than 25 years old (including information classified under prior Executive Orders) be automatically declassified, with appropriate exceptions; and establishes procedures for authorized holders of classified information to challenge the classification of information.

(c) Subpart C of this part establishes substantive standards and procedures for granting, denying, and revoking, and for appealing decisions to deny access to classified information with an emphasis on ensuring the consistent, cost-effective, and efficient protection of classified information. Subpart C of this part provides a process that is fair and equitable to those with whom classified information is entrusted and, at the same time, assures the security of the classified information.

[Order No. 2091-97, 62 FR 36984, July 10, 1997, as amended by Order No. 2865-2007, 72 FR 10069, Mar. 7, 2007]

### § 17.2 Scope.

(a) All employees, contractors, grantees, and others granted access to classified information by the Department

are governed by this part, and by the standards in Executive Order 12958, Executive Order 12968, and directives promulgated under those Executive Orders. If any portion of this part conflicts with any portion of Executive Order 12958, Executive Order 12968, or any successor Executive Order, the Executive Order shall apply. This part supersedes the former rule and any Department internal operating policy or directive that conflicts with any portion of this part.

(b) This part applies to non-contractor personnel outside of the Executive Branch and to contractor personnel or employees who are entrusted with classified national security information originated within or in the custody of the Department. This part does not affect the operation of the Department's participation in the National Industrial Security Program under Executive Order 12829 (3 CFR, 1993 Comp., p. 570).

(c) This part is independent of and does not affect any classification procedures or requirements of the Atomic Energy Act of 1954, as amended (42 U.S.C. 2011 *et seq.*).

(d) This part does not, and is not intended to, create any right to judicial review, or any other right or benefit or trust responsibility, substantive or procedural, enforceable by a party against the United States, its agencies or instrumentalities, its officers or employees, or any other person. This part creates limited rights to administrative review of decisions pursuant to §§ 17.30, 17.31, and 17.47. This part does not, and is not intended to, create any right to judicial review of administrative action under §§ 17.14, 17.15, 17.18, 17.27, 17.30, 17.31 and 17.50.

### § 17.3 Definitions.

The terms defined or used in Executive Order 12958 and Executive Order 12968, and the implementing directives in 32 CFR 2001, are applicable to this part.

## Subpart A—Administration

### § 17.11 Authority of the Assistant Attorney General for Administration.

(a) The Assistant Attorney General for Administration is designated as the

§ 17.11

28 CFR Ch. I (7-1-17 Edition)

senior agency official as required by § 5.6(c) of Executive Order 12958, and § 6.1(a) of Executive Order 12968 and, except as specifically provided elsewhere in this part, is authorized to administer the Department's national security information program pursuant to Executive Order 12958. The Assistant Attorney General for Administration shall appoint a Department Security Officer and may delegate to the Department Security Officer those functions under Executive Orders 12958 and 12968 that may be delegated by the senior agency official. The Department Security Officer may redelegate such functions when necessary to effectively implement this part.

(b) The Assistant Attorney General for Administration shall, among other actions:

(1) Oversee and administer the Department's program established under Executive Order No. 12958;

(2) Establish and maintain Department-wide security education and training programs;

(3) Establish and maintain an ongoing self-inspection program including the periodic review and assessment of the Department's classified product;

(4) Establish procedures to prevent unnecessary access to classified information, including procedures that:

(i) Require that a need for access to classified information is established before initiating administrative procedures to grant access; and

(ii) Ensure that the number of persons granted access to classified information is limited to the minimum necessary for operational and security requirements and needs;

(5) Develop special contingency plans for the safeguarding of classified information used in or near hostile or potentially hostile areas;

(6) Assure that the performance contract or other system used to rate personnel performance includes the management of classified information as a critical element or item to be evaluated in the rating of:

(i) Original classification authorities;

(ii) Security managers or security specialists; and

(iii) All other personnel whose duties significantly involve the creation or handling of classified information;

(7) Account for the costs associated with implementing this part and report the cost to the Director of the ISOO;

(8) Assign in a prompt manner personnel to respond to any request, appeal, challenge, complaint, or suggestion concerning Executive Order 12958 that pertains to classified information that originated in a component of the Department that no longer exists and for which there is no clear successor in function;

(9) Cooperate, under the guidance of the Security Policy Board, with other agencies to achieve practical, consistent, and effective adjudicative training and guidelines;

(10) Conduct periodic evaluations of the Department's implementation and administration of Executive Orders 12958 and 12968;

(11) Establish a plan for compliance with the automatic declassification provisions of Executive Order 12958 and oversee the implementation of that plan; and

(12) Maintain a list of specific files series of records exempted from automatic declassification by the Attorney General pursuant to section 3.4(c) of Executive Order 12958.

(c) The Department Security Officer may grant, deny, suspend, or revoke employee access to classified information pursuant to and in accordance with Executive Order 12968. The Department Security Officer may delegate the authority under this paragraph to qualified Security Programs Managers when the operational need justifies the delegation and when the Department Security Officer is assured that such officials will apply all access criteria in a uniform and correct manner in accord with the provisions of Executive Order 12968 and subpart C of this part. The fact that a delegation has been made pursuant to this section does not waive the Department Security Officer's authority to make any determinations that have been delegated.

(d) The Department Security Officer shall maintain a current list of all officials authorized pursuant to this part to originally classify or declassify documents.

(e) The Department Security Officer shall promulgate criteria and security

## Department of Justice

## § 17.14

requirements for the marking and safeguarding of information, transportation and transfer of information, preparation of classification guides, reporting of communications related to national security by persons granted access to classified information, reporting of information that raises doubts as to whether another employee's continued eligibility for access to classified information is clearly consistent with the national security, and other matters necessary to the administration of the Executive Orders, the implementing regulations of the ISOO, and this part.

### § 17.12 Component head responsibilities.

The head of each component shall appoint and oversee a Security Programs Manager to implement this regulation. The Security Programs Managers shall:

(a) Observe, enforce, and implement security regulations or procedures pertaining to the classification, declassification, safeguarding, handling, and storage of classified national security information;

(b) Report violations of the provisions of this regulation to the Department Security Officer;

(c) Ensure that all employees acquire adequate security education and training as required by the provisions of the Department security regulations and procedures for classified information;

(d) Continuously review the requirements for personnel access to classified information as a part of the continuous need-to-know evaluation, and initiate action to administratively withdraw or reduce the level of access authorized, as appropriate; and

(e) Cooperate fully with any request from the Department Security Officer for assistance in the implementation of this part.

### § 17.13 National Security Division; interpretation of Executive Orders.

(a) The Assistant Attorney General for National Security or a designee shall represent the Attorney General at interagency meetings on matters of general interest concerning national security information.

(b) The Assistant Attorney General for National Security shall provide advice and interpretation on any issues that arise under Executive Orders 12958 and 12968 and shall refer such questions to the Office of Legal Counsel, as appropriate.

(c) Any request for interpretation of Executive Order 12958 or Executive Order 12968, pursuant to section 6.1(b) of Executive Order 12958, and section 7.2(b) of Executive Order 12968, shall be referred to the Assistant Attorney General for National Security, who shall refer such questions to the Office of Legal Counsel, as appropriate.

[Order No. 2865-2007, 72 FR 10069, Mar. 7, 2007]

### § 17.14 Department Review Committee.

(a) The Department Review Committee (DRC) is established to:

(1) Resolve all issues, except those related to the compromise of classified information, that concern the implementation and administration of Executive Order 12958, implementing directives from the ISOO, and subpart B of this part, including those issues concerning over-classification, failure to declassify, classification challenges, and delays in declassification not otherwise resolved;

(2) Review all appeals from denials of requests for records made under section 3.6 of Executive Order 12958 and the Freedom of Information Act (5 U.S.C. 552), when the proposed denial is based on their continued classification under Executive Order 12958;

(3) Recommend to the Attorney General appropriate administrative sanctions to correct the abuse or violation of any provision of Executive Order 12958, the implementing directives or subpart B of this part, except as it relates to the compromise of classified national security information; and

(4) Review, on appeal, challenges to classification actions and mandatory review requests.

(b)(1) The DRC shall consist of a senior representative designated by the:

- (i) Deputy Attorney General;
- (ii) Assistant Attorney General, Office of Legal Counsel;
- (iii) Assistant Attorney General, Criminal Division;
- (iv) Assistant Attorney General, Civil Division;

## § 17.15

## 28 CFR Ch. I (7–1–17 Edition)

(v) Assistant Attorney General for National Security;

(vi) Assistant Attorney General for Administration; and

(vii) Director, Federal Bureau of Investigation.

(2) Each such official shall also designate in writing an alternate to serve in the absence of his or her representative. Four representatives shall constitute a quorum of the DRC. The Attorney General shall designate the Chairman of the DRC from among its members.

(c) The Office of Information and Privacy (OIP) shall provide the necessary administrative staff support for the DRC.

[Order No. 2091–97, 62 FR 36984, July 10, 1997, as amended by Order No. 2865–2007, 72 FR 10069, Mar. 7, 2007]

### § 17.15 Access Review Committee.

(a) The Access Review Committee (ARC) is hereby established to review all appeals from denials or revocations of eligibility for access to classified information under Executive Order 12968. Unless the Attorney General requests recommendations from the ARC and personally exercises appeal authority, the ARC's decisions shall be final.

(b) The ARC shall consist of the Deputy Attorney General or a designee, the Assistant Attorney General for National Security or a designee, and the Assistant Attorney General for Administration or a designee. Designations must be approved by the Attorney General.

(c) The Department Security Officer shall provide the necessary administrative staff support for the ARC.

[Order No. 2091–97, 62 FR 36984, July 10, 1997, as amended by Order No. 2865–2007, 72 FR 10069, Mar. 7, 2007]

### § 17.16 Violations of classified information requirements.

(a) Any person who suspects or has knowledge of a violation of this part, including the known or suspected loss or compromise of national security information, shall promptly report and confirm in writing the circumstances to the Department Security Officer. Any person who makes such a report to the Department Security Officer shall promptly furnish a copy of such report:

(1) If the suspected violation involves a Department attorney (including an Assistant United States Attorney or Special Assistant United States Attorney) while engaged in litigation, grand jury proceedings, or giving legal advice, or a law enforcement officer assisting an attorney engaged in such activity, to the Office of Professional Responsibility;

(2) If the suspected violation involves an employee of the Federal Bureau of Investigation (FBI) or the Drug Enforcement Administration, other than a law enforcement officer in paragraph (a)(1) of this section, to the Office of Professional Responsibility in that component; or

(3) In any other circumstance, to the Office of the Inspector General.

(b) Department employees, contractors, grantees, or consultants may be reprimanded, suspended without pay, terminated from classification authority, suspended from or denied access to classified information, or subject to other sanctions in accordance with applicable law and Department regulation if they:

(1) Knowingly, willfully, or negligently disclose to unauthorized persons information classified under Executive Order 12958 or predecessor orders;

(2) Knowingly, willfully, or negligently classify or continue the classification of information in violation of Executive Order 12958 or its implementing directives; or

(3) Knowingly, willfully, or negligently violate any other provision of Executive Order 12958, or knowingly and wilfully grant eligibility for, or allow access to, classified information in violation of Executive Order 12968, or its implementing directives, this part, or security requirements promulgated by the Department Security Officer.

### § 17.17 Judicial proceedings.

(a)(1) Any Department official or organization receiving an order or subpoena from a federal or state court to produce classified information, required to submit classified information



## Department of Justice

## § 17.18

for official Department litigative purposes, or receiving classified information from another organization for production of such in litigation, shall immediately determine from the agency originating the classified information whether the information can be declassified. If declassification is not possible, the Department official or organization and the assigned Department attorney in the case shall take all appropriate action to protect such information pursuant to the provisions of this section.

(2) If a determination is made to produce classified information in a judicial proceeding in any manner, the assigned Department attorney shall take all steps necessary to ensure the cooperation of the court and, where appropriate, opposing counsel in safeguarding and retrieving the information pursuant to the provisions of this regulation.

(b) The Classified Information Procedures Act (CIPA), Pub. L. 96-456, 94 Stat. 2025, 18 U.S.C. App., and the "Security Procedures Established Pursuant to Pub. L. 96-456, 94 Stat. 2025, by the Chief Justice of the United States for the Protection of Classified Information" may be used in Federal criminal cases involving classified information. (Available from the Security and Emergency Planning Staff, Justice Management Division, Department of Justice, Washington, DC 20530.)

(c) In judicial proceedings other than Federal criminal cases where CIPA is used, the Department, through its attorneys, shall seek appropriate security safeguards to protect classified information from unauthorized disclosure, including, but not limited to, consideration of the following:

(1) A determination by the court of the relevance and materiality of the classified information in question;

(2) An order that classified information shall not be disclosed or introduced into evidence at a proceeding without the prior approval of either the originating agency, the Attorney General, or the President;

(3) A limitation on attendance at any proceeding where classified information is to be disclosed to those persons with appropriate authorization to access classified information whose du-

ties require knowledge or possession of the classified information to be disclosed;

(4) A court facility that provides appropriate safeguarding for the classified information as determined by the Department Security Officer;

(5) Dissemination and accountability controls for all classified information offered for identification or introduced into evidence at such proceedings;

(6) Appropriate marking to indicate classified portions of any and any the maintenance of any classified under seal;

(7) Handling and storage of all classified information including classified portions of any transcript in a manner consistent with the provisions of this regulation and Department implementing directives;

(8) Return at the conclusion of the proceeding of all classified information to the Department or the originating agency, or placing the classified information under court seal;

(9) Retrieval by Department employees of appropriate notes, drafts, or any other documents generated during the course of the proceedings that contain classified information and immediate transfer to the Department for safeguarding and destruction as appropriate; and

(10) Full and complete advice to all persons to whom classified information is disclosed during such proceedings as to the classification level of such information, all pertinent safeguarding and storage requirements, and their liability in the event of unauthorized disclosure.

(d) Access to classified information by individuals involved in judicial proceedings other than employees of the Department is governed by § 17.46(c).

### § 17.18 Prepublication review.

(a) All individuals with authorized access to Sensitive Compartmented Information shall be required to sign nondisclosure agreements containing a provision for prepublication review to assure deletion of Sensitive Compartmented Information and other classified information. Sensitive Compartmented Information is information that not only is classified for national security reasons as Top Secret, Secret,

or Confidential, but also is subject to special access and handling requirements because it involves or derives from particularly sensitive intelligence sources and methods. The prepublication review provision will require Department of Justice employees and other individuals who are authorized to have access to Sensitive Compartmented Information to submit certain material, described further in the agreement, to the Department prior to its publication to provide an opportunity for determining whether an unauthorized disclosure of Sensitive Compartmented Information or other classified information would occur as a consequence of its publication.

(b) Persons subject to these requirements are invited to discuss their plans for public disclosures of information that may be subject to these obligations with authorized Department representatives at an early stage, or as soon as circumstances indicate these policies must be considered. Except as provided in paragraph (j) of this section for FBI personnel, all questions concerning these obligations should be addressed to the Assistant Attorney General for National Security, Department of Justice, 950 Pennsylvania Avenue, NW., Washington, DC 20530. The official views of the Department on whether specific materials require prepublication review may be expressed only by the Assistant Attorney General for National Security and persons should not act in reliance upon the views of other Department personnel.

(c) Prepublication review is required only as expressly provided for in a nondisclosure agreement. However, all persons who have had access to classified information have an obligation to avoid unauthorized disclosures of such information. Therefore, persons who have such access but are not otherwise required to submit to prepublication review under the terms of an employment or other nondisclosure agreement are encouraged to submit material for prepublication review voluntarily if they believe that such material may contain classified information.

(d) The nature and extent of the material that is required to be submitted for prepublication review under nondisclosure agreements is expressly pro-

vided for in those agreements. It should be clear, however, that such requirements do not extend to any materials that exclusively contain information lawfully obtained at a time when the author has no employment, contract, or other relationship with the United States Government or that contain information exclusively acquired outside the scope of employment.

(e) A person's obligation to submit material for prepublication review remains identical whether such person prepares the materials or causes or assists another person (such as a ghost writer, spouse, friend, or editor) in preparing the material. Material covered by a nondisclosure agreement requiring prepublication review must be submitted prior to discussing it with or showing it to a publisher, co-author, or any other person who is not authorized to have access to it. In this regard, it should be noted that a failure to submit such material for prepublication review constitutes a breach of the obligation and exposes the author to remedial action even in cases where the published material does not actually contain Sensitive Compartmented Information or classified information. See *Snepp v. United States*, 444 U.S. 507 (1980).

(f) The requirement to submit material for prepublication review is not limited to any particular type of material or disclosure or methods of production. Written materials include not only book manuscripts but all other forms of written materials intended for public disclosure, such as (but not limited to) newspaper columns, magazine articles, letters to the editor, book reviews, pamphlets, scholarly papers, and fictional material.

(g) Oral statements are also within the scope of a prepublication review requirement when based upon written materials, such as an outline of the statements to be made. There is no requirement to prepare written materials for review, however, unless there is reason to believe in advance that oral statements may contain Sensitive Compartmented Information or other information required to be submitted for review under the terms of the nondisclosure agreement. Thus, a person may participate in an oral presentation

## Department of Justice

## § 17.21

where there is no opportunity for prior preparation (e.g., news interview, panel discussion) without violating the provisions of this paragraph.

(h) Material submitted for republication review will be reviewed solely for the purpose of identifying and preventing the disclosure of Sensitive Compartmented Information and other classified information. This review will be conducted in an impartial manner without regard to whether the material is critical of or favorable to the Department. No effort will be made to delete embarrassing or critical statements that are unclassified. Materials submitted for review will be disseminated to other persons or agencies only to the extent necessary to identify classified information.

(i) The Assistant Attorney General for National Security or a designee (or, in the case of FBI employees, the Section Chief, Records/Information Dissemination Section, Records Management Division) will respond substantively to prepublication review requests within 30 working days of receipt of the submission. Priority shall be given to reviewing speeches, newspaper articles, and other materials that the author seeks to publish on an expedited basis. The Assistant Attorney General's decisions may be appealed to the Deputy Attorney General, who will process appeals within 15 days of receipt of the appeal. The Deputy Attorney General's decision is final and not subject to further administrative appeal. Persons who are dissatisfied with the final administrative decision may obtain judicial review either by filing an action for declaratory relief, or by giving the Department notice of their intention to proceed with publication despite the Department's request for deletions of classified information and giving the Department 30 working days to file a civil action seeking a court order prohibiting disclosure. Employees and other affected individuals remain obligated not to disclose or publish information determined by the Government to be classified until any civil action is resolved.

(j) The obligations of Department of Justice employees described in this subpart apply with equal force to em-

ployees of the FBI with following exceptions and provisos:

(1) Nothing in this subpart shall supersede or alter obligations assumed under the basic FBI employment agreement.

(2) FBI employees required to sign nondisclosure agreements containing a provision for prepublication review pursuant to this subpart shall submit materials for review to the Section Chief, Records/Information Dissemination Section, Records Management Division. Such individuals shall also submit questions as to whether specific materials require prepublication review under such agreements to that Section for resolution. Where such questions raise policy questions or concern significant issues of interpretation under such an agreement, the Section Chief, Records/Information Dissemination Section, Records Management Division, shall consult with the Assistant Attorney General for National Security, or a designee, prior to responding to the inquiry.

(3) Decisions of the Section Chief, Records/Information Dissemination Section, Records Management Division, concerning the deletion of classified information, may be appealed to the Director, FBI, who will process appeals within 15 working days of receipt. Persons who are dissatisfied with the Director's decision may, at their option, appeal further to the Deputy Attorney General as provided in paragraph (i) of this section. Judicial review, as set forth in that paragraph, is available following final agency action in the form of a decision by the Director, if the appeal process in paragraph (i) of this section is pursued, the Deputy Attorney General.

[Order No. 2091-97, 62 FR 36984, July 10, 1997, as amended by Order No. 2865-2007, 72 FR 10069, Mar. 7, 2007]

### Subpart B—Classified Information

#### § 17.21 Classification and declassification authority.

(a) Top Secret original classification authority may only be exercised by the Attorney General, the Assistant Attorney General for Administration, and

## § 17.22

## 28 CFR Ch. I (7–1–17 Edition)

officials to whom such authority is delegated in writing by the Attorney General. No official who is delegated Top Secret classification authority pursuant to this paragraph may redelegate such authority.

(b) The Assistant Attorney General for Administration may delegate original Secret and Confidential classification authority to subordinate officials determined to have frequent need to exercise such authority. No official who is delegated original classification authority pursuant to this paragraph may redelegate such authority.

(c) Officials authorized to classify information at a specified level are also authorized to classify information at a lower level. In the absence of an official authorized to exercise classification authority pursuant to this section, the person designated to act in lieu of such official may exercise the official's classification authority.

### § 17.22 Classification of information; limitations.

(a) Information may be originally classified only if all of the following standards are met:

(1) The information is owned by, produced by or for, or is under the control of the United States Government;

(2) The information falls within one or more of the categories of information specified in section 1.5 of Executive Order 12958; and

(3) The classifying official determines that the unauthorized disclosure of the information reasonably could be expected to result in damage to the national security and such official is able to identify or describe the damage.

(b) Information may be classified as Top Secret, Secret, or Confidential according to the standards established in section 1.3 of Executive Order 12958. No other terms shall be used to identify United States classified national security information except as otherwise provided by statute.

(c) Information shall not be classified if there is significant doubt about the need to classify the information. If there is significant doubt about the appropriate level of classification with respect to information that is being classified, it shall be classified at the

lower classification of the levels considered.

(d) Information shall not be classified in order to conceal inefficiency, violations of law, or administrative error; to prevent embarrassment to a person, organization, or agency; to restrain competition; or to prevent or delay release of information that does not require protection in the interest of national security. Information that has been declassified and released to the public under proper authority may not be reclassified.

(e) Information that has not previously been disclosed to the public under proper authority may be classified or reclassified after the Department has received a request for it under the Freedom of Information Act (5 U.S.C. 552), the Privacy Act of 1974 (5 U.S.C. 552a), or the mandatory review provisions of § 17.31. When it is necessary to classify or reclassify such information, it shall be forwarded to the Department Security Officer and classified or reclassified only at the direction of the Attorney General, the Deputy Attorney General, or the Assistant Attorney General for Administration.

(f) Compilations of items of information that are individually unclassified may be classified if the compiled information reveals an additional association or relationship that meets the standards for classification under Executive Order 12958 and that is not otherwise revealed in the individual items of information.

### § 17.23 Emergency classification requests.

(a) Whenever any employee, contractor, licensee, certificate holder, or grantee of the Department who does not have original classification authority originates or develops information that requires immediate classification and safeguarding, and no authorized classifier is available, that person shall:

(1) Safeguard the information in a manner appropriate for its classification level;

(2) Apply the appropriate overall classification markings; and

(3) Within five working days, securely transmit the information to the

## Department of Justice

## § 17.27

organization that has appropriate subject matter interest and classification authority.

(b) When it is not clear which Department organization would be the appropriate original classifier, the information shall be sent to the Department Security Officer to determine the appropriate organization.

(c) The organization with classification authority shall decide within 30 days whether to classify information.

### § 17.24 Duration of classification.

(a) At the time of original classification, original classification authorities shall attempt to establish a specific date or event for declassification not more than 10 years from the date of the original decision based on the duration of the national security sensitivity of the information. If the original classification authority cannot determine an earlier specific date or event for declassification, the information shall be marked for declassification 10 years from the date of the original decision.

(b) At the time of original classification, an original classification authority may exempt specific information from declassification within 10 years in accordance with section 1.6(d) of Executive Order 12958.

(c) An original classification authority may extend the duration of classification or reclassify specific information for successive periods not to exceed 10 years at a time if such action is consistent with the standards and procedures established under, and subject to the limitations of, Executive Order 12958.

### § 17.25 Identification and markings.

(a) Classified information must be marked pursuant to the standards set forth in section 1.7 of Executive Order 12958; ISOO implementing directives in 32 CFR 2001, subpart B; and internal Department of Justice direction provided by the Department Security Officer.

(b) Foreign government information shall be marked or classified at a level equivalent to that level of classification assigned by the originating foreign government.

(c) Information assigned a level of classification under predecessor Execu-

tive Orders shall be considered as classified at that level of classification.

### § 17.26 Derivative classification.

(a) Persons need not possess original classification authority to derivatively classify information based on source documents or classification guides.

(b) Persons who apply derivative classification markings shall observe original classification decisions and carry forward to any newly created documents the pertinent classification markings.

(c) Information classified derivatively from other classified information shall be classified and marked in accordance with the standards set forth in sections 2.1-2.3 of Executive Order 12958, the ISOO implementing directives in 32 CFR 2001.22, and internal Department directions provided by the Department Security Officer.

### § 17.27 Declassification and downgrading.

(a) Classified information shall be declassified as soon as it no longer meets the standards for classification. Declassification and downgrading is governed by §3.1-3.3 of Executive Order 12958, implementing ISOO directives at 32 CFR 2001, subpart E, and applicable internal Department of Justice direction provided by the Department Security Officer.

(b) Information shall be declassified or downgraded by the official who authorized the original classification if that official is still serving in the same position, the originator's successor, or a supervisory official of either, or by officials delegated such authority in writing by the Attorney General or the Assistant Attorney General for Administration.

(c) It is presumed that information that continues to meet the classification requirements under Executive Order 12958 requires continued protection. In some exceptional cases during declassification reviews, the need to protect classified information may be outweighed by the public interest in disclosure of the information, and in these cases the information should be

declassified. If it appears that the public interest in disclosure of the information may outweigh the need to protect the information, the declassification reviewing official shall refer the case with a recommendation for decision to the DRC. The DRC shall review the case and make a recommendation to the Attorney General on whether the public interest in disclosure outweighs the damage to national security that might reasonably be expected from disclosure. The Attorney General shall decide whether to declassify the information. The decision of the Attorney General shall be final. This provision does not amplify or modify the substantive criteria or procedures for classification or create any substantive or procedural rights subject to judicial review.

(d) Each component shall develop schedules for declassification of records in the National Archives. The Department shall cooperate with the National Archives and Records Administration and the Presidential Libraries to ensure that declassification is accomplished in a timely manner.

#### **§ 17.28 Automatic declassification.**

(a) Subject to paragraph (b) of this section, all classified information contained in records that are more than 25 years old that have been determined to have permanent historical value shall be declassified automatically on April 17, 2000. Subsequently, all classified information in such records shall be automatically declassified not later than 25 years after the date of its original classification with the exception of specific information exempt from automatic declassification pursuant to section 3.4 (b) and (d) of Executive Order 12958.

(b) At least 220 days before information is declassified automatically under this section, the respective component head shall notify the Assistant Attorney General for Administration through the Department Security Officer of any specific information they propose to exempt from automatic declassification. The notification shall include:

- (1) A description of the information;
- (2) An explanation of why the information is exempt from automatic de-

classification and must remain classified for a longer period of time; and

(3) A specific date or event for declassification of the information whenever the information exempted does not identify a confidential human source or human intelligence source.

(c) Proposed exemptions under this section shall be forwarded to the DRC, which shall recommend a disposition of the exemption request to the Assistant Attorney General for Administration. When the Assistant Attorney General for Administration determines the exemption request is consistent with this section, he or she will submit it to the Executive Secretary of the Interagency Security Classification Appeals Panel.

(d) Declassification guides that narrowly and precisely define exempted information may be used to exempt information from automatic declassification. Declassification guides must include the exemption notification information detailed in paragraph (b) of this section, and be approved pursuant to paragraph (c) of this section.

#### **§ 17.29 Documents of permanent historical value.**

The original classification authority, to the greatest extent possible, shall declassify classified information contained in records determined to have permanent historical value under title 44 of the United States Code before they are accessioned into the National Archives. The Department shall cooperate with the National Archives and Records Administration in carrying out an automatic declassification program involving accessioned Department records, presidential papers, and historical materials under the control of the Archivist of the United States.

#### **§ 17.30 Classification challenges.**

(a) Authorized holders of information classified by the Department who, in good faith, believe that specific information is improperly classified or unclassified are encouraged and expected to challenge the classification status of that information pursuant to section 1.9 of Executive Order 12958. Authorized holders may submit classification challenges in writing to the DRC, through the Office of Information and Privacy, United States Department of Justice,

## Department of Justice

## § 17.31

Washington, DC 20530. The challenge need not be more specific than a question as to why the information is or is not classified, or is classified at a certain level.

(b) The DRC shall redact the identity of an individual challenging a classification under paragraph (a) of this section and forward the classification challenge to the original classification authority for review and response.

(c) The original classification authority shall promptly, and in no case later than 30 days, provide a written response to the DRC. The original classification authority may classify or declassify the information subject to challenge or state specific reasons why the original classification determination was proper. If the original classification authority is not able to respond within 30 days, the DRC shall inform the individual who filed the challenge in writing of that fact, and the anticipated determination date.

(d) The DRC shall inform the individual challenging the classification of the determination made by the original classification authority and that individual may appeal this determination to the DRC. Upon appeal, the DRC may declassify, or direct the classification of, the information. If the DRC is not able to act on any appeal within 45 days of receipt, the DRC shall inform the individual who filed the challenge in writing of that fact, and the anticipated determination date.

(e) The DRC shall provide the individual who appeals a classification challenge determination with a written explanation of the basis for the DRC decision and a statement of his or her right to appeal that determination to the Interagency Security Classification Appeals Panel (ISCAP) pursuant to section 5.4 of Executive Order 12958 and the rules issued by the ISCAP pursuant to section 5.4 of Executive Order 12958.

(f) Any individual who challenges a classification and believes that any action has been taken against him or her in retribution because of that challenge shall report the facts to the Office of the Inspector General or the Office of Professional Responsibility, as appropriate.

(g) Requests for review of classified material for declassification by persons

other than authorized holders are governed by § 17.31.

### **§ 17.31 Mandatory review for declassification requests.**

(a) Any person may request classified information be reviewed for declassification pursuant to the mandatory declassification review provisions of section 3.6 of Executive Order 12958. After such a review, the information or any reasonably segregable portion thereof that no longer requires protection under this part shall be declassified and released to the requester unless withholding is otherwise warranted under applicable law. If the information, although declassified, is withheld, the requester shall be given a brief statement as to the reasons for denial and a notice of the right to appeal the determination to the Director, Office of Information and Privacy (OIP), United States Department of Justice, Washington, DC 20530. If the mandatory review for declassification request relates to the classification of information that has been reviewed for declassification within the past two years or that is the subject of pending litigation, the requester shall be informed of that fact and the administrative appeal rights.

(b) Request for mandatory review for declassification and any subsequent appeal to the DRC shall be submitted to the Director, Office of Information and Privacy, United States Department of Justice, Washington, DC 20530, describing the document or material containing the information with sufficient specificity to enable the Department to locate that information with a reasonable amount of effort. The OIP shall promptly forward the request to the component that originally classified the information, or the DRC in the case of an appeal, and provide the requester with an acknowledgement of receipt of the request.

(c) When the description of the information in a request is deficient, the component shall solicit as much additional identifying information as possible from the requestor. Before denying a request on the basis that the information or material is not obtainable with a reasonable amount of effort, the component shall ask the requestor to

## § 17.32

limit the request to information or material that is reasonably obtainable. If the information or material requested cannot be described in sufficient particularity, or if it cannot be obtained with a reasonable amount of effort, the component shall provide the requestor with written notification of the reasons why no action will be taken and the right to appeal the decision to the DRC.

(d) The component that originally classified the information shall provide a written response to requests for mandatory review within 60 days whenever possible, or shall inform the requester in writing why additional time is needed. Unless there are unusual circumstances, the additional time needed by the component originally classifying the information shall not extend beyond 180 days from the receipt of the request. If no determination has been made at the end of the 180 day period, the requester may apply to the DRC for a determination.

(e) If the component that originally classified the information determines that continued classification is warranted, it shall notify the requester in writing of the decision and the right to appeal the decision to the DRC no later than 60 days after receipt of the notification of the decision.

(f) The DRC shall determine the appeals of the components' mandatory declassification review decisions within 60 days after receipt of the appeal, or notify the requester why additional time is needed. In making its determinations concerning requests for declassification of classified information, the DRC, for administrative purposes, shall impose the burden of proof on the originating component to show that continued classification is warranted. The DRC shall provide the requester with a written statement of reasons for its decisions.

(g) If the individual requesting review of a classification is not satisfied with the DRC's decision, he or she may appeal to the ISCAP pursuant to section 5.4 of Executive Order 12958 and rules issued by the ISCAP pursuant to that section.

## 28 CFR Ch. I (7–1–17 Edition)

### § 17.32 Notification of classification changes.

All known holders of information affected by unscheduled classification changes actions shall be notified promptly of such changes by the original classifier or the authority making the change in classification.

### Subpart C—Access to Classified Information

#### § 17.41 Access to classified information.

(a) No person may be given access to classified information or material originated by, in the custody, or under the control of the Department, unless the person—

(1) Has been determined to be eligible for access in accordance with sections 3.1–3.3 of Executive Order 12968;

(2) Has a demonstrated need-to-know; and

(3) Has signed an approved nondisclosure agreement.

(b) Eligibility for access to classified information is limited to United States citizens for whom an appropriate investigation of their personal and professional history affirmatively indicated loyalty to the United States, strength of character, trustworthiness, honesty, reliability, discretion, and sound judgment, as well as freedom from conflicting allegiances and potential for coercion, and willingness and ability to abide by regulations governing the use, handling, and protection of classified information. A determination of eligibility for access to classified information is a discretionary security decision based on judgments by appropriately trained adjudicative personnel. Eligibility shall be granted only where facts and circumstances indicate access to classified information is clearly consistent with the national security interests of the United States and any doubt shall be resolved in favor of the national security. Sections 2.6 and 3.3 of Executive Order 12968 provide only limited exceptions to these requirements.

(c) The Department of Justice does not discriminate on the basis of race, color, religion, sex, national origin, disability, or sexual orientation in



## Department of Justice

## § 17.44

granting access to classified information. However, the Department may investigate and consider any matter that relates to the determination of whether access is clearly consistent with the interests of national security. No negative inferences concerning the standards for access may be raised solely on the basis of the sexual orientation of the employee or mental health counseling.

(d) An employee granted access to classified information may be investigated at any time to ascertain whether he or she continues to meet the requirements for access.

(e) An employee granted access to classified information shall provide to the Department written consent permitting access by an authorized investigative agency, for such time as access to classified information is maintained and for a period of three years thereafter, to:

(1) Financial records maintained by a financial institution as defined in 31 U.S.C. 5312(a) or by a holding company as defined in 12 U.S.C. 3401;

(2) Consumer reports under the Fair Credit Reporting Act (15 U.S.C. 1681 *et seq.*); and

(3) Records maintained by commercial entities within the United States pertaining to any travel by the employee outside the United States.

(f) Information may be requested pursuant to the employee consent obtained under paragraph (e) of this section only where:

(1) There are reasonable grounds to believe, based on credible information, that the employee or former employee is, or may be, disclosing classified information in an unauthorized manner to a foreign power or agent of a foreign power;

(2) Information the Department deems credible indicates the employee or former employee has incurred excessive indebtedness or has acquired a level of affluence that cannot be explained by other information; or

(3) Circumstances indicate that the employee or former employee had the capability and opportunity to disclose classified information that is known to have been lost or compromised to a foreign power or an agent of a foreign power.

### § 17.42 Positions requiring financial disclosure.

(a) The Assistant Attorney General for Administration, in consultation with the Assistant Attorney General for National Security, shall designate each employee, by position or category where possible, who has a regular need for access to any of the categories of classified information described in section 1.3(a) of Executive Order 12968.

(b) An employee may not hold a position designated as requiring a regular need for access to categories of classified information described in section 1.3(a) of Executive Order 12968 unless, as a condition of access to such information, the employee files with the Department Security Officer:

(1) A financial disclosure form developed pursuant to section 1.3(c) of Executive Order 12968 as part of all background investigations or reinvestigations;

(2) The same financial disclosure form, if selected by the Department Security Officer on a random basis; and

(3) Relevant information concerning foreign travel, as determined by the Department Security Officer.

[Order No. 2091-97, 62 FR 36984, July 10, 1997, as amended by Order No. 2865-2007, 72 FR 10069, Mar. 7, 2007]

### § 17.43 Reinvestigation requirements.

Employees who are eligible for access to classified information shall be subject to periodic reinvestigations and may also be reinvestigated if, at any time, there is reason to believe that they may no longer meet the standards for access.

### § 17.44 Access eligibility.

(a) Determinations of eligibility for access to classified information are separate from suitability determinations with respect to the hiring or retention of persons for employment by the Department or any other personnel actions.

(b) The number of employees eligible for access to classified information shall be kept to the minimum required for the conduct of Department functions.

## § 17.45

(c) Eligibility for access to classified information shall be limited to classification levels for which there is a need for access. No person shall be granted eligibility higher than his or her need.

### § 17.45 Need-to-know.

No person shall be granted access to specific classified information unless that person has an actual need-to-know that classified information, pursuant to section 2.5 of Executive Order 12968.

### § 17.46 Access by persons outside the Executive Branch.

(a) Classified information shall not be disseminated outside the Executive Branch except under conditions that ensure that the information will be given protection equivalent to that afforded within the Executive Branch.

(b) Classified information originated by or in the custody of the Department may be made available to individuals or agencies outside the Executive Branch provided that such information is necessary for performance of a function from which the Federal Government will derive a benefit or advantage and that the release is not prohibited by the originating department or agency (or foreign government in the case of Foreign Government Information). Before such a release is made, the head of the Office, Board, Division, or Bureau making the release shall determine the propriety of such action, in the interest of the national security, and must approve the release. Prior to the release, the Department Security Officer must confirm that the recipient is eligible for access to the classified information involved and agrees to safeguard the information in accordance with the provisions of this part.

(c) Members of Congress, Justices of the United States Supreme Court, and Judges of the United States Courts of Appeal and District Courts do not require a determination of their eligibility for access to classified information by the Department. Federal Magistrate Judges must be determined eligible for access to classified information by the Department Security Officer pursuant to procedures approved by the Assistant Attorney General for Administration in consultation with the Judicial Conference of the United

## 28 CFR Ch. I (7-1-17 Edition)

States. All other Legislative and Judicial personnel including, but not limited to, congressional staff, court reporters, typists, secretaries, law clerks, and translators who require access to classified information must be determined eligible by the Department Security Officer consistent with standards established in this regulation.

(d) When other persons outside the Executive Branch who are not subject to the National Industrial Security Program require access to classified information originated by or in the custody of the Department, but do not otherwise possess a proper access authorization, an appropriate background investigation must be completed to allow the Department Security Officer to determine their eligibility for access to classified information. The length of time it generally takes to complete an expedited background investigation is 90 days. Therefore, all persons requiring access to classified information to participate in congressional or judicial proceedings should be identified and the background investigation initiated far enough in advance to ensure a minimum impact on such proceedings.

(e) Personnel who are subject to a Department contract or grant or who are rendering consultant services to the Department and require access to classified information originated by or in the custody of the Department shall be processed for such access pursuant to procedures approved by the Assistant Attorney General for Administration.

(f)(1) The requirement that access to classified information may be granted only as is necessary for the performance of official duties may be waived, pursuant to section 4.5(a) of Executive Order 12958, for persons who:

(i) Are engaged in historical research projects; or

(ii) Have previously occupied policy-making positions to which they were appointed by the President.

(2) All persons receiving access pursuant to this paragraph (f) must have been determined to be trustworthy by the Department Security Officer as a precondition before receiving access. Such determinations shall be based on such investigation as the Department Security Officer deems appropriate.

## Department of Justice

## § 17.47

Historical researchers and former presidential appointees shall not have access to Foreign Government Information without the written permission from an appropriate authority of the foreign government concerned.

(3) Waivers of the “need-to-know” requirement under this paragraph (f) may be granted by the Department Security Officer provided that the Security Programs Manager of the Office, Board, Division, or Bureau with classification jurisdiction over the information being sought:

(i) Makes a written determination that such access is consistent with the interest of national security;

(ii) Limits such access to specific categories of information over which the Department has classification jurisdiction;

(iii) Maintains custody of the classified information at a Department facility;

(iv) Obtains the recipient’s written and signed agreement to safeguard the information in accordance with the provisions of this regulation and to authorize a review of any notes and manuscript for determination that no classified information is contained therein; and

(v) In the case of former presidential appointees, limits their access to items that such former appointees originated, reviewed, signed, or received while serving as a presidential appointee and ensures that such appointee does not remove or cause to be removed any classified information reviewed.

(4) If access requested by historical researchers and former presidential appointees requires the rendering of services for which fair and equitable fees may be charged pursuant to 31 U.S.C. 9701, the requester shall be so notified and fees may be imposed.

### **§ 17.47 Denial or revocation of eligibility for access to classified information.**

(a) Applicants and employees who are determined to not meet the standards for access to classified information established in section 3.1 of Executive order 12968 shall be:

(1) Provided with a comprehensive and detailed written explanation of the

basis for that decision as the national security interests of the United States and other applicable law permit and informed of their right to be represented by counsel or other representative at their own expense;

(2) Permitted 30 days from the date of the written explanation to request any documents, records, or reports including the entire investigative file upon which a denial or revocation is based; and

(3) Provided copies of documents requested pursuant to this paragraph (a) within 30 days of the request to the extent such documents would be provided if requested under the Freedom of Information Act (5 U.S.C. 552) or the Privacy Act of 1974 (5 U.S.C. 552a), and as the national security interests and other applicable law permit.

(b) An applicant or employee may file a written reply and request for review of the determination within 30 days after written notification of the determination or receipt of the copies of the documents requested pursuant to this subpart, whichever is later.

(c) An applicant or employee shall be provided with a written notice of and reasons for the results of the review, the identity of the deciding authority, and written notice of the right to appeal.

(d) Within 30 days of receipt of a determination under paragraph (c) of this section, the applicant or employee may appeal that determination in writing to the ARC, established under § 17.15. The applicant or employee may request an opportunity to appear personally before the ARC and to present relevant documents, materials, and information.

(e) An applicant or employee may be represented in any such appeal by an attorney or other representative of his or her choice, at his or her expense. Nothing in this section shall be construed as requiring the Department to grant such attorney or other representative eligibility for access to classified information, or to disclose to such attorney or representative, or permit the applicant or employee to disclose to such attorney or representative, classified information.

(f) A determination of eligibility for access to classified information by the

ARC is a discretionary security decision. Decisions of the ARC shall be in writing and shall be made as expeditiously as possible. Access shall be granted only where facts and circumstances indicate that access to classified information is clearly consistent with the national security interest of the United States, and any doubt shall be resolved in favor of the national security.

(g) The Department Security Officer shall have an opportunity to present relevant information in writing or, if the applicant or employee appears personally, in person. Any such written submissions shall be made part of the applicant's or employee's security record and, as the national security interests of the United States and other applicable law permit, shall also be provided to the applicant or employee. Any personal presentations shall be, to the extent consistent with the national security and other applicable law, in the presence of the applicant or employee.

(h) When the Attorney General or Deputy Attorney General personally certifies that a procedure set forth in this section cannot be made available in a particular case without damaging the national security interests of the United States by revealing classified information, the particular procedure shall not be made available. This is a discretionary and final decision not subject to further review.

(i) This section does not limit the authority of the Attorney General pursuant to any other law or Executive Order to deny or terminate access to classified information if the national security so requires and the Attorney General determines that the appeal procedures set forth in this section cannot be invoked in a manner that is consistent with the national security. Nothing in this section requires that the Department provide any procedures under this section to an applicant where a conditional offer of employment is withdrawn for reasons of suitability or any reason other than denial of eligibility for access to classified information. Suitability determinations shall not be used for the purpose of denying an applicant or employee the review proceedings of this section where

there has been a denial or revocation of eligibility for access to classified information.

## PART 18—OFFICE OF JUSTICE PROGRAMS HEARING AND APPEAL PROCEDURES

Sec.

- 18.1 Purpose.
- 18.2 Application.
- 18.3 Definitions.
- 18.4 Preliminary hearings.
- 18.5 Hearings.
- 18.6 Conduct of hearings.
- 18.7 Discovery.
- 18.8 Recommended decision.
- 18.9 Final agency decision.
- 18.10 Rehearing.

**AUTHORITY:** Secs. 802-804 of the Omnibus Crime Control and Safe Streets Act of 1968, 42 U.S.C. 3701, *et seq.*, as amended (Pub. L. 90-351, as amended by Pub. L. 93-83, Pub. L. 93-415, Pub. L. 94-430, Pub. L. 94-503, Pub. L. 95-115, Pub. L. 96-157, and Pub. L. 98-473).

Secs. 223(d), 226 and 228(e) of the Juvenile Justice and Delinquency Prevention Act of 1974, 42 U.S.C. 5601, *et seq.*, as amended (Pub. L. 93-415, as amended by Pub. L. 94-503, Pub. L. 95-115, Pub. L. 96-509, and Pub. L. 98-473).

Sec. 1407(F) of the Victims of Crime Act of 1984, 42 U.S.C. 10601, *et seq.* Pub. L. 98-473, 98 Stat. 2176.

**SOURCE:** 50 FR 28199, July 11, 1985, unless otherwise noted.

### § 18.1 Purpose.

The purpose of this regulation is to implement the hearing and appeal procedures available to State block or formula grant applicants or recipients and existing categorical grantees under sections 802 through 804 of title I of the Omnibus Crime Control and Safe Streets Act of 1968, as amended (Crime Control Act); sections 223(d), 226 and 228(e) of the Juvenile Justice and Delinquency Prevention Act of 1974, as amended (Juvenile Justice Act); and section 1407(F) of the Victims of Crime Act of 1984 (Victims of Crime Act).

### § 18.2 Application.

(a) These procedures apply to all appeals and hearings of State formula or block grant applicants or recipients and all existing recipients of categorical grants or cooperative agreements requested under section 802 of the Justice Assistance Act; sections 223(d), 226 and 228(e) of the Juvenile Justice Act;

## Department of Justice

## § 18.4

section 1407(F) of the Victims of Crime Act; the nondiscrimination provision of section 809 of the Crime Control Act, or the cross-referenced provisions of the Emergency Federal Law Enforcement Assistance Program. The method of notifying recipients of their non-compliance with section 809 (the nondiscrimination provision of the Crime Control Act and 28 CFR 42.208.

(b) These procedures do not apply to hearings requested under the Public Safety Officers' Benefits Act, 42 U.S.C. 3796, *et seq.* The hearing and appeal procedures available to claimants denied benefits under that Act are set forth in the appendix to 28 CFR part 32.

(c) These procedures do not apply to subgrant applicants or to recipients or third party beneficiaries of block or formula grants awarded to a State.

(d) These procedures do not apply to categorical grant applicants.

(e) These procedures do not apply to private sector/prison industry enhancement certification applicants; Regional Information Sharing Systems grant applicants; surplus Federal property certification applicants; or the State reimbursement program for Incarcerated Mariel-Cubans.

### § 18.3 Definitions.

(a) *Block or formula grant applicant or recipient* means an applicant for a grant awarded under the provisions of part D of the Crime Control Act; part B, subpart I of the Juvenile Justice Act; and sections 1403 and 1404 of the Victims of Crime Act.

(b) *Categorical grant recipient* means a public or private agency which has received a research, statistics, discretionary, technical assistance, special emphasis, training, concentration of Federal effort or other direct Federal assistance award of grant funds.

(c) *Categorical grant applicant* means a public or private agency which has applied for a research, statistics, discretionary, technical assistance, special emphasis, training, concentration of Federal effort or other direct Federal assistance award of grant funds.

(d) *Grant* includes cooperative agreements and means a direct award of financial assistance from OJP, BJA, NIJ, OJJDP, BJS or OVC.

(e) *Crime Control Act* means the Omnibus Crime Control and Safe Streets Act of 1968, 42 U.S.C. 3701, *et seq.*, as amended.

(f) *Juvenile Justice Act* means the Juvenile Justice and Delinquency Prevention Act of 1974, 42 U.S.C. 5601, *et seq.*, as amended.

(g) *Responsible agency* means the organizational unit whose action is being appealed. This will be OJP, NIJ, BJS, OJJDP, BJA or OVC as appropriate. In hearings requested under the nondiscrimination provisions of the Crime Control Act, the responsible agency is OJP. In hearings requested to contest block or formula grant denials or terminations or categorical grant terminations, the responsible agency is the organizational unit that took the action at issue: OJP, BJA, OJJDP, NIJ, BJS or OVC.

(h) *Responsible agency official* means the Assistant Attorney General, Office of Justice Programs (OJP); the Director, Bureau of Justice Assistance (BJA); the Director, National Institute of Justice (NIJ); the Director, Bureau of Justice Statistics (BJS); the Director, Office for Victims of Crime (OVC); or the Administrator, Office of Juvenile Justice and Delinquency Prevention (OJJDP), as appropriate.

(i) *Sub-grant applicant or recipient* means the State agency, unit of local government or private non-profit organization which applies for, or receives, a grant from a State agency which administers a block or formula grant.

(j) *Victims of Crime Act* means the Victims of Crime Act of 1984, 42 U.S.C. 10601, *et seq.*

### § 18.4 Preliminary hearings.

(a) A grantee determined to be in noncompliance with the nondiscrimination provisions of the Crime Control Act, the Juvenile Justice Act or the Victims of Crime Act may request a preliminary hearing within 90 days after receipt of the notification of noncompliance.

(b) The preliminary hearing shall be initiated within 30 days of the request.

(c) The sole issue to be adjudicated by the hearing officer is whether the

## § 18.5

## 28 CFR Ch. I (7-1-17 Edition)

grantee is likely to prevail on the merits of the issue at a full hearing requested under 28 CFR 42.215. The grantee shall have the burden of persuading the hearing officer that the grantee is likely to prevail on the merits.

(d) The hearing officer may permit the parties to argue the issue by briefs, oral argument, or the presentation of testimony and exhibits. The hearing officer shall accept as evidence documents and other exhibits which can reasonably be authenticated and subjected to cross-examination at a full hearing.

(e) The hearing officer shall make the final decision on the issue within 15 days after the conclusion of the preliminary hearing.

### § 18.5 Hearings.

(a) Whenever the responsible agency official finds that there has been a substantial failure to comply with:

(1) The provisions of the Crime Control Act, the Juvenile Justice Act, or the Victims of Crime Act;

(2) Regulations promulgated by the responsible agency pursuant to appropriate statutory authority; or

(3) A plan or application submitted in accordance with the provisions of the Crime Control Act; the Juvenile Justice Act, the Victims of Crime Act, or the provisions of any other applicable Federal act, regulation or guideline;

the responsible agency shall notify the grantee or applicant State that all or part of its grant or subgrant will be terminated or suspended until the responsible agency is satisfied that there is no longer such failure.

(b) The notice shall contain:

(1) A statement of facts sufficient to inform the party of the reasons for the agency's proposed action;

(2) A statement of the nature of the action proposed to be taken; and

(3) A reference of the available appeal rights.

(c) If a block or formula grant applicant or recipient or a categorical grant recipient wishes to appeal any action covered by § 18.5(a) it may request a review of the issues in controversy within 30 days after notice of termination, noncompliance or denial by writing to:

Office of General Counsel, office of Justice Programs, U.S. Department of Justice, 633

Indiana Avenue NW., Room 1268, Washington, DC 20531.

(d) The request for a review shall contain:

(1) A factual statement sufficient to inform the responsible agency of the nature of the issues involved;

(2) A recital of the relief requested; and

(3) A request for an oral hearing, or in the alternative, an opportunity to submit only written information or argument to a hearing officer.

(e) If the responsible agency official determines that basis for the appeal in § 18.5(c) would not, if substantiated, establish a basis for grant award or continuation, the official may take final agency action on the appeal.

(f) The responsible agency or its representative may attempt to informally resolve a controversy arising under this section prior to initiating a hearing. Unless it is expressly agreed otherwise, an agreement to attempt informal resolution does not waive the right to the formal hearing.

(g) If the responsible agency or its representative does not receive a request for a review within 30 days after notice has been sent, the opportunity for review is waived.

(h) All oral hearings requested under this section shall be held in Washington, DC, unless the hearing officer decides that the hearing could be conducted in a more expeditious, fair, or cost effective manner in another location.

(i) The responsible agency may suspend all or part of the grantee's funding pending the completion of the review process. If, at the conclusion of the review process, the responsible agency determines that the grantee is in compliance, it shall restore all previously suspended funding to the grantee.

(j) Any person may request the responsible agency official to determine whether a grantee has failed to comply with the terms of the statute under which the grant was awarded, agency regulations or the terms and conditions of the grant. The responsible agency may, in its discretion, conduct an investigation into the matter and, if warranted, make a determination of

## Department of Justice

## § 18.6

noncompliance. Only a grantee determined to be in noncompliance may request a compliance hearing.

### § 18.6 Conduct of hearings.

(a) A hearing officer appointed by the responsible agency official shall preside over the hearing. The hearing officer may be an administrative law judge, or an employee of the Department of Justice who was not involved in the administration, investigation or prosecution of the matter at issue. In hearings held under the nondiscrimination provisions of the Crime Control Act, the Juvenile Justice Act or the Victims of Crime Act, the hearing officer shall be an administrative law judge.

(b) If the hearing officer appointed is unacceptable to the appellant, it shall promptly inform the responsible agency official of the reasons for its position. The responsible agency official may select another hearing officer, or affirm the initial selection. In either case, the official shall inform the appellant of the reasons for the decision.

(c) The hearing officer shall have the following powers and duties:

(1) The power to hold hearings and regulate the course of the hearings and the conduct of the parties and their counsel;

(2) The power to sign and issue subpoenas and other orders requiring access to records;

(3) The power to administer oaths and affirmations;

(4) The power to examine witnesses;

(5) The power to rule on offers of proof and to receive evidence;

(6) The power to take depositions or to cause depositions to be taken;

(7) The power to hold conferences under §18.6(d) for the settlement or simplification of the issues or for any other proper purpose;

(8) The power to consider and rule upon procedural requests and other motions, including motions for default;

(9) The duty to conduct fair and impartial hearings;

(10) The duty to maintain order;

(11) The duty to avoid unnecessary delay; and

(12) All powers and duties reasonably necessary to perform the functions enumerated in subsections (1)–(11).

(d) The hearing officer may call upon the parties to consider:

(1) Simplification or clarification of the issues;

(2) Stipulations, admissions, agreements on documents, or other understandings which will expedite conduct of the hearing;

(3) Limitation of the number of witnesses and of cumulative evidence;

(4) Settlement of all or part of the issues in dispute;

(5) Such other matters as may aid in the disposition of the case.

(e) All hearings under this part shall be public unless otherwise ordered by the responsible agency official.

(f) The hearing shall be conducted in conformity with sections 5–8 of the Administrative Procedure Act, 5 U.S.C. 554–557.

(g) The responsible agency shall have the burden of going forward with the evidence and shall generally present its evidence first.

(h) Technical rules of evidence shall not apply to hearings conducted pursuant to this part, but rules designed to assure production of the most credible evidence available and to subject testimony to cross-examination shall be applied where reasonably necessary by the hearing officer. The hearing officer may exclude irrelevant, immaterial, or unduly repetitious evidence. All documents and other evidence offered or taken for the record shall be open to examination by the parties, and opportunity shall be given to refute facts and arguments advanced on either side of the issues. A transcript shall be made of the oral evidence except to the extent the substance thereof is stipulated for the record.

(i) During the time a proceeding is before a hearing officer, all motions shall be addressed to the hearing officer and, if within his or her delegated authority, shall be ruled upon. Any motion upon which the hearing officer has no authority to rule shall be certified to the responsible agency official with a recommendation. The opposing party may answer within such time as may be designated by the hearing officer. The hearing officer may permit further replies by both parties.

## § 18.7

### § 18.7 Discovery.

(a)(1) At any time after the initiation of the proceeding, the hearing officer may order, by subpoena if necessary, the taking of a deposition and the production of relevant documents by the deponent. Such order may be entered upon a showing that the deposition is necessary for discovery purposes, and that such discovery could not be accomplished by voluntary methods. Such an order may also be entered in extraordinary circumstances to preserve relevant evidence upon a showing that there is substantial reason to believe that such evidence could not be presented through a witness at the hearing. The decisive factors for a determination under this subsection, however, shall be fairness to all parties and the requirements of due process. Depositions may be taken orally or upon written questions before any person who has the power to administer oaths.

(2) Each deponent shall be duly sworn, and any adverse party shall have the right to cross-examine. Objections to questions or documents shall be in short form, stating the grounds upon which objections are made. The questions propounded and the answers thereto, together with all objections made (but not including argument or debate), shall be reduced to writing and certified by the officer before whom the deposition was taken. Thereafter, the officer shall forward the deposition and one (1) copy thereof to the party at whose instance the deposition was taken and shall forward one (1) copy to the representative of the other party.

(3) A deposition may be admitted into evidence as against any party who was present or represented at the taking of the deposition, or who had due notice thereof, if the hearing officer finds that there are sufficient reasons for admission and that the admission of the evidence would be fair to all parties and comport with the requirements of due process.

(b)(1) At any time after the initiation of the appeal, any party may serve upon any other party written interrogatories to be answered by the party served, or by an authorized representative of the party if the party served is a corporate or governmental entity.

## 28 CFR Ch. I (7-1-17 Edition)

The party served shall furnish all information which is available to it.

(2) Each interrogatory shall be answered separately and fully in writing under oath by the party addressed or by an authorized representative. The time and manner of returning the interrogatory shall be prescribed by the hearing officer.

### § 18.8 Recommended decision.

Within a reasonable time after the close of the record of the hearings conducted under §18.6, the hearing officer shall submit findings of fact, conclusions of law, and a recommended order to the responsible agency official, in writing. The hearing officer shall promptly make copies of these documents available to the parties.

### § 18.9 Final agency decision.

(a) In hearings conducted under §18.6, the responsible agency official shall make the final agency decision, on the basis of the record, findings, conclusions, and recommendations presented by the hearing examiner.

(b) Prior to making a final decision, the responsible agency official shall give the parties an opportunity to submit the following, within thirty (30) days after the submission of the hearing officer's recommendations:

(1) Proposed findings and determinations;

(2) Exceptions to the recommendations of the hearing officer; and

(3) Supporting reasons for the exceptions or proposed findings or determinations; and

(4) Final briefs summarizing the arguments presented at the hearing.

(c) All determinations, findings and conclusions made by the responsible agency official shall be final and conclusive upon the responsible agency and all appellants.

### § 18.10 Rehearing.

(a) Any appellant dissatisfied with a final agency decision under §18.9 may, within 30 days after the notice of the final agency decision is sent, request the responsible agency official to re-review the record, and present additional evidence which is appropriate and pertinent to support a different decision.



(b) If the responsible agency official finds that the appellant has:

(1) Presented evidence or argument which is sufficiently significant to require the conduct of further proceedings; or

(2) Shown some defect in the conduct of the initial hearing sufficient to cause substantial unfairness or an erroneous finding in that hearing, the responsible agency official may require that another oral hearing be held on one or more of the issues in controversy, or permit the dissatisfied party to present further evidence or argument in writing.

(c) Any rehearing ordered by the responsible agency official shall be conducted pursuant to §§ 18.5–18.8.

**PART 19—USE OF PENALTY MAIL IN THE LOCATION AND RECOVERY OF MISSING CHILDREN**

Sec.

- 19.1 Purpose.
- 19.2 Contact person for Missing Children Penalty Mail Program.
- 19.3 Policy.
- 19.4 Cost and percentage estimates.
- 19.5 Report to the Office of Juvenile Justice and Delinquency Prevention.
- 19.6 Responsibility of DOJ organizational units for program implementation and implementation procedures.

AUTHORITY: 39 U.S.C. 3220(a)(2), 5 U.S.C. 301.

SOURCE: Order No. 1239–87, 52 FR 45174, Nov. 25, 1987, unless otherwise noted.

**§ 19.1 Purpose.**

This regulation, providing for a Missing Children Penalty Mail Program in the Department of Justice (DOJ), is intended to comply with the regulation requirement set forth in section 1(a) of Public Law 99–87, which adds a new section 3220 to title 39, U.S. Code. The regulation also implements the Office of Juvenile Justice and Delinquency Prevention (OJJDP) guideline (50 FR 46622) promulgated under the authority of 39 U.S.C. 3220(a)(1), and is intended to assist in the location and recovery of missing children through the use of DOJ penalty mail.

**§ 19.2 Contact person for Missing Children Penalty Mail Program.**

The DOJ contact person for the Missing Children Penalty Mail Program is: Patricia Schellman, General Services Staff, Justice Management Division, U.S. Department of Justice, 10th and Constitution Ave., NW., Washington, DC 20530, telephone number (202) 633–2353.

**§ 19.3 Policy.**

(a) The Department of Justice will supplement and expand the national effort to assist in the location and recovery of missing children by maximizing the economical use of missing children photographs and biographical information in domestic penalty mail directed to members of the public.

(b) Because the use of inserts printed with missing children photographs and biographical information has been determined to be the most cost effective method for general application of the program, DOJ’s first priority will be to insert, manually and via automated inserting equipment, photographs and biographical data related to missing children in a variety of types of penalty mail envelopes. These include:

- (1) Standard letter-size envelopes (4½” × 9½”);
- (2) Document-size envelopes (9½” × 12”, 9½ × 11½”, 10” × 13”); and
- (3) Other envelopes (misc. size).

(c)(1) Maximum consideration will be given to the use of missing children materials with high volume printing plant or distribution plan mail that will be sent to the public or to Federal, State or local government agencies. Every effort will be made to use the most cost effective and efficient methods of obtaining, distributing, and disseminating missing children information.

(2) In instances when the printing of photograph(s) and biographical information directly on self-mailers and other publications (newsletters, bulletins, etc.) and/or on penalty mail envelopes proves to be practical and cost effective, this method may also be used. Photographs and biographical information related to missing children may be printed on the three types of penalty mail envelopes listed above.

## § 19.4

(d) Missing children information shall not be placed on the "Penalty Indicia", "OCR Read Area", "Bar Code Read Area", and "Return Address" areas of standard letter-size envelopes per appendix A of the OJJDP guideline as published in the November 8, 1985, FEDERAL REGISTER (50 FR 46625).

(e) The National Center for Missing and Exploited Children (National Center) will be the sole source from which DOJ will acquire the camera-ready and other photographic and biographical materials to be disseminated for use by DOJ organizational units. When printing missing children information, DOJ will select subjects in accordance with the schedule published by the National Center.

(f) DOJ will remove all printed penalty mail envelopes and other materials from circulation or other use (i.e.: Use or destroy) within a three month period from the date the National Center receives information or notice that a child whose photograph and biographical information have been made available to DOJ has been recovered or that the parent(s) or guardian's permission to use the child's photograph and biographical information has been withdrawn. The National Center will be responsible for immediately notifying the DOJ contact person, in writing, of the need to withdraw penalty mail envelopes and other materials related to a particular child from circulation. Photographs which were reasonably current as of the time of the child's disappearance shall be the only acceptable form of visual media or pictorial likeness used on or in DOJ penalty mail.

(g) DOJ will give priority to penalty mail that:

(1) Is addressed to members of the public and will be received in the United States, its territories and possessions; and

(2) Is widely disseminated and read by DOJ employees such as inter- and intra-agency publications and other media.

(h) All DOJ employee suggestions, ideas or recommendations for innovative, cost-effective techniques for implementation of the Missing Children Penalty Mail Program should be forwarded to the DOJ contact person. DOJ

## 28 CFR Ch. I (7-1-17 Edition)

Mail Managers shall hold biannual meetings to discuss the status of implementation of the current plan, and to consider recommendations to improve future plan implementation.

(i) This shall be the sole DOJ regulation implementing this program.

### § 19.4 Cost and percentage estimates.

It is estimated that this program will cost DOJ \$78,000 during the initial year. This figure is based on estimates of printing, inserting, and administrative costs. It is DOJ's objective that 50 percent of DOJ penalty mail contain missing children photographs and biographical information by the end of the first year of the program.

### § 19.5 Report to the Office of Juvenile Justice and Delinquency Prevention.

DOJ will compile and submit to OJJDP, by June 30, 1987, a consolidated report on its experience in implementation of 39 U.S.C. 3220(a)(2), the OJJDP guidelines and the DOJ regulation. The report will consolidate information gathered from individual DOJ organizational units and cover the period February 5, 1986 through March 31, 1987. The report will provide the following information:

(a) DOJ's experience in implementation, including problems encountered, successful and/or innovative methods adopted to use missing children photographs and information on or in penalty mail, the *estimated* number of pieces of penalty mail containing such information, and the *estimated* percentage of total agency penalty mail, domestic penalty mail, and domestic penalty mail directed to members of the public which this number represents.

(b) The *estimated* total cost to implement the program, with supporting detail (for example, printing cost, hours of labor or labor cost, cost related to withdrawal of photographs, etc.).

(c) Recommendations for changes in the program which would make it more effective.

**§ 19.6 Responsibility of DOJ organizational units for program implementation and implementation procedures.**

(a) The General Services Staff, Justice Management Division (JMD), will be the liaison between the National Center and the principal organizational units of the Department. The General Services Staff, JMD shall be responsible for:

(1) Developing and disseminating Departmentwide guidelines and monitoring the implementation of the Missing Children Penalty Mail Program.

(2) Ordering camera-ready copies and other photographic and biographical material from the National Center, using the format established by the Center, and distributing the material within the Department of Justice.

(3) Immediately notifying DOJ components, in writing, of the need to use or withdraw from circulation, within 90 days, penalty mail envelopes, inserts and other material related to a recovered child or child whose parent(s) or guardian has withdrawn consent to use the photograph and biographical information. See 28 CFR 0.1, Organizational Structure of the Department of Justice, for a listing of DOJ principal organizational units designated as components.

(4) Collecting, analyzing and consolidating cost, mail volume data and other program related information and reporting to OJJDP, by June 30, 1987, on DOJ's experience in implementing the program.

(5) Conducting biannual meetings with selected components contacts to discuss current plans and solicit suggestions and/or recommendations for innovative and cost effective techniques to enhance the success of the program.

(6) Providing guidance and assistance to components in internal program development and implementation.

(7) Maintaining a list of DOJ personnel assigned to serve as Missing Children Program Coordinators for the components.

(b) Bureau Mail Managers and components Executive/Administrative Officers shall be responsible for:

(1) Establishing and implementing internal procedures and guidelines for

the dissemination and use of missing children photographs and biographical information on or in domestic penalty mail. For example, the Bureau Mail Manager will provide guidance to Bureau offices on the types of missing children information which are available for use on or in penalty mail and establish procedures for obtaining and using the information, as appropriate.

(2) Identifying and reviewing publications and other Bureau media for suitable use in disseminating missing children photographs and information and obtaining approval for its use from the originating office.

(3) Ensuring that all printed penalty mail envelopes, inserts, and other penalty mail material containing photographs and biographical information on a missing child are used or removed from circulation or other use within 90 days from the date of DOJ notification by the National Center to withdraw material for that child.

(4) Designating Missing Children Coordinator(s) at headquarters and in each component and field office participating in the program.

(5) Arranging for printing and/or acquisition through designated channels, adequate supplies of inserts or penalty mail envelopes and other materials containing photographs and biographical data related to missing children.

(6) Collecting and reporting to the General Services Staff, Justice Management Division, the information identified in §19.5 of this part as required for inclusion in the DOJ's consolidated report to OJJDP.

(c) Component and Bureau Missing Children Program Coordinators shall be responsible for:

(1) Insuring that adequate supplies of envelopes or inserts are ordered, received or disseminated for use within the organizational unit or requesting camera-ready copy for printing from the DOJ contact person using a written form to be established by DOJ Guideline.

(2) Ensuring that the acquisition and use of missing children information through inserts or printing of these materials in publications or on envelopes is approved by appropriate authority within the organizational unit.

(3) Maintaining and disseminating supplies of inserts, envelopes, and camera-ready copy (for publications) to personnel who prepare domestic penalty mail for dispatch through the U.S. Postal Service.

(4) Notifying employees within their organizational unit to use or remove from circulation all printed penalty mail envelopes, inserts, and other material containing a photograph and biographical information on a missing child within 90 days from the date of DOJ notification by the National Center to withdraw material for that child.

(5) Serving as the central point of contact within their organizations for all matters relating to the Missing Children Penalty Mail Program.

(6) Collecting and reporting essential management information relating to the implementation of this program within their organizational unit and reporting this information to the appropriate Bureau Mail Manager or component Executive/Administrative Officer.

(d) Missing children pictures and biographical information shall not be:

(1) Printed on penalty mail envelopes, inserts, or other materials which are ordered and/or stocked in quantities which represent more than a 90 day supply.

(2) Printed on blank pages or covers of publications that may be included in the Superintendent of Documents' Sales Program or are to be distributed to depository Libraries.

(3) Inserted in any envelope and/or publication the contents of which may be construed to be inappropriate for association with the Missing Children Penalty Mail Program.

(e) Each component shall provide the General Services Staff, Justice Management Division, with the name(s), telephone number(s) and mailing address(es) of each designated Missing Children Program Coordinator within 30 days of the effective date of this regulation.

(f) Each component shall submit a quarterly report to the General Services Staff, Justice Management Division, within 5 days after the close of each Fiscal Year quarter providing the specific information identified in §19.5

concerning implementation and participation in the program.

## PART 20—CRIMINAL JUSTICE INFORMATION SYSTEMS

### Subpart A—General Provisions

Sec.

- 20.1 Purpose.
- 20.2 Authority.
- 20.3 Definitions.

### Subpart B—State and Local Criminal History Record Information Systems

- 20.20 Applicability.
- 20.21 Preparation and submission of a Criminal History Record Information Plan.
- 20.22 Certification of compliance.
- 20.23 Documentation: Approval by OJARS.
- 20.24 State laws on privacy and security.
- 20.25 Penalties.

### Subpart C—Federal Systems and Exchange of Criminal History Record Information

- 20.30 Applicability.
- 20.31 Responsibilities.
- 20.32 Includable offenses.
- 20.33 Dissemination of criminal history record information.
- 20.34 Individual's right to access criminal history record information.
- 20.35 Criminal Justice Information Services Advisory Policy Board.
- 20.36 Participation in the Interstate Identification Index System.
- 20.37 Responsibility for accuracy, completeness, currency, and integrity.
- 20.38 Sanction for noncompliance.

#### APPENDIX TO PART 20—COMMENTARY ON SELECTED SECTIONS OF THE REGULATIONS ON CRIMINAL HISTORY RECORD INFORMATION SYSTEMS

AUTHORITY: 28 U.S.C. 534; Pub. L. 92-544, 86 Stat. 1115; 42 U.S.C. 3711, *et seq.*, Pub. L. 99-169, 99 Stat. 1002, 1008-1011, as amended by Pub. L. 99-569, 100 Stat. 3190, 3196; Pub. L. 101-515, as amended by Pub. L. 104-99, set out in the notes to 28 U.S.C. 534.

SOURCE: Order No. 601-75, 40 FR 22114, May 20, 1975, unless otherwise noted.

### Subpart A—General Provisions

SOURCE: 41 FR 11714, Mar. 19, 1976, unless otherwise noted.

## Department of Justice

## § 20.3

### § 20.1 Purpose.

It is the purpose of these regulations to assure that criminal history record information wherever it appears is collected, stored, and disseminated in a manner to ensure the accuracy, completeness, currency, integrity, and security of such information and to protect individual privacy.

[Order No. 2258-99, 64 FR 52226, Sept. 28, 1999]

### § 20.2 Authority.

These regulations are issued pursuant to sections 501 and 524(b) of the Omnibus Crime Control and Safe Streets Act of 1968, as amended by the Crime Control Act of 1973, Public Law 93-83, 87 Stat. 197, 42 U.S.C. 3701, *et seq.* (Act), 28 U.S.C. 534, and Public Law 92-544, 86 Stat. 1115.

### § 20.3 Definitions.

As used in these regulations:

(a) *Act* means the Omnibus Crime Control and Safe Streets Act, 42 U.S.C. 3701, *et seq.*, as amended.

(b) *Administration of criminal justice* means performance of any of the following activities: Detection, apprehension, detention, pretrial release, post-trial release, prosecution, adjudication, correctional supervision, or rehabilitation of accused persons or criminal offenders. The administration of criminal justice shall include criminal identification activities and the collection, storage, and dissemination of criminal history record information.

(c) *Control Terminal Agency* means a duly authorized state, foreign, or international criminal justice agency with direct access to the National Crime Information Center telecommunications network providing statewide (or equivalent) service to its criminal justice users with respect to the various systems managed by the FBI CJIS Division.

(d) *Criminal history record information* means information collected by criminal justice agencies on individuals consisting of identifiable descriptions and notations of arrests, detentions, indictments, informations, or other formal criminal charges, and any disposition arising therefrom, including acquittal, sentencing, correctional supervision, and release. The term does not include

identification information such as fingerprint records if such information does not indicate the individual's involvement with the criminal justice system.

(e) *Criminal history record information system* means a system including the equipment, facilities, procedures, agreements, and organizations thereof, for the collection, processing, preservation, or dissemination of criminal history record information.

(f) *Criminal history record repository* means the state agency designated by the governor or other appropriate executive official or the legislature to perform centralized recordkeeping functions for criminal history records and services in the state.

(g) *Criminal justice agency* means:

(1) Courts; and

(2) A governmental agency or any subunit thereof that performs the administration of criminal justice pursuant to a statute or executive order, and that allocates a substantial part of its annual budget to the administration of criminal justice. State and federal Inspector General Offices are included.

(h) *Direct access* means having the authority to access systems managed by the FBI CJIS Division, whether by manual or automated methods, not requiring the assistance of or intervention by any other party or agency.

(i) *Disposition* means information disclosing that criminal proceedings have been concluded and the nature of the termination, including information disclosing that the police have elected not to refer a matter to a prosecutor or that a prosecutor has elected not to commence criminal proceedings; or disclosing that proceedings have been indefinitely postponed and the reason for such postponement. Dispositions shall include, but shall not be limited to, acquittal, acquittal by reason of insanity, acquittal by reason of mental incompetence, case continued without finding, charge dismissed, charge dismissed due to insanity, charge dismissed due to mental incompetency, charge still pending due to insanity, charge still pending due to mental incompetence, guilty plea, nolle prosequi, no paper, nolo contendere

plea, convicted, youthful offender determination, deceased, deferred disposition, dismissed-civil action, found insane, found mentally incompetent, pardoned, probation before conviction, sentence commuted, adjudication withheld, mistrial-defendant discharged, executive clemency, placed on probation, paroled, or released from correctional supervision.

(j) *Executive order* means an order of the President of the United States or the Chief Executive of a state that has the force of law and that is published in a manner permitting regular public access.

(k) *Federal Service Coordinator* means a non-Control Terminal Agency that has a direct telecommunications line to the National Crime Information Center network.

(l) *Fingerprint Identification Records System* or “FIRS” means the following FBI records: Criminal fingerprints and/or related criminal justice information submitted by authorized agencies having criminal justice responsibilities; civil fingerprints submitted by federal agencies and civil fingerprints submitted by persons desiring to have their fingerprints placed on record for personal identification purposes; identification records, sometimes referred to as “rap sheets,” which are compilations of criminal history record information pertaining to individuals who have criminal fingerprints maintained in the FIRS; and a name index pertaining to all individuals whose fingerprints are maintained in the FIRS. See the FIRS Privacy Act System Notice periodically published in the FEDERAL REGISTER for further details.

(m) *Interstate Identification Index System* or “III System” means the cooperative federal-state system for the exchange of criminal history records, and includes the National Identification Index, the National Fingerprint File, and, to the extent of their participation in such system, the criminal history record repositories of the states and the FBI.

(n) *National Crime Information Center* or “NCIC” means the computerized information system, which includes telecommunications lines and any message switching facilities that are authorized by law, regulation, or policy approved

by the Attorney General of the United States to link local, state, tribal, federal, foreign, and international criminal justice agencies for the purpose of exchanging NCIC related information. The NCIC includes, but is not limited to, information in the III System. See the NCIC Privacy Act System Notice periodically published in the FEDERAL REGISTER for further details.

(o) *National Fingerprint File* or “NFF” means a database of fingerprints, or other uniquely personal identifying information, relating to an arrested or charged individual maintained by the FBI to provide positive identification of record subjects indexed in the III System.

(p) *National Identification Index* or “NII” means an index maintained by the FBI consisting of names, identifying numbers, and other descriptive information relating to record subjects about whom there are criminal history records in the III System.

(q) *Nonconviction data* means arrest information without disposition if an interval of one year has elapsed from the date of arrest and no active prosecution of the charge is pending; information disclosing that the police have elected not to refer a matter to a prosecutor, that a prosecutor has elected not to commence criminal proceedings, or that proceedings have been indefinitely postponed; and information that there has been an acquittal or a dismissal.

(r) *State* means any state of the United States, the District of Columbia, the Commonwealth of Puerto Rico, and any territory or possession of the United States.

(s) *Statute* means an Act of Congress or of a state legislature or a provision of the Constitution of the United States or of a state.

[Order No. 2258–99, 64 FR 52226, Sept. 28, 1999]

### Subpart B—State and Local Criminal History Record Information Systems

SOURCE: 41 FR 11715, Mar. 19, 1976, unless otherwise noted.

## Department of Justice

## § 20.21

### § 20.20 Applicability.

(a) The regulations in this subpart apply to all State and local agencies and individuals collecting, storing, or disseminating criminal history record information processed by manual or automated operations where such collection, storage, or dissemination has been funded in whole or in part with funds made available by the Law Enforcement Assistance Administration subsequent to July 1, 1973, pursuant to title I of the Act. Use of information obtained from the FBI Identification Division or the FBI/NCIC system shall also be subject to limitations contained in subpart C.

(b) The regulations in this subpart shall not apply to criminal history record information contained in:

(1) Posters, announcements, or lists for identifying or apprehending fugitives or wanted persons;

(2) Original records of entry such as police blotters maintained by criminal justice agencies, compiled chronologically and required by law or long standing custom to be made public, if such records are organized on a chronological basis;

(3) Court records of public judicial proceedings;

(4) Published court or administrative opinions or public judicial, administrative or legislative proceedings;

(5) Records of traffic offenses maintained by State departments of transportation, motor vehicles or the equivalent thereof for the purpose of regulating the issuance, suspension, revocation, or renewal of driver's, pilot's or other operators' licenses;

(6) Announcements of executive clemency.

(c) Nothing in these regulations prevents a criminal justice agency from disclosing to the public criminal history record information related to the offense for which an individual is currently within the criminal justice system. Nor is a criminal justice agency prohibited from confirming prior criminal history record information to members of the news media or any other person, upon specific inquiry as to whether a named individual was arrested, detained, indicted, or whether an information or other formal charge was filed, on a specified date, if the ar-

rest record information or criminal record information disclosed is based on data excluded by paragraph (b) of this section. The regulations do not prohibit the dissemination of criminal history record information for purposes of international travel, such as issuing visas and granting of citizenship.

### § 20.21 Preparation and submission of a Criminal History Record Information Plan.

A plan shall be submitted to OJARS by each State on March 16, 1976, to set forth all operational procedures, except those portions relating to dissemination and security. A supplemental plan covering these portions shall be submitted no later than 90 days after promulgation of these amended regulations. The plan shall set forth operational procedures to—

(a) *Completeness and accuracy.* Insure that criminal history record information is complete and accurate.

(1) Complete records should be maintained at a central State repository. To be complete, a record maintained at a central State repository which contains information that an individual has been arrested, and which is available for dissemination, must contain information of any dispositions occurring within the State within 90 days after the disposition has occurred. The above shall apply to all arrests occurring subsequent to the effective date of these regulations. Procedures shall be established for criminal justice agencies to query the central repository prior to dissemination of any criminal history record information unless it can be assured that the most up-to-date disposition data is being used. Inquiries of a central State repository shall be made prior to any dissemination except in those cases where time is of the essence and the repository is technically incapable of responding within the necessary time period.

(2) To be accurate means that no record containing criminal history record information shall contain erroneous information. To accomplish this end, criminal justice agencies shall institute a process of data collection, entry, storage, and systematic audit that will minimize the possibility of

§ 20.21

28 CFR Ch. I (7-1-17 Edition)

recording and storing inaccurate information and upon finding inaccurate information of a material nature, shall notify all criminal justice agencies known to have received such information.

(b) *Limitations on dissemination.* Insure that dissemination of nonconviction data has been limited, whether directly or through any intermediary only to:

(1) Criminal justice agencies, for purposes of the administration of criminal justice and criminal justice agency employment;

(2) Individuals and agencies for any purpose authorized by statute, ordinance, executive order, or court rule, decision, or order, as construed by appropriate State or local officials or agencies;

(3) Individuals and agencies pursuant to a specific agreement with a criminal justice agency to provide services required for the administration of criminal justice pursuant to that agreement. The agreement shall specifically authorize access to data, limit the use of data to purposes for which given, insure the security and confidentiality of the data consistent with these regulations, and provide sanctions for violation thereof;

(4) Individuals and agencies for the express purpose of research, evaluative, or statistical activities pursuant to an agreement with a criminal justice agency. The agreement shall specifically authorize access to data, limit the use of data to research, evaluative, or statistical purposes, insure the confidentiality and security of the data consistent with these regulations and with section 524(a) of the Act and any regulations implementing section 524(a), and provide sanctions for the violation thereof. These dissemination limitations do not apply to conviction data.

(c) *General policies on use and dissemination.* (1) Use of criminal history record information disseminated to noncriminal justice agencies shall be limited to the purpose for which it was given.

(2) No agency or individual shall confirm the existence or nonexistence of criminal history record information to any person or agency that would not be

eligible to receive the information itself.

(3) Subsection (b) does not mandate dissemination of criminal history record information to any agency or individual. States and local governments will determine the purposes for which dissemination of criminal history record information is authorized by State law, executive order, local ordinance, court rule, decision or order.

(d) *Juvenile records.* Insure that dissemination of records concerning proceedings relating to the adjudication of a juvenile as delinquent or in need or supervision (or the equivalent) to non-criminal justice agencies is prohibited, unless a statute, court order, rule or court decision specifically authorizes dissemination of juvenile records, except to the same extent as criminal history records may be disseminated as provided in paragraph (b) (3) and (4) of this section.

(e) *Audit.* Insure that annual audits of a representative sample of State and local criminal justice agencies chosen on a random basis shall be conducted by the State to verify adherence to these regulations and that appropriate records shall be retained to facilitate such audits. Such records shall include, but are not limited to, the names of all persons or agencies to whom information is disseminated and the date upon which such information is disseminated. The reporting of a criminal justice transaction to a State, local or Federal repository is not a dissemination of information.

(f) *Security.* Wherever criminal history record information is collected, stored, or disseminated, each State shall insure that the following requirements are satisfied by security standards established by State legislation, or in the absence of such legislation, by regulations approved or issued by the Governor of the State.

(1) Where computerized data processing is employed, effective and technologically advanced software and hardware designs are instituted to prevent unauthorized access to such information.

(2) Access to criminal history record information system facilities, systems operating environments, data file contents whether while in use or when



## Department of Justice

## § 20.21

stored in a media library, and system documentation is restricted to authorized organizations and personnel.

(3)(i) Computer operations, whether dedicated or shared, which support criminal justice information systems, operate in accordance with procedures developed or approved by the participating criminal justice agencies that assure that:

(a) Criminal history record information is stored by the computer in such manner that it cannot be modified, destroyed, accessed, changed, purged, or overlaid in any fashion by non-criminal justice terminals.

(b) Operation programs are used that will prohibit inquiry, record updates, or destruction of records, from any terminal other than criminal justice system terminals which are so designated.

(c) The destruction of records is limited to designated terminals under the direct control of the criminal justice agency responsible for creating or storing the criminal history record information.

(d) Operational programs are used to detect and store for the output of designated criminal justice agency employees all unauthorized attempts to penetrate any criminal history record information system, program or file.

(e) The programs specified in paragraphs (f)(3)(i) (b) and (d) of this section are known only to criminal justice agency employees responsible for criminal history record information system control or individuals and agencies pursuant to a specific agreement with the criminal justice agency to provide such programs and the program(s) are kept continuously under maximum security conditions.

(f) Procedures are instituted to assure that an individual or agency authorized direct access is responsible for (1) the physical security of criminal history record information under its control or in its custody and (2) the protection of such information from unauthorized access, disclosure or dissemination.

(g) Procedures are instituted to protect any central repository of criminal history record information from unauthorized access, theft, sabotage, fire, flood, wind, or other natural or man-made disasters.

(ii) A criminal justice agency shall have the right to audit, monitor and inspect procedures established above.

(4) The criminal justice agency will:

(i) Screen and have the right to reject for employment, based on good cause, all personnel to be authorized to have direct access to criminal history record information.

(ii) Have the right to initiate or cause to be initiated administrative action leading to the transfer or removal of personnel authorized to have direct access to such information where such personnel violate the provisions of these regulations or other security requirements established for the collection, storage, or dissemination of criminal history record information.

(iii) Institute procedures, where computer processing is not utilized, to assure that an individual or agency authorized direct access is responsible for

(a) The physical security of criminal history record information under its control or in its custody and

(b) The protection of such information from unauthorized access, disclosure, or dissemination.

(iv) Institute procedures, where computer processing is not utilized, to protect any central repository of criminal history record information from unauthorized access, theft, sabotage, fire, flood, wind, or other natural or man-made disasters.

(v) Provide that direct access to criminal history record information shall be available only to authorized officers or employees of a criminal justice agency and, as necessary, other authorized personnel essential to the proper operation of the criminal history record information system.

(5) Each employee working with or having access to criminal history record information shall be made familiar with the substance and intent of these regulations.

(g) *Access and review.* Insure the individual's right to access and review of criminal history information for purposes of accuracy and completeness by instituting procedures so that—

(1) Any individual shall, upon satisfactory verification of his identity, be

## § 20.22

## 28 CFR Ch. I (7-1-17 Edition)

entitled to review without undue burden to either the criminal justice agency or the individual, any criminal history record information maintained about the individual and obtain a copy thereof when necessary for the purpose of challenge or correction;

(2) Administrative review and necessary correction of any claim by the individual to whom the information relates that the information is inaccurate or incomplete is provided;

(3) The State shall establish and implement procedures for administrative appeal where a criminal justice agency refuses to correct challenged information to the satisfaction of the individual to whom the information relates;

(4) Upon request, an individual whose record has been corrected shall be given the names of all non-criminal justice agencies to whom the data has been given;

(5) The correcting agency shall notify all criminal justice recipients of corrected information; and

(6) The individual's right to access and review of criminal history record information shall not extend to data contained in intelligence, investigatory, or other related files and shall not be construed to include any other information than that defined by § 20.3(b).

[41 FR 11715, Mar. 19, 1976, as amended at 42 FR 61595, Dec. 6, 1977]

### § 20.22 Certification of compliance.

(a) Each State to which these regulations are applicable shall with the submission of its plan provide a certification that to the maximum extent feasible action has been taken to comply with the procedures set forth in the plan. Maximum extent feasible, in this subsection, means actions which can be taken to comply with the procedures set forth in the plan that do not require additional legislative authority or involve unreasonable cost or do not exceed existing technical ability.

(b) The certification shall include—

(1) An outline of the action which has been instituted. At a minimum, the requirements of access and review under § 20.21(g) must be completely operational;

(2) A description of any legislation or executive order, or attempts to obtain such authority that has been instituted to comply with these regulations;

(3) A description of the steps taken to overcome any fiscal, technical, and administrative barriers to the development of complete and accurate criminal history record information;

(4) A description of existing system capability and steps being taken to upgrade such capability to meet the requirements of these regulations; and

(5) A listing setting forth categories of non-criminal justice dissemination. See § 20.21(b).

### § 20.23 Documentation: Approval by OJARS.

Within 90 days of the receipt of the plan, OJARS shall approve or disapprove the adequacy of the provisions of the plan and certification. Evaluation of the plan by OJARS will be based upon whether the procedures set forth will accomplish the required objectives. The evaluation of the certification(s) will be based upon whether a good faith effort has been shown to initiate and/or further compliance with the plan and regulations. All procedures in the approved plan must be fully operational and implemented by March 1, 1978. A final certification shall be submitted on March 1, 1978.

Where a State finds it is unable to provide final certification that all required procedures as set forth in § 20.21 will be operational by March 1, 1978, a further extension of the deadline will be granted by OJARS upon a showing that the State has made a good faith effort to implement these regulations to the maximum extent feasible. Documentation justifying the request for the extension including a proposed timetable for full compliance must be submitted to OJARS by March 1, 1978. Where a State submits a request for an extension, the implementation date will be extended an additional 90 days while OJARS reviews the documentation for approval or disapproval. To be approved, such revised schedule must be consistent with the timetable and procedures set out below:

(a) July 31, 1978—Submission of certificate of compliance with:

## Department of Justice

## § 20.31

(1) Individual access, challenge, and review requirements;

(2) Administrative security;

(3) Physical security to the maximum extent feasible.

(b) Thirty days after the end of a State's next legislative session—Submission to OJARS of a description of State policy on dissemination of criminal history record information.

(c) Six months after the end of a State's legislative session—Submission to OJARS of a brief and concise description of standards and operating procedures to be followed by all criminal justice agencies covered by OJARS regulations in complying with the State policy on dissemination.

(d) Eighteen months after the end of a State's legislative session—Submission to OJARS of a certificate attesting to the conduct of an audit of the State central repository and of a random number of other criminal justice agencies in compliance with OJARS regulations.

[41 FR 11715, Mar. 19, 1976, as amended at 42 FR 61596, Dec. 6, 1977]

### § 20.24 State laws on privacy and security.

Where a State originating criminal history record information provides for sealing or purging thereof, nothing in these regulations shall be construed to prevent any other State receiving such information, upon notification, from complying with the originating State's sealing or purging requirements.

### § 20.25 Penalties.

Any agency or individual violating subpart B of these regulations shall be subject to a civil penalty not to exceed \$10,000 for a violation occurring before September 29, 1999, and not to exceed \$11,000 for a violation occurring on after September 29, 1999. For civil penalties assessed after August 1, 2016, whose associated violations occurred after November 2, 2015, see the civil penalty amount as provided in 28 CFR 85.5. In addition, OJARS may initiate fund cut-off procedures against recipients of OJARS assistance.

[41 FR 11715, Mar. 19, 1976, as amended by Order No. 2249-99, 64 FR 47102, Aug. 30, 1999; AG Order 3690-2016, 81 FR 42499, June 30, 2016]

## Subpart C—Federal Systems and Exchange of Criminal History Record Information

SOURCE: Order No. 2258-99, 64 FR 52227, Sept. 28, 1999, unless otherwise noted.

### § 20.30 Applicability.

The provisions of this subpart of the regulations apply to the III System and the FIRS, and to duly authorized local, state, tribal, federal, foreign, and international criminal justice agencies to the extent that they utilize the services of the III System or the FIRS. This subpart is applicable to both manual and automated criminal history records.

### § 20.31 Responsibilities.

(a) The Federal Bureau of Investigation (FBI) shall manage the NCIC.

(b) The FBI shall manage the FIRS to support identification and criminal history record information functions for local, state, tribal, and federal criminal justice agencies, and for non-criminal justice agencies and other entities where authorized by federal statute, state statute pursuant to Public Law 92-544, 86 Stat. 1115, Presidential executive order, or regulation or order of the Attorney General of the United States.

(c) The FBI CJIS Division may manage or utilize additional telecommunication facilities for the exchange of fingerprints, criminal history record related information, and other criminal justice information.

(d) The FBI CJIS Division shall maintain the master fingerprint files on all offenders included in the III System and the FIRS for the purposes of determining first offender status; to identify those offenders who are unknown in states where they become criminally active but are known in other states through prior criminal history records; and to provide identification assistance in disasters and for other humanitarian purposes.

(e) The FBI may routinely establish and collect fees for noncriminal justice fingerprint-based and other identification services as authorized by Federal law. These fees apply to Federal, State

## § 20.32

and any other authorized entities requesting fingerprint identification records and name checks for non-criminal justice purposes.

(1) The Director of the FBI shall review the amount of the fee periodically, but not less than every four years, to determine the current cost of processing fingerprint identification records and name checks for non-criminal justice purposes.

(2) Fee amounts and any revisions thereto shall be determined by current costs, using a method of analysis consistent with widely accepted accounting principles and practices, and calculated in accordance with the provisions of 31 U.S.C. 9701 and other Federal law as applicable.

(3) Fee amounts and any revisions thereto shall be published as a notice in the FEDERAL REGISTER.

(f) The FBI will collect a fee for providing noncriminal name-based background checks of the FBI Central Records System through the National Name Check Program pursuant to the authority in Pub. L. 101-515 and in accordance with paragraphs (e)(1), (2) and (3) of this section.

[41 FR 11715, Mar. 19, 1976, as amended at 75 FR 18755, Apr. 13, 2010; 75 FR 24798, May 6, 2010]

### § 20.32 Includable offenses.

(a) Criminal history record information maintained in the III System and the FIRS shall include serious and/or significant adult and juvenile offenses.

(b) The FIRS excludes arrests and court actions concerning nonserious offenses, e.g., drunkenness, vagrancy, disturbing the peace, curfew violation, loitering, false fire alarm, non-specific charges of suspicion or investigation, and traffic violations (except data will be included on arrests for vehicular manslaughter, driving under the influence of drugs or liquor, and hit and run), when unaccompanied by a § 20.32(a) offense. These exclusions may not be applicable to criminal history records maintained in state criminal history record repositories, including those states participating in the NFF.

(c) The exclusions enumerated above shall not apply to federal manual criminal history record information collected, maintained, and compiled by

## 28 CFR Ch. I (7-1-17 Edition)

the FBI prior to the effective date of this subpart.

### § 20.33 Dissemination of criminal history record information.

(a) Criminal history record information contained in the III System and the FIRS may be made available:

(1) To criminal justice agencies for criminal justice purposes, which purposes include the screening of employees or applicants for employment hired by criminal justice agencies;

(2) To federal agencies authorized to receive it pursuant to federal statute or Executive order;

(3) For use in connection with licensing or employment, pursuant to Public Law 92-544, 86 Stat. 1115, or other federal legislation, and for other uses for which dissemination is authorized by federal law. Refer to § 50.12 of this chapter for dissemination guidelines relating to requests processed under this paragraph;

(4) For issuance of press releases and publicity designed to effect the apprehension of wanted persons in connection with serious or significant offenses;

(5) To criminal justice agencies for the conduct of background checks under the National Instant Criminal Background Check System (NICS);

(6) To noncriminal justice governmental agencies performing criminal justice dispatching functions or data processing/ information services for criminal justice agencies; and

(7) To private contractors pursuant to a specific agreement with an agency identified in paragraphs (a)(1) or (a)(6) of this section and for the purpose of providing services for the administration of criminal justice pursuant to that agreement. The agreement must incorporate a security addendum approved by the Attorney General of the United States, which shall specifically authorize access to criminal history record information, limit the use of the information to the purposes for which it is provided, ensure the security and confidentiality of the information consistent with these regulations, provide for sanctions, and contain such other provisions as the Attorney General may require. The power and authority of the Attorney General hereunder

## Department of Justice

## § 20.38

shall be exercised by the FBI Director (or the Director's designee).

(b) The exchange of criminal history record information authorized by paragraph (a) of this section is subject to cancellation if dissemination is made outside the receiving departments, related agencies, or service providers identified in paragraphs (a)(6) and (a)(7) of this section.

(c) Nothing in these regulations prevents a criminal justice agency from disclosing to the public factual information concerning the status of an investigation, the apprehension, arrest, release, or prosecution of an individual, the adjudication of charges, or the correctional status of an individual, which is reasonably contemporaneous with the event to which the information relates.

(d) Criminal history records received from the III System or the FIRS shall be used only for the purpose requested and a current record should be requested when needed for a subsequent authorized use.

### **§ 20.34 Individual's right to access criminal history record information.**

The procedures by which an individual may obtain a copy of his or her identification record from the FBI to review and request any change, correction, or update are set forth in §§ 16.30–16.34 of this chapter. The procedures by which an individual may obtain a copy of his or her identification record from a state or local criminal justice agency are set forth in § 20.34 of the appendix to this part.

### **§ 20.35 Criminal Justice Information Services Advisory Policy Board.**

(a) There is established a CJIS Advisory Policy Board, the purpose of which is to recommend to the FBI Director general policy with respect to the philosophy, concept, and operational principles of various criminal justice information systems managed by the FBI's CJIS Division.

(b) The Board includes representatives from state and local criminal justice agencies; members of the judicial, prosecutorial, and correctional segments of the criminal justice community; a representative of federal agen-

cies participating in the CJIS systems; and representatives of criminal justice professional associations.

(c) All members of the Board will be appointed by the FBI Director.

(d) The Board functions solely as an advisory body in compliance with the provisions of the Federal Advisory Committee Act, Title 5, United States Code, Appendix 2.

### **§ 20.36 Participation in the Interstate Identification Index System.**

(a) In order to acquire and retain direct access to the III System, each Control Terminal Agency and Federal Service Coordinator shall execute a CJIS User Agreement (or its functional equivalent) with the Assistant Director in Charge of the CJIS Division, FBI, to abide by all present rules, policies, and procedures of the NCIC, as well as any rules, policies, and procedures hereinafter recommended by the CJIS Advisory Policy Board and adopted by the FBI Director.

(b) Entry or updating of criminal history record information in the III System will be accepted only from state or federal agencies authorized by the FBI. Terminal devices in other agencies will be limited to inquiries.

### **§ 20.37 Responsibility for accuracy, completeness, currency, and integrity.**

It shall be the responsibility of each criminal justice agency contributing data to the III System and the FIRS to assure that information on individuals is kept complete, accurate, and current so that all such records shall contain to the maximum extent feasible dispositions for all arrest data included therein. Dispositions should be submitted by criminal justice agencies within 120 days after the disposition has occurred.

### **§ 20.38 Sanction for noncompliance.**

Access to systems managed or maintained by the FBI is subject to cancellation in regard to any agency or entity that fails to comply with the provisions of subpart C of this part.

APPENDIX TO PART 20—COMMENTARY ON  
SELECTED SECTIONS OF THE REGULATIONS  
ON CRIMINAL HISTORY RECORD  
INFORMATION SYSTEMS

Subpart A—§20.3(d). The definition of criminal history record information is intended to include the basic offender-based transaction statistics/III System (OBTS/III) data elements. If notations of an arrest, disposition, or other formal criminal justice transaction occurs in records other than the traditional “rap sheet,” such as arrest reports, any criminal history record information contained in such reports comes under the definition of this subsection.

The definition, however, does not extend to other information contained in criminal justice agency reports. Intelligence or investigative information (e.g., suspected criminal activity, associates, hangouts, financial information, and ownership of property and vehicles) is not included in the definition of criminal history information.

§20.3(g). The definitions of criminal justice agency and administration of criminal justice in §20.3(b) of this part must be considered together. Included as criminal justice agencies would be traditional police, courts, and corrections agencies, as well as subunits of noncriminal justice agencies that perform the administration of criminal justice pursuant to a federal or state statute or executive order and allocate a substantial portion of their budgets to the administration of criminal justice. The above subunits of non-criminal justice agencies would include, for example, the Office of Investigation of the Food and Drug Administration, which has as its principal function the detection and apprehension of persons violating criminal provisions of the Federal Food, Drug and Cosmetic Act. Also included under the definition of criminal justice agency are umbrella-type administrative agencies supplying criminal history information services, such as New York’s Division of Criminal Justice Services.

§20.3(i). Disposition is a key concept in section 524(b) of the Act and in §§20.21(a)(1) and 20.21(b) of this part. It therefore is defined in some detail. The specific dispositions listed in this subsection are examples only and are not to be construed as excluding other, unspecified transactions concluding criminal proceedings within a particular agency.

§20.3(q). The different kinds of acquittals and dismissals delineated in §20.3(i) are all considered examples of nonconviction data.

Subpart B—§20.20(a). These regulations apply to criminal justice agencies receiving funds under the Omnibus Crime Control and Safe Streets Act for manual or automated systems subsequent to July 1, 1973. In the hearings on the regulations, a number of those testifying challenged LEAA’s authority to promulgate regulations for manual

systems by contending that section 524(b) of the Act governs criminal history information contained in automated systems.

The intent of section 524(b), however, would be subverted by only regulating automated systems. Any agency that wished to circumvent the regulations would be able to create duplicate manual files for purposes contrary to the letter and spirit of the regulations.

Regulation of manual systems, therefore, is authorized by section 524(b) when coupled with section 501 of the Act which authorizes the Administration to establish rules and regulations “necessary to the exercise of its functions \* \* \*.”

The Act clearly applies to all criminal history record information collected, stored, or disseminated with LEAA support subsequent to July 1, 1973.

Limitations as contained in subpart C also apply to information obtained from the FBI Identification Division or the FBI/NCIC System.

§20.20 (b) and (c). Section 20.20 (b) and (c) exempts from regulations certain types of records vital to the apprehension of fugitives, freedom of the press, and the public’s right to know. Court records of public judicial proceedings are also exempt from the provisions of the regulations.

Section 20.20(b)(2) attempts to deal with the problem of computerized police blotters. In some local jurisdictions, it is apparently possible for private individuals and/or newsmen upon submission of a specific name to obtain through a computer search of the blotter a history of a person’s arrests. Such files create a partial criminal history data bank potentially damaging to individual privacy, especially since they do not contain final dispositions. By requiring that such records be accessed solely on a chronological basis, the regulations limit inquiries to specific time periods and discourage general fishing expeditions into a person’s private life.

Subsection 20.20(c) recognizes that announcements of ongoing developments in the criminal justice process should not be precluded from public disclosure. Thus, announcements of arrest, convictions, new developments in the course of an investigation may be made. It is also permissible for a criminal justice agency to confirm certain matters of public record information upon specific inquiry. Thus, if a question is raised: “Was X arrested by your agency on January 3, 1975” and this can be confirmed or denied by looking at one of the records enumerated in subsection (b) above, then the criminal justice agency may respond to the inquiry. Conviction data as stated in §20.21(b) may be disseminated without limitation.

§20.21. The regulations deliberately refrain from specifying who within a State should be

responsible for preparing the plan. This specific determination should be made by the Governor. The State has 90 days from the publication of these revised regulations to submit the portion of the plan covering §§20.21(b) and 20.21(f).

§20.21(a)(1). Section 524(b) of the Act requires that LEAA insure criminal history information be current and that, to the maximum extent feasible, it contain disposition as well as current data.

It is, however, economically and administratively impractical to maintain complete criminal histories at the local level. Arrangements for local police departments to keep track of dispositions by agencies outside of the local jurisdictions generally do not exist. It would, moreover, be bad public policy to encourage such arrangements since it would result in an expensive duplication of files.

The alternatives to locally kept criminal histories are records maintained by a central State repository. A central State repository is a State agency having the function pursuant to a statute or executive order of maintaining comprehensive statewide criminal history record information files. Ultimately, through automatic data processing the State level will have the capability to handle all requests for in-State criminal history information.

Section 20.20(a)(1) is written with a centralized State criminal history repository in mind. The first sentence of the subsection states that complete records should be retained at a central State repository. The word "should" is permissive; it suggests but does not mandate a central State repository.

The regulations do require that States establish procedures for State and local criminal justice agencies to query central State repositories wherever they exist. Such procedures are intended to insure that the most current criminal justice information is used.

As a minimum, criminal justice agencies subject to these regulations must make inquiries of central State repositories whenever the repository is capable of meeting the user's request within a reasonable time. Presently, comprehensive records of an individual's transactions within a State are maintained in manual files at the State level, if at all. It is probably unrealistic to expect manual systems to be able immediately to meet many rapid-access needs of police and prosecutors. On the other hand, queries of the State central repository for most noncriminal justice purposes probably can and should be made prior to dissemination of criminal history record information.

§20.21(b). The limitations on dissemination in this subsection are essential to fulfill the mandate of section 524(b) of the Act which requires the Administration to assure that the "privacy of all information is adequately provided for and that information shall only

be used for law enforcement and criminal justice and other lawful purposes." The categories for dissemination established in this section reflect suggestions by hearing witnesses and respondents submitting written commentary.

The regulations distinguish between conviction and nonconviction information insofar as dissemination is concerned. Conviction information is currently made available without limitation in many jurisdictions. Under these regulations, conviction data and pending charges could continue to be disseminated routinely. No statute, ordinance, executive order, or court rule is necessary in order to authorize dissemination of conviction data. However, nothing in the regulations shall be construed to negate a State law limiting such dissemination.

After December 31, 1977, dissemination of nonconviction data would be allowed, if authorized by a statute, ordinance, executive order, or court rule, decision, or order. The December 31, 1977, deadline allows the States time to review and determine the kinds of dissemination for non-criminal justice purposes to be authorized. When a State enacts comprehensive legislation in this area, such legislation will govern dissemination by local jurisdictions within the State. It is possible for a public record law which has been construed by the State to authorize access to the public of all State records, including criminal history record information, to be considered as statutory authority under this subsection. Federal legislation and executive orders can also authorize dissemination and would be relevant authority.

For example, Civil Service suitability investigations are conducted under Executive Order 10450. This is the authority for most investigations conducted by the Commission. Section 3(a) of 10450 prescribes the minimum scope of investigation and requires a check of FBI fingerprint files and written inquiries to appropriate law enforcement agencies.

§20.21(b)(3). This subsection would permit private agencies such as the Vera Institute to receive criminal histories where they perform a necessary administration of justice function such as pretrial release. Private consulting firms which commonly assist criminal justice agencies in information systems development would also be included here.

§20.21(b)(4). Under this subsection, any good faith researchers including private individuals would be permitted to use criminal history record information for research purposes. As with the agencies designated in §20.21(b)(3) researchers would be bound by an agreement with the disseminating criminal justice agency and would, of course, be subject to the sanctions of the Act.

The drafters of the regulations expressly rejected a suggestion which would have limited access for research purposes to certified

research organizations. Specifically “certification” criteria would have been extremely difficult to draft and would have inevitably led to unnecessary restrictions on legitimate research.

Section 524(a) of the Act which forms part of the requirements of this section states:

“Except as provided by Federal law other than this title, no officer or employee of the Federal Government, nor any recipient of assistance under the provisions of this title shall use or reveal any research or statistical information furnished under this title by any person and identifiable to any specific private person for any purpose other than the purpose for which it was obtained in accordance with this title. Copies of such information shall be immune from legal process, and shall not, without the consent of the person furnishing such information, be admitted as evidence or used for any purpose in any action suit, or other judicial or administrative proceedings.”

LEAA anticipates issuing regulations, pursuant to section 524(a) as soon as possible.

§20.21(c)(2). Presently some employers are circumventing State and local dissemination restrictions by requesting applicants to obtain an official certification of no criminal record. An employer’s request under the above circumstances gives the applicant the unenviable choice of invasion of his privacy or loss of possible job opportunities. Under this subsection routine certifications of no record would no longer be permitted. In extraordinary circumstances, however, an individual could obtain a court order permitting such a certification.

§20.21(c)(3). The language of this subsection leaves to the States the question of who among the agencies and individuals listed in §20.21(b) shall actually receive criminal records. Under these regulations a State could place a total ban on dissemination if it so wished. The State could, on the other hand, enact laws authorizing any member of the private sector to have access to non-conviction data.

§20.21(d). Non-criminal justice agencies will not be able to receive records of juveniles unless the language of a statute or court order, rule, or court decision specifies that juvenile records shall be available for dissemination. Perhaps the most controversial part of this subsection is that it denies access to records of juveniles by Federal agencies conducting background investigations for eligibility to classified information under existing legal authority.

§20.21(e) Since it would be too costly to audit each criminal justice agency in most States (Wisconsin, for example, has 1075 criminal justice agencies) random audits of a “representative sample” of agencies are the next best alternative. The term “representative sample” is used to insure that audits do

not simply focus on certain types of agencies. Although this subsection requires that there be records kept with the names of all persons or agencies to whom information is disseminated, criminal justice agencies are not required to maintain dissemination logs for “no record” responses.

§20.21(f). Requirements are set forth which the States must meet in order to assure that criminal history record information is adequately protected. Automated systems may operate in shared environments and the regulations require certain minimum assurances.

§20.21(g)(1). A “challenge” under this section is an oral or written contention by an individual that his record is inaccurate or incomplete; it would require him to give a correct version of his record and explain why he believes his version to be correct. While an individual should have access to his record for review, a copy of the record should ordinarily only be given when it is clearly established that it is necessary for the purpose of challenge.

The drafters of the subsection expressly rejected a suggestion that would have called for a satisfactory verification of identity by fingerprint comparison. It was felt that States ought to be free to determine other means of identity verification.

§20.21(g)(5). Not every agency will have done this in the past, but henceforth adequate records including those required under 20.21(e) must be kept so that notification can be made.

§20.21(g)(6). This section emphasizes that the right to access and review extends only to criminal history record information and does not include other information such as intelligence or treatment data.

§20.22(a). The purpose for the certification requirement is to indicate the extent of compliance with these regulations. The term “maximum extent feasible” acknowledges that there are some areas such as the completeness requirement which create complex legislative and financial problems.

NOTE: In preparing the plans required by these regulations, States should look for guidance to the following documents: National Advisory Commission on Criminal Justice Standards and Goals, Report on the Criminal Justice System; Project SEARCH: Security and Privacy Considerations in Criminal History Information Systems, Technical Reports No. 2 and No. 13; Project SEARCH: A Model State Act for Criminal Offender Record Information, Technical Memorandum No. 3; and Project SEARCH: Model Administrative Regulations for Criminal Offender Record Information, Technical Memorandum No. 4.

Subpart C-§20.31. This section defines the criminal history record information system managed by the Federal Bureau of Investigation. Each state having a record in the III



System must have fingerprints on file in the FBI CJIS Division to support the III System record concerning the individual.

Paragraph (b) is not intended to limit the identification services presently performed by the FBI for local, state, tribal, and federal agencies.

§20.32. The grandfather clause contained in paragraph (c) of this section is designed, from a practical standpoint, to eliminate the necessity of deleting from the FBI's massive files the non-includable offenses that were stored prior to February, 1973. In the event a person is charged in court with a serious or significant offense arising out of an arrest involving a non-includable offense, the non-includable offense will also appear in the arrest segment of the III System record.

§20.33(a)(3). This paragraph incorporates provisions cited in 28 CFR 50.12 regarding dissemination of identification records outside the federal government for noncriminal justice purposes.

§20.33(a)(6). Noncriminal justice governmental agencies are sometimes tasked to perform criminal justice dispatching functions or data processing/information services for criminal justice agencies as part, albeit not a principal part, of their responsibilities. Although such inter-governmental delegated tasks involve the administration of criminal justice, performance of those tasks does not convert an otherwise non-criminal justice agency to a criminal justice agency. This regulation authorizes this type of delegation if it is effected pursuant to executive order, statute, regulation, or interagency agreement. In this context, the noncriminal justice agency is servicing the criminal justice agency by performing an administration of criminal justice function and is permitted access to criminal history record information to accomplish that limited function. An example of such delegation would be the Pennsylvania Department of Administration's Bureau of Consolidated Computer Services, which performs data processing for several state agencies, including the Pennsylvania State Police. Privatization of the data processing/information services or dispatching function by the noncriminal justice governmental agency can be accomplished pursuant to §20.33(a)(7) of this part.

§20.34. The procedures by which an individual may obtain a copy of his manual identification record are set forth in 28 CFR 16.30-16.34.

The procedures by which an individual may obtain a copy of his III System record are as follows: If an individual has a criminal record supported by fingerprints and that record has been entered in the III System, it is available to that individual for review, upon presentation of appropriate identification, and in accordance with applicable state and federal administrative and statutory regulations. Appropriate identification in-

cludes being fingerprinted for the purpose of insuring that he is the individual that he purports to be. The record on file will then be verified as his through comparison of fingerprints.

*Procedure.* 1. All requests for review must be made by the subject of the record through a law enforcement agency which has access to the III System. That agency within statutory or regulatory limits can require additional identification to assist in securing a positive identification.

2. If the cooperating law enforcement agency can make an identification with fingerprints previously taken which are on file locally and if the FBI identification number of the individual's record is available to that agency, it can make an on-line inquiry through NCIC to obtain his III System record or, if it does not have suitable equipment to obtain an on-line response, obtain the record from Clarksburg, West Virginia, by mail. The individual will then be afforded the opportunity to see that record.

3. Should the cooperating law enforcement agency not have the individual's fingerprints on file locally, it is necessary for that agency to relate his prints to an existing record by having his identification prints compared with those already on file in the FBI, or, possibly, in the state's central identification agency.

4. The subject of the requested record shall request the appropriate arresting agency, court, or correctional agency to initiate action necessary to correct any stated inaccuracy in his record or provide the information needed to make the record complete.

§20.36. This section refers to the requirements for obtaining direct access to the III System.

§20.37. The 120-day requirement in this section allows 30 days more than the similar provision in subpart B in order to allow for processing time that may be needed by the states before forwarding the disposition to the FBI.

[Order No. 662-76, 41 FR 34949, Aug. 18, 1976, as amended by Order No. 1438-90, 55 FR 32075, Aug. 7, 1990; Order No. 2258-99, 64 FR 52229, Sept. 28, 1999]

## PART 21—WITNESS FEES

Sec.

- 21.1 Definitions.
- 21.2 Employees of the United States serving as witnesses.
- 21.3 Aliens.
- 21.4 Fees and allowances of fact witnesses.
- 21.5 Use of table of distances.
- 21.6 Proceedings *in forma pauperis*.
- 21.7 Certification of witness attendance.

AUTHORITY: 28 U.S.C. 509, 510, 1821-1825, 5 U.S.C. 301.

## § 21.1

SOURCE: 51 FR 16171, May 1, 1986, unless otherwise noted.

### § 21.1 Definitions.

(a) *Agency proceeding.* An agency process as defined by 5 U.S.C. 551 (5), (7) and (9).

(b) *Alien.* Any person who is not a citizen or national of the United States.

(c) *Judicial proceeding.* Any action or suit, including any condemnation, preliminary, informational or other proceeding of a judicial nature. Examples of the latter include, but are not limited to, hearings and conferences before a committing court, magistrate, or commission, grand jury proceedings, pre-trial conferences, depositions, and coroners' inquests. It does not include information or investigative proceedings conducted by a prosecuting attorney for the purpose of determining whether an information or charge should be made in a particular case. The judicial proceeding may be in the District of Columbia, a State, or a territory or possession of the United States including the Commonwealth of Puerto Rico or the Trust Territory of the Pacific Islands.

(d) *Pre-trial conference.* A conference between the Government Attorney and a witness to discuss the witness' testimony. The conference must take place after a trial, hearing or grand jury proceeding has been scheduled but prior to the witness' actual appearance at the proceeding.

(e) *Residence.* The term *residence* is not limited to the legal residence, but includes any place at which the witness is actually residing and at which the subpoena or summons is served. If the residence of the witness at the time of appearance is different from the place of subpoena or summons, the new place of residence shall be considered the witness' residence for computation of the transportation allowance; but, if the witness is on a business or vacation trip at the time of appearance, the witness shall be paid for travel from the place of service if this does not result in the witness being paid for more travel than is actually performed.

(f) *Summons.* An official request, invitation or call, evidenced by an official writing of the court, authority, or

## 28 CFR Ch. I (7-1-17 Edition)

party responsible for the conduct of the proceeding.

### § 21.2 Employees of the United States serving as witnesses.

(a) *Applicability.* This section applies to employees of the United States as defined by 5 U.S.C. 2105, except those whose pay is disbursed by the Secretary of the Senate or the Clerk of the House of Representatives.

(b) *Entitlement to travel expenses—(1) Official capacity.* An employee is entitled to travel expenses (in accordance with § 21.2(c)) in connection with any judicial or agency proceeding with respect to which the employee is summoned (and is authorized by the employee's agency to respond to such summons), or is assigned by his or her agency:

(i) To testify or produce official records on behalf of the United States, or

(ii) To testify in his or her official capacity or produce official records on behalf of a party other than the United States.

The witness appropriation of the Department of Justice is not available for expenses incurred under these conditions.

(2) *Unofficial capacity, federal involvement.* An employee is entitled to travel expenses (in accordance with paragraph (c) of this section) in connection with any judicial or agency proceeding with respect to which the employee is summoned to testify on behalf of the United States. If an employee is summoned to testify on behalf of a party other than the United States, the employee's travel expenses shall be payable by the court, authority, or party which caused the employee to be summoned.

(3) *Unofficial capacity, no Federal involvement.* An employee who appears as a witness in any judicial proceeding in an unofficial capacity in which there is no Federal involvement is not authorized Government travel expenses and may retain reimbursement for expenses which he or she receives from the court, authority or party which caused the employee to be summoned.

(c) *Allowable travel expenses.* An employee qualifying for payment of travel expenses by virtue of being called in an

## Department of Justice

## §21.3

official capacity or on behalf of the United States shall be paid at rates and in amounts allowable for other purposes under the provisions of 5 U.S.C. 5702-5705 and applicable regulations prescribed thereunder by the Administrator, General Services, and the employing agency. Such payment shall be reduced to the extent that the travel expenses are paid to the employee for his or her appearance by the court, authority, or party which caused the employee to be summoned as a witness in an official capacity on behalf of a party other than the United States.

(d) *Payment and reimbursement*—(1) *Payable by the employing agency.* If an employee serves as a witness, and the case involves the activity in connection with which he or she is employed, the travel expenses are payable from the appropriation of the employing agency. The Comptroller General has defined the extent to which the case must be related to the agency's activity as a condition to the agency's responsibility for payment in 23 Comp. Gen. 47, 49 (1943), which states "the employing agency is required to pay . . . the traveling expenses incurred by the witness only where the information or facts ascertained by the employee as part of his official duties forms the basis of the case, or where the proceeding is predicated upon a law that that agency is required to administer." In 39 Comp. Gen. 1, 2 (1959), the Comptroller General determined that if an employee testifies regarding facts and information he or she acquires in the course of his or her assigned duties, the employing agency is responsible for the payment of the employee's travel expenses. In these instances, the witness appropriation of the Department of Justice is not available for payment of expenses.

(2) *Payable by the Department of Justice.* If an employee appears on behalf of the United States in an unofficial capacity in a judicial proceeding involving the Department of Justice, the employee's travel expenses are payable by the Department of Justice. The employing agency may advance or pay the travel expenses of the employee and later obtain reimbursement from the Department of Justice by submitting an appropriate bill together with a

copy of the approved advance or travel voucher.

(e) *Leave and attendance fee*—(1) *Leave.* An employee is considered to be in official duty status when appearing as a witness in his or her official capacity or on behalf of the United States in an unofficial capacity. An employee is entitled to court leave when he or she appears as a witness in an unofficial capacity not on behalf of the United States, and the United States, the District of Columbia, or a State or local government is a party to the case. An employee must use annual leave or leave without pay to appear as a witness when the United States, the District of Columbia, or a State or local government is not a party.

(2) *Attendance fee.* An employee who appears on behalf of the United States is not entitled to receive an attendance fee. An employee who appears on behalf of a party other than the United States while in official duty status or while on court leave should request an attendance fee from the court, authority, or party which caused the employee to be summoned. Such fee shall be remitted to the employing agency. An employee who must use annual leave or leave without pay to appear as a witness may retain an attendance fee which he or she receives.

### §21.3 Aliens.

(a) *Aliens entitled to payment of \$30 per day.* The following aliens are entitled to witness fees and allowances provided in §21.4:

(1) Aliens lawfully admitted for permanent residence (documentary evidence: Form I-151 or Form I-551, Alien Registration Receipt Card);

(2) Aliens lawfully admitted in one of the nonimmigrant categories described in 8 U.S.C. 1101(a)(15) (documentary evidence: unexpired Form I-94, Arrival-Departure Record). But see below §21.3(b);

(3) Aliens admitted as refugees under 8 U.S.C. 1157 and aliens granted asylum under 8 U.S.C. 1158 (documentary evidence: Form I-94, Arrival-Departure Record, indicating admission as refugee under 8 U.S.C. 1157 or granting asylum under 8 U.S.C. 1158, employment authorized);

## §21.4

## 28 CFR Ch. I (7-1-17 Edition)

(4) Aliens who have rendered themselves amenable to deportation proceedings, but have not admitted deportability or have not been determined to be deportable pursuant to section 242 of the Immigration and Nationality Act (8 U.S.C. 1252).

(b) *Aliens entitled to payment of \$1 per day.* An alien who is “excludable” in accordance with 8 U.S.C. 1226, but whose removal is stayed by the Attorney General (in accordance with 8 U.S.C. 1227(d)) because:

(1) The testimony of the alien is necessary on behalf of the United States in the prosecution of offenders against the United States, or

(2) The testimony of the alien is necessary on behalf of an indigent criminal defendant in accordance with Rule 17(b) of the Federal Rules of Criminal Procedures,

is entitled to a \$1 per day witness fee. No other fees and allowances are authorized.

(c) *Aliens not entitled to payment.* An alien who has been paroled into the United States for prosecution pursuant to 8 U.S.C. 1182(d)(5) (documentary evidence: Form I-94, Arrival-Departure Record, Parole Edition), or an alien who has admitted belonging to a class of aliens who are deportable, or an alien who has been determined pursuant to 8 U.S.C. 1252(b) to be deportable (documentary evidence: decision by a Special Inquiry Officer, Board of Immigration Appeals, or court), is prohibited from receiving fees and allowances in accordance with 28 U.S.C. 1821(e).

(d) *Doubtful cases.* If the Immigration and Naturalization Service advises that the alien has admitted deportability, or that he or she was paroled into the United States for prosecution, or that deportation proceedings have been completed against the alien with a result favorable to the Government, no payment under 28 U.S.C. 1821 may be made.

### §21.4 Fees and allowances of fact witnesses.

The fees and allowances of fact witnesses, other than those covered by §21.2, attending at any judicial proceeding, shall be as follows:

(a) *Fee.* A witness shall be paid an attendance fee of \$30 per day for each

day’s attendance. A witness shall also be paid the attendance fee for the time necessarily occupied in going to and returning from the place of attendance. However, if both attendance and travel occur on the same day, a witness is entitled to only one fee.

(b) *Allowable transportation expenses.* A witness shall be entitled to transportation expenses based on the means of transportation reasonably utilized (based on the nature, duration, location and distance of travel) and the distance necessarily traveled from and to such witness’ residence by the shortest practical route and the fastest means of transportation available in going to and returning from the place of attendance. Additional costs incurred (including attendance fees and subsistence allowances) because of a slower means of transportation must be justified for consideration.

(1) A witness who travels by regularly scheduled common carrier shall be paid for the actual expenses of transportation at the most economical rate reasonably available. A receipt or other evidence of actual cost shall be furnished.

(2) A witness who travels by privately owned vehicle shall be paid a transportation allowance equal to the mileage allowance paid for official travel of employees of the Federal Government under the provisions of 5 U.S.C. 5704. However, when two or more witnesses travel in the same privately owned vehicle, only the witness incurring the expense shall receive the mileage allowance.

(3) A witness incurring incidental transportation expenses, such as taxi fares between the place of attendance, residence or lodging and the carrier terminals; bridge, road and tunnel tolls; ferry fares; and parking fees shall be paid in full for such expenses. Receipts or other evidence of actual payment are required for *all parking fees* (if available) and all other single items costing more than \$25.

(4) First-class travel by witnesses requires the same justification and approval required for first-class travel by employees of the Federal Government.

(c) *Subsistence allowance.* A witness (other than a witness detained *in custody*) who is required to be away from

## Department of Justice

## §21.7

his or her residence *overnight* is entitled to a subsistence allowance. A witness who *is not* required to be away from his or her residence overnight *is not* entitled to a subsistence allowance. The witness' subsistence allowance shall not exceed either the per diem rate or the actual subsistence allowance rate prescribed for Government employees for the place of attendance. These rates are established by the Administrator, General Services, for areas within the conterminous United States; the Secretary of Defense for areas of the United States other than conterminous; or the Secretary of State as published in the Standardized Regulations (Government Civilians, Foreign Areas) for foreign areas. The witness' subsistence allowance shall consist of a meal and miscellaneous expense portion and a lodging portion. *When an overnight stay is required*, the witness shall be entitled to:

(1) The meal and miscellaneous expense portion for each day (or partial day) the witness is required to remain away from his or her residence and

(2) The lodging portion for each night the witness is required to incur a lodging expense.

The meal and miscellaneous expense portion shall be 50% of the authorized subsistence allowance rate rounded to the next whole dollar in an actual subsistence rate area, or 45% of the per diem rate rounded to the next whole dollar in a per diem area. The lodging portion shall be the difference between the meal and miscellaneous expense portion and the authorized rate.

(d) *Detained witness fee.* A witness (other than an alien covered by §21.3) detained *in custody* pursuant to 18 U.S.C. 3149 for want of security for his or her appearance shall receive subsistence *in kind* and shall be paid a single daily attendance fee for each day the witness is detained. A witness in custody for purposes other than 18 U.S.C. 3149 is ineligible to receive the attendance and subsistence fees provided by this section.

### §21.5 Use of table of distances.

Mileage payable to witnesses under 28 U.S.C. 1821 shall be computed on the basis of odometer readings or the highway distances as stated in the Rand

McNally Standard Highway Mileage Guide or in any generally accepted highway mileage guide which contains a shortline nationwide table of distances. However, with respect to travel in areas for which no such highway mileage guide exists, mileage payable under 28 U.S.C. 1821 shall be based on the lesser of either (a) the route of travel actually employed or (b) a usually traveled route.

### §21.6 Proceedings *in forma pauperis*.

Title 28 U.S.C. 1915 provides for the commencement, prosecution or defense of any suit, action, or proceeding without prepayment of fees and costs. Witnesses shall attend as in other cases.

(a) *Civil cases.* There are currently no provisions for payment of witnesses called by the indigent. If the indigent party prevails, witness fees and expenses may be taxed as costs in accordance with 28 U.S.C. 1920.

(b) *Criminal cases.* Rule 17(b), Federal Rules of Criminal Procedure, requires that fact witnesses *subpoenaed* on behalf of an indigent defendant be paid in the same manner as witnesses called on behalf of the Government. The attendance must be certified by the presiding officer of the court. The expenses of Federal Government employees are treated in the same manner as they are treated when the employee is called by a Government attorney.

### §21.7 Certification of witness attendance.

In any case in which the U.S. Department of Justice, or office or organization thereof, is a party, the Department of Justice shall pay all fees and allowances of witnesses, except for those witnesses as defined in §21.2, paragraph (d)(1), on the certification of the following officials: The U.S. Attorney, an Assistant U.S. Attorney, a U.S. Trustee, or the U.S. Department of Justice attorney who actually conducts the case. In criminal proceedings *in forma pauperis* or in proceedings before a U.S. Commissioner, U.S. Magistrate or U.S. Parole Commission Hearing Examiner, the Department of Justice shall pay all fees and allowances of witnesses on the certification of the U.S. District Judge hearing the

case or such Commissioner, Magistrate, or Hearing Examiner.

## PART 22—CONFIDENTIALITY OF IDENTIFIABLE RESEARCH AND STATISTICAL INFORMATION

Sec.

- 22.1 Purpose.
- 22.2 Definitions.
- 22.20 Applicability.
- 22.21 Use of identifiable data.
- 22.22 Revelation of identifiable data.
- 22.23 Privacy certification.
- 22.24 Information transfer agreement.
- 22.25 Final disposition of identifiable materials.
- 22.26 Requests for transfer of information.
- 22.27 Notification.
- 22.28 Use of data identifiable to a private person for judicial, legislative or administrative purposes.
- 22.29 Sanctions.

**AUTHORITY:** Secs. 801(a), 812(a), Omnibus Crime Control and Safe Streets Act of 1968, 42 U.S.C. 3701, *et seq.*, as amended (Pub. L. 90-351, as amended by Pub. L. 93-83, Pub. L. 93-415, Pub. L. 94-430, Pub. L. 94-503, Pub. L. 95-115, Pub. L. 96-157, and Pub. L. 98-473); secs. 262(b), 262(d), Juvenile Justice and Delinquency Prevention Act of 1974, 42 U.S.C. 5601, *et seq.*, as amended (Pub. L. 93-415, as amended by Pub. L. 94-503, Pub. L. 95-115, Pub. L. 99-509, and Pub. L. 98-473); and secs. 1407(a) and 1407(d) of the Victims of Crime Act of 1984, 42 U.S.C. 10601, *et seq.*, Pub. L. 98-473; Pub. L. 101-410, 104 Stat. 890, as amended by Pub. L. 104-134, 110 Stat. 1321.

**SOURCE:** 41 FR 54846, Dec. 15, 1976, unless otherwise noted.

### § 22.1 Purpose.

The purpose of these regulations is to:

- (a) Protect privacy of individuals by requiring that information identifiable to a private person obtained in a research or statistical program may only be used and/or revealed for the purpose for which obtained;
- (b) Insure that copies of such information shall not, without the consent of the person to whom the information pertains, be admitted as evidence or used for any purpose in any judicial or administrative proceedings;
- (c) Increase the credibility and reliability of federally-supported research and statistical findings by minimizing subject concern over subsequent uses of identifiable information;

(d) Provide needed guidance to persons engaged in research and statistical activities by clarifying the purposes for which identifiable information may be used or revealed; and

(e) Insure appropriate balance between individual privacy and essential needs of the research community for data to advance the state of knowledge in the area of criminal justice.

(f) Insure the confidentiality of information provided by crime victims to crisis intervention counselors working for victim services programs receiving funds provided under the Crime Control Act, and Juvenile Justice Act, and the Victims of Crime Act.

[41 FR 54846, Dec. 15, 1976, as amended at 51 FR 6400, Feb. 24, 1986]

### § 22.2 Definitions.

(a) *Person* means any individual, partnership, corporation, association, public or private organization or governmental entity, or combination thereof.

(b) *Private person* means any person defined in § 22.2(a) other than an agency, or department of Federal, State, or local government, or any component or combination thereof. Included as a private person is an individual acting in his or her official capacity.

(c) *Research or statistical project* means any program, project, or component thereof which is supported in whole or in part with funds appropriated under the Act and whose purpose is to develop, measure, evaluate, or otherwise advance the state of knowledge in a particular area. The term does not include “intelligence” or other information-gathering activities in which information pertaining to specific individuals is obtained for purposes directly related to enforcement of the criminal laws.

(d) *Research or statistical information* means any information which is collected during the conduct of a research or statistical project and which is intended to be utilized for research or statistical purposes. The term includes information which is collected directly from the individual or obtained from any agency or individual having possession, knowledge, or control thereof.

## Department of Justice

## § 22.23

(e) *Information identifiable to a private person* means information which either—

(1) Is labelled by name or other personal identifiers, or

(2) Can, by virtue of sample size or other factors, be reasonably interpreted as referring to a particular private person.

(f) *Recipient of assistance* means any recipient of a grant, contract, interagency agreement, subgrant, or subcontract under the Act and any person, including subcontractors, employed by such recipient in connection with performances of the grant, contract, or interagency agreement.

(g) *Officer or employee of the Federal Government* means any person employed as a regular or special employee of the U.S. (including experts, consultants, and advisory board members) as of July 1, 1973, or at any time thereafter.

(h) *The act* means the Omnibus Crime Control and Safe Streets Act of 1968, as amended.

(i) *Applicant* means any person who applies for a grant, contract, or subgrant to be funded pursuant to the Act.

(j) *The Juvenile Justice Act* means the “Juvenile Justice and Delinquency Prevention Act of 1974, as amended.”

(k) *The Victims of Crime Act* means the Victims of Crime Act of 1984.

[41 FR 54846, Dec. 15, 1976, as amended at 43 FR 16974, Apr. 21, 1978; 51 FR 6400, Feb. 24, 1986]

### § 22.20 Applicability.

(a) These regulations govern use and revelation of research and statistical information obtained, collected, or produced either directly by BJA, OJJDP, BJS, NIJ, or OJP or under any interagency agreement, grant, contract, or subgrant awarded under the Crime Control Act, the Juvenile Justice Act, and the Victims of Crime Act.

(b) The regulations do not apply to any records from which identifiable research or statistical information was originally obtained; or to any records which are designated under existing statutes as public; or to any information extracted from any records designated as public.

(c) The regulations do not apply to information gained regarding future criminal conduct.

[41 FR 54846, Dec. 15, 1976, as amended at 43 FR 16974, Apr. 21, 1978; 51 FR 6400, Feb. 24, 1986]

### § 22.21 Use of identifiable data.

Research or statistical information identifiable to a private person may be used only for research or statistical purposes.

### § 22.22 Revelation of identifiable data.

(a) Except as noted in paragraph (b) of this section, research and statistical information relating to a private person may be revealed in identifiable form on a need-to-know basis only to—

(1) Officers, employees, and subcontractors of the recipient of assistance;

(2) Such individuals as needed to implement sections 202(c)(3), 801, and 811(b) of the Act; and sections 223(a)(12)(A), 223(a)(13), 223(a)(14), and 243 of the Juvenile Justice and Delinquency Prevention Act.

(3) Persons or organizations for research or statistical purposes. Information may only be transferred for such purposes upon a clear demonstration that the standards of § 22.26 have been met and that, except where information is transferred under paragraphs (a) (1) and (2) of this section, such transfers shall be conditioned on compliance with a § 22.24 agreement.

(b) Information may be revealed in identifiable form where prior consent is obtained from an individual or where the individual has agreed to participate in a project with knowledge that the findings cannot, by virtue of sample size, or uniqueness of subject, be expected to totally conceal subject identity.

[41 FR 54846, Dec. 15, 1976, as amended at 51 FR 6400, Feb. 24, 1986]

### § 22.23 Privacy certification.

(a) Each applicant for BJA, OJJDP, BJS, NIJ, or OJP support either directly or under a State plan shall submit a Privacy Certificate as a condition of approval of a grant application or contract proposal which has a research or statistical project component

## § 22.24

under which information identifiable to a private person will be collected.

(b) The Privacy Certificate shall briefly describe the project and shall contain assurance by the applicant that:

(1) Data identifiable to a private person will not be used or revealed, except as authorized under §§ 22.21, 22.22.

(2) Access to data will be limited to those employees having a need therefore and that such persons shall be advised of and agree in writing to comply with these regulations.

(3) All subcontracts which require access to identifiable data will contain conditions meeting the requirements of § 22.24.

(4) To the extent required by § 22.27 any private persons from whom identifiable data are collected or obtained, either orally or by means of written questionnaire, shall be advised that the data will only be used or revealed for research or statistical purposes and that compliance with requests for information is not mandatory. Where the notification requirement is to be waived, pursuant to § 22.27(c), a justification must be included in the Privacy Certificate.

(5) Adequate precautions will be taken to insure administrative and physical security of identifiable data.

(6) A log will be maintained indicating that identifiable data have been transmitted to persons other than BJA, OJJDP, BJS, NIJ, or OJP or grantee/contractor staff or subcontractors, that such data have been returned, or that alternative arrangements have been agreed upon for future maintenance of such data.

(7) Project plans will be designed to preserve anonymity of private persons to whom information relates, including, where appropriate, name-stripping, coding of data, or other similar procedures.

(8) Project findings and reports prepared for dissemination will not contain information which can reasonably be expected to be identifiable to a private person except as authorized under § 22.22.

(c) The applicant shall attach to the Privacy Certification a description of physical and/or administrative procedures to be followed to insure the secu-

## 28 CFR Ch. I (7-1-17 Edition)

rity of the data to meet the requirements of § 22.25.

[41 FR 5486, Dec. 15, 1976, as amended at 51 FR 6401, Feb. 24, 1986]

### § 22.24 Information transfer agreement.

Prior to the transfer of any identifiable information to persons other than BJA, OJJDP, BJS, NIJ, or OJP or project staff, an agreement shall be entered into which shall provide, as a minimum, that the recipient of data agrees that:

(a) Information identifiable to a private person will be used only for research and statistical purposes.

(b) Information identifiable to a private person will not be revealed to any person for any purpose except where the information has already been included in research findings (and/or data bases) and is revealed on a need-to-know basis for research or statistical purposes, provided that such transfer is approved by the person providing information under the agreement, or authorized under § 22.24(e).

(c) Knowingly and willfully using or disseminating information contrary to the provisions of the agreement shall constitute a violation of these regulations, punishable in accordance with the Act.

(d) Adequate administrative and physical precautions will be taken to assure security of information obtained for such purpose.

(e) Access to information will be limited to those employees or subcontractors having a need therefore in connection with performance of the activity for which obtained, and that such persons shall be advised of, and agree to comply with, these regulations.

(f) Project plans will be designed to preserve anonymity of private persons to whom information relates, including, where appropriate, required name-stripping and/or coding of data or other similar procedures.

(g) Project findings and reports prepared for dissemination will not contain information which can reasonably be expected to be identifiable to a private person.

(h) Information identifiable to a private person (obtained in accordance



## Department of Justice

## § 22.28

with this agreement) will, unless otherwise agreed upon, be returned upon completion of the project for which obtained and no copies of that information retained.

[41 FR 5486, Dec. 15, 1976, as amended at 51 FR 6401, Feb. 24, 1986]

### § 22.25 Final disposition of identifiable materials.

Upon completion of a research or statistical project the security of identifiable research or statistical information shall be protected by:

(a) Complete physical destruction of all copies of the materials or the identifiable portion of such materials after a three-year required recipient retention period or as soon as authorized by law, or

(b) Removal of identifiers from data and separate maintenance of a name-code index in a secure location.

The Privacy Certificate shall indicate the procedures to be followed and shall, in the case of paragraph (b) of this section, describe procedures to secure the name index.

### § 22.26 Requests for transfer of information.

(a) Requests for transfer of information identifiable to an individual shall be submitted to the person submitting the Privacy Certificate pursuant to § 22.23.

(b) Except where information is requested by BJA, OJJDP, BJS, NIJ, or OJP, the request shall describe the general objectives of the project for which information is requested, and specifically justify the need for such information in identifiable form. The request shall also indicate, and provide justification for the conclusion that conduct of the project will not, either directly or indirectly, cause legal, economic, physical, or social harm to individuals whose identification is revealed in the transfer of information.

(c) Data may not be transferred pursuant to this section where a clear showing of the criteria set forth above is not made by the person requesting the data.

[41 FR 5486, Dec. 15, 1976, as amended at 51 FR 6401, Feb. 24, 1986]

### § 22.27 Notification.

(a) Any person from whom information identifiable to a private person is to be obtained directly, either orally, by questionnaire, or other written documents, shall be advised:

(1) That the information will only be used or revealed for research or statistical purposes; and

(2) That compliance with the request for information is entirely voluntary and may be terminated at any time.

(b) Except as noted in paragraph (c) of this section, where information is to be obtained through observation of individual activity or performance, such individuals shall be advised:

(1) Of the particular types of information to be collected;

(2) That the data will only be utilized or revealed for research or statistical purposes; and

(3) That participation in the project in question is voluntary and may be terminated at any time.

(c) Notification, as described in paragraph (b) of this section, may be eliminated where information is obtained through field observation of individual activity or performance and in the judgment of the researcher such notification is impractical or may seriously impede the progress of the research.

(d) Where findings in a project cannot, by virtue of sample size, or uniqueness of subject, be expected to totally conceal subject identity, an individual shall be so advised.

### § 22.28 Use of data identifiable to a private person for judicial, legislative or administrative purposes.

(a) Research or statistical information identifiable to a private person shall be immune from legal process and shall only be admitted as evidence or used for any purpose in any action, suit, or other judicial, legislative or administrative proceeding with the written consent of the individual to whom the data pertains.

(b) Where consent is obtained, such consent shall:

(1) Be obtained at the time that information is sought for use in judicial, legislative or administrative proceedings;

## § 22.29

(2) Set out specific purposes in connection with which information will be used;

(3) Limit, where appropriate, the scope of the information subject to such consent.

[41 FR 54846, Dec. 15, 1976, as amended at 45 FR 62038, Sept. 18, 1980]

### § 22.29 Sanctions.

Where BJA, OJJDP, BJS, NIJ, or OJP believes that a violation of section 812(a) of the Act or section 1407(d) of the Victims of Crime Act, these regulations, or any grant or contract conditions entered into thereunder has occurred, it may initiate administrative actions leading to termination of a grant or contract, commence appropriate personnel and/or other procedures in cases involving Federal employees, and/or initiate appropriate legal actions leading to imposition of a civil penalty not to exceed \$10,000 for a violation occurring before September 29, 1999, and not to exceed \$11,000 for a violation occurring on or after September 29, 1999 against any person responsible for such violations. For civil penalties assessed after August 1, 2016, whose associated violations occurred after November 2, 2015, see the civil penalty amount as provided in 28 CFR 85.5.

[Order No. 2249-99, 64 FR 47102, Aug. 30, 1999, as amended by AG Order 3690-2016, 81 FR 42499, June 30, 2016]

## PART 23—CRIMINAL INTELLIGENCE SYSTEMS OPERATING POLICIES

Sec.

23.1 Purpose.

23.2 Background.

23.3 Applicability.

23.20 Operating principles.

23.30 Funding guidelines.

23.40 Monitoring and auditing of grants for the funding of intelligence systems.

AUTHORITY: 42 U.S.C. 3782(a); 42 U.S.C. 3789g(c).

SOURCE: 58 FR 48452, Sept. 16, 1993, unless otherwise noted.

### § 23.1 Purpose.

The purpose of this regulation is to assure that all criminal intelligence systems operating through support under the Omnibus Crime Control and

## 28 CFR Ch. I (7-1-17 Edition)

Safe Streets Act of 1968, 42 U.S.C. 3711, *et seq.*, as amended (Pub. L. 90-351, as amended by Pub. L. 91-644, Pub. L. 93-83, Pub. L. 93-415, Pub. L. 94-430, Pub. L. 94-503, Pub. L. 95-115, Pub. L. 96-157, Pub. L. 98-473, Pub. L. 99-570, Pub. L. 100-690, and Pub. L. 101-647), are utilized in conformance with the privacy and constitutional rights of individuals.

### § 23.2 Background.

It is recognized that certain criminal activities including but not limited to loan sharking, drug trafficking, trafficking in stolen property, gambling, extortion, smuggling, bribery, and corruption of public officials often involve some degree of regular coordination and permanent organization involving a large number of participants over a broad geographical area. The exposure of such ongoing networks of criminal activity can be aided by the pooling of information about such activities. However, because the collection and exchange of intelligence data necessary to support control of serious criminal activity may represent potential threats to the privacy of individuals to whom such data relates, policy guidelines for Federally funded projects are required.

### § 23.3 Applicability.

(a) These policy standards are applicable to all criminal intelligence systems operating through support under the Omnibus Crime Control and Safe Streets Act of 1968, 42 U.S.C. 3711, *et seq.*, as amended (Pub. L. 90-351, as amended by Pub. L. 91-644, Pub. L. 93-83, Pub. L. 93-415, Pub. L. 94-430, Pub. L. 94-503, Pub. L. 95-115, Pub. L. 96-157, Pub. L. 98-473, Pub. L. 99-570, Pub. L. 100-690, and Pub. L. 101-647).

(b) As used in these policies:

(1) *Criminal Intelligence System* or *Intelligence System* means the arrangements, equipment, facilities, and procedures used for the receipt, storage, interagency exchange or dissemination, and analysis of criminal intelligence information;

(2) *Interjurisdictional Intelligence System* means an intelligence system which involves two or more participating agencies representing different governmental units or jurisdictions;

(3) *Criminal Intelligence Information* means data which has been evaluated to determine that it:

(i) Is relevant to the identification of and the criminal activity engaged in by an individual who or organization which is reasonably suspected of involvement in criminal activity, and

(ii) Meets criminal intelligence system submission criteria;

(4) *Participating Agency* means an agency of local, county, State, Federal, or other governmental unit which exercises law enforcement or criminal investigation authority and which is authorized to submit and receive criminal intelligence information through an interjurisdictional intelligence system. A participating agency may be a member or a nonmember of an interjurisdictional intelligence system;

(5) *Intelligence Project* or *Project* means the organizational unit which operates an intelligence system on behalf of and for the benefit of a single agency or the organization which operates an interjurisdictional intelligence system on behalf of a group of participating agencies; and

(6) *Validation of Information* means the procedures governing the periodic review of criminal intelligence information to assure its continuing compliance with system submission criteria established by regulation or program policy.

**§ 23.20 Operating principles.**

(a) A project shall collect and maintain criminal intelligence information concerning an individual only if there is reasonable suspicion that the individual is involved in criminal conduct or activity and the information is relevant to that criminal conduct or activity.

(b) A project shall not collect or maintain criminal intelligence information about the political, religious or social views, associations, or activities of any individual or any group, association, corporation, business, partnership, or other organization unless such information directly relates to criminal conduct or activity and there is reasonable suspicion that the subject of the information is or may be involved in criminal conduct or activity.

(c) *Reasonable Suspicion* or *Criminal Predicate* is established when information exists which establishes sufficient facts to give a trained law enforcement or criminal investigative agency officer, investigator, or employee a basis to believe that there is a reasonable possibility that an individual or organization is involved in a definable criminal activity or enterprise. In an interjurisdictional intelligence system, the project is responsible for establishing the existence of reasonable suspicion of criminal activity either through examination of supporting information submitted by a participating agency or by delegation of this responsibility to a properly trained participating agency which is subject to routine inspection and audit procedures established by the project.

(d) A project shall not include in any criminal intelligence system information which has been obtained in violation of any applicable Federal, State, or local law or ordinance. In an interjurisdictional intelligence system, the project is responsible for establishing that no information is entered in violation of Federal, State, or local laws, either through examination of supporting information submitted by a participating agency or by delegation of this responsibility to a properly trained participating agency which is subject to routine inspection and audit procedures established by the project.

(e) A project or authorized recipient shall disseminate criminal intelligence information only where there is a need to know and a right to know the information in the performance of a law enforcement activity.

(f)(1) Except as noted in paragraph (f)(2) of this section, a project shall disseminate criminal intelligence information only to law enforcement authorities who shall agree to follow procedures regarding information receipt, maintenance, security, and dissemination which are consistent with these principles.

(2) Paragraph (f)(1) of this section shall not limit the dissemination of an assessment of criminal intelligence information to a government official or to any other individual, when necessary, to avoid imminent danger to life or property.

(g) A project maintaining criminal intelligence information shall ensure that administrative, technical, and physical safeguards (including audit trails) are adopted to insure against unauthorized access and against intentional or unintentional damage. A record indicating who has been given information, the reason for release of the information, and the date of each dissemination outside the project shall be kept. Information shall be labeled to indicate levels of sensitivity, levels of confidence, and the identity of submitting agencies and control officials. Each project must establish written definitions for the need to know and right to know standards for dissemination to other agencies as provided in paragraph (e) of this section. The project is responsible for establishing the existence of an inquirer's need to know and right to know the information being requested either through inquiry or by delegation of this responsibility to a properly trained participating agency which is subject to routine inspection and audit procedures established by the project. Each intelligence project shall assure that the following security requirements are implemented:

(1) Where appropriate, projects must adopt effective and technologically advanced computer software and hardware designs to prevent unauthorized access to the information contained in the system;

(2) The project must restrict access to its facilities, operating environment and documentation to organizations and personnel authorized by the project;

(3) The project must store information in the system in a manner such that it cannot be modified, destroyed, accessed, or purged without authorization;

(4) The project must institute procedures to protect criminal intelligence information from unauthorized access, theft, sabotage, fire, flood, or other natural or manmade disaster;

(5) The project must promulgate rules and regulations based on good cause for implementing its authority to screen, reject for employment, transfer, or remove personnel author-

ized to have direct access to the system; and

(6) A project may authorize and utilize remote (off-premises) system data bases to the extent that they comply with these security requirements.

(h) All projects shall adopt procedures to assure that all information which is retained by a project has relevancy and importance. Such procedures shall provide for the periodic review of information and the destruction of any information which is misleading, obsolete or otherwise unreliable and shall require that any recipient agencies be advised of such changes which involve errors or corrections. All information retained as a result of this review must reflect the name of the reviewer, date of review and explanation of decision to retain. Information retained in the system must be reviewed and validated for continuing compliance with system submission criteria before the expiration of its retention period, which in no event shall be longer than five (5) years.

(i) If funds awarded under the Act are used to support the operation of an intelligence system, then:

(1) No project shall make direct remote terminal access to intelligence information available to system participants, except as specifically approved by the Office of Justice Programs (OJP) based on a determination that the system has adequate policies and procedures in place to insure that it is accessible only to authorized systems users; and

(2) A project shall undertake no major modifications to system design without prior grantor agency approval.

(ii) [Reserved]

(j) A project shall notify the grantor agency prior to initiation of formal information exchange procedures with any Federal, State, regional, or other information systems not indicated in the grant documents as initially approved at time of award.

(k) A project shall make assurances that there will be no purchase or use in the course of the project of any electronic, mechanical, or other device for surveillance purposes that is in violation of the provisions of the Electronic Communications Privacy Act of 1986, Public Law 99-508, 18 U.S.C. 2510-2520,

## Department of Justice

## § 23.30

2701-2709 and 3121-3125, or any applicable State statute related to wire-tapping and surveillance.

(l) A project shall make assurances that there will be no harassment or interference with any lawful political activities as part of the intelligence operation.

(m) A project shall adopt sanctions for unauthorized access, utilization, or disclosure of information contained in the system.

(n) A participating agency of an interjurisdictional intelligence system must maintain in its agency files information which documents each submission to the system and supports compliance with project entry criteria. Participating agency files supporting system submissions must be made available for reasonable audit and inspection by project representatives. Project representatives will conduct participating agency inspection and audit in such a manner so as to protect the confidentiality and sensitivity of participating agency intelligence records.

(o) The Attorney General or designee may waive, in whole or in part, the applicability of a particular requirement or requirements contained in this part with respect to a criminal intelligence system, or for a class of submitters or users of such system, upon a clear and convincing showing that such waiver would enhance the collection, maintenance or dissemination of information in the criminal intelligence system, while ensuring that such system would not be utilized in violation of the privacy and constitutional rights of individuals or any applicable state or federal law.

### § 23.30 Funding guidelines.

The following funding guidelines shall apply to all Crime Control Act funded discretionary assistance awards and Bureau of Justice Assistance (BJA) formula grant program subgrants, a purpose of which is to support the operation of an intelligence system. Intelligence systems shall only be funded where a grantee/subgrantee agrees to adhere to the principles set forth above and the project meets the following criteria:

(a) The proposed collection and exchange of criminal intelligence information has been coordinated with and will support ongoing or proposed investigatory or prosecutorial activities relating to specific areas of criminal activity.

(b) The areas of criminal activity for which intelligence information is to be utilized represent a significant and recognized threat to the population and:

(1) Are either undertaken for the purpose of seeking illegal power or profits or pose a threat to the life and property of citizens; and

(2) Involve a significant degree of permanent criminal organization; or

(3) Are not limited to one jurisdiction.

(c) The head of a government agency or an individual with general policy making authority who has been expressly delegated such control and supervision by the head of the agency will retain control and supervision of information collection and dissemination for the criminal intelligence system. This official shall certify in writing that he or she takes full responsibility and will be accountable for the information maintained by and disseminated from the system and that the operation of the system will be in compliance with the principles set forth in § 23.20.

(d)(1) Where the system is an interjurisdictional criminal intelligence system, the governmental agency which exercises control and supervision over the operation of the system shall require that the head of that agency or an individual with general policy-making authority who has been expressly delegated such control and supervision by the head of the agency:

(i) Assume official responsibility and accountability for actions taken in the name of the joint entity, and

(ii) Certify in writing that the official takes full responsibility and will be accountable for insuring that the information transmitted to the interjurisdictional system or to participating agencies will be in compliance with the principles set forth in § 23.20.

(2) The principles set forth in § 23.20 shall be made part of the by-laws or operating procedures for that system.

## § 23.40

Each participating agency, as a condition of participation, must accept in writing those principles which govern the submission, maintenance and dissemination of information included as part of the interjurisdictional system.

(e) Intelligence information will be collected, maintained and disseminated primarily for State and local law enforcement efforts, including efforts involving Federal participation.

### § 23.40 Monitoring and auditing of grants for the funding of intelligence systems.

(a) Awards for the funding of intelligence systems will receive specialized monitoring and audit in accordance with a plan designed to insure compliance with operating principles as set forth in § 23.20. The plan shall be approved prior to award of funds.

(b) All such awards shall be subject to a special condition requiring compliance with the principles set forth in § 23.20.

(c) An annual notice will be published by OJP which will indicate the existence and the objective of all systems for the continuing interjurisdictional exchange of criminal intelligence information which are subject to the 28 CFR part 23 Criminal Intelligence Systems Policies.

## PART 24—IMPLEMENTATION OF THE EQUAL ACCESS TO JUSTICE ACT IN DEPARTMENT OF JUSTICE ADMINISTRATIVE PROCEEDINGS

### Subpart A—General Provisions

Sec.

- 24.101 Purpose of these rules.
- 24.102 Definitions.
- 24.103 Proceedings covered.
- 24.104 Applicability to Department of Justice proceedings.
- 24.105 Eligibility of applicants.
- 24.106 Standards for awards.
- 24.107 Allowable fees and other expenses.

### Subpart B—Information Required From Applicants

- 24.201 Contents of application.
- 24.202 Net worth exhibit.
- 24.203 Documentation of fees and expenses.
- 24.204 Time for submission of application.

## 28 CFR Ch. I (7–1–17 Edition)

### Subpart C—Procedures for Considering Applications

- 24.301 Filing and service of documents.
- 24.302 Answer to application.
- 24.303 Comments by other parties.
- 24.304 Settlement.
- 24.305 Extensions of time.
- 24.306 Decision on application.
- 24.307 Department review.
- 24.308 Judicial review.
- 24.309 Payment of award.

AUTHORITY: 5 U.S.C. 504(c)(1).

SOURCE: Order No. 975–82, 47 FR 15776, Apr. 13, 1982, unless otherwise noted.

### Subpart A—General Provisions

#### § 24.101 Purpose of these rules.

These rules are adopted by the Department of Justice pursuant to section 504 of title 5, U.S. Code, as amended by section 203(a)(1) of the Equal Access to Justice Act, Public Law No. 96–481. Under the Act, an eligible party may receive an award for attorney fees and other expenses when it prevails over the Department in an adversary adjudication under 5 U.S.C. 554 before the Department, unless the Department's position as a party to the proceeding was substantially justified or special circumstances make an award unjust. The purpose of these rules is to establish procedures for the submission and consideration of applications for awards against the Department.

#### § 24.102 Definitions.

As used in this part:

(a) *The Act* means section 504 of title 5, U.S. Code, as amended by section 203(a)(1) of the Equal Access to Justice Act, Public Law No. 96–481.

(b) *Adversary adjudication* means an adjudication under 5 U.S.C. 554 in which the position of the United States is represented by counsel or otherwise, but excludes an adjudication for the purpose of establishing or fixing a rate or for the purpose of granting or reviewing a license.

(c) *Adjudicative officer* means the official, without regard to whether the official is designated as an administrative law judge, a hearing officer or examiner, or otherwise, who presided at the adversary adjudication.

## Department of Justice

## § 24.106

(d) *Department* refers to the relevant departmental component which is conducting the adversary adjudication (e.g., Drug Enforcement Administration or Office of Justice Assistance, Research, and Statistics).

(e) *Proceeding* means an adversary adjudication as defined in §24.102(b) above.

### § 24.103 Proceedings covered.

(a) These rules apply to adversary adjudications required by statute to be conducted by the Department under 5 U.S.C. 554. Specifically, the proceedings conducted by the Department to which these rules apply are:

(1) Hearings conducted by the Drug Enforcement Administration (DEA) in connection with suspension or revocation of registration of manufacturers, distributors, and dispensers of controlled substances under 21 U.S.C. 824(c) and 21 CFR 1301.51; suspension or revocation of import and export registrations pursuant to 21 U.S.C. 958 and 21 CFR 1311.51;

(2) Hearings conducted by DEA in connection with the scheduling of drugs pursuant to 21 U.S.C. 811(a) and 21 CFR 1308.41;

(3) Handicap discrimination hearings conducted by the Department under 29 U.S.C. 794a(a) and 28 CFR 42.109(d);

(4) Title VI civil rights hearings conducted by the Department under 42 U.S.C. 2000d-1 and 28 CFR 42.109(d);

(5) Grant denial and grant termination hearings conducted by the Office of Justice Assistance, Research, and Statistics (OJARS), the National Institute of Justice (NIJ), the Bureau of Justice Statistics (BJS) and the Office of Juvenile Justice and Delinquency Prevention (OJJDP), or the Law Enforcement Assistance Administration (LEAA) under 42 U.S.C. 3783 and 28 CFR part 18; and

(6) Civil rights hearings conducted by OJARS under 42 U.S.C. 3789d and 28 CFR 42.214-15.

(b) If a proceeding includes both matters covered by the Act and matters specifically excluded from coverage, any award made will include only fees and expenses related to covered issues.

### § 24.104 Applicability to Department of Justice proceedings.

The Act applies to an adversary adjudication pending before the Department at any time between October 1, 1981 and September 30, 1984. This includes proceedings begun before October 1, 1981 if final Department action has not been taken before that date, and proceedings pending on September 30, 1984.

### § 24.105 Eligibility of applicants.

(a) To be eligible for an award of attorney fees and other expenses under the Act, the applicant must be a prevailing party in the adversary adjudication for which it seeks an award. The term "party" is defined in 5 U.S.C. 551(3). The applicant must show that it meets all conditions of eligibility set out in this subpart and in subpart B.

(b) The types of eligible applicants are as follows:

(1) An individual with a net worth of not more than \$1 million;

(2) The sole owner of an unincorporated business who has a net worth of not more than \$5 million and not more than 500 employees;

(3) A charitable or other tax-exempt organization described in section 501(c)(3) of the Internal Revenue Code (26 U.S.C. 501(c)(3)) with not more than 500 employees;

(4) A cooperative association as defined in section 15(a) of the Agricultural Marketing Act (12 U.S.C. 1141j(a)) with not more than 500 employees; and

(5) Any other partnership, corporation, association, or public or private organization with a net worth of not more than \$5 million and not more than 500 employees.

(c) For the purpose of eligibility, the net worth and number of employees of an applicant shall be determined as of the date the adversary adjudication was initiated.

### § 24.106 Standards for awards.

(a) A prevailing applicant may receive an award for fees and expenses incurred in connection with a proceeding unless (1) the position of the Department as a party to the proceeding was substantially justified or (2) special circumstances make the award sought unjust. No presumption arises that the

## § 24.107

## 28 CFR Ch. I (7–1–17 Edition)

agency's position was not substantially justified simply because the agency did not prevail.

(b) An award will be reduced or denied if the applicant has unduly or unreasonably protracted the proceedings.

### § 24.107 Allowable fees and other expenses.

(a) The following fees and other expenses are allowable under the Act:

(1) Reasonable expenses of expert witnesses;

(2) Reasonable cost of any study, analysis, engineering report, test, or project which the Department finds necessary for the preparation of the party's case;

(3) Reasonable attorney or agent fees;

(b) The amount of fees awarded will be based upon the prevailing market rates for the kind and quality of services furnished, except that

(1) Compensation for an expert witness will not exceed the highest rate paid by the Department for expert witnesses; and

(2) Attorney or agent fees will not be in excess of \$75 per hour.

### Subpart B—Information Required From Applicants

#### § 24.201 Contents of application.

(a) An application for an award of fees and expenses under the Act shall identify the applicant and the proceeding for which an award is sought. The application shall show that the applicant has prevailed and identify the position of the Department in the proceeding that the applicant alleges was not substantially justified.

(b) The application shall include a statement that the applicant's net worth as of the time the proceeding was initiated did not exceed \$1 million if the applicant is an individual (other than a sole owner of an unincorporated business seeking an award in that capacity) or \$5 million in the case of all other applicants. An applicant may omit this statement if:

(1) It attaches a copy of a ruling by the Internal Revenue Service that it qualifies as an organization described in section 501(c)(3) of the Internal Revenue Code of 1954 (26 U.S.C. 501(c)(3)) and is exempt from taxation under sec-

tion 501(a) of the Code or, in the case of such an organization not required to obtain a ruling from the Internal Revenue Service on its exempt status, a statement that describes the basis for the applicant's belief that it qualifies under section 501(c)(3) of the Code; or

(2) It states that it is a cooperative association as defined in section 15(a) of the Agricultural Marketing Act (12 U.S.C. 1141j(a)).

(c) If the applicant is a partnership, corporation, association, or organization, or a sole owner of an unincorporated business, the application shall state that it did not have more than 500 employees at the time the proceeding was initiated, giving the number of its employees and describing briefly the type and purpose of its organization or business.

(d) The application shall itemize the amount of fees and expenses for which an award is sought.

(e) The application may include any other matters that the applicant believes should be considered in determining whether and in what amount an award should be made.

(f) The application shall be signed by the applicant with respect to the eligibility of the applicant and by the attorney of the applicant with respect to fees and expenses sought. The application shall contain or be accompanied by a written verification under oath or affirmation under penalty of perjury that the information provided in the application and all accompanying material is true and complete to the best of the signer's information and belief.

#### § 24.202 Net worth exhibit.

(a) Each applicant except a qualified tax exempt organization or a qualified cooperative must submit with its application a detailed exhibit showing its net worth at the time the proceeding was initiated. If any individual, corporation, or other entity directly or indirectly controls or owns a majority of the voting shares or other interest of the applicant, or if the applicant directly or indirectly owns or controls a majority of the voting shares of other interest of any corporation or other entity, the exhibit must include a showing of the net worth of all such affiliates or of the applicant including the



## Department of Justice

## § 24.302

affiliates. The exhibit may be in any form convenient to the applicant, provided that it makes full disclosure of the applicant's and any affiliates' assets and liabilities and is sufficient to determine whether the applicant qualifies under the standards of 5 U.S.C. 504(b)(1)(B)(i). The adjudicative officer may require an applicant to file additional information to determine the applicant's eligibility for an award.

(b) The net worth exhibit shall describe any transfers of assets from, or obligations incurred by, the applicant or any affiliate, occurring in the one-year period prior to the date on which the proceeding was initiated, that reduced the net worth of the applicant and its affiliates below the applicable net worth ceiling. If there were no such transactions, the applicant shall so state.

(c) The net worth exhibit shall be included in the public record of the proceeding.

### § 24.203 Documentation of fees and expenses.

(a) The application shall be accompanied by full documentation of the fees and expenses, including the cost of any study, engineering report, test, or project, for which an award is sought.

(b) The documentation shall include an affidavit from any attorney, agent, or expert witness representing or appearing in behalf of the party, stating the actual time expended and the rate at which fees and other expenses were computed and describing the specific services performed.

(1) The affidavit shall state the services performed. In order to establish the hourly rate, the affidavit shall state the hourly rate which is billed and paid by the majority of clients during the relevant time periods.

(2) If no hourly rate is paid by the majority of clients because, for instance, the attorney or agent represents most clients on a contingency basis, the attorney or agent shall provide information about two attorneys or agents with similar experience, who perform similar work, stating their hourly rate.

(c) The documentation shall also include a description of any expenses for which reimbursement is sought and a

statement of the amounts paid and payable by the applicant or by any other person or entity for the services provided.

(d) The adjudicative officer may require the applicant to provide vouchers, receipts, or other substantiation for any expenses claimed.

### § 24.204 Time for submission of application.

(a) An application must be filed no later than 30 days after final disposition of the proceeding. If review or reconsideration is sought or taken of a decision as to which an applicant believes it has prevailed, action on the award of fees shall be stayed pending final disposition of the underlying controversy.

(b) Final disposition means the later of:

(1) The date on which the final agency decision is issued,

(2) The date on which a petition for rehearing or reconsideration is disposed of, or

(3) The date of final resolution of the proceeding, such as settlement or voluntary dismissal, which is not subject to a petition for rehearing or reconsideration.

## Subpart C—Procedures for Considering Applications

### § 24.301 Filing and service of documents.

An application for an award and any other pleading or document related to the application shall be filed and served on all parties to the proceeding in the same manner as other pleadings in the proceeding.

### § 24.302 Answer to application.

(a) Within 30 calendar days after service of the application, Department counsel may file an answer. If Department counsel fails to answer or otherwise fails to contest or settle the application, the adjudicative officer may upon a satisfactory showing of entitlement by the applicant make an award for the applicant's fees and other expenses under 5 U.S.C. 504.

### § 24.303

### 28 CFR Ch. I (7–1–17 Edition)

(b) If Department counsel and applicant believe that they can reach a settlement concerning the award, Department counsel may file a statement of intent to negotiate. The filing of such a statement shall extend the time for filing an answer an additional 30 days.

(c) The answer shall explain in detail any objections to the award requested and identify the facts relied on to support the objection. If the answer is based on any alleged facts not already reflected in the record of the proceeding, Department counsel shall include with the answer either a supporting affidavit or a request for further filings or other action.

#### § 24.303 Comments by other parties.

Any party to a proceeding other than the applicant and Department counsel may file comments on an application within 30 calendar days after it is served or on an answer within 15 calendar days after it is served.

#### § 24.304 Settlement.

A prevailing party and Department counsel may agree on a proposed settlement of an award before final action on the application, either in connection with a settlement of the underlying proceeding or after the underlying proceeding has been concluded. If the party and Department counsel agree on a proposed settlement of an award before an application has been filed, the application shall be filed with the proposed settlement.

#### § 24.305 Extensions of time.

(a) The adjudicative officer may on motion and for good cause shown grant extensions of time other than for filing an application for fees and expenses after final disposition in the adversary adjudication.

(b) Ordinarily, the determination of an award will be made on the basis of the written record of the underlying proceeding and the filings required or permitted by the foregoing sections of these rules. However, the adjudicative officer may *sua sponte* or on motion of any party to the proceedings require or permit further filings or other action, such as an informal conference, oral argument, additional written submissions, or an evidentiary hearing. Such

further action shall occur only when necessary for full and fair resolution of the issues arising from the application and shall take place as promptly as possible. A motion for further filings or other action shall specifically identify the information sought on the disputed issues and shall explain why the further filings or other action is necessary to resolve the issues.

(c) In the event that an evidentiary hearing is required or permitted by the adjudicative officer, such hearing and any related filings or other action required or permitted shall be conducted pursuant to the procedural rules governing adversary adjudications conducted by the Department component in which the underlying adversary adjudication was conducted.

#### § 24.306 Decision on application.

The adjudicative officer shall promptly issue a decision on the application which shall include proposed written findings and conclusions on such of the following as are relevant to the decision:

(a) The applicant's status as a prevailing party;

(b) The applicant's qualification as a "party" under 5 U.S.C. 504(b)(1)(B);

(c) Whether the Department's position as a party to the proceeding was substantially justified;

(d) Whether special circumstances make an award unjust;

(e) Whether the applicant during the course of the proceedings engaged in conduct that unduly and unreasonably protracted the final resolution of the matter in controversy; and

(f) The amounts, if any, awarded for fees and other expenses, with reasons for any difference between the amount requested and the amount awarded.

#### § 24.307 Department review.

The decision of the adjudicative officer will be reviewed to the extent permitted by law by the Department in accordance with the Department's procedures for the type of proceeding involved. The Department will issue the final decision on the application.

## Department of Justice

## § 25.2

### § 24.308 Judicial review.

Judicial review of final Department decisions on awards may be sought as provided in 5 U.S.C. 504(c)(2).

### § 24.309 Payment of award.

An applicant seeking payment of an award shall submit a copy of the final decision granting the award to the Department's Accounting Office for processing. A statement that review of the underlying decision is not being sought in the United States courts, or that the process for seeking review of the award has been completed, must also be included.

## PART 25—DEPARTMENT OF JUSTICE INFORMATION SYSTEMS

### Subpart A—The National Instant Criminal Background Check System

Sec.

- 25.1 Purpose and authority.
- 25.2 Definitions.
- 25.3 System information.
- 25.4 Record source categories.
- 25.5 Validation and data integrity of records in the system.
- 25.6 Accessing records in the system.
- 25.7 Querying records in the system.
- 25.8 System safeguards.
- 25.9 Retention and destruction of records in the system.
- 25.10 Correction of erroneous system information.
- 25.11 Prohibited activities and penalties.

### Subpart B—National Motor Vehicle Title Information System (NMVTIS)

- 25.51 Purpose and authority.
- 25.52 Definitions.
- 25.53 Responsibilities of the operator of NMVTIS.
- 25.54 Responsibilities of the States.
- 25.55 Responsibilities of insurance carriers.
- 25.56 Responsibilities of junk yards and salvage yards and auto recyclers.
- 25.57 Erroneous junk or salvage reporting.

**AUTHORITY:** Public Law 103-159, 107 Stat. 1536, 49 U.S.C. 30501-30505; Public Law 101-410, 104 Stat. 890, as amended by Public Law 104-134, 110 Stat. 1321.

**SOURCE:** Order No. 2186-98, 63 FR 58307, Oct. 30, 1998, unless otherwise noted.

## Subpart A—The National Instant Criminal Background Check System

### § 25.1 Purpose and authority.

The purpose of this subpart is to establish policies and procedures implementing the Brady Handgun Violence Prevention Act (Brady Act), Public Law 103-159, 107 Stat. 1536. The Brady Act requires the Attorney General to establish a National Instant Criminal Background Check System (NICS) to be contacted by any licensed importer, licensed manufacturer, or licensed dealer of firearms for information as to whether the transfer of a firearm to any person who is not licensed under 18 U.S.C. 923 would be in violation of Federal or state law. The regulations in this subpart are issued pursuant to section 103(h) of the Brady Act, 107 Stat. 1542 (18 U.S.C. 922 note), and include requirements to ensure the privacy and security of the NICS and appeals procedures for persons who have been denied the right to obtain a firearm as a result of a NICS background check performed by the Federal Bureau of Investigation (FBI) or a state or local law enforcement agency.

### § 25.2 Definitions.

*Appeal* means a formal procedure to challenge the denial of a firearm transfer.

*ARI* means a unique Agency Record Identifier assigned by the agency submitting records for inclusion in the NICS Index.

*ATF* means the Bureau of Alcohol, Tobacco, Firearms and Explosives.

*Audit log* means a chronological record of system (computer) activities that enables the reconstruction and examination of the sequence of events and/or changes in an event.

*Business day* means a 24-hour day (beginning at 12:01 a.m.) on which state offices are open in the state in which the proposed firearm transaction is to take place.

*Control Terminal Agency* means a state or territorial criminal justice agency recognized by the FBI as the agency responsible for providing state- or territory-wide service to criminal justice users of NCIC data.

*Data source* means an agency that provided specific information to the NICS.

*Delayed* means the response given to the FFL indicating that the transaction is in an “Open” status and that more research is required prior to a NICS “Proceed” or “Denied” response. A “Delayed” response to the FFL indicates that it would be unlawful to transfer the firearm until receipt of a follow-up “Proceed” response from the NICS or the expiration of three business days, whichever occurs first.

*Denied* means denial of a firearm transfer based on a NICS response indicating one or more matching records were found providing information demonstrating that receipt of a firearm by a prospective transferee would violate 18 U.S.C. 922 or state law.

*Denying agency* means a POC or the NICS Operations Center, whichever determines that information in the NICS indicates that the transfer of a firearm to a person would violate Federal or state law, based on a background check.

*Dial-up access* means any routine access through commercial switched circuits on a continuous or temporary basis.

*Federal agency* means any authority of the United States that is an “Agency” under 44 U.S.C. 3502(1), other than those considered to be independent regulatory agencies, as defined in 44 U.S.C. 3502(10).

*FFL (federal firearms licensee)* means a person licensed by the ATF as a manufacturer, dealer, or importer of firearms.

*Firearm* has the same meaning as in 18 U.S.C. 921(a)(3).

*Licensed dealer* means any person defined in 27 CFR 178.11.

*Licensed importer* has the same meaning as in 27 CFR 178.11.

*Licensed manufacturer* has the same meaning as in 27 CFR 178.11.

*NCIC (National Crime Information Center)* means the nationwide computerized information system of criminal justice data established by the FBI as a service to local, state, and Federal criminal justice agencies.

*NICS* means the National Instant Criminal Background Check System, which an FFL must, with limited ex-

ceptions, contact for information on whether receipt of a firearm by a person who is not licensed under 18 U.S.C. 923 would violate Federal or state law.

*NICS Index* means the database, to be managed by the FBI, containing information provided by Federal and state agencies about persons prohibited under Federal law from receiving or possessing a firearm. The NICS Index is separate and apart from the NCIC and the Interstate Identification Index (III).

*NICS operational day* means the period during which the NICS Operations Center has its daily regular business hours.

*NICS Representative* means a person who receives telephone inquiries to the NICS Operations Center from FFLs requesting background checks and provides a response as to whether the receipt or transfer of a firearm may proceed or is delayed.

*NRI (NICS Record Identifier)* means the system-generated unique number associated with each record in the NICS Index.

*NTN (NICS Transaction Number)* means the unique number that will be assigned to each valid background check inquiry received by the NICS. Its primary purpose will be to provide a means of associating inquiries to the NICS with the responses provided by the NICS to the FFLs.

*Open* means those non-canceled transactions where the FFL has not been notified of the final determination. In cases of “open” responses, the NICS continues researching potentially prohibiting records regarding the transferee and, if definitive information is obtained, communicates to the FFL the final determination that the check resulted in a proceed or a deny. An “open” response does not prohibit an FFL from transferring a firearm after three business days have elapsed since the FFL provided to the system the identifying information about the prospective transferee.

*ORI (Originating Agency Identifier)* means a nine-character identifier assigned by the FBI to an agency that has met the established qualifying criteria for ORI assignment to identify the agency in transactions on the NCIC System.

## Department of Justice

## § 25.5

*Originating Agency* means an agency that provides a record to a database checked by the NICS.

*POC (Point of Contact)* means a state or local law enforcement agency serving as an intermediary between an FFL and the federal databases checked by the NICS. A POC will receive NICS background check requests from FFLs, check state or local record systems, perform NICS inquiries, determine whether matching records provide information demonstrating that an individual is disqualified from possessing a firearm under Federal or state law, and respond to FFLs with the results of a NICS background check. A POC will be an agency with express or implied authority to perform POC duties pursuant to state statute, regulation, or executive order.

*Proceed* means a NICS response indicating that the information available to the system at the time of the response did not demonstrate that transfer of the firearm would violate federal or state law. A “Proceed” response would not relieve an FFL from compliance with other provisions of Federal or state law that may be applicable to firearms transfers. For example, under 18 U.S.C. 922(d), an FFL may not lawfully transfer a firearm if he or she knows or has reasonable cause to believe that the prospective recipient is prohibited by law from receiving or possessing a firearm.

*Record* means any item, collection, or grouping of information about an individual that is maintained by an agency, including but not limited to information that disqualifies the individual from receiving a firearm, and that contains his or her name or other personal identifiers.

*STN (State-Assigned Transaction Number)* means a unique number that may be assigned by a POC to a valid background check inquiry.

*System* means the National Instant Criminal Background Check System (NICS).

[Order No. 2186-98, 63 FR 58307, Oct. 30, 1998, as amended by Order No. 2727-2004, 69 FR 43900, July 23, 2004; Order No. 3477-2014, 79 FR 69051, Nov. 20, 2014]

### § 25.3 System information.

(a) There is established at the FBI a National Instant Criminal Background Check System.

(b) The system will be based at the Federal Bureau of Investigation, 1000 Custer Hollow Road, Clarksburg, West Virginia 26306-0147.

(c) The system manager and address are: Director, Federal Bureau of Investigation, J. Edgar Hoover F.B.I. Building, 935 Pennsylvania Avenue, NW, Washington, D.C. 20535.

### § 25.4 Record source categories.

It is anticipated that most records in the NICS Index will be obtained from Federal agencies. It is also anticipated that a limited number of authorized state and local law enforcement agencies will voluntarily contribute records to the NICS Index. Information in the NCIC and III systems that will be searched during a background check has been or will be contributed voluntarily by Federal, state, local, and international criminal justice agencies.

### § 25.5 Validation and data integrity of records in the system.

(a) The FBI will be responsible for maintaining data integrity during all NICS operations that are managed and carried out by the FBI. This responsibility includes:

(1) Ensuring the accurate adding, canceling, or modifying of NICS Index records supplied by Federal agencies;

(2) Automatically rejecting any attempted entry of records into the NICS Index that contain detectable invalid data elements;

(3) Automatic purging of records in the NICS Index after they are on file for a prescribed period of time; and

(4) Quality control checks in the form of periodic internal audits by FBI personnel to verify that the information provided to the NICS Index remains valid and correct.

(b) Each data source will be responsible for ensuring the accuracy and validity of the data it provides to the NICS Index and will immediately correct any record determined to be invalid or incorrect.

**§ 25.6 Accessing records in the system.**

(a) FFLs may initiate a NICS background check only in connection with a proposed firearm transfer as required by the Brady Act. FFLs are strictly prohibited from initiating a NICS background check for any other purpose. The process of accessing the NICS for the purpose of conducting a NICS background check is initiated by an FFL's contacting the FBI NICS Operations Center (by telephone or electronic dial-up access) or a POC. FFLs in each state will be advised by the ATF whether they are required to initiate NICS background checks with the NICS Operations Center or a POC and how they are to do so.

(b) *Access to the NICS through the FBI NICS Operations Center.* FFLs may contact the NICS Operations Center by use of a toll-free telephone number, only during its regular business hours. In addition to telephone access, toll-free electronic dial-up access to the NICS will be provided to FFLs after the beginning of the NICS operation. FFLs with electronic dial-up access will be able to contact the NICS 24 hours each day, excluding scheduled and unscheduled downtime.

(c)(1) The FBI NICS Operations Center, upon receiving an FFL telephone or electronic dial-up request for a background check, will:

- (i) Verify the FFL Number and code word;
- (ii) Assign a NICS Transaction Number (NTN) to a valid inquiry and provide the NTN to the FFL;
- (iii) Search the relevant databases (i.e., NICS Index, NCIC, III) for any matching records; and
- (iv) Provide the following NICS responses based upon the consolidated NICS search results to the FFL that requested the background check:

(A) "Proceed" response, if no disqualifying information was found in the NICS Index, NCIC, or III.

(B) "Delayed" response, if the NICS search finds a record that requires more research to determine whether the prospective transferee is disqualified from possessing a firearm by Federal or state law. A "Delayed" response to the FFL indicates that the firearm transfer should not proceed pending receipt of a follow-up "Proceed" response

from the NICS or the expiration of three business days (exclusive of the day on which the query is made), whichever occurs first. (Example: An FFL requests a NICS check on a prospective firearm transferee at 9:00 a.m. on Friday and shortly thereafter receives a "Delayed" response from the NICS. If state offices in the state in which the FFL is located are closed on Saturday and Sunday and open the following Monday, Tuesday, and Wednesday, and the NICS has not yet responded with a "Proceed" or "Denied" response, the FFL may transfer the firearm at 12:01 a.m. Thursday.)

(C) "Denied" response, when at least one matching record is found in either the NICS Index, NCIC, or III that provides information demonstrating that receipt of a firearm by the prospective transferee would violate 18 U.S.C. 922 or state law. The "Denied" response will be provided to the requesting FFL by the NICS Operations Center during its regular business hours.

(2) None of the responses provided to the FFL under paragraph (c)(1) of this section will contain any of the underlying information in the records checked by the system.

(d) *Access to the NICS through POCs.* In states where a POC is designated to process background checks for the NICS, FFLs will contact the POC to initiate a NICS background check. Both ATF and the POC will notify FFLs in the POC's state of the means by which FFLs can contact the POC. The NICS will provide POCs with electronic access to the system virtually 24 hours each day through the NCIC communication network. Upon receiving a request for a background check from an FFL, a POC will:

(1) Verify the eligibility of the FFL either by verification of the FFL number or an alternative POC-verification system;

(2) Enter a purpose code indicating that the query of the system is for the purpose of performing a NICS background check in connection with the transfer of a firearm; and (3) Transmit the request for a background check via the NCIC interface to the NICS.

(e) Upon receiving a request for a NICS background check, POCs may also conduct a search of available files

## Department of Justice

## § 25.6

in state and local law enforcement and other relevant record systems, and may provide a unique State-Assigned Transaction Number (STN) to a valid inquiry for a background check.

(f) When the NICS receives an inquiry from a POC, it will search the relevant databases (i.e., NICS Index, NCIC, III) for any matching record(s) and will provide an electronic response to the POC. This response will consolidate the search results of the relevant databases and will include the NTN. The following types of responses may be provided by the NICS to a state or local agency conducting a background check:

(1) No record response, if the NICS determines, through a complete search, that no matching record exists.

(2) Partial response, if the NICS has not completed the search of all of its records. This response will indicate the databases that have been searched (i.e., III, NCIC, and/or NICS Index) and the databases that have not been searched. It will also provide any potentially disqualifying information found in any of the databases searched. A follow-up response will be sent as soon as all the relevant databases have been searched. The follow-up response will provide the complete search results.

(3) Single matching record response, if all records in the relevant databases have been searched and one matching record was found.

(4) Multiple matching record response, if all records in the relevant databases have been searched and more than one matching record was found.

(g) Generally, based on the response(s) provided by the NICS, and other information available in the state and local record systems, a POC will:

(1) Confirm any matching records; and

(2) Notify the FFL that the transfer may proceed, is delayed pending further record analysis, or is denied. "Proceed" notifications made within three business days will be accompanied by the NTN or STN traceable to the NTN. The POC may or may not provide a transaction number (NTN or STN) when notifying the FFL of a "Denied" response.

(h) *POC Determination Messages.* POCs shall transmit electronic NICS transaction determination messages to the FBI for the following transactions: open transactions that are not resolved before the end of the operational day on which the check is requested; denied transactions; transactions reported to the NICS as open and later changed to proceed; and denied transactions that have been overturned. The FBI shall provide POCs with an electronic capability to transmit this information. These electronic messages shall be provided to the NICS immediately upon communicating the POC determination to the FFL. For transactions where a determination has not been communicated to the FFL, the electronic messages shall be communicated no later than the end of the operational day on which the check was initiated. With the exception of permit checks, newly created POC NICS transactions that are not followed by a determination message (deny or open) before the end of the operational day on which they were initiated will be assumed to have resulted in a proceed notification to the FFL. The information provided in the POC determination messages will be maintained in the NICS Audit Log described in § 25.9(b). The NICS will destroy its records regarding POC determinations in accordance with the procedures detailed in § 25.9(b).

(i) *Response recording.* FFLs are required to record the system response, whether provided by the FBI NICS Operations Center or a POC, on the appropriate ATF form for audit and inspection purposes, under 27 CFR part 178 recordkeeping requirements. The FBI NICS Operations Center response will always include an NTN and associated "Proceed," "Delayed," or "Denied" determination. POC responses may vary as discussed in paragraph (g) of this section. In these instances, FFLs will record the POC response, including any transaction number and/or determination.

(j) *Access to the NICS Index for purposes unrelated to NICS background checks required by the Brady Act.* Access to the NICS Index for purposes unrelated to NICS background checks pursuant to 18 U.S.C. 922(t) shall be limited to uses for the purposes of:

## § 25.7

(1) Providing information to Federal, state, tribal, or local criminal justice agencies in connection with the issuance of a firearm-related or explosives-related permit or license, including permits or licenses to possess, acquire, or transfer a firearm, or to carry a concealed firearm, or to import, manufacture, deal in, or purchase explosives;

(2) Responding to an inquiry from the Bureau of Alcohol, Tobacco, Firearms, and Explosives in connection with a civil or criminal law enforcement activity relating to the Gun Control Act (18 U.S.C. Chapter 44) or the National Firearms Act (26 U.S.C. Chapter 53); or,

(3) Disposing of firearms in the possession of a Federal, state, tribal, or local criminal justice agency.

[Order No. 2186-98, 63 FR 58307, Oct. 30, 1998, as amended by Order No. 2727-2004, 69 FR 43900, July 23, 2004; Order No. 3477-2014, 79 FR 69051, Nov. 20, 2014]

### § 25.7 Querying records in the system.

(a) The following search descriptors will be required in all queries of the system for purposes of a background check:

- (1) Name;
- (2) Sex;
- (3) Race;
- (4) Complete date of birth; and
- (5) State of residence.

(b) A unique numeric identifier may also be provided to search for additional records based on exact matches by the numeric identifier. Examples of unique numeric identifiers for purposes of this system are: Social Security number (to comply with Privacy Act requirements, a Social Security number will not be required by the NICS to perform any background check) and miscellaneous identifying numbers (e.g., military number or number assigned by Federal, state, or local authorities to an individual's record). Additional identifiers that may be requested by the system after an initial query include height, weight, eye and hair color, and place of birth. At the option of the querying agency, these additional identifiers may also be included in the initial query of the system.

## 28 CFR Ch. I (7-1-17 Edition)

### § 25.8 System safeguards.

(a) Information maintained in the NICS Index is stored electronically for use in an FBI computer environment. The NICS central computer will reside inside a locked room within a secure facility. Access to the facility will be restricted to authorized personnel who have identified themselves and their need for access to a system security officer.

(b) Access to data stored in the NICS is restricted to duly authorized agencies. The security measures listed in paragraphs (c) through (f) of this section are the minimum to be adopted by all POCs and data sources having access to the NICS.

(c) State or local law enforcement agency computer centers designated by a Control Terminal Agency as POCs shall be authorized NCIC users and shall observe all procedures set forth in the NCIC Security Policy of 1992 when processing NICS background checks. The responsibilities of the Control Terminal Agencies and the computer centers include the following:

(1) The criminal justice agency computer site must have adequate physical security to protect against any unauthorized personnel gaining access to the computer equipment or to any of the stored data.

(2) Since personnel at these computer centers can have access to data stored in the NICS, they must be screened thoroughly under the authority and supervision of a state Control Terminal Agency. This authority and supervision may be delegated to responsible criminal justice agency personnel in the case of a satellite computer center being serviced through a state Control Terminal Agency. This screening will also apply to non-criminal justice maintenance or technical personnel.

(3) All visitors to these computer centers must be accompanied by staff personnel at all times.

(4) POCs utilizing a state/NCIC terminal to access the NICS must have the proper computer instructions written and other built-in controls to prevent data from being accessible to any terminals other than authorized terminals.

(5) Each state Control Terminal Agency shall build its data system



## Department of Justice

## § 25.9

around a central computer, through which each inquiry must pass for screening and verification.

(d) Authorized state agency remote terminal devices operated by POCs and having access to the NICS must meet the following requirements:

(1) POCs and data sources having terminals with access to the NICS must physically place these terminals in secure locations within the authorized agency;

(2) The agencies having terminals with access to the NICS must screen terminal operators and must restrict access to the terminals to a minimum number of authorized employees; and

(3) Copies of NICS data obtained from terminal devices must be afforded appropriate security to prevent any unauthorized access or use.

(e) FFL remote terminal devices may be used to transmit queries to the NICS via electronic dial-up access. The following procedures will apply to such queries:

(1) The NICS will incorporate a security authentication mechanism that performs FFL dial-up user authentication before network access takes place;

(2) The proper use of dial-up circuits by FFLs will be included as part of the periodic audits by the FBI; and

(3) All failed authentications will be logged by the NICS and provided to the NICS security administrator.

(f) FFLs may use the telephone to transmit queries to the NICS, in accordance with the following procedures:

(1) FFLs may contact the NICS Operations Center during its regular business hours by a telephone number provided by the FBI;

(2) FFLs will provide the NICS Representative with their FFL Number and code word, the type of sale, and the name, sex, race, date of birth, and state of residence of the prospective buyer; and

(3) The NICS will verify the FFL Number and code word before processing the request.

(g) The following precautions will be taken to help ensure the security and privacy of NICS information when FFLs contact the NICS Operations Center:

(1) Access will be restricted to the initiation of a NICS background check in connection with the proposed transfer of a firearm.

(2) The NICS Representative will only provide a response of "Proceed" or "Delayed" (with regard to the prospective firearms transfer), and will not provide the details of any record information about the transferee. In cases where potentially disqualifying information is found in response to an FFL query, the NICS Representative will provide a "Delayed" response to the FFL. Follow-up "Proceed" or "Denied" responses will be provided by the NICS Operations Center during its regular business hours.

(3) The FBI will periodically monitor telephone inquiries to ensure proper use of the system.

(h) All transactions and messages sent and received through electronic access by POCs and FFLs will be automatically logged in the NICS Audit Log described in § 25.9(b). Information in the NICS Audit Log will include initiation and termination messages, failed authentications, and matching records located by each search transaction.

(i) The FBI will monitor and enforce compliance by NICS users with the applicable system security requirements outlined in the NICS POC Guidelines and the NICS FFL Manual (available from the NICS Operations Center, Federal Bureau of Investigation, 1000 Custer Hollow Road, Clarksburg, West Virginia 26306-0147).

### **§ 25.9 Retention and destruction of records in the system.**

(a) The NICS will retain NICS Index records that indicate that receipt of a firearm by the individuals to whom the records pertain would violate Federal or state law. The NICS will retain such records indefinitely, unless they are canceled by the originating agency. In cases where a firearms disability is not permanent, e.g., a disqualifying restraining order, the NICS will automatically purge the pertinent record when it is no longer disqualifying. Unless otherwise removed, records contained in the NCIC and III files that are accessed during a background check

## § 25.9

## 28 CFR Ch. I (7–1–17 Edition)

will remain in those files in accordance with established policy.

(b) The FBI will maintain an automated NICS Audit Log of all incoming and outgoing transactions that pass through the system.

(1) *Contents.* The NICS Audit Log will record the following information: Type of transaction (inquiry or response), line number, time, date of inquiry, header, message key, ORI or FFL identifier, and inquiry/response data (including the name and other identifying information about the prospective transferee and the NTN).

(i) NICS denied transaction records obtained or created in the course of the operation of the system will be retained in the Audit Log for 10 years, after which time they will be transferred to an appropriate FBI-maintained electronic database.

(ii) NICS Audit Log records relating to transactions in an open status, except the NTN and date, will be destroyed after not more than 90 days from the date of inquiry; and

(iii) In cases of NICS Audit Log records relating to allowed transactions, all identifying information submitted by or on behalf of the transferee will be destroyed within 24 hours after the FFL receives communication of the determination that the transfer may proceed. All other information, except the NTN and date, will be destroyed after not more than 90 days from the date of inquiry.

(2) *Use of information in the NICS Audit Log.* The NICS Audit Log will be used to analyze system performance, assist users in resolving operational problems, support the appeals process, or support audits of the use and performance of the system. Searches may be conducted on the Audit Log by time frame, *i.e.*, by day or month, or by a particular state or agency. Information in the NICS Audit Log pertaining to allowed transactions may be accessed directly only by the FBI and only for the purpose of conducting audits of the use and performance of the NICS, except that:

(i) Information in the NICS Audit Log, including information not yet destroyed under § 5.9(b)(1)(iii), that indicates, either on its face or in conjunction with other information, a viola-

tion or potential violation of law or regulation, may be shared with appropriate authorities responsible for investigating, prosecuting, and/or enforcing such law or regulation; and

(ii) The NTNs and dates for allowed transactions may be shared with ATF in Individual FFL Audit Logs as specified in § 25.9(b)(4).

(3) *Limitation on use.* The NICS, including the NICS Audit Log, may not be used by any Department, agency, officer, or employee of the United States to establish any system for the registration of firearms, firearm owners, or firearm transactions or dispositions, except with respect to persons prohibited from receiving a firearm by 18 U.S.C. 922(g) or (n) or by state law. The NICS Audit Log will be monitored and reviewed on a regular basis to detect any possible misuse of NICS data.

(4) *Creation and Use of Individual FFL Audit Logs.* Upon written request from ATF containing the name and license number of the FFL and the proposed date of inspection of the named FFL by ATF, the FBI may extract information from the NICS Audit Log and create an Individual FFL Audit Log for transactions originating at the named FFL for a limited period of time. An Individual FFL Audit Log shall contain all information on denied transactions, and, with respect to all other transactions, only non-identifying information from the transaction. In no instance shall an Individual FFL Audit Log contain more than 60 days worth of allowed or open transaction records originating at the FFL. The FBI will provide POC states the means to provide to the FBI information that will allow the FBI to generate Individual FFL Audit Logs in connection with ATF inspections of FFLs in POC states. POC states that elect not to have the FBI generate Individual FFL Audit Logs for FFLs in their states must develop a means by which the POC will provide such Logs to ATF.

(c) The following records in the FBI-operated terminals of the NICS will be subject to the Brady Act's requirements for destruction:

(1) All inquiry and response messages (regardless of media) relating to a background check that results in an allowed transfer; and

(2) All information (regardless of media) contained in the NICS Audit Log relating to a background check that results in an allowed transfer.

(d) The following records of state and local law enforcement units serving as POCs will be subject to the Brady Act's requirements for destruction:

(1) All inquiry and response messages (regardless of media) relating to the initiation and result of a check of the NICS that allows a transfer that are not part of a record system created and maintained pursuant to independent state law regarding firearms transactions; and

(2) All other records relating to the person or the transfer created as a result of a NICS check that are not part of a record system created and maintained pursuant to independent state law regarding firearms transactions.

[Order No. 2186-98, 63 FR 58307, Oct. 30, 1998, as amended by Order No. 2354-2001, 66 FR 6474, Jan. 22, 2001; Order No. 2727-2004, 69 FR 43900, July 23, 2004; Order No. 3477-2014, 79 FR 69051, Nov. 20, 2014]

#### **§ 25.10 Correction of erroneous system information.**

(a) An individual may request the reason for the denial from the agency that conducted the check of the NICS (the "denying agency," which will be either the FBI or the state or local law enforcement agency serving as a POC). The FFL will provide to the denied individual the name and address of the denying agency and the unique transaction number (NTN or STN) associated with the NICS background check. The request for the reason for the denial must be made in writing to the denying agency. (POCs at their discretion may waive the requirement for a written request.)

(b) The denying agency will respond to the individual with the reasons for the denial within five business days of its receipt of the individual's request. The response should indicate whether additional information or documents are required to support an appeal, such as fingerprints in appeals involving questions of identity (i.e., a claim that the record in question does not pertain to the individual who was denied).

(c) If the individual wishes to challenge the accuracy of the record upon

which the denial is based, or if the individual wishes to assert that his or her rights to possess a firearm have been restored, he or she may make application first to the denying agency, i.e., either the FBI or the POC. If the denying agency is unable to resolve the appeal, the denying agency will so notify the individual and shall provide the name and address of the agency that originated the document containing the information upon which the denial was based. The individual may then apply for correction of the record directly to the agency from which it originated. If the record is corrected as a result of the appeal to the originating agency, the individual may so notify the denying agency, which will, in turn, verify the record correction with the originating agency (assuming the originating agency has not already notified the denying agency of the correction) and take all necessary steps to correct the record in the NICS.

(d) As an alternative to the above procedure where a POC was the denying agency, the individual may elect to direct his or her challenge to the accuracy of the record, in writing, to the FBI, NICS Operations Center, Criminal Justice Information Services Division, 1000 Custer Hollow Road, Module C-3, Clarksburg, West Virginia 26306-0147. Upon receipt of the information, the FBI will investigate the matter by contacting the POC that denied the transaction or the data source. The FBI will request the POC or the data source to verify that the record in question pertains to the individual who was denied, or to verify or correct the challenged record. The FBI will consider the information it receives from the individual and the response it receives from the POC or the data source. If the record is corrected as a result of the challenge, the FBI shall so notify the individual, correct the erroneous information in the NICS, and give notice of the error to any Federal department or agency or any state that was the source of such erroneous records.

(e) Upon receipt of notice of the correction of a contested record from the originating agency, the FBI or the agency that contributed the record shall correct the data in the NICS and the denying agency shall provide a

## § 25.11

written confirmation of the correction of the erroneous data to the individual for presentation to the FFL. If the appeal of a contested record is successful and thirty (30) days or less have transpired since the initial check, and there are no other disqualifying records upon which the denial was based, the NICS will communicate a "Proceed" response to the FFL. If the appeal is successful and more than thirty (30) days have transpired since the initial check, the FFL must recheck the NICS before allowing the sale to continue. In cases where multiple disqualifying records are the basis for the denial, the individual must pursue a correction for each record.

(f) An individual may also contest the accuracy or validity of a disqualifying record by bringing an action against the state or political subdivision responsible for providing the contested information, or responsible for denying the transfer, or against the United States, as the case may be, for an order directing that the contested information be corrected or that the firearm transfer be approved.

(g) An individual may provide written consent to the FBI to maintain information about himself or herself in a Voluntary Appeal File to be established by the FBI and checked by the NICS for the purpose of preventing the future erroneous denial or extended delay by the NICS of a firearm transfer. Such file shall be used only by the NICS for this purpose. The FBI shall remove all information in the Voluntary Appeal File pertaining to an individual upon receipt of a written request by that individual. However, the FBI may retain such information contained in the Voluntary Appeal File as long as needed to pursue cases of identified misuse of the system. If the FBI finds a disqualifying record on the individual after his or her entry into the Voluntary Appeal File, the FBI may remove the individual's information from the file.

[Order No. 2186-98, 63 FR 58307, Oct. 30, 1998, as amended by Order No. 2727-2004, 69 FR 43901, July 23, 2004]

## 28 CFR Ch. I (7-1-17 Edition)

### § 25.11 Prohibited activities and penalties.

(a) State or local agencies, FFLs, or individuals violating this subpart A shall be subject to a fine not to exceed \$10,000 and subject to cancellation of NICS inquiry privileges.

(b) Misuse or unauthorized access includes, but is not limited to, the following:

(1) State or local agencies', FFLs', or individuals' purposefully furnishing incorrect information to the system to obtain a "Proceed" response, thereby allowing a firearm transfer;

(2) State or local agencies', FFLs', or individuals' purposefully using the system to perform a check for unauthorized purposes; and

(3) Any unauthorized person's accessing the NICS.

### Subpart B—National Motor Vehicle Title Information System (NMVTIS)

SOURCE: 74 FR 5776, Jan 30, 2009, unless otherwise noted.

#### § 25.51 Purpose and authority.

The purpose of this subpart is to establish policies and procedures implementing the National Motor Vehicle Title Information System (NMVTIS) in accordance with title 49 U.S.C. 30502. The purpose of NMVTIS is to assist in efforts to prevent the introduction or reintroduction of stolen motor vehicles into interstate commerce, protect states and individual and commercial consumers from fraud, reduce the use of stolen vehicles for illicit purposes including fundraising for criminal enterprises, and provide consumer protection from unsafe vehicles.

#### § 25.52 Definitions.

For purposes of this subpart B:

*Acquiring* means owning, possessing, handling, directing, or controlling.

*Automobile* has the same meaning given that term in 49 U.S.C. 32901(a).

*Certificate of title* means a document issued by a state showing ownership of an automobile.

*Insurance carrier* means an individual or entity engaged in the business of underwriting automobile insurance.

*Junk automobile* means an automobile that—

- (1) Is incapable of operating on public streets, roads, and highways; and
- (2) Has no value except as a source of parts or scrap.

*Junk yard* means an individual or entity engaged in the business of acquiring or owning junk automobiles for—

- (1) Resale in their entirety or as spare parts; or
- (2) Rebuilding, restoration, or crushing.

*Motor vehicle* has the same meaning given that term in 49 U.S.C. 30102(6).

*NMVTIS* means the National Motor Vehicle Title Information System.

*Operator* means the individual or entity authorized or designated as the operator of NMVTIS under 49 U.S.C. 30502(b), or the office designated by the Attorney General, if there is no authorized or designated individual or entity.

*Purchaser* means the individual or entity buying an automobile or financing the purchase of an automobile. For purposes of this subpart, purchasers include dealers, auction companies or entities engaged in the business of purchasing used automobiles, lenders financing the purchase of new or used automobiles, and automobile dealers.

*Salvage automobile* means an automobile that is damaged by collision, fire, flood, accident, trespass, or other event, to the extent that its fair salvage value plus the cost of repairing the automobile for legal operation on public streets, roads, and highways would be more than the fair market value of the automobile immediately before the event that caused the damage. Salvage automobiles include automobiles determined to be a total loss under the law of the applicable jurisdiction or designated as a total loss by an insurer under the terms of its policies, regardless of whether or not the ownership of the vehicle is transferred to the insurance carrier.

*Salvage yard* means an individual or entity engaged in the business of acquiring or owning salvage automobiles for—

- (1) Resale in their entirety or as spare parts; or
- (2) Rebuilding, restoration, or crushing.

Note to definition of “Salvage yard”: For purposes of this subpart, vehicle remarketers and vehicle recyclers, including scrap vehicle shredders and scrap metal processors as well as “pull-or pick-apart yards,” salvage pools, salvage auctions, and other types of auctions handling salvage or junk vehicles (including vehicles declared a “total loss”), are included in the definition of “junk or salvage yards.”

*State* means a state of the United States or the District of Columbia.

*Total loss* means that the cost of repairing such vehicles plus projected supplements plus projected diminished resale value plus rental reimbursement expense exceeds the cost of buying the damaged motor vehicle at its pre-accident value, minus the proceeds of selling the damaged motor vehicle for salvage.

*VIN* means the vehicle identification number;

[74 FR 5776, Jan. 30, 2009, as amended at 77 FR 18916, Mar. 29, 2012]

#### § 25.53 Responsibilities of the operator of NMVTIS.

(a) By no later than March 31, 2009, the operator shall make available:

(1) To a participating state on request of that state, information in NMVTIS about any automobile;

(2) To a Government, state, or local law enforcement official on request of that official, information in NMVTIS about a particular automobile, junk yard, or salvage yard;

(3) To a prospective purchaser of an automobile on request of that purchaser, information in NMVTIS about that automobile; and

(4) To a prospective or current insurer of an automobile on request of that insurer, information in NMVTIS about the automobile.

(b) NMVTIS shall permit a user of the system to establish instantly and reliably:

(1) The validity and status of a document purporting to be a certificate of title;

(2) Whether an automobile bearing a known VIN is titled in a particular state;

(3) Whether an automobile known to be titled in a particular state is or has

**§ 25.53**

**28 CFR Ch. I (7-1-17 Edition)**

been a junk automobile or a salvage automobile;

(4) For an automobile known to be titled in a particular state, the odometer mileage disclosure required under 49 U.S.C. 32705 for that automobile on the date the certificate of title for that automobile was issued and any later mileage information, if noted by the state; and

(5) Whether an automobile bearing a known VIN has been reported as a junk automobile or a salvage automobile under 49 U.S.C. 30504.

(c) The operator is authorized to seek and accept, with the concurrence of the Department of Justice, additional information from states and public and private entities that is relevant to the titling of automobiles and to assist in efforts to prevent the introduction or reintroduction of stolen motor vehicles and parts into interstate commerce. The operator, however, may not collect any social security account numbers as part of any of the information provided by any state or public or private entity. The operator may not make personally identifying information contained within NMVTIS, such as the name or address of the owner of an automobile, available to an individual prospective purchaser. With the approval of the Department of Justice, the operator may allow public and private entities that provide information to NMVTIS to query the system if such access will assist in efforts to prevent the introduction or reintroduction of stolen motor vehicles and parts into interstate commerce.

(d) The operator shall develop and maintain a privacy policy that addresses the information in the system and how personal information shall be protected. DOJ shall review and approve this privacy policy.

(e) The means by which access is provided by the operator to users of NMVTIS must be approved by the Department of Justice.

(f) The operator shall biennially establish and at least annually collect user fees from the states and users of NMVTIS to pay for its operation, but the operator may not collect fees in excess of the costs of operating the system. The operator is required to recalculate the user fees on a biennial basis.

After the operator establishes its initial user fees for the states under this section, subsequent state user fees must be established at least one year in advance of their effective date. Any user fees established by the operator must be established with the approval of the Department of Justice. The operator of NMVTIS will inform the states of the applicable user fees either through publication in the FEDERAL REGISTER or by direct notice or invoice to the states.

(1) The expenses to be recouped by the operator of NMVTIS will consist of labor costs, data center operations costs, the cost of providing access to authorized users, annual functional enhancement costs (including labor and hardware), costs necessary for implementing the provisions of this rule, the cost of technical upgrades, and other costs approved in advance by the Department of Justice.

(2) User fees collected from states should be based on the states' pro rata share of the total number of registered motor vehicles based on the Highway Statistics Program of the Federal Highway Administration, U.S. Department of Transportation, except in cases where states did not report to that program, in which case the states shall make available the most recent statistics for motor vehicle title registrations.

(3) All states, regardless of their level of participation, shall be charged user fees by the operator.

(4) No fees shall be charged for inquiries from law enforcement agencies.

(g) The operator will establish procedures and practices to facilitate reporting to NMVTIS in the least burdensome and costly fashion. If the operator is not the Department of Justice, the operator must provide an annual report to the Department of Justice detailing the fees it collected and how it expended such fees and other funds to operate NMVTIS. This report must also include a status report on the implementation of the system, compliance with reporting and other requirements, and sufficient detail and scope regarding financial information so that reasonable determinations can be made regarding budgeting and performance.

## Department of Justice

## § 25.55

The operator shall procure an independent financial audit of NMVTIS revenues and expenses on an annual basis. The Department of Justice will make these reports available for public inspection.

[74 FR 5776, Jan. 30, 2009, as amended at 77 FR 18916, Mar. 29, 2012]

### § 25.54 Responsibilities of the States.

(a) Each state must maintain at least the level of participation in NMVTIS that it had achieved as of January 1, 2009. By no later than January 1, 2010, each state must have completed implementation of all requirements of participation and provide, or cause to be provided by an agent or third party, to the designated operator and in an electronic format acceptable to the operator, at a frequency of once every 24 hours, titling information for all automobiles maintained by the state. The titling information provided to NMVTIS must include the following:

- (1) VIN;
- (2) Any description of the automobile included on the certificate of title (including any and all brands associated with such vehicle);
- (3) The name of the individual or entity to whom the certificate was issued;
- (4) Information from junk or salvage yard operators or insurance carriers regarding the acquisition of junk automobiles or salvage automobiles, if this information is being collected by the state; and
- (5) For an automobile known to be titled in a particular state, the odometer mileage disclosure required under 49 U.S.C. 32705 for that automobile on the date the certificate of title for that automobile was issued and any later mileage information, if noted by the state.

(b) With the approval of the operator and the state, the titling information provided to NMVTIS may include any other information included on the certificates of title and any other information the state maintains in relation to these titles.

(c) By no later than January 1, 2010, each state shall establish a practice of performing a title verification check through NMVTIS before issuing a certificate of title to an individual or en-

tity claiming to have purchased an automobile from an individual or entity in another state or in cases of title transfers. The check will consist of—

(1) Communicating to the operator the VIN of the automobile for which the certificate of title is sought;

(2) Giving the operator an opportunity to communicate to the participating state the results of a search of the information and using the results to determine the validity and status of a document purporting to be a certification of title, to determine whether the automobile has been a junk or salvage vehicle or has been reported as such, to compare and verify the odometer information presented with that reported in the system, and to determine the validity of other information presented (*e.g.*, lien-holder status, etc.).

(d) By January 1, 2010, those states not currently paying user fees will be responsible for paying user fees as established by the operator to support NMVTIS.

### § 25.55 Responsibilities of insurance carriers.

(a) By no later than March 31, 2009, and on a monthly basis as designated by the operator, any individual or entity acting as an insurance carrier conducting business within the United States shall provide, or cause to be provided on its behalf, to the operator and in a format acceptable to the operator, a report that contains an inventory of all automobiles of the current model year or any of the four prior model years that the carrier, during the past month, has obtained possession of and has decided are junk automobiles or salvage automobiles. An insurance carrier shall report on any automobiles that it has determined to be a total loss under the law of the applicable jurisdiction (*i.e.*, state) or designated as a total loss by the insurance company under the terms of its policies.

(b) The inventory must contain the following information:

- (1) The name, address, and contact information for the reporting entity (insurance carrier);
- (2) VIN;
- (3) The date on which the automobile was obtained or designated as a junk or salvage automobile;

**§ 25.56**

**28 CFR Ch. I (7-1-17 Edition)**

(4) The name of the individual or entity from whom the automobile was obtained and who possessed it when the automobile was designated as a junk or salvage automobile; and

(5) The name of the owner of the automobile at the time of the filing of the report.

(c) Insurance carriers are strongly encouraged to provide the operator with information on other motor vehicles or other information relevant to a motor vehicle's title, including the reason why the insurance carrier obtained possession of the motor vehicle. For example, the insurance carrier may have obtained possession of a motor vehicle because it had been subject to flood, water, collision, or fire damage, or as a result of theft and recovery. The provision of information provided by an insurance carrier under this paragraph must be pursuant to a means approved by the operator.

(d) Insurance carriers whose required data is provided to the operator through an operator-authorized third party in a manner acceptable to the operator are not required to duplicate such reporting. For example, if the operator and a private third-party organization reach agreement on the provision of insurance data already reported by insurance to the third party, insurance companies are not required to subsequently report the information directly into NMVTIS.

**§ 25.56 Responsibilities of junk yards and salvage yards and auto recyclers.**

(a) By no later than March 31, 2009, and continuing on a monthly basis as designated by the operator, any individual or entity engaged in the business of operating a junk yard or salvage yard within the United States shall provide, or cause to be provided on its behalf, to the operator and in a format acceptable to the operator, an inventory of all junk automobiles or salvage automobiles obtained in whole or in part by that entity in the prior month.

(b) The inventory shall include the following information:

(1) The name, address, and contact information for the reporting entity (junk, salvage yard, recycler);

(2) VIN;

(3) The date the automobile was obtained;

(4) The name of the individual or entity from whom the automobile was obtained;

(5) A statement of whether the automobile was crushed or disposed of, for sale or other purposes, to whom it was provided or transferred, and if the vehicle is intended for export out of the United States.

(c) Junk and salvage yards, however, are not required to report this information if they already report the information to the state and the state makes the information required in this rule available to the operator.

(d) Junk and salvage yards may be required to file an update or supplemental report of final disposition of any automobile where final disposition information was not available at the time of the initial report filing, or if their actual disposition of the automobile differs from what was initially reported.

(e) Junk and salvage yards are encouraged to provide the operator with similar information on motor vehicles other than automobiles that they obtain that possess VINs.

(f) Junk- and salvage-yard operators whose required data is provided to the operator through an operator-authorized third party (*e.g.*, state or other public or private organization) in a manner acceptable to the operator are not required to duplicate such reporting. In addition, junk and salvage yards are not required to report on an automobile if they are issued a verification under 49 U.S.C. 33110 stating that the automobile or parts from the automobile are not reported as stolen.

(g) Such entities must report all salvage or junk vehicles they obtain, including vehicles from or on behalf of insurance carriers, which can be reasonably assumed are total loss vehicles. Such entities, however, are not required to report any vehicle that is determined not to meet the definition of salvage or junk after a good-faith physical and value appraisal conducted by qualified appraisal personnel, so long



## Department of Justice

## § 26.2

as such appraisals are conducted entirely independent of any other interests, persons or entities. Individuals and entities that handle less than five vehicles per year that are determined to be salvage, junk, or total loss are not required to report under the salvage-yard requirements.

(h) Scrap metal processors and shredders that receive automobiles for recycling where the condition of such vehicles generally prevent VINs from being identified are not required to report to the operator if the source of each vehicle has already reported the vehicle to NMVTIS. In cases where a supplier's compliance with NMVTIS cannot be ascertained, however, scrap metal processors and shredders must report these vehicles to the operator based on a visual inspection if possible. If the VIN cannot be determined based on this inspection, scrap metal processors and shredders may rely on primary documentation (*i.e.*, title documents) provided by the vehicle supplier.

### § 25.57 Erroneous junk or salvage reporting.

(a) In cases where a vehicle is erroneously reported to have been salvage or junk and subsequently destroyed (*i.e.*, crushed), owners of the legitimate vehicles are encouraged to seek a vehicle inspection in the current state of title whereby inspection officials can verify via hidden VINs the vehicle's true identity. Owners are encouraged to file such inspection reports with the current state of title and to retain such reports so that the vehicle's true history can be documented.

(b) To avoid the possibility of fraud, the operator may not allow any entity to delete a prior report of junk or salvage status.

## PART 26—DEATH SENTENCES PROCEDURES

Sec.

### Subpart A—Implementation of Death Sentences in Federal Cases

- 26.1 Applicability.
- 26.2 Proposed Judgment and Order.
- 26.3 Date, time, place, and method of execution.
- 26.4 Other execution procedures.

26.5 Attendance at or participation in executions by Department of Justice personnel.

### Subpart B—Certification Process for State Capital Counsel Systems

- 26.20 Purpose.
- 26.21 Definitions.
- 26.22 Requirements.
- 26.23 Certification process.

AUTHORITY: 5 U.S.C. 301; 18 U.S.C. 4001(b), 4002; 28 U.S.C. 509, 510, 2261, 2265.

SOURCE: Order No. 1655-93, 57 FR 4901, Jan. 19, 1993, unless otherwise noted.

### Subpart A—Implementation of Death Sentences in Federal Cases

#### § 26.1 Applicability.

The regulations of this part apply whenever a sentencing hearing conducted in a United States District Court has resulted in a recommendation or determination that a criminal defendant be sentenced to death for commission of an offense described in any federal statute.

#### § 26.2 Proposed Judgment and Order.

(a) Whenever this part becomes applicable, the attorney for the government shall promptly file with the sentencing court a proposed Judgment and Order. The proposed Judgment and Order shall state, in addition to any other matters required by law or otherwise appropriate, that:

(1) The sentence shall be executed by a United States Marshal designated by the Director of the United States Marshals Service;

(2) The sentence shall be executed by intravenous injection of a lethal substance or substances in a quantity sufficient to cause death;

(3) The sentence shall be executed on a date and at a place designated by the Director of the Federal Bureau of Prisons; and

(4) The prisoner under sentence of death shall be committed to the custody of the Attorney General or his authorized representative for appropriate detention pending execution of the sentence.

(b) The attorney for the government shall append to the proposed Judgment

### § 26.3

### 28 CFR Ch. I (7-1-17 Edition)

and Order a Return by which the designated United States Marshal may inform the court that the sentence of death has been executed.

#### § 26.3 Date, time, place, and method of execution.

(a) Except to the extent a court orders otherwise, a sentence of death shall be executed:

(1) On a date and at a time designated by the Director of the Federal Bureau of Prisons, which date shall be no sooner than 60 days from the entry of the judgment of death. If the date designated for execution passes by reason of a stay of execution, then a new date shall be designated promptly by the Director of the Federal Bureau of Prisons when the stay is lifted;

(2) At a federal penal or correctional institution designated by the Director of the Federal Bureau of Prisons;

(3) By a United States Marshal designated by the Director of the United States Marshals Service, assisted by additional personnel selected by the Marshal and the Warden of the designated institution and acting at the direction of the Marshal; and

(4) By intravenous injection of a lethal substance or substances in a quantity sufficient to cause death, such substance or substances to be determined by the Director of the Federal Bureau of Prisons and to be administered by qualified personnel selected by the Warden and acting at the direction of the Marshal.

(b) Unless the President interposes, the United States Marshal shall not stay execution of the sentence on the basis that the prisoner has filed a petition for executive clemency.

#### § 26.4 Other execution procedures.

Except to the extent a court orders otherwise:

(a) The Warden of the designated institution shall notify the prisoner under sentence of death of the date designated for execution at least 20 days in advance, except when the date follows a postponement of fewer than 20 days of a previously scheduled and noticed date of execution, in which case the Warden shall notify the prisoner as soon as possible.

(b) Beginning seven days before the designated date of execution, the prisoner shall have access only to his spiritual advisers (not to exceed two), his defense attorneys, members of his family, and the officers and employees of the institution. Upon approval of the Director of the Federal Bureau of Prisons, the Warden may grant access to such other proper persons as the prisoner may request.

(c) In addition to the Marshal and Warden, the following persons shall be present at the execution:

(1) Necessary personnel selected by the Marshal and Warden;

(2) Those attorneys of the Department of Justice whom the Deputy Attorney General determines are necessary;

(3) Not more than the following numbers of person selected by the prisoner:

(i) One spiritual adviser;

(ii) Two defense attorneys; and

(iii) Three adult friends or relatives; and

(4) Not more than the following numbers of persons selected by the Warden:

(i) Eight citizens; and

(ii) Ten representatives of the press.

(d) No other person shall be present at the execution, unless leave for such person's presence is granted by the Director of the Federal Bureau of Prisons. No person younger than 18 years of age shall witness the execution.

(e) The Warden should notify those individuals described in paragraph (c) of this section as soon as practicable before the designated time of execution.

(f) No photographic or other visual or audio recording of the execution shall be permitted.

(g) After the execution has been carried out, qualified personnel selected by the Warden shall conduct an examination of the body of the prisoner to determine that death has occurred and shall inform the Marshal and Warden of his determination. Upon notification of prisoner's death, the Marshal shall complete and sign the Return described in § 26.2(b) or any similar document and shall file such document with the sentencing court.

(h) The remains of the prisoner shall be disposed of according to procedures

## Department of Justice

## § 26.22

established by the Director of the Federal Bureau of Prisons.

### § 26.5 Attendance at or participation in executions by Department of Justice personnel.

No officer or employee of the Department of Justice shall be required to be in attendance at or to participate in any execution if such attendance or participation is contrary to the moral or religious convictions of the officer or employee, or if the employee is a medical professional who considers such participation or attendance contrary to medical ethics. For purposes of this section, the term “participation” includes personal preparation of the condemned individual and the apparatus used for execution and supervision of the activities of other personnel in carrying out such activities.

### Subpart B—Certification Process for State Capital Counsel Systems

SOURCE: 78 FR 58183, Sept. 23, 2013, unless otherwise noted.

#### § 26.20 Purpose.

Sections 2261(b)(1) and 2265(a) of title 28 of the United States Code require the Attorney General to certify whether a State has a mechanism for providing legal representation to indigent prisoners in State postconviction proceedings in capital cases that satisfies the requirements of chapter 154 of title 28. If the Attorney General certifies that a State has established such a mechanism, sections 2262, 2263, 2264, and 2266 of chapter 154 of title 28 apply in relation to Federal habeas corpus review of State capital cases in which counsel was appointed pursuant to that mechanism. These sections will also apply in Federal habeas corpus review of capital cases from a State with a mechanism certified by the Attorney General in which petitioner validly waived counsel, petitioner retained counsel, or petitioner was found not to be indigent, as provided in section 2261(b) of title 28. Subsection (b) of 28 U.S.C. 2265 directs the Attorney General to promulgate regulations to implement the certification procedure under subsection (a) of that section.

#### § 26.21 Definitions.

For purposes of this part, the term—  
*Appointment* means provision of counsel in a manner that is reasonably timely in light of the time limitations for seeking State and Federal postconviction review and the time required for developing and presenting claims in the postconviction proceedings.

*Appropriate State official* means the State attorney general, except that, in a State in which the State attorney general does not have responsibility for Federal habeas corpus litigation, it means the chief executive of the State.

*Indigent prisoners* means persons whose net financial resources and income are insufficient to obtain qualified counsel.

*State postconviction proceedings* means collateral proceedings in State court, regardless of whether the State conducts such proceedings after or concurrently with direct State review.

#### § 26.22 Requirements.

The Attorney General will certify that a State meets the requirements for certification under 28 U.S.C. 2261 and 2265 if the Attorney General determines that the State has established a mechanism for the appointment of counsel for indigent prisoners under sentence of death in State postconviction proceedings that satisfies the following standards:

(a) As provided in 28 U.S.C. 2261(c) and (d), the mechanism must offer to all such prisoners postconviction counsel, who may not be counsel who previously represented the prisoner at trial unless the prisoner and counsel expressly requested continued representation, and the mechanism must provide for the entry of an order by a court of record—

(1) Appointing one or more attorneys as counsel to represent the prisoner upon a finding that the prisoner is indigent and accepted the offer or is unable competently to decide whether to accept or reject the offer;

(2) Finding, after a hearing if necessary, that the prisoner rejected the offer of counsel and made the decision with an understanding of its legal consequences; or

**§ 26.23**

**28 CFR Ch. I (7–1–17 Edition)**

(3) Denying the appointment of counsel, upon a finding that the prisoner is not indigent.

(b) The mechanism must provide for appointment of competent counsel as defined in State standards of competency for such appointments.

(1) A State's standards of competency are presumptively adequate if they meet or exceed either of the following criteria:

(i) Appointment of counsel who have been admitted to the bar for at least five years and have at least three years of postconviction litigation experience. But a court, for good cause, may appoint other counsel whose background, knowledge, or experience would otherwise enable them to properly represent the petitioner, with due consideration of the seriousness of the penalty and the unique and complex nature of the litigation; or

(ii) Appointment of counsel meeting qualification standards established in conformity with 42 U.S.C. 14163(e)(1) and (2)(A), if the requirements of 42 U.S.C. 14163(e)(2)(B), (D), and (E) are also satisfied.

(2) Competency standards not satisfying the benchmark criteria in paragraph (b)(1) of this section will be deemed adequate only if they otherwise reasonably assure a level of proficiency appropriate for State postconviction litigation in capital cases.

(c) The mechanism must provide for compensation of appointed counsel.

(1) A State's provision for compensation is presumptively adequate if the authorized compensation is comparable to or exceeds—

(i) The compensation of counsel appointed pursuant to 18 U.S.C. 3599 in Federal habeas corpus proceedings reviewing capital cases from the State;

(ii) The compensation of retained counsel in State postconviction proceedings in capital cases who meet State standards of competency sufficient under paragraph (b);

(iii) The compensation of appointed counsel in State appellate or trial proceedings in capital cases; or

(iv) The compensation of attorneys representing the State in State postconviction proceedings in capital cases, subject to adjustment for private counsel to take account of overhead

costs not otherwise payable as reasonable litigation expenses.

(2) Provisions for compensation not satisfying the benchmark criteria in paragraph (c)(1) of this section will be deemed adequate only if the State mechanism is otherwise reasonably designed to ensure the availability for appointment of counsel who meet State standards of competency sufficient under paragraph (b) of this section.

(d) The mechanism must provide for payment of reasonable litigation expenses of appointed counsel. Such expenses may include, but are not limited to, payment for investigators, mitigation specialists, mental health and forensic science experts, and support personnel. Provision for reasonable litigation expenses may incorporate presumptive limits on payment only if means are authorized for payment of necessary expenses above such limits.

**§ 26.23 Certification process.**

(a) An appropriate State official may request in writing that the Attorney General determine whether the State meets the requirements for certification under § 26.22 of this subpart.

(b) Upon receipt of a State's request for certification, the Attorney General will make the request publicly available on the Internet (including any supporting materials included in the request) and publish a notice in the FEDERAL REGISTER—

(1) Indicating that the State has requested certification;

(2) Identifying the Internet address at which the public may view the State's request for certification; and

(3) Soliciting public comment on the request.

(c) The State's request will be reviewed by the Attorney General. The review will include consideration of timely public comments received in response to the FEDERAL REGISTER notice under paragraph (b) of this section, or any subsequent notice the Attorney General may publish providing a further opportunity for comment. The certification will be published in the FEDERAL REGISTER if certification is granted. The certification will include a determination of the date the capital counsel mechanism qualifying the State for certification was established.

## Department of Justice

## § 27.2

(d) A certification by the Attorney General reflects the Attorney General's determination that the State capital counsel mechanism reviewed under paragraph (c) of this section satisfies chapter 154's requirements. A State may request a new certification by the Attorney General to ensure the continued applicability of chapter 154 to cases in which State postconviction proceedings occur after a change or alleged change in the State's certified capital counsel mechanism. Changes in a State's capital counsel mechanism do not affect the applicability of chapter 154 in any case in which a mechanism certified by the Attorney General existed throughout State postconviction proceedings in the case.

(e) A certification remains effective for a period of five years after the completion of the certification process by the Attorney General and any related judicial review. If a State requests re-certification at or before the end of that five-year period, the certification remains effective for an additional period extending until the completion of the re-certification process by the Attorney General and any related judicial review.

### **PART 27—WHISTLEBLOWER PROTECTION FOR FEDERAL BUREAU OF INVESTIGATION EMPLOYEES**

#### **Subpart A—Protected Disclosures of Information**

Sec.

27.1 Making a protected disclosure.

27.2 Prohibition against reprisal for making a protected disclosure.

#### **Subpart B—Investigating Reprisal Allegations and Ordering Corrective Action**

27.3 Investigations: The Department of Justice's Office of Professional Responsibility and Office of the Inspector General.

27.4 Corrective action and other relief; Director, Office of Attorney Recruitment and Management.

27.5 Review.

27.6 Extensions of time.

AUTHORITY: 5 U.S.C. 301, 3151; 28 U.S.C. 509, 510, 515-519; 5 U.S.C. 2303; President's Memorandum to the Attorney General, Delegation of Responsibilities Concerning FBI Employ-

ees Under the Civil Service Reform Act of 1978, 3 CFR p. 284 (1997).

SOURCE: Order No. 2264-99, 64 FR 58786, Nov. 1, 1999, unless otherwise noted.

### **Subpart A—Protected Disclosures of Information**

#### **§ 27.1 Making a protected disclosure.**

(a) When an employee of, or applicant for employment with, the Federal Bureau of Investigation (FBI) (FBI employee) makes a disclosure of information to the Department of Justice's (Department's) Office of Professional Responsibility (OPR), the Department's Office of Inspector General (OIG), the FBI Office of Professional Responsibility (FBI OPR), the FBI Inspection Division (FBI-INS) Internal Investigations Section (collectively, Receiving Offices), the Attorney General, the Deputy Attorney General, the Director of the FBI, the Deputy Director of the FBI, or to the highest ranking official in any FBI field office, the disclosure will be a "protected disclosure" if the person making it reasonably believes that it evidences:

(1) A violation of any law, rule or regulation; or

(2) Mismanagement, a gross waste of funds, an abuse of authority, or a substantial and specific danger to public health or safety.

(b) Any office or official (other than the OIG or OPR) receiving a protected disclosure shall promptly report such disclosure to the OIG or OPR for investigation. The OIG and OPR shall proceed in accordance with procedures establishing their respective jurisdiction. The OIG or OPR may refer such allegations to FBI-INS Internal Investigations Section for investigation unless the Deputy Attorney General determines that such referral shall not be made.

[Order No. 2926-2008, 73 FR 1495, Jan. 9, 2008]

#### **§ 27.2 Prohibition against reprisal for making a protected disclosure.**

(a) Any employee of the FBI, or of any other component of the Department, who has authority to take, direct others to take, recommend, or approve any personnel action shall not, with respect to such authority, take or

### § 27.3

### 28 CFR Ch. I (7–1–17 Edition)

fail to take, or threaten to take or fail to take, a personnel action, as defined below, with respect to any FBI employee as a reprisal for a protected disclosure.

(b) Personnel action means any action described in clauses (i) through (xi) of 5 U.S.C. 2302(a)(2)(A) taken with respect to an FBI employee other than one in a position which the Attorney General has designated in advance of encumbrance as being a position of a confidential, policy-determining, policy-making, or policy-advocating character.

#### **Subpart B—Investigating Reprisal Allegations and Ordering Corrective Action**

##### **§ 27.3 Investigations: The Department of Justice's Office of Professional Responsibility and Office of the Inspector General.**

(a)(1) An FBI employee who believes that another employee of the FBI, or of any other Departmental component, has taken or has failed to take a personnel action as a reprisal for a protected disclosure (reprisal), may report the alleged reprisal to either the Department's OPR or the Department's OIG (collectively, Investigative Offices). The report of an alleged reprisal must be made in writing.

(2) For purposes of this subpart, references to the FBI include any other Departmental component in which the person or persons accused of the reprisal were employed at the time of the alleged reprisal.

(b) The Investigative Office that receives the report of an alleged reprisal shall consult with the other Investigative Office to determine which office is more suited, under the circumstances, to conduct an investigation into the allegation. The Attorney General retains final authority to designate or redesignate the Investigative Office that will conduct an investigation.

(c) Within 15 calendar days of the date the allegation of reprisal is first received by an Investigative Office, the office that will conduct the investigation (Conducting Office) shall provide written notice to the person who made the allegation (Complainant) indicating—

(1) That the allegation has been received; and

(2) The name of a person within the Conducting Office who will serve as a contact with the Complainant.

(d) The Conducting Office shall investigate any allegation of reprisal to the extent necessary to determine whether there are reasonable grounds to believe that a reprisal has been or will be taken.

(e) Within 90 calendar days of providing the notice required in paragraph (c) of this section, and at least every 60 calendar days thereafter (or at any other time if the Conducting Office deems appropriate), the Conducting Office shall notify the Complainant of the status of the investigation.

(f) The Conducting Office shall determine whether there are reasonable grounds to believe that there has been or will be a reprisal for a protected disclosure. The Conducting Office shall make this determination within 240 calendar days of receiving the allegation of reprisal unless the Complainant agrees to an extension.

(g) If the Conducting Office decides to terminate an investigation, it shall provide, no later than 10 business days before providing the written statement required by paragraph (h) of this section, a written status report to the Complainant containing the factual findings and conclusions justifying the termination of the investigation. The Complainant may submit written comments on such report to the Conducting Office. The Conducting Office shall not be required to provide a subsequent written status report after submission of such comments.

(h) If the Conducting Office terminates an investigation, it shall prepare and transmit to the Complainant a written statement notifying him/her of—

(1) The termination of the investigation;

(2) A summary of relevant facts ascertained by the Conducting Office;

(3) The reasons for termination of the investigation; and

(4) A response to any comments submitted under paragraph (g) of this section.

(i) Such written statement prepared pursuant to paragraph (h) of this section may not be admissible as evidence in any subsequent proceeding without the consent of the Complainant.

(j) Nothing in this part shall prohibit the Receiving Offices, in the absence of a reprisal allegation by an FBI employee under this part, from conducting an investigation, under their pre-existing jurisdiction, to determine whether a reprisal has been or will be taken.

**§ 27.4 Corrective action and other relief; Director, Office of Attorney Recruitment and Management.**

(a) If, in connection with any investigation, the Conducting Office determines that there are reasonable grounds to believe that a reprisal has been or will be taken, the Conducting Office shall report this conclusion, together with any findings and recommendations for corrective action, to the Director, Office of Attorney Recruitment and Management (the Director). If the Conducting Office's report to the Director includes a recommendation for corrective action, the Director shall provide an opportunity for comments on the report by the FBI and the Complainant. The Director, upon receipt of the Conducting Office's report, shall proceed in accordance with paragraph (e) of this section. A determination by the Conducting Office that there are reasonable grounds to believe a reprisal has been or will be taken shall not be cited or referred to in any proceeding under these regulations, without the Complainant's consent.

(b) At any time, the Conducting Office may request the Director to order a stay of any personnel action for 45 calendar days if it determines that there are reasonable grounds to believe that a reprisal has been or is to be taken. The Director shall order such stay within three business days of receiving the request for stay, unless the Director determines that, under the facts and circumstances involved, such a stay would not be appropriate. The Director may extend the period of any stay granted under this paragraph for any period that the Director considers appropriate. The Director shall allow

the FBI an opportunity to comment to the Director on any proposed extension of a stay, and may request additional information as the Director deems necessary. The Director may terminate a stay at any time, except that no such termination shall occur until the Complainant and the Conducting Office shall first have had notice and an opportunity to comment.

(c)(1) The Complainant may present a request for corrective action directly to the Director within 60 calendar days of receipt of notification of termination of an investigation by the Conducting Office or at any time after 120 calendar days from the date the Complainant first notified an Investigative Office of an alleged reprisal if the Complainant has not been notified by the Conducting Office that it will seek corrective action. The Director shall notify the FBI of the receipt of the request and allow the FBI 25 calendar days to respond in writing. If the Complainant presents a request for corrective action to the Director under this paragraph, the Conducting Office may continue to seek corrective action specific to the Complainant, including the submission of a report to the Director, only with the Complainant's consent. Notwithstanding the Complainant's refusal of such consent, the Conducting Office may continue to investigate any violation of law, rule, or regulation.

(2) The Director may not direct the Conducting Office to reinstate an investigation that the Conducting Office has terminated in accordance with § 27.3(h).

(d) Where a Complainant has presented a request for corrective action to the Director under paragraph (c) of this section, the Complainant may at any time request the Director to order a stay of any personnel action allegedly taken or to be taken in reprisal for a protected disclosure. The request for a stay must be in writing, and the FBI shall have an opportunity to respond. The request shall be granted within 10 business days of the receipt of any response by the FBI if the Director determines that such a stay would be appropriate. A stay granted under this paragraph shall remain in effect for such period as the Director deems appropriate. The Director may modify

## § 27.5

or dissolve a stay under this paragraph at any time if the Director determines that such a modification or dissolution is appropriate.

(e)(1) The Director shall determine, based upon all the evidence, whether a protected disclosure was a contributing factor in a personnel action taken or to be taken. Subject to paragraph (e)(2) of this section, if the Director determines that a protected disclosure was a contributing factor in a personnel action taken or to be taken, the Director shall order corrective action as the Director deems appropriate. The Director may conclude that the disclosure was a contributing factor in the personnel action based upon circumstantial evidence, such as evidence that the employee taking the personnel action knew of the disclosure and that the personnel action occurred within a period of time such that a reasonable person could conclude that the disclosure was a contributing factor in the personnel action.

(2) Corrective action may not be ordered if the FBI demonstrates by clear and convincing evidence that it would have taken the same personnel action in the absence of such disclosure.

(3) In making the determinations required under this subsection, the Director may hold a hearing at which the Complainant may present evidence in support of his or her claim, in accordance with such procedures as the Director may adopt. The Director is hereby authorized to compel the attendance and testimony of, or the production of documentary or other evidence from, any person employed by the Department if doing so appears reasonably calculated to lead to the discovery of admissible evidence, is not otherwise prohibited by law or regulation, and is not unduly burdensome. Any privilege available in judicial and administrative proceedings relating to the disclosure of documents or the giving of testimony shall be available before the Director. All assertions of such privileges shall be decided by the Director. The Director may, upon request, certify a ruling on an assertion of privilege for review by the Deputy Attorney General.

(f) If the Director orders corrective action, such corrective action may in-

## 28 CFR Ch. I (7-1-17 Edition)

clude: placing the Complainant, as nearly as possible, in the position he would have been in had the reprisal not taken place; reimbursement for attorneys fees, reasonable costs, medical costs incurred, and travel expenses; back pay and related benefits; and any other reasonable and foreseeable consequential damages.

(g) If the Director determines that there has not been a reprisal, the Director shall report this finding in writing to the complainant, the FBI, and the Conducting Office.

[Order No. 2264-99, 64 FR 58786, Nov. 1, 1999, as amended by Order No. 2492-2001, 66 FR 37904, July 20, 2001; Order No. 2926-2008, 73 FR 1495, Jan. 9, 2008]

### § 27.5 Review.

The Complainant or the FBI may request, within 30 calendar days of a final determination or corrective action order by the Director, review by the Deputy Attorney General of that determination or order. The Deputy Attorney General shall set aside or modify the Director's actions, findings, or conclusions found to be arbitrary, capricious, an abuse of discretion, or otherwise not in accordance with law; obtained without procedures required by law, rule, or regulation having been followed; or unsupported by substantial evidence. The Deputy Attorney General has full discretion to review and modify corrective action ordered by the Director, provided, however that if the Deputy Attorney General upholds a finding that there has been a reprisal, then the Deputy Attorney general shall order appropriate corrective action.

### § 27.6 Extensions of time.

The Director may extend, for extenuating circumstances, any of the time limits provided in these regulations relating to proceedings before him and to requests for review by the Deputy Attorney General.

## PART 28—DNA IDENTIFICATION SYSTEM

### Subpart A—Qualifying Federal Offenses for Purposes of DNA Sample Collection

Sec.  
28.1 Purpose.



## Department of Justice

## § 28.2

28.2 Determination of offenses.

### Subpart B—DNA Sample Collection, Analysis, and Indexing

28.11 Definitions.

28.12 Collection of DNA samples.

28.13 Analysis and indexing of DNA samples.

### Subpart C—Preservation of Biological Evidence

28.21 Purpose.

28.22 The requirement to preserve biological evidence.

28.23 Evidence subject to the preservation requirement.

28.24 Exceptions based on the results of judicial proceedings.

28.25 Exceptions based on a defendant's conduct.

28.26 Exceptions based on the nature of the evidence.

28.27 Non-preemption of other requirements.

28.28 Sanctions for violations.

AUTHORITY: 28 U.S.C. 509, 510; 42 U.S.C. 14132, 14135a, 14135b; 10 U.S.C. 1565; 18 U.S.C. 3600A; Public Law 106-546, 114 Stat. 2726; Public Law 107-56, 115 Stat. 272; Public Law 108-405, 118 Stat. 2260; Public Law 109-162, 119 Stat. 2960; Public Law 109-248, 120 Stat. 587.

SOURCE: Order No. 2699-2003, 68 FR 74858, Dec. 29, 2003, unless otherwise noted.

### Subpart A—Qualifying Federal Offenses for Purposes of DNA Sample Collection

#### § 28.1 Purpose.

Section 3 of Pub. L. 106-546 directs the collection, analysis, and indexing of a DNA sample from each individual in the custody of the Bureau of Prisons or under the supervision of a probation office who is, or has been, convicted of a qualifying Federal offense. Subsection (d) of that section states that the offenses that shall be treated as qualifying Federal offenses are any felony and certain other types of offenses, as determined by the Attorney General.

[Order No. 2753-2005, 70 FR 4767, Jan. 31, 2005]

#### § 28.2 Determination of offenses.

(a) *Felony* means a Federal offense that would be classified as a felony under 18 U.S.C. 3559(a) or that is spe-

cifically classified by a letter grade as a felony.

(b) The following offenses shall be treated for purposes of section 3 of Pub. L. 106-546 as qualifying Federal offenses:

(1) Any felony.

(2) Any offense under chapter 109A of title 18, United States Code, even if not a felony.

(3) Any offense under any of the following sections of the United States Code, even if not a felony:

(i) In title 18, section 111, 112(b) involving intimidation or threat, 113, 115, 245, 247, 248 unless the offense involves only a nonviolent physical obstruction and is not a felony, 351, 594, 1153 involving assault against an individual who has not attained the age of 16 years, 1361, 1368, the second paragraph of 1501, 1509, 1751, 1991, or 2194 involving force or threat.

(ii) In title 16, section 773g if the offense involves a violation of section 773e(a)(3), 1859 if the offense involves a violation of section 1857(1)(E), 3637(c) if the offense involves a violation of section 3637(a)(3), or 5010(b) if the offense involves a violation of section 5009(6).

(iii) In title 26, section 7212.

(iv) In title 30, section 1463 if the offense involves a violation of section 1461(4).

(v) In title 40, section 5109 if the offense involves a violation or attempted violation of section 5104(e)(2)(F).

(vi) In title 42, section 2283, 3631, or 9152(d) if the offense involves a violation of section 9151(3).

(vii) In title 43, section 1063 involving force, threat, or intimidation.

(viii) In title 47, section 606(b).

(ix) In title 49, section 46506(1) unless the offense involves only an act that would violate section 661 or 662 of title 18 and would not be a felony if committed in the special maritime and territorial jurisdiction of the United States.

(4) Any offense that is an attempt or conspiracy to commit any of the foregoing offenses, even if not a felony.

(c) An offense that was or would have been a qualifying Federal offense as defined in this section at the time of conviction, such as an offense under 18

**§ 28.11**

**28 CFR Ch. I (7–1–17 Edition)**

U.S.C. 2031 or 2032, remains a qualifying Federal offense even if the provision or provisions defining the offense or assigning its penalties have subsequently been repealed, superseded, or modified.

[Order No. 2753–2005, 70 FR 4767, Jan. 31, 2005]

**Subpart B—DNA Sample Collection, Analysis, and Indexing**

**§ 28.11 Definitions.**

*DNA analysis* means analysis of the deoxyribonucleic acid (DNA) identification information in a bodily sample.

*DNA sample* means a tissue, fluid, or other bodily sample of an individual on which a DNA analysis can be carried out.

**§ 28.12 Collection of DNA samples.**

(a) The Bureau of Prisons shall collect a DNA sample from each individual in the custody of the Bureau of Prisons who is, or has been, convicted of—

(1) A Federal offense (including any offense under the Uniform Code of Military Justice); or

(2) A qualifying District of Columbia offense, as determined under section 4(d) of Public Law 106–546.

(b) Any agency of the United States that arrests or detains individuals or supervises individuals facing charges shall collect DNA samples from individuals who are arrested, facing charges, or convicted, and from non-United States persons who are detained under the authority of the United States. For purposes of this paragraph, “non-United States persons” means persons who are not United States citizens and who are not lawfully admitted for permanent residence as defined in 8 CFR 1.1(p). Unless otherwise directed by the Attorney General, the collection of DNA samples under this paragraph may be limited to individuals from whom the agency collects fingerprints and may be subject to other limitations or exceptions approved by the Attorney General. The DNA-sample collection requirements for the Department of Homeland Security in relation to non-arrestees do not include, except to the extent provided by the Secretary

of Homeland Security, collecting DNA samples from:

(1) Aliens lawfully in, or being processed for lawful admission to, the United States;

(2) Aliens held at a port of entry during consideration of admissibility and not subject to further detention or proceedings;

(3) Aliens held in connection with maritime interdiction; or

(4) Other aliens with respect to whom the Secretary of Homeland Security, in consultation with the Attorney General, determines that the collection of DNA samples is not feasible because of operational exigencies or resource limitations.

(c) The DNA-sample collection requirements under this section shall be implemented by each agency by January 9, 2009.

(d) Each individual described in paragraph (a) or (b) of this section shall cooperate in the collection of a DNA sample from that individual. Agencies required to collect DNA samples under this section may use or authorize the use of such means as are reasonably necessary to detain, restrain, and collect a DNA sample from an individual described in paragraph (a) or (b) of this section who refuses to cooperate in the collection of the sample.

(e) Agencies required to collect DNA samples under this section may enter into agreements with other agencies described in paragraph (a) or (b) of this section, with units of state or local governments, and with private entities to carry out the collection of DNA samples. An agency may, but need not, collect a DNA sample from an individual if—

(1) Another agency or entity has collected, or will collect, a DNA sample from that individual pursuant to an agreement under this paragraph;

(2) The Combined DNA Index System already contains a DNA analysis with respect to that individual; or

(3) Waiver of DNA-sample collection in favor of collection by another agency is authorized by 42 U.S.C. 14135a(a)(3) or 10 U.S.C. 1565(a)(2).

(f) Each agency required to collect DNA samples under this section shall—

(1) Carry out DNA-sample collection utilizing sample-collection kits provided or other means authorized by the Attorney General, including approved methods of blood draws or buccal swabs;

(2) Furnish each DNA sample collected under this section to the Federal Bureau of Investigation, or to another agency or entity as authorized by the Attorney General, for purposes of analysis and entry of the results of the analysis into the Combined DNA Index System; and

(3) Repeat DNA-sample collection from an individual who remains or becomes again subject to the agency's jurisdiction or control if informed that a sample collected from the individual does not satisfy the requirements for analysis or for entry of the results of the analysis into the Combined DNA Index System.

(g) The authorization of DNA-sample collection by this section pursuant to Public Law 106-546 does not limit DNA-sample collection by any agency pursuant to any other authority.

[AG Order No. 3023-2008, 73 FR 74942, Dec. 10, 2008]

### § 28.13 Analysis and indexing of DNA samples.

(a) The Federal Bureau of Investigation shall carry out a DNA analysis on each DNA sample furnished to the Federal Bureau of Investigation pursuant to section 3(b) or 4(b) of Public Law 106-54, and shall include the results in the Combined DNA Index System.

(b) The Federal Bureau of Investigation shall include in the Combined DNA Index System the results of each analysis furnished to the Federal Bureau of Investigation pursuant to 10 U.S.C. 1565(b)(2).

### Subpart C—Preservation of Biological Evidence

SOURCE: Order No. 2762-2005, 70 FR 21957, Apr. 28, 2005, unless otherwise noted.

#### § 28.21 Purpose.

Section 3600A of title 18 of the United States Code ("section 3600A") requires the Government to preserve biological evidence that was secured in the inves-

tigation or prosecution of a Federal offense, if a defendant is under a sentence of imprisonment for such offense, subject to certain limitations and exceptions. The general purpose of this requirement is to preserve biological evidence for possible DNA testing under 18 U.S.C. 3600. Subsection (e) of section 3600A requires the Attorney General to promulgate regulations to implement and enforce section 3600A, including appropriate disciplinary sanctions to ensure that employees comply with such regulations.

#### § 28.22 The requirement to preserve biological evidence.

(a) *Applicability in general.* The requirement of section 3600A to preserve biological evidence applies to evidence that has been retained in cases in which the offense or conviction occurred prior to the enactment of section 3600A or the adoption of this subpart, as well as to evidence secured in pending and future cases.

(b) *Limitation to circumstances in which a defendant is under a sentence of imprisonment for the offense.* The requirement of section 3600A to preserve biological evidence secured in the investigation or prosecution of a Federal offense begins to apply when a defendant is convicted and sentenced to imprisonment for the offense, and ceases to apply when the defendant or defendants are released following such imprisonment. The evidence preservation requirement of section 3600A does not apply in the following situations:

(1) *Inapplicability at the investigative stage.* The requirement of section 3600A to preserve biological evidence does not apply at the investigative stage of criminal cases, occurring prior to the conviction and sentencing to imprisonment of a defendant. Biological evidence may be collected and preserved in the investigation of Federal offenses prior to the sentencing of a defendant to imprisonment, reflecting sound investigative practice and the need for evidence in trial proceedings that may result from the investigation, but section 3600A does not govern these activities.

(2) *Inapplicability to cases involving only non-incarcerative sentences.* The requirement of section 3600A to preserve

biological evidence does not apply in cases in which defendants receive only nonincarcerative sentences, such as probation, fines, or payment of restitution.

(3) *Inapplicability following release.* The requirement of section 3600A to preserve biological evidence ceases to apply when the defendant or defendants are released following imprisonment, either unconditionally or under supervision. The requirement does not apply during any period following the release of the defendant or defendants from imprisonment, even if the defendant or defendants remain on supervised release or parole.

(4) *Inapplicability following revocation of release.* The requirement of section 3600A to preserve biological evidence applies during a defendant's imprisonment pursuant to the sentence imposed upon conviction of the offense, as opposed to later imprisonment resulting from a violation of release conditions. The requirement does not apply during any period in which the defendant or defendants are imprisoned based on the revocation of probation, supervised release, or parole.

(c) *Conditions of preservation.* The requirement of section 3600A to preserve biological evidence means that such evidence cannot be destroyed or disposed of under the circumstances in which section 3600A requires its preservation, but does not limit agency discretion concerning the conditions under which biological evidence is maintained or the transfer of biological evidence among different agencies.

**§ 28.23 Evidence subject to the preservation requirement.**

(a) *Biological evidence generally.* The evidence preservation requirement of section 3600A applies to “biological evidence,” which is defined in section 3600A(b). The covered evidence is sexual assault forensic examination kits under section 3600A(b)(1) and semen, blood, saliva, hair, skin tissue, or other identified biological material under section 3600A(b)(2).

(b) *Biological evidence under section 3600A(b)(2).* Biological evidence within the scope of section 3600A(b)(2) is identified biological material that may derive from a perpetrator of the offense,

and hence might be capable of shedding light on the question of a defendant's guilt or innocence through DNA testing to determine whether the defendant is the source of the material. In greater detail, evidence within the scope of section 3600A(b)(2) encompasses the following:

(1) *Identified biological material.* Beyond sexual assault forensic examination kits, which are specially referenced in section 3600A(b)(1), section 3600A requires preservation only of evidence that is detected and identified as semen, blood, saliva, hair, skin tissue, or some other type of biological material. Section 3600A's preservation requirement does not apply to an item of evidence merely because it is known on theoretical grounds that physical things that have been in proximity to human beings almost invariably contain unidentified and imperceptible amounts of their organic matter.

(2) *Material that may derive from a perpetrator of the crime.* Biological evidence within the scope of section 3600A(b)(2) must constitute “biological material.” In the context of section 3600A, this term does not encompass all possible types of organic matter, but rather refers to organic matter that may derive from the body of a perpetrator of the crime, and hence might be capable of shedding light on a defendant's guilt or innocence by including or excluding the defendant as the source of its DNA.

*Example 1.* In a murder case in which the victim struggled with the killer, scrapings of skin tissue or blood taken from under the victim's fingernails would constitute biological material in the sense of section 3600A(b)(2), and would be subject to section 3600A's requirement to preserve biological evidence, assuming satisfaction of the statute's other conditions. Such material, which apparently derives from the perpetrator of the crime, could potentially shed light on guilt or innocence through DNA testing under 18 U.S.C. 3600 to determine whether a defendant was the source of this material.

*Example 2.* Biological material in the sense of section 3600A(b)(2) would not include the body of a murder victim who was shot from a distance, the carcasses of cattle in a meat truck secured in an investigation of the truck's hijacking, a quantity of marijuana seized in a drug trafficking investigation, or

articles made from wood or from wool or cotton fiber. While such items of evidence constitute organic matter in a broader sense, they are not biological material within the scope of section 3600A(b)(2), because they do not derive from the body of a perpetrator of the crime, and hence could not shed light on a defendant's guilt or innocence through DNA testing under 18 U.S.C. 3600 to determine whether the defendant is the source of the evidence.

**§ 28.24 Exceptions based on the results of judicial proceedings.**

Subsection (c) of section 3600A makes the biological evidence preservation requirement inapplicable in two circumstances relating to the results of judicial proceedings:

(a) *Judicial denial of DNA testing.* Section 3600A(c)(1) exempts situations in which a court has denied a motion for DNA testing under 18 U.S.C. 3600 and no appeal is pending.

(b) *Inclusion of defendant as source.* Section 3600A(c)(5) exempts situations in which there has been DNA testing under 18 U.S.C. 3600 and the results included the defendant as the source of the evidence.

**§ 28.25 Exceptions based on a defendant's conduct.**

Subsection (c) of section 3600A makes the biological evidence preservation requirement inapplicable in two circumstances relating to action (or inaction) by the defendant:

(a) *Waiver by defendant.* Section 3600A(c)(2) makes the biological evidence preservation requirement inapplicable if the defendant knowingly and voluntarily waived DNA testing in a court proceeding conducted after the date of enactment, *i.e.*, after October 30, 2004. Hence, for example, if a defendant waives DNA testing in the context of a plea agreement, in a pretrial colloquy with the court, in the course of discovery in pretrial proceedings, or in a postconviction proceeding, and the proceeding in which the waiver occurs takes place after October 30, 2004, the biological evidence preservation requirement of section 3600A does not apply.

(b) *Notice to defendant.* (1) Section 3600A(c)(3) makes the biological evidence preservation requirement inapplicable if the defendant is notified

that the biological evidence may be destroyed "after a conviction becomes final and the defendant has exhausted all opportunities for direct review of the conviction," and "the defendant does not file a motion under section 3600 within 180 days of receipt of the notice."

(2) Effective notice concerning the possible destruction of biological evidence for purposes of section 3600A(c)(3) cannot be given if the case is pending on direct review of the conviction before a court of appeals or the Supreme Court, if time remains for the defendant to file a notice of appeal from the judgment of conviction in the court of appeals, or if time remains for the defendant to file a petition for certiorari to the Supreme Court following the court of appeals' determination of an appeal of the conviction.

(3) Once direct review has been completed, or the time for seeking direct review has expired, section 3600A(c)(3) allows notice to the defendant that biological evidence may be destroyed. The biological evidence preservation requirement of section 3600A thereafter does not apply, unless the defendant files a motion under 18 U.S.C. 3600 within 180 days of receipt of the notice. Notice to a defendant that biological evidence may be destroyed may be provided by certified mail, and the Federal Bureau of Prisons shall create a record concerning the delivery of such mail to an inmate. To determine whether a defendant has filed a motion under 18 U.S.C. 3600 within 180 days of receipt of such a notice, the agency providing the notice may obtain confirmation of delivery and the date of delivery by inquiry with the Federal Bureau of Prisons, and may ascertain whether the defendant has filed a motion under 18 U.S.C. 3600 within 180 days of that date by checking the records of the district court which entered the judgment of conviction of the defendant for the offense or asking the United States Attorney's office in that district.

**§ 28.26 Exceptions based on the nature of the evidence.**

Subsection (c)(4) of section 3600A provides that the section's biological evidence preservation requirement does

not apply if “the evidence must be returned to its rightful owner, or is of such a size, bulk, or physical character as to render retention impracticable.” This exception is subject to the condition that the Government must “take[] reasonable measures to remove and preserve portions of the material evidence sufficient to permit future DNA testing.”

(a) *Evidence not retained beyond the investigative stage.* Section 3600A(c)(4) has no application if items of the sort it describes—*e.g.*, items that must be returned to the rightful owner, or items that are so large that their retention is impracticable—are not kept until the time when a defendant is convicted and sentenced to imprisonment. Investigative agents may take samples from such items during the investigative stage of the case, in accordance with their judgment about what is needed for purposes of DNA testing or other evidentiary use, or may conclude that the nature of the items does not warrant taking such samples, and the items themselves may then be returned to the owners or otherwise disposed of prior to the trial, conviction, or sentencing of any defendant. In such cases, section 3600A is inapplicable, because its evidence preservation requirement does not apply at all until a defendant is sentenced to imprisonment, as noted in § 28.22(b)(1).

(b) *Evidence not constituting biological material.* It is rarely the case that a bulky item of the sort described in section 3600A(c)(4), or a large part of such an item, constitutes biological evidence as defined in section 3600A(b). If such an item is not biological evidence in the relevant sense, it is outside the scope of section 3600A. For example, the evidence secured in the investigation of a bank robbery may include a stolen car that was used in the getaway, and there may be some item in the car containing biological material that derives from a perpetrator of the crime, such as saliva on a discarded cigarette butt. Even if the vehicle is kept until a defendant is sentenced to imprisonment, section 3600A’s preservation requirement would not apply to the vehicle as such, because the vehicle is not biological material. It would be sufficient for compliance with section

3600A to preserve the particular items in the vehicle that contain identified biological material or portions of them that contain the biological material.

(c) *Preservation of portions sufficient for DNA testing.* If evidence described in section 3600A(c)(4) is not otherwise exempt from the preservation requirement of section 3600A, and section 3600A(c)(4) is relied on in disposing of such evidence, reasonable measures must be taken to preserve portions of the evidence sufficient to permit future DNA testing. For example, considering a stolen car used in a bank robbery, it may be the case that one of the robbers was shot during the getaway and bled all over the interior of the car. In such a case, if the car is kept until a defendant is sentenced to imprisonment for the crime, there would be extensive biological material in the car that would potentially be subject to section 3600A’s requirement to preserve biological evidence. Moreover, the biological material in question could not be fully preserved without retaining the whole car or removing and retaining large amounts of matter from the interior of the car. Section 3600A(c)(4) would be relevant in such a case, given that fully retaining the biological evidence is likely to be impracticable or inconsistent with the rightful owner’s entitlement to the return of the vehicle. In such a case, section 3600A(c)(4) could be relied on, and its requirements would be satisfied if samples of the blood were preserved sufficient to permit future DNA testing. Preserving such samples would dispense with any need under section 3600A to retain the vehicle itself or larger portions thereof.

#### **§ 28.27 Non-preemption of other requirements.**

Section 3600A’s requirement to preserve biological evidence applies cumulatively with other evidence retention requirements. It does not preempt or supersede any statute, regulation, court order, or other provision of law that may require evidence, including biological evidence, to be preserved.

#### **§ 28.28 Sanctions for violations.**

(a) *Disciplinary sanctions.* Violations of section 3600A or of this subpart by

Government employees shall be subject to the disciplinary sanctions authorized by the rules or policies of their employing agencies for violations of statutory or regulatory requirements.

(b) *Criminal sanctions.* Violations of section 3600A may also be subject to criminal sanctions as prescribed in subsection (f) of that section. Section 3600A(f) makes it a felony offense, punishable by up to five years of imprisonment, for anyone to knowingly and intentionally destroy, alter, or tamper with biological evidence that is required to be preserved under section 3600A with the intent to prevent that evidence from being subjected to DNA testing or prevent the production or use of that evidence in an official proceeding.

(c) *No effect on validity of convictions.* Section 3600A's requirements are enforceable through the disciplinary sanctions and criminal sanctions described in paragraphs (a) and (b) of this section. A failure to preserve biological evidence as required by section 3600A does not provide a basis for relief in any postconviction proceeding.

## PART 29—MOTOR VEHICLE THEFT PREVENTION ACT REGULATIONS

Sec.

- 29.1 Purpose.
- 29.2 Definitions.
- 29.3 Administration by the Bureau of Justice Assistance.
- 29.4 Election to participate by states and localities.
- 29.5 Notification of law enforcement officials.
- 29.6 Limited participation by states and localities permitted.
- 29.7 Withdrawal from the program by states and localities.
- 29.8 Motor vehicle owner participation.
- 29.9 Motor vehicles for hire.
- 29.10 Owner withdrawal from the program.
- 29.11 Sale or other transfer of an enrolled vehicle.
- 29.12 Specified conditions under which stops may be authorized.
- 29.13 No new conditions without consent.

AUTHORITY: 28 U.S.C. 509, 510; 42 U.S.C. 14171.

SOURCE: 61 FR 40725, Aug. 6, 1996, unless otherwise noted.

### § 29.1 Purpose.

(a) The purpose of this part is to implement the Motor Vehicle Theft Prevention Act, 42 U.S.C. 14171, which requires the Attorney General to develop, in cooperation with the states, a national voluntary motor vehicle theft prevention program. The program will be implemented by states and localities, at their sole option.

(b) Under this program, individual motor vehicle owners voluntarily sign a consent form in which the owner

(1) Indicates that the identified vehicle is not normally operated under certain specified conditions and

(2) Agrees to display a program decal or license plate on the vehicle and to permit law enforcement officials in any jurisdiction to stop the motor vehicle if it is being operated under specified conditions and take reasonable steps to determine whether the vehicle is being operated by or with the permission of the owner.

(c) The regulations set forth in this part establish the conditions under which an owner may consent to having his or her vehicle stopped and the manner in which a State or locality may elect to participate.

### § 29.2 Definitions.

For the purposes of this part:

(a) *The Act* or *the MVTPA* means the Motor Vehicle Theft Prevention Act.

(b) *Owner* means the person or persons whose name(s) appear(s) on the certificate of title or to whom the car is registered. In the instance of a new vehicle awaiting sale or lease or in the instance of a used vehicle where the title has been assigned to a dealership, the term "owner" shall be construed to mean new and used automobile dealerships.

(c) *The Program* refers to the National Voluntary Motor Vehicle Theft Prevention Program implemented pursuant to the Motor Vehicle Prevention Act.

### § 29.3 Administration by the Bureau of Justice Assistance.

The Director of the Bureau of Justice Assistance shall administer this Program and shall issue guidelines governing the operational aspects of it, including the design and production of a standardized, universally recognizable

## § 29.4

MVTPA reflective decal, as well as model consent and registration forms.

### § 29.4 Election to participate by states and localities.

(a) Any State or locality that wishes to participate in the program shall register with the BJA and request program enrollment materials. Registration forms will be available upon request. Participation in the program is wholly voluntary on the part of the State or locality.

(b) By electing to participate in the program, a State or locality agrees to do the following:

(1) Make program enrollment materials, including consent forms, available to interested motor vehicle owners;

(2) Collect completed consent forms;

(3) Provide enrolled motor vehicle owners with the decal(s), and license plate(s) applicable to their program condition or conditions and instructions governing program participation;

(4) Take the necessary steps to authorize law enforcement officials to stop motor vehicles enrolled in the program; and

(5) Comply with any other regulation(s) or guideline(s) governing participation in this program.

### § 29.5 Notification of law enforcement officials.

In addition to the actions enumerated in § 29.4(b), as a condition of participating in the program, a State or locality must agree to take reasonable steps to ensure that law enforcement officials under its jurisdiction are familiar with the program and with the conditions under which motor vehicles may be stopped.

### § 29.6 Limited participation by states and localities permitted.

A State or locality need not authorize the stopping of motor vehicles under all sets of conditions specified under the program in order to participate in the program.

### § 29.7 Withdrawal from the program by states and localities.

Any participating State or locality may withdraw from the program at any time by sending written notification

## 28 CFR Ch. I (7-1-17 Edition)

to BJA and by notifying participating owners individually by mail of the decision to withdraw.

### § 29.8 Motor vehicle owner participation.

In order to participate in this program, the owner(s) of a motor vehicle must sign a program consent form and register with a participating State or locality. If the vehicle is registered to more than one person, both owners must sign the consent form. By enrolling in the federal program, the owner(s) of the motor vehicle—

(a) State(s) that the vehicle is not normally operated under the specified conditions; and

(b) Agree(s) to:

(1) Display the program decals or devices on the owner's vehicle;

(2) Permit law enforcement officials in any State or locality to stop the motor vehicle if the vehicle is being operated under the specified conditions and take reasonable steps to determine whether the vehicle is being operated by or with the permission of the owner;

(3) Expressly advise any borrower of the vehicle of the existence of this agreement, and that such user will be subject to being stopped by law enforcement officials if the vehicle is being operated under the specified condition(s) even if the officials have no other basis for believing the vehicle is being operated unlawfully; and

(4) Comply with any other regulation(s) or guideline(s) governing participation in this program.

### § 29.9 Motor vehicles for hire.

(a) Any person who is in the business of renting or leasing motor vehicles and who rents or leases a motor vehicle on which a program decal or device is affixed shall notify the person to whom the motor vehicle is rented or leased about the program, prior to transferring possession of the vehicle.

(b) The notice required by this section shall be printed in bold type in the rental or lease agreement, and on the envelope in which the rental agreement is placed. The notice provision in the rental or lease agreement must utilize a larger font than the standard type in the agreement. The notice must state that the motor vehicle may be stopped



by law enforcement officials if it is operated under the conditions specified by the program in which the car is enrolled even if the officials have no other basis for believing that the vehicle is being operated unlawfully.

(c) Failure to provide the notice required by this section to a renter or lessee may result in the assessment of a civil penalty by the Assistant Attorney General, Civil Division, or his or her designee, of an amount not to exceed \$5,000. No penalty shall be assessed unless the person charged has been given notice and an opportunity for a hearing of such charge.

**§ 29.10 Owner withdrawal from the program.**

An owner may withdraw from the program at any time by completely removing the program decal and changing the license plate if necessary. The owner is also encouraged to notify the participating agency in writing of such withdrawal.

**§ 29.11 Sale or other transfer of an enrolled vehicle.**

Upon the transferral of ownership of an enrolled vehicle, the transferring owner must completely remove the program decals, change the license plate(s) if necessary, and is encouraged to notify the participating agency in writing of the transfer of ownership of the vehicle.

**§ 29.12 Specified conditions under which stops may be authorized.**

A motor vehicle owner may voluntarily enroll his or her vehicle(s) and give written consent to law enforcement official to stop the vehicle if it is being operated under any or all the conditions set forth in this section. For each condition, the owner(s) must grant consent and affix a separate decal, device, or license plate.

(a) *Time.* A motor vehicle owner may authorize law enforcement officers to stop the enrolled vehicle if it is being operated between the hours of 1:00 AM and 5:00 AM. By enrolling in a program with this condition, the owner must state that the vehicle is not normally operated between the specified hours, and that the owner understands that the operation of the vehicle between

those hours provides sufficient grounds for a law enforcement officer to reasonably believe that the vehicle is not being operated by or with the consent of the owner, even if the law enforcement official has no other basis for believing that the vehicle is being operated unlawfully.

(b) *Border crossing or port entry.* A motor vehicle owner may authorize law enforcement officers to stop the enrolled vehicle if it crosses, is about to cross or is about to be transported across a United States land border, or if it enters a United States port. For purposes of this section, the phrase "about to cross a United States land border" means the vehicle is operated or transported within one mile of a United States land border. Participating States or localities may implement this provision in accordance with local conditions, provided that a participating State or locality may not extend the applicable geographic area beyond one mile from the United States land border. By enrolling in a program with this condition, the owner must state that the vehicle is not normally driven across a border or into a port, and that the owner understands that the operation or transport of the vehicle within a mile of a United States land border or into a port provides sufficient grounds for a law enforcement officer to believe that the vehicle is not being operated by or with the consent of the owner even if the law enforcement officer has no other basis for believing that the vehicle is being operated unlawfully.

**§ 29.13 No new conditions without consent.**

After the program has begun, new conditions under which a vehicle may be stopped may only be added to an existing program if the owner consents to the new condition or conditions.

**PART 30—INTERGOVERNMENTAL REVIEW OF DEPARTMENT OF JUSTICE PROGRAMS AND ACTIVITIES**

Sec.

30.1 What is the purpose of these regulations?

## § 30.1

- 30.2 What definitions apply to these regulations?
- 30.3 What programs and activities of the Department are subject to these regulations?
- 30.4 What are the Attorney General's general responsibilities under the Order?
- 30.5 What is the Attorney General's obligation with respect to Federal interagency coordination?
- 30.6 What procedures apply to the selection of programs and activities under these regulations?
- 30.7 How does the Attorney General communicate with state and local officials concerning the Department's programs and activities?
- 30.8 How does the Attorney General provide an opportunity to comment on proposed Federal financial assistance and direct Federal development?
- 30.9 How does the Attorney General receive and respond to comments?
- 30.10 How does the Attorney General make efforts to accommodate intergovernmental concerns?
- 30.11 What are the Attorney General's obligations in interstate situations?
- 30.12 How may a state simplify, consolidate, or substitute federally required state plans?
- 30.13 May the Attorney General waive any provision of these regulations?

AUTHORITY: Executive Order 12372, July 14, 1982 (47 FR 30959), as amended April 8, 1983 (48 FR 15887); Sec. 401 of the Intergovernmental Cooperation Act of 1968 as amended (31 U.S.C. 6506); Sec. 204 of the Demonstration Cities and Metropolitan Development Act of 1966 as amended (42 U.S.C. 3334).

SOURCE: Order No. 1018-83, 48 FR 29246, June 24, 1983, unless otherwise noted.

### § 30.1 What is the purpose of these regulations?

(a) The regulations in this part implement Executive Order 12372, "Intergovernmental Review of Federal Programs," issued July 14, 1982 and amended on April 8, 1983. These regulations also implement applicable provisions of section 401 of the Intergovernmental Cooperation Act of 1968 and section 204 of the Demonstration Cities and Metropolitan Development Act of 1966.

(b) These regulations are intended to foster an intergovernmental partnership and a strengthened Federalism by relying on state processes and on state, areawide, regional, and local coordination for review of proposed federal financial assistance and direct federal development.

## 28 CFR Ch. I (7-1-17 Edition)

(c) These regulations are intended to aid the internal management of the Department, and are not intended to create any right or benefit enforceable at law by a party against the Department or its officers.

### § 30.2 What definitions apply to these regulations?

*Department* means the U.S. Department of Justice.

*Order* means Executive Order 12372, issued July 14, 1982, and amended April 8, 1983 and titled "Intergovernmental Review of Federal Programs."

*Attorney General* means the Attorney General or an official or employee of the Department acting for the Attorney General under a delegation of authority.

*State* means any of the 50 states, the District of Columbia, the Commonwealth of Puerto Rico, the Commonwealth of the Northern Mariana Islands, Guam, American Samoa, the U.S. Virgin Islands, or the Trust Territory of the Pacific Islands.

### § 30.3 What programs and activities of the Department are subject to these regulations?

The Attorney General publishes in the FEDERAL REGISTER a list of the Department's programs and activities that are subject to these regulations and identifies which of these are subject to the requirements of section 204 of the Demonstration Cities and Metropolitan Development Act.

### § 30.4 What are the Attorney General's general responsibilities under the Order?

(a) The Attorney General provides opportunities for consultation by elected officials of those state and local governments that would provide the non-federal funds for, or that would be directly affected by, proposed federal financial assistance from, or direct federal development by, the Department.

(b) If a state adopts a process under the Order to review and coordinate proposed federal financial assistance and direct federal development, the Attorney General, to the extent permitted by law:

## Department of Justice

## § 30.7

(1) Uses the state process to determine official views of state and local elected officials;

(2) Communicates with state and local elected officials as early in a program planning cycle as is reasonably feasible to explain specific plans and actions;

(3) Makes efforts to accommodate state and local elected officials' concerns with proposed federal financial assistance and direct federal development that are communicated through the state process;

(4) Allows the states to simplify and consolidate existing federally required state plan submissions;

(5) Where state planning and budgeting systems are sufficient and where permitted by law, encourages the substitution of state plans for federally required state plans;

(6) Seeks the coordination of views of affected state and local elected officials in one state with those of another state when proposed federal financial assistance or direct federal development has an impact on interstate metropolitan urban centers or other interstate areas; and

(7) Support state and local governments by discouraging the reauthorization or creations of any planning organization which is federally-funded, which has a limited purpose, and which is not adequately representative of, or accountable to, state or local elected officials.

(c) In considering comments received under these regulations, the Attorney General considers the objectives set forth in 31 U.S.C. 6506(b).

### **§ 30.5 What is the Attorney General's obligation with respect to Federal interagency coordination?**

The Attorney General, to the extent practicable, consults with and seeks advice from all other substantially affected federal departments and agencies in an effort to assure full coordination between such agencies and the Department regarding programs and activities covered under these regulations.

### **§ 30.6 What procedures apply to the selection of programs and activities under these regulations?**

(a) A state may select any program or activity published in the FEDERAL REGISTER in accordance with § 30.3 of this part for intergovernmental review under these regulations. Each state, before selecting programs and activities, shall consult with local elected officials.

(b) Each state that adopts a process shall notify the Attorney General of the Department's programs and activities selected for that process.

(c) A state may notify the Attorney General of changes in its selections at any time. For each change, the state shall submit to the Attorney General an assurance that the state has consulted with local elected officials regarding the change. The Department may establish deadlines by which states are required to inform the Attorney General of changes in their program selections.

(d) The Attorney General uses a State's process as soon as feasible, depending on individual programs and activities, after the Attorney General is notified of its selections.

### **§ 30.7 How does the Attorney General communicate with state and local officials concerning the Department's programs and activities?**

(a) For those programs and activities covered by a state process under § 30.6, the Attorney General, to the extent permitted by law:

(1) Uses the state process to determine views of state and local elected officials; and

(2) Communicates with state and local elected officials, through the state process, as early in a program planning cycle as is reasonably feasible to explain specific plans and actions.

(b) The Attorney General provides notice to directly affected state, areawide, regional, and local entities in a state or proposed federal financial assistance or direct federal development if:

(1) The state has not adopted a process under the Order; or

(2) The assistance or development involves a program or activity not selected for the state process.

## § 30.8

## 28 CFR Ch. I (7–1–17 Edition)

This notice may be made by publication in the FEDERAL REGISTER or other means which the Department in its discretion deems appropriate.

### **§ 30.8 How does the Attorney General provide an opportunity to comment on proposed Federal financial assistance and direct Federal development?**

(a) Except in unusual circumstances, the Attorney General gives state processes or directly affected state, areawide, regional, and local officials and entities:

(1) At least 30 days from the date established by the Attorney General to comment on proposed federal financial assistance in the form of noncompeting continuation awards; and

(2) At least 60 days from the date established by the Attorney General to comment on proposed direct federal development or federal financial assistance other than noncompeting continuation awards.

(b) This section also applies to comments in cases in which the review, coordination, and communication with the Department have been delegated.

(c) Applicants for programs and activities subject to section 204 of the Demonstration Cities and Metropolitan Act shall allow areawide agencies a 60-day opportunity for review and comments.

### **§ 30.9 How does the Attorney General receive and respond to comments?**

(a) The Attorney General follows the procedures in § 30.10 if:

(1) A state office or official is designated to act as a single point of contact between a state process and all federal agencies; and

(2) That office or official transmits a state process recommendation for a program selected under § 30.6.

(b)(1) The single point of contact is not obligated to transmit comments from state, areawide, regional, or local officials and entities where there is no state process recommendation.

(2) If a state process recommendation is transmitted by a single point of contact, all comments from state, areawide, regional, and local officials and entities that differ from it must also be transmitted.

(c) If a state has not established a process, or is unable to submit a state process recommendation, state, areawide, regional, and local officials and entities may submit comments either to the applicant or to the Department.

(d) If a program or activity is not selected for a state process, state, areawide, regional, and local officials and entities may submit comments either to the applicant or to the Department. In addition, if a state process recommendation for a nonselected program or activity is transmitted to the Department by the single point of contact, the Attorney General follows the procedures of § 30.10 of this part.

(e) The Attorney General considers comments which do not constitute a state process recommendation submitted under these regulations and for which the Attorney General is not required to apply the procedures of § 30.10 of this part, when such comments are provided by a single point of contact, by the applicant, or directly to the Department by a commenting party.

### **§ 30.10 How does the Attorney General make efforts to accommodate inter-governmental concerns?**

(a) If a state process provides a state process recommendation to the Department through its single point of contact, the Attorney General either:

(1) Accepts the recommendation;

(2) Reaches a mutually agreeable solution with the state process; or

(3) Provides the single point of contact with a written explanation of the decision, in such form as the Attorney General in his or her discretion deems appropriate. The Attorney General may also supplement the written explanation by providing the explanation to the single point of contact by telephone, other telecommunication, or other means.

(b) In any explanation under paragraph (a)(3) of this section, the Attorney General informs the single point of contact that:

(1) The Department will not implement its decision for at least ten days after the single point of contact receives the explanation; or

(2) The Attorney General has received the decision and determined

that, because of unusual circumstances, the waiting period of at least ten days is not feasible.

(c) For purposes of computing the waiting period under paragraph (b)(1) of this section, a single point of contact is presumed to have received written notification five days after the date of mailing of such notification.

**§30.11 What are the Attorney General's obligations in interstate situations?**

(a) The Attorney General is responsible for:

(1) Identifying proposed federal financial assistance and direct federal development that have an impact on interstate areas;

(2) Notifying appropriate officials and entities in states which have adopted a process and which select the Department's program or activity;

(3) Making efforts to identify and notify the affected state, areawide, regional, and local officials and entities in those states that have not adopted a process under the Order or do not select the Department's program or activity; and

(4) Responding pursuant to §30.10 if the Attorney General receives a recommendation from a designated areawide agency transmitted by a single point of contact in cases in which the review, coordination, and communication with the Department have been delegated.

(b) The Attorney General uses the procedures in §30.10 if a state process provides a state process recommendation to the Department through a single point of contact.

**§30.12 How may a state simplify, consolidate, or substitute federally required state plans?**

(a) As used in this section:

(1) *Simplify* means that a state may develop its own format, choose its own submission date, and select the planning period for a state plan.

(2) *Consolidate* means that a state may meet statutory and regulatory requirements by combining two or more plans into one document and that the state can select the format, submission date, and planning period for the consolidated plan.

(3) *Substitute* means that a state may use a plan or other document that it has developed for its own purposes to meet federal requirements.

(b) If not inconsistent with law, a state may decide to try to simplify, consolidate, or substitute federally required state plans without prior approval by the Attorney General.

(c) The Attorney General reviews each state plan that a state has simplified, consolidated, or substituted and accepts the plan only if its contents meet federal requirements.

**§30.13 May the Attorney General waive any provision of these regulations?**

In an emergency, the Attorney General may waive any provision of these regulations.

**PART 31—OJJDP GRANT PROGRAMS**

**Subpart A—Formula Grants**

GENERAL PROVISIONS

- Sec.
- 31.1 General.
- 31.2 Statutory authority.
- 31.3 Formula grant plan and applications.

ELIGIBLE APPLICANTS

- 31.100 Eligibility.
- 31.101 Designation of State agency.
- 31.102 State agency structure.
- 31.103 Membership of supervisory board.

GENERAL REQUIREMENTS

- 31.200 General.
- 31.201 Audit.
- 31.202 Civil rights.
- 31.203 Open meetings and public access to records.

JUVENILE JUSTICE ACT REQUIREMENTS

- 31.300 General.
- 31.301 Funding.
- 31.302 Applicant State agency.
- 31.303 Substantive requirements.
- 31.304 Definitions.

GENERAL CONDITIONS AND ASSURANCES

- 31.400 Compliance with statute.
- 31.401 Compliance with other Federal laws, orders, circulars.
- 31.402 Application on file.
- 31.403 Civil rights requirements.
- 31.404 Participation by faith-based organizations.

§ 31.1

**Subpart B—Juvenile Accountability Incentive Block Grants**

- 31.500 Program purposes
- 31.501 Eligible applicants
- 31.502 Assurances and plan information
- 31.503 Notice of proposed use of funds

AUTHORITY: 42 U.S.C 5611(b); 42 U.S.C. 5631-5633.

SOURCE: 60 FR 28440, May 31, 1995, unless otherwise noted.

**Subpart A—Formula Grants**

GENERAL PROVISIONS

**§ 31.1 General.**

This subpart defines eligibility and sets forth requirements for application for and administration of formula grants to State governments authorized by part B, subpart I, of the Juvenile Justice and Delinquency Prevention Act.

[60 FR 28440, May 31, 1995, as amended at 64 FR 19676, Apr. 21, 1999]

**§ 31.2 Statutory authority.**

The Statute establishing the Office of Juvenile Justice and Delinquency Prevention and giving authority to make grants for juvenile justice and delinquency prevention improvement programs is the *Juvenile Justice and Delinquency Prevention Act of 1974*, as amended (42 U.S.C. 5601 *et seq.*).

**§ 31.3 Formula grant plan and applications.**

Formula Grant Applications for each Fiscal Year should be submitted to OJJDP by August 1st (60 days prior to the beginning of the fiscal year) or within 60 days after the States are officially notified of the fiscal year formula grant allocations. Beginning with FY 1995 and each subsequent fiscal year, all Formula Grant Applications are due no later than March 31 of the fiscal year for which the funds are allocated.

ELIGIBLE APPLICANTS

**§ 31.100 Eligibility.**

All States as defined by section 103(7) of the JJDP Act.

**§ 31.101 Designation of State agency.**

The Chief Executive of each State which chooses to apply for a formula grant shall establish or designate a State agency as the sole agency for supervising the preparation and administration of the plan. The plan must demonstrate compliance with administrative and supervisory board membership requirements established by the OJJDP Administrator pursuant to section 299 (c) of the JJDP Act. States must have available for review a copy of the State law or executive order establishing the State agency and its authority.

**§ 31.102 State agency structure.**

The State agency may be a discrete unit of State government or a division or other component of an existing State crime commission, planning agency or other appropriate unit of State government. Details of organization and structure are matters of State discretion, provided that the agency:

(a) Is a definable entity in the executive branch with the requisite authority to carry out the responsibilities imposed by the JJDP Act;

(b) Has a supervisory board (i.e., a board of directors, commission, committee, council, or other policy board) which has responsibility for supervising the preparation and administration of the plan and its implementation; and

(c) Has sufficient staff and staff capability to carry out the board's policies and the agency's duties and responsibilities to administer the program, develop the plan, process applications, administer grants awarded under the plan, monitor and evaluate programs and projects, provide administration/support services, and perform such accountability functions as are necessary to the administration of Federal funds, such as grant close-out and audit of subgrant and contract funds. At a minimum, one full-time Juvenile Justice Specialist must be assigned to the Formula Grants Program by the State agency. Where the State does not currently provide or maintain a full-time Juvenile Justice Specialist, the plan must clearly establish and document that the program and administrative

## Department of Justice

## § 31.202

support staff resources currently assigned to the program will temporarily meet the adequate staff requirement, and provide an assurance that at least one full-time Juvenile Justice Specialist will be assigned to the Formula Grants Program by the end of FY 1995 (September 30, 1995).

### § 31.103 Membership of supervisory board.

The State advisory group appointed under section 223(a)(3) may operate as the supervisory board for the State agency, at the discretion of the Governor. Where, however, a State has continuously maintained a broad-based law enforcement and criminal justice supervisory board (council) meeting all the requirements of section 402(b)(2) of the Justice System Improvement Act of 1979, and wishes to maintain such a board, such composition shall continue to be acceptable provided that the board's membership includes the chairman and at least two additional citizen members of the State advisory group. For purposes of this requirement a citizen member is defined as any person who is not a full-time government employee or elected official. Any executive committee of such a board must include the same proportion of juvenile justice advisory group members as are included in the total board membership. Any other proposed supervisory board membership is subject to case by case review and approval of the OJJDP Administrator and will require, at a minimum, "balanced representation" of juvenile justice interests.

#### GENERAL REQUIREMENTS

### § 31.200 General.

This subpart sets forth general requirements applicable to formula grant recipients under the JJDP Act of 1974, as amended. Applicants must assure compliance or submit necessary information on these requirements.

[60 FR 28440, May 31, 1995, as amended at 64 FR 19676, Apr. 21, 1999]

### § 31.201 Audit.

The State must assure that it adheres to the audit requirements enumerated in the "Financial and Administrative Guide for Grants, Guide Man-

ual 7100.1 (current edition). Chapter 8 of the Manual contains a comprehensive statement of audit policies and requirements relative to grantees and subgrantees.

### § 31.202 Civil rights.

(a) To carry out the State's Federal civil rights responsibilities the plan must:

(1) Designate a civil rights contact person who has lead responsibility in insuring that all applicable civil rights requirements, assurances, and conditions are met and who shall act as liaison in all civil rights matters with OJJDP and the OJP Office of Civil Rights Compliance (OCRC); and

(2) Provide the Council's Equal Employment Opportunity Program (EEOP), if required to maintain one under 28 CFR 42.301, *et seq.*, where the application is for \$500,000 or more.

(b) The application must provide assurance that the State will:

(1) Require that every applicant required to formulate an EEOP in accordance with 28 CFR 42.201 *et seq.*, submit a certification to the State that it has a current EEOP on file, which meets the requirement therein;

(2) Require that every criminal or juvenile justice agency applying for a grant of \$500,000 or more submit a copy of its EEOP (if required to maintain one under 28 CFR 42.301, *et seq.*) to OCRC at the time it submits its application to the State;

(3) Inform the public and subgrantees of affected persons' rights to file a complaint of discrimination with OCRC for investigation;

(4) Cooperate with OCRC during compliance reviews of recipients located within the State; and

(5) Comply, and that its subgrantees and contractors will comply with the requirement that, in the event that a Federal or State court or administrative agency makes a finding of discrimination on the basis of race, color, religion, national origin, or sex (after a due process hearing) against a State or a subgrantee or contractor, the affected recipient or contractor will forward a copy of the finding to OCRC.

**§ 31.203 Open meetings and public access to records.**

The State must assure that the State agency, its supervisory board established pursuant to section 299(c) and the State advisory group established pursuant to section 223(a)(3) will follow applicable State open meeting and public access laws and regulations in the conduct of meetings and the maintenance of records relating to their functions.

JUVENILE JUSTICE ACT REQUIREMENTS

**§ 31.300 General.**

This subpart sets forth specific JJDP Act requirements for application and receipt of formula grants.

[60 FR 28440, May 31, 1995, as amended at 64 FR 19676, Apr. 21, 1999]

**§ 31.301 Funding.**

(a) *Allocation to States.* Funds shall be allocated annually among the States on the basis of relative population of persons under age eighteen. If the amount allocated for Title II (other than parts D and E) of the JJDP Act is less than \$75 million, the amount allocated to each State will not be less than \$325,000, nor more than \$400,000, provided that no State receives less than its allocation for FY 1992. The territories will receive not less than \$75,000 or more than \$100,000. If the amount appropriated for Title II (other than parts D and E) is \$75 million or more, the amount allocated for each State will be not less than \$400,000, nor more than \$600,000, provided that parts D and E have been funded in the full amounts authorized. For the Territories, the amount is fixed at \$100,000. For each of FY's 1994 and 1995, the minimum allocation is established at \$600,000 for States and \$100,000 for Territories.

(b) *Funds for local use.* At least two-thirds of the formula grant application to the state (other than the section 222(d) State Advisory Group set aside) must be used for programs by local government, local private agencies, and eligible Indian tribes, unless the State applies for and is granted a waiver by the OJJDP. The proportion of pass-through funds to be made available to eligible Indian tribes shall be

based upon that proportion of the state youth population under 18 years of age who reside in geographical areas where the tribes perform law enforcement functions. Pursuant to section 223(a)(5)(C) of the JJDP Act, each of the standards set forth in paragraphs (b)(1)(i) through (iii) of this section must be met in order to establish the eligibility of Indian tribes to receive pass through funds:

(1)(i) The tribal entity must be recognized by the Secretary of the Interior as an Indian tribe that performs law enforcement functions as defined in paragraph (b) (2) of this section.

(ii) The tribal entity must agree to attempt to comply with the requirements of section 223(a)(12)(A), (13), and (14) of the JJDP Act; and

(iii) The tribal entity must identify the juvenile justice needs to be served by these funds within the geographical area where the tribe performs law enforcement functions.

(2) *Law enforcement functions* are deemed to include those activities pertaining to the custody of children, including, but not limited to, police efforts to prevent, control, or reduce crime and delinquency or to apprehend criminal and delinquent offenders, and/or activities of adult and juvenile corrections, probation, or parole authorities.

(3) To carry out this requirement, OJJDP will annually provide each state with the most recent Bureau of Census statistics on the number of persons under age 18 living within the state, and the number of persons under age 18 who reside in geographical areas where Indian tribes perform law enforcement functions.

(4) Pass-through funds available to tribal entities under section 223(a)(5)(C) shall be made available within states to Indian tribes, combinations of Indian tribes, or to an organization or organizations designated by such tribe(s), that meet the standards set forth in paragraphs (b)(1)(i)-(iii) of this section. Where the relative number of persons under age 18 within a geographic area where an Indian tribe performs law enforcement functions is too small to warrant an individual subgrant or subgrants, the state may, after consultation with the eligible tribe(s), make



pass-through funds available to a combination of eligible tribes within the state, or to an organization or organizations designated by and representing a group of qualifying tribes, or target the funds on the larger tribal jurisdictions within the state.

(5) Consistent with section 223(a)(4) of the JJDP Act, the state must provide for consultation with Indian tribes or a combination of eligible tribes within the state, or an organization or organizations designated by qualifying tribes, in the development of a state plan which adequately takes into account the juvenile justice needs and requests of those Indian tribes within the state.

(c) *Match.* Formula grants under the JJDP Act shall be 100% of approved costs, with the exception of planning and administration funds, which require a 100 percent cash match (dollar for dollar), and construction projects funded under section 299C(a)(2) which also require a 100 percent cash match.

(d) *Funds for administration.* Not more than ten percent of the total annual Formula Grant award may be utilized to develop the annual juvenile justice plan and pay for administrative expenses, including project monitoring. These funds are to be matched on a dollar for dollar basis. The State shall make available needed funds for planning and administration to units of local government on an equitable basis. Each annual application must identify uses of such funds.

(e) *Nonparticipating States.* Pursuant to section 223(d), the OJJDP Administrator shall endeavor to make the fund allotment under section 222(a), of a State which chooses not to participate or loses its eligibility to participate in the formula grant program, directly available to local public and private nonprofit agencies within the nonparticipating State. The funds may be used only for the purpose(s) of achieving deinstitutionalization of status offenders and nonoffenders, separation of juveniles from incarcerated adults, removal of juveniles from adult jails and lockups, and reducing the disproportionate confinement of minority youth in secure facilities. Absent a request for extension which demonstrates compelling circumstances justifying the reallocation of formula grant funds back

to the State to which the funds were initially allocated, or the proceedings under section 223(d), formula grant funds allocated to a State which has failed to submit an application, plan, or monitoring data establishing its eligibility for the funds will, beginning with FY 1995 be reallocated to the nonparticipating State program on September 30 of the fiscal year for which the funds were appropriated. Reallocated funds will be competitively awarded to eligible recipients pursuant to program announcements published in the FEDERAL REGISTER.

#### § 31.302 Applicant State agency.

(a) Pursuant to section 223(a)(1), section 223(a)(2) and section 299(c) of the JJDP Act, the State must assure that the State agency approved under section 299(c) has been designated as the sole agency for supervising the preparation and administration of the plan and has the authority to implement the plan.

(b) *Advisory group.* Pursuant to section 223(a)(3) of the JJDP Act, the Chief Executive:

(1) Shall establish an advisory group pursuant to section 223(a)(3) of the JJDP Act. The State shall provide a list of all current advisory group members, indicating their respective dates of appointment and how each member meets the membership requirements specified in this section of the Act.

(2) Should consider, in meeting the statutory membership requirements of section 223(A)(3) (A)–(E), appointing at least one member who represents each of the following: A locally elected official representing general purpose local government; a law enforcement officer; representatives of juvenile justice agencies, including a juvenile or family court judge, a probation officer, a prosecutor, and a person who routinely provides legal representation to youth in juvenile court; a public agency representative concerned with delinquency prevention and treatment; a representative from a private, nonprofit organization, such as a parents group, concerned with teenage drug and alcohol abuse; a high school principal; a recreation director; a volunteer who works with delinquent or at risk youth; a person with a special focus on

the family; a youth worker experienced with programs that offer alternatives to incarceration; persons with special competence in addressing programs of school violence and vandalism and alternatives to expulsion and suspension; and persons with knowledge concerning learning disabilities, child abuse, neglect, and youth violence.

(c) The State shall assure that it complies with the Advisory Group financial support requirement of section 222(d) and the composition and function requirements of section 223(a)(3) of the JJDP Act.

**§ 31.303 Substantive requirements.**

(a) *Assurances.* The State must certify through the provision of assurances that it has complied and will comply (as appropriate) with sections 223(a)(1), (2), (3), (4), (5), (6), (7), (8), (9), (10), (11), (16), (17), (18), (19), (20), (21), (22), and (25), and sections 229 and 261(d), in formulating and implementing the State plan. The Formula Grant Application kit provides a form and guidance for the provision of assurances. OJJDP interprets the section 223(a)(16) assurance as satisfied by an affirmation that State law and/or policy clearly require equitable treatment on the required bases; or by providing in the State plan that the State agency will require an assurance of equitable treatment by all Formula Grant subgrant and contract recipients, and establish as a program goal, in conjunction with the State Advisory Group, the adoption and implementation of a statewide juvenile justice policy that all youth in the juvenile justice system will be treated equitably without regard to gender, race, family income, and mentally, emotionally, or physically handicapping conditions. OJJDP interprets the section 223(a)(25) assurance as satisfied by a provision in the State plan for the State agency and the State Advisory Group to promulgate policies and budget priorities that require the funding of programs that are part of a comprehensive and coordinated community system of services as set forth in section 103(19) of the JJDP Act. This requirement is applicable when a State's formula grant for any fiscal year exceeds 105 percent of the State's formula grant for FY 1992.

(b) *Serious juvenile offender emphasis.* Pursuant to sections 101(a)(10) and 223(a)(10) of the JJDP Act, OJJDP encourages States that have identified serious and violent juvenile offenders as a priority problem to allocate formula grant funds to programs designed for serious and violent juvenile offenders at a level consistent with the extent of the problem as identified through the State planning process. Particular attention should be given to improving prosecution, sentencing procedures, providing resources necessary for effective rehabilitation, and facilitating the coordination of services between the juvenile justice and criminal justice systems.

(c) *Deinstitutionalization of status offenders and non-offenders.* Pursuant to section 223(a)(12)(A) of the JJDP Act, the State shall:

(1) Describe its plan, procedure, and timetable covering the three-year planning cycle, for assuring that the requirements of this section are met. Refer to § 31.303(f)(3) for the rules related to the valid court order exception to this Act requirement.

(2) Describe the barriers the State faces in achieving full compliance with the provisions of this requirement.

(3) *Federal wards.* Apply this requirement to alien juveniles under Federal jurisdiction who are held in State or local facilities.

(4) *DSO compliance.* Those States which, based upon the most recently submitted monitoring report, have been found to be in full compliance with section 223(a)(12)(A) may, in lieu of addressing paragraphs (c)(1) and (2) of this section, provide an assurance that adequate plans and resources are available to maintain full compliance.

(5) Submit the report required under section 223(a)(12)(B) of the Act as part of the annual monitoring report required by section 223(a)(15) of the Act.

(d) *Contact with incarcerated adults.* (1) Pursuant to section 223(a)(13) of the JJDP Act the State shall:

(i) *Separation.* Describe its plan and procedure, covering the three-year planning cycle, for assuring that the requirements of this section are met. The term *contact* includes any physical or sustained sight or sound contact between juvenile offenders in a secure

custody status and incarcerated adults, including inmate trustees. A juvenile offender in a secure custody status is one who is physically detained or confined in a locked room or other area set aside or used for the specific purpose of securely detaining persons who are in law enforcement custody. Secure detention or confinement may result either from being placed in such a room or area and/or from being physically secured to a cuffing rail or other stationary object. Sight contact is defined as clear visual contact between incarcerated adults and juveniles within close proximity to each other. Sound contact is defined as direct oral communication between incarcerated adults and juvenile offenders. Separation must be accomplished architecturally or through policies and procedures in all secure areas of the facility which include, but are not limited to, such areas as admissions, sleeping, and shower and toilet areas. Brief and inadvertent or accidental contact between juvenile offenders in a secure custody status and incarcerated adults in secure areas of a facility that are not dedicated to use by juvenile offenders and which are nonresidential, which may include dining, recreational, educational, vocational, health care, sally ports or other entry areas, and passageways (hallways), would not require a facility or the State to document or report such contact as a violation. However, any contact in a dedicated juvenile area, including any residential area of a secure facility, between juveniles in a secure custody status and incarcerated adults would be a reportable violation.

(ii) In those instances where accused juvenile criminal-type offenders are authorized to be temporarily detained in facilities where adults are confined, the State must set forth the procedures for assuring no sight or sound contact between such juveniles and confined adults.

(iii) Describe the barriers which may hinder the separation of alleged or adjudicated criminal type offenders, status offenders and non-offenders from incarcerated adults in any particular jail, lockup, detention or correctional facility.

(iv) Those States which, based upon the most recently submitted monitoring report, have been found to be in compliance with section 223(a)(13) may, in lieu of addressing paragraphs (d)(1)(i), (ii), and (iii) of this section, provide an assurance that adequate plans and resources are available to maintain compliance.

(v) Assure that adjudicated delinquents are not reclassified administratively and transferred to an adult (criminal) correctional authority to avoid the intent of separating juveniles from adult criminals in jails or correctional facilities. A State is not prohibited from placing or transferring an alleged or adjudicated delinquent who reaches the State's age of full criminal responsibility to an adult facility when required or authorized by State law. However, the administrative transfer, without statutory direction or authorization, of a juvenile offender to an adult correctional authority, or a transfer within a mixed juvenile and adult facility for placement with adult criminals, either before or after a juvenile reaches the age of full criminal responsibility, is prohibited. A State is also precluded from transferring adult offenders to a juvenile correctional authority for placement in a juvenile facility. This neither prohibits nor restricts the waiver or transfer of a juvenile to criminal court for prosecution, in accordance with State law, for a criminal felony violation, nor the detention or confinement of a waived or transferred criminal felony violator in an adult facility.

(2) *Implementation.* The requirement of this provision is to be planned and implemented immediately by each State.

(e) *Removal of juveniles from adult jails and lockups.* Pursuant to section 223(a)(14) of the JJDP Act, the State shall:

(1) Describe its plan, procedure, and timetable for assuring that requirements of this section will be met beginning after December 8, 1985. Refer to §31.303(f)(4) to determine the regulatory exception to this requirement.

(2) Describe the barriers that a State faces in removing all juveniles from

adult jails and lockups. This requirement excepts only those alleged or adjudicated juvenile delinquents placed in a jail or a lockup for up to six hours from the time they enter a detention status or immediately before or after a court appearance, those juveniles formally waived or transferred to criminal court and against whom criminal felony charges have been filed, or juveniles over whom a criminal court has original or concurrent jurisdiction and such court's jurisdiction has been invoked through the filing of criminal felony charges.

(3) *Collocated facilities.* (i) Determine whether or not a facility in which juveniles are detained or confined is an adult jail or lockup. The JJDP Act prohibits the detention of juveniles in adult jails and lockups, except as otherwise provided under the Act and implementing OJJDP regulations. Juvenile facilities collocated with adult facilities are considered adult jails or lockups absent compliance with criteria established in paragraphs (e)(3)(i)(C)(1) through (4) of this section.

(A) A collocated facility is a juvenile facility located in the same building as an adult jail or lockup, or is part of a related complex of buildings located on the same grounds as an adult jail or lockup. A complex of buildings is considered "related" when it shares physical features such as walls and fences, or services beyond mechanical services (heating, air conditioning, water and sewer), or the specialized services that are allowable under paragraph (e)(3)(i)(C)(3) of this section.

(B) The State must determine whether a collocated facility qualifies as a separate juvenile detention facility under the four criteria set forth in paragraphs (e)(3)(i)(C) (1) through (4) of this section for the purpose of monitoring compliance with section 223(a) (12)(A), (13) and (14) of the JJDP Act.

(C) Each of the following four criteria must be met in order to ensure the requisite separateness of a juvenile detention facility that is collocated with an adult jail or lockup:

(1) Separation between juveniles and adults such that there could be no sustained sight or sound contact between juveniles and incarcerated adults in

the facility. Separation can be achieved architecturally or through time-phasing of common use nonresidential areas; and

(2) Separate juvenile and adult programs, including recreation, education, vocation, counseling, dining, sleeping, and general living activities. There must be an independent and comprehensive operational plan for the juvenile detention facility which provides for a full range of separate program services. No program activities may be shared by juveniles and incarcerated adults. Time-phasing of common use nonresidential areas is permissible to conduct program activities. Equipment and other resources may be used by both populations subject to security concerns; and

(3) Separate staff for the juvenile and adult populations, including management, security, and direct care staff. Staff providing specialized services (medical care, food service, laundry, maintenance and engineering, etc.) who are not normally in contact with detainees, or whose infrequent contacts occur under conditions of separation of juveniles and adults, can serve both populations (subject to State standards or licensing requirements). The day to day management, security and direct care functions of the juvenile detention center must be vested in a totally separate staff, dedicated solely to the juvenile population within the collocated facilities; and

(4) In States that have established standards or licensing requirements for juvenile detention facilities, the juvenile facility must meet the standards (on the same basis as a free-standing juvenile detention center) and be licensed as appropriate. If there are no State standards or licensing requirements, OJJDP encourages States to establish administrative requirements that authorize the State to review the facility's physical plant, staffing patterns, and programs in order to approve the collocated facility based on prevailing national juvenile detention standards.

(ii) The State must determine that the four criteria are fully met. It is incumbent upon the State to make the determination through an on-site facility (or full construction and operations

plan) review and, through the exercise of its oversight responsibility, to ensure that the separate character of the juvenile detention facility is maintained by continuing to fully meet the four criteria set forth in paragraphs (e)(3)(i)(C) (1) through (4) of this section.

(iii) Collocated juvenile detention facilities approved by the State and concurred with by OJJDP before December 10, 1996 may be reviewed by the State against the regulatory criteria and OJJDP policies in effect at the time of the initial approval and concurrence or against the regulatory criteria set forth herein, as the State determines. Facilities approved on or after the effective date of this regulation shall be reviewed against the regulatory criteria set forth herein. All collocated facilities are subject to the separate staff requirement established by the 1992 Amendments to the JJDP Act, and set forth in paragraph (e)(3)(i)(C)(3) of this section.

(iv) An annual on-site review of the facility must be conducted by the compliance monitoring staff person(s) representing or employed by the State agency administering the JJDP Act Formula Grants Program. The purpose of the annual review is to determine if compliance with the criteria set forth in paragraphs (e)(3)(i)(C) (1) through (4) of this section is being maintained.

(4) Those States which, based upon the most recently submitted monitoring report, have been found to be in full compliance with section 223(a)(14) may, in lieu of addressing paragraphs (e) (1) and (2) of this section, provide an assurance that adequate plans and resources are available to maintain full compliance.

(f) *Monitoring of jails, detention facilities and correctional facilities.* (1) Pursuant to section 223(a)(15) of the JJDP Act, and except as provided by paragraph (f)(7) of this section, the State shall:

(i) Describe its plan, procedure, and timetable for annually monitoring jails, lockups, detention facilities, correctional facilities and non-secure facilities. The plan must at a minimum describe in detail each of the following tasks including the identification of

the specific agency(s) responsible for each task.

(A) *Identification of monitoring universe:* This refers to the identification of all residential facilities which might hold juveniles pursuant to public authority and thus must be classified to determine if it should be included in the monitoring effort. This includes those facilities owned or operated by public and private agencies.

(B) *Classification of the monitoring universe:* This is the classification of all facilities to determine which ones should be considered as a secure detention or correctional facility, adult correctional institution, jail, lockup, or other type of secure or nonsecure facility.

(C) *Inspection of facilities:* Inspection of facilities is necessary to ensure an accurate assessment of each facility's classification and record keeping. The inspection must include:

(1) A review of the physical accommodations to determine whether it is a secure or non-secure facility or whether adequate sight and sound separation between juvenile and adult offenders exists and

(2) A review of the record keeping system to determine whether sufficient data are maintained to determine compliance with section 223(a) (12), (13) and/or (14).

(D) *Data collection and data verification:* This is the actual collection and reporting of data to determine whether the facility is in compliance with the applicable requirement(s) of section 223(a) (12), (13) and/or (14). The length of the reporting period should be 12 months of data, but in no case less than 6 months. If the data is self-reported by the facility or is collected and reported by an agency other than the State agency designated pursuant to section 223(a)(1) of the JJDP Act, the plan must describe a statistically valid procedure used to verify the reported data.

(ii) Provide a description of the barriers which the State faces in implementing and maintaining a monitoring system to report the level of compliance with section 223(a) (12), (13), and (14) and how it plans to overcome such barriers.

(iii) Describe procedures established for receiving, investigating, and reporting complaints of violation of section 223(a) (12), (13), and (14). This should include both legislative and administrative procedures and sanctions.

(2) For the purpose of monitoring for compliance with section 223(a)(12)(A) of the Act, a secure detention or correctional facility is any secure public or private facility used for the lawful custody of accused or adjudicated juvenile offenders or nonoffenders, or used for the lawful custody of accused or convicted adult criminal offenders. Accused status offenders or nonoffenders in lawful custody can be held in a secure juvenile detention facility for up to twenty-four hours, exclusive of weekends and holidays, prior to an initial court appearance and for an additional twenty-four hours, exclusive of weekends and holidays, following an initial court appearance.

(3) *Valid court order.* For the purpose of determining whether a valid court order exists and a juvenile has been found to be in violation of that valid order all of the following conditions must be present prior to secure incarceration:

(i) The juvenile must have been brought into a court of competent jurisdiction and made subject to an order issued pursuant to proper authority. The order must be one which regulates future conduct of the juvenile. Prior to issuance of the order, the juvenile must have received the full due process rights guaranteed by the Constitution of the United States.

(ii) The court must have entered a judgment and/or remedy in accord with established legal principles based on the facts after a hearing which observes proper procedures.

(iii) The juvenile in question must have received adequate and fair warning of the consequences of violation of the order at the time it was issued and such warning must be provided to the juvenile and to the juvenile's attorney and/or legal guardian in writing and be reflected in the court record and proceedings.

(iv) All judicial proceedings related to an alleged violation of a valid court order must be held before a court of competent jurisdiction. A juvenile ac-

cused of violating a valid court order may be held in secure detention beyond the 24-hour grace period permitted for a noncriminal juvenile offender under OJJDP monitoring policy, for protective purposes as prescribed by State law, or to assure the juvenile's appearance at the violation hearing, as provided by State law, if there has been a judicial determination based on a hearing during the 24-hour grace period that there is probable cause to believe the juvenile violated the court order. In such case the juveniles may be held pending a violation hearing for such period of time as is provided by State law, but in no event should detention prior to a violation hearing exceed 72 hours exclusive of nonjudicial days. A juvenile alleged or found in a violation hearing to have violated a Valid Court Order may be held only in a secure juvenile detention or correctional facility, and not in an adult jail or lockup.

(v) Prior to and during the violation hearing the following full due process rights must be provided:

(A) The right to have the charges against the juvenile in writing served upon him a reasonable time before the hearing;

(B) The right to a hearing before a court;

(C) The right to an explanation of the nature and consequences of the proceeding;

(D) The right to legal counsel, and the right to have such counsel appointed by the court if indigent;

(E) The right to confront witnesses;

(F) The right to present witnesses;

(G) The right to have a transcript or record of the proceedings; and

(H) The right of appeal to an appropriate court.

(vi) In entering any order that directs or authorizes the placement of a status offender in a secure facility, the judge presiding over an initial probable cause hearing or violation hearing must determine that all the elements of a valid court order (paragraphs (f)(3) (i), (ii) and (iii) of this section) and the applicable due process rights (paragraph (f)(3)(v) of this section) were afforded the juvenile and, in the case of a violation hearing, the judge must obtain and review a written report that reviews the behavior of the juvenile

and the circumstances under which the juvenile was brought before the court and made subject to such order; determines the reasons for the juvenile's behavior; and determines whether all dispositions other than secure confinement have been exhausted or are clearly inappropriate. This report must be prepared and submitted by an appropriate public agency (other than a court or law enforcement agency).

(vii) A non-offender such as a dependent or neglected child cannot be placed in secure detention or correctional facilities for violating a valid court order.

(4) *Removal exception (section 223(a)(14)).* The following conditions must be met in order for an accused juvenile criminal-type offender, awaiting an initial court appearance, to be detained up to 24 hours (excluding weekends and holidays) in an adult jail or lockup:

(i) The State must have an enforceable State law requiring an initial court appearance within 24 hours after being taken into custody (excluding weekends and holidays);

(ii) The geographic area having jurisdiction over the juvenile is outside a metropolitan statistical area pursuant to the Bureau of Census' current designation;

(iii) A determination must be made that there is no existing acceptable alternative placement for the juvenile pursuant to criteria developed by the State and approved by OJJDP;

(iv) The adult jail or lockup must have been certified by the State to provide for the sight and sound separation of juveniles and incarcerated adults;

(v) The State must provide documentation that the conditions in paragraphs (f)(4)(i) through (iv) of this section have been met and received prior approval from OJJDP. OJJDP strongly recommends that jails and lockups that incarcerate juveniles be required to provide youth specific admissions screening and continuous visual supervision of juveniles incarcerated pursuant to this exception; and

(vi) Pursuant to section 223(a)(14) of the JJDP Act, the nonMSA (low population density) exception to the jail and lockup removal requirement as described in paragraphs (f)(4) (i) through

(v) of this section shall remain in effect through 1997, and shall allow for detention beyond the twenty-four hour period described in paragraph (f)(4)(i) of this section when the facility is located where conditions of distance to be traveled or the lack of highway, road, or other ground transportation do not allow for court appearances within twenty-four hours, so that a brief (not to exceed an additional forty-eight hours) delay is excusable; or the facility is located where conditions of safety exist (such as severely adverse, life-threatening weather conditions that do not allow for reasonably safe travel), in which case the time for an appearance may be delayed until twenty-four hours after the time that such conditions allow for reasonably safe travel. States may use these additional statutory allowances only where the precedent requirements set forth in paragraphs (f)(4) (i) through (v) of this section have been complied with. This may necessitate statutory or judicial (court rule or opinion) relief within the State from the twenty-four hour initial court appearance standard required by paragraph (f)(4)(i) of this section.

(5) *Reporting requirement.* The State shall report annually to the Administrator of OJJDP on the results of monitoring for the core requirements in the JJDP Act at 42 U.S.C. 5633(a) (11), (12), and (13). The reporting period should provide 12 months of data for each federal fiscal year, for 85% of facilities within the State that are required to report compliance data, and States must extrapolate and report, in a statistically valid manner, data for the remaining 15% of facilities. The report shall be submitted to the Administrator of OJJDP by February 28 of each year, except that the Administrator may grant an extension of the reporting deadline to March 31st, for good cause, upon request by a State.

(i) To demonstrate the extent of compliance with section 223(a)(12)(A) of the JJDP Act, the report must include, at a minimum, the following information for the current reporting period:

(A) Dates covered by the current reporting period;

(B) Total number of public and private secure detention and correctional

**§ 31.303**

**28 CFR Ch. I (7-1-17 Edition)**

facilities, the total number reporting, and the number inspected on-site;

(C) The total number of accused status offenders and nonoffenders, including out-of-State runaways and Federal wards, held in any secure detention or correctional facility for longer than twenty-four hours (not including weekends or holidays), excluding those held pursuant to the valid court order provision as set forth in paragraph (f)(3) of this section or pursuant to section 922(x) of title 18, United States Code (which prohibits the possession of a handgun by a juvenile), or a similar State law. A juvenile who violates this statute, or a similar state law, is excepted from the deinstitutionalization of status offenders requirement;

(D) The total number of accused status offenders (including valid court order violators, out of state runaways, and Federal wards, but excluding Title 18 922(x) violators) and nonoffenders detained in any adult jail, lockup, or non-approved collocated facility for any length of time;

(E) The total number of adjudicated status offenders and nonoffenders, including out-of-state runaways and Federal wards, held for any length of time in a secure detention or correctional facility, excluding those held pursuant to the valid court order provision or pursuant to title 18 U.S.C. section 922(x);

(F) The total number of status offenders held in any secure detention or correctional facility pursuant to the valid court order provision set forth in paragraph (f)(3) of this section; and

(G) The total number of juvenile offenders held pursuant to title 18 U.S.C. section 922(x).

(ii) To demonstrate the extent to which the provisions of section 223(a)(12)(B) of the JJDP Act are being met, the report must include the total number of accused and adjudicated status offenders and nonoffenders placed in facilities that are:

(A) Not near their home community;

(B) Not the least restrictive appropriate alternative; and

(C) Not community-based.

(iii) To demonstrate the extent of compliance with section 223(a)(13) of the JJDP Act, the report must include,

at a minimum, the following information for the current reporting period:

(A) Dates covered by the current reporting period;

(B) The total number of facilities used to detain or confine both juvenile offenders and adult criminal offenders during the past 12 months and the number inspected on-site;

(C) The total number of facilities used for detention and confinement of both juvenile offenders and adult criminal offenders which did not provide sight and sound separation;

(D) The total number of juvenile offenders and nonoffenders not separated from adult criminal offenders in facilities used for the detention and confinement of both juveniles and adults;

(E) The total number of State approved juvenile detention centers located within the same building or on the same grounds as an adult jail or lockup, including a list of such facilities;

(F) The total number of juveniles detained in State approved collocated facilities that were not separated from the management, security or direct care staff of the adult jail or lockup;

(G) The total number of juvenile detention centers located within the same building or on the same grounds as an adult jail or lockup that have not been approved by the State, including a list of such facilities; and

(H) The total number of juveniles detained in collocated facilities not approved by the State that were not sight and sound separated from adult criminal offenders.

(iv) To demonstrate the extent of compliance with section 223(a)(14) of the JJDP Act, the report must include, at a minimum, the following information for the current reporting period:

(A) Dates covered by the current reporting period;

(B) The total number of adult jails in the State AND the number inspected on-site;

(C) The total number of adult lockups in the State AND the number inspected on-site;

(D) The total number of adult jails holding juveniles during the past twelve months;



(E) The total number of adult lockups holding juveniles during the past twelve months;

(F) The total number of accused juvenile criminal-type offenders detained in adult jails, lockups, and unapproved collocated facilities in excess of six hours, including those held pursuant to the “removal exception” as set forth in paragraph (f)(4) of this section;

(G) The total number of accused juvenile criminal-type offenders detained in adult jails, lockups and unapproved collocated facilities for less than six hours for purposes other than identification, investigations, processing, release to parent(s), transfer to court, or transfer to a juvenile facility following initial custody;

(H) The total number of adjudicated juvenile criminal-type offenders detained in adult jails or lockups and unapproved collocated facilities in excess of six hours prior to or following a court appearance or for any length of time not related to a court appearance;

(I) The total number of accused and adjudicated status offenders (including valid court order violators) and non-offenders detained in adult jails, lockups and unapproved collocated facilities for any length of time;

(J) The total number of adult jails, lockups, and unapproved collocated facilities in areas meeting the “removal exception” as noted in paragraph (f)(4) of this section, including a list of such facilities and the county or jurisdiction in which each is located;

(K) The total number of juveniles accused of a criminal-type offense who were held in excess of six hours but less than 24 hours in adult jails, lockups and unapproved collocated facilities pursuant to the “removal exception” as set forth in paragraph (f)(4) of this section;

(L) The total number of juveniles accused of a criminal-type offense who were held in excess of 24 hours, but not more than an additional 48 hours, in adult jails, lockups and unapproved collocated facilities pursuant to the “removal exception” as noted in paragraph (f)(4) of this section, due to conditions of distance or lack of ground transportation; and

(M) The total number of juveniles accused of a criminal-type offense who

were held in excess of 24 hours, but not more than an additional 24 hours after the time such conditions as adverse weather allow for reasonably safe travel, in adult jails, lockups and unapproved collocated facilities, in areas meeting the “removal exception” as noted in paragraph (f)(4) of this section.

(6) *Compliance.* The State must demonstrate the extent to which the requirements of sections 223(a)(11), (12), and (13) of the Act are met.

(i) In determining the compliance standards to be applied to States’ FY 2016 compliance monitoring data, the Administrator shall collect all of the data from each of the States’ CY 2013 compliance reports, remove one negative outlier in each data collection period for DSO, separation, and jail removal, and apply a standard deviation factor of two to establish the compliance standards to be applied, which shall be posted on OJJDP’s Web site no later than March 3, 2017.

(ii) In determining the compliance standards to be applied to States’ FY 2017 compliance monitoring data, the Administrator shall collect all of the data from each of the States’ CY 2013 and FY 2016 compliance reports (removing, when appropriate or applicable, one negative outlier in each data collection period for DSO, separation, and jail removal) and apply a standard deviation factor of not less than one to establish the compliance standards to be applied, which shall be posted on OJJDP’s Web site by August 31, 2017.

(iii) In determining the compliance standards to be applied to States’ FY 2018 and subsequent years’ compliance monitoring data, the Administrator shall take the average of the States’ compliance monitoring data from not less than two years prior to the compliance reporting period with respect to which the compliance determination will be made (removing, when applicable, one negative outlier in each data collection period for DSO, separation, and jail removal) and apply a standard deviation of not less than one to establish the compliance standards to be applied, except that the Administrator may make adjustments to the methodology described in this paragraph as he deems necessary and shall post the

compliance standards on OJJDP's Web site by August 31st of each year.

(7) *Monitoring report exemption.* States which have been determined by the OJJDP Administrator to have achieved full compliance with sections 223(a)(12)(A), (a)(14), and compliance with section 223(a)(13) of the JJDP and wish to be exempted from the annual monitoring report requirements must submit a written request to the OJJDP Administrator which demonstrates that:

(i) The State provides for an adequate system of monitoring jails, law enforcement lockup, detention facilities, to enable an annual determination of State compliance with sections 223(a)(12)(A), (13), and (14) of the JJDP Act;

(ii) State legislation has been enacted which conforms to the requirements of Sections 223(a)(12)(A), (13), and (14) of the JJDP Act; and

(iii) The enforcement of the legislation is statutorily or administratively prescribed, specifically providing that:

(A) Authority for enforcement of the statute is assigned;

(B) Time frames for monitoring compliance with the statute are specified; and

(C) Adequate procedures are set forth for enforcement of the statute and the imposition of sanctions for violations.

(g) *Juvenile crime analysis.* Pursuant to section 223(a)(8), the State must conduct an analysis of juvenile crime problems, including juvenile gangs that commit crimes, and juvenile justice and delinquency prevention needs within the State, including those geographical areas in which an Indian tribe performs law enforcement functions. The analysis and needs assessment must include educational needs, gender specific services, delinquency prevention and treatment services in rural areas, and mental health services available to juveniles in the juvenile justice system. The analysis should discuss barriers to accessing services and provide a plan to provide such services where needed.

(1) *Analysis.* The analysis must be provided in the multiyear application. A suggested format for the analysis is provided in the Formula Grant Application Kit.

(2) *Product.* The product of the analysis is a series of brief written problem statements set forth in the application that define and describe the priority problems.

(3) *Programs.* Applications are to include descriptions of programs to be supported with JJDP Act formula grant funds. A suggested format for these programs is included in the application kit.

(4) *Performance indicators.* A list of performance indicators must be developed and set forth for each program. These indicators show what data will be collected at the program level to measure whether objectives and performance goals have been achieved and should relate to the measures used in the problem statement and statement of program objectives.

(h) *Annual performance report.* Pursuant to section 223(a) and section 223(a)(22) the State plan shall provide for submission of an annual performance report. The State shall report on its progress in the implementation of the approved programs, described in the three-year plan. The performance indicators will serve as the objective criteria for a meaningful assessment of progress toward achievement of measurable goals. The annual performance report shall describe progress made in addressing the problem of serious juvenile crime, as documented in the juvenile crime analysis pursuant to section 223(a)(8)(A). The annual performance report must be submitted to OJJDP no later than June 30 and address all formula grant activities carried out during the previous complete calendar year, federal fiscal year, or State fiscal year for which information is available, regardless of which year's formula grant funds were used to support the activities being reported on, e.g., during a reporting period, activities may have been funded from two or more formula grant awards.

(i) *Technical assistance.* States shall include, within their plan, a description of technical assistance needs. Specific direction regarding the development and inclusion of all technical assistance needs and priorities will be provided in the "Application Kit for Formula Grants under the JJDP Act."

(j) *Minority detention and confinement.* Pursuant to section 223(a)(23) of the JJDP Act, States must demonstrate specific efforts to reduce the proportion of juveniles detained or confined in secure detention facilities, secure correctional facilities, jails and lockups who are members of minority groups if such proportion exceeds the proportion such groups represent in the general population, viz., in most States, youth between ages ten-seventeen are subject to secure custody. It is essential that States approach this statutory mandate in a comprehensive manner. The purpose of the statute and the regulation in this part is to encourage States to address, programmatically, any features of its justice system, and related laws and policies, that may account for the disproportionate detention or confinement of minority juveniles in secure detention facilities, secure correctional facilities, jails, and lockups. The disproportionate minority confinement core requirement neither establishes nor requires numerical standards or quotas in order for a State to achieve or maintain compliance. Compliance with this provision is achieved when a State meets the requirements set forth in paragraphs (j)(1) through (3) of this section:

(1) *Identification.* Provide quantifiable documentation (State, county and local level) in the State's FY 1994 Formula Grant Plan (and all subsequent Multi-Year Plans) Juvenile Crime Analysis and Needs Assessment to determine whether minority juveniles are disproportionately detained or confined in secure detention and correctional facilities, jails and lockups in relation to their proportion of the State juvenile population. Guidelines are provided in the OJJDP Disproportionate Minority Confinement Technical Assistance Manual (see Phase I Matrix). Where quantifiable documentation is not available to determine if disproportionate minority confinement exists in secure detention and correctional facilities, jails and lockups, the State must provide a time-limited plan of action, not to exceed six months, for developing and implementing a system for the ongoing collection, analysis and dissemination of

information regarding minorities for those facilities where documentation does not exist.

(2) *Assessment.* Each State's FY 1994 Formula Grant Plan must provide a completed assessment of disproportionate minority confinement. Assessments must, at minimum, identify and explain differences in arrest, diversion and adjudication rates, court dispositions other than incarceration, the rates and periods of prehearing detention in and dispositional commitments to secure facilities of minority youth in the juvenile justice system, and transfers to adult court (see Phase II Matrix). If a completed assessment is not available, the State must submit a time-limited plan (not to exceed twelve months from submission of the Formula Grant Application) for completing the assessment.

(3) *Intervention.* Each State's FY 1995 Formula Grant Plan must, where disproportionate confinement has been demonstrated, provide a time-limited plan of action for reducing the disproportionate confinement of minority juveniles in secure facilities. The intervention plan shall be based on the results of the assessment, and must include, but not be limited to the following:

(i) *Diversion.* Increasing the availability and improving the quality of diversion programs for minorities who come in contact with the juvenile justice system, such as police diversion programs;

(ii) *Prevention.* Providing developmental, operational, and assessment assistance (financial and/or technical) for prevention programs in communities with a high percentage of minority residents with emphasis upon support for community-based organizations (including non-traditional organizations) that serve minority youth;

(iii) *Reintegration.* Providing developmental, operational, and assessment assistance (financial and/or technical) for programs designed to reduce recidivism by facilitating the reintegration of minority youth in the community following release from dispositional commitments to reduce recidivism;

(iv) *Policies and procedures.* Providing financial and/or technical assistance that addresses necessary changes in

statewide and local, executive, judicial, and legal representation policies and procedures; and

(v) *Staffing and training.* Providing financial and/or technical assistance that addresses staffing and training needs that will positively impact the disproportionate confinement of minority youth in secure facilities.

(4) The time-limited plans of action set forth in paragraphs (j) (1), (2) and (3) of this section must include a clear indication of current and future barriers; which agencies, organizations, or individual(s) will be responsible for taking what specific actions; when; and what the anticipated outcomes are. The interim and final outcomes from implementation of the time-limited plan of action must be reported in each State's Multi-Year Plans and Annual Plan Updates. Final outcomes for individual project awards are to be included with each State's annual performance report (See paragraph (h) of this section).

(5) Technical assistance is available through the OJJDP Technical Assistance Contract to help guide States with the data collection and analysis, and with programmatic elements of this requirement. Information from the OJJDP Special Emphasis Initiative on Disproportionate Minority Confinement pilot sites will be disseminated as it becomes available.

(6) For purposes of this statutory mandate, minority populations are defined as: African-Americans, American Indians, Asians, Pacific Islanders, and Hispanics.

(k) Pursuant to section 223(a)(24) of the JJDP Act, states shall agree to other terms and conditions as the Administrator may reasonably prescribe to assure the effectiveness of programs assisted under the Formula Grant.

[60 FR 28440, May 31, 1995, as amended at 61 FR 65138, Dec. 10, 1996; 82 FR 4792, Jan. 17, 2017; 82 FR 29734, June 30, 2017]

#### § 31.304 Definitions.

(a) *Private agency.* A private non-profit agency, organization or institution is:

(1) Any corporation, foundation, trust, association, cooperative, or accredited institution of higher edu-

cation not under public supervision or control; and

(2) Any other agency, organization or institution which operates primarily for scientific, education, service, charitable, or similar public purposes, but which is not under public supervision or control, and no part of the net earnings of which inures or may lawfully inure to the benefit of any private shareholder or individual, and which has been held by IRS to be tax-exempt under the provisions of section 501(c)(3) of the 1954 Internal Revenue Code.

(b) *Secure.* As used to define a detention or correctional facility this term includes residential facilities which include construction features designed to physically restrict the movements and activities of persons in custody such as locked rooms and buildings, fences, or other physical structures. It does not include facilities where physical restriction of movement or activity is provided solely through facility staff.

(c) *Facility.* A place, an institution, a building or part thereof, set of buildings or an area whether or not enclosing a building or set of buildings which is used for the lawful custody and treatment of juveniles and may be owned and/or operated by public and private agencies.

(d) *Juvenile who is accused of having committed an offense.* A juvenile with respect to whom a petition has been filed in the juvenile court or other action has occurred alleging that such juvenile is a juvenile offender, i.e., a criminal-type offender or a status offender, and no final adjudication has been made by the juvenile court.

(e) *Juvenile who has been adjudicated as having committed an offense.* A juvenile with respect to whom the juvenile court has determined that such juvenile is a juvenile offender, i.e., a criminal-type offender or a status offender.

(f) *Juvenile offender.* An individual subject to the exercise of juvenile court jurisdiction for purposes of adjudication and treatment based on age and offense limitations by defined as State law, i.e., a criminal-type offender or a status offender.

(g) *Criminal-type offender.* A juvenile offender who has been charged with or adjudicated for conduct which would, under the law of the jurisdiction in

## Department of Justice

## § 31.402

which the offense was committed, be a crime if committed by an adult.

(h) *Status offender*. A juvenile offender who has been charged with or adjudicated for conduct which would not, under the law of the jurisdiction in which the offense was committed, be a crime if committed by an adult.

(i) *Non-offender*. A juvenile who is subject to the jurisdiction of the juvenile court, usually under abuse, dependency, or neglect statutes for reasons other than legally prohibited conduct of the juvenile.

(j) *Lawful custody*. The exercise of care, supervision and control over a juvenile offender or non-offender pursuant to the provisions of the law or of a judicial order or decree.

(k) *Other individual accused of having committed a criminal offense*. An individual, adult or juvenile, who has been charged with committing a criminal offense in a court exercising criminal jurisdiction.

(l) *Other individual convicted of a criminal offense*. An individual, adult or juvenile, who has been convicted of a criminal offense in court exercising criminal jurisdiction.

(m) *Adult jail*. A locked facility, administered by State, county or local law enforcement and correctional agencies, the purpose of which is to detain adults charged with violating criminal law, pending trial. Also considered as adult jails are those facilities used to hold convicted adult criminal offenders sentenced for less than one year.

(n) *Adult lockup*. Similar to an adult jail except that an adult lockup is generally a municipal or police facility of a temporary nature which does not hold persons after they have been formally charged.

(o) *Valid court order*. The term means a court order given by a juvenile court judge to a juvenile who has been brought before the court and made subject to a court order. The use of the word "valid" permits the incarceration of juveniles for violation of a valid court order only if they received their full due process rights as guaranteed by the Constitution of the United States.

(p) *Local private agency*. For the purposes of the pass-through requirement

of section 223(a)(5), a local private agency is defined as a private non-profit agency or organization that provides program services within an identifiable unit or a combination of units of general local government.

(q) *Detain or confine* means to hold, keep, or restrain a person such that he is not free to leave, or such that a reasonable person would believe that he is not free to leave, except that a juvenile held by law enforcement solely for the purpose of returning him to his parent or guardian or pending his transfer to the custody of a child welfare or social service agency is not detained or confined within the meaning of this definition.

[60 FR 28440, May 31, 1995, as amended at 82 FR 4793, Jan. 17, 2017]

### GENERAL CONDITIONS AND ASSURANCES

#### § 31.400 Compliance with statute.

The applicant State must assure and certify that the State and its subgrantees and contractors will comply with applicable provisions of the Omnibus Crime Control and Safe Streets Act of 1968, Pub. L. 90-351, as amended, and with the provisions of the Juvenile Justice and Delinquency Prevention Act of 1974, Pub. L. 93-415, as amended, and the provisions of the current edition of OJP Financial and Administrative Guide for Grants, M7100.1.

#### § 31.401 Compliance with other Federal laws, orders, circulars.

The applicant State must further assure and certify that the State and its subgrantees and contractors will adhere to other applicable Federal laws, orders and OMB circulars. These general Federal laws and regulations are described in greater detail in the Financial and Administrative Guide for Grants, M7100.1, and the Formula Grant Application Kit.

#### § 31.402 Application on file.

Any Federal funds awarded pursuant to an application must be distributed and expended pursuant to and in accordance with the programs contained in the applicant State's current approved application. Any departures therefrom, other than to the extent

### § 31.403

permitted by current program and fiscal regulations and guidelines, must be submitted for advance approval by the Administrator of OJJDP.

#### § 31.403 Civil rights requirements.

The State assures that it will comply, and that subgrantees and contractors will comply, with all applicable Federal non-discrimination requirements, including:

(a) Section 809(c) of the Omnibus Crime Control and Safe Streets Act as 1968, as amended, and made applicable by section 299(A) of the Juvenile Justice and Delinquency Prevention Act of 1974, as amended;

(b) Title VI of the Civil Rights Act of 1964, as amended;

(c) Section 504 of the Rehabilitation Act of 1973, as amended;

(d) Title IX of the Education Amendments of 1972;

(e) The Age Discrimination Act of 1975;

(f) The Department of Justice Non-Discrimination regulations, 28 CFR part 42, subparts C, D, E, and G;

(g) The Department of Justice regulations on disability discrimination, 28 CFR parts 35 and 39; and

(h) Subtitle A, title II of the Americans with Disabilities Act (ADA) of 1990.

#### § 31.404 Participation by faith-based organizations.

The funds provided under this part shall be administered in compliance with the standards set forth in part 38 (Equal Treatment for Faith-based Organizations) of this chapter.

[Order No. 2703-2004, 69 FR 2838, Jan. 21, 2004]

### Subpart B—Juvenile Accountability Incentive Block Grants

SOURCE: 64 FR 19676, Apr. 21, 1999, unless otherwise noted.

#### § 31.500 Program purposes.

Funds are available under the Juvenile Accountability Incentive Block Grants (JAIBG) in FY 1998, FY 1999, and each subsequent fiscal year as funds are made available, for State and local grants to support the following program purposes:

### 28 CFR Ch. I (7-1-17 Edition)

(a) *Program purpose no. 1:* Building, expanding, renovating, or operating temporary or permanent juvenile correction or detention facilities, including the training of correctional personnel;

(b) *Program purpose no. 2:* Developing and administering accountability-based sanctions for juvenile offenders;

(c) *Program purpose no. 3:* Hiring additional juvenile judges, probation officers, and court-appointed defenders, and funding pre-trial services for juveniles, to ensure the smooth and expeditious administration of the juvenile justice system;

(d) *Program purpose no. 4:* Hiring additional prosecutors, so that more cases involving violent juvenile offenders can be prosecuted and backlogs reduced;

(e) *Program purpose no. 5:* Providing funding to enable prosecutors to address drug, gang, and youth violence more effectively;

(f) *Program purpose no. 6:* Providing funding for technology, equipment, and training to assist prosecutors in identifying and expediting the prosecution of violent juvenile offenders;

(g) *Program purpose no. 7:* Providing funding to enable juvenile courts and juvenile probation offices to be more effective and efficient in holding juvenile offenders accountable and reducing recidivism;

(h) *Program purpose no. 8:* The establishment of court-based juvenile justice programs that target young firearms offenders through the establishment of juvenile gun courts for the adjudication and prosecution of juvenile firearms offenders;

(i) *Program purpose no. 9:* The establishment of drug court programs for juveniles so as to provide continuing judicial supervision over juvenile offenders with substance abuse problems and to provide the integrated administration of other sanctions and services;

(j) *Program purpose no. 10:* Establishing and maintaining interagency information sharing programs that enable the juvenile and criminal justice system, schools, and social services

## Department of Justice

## § 31.502

agencies to make more informed decisions regarding the early identification, control, supervision, and treatment of juveniles who repeatedly commit serious delinquent or criminal acts;

(k) *Program purpose no. 11:* Establishing and maintaining accountability-based programs that work with juvenile offenders who are referred by law enforcement agencies, or which are designed, in cooperation with law enforcement officials, to protect students and school personnel from drug, gang, and youth violence; and,

(l) *Program purpose no. 12:* Implementing a policy of controlled substance testing for appropriate categories of juveniles within the juvenile justice system.

### § 31.501 Eligible applicants.

(a) *Eligible applicants.* Eligible applicants in FY 1998, FY 1999, and each subsequent fiscal year as funds are made available, are States whose Governor (or other Chief Executive Officer for the eligible jurisdictions that are not one of the 50 States but defined as such for purposes of this program) certifies, consistent with guidelines established by the Attorney General in consultation with Congress and incorporated into OJJDP's Program Guidance Manual, that the State is actively considering (or already has in place), or will consider within one year from the date of such certification, legislation, policies, or practices which, if enacted, would qualify the State for a grant. Specific information regarding qualifications can be found in the JAIBG Program Guidance Manual.

(b) *Qualifications.* Each State Chief Executive Officer must designate a state agency to apply for, receive, and administer JAIBG funds.

### § 31.502 Assurances and plan information.

(a) In its application for a Juvenile Accountability Incentive Block Grant (JAIBG), each State must provide assurances to the Office of Juvenile Justice and Delinquency Prevention (OJJDP), absent a waiver as provided in the JAIBG Program Guidance Manual, that:

(1) The State will subgrant at least 75% of the State's allocation of funds to eligible units of local government to implement authorized programs at the local level; and

(2) The State, and each unit of local government applying for a subgrant from the State, will expend not less than 45% of any grant provided to such State or unit of local government, other than funds set aside for administration, for program purposes 3-9 in § 31.500 (c) through (i) of this subpart, and will not spend less than 35% for program purposes 1, 2, and 10 in § 31.500 (a), (b), and (j) of this subpart, unless the State certifies to OJJDP, or the unit of local government certifies to the State, that the interests of public safety and juvenile crime control would be better served by expending the grant award for purposes set forth in the twelve program areas in a different ratio. Such certification shall provide information concerning the availability of existing structures or initiatives within the intended areas of expenditure (or the availability of alternative funding sources for those areas), and the reasons for the State or unit of local government's alternative use.

(3) The funds provided under this part shall be administered in compliance with the standards set forth in part 38 (Equal Treatment for Faith-based Organizations) of this chapter.

(b) Following award of JAIBG funds to a State by OJJDP, but prior to obligation of program funds by the State or of subgrant funds by a unit of local government for any authorized program purpose, a State administering JAIBG funds must provide to OJJDP information that demonstrates that the State, or a unit of local government that receives JAIBG funds, has established a coordinated enforcement plan for reducing juvenile crime, developed by a Juvenile Crime Enforcement Coalition (JCEC).

(c) State coordinated enforcement plans must be developed by a Juvenile Crime Enforcement Coalition consisting of representatives of law enforcement and social service agencies involved in juvenile crime prevention. To assist in developing the State's coordinated enforcement plan, States

**§ 31.503**

**28 CFR Ch. I (7-1-17 Edition)**

may choose to utilize members of the State Advisory Group (SAG) established by the State's Chief Executive under section 223(a)(3) of Part B of the Juvenile Justice and Delinquency Prevention (JJDP) Act of 1974, as amended, codified at 42 U.S.C. 5633(a)(3), if appropriate membership exists, or use or establish another planning group that constitutes a coalition of law enforcement and social service agencies.

(d) When establishing a local Juvenile Crime Enforcement Coalition (JCEC), units of local government must include, unless impracticable, individuals representing:

- (1) Police,
- (2) Sheriff,
- (3) Prosecutor,
- (4) State or local probation services,
- (5) Juvenile court,
- (6) Schools,
- (7) Business, and
- (8) Religious affiliated, fraternal, nonprofit, or social service organizations involved in crime prevention.

(e) Units of local government may utilize members of Prevention Policy Boards established pursuant to section 505(b)(4) of Title V of the JJDP Act, codified at 42 U.S.C. 5784(b)(4), to meet the JCEC requirement, provided that each JCEC meets the membership requirements listed in paragraph (d) of this section.

[64 FR 19676, Apr. 21, 1999, as amended by Order No. 2703-2004, 69 FR 2838, Jan. 21, 2004]

**§ 31.503 Notice of proposed use of funds.**

The mechanism for a State to report on the proposed use of funds by the State or by a subgrantee unit of local government is by electronic submission of a "Follow Up Information Form" to be provided to each participating State. The purpose of this report is for the State to provide assurances to OJJDP that funds expended by the State and its subgrantee units of local government will be used for authorized program purpose areas. Although no actual program descriptions will be required, information about the distribution of funds among the authorized program purpose areas must be provided. Upon receipt and review of the "Follow Up Information Form" by OJJDP, States may obligate program

funds retained for expenditure at the State level. Similarly, the State shall require that each recipient unit of local government submit its proposed use of non-administrative funds to the State prior to drawdown of subgrant funds to implement local programs and projects. Upon receipt and review of the local unit of government's proposed fund use, the State shall authorize the local unit of government to obligate local subgrant funds. The State shall electronically submit a copy of the local subgrant information to OJJDP, as provided in the award package, within 30 days of the date that the local unit of government is authorized to obligate program funds under its subgrant award.

**PART 32—PUBLIC SAFETY OFFICERS' DEATH, DISABILITY, AND EDUCATIONAL ASSISTANCE BENEFIT CLAIMS**

Sec.

32.0 Scope of part.

**Subpart A—General Provisions**

- 32.1 Scope of subpart.
- 32.2 Computation of time; filing.
- 32.3 Definitions.
- 32.4 Terms; construction, severability; effect.
- 32.5 Evidence.
- 32.6 Payment and repayment.
- 32.7 Fees for representative services.
- 32.8 Exhaustion of administrative remedies.

**Subpart B—Death Benefit Claims**

- 32.11 Scope of subpart.
- 32.12 Time for filing claim.
- 32.13 Definitions.
- 32.14 PSOB Office determination.
- 32.15 Prerequisite certification.
- 32.16 Payment.
- 32.17 Request for Hearing Officer determination.

**Subpart C—Disability Benefit Claims**

- 32.21 Scope of subpart.
- 32.22 Time for filing claim.
- 32.23 Definitions.
- 32.24 PSOB Office determination.
- 32.25 Prerequisite certification.
- 32.26 Payment.
- 32.27 Motion for reconsideration of negative disability finding.
- 32.28 Reconsideration of negative disability finding.



## Department of Justice

## § 32.2

32.29 Request for Hearing Officer determination.

### Subpart D—Educational Assistance Benefit Claims

- 32.31 Scope of subpart.
- 32.32 Time for filing claim.
- 32.33 Definitions.
- 32.34 PSOB Office determination.
- 32.35 Disqualification.
- 32.36 Payment and repayment.
- 32.37 Request for Hearing Officer determination.

### Subpart E—Hearing Officer Determinations

- 32.41 Scope of subpart.
- 32.42 Time for filing request for determination.
- 32.43 Appointment and assignment of Hearing Officers.
- 32.44 Hearing Officer determination.
- 32.45 Hearings.
- 32.46 Director appeal.

### Subpart F—Director Appeals and Reviews

- 32.51 Scope of subpart.
- 32.52 Time for filing Director appeal.
- 32.53 Review.
- 32.54 Director determination.
- 32.55 Judicial appeal.

AUTHORITY: 42 U.S.C. ch. 46, subch. XII; 42 U.S.C. 3782(a), 3787, 3788, 3791(a), 3793(a)(4) & (b), 3795a, 3796c-1, 3796c-2; sec. 1601, title XI, Public Law 90-351, 82 Stat. 239; secs. 4 through 6, Public Law 94-430, 90 Stat. 1348; secs. 1 and 2, Public Law 107-37, 115 Stat. 219.

SOURCE: 71 FR 46037, Aug. 10, 2006, unless otherwise noted.

### § 32.0 Scope of part.

This part implements the Act, which, as a general matter, authorizes the payment of three different legal gratuities:

- (a) Death benefits;
- (b) Disability benefits; and
- (c) Educational assistance benefits.

[73 FR 76528, Dec. 17, 2008]

### Subpart A—General Provisions

#### § 32.1 Scope of subpart.

This subpart contains provisions generally applicable to this part.

#### § 32.2 Computation of time; filing.

(a) In computing any period of time prescribed or allowed, the day of the act, event, or default from which the designated period of time begins to run

shall not be included. The last day of the period so computed shall be included, unless it is a Saturday, a Sunday, or a federal legal holiday, or, when the act to be done is a filing with the PSOB Office, a day on which weather or other conditions have caused that Office to be closed or inaccessible, in which event the period runs until the end of the next day that is not one of the aforescribed days.

(b) A filing is deemed filed with the PSOB Office, a Hearing Officer, the Director, or any other OJP office, -officer, -employee, or -agent, only on the day that it actually is received at the office of the same. When a filing is prescribed to be filed with more than one of the foregoing, it shall be deemed filed as of the day the last such one so receives it.

(c) Notice is served by the PSOB Office upon an individual on the day that it is—

(1) Mailed, by U.S. mail, addressed to the individual (or to his representative) at his (or his representative's) last address known to such Office;

(2) Delivered to a courier or other delivery service, addressed to the individual (or to his representative) at his (or his representative's) last address known to such Office; or

(3) Sent by electronic means such as telefacsimile or electronic mail, addressed to the individual (or to his representative) at his (or his representative's) last telefacsimile number or electronic-mail address, or other electronic address, known to such Office.

(d) In the event of withdrawal or abandonment of a filing, the time periods prescribed for the filing thereof shall not be tolled, unless, for good cause shown, the Director grants a waiver.

(e) No claim may be filed (or approved) under the Act, at 42 U.S.C. 3796(a) or (b), with respect to an injury, if a claim under the Act, at 42 U.S.C. 3796c-1 or Public Law 107-37, has been approved, with respect to the same injury.

(f) No claim may be filed (or approved) under the Act, at 42 U.S.C. 3796c-1 or Public Law 107-37, with respect to an injury, if a claim under the Act, at 42 U.S.C. 3796(a) or (b), has been

approved, with respect to the same injury.

### § 32.3 Definitions.

*Act* means the Public Safety Officers' Benefits Act of 1976 (generally codified at 42 U.S.C. 3796, *et seq.*; part L of title I of the Omnibus Crime Control and Safe Streets Act of 1968) (including (uncodified) sections 4 through 6 thereof (payment in advance of appropriations, rule of construction and severability, and effective date and applicability)), as applicable (*cf.* § 32.4(d)) according to its effective date and those of its various amendments (*e.g.*, Sept. 29, 1976 (deaths of State and local law enforcement officers and firefighters); Jan. 1, 1978 (educational assistance (officer died)); Oct. 1, 1984 (deaths of federal law enforcement officers and firefighters); Oct. 18, 1986 (deaths of rescue squad and ambulance crew members); Nov. 29, 1990 (disabilities); Oct. 3, 1996 (educational assistance (officer disabled)); Oct. 30, 2000 (disaster relief workers); Sept. 11, 2001 (chaplains and insurance beneficiaries); Dec. 15, 2003 (certain heart attacks and strokes); and Apr. 5, 2006 (designated beneficiaries)); and also includes Public Law 107-37 and section 611 of the USA PATRIOT Act (both of which relate to payment of benefits, described under subpart 1 of such part L, in connection, respectively, with the terrorist attacks of Sept. 11, 2001, or with such terrorist attacks as may occur after Oct. 26, 2001), as well as the proviso under the Public Safety Officers Benefits heading in title II of division B of section 6 of Public Law 110-161.

*Adopted child*—An individual is an adopted child of a public safety officer only if—

(1) The individual is legally adopted by the officer; or

(2) As of the injury date, and not being a stepchild, the individual was—

(i) Known by the officer not to be his biological first-generation offspring; and

(ii) After the officer obtained such knowledge, in a parent-child relationship with him.

*Authorized commuting* means travel (not being described in the Act, at 42 U.S.C. 3796a(1), and not being a frolic or a detour) by a public safety officer—

(1) In the course of actually responding (as authorized) to a fire-, rescue-, or police emergency, or to a particular and extraordinary request (by the public agency he serves) for that specific officer to perform public safety activity (including emergency response activity the agency is authorized to perform), within his line of duty; or

(2) Between home and work (at a situs (for the performance of line of duty activity or action) authorized or required by the public agency he serves), or between any such authorized or required situs and another—

(i) Using a vehicle provided by such agency, pursuant to a requirement or authorization by such agency that he use the same for commuting; or

(ii) Using a vehicle not provided by such agency, pursuant to a requirement by such agency that he use the same for work.

*Biological* means genetic, but does not include circumstances where the genetic donation (under the laws of the jurisdiction where the offspring is conceived) does not (as of the time of such conception) legally confer parental rights and obligations.

*BJA* means the Bureau of Justice Assistance, OJP.

*Cause*—A death, injury, or disability is caused by intentional misconduct if—

(1) The misconduct is a substantial factor in bringing it about; and

(2) It is a reasonably foreseeable result of the misconduct.

*Certification* means a formal assertion of a fact (or facts), in a writing that is—

(1) Expressly intended to be relied upon by the PSOB determining official in connection with the determination of a claim specifically identified therein;

(2) Expressly directed to the PSOB determining official;

(3) Legally subject to the provisions of 18 U.S.C. 1001 (false statements) and 1621 (perjury), and 28 U.S.C. 1746 (declarations under penalty of perjury), and expressly declares the same to be so;

(4) Executed by a natural person with knowledge of the fact (or facts) asserted and with legal authority to execute the writing (such as to make the

## Department of Justice

## § 32.3

assertion legally that of the certifying party), and expressly declares the same (as to knowledge and authority) to be so;

(5) In such form as the Director may prescribe from time to time;

(6) True, complete, and accurate (or, at a minimum, not known or believed by the PSOB determining official to contain any material falsehood, incompleteness, or inaccuracy); and

(7) Unambiguous, precise, and unequivocal, in the judgment of the PSOB determining official, as to any fact asserted, any matter otherwise certified, acknowledged, indicated, or declared, and any provision of this definition.

*Certification described in the Act, at 42 U.S.C. 3796c-1 or Public Law 107-37*, means a certification, acknowledging all the matter specified in §32.5(f)(1) and (2)—

(1) In which the fact (or facts) asserted is the matter specified in §32.5(f)(3);

(2) That expressly indicates that all of the terms used in making the assertion described in paragraph (1) of this definition (or used in connection with such assertion) are within the meaning of the Act, at 42 U.S.C. 3796c-1 or Public Law 107-37, and of this part; and

(3) That otherwise satisfies the provisions of the Act, at 42 U.S.C. 3796c-1 or Public Law 107-37, and of this part.

*Chaplain* means a clergyman, or other individual trained in pastoral counseling, who meets the definition provided in the Act, at 42 U.S.C. 3796b(2).

*Child of a public safety officer* means an individual—

(1) Who—

(i) Meets the definition provided in the Act, at 42 U.S.C. 3796b(3), in any claim—

(A) Arising from the public safety officer's death, in which the death was simultaneous (or practically simultaneous) with the injury; or

(B) Filed after the public safety officer's death, in which the claimant is the officer's—

(1) Biological child, born after the injury date;

(2) Adopted child, adopted by him after the injury date; or

(3) Stepchild, pursuant to a marriage entered into by him after the injury date; or

(ii) In any claim not described in paragraph (1)(i) of this definition—

(A) Meets (as of the injury date) the definition provided in the Act, at 42 U.S.C. 3796b(3), *mutatis mutandis* (i.e., with "deceased" and "death" being substituted, respectively, by "deceased or disabled" and "injury"); or

(B) Having been born after the injury date, is described in paragraph (1)(i)(B)(1), (2), or (3) of this definition; and

(2) With respect to whom the public safety officer's parental rights have not been terminated, as of the injury date.

*Commonly accepted* means generally agreed upon within the medical profession.

*Consequences of an injury that permanently prevent an individual from performing any gainful work* means an injury whose consequences permanently prevent an individual from performing any gainful work.

*Convincing evidence* means clear and convincing evidence.

*Crime* means an act or omission punishable as a criminal misdemeanor or felony.

*Criminal laws* means that body of law that declares what acts or omissions are crimes and prescribes the punishment that may be imposed for the same.

*Department or agency*—An entity is a department or agency within the meaning of the Act, at 42 U.S.C. 3796b(8), and this part, only if the entity is—

(1) A court;

(2) An agency described in the Act, at 42 U.S.C. 3796b(9)(B) or (C); or

(3) Otherwise a public entity—

(i) That is legally an express part of the internal organizational structure of the relevant government;

(ii) That has no legal existence independent of such government; and

(iii) Whose obligations, acts, omissions, officers, and employees are legally those of such government.

*Determination* means the approval or denial of a claim (including an affirmation or reversal pursuant to a motion for reconsideration under §32.27), the

determination described in the Act, at 42 U.S.C. 3796(c), or any recommendation under § 32.54(c)(3).

*Director* means the Director of BJA.

*Direct and proximate cause*—Except as may be provided in the Act, at 42 U.S.C. 3796(k), something directly and proximately causes a wound, condition, or cardiac-event, if it is a substantial factor in bringing the wound, condition, or cardiac-event about.

*Direct and proximate result of an injury*—Except as may be provided in the Act, at 42 U.S.C. 3796(k), a death or disability results directly and proximately from an injury if the injury is a substantial factor in bringing it about.

*Disaster relief activity* means activity or an action encompassed within the duties described in the Act, at 42 U.S.C. 3796b(9)(B) or (C).

*Disaster relief worker* means any individual who meets the definition provided in the Act, at 42 U.S.C. 3796b(9)(B) or (C).

*Disturbance* includes any significant and negative alteration, any significant negative deviation from the objectively normal, or any significant deterioration.

*Divorce* means a legally-valid divorce from the bond of wedlock (i.e., the bond of marriage), except that, otherwise, and notwithstanding any other provision of law, a spouse (or purported spouse) of an individual shall be considered to be divorced from that individual within the meaning of this definition if, subsequent to his marriage (or purported marriage) to that individual (and while that individual is living), the spouse (or purported spouse)—

(1) Holds himself out as being divorced from, or not being married to, the individual;

(2) Holds himself out as being married to another individual; or

(3) Was a party to a ceremony purported by the parties thereto to be a marriage between the spouse (or purported spouse) and another individual.

*Drugs or other substances* means controlled substances within the meaning of the drug control and enforcement laws, at 21 U.S.C. 802(6).

*Educational/academic institution* means an institution whose primary

purpose is educational or academic learning.

*Eligible payee* means—

(1) An individual (other than the officer) described in the Act, at 42 U.S.C. 3796(a), with respect to a claim under subpart B of this part; or

(2) An individual described in the Act, at 42 U.S.C. 3796(b), with respect to a claim under subpart C of this part.

*Emergency medical services* means—

(1) Provision of first-response emergency medical care (other than in a permanent medical-care facility); or

(2) Transportation of persons in medical distress (or under emergency conditions) to medical-care facilities.

*Emergency response activity* means response to a fire-, rescue-, or police emergency.

*Employed by a public agency*—A public safety officer is employed, within the meaning of the Act, at 42 U.S.C. 3796c-1 or Public Law 107-37, by a public agency, when he—

(1) Is employed by the agency in a civilian capacity; and

(2) Is—

(i) Serving the agency in an official capacity (with respect to officers of any kind but disaster relief workers); or

(ii) Performing official duties as described in the Act, at 42 U.S.C. 3796b(9)(B) or (C) (with respect to disaster relief workers).

*Employee* does not include—

(1) Any independent contractor; or

(2) Any individual who is not eligible to receive death or disability benefits from the purported employer on the same basis as a regular employee of such employer would.

*Employment in a civilian capacity* refers to status as a civilian, rather than to the performance of civilian functions.

*Filing* means any claim, request, motion, election, petition, or appeal, and any item or matter (e.g., evidence, certifications, authorizations, waivers, legal arguments, or lists) that is, or may be, filed with the PSOB Office.

*Fire protection* means—

(1) Suppression of fire;

(2) Hazardous-material response; or

(3) Emergency medical services or rescue activity of the kind performed by firefighters.

## Department of Justice

## § 32.3

*Fire-, rescue-, or police emergency* includes disaster-relief emergency.

*Firefighter* means an individual who—

- (1) Is trained in—
  - (i) Suppression of fire; or
  - (ii) Hazardous-material response; and
- (2) Has the legal authority and responsibility to engage in the suppression of fire, as—
  - (i) An employee of the public agency he serves, which legally recognizes him to have such (or, at a minimum, does not deny (or has not denied) him to have such); or
  - (ii) An individual otherwise included within the definition provided in the Act, at 42 U.S.C. 3796b(4).

*Functionally within or -part of*—No individual shall be understood to be functionally within or -part of a public agency solely by virtue of an independent contractor relationship.

*Gross negligence* means great, heedless, wanton, indifferent, or reckless departure from ordinary care, prudence, diligence, or safe practice—

- (1) In the presence of serious risks that are known or obvious;
- (2) Under circumstances where it is highly likely that serious harm will follow; or
- (3) In situations where a high degree of danger is apparent.

*Hazardous-material response* means emergency response to the threatened or actual release of hazardous materials, where life, property, or the environment is at significant risk.

*Heart attack* means—

- (1) A myocardial infarction; or
- (2) A cardiac-event (i.e., cessation, interruption, arrest, or other similar disturbance of heart function), not included in paragraph (1) of this definition, that is—
  - (i) Acute; and
  - (ii) Directly and proximately caused by a pathology (or pathological condition) of the heart or of the coronary arteries.

*Illegitimate child*—An individual is an illegitimate child of a public safety officer only if he is a natural child of the officer, and the officer is not married to the other biological parent at (or at any time after) the time of his conception.

*Incapable of self-support because of physical or mental disability*—An indi-

vidual is incapable of self-support because of physical or mental disability if he is under a disability within the meaning of the Social Security Act, at 42 U.S.C. 423(d)(1)(A), applicable *mutatis mutandis*.

*Independent contractor* includes any volunteer, servant, employee, contractor, or agent, of an independent contractor.

*Injury* means a traumatic physical wound (or a traumatized physical condition of the body) directly and proximately caused by external force (such as bullets, explosives, sharp instruments, blunt objects, or physical blows), chemicals, electricity, climatic conditions, infectious disease, radiation, virii, or bacteria, but does not include—

- (1) Any occupational disease; or
- (2) Any condition of the body caused or occasioned by stress or strain.

*Injury date*—Except with respect to claims under the Act, at 42 U.S.C. 3796(k) (where, for purposes of determining beneficiaries under the Act, at 42 U.S.C. 3796(a), it generally means the time of the heart attack or stroke referred to in the Act, at 42 U.S.C. 3796(k)(2)), injury date means the time of the line of duty injury that—

- (1) Directly and proximately results in the public safety officer's death, with respect to a claim under—
  - (i) Subpart B of this part; or
  - (ii) Subpart D of this part, by virtue of his death; or
- (2) Directly (or directly and proximately) results in the public safety officer's total and permanent disability, with respect to a claim under—
  - (i) Subpart C of this part; or
  - (ii) Subpart D of this part, by virtue of his disability.

*Instrumentality* means entity, and does not include any individual, except that no entity shall be considered an instrumentality within the meaning of the Act, at 42 U.S.C. 3796b(8), or this part, unless, as of the injury date,

- (1) The entity—
  - (i) Is legally established, -recognized, or -organized, such that it has legal existence; and
  - (ii) Is so organized and controlled, and its affairs so conducted, that it operates and acts solely and exclusively as a functional part of the relevant

§ 32.3

28 CFR Ch. I (7-1-17 Edition)

government, which legally recognizes it as such (or, at a minimum, does not deny (or has not denied) it to be such); and

(2) The entity's—

(i) Functions and duties are solely and exclusively of a public character;

(ii) Services are provided generally to the public as such government would provide if acting directly through its public employees (*i.e.*, they are provided without regard to any particular relationship (such as a subscription) a member of the public may have with such entity); and

(iii) Acts and omissions are, and are recognized by such government as (or, at a minimum, not denied by such government to be), legally—

(A) Those of such government, for purposes of sovereign immunity; or

(B) The responsibility of such government, for purposes of tort liability.

*Intention*—A death, injury, or disability is brought about by a public safety officer's intention if—

(1) An intentional action or activity of his is a substantial factor in bringing it about; and

(2) It is a reasonably foreseeable result of the intentional action or activity.

*Intentional action or activity* means activity or action (other than line of duty activity or action), including behavior, that is—

(1) A result of conscious volition, or otherwise voluntary;

(2) Not a result of legal insanity or of impulse that is legally and objectively uncontrollable; and

(3) Not performed under legal duress or legal coercion of the will.

*Intentional misconduct*—A public safety officer's action or activity is intentional misconduct if—

(1) As of the date it is performed,

(i) Such action or activity—

(A) Is in violation of, or otherwise prohibited by, any statute, rule, regulation, condition of employment or service, official mutual-aid agreement, or other law; or

(B) Is contrary to the ordinary, usual, or customary practice of similarly-situated officers within the public agency in which he serves; and

(ii) He knows, or reasonably should know, that it is so in violation, prohibited, or contrary; and

(2) Such action or activity—

(i) Is intentional; and

(ii) Is—

(A) Performed without reasonable excuse; and

(B) Objectively unjustified.

*Involvement*—An individual is involved in crime and juvenile delinquency control or reduction, or enforcement of the criminal laws (including juvenile delinquency), only if he is an officer of a public agency and, in that capacity, has legal authority and responsibility to arrest, apprehend, prosecute, adjudicate, correct or detain (in a prison or other detention or confinement facility), or supervise (as a parole or probation officer), persons who are alleged or found to have violated the criminal laws, and is recognized by such agency, or the relevant government (or, at a minimum, not denied by such agency, or the relevant government), to have such authority and responsibility.

*Itemized description of representative services provided*—A description of representative services provided is itemized only when it includes—

(1) The beginning and end dates of the provision of the services;

(2) An itemization of the services provided and the amount of time spent in providing them; and

(3) An itemization of the expenses incurred in connection with the services provided for which reimbursement is sought.

*Kinds of public safety officers*—The following are the different kinds of public safety officers:

(1) Law enforcement officers;

(2) Firefighters;

(3) Chaplains;

(4) Members of rescue squads or ambulance crews; and

(5) Disaster relief workers.

*Law enforcement* means enforcement of the criminal laws, including—

(1) Control or reduction of crime or of juvenile delinquency;

(2) Prosecution or adjudication of individuals who are alleged or found to have violated such laws;

(3) Prison security activity; and

(4) Supervision of individuals on parole or probation for having violated such laws.

*Line of duty activity or action*—Activity or an action is performed in the line of duty, in the case of a public safety officer who is—

(1) A law enforcement officer, a firefighter, or a member of a rescue squad or ambulance crew—

(i) Whose primary function (as applicable) is public safety activity, only if, not being described in the Act, at 42 U.S.C. 3796a(1), and not being a frolic or detour, it is activity or an action that he is obligated or authorized by statute, rule, regulation, condition of employment or service, official mutual-aid agreement, or other law, to perform (including any social, ceremonial, or athletic functions (or any official training programs of his public agency) to which he is assigned, or for which he is compensated), under the auspices of the public agency he serves, and such agency (or the relevant government) legally recognizes that activity or action to have been so obligated or authorized at the time performed (or, at a minimum, does not deny (or has not denied) it to have been such); or

(ii) Whose primary function is not public safety activity, only if, not being described in the Act, at 42 U.S.C. 3796a(1), and not being a frolic or detour—

(A) It is activity or an action that he is obligated or authorized by statute, rule, regulation, condition of employment or service, official mutual-aid agreement, or other law, to perform, under the auspices of the public agency he serves, and such agency (or the relevant government) legally recognizes that activity or action to have been so obligated or authorized at the time performed (or, at a minimum, does not deny (or has not denied) it to have been such); and

(B) It is performed (as applicable) in the course of public safety activity (including emergency response activity the agency is authorized to perform), or taking part (as a trainer or trainee) in an official training program of his public agency for such activity, and such agency (or the relevant government) legally recognizes it to have been such at the time performed (or, at

a minimum, does not deny (or has not denied) it to have been such);

(2) A disaster relief worker, only if, not being described in the Act, at 42 U.S.C. 3796a(1), and not being a frolic or detour, it is disaster relief activity, and the agency he serves (or the relevant government), being described in the Act, at 42 U.S.C. 3796b(9)(B) or (C), legally recognizes it to have been such at the time performed (or, at a minimum, does not deny (or has not denied) it to have been such); or

(3) A chaplain, only if, not being described in the Act, at 42 U.S.C. 3796a(1), and not being a frolic or detour—

(i) It is activity or an action that he is obligated or authorized by statute, rule, regulation, condition of employment or service, official mutual-aid agreement, or other law, to perform, under the auspices of the public agency he serves, and such agency (or the relevant government) legally recognizes it to have been such at the time performed (or, at a minimum, does not deny (or has not denied) it to have been such); and

(ii) It is performed in the course of responding to a fire-, rescue-, or police emergency, and such agency (or the relevant government) legally recognizes it to have been such at the time performed (or, at a minimum, does not deny (or has not denied) it to have been such).

*Line of duty injury*—An injury is sustained in the line of duty only if—

(1) It is sustained in the course of—

(i) Performance of line of duty activity or a line of duty action; or

(ii) Authorized commuting; or

(2) Convincing evidence demonstrates that such injury resulted from the injured party's status as a public safety officer.

*Mental faculties* means brain function.

*Natural child*—An individual is a natural child of a public safety officer only if he is a biological child of the officer, and the officer is alive at the time of his birth.

*Occupational disease* means a disease (including an ailment or condition of the body) that routinely constitutes a special hazard in, or is commonly regarded as a concomitant of, an individual's occupation.

### § 32.3

### 28 CFR Ch. I (7-1-17 Edition)

*Official capacity*—An individual serves a public agency in an official capacity only if—

(1) He is officially authorized, -recognized, or -designated (by such agency) as functionally within or -part of it; and

(2) His acts and omissions, while so serving, are legally those of such agency, which legally recognizes them as such (or, at a minimum, does not deny (or has not denied) them to be such).

*Official duties* means duties that are officially authorized, -recognized, or -designated by an employing entity, such that the performance of those duties is legally the action of such entity, which legally recognizes it as such (or, at a minimum, does not deny (or has not denied) it to be such).

*Official training program of a public safety officer's public agency* means a program—

(1) That is officially sponsored, -conducted, or -authorized by the public agency in which he serves; and

(2) Whose purpose is to train public safety officers of his kind in (or to improve their skills in), specific activity or actions encompassed within their respective lines of duty.

*Officially recognized or designated member of a department or agency* means a member of a department or agency, or of an instrumentality, of a government described in the Act, at 42 U.S.C. 3796b(8), who is officially recognized (or officially designated) as such a member by the same.

*Officially recognized or designated public employee of a department or agency* means a public employee of a department or agency who is officially recognized (or officially designated) as a public safety officer, by the same.

*Officially recognized or designated public employee member of a squad or crew* means a public employee member of a squad or crew who is officially recognized (or officially designated) as such a public employee member, by the public agency under whose auspices the squad or crew operates.

*OJP* means the Office of Justice Programs, U.S. Department of Justice.

*Parent* means a father or a mother.

*Parent-child relationship* means a relationship between a public safety officer and another individual, in which the

officer has the role of parent (other than biological or legally-adoptive), as shown by convincing evidence.

*Performance of duties in a grossly negligent manner at the time of death or catastrophic injury* means gross negligence, as of or near the injury date, in the course of authorized commuting or performance of line of duty activity or a line of duty action, where such negligence is a substantial contributing factor in bringing such death or injury about.

*Posthumous child*—An individual is a posthumous child of a public safety officer only if he is a biological child of the officer, and the officer is—

(1) Alive at the time of his conception; and

(2) Deceased at or before the time of his birth.

*Prison security activity* means correctional or detention activity (in a prison or other detention or confinement facility) of individuals who are alleged or found to have violated the criminal laws.

*PSOB determining official* means, as applicable, any of the following:

(1) The PSOB Office;

(2) The Hearing Officer; or

(3) The Director.

*PSOB Office* means the unit of BJA that directly administers the Public Safety Officers' Benefits program.

*Public employee* means—

(1) An employee of a government described in the Act, at 42 U.S.C. 3796b(8), (or of a department or agency thereof) and whose acts and omissions while so employed are legally those of such government, which legally recognizes them as such (or, at a minimum, does not deny (or has not denied) them to be such); or

(2) An employee of an instrumentality of a government described in the Act, at 42 U.S.C. 3796b(8), who is eligible to receive disability benefits (or whose survivors are eligible to receive death benefits) from such government on the same basis as an employee of that government (within the meaning of paragraph (1) of this definition), or his survivors, would.

*Public employee member of a squad or crew* means a member of a squad or crew who is a public employee under



## Department of Justice

## § 32.3

the auspices of whose public agency employer the squad or crew operates.

*Public employee of a department or agency* means a public employee whose public agency employer is the department or agency.

*Public safety activity* means any of the following:

- (1) Law enforcement;
- (2) Fire protection;
- (3) Rescue activity; or
- (4) The provision of emergency medical services.

*Qualified beneficiary*—An individual is a qualified beneficiary under the Act, at 42 U.S.C. 3796c-1 or Public Law 107-37, only if he is an eligible payee—

(1) Who qualifies as a beneficiary pursuant to a final agency determination that—

(i) The requirements of the Act, at 42 U.S.C. 3796(a) or (b) (excluding the limitations relating to appropriations), as applicable, have been met; and

(ii) The provisions of this part, as applicable, relating to payees otherwise have been met; and

(2) Whose actions were not a substantial contributing factor to the death of the public safety officer (with respect to a claim under subpart B of this part).

*Representative services* include expenses incurred in connection with such services.

*Rescue activity* means search or rescue assistance in locating or extracting from danger persons lost, missing, or in imminent danger of serious bodily harm.

*Rescue squad or ambulance crew* means a squad or crew whose members are rescue workers, ambulance drivers, paramedics, health-care responders, emergency medical technicians, or other similar workers, who—

(1) Are trained in rescue activity or the provision of emergency medical services; and

(2) As such members, have the legal authority and -responsibility to—

- (i) Engage in rescue activity; or
- (ii) Provide emergency medical services.

*Spouse* means someone with whom an individual entered into marriage lawfully under the law of the jurisdiction in which it was entered into and from whom the individual is not divorced,

and includes a spouse living apart from the individual, other than pursuant to divorce, except that, notwithstanding any other provision of law, to determine whether an individual is a spouse of a public safety officer within the meaning of this definition when more than one individual is purported to be such a spouse, the PSOB Program will apply the law of the jurisdiction that it determines has the most significant interest in the marital status of the public safety officer:

(1) On the date of the officer's death, with respect to a claim under subpart B of this part or by virtue of such death; or

(2) As of the injury date, with respect to a claim not under subpart B of this part or by virtue of the officer's death.

*Stepchild*—An individual is a stepchild of a public safety officer only if the individual is the legally-adoptive or biological first-generation offspring of a public safety officer's current, deceased, or former spouse, which offspring (not having been legally adopted by the officer)—

(1) Was conceived before the marriage of the officer and the spouse; and

(2) As of the injury date—

(i) Was known by the officer not to be his biological first-generation offspring; and

(ii) After the officer obtained such knowledge—

(A) Received over half of his support from the officer;

(B) Had as his principal place of abode the home of the officer and was a member of the officer's household; or

(C) Was in a parent-child relationship with the officer.

*Stress or strain* includes physical stress or strain, mental stress or strain, post-traumatic stress disorder, and depression.

*Stroke* means cerebral vascular accident.

*Student* means an individual who meets the definition provided in the Act, at 42 U.S.C. 3796b(3)(ii), with respect to an educational/academic institution.

*Substantial contributing factor*—A factor substantially contributes to a death, injury, or disability, if the factor—

§ 32.4

28 CFR Ch. I (7-1-17 Edition)

(1) Contributed to the death, injury, or disability to a significant degree; or

(2) Is a substantial factor in bringing the death, injury, or disability about.

*Substantial factor*—A factor substantially brings about a death, injury, disability, wound, condition, cardiac-event, heart attack, or stroke if—

(1) The factor alone was sufficient to have caused the death, injury, disability, wound, condition, cardiac-event, heart attack, or stroke; or

(2) No other factor (or combination of factors) contributed to the death, injury, disability, wound, condition, cardiac-event, heart attack, or stroke to so great a degree as it did.

*Suppression of fire* means extinguishment, physical prevention, or containment of fire, including on-site hazard evaluation.

*Terrorist attack*—An event or act is a terrorist attack within the meaning of the Act, at 42 U.S.C. 3796c-1(a), only if the Attorney General determines that—

(1) There is a reasonable indication that the event or act was (or would be or would have been, with respect to a *priori* prevention or investigation efforts) an act of domestic or international terrorism within the meaning of the criminal terrorism laws, at 18 U.S.C. 2331; and

(2) The event or act (or the circumstances of death or injury) was of such extraordinary or cataclysmic character as to make particularized factual findings impossible, impractical, unnecessary, or unduly burdensome.

*Voluntary intoxication at the time of death or catastrophic injury* means the following, as shown by any commonly-accepted tissue, -fluid, or -breath test or by other competent evidence:

(1) With respect to alcohol, (1) In any claim arising from a public safety officer's death in which the death was simultaneous (or practically simultaneous) with the injury, it means intoxication as defined in the Act, at 42 U.S.C. 3796b(5), unless convincing evidence demonstrates that the officer did not introduce the alcohol into his body intentionally; and

(ii) In any claim not described in paragraph (1)(i) of this definition, unless convincing evidence demonstrates

that the officer did not introduce the alcohol into his body intentionally, it means intoxication—

(A) As defined in the Act, at 42 U.S.C. 3796b(5), *mutatis mutandis* (i.e., with "post-mortem" (each place it occurs) and "death" being substituted, respectively, by "post-injury" and "injury"); and

(B) As of the injury date; and

(2) With respect to drugs or other substances, it means intoxication as defined in the Act, at 42 U.S.C. 3796b(5), as evidenced by the presence (as of the injury date) in the body of the public safety officer—

(i) Of any controlled substance included on Schedule I of the drug control and enforcement laws (*see* 21 U.S.C. 812(a)), or any controlled substance included on Schedule II, III, IV, or V of such laws (*see* 21 U.S.C. 812(a)) and with respect to which there is no therapeutic range or maximum recommended dosage, unless convincing evidence demonstrates that such introduction was not a culpable act of the officer's under the criminal laws; or

(ii) Of any controlled substance included on Schedule II, III, IV, or V of the drug control and enforcement laws (*see* 21 U.S.C. 812(a)) and with respect to which there is a therapeutic range or maximum recommended dosage—

(A) At levels above or in excess of such range or dosage, unless convincing evidence demonstrates that such introduction was not a culpable act of the officer's under the criminal laws; or

(B) At levels at, below, or within such range or dosage, unless convincing evidence demonstrates that—

(1) Such introduction was not a culpable act of the officer's under the criminal laws; or

(2) The officer was not acting in an intoxicated manner immediately prior to the injury date.

[71 FR 46037, Aug. 10, 2006, as amended at 73 FR 76528, Dec. 17, 2008; 78 FR 29234, May 20, 2013; 79 FR 35492, June 23, 2014]

**§ 32.4 Terms; construction, severability; effect.**

(a) In determining the meaning of any provision of this part, unless the context should indicate otherwise, the

## Department of Justice

## § 32.5

first three provisions of 1 U.S.C. 1 (rules of construction) shall apply.

(b) If benefits are denied to any individual pursuant to the Act, at 42 U.S.C. 3796a(4), or otherwise because his actions were a substantial contributing factor to the death of the public safety officer, such individual shall be presumed irrebuttably, for all purposes, not to have survived the officer.

(c) Any provision of this part held to be invalid or unenforceable by its terms, or as applied to any person or circumstance, shall be construed so as to give it the maximum effect permitted by law, unless such holding shall be one of utter invalidity or unenforceability, in which event such provision shall be deemed severable herefrom and shall not affect the remainder hereof or the application of such provision to other persons not similarly situated or to other, dissimilar circumstances.

(d) Unless the same should expressly provide otherwise (e.g., by use of the word “hereafter” in an appropriations proviso), any amendment to the Act (or any statutory enactment otherwise directly referent or -applicable to the program that is the subject of this part), shall apply only with respect to injuries (or, in connection with claims under the Act, at 42 U.S.C. 3796(k), shall apply only with respect to heart attacks or strokes referred to in the Act, at 42 U.S.C. 3796(k)(2)) occurring on or after the date it takes effect.

[73 FR 76531, Dec. 17, 2008]

### § 32.5 Evidence.

(a) Except as otherwise may be expressly provided in the Act or this part, a claimant has the burden of persuasion as to all material issues of fact, and by the standard of proof of “more likely than not.”

(b) Except as otherwise may be expressly provided in this part, the PSOB determining official may, at his discretion, consider (but shall not be bound by) the factual findings of a public agency.

(c) Rules 301 (presumptions), 401 (relevant evidence), 402 (admissibility), 602 to 604 (witnesses), 701 to 704 (testimony), 901 to 903 (authentication), and 1001 to 1007 (contents of writings, records, and photographs) of the Fed-

eral Rules of Evidence shall apply, *mutatis mutandis*, to all filings, hearings, and other proceedings or matters. No extrinsic evidence of authenticity as a condition precedent to admissibility shall be required with respect to any document purporting to bear the signature of an expert engaged by the BJA.

(d) In determining a claim, the PSOB determining official may, at his discretion, draw an adverse inference if, without reasonable justification or excuse—

(1) A claimant fails or refuses to file with the PSOB Office—

(i) Such material- or relevant evidence or -information within his possession, control, or ken as may reasonably be requested from time to time by such official; or

(ii) Such authorizations or waivers as may reasonably be requested from time to time by such official to enable him (or to assist in enabling him) to obtain access to material- or relevant evidence or -information of a medical, personnel, financial, or other confidential nature;

(2) A claimant under subpart C of this part fails or refuses to appear in person—

(i) At his hearing under subpart E of this part (if there be such a hearing); or

(ii) Before such official (or otherwise permit such official personally to observe his condition), at a time and location reasonably convenient to both, as may reasonably be requested by such official; or

(3) A claimant under subpart B or C of this part fails or refuses to apply for (or to pursue to completion), in timely fashion, the benefits, if any, described in § 32.15(a)(1)(i) or § 32.25(a)(1)(i), respectively.

(e) In determining a claim, the PSOB determining official may, at his discretion, draw an inference of voluntary intoxication at the time of death or catastrophic injury if, without reasonable justification or excuse, appropriate toxicologic analysis (including autopsy, in the event of death) is not performed, and/or the results thereof are not filed with the PSOB Office, where there is credible evidence suggesting that intoxication may have been a factor in the death or injury, or that the public safety officer—

§ 32.5

28 CFR Ch. I (7-1-17 Edition)

(1) As of or near the injury date, was—

(i) A consumer of alcohol—

(A) In amounts likely to produce a blood-alcohol level of .10 per centum or greater in individuals similar to the officer in weight and sex; or

(B) In any amount, after ever having been treated at an inpatient facility for alcoholism;

(ii) A consumer of controlled substances included on Schedule I of the drug control and enforcement laws (see 21 U.S.C. 812(a)); or

(iii) An abuser of controlled substances included on Schedule II, III, IV, or V of the drug control and enforcement laws (see 21 U.S.C. 812(a)); or

(2) Immediately prior to the injury date, was under the influence of alcohol or drugs or other substances or otherwise acting in an intoxicated manner.

(f) In determining a claim under the Act, at 42 U.S.C. 3796c-1 or Public Law 107-37, the certification described therein shall constitute *prima facie* evidence—

(1) Of the public agency's acknowledgment that the public safety officer, as of the injury date, was—

(i) A public safety officer of the kind described in the certification;

(ii) Employed by the agency (i.e., performing official functions for, or on behalf of, the agency); and

(iii) One of the following:

(A) With respect to a law enforcement officer, an officer of the agency;

(B) With respect to a firefighter,

(1) An officially recognized or designated member of the agency (if it is a legally organized volunteer fire department); or

(2) An employee of the agency;

(C) With respect to a chaplain,

(1) An officially recognized or designated member of the agency (if it is a legally organized police or volunteer fire department); or

(2) An officially recognized or designated public employee of the agency (if it is a legally organized police or fire department);

(D) With respect to a member of a rescue squad or ambulance crew, an officially recognized or designated public employee member of one of the agen-

cy's rescue squads or ambulance crews; or

(E) With respect to a disaster relief worker, an employee of the agency (if it is described in the Act, at 42 U.S.C. 3796b(9)(B) or (C));

(2) Of the public agency's acknowledgment that there are no eligible payees other than those identified in the certification; and

(3) That the public safety officer—

(i) Sustained a line of duty injury in connection with public safety activity (or, otherwise, with efforts described in the Act, at 42 U.S.C. 3796c-1 or Public Law 107-37) related to a terrorist attack (under the former statute) or to the terrorist attacks of September 11, 2001 (under the latter statute); and

(ii) As a direct and proximate result of such injury, was (as applicable)—

(A) Killed (with respect to a claim under subpart B of this part); or

(B) Totally and permanently disabled (with respect to a claim under subpart C of this part).

(g) In determining a claim, the PSOB determining official shall have, in addition to the hearing-examiner powers specified at 42 U.S.C. 3787 (hearings, subpoenas, oaths, witnesses, evidence), and to the authorities specified at 42 U.S.C. 3788(b)-(d) (experts, consultants, government resources) and in the Act and this part, the authority otherwise and in any reasonable manner to conduct his own inquiries, as appropriate.

(h) Acceptance of payment (by a payee (or on his behalf)) shall constitute *prima facie* evidence that the payee (or the pay agent)—

(1) Endorses as his own (to the best of his knowledge and belief) the statements and representations made, and the evidence and information provided, pursuant to the claim; and

(2) Is aware (in connection with the claim) of no—

(i) Fraud;

(ii) Concealment or withholding of evidence or information;

(iii) False, incomplete, or inaccurate statements or representations;

(iv) Mistake, wrongdoing, or deception; or

(v) Violation of 18 U.S.C. 287 (false, fictitious, or fraudulent claims), 1001 (false statements), or 1621 (perjury), or

## Department of Justice

## § 32.7

42 U.S.C. 3795a (falsification or concealment of facts).

(i) A public safety officer's response to an emergency call from his public agency for him to perform public safety activity (including emergency response activity the agency is authorized to perform) shall constitute prima facie evidence of such response's non-routine character.

[73 FR 76531, Dec. 17, 2008]

### § 32.6 Payment and repayment.

(a) No payment shall be made to (or on behalf of) more than one individual, on the basis of being a particular public safety officer's spouse. If more than one should qualify, payment shall be made to the one with whom the officer considered himself, as of the injury date, to have the closest relationship, except that the individual (if any) who was a member of the officer's household (as of such date) shall be presumed rebuttably to be such one, unless legal proceedings (by the officer against such member, or vice versa) shall have been pending then in any court.

(b) No payment shall be made, save—

(1) To (or on behalf of) a living beneficiary; and

(2) Pursuant to—

(i) A written claim filed by (or on behalf of) such beneficiary; and

(ii) Except as provided in the Act, at 42 U.S.C. 3796(c), approval of such claim.

(c) Any amounts that would be paid but for the provisions of paragraph (b) of this section shall be retained by the United States and not paid.

(d) With respect to the amount paid to a payee (or on his behalf) pursuant to a claim, the payee shall repay the following, unless, for good cause shown, the Director grants a full or partial waiver pursuant to the Act, at 42 U.S.C. 3796(m):

(1) The entire amount, if approval of the claim was based, in whole or in material part, on the payee's (or any other person's or entity's) fraud, concealment or withholding of evidence or information, false, incomplete, or inaccurate statements or representations, mistake, wrongdoing, or deception; or

(2) The entire amount subject to divestment, if the payee's entitlement to such payment is divested, in whole or

in part, such as by the subsequent discovery of individuals entitled to make equal or superior claims.

(e) At the discretion of the Director, repayment of amounts owing or collectible under the Act or this part may, as applicable, be executed through setoffs against future payments on financial claims under subpart D of this part.

[73 FR 76532, Dec. 17, 2008]

### § 32.7 Fees for representative services.

(a) A person seeking to receive any amount from (or with respect to) a claimant for representative services provided in connection with any claim may petition the PSOB Office for authorization under this section. Such petition shall include—

(1) An itemized description of the services;

(2) The total amount sought to be received, from any source, as consideration for the services;

(3) An itemized description of any representative or other services provided to (or on behalf of) the claimant in connection with other claims or causes of action, unrelated to the Act, before any public agency or non-public entity (including any insurer), arising from the public safety officer's death, disability, or injury;

(4) The total amount requested, charged, received, or sought to be received, from any source, as consideration for the services described in paragraph (a)(3) of this section;

(5) A statement of whether the petitioner has legal training or is licensed to practice law, and a description of any special qualifications possessed by the petitioner (other than legal training or a license to practice law) that increased the value of his services to (or on behalf of) the claimant;

(6) A certification that the claimant was provided, simultaneously with the filing of the petition, with—

(i) A copy of the petition; and

(ii) A letter advising the claimant that he could file his comments on the petition, if any, with the PSOB Office, within thirty-three days of the date of that letter; and

(7) A copy of the letter described in paragraph (a)(6)(ii) of this section.

## § 32.8

## 28 CFR Ch. I (7–1–17 Edition)

(b) Unless, for good cause shown, the Director extends the time for filing, no petition under paragraph (a) of this section shall be considered if the petition is filed with the PSOB Office later than one year after the date of the final agency determination of the claim.

(c) Subject to paragraph (d) of this section, an authorization under paragraph (a) of this section shall be based on consideration of the following factors:

- (1) The nature of the services provided by the petitioner;
- (2) The complexity of the claim;
- (3) The level of skill and competence required to provide the petitioner's services;
- (4) The amount of time spent on the claim by the petitioner;
- (5) The results achieved as a function of the petitioner's services;
- (6) The level of administrative or judicial review to which the claim was pursued and the point at which the petitioner entered the proceedings;
- (7) The ordinary, usual, or customary fee charged by other persons (and by the petitioner) for services of a similar nature; and
- (8) The amount authorized by the PSOB Office in similar cases.

(d) No amount shall be authorized under paragraph (a) of this section for—

- (1) Any stipulated-, percentage-, or contingency fee;
- (2) Services at a rate in excess of that specified in 5 U.S.C. 504(b)(1)(A)(ii) (Equal Access to Justice Act); or
- (3) Services provided in connection with—
  - (i) Obtaining or providing evidence or information previously obtained by the PSOB determining official;
  - (ii) Preparing the petition; or
  - (iii) Explaining or delivering an approved claim to the claimant.

(e) Upon a petitioner's failure (without reasonable justification or excuse) to pursue in timely fashion his filed petition under paragraph (a) of this section, the Director may, at his discretion, deem the same to be abandoned, as though never filed. Not less than thirty-three days prior thereto, the PSOB Office shall serve the petitioner and the claimant with notice of the Di-

rector's intention to exercise such discretion.

(f) Upon its authorizing or not authorizing the payment of any amount under paragraph (a) of this section, the PSOB Office shall serve notice of the same upon the claimant and the petitioner. Such notice shall specify the amount, if any, the petitioner is authorized to charge the claimant and the basis of the authorization.

(g) No agreement for representative services in connection with a claim shall be valid if the agreement provides for any consideration other than under this section. A person's receipt of consideration for such services other than under this section may, among other things, be the subject of referral by BJA to appropriate professional, administrative, disciplinary, or other legal authorities.

### § 32.8 Exhaustion of administrative remedies.

No determination or negative disability finding that, at the time made, may be subject to a request for a Hearing Officer determination, a motion for reconsideration, or a Director appeal, shall be considered a final agency determination for purposes of judicial review, unless all administrative remedies have been exhausted.

## Subpart B—Death Benefit Claims

### § 32.11 Scope of subpart.

Consistent with § 32.1, this subpart contains provisions applicable to claims made under the Act—

- (a) At 42 U.S.C. 3796(a); or
- (b) At 42 U.S.C. 3796c–1 or Public Law 107–37, with respect to a public safety officer's death.

### § 32.12 Time for filing claim.

(a) Unless, for good cause shown, the Director extends the time for filing, no claim shall be considered if it is filed with the PSOB Office after the later of—

- (1) Three years after the public safety officer's death; or
- (2) One year after—
  - (i) A final determination of entitlement to receive, or of denial of, the benefits, if any, described in § 32.15(a)(1)(i); or

(ii) The receipt of the certification described in § 32.15(a)(1)(ii).

(b) A claimant may file with his claim such supporting documentary, electronic, video, or other nonphysical evidence and legal arguments as he may wish to provide.

[73 FR 76532, Dec. 17, 2008]

### § 32.13 Definitions.

*Adoptive parent of a public safety officer* means any individual who (not being a step-parent), as of the injury date, was the legally-adoptive parent of the public safety officer, or otherwise was in a child-parent relationship with him.

*Beneficiary of a life insurance policy of a public safety officer*—An individual (living or deceased on the date of death of the public safety officer) is designated as beneficiary of a life insurance policy of such officer as of such date, only if the designation is, as of such date, legal and valid (as a designation of beneficiary of a life insurance policy) and unrevoked (by such officer or by operation of law) or otherwise unrevoked, except that—

(1) Any designation of an individual (including any designation of the biological or adoptive offspring of such individual) made in contemplation of such individual's marriage (or purported marriage) to such officer shall be considered to be revoked by such officer as of such date of death if the marriage (or purported marriage) did not take place, unless preponderant evidence demonstrates that—

(i) It did not take place for reasons other than personal differences between the officer and the individual; or

(ii) No such revocation was intended by the officer; and

(2) Any designation of a spouse (or purported spouse) made in contemplation of or during such spouse's (or purported spouse's) marriage (or purported marriage) to such officer (including any designation of the biological or adoptive offspring of such spouse (or purported spouse)) shall be considered to be revoked by such officer as of such date of death if the spouse (or purported spouse) is divorced from such officer after the date of designation and before such date of death, unless preponderant evidence demonstrates that

no such revocation was intended by the officer.

*Beneficiary under the Act, at 42 U.S.C. 3796(a)(4)(A)*—An individual (living or deceased on the date of death of the public safety officer) is designated, by such officer (and as of such date), as beneficiary under the Act, at 42 U.S.C. 3796(a)(4)(A), only if the designation is, as of such date, legal and valid and unrevoked (by such officer or by operation of law) or otherwise unrevoked, except that—

(1) Any designation of an individual (including any designation of the biological or adoptive offspring of such individual) made in contemplation of such individual's marriage (or purported marriage) to such officer shall be considered to be revoked by such officer as of such date of death if the marriage (or purported marriage) did not take place, unless preponderant evidence demonstrates that—

(i) It did not take place for reasons other than personal differences between the officer and the individual; or

(ii) No such revocation was intended by the officer; and

(2) Any designation of a spouse (or purported spouse) made in contemplation of or during such spouse's (or purported spouse's) marriage (or purported marriage) to such officer (including any designation of the biological or adoptive offspring of such spouse (or purported spouse)) shall be considered to be revoked by such officer as of such date of death if the spouse (or purported spouse) is divorced from such officer subsequent to the date of designation and before such date of death, unless preponderant evidence demonstrates that no such revocation was intended by the officer.

*Cardiovascular disease* includes heart attack and stroke.

*Child-parent relationship* means a relationship between a public safety officer and another individual, in which the individual (other than the officer's biological or legally-adoptive parent) has the role of parent, as shown by convincing evidence.

*Competent medical evidence to the contrary*—The presumption raised by the Act, at 42 U.S.C. 3796(k), is overcome by competent medical evidence to the contrary, when evidence indicates to a

degree of medical probability that extrinsic circumstances, considered in combination (as one circumstance) or alone, were a substantial factor in bringing the heart attack or stroke about.

*Designation on file*—A designation of beneficiary under the Act, at 42 U.S.C. 3796(a)(4)(A), is on file with a public safety agency, -organization, or -unit, only if it is deposited with the same by the public safety officer making the designation, for it to maintain with its personnel or similar records pertaining to him.

*Direct and proximate result of a heart attack or stroke*—A death results directly and proximately from a heart attack or stroke if the heart attack or stroke is a substantial factor in bringing it about.

*Engagement in a situation involving law enforcement, fire suppression, rescue, hazardous material response, emergency medical services, prison security, disaster relief, or other emergency response activity*—A public safety officer is so engaged only when, within his line of duty—

- (1) He is in the course of actually—
  - (i) Engaging in law enforcement;
  - (ii) Suppressing fire;
  - (iii) Responding to a hazardous-material emergency;
  - (iv) Performing rescue activity;
  - (v) Providing emergency medical services;
  - (vi) Performing disaster relief activity; or
  - (vii) Otherwise engaging in emergency response activity; and
- (2) The public agency he serves (or the relevant government) legally recognizes him to have been in such course at the time of such engagement (or, at a minimum, does not deny (or has not denied) him so to have been).

*Event* includes occurrence, but does not include any engagement or participation described in the Act, at 42 U.S.C. 3796(k)(1).

*Excessive consumption of alcohol*—An individual is an excessive consumer of alcohol if he consumes alcohol in amounts commonly accepted to be associated with substantially-increased risk of cardiovascular disease.

*Execution of a designation of beneficiary under the Act, at 42 U.S.C.*

*3796(a)(4)(A)* means the legal and valid execution, by the public safety officer, of a writing that, designating a beneficiary, expressly, specifically, or unmistakably refers to—

(1) The Act (or the program it creates); or

(2) All the death benefits with respect to which such officer lawfully could designate a beneficiary (if there be no writing that satisfies paragraph (1) of this definition).

*Execution of a life insurance policy* means, with respect to a life insurance policy, the legal and valid execution, by the individual whose life is insured thereunder, of—

(1) The approved application for coverage;

(2) A designation of beneficiary; or

(3) A designation of the mode of benefit.

*Extrinsic circumstances* means—

(1) An event or events; or

(2) An intentional risky behavior or intentional risky behaviors.

*Life insurance policy on file*—A life insurance policy is on file with a public safety agency, -organization, or -unit, only if—

(1) It is issued through (or on behalf of) the same; or

(2) The original (or a copy) of one of the following is deposited with the same by the public safety officer whose life is insured under the policy, for it to maintain with its personnel or similar records pertaining to him:

(i) The policy (itself);

(ii) The declarations page or -statement from the policy's issuer;

(iii) A certificate of insurance (for group policies);

(iv) Any instrument whose execution constitutes the execution of a life insurance policy; or

(v) The substantial equivalent of any of the foregoing.

*Medical probability*—A fact is indicated to a degree of medical probability, when, pursuant to a medical assessment, the fact is indicated by a preponderance of such evidence as may be available.

*Most recently executed designation of beneficiary under the Act, at 42 U.S.C. 3796(a)(4)(A)* means the most recently executed such designation that, as of



the date of death of the public safety officer, designates a beneficiary.

*Most recently executed life insurance policy of a public safety officer* means the most recently executed policy insuring the life of a public safety officer that, being legal and valid (as a life insurance policy) upon its execution, as of the date of death of such officer—

(1) Designates a beneficiary; and

(2) Remains legally unrevoked (by such officer or by operation of law) or otherwise unexpired.

*Nonroutine strenuous physical activity* means line of duty activity that—

(1) Is not excluded by the Act, at 42 U.S.C. 3796(1);

(2) Is not performed as a matter of routine; and

(3) Entails an unusually-high level of physical exertion.

*Nonroutine stressful or strenuous physical activity* means nonroutine stressful physical activity or nonroutine strenuous physical activity.

*Nonroutine stressful physical activity* means line of duty activity that—

(1) Is not excluded by the Act, at 42 U.S.C. 3796(1);

(2) Is not performed as a matter of routine;

(3) Entails non-negligible physical exertion; and

(4) Occurs—

(i) With respect to a situation in which a public safety officer is engaged, under circumstances that objectively and reasonably—

(A) Pose (or appear to pose) significant dangers, threats, or hazards (or reasonably-foreseeable risks thereof), not faced by similarly-situated members of the public in the ordinary course; and

(B) Provoke, cause, or occasion an unusually-high level of alarm, fear, or anxiety; or

(ii) With respect to a training exercise in which a public safety officer participates, under circumstances that objectively and reasonably—

(A) Simulate in realistic fashion situations that pose significant dangers, threats, or hazards; and

(B) Provoke, cause, or occasion an unusually-high level of alarm, fear, or anxiety.

*Parent of a public safety officer* means a public safety officer's surviving—

(1) Biological or adoptive parent whose parental rights have not been terminated, as of the injury date; or

(2) Step-parent.

*Participation in a training exercise*—A public safety officer participates (as a trainer or trainee) in a training exercise only when actually taking formal part in a structured activity that itself is—

(1) Within an official training (or -fitness) program of his public agency; and

(2) Mandatory, rated (i.e., officially tested, -graded, -judged, -timed, etc.), or directly supervised, -proctored, or -monitored.

*Public safety agency, -organization, or -unit* means a department or agency (or component thereof)—

(1) In which a public safety officer serves in an official capacity, with or without compensation, as such an officer (of any kind but disaster relief worker); or

(2) Of which a public safety officer is an employee, performing official duties as described in the Act, at 42 U.S.C. 3796b(9)(B) or (C), as a disaster relief worker.

*Risky behavior* means—

(1) Failure (without reasonable justification or excuse) to undertake treatment—

(i) Of any commonly-accepted cardiovascular-disease risk factor associated with clinical values, where such risk factor is—

(A) Known (or should be known) to be present; and

(B) Present to a degree that substantially exceeds the minimum value commonly accepted as indicating high risk;

(ii) Of any disease or condition commonly accepted to be associated with substantially increased risk of cardiovascular disease, where such associated disease or condition is known (or should be known) to be present; or

(iii) Where a biological parent, -sibling, or -first-generation offspring, is known to have (or have a history of) cardiovascular disease;

(2) Smoking an average of more than one-half of a pack of cigarettes (or its equivalent) per day;

(3) Excessive consumption of alcohol;

(4) Consumption of controlled substances included on Schedule I of the drug control and enforcement laws (*see*

**§ 32.14**

**28 CFR Ch. I (7-1-17 Edition)**

21 U.S.C. 812(a)), where such consumption is commonly accepted to be associated with increased risk of cardiovascular disease;

(5) Abuse of controlled substances included on Schedule II, III, IV, or V of the drug control and enforcement laws (see 21 U.S.C. 812(a)), where such abuse is commonly accepted to be associated with increased risk of cardiovascular disease; or

(6) Any activity or action, specified in the Act, at 42 U.S.C. 3796a(1), (2), or (3), that is commonly accepted to be associated with substantially increased risk of cardiovascular disease.

*Routine*—Neither of the following shall be dispositive in determining whether an activity or action shall be understood to have been performed as a matter of routine:

(1) Being generally described by the public agency as routine or ordinary; or

(2) The frequency with which it may be performed.

*Step-parent of a public safety officer* means a current or former spouse of the legally-adoptive or biological parent (living or deceased) of a public safety officer conceived (or legally adopted) by that parent before the marriage of the spouse and the parent, which spouse (not being a legally-adoptive parent of the officer), as of the injury date,

(1) Received over half of his support from the officer;

(2) Had as his principal place of abode the home of the officer and was a member of the officer's household; or

(3) Was in a child-parent relationship with the officer.

*Undertaking of treatment*—An individual undertakes treatment, when he consults with a physician licensed to practice medicine in any jurisdiction described in the Act, at 42 U.S.C. 3796b(8), and complies substantially with his recommendations.

[61 FR 50213, Sept. 24, 1996, as amended at 73 FR 76832, Dec. 17, 2008]

**§ 32.14 PSOB Office determination.**

(a) Upon its approving or denying a claim, the PSOB Office shall serve notice of the same upon the claimant (and upon any other claimant who may have filed a claim with respect to the

same public safety officer). In the event of a denial, such notice shall—

(1) Specify the factual findings and legal conclusions that support it; and

(2) Provide information as to requesting a Hearing Officer determination.

(b) Upon a claimant's failure (without reasonable justification or excuse) to pursue in timely fashion the determination, by the PSOB Office, of his filed claim, the Director may, at his discretion, deem the same to be abandoned. Not less than thirty-three days prior thereto, the PSOB Office shall serve the claimant with notice of the Director's intention to exercise such discretion.

(c) In connection with its determination (pursuant to a filed claim) of the existence of competent medical evidence to the contrary, the PSOB Office shall serve the claimant with notice (indicating that he may file such documentary, electronic, video, or other non-physical evidence (such as medical-history records, as appropriate) and legal arguments in support of his claim as he may wish to provide), where there is evidence before it that affirmatively suggests that—

(1) The public safety officer actually knew or should have known that he had cardio-vascular disease risk factors and appears to have worsened or aggravated the same through his own intentional and risky behavior (as opposed to where the evidence affirmatively suggests merely that cardio-vascular disease risk factors were present); or

(2) It is more likely than not that a public safety officer's heart attack or stroke was imminent.

[73 FR 76534, Dec. 17, 2008]

**§ 32.15 Prerequisite certification.**

(a) Except as provided in the Act, at 42 U.S.C. 3796c-1 or Public Law 107-37, and unless, for good cause shown, the Director grants a waiver, no claim shall be approved unless the following (which shall be necessary, but not sufficient, for such approval) are filed with the PSOB Office:

(1) Subject to paragraphs (b) and (d) of this section, a certification from the public agency in which the public safety officer served (as of the injury date) that he died as a direct and proximate

## Department of Justice

## § 32.17

result of a line of duty injury, and either—

(i) That his survivors (listed by name, address, relationship to him, and amount received) have received (or legally are entitled to receive) the maximum death benefits legally payable by the agency with respect to deaths of public safety officers of his kind, rank, and tenure; or

(ii) Subject to paragraph (c) of this section, that the agency is not legally authorized to pay—

(A) Any benefits described in paragraph (a)(1)(i) of this section, to any person; or

(B) Any benefits described in paragraph (a)(1)(i) of this section, to public safety officers of the kind, rank, and tenure described in such paragraph;

(2) A copy of any findings or rulings made by any public agency that relate to the officer's death; and

(3) A certification from the claimant listing every individual known to him who is or might be the officer's child, spouse, or parent.

(b) The provisions of paragraphs (a)(1) and (d) of this section shall also apply with respect to every public agency that legally is authorized to pay death benefits with respect to the agency described in that paragraph.

(c) No certification described in paragraph (a)(1)(ii) of this section shall be deemed complete for purposes of this section unless it—

(1) Lists every public agency (other than BJA) that legally is authorized to pay death benefits with respect to the certifying agency; or

(2) States that no public agency (other than BJA) legally is authorized to pay death benefits with respect to the certifying agency.

(d) Subject to paragraphs (b) and (c) of this section, if the Director finds that the conditions specified in the Act, at 42 U.S.C. 3796(k), are satisfied with respect to a particular public safety officer's death, and that no circumstance specified in the Act, at 42 U.S.C. 3796a(1), (2), or (3), applies with respect thereto—

(1) The certification as to death, described in paragraph (a)(1) of this section, shall not be required; and

(2) The certification as to benefits, described in paragraph (a)(1)(ii) of this

section, shall be deemed complete for purposes of this section if it—

(i) Describes the public agency's understanding of the circumstances (including such causes of which it may be aware) of the officer's death; and

(ii) States that, in connection with deaths occurring under the circumstances described in paragraph (d)(2)(i) of this section, the public agency is not legally authorized to pay any benefits described in paragraph (a)(1)(i) of this section.

[73 FR 76534, Dec. 17, 2008]

### § 32.16 Payment.

(a) No payment shall be made to (or on behalf of) more than one individual, on the basis of being a public safety officer's parent as his mother, or on that basis as his father. If more than one parent qualifies as the officer's mother, or as his father, payment shall be made to the one with whom the officer considered himself, as of the injury date, to have the closest relationship, except that any biological or legally adoptive parent whose parental rights have not been terminated as of the injury date shall be presumed rebuttably to be such one.

(b) Any amount payable with respect to a minor or incompetent shall be paid to his legal guardian, to be expended solely for the benefit of such minor or incompetent.

(c) If more than one individual should qualify for payment—

(1) Under the Act, at 42 U.S.C. 3796(a)(4)(i), payment shall be made to each of them in equal shares, except that, if the designation itself should manifest a different distribution, payment shall be made to each of them in shares in accordance with such distribution; or

(2) Under the Act, at 42 U.S.C. 3796(a)(4)(ii), payment shall be made to each of them in equal shares.

[73 FR 76535, Dec. 17, 2008]

### § 32.17 Request for Hearing Officer determination.

In order to exhaust his administrative remedies, a claimant seeking relief from the denial of his claim shall request a Hearing Officer determination

## § 32.21

## 28 CFR Ch. I (7–1–17 Edition)

under subpart E of this part. Consistent with § 32.8, any denial that is not the subject of such a request shall constitute the final agency determination.

### Subpart C—Disability Benefit Claims

#### § 32.21 Scope of subpart.

Consistent with § 32.1, this subpart contains provisions applicable to claims made under the Act—

(a) At 42 U.S.C. 3796(b); or

(b) At 42 U.S.C. 3796c-1 or Public Law 107-37, with respect to a public safety officer's disability.

#### § 32.22 Time for filing claim.

(a) Unless, for good cause shown, the Director extends the time for filing, no claim shall be considered if it is filed with the PSOB Office after the later of—

(1) Three years after the injury date; or

(2) One year after—

(i) A final determination of entitlement to receive, or of denial of, the benefits, if any, described in § 32.25(a)(1)(i); or

(ii) The receipt of the certification described in § 32.25(a)(1)(ii).

(b) A claimant may file with his claim such supporting documentary, electronic, video, or other nonphysical evidence and legal arguments as he may wish to provide.

[73 FR 76535, Dec. 17, 2008]

#### § 32.23 Definitions.

*Direct result of an injury*—A disability results directly from an injury if the injury is a substantial factor in bringing the disability about.

*Gainful work* means full-or part-time activity that actually is compensated or commonly is compensated.

*Medical certainty*—A fact exists to a degree of medical certainty, when, pursuant to a medical assessment, the fact is demonstrated by convincing evidence.

*Permanently disabled*—An individual is permanently disabled only if there is a degree of medical certainty (given the current state of medicine in the

United States) that his disabled condition—

(1) Will progressively deteriorate or remain constant, over his expected lifetime; or

(2) Otherwise has reached maximum medical improvement.

*Product of an injury*—Permanent and total disability is produced by a catastrophic injury suffered as a direct and proximate result of a personal injury if the disability is a direct result of the personal injury.

*Residual functional capacity* means that which an individual still is capable of doing, as shown by medical (and, as appropriate, vocational) assessment, despite a disability.

*Totally disabled*—An individual is totally disabled only if there is a degree of medical certainty (given the current state of medicine in the United States) that his residual functional capacity is such that he cannot perform any gainful work.

#### § 32.24 PSOB Office determination.

(a) Upon its approving or denying a claim, the PSOB Office shall serve notice of the same upon the claimant. In the event of a denial, such notice shall—

(1) Specify the factual findings and legal conclusions that support it; and

(2) Provide information as to—

(i) Requesting a Hearing Officer determination; or

(ii) As applicable, moving to reconsider a negative disability finding.

(b) Upon a claimant's failure (without reasonable justification or excuse) to pursue in timely fashion the determination of his filed claim, the Director may, at his discretion, deem the same to be abandoned. Not less than thirty-three days prior thereto, the PSOB Office shall serve the claimant with notice of the Director's intention to exercise such discretion.

#### § 32.25 Prerequisite certification.

(a) Except as provided in the Act, at 42 U.S.C. 3796c-1 or Public Law 107-37, and unless, for good cause shown, the Director grants a waiver, no claim shall be approved unless the following (which shall be necessary, but not sufficient, for such approval) are filed with the PSOB Office:

## Department of Justice

## § 32.28

(1) Subject to paragraph (b) of this section, a certification from the public agency in which the public safety officer served (as of the injury date) that he was permanently and totally disabled as a direct result of a line of duty injury, and either—

(i) That he has received (or legally is entitled to receive) the maximum disability benefits (including workers' compensation) legally payable by the agency with respect to disabled public safety officers of his kind, rank, and tenure; or

(ii) Subject to paragraph (c) of this section, that the agency is not legally authorized to pay—

(A) Any benefits described in paragraph (a)(1)(i) of this section, to any person; or

(B) Any benefits described in paragraph (a)(1)(i) of this section, to public safety officers of the kind, rank, and tenure described in such paragraph; and

(2) A copy of—

(i) Each State, local, and federal income tax return filed by or on behalf of the public safety officer from the year before the injury date to the date of termination by the PSOB determining official; and

(ii) Any rulings made by any public agency that relate to the claimed disability.

(b) The provisions of paragraph (a)(1) of this section shall also apply with respect to every public agency that legally is authorized to pay disability benefits with respect to the agency described in that paragraph.

(c) No certification described in paragraph (a)(1)(ii) of this section shall be deemed complete unless it—

(1) Lists every public agency (other than BJA) that legally is authorized to pay disability benefits with respect to the certifying agency; or

(2) States that no public agency (other than BJA) legally is authorized to pay disability benefits with respect to the certifying agency.

### § 32.26 Payment.

The amount payable on a claim shall be the amount payable, as of the injury date, pursuant to the Act, at 42 U.S.C. 3796(b).

### § 32.27 Motion for reconsideration of negative disability finding.

A claimant whose claim is denied in whole or in part on the ground that he has not shown that his claimed disability is total and permanent may move for reconsideration, under § 32.28, of the specific finding as to the total and permanent character of the claimed disability (in lieu of his requesting a Hearing Officer determination with respect to the same).

### § 32.28 Reconsideration of negative disability finding.

(a) Unless, for good cause shown, the Director extends the time for filing, no negative disability finding described in § 32.27 shall be reconsidered if the motion under that section is filed with the PSOB Office later than thirty-three days after the service of notice of the denial.

(b) Notwithstanding any other provision of this section, no negative disability finding described in § 32.27 shall be reconsidered—

(1) If or after such reconsideration is rendered moot (*e.g.*, by the final denial of the claim on other grounds, without possibility of further administrative or judicial recourse); or

(2) If a request for a Hearing Officer determination has been filed in timely fashion with respect to such finding.

(c) Unless, for good cause shown, the Director grants a waiver, upon the making of a motion under § 32.27, reconsideration of the negative disability finding described in that section shall be stayed for three years. Upon the conclusion of the stay, the claimant shall have not more than six years to file evidence with the PSOB Office in support of his claimed disability.

(d) Upon a claimant's failure (without reasonable justification or excuse) to file in timely fashion evidence pursuant to paragraph (c) of this section, the Director may, at his discretion, deem the motion for reconsideration to be abandoned, as though never filed. Not less than thirty-three days prior thereto, the PSOB Office shall serve the claimant with notice of the Director's intention to exercise such discretion.

## § 32.29

(e) No negative disability finding described in §32.27 shall be reversed unless a copy (which shall be necessary, but not sufficient, for such reversal) of each federal, State, and local income tax return filed by or on behalf of the claimant from the year before the date of the motion for reconsideration under that section to the date of reversal is filed with the PSOB Office.

(f) Upon its affirming or reversing a negative disability finding described in §32.27, the PSOB Office shall serve notice of the same upon the claimant. In the event of an affirmance, such notice shall—

(1) Specify the factual findings and legal conclusions that support it; and

(2) Provide information as to requesting a Hearing Officer determination of the disability finding.

## § 32.29 Request for Hearing Officer determination.

(a) In order to exhaust his administrative remedies, a claimant seeking relief from the denial of his claim shall request a Hearing Officer determination under subpart E of this part—

(1) Of—

(i) His entire claim, if he has not moved for reconsideration of a negative disability finding under §32.27; or

(ii) Consistent with §32.42(c), the grounds (if any) of the denial that are not the subject of such motion, if he has moved for reconsideration of a negative disability finding under §32.27; and

(2) Of a negative disability finding that is affirmed pursuant to his motion for reconsideration under §32.27.

(b) Consistent with §32.8, the following shall constitute the final agency determination:

(1) Any denial not described in §32.27 that is not the subject of a request for a Hearing Officer determination under paragraph (a)(1)(i) of this section;

(2) Any denial described in §32.27 that is not the subject of a request for a Hearing Officer determination under paragraph (a)(1)(ii) of this section, unless the negative disability finding is the subject of a motion for reconsideration; and

(3) Any affirmance that is not the subject of a request for a Hearing Offi-

## 28 CFR Ch. I (7–1–17 Edition)

cer determination under paragraph (a)(2) of this section.

[73 FR 76535, Dec. 17, 2008]

## Subpart D—Educational Assistance Benefit Claims

### § 32.31 Scope of subpart.

Consistent with §32.1, this subpart contains provisions applicable to claims (*i.e.*, threshold claims and financial claims) made under the Act, at 42 U.S.C. 3796d–1.

### § 32.32 Time for filing claim.

(a) Subject to the Act, at 42 U.S.C. 3796d–1(c), and to paragraph (b) of this section, a claim may be filed with the PSOB Office at any time after the injury date.

(b) Unless, for good cause shown, the Director grants a waiver, no financial claim may be filed with the PSOB Office, with respect to a grading period that commences more than six months after the date of filing.

(c) A claimant may file with his claim such supporting documentary, electronic, video, or other nonphysical evidence and legal arguments as he may wish to provide.

[73 FR 76535, Dec. 17, 2008]

### § 32.33 Definitions.

*Application* means claim (*i.e.*, a threshold claim or a financial claim).

*Assistance* means financial assistance.

*Child of an eligible public safety officer* means the child of a public safety officer, which officer is an eligible public safety officer.

*Dependent*—An individual is a dependent of an eligible public safety officer, if—

(1) Being a child of the officer, the individual—

(i) Was claimed properly as the officer's dependent (within the meaning of the Internal Revenue Code, at 26 U.S.C. 152) on the officer's federal income-tax return (or could have been claimed if such a return had been required by law)—

(A) For the tax year of (or immediately preceding) either the injury date or the date of the officer's death (with respect to a claim by virtue of such death); or

(B) For the relevant tax year (with respect to a claim by virtue of the officer's disability); or

(ii) Is the officer's posthumous child; or

(2) Being a spouse of the officer at the time of the officer's death or on the date of the officer's totally and permanently disabling injury, the individual received over half of his support from the officer (or had as his principal place of abode the home of the officer and was a member of the officer's household)—

(i) As of either the injury date or the date of the officer's death (with respect to a claim by virtue of such death); or

(ii) In the relevant tax year (with respect to a claim by virtue of the officer's disability).

*Educational assistance benefits* means benefits specifically to assist in paying educational expenses.

*Educational expenses* means such of the following as may be in furtherance of the educational, professional, or vocational objective of the program of education that forms the basis of a financial claim:

(1) Tuition and fees, as described in 20 U.S.C. 1087U(1) (higher education assistance);

(2) Reasonable expenses for—

(i) Room and board (if incurred for attendance on at least a half-time basis);

(ii) Books;

(iii) Computer equipment;

(iv) Supplies;

(v) Transportation; and

(3) For attendance on at least a three-quarter-time basis, a standard allowance for miscellaneous personal expenses that is the greater of—

(i) The allowance for such expenses, as established by the eligible educational institution for purposes of financial aid; or

(ii) \$200.00 per month.

*Eligible dependent* means an individual who—

(1) Is a dependent of an eligible public safety officer;

(2) Attends a program of education, as described in the Act, at 42 U.S.C. 3796d-1(a)(1); and

(3) Is otherwise eligible to receive financial assistance pursuant to the Act or this subpart.

*Eligible educational expenses* means a claimant's educational expenses, reduced by the amount of educational assistance benefits from non-governmental organizations that the claimant has received or will receive.

*Eligible public safety officer* means a public safety officer—

(1) With respect to whose death, benefits under subpart B of this part properly have been paid; or

(2) With respect to whose disability, benefits under subpart C of this part properly—

(i) Have been paid; or

(ii) Would have been paid, but for the operation of paragraph (b)(1) of § 32.6.

*Financial assistance* means financial assistance, as described in the Act, at 42 U.S.C. 3796d-1.

*Financial claim* means a request for financial assistance, with respect to attendance at a program of education, for a particular grading period.

*Financial need*—An individual is in financial need for a particular grading period to the extent that the amount of his eligible educational expenses for that period exceed the sum of—

(1) The amount of his educational assistance benefits as described in the Act, at 42 U.S.C. 3796d-1(a)(3)(A); and

(2) His expected family contribution calculated pursuant to 20 U.S.C. 1087nn (higher education assistance).

*Funds* means financial assistance.

*Grading period* means the period of attendance (e.g., a semester, a trimester, a quarter) in a program of education, after (or with respect to) which period grades are assigned, units of credit are awarded, or courses are considered completed, as determined by the eligible educational institution.

*Prospective financial claim* means a financial claim with respect to a grading period that ends after the claim is filed.

*Public safety agency* means a public agency—

(1) In which a public safety officer serves in an official capacity, with or without compensation, as such an officer (of any kind but disaster relief worker); or

(2) Of which a public safety officer is an employee, performing official duties as described in the Act, at 42 U.S.C.

**§ 32.34**

3796b(9)(B) or (C), as a disaster relief worker.

*Retroactive financial claim* means a financial claim with respect to a grading period that ends before the claim is filed.

*Spouse of an eligible public safety officer at the time of the officer's death or on the date of a totally and permanently disabling injury* means the spouse of a public safety officer (which officer is an eligible public safety officer) as of—

(1) The date of the officer's death (with respect to a claim by virtue of such death); or

(2) The injury date (with respect to a claim by virtue of the officer's disability).

*Tax Year*—With respect to a claim by virtue of an eligible public safety officer's disability, the relevant tax year is—

(1) The tax year of (or immediately preceding) the injury date;

(2) Any tax year during which the program of education that forms the basis of the claim is attended or is pursued;

(3) The tax year immediately preceding the date on which the program of education that forms the basis of the claim commenced (or is to commence); or

(4) The tax year of (or immediately preceding) the officer's death, where the program of education that forms the basis of the claim commenced (or is to commence) after the date of such death.

*Threshold claim* means a request for determination of general eligibility to receive financial assistance.

**§ 32.34 PSOB Office determination.**

(a) In the event of the PSOB Office's denying a claim, the notice it serves upon the claimant shall—

(1) Specify the factual findings and legal conclusions that support the denial; and

(2) Provide information as to requesting a Hearing Officer determination.

(b) No financial claim shall be approved, unless the claimant's threshold claim has been approved.

(c) Upon a claimant's failure (without reasonable justification or excuse) to pursue in timely fashion the determination of his filed claim, the Direc-

**28 CFR Ch. I (7-1-17 Edition)**

tor may, at his discretion, deem the same to be abandoned. Not less than thirty-three days prior thereto, the PSOB Office shall serve the claimant with notice of the Director's intention to exercise such discretion.

**§ 32.35 Disqualification.**

No claim shall be approved if the claimant is—

(a) In default on any student loan obtained under 20 U.S.C. 1091 (higher education assistance), unless, for good cause shown, the Director grants a waiver; or

(b) Subject to a denial of federal benefits under 21 U.S.C. 862 (drug traffickers and possessors).

**§ 32.36 Payment and repayment.**

(a) The computation described in the Act, at 42 U.S.C. 3796d-1(a)(2), shall be based on a certification from the eligible educational institution as to the claimant's full-, three-quarter-, half-, or less-than-half-time student status, according to such institution's own academic standards and practices.

(b) No payment shall be made with respect to any grading period that ended before the injury date.

(c) With respect to any financial claim, no amount shall be payable that exceeds the amount of the eligible educational expenses that form the basis of the claim.

(d) In the event that appropriations for a fiscal year are insufficient for full payment of all approved or anticipated financial claims, the following payments shall be made—

(1) The amounts payable on approved prospective financial claims from claimants in financial need, to the extent of such need (if sufficient funds be available therefor), in the order the claims are approved;

(2) All other amounts payable on approved prospective financial claims (in the order the claims are approved), if sufficient funds be available therefor—

(i) After payment of all amounts payable pursuant to paragraph (d)(1) of this section; and

(ii) After making allowance for anticipated amounts payable in the fiscal year pursuant to paragraph (d)(1) of this section; and



(3) The amounts payable on approved retroactive financial claims (in the order the claims are approved), if sufficient funds be available therefor—

(i) After payment of all amounts payable pursuant to paragraphs (d)(1) and (2) of this section; and

(ii) After making allowance for anticipated amounts payable in the fiscal year, pursuant to paragraphs (d)(1) and (2) of this section.

(e) In the event that, at the conclusion of a fiscal year, any amounts remain payable on an approved financial claim, such amounts shall remain payable thereafter until paid (when appropriations be sufficient therefor).

(f) In the event that any amounts remain payable on an approved prospective financial claim after the end of the grading period that forms its basis, such claim shall be deemed an approved retroactive financial claim for purposes of paragraph (d) of this section.

(g) No payment shall be made to (or on behalf of) any individual, on the basis of being a particular living public safety officer's spouse, unless the individual is the officer's spouse on the date of payment.

(h) Unless, for good cause shown, the Director grants a full or partial waiver, a payee shall repay the amount paid to him (or on his behalf) pursuant to a prospective financial claim if, during the grading period that forms its basis—

(1) He fails to maintain satisfactory progress under 20 U.S.C. 1091(c) (higher education assistance);

(2) He fails to maintain the enrollment status described in his claim; or

(3) By his acts or omissions, he is or becomes ineligible for financial assistance.

### **§ 32.37 Request for Hearing Officer determination.**

In order to exhaust his administrative remedies, a claimant seeking relief from the denial of his claim shall request a Hearing Officer determination under subpart E of this part. Consistent with § 32.8, any denial that is not the subject of such a request shall constitute the final agency determination.

## **Subpart E—Hearing Officer Determinations**

### **§ 32.41 Scope of subpart.**

Consistent with § 32.1, this subpart contains provisions applicable to requests for Hearing Officer determination of claims denied under subpart B, C (including affirmances of negative disability findings described in § 32.27), or D of this part, and of claims remanded (or matters referred) under § 32.54(c).

[73 FR 76535, Dec. 17, 2008]

### **§ 32.42 Time for filing request for determination.**

(a) Subject to paragraph (c) of this section, and unless, for good cause shown, the Director extends the time for filing, no claim shall be determined if the request therefor is filed with the PSOB Office later than thirty-three days after the service of notice of—

(1) The denial (under subpart B, C (except as may be provided in paragraph (a)(2) of this section), or D of this part) of a claim; or

(2) The affirmance (under subpart C of this part) of a negative disability finding described in § 32.27.

(b) A claimant may file with his request for a Hearing Officer determination such supporting documentary, electronic, video, or other non-physical evidence and legal arguments as he may wish to provide.

(c) The timely filing of a motion for reconsideration under § 32.28(a) shall be deemed to constitute a timely filing, under paragraph (a) of this section, of a request for determination with respect to any grounds described in § 32.29(a)(1)(ii) that may be applicable.

[73 FR 76535, Dec. 17, 2008]

### **§ 32.43 Appointment and assignment of Hearing Officers.**

(a) Pursuant to 42 U.S.C. 3787 (employment and authority of hearing officers), Hearing Officers may be appointed from time to time by the Director, to remain on the roster of such Officers at his pleasure.

(b) Upon the filing of a request for a Hearing Officer determination (or upon remand or referral), the PSOB Office

## § 32.44

shall assign the claim to a Hearing Officer on the roster; the PSOB Office may assign a particular claim to a specific Hearing Officer if it judges, in its discretion, that his experience or expertise suit him especially for it.

(c) Upon its making the assignment described in paragraph (b) of this section, the PSOB Office shall serve notice of the same upon the claimant, with an indication that any evidence or legal argument he wishes to provide is to be filed simultaneously with the PSOB Office and the Hearing Officer.

(d) With respect to an assignment described in paragraph (b) of this section, the Hearing Officer's consideration shall be—

(1) *De novo* (unless the Director should expressly prescribe otherwise, with respect to a particular remand or referral), rather than in review of the findings, determinations, affirmances, reversals, assignments, authorizations, decisions, judgments, rulings, or other actions of the PSOB Office; and

(2) Consistent with subpart B, C, or D of this part, as applicable.

[73 FR 76535, Dec. 17, 2008, as amended at 78 FR 29234, May 20, 2013]

### § 32.44 Hearing Officer determination.

(a) Upon his determining a claim, the Hearing Officer shall file a notice of the same simultaneously with the Director (for his review under subpart F of this part in the event of approval) and the PSOB Office, which notice shall specify the factual findings and legal conclusions that support it.

(b) Upon a Hearing Officer's denying a claim, the PSOB Office shall serve notice of the same upon the claimant (and upon any other claimant who may have filed a claim with respect to the same public safety officer), which notice shall—

(1) Specify the Hearing Officer's factual findings and legal conclusions that support it; and

(2) Provide information as to Director appeals.

(c) Upon a claimant's failure (without reasonable justification or excuse) to pursue in timely fashion the determination of his claim pursuant to his filed request therefor, the Director may, at his discretion, deem the request to be abandoned, as though never

## 28 CFR Ch. I (7–1–17 Edition)

filed. Not less than thirty-three days prior thereto, the PSOB Office shall serve the claimant with notice of the Director's intention to exercise such discretion.

[71 FR 46037, Aug. 10, 2006, as amended at 78 FR 29234, May 20, 2013]

### § 32.45 Hearings.

(a) Except with respect to a remand or referral, at the election of a claimant under subpart B or C of this part, the Hearing Officer shall hold a hearing, at a location agreeable to the claimant and the Officer (or, otherwise, at a location ruled by the Hearing Officer to be suitable), for the sole purposes of obtaining, consistent with § 32.5(c),

(1) Evidence from the claimant and his fact or expert witnesses; and

(2) Such other evidence as the Hearing Officer, at his discretion, may rule to be necessary or useful.

(b) Unless, for good cause shown, the Director extends the time for filing, no election under paragraph (a) of this section shall be honored if it is filed with the PSOB Office later than ninety days after service of the notice described in § 32.43(c).

(c) Not less than seven days prior to any hearing, the claimant shall file simultaneously with the PSOB Office and the Hearing Officer a list of all expected fact or expert witnesses and a brief summary of the evidence each witness is expected to provide.

(d) At any hearing, the Hearing Officer—

(1) May exclude any evidence whose probative value is substantially outweighed by considerations of undue delay, waste of time, or needless presentation of cumulative evidence; and

(2) Shall exclude witnesses (other than the claimant, or any person whose presence is shown by the claimant to be essential to the presentation of his claim), so that they cannot hear the testimony of other witnesses.

(e) Each hearing shall be recorded, and the original of the complete record or transcript thereof shall be made a part of the claim file.

(f) Unless, for good cause shown, the Director grants a waiver, a claimant's failure to appear at a hearing (in person or through a representative) shall

constitute a withdrawal of his election under paragraph (a) of this section.

(g) Upon a claimant's failure to pursue in timely fashion his filed election under paragraph (a) of this section, the Director may, at his discretion, deem the same to be abandoned. Not less than thirty-three days prior thereto, the PSOB Office shall serve the claimant with notice of the Director's intention to exercise such discretion.

[73 FR 76536, Dec. 17, 2008]

#### § 32.46 Director appeal.

(a) In order to exhaust his administrative remedies, a claimant seeking relief from the denial of his claim shall appeal to the Director under subpart F of this part.

(b) Consistent with § 32.8, any claim denial that is not appealed to the Director under paragraph (a) of this section shall constitute the final agency determination, unless the denial is reviewed otherwise under subpart F of this part.

### Subpart F—Director Appeals and Reviews

#### § 32.51 Scope of subpart.

Consistent with § 32.1, this subpart contains provisions applicable to Director appeals and reviews of claim approvals and denials made under subpart E of this part, and reviews of claim approvals under the Act, at 42 U.S.C. 3796c-1 or Public Law 107-37.

#### § 32.52 Time for filing Director appeal.

(a) Unless, for good cause shown, the Director extends the time for filing, no Director appeal shall be considered if it is filed with the PSOB Office later than thirty-three days after the service of notice of the denial (under subpart E of this part) of a claim.

(b) A claimant may file with his Director appeal such supporting documentary, electronic, video, or other nonphysical evidence and legal arguments as he may wish to provide.

[73 FR 76536, Dec. 17, 2008]

#### § 32.53 Review.

(a) Upon the filing of the approval (under subpart E of this part) of a

claim, the Director shall review the same.

(b) The Director may review—

(1) Any claim denial made under subpart E of this part; and

(2) Any claim approval made under the Act, at 42 U.S.C. 3796c-1 or Public Law 107-37.

(c) Unless the Director judges that it would be unnecessary, the PSOB Office shall serve notice upon the claimant (and upon any other claimant who may have filed a claim with respect to the same public safety officer) of the initiation of a review under paragraph (a) or (b) of this section. Unless the Director judges that it would be unnecessary, such notice shall—

(1) Indicate the principal factual findings or legal conclusions at issue; and

(2) Offer a reasonable opportunity for filing of evidence or legal arguments.

#### § 32.54 Director determination.

(a) Upon the Director's approving or denying a claim, the PSOB Office shall serve notice of the same simultaneously upon the claimant (and upon any other claimant who may have filed a claim with respect to the same public safety officer), and upon any Hearing Officer who made a determination with respect to the claim. In the event of a denial, such notice shall—

(1) Specify the factual findings and legal conclusions that support it; and

(2) Provide information as to judicial appeals (for the claimant or claimants).

(b) Upon a claimant's failure (without reasonable justification or excuse) to pursue in timely fashion the determination of his claim pursuant to his filed Director appeal, the Director may, at his discretion, deem the same to be abandoned, as though never filed. Not less than thirty-three days prior thereto, the PSOB Office shall serve the claimant with notice of the Director's intention to exercise such discretion.

(c) With respect to any claim before him, the Director, as appropriate, may—

(1) Remand the same to the PSOB Office, or to a Hearing Officer;

(2) Vacate any related determination under this part; or

## § 32.55

(3) Refer any related matters to a Hearing Officer (as a special master), to recommend factual findings and dispositions in connection therewith.

[73 FR 76536, Dec. 17, 2008]

### § 32.55 Judicial appeal.

(a) Consistent with § 32.8, any approval or denial described in § 32.54(a) shall constitute the final agency determination.

(b) A claimant seeking relief from the denial of his claim may appeal judicially pursuant to the Act, at 42 U.S.C. 3796c-2.

[73 FR 76536, Dec. 17, 2008]

## PART 33—BUREAU OF JUSTICE ASSISTANCE GRANT PROGRAMS

### Subpart A—Criminal Justice Block Grants

#### GENERAL PROVISIONS

Sec.

- 33.1 General.
- 33.2 Statutory authority.
- 33.3 OMB approval of information collection requirements.

#### ELIGIBLE APPLICANTS

- 33.10 State government.
- 33.11 Units of local government.
- 33.12 Establishment of State Office.

#### ALLOCATION OF FUNDS

- 33.20 Fund availability.
- 33.21 Match.
- 33.22 Title to personal property.
- 33.23 Limitations on fund use.

#### PURPOSES OF BLOCK GRANT FUNDS

- 33.30 Program criteria.
- 33.31 Eligible purposes and programs.
- 33.32 Certified programs.

#### APPLICATION REQUIREMENTS

- 33.40 General.
- 33.41 Application content.

#### ADDITIONAL REQUIREMENTS

- 33.50 General financial requirements.
- 33.51 Audit.
- 33.52 Civil rights.
- 33.53 Participation by faith-based organizations.

#### SUBMISSION AND REVIEW OF APPLICATIONS

- 33.60 General.
- 33.61 Review of State applications.

## 28 CFR Ch. I (7–1–17 Edition)

#### REPORTS

- 33.70 Annual performance report.
- 33.71 Initial project report.

#### SUSPENSION OF FUNDING

- 33.80 Suspension of funding.

### Subpart B—Bulletproof Vest Partnership Grant Program Applying for the Program

- 33.100 Definitions.
- 33.101 Standards and requirements.
- 33.102 Preferences.
- 33.103 How to apply.

AUTHORITY: 42 U.S.C. 3701 through 3797y-4; 5 U.S.C. 301.

SOURCE: 50 FR 22990, May 30, 1985, unless otherwise noted.

### Subpart A—Criminal Justice Block Grants

#### GENERAL PROVISIONS

### § 33.1 General.

This subpart defines eligibility criteria and sets forth requirements for application for and administration of block grants by state and local governments.

[50 FR 22990, May 30, 1985, as amended at 63 FR 50761, Sept. 23, 1998]

### § 33.2 Statutory authority.

The statutory authority for the regulations is the Omnibus Crime Control and Safe Streets Act of 1968, 42 U.S.C. 3701, *et. seq.*, as amended (Pub. L. 90-351, as amended by Pub. L. 93-83, Pub. L. 93-415, Pub. L. 94-430, Pub. L. 94-503, Pub. L. 95-115, Pub. L. 96-157, and Pub. L. 98-473) (hereinafter referred to as the Justice Assistance Act of 1984 or the Act).

### § 33.3 OMB approval of information collection requirements.

The information collection requirements in this subpart A have been approved by the Office of Management and Budget under control no. 1121-0113.

[50 FR 22990, May 30, 1985, as amended at 63 FR 50761, Sept. 23, 1998]

#### ELIGIBLE APPLICANTS

### § 33.10 State government.

All states are eligible to apply for and receive block grants. Section 404 of

## Department of Justice

## § 33.20

the Act. State, as defined in the statute, means any state of the United States and includes the District of Columbia, the Commonwealth of Puerto Rico, and the Virgin Islands. Section 901(a)(2) of the Act.

### § 33.11 Units of local government.

(a) Units of local government are eligible to receive subgrants from a participating state. Unit of local government means any city, county, township, borough, parish, village, or other general purpose political subdivision of a state and includes Indian tribes which perform law enforcement functions as determined by the Secretary of the Interior. Section 901(a)(3) of the Act.

(b) If the Bureau determines, during any fiscal year, that a portion of the funds allocated to a state will not be required, or that a state will be unable to qualify and receive funds, or that a state chooses not to participate in the program, then the Bureau shall award the funds allocated to the state directly to urban, rural, and suburban units of local government or combinations thereof within the state, giving priority to those jurisdictions with the greatest need. Section 407(d) of the Act.

### § 33.12 Establishment of State Office.

(a) Section 408(a) of the Act provides that the chief executive of each participating state shall designate a State Office for the purposes of:

(1) Preparing an application to obtain funds; and

(2) Administering funds received from the Bureau of Justice Assistance, including receipt, review, processing, monitoring, progress and financial report review, technical assistance, grant adjustments, accounting, auditing, and fund disbursements.

(b) An office or agency performing other functions within the state's executive branch may be designated as the State Office. Section 408(b) of the Act.

## ALLOCATION OF FUNDS

### § 33.20 Fund availability.

Section 407(a) of the Justice Assistance Act provides that 80 percent of the total amount appropriated for part D (block grants) and part E (discre-

tionary grants) shall be allocated for block grants.

(a) *Allocation to States.* Each participating state shall receive a base amount of \$250,000 with the remaining funds allocated to each state on the basis of the state's relative share of total U.S. population. Section 407(a) of the Act. If a state does not elect to participate in the Act, the states allocation shall be awarded by the Bureau directly to local units of government and combinations of units of local government within the state. Section 407(d) of the Act.

(b) *Allocation of funds within the State.*

(1) Funds granted to the state are further subgranted by the state to state agencies and units of local government to carry out programs and projects contained in an approved application. Each state shall distribute to its local units of government, in the aggregate, a portion of the state's block grant funds equal to the local government share of total state and local criminal justice expenditures. Section 407(b) of the Act. In determining the portion to be distributed to local units, the most recent and complete data available from the Bureau of Justice Statistics of the U.S. Department of Justice shall be used unless the use of other data has been approved in advance by the Bureau of Justice Assistance.

(2) To request approval of a distribution ratio other than that based on data of the Bureau of Justice Statistics, the head of the State Office must certify in writing to the Bureau of Justice Assistance that the ratio it proposes is a correct reflection of the local share of total state and local criminal justice expenditures and that the state has notified its major local governments of the request and informed them of the opportunity to contact the Bureau within 30 days, if they have any objections. The written request must also cite the expenditure data used to substantiate the proposed change.

(c) *Allocation based on greatest need.* In distributing funds among urban, rural, and suburban units of local government, the state shall give priority to those jurisdictions with the greatest need. Section 407(b)(2) of the Act.

## § 33.21

## 28 CFR Ch. I (7-1-17 Edition)

### § 33.21 Match.

(a) Funds may be used to pay up to 50 percent of the cost of a program or project. Section 403(b)(1) of the Act. The remaining non-Federal share shall be in cash. Section 403(b)(2) of the Act. Match will be provided on a project by project basis. However, states may request the Bureau to approve exceptions such as match on a program by program basis, state-wide basis, unit-of-government basis, or a combination of the above. States must include any requests for approval of other than project-by-project match in their applications to the Bureau.

(b) Funds subgranted to an Indian tribe which performs law enforcement functions (as determined by the Secretary of the Interior) shall be used to pay 100 percent of the cost of a program or project. Section 403(b)(1) of the Act.

### § 33.22 Title to personal property.

Section 808 of the Justice Assistance Act provides that notwithstanding any other provision of law, title to all expendable and nonexpendable personal property purchased with funds made available under this title, including property with funds made available under this title as in effect before the effective date of the Justice Assistance Act of 1984, shall vest in the criminal justice agency or nonprofit organization that purchased the property if it certifies to the State Office that it will use the property for criminal justice purposes. If such certification is not made, title to the property shall vest in the State Office, which shall seek to have the property used for criminal justice purposes elsewhere in the state prior to using it or disposing of it in any other manner. If a State Office does not exist, certification will be made directly to the Bureau of Justice Assistance.

### § 33.23 Limitations on fund use.

In order to insure the most efficient and effective use of grant funds, the Justice Assistance Act places restrictions on the award of block monies for routine equipment, personnel costs, construction, supplanting of state and local funds, and land acquisition.

(a) *Equipment and hardware.* The purchase or acquisition of equipment or hardware with grant funds is prohibited unless the purchase or acquisition is an incidental and necessary part of a program. Section 406(c)(1) of the Act.

(b) *General salaries and personnel costs.* Payment of personnel costs with grant funds is prohibited unless the costs are an incidental and necessary part of a program. Section 406(c)(1) of the Act. Programs which have as their primary purpose the payment of usual salaries paid to employees generally, or to specific classes of employees within a jurisdiction, are prohibited. Notwithstanding the above, grant funds may be used to compensate personnel for time engaged in conducting or undergoing training programs or the compensation of personnel engaged in research, development demonstration, or short-term programs. Section 406(c)(2) of the Act.

(c) *Construction.* Construction projects are prohibited. Section 406(c)(3) of the Act.

(d) *Land acquisition.* Acquisition of land with grant funds is prohibited. Section 406(c)(3) of the Act.

(e) *Ineffective programs.* The use of grant funds is prohibited for programs or projects which, based upon evaluations by the National Institute of Justice, Bureau of Justice Assistance, Bureau of Justice Statistics, state or local agencies, and other public or private organizations, have been demonstrated to offer a low probability of improving the functioning of the criminal justice system. The Bureau of Justice Assistance will formally identify ineffective programs by notice in the FEDERAL REGISTER after opportunity for public comment. Section 406(c)(4) of the Act.

(f) *Administrative costs.* The use of grant funds to pay for costs incurred in applying for or administering the block grant is prohibited. Block grant funds may only be used to carry out programs that fall within one of the purposes listed in section 403(a) of the Justice Assistance Act. Section 403(a) of the Act.

(g) *Period of project support.* A grant recipient may receive block grant funds for a specific program or project for a period not to exceed four years.

## Department of Justice

## § 33.31

The four-year maximum allowable period of funding includes any period prior to the Justice Assistance Act when the program or project was supported by funds made available under title I of the Omnibus Crime Control and Safe Streets Act. Section 403(c) of the Act.

(h) *Non-supplantation.* Block grant funds shall not be used to supplant state or local funds, but will be used to increase the amounts of such funds that would, in the absence of Federal aid, be made available for criminal justice activities. Section 405(2) of the Act.

### PURPOSES OF BLOCK GRANT FUNDS

#### § 33.30 Program criteria.

The Justice Assistance Act requires that block grant funds assist states and local governments to carry out specific programs which offer a high probability of improving the functioning of the criminal justice system, with special emphasis on violent crime and serious offenders. Section 403(a) of the Act.

(a) *High probability of improving the criminal justice system. High probability of improving the criminal justice system* means that a prudent assessment of the concepts and implementation plans included in a proposed program, project, approach, or practice, together with an assessment of the problem to which it is addressed and of data and information bearing on the problem, concept, and implementation plan, provides strong evidence that the proposed activities would result in identifiable improvements in the criminal justice system if implemented as proposed. Section 901(a)(21) of the Act.

(b) *Special emphasis on violent crime and serious offenders. Special emphasis on violent crime and serious offenders* means that a relationship exists between the program and violent crime, the victims of violent crime, serious offenders and their acts, and the prevention of violent crime and serious offenses. Violent crime, for the purpose of this program, includes homicide, robbery, assault, arson, residential burglary, child abuse and molestation, sexual assault, kidnapping, and all felonies involving weapons or narcotics

trafficking. Serious offenders are those who commit violent crimes.

(c) *Criminal justice. Criminal justice* means activities pertaining to crime prevention, control, or reduction, or the enforcement of the criminal law, including but not limited to, police efforts to prevent, control, or reduce crime or to apprehend criminals, including juveniles, activities of courts having criminal jurisdiction, and related agencies (including but not limited to prosecutorial and defender services, juvenile delinquency agencies, and pretrial service or release agencies), activities of corrections, probation or parole authorities and related agencies assisting in the rehabilitation, supervision, and care of criminal offenders, and programs relating to the prevention, control, or reduction of narcotic addiction and juvenile delinquency. Section 901(a)(1) of the Act.

#### § 33.31 Eligible purposes and programs.

(a) *Eligible purposes.* Block grant funds may be used for the following purposes listed in section 403(a) of the Justice Assistance Act:

(1) Providing community and neighborhood programs that enable citizens and police to undertake initiatives to prevent and control neighborhood crime;

(2) Disrupting illicit commerce in stolen goods and property;

(3) Combating arson;

(4) Effectively investing and bringing to trial white-collar crime, organized crime, public corruption crimes, and fraud against the Government;

(5) Identifying criminal cases involving persons (including juvenile offenders) with a history of serious criminal conduct in order to expedite the processing of such cases and to improve court system management and sentencing practices and procedures in such cases;

(6) Developing and implementing programs which provide assistance to jurors and witnesses, and assistance (other than compensation) to victims of crimes;

(7) Providing alternatives to pretrial detention, jail, and prison for persons who pose no danger to the community;

**§ 33.32**

**28 CFR Ch. I (7-1-17 Edition)**

(8) Providing programs which identify and meet the needs of drug-dependent offenders;

(9) Providing programs which alleviate prison and jail overcrowding and programs which identify existing state and Federal buildings suitable for prison use;

(10) Providing, management, and technical assistance to criminal justice personnel and determining appropriate prosecutorial and judicial personnel needs;

(11) Providing prison industry projects designed to place inmates in a realistic working and training environment in which they will be enabled to acquire marketable skills and to make financial payments for restitution to their victims, for support of their own families, and for support of themselves in the institution;

(12) Providing for operational information systems and workload management systems which improve the effectiveness of criminal justice agencies;

(13) Not more than 10 percent of the state's block grant funds for providing programs of the same types as described in section 501(a)(4) of the Act which:

(i) The Bureau establishes under section 503(a) of the Act as discretionary programs for financial assistance; or

(ii) Are innovative and have been deemed by the Bureau as likely to prove successful;

(14) Implementing programs which address critical problems of crime, such as drug trafficking, which have been certified by the Director of the Bureau of Justice Assistance as having proved successful, after a process of consultation coordinated by the Assistant Attorney General of the Office of Justice Programs with the Director of the National Institute of Justice, Director of the Bureau of Justice Statistics, and Administrator of the Office of Juvenile Justice and Delinquency Prevention;

(15) Providing programs which address the problem of serious offenses committed by juveniles;

(16) Addressing the problem of crime committed against the elderly;

(17) Providing training, technical assistance, and programs to assist state and local law enforcement authorities

in rural areas in combating crime, with particular emphasis on violent crime, juvenile delinquency, and crime prevention; and

(18) Improving the operational effectiveness of law enforcement by integrating and maximizing the effectiveness of police field operations and the use of crime analysis techniques.

(b) *Programs.* The Bureau of Justice Assistance has certified that specific programs meet these purposes, conform with the program criteria, and are eligible for block grant support. (See § 33.32 of the regulations, *Certified Programs*). These programs are described in *Program Briefs* that are available from the Bureau of Justice Assistance. The list of certified programs will be expanded in the future based on the statutory criteria to permit a more complete coverage of each of the purposes. This certification will be done in consultation with state and local governments and published in the FEDERAL REGISTER. States and localities may use block funds to implement one or more of these certified programs, if they agree to comply with the critical elements set forth in § 33.32 of these regulations, and to provide data on the performance indicators listed. States and localities selecting these programs may identify the certified program in their application by name only, without further description. Programs other than those certified by the Bureau of Justice Assistance may be proposed by the state and/or units of local government and approved for funding by the Bureau. To obtain approval to fund a proposed program, the applicant must provide in its application a description of the program and evidence that it meets the statutory program criteria. The application requirements for program approval are contained in Subpart E—Application Requirements.

**§ 33.32 Certified programs.**

(a) The Act encourages the implementation of programs that have been proven successful. Pursuant to section 403(a)(14) of the Act, the Bureau of Justice Assistance, after a process of consultation coordinated by the Assistant Attorney General of the Office of Justice Programs with the National Institute of Justice, the Bureau of Justice



## Department of Justice

## § 33.32

Statistics, and the Office of Juvenile Justice and Delinquency Prevention, certifies that the following programs have been proven successful:

(1)(i) *Purpose*: Providing community and neighborhood programs that enable citizens and police to undertake initiatives to prevent and control neighborhood crime.

(ii) *Certified program: Community crime prevention*. This program aims to prevent crime and reduce the fear of crime through organized collective citizen action. Community crime prevention programs may be initiated by either law enforcement agencies or existing community groups, but each must have the active support and involvement of the other. Local programs must be designed to meet the needs and problems of specific neighborhoods or communities and particular population groups, including the elderly. They must make extensive use of volunteers. The specific services or activities to be implemented depend on the local situation and crime problem, but usually have, as a core element, neighborhood (block) watch with additional activities optional. Programs to provide training, technical assistance and other support services are also eligible for funding. Program objectives and elements are described in greater detail in the *Program Brief on Community Crime Prevention*.

(A) *Critical elements*:

(1) Pre-program planning to determine needs and problems of community.

(2) Targeting of activities and services to meet local situation.

(3) Maximum use of volunteers.

(4) Cooperation of community organizations and law enforcement.

(B) *Optional activities*: Projects must implement one or more of the following:

(1) Neighborhood Watch

(2) Operation ID

(3) Security Surveys

(4) Citizen Patrols

(5) Escort or Special Services for the Elderly

(6) Block Homes or Safe-Houses

(7) Neighborhood Clean-Ups in High Crime Areas

(8) Public Education

(9) Training

(10) Technical Assistance

(C) *Performance indicators*:

(1) Number of staff assigned to project.

(2) Types of services provided.

(3) Units of service delivered (e.g., number of block watches organized).

(4) Number of volunteers participating.

(2)(i) *Purpose*: Disrupting illicit commerce in stolen goods and property.

(ii) *Certified program: Property Crime (STING) Program*. This program targets the apprehension and prosecution of burglars/thieves as well as those individuals who provide the outlets for receipt of stolen goods and property. The majority of the model programs have established *storefronts* in which law enforcement officers pose as fences who buy stolen goods. In areas where there is a high concentration of organized crime, programs have employed techniques to infiltrate organizations in order to obtain evidence for prosecution of serious crime. Program objectives and elements are described in greater detail in the *Program Brief on Property Crime (STING) Program*.

(A) *Critical elements*:

(1) Program planning, which consists of:

(i) Analysis of the stolen property redistribution system in the jurisdiction.

(ii) Selection of the target criminal population and/or property at which the program will be directed.

(iii) Establishment of policies and procedures governing roles of participants, and program implementation.

(2) Establishment of records maintenance and management system; security management procedures; and stolen property/contraband/evidence management.

(3) Implementation of operations, including undercover activities and ongoing intelligence gathering and analysis.

(4) Coordination with prosecutorial personnel in case development and proper use of undercover techniques; and cooperation with victims to assure return of property.

(B) *Performance indicators*:

(1) Number of arrest and type of offense.

(2) Number of convictions.

(3) Dollar value of property received.

(4) Dollar value of property returned to victims.

(5) Number of fencing operations disrupted.

(3)(i) *Purpose:* Combating arson.

(ii) *Certified program: Arson Prevention and Control Program.* This program employs the task force concept as a strategy to prevent and control the malicious or fraudulent burning of property. It attempts to reduce the incidence of arson and increase arrest, prosecution and conviction rates. The program focuses on arson that is economically motivated. Program objectives and elements are described in greater detail in the *Program Brief on Arson Prevention and Control*.

(A) *Critical elements:*

(1) Program planning to establish:

(i) An understanding to the area's specific arson problems.

(ii) A selection of program priorities, strategies, and the targeting of the criminal population.

(iii) An outline of policies and procedures for program participants and program implementation.

(iv) Written agreements indicating participation in the program, acceptance of established criteria and procedures, and commitment of resources.

(2) Establishment of a system for collecting and analyzing data to target and identify arson patterns, methods and areas of vulnerability.

(3) Establishment of investigative and prosecutorial elements directed at the crime of arson.

(4) Involvement of community groups and private industry in support of the program.

(B) *Performance indicators:*

(1) Number of staff assigned to the project.

(2) Number of confirmed arson incidents reported during reporting period.

(3) Number of confirmed arson incidents reported during equivalent pre-reporting period.

(4) Number of incidents resulting in a prosecution during program period.

(5) Number of incidents resulting in a prosecution during equivalent pre-reporting period.

(6) Number of prosecutions resulting in conviction.

(7) Amount of property damage/loss caused by incendiary/suspicious fires during program period.

(8) Amount of property damage/loss by incendiary/suspicious fires during equivalent pre-reporting period.

(4)(i) *Purpose:* Effectively investigating and bringing to trial white-collar crime, organized crime, public corruption crime, and fraud against the Government. (No specific program has been certified by the Bureau. Applicants may propose programs for approval in accordance with the provisions of §33.41.)

(5)(i) *Purpose:* Identifying criminal cases involving persons (including juvenile offenders) with a history of serious criminal conduct in order to expedite the processing of such cases and to improve court system management and sentencing practices and procedures in such cases.

(ii) *Certificate program: Career Criminal Prosecution Program.* This program targets the identification and prosecution of violent and repeat offenders. Model efforts include a full time prosecutorial unit devoted to increasing the rate of prosecution of such offenders, special screening criteria, and policies that initiate or enhance vertical prosecution. Program objectives and elements are described in greater detail in the *Program Brief on Career Criminal Prosecution*.

(A) *Critical elements:*

(1) Screening and prosecution criteria to identify cases involving violent offenses and repeat offenders.

(2) A separate, full-time prosecutorial unit for violent and repeat offenders to enable vertical prosecution of assigned cases.

(3) Reduction of caseload to enable thorough case preparation/presentation.

(4) A policy requiring limited or no plea negotiations.

(5) A policy of opposing pre-trial motions for continuances.

(6) A policy to maintain effective communications with victims and witnesses.

(B) *Performance indicators:*

(1) Number of full-time prosecutors assigned to unit.

(2) Number of cases meeting established criteria.

(3) Number of cases prosecuted.  
 (4) Number of and percentage of cases resulting in conviction.

(5) Number and percentage of individuals incarcerated.

(iii) *Certified program: Court Delay Reduction Program.* This program expedites the processing of felony cases in trial courts. It emphasizes reduction of backlogs while maintaining equitable treatment and due process. Model programs result in reduction of case processing time, minimization of court appearances for victims and witnesses, and improvement of the public's perception of the quality of the criminal justice system. This program is available for both metropolitan trial courts and state-level court systems. Program objectives and elements are described in greater detail in the *Program Brief on Court Delay Reduction*.

(A) *Critical elements:* Both the metropolitan and the state level programs are divided into two phases, planning and implementation.

(1) *Planning (Phase I):*

(i) Formation of delay reduction advisory committee.

(ii) Data collection, analysis, and problem identification.

(iii) Adoption of case processing goals for criminal cases.

(iv) Development of action plan(s).

(2) *Implementation (Phase II):*

(i) Education of trial judges and others on objectives, standards and procedures.

(ii) Systematic monitoring of all criminal cases filed in participating courts.

(iii) System for regular acquisition and assessment of data from each trial court (state level only).

(iv) Modification of rules and procedures at all levels of program participation when program results indicate need for changes.

(B) *Performance indicators.* (1) Time standard established for processing of criminal cases under the project (days from arrest to trial).

(2) Percentage of criminal cases prior to project that met standard.

(3) Percentage of criminal cases disposed of during the project reporting period that met time disposition standard.

(4) Reduction in the average number of continuances from the equivalent pre-project period.

(6)(i) *Purpose:* Developing and implementing programs which provide assistance to jurors and witnesses, and assistance (other than compensation) to victims of crimes.

(ii) *Certified program: victim assistance.* This program provides services and assistance to victims in order to speed their recovery from the financial loss, physical suffering and emotional trauma of victimization, and to assure proper and sensitive treatment of innocent victims in the criminal justice process. Victim assistance programs usually encompass a wide range of support services. The specific services to be provided, and the specific target group should reflect local needs and priorities. Program objectives and elements are described in greater detail in the *Program Brief on Victim Assistance*.

(A) *Critical elements:*

(1) Analysis of the community's victim/witness needs and problems.

(2) Targeting of existing and planned activities and services to respond to this community situation.

(3) Formulation of agreements for cooperation between criminal justice system agencies and public and private victim/witness service providers.

(B) *Optional activities:* Projects must implement a minimum of three (3) or more of the following:

(1) 24 hour crisis intervention and support or emergency services.

(2) Counseling.

(3) Assistance with compensation claims, creditors, community referrals, and restitution.

(4) Police, prosecutor or court-related services.

(5) Safety (including shelter), supportive counseling, social services support and criminal justice advocacy.

(6) Training and education for individuals having direct contact with the victims, i.e., police, medical personnel, prosecutors, judges, etc.

(C) *Performance indicators:*

(1) Number of staff assigned to project.

(2) Types of services provided.

(3) Number of victims/witnesses served (by type of service).

§ 33.32

28 CFR Ch. I (7-1-17 Edition)

(4) Number of criminal justice personnel and others trained.

(7)(i) *Purpose*: Providing alternatives to pretrial detention, jail, and prison for persons who pose no danger to the community.

(ii) *Certified program: Jail overcrowding/alternatives to pretrial detention*. This program aims to control jail population through improved intake screening which assures that persons who should be in jail are detained, and that alternatives are available for those requiring less than maximum supervision. Particular care must be taken that persons charged with violent crimes be detained and that the impact on victims and witnesses be a factor in screening decisions. The program calls for the development of a jail population management plan as part of a planning phase, followed by implementation of specific activities and services. Among the activities and services that may be funded are central intake and screening, pretrial services, diversion to detoxification centers, citation release, community corrections, sentencing alternatives, and jail management information systems. Program objectives and elements are described in greater detail in the *Program Brief on Jail Overcrowding/Alternatives to Pretrial Detention*.

(A) *Critical elements*:

(1) Implementation of program by state.

(2) Formation of broad-based jail policy committee.

(3) Program planning that includes data collection, analysis, problem identification, and development of jail population management plan, including the removal of juveniles from adult jails and lockups.

(4) Implementation of plan.

(B) *Optional activities*: Based on their plans, projects must implement one or more of the following activities or components:

(1) Central intake and classification.

(2) Comprehensive pre-trial services.

(3) Diversion of public inebriates to detoxification centers.

(4) Diversion of juveniles to secure and non-secure alternatives.

(5) Citation release.

(6) Community correction centers.

(7) Sentencing alternatives (including restitution and work release).

(8) Jail management information system.

(C) *Performance indicators*:

(1) Number of staff assigned to project.

(2) Pretrial jail population.

(3) Types of services and alternatives implemented.

(4) Numbers of arrestees served/diverted by type of alternative.

(5) Convicted clients completing alternative punishment successfully.

(6) Re-arrest rate of released defendants.

(7) Estimated jail days saved.

(8)(i) *Purpose*: Providing programs which identify and meet the needs of drug-dependent offenders.

(ii) *Certified program: Treatment Alternatives to Street Crime Program (TASC)*. This program intervenes in the criminal justice process by early identification of substance-abusing offenders, referral to community treatment resources, and monitoring of treatment. Model programs provide the following services: screening arrestees, providing diagnostic/referral services for treatment, and monitoring progress of clients. Persons charged with or convicted of violent crimes including murder, rape, arson, armed robbery, sexual assault, burglary, child molestation, and manslaughter are excluded. Program objectives and elements are described in greater detail in the *Program Brief on Treatment Alternatives to Street Crime*.

(A) *Critical elements*:

(1) Broad-based support by criminal justice agencies.

(2) Establishment of TASC advisory board.

(3) Establishment of administrative management unit with full-time director.

(4) Development of specific program eligibility criteria.

(5) Establishment of a process for screening potential clients and court liaison.

(6) Development of methods for assessing most appropriate treatment approaches.

(7) Documentation of the availability of community treatment programs and

## Department of Justice

## § 33.32

their willingness to accept TASC clients.

(8) Establishment of monitoring/tracking system.

(B) *Performance indicators:*

(1) Number of staff assigned to project.

(2) Number of persons screened.

(3) Number of clients accepted.

(4) Number of clients completing program.

(5) Number of client re-arrests while in the program.

(9) *Purpose:* Providing programs which alleviate prison and jail overcrowding and programs which identify existing state and Federal buildings suitable for prison use. (No specific program has been certified by the Bureau. Applicants may propose programs for approval in accordance with the provisions of § 33.41.)

(10)(i) *Purpose:* Provide training, management, and technical assistance to criminal justice personnel and determining appropriate prosecutorial and judicial personnel needs. (No specific program has been certified by the Bureau. Applicants may propose programs for approval in accordance with the provisions in § 33.41. Training, management, and technical assistance programs must be focused on one of the 17 other statutory purposes and be based on a needs assessment. Entry level or basic training is prohibited.)

(11) *Purpose:* Providing prison industry projects designed to place inmates in a realistic working and training environment in which they will be enabled to acquire marketable skills and to make financial payments for restitution to their victims, for support of their own families, and for support of themselves in the institution. (No specific program has been certified by the Bureau. Applicants may propose programs for approval in accordance with the provisions of § 33.41.)

(12)(i) *Purpose:* Providing for operational information systems and workload management systems which improve the effectiveness of criminal justice agencies. All operational information system programs must be based on a needs assessment and requirements analysis and must include the definition of goals and objectives. In addition, they must assure that if public

domain software is not available, any improvements to proprietary software will be placed in the public domain.

(ii) *Certified program: Prosecution Management Support System (PMSS).* This program is a specific application of the generic planning, implementation, and assessment requirements for effective system development and performance. PMSS uses automated data processing systems to support priority prosecution, improved conviction rates, speedy trial management, and improved efficiency/effectiveness of the prosecutor's office. Model programs result in information systems which support prosecution activities such as identification of violent and career criminals, case and subpoena preparation and witness notification. Systems are used to monitor management decisions and prosecutor actions and to reduce case processing time and case preparation time. Program objectives and elements are described in greater detail in the *Program Brief on Prosecution Management Support System*. This Program Brief has been designed to provide guidance for all criminal justice information systems. The critical elements for PMSS are transferable to and are equally critical for other criminal justice information systems.

(A) *Critical elements:*

(1) Pre-program needs assessment.

(2) Implementation plan for fulfilling information needs and improving management and research capabilities.

(3) Process for monitoring management decisions and prosecutor actions.

(B) *Performance indicators:*

(1) Number of staff assigned to project.

(2) Case processing time.

(3) Conviction rates.

(13) *Purpose:* Providing programs of the same types as programs described in section 501(a)(4) of the Act which:

(i) The Director establishes under section 503(a) of the Justice Assistance Act as discretionary programs for financial assistance; or

(ii) Are innovative and have been deemed by the Director as likely to prove successful.

(14) *Purpose:* Implementing programs which address critical problems of crime, such as drug trafficking, which have been certified by the Director,

after a process of consultation coordinated by the Assistant Attorney General, Office of Justice Programs, with the Director of the National Institute of Justice, Director of the Bureau of Justice Statistics, and Administrator of the Office of Juvenile Justice and Delinquency Prevention, as having proved successful.

(15)(i) *Purpose:* Providing programs which address the problem of serious offenses committed by juveniles.

(ii) *Certified program: Restitution by juvenile offenders:* This program promotes the use of restitution by juvenile offenders to make juveniles accountable to the victim and the community and to increase community confidence in the juvenile justice system. Juvenile restitution has been an effective alternative to incarceration in jurisdictions that have used it, reducing recidivism and providing benefits to victims. Assistance in the design and development of Juvenile Restitution Programs funded under this Program is available through the Restitution Education, Training and Technical Assistance (RESTTA) Program funded by the Office of Juvenile Justice and Delinquency Prevention. Program objectives and elements are described in greater detail in the *Program Brief on Restitution by Juvenile Offenders*.

(A) *Critical elements:*

(1) Legal authority to order restitution as a disposition for delinquent offenses.

(2) Commitment of the court and juvenile justice personnel.

(3) Pre-program planning to establish written policies and procedures, including:

(i) The stage of the system at which restitution will be initiated;

(ii) Specification of the target population; and

(iii) Establishment of procedures for determining the appropriate restitution to be rendered by the juvenile offender, enforcing restitution orders.

(4) Program management and administration should describe:

(i) Agency roles and responsibilities; and

(ii) Case management and tracking system for performance indicators.

(5) Community involvement in the program.

(B) *Performance indicators:*

(1) Personnel:

(i) Number employed full and part-time in restitution; and

(ii) Average restitution caseload per restitution/probation officer.

(2) Program participation:

(i) Number of juveniles by offense type;

(ii) Type and amount of restitution ordered; and

(iii) Number of victims (by type and amount of loss/injury) receiving restitution.

(3) Number/percent juveniles successfully completing their restitution orders.

(4) Total amount of restitution collected/completed.

(5) Number obtaining restitution-related employment/job services.

(6) Operational costs per case.

(7) Number of participants rearrested during the program.

(8) Number of participants incarcerated as a result of a rearrest or program failure.

(9) Number retaining restitution-related employment following completion.

(10) Victim satisfaction with the program.

(16) *Purpose:* Addressing the problem of crime committed against the elderly. (No specific program has been certified by the Bureau. Applicants may propose programs for approval in accordance with the provisions of § 33.41. Many of the programs identified under other purposes indirectly address the problem of crime against the elderly. Victim assistance programs and community crime prevention programs in particular often provide services that meet the special needs of the elderly.)

(17) *Purpose:* Provide training, technical assistance, and programs to assist state and local law enforcement authorities in rural areas in combating crime, with particular emphasis on violent crime, juvenile delinquency, and crime prevention. (No specific program has been certified by the Bureau. Applicants may propose programs for approval in accordance with the provisions of § 33.41. Many of the programs identified under other purposes are equally applicable to rural and urban areas.)

(18)(i) *Purpose:* Improve the operational effectiveness of law enforcement by integrating and maximizing the effectiveness of police field operations and the use of crime analysis techniques.

(ii) *Certified program: Integrated Criminal Apprehension Program (ICAP).* This program integrates and directs law enforcement activities relative to the prevention, detection and investigation of serious and violent crime. Components of model programs have included systematic data collection and analysis, crime analysis, structured planning and service delivery. The program emphasizes better use of existing resources and better management of the patrol operation and investigative process. It results in a process which increases arrests for serious crimes. Program objectives and elements are described in greater detail in the *Program Brief on the Integrated Criminal Apprehension Program.*

(A) *Critical elements:*

(1) Commitment of law enforcement agency top management to concept of manpower deployment based on crime analysis.

(2) Modification of agency data gathering methods to enhance planning and crime analysis.

(3) Establishment of crime analysis and planning function.

(4) Implementation of strategies, tactics and processes based on analysis that contribute to better management of criminal investigation and patrol.

(B) *Performance indicators:*

(1) Number of staff assigned to project.

(2) Types of strategies implementations e.g., directed patrol, crime analysis.

(3) Types of crimes targeted.

(4) Clearance rates (by arrest) for targeted crimes.

(5) Conviction rates for targeted crimes.

APPLICATION REQUIREMENTS

§ 33.40 **General.**

Sections 33.40 and 33.41 set forth the required programmatic content of block grant applications.

[50 FR 22990, May 30, 1985, as amended at 63 FR 50761, Sept. 23, 1998]

§ 33.41 **Application content.**

(a) *Format.* Applications from the states for criminal justice block grants must be submitted on Standard Form 424, Application for Federal Assistance, at a time specified by the Bureau of Justice Assistance. The Bureau will provide to the states an "Application Kit" that includes SF 424, a list of assurances that the applicant must agree to, a table of fund allocations, and additional guidance on how to prepare and submit an application for criminal justice block grants.

(b) *Programs.* Applications must set forth programs and projects covering a two-year period which meet the purposes and criteria of section 403(a) of the Justice Assistance Act and these regulations. Applications must be amended annually, if new programs or projects are to be added or if the programs or projects contained in the approved application are not implemented. The application must designate which statutory purpose the program or project is intended to achieve, identify the state agency or unit of local government that will implement the program or project, and provide the estimated funding level for the program or project including the amount and source of cash matching funds. Section 405 of the Act.

(1) Section 33.32 of the regulations identifies specific programs which have been certified by the Bureau to meet the requirements of the Act. Approval will be given for implementation of any of these programs, if the applicant agrees to include all the critical elements in the program design. An applicant need only identify the program, which purpose it is intended to achieve, the state agency or unit of local government which will implement it, the funding level (including amount and source of match).

(2) Applicants may request approval of programs other than one of those certified by the Bureau. The application must contain, in addition to the information in § 33.41(b), a description of the program (including its critical elements and performance indicators) and evidence that it meets the criteria of offering a high probability of improving the functions of the criminal justice system. Evidence may include,

**§ 33.41**

**28 CFR Ch. I (7-1-17 Edition)**

but is not necessarily limited to, the results of any evaluations of previous tests or demonstrations of the program concept.

(3) Applicants may also request approval to expend up to 10 per centum of their funds for programs which the Director of the Bureau of Justice Assistance has established as priorities for discretionary grants under section 503 of the Act, or which are innovative programs that are deemed by the Director as likely to prove successful. For a program the same as a discretionary program, the applicant may identify it by name only and provide the information required under §33.41(b)(1) of the regulations. For an innovative program, the applicant must describe the program (including its critical elements and performance indicators) and provide evidence that it is likely to prove successful.

(c) *Confidential information.* Applications which request funds for the STING Program should not state the location of the project. The application should only include the program designation, the funds involved, and the number of projects. The state agency or unit of local government implementing the project will be made known to the Bureau of Justice Assistance upon request or upon completion of the project.

(d) *Audit requirement.* Applications from the state must include the date of the State Office's last audit and the anticipated date of the next audit.

(e) *Civil rights contact.* Applications from the state must include the name of a civil rights contact person who has lead responsibility in insuring that all applicable civil rights requirements are met and who shall act as liaison in civil rights matters with the Office of Civil Rights Compliance of the Office of Justice Programs.

(f) *Application assurances.* Applications must include the following assurances:

(1) An assurance that, following the first fiscal year covered by an application and each fiscal year thereafter, the applicant will submit to the Bureau of Justice Assistance, where the applicant is a state or jurisdiction in a non-participating state, a performance report concerning the activities carried

out, and an assessment of their impact; section 405(1) of the Act.

(2) A certification that Federal funds made available under this title will not be used to supplant state or local funds, but will be used to increase the amounts of such funds that would, in the absence of Federal funds, be made available for criminal justice activities; section 405(2) of the Act.

(3) An assurance that funds accounting, auditing, monitoring, and such evaluation procedures as may be necessary to keep such records as the Bureau of Justice Assistance shall prescribe will be provided to assure fiscal control, proper management, and efficient disbursement of funds received under this title; section 405(3) of the Act.

(4) An assurance that the applicant shall maintain such data and information and submit such reports, in such form, at such times, and containing such information as the Bureau of Justice Assistance may require; section 405(4) of the Act.

(5) A certification that the programs meet all the requirements, that all the information contained in the application is correct, that there has been appropriate coordination with affected agencies, and that the applicant will comply with all provisions of the Justice Assistance Act 1984 and all other applicable Federal laws; section 405(5) of the Act.

(6) If the applicant is a state, an assurance that not more than 10 percent of the aggregate amount of funds received by a State under this part for a fiscal year will be distributed for programs and projects designated as intended to achieve the purpose specified in section 403(a)(13) of the Act; section 405(6) of the Act.

(7) An assurance that the state will take into account the needs and requests of units of general local government in the state and encourage local initiative in the development of programs which meet the purposes of the Act; section 405(7) of the Act.



(8) An assurance that the state application and any amendment to such application, has been submitted for review to the state legislature or its designated body (for purpose of this requirement, an application or amendment shall be deemed to be reviewed if the state legislature or its designated body does not review it within 60 days from the time it was submitted to it); section 405(8) of the Act.

(9) An assurance that the state application and any amendment thereto was made public before submission to the Bureau and, to the extent provided under state law or established procedure, an opportunity to comment thereon was provided to citizens and to neighborhood and community groups; section 405(9) of the Act.

(10) An assurance that the applicant will comply, and all its subgrantees and contractors will comply, with the non-discrimination requirements of the Justice Assistance Act; title VI of the Civil Rights Act of 1964; section 504 of the Rehabilitation Act of 1973, as amended; title IX of the Education Amendments of 1972; the Age Discrimination Act of 1975; and the Department of Justice Non-Discrimination regulations 28 CFR part 42, subparts C, D, E, and G;

(11) An assurance that in the event a Federal or state court or Federal or state administrative agency makes a finding of discrimination after a due process hearing on the grounds of race, color, religion, national origin or sex against a recipient of funds, the recipient will forward a copy of the finding to the Office of Civil Rights Compliance (OCRC) of the Office of Justice Programs;

(12) An assurance that the applicant will require that every recipient required to formulate an Equal Employment Opportunity Program (EEO) in accordance with 28 CFR 42.301 *et. seq.*, submit a certification to the state that it has a current EEO on file which meets the requirements herein;

(13) An assurance that the applicant will provide an EEO, if required to maintain one, where the application is for \$500,000 or more and provide the EEO of any subgrantee of \$500,000 or more;

(14) An assurance that the applicant will comply with the provisions of the Office of Justice Programs "Financial and Administrative Guide for Grants," M 7100.1;

(15) An assurance that the applicant will comply with the provisions of 28 CFR applicable to grants and cooperative agreements including part 18, Administrative Review Procedure; part 20, Criminal Justice Information Systems; part 22, Confidentiality of Identifiable Research and Statistical Information; part 23, Criminal Intelligence Systems Operating Policies; part 30, Intergovernmental Review of Department of Justice Programs and Activities; part 42; Non-discrimination Equal Employment Opportunity Policies and Procedures; part 61, Procedures for Implementing the National Environmental Policy Act; and part 63, Floodplain Management and Wetland Protection Procedures.

(g) *Non-participating State.* If a state notifies the Bureau of Justice Assistance of its intent not to apply for block grant funds or fails to submit an application by the submission date, the Bureau will announce the availability of the block grant funds to local units of government in the non-participating state and will invite them to submit applications directly to the Bureau. A unit of local government receiving a block grant award directly from the Bureau assumes responsibility for all activities which would normally be the responsibility of the State Office.

#### ADDITIONAL REQUIREMENTS

#### § 33.50 General financial requirements.

Grants funded under the criminal justice block grant program are governed by the provisions of the Office of Management and Budget (OMB) Circulars applicable to financial assistance. These Circulars along with additional information and guidance are contained in "Financial and Administrative Guide for Grants," Guideline Manual 7100.1, available from the Office of Justice Programs. This Guideline Manual provides information on cost accountability, methods of payment, audit, accounting systems and financial records.

## § 33.51

## 28 CFR Ch. I (7–1–17 Edition)

### § 33.51 Audit.

Pursuant to Office of Management and Budget Circular A-128 “Audits of State and Local Governments,” all grantees and subgrantees must provide for an independent audit of their activities on a periodic basis. For additional information on audit requirements, applicants should refer to the “Financial and Administrative Guide for Grants,” Guideline Manual 7100.1, Office of Justice Programs.

### § 33.52 Civil rights.

The Justice Assistance Act provides that “no person in any state shall on the ground of race, color, religion, national origin, or sex be excluded from participation in, be denied the benefits of, or be subjected to discrimination under or denied employment in connection with any programs or activity funded in whole or in part with funds made available under this title.” Section 809(c)(1) of the Act. Recipients of funds under the Act are also subject to the provisions of title VI of the Civil Rights Act of 1964; section 504 of the Rehabilitation Act of 1973, as amended; title IX of the Education Amendments of 1972; the Age Discrimination Act of 1975; and the Department of Justice Non-Discrimination regulations 28 CFR part 42, subparts C, D, E, and G.

### § 33.53 Participation by faith-based organizations.

The funds provided under this part shall be administered in compliance with the standards set forth in part 38 (Equal Treatment for Faith-based Organizations) of this chapter.

[Order No. 2703-2004, 69 FR 2838, Jan. 21, 2004]

#### SUBMISSION AND REVIEW OF APPLICATIONS

### § 33.60 General.

This subpart describes the process and criteria for Bureau of Justice Assistance review and approval of state applications and amendments.

### § 33.61 Review of State applications.

(a) *Review criteria.* The Act provides the basis for review and approval or disapproval of state applications and

amendments in whole or in part. These are:

(1) Compliance with the statutory requirements of the Justice Assistance Act and the regulations of the Bureau of Justice Assistance. Section 406(a)(1) of the Act.

(2) Compliance with Executive Order 12372, “Intergovernmental Review of Federal Programs.” This program is covered by Executive Order 12372 and Department of Justice Implementing regulations 28 CFR part 30. States must submit block grant applications to the state “Single Point of Contact”, if there is a “Single Point of Contact”, and if this program has been selected for coverage by the state process, at the same time applications are submitted to the Bureau of Justice Assistance. State processes have 60 days starting from the application submission date to comment on applications. Applicants should contact their state “Single Point of Contact” as soon as possible to alert them of the prospective application and receive instructions regarding the process.

(b) *Sixty day rule.* The Bureau of Justice Assistance shall approve or disapprove applications or amendments within sixty (60) days of official receipt. The application or amendment shall be considered approved unless the Bureau of Justice Assistance informs the applicant in writing of specific reasons for disapproval prior to the expiration of the 60-day period. Applications that are incomplete, as determined by the Bureau of Justice Assistance, shall not be considered officially received for purposes of the 60-day rule. Section 406(a)(2) of the Act.

(c) *Written notification and reasons for disapproval.* The Bureau of Justice Assistance shall notify the applicant in writing of the specific reasons for the disapproval of the application or amendment, in whole or in part. Section 406(a)(2) of the Act.

(d) *Affirmative finding.* The Bureau of Justice Assistance, prior to approval of the application or amendments, must make an affirmative finding in writing that the program or project has been reviewed in accordance with section 405 of the Act and is likely to contribute effectively to the achievement of the

## Department of Justice

## § 33.100

objectives of the Act. Section 406(a)(2) of the Act.

### SUSPENSION OF FUNDING

#### REPORTS

#### § 33.80 Suspension of funding.

#### § 33.70 Annual performance report.

(a) Section 405 of the Justice Assistance Act requires that the state, or a local unit of government in the case of a non-participating state, submit annually to the Bureau of Justice Assistance a performance report (including an assessment of impact) concerning the activities carried out under the grant. These performance reports will provide the basis for the annual report from the Bureau to the President and the Congress as required by section 810 of the Act.

(b) The performance report will describe the activities undertaken and results achieved of each project funded. It will include the data gathered on the approved performance indicators. The report is due to the Bureau by no later than December 31 and must cover projects for the prior Federal fiscal year that have either been completed or been in operation for 12 months or more. The first performance report shall be due to the Bureau by December 31, 1986.

(c) In order to help states and localities prepare these performance reports, the Bureau will provide data collection forms and instructions that will enable information to be gathered and reported in the most convenient manner possible. These forms and instructions will be developed in consultation with states and localities.

#### § 33.71 Initial project report.

States are required to provide to the Bureau of Justice Assistance within 30 days after the award of a subgrant, an initial project report which provides information on the subgrant recipient (name, address, contact person), the subgrant period, the type of award (new or renewal), the subgrant funding level, and the general target area (geographic area, population group) to be impacted. The Bureau of Justice Assistance will provide a form to assist the states in reporting this information.

The Bureau of Justice Assistance shall, after reasonable notice and opportunity for a hearing on the record, terminate or suspend funding for a state that implements programs or projects which fail to conform to the requirements or statutory objectives of the Act, or that fails to comply substantially with the Justice Assistance Act, these regulations or the terms and conditions of its grant award. Hearing and appeal procedures are set forth in Department of Justice regulations 28 CFR part 18.

#### Subpart B—Bulletproof Vest Partnership Grant Program Applying for the Program

SOURCE: 63 FR 50761, Sept. 23, 1998, unless otherwise noted.

#### § 33.100 Definitions.

The Bureau of Justice Assistance (BJA) will use the following definitions in providing guidance to your jurisdiction regarding the purchase of armor vests under the Bulletproof Vest Partnership Grant Act of 1998—

(a) The term *program* will refer to the activities administered by BJA to implement the Bulletproof Vest Partnership Grant Act of 1998;

(b) The terms *you* and *your* will refer to a jurisdiction applying to this program;

(c) The term *armor vest* under this program will mean a vest that has met the performance standards established by the National Law Enforcement and Corrections Technology Center of the National Institute of Justice (NIJ) as published in NIJ Standard 0101.03, or any formal revision of this standard;

(d) The term *State* will be used to mean each of the 50 States, as well as the District of Columbia, the Commonwealth of Puerto Rico, the United States Virgin Islands, American Samoa, Guam, and the Northern Mariana Islands;

(e) The term *unit of local government* will mean a county, municipality,

town, township, village, parish, borough, or other unit of general government below the State level;

(f) The term *Indian tribe* has the same meaning as in section 4(e) of the Indian Self-Determination and Education Assistance Act (25 U.S.C. 450b(e)) which defines Indian tribe as meaning any Indian tribe, band, nation, or other organized group or community, including any Alaska Native village or regional or village corporation as defined in or established pursuant to the Alaska Native Claims Settlement Act (85 Stat. 688) (43 U.S.C. 1601 *et seq.*);

(g) The term *law enforcement officer* will mean any officer, agent, or employee of a State, unit of local government, or Indian tribe authorized by law or by a government agency to engage in or supervise the prevention, detection, or investigation of any violation of criminal law, or authorized by law to supervise sentenced criminal offenders; and

(h) The term *mandatory wear policy* will mean a policy formally adopted by a jurisdiction that requires a law enforcement officer to wear an armor vest throughout each duty shift whenever feasible.

### § 33.101 Standards and requirements.

This program has been developed to assist your jurisdiction with selecting and obtaining high quality armor vests in the quickest and easiest manner available. The program will assist your jurisdiction in determining which type of armor vest will best suit your jurisdiction's needs, and will ensure that each armor vest obtained through this program meets the NIJ standard.

(a) Your jurisdiction will be provided with model numbers for armor vests that meet the NIJ Standard in order to ensure your jurisdiction receives the approved vests in the quickest manner;

(b) If you are a State or unit of local government, your jurisdiction will be required to partner with the Federal government in this program by paying at least 50 percent of the total cost for each armor vest purchased under this program. These matching funds may not be obtained from another Federal source;

(c) If you are an Indian tribe, your jurisdiction will be required to partner

with the Federal government in this program by paying at least 50 percent of the total cost for each armor vest purchased under this program. Total cost will include the cost of the armor vests, taxes, shipping, and handling. You may use any funds appropriated by Congress toward the performing of law enforcement functions on your lands as matching funds for this program or any funds appropriated by Congress for the activities of any agency of your tribal government;

(d) BJA will conduct outreach to ensure that at least half of all funds available for armor vest purchases be given to units of local government with fewer than 100,000 residents;

(e) Each State government is responsible for coordinating the needs of law enforcement officers across agencies within its own jurisdiction and making one application per fiscal year;

(f) Each unit of local government and Indian tribe is responsible for coordinating the needs of law enforcement officers across agencies within its own jurisdiction and making one application per fiscal year;

(g) Your individual jurisdiction may not receive more than 5 percent of the total program funds in any fiscal year;

(h) The 50 States, the District of Columbia, and the Commonwealth of Puerto Rico, together with their units of local government, each may not receive less than one half percent and not more than 20 percent of the total program funds during a fiscal year;

(i) The United States Virgin Islands, American Samoa, Guam, and the Northern Mariana Islands, together with their units of local government, each may not receive less than one fourth percent and not more than 20 percent of the total program funds during a fiscal year; and

(j) If your jurisdiction also is applying for a Local Law Enforcement Block Grant (LLEBG), then you will be asked to certify:

(1) Whether LLEBG funds will be used to purchase vests; and, if not,

(2) Whether your jurisdiction considered using LLEBG funds to purchase vests, but has concluded it will not use its LLEBG funds in that manner.

**§ 33.102 Preferences.**

BJA may give preferential consideration, at its discretion, to an application from a jurisdiction that—

- (a) Has the greatest need for armor vests based on the percentage of law enforcement officers who do not have access to an armor vest;
- (b) Has, or will institute, a mandatory wear policy that requires on-duty law enforcement officers to wear armor vests whenever feasible; and
- (c) Has a violent crime rate at or above the national average as determined by the Federal Bureau of Investigation; or
- (d) Has not received a Local Law Enforcement Block Grant.

**§ 33.103 How to apply.**

BJA will issue Guidelines regarding the process to follow in applying to the program for grants of armor vests.

**PART 34—OJJDP COMPETITION AND PEER REVIEW PROCEDURES**

**Subpart A—Competition**

- Sec.
- 34.1 Purpose and applicability.
  - 34.2 Exceptions to applicability.
  - 34.3 Selection criteria.
  - 34.4 Additional competitive application requirements and procedures.

**Subpart B—Peer Review**

- 34.100 Purpose and applicability.
- 34.101 Exceptions to applicability.
- 34.102 Peer review procedures.
- 34.103 Definition.
- 34.104 Use of peer review.
- 34.105 Peer review methods.
- 34.106 Number of peer reviewers.
- 34.107 Use of Department of Justice staff.
- 34.108 Selection of reviewers.
- 34.109 Qualifications of peer reviewers.
- 34.110 Management of peer reviews.
- 34.111 Compensation.

**Subpart C—Emergency Expedited Review [Reserved]**

AUTHORITY: Juvenile Justice and Delinquency Prevention Act of 1974, as amended, (42 U.S.C. 5601 *et seq.*).

SOURCE: 55 FR 39234, Sept. 25, 1990, unless otherwise noted.

**Subpart A—Competition**

**§ 34.1 Purpose and applicability.**

(a) This subpart of the regulation implements section 262(d)(1) (A) and (B) of the Juvenile Justice and Delinquency Prevention Act of 1974, as amended (42 U.S.C. 5601 *et seq.*). This provision requires that project applications, selected for categorical assistance awards under part C—National Programs shall be selected through a competitive process established by rule by the Administrator, OJJDP. The statute specifies that this process must include announcement in the FEDERAL REGISTER of the availability of funds for assistance programs, the general criteria applicable to the selection of applications for assistance, and a description of the procedures applicable to the submission and review of assistance applications.

(b) This subpart of the regulation applies to all grant, cooperative agreement, and other assistance awards selected by the Administrator, OJJDP, or the Administrator’s designee, under part C—National Programs, of the Juvenile Justice and Delinquency Prevention Act of 1974, as amended, except as provided in the exceptions to applicability set forth below.

**§ 34.2 Exceptions to applicability.**

The following are assistance and procurement contract award situations that OJJDP considers to be outside the scope of the section 262(d)(1) competition requirement:

(a) Assistance awards to initially fund or continue projects if the Administrator has made a written determination that the proposed program is not within the scope of any program announcement expected to be issued, is otherwise eligible for an award, and the proposed project is of such outstanding merit, as determined through peer review under subpart B of this part, that an assistance award without competition is justified (section 262(d)(1)(B)(i));

(b) Assistance awards to initially fund or continue training services to be funded under part C, section 244, if the Administrator has made a written determination that the applicant is uniquely qualified to provide proposed training services and other qualified

### § 34.3

sources are not capable of providing such services (section 262(d)(1)(B)(ii));

(c) Assistance awards of funds transferred to OJJDP by another Federal agency to augment authorized juvenile justice programs, projects, or purposes;

(d) Funds transferred to other Federal agencies by OJJDP for program purposes as authorized by law;

(e) Procurement contract awards which are subject to applicable Federal laws and regulations governing the procurement of goods and services for the benefit and use of the government;

(f) Assistance awards from the 5% “set aside” of Special Emphasis funds under section 261(e); and

(g) Assistance awards under section 241(f).

### § 34.3 Selection criteria.

(a) All individual project applications will, at a minimum, be subject to review based on the extent to which they meet the following general selection criteria:

(1) The problem to be addressed by the project is clearly stated;

(2) The objectives of the proposed project are clearly defined;

(3) The project design is sound and contains program elements directly linked to the achievement of project objectives;

(4) The project management structure is adequate to the successful conduct of the project;

(5) Organizational capability is demonstrated at a level sufficient to successfully support the project; and

(6) Budgeted costs are reasonable, allowable and cost effective for the activities proposed to be undertaken.

(b) The general selection criteria set forth under paragraph (a) of this section, may be supplemented for each announced competitive program by program-specific selection criteria for the particular part C program. Such announcements may also modify the general selection criteria to provide greater specificity or otherwise improve their applicability to a given program. The relative weight (point value) for each selection criterion will be specified in the program announcement.

### 28 CFR Ch. I (7–1–17 Edition)

### § 34.4 Additional competitive application requirements and procedures.

(a) *Applications for grants.* Any applicant eligible for assistance may submit on or before such submission deadline date or dates as the Administrator may establish in program announcements, an application containing such pertinent information and in accordance with the forms and instructions as prescribed therein and any additional forms and instructions as may be specified by the Administrator. Such application shall be executed by the applicant or an official or representative of the applicant duly authorized to make such application and to assume on behalf of the applicant the obligations imposed by law, applicable regulations, and any additional terms and conditions of the assistance award. The Administrator may require any applicant eligible for assistance under this subpart to submit a preliminary proposal for review and approval prior to the acceptance of an application.

(b) *Cooperative arrangements.* (1) When specified in program announcements, eligible parties may enter into cooperative arrangements with other eligible parties, including those in another State, and submit joint applications for assistance.

(2) A joint application made by two or more applicants for assistance may have separate budgets corresponding to the programs, services and activities performed by each of the joint applicants or may have a combined budget. If joint applications present separate budgets, the Administrator may make separate awards, or may award a single assistance award authorizing separate amounts for each of the joint applicants.

(c) *Evaluation of applications submitted under part C of the Act.* All applications filed in accordance with § 34.1 of this subpart for assistance with part C—National Programs funds shall be evaluated by the Administrator through OJJDP and other DOJ personnel (internal review) and by such experts or consultants required for this purpose that the Administrator determines are specially qualified in the particular part C

program area covered by the announced program (peer review). Supplementary application review procedures, in addition to internal review and peer review, may be used for each competitive part C program announcement. The program announcement shall clearly state the application review procedures (peer review and other) to be used for each competitive part C program announcement.

(d) *Applicant's performance on prior award.* When the applicant has previously received an award from OJJDP or another Federal agency, the applicant's noncompliance with requirements applicable to such prior award as reflected in past written evaluation reports and memoranda on performance, and the completeness of required submissions, may be considered by the Administrator. In any case where the Administrator proposes to deny assistance based upon the applicant's noncompliance with requirements applicable to a prior award, the Administrator shall do so only after affording the applicant reasonable notice and an opportunity to rebut the proposed basis for denial of assistance.

(e) *Applicant's fiscal integrity.* Applicants must meet OJP standard of fiscal integrity (see OJP M 7100.1C, par. 24 and OJP HB 4500.2B, par. 48 a and b).

(f) *Disposition of applications.* On the basis of competition and applicable review procedures completed pursuant to this regulation, the Administrator will either:

(1) Approve the application for funding, in whole or in part, for such amount of funds, and subject to such conditions as the Administrator deems necessary or desirable for the completion of the approved project;

(2) Determine that the application is of acceptable quality for funding, in that it meets minimum criteria, but that the application must be disapproved for funding because it did not rank sufficiently high in relation to other applications approved for funding to qualify for an award based on the level of funding allocated to the program; or

(3) Reject the application for failure to meet the applicable selection criteria at a sufficiently high level to justify an award of funds, or for other rea-

son which the Administrator deems compelling, as provided in the documentation of the funding decision.

(g) *Notification of disposition.* The Administrator will notify the applicant in writing of the disposition of the application. A signed Grant/Cooperative Agreement form will be issued to notify the applicant of an approved project application.

(h) *Effective date of approved grant.* Federal financial assistance is normally available only with respect to obligations incurred subsequent to the effective date of an approved assistance project. The effective date of the project will be set forth in the Grant/Cooperative Agreement form. Recipients may be reimbursed for costs resulting from obligations incurred before the effective date of the assistance award, if such costs are authorized by the Administrator in the notification of assistance award or subsequently in writing, and otherwise would be allowable as costs of the assistance award under applicable guidelines, regulations, and award terms and conditions.

### Subpart B—Peer Review

#### § 34.100 Purpose and applicability.

(a) This subpart of the regulation implements section 262(d)(2) of the Juvenile Justice and Delinquency Prevention Act of 1974, as amended. This provision requires that projects funded as new or continuation programs selected for categorical assistance awards under part C—National Programs shall be reviewed before selection and thereafter as appropriate through a formal peer review process. Such process must utilize experts (other than officials and employees of the Department of Justice) in fields related to the technical and/or subject matter of the proposed program.

(b) This subpart of the regulation applies to all applications for grants, cooperative agreements, and other assistance awards selected by the Administrator, OJJDP, for funding under part C—National Programs that are being considered for competitive and non-competitive (including continuation) awards to begin new project periods, except as provided in the exceptions to applicability set forth below.

## § 34.101

## 28 CFR Ch. I (7–1–17 Edition)

### § 34.101 Exceptions to applicability.

The assistance and procurement contract situations specified in § 34.2 (c), (d), (e), (f), and (g) of subpart A of this part are considered by OJJDP to be outside the scope of the section 262(d) peer review requirement as set forth in this subpart.

### § 34.102 Peer review procedures.

The OJJDP peer review process is contained in an OJJDP “Peer Review Guideline,” developed in consultation with the Directors and other appropriate officials of the National Science Foundation and the National Institute of Mental Health. In addition to specifying substantive and procedural matters related to the peer review process, the “Guideline” addresses such issues as standards of conduct, conflict of interest, compensation of peer reviewers, etc. The “Guideline” describes a process that evolves in accordance with experience and opportunities to effect improvements. The peer review process for all part C—National Programs assistance awards subject to this regulation will be conducted in a manner consistent with this subpart as implemented in the “Peer Review Guideline”.

### § 34.103 Definition.

*Peer review* means the technical and programmatic evaluation by a group of experts (other than officers and employees of the Department of Justice) qualified by training and experience to give expert advice, based on selection criteria established under subpart A of this part, in a program announcement, or as established by the Administrator, on the technical and programmatic merit of assistance.

### § 34.104 Use of peer review.

(a) *Peer review for competitive and noncompetitive applications.* (1) For competitive applications, each program announcement will indicate the program specific peer review procedures and selection criteria to be followed in peer review for that program. In the case of competitive programs for which a large number of applications is expected, preapplications (concept papers) may be required. Preapplications will be re-

viewed by qualified OJJDP staff to eliminate those pre-applications which fail to meet minimum program requirements, as specified in a program announcement, or clearly lack sufficient merit to qualify as potential candidates for funding consideration. The Administrator may subject both pre-applications and formal applications to the peer review process.

(2) For noncompetitive applications, the general selection criteria set forth under subpart A of this part may be supplemented by program specific selection criteria for the particular part C program. Applicants for noncompetitive continuation awards will be fully informed of any additional specific criteria in writing.

(b) When formal applications are required in response to a program announcement, an initial review will be conducted by qualified OJJDP staff, in order to eliminate from peer review consideration applications which do not meet minimum program requirements. Such requirements will be specified in the program announcement. Applications determined to be qualified and eligible for further consideration will then be considered under the peer review process.

(c) Ratings will be in the form of numerical scores assigned by individual peer reviewers as illustrated in the OJJDP “Peer Review Guideline.” The results of peer review under a competitive program will be a relative aggregate ranking of applications in the form of “Summary Ratings.” The results of peer review for a noncompetitive new or continuation project will be in the form of numerical scores based on criteria established by the Administrator.

(d) Peer review recommendations, in conjunction with the results of internal review and any necessary supplementary review, will assist the Administrator’s consideration of competitive, noncompetitive, applications and selection of applications for funding.

(e) Peer review recommendations are advisory only and are binding on the Administrator only as provided by section 262(d)(B)(i) for noncompetitive assistance awards to programs determined through peer review not to be of such outstanding merit that an award



## Department of Justice

## § 34.111

without competition is justified. In such case, the determination of whether to issue a competitive program announcement will be subject to the exercise of the Administrator's discretion.

### § 34.105 Peer review methods.

(a) For both competitive and non-competitive applications, peer review will normally consist of written comments provided in response to the general selection criteria established under subpart A of this part and any program specific selection criteria identified in the program announcement or otherwise established by the Administrator, together with the assignment of numerical values. Peer review may be conducted at meetings with peer reviewers held under OJJDP oversight, through mail reviews, or a combination of both. When advisable, site visits may also be employed. The method of peer review anticipated for each announced competitive program, including the evaluation criteria to be used by peer reviewers, will be specified in each program announcement.

(b) When peer review is conducted through meetings, peer review panelists will be gathered together for instruction by OJJDP, including review of the OJJDP "Peer Review Guideline". OJJDP will oversee the conduct of individual and group review sessions, as appropriate. When time or other factors preclude the convening of a peer review panel, mail reviews will be used. For competitive programs, mail reviews will be used only where the Administrator makes a written determination of necessity.

### § 34.106 Number of peer reviewers.

The number of peer reviewers will vary by program (as affected by the volume of applications anticipated or received). OJJDP will select a minimum of three peer reviewers (qualified individuals who are not officers or employees of the Department of Justice) for each program or project review in order to ensure a diversity of backgrounds and perspectives. In no case will fewer than three reviews be made of each individual application.

### § 34.107 Use of Department of Justice staff.

OJJDP will use qualified OJJDP and other DOJ staff as internal reviewers. Internal reviewers determine applicant compliance with basic program and statutory requirements, review the results of peer review, and provide overall program evaluation and recommendations to the Administrator.

### § 34.108 Selection of reviewers.

The Program Manager, through the Director of the OJJDP program division with responsibility for a particular program or project will propose a selection of peer reviewers from an extensive and varied pool of juvenile justice and delinquency prevention experts for approval by the Administrator. The selection process for peer reviewers is detailed in the OJJDP "Peer Review Guideline".

### § 34.109 Qualifications of peer reviewers.

The general reviewer qualification criteria to be used in the selection of peer reviewers are:

(a) Generalized knowledge of juvenile justice or related fields; and

(b) Specialized knowledge in areas or disciplines addressed by the applications to be reviewed under a particular program.

(c) Must not have a conflict of interest (see OJP M7100.1C, par. 94).

Additional details concerning peer reviewer qualifications are provided in the OJJDP "Peer Review Guideline".

### § 34.110 Management of peer reviews.

A technical support contractor may assist in managing the peer review process.

### § 34.111 Compensation.

All peer reviewers will be eligible to be paid according to applicable regulations and policies concerning consulting fees and reimbursement for expenses. Detailed information is provided in the OJJDP "Peer Review Guideline".

## Subpart C—Emergency Expedited Review [Reserved]

**PART 35—NONDISCRIMINATION  
ON THE BASIS OF DISABILITY IN  
STATE AND LOCAL GOVERN-  
MENT SERVICES**

**Subpart A—General**

- Sec.  
35.101 Purpose and broad coverage.  
35.102 Application.  
35.103 Relationship to other laws.  
35.104 Definitions.  
35.105 Self-evaluation.  
35.106 Notice.  
35.107 Designation of responsible employee  
and adoption of grievance procedures.  
35.108 Definition of “disability.”  
35.109–35.129 [Reserved]

**Subpart B—General Requirements**

- 35.130 General prohibitions against dis-  
crimination.  
35.131 Illegal use of drugs.  
35.132 Smoking.  
35.133 Maintenance of accessible features.  
35.134 Retaliation or coercion.  
35.135 Personal devices and services.  
35.136 Service animals.  
35.137 Mobility devices.  
35.138 Ticketing.  
35.139 Direct threat.

**Subpart C—Employment**

- 35.140 Employment discrimination prohib-  
ited.  
35.141–35.148 [Reserved]

**Subpart D—Program Accessibility**

- 35.149 Discrimination prohibited.  
35.150 Existing facilities.  
35.151 New construction and alterations.  
35.152 Jails, detention and correctional fa-  
cilities, and community correctional fa-  
cilities.  
35.153–35.159 [Reserved]

**Subpart E—Communications**

- 35.160 General.  
35.161 Telecommunications.  
35.162 Telephone emergency services.  
35.163 Information and signage.  
35.164 Duties.  
35.165–35.169 [Reserved]

**Subpart F—Compliance Procedures**

- 35.170 Complaints.  
35.171 Acceptance of complaints.  
35.172 Investigations and compliance re-  
views.  
35.173 Voluntary compliance agreements.  
35.174 Referral.  
35.175 Attorney’s fees.

- 35.176 Alternative means of dispute resolu-  
tion.  
35.177 Effect of unavailability of technical  
assistance.  
35.178 State immunity.  
35.179–35.189 [Reserved]

**Subpart G—Designated Agencies**

- 35.190 Designated agencies.  
35.191–35.999 [Reserved]

APPENDIX A TO PART 35—GUIDANCE TO REVI-  
SIONS TO ADA REGULATION ON NON-  
DISCRIMINATION ON THE BASIS OF DIS-  
ABILITY IN STATE AND LOCAL GOVERNMENT  
SERVICES

APPENDIX B TO PART 35—GUIDANCE ON ADA  
REGULATION ON NONDISCRIMINATION ON  
THE BASIS OF DISABILITY IN STATE AND  
LOCAL GOVERNMENT SERVICES ORIGINALLY  
PUBLISHED JULY 26, 1991

APPENDIX C TO PART 35—GUIDANCE TO REVI-  
SIONS TO ADA TITLE II AND TITLE III REG-  
ULATIONS REVISING THE MEANING AND IN-  
TERPRETATION OF THE DEFINITION OF  
“DISABILITY” AND OTHER PROVISIONS IN  
ORDER TO INCORPORATE THE REQUIRE-  
MENTS OF THE ADA AMENDMENTS ACT

AUTHORITY: 5 U.S.C. 301; 28 U.S.C. 509, 510;  
42 U.S.C. 12134, 12131, and 12205a.

SOURCE: Order No. 1512–91, 56 FR 35716, July  
26, 1991, unless otherwise noted.

**Subpart A—General**

**§ 35.101 Purpose and broad coverage.**

(a) *Purpose.* The purpose of this part is to implement subtitle A of title II of the Americans with Disabilities Act of 1990 (42 U.S.C. 12131–12134), as amended by the ADA Amendments Act of 2008 (ADA Amendments Act) (Pub. L. 110–325, 122 Stat. 3553 (2008)), which prohibits discrimination on the basis of disability by public entities.

(b) *Broad coverage.* The primary purpose of the ADA Amendments Act is to make it easier for people with disabilities to obtain protection under the ADA. Consistent with the ADA Amendments Act’s purpose of reinstating a broad scope of protection under the ADA, the definition of “disability” in this part shall be construed broadly in favor of expansive coverage to the maximum extent permitted by the terms of the ADA. The primary object of attention in cases brought under the ADA should be whether entities covered under the ADA have complied with their obligations and whether discrimination has occurred, not whether

the individual meets the definition of “disability.” The question of whether an individual meets the definition of “disability” under this part should not demand extensive analysis.

[AG Order 3702-2016, 81 FR 53223, Aug. 11, 2016]

#### § 35.102 Application.

(a) Except as provided in paragraph (b) of this section, this part applies to all services, programs, and activities provided or made available by public entities.

(b) To the extent that public transportation services, programs, and activities of public entities are covered by subtitle B of title II of the ADA (42 U.S.C. 12141), they are not subject to the requirements of this part.

#### § 35.103 Relationship to other laws.

(a) *Rule of interpretation.* Except as otherwise provided in this part, this part shall not be construed to apply a lesser standard than the standards applied under title V of the Rehabilitation Act of 1973 (29 U.S.C. 791) or the regulations issued by Federal agencies pursuant to that title.

(b) *Other laws.* This part does not invalidate or limit the remedies, rights, and procedures of any other Federal laws, or State or local laws (including State common law) that provide greater or equal protection for the rights of individuals with disabilities or individuals associated with them.

#### § 35.104 Definitions.

For purposes of this part, the term—  
*1991 Standards* means the requirements set forth in the ADA Standards for Accessible Design, originally published on July 26, 1991, and republished as Appendix D to 28 CFR part 36.

*2004 ADAAG* means the requirements set forth in appendices B and D to 36 CFR part 1191 (2009).

*2010 Standards* means the 2010 ADA Standards for Accessible Design, which consist of the 2004 ADAAG and the requirements contained in § 35.151.

*Act* means the Americans with Disabilities Act (Pub. L. 101-336, 104 Stat. 327, 42 U.S.C. 12101-12213 and 47 U.S.C. 225 and 611).

*Assistant Attorney General* means the Assistant Attorney General, Civil

Rights Division, United States Department of Justice.

*Auxiliary aids and services* includes—

(1) Qualified interpreters on-site or through video remote interpreting (VRI) services; notetakers; real-time computer-aided transcription services; written materials; exchange of written notes; telephone handset amplifiers; assistive listening devices; assistive listening systems; telephones compatible with hearing aids; closed caption decoders; open and closed captioning, including real-time captioning; voice, text, and video-based telecommunications products and systems, including text telephones (TTYs), videophones, and captioned telephones, or equally effective telecommunications devices; videotext displays; accessible electronic and information technology; or other effective methods of making aurally delivered information available to individuals who are deaf or hard of hearing;

(2) Qualified readers; taped texts; audio recordings; Brailled materials and displays; screen reader software; magnification software; optical readers; secondary auditory programs (SAP); large print materials; accessible electronic and information technology; or other effective methods of making visually delivered materials available to individuals who are blind or have low vision;

(3) Acquisition or modification of equipment or devices; and

(4) Other similar services and actions.

*Complete complaint* means a written statement that contains the complainant’s name and address and describes the public entity’s alleged discriminatory action in sufficient detail to inform the agency of the nature and date of the alleged violation of this part. It shall be signed by the complainant or by someone authorized to do so on his or her behalf. Complaints filed on behalf of classes or third parties shall describe or identify (by name, if possible) the alleged victims of discrimination.

*Current illegal use of drugs* means illegal use of drugs that occurred recently enough to justify a reasonable belief that a person’s drug use is current or that continuing use is a real and ongoing problem.

*Designated agency* means the Federal agency designated under subpart G of this part to oversee compliance activities under this part for particular components of State and local governments.

*Direct threat* means a significant risk to the health or safety of others that cannot be eliminated by a modification of policies, practices or procedures, or by the provision of auxiliary aids or services as provided in § 35.139.

*Disability*. The definition of *disability* can be found at § 35.108.

*Drug* means a controlled substance, as defined in schedules I through V of section 202 of the Controlled Substances Act (21 U.S.C. 812).

*Existing facility* means a facility in existence on any given date, without regard to whether the facility may also be considered newly constructed or altered under this part.

*Facility* means all or any portion of buildings, structures, sites, complexes, equipment, rolling stock or other conveyances, roads, walks, passageways, parking lots, or other real or personal property, including the site where the building, property, structure, or equipment is located.

*Historic preservation programs* means programs conducted by a public entity that have preservation of historic properties as a primary purpose.

*Historic Properties* means those properties that are listed or eligible for listing in the National Register of Historic Places or properties designated as historic under State or local law.

*Housing at a place of education* means housing operated by or on behalf of an elementary, secondary, undergraduate, or postgraduate school, or other place of education, including dormitories, suites, apartments, or other places of residence.

*Illegal use of drugs* means the use of one or more drugs, the possession or distribution of which is unlawful under the Controlled Substances Act (21 U.S.C. 812). The term *illegal use of drugs* does not include the use of a drug taken under supervision by a licensed health care professional, or other uses authorized by the Controlled Substances Act or other provisions of Federal law.

*Individual with a disability* means a person who has a disability. The term *individual with a disability* does not include an individual who is currently engaging in the illegal use of drugs, when the public entity acts on the basis of such use.

*Other power-driven mobility device* means any mobility device powered by batteries, fuel, or other engines—whether or not designed primarily for use by individuals with mobility disabilities—that is used by individuals with mobility disabilities for the purpose of locomotion, including golf cars, electronic personal assistance mobility devices (EPAMDs), such as the Segway® PT, or any mobility device designed to operate in areas without defined pedestrian routes, but that is not a wheelchair within the meaning of this section. This definition does not apply to Federal wilderness areas; wheelchairs in such areas are defined in section 508(c)(2) of the ADA, 42 U.S.C. 12207(c)(2).

*Public entity* means—

- (1) Any State or local government;
- (2) Any department, agency, special purpose district, or other instrumentality of a State or States or local government; and
- (3) The National Railroad Passenger Corporation, and any commuter authority (as defined in section 103(8) of the Rail Passenger Service Act).

*Qualified individual with a disability* means an individual with a disability who, with or without reasonable modifications to rules, policies, or practices, the removal of architectural, communication, or transportation barriers, or the provision of auxiliary aids and services, meets the essential eligibility requirements for the receipt of services or the participation in programs or activities provided by a public entity.

*Qualified interpreter* means an interpreter who, via a video remote interpreting (VRI) service or an on-site appearance, is able to interpret effectively, accurately, and impartially, both receptively and expressively, using any necessary specialized vocabulary. Qualified interpreters include, for example, sign language interpreters, oral transliterators, and cued-language transliterators.

*Qualified reader* means a person who is able to read effectively, accurately, and impartially using any necessary specialized vocabulary.

*Section 504* means section 504 of the Rehabilitation Act of 1973 (Pub. L. 93-112, 87 Stat. 394 (29 U.S.C. 794)), as amended.

*Service animal* means any dog that is individually trained to do work or perform tasks for the benefit of an individual with a disability, including a physical, sensory, psychiatric, intellectual, or other mental disability. Other species of animals, whether wild or domestic, trained or untrained, are not service animals for the purposes of this definition. The work or tasks performed by a service animal must be directly related to the individual's disability. Examples of work or tasks include, but are not limited to, assisting individuals who are blind or have low vision with navigation and other tasks, alerting individuals who are deaf or hard of hearing to the presence of people or sounds, providing non-violent protection or rescue work, pulling a wheelchair, assisting an individual during a seizure, alerting individuals to the presence of allergens, retrieving items such as medicine or the telephone, providing physical support and assistance with balance and stability to individuals with mobility disabilities, and helping persons with psychiatric and neurological disabilities by preventing or interrupting impulsive or destructive behaviors. The crime deterrent effects of an animal's presence and the provision of emotional support, well-being, comfort, or companionship do not constitute work or tasks for the purposes of this definition.

*State* means each of the several States, the District of Columbia, the Commonwealth of Puerto Rico, Guam, American Samoa, the Virgin Islands, the Trust Territory of the Pacific Islands, and the Commonwealth of the Northern Mariana Islands.

*Video remote interpreting (VRI) service* means an interpreting service that uses video conference technology over dedicated lines or wireless technology offering high-speed, wide-bandwidth video connection that delivers high-

quality video images as provided in §35.160(d).

*Wheelchair* means a manually-operated or power-driven device designed primarily for use by an individual with a mobility disability for the main purpose of indoor or of both indoor and outdoor locomotion. This definition does not apply to Federal wilderness areas; wheelchairs in such areas are defined in section 508(c)(2) of the ADA, 42 U.S.C. 12207(c)(2).

[Order No. 1512-91, 56 FR 35716, July 26, 1991, as amended by AG Order No. 3180-2010, 75 FR 56177, Sept. 15, 2010; 76 FR 13285, Mar. 11, 2011; AG Order 3702-2016, 81 FR 53223, Aug. 11, 2016]

#### §35.105 Self-evaluation.

(a) A public entity shall, within one year of the effective date of this part, evaluate its current services, policies, and practices, and the effects thereof, that do not or may not meet the requirements of this part and, to the extent modification of any such services, policies, and practices is required, the public entity shall proceed to make the necessary modifications.

(b) A public entity shall provide an opportunity to interested persons, including individuals with disabilities or organizations representing individuals with disabilities, to participate in the self-evaluation process by submitting comments.

(c) A public entity that employs 50 or more persons shall, for at least three years following completion of the self-evaluation, maintain on file and make available for public inspection:

(1) A list of the interested persons consulted;

(2) A description of areas examined and any problems identified; and

(3) A description of any modifications made.

(d) If a public entity has already complied with the self-evaluation requirement of a regulation implementing section 504 of the Rehabilitation Act of 1973, then the requirements of this section shall apply only to those policies and practices that were not included in the previous self-evaluation.

(Approved by the Office of Management and Budget under control number 1190-0006)

[56 FR 35716, July 26, 1991, as amended by Order No. 1694-93, 58 FR 17521, Apr. 5, 1993]

**§ 35.106 Notice.**

A public entity shall make available to applicants, participants, beneficiaries, and other interested persons information regarding the provisions of this part and its applicability to the services, programs, or activities of the public entity, and make such information available to them in such manner as the head of the entity finds necessary to apprise such persons of the protections against discrimination assured them by the Act and this part.

**§ 35.107 Designation of responsible employee and adoption of grievance procedures.**

(a) *Designation of responsible employee.* A public entity that employs 50 or more persons shall designate at least one employee to coordinate its efforts to comply with and carry out its responsibilities under this part, including any investigation of any complaint communicated to it alleging its non-compliance with this part or alleging any actions that would be prohibited by this part. The public entity shall make available to all interested individuals the name, office address, and telephone number of the employee or employees designated pursuant to this paragraph.

(b) *Complaint procedure.* A public entity that employs 50 or more persons shall adopt and publish grievance procedures providing for prompt and equitable resolution of complaints alleging any action that would be prohibited by this part.

**§ 35.108 Definition of “disability.”**

(a)(1) *Disability* means, with respect to an individual:

- (i) A physical or mental impairment that substantially limits one or more of the major life activities of such individual;
- (ii) A record of such an impairment; or
- (iii) Being regarded as having such an impairment as described in paragraph (f) of this section.

(2) *Rules of construction.* (i) The definition of “disability” shall be construed broadly in favor of expansive coverage, to the maximum extent permitted by the terms of the ADA.

(ii) An individual may establish coverage under any one or more of the three prongs of the definition of “disability” in paragraph (a)(1) of this section, the “actual disability” prong in paragraph (a)(1)(i) of this section, the “record of” prong in paragraph (a)(1)(ii) of this section, or the “regarded as” prong in paragraph (a)(1)(iii) of this section.

(iii) Where an individual is not challenging a public entity’s failure to provide reasonable modifications under § 35.130(b)(7), it is generally unnecessary to proceed under the “actual disability” or “record of” prongs, which require a showing of an impairment that substantially limits a major life activity or a record of such an impairment. In these cases, the evaluation of coverage can be made solely under the “regarded as” prong of the definition of “disability,” which does not require a showing of an impairment that substantially limits a major life activity or a record of such an impairment. An individual may choose, however, to proceed under the “actual disability” or “record of” prong regardless of whether the individual is challenging a public entity’s failure to provide reasonable modifications.

(b)(1) *Physical or mental impairment* means:

(i) Any physiological disorder or condition, cosmetic disfigurement, or anatomical loss affecting one or more body systems, such as: neurological, musculoskeletal, special sense organs, respiratory (including speech organs), cardiovascular, reproductive, digestive, genitourinary, immune, circulatory, hemic, lymphatic, skin, and endocrine; or

(ii) Any mental or psychological disorder such as intellectual disability, organic brain syndrome, emotional or mental illness, and specific learning disability.

(2) *Physical or mental impairment* includes, but is not limited to, contagious and noncontagious diseases and conditions such as the following: orthopedic, visual, speech, and hearing impairments, and cerebral palsy, epilepsy, muscular dystrophy, multiple sclerosis, cancer, heart disease, diabetes, intellectual disability, emotional illness, dyslexia and other specific learning

disabilities, Attention Deficit Hyperactivity Disorder, Human Immunodeficiency Virus infection (whether symptomatic or asymptomatic), tuberculosis, drug addiction, and alcoholism.

(3) *Physical or mental impairment* does not include homosexuality or bisexuality.

(c)(1) *Major life activities* include, but are not limited to:

(i) Caring for oneself, performing manual tasks, seeing, hearing, eating, sleeping, walking, standing, sitting, reaching, lifting, bending, speaking, breathing, learning, reading, concentrating, thinking, writing, communicating, interacting with others, and working; and

(ii) The operation of a *major bodily function*, such as the functions of the immune system, special sense organs and skin, normal cell growth, and digestive, genitourinary, bowel, bladder, neurological, brain, respiratory, circulatory, cardiovascular, endocrine, hemic, lymphatic, musculoskeletal, and reproductive systems. The operation of a major bodily function includes the operation of an individual organ within a body system.

(2) *Rules of construction.* (i) In determining whether an impairment substantially limits a major life activity, the term *major* shall not be interpreted strictly to create a demanding standard.

(ii) Whether an activity is a *major life activity* is not determined by reference to whether it is of *central* importance to daily life.

(d) *Substantially limits*—(1) *Rules of construction.* The following rules of construction apply when determining whether an impairment substantially limits an individual in a major life activity.

(i) The term “substantially limits” shall be construed broadly in favor of expansive coverage, to the maximum extent permitted by the terms of the ADA. “Substantially limits” is not meant to be a demanding standard.

(ii) The primary object of attention in cases brought under title II of the ADA should be whether public entities have complied with their obligations and whether discrimination has occurred, not the extent to which an individual’s impairment substantially lim-

its a major life activity. Accordingly, the threshold issue of whether an impairment substantially limits a major life activity should not demand extensive analysis.

(iii) An impairment that substantially limits one major life activity does not need to limit other major life activities in order to be considered a substantially limiting impairment.

(iv) An impairment that is episodic or in remission is a disability if it would substantially limit a major life activity when active.

(v) An impairment is a disability within the meaning of this part if it substantially limits the ability of an individual to perform a major life activity as compared to most people in the general population. An impairment does not need to prevent, or significantly or severely restrict, the individual from performing a major life activity in order to be considered substantially limiting. Nonetheless, not every impairment will constitute a disability within the meaning of this section.

(vi) The determination of whether an impairment substantially limits a major life activity requires an individualized assessment. However, in making this assessment, the term “substantially limits” shall be interpreted and applied to require a degree of functional limitation that is lower than the standard for substantially limits applied prior to the ADA Amendments Act.

(vii) The comparison of an individual’s performance of a major life activity to the performance of the same major life activity by most people in the general population usually will not require scientific, medical, or statistical evidence. Nothing in this paragraph (d)(1) is intended, however, to prohibit or limit the presentation of scientific, medical, or statistical evidence in making such a comparison where appropriate.

(viii) The determination of whether an impairment substantially limits a major life activity shall be made without regard to the ameliorative effects of mitigating measures. However, the

ameliorative effects of ordinary eyeglasses or contact lenses shall be considered in determining whether an impairment substantially limits a major life activity. Ordinary eyeglasses or contact lenses are lenses that are intended to fully correct visual acuity or to eliminate refractive error.

(ix) The six-month “transitory” part of the “transitory and minor” exception in paragraph (f)(2) of this section does not apply to the “actual disability” or “record of” prongs of the definition of “disability.” The effects of an impairment lasting or expected to last less than six months can be substantially limiting within the meaning of this section for establishing an actual disability or a record of a disability.

(2) *Predictable assessments.* (i) The principles set forth in the rules of construction in this section are intended to provide for more generous coverage and application of the ADA’s prohibition on discrimination through a framework that is predictable, consistent, and workable for all individuals and entities with rights and responsibilities under the ADA.

(ii) Applying these principles, the individualized assessment of some types of impairments will, in virtually all cases, result in a determination of coverage under paragraph (a)(1)(i) of this section (the “actual disability” prong) or paragraph (a)(1)(ii) of this section (the “record of” prong). Given their inherent nature, these types of impairments will, as a factual matter, virtually always be found to impose a substantial limitation on a major life activity. Therefore, with respect to these types of impairments, the necessary individualized assessment should be particularly simple and straightforward.

(iii) For example, applying these principles it should easily be concluded that the types of impairments set forth in paragraphs (d)(2)(iii)(A) through (K) of this section will, at a minimum, substantially limit the major life activities indicated. The types of impairments described in this paragraph may substantially limit additional major life activities (including major bodily functions) not explicitly listed in paragraphs (d)(2)(iii)(A) through (K).

(A) Deafness substantially limits hearing;

(B) Blindness substantially limits seeing;

(C) Intellectual disability substantially limits brain function;

(D) Partially or completely missing limbs or mobility impairments requiring the use of a wheelchair substantially limit musculoskeletal function;

(E) Autism substantially limits brain function;

(F) Cancer substantially limits normal cell growth;

(G) Cerebral palsy substantially limits brain function;

(H) Diabetes substantially limits endocrine function;

(I) Epilepsy, muscular dystrophy, and multiple sclerosis each substantially limits neurological function;

(J) Human Immunodeficiency Virus (HIV) infection substantially limits immune function; and

(K) Major depressive disorder, bipolar disorder, post-traumatic stress disorder, traumatic brain injury, obsessive compulsive disorder, and schizophrenia each substantially limits brain function.

(3) *Condition, manner, or duration.* (i) At all times taking into account the principles set forth in the rules of construction, in determining whether an individual is substantially limited in a major life activity, it may be useful in appropriate cases to consider, as compared to most people in the general population, the conditions under which the individual performs the major life activity; the manner in which the individual performs the major life activity; or the duration of time it takes the individual to perform the major life activity, or for which the individual can perform the major life activity.

(ii) Consideration of facts such as condition, manner, or duration may include, among other things, consideration of the difficulty, effort or time required to perform a major life activity; pain experienced when performing a major life activity; the length of time a major life activity can be performed; or the way an impairment affects the operation of a major bodily function. In addition, the non-ameliorative effects of mitigating measures,



such as negative side effects of medication or burdens associated with following a particular treatment regimen, may be considered when determining whether an individual's impairment substantially limits a major life activity.

(iii) In determining whether an individual has a disability under the "actual disability" or "record of" prongs of the definition of "disability," the focus is on how a major life activity is substantially limited, and not on what outcomes an individual can achieve. For example, someone with a learning disability may achieve a high level of academic success, but may nevertheless be substantially limited in one or more major life activities, including, but not limited to, reading, writing, speaking, or learning because of the additional time or effort he or she must spend to read, write, speak, or learn compared to most people in the general population.

(iv) Given the rules of construction set forth in this section, it may often be unnecessary to conduct an analysis involving most or all of the facts related to condition, manner, or duration. This is particularly true with respect to impairments such as those described in paragraph (d)(2)(iii) of this section, which by their inherent nature should be easily found to impose a substantial limitation on a major life activity, and for which the individualized assessment should be particularly simple and straightforward.

(4) *Mitigating measures* include, but are not limited to:

(i) Medication, medical supplies, equipment, appliances, low-vision devices (defined as devices that magnify, enhance, or otherwise augment a visual image, but not including ordinary eyeglasses or contact lenses), prosthetics including limbs and devices, hearing aid(s) and cochlear implant(s) or other implantable hearing devices, mobility devices, and oxygen therapy equipment and supplies;

(ii) Use of assistive technology;

(iii) Reasonable modifications or auxiliary aids or services as defined in this regulation;

(iv) Learned behavioral or adaptive neurological modifications; or

(v) Psychotherapy, behavioral therapy, or physical therapy.

(e) *Has a record of such an impairment.*

(1) An individual has a record of such an impairment if the individual has a history of, or has been misclassified as having, a mental or physical impairment that substantially limits one or more major life activities.

(2) *Broad construction.* Whether an individual has a record of an impairment that substantially limited a major life activity shall be construed broadly to the maximum extent permitted by the ADA and should not demand extensive analysis. An individual will be considered to fall within this prong of the definition of "disability" if the individual has a history of an impairment that substantially limited one or more major life activities when compared to most people in the general population, or was misclassified as having had such an impairment. In determining whether an impairment substantially limited a major life activity, the principles articulated in paragraph (d)(1) of this section apply.

(3) *Reasonable modification.* An individual with a record of a substantially limiting impairment may be entitled to a reasonable modification if needed and related to the past disability.

(f) *Is regarded as having such an impairment.* The following principles apply under the "regarded" as prong of the definition of "disability" (paragraph (a)(1)(iii) of this section):

(1) Except as set forth in paragraph (f)(2) of this section, an individual is "regarded as having such an impairment" if the individual is subjected to a prohibited action because of an actual or perceived physical or mental impairment, whether or not that impairment substantially limits, or is perceived to substantially limit, a major life activity, even if the public entity asserts, or may or does ultimately establish, a defense to the action prohibited by the ADA.

(2) An individual is not "regarded as having such an impairment" if the public entity demonstrates that the impairment is, objectively, both "transitory" and "minor." A public entity may not defeat "regarded as" coverage of an individual simply by demonstrating that it subjectively believed

the impairment was transitory and minor; rather, the public entity must demonstrate that the impairment is (in the case of an actual impairment) or would be (in the case of a perceived impairment), objectively, both “transitory” and “minor.” For purposes of this section, “transitory” is defined as lasting or expected to last six months or less.

(3) Establishing that an individual is “regarded as having such an impairment” does not, by itself, establish liability. Liability is established under title II of the ADA only when an individual proves that a public entity discriminated on the basis of disability within the meaning of title II of the ADA, 42 U.S.C. 12131–12134.

(g) *Exclusions.* The term “disability” does not include—

(1) Transvestism, transsexualism, pedophilia, exhibitionism, voyeurism, gender identity disorders not resulting from physical impairments, or other sexual behavior disorders;

(2) Compulsive gambling, kleptomania, or pyromania; or

(3) Psychoactive substance use disorders resulting from current illegal use of drugs.

[AG Order 3702–2016, 81 FR 53223, Aug. 11, 2016]

§§ 35.109–35.129 [Reserved]

**Subpart B—General Requirements**

**§ 35.130 General prohibitions against discrimination.**

(a) No qualified individual with a disability shall, on the basis of disability, be excluded from participation in or be denied the benefits of the services, programs, or activities of a public entity, or be subjected to discrimination by any public entity.

(b)(1) A public entity, in providing any aid, benefit, or service, may not, directly or through contractual, licensing, or other arrangements, on the basis of disability—

(i) Deny a qualified individual with a disability the opportunity to participate in or benefit from the aid, benefit, or service;

(ii) Afford a qualified individual with a disability an opportunity to participate in or benefit from the aid, benefit,

or service that is not equal to that afforded others;

(iii) Provide a qualified individual with a disability with an aid, benefit, or service that is not as effective in affording equal opportunity to obtain the same result, to gain the same benefit, or to reach the same level of achievement as that provided to others;

(iv) Provide different or separate aids, benefits, or services to individuals with disabilities or to any class of individuals with disabilities than is provided to others unless such action is necessary to provide qualified individuals with disabilities with aids, benefits, or services that are as effective as those provided to others;

(v) Aid or perpetuate discrimination against a qualified individual with a disability by providing significant assistance to an agency, organization, or person that discriminates on the basis of disability in providing any aid, benefit, or service to beneficiaries of the public entity’s program;

(vi) Deny a qualified individual with a disability the opportunity to participate as a member of planning or advisory boards;

(vii) Otherwise limit a qualified individual with a disability in the enjoyment of any right, privilege, advantage, or opportunity enjoyed by others receiving the aid, benefit, or service.

(2) A public entity may not deny a qualified individual with a disability the opportunity to participate in services, programs, or activities that are not separate or different, despite the existence of permissibly separate or different programs or activities.

(3) A public entity may not, directly or through contractual or other arrangements, utilize criteria or methods of administration:

(i) That have the effect of subjecting qualified individuals with disabilities to discrimination on the basis of disability;

(ii) That have the purpose or effect of defeating or substantially impairing accomplishment of the objectives of the public entity’s program with respect to individuals with disabilities; or

(iii) That perpetuate the discrimination of another public entity if both public entities are subject to common

## Department of Justice

## § 35.130

administrative control or are agencies of the same State.

(4) A public entity may not, in determining the site or location of a facility, make selections—

(i) That have the effect of excluding individuals with disabilities from, denying them the benefits of, or otherwise subjecting them to discrimination; or

(ii) That have the purpose or effect of defeating or substantially impairing the accomplishment of the objectives of the service, program, or activity with respect to individuals with disabilities.

(5) A public entity, in the selection of procurement contractors, may not use criteria that subject qualified individuals with disabilities to discrimination on the basis of disability.

(6) A public entity may not administer a licensing or certification program in a manner that subjects qualified individuals with disabilities to discrimination on the basis of disability, nor may a public entity establish requirements for the programs or activities of licensees or certified entities that subject qualified individuals with disabilities to discrimination on the basis of disability. The programs or activities of entities that are licensed or certified by a public entity are not, themselves, covered by this part.

(7)(i) A public entity shall make reasonable modifications in policies, practices, or procedures when the modifications are necessary to avoid discrimination on the basis of disability, unless the public entity can demonstrate that making the modifications would fundamentally alter the nature of the service, program, or activity.

(ii) A public entity is not required to provide a reasonable modification to an individual who meets the definition of “disability” solely under the “regarded as” prong of the definition of “disability” at §35.108(a)(1)(iii).

(8) A public entity shall not impose or apply eligibility criteria that screen out or tend to screen out an individual with a disability or any class of individuals with disabilities from fully and equally enjoying any service, program, or activity, unless such criteria can be shown to be necessary for the provision

of the service, program, or activity being offered.

(c) Nothing in this part prohibits a public entity from providing benefits, services, or advantages to individuals with disabilities, or to a particular class of individuals with disabilities beyond those required by this part.

(d) A public entity shall administer services, programs, and activities in the most integrated setting appropriate to the needs of qualified individuals with disabilities.

(e)(1) Nothing in this part shall be construed to require an individual with a disability to accept an accommodation, aid, service, opportunity, or benefit provided under the ADA or this part which such individual chooses not to accept.

(2) Nothing in the Act or this part authorizes the representative or guardian of an individual with a disability to decline food, water, medical treatment, or medical services for that individual.

(f) A public entity may not place a surcharge on a particular individual with a disability or any group of individuals with disabilities to cover the costs of measures, such as the provision of auxiliary aids or program accessibility, that are required to provide that individual or group with the non-discriminatory treatment required by the Act or this part.

(g) A public entity shall not exclude or otherwise deny equal services, programs, or activities to an individual or entity because of the known disability of an individual with whom the individual or entity is known to have a relationship or association.

(h) A public entity may impose legitimate safety requirements necessary for the safe operation of its services, programs, or activities. However, the public entity must ensure that its safety requirements are based on actual risks, not on mere speculation, stereotypes, or generalizations about individuals with disabilities.

(i) Nothing in this part shall provide the basis for a claim that an individual without a disability was subject to discrimination because of a lack of disability, including a claim that an individual with a disability was granted a

### § 35.131

reasonable modification that was denied to an individual without a disability.

[Order No. 1512-91, 56 FR 35716, July 26, 1991, as amended by AG Order No. 3180-2010, 75 FR 56178, Sept. 15, 2010; AG Order 3702-2016, 81 FR 53225, Aug. 11, 2016]

#### § 35.131 **Illegal use of drugs.**

(a) *General.* (1) Except as provided in paragraph (b) of this section, this part does not prohibit discrimination against an individual based on that individual's current illegal use of drugs.

(2) A public entity shall not discriminate on the basis of illegal use of drugs against an individual who is not engaging in current illegal use of drugs and who—

(i) Has successfully completed a supervised drug rehabilitation program or has otherwise been rehabilitated successfully;

(ii) Is participating in a supervised rehabilitation program; or

(iii) Is erroneously regarded as engaging in such use.

(b) *Health and drug rehabilitation services.* (1) A public entity shall not deny health services, or services provided in connection with drug rehabilitation, to an individual on the basis of that individual's current illegal use of drugs, if the individual is otherwise entitled to such services.

(2) A drug rehabilitation or treatment program may deny participation to individuals who engage in illegal use of drugs while they are in the program.

(c) *Drug testing.* (1) This part does not prohibit a public entity from adopting or administering reasonable policies or procedures, including but not limited to drug testing, designed to ensure that an individual who formerly engaged in the illegal use of drugs is not now engaging in current illegal use of drugs.

(2) Nothing in paragraph (c) of this section shall be construed to encourage, prohibit, restrict, or authorize the conduct of testing for the illegal use of drugs.

#### § 35.132 **Smoking.**

This part does not preclude the prohibition of, or the imposition of restrictions on, smoking in transportation covered by this part.

### 28 CFR Ch. I (7-1-17 Edition)

#### § 35.133 **Maintenance of accessible features.**

(a) A public entity shall maintain in operable working condition those features of facilities and equipment that are required to be readily accessible to and usable by persons with disabilities by the Act or this part.

(b) This section does not prohibit isolated or temporary interruptions in service or access due to maintenance or repairs.

(c) If the 2010 Standards reduce the technical requirements or the number of required accessible elements below the number required by the 1991 Standards, the technical requirements or the number of accessible elements in a facility subject to this part may be reduced in accordance with the requirements of the 2010 Standards.

[56 FR 35716, July 26, 1991, as amended by Order No. 1694-93, 58 FR 17521, Apr. 5, 1993; AG Order No. 3180-2010, 75 FR 56178, Sept. 15, 2010]

#### § 35.134 **Retaliation or coercion.**

(a) No private or public entity shall discriminate against any individual because that individual has opposed any act or practice made unlawful by this part, or because that individual made a charge, testified, assisted, or participated in any manner in an investigation, proceeding, or hearing under the Act or this part.

(b) No private or public entity shall coerce, intimidate, threaten, or interfere with any individual in the exercise or enjoyment of, or on account of his or her having exercised or enjoyed, or on account of his or her having aided or encouraged any other individual in the exercise or enjoyment of, any right granted or protected by the Act or this part.

#### § 35.135 **Personal devices and services.**

This part does not require a public entity to provide to individuals with disabilities personal devices, such as wheelchairs; individually prescribed devices, such as prescription eyeglasses or hearing aids; readers for personal use or study; or services of a personal nature including assistance in eating, toileting, or dressing.

**§ 35.136 Service animals.**

(a) *General.* Generally, a public entity shall modify its policies, practices, or procedures to permit the use of a service animal by an individual with a disability.

(b) *Exceptions.* A public entity may ask an individual with a disability to remove a service animal from the premises if—

(1) The animal is out of control and the animal's handler does not take effective action to control it; or

(2) The animal is not housebroken.

(c) *If an animal is properly excluded.* If a public entity properly excludes a service animal under § 35.136(b), it shall give the individual with a disability the opportunity to participate in the service, program, or activity without having the service animal on the premises.

(d) *Animal under handler's control.* A service animal shall be under the control of its handler. A service animal shall have a harness, leash, or other tether, unless either the handler is unable because of a disability to use a harness, leash, or other tether, or the use of a harness, leash, or other tether would interfere with the service animal's safe, effective performance of work or tasks, in which case the service animal must be otherwise under the handler's control (*e.g.*, voice control, signals, or other effective means).

(e) *Care or supervision.* A public entity is not responsible for the care or supervision of a service animal.

(f) *Inquiries.* A public entity shall not ask about the nature or extent of a person's disability, but may make two inquiries to determine whether an animal qualifies as a service animal. A public entity may ask if the animal is required because of a disability and what work or task the animal has been trained to perform. A public entity shall not require documentation, such as proof that the animal has been certified, trained, or licensed as a service animal. Generally, a public entity may not make these inquiries about a service animal when it is readily apparent that an animal is trained to do work or perform tasks for an individual with a disability (*e.g.*, the dog is observed guiding an individual who is blind or has low vision, pulling a person's

wheelchair, or providing assistance with stability or balance to an individual with an observable mobility disability).

(g) *Access to areas of a public entity.* Individuals with disabilities shall be permitted to be accompanied by their service animals in all areas of a public entity's facilities where members of the public, participants in services, programs or activities, or invitees, as relevant, are allowed to go.

(h) *Surcharges.* A public entity shall not ask or require an individual with a disability to pay a surcharge, even if people accompanied by pets are required to pay fees, or to comply with other requirements generally not applicable to people without pets. If a public entity normally charges individuals for the damage they cause, an individual with a disability may be charged for damage caused by his or her service animal.

(i) *Miniature horses.* (1) *Reasonable modifications.* A public entity shall make reasonable modifications in policies, practices, or procedures to permit the use of a miniature horse by an individual with a disability if the miniature horse has been individually trained to do work or perform tasks for the benefit of the individual with a disability.

(2) *Assessment factors.* In determining whether reasonable modifications in policies, practices, or procedures can be made to allow a miniature horse into a specific facility, a public entity shall consider—

(i) The type, size, and weight of the miniature horse and whether the facility can accommodate these features;

(ii) Whether the handler has sufficient control of the miniature horse;

(iii) Whether the miniature horse is housebroken; and

(iv) Whether the miniature horse's presence in a specific facility compromises legitimate safety requirements that are necessary for safe operation.

(3) *Other requirements.* Paragraphs 35.136(c) through (h) of this section, which apply to service animals, shall also apply to miniature horses.

[AG Order No. 3180-2010, 75 FR 56178, Sept. 15, 2010; 76 FR 13285, Mar. 11, 2011]

**§ 35.137 Mobility devices.**

(a) *Use of wheelchairs and manually-powered mobility aids.* A public entity shall permit individuals with mobility disabilities to use wheelchairs and manually-powered mobility aids, such as walkers, crutches, canes, braces, or other similar devices designed for use by individuals with mobility disabilities, in any areas open to pedestrian use.

(b)(1) *Use of other power-driven mobility devices.* A public entity shall make reasonable modifications in its policies, practices, or procedures to permit the use of other power-driven mobility devices by individuals with mobility disabilities, unless the public entity can demonstrate that the class of other power-driven mobility devices cannot be operated in accordance with legitimate safety requirements that the public entity has adopted pursuant to § 35.130(h).

(2) *Assessment factors.* In determining whether a particular other power-driven mobility device can be allowed in a specific facility as a reasonable modification under paragraph (b)(1) of this section, a public entity shall consider—

(i) The type, size, weight, dimensions, and speed of the device;

(ii) The facility’s volume of pedestrian traffic (which may vary at different times of the day, week, month, or year);

(iii) The facility’s design and operational characteristics (*e.g.*, whether its service, program, or activity is conducted indoors, its square footage, the density and placement of stationary devices, and the availability of storage for the device, if requested by the user);

(iv) Whether legitimate safety requirements can be established to permit the safe operation of the other power-driven mobility device in the specific facility; and

(v) Whether the use of the other power-driven mobility device creates a substantial risk of serious harm to the immediate environment or natural or cultural resources, or poses a conflict with Federal land management laws and regulations.

(c)(1) *Inquiry about disability.* A public entity shall not ask an individual using a wheelchair or other power-driven mo-

bility device questions about the nature and extent of the individual’s disability.

(2) *Inquiry into use of other power-driven mobility device.* A public entity may ask a person using an other power-driven mobility device to provide a credible assurance that the mobility device is required because of the person’s disability. A public entity that permits the use of an other power-driven mobility device by an individual with a mobility disability shall accept the presentation of a valid, State-issued, disability parking placard or card, or other State-issued proof of disability as a credible assurance that the use of the other power-driven mobility device is for the individual’s mobility disability. In lieu of a valid, State-issued disability parking placard or card, or State-issued proof of disability, a public entity shall accept as a credible assurance a verbal representation, not contradicted by observable fact, that the other power-driven mobility device is being used for a mobility disability. A “valid” disability placard or card is one that is presented by the individual to whom it was issued and is otherwise in compliance with the State of issuance’s requirements for disability placards or cards.

[AG Order No. 3180–2010, 75 FR 56178, Sept. 15, 2010]

**§ 35.138 Ticketing.**

(a)(1) For the purposes of this section, “accessible seating” is defined as wheelchair spaces and companion seats that comply with sections 221 and 802 of the 2010 Standards along with any other seats required to be offered for sale to the individual with a disability pursuant to paragraph (d) of this section.

(2) *Ticket sales.* A public entity that sells tickets for a single event or series of events shall modify its policies, practices, or procedures to ensure that individuals with disabilities have an equal opportunity to purchase tickets for accessible seating—

(i) During the same hours;

(ii) During the same stages of ticket sales, including, but not limited to, pre-sales, promotions, lotteries, wait-lists, and general sales;

(iii) Through the same methods of distribution;

(iv) In the same types and numbers of ticketing sales outlets, including telephone service, in-person ticket sales at the facility, or third-party ticketing services, as other patrons; and

(v) Under the same terms and conditions as other tickets sold for the same event or series of events.

(b) *Identification of available accessible seating.* A public entity that sells or distributes tickets for a single event or series of events shall, upon inquiry—

(1) Inform individuals with disabilities, their companions, and third parties purchasing tickets for accessible seating on behalf of individuals with disabilities of the locations of all unsold or otherwise available accessible seating for any ticketed event or events at the facility;

(2) Identify and describe the features of available accessible seating in enough detail to reasonably permit an individual with a disability to assess independently whether a given accessible seating location meets his or her accessibility needs; and

(3) Provide materials, such as seating maps, plans, brochures, pricing charts, or other information, that identify accessible seating and information relevant thereto with the same text or visual representations as other seats, if such materials are provided to the general public.

(c) *Ticket prices.* The price of tickets for accessible seating for a single event or series of events shall not be set higher than the price for other tickets in the same seating section for the same event or series of events. Tickets for accessible seating must be made available at all price levels for every event or series of events. If tickets for accessible seating at a particular price level are not available because of inaccessible features, then the percentage of tickets for accessible seating that should have been available at that price level (determined by the ratio of the total number of tickets at that price level to the total number of tickets in the assembly area) shall be offered for purchase, at that price level, in a nearby or similar accessible location.

(d) *Purchasing multiple tickets.* (1) *General.* For each ticket for a wheelchair space purchased by an individual with a disability or a third-party purchasing such a ticket at his or her request, a public entity shall make available for purchase three additional tickets for seats in the same row that are contiguous with the wheelchair space, provided that at the time of purchase there are three such seats available. A public entity is not required to provide more than three contiguous seats for each wheelchair space. Such seats may include wheelchair spaces.

(2) *Insufficient additional contiguous seats available.* If patrons are allowed to purchase at least four tickets, and there are fewer than three such additional contiguous seat tickets available for purchase, a public entity shall offer the next highest number of such seat tickets available for purchase and shall make up the difference by offering tickets for sale for seats that are as close as possible to the accessible seats.

(3) *Sales limited to less than four tickets.* If a public entity limits sales of tickets to fewer than four seats per patron, then the public entity is only obligated to offer as many seats to patrons with disabilities, including the ticket for the wheelchair space, as it would offer to patrons without disabilities.

(4) *Maximum number of tickets patrons may purchase exceeds four.* If patrons are allowed to purchase more than four tickets, a public entity shall allow patrons with disabilities to purchase up to the same number of tickets, including the ticket for the wheelchair space.

(5) *Group sales.* If a group includes one or more individuals who need to use accessible seating because of a mobility disability or because their disability requires the use of the accessible features that are provided in accessible seating, the group shall be placed in a seating area with accessible seating so that, if possible, the group can sit together. If it is necessary to divide the group, it should be divided so that the individuals in the group who use wheelchairs are not isolated from their group.

(e) *Hold-and-release of tickets for accessible seating.* (1) *Tickets for accessible*

*seating may be released for sale in certain limited circumstances.* A public entity may release unsold tickets for accessible seating for sale to individuals without disabilities for their own use for a single event or series of events only under the following circumstances—

(i) When all non-accessible tickets (excluding luxury boxes, club boxes, or suites) have been sold;

(ii) When all non-accessible tickets in a designated seating area have been sold and the tickets for accessible seating are being released in the same designated area; or

(iii) When all non-accessible tickets in a designated price category have been sold and the tickets for accessible seating are being released within the same designated price category.

(2) *No requirement to release accessible tickets.* Nothing in this paragraph requires a facility to release tickets for accessible seating to individuals without disabilities for their own use.

(3) *Release of series-of-events tickets on a series-of-events basis.* (i) *Series-of-events tickets sell-out when no ownership rights are attached.* When series-of-events tickets are sold out and a public entity releases and sells accessible seating to individuals without disabilities for a series of events, the public entity shall establish a process that prevents the automatic reassignment of the accessible seating to such ticket holders for future seasons, future years, or future series so that individuals with disabilities who require the features of accessible seating and who become newly eligible to purchase tickets when these series-of-events tickets are available for purchase have an opportunity to do so.

(ii) *Series-of-events tickets when ownership rights are attached.* When series-of-events tickets with an ownership right in accessible seating areas are forfeited or otherwise returned to a public entity, the public entity shall make reasonable modifications in its policies, practices, or procedures to afford individuals with mobility disabilities or individuals with disabilities that require the features of accessible seating an opportunity to purchase such tickets in accessible seating areas.

(f) *Ticket transfer.* Individuals with disabilities who hold tickets for accessible seating shall be permitted to transfer tickets to third parties under the same terms and conditions and to the same extent as other spectators holding the same type of tickets, whether they are for a single event or series of events.

(g) *Secondary ticket market.* (1) A public entity shall modify its policies, practices, or procedures to ensure that an individual with a disability may use a ticket acquired in the secondary ticket market under the same terms and conditions as other individuals who hold a ticket acquired in the secondary ticket market for the same event or series of events.

(2) If an individual with a disability acquires a ticket or series of tickets to an inaccessible seat through the secondary market, a public entity shall make reasonable modifications to its policies, practices, or procedures to allow the individual to exchange his ticket for one to an accessible seat in a comparable location if accessible seating is vacant at the time the individual presents the ticket to the public entity.

(h) *Prevention of fraud in purchase of tickets for accessible seating.* A public entity may not require proof of disability, including, for example, a doctor's note, before selling tickets for accessible seating.

(1) *Single-event tickets.* For the sale of single-event tickets, it is permissible to inquire whether the individual purchasing the tickets for accessible seating has a mobility disability or a disability that requires the use of the accessible features that are provided in accessible seating, or is purchasing the tickets for an individual who has a mobility disability or a disability that requires the use of the accessible features that are provided in the accessible seating.

(2) *Series-of-events tickets.* For series-of-events tickets, it is permissible to ask the individual purchasing the tickets for accessible seating to attest in writing that the accessible seating is for a person who has a mobility disability or a disability that requires the use of the accessible features that are provided in the accessible seating.



## Department of Justice

## § 35.150

(3) *Investigation of fraud.* A public entity may investigate the potential misuse of accessible seating where there is good cause to believe that such seating has been purchased fraudulently.

[AG Order No. 3180–2010, 75 FR 56179, Sept. 15, 2010]

### § 35.139 Direct threat.

(a) This part does not require a public entity to permit an individual to participate in or benefit from the services, programs, or activities of that public entity when that individual poses a direct threat to the health or safety of others.

(b) In determining whether an individual poses a direct threat to the health or safety of others, a public entity must make an individualized assessment, based on reasonable judgment that relies on current medical knowledge or on the best available objective evidence, to ascertain: the nature, duration, and severity of the risk; the probability that the potential injury will actually occur; and whether reasonable modifications of policies, practices, or procedures or the provision of auxiliary aids or services will mitigate the risk.

[AG Order No. 3180–2010, 75 FR 56180, Sept. 15, 2010]

## Subpart C—Employment

### § 35.140 Employment discrimination prohibited.

(a) No qualified individual with a disability shall, on the basis of disability, be subjected to discrimination in employment under any service, program, or activity conducted by a public entity.

(b)(1) For purposes of this part, the requirements of title I of the Act, as established by the regulations of the Equal Employment Opportunity Commission in 29 CFR part 1630, apply to employment in any service, program, or activity conducted by a public entity if that public entity is also subject to the jurisdiction of title I.

(2) For the purposes of this part, the requirements of section 504 of the Rehabilitation Act of 1973, as established by the regulations of the Department of Justice in 28 CFR part 41, as those

requirements pertain to employment, apply to employment in any service, program, or activity conducted by a public entity if that public entity is not also subject to the jurisdiction of title I.

### §§ 35.141–35.148 [Reserved]

## Subpart D—Program Accessibility

### § 35.149 Discrimination prohibited.

Except as otherwise provided in § 35.150, no qualified individual with a disability shall, because a public entity's facilities are inaccessible to or unusable by individuals with disabilities, be excluded from participation in, or be denied the benefits of the services, programs, or activities of a public entity, or be subjected to discrimination by any public entity.

### § 35.150 Existing facilities.

(a) *General.* A public entity shall operate each service, program, or activity so that the service, program, or activity, when viewed in its entirety, is readily accessible to and usable by individuals with disabilities. This paragraph does not—

(1) Necessarily require a public entity to make each of its existing facilities accessible to and usable by individuals with disabilities;

(2) Require a public entity to take any action that would threaten or destroy the historic significance of an historic property; or

(3) Require a public entity to take any action that it can demonstrate would result in a fundamental alteration in the nature of a service, program, or activity or in undue financial and administrative burdens. In those circumstances where personnel of the public entity believe that the proposed action would fundamentally alter the service, program, or activity or would result in undue financial and administrative burdens, a public entity has the burden of proving that compliance with § 35.150(a) of this part would result in such alteration or burdens. The decision that compliance would result in such alteration or burdens must be made by the head of a public entity or his or her designee after considering all

§ 35.150

28 CFR Ch. I (7–1–17 Edition)

resources available for use in the funding and operation of the service, program, or activity, and must be accompanied by a written statement of the reasons for reaching that conclusion. If an action would result in such an alteration or such burdens, a public entity shall take any other action that would not result in such an alteration or such burdens but would nevertheless ensure that individuals with disabilities receive the benefits or services provided by the public entity.

(b) *Methods*—(1) *General*. A public entity may comply with the requirements of this section through such means as redesign or acquisition of equipment, reassignment of services to accessible buildings, assignment of aides to beneficiaries, home visits, delivery of services at alternate accessible sites, alteration of existing facilities and construction of new facilities, use of accessible rolling stock or other conveyances, or any other methods that result in making its services, programs, or activities readily accessible to and usable by individuals with disabilities. A public entity is not required to make structural changes in existing facilities where other methods are effective in achieving compliance with this section. A public entity, in making alterations to existing buildings, shall meet the accessibility requirements of § 35.151. In choosing among available methods for meeting the requirements of this section, a public entity shall give priority to those methods that offer services, programs, and activities to qualified individuals with disabilities in the most integrated setting appropriate.

(2)(i) *Safe harbor*. Elements that have not been altered in existing facilities on or after March 15, 2012 and that comply with the corresponding technical and scoping specifications for those elements in either the 1991 Standards or in the Uniform Federal Accessibility Standards (UFAS), Appendix A to 41 CFR part 101–19.6 (July 1, 2002 ed.), 49 FR 31528, app. A (Aug. 7, 1984) are not required to be modified in order to comply with the requirements set forth in the 2010 Standards.

(ii) The safe harbor provided in § 35.150(b)(2)(i) does not apply to those elements in existing facilities that are

subject to supplemental requirements (*i.e.*, elements for which there are neither technical nor scoping specifications in the 1991 Standards). Elements in the 2010 Standards not eligible for the element-by-element safe harbor are identified as follows—

(A) *Residential facilities dwelling units*, sections 233 and 809.

(B) *Amusement rides*, sections 234 and 1002; 206.2.9; 216.12.

(C) *Recreational boating facilities*, sections 235 and 1003; 206.2.10.

(D) *Exercise machines and equipment*, sections 236 and 1004; 206.2.13.

(E) *Fishing piers and platforms*, sections 237 and 1005; 206.2.14.

(F) *Golf facilities*, sections 238 and 1006; 206.2.15.

(G) *Miniature golf facilities*, sections 239 and 1007; 206.2.16.

(H) *Play areas*, sections 240 and 1008; 206.2.17.

(I) *Saunas and steam rooms*, sections 241 and 612.

(J) *Swimming pools, wading pools, and spas*, sections 242 and 1009.

(K) *Shooting facilities with firing positions*, sections 243 and 1010.

(L) *Miscellaneous*. (1) Team or player seating, section 221.2.1.4.

(2) Accessible route to bowling lanes, section 206.2.11.

(3) Accessible route in court sports facilities, section 206.2.12.

(3) *Historic preservation programs*. In meeting the requirements of § 35.150(a) in historic preservation programs, a public entity shall give priority to methods that provide physical access to individuals with disabilities. In cases where a physical alteration to an historic property is not required because of paragraph (a)(2) or (a)(3) of this section, alternative methods of achieving program accessibility include—

(i) Using audio-visual materials and devices to depict those portions of an historic property that cannot otherwise be made accessible;

(ii) Assigning persons to guide individuals with handicaps into or through portions of historic properties that cannot otherwise be made accessible; or

(iii) Adopting other innovative methods.

(4) *Swimming pools, wading pools, and spas.* The requirements set forth in sections 242 and 1009 of the 2010 Standards shall not apply until January 31, 2013, if a public entity chooses to make structural changes to existing swimming pools, wading pools, or spas built before March 15, 2012, for the sole purpose of complying with the program accessibility requirements set forth in this section.

(c) *Time period for compliance.* Where structural changes in facilities are undertaken to comply with the obligations established under this section, such changes shall be made within three years of January 26, 1992, but in any event as expeditiously as possible.

(d) *Transition plan.* (1) In the event that structural changes to facilities will be undertaken to achieve program accessibility, a public entity that employs 50 or more persons shall develop, within six months of January 26, 1992, a transition plan setting forth the steps necessary to complete such changes. A public entity shall provide an opportunity to interested persons, including individuals with disabilities or organizations representing individuals with disabilities, to participate in the development of the transition plan by submitting comments. A copy of the transition plan shall be made available for public inspection.

(2) If a public entity has responsibility or authority over streets, roads, or walkways, its transition plan shall include a schedule for providing curb ramps or other sloped areas where pedestrian walks cross curbs, giving priority to walkways serving entities covered by the Act, including State and local government offices and facilities, transportation, places of public accommodation, and employers, followed by walkways serving other areas.

(3) The plan shall, at a minimum—

(i) Identify physical obstacles in the public entity's facilities that limit the accessibility of its programs or activities to individuals with disabilities;

(ii) Describe in detail the methods that will be used to make the facilities accessible;

(iii) Specify the schedule for taking the steps necessary to achieve compliance with this section and, if the time period of the transition plan is longer

than one year, identify steps that will be taken during each year of the transition period; and

(iv) Indicate the official responsible for implementation of the plan.

(4) If a public entity has already complied with the transition plan requirement of a Federal agency regulation implementing section 504 of the Rehabilitation Act of 1973, then the requirements of this paragraph (d) shall apply only to those policies and practices that were not included in the previous transition plan.

(Approved by the Office of Management and Budget under control number 1190-0004)

[56 FR 35716, July 26, 1991, as amended by Order No. 1694-93, 58 FR 17521, Apr. 5, 1993; AG Order No. 3180-2010, 75 FR 56180, Sept. 15, 2010; AG Order 3332-2012, 77 FR 30179, May 21, 2012]

#### § 35.151 New construction and alterations.

(a) *Design and construction.* (1) Each facility or part of a facility constructed by, on behalf of, or for the use of a public entity shall be designed and constructed in such manner that the facility or part of the facility is readily accessible to and usable by individuals with disabilities, if the construction was commenced after January 26, 1992.

(2) *Exception for structural impracticability.* (i) Full compliance with the requirements of this section is not required where a public entity can demonstrate that it is structurally impracticable to meet the requirements. Full compliance will be considered structurally impracticable only in those rare circumstances when the unique characteristics of terrain prevent the incorporation of accessibility features.

(ii) If full compliance with this section would be structurally impracticable, compliance with this section is required to the extent that it is not structurally impracticable. In that case, any portion of the facility that can be made accessible shall be made accessible to the extent that it is not structurally impracticable.

(iii) If providing accessibility in conformance with this section to individuals with certain disabilities (*e.g.*, those who use wheelchairs) would be structurally impracticable, accessibility shall nonetheless be ensured to

§ 35.151

28 CFR Ch. I (7-1-17 Edition)

persons with other types of disabilities, (e.g., those who use crutches or who have sight, hearing, or mental impairments) in accordance with this section.

(b) *Alterations.* (1) Each facility or part of a facility altered by, on behalf of, or for the use of a public entity in a manner that affects or could affect the usability of the facility or part of the facility shall, to the maximum extent feasible, be altered in such manner that the altered portion of the facility is readily accessible to and usable by individuals with disabilities, if the alteration was commenced after January 26, 1992.

(2) The path of travel requirements of § 35.151(b)(4) shall apply only to alterations undertaken solely for purposes other than to meet the program accessibility requirements of § 35.150.

(3)(i) Alterations to historic properties shall comply, to the maximum extent feasible, with the provisions applicable to historic properties in the design standards specified in § 35.151(c).

(ii) If it is not feasible to provide physical access to an historic property in a manner that will not threaten or destroy the historic significance of the building or facility, alternative methods of access shall be provided pursuant to the requirements of § 35.150.

(4) *Path of travel.* An alteration that affects or could affect the usability of or access to an area of a facility that contains a primary function shall be made so as to ensure that, to the maximum extent feasible, the path of travel to the altered area and the restrooms, telephones, and drinking fountains serving the altered area are readily accessible to and usable by individuals with disabilities, including individuals who use wheelchairs, unless the cost and scope of such alterations is disproportionate to the cost of the overall alteration.

(i) *Primary function.* A “primary function” is a major activity for which the facility is intended. Areas that contain a primary function include, but are not limited to, the dining area of a cafeteria, the meeting rooms in a conference center, as well as offices and other work areas in which the activities of the public entity using the facility are carried out.

(A) Mechanical rooms, boiler rooms, supply storage rooms, employee lounges or locker rooms, janitorial closets, entrances, and corridors are not areas containing a primary function. Restrooms are not areas containing a primary function unless the provision of restrooms is a primary purpose of the area, e.g., in highway rest stops.

(B) For the purposes of this section, alterations to windows, hardware, controls, electrical outlets, and signage shall not be deemed to be alterations that affect the usability of or access to an area containing a primary function.

(ii) A “path of travel” includes a continuous, unobstructed way of pedestrian passage by means of which the altered area may be approached, entered, and exited, and which connects the altered area with an exterior approach (including sidewalks, streets, and parking areas), an entrance to the facility, and other parts of the facility.

(A) An accessible path of travel may consist of walks and sidewalks, curb ramps and other interior or exterior pedestrian ramps; clear floor paths through lobbies, corridors, rooms, and other improved areas; parking access aisles; elevators and lifts; or a combination of these elements.

(B) For the purposes of this section, the term “path of travel” also includes the restrooms, telephones, and drinking fountains serving the altered area.

(C) *Safe harbor.* If a public entity has constructed or altered required elements of a path of travel in accordance with the specifications in either the 1991 Standards or the Uniform Federal Accessibility Standards before March 15, 2012, the public entity is not required to retrofit such elements to reflect incremental changes in the 2010 Standards solely because of an alteration to a primary function area served by that path of travel.

(iii) *Disproportionality.* (A) Alterations made to provide an accessible path of travel to the altered area will be deemed disproportionate to the overall alteration when the cost exceeds 20% of the cost of the alteration to the primary function area.

(B) Costs that may be counted as expenditures required to provide an accessible path of travel may include:

(1) Costs associated with providing an accessible entrance and an accessible route to the altered area, for example, the cost of widening doorways or installing ramps;

(2) Costs associated with making restrooms accessible, such as installing grab bars, enlarging toilet stalls, insulating pipes, or installing accessible faucet controls;

(3) Costs associated with providing accessible telephones, such as relocating the telephone to an accessible height, installing amplification devices, or installing a text telephone (TTY); and

(4) Costs associated with relocating an inaccessible drinking fountain.

(iv) *Duty to provide accessible features in the event of disproportionality.* (A) When the cost of alterations necessary to make the path of travel to the altered area fully accessible is disproportionate to the cost of the overall alteration, the path of travel shall be made accessible to the extent that it can be made accessible without incurring disproportionate costs.

(B) In choosing which accessible elements to provide, priority should be given to those elements that will provide the greatest access, in the following order—

(1) An accessible entrance;

(2) An accessible route to the altered area;

(3) At least one accessible restroom for each sex or a single unisex restroom;

(4) Accessible telephones;

(5) Accessible drinking fountains; and

(6) When possible, additional accessible elements such as parking, storage, and alarms.

(v) *Series of smaller alterations.* (A) The obligation to provide an accessible path of travel may not be evaded by performing a series of small alterations to the area served by a single path of travel if those alterations could have been performed as a single undertaking.

(B)(1) If an area containing a primary function has been altered without providing an accessible path of travel to that area, and subsequent alterations of that area, or a different area on the same path of travel, are undertaken within three years of the original alter-

ation, the total cost of alterations to the primary function areas on that path of travel during the preceding three year period shall be considered in determining whether the cost of making that path of travel accessible is disproportionate.

(2) Only alterations undertaken on or after March 15, 2011 shall be considered in determining if the cost of providing an accessible path of travel is disproportionate to the overall cost of the alterations.

(c) *Accessibility standards and compliance date.* (1) If physical construction or alterations commence after July 26, 1992, but prior to September 15, 2010, then new construction and alterations subject to this section must comply with either UFAS or the 1991 Standards except that the elevator exemption contained at section 4.1.3(5) and section 4.1.6(1)(k) of the 1991 Standards shall not apply. Departures from particular requirements of either standard by the use of other methods shall be permitted when it is clearly evident that equivalent access to the facility or part of the facility is thereby provided.

(2) If physical construction or alterations commence on or after September 15, 2010 and before March 15, 2012, then new construction and alterations subject to this section may comply with one of the following: The 2010 Standards, UFAS, or the 1991 Standards except that the elevator exemption contained at section 4.1.3(5) and section 4.1.6(1)(k) of the 1991 Standards shall not apply. Departures from particular requirements of either standard by the use of other methods shall be permitted when it is clearly evident that equivalent access to the facility or part of the facility is thereby provided.

(3) If physical construction or alterations commence on or after March 15, 2012, then new construction and alterations subject to this section shall comply with the 2010 Standards.

(4) For the purposes of this section, ceremonial groundbreaking or razing of structures prior to site preparation do not commence physical construction or alterations.

(5) *Noncomplying new construction and alterations.* (i) Newly constructed or altered facilities or elements covered by

§ 35.151

28 CFR Ch. I (7–1–17 Edition)

§§ 35.151(a) or (b) that were constructed or altered before March 15, 2012, and that do not comply with the 1991 Standards or with UFAS shall before March 15, 2012, be made accessible in accordance with either the 1991 Standards, UFAS, or the 2010 Standards.

(ii) Newly constructed or altered facilities or elements covered by §§ 35.151(a) or (b) that were constructed or altered before March 15, 2012 and that do not comply with the 1991 Standards or with UFAS shall, on or after March 15, 2012, be made accessible in accordance with the 2010 Standards.

APPENDIX TO § 35.151(c)

Compliance dates for new construction and alterations	Applicable standards
Before September 15, 2010 .. On or after September 15, 2010 and before March 15, 2012.	1991 Standards or UFAS. 1991 Standards, UFAS, or 2010 Standards.
On or after March 15, 2012 ...	2010 Standards.

(d) *Scope of coverage.* The 1991 Standards and the 2010 Standards apply to fixed or built-in elements of buildings, structures, site improvements, and pedestrian routes or vehicular ways located on a site. Unless specifically stated otherwise, the advisory notes, appendix notes, and figures contained in the 1991 Standards and the 2010 Standards explain or illustrate the requirements of the rule; they do not establish enforceable requirements.

(e) *Social service center establishments.* Group homes, halfway houses, shelters, or similar social service center establishments that provide either temporary sleeping accommodations or residential dwelling units that are subject to this section shall comply with the provisions of the 2010 Standards applicable to residential facilities, including, but not limited to, the provisions in sections 233 and 809.

(1) In sleeping rooms with more than 25 beds covered by this section, a minimum of 5% of the beds shall have clear floor space complying with section 806.2.3 of the 2010 Standards.

(2) Facilities with more than 50 beds covered by this section that provide common use bathing facilities shall provide at least one roll-in shower with a seat that complies with the relevant provisions of section 608 of the 2010 Standards. Transfer-type showers are

not permitted in lieu of a roll-in shower with a seat, and the exceptions in sections 608.3 and 608.4 for residential dwelling units are not permitted. When separate shower facilities are provided for men and for women, at least one roll-in shower shall be provided for each group.

(f) *Housing at a place of education.* Housing at a place of education that is subject to this section shall comply with the provisions of the 2010 Standards applicable to transient lodging, including, but not limited to, the requirements for transient lodging guest rooms in sections 224 and 806 subject to the following exceptions. For the purposes of the application of this section, the term “sleeping room” is intended to be used interchangeably with the term “guest room” as it is used in the transient lodging standards.

(1) Kitchens within housing units containing accessible sleeping rooms with mobility features (including suites and clustered sleeping rooms) or on floors containing accessible sleeping rooms with mobility features shall provide turning spaces that comply with section 809.2.2 of the 2010 Standards and kitchen work surfaces that comply with section 804.3 of the 2010 Standards.

(2) Multi-bedroom housing units containing accessible sleeping rooms with mobility features shall have an accessible route throughout the unit in accordance with section 809.2 of the 2010 Standards.

(3) Apartments or townhouse facilities that are provided by or on behalf of a place of education, which are leased on a year-round basis exclusively to graduate students or faculty, and do not contain any public use or common use areas available for educational programming, are not subject to the transient lodging standards and shall comply with the requirements for residential facilities in sections 233 and 809 of the 2010 Standards.

(g) *Assembly areas.* Assembly areas subject to this section shall comply with the provisions of the 2010 Standards applicable to assembly areas, including, but not limited to, sections 221 and 802. In addition, assembly areas shall ensure that—

(1) In stadiums, arenas, and grandstands, wheelchair spaces and companion seats are dispersed to all levels that include seating served by an accessible route;

(2) Assembly areas that are required to horizontally disperse wheelchair spaces and companion seats by section 221.2.3.1 of the 2010 Standards and have seating encircling, in whole or in part, a field of play or performance area shall disperse wheelchair spaces and companion seats around that field of play or performance area;

(3) Wheelchair spaces and companion seats are not located on (or obstructed by) temporary platforms or other movable structures, except that when an entire seating section is placed on temporary platforms or other movable structures in an area where fixed seating is not provided, in order to increase seating for an event, wheelchair spaces and companion seats may be placed in that section. When wheelchair spaces and companion seats are not required to accommodate persons eligible for those spaces and seats, individual, removable seats may be placed in those spaces and seats;

(4) Stadium-style movie theaters shall locate wheelchair spaces and companion seats on a riser or cross-aisle in the stadium section that satisfies at least one of the following criteria—

(i) It is located within the rear 60% of the seats provided in an auditorium; or

(ii) It is located within the area of an auditorium in which the vertical viewing angles (as measured to the top of the screen) are from the 40th to the 100th percentile of vertical viewing angles for all seats as ranked from the seats in the first row (1st percentile) to seats in the back row (100th percentile).

(h) *Medical care facilities.* Medical care facilities that are subject to this section shall comply with the provisions of the 2010 Standards applicable to medical care facilities, including, but not limited to, sections 223 and 805. In addition, medical care facilities that do not specialize in the treatment of conditions that affect mobility shall disperse the accessible patient bedrooms required by section 223.2.1 of the 2010 Standards in a manner that is pro-

portionate by type of medical specialty.

(i) *Curb ramps.* (1) Newly constructed or altered streets, roads, and highways must contain curb ramps or other sloped areas at any intersection having curbs or other barriers to entry from a street level pedestrian walkway.

(2) Newly constructed or altered street level pedestrian walkways must contain curb ramps or other sloped areas at intersections to streets, roads, or highways.

(j) *Facilities with residential dwelling units for sale to individual owners.* (1) Residential dwelling units designed and constructed or altered by public entities that will be offered for sale to individuals shall comply with the requirements for residential facilities in the 2010 Standards, including sections 233 and 809.

(2) The requirements of paragraph (1) also apply to housing programs that are operated by public entities where design and construction of particular residential dwelling units take place only after a specific buyer has been identified. In such programs, the covered entity must provide the units that comply with the requirements for accessible features to those pre-identified buyers with disabilities who have requested such a unit.

(k) *Detention and correctional facilities.*

(1) New construction of jails, prisons, and other detention and correctional facilities shall comply with the 2010 Standards except that public entities shall provide accessible mobility features complying with section 807.2 of the 2010 Standards for a minimum of 3%, but no fewer than one, of the total number of cells in a facility. Cells with mobility features shall be provided in each classification level.

(2) *Alterations to detention and correctional facilities.* Alterations to jails, prisons, and other detention and correctional facilities shall comply with the 2010 Standards except that public entities shall provide accessible mobility features complying with section 807.2 of the 2010 Standards for a minimum of 3%, but no fewer than one, of the total number of cells being altered until at least 3%, but no fewer than one, of the total number of cells in a facility shall provide mobility features

complying with section 807.2. Altered cells with mobility features shall be provided in each classification level. However, when alterations are made to specific cells, detention and correctional facility operators may satisfy their obligation to provide the required number of cells with mobility features by providing the required mobility features in substitute cells (cells other than those where alterations are originally planned), provided that each substitute cell—

- (i) Is located within the same prison site;
- (ii) Is integrated with other cells to the maximum extent feasible;
- (iii) Has, at a minimum, equal physical access as the altered cells to areas used by inmates or detainees for visitation, dining, recreation, educational programs, medical services, work programs, religious services, and participation in other programs that the facility offers to inmates or detainees; and
- (iv) If it is technically infeasible to locate a substitute cell within the same prison site, a substitute cell must be provided at another prison site within the corrections system.

(3) With respect to medical and long-term care facilities in jails, prisons, and other detention and correctional facilities, public entities shall apply the 2010 Standards technical and scoping requirements for those facilities irrespective of whether those facilities are licensed.

[56 FR 35716, July 26, 1991, as amended by Order No. 1694–93, 58 FR 17521, Apr. 5, 1993; AG Order No. 3180–2010, 75 FR 56180, Sept. 15, 2010; 76 FR 13285, Mar. 11, 2011]

**§ 35.152 Jails, detention and correctional facilities, and community correctional facilities.**

(a) *General.* This section applies to public entities that are responsible for the operation or management of adult and juvenile justice jails, detention and correctional facilities, and community correctional facilities, either directly or through contractual, licensing, or other arrangements with public or private entities, in whole or in part, including private correctional facilities.

(b) *Discrimination prohibited.* (1) Public entities shall ensure that qualified inmates or detainees with disabilities shall not, because a facility is inaccessible to or unusable by individuals with disabilities, be excluded from participation in, or be denied the benefits of, the services, programs, or activities of a public entity, or be subjected to discrimination by any public entity.

(2) Public entities shall ensure that inmates or detainees with disabilities are housed in the most integrated setting appropriate to the needs of the individuals. Unless it is appropriate to make an exception, a public entity—

- (i) Shall not place inmates or detainees with disabilities in inappropriate security classifications because no accessible cells or beds are available;
- (ii) Shall not place inmates or detainees with disabilities in designated medical areas unless they are actually receiving medical care or treatment;
- (iii) Shall not place inmates or detainees with disabilities in facilities that do not offer the same programs as the facilities where they would otherwise be housed; and
- (iv) Shall not deprive inmates or detainees with disabilities of visitation with family members by placing them in distant facilities where they would not otherwise be housed.

(3) Public entities shall implement reasonable policies, including physical modifications to additional cells in accordance with the 2010 Standards, so as to ensure that each inmate with a disability is housed in a cell with the accessible elements necessary to afford the inmate access to safe, appropriate housing.

[AG Order No. 3180–2010, 75 FR 56183, Sept. 15, 2010]

§§ 35.152–35.159 [Reserved]

**Subpart E—Communications**

**§ 35.160 General.**

(a)(1) A public entity shall take appropriate steps to ensure that communications with applicants, participants, members of the public, and companions with disabilities are as effective as communications with others.

(2) For purposes of this section, “companion” means a family member,



friend, or associate of an individual seeking access to a service, program, or activity of a public entity, who, along with such individual, is an appropriate person with whom the public entity should communicate.

(b)(1) A public entity shall furnish appropriate auxiliary aids and services where necessary to afford individuals with disabilities, including applicants, participants, companions, and members of the public, an equal opportunity to participate in, and enjoy the benefits of, a service, program, or activity of a public entity.

(2) The type of auxiliary aid or service necessary to ensure effective communication will vary in accordance with the method of communication used by the individual; the nature, length, and complexity of the communication involved; and the context in which the communication is taking place. In determining what types of auxiliary aids and services are necessary, a public entity shall give primary consideration to the requests of individuals with disabilities. In order to be effective, auxiliary aids and services must be provided in accessible formats, in a timely manner, and in such a way as to protect the privacy and independence of the individual with a disability.

(c)(1) A public entity shall not require an individual with a disability to bring another individual to interpret for him or her.

(2) A public entity shall not rely on an adult accompanying an individual with a disability to interpret or facilitate communication except—

(i) In an emergency involving an imminent threat to the safety or welfare of an individual or the public where there is no interpreter available; or

(ii) Where the individual with a disability specifically requests that the accompanying adult interpret or facilitate communication, the accompanying adult agrees to provide such assistance, and reliance on that adult for such assistance is appropriate under the circumstances.

(3) A public entity shall not rely on a minor child to interpret or facilitate communication, except in an emergency involving an imminent threat to the safety or welfare of an individual

or the public where there is no interpreter available.

(d) *Video remote interpreting (VRI) services.* A public entity that chooses to provide qualified interpreters via VRI services shall ensure that it provides—

(1) Real-time, full-motion video and audio over a dedicated high-speed, wide-bandwidth video connection or wireless connection that delivers high-quality video images that do not produce lags, choppy, blurry, or grainy images, or irregular pauses in communication;

(2) A sharply delineated image that is large enough to display the interpreter's face, arms, hands, and fingers, and the participating individual's face, arms, hands, and fingers, regardless of his or her body position;

(3) A clear, audible transmission of voices; and

(4) Adequate training to users of the technology and other involved individuals so that they may quickly and efficiently set up and operate the VRI.

[Order No. 1512-91, 56 FR 35716, July 26, 1991, as amended by AG Order No. 3180-2010, 75 FR 56183, Sept. 15, 2010]

#### § 35.161 Telecommunications.

(a) Where a public entity communicates by telephone with applicants and beneficiaries, text telephones (TTYs) or equally effective telecommunications systems shall be used to communicate with individuals who are deaf or hard of hearing or have speech impairments.

(b) When a public entity uses an automated-attendant system, including, but not limited to, voicemail and messaging, or an interactive voice response system, for receiving and directing incoming telephone calls, that system must provide effective real-time communication with individuals using auxiliary aids and services, including TTYs and all forms of FCC-approved telecommunications relay systems, including Internet-based relay systems.

(c) A public entity shall respond to telephone calls from a telecommunications relay service established under title IV of the ADA in the same manner that it responds to other telephone calls.

[AG Order No. 3180-2010, 75 FR 56184, Sept. 15, 2010]

**§ 35.162**

**§ 35.162 Telephone emergency services.**

Telephone emergency services, including 911 services, shall provide direct access to individuals who use TDD's and computer modems.

**§ 35.163 Information and signage.**

(a) A public entity shall ensure that interested persons, including persons with impaired vision or hearing, can obtain information as to the existence and location of accessible services, activities, and facilities.

(b) A public entity shall provide signage at all inaccessible entrances to each of its facilities, directing users to an accessible entrance or to a location at which they can obtain information about accessible facilities. The international symbol for accessibility shall be used at each accessible entrance of a facility.

**§ 35.164 Duties.**

This subpart does not require a public entity to take any action that it can demonstrate would result in a fundamental alteration in the nature of a service, program, or activity or in undue financial and administrative burdens. In those circumstances where personnel of the public entity believe that the proposed action would fundamentally alter the service, program, or activity or would result in undue financial and administrative burdens, a public entity has the burden of proving that compliance with this subpart would result in such alteration or burdens. The decision that compliance would result in such alteration or burdens must be made by the head of the public entity or his or her designee after considering all resources available for use in the funding and operation of the service, program, or activity and must be accompanied by a written statement of the reasons for reaching that conclusion. If an action required to comply with this subpart would result in such an alteration or such burdens, a public entity shall take any other action that would not result in such an alteration or such burdens but would nevertheless ensure that, to the maximum extent possible, individuals with disabilities receive the bene-

**28 CFR Ch. I (7-1-17 Edition)**

fits or services provided by the public entity.

**§§ 35.165-35.169 [Reserved]**

**Subpart F—Compliance Procedures**

**§ 35.170 Complaints.**

(a) *Who may file.* An individual who believes that he or she or a specific class of individuals has been subjected to discrimination on the basis of disability by a public entity may, by himself or herself or by an authorized representative, file a complaint under this part.

(b) *Time for filing.* A complaint must be filed not later than 180 days from the date of the alleged discrimination, unless the time for filing is extended by the designated agency for good cause shown. A complaint is deemed to be filed under this section on the date it is first filed with any Federal agency.

(c) *Where to file.* An individual may file a complaint with any agency that he or she believes to be the appropriate agency designated under subpart G of this part, or with any agency that provides funding to the public entity that is the subject of the complaint, or with the Department of Justice for referral as provided in § 35.171(a)(2).

**§ 35.171 Acceptance of complaints.**

(a) *Receipt of complaints.* (1)(i) Any Federal agency that receives a complaint of discrimination on the basis of disability by a public entity shall promptly review the complaint to determine whether it has jurisdiction over the complaint under section 504.

(ii) If the agency does not have section 504 jurisdiction, it shall promptly determine whether it is the designated agency under subpart G of this part responsible for complaints filed against that public entity.

(2)(i) If an agency other than the Department of Justice determines that it does not have section 504 jurisdiction and is not the designated agency, it shall promptly refer the complaint to the appropriate designated agency, the agency that has section 504 jurisdiction, or the Department of Justice, and so notify the complainant.

## Department of Justice

## § 35.173

(ii) When the Department of Justice receives a complaint for which it does not have jurisdiction under section 504 and is not the designated agency, it may exercise jurisdiction pursuant to §35.190(e) or refer the complaint to an agency that does have jurisdiction under section 504 or to the appropriate agency designated in subpart G of this part or, in the case of an employment complaint that is also subject to title I of the Act, to the Equal Employment Opportunity Commission.

(3)(i) If the agency that receives a complaint has section 504 jurisdiction, it shall process the complaint according to its procedures for enforcing section 504.

(ii) If the agency that receives a complaint does not have section 504 jurisdiction, but is the designated agency, it shall process the complaint according to the procedures established by this subpart.

(b) *Employment complaints.* (1) If a complaint alleges employment discrimination subject to title I of the Act, and the agency has section 504 jurisdiction, the agency shall follow the procedures issued by the Department of Justice and the Equal Employment Opportunity Commission under section 107(b) of the Act.

(2) If a complaint alleges employment discrimination subject to title I of the Act, and the designated agency does not have section 504 jurisdiction, the agency shall refer the complaint to the Equal Employment Opportunity Commission for processing under title I of the Act.

(3) Complaints alleging employment discrimination subject to this part, but not to title I of the Act shall be processed in accordance with the procedures established by this subpart.

(c) *Complete complaints.* (1) A designated agency shall accept all complete complaints under this section and shall promptly notify the complainant and the public entity of the receipt and acceptance of the complaint.

(2) If the designated agency receives a complaint that is not complete, it shall notify the complainant and specify the additional information that is needed to make the complaint a complete complaint. If the complainant fails to complete the complaint, the

designated agency shall close the complaint without prejudice.

[Order No. 1512-91, 56 FR 35716, July 26, 1991, as amended by AG Order No. 3180-2010, 75 FR 56184, Sept. 15, 2010]

### § 35.172 Investigations and compliance reviews.

(a) The designated agency shall investigate complaints for which it is responsible under §35.171.

(b) The designated agency may conduct compliance reviews of public entities in order to ascertain whether there has been a failure to comply with the nondiscrimination requirements of this part.

(c) Where appropriate, the designated agency shall attempt informal resolution of any matter being investigated under this section, and, if resolution is not achieved and a violation is found, issue to the public entity and the complainant, if any, a Letter of Findings that shall include—

(1) Findings of fact and conclusions of law;

(2) A description of a remedy for each violation found (including compensatory damages where appropriate); and

(3) Notice of the rights and procedures available under paragraph (d) of this section and §§ 35.173 and 35.174.

(d) At any time, the complainant may file a private suit pursuant to section 203 of the Act, 42 U.S.C. 12133, whether or not the designated agency finds a violation.

[AG Order No. 3180-2010, 75 FR 56184, Sept. 15, 2010]

### § 35.173 Voluntary compliance agreements.

(a) When the designated agency issues a noncompliance Letter of Findings, the designated agency shall—

(1) Notify the Assistant Attorney General by forwarding a copy of the Letter of Findings to the Assistant Attorney General; and

(2) Initiate negotiations with the public entity to secure compliance by voluntary means.

(b) Where the designated agency is able to secure voluntary compliance, the voluntary compliance agreement shall—

## § 35.174

- (1) Be in writing and signed by the parties;
- (2) Address each cited violation;
- (3) Specify the corrective or remedial action to be taken, within a stated period of time, to come into compliance;
- (4) Provide assurance that discrimination will not recur; and
- (5) Provide for enforcement by the Attorney General.

### § 35.174 Referral.

If the public entity declines to enter into voluntary compliance negotiations or if negotiations are unsuccessful, the designated agency shall refer the matter to the Attorney General with a recommendation for appropriate action.

### § 35.175 Attorney's fees.

In any action or administrative proceeding commenced pursuant to the Act or this part, the court or agency, in its discretion, may allow the prevailing party, other than the United States, a reasonable attorney's fee, including litigation expenses, and costs, and the United States shall be liable for the foregoing the same as a private individual.

### § 35.176 Alternative means of dispute resolution.

Where appropriate and to the extent authorized by law, the use of alternative means of dispute resolution, including settlement negotiations, conciliation, facilitation, mediation, fact-finding, minitrials, and arbitration, is encouraged to resolve disputes arising under the Act and this part.

### § 35.177 Effect of unavailability of technical assistance.

A public entity shall not be excused from compliance with the requirements of this part because of any failure to receive technical assistance, including any failure in the development or dissemination of any technical assistance manual authorized by the Act.

### § 35.178 State immunity.

A State shall not be immune under the eleventh amendment to the Constitution of the United States from an action in Federal or State court of competent jurisdiction for a violation

## 28 CFR Ch. I (7-1-17 Edition)

of this Act. In any action against a State for a violation of the requirements of this Act, remedies (including remedies both at law and in equity) are available for such a violation to the same extent as such remedies are available for such a violation in an action against any public or private entity other than a State.

### §§ 35.179-35.189 [Reserved]

## Subpart G—Designated Agencies

### § 35.190 Designated agencies.

(a) The Assistant Attorney General shall coordinate the compliance activities of Federal agencies with respect to State and local government components, and shall provide policy guidance and interpretations to designated agencies to ensure the consistent and effective implementation of the requirements of this part.

(b) The Federal agencies listed in paragraph (b) (1) through (8) of this section shall have responsibility for the implementation of subpart F of this part for components of State and local governments that exercise responsibilities, regulate, or administer services, programs, or activities in the following functional areas.

(1) *Department of Agriculture*: All programs, services, and regulatory activities relating to farming and the raising of livestock, including extension services.

(2) *Department of Education*: All programs, services, and regulatory activities relating to the operation of elementary and secondary education systems and institutions, institutions of higher education and vocational education (other than schools of medicine, dentistry, nursing, and other health-related schools), and libraries.

(3) *Department of Health and Human Services*: All programs, services, and regulatory activities relating to the provision of health care and social services, including schools of medicine, dentistry, nursing, and other health-related schools, the operation of health care and social service providers and institutions, including "grass-roots" and community services organizations and programs, and preschool and daycare programs.

(4) *Department of Housing and Urban Development*: All programs, services, and regulatory activities relating to state and local public housing, and housing assistance and referral.

(5) *Department of Interior*: All programs, services, and regulatory activities relating to lands and natural resources, including parks and recreation, water and waste management, environmental protection, energy, historic and cultural preservation, and museums.

(6) *Department of Justice*: All programs, services, and regulatory activities relating to law enforcement, public safety, and the administration of justice, including courts and correctional institutions; commerce and industry, including general economic development, banking and finance, consumer protection, insurance, and small business; planning, development, and regulation (unless assigned to other designated agencies); state and local government support services (e.g., audit, personnel, comptroller, administrative services); all other government functions not assigned to other designated agencies.

(7) *Department of Labor*: All programs, services, and regulatory activities relating to labor and the work force.

(8) *Department of Transportation*: All programs, services, and regulatory activities relating to transportation, including highways, public transportation, traffic management (non-law enforcement), automobile licensing and inspection, and driver licensing.

(c) Responsibility for the implementation of subpart F of this part for components of State or local governments that exercise responsibilities, regulate, or administer services, programs, or activities relating to functions not assigned to specific designated agencies by paragraph (b) of this section may be assigned to other specific agencies by the Department of Justice.

(d) If two or more agencies have apparent responsibility over a complaint, the Assistant Attorney General shall determine which one of the agencies shall be the designated agency for purposes of that complaint.

(e) When the Department receives a complaint directed to the Attorney

General alleging a violation of this part that may fall within the jurisdiction of a designated agency or another Federal agency that may have jurisdiction under section 504, the Department may exercise its discretion to retain the complaint for investigation under this part.

[Order No. 1512-91, 56 FR 35716, July 26, 1991, as amended by AG Order No. 3180-2010, 75 FR 56184, Sept. 15, 2010]

**§§ 35.191-35.999 [Reserved]**

APPENDIX A TO PART 35—GUIDANCE TO REVISIONS TO ADA REGULATION ON NONDISCRIMINATION ON THE BASIS OF DISABILITY IN STATE AND LOCAL GOVERNMENT SERVICES

NOTE: This Appendix contains guidance providing a section-by-section analysis of the revisions to 28 CFR part 35 published on September 15, 2010.

SECTION-BY-SECTION ANALYSIS AND RESPONSE TO PUBLIC COMMENTS

This section provides a detailed description of the Department's changes to the title II regulation, the reasoning behind those changes, and responses to public comments received on these topics. The Section-by-Section Analysis follows the order of the title II regulation itself, except that, if the Department has not changed a regulatory section, the unchanged section has not been mentioned.

SUBPART A—GENERAL

*Section 35.104 Definitions.*

“1991 Standards” and “2004 ADAAG”

The Department has included in the final rule new definitions of both the “1991 Standards” and the “2004 ADAAG.” The term “1991 Standards” refers to the ADA Standards for Accessible Design, originally published on July 26, 1991, and republished as Appendix D to part 36. The term “2004 ADAAG” refers to ADA Chapter 1, ADA Chapter 2, and Chapters 3 through 10 of the Americans with Disabilities Act and Architectural Barriers Act Accessibility Guidelines, which were issued by the Access Board on July 23, 2004, 36 CFR 1191, app. B and D (2009), and which the Department has adopted in this final rule. These terms are included in the definitions section for ease of reference.

“2010 Standards”

The Department has added to the final rule a definition of the term “2010 Standards.” The term “2010 Standards” refers to the 2010 ADA Standards for Accessible Design, which

consist of the 2004 ADAAG and the requirements contained in §35.151.

“Auxiliary Aids and Services”

In the NPRM, the Department proposed revisions to the definition of auxiliary aids and services under §35.104 to include several additional types of auxiliary aids that have become more readily available since the promulgation of the 1991 title II regulation, and in recognition of new technology and devices available in some places that may provide effective communication in some situations.

The NPRM proposed adding an explicit reference to written notes in the definition of “auxiliary aids.” Although this policy was already enunciated in the Department’s 1993 Title II Technical Assistance Manual at II-7.1000, the Department proposed inclusion in the regulation itself because some Title II entities do not understand that exchange of written notes using paper and pencil is an available option in some circumstances. See Department of Justice, *The Americans with Disabilities Act, Title II Technical Assistance Manual Covering State and Local Government Programs and Services* (1993), available at <http://www.ada.gov/taman2.html>. Comments from several disability advocacy organizations and individuals discouraged the Department from including the exchange of written notes in the list of available auxiliary aids in §35.104. Advocates and persons with disabilities requested explicit limits on the use of written notes as a form of auxiliary aid because, they argue, most exchanges are not simple and are not communicated effectively using handwritten notes. One major advocacy organization, for example, noted that the speed at which individuals communicate orally or use sign language averages about 200 words per minute or more while exchange of notes often leads to truncated or incomplete communication. For persons whose primary language is American Sign Language (ASL), some commenters pointed out, using written English in exchange of notes often is ineffective because ASL syntax and vocabulary is dissimilar from English. By contrast, some commenters from professional medical associations sought more specific guidance on when notes are allowed, especially in the context of medical offices and health care situations.

Exchange of notes likely will be effective in situations that do not involve substantial conversation, for example, blood work for routine lab tests or regular allergy shots. Video Interpreting Services (hereinafter referred to as “video remote interpreting services” or VRI) or an interpreter should be used when the matter involves greater complexity, such as in situations requiring communication of medical history or diagnoses, in conversations about medical procedures and treatment decisions, or when giving in-

structions for care at home or elsewhere. In the Section-By-Section Analysis of §35.160 (Communications) below, the Department discusses in greater detail the kinds of situations in which interpreters or captioning would be necessary. Additional guidance on this issue can be found in a number of agreements entered into with health-care providers and hospitals that are available on the Department’s Web site at <http://www.ada.gov>.

In the NPRM, in paragraph (1) of the definition in §35.104, the Department proposed replacing the term “telecommunications devices for deaf persons (TDD)” with the term “text telephones (TTYs).” TTY has become the commonly accepted term and is consistent with the terminology used by the Access Board in the 2004 ADAAG. Commenters representing advocates and persons with disabilities expressed approval of the substitution of TTY for TDD in the proposed regulation.

Commenters also expressed the view that the Department should expand paragraph (1) of the definition of auxiliary aids to include “TTY’s and other voice, text, and video-based telecommunications products and systems such as videophones and captioned telephones.” The Department has considered these comments and has revised the definition of “auxiliary aids” to include references to voice, text, and video-based telecommunications products and systems, as well as accessible electronic and information technology.

In the NPRM, the Department also proposed including a reference in paragraph (1) to a new technology, Video Interpreting Services (VIS). The reference remains in the final rule. VIS is discussed in the Section-By-Section Analysis below in reference to §35.160 (Communications), but is referred to as VRI in both the final rule and Appendix A to more accurately reflect the terminology used in other regulations and among users of the technology.

In the NPRM, the Department noted that technological advances in the 18 years since the ADA’s enactment had increased the range of auxiliary aids and services for those who are blind or have low vision. As a result the Department proposed additional examples to paragraph (2) of the definition, including Brailled materials and displays, screen reader software, optical readers, secondary auditory programs (SAP), and accessible electronic and information technology. Some commenters asked for more detailed requirements for auxiliary aids for persons with vision disabilities. The Department has decided it will not make additional changes to that provision at this time.

Several comments suggested expanding the auxiliary aids provision for persons who are both deaf and blind, and in particular, to include in the list of auxiliary aids a new category, “support service providers (SSP),”

which was described in comments as a navigator and communication facilitator. The Department believes that services provided by communication facilitators are already encompassed in the requirement to provide qualified interpreters. Moreover, the Department is concerned that as described by the commenters, the category of support service providers would include some services that would be considered personal services and that do not qualify as auxiliary aids. Accordingly, the Department declines to add this new category to the list at this time.

Some commenters representing advocacy organizations and individuals asked the Department to explicitly require title II entities to make any or all of the devices or technology available in all situations upon the request of the person with a disability. The Department recognizes that such devices or technology may provide effective communication and in some circumstances may be effective for some persons, but the Department does not intend to require that every entity covered by title II provide every device or all new technology at all times as long as the communication that is provided is as effective as communication with others. The Department recognized in the preamble to the 1991 title II regulation that the list of auxiliary aids was “not an all-inclusive or exhaustive catalogue of possible or available auxiliary aids or services. It is not possible to provide an exhaustive list, and an attempt to do so would omit the new devices that will become available with emerging technology.” 28 CFR part 35, app. A at 560 (2009). The Department continues to endorse that view; thus, the inclusion of a list of examples of possible auxiliary aids in the definition of “auxiliary aids” should not be read as a mandate for a title II entity to offer every possible auxiliary aid listed in the definition in every situation.

#### “Direct Threat”

In Appendix A of the Department’s 1991 title II regulation, the Department included a detailed discussion of “direct threat” that, among other things, explained that “the principles established in §36.208 of the Department’s [title III] regulation” were “applicable” as well to title II, insofar as “questions of safety are involved.” 28 CFR part 35, app. A at 565 (2009). In the final rule, the Department has included an explicit definition of “direct threat” that is parallel to the definition in the title III rule and placed it in the definitions section at §35.104.

#### “Existing Facility”

The 1991 title II regulation provided definitions for “new construction” at §35.151(a) and “alterations” at §35.151(b). In contrast, the term “existing facility” was not explicitly defined, although it is used in the stat-

ute and regulations for title II. *See* 42 U.S.C. 12134(b); 28 CFR 35.150. It has been the Department’s view that newly constructed or altered facilities are also existing facilities with continuing program access obligations, and that view is made explicit in this rule.

The classification of facilities under the ADA is neither static nor mutually exclusive. Newly constructed or altered facilities are also existing facilities. A newly constructed facility remains subject to the accessibility standards in effect at the time of design and construction, with respect to those elements for which, at that time, there were applicable ADA Standards. And at some point, the facility may undergo alterations, which are subject to the alterations requirements in effect at the time. *See* §35.151(b)–(c). The fact that the facility is also an existing facility does not relieve the public entity of its obligations under the new construction and alterations requirements in this part.

For example, a facility constructed or altered after the effective date of the original title II regulations but prior to the effective date of the revised title II regulation and Standards, must have been built or altered in compliance with the Standards (or UFAS) in effect at that time, in order to be in compliance with the ADA. In addition, a “newly constructed” facility or “altered” facility is also an “existing facility” for purposes of application of the title II program accessibility requirements. Once the 2010 Standards take effect, they will become the new reference point for determining the program accessibility obligations of all existing facilities. This is because the ADA contemplates that as our knowledge and understanding of accessibility advances and evolves, this knowledge will be incorporated into and result in increased accessibility in the built environment. Under title II, this goal is accomplished through the statute’s program access framework. While newly constructed or altered facilities must meet the accessibility standards in effect at the time, the fact that these facilities are also existing facilities ensures that the determination of whether a program is accessible is not frozen at the time of construction or alteration. Program access may require consideration of potential barriers to access that were not recognized as such at the time of construction or alteration, including, but not limited to, the elements that are first covered in the 2010 Standards, as that term is defined in §35.104. Adoption of the 2010 Standards establishes a new reference point for title II entities that choose to make structural changes to existing facilities to meet their program access requirements.

The NPRM included the following proposed definition of “existing facility.” “A facility that has been constructed and remains in existence on any given date.” 73 FR 34466, 34504 (June 17, 2008). The Department received a

number of comments on this issue. The commenters urged the Department to clarify that all buildings remain subject to the standards in effect at the time of their construction, that is, that a facility designed and constructed for first occupancy between January 26, 1992, and the effective date of the final rule is still considered “new construction” and that alterations occurring between January 26, 1992, and the effective date of the final rule are still considered “alterations.”

The final rule includes clarifying language to ensure that the Department’s interpretation is accurately reflected. As established by this rule, existing facility means a facility in existence on any given date, without regard to whether the facility may also be considered newly constructed or altered under this part. Thus, this definition reflects the Department’s interpretation that public entities have program access requirements that are independent of, but may coexist with, requirements imposed by new construction or alteration requirements in those same facilities.

“Housing at a Place of Education”

The Department has added a new definition to §35.104, “housing at a place of education,” to clarify the types of educational housing programs that are covered by this title. This section defines “housing at a place of education” as “housing operated by or on behalf of an elementary, secondary, undergraduate, or postgraduate school, or other place of education, including dormitories, suites, apartments, or other places of residence.” This definition does not apply to social service programs that combine residential housing with social services, such as a residential job training program.

“Other Power-Driven Mobility Device” and  
“Wheelchair”

Because relatively few individuals with disabilities were using nontraditional mobility devices in 1991, there was no pressing need for the 1991 title II regulation to define the terms “wheelchair” or “other power-driven mobility device,” to expound on what would constitute a reasonable modification in policies, practices, or procedures under §35.130(b)(7), or to set forth within that section specific requirements for the accommodation of mobility devices. Since the issuance of the 1991 title II regulation, however, the choices of mobility devices available to individuals with disabilities have increased dramatically. The Department has received complaints about and has become aware of situations where individuals with mobility disabilities have utilized devices that are not designed primarily for use by an individual with a mobility disability, including the Segway® Personal Transporter

(Segway® PT), golf cars, all-terrain vehicles (ATVs), and other locomotion devices.

The Department also has received questions from public entities and individuals with mobility disabilities concerning which mobility devices must be accommodated and under what circumstances. Indeed, there has been litigation concerning the legal obligations of covered entities to accommodate individuals with mobility disabilities who wish to use an electronic personal assistance mobility device (EPAMD), such as the Segway® PT, as a mobility device. The Department has participated in such litigation as *amicus curiae*. See *Ault v. Walt Disney World Co.*, No. 6:07-cv-1785-Orl-31KRS, 2009 WL 3242028 (M.D. Fla. Oct. 6, 2009). Much of the litigation has involved shopping malls where businesses have refused to allow persons with disabilities to use EPAMDs. See, e.g., *McElroy v. Simon Property Group*, No. 08-404 RDR, 2008 WL 4277716 (D. Kan. Sept. 15, 2008) (enjoining mall from prohibiting the use of a Segway® PT as a mobility device where an individual agrees to all of a mall’s policies for use of the device, except indemnification); Shasta Clark, *Local Man Fighting Mall Over Right to Use Segway*, WATE 6 News, July 26, 2005, available at <http://www.wate.com/Global/story.asp?s=3643674> (last visited June 24, 2010).

In response to questions and complaints from individuals with disabilities and covered entities concerning which mobility devices must be accommodated and under what circumstances, the Department began developing a framework to address the use of unique mobility devices, concerns about their safety, and the parameters for the circumstances under which these devices must be accommodated. As a result, the Department’s NPRM proposed two new approaches to mobility devices. First, the Department proposed a two-tiered mobility device definition that defined the term “wheelchair” separately from “other power-driven mobility device.” Second, the Department proposed requirements to allow the use of devices in each definitional category. In §35.137(a), the NPRM proposed that wheelchairs and manually-powered mobility aids used by individuals with mobility disabilities shall be permitted in any areas open to pedestrian use. Section 35.137(b) of the NPRM provided that a public entity “shall make reasonable modifications in its policies, practices, and procedures to permit the use of other power-driven mobility devices by individuals with disabilities, unless the public entity can demonstrate that the use of the device is not reasonable or that its use will result in a fundamental alteration of the public entity’s service, program, or activity.” 73 FR 34466, 34504 (June 17, 2008).

The Department sought public comment with regard to whether these steps would, in fact, achieve clarity on these issues. Toward



this end, the Department's NPRM asked several questions relating to the definitions of "wheelchair," "other power-driven mobility device," and "manually-powered mobility aids"; the best way to categorize different classes of mobility devices; the types of devices that should be included in each category; and the circumstances under which certain mobility devices must be accommodated or may be excluded pursuant to the policy adopted by the public entity.

Because the questions in the NPRM that concerned mobility devices and their accommodation were interrelated, many of the commenters' responses did not identify the specific question to which they were responding. Instead, the commenters grouped the questions together and provided comments accordingly. Most commenters spoke to the issues addressed in the Department's questions in broad terms and general concepts. As a result, the responses to the questions posed are discussed below in broadly grouped issue categories rather than on a question-by-question basis.

*Two-tiered definitional approach.* Commenters supported the Department's proposal to use a two-tiered definition of mobility device. Commenters nearly universally said that wheelchairs always should be accommodated and that they should never be subject to an assessment with regard to their admission to a particular public facility. In contrast, the vast majority of commenters indicated they were in favor of allowing public entities to conduct an assessment as to whether, and under which circumstances, other power-driven mobility devices would be allowed on-site.

Many commenters indicated their support for the two-tiered approach in responding to questions concerning the definition of "wheelchair" and "other-powered mobility device." Nearly every disability advocacy group said that the Department's two-tiered approach strikes the proper balance between ensuring access for individuals with disabilities and addressing fundamental alteration and safety concerns held by public entities; however, a minority of disability advocacy groups wanted other power-driven mobility devices to be included in the definition of "wheelchair." Most advocacy, nonprofit, and individual commenters supported the concept of a separate definition for "other power-driven mobility device" because it maintains existing legal protections for wheelchairs while recognizing that some devices that are not designed primarily for individuals with mobility disabilities have beneficial uses for individuals with mobility disabilities. They also favored this concept because it recognizes technological developments and that the innovative uses of varying devices may provide increased access to individuals with mobility disabilities.

Many environmental, transit system, and government commenters indicated they opposed in its entirety the concept of "other power-driven mobility devices" as a separate category. They believe that the creation of a second category of mobility devices will mean that other power-driven mobility devices, specifically ATVs and off-highway vehicles, must be allowed to go anywhere on national park lands, trails, recreational areas, etc.; will conflict with other Federal land management laws and regulations; will harm the environment and natural and cultural resources; will pose safety risks to users of these devices, as well as to pedestrians not expecting to encounter motorized devices in these settings; will interfere with the recreational enjoyment of these areas; and will require too much administrative work to regulate which devices are allowed and under which circumstances. These commenters all advocated a single category of mobility devices that excludes all fuel-powered devices.

Whether or not they were opposed to the two-tier approach in its entirety, virtually every environmental commenter and most government commenters associated with providing public transportation services or protecting land, natural resources, fish and game, etc., said that the definition of "other power-driven mobility device" is too broad. They suggested that they might be able to support the dual category approach if the definition of "other power-driven mobility device" were narrowed. They expressed general and program-specific concerns about permitting the use of other power-driven mobility devices. They noted the same concerns as those who opposed the two-tiered concept—that these devices create a host of environmental, safety, cost, administrative and conflict of law issues. Virtually all of these commenters indicated that their support for the dual approach and the concept of other power-driven mobility devices is, in large measure, due to the other power-driven mobility device assessment factors in §35.137(c) of the NPRM.

By maintaining the two-tiered approach to mobility devices and defining "wheelchair" separately from "other power-driven mobility device," the Department is able to preserve the protection users of traditional wheelchairs and other manually powered mobility aids have had since the ADA was enacted, while also recognizing that human ingenuity, personal choice, and new technologies have led to the use of devices that may be more beneficial for individuals with certain mobility disabilities.

Moreover, the Department believes the two-tiered approach gives public entities guidance to follow in assessing whether reasonable modifications can be made to permit the use of other power-driven mobility devices on-site and to aid in the development

of policies describing the circumstances under which persons with disabilities may use such devices. The two-tiered approach neither mandates that all other power-driven mobility devices be accommodated in every circumstance, nor excludes these devices. This approach, in conjunction with the factor assessment provisions in §35.137(b)(2), will serve as a mechanism by which public entities can evaluate their ability to accommodate other power-driven mobility devices. As will be discussed in more detail below, the assessment factors in §35.137(b)(2) are designed to provide guidance to public entities regarding whether it is appropriate to bar the use of a specific “other power-driven mobility device in a specific facility. In making such a determination, a public entity must consider the device’s type, size, weight, dimensions, and speed; the facility’s volume of pedestrian traffic; the facility’s design and operational characteristics; whether the device conflicts with legitimate safety requirements; and whether the device poses a substantial risk of serious harm to the immediate environment or natural or cultural resources, or conflicts with Federal land management laws or regulations. In addition, if under §35.130(b)(7), the public entity claims that it cannot make reasonable modifications to its policies, practices, or procedures to permit the use of other power-driven mobility devices by individuals with disabilities, the burden of proof to demonstrate that such devices cannot be operated in accordance with legitimate safety requirements rests upon the public entity.

*Categorization of wheelchair versus other power-driven mobility devices.* Implicit in the creation of the two-tiered mobility device concept is the question of how to categorize which devices are wheelchairs and which are other power-driven mobility devices. Finding weight and size to be too restrictive, the vast majority of advocacy, nonprofit, and individual commenters opposed using the Department of Transportation’s definition of “common wheelchair” to designate the mobility device’s appropriate category. Commenters who generally supported using weight and size as the method of categorization did so because of their concerns about potentially detrimental impacts on the environment and cultural and natural resources; on the enjoyment of the facility by other recreational users, as well as their safety; on the administrative components of government agencies required to assess which devices are appropriate on narrow, steeply sloped, or foot-and-hoof only trails; and about the impracticality of accommodating such devices in public transportation settings.

Many environmental, transit system, and government commenters also favored using the device’s intended-use to categorize which devices constitute wheelchairs and which are

other power-driven mobility devices. Furthermore, the intended-use determinant received a fair amount of support from advocacy, nonprofit, and individual commenters, either because they sought to preserve the broad accommodation of wheelchairs or because they sympathized with concerns about individuals without mobility disabilities fraudulently bringing other power-driven mobility devices into public facilities.

Commenters seeking to have the Segway® PT included in the definition of “wheelchair” objected to classifying mobility devices on the basis of their intended use because they felt that such a classification would be unfair and prejudicial to Segway® PT users and would stifle personal choice, creativity, and innovation. Other advocacy and nonprofit commenters objected to employing an intended-use approach because of concerns that the focus would shift to an assessment of the device, rather than the needs or benefits to the individual with the mobility disability. They were of the view that the mobility-device classification should be based on its function—whether it is used for a mobility disability. A few commenters raised the concern that an intended-use approach might embolden public entities to assess whether an individual with a mobility disability really needs to use the other power-driven mobility device at issue or to question why a wheelchair would not provide sufficient mobility. Those citing objections to the intended use determinant indicated it would be more appropriate to make the categorization determination based on whether the device is being used for a mobility disability in the context of the impact of its use in a specific environment. Some of these commenters preferred this approach because it would allow the Segway® PT to be included in the definition of “wheelchair.”

Many environmental and government commenters were inclined to categorize mobility devices by the way in which they are powered, such as battery-powered engines versus fuel or combustion engines. One commenter suggested using exhaust level as the determinant. Although there were only a few commenters who would make the determination based on indoor or outdoor use, there was nearly universal support for banning the indoor use of devices that are powered by fuel or combustion engines.

A few commenters thought it would be appropriate to categorize the devices based on their maximum speed. Others objected to this approach, stating that circumstances should dictate the appropriate speed at which mobility devices should be operated—for example, a faster speed may be safer when crossing streets than it would be for sidewalk use—and merely because a device can go a certain speed does not mean it will be operated at that speed.

The Department has decided to maintain the device's intended use as the appropriate determinant for which devices are categorized as "wheelchairs." However, because wheelchairs may be intended for use by individuals who have temporary conditions affecting mobility, the Department has decided that it is more appropriate to use the phrase "primarily designed" rather than "solely designed" in making such categorizations. The Department will not foreclose any future technological developments by identifying or banning specific devices or setting restrictions on size, weight, or dimensions. Moreover, devices designed primarily for use by individuals with mobility disabilities often are considered to be medical devices and are generally eligible for insurance reimbursement on this basis. Finally, devices designed primarily for use by individuals with mobility disabilities are less subject to fraud concerns because they were not designed to have a recreational component. Consequently, rarely, if ever, is any inquiry or assessment as to their appropriateness for use in a public entity necessary.

*Definition of "wheelchair."* In seeking public feedback on the NPRM's definition of "wheelchair," the Department explained its concern that the definition of "wheelchair" in section 508(c)(2) of the ADA (formerly section 507(c)(2), July 26, 1990, 104 Stat. 372, 42 U.S.C. 12207, renumbered section 508(c)(2), Public Law 110-325 section 6(a)(2), Sept. 25, 2008, 122 Stat. 3558), which pertains to Federal wilderness areas, is not specific enough to provide clear guidance in the array of settings covered by title II and that the stringent size and weight requirements for the Department of Transportation's definition of "common wheelchair" are not a good fit in the context of most public entities. The Department noted in the NPRM that it sought a definition of "wheelchair" that would include manually-operated and power-driven wheelchairs and mobility scooters (*i.e.*, those that typically are single-user, have three to four wheels, and are appropriate for both indoor and outdoor pedestrian areas), as well as a variety of types of wheelchairs and mobility scooters with individualized or unique features or models with different numbers of wheels. The NPRM defined a wheelchair as "a device designed solely for use by an individual with a mobility impairment for the primary purpose of locomotion in typical indoor and outdoor pedestrian areas. A wheelchair may be manually-operated or power-driven." 73 FR 34466, 34479 (June 17, 2008). Although the NPRM's definition of "wheelchair" excluded mobility devices that are not designed solely for use by individuals with mobility disabilities, the Department, noting that the use of the Segway® PT by individuals with mobility disabilities is on the upswing, inquired as to whether this device

should be included in the definition of "wheelchair."

Many environment and Federal government employee commenters objected to the Department's proposed definition of "wheelchair" because it differed from the definition of "wheelchair" found in section 508(c)(2) of the ADA—a definition used in the statute only in connection with a provision relating to the use of a wheelchair in a designated wilderness area. *See* 42 U.S.C. 12207(c)(1). Other government commenters associated with environmental issues wanted the phrase "outdoor pedestrian use" eliminated from the definition of "wheelchair." Some transit system commenters wanted size, weight, and dimensions to be part of the definition because of concerns about costs associated with having to accommodate devices that exceed the dimensions of the "common wheelchair" upon which the 2004 ADAAG was based.

Many advocacy, nonprofit, and individual commenters indicated that as long as the Department intends the scope of the term "mobility impairments" to include other disabilities that cause mobility impairments (*e.g.*, respiratory, circulatory, stamina, etc.), they were in support of the language. Several commenters indicated a preference for the definition of "wheelchair" in section 508(c)(2) of the ADA. One commenter indicated a preference for the term "assistive device," as it is defined in the Rehabilitation Act of 1973, over the term "wheelchair." A few commenters indicated that strollers should be added to the preamble's list of examples of wheelchairs because parents of children with disabilities frequently use strollers as mobility devices until their children get older.

In the final rule, the Department has rearranged some wording and has made some changes in the terminology used in the definition of "wheelchair," but essentially has retained the definition, and therefore the rationale, that was set forth in the NPRM. Again, the text of the ADA makes the definition of "wheelchair" contained in section 508(c)(2) applicable only to the specific context of uses in designated wilderness areas, and therefore does not compel the use of that definition for any other purpose. Moreover, the Department maintains that limiting the definition to devices suitable for use in an "indoor pedestrian area" as provided for in section 508(c)(2) of the ADA, would ignore the technological advances in wheelchair design that have occurred since the ADA went into effect and that the inclusion of the phrase "indoor pedestrian area" in the definition of "wheelchair" would set back progress made by individuals with mobility disabilities who, for many years now, have been using devices designed for locomotion

in indoor *and* outdoor settings. The Department has concluded that same rationale applies to placing limits on the size, weight, and dimensions of wheelchairs.

With regard to the term “mobility impairments,” the Department intended a broad reading so that a wide range of disabilities, including circulatory and respiratory disabilities, that make walking difficult or impossible, would be included. In response to comments on this issue, the Department has revisited the issue and has concluded that the most apt term to achieve this intent is “mobility disability.”

In addition, the Department has decided that it is more appropriate to use the phrase “primarily” designed for use by individuals with disabilities in the final rule, rather than “solely” designed for use by individuals with disabilities—the phrase proposed in the NPRM. The Department believes that this phrase more accurately covers the range of devices the Department intends to fall within the definition of “wheelchair.”

After receiving comments that the word “typical” is vague and the phrase “pedestrian areas” is confusing to apply, particularly in the context of similar, but not identical, terms used in the proposed Standards, the Department decided to delete the term “typical indoor and outdoor pedestrian areas” from the final rule. Instead, the final rule references “indoor or of both indoor and outdoor locomotion,” to make clear that the devices that fall within the definition of “wheelchair” are those that are used for locomotion on indoor and outdoor pedestrian paths or routes and not those that are intended exclusively for traversing undefined, unprepared, or unimproved paths or routes. Thus, the final rule defines the term “wheelchair” to mean “a manually-operated or power-driven device designed primarily for use by an individual with a mobility disability for the main purpose of indoor or of both indoor and outdoor locomotion.”

Whether the definition of “wheelchair” includes the Segway® PT. As discussed above, because individuals with mobility disabilities are using the Segway® PT as a mobility device, the Department asked whether it should be included in the definition of “wheelchair.” The basic Segway® PT model is a two-wheeled, gyroscopically-stabilized, battery-powered personal transportation device. The user stands on a platform suspended three inches off the ground by wheels on each side, grasps a T-shaped handle, and steers the device similarly to a bicycle. Most Segway® PTs can travel up to 12½ miles per hour, compared to the average pedestrian walking speed of three to four miles per hour and the approximate maximum speed for power-operated wheelchairs of six miles per hour. In a study of trail and other non-motorized transportation users including EPAMDs, the Federal Highway Administra-

tion (FHWA) found that the eye height of individuals using EPAMDs ranged from approximately 69 to 80 inches. See Federal Highway Administration, *Characteristics of Emerging Road and Trail Users and Their Safety* (Oct. 14, 2004), available at <http://www.fhrc.gov/safety/pubs/04103> (last visited June 24, 2010). Thus, the Segway® PT can operate at much greater speeds than wheelchairs, and the average user stands much taller than most wheelchair users.

The Segway® PT has been the subject of debate among users, pedestrians, disability advocates, State and local governments, businesses, and bicyclists. The fact that the Segway® PT is not designed primarily for use by individuals with disabilities, nor used primarily by persons with disabilities, complicates the question of to what extent individuals with disabilities should be allowed to operate them in areas and facilities where other power-driven mobility devices are not allowed. Those who question the use of the Segway® PT in pedestrian areas argue that the speed, size, and operating features of the devices make them too dangerous to operate alongside pedestrians and wheelchair users.

Comments regarding whether to include the Segway® PT in the definition of “wheelchair” were, by far, the most numerous received in the category of comments regarding wheelchairs and other power-driven mobility devices. Significant numbers of veterans with disabilities, individuals with multiple sclerosis, and those advocating on their behalf made concise statements of general support for the inclusion of the Segway® PT in the definition of “wheelchair.” Two veterans offered extensive comments on the topic, along with a few advocacy and non-profit groups and individuals with disabilities for whom sitting is uncomfortable or impossible.

While there may be legitimate safety issues for EPAMD users and bystanders in some circumstances, EPAMDs and other non-traditional mobility devices can deliver real benefits to individuals with disabilities. Among the reasons given by commenters to include the Segway® PT in the definition of “wheelchair” were that the Segway® PT is well-suited for individuals with particular conditions that affect mobility including multiple sclerosis, Parkinson’s disease, chronic obstructive pulmonary disease, amputations, spinal cord injuries, and other neurological disabilities, as well as functional limitations, such as gait limitation, inability to sit or discomfort in sitting, and diminished stamina issues. Such individuals often find that EPAMDs are more comfortable and easier to use than more traditional mobility devices and assist with balance, circulation, and digestion in ways that wheelchairs do not. See Rachel Metz, *Disabled Embrace Segway*, New York Times, Oct. 14, 2004. Commenters specifically cited pressure

relief, reduced spasticity, increased stamina, and improved respiratory, neurologic, and muscular health as secondary medical benefits from being able to stand.

Other arguments for including the Segway® PT in the definition of “wheelchair” were based on commenters’ views that the Segway® PT offers benefits not provided by wheelchairs and mobility scooters, including its intuitive response to body movement, ability to operate with less coordination and dexterity than is required for many wheelchairs and mobility scooters, and smaller footprint and turning radius as compared to most wheelchairs and mobility scooters. Several commenters mentioned improved visibility, either due to the Segway® PT’s raised platform or simply by virtue of being in a standing position. And finally, some commenters advocated for the inclusion of the Segway® PT simply based on civil rights arguments and the empowerment and self-esteem obtained from having the power to select the mobility device of choice.

Many commenters, regardless of their position on whether to include the Segway® PT in the definition of “wheelchair,” noted that the Segway® PT’s safety record is as good as, if not better, than the record for wheelchairs and mobility scooters.

Most environmental, transit system, and government commenters were opposed to including the Segway® PT in the definition of “wheelchair” but were supportive of its inclusion as an “other power-driven mobility device.” Their concerns about including the Segway® PT in the definition of “wheelchair” had to do with the safety of the operators of these devices (*e.g.*, height clearances on trains and sloping trails in parks) and of pedestrians, particularly in confined and crowded facilities or in settings where motorized devices might be unexpected; the potential harm to the environment; the additional administrative, insurance, liability, and defensive litigation costs; potentially detrimental impacts on the environment and cultural and natural resources; and the impracticality of accommodating such devices in public transportation settings.

Other environmental, transit system, and government commenters would have banned all fuel-powered devices as mobility devices. In addition, these commenters would have classified non-motorized devices as “wheelchairs” and would have categorized motorized devices, such as the Segway® PT, battery-operated wheelchairs, and mobility scooters as “other power-driven mobility devices.” In support of this position, some of these commenters argued that because their equipment and facilities have been designed to comply with the dimensions of the “common wheelchair” upon which the ADAAG is based, any device that is larger than the prototype wheelchair would be misplaced in the definition of “wheelchair.”

Still others in this group of commenters wished for only a single category of mobility devices and would have included wheelchairs, mobility scooters, and the Segway® PT as “mobility devices” and excluded fuel-powered devices from that definition.

Many disability advocacy and nonprofit commenters did not support the inclusion of the Segway® PT in the definition of “wheelchair.” Paramount to these commenters was the maintenance of existing protections for wheelchair users. Because there was unanimous agreement that wheelchair use rarely, if ever, may be restricted, these commenters strongly favored categorizing wheelchairs separately from the Segway® PT and other power-driven mobility devices and applying the intended-use determinant to assign the devices to either category. They indicated that while they support the greatest degree of access in public entities for all persons with disabilities who require the use of mobility devices, they recognize that under certain circumstances, allowing the use of other power-driven mobility devices would result in a fundamental alteration of programs, services, or activities, or run counter to legitimate safety requirements necessary for the safe operation of a public entity. While these groups supported categorizing the Segway® PT as an “other power-driven mobility device,” they universally noted that in their view, because the Segway® PT does not present environmental concerns and is as safe to use as, if not safer than, a wheelchair, it should be accommodated in most circumstances.

The Department has considered all the comments and has concluded that it should not include the Segway® PT in the definition of “wheelchair.” The final rule provides that the test for categorizing a device as a wheelchair or an other power-driven mobility device is whether the device is designed primarily for use by individuals with mobility disabilities. Mobility scooters are included in the definition of “wheelchair” because they are designed primarily for users with mobility disabilities. However, because the current generation of EPAMDs, including the Segway® PT, was designed for recreational users and not primarily for use by individuals with mobility disabilities, the Department has decided to continue its approach of excluding EPAMDs from the definition of “wheelchair” and including them in the definition of “other power-driven mobility device.” Although EPAMDs, such as the Segway® PT, are not included in the definition of a “wheelchair,” public entities must assess whether they can make reasonable modifications to permit individuals with mobility disabilities to use such devices on their premises. The Department recognizes that the Segway® PT provides many benefits to those who use them as mobility devices, including a measure of privacy with regard

to the nature of one's particular disability, and believes that in the vast majority of circumstances, the application of the factors described in §35.137 for providing access to other-powered mobility devices will result in the admission of the Segway® PT.

*Treatment of "manually-powered mobility aids."* The Department's NPRM did not define the term "manually-powered mobility aids." Instead, the NPRM included a non-exhaustive list of examples in §35.137(a). The NPRM queried whether the Department should maintain this approach to manually-powered mobility aids or whether it should adopt a more formal definition.

Only a few commenters addressed "manually-powered mobility aids." Virtually all commenters were in favor of maintaining a non-exhaustive list of examples of "manually-powered mobility aids" rather than adopting a definition of the term. Of those who commented, a few sought clarification of the term "manually-powered." One commenter suggested that the term be changed to "human-powered." Other commenters requested that the Department include ordinary strollers in the non-exhaustive list of "manually-powered mobility aids." Since strollers are not devices designed primarily for individuals with mobility disabilities, the Department does not consider them to be manually-powered mobility aids; however, strollers used in the context of transporting individuals with disabilities are subject to the same assessment required by the ADA's title II reasonable modification standards at §35.130(b)(7). The Department believes that because the existing approach is clear and understood easily by the public, no formal definition of the term "manually-powered mobility aids" is required.

*Definition of "other power-driven mobility device."* The Department's NPRM defined the term "other power-driven mobility device" in §35.104 as "any of a large range of devices powered by batteries, fuel, or other engines—whether or not designed solely for use by individuals with mobility impairments—that are used by individuals with mobility impairments for the purpose of locomotion, including golf cars, bicycles, electronic personal assistance mobility devices (EPAMDs), or any mobility aid designed to operate in areas without defined pedestrian routes." 73 FR 34466, 34504 (June 17, 2008).

Nearly all environmental, transit systems, and government commenters who supported the two-tiered concept of mobility devices said that the Department's definition of "other power-driven mobility device" is overbroad because it includes fuel-powered devices. These commenters sought a ban on fuel-powered devices in their entirety because they believe they are inherently dangerous and pose environmental and safety concerns. They also argued that permitting the use of many of the contemplated other

power-driven mobility devices, fuel-powered ones especially, would fundamentally alter the programs, services, or activities of public entities.

Advocacy, nonprofit, and several individual commenters supported the definition of "other power-driven mobility device" because it allows new technologies to be added in the future, maintains the existing legal protections for wheelchairs, and recognizes that some devices, particularly the Segway® PT, which are not designed primarily for individuals with mobility disabilities, have beneficial uses for individuals with mobility disabilities. Despite support for the definition of "other power-driven mobility device," however, most advocacy and nonprofit commenters expressed at least some hesitation about the inclusion of fuel-powered mobility devices in the definition. While virtually all of these commenters noted that a blanket exclusion of any device that falls under the definition of "other power-driven mobility device" would violate basic civil rights concepts, they also specifically stated that certain devices, particularly, off-highway vehicles, cannot be permitted in certain circumstances. They also made a distinction between the Segway® PT and other power-driven mobility devices, noting that the Segway® PT should be accommodated in most circumstances because it satisfies the safety and environmental elements of the policy analysis. These commenters indicated that they agree that other power-driven mobility devices must be assessed, particularly as to their environmental impact, before they are accommodated.

Although many commenters had reservations about the inclusion of fuel-powered devices in the definition of other power-driven mobility devices, the Department does not want the definition to be so narrow that it would foreclose the inclusion of new technological developments (whether powered by fuel or by some other means). It is for this reason that the Department has maintained the phrase "any mobility device designed to operate in areas without defined pedestrian routes" in the final rule's definition of other power-driven mobility devices. The Department believes that the limitations provided by "fundamental alteration" and the ability to impose legitimate safety requirements will likely prevent the use of fuel and combustion engine-driven devices indoors, as well as in outdoor areas with heavy pedestrian traffic. The Department notes, however, that in the future, technological developments may result in the production of safe fuel-powered mobility devices that do not pose environmental and safety concerns. The final rule allows consideration to be given as to whether the use of a fuel-powered device would create a substantial risk of serious harm to the environment or natural or cultural resources, and to whether the use of

such a device conflicts with Federal land management laws or regulations; this aspect of the final rule will further limit the inclusion of fuel-powered devices where they are not appropriate. Consequently, the Department has maintained fuel-powered devices in the definition of “other power-driven mobility device.” The Department has also added language to the definition of “other power-driven mobility device” to reiterate that the definition does not apply to Federal wilderness areas, which are not covered by title II of the ADA; the use of wheelchairs in such areas is governed by section 508(c)(2) of the ADA, 42 U.S.C. 12207(c)(2).

#### “Qualified Interpreter”

In the NPRM, the Department proposed adding language to the definition of “qualified interpreter” to clarify that the term includes, but is not limited to, sign language interpreters, oral interpreters, and cued-speech interpreters. As the Department explained, not all interpreters are qualified for all situations. For example, a qualified interpreter who uses American Sign Language (ASL) is not necessarily qualified to interpret orally. In addition, someone with only a rudimentary familiarity with sign language or finger spelling is not qualified, nor is someone who is fluent in sign language but unable to translate spoken communication into ASL or to translate signed communication into spoken words.

As further explained, different situations will require different types of interpreters. For example, an oral interpreter who has special skill and training to mouth a speaker’s words silently for individuals who are deaf or hard of hearing may be necessary for an individual who was raised orally and taught to read lips or was diagnosed with hearing loss later in life and does not know sign language. An individual who is deaf or hard of hearing may need an oral interpreter if the speaker’s voice is unclear, if there is a quick-paced exchange of communication (*e.g.*, in a meeting), or when the speaker does not directly face the individual who is deaf or hard of hearing. A cued-speech interpreter functions in the same manner as an oral interpreter except that he or she also uses a hand code or cue to represent each speech sound.

The Department received many comments regarding the proposed modifications to the definition of “interpreter.” Many commenters requested that the Department include within the definition a requirement that interpreters be certified, particularly if they reside in a State that licenses or certifies interpreters. Other commenters opposed a certification requirement as unduly limiting, noting that an interpreter may well be qualified even if that same interpreter is not certified. These commenters

noted the absence of nationwide standards or universally accepted criteria for certification.

On review of this issue, the Department has decided against imposing a certification requirement under the ADA. It is sufficient under the ADA that the interpreter be qualified. However, as the Department stated in the original preamble, this rule does not invalidate or limit State or local laws that impose standards for interpreters that are equal to or more stringent than those imposed by this definition. *See* 28 CFR part 35, app. A at 566 (2009). For instance, the definition would not supersede any requirement of State law for use of a certified interpreter in court proceedings.

With respect to the proposed additions to the rule, most commenters supported the expansion of the list of qualified interpreters, and some advocated for the inclusion of other types of interpreters on the list as well, such as deaf-blind interpreters, certified deaf interpreters, and speech-to-speech interpreters. As these commenters explained, deaf-blind interpreters are interpreters who have specialized skills and training to interpret for individuals who are deaf and blind; certified deaf interpreters are deaf or hard of hearing interpreters who work with hearing sign language interpreters to meet the specific communication needs of deaf individuals; and speech-to-speech interpreters have special skill and training to interpret for individuals who have speech disabilities.

The list of interpreters in the definition of qualified interpreter is illustrative, and the Department does not believe it necessary or appropriate to attempt to provide an exhaustive list of qualified interpreters. Accordingly, the Department has decided not to expand the proposed list. However, if a deaf and blind individual needs interpreter services, an interpreter who is qualified to handle the needs of that individual may be required. The guiding criterion is that the public entity must provide appropriate auxiliary aids and services to ensure effective communication with the individual. Commenters also suggested various definitions for the term “cued-speech interpreters,” and different descriptions of the tasks they performed. After reviewing the various comments, the Department has determined that it is more accurate and appropriate to refer to such individuals as “cued-language transliterators.” Likewise, the Department has changed the term “oral interpreters” to “oral transliterators.” These two changes have been made to distinguish between sign language interpreters, who translate one language into another language (*e.g.*, ASL to English and English to ASL), from transliterators who interpret within the same language between deaf and hearing individuals. A cued-language transliterator is

an interpreter who has special skill and training in the use of the Cued Speech system of handshapes and placements, along with non-manual information, such as facial expression and body language, to show auditory information visually, including speech and environmental sounds. An oral transliterator is an interpreter who has special skill and training to mouth a speaker's words silently for individuals who are deaf or hard of hearing. While the Department included definitions for "cued-speech interpreter" and "oral interpreter" in the regulatory text proposed in the NPRM, the Department has decided that it is unnecessary to include such definitions in the text of the final rule.

Many commenters questioned the proposed deletion of the requirement that a qualified interpreter be able to interpret both receptively and expressively, noting the importance of both these skills. Commenters stated that this phrase was carefully crafted in the original regulation to make certain that interpreters both (1) are capable of understanding what a person with a disability is saying and (2) have the skills needed to convey information back to that individual. These are two very different skill sets and both are equally important to achieve effective communication. For example, in a medical setting, a sign language interpreter must have the necessary skills to understand the grammar and syntax used by an ASL user (receptive skills) and the ability to interpret complicated medical information—presented by medical staff in English—back to that individual in ASL (expressive skills). The Department agrees and has put the phrase "both receptively and expressively" back in the definition.

Several advocacy groups suggested that the Department make clear in the definition of qualified interpreter that the interpreter may appear either on-site or remotely using a video remote interpreting (VRI) service. Given that the Department has included in this rule both a definition of VRI services and standards that such services must satisfy, such an addition to the definition of qualified interpreter is appropriate.

After consideration of all relevant information submitted during the public comment period, the Department has modified the definition from that initially proposed in the NPRM. The final definition now states that "[q]ualified interpreter means an interpreter who, via a video remote interpreting (VRI) service or an on-site appearance, is able to interpret effectively, accurately, and impartially, both receptively and expressively, using any necessary specialized vocabulary. Qualified interpreters include, for example, sign language interpreters, oral transliterators, and cued-language transliterators."

#### "Qualified Reader"

The 1991 title II regulation identifies a qualified reader as an auxiliary aid, but did not define the term. *See* 28 CFR 35.104(2). Based upon the Department's investigation of complaints alleging that some entities have provided ineffective readers, the Department proposed in the NPRM to define "qualified reader" similarly to "qualified interpreter" to ensure that entities select qualified individuals to read an examination or other written information in an effective, accurate, and impartial manner. This proposal was suggested in order to make clear to public entities that a failure to provide a qualified reader to a person with a disability may constitute a violation of the requirement to provide appropriate auxiliary aids and services.

The Department received comments supporting inclusion in the regulation of a definition of a "qualified reader." Some commenters suggested the Department add to the definition a requirement prohibiting the use of a reader whose accent, diction, or pronunciation makes full comprehension of material being read difficult. Another commenter requested that the Department include a requirement that the reader "will follow the directions of the person for whom he or she is reading." Commenters also requested that the Department define "accurately" and "effectively" as used in this definition.

While the Department believes that its proposed regulatory definition adequately addresses these concerns, the Department emphasizes that a reader, in order to be "qualified," must be skilled in reading the language and subject matter and must be able to be easily understood by the individual with the disability. For example, if a reader is reading aloud the questions for a college microbiology examination, that reader, in order to be qualified, must know the proper pronunciation of scientific terminology used in the text, and must be sufficiently articulate to be easily understood by the individual with a disability for whom he or she is reading. In addition, the terms "effectively" and "accurately" have been successfully used and understood in the Department's existing definition of "qualified interpreter" since 1991 without specific regulatory definitions. Instead, the Department has relied upon the common use and understanding of those terms from standard English dictionaries. Thus, the definition of "qualified reader" has not been changed from that contained in the NPRM. The final rule defines "qualified reader" to mean "a person who is able to read effectively, accurately, and impartially using any necessary specialized vocabulary."



## "Service Animal"

Although there is no specific language in the 1991 title II regulation concerning service animals, title II entities have the same legal obligations as title III entities to make reasonable modifications in policies, practices, or procedures to allow service animals when necessary in order to avoid discrimination on the basis of disability, unless the entity can demonstrate that making the modifications would fundamentally alter the nature of the service, program, or activity. *See* 28 CFR 35.130(b)(7). The 1991 title III regulation, 28 CFR 36.104, defines a "service animal" as "any guide dog, signal dog, or other animal individually trained to do work or perform tasks for the benefit of an individual with a disability, including, but not limited to, guiding individuals with impaired vision, alerting individuals with impaired hearing to intruders or sounds, providing minimal protection or rescue work, pulling a wheelchair, or fetching dropped items." Section 36.302(c)(1) of the 1991 title III regulation requires that "[g]enerally, a public accommodation shall modify policies, practices, or procedures to permit the use of a service animal by an individual with a disability." Section 36.302(c)(2) of the 1991 title III regulation states that "a public accommodation [is not required] to supervise or care for a service animal."

The Department has issued guidance and provided technical assistance and publications concerning service animals since the 1991 regulations became effective. In the NPRM, the Department proposed to modify the definition of service animal, added the definition to title II, and asked for public input on several issues related to the service animal provisions of the title II regulation: whether the Department should clarify the phrase "providing minimal protection" in the definition or remove it; whether there are any circumstances where a service animal "providing minimal protection" would be appropriate or expected; whether certain species should be eliminated from the definition of "service animal," and, if so, which types of animals should be excluded; whether "common domestic animal" should be part of the definition; and whether a size or weight limitation should be imposed for common domestic animals even if the animal satisfies the "common domestic animal" part of the NPRM definition.

The Department received extensive comments on these issues, as well as requests to clarify the obligations of State and local government entities to accommodate individuals with disabilities who use service animals, and has modified the final rule in response. In the interests of avoiding unnecessary repetition, the Department has elected to discuss the issues raised in the NPRM questions about service animals and the cor-

responding public comments in the following discussion of the definition of "service animal."

The Department's final rule defines "service animal" as "any dog that is individually trained to do work or perform tasks for the benefit of an individual with a disability, including a physical, sensory, psychiatric, intellectual, or other mental disability. Other species of animals, whether wild or domestic, trained or untrained, are not service animals for the purposes of this definition. The work or tasks performed by a service animal must be directly related to the individual's disability. Examples of work or tasks include, but are not limited to, assisting individuals who are blind or have low vision with navigation and other tasks, alerting individuals who are deaf or hard of hearing to the presence of people or sounds, providing non-violent protection or rescue work, pulling a wheelchair, assisting an individual during a seizure, alerting individuals to the presence of allergens, retrieving items such as medicine or the telephone, providing physical support and assistance with balance and stability to individuals with mobility disabilities, and helping persons with psychiatric and neurological disabilities by preventing or interrupting impulsive or destructive behaviors. The crime deterrent effects of an animal's presence and the provision of emotional support, well-being, comfort, or companionship do not constitute work or tasks for the purposes of this definition."

This definition has been designed to clarify a key provision of the ADA. Many covered entities indicated that they are confused regarding their obligations under the ADA with regard to individuals with disabilities who use service animals. Individuals with disabilities who use trained guide or service dogs are concerned that if untrained or unusual animals are termed "service animals," their own right to use guide or service dogs may become unnecessarily restricted or questioned. Some individuals who are not individuals with disabilities have claimed, whether fraudulently or sincerely (albeit mistakenly), that their animals are service animals covered by the ADA, in order to gain access to courthouses, city or county administrative offices, and other title II facilities. The increasing use of wild, exotic, or unusual species, many of which are untrained, as service animals has also added to the confusion.

Finally, individuals with disabilities who have the legal right under the Fair Housing Act (FHA) to use certain animals in their homes as a reasonable accommodation to their disabilities have assumed that their animals also qualify under the ADA. This is not necessarily the case, as discussed below.

The Department recognizes the diverse needs and preferences of individuals with disabilities protected under the ADA, and does

not wish to unnecessarily impede individual choice. Service animals play an integral role in the lives of many individuals with disabilities and, with the clarification provided by the final rule, individuals with disabilities will continue to be able to use their service animals as they go about their daily activities and civic interactions. The clarification will also help to ensure that the fraudulent or mistaken use of other animals not qualified as service animals under the ADA will be deterred. A more detailed analysis of the elements of the definition and the comments responsive to the service animal provisions of the NPRM follows.

*Providing minimal protection.* As previously noted, the 1991 title II regulation does not contain specific language concerning service animals. The 1991 title III regulation included language stating that “minimal protection” was a task that could be performed by an individually trained service animal for the benefit of an individual with a disability. In the Department’s “ADA Business Brief on Service Animals” (2002), the Department interpreted the “minimal protection” language within the context of a seizure (*i.e.*, alerting and protecting a person who is having a seizure). The Department received many comments in response to the question of whether the “minimal protection” language should be clarified. Many commenters urged the removal of the “minimal protection” language from the service animal definition for two reasons: (1) The phrase can be interpreted to allow any dog that is trained to be aggressive to qualify as a service animal simply by pairing the animal with a person with a disability; and (2) the phrase can be interpreted to allow any untrained pet dog to qualify as a service animal, since many consider the mere presence of a dog to be a crime deterrent, and thus sufficient to meet the minimal protection standard. These commenters argued, and the Department agrees, that these interpretations were not contemplated under the original title III regulation, and, for the purposes of the final title II regulations, the meaning of “minimal protection” must be made clear.

While many commenters stated that they believe that the “minimal protection” language should be eliminated, other commenters recommended that the language be clarified, but retained. Commenters favoring clarification of the term suggested that the Department explicitly exclude the function of attack or exclude those animals that are trained solely to be aggressive or protective. Other commenters identified non-violent behavioral tasks that could be construed as minimally protective, such as interrupting self-mutilation, providing safety checks and room searches, reminding the individual to take medications, and protecting the individual from injury resulting from seizures or unconsciousness.

Several commenters noted that the existing direct threat defense, which allows the exclusion of a service animal if the animal exhibits unwarranted or unprovoked violent behavior or poses a direct threat, prevents the use of “attack dogs” as service animals. One commenter noted that the use of a service animal trained to provide “minimal protection” may impede access to care in an emergency, for example, where the first responder, usually a title II entity, is unable or reluctant to approach a person with a disability because the individual’s service animal is in a protective posture suggestive of aggression.

Many organizations and individuals stated that in the general dog training community, “protection” is code for attack or aggression training and should be removed from the definition. Commenters stated that there appears to be a broadly held misconception that aggression-trained animals are appropriate service animals for persons with post traumatic stress disorder (PTSD). While many individuals with PTSD may benefit by using a service animal, the work or tasks performed appropriately by such an animal would not involve unprovoked aggression but could include actively cuing the individual by nudging or pawing the individual to alert to the onset of an episode and removing the individual from the anxiety-provoking environment.

The Department recognizes that despite its best efforts to provide clarification, the “minimal protection” language appears to have been misinterpreted. While the Department maintains that protection from danger is one of the key functions that service animals perform for the benefit of persons with disabilities, the Department recognizes that an animal individually trained to provide aggressive protection, such as an attack dog, is not appropriately considered a service animal. Therefore, the Department has decided to modify the “minimal protection” language to read “non-violent protection,” thereby excluding so-called “attack dogs” or dogs with traditional “protection training” as service animals. The Department believes that this modification to the service animal definition will eliminate confusion, without restricting unnecessarily the type of work or tasks that service animals may perform. The Department’s modification also clarifies that the crime-deterrent effect of a dog’s presence, by itself, does not qualify as work or tasks for purposes of the service animal definition.

*Alerting to intruders.* The phrase “alerting to intruders” is related to the issues of minimal protection and the work or tasks an animal may perform to meet the definition of a service animal. In the original 1991 regulatory text, this phrase was intended to identify service animals that alert individuals

who are deaf or hard of hearing to the presence of others. This language has been misinterpreted by some to apply to dogs that are trained specifically to provide aggressive protection, resulting in the assertion that such training qualifies a dog as a service animal under the ADA. The Department reiterates that title II entities are not required to admit any animal whose use poses a direct threat under §35.139. In addition, the Department has decided to remove the word “intruders” from the service animal definition and replace it with the phrase “the presence of people or sounds.” The Department believes this clarifies that so-called “attack training” or other aggressive response types of training that cause a dog to provide an aggressive response do not qualify a dog as a service animal under the ADA.

Conversely, if an individual uses a breed of dog that is perceived to be aggressive because of breed reputation, stereotype, or the history or experience the observer may have with other dogs, but the dog is under the control of the individual with a disability and does not exhibit aggressive behavior, the title II entity cannot exclude the individual or the animal from a State or local government program, service, or facility. The animal can only be removed if it engages in the behaviors mentioned in §35.136(b) (as revised in the final rule) or if the presence of the animal constitutes a fundamental alteration to the nature of the service, program, or activity of the title II entity.

*Doing “work” or “performing tasks.”* The NPRM proposed that the Department maintain the requirement, first articulated in the 1991 title III regulation, that in order to qualify as a service animal, the animal must “perform tasks” or “do work” for the individual with a disability. The phrases “perform tasks” and “do work” describe what an animal must do for the benefit of an individual with a disability in order to qualify as a service animal.

The Department received a number of comments in response to the NPRM proposal urging the removal of the term “do work” from the definition of a service animal. These commenters argued that the Department should emphasize the performance of tasks instead. The Department disagrees. Although the common definition of work includes the performance of tasks, the definition of work is somewhat broader, encompassing activities that do not appear to involve physical action.

One service dog user stated that in some cases, “critical forms of assistance can’t be construed as physical tasks,” noting that the manifestations of “brain-based disabilities,” such as psychiatric disorders and autism, are as varied as their physical counterparts. The Department agrees with this statement but cautions that unless the animal is individually trained to do something

that qualifies as work or a task, the animal is a pet or support animal and does not qualify for coverage as a service animal. A pet or support animal may be able to discern that the individual is in distress, but it is what the animal is trained to do in response to this awareness that distinguishes a service animal from an observant pet or support animal.

The NPRM contained an example of “doing work” that stated “a psychiatric service dog can help some individuals with dissociative identity disorder to remain grounded in time or place.” 73 FR 34466, 34504 (June 17, 2008). Several commenters objected to the use of this example, arguing that grounding was not a “task” and therefore, the example inherently contradicted the basic premise that a service animal must perform a task in order to mitigate a disability. Other commenters stated that “grounding” should not be included as an example of “work” because it could lead to some individuals claiming that they should be able to use emotional support animals in public because the dog makes them feel calm or safe. By contrast, one commenter with experience in training service animals explained that grounding is a trained task based upon very specific behavioral indicators that can be observed and measured. These tasks are based upon input from mental health practitioners, dog trainers, and individuals with a history of working with psychiatric service dogs.

It is the Department’s view that an animal that is trained to “ground” a person with a psychiatric disorder does work or performs a task that would qualify it as a service animal as compared to an untrained emotional support animal whose presence affects a person’s disability. It is the fact that the animal is trained to respond to the individual’s needs that distinguishes an animal as a service animal. The process must have two steps: Recognition and response. For example, if a service animal senses that a person is about to have a psychiatric episode and it is trained to respond for example, by nudging, barking, or removing the individual to a safe location until the episode subsides, then the animal has indeed performed a task or done work on behalf of the individual with the disability, as opposed to merely sensing an event.

One commenter suggested defining the term “task,” presumably to improve the understanding of the types of services performed by an animal that would be sufficient to qualify the animal for coverage. The Department believes that the common definition of the word “task” is sufficiently clear and that it is not necessary to add to the definitions section. However, the Department has added examples of other kinds of work or tasks to help illustrate and provide

clarity to the definition. After careful evaluation of this issue, the Department has concluded that the phrases “do work” and “perform tasks” have been effective during the past two decades to illustrate the varied services provided by service animals for the benefit of individuals with all types of disabilities. Thus, the Department declines to depart from its longstanding approach at this time.

*Species limitations.* When the Department originally issued its title III regulation in the early 1990s, the Department did not define the parameters of acceptable animal species. At that time, few anticipated the variety of animals that would be promoted as service animals in the years to come, which ranged from pigs and miniature horses to snakes, iguanas, and parrots. The Department has followed this particular issue closely, keeping current with the many unusual species of animals represented to be service animals. Thus, the Department has decided to refine further this aspect of the service animal definition in the final rule.

The Department received many comments from individuals and organizations recommending species limitations. Several of these commenters asserted that limiting the number of allowable species would help stop erosion of the public’s trust, which has resulted in reduced access for many individuals with disabilities who use trained service animals that adhere to high behavioral standards. Several commenters suggested that other species would be acceptable if those animals could meet nationally recognized behavioral standards for trained service dogs. Other commenters asserted that certain species of animals (e.g., reptiles) cannot be trained to do work or perform tasks, so these animals would not be covered.

In the NPRM, the Department used the term “common domestic animal” in the service animal definition and excluded reptiles, rabbits, farm animals (including horses, miniature horses, ponies, pigs, and goats), ferrets, amphibians, and rodents from the service animal definition. 73 FR 34466, 34478 (June 17, 2008). However, the term “common domestic animal” is difficult to define with precision due to the increase in the number of domesticated species. Also, several State and local laws define a “domestic” animal as an animal that is not wild. The Department agrees with commenters’ views that limiting the number and types of species recognized as service animals will provide greater predictability for State and local government entities as well as added assurance of access for individuals with disabilities who use dogs as service animals. As a consequence, the Department has decided to limit this rule’s coverage of service animals to dogs, which are the most common service animals used by individuals with disabilities.

*Wild animals, monkeys, and other nonhuman primates.* Numerous business entities endorsed a narrow definition of acceptable service animal species, and asserted that there are certain animals (e.g., reptiles) that cannot be trained to do work or perform tasks. Other commenters suggested that the Department should identify excluded animals, such as birds and llamas, in the final rule. Although one commenter noted that wild animals bred in captivity should be permitted to be service animals, the Department has decided to make clear that all wild animals, whether born or bred in captivity or in the wild, are eliminated from coverage as service animals. The Department believes that this approach reduces risks to health or safety attendant with wild animals. Some animals, such as certain nonhuman primates including certain monkeys, pose a direct threat; their behavior can be unpredictably aggressive and violent without notice or provocation. The American Veterinary Medical Association (AVMA) issued a position statement advising against the use of monkeys as service animals, stating that “[t]he AVMA does not support the use of nonhuman primates as assistance animals because of animal welfare concerns, and the potential for serious injury and zoonotic [animal to human disease transmission] risks.” AVMA Position Statement, *Nonhuman Primates as Assistance Animals*, (2005) available at [http://www.avma.org/issues/policy/nonhuman\\_primates.asp](http://www.avma.org/issues/policy/nonhuman_primates.asp) (last visited June 24, 2010).

An organization that trains capuchin monkeys to provide in-home services to individuals with paraplegia and quadriplegia was in substantial agreement with the AVMA’s views but requested a limited recognition in the service animal definition for the capuchin monkeys it trains to provide assistance for persons with disabilities. The organization commented that its trained capuchin monkeys undergo scrupulous veterinary examinations to ensure that the animals pose no health risks, and are used by individuals with disabilities exclusively in their homes. The organization acknowledged that the capuchin monkeys it trains are not necessarily suitable for use in State or local government facilities. The organization noted that several State and local government entities have local zoning, licensing, health, and safety laws that prohibit nonhuman primates, and that these prohibitions would prevent individuals with disabilities from using these animals even in their homes.

The organization argued that including capuchin monkeys under the service animal umbrella would make it easier for individuals with disabilities to obtain reasonable modifications of State and local licensing, health, and safety laws that would permit the use of these monkeys. The organization argued that this limited modification to the

service animal definition was warranted in view of the services these monkeys perform, which enable many individuals with paraplegia and quadriplegia to live and function with increased independence.

The Department has carefully considered the potential risks associated with the use of nonhuman primates as service animals in State and local government facilities, as well as the information provided to the Department about the significant benefits that trained capuchin monkeys provide to certain individuals with disabilities in residential settings. The Department has determined, however, that nonhuman primates, including capuchin monkeys, will not be recognized as service animals for purposes of this rule because of their potential for disease transmission and unpredictable aggressive behavior. The Department believes that these characteristics make nonhuman primates unsuitable for use as service animals in the context of the wide variety of public settings subject to this rule. As the organization advocating the inclusion of capuchin monkeys acknowledges, capuchin monkeys are not suitable for use in public facilities.

The Department emphasizes that it has decided only that capuchin monkeys will not be included in the definition of service animals for purposes of its regulation implementing the ADA. This decision does not have any effect on the extent to which public entities are required to allow the use of such monkeys under other Federal statutes. For example, under the FHAct, an individual with a disability may have the right to have an animal other than a dog in his or her home if the animal qualifies as a "reasonable accommodation" that is necessary to afford the individual equal opportunity to use and enjoy a dwelling, assuming that the use of the animal does not pose a direct threat. In some cases, the right of an individual to have an animal under the FHAct may conflict with State or local laws that prohibit all individuals, with or without disabilities, from owning a particular species. However, in this circumstance, an individual who wishes to request a reasonable modification of the State or local law must do so under the FHAct, not the ADA.

Having considered all of the comments about which species should qualify as service animals under the ADA, the Department has determined the most reasonable approach is to limit acceptable species to dogs.

*Size or weight limitations.* The vast majority of commenters did not support a size or weight limitation. Commenters were typically opposed to a size or weight limit because many tasks performed by service animals require large, strong dogs. For instance, service animals may perform tasks such as providing balance and support or pulling a wheelchair. Small animals may not be suitable for large adults. The weight of

the service animal user is often correlated with the size and weight of the service animal. Others were concerned that adding a size and weight limit would further complicate the difficult process of finding an appropriate service animal. One commenter noted that there is no need for a limit because "if, as a practical matter, the size or weight of an individual's service animal creates a direct threat or fundamental alteration to a particular public entity or accommodation, there are provisions that allow for the animal's exclusion or removal." Some common concerns among commenters in support of a size and weight limit were that a larger animal may be less able to fit in various areas with its handler, such as toilet rooms and public seating areas, and that larger animals are more difficult to control.

Balancing concerns expressed in favor of and against size and weight limitations, the Department has determined that such limitations would not be appropriate. Many individuals of larger stature require larger dogs. The Department believes it would be inappropriate to deprive these individuals of the option of using a service dog of the size required to provide the physical support and stability these individuals may need to function independently. Since large dogs have always served as service animals, continuing their use should not constitute fundamental alterations or impose undue burdens on title II entities.

*Breed limitations.* A few commenters suggested that certain breeds of dogs should not be allowed to be used as service animals. Some suggested that the Department should defer to local laws restricting the breeds of dogs that individuals who reside in a community may own. Other commenters opposed breed restrictions, stating that the breed of a dog does not determine its propensity for aggression and that aggressive and non-aggressive dogs exist in all breeds.

The Department does not believe that it is either appropriate or consistent with the ADA to defer to local laws that prohibit certain breeds of dogs based on local concerns that these breeds may have a history of unprovoked aggression or attacks. Such deference would have the effect of limiting the rights of persons with disabilities under the ADA who use certain service animals based on where they live rather than on whether the use of a particular animal poses a direct threat to the health and safety of others. Breed restrictions differ significantly from jurisdiction to jurisdiction. Some jurisdictions have no breed restrictions. Others have restrictions that, while well-meaning, have the unintended effect of screening out the very breeds of dogs that have successfully served as service animals for decades without a history of the type of unprovoked aggression or attacks that would pose a direct

threat, *e.g.*, German Shepherds. Other jurisdictions prohibit animals over a certain weight, thereby restricting breeds without invoking an express breed ban. In addition, deference to breed restrictions contained in local laws would have the unacceptable consequence of restricting travel by an individual with a disability who uses a breed that is acceptable and poses no safety hazards in the individual's home jurisdiction but is nonetheless banned by other jurisdictions. State and local government entities have the ability to determine, on a case-by-case basis, whether a particular service animal can be excluded based on that particular animal's actual behavior or history—not based on fears or generalizations about how an animal or breed might behave. This ability to exclude an animal whose behavior or history evidences a direct threat is sufficient to protect health and safety.

*Recognition of psychiatric service animals but not "emotional support animals."* The definition of "service animal" in the NPRM stated the Department's longstanding position that emotional support animals are not included in the definition of "service animal." The proposed text in §35.104 provided that "[a]nimals whose sole function is to provide emotional support, comfort, therapy, companionship, therapeutic benefits or to promote emotional well-being are not service animals." 73 FR 34466, 34504 (June 17, 2008).

Many advocacy organizations expressed concern and disagreed with the exclusion of comfort and emotional support animals. Others have been more specific, stating that individuals with disabilities may need their emotional support animals in order to have equal access. Some commenters noted that individuals with disabilities use animals that have not been trained to perform tasks directly related to their disability. These animals do not qualify as service animals under the ADA. These are emotional support or comfort animals.

Commenters asserted that excluding categories such as "comfort" and "emotional support" animals recognized by laws such as the FHAct or the Air Carrier Access Act (ACAA) is confusing and burdensome. Other commenters noted that emotional support and comfort animals perform an important function, asserting that animal companionship helps individuals who experience depression resulting from multiple sclerosis.

Some commenters explained the benefits emotional support animals provide, including emotional support, comfort, therapy, companionship, therapeutic benefits, and the promotion of emotional well-being. They contended that without the presence of an emotional support animal in their lives they would be disadvantaged and unable to participate in society. These commenters were concerned that excluding this category of animals will lead to discrimination against,

and the excessive questioning of, individuals with non-visible or non-apparent disabilities. Other commenters expressing opposition to the exclusion of individually trained "comfort" or "emotional support" animals asserted that the ability to soothe or de-escalate and control emotion is "work" that benefits the individual with the disability.

Many commenters requested that the Department carve out an exception that permits current or former members of the military to use emotional support animals. They asserted that a significant number of service members returning from active combat duty have adjustment difficulties due to combat, sexual assault, or other traumatic experiences while on active duty. Commenters noted that some current or former members of the military service have been prescribed animals for conditions such as PTSD. One commenter stated that service women who were sexually assaulted while in the military use emotional support animals to help them feel safe enough to step outside their homes. The Department recognizes that many current and former members of the military have disabilities as a result of service-related injuries that may require emotional support and that such individuals can benefit from the use of an emotional support animal and could use such animal in their home under the FHAct. However, having carefully weighed the issues, the Department believes that its final rule appropriately addresses the balance of issues and concerns of both the individual with a disability and the public entity. The Department also notes that nothing in this part prohibits a public entity from allowing current or former military members or anyone else with disabilities to utilize emotional support animals if it wants to do so.

Commenters asserted the view that if an animal's "mere presence" legitimately provides such benefits to an individual with a disability and if those benefits are necessary to provide equal opportunity given the facts of the particular disability, then such an animal should qualify as a "service animal." Commenters noted that the focus should be on the nature of a person's disability, the difficulties the disability may impose and whether the requested accommodation would legitimately address those difficulties, not on evaluating the animal involved. The Department understands this approach has benefited many individuals under the FHAct and analogous State law provisions, where the presence of animals poses fewer health and safety issues, and where emotional support animals provide assistance that is unique to residential settings. The Department believes, however, that the presence of such animals is not required in the context of title II entities such as courthouses, State and local government administrative buildings, and similar title II facilities.

Under the Department's previous regulatory framework, some individuals and entities assumed that the requirement that service animals must be individually trained to do work or perform tasks excluded all individuals with mental disabilities from having service animals. Others assumed that any person with a psychiatric condition whose pet provided comfort to them was covered by the 1991 title II regulation. The Department reiterates that psychiatric service animals that are trained to do work or perform a task for individuals whose disability is covered by the ADA are protected by the Department's present regulatory approach. Psychiatric service animals can be trained to perform a variety of tasks that assist individuals with disabilities to detect the onset of psychiatric episodes and ameliorate their effects. Tasks performed by psychiatric service animals may include reminding individuals to take medicine, providing safety checks or room searches for individuals with PTSD, interrupting self-mutilation, and removing disoriented individuals from dangerous situations.

The difference between an emotional support animal and a psychiatric service animal is the work or tasks that the animal performs. Traditionally, service dogs worked as guides for individuals who were blind or had low vision. Since the original regulation was promulgated, service animals have been trained to assist individuals with many different types of disabilities.

In the final rule, the Department has retained its position on the exclusion of emotional support animals from the definition of "service animal." The definition states that "[t]he provision of emotional support, well-being, comfort, or companionship. \* \* \* do[es] not constitute work or tasks for the purposes of this definition." The Department notes, however, that the exclusion of emotional support animals from coverage in the final rule does not mean that individuals with psychiatric or mental disabilities cannot use service animals that meet the regulatory definition. The final rule defines service animal as follows: "[s]ervice animal means any dog that is individually trained to do work or perform tasks for the benefit of an individual with a disability, including a physical, sensory, psychiatric, intellectual, or other mental disability." This language simply clarifies the Department's longstanding position.

The Department's position is based on the fact that the title II and title III regulations govern a wider range of public settings than the housing and transportation settings for which the Department of Housing and Urban Development (HUD) and DOT regulations allow emotional support animals or comfort animals. The Department recognizes that there are situations not governed by the title II and title III regulations, particularly

in the context of residential settings and transportation, where there may be a legal obligation to permit the use of animals that do not qualify as service animals under the ADA, but whose presence nonetheless provides necessary emotional support to persons with disabilities. Accordingly, other Federal agency regulations, case law, and possibly State or local laws governing those situations may provide appropriately for increased access for animals other than service animals as defined under the ADA. Public officials, housing providers, and others who make decisions relating to animals in residential and transportation settings should consult the Federal, State, and local laws that apply in those areas (e.g., the FHAct regulations of HUD and the ACAA) and not rely on the ADA as a basis for reducing those obligations.

*Retain term "service animal."* Some commenters asserted that the term "assistance animal" is a term of art and should replace the term "service animal." However, the majority of commenters preferred the term "service animal" because it is more specific. The Department has decided to retain the term "service animal" in the final rule. While some agencies, like HUD, use the term "assistance animal," "assistive animal," or "support animal," these terms are used to denote a broader category of animals than is covered by the ADA. The Department has decided that changing the term used in the final rule would create confusion, particularly in view of the broader parameters for coverage under the FHAct, *cf.*, preamble to HUD's Final Rule for Pet Ownership for the Elderly and Persons with Disabilities, 73 FR 63834-38 (Oct. 27, 2008); HUD Handbook No. 4350.3 Rev-1, Chapter 2, Occupancy Requirements of Subsidized Multifamily Housing Programs (June 2007), available at <http://www.hud.gov/offices/adm/hudclips/handbooks/hsg/4350.3> (last visited June 24, 2010). Moreover, as discussed above, the Department's definition of "service animal" in the title II final rule does not affect the rights of individuals with disabilities who use assistance animals in their homes under the FHAct or who use "emotional support animals" that are covered under the ACAA and its implementing regulations. *See* 14 CFR 382.7 *et seq.*; *see also* Department of Transportation, *Guidance Concerning Service Animals in Air Transportation*, 68 FR 24874, 24877 (May 9, 2003) (discussing accommodation of service animals and emotional support animals on aircraft).

"Video Remote Interpreting" (VRI) Services

In the NPRM, the Department proposed adding Video Interpreting Services (VIS) to the list of auxiliary aids available to provide effective communication described in §35.104. In the preamble to the NPRM, VIS was defined as "a technology composed of a video

phone, video monitors, cameras, a high-speed Internet connection, and an interpreter. The video phone provides video transmission to a video monitor that permits the individual who is deaf or hard of hearing to view and sign to a video interpreter (*i.e.*, a live interpreter in another location), who can see and sign to the individual through a camera located on or near the monitor, while others can communicate by speaking. The video monitor can display a split screen of two live images, with the interpreter in one image and the individual who is deaf or hard of hearing in the other image.” 73 FR 34446, 34479 (June 17, 2008). Comments from advocacy organizations and individuals unanimously requested that the Department use the term “video remote interpreting (VRI),” instead of VIS, for consistency with Federal Communications Commission (FCC) regulations. See FCC Public Notice, DA-0502417 (Sept. 7, 2005), and with common usage by consumers. The Department has made that change throughout the regulation to avoid confusion and to make the regulation more consistent with existing regulations.

Many commenters also requested that the Department distinguish between VRI and “video relay service (VRS).” Both VRI and VRS use a remote interpreter who is able to see and communicate with a deaf person and a hearing person, and all three individuals may be connected by a video link. VRI is a fee-based interpreting service conveyed via videoconferencing where at least one person, typically the interpreter, is at a separate location. VRI can be provided as an on-demand service or by appointment. VRI normally involves a contract in advance for the interpreter who is usually paid by the covered entity.

VRS is a telephone service that enables persons with disabilities to use the telephone to communicate using video connections and is a more advanced form of relay service than the traditional voice to text telephones (TTY) relay systems that were recognized in the 1991 title II regulation. More specifically, VRS is a video relay service using interpreters connected to callers by video hook-up and is designed to provide telephone services to persons who are deaf and use American Sign Language that are functionally equivalent to those provided to users who are hearing. VRS is funded through the Interstate Telecommunications Relay Services Fund and overseen by the FCC. See 47 CFR 64.601(a)(26). There are no fees for callers to use the VRS interpreters and the video connection, although there may be relatively inexpensive initial costs to the title II entities to purchase the videophone or camera for on-line video connection, or other equipment to connect to the VRS service. The FCC has made clear that VRS functions as a telephone service and is not intended to be used for interpreting services where both

parties are in the same room; the latter is reserved for VRI. The Department agrees that VRS cannot be used as a substitute for in-person interpreters or for VRI in situations that would not, absent one party’s disability, entail use of the telephone.

Many commenters strongly recommended limiting the use of VRI to circumstances where it will provide effective communication. Commenters from advocacy groups and persons with disabilities expressed concern that VRI may not always be appropriate to provide effective communication, especially in hospitals and emergency rooms. Examples were provided of patients who are unable to see the video monitor because they are semi-conscious or unable to focus on the video screen; other examples were given of cases where the video monitor is out of the sightline of the patient or the image is out of focus; still other examples were given of patients who could not see the image because the signal was interrupted, causing unnatural pauses in the communication, or the image was grainy or otherwise unclear. Many commenters requested more explicit guidelines on the use of VRI, and some recommended requirements for equipment maintenance, high-speed, wide-bandwidth video links using dedicated lines or wireless systems, and training of staff using VRI, especially in hospital and health care situations. Several major organizations requested a requirement to include the interpreter’s face, head, arms, hands, and eyes in all transmissions. Finally, one State agency asked for additional guidance, outreach, and mandated advertising about the availability of VRI in title II situations so that local government entities would budget for and facilitate the use of VRI in libraries, schools, and other places.

After consideration of the comments and the Department’s own research and experience, the Department has determined that VRI can be an effective method of providing interpreting services in certain circumstances, but not in others. For example, VRI should be effective in many situations involving routine medical care, as well as in the emergency room where urgent care is important, but no in-person interpreter is available; however, VRI may not be effective in situations involving surgery or other medical procedures where the patient is limited in his or her ability to see the video screen. Similarly, VRI may not be effective in situations where there are multiple people in a room and the information exchanged is highly complex and fast-paced. The Department recognizes that in these and other situations, such as where communication is needed for persons who are deaf-blind, it may be necessary to summon an in-person interpreter to assist certain individuals. To ensure that VRI is effective in situations where



it is appropriate, the Department has established performance standards in §35.160(d).

#### SUBPART B—GENERAL REQUIREMENTS

##### *Section 35.130(h) Safety.*

Section 36.301(b) of the 1991 title III regulation provides that a public accommodation “may impose legitimate safety requirements that are necessary for safe operation. Safety requirements must be based on actual risks, and not on mere speculation, stereotypes, or generalizations about individuals with disabilities.” 28 CFR 36.301(b). Although the 1991 title II regulation did not include similar language, the Department’s 1993 ADA Title II Technical Assistance Manual at II-3.5200 makes clear the Department’s view that public entities also have the right to impose legitimate safety requirements necessary for the safe operation of services, programs, or activities. To ensure consistency between the title II and title III regulations, the Department has added a new §35.130(h) in the final rule incorporating this longstanding position relating to imposition of legitimate safety requirements.

##### *Section 35.133 Maintenance of accessible features.*

Section 35.133 in the 1991 title II regulation provides that a public entity must maintain in operable working condition those features of facilities and equipment that are required to be readily accessible to and usable by qualified individuals with disabilities. *See* 28 CFR 35.133(a). In the NPRM, the Department clarified the application of this provision and proposed one change to the section to address the discrete situation in which the scoping requirements provided in the 2010 Standards reduce the number of required elements below the requirements of the 1991 Standards. In that discrete event, a public entity may reduce such accessible features in accordance with the requirements in the 2010 Standards.

The Department received only four comments on this proposed amendment. None of the commenters opposed the change. In the final rule, the Department has revised the section to make it clear that if the 2010 Standards reduce either the technical requirements or the number of required accessible elements below that required by the 1991 Standards, then the public entity may reduce the technical requirements or the number of accessible elements in a covered facility in accordance with the requirements of the 2010 Standards.

One commenter urged the Department to amend §35.133(b) to expand the language of the section to restocking of shelves as a permissible activity for isolated or temporary interruptions in service or access. It is the Department’s position that a temporary interruption that blocks an accessible route,

such as restocking of shelves, is already permitted by §35.133(b), which clarifies that “isolated or temporary interruptions in service or access due to maintenance or repairs” are permitted. Therefore, the Department will not make any additional changes in the final rule to the language of §35.133(b) other than those discussed in the preceding paragraph.

##### *Section 35.136 Service animals.*

The 1991 title II regulation states that “[a] public entity shall make reasonable modifications in policies, practices, or procedures when the modifications are necessary to avoid discrimination on the basis of disability, unless the public entity can demonstrate that making the modifications would fundamentally alter the nature of the service, program or activity.” 28 CFR 130(b)(7). Unlike the title III regulation, the 1991 title II regulation did not contain a specific provision addressing service animals.

In the NPRM, the Department stated the intention of providing the broadest feasible access to individuals with disabilities and their service animals, unless a public entity can demonstrate that making the modifications to policies excluding animals would fundamentally alter the nature of the public entity’s service, program, or activity. The Department proposed creating a new §35.136 addressing service animals that was intended to retain the scope of the 1991 title III regulation at §36.302(c), while clarifying the Department’s longstanding policies and interpretations, as outlined in published technical assistance, *Commonly Asked Questions About Service Animals in Places of Business* (1996), available at <http://www.ada.gov/qasrvc.ftm> and *ADA Guide for Small Businesses* (1999), available at <http://www.ada.gov/smbustxt.htm>, and to add that a public entity may exclude a service animal in certain circumstances where the service animal fails to meet certain behavioral standards. The Department received extensive comments in response to proposed §35.136 from individuals, disability advocacy groups, organizations involved in training service animals, and public entities. Those comments and the Department’s response are discussed below.

*Exclusion of service animals.* In the NPRM, the Department proposed incorporating the title III regulatory language of §36.302(c) into new §35.136(a), which states that “[g]enerally, a public entity shall modify its policies, practices, or procedures to permit the use of a service animal by an individual with a disability, unless the public entity can demonstrate that the use of a service animal would fundamentally alter the public entity’s service, program, or activity.” The final rule retains this language with some modifications.

In addition, in the NPRM, the Department proposed clarifying those circumstances

where otherwise eligible service animals may be excluded by public entities from their programs or facilities. The Department proposed in §35.136(b)(1) of the NPRM that a public entity may ask an individual with a disability to remove a service animal from a title II service, program, or activity if: “[t]he animal is out of control and the animal’s handler does not take effective action to control it.” 73 FR 34466, 34504 (June 17, 2008).

The Department has long held that a service animal must be under the control of the handler at all times. Commenters overwhelmingly were in favor of this language, but noted that there are occasions when service animals are provoked to disruptive or aggressive behavior by agitators or troublemakers, as in the case of a blind individual whose service dog is taunted or pinched. While all service animals are trained to ignore and overcome these types of incidents, misbehavior in response to provocation is not always unreasonable. In circumstances where a service animal misbehaves or responds reasonably to a provocation or injury, the public entity must give the handler a reasonable opportunity to gain control of the animal. Further, if the individual with a disability asserts that the animal was provoked or injured, or if the public entity otherwise has reason to suspect that provocation or injury has occurred, the public entity should seek to determine the facts and, if provocation or injury occurred, the public entity should take effective steps to prevent further provocation or injury, which may include asking the provocateur to leave the public entity. This language is unchanged in the final rule.

The NPRM also proposed language at §35.136(b)(2) to permit a public entity to exclude a service animal if the animal is not housebroken (*i.e.*, trained so that, absent illness or accident, the animal controls its waste elimination) or the animal’s presence or behavior fundamentally alters the nature of the service the public entity provides (*e.g.*, repeated barking during a live performance). Several commenters were supportive of this NPRM language, but cautioned against overreaction by the public entity in these instances. One commenter noted that animals get sick, too, and that accidents occasionally happen. In these circumstances, simple clean up typically addresses the incident. Commenters noted that the public entity must be careful when it excludes a service animal on the basis of “fundamental alteration,” asserting for example that a public entity should not exclude a service animal for barking in an environment where other types of noise, such as loud cheering or a child crying, is tolerated. The Department maintains that the appropriateness of an exclusion can be assessed by reviewing how a public entity addresses comparable situations that do not

involve a service animal. The Department has retained in §35.136(b) of the final rule the exception requiring animals to be housebroken. The Department has not retained the specific NPRM language stating that animals can be excluded if their presence or behavior fundamentally alters the nature of the service provided by the public entity, because the Department believes that this exception is covered by the general reasonable modification requirement contained in §35.130(b)(7).

The NPRM also proposed at §35.136(b)(3) that a service animal can be excluded where “[t]he animal poses a direct threat to the health or safety of others that cannot be eliminated by reasonable modifications.” 73 FR 34466, 34504 (June 17, 2008). Commenters were universally supportive of this provision as it makes express the discretion of a public entity to exclude a service animal that poses a direct threat. Several commenters cautioned against the overuse of this provision and suggested that the Department provide an example of the rule’s application. The Department has decided not to include regulatory language specifically stating that a service animal can be excluded if it poses a direct threat. The Department believes that the addition of new §35.139, which incorporates the language of the title III provisions at §36.302 relating to the general defense of direct threat, is sufficient to establish the availability of this defense to public entities.

*Access to a public entity following the proper exclusion of a service animal.* The NPRM proposed that in the event a public entity properly excludes a service animal, the public entity must give the individual with a disability the opportunity to access the programs, services, and facilities of the public entity without the service animal. Most commenters welcomed this provision as a common sense approach. These commenters noted that they do not wish to preclude individuals with disabilities from the full and equal enjoyment of the State or local government’s programs, services, or facilities, simply because of an isolated problem with a service animal. The Department has elected to retain this provision in §35.136(a).

*Other requirements.* The NPRM also proposed that the regulation include the following requirements: that the work or tasks performed by the service animal must be directly related to the handler’s disability; that a service animal must be individually trained to do work or perform a task, be housebroken, and be under the control of the handler; and that a service animal must have a harness, leash, or other tether. Most commenters addressed at least one of these issues in their responses. Most agreed that these provisions are important to clarify further the 1991 service animal regulation. The Department has moved the requirement that

the work or tasks performed by the service animal must be related directly to the individual's disability to the definition of 'service animal' in §35.104. In addition, the Department has modified the proposed language in §35.136(d) relating to the handler's control of the animal with a harness, leash, or other tether to state that "[a] service animal shall have a harness, leash, or other tether, unless either the handler is unable because of a disability to use a harness, leash, or other tether, or the use of a harness, leash, or other tether would interfere with the service animal's safe, effective performance of work or tasks, in which case the service animal must be otherwise under the handler's control (e.g., voice control, signals, or other effective means)." The Department has retained the requirement that the service animal must be individually trained (see Appendix A discussion of §35.104, definition of "service animal"), as well as the requirement that the service animal be housebroken.

*Responsibility for supervision and care of a service animal.* The NPRM proposed language at §35.136(e) stating that "[a] public entity is not responsible for caring for or supervising a service animal." 73 FR 34466, 34504 (June 17, 2008). Most commenters did not address this particular provision. The Department recognizes that there are occasions when a person with a disability is confined to bed in a hospital for a period of time. In such an instance, the individual may not be able to walk or feed the service animal. In such cases, if the individual has a family member, friend, or other person willing to take on these responsibilities in the place of the individual with disabilities, the individual's obligation to be responsible for the care and supervision of the service animal would be satisfied. The language of this section is retained, with minor modifications, in §35.136(e) of the final rule.

*Inquiries about service animals.* The NPRM proposed language at §35.136(f) setting forth parameters about how a public entity may determine whether an animal qualifies as a service animal. The proposed section stated that a public entity may ask if the animal is required because of a disability and what task or work the animal has been trained to do but may not require proof of service animal certification or licensing. Such inquiries are limited to eliciting the information necessary to make a decision without requiring disclosure of confidential disability-related information that a State or local government entity does not need. This language is consistent with the policy guidance outlined in two Department publications, *Commonly Asked Questions about Service Animals in Places of Business* (1996), available at <http://www.ada.gov/qasrvc.htm>, and *ADA Guide for Small Businesses*, (1999), available at <http://www.ada.gov/smbustxt.htm>.

Although some commenters contended that the NPRM service animal provisions leave unaddressed the issue of how a public entity can distinguish between a psychiatric service animal, which is covered under the final rule, and a comfort animal, which is not, other commenters noted that the Department's published guidance has helped public entities to distinguish between service animals and pets on the basis of an individual's response to these questions. Accordingly, the Department has retained the NPRM language incorporating its guidance concerning the permissible questions into the final rule.

Some commenters suggested that a title II entity be allowed to require current documentation, no more than one year old, on letterhead from a mental health professional stating the following: (1) That the individual seeking to use the animal has a mental health-related disability; (2) that having the animal accompany the individual is necessary to the individual's mental health or treatment or to assist the person otherwise; and (3) that the person providing the assessment of the individual is a licensed mental health professional and the individual seeking to use the animal is under that individual's professional care. These commenters asserted that this will prevent abuse and ensure that individuals with legitimate needs for psychiatric service animals may use them. The Department believes that this proposal would treat persons with psychiatric, intellectual, and other mental disabilities less favorably than persons with physical or sensory disabilities. The proposal would also require persons with disabilities to obtain medical documentation and carry it with them any time they seek to engage in ordinary activities of daily life in their communities—something individuals without disabilities have not been required to do. Accordingly, the Department has concluded that a documentation requirement of this kind would be unnecessary, burdensome, and contrary to the spirit, intent, and mandates of the ADA.

*Areas of a public entity open to the public, participants in services, programs, or activities, or invitees.* The NPRM proposed at §35.136(g) that an individual with a disability who uses a service animal has the same right of access to areas of a title II entity as members of the public, participants in services, programs, or activities, or invitees. Commenters indicated that allowing individuals with disabilities to go with their service animals into the same areas as members of the public, participants in programs, services, or activities, or invitees is accepted practice by most State and local government entities. The Department has included a slightly modified version of this provision in §35.136(g) of the final rule.

The Department notes that under the final rule, a healthcare facility must also permit a person with a disability to be accompanied by a service animal in all areas of the facility in which that person would otherwise be allowed. There are some exceptions, however. The Department follows the guidance of the Centers for Disease Control and Prevention (CDC) on the use of service animals in a hospital setting. Zoonotic diseases can be transmitted to humans through bites, scratches, direct contact, arthropod vectors, or aerosols.

Consistent with CDC guidance, it is generally appropriate to exclude a service animal from limited-access areas that employ general infection-control measures, such as operating rooms and burn units. See Centers for Disease Control and Prevention, *Guidelines for Environmental Infection Control in Health-Care Facilities: Recommendations of CDC and the Healthcare Infection Control Practices Advisory Committee* (June 2003), available at [http://www.cdc.gov/hicpac/pdf/guidelines/eic\\_in\\_HCF\\_03.pdf](http://www.cdc.gov/hicpac/pdf/guidelines/eic_in_HCF_03.pdf) (last visited June 24, 2010). A service animal may accompany its handler to such areas as admissions and discharge offices, the emergency room, inpatient and outpatient rooms, examining and diagnostic rooms, clinics, rehabilitation therapy areas, the cafeteria and vending areas, the pharmacy, restrooms, and all other areas of the facility where healthcare personnel, patients, and visitors are permitted without added precaution.

*Prohibition against surcharges for use of a service animal.* In the NPRM, the Department proposed to incorporate the previously mentioned policy guidance, which prohibits the assessment of a surcharge for the use of a service animal, into proposed § 35.136(h). Several commenters agreed that this provision makes clear the obligation of a public entity to admit an individual with a service animal without surcharges, and that any additional costs imposed should be factored into the overall cost of administering a program, service, or activity, and passed on as a charge to all participants, rather than an individualized surcharge to the service animal user. Commenters also noted that service animal users cannot be required to comply with other requirements that are not generally applicable to other persons. If a public entity normally charges individuals for the damage they cause, an individual with a disability may be charged for damage caused by his or her service animal. The Department has retained this language, with minor modifications, in the final rule at § 35.136(h).

*Training requirement.* Certain commenters recommended the adoption of formal training requirements for service animals. The Department has rejected this approach and will not impose any type of formal training requirements or certification process, but will continue to require that service animals

be individually trained to do work or perform tasks for the benefit of an individual with a disability. While some groups have urged the Department to modify this position, the Department has determined that such a modification would not serve the full array of individuals with disabilities who use service animals, since individuals with disabilities may be capable of training, and some have trained, their service animal to perform tasks or do work to accommodate their disability. A training and certification requirement would increase the expense of acquiring a service animal and might limit access to service animals for individuals with limited financial resources.

Some commenters proposed specific behavior or training standards for service animals, arguing that without such standards, the public has no way to differentiate between untrained pets and service animals. Many of the suggested behavior or training standards were lengthy and detailed. The Department believes that this rule addresses service animal behavior sufficiently by including provisions that address the obligations of the service animal user and the circumstances under which a service animal may be excluded, such as the requirements that an animal be housebroken and under the control of its handler.

*Miniature horses.* The Department has been persuaded by commenters and the available research to include a provision that would require public entities to make reasonable modifications to policies, practices, or procedures to permit the use of a miniature horse by a person with a disability if the miniature horse has been individually trained to do work or perform tasks for the benefit of the individual with a disability. The traditional service animal is a dog, which has a long history of guiding individuals who are blind or have low vision, and over time dogs have been trained to perform an even wider variety of services for individuals with all types of disabilities. However, an organization that developed a program to train miniature horses, modeled on the program used for guide dogs, began training miniature horses in 1991.

Although commenters generally supported the species limitations proposed in the NPRM, some were opposed to the exclusion of miniature horses from the definition of a service animal. These commenters noted that these animals have been providing assistance to persons with disabilities for many years. Miniature horses were suggested by some commenters as viable alternatives to dogs for individuals with allergies, or for those whose religious beliefs preclude the use of dogs. Another consideration mentioned in favor of the use of miniature horses is the longer life span and strength of miniature horses in comparison to dogs. Specifically, miniature horses can provide service

for more than 25 years while dogs can provide service for approximately 7 years, and, because of their strength, miniature horses can provide services that dogs cannot provide. Accordingly, use of miniature horses reduces the cost involved to retire, replace, and train replacement service animals.

The miniature horse is not one specific breed, but may be one of several breeds, with distinct characteristics that produce animals suited to service animal work. The animals generally range in height from 24 inches to 34 inches measured to the withers, or shoulders, and generally weigh between 70 and 100 pounds. These characteristics are similar to those of large breed dogs such as Labrador Retrievers, Great Danes, and Mastiffs. Similar to dogs, miniature horses can be trained through behavioral reinforcement to be “housebroken.” Most miniature service horse handlers and organizations recommend that when the animals are not doing work or performing tasks, the miniature horses should be kept outside in a designated area, instead of indoors in a house.

According to information provided by an organization that trains service horses, these miniature horses are trained to provide a wide array of services to their handlers, primarily guiding individuals who are blind or have low vision, pulling wheelchairs, providing stability and balance for individuals with disabilities that impair the ability to walk, and supplying leverage that enables a person with a mobility disability to get up after a fall. According to the commenter, miniature horses are particularly effective for large stature individuals. The animals can be trained to stand (and in some cases, lie down) at the handler’s feet in venues where space is at a premium, such as assembly areas or inside some vehicles that provide public transportation. Some individuals with disabilities have traveled by train and have flown commercially with their miniature horses.

The miniature horse is not included in the definition of service animal, which is limited to dogs. However, the Department has added a specific provision at §35.136(i) of the final rule covering miniature horses. Under this provision, a public entity must make reasonable modifications in policies, practices, or procedures to permit the use of a miniature horse by an individual with a disability if the miniature horse has been individually trained to do work or perform tasks for the benefit of the individual with a disability. The public entity may take into account a series of assessment factors in determining whether to allow a miniature horse into a specific facility. These include the type, size, and weight of the miniature horse; whether the handler has sufficient control of the miniature horse; whether the miniature horse is housebroken; and whether the miniature horse’s presence in a specific facility com-

promises legitimate safety requirements that are necessary for safe operation. In addition, paragraphs (c)–(h) of this section, which are applicable to dogs, also apply to miniature horses.

Ponies and full-size horses are not covered by §35.136(i). Also, because miniature horses can vary in size and can be larger and less flexible than dogs, covered entities may exclude this type of service animal if the presence of the miniature horse, because of its larger size and lower level of flexibility, results in a fundamental alteration to the nature of the programs activities, or services provided.

#### *Section 35.137 Mobility devices.*

Section 35.137 of the NPRM clarified the scope and circumstances under which covered entities are legally obligated to accommodate various “mobility devices.” Section 35.137 set forth specific requirements for the accommodation of “mobility devices,” including wheelchairs, manually-powered mobility aids, and other power-driven mobility devices.

In both the NPRM and the final rule, §35.137(a) states the general rule that in any areas open to pedestrians, public entities shall permit individuals with mobility disabilities to use wheelchairs and manually-powered mobility aids, including walkers, crutches, canes, braces, or similar devices. Because mobility scooters satisfy the definition of “wheelchair” (*i.e.*, “manually-operated or power-driven device designed primarily for use by an individual with a mobility disability for the main purpose of indoor, or of both indoor and outdoor locomotion”), the reference to them in §35.137(a) of the final rule has been omitted to avoid redundancy.

Some commenters expressed concern that permitting the use of other power-driven mobility devices by individuals with mobility disabilities would make such devices akin to wheelchairs and would require them to make physical changes to their facilities to accommodate their use. This concern is misplaced. If a facility complies with the applicable design requirements in the 1991 Standards or the 2010 Standards, the public entity will not be required to exceed those standards to accommodate the use of wheelchairs or other power-driven mobility devices that exceed those requirements.

*Legal standard for other power-driven mobility devices.* The NPRM version of §35.137(b) provided that “[a] public entity shall make reasonable modifications in its policies, practices, and procedures to permit the use of other power-driven mobility devices by individuals with disabilities, unless the public entity can demonstrate that the use of the device is not reasonable or that its use will result in a fundamental alteration in the

public entity's service, program, or activity." 73 FR 34466, 34505 (June 17, 2008). In other words, public entities are by default required to permit the use of other power-driven mobility devices; the burden is on them to prove the existence of a valid exception.

Most commenters supported the notion of assessing whether the use of a particular device is reasonable in the context of a particular venue. Commenters, however, disagreed about the meaning of the word "reasonable" as it is used in §35.137(b) of the NPRM. Advocacy and nonprofit groups almost universally objected to the use of a general reasonableness standard with regard to the assessment of whether a particular device should be allowed at a particular venue. They argued that the assessment should be based on whether reasonable modifications could be made to allow a particular device at a particular venue, and that the only factors that should be part of the calculus that results in the exclusion of a particular device are undue burden, direct threat, and fundamental alteration.

A few commenters opposed the proposed provision requiring public entities to assess whether reasonable modifications can be made to allow other power-driven mobility devices, preferring instead that the Department issue guidance materials so that public entities would not have to incur the cost of such analyses. Another commenter noted a "fox guarding the hen house"-type of concern with regard to public entities developing and enforcing their own modification policy.

In response to comments received, the Department has revised §35.137(b) to provide greater clarity regarding the development of legitimate safety requirements regarding other power-driven mobility devices and has added a new §35.130(h) (Safety) to the title II regulation which specifically permits public entities to impose legitimate safety requirements necessary for the safe operation of their services, programs, and activities. (See discussion below.) The Department has not retained the proposed NPRM language stating that an other power-driven mobility device can be excluded if a public entity can demonstrate that its use is unreasonable or will result in a fundamental alteration of the entity's service, program, or activity, because the Department believes that this exception is covered by the general reasonable modification requirement contained in §35.130(b)(7).

*Assessment factors.* Section 35.137(c) of the NPRM required public entities to "establish policies to permit the use of other power-driven mobility devices" and articulated four factors upon which public entities must base decisions as to whether a modification is reasonable to allow the use of a class of other power-driven mobility devices by indi-

viduals with disabilities in specific venues (e.g., parks, courthouses, office buildings, etc.). 73 FR 34466, 34504 (June 17, 2008).

The Department has relocated and modified the NPRM text that appeared in §35.137(c) to new paragraph §35.137(b)(2) to clarify what factors the public entity shall use in determining whether a particular other power-driven mobility device can be allowed in a specific facility as a reasonable modification. Section 35.137(b)(2) now states that "[i]n determining whether a particular other power-driven mobility device can be allowed in a specific facility as a reasonable modification under (b)(1), a public entity shall consider" certain enumerated factors. The assessment factors are designed to assist public entities in determining whether allowing the use of a particular other power-driven mobility device in a specific facility is reasonable. Thus, the focus of the analysis must be on the appropriateness of the use of the device at a specific facility, rather than whether it is necessary for an individual to use a particular device.

The NPRM proposed the following specific assessment factors: (1) The dimensions, weight, and operating speed of the mobility device in relation to a wheelchair; (2) the potential risk of harm to others by the operation of the mobility device; (3) the risk of harm to the environment or natural or cultural resources or conflict with Federal land management laws and regulations; and (4) the ability of the public entity to stow the mobility device when not in use, if requested by the user.

Factor 1 was designed to help public entities assess whether a particular device was appropriate, given its particular physical features, for a particular location. Virtually all commenters said the physical features of the device affected their view of whether a particular device was appropriate for a particular location. For example, while many commenters supported the use of another power-driven mobility device if the device were a Segway® PT, because of environmental and health concerns they did not offer the same level of support if the device were an off-highway vehicle, all-terrain vehicle (ATV), golf car, or other device with a fuel-powered or combustion engine. Most commenters noted that indicators such as speed, weight, and dimension really were an assessment of the appropriateness of a particular device in specific venues and suggested that factor 1 say this more specifically.

The term "in relation to a wheelchair" in the NPRM's factor 1 apparently created some concern that the same legal standards that apply to wheelchairs would be applied to other power-driven mobility devices. The Department has omitted the term "in relation to a wheelchair" from §35.137(b)(2)(i) to

clarify that if a facility that is in compliance with the applicable provisions of the 1991 Standards or the 2010 Standards grants permission for an other power-driven mobility device to go on-site, it is not required to exceed those standards to accommodate the use of other power-driven mobility devices.

In response to requests that NPRM factor 1 state more specifically that it requires an assessment of an other power-driven mobility device's appropriateness under particular circumstances or in particular venues, the Department has added several factors and more specific language. In addition, although the NPRM made reference to the operation of other power-driven mobility devices in "specific venues," the Department's intent is captured more clearly by referencing "specific facility" in paragraph (b)(2). The Department also notes that while speed is included in factor 1, public entities should not rely solely on a device's top speed when assessing whether the device can be accommodated; instead, public entities should also consider the minimum speeds at which a device can be operated and whether the development of speed limit policies can be established to address concerns regarding the speed of the device. Finally, since the ability of the public entity to stow the mobility device when not in use is an aspect of its design and operational characteristics, the text proposed as factor 4 in the NPRM has been incorporated in paragraph (b)(2)(iii).

The NPRM's version of factor 2 provided that the "risk of potential harm to others by the operation of the mobility device" is one of the determinants in the assessment of whether other power-driven mobility devices should be excluded from a site. The Department intended this requirement to be consistent with the Department's longstanding interpretation, expressed in §II-3.5200 (Safety) of the 1993 Title II Technical Assistance Manual, which provides that public entities may "impose legitimate safety requirements that are necessary for safe operation." (This language parallels the provision in the title III regulation at §36.301(b).) However, several commenters indicated that they read this language, particularly the phrase "risk of potential harm," to mean that the Department had adopted a concept of risk analysis different from that which is in the existing standards. The Department did not intend to create a new standard and has changed the language in paragraphs (b)(1) and (b)(2) to clarify the applicable standards, thereby avoiding the introduction of new assessments of risk beyond those necessary for the safe operation of the public entity. In addition, the Department has added a new section, 35.130(h), which incorporates the existing safety standard into the title II regulation.

While all applicable affirmative defenses are available to public entities in the estab-

lishment and execution of their policies regarding other power-driven mobility devices, the Department did not explicitly incorporate the direct threat defense into the assessment factors because §35.130(h) provides public entities the appropriate framework with which to assess whether legitimate safety requirements that may preclude the use of certain other power-driven mobility devices are necessary for the safe operation of the public entities. In order to be legitimate, the safety requirement must be based on actual risks and not mere speculation regarding the device or how it will be operated. Of course, public entities may enforce legitimate safety rules established by the public entity for the operation of other power-driven mobility devices (e.g., reasonable speed restrictions). Finally, NPRM factor 3 concerning environmental resources and conflicts of law has been relocated to §35.137(b)(2)(v).

As a result of these comments and requests, NPRM factors 1, 2, 3, and 4 have been revised and renumbered within paragraph (b)(2) in the final rule.

Several commenters requested that the Department provide guidance materials or more explicit concepts of which considerations might be appropriate for inclusion in a policy that allows the use of other power-driven mobility devices. A public entity that has determined that reasonable modifications can be made in its policies, practices, or procedures to allow the use of other power-driven mobility devices should develop a policy that clearly states the circumstances under which the use of other power-driven mobility devices by individuals with a mobility disability will be permitted. It also should include clear, concise statements of specific rules governing the operation of such devices. Finally, the public entity should endeavor to provide individuals with disabilities who use other power-driven mobility devices with advanced notice of its policy regarding the use of such devices and what rules apply to the operation of these devices.

For example, the U.S. General Services Administration (GSA) has developed a policy allowing the use of the Segway® PT and other EPAMDs in all Federal buildings under GSA's jurisdiction. See General Services Administration, *Interim Segway® Personal Transporter Policy* (Dec. 3, 2007), available at [http://www.gsa.gov/graphics/pbs/Interim\\_Segway\\_Policy\\_121007.pdf](http://www.gsa.gov/graphics/pbs/Interim_Segway_Policy_121007.pdf) (last visited June 24, 2010). The GSA policy defines the policy's scope of coverage by setting out what devices are and are not covered by the policy. The policy also sets out requirements for safe operation, such as a speed limit, prohibits the use of EPAMDs on escalators, and provides guidance regarding security screening of these devices and their operators.

A public entity that determines that it can make reasonable modifications to permit the use of an other power-driven mobility device by an individual with a mobility disability might include in its policy the procedure by which claims that the other power-driven mobility device is being used for a mobility disability will be assessed for legitimacy (*i.e.*, a credible assurance that the device is being used for a mobility disability, including a verbal representation by the person with a disability that is not contradicted by observable fact, or the presentation of a disability parking space placard or card, or State-issued proof of disability); the type or classes of other power-driven mobility devices are permitted to be used by individuals with mobility disabilities; the size, weight, and dimensions of the other power-driven mobility devices that are permitted to be used by individuals with mobility disabilities; the speed limit for the other power-driven mobility devices that are permitted to be used by individuals with mobility disabilities; the places, times, or circumstances under which the use of the other power-driven mobility device is or will be restricted or prohibited; safety, pedestrian, and other rules concerning the use of the other power-driven mobility device; whether, and under which circumstances, storage for the other power-driven mobility device will be made available; and how and where individuals with a mobility disability can obtain a copy of the other power-driven mobility device policy.

Public entities also might consider grouping other power-driven mobility devices by type (*e.g.*, EPAMDs, golf cars, gasoline-powered vehicles, and other devices). For example, an amusement park may determine that it is reasonable to allow individuals with disabilities to use EPAMDs in a variety of outdoor programs and activities, but that it would not be reasonable to allow the use of golf cars as mobility devices in similar circumstances. At the same time, the entity may address its concerns about factors such as space limitations by disallowing use of EPAMDs by members of the general public who do not have mobility disabilities.

The Department anticipates that, in many circumstances, public entities will be able to develop policies that will allow the use of other power-driven mobility devices by individuals with mobility disabilities. Consider the following example:

A county courthouse has developed a policy whereby EPAMDs may be operated in the pedestrian areas of the courthouse if the operator of the device agrees not to operate the device faster than pedestrians are walking; to yield to pedestrians; to provide a rack or stand so that the device can stand upright; and to use the device only in courtrooms that are large enough to accommodate such devices. If the individual is selected for jury

duty in one of the smaller courtrooms, the county's policy indicates that if it is not possible for the individual with the disability to park the device and walk into the courtroom, the location of the trial will be moved to a larger courtroom.

*Inquiry into the use of other power-driven mobility device.* The NPRM version of §35.137(d) provided that “[a] public entity may ask a person using a power-driven mobility device if the mobility device is needed due to the person’s disability. A public entity shall not ask a person using a mobility device questions about the nature and extent of the person’s disability.” 73 FR 34466, 34504 (June 17, 2008).

Many environmental, transit system, and government commenters expressed concern about people feigning mobility disabilities to be able to use other power-driven mobility devices in public entities in which their use is otherwise restricted. These commenters felt that a mere inquiry into whether the device is being used for a mobility disability was an insufficient mechanism by which to detect fraud by other power-driven mobility device users who do not have mobility disabilities. These commenters believed they should be given more latitude to make inquiries of other power-driven mobility device users claiming a mobility disability than they would be given for wheelchair users. They sought the ability to establish a policy or method by which public entities may assess the legitimacy of the mobility disability. They suggested some form of certification, sticker, or other designation. One commenter suggested a requirement that a sticker bearing the international symbol for accessibility be placed on the device or that some other identification be required to signal that the use of the device is for a mobility disability. Other suggestions included displaying a disability parking placard on the device or issuing EPAMDs, like the Segway® PT, a permit that would be similar to permits associated with parking spaces reserved for those with disabilities.

Advocacy, nonprofit, and several individual commenters balked at the notion of allowing any inquiry beyond whether the device is necessary for a mobility disability and encouraged the Department to retain the NPRM’s language on this topic. Other commenters, however, were empathetic with commenters who had concerns about fraud. At least one Segway® PT advocate suggested it would be permissible to seek documentation of the mobility disability in the form of a simple sign or permit.

The Department has sought to find common ground by balancing the needs of public entities and individuals with mobility disabilities wishing to use other power-driven mobility devices with the Department’s longstanding, well-established policy of not allowing public entities or establishments to



require proof of a mobility disability. There is no question that public entities have a legitimate interest in ferreting out fraudulent representations of mobility disabilities, especially given the recreational use of other power-driven mobility devices and the potential safety concerns created by having too many such devices in a specific facility at one time. However, the privacy of individuals with mobility disabilities and respect for those individuals, is also vitally important.

Neither §35.137(d) of the NPRM nor §35.137(c) of the final rule permits inquiries into the nature of a person's mobility disability. However, the Department does not believe it is unreasonable or overly intrusive for an individual with a mobility disability seeking to use an other power-driven mobility device to provide a credible assurance to verify that the use of the other power-driven mobility device is for a mobility disability. The Department sought to minimize the amount of discretion and subjectivity exercised by public entities in assessing whether an individual has a mobility disability and to allow public entities to verify the existence of a mobility disability. The solution was derived from comments made by several individuals who said they have been admitted with their Segway® PTs into public entities and public accommodations that ordinarily do not allow these devices on-site when they have presented or displayed State-issued disability parking placards. In the examples provided by commenters, the parking placards were accepted as verification that the Segway® PTs were being used as mobility devices.

Because many individuals with mobility disabilities avail themselves of State programs that issue disability parking placards or cards and because these programs have penalties for fraudulent representations of identity and disability, utilizing the parking placard system as a means to establish the existence of a mobility disability strikes a balance between the need for privacy of the individual and fraud protection for the public entity. Consequently, the Department has decided to include regulatory text in §35.137(c)(2) of the final rule that requires public entities to accept the presentation of a valid, State-issued disability parking placard or card, or State-issued proof of disability, as verification that an individual uses the other power-driven mobility device for his or her mobility disability. A "valid" disability placard or card is one that is presented by the individual to whom it was issued and is otherwise in compliance with the State of issuance's requirements for disability placards or cards. Public entities are required to accept a valid, State-issued disability parking placard or card, or State-issued proof of disability as a credible assurance, but they cannot demand or require the

presentation of a valid disability placard or card, or State-issued proof of disability, as a prerequisite for use of an other power-driven mobility device, because not all persons with mobility disabilities have such means of proof. If an individual with a mobility disability does not have such a placard or card, or State-issued proof of disability, he or she may present other information that would serve as a credible assurance of the existence of a mobility disability.

In lieu of a valid, State-issued disability parking placard or card, or State-issued proof of disability, a verbal representation, not contradicted by observable fact, shall be accepted as a credible assurance that the other power-driven mobility device is being used because of a mobility disability. This does not mean, however, that a mobility disability must be observable as a condition for allowing the use of an other power-driven mobility device by an individual with a mobility disability, but rather that if an individual represents that a device is being used for a mobility disability and that individual is observed thereafter engaging in a physical activity that is contrary to the nature of the represented disability, the assurance given is no longer credible and the individual may be prevented from using the device.

Possession of a valid, State-issued disability parking placard or card or a verbal assurance does not trump a public entity's valid restrictions on the use of other power-driven mobility devices. Accordingly, a credible assurance that the other power-driven mobility device is being used because of a mobility disability is not a guarantee of entry to a public entity because, notwithstanding such credible assurance, use of the device in a particular venue may be at odds with the legal standard in §35.137(b)(1) or with one or more of the §35.137(b)(2) factors. Only after an individual with a disability has satisfied all of the public entity's policies regarding the use of other power-driven mobility devices does a credible assurance become a factor in allowing the use of the device. For example, if an individual seeking to use an other power-driven mobility device fails to satisfy any of the public entity's stated policies regarding the use of other power-driven mobility devices, the fact that the individual legitimately possesses and presents a valid, State-issued disability parking placard or card, or State-issued proof of disability, does not trump the policy and require the public entity to allow the use of the device. In fact, in some instances, the presentation of a legitimately held placard or card, or State-issued proof of disability, will have no relevance or bearing at all on whether the other power-driven mobility device may be used, because the public entity's policy does not permit the device in question on-site under any circumstances (*e.g.*, because its use would create a substantial risk

of serious harm to the immediate environment or natural or cultural resources). Thus, an individual with a mobility disability who presents a valid disability placard or card, or State-issued proof of disability, will not be able to use an ATV as an other power-driven mobility device in a State park if the State park has adopted a policy banning their use for any or all of the above-mentioned reasons. However, if a public entity permits the use of a particular other power-driven mobility device, it cannot refuse to admit an individual with a disability who uses that device if the individual has provided a credible assurance that the use of the device is for a mobility disability.

*Section 35.138 Ticketing*

The 1991 title II regulation did not contain specific regulatory language on ticketing. The ticketing policies and practices of public entities, however, are subject to title II's nondiscrimination provisions. Through the investigation of complaints, enforcement actions, and public comments related to ticketing, the Department became aware that some venue operators, ticket sellers, and distributors were violating title II's nondiscrimination mandate by not providing individuals with disabilities the same opportunities to purchase tickets for accessible seating as they provided to spectators purchasing conventional seats. In the NPRM, the Department proposed §35.138 to provide explicit direction and guidance on discriminatory practices for entities involved in the sale or distribution of tickets.

The Department received comments from advocacy groups, assembly area trade associations, public entities, and individuals. Many commenters supported the addition of regulatory language pertaining to ticketing and urged the Department to retain it in the final rule. Several commenters, however, questioned why there were inconsistencies between the title II and title III provisions and suggested that the same language be used for both titles. The Department has decided to retain ticketing regulatory language and to ensure consistency between the ticketing provisions in title II and title III.

Because many in the ticketing industry view season tickets and other multi-event packages differently from individual tickets, the Department bifurcated some season ticket provisions from those concerning single-event tickets in the NPRM. This structure, however, resulted in some provisions being repeated for both types of tickets but not for others even though they were intended to apply to both types of tickets. The result was that it was not entirely clear that some of the provisions that were not repeated also were intended to apply to season tickets. The Department is addressing the issues raised by these commenters using a different

approach. For the purposes of this section, a *single event* refers to an individual performance for which tickets may be purchased. In contrast, a *series of events* includes, but is not limited to, subscription events, event packages, season tickets, or any other tickets that may be purchased for multiple events of the same type over the course of a specified period of time whose ownership right reverts to the public entity at the end of each season or time period. Series-of-events tickets that give their holders an enhanced ability to purchase such tickets from the public entity in seasons or periods of time that follow, such as a right of first refusal or higher ranking on waiting lists for more desirable seats, are subject to the provisions in this section. In addition, the final rule merges together some NPRM paragraphs that dealt with related topics and has reordered and renamed some of the paragraphs that were in the NPRM.

*Ticket sales.* In the NPRM, the Department proposed, in §35.138(a), a general rule that a public entity shall modify its policies, practices, or procedures to ensure that individuals with disabilities can purchase tickets for accessible seating for an event or series of events in the same way as others (i.e., during the same hours and through the same distribution methods as other seating is sold). 73 FR 34466, 34504 (June 17, 2008). "Accessible seating" is defined in §35.138(a)(1) of the final rule to mean "wheelchair spaces and companion seats that comply with sections 221 and 802 of the 2010 Standards along with any other seats required to be offered for sale to the individual with a disability pursuant to paragraph (d) of this section." The defined term does not include designated aisle seats. A "wheelchair space" refers to a space for a single wheelchair and its occupant.

The NPRM proposed requiring that accessible seats be sold through the "same methods of distribution" as non-accessible seats. Comments from venue managers and others in the business community, in general, noted that multiple parties are involved in ticketing, and because accessible seats may not be allotted to all parties involved at each stage, such parties should be protected from liability. For example, one commenter noted that a third-party ticket vendor, like Ticketmaster, can only sell the tickets it receives from its client. Because §35.138(a)(2)(iii) of the final rule requires venue operators to make available accessible seating through the same methods of distribution they use for their regular tickets, venue operators that provide tickets to third-party ticket vendors are required to provide accessible seating to the third-party ticket vendor. This provision will enhance third-party ticket vendors' ability to acquire and sell accessible seating for sale in the future. The Department notes that once third-

party ticket vendors acquire accessible tickets, they are obligated to sell them in accordance with these rules.

The Department also has received frequent complaints that individuals with disabilities have not been able to purchase accessible seating over the Internet, and instead have had to engage in a laborious process of calling a customer service line, or sending an e-mail to a customer service representative and waiting for a response. Not only is such a process burdensome, but it puts individuals with disabilities at a disadvantage in purchasing tickets for events that are popular and may sell out in minutes. Because §35.138(e) of the final rule authorizes venues to release accessible seating in case of a sell-out, individuals with disabilities effectively could be cut off from buying tickets unless they also have the ability to purchase tickets in real time over the Internet. The Department's new regulatory language is designed to address this problem.

Several commenters representing assembly areas raised concerns about offering accessible seating for sale over the Internet. They contended that this approach would increase the incidence of fraud since anyone easily could purchase accessible seating over the Internet. They also asserted that it would be difficult technologically to provide accessible seating for sale in real time over the Internet, or that to do so would require simplifying the rules concerning the purchase of multiple additional accompanying seats. Moreover, these commenters argued that requiring an individual purchasing accessible seating to speak with a customer service representative would allow the venue to meet the patron's needs most appropriately and ensure that wheelchair spaces are reserved for individuals with disabilities who require wheelchair spaces. Finally, these commenters argued that individuals who can transfer effectively and conveniently from a wheelchair to a seat with a movable armrest seat could instead purchase designated aisle seats.

The Department considered these concerns carefully and has decided to continue with the general approach proposed in the NPRM. Although fraud is an important concern, the Department believes that it is best combated by other means that would not have the effect of limiting the ability of individuals with disabilities to purchase tickets, particularly since restricting the purchase of accessible seating over the Internet will, of itself, not curb fraud. In addition, the Department has identified permissible means for covered entities to reduce the incidence of fraudulent accessible seating ticket purchases in §35.138(h) of the final rule.

Several commenters questioned whether ticket websites themselves must be accessible to individuals who are blind or have low vision, and if so, what that requires. The De-

partment has consistently interpreted the ADA to cover websites that are operated by public entities and stated that such sites must provide their services in an accessible manner or provide an accessible alternative to the website that is available 24 hours a day, seven days a week. The final rule, therefore, does not impose any new obligation in this area. The accessibility of websites is discussed in more detail in the section of Appendix A entitled "Other Issues."

In §35.138(b) of the NPRM, the Department also proposed requiring public entities to make accessible seating available during all stages of tickets sales including, but not limited to, presales, promotions, lotteries, waitlists, and general sales. For example, if tickets will be presold for an event that is open only to members of a fan club, or to holders of a particular credit card, then tickets for accessible seating must be made available for purchase through those means. This requirement does not mean that any individual with a disability would be able to purchase those seats. Rather, it means that an individual with a disability who meets the requirement for such a sale (*e.g.*, who is a member of the fan club or holds that credit card) will be able to participate in the special promotion and purchase accessible seating. The Department has maintained the substantive provisions of the NPRM's §35.138(a) and (b) but has combined them in a single paragraph at §35.138(a)(2) of the final rule so that all of the provisions having to do with the manner in which tickets are sold are located in a single paragraph.

*Identification of available accessible seating.* In the NPRM, the Department proposed §35.138(c), which, as modified and renumbered as paragraph (b)(3) in the final rule, requires a facility to identify available accessible seating through seating maps, brochures, or other methods if that information is made available about other seats sold to the general public. This rule requires public entities to provide information about accessible seating to the same degree of specificity that it provides information about general seating. For example, if a seating map displays color-coded blocks pegged to prices for general seating, then accessible seating must be similarly color-coded. Likewise, if covered entities provide detailed maps that show exact seating and pricing for general seating, they must provide the same for accessible seating.

The NPRM did not specify a requirement to identify prices for accessible seating. The final rule requires that if such information is provided for general seating, it must be provided for accessible seating as well.

In the NPRM, the Department proposed in §35.138(d) that a public entity, upon being asked, must inform persons with disabilities and their companions of the locations of all unsold or otherwise available seating. This

provision is intended to prevent the practice of “steering” individuals with disabilities to certain accessible seating so that the facility can maximize potential ticket sales by releasing unsold accessible seating, especially in preferred or desirable locations, for sale to the general public. The Department received no significant comment on this proposal. The Department has retained this provision in the final rule but has added it, with minor modifications, to §35.138(b) as paragraph (1).

*Ticket prices.* In the NPRM, the Department proposed §35.138(e) requiring that ticket prices for accessible seating be set no higher than the prices for other seats in that seating section for that event. The NPRM’s provision also required that accessible seating be made available at every price range, and if an existing facility has barriers to accessible seating within a particular price range, a proportionate amount of seating (determined by the ratio of the total number of seats at that price level to the total number of seats in the assembly area) must be offered in an accessible location at that same price. Under this rule, for example, if a public entity has a 20,000-seat facility built in 1980 with inaccessible seating in the \$20-price category, which is on the upper deck, and it chooses not to put accessible seating in that section, then it must place a proportionate number of seats in an accessible location for \$20. If the upper deck has 2,000 seats, then the facility must place 10 percent of its accessible seating in an accessible location for \$20 provided that it is part of a seating section where ticket prices are equal to or more than \$20—a facility may not place the \$20-accessible seating in a \$10-seating section. The Department received no significant comment on this rule, and it has been retained, as amended, in the final rule in §35.138(c).

*Purchase of multiple tickets.* In the NPRM, the Department proposed §35.138(i) to address one of the most common ticketing complaints raised with the Department: That individuals with disabilities are not able to purchase more than two tickets. The Department proposed this provision to facilitate the ability of individuals with disabilities to attend events with friends, companions, or associates who may or may not have a disability by enabling individuals with disabilities to purchase the maximum number of tickets allowed per transaction to other spectators; by requiring venues to place accompanying individuals in general seating as close as possible to accessible seating (in the event that a group must be divided because of the large size of the group); and by allowing an individual with a disability to purchase up to three additional contiguous seats per wheelchair space if they are available at the time of sale. Section 35.138(i)(2) of the NPRM required that a group containing one or more wheelchair users must be placed together, if possible, and that in the event that

the group could not be placed together, the individuals with disabilities may not be isolated from the rest of the group.

The Department asked in the NPRM whether this rule was sufficient to effectuate the integration of individuals with disabilities. Many advocates and individuals praised it as a welcome and much-needed change, stating that the trade-off of being able to sit with their family or friends was worth reducing the number of seats available for individuals with disabilities. Some commenters went one step further and suggested that the number of additional accompanying seats should not be restricted to three.

Although most of the substance of the proposed provision on the purchase of multiple tickets has been maintained in the final rule, it has been renumbered as §35.138(d), reorganized, and supplemented. To preserve the availability of accessible seating for other individuals with disabilities, the Department has not expanded the rule beyond three additional contiguous seats. Section 35.138(d)(1) of the final rule requires public entities to make available for purchase three additional tickets for seats in the same row that are contiguous with the wheelchair space provided that at the time of the purchase there are three such seats available. The requirement that the additional seats be “contiguous with the wheelchair space” does not mean that each of the additional seats must be in actual contact or have a border in common with the wheelchair space; however, at least one of the additional seats should be immediately adjacent to the wheelchair space. The Department recognizes that it will often be necessary to use vacant wheelchair spaces to provide for contiguous seating.

The Department has added paragraphs (d)(2) and (d)(3) to clarify that in situations where there are insufficient unsold seats to provide three additional contiguous seats per wheelchair space or a ticket office restricts sales of tickets to a particular event to less than four tickets per customer, the obligation to make available three additional contiguous seats per wheelchair space would be affected. For example, if at the time of purchase, there are only two additional contiguous seats available for purchase because the third has been sold already, then the ticket purchaser would be entitled to two such seats. In this situation, the public entity would be required to make up the difference by offering one additional ticket for sale that is as close as possible to the accessible seats. Likewise, if ticket purchases for an event are limited to two per customer, a person who uses a wheelchair who seeks to purchase tickets would be entitled to purchase only one additional contiguous seat for the event.

The Department also has added paragraph (d)(4) to clarify that the requirement for

three additional contiguous seats is not intended to serve as a cap if the maximum number of tickets that may be purchased by members of the general public exceeds the four tickets an individual with a disability ordinarily would be allowed to purchase (*i.e.*, a wheelchair space and three additional contiguous seats). If the maximum number of tickets that may be purchased by members of the general public exceeds four, an individual with a disability is to be allowed to purchase the maximum number of tickets; however, additional tickets purchased by an individual with a disability beyond the wheelchair space and the three additional contiguous seats provided in §35.138(d)(1) do not have to be contiguous with the wheelchair space.

The NPRM proposed at §35.138(i)(2) that for group sales, if a group includes one or more individuals who use a wheelchair, then the group shall be placed in a seating area with accessible seating so that, if possible, the group can sit together. If it is necessary to divide the group, it should be divided so that the individuals in the group who use wheelchairs are not isolated from the rest of the members of their group. The final rule retains the NPRM language in paragraph (d)(5).

*Hold-and-release of unsold accessible seating.* The Department recognizes that not all accessible seating will be sold in all assembly areas for every event to individuals with disabilities who need such seating and that public entities may have opportunities to sell such seating to the general public. The Department proposed in the NPRM a provision aimed at striking a balance between affording individuals with disabilities adequate time to purchase accessible seating and the entity's desire to maximize ticket sales. In the NPRM, the Department proposed §35.138(f), which allowed for the release of accessible seating under the following circumstances: (i) When all seating in the facility has been sold, excluding luxury boxes, club boxes, or suites; (ii) when all seating in a designated area has been sold and the accessible seating being released is in the same area; or (iii) when all seating in a designated price range has been sold and the accessible seating being released is within the same price range.

The Department's NPRM asked "whether additional regulatory guidance is required or appropriate in terms of a more detailed or set schedule for the release of tickets in conjunction with the three approaches described above. For example, does the proposed regulation address the variable needs of assembly areas covered by the ADA? Is additional regulatory guidance required to eliminate discriminatory policies, practices and procedures related to the sale, hold, and release of accessible seating? What considerations should appropriately inform the determina-

tion of when unsold accessible seating can be released to the general public?" 73 FR 34466, 34484 (June 17, 2008).

The Department received comments both supporting and opposing the inclusion of a hold-and-release provision. One side proposed loosening the restrictions on the release of unsold accessible seating. One commenter from a trade association suggested that tickets should be released regardless of whether there is a sell-out, and that these tickets should be released according to a set schedule. Conversely, numerous individuals, advocacy groups, and at least one public entity urged the Department to tighten the conditions under which unsold tickets for accessible seating may be released. These commenters suggested that venues should not be permitted to release tickets during the first two weeks of sale, or alternatively, that they should not be permitted to be released earlier than 48 hours before a sold-out event. Many of these commenters criticized the release of accessible seating under the second and third prongs of §35.138(f) in the NPRM (when there is a sell-out in general seating in a designated seating area or in a price range), arguing that it would create situations where general seating would be available for purchase while accessible seating would not be.

Numerous commenters—both from the industry and from advocacy groups—asked for clarification of the term "sell-out." Business groups commented that industry practice is to declare a sell-out when there are only "scattered singles" available—isolated seats that cannot be purchased as a set of adjacent pairs. Many of those same commenters also requested that "sell-out" be qualified with the phrase "of all seating available for sale" since it is industry practice to hold back from release tickets to be used for groups connected with that event (*e.g.*, the promoter, home team, or sports league). They argued that those tickets are not available for sale and any return of these tickets to the general inventory happens close to the event date. Noting the practice of holding back tickets, one advocacy group suggested that covered entities be required to hold back accessible seating in proportion to the number of tickets that are held back for later release.

The Department has concluded that it would be inappropriate to interfere with industry practice by defining what constitutes a "sell-out" and that a public entity should continue to use its own approach to defining a "sell-out." If, however, a public entity declares a sell-out by reference to those seats that are available for sale, but it holds back tickets that it reasonably anticipates will be released later, it must hold back a proportional percentage of accessible seating to be released as well.

Adopting any of the alternatives proposed in the comments summarized above would have upset the balance between protecting the rights of individuals with disabilities and meeting venues' concerns about lost revenue from unsold accessible seating. As a result, the Department has retained § 35.138(f) (re-numbered as § 35.138(e)) in the final rule.

The Department has, however, modified the regulation text to specify that accessible seating may be released only when "all non-accessible tickets in a designated seating area have been sold and the tickets for accessible seating are being released in the same designated area." As stated in the NPRM, the Department intended for this provision to allow, for example, the release of accessible seating at the orchestra level when all other seating at the orchestra level is sold. The Department has added this language to the final rule at § 35.138(e)(1)(ii) to clarify that venues cannot designate or redesignate seating areas for the purpose of maximizing the release of unsold accessible seating. So, for example, a venue may not determine on an *ad hoc* basis that a group of seats at the orchestra level is a designated seating area in order to release unsold accessible seating in that area.

The Department also has maintained the hold-and-release provisions that appeared in the NPRM but has added a provision to address the release of accessible seating for series-of-events tickets on a series-of-events basis. Many commenters asked the Department whether unsold accessible seating may be converted to general seating and released to the general public on a season-ticket basis or longer when tickets typically are sold as a season-ticket package or other long-term basis. Several disability rights organizations and individual commenters argued that such a practice should not be permitted, and, if it were, that conditions should be imposed to ensure that individuals with disabilities have future access to those seats.

The Department interprets the fundamental principle of the ADA as a requirement to give individuals with disabilities equal, not better, access to those opportunities available to the general public. Thus, for example, a public entity that sells out its facility on a season-ticket only basis is not required to leave unsold its accessible seating if no persons with disabilities purchase those season-ticket seats. Of course, public entities may choose to go beyond what is required by reserving accessible seating for individuals with disabilities (or releasing such seats for sale to the general public) on an individual-game basis.

If a covered entity chooses to release unsold accessible seating for sale on a season-ticket or other long-term basis, it must meet at least two conditions. Under § 35.138(g) of the final rule, public entities must leave flexibility for game-day change-

outs to accommodate ticket transfers on the secondary market. And public entities must modify their ticketing policies so that, in future years, individuals with disabilities will have the ability to purchase accessible seating on the same basis as other patrons (e.g., as season tickets). Put differently, releasing accessible seating to the general public on a season-ticket or other long-term basis cannot result in that seating being lost to individuals with disabilities in perpetuity. If, in future years, season tickets become available and persons with disabilities have reached the top of the waiting list or have met any other eligibility criteria for season-ticket purchases, public entities must ensure that accessible seating will be made available to the eligible individuals. In order to accomplish this, the Department has added § 35.138(e)(3)(i) to require public entities that release accessible season tickets to individuals who do not have disabilities that require the features of accessible seating to establish a process to prevent the automatic reassignment of such ticket holders to accessible seating. For example, a public entity could have in place a system whereby accessible seating that was released because it was not purchased by individuals with disabilities is not in the pool of tickets available for purchase for the following season unless and until the conditions for ticket release have been satisfied in the following season. Alternatively, a public entity might release tickets for accessible seating only when a purchaser who does not need its features agrees that he or she has no guarantee of or right to the same seats in the following season, or that if season tickets are guaranteed for the following season, the purchaser agrees that the offer to purchase tickets is limited to non-accessible seats having to the extent practicable, comparable price, view, and amenities to the accessible seats such individuals held in the prior year. The Department is aware that this rule may require some administrative changes but believes that this process will not create undue financial and administrative burdens. The Department believes that this approach is balanced and beneficial. It will allow public entities to sell all of their seats and will leave open the possibility, in future seasons or series of events, that persons who need accessible seating may have access to it.

The Department also has added § 35.138(e)(3)(ii) to address how season tickets or series-of-events tickets that have attached ownership rights should be handled if the ownership right returns to the public entity (e.g., when holders forfeit their ownership right by failing to purchase season tickets or sell their ownership right back to a public entity). If the ownership right is for

accessible seating, the public entity is required to adopt a process that allows an eligible individual with a disability who requires the features of such seating to purchase the rights and tickets for such seating.

Nothing in the regulatory text prevents a public entity from establishing a process whereby such ticket holders agree to be voluntarily reassigned from accessible seating to another seating area so that individuals with mobility disabilities or disabilities that require the features of accessible seating and who become newly eligible to purchase season tickets have an opportunity to do so. For example, a public entity might seek volunteers to relocate to another location that is at least as good in terms of its location, price, and amenities, or a public entity might use a seat with forfeited ownership rights as an inducement to get a ticket holder to give up accessible seating he or she does not need.

*Ticket transfer.* The Department received many comments asking whether accessible seating has the same transfer rights as general seats. The proposed regulation at §35.138(e) required that individuals with disabilities must be allowed to purchase season tickets for accessible seating on the same terms and conditions as individuals purchasing season tickets for general seating, including the right—if it exists for other ticket-holders—to transfer individual tickets to friends or associates. Some commenters pointed out that the NPRM proposed explicitly allowing individuals with disabilities holding season tickets to transfer tickets but did not address the transfer of tickets purchased for individual events. Several commenters representing assembly areas argued that persons with disabilities holding tickets for an individual event should not be allowed to sell or transfer them to third parties because such ticket transfers would increase the risk of fraud or would make unclear the obligation of the entity to accommodate secondary ticket transfers. They argued that individuals holding accessible seating should either be required to transfer their tickets to another individual with a disability or return them to the facility for a refund.

Although the Department is sympathetic to concerns about administrative burden, curtailing transfer rights for accessible seating when other ticket holders are permitted to transfer tickets would be inconsistent with the ADA's guiding principle that individuals with disabilities must have rights equal to others. Thus, the Department has added language in the final rule in §35.138(f) that requires that individuals with disabilities holding accessible seating for any event have the same transfer rights accorded other ticket holders for that event. Section 35.138(f) also preserves the rights of individuals with disabilities who hold tickets to ac-

cessible seats for a series of events to transfer individual tickets to others, regardless of whether the transferee needs accessible seating. This approach recognizes the common practice of individuals splitting season tickets or other multi-event ticket packages with friends, colleagues, or other spectators to make the purchase of season tickets affordable; individuals with disabilities should not be placed in the burdensome position of having to find another individual with a disability with whom to share the package.

This provision, however, does not require public entities to seat an individual who holds a ticket to an accessible seat in such seating if the individual does not need the accessible features of the seat. A public entity may reserve the right to switch these individuals to different seats if they are available, but a public entity is not required to remove a person without a disability who is using accessible seating from that seating, even if a person who uses a wheelchair shows up with a ticket from the secondary market for a non-accessible seat and wants accessible seating.

*Secondary ticket market.* Section 35.138(g) is a new provision in the final rule that requires a public entity to modify its policies, practices, or procedures to ensure that an individual with a disability, who acquires a ticket in the secondary ticket market, may use that ticket under the same terms and conditions as other ticket holders who acquire a ticket in the secondary market for an event or series of events. This principle was discussed in the NPRM in connection with §35.138(e), pertaining to season-ticket sales. There, the Department asked for public comment regarding a public entity's proposed obligation to accommodate the transfer of accessible seating tickets on the secondary ticket market to those who do not need accessible seating and vice versa.

The secondary ticket market, for the purposes of this rule, broadly means any transfer of tickets after the public entity's initial sale of tickets to individuals or entities. It thus encompasses a wide variety of transactions, from ticket transfers between friends to transfers using commercial exchange systems. Many commenters noted that the distinction between the primary and secondary ticket market has become blurred as a result of agreements between teams, leagues, and secondary market sellers. These commenters noted that the secondary market may operate independently of the public entity, and parts of the secondary market, such as ticket transfers between friends, undoubtedly are outside the direct jurisdiction of the public entity.

To the extent that venues seat persons who have purchased tickets on the secondary market, they must similarly seat persons with disabilities who have purchased tickets on the secondary market. In addition, some

public entities may acquire ADA obligations directly by formally entering the secondary ticket market.

The Department's enforcement experience with assembly areas also has revealed that venues regularly provide for and make last-minute seat transfers. As long as there are vacant wheelchair spaces, requiring venues to provide wheelchair spaces for patrons who acquired inaccessible seats and need wheelchair spaces is an example of a reasonable modification of a policy under title II of the ADA. Similarly, a person who has a ticket for a wheelchair space but who does not require its accessible features could be offered non-accessible seating if such seating is available.

The Department's longstanding position that title II of the ADA requires venues to make reasonable modifications in their policies to allow individuals with disabilities who acquired non-accessible tickets on the secondary ticket market to be seated in accessible seating, where such seating is vacant, is supported by the only Federal court to address this issue. See *Independent Living Resources v. Oregon Arena Corp.*, 1 F. Supp. 2d 1159, 1171 (D. Or. 1998). The Department has incorporated this position into the final rule at §35.138(g)(2).

The NPRM contained two questions aimed at gauging concern with the Department's consideration of secondary ticket market sales. The first question asked whether a secondary purchaser who does not have a disability and who buys an accessible seat should be required to move if the space is needed for someone with a disability.

Many disability rights advocates answered that the individual should move provided that there is a seat of comparable or better quality available for him and his companion. Some venues, however, expressed concerns about this provision, and asked how they are to identify who should be moved and what obligations apply if there are no seats available that are equivalent or better in quality.

The Department's second question asked whether there are particular concerns about the obligation to provide accessible seating, including a wheelchair space, to an individual with a disability who purchases an inaccessible seat through the secondary market.

Industry commenters contended that this requirement would create a "logistical nightmare," with venues scrambling to reseat patrons in the short time between the opening of the venues' doors and the commencement of the event. Furthermore, they argued that they might not be able to reseat all individuals and that even if they were able to do so, patrons might be moved to inferior seats (whether in accessible or non-accessible seating). These commenters also were concerned that they would be sued by patrons moved under such circumstances.

These commenters seem to have misconstrued the rule. Covered entities are not required to seat every person who acquires a ticket for inaccessible seating but needs accessible seating, and are not required to move any individual who acquires a ticket for accessible seating but does not need it. Covered entities that allow patrons to buy and sell tickets on the secondary market must make reasonable modifications to their policies to allow persons with disabilities to participate in secondary ticket transfers. The Department believes that there is no one-size-fits-all rule that will suit all assembly areas. In those circumstances where a venue has accessible seating vacant at the time an individual with a disability who needs accessible seating presents his ticket for inaccessible seating at the box office, the venue must allow the individual to exchange his ticket for an accessible seat in a comparable location if such an accessible seat is vacant. Where, however, a venue has sold all of its accessible seating, the venue has no obligation to provide accessible seating to the person with a disability who purchased an inaccessible seat on the secondary market. Venues may encourage individuals with disabilities who hold tickets for inaccessible seating to contact the box office before the event to notify them of their need for accessible seating, even though they may not require ticketholders to provide such notice.

The Department notes that public entities are permitted, though not required, to adopt policies regarding moving patrons who do not need the features of an accessible seat. If a public entity chooses to do so, it might mitigate administrative concerns by marking tickets for accessible seating as such, and printing on the ticket that individuals who purchase such seats but who do not need accessible seating are subject to being moved to other seats in the facility if the accessible seating is required for an individual with a disability. Such a venue might also develop and publish a ticketing policy to provide transparency to the general public and to put holders of tickets for accessible seating who do not require it on notice that they may be moved.

*Prevention of fraud in purchase of accessible seating.* Assembly area managers and advocacy groups have informed the Department that the fraudulent purchase of accessible seating is a pressing concern. Curbing fraud is a goal that public entities and individuals with disabilities share. Steps taken to prevent fraud, however, must be balanced carefully against the privacy rights of individuals with disabilities. Such measures also must not impose burdensome requirements upon, nor restrict the rights of, individuals with disabilities.

In the NPRM, the Department struck a balance between these competing concerns by proposing §35.138(h), which prohibited



public entities from asking for proof of disability before the purchase of accessible seating but provided guidance in two paragraphs on appropriate measures for curbing fraud. Paragraph (1) proposed allowing a public entity to ask individuals purchasing single-event tickets for accessible seating whether they are wheelchair users. Paragraph (2) proposed allowing a public entity to require the individuals purchasing accessible seating for season tickets or other multi-event ticket packages to attest in writing that the accessible seating is for a wheelchair user. Additionally, the NPRM proposed to permit venues, when they have good cause to believe that an individual has fraudulently purchased accessible seating, to investigate that individual.

Several commenters objected to this rule on the ground that it would require a wheelchair user to be the purchaser of tickets. The Department has reworded this paragraph to reflect that the individual with a disability does not have to be the ticket purchaser. The final rule allows third parties to purchase accessible tickets at the request of an individual with a disability.

Commenters also argued that other individuals with disabilities who do not use wheelchairs should be permitted to purchase accessible seating. Some individuals with disabilities who do not use wheelchairs urged the Department to change the rule, asserting that they, too, need accessible seating. The Department agrees that such seating, although designed for use by a wheelchair user, may be used by non-wheelchair users, if those persons are persons with a disability who need to use accessible seating because of a mobility disability or because their disability requires the use of the features that accessible seating provides (*e.g.*, individuals who cannot bend their legs because of braces, or individuals who, because of their disability, cannot sit in a straight-back chair).

Some commenters raised concerns that allowing venues to ask questions to determine whether individuals purchasing accessible seating are doing so legitimately would burden individuals with disabilities in the purchase of accessible seating. The Department has retained the substance of this provision in §35.138(h) of the final rule, but emphasizes that such questions should be asked at the initial time of purchase. For example, if the method of purchase is via the Internet, then the question(s) should be answered by clicking a yes or no box during the transaction. The public entity may warn purchasers that accessible seating is for individuals with disabilities and that individuals purchasing such tickets fraudulently are subject to relocation.

One commenter argued that face-to-face contact between the venue and the ticket holder should be required in order to prevent fraud and suggested that individuals who

purchase accessible seating should be required to pick up their tickets at the box office and then enter the venue immediately. The Department has declined to adopt that suggestion. It would be discriminatory to require individuals with disabilities to pick up tickets at the box office when other spectators are not required to do so. If the assembly area wishes to make face-to-face contact with accessible seating ticket holders to curb fraud, it may do so through its ushers and other customer service personnel located within the seating area.

Some commenters asked whether it is permissible for assembly areas to have voluntary clubs where individuals with disabilities self-identify to the public entity in order to become a member of a club that entitles them to purchase accessible seating reserved for club members or otherwise receive priority in purchasing accessible seating. The Department agrees that such clubs are permissible, provided that a reasonable amount of accessible seating remains available at all prices and dispersed at all locations for individuals with disabilities who are non-members.

#### § 35.139 *Direct threat*

In Appendix A of the Department's 1991 title II regulation, the Department included a detailed discussion of "direct threat" that, among other things, explained that "the principles established in §36.208 of the Department's [title III] regulation" were "applicable" as well to title II, insofar as "questions of safety are involved." 28 CFR part 35, app. A at 565 (2009). In the final rule, the Department has included specific requirements related to "direct threat" that parallel those in the title III rule. These requirements are found in new §35.139.

#### SUBPART D—PROGRAM ACCESSIBILITY

##### *Section 35.150(b)(2) Safe harbor*

The "program accessibility" requirement in regulations implementing title II of the Americans with Disabilities Act requires that each service, program, or activity, *when viewed in its entirety*, be readily accessible to and usable by individuals with disabilities. 28 CFR 35.150(a). Because title II evaluates a public entity's programs, services, and activities in their entirety, public entities have flexibility in addressing accessibility issues. Program access does not necessarily require a public entity to make each of its existing facilities accessible to and usable by individuals with disabilities, and public entities are not required to make structural changes to existing facilities where other methods are effective in achieving program

access. *See id.*<sup>3</sup> Public entities do, however, have program access considerations that are independent of, but may coexist with, requirements imposed by new construction or alteration requirements in those same facilities.

Where a public entity opts to alter existing facilities to comply with its program access requirements, the entity must meet the accessibility requirements for alterations set out in §35.151. Under the final rule, these alterations will be subject to the 2010 Standards. The 2010 Standards introduce technical and scoping specifications for many elements not covered by the 1991 Standards. In existing facilities, these supplemental requirements need to be taken into account by a public entity in ensuring program access. Also included in the 2010 Standards are revised technical and scoping requirements for a number of elements that were addressed in the 1991 Standards. These revised requirements reflect incremental changes that were added either because of additional study by the Access Board or in order to harmonize requirements with the model codes.

Although the program accessibility standard offers public entities a level of discretion in determining how to achieve program access, in the NPRM, the Department proposed an addition to §35.150 at §35.150(b)(2), denominated “Safe Harbor,” to clarify that “[i]f a public entity has constructed or altered elements \* \* \* in accordance with the specifications in either the 1991 Standards or the Uniform Federal Accessibility Standard, such public entity is not, solely because of the Department’s adoption of the [2010] Standards, required to retrofit such elements to reflect incremental changes in the proposed standards.” 73 FR 34466, 34505 (June 17, 2008). In these circumstances, the public entity would be entitled to a safe harbor for the already compliant elements until those elements are altered. The safe harbor does not negate a public entity’s new construction or alteration obligations. A public entity must comply with the new construction or alteration requirements in effect at the time of the construction or alteration. With respect to existing facilities designed and constructed after January 26, 1992, but before the public entities are required to comply with the 2010 Standards, the rule is that any elements in these facilities that were not constructed in conformance with UFAS or the 1991 Standards are in violation of the ADA and must be brought into compliance. If elements in existing facilities were altered after January 26, 1992, and those alterations were not made in conformance with the alteration requirements in effect at the time, then those alteration violations must be cor-

rected. Section 35.150(b)(2) of the final rule specifies that until the compliance date for the Standards (18 months from the date of publication of the rule), facilities or elements covered by §35.151(a) or (b) that are noncompliant with either the 1991 Standards or UFAS shall be made accessible in accordance with the 1991 Standards, UFAS, or the 2010 Standards. Once the compliance date is reached, such noncompliant facilities or elements must be made accessible in accordance with the 2010 Standards.

The Department received many comments on the safe harbor during the 60-day public comment period. Advocacy groups were opposed to the safe harbor for compliant elements in existing facilities. These commenters objected to the Department’s characterization of revisions between the 1991 and 2010 Standards as incremental changes and assert that these revisions represent important advances in accessibility for individuals with disabilities. Commenters saw no basis for “grandfathering” outdated accessibility standards given the flexibility inherent in the program access standard. Others noted that title II’s “undue financial and administrative burdens” and “fundamental alteration” defenses eliminate any need for further exemptions from compliance. Some commenters suggested that entities’ past efforts to comply with the program access standard of 28 CFR 35.150(a) might appropriately be a factor in determining what is required in the future.

Many public entities welcomed the Department’s proposed safe harbor. These commenters contend that the safe harbor allows public entities needed time to evaluate program access in light of the 2010 Standards, and incorporate structural changes in a careful and thoughtful way toward increasing accessibility entity-wide. Many felt that it would be an ineffective use of public funds to update buildings to retrofit elements that had already been constructed or modified to Department-issued and sanctioned specifications. One entity pointed to the “possibly budget-breaking” nature of forcing compliance with incremental changes.

The Department has reviewed and considered all information received during the 60-day public comment period. Upon review, the Department has decided to retain the title II safe harbor with minor revisions. The Department believes that the safe harbor provides an important measure of clarity and certainty for public entities as to the effect of the final rule with respect to existing facilities. Additionally, by providing a safe harbor for elements already in compliance with the technical and scoping specifications in the 1991 Standards or UFAS, funding that would otherwise be spent on incremental changes and repeated retrofitting is freed up to be used toward increased entity-wide program access. Public entities may thereby

<sup>3</sup>The term “existing facility” is defined in §35.104 as amended by this rule.

make more efficient use of the resources available to them to ensure equal access to their services, programs, or activities for all individuals with disabilities.

The safe harbor adopted with this final rule is a narrow one, as the Department recognizes that this approach may delay, in some cases, the increased accessibility that the revised requirements would provide, and that for some individuals with disabilities the impact may be significant. This safe harbor operates only with respect to elements that are in compliance with the scoping and technical specifications in either the 1991 Standards or UFAS; it does not apply to supplemental requirements, those elements for which scoping and technical specifications are first provided in the 2010 Standards.

#### Existing Facilities

*Existing play areas.* The 1991 Standards do not include specific requirements for the design and construction of play areas. To meet program accessibility requirements where structural changes are necessary, public entities have been required to apply the general new construction and alteration standards to the greatest extent possible, including with respect to accessible parking, routes to the playground, playground equipment, and playground amenities (e.g., picnic tables and restrooms). The Access Board published final guidelines for play areas in October 2000. The guidelines extended beyond general playground access to establish specific scoping and technical requirements for ground-level and elevated play components, accessible routes connecting the components, accessible ground surfaces, and maintenance of those surfaces. These guidelines filled a void left by the 1991 Standards. They have been referenced in Federal playground construction and safety guidelines and have been used voluntarily when many play areas across the country have been altered or constructed.

In adopting the 2004 ADAAG (which includes the 2000 play area guidelines), the Department acknowledges both the importance of integrated, full access to play areas for children and parents with disabilities, as well as the need to avoid placing an untenable fiscal burden on public entities. In the NPRM, the Department stated it was proposing two specific provisions to reduce the impact on existing facilities that undertake structural modifications pursuant to the program accessibility requirement. First, the Department proposed in §35.150(b)(4) that existing play areas that are not being altered would be permitted to meet a reduced scoping requirement with respect to their elevated play components. Elevated play components, which are found on most playgrounds, are the individual components that are linked together to form large-scale com-

posite playground equipment (e.g., the monkey bars attached to the suspension bridge attached to the tube slide, etc.) The 2010 Standards provide that a play area that includes both ground level and elevated play components must ensure that a specified number of the ground-level play components and at least 50 percent of the elevated play components are accessible.

In the NPRM, the Department asked for specific public comment with regard to whether existing play areas should be permitted to substitute additional ground-level play components for the elevated play components they would otherwise have been required to make accessible. The Department also queried if there were other requirements applicable to play areas in the 2004 ADAAG for which the Department should consider exemptions or reduced scoping. Many commenters opposed permitting existing play areas to make such substitutions. Several commenters stated that the Access Board already completed significant negotiation and cost balancing in its rulemaking, so no additional exemptions should be added in either meeting program access requirements or in alterations. Others noted that elevated components are generally viewed as the more challenging and exciting by children, so making more ground than elevated play components accessible would result in discrimination against children with disabilities in general and older children with disabilities in particular. They argued that the ground components would be seen as equipment for younger children and children with disabilities, while elevated components would serve only older children without disabilities. In addition, commenters advised that including additional ground-level play components would require more accessible route and use zone surfacing, which would result in a higher cost burden than making elevated components accessible.

The Department also asked for public comment on whether it would be appropriate for the Access Board to consider issuing guidelines for alterations to play and recreational facilities that would permit reduced scoping of accessible components or substitution of ground-level play components in lieu of elevated play components. Most commenters opposed any additional reductions in scoping and substitutions. These commenters uniformly stated that the Access Board completed sufficient negotiation during its rulemaking on its play area guidelines published in 2000 and that those guidelines consequently should stand as is. One commenter advocated reduced scoping and substitution of ground play components during alterations only for those play areas built prior to the finalization of the guidelines.

The Department has considered the comments it has received and has determined that it is not necessary to provide a specific

exemption to the scoping for components for existing play areas or to recommend reduced scoping or additional exemptions for alteration, and has deleted the reduced scoping proposed in NPRM §35.150(b)(4)(i) from the final rule. The Department believes that it is preferable for public entities to try to achieve compliance with the design standards established in the 2010 Standards. If this is not possible to achieve in an existing setting, the requirements for program accessibility provide enough flexibility to permit the covered entity to pursue alternative approaches to provide accessibility.

Second, in §35.150(b)(5)(i) of the NPRM, the Department proposed language stating that existing play areas that are less than 1,000 square feet in size and are not otherwise being altered, need not comply with the scoping and technical requirements for play areas in section 240 of the 2004 ADAAG. The Department stated it selected this size based on the provision in section 1008.2.4.1 of the 2004 ADAAG, Exception 1, which permits play areas less than 1,000 square feet in size to provide accessible routes with a reduced clear width (44 inches instead of 60 inches). In its 2000 regulatory assessment for the play area guidelines, the Access Board assumed that such “small” play areas represented only about 20 percent of the play areas located in public schools, and none of the play areas located in city and State parks (which the Board assumed were typically larger than 1,000 square feet).

In the NPRM, the Department asked if existing play areas less than 1,000 square feet should be exempt from the requirements applicable to play areas. The vast majority of commenters objected to such an exemption. One commenter stated that many localities that have parks this size are already making them accessible; many cited concerns that this would leave all or most public playgrounds in small towns inaccessible; and two commenters stated that, since many of New York City’s parks are smaller than 1,000 square feet, only scattered larger parks in the various boroughs would be obliged to become accessible. Residents with disabilities would then have to travel substantial distances outside their own neighborhoods to find accessible playgrounds. Some commenters responded that this exemption should not apply in instances where the play area is the only one in the program, while others said that if a play area is exempt for reasons of size, but is the only one in the area, then it should have at least an accessible route and 50 percent of its ground-level play components accessible. One commenter supported the exemption as presented in the question.

The Department is persuaded by these comments that it is inappropriate to exempt public play areas that are less than 1,000 square feet in size. The Department believes

that the factors used to determine program accessibility, including the limits established by the undue financial and administrative burdens defense, provide sufficient flexibility to public entities in determining how to make their existing play areas accessible. In those cases where a title II entity believes that present economic concerns make it an undue financial and administrative burden to immediately make its existing playgrounds accessible in order to comply with program accessibility requirements, then it may be reasonable for the entity to develop a multi-year plan to bring its facilities into compliance.

In addition to requesting public comment about the specific sections in the NPRM, the Department also asked for public comment about the appropriateness of a general safe harbor for existing play areas and a safe harbor for public entities that have complied with State or local standards specific to play areas. In the almost 200 comments received on title II play areas, the vast majority of commenters strongly opposed all safe harbors, exemptions, and reductions in scoping. By contrast, one commenter advocated a safe harbor from compliance with the 2004 ADAAG play area requirements along with reduced scoping and exemptions for both program accessibility and alterations; a second commenter advocated only the general safe harbor from compliance with the supplemental requirements.

In response to the question of whether the Department should exempt public entities from specific compliance with the supplemental requirements for play areas, commenters stated that since no specific standards previously existed, play areas are more than a decade behind in providing full access for individuals with disabilities. When accessible play areas were created, public entities, acting in good faith, built them according to the 2004 ADAAG requirements; many equipment manufacturers also developed equipment to meet those guidelines. If existing playgrounds were exempted from compliance with the supplemental guidelines, commenters said, those entities would be held to a lesser standard and left with confusion, a sense of wasted resources, and federally condoned discrimination and segregation. Commenters also cited Federal agency settlement agreements on play areas that required compliance with the guidelines. Finally, several commenters observed that the provision of a safe harbor in this instance was invalid for two reasons: (1) The rationale for other safe harbors—that entities took action to comply with the 1991 Standards and should not be further required to comply with new standards—does not exist; and (2) concerns about financial and administrative burdens are adequately addressed by program access requirements.

The question of whether accessibility of play areas should continue to be assessed on the basis of case-by-case evaluations elicited conflicting responses. One commenter asserted that there is no evidence that the case-by-case approach is not working and so it should continue until found to be inconsistent with the ADA's goals. Another commenter argued that case-by-case evaluations result in unpredictable outcomes which result in costly and long court actions. A third commenter, advocating against case-by-case evaluations, requested instead increased direction and scoping to define what constitutes an accessible play area program.

The Department has considered all of the comments it received in response to its questions and has concluded that there is insufficient basis to establish a safe harbor from compliance with the supplemental guidelines. Thus, the Department has eliminated the proposed exemption contained in §35.150(b)(5)(i) of the NPRM for existing play areas that are less than 1,000 square feet. The Department believes that the factors used to determine program accessibility, including the limits established by the undue financial and administrative burdens defense, provide sufficient flexibility to public entities in determining how to make their existing play areas accessible.

In the NPRM, the Department also asked whether there are State and local standards addressing play and recreation area accessibility and, to the extent that there are such standards, whether facilities currently governed by, and in compliance with, such State and local standards or codes should be subject to a safe harbor from compliance with applicable requirements in the 2004 ADAAG. The Department also asked whether it would be appropriate for the Access Board to consider the implementation of guidelines that would permit such a safe harbor with respect to play and recreation areas undertaking alterations. In response, commenters stated that few State or local governments have standards that address issues of accessibility in play areas, and one commenter organization said that it was unaware of any State or local standards written specifically for accessible play areas. One commenter observed from experience that most State and local governments were waiting for the Access Board guidelines to become enforceable standards as they had no standards themselves to follow. Another commenter offered that public entities across the United States already include in their playground construction bid specifications language that requires compliance with the Access Board's guidelines. A number of commenters advocated for the Access Board's guidelines to become comprehensive Federal standards that would complement any abbreviated State and local standards. One commenter, however, supported a safe harbor for play areas

undergoing alterations if the areas currently comply with State or local standards.

The Department is persuaded by these comments that there is insufficient basis to establish a safe harbor for program access or alterations for play areas built in compliance with State or local laws.

In the NPRM, the Department asked whether "a reasonable number, but at least one" is a workable standard to determine the appropriate number of existing play areas that a public entity must make accessible. Many commenters objected to this standard, expressing concern that the phrase "at least one" would be interpreted as a maximum rather than a minimum requirement. Such commenters feared that this language would allow local governments to claim compliance by making just one public park accessible, regardless of the locality's size, budget, or other factors, and would support segregation, forcing children with disabilities to leave their neighborhoods to enjoy an accessible play area. While some commenters criticized what they viewed as a new analysis of program accessibility, others asserted that the requirements of program accessibility should be changed to address issues related to play areas that are not the main program in a facility but are essential components of a larger program (*e.g.*, drop-in child care for a courthouse).

The Department believes that those commenters who opposed the Department's "reasonable number, but at least one" standard for program accessibility misunderstood the Department's proposal. The Department did not intend any change in its longstanding interpretation of the program accessibility requirement. Program accessibility requires that each service, program, or activity be operated "so that the service, program, or activity, when viewed in its entirety, is readily accessible to and usable by individuals with disabilities." 28 CFR 35.150(a), subject to the undue financial and administrative burdens and fundamental alterations defenses provided in 28 CFR 35.150. In determining how many facilities of a multi-site program must be made accessible in order to make the overall program accessible, the standard has always been an assessment of what is reasonable under the circumstances to make the program readily accessible to and usable by individuals with disabilities, taking into account such factors as the size of the public entity, the particular program features offered at each site, the geographical distance between sites, the travel times to the sites, the number of sites, and availability of public transportation to the sites. In choosing among available methods for meeting this requirement, public entities are required to give priority "to those methods that offer services, programs, and activities \* \* \* in the most integrated setting appropriate." 28 CFR 35.150(b)(1). As a

result, in cases where the sites are widely dispersed with difficult travel access and where the program features offered vary widely between sites, program accessibility will require a larger number of facilities to be accessible in order to ensure program accessibility than where multiple sites are located in a concentrated area with easy travel access and uniformity in program offerings.

Commenters responded positively to the Department's question in the NPRM whether the final rule should provide a list of factors that a public entity should use to determine how many of its existing play areas should be made accessible. Commenters also asserted strongly that the number of existing parks in the locality should not be the main factor. In addition to the Department's initial list—including number of play areas in an area, travel times or geographic distances between play areas, and the size of the public entity—commenters recommended such factors as availability of accessible pedestrian routes to the playgrounds, ready availability of accessible transportation, comparable amenities and services in and surrounding the play areas, size of the playgrounds, and sufficient variety in accessible play components within the playgrounds. The Department agrees that these factors should be considered, where appropriate, in any determination of whether program accessibility has been achieved. However, the Department has decided that it need not address these factors in the final rule itself because the range of factors that might need to be considered would vary depending upon the circumstances of particular public entities. The Department does not believe any list would be sufficiently comprehensive to cover every situation.

The Department also requested public comment about whether there was a “tipping point” at which the costs of compliance with the new requirements for existing play areas would be so burdensome that the entity would simply shut down the playground. Commenters generally questioned the feasibility of determining a “tipping point.” No commenters offered a recommended “tipping point.” Moreover, most commenters stated that a “tipping point” is not a valid consideration for various reasons, including that “tipping points” will vary based upon each entity's budget and other mandates, and costs that are too high will be addressed by the limitations of the undue financial and administrative burdens defense in the program accessibility requirement and that a “tipping point” must be weighed against quality of life issues, which are difficult to quantify. The Department has decided that comments did not establish any clear “tipping point” and therefore provides no regulatory requirement in this area.

*Swimming pools.* The 1991 Standards do not contain specific scoping or technical require-

ments for swimming pools. As a result, under the 1991 title II regulation, title II entities that operate programs or activities that include swimming pools have not been required to provide an accessible route into those pools via a ramp or pool lift, although they are required to provide an accessible route to such pools. In addition, these entities continue to be subject to the general title II obligation to make their programs usable and accessible to persons with disabilities.

The 2004 ADAAG includes specific technical and scoping requirements for new and altered swimming pools at sections 242 and 1009. In the NPRM, the Department sought to address the impact of these requirements on existing swimming pools. Section 242.2 of the 2004 ADAAG states that swimming pools must provide two accessible means of entry, except that swimming pools with less than 300 linear feet of swimming pool wall are only required to provide one accessible means of entry, provided that the accessible means of entry is either a swimming pool lift complying with section 1009.2 or a sloped entry complying with section 1009.3.

In the NPRM, the Department proposed, in § 35.150(b)(4)(ii), that for measures taken to comply with title II's program accessibility requirements, existing swimming pools with at least 300 linear feet of swimming pool wall would be required to provide only one accessible means of access that complied with section 1009.2 or section 1009.3 of the 2004 ADAAG.

The Department specifically sought comment from public entities and individuals with disabilities on the question whether the Department should “allow existing public entities to provide only one accessible means of access to swimming pools more than 300 linear feet long?” The Department received significant public comment on this proposal.

Most commenters opposed any reduction in the scoping required in the 2004 ADAAG, citing the fact that swimming is a common therapeutic form of exercise for many individuals with disabilities. Many commenters also stated that the cost of a swimming pool lift, approximately \$5,000, or other non-structural options for pool access such as transfer steps, transfer walls, and transfer platforms, would not be an undue financial and administrative burden for most title II entities. Other commenters pointed out that the undue financial and administrative burdens defense already provided public entities with a means to reduce their scoping requirements. A few commenters cited safety concerns resulting from having just one accessible means of access, and stated that because pools typically have one ladder for every 75 linear feet of pool wall, they should

have more than one accessible means of access. One commenter stated that construction costs for a public pool are approximately \$4,000–4,500 per linear foot, making the cost of a pool with 300 linear feet of swimming pool wall approximately \$1.2 million, compared to \$5,000 for a pool lift. Some commenters did not oppose the one accessible means of access for larger pools so long as a lift was used. A few commenters approved of the one accessible means of access for larger pools. The Department also considered the American National Standard for Public Swimming Pools, ANSI/NSPI-1 2003, section 23 of which states that all pools should have at least two means of egress.

In the NPRM, the Department also proposed at §35.150(b)(5)(ii) that existing swimming pools with less than 300 linear feet of swimming pool wall be exempted from having to comply with the provisions of section 242.2. The Department's NPRM requested public comment about the potential effect of this approach, asking whether existing swimming pools with less than 300 linear feet of pool wall should be exempt from the requirements applicable to swimming pools.

Most commenters were opposed to this proposal. A number of commenters stated, based on the Access Board estimates that 90 percent of public high school pools, 40 percent of public park and community center pools, and 30 percent of public college and university pools have less than 300 linear feet of pool wall, that a large number of public swimming pools would fall under this exemption. Other commenters pointed to the existing undue financial and administrative burdens defenses as providing public entities with sufficient protection from excessive compliance costs. Few commenters supported this exemption.

The Department also considered the fact that many existing swimming pools owned or operated by public entities are recipients of Federal financial assistance and therefore, are also subject to the program accessibility requirements of section 504 of the Rehabilitation Act.

The Department has carefully considered all the information available to it including the comments submitted on these two proposed exemptions for swimming pools owned or operated by title II entities. The Department acknowledges that swimming provides important therapeutic, exercise, and social benefits for many individuals with disabilities and is persuaded that exemption of many publicly owned or operated pools from the 2010 Standards is neither appropriate nor necessary. The Department agrees with the commenters that title II already contains sufficient limitations on public entities' obligations to make their programs accessible. In particular, the Department agrees that those public entities that can demonstrate that making particular existing swimming

pools accessible in accordance with the 2010 Standards would be an undue financial and administrative burden are sufficiently protected from excessive compliance costs. Thus, the Department has eliminated proposed §§35.150(b)(4)(ii) and (b)(5)(ii) from the final rule.

In addition, although the NPRM contained no specific proposed regulatory language on this issue, the NPRM sought comment on what would be a workable standard for determining the appropriate number of existing swimming pools that a public entity must make accessible for its program to be accessible. The Department asked whether a "reasonable number, but at least one" would be a workable standard and, if not, whether there was a more appropriate specific standard. The Department also asked if, in the alternative, the Department should provide "a list of factors that a public entity could use to determine how many of its existing swimming pools to make accessible, e.g., number of swimming pools, travel times or geographic distances between swimming pools, and the size of the public entity?"

A number of commenters expressed concern over the "reasonable number, but at least one" standard and contended that, in reality, public entities would never provide more than one accessible existing pool, thus segregating individuals with disabilities. Other commenters felt that the existing program accessibility standard was sufficient. Still others suggested that one in every three existing pools should be made accessible. One commenter suggested that all public pools should be accessible. Some commenters proposed a list of factors to determine how many existing pools should be accessible. Those factors include the total number of pools, the location, size, and type of pools provided, transportation availability, and lessons and activities available. A number of commenters suggested that the standard should be based on geographic areas, since pools serve specific neighborhoods. One commenter argued that each pool should be examined individually to determine what can be done to improve its accessibility.

The Department did not include any language in the final rule that specifies the "reasonable number, but at least one" standard for program access. However, the Department believes that its proposal was misunderstood by many commenters. Each service, program, or activity conducted by a public entity, when viewed in its entirety, must still be readily accessible to and usable by individuals with disabilities unless doing so would result in a fundamental alteration in the nature of the program or activity or in undue financial and administrative burdens. Determining which pool(s) to make accessible and whether more than one accessible pool is necessary to provide program access

requires analysis of a number of factors, including, but not limited to, the size of the public entity, geographical distance between pool sites, whether more than one community is served by particular pools, travel times to the pools, the total number of pools, the availability of lessons and other programs and amenities at each pool, and the availability of public transportation to the pools. In many instances, making one existing swimming pool accessible will not be sufficient to ensure program accessibility. There may, however, be some circumstances where a small public entity can demonstrate that modifying one pool is sufficient to provide access to the public entity's program of providing public swimming pools. In all cases, a public entity must still demonstrate that its programs, including the program of providing public swimming pools, when viewed in their entirety, are accessible.

*Wading pools.* The 1991 Standards do not address wading pools. Section 242.3 of the 2004 ADAAG requires newly constructed or altered wading pools to provide at least one sloped means of entry to the deepest part of the pool. The Department was concerned about the potential impact of this new requirement on existing wading pools. Therefore, in the NPRM, the Department sought comments on whether existing wading pools that are not being altered should be exempt from this requirement, asking, "[w]hat site constraints exist in existing facilities that could make it difficult or infeasible to install a sloped entry in an existing wading pool? Should existing wading pools that are not being altered be exempt from the requirement to provide a sloped entry?" 73 FR 34466, 34487–88 (June 17, 2008). Most commenters agreed that existing wading pools that are not being altered should be exempt from this requirement. Almost all commenters felt that during alterations a sloped entry should be provided unless it was technically infeasible to do so. Several commenters felt that the required clear deck space surrounding a pool provided sufficient space for a sloped entry during alterations.

The Department also solicited comments on the possibility of exempting existing wading pools from the obligation to provide program accessibility. Most commenters argued that installing a sloped entry in an existing wading pool is not very feasible. Because covered entities are not required to undertake modifications that would be technically infeasible, the Department believes that the rule as drafted provides sufficient protection from unwarranted expense to the operators of small existing wading pools. Other existing wading pools, particularly those larger pools associated with facilities such as aquatic centers or water parks, must be assessed on a case-by-case basis. Therefore, the Department has not included such an exemption for wading pools in its final rule.

*Saunas and steam rooms.* The 1991 Standards do not address saunas and steam rooms. Section 35.150(b)(5)(iii) of the NPRM exempted existing saunas and steam rooms that seat only two individuals and were not being altered from section 241 of the 2004 ADAAG, which requires an accessible turning space. Two commenters objected to this exemption as unnecessary, and argued that the cost of accessible saunas is not high and public entities still have an undue financial and administrative burdens defense.

The Department considered these comments and has decided to eliminate the exemption for existing saunas and steam rooms that seat only two people. Such an exemption is unnecessary because covered entities will not be subject to program accessibility requirements to make existing saunas and steam rooms accessible if doing so constitutes an undue financial and administrative burden. The Department believes it is likely that because of their pre-fabricated forms, which include built-in seats, it would be either technically infeasible or an undue financial and administrative burden to modify such saunas and steam rooms. Consequently, a separate exemption for saunas and steam rooms would have been superfluous. Finally, employing the program accessibility standard for small saunas and steam rooms is consistent with the Department's decisions regarding the proposed exemptions for play areas and swimming pools.

Several commenters also argued in favor of a specific exemption for existing spas. The Department notes that the technical infeasibility and program accessibility defenses are applicable equally to existing spas and declines to adopt such an exemption.

*Other recreational facilities.* In the NPRM, the Department asked about a number of issues relating to recreation facilities such as team or player seating areas, areas of sport activity, exercise machines, boating facilities, fishing piers and platforms, and miniature golf courses. The Department's questions addressed the costs and benefits of applying the 2004 ADAAG to these spaces and facilities and the application of the specific technical requirements in the 2004 ADAAG for these spaces and facilities. The discussion of the comments received by the Department on these issues and the Department's response to those comments can be found in either the section of Appendix A to this rule entitled "Other Issues," or in Appendix B to the final title III rule, which will be published today elsewhere in this volume.

*Section 35.151 New construction and alterations*

Section 35.151(a), which provided that those facilities that are constructed or altered by, on behalf of, or for the use of a public entity shall be designed, constructed, or altered to be readily accessible to and usable



by individuals with disabilities, is unchanged in the final rule, but has been redesignated as § 35.151(a)(1). The Department has added a new section, designated as § 35.151(a)(2), to provide that full compliance with the requirements of this section is not required where an entity can demonstrate that it is structurally impracticable to meet the requirements. Full compliance will be considered structurally impracticable only in those rare circumstances when the unique characteristics of terrain prevent the incorporation of accessibility features. This exception was contained in the title III regulation and in the 1991 Standards (applicable to both public accommodations and facilities used by public entities), so it has applied to any covered facility that was constructed under the 1991 Standards since the effective date of the ADA. The Department added it to the text of § 35.151 to maintain consistency between the design requirements that apply under title II and those that apply under title III. The Department received no significant comments about this section.

#### *Section 35.151(b) Alterations*

The 1991 title II regulation does not contain any specific regulatory language comparable to the 1991 title III regulation relating to alterations and path of travel for covered entities, although the 1991 Standards describe standards for path of travel during alterations to a primary function. *See* 28 CFR part 36, app A., section 4.1.6(a) (2009).

The path of travel requirements contained in the title III regulation are based on section 303(a)(2) of the ADA, 42 U.S.C. 12183(a)(2), which provides that when an entity undertakes an alteration to a place of public accommodation or commercial facility that affects or could affect the usability of or access to an area that contains a primary function, the entity shall ensure that, to the maximum extent feasible, the path of travel to the altered area—and the restrooms, telephones, and drinking fountains serving it—is readily accessible to and usable by individuals with disabilities, including individuals who use wheelchairs.

The NPRM proposed amending § 35.151 to add both the path of travel requirements and the exemption relating to barrier removal (as modified to apply to the program accessibility standard in title II) that are contained in the title III regulation to the title II regulation. Proposed § 35.151(b)(4) contained the requirements for path of travel. Proposed § 35.151(b)(2) stated that the path of travel requirements of § 35.151(b)(4) shall not apply to measures taken solely to comply with program accessibility requirements.

Where the specific requirements for path of travel apply under title III, they are limited to the extent that the cost and scope of alterations to the path of travel are disproportionate to the cost of the overall alteration,

as determined under criteria established by the Attorney General.

The Access Board included the path of travel requirement for alterations to facilities covered by the standards (other than those subject to the residential facilities standards) in section 202.4 of 2004 ADAAG. Section 35.151(b)(4)(iii) of the final rule establishes the criteria for determining when the cost of alterations to the path of travel is “disproportionate” to the cost of the overall alteration.

The NPRM also provided that areas such as supply storage rooms, employee lounges and locker rooms, janitorial closets, entrances, and corridors are not areas containing a primary function. Nor are restroom areas considered to contain a primary function unless the provision of restrooms is a primary purpose of the facility, such as at a highway rest stop. In that situation, a restroom would be considered to be an “area containing a primary function” of the facility.

The Department is not changing the requirements for program accessibility. As provided in § 35.151(b)(2) of the regulation, the path of travel requirements of § 35.151(b)(4) only apply to alterations undertaken solely for purposes other than to meet the program accessibility requirements. The exemption for the specific path of travel requirement was included in the regulation to ensure that the specific requirements and disproportionality exceptions for path of travel are not applied when areas are being altered to meet the title II program accessibility requirements in § 35.150. In contrast, when areas are being altered to meet program accessibility requirements, they must comply with all of the applicable requirements referenced in section 202 of the 2010 Standards. A covered title II entity must provide accessibility to meet the requirements of § 35.150 unless doing so is an undue financial and administrative burden in accordance with § 35.150(a)(3). A covered title II entity may not use the disproportionality exception contained in the path of travel provisions as a defense to providing an accessible route as part of its obligation to provide program accessibility. The undue financial and administrative burden standard does *not* contain any bright line financial tests.

The Department’s proposed § 35.151(b)(4) adopted the language now contained in § 36.403 of the title III regulation, including the disproportionality limitation (*i.e.*, alterations made to provide an accessible path of travel to the altered area would be deemed disproportionate to the overall alteration when the cost exceeds 20 percent of the cost of the alteration to the primary function area). Proposed § 35.151(b)(2) provided that the path of travel requirements do not apply to alterations undertaken solely to comply with program accessibility requirements.

The Department received a substantial number of comments objecting to the Department's adoption of the exemption for the path of travel requirements when alterations are undertaken solely to meet program accessibility requirements. These commenters argued that the Department had no statutory basis for providing this exemption nor does it serve any purpose. In addition, these commenters argued that the path of travel exemption has the effect of placing new limitations on the obligations to provide program access. A number of commenters argued that doing away with the path of travel requirement would render meaningless the concept of program access. They argued that just as the requirement to provide an accessible path of travel to an altered area (regardless of the reason for the alteration), including making the restrooms, telephones, and drinking fountains that serve the altered area accessible, is a necessary requirement in other alterations, it is equally necessary for alterations made to provide program access. Several commenters expressed concern that a readily accessible path of travel be available to ensure that persons with disabilities can get to the physical location in which programs are held. Otherwise, they will not be able to access the public entity's service, program, or activity. Such access is a cornerstone of the protections provided by the ADA. Another commenter argued that it would be a waste of money to create an accessible facility without having a way to get to the primary area. This commenter also stated that the International Building Code (IBC) requires the path of travel to a primary function area, up to 20 percent of the cost of the project. Another commenter opposed the exemption, stating that the trigger of an alteration is frequently the only time that a facility must update its facilities to comply with evolving accessibility standards.

In the Department's view, the commenters objecting to the path of travel exemption contained in § 35.151(b)(2) did not understand the intention behind the exemption. The exemption was not intended to eliminate any existing requirements related to accessibility for alterations undertaken in order to meet program access obligations under § 35.149 and § 35.150. Rather, it was intended to ensure that covered entities did not apply the path of travel requirements in lieu of the overarching requirements in this Subpart that apply when making a facility accessible in order to comply with program accessibility. The exemption was also intended to make it clear that the disproportionality test contained in the path of travel standards is not applicable in determining whether providing program access results in an undue financial and administration burden within the meaning of § 35.150(a)(3). The exemption was also provided to maintain con-

sistency with the title III path of travel exemption for barrier removal, *see* § 36.304(d), in keeping with the Department's regulatory authority under title II of the ADA. *See* 42 U.S.C. 12134(b); *see also* H. R. Rep. No. 101B485, pt. 2, at 84 (1990) ("The committee intends, however, that the forms of discrimination prohibited by section 202 be identical to those set out in the applicable provisions of titles I and III of this legislation.").

For title II entities, the path of travel requirements are of significance in those cases where an alteration is being made solely for reasons other than program accessibility. For example, a public entity might have six courtrooms in two existing buildings and might determine that only three of those courtrooms and the public use and common use areas serving those courtrooms in one building are needed to be made accessible in order to satisfy its program access obligations. When the public entity makes those courtrooms and the public use and common use areas serving them accessible in order to meet its program access obligations, it will have to comply with the 2010 Standards unless the public entity can demonstrate that full compliance would result in undue financial and administrative burdens as described in § 35.150(a)(3). If such action would result in an undue financial or administrative burden, the public entity would nevertheless be required to take some other action that would not result in such an alteration or such burdens but would ensure that the benefits and services provided by the public entity are readily accessible to persons with disabilities. When the public entity is making modifications to meet its program access obligation, it may not rely on the path of travel exception under § 35.151(b)(4), which limits the requirement to those alterations where the cost and scope of the alterations are not disproportionate to the cost and scope of the overall alterations. If the public entity later decides to alter courtrooms in the other building, for purposes of updating the facility (and, as previously stated, has met its program access obligations) then in that case, the public entity would have to comply with the path of travel requirements in the 2010 Standards subject to the disproportionality exception set forth in § 35.151(b)(4).

The Department has slightly revised proposed § 35.151(b)(2) to make it clearer that the path of travel requirements only apply when alterations are undertaken solely for purposes other than program accessibility.

*Section 35.151(b)(4)(ii)(C) Path of travel—safe harbor*

In § 35.151(b)(4)(ii)(C) of the NPRM, the Department included a provision that stated

that public entities that have brought required elements of path of travel into compliance with the 1991 Standards are not required to retrofit those elements in order to reflect incremental changes in the 2010 Standards solely because of an alteration to a primary function area that is served by that path of travel. In these circumstances, the public entity is entitled to a safe harbor and is only required to modify elements to comply with the 2010 Standards if the public entity is planning an alteration to the element.

A substantial number of commenters objected to the Department's imposition of a safe harbor for alterations to facilities of public entities that comply with the 1991 Standards. These commenters argued that if a public entity is already in the process of altering its facility, there should be a legal requirement that individuals with disabilities be entitled to increased accessibility by using the 2010 Standards for path of travel work. They also stated that they did not believe there was a statutory basis for "grandfathering" facilities that comply with the 1991 Standards.

The ADA is silent on the issue of "grandfathering" or establishing a safe harbor for measuring compliance in situations where the covered entity is not undertaking a planned alteration to specific building elements. The ADA delegates to the Attorney General the responsibility for issuing regulations that define the parameters of covered entities' obligations when the statute does not directly address an issue. This regulation implements that delegation of authority.

One commenter proposed that a previous record of barrier removal be one of the factors in determining, prospectively, what renders a facility, when viewed in its entirety, usable and accessible to persons with disabilities. Another commenter asked the Department to clarify, at a minimum, that to the extent compliance with the 1991 Standards does not provide program access, particularly with regard to areas not specifically addressed in the 1991 Standards, the safe harbor will not operate to relieve an entity of its obligations to provide program access.

One commenter supported the proposal to add a safe harbor for path of travel.

The final rule retains the safe harbor for required elements of a path of travel to altered primary function areas for public entities that have already complied with the 1991 Standards with respect to those required elements. The Department believes that this safe harbor strikes an appropriate balance between ensuring that individuals with disabilities are provided access to buildings and facilities and potential financial burdens on existing public entities that are undertaking alterations subject to the 2010 Standards. This safe harbor is not a blanket exemption for facilities. If a public entity undertakes

an alteration to a primary function area, only the required elements of a path of travel to that area that already comply with the 1991 Standards are subject to the safe harbor. If a public entity undertakes an alteration to a primary function area and the required elements of a path of travel to the altered area do not comply with the 1991 Standards, then the public entity must bring those elements into compliance with the 2010 Standards.

*Section 35.151(b)(3) Alterations to historic facilities*

The final rule renumbers the requirements for alterations to historic facilities enumerated in current §35.151(d)(1) and (2) as §35.151(b)(3)(i) and (ii). Currently, the regulation provides that alterations to historic facilities shall comply to the maximum extent feasible with section 4.1.7 of UFAS or section 4.1.7 of the 1991 Standards. See 28 CFR 35.151(d)(1). Section 35.151(b)(3)(i) of the final rule eliminates the option of using UFAS for alterations that commence on or after March 15, 2012. The substantive requirement in current §35.151(d)(2)—that alternative methods of access shall be provided pursuant to the requirements of §35.150 if it is not feasible to provide physical access to an historic property in a manner that will not threaten or destroy the historic significance of the building or facility—is contained in §35.151(b)(3)(ii).

*Section 35.151(c) Accessibility standards for new construction and alterations*

Section 35.151(c) of the NPRM proposed to adopt ADA Chapter 1, ADA Chapter 2, and Chapters 3 through 10 of the Americans with Disabilities Act and Architectural Barriers Act Guidelines (2004 ADAAG) into the ADA Standards for Accessible Design (2010 Standards). As the Department has noted, the development of these standards represents the culmination of a lengthy effort by the Access Board to update its guidelines, to make the Federal guidelines consistent to the extent permitted by law, and to harmonize the Federal requirements with the private sector model codes that form the basis of many State and local building code requirements. The full text of the 2010 Standards is available for public review on the ADA Home Page (<http://www.ada.gov>) and on the Access Board's Web site (<http://www.access-board.gov/gs.htm>) (last visited June 24, 2010). The Access Board site also includes an extensive discussion of the development of the 2004 ADA/ABA Guidelines, and a detailed comparison of the 1991 Standards, the 2004 ADA/ABA Guidelines, and the 2003 International Building Code.

Section 204 of the ADA, 42 U.S.C. 12134, directs the Attorney General to issue regulations to implement title II that are consistent with the minimum guidelines published by the Access Board. The Attorney General (or his designee) is a statutory member of the Access Board (*see* 29 U.S.C. 792(a)(1)(B)(vii)) and was involved in the development of the 2004 ADAAG. Nevertheless, during the process of drafting the NPRM, the Department reviewed the 2004 ADAAG to determine if additional regulatory provisions were necessary. As a result of this review, the Department decided to propose new sections, which were contained in §35.151(e)–(h) of the NPRM, to clarify how the Department will apply the proposed standards to social service center establishments, housing at places of education, assembly areas, and medical care facilities. Each of these provisions is discussed below.

Congress anticipated that there would be a need for close coordination of the ADA building requirements with State and local building code requirements. Therefore, the ADA authorized the Attorney General to establish an ADA code certification process under title III of the ADA. That process is addressed in 28 CFR part 36, subpart F. Revisions to that process are addressed in the regulation amending the title III regulation published elsewhere in the FEDERAL REGISTER today. In addition, the Department operates an extensive technical assistance program. The Department anticipates that once this rule is final, revised technical assistance material will be issued to provide guidance about its implementation.

Section 35.151(c) of the 1991 title II regulation establishes two standards for accessible new construction and alteration. Under paragraph (c), design, construction, or alteration of facilities in conformance with UFAS or with the 1991 Standards (which, at the time of the publication of the rule were also referred to as the Americans with Disabilities Act Accessibility Guidelines for Buildings and Facilities (1991 ADAAG)) is deemed to comply with the requirements of this section with respect to those facilities (except that if the 1991 Standards are chosen, the elevator exemption does not apply). The 1991 Standards were based on the 1991 ADAAG, which was initially developed by the Access Board as guidelines for the accessibility of buildings and facilities that are subject to title III. The Department adopted the 1991 ADAAG as the standards for places of public accommodation and commercial facilities under title III of the ADA and it was published as Appendix A to the Department's regulation implementing title III, 56 FR 35592 (July 26, 1991) as amended, 58 FR 17522 (April 5, 1993), and as further amended, 59 FR 2675 (Jan. 18, 1994), codified at 28 CFR part 36 (2009).

Section 35.151(c) of the final rule adopts the 2010 Standards and establishes the compliance date and triggering events for the application of those standards to both new construction and alterations. Appendix B of the final title III rule (Analysis and Commentary on the 2010 ADA Standards for Accessible Design) (which will be published today elsewhere in this volume and codified as Appendix B to 28 CFR part 36) provides a description of the major changes in the 2010 Standards (as compared to the 1991 ADAAG) and a discussion of the public comments that the Department received on specific sections of the 2004 ADAAG. A number of commenters asked the Department to revise certain provisions in the 2004 ADAAG in a manner that would reduce either the required scoping or specific technical accessibility requirements. As previously stated, although the ADA requires the enforceable standards issued by the Department under title II and title III to be consistent with the minimum guidelines published by the Access Board, it is the sole responsibility of the Attorney General to promulgate standards and to interpret and enforce those standards. The guidelines adopted by the Access Board are "minimum guidelines." 42 U.S.C. 12186(c).

*Compliance date.* When the ADA was enacted, the effective dates for various provisions were delayed in order to provide time for covered entities to become familiar with their new obligations. Titles II and III of the ADA generally became effective on January 26, 1992, six months after the regulations were published. *See* 42 U.S.C. 12131 note; 42 U.S.C. 12181 note. New construction under title II and alterations under either title II or title III had to comply with the design standards on that date. *See* 42 U.S.C. 12183(a)(1). For new construction under title III, the requirements applied to facilities designed and constructed for first occupancy after January 26, 1993—18 months after the 1991 Standards were published by the Department. In the NPRM, the Department proposed to amend §35.151(c)(1) by revising the current language to limit the application of the 1991 standards to facilities on which construction commences within six months of the final rule adopting revised standards. The NPRM also proposed adding paragraph (c)(2) to §35.151, which states that facilities on which construction commences on or after the date six months following the effective date of the final rule shall comply with the proposed standards adopted by that rule.

As a result, under the NPRM, for the first six months after the effective date, public entities would have the option to use either UFAS or the 1991 Standards and be in compliance with title II. Six months after the effective date of the rule, the new standards would take effect. At that time, construction in accordance with UFAS would no longer satisfy ADA requirements. The Department

stated that in order to avoid placing the burden of complying with both standards on public entities, the Department would coordinate a government-wide effort to revise Federal agencies' section 504 regulations to adopt the 2004 ADAAG as the standard for new construction and alterations.

The purpose of the proposed six-month delay in requiring compliance with the 2010 Standards was to allow covered entities a reasonable grace period to transition between the existing and the proposed standards. For that reason, if a title II entity preferred to use the 2010 Standards as the standard for new construction or alterations commenced within the six-month period after the effective date of the final rule, such entity would be considered in compliance with title II of the ADA.

The Department received a number of comments about the proposed six-month effective date for the title II regulation that were similar in content to those received on this issue for the proposed title III regulation. Several commenters supported the six-month effective date. One commenter stated that any revisions to its State building code becomes effective six months after adoption and that this has worked well. In addition, this commenter stated that since 2004 ADAAG is similar to IBC 2006 and ICC/ANSI A117.1-2003, the transition should be easy. By contrast, another commenter advocated for a minimum 12-month effective date, arguing that a shorter effective date could cause substantial economic hardships to many cities and towns because of the lengthy lead time necessary for construction projects. This commenter was concerned that a six-month effective date could lead to projects having to be completely redrawn, rebid, and re-scheduled to ensure compliance with the new standards. Other commenters advocated that the effective date be extended to at least 18 months after the publication of the rule. One of these commenters expressed concern that the kinds of bureaucratic organizations subject to the title II regulations lack the internal resources to quickly evaluate the regulatory changes, determine whether they are currently compliant with the 1991 standards, and determine what they have to do to comply with the new standards. The other commenter argued that 18 months is the minimum amount of time necessary to ensure that projects that have already been designed and approved do not have to undergo costly design revisions at taxpayer expense.

The Department is persuaded by the concerns raised by commenters for both the title II and III regulations that the six-month compliance date proposed in the NPRM for application of the 2010 Standards may be too short for certain projects that are already in the midst of the design and permitting process. The Department has determined that for new construction and al-

terations, compliance with the 2010 Standards will not be required until 18 months from the date the final rule is published. Until the time compliance with the 2010 Standards is required, public entities will have the option of complying with the 2010 Standards, the UFAS, or the 1991 Standards. However, public entities that choose to comply with the 2010 Standards in lieu of the 1991 Standards or UFAS prior to the compliance date described in this rule must choose one of the three standards, and may not rely on some of the requirements contained in one standard and some of the requirements contained in the other standards.

*Triggering event.* In §35.151(c)(2) of the NPRM, the Department proposed that the commencement of construction serve as the triggering event for applying the proposed standards to new construction and alterations under title II. This language is consistent with the triggering event set forth in §35.151(a) of the 1991 title II regulation. The Department received only four comments on this section of the title II rule. Three commenters supported the use of "start of construction" as the triggering event. One commenter argued that the Department should use the "last building permit or start of physical construction, whichever comes first," stating that "altering a design after a building permit has been issued can be an undue burden."

After considering these comments, the Department has decided to continue to use the commencement of physical construction as the triggering event for application of the 2010 Standards for entities covered by title II. The Department has also added clarifying language at §35.151(c)(4) to the regulation to make it clear that the date of ceremonial groundbreaking or the date a structure is razed to make it possible for construction of a facility to take place does not qualify as the commencement of physical construction.

Section 234 of the 2010 Standards provides accessibility guidelines for newly designed and constructed amusement rides. The amusement ride provisions do not provide a "triggering event" for new construction or alteration of an amusement ride. An industry commenter requested that the triggering event of "first use," as noted in the Advisory note to section 234.1 of the 2004 ADAAG, be included in the final rule. The Advisory note provides that "[a] custom designed and constructed ride is new upon its first use, which is the first time amusement park patrons take the ride." The Department declines to treat amusement rides differently than other types of new construction and alterations. Under the final rule, they are subject to §35.151(c). Thus, newly constructed and altered amusement rides shall comply with the 2010 Standards if the start of physical construction or the alteration is on or after 18 months from the publication date of this

rule. The Department also notes that section 234.4.2 of the 2010 Standards only applies where the structural or operational characteristics of an amusement ride are altered. It does not apply in cases where the only change to a ride is the theme.

*Noncomplying new construction and alterations.* The element-by-element safe harbor referenced in §35.150(b)(2) has no effect on new or altered elements in existing facilities that were subject to the 1991 Standards or UFAS on the date that they were constructed or altered, but do not comply with the technical and scoping specifications for those elements in the 1991 Standards or UFAS. Section 35.151(c)(5) of the final rule sets forth the rules for noncompliant new construction or alterations in facilities that were subject to the requirements of this part. Under those provisions, noncomplying new construction and alterations constructed or altered after the effective date of the applicable ADA requirements and before March 15, 2012 shall, before March 15, 2012, be made accessible in accordance with either the 1991 Standards, UFAS, or the 2010 Standards. Noncomplying new construction and alterations constructed or altered after the effective date of the applicable ADA requirements and before March 15, 2012, shall, on or after March 15, 2012 be made accessible in accordance with the 2010 Standards.

*Section 35.151(d) Scope of coverage*

In the NPRM, the Department proposed a new provision, §35.151(d), to clarify that the requirements established by §35.151, including those contained in the 2004 ADAAG, prescribe what is necessary to ensure that buildings and facilities, including fixed or built-in elements in new or altered facilities, are accessible to individuals with disabilities. Once the construction or alteration of a facility has been completed, all other aspects of programs, services, and activities conducted in that facility are subject to the operational requirements established in this final rule. Although the Department may use the requirements of the 2010 Standards as a guide to determining when and how to make equipment and furnishings accessible, those determinations fall within the discretionary authority of the Department.

The Department also wishes to clarify that the advisory notes, appendix notes, and figures that accompany the 1991 and 2010 Standards do not establish separately enforceable requirements unless specifically stated otherwise in the text of the standards. This clarification has been made to address concerns expressed by ANPRM commenters who mistakenly believed that the advisory notes in the 2004 ADAAG established requirements beyond those established in the text of the guidelines (e.g., Advisory 504.4 suggests, but does not require, that covered entities pro-

vide visual contrast on stair tread nosing to make them more visible to individuals with low vision). The Department received no significant comments on this section and it is unchanged in the final rule.

*Definitions of residential facilities and transient lodging.* The 2010 Standards add a definition of “residential dwelling unit” and modify the current definition of “transient lodging.” Under section 106.5 of the 2010 Standards, “residential dwelling unit” is defined as “[a] unit intended to be used as a residence, that is primarily long-term in nature” and does not include transient lodging, inpatient medical care, licensed long-term care, and detention or correctional facilities. Additionally, section 106.5 of the 2010 Standards changes the definition of “transient lodging” to a building or facility “containing one or more guest room(s) for sleeping that provides accommodations that are primarily short-term in nature.” “Transient lodging” does not include residential dwelling units intended to be used as a residence. The references to “dwelling units” and “dormitories” that are in the definition of the 1991 Standards are omitted from the 2010 Standards.

The comments about the application of transient lodging or residential standards to social service center establishments, and housing at a place of education are addressed separately below. The Department received one additional comment on this issue from an organization representing emergency response personnel seeking an exemption from the transient lodging accessibility requirements for crew quarters and common use areas serving those crew quarters (e.g., locker rooms, exercise rooms, day room) that are used exclusively by on-duty emergency response personnel and that are not used for any public purpose. The commenter argued that since emergency response personnel must meet certain physical qualifications that have the effect of exempting persons with mobility disabilities, there is no need to build crew quarters and common use areas serving those crew quarters to meet the 2004 ADAAG. In addition, the commenter argued that applying the transient lodging standards would impose significant costs and create living space that is less usable for most emergency response personnel.

The ADA does not exempt spaces because of a belief or policy that excludes persons with disabilities from certain work. However, the Department believes that crew quarters that are used exclusively as a residence by emergency response personnel and the kitchens and bathrooms exclusively serving those quarters are more like residential dwelling units and are therefore covered by the residential dwelling standards in the 2010

Standards, not the transient lodging standards. The residential dwelling standards address most of the concerns of the commenter. For example, the commenter was concerned that sinks in kitchens and lavatories in bathrooms that are accessible under the transient lodging standards would be too low to be comfortably used by emergency response personnel. The residential dwelling standards allow such features to be adaptable so that they would not have to be lowered until accessibility was needed. Similarly, grab bars and shower seats would not have to be installed at the time of construction provided that reinforcement has been installed in walls and located so as to permit their installation at a later date.

*Section 35.151(e) Social service center establishments*

In the NPRM, the Department proposed a new §35.151(e) requiring group homes, halfway houses, shelters, or similar social service center establishments that provide temporary sleeping accommodations or residential dwelling units to comply with the provisions of the 2004 ADAAG that apply to residential facilities, including, but not limited to, the provisions in sections 233 and 809.

The NPRM explained that this proposal was based on two important changes in the 2004 ADAAG. First, for the first time, residential dwelling units are explicitly covered in the 2004 ADAAG in section 233. Second, the 2004 ADAAG eliminates the language contained in the 1991 Standards addressing scoping and technical requirements for homeless shelters, group homes, and similar social service center establishments. Currently, such establishments are covered in section 9.5 of the transient lodging section of the 1991 Standards. The deletion of section 9.5 creates an ambiguity of coverage that must be addressed.

The NPRM explained the Department's belief that transferring coverage of social service center establishments from the transient lodging standards to the residential facilities standards would alleviate conflicting requirements for social service center providers. The Department believes that a substantial percentage of social service center establishments are recipients of Federal financial assistance from the Department of Housing and Urban Development (HUD). The Department of Health and Human Services (HHS) also provides financial assistance for the operation of shelters through the Administration for Children and Families programs. As such, these establishments are covered both by the ADA and section 504 of the Rehabilitation Act. UFAS is currently the design standard for new construction and alterations for entities subject to section 504. The two design standards for accessibility—the 1991 Standards and UFAS—have con-

fronted many social service providers with separate, and sometimes conflicting, requirements for design and construction of facilities. To resolve these conflicts, the residential facilities standards in the 2004 ADAAG have been coordinated with the section 504 requirements. The transient lodging standards, however, are not similarly coordinated. The deletion of section 9.5 of the 1991 Standards from the 2004 ADAAG presented two options: (1) Require coverage under the transient lodging standards, and subject such facilities to separate, conflicting requirements for design and construction; or (2) require coverage under the residential facilities standards, which would harmonize the regulatory requirements under the ADA and section 504. The Department chose the option that harmonizes the regulatory requirements: coverage under the residential facilities standards.

In the NPRM, the Department expressed concern that the residential facilities standards do not include a requirement for clear floor space next to beds similar to the requirement in the transient lodging standards and as a result, the Department proposed adding a provision that would require certain social service center establishments that provide sleeping rooms with more than 25 beds to ensure that a minimum of 5 percent of the beds have clear floor space in accordance with section 806.2.3 or of the 2004 ADAAG.

In the NPRM, the Department requested information from providers who operate homeless shelters, transient group homes, halfway houses, and other social service center establishments, and from the clients of these facilities who would be affected by this proposed change, asking, "[t]o what extent have conflicts between the ADA and section 504 affected these facilities? What would be the effect of applying the residential dwelling unit requirements to these facilities, rather than the requirements for transient lodging guest rooms?" 73 FR 34466, 34491 (June 17, 2008).

Many of the commenters supported applying the residential facilities requirements to social service center establishments, stating that even though the residential facilities requirements are less demanding in some instances, the existence of one clear standard will result in an overall increased level of accessibility by eliminating the confusion and inaction that are sometimes caused by the current existence of multiple requirements. One commenter also stated that "it makes sense to treat social service center establishments like residential facilities because this is how these establishments function in practice."

Two commenters agreed with applying the residential facilities requirements to social service center establishments but recommended adding a requirement for various

bathing options, such as a roll-in shower (which is not required under the residential standards).

One commenter objected to the change and asked the Department to require that social service center establishments continue to comply with the transient lodging standards. One commenter stated that it did not agree that the standards for residential coverage would serve persons with disabilities as well as the 1991 transient lodging standards. This commenter expressed concern that the Department had eliminated guidance for social service agencies and that the rule should be put on hold until those safeguards are restored. Another commenter argued that the rule that would provide the greatest access for persons with disabilities should prevail.

Several commenters argued for the application of the transient lodging standards to all social service center establishments except those that were “intended as a person’s place of abode,” referencing the Department’s question related to the definition of “place of lodging” in the title III NPRM. One commenter stated that the International Building Code requires accessible units in all transient facilities. The commenter expressed concern that group homes should be built to be accessible, rather than adaptable.

The Department continues to be concerned about alleviating the challenges for social service providers that are also subject to section 504 and would likely be subject to conflicting requirements if the transient lodging standards were applied. Thus, the Department has retained the requirement that social service center establishments comply with the residential dwelling standards. The Department believes, however, that social service center establishments that provide emergency shelter to large transient populations should be able to provide bathing facilities that are accessible to persons with mobility disabilities who need roll-in showers. Because of the transient nature of the population of these large shelters, it will not be feasible to modify bathing facilities in a timely manner when faced with a need to provide a roll-in shower with a seat when requested by an overnight visitor. As a result, the Department has added a requirement that social service center establishments with sleeping accommodations for more than 50 individuals must provide at least one roll-in shower with a seat that complies with the relevant provisions of section 608 of the 2010 Standards. Transfer-type showers are not permitted in lieu of a roll-in shower with a seat and the exceptions in sections 608.3 and 608.4 for residential dwelling units are not permitted. When separate shower facilities are provided for men and for women, at least one roll-in shower shall be provided for each group. This supplemental requirement to the residential facilities standards is in addition to the supplemental requirement that was

proposed in the NPRM for clear floor space in sleeping rooms with more than 25 beds.

The Department also notes that while dwelling units at some social service center establishments are also subject to the Fair Housing Act (FHAct) design and construction requirements that require certain features of adaptable and accessible design, FHAct units do not provide the same level of accessibility that is required for residential facilities under the 2010 Standards. The FHAct requirements, where also applicable, should not be considered a substitute for the 2010 Standards. Rather, the 2010 Standards must be followed in addition to the FHAct requirements.

The Department also notes that whereas the NPRM used the term “social service establishment,” the final rule uses the term “social service center establishment.” The Department has made this editorial change so that the final rule is consistent with the terminology used in the ADA. *See* 42 U.S.C. 12181(7)(k).

*Section 35.151(f) Housing at a place of education*

The Department of Justice and the Department of Education share responsibility for regulation and enforcement of the ADA in postsecondary educational settings, including its requirements for architectural features. In addition, the Department of Housing and Urban Development (HUD) has enforcement responsibility for housing subject to title II of the ADA. Housing facilities in educational settings range from traditional residence halls and dormitories to apartment or townhouse-style residences. In addition to title II of the ADA, public universities and schools that receive Federal financial assistance are also subject to section 504, which contains its own accessibility requirements through the application of UFAS. Residential housing in an educational setting is also covered by the FHAct, which requires newly constructed multifamily housing to include certain features of accessible and adaptable design. Covered entities subject to the ADA must always be aware of, and comply with, any other Federal statutes or regulations that govern the operation of residential properties.

Although the 1991 Standards mention dormitories as a form of transient lodging, they do not specifically address how the ADA applies to dormitories or other types of residential housing provided in an educational setting. The 1991 Standards also do not contain any specific provisions for residential facilities, allowing covered entities to elect to follow the residential standards contained in UFAS. Although the 2004 ADAAG contains provisions for both residential facilities and transient lodging, the guidelines do not indicate which requirements apply to housing provided in an educational setting, leaving it



to the adopting agencies to make that choice. After evaluating both sets of standards, the Department concluded that the benefits of applying the transient lodging standards outweighed the benefits of applying the residential facilities standards. Consequently, in the NPRM, the Department proposed a new §35.151(f) that provided that residence halls or dormitories operated by or on behalf of places of education shall comply with the provisions of the proposed standards for transient lodging, including, but not limited to, the provisions in sections 224 and 806 of the 2004 ADAAG.

Both public and private school housing facilities have varied characteristics. College and university housing facilities typically provide housing for up to one academic year, but may be closed during school vacation periods. In the summer, they are often used for short-term stays of one to three days, a week, or several months. Graduate and faculty housing is often provided year-round in the form of apartments, which may serve individuals or families with children. These housing facilities are diverse in their layout. Some are double-occupancy rooms with a shared toilet and bathing room, which may be inside or outside the unit. Others may contain cluster, suite, or group arrangements where several rooms are located inside a defined unit with bathing, kitchen, and similar common facilities. In some cases, these suites are indistinguishable in features from traditional apartments. Universities may build their own housing facilities or enter into agreements with private developers to build, own, or lease housing to the educational institution or to its students. Academic housing may be located on the campus of the university or may be located in nearby neighborhoods.

Throughout the school year and the summer, academic housing can become program areas in which small groups meet, receptions and educational sessions are held, and social activities occur. The ability to move between rooms—both accessible rooms and standard rooms—in order to socialize, to study, and to use all public use and common use areas is an essential part of having access to these educational programs and activities. Academic housing is also used for short-term transient educational programs during the time students are not in regular residence and may be rented out to transient visitors in a manner similar to a hotel for special university functions.

The Department was concerned that applying the new construction requirements for residential facilities to educational housing facilities could hinder access to educational programs for students with disabilities. Elevators are not generally required under the 2004 ADAAG residential facilities standards unless they are needed to provide an accessible route from accessible units to public

use and common use areas, while under the 2004 ADAAG as it applies to other types of facilities, multistory public facilities must have elevators unless they meet very specific exceptions. In addition, the residential facilities standards do not require accessible roll-in showers in bathrooms, while the transient lodging requirements require some of the accessible units to be served by bathrooms with roll-in showers. The transient lodging standards also require that a greater number of units have accessible features for persons with communication disabilities. The transient lodging standards provide for installation of the required accessible features so that they are available immediately, but the residential facilities standards allow for certain features of the unit to be adaptable. For example, only reinforcements for grab bars need to be provided in residential dwellings, but the actual grab bars must be installed under the transient lodging standards. By contrast, the residential facilities standards do require certain features that provide greater accessibility within units, such as more usable kitchens, and an accessible route throughout the dwelling. The residential facilities standards also require 5 percent of the units to be accessible to persons with mobility disabilities, which is a continuation of the same scoping that is currently required under UFAS, and is therefore applicable to any educational institution that is covered by section 504. The transient lodging standards require a lower percentage of accessible sleeping rooms for facilities with large numbers of rooms than is required by UFAS. For example, if a dormitory had 150 rooms, the transient lodging standards would require seven accessible rooms while the residential standards would require eight. In a large dormitory with 500 rooms, the transient lodging standards would require 13 accessible rooms and the residential facilities standards would require 25. There are other differences between the two sets of standards as well with respect to requirements for accessible windows, alterations, kitchens, accessible route throughout a unit, and clear floor space in bathrooms allowing for a side transfer.

In the NPRM, the Department requested public comment on how to scope educational housing facilities, asking, “[w]ould the residential facility requirements or the transient lodging requirements in the 2004 ADAAG be more appropriate for housing at places of education? How would the different requirements affect the cost when building new dormitories and other student housing?” 73 FR 34466, 34492 (June 17, 2008).

The vast majority of the comments received by the Department advocated using the residential facilities standards for housing at a place of education instead of the transient lodging standards, arguing that housing at places of public education are in

fact homes for the students who live in them. These commenters argued, however, that the Department should impose a requirement for a variety of options for accessible bathing and should ensure that all floors of dormitories be accessible so that students with disabilities have the same opportunities to participate in the life of the dormitory community that are provided to students without disabilities. Commenters representing persons with disabilities and several individuals argued that, although the transient lodging standards may provide a few more accessible features (such as roll-in showers), the residential facilities standards would ensure that students with disabilities have access to all rooms in their assigned unit, not just to the sleeping room, kitchenette, and wet bar. One commenter stated that, in its view, the residential facilities standards were congruent with overlapping requirements from HUD, and that access provided by the residential facilities requirements within alterations would ensure dispersion of accessible features more effectively. This commenter also argued that while the increased number of required accessible units for residential facilities as compared to transient lodging may increase the cost of construction or alteration, this cost would be offset by a reduced need to adapt rooms later if the demand for accessible rooms exceeds the supply. The commenter also encouraged the Department to impose a visitability (accessible doorways and necessary clear floor space for turning radius) requirement for both the residential facilities and transient lodging requirements to allow students with mobility impairments to interact and socialize in a fully integrated fashion.

Two commenters supported the Department's proposed approach. One commenter argued that the transient lodging requirements in the 2004 ADAAG would provide greater accessibility and increase the opportunity of students with disabilities to participate fully in campus life. A second commenter generally supported the provision of accessible dwelling units at places of education, and pointed out that the relevant scoping in the International Building Code requires accessible units "consistent with hotel accommodations."

The Department has considered the comments recommending the use of the residential facilities standards and acknowledges that they require certain features that are not included in the transient lodging standards and that should be required for housing provided at a place of education. In addition, the Department notes that since educational institutions often use their academic housing facilities as short-term transient lodging in the summers, it is important that accessible features be installed at the outset. It is not realistic to expect that the educational

institution will be able to adapt a unit in a timely manner in order to provide accessible accommodations to someone attending a one-week program during the summer.

The Department has determined that the best approach to this type of housing is to continue to require the application of transient lodging standards, but at the same time to add several requirements drawn from the residential facilities standards related to accessible turning spaces and work surfaces in kitchens, and the accessible route throughout the unit. This will ensure the maintenance of the transient lodging standard requirements related to access to all floors of the facility, roll-in showers in facilities with more than 50 sleeping rooms, and other important accessibility features not found in the residential facilities standards, but will also ensure usable kitchens and access to all the rooms in a suite or apartment.

The Department has added a new definition to §35.104, "Housing at a Place of Education," and has revised §35.151(f) to reflect the accessible features that now will be required in addition to the requirements set forth under the transient lodging standards. The Department also recognizes that some educational institutions provide some residential housing on a year-round basis to graduate students and staff which is comparable to private rental housing, and which contains no facilities for educational programming. Section 35.151(f)(3) exempts from the transient lodging standards apartments or townhouse facilities provided by or on behalf of a place of education that are leased on a year-round basis exclusively to graduate students or faculty, and do not contain any public use or common use areas available for educational programming; instead, such housing shall comply with the requirements for residential facilities in sections 233 and 809 of the 2010 Standards.

Section 35.151(f) uses the term "sleeping room" in lieu of the term "guest room," which is the term used in the transient lodging standards. The Department is using this term because it believes that, for the most part, it provides a better description of the sleeping facilities used in a place of education than "guest room." The final rule states that the Department intends the terms to be used interchangeably in the application of the transient lodging standards to housing at a place of education.

*Section 35.151(g) Assembly areas*

In the NPRM, the Department proposed §35.151(g) to supplement the assembly area requirements of the 2004 ADAAG, which the Department is adopting as part of the 2010 Standards. The NPRM proposed at §35.151(g)(1) to require wheelchair spaces and companion seating locations to be dispersed to all levels of the facility and are served by

an accessible route. The Department received no significant comments on this paragraph and has decided to adopt the proposed language with minor modifications. The Department has retained the substance of this section in the final rule but has clarified that the requirement applies to stadiums, arenas, and grandstands. In addition, the Department has revised the phrase “wheelchair and companion seating locations” to “wheelchair spaces and companion seats.”

Section 35.151(g)(1) ensures that there is greater dispersion of wheelchair spaces and companion seats throughout stadiums, arenas, and grandstands than would otherwise be required by sections 221 and 802 of the 2004 ADAAG. In some cases, the accessible route may not be the same route that other individuals use to reach their seats. For example, if other patrons reach their seats on the field by an inaccessible route (*e.g.*, by stairs), but there is an accessible route that complies with section 206.3 of the 2010 Standards that could be connected to seats on the field, wheelchair spaces and companion seats must be placed on the field even if that route is not generally available to the public.

Regulatory language that was included in the 2004 ADAAG advisory, but that did not appear in the NPRM, has been added by the Department in §35.151(g)(2). Section 35.151(g)(2) now requires an assembly area that has seating encircling, in whole or in part, a field of play or performance area such as an arena or stadium, to place wheelchair spaces and companion seats around the entire facility. This rule, which is designed to prevent a public entity from placing wheelchair spaces and companion seats on one side of the facility only, is consistent with the Department’s enforcement practices and reflects its interpretation of section 4.33.3 of the 1991 Standards.

In the NPRM, the Department proposed §35.151(g)(2) which prohibits wheelchair spaces and companion seating locations from being “located on, (or obstructed by) temporary platforms or other moveable structures.” Through its enforcement actions, the Department discovered that some venues place wheelchair spaces and companion seats on temporary platforms that, when removed, reveal conventional seating underneath, or cover the wheelchair spaces and companion seats with temporary platforms on top of which they place risers of conventional seating. These platforms cover groups of conventional seats and are used to provide groups of wheelchair seats and companion seats.

Several commenters requested an exception to the prohibition of the use of temporary platforms for public entities that sell most of their tickets on a season-ticket or other multi-event basis. Such commenters argued that they should be able to use temporary platforms because they know, in advance, that the patrons sitting in certain

areas for the whole season do not need wheelchair spaces and companion seats. The Department declines to adopt such an exception. As it explained in detail in the NPRM, the Department believes that permitting the use of movable platforms that seat four or more wheelchair users and their companions have the potential to reduce the number of available wheelchair seating spaces below the level required, thus reducing the opportunities for persons who need accessible seating to have the same choice of ticket prices and amenities that are available to other patrons in the facility. In addition, use of removable platforms may result in instances where last minute requests for wheelchair and companion seating cannot be met because entire sections of accessible seating will be lost when a platform is removed. *See* 73 FR 34466, 34493 (June 17, 2008). Further, use of temporary platforms allows facilities to limit persons who need accessible seating to certain seating areas, and to relegate accessible seating to less desirable locations. The use of temporary platforms has the effect of neutralizing dispersion and other seating requirements (*e.g.*, line of sight) for wheelchair spaces and companion seats. *Cf. Independent Living Resources v. Oregon Arena Corp.*, 1 F. Supp. 2d 1159, 1171 (D. Or. 1998) (holding that while a public accommodation may “infill” wheelchair spaces with removable seats when the wheelchair spaces are not needed to accommodate individuals with disabilities, under certain circumstances “[s]uch a practice might well violate the rule that wheelchair spaces must be dispersed throughout the arena in a manner that is roughly proportionate to the overall distribution of seating”). In addition, using temporary platforms to convert unsold wheelchair spaces to conventional seating undermines the flexibility facilities need to accommodate secondary ticket markets exchanges as required by §35.138(g) of the final rule.

As the Department explained in the NPRM, however, this provision was not designed to prohibit temporary seating that increases seating for events (*e.g.*, placing temporary seating on the floor of a basketball court for a concert). Consequently, the final rule, at §35.151(g)(3), has been amended to clarify that if an entire seating section is on a temporary platform for a particular event, then wheelchair spaces and companion seats may be in that seating section. However, adding a temporary platform to create wheelchair spaces and companion seats that are otherwise dissimilar from nearby fixed seating and then simply adding a small number of additional seats to the platform would not qualify as an “entire seating section” on the platform. In addition, §35.151(g)(3) clarifies that facilities may fill in wheelchair

spaces with removable seats when the wheelchair spaces are not needed by persons who use wheelchairs.

The Department has been responsive to assembly areas' concerns about reduced revenues due to unused accessible seating. Accordingly, the Department has reduced scoping requirements significantly—by almost half in large assembly areas—and determined that allowing assembly areas to infill unsold wheelchair spaces with readily removable temporary individual seats appropriately balances their economic concerns with the rights of individuals with disabilities. See section 221.2 of the 2010 Standards.

For stadium-style movie theaters, in §35.151(g)(4) of the NPRM the Department proposed requiring placement of wheelchair seating spaces and companion seats on a riser or cross-aisle in the stadium section of the theater and placement of such seating so that it satisfies at least one of the following criteria: (1) It is located within the rear 60 percent of the seats provided in the auditorium; or (2) it is located within the area of the auditorium where the vertical viewing angles are between the 40th to 100th percentile of vertical viewing angles for all seats in that theater as ranked from the first row (1st percentile) to the back row (100th percentile). The vertical viewing angle is the angle between a horizontal line perpendicular to the seated viewer's eye to the screen and a line from the seated viewer's eye to the top of the screen.

The Department proposed this bright-line rule for two reasons: (1) The movie theater industry petitioned for such a rule; and (2) the Department has acquired expertise on the design of stadium style theaters from litigation against several major movie theater chains. See *U.S. v. AMC Entertainment*, 232 F. Supp. 2d 1092 (C.D. Ca. 2002), *rev'd in part*, 549 F. 3d 760 (9th Cir. 2008); *U.S. v. Cinemark USA, Inc.*, 348 F. 3d 569 (6th Cir. 2003), *cert. denied*, 542 U.S. 937 (2004). Two industry commenters—at least one of whom otherwise supported this rule—requested that the Department explicitly state that this rule does not apply retroactively to existing theaters. Although this rule on its face applies to new construction and alterations, these commenters were concerned that the rule could be interpreted to apply retroactively because of the Department's statement in the ANPRM that this bright-line rule, although newly-articulated, does not represent a “substantive change from the existing line-of-sight requirements” of section 4.33.3 of the 1991 Standards. See 69 FR 58768, 58776 (Sept. 30, 2004).

Although the Department intends for §35.151(g)(4) of this rule to apply prospectively to new construction and alterations, this rule is not a departure from, and is consistent with, the line-of-sight requirements in the 1991 Standards. The Department has

always interpreted the line-of-sight requirements in the 1991 Standards to require viewing angles provided to patrons who use wheelchairs to be comparable to those afforded to other spectators. Section 35.151(g)(4) merely represents the application of these requirements to stadium-style movie theaters.

One commenter from a trade association sought clarification whether §35.151(g)(4) applies to stadium-style theaters with more than 300 seats, and argued that it should not since dispersion requirements apply in those theaters. The Department declines to limit this rule to stadium-style theaters with 300 or fewer seats; stadium-style theaters of all sizes must comply with this rule. So, for example, stadium-style theaters that must vertically disperse wheelchair and companion seats must do so within the parameters of this rule.

The NPRM included a provision that required assembly areas with more than 5,000 seats to provide at least five wheelchair spaces with at least three companion seats for each of those five wheelchair spaces. The Department agrees with commenters who asserted that group seating is better addressed through ticketing policies rather than design and has deleted that provision from this section of the final rule.

#### *Section 35.151(h) Medical care facilities*

In the 1991 title II regulation, there was no provision addressing the dispersion of accessible sleeping rooms in medical care facilities. The Department is aware, however, of problems that individuals with disabilities face in receiving full and equal medical care when accessible sleeping rooms are not adequately dispersed. When accessible rooms are not fully dispersed, a person with a disability is often placed in an accessible room in an area that is not medically appropriate for his or her condition, and is thus denied quick access to staff with expertise in that medical specialty and specialized equipment. While the Access Board did not establish specific design requirements for dispersion in the 2004 ADAAG, in response to extensive comments in support of dispersion it added an advisory note, Advisory 223.1 General, encouraging dispersion of accessible rooms within the facility so that accessible rooms are more likely to be proximate to appropriate qualified staff and resources.

In the NPRM, the Department sought additional comment on the issue, asking whether it should require medical care facilities, such as hospitals, to disperse their accessible sleeping rooms, and if so, by what method (by specialty area, floor, or other criteria). All of the comments the Department received on this issue supported dispersing accessible sleeping rooms proportionally by specialty area. These comments, from individuals, organizations, and a building code

association, argued that it would not be difficult for hospitals to disperse rooms by specialty area, given the high level of regulation to which hospitals are subject and the planning that hospitals do based on utilization trends. Further, commenters suggested that without a requirement, it is unlikely that hospitals would disperse the rooms. In addition, concentrating accessible rooms in one area perpetuates segregation of individuals with disabilities, which is counter to the purpose of the ADA.

The Department has decided to require medical care facilities to disperse their accessible sleeping rooms in a manner that is proportionate by type of medical specialty. This does not require exact mathematical proportionality, which at times would be impossible. However, it does require that medical care facilities disperse their accessible rooms by medical specialty so that persons with disabilities can, to the extent practical, stay in an accessible room within the wing or ward that is appropriate for their medical needs. The language used in this rule (“in a manner that is proportionate by type of medical specialty”) is more specific than that used in the NPRM (“in a manner that enables patients with disabilities to have access to appropriate specialty services”) and adopts the concept of proportionality proposed by the commenters. Accessible rooms should be dispersed throughout all medical specialties, such as obstetrics, orthopedics, pediatrics, and cardiac care.

*Section 35.151(i) Curb ramps*

Section 35.151(e) on curb ramps in the 1991 rule has been redesignated as §35.151(i). In the NPRM, the Department proposed making a minor editorial change to this section, deleting the phrase “other sloped areas” from the two places in which it appears in the 1991 title II regulation. In the NPRM, the Department stated that the phrase “other sloped areas” lacks technical precision. The Department received no significant public comments on this proposal. Upon further consideration, however, the Department has concluded that the regulation should acknowledge that there are times when there are transitions from sidewalk to road surface that do not technically qualify as “curb ramps” (sloped surfaces that have a running slope that exceed 5 percent). Therefore, the Department has decided not to delete the phrase “other sloped areas.”

*Section 35.151(j) Residential housing for sale to individual owners*

Although public entities that operate residential housing programs are subject to title II of the ADA, and therefore must provide accessible residential housing, the 1991 Standards did not contain scoping or technical standards that specifically applied to

residential housing units. As a result, under the Department’s title II regulation, these agencies had the choice of complying with UFAS, which contains specific scoping and technical standards for residential housing units, or applying the ADAAG transient lodging standards to their housing. Neither UFAS nor the 1991 Standards distinguish between residential housing provided for rent and those provided for sale to individual owners. Thus, under the 1991 title II regulation, public entities that construct residential housing units to be sold to individual owners must ensure that some of those units are accessible. This requirement is in addition to any accessibility requirements imposed on housing programs operated by public entities that receive Federal financial assistance from Federal agencies such as HUD.

The 2010 Standards contain scoping and technical standards for residential dwelling units. However, section 233.3.2 of the 2010 Standards specifically defers to the Department and to HUD, the standard-setting agency under the ABA, to decide the appropriate scoping for those residential dwelling units built by or on behalf of public entities with the intent that the finished units will be sold to individual owners. These programs include, for example, HUD’s public housing and HOME programs as well as State-funded programs to construct units for sale to individuals. In the NPRM, the Department did not make a specific proposal for this scoping. Instead, the Department stated that after consultation and coordination with HUD, the Department would make a determination in the final rule. The Department also sought public comment on this issue stating that “[t]he Department would welcome recommendations from individuals with disabilities, public housing authorities, and other interested parties that have experience with these programs. Please comment on the appropriate scoping for residential dwelling units built by or on behalf of public entities with the intent that the finished units will be sold to individual owners.” 73 FR 34466, 34492 (June 17, 2008).

All of the public comments received by the Department in response to this question were supportive of the Department’s ensuring that the residential standards apply to housing built on behalf of public entities with the intent that the finished units would be sold to individual owners. The vast majority of commenters recommended that the Department require that projects consisting of five or more units, whether or not the units are located on one or multiple locations, comply with the 2004 ADAAG requirements for scoping of residential units, which require that 5 percent, and no fewer than one, of the dwelling units provide mobility features, and that 2 percent, and no fewer

than one, of the dwelling units provide communication features. *See* 2004 ADAAG Section 233.3. These commenters argued that the Department should not defer to HUD because HUD has not yet adopted the 2004 ADAAG and there is ambiguity on the scope of coverage of pre-built for sale units under HUD's current section 504 regulations. In addition, these commenters expressed concern that HUD's current regulation, 24 CFR 8.29, presumes that a prospective buyer is identified before design and construction begins so that disability features can be incorporated prior to construction. These commenters stated that State and Federally funded homeownership programs typically do not identify prospective buyers before construction has commenced. One commenter stated that, in its experience, when public entities build accessible for-sale units, they often sell these units through a lottery system that does not make any effort to match persons who need the accessible features with the units that have those features. Thus, accessible units are often sold to persons without disabilities. This commenter encouraged the Department to make sure that accessible for-sale units built or funded by public entities are placed in a separate lottery restricted to income-eligible persons with disabilities.

Two commenters recommended that the Department develop rules for four types of for-sale projects: single family pre-built (where buyer selects the unit after construction), single family post-built (where the buyer chooses the model prior to its construction), multi-family pre-built, and multi-family post-built. These commenters recommended that the Department require pre-built units to comply with the 2004 ADAAG 233.1 scoping requirements. For post-built units, the commenters recommended that the Department require all models to have an alternate design with mobility features and an alternate design with communications features in compliance with 2004 ADAAG. Accessible models should be available at no extra cost to the buyer. One commenter recommended that, in addition to required fully accessible units, all ground floor units should be readily convertible for accessibility or for sensory impairments technology enhancements.

The Department believes that consistent with existing requirements under title II, housing programs operated by public entities that design and construct or alter residential units for sale to individual owners should comply with the 2010 Standards, including the requirements for residential facilities in sections 233 and 809. These requirements will ensure that a minimum of 5 percent of the units, but no fewer than one unit, of the total number of residential dwelling units will be designed and constructed to be accessible for persons with mobility disabilities. At least 2 percent, but no fewer than one

unit, of the total number of residential dwelling units shall provide communication features.

The Department recognizes that there are some programs (such as the one identified by the commenter), in which units are not designed and constructed until an individual buyer is identified. In such cases, the public entity is still obligated to comply with the 2010 Standards. In addition, the public entity must ensure that pre-identified buyers with mobility disabilities and visual and hearing disabilities are afforded the opportunity to buy the accessible units. Once the program has identified buyers who need the number of accessible units mandated by the 2010 Standards, it may have to make reasonable modifications to its policies, practices, and procedures in order to provide accessible units to other buyers with disabilities who request such units.

The Department notes that the residential facilities standards allow for construction of units with certain features of adaptability. Public entities that are concerned that fully accessible units are less marketable may choose to build these units to include the allowable adaptable features, and then adapt them at their own expense for buyers with mobility disabilities who need accessible units. For example, features such as grab bars are not required but may be added by the public entity if needed by the buyer at the time of purchase and cabinets under sinks may be designed to be removable to allow access to the required knee space for a forward approach.

The Department agrees with the commenters that covered entities may have to make reasonable modifications to their policies, practices, and procedures in order to ensure that when they offer pre-built accessible residential units for sale, the units are offered in a manner that gives access to those units to persons with disabilities who need the features of the units and who are otherwise eligible for the housing program. This may be accomplished, for example, by adopting preferences for accessible units for persons who need the features of the units, holding separate lotteries for accessible units, or other suitable methods that result in the sale of accessible units to persons who need the features of such units. In addition, the Department believes that units designed and constructed or altered that comply with the requirements for residential facilities and are offered for sale to individuals must be provided at the same price as units without such features.

*Section 35.151(k) Detention and correctional facilities*

The 1991 Standards did not contain specific accessibility standards applicable to cells in correctional facilities. However, correctional

and detention facilities operated by or on behalf of public entities have always been subject to the nondiscrimination and program accessibility requirements of title II of the ADA. The 2004 ADAAG established specific requirements for the design and construction and alterations of cells in correctional facilities for the first time.

Based on complaints received by the Department, investigations, and compliance reviews of jails, prisons, and other detention and correctional facilities, the Department has determined that many detention and correctional facilities do not have enough accessible cells, toilets, and shower facilities to meet the needs of their inmates with mobility disabilities and some do not have any at all. Inmates are sometimes housed in medical units or infirmaries separate from the general population simply because there are no accessible cells. In addition, some inmates have alleged that they are housed at a more restrictive classification level simply because no accessible housing exists at the appropriate classification level. The Department's compliance reviews and investigations have substantiated certain of these allegations.

The Department believes that the insufficient number of accessible cells is, in part, due to the fact that most jails and prisons were built long before the ADA became law and, since then, have undergone few alterations that would trigger the obligation to provide accessible features in accordance with UFAS or the 1991 Standards. In addition, the Department has found that even some new correctional facilities lack accessible features. The Department believes that the unmet demand for accessible cells is also due to the changing demographics of the inmate population. With thousands of prisoners serving life sentences without eligibility for parole, prisoners are aging, and the prison population of individuals with disabilities and elderly individuals is growing. A Bureau of Justice Statistics study of State and Federal sentenced inmates (those sentenced to more than one year) shows the total estimated count of State and Federal prisoners aged 55 and older grew by 36,000 inmates from 2000 (44,200) to 2006 (80,200). William J. Sabol *et al.*, *Prisoners in 2006*, Bureau of Justice Statistics Bulletin, Dec. 2007, at 23 (app. table 7), available at <http://bjs.ojp.usdoj.gov/index.cfm?ty=pbdetail&iid=908> (last visited July 16, 2008); Allen J. Beck *et al.*, *Prisoners in 2000*, Bureau of Justice Statistics Bulletin, Aug. 2001, at 10 (Aug. 2001) (Table 14), available at [bjs.ojp.usdoj.gov/index.cfm?ty=pbdetail&iid=927](http://bjs.ojp.usdoj.gov/index.cfm?ty=pbdetail&iid=927) (last visited July 16, 2008). This jump constitutes an increase of 81 percent in prisoners aged 55 and older during this period.

In the NPRM, the Department proposed a new section, § 35.152, which combined a range of provisions relating to both program acces-

sibility and application of the proposed standards to detention and correctional facilities. In the final rule, the Department is placing those provisions that refer to design, construction, and alteration of detention and correction facilities in a new paragraph (k) of § 35.151, the section of the rule that addresses new construction and alterations for covered entities. Those portions of the final rule that address other issues, such as placement policies and program accessibility, are placed in the new § 35.152.

In the NPRM, the Department also sought input on how best to meet the needs of inmates with mobility disabilities in the design, construction, and alteration of detention and correctional facilities. The Department received a number of comments in response to this question.

*New Construction.* The NPRM did not expressly propose that new construction of correctional and detention facilities shall comply with the proposed standards because the Department assumed it would be clear that the requirements of § 35.151 would apply to new construction of correctional and detention facilities in the same manner that they apply to other facilities constructed by covered entities. The Department has decided to create a new section, § 35.151(k)(1), which clarifies that new construction of jails, prisons, and other detention facilities shall comply with the requirements of 2010 Standards. Section 35.151(k)(1) also increases the scoping for accessible cells from the 2 percent specified in the 2004 ADAAG to 3 percent.

*Alterations.* Although the 2010 Standards contain specifications for alterations in existing detention and correctional facilities, section 232.2 defers to the Attorney General the decision as to the extent these requirements will apply to alterations of cells. The NPRM proposed at § 35.152(c) that “[a]lterations to jails, prisons, and other detention and correctional facilities will comply with the requirements of § 35.151(b).” 73 FR 34466, 34507 (June 17, 2008). The final rule retains that requirement at § 35.151(k)(2), but increases the scoping for accessible cells from the 2 percent specified in the 2004 ADAAG to 3 percent.

*Substitute cells.* In the ANPRM, the Department sought public comment about the most effective means to ensure that existing correctional facilities are made accessible to prisoners with disabilities and presented three options: (1) Require all altered elements to be accessible, which would maintain the current policy that applies to other ADA alteration requirements; (2) permit substitute cells to be made accessible within the same facility, which would permit correctional authorities to meet their obligation by providing the required accessible features in cells within the same facility, other than those specific cells in which alterations are

planned; or (3) permit substitute cells to be made accessible within a prison system, which would focus on ensuring that prisoners with disabilities are housed in facilities that best meet their needs, as alterations within a prison environment often result in piecemeal accessibility.

In §35.152(c) of the NPRM, the Department proposed language based on Option 2, providing that when cells are altered, a covered entity may satisfy its obligation to provide the required number of cells with mobility features by providing the required mobility features in substitute cells (i.e., cells other than those where alterations are originally planned), provided that each substitute cell is located within the same facility, is integrated with other cells to the maximum extent feasible, and has, at a minimum, physical access equal to that of the original cells to areas used by inmates or detainees for visitation, dining, recreation, educational programs, medical services, work programs, religious services, and participation in other programs that the facility offers to inmates or detainees.

The Department received few comments on this proposal. The majority who chose to comment supported an approach that allowed substitute cells to be made accessible within the same facility. In their view, such an approach balanced administrators' needs, cost considerations, and the needs of inmates with disabilities. One commenter noted, however, that with older facilities, required modifications may be inordinately costly and technically infeasible. A large county jail system supported the proposed approach as the most viable option allowing modification or alteration of existing cells based on need and providing a flexible approach to provide program and mobility accessibility. It noted, as an alternative, that permitting substitute cells to be made accessible within a prison system would also be a viable option since such an approach could create a centralized location for accessibility needs and, because that jail system's facilities were in close proximity, it would have little impact on families for visitation or on accessible programming.

A large State department of corrections objected to the Department's proposal. The commenter stated that some very old prison buildings have thick walls of concrete and reinforced steel that are difficult, if not impossible to retrofit, and to do so would be very expensive. This State system approaches accessibility by looking at its system as a whole and providing access to programs for inmates with disabilities at selected prisons. This commenter explained that not all of its facilities offer the same programs or the same levels of medical or mental health services. An inmate, for example, who needs education, substance abuse treatment, and sex offender counseling may

be transferred between facilities in order to meet his needs. The inmate population is always in flux and there are not always beds or program availability for every inmate at his security level. This commenter stated that the Department's proposed language would put the State in the position of choosing between adding accessible cells and modifying paths of travel to programs and services at great expense or not altering old facilities, causing them to become in states of disrepair and obsolescent, which would be fiscally irresponsible.

The Department is persuaded by these comments and has modified the alterations requirement in §35.151(k)(2)(iv) in the final rule to allow that if it is technically infeasible to provide substitute cells in the same facility, cells can be provided elsewhere within the corrections system.

*Number of accessible cells.* Section 232.2.1 of the 2004 ADAAG requires at least 2 percent, but no fewer than one, of the cells in newly constructed detention and correctional facilities to have accessibility features for individuals with mobility disabilities. Section 232.3 provides that, where special holding cells or special housing cells are provided, at least one cell serving each purpose shall have mobility features. The Department sought input on whether these 2004 ADAAG requirements are sufficient to meet the needs of inmates with mobility disabilities. A major association representing county jails throughout the country stated that the 2004 ADAAG 2 percent requirement for accessible cells is sufficient to meet the needs of county jails. Similarly, a large county sheriff's department advised that the 2 percent requirement far exceeds the need at its detention facility, where the average age of the population is 32. This commenter stressed that the regulations need to address the differences between a local detention facility with low average lengths of stay as opposed to a State prison housing inmates for lengthy periods. This commenter asserted that more stringent requirements will raise construction costs by requiring modifications that are not needed. If more stringent requirements are adopted, the commenter suggested that they apply only to State and Federal prisons that house prisoners sentenced to long terms. The Department notes that a prisoner with a mobility disability needs a cell with mobility features regardless of the length of incarceration. However, the length of incarceration is most relevant in addressing the needs of an aging population.

The overwhelming majority of commenters responded that the 2 percent ADAAG requirement is inadequate to meet the needs of the incarcerated. Many commenters suggested that the requirement be expanded to apply to each area, type, use, and class of



cells in a facility. They asserted that if a facility has separate areas for specific programs, such as a dog training program or a substance abuse unit, each of these areas should also have 2 percent accessible cells but not less than one. These same commenters suggested that 5–7 percent of cells should be accessible to meet the needs of both an aging population and the larger number of inmates with mobility disabilities. One organization recommended that the requirement be increased to 5 percent overall, and that at least 2 percent of each type and use of cell be accessible. Another commenter recommended that 10 percent of cells be accessible. An organization with extensive corrections experience noted that the integration mandate requires a sufficient number and distribution of accessible cells so as to provide distribution of locations relevant to programs to ensure that persons with disabilities have access to the programs.

Through its investigations and compliance reviews, the Department has found that in most detention and correctional facilities, a 2 percent accessible cell requirement is inadequate to meet the needs of the inmate population with disabilities. That finding is supported by the majority of the commenters that recommended a 5–7 percent requirement. Indeed, the Department itself requires more than 2 percent of the cells to be accessible at its own corrections facilities. The Federal Bureau of Prisons is subject to the requirements of the 2004 ADAAG through the General Services Administration's adoption of the 2004 ADAAG as the enforceable accessibility standard for Federal facilities under the Architectural Barriers Act of 1968. 70 FR 67786, 67846–47 (Nov. 8, 2005). However, in order to meet the needs of inmates with mobility disabilities, the Bureau of Prisons has elected to increase that percentage and require that 3 percent of inmate housing at its facilities be accessible. Bureau of Prisons, Design Construction Branch, Design Guidelines, Attachment A: Accessibility Guidelines for Design, Construction, and Alteration of Federal Bureau of Prisons (Oct. 31, 2006).

The Department believes that a 3 percent accessible requirement is reasonable. Moreover, it does not believe it should impose a higher percentage on detention and corrections facilities than it utilizes for its own facilities. Thus, the Department has adopted a 3 percent requirement in §35.151(k) for both new construction and alterations. The Department notes that the 3 percent requirement is a minimum. As corrections systems plan for new facilities or alterations, the Department urges planners to include numbers of inmates with disabilities in their population projections in order to take the necessary steps to provide a sufficient number of accessible cells to meet inmate needs.

*Dispersion of Cells.* The NPRM did not contain express language addressing dispersion of cells in a facility. However, Advisory 232.2 of the 2004 ADAAG recommends that “[a]ccessible cells or rooms should be dispersed among different levels of security, housing categories, and holding classifications (e.g., male/female and adult/juvenile) to facilitate access.” In explaining the basis for recommending, but not requiring, this type of dispersal, the Access Board stated that “[m]any detention and correctional facilities are designed so that certain areas (e.g., ‘shift’ areas) can be adapted to serve as different types of housing according to need” and that “[p]lacement of accessible cells or rooms in shift areas may allow additional flexibility in meeting requirements for dispersion of accessible cells or rooms.”

The Department notes that inmates are typically housed in separate areas of detention and correctional facilities based on a number of factors, including their classification level. In many instances, detention and correctional facilities have housed inmates in inaccessible cells, even though accessible cells were available elsewhere in the facility, because there were no cells in the areas where they needed to be housed, such as in administrative or disciplinary segregation, the women's section of the facility, or in a particular security classification area.

The Department received a number of comments stating that dispersal of accessible cells together with an adequate number of accessible cells is necessary to prevent inmates with disabilities from placement in improper security classification and to ensure integration. Commenters recommended modification of the scoping requirements to require a percentage of accessible cells in each program, classification, use or service area. The Department is persuaded by these comments. Accordingly, §35.151(k)(1) and (k)(2) of the final rule require accessible cells in each classification area.

*Medical facilities.* The NPRM also did not propose language addressing the application of the 2004 ADAAG to medical and long-term care facilities in correctional and detention facilities. The provisions of the 2004 ADAAG contain requirements for licensed medical and long-term care facilities, but not those that are unlicensed. A disability advocacy group and a number of other commenters recommended that the Department expand the application of section 232.4 to apply to all such facilities in detention and correctional facilities, regardless of licensure. They recommended that whenever a correctional facility has a program that is addressed specifically in the 2004 ADAAG, such as a long-term care facility, the 2004 ADAAG scoping and design features should apply for those elements. Similarly, a building code organization noted that its percentage requirements for accessible units is based on

what occurs in the space, not on the building type.

The Department is persuaded by these comments and has added §35.151(k)(3), which states that “[w]ith respect to medical and long-term care facilities in jails, prisons, and other detention and correctional facilities, public entities shall apply the 2010 Standards technical and scoping requirements for those facilities irrespective of whether those facilities are licensed.”

*Section 35.152 Detention and correctional facilities—program requirements*

As noted in the discussion of §35.151(k), the Department has determined that inmates with mobility and other disabilities in detention and correctional facilities do not have equal access to prison services. The Department’s concerns are based not only on complaints it has received, but the Department’s substantial experience in investigations and compliance reviews of jails, prisons, and other detention and correctional facilities. Based on that review, the Department has found that many detention and correctional facilities have too few or no accessible cells, toilets, and shower facilities to meet the needs of their inmates with mobility disabilities. These findings, coupled with statistics regarding the current percentage of inmates with mobility disabilities and the changing demographics of the inmate population reflecting thousands of prisoners serving life sentences and increasingly large numbers of aging inmates who are not eligible for parole, led the Department to conclude that a new regulation was necessary to address these concerns.

In the NPRM, the Department proposed a new section, §35.152, which combined a range of provisions relating to both program accessibility and application of the proposed standards to detention and correctional facilities. As mentioned above, in the final rule, the Department is placing those provisions that refer to design, construction, and alteration of detention and correction facilities in new paragraph (k) in §35.151 dealing with new construction and alterations for covered entities. Those portions of the final rule that address other program requirements remain in §35.152.

The Department received many comments in response to the program accessibility requirements in proposed §35.152. These comments are addressed below.

*Facilities operated through contractual, licensing, or other arrangements with other public entities or private entities.* The Department is aware that some public entities are confused about the applicability of the title II requirements to correctional facilities built or run by other public entities or private entities. It has consistently been the Department’s position that title II requirements apply to correctional facilities used by State

or local government entities, irrespective of whether the public entity contracts with another public or private entity to build or run the correctional facility. The power to incarcerate citizens rests with the State or local government, not a private entity. As the Department stated in the preamble to the original title II regulation, “[a]ll governmental activities of public entities are covered, even if they are carried out by contractors.” 28 CFR part 35, app. A at 558 (2009). If a prison is occupied by State prisoners and is inaccessible, the State is responsible under title II of the ADA. The same is true for a county or city jail. In essence, the private builder or contractor that operates the correctional facility does so at the direction of the government entity. Moreover, even if the State enters into a contractual, licensing, or other arrangement for correctional services with a public entity that has its own title II obligations, the State is still responsible for ensuring that the other public entity complies with title II in providing these services.

Also, through its experience in investigations and compliance reviews, the Department has noted that public entities contract for a number of services to be run by private or other public entities, for example, medical and mental health services, food services, laundry, prison industries, vocational programs, and drug treatment and substance abuse programs, all of which must be operated in accordance with title II requirements.

Proposed §35.152(a) in the NPRM was designed to make it clear that title II applies to all State and local detention and correctional facilities, regardless of whether the detention or correctional facility is directly operated by the public entity or operated by a private entity through a contractual, licensing, or other arrangement. Commenters specifically supported the language of this section. One commenter cited Department of Justice statistics stating that of the approximately 1.6 million inmates in State and Federal facilities in December 2006, approximately 114,000 of these inmates were held in private prison facilities. See William J. Sabol *et al.*, *Prisoners in 2006*, Bureau of Justice Statistics Bulletin, Dec. 2007, at 1, 4, available at <http://bjs.ojp.usdoj.gov/index.cfm?ty=pbdetail&iid=908>.

Some commenters wanted the text “through contracts or other arrangements” changed to read “through contracts or any other arrangements” to make the intent clear. However, a large number of commenters recommended that the text of the rule make explicit that it applies to correctional facilities operated by private contractors. Many commenters also suggested that the text make clear that the rule applies to adult facilities, juvenile

justice facilities, and community correctional facilities. In the final rule, the Department is adopting these latter two suggestions in order to make the section's intent explicit.

Section 35.152(a) of the final rule states specifically that the requirements of the section apply to public entities responsible for the operation or management of correctional facilities, "either directly or through contractual, licensing, or other arrangements with public or private entities, in whole or in part, including private correctional facilities." Additionally, the section explicitly provides that it applies to adult and juvenile justice detention and correctional facilities and community correctional facilities.

*Discrimination prohibited.* In the NPRM, § 35.152(b)(1) proposed language stating that public entities are prohibited from excluding qualified detainees and inmates from participation in, or denying, benefits, services, programs, or activities because a facility is inaccessible to persons with disabilities "unless the public entity can demonstrate that the required actions would result in a fundamental alteration or undue burden." 73 FR 34446, 34507 (June 17, 2008). One large State department of corrections objected to the entire section applicable to detention and correctional facilities, stating that it sets a higher standard for correctional and detention facilities because it does not provide a defense for undue administrative burden. The Department has not retained the proposed NPRM language referring to the defenses of fundamental alteration or undue burden because the Department believes that these exceptions are covered by the general language of 35.150(a)(3), which states that a public entity is not required to take "any action that it can demonstrate would result in a fundamental alteration in the nature of a service, program, or activity, or in undue financial and administrative burdens." The Department has revised the language of § 35.152(b)(1) accordingly.

*Integration of inmates and detainees with disabilities.* In the NPRM, the Department proposed language in § 35.152(b)(2) specifically applying the ADA's general integration mandate to detention and correctional facilities. The proposed language would have required public entities to ensure that individuals with disabilities are housed in the most integrated setting appropriate to the needs of the individual. It further stated that unless the public entity can demonstrate that it is appropriate to make an exception for a specific individual, a public entity:

- (1) Should not place inmates or detainees with disabilities in locations that exceed their security classification because there are no accessible cells or beds in the appropriate classification;
- (2) should not place inmates or detainees with disabilities in designated medical areas

unless they are actually receiving medical care or treatment;

(3) should not place inmates or detainees with disabilities in facilities that do not offer the same programs as the facilities where they would ordinarily be housed; and

(4) should not place inmates or detainees with disabilities in facilities farther away from their families in order to provide accessible cells or beds, thus diminishing their opportunity for visitation based on their disability. 73 FR 34466, 34507 (June 17, 2008).

In the NPRM, the Department recognized that there are a wide range of considerations that affect decisions to house inmates or detainees and that in specific cases there may be compelling reasons why a placement that does not meet the general requirements of § 35.152(b)(2) may, nevertheless, comply with the ADA. However, the Department noted that it is essential that the planning process initially assume that inmates or detainees with disabilities will be assigned within the system under the same criteria that would be applied to inmates who do not have disabilities. Exceptions may be made on a case-by-case basis if the specific situation warrants different treatment. For example, if an inmate is deaf and communicates only using sign language, a prison may consider whether it is more appropriate to give priority to housing the prisoner in a facility close to his family that houses no other deaf inmates, or if it would be preferable to house the prisoner in a setting where there are sign language interpreters and other sign language users with whom he can communicate.

In general, commenters strongly supported the NPRM's clarification that the title II integration mandate applies to State and local corrections agencies and the facilities in which they house inmates. Commenters pointed out that inmates with disabilities continue to be segregated based on their disabilities and also excluded from participation in programs. An organization actively involved in addressing the needs of prisoners cited a number of recent lawsuits in which prisoners allege such discrimination.

The majority of commenters objected to the language in proposed § 35.152(b)(2) that creates an exception to the integration mandate when the "public entity can demonstrate that it is appropriate to make an exception for a specific individual." 73 FR 34466, 34507 (June 17, 2008). The vast majority of commenters asserted that, given the practice of many public entities to segregate and cluster inmates with disabilities, the exception will be used to justify the status quo. The commenters acknowledged that the intent of the section is to ensure that an individual with a disability who can be better served in a less integrated setting can legally be placed in that setting. They were concerned, however, that the proposed language would allow certain objectionable

practices to continue, *e.g.*, automatically placing persons with disabilities in administrative segregation. An advocacy organization with extensive experience working with inmates recommended that the inmate have “input” in the placement decision.

Others commented that the exception does not provide sufficient guidance on when a government entity may make an exception, citing the need for objective standards. Some commenters posited that a prison administration may want to house a deaf inmate at a facility designated and equipped for deaf inmates that is several hundred miles from the inmate’s home. Although under the exception language, such a placement may be appropriate, these commenters argued that this outcome appears to contradict the regulation’s intent to eliminate or reduce the segregation of inmates with disabilities and prevent them from being placed far from their families. The Department notes that in some jurisdictions, the likelihood of such outcomes is diminished because corrections facilities with different programs and levels of accessibility are clustered in close proximity to one another, so that being far from family is not an issue. The Department also takes note of advancements in technology that will ease the visitation dilemma, such as family visitation through the use of videoconferencing.

Only one commenter, a large State department of corrections, objected to the integration requirement. This commenter stated it houses all maximum security inmates in maximum security facilities. Inmates with lower security levels may or may not be housed in lower security facilities depending on a number of factors, such as availability of a bed, staffing, program availability, medical and mental health needs, and enemy separation. The commenter also objected to the proposal to prohibit housing inmates with disabilities in medical areas unless they are receiving medical care. This commenter stated that such housing may be necessary for several days, for example, at a stopover facility for an inmate with a disability who is being transferred from one facility to another. Also, this commenter stated that inmates with disabilities in disciplinary status may be housed in the infirmary because not every facility has accessible cells in disciplinary housing. Similarly the commenter objected to the prohibition on placing inmates in facilities without the same programs as facilities where they normally would be housed. Finally, the commenter objected to the prohibition on placing an inmate at a facility distant from where the inmate would normally be housed. The commenter stressed that in its system, there are few facilities near most inmates’ homes. The commenter noted that most inmates are housed at facilities far from their homes, a fact shared by all inmates, not just inmates with disabili-

ties. Another commenter noted that in some jurisdictions, inmates who need assistance in activities of daily living cannot obtain that assistance in the general population, but only in medical facilities where they must be housed.

The Department has considered the concerns raised by the commenters with respect to this section and recognizes that corrections systems may move inmates routinely and for a variety of reasons, such as crowding, safety, security, classification change, need for specialized programs, or to provide medical care. Sometimes these moves are within the same facility or prison system. On other occasions, inmates may be transferred to facilities in other cities, counties, and States. Given the nature of the prison environment, inmates have little say in their placement and administrators must have flexibility to meet the needs of the inmates and the system. The Department has revised the language of the exception contained in renumbered §35.152(b)(2) to better accommodate corrections administrators’ need for flexibility in making placement decisions based on legitimate, specific reasons. Moreover, the Department believes that temporary, short-term moves that are necessary for security or administrative purposes (*e.g.*, placing an inmate with a disability in a medical area at a stopover facility during a transfer from one facility to another) do not violate the requirements of §35.152(b)(2).

The Department notes that §35.150(a)(3) states that a public entity is not required to take “any action that it can demonstrate would result in a fundamental alteration in the nature of a service, program, or activity or in undue financial and administrative burdens.” Thus, corrections systems would not have to comply with the requirements of §35.152(b)(1) in any specific circumstance where these defenses are met.

Several commenters recommended that the word “should” be changed to “shall” in the subparts to §35.152(b)(2). The Department agrees that because the rule contains a specific exception and because the integration requirement is subject to the defenses provided in paragraph (a) of that section, it is more appropriate to use the word “shall” and the Department accordingly is making that change in the final rule.

*Program requirements.* In a unanimous decision, the Supreme Court, in *Pennsylvania Department of Corrections v. Yeskey*, 524 U.S. 206 (1998), stated explicitly that the ADA covers the operations of State prisons; accordingly, title II’s program accessibility requirements apply to State and local correctional and detention facilities. In the NPRM, in addressing the accessibility of existing correctional and detention facilities, the Department considered the challenges of applying the title II program access requirement for existing facilities under §31.150(a) in light of

the realities of many inaccessible correctional facilities and strained budgets.

Correctional and detention facilities commonly provide a variety of different programs for education, training, counseling, or other purposes related to rehabilitation. Some examples of programs generally available to inmates include programs to obtain GEDs, computer training, job skill training and on-the-job training, religious instruction and guidance, alcohol and substance abuse groups, anger management, work assignments, work release, halfway houses, and other programs. Historically, individuals with disabilities have been excluded from such programs because they are not located in accessible locations, or inmates with disabilities have been segregated in units without equivalent programs. In light of the Supreme Court's decision in *Yeskey* and the requirements of title II, however, it is critical that public entities provide these opportunities to inmates with disabilities. In proposed §35.152, the Department sought to clarify that title II required equal access for inmates with disabilities to participate in programs offered to inmates without disabilities.

The Department wishes to emphasize that detention and correctional facilities are unique facilities under title II. Inmates cannot leave the facilities and must have their needs met by the corrections system, including needs relating to a disability. If the detention and correctional facilities fail to accommodate prisoners with disabilities, these individuals have little recourse, particularly when the need is great (*e.g.*, an accessible toilet; adequate catheters; or a shower chair). It is essential that corrections systems fulfill their nondiscrimination and program access obligations by adequately addressing the needs of prisoners with disabilities, which include, but are not limited to, proper medication and medical treatment, accessible toilet and shower facilities, devices such as a bed transfer or a shower chair, and assistance with hygiene methods for prisoners with physical disabilities.

In the NPRM, the Department also sought input on whether it should establish a program accessibility requirement that public entities modify additional cells at a detention or correctional facility to incorporate the accessibility features needed by specific inmates with mobility disabilities when the number of cells required by sections 232.2 and 232.3 of the 2004 ADAAG are inadequate to meet the needs of their inmate population.

Commenters supported a program accessibility requirement, viewing it as a flexible and practical means of allowing facilities to meet the needs of inmates in a cost effective and expedient manner. One organization supported a requirement to modify additional cells when the existing number of accessible cells is inadequate. It cited the example of a

detainee who was held in a hospital because the local jail had no accessible cells. Similarly, a State agency recommended that the number of accessible cells should be sufficient to accommodate the population in need. One group of commenters voiced concern about accessibility being provided in a timely manner and recommended that the rule specify that the program accessibility requirement applies while waiting for the accessibility modifications. A group with experience addressing inmate needs recommended the inmate's input should be required to prevent inappropriate segregation or placement in an inaccessible or inappropriate area.

The Department is persuaded by these comments. Accordingly, §35.152(b)(3) requires public entities to "implement reasonable policies, including physical modifications to additional cells in accordance with the 2010 Standards, so as to ensure that each inmate with a disability is housed in a cell with the accessible elements necessary to afford the inmate access to safe, appropriate housing."

*Communication.* Several large disability advocacy organizations commented on the 2004 ADAAG section 232.2.2 requirement that at least 2 percent of the general holding cells and housing cells must be equipped with audible emergency alarm systems. Permanently installed telephones within these cells must have volume control. Commenters said that the communication features in the 2004 ADAAG do not address the most common barriers that deaf and hard-of-hearing inmates face. They asserted that few cells have telephones and the requirements to make them accessible is limited to volume control, and that emergency alarm systems are only a small part of the amplified information that inmates need. One large association commented that it receives many inmate complaints that announcements are made over loudspeakers or public address systems, and that inmates who do not hear announcements for inmate count or other instructions face disciplinary action for failure to comply. They asserted that inmates who miss announcements miss meals, exercise, showers, and recreation. They argued that systems that deliver audible announcements, signals, and emergency alarms must be made accessible and that TTYs must be made available. Commenters also recommended that correctional facilities should provide access to advanced forms of telecommunications. Additional commenters noted that few persons now use TTYs, preferring instead to communicate by email, texting, and videophones.

The Department agrees with the commenters that correctional facilities and jails must ensure that inmates who are deaf or hard of hearing actually receive the same information provided to other inmates. The

Department believes, however, that the reasonable modifications, program access, and effective communications requirements of title II are sufficient to address the needs of individual deaf and hard of hearing inmates, and as a result, declines to add specific requirements for communications features in cells for deaf and hard of hearing inmates at this time. The Department notes that as part of its ongoing enforcement of the reasonable modifications, program access, and effective communications requirements of title II, the Department has required correctional facilities and jails to provide communication features in cells serving deaf and hard of hearing inmates.

#### SUBPART E—COMMUNICATIONS

##### Section 35.160 *Communications.*

Section 35.160 of the 1991 title II regulation requires a public entity to take appropriate steps to ensure that communications with applicants, participants, and members of the public with disabilities are as effective as communications with others. 28 CFR 35.160(a). In addition, a public entity must “furnish appropriate auxiliary aids and services where necessary to afford an individual with a disability an equal opportunity to participate in, and enjoy the benefits of, a service, program, or activity conducted by a public entity.” 28 CFR 35.160(b)(1). Moreover, the public entity must give “primary consideration to the requests of the individual with disabilities” in determining what type of auxiliary aid and service is necessary. 28 CFR 35.160(b)(2).

Since promulgation of the 1991 title II regulation, the Department has investigated hundreds of complaints alleging failures by public entities to provide effective communication, and many of these investigations resulted in settlement agreements and consent decrees. From these investigations, the Department has concluded that public entities sometimes misunderstand the scope of their obligations under the statute and the regulation. Section 35.160 in the final rule codifies the Department’s longstanding policies in this area and includes provisions that reflect technological advances in the area of auxiliary aids and services.

In the NPRM, the Department proposed adding “companion” to the scope of coverage under §35.160 to codify the Department’s longstanding position that a public entity’s obligation to ensure effective communication extends not just to applicants, participants, and members of the public with disabilities, but to *companions* as well, if any of them are individuals with disabilities. The NPRM defined companion as a person who is a family member, friend, or associate of a program participant, who, along with the program participant, is “an appropriate per-

son with whom the public entity should communicate.” 73 FR 34466, 34507 (June 17, 2008).

Many commenters supported inclusion of “companions” in the rule, and urged even more specific language about public entities’ obligations. Some commenters asked the Department to clarify that a companion with a disability may be entitled to effective communication from a public entity even though the applicants, participants, or members of the general public seeking access to, or participating in, the public entity’s services, programs, or activities are not individuals with disabilities. Others requested that the Department explain the circumstances under which auxiliary aids and services should be provided to companions. Still others requested explicit clarification that where the individual seeking access to or participating in the public entity’s program, services, or activities requires auxiliary aids and services, but the companion does not, the public entity may not seek out, or limit its communications to, the companion instead of communicating directly with the individual with a disability when it would be appropriate to do so.

Some in the medical community objected to the inclusion of any regulatory language regarding companions, asserting that such language is overbroad, seeks services for individuals whose presence is not required by the public entity, is not necessary for the delivery of the services or participation in the program, and places additional burdens on the medical community. These commenters asked that the Department limit the public entity’s obligation to communicate effectively with a companion to situations where such communications are necessary to serve the interests of the person who is receiving the public entity’s services.

After consideration of the many comments on this issue, the Department believes that explicit inclusion of “companions” in the final rule is appropriate to ensure that public entities understand the scope of their effective communication obligations. There are many situations in which the interests of program participants without disabilities require that their companions with disabilities be provided effective communication. In addition, the program participant need not be physically present to trigger the public entity’s obligations to a companion. The controlling principle is that auxiliary aids and services must be provided if the companion is an appropriate person with whom the public entity should or would communicate.

Examples of such situations include back-to-school nights or parent-teacher conferences at a public school. If the faculty writes on the board or otherwise displays information in a visual context during a back-to-school night, this information must be communicated effectively to parents or guardians who are blind or have low vision.

At a parent-teacher conference, deaf parents or guardians must be provided with appropriate auxiliary aids and services to communicate effectively with the teacher and administrators. It makes no difference that the child who attends the school does not have a disability. Likewise, when a deaf spouse attempts to communicate with public social service agencies about the services necessary for the hearing spouse, appropriate auxiliary aids and services to the deaf spouse must be provided by the public entity to ensure effective communication. Parents or guardians, including foster parents, who are individuals with disabilities, may need to interact with child services agencies on behalf of their children; in such a circumstance, the child services agencies would need to provide appropriate auxiliary aids and services to those parents or guardians.

Effective communication with companions is particularly critical in health care settings where miscommunication may lead to misdiagnosis and improper or delayed medical treatment. The Department has encountered confusion and reluctance by medical care providers regarding the scope of their obligation with respect to such companions. Effective communication with a companion is necessary in a variety of circumstances. For example, a companion may be legally authorized to make health care decisions on behalf of the patient or may need to help the patient with information or instructions given by hospital personnel. A companion may be the patient's next-of-kin or health care surrogate with whom hospital personnel must communicate about the patient's medical condition. A companion could be designated by the patient to communicate with hospital personnel about the patient's symptoms, needs, condition, or medical history. Or the companion could be a family member with whom hospital personnel normally would communicate.

Accordingly, §35.160(a)(1) in the final rule now reads, "[a] public entity shall take appropriate steps to ensure that communications with applicants, participants, members of the public, and companions with disabilities are as effective as communications with others." Section 35.160(a)(2) further defines "companion" as "a family member, friend, or associate of an individual seeking access to a service, program, or activity of a public entity, who, along with the individual, is an appropriate person with whom the public entity should communicate." Section 35.160(b)(1) clarifies that the obligation to furnish auxiliary aids and services extends to companions who are individuals with disabilities, whether or not the individual accompanied also is an individual with a disability. The provision now states that "[a] public entity shall furnish appropriate auxiliary aids and services where necessary to afford individuals with disabilities, including appli-

cants, participants, companions, and members of the public, an equal opportunity to participate in, and enjoy the benefits of, a service, program, or activity of a public entity."

These provisions make clear that if the companion is someone with whom the public entity normally would or should communicate, then the public entity must provide appropriate auxiliary aids and services to that companion to ensure effective communication with the companion. This common-sense rule provides the guidance necessary to enable public entities to properly implement the nondiscrimination requirements of the ADA.

As set out in the final rule, §35.160(b)(2) states, in pertinent part, that "[t]he type of auxiliary aid or service necessary to ensure effective communication will vary in accordance with the method of communication used by the individual, the nature, length, and complexity of the communication involved, and the context in which the communication is taking place. In determining what types of auxiliary aids and services are necessary, a public entity shall give primary consideration to the requests of individuals with disabilities."

The second sentence of §35.160(b)(2) of the final rule restores the "primary consideration" obligation set out at §35.160(b)(2) in the 1991 title II regulation. This provision was inadvertently omitted from the NPRM, and the Department agrees with the many commenters on this issue that this provision should be retained. As noted in the preamble to the 1991 title II regulation, and reaffirmed here: "The public entity shall honor the choice [of the individual with a disability] unless it can demonstrate that another effective means of communication exists or that use of the means chosen would not be required under §35.164. Deference to the request of the individual with a disability is desirable because of the range of disabilities, the variety of auxiliary aids and services, and different circumstances requiring effective communication." 28 CFR part 35, app. A at 580 (2009).

The first sentence in §35.160(b)(2) codifies the axiom that the type of auxiliary aid or service necessary to ensure effective communication will vary with the situation, and provides factors for consideration in making the determination, including the method of communication used by the individual; the nature, length, and complexity of the communication involved; and the context in which the communication is taking place. Inclusion of this language under title II is consistent with longstanding policy in this area. See, e.g., *The Americans with Disabilities Act Title II Technical Assistance Manual Covering State and Local Government Programs and Services*, section II-7.1000, available at

[www.ada.gov/taman2.html](http://www.ada.gov/taman2.html) (“The type of auxiliary aid or service necessary to ensure effective communication will vary in accordance with the length and complexity of the communication involved. \* \* \* Sign language or oral interpreters, for example, may be required when the information being communicated in a transaction with a deaf individual is complex, or is exchanged for a lengthy period of time. Factors to be considered in determining whether an interpreter is required include the context in which the communication is taking place, the number of people involved, and the importance of the communication.”); *see also* 28 CFR part 35, app. A at 580 (2009). As explained in the NPRM, an individual who is deaf or hard of hearing may need a qualified interpreter to communicate with municipal hospital personnel about diagnoses, procedures, tests, treatment options, surgery, or prescribed medication (*e.g.*, dosage, side effects, drug interactions, etc.), or to explain follow-up treatments, therapies, test results, or recovery. In comparison, in a simpler, shorter interaction, the method to achieve effective communication can be more basic. An individual who is seeking local tax forms may only need an exchange of written notes to achieve effective communication.

Section 35.160(c)(1) has been added to the final rule to make clear that a public entity shall not require an individual with a disability to bring another individual to interpret for him or her. The Department receives many complaints from individuals who are deaf or hard of hearing alleging that public entities expect them to provide their own sign language interpreters. Proposed §35.160(c)(1) was intended to clarify that when a public entity is interacting with a person with a disability, it is the public entity’s responsibility to provide an interpreter to ensure effective communication. It is not appropriate to require the person with a disability to bring another individual to provide such services.

Section 35.160(c)(2) of the NPRM proposed codifying the Department’s position that there are certain limited instances when a public entity may rely on an accompanying individual to interpret or facilitate communication: (1) In an emergency involving a threat to the public safety or welfare; or (2) if the individual with a disability specifically requests it, the accompanying individual agrees to provide the assistance, and reliance on that individual for this assistance is appropriate under the circumstances.

Many commenters supported this provision, but sought more specific language to address what they see as a particularly entrenched problem. Some commenters requested that the Department explicitly require the public entity first to notify the individual with a disability that the individual has a right to request and receive appro-

priate auxiliary aids and services without charge from the public entity before using that person’s accompanying individual as a communication facilitator. Advocates stated that an individual who is unaware of his or her rights may decide to use a third party simply because he or she believes that is the only way to communicate with the public entity.

The Department has determined that inclusion of specific language requiring notification is unnecessary. Section 35.160(b)(1) already states that is the responsibility of the public entity to provide auxiliary aids and services. Moreover, §35.130(f) already prohibits the public entity from imposing a surcharge on a particular individual with a disability or on any group of individuals with disabilities to cover the costs of auxiliary aids. However, the Department strongly advises public entities that they should first inform the individual with a disability that the public entity can and will provide auxiliary aids and services, and that there would be no cost for such aids or services.

Many commenters requested that the Department make clear that the public entity cannot request, rely upon, or coerce an adult accompanying an individual with a disability to provide effective communication for that individual with a disability—that only a voluntary offer is acceptable. The Department states unequivocally that consent of, and for, the adult accompanying the individual with a disability to facilitate communication must be provided freely and voluntarily both by the individual with a disability and the accompanying third party—absent an emergency involving an imminent threat to the safety or welfare of an individual or the public where there is no interpreter available. The public entity may not coerce or attempt to persuade another adult to provide effective communication for the individual with a disability. Some commenters expressed concern that the regulation could be read by public entities, including medical providers, to prevent parents, guardians, or caregivers from providing effective communication for children or that a child, regardless of age, would have to specifically request that his or her caregiver act as interpreter. The Department does not intend §35.160(c)(2) to prohibit parents, guardians, or caregivers from providing effective communication for children where so doing would be appropriate. Rather, the rule prohibits public entities, including medical providers, from requiring, relying on, or forcing adults accompanying individuals with disabilities, including parents, guardians, or caregivers, to facilitate communication.

Several commenters asked that the Department make absolutely clear that children are not to be used to provide effective communication for family members and



friends, and that it is the public entity's responsibility to provide effective communication, stating that often interpreters are needed in settings where it would not be appropriate for children to be interpreting, such as those involving medical issues, domestic violence, or other situations involving the exchange of confidential or adult-related material. Commenters observed that children are often hesitant to turn down requests to provide communication services, and that such requests put them in a very difficult position vis-a-vis family members and friends. The Department agrees. It is the Department's position that a public entity shall not rely on a minor child to facilitate communication with a family member, friend, or other individual, except in an emergency involving imminent threat to the safety or welfare of an individual or the public where there is no interpreter available. Accordingly, the Department has revised the rule to state: "A public entity shall not rely on a minor child to interpret or facilitate communication, except in an emergency involving imminent threat to the safety or welfare of an individual or the public where there is no interpreter available." §35.160(c)(3). Sections 35.160(c)(2) and (3) have no application in circumstances where an interpreter would not otherwise be required in order to provide effective communication (e.g., in simple transactions such as purchasing movie tickets at a theater). The Department stresses that privacy and confidentiality must be maintained but notes that covered entities, such as hospitals, that are subject to the Health Insurance Portability and Accountability Act of 1996 (HIPAA), Public Law 104-191, Privacy Rules are permitted to disclose to a patient's relative, close friend, or any other person identified by the patient (such as an interpreter) relevant patient information if the patient agrees to such disclosures. See 45 CFR parts 160 and 164. The agreement need not be in writing. Covered entities should consult the HIPAA Privacy Rules regarding other ways disclosures might be able to be made to such persons.

With regard to emergency situations, the NPRM proposed permitting reliance on an individual accompanying an individual with a disability to interpret or facilitate communication in an emergency involving a threat to the public safety or welfare. Commenters requested that the Department make clear that often a public entity can obtain appropriate auxiliary aids and services in advance of an emergency by making necessary advance arrangements, particularly in anticipated emergencies such as predicted dangerous weather or certain medical situations such as childbirth. These commenters did not want public entities to be relieved of their responsibilities to provide effective communication in emergency situations,

noting that the obligation to provide effective communication may be more critical in such situations. Several commenters requested a separate rule that requires public entities to provide timely and effective communication in the event of an emergency, noting that the need for effective communication escalates in an emergency.

Commenters also expressed concern that public entities, particularly law enforcement authorities and medical personnel, would apply the "emergency situation" provision in inappropriate circumstances and would rely on accompanying individuals without making any effort to seek appropriate auxiliary aids and services. Other commenters asked that the Department narrow this provision so that it would not be available to entities that are responsible for emergency preparedness and response. Some commenters noted that certain exigent circumstances, such as those that exist during and perhaps immediately after, a major hurricane, temporarily may excuse public entities of their responsibilities to provide effective communication. However, they asked that the Department clarify that these obligations are ongoing and that, as soon as such situations begin to abate or stabilize, the public entity must provide effective communication.

The Department recognizes that the need for effective communication is critical in emergency situations. After due consideration of all of these concerns raised by commenters, the Department has revised §35.160(c) to narrow the exception permitting reliance on individuals accompanying the individual with a disability during an emergency to make it clear that it only applies to emergencies involving an "imminent threat to the safety or welfare of an individual or the public." See §35.160(c)(2)-(3). Arguably, all visits to an emergency room or situations to which emergency workers respond are by definition emergencies. Likewise, an argument can be made that most situations that law enforcement personnel respond to involve, in one way or another, a threat to the safety or welfare of an individual or the public. The imminent threat exception in §35.160(c)(2)-(3) is not intended to apply to the typical and foreseeable emergency situations that are part of the normal operations of these institutions. As such, a public entity may rely on an accompanying individual to interpret or facilitate communication under the §35.160(c)(2)-(3) imminent threat exception only where in truly exigent circumstances, i.e., where any delay in providing immediate services to the individual could have life-altering or life-ending consequences.

Many commenters urged the Department to stress the obligation of State and local courts to provide effective communication.

The Department has received many complaints that State and local courts often do not provide needed qualified sign language interpreters to witnesses, litigants, jurors, potential jurors, and companions and associates of persons participating in the legal process. The Department cautions public entities that without appropriate auxiliary aids and services, such individuals are denied an opportunity to participate fully in the judicial process, and denied benefits of the judicial system that are available to others.

Another common complaint about access to State and local court systems is the failure to provide effective communication in deferral programs that are intended as an alternative to incarceration, or for other court-ordered treatment programs. These programs must provide effective communication, and courts referring individuals with disabilities to such programs should only refer individuals with disabilities to programs or treatment centers that provide effective communication. No person with a disability should be denied access to the benefits conferred through participation in a court-ordered referral program on the ground that the program purports to be unable to provide effective communication.

The general nondiscrimination provision in §35.130(a) provides that no individual with a disability shall, on the basis of disability, be excluded from participation in or be denied the benefits of the services, programs, or activities of a public entity. The Department consistently interprets this provision and §35.160 to require effective communication in courts, jails, prisons, and with law enforcement officers. Persons with disabilities who are participating in the judicial process as witnesses, jurors, prospective jurors, parties before the court, or companions of persons with business in the court, should be provided auxiliary aids and services as needed for effective communication. The Department has developed a variety of technical assistance and guidance documents on the requirements for title II entities to provide effective communication; those materials are available on the Department Web site at: <http://www.ada.gov>.

Many advocacy groups urged the Department to add language in the final rule that would require public entities to provide accessible material in a manner that is timely, accurate, and private. The Department has included language in §35.160(b)(2) stating that “[i]n order to be effective, auxiliary aids and services must be provided in accessible formats, in a timely manner, and in such a way so as to protect the privacy and independence of the individual with a disability.”

Because the appropriateness of particular auxiliary aids and services may vary as a situation changes, the Department strongly encourages public entities to do a communica-

tion assessment of the individual with a disability when the need for auxiliary aids and services is first identified, and to re-assess communication effectiveness regularly throughout the communication. For example, a deaf individual may go to an emergency department of a public community health center with what is at first believed to be a minor medical emergency, such as a sore knee, and the individual with a disability and the public community health center both believe that exchanging written notes will be effective. However, during that individual’s visit, it is determined that the individual is, in fact, suffering from an anterior cruciate ligament tear and must have surgery to repair the torn ligament. As the situation develops and the diagnosis and recommended course of action evolve into surgery, an interpreter most likely will be necessary. A public entity has a continuing obligation to assess the auxiliary aids and services it is providing, and should consult with individuals with disabilities on a continuing basis to assess what measures are required to ensure effective communication. Public entities are further advised to keep individuals with disabilities apprised of the status of the expected arrival of an interpreter or the delivery of other requested or anticipated auxiliary aids and services.

*Video remote interpreting (VRI) services.* In §35.160(d) of the NPRM, the Department proposed the inclusion of four performance standards for VRI (which the NPRM termed video interpreting services (VIS)), for effective communication: (1) High-quality, clear, real-time, full-motion video and audio over a dedicated high-speed Internet connection; (2) a clear, sufficiently large, and sharply delineated picture of the participating individual’s head, arms, hands, and fingers, regardless of his body position; (3) clear transmission of voices; and (4) persons who are trained to set up and operate the VRI quickly. Commenters generally approved of those performance standards, but recommended that some additional standards be included in the final rule. Some State agencies and advocates for persons with disabilities requested that the Department add more detail in the description of the first standard, including modifying the term “dedicated high-speed Internet connection” to read “dedicated high-speed, wide-bandwidth video connection.” These commenters argued that this change was necessary to ensure a high-quality video image that will not produce lags, choppy images, or irregular pauses in communication. The Department agrees with those comments and has amended the provision in the final rule accordingly.

For persons who are deaf with limited vision, commenters requested that the Department include an explicit requirement that interpreters wear high-contrast clothing with no patterns that might distract from

their hands as they are interpreting, so that a person with limited vision can see the signs made by the interpreter. While the Department reiterates the importance of such practices in the delivery of effective VRI, as well as in-person interpreting, the Department declines to adopt such performance standards as part of this rule. In general, professional interpreters already follow such practices—the Code of Professional Conduct for interpreters developed by the Registry of Interpreters for the Deaf, Inc. and the National Association of the Deaf incorporates attire considerations into their standards of professionalism and conduct. (This code is available at <http://www.vid.org/userfiles/file/pdfs/codeofethics.pdf> (Last visited July 18, 2010). Moreover, as a result of this code, many VRI agencies have adopted detailed dress standards that interpreters hired by the agency must follow. In addition, commenters urged that a clear image of the face and eyes of the interpreter and others be explicitly required. Because the face includes the eyes, the Department has amended § 35.160(d)(2) of the final rule to include a requirement that the interpreter's face be displayed.

In response to comments seeking more training for users and non-technicians responsible for VRI in title II facilities, the Department is extending the requirement in § 35.160(d)(4) to require training for “users of the technology” so that staff who would have reason to use the equipment in an emergency room, State or local court, or elsewhere are properly trained. Providing for such training will enhance the success of VRI as means of providing effective communication.

*Captioning at sporting venues.* In the NPRM at § 35.160(e), the Department proposed that sports stadiums that have a capacity of 25,000 or more shall provide captioning for safety and emergency information on scoreboards and video monitors. In addition, the Department posed four questions about captioning of information, especially safety and emergency information announcements, provided over public address (PA) systems. The Department received many extremely detailed and divergent responses to each of the four questions and the proposed regulatory text. Because comments submitted on the Department's title II and title III proposals were intertwined, because of the similarity of issues involved for title II entities and title III entities, and in recognition of the fact that many large sports stadiums are covered by both title II and title III as joint operations of State or local governments and one or more public accommodations, the Department presents here a single consolidated review and summary of the issues raised in comments.

The Department asked whether requiring captioning of safety and emergency informa-

tion made over the public address system in stadiums seating fewer than 25,000 would create an undue burden for smaller entities, whether it would be feasible for small stadiums, or whether a larger threshold, such as sports stadiums with a capacity of 50,000 or more, would be appropriate.

There was a consensus among the commenters, including disability advocates as well as venue owners and stadium designers and operators, that using the stadium size or seating capacity as the exclusive deciding factor for any obligation to provide captioning for safety and emergency information broadcast over the PA system is not preferred. Most disability advocacy organizations and individuals with disabilities complained that using size or seating capacity as a threshold for captioning safety and emergency information would undermine the “undue burden” defense found in both titles II and III. Many commenters provided examples of facilities like professional hockey arenas that seat less than 25,000 fans but which, commenters argued, should be able to provide real-time captioning. Other commenters suggested that some high school or college stadiums, for example, may hold 25,000 fans or more and yet lack the resources to provide real-time captioning. Many commenters noted that real-time captioning would require trained stenographers and that most high school and college sports facilities rely upon volunteers to operate scoreboards and PA systems, and they would not be qualified stenographers, especially in case of an emergency. One national association noted that the typical stenographer expense for a professional football game in Washington, DC is about \$550 per game. Similarly, one trade association representing venues estimated that the cost for a professional stenographer at a sporting event runs between \$500 and \$1,000 per game or event, the cost of which, they argued, would be unduly burdensome in many cases. Some commenters posited that schools that do not sell tickets to athletic events would find it difficult to meet such expenses, in contrast to major college athletic programs and professional sports teams, which would be less likely to prevail using an “undue burden” defense.

Some venue owners and operators and other covered entities argued that stadium size should not be the key consideration when requiring scoreboard captioning. Instead, these entities suggested that equipment already installed in the stadium, including necessary electrical equipment and backup power supply, should be the determining factor for whether captioning is mandated. Many commenters argued that the requirement to provide captioning should only apply to stadiums with scoreboards that meet the National Fire Protection Association (NFPA) National Fire Alarm Code

(NFPA 72). Commenters reported that NFPA 72 requires at least two independent and reliable power supplies for emergency information systems, including one source that is a generator or battery sufficient to run the system in the event the primary power fails. Alternatively, some stadium designers and title II entities commented that the requirement should apply when the facility has at least one elevator providing firefighter emergency operation, along with approval of authorities with responsibility for fire safety. Other commenters argued for flexibility in the requirements for providing captioning and that any requirement should only apply to stadiums constructed after the effective date of the regulation.

In the NPRM, the Department also asked whether the rule should address the specific means of captioning equipment, whether it should be provided through any effective means (scoreboards, line boards, handheld devices, or other means), or whether some means, such as handheld devices, should be eliminated as options. This question elicited many comments from advocates for persons with disabilities as well as from covered entities. Advocacy organizations and individuals with experience using handheld devices argue that such devices do not provide effective communication. These commenters noted that information is often delayed in the transmission to such devices, making them hard to use when following action on the playing field or in the event of an emergency when the crowd is already reacting to aural information provided over the PA system well before it is received on the handheld device.

Several venue owners and operators and others commented that handheld technology offers advantages of flexibility and portability so that it may be used successfully regardless of where in the facility the user is located, even when not in the line of sight of a scoreboard or other captioning system. Still other commenters urged the Department not to regulate in such a way as to limit innovation and use of such technology now and in the future. Cost considerations were included in some comments from some stadium designers and venue owners and operators, who reported that the cost of providing handheld systems is far less than the cost of real-time captioning on scoreboards, especially in facilities that do not currently have the capacity to provide real-time captions on existing equipment. Others noted that handheld technology is not covered by fire and safety model codes, including the NFPA, and thus would be more easily adapted into existing facilities if captioning were required by the Department.

The Department also asked about providing open captioning of all public address announcements, and not limiting captioning to safety and emergency information. A vari-

ety of advocates and persons with disabilities argued that all information broadcast over a PA system should be captioned in real time at all facilities in order to provide effective communication and that a requirement only to provide emergency and safety information would not be sufficient. A few organizations for persons with disabilities commented that installation of new systems should not be required, but that all systems within existing facilities that are capable of providing captioning must be utilized to the maximum extent possible to provide captioning of as much information as possible. Several organizations representing persons with disabilities commented that all facilities must include in safety planning the requirement to caption all aurally-provided information for patrons with communication disabilities. Some advocates suggested that demand for captions will only increase as the number of deaf and hard of hearing persons grows with the aging of the general population and with increasing numbers of veterans returning from war with disabilities. Multiple comments noted that the captioning would benefit others as well as those with communication disabilities.

By contrast, venue owners and operators and others commented that the action on the sports field is self-explanatory and does not require captioning and they objected to an explicit requirement to provide real-time captioning for all information broadcast on the PA system at a sporting event. Other commenters objected to requiring captioning even for emergency and safety information over the scoreboard rather than through some other means. By contrast, venue operators, State government agencies, and some model code groups, including NFPA, commented that emergency and safety information must be provided in an accessible format and that public safety is a paramount concern. Other commenters argued that the best method to deliver safety and emergency information would be television monitors showing local TV broadcasts with captions already mandated by the FCC. Some commenters posited that the most reliable information about a major emergency would be provided on the television news broadcasts. Several commenters argued that television monitors may be located throughout the facility, improving line of sight for patrons, some of whom might not be able to see the scoreboard from their seats or elsewhere in the facility. Some stadium designers, venue operators, and model code groups pointed out that video monitors are not regulated by the NFPA or other agencies, so that such monitors could be more easily provided. Video monitors may receive transmissions from within the facility and could provide real-time captions if there is the necessary software and equipment to feed the captioning signal to a closed video network

within the facility. Several comments suggested that using monitors would be preferable to requiring captions on the scoreboard if the regulation mandates real-time captioning. Some venue owners and operators argued that retrofitting existing stadiums with new systems could easily cost hundreds of thousands of dollars per scoreboard or system. Some stadium designers and others argued that captioning should only be required in stadiums built after the effective date of the regulation. For stadiums with existing systems that allow for real-time captioning, one commenter posited that dedicating the system exclusively to real-time captioning would lead to an annual loss of between \$2 and \$3 million per stadium in revenue from advertising currently running in that space.

After carefully considering the wide range of public comments on this issue, the Department has concluded that the final rule will not provide additional requirements for effective communication or emergency information provided at sports stadiums at this time. The 1991 title II and title III regulations and statutory requirements are not in any way affected by this decision. The decision to postpone rulemaking on this complex issue is based on a number of factors, including the multiple layers of existing regulation by various agencies and levels of government, and the wide array of information, requests, and recommendations related to developing technology offered by the public. In addition, there is a huge variety of covered entities, information and communication systems, and differing characteristics among sports stadiums. The Department has concluded that further consideration and review would be prudent before it issues specific regulatory requirements.

#### *Section 35.161 Telecommunications.*

The Department proposed to retitle this section "Telecommunications" to reflect situations in which the public entity must provide an effective means to communicate by telephone for individuals with disabilities. First, the NPRM proposed redesignating §35.161 as §35.161(a) and replacing the term "Telecommunications devices for the deaf (TDD)" with "Text telephones (TTY)." Public comment was universally supportive of this change in nomenclature to TTY.

In the NPRM, at §35.161(b), the Department addressed automated-attendant systems that handle telephone calls electronically. Often individuals with disabilities, including persons who are deaf or hard of hearing, are unable to use such automated systems. Some systems are not compatible with TTYs or the telecommunications relay service. Automated systems can and often do disconnect calls from TTYs or relay calls, making it impossible for persons using a TTY or relay

system to do business with title II entities in the same manner as others. The Department proposed language that would require a telecommunications service to permit persons using relay or TTYs or other assistive technology to use the automated-attendant system provided by the public entity. The FCC raised this concern with the Department after the 1991 title II regulation went into effect, and the Department acted upon that request in the NPRM. Comments from disability advocates and persons with disabilities consistently requested the provision be amended to cover "voice mail, messaging, auto-attendant, and interactive voice response systems." The Department recognizes that those are important features of widely used telecommunications technology that should be as accessible to persons who are deaf or hard of hearing as they are to others, and has amended the section in the final rule to include the additional features.

Many commenters, including advocates and persons with disabilities, as well as State agencies and national organizations, asked that all automated systems have an option for the caller to bypass the automated system and speak to a live person who could communicate using relay services. The Department understands that automated telecommunications systems typically do not offer the opportunity to avoid or bypass the automated system and speak to a live person. The Department believes that at this time it is inappropriate to add a requirement that all such systems provide an override capacity that permits a TTY or relay caller to speak with a live clerk on a telecommunications relay system. However, if a system already provides an option to speak to a person, that system must accept TTY and relay calls and must not disconnect or refuse to accept such calls.

Other comments from advocacy organizations and individuals urged the Department to require specifications for the operation of such systems that would involve issuing technical requirements for encoding and storage of automated text, as well as controls for speed, pause, rewind, and repeat, and prompts without any background noise. The same comments urged that these requirements should be consistent with a pending advisory committee report to the Access Board, submitted in April 2008. *See Telecommunications and Electronic Information Technology Advisory Committee, Report to the Access Board Refreshed Accessibility Standards and Guidelines in Telecommunications and Electronic and Information Technology* (Apr. 2008) available at <http://www.access-board.gov/sec508/refresh/report/>.

The Department is declining at this time to preempt ongoing consideration of these issues by the Board. Instead, the Department

will monitor activity by the Board. The Department is convinced that the general requirement to make such automated systems usable by persons with disabilities is appropriate at this time and title II entities should evaluate their automated systems in light of concerns about providing systems that offer effective communication to persons with disabilities.

Finally, the Department has adopted in §35.161(c) of the final rule the requirement that all such systems must not disconnect or refuse to take calls from all forms of FCC-approved telecommunications relay systems, including Internet-based relay systems. (Internet-based relay systems refer to the mechanism by which the message is relayed). They do not require a public entity to have specialized computer equipment. Commenters from some State agencies, many advocacy organizations, and individuals strongly urged the Department to mandate such action because of the high proportion of TTY calls and relay service calls that are not completed because the title II entity's phone system or employees do not take the calls. This presents a serious obstacle for persons doing business with State and local government and denies persons with disabilities access to use the telephone for business that is typically handled over the phone for others.

In addition, commenters requested that the Department include "real-time" before any mention of "computer-aided" technology to highlight the value of simultaneous translation of any communication. The Department has added "real-time" before "computer-aided transcription services" in the definition of "auxiliary aids" in §35.104 and before "communication" in §35.161(b).

#### SUBPART F—COMPLIANCE PROCEDURES

##### *Section 35.171 Acceptance of complaints.*

In the NPRM, the Department proposed changing the current language in §35.171(a)(2)(i) regarding misdirected complaints to make it clear that if an agency receives a complaint for which it lacks jurisdiction either under section 504 or as a designated agency under the ADA, the agency may refer the complaint to the appropriate agency with title II or section 504 jurisdiction or to the Department of Justice. The language of the 1991 title II regulation only requires the agency to refer such a complaint to the Department, which in turn refers the complaint to the appropriate designated agency. The proposed revisions to §35.171 made it clear that an agency can refer a misdirected complaint either directly to the appropriate agency or to the Department. This amendment was intended to protect against the unnecessary backlogging of complaints and to prevent undue delay in an agency taking action on a complaint.

Several commenters supported this amendment as a more efficient means of directing title II complaints to the appropriate enforcing agency. One commenter requested that the Department emphasize the need for timeliness in referring a complaint. The Department does not believe it is appropriate to adopt a specific time frame but will continue to encourage designated agencies to make timely referrals. The final rule retains, with minor modifications, the language in proposed §35.171(a)(2)(i). The Department has also amended §35.171(a)(2)(ii) to be consistent with the changes in the rule at §35.190(e), as discussed below.

##### *Section 35.172 Investigations and compliance reviews.*

In the NPRM, the Department proposed a number of changes to language in §35.172 relating to the resolution of complaints. Subtitle A of title II of the ADA defines the remedies, procedures, and rights provided for qualified individuals with disabilities who are discriminated against on the basis of disability in the services, programs, or activities of State and local governments. 42 U.S.C. 12131–12134. Subpart F of the current regulation establishes administrative procedures for the enforcement of title II of the ADA. 28 CFR 35.170–35.178. Subpart G identifies eight "designated agencies," including the Department, that have responsibility for investigating complaints under title II. *See* 28 CFR 35.190(b).

The Department's 1991 title II regulation is based on the enforcement procedures established in regulations implementing section 504. Thus, the Department's 1991 title II regulation provides that the designated agency "shall investigate each complete complaint" alleging a violation of title II and shall "attempt informal resolution" of such complaint. 28 CFR 35.172(a). The full range of remedies (including compensatory damages) that are available to the Department when it resolves a complaint or resolves issues raised in a compliance review are available to designated agencies when they are engaged in informal complaint resolution or resolution of issues raised in a compliance review under title II.

In the years since the 1991 title II regulation went into effect, the Department has received many more complaints alleging violations of title II than its resources permit it to resolve. The Department has reviewed each complaint that the Department has received and directed its resources to resolving the most critical matters. In the NPRM, the Department proposed deleting the word "each" as it appears before "complaint" in §35.172(a) of the 1991 title II regulation as a means of clarifying that designated agencies may exercise discretion in selecting title II complaints for resolution.

Many commenters opposed the removal of the term “each,” requesting that all title II complaints be investigated. The commenters explained that complaints against title II entities implicate the fundamental right of access to government facilities and programs, making an administrative enforcement mechanism critical. Rather than aligning enforcement discretion of title II complaints with the discretion under the enforcement procedures of title III, the commenters favored obtaining additional resources to address more complaints. The commenters highlighted the advantage afforded by Federal involvement in complaint investigations in securing favorable voluntary resolutions. When Federal involvement results in settlement agreements, commenters believed those agreements are more persuasive to other public entities than private settlements. Private litigation as a viable alternative was rejected by the commenters because of the financial limitations of many complainants, and because in some scenarios legal barriers foreclose private litigation as an option.

Several of those opposing this amendment argued that designated agencies are required to investigate each complaint under section 504, and a departure for title II complaints would be an inconsistency. The Department believes that §35.171(a) of the final rule is consistent with the obligation to evaluate all complaints. However, there is no statutory requirement that every title II complaint receive a full investigation. Section 203 of the ADA, 42 U.S.C. 12133, adopts the “remedies, procedures, and rights set forth in section 505 of the Rehabilitation Act of 1973” (29 U.S.C. 794a). Section 505 of the Rehabilitation Act, in turn, incorporates the remedies available under title VI of the Civil Rights Act of 1964 into section 504. Under these statutes, agencies may engage in conscientious enforcement without fully investigating each citizen complaint. An agency’s decision to conduct a full investigation requires a complicated balancing of a number of factors that are particularly within its expertise. Thus, the agency must not only assess whether a violation may have occurred, but also whether agency resources are best spent on this complaint or another, whether the agency is likely to succeed if it acts, and whether the particular enforcement action requested best fits the agency’s overall policies. Availability of resources will always be a factor, and the Department believes discretion to maximize these limited resources will result in the most effective enforcement program. If agencies are bound to investigate each complaint fully, regardless of merit, such a requirement could have a deleterious effect on their overall enforcement efforts. The Department continues to expect that each designated agency will review the com-

plaints the agency receives to determine whether further investigation is appropriate.

The Department also proposed revising §35.172 to add a new paragraph (b) that provided explicit authority for compliance reviews consistent with the Department’s longstanding position that such authority exists. The proposed section stated, “[t]he designated agency may conduct compliance reviews of public entities based on information indicating a possible failure to comply with the nondiscrimination requirements of this part.” Several commenters supported this amendment, identifying title III compliance reviews as having been a successful means for the Department and designated agencies to improve accessibility. The Department has retained this section. However, the Department has modified the language of the section to make the authority to conduct compliance reviews consistent with that available under section 504 and title VI. *See, e.g.*, 28 CFR 42.107(a). The new provision reads as follows: “(b) The designated agency may conduct compliance reviews of public entities in order to ascertain whether there has been a failure to comply with the nondiscrimination requirements of this part.” The Department has also added a provision to §35.172(c)(2) clarifying the Department’s longstanding view that agencies may obtain compensatory damages on behalf of complainants as the result of a finding of discrimination pursuant to a compliance review or in informal resolution of a complaint.

Finally, in the NPRM, the Department proposed revising the requirements for letters of findings for clarification and to reflect current practice. Section 35.172(a) of the 1991 title II regulation required designated agencies to issue a letter of findings at the conclusion of an investigation if the complaint was not resolved informally, and to attempt to negotiate a voluntary compliance agreement if a violation was found. The Department’s proposed changes to the 1991 title II regulation moved the discussion of letters of findings to a new paragraph (c) in the NPRM, and clarified that letters of findings are only required when a violation is found.

One commenter opposed the proposal to eliminate the obligation of the Department and designated agencies to issue letters of finding at the conclusion of every investigation. The commenter argued that it is beneficial for public entities, as well as complainants, for the Department to provide a reasonable explanation of both compliance and noncompliance findings.

The Department has considered this comment but continues to believe that this change will promote the overall effectiveness of its enforcement program. The final rule retains the proposed language.

## SUBPART G—DESIGNATED AGENCIES

*Section 35.190 Designated agencies.*

Subpart G of the 1991 title II regulation designates specific Federal agencies to investigate certain title II complaints. Paragraph 35.190(b) specifies these agency designations. Paragraphs 35.190(c) and (d), respectively, grant the Department discretion to designate further oversight responsibilities for matters not specifically assigned or where there are apparent conflicts of jurisdiction. The NPRM proposed adding a new §35.190(e) further refining procedures for complaints filed with the Department of Justice. Proposed §35.190(e) provides that when the Department receives a complaint alleging a violation of title II that is directed to the Attorney General but may fall within the jurisdiction of a designated agency or another Federal agency with jurisdiction under section 504, the Department may exercise its discretion to retain the complaint for investigation under this part. The Department would, of course, consult with the designated agency when the Department plans to retain a complaint. In appropriate circumstances, the Department and the designated agency may conduct a joint investigation.

Several commenters supported this amendment as a more efficient means of processing title II complaints. The commenters supported the Department using its discretion to conduct timely investigations of such complaints. The language of the proposed §35.190(e) remains unchanged in the final rule.

## OTHER ISSUES

*Questions Posed in the NPRM Regarding Costs and Benefits of Complying With the 2010 Standards*

In the NPRM, the Department requested comment on various cost and benefit issues related to eight requirements in the Department's Initial Regulatory Impact Analysis (Initial RIA), available at [ada.gov/NPRM2008/ria.htm](http://ada.gov/NPRM2008/ria.htm), that were projected to have incremental costs exceeding monetized benefits by more than \$100 million when using the 1991 Standards as the comparative baseline, *i.e.*, side reach, water closet clearances in single-user toilet rooms with in-swinging doors, stairs, elevators, location of accessible routes to stages, accessible attorney areas and witness stands, assistive listening systems, and accessible teeing grounds, putting greens, and weather shelters at golf courses. 73 FR 34466, 34469 (June 17, 2008). The Department noted that pursuant to the ADA, the Department does not have statutory authority to modify the 2004 ADAAG and is required instead to issue regulations implementing the ADA that are consistent with the Board's guidelines. In that regard, the

Department also requested comment about whether any of these eight elements in the 2010 Standards should be returned to the Access Board for further consideration, in particular as applied to alterations. Many of the comments received by the Department in response to these questions addressed both titles II and III. As a result, the Department's discussion of these comments and its response are collectively presented for both titles.

*Side reach.* The 1991 Standards at section 4.2.6 establish a maximum side-reach height of 54 inches. The 2010 Standards at section 308.3 reduce that maximum height to 48 inches. The 2010 Standards also add exceptions for certain elements to the scoping requirement for operable parts.

The vast majority of comments the Department received were in support of the lower side-reach maximum of 48 inches in the 2010 Standards. Most of these comments, but not all, were received from individuals of short stature, relatives of individuals of short stature, or organizations representing the interests of persons with disabilities, including individuals of short stature. Comments from individuals with disabilities and disability advocacy groups stated that the 48-inch side reach would permit independence in performing many activities of daily living for individuals with disabilities, including individuals of short stature, persons who use wheelchairs, and persons who have limited upper body strength. In this regard, one commenter who is a business owner pointed out that as a person of short stature there were many occasions when he was unable to exit a public restroom independently because he could not reach the door handle. The commenter said that often elevator control buttons are out of his reach and, if he is alone, he often must wait for someone else to enter the elevator so that he can ask that person to press a floor button for him. Another commenter, who is also a person of short stature, said that he has on several occasions pulled into a gas station only to find that he was unable to reach the credit card reader on the gas pump. Unlike other customers who can reach the card reader, swipe their credit or debit cards, pump their gas and leave the station, he must use another method to pay for his gas. Another comment from a person of short stature pointed out that as more businesses take steps to reduce labor costs—a trend expected to continue—staffed booths are being replaced with automatic machines for the sale, for example, of parking tickets and other products. He observed that the “ability to access and operate these machines becomes ever more critical to function in society,” and, on that basis, urged the Department to adopt the 48-inch side-reach requirement. Another individual commented that persons of short stature should not have to carry with them



adaptive tools in order to access building or facility elements that are out of their reach, any more than persons in wheelchairs should have to carry ramps with them in order to gain access to facilities.

Many of the commenters who supported the revised side-reach requirement pointed out that lowering the side-reach requirement to 48 inches would avoid a problem sometimes encountered in the built environment when an element was mounted for a parallel approach at 54 inches only to find afterwards that a parallel approach was not possible. Some commenters also suggested that lowering the maximum unobstructed side reach to 48 inches would reduce confusion among design professionals by making the unobstructed forward and side-reach maximums the same (the unobstructed forward reach in both the 1991 and 2010 Standards is 48 inches maximum). These commenters also pointed out that the ICC/ANSI A117.1 Standard, which is a private sector model accessibility standard, has included a 48-inch maximum high side-reach requirement since 1998. Many jurisdictions have already incorporated this requirement into their building codes, which these commenters believed would reduce the cost of compliance with the 2010 Standards. Because numerous jurisdictions have already adopted the 48-inch side-reach requirement, the Department's failure to adopt the 48-inch side-reach requirement in the 2010 Standards, in the view of many commenters, would result in a significant reduction in accessibility, and would frustrate efforts that have been made to harmonize private sector model construction and accessibility codes with Federal accessibility requirements. Given these concerns, they overwhelmingly opposed the idea of returning the revised side-reach requirement to the Access Board for further consideration.

The Department also received comments in support of the 48-inch side-reach requirement from an association of professional commercial property managers and operators and from State governmental entities. The association of property managers pointed out that the revised side-reach requirement provided a reasonable approach to "regulating elevator controls and all other operable parts" in existing facilities in light of the manner in which the safe harbor, barrier removal, and alterations obligations will operate in the 2010 Standards. One governmental entity, while fully supporting the 48-inch side-reach requirement, encouraged the Department to adopt an exception to the lower reach range for existing facilities similar to the exception permitted in the ICC/ANSI A117.1 Standard. In response to this latter concern, the Department notes that under the safe harbor, existing facilities that are in compliance with the 1991 Standards, which require a 54-inch side-reach maximum, would not be required to comply with the

lower side-reach requirement, unless there is an alteration. *See* §35.150(b)(2).

A number of commenters expressed either concern with, or opposition to, the 48-inch side-reach requirement and suggested that it be returned to the Access Board for further consideration. These commenters included trade and business associations, associations of retail stores, associations of restaurant owners, retail and convenience store chains, and a model code organization. Several businesses expressed the view that the lower side-reach requirement would discourage the use of their products and equipment by most of the general public. In particular, concerns were expressed by a national association of pay phone service providers regarding the possibility that pay telephones mounted at the lower height would not be used as frequently by the public to place calls, which would result in an economic burden on the pay phone industry. The commenter described the lower height required for side reach as creating a new "barrier" to pay phone use, which would reduce revenues collected from pay phones and, consequently, further discourage the installation of new pay telephones. In addition, the commenter expressed concern that phone service providers would simply decide to remove existing pay phones rather than incur the costs of relocating them at the lower height. With regard to this latter concern, the commenter misunderstood the manner in which the safe harbor obligation will operate in the revised title II regulation for elements that comply with the 1991 Standards. If the pay phones comply with the 1991 Standards or UFAS, the adoption of the 2010 Standards does not require retrofitting of these elements to reflect incremental changes in the 2010 Standards (*see* §35.150(b)(2)). However, pay telephones that were required to meet the 1991 Standards as part of new construction or alterations, but do not in fact comply with those standards, will need to be brought into compliance with the 2010 Standards as of 18 months from the publication date of this final rule. *See* §35.151(c)(5)(ii).

The Department does not agree with the concerns expressed by the commenter about reduced revenues from pay phones mounted at lower heights. The Department believes that, while given the choice some individuals may prefer to use a pay phone that is at a higher height, the availability of some phones at a lower height will not deter individuals from making needed calls.

The 2010 Standards will not require every pay phone to be installed or moved to a lowered height. The table accompanying section 217.2 of the 2010 Standards makes clear that, where one or more telephones are provided on a floor, level, or an exterior site, only one phone per floor, level, or exterior site must be placed at an accessible height. Similarly, where there is one bank of phones per floor,

level, or exterior site, only one phone per floor, level, or exterior site must be accessible. And if there are two or more banks of phones per floor, level, or exterior site, only one phone per bank must be placed at an accessible height.

Another comment in opposition to the lower reach range requirement was submitted on behalf of a chain of convenience stores with fuel stops. The commenter expressed the concern that the 48-inch side reach “will make it uncomfortable for the majority of the public,” including persons of taller stature who would need to stoop to use equipment such as fuel dispensers mounted at the lower height. The commenter offered no objective support for the observation that a majority of the public would be rendered uncomfortable if, as required in the 2010 Standards, at least one of each type of fuel dispenser at a facility was made accessible in compliance with the lower reach range. Indeed, the Department received no comments from any individuals of tall stature expressing concern about accessible elements or equipment being mounted at the 48-inch height.

Several convenience store, restaurant, and amusement park commenters expressed concern about the burden the lower side-reach requirement would place on their businesses in terms of self-service food stations and vending areas if the 48-inch requirement were applied retroactively. The cost of lowering counter height, in combination with the lack of control businesses exercise over certain prefabricated service or vending fixtures, outweighed, they argued, any benefits to persons with disabilities. For this reason, they suggested the lower side-reach requirement be referred back to the Access Board.

These commenters misunderstood the safe harbor and barrier removal obligations that will be in effect under the 2010 Standards. Those existing self-service food stations and vending areas that already are in compliance with the 1991 Standards will not be required to satisfy the 2010 Standards unless they engage in alterations. With regard to prefabricated vending machines and food service components that will be purchased and installed in businesses after the 2010 Standards become effective, the Department expects that companies will design these machines and fixtures to comply with the 2010 Standards in the future, as many have already done in the 10 years since the 48-inch side-reach requirement has been a part of the model codes and standards used by many jurisdictions as the basis for their construction codes.

A model code organization commented that the lower side-reach requirement would create a significant burden if it required entities to lower the mounting height for light switches, environmental controls, and outlets when an alteration did not include the

walls where these elements were located, such as when “an area is altered or as a path of travel obligation.” The Department believes that the final rule adequately addresses those situations about which the commenter expressed concern by not requiring the relocation of existing elements, such as light switches, environmental controls, and outlets, unless they are altered. Moreover, under §35.151(b)(4)(iii) of the final rule, costs for altering the path of travel to an altered area of primary function that exceed 20 percent of the overall costs of the alteration will be deemed disproportionate.

The Department has determined that the revised side-reach requirement should not be returned to the Access Board for further consideration, based in large part on the views expressed by a majority of the commenters regarding the need for, and importance of, the lower side-reach requirement to ensure access for persons with disabilities.

*Alterations and Water Closet Clearances in Single-User Toilet Rooms With In-Swinging Doors*

The 1991 Standards allow a lavatory to be placed a minimum of 18 inches from the water closet centerline and a minimum of 36 inches from the side wall adjacent to the water closet, which precludes side transfers. The 1991 Standards do not allow an in-swinging door in a toilet or bathing room to overlap the required clear floor space at any accessible fixture. To allow greater transfer options, section 604.3.2 of the 2010 Standards prohibits lavatories from overlapping the clear floor space at water closets, except in residential dwelling units. Section 603.2.3 of the 2010 Standards maintains the prohibition on doors swinging into the clear floor space or clearance required for any fixture, except that they permit the doors of toilet or bathing rooms to swing into the required turning space, provided that there is sufficient clearance space for the wheelchair outside the door swing. In addition, in single-user toilet or bathing rooms, exception 2 of section 603.2.3 of the 2010 Standards permits the door to swing into the clear floor space of an accessible fixture if a clear floor space that measures at least 30 inches by 48 inches is available outside the arc of the door swing.

The majority of commenters believed that this requirement would increase the number of toilet rooms accessible to individuals with disabilities who use wheelchairs or mobility scooters, and will make it easier for them to transfer. A number of commenters stated that there was no reason to return this provision to the Access Board. Numerous commenters noted that this requirement is already included in other model accessibility standards and many State and local building codes and that the adoption of the 2010

Standards is an important part of harmonization efforts.

Other commenters, mostly trade associations, opposed this requirement, arguing that the added cost to the industry outweighs any increase in accessibility. Two commenters stated that these proposed requirements would add two feet to the width of an accessible single-user toilet room; however, another commenter said the drawings in the proposed regulation demonstrated that there would be no substantial increase in the size of the toilet room. Several commenters stated that this requirement would require moving plumbing fixtures, walls, or doors at significant additional expense. Two commenters wanted the permissible overlap between the door swing and clearance around any fixture eliminated. One commenter stated that these new requirements will result in fewer alterations to toilet rooms to avoid triggering the requirement for increased clearances, and suggested that the Department specify that repairs, maintenance, or minor alterations would not trigger the need to provide increased clearances. Another commenter requested that the Department exempt existing guest room bathrooms and single-user toilet rooms that comply with the 1991 Standards from complying with the increased clearances in alterations.

After careful consideration of these comments, the Department believes that the revised clearances for single-user toilet rooms will allow safer and easier transfers for individuals with disabilities, and will enable a caregiver, aide, or other person to accompany an individual with a disability into the toilet room to provide assistance. The illustrations in Appendix B to the final title III rule, "Analysis and Commentary on the 2010 ADA Standards for Accessible Design," published elsewhere in this volume and codified as Appendix B to 28 CFR part 36, describe several ways for public entities and public accommodations to make alterations while minimizing additional costs or loss of space. Further, in any isolated instances where existing structural limitations may entail loss of space, the public entity and public accommodation may have a technical infeasibility defense for that alteration. The Department also recognizes that in attempting to create the required clear floor space pursuant to section 604.3.2, there may be certain specific circumstances where it would be technically infeasible for a covered entity to comply with the clear floor space requirement, such as where an entity must move a plumbing wall in a multistory building where the mechanical chase for plumbing is an integral part of a building's structure or where the relocation of a wall or fixture would violate applicable plumbing codes. In such circumstances, the required clear floor space would not have to be provided although the covered entity would have to provide access-

sibility to the maximum extent feasible. The Department has, therefore, decided not to return this requirement to the Access Board.

*Alterations to stairs.* The 1991 Standards only require interior and exterior stairs to be accessible when they provide access to levels that are not connected by an elevator, ramp, or other accessible means of vertical access. In contrast, section 210.1 of the 2010 Standards requires all newly constructed stairs that are part of a means of egress to be accessible. However, exception 2 of section 210.1 of the 2010 Standards provides that in alterations, stairs between levels connected by an accessible route need not be accessible, except that handrails shall be provided. Most commenters were in favor of this requirement for handrails in alterations, and stated that adding handrails to stairs during alterations was not only feasible and not cost-prohibitive, but also provided important safety benefits. One commenter stated that making all points of egress accessible increased the number of people who could use the stairs in an emergency. A majority of the commenters did not want this requirement returned to the Access Board for further consideration.

The International Building Code (IBC), which is a private sector model construction code, contains a similar provision, and most jurisdictions enforce a version of the IBC as their building code, thereby minimizing the impact of this provision on public entities and public accommodations. The Department believes that by requiring only the addition of handrails to altered stairs where levels are connected by an accessible route, the costs of compliance for public entities and public accommodations are minimized, while safe egress for individuals with disabilities is increased. Therefore, the Department has decided not to return this requirement to the Access Board.

*Alterations to elevators.* Under the 1991 Standards, if an existing elevator is altered, only that altered elevator must comply with the new construction requirements for accessible elevators to the maximum extent feasible. It is therefore possible that a bank of elevators controlled by a single call system may contain just one accessible elevator, leaving an individual with a disability with no way to call an accessible elevator and thus having to wait indefinitely until an accessible elevator happens to respond to the call system. In the 2010 Standards, when an element in one elevator is altered, section 206.6.1 will require the same element to be altered in all elevators that are programmed to respond to the same call button as the altered elevator.

Most commenters favored the proposed requirement. This requirement, according to these commenters, is necessary so a person with a disability need not wait until an accessible elevator responds to his or her call.

One commenter suggested that elevator owners could also comply by modifying the call system so the accessible elevator could be summoned independently. One commenter suggested that this requirement would be difficult for small businesses located in older buildings, and one commenter suggested that this requirement be sent back to the Access Board.

After considering the comments, the Department agrees that this requirement is necessary to ensure that when an individual with a disability presses a call button, an accessible elevator will arrive in a timely manner. The IBC contains a similar provision, and most jurisdictions enforce a version of the IBC as their building code, minimizing the impact of this provision on public entities and public accommodations. Public entities and businesses located in older buildings need not comply with this requirement where it is technically infeasible to do so. Further, as pointed out by one commenter, modifying the call system so the accessible elevator can be summoned independently is another means of complying with this requirement in lieu of altering all other elevators programmed to respond to the same call button. Therefore, the Department has decided not to return this requirement to the Access Board.

*Location of accessible routes to stages.* The 1991 Standards at section 4.33.5 require an accessible route to connect the accessible seating and the stage, as well as other ancillary spaces used by performers. The 2010 Standards at section 206.2.6 provide in addition that where a circulation path directly connects the seating area and the stage, the accessible route must directly connect the accessible seating and the stage, and, like the 1991 Standards, an accessible route must connect the stage with the ancillary spaces used by performers.

In the NPRM, the Department asked operators of auditoria about the extent to which auditoria already provide direct access to stages and whether there were planned alterations over the next 15 years that included accessible direct routes to stages. The Department also asked how to quantify the benefits of this requirement for persons with disabilities, and invited commenters to provide illustrative anecdotal experiences about the requirement's benefits. The Department received many comments regarding the costs and benefits of this requirement. Although little detail was provided, many industry and governmental entity commenters anticipated that the costs of this requirement would be great and that it would be difficult to implement. They noted that premium seats may have to be removed and that load-bearing walls may have to be relocated. These commenters suggested that the significant costs would deter alterations to the stage area for a great many auditoria. Some

commenters suggested that ramps to the front of the stage may interfere with means of egress and emergency exits. Several commenters requested that the requirement apply to new construction only, and one industry commenter requested an exemption for stages used in arenas or amusement parks where there is no audience participation or where the stage is a work area for performers only. One commenter requested that the requirement not apply to temporary stages.

The final rule does not require a direct accessible route to be constructed where a direct circulation path from the seating area to the stage does not exist. Consequently, those commenters who expressed concern about the burden imposed by the revised requirement (i.e., where the stage is constructed with no direct circulation path connecting the general seating and performing area) should note that the final rule will not require the provision of a direct accessible route under these circumstances. The final rule applies to permanent stages, as well as "temporary stages," if there is a direct circulation path from the seating area to the stage. However, the Department does recognize that in some circumstances, such as an alteration to a primary function area, the ability to provide a direct accessible route to a stage may be costly or technically infeasible, the auditorium owner is not precluded by the revised requirement from asserting defenses available under the regulation. In addition, the Department notes that since section 4.33.5 of the 1991 Standards requires an accessible route to a stage, the safe harbor will apply to existing facilities whose stages comply with the 1991 Standards.

Several governmental entities supported accessible auditoria and the revised requirement. One governmental entity noted that its State building code already required direct access, that it was possible to provide direct access, and that creative solutions had been found to do so.

Many advocacy groups and individual commenters strongly supported the revised requirement, discussing the acute need for direct access to stages as it impacts a great number of people at important life events such as graduations and awards ceremonies, at collegiate and competitive performances and other school events, and at entertainment events that include audience participation. Many commenters expressed the belief that direct access is essential for integration mandates to be satisfied and that separate routes are stigmatizing and unequal. The Department agrees with these concerns.

Commenters described the impact felt by persons in wheelchairs who are unable to access the stage at all when others are able to do so. Some of these commenters also discussed the need for performers and production staff who use wheelchairs to have direct

access to the stage and provided a number of examples that illustrated the importance of the rule proposed in the NPRM. Personal anecdotes were provided in comments and at the Department's public hearing on the NPRM. One mother spoke passionately and eloquently about the unequal treatment experienced by her daughter, who uses a wheelchair, at awards ceremonies and band concerts. Her daughter was embarrassed and ashamed to be carried by her father onto a stage at one band concert. When the venue had to be changed for another concert to an accessible auditorium, the band director made sure to comment that he was unhappy with the switch. Rather than endure the embarrassment and indignities, her child dropped out of band the following year. Another father commented about how he was unable to speak from the stage at a PTA meeting at his child's school. Speaking from the floor limited his line of sight and his participation. Several examples were provided of children who could not participate on stage during graduation, awards programs, or special school events, such as plays and festivities. One student did not attend his college graduation because he would not be able to get on stage. Another student was unable to participate in the class Christmas programs or end-of-year parties unless her father could attend and lift her onto the stage. These commenters did not provide a method to quantify the benefits that would accrue by having direct access to stages. One commenter stated, however, that "the cost of dignity and respect is without measure."

Many industry commenters and governmental entities suggested that the requirement be sent back to the Access Board for further consideration. One industry commenter mistakenly noted that some international building codes do not incorporate the requirement and that therefore there is a need for further consideration. However, the Department notes that both the 2003 and 2006 editions of the IBC include scoping provisions that are almost identical to this requirement and that these editions of the model code are the most frequently used. Many individuals and advocacy group commenters requested that the requirement be adopted without further delay. These commenters spoke of the acute need for direct access to stages and the amount of time it would take to resubmit the requirement to the Access Board. Several commenters noted that the 2004 ADAAG tracks recent model codes and thus there is no need for further consideration. The Department agrees that no further delay is necessary and therefore has decided not to return the requirement to the Access Board for further consideration.

*Attorney areas and witness stands.* The 1991 Standards do not require that public entities meet specific architectural standards with regard to the construction and alteration of

courtrooms and judicial facilities. Because it is apparent that the judicial facilities of State and local governments have often been inaccessible to individuals with disabilities, as part of the NPRM, the Department proposed the adoption of sections 206.2.4, 231.2, 808, 304, 305, and 902 of the 2004 ADAAG concerning judicial facilities and courtrooms, including requirements for accessible courtroom stations and accessible jury boxes and witness stands.

Those who commented on access to judicial facilities and courtrooms uniformly favored the adoption of the 2010 Standards. Virtually all of the commenters stated that accessible judicial facilities are crucial to ensuring that individuals with disabilities are afforded due process under law and have an equal opportunity to participate in the judicial process. None of the commenters favored returning this requirement to the Access Board for further consideration.

The majority of commenters, including many disability rights and advocacy organizations, stated that it is crucial for individuals with disabilities to have effective and meaningful access to our judicial system so as to afford them due process under law. They objected to asking the Access Board to reconsider this requirement. In addition to criticizing the initial RIA for virtually ignoring the intangible and non-monetary benefits associated with accessible courtrooms, these commenters frequently cited the Supreme Court's decision in *Tennessee v. Lane*, 541 U.S. 509, 531 (2004),<sup>4</sup> as ample justification for the requirement, noting the Court's finding that "[t]he unequal treatment of disabled persons in the administration of judicial services has a long history, and has persisted despite several legislative efforts to remedy the problem of disability discrimination." *Id.* at 531. These commenters also made a number of observations, including the following: providing effective access to individuals with mobility impairments is not possible when architectural barriers impede their path of travel and negatively emphasize an individual's disability; the perception generated by makeshift accommodations discredits witnesses and attorneys with disabilities, who should not be stigmatized or treated like second-class citizens; the cost of accessibility modifications to existing courthouses can often be significantly decreased by planning ahead, by focusing on low-cost options that provide effective access, and by addressing existing barriers when reasonable modifications to the courtroom can be made;

<sup>4</sup>The Supreme Court in *Tennessee v. Lane*, 541 U.S. 509, 533-534 (2004), held that title II of the ADA constitutes a valid exercise of Congress' enforcement power under the Fourteenth Amendment in cases implicating the fundamental right of access to the courts.

by planning ahead and by following best practices, jurisdictions can avoid those situations where it is apparent that someone's disability is the reason why ad hoc arrangements have to be made prior to the beginning of court proceedings; and accessibility should be a key concern during the planning and construction process so as to ensure that both courtroom grandeur and accessibility are achieved. One commenter stated that, in order for attorneys with disabilities to perform their professional duties to their clients and the court, it is essential that accessible courtrooms, conference rooms, law libraries, judicial chambers, and other areas of a courthouse be made barrier-free by taking accessible design into account prior to construction.

Numerous commenters identified a variety of benefits that would accrue as a result of requiring judicial facilities to be accessible. These included the following: maintaining the decorum of the courtroom and eliminating the disruption of court proceedings when individuals confront physical barriers; providing an accessible route to the witness stand and attorney area and clear floor space to accommodate a wheelchair within the witness area; establishing crucial lines of sight between the judge, jury, witnesses, and attorneys—which commenters described as crucial; ensuring that the judge and the jury will not miss key visual indicators of a witness; maintaining a witness's or attorney's dignity and credibility; shifting the focus from a witness's disability to the substance of that person's testimony; fostering the independence of an individual with disability; allowing persons with mobility impairments to testify as witnesses, including as expert witnesses; ensuring the safety of various participants in a courtroom proceeding; and avoiding unlawful discrimination. One commenter stated that equal access to the well of the courtroom for both attorney and client is important for equal participation and representation in our court system. Other commenters indicated that accessible judicial facilities benefit a wide range of people, including many persons without disabilities, senior citizens, parents using strollers with small children, and attorneys and court personnel wheeling documents into the courtroom. One commenter urged the adoption of the work area provisions because they would result in better workplace accessibility and increased productivity. Several commenters urged the adoption of the rule because it harmonizes the ADAAG with the model IBC, the standards developed by the American National Standards Institute (ANSI), and model codes that have been widely adopted by State and local building departments, thus increasing the prospects for better understanding and compliance with the ADAAG by architects, designers, and builders.

Several commenters mentioned the report "Justice for All: Designing Accessible Courthouses" (Nov. 15, 2006), available at <http://www.access-board.gov/caac/report.htm> (Nov. 24, 2009) (last visited June 24, 2010). The report, prepared by the Courthouse Access Advisory Committee for the Access Board, contained recommendations for the Board's use in developing and disseminating guidance on accessible courthouse design under the ADA and the ABA. These commenters identified some of the report's best practices concerning courtroom accessibility for witness stands, jury boxes, and attorney areas; addressed the costs and benefits arising from the use of accessible courtrooms; and recommended that the report be incorporated into the Department's final rule. With respect to existing courtrooms, one commenter in this group suggested that consideration be given to ensuring that there are barrier-free emergency evacuation routes for all persons in the courtroom, including different evacuation routes for different classes of individuals given the unique nature of judicial facilities and courtrooms.

The Department declines to incorporate the report into the regulation. However, the Department encourages State and local governments to consult the Committee report as a useful guide on ways to facilitate and increase accessibility of their judicial facilities. The report includes many excellent examples of accessible courtroom design.

One commenter proposed that the regulation also require a sufficient number of accessible benches for judges with disabilities. Under section 206.2.4 of the 2004 ADAAG, raised courtroom stations used by judges and other judicial staff are not required to provide full vertical access when first constructed or altered, as long as the required clear floor space, maneuvering space, and any necessary electrical service for future installation of a means of vertical access, is provided at the time of new construction or can be achieved without substantial reconstruction during alterations. The Department believes that this standard easily allows a courtroom station to be adapted to provide vertical access in the event a judge requires an accessible judge's bench.

The Department received several anecdotal accounts of courtroom experiences of individuals with disabilities. One commenter recalled numerous difficulties that her law partner faced as the result of inaccessible courtrooms, and their concerns that the attention of judge and jury was directed away from the merits of case to the lawyer and his disability. Among other things, the lawyer had to ask the judges on an appellate panel to wait while he maneuvered through insufficient space to the counsel table; ask judges to relocate bench conferences to accessible areas; and make last-minute preparations and rearrangements that his peers without

disabilities did not have to make. Another commenter with extensive experience as a lawyer, witness, juror, and consultant observed that it is common practice for a witness who uses mobility devices to sit in front of the witness stand. He described how disconcerting and unsettling it has been for him to testify in front of the witness stand, which allowed individuals in the courtroom to see his hands or legs shaking because of spasticity, making him feel like a second-class citizen.

Two other commenters with mobility disabilities described their experiences testifying in court. One accessibility consultant stated that she was able to represent her clients successfully when she had access to an accessible witness stand because it gave her the ability "to look the judge in the eye, speak comfortably and be heard, hold up visual aids that could be seen by the judge, and perform without an architectural stigma." She did not believe that she was able to achieve a comparable outcome or have meaningful access to the justice system when she testified from an inaccessible location. Similarly, a licensed clinical social worker indicated that she has testified in several cases in accessible courtrooms, and that having full access to the witness stand in the presence of the judge and the jury was important to her effectiveness as an expert witness. She noted that accessible courtrooms often are not available, and that she was aware of instances in which victims, witnesses, and attorneys with disabilities have not been able to obtain needed disability accommodations in order to fulfill their roles at trial.

Two other commenters indicated that they had been chosen for jury duty but that they were effectively denied their right to participate as jurors because the courtrooms were not accessible. Another commenter indicated that he has had to sit apart from the other jurors because the jury box was inaccessible.

A number of commenters expressed approval of actions taken by States to facilitate access in judicial facilities. A member of a State commission on disability noted that the State had been working toward full accessibility since 1997 when the Uniform Building Code required interior accessible routes. This commenter stated that the State's district courts had been renovated to the maximum extent feasible to provide greater access. This commenter also noted that a combination of Community Development Block Grant money and State funds are often awarded for renovations of courtroom areas. One advocacy group that has dealt with court access issues stated that members of the State legal community and disability advocates have long been promoting efforts to ensure that the State courts are accessible to individuals with disabilities. The comment cited a publication

distributed to the Washington State courts by the State bar association entitled, "Ensuring Equal Access to the Courts for Persons with Disabilities." (Aug. 2006), available at <http://www.wsba.org/ensuringaccessguidebook.pdf> (last visited July 20, 2010). In addition, the commenter also indicated that the State supreme court had promulgated a new rule governing how the courts should respond to requests of accommodation based upon disability; the State legislature had created the position of Disability Access Coordinator for Courts to facilitate accessibility in the court system; and the State legislature had passed a law requiring that all planned improvements and alterations to historic courthouses be approved by the ADA State facilities program manager and committee in order to ensure that the alterations will enhance accessibility.

The Department has decided to adopt the requirements in the 2004 ADAAG with respect to judicial facilities and courtrooms and will not ask the Access Board to review these requirements. The final rule is wholly consistent with the objectives of the ADA. It addresses a well-documented history of discrimination with respect to judicial administration and significantly increases accessibility for individuals with disabilities. It helps ensure that they will have an opportunity to participate equally in the judicial process. As stated, the final rule is consistent with a number of model and local building codes that have been widely adopted by State and local building departments and provides greater uniformity for planners, architects, and builders.

*Assistive listening systems.* The 1991 Standards at sections 4.33.6 and 4.33.7 require assistive listening systems (ALS) in assembly areas and prescribe general performance standards for ALS systems. In the NPRM, the Department proposed adopting the technical specifications in the 2004 ADAAG for ALS that are intended to ensure better quality and effective delivery of sound and information for persons with hearing impairments, especially those using hearing aids. The Department noted in the NPRM that since 1991, advancements in ALS and the advent of digital technology have made these systems more amenable to uniform standards, which, among other things, should ensure that a certain percentage of required ALS systems are hearing-aid compatible. 73 FR 34466, 34471 (June 17, 2008). The 2010 Standards at section 219 provide scoping requirements and at section 706 address receiver jacks, hearing aid compatibility, sound pressure level, signal-to-noise ratio, and peak clipping level. The Department requested comments specifically from arena and assembly area administrators on the cost and maintenance issues associated with ALS, asked generally about the costs and

benefits of ALS, and asked whether, based upon the expected costs of ALS, the issue should be returned to the Access Board for further consideration.

Comments from advocacy organizations noted that persons who develop significant hearing loss often discontinue their normal routines and activities, including meetings, entertainment, and large group events, due to a sense of isolation caused by the hearing loss or embarrassment. Individuals with longstanding hearing loss may never have participated in group activities for many of the same reasons. Requiring ALS may allow individuals with disabilities to contribute to the community by joining in government and public events, and increasing economic activity associated with community activities and entertainment. Making public events and entertainment accessible to persons with hearing loss also brings families and other groups that include persons with hearing loss into more community events and activities, thus exponentially increasing the benefit from ALS.

Many commenters noted that when a person has significant hearing loss, that person may be able to hear and understand information in a quiet situation with the use of hearing aids or cochlear implants; however, as background noise increases and the distance between the source of the sound and the listener grows, and especially where there is distortion in the sound, an ALS becomes essential for basic comprehension and understanding. Commenters noted that among the 31 million Americans with hearing loss, and with a projected increase to over 78 million Americans with hearing loss by 2030, the benefit from ALS is huge and growing. Advocates for persons with disabilities and individuals commented that they appreciated the improvements in the 2004 ADAAG standards for ALS, including specifications for the ALS systems and performance standards. They noted that neckloops that translate the signal from the ALS transmitter to a frequency that can be heard on a hearing aid or cochlear implant are much more effective than separate ALS system headsets, which sometimes create feedback, often malfunction, and may create distractions for others seated nearby. Comments from advocates and users of ALS systems consistently noted that the Department's regulation should, at a minimum, be consistent with the 2004 ADAAG. Although there were requests for adjustments in the scoping requirements from advocates seeking increased scoping requirements, and from large venue operators seeking fewer requirements, there was no significant concern expressed by commenters about the technical specifications for ALS in the 2004 ADAAG.

Some commenters from trade associations and large venue owners criticized the scoping

requirements as too onerous and one commenter asked for a remand to the Access Board for new scoping rules. However, one State agency commented that the 2004 ADAAG largely duplicates the requirements in the 2006 IBC and the 2003 ANSI codes, which means that entities that comply with those standards would not incur additional costs associated with ADA compliance.

According to one State office of the courts, the cost to install either an infrared system or an FM system at average-sized facilities, including most courtrooms covered by title II, would be between \$500 and \$2,000, which the agency viewed as a small price in comparison to the benefits of inclusion. Advocacy organizations estimated wholesale costs of ALS systems at about \$250 each and individual neckloops to link the signal from the ALS transmitter to hearing aids or cochlear implants at less than \$50 per unit. Many commenters pointed out that if a facility already is using induction neckloops, it would already be in compliance and would not have any additional installation costs. One major city commented that annual maintenance is about \$2,000 for the entire system of performance venues in the city. A trade association representing very large venues estimated annual maintenance and upkeep expenses, including labor and replacement parts, to be at most about \$25,000 for a very large professional sports stadium.

One commenter suggested that the scoping requirements for ALS in the 2004 ADAAG were too stringent and that the Department should return them to the Access Board for further review and consideration. Others commented that the requirement for new ALS systems should mandate multichannel receivers capable of receiving audio description for persons who are blind, in addition to a channel for amplification for persons who are hard of hearing. Some comments suggested that the Department should require a set schedule and protocol of mandatory maintenance. Department regulations already require maintenance of accessible features at §35.133(a) of the title II regulation, which obligates a title II entity to maintain ALS in good working order. The Department recognizes that maintenance of ALS is key to its usability. Necessary maintenance will vary dramatically from venue to venue based upon a variety of factors including frequency of use, number of units, quality of equipment, and others items. Accordingly, the Department has determined that it is not appropriate to mandate details of maintenance, but notes that failure to maintain ALS would violate §35.133(a) of this rule.

The NPRM asked whether the Department should return the issue of ALS requirements to the Access Board. The Department has received substantial feedback on the technical and scoping requirements for ALS and is



convinced that these requirements are reasonable and that the benefits justify the requirements. In addition, the Department believes that the new specifications will make ALS work more effectively for more persons with disabilities, which, together with a growing population of new users, will increase demand for ALS, thus mooted criticism from some large venue operators about insufficient demand. Thus, the Department has determined that it is unnecessary to refer this issue back to the Access Board for reconsideration.

*Accessible teeing grounds, putting greens, and weather shelters.* In the NPRM, the Department sought public input on the proposed requirements for accessible golf courses. These requirements specifically relate to accessible routes within the boundaries of courses, as well as the accessibility of golfing elements (e.g., teeing grounds, putting greens, weather shelters).

In the NPRM, the Department sought information from the owners and operators of golf courses, both public and private, on the extent to which their courses already have golf car passages, and, if so, whether they intended to avail themselves of the proposed accessible route exception for golf car passages. 73 FR 34466, 34471 (June 17, 2008).

Most commenters expressed support for the adoption of an accessible route requirement that includes an exception permitting golf car passage as all or part of an accessible route. Comments in favor of the proposed standard came from golf course owners and operators, individuals, organizations, and disability rights groups, while comments opposing adoption of the golf course requirements generally came from golf courses and organizations representing the golf course industry.

The majority of commenters expressed the general viewpoint that nearly all golf courses provide golf cars and have either well-defined paths or permit golf cars to drive on the course where paths are not present, thus meeting the accessible route requirement. Several commenters disagreed with the assumption in the initial RIA, that virtually every tee and putting green on an existing course would need to be regraded in order to provide compliant accessible routes. According to one commenter, many golf courses are relatively flat with little slope, especially those heavily used by recreational golfers. This commenter concurred with the Department that it is likely that most existing golf courses have a golf car passage to tees and greens, thereby substantially minimizing the cost of bringing an existing golf course into compliance with the proposed standards. One commenter reported that golf course access audits found that the vast majority of public golf courses would have little difficulty in meeting the proposed golf course requirements. In the view of some

commenters, providing access to golf courses would increase golf participation by individuals with disabilities.

The Department also received many comments requesting clarification of the term "golf car passage." For example, one commenter requesting clarification of the term "golf car passage" argued that golf courses typically do not provide golf car paths or pedestrian paths onto the actual teeing grounds or greens, many of which are higher or lower than the car path. This commenter argued that if golf car passages were required to extend onto teeing grounds and greens in order to qualify for an exception, then some golf courses would have to substantially regrade teeing grounds and greens at a high cost.

After careful consideration of the comments, the Department has decided to adopt the 2010 Standards specific to golf facilities. The Department believes that in order for individuals with mobility disabilities to have an opportunity to play golf that is equal to golfers without disabilities, it is essential that golf courses provide an accessible route or accessible golf car passage to connect accessible elements and spaces within the boundary of the golf course, including teeing grounds, putting greens, and weather shelters.

#### PUBLIC COMMENTS ON OTHER NPRM ISSUES

*Equipment and furniture.* In the 1991 title II regulation, there are no specific provisions addressing equipment and furniture, although §35.150(b) states that one means by which a public entity can make its program accessible to individuals with disabilities is "redesign of equipment." In the NPRM, the Department announced its intention not to regulate equipment, proposing instead to continue with the current approach, under which equipment and furniture are covered by other provisions, including those requiring reasonable modifications of policies, practices, or procedures, program accessibility, and effective communication. The Department suggested that entities apply the accessibility standards for fixed equipment in the 2004 ADAAG to analogous free-standing equipment in order to ensure that such equipment is accessible, and that entities consult relevant portions of the 2004 ADAAG and standards from other Federal agencies to make equipment accessible to individuals who are blind or have low vision (e.g., the communication-related standards for ATMs in the 2004 ADAAG).

The Department received numerous comments objecting to this decision and urging the Department to issue equipment and furniture regulations. Based on these comments, the Department has decided that it needs to revisit the issuance of equipment and furniture regulations and it intends to do so in future rulemaking.

Among the commenters' key concerns, many from the disability community and some public entities, were objections to the Department's earlier decision not to issue equipment regulations, especially for medical equipment. These groups recommended that the Department list by name certain types of medical equipment that must be accessible, including exam tables (that lower to 15 inches above floor or lower), scales, medical and dental chairs, and radiologic equipment (including mammography equipment). These commenters emphasized that the provision of medically related equipment and furniture should also be specifically regulated since they are not included in the 2004 ADAAG (while depositories, change machines, fuel dispensers, and ATMs were) and because of their crucial role in the provision of healthcare. Commenters described how the lack of accessible medical equipment negatively affects the health of individuals with disabilities. For example, some individuals with mobility disabilities do not get thorough medical care because their health providers do not have accessible examination tables or scales.

Commenters also said that the Department's stated plan to assess the financial impact of free-standing equipment on businesses was not necessary, as any regulations could include a financial balancing test. Other commenters representing persons who are blind or have low vision urged the Department to mandate accessibility for a wide range of equipment—including household appliances (stoves, washers, microwaves, and coffee makers), audiovisual equipment (stereos and DVD players), exercise machines, vending equipment, ATMs, computers at Internet cafes or hotel business centers, reservations kiosks at hotels, and point-of-sale devices—through speech output and tactile labels and controls. They argued that modern technology allows such equipment to be made accessible at minimal cost. According to these commenters, the lack of such accessibility in point-of-sale devices is particularly problematic because it forces blind individuals to provide personal or sensitive information (such as personal identification numbers) to third parties, which exposes them to identity fraud. Because the ADA does not apply directly to the manufacture of products, the Department lacks the authority to issue design requirements for equipment designed exclusively for use in private homes. See Department of Justice, Americans with Disabilities Act, *ADA Title III Technical Assistance Manual Covering Public Accommodations and Commercial Facilities*, III-4.4200, available at <http://www.ada.gov/taman3>.

Some commenters urged the Department to require swimming pool operators to provide aquatic wheelchairs for the use of persons with disabilities when the swimming

pool has a sloped entry. If there is a sloped entry, a person who uses a wheelchair would require a wheelchair designed for use in the water in order to gain access to the pool because taking a personal wheelchair into water would rust and corrode the metal on the chair and damage any electrical components of a power wheelchair. Providing an aquatic wheelchair made of non-corrosive materials and designed for access into the water will protect the water from contamination and avoid damage to personal wheelchairs or other mobility aids.

Additionally, many commenters urged the Department to regulate the height of beds in accessible hotel guest rooms and to ensure that such beds have clearance at the floor to accommodate a mechanical lift. These commenters noted that in recent years, hotel beds have become higher as hotels use thicker mattresses, thereby making it difficult or impossible for many individuals who use wheelchairs to transfer onto hotel beds. In addition, many hotel beds use a solid-sided platform base with no clearance at the floor, which prevents the use of a portable lift to transfer an individual onto the bed. Consequently, individuals who bring their own lift to transfer onto the bed cannot independently get themselves onto the bed. Some commenters suggested various design options that might avoid these situations.

The Department intends to provide specific guidance relating to both hotel beds and aquatic wheelchairs in a future rulemaking. For the present, the Department reminds covered entities that they have an obligation to undertake reasonable modifications to their current policies and to make their programs accessible to persons with disabilities. In many cases, providing aquatic wheelchairs or adjusting hotel bed heights may be necessary to comply with those requirements.

The Department has decided not to add specific scoping or technical requirements for equipment and furniture in this final rule. Other provisions of the regulation, including those requiring reasonable modifications of policies, practices, or procedures, program accessibility, and effective communication may require the provision of accessible equipment in individual circumstances. The 1991 title II regulation at §35.150(a) requires that entities operate each service, program, or activity so that, when viewed in its entirety, each is readily accessible to, and usable by, individuals with disabilities, subject to a defense of fundamental alteration or undue financial and administrative burdens. Section 35.150(b) specifies that such entities may meet their program accessibility obligation through the "redesign of equipment." The Department expects to undertake a rulemaking to address these issues in the near future.

*Accessible golf cars.* An accessible golf car means a device that is designed and manufactured to be driven on all areas of a golf course, is independently usable by individuals with mobility disabilities, has a hand-operated brake and accelerator, carries golf clubs in an accessible location, and has a seat that both swivels and raises to put the golfer in a standing or semi-standing position.

The 1991 title II regulation contained no language specifically referencing accessible golf cars. After considering the comments addressing the ANPRM's proposed requirement that golf courses make at least one specialized golf car available for the use of individuals with disabilities, and the safety of accessible golf cars and their use on golf course greens, the Department stated in the NPRM that it would not issue regulations specific to golf cars.

The Department received many comments in response to its decision to propose no new regulation specific to accessible golf cars. The majority of commenters urged the Department to require golf courses to provide accessible golf cars. These comments came from individuals, disability advocacy and recreation groups, a manufacturer of accessible golf cars, and representatives of local government. Comments supporting the Department's decision not to propose a new regulation came from golf course owners, associations, and individuals.

Many commenters argued that while the existing title II regulation covered the issue, the Department should nonetheless adopt specific regulatory language requiring golf courses to provide accessible golf cars. Some commenters noted that many local governments and park authorities that operate public golf courses have already provided accessible golf cars. Experience indicates that such golf cars may be used without damaging courses. Some argued that having accessible golf cars would increase golf course revenue by enabling more golfers with disabilities to play the game. Several commenters requested that the Department adopt a regulation specifically requiring each golf course to provide one or more accessible golf cars. Other commenters recommended allowing golf courses to make "pooling" arrangements to meet demands for such cars. A few commenters expressed support for using accessible golf cars to accommodate golfers with and without disabilities. Commenters also pointed out that the Departments of the Interior and Defense have already mandated that golf courses under their jurisdictional control must make accessible golf cars available unless it can be demonstrated that doing so would change the fundamental nature of the game.

While an industry association argued that at least two models of accessible golf cars meet the specifications recognized in the

field, and that accessible golf cars cause no more damage to greens or other parts of golf courses than players standing or walking across the course, other commenters expressed concerns about the potential for damage associated with the use of accessible golf cars. Citing safety concerns, golf organizations recommended that an industry safety standard be developed.

Although the Department declines to add specific scoping or technical requirements for golf cars to this final rule, the Department expects to address requirements for accessible golf cars in future rulemaking. In the meantime, the Department believes that golfers with disabilities who need accessible golf cars are protected by other existing provisions in the title II regulation, including those requiring reasonable modifications of policies, practices, or procedures, and program accessibility.

*Web site accessibility.* Many commenters expressed disappointment that the NPRM did not require title II entities to make their Web sites, through which they offer programs and services, accessible to individuals with disabilities, including those who are blind or have low vision. Commenters argued that the cost of making Web sites accessible, through Web site design, is minimal, yet critical to enabling individuals with disabilities to benefit from the entity's programs and services. Internet Web sites, when accessible, provide individuals with disabilities great independence, and have become an essential tool for many Americans. Commenters recommended that the Department require covered entities, at a minimum, to meet the section 508 Standard for Electronic and Information Technology for Internet accessibility. Under section 508 of the Rehabilitation Act of 1973, Federal agencies are required to make their Web sites accessible. 29 U.S.C. 794(d); 36 CFR 1194.

The Department agrees that the ability to access, on an equal basis, the programs and activities offered by public entities through Internet-based Web sites is of great importance to individuals with disabilities, particularly those who are blind or who have low vision. When the ADA was enacted in 1990, the Internet was unknown to most Americans. Today, the Internet plays a critical role in daily life for personal, civic, commercial, and business purposes. In a period of shrinking resources, public entities increasingly rely on the web as an efficient and comprehensive way to deliver services and to inform and communicate with their citizens and the general public. In light of the growing importance Web sites play in providing access to public services and to disseminating the information citizens need to participate fully in civic life, accessing the Web sites of public entities can play a significant role in fulfilling the goals of the ADA.

Although the language of the ADA does not explicitly mention the Internet, the Department has taken the position that title II covers Internet Web site access. Public entities that choose to provide services through web-based applications (*e.g.*, renewing library books or driver's licenses) or that communicate with their constituents or provide information through the Internet must ensure that individuals with disabilities have equal access to such services or information, unless doing so would result in an undue financial and administrative burden or a fundamental alteration in the nature of the programs, services, or activities being offered. The Department has issued guidance on the ADA as applied to the Web sites of public entities in a 2003 publication entitled, *Accessibility of State and Local Government Web sites to People with Disabilities*, (June 2003) available at <http://www.ada.gov/websites2.htm>. As the Department stated in that publication, an agency with an inaccessible Web site may also meet its legal obligations by providing an alternative accessible way for citizens to use the programs or services, such as a staffed telephone information line. However, such an alternative must provide an equal degree of access in terms of hours of operation and the range of options and programs available. For example, if job announcements and application forms are posted on an inaccessible Web site that is available 24 hours a day, seven days a week to individuals without disabilities, then the alternative accessible method must also be available 24 hours a day, 7 days a week. Additional guidance is available in the Web Content Accessibility Guidelines (WCAG), (May 5, 1999) available at <http://www.w3.org/TR/WAI-WEBCONTENT> (last visited June 24, 2010) which are developed and maintained by the Web Accessibility Initiative, a subgroup of the World Wide Web Consortium (W3C®).

The Department expects to engage in rule-making relating to website accessibility under the ADA in the near future. The Department has enforced the ADA in the area of website accessibility on a case-by-case basis under existing rules consistent with the guidance noted above, and will continue to do so until the issue is addressed in a final regulation.

*Multiple chemical sensitivities.* The Department received comments from a number of individuals asking the Department to add specific language to the final rule addressing the needs of individuals with chemical sensitivities. These commenters expressed concern that the presence of chemicals interferes with their ability to participate in a wide range of activities. These commenters also urged the Department to add multiple chemical sensitivities to the definition of a disability.

The Department has determined not to include specific provisions addressing multiple

chemical sensitivities in the final rule. In order to be viewed as a disability under the ADA, an impairment must substantially limit one or more major life activities. An individual's major life activities of respiratory or neurological functioning may be substantially limited by allergies or sensitivity to a degree that he or she is a person with a disability. When a person has this type of disability, a covered entity may have to make reasonable modifications in its policies and practices for that person. However, this determination is an individual assessment and must be made on a case-by-case basis.

*Examinations and Courses.* The Department received one comment requesting that it specifically include language regarding examinations and courses in the title II regulation. Because section 309 of the ADA 42 U.S.C. 12189, reaches "[a]ny person that offers examinations or courses related to applications, licensing, certification, or credentialing for secondary or post secondary education, professional, or trade purposes," public entities also are covered by this section of the ADA. Indeed, the requirements contained in title II (including the general prohibitions against discrimination, the program access requirements, the reasonable modifications requirements, and the communications requirements) apply to courses and examinations administered by public entities that meet the requirements of section 309. While the Department considers these requirements to be sufficient to ensure that examinations and courses administered by public entities meet the section 309 requirements, the Department acknowledges that the title III regulation, because it addresses examinations in some detail, is useful as a guide for determining what constitutes discriminatory conduct by a public entity in testing situations. See 28 CFR 36.309.

*Hotel Reservations.* In the NPRM, at §36.302(e), the Department proposed adding specific language to title III addressing the requirements that hotels, timeshare resorts, and other places of lodging make reasonable modifications to their policies, practices, or procedures, when necessary to ensure that individuals with disabilities are able to reserve accessible hotel rooms with the same efficiency, immediacy, and convenience as those who do not need accessible guest rooms. The NPRM did not propose adding comparable language to the title II regulation as the Department believes that the general nondiscrimination, program access, effective communication, and reasonable modifications requirements of title II provide sufficient guidance to public entities that operate places of lodging (*i.e.*, lodges in State parks, hotels on public college campuses). The Department received no public comments suggesting that it add language

on hotel reservations comparable to that proposed for the title III regulation. Although the Department continues to believe that it is unnecessary to add specific language to the title II regulation on this issue, the Department acknowledges that the title III regulation, because it addresses hotel reservations in some detail, is useful as a guide for determining what constitutes discriminatory conduct by a public entity that operates a reservation system serving a place of lodging. See 28 CFR 36.302(e).

[AG Order No. 3180-2010, 75 FR 56184, Sept. 15, 2010; 76 FR 13285, Mar. 11, 2011]

APPENDIX B TO PART 35—GUIDANCE ON ADA REGULATION ON NON-DISCRIMINATION ON THE BASIS OF DISABILITY IN STATE AND LOCAL GOVERNMENT SERVICES ORIGINALLY PUBLISHED JULY 26, 1991

NOTE: For the convenience of the reader, this appendix contains the text of the preamble to the final regulation on non-discrimination on the basis of disability in State and local government services beginning at the heading “Section-by-Section Analysis” and ending before “List of Subjects in 28 CFR Part 35” (56 FR 35696, July 26, 1991).

SECTION-BY-SECTION ANALYSIS

*Subpart A—General*

*Section 35.101 Purpose*

Section 35.101 states the purpose of the rule, which is to effectuate subtitle A of title II of the Americans with Disabilities Act of 1990 (the Act), which prohibits discrimination on the basis of disability by public entities. This part does not, however, apply to matters within the scope of the authority of the Secretary of Transportation under subtitle B of title II of the Act.

*Section 35.102 Application*

This provision specifies that, except as provided in paragraph (b), the regulation applies to all services, programs, and activities provided or made available by public entities, as that term is defined in §35.104. Section 504 of the Rehabilitation Act of 1973 (29 U.S.C. 794), which prohibits discrimination on the basis of handicap in federally assisted programs and activities, already covers those programs and activities of public entities that receive Federal financial assistance. Title II of the ADA extends this prohibition of discrimination to include all services, programs, and activities provided or made available by State and local governments or any of their instrumentalities or agencies, regardless of the receipt of Federal financial

assistance. Except as provided in §35.134, this part does not apply to private entities.

The scope of title II's coverage of public entities is comparable to the coverage of Federal Executive agencies under the 1978 amendment to section 504, which extended section 504's application to all programs and activities “conducted by” Federal Executive agencies, in that title II applies to anything a public entity does. Title II coverage, however, is not limited to “Executive” agencies, but includes activities of the legislative and judicial branches of State and local governments. All governmental activities of public entities are covered, even if they are carried out by contractors. For example, a State is obligated by title II to ensure that the services, programs, and activities of a State park inn operated under contract by a private entity are in compliance with title II's requirements. The private entity operating the inn would also be subject to the obligations of public accommodations under title III of the Act and the Department's title III regulations at 28 CFR part 36.

Aside from employment, which is also covered by title I of the Act, there are two major categories of programs or activities covered by this regulation: those involving general public contact as part of ongoing operations of the entity and those directly administered by the entities for program beneficiaries and participants. Activities in the first category include communication with the public (telephone contacts, office walk-ins, or interviews) and the public's use of the entity's facilities. Activities in the second category include programs that provide State or local government services or benefits.

Paragraph (b) of §35.102 explains that to the extent that the public transportation services, programs, and activities of public entities are covered by subtitle B of title II of the Act, they are subject to the regulation of the Department of Transportation (DOT) at 49 CFR part 37, and are not covered by this part. The Department of Transportation's ADA regulation establishes specific requirements for construction of transportation facilities and acquisition of vehicles. Matters not covered by subtitle B, such as the provision of auxiliary aids, are covered by this rule. For example, activities that are covered by the Department of Transportation's regulation implementing subtitle B are not required to be included in the self-evaluation required by §35.105. In addition, activities not specifically addressed by DOT's ADA regulation may be covered by DOT's regulation implementing section 504 for its federally assisted programs and activities at 49 CFR part 27. Like other programs of public entities that are also recipients of Federal financial assistance, those programs would be covered by both the section 504 regulation and this part. Although

airports operated by public entities are not subject to DOT's ADA regulation, they are subject to subpart A of title II and to this rule.

Some commenters asked for clarification about the responsibilities of public school systems under section 504 and the ADA with respect to programs, services, and activities that are not covered by the Individuals with Disabilities Education Act (IDEA), including, for example, programs open to parents or to the public, graduation ceremonies, parent-teacher organization meetings, plays and other events open to the public, and adult education classes. Public school systems must comply with the ADA in all of their services, programs, or activities, including those that are open to parents or to the public. For instance, public school systems must provide program accessibility to parents and guardians with disabilities to these programs, activities, or services, and appropriate auxiliary aids and services whenever necessary to ensure effective communication, as long as the provision of the auxiliary aids results neither in an undue burden or in a fundamental alteration of the program.

#### *Section 35.103 Relationship to Other Laws*

Section 35.103 is derived from sections 501 (a) and (b) of the ADA. Paragraph (a) of this section provides that, except as otherwise specifically provided by this part, title II of the ADA is not intended to apply lesser standards than are required under title V of the Rehabilitation Act of 1973, as amended (29 U.S.C. 790-94), or the regulations implementing that title. The standards of title V of the Rehabilitation Act apply for purposes of the ADA to the extent that the ADA has not explicitly adopted a different standard than title V. Because title II of the ADA essentially extends the antidiscrimination prohibition embodied in section 504 to all actions of State and local governments, the standards adopted in this part are generally the same as those required under section 504 for federally assisted programs. Title II, however, also incorporates those provisions of titles I and III of the ADA that are not inconsistent with the regulations implementing section 504. Judiciary Committee report, H.R. Rep. No. 485, 101st Cong., 2d Sess., pt. 3, at 51 (1990) (hereinafter "Judiciary report"); Education and Labor Committee report, H.R. Rep. No. 485, 101st Cong., 2d Sess., pt. 2, at 84 (1990) (hereinafter "Education and Labor report"). Therefore, this part also includes appropriate provisions derived from the regulations implementing those titles. The inclusion of specific language in this part, however, should not be interpreted as an indication that a requirement is not included under a regulation implementing section 504.

Paragraph (b) makes clear that Congress did not intend to displace any of the rights or remedies provided by other Federal laws (including section 504) or other State laws (including State common law) that provide greater or equal protection to individuals with disabilities. As discussed above, the standards adopted by title II of the ADA for State and local government services are generally the same as those required under section 504 for federally assisted programs and activities. Subpart F of the regulation establishes compliance procedures for processing complaints covered by both this part and section 504.

With respect to State law, a plaintiff may choose to pursue claims under a State law that does not confer greater substantive rights, or even confers fewer substantive rights, if the alleged violation is protected under the alternative law and the remedies are greater. For example, a person with a physical disability could seek damages under a State law that allows compensatory and punitive damages for discrimination on the basis of physical disability, but not on the basis of mental disability. In that situation, the State law would provide narrower coverage, by excluding mental disabilities, but broader remedies, and an individual covered by both laws could choose to bring an action under both laws. Moreover, State tort claims confer greater remedies and are not preempted by the ADA. A plaintiff may join a State tort claim to a case brought under the ADA. In such a case, the plaintiff must, of course, prove all the elements of the State tort claim in order to prevail under that cause of action.

#### *Section 35.104 Definitions*

"Act." The word "Act" is used in this part to refer to the Americans with Disabilities Act of 1990, Public Law 101-336, which is also referred to as the "ADA."

"Assistant Attorney General." The term "Assistant Attorney General" refers to the Assistant Attorney General of the Civil Rights Division of the Department of Justice.

"Auxiliary aids and services." Auxiliary aids and services include a wide range of services and devices for ensuring effective communication. The proposed definition in §35.104 provided a list of examples of auxiliary aids and services that were taken from the definition of auxiliary aids and services in section 3(1) of the ADA and were supplemented by examples from regulations implementing section 504 in federally conducted programs (see 28 CFR 39.103).

A substantial number of commenters suggested that additional examples be added to this list. The Department has added several items to this list but wishes to clarify that the list is not an all-inclusive or exhaustive catalogue of possible or available auxiliary

aids or services. It is not possible to provide an exhaustive list, and an attempt to do so would omit the new devices that will become available with emerging technology.

Subparagraph (1) lists several examples, which would be considered auxiliary aids and services to make aurally delivered materials available to individuals with hearing impairments. The Department has changed the phrase used in the proposed rules, "orally delivered materials," to the statutory phrase, "aurally delivered materials," to track section 3 of the ADA and to include non-verbal sounds and alarms, and computer generated speech.

The Department has added videotext displays, transcription services, and closed and open captioning to the list of examples. Videotext displays have become an important means of accessing auditory communications through a public address system. Transcription services are used to relay aurally delivered material almost simultaneously in written form to persons who are deaf or hearing-impaired. This technology is often used at conferences, conventions, and hearings. While the proposed rule expressly included television decoder equipment as an auxiliary aid or service, it did not mention captioning itself. The final rule rectifies this omission by mentioning both closed and open captioning.

Several persons and organizations requested that the Department replace the term "telecommunications devices for deaf persons" or "TDD's" with the term "text telephone." The Department has declined to do so. The Department is aware that the Architectural and Transportation Barriers Compliance Board (ATBCB) has used the phrase "text telephone" in lieu of the statutory term "TDD" in its final accessibility guidelines. Title IV of the ADA, however, uses the term "Telecommunications Device for the Deaf" and the Department believes it would be inappropriate to abandon this statutory term at this time.

Several commenters urged the Department to include in the definition of "auxiliary aids and services" devices that are now available or that may become available with emerging technology. The Department declines to do so in the rule. The Department, however, emphasizes that, although the definition would include "state of the art" devices, public entities are not required to use the newest or most advanced technologies as long as the auxiliary aid or service that is selected affords effective communication.

Subparagraph (2) lists examples of aids and services for making visually delivered materials accessible to persons with visual impairments. Many commenters proposed additional examples, such as signage or mapping, audio description services, secondary auditory programs, telebrailers, and reading machines. While the Department declines to

add these items to the list, they are auxiliary aids and services and may be appropriate depending on the circumstances.

Subparagraph (3) refers to acquisition or modification of equipment or devices. Several commenters suggested the addition of current technological innovations in micro-electronics and computerized control systems (e.g., voice recognition systems, automatic dialing telephones, and infrared elevator and light control systems) to the list of auxiliary aids. The Department interprets auxiliary aids and services as those aids and services designed to provide effective communications, i.e., making aurally and visually delivered information available to persons with hearing, speech, and vision impairments. Methods of making services, programs, or activities accessible to, or usable by, individuals with mobility or manual dexterity impairments are addressed by other sections of this part, including the provision for modifications in policies, practices, or procedures (§35.130 (b)(7)).

Paragraph (b)(4) deals with other similar services and actions. Several commenters asked for clarification that "similar services and actions" include retrieving items from shelves, assistance in reaching a marginally accessible seat, pushing a barrier aside in order to provide an accessible route, or assistance in removing a sweater or coat. While retrieving an item from a shelf might be an "auxiliary aid or service" for a blind person who could not locate the item without assistance, it might be a method of providing program access for a person using a wheelchair who could not reach the shelf, or a reasonable modification to a self-service policy for an individual who lacked the ability to grasp the item. As explained above, auxiliary aids and services are those aids and services required to provide effective communications. Other forms of assistance are more appropriately addressed by other provisions of the final rule.

"Complete complaint." "Complete complaint" is defined to include all the information necessary to enable the Federal agency designated under subpart G as responsible for investigation of a complaint to initiate its investigation.

"Current illegal use of drugs." The phrase "current illegal use of drugs" is used in §35.131. Its meaning is discussed in the preamble for that section.

"Designated agency." The term "designated agency" is used to refer to the Federal agency designated under subpart G of this rule as responsible for carrying out the administrative enforcement responsibilities established by subpart F of the rule.

"Disability." The definition of the term "disability" is the same as the definition in the title III regulation codified at 28 CFR part 36. It is comparable to the definition of

the term “individual with handicaps” in section 7(8) of the Rehabilitation Act and section 802(h) of the Fair Housing Act. The Education and Labor Committee report makes clear that the analysis of the term “individual with handicaps” by the Department of Health, Education, and Welfare (HEW) in its regulations implementing section 504 (42 FR 22685 (May 4, 1977)) and the analysis by the Department of Housing and Urban Development in its regulation implementing the Fair Housing Amendments Act of 1988 (54 FR 3232 (Jan. 23, 1989)) should also apply fully to the term “disability” (Education and Labor report at 50).

The use of the term “disability” instead of “handicap” and the term “individual with a disability” instead of “individual with handicaps” represents an effort by Congress to make use of up-to-date, currently accepted terminology. As with racial and ethnic epithets, the choice of terms to apply to a person with a disability is overlaid with stereotypes, patronizing attitudes, and other emotional connotations. Many individuals with disabilities, and organizations representing such individuals, object to the use of such terms as “handicapped person” or “the handicapped.” In other recent legislation, Congress also recognized this shift in terminology, e.g., by changing the name of the National Council on the Handicapped to the National Council on Disability (Pub. L. 100-630).

In enacting the Americans with Disabilities Act, Congress concluded that it was important for the current legislation to use terminology most in line with the sensibilities of most Americans with disabilities. No change in definition or substance is intended nor should one be attributed to this change in phraseology.

The term “disability” means, with respect to an individual—

(A) A physical or mental impairment that substantially limits one or more of the major life activities of such individual;

(B) A record of such an impairment; or

(C) Being regarded as having such an impairment. If an individual meets any one of these three tests, he or she is considered to be an individual with a disability for purposes of coverage under the Americans with Disabilities Act.

Congress adopted this same basic definition of “disability,” first used in the Rehabilitation Act of 1973 and in the Fair Housing Amendments Act of 1988, for a number of reasons. First, it has worked well since it was adopted in 1974. Second, it would not be possible to guarantee comprehensiveness by providing a list of specific disabilities, especially because new disorders may be recognized in the future, as they have since the definition was first established in 1974.

TEST A—A PHYSICAL OR MENTAL IMPAIRMENT THAT SUBSTANTIALLY LIMITS ONE OR MORE OF THE MAJOR LIFE ACTIVITIES OF SUCH INDIVIDUAL

*Physical or mental impairment.* Under the first test, an individual must have a physical or mental impairment. As explained in paragraph (1)(i) of the definition, “impairment” means any physiological disorder or condition, cosmetic disfigurement, or anatomical loss affecting one or more of the following body systems: neurological; musculoskeletal; special sense organs (which would include speech organs that are not respiratory such as vocal cords, soft palate, tongue, etc.); respiratory, including speech organs; cardiovascular; reproductive; digestive; genitourinary; hemic and lymphatic; skin; and endocrine. It also means any mental or psychological disorder, such as mental retardation, organic brain syndrome, emotional or mental illness, and specific learning disabilities. This list closely tracks the one used in the regulations for section 504 of the Rehabilitation Act of 1973 (see, e.g., 45 CFR 84.3(j)(2)(i)).

Many commenters asked that “traumatic brain injury” be added to the list in paragraph (1)(i). Traumatic brain injury is already included because it is a physiological condition affecting one of the listed body systems, i.e., “neurological.” Therefore, it was unnecessary to add the term to the regulation, which only provides representative examples of physiological disorders.

It is not possible to include a list of all the specific conditions, contagious and noncontagious diseases, or infections that would constitute physical or mental impairments because of the difficulty of ensuring the comprehensiveness of such a list, particularly in light of the fact that other conditions or disorders may be identified in the future. However, the list of examples in paragraph (1)(ii) of the definition includes: orthopedic, visual, speech and hearing impairments, cerebral palsy, epilepsy, muscular dystrophy, multiple sclerosis, cancer, heart disease, diabetes, mental retardation, emotional illness, specific learning disabilities, HIV disease (symptomatic or asymptomatic), tuberculosis, drug addiction, and alcoholism. The phrase “symptomatic or asymptomatic” was inserted in the final rule after “HIV disease” in response to commenters who suggested the clarification was necessary.

The examples of “physical or mental impairments” in paragraph (1)(ii) are the same as those contained in many section 504 regulations, except for the addition of the phrase “contagious and noncontagious” to describe the types of diseases and conditions included, and the addition of “HIV disease



(symptomatic or asymptomatic)" and "tuberculosis" to the list of examples. These additions are based on the committee reports, caselaw, and official legal opinions interpreting section 504. In *School Board of Nassau County v. Arline*, 480 U.S. 273 (1987), a case involving an individual with tuberculosis, the Supreme Court held that people with contagious diseases are entitled to the protections afforded by section 504. Following the *Arline* decision, this Department's Office of Legal Counsel issued a legal opinion that concluded that symptomatic HIV disease is an impairment that substantially limits a major life activity; therefore it has been included in the definition of disability under this part. The opinion also concluded that asymptomatic HIV disease is an impairment that substantially limits a major life activity, either because of its actual effect on the individual with HIV disease or because the reactions of other people to individuals with HIV disease cause such individuals to be treated as though they are disabled. See Memorandum from Douglas W. Kmiec, Acting Assistant Attorney General, Office of Legal Counsel, Department of Justice, to Arthur B. Culvahouse, Jr., Counsel to the President (Sept. 27, 1988), reprinted in Hearings on S. 933, the Americans with Disabilities Act, Before the Subcomm. on the Handicapped of the Senate Comm. on Labor and Human Resources, 101st. Cong., 1st Sess. 346 (1989).

Paragraph (1)(iii) states that the phrase "physical or mental impairment" does not include homosexuality or bisexuality. These conditions were never considered impairments under other Federal disability laws. Section 511(a) of the statute makes clear that they are likewise not to be considered impairments under the Americans with Disabilities Act.

Physical or mental impairment does not include simple physical characteristics, such as blue eyes or black hair. Nor does it include environmental, cultural, economic, or other disadvantages, such as having a prison record, or being poor. Nor is age a disability. Similarly, the definition does not include common personality traits such as poor judgment or a quick temper where these are not symptoms of a mental or psychological disorder. However, a person who has these characteristics and also has a physical or mental impairment may be considered as having a disability for purposes of the Americans with Disabilities Act based on the impairment.

*Substantial Limitation of a Major Life Activity.* Under Test A, the impairment must be one that "substantially limits a major life activity." Major life activities include such things as caring for one's self, performing manual tasks, walking, seeing, hearing, speaking, breathing, learning, and working.

For example, a person who is paraplegic is substantially limited in the major life activity of walking, a person who is blind is substantially limited in the major life activity of seeing, and a person who is mentally retarded is substantially limited in the major life activity of learning. A person with traumatic brain injury is substantially limited in the major life activities of caring for one's self, learning, and working because of memory deficit, confusion, contextual difficulties, and inability to reason appropriately.

A person is considered an individual with a disability for purposes of Test A, the first prong of the definition, when the individual's important life activities are restricted as to the conditions, manner, or duration under which they can be performed in comparison to most people. A person with a minor, trivial impairment, such as a simple infected finger, is not impaired in a major life activity. A person who can walk for 10 miles continuously is not substantially limited in walking merely because, on the eleventh mile, he or she begins to experience pain, because most people would not be able to walk eleven miles without experiencing some discomfort.

The Department received many comments on the proposed rule's inclusion of the word "temporary" in the definition of "disability." The preamble indicated that impairments are not necessarily excluded from the definition of "disability" simply because they are temporary, but that the duration, or expected duration, of an impairment is one factor that may properly be considered in determining whether the impairment substantially limits a major life activity. The preamble recognized, however, that temporary impairments, such as a broken leg, are not commonly regarded as disabilities, and only in rare circumstances would the degree of the limitation and its expected duration be substantial. Nevertheless, many commenters objected to inclusion of the word "temporary" both because it is not in the statute and because it is not contained in the definition of "disability" set forth in the title I regulations of the Equal Employment Opportunity Commission (EEOC). The word "temporary" has been deleted from the final rule to conform with the statutory language.

The question of whether a temporary impairment is a disability must be resolved on a case-by-case basis, taking into consideration both the duration (or expected duration) of the impairment and the extent to which it actually limits a major life activity of the affected individual.

The question of whether a person has a disability should be assessed without regard to the availability of mitigating measures, such as reasonable modification or auxiliary aids and services. For example, a person with hearing loss is substantially limited in the major life activity of hearing, even though

the loss may be improved through the use of a hearing aid. Likewise, persons with impairments, such as epilepsy or diabetes, that substantially limit a major life activity, are covered under the first prong of the definition of disability, even if the effects of the impairment are controlled by medication.

Many commenters asked that environmental illness (also known as multiple chemical sensitivity) as well as allergy to cigarette smoke be recognized as disabilities. The Department, however, declines to state categorically that these types of allergies or sensitivities are disabilities, because the determination as to whether an impairment is a disability depends on whether, given the particular circumstances at issue, the impairment substantially limits one or more major life activities (or has a history of, or is regarded as having such an effect).

Sometimes respiratory or neurological functioning is so severely affected that an individual will satisfy the requirements to be considered disabled under the regulation. Such an individual would be entitled to all of the protections afforded by the Act and this part. In other cases, individuals may be sensitive to environmental elements or to smoke but their sensitivity will not rise to the level needed to constitute a disability. For example, their major life activity of breathing may be somewhat, but not substantially, impaired. In such circumstances, the individuals are not disabled and are not entitled to the protections of the statute despite their sensitivity to environmental agents.

In sum, the determination as to whether allergies to cigarette smoke, or allergies or sensitivities characterized by the commenters as environmental illness are disabilities covered by the regulation must be made using the same case-by-case analysis that is applied to all other physical or mental impairments. Moreover, the addition of specific regulatory provisions relating to environmental illness in the final rule would be inappropriate at this time pending future consideration of the issue by the Architectural and Transportation Barriers Compliance Board, the Environmental Protection Agency, and the Occupational Safety and Health Administration of the Department of Labor.

#### TEST B—A RECORD OF SUCH AN IMPAIRMENT

This test is intended to cover those who have a record of an impairment. As explained in paragraph (3) of the rule's definition of disability, this includes a person who has a history of an impairment that substantially limited a major life activity, such as someone who has recovered from an impairment. It also includes persons who have been misclassified as having an impairment.

This provision is included in the definition in part to protect individuals who have recovered from a physical or mental impair-

ment that previously substantially limited them in a major life activity. Discrimination on the basis of such a past impairment is prohibited. Frequently occurring examples of the first group (those who have a history of an impairment) are persons with histories of mental or emotional illness, heart disease, or cancer; examples of the second group (those who have been misclassified as having an impairment) are persons who have been misclassified as having mental retardation or mental illness.

#### TEST C—BEING REGARDED AS HAVING SUCH AN IMPAIRMENT

This test, as contained in paragraph (4) of the definition, is intended to cover persons who are treated by a public entity as having a physical or mental impairment that substantially limits a major life activity. It applies when a person is treated as if he or she has an impairment that substantially limits a major life activity, regardless of whether that person has an impairment.

The Americans with Disabilities Act uses the same "regarded as" test set forth in the regulations implementing section 504 of the Rehabilitation Act. See, e.g., 28 CFR 42.540(k)(2)(iv), which provides:

(iv) "Is regarded as having an impairment" means (A) Has a physical or mental impairment that does not substantially limit major life activities but that is treated by a recipient as constituting such a limitation; (B) Has a physical or mental impairment that substantially limits major life activities only as a result of the attitudes of others toward such impairment; or (C) Has none of the impairments defined in paragraph (k)(2)(i) of this section but is treated by a recipient as having such an impairment.

The perception of the covered entity is a key element of this test. A person who perceives himself or herself to have an impairment, but does not have an impairment, and is not treated as if he or she has an impairment, is not protected under this test.

A person would be covered under this test if a public entity refused to serve the person because it perceived that the person had an impairment that limited his or her enjoyment of the goods or services being offered.

For example, persons with severe burns often encounter discrimination in community activities, resulting in substantial limitation of major life activities. These persons would be covered under this test based on the attitudes of others towards the impairment, even if they did not view themselves as "impaired."

The rationale for this third test, as used in the Rehabilitation Act of 1973, was articulated by the Supreme Court in *Arline*, 480 U.S. 273 (1987). The Court noted that although an individual may have an impairment that does not in fact substantially limit a major life activity, the reaction of

others may prove just as disabling. "Such an impairment might not diminish a person's physical or mental capabilities, but could nevertheless substantially limit that person's ability to work as a result of the negative reactions of others to the impairment." *Id.* at 283. The Court concluded that, by including this test in the Rehabilitation Act's definition, "Congress acknowledged that society's accumulated myths and fears about disability and diseases are as handicapping as are the physical limitations that flow from actual impairment." *Id.* at 284.

Thus, a person who is denied services or benefits by a public entity because of myths, fears, and stereotypes associated with disabilities would be covered under this third test whether or not the person's physical or mental condition would be considered a disability under the first or second test in the definition.

If a person is refused admittance on the basis of an actual or perceived physical or mental condition, and the public entity can articulate no legitimate reason for the refusal (such as failure to meet eligibility criteria), a perceived concern about admitting persons with disabilities could be inferred and the individual would qualify for coverage under the "regarded as" test. A person who is covered because of being regarded as having an impairment is not required to show that the public entity's perception is inaccurate (e.g., that he will be accepted by others) in order to receive benefits from the public entity.

Paragraph (5) of the definition lists certain conditions that are not included within the definition of "disability." The excluded conditions are: Transvestism, transsexualism, pedophilia, exhibitionism, voyeurism, gender identity disorders not resulting from physical impairments, other sexual behavior disorders, compulsive gambling, kleptomania, pyromania, and psychoactive substance use disorders resulting from current illegal use of drugs. Unlike homosexuality and bisexuality, which are not considered impairments under either section 504 or the Americans with Disabilities Act (see the definition of "disability," paragraph (1)(iv)), the conditions listed in paragraph (5), except for transvestism, are not necessarily excluded as impairments under section 504. (Transvestism was excluded from the definition of disability for section 504 by the Fair Housing Amendments Act of 1988, Pub. L. 100-430, section 6(b)).

"Drug." The definition of the term "drug" is taken from section 510(d)(2) of the ADA.

"Facility." "Facility" means all or any portion of buildings, structures, sites, complexes, equipment, rolling stock or other conveyances, roads, walks, passageways, parking lots, or other real or personal property, including the site where the building, property, structure, or equipment is located.

It includes both indoor and outdoor areas where human-constructed improvements, structures, equipment, or property have been added to the natural environment.

Commenters raised questions about the applicability of this part to activities operated in mobile facilities, such as bookmobiles or mobile health screening units. Such activities would be covered by the requirement for program accessibility in §35.150, and would be included in the definition of "facility" as "other real or personal property," although standards for new construction and alterations of such facilities are not yet included in the accessibility standards adopted by §35.151. Sections 35.150 and 35.151 specifically address the obligations of public entities to ensure accessibility by providing curb ramps at pedestrian walkways.

"Historic preservation programs" and "Historic properties" are defined in order to aid in the interpretation of §§35.150 (a)(2) and (b)(2), which relate to accessibility of historic preservation programs, and §35.151(d), which relates to the alteration of historic properties.

"Illegal use of drugs." The definition of "illegal use of drugs" is taken from section 510(d)(1) of the Act and clarifies that the term includes the illegal use of one or more drugs.

"Individual with a disability" means a person who has a disability but does not include an individual who is currently illegally using drugs, when the public entity acts on the basis of such use. The phrase "current illegal use of drugs" is explained in §35.131.

"Public entity." The term "public entity" is defined in accordance with section 201(1) of the ADA as any State or local government; any department, agency, special purpose district, or other instrumentality of a State or States or local government; or the National Railroad Passenger Corporation, and any commuter authority (as defined in section 103(8) of the Rail Passenger Service Act).

"Qualified individual with a disability." The definition of "qualified individual with a disability" is taken from section 201(2) of the Act, which is derived from the definition of "qualified handicapped person" in the Department of Health and Human Services' regulation implementing section 504 (45 CFR §84.3(k)). It combines the definition at 45 CFR 84.3(k)(1) for employment ("a handicapped person who, with reasonable accommodation, can perform the essential functions of the job in question") with the definition for other services at 45 CFR 84.3(k)(4) ("a handicapped person who meets the essential eligibility requirements for the receipt of such services").

Some commenters requested clarification of the term "essential eligibility requirements." Because of the variety of situations in which an individual's qualifications will be at issue, it is not possible to include more

specific criteria in the definition. The “essential eligibility requirements” for participation in some activities covered under this part may be minimal. For example, most public entities provide information about their operations as a public service to anyone who requests it. In such situations, the only “eligibility requirement” for receipt of such information would be the request for it. Where such information is provided by telephone, even the ability to use a voice telephone is not an “essential eligibility requirement,” because § 35.161 requires a public entity to provide equally effective telecommunication systems for individuals with impaired hearing or speech.

For other activities, identification of the “essential eligibility requirements” may be more complex. Where questions of safety are involved, the principles established in § 36.208 of the Department’s regulation implementing title III of the ADA, to be codified at 28 CFR, part 36, will be applicable. That section implements section 302(b)(3) of the Act, which provides that a public accommodation is not required to permit an individual to participate in or benefit from the goods, services, facilities, privileges, advantages and accommodations of the public accommodation, if that individual poses a direct threat to the health or safety of others.

A “direct threat” is a significant risk to the health or safety of others that cannot be eliminated by a modification of policies, practices, or procedures, or by the provision of auxiliary aids or services. In *School Board of Nassau County v. Arline*, 480 U.S. 273 (1987), the Supreme Court recognized that there is a need to balance the interests of people with disabilities against legitimate concerns for public safety. Although persons with disabilities are generally entitled to the protection of this part, a person who poses a significant risk to others will not be “qualified,” if reasonable modifications to the public entity’s policies, practices, or procedures will not eliminate that risk.

The determination that a person poses a direct threat to the health or safety of others may not be based on generalizations or stereotypes about the effects of a particular disability. It must be based on an individualized assessment, based on reasonable judgment that relies on current medical evidence or on the best available objective evidence, to determine: the nature, duration, and severity of the risk; the probability that the potential injury will actually occur; and whether reasonable modifications of policies, practices, or procedures will mitigate the risk. This is the test established by the Supreme Court in *Arline*. Such an inquiry is essential if the law is to achieve its goal of protecting disabled individuals from discrimination based on prejudice, stereotypes, or unfounded fear, while giving appropriate weight to legitimate concerns, such as the

need to avoid exposing others to significant health and safety risks. Making this assessment will not usually require the services of a physician. Sources for medical knowledge include guidance from public health authorities, such as the U.S. Public Health Service, the Centers for Disease Control, and the National Institutes of Health, including the National Institute of Mental Health.

“Qualified interpreter.” The Department received substantial comment regarding the lack of a definition of “qualified interpreter.” The proposed rule defined auxiliary aids and services to include the statutory term, “qualified interpreters” (§ 35.104), but did not define it. Section 35.160 requires the use of auxiliary aids including qualified interpreters and commenters stated that a lack of guidance on what the term means would create confusion among those trying to secure interpreting services and often result in less than effective communication.

Many commenters were concerned that, without clear guidance on the issue of “qualified” interpreter, the rule would be interpreted to mean “available, rather than qualified” interpreters. Some claimed that few public entities would understand the difference between a qualified interpreter and a person who simply knows a few signs or how to fingerspell.

In order to clarify what is meant by “qualified interpreter” the Department has added a definition of the term to the final rule. A qualified interpreter means an interpreter who is able to interpret effectively, accurately, and impartially both receptively and expressively, using any necessary specialized vocabulary. This definition focuses on the actual ability of the interpreter in a particular interpreting context to facilitate effective communication between the public entity and the individual with disabilities.

Public comment also revealed that public entities have at times asked persons who are deaf to provide family members or friends to interpret. In certain circumstances, notwithstanding that the family member or friend is able to interpret or is a certified interpreter, the family member or friend may not be qualified to render the necessary interpretation because of factors such as emotional or personal involvement or considerations of confidentiality that may adversely affect the ability to interpret “effectively, accurately, and impartially.”

The definition of “qualified interpreter” in this rule does not invalidate or limit standards for interpreting services of any State or local law that are equal to or more stringent than those imposed by this definition. For instance, the definition would not supersede any requirement of State law for use of a certified interpreter in court proceedings.

“Section 504.” The Department added a definition of “section 504” because the term is used extensively in subpart F of this part.

“State.” The definition of “State” is identical to the statutory definition in section 3(3) of the ADA.

*Section 35.105 Self-evaluation*

Section 35.105 establishes a requirement, based on the section 504 regulations for federally assisted and federally conducted programs, that a public entity evaluate its current policies and practices to identify and correct any that are not consistent with the requirements of this part. As noted in the discussion of §35.102, activities covered by the Department of Transportation’s regulation implementing subtitle B of title II are not required to be included in the self-evaluation required by this section.

Experience has demonstrated the self-evaluation process to be a valuable means of establishing a working relationship with individuals with disabilities, which has promoted both effective and efficient implementation of section 504. The Department expects that it will likewise be useful to public entities newly covered by the ADA.

All public entities are required to do a self-evaluation. However, only those that employ 50 or more persons are required to maintain the self-evaluation on file and make it available for public inspection for three years. The number 50 was derived from the Department of Justice’s section 504 regulations for federally assisted programs, 28 CFR 42.505(c). The Department received comments critical of this limitation, some suggesting the requirement apply to all public entities and others suggesting that the number be changed from 50 to 15. The final rule has not been changed. Although many regulations implementing section 504 for federally assisted programs do use 15 employees as the cut-off for this record-keeping requirement, the Department believes that it would be inappropriate to extend it to those smaller public entities covered by this regulation that do not receive Federal financial assistance. This approach has the benefit of minimizing paperwork burdens on small entities.

Paragraph (d) provides that the self-evaluation required by this section shall apply only to programs not subject to section 504 or those policies and practices, such as those involving communications access, that have not already been included in a self-evaluation required under an existing regulation implementing section 504. Because most self-evaluations were done from five to twelve years ago, however, the Department expects that a great many public entities will be re-examining all of their policies and programs. Programs and functions may have changed, and actions that were supposed to have been taken to comply with section 504 may not have been fully implemented or may no longer be effective. In addition, there have been statutory amendments to section 504 which have changed the coverage of section

504, particularly the Civil Rights Restoration Act of 1987, Public Law No. 100-259, 102 Stat. 28 (1988), which broadened the definition of a covered “program or activity.”

Several commenters suggested that the Department clarify public entities’ liability during the one-year period for compliance with the self-evaluation requirement. The self-evaluation requirement does not stay the effective date of the statute nor of this part. Public entities are, therefore, not shielded from discrimination claims during that time.

Other commenters suggested that the rule require that every self-evaluation include an examination of training efforts to assure that individuals with disabilities are not subjected to discrimination because of insensitivity, particularly in the law enforcement area. Although the Department has not added such a specific requirement to the rule, it would be appropriate for public entities to evaluate training efforts because, in many cases, lack of training leads to discriminatory practices, even when the policies in place are nondiscriminatory.

*Section 35.106 Notice*

Section 35.106 requires a public entity to disseminate sufficient information to applicants, participants, beneficiaries, and other interested persons to inform them of the rights and protections afforded by the ADA and this regulation. Methods of providing this information include, for example, the publication of information in handbooks, manuals, and pamphlets that are distributed to the public to describe a public entity’s programs and activities; the display of informative posters in service centers and other public places; or the broadcast of information by television or radio. In providing the notice, a public entity must comply with the requirements for effective communication in §35.160. The preamble to that section gives guidance on how to effectively communicate with individuals with disabilities.

*Section 35.107 Designation of Responsible Employee and Adoption of Grievance Procedures*

Consistent with §35.105, self-evaluation, the final rule requires that public entities with 50 or more employees designate a responsible employee and adopt grievance procedures. Most of the commenters who suggested that the requirement that self-evaluation be maintained on file for three years not be limited to those employing 50 or more persons made a similar suggestion concerning §35.107. Commenters recommended either that all public entities be subject to §35.107, or that “50 or more persons” be changed to “15 or more persons.” As explained in the discussion of §35.105, the Department has not adopted this suggestion.

The requirement for designation of an employee responsible for coordination of efforts to carry out responsibilities under this part is derived from the HEW regulation implementing section 504 in federally assisted programs. The requirement for designation of a particular employee and dissemination of information about how to locate that employee helps to ensure that individuals dealing with large agencies are able to easily find a responsible person who is familiar with the requirements of the Act and this part and can communicate those requirements to other individuals in the agency who may be unaware of their responsibilities. This paragraph in no way limits a public entity's obligation to ensure that all of its employees comply with the requirements of this part, but it ensures that any failure by individual employees can be promptly corrected by the designated employee.

Section 35.107(b) requires public entities with 50 or more employees to establish grievance procedures for resolving complaints of violations of this part. Similar requirements are found in the section 504 regulations for federally assisted programs (see, e.g., 45 CFR 84.7(b)). The rule, like the regulations for federally assisted programs, provides for investigation and resolution of complaints by a Federal enforcement agency. It is the view of the Department that public entities subject to this part should be required to establish a mechanism for resolution of complaints at the local level without requiring the complainant to resort to the Federal complaint procedures established under subpart F. Complainants would not, however, be required to exhaust the public entity's grievance procedures before filing a complaint under subpart F. Delay in filing the complaint at the Federal level caused by pursuit of the remedies available under the grievance procedure would generally be considered good cause for extending the time allowed for filing under § 35.170(b).

#### *Subpart B—General Requirements*

##### *Section 35.130 General Prohibitions Against Discrimination*

The general prohibitions against discrimination in the rule are generally based on the prohibitions in existing regulations implementing section 504 and, therefore, are already familiar to State and local entities covered by section 504. In addition, § 35.130 includes a number of provisions derived from title III of the Act that are implicit to a certain degree in the requirements of regulations implementing section 504.

Several commenters suggested that this part should include the section of the proposed title III regulation that implemented section 309 of the Act, which requires that courses and examinations related to applications, licensing, certification, or

credentialing be provided in an accessible place and manner or that alternative accessible arrangements be made. The Department has not adopted this suggestion. The requirements of this part, including the general prohibitions of discrimination in this section, the program access requirements of subpart D, and the communications requirements of subpart E, apply to courses and examinations provided by public entities. The Department considers these requirements to be sufficient to ensure that courses and examinations administered by public entities meet the requirements of section 309. For example, a public entity offering an examination must ensure that modifications of policies, practices, or procedures or the provision of auxiliary aids and services furnish the individual with a disability an equal opportunity to demonstrate his or her knowledge or ability. Also, any examination specially designed for individuals with disabilities must be offered as often and in as timely a manner as are other examinations. Further, under this part, courses and examinations must be offered in the most integrated setting appropriate. The analysis of § 35.130(d) is relevant to this determination.

A number of commenters asked that the regulation be amended to require training of law enforcement personnel to recognize the difference between criminal activity and the effects of seizures or other disabilities such as mental retardation, cerebral palsy, traumatic brain injury, mental illness, or deafness. Several disabled commenters gave personal statements about the abuse they had received at the hands of law enforcement personnel. Two organizations that commented cited the Judiciary report at 50 as authority to require law enforcement training.

The Department has not added such a training requirement to the regulation. Discriminatory arrests and brutal treatment are already unlawful police activities. The general regulatory obligation to modify policies, practices, or procedures requires law enforcement to make changes in policies that result in discriminatory arrests or abuse of individuals with disabilities. Under this section law enforcement personnel would be required to make appropriate efforts to determine whether perceived strange or disruptive behavior or unconsciousness is the result of a disability. The Department notes that a number of States have attempted to address the problem of arresting disabled persons for noncriminal conduct resulting from their disability through adoption of the Uniform Duties to Disabled Persons Act, and encourages other jurisdictions to consider that approach.

Paragraph (a) restates the nondiscrimination mandate of section 202 of the ADA. The remaining paragraphs in § 35.130 establish the general principles for analyzing whether any

particular action of the public entity violates this mandate.

Paragraph (b) prohibits overt denials of equal treatment of individuals with disabilities. A public entity may not refuse to provide an individual with a disability with an equal opportunity to participate in or benefit from its program simply because the person has a disability.

Paragraph (b)(1)(i) provides that it is discriminatory to deny a person with a disability the right to participate in or benefit from the aid, benefit, or service provided by a public entity. Paragraph (b)(1)(ii) provides that the aids, benefits, and services provided to persons with disabilities must be equal to those provided to others, and paragraph (b)(1)(iii) requires that the aids, benefits, or services provided to individuals with disabilities must be as effective in affording equal opportunity to obtain the same result, to gain the same benefit, or to reach the same level of achievement as those provided to others. These paragraphs are taken from the regulations implementing section 504 and simply restate principles long established under section 504.

Paragraph (b)(1)(iv) permits the public entity to develop separate or different aids, benefits, or services when necessary to provide individuals with disabilities with an equal opportunity to participate in or benefit from the public entity's programs or activities, but only when necessary to ensure that the aids, benefits, or services are as effective as those provided to others. Paragraph (b)(1)(iv) must be read in conjunction with paragraphs (b)(2), (d), and (e). Even when separate or different aids, benefits, or services would be more effective, paragraph (b)(2) provides that a qualified individual with a disability still has the right to choose to participate in the program that is not designed to accommodate individuals with disabilities. Paragraph (d) requires that a public entity administer services, programs, and activities in the most integrated setting appropriate to the needs of qualified individuals with disabilities.

Paragraph (b)(2) specifies that, notwithstanding the existence of separate or different programs or activities provided in accordance with this section, an individual with a disability shall not be denied the opportunity to participate in such programs or activities that are not separate or different. Paragraph (e), which is derived from section 501(d) of the Americans with Disabilities Act, states that nothing in this part shall be construed to require an individual with a disability to accept an accommodation, aid, service, opportunity, or benefit that he or she chooses not to accept.

Taken together, these provisions are intended to prohibit exclusion and segregation of individuals with disabilities and the denial of equal opportunities enjoyed by oth-

ers, based on, among other things, presumptions, patronizing attitudes, fears, and stereotypes about individuals with disabilities. Consistent with these standards, public entities are required to ensure that their actions are based on facts applicable to individuals and not on presumptions as to what a class of individuals with disabilities can or cannot do.

Integration is fundamental to the purposes of the Americans with Disabilities Act. Provision of segregated accommodations and services relegates persons with disabilities to second-class status. For example, it would be a violation of this provision to require persons with disabilities to eat in the back room of a government cafeteria or to refuse to allow a person with a disability the full use of recreation or exercise facilities because of stereotypes about the person's ability to participate.

Many commenters objected to proposed paragraphs (b)(1)(iv) and (d) as allowing continued segregation of individuals with disabilities. The Department recognizes that promoting integration of individuals with disabilities into the mainstream of society is an important objective of the ADA and agrees that, in most instances, separate programs for individuals with disabilities will not be permitted. Nevertheless, section 504 does permit separate programs in limited circumstances, and Congress clearly intended the regulations issued under title II to adopt the standards of section 504. Furthermore, Congress included authority for separate programs in the specific requirements of title III of the Act. Section 302(b)(1)(A)(iii) of the Act provides for separate benefits in language similar to that in §35.130(b)(1)(iv), and section 302(b)(1)(B) includes the same requirement for "the most integrated setting appropriate" as in §35.130(d).

Even when separate programs are permitted, individuals with disabilities cannot be denied the opportunity to participate in programs that are not separate or different. This is an important and overarching principle of the Americans with Disabilities Act. Separate, special, or different programs that are designed to provide a benefit to persons with disabilities cannot be used to restrict the participation of persons with disabilities in general, integrated activities.

For example, a person who is blind may wish to decline participating in a special museum tour that allows persons to touch sculptures in an exhibit and instead tour the exhibit at his or her own pace with the museum's recorded tour. It is not the intent of this section to require the person who is blind to avail himself or herself of the special tour. Modified participation for persons with disabilities must be a choice, not a requirement.

In addition, it would not be a violation of this section for a public entity to offer recreational programs specially designed for children with mobility impairments. However, it would be a violation of this section if the entity then excluded these children from other recreational services for which they are qualified to participate when these services are made available to nondisabled children, or if the entity required children with disabilities to attend only designated programs.

Many commenters asked that the Department clarify a public entity's obligations within the integrated program when it offers a separate program but an individual with a disability chooses not to participate in the separate program. It is impossible to make a blanket statement as to what level of auxiliary aids or modifications would be required in the integrated program. Rather, each situation must be assessed individually. The starting point is to question whether the separate program is in fact necessary or appropriate for the individual. Assuming the separate program would be appropriate for a particular individual, the extent to which that individual must be provided with modifications in the integrated program will depend not only on what the individual needs but also on the limitations and defenses of this part. For example, it may constitute an undue burden for a public accommodation, which provides a full-time interpreter in its special guided tour for individuals with hearing impairments, to hire an additional interpreter for those individuals who choose to attend the integrated program. The Department cannot identify categorically the level of assistance or aid required in the integrated program.

Paragraph (b)(1)(v) provides that a public entity may not aid or perpetuate discrimination against a qualified individual with a disability by providing significant assistance to an agency, organization, or person that discriminates on the basis of disability in providing any aid, benefit, or service to beneficiaries of the public entity's program. This paragraph is taken from the regulations implementing section 504 for federally assisted programs.

Paragraph (b)(1)(vi) prohibits the public entity from denying a qualified individual with a disability the opportunity to participate as a member of a planning or advisory board.

Paragraph (b)(1)(vii) prohibits the public entity from limiting a qualified individual with a disability in the enjoyment of any right, privilege, advantage, or opportunity enjoyed by others receiving any aid, benefit, or service.

Paragraph (b)(3) prohibits the public entity from utilizing criteria or methods of administration that deny individuals with disabilities access to the public entity's services,

and activities or that perpetuate the discrimination of another public entity, if both public entities are subject to common administrative control or are agencies of the same State. The phrase "criteria or methods of administration" refers to official written policies of the public entity and to the actual practices of the public entity. This paragraph prohibits both blatantly exclusionary policies or practices and nonessential policies and practices that are neutral on their face, but deny individuals with disabilities an effective opportunity to participate. This standard is consistent with the interpretation of section 504 by the U.S. Supreme Court in *Alexander v. Choate*, 469 U.S. 287 (1985). The Court in *Choate* explained that members of Congress made numerous statements during passage of section 504 regarding eliminating architectural barriers, providing access to transportation, and eliminating discriminatory effects of job qualification procedures. The Court then noted: "These statements would ring hollow if the resulting legislation could not rectify the harms resulting from action that discriminated by effect as well as by design." *Id.* at 297 (footnote omitted).

Paragraph (b)(4) specifically applies the prohibition enunciated in § 35.130(b)(3) to the process of selecting sites for construction of new facilities or selecting existing facilities to be used by the public entity. Paragraph (b)(4) does not apply to construction of additional buildings at an existing site.

Paragraph (b)(5) prohibits the public entity, in the selection of procurement contractors, from using criteria that subject qualified individuals with disabilities to discrimination on the basis of disability.

Paragraph (b)(6) prohibits the public entity from discriminating against qualified individuals with disabilities on the basis of disability in the granting of licenses or certification. A person is a "qualified individual with a disability" with respect to licensing or certification if he or she can meet the essential eligibility requirements for receiving the license or certification (see § 35.104).

A number of commenters were troubled by the phrase "essential eligibility requirements" as applied to State licensing requirements, especially those for health care professions. Because of the variety of types of programs to which the definition of "qualified individual with a disability" applies, it is not possible to use more specific language in the definition. The phrase "essential eligibility requirements," however, is taken from the definitions in the regulations implementing section 504, so caselaw under section 504 will be applicable to its interpretation. In *Southeastern Community College v. Davis*, 442 U.S. 397, for example, the Supreme Court held that section 504 does not require an institution to "lower or effect substantial modifications of standards to accommodate



a handicapped person," 442 U.S. at 413, and that the school had established that the plaintiff was not "qualified" because she was not able to "serve the nursing profession in all customary ways," *id.* Whether a particular requirement is "essential" will, of course, depend on the facts of the particular case.

In addition, the public entity may not establish requirements for the programs or activities of licensees or certified entities that subject qualified individuals with disabilities to discrimination on the basis of disability. For example, the public entity must comply with this requirement when establishing safety standards for the operations of licensees. In that case the public entity must ensure that standards that it promulgates do not discriminate against the employment of qualified individuals with disabilities in an impermissible manner.

Paragraph (b)(6) does not extend the requirements of the Act or this part directly to the programs or activities of licensees or certified entities themselves. The programs or activities of licensees or certified entities are not themselves programs or activities of the public entity merely by virtue of the license or certificate.

Paragraph (b)(7) is a specific application of the requirement under the general prohibitions of discrimination that public entities make reasonable modifications in policies, practices, or procedures where necessary to avoid discrimination on the basis of disability. Section 302(b)(2)(A)(ii) of the ADA sets out this requirement specifically for public accommodations covered by title III of the Act, and the House Judiciary Committee Report directs the Attorney General to include those specific requirements in the title II regulation to the extent that they do not conflict with the regulations implementing section 504. Judiciary report at 52.

Paragraph (b)(8), a new paragraph not contained in the proposed rule, prohibits the imposition or application of eligibility criteria that screen out or tend to screen out an individual with a disability or any class of individuals with disabilities from fully and equally enjoying any service, program, or activity, unless such criteria can be shown to be necessary for the provision of the service, program, or activity being offered. This prohibition is also a specific application of the general prohibitions of discrimination and is based on section 302(b)(2)(A)(i) of the ADA. It prohibits overt denials of equal treatment of individuals with disabilities, or establishment of exclusive or segregative criteria that would bar individuals with disabilities from participation in services, benefits, or activities.

Paragraph (b)(8) also prohibits policies that unnecessarily impose requirements or burdens on individuals with disabilities that are not placed on others. For example, public

entities may not require that a qualified individual with a disability be accompanied by an attendant. A public entity is not, however, required to provide attendant care, or assistance in toileting, eating, or dressing to individuals with disabilities, except in special circumstances, such as where the individual is an inmate of a custodial or correctional institution.

In addition, paragraph (b)(8) prohibits the imposition of criteria that "tend to" screen out an individual with a disability. This concept, which is derived from current regulations under section 504 (*see, e.g.*, 45 CFR 84.13), makes it discriminatory to impose policies or criteria that, while not creating a direct bar to individuals with disabilities, indirectly prevent or limit their ability to participate. For example, requiring presentation of a driver's license as the sole means of identification for purposes of paying by check would violate this section in situations where, for example, individuals with severe vision impairments or developmental disabilities or epilepsy are ineligible to receive a driver's license and the use of an alternative means of identification, such as another photo I.D. or credit card, is feasible.

A public entity may, however, impose neutral rules and criteria that screen out, or tend to screen out, individuals with disabilities if the criteria are necessary for the safe operation of the program in question. Examples of safety qualifications that would be justifiable in appropriate circumstances would include eligibility requirements for drivers' licenses, or a requirement that all participants in a recreational rafting expedition be able to meet a necessary level of swimming proficiency. Safety requirements must be based on actual risks and not on speculation, stereotypes, or generalizations about individuals with disabilities.

Paragraph (c) provides that nothing in this part prohibits a public entity from providing benefits, services, or advantages to individuals with disabilities, or to a particular class of individuals with disabilities, beyond those required by this part. It is derived from a provision in the section 504 regulations that permits programs conducted pursuant to Federal statute or Executive order that are designed to benefit only individuals with disabilities or a given class of individuals with disabilities to be limited to those individuals with disabilities. Section 504 ensures that federally assisted programs are made available to all individuals, without regard to disabilities, unless the Federal program under which the assistance is provided is specifically limited to individuals with disabilities or a particular class of individuals with disabilities. Because coverage under this part is not limited to federally assisted programs, paragraph (c) has been revised to clarify that State and local governments may provide special benefits, beyond those required by

the nondiscrimination requirements of this part, that are limited to individuals with disabilities or a particular class of individuals with disabilities, without thereby incurring additional obligations to persons without disabilities or to other classes of individuals with disabilities.

Paragraphs (d) and (e), previously referred to in the discussion of paragraph (b)(1)(iv), provide that the public entity must administer services, programs, and activities in the most integrated setting appropriate to the needs of qualified individuals with disabilities, *i.e.*, in a setting that enables individuals with disabilities to interact with non-disabled persons to the fullest extent possible, and that persons with disabilities must be provided the option of declining to accept a particular accommodation.

Some commenters expressed concern that §35.130(e), which states that nothing in the rule requires an individual with a disability to accept special accommodations and services provided under the ADA, could be interpreted to allow guardians of infants or older people with disabilities to refuse medical treatment for their wards. Section 35.130(e) has been revised to make it clear that paragraph (e) is inapplicable to the concern of the commenters. A new paragraph (e)(2) has been added stating that nothing in the regulation authorizes the representative or guardian of an individual with a disability to decline food, water, medical treatment, or medical services for that individual. New paragraph (e) clarifies that neither the ADA nor the regulation alters current Federal law ensuring the rights of incompetent individuals with disabilities to receive food, water, and medical treatment. See, *e.g.*, Child Abuse Amendments of 1984 (42 U.S.C. 5106a(b)(10), 5106g(10)); Rehabilitation Act of 1973, as amended (29 U.S.C. 794); the Developmentally Disabled Assistance and Bill of Rights Act (42 U.S.C. 6042).

Sections 35.130(e) (1) and (2) are based on section 501(d) of the ADA. Section 501(d) was designed to clarify that nothing in the ADA requires individuals with disabilities to accept special accommodations and services for individuals with disabilities that may segregate them:

The Committee added this section [501(d)] to clarify that nothing in the ADA is intended to permit discriminatory treatment on the basis of disability, even when such treatment is rendered under the guise of providing an accommodation, service, aid or benefit to the individual with disability. For example, a blind individual may choose not to avail himself or herself of the right to go to the front of a line, even if a particular public accommodation has chosen to offer such a modification of a policy for blind individuals. Or, a blind individual may choose to decline to participate in a special museum tour that allows persons to touch sculptures

in an exhibit and instead tour the exhibits at his or her own pace with the museum's recorded tour.

Judiciary report at 71-72. The Act is not to be construed to mean that an individual with disabilities must accept special accommodations and services for individuals with disabilities when that individual can participate in the regular services already offered. Because medical treatment, including treatment for particular conditions, is not a special accommodation or service for individuals with disabilities under section 501(d), neither the Act nor this part provides affirmative authority to suspend such treatment. Section 501(d) is intended to clarify that the Act is not designed to foster discrimination through mandatory acceptance of special services when other alternatives are provided; this concern does not reach to the provision of medical treatment for the disabling condition itself.

Paragraph (f) provides that a public entity may not place a surcharge on a particular individual with a disability, or any group of individuals with disabilities, to cover any costs of measures required to provide that individual or group with the nondiscriminatory treatment required by the Act or this part. Such measures may include the provision of auxiliary aids or of modifications required to provide program accessibility.

Several commenters asked for clarification that the costs of interpreter services may not be assessed as an element of "court costs." The Department has already recognized that imposition of the cost of courtroom interpreter services is impermissible under section 504. The preamble to the Department's section 504 regulation for its federally assisted programs states that where a court system has an obligation to provide qualified interpreters, "it has the corresponding responsibility to pay for the services of the interpreters." (45 FR 37630 (June 3, 1980)). Accordingly, recouping the costs of interpreter services by assessing them as part of court costs would also be prohibited.

Paragraph (g), which prohibits discrimination on the basis of an individual's or entity's known relationship or association with an individual with a disability, is based on sections 102(b)(4) and 302(b)(1)(E) of the ADA. This paragraph was not contained in the proposed rule. The individuals covered under this paragraph are any individuals who are discriminated against because of their known association with an individual with a disability. For example, it would be a violation of this paragraph for a local government to refuse to allow a theater company to use a school auditorium on the grounds that the company had recently performed for an audience of individuals with HIV disease.

This protection is not limited to those who have a familial relationship with the individual who has a disability. Congress considered, and rejected, amendments that would have limited the scope of this provision to specific associations and relationships. Therefore, if a public entity refuses admission to a person with cerebral palsy and his or her companions, the companions have an independent right of action under the ADA and this section.

During the legislative process, the term "entity" was added to section 302(b)(1)(E) to clarify that the scope of the provision is intended to encompass not only persons who have a known association with a person with a disability, but also entities that provide services to or are otherwise associated with such individuals. This provision was intended to ensure that entities such as health care providers, employees of social service agencies, and others who provide professional services to persons with disabilities are not subjected to discrimination because of their professional association with persons with disabilities.

#### *Section 35.131 Illegal Use of Drugs*

Section 35.131 effectuates section 510 of the ADA, which clarifies the Act's application to people who use drugs illegally. Paragraph (a) provides that this part does not prohibit discrimination based on an individual's current illegal use of drugs.

The Act and the regulation distinguish between illegal use of drugs and the legal use of substances, whether or not those substances are "controlled substances," as defined in the Controlled Substances Act (21 U.S.C. 812). Some controlled substances are prescription drugs that have legitimate medical uses. Section 35.131 does not affect use of controlled substances pursuant to a valid prescription under supervision by a licensed health care professional, or other use that is authorized by the Controlled Substances Act or any other provision of Federal law. It does apply to illegal use of those substances, as well as to illegal use of controlled substances that are not prescription drugs. The key question is whether the individual's use of the substance is illegal, not whether the substance has recognized legal uses. Alcohol is not a controlled substance, so use of alcohol is not addressed by §35.131 (although alcoholics are individuals with disabilities, subject to the protections of the statute).

A distinction is also made between the use of a substance and the status of being addicted to that substance. Addiction is a disability, and addicts are individuals with disabilities protected by the Act. The protection, however, does not extend to actions based on the illegal use of the substance. In other words, an addict cannot use the fact of his or her addiction as a defense to an action based on illegal use of drugs. This distinction

is not artificial. Congress intended to deny protection to people who engage in the illegal use of drugs, whether or not they are addicted, but to provide protection to addicts so long as they are not currently using drugs.

A third distinction is the difficult one between current use and former use. The definition of "current illegal use of drugs" in §35.104, which is based on the report of the Conference Committee, H.R. Conf. Rep. No. 596, 101st Cong., 2d Sess. 64 (1990) (hereinafter "Conference report"), is "illegal use of drugs that occurred recently enough to justify a reasonable belief that a person's drug use is current or that continuing use is a real and ongoing problem."

Paragraph (a)(2)(i) specifies that an individual who has successfully completed a supervised drug rehabilitation program or has otherwise been rehabilitated successfully and who is not engaging in current illegal use of drugs is protected. Paragraph (a)(2)(ii) clarifies that an individual who is currently participating in a supervised rehabilitation program and is not engaging in current illegal use of drugs is protected. Paragraph (a)(2)(iii) provides that a person who is erroneously regarded as engaging in current illegal use of drugs, but who is not engaging in such use, is protected.

Paragraph (b) provides a limited exception to the exclusion of current illegal users of drugs from the protections of the Act. It prohibits denial of health services, or services provided in connection with drug rehabilitation to an individual on the basis of current illegal use of drugs, if the individual is otherwise entitled to such services. A health care facility, such as a hospital or clinic, may not refuse treatment to an individual in need of the services it provides on the grounds that the individual is illegally using drugs, but it is not required by this section to provide services that it does not ordinarily provide. For example, a health care facility that specializes in a particular type of treatment, such as care of burn victims, is not required to provide drug rehabilitation services, but it cannot refuse to treat an individual's burns on the grounds that the individual is illegally using drugs.

Some commenters pointed out that abstinence from the use of drugs is an essential condition of participation in some drug rehabilitation programs, and may be a necessary requirement in inpatient or residential settings. The Department believes that this comment is well-founded. Congress clearly intended to prohibit exclusion from drug treatment programs of the very individuals who need such programs because of their use of drugs, but, once an individual has been admitted to a program, abstinence may be a necessary and appropriate condition to continued participation. The final rule therefore

provides that a drug rehabilitation or treatment program may prohibit illegal use of drugs by individuals while they are participating in the program.

Paragraph (c) expresses Congress' intention that the Act be neutral with respect to testing for illegal use of drugs. This paragraph implements the provision in section 510(b) of the Act that allows entities "to adopt or administer reasonable policies or procedures, including but not limited to drug testing," that ensure that an individual who is participating in a supervised rehabilitation program, or who has completed such a program or otherwise been rehabilitated successfully is no longer engaging in the illegal use of drugs. The section is not to be "construed to encourage, prohibit, restrict, or authorize the conducting of testing for the illegal use of drugs."

Paragraph 35.131(c) clarifies that it is not a violation of this part to adopt or administer reasonable policies or procedures to ensure that an individual who formerly engaged in the illegal use of drugs is not currently engaging in illegal use of drugs. Any such policies or procedures must, of course, be reasonable, and must be designed to identify accurately the illegal use of drugs. This paragraph does not authorize inquiries, tests, or other procedures that would disclose use of substances that are not controlled substances or are taken under supervision by a licensed health care professional, or other uses authorized by the Controlled Substances Act or other provisions of Federal law, because such uses are not included in the definition of "illegal use of drugs." A commenter argued that the rule should permit testing for lawful use of prescription drugs, but most commenters preferred that tests must be limited to unlawful use in order to avoid revealing the lawful use of prescription medicine used to treat disabilities.

#### *Section 35.132 Smoking*

Section 35.132 restates the clarification in section 501(b) of the Act that the Act does not preclude the prohibition of, or imposition of restrictions on, smoking in transportation covered by title II. Some commenters argued that this section is too limited in scope, and that the regulation should prohibit smoking in all facilities used by public entities. The reference to smoking in section 501, however, merely clarifies that the Act does not require public entities to accommodate smokers by permitting them to smoke in transportation facilities.

#### *Section 35.133 Maintenance of Accessible Features*

Section 35.133 provides that a public entity shall maintain in operable working condition those features of facilities and equip-

ment that are required to be readily accessible to and usable by persons with disabilities by the Act or this part. The Act requires that, to the maximum extent feasible, facilities must be accessible to, and usable by, individuals with disabilities. This section recognizes that it is not sufficient to provide features such as accessible routes, elevators, or ramps, if those features are not maintained in a manner that enables individuals with disabilities to use them. Inoperable elevators, locked accessible doors, or "accessible" routes that are obstructed by furniture, filing cabinets, or potted plants are neither "accessible to" nor "usable by" individuals with disabilities.

Some commenters objected that this section appeared to establish an absolute requirement and suggested that language from the preamble be included in the text of the regulation. It is, of course, impossible to guarantee that mechanical devices will never fail to operate. Paragraph (b) of the final regulation provides that this section does not prohibit isolated or temporary interruptions in service or access due to maintenance or repairs. This paragraph is intended to clarify that temporary obstructions or isolated instances of mechanical failure would not be considered violations of the Act or this part. However, allowing obstructions or "out of service" equipment to persist beyond a reasonable period of time would violate this part, as would repeated mechanical failures due to improper or inadequate maintenance. Failure of the public entity to ensure that accessible routes are properly maintained and free of obstructions, or failure to arrange prompt repair of inoperable elevators or other equipment intended to provide access would also violate this part.

Other commenters requested that this section be expanded to include specific requirements for inspection and maintenance of equipment, for training staff in the proper operation of equipment, and for maintenance of specific items. The Department believes that this section properly establishes the general requirement for maintaining access and that further details are not necessary.

#### *Section 35.134 Retaliation or Coercion*

Section 35.134 implements section 503 of the ADA, which prohibits retaliation against any individual who exercises his or her rights under the Act. This section is unchanged from the proposed rule. Paragraph (a) of §35.134 provides that no private or public entity shall discriminate against any individual because that individual has exercised his or her right to oppose any act or practice made unlawful by this part, or because that individual made a charge, testified, assisted, or participated in any manner

in an investigation, proceeding, or hearing under the Act or this part.

Paragraph (b) provides that no private or public entity shall coerce, intimidate, threaten, or interfere with any individual in the exercise of his or her rights under this part or because that individual aided or encouraged any other individual in the exercise or enjoyment of any right granted or protected by the Act or this part.

This section protects not only individuals who allege a violation of the Act or this part, but also any individuals who support or assist them. This section applies to all investigations or proceedings initiated under the Act or this part without regard to the ultimate resolution of the underlying allegations. Because this section prohibits any act of retaliation or coercion in response to an individual's effort to exercise rights established by the Act and this part (or to support the efforts of another individual), the section applies not only to public entities subject to this part, but also to persons acting in an individual capacity or to private entities. For example, it would be a violation of the Act and this part for a private individual to harass or intimidate an individual with a disability in an effort to prevent that individual from attending a concert in a State-owned park. It would, likewise, be a violation of the Act and this part for a private entity to take adverse action against an employee who appeared as a witness on behalf of an individual who sought to enforce the Act.

#### *Section 35.135 Personal Devices and Services*

The final rule includes a new § 35.135, entitled "Personal devices and services," which states that the provision of personal devices and services is not required by title II. This new section, which serves as a limitation on all of the requirements of the regulation, replaces § 35.160(b)(2) of the proposed rule, which addressed the issue of personal devices and services explicitly only in the context of communications. The personal devices and services limitation was intended to have general application in the proposed rule in all contexts where it was relevant. The final rule, therefore, clarifies this point by including a general provision that will explicitly apply not only to auxiliary aids and services but across-the-board to include other relevant areas such as, for example, modifications in policies, practices, and procedures (§ 35.130(b)(7)). The language of § 35.135 parallels an analogous provision in the Department's title III regulations (28 CFR 36.306) but preserves the explicit reference to "readers for personal use or study" in § 35.160(b)(2) of the proposed rule. This section does not preclude the short-term loan of personal receivers that are part of an assistive listening system.

#### *Subpart C—Employment*

##### *Section 35.140 Employment Discrimination Prohibited*

Title II of the ADA applies to all activities of public entities, including their employment practices. The proposed rule cross-referenced the definitions, requirements, and procedures of title I of the ADA, as established by the Equal Employment Opportunity Commission in 29 CFR part 1630. This proposal would have resulted in use, under § 35.140, of the title I definition of "employer," so that a public entity with 25 or more employees would have become subject to the requirements of § 35.140 on July 26, 1992, one with 15 to 24 employees on July 26, 1994, and one with fewer than 15 employees would have been excluded completely.

The Department received comments objecting to this approach. The commenters asserted that Congress intended to establish nondiscrimination requirements for employment by all public entities, including those that employ fewer than 15 employees; and that Congress intended the employment requirements of title II to become effective at the same time that the other requirements of this regulation become effective, January 26, 1992. The Department has reexamined the statutory language and legislative history of the ADA on this issue and has concluded that Congress intended to cover the employment practices of all public entities and that the applicable effective date is that of title II.

The statutory language of section 204(b) of the ADA requires the Department to issue a regulation that is consistent with the ADA and the Department's coordination regulation under section 504, 28 CFR part 41. The coordination regulation specifically requires nondiscrimination in employment, 28 CFR 41.52-41.55, and does not limit coverage based on size of employer. Moreover, under all section 504 implementing regulations issued in accordance with the Department's coordination regulation, employment coverage under section 504 extends to all employers with federally assisted programs or activities, regardless of size, and the effective date for those employment requirements has always been the same as the effective date for non-employment requirements established in the same regulations. The Department therefore concludes that § 35.140 must apply to all public entities upon the effective date of this regulation.

In the proposed regulation the Department cross-referenced the regulations implementing title I of the ADA, issued by the Equal Employment Opportunity Commission at 29 CFR part 1630, as a compliance standard for § 35.140 because, as proposed, the scope of coverage and effective date of coverage under title II would have been coextensive

with title I. In the final regulation this language is modified slightly. Subparagraph (1) of new paragraph (b) makes it clear that the standards established by the Equal Employment Opportunity Commission in 29 CFR part 1630 will be the applicable compliance standards if the public entity is subject to title I. If the public entity is not covered by title I, or until it is covered by title I, subparagraph (b)(2) cross-references section 504 standards for what constitutes employment discrimination, as established by the Department of Justice in 28 CFR part 41. Standards for title I of the ADA and section 504 of the Rehabilitation Act are for the most part identical because title I of the ADA was based on requirements set forth in regulations implementing section 504.

The Department, together with the other Federal agencies responsible for the enforcement of Federal laws prohibiting employment discrimination on the basis of disability, recognizes the potential for jurisdictional overlap that exists with respect to coverage of public entities and the need to avoid problems related to overlapping coverage. The other Federal agencies include the Equal Employment Opportunity Commission, which is the agency primarily responsible for enforcement of title I of the ADA, the Department of Labor, which is the agency responsible for enforcement of section 503 of the Rehabilitation Act of 1973, and 26 Federal agencies with programs of Federal financial assistance, which are responsible for enforcing section 504 in those programs. Section 107 of the ADA requires that coordination mechanisms be developed in connection with the administrative enforcement of complaints alleging discrimination under title I and complaints alleging discrimination in employment in violation of the Rehabilitation Act. Although the ADA does not specifically require inclusion of employment complaints under title II in the coordinating mechanisms required by title I, Federal investigations of title II employment complaints will be coordinated on a government-wide basis also. The Department is currently working with the EEOC and other affected Federal agencies to develop effective coordinating mechanisms, and final regulations on this issue will be issued on or before January 26, 1992.

#### *Subpart D—Program Accessibility*

##### *Section 35.149 Discrimination Prohibited*

Section 35.149 states the general non-discrimination principle underlying the program accessibility requirements of §§ 35.150 and 35.151.

##### *Section 35.150 Existing Facilities*

Consistent with section 204(b) of the Act, this regulation adopts the program accessi-

bility concept found in the section 504 regulations for federally conducted programs or activities (e.g., 28 CFR part 39). The concept of “program accessibility” was first used in the section 504 regulation adopted by the Department of Health, Education, and Welfare for its federally assisted programs and activities in 1977. It allowed recipients to make their federally assisted programs and activities available to individuals with disabilities without extensive retrofitting of their existing buildings and facilities, by offering those programs through alternative methods. Program accessibility has proven to be a useful approach and was adopted in the regulations issued for programs and activities conducted by Federal Executive agencies. The Act provides that the concept of program access will continue to apply with respect to facilities now in existence, because the cost of retrofitting existing facilities is often prohibitive.

Section 35.150 requires that each service, program, or activity conducted by a public entity, when viewed in its entirety, be readily accessible to and usable by individuals with disabilities. The regulation makes clear, however, that a public entity is not required to make each of its existing facilities accessible (§ 35.150(a)(1)). Unlike title III of the Act, which requires public accommodations to remove architectural barriers where such removal is “readily achievable,” or to provide goods and services through alternative methods, where those methods are “readily achievable,” title II requires a public entity to make its programs accessible in all cases, except where to do so would result in a fundamental alteration in the nature of the program or in undue financial and administrative burdens. Congress intended the “undue burden” standard in title II to be significantly higher than the “readily achievable” standard in title III. Thus, although title II may not require removal of barriers in some cases where removal would be required under title III, the program access requirement of title II should enable individuals with disabilities to participate in and benefit from the services, programs, or activities of public entities in all but the most unusual cases.

Paragraph (a)(2), which establishes a special limitation on the obligation to ensure program accessibility in historic preservation programs, is discussed below in connection with paragraph (b).

Paragraph (a)(3), which is taken from the section 504 regulations for federally conducted programs, generally codifies case law that defines the scope of the public entity’s obligation to ensure program accessibility. This paragraph provides that, in meeting the program accessibility requirement, a public entity is not required to take any action that would result in a fundamental alteration in the nature of its service, program,

or activity or in undue financial and administrative burdens. A similar limitation is provided in §35.164.

This paragraph does not establish an absolute defense; it does not relieve a public entity of all obligations to individuals with disabilities. Although a public entity is not required to take actions that would result in a fundamental alteration in the nature of a service, program, or activity or in undue financial and administrative burdens, it nevertheless must take any other steps necessary to ensure that individuals with disabilities receive the benefits or services provided by the public entity.

It is the Department's view that compliance with §35.150(a), like compliance with the corresponding provisions of the section 504 regulations, would in most cases not result in undue financial and administrative burdens on a public entity. In determining whether financial and administrative burdens are undue, all public entity resources available for use in the funding and operation of the service, program, or activity should be considered. The burden of proving that compliance with paragraph (a) of §35.150 would fundamentally alter the nature of a service, program, or activity or would result in undue financial and administrative burdens rests with the public entity.

The decision that compliance would result in such alteration or burdens must be made by the head of the public entity or his or her designee and must be accompanied by a written statement of the reasons for reaching that conclusion. The Department recognizes the difficulty of identifying the official responsible for this determination, given the variety of organizational forms that may be taken by public entities and their components. The intention of this paragraph is that the determination must be made by a high level official, no lower than a Department head, having budgetary authority and responsibility for making spending decisions.

Any person who believes that he or she or any specific class of persons has been injured by the public entity head's decision or failure to make a decision may file a complaint under the compliance procedures established in subpart F.

Paragraph (b)(1) sets forth a number of means by which program accessibility may be achieved, including redesign of equipment, reassignment of services to accessible buildings, and provision of aides.

The Department wishes to clarify that, consistent with longstanding interpretation of section 504, carrying an individual with a disability is considered an ineffective and therefore an unacceptable method for achieving program accessibility. Department of Health, Education, and Welfare, Office of Civil Rights, Policy Interpretation No. 4, 43 FR 36035 (August 14, 1978). Carrying will be

permitted only in manifestly exceptional cases, and only if all personnel who are permitted to participate in carrying an individual with a disability are formally instructed on the safest and least humiliating means of carrying. "Manifestly exceptional" cases in which carrying would be permitted might include, for example, programs conducted in unique facilities, such as an oceanographic vessel, for which structural changes and devices necessary to adapt the facility for use by individuals with mobility impairments are unavailable or prohibitively expensive. Carrying is not permitted as an alternative to structural modifications such as installation of a ramp or a chairlift.

In choosing among methods, the public entity shall give priority consideration to those that will be consistent with provision of services in the most integrated setting appropriate to the needs of individuals with disabilities. Structural changes in existing facilities are required only when there is no other feasible way to make the public entity's program accessible. (It should be noted that "structural changes" include all physical changes to a facility; the term does not refer only to changes to structural features, such as removal of or alteration to a load-bearing structural member.) The requirements of §35.151 for alterations apply to structural changes undertaken to comply with this section. The public entity may comply with the program accessibility requirement by delivering services at alternate accessible sites or making home visits as appropriate.

#### Historic Preservation Programs

In order to avoid possible conflict between the congressional mandates to preserve historic properties, on the one hand, and to eliminate discrimination against individuals with disabilities on the other, paragraph (a)(2) provides that a public entity is not required to take any action that would threaten or destroy the historic significance of an historic property. The special limitation on program accessibility set forth in paragraph (a)(2) is applicable only to historic preservation programs, as defined in §35.104, that is, programs that have preservation of historic properties as a primary purpose. Narrow application of the special limitation is justified because of the inherent flexibility of the program accessibility requirement. Where historic preservation is not a primary purpose of the program, the public entity is not required to use a particular facility. It can relocate all or part of its program to an accessible facility, make home visits, or use other standard methods of achieving program accessibility without making structural alterations that might threaten or destroy significant historic features of the historic

property. Thus, government programs located in historic properties, such as an historic State capitol, are not excused from the requirement for program access.

Paragraph (a)(2), therefore, will apply only to those programs that uniquely concern the preservation and experience of the historic property itself. Because the primary benefit of an historic preservation program is the experience of the historic property, paragraph (b)(2) requires the public entity to give priority to methods of providing program accessibility that permit individuals with disabilities to have physical access to the historic property. This priority on physical access may also be viewed as a specific application of the general requirement that the public entity administer programs in the most integrated setting appropriate to the needs of qualified individuals with disabilities (§35.130(d)). Only when providing physical access would threaten or destroy the historic significance of an historic property, or would result in a fundamental alteration in the nature of the program or in undue financial and administrative burdens, may the public entity adopt alternative methods for providing program accessibility that do not ensure physical access. Examples of some alternative methods are provided in paragraph (b)(2).

#### TIME PERIODS

Paragraphs (c) and (d) establish time periods for complying with the program accessibility requirement. Like the regulations for federally assisted programs (e.g., 28 CFR 41.57(b)), paragraph (c) requires the public entity to make any necessary structural changes in facilities as soon as practicable, but in no event later than three years after the effective date of this regulation.

The proposed rule provided that, aside from structural changes, all other necessary steps to achieve compliance with this part must be taken within sixty days. The sixty day period was taken from regulations implementing section 504, which generally were effective no more than thirty days after publication. Because this regulation will not be effective until January 26, 1992, the Department has concluded that no additional transition period for non-structural changes is necessary, so the sixty day period has been omitted in the final rule. Of course, this section does not reduce or eliminate any obligations that are already applicable to a public entity under section 504.

Where structural modifications are required, paragraph (d) requires that a transition plan be developed by an entity that employs 50 or more persons, within six months of the effective date of this regulation. The legislative history of title II of the ADA makes it clear that, under title II, "local and state governments are required to provide curb cuts on public streets." Education and

Labor report at 84. As the rationale for the provision of curb cuts, the House report explains, "The employment, transportation, and public accommodation sections of \* \* \* (the ADA) would be meaningless if people who use wheelchairs were not afforded the opportunity to travel on and between the streets." Id. Section 35.151(e), which establishes accessibility requirements for new construction and alterations, requires that all newly constructed or altered streets, roads, or highways must contain curb ramps or other sloped areas at any intersection having curbs or other barriers to entry from a street level pedestrian walkway, and all newly constructed or altered street level pedestrian walkways must have curb ramps or other sloped areas at intersections to streets, roads, or highways. A new paragraph (d)(2) has been added to the final rule to clarify the application of the general requirement for program accessibility to the provision of curb cuts at existing crosswalks. This paragraph requires that the transition plan include a schedule for providing curb ramps or other sloped areas at existing pedestrian walkways, giving priority to walkways serving entities covered by the Act, including State and local government offices and facilities, transportation, public accommodations, and employers, followed by walkways serving other areas. Pedestrian "walkways" include locations where access is required for use of public transportation, such as bus stops that are not located at intersections or crosswalks.

Similarly, a public entity should provide an adequate number of accessible parking spaces in existing parking lots or garages over which it has jurisdiction.

Paragraph (d)(3) provides that, if a public entity has already completed a transition plan required by a regulation implementing section 504, the transition plan required by this part will apply only to those policies and practices that were not covered by the previous transition plan. Some commenters suggested that the transition plan should include all aspects of the public entity's operations, including those that may have been covered by a previous transition plan under section 504. The Department believes that such a duplicative requirement would be inappropriate. Many public entities may find, however, that it will be simpler to include all of their operations in the transition plan than to attempt to identify and exclude specifically those that were addressed in a previous plan. Of course, entities covered under section 504 are not shielded from their obligations under that statute merely because they are included under the transition plan developed under this section.



*Section 35.151 New Construction and Alterations*

Section 35.151 provides that those buildings that are constructed or altered by, on behalf of, or for the use of a public entity shall be designed, constructed, or altered to be readily accessible to and usable by individuals with disabilities if the construction was commenced after the effective date of this part. Facilities under design on that date will be governed by this section if the date that bids were invited falls after the effective date. This interpretation is consistent with Federal practice under section 504.

Section 35.151(c) establishes two standards for accessible new construction and alteration. Under paragraph (c), design, construction, or alteration of facilities in conformance with the Uniform Federal Accessibility Standards (UFAS) or with the Americans with Disabilities Act Accessibility Guidelines for Buildings and Facilities (hereinafter ADAAG) shall be deemed to comply with the requirements of this section with respect to those facilities except that, if ADAAG is chosen, the elevator exemption contained at §§36.401(d) and 36.404 does not apply. ADAAG is the standard for private buildings and was issued as guidelines by the Architectural and Transportation Barriers Compliance Board (ATBCB) under title III of the ADA. It has been adopted by the Department of Justice and is published as appendix A to the Department's title III rule in today's FEDERAL REGISTER. Departures from particular requirements of these standards by the use of other methods shall be permitted when it is clearly evident that equivalent access to the facility or part of the facility is thereby provided. Use of two standards is a departure from the proposed rule.

The proposed rule adopted UFAS as the only interim accessibility standard because that standard was referenced by the regulations implementing section 504 of the Rehabilitation Act promulgated by most Federal funding agencies. It is, therefore, familiar to many State and local government entities subject to this rule. The Department, however, received many comments objecting to the adoption of UFAS. Commenters pointed out that, except for the elevator exemption, UFAS is not as stringent as ADAAG. Others suggested that the standard should be the same to lessen confusion.

Section 204(b) of the Act states that title II regulations must be consistent not only with section 504 regulations but also with "this Act." Based on this provision, the Department has determined that a public entity should be entitled to choose to comply either with ADAAG or UFAS.

Public entities who choose to follow ADAAG, however, are not entitled to the elevator exemption contained in title III of the Act and implemented in the title III regula-

tion at §36.401(d) for new construction and §36.404 for alterations. Section 303(b) of title III states that, with some exceptions, elevators are not required in facilities that are less than three stories or have less than 3000 square feet per story. The section 504 standard, UFAS, contains no such exemption. Section 501 of the ADA makes clear that nothing in the Act may be construed to apply a lesser standard to public entities than the standards applied under section 504. Because permitting the elevator exemption would clearly result in application of a lesser standard than that applied under section 504, paragraph (c) states that the elevator exemption does not apply when public entities choose to follow ADAAG. Thus, a two-story courthouse, whether built according to UFAS or ADAAG, must be constructed with an elevator. It should be noted that Congress did not include an elevator exemption for public transit facilities covered by subtitle B of title II, which covers public transportation provided by public entities, providing further evidence that Congress intended that public buildings have elevators.

Section 504 of the ADA requires the ATBCB to issue supplemental Minimum Guidelines and Requirements for Accessible Design of buildings and facilities subject to the Act, including title II. Section 204(c) of the ADA provides that the Attorney General shall promulgate regulations implementing title II that are consistent with the ATBCB's ADA guidelines. The ATBCB has announced its intention to issue title II guidelines in the future. The Department anticipates that, after the ATBCB's title II guidelines have been published, this rule will be amended to adopt new accessibility standards consistent with the ATBCB's rulemaking. Until that time, however, public entities will have a choice of following UFAS or ADAAG, without the elevator exemption.

Existing buildings leased by the public entity after the effective date of this part are not required by the regulation to meet accessibility standards simply by virtue of being leased. They are subject, however, to the program accessibility standard for existing facilities in §35.150. To the extent the buildings are newly constructed or altered, they must also meet the new construction and alteration requirements of §35.151.

The Department received many comments urging that the Department require that public entities lease only accessible buildings. Federal practice under section 504 has always treated newly leased buildings as subject to the existing facility program accessibility standard. Section 204(b) of the Act states that, in the area of "program accessibility, existing facilities," the title II regulations must be consistent with section 504 regulations. Thus, the Department has adopted the section 504 principles for these

types of leased buildings. Unlike the construction of new buildings where architectural barriers can be avoided at little or no cost, the application of new construction standards to an existing building being leased raises the same prospect of retrofitting buildings as the use of an existing Federal facility, and the same program accessibility standard should apply to both owned and leased existing buildings. Similarly, requiring that public entities only lease accessible space would significantly restrict the options of State and local governments in seeking leased space, which would be particularly burdensome in rural or sparsely populated areas.

On the other hand, the more accessible the leased space is, the fewer structural modifications will be required in the future for particular employees whose disabilities may necessitate barrier removal as a reasonable accommodation. Pursuant to the requirements for leased buildings contained in the Minimum Guidelines and Requirements for Accessible Design published under the Architectural Barriers Act by the ATBCB, 36 CFR 1190.34, the Federal Government may not lease a building unless it contains (1) One accessible route from an accessible entrance to those areas in which the principal activities for which the building is leased are conducted, (2) accessible toilet facilities, and (3) accessible parking facilities, if a parking area is included within the lease (36 CFR 1190.34). Although these requirements are not applicable to buildings leased by public entities covered by this regulation, such entities are encouraged to look for the most accessible space available to lease and to attempt to find space complying at least with these minimum Federal requirements.

Section 35.151(d) gives effect to the intent of Congress, expressed in section 504(c) of the Act, that this part recognize the national interest in preserving significant historic structures. Commenters criticized the Department's use of descriptive terms in the proposed rule that are different from those used in the ADA to describe eligible historic properties. In addition, some commenters criticized the Department's decision to use the concept of "substantially impairing" the historic features of a property, which is a concept employed in regulations implementing section 504 of the Rehabilitation Act of 1973. Those commenters recommended that the Department adopt the criteria of "adverse effect" published by the Advisory Council on Historic Preservation under the National Historic Preservation Act, 36 CFR 800.9, as the standard for determining whether an historic property may be altered.

The Department agrees with these comments to the extent that they suggest that the language of the rule should conform to the language employed by Congress in the ADA. A definition of "historic property,"

drawn from section 504 of the ADA, has been added to §35.104 to clarify that the term applies to those properties listed or eligible for listing in the National Register of Historic Places, or properties designated as historic under State or local law.

The Department intends that the exception created by this section be applied only in those very rare situations in which it is not possible to provide access to an historic property using the special access provisions established by UFAS and ADAAG. Therefore, paragraph (d)(1) of §35.151 has been revised to clearly state that alterations to historic properties shall comply, to the maximum extent feasible, with section 4.1.7 of UFAS or section 4.1.7 of ADAAG. Paragraph (d)(2) has been revised to provide that, if it has been determined under the procedures established in UFAS and ADAAG that it is not feasible to provide physical access to an historic property in a manner that will not threaten or destroy the historic significance of the property, alternative methods of access shall be provided pursuant to the requirements of §35.150.

In response to comments, the Department has added to the final rule a new paragraph (e) setting out the requirements of §36.151 as applied to curb ramps. Paragraph (e) is taken from the statement contained in the preamble to the proposed rule that all newly constructed or altered streets, roads, and highways must contain curb ramps at any intersection having curbs or other barriers to entry from a street level pedestrian walkway, and that all newly constructed or altered street level pedestrian walkways must have curb ramps at intersections to streets, roads, or highways.

#### *Subpart E—Communications*

##### *Section 35.160 General*

Section 35.160 requires the public entity to take such steps as may be necessary to ensure that communications with applicants, participants, and members of the public with disabilities are as effective as communications with others.

Paragraph (b)(1) requires the public entity to furnish appropriate auxiliary aids and services when necessary to afford an individual with a disability an equal opportunity to participate in, and enjoy the benefits of, the public entity's service, program, or activity. The public entity must provide an opportunity for individuals with disabilities to request the auxiliary aids and services of their choice. This expressed choice shall be given primary consideration by the public entity (§35.160(b)(2)). The public entity shall honor the choice unless it can demonstrate that another effective means of communication exists or that use of the means chosen would not be required under §35.164.

Deference to the request of the individual with a disability is desirable because of the range of disabilities, the variety of auxiliary aids and services, and different circumstances requiring effective communication. For instance, some courtrooms are now equipped for "computer-assisted transcripts," which allow virtually instantaneous transcripts of courtroom argument and testimony to appear on displays. Such a system might be an effective auxiliary aid or service for a person who is deaf or has a hearing loss who uses speech to communicate, but may be useless for someone who uses sign language.

Although in some circumstances a notepad and written materials may be sufficient to permit effective communication, in other circumstances they may not be sufficient. For example, a qualified interpreter may be necessary when the information being communicated is complex, or is exchanged for a lengthy period of time. Generally, factors to be considered in determining whether an interpreter is required include the context in which the communication is taking place, the number of people involved, and the importance of the communication.

Several commenters asked that the rule clarify that the provision of readers is sometimes necessary to ensure access to a public entity's services, programs or activities. Reading devices or readers should be provided when necessary for equal participation and opportunity to benefit from any governmental service, program, or activity, such as reviewing public documents, examining demonstrative evidence, and filling out voter registration forms or forms needed to receive public benefits. The importance of providing qualified readers for examinations administered by public entities is discussed under §35.130. Reading devices and readers are appropriate auxiliary aids and services where necessary to permit an individual with a disability to participate in or benefit from a service, program, or activity.

Section 35.160(b)(2) of the proposed rule, which provided that a public entity need not furnish individually prescribed devices, readers for personal use or study, or other devices of a personal nature, has been deleted in favor of a new section in the final rule on personal devices and services (see §35.135).

In response to comments, the term "auxiliary aids and services" is used in place of "auxiliary aids" in the final rule. This phrase better reflects the range of aids and services that may be required under this section.

A number of comments raised questions about the extent of a public entity's obligation to provide access to television programming for persons with hearing impairments. Television and videotape programming produced by public entities are covered by this section. Access to audio portions of such pro-

gramming may be provided by closed captioning.

*Section 35.161 Telecommunication Devices for the Deaf (TDD's)*

Section 35.161 requires that, where a public entity communicates with applicants and beneficiaries by telephone, TDD's or equally effective telecommunication systems be used to communicate with individuals with impaired speech or hearing.

Problems arise when a public entity which does not have a TDD needs to communicate with an individual who uses a TDD or vice versa. Title IV of the ADA addresses this problem by requiring establishment of telephone relay services to permit communications between individuals who communicate by TDD and individuals who communicate by the telephone alone. The relay services required by title IV would involve a relay operator using both a standard telephone and a TDD to type the voice messages to the TDD user and read the TDD messages to the standard telephone user.

Section 204(b) of the ADA requires that the regulation implementing title II with respect to communications be consistent with the Department's regulation implementing section 504 for its federally conducted programs and activities at 28 CFR part 39. Section 35.161, which is taken from §39.160(a)(2) of that regulation, requires the use of TDD's or equally effective telecommunication systems for communication with people who use TDD's. Of course, where relay services, such as those required by title IV of the ADA are available, a public entity may use those services to meet the requirements of this section.

Many commenters were concerned that public entities should not rely heavily on the establishment of relay services. The commenters explained that while relay services would be of vast benefit to both public entities and individuals who use TDD's, the services are not sufficient to provide access to all telephone services. First, relay systems do not provide effective access to the increasingly popular automated systems that require the caller to respond by pushing a button on a touch tone phone. Second, relay systems cannot operate fast enough to convey messages on answering machines, or to permit a TDD user to leave a recorded message. Third, communication through relay systems may not be appropriate in cases of crisis lines pertaining to rape, domestic violence, child abuse, and drugs. The Department believes that it is more appropriate for the Federal Communications Commission to address these issues in its rulemaking under title IV.

Some commenters requested that those entities with frequent contacts with clients who use TDD's have on-site TDD's to provide for direct communication between the entity

and the individual. The Department encourages those entities that have extensive telephone contact with the public such as city halls, public libraries, and public aid offices, to have TDD's to insure more immediate access. Where the provision of telephone service is a major function of the entity, TDD's should be available.

*Section 35.162 Telephone Emergency Services*

Many public entities provide telephone emergency services by which individuals can seek immediate assistance from police, fire, ambulance, and other emergency services. These telephone emergency services—including "911" services—are clearly an important public service whose reliability can be a matter of life or death. The legislative history of title II specifically reflects congressional intent that public entities must ensure that telephone emergency services, including 911 services, be accessible to persons with impaired hearing and speech through telecommunication technology (Conference report at 67; Education and Labor report at 84-85).

Proposed §35.162 mandated that public entities provide emergency telephone services to persons with disabilities that are "functionally equivalent" to voice services provided to others. Many commenters urged the Department to revise the section to make clear that direct access to telephone emergency services is required by title II of the ADA as indicated by the legislative history (Conference report at 67-68; Education and Labor report at 85). In response, the final rule mandates "direct access," instead of "access that is functionally equivalent" to that provided to all other telephone users. Telephone emergency access through a third party or through a relay service would not satisfy the requirement for direct access.

Several commenters asked about a separate seven-digit emergency call number for the 911 services. The requirement for direct access disallows the use of a separate seven-digit number where 911 service is available. Separate seven-digit emergency call numbers would be unfamiliar to many individuals and also more burdensome to use. A standard emergency 911 number is easier to remember and would save valuable time spent in searching in telephone books for a local seven-digit emergency number.

Many commenters requested the establishment of minimum standards of service (e.g., the quantity and location of TDD's and computer modems needed in a given emergency center). Instead of establishing these scoping requirements, the Department has established a performance standard through the mandate for direct access.

Section 35.162 requires public entities to take appropriate steps, including equipping their emergency systems with modern technology, as may be necessary to promptly re-

ceive and respond to a call from users of TDD's and computer modems. Entities are allowed the flexibility to determine what is the appropriate technology for their particular needs. In order to avoid mandating use of particular technologies that may become outdated, the Department has eliminated the references to the Baudot and ASCII formats in the proposed rule.

Some commenters requested that the section require the installation of a voice amplification device on the handset of the dispatcher's telephone to amplify the dispatcher's voice. In an emergency, a person who has a hearing loss may be using a telephone that does not have an amplification device. Installation of speech amplification devices on the handsets of the dispatchers' telephones would respond to that situation. The Department encourages their use.

Several commenters emphasized the need for proper maintenance of TDD's used in telephone emergency services. Section 35.133, which mandates maintenance of accessible features, requires public entities to maintain in operable working condition TDD's and other devices that provide direct access to the emergency system.

*Section 35.163 Information and Signage*

Section 35.163(a) requires the public entity to provide information to individuals with disabilities concerning accessible services, activities, and facilities. Paragraph (b) requires the public entity to provide signage at all inaccessible entrances to each of its facilities that directs users to an accessible entrance or to a location with information about accessible facilities.

Several commenters requested that, where TDD-equipped pay phones or portable TDD's exist, clear signage should be posted indicating the location of the TDD. The Department believes that this is required by paragraph (a). In addition, the Department recommends that, in large buildings that house TDD's, directional signage indicating the location of available TDD's should be placed adjacent to banks of telephones that do not contain a TDD.

*Section 35.164 Duties*

Section 35.164, like paragraph (a)(3) of §35.150, is taken from the section 504 regulations for federally conducted programs. Like paragraph (a)(3), it limits the obligation of the public entity to ensure effective communication in accordance with *Davis* and the circuit court opinions interpreting it. It also includes specific requirements for determining the existence of undue financial and administrative burdens. The preamble discussion of §35.150(a) regarding that determination is applicable to this section and further explains the public entity's obligation to comply with §§35.160-35.164. Because

of the essential nature of the services provided by telephone emergency systems, the Department assumes that §35.164 will rarely be applied to §35.162.

*Subpart F—Compliance Procedures*

Subpart F sets out the procedures for administrative enforcement of this part. Section 203 of the Act provides that the remedies, procedures, and rights set forth in section 505 of the Rehabilitation Act of 1973 (29 U.S.C. 794a) for enforcement of section 504 of the Rehabilitation Act, which prohibits discrimination on the basis of handicap in programs and activities that receive Federal financial assistance, shall be the remedies, procedures, and rights for enforcement of title II. Section 505, in turn, incorporates by reference the remedies, procedures, and rights set forth in title VI of the Civil Rights Act of 1964 (42 U.S.C. 2000d to 2000d-4a). Title VI, which prohibits discrimination on the basis of race, color, or national origin in federally assisted programs, is enforced by the Federal agencies that provide the Federal financial assistance to the covered programs and activities in question. If voluntary compliance cannot be achieved, Federal agencies enforce title VI either by the termination of Federal funds to a program that is found to discriminate, following an administrative hearing, or by a referral to this Department for judicial enforcement.

Title II of the ADA extended the requirements of section 504 to all services, programs, and activities of State and local governments, not only those that receive Federal financial assistance. The House Committee on Education and Labor explained the enforcement provisions as follows:

It is the Committee's intent that administrative enforcement of section 202 of the legislation should closely parallel the Federal government's experience with section 504 of the Rehabilitation Act of 1973. The Attorney General should use section 504 enforcement procedures and the Department's coordination role under Executive Order 12250 as models for regulation in this area.

The Committee envisions that the Department of Justice will identify appropriate Federal agencies to oversee compliance activities for State and local governments. As with section 504, these Federal agencies, including the Department of Justice, will receive, investigate, and where possible, resolve complaints of discrimination. If a Federal agency is unable to resolve a complaint by voluntary means, \* \* \* the major enforcement sanction for the Federal government will be referral of cases by these Federal agencies to the Department of Justice.

The Department of Justice may then proceed to file suits in Federal district court. As with section 504, there is also a private right of action for persons with disabilities, which includes the full panoply of remedies. Again,

consistent with section 504, it is not the Committee's intent that persons with disabilities need to exhaust Federal administrative remedies before exercising their private right of action.

Education & Labor report at 98. See also S. Rep. No. 116, 101st Cong., 1st Sess., at 57-58 (1989).

Subpart F effectuates the congressional intent by deferring to section 504 procedures where those procedures are applicable, that is, where a Federal agency has jurisdiction under section 504 by virtue of its provision of Federal financial assistance to the program or activity in which the discrimination is alleged to have occurred. Deferral to the 504 procedures also makes the sanction of fund termination available where necessary to achieve compliance. Because the Civil Rights Restoration Act (Pub. L. 100-259) extended the application of section 504 to all of the operations of the public entity receiving the Federal financial assistance, many activities of State and local governments are already covered by section 504. The procedures in subpart F apply to complaints concerning services, programs, and activities of public entities that are covered by the ADA.

Subpart G designates the Federal agencies responsible for enforcing the ADA with respect to specific components of State and local government. It does not, however, displace existing jurisdiction under section 504 of the various funding agencies. Individuals may still file discrimination complaints against recipients of Federal financial assistance with the agencies that provide that assistance, and the funding agencies will continue to process those complaints under their existing procedures for enforcing section 504. The substantive standards adopted in this part for title II of the ADA are generally the same as those required under section 504 for federally assisted programs, and public entities covered by the ADA are also covered by the requirements of section 504 to the extent that they receive Federal financial assistance. To the extent that title II provides greater protection to the rights of individuals with disabilities, however, the funding agencies will also apply the substantive requirements established under title II and this part in processing complaints covered by both this part and section 504, except that fund termination procedures may be used only for violations of section 504.

Subpart F establishes the procedures to be followed by the agencies designated in subpart G for processing complaints against State and local government entities when the designated agency does not have jurisdiction under section 504.

*Section 35.170 Complaints*

Section 35.170 provides that any individual who believes that he or she or a specific class of individuals has been subjected to discrimination on the basis of disability by a public entity may, by himself or herself or by an authorized representative, file a complaint under this part within 180 days of the date of the alleged discrimination, unless the time for filing is extended by the agency for good cause. Although §35.107 requires public entities that employ 50 or more persons to establish grievance procedures for resolution of complaints, exhaustion of those procedures is not a prerequisite to filing a complaint under this section. If a complainant chooses to follow the public entity's grievance procedures, however, any resulting delay may be considered good cause for extending the time allowed for filing a complaint under this part.

Filing the complaint with any Federal agency will satisfy the requirement for timely filing. As explained below, a complaint filed with an agency that has jurisdiction under section 504 will be processed under the agency's procedures for enforcing section 504.

Some commenters objected to the complexity of allowing complaints to be filed with different agencies. The multiplicity of enforcement jurisdiction is the result of following the statutorily mandated enforcement scheme. The Department has, however, attempted to simplify procedures for complainants by making the Federal agency that receives the complaint responsible for referring it to an appropriate agency.

The Department has also added a new paragraph (c) to this section providing that a complaint may be filed with any agency designated under subpart G of this part, or with any agency that provides funding to the public entity that is the subject of the complaint, or with the Department of Justice. Under §35.171(a)(2), the Department of Justice will refer complaints for which it does not have jurisdiction under section 504 to an agency that does have jurisdiction under section 504, or to the agency designated under subpart G as responsible for complaints filed against the public entity that is the subject of the complaint or in the case of an employment complaint that is also subject to title I of the Act, to the Equal Employment Opportunity Commission. Complaints filed with the Department of Justice may be sent to the Coordination and Review Section, P.O. Box 66118, Civil Rights Division, U.S. Department of Justice, Washington, DC 20035-6118.

*Section 35.171 Acceptance of Complaints*

Section 35.171 establishes procedures for determining jurisdiction and responsibility for processing complaints against public entities. The final rule provides complainants

an opportunity to file with the Federal funding agency of their choice. If that agency does not have jurisdiction under section 504, however, and is not the agency designated under subpart G as responsible for that public entity, the agency must refer the complaint to the Department of Justice, which will be responsible for referring it either to an agency that does have jurisdiction under section 504 or to the appropriate designated agency, or in the case of an employment complaint that is also subject to title I of the Act, to the Equal Employment Opportunity Commission.

Whenever an agency receives a complaint over which it has jurisdiction under section 504, it will process the complaint under its section 504 procedures. When the agency designated under subpart G receives a complaint for which it does not have jurisdiction under section 504, it will treat the complaint as an ADA complaint under the procedures established in this subpart.

Section 35.171 also describes agency responsibilities for the processing of employment complaints. As described in connection with §35.140, additional procedures regarding the coordination of employment complaints will be established in a coordination regulation issued by DOJ and EEOC. Agencies with jurisdiction under section 504 for complaints alleging employment discrimination also covered by title I will follow the procedures established by the coordination regulation for those complaints. Complaints covered by title I but not section 504 will be referred to the EEOC, and complaints covered by this part but not title I will be processed under the procedures in this part.

*Section 35.172 Resolution of Complaints*

Section 35.172 requires the designated agency to either resolve the complaint or issue to the complainant and the public entity a Letter of Findings containing findings of fact and conclusions of law and a description of a remedy for each violation found.

The Act requires the Department of Justice to establish administrative procedures for resolution of complaints, but does not require complainants to exhaust these administrative remedies. The Committee Reports make clear that Congress intended to provide a private right of action with the full panoply of remedies for individual victims of discrimination. Because the Act does not require exhaustion of administrative remedies, the complainant may elect to proceed with a private suit at any time.

*Section 35.173 Voluntary Compliance Agreements*

Section 35.173 requires the agency to attempt to resolve all complaints in which it

## Department of Justice

## Pt. 35, App. B

finds noncompliance through voluntary compliance agreements enforceable by the Attorney General.

### *Section 35.174 Referral*

Section 35.174 provides for referral of the matter to the Department of Justice if the agency is unable to obtain voluntary compliance.

### *Section 35.175 Attorney's Fees*

Section 35.175 states that courts are authorized to award attorneys fees, including litigation expenses and costs, as provided in section 505 of the Act. Litigation expenses include items such as expert witness fees, travel expenses, etc. The Judiciary Committee Report specifies that such items are included under the rubric of "attorneys fees" and not "costs" so that such expenses will be assessed against a plaintiff only under the standard set forth in *Christiansburg Garment Co. v. Equal Employment Opportunity Commission*, 434 U.S. 412 (1978). (Judiciary report at 73.)

### *Section 35.176 Alternative Means of Dispute Resolution*

Section 35.176 restates section 513 of the Act, which encourages use of alternative means of dispute resolution.

### *Section 35.177 Effect of Unavailability of Technical Assistance*

Section 35.177 explains that, as provided in section 506(e) of the Act, a public entity is not excused from compliance with the requirements of this part because of any failure to receive technical assistance.

### *Section 35.178 State Immunity*

Section 35.178 restates the provision of section 502 of the Act that a State is not immune under the eleventh amendment to the Constitution of the United States from an action in Federal or State court for violations of the Act, and that the same remedies are available for any such violations as are available in an action against an entity other than a State.

### *Subpart G—Designated Agencies*

#### *Section 35.190 Designated Agencies*

Subpart G designates the Federal agencies responsible for investigating complaints under this part. At least 26 agencies currently administer programs of Federal financial assistance that are subject to the non-discrimination requirements of section 504 as well as other civil rights statutes. A majority of these agencies administer modest programs of Federal financial assistance and/or devote minimal resources exclusively to "external" civil rights enforcement activities. Under Executive Order 12250, the De-

partment of Justice has encouraged the use of delegation agreements under which certain civil rights compliance responsibilities for a class of recipients funded by more than one agency are delegated by an agency or agencies to a "lead" agency. For example, many agencies that fund institutions of higher education have signed agreements that designate the Department of Education as the "lead" agency for this class of recipients.

The use of delegation agreements reduces overlap and duplication of effort, and thereby strengthens overall civil rights enforcement. However, the use of these agreements to date generally has been limited to education and health care recipients. These classes of recipients are funded by numerous agencies and the logical connection to a lead agency is clear (e.g., the Department of Education for colleges and universities, and the Department of Health and Human Services for hospitals).

The ADA's expanded coverage of State and local government operations further complicates the process of establishing Federal agency jurisdiction for the purpose of investigating complaints of discrimination on the basis of disability. Because all operations of public entities now are covered irrespective of the presence or absence of Federal financial assistance, many additional State and local government functions and organizations now are subject to Federal jurisdiction. In some cases, there is no historical or single clear-cut subject matter relationship with a Federal agency as was the case in the education example described above. Further, the 33,000 governmental jurisdictions subject to the ADA differ greatly in their organization, making a detailed and workable division of Federal agency jurisdiction by individual State, county, or municipal entity unrealistic.

This regulation applies the delegation concept to the investigation of complaints of discrimination on the basis of disability by public entities under the ADA. It designates eight agencies, rather than all agencies currently administering programs of Federal financial assistance, as responsible for investigating complaints under this part. These "designated agencies" generally have the largest civil rights compliance staffs, the most experience in complaint investigations and disability issues, and broad yet clear subject area responsibilities. This division of responsibilities is made functionally rather than by public entity type or name designation. For example, all entities (regardless of their title) that exercise responsibilities, regulate, or administer services or programs relating to lands and natural resources fall within the jurisdiction of the Department of Interior.

Complaints under this part will be investigated by the designated agency most closely related to the functions exercised by the governmental component against which the complaint is lodged. For example, a complaint against a State medical board, where such a board is a recognizable entity, will be investigated by the Department of Health and Human Services (the designated agency for regulatory activities relating to the provision of health care), even if the board is part of a general umbrella department of planning and regulation (for which the Department of Justice is the designated agency). If two or more agencies have apparent responsibility over a complaint, §35.190(c) provides that the Assistant Attorney General shall determine which one of the agencies shall be the designated agency for purposes of that complaint.

Thirteen commenters, including four proposed designated agencies, addressed the Department of Justice's identification in the proposed regulation of nine "designated agencies" to investigate complaints under this part. Most comments addressed the proposed specific delegations to the various individual agencies. The Department of Justice agrees with several commenters who pointed out that responsibility for "historic and cultural preservation" functions appropriately belongs with the Department of Interior rather than the Department of Education. The Department of Justice also agrees with the Department of Education that "museums" more appropriately should be delegated to the Department of Interior, and that "preschool and daycare programs" more appropriately should be assigned to the Department of Health and Human Services, rather than to the Department of Education. The final rule reflects these decisions.

The Department of Commerce opposed its listing as the designated agency for "commerce and industry, including general economic development, banking and finance, consumer protection, insurance, and small business". The Department of Commerce cited its lack of a substantial existing section 504 enforcement program and experience with many of the specific functions to be delegated. The Department of Justice accedes to the Department of Commerce's position, and has assigned itself as the designated agency for these functions.

In response to a comment from the Department of Health and Human Services, the regulation's category of "medical and nursing schools" has been clarified to read "schools of medicine, dentistry, nursing, and other health-related fields". Also in response to a comment from the Department of Health and Human Services, "correctional institutions" have been specifically added to the public safety and administration of justice functions assigned to the Department of Justice.

The regulation also assigns the Department of Justice as the designated agency responsible for all State and local government functions not assigned to other designated agencies. The Department of Justice, under an agreement with the Department of the Treasury, continues to receive and coordinate the investigation of complaints filed under the Revenue Sharing Act. This entitlement program, which was terminated in 1986, provided civil rights compliance jurisdiction for a wide variety of complaints regarding the use of Federal funds to support various general activities of local governments. In the absence of any similar program of Federal financial assistance administered by another Federal agency, placement of designated agency responsibilities for miscellaneous and otherwise undesignated functions with the Department of Justice is an appropriate continuation of current practice.

The Department of Education objected to the proposed rule's inclusion of the functional area of "arts and humanities" within its responsibilities, and the Department of Housing and Urban Development objected to its proposed designation as responsible for activities relating to rent control, the real estate industry, and housing code enforcement. The Department has deleted these areas from the lists assigned to the Departments of Education and Housing and Urban Development, respectively, and has added a new paragraph (c) to §35.190, which provides that the Department of Justice may assign responsibility for components of State or local governments that exercise responsibilities, regulate, or administer services, programs, or activities relating to functions not assigned to specific designated agencies by paragraph (b) of this section to other appropriate agencies. The Department believes that this approach will provide more flexibility in determining the appropriate agency for investigation of complaints involving those components of State and local governments not specifically addressed by the listings in paragraph (b). As provided in §§35.170 and 35.171, complaints filed with the Department of Justice will be referred to the appropriate agency.

Several commenters proposed a stronger role for the Department of Justice, especially with respect to the receipt and assignment of complaints, and the overall monitoring of the effectiveness of the enforcement activities of Federal agencies. As discussed above, §§35.170 and 35.171 have been revised to provide for referral of complaints by the Department of Justice to appropriate enforcement agencies. Also, language has been added to §35.190(a) of the final regulation stating that the Assistant Attorney



General shall provide policy guidance and interpretations to designated agencies to ensure the consistent and effective implementation of this part.

[Order No. 1512-91, 56 FR 35716, July 26, 1991, redesignated by AG Order No. 3180-2010, 75 FR 56184, Sept. 15, 2010]

APPENDIX C TO PART 35— GUIDANCE TO REVISIONS TO ADA TITLE II AND TITLE III REGULATIONS REVISING THE MEANING AND INTERPRETATION OF THE DEFINITION OF “DISABILITY” AND OTHER PROVISIONS IN ORDER TO INCORPORATE THE REQUIREMENTS OF THE ADA AMENDMENTS ACT

NOTE: This appendix contains guidance providing a section-by-section analysis of the revisions to 28 CFR parts 35 and 36 published on August 11, 2016.

GUIDANCE AND SECTION-BY-SECTION ANALYSIS

This section provides a detailed description of the Department’s changes to the meaning and interpretation of the definition of “disability” in the title II and title III regulations, the reasoning behind those changes, and responses to public comments received on these topics. *See* Office of the Attorney General; Amendment of Americans with Disabilities Act Title II and Title III Regulations to Implement ADA Amendments Act of 2008, 79 FR 4839 (Jan. 30, 2014) (NPRM).

*Sections 35.101 and 36.101—Purpose and Broad Coverage*

Sections 35.101 and 36.101 set forth the purpose of the ADA title II and title III regulations. In the NPRM, the Department proposed revising these sections by adding references to the ADA Amendments Act in renumbered §§ 35.101(a) and 36.101(a) and by adding new §§ 35.101(b) and 36.101(b), which explain that the ADA is intended to have broad coverage and that the definition of “disability” shall be construed broadly. The proposed language in paragraph (b) stated that the primary purpose of the ADA Amendments Act is to make it easier for people with disabilities to obtain protection under the ADA. Consistent with the ADA Amendments Act’s purpose of reinstating a broad scope of protection under the ADA, the definition of “disability” in this part shall be construed broadly in favor of expansive coverage to the maximum extent permitted by the terms of the ADA. The primary object of attention in ADA cases should be whether covered entities have complied with their obligations and whether discrimination has occurred, not whether the individual meets the definition of disability. The question of whether an individual meets the definition of

disability should not demand extensive analysis.

Many commenters supported inclusion of this information as reiterating the statutory language evincing Congress’ intention “to restore a broad definition of ‘disability’ under the ADA. . . .” Several commenters asked the Department to delete the last sentence in §§ 35.101(b) and 36.101(b), arguing that inclusion of this language is inconsistent with the individualized assessment required under the ADA. Some of these commenters acknowledged, however, that this language is drawn directly from the “Purposes” of the ADA Amendments Act. *See* Public Law 110-325, sec. 2(b)(5). The Department declines to remove this sentence from the final rule. In addition to directly quoting the statute, the Department believes that this language neither precludes nor is inconsistent with conducting an individualized assessment of whether an individual is covered by the ADA.

Some commenters recommended that the Department add a third paragraph to these sections expressly stating that “not all impairments are covered disabilities.” These commenters contended that “[t]here is a common misperception that having a diagnosed impairment automatically triggers coverage under the ADA.” While the Department does not agree that such a misperception is common, it agrees that it would be appropriate to include such a statement in the final rule, and has added it to the rules of construction explaining the phrase “substantially limits” at §§ 35.108(d)(1)(v) and 36.105(d)(1)(v).

*Sections 35.104 and 36.104—Definitions*

The current title II and title III regulations include the definition of “disability” in regulatory sections that contain all enumerated definitions in alphabetical order. Given the expanded length of the definition of “disability” and the number of additional subsections required in order to give effect to the requirements of the ADA Amendments Act, the Department, in the NPRM, proposed moving the definition of “disability” from the general definitional sections at §§ 35.104 and 36.104 to a new section in each regulation, §§ 35.108 and 36.105, respectively.

The Department received no public comments in response to this proposal and the definition of “disability” remains in its own sections in the final rule.

*Sections 35.108(a)(1) and 36.105(a)(1) Definition of “disability”—General*

In the ADA, Congress originally defined “disability” as “(A) a physical or mental impairment that substantially limits one or more major life activities of an individual; (B) a record of such an impairment; or (C)

being regarded as having such an impairment.” Public Law 101–336, sec. 3 (1990). This three-part definition—the “actual,” “record of,” and “regarded as” prongs—was modeled after the definition of “handicap” found in the Rehabilitation Act of 1973. H.R. Rep. No. 110–730, pt. 2, at 6 (2008). The Department’s 1991 title II and title III ADA regulations reiterate this three-part basic definition as follows:

Disability means, with respect to an individual,

- a physical or mental impairment that substantially limits one or more of the major life activities of such individual;
- a record of such an impairment; or
- being regarded as having such an impairment.

56 FR 35694, 35717 (July 26, 1991); 56 FR 35544, 35548 (July 26, 1991).

While the ADA Amendments Act did not amend the basic structure or terminology of the original statutory definition of “disability,” the Act revised the third prong to incorporate by reference two specific provisions construing this prong. 42 U.S.C. 12102(3)(A)–(B). The first statutory provision clarified the scope of the “regarded as” prong by explaining that “[a]n individual meets the requirement of ‘being regarded as having such an impairment’ if the individual establishes that he or she has been subjected to an action prohibited under this chapter because of an actual or perceived physical or mental impairment whether or not the impairment limits or is perceived to limit a major life activity.” 42 U.S.C. 12102(3)(A). The second statutory provision provides an exception to the “regarded as” prong for impairments that are both transitory and minor. A transitory impairment is defined as “an impairment with an actual or expected duration of 6 months or less.” 42 U.S.C. 12102(3)(B). In the NPRM, the Department proposed revising the “regarded as” prong in §§ 35.108(a)(1)(iii) and 36.105(a)(1)(iii) to reference the regulatory provisions that implement 42 U.S.C. 12102(3). The NPRM proposed, at §§ 35.108(f) and 36.105(f), that “regarded as” having an impairment would mean that the individual has been subjected to an action prohibited by the ADA because of an actual or perceived impairment that is not both “transitory and minor.”

The first proposed sentence directed that the meaning of the “regarded as prong” shall be understood in light of the requirements in §§ 35.108(f) and 36.105(f). The second proposed sentence merely provided a summary restatement of the requirements of §§ 35.108(f) and 36.105(f). The Department received no comments in response to this proposed language. Upon consideration, however, the Department decided to retain the first proposed sentence but omit the second as superfluous. Because the first sentence explicitly incorporates and directs the public to the require-

ments set out in §§ 35.108(f) and 36.105(f), the Department believes that summarizing those requirements here is unnecessary. Accordingly, in the final rule, §§ 35.108(a)(1)(iii) and 36.105(a)(1)(iii) simply reference paragraph (f) of the respective section. *See also*, discussion in the Guidance and Section-by-Section analysis of §§ 35.108(f) and 36.105(f), below.

*Sections 35.108(a)(2) and 36.105(a)(2) Definition of “disability”—Rules of Construction*

In the NPRM, the Department proposed §§ 35.108(a)(2) and 36.105(a)(2), which set forth rules of construction on how to apply the definition of “disability.” Proposed §§ 35.108(a)(2)(i) and 36.105(a)(2)(i) state that an individual may establish coverage under any one or more of the prongs in the definition of “disability”—the “actual disability” prong in paragraph (a)(1)(i), the “record of” prong in paragraph (a)(1)(ii) or the “regarded as” prong in paragraph (a)(1)(iii). *See* §§ 35.108(a)(1)(i) through (iii); 36.105(a)(1)(i) through (iii). The NPRM’s inclusion of rules of construction stemmed directly from the ADA Amendments Act, which amended the ADA to require that the definition of “disability” be interpreted in conformance with several specific directives and an overarching mandate to ensure “broad coverage . . . to the maximum extent permitted by the terms of [the ADA].” 42 U.S.C. 12102(4)(A).

To be covered under the ADA, an individual must satisfy only one prong. The term “actual disability” is used in these rules of construction as shorthand terminology to refer to an impairment that substantially limits a major life activity within the meaning of the first prong of the definition of “disability.” *See* §§ 35.108(a)(1)(i); 36.105(a)(1)(i). The terminology selected is for ease of reference. It is not intended to suggest that an individual with a disability who is covered under the first prong has any greater rights under the ADA than an individual who is covered under the “record of” or “regarded as” prongs, with the exception that the ADA Amendments Act revised the ADA to expressly state that an individual who meets the definition of “disability” solely under the “regarded as” prong is not entitled to reasonable modifications of policies, practices, or procedures. *See* 42 U.S.C. 12201(h).

Proposed §§ 35.108(a)(2)(ii) and 36.105(a)(2)(ii) were intended to incorporate Congress’s expectation that consideration of coverage under the “actual disability” and “record of disability” prongs of the definition of “disability” will generally be unnecessary except in cases involving requests for reasonable modifications. *See* 154 Cong. Rec. H6068 (daily ed. June 25, 2008) (joint statement of Reps. Steny Hoyer and Jim Sensenbrenner). Accordingly, these provisions state that, absent

a claim that a covered entity has failed to provide reasonable modifications, typically it is not necessary to rely on the “actual disability” or “record of” disability prongs. Instead, in such cases, the coverage can be evaluated exclusively under the “regarded as” prong,” which does not require a showing of an impairment that substantially limits a major life activity or a record of such an impairment. Whether or not an individual is challenging a covered entity’s failure to provide reasonable modifications, the individual may nevertheless proceed under the “actual disability” or “record of” prong. The Department notes, however, that where an individual is challenging a covered entity’s failure to provide effective communication, that individual cannot rely solely on the “regarded as prong” because the entitlement to an auxiliary aid or service is contingent on a disability-based need for the requested auxiliary aid or service. *See* 28 CFR 35.160(b), 28 CFR 36.303(c).

The Department received no comments objecting to these proposed rules of construction. The final rule retains these provisions but rennumbers them as paragraphs (ii) and (iii) of §§ 35.108(a)(2) and 36.105(a)(2) and replaces the reference to “covered entity” in the title III regulatory text with “public accommodation.”

The Department has added a third rule of construction at the beginning of §§ 35.108(a)(2) and 36.105(a)(2), numbered §§ 35.108(a)(2)(i) and 36.105(a)(2)(i). Closely tracking the amended statutory language, these provisions state that “[t]he definition of disability shall be construed broadly in favor of expansive coverage, to the maximum extent permitted by the terms of the ADA.” *See* 42 U.S.C. 12102(4)(A). This principle is referenced in other portions of the final rule, but the Department believes it is important to include here underscore Congress’s intent that it be applied throughout the determination of whether an individual falls within the ADA definition of “disability.”

*Sections 35.108(b) and 36.105(b)—Physical or Mental Impairment*

The ADA Amendments Act did not change the meaning of the term “physical or mental impairment.” Thus, in the NPRM, the Department proposed only minor modifications to the general regulatory definitions for this term at §§ 35.108(b)(1)(i) and 36.105(b)(1)(i) by adding examples of two additional body systems—the immune system and the circulatory system—that may be affected by a physical impairment.

In addition, the Department proposed adding “dyslexia” to §§ 35.108(b)(2) and 36.105(b)(2) as an example of a specific learning disability that falls within the meaning of the phrase “physical or mental impairment.” Although dyslexia is a specific

diagnosable learning disability that causes difficulties in reading, unrelated to intelligence and education, the Department became aware that some covered entities mistakenly believe that dyslexia is not a clinically diagnosable impairment. Therefore, the Department sought public comment regarding its proposed inclusion of a reference to dyslexia in these sections.

The Department received a significant number of comments in response to this proposal. Many commenters supported inclusion of the reference to dyslexia. Some of these commenters also asked the Department to include other examples of specific learning disabilities such as dysgraphia<sup>1</sup> and dyscalculia.<sup>2</sup> Several commenters remarked that as “research and practice bear out, dyslexia is just one of the specific learning disabilities that arise from ‘neurological differences in brain structure and function and affect a person’s ability to receive, store, process, retrieve or communicate information.’” These commenters identified the most common specific learning disabilities as: “Dyslexia, dysgraphia, dyscalculia, auditory processing disorder, visual processing disorder and non-verbal learning disabilities,” and recommended that the Department rephrase its reference to specific learning disabilities to make clear that there are many other specific learning disabilities besides dyslexia. The Department has considered all of these comments and has decided to use the phrase “dyslexia and other specific learning disabilities” in the final rule.

Another commenter asked the Department to add a specific definition of dyslexia to the regulatory text itself. The Department declines to do so as it does not give definitions for any other physical or mental impairment in the regulations.

Other commenters recommended that the Department add ADHD to the list of examples of “physical or mental impairments” in §§ 35.108(b)(2) and 36.105(b)(2).<sup>3</sup> Some commenters stated that ADHD, which is not a

<sup>1</sup>Dysgraphia is a learning disability that negatively affects the ability to write.

<sup>2</sup>Dyscalculia is a learning disability that negatively affects the processing and learning of numerical information.

<sup>3</sup>The Department is using the term ADHD in the same manner as it is currently used in the Diagnostic and Statistical Manual of Mental Disorders: Fifth Edition (DSM-5), to refer to three different presentations of symptoms: Predominantly inattentive (which was previously known as “attention deficit disorder); predominantly hyperactive or impulsive; or a combined presentation of inattention and hyperactivity-impulsivity. The DSM-5 is the most recent edition of a

*Continued*

specific learning disability, is a very commonly diagnosed impairment that is not always well understood. These commenters expressed concern that excluding ADHD from the list of physical and mental impairments could be construed to mean that ADHD is less likely to support an assertion of disability as compared to other impairments. On consideration, the Department agrees that, due to the prevalence of ADHD but lack of public understanding of the condition, inclusion of ADHD among the examples set forth in §§ 35.108(b)(2) and 36.105(b)(2) will provide appropriate and helpful guidance to the public.

Other commenters asked the Department to include arthritis, neuropathy, and other examples of physical or mental impairments that could substantially impair a major life activity. The Department declines to add any other examples because, while it notes the value in clarifying the existence of impairments such as ADHD, it also recognizes that the regulation need not elaborate an inclusive list of all impairments, particularly those that are very prevalent, such as arthritis, or those that may be symptomatic of other underlying impairments already referenced in the list, such as neuropathy, which may be caused by cancer or diabetes. The list is merely illustrative and not exhaustive. The regulations clearly state that the phrase “physical or mental impairment” includes, but is not limited to” the examples provided. No negative implications should be drawn from the omission of any specific impairment in §§ 35.108(b) and 36.105(b).

The Department notes that it is important to distinguish between conditions that are impairments and physical, environmental, cultural, or economic characteristics that are not impairments. The definition of the term “impairment” does not include physical characteristics such as eye color, hair color, or left-handedness, or height, weight, or muscle tone that are within “normal” range. Moreover, conditions that are not themselves physiological disorders, such as pregnancy, are not impairments. However, even if an underlying condition or characteristic is not itself a physical or mental impairment, it may give rise to a physical or mental impairment that substantially limits a major life activity. In such a case, an individual would be able to establish coverage under the ADA. For example, while pregnancy itself is not an impairment, a pregnancy-related impairment that substantially limits a major life activity will constitute a

widely-used manual designed to assist clinicians and researchers in assessing mental disorders. See *Diagnostic and Statistical Manual of Mental Disorders: Fifth Edition DSM–5*, American Psychiatric Association, at 59–66 (2013).

disability under the first prong of the definition.<sup>4</sup> Major life activities that might be substantially limited by pregnancy-related impairments could include walking, standing, and lifting, as well as major bodily functions such as the musculoskeletal, neurological, cardiovascular, circulatory, endocrine, and reproductive functions. Alternatively, a pregnancy-related impairment may constitute a “record of” a substantially limiting impairment, or may be covered under the “regarded as” prong if it is the basis for a prohibited action and is not both “transitory and minor.”

*Sections 35.108(c) and 36.105(c)—Major Life Activities*

Prior to the passage of the ADA Amendments Act, the ADA did not define “major life activities,” leaving delineation of illustrative examples to agency regulations. Paragraph 2 of the definition of “disability” in the Department’s current title II and title III regulations at 28 CFR 35.104 and 36.104 states that “major life activities” means functions such as caring for one’s self, performing manual tasks, walking, seeing, hearing, speaking, breathing, learning, and working.

The ADA Amendments Act significantly expanded the range of major life activities by directing that “major” be interpreted in a more expansive fashion, by adding a significant new category of major life activities, and by providing non-exhaustive lists of examples of major life activities. The amended statute’s first list of major life activities includes, but is not limited to, “caring for oneself, performing manual tasks, seeing, hearing, eating, sleeping, walking, standing, lifting, bending, speaking, breathing, learning, reading, concentrating, thinking, communicating, and working.” 42 U.S.C. 12102(2)(A). The ADA Amendments Act also broadened the definition of “major life activity” to include physical or mental impairments that substantially limit the operation of a “major bodily function,” which include, but are not limited to, the “functions of the

<sup>4</sup>Pregnancy-related impairments may include, but are not limited to: Disorders of the uterus and cervix, such as insufficient cervix or uterine fibroids; and pregnancy-related anemia, sciatica, carpal tunnel syndrome, gestational diabetes, nausea, abnormal heart rhythms, limited circulation, or depression. See EEOC Enforcement Guidance on Pregnancy Discrimination and Related Issues, EEOC Notice 915.003, June 25, 2015, available at [http://www.eeoc.gov/laws/guidance/pregnancy\\_guidance.cfm](http://www.eeoc.gov/laws/guidance/pregnancy_guidance.cfm) (last visited Feb. 3, 2016).

immune system, normal cell growth, digestive, bowel, bladder, neurological, brain, respiratory, circulatory, endocrine, and reproductive functions.” 42 U.S.C. 12102(2)(B). These expanded lists of examples of major life activities reflect Congress’s directive to expand the meaning of the term “major” in response to court decisions that interpreted the term more narrowly than Congress intended. *See* Public Law 110–25, sec. 3 (b)(4).

*Examples of Major Life Activities, Other Than the Operations of a Major Bodily Function*

In the NPRM, at §§35.108(c) and 36.105(c), the Department proposed revisions of the title II and title III lists of examples of major life activities (other than the operations of a major bodily function) to incorporate all of the statutory examples, as well as to provide additional examples included in the EEOC title I final regulation—reaching, sitting, and interacting with others. *See* 29 CFR 1630.2(i)(1)(i).

A number of commenters representing persons with disabilities or the elderly recommended that the Department add a wide variety of other activities to this first list. Some commenters asked the Department to include references to test taking, writing, typing, keyboarding, or executive function.<sup>5</sup> Several commenters asked the Department to include other activities as well, such as the ability to engage in sexual activity, perform mathematical calculations, travel, or drive. One commenter asked the Department to recognize that, depending upon where people live, other life activities may fall within the category of major life activities. This commenter asserted, for example, that tending livestock or operating farm equipment can be a major life activity in a farming or ranching community, and that maintaining septic, well or water systems, or gardening, composting, or hunting may be a major life activity in a rural community.

On consideration of the legislative history and the relevant public comments, the Department decided to include “writing” as an additional example in its non-exhaustive list of examples of major life activities in the final rule. The Department notes Congress repeatedly stressed that writing is one of the major life activities that is often affected by a covered learning disability. *See, e.g.*, 154 Cong. Rec. S8842 (daily ed. Sept. 16, 2008)

<sup>5</sup> “Executive function” is an umbrella term that has been described as referring to “a constellation of cognitive abilities that include the ability to plan, organize, and sequence tasks and manage multiple tasks simultaneously.” *See, e.g.* National Institute of Neurological Disorders and Stroke, *Domain Specific Tasks of Executive Functions*, available at [grants.nih.gov/grants/guide/notice-files/NOT-NS-04-012.html](https://grants.nih.gov/grants/guide/notice-files/NOT-NS-04-012.html) (last visited Feb. 3, 2016).

(Statement of the Managers); H.R. Rep. No. 110–730 pt. 1, at 10–11 (2008).

Other than “writing,” the Department declines to add additional examples of major life activities to these provisions in the final rule. This list is illustrative, and the Department believes that it is neither necessary nor possible to list every major life activity. Moreover, the Department notes that many of the commenters’ suggested inclusions implicate life activities already included on the list. For example, although, as commenters pointed out, some courts have concluded that test taking is a major life activity,<sup>6</sup> the Department notes that one or more already-included major life activities—such as reading, writing, concentrating, or thinking, among others—will virtually always be implicated in test taking. Similarly, activities such as operating farm equipment, or maintaining a septic or well system, implicate already-listed major life activities such as reaching, lifting, bending, walking, standing, and performing manual tasks.

The commenters’ suggested additions also implicate the operations of various bodily systems that may already be recognized as major life activities. *See* discussion of §§35.108(c)(1)(ii) and 36.105(c)(1)(ii), below. For example, it is the Department’s view that individuals who have cognitive or other impairments that affect the range of abilities that are often described as part of “executive function” will likely be able to assert that they have impairments that substantially limit brain function, which is one of the major bodily functions listed among the examples of major life activities.

*Examples of Major Life Activities—Operations of a Major Bodily Function*

In the NPRM, the Department proposed revising the regulatory definitions of disability at §§35.108(c)(1)(ii) and 36.105(c)(1)(ii) to make clear that the operations of major bodily functions are major life activities, and to include a non-exhaustive list of examples of major bodily functions, consistent with the language of the ADA as amended.

<sup>6</sup>In *Bartlett v. N.Y. State Bd. of Law Examiners*, 970 F. Supp. 1094, 1117 (S.D.N.Y. 1997), *aff’d in part and vacated in part*, 156 F.3d 321 (2d Cir. 1998), *cert. granted, judgment vacated on other grounds*, 527 U.S. 1031 (1999), and *aff’d in part, vacated in part*, 226 F.3d 69 (2d Cir. 2000), then-Judge Sotomayor stated, “[I]n the modern era, where test-taking begins in the first grade, and standardized tests are a regular and often life-altering occurrence thereafter, both in school and at work, I find test-taking is within the ambit of ‘major life activity.’” *See also Rawdin v. American Bd. of Pediatrics*, 985 F. Supp. 2d 636 (E.D. Pa. 2013), *aff’d on other grounds*, 2014 U.S. App. LEXIS 17002 (3d Cir. Sept. 3, 2014).

Because the statutory list is non-exhaustive, the Department also proposed further expanding the list to include the following examples of major bodily functions: The functions of the special sense organs and skin, genitourinary, cardiovascular, hemic, lymphatic, and musculoskeletal systems. These six major bodily functions also are specified in the EEOC title I final regulation, 29 CFR 1630.2(i)(1)(i).

One commenter objected to the Department's inclusion of additional examples of major life activities in both these lists, suggesting that the Department include only those activities and conditions specifically set forth in the ADA as amended. The Department believes that providing other examples of major life activities, including major bodily functions, is within the Attorney General's authority to both interpret titles II and III of the ADA and promulgate implementing regulations and that these examples provide helpful guidance to the public. Therefore, the Department declines to limit its lists of major life activities to those specified in the statute. Further, the Department notes that even the expanded lists of major life activities and major bodily functions are illustrative and non-exhaustive. The absence of a particular life activity or bodily function from the list should not create a negative implication as to whether such activity or function constitutes a major life activity under the statute or the implementing regulation.

*Rules of Construction for Major Life Activities*

In the NPRM, proposed §§ 35.108(c)(2) and 36.105(c)(2) set out two specific principles applicable to major life activities: “[i]n determining other examples of major life activities, the term ‘major’ shall not be interpreted strictly to create a demanding standard for disability,” and “[w]hether an activity is a ‘major life activity’ is not determined by reference to whether it is of ‘central importance to daily life.’” The proposed language furthered a main purpose of the ADA Amendments Act—to reject the standards enunciated by the Supreme Court in *Toyota Motor Manufacturing, Kentucky, Inc. v. Williams* that (1) strictly interpreted the terms “substantially” and “major” in the definition of “disability” to create a demanding standard for qualifying as disabled under the ADA, and that (2) required an individual to have an impairment that prevents or severely restricts the individual from doing activities that are of central importance to most people's daily lives to be considered as “substantially limited” in performing a major life activity under the ADA. Public Law 110–325, sec. 2(b)(4).

The Department did not receive any comments objecting to its proposed language. In the final rule, the Department retained these

principles but has numbered each principle individually and deemed them “rules of construction” because they are intended to inform the determination of whether a particular activity is a major life activity.

*Sections 35.108(d)(1) and 36.105(d)(1)—  
Substantially Limits*

*Overview.* The ADA as amended directs that the term “substantially limits” shall be “interpreted consistently with the findings and purposes of the ADA Amendments Act,” 42 U.S.C. 12102(4)(B). *See also* Findings and Purposes of the ADA Amendments Act, Public Law 110–325, sec. 2(a)–(b). In the NPRM, the Department proposed to add nine rules of construction at §§ 35.108(d) and 36.105(d) clarifying how to interpret the meaning of “substantially limits” when determining whether an individual's impairment substantially limits a major life activity. These rules of construction are based on the requirements of the ADA as amended and the clear mandates of the legislative history. Due to the insertion of the rules of construction, these provisions are renumbered in the final rule.

*Sections 35.108(d)(1)(i) and 36.105(d)(1)(i)—  
Broad Construction, Not a Demanding Standard*

In accordance with Congress's overarching directive to construe the term “disability” broadly, *see* 42 U.S.C. 12102(4)(A), the Department, in its NPRM, proposed §§ 35.108(d)(1)(i) and 36.105(d)(1)(i), which state: “The term ‘substantially limits’ shall be construed broadly in favor of expansive coverage, to the maximum extent permitted by the terms of the ADA.” These provisions are also rooted in the Findings and Purposes of the ADA Amendments Act, in which Congress instructed that “the question of whether an individual's impairment is a disability under the ADA should not demand extensive analysis.” *See* Public Law 110–325, sec. 2(b)(1), (4)–(5).

Several commenters on these provisions supported the Department's proposal to include these rules of construction, noting that they were in keeping with both the statutory language and Congress's intent to broaden the definition of “disability” and restore expansive protection under the ADA. Some of these commenters stated that, even after the passage of the ADA Amendments Act, some covered entities continued to apply a narrow definition of “disability.”

Other commenters expressed concerns that the proposed language would undermine congressional intent by weakening the meaning of the word “substantial.” One of these commenters asked the Department to define the term “substantially limited” to include an element of materiality, while other commenters objected to the breadth of these provisions and argued that it would make the pool of people who might claim disabilities

too large, allowing those without substantial limitations to be afforded protections under the law. Another commenter expressed concern about the application of the regulatory language to the diagnosis of learning disabilities and ADHD.

The Department considered all of these comments and declines to provide a definition of the term “substantially limits” or make any other changes to these provisions in the final rule. The Department notes that Congress considered and expressly rejected including language defining the term “substantially limits”: “We have concluded that adopting a new, undefined term that is subject to widely disparate meanings is not the best way to achieve the goal of ensuring consistent and appropriately broad coverage under this Act. The resulting need for further judicial scrutiny and construction will not help move the focus from the threshold issue of disability to the primary issue of discrimination.” 154 Cong. Rec. S8441. (daily ed. Sept. 16, 2008) (Statement of the Managers).

The Department believes that the nine rules of construction interpreting the term “substantially limits” provide ample guidance on determining whether an impairment substantially limits a major life activity and are sufficient to ensure that covered entities will be able to understand and apply Congress’s intentions with respect to the breadth of the definition of “disability.”

Moreover, the commenters’ arguments that these provisions would undermine congressional intent are unsupported. To the contrary, Congress clearly intended the ADA Amendments Act to expand coverage: “The managers have introduced the ADA Amendments Act of 2008 to restore the proper balance and application of the ADA by clarifying and broadening the definition of disability, and to increase eligibility for the protections of the ADA. It is our expectation that because this bill makes the definition of disability more generous, some people who were not covered before will now be covered.” 154 Cong. Rec. S8441 (daily ed. Sept. 16, 2008) (Statement of the Managers).

The Department has also considered the comments expressed about the interplay between the proposed regulatory language and the diagnosis of learning disabilities and ADHD disorders. The Department believes that the revised definition of “disability,” including, in particular, the provisions construing “substantially limits,” strikes the appropriate balance to effectuate Congress’s intent when it passed the ADA Amendments Act, and will not modify its regulatory language in response to these comments.

*Sections 35.108(d)(1)(ii) and 36.105(d)(1)(ii)—  
Primary Object of ADA Cases*

In the ADA Amendments Act, Congress directed that rules of construction should en-

sure that “substantially limits” is construed in accordance with the findings and purposes of the statute. *See* 42 U.S.C. 12102(4)(B). One of the purposes of the Act was to convey that “the primary object of attention in cases brought under the ADA should be whether entities covered under the ADA have complied with the obligations and to convey that the question of whether an individuals’ impairment is a disability should not demand extensive analysis.” Public Law 110–325, sec. 2(b)(5). The legislative history clarifies that: “Through this broad mandate [of the ADA], Congress sought to protect anyone who is treated less favorably because of a current, past, or perceived disability. Congress did not intend for the threshold question of disability to be used as a means of excluding individuals from coverage. Nevertheless, as the courts began interpreting and applying the definition of disability strictly, individuals have been excluded from the protections that the ADA affords because they are unable to meet the demanding judicially imposed standard for qualifying as disabled.” H.R. Rep. No. 110–730, pt. 2, at 5 (2008) (House Committee on the Judiciary).

In keeping with Congress’s intent and the language of the ADA Amendments Act, the rules of construction at proposed §§ 35.108(d)(1)(iii) and 36.105(d)(1)(iii) make clear that the primary object of attention in ADA cases should be whether public or other covered entities have complied with their obligations and whether discrimination has occurred, not the extent to which an individual’s impairment substantially limits a major life activity. In particular, the threshold issue of whether an impairment substantially limits a major life activity should not demand extensive analysis.

A number of commenters expressed support for these rules of construction, noting that they reinforced Congress’s intent in ensuring that the primary focus will be on compliance. Several commenters objected to the use of the word “cases” in these provisions, stating that it lacked clarity. The word “cases” tracks the language of the ADA Amendments Act and the Department declines to change the term.

A few commenters objected to these provisions because they believed that the language would be used to supersede or otherwise change the required analysis of requests for reasonable modifications or testing accommodations. *See* 28 CFR 35.130(b)(7), 36.302, 36.309. The Department disagrees with these commenters. These rules of construction relate only to the determination of coverage under the ADA. They do not change the analysis of whether a discriminatory act has taken place, including the determination as to whether an individual is entitled to a reasonable modification or testing accommodation. *See* discussion of §§ 35.108(d)(1)(vii) and 36.105(d)(1)(vii) below.

The Department retained the language of these rules of construction in the final rule except that in the title III regulatory text it has changed the reference from “covered entity” to “public accommodation.” The Department also renumbered these provisions as §§ 35.108(d)(1)(ii) and 36.105(d)(1)(ii).

*Sections 35.108(d)(1)(iii) and 36.105(d)(1)(iii)—  
Impairment Need Not Substantially Limit  
More Than One Major Life Activity*

Proposed §§ 35.108(d)(1)(viii) and 36.105(d)(1)(viii) stated that “[a]n impairment that substantially limits one major life activity need not substantially limit other major life activities in order to be considered a substantially limiting impairment.” See 42 U.S.C. 12102(4)(C). This language reflected the statutory intent to reject court decisions that had required individuals to show that an impairment substantially limits more than one major life activity. See 154 Cong. Rec. S8841–44 (daily ed. Sept. 16, 2008) (Statement of the Managers). Applying this principle, for example, an individual seeking to establish coverage under the ADA need not show a substantial limitation in the ability to learn if that individual is substantially limited in another major life activity, such as walking, or the functioning of the nervous or endocrine systems. The proposed rule also was intended to clarify that the ability to perform one or more particular tasks within a broad category of activities does not preclude coverage under the ADA. See H.R. Rep. No. 110–730, pt. 2, at 19 & n.52 (2008) (House Committee on the Judiciary). For instance, an individual with cerebral palsy could have a capacity to perform certain manual tasks yet nonetheless show a substantial limitation in the ability to perform a “broad range” of manual tasks.

The Department received one comment specifically supporting this provision and none opposing it. The Department is retaining this language in the final rule although it is renumbered and is found at §§ 35.108(d)(1)(iii) and 36.105(d)(1)(iii).

*Sections 35.108(d)(1)(iv) and 36.105(d)(1)(iv)—  
Impairments That Are Episodic or in Remission*

The ADA as amended provides that “an impairment that is episodic or in remission is a disability if it would substantially limit a major life activity when active.”

42 U.S.C. 12102(4)(D). In the NPRM, the Department proposed §§ 35.108(d)(1)(vii) and 36.105(d)(1)(vii) to directly incorporate this language. These provisions are intended to reject the reasoning of court decisions concluding that certain individuals with certain conditions—such as epilepsy or post traumatic stress disorder—were not protected by the ADA because their conditions were episodic or intermittent. The legislative history provides that “[t]his . . . rule of construc-

tion thus rejects the reasoning of the courts in cases like *Todd v. Academy Corp.*

[57 F. Supp. 2d 448, 453 (S.D. Tex. 1999)] where the court found that the plaintiff’s epilepsy, which resulted in short seizures during which the plaintiff was unable to speak and experienced tremors, was not sufficiently limiting, at least in part because those seizures occurred episodically. It similarly rejects the results reached in cases [such as *Pimental v. Dartmouth-Hitchcock Clinic*, 236 F. Supp. 2d 177, 182–83 (D.N.H. 2002)] where the courts have discounted the impact of an impairment [such as cancer] that may be in remission as too short-lived to be substantially limiting. It is thus expected that individuals with impairments that are episodic or in remission (e.g., epilepsy, multiple sclerosis, cancer) will be able to establish coverage if, when active, the impairment or the manner in which it manifests (e.g., seizures) substantially limits a major life activity.” H.R. Rep. No. 110–730, pt. 2, at 19–20 (2008) (House Committee on the Judiciary).

Some examples of impairments that may be episodic include hypertension, diabetes, asthma, major depressive disorder, bipolar disorder, and schizophrenia. The fact that the periods during which an episodic impairment is active and substantially limits a major life activity may be brief or occur infrequently is no longer relevant to determining whether the impairment substantially limits a major life activity. For example, a person with post-traumatic stress disorder who experiences intermittent flashbacks to traumatic events is substantially limited in brain function and thinking.

The Department received three comments in response to these provisions. Two commenters supported this provision and one commenter questioned about how school systems should provide reasonable modifications to students with disabilities that are episodic or in remission. As discussed elsewhere in this guidance, the determination of what is an appropriate modification is separate and distinct from the determination of whether an individual is covered by the ADA, and the Department will not modify its regulatory language in response to this comment.

*Sections 35.108(d)(1)(v) and 36.105(d)(1)(v)—  
Comparisons to Most People in the Population,  
and Impairment Need Not Prevent or  
Significantly or Severely Restrict a Major Life  
Activity*

In the legislative history of the ADA Amendments Act, Congress explicitly recognized that it had always intended that determinations of whether an impairment substantially limits a major life activity should be based on a comparison to most people in the population. The Senate Managers Report approvingly referenced the discussion of this



requirement in the committee report from 1989. *See* 154 Cong. Rec. S8842 (daily ed. Sept. 16, 2008) (Statement of the Managers) (citing S. Rep. No. 101-116, at 23 (1989)). The preamble to the Department's 1990 title II and title III regulations also referenced that the impact of an individual's impairment should be based on a comparison to most people. *See* 56 FR 35694, 35699 (July 26, 1991).

Consistent with its longstanding intent, Congress directed, in the ADA Amendments Act, that disability determinations "should not demand extensive analysis" and that impairments do not need to rise to the level of "prevent[ing] or severely restrict[ing] the individual from doing activities that are of central importance to most people's daily lives." *See* Public Law 110-325, sec. 2(b)(4)-(5). In giving this direction, Congress sought to correct the standard that courts were applying to determinations of disability after *Toyota*, which had created "a situation in which physical or mental impairments that would previously have been found to constitute disabilities are not considered disabilities under the Supreme Court's narrower standard." 154 Cong. Rec. S8840-8841 (daily ed. Sept. 16, 2008) (Statement of the Managers). The ADA Amendments Act thus abrogates *Toyota*'s holding by mandating that "substantially limited" must no longer create "an inappropriately high level of limitation." *See* Public Law 110-325, sec. 2(b)(4)-(5) and 42 U.S.C. 12102(4)(B). For example, an individual with carpal tunnel syndrome, a physical impairment, can demonstrate that the impairment substantially limits the major life activity of writing even if the impairment does not prevent or severely restrict the individual from writing.

Accordingly, proposed §§ 35.108(d)(1)(i) and 36.105(d)(1)(i) state that an impairment is a disability if it substantially limits the ability of an individual to perform a major life activity as compared to most people in the general population. However, an impairment does not need to prevent, or significantly or severely restrict, an individual from performing a major life activity in order to be substantially limiting. The proposed language in the NPRM was rooted in the corrective nature of the ADA Amendments Act and its explicit rejection of the strict standards imposed under *Toyota* and its progeny. *See* Public Law 110-325, sec. 2(b)(4).

The Department received several comments on these provisions, none of which recommended modification of the regulatory language. A few commenters raised concerns that are further addressed in the "Condition, manner, or duration" section below, regarding the Department's inclusion in the NPRM preamble of a reference to possibly using similarly situated individuals as the basis of comparison. The Department has removed this discussion and clarified that it does not endorse reliance on similarly situated indi-

viduals to demonstrate substantial limitations. For example, the Department recognizes that when determining whether an elderly person is substantially limited in a major life activity, the proper comparison is most people in the general population, and not similarly situated elderly individuals. Similarly, someone with ADHD should be compared to most people in the general population, most of whom do not have ADHD. Other commenters expressed interest in the possibility that, in some cases, evidence to support an assertion that someone has an impairment might simultaneously be used to demonstrate that the impairment is substantially limiting. These commenters approvingly referenced the EEOC's interpretive guidance for its ADA Amendments Act regulation, which provided an example of an individual with a learning disability. *See* 76 FR 16978, 17009 (Mar. 25, 2011). In that example, evidence gathered to demonstrate the impairment of a learning disability showed a discrepancy between the person's age, measured intelligence, and education and that person's actual versus expected achievement. The EEOC noted that such individuals also likely would be able to demonstrate substantial limitations caused by that impairment to the major life activities of learning, reading, or thinking, when compared to most people in the general population, especially when the ameliorative effects of mitigating measures were set aside. The Department concurs with this view.

Finally, the Department added an explicit statement recognizing that not every impairment will constitute a disability within the meaning of the section. This language echoes the Senate Statement of Managers, which clarified that: "[N]ot every individual with a physical or mental impairment is covered by the first prong of the definition of disability in the ADA. An impairment that does not substantially limit a major life activity is not a disability under this prong." 154 Cong. Rec. S8841 (daily ed. Sept. 16, 2008) (Statement of the Managers).

*Sections 35.108(d)(1)(vi) and 36.105(d)(1)(vi)—  
"Substantially Limits" Shall Be Interpreted  
To Require a Lesser Degree of Functional  
Limitation Than That Required Prior to the  
ADA Amendments Act*

In the NPRM, proposed §§ 35.108(d)(1)(iv) and 36.105(d)(1)(iv) state that determining whether an impairment substantially limits a major life activity requires an individualized assessment. But, the interpretation and application of the term "substantially limits" for this assessment requires a lower degree of functional limitation than the standard applied prior to the ADA Amendments Act.

These rules of construction reflect Congress's concern that prior to the adoption of the ADA Amendments Act, courts were using too high a standard to determine whether an impairment substantially limited a major life activity. *See* Public Law 110–325, sec. 2(b)(4)–(5); *see also* 154 Cong. Rec. S8841 (daily ed. Sept. 16, 2008) (Statement of the Managers) (“This bill lowers the standard for determining whether an impairment constitute[s] a disability and reaffirms the intent of Congress that the definition of disability in the ADA is to be interpreted broadly and inclusively.”).

The Department received no comments on these provisions. The text of these provisions is unchanged in the final rule, although they have been renumbered as §§ 35.108(d)(1)(vi) and 36.105(d)(1)(vi).

*Sections §§ 35.108(d)(1)(vii) and 36.105(d)(1)(vii)—Comparison of Individual’s Performance of Major Life Activity Usually Will Not Require Scientific, Medical, or Statistical Analysis*

In the NPRM, the Department proposed at §§ 35.108(d)(1)(v) and 36.105(d)(1)(v) rules of construction making clear that the comparison of an individual’s performance of a major life activity to that of most people in the general population usually will not require scientific, medical, or statistical evidence. However, this rule is not intended to prohibit or limit the use of scientific, medical, or statistical evidence in making such a comparison where appropriate.

These rules of construction reflect Congress’s rejection of the demanding standards of proof imposed upon individuals with disabilities who tried to assert coverage under the ADA prior to the adoption of the ADA Amendments Act. In passing the Act, Congress rejected the idea that the disability determination should be “an onerous burden for those seeking accommodations or modifications.” *See* 154 Cong. Rec. S8842 (daily ed. Sept. 16, 2008) (Statement of the Managers). These rules make clear that in most cases, people with impairments will not need to present scientific, medical, or statistical evidence to support their assertion that an impairment is substantially limiting compared to most people in the general population. Instead, other types of evidence that are less onerous to collect, such as statements or affidavits of affected individuals, school records, or determinations of disability status under other statutes, should, in most cases, be considered adequate to establish that an impairment is substantially limiting. The Department’s proposed language reflected Congress’s intent to ensure that individuals with disabilities are not precluded from seeking protection under the ADA because of an overbroad, burdensome, and generally unnecessary requirement.

The Department received several comments in support of these provisions and a number of comments opposing all or part of them. One commenter representing individuals with disabilities expressed support for the proposed language, noting that “[m]any people with disabilities have limited resources and requiring them to hire an expert witness to confirm their disability would pose an insurmountable barrier that could prevent them from pursuing their ADA cases.”

Commenters representing testing entities objected to this language arguing that they needed scientific, medical, or statistical evidence in order to determine whether an individual has a learning disability or ADHD. These commenters argued that, unlike other disabilities, assessment of learning disabilities and ADHD require scientific, medical, or statistical evidence because such disabilities have no overt symptoms, cannot be readily observed, and lack medical or scientific verifiability. One commenter stated that the proposed language “favor[s] expedience over evidence-based guidance.”

In opposing these provisions, these commenters appear to conflate proof of the existence of an impairment with the analysis of how an impairment substantially limits a major life activity. These provisions address only how to evaluate whether an impairment substantially limits a major life activity, and the Department’s proposed language appropriately reflects Congress’s intent to ensure that individuals with disabilities are not precluded from seeking protection under the ADA because of overbroad, burdensome, and generally unnecessary evidentiary requirements. Moreover, the Department disagrees with the commenters’ suggestion that an individual with ADHD or a specific learning disability can never demonstrate how the impairment substantially limits a major life activity without scientific, medical, or statistical evidence. Scientific, medical, or statistical evidence usually will not be necessary to determine whether an individual with a disability is substantially limited in a major life activity. However, as the rule notes, such evidence may be appropriate in some circumstances.

One commenter suggested that the words “where appropriate” be deleted from these provisions in the final rule out of concern that they may be used to preclude individuals with disabilities from proffering scientific or medical evidence in support of a claim of coverage under the ADA. The Department disagrees with the commenter’s reading of these provisions. Congress recognized that some people may choose to support their claim by presenting scientific or medical evidence and made clear that “plaintiffs should not be constrained from offering evidence needed to establish that their impairment is substantially limiting.”

*See* 154 Cong. Rec. S8842 (daily ed. Sept. 16, 2008) (Statement of the Managers). The language “where appropriate” allows for those circumstances where an individual chooses to present such evidence, but makes clear that in most cases presentation of such evidence shall not be necessary.

Finally, although the NPRM did not propose any changes with respect to the title III regulatory requirements applicable to the provision of testing accommodations at 28 CFR 36.309, one commenter requested revisions to §36.309 to acknowledge the changes to regulatory language in the definition of “disability.” Another commenter noted that the proposed changes to the regulatory definition of “disability” warrant new agency guidance on how the ADA applies to requests for testing accommodations.

The Department does not consider it appropriate to include provisions related to testing accommodations in the definitional sections of the ADA regulations. The determination of disability, and thus coverage under the ADA, is governed by the statutory and regulatory definitions and the related rules of construction. Those provisions do not speak to what testing accommodations an individual with a disability is entitled to under the ADA nor to the related questions of what a testing entity may request or require from an individual with a disability who seeks testing accommodations. Testing entities’ substantive obligations are governed by 42 U.S.C. 12189 and the implementing regulation at 28 CFR 36.309. The implementing regulation clarifies that private entities offering covered examinations need to make sure that any request for required documentation is reasonable and limited to the need for the requested modification, accommodation, or auxiliary aid or service. Furthermore, when considering requests for modifications, accommodations, or auxiliary aids or services, the entity should give considerable weight to documentation of past modifications, accommodations, or auxiliary aids or services received in similar testing situations or provided in response to an Individualized Education Program (IEP) provided under the IDEA or a plan describing services provided under section 504 of the Rehabilitation Act of 1973 (often referred to as a Section 504 Plan).

Contrary to the commenters’ suggestions, there is no conflict between the regulation’s definitional provisions and title III’s testing accommodation provisions. The first addresses the core question of who is covered under the definition of “disability,” while the latter sets forth requirements related to documenting the need for particular testing accommodations. To the extent that testing entities are urging conflation of the analysis for establishing disability with that for determining required testing accommodations, such an approach would contradict the clear

delineation in the statute between the determination of disability and the obligations that ensue.

Accordingly, in the final rule, the text of these provisions is largely unchanged, except that the provisions are renumbered as §§35.108(d)(1)(vii) and 36.108(d)(1)(vii), and the Department added “the presentation of,” in the second sentence, which was included in the corresponding provision of the EEOC final rule. *See* 29 CFR 1630.2(j)(1)(v).

*Sections 35.108(d)(1)(viii) and 36.105(d)(1)(viii)—  
Determination Made Without Regard to the  
Ameliorative Effects of Mitigating Measures*

The ADA as amended expressly prohibits any consideration of the ameliorative effects of mitigating measures when determining whether an individual’s impairment substantially limits a major life activity, except for the ameliorative effects of ordinary eyeglasses or contact lenses. 42 U.S.C. 12102(4)(E). The statute provides an illustrative, and non-exhaustive list of different types of mitigating measures. *Id.*

In the NPRM, the Department proposed §§35.108(d)(2)(vi) and 36.105(d)(2)(vi), which tracked the statutory language regarding consideration of mitigating measures. These provisions stated that the ameliorative effects of mitigating measures should not be considered when determining whether an impairment substantially limits a major life activity. However, the beneficial effects of ordinary eyeglasses or contact lenses should be considered when determining whether an impairment substantially limits a major life activity. Ordinary eyeglasses or contact lenses refer to lenses that are intended to fully correct visual acuity or to eliminate refractive errors. Proposed §§35.108(d)(4) and 36.105(d)(4), discussed below, set forth examples of mitigating measures.

A number of commenters agreed with the Department’s proposed language and no commenters objected. Some commenters, however, asked the Department to add language to these sections stating that, although the ameliorative effects of mitigating measures may not be considered in determining whether an individual has a covered disability, they may be considered in determining whether an individual is entitled to specific testing accommodations or reasonable modifications. The ADA Amendments Act revised the definition of “disability” and the Department agrees that the Act’s prohibition on assessing the ameliorative effects of mitigating measures applies only to the determination of whether an individual meets the definition of “disability.” The Department declines to add the requested language, however, because it goes beyond the scope of this rulemaking by addressing ADA requirements that are not related to the definition of “disability.” These rules of construction do

not apply to the requirements to provide reasonable modifications under §§ 35.130(b)(7) and 36.302 or testing accommodations under § 36.309 in the title III regulations. The Department disagrees that further clarification is needed at this point and declines to modify these provisions except that they are now renumbered as §§ 35.108(d)(1)(viii) and § 36.105(d)(1)(viii).

The Department notes that in applying these rules of construction, evidence showing that an impairment would be substantially limiting in the absence of the ameliorative effects of mitigating measures could include evidence of limitations that a person experienced prior to using a mitigating measure or evidence concerning the expected course of a particular disorder absent mitigating measures.

The determination of whether an individual's impairment substantially limits a major life activity is unaffected by an individual's choice to forgo mitigating measures. For individuals who do not use a mitigating measure (including, for example, medication or auxiliary aids and services that might alleviate the effects of an impairment), the availability of such measures has no bearing on whether the impairment substantially limits a major life activity. The limitations posed by the impairment on the individual and any negative (non-ameliorative) effects of mitigating measures will serve as the foundation for a determination of whether an impairment is substantially limiting. The origin of the impairment, whether its effects can be mitigated, and any ameliorative effects of mitigating measures that are employed may not be considered in determining if the impairment is substantially limiting.

*Sections 35.108(d)(1)(ix) and 36.105(d)(1)(ix)—  
Impairment That Lasts Less Than Six Months  
Can Still Be a Disability Under First Two  
Prongs of the Definition*

In §§ 35.108(d)(1)(ix) and 36.105(d)(1)(ix), the NPRM proposed rules of construction noting that the six-month “transitory” part of the “transitory and minor” exception does not apply to the “actual disability” or “record of” prongs of the definition of “disability.” Even if an impairment may last or is expected to last six months or less, it can be substantially limiting.

The ADA as amended provides that the “regarded as” prong of the definition of “disability” does “not apply to impairments that are [both] transitory and minor.” 42 U.S.C. 12102(3)(B). “Transitory impairment” is defined as “an impairment with an actual or expected duration of six months or less.” *Id.* The statute does not define the term “minor.” Whether an impairment is both “transitory and minor” is a question of fact that is dependent upon individual circumstances. The ADA as amended contains no such provision with respect to the first

two prongs of the definition of “disability”—“actual disability,” and “record of” disability. The application of the “transitory and minor” exception to the “regarded as” prong is addressed in §§ 35.108(f) and 36.105(f).

The Department received two comments on this proposed language. One commenter recommended that the Department delete this language and “replace it with language clarifying that if a condition cannot meet the lower threshold of impairment under the third prong, it cannot meet the higher threshold of a disability under the first and second prongs.” The Department declines to modify these provisions because the determination of whether an individual satisfies the requirements of a particular prong is not a comparative determination between the three means of demonstrating disability under the ADA. The Department believes that the suggested language would create confusion because there are significant differences between the first two prongs and the third prong. In addition, the Department believes its proposed language is in keeping with the ADA Amendments Act and the supporting legislative history.

The other commenter suggested that the Department add language to provide greater clarity with respect to the application of the transitory and minor exception to the “regarded as prong.” The Department does not believe that additional language should be added to these rules of construction, which relate only to whether there is a six-month test for the first two prongs of the definition. As discussed below, the Department has revised both the regulatory text at §§ 35.108(f) and 36.105(f) and its guidance on the application of the “transitory and minor” exception to the “regarded as” prong. See discussion below.

*Sections 35.108(d)(2) and 36.105(d)(2)—  
Predictable Assessments*

In the NPRM, proposed §§ 35.108(d)(2) and 36.105(d)(2) set forth examples of impairments that should easily be found to substantially limit one or more major life activities. These provisions recognized that while there are no “per se” disabilities, for certain types of impairments the application of the various principles and rules of construction concerning the definition of “disability” to the individualized assessment would, in virtually all cases, result in the conclusion that the impairment substantially limits a major life activity. Thus, the necessary individualized assessment of coverage premised on these types of impairments should be particularly simple and straightforward. The purpose of the “predictable assessments” provisions is to simplify consideration of those disabilities that virtually always create substantial limitations to major life activities, thus satisfying

the statute's directive to create clear, consistent, and enforceable standards and ensuring that the inquiry of "whether an individual's impairment is a disability under the ADA should not demand extensive analysis." See Public Law 110-325, sec. 2(b)(1), (5). The impairments identified in the predictable assessments provision are a non-exhaustive list of examples of the kinds of disabilities that meet these criteria and, with one exception, are consistent with the corresponding provision in the EEOC ADA Amendments Act rule. See 29 CFR 1630.2(j)(3)(iii).<sup>7</sup>

The Department believes that the predictable assessments provisions comport with the ADA Amendments Act's emphasis on adopting a less burdensome and more expansive definition of "disability." The provisions are rooted in the application of the statutory changes to the meaning and interpretation of the definition of "disability" contained in the ADA Amendments Act and flow from the rules of construction set forth in §§ 35.108(a)(2)(i), 36.105(a)(2)(i), 35.108(c)(2)(i) and (ii), 36.105(c)(2)(i) and (ii). These rules of construction and other specific provisions require the broad construction of the definition of "disability" in favor of expansive coverage to the maximum extent permitted by the terms of the ADA. In addition, they lower the standard to be applied to "substantially limits," making clear that an impairment need not prevent or significantly restrict an individual from performing a major life activity; clarify that major life activities include major bodily functions; elucidate that impairments that are episodic or in remission are disabilities if they would be substantially limiting when active; and incorporate the requirement that the ameliorative effects of mitigating measures (other than ordinary eyeglasses or contact lenses) must be disregarded in assessing whether an individual has a disability.

Several organizations representing persons with disabilities and the elderly, constituting the majority of commenters on these provisions, supported the inclusion of the predictable assessments provisions. One commenter expressed strong support for the provision and recommended that it closely track the corresponding provision in the EEOC title I rule, while another noted its value in streamlining individual assessments. In contrast, some commenters from educational institutions and testing entities recommended the deletion of these provisions, expressing concern that it implies the existence of "per se" disabilities, contrary to congressional intent that each assertion of disability should be considered on a case-by-case basis. The Department does not believe

that the predictable assessment provisions constitutes a "per se" list of disabilities and will retain it. These provisions highlight, through a non-exhaustive list, impairments that virtually always will be found to substantially limit one or more major life activities. Such impairments still warrant individualized assessments, but any such assessments should be especially simple and straightforward.

The legislative history of the ADA Amendments Act supports the Department's approach in this area. In crafting the Act, Congress hewed to the ADA definition of "disability," which was modeled on the definition of "disability" in the Rehabilitation Act, and indicated that it wanted courts to interpret the definition as it had originally been construed. See H.R. Rep. No. 110-730, pt. 2, at 6 (2008). Describing this goal, the legislative history states that courts had interpreted the Rehabilitation Act definition "broadly to include persons with a wide range of physical and mental impairments such as epilepsy, diabetes, multiple sclerosis, and intellectual and developmental disabilities . . . even where a mitigating measure—like medication or a hearing aid—might lessen their impact on the individual." *Id.*; see also *id.* at 9 (referring to individuals with disabilities that had been covered under section 504 of the Rehabilitation Act and that Congress intended to include under the ADA—"people with serious health conditions like epilepsy, diabetes, cancer, cerebral palsy, multiple sclerosis, intellectual and developmental disabilities"); *id.* at 6, n.6 (citing cases also finding that cerebral palsy, hearing impairments, intellectual disabilities, heart disease, and vision in only one eye were disabilities under the Rehabilitation Act); *id.* at 10 (citing testimony from Rep. Steny H. Hoyer, one of the original lead sponsors of the ADA in 1990, stating that "[w]e could not have fathomed that people with diabetes, epilepsy, heart conditions, cancer, mental illnesses and other disabilities would have their ADA claims denied because they would be considered too functional to meet the definition of disability"); 2008 Senate Statement of Managers at 3 (explaining that "we [we]re faced with a situation in which physical or mental impairments that would previously have been found to constitute disabilities [under the Rehabilitation Act] [we]re not considered disabilities" and citing individuals with impairments such as amputation, intellectual disabilities, epilepsy, multiple sclerosis, diabetes, muscular dystrophy, and cancer as examples).

Some commenters asked the Department to add certain impairments to the predictable assessments list, while others asked the Department to remove certain impairments. Commenters representing educational and

<sup>7</sup>In the NPRM, the Department proposed adding "traumatic brain injury" to the predictable assessments list.

testing institutions urged that, if the Department did not delete the predictable assessment provisions, then the list should be modified to remove any impairments that are not obvious or visible to third parties and those for which functional limitations can change over time. One commenter cited to a pre-ADA Amendments Act reasonable accommodations case, which included language regarding the uncertainty facing employers in determining appropriate reasonable accommodations when mental impairments often are not obvious and apparent to employers. See *Wallin v. Minnesota Dep't of Corrections*, 153 F.3d 681, 689 (8th Cir. 1998). This commenter suggested that certain impairments, including autism, depression, post-traumatic stress disorder, and obsessive-compulsive disorder, should not be deemed predictable assessments because they are not immediately apparent to third parties. The Department disagrees with this commenter, and believes that it is appropriate to include these disabilities on the list of predictable assessments. Many disabilities are less obvious or may be invisible, such as cancer, diabetes, HIV infection, schizophrenia, intellectual disabilities, and traumatic brain injury, as well as those identified by the commenter. The likelihood that an impairment will substantially limit one or more major life activities is unrelated to whether or not the disability is immediately apparent to an outside observer. Therefore, the Department will retain the examples that involve less apparent disabilities on the list of predictable assessments.

The Department believes that the list accurately illustrates impairments that virtually always will result in a substantial limitation of one or more major life activities. The Department recognizes that impairments are not always static and can result in different degrees of functional limitation at different times, particularly when mitigating measures are used. However, the ADA as amended anticipates variation in the extent to which impairments affect major life activities, clarifying that impairments that are episodic or in remission nonetheless are disabilities if they would be substantially limiting when active and requiring the consideration of disabilities without regard to ameliorative mitigating measures. The Department does not believe that limiting the scope of its provisions addressing predictable assessments only to those disabilities that would never vary in functional limitation would be appropriate.

Other commenters speaking as individuals or representing persons with disabilities endorsed the inclusion of some impairments already on the list, including traumatic brain injury, sought the inclusion of additional impairments, requested revisions to some descriptions of impairments, or asked for

changes to the examples of major life activities linked to specific impairments.

Several commenters requested the expansion of the predictable assessments list, in particular to add specific learning disabilities. Some commenters pointed to the ADA Amendments Act's legislative history, which included Representative Stark's remarks that specific learning disabilities are "neurologically based impairments that substantially limit the way these individuals perform major life activities, like reading or learning, or the time it takes to perform such activities." 154 Cong. Rec. H8291 (daily ed. Sept. 17, 2008). Others recommended that some specific types of specific learning disabilities, including dyslexia, dyscalculia, dysgraphia, dyspraxia, and slowed processing speed should be referenced as predictable assessments. With respect to the major life activities affected by specific learning disabilities, commenters noted that specific learning disabilities are neurologically based and substantially limit learning, thinking, reading, communicating, and processing speed.

Similarly, commenters recommended the inclusion of ADHD, urging that it originates in the brain and affects executive function skills including organizing, planning, paying attention, regulating emotions, and self-monitoring. One commenter noted that if ADHD meets the criteria established in the DSM-5, then it would consistently meet the criteria to establish disability under the ADA. The same commenter noted that ADHD is brain based and affects the major life activity of executive function. Another commenter suggested that ADHD should be included and should be identified as limiting brain function, learning, reading, concentrating, thinking, communicating, interacting with others, and working. Other commenters urged the inclusion of panic disorders, anxiety disorder, cognitive disorder, and post-concussive disorder. A number of commenters noted that the exclusion of impairments from the predictable assessments list could be seen as supporting an inference that the impairments that are not mentioned should not easily be found to be disabilities.

The Department determined that it will retain the language it proposed in the NPRM and will not add or remove any impairments from this list. As discussed above, the list is identical to the EEOC's predictable assessments list, at 29 CFR 1630.2(g)(3)(iii), except that the Department's NPRM added traumatic brain injury. The Department received support for including traumatic brain injury and did not receive any comments recommending the removal of traumatic brain injury from the list; thus, we are retaining it in this final rule.

The Department's decision to track the EEOC's list, with one minor exception, stems

in part from our intent to satisfy the congressional mandate for “clear, strong, consistent, enforceable standards.” A number of courts already have productively applied the EEOC’s predictable assessments provision, and the Department believes that it will continue to serve as a useful, common-sense tool in promoting judicial efficiency. It is important to note, however, that the failure to include any impairment in the list of examples of predictable assessments does not indicate that that impairment should be subject to undue scrutiny.

Some commenters expressed concern about the major life activities that the Department attributed to particular impairments. Two commenters sought revision of the major life activities attributed to intellectual disabilities, suggesting that it would be more accurate to reference cognitive function and learning, instead of reading, learning, and problem solving. One commenter recommended attributing the major life activity of brain function to autism rather than learning, social interaction, and communicating. The Department determined that it will follow the EEOC’s model and, with respect to both intellectual disabilities and autism, it will reference the major bodily function of brain function. By using the term “brain function” to describe the system affected by various mental impairments, the Department intends to capture functions such as the brain’s ability to regulate thought processes and emotions.

The Department considers it important to reiterate that, just as the list of impairments in these sections is not comprehensive, the list of major bodily functions or other major life activities linked to those impairments are not exhaustive. The impairments identified in these sections, may affect a wide range of major bodily functions and other major life activities. The Department’s specification of certain major life activities with respect to particular impairments simply provides one avenue by which a person might elect to demonstrate that he or she has a disability.

The Department recognizes that impairments listed in §§35.108(d)(2) and 36.105(d)(2) may substantially limit other major life activities in addition to those listed in the regulation. For example, diabetes may substantially limit major life activities including eating, sleeping, and thinking. Major depressive disorder may substantially limit major life activities such as thinking, concentrating, sleeping, and interacting with others. Multiple sclerosis may substantially limit major life activities such as walking, bending, and lifting.

One commenter noted that the NPRM did not track the EEOC’s language with respect to the manner in which it identified a major bodily function that is substantially limited by epilepsy, muscular dystrophy, or multiple

sclerosis in 29 CFR 1630.2(j)(3)(iii). While the EEOC listed each of these three impairments individually, noting in each case that the major bodily function affected is neurological function, at 29 CFR 1630.2(j)(3)(iii), the NPRM grouped the three impairments and noted that they affect neurological function. In order to clarify that each of the three impairments may manifest a substantial limitation of neurological function, the final rule incorporates “each” immediately following the list of the three impairments. Similarly, the Department added an “each” to §§35.108(d)(2)(iii)(K) and 36.105(d)(2)(iii)(K) to make clear that each of the listed impairments substantially limits brain function.

Some commenters representing entities and educational institutions sought the insertion of language in the predictable assessment provisions that would indicate that individuals found to have disabilities are not, by virtue of a determination that they have a covered disability, eligible for a testing accommodation or a reasonable modification. The Department agrees with these commenters that the determination of disability is a distinct determination separate from the determination of the need for a requested modification or a testing accommodation. The Department declines to add the language suggested by the commenters to §§35.108(d)(2) and 36.105(d)(2), however, because the requirements for reasonable modifications are addressed separately in §§35.130(b)(7) and 36.302 of the title II and III regulations and the requirements related to providing appropriate accommodations in testing and licensing are found at §36.309.

*Sections 35.108(d)(3) and 36.105(d)(3)—  
Condition, Manner, or Duration*

*Overview.* Proposed §§35.108(d)(3) and 36.105(d)(3), both titled “Condition, manner[,] and duration,” addressed how evidence related to condition, manner, or duration may be used to show how impairments substantially limit major life activities. These principles were first addressed in the preamble to the 1991 rule. At that time, the Department noted that “[a] person is considered an individual with a disability . . . when the individual’s important life activities are restricted as to the conditions, manner, or duration under which they can be performed in comparison to most people.” 56 FR 35544, 35549 (July 26, 1991); *see also* S. Rep. No. 101-116, at 23 (1989).

These concepts were affirmed by Congress in the legislative history to the ADA Amendments Act: “We particularly believe that this test, which articulated an analysis that considered whether a person’s activities are limited in condition, duration and manner, is a useful one. We reiterate that using the correct standard—one that is lower than the strict or demanding standard created by the

Supreme Court in *Toyota*—will make the disability determination an appropriate threshold issue but not an onerous burden for those seeking accommodations or modifications. At the same time, plaintiffs should not be constrained from offering evidence needed to establish that their impairment is substantially limiting.” 154 Cong. Rec. S8346 (Sept. 11, 2008). Noting its continued reliance on the functional approach to defining disability, Congress expressed its belief that requiring consistency with the findings and purposes of the ADA Amendments Act would “establish[] an appropriate functionality test for determining whether an individual has a disability.” *Id.* While condition, manner, and duration are not required factors that must be considered, the regulations clarify that these are the types of factors that may be considered in appropriate cases. To the extent that such factors may be useful or relevant to show a substantial limitation in a particular fact pattern, some or all of them (and related facts) may be considered, but evidence relating to each of these factors often will not be necessary to establish coverage.

In the NPRM, proposed §§ 35.108(d)(3)(i) and 36.105(d)(3)(i) noted that the rules of construction at §§ 35.108(d)(1) and 36.105(d)(1) should inform consideration of how individuals are substantially limited in major life activities. Sections 35.108(d)(3)(ii) and 36.105(d)(3)(ii) provided examples of how restrictions on condition, manner, or duration might be interpreted and also clarified that the negative or burdensome side effects of medication or other mitigating measures may be considered when determining whether an individual has a disability. In §§ 35.108(d)(3)(iii) and 36.105(d)(3)(iii), the proposed language set forth a requirement to focus on how a major life activity is substantially limited, rather than on the ultimate outcome a person with an impairment can achieve.

The Department received comments on the condition, manner, or duration provision from advocacy groups for individuals with disabilities, from academia, from education and testing entities, and from interested individuals. Several advocacy organizations for individuals with disabilities and private individuals noted that the section title’s heading was inconsistent with the regulatory text and sought the replacement of the “and” in the section’s title, “Condition, manner, and duration,” with an “or.” Commenters expressed concern that retaining the “and” in the heading title would be inconsistent with congressional intent and would incorrectly suggest that individuals are subject to a three-part test and must demonstrate that an impairment substantially limits a major life activity with respect to condition, manner, and duration. The Department agrees that the “and” used

in the title of the proposed regulatory provision could lead to confusion and a misapplication of the law and has revised the title so it now reads “Condition, manner, or duration.” Consistent with the regulatory text, the revised heading makes clear that any one of the three descriptors—“condition,” “manner,” or “duration”—may aid in demonstrating that an impairment substantially limits a major life activity or a major bodily function.

#### *Condition, Manner, or Duration*

In the NPRM, proposed §§ 35.108(d)(3)(i) and 36.105(d)(3)(i) noted that the application of the terms “condition,” “manner,” or “duration” should at all times take into account the principles in § 35.108(d)(1) and § 36.105(d)(1), respectively, which referred to the rules of construction for “substantially limited.” The proposed regulatory text also included brief explanations of the meaning of the core terms, clarifying that in appropriate cases, it could be useful to consider, in comparison to most people in the general population, the conditions under which an individual performs a major life activity; the manner in which an individual performs a major life activity; or the time it takes an individual to perform a major life activity, or for which the individual can perform a major life activity.

Several disability rights advocacy groups and individuals supported the NPRM approach, with some referencing the value of pointing to the rules of construction and their relevance to condition, manner, or duration considerations. Some commenters noted that it was helpful to highlight congressional intent that the definition of “disability” should be broadly construed and not subject to extensive analysis. Another commenter recommended introducing a clarification that, while the limitation imposed by an impairment must be important, it does not need to rise to the level of severely or significantly restricting the ability to perform a major life activity. Some commenters sought additional guidance regarding the meaning of the terms “condition,” “manner,” and “duration” and recommended the addition of more illustrative examples.

In response to commenters’ concerns, the Department has modified the regulatory text in §§ 35.108(d)(3)(i) and 36.105(d)(3)(i) to reference all of the rules of construction rather than only those pertaining to “substantially limited.” The Department also added §§ 35.108(d)(3)(iv) and 36.105(d)(3)(iv), further discussed below, to clarify that the rules of construction will not always require analysis of condition, manner, or duration, particularly with respect to certain impairments, such as those referenced in paragraph (d)(2)(iii) (predictable assessments). With these changes, the Department believes that



the final rule more accurately reflects congressional intent. The Department also believes that clarifying the application of the rules of construction to condition, manner, or duration will contribute to consistent interpretation of the definition of “disability” and reduce inadvertent reliance on older cases that incorporate demanding standards rejected by Congress in the ADA Amendments Act.

It is the Department’s view that the rules of construction offer substantial guidance about how condition, manner, or duration must be interpreted so as to ensure the expansive coverage intended by Congress. Except for this clarification, the Department did not receive comments opposing the proposed regulatory text on condition, manner, or duration in §§ 35.108(d)(3)(i) and 36.105(d)(3)(i) and did not make any other changes to these provisions.

Some commenters objected to language in the preamble to the NPRM which suggested that there might be circumstances in which the consideration of condition, manner, or duration might not include comparisons to most people in the general population. On reconsideration, the Department recognizes that this discussion could create confusion about the requirements. The Department believes that condition, manner, or duration determinations should be drawn in contrast to most people in the general population, as is indicated in the related rules of construction, at §§ 35.108(d)(1)(v) and 36.105(d)(1)(v).

*Condition, Manner, or Duration Examples, Including Negative Effects of Mitigating Measures*

Proposed §§ 35.108(d)(3)(ii) and 36.105(d)(3)(ii) set forth examples of the types of evidence that might demonstrate condition, manner, or duration limitations, including the way an impairment affects the operation of a major bodily function, the difficulty or effort required to perform a major life activity, the pain experienced when performing a major life activity, and the length of time it takes to perform a major life activity. These provisions also clarified that the non-ameliorative effects of mitigating measures may be taken into account to demonstrate the impact of an impairment on a major life activity. The Department’s discussion in the NPRM preamble noted that such non-ameliorative effects could include negative side effects of medicine, burdens associated with following a particular treatment regimen, and complications that arise from surgery, among others. The preamble also provided further clarification of the possible applications of condition, manner, or duration analyses, along with several examples. Several commenters supported the proposed rule’s incorporation of language and examples offering insight into the varied ways that limi-

tations on condition, manner, or duration could demonstrate substantial limitation. One commenter positively noted that the language regarding the “difficulty, effort, or time required to perform a major life activity” could prove extremely helpful to individuals asserting a need for testing accommodations, as evidence previously presented regarding these factors was deemed insufficient to demonstrate the existence of a disability. Some commenters requested the insertion of additional examples and explanation in the preamble about how condition, manner or duration principles could be applied under the new rules of construction. Another commenter sought guidance on the specific reference points that should be used when drawing comparisons with most people in the general population. The commenter offered the example of delays in developmental milestones as a possible referent in evaluating children with speech-language disorders, but noted a lack of guidance regarding comparable referents for adults. The commenter also noted that guidance is needed regarding what average or acceptable duration might be with respect to certain activities. An academic commenter expressed support for the Department’s reference to individuals with learning impairments using certain self-mitigating measures, such as extra time to study or taking an examination in a different format, and the relevance of these measures to condition, manner, and duration.

The Department did not receive comments opposing the NPRM language on condition, manner, or duration in §§ 35.108(d)(3)(ii) and 36.105(d)(3)(ii) and is not making any changes to this language. The Department agrees that further explanation and examples as provided below regarding the concepts of condition, manner, or duration will help clarify how the ADA Amendments Act has expanded the definition of “disability.” An impairment may substantially limit the “condition” or “manner” in which a major life activity can be performed in a number of different ways. For example, the condition or manner in which a major life activity can be performed may refer to how an individual performs a major life activity; e.g., the condition or manner under which a person with an amputated hand performs manual tasks will likely be more cumbersome than the way that most people in the general population would perform the same tasks. Condition or manner also may describe how performance of a major life activity affects an individual with an impairment. For example, an individual whose impairment causes pain or fatigue that most people would not experience when performing that major life activity may be substantially limited. Thus, the condition or manner under which someone with coronary artery disease performs the

major life activity of walking would be substantially limited if the individual experiences shortness of breath and fatigue when walking distances that most people could walk without experiencing such effects. An individual with specific learning disabilities may need to approach reading or writing in a distinct manner or under different conditions than most people in the general population, possibly employing aids including verbalizing, visualizing, decoding or phonology, such that the effort required could support a determination that the individual is substantially limited in the major life activity of reading or writing.

Condition or manner may refer to the extent to which a major life activity, including a major bodily function, can be performed. In some cases, the condition or manner under which a major bodily function can be performed may be substantially limited when the impairment “causes the operation [of the bodily function] to over-produce or under-produce in some harmful fashion.” See H.R. Rep. No. 110–730, pt. 2, at 17 (2008). For example, the endocrine system of a person with type I diabetes does not produce sufficient insulin. For that reason, compared to most people in the general population, the impairment of diabetes substantially limits the major bodily functions of endocrine function and digestion. Traumatic brain injury substantially limits the condition or manner in which an individual’s brain functions by impeding memory and causing headaches, confusion, or fatigue—each of which could constitute a substantial limitation on the major bodily function of brain function.

“Duration” refers to the length of time an individual can perform a major life activity or the length of time it takes an individual to perform a major life activity, as compared to most people in the general population. For example, a person whose back or leg impairment precludes him or her from standing for more than two hours without significant pain would be substantially limited in standing, because most people can stand for more than two hours without significant pain. However, “[a] person who can walk for 10 miles continuously is not substantially limited in walking merely because on the eleventh mile, he or she begins to experience pain because most people would not be able to walk eleven miles without experiencing some discomfort.” See 154 Cong. Rec. S8842 (daily ed. Sept. 16, 2008) (Statement of the Managers) (quoting S. Rep. No. 101–116, at 23 (1989)). Some impairments, such as ADHD, may have two different types of impact on duration considerations. ADHD frequently affects both an ability to sustain focus for an extended period of time and the speed with which someone can process information. Each of these duration-related concerns could demonstrate that someone with ADHD, as compared to most people in the

general population, takes longer to complete major life activities such as reading, writing, concentrating, or learning.

The Department reiterates that, because the limitations created by certain impairments are readily apparent, it would not be necessary in such cases to assess the negative side effects of a mitigating measure in determining that a particular impairment substantially limits a major life activity. For example, there likely would be no need to consider the burden that dialysis treatment imposes for someone with end-stage renal disease because the impairment would allow a simple and straightforward determination that the individual is substantially limited in kidney function.

One commenter representing people with disabilities asked the Department to recognize that, particularly with respect to learning disabilities, on some occasions the facts related to condition, manner, or duration necessary to reach a diagnosis of a learning disability also are sufficient to establish that the affected individual has a disability under the ADA. The Department agrees that the facts gathered to establish a diagnosis of an impairment may simultaneously satisfy the requirements for demonstrating limitations on condition, manner, or duration sufficient to show that the impairment constitutes a disability.

*Emphasis on Limitations Instead of Outcomes*

In passing the ADA Amendments Act, Congress clarified that courts had misinterpreted the ADA definition of “disability” by, among other things, inappropriately emphasizing the capabilities of people with disabilities to achieve certain outcomes. See 154 Cong. Rec. S8842 (daily ed. Sept. 16, 2008) (Statement of the Managers). For example, someone with a learning disability may achieve a high level of academic success, but may nevertheless be substantially limited in one or more of the major life activities of reading, writing, speaking, or learning because of the additional time or effort he or she must spend to read, speak, write, or learn compared to most people in the general population. As the House Education and Labor Committee Report emphasized:

[S]ome courts have found that students who have reached a high level of academic achievement are not to be considered individuals with disabilities under the ADA, as such individuals may have difficulty demonstrating substantial limitation in the major life activities of learning or reading relative to “most people.” When considering the condition, manner or duration in which an individual with a specific learning disability performs a major life activity, it is critical to reject the assumption that an individual who performs well academically or otherwise cannot be substantially limited in

activities such as learning, reading, writing, thinking, or speaking. As such, the Committee rejects the findings in *Price v. National Board of Medical Examiners*, *Gonzales v. National Board of Medical Examiners*, and *Wong v. Regents of University of California*.

The Committee believes that the comparison of individuals with specific learning disabilities to “most people” is not problematic unto itself, but requires a careful analysis of the method and manner in which an individual’s impairment limits a major life activity. For the majority of the population, the basic mechanics of reading and writing do not pose extraordinary lifelong challenges; rather, recognizing and forming letters and words are effortless, unconscious, automatic processes. Because specific learning disabilities are neurologically-based impairments, the process of reading for an individual with a reading disability (e.g., dyslexia) is word-by-word, and otherwise cumbersome, painful, deliberate and slow—throughout life. The Committee expects that individuals with specific learning disabilities that substantially limit a major life activity will be better protected under the amended Act.

H.R. Rep. No. 110-730 pt. 1, at 10-11 (2008).

Sections 35.108(d)(3)(iii) and 36.105(d)(3)(iii) of the proposed rule reflected congressional intent and made clear that the outcome an individual with a disability is able to achieve is not determinative of whether an individual is substantially limited in a major life activity. Instead, an individual can demonstrate the extent to which an impairment affects the condition, manner, or duration in which the individual performs a major life activity, such that it constitutes a substantial limitation. The ultimate outcome of an individual’s efforts should not undermine a claim of disability, even if the individual ultimately is able to achieve the same or similar result as someone without the impairment.

The Department received several comments on these provisions, with disability organizations and individuals supporting the inclusion of these provisions and some testing entities and an organization representing educational institutions opposing them. The opponents argued that academic performance and testing outcomes are objective evidence that contradict findings of disability and that covered entities must be able to focus on those outcomes in order to demonstrate whether an impairment has contributed to a substantial limitation. These commenters argued that the evidence frequently offered by those making claims of disability that demonstrate the time or effort required to achieve a result, such as evidence of self-mitigating measures, informal accommodations, or recently provided reasonable modifications, is inherently subjective and unreliable. The testing entities suggested that the Department had indicated support for their

interest in focusing on outcomes over process-related obstacles in the NPRM preamble language where the Department had noted that covered entities “may defeat a showing of substantial limitation by refuting whatever evidence the individual seeking coverage has offered, or by offering evidence that shows that an impairment does not impose a substantial limitation on a major life activity.” NPRM, 79 FR 4839, 4847-48 (Jan. 30, 2014). The commenters representing educational institutions and testing entities urged the removal of §§ 35.108(d)(3)(iii) and 36.105(d)(3)(iii) or, in the alternative, the insertion of language indicating that outcomes, such as grades and test scores indicating academic success, are relevant evidence that should be considered when making disability determinations.

In contrast, commenters representing persons with disabilities and individual commenters expressed strong support for these provisions, noting that what an individual can accomplish despite an impairment does not accurately reflect the obstacles an individual had to overcome because of the impairment. One organization representing persons with disabilities noted that while individuals with disabilities have achieved successes at work, in academia, and in other settings, their successes should not create obstacles to addressing what they can do “in spite of an impairment.” Commenters also expressed concerns that testing entities and educational institutions had failed to comply with the rules of construction or to revise prior policies and practices to comport with the new standards under the ADA as amended. Some commenters asserted that testing entities improperly rejected accommodation requests because the testing entities focused on test scores and outcomes rather than on how individuals learn; required severe levels of impairment; failed to disregard the helpful effect of self-mitigating measures; referenced participation in extracurricular activities as evidence that individuals did not have disabilities; and argued that individuals diagnosed with specific learning disabilities or ADHD in adulthood cannot demonstrate that they have a disability because their diagnosis occurred too late.

Commenters representing persons with disabilities pointed to the discussion in the legislative history about restoring a focus on process rather than outcomes with respect to learning disabilities. They suggested that such a shift in focus also would be helpful in evaluating ADHD. One commenter asked the Department to include a reference to ADHD and to explain that persons with ADHD may achieve a high level of academic success but may nevertheless be substantially limited in one or more major life activities, such as reading, writing, speaking, concentrating, or

learning. A private citizen requested the addition of examples demonstrating the application of these provisions because, in the commenter's view, there have been many problems with decisions regarding individuals with learning disabilities and an inappropriate focus on outcomes and test scores.

The Department declines the request to add a specific reference to ADHD in these provisions. The Department believes that the principles discussed above apply equally to persons with ADHD as well as individuals with other impairments. The provision already references an illustrative, but not exclusive, example of an individual with a learning disability. The Department believes that this example effectively illustrates the concern that has affected individuals with other impairments due to an inappropriate emphasis on outcomes rather than how a major life activity is limited.

Organizations representing testing and educational entities asked the Department to add regulatory language indicating that testing-related outcomes, such as grades and test scores, are relevant to disability determinations under the ADA. The Department has considered this proposal and declines to adopt it because it is inconsistent with congressional intent. As discussed earlier in this section, Congress specifically stated that the outcome an individual with a disability is able to achieve is not determinative of whether that individual has a physical or mental impairment that substantially limits a major life activity. The analysis of whether an individual with an impairment has a disability is a fact-driven analysis shaped by how an impairment has substantially limited one or more major life activities or major bodily functions, considering those specifically asserted by the individual as well as any others that may apply. For example, if an individual with ADHD seeking a reasonable modification or a testing accommodation asserts substantial limitations in the major life activities of concentrating and reading, then the analysis of whether or not that individual has a covered disability will necessarily focus on concentrating and reading. Relevant considerations could include restrictions on the conditions, manner, or duration in which the individual concentrates or reads, such as a need for a non-stimulating environment or extensive time required to read. Even if an individual has asserted that an impairment creates substantial limitations on activities such as reading, writing, or concentrating, the individual's academic record or prior standardized testing results might not be relevant to the inquiry. Instead, the individual could show substantial limitations by providing evidence of condition, manner, or duration limitations, such as the need for a reader or additional time. The Department does not believe that the testing results or grades of

an individual seeking reasonable modifications or testing accommodations always would be relevant to determinations of disability. While testing and educational entities may, of course, put forward any evidence that they deem pertinent to their response to an assertion of substantial limitation, testing results and grades may be of only limited relevance.

In addition, the Department does not agree with the assertions made by testing and educational entities that evidence of testing and grades is objective and, therefore, should be weighted more heavily, while evidence of self-mitigating measures, informal accommodations, or recently provided accommodations or modifications is inherently subjective and should be afforded less consideration. Congress's discussion of the relevance of testing outcomes and grades clearly indicates that it did not consider them definitive evidence of the existence or non-existence of a disability. While tests and grades typically are numerical measures of performance, the capacity to quantify them does not make them inherently more valuable with respect to proving or disproving disability. To the contrary, Congress's incorporation of rules of construction emphasizing broad coverage of disabilities to the maximum extent permitted, its direction that such determinations should neither contemplate ameliorative mitigating measures nor demand extensive analysis, and its recognition of learned and adaptive modifications all support its openness for individuals with impairments to put forward a wide range of evidence to demonstrate their disabilities.

The Department believes that Congress made its intention clear that the ADA's protections should encompass people for whom the nature of their impairment requires an assessment that focuses on how they engage in major life activities, rather than the ultimate outcome of those activities. Beyond directly addressing this concern in the debate over the ADA Amendments Act, Congress's incorporation of the far-reaching rules of construction, its explicit rejection of the consideration of ameliorative mitigating measures—including "learned behavioral or adaptive neurological modifications," 42 U.S.C. 12102(4)(E)(i)(IV), such as those often employed by individuals with learning disabilities or ADHD—and its stated intention to "reinstat[e] a broad scope of protection to be available under the ADA," Public Law 110-325, sec. 2(b)(1), all support the language initially proposed in these provisions. For these reasons, the Department determined that it will retain the language of these provisions as they were originally drafted.

*Analysis of Condition, Manner, or Duration Not Always Required*

As noted in the discussion above, the Department has added §§35.108(d)(3)(iv) and 36.105(d)(3)(iv) in the final rule to clarify that analysis of condition, manner, or duration will not always be necessary, particularly with respect to certain impairments that can easily be found to substantially limit a major life activity. This language is also found in the EEOC ADA title I regulation. *See* 29 CFR 1630(j)(4)(iv). As noted earlier, the inclusion of these provisions addresses several comments from organizations representing persons with disabilities. This language also responds to several commenters' concerns that the Department should clarify that, in some cases and particularly with respect to predictable assessments, no or only a very limited analysis of condition, manner, or duration is necessary.

At the same time, individuals seeking coverage under the first or second prong of the definition of "disability" should not be constrained from offering evidence needed to establish that their impairment is substantially limiting. *See* 154 Cong. Rec. S8842 (daily ed. Sept. 16, 2008) (Statement of the Managers). Such evidence may comprise facts related to condition, manner, or duration. And, covered entities may defeat a showing of substantial limitation by refuting whatever evidence the individual seeking coverage has offered, or by offering evidence that shows that an impairment does not impose a substantial limitation on a major life activity. However, a showing of substantial limitation is not defeated by facts unrelated to condition, manner, or duration that are not pertinent to the substantial limitation of a major life activity that the individual has proffered.

*Sections 35.108(d)(4) and 36.105(d)(4)—Examples of Mitigating Measures*

The rules of construction set forth at §§35.108(d)(1)(viii) and 36.105(d)(1)(viii) of the final rule make clear that the ameliorative effects of mitigating measures shall not be considered when determining whether an impairment substantially limits a major life activity. In the NPRM, proposed §§35.108(d)(4) and 36.105(d)(4) provided a non-inclusive list of mitigating measures, which includes medication, medical supplies, equipment, appliances, low-vision devices, prosthetics, hearing aids, cochlear implants and implantable hearing devices, mobility devices, oxygen therapy equipment, and assistive technology. In addition, the proposed regulation clarified that mitigating measures can include "learned behavioral or adaptive neurological modifications," psychotherapy, behavioral therapy, or physical therapy, and "reasonable modifications" or auxiliary aids and services.

The phrase "learned behavioral or adaptive neurological modifications," is intended to include strategies developed by an individual to lessen the impact of an impairment. The phrase "reasonable modifications" is intended to include informal or undocumented accommodations and modifications as well as those provided through a formal process.

The ADA as amended specifies one exception to the rule on mitigating measures, stating that the ameliorative effects of ordinary eyeglasses and contact lenses shall be considered in determining whether a person has an impairment that substantially limits a major life activity and thereby is a person with a disability. 42 U.S.C. 12102(4)(E)(ii). As discussed above, §§35.108(d)(4)(i) and 36.105(d)(4)(i) incorporate this exception by excluding ordinary eyeglasses and contact lenses from the definition of "low-vision devices," which are mitigating measures that may not be considered in determining whether an impairment is a substantial limitation.

The Department received a number of comments supporting the Department's language in these sections and its broad range of examples of what constitutes a mitigating measure. Commenters representing students with disabilities specifically supported the inclusion of "learned behavioral or adaptive neurological modifications," noting that the section "appropriately supports and highlights that students [and individuals in other settings] may have developed self-imposed ways to support their disability in order to perform major life activities required of daily life and that such measures cannot be used to find that the person is not substantially limited."

The Department notes that self-mitigating measures or undocumented modifications or accommodations for students who have impairments that substantially limit learning, reading, writing, speaking, or concentrating may include such measures as arranging to have multiple reminders for task completion; seeking help from others to provide reminders or to assist with the organization of tasks; selecting courses strategically (such as selecting courses that require papers instead of exams); devoting a far larger portion of the day, weekends, and holidays to study than students without disabilities; teaching oneself strategies to facilitate reading connected text or mnemonics to remember facts (including strategies such as highlighting and margin noting); being permitted extra time to complete tests; receiving modified homework assignments; or taking exams in a different format or in a less stressful or anxiety-provoking setting. Each of these mitigating measures, whether formal or informal, documented or undocumented, can improve the academic function of a student having to deal with a substantial limitation

in a major life activity such as concentrating, reading, speaking, learning, or writing. However, when the determination of disability is made without considering the ameliorative effects of these measures, as required under the ADA as amended, these individuals still have a substantial limitation in major life activities and are covered by the ADA. *See also* discussion of §§ 35.108(d)(1) and 36.105(d)(1), above.

Some commenters argued that the Department's examples of mitigating measures inappropriately include normal learning strategies and asked that the Department withdraw or narrow its discussion of self-mitigating measures. The Department disagrees. Narrowing the discussion of self-mitigating measures to exclude normal or common strategies would not be consistent with the ADA Amendments Act. The Department construes learned behavioral or adaptive neurological modifications broadly to include strategies applied or utilized by an individual with a disability to lessen the effect of an impairment; whether the strategy applied is normal or common to students without disabilities is not relevant to whether an individual with a disability's application of the strategy lessens the effect of an impairment.

An additional commenter asked the Department to add language to the regulation and preamble addressing mitigating measures an individual with ADHD may employ. This commenter noted that “[a]n individual with ADHD may employ a wide variety of self-mitigating measures, such as exertion of extensive extra effort, use of multiple reminders, whether low tech or high tech, seeking a quiet or distraction free place or environment to do required activities.” The Department agrees with this commenter that these are examples of the type of self-mitigating measures used by individuals with ADHD, but believes that they fall within the range of mitigating measures already addressed by the regulatory language.

Another commenter asked the Department to add language to the regulation or preamble addressing surgical interventions in a similar fashion to the approach taken in the EEOC's title I preamble, 76 FR 16978, 16983 (Mar. 25, 2011). There, the EEOC noted that a surgical intervention may be an ameliorative mitigating measure that could result in the permanent elimination of an impairment, but it also indicated that confusion about how this example might apply recommended against its inclusion in the regulatory text. Therefore, the EEOC eliminated that example from the draft regulatory text and recommended that, “[d]eterminations about whether surgical interventions should be taken into consideration when assessing whether an individual has a disability are better assessed on a case-by-case basis.” The Department agrees with the EEOC and un-

derscores that surgical interventions may constitute mitigating measures that should not be considered in determining whether an individual meets the definition of “disability.” The Department declines to make any changes to its proposed regulatory text for these sections of the final rule.

The ADA Amendments Act provides an “illustrative but non-comprehensive list of the types of mitigating measures that are not to be considered.” 154 Cong. Rec. S8842 (daily ed. Sept. 16, 2008) (Statement of the Managers) at 9; *see also* H.R. Rep. No. 110–730, pt. 2, at 20 (2008). The absence of any particular mitigating measure should not convey a negative implication as to whether the measure is a mitigating measure under the ADA. *Id.* This principle applies equally to the non-exhaustive list in §§ 35.108(d)(4) and 36.105(d)(4).

*Sections 35.108(e) and 36.105(e)—Has a Record of Such an Impairment*

The second prong of the definition of “disability” under the ADA provides that an individual with a record of an impairment that substantially limits or limited a major life activity is an individual with a disability. 42 U.S.C. 12102(1)(B).

Paragraph (3) of the definition of “disability” in the existing title II and title III regulations states that the phrase “has a record of such an impairment” means has a history of, or has been misclassified as having, a mental or physical impairment that substantially limits one or more major life activities. 28 CFR 35.104, 36.104. The NPRM proposed keeping the language in the title II and title III regulations (with minor editorial changes) but to renumber it as §§ 35.108(e)(1) and 36.105(e)(1). In addition, the NPRM proposed adding a new second paragraph stating that any individual's assertion of a record of impairment that substantially limits a major life activity should be broadly construed to the maximum extent permitted by the ADA and should not require extensive analysis. If an individual has a history of an impairment that substantially limited one or more major life activities when compared to most people in the general population or was misclassified as having had such an impairment, then that individual will satisfy the third prong of the definition of “disability.” The NPRM also proposed adding paragraph (3), which provides that “[a]n individual with a record of a substantially limiting impairment may be entitled to a reasonable modification if needed and related to the past disability.”

The Department received no comments objecting to its proposed language for these provisions and has retained it in the final rule. The Department received one comment requesting additional guidance on the meaning of these provisions. The Department notes that Congress intended this prong of

the definition of “disability” to ensure that people are not discriminated against based on prior medical history. This prong is also intended to ensure that individuals are not discriminated against because they have been misclassified as an individual with a disability. For example, individuals misclassified as having learning disabilities or intellectual disabilities are protected from discrimination on the basis of that erroneous classification. *See* H.R. Rep. No. 110-730, pt. 2, at 7-8 & n.14 (2008).

This prong of the definition is satisfied where evidence establishes that an individual has had a substantially limiting impairment. The impairment indicated in the record must be an impairment that would substantially limit one or more of the individual’s major life activities. The terms “substantially limits” and “major life activity” under the second prong of the definition of “disability” are to be construed in accordance with the same principles applicable under the “actual disability” prong, as set forth in §§ 35.108(b) and 36.105(b).

There are many types of records that could potentially contain this information, including but not limited to, education, medical, or employment records. The Department notes that past history of an impairment need not be reflected in a specific document. Any evidence that an individual has a past history of an impairment that substantially limited a major life activity is all that is necessary to establish coverage under the second prong. An individual may have a “record of” a substantially limiting impairment—and thus establish coverage under the “record of” prong of the statute—even if a covered entity does not specifically know about the relevant record. For the covered entity to be liable for discrimination under the ADA, however, the individual with a “record of” a substantially limiting impairment must prove that the covered entity discriminated on the basis of the record of the disability.

Individuals who are covered under the “record of” prong may be covered under the first prong of the definition of “disability” as well. This is because the rules of construction in the ADA Amendments Act and the Department’s regulations provide that an individual with an impairment that is episodic or in remission can be protected under the first prong if the impairment would be substantially limiting when active. *See* §§ 35.108(d)(1)(iv); 36.105(d)(1)(iv). Thus, an individual who has cancer that is currently in remission is an individual with a disability under the “actual disability” prong because he has an impairment that would substantially limit normal cell growth when active. He is also covered by the “record of” prong based on his history of having had an impairment that substantially limited normal cell growth.

Finally, these provisions of the regulations clarify that an individual with a record of a disability is entitled to a reasonable modification currently needed relating to the past substantially limiting impairment. In the legislative history, Congress stated that reasonable modifications were available to persons covered under the second prong of the definition. *See* H.R. Rep. No. 110-730, pt. 2, at 22 (2008) (“This makes clear that the duty to accommodate. . . arises only when an individual establishes coverage under the first or second prong of the definition.”). For example, a high school student with an impairment that previously substantially limited, but no longer substantially limits, a major life activity may need permission to miss a class or have a schedule change as a reasonable modification that would permit him or her to attend follow-up or monitoring appointments from a health care provider.

*Sections 35.108(f) and 36.105(f)—Is Regarded as Having Such an Impairment*

The “regarded as having such an impairment” prong of the definition of “disability” was included in the ADA specifically to protect individuals who might not meet the first two prongs of the definition, but who were subject to adverse decisions by covered entities based upon unfounded concerns, mistaken beliefs, fears, myths, or prejudices about persons with disabilities. *See* 154 Cong. Rec. S8842 (daily ed. Sept. 16, 2008) (Statement of the Managers). The rationale for the “regarded as” part of the definition of “disability” was articulated by the Supreme Court in the context of section 504 of the Rehabilitation Act of 1973 in *School Board of Nassau County v. Arline*, 480 U.S. 273 (1987). In *Arline*, the Court noted that, although an individual may have an impairment that does not diminish his or her physical or mental capabilities, it could “nevertheless substantially limit that person’s ability to work as a result of the negative reactions of others to the impairment.” *Id.* at 283. Thus, individuals seeking the protection of the ADA under the “regarded as” prong only had to show that a covered entity took some action prohibited by the statute because of an actual or perceived impairment. At the time of the *Arline* decision, there was no requirement that the individual demonstrate that he or she, in fact, had or was perceived to have an impairment that substantially limited a major life activity. *See* 154 Cong. Rec. S8842 (daily ed. Sept. 16, 2008) (Statement of the Managers). For example, if a daycare center refused to admit a child with burn scars because of the presence of the scars, then the daycare center regarded the child as an individual with a disability, regardless of whether the child’s scars substantially limited a major life activity.

In *Sutton v. United Air Lines, Inc.*, 527 U.S. 471 (1999), the Supreme Court significantly narrowed the application of this prong, holding that individuals who asserted coverage under the “regarded as having such an impairment” prong had to establish either that the covered entity mistakenly believed that the individual had a physical or mental impairment that substantially limited a major life activity, or that the covered entity mistakenly believed that “an actual, nonlimiting impairment substantially limit[ed]” a major life activity, when in fact the impairment was not so limiting. *Id.* at 489. Congress expressly rejected this standard in the ADA Amendments Act by amending the ADA to clarify that it is sufficient for an individual to establish that the covered entity regarded him or her as having an impairment, regardless of whether the individual actually has the impairment or whether the impairment constitutes a disability under the Act. 42 U.S.C. 12102(3)(A). This amendment restores Congress’s intent to allow individuals to establish coverage under the “regarded as” prong by showing that they were treated adversely because of an actual or perceived impairment without having to establish the covered entity’s beliefs concerning the severity of the impairment. *See* H.R. Rep. No. 110–730, pt. 2, at 18 (2008).

Thus, under the ADA as amended, it is not necessary, as it was prior to the ADA Amendments Act and following the Supreme Court’s decision in *Sutton*, for an individual to demonstrate that a covered entity perceived him as substantially limited in the ability to perform a major life activity in order for the individual to establish that he or she is covered under the “regarded as” prong. Nor is it necessary to demonstrate that the impairment relied on by a covered entity is (in the case of an actual impairment) or would be (in the case of a perceived impairment) substantially limiting for an individual to be “regarded as having such an impairment.” In short, to be covered under the “regarded as” prong, an individual is not subject to any functional test. *See* 154 Cong. Rec. S8843 (daily ed. Sept. 16, 2008) (Statement of the Managers) (“The functional limitation imposed by an impairment is irrelevant to the third ‘regarded as’ prong.”); H.R. Rep. No. 110–730, pt. 2, at 17 (2008) (“[T]he individual is not required to show that the perceived impairment limits performance of a major life activity.”) The concepts of “major life activities” and “substantial limitation” simply are not relevant in evaluating whether an individual is “regarded as having such an impairment.”

In the NPRM, the Department proposed §§35.108(f)(1) and 36.105(f)(1), which are intended to restore the meaning of the “regarded as” prong of the definition of “disability” by adding language that incorporates the amended statutory provision:

“An individual is ‘regarded as having such an impairment’ if the individual is subjected to an action prohibited by the ADA because of an actual or perceived physical or mental impairment, whether or not that impairment substantially limits, or is perceived to substantially limit, a major life activity, except for an impairment that is both transitory and minor.”

The proposed provisions also incorporate the statutory definition of transitory impairment, stating that a “transitory impairment is an impairment with an actual or expected duration of six months or less.” The “transitory and minor” exception was not in the third prong in the original statutory definition of “disability.” Congress added this exception to address concerns raised by the business community that “absent this exception, the third prong of the definition would have covered individuals who are regarded as having common ailments like the cold or flu.” *See* H.R. Rep. No. 110–730, pt. 2, at 18 (2008). However, as an exception to the general rule for broad coverage under the “regarded as” prong, this limitation on coverage should be construed narrowly. *Id.* The ADA Amendments Act did not define “minor.”

In addition, proposed §§35.108(f)(2) and 36.105(f)(2) stated that any time a public entity or covered entity takes a prohibited action because of an individual’s actual or perceived impairment, even if the entity asserts, or may or does ultimately establish, a defense to such action, that individual is “regarded as” having such an impairment. Commenters on these provisions recommended that the Department revise its language to clarify that the determination of whether an impairment is in fact “transitory and minor” is an objective determination and that a covered entity may not defeat “regarded as” coverage of an individual simply by demonstrating that it subjectively believed that the impairment is transitory and minor. In addition, a number of commenters cited the EEOC title I rule at 29 CFR 1630.15(f) and asked the Department to clarify that “the issue of whether an actual or perceived impairment is ‘transitory and minor’ is an affirmative defense and not part of the plaintiff’s burden of proof.” The Department agrees with these commenters and has revised paragraphs (1) and (2) of these sections for clarity, as shown in §§35.108(f)(2) and 36.105(f)(2) of the final rule.

The revised language makes clear that the relevant inquiry under these sections is whether the actual or perceived impairment that is the basis of the covered entity’s action is objectively “transitory and minor,” not whether the covered entity claims it subjectively believed the impairment was transitory and minor. For example, a private



school that expelled a student whom it believes has bipolar disorder cannot take advantage of this exception by asserting that it believed the student's impairment was transitory and minor, because bipolar disorder is not objectively transitory and minor. Similarly, a public swimming pool that refused to admit an individual with a skin rash, mistakenly believing the rash to be symptomatic of HIV, will have "regarded" the individual as having a disability. It is not a defense to coverage that the skin rash was objectively transitory and minor because the covered entity took the prohibited action based on a perceived impairment, HIV, that is not transitory and minor.

The revised regulatory text also makes clear that the "transitory and minor" exception to a "regarded as" claim is a defense to a claim of discrimination and not part of an individual's prima facie case. The Department reiterates that to fall within this exception, the actual or perceived impairment must be *both* transitory (less than six months in duration) *and* minor. For example, an individual with a minor back injury could be "regarded as" an individual with a disability if the back impairment lasted or was anticipated to last more than six months. The Department notes that the revised regulatory text is consistent with the EEOC rule which added the transitory and minor exception to its general affirmative defense provision in its title I ADA regulation at 29 CFR 1630.15(f). Finally, in the NPRM, the Department proposed §§ 35.108(f)(3) and 36.105(f)(3) which provided that an individual who is "regarded as having such an impairment" does not establish liability based on that alone. Instead, an individual can establish liability only when an individual proves that a private entity or covered entity discriminated on the basis of disability within the meaning of the ADA. This provision was intended to make it clear that in order to establish liability, an individual must establish coverage as a person with a disability, as well as establish that he or she had been subjected to an action prohibited by the ADA.

The Department received no comments on the language in these paragraphs. Upon consideration, in the final rule, the Department has decided to retain the regulatory text for §§ 35.108(f)(3) and 36.105(f)(3) except that the reference to "covered entity" in the title III regulatory text is changed to "public accommodation."

*Sections 35.108(g) and 36.105(g)—Exclusions*

The NPRM did not propose changes to the text of the existing exclusions contained in paragraph (5) of the definition of "disability" in the title II and title III regulations, *see* 28 CFR 35.104, 36.104, which are based on 42 U.S.C. 12211(b), a statutory provision that was not modified by the ADA Amendments

Act. The NPRM did propose to renumber these provisions, relocating them at §§ 35.108(g) and 36.105(g) of the Department's revised definition of "disability." The Department received no comments on the proposed renumbering, which is retained in the final rule.

*Sections 35.130(b)(7)(i)—General Prohibitions Against Discrimination and 36.302(g)—Modifications in Policies, Practices, or Procedures*

The ADA Amendments Act revised the ADA to specify that a public entity under title II, and any person who owns, leases (or leases to), or operates a place of public accommodation under title III, "need not provide a reasonable accommodation or a reasonable modification to policies, practices, or procedures to an individual who meets the definition of disability" solely on the basis of being regarded as having an impairment. 42 U.S.C. 12201(h). In the NPRM, the Department proposed §§ 35.130(b)(7)(i) and 36.302(g) to reflect this concept, explaining that a public entity or covered entity "is not required to provide a reasonable modification to an individual who meets the definition of disability solely under the 'regarded as' prong of the definition of disability." These provisions clarify that the duty to provide reasonable modifications arises only when the individual establishes coverage under the first or second prong of the definition of "disability." These provisions are not intended to diminish the existing obligations to provide reasonable modifications under title II and title III of the ADA.

The Department received no comments associated with these provisions and retains the NPRM language in the final rule except for replacing the words "covered entity" with "public accommodation" in § 36.302(g).

*Sections 35.130(i) and 36.201(c)—Claims of No Disability*

The ADA as amended provides that "[n]othing in this [Act] shall provide the basis for a claim by an individual without a disability that the individual was subject to discrimination because of the individual's lack of disability." 42 U.S.C. 12201(g). In the NPRM the Department proposed adding §§ 35.130(i) and 36.201(c) to the title II and title III regulations, respectively, which incorporate similar language. These provisions clarify that persons without disabilities do not have an actionable claim under the ADA on the basis of not having a disability.

The Department received no comments associated with this issue and has retained these provisions in the final rule.

*Effect of ADA Amendments Act on Academic Requirements in Postsecondary Education*

The Department notes that the ADA Amendments Act revised the rules of construction in title V of the ADA by including a provision affirming that nothing in the Act changed the existing ADA requirement that covered entities provide reasonable modifications in policies, practices, or procedures unless the entity can demonstrate that making such modifications, including academic requirements in postsecondary education, would fundamentally alter the nature of goods, services, facilities, privileges, advantages, or accommodations involved. See 42 U.S.C. 12201(f). Congress noted that the reference to academic requirements in postsecondary education was included “solely to provide assurances that the bill does not alter current law with regard to the obligations of academic institutions under the ADA, which we believe is already demonstrated in case law on this topic. Specifically, the reference to academic standards in post-secondary education is unrelated to the purpose of this legislation and should be given no meaning in interpreting the definition of disability.” 154 Cong. Rec. S8843 (daily ed. Sept. 16, 2008) (Statement of the Managers). Given that Congress did not intend there to be any change to the law in this area, the Department did not propose to make any changes to its regulatory requirements in response to this provision of the ADA Amendments Act.

[AG Order 3702–2016, 81 FR 53225, Aug. 11, 2016]

**PART 36—NONDISCRIMINATION ON THE BASIS OF DISABILITY BY PUBLIC ACCOMMODATIONS AND IN COMMERCIAL FACILITIES**

**Subpart A—General**

- Sec.
- 36.101 Purpose and broad coverage.
  - 36.102 Application.
  - 36.103 Relationship to other laws.
  - 36.104 Definitions.
  - 36.105 Definition of “disability.”
  - 36.106–36.199 [Reserved]

**Subpart B—General Requirements**

- 36.201 General.
- 36.202 Activities.
- 36.203 Integrated settings.
- 36.204 Administrative methods.
- 36.205 Association.
- 36.206 Retaliation or coercion.
- 36.207 Places of public accommodations located in private residences.
- 36.208 Direct threat.

- 36.209 Illegal use of drugs.
- 36.210 Smoking.
- 36.211 Maintenance of accessible features.
- 36.212 Insurance.
- 36.213 Relationship of subpart B to subparts C and D of this part.
- 36.214–36.299 [Reserved]

**Subpart C—Specific Requirements**

- 36.301 Eligibility criteria.
- 36.302 Modifications in policies, practices, or procedures.
- 36.303 Auxiliary aids and services.
- 36.304 Removal of barriers.
- 36.305 Alternatives to barrier removal.
- 36.306 Personal devices and services.
- 36.307 Accessible or special goods.
- 36.308 Seating in assembly areas.
- 36.309 Examinations and courses.
- 36.310 Transportation provided by public accommodations.
- 36.311 Mobility devices.
- 36.312–36.399 [Reserved]

**Subpart D—New Construction and Alterations**

- 36.401 New construction.
- 36.402 Alterations.
- 36.403 Alterations: Path of travel.
- 36.404 Alterations: Elevator exemption.
- 36.405 Alterations: Historic preservation.
- 36.406 Standards for new construction and alterations.
- 36.407–36.499 [Reserved]

**Subpart E—Enforcement**

- 36.501 Private suits.
- 36.502 Investigations and compliance reviews.
- 36.503 Suit by the Attorney General.
- 36.504 Relief.
- 36.505 Attorneys fees.
- 36.506 Alternative means of dispute resolution.
- 36.507 Effect of unavailability of technical assistance.
- 36.508 Effective date.
- 36.509–36.599 [Reserved]

**Subpart F—Certification of State Laws or Local Building Codes**

- 36.601 Definitions.
- 36.602 General rule.
- 36.603 Preliminary determination.
- 36.604 Procedure following preliminary determination of equivalency.
- 36.605 Procedure following preliminary denial of certification.
- 36.606 Effect of certification.
- 36.607 Guidance concerning model codes.

## Department of Justice

## § 36.102

APPENDIX A TO PART 36—GUIDANCE ON REVISIONS TO ADA REGULATION ON NONDISCRIMINATION ON THE BASIS OF DISABILITY BY PUBLIC ACCOMMODATIONS AND COMMERCIAL FACILITIES

APPENDIX B TO PART 36—ANALYSIS AND COMMENTARY ON THE 2010 ADA STANDARDS FOR ACCESSIBLE DESIGN

APPENDIX C TO PART 36—GUIDANCE ON ADA REGULATION ON NONDISCRIMINATION ON THE BASIS OF DISABILITY BY PUBLIC ACCOMMODATIONS AND IN COMMERCIAL FACILITIES ORIGINALLY PUBLISHED ON JULY 26, 1991

APPENDIX D TO PART 36—1991 STANDARDS FOR ACCESSIBLE DESIGN AS ORIGINALLY PUBLISHED ON JULY 26, 1991

APPENDIX E TO PART 36—GUIDANCE TO REVISIONS TO ADA TITLE II AND TITLE III REGULATIONS REVISING THE MEANING AND INTERPRETATION OF THE DEFINITION OF “DISABILITY” AND OTHER PROVISIONS IN ORDER TO INCORPORATE THE REQUIREMENTS OF THE ADA AMENDMENTS ACT

APPENDIX F TO PART 36—GUIDANCE AND SECTION-BY-SECTION ANALYSIS

AUTHORITY: 5 U.S.C. 301; 28 U.S.C. 509, 510; 42 U.S.C. 12186(b), 12205a.

SOURCE: Order No. 1513-91, 56 FR 35592, July 26, 1991, unless otherwise noted.

### Subpart A—General

#### § 36.101 Purpose and broad coverage.

(a) *Purpose.* The purpose of this part is to implement subtitle A of title III of the Americans with Disabilities Act of 1990 (42 U.S.C. 12181–12189), as amended by the ADA Amendments Act of 2008 (ADA Amendments Act) (Pub. L. 110–325, 122 Stat. 3553 (2008)), which prohibits discrimination on the basis of disability by covered public accommodations and requires places of public accommodation and commercial facilities to be designed, constructed, and altered in compliance with the accessibility standards established by this part.

(b) *Broad coverage.* The primary purpose of the ADA Amendments Act is to make it easier for people with disabilities to obtain protection under the ADA. Consistent with the ADA Amendments Act's purpose of reinstating a broad scope of protection under the ADA, the definition of “disability” in this part shall be construed broadly in favor of expansive coverage to the maximum extent permitted by the terms of the ADA. The primary object

of attention in cases brought under the ADA should be whether entities covered under the ADA have complied with their obligations and whether discrimination has occurred, not whether the individual meets the definition of “disability.” The question of whether an individual meets the definition of “disability” under this part should not demand extensive analysis.

[AG Order 3702-2016, 81 FR 53240, Aug. 11, 2016]

#### § 36.102 Application.

(a) *General.* This part applies to any—  
(1) Public accommodation;  
(2) Commercial facility; or  
(3) Private entity that offers examinations or courses related to applications, licensing, certification, or credentialing for secondary or postsecondary education, professional, or trade purposes.

(b) *Public accommodations.* (1) The requirements of this part applicable to public accommodations are set forth in subparts B, C, and D of this part.

(2) The requirements of subparts B and C of this part obligate a public accommodation only with respect to the operations of a place of public accommodation.

(3) The requirements of subpart D of this part obligate a public accommodation only with respect to—

(i) A facility used as, or designed or constructed for use as, a place of public accommodation; or

(ii) A facility used as, or designed and constructed for use as, a commercial facility.

(c) *Commercial facilities.* The requirements of this part applicable to commercial facilities are set forth in subpart D of this part.

(d) *Examinations and courses.* The requirements of this part applicable to private entities that offer examinations or courses as specified in paragraph (a) of this section are set forth in § 36.309.

(e) *Exemptions and exclusions.* This part does not apply to any private club (except to the extent that the facilities of the private club are made available to customers or patrons of a place of public accommodation), or to any religious entity or public entity.

**§ 36.103 Relationship to other laws.**

(a) *Rule of interpretation.* Except as otherwise provided in this part, this part shall not be construed to apply a lesser standard than the standards applied under title V of the Rehabilitation Act of 1973 (29 U.S.C. 791) or the regulations issued by Federal agencies pursuant to that title.

(b) *Section 504.* This part does not affect the obligations of a recipient of Federal financial assistance to comply with the requirements of section 504 of the Rehabilitation Act of 1973 (29 U.S.C. 794) and regulations issued by Federal agencies implementing section 504.

(c) *Other laws.* This part does not invalidate or limit the remedies, rights, and procedures of any other Federal laws, or State or local laws (including State common law) that provide greater or equal protection for the rights of individuals with disabilities or individuals associated with them.

**§ 36.104 Definitions.**

For purposes of this part, the term—  
*1991 Standards* means requirements set forth in the ADA Standards for Accessible Design, originally published on July 26, 1991, and republished as Appendix D to this part.

*2004 ADAAG* means the requirements set forth in appendices B and D to 36 CFR part 1191 (2009).

*2010 Standards* means the 2010 ADA Standards for Accessible Design, which consist of the 2004 ADAAG and the requirements contained in subpart D of this part.

*Act* means the Americans with Disabilities Act of 1990 (Pub. L. 101-336, 104 Stat. 327, 42 U.S.C. 12101-12213 and 47 U.S.C. 225 and 611).

*Commerce* means travel, trade, traffic, commerce, transportation, or communication—

- (1) Among the several States;
- (2) Between any foreign country or any territory or possession and any State; or
- (3) Between points in the same State but through another State or foreign country.

*Commercial facilities* means facilities—  
 (1) Whose operations will affect commerce;

(2) That are intended for nonresidential use by a private entity; and

(3) That are not—

(i) Facilities that are covered or expressly exempted from coverage under the Fair Housing Act of 1968, as amended (42 U.S.C. 3601-3631);

(ii) Aircraft; or

(iii) Railroad locomotives, railroad freight cars, railroad cabooses, commuter or intercity passenger rail cars (including coaches, dining cars, sleeping cars, lounge cars, and food service cars), any other railroad cars described in section 242 of the Act or covered under title II of the Act, or railroad rights-of-way. For purposes of this definition, “rail” and “railroad” have the meaning given the term “railroad” in section 202(e) of the Federal Railroad Safety Act of 1970 (45 U.S.C. 431(e)).

*Current illegal use of drugs* means illegal use of drugs that occurred recently enough to justify a reasonable belief that a person’s drug use is current or that continuing use is a real and ongoing problem.

*Direct threat* means a significant risk to the health or safety of others that cannot be eliminated by a modification of policies, practices, or procedures, or by the provision of auxiliary aids or services, as provided in § 36.208.

*Disability.* The definition of *disability* can be found at § 36.105.

*Drug* means a controlled substance, as defined in schedules I through V of section 202 of the Controlled Substances Act (21 U.S.C. 812).

*Existing facility* means a facility in existence on any given date, without regard to whether the facility may also be considered newly constructed or altered under this part.

*Facility* means all or any portion of buildings, structures, sites, complexes, equipment, rolling stock or other conveyances, roads, walks, passageways, parking lots, or other real or personal property, including the site where the building, property, structure, or equipment is located.

*Housing at a place of education* means housing operated by or on behalf of an elementary, secondary, undergraduate, or postgraduate school, or other place of education, including dormitories, suites, apartments, or other places of residence.

*Illegal use of drugs* means the use of one or more drugs, the possession or distribution of which is unlawful under the Controlled Substances Act (21 U.S.C. 812). The term “illegal use of drugs” does not include the use of a drug taken under supervision by a licensed health care professional, or other uses authorized by the Controlled Substances Act or other provisions of Federal law.

*Individual with a disability* means a person who has a disability. The term “individual with a disability” does not include an individual who is currently engaging in the illegal use of drugs, when the private entity acts on the basis of such use.

*Other power-driven mobility device* means any mobility device powered by batteries, fuel, or other engines—whether or not designed primarily for use by individuals with mobility disabilities—that is used by individuals with mobility disabilities for the purpose of locomotion, including golf cars, electronic personal assistance mobility devices (EPAMDs), such as the Segway® PT, or any mobility device designed to operate in areas without defined pedestrian routes, but that is not a wheelchair within the meaning of this section. This definition does not apply to Federal wilderness areas; wheelchairs in such areas are defined in section 508(c)(2) of the ADA, 42 U.S.C. 12207(c)(2).

*Place of public accommodation* means a facility operated by a private entity whose operations affect commerce and fall within at least one of the following categories—

(1) Place of lodging, except for an establishment located within a facility that contains not more than five rooms for rent or hire and that actually is occupied by the proprietor of the establishment as the residence of the proprietor. For purposes of this part, a facility is a “place of lodging” if it is—

- (i) An inn, hotel, or motel; or
- (ii) A facility that—

(A) Provides guest rooms for sleeping for stays that primarily are short-term in nature (generally 30 days or less) where the occupant does not have the right to return to a specific room or unit after the conclusion of his or her stay; and

(B) Provides guest rooms under conditions and with amenities similar to a hotel, motel, or inn, including the following—

(1) On- or off-site management and reservations service;

(2) Rooms available on a walk-up or call-in basis;

(3) Availability of housekeeping or linen service; and

(4) Acceptance of reservations for a guest room type without guaranteeing a particular unit or room until check-in, and without a prior lease or security deposit.

(2) A restaurant, bar, or other establishment serving food or drink;

(3) A motion picture house, theater, concert hall, stadium, or other place of exhibition or entertainment;

(4) An auditorium, convention center, lecture hall, or other place of public gathering;

(5) A bakery, grocery store, clothing store, hardware store, shopping center, or other sales or rental establishment;

(6) A laundromat, dry-cleaner, bank, barber shop, beauty shop, travel service, shoe repair service, funeral parlor, gas station, office of an accountant or lawyer, pharmacy, insurance office, professional office of a health care provider, hospital, or other service establishment;

(7) A terminal, depot, or other station used for specified public transportation;

(8) A museum, library, gallery, or other place of public display or collection;

(9) A park, zoo, amusement park, or other place of recreation;

(10) A nursery, elementary, secondary, undergraduate, or post-graduate private school, or other place of education;

(11) A day care center, senior citizen center, homeless shelter, food bank, adoption agency, or other social service center establishment; and

(12) A gymnasium, health spa, bowling alley, golf course, or other place of exercise or recreation.

*Private club* means a private club or establishment exempted from coverage under title II of the Civil Rights Act of 1964 (42 U.S.C. 2000a(e)).

*Private entity* means a person or entity other than a public entity.

*Public accommodation* means a private entity that owns, leases (or leases to), or operates a place of public accommodation.

*Public entity* means—

- (1) Any State or local government;
- (2) Any department, agency, special purpose district, or other instrumentality of a State or States or local government; and
- (3) The National Railroad Passenger Corporation, and any commuter authority (as defined in section 103(8) of the Rail Passenger Service Act). (45 U.S.C. 541)

*Qualified interpreter* means an interpreter who, via a video remote interpreting (VRI) service or an on-site appearance, is able to interpret effectively, accurately, and impartially, both receptively and expressively, using any necessary specialized vocabulary. Qualified interpreters include, for example, sign language interpreters, oral transliterators, and cued-language transliterators.

*Qualified reader* means a person who is able to read effectively, accurately, and impartially using any necessary specialized vocabulary.

*Readily achievable* means easily accomplishable and able to be carried out without much difficulty or expense. In determining whether an action is readily achievable factors to be considered include—

- (1) The nature and cost of the action needed under this part;
- (2) The overall financial resources of the site or sites involved in the action; the number of persons employed at the site; the effect on expenses and resources; legitimate safety requirements that are necessary for safe operation, including crime prevention measures; or the impact otherwise of the action upon the operation of the site;
- (3) The geographic separateness, and the administrative or fiscal relationship of the site or sites in question to any parent corporation or entity;
- (4) If applicable, the overall financial resources of any parent corporation or entity; the overall size of the parent corporation or entity with respect to the number of its employees; the number, type, and location of its facilities; and

(5) If applicable, the type of operation or operations of any parent corporation or entity, including the composition, structure, and functions of the workforce of the parent corporation or entity.

*Religious entity* means a religious organization, including a place of worship.

*Service animal* means any dog that is individually trained to do work or perform tasks for the benefit of an individual with a disability, including a physical, sensory, psychiatric, intellectual, or other mental disability. Other species of animals, whether wild or domestic, trained or untrained, are not service animals for the purposes of this definition. The work or tasks performed by a service animal must be directly related to the individual's disability. Examples of work or tasks include, but are not limited to, assisting individuals who are blind or have low vision with navigation and other tasks, alerting individuals who are deaf or hard of hearing to the presence of people or sounds, providing non-violent protection or rescue work, pulling a wheelchair, assisting an individual during a seizure, alerting individuals to the presence of allergens, retrieving items such as medicine or the telephone, providing physical support and assistance with balance and stability to individuals with mobility disabilities, and helping persons with psychiatric and neurological disabilities by preventing or interrupting impulsive or destructive behaviors. The crime deterrent effects of an animal's presence and the provision of emotional support, well-being, comfort, or companionship do not constitute work or tasks for the purposes of this definition.

*Specified public transportation* means transportation by bus, rail, or any other conveyance (other than by aircraft) that provides the general public with general or special service (including charter service) on a regular and continuing basis.

*State* means each of the several States, the District of Columbia, the Commonwealth of Puerto Rico, Guam, American Samoa, the Virgin Islands,

the Trust Territory of the Pacific Islands, and the Commonwealth of the Northern Mariana Islands.

*Undue burden* means significant difficulty or expense. In determining whether an action would result in an undue burden, factors to be considered include—

(1) The nature and cost of the action needed under this part;

(2) The overall financial resources of the site or sites involved in the action; the number of persons employed at the site; the effect on expenses and resources; legitimate safety requirements that are necessary for safe operation, including crime prevention measures; or the impact otherwise of the action upon the operation of the site;

(3) The geographic separateness, and the administrative or fiscal relationship of the site or sites in question to any parent corporation or entity;

(4) If applicable, the overall financial resources of any parent corporation or entity; the overall size of the parent corporation or entity with respect to the number of its employees; the number, type, and location of its facilities; and

(5) If applicable, the type of operation or operations of any parent corporation or entity, including the composition, structure, and functions of the workforce of the parent corporation or entity.

*Video remote interpreting (VRI) service* means an interpreting service that uses video conference technology over dedicated lines or wireless technology offering high-speed, wide-bandwidth video connection that delivers high-quality video images as provided in § 36.303(f).

*Wheelchair* means a manually-operated or power-driven device designed primarily for use by an individual with a mobility disability for the main purpose of indoor or of both indoor and outdoor locomotion. This definition does not apply to Federal wilderness areas; wheelchairs in such areas are defined in section 508(c)(2) of the ADA, 42 U.S.C. 12207(c)(2).

[Order No. 1513-91, 56 FR 35592, July 26, 1991, as amended by AG Order No. 3181-2010, 75 FR 56250, Sept. 15, 2010; 76 FR 13287, Mar. 11, 2011; AG Order 3702-2016, 81 FR 53240, Aug. 11, 2016]

### § 36.105 Definition of “disability.”

(a)(1) *Disability* means, with respect to an individual:

(i) A physical or mental impairment that substantially limits one or more of the major life activities of such individual;

(ii) A record of such an impairment; or

(iii) Being regarded as having such an impairment as described in paragraph (f) of this section.

(2) *Rules of construction.* (i) The definition of “disability” shall be construed broadly in favor of expansive coverage, to the maximum extent permitted by the terms of the ADA.

(ii) An individual may establish coverage under any one or more of the three prongs of the definition of “disability” in paragraph (a)(1) of this section, the “actual disability” prong in paragraph (a)(1)(i) of this section, the “record of” prong in paragraph (a)(1)(ii) of this section, or the “regarded as” prong in paragraph (a)(1)(iii) of this section.

(iii) Where an individual is not challenging a public accommodation’s failure to provide reasonable modifications under § 36.302, it is generally unnecessary to proceed under the “actual disability” or “record of” prongs, which require a showing of an impairment that substantially limits a major life activity or a record of such an impairment. In these cases, the evaluation of coverage can be made solely under the “regarded as” prong of the definition of “disability,” which does not require a showing of an impairment that substantially limits a major life activity or a record of such an impairment. An individual may choose, however, to proceed under the “actual disability” or “record of” prong regardless of whether the individual is challenging a public accommodation’s failure to provide reasonable modifications.

(b)(1) *Physical or mental impairment* means:

(i) Any physiological disorder or condition, cosmetic disfigurement, or anatomical loss affecting one or more body systems, such as: Neurological, musculoskeletal, special sense organs, respiratory (including speech organs), cardiovascular, reproductive, digestive,

genitourinary, immune, circulatory, hemic, lymphatic, skin, and endocrine; or

(ii) Any mental or psychological disorder such as intellectual disability, organic brain syndrome, emotional or mental illness, and specific learning disability.

(2) *Physical or mental impairment* includes, but is not limited to, contagious and noncontagious diseases and conditions such as the following: Orthopedic, visual, speech and hearing impairments, and cerebral palsy, epilepsy, muscular dystrophy, multiple sclerosis, cancer, heart disease, diabetes, intellectual disability, emotional illness, dyslexia and other specific learning disabilities, Attention Deficit Hyperactivity Disorder, Human Immunodeficiency Virus infection (whether symptomatic or asymptomatic), tuberculosis, drug addiction, and alcoholism.

(3) *Physical or mental impairment* does not include homosexuality or bisexuality.

(c)(1) *Major life activities* include, but are not limited to:

(i) Caring for oneself, performing manual tasks, seeing, hearing, eating, sleeping, walking, standing, sitting, reaching, lifting, bending, speaking, breathing, learning, reading, concentrating, thinking, writing, communicating, interacting with others, and working; and

(ii) The operation of a *major bodily function*, such as the functions of the immune system, special sense organs and skin, normal cell growth, and digestive, genitourinary, bowel, bladder, neurological, brain, respiratory, circulatory, cardiovascular, endocrine, hemic, lymphatic, musculoskeletal, and reproductive systems. The operation of a major bodily function includes the operation of an individual organ within a body system.

(2) *Rules of construction.* (i) In determining whether an impairment substantially limits a major life activity, the term *major* shall not be interpreted strictly to create a demanding standard.

(ii) Whether an activity is a *major life activity* is not determined by reference to whether it is of *central* importance to daily life.

(d) *Substantially limits*—(1) *Rules of construction.* The following rules of construction apply when determining whether an impairment substantially limits an individual in a major life activity.

(i) The term “substantially limits” shall be construed broadly in favor of expansive coverage, to the maximum extent permitted by the terms of the ADA. “Substantially limits” is not meant to be a demanding standard.

(ii) The primary object of attention in cases brought under title III of the ADA should be whether public accommodations have complied with their obligations and whether discrimination has occurred, not the extent to which an individual’s impairment substantially limits a major life activity. Accordingly, the threshold issue of whether an impairment substantially limits a major life activity should not demand extensive analysis.

(iii) An impairment that substantially limits one major life activity does not need to limit other major life activities in order to be considered a substantially limiting impairment.

(iv) An impairment that is episodic or in remission is a disability if it would substantially limit a major life activity when active.

(v) An impairment is a disability within the meaning of this part if it substantially limits the ability of an individual to perform a major life activity as compared to most people in the general population. An impairment does not need to prevent, or significantly or severely restrict, the individual from performing a major life activity in order to be considered substantially limiting. Nonetheless, not every impairment will constitute a disability within the meaning of this section.

(vi) The determination of whether an impairment substantially limits a major life activity requires an individualized assessment. However, in making this assessment, the term “substantially limits” shall be interpreted and applied to require a degree of functional limitation that is lower than the standard for substantially limits applied prior to the ADA Amendments Act.



(vii) The comparison of an individual's performance of a major life activity to the performance of the same major life activity by most people in the general population usually will not require scientific, medical, or statistical evidence. Nothing in this paragraph (d)(1) is intended, however, to prohibit or limit the presentation of scientific, medical, or statistical evidence in making such a comparison where appropriate.

(viii) The determination of whether an impairment substantially limits a major life activity shall be made without regard to the ameliorative effects of mitigating measures. However, the ameliorative effects of ordinary eyeglasses or contact lenses shall be considered in determining whether an impairment substantially limits a major life activity. Ordinary eyeglasses or contact lenses are lenses that are intended to fully correct visual acuity or to eliminate refractive error.

(ix) The six-month "transitory" part of the "transitory and minor" exception in paragraph (f)(2) of this section does not apply to the "actual disability" or "record of" prongs of the definition of "disability." The effects of an impairment lasting or expected to last less than six months can be substantially limiting within the meaning of this section for establishing an actual disability or a record of a disability.

(2) *Predictable assessments.* (i) The principles set forth in the rules of construction in this section are intended to provide for more generous coverage and application of the ADA's prohibition on discrimination through a framework that is predictable, consistent, and workable for all individuals and entities with rights and responsibilities under the ADA.

(ii) Applying these principles, the individualized assessment of some types of impairments will, in virtually all cases, result in a determination of coverage under paragraph (a)(1)(i) of this section (the "actual disability" prong) or paragraph (a)(1)(ii) of this section (the "record of" prong). Given their inherent nature, these types of impairments will, as a factual matter, virtually always be found to impose a substantial limitation on a major life ac-

tivity. Therefore, with respect to these types of impairments, the necessary individualized assessment should be particularly simple and straightforward.

(iii) For example, applying these principles it should easily be concluded that the types of impairments set forth in paragraphs (d)(2)(iii)(A) through (K) of this section will, at a minimum, substantially limit the major life activities indicated. The types of impairments described in this paragraph may substantially limit additional major life activities (including major bodily functions) not explicitly listed in paragraphs (d)(2)(iii)(A) through (K).

(A) Deafness substantially limits hearing;

(B) Blindness substantially limits seeing;

(C) Intellectual disability substantially limits brain function;

(D) Partially or completely missing limbs or mobility impairments requiring the use of a wheelchair substantially limit musculoskeletal function;

(E) Autism substantially limits brain function;

(F) Cancer substantially limits normal cell growth;

(G) Cerebral palsy substantially limits brain function;

(H) Diabetes substantially limits endocrine function;

(I) Epilepsy, muscular dystrophy, and multiple sclerosis each substantially limits neurological function;

(J) Human Immunodeficiency Virus (HIV) infection substantially limits immune function; and

(K) Major depressive disorder, bipolar disorder, post-traumatic stress disorder, traumatic brain injury, obsessive compulsive disorder, and schizophrenia each substantially limits brain function.

(3) *Condition, manner, or duration.*(i) At all times taking into account the principles set forth in the rules of construction, in determining whether an individual is substantially limited in a major life activity, it may be useful in appropriate cases to consider, as compared to most people in the general population, the conditions under which the individual performs the major life activity; the manner in which the individual performs the major life activity;

or the duration of time it takes the individual to perform the major life activity, or for which the individual can perform the major life activity.

(ii) Consideration of facts such as condition, manner, or duration may include, among other things, consideration of the difficulty, effort or time required to perform a major life activity; pain experienced when performing a major life activity; the length of time a major life activity can be performed; or the way an impairment affects the operation of a major bodily function. In addition, the non-ameliorative effects of mitigating measures, such as negative side effects of medication or burdens associated with following a particular treatment regimen, may be considered when determining whether an individual's impairment substantially limits a major life activity.

(iii) In determining whether an individual has a disability under the "actual disability" or "record of" prongs of the definition of "disability," the focus is on how a major life activity is substantially limited, and not on what outcomes an individual can achieve. For example, someone with a learning disability may achieve a high level of academic success, but may nevertheless be substantially limited in one or more major life activities, including, but not limited to, reading, writing, speaking, or learning because of the additional time or effort he or she must spend to read, write, speak, or learn compared to most people in the general population.

(iv) Given the rules of construction set forth in this section, it may often be unnecessary to conduct an analysis involving most or all of the facts related to condition, manner, or duration. This is particularly true with respect to impairments such as those described in paragraph (d)(2)(iii) of this section, which by their inherent nature should be easily found to impose a substantial limitation on a major life activity, and for which the individualized assessment should be particularly simple and straightforward.

(4) *Mitigating measures* include, but are not limited to:

(i) Medication, medical supplies, equipment, appliances, low-vision de-

vices (defined as devices that magnify, enhance, or otherwise augment a visual image, but not including ordinary eyeglasses or contact lenses), prosthetics including limbs and devices, hearing aid(s) and cochlear implant(s) or other implantable hearing devices, mobility devices, and oxygen therapy equipment and supplies;

(ii) Use of assistive technology;

(iii) Reasonable modifications or auxiliary aids or services as defined in this regulation;

(iv) Learned behavioral or adaptive neurological modifications; or

(v) Psychotherapy, behavioral therapy, or physical therapy.

(e) *Has a record of such an impairment.*

(1) An individual has a record of such an impairment if the individual has a history of, or has been misclassified as having, a mental or physical impairment that substantially limits one or more major life activities.

(2) *Broad construction.* Whether an individual has a record of an impairment that substantially limited a major life activity shall be construed broadly to the maximum extent permitted by the ADA and should not demand extensive analysis. An individual will be considered to fall within this prong of the definition of "disability" if the individual has a history of an impairment that substantially limited one or more major life activities when compared to most people in the general population, or was misclassified as having had such an impairment. In determining whether an impairment substantially limited a major life activity, the principles articulated in paragraph (d)(1) of this section apply.

(3) *Reasonable modification.* An individual with a record of a substantially limiting impairment may be entitled to a reasonable modification if needed and related to the past disability.

(f) *Is regarded as having such an impairment.* The following principles apply under the "regarded as" prong of the definition of "disability" (paragraph (a)(1)(iii) of this section):

(1) Except as set forth in paragraph (f)(2) of this section, an individual is "regarded as having such an impairment" if the individual is subjected to a prohibited action because of an actual or perceived physical or mental

impairment, whether or not that impairment substantially limits, or is perceived to substantially limit, a major life activity, even if the public accommodation asserts, or may or does ultimately establish, a defense to the action prohibited by the ADA.

(2) An individual is not “regarded as having such an impairment” if the public accommodation demonstrates that the impairment is, objectively, both “transitory” and “minor.” A public accommodation may not defeat “regarded as” coverage of an individual simply by demonstrating that it subjectively believed the impairment was transitory and minor; rather, the public accommodation must demonstrate that the impairment is (in the case of an actual impairment) or would be (in the case of a perceived impairment), objectively, both “transitory” and “minor.” For purposes of this section, “transitory” is defined as lasting or expected to last six months or less.

(3) Establishing that an individual is “regarded as having such an impairment” does not, by itself, establish liability. Liability is established under title III of the ADA only when an individual proves that a public accommodation discriminated on the basis of disability within the meaning of title III of the ADA, 42 U.S.C. 12181–12189.

(g) *Exclusions.* The term “disability” does not include—

(1) Transvestism, transsexualism, pedophilia, exhibitionism, voyeurism, gender identity disorders not resulting from physical impairments, or other sexual behavior disorders;

(2) Compulsive gambling, kleptomania, or pyromania; or

(3) Psychoactive substance use disorders resulting from current illegal use of drugs.

[AG Order 3702–2016, 81 FR 53240, Aug. 11, 2016]

## §§ 36.106–36.199 [Reserved]

### Subpart B—General Requirements

#### § 36.201 General.

(a) *Prohibition of discrimination.* No individual shall be discriminated against on the basis of disability in the full and equal enjoyment of the goods, services, facilities, privileges, advantages, or ac-

commodations of any place of public accommodation by any private entity who owns, leases (or leases to), or operates a place of public accommodation.

(b) *Landlord and tenant responsibilities.* Both the landlord who owns the building that houses a place of public accommodation and the tenant who owns or operates the place of public accommodation are public accommodations subject to the requirements of this part. As between the parties, allocation of responsibility for complying with the obligations of this part may be determined by lease or other contract.

(c) *Claims of no disability.* Nothing in this part shall provide the basis for a claim that an individual without a disability was subject to discrimination because of a lack of disability, including a claim that an individual with a disability was granted a reasonable modification that was denied to an individual without a disability.

[Order No. 1513–91, 56 FR 35592, July 26, 1991, as amended by AG Order 3702–2016, 81 FR 53243, Aug. 11, 2016]

#### § 36.202 Activities.

(a) *Denial of participation.* A public accommodation shall not subject an individual or class of individuals on the basis of a disability or disabilities of such individual or class, directly, or through contractual, licensing, or other arrangements, to a denial of the opportunity of the individual or class to participate in or benefit from the goods, services, facilities, privileges, advantages, or accommodations of a place of public accommodation.

(b) *Participation in unequal benefit.* A public accommodation shall not afford an individual or class of individuals, on the basis of a disability or disabilities of such individual or class, directly, or through contractual, licensing, or other arrangements, with the opportunity to participate in or benefit from a good, service, facility, privilege, advantage, or accommodation that is not equal to that afforded to other individuals.

(c) *Separate benefit.* A public accommodation shall not provide an individual or class of individuals, on the basis of a disability or disabilities of such individual or class, directly, or

**§ 36.203**

through contractual, licensing, or other arrangements with a good, service, facility, privilege, advantage, or accommodation that is different or separate from that provided to other individuals, unless such action is necessary to provide the individual or class of individuals with a good, service, facility, privilege, advantage, or accommodation, or other opportunity that is as effective as that provided to others.

(d) *Individual or class of individuals.* For purposes of paragraphs (a) through (c) of this section, the term “individual or class of individuals” refers to the clients or customers of the public accommodation that enters into the contractual, licensing, or other arrangement.

**§ 36.203 Integrated settings.**

(a) *General.* A public accommodation shall afford goods, services, facilities, privileges, advantages, and accommodations to an individual with a disability in the most integrated setting appropriate to the needs of the individual.

(b) *Opportunity to participate.* Notwithstanding the existence of separate or different programs or activities provided in accordance with this subpart, a public accommodation shall not deny an individual with a disability an opportunity to participate in such programs or activities that are not separate or different.

(c) *Accommodations and services.* (1) Nothing in this part shall be construed to require an individual with a disability to accept an accommodation, aid, service, opportunity, or benefit available under this part that such individual chooses not to accept.

(2) Nothing in the Act or this part authorizes the representative or guardian of an individual with a disability to decline food, water, medical treatment, or medical services for that individual.

**§ 36.204 Administrative methods.**

A public accommodation shall not, directly or through contractual or other arrangements, utilize standards or criteria or methods of administration that have the effect of discriminating on the basis of disability, or that perpetuate the discrimination of

**28 CFR Ch. I (7–1–17 Edition)**

others who are subject to common administrative control.

**§ 36.205 Association.**

A public accommodation shall not exclude or otherwise deny equal goods, services, facilities, privileges, advantages, accommodations, or other opportunities to an individual or entity because of the known disability of an individual with whom the individual or entity is known to have a relationship or association.

**§ 36.206 Retaliation or coercion.**

(a) No private or public entity shall discriminate against any individual because that individual has opposed any act or practice made unlawful by this part, or because that individual made a charge, testified, assisted, or participated in any manner in an investigation, proceeding, or hearing under the Act or this part.

(b) No private or public entity shall coerce, intimidate, threaten, or interfere with any individual in the exercise or enjoyment of, or on account of his or her having exercised or enjoyed, or on account of his or her having aided or encouraged any other individual in the exercise or enjoyment of, any right granted or protected by the Act or this part.

(c) Illustrations of conduct prohibited by this section include, but are not limited to:

(1) Coercing an individual to deny or limit the benefits, services, or advantages to which he or she is entitled under the Act or this part;

(2) Threatening, intimidating, or interfering with an individual with a disability who is seeking to obtain or use the goods, services, facilities, privileges, advantages, or accommodations of a public accommodation;

(3) Intimidating or threatening any person because that person is assisting or encouraging an individual or group entitled to claim the rights granted or protected by the Act or this part to exercise those rights; or

(4) Retaliating against any person because that person has participated in any investigation or action to enforce the Act or this part.

**§ 36.207 Places of public accommodation located in private residences.**

(a) When a place of public accommodation is located in a private residence, the portion of the residence used exclusively as a residence is not covered by this part, but that portion used exclusively in the operation of the place of public accommodation or that portion used both for the place of public accommodation and for residential purposes is covered by this part.

(b) The portion of the residence covered under paragraph (a) of this section extends to those elements used to enter the place of public accommodation, including the homeowner's front sidewalk, if any, the door or entryway, and hallways; and those portions of the residence, interior or exterior, available to or used by customers or clients, including restrooms.

**§ 36.208 Direct threat.**

(a) This part does not require a public accommodation to permit an individual to participate in or benefit from the goods, services, facilities, privileges, advantages and accommodations of that public accommodation when that individual poses a direct threat to the health or safety of others.

(b) In determining whether an individual poses a direct threat to the health or safety of others, a public accommodation must make an individualized assessment, based on reasonable judgment that relies on current medical knowledge or on the best available objective evidence, to ascertain: The nature, duration, and severity of the risk; the probability that the potential injury will actually occur; and whether reasonable modifications of policies, practices, or procedures or the provision of auxiliary aids or services will mitigate the risk.

[Order No. 1513-91, 56 FR 35592, July 26, 1991, as amended by AG Order No. 3181-2010, 75 FR 56251, Sept. 15, 2010]

**§ 36.209 Illegal use of drugs.**

(a) *General.* (1) Except as provided in paragraph (b) of this section, this part does not prohibit discrimination against an individual based on that individual's current illegal use of drugs.

(2) A public accommodation shall not discriminate on the basis of illegal use of drugs against an individual who is not engaging in current illegal use of drugs and who—

(i) Has successfully completed a supervised drug rehabilitation program or has otherwise been rehabilitated successfully;

(ii) Is participating in a supervised rehabilitation program; or

(iii) Is erroneously regarded as engaging in such use.

(b) *Health and drug rehabilitation services.* (1) A public accommodation shall not deny health services, or services provided in connection with drug rehabilitation, to an individual on the basis of that individual's current illegal use of drugs, if the individual is otherwise entitled to such services.

(2) A drug rehabilitation or treatment program may deny participation to individuals who engage in illegal use of drugs while they are in the program.

(c) *Drug testing.* (1) This part does not prohibit a public accommodation from adopting or administering reasonable policies or procedures, including but not limited to drug testing, designed to ensure that an individual who formerly engaged in the illegal use of drugs is not now engaging in current illegal use of drugs.

(2) Nothing in this paragraph (c) shall be construed to encourage, prohibit, restrict, or authorize the conducting of testing for the illegal use of drugs.

**§ 36.210 Smoking.**

This part does not preclude the prohibition of, or the imposition of restrictions on, smoking in places of public accommodation.

**§ 36.211 Maintenance of accessible features.**

(a) A public accommodation shall maintain in operable working condition those features of facilities and equipment that are required to be readily accessible to and usable by persons with disabilities by the Act or this part.

(b) This section does not prohibit isolated or temporary interruptions in service or access due to maintenance or repairs.

## § 36.212

(c) If the 2010 Standards reduce the technical requirements or the number of required accessible elements below the number required by the 1991 Standards, the technical requirements or the number of accessible elements in a facility subject to this part may be reduced in accordance with the requirements of the 2010 Standards.

[Order No. 1513-91, 56 FR 35592, July 26, 1991, as amended by AG Order No. 3181-2010, 75 FR 56251, Sept. 15, 2010]

### § 36.212 Insurance.

(a) This part shall not be construed to prohibit or restrict—

(1) An insurer, hospital or medical service company, health maintenance organization, or any agent, or entity that administers benefit plans, or similar organizations from underwriting risks, classifying risks, or administering such risks that are based on or not inconsistent with State law; or

(2) A person or organization covered by this part from establishing, sponsoring, observing or administering the terms of a bona fide benefit plan that are based on underwriting risks, classifying risks, or administering such risks that are based on or not inconsistent with State law; or

(3) A person or organization covered by this part from establishing, sponsoring, observing or administering the terms of a bona fide benefit plan that is not subject to State laws that regulate insurance.

(b) Paragraphs (a) (1), (2), and (3) of this section shall not be used as a subterfuge to evade the purposes of the Act or this part.

(c) A public accommodation shall not refuse to serve an individual with a disability because its insurance company conditions coverage or rates on the absence of individuals with disabilities.

### § 36.213 Relationship of subpart B to subparts C and D of this part.

Subpart B of this part sets forth the general principles of nondiscrimination applicable to all entities subject to this part. Subparts C and D of this part provide guidance on the application of the statute to specific situations. The specific provisions, including the limitations on those provisions, control over the general provisions in cir-

## 28 CFR Ch. I (7-1-17 Edition)

cumstances where both specific and general provisions apply.

### §§ 36.214-36.299 [Reserved]

## Subpart C—Specific Requirements

### § 36.301 Eligibility criteria.

(a) *General.* A public accommodation shall not impose or apply eligibility criteria that screen out or tend to screen out an individual with a disability or any class of individuals with disabilities from fully and equally enjoying any goods, services, facilities, privileges, advantages, or accommodations, unless such criteria can be shown to be necessary for the provision of the goods, services, facilities, privileges, advantages, or accommodations being offered.

(b) *Safety.* A public accommodation may impose legitimate safety requirements that are necessary for safe operation. Safety requirements must be based on actual risks and not on mere speculation, stereotypes, or generalizations about individuals with disabilities.

(c) *Charges.* A public accommodation may not impose a surcharge on a particular individual with a disability or any group of individuals with disabilities to cover the costs of measures, such as the provision of auxiliary aids, barrier removal, alternatives to barrier removal, and reasonable modifications in policies, practices, or procedures, that are required to provide that individual or group with the nondiscriminatory treatment required by the Act or this part.

### § 36.302 Modifications in policies, practices, or procedures.

(a) *General.* A public accommodation shall make reasonable modifications in policies, practices, or procedures, when the modifications are necessary to afford goods, services, facilities, privileges, advantages, or accommodations to individuals with disabilities, unless the public accommodation can demonstrate that making the modifications would fundamentally alter the nature of the goods, services, facilities, privileges, advantages, or accommodations.

(b) *Specialties*—(1) *General*. A public accommodation may refer an individual with a disability to another public accommodation, if that individual is seeking, or requires, treatment or services outside of the referring public accommodation's area of specialization, and if, in the normal course of its operations, the referring public accommodation would make a similar referral for an individual without a disability who seeks or requires the same treatment or services.

(2) *Illustration—medical specialties*. A health care provider may refer an individual with a disability to another provider, if that individual is seeking, or requires, treatment or services outside of the referring provider's area of specialization, and if the referring provider would make a similar referral for an individual without a disability who seeks or requires the same treatment or services. A physician who specializes in treating only a particular condition cannot refuse to treat an individual with a disability for that condition, but is not required to treat the individual for a different condition.

(c) *Service animals*—(1) *General*. Generally, a public accommodation shall modify policies, practices, or procedures to permit the use of a service animal by an individual with a disability.

(2) *Exceptions*. A public accommodation may ask an individual with a disability to remove a service animal from the premises if:

(i) The animal is out of control and the animal's handler does not take effective action to control it; or

(ii) The animal is not housebroken.

(3) *If an animal is properly excluded*. If a public accommodation properly excludes a service animal under § 36.302(c)(2), it shall give the individual with a disability the opportunity to obtain goods, services, and accommodations without having the service animal on the premises.

(4) *Animal under handler's control*. A service animal shall be under the control of its handler. A service animal shall have a harness, leash, or other tether, unless either the handler is unable because of a disability to use a harness, leash, or other tether, or the use of a harness, leash, or other tether

would interfere with the service animal's safe, effective performance of work or tasks, in which case the service animal must be otherwise under the handler's control (*e.g.*, voice control, signals, or other effective means).

(5) *Care or supervision*. A public accommodation is not responsible for the care or supervision of a service animal.

(6) *Inquiries*. A public accommodation shall not ask about the nature or extent of a person's disability, but may make two inquiries to determine whether an animal qualifies as a service animal. A public accommodation may ask if the animal is required because of a disability and what work or task the animal has been trained to perform. A public accommodation shall not require documentation, such as proof that the animal has been certified, trained, or licensed as a service animal. Generally, a public accommodation may not make these inquiries about a service animal when it is readily apparent that an animal is trained to do work or perform tasks for an individual with a disability (*e.g.*, the dog is observed guiding an individual who is blind or has low vision, pulling a person's wheelchair, or providing assistance with stability or balance to an individual with an observable mobility disability).

(7) *Access to areas of a public accommodation*. Individuals with disabilities shall be permitted to be accompanied by their service animals in all areas of a place of public accommodation where members of the public, program participants, clients, customers, patrons, or invitees, as relevant, are allowed to go.

(8) *Surcharges*. A public accommodation shall not ask or require an individual with a disability to pay a surcharge, even if people accompanied by pets are required to pay fees, or to comply with other requirements generally not applicable to people without pets. If a public accommodation normally charges individuals for the damage they cause, an individual with a disability may be charged for damage caused by his or her service animal.

(9) *Miniature horses*. (i) A public accommodation shall make reasonable modifications in policies, practices, or

procedures to permit the use of a miniature horse by an individual with a disability if the miniature horse has been individually trained to do work or perform tasks for the benefit of the individual with a disability.

(ii) *Assessment factors.* In determining whether reasonable modifications in policies, practices, or procedures can be made to allow a miniature horse into a specific facility, a public accommodation shall consider—

(A) The type, size, and weight of the miniature horse and whether the facility can accommodate these features;

(B) Whether the handler has sufficient control of the miniature horse;

(C) Whether the miniature horse is housebroken; and

(D) Whether the miniature horse's presence in a specific facility compromises legitimate safety requirements that are necessary for safe operation.

(iii) *Other requirements.* Sections 36.302(c)(3) through (c)(8), which apply to service animals, shall also apply to miniature horses.

(d) *Check-out aisles.* A store with check-out aisles shall ensure that an adequate number of accessible check-out aisles are kept open during store hours, or shall otherwise modify its policies and practices, in order to ensure that an equivalent level of convenient service is provided to individuals with disabilities as is provided to others. If only one check-out aisle is accessible, and it is generally used for express service, one way of providing equivalent service is to allow persons with mobility impairments to make all their purchases at that aisle.

(e)(1) *Reservations made by places of lodging.* A public accommodation that owns, leases (or leases to), or operates a place of lodging shall, with respect to reservations made by any means, including by telephone, in-person, or through a third party—

(i) Modify its policies, practices, or procedures to ensure that individuals with disabilities can make reservations for accessible guest rooms during the same hours and in the same manner as individuals who do not need accessible rooms;

(ii) Identify and describe accessible features in the hotels and guest rooms

offered through its reservations service in enough detail to reasonably permit individuals with disabilities to assess independently whether a given hotel or guest room meets his or her accessibility needs;

(iii) Ensure that accessible guest rooms are held for use by individuals with disabilities until all other guest rooms of that type have been rented and the accessible room requested is the only remaining room of that type;

(iv) Reserve, upon request, accessible guest rooms or specific types of guest rooms and ensure that the guest rooms requested are blocked and removed from all reservations systems; and

(v) Guarantee that the specific accessible guest room reserved through its reservations service is held for the reserving customer, regardless of whether a specific room is held in response to reservations made by others.

(2) *Exception.* The requirements in paragraphs (iii), (iv), and (v) of this section do not apply to reservations for individual guest rooms or other units not owned or substantially controlled by the entity that owns, leases, or operates the overall facility.

(3) *Compliance date.* The requirements in this section will apply to reservations made on or after March 15, 2012.

(f) *Ticketing.* (1)(i) For the purposes of this section, “accessible seating” is defined as wheelchair spaces and companion seats that comply with sections 221 and 802 of the 2010 Standards along with any other seats required to be offered for sale to the individual with a disability pursuant to paragraph (4) of this section.

(ii) *Ticket sales.* A public accommodation that sells tickets for a single event or series of events shall modify its policies, practices, or procedures to ensure that individuals with disabilities have an equal opportunity to purchase tickets for accessible seating—

(A) During the same hours;

(B) During the same stages of ticket sales, including, but not limited to, pre-sales, promotions, lotteries, waitlists, and general sales;

(C) Through the same methods of distribution;

(D) In the same types and numbers of ticketing sales outlets, including telephone service, in-person ticket sales at



the facility, or third-party ticketing services, as other patrons; and

(E) Under the same terms and conditions as other tickets sold for the same event or series of events.

(2) *Identification of available accessible seating.* A public accommodation that sells or distributes tickets for a single event or series of events shall, upon inquiry—

(i) Inform individuals with disabilities, their companions, and third parties purchasing tickets for accessible seating on behalf of individuals with disabilities of the locations of all unsold or otherwise available accessible seating for any ticketed event or events at the facility;

(ii) Identify and describe the features of available accessible seating in enough detail to reasonably permit an individual with a disability to assess independently whether a given accessible seating location meets his or her accessibility needs; and

(iii) Provide materials, such as seating maps, plans, brochures, pricing charts, or other information, that identify accessible seating and information relevant thereto with the same text or visual representations as other seats, if such materials are provided to the general public.

(3) *Ticket prices.* The price of tickets for accessible seating for a single event or series of events shall not be set higher than the price for other tickets in the same seating section for the same event or series of events. Tickets for accessible seating must be made available at all price levels for every event or series of events. If tickets for accessible seating at a particular price level cannot be provided because barrier removal in an existing facility is not readily achievable, then the percentage of tickets for accessible seating that should have been available at that price level but for the barriers (determined by the ratio of the total number of tickets at that price level to the total number of tickets in the assembly area) shall be offered for purchase, at that price level, in a nearby or similar accessible location.

(4) *Purchasing multiple tickets.* (i) *General.* For each ticket for a wheelchair space purchased by an individual with a disability or a third-party purchasing

such a ticket at his or her request, a public accommodation shall make available for purchase three additional tickets for seats in the same row that are contiguous with the wheelchair space, provided that at the time of purchase there are three such seats available. A public accommodation is not required to provide more than three contiguous seats for each wheelchair space. Such seats may include wheelchair spaces.

(ii) *Insufficient additional contiguous seats available.* If patrons are allowed to purchase at least four tickets, and there are fewer than three such additional contiguous seat tickets available for purchase, a public accommodation shall offer the next highest number of such seat tickets available for purchase and shall make up the difference by offering tickets for sale for seats that are as close as possible to the accessible seats.

(iii) *Sales limited to fewer than four tickets.* If a public accommodation limits sales of tickets to fewer than four seats per patron, then the public accommodation is only obligated to offer as many seats to patrons with disabilities, including the ticket for the wheelchair space, as it would offer to patrons without disabilities.

(iv) *Maximum number of tickets patrons may purchase exceeds four.* If patrons are allowed to purchase more than four tickets, a public accommodation shall allow patrons with disabilities to purchase up to the same number of tickets, including the ticket for the wheelchair space.

(v) *Group sales.* If a group includes one or more individuals who need to use accessible seating because of a mobility disability or because their disability requires the use of the accessible features that are provided in accessible seating, the group shall be placed in a seating area with accessible seating so that, if possible, the group can sit together. If it is necessary to divide the group, it should be divided so that the individuals in the group who use wheelchairs are not isolated from their group.

(5) *Hold and release of tickets for accessible seating.* (i) *Tickets for accessible seating may be released for sale in certain*

*limited circumstances.* A public accommodation may release unsold tickets for accessible seating for sale to individuals without disabilities for their own use for a single event or series of events only under the following circumstances—

(A) When all non-accessible tickets (excluding luxury boxes, club boxes, or suites) have been sold;

(B) When all non-accessible tickets in a designated seating area have been sold and the tickets for accessible seating are being released in the same designated area; or

(C) When all non-accessible tickets in a designated price category have been sold and the tickets for accessible seating are being released within the same designated price category.

(ii) *No requirement to release accessible tickets.* Nothing in this paragraph requires a facility to release tickets for accessible seating to individuals without disabilities for their own use.

(iii) *Release of series-of-events tickets on a series-of-events basis.* (A) *Series-of-events tickets sell-out when no ownership rights are attached.* When series-of-events tickets are sold out and a public accommodation releases and sells accessible seating to individuals without disabilities for a series of events, the public accommodation shall establish a process that prevents the automatic reassignment of the accessible seating to such ticket holders for future seasons, future years, or future series, so that individuals with disabilities who require the features of accessible seating and who become newly eligible to purchase tickets when these series-of-events tickets are available for purchase have an opportunity to do so.

(B) *Series-of-events tickets when ownership rights are attached.* When series-of-events tickets with an ownership right in accessible seating areas are forfeited or otherwise returned to a public accommodation, the public accommodation shall make reasonable modifications in its policies, practices, or procedures to afford individuals with mobility disabilities or individuals with disabilities that require the features of accessible seating an opportunity to purchase such tickets in accessible seating areas.

(6) *Ticket transfer.* Individuals with disabilities who hold tickets for accessible seating shall be permitted to transfer tickets to third parties under the same terms and conditions and to the same extent as other spectators holding the same type of tickets, whether they are for a single event or series of events.

(7) *Secondary ticket market.* (i) A public accommodation shall modify its policies, practices, or procedures to ensure that an individual with a disability may use a ticket acquired in the secondary ticket market under the same terms and conditions as other individuals who hold a ticket acquired in the secondary ticket market for the same event or series of events.

(ii) If an individual with a disability acquires a ticket or series of tickets to an inaccessible seat through the secondary market, a public accommodation shall make reasonable modifications to its policies, practices, or procedures to allow the individual to exchange his ticket for one to an accessible seat in a comparable location if accessible seating is vacant at the time the individual presents the ticket to the public accommodation.

(8) *Prevention of fraud in purchase of tickets for accessible seating.* A public accommodation may not require proof of disability, including, for example, a doctor's note, before selling tickets for accessible seating.

(i) *Single-event tickets.* For the sale of single-event tickets, it is permissible to inquire whether the individual purchasing the tickets for accessible seating has a mobility disability or a disability that requires the use of the accessible features that are provided in accessible seating, or is purchasing the tickets for an individual who has a mobility disability or a disability that requires the use of the accessible features that are provided in the accessible seating.

(ii) *Series-of-events tickets.* For series-of-events tickets, it is permissible to ask the individual purchasing the tickets for accessible seating to attest in writing that the accessible seating is for a person who has a mobility disability or a disability that requires the use of the accessible features that are provided in the accessible seating.

(iii) *Investigation of fraud.* A public accommodation may investigate the potential misuse of accessible seating where there is good cause to believe that such seating has been purchased fraudulently.

(g) *Reasonable modifications for individuals “regarded as” having a disability.* A public accommodation is not required to provide a reasonable modification to an individual who meets the definition of “disability” solely under the “regarded as” prong of the definition of “disability” at § 36.105(a)(1)(iii).

[Order No. 1513-91, 56 FR 35592, July 26, 1991, as amended by AG Order No. 3181-2010, 75 FR 56251, Sept. 15, 2010; 76 FR 13287, Mar. 11, 2011; AG Order 3702-2016, 81 FR 53243, Aug. 11, 2016]

#### § 36.303 Auxiliary aids and services.

(a) *General.* A public accommodation shall take those steps that may be necessary to ensure that no individual with a disability is excluded, denied services, segregated or otherwise treated differently than other individuals because of the absence of auxiliary aids and services, unless the public accommodation can demonstrate that taking those steps would fundamentally alter the nature of the goods, services, facilities, privileges, advantages, or accommodations being offered or would result in an undue burden, i.e., significant difficulty or expense.

(b) *Examples.* The term “auxiliary aids and services” includes—

(1) Qualified interpreters on-site or through video remote interpreting (VRI) services; notetakers; real-time computer-aided transcription services; written materials; exchange of written notes; telephone handset amplifiers; assistive listening devices; assistive listening systems; telephones compatible with hearing aids; closed caption decoders; open and closed captioning, including real-time captioning; voice, text, and video-based telecommunications products and systems, including text telephones (TTYs), videophones, and captioned telephones, or equally effective telecommunications devices; videotext displays; accessible electronic and information technology; or other effective methods of making aurally delivered information available to individuals who are deaf or hard of hearing;

(2) Qualified readers; taped texts; audio recordings; Brailled materials and displays; screen reader software; magnification software; optical readers; secondary auditory programs (SAP); large print materials; accessible electronic and information technology; or other effective methods of making visually delivered materials available to individuals who are blind or have low vision;

(3) Acquisition or modification of equipment or devices; and

(4) Other similar services and actions.

(c) *Effective communication.* (1) A public accommodation shall furnish appropriate auxiliary aids and services where necessary to ensure effective communication with individuals with disabilities. This includes an obligation to provide effective communication to companions who are individuals with disabilities.

(i) For purposes of this section, “companion” means a family member, friend, or associate of an individual seeking access to, or participating in, the goods, services, facilities, privileges, advantages, or accommodations of a public accommodation, who, along with such individual, is an appropriate person with whom the public accommodation should communicate.

(ii) The type of auxiliary aid or service necessary to ensure effective communication will vary in accordance with the method of communication used by the individual; the nature, length, and complexity of the communication involved; and the context in which the communication is taking place. A public accommodation should consult with individuals with disabilities whenever possible to determine what type of auxiliary aid is needed to ensure effective communication, but the ultimate decision as to what measures to take rests with the public accommodation, provided that the method chosen results in effective communication. In order to be effective, auxiliary aids and services must be provided in accessible formats, in a timely manner, and in such a way as to protect the privacy and independence of the individual with a disability.

(2) A public accommodation shall not require an individual with a disability

to bring another individual to interpret for him or her.

(3) A public accommodation shall not rely on an adult accompanying an individual with a disability to interpret or facilitate communication, except—

(i) In an emergency involving an imminent threat to the safety or welfare of an individual or the public where there is no interpreter available; or

(ii) Where the individual with a disability specifically requests that the accompanying adult interpret or facilitate communication, the accompanying adult agrees to provide such assistance, and reliance on that adult for such assistance is appropriate under the circumstances.

(4) A public accommodation shall not rely on a minor child to interpret or facilitate communication, except in an emergency involving an imminent threat to the safety or welfare of an individual or the public where there is no interpreter available.

(d) *Telecommunications.* (1) When a public accommodation uses an automated-attendant system, including, but not limited to, voicemail and messaging, or an interactive voice response system, for receiving and directing incoming telephone calls, that system must provide effective real-time communication with individuals using auxiliary aids and services, including text telephones (TTYs) and all forms of FCC-approved telecommunications relay systems, including Internet-based relay systems.

(2) A public accommodation that offers a customer, client, patient, or participant the opportunity to make outgoing telephone calls using the public accommodation's equipment on more than an incidental convenience basis shall make available accessible public telephones, TTYs, or other telecommunications products and systems for use by an individual who is deaf or hard of hearing, or has a speech impairment.

(3) A public accommodation may use relay services in place of direct telephone communication for receiving or making telephone calls incident to its operations.

(4) A public accommodation shall respond to telephone calls from a telecommunications relay service estab-

lished under title IV of the ADA in the same manner that it responds to other telephone calls.

(5) This part does not require a public accommodation to use a TTY for receiving or making telephone calls incident to its operations.

(e) *Closed caption decoders.* Places of lodging that provide televisions in five or more guest rooms and hospitals that provide televisions for patient use shall provide, upon request, a means for decoding captions for use by an individual with impaired hearing.

(f) *Video remote interpreting (VRI) services.* A public accommodation that chooses to provide qualified interpreters via VRI service shall ensure that it provides—

(1) Real-time, full-motion video and audio over a dedicated high-speed, wide-bandwidth video connection or wireless connection that delivers high-quality video images that do not produce lags, choppy, blurry, or grainy images, or irregular pauses in communication;

(2) A sharply delineated image that is large enough to display the interpreter's face, arms, hands, and fingers, and the participating individual's face, arms, hands, and fingers, regardless of his or her body position;

(3) A clear, audible transmission of voices; and

(4) Adequate training to users of the technology and other involved individuals so that they may quickly and efficiently set up and operate the VRI.

(g) *Movie theater captioning and audio description—(1) Definitions.* For the purposes of this paragraph (g)—

(i) *Analog movie* means a movie exhibited in analog film format.

(ii) *Audio description* means the spoken narration of a movie's key visual elements, such as the action, settings, facial expressions, costumes, and scene changes. *Audio description* generally requires the use of an audio description device for delivery to a patron.

(iii) *Audio description device* means the individual device that a patron may use at any seat to hear audio description.

(iv) *Captioning device* means the individual device that a patron may use at any seat to view closed movie captioning.

(v) *Closed movie captioning* means the written display of a movie’s dialogue and non-speech information, such as music, the identity of the character who is speaking, and other sounds or sound effects. *Closed movie captioning* generally requires the use of a captioning device for delivery of the captions to the patron.

(vi) *Digital movie* means a movie exhibited in digital cinema format.

(vii) *Movie theater* means a facility, other than a drive-in theater, that is owned, leased to, or operated by a public accommodation and that contains one or more auditoriums that are used primarily for the purpose of showing movies to the public for a fee.

(viii) *Open movie captioning* means the written on-screen display of a movie’s dialogue and non-speech information, such as music, the identity of the character who is speaking, and other sounds and sound effects.

(2) *General.* A public accommodation shall ensure that its movie theater auditoriums provide closed movie captioning and audio description whenever they exhibit a digital movie that is distributed with such features. Application of the requirements of paragraph (g) of this section is deferred for any movie theater auditorium that exhibits analog movies exclusively, but may be addressed in a future rulemaking.

(3) *Minimum requirements for captioning devices.* A public accommodation shall provide a minimum number of fully operational captioning devices at its movie theaters in accordance with the following Table:

Number of movie theater auditoriums exhibiting digital movies	Minimum required number of captioning devices
1 .....	4
2-7 .....	6
8-15 .....	8
16 + .....	12

(4) *Minimum requirements for audio description devices.* (i) A public accommodation shall provide at its movie theaters a minimum of one fully operational audio description device for every two movie theater auditoriums exhibiting digital movies and no less than two devices per movie theater. When calculation of the required num-

ber of devices results in a fraction, the next greater whole number of devices shall be provided.

(ii) A public accommodation may comply with the requirements in paragraph (g)(4)(i) of this section by using the existing assistive listening receivers that the public accommodation is already required to provide at its movie theaters in accordance with Table 219.3 of the 2010 Standards, if those receivers have a minimum of two channels available for sound transmission to patrons.

(5) *Performance requirements for captioning devices and audio description devices.* Each captioning device and each audio description device must be properly maintained by the movie theater to ensure that each device is fully operational, available to patrons in a timely manner, and easily usable by patrons. Captioning devices must be adjustable so that the captions can be viewed as if they are on or near the movie screen, and must provide clear, sharp images in order to ensure readability of captions.

(6) *Alternative technologies.* (i) A public accommodation may meet its obligation to provide captioning and audio description in its movie theaters to persons with disabilities through any technology so long as that technology provides communication as effective as that provided to movie patrons without disabilities.

(ii) A public accommodation may use open movie captioning as an alternative to complying with the requirements specified in paragraph (g)(3) of this section, either by providing open movie captioning at all showings of all movies available with captioning, or whenever requested by or for an individual who is deaf or hard of hearing prior to the start of the movie.

(7) *Compliance date for providing captioning and audio description.* (i) A public accommodation must comply with the requirements in paragraphs (g)(2)-(6) of this section in its movie theaters that exhibit digital movies by June 2, 2018.

(ii) If a public accommodation converts a movie theater auditorium from an analog projection system to a system that allows it to exhibit digital movies after December 2, 2016, then

**§ 36.304**

**28 CFR Ch. I (7–1–17 Edition)**

that auditorium must comply with the requirements in paragraph (g) of this section by December 2, 2018, or within 6 months of that auditorium’s complete installation of a digital projection system, whichever is later.

(8) *Notice.* On or after January 17, 2017, whenever a public accommodation provides captioning and audio description in a movie theater auditorium exhibiting digital movies, it shall ensure that all notices of movie showings and times at the box office and other ticketing locations, on Web sites and mobile apps, in newspapers, and over the telephone, inform potential patrons of the movies or showings that are available with captioning and audio description. This paragraph does not impose any obligation on third parties that provide information about movie theater showings and times, so long as the third party is not part of or subject to the control of the public accommodation.

(9) *Operational requirements.* On or after January 17, 2017, whenever a public accommodation provides captioning and audio description in a movie theater auditorium exhibiting digital movies, it shall ensure that at least one employee is available at the movie theater to assist patrons seeking or using captioning or audio description whenever a digital movie is exhibited with these features. Such assistance includes the ability to—

(i) Locate all necessary equipment that is stored and quickly activate the equipment and any other ancillary systems required for the use of the captioning devices and audio description devices;

(ii) Operate and address problems with all captioning and audio description equipment prior to and during the movie;

(iii) Turn on open movie captions if the movie theater is relying on open movie captioning to meet the requirements of paragraph (g)(3) of this section; and

(iv) Communicate effectively with individuals with disabilities, including those who are deaf or hard of hearing or who are blind or have low vision, about how to use, operate, and resolve problems with captioning devices and audio description devices.

(10) This section does not require the use of open movie captioning as a means of compliance with paragraph (g) of this section, even if providing closed movie captioning for digital movies would be an undue burden.

(h) *Alternatives.* If provision of a particular auxiliary aid or service by a public accommodation would result in a fundamental alteration in the nature of the goods, services, facilities, privileges, advantages, or accommodations being offered or in an undue burden, i.e., significant difficulty or expense, the public accommodation shall provide an alternative auxiliary aid or service, if one exists, that would not result in an alteration or such burden but would nevertheless ensure that, to the maximum extent possible, individuals with disabilities receive the goods, services, facilities, privileges, advantages, or accommodations offered by the public accommodation.

[Order No. 1513–91, 56 FR 35592, July 26, 1991, as amended by AG Order No. 3181–2010, 75 FR 56253, Sept. 15, 2010; AG Order 3779–2016, 81 FR 87378, Dec. 2, 2016]

**§ 36.304 Removal of barriers.**

(a) *General.* A public accommodation shall remove architectural barriers in existing facilities, including communication barriers that are structural in nature, where such removal is readily achievable, i.e., easily accomplishable and able to be carried out without much difficulty or expense.

(b) *Examples.* Examples of steps to remove barriers include, but are not limited to, the following actions—

- (1) Installing ramps;
- (2) Making curb cuts in sidewalks and entrances;
- (3) Repositioning shelves;
- (4) Rearranging tables, chairs, vending machines, display racks, and other furniture;
- (5) Repositioning telephones;
- (6) Adding raised markings on elevator control buttons;
- (7) Installing flashing alarm lights;
- (8) Widening doors;
- (9) Installing offset hinges to widen doorways;
- (10) Eliminating a turnstile or providing an alternative accessible path;
- (11) Installing accessible door hardware;

(12) Installing grab bars in toilet stalls;

(13) Rearranging toilet partitions to increase maneuvering space;

(14) Insulating lavatory pipes under sinks to prevent burns;

(15) Installing a raised toilet seat;

(16) Installing a full-length bathroom mirror;

(17) Repositioning the paper towel dispenser in a bathroom;

(18) Creating designated accessible parking spaces;

(19) Installing an accessible paper cup dispenser at an existing inaccessible water fountain;

(20) Removing high pile, low density carpeting; or

(21) Installing vehicle hand controls.

(c) *Priorities.* A public accommodation is urged to take measures to comply with the barrier removal requirements of this section in accordance with the following order of priorities.

(1) First, a public accommodation should take measures to provide access to a place of public accommodation from public sidewalks, parking, or public transportation. These measures include, for example, installing an entrance ramp, widening entrances, and providing accessible parking spaces.

(2) Second, a public accommodation should take measures to provide access to those areas of a place of public accommodation where goods and services are made available to the public. These measures include, for example, adjusting the layout of display racks, rearranging tables, providing Brailled and raised character signage, widening doors, providing visual alarms, and installing ramps.

(3) Third, a public accommodation should take measures to provide access to restroom facilities. These measures include, for example, removal of obstructing furniture or vending machines, widening of doors, installation of ramps, providing accessible signage, widening of toilet stalls, and installation of grab bars.

(4) Fourth, a public accommodation should take any other measures necessary to provide access to the goods, services, facilities, privileges, advantages, or accommodations of a place of public accommodation.

(d) *Relationship to alterations requirements of subpart D of this part.* (1) Except as provided in paragraph (d)(3) of this section, measures taken to comply with the barrier removal requirements of this section shall comply with the applicable requirements for alterations in § 36.402 and §§ 36.404 through 36.406 of this part for the element being altered. The path of travel requirements of § 36.403 shall not apply to measures taken solely to comply with the barrier removal requirements of this section.

(d)(2)(i) *Safe harbor.* Elements that have not been altered in existing facilities on or after March 15, 2012 and that comply with the corresponding technical and scoping specifications for those elements in the 1991 Standards are not required to be modified in order to comply with the requirements set forth in the 2010 Standards.

(ii)(A) Before March 15, 2012, elements in existing facilities that do not comply with the corresponding technical and scoping specifications for those elements in the 1991 Standards must be modified to the extent readily achievable to comply with either the 1991 Standards or the 2010 Standards. Noncomplying newly constructed and altered elements may also be subject to the requirements of § 36.406(a)(5).

(B) On or after March 15, 2012, elements in existing facilities that do not comply with the corresponding technical and scoping specifications for those elements in the 1991 Standards must be modified to the extent readily achievable to comply with the requirements set forth in the 2010 Standards. Noncomplying newly constructed and altered elements may also be subject to the requirements of § 36.406(a)(5).

(iii) The safe harbor provided in § 36.304(d)(2)(i) does not apply to those elements in existing facilities that are subject to supplemental requirements (*i.e.*, elements for which there are neither technical nor scoping specifications in the 1991 Standards), and therefore those elements must be modified to the extent readily achievable to comply with the 2010 Standards. Noncomplying newly constructed and altered elements may also be subject to

§ 36.304

28 CFR Ch. I (7–1–17 Edition)

the requirements of §36.406(a)(5). Elements in the 2010 Standards not eligible for the element-by-element safe harbor are identified as follows—

- (A) *Residential facilities and dwelling units*, sections 233 and 809.
- (B) *Amusement rides*, sections 234 and 1002; 206.2.9; 216.12.
- (C) *Recreational boating facilities*, sections 235 and 1003; 206.2.10.
- (D) *Exercise machines and equipment*, sections 236 and 1004; 206.2.13.
- (E) *Fishing piers and platforms*, sections 237 and 1005; 206.2.14.
- (F) *Golf facilities*, sections 238 and 1006; 206.2.15.
- (G) *Miniature golf facilities*, sections 239 and 1007; 206.2.16.
- (H) *Play areas*, sections 240 and 1008; 206.2.17.
- (I) *Saunas and steam rooms*, sections 241 and 612.
- (J) *Swimming pools, wading pools, and spas*, sections 242 and 1009.
- (K) *Shooting facilities with firing positions*, sections 243 and 1010.

(L) *Miscellaneous*. (1) Team or player seating, section 221.2.1.4.

(2) Accessible route to bowling lanes, section 206.2.11.

(3) Accessible route in court sports facilities, section 206.2.12.

(3) If, as a result of compliance with the alterations requirements specified in paragraph (d)(1) and (d)(2) of this section, the measures required to remove a barrier would not be readily achievable, a public accommodation may take other readily achievable measures to remove the barrier that do not fully comply with the specified requirements. Such measures include, for example, providing a ramp with a steeper slope or widening a doorway to a narrower width than that mandated by the alterations requirements. No measure shall be taken, however, that poses a significant risk to the health or safety of individuals with disabilities or others.

APPENDIX TO §36.304(d)

COMPLIANCE DATES AND APPLICABLE STANDARDS FOR BARRIER REMOVAL AND SAFE HARBOR

Date	Requirement	Applicable standards
Before March 15, 2012 ...	Elements that do not comply with the requirements for those elements in the 1991 Standards must be modified to the extent readily achievable. <b>Note:</b> Noncomplying newly constructed and altered elements may also be subject to the requirements of §36.406(a)(5).	1991 Standards or 2010 Standards.
On or after March 15, 2012.	Elements that do not comply with the requirements for those elements in the 1991 Standards or that do not comply with the supplemental requirements ( <i>i.e.</i> , elements for which there are neither technical nor scoping specifications in the 1991 Standards), must be modified to the extent readily achievable. There is an exception for existing pools, wading pools, and spas built before March 15, 2012 [See §36.304(g)(5)]. <b>Note:</b> Noncomplying newly constructed and altered elements may also be subject to the requirements of §36.406(a)(5).	2010 Standards.
On or after January 31, 2013.	For existing pools, wading pools, and spas built before March 15, 2012, elements that do not comply with the supplemental requirements for entry to pools, wading pools, and spas must be modified to the extent readily achievable [See §36.304(g)(5)].	Sections 242 and 1009 of the 2010 Standards.
Elements not altered after March 15, 2012.	Elements that comply with the requirements for those elements in the 1991 Standards do not need to be modified.	Safe Harbor.

(e) *Portable ramps*. Portable ramps should be used to comply with this section only when installation of a permanent ramp is not readily achievable. In order to avoid any significant risk to the health or safety of individuals with disabilities or others in using portable ramps, due consideration shall be given to safety features such as nonslip sur-

faces, railings, anchoring, and strength of materials.

(f) *Selling or serving space*. The rearrangement of temporary or movable structures, such as furniture, equipment, and display racks is not readily achievable to the extent that it results in a significant loss of selling or serving space.



(g) *Limitation on barrier removal obligations.* (1) The requirements for barrier removal under § 36.304 shall not be interpreted to exceed the standards for alterations in subpart D of this part.

(2) To the extent that relevant standards for alterations are not provided in subpart D of this part, then the requirements of § 36.304 shall not be interpreted to exceed the standards for new construction in subpart D of this part.

(3) This section does not apply to rolling stock and other conveyances to the extent that § 36.310 applies to rolling stock and other conveyances.

(4) This requirement does not apply to guest rooms in existing facilities that are places of lodging where the guest rooms are not owned by the entity that owns, leases, or operates the overall facility and the physical features of the guest room interiors are controlled by their individual owners.

(5) With respect to facilities built before March 15, 2012, the requirements in this section for accessible means of entry for swimming pools, wading pools, and spas, as set forth in sections 242 and 1009 of the 2010 Standards, shall not apply until January 31, 2013.

[Order No. 1513-91, 56 FR 35592, July 26, 1991, as amended by AG Order No. 3181-2010, 75 FR 56254, Sept. 15, 2010; AG Order No. 3332-2012, 77 FR 30179, May 21, 2012]

#### § 36.305 Alternatives to barrier removal.

(a) *General.* Where a public accommodation can demonstrate that barrier removal is not readily achievable, the public accommodation shall not fail to make its goods, services, facilities, privileges, advantages, or accommodations available through alternative methods, if those methods are readily achievable.

(b) *Examples.* Examples of alternatives to barrier removal include, but are not limited to, the following actions—

(1) Providing curb service or home delivery;

(2) Retrieving merchandise from inaccessible shelves or racks;

(3) Relocating activities to accessible locations;

(c) *Multiscreen cinemas.* If it is not readily achievable to remove barriers to provide access by persons with mo-

bility impairments to all of the theaters of a multiscreen cinema, the cinema shall establish a film rotation schedule that provides reasonable access for individuals who use wheelchairs to all films. Reasonable notice shall be provided to the public as to the location and time of accessible showings.

#### § 36.306 Personal devices and services.

This part does not require a public accommodation to provide its customers, clients, or participants with personal devices, such as wheelchairs; individually prescribed devices, such as prescription eyeglasses or hearing aids; or services of a personal nature including assistance in eating, toileting, or dressing.

#### § 36.307 Accessible or special goods.

(a) This part does not require a public accommodation to alter its inventory to include accessible or special goods that are designed for, or facilitate use by, individuals with disabilities.

(b) A public accommodation shall order accessible or special goods at the request of an individual with disabilities, if, in the normal course of its operation, it makes special orders on request for unstocked goods, and if the accessible or special goods can be obtained from a supplier with whom the public accommodation customarily does business.

(c) Examples of accessible or special goods include items such as Brailled versions of books, books on audio cassettes, closed-captioned video tapes, special sizes or lines of clothing, and special foods to meet particular dietary needs.

#### § 36.308 Seating in assembly areas.

A public accommodation shall ensure that wheelchair spaces and companion seats are provided in each specialty seating area that provides spectators with distinct services or amenities that generally are not available to other spectators. If it is not readily achievable for a public accommodation to place wheelchair spaces and companion seats in each such specialty seating area, it shall provide those services or

amenities to individuals with disabilities and their companions at other designated accessible locations at no additional cost. The number of wheelchair spaces and companion seats provided in specialty seating areas shall be included in, rather than in addition to, wheelchair space requirements set forth in table 221.2.1.1 in the 2010 Standards.

[AG Order No. 3181–2010, 75 FR 56255, Sept. 15, 2010]

**§ 36.309 Examinations and courses.**

(a) *General.* Any private entity that offers examinations or courses related to applications, licensing, certification, or credentialing for secondary or postsecondary education, professional, or trade purposes shall offer such examinations or courses in a place and manner accessible to persons with disabilities or offer alternative accessible arrangements for such individuals.

(b) *Examinations.* (1) Any private entity offering an examination covered by this section must assure that—

(i) The examination is selected and administered so as to best ensure that, when the examination is administered to an individual with a disability that impairs sensory, manual, or speaking skills, the examination results accurately reflect the individual's aptitude or achievement level or whatever other factor the examination purports to measure, rather than reflecting the individual's impaired sensory, manual, or speaking skills (except where those skills are the factors that the examination purports to measure);

(ii) An examination that is designed for individuals with impaired sensory, manual, or speaking skills is offered at equally convenient locations, as often, and in as timely a manner as are other examinations; and

(iii) The examination is administered in facilities that are accessible to individuals with disabilities or alternative accessible arrangements are made.

(iv) Any request for documentation, if such documentation is required, is reasonable and limited to the need for the modification, accommodation, or auxiliary aid or service requested.

(v) When considering requests for modifications, accommodations, or

auxiliary aids or services, the entity gives considerable weight to documentation of past modifications, accommodations, or auxiliary aids or services received in similar testing situations, as well as such modifications, accommodations, or related aids and services provided in response to an Individualized Education Program (IEP) provided under the Individuals with Disabilities Education Act or a plan describing services provided pursuant to section 504 of the Rehabilitation Act of 1973, as amended (often referred to as a Section 504 Plan).

(vi) The entity responds in a timely manner to requests for modifications, accommodations, or aids to ensure equal opportunity for individuals with disabilities.

(2) Required modifications to an examination may include changes in the length of time permitted for completion of the examination and adaptation of the manner in which the examination is given.

(3) A private entity offering an examination covered by this section shall provide appropriate auxiliary aids for persons with impaired sensory, manual, or speaking skills, unless that private entity can demonstrate that offering a particular auxiliary aid would fundamentally alter the measurement of the skills or knowledge the examination is intended to test or would result in an undue burden. Auxiliary aids and services required by this section may include taped examinations, interpreters or other effective methods of making orally delivered materials available to individuals with hearing impairments, Brailled or large print examinations and answer sheets or qualified readers for individuals with visual impairments or learning disabilities, transcribers for individuals with manual impairments, and other similar services and actions.

(4) Alternative accessible arrangements may include, for example, provision of an examination at an individual's home with a proctor if accessible facilities or equipment are unavailable. Alternative arrangements must provide comparable conditions to those provided for nondisabled individuals.

(c) *Courses.* (1) Any private entity that offers a course covered by this section must make such modifications to that course as are necessary to ensure that the place and manner in which the course is given are accessible to individuals with disabilities.

(2) Required modifications may include changes in the length of time permitted for the completion of the course, substitution of specific requirements, or adaptation of the manner in which the course is conducted or course materials are distributed.

(3) A private entity that offers a course covered by this section shall provide appropriate auxiliary aids and services for persons with impaired sensory, manual, or speaking skills, unless the private entity can demonstrate that offering a particular auxiliary aid or service would fundamentally alter the course or would result in an undue burden. Auxiliary aids and services required by this section may include taped texts, interpreters or other effective methods of making orally delivered materials available to individuals with hearing impairments, Brailled or large print texts or qualified readers for individuals with visual impairments and learning disabilities, classroom equipment adapted for use by individuals with manual impairments, and other similar services and actions.

(4) Courses must be administered in facilities that are accessible to individuals with disabilities or alternative accessible arrangements must be made.

(5) Alternative accessible arrangements may include, for example, provision of the course through videotape, cassettes, or prepared notes. Alternative arrangements must provide comparable conditions to those provided for nondisabled individuals.

[Order No. 1513-91, 56 FR 35592, July 26, 1991, as amended by AG Order No. 3181-2010, 75 FR 56255, Sept. 15, 2010]

**§ 36.310 Transportation provided by public accommodations.**

(a) *General.* (1) A public accommodation that provides transportation services, but that is not primarily engaged in the business of transporting people, is subject to the general and specific provisions in subparts B, C, and D of this part for its transportation oper-

ations, except as provided in this section.

(2) *Examples.* Transportation services subject to this section include, but are not limited to, shuttle services operated between transportation terminals and places of public accommodation, customer shuttle bus services operated by private companies and shopping centers, student transportation systems, and transportation provided within recreational facilities such as stadiums, zoos, amusement parks, and ski resorts.

(b) *Barrier removal.* A public accommodation subject to this section shall remove transportation barriers in existing vehicles and rail passenger cars used for transporting individuals (not including barriers that can only be removed through the retrofitting of vehicles or rail passenger cars by the installation of a hydraulic or other lift) where such removal is readily achievable.

(c) *Requirements for vehicles and systems.* A public accommodation subject to this section shall comply with the requirements pertaining to vehicles and transportation systems in the regulations issued by the Secretary of Transportation pursuant to section 306 of the Act.

**§ 36.311 Mobility devices.**

(a) *Use of wheelchairs and manually-powered mobility aids.* A public accommodation shall permit individuals with mobility disabilities to use wheelchairs and manually-powered mobility aids, such as walkers, crutches, canes, braces, or other similar devices designed for use by individuals with mobility disabilities in any areas open to pedestrian use.

(b)(1) *Use of other power-driven mobility devices.* A public accommodation shall make reasonable modifications in its policies, practices, or procedures to permit the use of other power-driven mobility devices by individuals with mobility disabilities, unless the public accommodation can demonstrate that the class of other power-driven mobility devices cannot be operated in accordance with legitimate safety requirements that the public accommodation has adopted pursuant to § 36.301(b).

(2) *Assessment factors.* In determining whether a particular other power-driven mobility device can be allowed in a specific facility as a reasonable modification under paragraph (b)(1) of this section, a public accommodation shall consider—

(i) The type, size, weight, dimensions, and speed of the device;

(ii) The facility’s volume of pedestrian traffic (which may vary at different times of the day, week, month, or year);

(iii) The facility’s design and operational characteristics (*e.g.*, whether its business is conducted indoors, its square footage, the density and placement of stationary devices, and the availability of storage for the device, if requested by the user);

(iv) Whether legitimate safety requirements can be established to permit the safe operation of the other power-driven mobility device in the specific facility; and

(v) Whether the use of the other power-driven mobility device creates a substantial risk of serious harm to the immediate environment or natural or cultural resources, or poses a conflict with Federal land management laws and regulations.

(c)(1) *Inquiry about disability.* A public accommodation shall not ask an individual using a wheelchair or other power-driven mobility device questions about the nature and extent of the individual’s disability.

(2) *Inquiry into use of other power-driven mobility device.* A public accommodation may ask a person using an other power-driven mobility device to provide a credible assurance that the mobility device is required because of the person’s disability. A public accommodation that permits the use of an other power-driven mobility device by an individual with a mobility disability shall accept the presentation of a valid, State-issued disability parking placard or card, or State-issued proof of disability, as a credible assurance that the use of the other power-driven mobility device is for the individual’s mobility disability. In lieu of a valid, State-issued disability parking placard or card, or State-issued proof of disability, a public accommodation shall accept as a credible assurance a verbal

representation, not contradicted by observable fact, that the other power-driven mobility device is being used for a mobility disability. A “valid” disability placard or card is one that is presented by the individual to whom it was issued and is otherwise in compliance with the State of issuance’s requirements for disability placards or cards.

[AG Order No. 3181–2010, 75 FR 56255, Sept. 15, 2010]

§§ 36.312–36.399 [Reserved]

**Subpart D—New Construction and Alterations**

**§ 36.401 New construction.**

(a) *General.* (1) Except as provided in paragraphs (b) and (c) of this section, discrimination for purposes of this part includes a failure to design and construct facilities for first occupancy after January 26, 1993, that are readily accessible to and usable by individuals with disabilities.

(2) For purposes of this section, a facility is designed and constructed for first occupancy after January 26, 1993, only—

(i) If the last application for a building permit or permit extension for the facility is certified to be complete, by a State, County, or local government after January 26, 1992 (or, in those jurisdictions where the government does not certify completion of applications, if the last application for a building permit or permit extension for the facility is received by the State, County, or local government after January 26, 1992); and

(ii) If the first certificate of occupancy for the facility is issued after January 26, 1993.

(b) *Commercial facilities located in private residences.* (1) When a commercial facility is located in a private residence, the portion of the residence used exclusively as a residence is not covered by this subpart, but that portion used exclusively in the operation of the commercial facility or that portion used both for the commercial facility and for residential purposes is covered by the new construction and alterations requirements of this subpart.

(2) The portion of the residence covered under paragraph (b)(1) of this section extends to those elements used to enter the commercial facility, including the homeowner's front sidewalk, if any, the door or entryway, and hallways; and those portions of the residence, interior or exterior, available to or used by employees or visitors of the commercial facility, including restrooms.

(c) *Exception for structural impracticability.* (1) Full compliance with the requirements of this section is not required where an entity can demonstrate that it is structurally impracticable to meet the requirements. Full compliance will be considered structurally impracticable only in those rare circumstances when the unique characteristics of terrain prevent the incorporation of accessibility features.

(2) If full compliance with this section would be structurally impracticable, compliance with this section is required to the extent that it is not structurally impracticable. In that case, any portion of the facility that can be made accessible shall be made accessible to the extent that it is not structurally impracticable.

(3) If providing accessibility in conformance with this section to individuals with certain disabilities (e.g., those who use wheelchairs) would be structurally impracticable, accessibility shall nonetheless be ensured to persons with other types of disabilities (e.g., those who use crutches or who have sight, hearing, or mental impairments) in accordance with this section.

(d) *Elevator exemption.* (1) For purposes of this paragraph (d)—

(i) *Professional office of a health care provider* means a location where a person or entity regulated by a State to provide professional services related to the physical or mental health of an individual makes such services available to the public. The facility housing the "professional office of a health care provider" only includes floor levels housing at least one health care provider, or any floor level designed or intended for use by at least one health care provider.

(ii) *Shopping center or shopping mall means—*

(A) A building housing five or more sales or rental establishments; or

(B) A series of buildings on a common site, either under common ownership or common control or developed either as one project or as a series of related projects, housing five or more sales or rental establishments. For purposes of this section, places of public accommodation of the types listed in paragraph (5) of the definition of "place of public accommodation" in section §36.104 are considered sales or rental establishments. The facility housing a "shopping center or shopping mall" only includes floor levels housing at least one sales or rental establishment, or any floor level designed or intended for use by at least one sales or rental establishment.

(2) This section does not require the installation of an elevator in a facility that is less than three stories or has less than 3000 square feet per story, except with respect to any facility that houses one or more of the following:

(i) A shopping center or shopping mall, or a professional office of a health care provider.

(ii) A terminal, depot, or other station used for specified public transportation, or an airport passenger terminal. In such a facility, any area housing passenger services, including boarding and debarking, loading and unloading, baggage claim, dining facilities, and other common areas open to the public, must be on an accessible route from an accessible entrance.

(3) The elevator exemption set forth in this paragraph (d) does not obviate or limit, in any way the obligation to comply with the other accessibility requirements established in paragraph (a) of this section. For example, in a facility that houses a shopping center or shopping mall, or a professional office of a health care provider, the floors that are above or below an accessible ground floor and that do not house sales or rental establishments or a professional office of a health care provider, must meet the requirements of this section but for the elevator.

#### § 36.402 Alterations.

(a) *General.* (1) Any alteration to a place of public accommodation or a commercial facility, after January 26,

1992, shall be made so as to ensure that, to the maximum extent feasible, the altered portions of the facility are readily accessible to and usable by individuals with disabilities, including individuals who use wheelchairs.

(2) An alteration is deemed to be undertaken after January 26, 1992, if the physical alteration of the property begins after that date.

(b) *Alteration.* For the purposes of this part, an alteration is a change to a place of public accommodation or a commercial facility that affects or could affect the usability of the building or facility or any part thereof.

(1) Alterations include, but are not limited to, remodeling, renovation, rehabilitation, reconstruction, historic restoration, changes or rearrangement in structural parts or elements, and changes or rearrangement in the plan configuration of walls and full-height partitions. Normal maintenance, re-roofing, painting or wallpapering, asbestos removal, or changes to mechanical and electrical systems are not alterations unless they affect the usability of the building or facility.

(2) If existing elements, spaces, or common areas are altered, then each such altered element, space, or area shall comply with the applicable provisions of appendix A to this part.

(c) *To the maximum extent feasible.* The phrase “to the maximum extent feasible,” as used in this section, applies to the occasional case where the nature of an existing facility makes it virtually impossible to comply fully with applicable accessibility standards through a planned alteration. In these circumstances, the alteration shall provide the maximum physical accessibility feasible. Any altered features of the facility that can be made accessible shall be made accessible. If providing accessibility in conformance with this section to individuals with certain disabilities (e.g., those who use wheelchairs) would not be feasible, the facility shall be made accessible to persons with other types of disabilities (e.g., those who use crutches, those who have impaired vision or hearing, or those who have other impairments).

**§ 36.403 Alterations: Path of travel.**

(a) *General.* (1) An alteration that affects or could affect the usability of or access to an area of a facility that contains a primary function shall be made so as to ensure that, to the maximum extent feasible, the path of travel to the altered area and the restrooms, telephones, and drinking fountains serving the altered area, are readily accessible to and usable by individuals with disabilities, including individuals who use wheelchairs, unless the cost and scope of such alterations is disproportionate to the cost of the overall alteration.

(2) If a private entity has constructed or altered required elements of a path of travel at a place of public accommodation or commercial facility in accordance with the specifications in the 1991 Standards, the private entity is not required to retrofit such elements to reflect the incremental changes in the 2010 Standards solely because of an alteration to a primary function area served by that path of travel.

(b) *Primary function.* A “primary function” is a major activity for which the facility is intended. Areas that contain a primary function include, but are not limited to, the customer services lobby of a bank, the dining area of a cafeteria, the meeting rooms in a conference center, as well as offices and other work areas in which the activities of the public accommodation or other private entity using the facility are carried out. Mechanical rooms, boiler rooms, supply storage rooms, employee lounges or locker rooms, janitorial closets, entrances, corridors, and restrooms are not areas containing a primary function.

(c) *Alterations to an area containing a primary function.* (1) Alterations that affect the usability of or access to an area containing a primary function include, but are not limited to—

- (i) Remodeling merchandise display areas or employee work areas in a department store;
- (ii) Replacing an inaccessible floor surface in the customer service or employee work areas of a bank;
- (iii) Redesigning the assembly line area of a factory; or
- (iv) Installing a computer center in an accounting firm.

(2) For the purposes of this section, alterations to windows, hardware, controls, electrical outlets, and signage shall not be deemed to be alterations that affect the usability of or access to an area containing a primary function.

(d) *Landlord/tenant*: If a tenant is making alterations as defined in § 36.402 that would trigger the requirements of this section, those alterations by the tenant in areas that only the tenant occupies do not trigger a path of travel obligation upon the landlord with respect to areas of the facility under the landlord's authority, if those areas are not otherwise being altered.

(e) *Path of travel*. (1) A "path of travel" includes a continuous, unobstructed way of pedestrian passage by means of which the altered area may be approached, entered, and exited, and which connects the altered area with an exterior approach (including sidewalks, streets, and parking areas), an entrance to the facility, and other parts of the facility.

(2) An accessible path of travel may consist of walks and sidewalks, curb ramps and other interior or exterior pedestrian ramps; clear floor paths through lobbies, corridors, rooms, and other improved areas; parking access aisles; elevators and lifts; or a combination of these elements.

(3) For the purposes of this part, the term "path of travel" also includes the restrooms, telephones, and drinking fountains serving the altered area.

(f) *Disproportionality*. (1) Alterations made to provide an accessible path of travel to the altered area will be deemed disproportionate to the overall alteration when the cost exceeds 20% of the cost of the alteration to the primary function area.

(2) Costs that may be counted as expenditures required to provide an accessible path of travel may include:

(i) Costs associated with providing an accessible entrance and an accessible route to the altered area, for example, the cost of widening doorways or installing ramps;

(ii) Costs associated with making restrooms accessible, such as installing grab bars, enlarging toilet stalls, insulating pipes, or installing accessible faucet controls;

(iii) Costs associated with providing accessible telephones, such as relocating the telephone to an accessible height, installing amplification devices, or installing a text telephone (TTY);

(iv) Costs associated with relocating an inaccessible drinking fountain.

(g) *Duty to provide accessible features in the event of disproportionality*. (1) When the cost of alterations necessary to make the path of travel to the altered area fully accessible is disproportionate to the cost of the overall alteration, the path of travel shall be made accessible to the extent that it can be made accessible without incurring disproportionate costs.

(2) In choosing which accessible elements to provide, priority should be given to those elements that will provide the greatest access, in the following order:

(i) An accessible entrance;

(ii) An accessible route to the altered area;

(iii) At least one accessible restroom for each sex or a single unisex restroom;

(iv) Accessible telephones;

(v) Accessible drinking fountains; and

(vi) When possible, additional accessible elements such as parking, storage, and alarms.

(h) *Series of smaller alterations*. (1) The obligation to provide an accessible path of travel may not be evaded by performing a series of small alterations to the area served by a single path of travel if those alterations could have been performed as a single undertaking.

(2)(i) If an area containing a primary function has been altered without providing an accessible path of travel to that area, and subsequent alterations of that area, or a different area on the same path of travel, are undertaken within three years of the original alteration, the total cost of alterations to the primary function areas on that path of travel during the preceding three year period shall be considered in determining whether the cost of making that path of travel accessible is disproportionate.

(ii) Only alterations undertaken after January 26, 1992, shall be considered in

**§ 36.404**

**28 CFR Ch. I (7-1-17 Edition)**

determining if the cost of providing an accessible path of travel is disproportionate to the overall cost of the alterations.

[Order No. 1513-91, 56 FR 35592, July 26, 1991, as amended by AG Order No. 3181-2010, 75 FR 56256, Sept. 15, 2010]

**§ 36.404 Alterations: Elevator exemption.**

(a) This section does not require the installation of an elevator in an altered facility that is less than three stories or has less than 3,000 square feet per story, except with respect to any facility that houses a shopping center, a shopping mall, the professional office of a health care provider, a terminal, depot, or other station used for specified public transportation, or an airport passenger terminal.

(1) For the purposes of this section, *professional office of a health care provider* means a location where a person or entity regulated by a State to provide professional services related to the physical or mental health of an individual makes such services available to the public. The facility that houses a *professional office of a health care provider* only includes floor levels housing by at least one health care provider, or any floor level designed or intended for use by at least one health care provider.

(2) For the purposes of this section, *shopping center or shopping mall* means—

(i) A building housing five or more sales or rental establishments; or

(ii) A series of buildings on a common site, connected by a common pedestrian access route above or below the ground floor, that is either under common ownership or common control or developed either as one project or as a series of related projects, housing five or more sales or rental establishments. For purposes of this section, places of public accommodation of the types listed in paragraph (5) of the definition of *place of public accommodation* in § 36.104 are considered sales or rental establishments. The facility housing a *shopping center or shopping mall* only includes floor levels housing at least one sales or rental establishment, or any floor level designed or intended for use

by at least one sales or rental establishment.

(b) The exemption provided in paragraph (a) of this section does not obviate or limit in any way the obligation to comply with the other accessibility requirements established in this subpart. For example, alterations to floors above or below the accessible ground floor must be accessible regardless of whether the altered facility has an elevator.

**§ 36.405 Alterations: Historic preservation.**

(a) Alterations to buildings or facilities that are eligible for listing in the National Register of Historic Places under the National Historic Preservation Act, 16 U.S.C. 470 *et seq.*, or are designated as historic under State or local law, shall comply to the maximum extent feasible with this part.

(b) If it is determined that it is not feasible to provide physical access to an historic property that is a place of public accommodation in a manner that will not threaten or destroy the historic significance of the building or the facility, alternative methods of access shall be provided pursuant to the requirements of subpart C of this part.

[AG Order No. 3181-2010, 75 FR 56256, Sept. 15, 2010]

**§ 36.406 Standards for new construction and alterations.**

(a) *Accessibility standards and compliance date.* (1) New construction and alterations subject to §§ 36.401 or 36.402 shall comply with the 1991 Standards if the date when the last application for a building permit or permit extension is certified to be complete by a State, county, or local government (or, in those jurisdictions where the government does not certify completion of applications, if the date when the last application for a building permit or permit extension is received by the State, county, or local government) is before September 15, 2010, or if no permit is required, if the start of physical construction or alterations occurs before September 15, 2010.

(2) New construction and alterations subject to §§ 36.401 or 36.402 shall comply either with the 1991 Standards or with the 2010 Standards if the date



when the last application for a building permit or permit extension is certified to be complete by a State, county, or local government (or, in those jurisdictions where the government does not certify completion of applications, if the date when the last application for a building permit or permit extension is received by the State, county, or local government) is on or after September 15, 2010 and before March 15, 2012, or if no permit is required, if the start of physical construction or alterations occurs on or after September 15, 2010 and before March 15, 2012.

(3) New construction and alterations subject to §§36.401 or 36.402 shall comply with the 2010 Standards if the date when the last application for a building permit or permit extension is certified to be complete by a State, county, or local government (or, in those jurisdictions where the government does not certify completion of applications, if the date when the last application for a building permit or permit extension is received by the State, county, or local government) is on or after March 15, 2012, or if no permit is required, if the start of physical construction or alterations occurs on or after March 15, 2012.

(4) For the purposes of this section, “start of physical construction or alterations” does not mean ceremonial groundbreaking or razing of structures prior to site preparation.

(5) *Noncomplying new construction and alterations.* (i) Newly constructed or altered facilities or elements covered by §§36.401 or 36.402 that were constructed or altered before March 15, 2012 and that do not comply with the 1991 Standards shall, before March 15, 2012, be made accessible in accordance with either the 1991 Standards or the 2010 Standards.

(ii) Newly constructed or altered facilities or elements covered by §§36.401 or 36.402 that were constructed or altered before March 15, 2012 and that do not comply with the 1991 Standards shall, on or after March 15, 2012, be made accessible in accordance with the 2010 Standards.

APPENDIX TO § 36.406(a)

Compliance dates for new construction and alterations	Applicable standards
On or after January 26, 1993 and before September 15, 2010.	1991 Standards.
On or after September 15, 2010 and before March 15, 2012.	1991 Standards or 2010 Standards.
On or after March 15, 2012 .....	2010 Standards.

(b) *Scope of coverage.* The 1991 Standards and the 2010 Standards apply to fixed or built-in elements of buildings, structures, site improvements, and pedestrian routes or vehicular ways located on a site. Unless specifically stated otherwise, the advisory notes, appendix notes, and figures contained in the 1991 Standards and 2010 Standards explain or illustrate the requirements of the rule; they do not establish enforceable requirements.

(c) *Places of lodging.* Places of lodging subject to this part shall comply with the provisions of the 2010 Standards applicable to transient lodging, including, but not limited to, the requirements for transient lodging guest rooms in sections 224 and 806 of the 2010 Standards.

(1) *Guest rooms.* Guest rooms with mobility features in places of lodging subject to the transient lodging requirements of 2010 Standards shall be provided as follows—

(i) Facilities that are subject to the same permit application on a common site that each have 50 or fewer guest rooms may be combined for the purposes of determining the required number of accessible rooms and type of accessible bathing facility in accordance with table 224.2 to section 224.2 of the 2010 Standards.

(ii) Facilities with more than 50 guest rooms shall be treated separately for the purposes of determining the required number of accessible rooms and type of accessible bathing facility in accordance with table 224.2 to section 224.2 of the 2010 Standards.

(2) *Exception.* Alterations to guest rooms in places of lodging where the guest rooms are not owned or substantially controlled by the entity that owns, leases, or operates the overall facility and the physical features of the guest room interiors are controlled by

their individual owners are not required to comply with § 36.402 or the alterations requirements in section 224.1.1 of the 2010 Standards.

(3) *Facilities with residential dwelling units and transient lodging units.* Residential dwelling units that are designed and constructed for residential use exclusively are not subject to the transient lodging standards.

(d) *Social service center establishments.* Group homes, halfway houses, shelters, or similar social service center establishments that provide either temporary sleeping accommodations or residential dwelling units that are subject to this part shall comply with the provisions of the 2010 Standards applicable to residential facilities, including, but not limited to, the provisions in sections 233 and 809.

(1) In sleeping rooms with more than 25 beds covered by this part, a minimum of 5% of the beds shall have clear floor space complying with section 806.2.3 of the 2010 Standards.

(2) Facilities with more than 50 beds covered by this part that provide common use bathing facilities shall provide at least one roll-in shower with a seat that complies with the relevant provisions of section 608 of the 2010 Standards. Transfer-type showers are not permitted in lieu of a roll-in shower with a seat, and the exceptions in sections 608.3 and 608.4 for residential dwelling units are not permitted. When separate shower facilities are provided for men and for women, at least one roll-in shower shall be provided for each group.

(e) *Housing at a place of education.* Housing at a place of education that is subject to this part shall comply with the provisions of the 2010 Standards applicable to transient lodging, including, but not limited to, the requirements for transient lodging guest rooms in sections 224 and 806, subject to the following exceptions. For the purposes of the application of this section, the term “sleeping room” is intended to be used interchangeably with the term “guest room” as it is used in the transient lodging standards.

(1) Kitchens within housing units containing accessible sleeping rooms with mobility features (including suites and clustered sleeping rooms) or

on floors containing accessible sleeping rooms with mobility features shall provide turning spaces that comply with section 809.2.2 of the 2010 Standards and kitchen work surfaces that comply with section 804.3 of the 2010 Standards.

(2) Multi-bedroom housing units containing accessible sleeping rooms with mobility features shall have an accessible route throughout the unit in accordance with section 809.2 of the 2010 Standards.

(3) Apartments or townhouse facilities that are provided by or on behalf of a place of education, which are leased on a year-round basis exclusively to graduate students or faculty and do not contain any public use or common use areas available for educational programming, are not subject to the transient lodging standards and shall comply with the requirements for residential facilities in sections 233 and 809 of the 2010 Standards.

(f) *Assembly areas.* Assembly areas that are subject to this part shall comply with the provisions of the 2010 Standards applicable to assembly areas, including, but not limited to, sections 221 and 802. In addition, assembly areas shall ensure that—

(1) In stadiums, arenas, and grandstands, wheelchair spaces and companion seats are dispersed to all levels that include seating served by an accessible route;

(2) In assembly areas that are required to horizontally disperse wheelchair spaces and companion seats by section 221.2.3.1 of the 2010 Standards and that have seating encircling, in whole or in part, a field of play or performance, wheelchair spaces and companion seats are dispersed around that field of play or performance area;

(3) Wheelchair spaces and companion seats are not located on (or obstructed by) temporary platforms or other movable structures, except that when an entire seating section is placed on temporary platforms or other movable structures in an area where fixed seating is not provided, in order to increase seating for an event, wheelchair spaces and companion seats may be placed in that section. When wheelchair spaces and companion seats are not required to accommodate persons eligible for

those spaces and seats, individual, removable seats may be placed in those spaces and seats;

(4) In stadium-style movie theaters, wheelchair spaces and companion seats are located on a riser or cross-aisle in the stadium section that satisfies at least one of the following criteria—

(i) It is located within the rear 60% of the seats provided in an auditorium; or

(ii) It is located within the area of an auditorium in which the vertical viewing angles (as measured to the top of the screen) are from the 40th to the 100th percentile of vertical viewing angles for all seats as ranked from the seats in the first row (1st percentile) to seats in the back row (100th percentile).

(g) *Medical care facilities.* Medical care facilities that are subject to this part shall comply with the provisions of the 2010 Standards applicable to medical care facilities, including, but not limited to, sections 223 and 805. In addition, medical care facilities that do not specialize in the treatment of conditions that affect mobility shall disperse the accessible patient bedrooms required by section 223.2.1 of the 2010 Standards in a manner that is proportionate by type of medical specialty.

[AG Order No. 3181-2010, 75 FR 56256, Sept. 15, 2010]

§§ 36.407–36.499 [Reserved]

### Subpart E—Enforcement

#### § 36.501 Private suits.

(a) *General.* Any person who is being subjected to discrimination on the basis of disability in violation of the Act or this part or who has reasonable grounds for believing that such person is about to be subjected to discrimination in violation of section 303 of the Act or subpart D of this part may institute a civil action for preventive relief, including an application for a permanent or temporary injunction, restraining order, or other order. Upon timely application, the court may, in its discretion, permit the Attorney General to intervene in the civil action if the Attorney General or his or her designee certifies that the case is of general public importance. Upon application by the complainant and in such cir-

cumstances as the court may deem just, the court may appoint an attorney for such complainant and may authorize the commencement of the civil action without the payment of fees, costs, or security. Nothing in this section shall require a person with a disability to engage in a futile gesture if the person has actual notice that a person or organization covered by title III of the Act or this part does not intend to comply with its provisions.

(b) *Injunctive relief.* In the case of violations of § 36.304, §§ 36.308, 36.310(b), 36.401, 36.402, 36.403, and 36.405 of this part, injunctive relief shall include an order to alter facilities to make such facilities readily accessible to and usable by individuals with disabilities to the extent required by the Act or this part. Where appropriate, injunctive relief shall also include requiring the provision of an auxiliary aid or service, modification of a policy, or provision of alternative methods, to the extent required by the Act or this part.

#### § 36.502 Investigations and compliance reviews.

(a) The Attorney General shall investigate alleged violations of the Act or this part.

(b) Any individual who believes that he or she or a specific class of persons has been subjected to discrimination prohibited by the Act or this part may request the Department to institute an investigation.

(c) Where the Attorney General has reason to believe that there may be a violation of this part, he or she may initiate a compliance review.

#### § 36.503 Suit by the Attorney General.

Following a compliance review or investigation under § 36.502, or at any other time in his or her discretion, the Attorney General may commence a civil action in any appropriate United States district court if the Attorney General has reasonable cause to believe that—

(a) Any person or group of persons is engaged in a pattern or practice of discrimination in violation of the Act or this part; or

(b) Any person or group of persons has been discriminated against in violation of the Act or this part and the

## § 36.504

## 28 CFR Ch. I (7–1–17 Edition)

discrimination raises an issue of general public importance.

### § 36.504 Relief.

(a) *Authority of court.* In a civil action under § 36.503, the court—

(1) May grant any equitable relief that such court considers to be appropriate, including, to the extent required by the Act or this part—

(i) Granting temporary, preliminary, or permanent relief;

(ii) Providing an auxiliary aid or service, modification of policy, practice, or procedure, or alternative method; and

(iii) Making facilities readily accessible to and usable by individuals with disabilities;

(2) May award other relief as the court considers to be appropriate, including monetary damages to persons aggrieved when requested by the Attorney General; and

(3) May, to vindicate the public interest, assess a civil penalty against the entity in an amount

(i) Not exceeding \$50,000 for a first violation occurring before September 29, 1999, and not exceeding \$55,000 for a first violation occurring on or after September 29, 1999, and before April 28, 2014, and not exceeding \$75,000 for a first violation occurring on or after April 28, 2014, except that, for civil penalties assessed after August 1, 2016, for a first violation occurring after November 2, 2015, the civil penalty shall not exceed the applicable amount set forth in 28 CFR 85.5.

(ii) Not exceeding \$100,000 for any subsequent violation occurring before September 29, 1999, and not exceeding \$110,000 for any subsequent violation occurring on or after September 29, 1999, and before April 28, 2014, and not exceeding \$150,000 for any subsequent violation occurring on or after April 28, 2014, except that, for civil penalties assessed after August 1, 2016, for any subsequent violation occurring after November 2, 2015, the civil penalty shall not exceed the applicable amount set forth in 28 CFR 85.5.

(b) *Single violation.* For purposes of paragraph (a) (3) of this section, in determining whether a first or subsequent violation has occurred, a determination in a single action, by judg-

ment or settlement, that the covered entity has engaged in more than one discriminatory act shall be counted as a single violation.

(c) *Punitive damages.* For purposes of paragraph (a)(2) of this section, the terms “monetary damages” and “such other relief” do not include punitive damages.

(d) *Judicial consideration.* In a civil action under § 36.503, the court, when considering what amount of civil penalty, if any, is appropriate, shall give consideration to any good faith effort or attempt to comply with this part by the entity. In evaluating good faith, the court shall consider, among other factors it deems relevant, whether the entity could have reasonably anticipated the need for an appropriate type of auxiliary aid needed to accommodate the unique needs of a particular individual with a disability.

[Order No. 1513–91, 56 FR 35592, July 26, 1991, as amended by Order No. 2249–99, 64 FR 47103, Aug. 30, 1999; AG Order No. 3324–2014, 79 FR 17436, Mar. 28, 2014; AG Order 3690–2016, 81 FR 42499, June 30, 2016]

### § 36.505 Attorneys fees.

In any action or administrative proceeding commenced pursuant to the Act or this part, the court or agency, in its discretion, may allow the prevailing party, other than the United States, a reasonable attorney’s fee, including litigation expenses, and costs, and the United States shall be liable for the foregoing the same as a private individual.

### § 36.506 Alternative means of dispute resolution.

Where appropriate and to the extent authorized by law, the use of alternative means of dispute resolution, including settlement negotiations, conciliation, facilitation, mediation, fact-finding, minitrials, and arbitration, is encouraged to resolve disputes arising under the Act and this part.

### § 36.507 Effect of unavailability of technical assistance.

A public accommodation or other private entity shall not be excused from compliance with the requirements of this part because of any failure to receive technical assistance, including

any failure in the development or dissemination of any technical assistance manual authorized by the Act.

**§ 36.508 Effective date.**

(a) *General.* Except as otherwise provided in this section and in this part, this part shall become effective on January 26, 1992.

(b) *Civil actions.* Except for any civil action brought for a violation of section 303 of the Act, no civil action shall be brought for any act or omission described in section 302 of the Act that occurs—

(1) Before July 26, 1992, against businesses with 25 or fewer employees and gross receipts of \$1,000,000 or less.

(2) Before January 26, 1993, against businesses with 10 or fewer employees and gross receipts of \$500,000 or less.

(c) *Transportation services provided by public accommodations.* Newly purchased or leased vehicles required to be accessible by § 36.310 must be readily accessible to and usable by individuals with disabilities, including individuals who use wheelchairs, if the solicitation for the vehicle is made after August 25, 1990.

**§§ 36.509–36.599 [Reserved]**

**Subpart F—Certification of State Laws or Local Building Codes**

**§ 36.601 Definitions.**

*Assistant Attorney General* means the Assistant Attorney General for Civil Rights or his or her designee.

*Certification of equivalency* means a final certification that a code meets or exceeds the minimum requirements of title III of the Act for accessibility and usability of facilities covered by that title.

*Code* means a State law or local building code or similar ordinance, or part thereof, that establishes accessibility requirements.

*Model code* means a nationally recognized document developed by a private entity for use by State or local jurisdictions in developing codes as defined in this section. A model code is intended for incorporation by reference or adoption in whole or in part, with or without amendment, by State or local jurisdictions.

*Preliminary determination of equivalency* means a preliminary determination that a code appears to meet or exceed the minimum requirements of title III of the Act for accessibility and usability of facilities covered by that title.

*Submitting official* means the State or local official who—

(1) Has principal responsibility for administration of a code, or is authorized to submit a code on behalf of a jurisdiction; and

(2) Files a request for certification under this subpart.

**§ 36.602 General rule.**

On the application of a State or local government, the Assistant Attorney General may certify that a code meets or exceeds the minimum requirements of the Act for the accessibility and usability of places of public accommodation and commercial facilities under this part by issuing a certification of equivalency. At any enforcement proceeding under title III of the Act, such certification shall be rebuttable evidence that such State law or local ordinance does meet or exceed the minimum requirements of title III.

**§ 36.603 Preliminary determination.**

Upon receipt and review of all information relevant to a request filed by a submitting official for certification of a code, and after consultation with the Architectural and Transportation Barriers Compliance Board, the Assistant Attorney General shall make a preliminary determination of equivalency or a preliminary determination to deny certification.

[AG Order No. 3181–2010, 75 FR 56257, Sept. 15, 2010]

**§ 36.604 Procedure following preliminary determination of equivalency.**

(a) If the Assistant Attorney General makes a preliminary determination of equivalency under § 36.603, he or she shall inform the submitting official, in writing, of that preliminary determination. The Assistant Attorney General also shall—

(1) Publish a notice in the FEDERAL REGISTER that advises the public of the preliminary determination of equivalency with respect to the particular

**§ 36.605**

**28 CFR Ch. I (7–1–17 Edition)**

code, and invite interested persons and organizations, including individuals with disabilities, during a period of at least 60 days following publication of the notice, to file written comments relevant to whether a final certification of equivalency should be issued;

(2) After considering the information received in response to the notice described in paragraph (a) of this section, and after publishing a separate notice in the FEDERAL REGISTER, hold an informal hearing, in the State or local jurisdiction charged with administration and enforcement of the code, at which interested individuals, including individuals with disabilities, are provided an opportunity to express their views with respect to the preliminary determination of equivalency; and

(b) The Assistant Attorney General, after consultation with the Architectural and Transportation Barriers Compliance Board and consideration of the materials and information submitted pursuant to this section, as well as information provided previously by the submitting official, shall issue either a certification of equivalency or a final determination to deny the request for certification. The Assistant Attorney General shall publish notice of the certification of equivalency or denial of certification in the FEDERAL REGISTER.

[Order No. 1513–91, 56 FR 35592, July 26, 1991, redesignated and amended by AG Order No. 3181–2010, 75 FR 56257, Sept. 15, 2010]

**§ 36.605 Procedure following preliminary denial of certification.**

(a) If the Assistant Attorney General makes a preliminary determination to deny certification of a code under § 36.603, he or she shall notify the submitting official of the determination. The notification may include specification of the manner in which the code could be amended in order to qualify for certification.

(b) The Assistant Attorney General shall allow the submitting official not less than 15 days to submit data, views, and arguments in opposition to the preliminary determination to deny certification. If the submitting official does not submit materials, the Assistant Attorney General shall not be required to take any further action. If

the submitting official submits materials, the Assistant Attorney General shall evaluate those materials and any other relevant information. After evaluation of any newly submitted materials, the Assistant Attorney General shall make either a final denial of certification or a preliminary determination of equivalency.

[Order No. 1513–91, 56 FR 35592, July 26, 1991, redesignated and amended by AG Order No. 3181–2010, 75 FR 56258, Sept. 15, 2010]

**§ 36.606 Effect of certification.**

(a)(1) A certification shall be considered a certification of equivalency only with respect to those features or elements that are both covered by the certified code and addressed by the standards against which equivalency is measured.

(2) For example, if certain equipment is not covered by the code, the determination of equivalency cannot be used as evidence with respect to the question of whether equipment in a building built according to the code satisfies the Act's requirements with respect to such equipment. By the same token, certification would not be relevant to construction of a facility for children, if the regulations against which equivalency is measured do not address children's facilities.

(b) A certification of equivalency is effective only with respect to the particular edition of the code for which certification is granted. Any amendments or other changes to the code after the date of the certified edition are not considered part of the certification.

(c) A submitting official may reapply for certification of amendments or other changes to a code that has already received certification.

(d) When the standards of the Act against which a code is deemed equivalent are revised or amended substantially, a certification of equivalency issued under the preexisting standards is no longer effective, as of the date the revised standards take effect. However, construction in compliance with a certified code during the period when a certification of equivalency was effective shall be considered rebuttable evidence of compliance with the Standards then in effect as to those elements

of buildings and facilities that comply with the certified code. A submitting official may reapply for certification pursuant to the Act's revised standards, and, to the extent possible, priority will be afforded the request in the review process.

[Order No. 1513-91, 56 FR 35592, July 26, 1991, redesignated and amended by AG Order No. 3181-2010, 75 FR 56258, Sept. 15, 2010]

### **§36.607 Guidance concerning model codes.**

Upon application by an authorized representative of a private entity responsible for developing a model code, the Assistant Attorney General may review the relevant model code and issue guidance concerning whether and in what respects the model code is consistent with the minimum requirements of the Act for the accessibility and usability of places of public accommodation and commercial facilities under this part.

[Order No. 1513-91, 56 FR 35592, July 26, 1991, redesignated by AG Order No. 3181-2010, 75 FR 56258, Sept. 15, 2010]

#### APPENDIX A TO PART 36—GUIDANCE ON REVISIONS TO ADA REGULATION ON NONDISCRIMINATION ON THE BASIS OF DISABILITY BY PUBLIC ACCOMMODATIONS AND COMMERCIAL FACILITIES

NOTE: This Appendix contains guidance providing a section-by-section analysis of the revisions to 28 CFR part 36 published on September 15, 2010.

#### SECTION-BY-SECTION ANALYSIS AND RESPONSE TO PUBLIC COMMENTS

This section provides a detailed description of the Department's changes to the title III regulation, the reasoning behind those changes, and responses to public comments received on these topics. The Section-by-Section Analysis follows the order of the title III regulation itself, except that if the Department has not changed a regulatory section, the unchanged section has not been mentioned.

#### SUBPART A—GENERAL

#### SECTION 36.104 DEFINITIONS

##### “1991 Standards” and “2004 ADAAG”

The Department has included in the final rule new definitions of both the “1991 Standards” and the “2004 ADAAG.” The term “1991 Standards” refers to the ADA Standards for

Accessible Design, originally published on July 26, 1991, and republished as Appendix D to 28 CFR part 36. The term “2004 ADAAG” refers to ADA Chapter 1, ADA Chapter 2, and Chapters 3 through 10 of the Americans with Disabilities Act and the Architectural Barriers Act Accessibility Guidelines, which were issued by the Access Board on July 23, 2004, codified at 36 CFR 1191, app. B and D (2009), and which the Department has adopted in this final rule. These terms are included in the definitions section for ease of reference.

##### “2010 Standards”

The Department has added to the final rule a definition of the term “2010 Standards.” The term “2010 Standards” refers to the 2010 ADA Standards for Accessible Design, which consist of the 2004 ADAAG and the requirements contained in subpart D of 28 CFR part 36.

##### “Direct Threat”

The final rule moves the definition of direct threat from §36.208(b) to the definitions section at §36.104. This is an editorial change. Consequently, §36.208(c) becomes §36.208(b) in the final rule.

##### “Existing Facility”

The 1991 title III regulation provided definitions for “new construction” at §36.401(a) and “alterations” at §36.402(b). In contrast, the term “existing facility” was not explicitly defined, although it is used in the statute and regulations for titles II and III. *See, e.g.*, 42 U.S.C. 12182(b)(2)(A)(iv); 28 CFR 35.150. It has been the Department's view that newly constructed or altered facilities are also existing facilities subject to title III's continuing barrier removal obligation, and that view is made explicit in this rule.

The classification of facilities under the ADA is neither static nor mutually exclusive. Newly constructed or altered facilities are also existing facilities. A newly constructed facility remains subject to the accessibility standards in effect at the time of design and construction, with respect to those elements for which, at that time, there were applicable ADA Standards. That same facility, however, after construction, is *also* an existing facility, and subject to the public accommodation's continuing obligation to remove barriers where it is readily achievable to do so. The fact that the facility is also an existing facility does not relieve the public accommodation of its obligations under the new construction requirements of this part. Rather, it means that in addition to the new construction requirements, the public accommodation has a continuing obligation to remove barriers that arise, or are deemed barriers, only after construction. Such barriers include but are not limited to

the elements that are first covered in the 2010 Standards, as that term is defined in §36.104.

At some point, the same facility may undergo alterations, which are subject to the alterations requirements in effect at that time. This facility remains subject to its original new construction standards for elements and spaces not affected by the alterations; the facility is subject to the alterations requirements and standards in effect at the time of the alteration for the elements and spaces affected by the alteration; and, throughout, the facility remains subject to the continuing barrier removal obligation.

The Department's enforcement of the ADA is premised on a broad understanding of "existing facility." The ADA contemplates that as the Department's knowledge and understanding of accessibility advances and evolves, this knowledge will be incorporated into and result in increased accessibility in the built environment. Title III's barrier removal provisions strike the appropriate balance between ensuring that accessibility advances are reflected in the built environment and mitigating the costs of those advances to public accommodations. With adoption of the final rule, public accommodations engaged in barrier removal measures will now be guided by the 2010 Standards, defined in §36.104, and the safe harbor in §36.304(d)(2).

The NPRM included the following proposed definition of "existing facility": "[A] facility that has been constructed and remains in existence on any given date." 73 FR 34508, 34552 (June 17, 2008). While the Department intended the proposed definition to provide clarity with respect to public accommodations' continuing obligation to remove barriers where it is readily achievable to do so, some commenters pointed out arguable ambiguity in the language and the potential for misapplication of the rule in practice.

The Department received a number of comments on this issue. The commenters urged the Department to clarify that all buildings remain subject to the standards in effect at the time of their construction, that is, that a facility designed and constructed for first occupancy between January 26, 1993, and the effective date of the final rule is still considered "new construction" and that alterations occurring between January 26, 1993, and the effective date of the final rule are still considered "alterations."

The final rule includes clarifying language to ensure that the Department's interpretation is accurately reflected. As established by this rule, existing facility means a facility in existence on any given date, without regard to whether the facility may also be considered newly constructed or altered under this part. Thus, this definition reflects the Department's longstanding interpretation that public accommodations have obligations in existing facilities that are inde-

pendent of but may coexist with requirements imposed by new construction or alteration requirements in those same facilities.

#### "Housing at a Place of Education"

The Department has added a new definition to §36.104, "housing at a place of education," to clarify the types of educational housing programs that are covered by this title. This section defines "housing at a place of education" as "housing operated by or on behalf of an elementary, secondary, undergraduate, or postgraduate school, or other place of education, including dormitories, suites, apartments, or other places of residence." This definition does not apply to social service programs that combine residential housing with social services, such as a residential job training program.

#### "Other Power-Driven Mobility Device" and "Wheelchair"

Because relatively few individuals with disabilities were using nontraditional mobility devices in 1991, there was no pressing need for the 1991 title III regulation to define the terms "wheelchair" or "other power-driven mobility device," to expound on what would constitute a reasonable modification in policies, practices, or procedures under §36.302, or to set forth within that section specific requirements for the accommodation of mobility devices. Since the issuance of the 1991 title III regulation, however, the choices of mobility devices available to individuals with disabilities have increased dramatically. The Department has received complaints about and has become aware of situations where individuals with mobility disabilities have utilized devices that are not designed primarily for use by an individual with a mobility disability, including the Segway® Personal Transporter (Segway® PT), golf cars, all-terrain vehicles (ATVs), and other locomotion devices.

The Department also has received questions from public accommodations and individuals with mobility disabilities concerning which mobility devices must be accommodated and under what circumstances. Indeed, there has been litigation concerning the legal obligations of covered entities to accommodate individuals with mobility disabilities who wish to use an electronic personal assistance mobility device (EPAMD), such as the Segway® PT, as a mobility device. The Department has participated in such litigation as *amicus curiae*. See *Ault v. Walt Disney World Co.*, No. 6:07-cv-1785-Orl-31KRS, 2009 WL 3242028 (M.D. Fla. Oct. 6, 2009). Much of the litigation has involved shopping malls where businesses have refused to allow persons with disabilities to use EPAMDs. See, e.g., *McElroy v. Simon Property Group*, No. 08-404 RDR, 2008 WL 4277716 (D. Kan. Sept. 15, 2008) (enjoining



mall from prohibiting the use of a Segway® PT as a mobility device where an individual agrees to all of a mall's policies for use of the device, except indemnification); Shasta Clark, *Local Man Fighting Mall Over Right to Use Segway*, WATE 6 News, July 26, 2005, available at <http://www.wate.com/Global/story.asp?s=3643674> (last visited June 24, 2010).

In response to questions and complaints from individuals with disabilities and covered entities concerning which mobility devices must be accommodated and under what circumstances, the Department began developing a framework to address the use of unique mobility devices, concerns about their safety, and the parameters for the circumstances under which these devices must be accommodated. As a result, the Department's NPRM proposed two new approaches to mobility devices. First, the Department proposed a two-tiered mobility device definition that defined the term "wheelchair" separately from "other power-driven mobility device." Second, the Department proposed requirements to allow the use of devices in each definitional category. In §36.311(a), the NPRM proposed that wheelchairs and manually-powered mobility aids used by individuals with mobility disabilities shall be permitted in any areas open to pedestrian use. Section 36.311(b) of the NPRM proposed that a public accommodation "shall make reasonable modifications in its policies, practices, and procedures to permit the use of other power-driven mobility devices by individuals with disabilities, unless the public accommodation can demonstrate that the use of the device is not reasonable or that its use will result in a fundamental alteration in the nature of the public accommodation's goods, services, facilities, privileges, advantages, or accommodations." 73 FR 34508, 34556 (June 17, 2008).

The Department sought public comment with regard to whether these steps would, in fact, achieve clarity on these issues. Toward this end, the Department's NPRM asked several questions relating to the definitions of "wheelchair," "other power-driven mobility device," and "manually-powered mobility aids"; the best way to categorize different classes of mobility devices, the types of devices that should be included in each category; and the circumstances under which certain types of mobility devices must be accommodated or may be excluded pursuant to the policy adopted by the public accommodation.

Because the questions in the NPRM that concerned mobility devices and their accommodation were interrelated, many of the commenters' responses did not identify the specific question to which they were responding. Instead, commenters grouped the questions together and provided comments accordingly. Most commenters spoke to the issues addressed in the Department's ques-

tions in broad terms and using general concepts. As a result, the responses to the questions posed are discussed below in broadly grouped issue categories rather than on a question-by-question basis.

*Two-tiered definitional approach.* Commenters supported the Department's proposal to use a two-tiered definition of mobility device. Commenters nearly universally said that wheelchairs always should be accommodated and that they should never be subject to an assessment with regard to their admission to a particular public accommodation. In contrast, the vast majority of commenters indicated they were in favor of allowing public accommodations to conduct an assessment as to whether, and under which circumstances, other power-driven mobility devices will be allowed on-site.

Many commenters also indicated their support for the two-tiered approach in responding to questions concerning the definition of "wheelchair" and "other power-driven mobility device." Nearly every disability advocacy group said that the Department's two-tiered approach strikes the proper balance between ensuring access for individuals with disabilities and addressing fundamental alteration and safety concerns held by public accommodations; however, a minority of disability advocacy groups wanted other power-driven mobility devices to be included in the definition of "wheelchair." Most advocacy, nonprofit, and individual commenters supported the concept of a separate definition for "other power-driven mobility device" because a separate definition would maintain existing legal protections for wheelchairs while recognizing that some devices that are not designed primarily for individuals with mobility disabilities have beneficial uses for individuals with mobility disabilities. They also favored this concept because it recognizes technological developments and that innovative uses of varying devices may provide increased access to individuals with mobility disabilities.

While two business associations indicated that they opposed the concept of "other power-driven mobility device" in its entirety, other business commenters expressed general and industry-specific concerns about permitting their use. They indicated that such devices create a host of safety, cost, and fraud issues that do not exist with wheelchairs. On balance, however, business commenters indicated that they support the establishment of a two-tiered regulatory approach because defining "other power-driven mobility device" separately from "wheelchair" means that businesses will be able to maintain some measure of control over the admission of the former. Virtually all of these commenters indicated that their support for the dual approach and the concept of other power-driven mobility devices was, in large measure, due to the other power-driven

mobility device assessment factors in §36.311(c) of the NPRM.

By maintaining the two-tiered approach to mobility devices and defining “wheelchair” separately from “other power-driven mobility device,” the Department is able to preserve the protection users of traditional wheelchairs and other manually-powered mobility aids have had since the ADA was enacted, while also recognizing that human ingenuity, personal choice, and new technologies have led to the use of devices that may be more beneficial for individuals with certain mobility disabilities.

Moreover, the Department believes the two-tiered approach gives public accommodations guidance to follow in assessing whether reasonable modifications can be made to permit the use of other power-driven mobility devices on-site and to aid in the development of policies describing the circumstances under which persons with disabilities may use such devices. The two-tiered approach neither mandates that all other power-driven mobility devices be accommodated in every circumstance, nor excludes these devices from all protection. This approach, in conjunction with the factor assessment provisions in §36.311(b)(2), will serve as a mechanism by which public accommodations can evaluate their ability to accommodate other power-driven mobility devices. As will be discussed in more detail below, the assessment factors in §36.311(b)(2) are specifically designed to provide guidance to public accommodations regarding whether it is permissible to bar the use of a specific other power-driven mobility device in a specific facility. In making such a determination, a public accommodation must consider the device’s type, size, weight dimensions, and speed; the facility’s volume of pedestrian traffic; the facility’s design and operational characteristics; whether the device conflicts with legitimate safety requirements; and whether the device poses a substantial risk of serious harm to the immediate environment or natural or cultural resources, or conflicts with Federal land management laws or regulations. In addition, under §36.311(b)(i) if the public accommodation claims that it cannot make reasonable modifications to its policies, practices, or procedures to permit the use of other power-driven mobility devices by individuals with disabilities, the burden of proof to demonstrate that such devices cannot be operated in accordance with legitimate safety requirements rests upon the public accommodation.

*Categorization of wheelchair versus other power-driven mobility devices.* Implicit in the creation of the two-tiered mobility device concept is the question of how to categorize which devices are wheelchairs and which are other power-driven mobility devices. Finding weight and size to be too restrictive, the vast

majority of advocacy, nonprofit, and individual commenters opposed using the Department of Transportation’s definition of “common wheelchair” to designate the mobility device’s appropriate category. Business commenters who generally supported using weight and size as the method of categorization did so because of their concerns about having to make physical changes to their facilities to accommodate oversized devices. The vast majority of business commenters also favored using the device’s intended use to categorize which devices constitute wheelchairs and which are other power-driven mobility devices. Furthermore, the intended-use determinant received a fair amount of support from advocacy, nonprofit, and individual commenters, either because they sought to preserve the broad accommodation of wheelchairs or because they sympathized with concerns about individuals without mobility disabilities fraudulently bringing other power-driven mobility devices into places of public accommodation.

Commenters seeking to have the Segway® PT included in the definition of “wheelchair” objected to classifying mobility devices on the basis of their intended use because they felt that such a classification would be unfair and prejudicial to Segway® PT users and would stifle personal choice, creativity, and innovation. Other advocacy and nonprofit commenters objected to employing an intended-use approach because of concerns that the focus would shift to an assessment of the device, rather than the needs or benefits to the individual with the mobility disability. They were of the view that the mobility-device classification should be based on its function—whether it is used to address a mobility disability. A few commenters raised the concern that an intended-use approach might embolden public accommodations to assess whether an individual with a mobility disability really needs to use the other power-driven mobility device at issue or to question why a wheelchair would not provide sufficient mobility. Those citing objections to the intended-use determinant indicated it would be more appropriate to make the categorization determination based on whether the device is being used for a mobility disability in the context of the impact of its use in a specific environment. Some of these commenters preferred this approach because it would allow the Segway® PT to be included in the definition of “wheelchair.”

Some commenters were inclined to categorize mobility devices by the way in which they are powered, such as battery-powered engines versus fuel or combustion engines. One commenter suggested using exhaust level as the determinant. Although there were only a few commenters who would make the determination based on indoor or

outdoor use, there was nearly universal support for banning from indoor use devices that are powered by fuel or combustion engines.

A few commenters thought it would be appropriate to categorize the devices based on their maximum speed. Others objected to this approach, stating that circumstances should dictate the appropriate speed at which mobility devices should be operated—for example, a faster speed may be safer when crossing streets than it would be for sidewalk use—and merely because a device can go a certain speed does not mean it will be operated at that speed.

The Department has decided to maintain the device's intended use as the appropriate determinant for which devices are categorized as "wheelchairs." However, because wheelchairs may be intended for use by individuals who have temporary conditions affecting mobility, the Department has decided that it is more appropriate to use the phrase "primarily designed" rather than "solely designed" in making such categorizations. The Department will not foreclose any future technological developments by identifying or banning specific devices or setting restrictions on size, weight, or dimensions. Moreover, devices designed primarily for use by individuals with mobility disabilities often are considered to be medical devices and are generally eligible for insurance reimbursement on this basis. Finally, devices designed primarily for use by individuals with mobility disabilities are less subject to fraud concerns because they were not designed to have a recreational component. Consequently, rarely, if ever, is any inquiry or assessment as to their appropriateness for use in a public accommodation necessary.

*Definition of "wheelchair."* In seeking public feedback on the NPRM's definition of "wheelchair," the Department explained its concern that the definition of "wheelchair" in section 508(c)(2) of the ADA (formerly section 507(c)(2), July 26, 1990, 104 Stat. 372, 42 U.S.C. 12207, renumbered section 508(c)(2), Public Law 110-325 section 6(a)(2), Sept. 25, 2008, 122 Stat. 3558), which pertains to Federal wilderness areas, is not specific enough to provide clear guidance in the array of settings covered by title III and that the stringent size and weight requirements for the Department of Transportation's definition of "common wheelchair" are not a good fit in the context of most public accommodations. The Department noted in the NPRM that it sought a definition of "wheelchair" that would include manually-operated and power-driven wheelchairs and mobility scooters (*i.e.*, those that typically are single-user, have three to four wheels, and are appropriate for both indoor and outdoor pedestrian areas), as well as a variety of types of wheelchairs and mobility scooters with indi-

vidualized or unique features or models with different numbers of wheels. The NPRM defined a wheelchair as "a device designed solely for use by an individual with a mobility impairment for the primary purpose of locomotion in typical indoor and outdoor pedestrian areas. A wheelchair may be manually-operated or power-driven." 73 FR 34508, 34553 (June 17, 2008). Although the NPRM's definition of "wheelchair" excluded mobility devices that are not designed solely for use by individuals with mobility disabilities, the Department, noting that the use of the Segway® PT by individuals with mobility disabilities is on the upswing, inquired as to whether this device should be included in the definition of "wheelchair."

Most business commenters wished the definition of "wheelchair" had included size, weight, and dimension maximums. Ultimately, however, they supported the definition because it excludes other power-driven mobility devices and enables them to engage in an assessment to determine whether a particular device can be allowed as a reasonable modification. These commenters felt this approach gave them some measure of control over whether, and under what circumstances, other power-driven mobility devices may be used in their facilities by individuals with mobility disabilities. Two commenters noted that because many mobility scooters are oversized, they are misplaced in the definition of "wheelchair" and belong with other power-driven mobility devices. Another commenter suggested using maximum size and weight requirements to allocate which mobility scooters should be categorized as wheelchairs, and which should be categorized as other power-driven mobility devices.

Many advocacy, nonprofit, and individual commenters indicated that as long as the Department intends the scope of the term "mobility impairments" to include other disabilities that cause mobility impairments (*e.g.*, respiratory, circulatory, stamina, etc.), they were in support of the language. Several commenters indicated a preference for the definition of "wheelchair" in section 508(c)(2) of the ADA. One commenter indicated a preference for the term "assistive device," as it is defined in the Rehabilitation Act of 1973, over the term "wheelchair." A few commenters indicated that strollers should be added to the preamble's list of examples of wheelchairs because parents of children with disabilities frequently use strollers as mobility devices until their children get older.

In the final rule, the Department has rearranged some wording and has made some changes in the terminology used in the definition of "wheelchair," but essentially has retained the definition, and therefore the rationale, that was set forth in the NPRM.

Again, the text of the ADA makes the definition of “wheelchair” contained in section 508(c)(2) applicable only to the specific context of uses in designated wilderness areas, and therefore does not compel the use of that definition for any other purpose. Moreover, the Department maintains that limiting the definition to devices suitable for use in an “indoor pedestrian area” as provided for in section 508(c)(2) of the ADA would ignore the technological advances in wheelchair design that have occurred since the ADA went into effect and that the inclusion of the phrase “indoor pedestrian area” in the definition of “wheelchair” would set back progress made by individuals with mobility disabilities who, for many years now, have been using devices designed for locomotion in indoor and outdoor settings. The Department has concluded that same rationale applies to placing limits on the size, weight, and dimensions of wheelchairs.

With regard to the term “mobility impairments,” the Department intended a broad reading so that a wide range of disabilities, including circulatory and respiratory disabilities, that make walking difficult or impossible, would be included. In response to comments on this issue, the Department has revisited the issue and has concluded that the most apt term to achieve this intent is “mobility disability.”

In addition, the Department has decided that it is more appropriate to use the phrase, “primarily” designed for use by individuals with disabilities in the final rule, rather than, “solely” designed for use by individuals with disabilities—the phrase, proposed in the NPRM. The Department believes that this phrase more accurately covers the range of devices the Department intends to fall within the definition of “wheelchair.”

After receiving comments that the word “typical” is vague and the phrase “pedestrian areas” is confusing to apply, particularly in the context of similar, but not identical, terms used in the proposed Standards, the Department decided to delete the term “typical indoor and outdoor pedestrian areas” from the final rule. Instead, the final rule references “indoor or \* \* \* both indoor and outdoor locomotion,” to make clear that the devices that fall within the definition of “wheelchair” are those that are used for locomotion on indoor and outdoor pedestrian paths or routes and not those that are intended exclusively for traversing undefined, unprepared, or unimproved paths or routes. Thus, the final rule defines the term “wheelchair” to mean “a manually-operated or power-driven device designed primarily for use by an individual with a mobility disability for the main purpose of indoor or of both indoor and outdoor locomotion.”

Whether the definition of “wheelchair” includes the Segway® PT. As discussed above, because individuals with mobility disabili-

ties are using the Segway® PT as a mobility device, the Department asked whether it should be included in the definition of “wheelchair.” The basic Segway® PT model is a two-wheeled, gyroscopically-stabilized, battery-powered personal transportation device. The user stands on a platform suspended three inches off the ground by wheels on each side, grasps a T-shaped handle, and steers the device similarly to a bicycle. Most Segway® PTs can travel up to 12½ miles per hour, compared to the average pedestrian walking speed of 3 to 4 miles per hour and the approximate maximum speed for power-operated wheelchairs of 6 miles per hour. In a study of trail and other non-motorized transportation users including EPAMDs, the Federal Highway Administration (FHWA) found that the eye height of individuals using EPAMDs ranged from approximately 69 to 80 inches. See Federal Highway Administration, *Characteristics of Emerging Road and Trail Users and Their Safety* (Oct. 14, 2004), available at <http://www.fhrc.gov/safety/pubs/04103> (last visited June 24, 2010). Thus, the Segway® PT can operate at much greater speeds than wheelchairs, and the average user stands much taller than most wheelchair users.

The Segway® PT has been the subject of debate among users, pedestrians, disability advocates, State and local governments, businesses, and bicyclists. The fact that the Segway® PT is not designed primarily for use by individuals with disabilities, nor used primarily by persons with disabilities, complicates the question of to what extent individuals with disabilities should be allowed to operate them in areas and facilities where other power-driven mobility devices are not allowed. Those who question the use of the Segway® PT in pedestrian areas argue that the speed, size, and operating features of the devices make them too dangerous to operate alongside pedestrians and wheelchair users.

Comments regarding whether to include the Segway® PT in the definition of “wheelchair” were, by far, the most numerous received in the category of comments regarding wheelchairs and other power-driven mobility devices. Significant numbers of veterans with disabilities, individuals with multiple sclerosis, and those advocating on their behalf made concise statements of general support for the inclusion of the Segway® PT in the definition of “wheelchair.” Two veterans offered extensive comments on the topic, along with a few advocacy and non-profit groups and individuals with disabilities for whom sitting is uncomfortable or impossible.

While there may be legitimate safety issues for EPAMD users and bystanders in some circumstances, EPAMDs and other non-traditional mobility devices can deliver real benefits to individuals with disabilities. Among the reasons given by commenters to

include the Segway® PT in the definition of “wheelchair” were that the Segway® PT is well-suited for individuals with particular conditions that affect mobility including multiple sclerosis, Parkinson’s disease, chronic obstructive pulmonary disease, amputations, spinal cord injuries, and other neurological disabilities, as well as functional limitations, such as gait limitation, inability to sit or discomfort in sitting, and diminished stamina issues. Such individuals often find that EPAMDs are more comfortable and easier to use than more traditional mobility devices and assist with balance, circulation, and digestion in ways that wheelchairs do not. See Rachel Metz, *Disabled Embrace Segway*, New York Times, Oct. 14, 2004. Commenters specifically cited pressure relief, reduced spasticity, increased stamina, and improved respiratory, neurologic, and muscular health as secondary medical benefits from being able to stand.

Other arguments for including the Segway® PT in the definition of “wheelchair” were based on commenters’ views that the Segway® PT offers benefits not provided by wheelchairs and mobility scooters, including its intuitive response to body movement, ability to operate with less coordination and dexterity than is required for many wheelchairs and mobility scooters, and smaller footprint and turning radius as compared to most wheelchairs and mobility scooters. Several commenters mentioned improved visibility, either due to the Segway® PT’s raised platform or simply by virtue of being in a standing position. And finally, some commenters advocated for the inclusion of the Segway® PT simply based on civil rights arguments and the empowerment and self-esteem obtained from having the power to select the mobility device of choice.

Many commenters, regardless of their position on whether to include the Segway® PT in the definition of “wheelchair,” noted that the Segway® PT’s safety record is as good as, if not better, than the record for wheelchairs and mobility scooters.

Most business commenters were opposed to the inclusion of the Segway® PT in the definition of “wheelchair” but were supportive of its inclusion as an “other power-driven mobility device.” They raised industry- or venue-specific concerns about including the Segway® PT in the definition of “wheelchair.” For example, civic centers, arenas, and theaters were concerned about the impact on sight-line requirements if Segway® PT users remain on their devices in a designated wheelchair seating area; amusement parks expressed concern that rides have been designed, purchased, and installed to enable wheelchair users to transfer easily or to accommodate wheelchairs on the ride itself; and retail stores mentioned size constraints in some stores. Nearly all business commenters expressed concern—and perceived li-

ability issues—related to having to store or stow the Segway® PT, particularly if it could not be stored in an upright position. These commenters cited concerns about possible damage to the device, injury to customers who may trip over it, and theft of the device as a result of not being able to stow the Segway® PT securely.

Virtually every business commenter mentioned concerns about rider safety, as well as concerns for pedestrians unexpectedly encountering these devices or being hit or run over by these devices in crowded venues where maneuvering space is limited. Their main safety objection to the inclusion of the Segway® PT in the definition of “wheelchair” was that the maximum speed at which the Segway® PT can operate is far faster than that of motorized wheelchairs. There was a universal unease among these commenters with regard to relying on the judgment of the Segway® PT user to exercise caution because its top speed is far in excess of a wheelchair’s top speed. Many other safety concerns were industry-specific. For example, amusement parks were concerned that the Segway® PT is much taller than children; that it is too quiet to warn pedestrians, particularly those with low vision or who are blind, of their presence; that it may keep moving after a rider has fallen off or power system fails; and that it has a full-power override which automatically engages when an obstacle is encountered. Hotels and retail stores mentioned that maneuvering the Segway® PT through their tight quarters would create safety hazards.

Business commenters also expressed concern that if the Segway® PT were included in the definition of “wheelchair” they would have to make physical changes to their facilities to accommodate Segway® PT riders who stand much taller in these devices than do users of wheelchairs. They also were concerned that if the Segway® PT was included in the definition of “wheelchair,” they would have no ability to assess whether it is appropriate to allow the entry of the Segway® PT into their facilities the way they would have if the device is categorized as an “other power-driven mobility device.”

Many disability advocacy and nonprofit commenters did not support the inclusion of the Segway® PT in the definition of “wheelchair.” Paramount to these commenters was the maintenance of existing protections for wheelchair users. Because there was unanimous agreement that wheelchair use rarely, if ever, may be restricted, these commenters strongly favored categorizing wheelchairs separately from the Segway® PT and other power-driven mobility devices and applying the intended-use determinant to assign the devices to either category. They indicated that while they support the greatest degree of access in public accommodations for all persons with disabilities who require the use

of mobility devices, they recognize that under certain circumstances allowing the use of other power-driven mobility devices would result in a fundamental alteration or run counter to legitimate safety requirements necessary for the safe operation of a public accommodation. While these groups supported categorizing the Segway® PT as an “other power-driven mobility device,” they universally noted that because the Segway® PT does not present environmental concerns and is as safe to use as, if not safer than, a wheelchair, it should be accommodated in most circumstances.

The Department has considered all the comments and has concluded that it should not include the Segway® PT in the definition of “wheelchair.” The final rule provides that the test for categorizing a device as a wheelchair or an other power-driven mobility device is whether the device is designed primarily for use by individuals with mobility disabilities. Mobility scooters are included in the definition of “wheelchair” because they are designed primarily for users with mobility disabilities. However, because the current generation of EPAMDs, including the Segway® PT, was designed for recreational users and not primarily for use by individuals with mobility disabilities, the Department has decided to continue its approach of excluding EPAMDs from the definition of “wheelchair” and including them in the definition of “other power-driven mobility device.” Although EPAMDs, such as the Segway® PT, are not included in the definition of a “wheelchair,” public accommodations must assess whether they can make reasonable modifications to permit individuals with mobility disabilities to use such devices on their premises. The Department recognizes that the Segway® PT provides many benefits to those who use them as mobility devices, including a measure of privacy with regard to the nature of one’s particular disability, and believes that in the vast majority of circumstances, the application of the factors described in §36.311 for providing access to other-powered mobility devices will result in the admission of the Segway® PT.

*Treatment of “manually-powered mobility aids.”* The Department’s NPRM did not define the term “manually-powered mobility aids.” Instead, the NPRM included a non-exhaustive list of examples in §36.311(a). The NPRM queried whether the Department should maintain this approach to manually-powered mobility aids or whether it should adopt a more formal definition.

Only a few commenters addressed “manually-powered mobility aids.” Virtually all commenters were in favor of maintaining a non-exhaustive list of examples of “manually-powered mobility aids” rather than adopting a definition of the term. Of those who commented, a couple sought clarification

of the term “manually-powered.” One commenter suggested that the term be changed to “human-powered.” Other commenters requested that the Department include ordinary strollers in the non-exhaustive list of manually-powered mobility aids. Since strollers are not devices designed primarily for individuals with mobility disabilities, the Department does not consider them to be manually-powered mobility aids; however, strollers used in the context of transporting individuals with disabilities are subject to the same assessment required by the ADA’s reasonable modification standards at §36.302. The Department believes that because the existing approach is clear and understood easily by the public, no formal definition of the term “manually-powered mobility aids” is required.

*Definition of “other power-driven mobility device.”* The Department’s NPRM defined the term “other power-driven mobility device” in §36.104 as “any of a large range of devices powered by batteries, fuel, or other engines—whether or not designed solely for use by individuals with mobility impairments—that are used by individuals with mobility impairments for the purpose of locomotion, including golf cars, bicycles, electronic personal assistance mobility devices (EPAMDs), or any mobility aid designed to operate in areas without defined pedestrian routes.” 73 FR 34508, 34552 (June 17, 2008).

Business commenters mostly were supportive of the definition of “other power-driven mobility device” because it gave them the ability to develop policies pertaining to the admission of these devices, but they expressed concern that individuals will feign mobility disabilities so that they can use devices that are otherwise banned in public accommodations. Advocacy, non-profit, and several individual commenters supported the definition of “other power-driven mobility device” because it allows new technologies to be added in the future, maintains the existing legal protections for wheelchairs, and recognizes that some devices, particularly the Segway® PT, which are not designed primarily for individuals with mobility disabilities, have beneficial uses for individuals with mobility disabilities.

Despite support for the definition of “other power-driven mobility device,” however, most advocacy and nonprofit commenters expressed at least some hesitation about the inclusion of fuel-powered mobility devices in the definition. While virtually all of these commenters noted that a blanket exclusion of any device that falls under the definition of “other power-driven mobility device” would violate basic civil rights concepts, they also specifically stated that certain devices, particularly off-highway vehicles, cannot be permitted in certain circumstances. They also made a distinction between the

Segway® PT and other power-driven mobility devices, noting that the Segway® PT should be accommodated in most circumstances because it satisfies the safety and environmental elements of the policy analysis. These commenters indicated that they agree that other power-driven mobility devices must be assessed, particularly as to their environmental impact, before they are accommodated.

Business commenters were even less supportive of the inclusion of fuel-powered devices in the other power-driven mobility devices category. They sought a complete ban on fuel-powered devices because they believe they are inherently dangerous and pose environmental and safety concerns.

Although many commenters had reservations about the inclusion of fuel-powered devices in the definition of other power-driven mobility devices, the Department does not want the definition to be so narrow that it would foreclose the inclusion of new technological developments, whether powered by fuel or by some other means. It is for this reason that the Department has maintained the phrase “any mobility device designed to operate in areas without defined pedestrian routes” in the final rule’s definition of other power-driven mobility devices. The Department believes that the limitations provided by “fundamental alteration” and the ability to impose legitimate safety requirements will likely prevent the use of fuel and combustion engine-driven devices indoors, as well as in outdoor areas with heavy pedestrian traffic. The Department notes, however, that in the future technological developments may result in the production of safe fuel-powered mobility devices that do not pose environmental and safety concerns. The final rule allows consideration to be given as to whether the use of a fuel-powered device would create a substantial risk of serious harm to the environment or natural or cultural resources, and to whether the use of such a device conflicts with Federal land management laws or regulations; this aspect of the final rule will further limit the inclusion of fuel-powered devices where they are not appropriate. Consequently, the Department has maintained fuel-powered devices in the definition of “other power-driven mobility devices.” The Department has also added language to the definition of “other power-driven mobility device” to reiterate that the definition does not apply to Federal wilderness areas, which are not covered by title II of the ADA; the use of wheelchairs in such areas is governed by section 508(c)(2) of the ADA, 42 U.S.C. 12207(c)(2).

“Place of Public Accommodation”

*Definition of “place of lodging.”* The NPRM stated that a covered “place of lodging” is a facility that provides guest rooms for sleep-

ing for stays that are primarily short-term in nature (generally two weeks or less), to which the occupant does not have the right or intent to return to a specific room or unit after the conclusion of his or her stay, and which operates under conditions and with amenities similar to a hotel, motel, or inn, particularly including factors such as: (1) An on-site proprietor and reservations desk; (2) rooms available on a walk-up basis; (3) linen service; and (4) a policy of accepting reservations for a room type without guaranteeing a particular unit or room until check-in, without a prior lease or security deposit. The NPRM stated that timeshares and condominiums or corporate hotels that did not meet this definition would not be covered by §36.406(c) of the proposed regulation, but may be covered by the requirements of the Fair Housing Act (FHAAct).

In the NPRM, the Department sought comment on its definition of “place of lodging,” specifically seeking public input on whether the most appropriate time period for identifying facilities used for stays that primarily are short-term in nature should be set at 2 weeks or 30 days.

The vast majority of the comments received by the Department supported the use of a 30-day limitation on places of lodging as more consistent with building codes, local laws, and common real estate practices that treat stays of 30 days or less as transient rather than residential use. One commenter recommended using the phrase “fourteen days or less.” Another commenter objected to any bright line standard, stating that the difference between two weeks and 30 days for purposes of title III is arbitrary, viewed in light of conflicting regulations by the States. This commenter argued the Department should continue its existing practice under title III of looking to State law as one factor in determining whether a facility is used for stays that primarily are short-term in nature.

The Department is persuaded by the majority of commenters to adopt a 30-day guideline for the purposes of identifying facilities that primarily are short-term in nature and has modified the section accordingly. The 30-day guideline is intended only to determine when the final rule’s transient lodging provisions apply to a facility. It does not alter an entity’s obligations under any other applicable statute. For example, the Department recognizes that the FHAAct does not employ a bright line standard for determining which facilities qualify as residential facilities under that Act and that there are circumstances where units in facilities that meet the definition of places of lodging will be covered under both the ADA and the FHAAct and will have to comply with the requirements of both laws.

The Department also received comments about the factors used in the NPRM's definition of "place of lodging." One commenter proposed modifications to the definition as follows: changing the words "guest rooms" to "accommodations for sleeping"; and adding a fifth factor that states that "the in-room decor, furnishings and equipment being specified by the owner or operator of the lodging operation rather than generally being determined by the owner of the individual unit or room." The Department does not believe that "guest room" should be changed to "accommodations for sleeping." Such a change would create confusion because the transient lodging provisions in the 2004 ADAAG use the term "guest rooms" and not "accommodations for sleeping." In addition, the Department believes that it would be confusing to add a factor relating to who dictates the in-room decor and furnishings in a unit or room, because there may be circumstances where particular rental programs require individual owners to use certain decor and furnishings as a condition of participating in that program.

One commenter stated that the factors the Department has included for determining whether a rental unit is a place of lodging for the purposes of title III, and therefore a "place of public accommodation" under the ADA, address only the way an establishment appears to the public. This commenter recommended that the Department also consider the economic relationships among the unit owners, rental managers, and homeowners' associations, noting that where revenues are not pooled (as they are in a hotel), the economic relationships do not make it possible to spread the cost of providing accessibility features over the entire business enterprise. Another commenter argued that private ownership of sleeping accommodations sets certain facilities apart from traditional hotels, motels, and inns, and that the Department should revise the definition of places of lodging to exempt existing places of lodging that have sleeping accommodations separately owned by individual owners (*e.g.*, condominiums) from the accessible transient lodging guest room requirements in sections 224 and 806 of the 2004 ADAAG, although the commenter agreed that newly constructed places of lodging should meet those standards.

One commenter argued that the Department's proposed definition of place of lodging does not reflect fully the nature of a timeshare facility and one single definition does not fit timeshares, condo hotels, and other types of rental accommodations. This commenter proposed that the Department adopt a separate definition for timeshare resorts as a subcategory of place of lodging. The commenter proposed defining timeshare resorts as facilities that provide the recurring right to occupancy for overnight accom-

modations for the owners of the accommodations, and other occupancy rights for owners exchanging their interests or members of the public for stays that primarily are short-term in nature (generally 30 consecutive days or less), where neither the owner nor any other occupant has the right or intent to use the unit or room on other than a temporary basis for vacation or leisure purposes. This proposed definition also would describe factors for determining when a timeshare resort is operating in a manner similar to a hotel, motel, or inn, including some or all of the following: rooms being available on a walk-in or call-in basis; housekeeping or linen services being available; on-site management; and reservations being accepted for a room type without guaranteeing any guest or owner use of a particular unit or room until check-in, without a prior lease or security deposit. Timeshares that do not meet this definition would not be subject to the transient lodging standards.

The Department has considered these comments and has revised the definition of "place of accommodation" in §36.104 to include a revised subcategory (B), which more clearly defines the factors that must be present for a facility that is not an inn, motel, or hotel to qualify as a place of lodging. These factors include conditions and amenities similar to an inn, motel, or hotel, including on- or off-site management and reservations service, rooms available on a walk-up or call-in basis, availability of housekeeping or linen service, and accepting reservations for a room type without guaranteeing a particular unit or room until check-in without a prior lease or security deposit.

Although the Department understands some of the concerns about the application of the ADA requirements to places of lodging that have ownership structures that involve individually owned units, the Department does not believe that the definitional section of the regulation is the place to address these concerns and has addressed them in §36.406(c)(2) and the accompanying discussion in Appendix A.

#### "Qualified Interpreter"

In the NPRM, the Department proposed adding language to the definition of "qualified interpreter" to clarify that the term includes, but is not limited to, sign language interpreters, oral interpreters, and cued-speech interpreters. As the Department explained, not all interpreters are qualified for all situations. For example, a qualified interpreter who uses American Sign Language (ASL) is not necessarily qualified to interpret orally. In addition, someone with only a rudimentary familiarity with sign language or finger spelling is not qualified, nor is someone who is fluent in sign language but unable to translate spoken communication



into ASL or to translate signed communication into spoken words.

As further explained, different situations will require different types of interpreters. For example, an oral interpreter who has special skill and training to mouth a speaker's words silently for individuals who are deaf or hard of hearing may be necessary for an individual who was raised orally and taught to read lips or was diagnosed with hearing loss later in life and does not know sign language. An individual who is deaf or hard of hearing may need an oral interpreter if the speaker's voice is unclear, if there is a quick-paced exchange of communication (*e.g.*, in a meeting), or when the speaker does not directly face the individual who is deaf or hard of hearing. A cued-speech interpreter functions in the same manner as an oral interpreter except that he or she also uses a hand code or cue to represent each speech sound.

The Department received many comments regarding the proposed modifications to the definition of "qualified interpreter." Many commenters requested that the Department include within the definition a requirement that interpreters be certified, particularly if they reside in a State that licenses or certifies interpreters. Other commenters opposed a certification requirement as unduly limiting, noting that an interpreter may well be qualified even if that same interpreter is not certified. These commenters noted the absence of nationwide standards or universally accepted criteria for certification.

On review of this issue, the Department has decided against imposing a certification requirement under the ADA. It is sufficient under the ADA that the interpreter be qualified. With respect to the proposed additions to the rule, most commenters supported the expansion of the list of qualified interpreters, and some advocated for the inclusion of other types of interpreters on the list as well, such as deaf-blind interpreters, certified deaf interpreters, and speech-to-speech interpreters. As these commenters explained, deaf-blind interpreters are interpreters who have specialized skills and training to interpret for individuals who are deaf and blind. Certified deaf interpreters are deaf or hard of hearing interpreters who work with hearing sign language interpreters to meet the specific communication needs of deaf individuals. Speech-to-speech interpreters have special skill and training to interpret for individuals who have speech disabilities.

The list of interpreters in the definition of "qualified interpreter" is illustrative, and the Department does not believe it is necessary or appropriate to attempt to provide an exhaustive list of qualified interpreters. Accordingly, the Department has decided not to expand the proposed list. However, if a

deaf and blind individual needs interpreting services, an interpreter who is qualified to handle the interpreting needs of that individual may be required. The guiding criterion is that the public accommodation must provide appropriate auxiliary aids and services to ensure effective communication with the individual.

Commenters also suggested various definitions for the term "cued-speech interpreters," and different descriptions of the tasks they performed. After reviewing the various comments, the Department has determined that it is more accurate and appropriate to refer to such individuals as "cued-language transliterators." Likewise, the Department has changed the term "oral interpreters" to "oral transliterators." These two changes have been made to distinguish between sign language interpreters, who translate one language into another language (*e.g.*, ASL to English and English to ASL), from transliterators, who interpret within the same language between deaf and hearing individuals. A cued-language transliterator is an interpreter who has special skill and training in the use of the Cued Speech system of handshapes and placements, along with non-manual information, such as facial expression and body language, to show auditory information visually, including speech and environmental sounds. An oral transliterator is an interpreter who has special skill and training to mouth a speaker's words silently for individuals who are deaf or hard of hearing. While the Department included definitions for "cued-speech interpreter" and "oral interpreter" in the regulatory text proposed in the NPRM, the Department has decided that it is unnecessary to include such definitions in the text of the final rule.

Many commenters questioned the proposed deletion of the requirement that a qualified interpreter be able to interpret both receptively and expressively, noting the importance of both these skills. Commenters noted that this phrase was carefully crafted in the original regulation to make certain that interpreters both (1) are capable of understanding what a person with a disability is saying and (2) have the skills needed to convey information back to that individual. These are two very different skill sets and both are equally important to achieve effective communication. For example, in a medical setting, a sign language interpreter must have the necessary skills to understand the grammar and syntax used by an ASL user (receptive skills) and the ability to interpret complicated medical information—presented by medical staff in English—back to that individual in ASL (expressive skills). The Department agrees and has put the phrase "both receptively and expressively" back in the definition.

Several advocacy groups suggested that the Department make clear in the definition of qualified interpreter that the interpreter may appear either on-site or remotely using a video remote interpreting (VRI) service. Given that the Department has included in this rule both a definition of VRI services and standards that such services must satisfy, such an addition to the definition of qualified interpreter is appropriate.

After consideration of all relevant information submitted during the public comment period, the Department has modified the definition from that initially proposed in the NPRM. The final definition now states that “[q]ualified interpreter means an interpreter who, via a video remote interpreting (VRI) service or an on-site appearance, is able to interpret effectively, accurately, and impartially, both receptively and expressively, using any necessary specialized vocabulary. Qualified interpreters include, for example, sign language interpreters, oral transliterators, and cued-language transliterators.”

#### “Qualified Reader”

The 1991 title III regulation identified a qualified reader as an auxiliary aid, but did not define the term. Based upon the Department’s investigation of complaints alleging that some entities have provided ineffective readers, the Department proposed in the NPRM to define “qualified reader” similarly to “qualified interpreter” to ensure that public accommodations select qualified individuals to read an examination or other written information in an effective, accurate, and impartial manner. This proposal was suggested in order to make clear to public accommodations that a failure to provide a qualified reader to a person with a disability may constitute a violation of the requirement to provide appropriate auxiliary aids and services.

The Department received comments supporting the inclusion in the regulation of a definition of a “qualified reader.” Some commenters suggested the Department add to the definition a requirement prohibiting the use of a reader whose accent, diction, or pronunciation makes full comprehension of material being read difficult. Another commenter requested that the Department include a requirement that the reader “will follow the directions of the person for whom he or she is reading.” Commenters also requested that the Department define “accurately” and “effectively” as used in this definition.

While the Department believes that the regulatory definition proposed in the NPRM adequately addresses these concerns, the Department emphasizes that a reader, in order to be “qualified,” must be skilled in reading the language and subject matter and must be able to be easily understood by the indi-

vidual with the disability. For example, if a reader is reading aloud the questions for a bar examination, that reader, in order to be qualified, must know the proper pronunciation of all legal terminology used and must be sufficiently articulate to be easily understood by the individual with a disability for whom he or she is reading. In addition, the terms “effectively” and “accurately” have been successfully used and understood in the Department’s existing definition of “qualified interpreter” since 1991 without specific regulatory definitions. Instead, the Department has relied upon the common use and understanding of those terms from standard English dictionaries. Thus, the definition of “qualified reader” has not been changed from that contained in the NPRM. The final rule defines a “qualified reader” to mean “a person who is able to read effectively, accurately, and impartially using any necessary specialized vocabulary.”

#### “Service Animal”

Section 36.104 of the 1991 title III regulation defines a “service animal” as “any guide dog, signal dog, or other animal individually trained to do work or perform tasks for the benefit of an individual with a disability, including, but not limited to, guiding individuals with impaired vision, alerting individuals with impaired hearing to intruders or sounds, providing minimal protection or rescue work, pulling a wheelchair, or fetching dropped items.” Section 36.302(c)(1) of the 1991 title III regulation requires that “[g]enerally, a public accommodation shall modify policies, practices, or procedures to permit the use of a service animal by an individual with a disability.” Section 36.302(c)(2) of the 1991 title III regulation states that “a public accommodation [is not required] to supervise or care for a service animal.”

The Department has issued guidance and provided technical assistance and publications concerning service animals since the 1991 regulations became effective. In the NPRM, the Department proposed to modify the definition of service animal and asked for public input on several issues related to the service animal provisions of the 1991 title III regulation: whether the Department should clarify the phrase “providing minimal protection” in the definition or remove it; whether there are any circumstances where a service animal “providing minimal protection” would be appropriate or expected; whether certain species should be eliminated from the definition of “service animal,” and, if so, which types of animals should be excluded; whether “common domestic animal” should be part of the definition; and whether a size or weight limitation

should be imposed for common domestic animals, even if the animal satisfies the “common domestic animal” part of the NPRM definition.

The Department received extensive comments on these issues, as well as requests to clarify the obligations of public accommodations to accommodate individuals with disabilities who use service animals, and has modified the final rule in response. In the interests of avoiding unnecessary repetition, the Department has elected to discuss the issues raised in the NPRM questions about service animals and the corresponding public comments in the following discussion of the definition of “service animal.”

The Department’s final rule defines “service animal” as “any dog that is individually trained to do work or perform tasks for the benefit of an individual with a disability, including a physical, sensory, psychiatric, intellectual, or other mental disability. Other species of animals, whether wild or domestic, trained or untrained, are not service animals for the purposes of this definition. The work or tasks performed by a service animal must be directly related to the individual’s disability. Examples of work or tasks include, but are not limited to, assisting individuals who are blind or have low vision with navigation and other tasks, alerting individuals who are deaf or hard of hearing to the presence of people or sounds, providing non-violent protection or rescue work, pulling a wheelchair, assisting an individual during a seizure, alerting individuals to the presence of allergens, retrieving items such as medicine or the telephone, providing physical support and assistance with balance and stability to individuals with mobility disabilities, and helping persons with psychiatric and neurological disabilities by preventing or interrupting impulsive or destructive behaviors. The crime deterrent effects of an animal’s presence and the provision of emotional support, well-being, comfort, or companionship do not constitute work or tasks for the purposes of this definition.”

This definition has been designed to clarify a key provision of the ADA. Many covered entities indicated that they are confused regarding their obligations under the ADA with regard to individuals with disabilities who use service animals. Individuals with disabilities who use trained guide or service dogs are concerned that if untrained or unusual animals are termed “service animals,” their own right to use guide or service dogs may become unnecessarily restricted or questioned. Some individuals who are not individuals with disabilities have claimed, whether fraudulently or sincerely (albeit mistakenly), that their animals are service animals covered by the ADA, in order to gain access to hotels, restaurants, and other places of public accommodation. The increasing use of wild, exotic, or unusual spe-

cies, many of which are untrained, as service animals has also added to the confusion.

Finally, individuals with disabilities who have the legal right under the Fair Housing Act (FHAct) to use certain animals in their homes as a reasonable accommodation to their disabilities have assumed that their animals also qualify under the ADA. This is not necessarily the case, as discussed below.

The Department recognizes the diverse needs and preferences of individuals with disabilities protected under the ADA, and does not wish to unnecessarily impede individual choice. Service animals play an integral role in the lives of many individuals with disabilities, and with the clarification provided by the final rule, individuals with disabilities will continue to be able to use their service animals as they go about their daily activities. The clarification will also help to ensure that the fraudulent or mistaken use of other animals not qualified as service animals under the ADA will be deterred. A more detailed analysis of the elements of the definition and the comments responsive to the service animal provisions of the NPRM follows.

*Providing minimal protection.* The 1991 title III regulation included language stating that “minimal protection” was a task that could be performed by an individually trained service animal for the benefit of an individual with a disability. In the Department’s “ADA Business Brief on Service Animals” (2002), the Department interpreted the “minimal protection” language within the context of a seizure (*i.e.*, alerting and protecting a person who is having a seizure). The Department received many comments in response to the question of whether the “minimal protection” language should be clarified. Many commenters urged the removal of the “minimal protection” language from the service animal definition for two reasons: (1) The phrase can be interpreted to allow any dog that is trained to be aggressive to qualify as a service animal simply by pairing the animal with a person with a disability; and (2) The phrase can be interpreted to allow any untrained pet dog to qualify as a service animal, since many consider the mere presence of a dog to be a crime deterrent, and thus sufficient to meet the minimal protection standard. These commenters argued, and the Department agrees, that these interpretations were not contemplated under the original title III regulation.

While many commenters stated that they believe that the “minimal protection” language should be eliminated, other commenters recommended that the language be clarified, but retained. Commenters favoring clarification of the term suggested that the Department explicitly exclude the function of attack or exclude those animals that are trained solely to be aggressive or protective.

Other commenters identified non-violent behavioral tasks that could be construed as minimally protective, such as interrupting self-mutilation, providing safety checks and room searches, reminding the individual to take medications, and protecting the individual from injury resulting from seizures or unconsciousness.

Several commenters noted that the existing direct threat defense, which allows the exclusion of a service animal if the animal exhibits unwarranted or unprovoked violent behavior or poses a direct threat, prevents the use of “attack dogs” as service animals. One commenter noted that the use of a service animal trained to provide “minimal protection” may impede access to care in an emergency, for example, where the first responder is unable or reluctant to approach a person with a disability because the individual’s service animal is in a protective posture suggestive of aggression.

Many organizations and individuals stated that in the general dog training community, “protection” is code for attack or aggression training and should be removed from the definition. Commenters stated that there appears to be a broadly held misconception that aggression-trained animals are appropriate service animals for persons with post traumatic stress disorder (PTSD). While many individuals with PTSD may benefit by using a service animal, the work or tasks performed appropriately by such an animal would not involve unprovoked aggression, but could include actively cuing the individual by nudging or pawing the individual to alert to the onset of an episode and removing the individual from the anxiety-provoking environment.

The Department recognizes that despite its best efforts to provide clarification, the “minimal protection” language appears to have been misinterpreted. While the Department maintains that protection from danger is one of the key functions that service animals perform for the benefit of persons with disabilities, the Department recognizes that an animal individually trained to provide aggressive protection, such as an attack dog, is not appropriately considered a service animal. Therefore, the Department has decided to modify the “minimal protection” language to read “non-violent protection,” thereby excluding so-called “attack dogs” or dogs with traditional “protection training” as service animals. The Department believes that this modification to the service animal definition will eliminate confusion, without restricting unnecessarily the type of work or tasks that service animals may perform. The Department’s modification also clarifies that the crime-deterrent effect of a dog’s presence, by itself, does not qualify as work or tasks for purposes of the service animal definition.

*Alerting to intruders.* The phrase “alerting to intruders” is related to the issues of minimal protection and the work or tasks an animal may perform to meet the definition of a service animal. In the original 1991 regulatory text, this phrase was intended to identify service animals that alert individuals who are deaf or hard of hearing to the presence of others. This language has been misinterpreted by some to apply to dogs that are trained specifically to provide aggressive protection, resulting in the assertion that such training qualifies a dog as a service animal under the ADA. The Department reiterates that public accommodations are not required to admit any animal whose use poses a direct threat. In addition, the Department has decided to remove the word “intruders” from the service animal definition and replace it with the phrase “the presence of people or sounds.” The Department believes this clarifies that so-called “attack training” or other aggressive response types of training that cause a dog to provide an aggressive response do not qualify a dog as a service animal under the ADA.

Conversely, if an individual uses a breed of dog that is perceived to be aggressive because of breed reputation, stereotype, or the history or experience the observer may have with other dogs, but the dog is under the control of the individual with a disability and does not exhibit aggressive behavior, the public accommodation cannot exclude the individual or the animal from the place of public accommodation. The animal can only be removed if it engages in the behaviors mentioned in §36.302(c) (as revised in the final rule) or if the presence of the animal constitutes a fundamental alteration to the nature of the goods, services, facilities, and activities of the place of public accommodation.

*“Doing work” or “performing tasks.”* The NPRM proposed that the Department maintain the requirement first articulated in the 1991 title III regulation that in order to qualify as a service animal, the animal must “perform tasks” or “do work” for the individual with a disability. The phrases “perform tasks” and “do work” describe what an animal must do for the benefit of an individual with a disability in order to qualify as a service animal.

The Department received a number of comments in response to the NPRM proposal urging the removal of the term “do work” from the definition of a service animal. These commenters argued that the Department should emphasize the performance of tasks instead. The Department disagrees. Although the common definition of work includes the performance of tasks, the definition of work is somewhat broader, encompassing activities that do not appear to involve physical action.

One service dog user stated that, in some cases, “critical forms of assistance can’t be construed as physical tasks,” noting that the manifestations of “brain-based disabilities,” such as psychiatric disorders and autism, are as varied as their physical counterparts. The Department agrees with this statement but cautions that unless the animal is individually trained to do something that qualifies as work or a task, the animal is a pet or support animal and does not qualify for coverage as a service animal. A pet or support animal may be able to discern that the individual is in distress, but it is what the animal is trained to do in response to this awareness that distinguishes a service animal from an observant pet or support animal.

The NPRM contained an example of “doing work” that stated “a psychiatric service dog can help some individuals with dissociative identity disorder to remain grounded in time or place.” 73 FR 34508, 34521 (June 17, 2008). Several commenters objected to the use of this example, arguing that grounding was not a “task” and therefore the example inherently contradicted the basic premise that a service animal must perform a task in order to mitigate a disability. Other commenters stated that “grounding” should not be included as an example of “work” because it could lead to some individuals claiming that they should be able to use emotional support animals in public because the dog makes them feel calm or safe. By contrast, one commenter with experience in training service animals explained that grounding is a trained task based upon very specific behavioral indicators that can be observed and measured. These tasks are based upon input from mental health practitioners, dog trainers, and individuals with a history of working with psychiatric service dogs.

It is the Department’s view that an animal that is trained to “ground” a person with a psychiatric disorder does work or performs a task that would qualify it as a service animal as compared to an untrained emotional support animal whose presence affects a person’s disability. It is the fact that the animal is trained to respond to the individual’s needs that distinguishes an animal as a service animal. The process must have two steps: Recognition and response. For example, if a service animal senses that a person is about to have a psychiatric episode and it is trained to respond, for example, by nudging, barking, or removing the individual to a safe location until the episode subsides, then the animal has indeed performed a task or done work on behalf of the individual with the disability, as opposed to merely sensing an event.

One commenter suggested defining the term “task,” presumably to improve the understanding of the types of services performed by an animal that would be sufficient

to qualify the animal for coverage. The Department believes that the common definition of the word “task” is sufficiently clear and that it is not necessary to add to the definitions section. However, the Department has added examples of other kinds of work or tasks to help illustrate and provide clarity to the definition. After careful evaluation of this issue, the Department has concluded that the phrases “do work” and “perform tasks” have been effective during the past two decades to illustrate the varied services provided by service animals for the benefit of individuals with all types of disabilities. Thus, the Department declines to depart from its longstanding approach at this time.

*Species limitations.* When the Department originally issued its title III regulation in the early 1990s, the Department did not define the parameters of acceptable animal species. At that time, few anticipated the variety of animals that would be promoted as service animals in the years to come, which ranged from pigs and miniature horses to snakes, iguanas, and parrots. The Department has followed this particular issue closely, keeping current with the many unusual species of animals represented to be service animals. Thus, the Department has decided to refine further this aspect of the service animal definition in the final rule.

The Department received many comments from individuals and organizations recommending species limitations. Several of these commenters asserted that limiting the number of allowable species would help stop erosion of the public’s trust, which has resulted in reduced access for many individuals with disabilities who use trained service animals that adhere to high behavioral standards. Several commenters suggested that other species would be acceptable if those animals could meet nationally recognized behavioral standards for trained service dogs. Other commenters asserted that certain species of animals (*e.g.*, reptiles) cannot be trained to do work or perform tasks, so these animals would not be covered.

In the NPRM, the Department used the term “common domestic animal” in the service animal definition and excluded reptiles, rabbits, farm animals (including horses, miniature horses, ponies, pigs, and goats), ferrets, amphibians, and rodents from the service animal definition. 73 FR 34508, 34553 (June 17, 2008). However, the term “common domestic animal” is difficult to define with precision due to the increase in the number of domesticated species. Also, several State and local laws define a “domestic” animal as an animal that is not wild.

The Department is compelled to take into account the practical considerations of certain animals and to contemplate their suitability in a variety of public contexts, such

as restaurants, grocery stores, hospitals, and performing arts venues, as well as suitability for urban environments. The Department agrees with commenters' views that limiting the number and types of species recognized as service animals will provide greater predictability for public accommodations as well as added assurance of access for individuals with disabilities who use dogs as service animals. As a consequence, the Department has decided to limit this rule's coverage of service animals to dogs, which are the most common service animals used by individuals with disabilities.

*Wild animals, monkeys, and other nonhuman primates.* Numerous business entities endorsed a narrow definition of acceptable service animal species, and asserted that there are certain animals (*e.g.*, reptiles) that cannot be trained to do work or perform tasks. Other commenters suggested that the Department should identify excluded animals, such as birds and llamas, in the final rule. Although one commenter noted that wild animals bred in captivity should be permitted to be service animals, the Department has decided to make clear that all wild animals, whether born or bred in captivity or in the wild, are eliminated from coverage as service animals. The Department believes that this approach reduces risks to health or safety attendant with wild animals. Some animals, such as certain nonhuman primates, including certain monkeys, pose a direct threat; their behavior can be unpredictably aggressive and violent without notice or provocation. The American Veterinary Medical Association (AVMA) issued a position statement advising against the use of monkeys as service animals, stating that “[t]he AVMA does not support the use of nonhuman primates as assistance animals because of animal welfare concerns, and the potential for serious injury and zoonotic [animal to human disease transmission] risks.” AVMA Position Statement, *Nonhuman Primates as Assistance Animals* (2005), available at [http://www.avma.org/issues/policy/nonhuman\\_primates.asp](http://www.avma.org/issues/policy/nonhuman_primates.asp) (last visited June 24, 2010).

An organization that trains capuchin monkeys to provide in-home services to individuals with paraplegia and quadriplegia was in substantial agreement with the AVMA's views but requested a limited recognition in the service animal definition for the capuchin monkeys it trains to provide assistance for persons with disabilities. The organization commented that its trained capuchin monkeys undergo scrupulous veterinary examinations to ensure that the animals pose no health risks, and are used by individuals with disabilities exclusively in their homes. The organization acknowledged that the capuchin monkeys it trains are not necessarily suitable for use in a place of public accommodation but noted that the monkeys may

need to be used in circumstances that implicate title III coverage, *e.g.*, in the event the handler had to leave home due to an emergency, to visit a veterinarian, or for the initial delivery of the monkey to the individual with a disability. The organization noted that several State and local government entities have local zoning, licensing, health, and safety laws that prohibit non-human primates, and that these prohibitions would prevent individuals with disabilities from using these animals even in their homes.

The organization argued that including capuchin monkeys under the service animal umbrella would make it easier for individuals with disabilities to obtain reasonable modifications of State and local licensing, health, and safety laws that would permit the use of these monkeys. The organization argued that this limited modification to the service animal definition was warranted in view of the services these monkeys perform, which enable many individuals with paraplegia and quadriplegia to live and function with increased independence.

The Department has carefully considered the potential risks associated with the use of nonhuman primates as service animals in places of public accommodation, as well as the information provided to the Department about the significant benefits that trained capuchin monkeys provide to certain individuals with disabilities in residential settings. The Department has determined, however, that nonhuman primates, including capuchin monkeys, will not be recognized as service animals for purposes of this rule because of their potential for disease transmission and unpredictable aggressive behavior. The Department believes that these characteristics make nonhuman primates unsuitable for use as service animals in the context of the wide variety of public settings subject to this rule. As the organization advocating the inclusion of capuchin monkeys acknowledges, capuchin monkeys are not suitable for use in public facilities.

The Department emphasizes that it has decided only that capuchin monkeys will not be included in the definition of service animals for purposes of its regulation implementing the ADA. This decision does not have any effect on the extent to which public accommodations are required to allow the use of such monkeys under other Federal statutes, like the FHAct or the Air Carrier Access Act (ACAA). For example, a public accommodation that also is considered to be a “dwelling” may be covered under both the ADA and the FHAct. While the ADA does not require such a public accommodation to admit people with service monkeys, the FHAct may. Under the FHAct an individual with a disability may have the right to have an animal other than a dog in his or her home if the animal qualifies as a “reasonable accommodation” that is necessary to afford

the individual equal opportunity to use and enjoy a dwelling, assuming that the use of the animal does not pose a direct threat. In some cases, the right of an individual to have an animal under the FHAct may conflict with State or local laws that prohibit all individuals, with or without disabilities, from owning a particular species. However, in this circumstance, an individual who wishes to request a reasonable modification of the State or local law must do so under the FHAct, not the ADA.

Having considered all of the comments about which species should qualify as service animals under the ADA, the Department has determined the most reasonable approach is to limit acceptable species to dogs.

*Size or weight limitations.* The vast majority of commenters did not support a size or weight limitation. Commenters were typically opposed to a size or weight limit because many tasks performed by service animals require large, strong dogs. For instance, service animals may perform tasks such as providing balance and support or pulling a wheelchair. Small animals may not be suitable for large adults. The weight of the service animal user is often correlated with the size and weight of the service animal. Others were concerned that adding a size and weight limit would further complicate the difficult process of finding an appropriate service animal. One commenter noted that there is no need for a limit because “if, as a practical matter, the size or weight of an individual’s service animal creates a direct threat or fundamental alteration to a particular public entity or accommodation, there are provisions that allow for the animal’s exclusion or removal.” Some common concerns among commenters in support of a size and weight limit were that a larger animal may be less able to fit in various areas with its handler, such as toilet rooms and public seating areas, and that larger animals are more difficult to control.

Balancing concerns expressed in favor of and against size and weight limitations, the Department has determined that such limitations would not be appropriate. Many individuals of larger stature require larger dogs. The Department believes it would be inappropriate to deprive these individuals of the option of using a service dog of the size required to provide the physical support and stability these individuals may need to function independently. Since large dogs have always served as service animals, continuing their use should not constitute fundamental alterations or impose undue burdens on public accommodations.

*Breed limitations.* A few commenters suggested that certain breeds of dogs should not be allowed to be used as service animals. Some suggested that the Department should defer to local laws restricting the breeds of dogs that individuals who reside in a commu-

nity may own. Other commenters opposed breed restrictions, stating that the breed of a dog does not determine its propensity for aggression and that aggressive and non-aggressive dogs exist in all breeds.

The Department does not believe that it is either appropriate or consistent with the ADA to defer to local laws that prohibit certain breeds of dogs based on local concerns that these breeds may have a history of unprovoked aggression or attacks. Such deference would have the effect of limiting the rights of persons with disabilities under the ADA who use certain service animals based on where they live rather than on whether the use of a particular animal poses a direct threat to the health and safety of others. Breed restrictions differ significantly from jurisdiction to jurisdiction. Some jurisdictions have no breed restrictions. Others have restrictions that, while well-meaning, have the unintended effect of screening out the very breeds of dogs that have successfully served as service animals for decades without a history of the type of unprovoked aggression or attacks that would pose a direct threat, *e.g.*, German Shepherds. Other jurisdictions prohibit animals over a certain weight, thereby restricting breeds without invoking an express breed ban. In addition, deference to breed restrictions contained in local laws would have the unacceptable consequence of restricting travel by an individual with a disability who uses a breed that is acceptable and poses no safety hazards in the individual’s home jurisdiction but is nonetheless banned by other jurisdictions. Public accommodations have the ability to determine, on a case-by-case basis, whether a particular service animal can be excluded based on that particular animal’s actual behavior or history—not based on fears or generalizations about how an animal or breed might behave. This ability to exclude an animal whose behavior or history evidences a direct threat is sufficient to protect health and safety.

*Recognition of psychiatric service animals, but not “emotional support animals.”* The definition of “service animal” in the NPRM stated the Department’s longstanding position that emotional support animals are not included in the definition of “service animal.” The proposed text provided that “[a]nimals whose sole function is to provide emotional support, comfort, therapy, companionship, therapeutic benefits, or to promote emotional well-being are not service animals.” 73 FR 34508, 34553 (June 17, 2008).

Many advocacy organizations expressed concern and disagreed with the exclusion of comfort and emotional support animals. Others have been more specific, stating that individuals with disabilities may need their emotional support animals in order to have equal access. Some commenters noted that individuals with disabilities use animals

that have not been trained to perform tasks directly related to their disability. These animals do not qualify as service animals under the ADA. These are emotional support or comfort animals.

Commenters asserted that excluding categories such as “comfort” and “emotional support” animals recognized by laws such as the FHAct or the ACAA is confusing and burdensome. Other commenters noted that emotional support and comfort animals perform an important function, asserting that animal companionship helps individuals who experience depression resulting from multiple sclerosis.

Some commenters explained the benefits emotional support animals provide, including emotional support, comfort, therapy, companionship, therapeutic benefits, and the promotion of emotional well-being. They contended that without the presence of an emotional support animal in their lives they would be disadvantaged and unable to participate in society. These commenters were concerned that excluding this category of animals will lead to discrimination against and excessive questioning of individuals with non-visible or non-apparent disabilities. Other commenters expressing opposition to the exclusion of individually trained “comfort” or “emotional support” animals asserted that the ability to soothe or de-escalate and control emotion is “work” that benefits the individual with the disability.

Many commenters requested that the Department carve out an exception that permits current or former members of the military to use emotional support animals. They asserted that a significant number of service members returning from active combat duty have adjustment difficulties due to combat, sexual assault, or other traumatic experiences while on active duty. Commenters noted that some current or former members of the military service have been prescribed animals for conditions such as PTSD. One commenter stated that service women who were sexually assaulted while in the military use emotional support animals to help them feel safe enough to step outside their homes. The Department recognizes that many current and former members of the military have disabilities as a result of service-related injuries that may require emotional support and that such individuals can benefit from the use of an emotional support animal and could use such animal in their home under the FHAct. However, having carefully weighed the issues, the Department believes that its final rule appropriately addresses the balance of issues and concerns of both the individual with a disability and the public accommodation. The Department also notes that nothing in this part prohibits a public entity from allowing current or former military members or anyone else

with disabilities to utilize emotional support animals if it wants to do so.

Commenters asserted the view that if an animal’s “mere presence” legitimately provides such benefits to an individual with a disability and if those benefits are necessary to provide equal opportunity given the facts of the particular disability, then such an animal should qualify as a “service animal.” Commenters noted that the focus should be on the nature of a person’s disability, the difficulties the disability may impose and whether the requested accommodation would legitimately address those difficulties, not on evaluating the animal involved. The Department understands this approach has benefitted many individuals under the FHAct and analogous State law provisions, where the presence of animals poses fewer health and safety issues and where emotional support animals provide assistance that is unique to residential settings. The Department believes, however, that the presence of such animals is not required in the context of public accommodations, such as restaurants, hospitals, hotels, retail establishments, and assembly areas.

Under the Department’s previous regulatory framework, some individuals and entities assumed that the requirement that service animals must be individually trained to do work or perform tasks excluded all individuals with mental disabilities from having service animals. Others assumed that any person with a psychiatric condition whose pet provided comfort to them was covered by the 1991 title III regulation. The Department reiterates that psychiatric service animals that are trained to do work or perform a task for individuals whose disability is covered by the ADA are protected by the Department’s present regulatory approach. Psychiatric service animals can be trained to perform a variety of tasks that assist individuals with disabilities to detect the onset of psychiatric episodes and ameliorate their effects. Tasks performed by psychiatric service animals may include reminding individuals to take medicine, providing safety checks or room searches for individuals with PTSD, interrupting self-mutilation, and removing disoriented individuals from dangerous situations.

The difference between an emotional support animal and a psychiatric service animal is the work or tasks that the animal performs. Traditionally, service dogs worked as guides for individuals who were blind or had low vision. Since the original regulation was promulgated, service animals have been trained to assist individuals with many different types of disabilities.

In the final rule, the Department has retained its position on the exclusion of emotional support animals from the definition of “service animal.” The definition states that “[t]he provision of emotional support, well-



being, comfort, or companionship \* \* \* do[es] not constitute work or tasks for the purposes of this definition.” The Department notes, however, that the exclusion of emotional support animals from coverage in the final rule does not mean that individuals with psychiatric or mental disabilities cannot use service animals that meet the regulatory definition. The final rule defines service animal as follows: “Service animal means any dog that is individually trained to do work or perform tasks for the benefit of an individual with a disability, including a physical, sensory, psychiatric, intellectual, or other mental disability.” This language simply clarifies the Department’s longstanding position.

The Department’s position is based on the fact that the title II and title III regulations govern a wider range of public settings than the housing and transportation settings for which the Department of Housing and Urban Development (HUD) and the DOT regulations allow emotional support animals or comfort animals. The Department recognizes that there are situations not governed by the title II and title III regulations, particularly in the context of residential settings and transportation, where there may be a legal obligation to permit the use of animals that do not qualify as service animals under the ADA, but whose presence nonetheless provides necessary emotional support to persons with disabilities. Accordingly, other Federal agency regulations, case law, and possibly State or local laws governing those situations may provide appropriately for increased access for animals other than service animals as defined under the ADA. Public officials, housing providers, and others who make decisions relating to animals in residential and transportation settings should consult the Federal, State, and local laws that apply in those areas (e.g., the FHAct regulations of HUD and the ACAA) and not rely on the ADA as a basis for reducing those obligations.

*Retain term “service animal.”* Some commenters asserted that the term “assistance animal” is a term of art and should replace the term “service animal”; however, the majority of commenters preferred the term “service animal” because it is more specific. The Department has decided to retain the term “service animal” in the final rule. While some agencies, like HUD, use the terms “assistance animal,” “assistive animal,” or “support animal,” these terms are used to denote a broader category of animals than is covered by the ADA. The Department has decided that changing the term used in the final rule would create confusion, particularly in view of the broader parameters for coverage under the FHAct, cf. Preamble to HUD’s Final Rule for Pet Ownership for the Elderly and Persons with Disabilities, 73 FR 63834-38 (Oct. 27, 2008); HUD Handbook

No. 4350.3 Rev-1, Chapter 2, *Occupancy Requirements of Subsidized Multifamily Housing Programs* (June 2007), available at <http://www.hud.gov/offices/adm/hudclips/handbooks/hsgn/4350.3> (last visited June 24, 2010). Moreover, as discussed above, the Department’s definition of “service animal” in the final rule does not affect the rights of individuals with disabilities who use assistance animals in their homes under the FHAct or who use “emotional support animals” that are covered under the ACAA and its implementing regulations. See 14 CFR 382.7 *et seq.*; see also Department of Transportation, *Guidance Concerning Service Animals in Air Transportation*, 68 FR 24874, 24877 (May 9, 2003) (discussing accommodation of service animals and emotional support animals on aircraft).

#### “Video Remote Interpreting (VRI) Services”

In the NPRM, the Department proposed adding “Video Interpreting Services (VIS)” to the list of auxiliary aids available to provide effective communication. In the preamble to the NPRM, VIS was defined as “a technology composed of a video phone, video monitors, cameras, a high-speed Internet connection, and an interpreter. The video phone provides video transmission to a video monitor that permits the individual who is deaf or hard of hearing to view and sign to a video interpreter (*i.e.*, a live interpreter in another location), who can see and sign to the individual through a camera located on or near the monitor, while others can communicate by speaking. The video monitor can display a split screen of two live images, with the interpreter in one image and the individual who is deaf or hard of hearing in the other image.” 73 FR 34508, 34522 (June 17, 2008). Comments from advocacy organizations and individuals unanimously requested that the Department use the term “video remote interpreting (VRI),” instead of VIS, for consistency with Federal Communications Commission (FCC) regulations, FCC Public Notice, DA-0502417 (Sept. 7, 2005), and with common usage by consumers. The Department has made that change throughout the regulation to avoid confusion and to make the regulation more consistent with existing regulations.

Many commenters also requested that the Department distinguish between VRI and “video relay service (VRS).” Both VRI and VRS use a remote interpreter who is able to see and communicate with a deaf person and a hearing person, and all three individuals may be connected by a video link. VRI is a fee-based interpreting service conveyed via videoconferencing where at least one person, typically the interpreter, is at a separate location. VRI can be provided as an on-demand

service or by appointment. VRI normally involves a contract in advance for the interpreter who is usually paid by the covered entity.

VRS is a telephone service that enables persons with disabilities to use the telephone to communicate using video connections and is a more advanced form of relay service than the traditional voice to text telephones (TTY) relay systems that were recognized in the 1991 title III regulation. More specifically, VRS is a video relay service using interpreters connected to callers by video hook-up and is designed to provide telephone services to persons who are deaf and use American Sign Language that are functionally equivalent to those services provided to users who are hearing. VRS is funded through the Interstate Telecommunications Relay Services Fund and overseen by the FCC. *See* 47 CFR 64.601(a)(26). There are no fees for callers to use the VRS interpreters and the video connection, although there may be relatively inexpensive initial costs to the title III entities to purchase the videophone or camera for on-line video connection, or other equipment to connect to the VRS service. The FCC has made clear that VRS functions as a telephone service and is not intended to be used for interpreting services where both parties are in the same room; the latter is reserved for VRI. The Department agrees that VRS cannot be used as a substitute for in-person interpreters or for VRI in situations that would not, absent one party's disability, entail use of the telephone.

Many commenters strongly recommended limiting the use of VRI to circumstances where it will provide effective communication. Commenters from advocacy groups and persons with disabilities expressed concern that VRI may not always be appropriate to provide effective communication, especially in hospitals and emergency rooms. Examples were provided of patients who are unable to see the video monitor because they are semi-conscious or unable to focus on the video screen; other examples were given of cases where the video monitor is out of the sightline of the patient or the image is out of focus; still other examples were given of patients who could not see the image because the signal was interrupted, causing unnatural pauses in the communication, or the image was grainy or otherwise unclear. Many commenters requested more explicit guidelines on the use of VRI and some recommended requirements for equipment maintenance, high-speed, wide-bandwidth video links using dedicated lines or wireless systems, and training of staff using VRI, especially in hospital and health care situations. Several major organizations requested a requirement to include the interpreter's face, head, arms, hands, and eyes in all transmissions.

After consideration of the comments and the Department's own research and experience, the Department has determined that VRI can be an effective method of providing interpreting services in certain circumstances, but not in others. For example, VRI should be effective in many situations involving routine medical care, as well as in the emergency room where urgent care is important, but no in-person interpreter is available; however, VRI may not be effective in situations involving surgery or other medical procedures where the patient is limited in his or her ability to see the video screen. Similarly, VRI may not be effective in situations where there are multiple people in a room and the information exchanged is highly complex and fast paced. The Department recognizes that in these and other situations, such as where communication is needed for persons who are deaf-blind, it may be necessary to summon an in-person interpreter to assist certain individuals. To ensure that VRI is effective in situations where it is appropriate, the Department has established performance standards in §36.303(f).

#### SUBPART B—GENERAL REQUIREMENTS

##### *Section 36.208(b) Direct Threat*

The Department has revised the language of §36.208(b) (formerly §36.208(c) in the 1991 title III regulation) to include consideration of whether the provision of auxiliary aids or services will mitigate the risk that an individual will pose a direct threat to the health or safety of others. Originally, the reference to auxiliary aids or services as a mitigating factor was part of §36.208. However, that reference was removed from the section when, for editorial purposes, the Department removed the definition of "direct threat" from §36.208 and placed it in §36.104. The Department has put the reference to auxiliary aids or services as a mitigating factor back into §36.208(b) in order to maintain consistency with the current regulation.

##### *Section 36.211 Maintenance of Accessible Features*

Section 36.211 of the 1991 title III regulation provides that a public accommodation must maintain in operable working condition those features of facilities and equipment that are required to be readily accessible to and usable by individuals with disabilities. 28 CFR 36.211. In the NPRM, the Department clarified the application of this provision and proposed one change to the section to address the discrete situation in which the scoping requirements provided in the 2010 Standards reduce the number of required elements below the requirements of the 1991 Standards. In that discrete event, a

public accommodation may reduce such accessible features in accordance with the requirements in the 2010 Standards.

The Department received only four comments on this proposed amendment. None of the commenters opposed the change. In the final rule, the Department has revised the section to make it clear that if the 2010 Standards reduce either the technical requirements or the number of required accessible elements below that required by the 1991 Standards, then the public accommodation may reduce the technical requirements or the number of accessible elements in a covered facility in accordance with the requirements of the 2010 Standards. One commenter, an association of convenience stores, urged the Department to expand the language of the section to include restocking of shelves as a permissible activity for isolated or temporary interruptions in service or access. It is the Department's position that a temporary interruption that blocks an accessible route, such as restocking of shelves, is already permitted by existing §36.211(b), which clarifies that "isolated or temporary interruptions in service or access due to maintenance or repairs" are permitted. Therefore, the Department will not make any additional changes in the language of §36.211 other than those discussed in the preceding paragraph.

#### SUBPART C—SPECIFIC REQUIREMENTS

##### *Section 36.302 Modifications in Policies, Practices, or Procedures*

##### *Section 36.302(c) Service Animals*

Section 36.302(c)(1) of the 1991 title III regulation states that "[g]enerally, a public accommodation shall modify [its] policies, practices, or procedures to permit the use of service animals by an individual with a disability." Section 36.302(c)(2) of the 1991 title III regulation states that "[n]othing in this part requires a public accommodation to supervise or care for a service animal." The Department has decided to retain the scope of the 1991 title III regulation while clarifying the Department's longstanding policies and interpretations. Toward that end, the final rule has been revised to include the Department's policy interpretations as outlined in published technical assistance, *Commonly Asked Questions about Service Animals in Places of Business* (1996), available at <http://www.ada.gov/qasrvc.htm>, and *ADA Guide for Small Businesses* (1999), available at <http://www.ada.gov/smbustxt.htm>, and to add that a public accommodation may exclude a service animal in certain circumstances where the service animal fails to meet certain behavioral standards. The Department received extensive comments in response to proposed §36.302(c) from individuals, disability advocacy groups, organizations involved in train-

ing service animals, and public accommodations. Those comments and the Department's response are discussed below.

*Exclusion of service animals.* The 1991 regulatory provision in §36.302(c) addresses reasonable modification and remains unchanged in the final rule. However, based on comments received and the Department's analysis, the Department has decided to clarify those circumstances where otherwise eligible service animals may be excluded by public accommodations.

In the NPRM, in §36.302(c)(2)(i), the Department proposed that a public accommodation may ask an individual with a disability to remove a service animal from the place of public accommodation if "[t]he animal is out of control and the animal's handler does not take effective action to control it." 73 FR 34508, 34553 (June 17, 2008). The Department has long held that a service animal must be under the control of the handler at all times. Commenters overwhelmingly were in favor of this language, but noted that there are occasions when service animals are provoked to disruptive or aggressive behavior by agitators or troublemakers, as in the case of a blind individual whose service dog is taunted or pinched. While all service animals are trained to ignore and overcome these types of incidents, misbehavior in response to provocation is not always unreasonable. In circumstances where a service animal misbehaves or responds reasonably to a provocation or injury, the public accommodation must give the handler a reasonable opportunity to gain control of the animal. Further, if the individual with a disability asserts that the animal was provoked or injured, or if the public accommodation otherwise has reason to suspect that provocation or injury has occurred, the public accommodation should seek to determine the facts and, if provocation or injury occurred, the public accommodation should take effective steps to prevent further provocation or injury, which may include asking the provocateur to leave the place of public accommodation. This language is unchanged in the final rule.

The NPRM also proposed language at §36.302(c)(2)(ii) to permit a public accommodation to exclude a service animal if the animal is not housebroken (*i.e.*, trained so that, absent illness or accident, the animal controls its waste elimination) or the animal's presence or behavior fundamentally alters the nature of the service the public accommodation provides (*e.g.*, repeated barking during a live performance). Several commenters were supportive of this NPRM language, but cautioned against overreaction by the public accommodation in these instances. One commenter noted that animals get sick, too, and that accidents occasionally happen. In these circumstances, simple clean

up typically addresses the incident. Commenters noted that the public accommodation must be careful when it excludes a service animal on the basis of “fundamental alteration,” asserting for example, that a public accommodation should not exclude a service animal for barking in an environment where other types of noise, such as loud cheering or a child crying, is tolerated. The Department maintains that the appropriateness of an exclusion can be assessed by reviewing how a public accommodation addresses comparable situations that do not involve a service animal. The Department has retained in §36.302(c)(2) of the final rule the exception requiring animals to be housebroken. The Department has not retained the specific NPRM language stating that animals can be excluded if their presence or behavior fundamentally alters the nature of the service provided by the public accommodation, because the Department believes that this exception is covered by the general reasonable modification requirement contained in §36.302(c)(1).

The NPRM also proposed in §36.302(c)(2)(iii) that a service animal can be excluded where “[t]he animal poses a direct threat to the health or safety of others that cannot be eliminated by reasonable modifications.” 73 FR 34508, 34553 (June 17, 2008). Commenters were universally supportive of this provision as it makes express the discretion of a public accommodation to exclude a service animal that poses a direct threat. Several commenters cautioned against the overuse of this provision and suggested that the Department provide an example of the rule’s application. The Department has decided not to include regulatory language specifically stating that a service animal can be excluded if it poses a direct threat. The Department believes that the direct threat provision in §36.208 already provides this exception to public accommodations.

*Access to a public accommodation following the proper exclusion of a service animal.* The NPRM proposed that in the event a public accommodation properly excludes a service animal, the public accommodation must give the individual with a disability the opportunity to obtain the goods and services of the public accommodation without having the service animal on the premises. Most commenters welcomed this provision as a common sense approach. These commenters noted that they do not wish to preclude individuals with disabilities from the full and equal enjoyment of the goods and services simply because of an isolated problem with a service animal. The Department has elected to retain this provision in §36.302(c)(2).

*Other requirements.* The NPRM also proposed that the regulation include the following requirements: that the work or tasks performed by the service animal must be directly related to the handler’s disability;

that a service animal must be individually trained to do work or perform a task, be housebroken, and be under the control of the handler; and that a service animal must have a harness, leash, or other tether. Most commenters addressed at least one of these issues in their responses. Most agreed that these provisions are important to clarify further the 1991 service animal regulation. The Department has moved the requirement that the work or tasks performed by the service animal must be related directly to the individual’s disability to the definition of ‘service animal’ in §36.104. In addition, the Department has modified the proposed language relating to the handler’s control of the animal with a harness, leash, or other tether to state that “[a] service animal shall have a harness, leash, or other tether, unless either the handler is unable because of a disability to use a harness, leash, or other tether, or the use of a harness, leash, or other tether would interfere with the service animal’s safe, effective performance of work or tasks, in which case the service animal must be otherwise under the handler’s control (e.g., voice control, signals, or other effective means).” The Department has retained the requirement that the service animal must be individually trained, as well as the requirement that the service animal be housebroken.

*Responsibility for supervision and care of a service animal.* The 1991 title III regulation, in §36.302(c)(2), states that “[n]othing in this part requires a public accommodation to supervise or care for a service animal.” The NPRM modified this language to state that “[a] public accommodation is not responsible for caring for or supervising a service animal.” 73 FR 34508, 34553 (June 17, 2008). Most commenters did not address this particular provision. The Department notes that there are occasions when a person with a disability is confined to bed in a hospital for a period of time. In such an instance, the individual may not be able to walk or feed the service animal. In such cases, if the individual has a family member, friend, or other person willing to take on these responsibilities in the place of the individual with a disability, the individual’s obligation to be responsible for the care and supervision of the service animal would be satisfied. The language of this section is retained, with minor modifications, in §36.302(c)(5) of the final rule.

*Inquiries about service animals.* The NPRM proposed language at §36.302(c)(6) setting forth parameters about how a public accommodation may determine whether an animal qualifies as a service animal. The proposed section stated that a public accommodation may ask if the animal is required because of a disability and what task or work the animal has been trained to do but may not require proof of service animal certification or

licensing. Such inquiries are limited to eliciting the information necessary to make a decision without requiring disclosure of confidential disability-related information that a public accommodation does not need.

This language is consistent with the policy guidance outlined in two Department publications, *Commonly Asked Questions about Service Animals in Places of Business* (1996), available at <http://www.ada.gov/qasrvc.htm>, and *ADA Guide for Small Businesses* (1999), available at <http://www.ada.gov/smbustxt.htm>.

Although some commenters contended that the NPRM service animal provisions leave unaddressed the issue of how a public accommodation can distinguish between a psychiatric service animal, which is covered under the final rule, and a comfort animal, which is not, other commenters noted that the Department's published guidance has helped public accommodations to distinguish between service animals and pets on the basis of an individual's response to these questions. Accordingly, the Department has retained the NPRM language incorporating its guidance concerning the permissible questions into the final rule.

Some commenters suggested that a title III entity be allowed to require current documentation, no more than one year old, on letterhead from a mental health professional stating the following: (1) That the individual seeking to use the animal has a mental health-related disability; (2) that having the animal accompany the individual is necessary to the individual's mental health or treatment or to assist the person otherwise; and (3) that the person providing the assessment of the individual is a licensed mental health professional and the individual seeking to use the animal is under that individual's professional care. These commenters asserted that this will prevent abuse and ensure that individuals with legitimate needs for psychiatric service animals may use them. The Department believes that this proposal would treat persons with psychiatric, intellectual, and other mental disabilities less favorably than persons with physical or sensory disabilities. The proposal would also require persons with disabilities to obtain medical documentation and carry it with them any time they seek to engage in ordinary activities of daily life in their communities—something individuals without disabilities have not been required to do. Accordingly, the Department has concluded that a documentation requirement of this kind would be unnecessary, burdensome, and contrary to the spirit, intent, and mandates of the ADA.

*Service animal access to areas of a public accommodation.* The NPRM proposed at §36.302(c)(7) that an individual with a disability who uses a service animal has the same right of access to areas of a public accommodation as members of the public, pro-

gram participants, and invitees. Commenters indicated that allowing individuals with disabilities to go with their service animals into the same areas as members of the public, program participants, clients, customers, patrons, or invitees is accepted practice by most places of public accommodation. The Department has included a slightly modified version of this provision in §36.302(c)(7) of the final rule.

The Department notes that under the final rule, a healthcare facility must also permit a person with a disability to be accompanied by a service animal in all areas of the facility in which that person would otherwise be allowed. There are some exceptions, however. The Department follows the guidance of the Centers for Disease Control and Prevention (CDC) on the use of service animals in a hospital setting. Zoonotic diseases can be transmitted to humans through bites, scratches, direct contact, arthropod vectors, or aerosols.

Consistent with CDC guidance, it is generally appropriate to exclude a service animal from limited-access areas that employ general infection-control measures, such as operating rooms and burn units. See Centers for Disease Control and Prevention, *Guidelines for Environmental Infection Control in Health-Care Facilities: Recommendations of CDC and the Healthcare Infection Control Practices Advisory Committee* (June 2003), available at [http://www.cdc.gov/hicpac/pdf/guidelines/eic\\_in\\_HCF\\_03.pdf](http://www.cdc.gov/hicpac/pdf/guidelines/eic_in_HCF_03.pdf) (last visited June 24, 2010). A service animal may accompany its handler to such areas as admissions and discharge offices, the emergency room, inpatient and outpatient rooms, examining and diagnostic rooms, clinics, rehabilitation therapy areas, the cafeteria and vending areas, the pharmacy, restrooms, and all other areas of the facility where healthcare personnel, patients, and visitors are permitted without taking added precautions.

*Prohibition against surcharges for use of a service animal.* In the NPRM, the Department proposed to incorporate the previously mentioned policy guidance, which prohibits the assessment of a surcharge for the use of a service animal, into proposed §36.302(c)(8). Several commenters agreed that this provision makes clear the obligation of a place of public accommodation to admit an individual with a service animal without surcharges, and that any additional costs imposed should be factored into the overall cost of doing business and passed on as a charge to all participants, rather than an individualized surcharge to the service animal user. Commenters also noted that service animal users cannot be required to comply with other requirements that are not generally applicable to other persons. If a public accommodation normally charges individuals for the damage they cause, an individual with a disability may be charged for damage

caused by his or her service animals. The Department has retained this language, with minor modifications, in the final rule at §36.302(c)(8).

*Training requirement.* Certain commenters recommended the adoption of formal training requirements for service animals. The Department has rejected this approach and will not impose any type of formal training requirements or certification process, but will continue to require that service animals be individually trained to do work or perform tasks for the benefit of an individual with a disability. While some groups have urged the Department to modify this position, the Department has determined that such a modification would not serve the full array of individuals with disabilities who use service animals, since individuals with disabilities may be capable of training, and some have trained, their service animal to perform tasks or do work to accommodate their disability. A training and certification requirement would increase the expense of acquiring a service animal and might limit access to service animals for individuals with limited financial resources.

Some commenters proposed specific behavior or training standards for service animals, arguing that without such standards, the public has no way to differentiate between untrained pets and service animals. Many of the suggested behavior or training standards were lengthy and detailed. The Department believes that this rule addresses service animal behavior sufficiently by including provisions that address the obligations of the service animal user and the circumstances under which a service animal may be excluded, such as the requirements that an animal be housebroken and under the control of its handler.

*Miniature horses.* The Department has been persuaded by commenters and the available research to include a provision that would require public accommodations to make reasonable modifications to policies, practices, or procedures to permit the use of a miniature horse by a person with a disability if the miniature horse has been individually trained to do work or perform tasks for the benefit of the individual with a disability. The traditional service animal is a dog, which has a long history of guiding individuals who are blind or have low vision, and over time dogs have been trained to perform an even wider variety of services for individuals with all types of disabilities. However, an organization that developed a program to train miniature horses, modeled on the program used for guide dogs, began training miniature horses in 1991.

Although commenters generally supported the species limitations proposed in the NPRM, some were opposed to the exclusion of miniature horses from the definition of a service animal. These commenters noted

that these animals have been providing assistance to persons with disabilities for many years. Miniature horses were suggested by some commenters as viable alternatives to dogs for individuals with allergies, or for those whose religious beliefs preclude the use of dogs. Another consideration mentioned in favor of the use of miniature horses is the longer life span and strength of miniature horses in comparison to dogs. Specifically, miniature horses can provide service for more than 25 years while dogs can provide service for approximately seven years, and, because of their strength, miniature horses can provide services that dogs cannot provide. Accordingly, use of miniature horses reduces the cost involved to retire, replace, and train replacement service animals.

The miniature horse is not one specific breed, but may be one of several breeds, with distinct characteristics that produce animals suited to service animal work. These animals generally range in height from 24 inches to 34 inches measured to the withers, or shoulders, and generally weigh between 70 and 100 pounds. These characteristics are similar to those of large breed dogs, such as Labrador Retrievers, Great Danes, and Mastiffs. Similar to dogs, miniature horses can be trained through behavioral reinforcement to be “housebroken.” Most miniature service horse handlers and organizations recommend that when the animals are not doing work or performing tasks, the miniature horses should be kept outside in a designated area instead of indoors in a house.

According to information provided by an organization that trains service horses, these miniature horses are trained to provide a wide array of services to their handlers, primarily guiding individuals who are blind or have low vision, pulling wheelchairs, providing stability and balance for individuals with disabilities that impair the ability to walk, and supplying leverage that enables a person with a mobility disability to get up after a fall. According to the commenter, miniature horses are particularly effective for large stature individuals. The animal can be trained to stand (and in some cases, lie down) at the handler’s feet in venues where space is at a premium, such as assembly areas or inside some vehicles that provide public transportation. Some individuals with disabilities have traveled by train and have flown commercially with their miniature horses.

The miniature horse is not included in the definition of service animal, which is limited to dogs. However, the Department has added a specific provision at §36.302(c)(9) of the final rule covering miniature horses. Under this provision, public accommodations must make reasonable modifications in policies, practices, or procedures to permit the use of a miniature horse by an individual with a

disability if the miniature horse has been individually trained to do work or perform tasks for the benefit of the individual with a disability. The public accommodation may take into account a series of assessment factors in determining whether to allow a miniature horse into a specific facility. These include the type, size, and weight of the miniature horse, whether the handler has sufficient control of the miniature horse, whether the miniature horse is housebroken, and whether the miniature horse's presence in a specific facility compromises legitimate safety requirements that are necessary for safe operation. In addition, paragraphs (c)(3)B-(8) of this section, which are applicable to dogs, also apply to miniature horses.

Ponies and full-size horses are not covered by §36.302(c)(9). Also, because miniature horses can vary in size and can be larger and less flexible than dogs, covered entities may exclude this type of service animal if the presence of the miniature horse, because of its larger size and lower level of flexibility, results in a fundamental alteration to the nature of the services provided.

#### *Section 36.302(e) Hotel Reservations*

Section 36.302 of the 1991 title III regulation requires public accommodations to make reasonable modifications in policies, practices, or procedures when such modifications are necessary to afford access to any goods, services, facilities, privileges, advantages, or accommodations, unless the entity can demonstrate that making such modifications would fundamentally alter the nature of such goods, services, facilities, privileges, advantages, or accommodations. Hotels, timeshare resorts, and other places of lodging are subject to this requirement and must make reasonable modifications to reservations policies, practices, or procedures when necessary to ensure that individuals with disabilities are able to reserve accessible hotel rooms with the same efficiency, immediacy, and convenience as those who do not need accessible guest rooms.

Each year the Department receives many complaints concerning failed reservations. Most of these complaints involve individuals who have reserved an accessible hotel room only to discover upon arrival that the room they reserved is either not available or not accessible. Although problems with reservations services were not addressed in the ANPRM, commenters independently noted an ongoing problem with hotel reservations and urged the Department to provide regulatory guidance. In response, the Department proposed specific language in the NPRM to address hotel reservations. In addition, the Department posed several questions regarding the current practices of hotels and other reservations services including questions about room guarantees and the holding

and release of accessible rooms. The Department also questioned whether public accommodations that provide reservations services for a place or places of lodging but do not own, lease (or lease to), or operate a place of lodging—referred to in this discussion as “third-party reservations services”—should also be subject to the NPRM’s proposals concerning hotel reservations.

Although reservations issues were discussed primarily in the context of traditional hotels, the new rule modifies the definition of “places of lodging” to clarify the scope of the rule’s coverage of rental accommodations in timeshare properties, condominium hotels, and mixed-use and corporate hotel facilities that operate as places of public accommodation (as that term is now defined in §36.104), and the Department received detailed comments, discussed below, regarding the application of reservations requirements to this category of rental accommodations.

*General rule on reservations.* Section 36.302(e)(1) of the NPRM required a public accommodation that owns, leases (or leases to), or operates a place of lodging to:

Modify its policies, practices, or procedures to ensure that individuals with disabilities can make reservations, including reservations made by telephone, in-person, or through a third party, for accessible guest rooms during the same hours and in the same manner as individuals who do not need accessible rooms.

73 FR 34508, 34553 (June 17, 2008).

Most individual commenters and organizations that represent individuals with disabilities strongly supported the requirement that individuals with disabilities should be able to make reservations for accessible guest rooms during the same hours and in the same manner as individuals who do not need accessible rooms. In many cases individuals with disabilities expressed frustration because, while they are aware of improvements in architectural access brought about as a result of the ADA, they are unable to take advantage of these improvements because of shortcomings in current hotel reservations systems. A number of these commenters pointed out that it can be difficult or impossible to obtain information about accessible rooms and hotel features and that even when information is provided it often is found to be incorrect upon arrival. They also noted difficulty reserving accessible rooms and the inability to guarantee or otherwise ensure that the appropriate accessible room is available when the guest arrives. The ability to obtain information about accessible guest rooms, to make reservations for accessible guest rooms in the same manner as other guests, and to be assured of an accessible room upon arrival was of critical importance to these commenters.

Other commenters, primarily hotels, resort developers, travel agencies, and organizations commenting on their behalf, did not oppose the general rule on reservations, but recommended that the language requiring that reservations be made “in the same manner” be changed to require that reservations be made “in a substantially similar manner.” These commenters argued that hotel reservations are made in many different ways and through a variety of systems. In general, they argued that current reservations database systems may not contain sufficient information to permit guests, travel agents, or other third-party reservations services to select the most appropriate room without consulting directly with the hotel, and that updating these systems might be expensive and time consuming. They also noted that in some cases, hotels do not always automatically book accessible rooms when requested to do so. Instead, guests may select from a menu of accessibility and other room options when making reservations. This information is transmitted to the hotel’s reservations staff, who then contact the individual to verify the guest’s accessibility needs. Only when such verification occurs will the accessible room be booked.

The Department is not persuaded that individuals who need to reserve accessible rooms cannot be served in the same manner as those who do not, and it appears that there are hotels of all types and sizes that already meet this requirement. Further, the Department has been able to accomplish this goal in settlement agreements resolving complaints about this issue. As stated in the preamble to the NPRM, basic nondiscrimination principles mandate that individuals with disabilities should be able to reserve hotel rooms with the same efficiency, immediacy, and convenience as those who do not need accessible guest rooms. The regulation does not require reservations services to create new methods for reserving hotel rooms or available timeshare units; instead, covered entities must make the modifications needed to ensure that individuals who need accessible rooms are able to reserve them in the same manner as other guests. If, for example, hotel reservations are not final until all hotel guests have been contacted by the hotel to discuss the guest’s needs, a hotel may follow the same process when reserving accessible rooms. Therefore, the Department declines to change this language, which has been moved to §36.302(e)(1)(i). However, in response to the commenters who recommended a transition period that would allow reservations services time to modify existing reservations systems to meet the requirements of this rule, §36.302(e)(3) now provides a 18-month transition period before the requirements of §36.302(e)(1) will be enforced.

Hotels and organizations commenting on their behalf also requested that the language

be changed to eliminate any liability for reservations made through third parties, arguing that they are unable to control the actions of unrelated parties. The rule, both as proposed and as adopted, requires covered public accommodations to ensure that reservations made on their behalf by third parties are made in a manner that results in parity between those who need accessible rooms and those who do not.

Hotels and other places of lodging that use third-party reservations services must make reasonable efforts to make accessible rooms available through at least some of these services and must provide these third-party services with information concerning the accessible features of the hotel and the accessible rooms. To the extent a hotel or other place of lodging makes available such rooms and information to a third-party reservation provider, but the third party fails to provide the information or rooms to people with disabilities in accordance with this section, the hotel or other place of lodging will not be responsible.

*Identification of accessible features in hotels and guest rooms.* NPRM §36.302(e)(2) required public accommodations that provide hotel reservations services to identify and describe the accessible features in the hotels and guest rooms offered through that service. This requirement is essential to ensure that individuals with disabilities receive the information they need to benefit from the services offered by the place of lodging. As a practical matter, a public accommodation’s designation of a guest room as “accessible” will not ensure necessarily that the room complies with all of the 1991 Standards. In older facilities subject to barrier removal requirements, strict compliance with the 1991 Standards is not required. Instead, public accommodations must remove barriers to the extent that it is readily achievable to do so.

Further, hotel rooms that are in full compliance with current standards may differ, and individuals with disabilities must be able to ascertain which features—in new and existing facilities—are included in the hotel’s accessible guest rooms. For example, under certain circumstances, an accessible hotel bathroom may meet accessibility requirements with either a bathtub or a roll-in shower. The presence or absence of particular accessible features such as these may be the difference between a room that is usable by a particular person with a disability and one that is not.

Individuals with disabilities strongly supported this requirement. In addition to the importance of information about specific access features, several commenters pointed out the importance of knowing the size and number of beds in a room. Many individuals with disabilities travel with family members, personal care assistants, or other companions and require rooms with at least two



beds. Although most hotels provide this information when generally categorizing the type or class of room (e.g., deluxe suite with king bed), as described below, all hotels should consider the size and number of beds to be part of the basic information they are required to provide.

Comments made on behalf of reservations services expressed concern that unless the word "hotels" is stricken from the text, §36.302(e)(2) of the NPRM essentially would require reservations systems to include a full accessibility report on each hotel or resort property in its system. Along these lines, commenters also suggested that the Department identify the specific accessible features of hotel rooms that must be described in the reservations system. For example, commenters suggested limiting features that must be included to bathroom type (tub or roll-in shower) and communications features.

The Department recognizes that a reservations system is not intended to be an accessibility survey. However, specific information concerning accessibility features is essential to travelers with disabilities. Because of the wide variations in the level of accessibility that travelers will encounter, the Department cannot specify what information must be included in every instance. For hotels that were built in compliance with the 1991 Standards, it may be sufficient to specify that the hotel is accessible and, for each accessible room, to describe the general type of room (e.g., deluxe executive suite), the size and number of beds (e.g., two queen beds), the type of accessible bathing facility (e.g., roll-in shower), and communications features available in the room (e.g., alarms and visual notification devices). Based on that information, many individuals with disabilities will be comfortable making reservations.

For older hotels with limited accessibility features, information about the hotel should include, at a minimum, information about accessible entrances to the hotel, the path of travel to guest check-in and other essential services, and the accessible route to the accessible room or rooms. In addition to the room information described above, these hotels should provide information about important features that do not comply with the 1991 Standards. For example, if the door to the "accessible" room or bathroom is narrower than required, this information should be included (e.g., door to guest room measures 30 inches clear). This width may not meet current standards but may be adequate for some wheelchair users who use narrower chairs. In many cases, older hotels provide services through alternatives to barrier removal, for example, by providing check-in or concierge services at a different, accessible location. Reservations services for these entities should include this information and

provide a way for guests to contact the appropriate hotel employee for additional information. To recognize that the information and level of detail needed will vary based on the nature and age of the facility, §36.302(e)(2) has been moved to §36.302(e)(1)(ii) in the final rule and modified to require reservations services to:

Identify and describe accessible features in the hotels and guest rooms offered through its reservations service *in enough detail to reasonably permit individuals with disabilities to assess independently whether a given hotel or guest room meets his or her accessibility needs.* [Emphasis added]

As commenters representing hotels have described, once reservations are made, some hotels may wish to contact the guest to offer additional information and services. Or, many individuals with disabilities may wish to contact the hotel or reservations service for more detailed information. At that point, trained staff (including staff located on-site at the hotel and staff located off-site at a reservations center) should be available to provide additional information such as the specific layout of the room and bathroom, shower design, grab-bar locations, and other amenities available (e.g., bathtub bench).

In the NPRM, the Department sought guidance concerning whether this requirement should be applied to third-party reservations services. Comments made by or on behalf of hotels, resort managers, and other members of the lodging and resort industry pointed out that, in most cases, these third parties do not have direct access to this information and must obtain it from the hotel or other place of lodging. Because third-party reservations services must rely on the place of lodging to provide the requisite information and to ensure that it is accurate and timely, the Department has declined to extend this requirement directly to third-party reservations services.

*Hold and release of accessible guest rooms.* The Department has addressed the hold and release of accessible guest rooms in settlement agreements and recognizes that current practices vary widely. The Department is concerned about current practices by which accessible guest rooms are released to the general public even though the hotel is not sold out. In such instances, individuals with disabilities may be denied an equal opportunity to benefit from the services offered by the public accommodation, i.e., a hotel guest room. In the NPRM, the Department requested information concerning the current practices of hotels and third-party reservations services with respect to (1) holding accessible rooms for individuals with disabilities and (2) releasing accessible rooms to individuals without disabilities.

Individuals with disabilities and organizations commenting on their behalf strongly supported requiring accessible rooms to be

held back for rental by individuals with disabilities. In some cases commenters supported holding back all accessible rooms until all non-accessible rooms were rented. Others supported holding back accessible rooms in each category of rooms until all other rooms of that type were reserved. This latter position was also supported in comments received on behalf of the lodging industry; commenters also noted that this is the current practice of many hotels. In general, holding accessible rooms until requested by an individual who needs a room with accessible features or until it is the only available room of its type was viewed widely as a sensible approach to allocating scarce accessible rooms without imposing unnecessary costs on hotels.

The Department agrees with this latter approach and has added §36.302(e)(1)(iii), which requires covered entities to hold accessible rooms for use by individuals with disabilities until all other guest rooms of that type have been rented and the accessible room requested is the only remaining room of that type. For example, if there are 25 rooms of a given type and two of these rooms are accessible, the reservations service is required to rent all 23 non-accessible rooms before it is permitted to rent these two accessible rooms to individuals without disabilities. If a one-of-a-kind room is accessible, that room is available to the first party to request it. The Department believes that this is the fairest approach available since it reserves accessible rooms for individuals who require them until all non-accessible rooms of that type have been reserved, and then provides equal access to any remaining rooms. It is also fair to hotels because it does not require them to forego renting a room that actually has been requested in favor of the possibility that an individual with a disability may want to reserve it at a later date.

*Requirement to block accessible guest room reservations.* NPRM §36.302(e)(3) required a public accommodation that owns, leases (or leases to), or operates a place of lodging to guarantee accessible guest rooms that are reserved through a reservations service to the same extent that it guarantees rooms that are not accessible. In the NPRM, the Department sought comment on the current practices of hotels and third party reservations services with respect to “guaranteed” hotel reservations and on the impact of requiring a public accommodation to guarantee accessible rooms to the extent it guarantees other rooms.

Comments received by the Department by and on behalf of both individuals with disabilities and public accommodations that provide reservations services made clear that, in many cases, when speaking of room guarantees, parties who are not familiar with hotel terminology actually mean to refer to policies for blocking and holding

specific hotel rooms. Several commenters explained that, in most cases, when an individual makes “reservations,” hotels do not reserve specific rooms; rather the individual is reserving a room with certain features at a given price. When the hotel guest arrives, he or she is provided with a room that has those features.

In most cases, this does not pose a problem because there are many available rooms of a given type. However, in comparison, accessible rooms are much more limited in availability and there may be only one room in a given hotel that meets a guest’s needs. As described in the discussion on the identification of accessible features in hotels and guest rooms, the presence or absence of particular accessible features may be the difference between a room that is usable by a particular person with a disability and one that is not.

For that reason, the Department has added §36.302(e)(1)(iv) to the final rule. Section 36.302(e)(1)(iv) requires covered entities to reserve, upon request, accessible guest rooms or specific types of guest rooms and ensure that the guest rooms requested are blocked and removed from all reservations systems (to eliminate double-booking, which is a common problem that arises when rooms are made available to be reserved through more than one reservations service). Of course, if a public accommodation typically requires a payment or deposit from its patrons in order to reserve a room, it may require the same payment or deposit from individuals with disabilities before it reserves an accessible room and removes it from all its reservations systems. These requirements should alleviate the widely-reported problem of arriving at a hotel only to discover that, although an accessible room was reserved, the room available is not accessible or does not have the specific accessible features needed. Many hotels already have a similar process in place for other guest rooms that are unique or one-of-a-kind, such as “Presidential” suites. The Department has declined to extend this requirement directly to third-party reservations services. Comments the Department received in response to the NPRM indicate that most of the actions required to implement these requirements primarily are within the control of the entities that own the place of lodging or that manage it on behalf of its owners.

*Guarantees of reservations for accessible guest rooms.* The Department recognizes that not all reservations are guaranteed, and the rule does not impose an affirmative duty to guarantee reservations. When a public accommodation does guarantee hotel or other room reservations, it must provide the same guarantee for accessible guest rooms as it makes for other rooms, except that it must apply that guarantee to the specific room reserved and blocked, even if in other situations, its

guarantee policy only guarantees that a room of a specific type will be available at the guaranteed price. Without this reasonable modification to its guarantee policy, any guarantee for accessible rooms would be meaningless. If, for example, a hotel makes reservations for an accessible "Executive Suite" but, upon arrival, offers its guest an inaccessible Executive Suite that the guest is unable to enter, it would be meaningless to consider the hotel's guarantee fulfilled. As with the requirements for identifying, holding, and blocking accessible rooms, the Department has declined to extend this requirement directly to third-party reservations services because the fulfillment of guarantees largely is beyond their power to control.

*Application to rental units in timeshare, vacation communities, and condo-hotels.* Because the Department has revised the definition of "Places of Lodging" in the final rule, the reservations requirements now apply to guest rooms and other rental units in timeshares, vacation communities, and condo-hotels where some or all of the units are owned and controlled by individual owners and rented out some portion of time to the public, as compared to traditional hotels and motels that are owned, controlled, and rented to the public by one entity. If a reservations service owns and controls one or more of the guest rooms or other units in the rental property (e.g., a developer who retains and rents out unsold inventory), it is subject to the requirements set forth in §36.302(e).

Several commenters expressed concern about any rule that would require accessible units that are owned individually to be removed from the rental pool and rented last. Commenters pointed out that this would be a disadvantage to the owners of accessible units because they would be rented last, if at all. Further, certain vacation property managers consider holding specific units back to be a violation of their ethical responsibility to present all properties they manage at an equal advantage. To address these concerns, the Department has added §36.302(e)(2), which exempts reservations for individual guest rooms and other units that are not owned or substantially controlled by the entity that owns, leases, or operates the overall facility from the requirement that accessible guest rooms be held back from rental until all other guest rooms of that type have been rented. Section 36.302(e)(2) also exempts such rooms from requirements for blocking and guaranteeing reserved rooms. In resort developments with mixed ownership structures, such as a resort where some units are operated as hotel rooms and others are owned and controlled individually, a reservations service operated by the owner of the hotel portion may apply the exemption only to the rooms that are not owned or substantially controlled by the entity that owns,

manages, or otherwise controls the overall facility.

Other reservations-related comments made on behalf of these entities reflected concerns similar to the general concerns expressed with respect to traditional hotel properties. For example, commenters noted that because of the unique nature of the timeshare industry, additional flexibility is needed when making reservations for accessible units. One commenter explained that reservations are sometimes made through unusual entities such as exchange companies, which are not public accommodations and which operate to trade ownership interests of millions of individual owners. The commenter expressed concern that developers or resort owners would be held responsible for the actions of these exchange entities. If, as described, the choice to list a unit with an exchange company is made by the individual owner of the property and the exchange company does not operate on behalf of the reservations service, the reservations service is not liable for the exchange company's actions.

As with hotels, the Department believes that within the 18-month transition period these reservations services should be able to modify their systems to ensure that potential guests with disabilities who need accessible rooms can make reservations during the same hours and in the same manner as those who do not need accessible rooms.

#### *Section 36.302(f) Ticketing*

The 1991 title III regulation did not contain specific regulatory language on ticketing. The ticketing policies and practices of public accommodations, however, are subject to title III's nondiscrimination provisions. Through the investigation of complaints, enforcement actions, and public comments related to ticketing, the Department became aware that some venue operators, ticket sellers, and distributors were violating title III's nondiscrimination mandate by not providing individuals with disabilities the same opportunities to purchase tickets for accessible seating as provided to spectators purchasing conventional seats. In the NPRM, the Department proposed §36.302(f) to provide explicit direction and guidance on discriminatory practices for entities involved in the sale or distribution of tickets.

The Department received comments from advocacy groups, assembly area trade associations, public accommodations, and individuals. Many commenters supported the addition of regulatory language pertaining to ticketing and urged the Department to retain it in the final rule. Several commenters, however, questioned why there were inconsistencies between the title II and title III

provisions and suggested that the same language be used for both titles. The Department has decided to retain ticketing regulatory language and to ensure consistency between the ticketing provisions in title II and title III.

Because many in the ticketing industry view season tickets and other multi-event packages differently from individual tickets, the Department bifurcated some season ticket provisions from those concerning single-event tickets in the NPRM. This structure, however, resulted in some provisions being repeated for both types of tickets but not for others even though they were intended to apply to both types of tickets. The result was that it was not entirely clear that some of the provisions that were not repeated also were intended to apply to season tickets. The Department is addressing the issues raised by these commenters using a different approach. For the purposes of this section, a *single event* refers to an individual performance for which tickets may be purchased. In contrast, a *series of events* includes, but is not limited to, subscription events, event packages, season tickets, or any other tickets that may be purchased for multiple events of the same type over the course of a specified period of time whose ownership right reverts to the public accommodation at the end of each season or time period. Series-of-events tickets that give their holders an enhanced ability to purchase such tickets from the public accommodation in seasons or periods of time that follow, such as a right of first refusal or higher ranking on waiting lists for more desirable seats, are subject to the provisions in this section. In addition, the final rule merges together some NPRM paragraphs that dealt with related topics and has reordered and renamed some of the paragraphs that were in the NPRM.

*Ticket sales.* In the NPRM, the Department proposed, in §36.302(f)(1), a general rule that a public accommodation shall modify its policies, practices, or procedures to ensure that individuals with disabilities can purchase tickets for accessible seating for an event or series of events in the same way as others (*i.e.*, during the same hours and through the same distribution methods as other seating is sold). “Accessible seating” is defined in §36.302(f)(1)(i) of the final rule to mean “wheelchair spaces and companion seats that comply with sections 221 and 802 of the 2010 Standards along with any other seats required to be offered for sale to the individual with a disability pursuant to paragraph (4) of this section.” The defined term does not include designated aisle seats. A “wheelchair space” refers to a space for a single wheelchair and its occupant.

The NPRM proposed requiring that accessible seats be sold through the “same methods of distribution” as non-accessible seats. 73 FR 34508, 34554 (June 17, 2008). Comments

from venue managers and others in the business community, in general, noted that multiple parties are involved in ticketing, and because accessible seats may not be allotted to all parties involved at each stage, such parties should be protected from liability. For example, one commenter noted that a third-party ticket vendor, like Ticketmaster, can only sell the tickets it receives from its client. Because §36.302(f)(1) of the final rule requires venue operators to make available accessible seating through the same methods of distribution they use for their regular tickets, venue operators that provide tickets to third-party ticket vendors are required to provide accessible seating to the third-party ticket vendor. This provision will enhance third-party ticket vendors’ ability to acquire and sell accessible seating for sale in the future. The Department notes that once third-party ticket vendors acquire accessible tickets, they are obligated to sell them in accordance with these rules.

The Department also has received frequent complaints that individuals with disabilities have not been able to purchase accessible seating over the Internet, and instead have had to engage in a laborious process of calling a customer service line, or sending an email to a customer service representative and waiting for a response. Not only is such a process burdensome, but it puts individuals with disabilities at a disadvantage in purchasing tickets for events that are popular and may sell out in minutes. Because §36.302(f)(5) of the final rule authorizes venues to release accessible seating in case of a sell-out, individuals with disabilities effectively could be cut off from buying tickets unless they also have the ability to purchase tickets in real time over the Internet. The Department’s new regulatory language is designed to address this problem.

Several commenters representing assembly areas raised concerns about offering accessible seating for sale over the Internet. They contended that this approach would increase the incidence of fraud since anyone easily could purchase accessible seating over the Internet. They also asserted that it would be difficult technologically to provide accessible seating for sale in real time over the Internet, or that to do so would require simplifying the rules concerning the purchase of multiple additional accompanying seats. Moreover, these commenters argued that requiring an individual purchasing accessible seating to speak with a customer service representative would allow the venue to meet the patron’s needs most appropriately and ensure that wheelchair spaces are reserved for individuals with disabilities who require wheelchair spaces. Finally, these commenters argued that individuals who can transfer effectively and conveniently from a wheelchair to a seat with a movable armrest

seat could instead purchase designated aisle seats.

The Department considered these concerns carefully and has decided to continue with the general approach proposed in the NPRM. Although fraud is an important concern, the Department believes that it is best combated by other means that would not have the effect of limiting the ability of individuals with disabilities to purchase tickets, particularly since restricting the purchase of accessible seating over the Internet will, of itself, not curb fraud. In addition, the Department has identified permissible means for covered entities to reduce the incidence of fraudulent accessible seating ticket purchases in § 36.302(f)(8) of the final rule.

Several commenters questioned whether ticket Web sites themselves must be accessible to individuals who are blind or have low vision, and if so, what that requires. The Department has consistently interpreted the ADA to cover Web sites that are operated by public accommodations and stated that such sites must provide their services in an accessible manner or provide an accessible alternative to the Web site that is available 24 hours a day, seven days a week. The final rule, therefore, does not impose any new obligation in this area. The accessibility of Web sites is discussed in more detail in the section entitled "Other Issues."

In § 36.302(f)(2) of the NPRM, the Department also proposed requiring public accommodations to make accessible seating available during all stages of tickets sales including, but not limited to, presales, promotions, lotteries, waitlists, and general sales. For example, if tickets will be presold for an event that is open only to members of a fan club, or to holders of a particular credit card, then tickets for accessible seating must be made available for purchase through those means. This requirement does not mean that any individual with a disability would be able to purchase those seats. Rather, it means that an individual with a disability who meets the requirement for such a sale (*e.g.*, who is a member of the fan club or holds that credit card) will be able to participate in the special promotion and purchase accessible seating. The Department has maintained the substantive provisions of the NPRM's §§ 36.302(f)(1) and (f)(2) but has combined them in a single paragraph at § 36.302(f)(1)(ii) of the final rule so that all of the provisions having to do with the manner in which tickets are sold are located in a single paragraph.

*Identification of available accessible seating.* In the NPRM, the Department proposed § 36.302(f)(3), which, as modified and renumbered § 36.302(f)(2)(iii) in the final rule, requires a facility to identify available accessible seating through seating maps, brochures, or other methods if that information is made available about other seats sold to

the general public. This rule requires public accommodations to provide information about accessible seating to the same degree of specificity that it provides information about general seating. For example, if a seating map displays color-coded blocks pegged to prices for general seating, then accessible seating must be similarly color-coded. Likewise, if covered entities provide detailed maps that show exact seating and pricing for general seating, they must provide the same for accessible seating.

The NPRM did not specify a requirement to identify prices for accessible seating. The final rule requires that if such information is provided for general seating, it must be provided for accessible seating as well.

In the NPRM, the Department proposed in § 36.302(f)(4) that a public accommodation, upon being asked, must inform persons with disabilities and their companions of the locations of all unsold or otherwise available seating. This provision is intended to prevent the practice of "steering" individuals with disabilities to certain accessible seating so that the facility can maximize potential ticket sales by releasing unsold accessible seating, especially in preferred or desirable locations, for sale to the general public. The Department received no significant comment on this proposal. The Department has retained this provision in the final rule but has added it, with minor modifications, to § 36.302(f)(2) as paragraph (i).

*Ticket prices.* In the NPRM, the Department proposed § 36.302(f)(7) requiring that ticket prices for accessible seating be set no higher than the prices for other seats in that seating section for that event. The NPRM's provision also required that accessible seating be made available at every price range, and if an existing facility has barriers to accessible seating within a particular price range, a proportionate amount of seating (determined by the ratio of the total number of seats at that price level to the total number of seats in the assembly area) must be offered in an accessible location at that same price. Under this rule, for example, if it is not readily achievable for a 20,000-seat facility built in 1980 to place accessible seating in the \$20-price category, which is on the upper deck, it must place a proportionate number of seats in an accessible location for \$20. If the upper deck has 2,000 seats, then the facility must place 10 percent of its accessible seating in an accessible location for \$20 provided that it is part of a seating section where ticket prices are equal to or more than \$20—a facility may not place the \$20-accessible seating in a \$10-seating section. The Department received no significant comment on this rule, and it has been retained, as amended, in the final rule in § 36.302(f)(3).

*Purchase of multiple tickets.* In the NPRM, the Department proposed § 36.302(f)(9) to address one of the most common ticketing

complaints raised with the Department: that individuals with disabilities are not able to purchase more than two tickets. The Department proposed this provision to facilitate the ability of individuals with disabilities to attend events with friends, companions, or associates who may or may not have a disability by enabling individuals with disabilities to purchase the maximum number of tickets allowed per transaction to other spectators; by requiring venues to place accompanying individuals in general seating as close as possible to accessible seating (in the event that a group must be divided because of the large size of the group); and by allowing an individual with a disability to purchase up to three additional contiguous seats per wheelchair space if they are available at the time of sale. Section 36.302(f)(9)(ii) of the NPRM required that a group containing one or more wheelchair users must be placed together, if possible, and that in the event that the group could not be placed together, the individuals with disabilities may not be isolated from the rest of the group.

The Department asked in the NPRM whether this rule was sufficient to effectuate the integration of individuals with disabilities. Many advocates and individuals praised it as a welcome and much-needed change, stating that the trade-off of being able to sit with their family or friends was worth reducing the number of seats available for individuals with disabilities. Some commenters went one step further and suggested that the number of additional accompanying seats should not be restricted to three.

Although most of the substance of the proposed provision on the purchase of multiple tickets has been maintained in the final rule, it has been renumbered as § 36.302(f)(4), reorganized, and supplemented. To preserve the availability of accessible seating for other individuals with disabilities, the Department has not expanded the rule beyond three additional contiguous seats. Section 36.302(f)(4)(i) of the final rule requires public accommodations to make available for purchase three additional tickets for seats in the same row that are contiguous with the wheelchair space, provided that at the time of purchase there are three such seats available. The requirement that the additional seats be “contiguous with the wheelchair space” does not mean that each of the additional seats must be in actual contact or have a border in common with the wheelchair space; however, at least one of the additional seats should be immediately adjacent to the wheelchair space. The Department recognizes that it will often be necessary to use vacant wheelchair spaces to provide for contiguous seating.

The Department has added paragraphs (4)(ii) and (4)(iii) to clarify that in situations where there are insufficient unsold seats to provide three additional contiguous seats per

wheelchair space or a ticket office restricts sales of tickets to a particular event to less than four tickets per customer, the obligation to make available three additional contiguous seats per wheelchair space would be affected. For example, if at the time of purchase, there are only two additional contiguous seats available for purchase because the third has been sold already, then the ticket purchaser would be entitled to two such seats. In this situation, the public entity would be required to make up the difference by offering one additional ticket for sale that is as close as possible to the accessible seats. Likewise, if ticket purchases for an event are limited to two per customer, a person who uses a wheelchair who seeks to purchase tickets would be entitled to purchase only one additional contiguous seat for the event.

The Department has also added paragraph (4)(iv) to clarify that the requirement for three additional contiguous seats is not intended to serve as a cap if the maximum number of tickets that may be purchased by members of the general public exceeds the four tickets an individual with a disability ordinarily would be allowed to purchase (*i.e.*, a wheelchair space and three additional contiguous seats). If the maximum number of tickets that may be purchased by members of the general public exceeds four, an individual with a disability is to be allowed to purchase the maximum number of tickets; however, additional tickets purchased by an individual with a disability beyond the wheelchair space and the three additional contiguous seats provided in § 36.302(f)(4)(i) do not have to be contiguous with the wheelchair space.

The NPRM proposed at § 36.302(f)(9)(ii) that for group sales, if a group includes one or more individuals who use a wheelchair, then the group shall be placed in a seating area with accessible seating so that, if possible, the group can sit together. If it is necessary to divide the group, it should be divided so that the individuals in the group who use wheelchairs are not isolated from the rest of the members of their group. The final rule retains the NPRM language in paragraph (4)(v).

*Hold and release of unsold accessible seating.* The Department recognizes that not all accessible seating will be sold in all assembly areas for every event to individuals with disabilities who need such seating and that public accommodations may have opportunities to sell such seating to the general public. The Department proposed in the NPRM a provision aimed at striking a balance between affording individuals with disabilities adequate time to purchase accessible seating and the entity’s desire to maximize ticket

sales. In the NPRM, the Department proposed §36.302(f)(6), which allowed for the release of accessible seating under the following circumstances: (i) When all seating in the facility has been sold, excluding luxury boxes, club boxes, or suites; (ii) when all seating in a designated area has been sold and the accessible seating being released is in the same area; or (iii) when all seating in a designated price range has been sold and the accessible seating being released is within the same price range.

The Department's NPRM asked "whether additional regulatory guidance is required or appropriate in terms of a more detailed or set schedule for the release of tickets in conjunction with the three approaches described above. For example, does the proposed regulation address the variable needs of assembly areas covered by the ADA? Is additional regulatory guidance required to eliminate discriminatory policies, practices and procedures related to the sale, hold, and release of accessible seating? What considerations should appropriately inform the determination of when unsold accessible seating can be released to the general public?" 73 FR 34508, 34527 (June 17, 2008).

The Department received comments both supporting and opposing the inclusion of a hold-and-release provision. One side proposed loosening the restrictions on the release of unsold accessible seating. One commenter from a trade association suggested that tickets should be released regardless of whether there is a sell-out, and that these tickets should be released according to a set schedule. Conversely, numerous individuals, advocacy groups, and at least one public entity urged the Department to tighten the conditions under which unsold tickets for accessible seating may be released. These commenters suggested that venues should not be permitted to release tickets during the first two weeks of sale, or alternatively, that they should not be permitted to be released earlier than 48 hours before a sold-out event. Many of these commenters criticized the release of accessible seating under the second and third prongs of §36.302(f)(6) in the NPRM (when there is a sell-out in general seating in a designated seating area or in a price range), arguing that it would create situations where general seating would be available for purchase while accessible seating would not be.

Numerous commenters—both from the industry and from advocacy groups—asked for clarification of the term "sell-out." Business groups commented that industry practice is to declare a sell-out when there are only "scattered singles" available—isolated seats that cannot be purchased as a set of adjacent pairs. Many of those same commenters also requested that "sell-out" be qualified with the phrase "of all seating available for sale" since it is industry practice to hold back

from release tickets to be used for groups connected with that event (*e.g.*, the promoter, home team, or sports league). They argued that those tickets are not available for sale and any return of these tickets to the general inventory happens close to the event date. Noting the practice of holding back tickets, one advocacy group suggested that covered entities be required to hold back accessible seating in proportion to the number of tickets that are held back for later release.

The Department has concluded that it would be inappropriate to interfere with industry practice by defining what constitutes a "sell-out" and that a public accommodation should continue to use its own approach to defining a "sell-out." If, however, a public accommodation declares a sell-out by reference to those seats that are available for sale, but it holds back tickets that it reasonably anticipates will be released later, it must hold back a proportional percentage of accessible seating to be released as well.

Adopting any of the alternatives proposed in the comments summarized above would have upset the balance between protecting the rights of individuals with disabilities and meeting venues' concerns about lost revenue from unsold accessible seating. As a result, the Department has retained §36.302(f)(6) renumbered as §36.302(f)(5) in the final rule. The Department has, however, modified the regulation text to specify that accessible seating may be released only when "all non-accessible tickets in a designated seating area have been sold and the tickets for accessible seating are being released in the same designated area." As stated in the NPRM, the Department intended for this provision to allow, for example, the release of accessible seating at the orchestra level when all other seating at the orchestra level is sold. The Department has added this language to the final rule at §36.302(f)(5)(B) to clarify that venues cannot designate or redesignate seating areas for the purpose of maximizing the release of unsold accessible seating. So, for example, a venue may not determine on an ad hoc basis that a group of seats at the orchestra level is a designated seating area in order to release unsold accessible seating in that area.

The Department also has maintained the hold-and-release provisions that appeared in the NPRM, but has added a provision to address the release of accessible seating for series-of-events tickets on a series-of-events basis. Many commenters asked the Department whether unsold accessible seating may be converted to general seating and released to the general public on a season-ticket basis or longer when tickets typically are sold as a season-ticket package or other long-term basis. Several disability rights organizations and individual commenters argued that such a practice should not be permitted, and, if it

were, that conditions should be imposed to ensure that individuals with disabilities have future access to those seats.

The Department interprets the fundamental principle of the ADA as a requirement to give individuals with disabilities equal, not better, access to those opportunities available to the general public. Thus, for example, a public accommodation that sells out its facility on a season-ticket only basis is not required to leave unsold its accessible seating if no persons with disabilities purchase those season-ticket seats. Of course, public accommodations may choose to go beyond what is required by reserving accessible seating for individuals with disabilities (or releasing such seats for sale to the general public) on an individual-game basis.

If a covered entity chooses to release unsold accessible seating for sale on a season-ticket or other long-term basis, it must meet at least two conditions. Under §36.302(f)(5)(iii) of the final rule, public accommodations must leave flexibility for game-day change-outs to accommodate ticket transfers on the secondary market. And public accommodations must modify their ticketing policies so that, in future years, individuals with disabilities will have the ability to purchase accessible seating on the same basis as other patrons (*e.g.*, as season tickets). Put differently, releasing accessible seating to the general public on a season-ticket or other long-term basis cannot result in that seating being lost to individuals with disabilities in perpetuity. If, in future years, season tickets become available and persons with disabilities have reached the top of the waiting list or have met any other eligibility criteria for season ticket purchases, public accommodations must ensure that accessible seating will be made available to the eligible individuals. In order to accomplish this, the Department has added §36.302(f)(5)(iii)(A) to require public accommodations that release accessible season tickets to individuals who do not have disabilities that require the features of accessible seating to establish a process to prevent the automatic reassignment of such ticket holders to accessible seating. For example, a public accommodation could have in place a system whereby accessible seating that was released because it was not purchased by individuals with disabilities is not in the pool of tickets available for purchase for the following season unless and until the conditions for ticket release have been satisfied in the following season. Alternatively, a public accommodation might release tickets for accessible seating only when a purchaser who does not need its features agrees that he or she has no guarantee of or right to the same seats in the following season, or that if season tickets are guaranteed for the following season, the purchaser agrees that the offer to purchase tickets is limited to non-accessible

seats with, to the extent practicable, comparable price, view, and amenities to the accessible seats such individuals held in the prior year. The Department is aware that this rule may require some administrative changes but believes that this process will not create undue financial and administrative burdens. The Department believes that this approach is balanced and beneficial. It will allow public accommodations to sell all of their seats and will leave open the possibility, in future seasons or series of events, that persons who need accessible seating may have access to it.

The Department also has added §36.302(f)(5)(iii)(B) to address how season tickets or series-of-events tickets that have attached ownership rights should be handled if the ownership right returns to the public accommodation (*e.g.*, when holders forfeit their ownership right by failing to purchase season tickets or sell their ownership right back to a public accommodation). If the ownership right is for accessible seating, the public accommodation is required to adopt a process that allows an eligible individual with a disability who requires the features of such seating to purchase the rights and tickets for such seating.

Nothing in the regulatory text prevents a public accommodation from establishing a process whereby such ticket holders agree to be voluntarily reassigned from accessible seating to another seating area so that individuals with mobility disabilities or disabilities that require the features of accessible seating and who become newly eligible to purchase season tickets have an opportunity to do so. For example, a public accommodation might seek volunteers to relocate to another location that is at least as good in terms of its location, price, and amenities or a public accommodation might use a seat with forfeited ownership rights as an inducement to get a ticket holder to give up accessible seating he or she does not need.

*Ticket transfer.* The Department received many comments asking whether accessible seating has the same transfer rights as general seats. The proposed regulation at §36.302(f)(5) required that individuals with disabilities must be allowed to purchase season tickets for accessible seating on the same terms and conditions as individuals purchasing season tickets for general seating, including the right—if it exists for other ticket-holders—to transfer individual tickets to friends or associates. Some commenters pointed out that the NPRM proposed explicitly allowing individuals with disabilities holding season tickets to transfer tickets but did not address the transfer of tickets purchased for individual events. Several commenters representing assembly areas argued that persons with disabilities holding tickets for an individual event should not be



allowed to sell or transfer them to third parties because such ticket transfers would increase the risk of fraud or would make unclear the obligation of the entity to accommodate secondary ticket transfers. They argued that individuals holding accessible seating should either be required to transfer their tickets to another individual with a disability or return them to the facility for a refund.

Although the Department is sympathetic to concerns about administrative burden, curtailing transfer rights for accessible seating when other ticket holders are permitted to transfer tickets would be inconsistent with the ADA's guiding principle that individuals with disabilities must have rights equal to others. Thus, the Department has added language in the final rule in §36.302(f)(6) that requires that individuals with disabilities holding accessible seating for any event have the same transfer rights accorded other ticket holders for that event. Section 36.302(f)(6) also preserves the rights of individuals with disabilities who hold tickets to accessible seats for a series of events to transfer individual tickets to others, regardless of whether the transferee needs accessible seating. This approach recognizes the common practice of individuals splitting season tickets or other multi-event ticket packages with friends, colleagues, or other spectators to make the purchase of season tickets affordable; individuals with disabilities should not be placed in the burdensome position of having to find another individual with a disability with whom to share the package.

This provision, however, does not require public accommodations to seat an individual who holds a ticket to an accessible seat in such seating if the individual does not need the accessible features of the seat. A public accommodation may reserve the right to switch these individuals to different seats if they are available, but a public accommodation is not required to remove a person without a disability who is using accessible seating from that seating, even if a person who uses a wheelchair shows up with a ticket from the secondary market for a non-accessible seat and wants accessible seating.

*Secondary ticket market.* Section 36.302(f)(7) is a new provision in the final rule that requires a public accommodation to modify its policies, practices, or procedures to ensure that an individual with a disability, who acquires a ticket in the secondary ticket market, may use that ticket under the same terms and conditions as other ticket holders who acquire a ticket in the secondary market for an event or series of events. This principle was discussed in the NPRM in connection with §36.302(f)(5), pertaining to season-ticket sales. There, the Department asked for public comment regarding a public accommodation's proposed obligation to ac-

commodate the transfer of accessible seating tickets on the secondary ticket market to those who do not need accessible seating and vice versa.

The secondary ticket market, for the purposes of this rule, broadly means any transfer of tickets after the public accommodation's initial sale of tickets to individuals or entities. It thus encompasses a wide variety of transactions, from ticket transfers between friends to transfers using commercial exchange systems. Many commenters noted that the distinction between the primary and secondary ticket market has become blurred as a result of agreements between teams, leagues, and secondary market sellers. These commenters noted that the secondary market may operate independently of the public accommodation, and parts of the secondary market, such as ticket transfers between friends, undoubtedly are outside the direct jurisdiction of the public accommodation. To the extent that venues seat persons who have purchased tickets on the secondary market, they must similarly seat persons with disabilities who have purchased tickets on the secondary market. In addition, some public accommodations may acquire ADA obligations directly by formally entering the secondary ticket market.

The Department's enforcement experience with assembly areas also has revealed that venues regularly provide for and make last-minute seat transfers. As long as there are vacant wheelchair spaces, requiring venues to provide wheelchair spaces for patrons who acquired inaccessible seats and need wheelchair spaces is an example of a reasonable modification of a policy under title III of the ADA. Similarly, a person who has a ticket for a wheelchair space but who does not require its accessible features could be offered non-accessible seating if such seating is available.

The Department's longstanding position that title III of the ADA requires venues to make reasonable modifications in their policies to allow individuals with disabilities who acquired non-accessible tickets on the secondary ticket market to be seated in accessible seating, where such seating is vacant, is supported by the only Federal court to address this issue. See *Independent Living Resources v. Oregon Arena Corp.*, 1 F. Supp. 2d 1159, 1171 (D. Or. 1998). The Department has incorporated this position into the final rule at §36.302(f)(7)(ii).

The NPRM contained two questions aimed at gauging concern with the Department's consideration of secondary ticket market sales. The first question asked whether a secondary purchaser who does not have a disability and who buys an accessible seat should be required to move if the space is needed for someone with a disability.

Many disability rights advocates answered that the individual should move provided

that there is a seat of comparable or better quality available for him and his companion. Some venues, however, expressed concerns about this provision, and asked how they are to identify who should be moved and what obligations apply if there are no seats available that are equivalent or better in quality.

The Department's second question asked whether there are particular concerns about the obligation to provide accessible seating, including a wheelchair space, to an individual with a disability who purchases an inaccessible seat through the secondary market.

Industry commenters contended that this requirement would create a "logistical nightmare," with venues scrambling to reseat patrons in the short time between the opening of the venues' doors and the commencement of the event. Furthermore, they argued that they might not be able to reseat all individuals and that even if they were able to do so, patrons might be moved to inferior seats (whether in accessible or non-accessible seating). These commenters also were concerned that they would be sued by patrons moved under such circumstances.

These commenters seem to have misconstrued the rule. Covered entities are not required to seat every person who acquires a ticket for inaccessible seating but needs accessible seating, and are not required to move any individual who acquires a ticket for accessible seating but does not need it. Covered entities that allow patrons to buy and sell tickets on the secondary market must make reasonable modifications to their policies to allow persons with disabilities to participate in secondary ticket transfers. The Department believes that there is no one-size-fits-all rule that will suit all assembly areas. In those circumstances where a venue has accessible seating vacant at the time an individual with a disability who needs accessible seating presents his ticket for inaccessible seating at the box office, the venue must allow the individual to exchange his ticket for an accessible seat in a comparable location if such an accessible seat is vacant. Where, however, a venue has sold all of its accessible seating, the venue has no obligation to provide accessible seating to the person with a disability who purchased an inaccessible seat on the secondary market. Venues may encourage individuals with disabilities who hold tickets for inaccessible seating to contact the box office before the event to notify them of their need for accessible seating, even though they may not require ticketholders to provide such notice.

The Department notes that public accommodations are permitted, though not required, to adopt policies regarding moving patrons who do not need the features of an accessible seat. If a public accommodation chooses to do so, it might mitigate administrative concerns by marking tickets for ac-

cessible seating as such, and printing on the ticket that individuals who purchase such seats but who do not need accessible seating are subject to being moved to other seats in the facility if the accessible seating is required for an individual with a disability. Such a venue might also develop and publish a ticketing policy to provide transparency to the general public and to put holders of tickets for accessible seating who do not require it on notice that they may be moved.

*Prevention of fraud in purchase of accessible seating.* Assembly area managers and advocacy groups have informed the Department that the fraudulent purchase of accessible seating is a pressing concern. Curbing fraud is a goal that public accommodations and individuals with disabilities share. Steps taken to prevent fraud, however, must be balanced carefully against the privacy rights of individuals with disabilities. Such measures also must not impose burdensome requirements upon, nor restrict the rights of, individuals with disabilities.

In the NPRM, the Department struck a balance between these competing concerns by proposing §36.302(f)(8), which prohibited public accommodations from asking for proof of disability before the purchase of accessible seating but provided guidance in two paragraphs on appropriate measures for curbing fraud. Paragraph (i) proposed allowing a public accommodation to ask individuals purchasing single-event tickets for accessible seating whether they are wheelchair users. Paragraph (ii) proposed allowing a public accommodation to require individuals purchasing accessible seating for season tickets or other multi-event ticket packages to attest in writing that the accessible seating is for a wheelchair user. Additionally, the NPRM proposed to permit venues, when they have good cause to believe that an individual has fraudulently purchased accessible seating, to investigate that individual.

Several commenters objected to this rule on the ground that it would require a wheelchair user to be the purchaser of tickets. The Department has reworded this paragraph to reflect that the individual with a disability does not have to be the ticket purchaser. The final rule allows third parties to purchase accessible tickets at the request of an individual with a disability.

Commenters also argued that other individuals with disabilities who do not use wheelchairs should be permitted to purchase accessible seating. Some individuals with disabilities who do not use wheelchairs urged the Department to change the rule, asserting that they, too, need accessible seating. The Department agrees that such seating, although designed for use by a wheelchair user, may be used by non-wheelchair users, if those persons are persons with a disability who need to use accessible seating because of

a mobility disability or because their disability requires the use of the features that accessible seating provides (*e.g.*, individuals who cannot bend their legs because of braces, or individuals who, because of their disability, cannot sit in a straight-back chair).

Some commenters raised concerns that allowing venues to ask questions to determine whether individuals purchasing accessible seating are doing so legitimately would burden individuals with disabilities in the purchase of accessible seating. The Department has retained the substance of this provision in §36.302(f)(8) of the final rule, but emphasizes that such questions should be asked at the initial time of purchase. For example, if the method of purchase is via the Internet, then the question(s) should be answered by clicking a yes or no box during the transaction. The public accommodation may warn purchasers that accessible seating is for individuals with disabilities and that individuals purchasing such tickets fraudulently are subject to relocation.

One commenter argued that face-to-face contact between the venue and the ticket holder should be required in order to prevent fraud and suggested that individuals who purchase accessible seating should be required to pick up their tickets at the box office and then enter the venue immediately. The Department has declined to adopt that suggestion. It would be discriminatory to require individuals with disabilities to pick up tickets at the box office when other spectators are not required to do so. If the assembly area wishes to make face-to-face contact with accessible seating ticket holders to curb fraud, it may do so through its ushers and other customer service personnel located within the seating area.

Some commenters asked whether it is permissible for assembly areas to have voluntary clubs where individuals with disabilities self-identify to the public accommodation in order to become a member of a club that entitles them to purchase accessible seating reserved for club members or otherwise receive priority in purchasing accessible seating. The Department agrees that such clubs are permissible, provided that a reasonable amount of accessible seating remains available at all prices and dispersed at all locations for individuals with disabilities who are non-members.

#### *Section 36.303 Auxiliary Aids and Services*

Section 36.303(a) of the 1991 title III regulation requires a public accommodation to take such steps as may be necessary to ensure that no individual with a disability is excluded, denied services, segregated, or otherwise treated differently than other individuals because of the absence of auxiliary aids and services, unless the public accommodation can demonstrate that taking such steps would fundamentally alter the nature of the

goods, services, facilities, advantages, or accommodations being offered or would result in an undue burden. Implicit in this duty to provide auxiliary aids and services is the underlying obligation of a public accommodation to communicate effectively with customers, clients, patients, companions, or participants who have disabilities affecting hearing, vision, or speech. The Department notes that §36.303(a) does not require public accommodations to provide assistance to individuals with disabilities that is unrelated to effective communication, although requests for such assistance may be otherwise subject to the reasonable modifications or barrier removal requirements.

The Department has investigated hundreds of complaints alleging that public accommodations have failed to provide effective communication, and many of these investigations have resulted in settlement agreements and consent decrees. During the course of these investigations, the Department has determined that public accommodations sometimes misunderstand the scope of their obligations under the statute and the regulation. Section 36.303 in the final rule codifies the Department's longstanding policies in this area, and includes provisions based on technological advances and breakthroughs in the area of auxiliary aids and services that have occurred since the 1991 title III regulation was published.

*Video remote interpreting (VRI).* Section 36.303(b)(1) sets out examples of auxiliary aids and services. In the NPRM, the Department proposed adding video remote services (hereafter referred to as "video remote interpreting" or "VRI") and the exchange of written notes among the examples. The Department also proposed amending the provision to reflect technological advances, such as the wide availability of real-time capability in transcription services and captioning.

VRI is defined in the final rule at §36.104 as "an interpreting service that uses video conference technology over dedicated lines or wireless technology offering high-speed, wide-bandwidth video connection or wireless connection that delivers high-quality video images as provided in §36.303(f)." The Department notes that VRI generally consists of a videophone, monitors, cameras, a high-speed video connection, and an interpreter provided by the public accommodation pursuant to a contract for services. The term's inclusion within the definition of "qualified interpreter" makes clear that a public accommodation's use of VRI satisfies its title III obligations only where VRI affords effective communication. Comments from advocates and persons with disabilities expressed concern that VRI may not always provide effective communication, especially in hospitals and emergency rooms. Examples were provided of patients who are unable to see the video monitor because they are semi-

conscious or unable to focus on the video screen; other examples were given of cases where the video monitor is out of the sightline of the patient or the image is out of focus; still other examples were given of patients who cannot see the screen because the signal is interrupted, causing unnatural pauses in communication, or the image is grainy or otherwise unclear. Many commenters requested more explicit guidelines on the use of VRI, and some recommended requirements for equipment maintenance, dedicated high-speed, wide-bandwidth video connections, and training of staff using VRI, especially in hospital and health care situations. Several major organizations requested a requirement to include the interpreter's face, head, arms, hands, and eyes in all transmissions.

The Department has determined that VRI can be an effective method of providing interpreting service in certain situations, particularly when a live interpreter cannot be immediately on the scene. To ensure that VRI is effective, the Department has established performance standards for VRI in §36.303(f). The Department recognizes that reliance on VRI may not be effective in certain situations, such as those involving the exchange of complex information or involving multiple parties, and for some individuals, such as for persons who are deaf-blind, and using VRI in those circumstances would not satisfy a public accommodation's obligation to provide effective communication.

Comments from several disability advocacy organizations and individuals discouraged the Department from adding the exchange of written notes to the list of available auxiliary aids in §36.303(b). The Department consistently has recognized that the exchange of written notes may provide effective communication in certain contexts. The NPRM proposed adding an explicit reference to written notes because some title III entities do not understand that exchange of written notes using paper and pencil may be an available option in some circumstances. Advocates and persons with disabilities requested explicit limits on the use of written notes as a form of auxiliary aid because, they argued, most exchanges are not simple, and handwritten notes do not afford effective communication. One major advocacy organization, for example, noted that the speed at which individuals communicate orally or use sign language averages about 200 words per minute or more, and thus, the exchange of notes may provide only truncated or incomplete communication. For persons whose primary language is American Sign Language (ASL), some commenters pointed out, using written English in exchange of notes often is ineffective because ASL syntax and vocabulary is dissimilar from English. By contrast, some commenters from professional medical associations sought more specific guidance

on when notes are allowed, especially in the context of medical offices and health care situations.

Exchange of notes likely will be effective in situations that do not involve substantial conversation, for example, when blood is drawn for routine lab tests or regular allergy shots are administered. However, interpreters should be used when the matter involves more complexity, such as in communication of medical history or diagnoses, in conversations about medical procedures and treatment decisions, or in communication of instructions for care at home or elsewhere. The Department discussed in the NPRM the kinds of situations in which use of interpreters or captioning is necessary. Additional guidance on this issue can be found in a number of agreements entered into with health care providers and hospitals that are available on the Department's Web site at <http://www.ada.gov>.

In addition, commenters requested that the Department include "real-time" before any mention of "computer-aided" or "captioning" technology to highlight the value of simultaneous translation of any communication. The Department has added to the final rule appropriate references to "real-time" to recognize this aspect of effective communication. Lastly, in this provision and elsewhere in the title III regulation, the Department has replaced the term "telecommunications devices for deaf persons (TDD)" with "text telephones (TTYs)." As noted in the NPRM, TTY has become the commonly accepted term and is consistent with the terminology used by the Access Board in the 2004 ADAAG. Comments from advocates and persons with disabilities expressed approval of the substitution of TTY for TDD in the proposed regulation, but expressed the view that the Department should expand the definition to "voice, text, and video-based telecommunications products and systems, including TTY's, videophones, and captioned telephones, or equally effective telecommunications systems." The Department has expanded its definition of "auxiliary aids and services" in §36.303 to include those examples in the final rule. Other additions proposed in the NPRM, and retained in the final rule, include Brailled materials and displays, screen reader software, magnification software, optical readers, secondary auditory programs (SAP), and accessible electronic and information technology.

As the Department noted in the preamble to the NPRM, the list of auxiliary aids in §36.303(b) is merely illustrative. The Department does not intend that every public accommodation covered by title III must have access to every device or all new technology at all times, as long as the communication provided is effective.

*Companions who are individuals with disabilities.* The Department has added several new

provisions to §36.303(c), but these provisions do not impose new obligations on places of public accommodation. Rather, these provisions simply codify the Department's longstanding positions. Section 36.303(c)(1) now states that "[a] public accommodation shall furnish appropriate auxiliary aids and services where necessary to ensure effective communication with individuals with disabilities. This includes an obligation to provide effective communication to companions who are individuals with disabilities." Section 36.303(c)(1)(i) defines "companion" as "a family member, friend, or associate of an individual seeking access to, or participating in, the goods, services, facilities, privileges, advantages, or accommodations of a public accommodation, who, along with such individual, is an appropriate person with whom the public accommodation should communicate."

This provision makes clear that if the companion is someone with whom the public accommodation normally would or should communicate, then the public accommodation must provide appropriate auxiliary aids and services to that companion to ensure effective communication with the companion. This commonsense rule provides the necessary guidance to public accommodations to implement properly the nondiscrimination requirements of the ADA. Commenters also questioned why, in the NPRM, the Department defined companion as "a family member, friend, or associate of a program participant \* \* \*," noting that the scope of a public accommodation's obligation is not limited to "program participants" but rather includes all individuals seeking access to, or participating in, the goods, services, facilities, privileges, advantages, or accommodations of the public accommodation. 73 FR 34508, 34554 (June 17, 2008). The Department agrees and has amended the regulatory language accordingly. Many commenters supported inclusion of companions in the rule and requested that the Department clarify that a companion with a disability may be entitled to effective communication from the public accommodation, even though the individual seeking access to, or participating in, the goods, services, facilities, privileges, advantages, or accommodations of the public accommodation is not an individual with a disability. Some commenters asked the Department to make clear that if the individual seeking access to or participating in the public accommodation's program or services is an individual with a disability and the companion is not, the public accommodation may not limit its communication to the companion, instead of communicating directly with the individual with a disability, when it would otherwise be appropriate to communicate with the individual with the disability.

Most entities and individuals from the medical field objected to the Department's proposal, suggesting that medical and health care providers, and they alone, should determine to whom medical information should be communicated and when auxiliary aids and services should be provided to companions. Others asked that the Department limit the public accommodation's obligation to communicate effectively with a companion to situations where such communication is necessary to serve the interests of the person who is receiving the public accommodation's services. It also was suggested that companions should receive auxiliary aids and services only when necessary to ensure effective communication with the person receiving the public accommodation's services, with an emphasis on the particular needs of the patient requiring assistance, not the patient's family or guardian.

Some in the medical community objected to the inclusion of any regulatory language regarding companions, asserting that such language is overbroad, seeks services for individuals whose presence is neither required by the public accommodation nor necessary for the delivery of the services or good, places additional burdens on the medical community, and represents an uncompensated mandate. One medical association commenter stated that such a mandate was particularly burdensome in situations where a patient is fully and legally capable of participating in the decision-making process and needs little or no assistance in obtaining care and following through on physician's instructions.

The final rule codifies the Department's longstanding interpretation of the ADA, and clarifies that public accommodations have effective communication obligations with respect to companions who are individuals with disabilities even where the individual seeking to participate in or benefit from what a public accommodation offers does not have a disability. There are many instances in which such an individual may not be an individual with a disability but his or her companion is an individual with a disability. The effective communication requirement applies equally to that companion.

Effective communication with companions is particularly critical in health care settings where miscommunication may lead to misdiagnosis and improper or delayed medical treatment. The Department has encountered confusion and reluctance by medical care providers regarding the scope of their obligation with respect to such companions. Effective communication with a companion is necessary in a variety of circumstances. For example, a companion may be legally authorized to make health care decisions on behalf of the patient or may need to help the patient with information or instructions given by hospital personnel. In addition, a

companion may be the patient's next of kin or health care surrogate with whom hospital personnel need to communicate concerning the patient's medical condition. Moreover, a companion could be designated by the patient to communicate with hospital personnel about the patient's symptoms, needs, condition, or medical history. Furthermore, the companion could be a family member with whom hospital personnel normally would communicate. It has been the Department's longstanding position that public accommodations are required to provide effective communication to companions when they accompany patients to medical care providers for treatment.

The individual with a disability does not need to be present physically to trigger the public accommodation's obligation to provide effective communication to a companion. The controlling principle regarding whether appropriate auxiliary aids and services should be provided is whether the companion is an appropriate person with whom the public accommodation should communicate. Examples of such situations include back-to-school night or parent-teacher conferences at a private school. If the faculty writes on the board or otherwise displays information in a visual context during back-to-school night, this information must be communicated effectively to parents or guardians who are blind or have low vision. At a parent-teacher conference, deaf parents or guardians are to be provided with appropriate auxiliary aids and service to communicate effectively with the teacher and administrators. Likewise, when a deaf spouse attempts to communicate with private social service agencies about the services necessary for the hearing spouse, appropriate auxiliary aids and services must be provided to the deaf spouse by the public accommodation to ensure effective communication.

One medical association sought approval to impose a charge against an individual with a disability, either the patient or the companion, where that person had stated he or she needed an interpreter for a scheduled appointment, the medical provider had arranged for an interpreter to appear, and then the individual requiring the interpreter did not show up for the scheduled appointment. Section 36.301(c) of the 1991 title III regulation prohibits the imposition of surcharges to cover the costs of necessary auxiliary aids and services. As such, medical providers cannot pass along to their patients with disabilities the cost of obtaining an interpreter, even in situations where the individual cancels his or her appointment at the last minute or is a "no-show" for the scheduled appointment. The medical provider, however, may charge for the missed appointment if all other patients are subject to such a charge in the same circumstances.

*Determining appropriate auxiliary aids.* The type of auxiliary aid the public accommodation provides is dependent on which auxiliary aid is appropriate under the particular circumstances. Section 36.303(c)(1)(ii) codifies the Department's longstanding interpretation that the type of auxiliary aid or service necessary to ensure effective communication will vary in accordance with the method of communication used by the individual; the nature, length, and complexity of the communication involved; and the context in which the communication is taking place. As the Department explained in the NPRM, this provision lists factors the public accommodation should consider in determining which type of auxiliary aids and services are necessary. For example, an individual with a disability who is deaf or hard of hearing may need a qualified interpreter to discuss with hospital personnel a diagnosis, procedures, tests, treatment options, surgery, or prescribed medication (*e.g.*, dosage, side effects, drug interactions, etc.). In comparison, an individual who is deaf or hard of hearing who purchases an item in the hospital gift shop may need only an exchange of written notes to achieve effective communication.

The language in the first sentence of §36.303(c)(1)(ii) is derived from the Department's Technical Assistance Manual. See Department of Justice, Americans with Disabilities Act, *ADA Title III Technical Assistance Manual Covering Public Accommodations and Commercial Facilities*, III-4.3200, available at <http://www.ada.gov/taman3.html>. There were few comments regarding inclusion of this policy in the regulation itself, and those received were positive.

Many advocacy groups, particularly those representing blind individuals and those with low vision, urged the Department to add language in the final rule requiring the provision of accessible material in a manner that is timely, accurate, and private. This, they argued, would be especially important with regard to billing information, other time-sensitive material, or confidential information. The Department has added a provision in §36.303(c)(1)(ii) stating that in "order to be effective, auxiliary aids and services must be provided in accessible formats, in a timely manner, and in such a way so as to protect the privacy and independence of the individual with a disability."

The second sentence of §36.303(c)(1)(ii) states that "[a] public accommodation should consult with individuals with disabilities whenever possible to determine what type of auxiliary aid is needed to ensure effective communication, but the ultimate decision as to what measures to take rests with the public accommodation, provided that the method chosen results in effective communication." Many commenters urged the Department to amend this provision to require

public accommodations to give primary consideration to the expressed choice of an individual with a disability. However, as the Department explained when it initially promulgated the 1991 title III regulation, the Department believes that Congress did not intend under title III to impose upon a public accommodation the requirement that it give primary consideration to the request of the individual with a disability. See 28 CFR part 36, app. B at 726 (2009). The legislative history does, however, demonstrate congressional intent to strongly encourage consulting with persons with disabilities. *Id.* As the Department explained in the 1991 preamble, “the House Education and Labor Committee stated that it ‘expects’ that ‘public accommodation(s) will consult with the individual with a disability before providing a particular auxiliary aid or service.’ (Education and Labor report at 107).” *Id.*

The commenters who urged that primary consideration be given to the individual with a disability noted, for example, that a public accommodation would not provide effective communication by using written notes where the individual requiring an auxiliary aid is in severe pain, or by providing a qualified ASL interpreter when an individual needs an oral interpreter instead. Both examples illustrate the importance of consulting with the individual with a disability in order to ensure that the communication provided is effective. When a public accommodation ignores the communication needs of the individual requiring an auxiliary aid or service, it does so at its peril, for if the communication provided is not effective, the public accommodation will have violated title III of the ADA.

Consequently, the regulation strongly encourages the public accommodation to engage in a dialogue with the individual with a disability to determine what auxiliary aids and services are appropriate under the circumstances. This dialogue should include a communication assessment of the individual with a disability initially, regularly, and as needed, because the auxiliary aids and services necessary to provide effective communication to the individual may fluctuate. For example, a deaf individual may go to a private community health center with what is at first believed to be a minor medical emergency, such as a sore knee, and the individual with a disability and the community health center both may believe that exchanging written notes will be effective; however, during that individual’s visit, it may be determined that the individual is, in fact, suffering from an anterior cruciate ligament tear and must have surgery to repair the torn ligament. As the situation develops and the diagnosis and recommended course of action evolve into surgery, an interpreter likely will be necessary. The community health center has a continuing obligation to

assess the auxiliary aids and services it is providing, and should consult with individuals with disabilities on a continuing basis to assess what measures are required to ensure effective communication.

Similarly, the Department strongly encourages public accommodations to keep individuals with disabilities apprised of the status of the expected arrival of an interpreter or the delivery of other requested or anticipated auxiliary aids and services. Also, when the public accommodation decides not to provide the auxiliary aids and services requested by an individual with a disability, the public accommodation should provide that individual with the reason for its decision.

*Family members and friends as interpreters.* Section 36.303(c)(2), which was proposed in the NPRM, has been included in the final rule to make clear that a public accommodation shall not require an individual with a disability to bring another individual to interpret for him or her. The Department has added this regulatory requirement to emphasize that when a public accommodation is interacting with a person with a disability, it is the public accommodation’s responsibility to provide an interpreter to ensure effective communication. It is not appropriate to require the person with a disability to bring another individual to provide such services.

Many commenters supported inclusion of this language in the new rule. A representative from a cruise line association opined, however, that if a guest chose to cruise without an interpreter or companion, the ship would not be compelled to provide an interpreter for the medical facility. On the contrary, when an individual with a disability goes on a cruise, the cruise ship has an obligation to provide effective communication, including, if necessary, a qualified interpreter as defined in the rule.

Some representatives of pediatricians objected to this provision, stating that parents of children with disabilities often know best how to interpret their children’s needs and health status and relay that information to the child’s physician, and to remove that parent, or add a stranger into the examining room, may frighten children. These commenters requested clarification in the regulation that public accommodations should permit parents, guardians, or caregivers of children with disabilities to accompany them in medical settings to ensure effective communication. The regulation does not prohibit parents, guardians, or caregivers from being present or providing effective communication for children. Rather, it prohibits medical professionals (and other public accommodations) from requiring or forcing individuals with disabilities to bring other individuals with them to facilitate communication so that the public accommodation

will not have to provide appropriate auxiliary aids and services. The public accommodation cannot avoid its obligation to provide an interpreter except under the circumstances described in §36.303(c)(3)–(4).

A State medical association also objected to this provision, opining that medical providers should have the authority to ask patients to bring someone with them to provide interpreting services if the medical provider determines that such a practice would result in effective communication and that patient privacy and confidentiality would be maintained. While the public accommodation has the obligation to determine what type of auxiliary aids and services are necessary to ensure effective communication, it cannot unilaterally determine whether the patient's privacy and confidentiality would be maintained.

Section 36.303(c)(3) of the final rule codifies the Department's position that there are certain limited instances when a public accommodation may rely on an accompanying adult to interpret or facilitate communication: (1) In an emergency involving an imminent threat to the safety or welfare of an individual or the public; or (2) if the individual with a disability specifically requests it, the accompanying adult agrees to provide the assistance, and reliance on that adult for this assistance is appropriate under the circumstances. In such instances, the public accommodation should first offer to provide appropriate auxiliary aids and services free of charge.

Commenters requested that the Department make clear that the public accommodation cannot request, rely on, or coerce an accompanying adult to provide effective communication for an individual with a disability, and that only a voluntary offer of assistance is acceptable. The Department states unequivocally that consent of, and for, the accompanying adult to facilitate communication must be provided freely and voluntarily both by the individual with a disability and the accompanying adult—absent an emergency involving an imminent threat to the safety or welfare of an individual or the public. The public accommodation cannot coerce or attempt to persuade another adult to provide effective communication for the individual with a disability.

Several commenters asked that the Department make clear that children are not to be used to provide effective communication for family members and friends and that it is the responsibility of the public accommodation to provide effective communication, stating that interpreters often are needed in settings where it would not be appropriate for children to be interpreting, such as those involving medical issues, domestic violence, or other situations involving the exchange of confidential or adult-related material. Children often are hesitant

to decline requests to provide communication services, which puts them in a very difficult position vis-a-vis family members and friends. The Department agrees. It is the Department's position that a public accommodation shall not rely on a minor child to facilitate communication with a family member, friend, or other individual except in an emergency involving an imminent threat to the safety or welfare of an individual or the public where no interpreter is available. Accordingly, the Department has revised the rule to state that “[a] public accommodation shall not rely on a minor child to interpret or facilitate communication, except in an emergency involving an imminent threat to the safety or welfare of an individual or the public where there is no interpreter available.” §36.303(c)(4). Sections 36.303(c)(3) and (c)(4) have no application in circumstances where an interpreter would not otherwise be required in order to provide effective communication (*e.g.*, in simple transactions such as purchasing movie tickets at a theater).

The Department stresses that privacy and confidentiality must be maintained but notes that covered entities, such as hospitals, that are subject to the Privacy Rules, 45 CFR parts 160 and 164, of the Health Insurance Portability and Accountability Act of 1996 (HIPAA), Public Law 104–191, are permitted to disclose to a patient's relative, close friend, or any other person identified by the patient (such as an interpreter) relevant patient information if the patient agrees to such disclosures. *See* 45 CFR parts 160 and 164. The agreement need not be in writing. Covered entities should consult the HIPAA Privacy Rules regarding other ways disclosures may be made to such persons.

With regard to emergency situations, proposed §36.303(c)(3) permitted reliance on an individual accompanying an individual with a disability to interpret or facilitate communication in an emergency involving a threat to the safety or welfare of an individual or the public. Commenters requested that the Department make clear that often a public accommodation can obtain appropriate auxiliary aids and services in advance of an emergency, particularly in anticipated emergencies, such as predicted dangerous weather, or in certain medical situations, such as pending childbirth, by making necessary prearrangements. These commenters did not want public accommodations to be relieved of their responsibilities to provide effective communication in emergency situations, noting that the need for effective communication in emergencies is heightened. For the same reason, several commenters requested a separate rule that requires public accommodations to provide timely and effective communication in the event of an emergency.



One group of commenters asked that the Department narrow the regulation permitting reliance on a companion to interpret or facilitate communication in emergency situations so that it is not available to entities with responsibilities for emergency preparedness and response. Some commenters noted that certain exigent circumstances, such as those that exist during and, perhaps, immediately after a major hurricane, temporarily may excuse public accommodations of their responsibilities to provide effective communication. However, they asked that the Department clarify that these obligations are ongoing, and that as soon as such situations begin to abate or become stabilized, the public accommodation must provide effective communication.

The Department recognizes the need for effective communication is critical in emergency situations. After due consideration of all of these concerns raised by commenters, the Department has revised §36.303(c) to narrow the exception permitting reliance on individuals accompanying the individual with a disability during an emergency to make it clear that it applies only to emergencies involving an "imminent threat to the safety or welfare of an individual or the public \* \* \*." §36.303(c)(3)-(4). The Department wishes to emphasize, however, that application of this exception is narrowly tailored to emergencies involving an imminent threat to the safety or welfare of individuals or the public. Arguably, all visits to an emergency room are by definition emergencies. Likewise, an argument can be made that most situations to which emergency workers respond involve, in one way or another, a threat to the safety or welfare of an individual or the public. The imminent threat exception in §36.303(c)(3)-(4) is not intended to apply to typical and foreseeable emergency situations that are part of the normal operations of these institutions. As such, a public accommodation may rely on an accompanying individual to interpret or facilitate communication under the §36.303(c)(3)-(4) imminent threat exception only where there is a true emergency, *i.e.*, where any delay in providing immediate services to the individual could have life-altering or life-ending consequences.

*Telecommunications.* In addition to the changes discussed in §36.303(b) regarding telecommunications, telephones, and text telephones, the Department has adopted provisions in §36.303(d) of the final rule (which also were included in the NPRM) requiring that public accommodations must not disconnect or refuse to take calls from FCC-approved telecommunications relay systems, including Internet-based relay systems. Commenters from some State agencies, many advocacy organizations, and individuals strongly urged the Department to mandate such action because of the high propor-

tion of TTY calls and relay service calls to title III entities that are not completed because of phone systems or employees not taking the calls. This refusal presents a significant obstacle for persons using TTYs who do business with public accommodations and denies persons with disabilities telephone access for business that typically is handled over the telephone.

Section 36.303(d)(1)(ii) of the NPRM added public telephones equipped with volume control mechanisms and hearing aid-compatible telephones to the examples of types of telephone equipment to be provided. Commenters from the disability community and from telecommunications relay service providers argued that requirements for these particular features on telephones are obsolete not only because the deaf and hard of hearing community uses video technology more frequently than other types of telecommunication, but also because all public coin phones have been hearing aid compatible since 1983, pursuant to the Telecommunications for the Disabled Act of 1982, 47 U.S.C. 610. The Hearing Aid Compatibility Act of 1988, 47 U.S.C. 610, extended this requirement to all wireline telephones imported into or manufactured in the United States since 1989. In 1997, the FCC further required that all such phones also be equipped with volume control. *See* 47 CFR 68.6. Given these existing statutory obligations, the proposed language is unnecessary. Accordingly, the Department has deleted that language from the final rule.

The Department understands that there are many new devices and advances in technology that should be included in the definition of available auxiliary aids and is including many of the telecommunications devices and some new technology. While much of this technology is not expensive and should be available to most title III entities, there may be legitimate reasons why in a particular situation some of these new and developing auxiliary aids may not be available, may be prohibitively costly (thus supporting an undue burden defense), or may otherwise not be suitable given other circumstances related to the particular terrain, situation, or functionality in specialized areas where security, among other things, may be a factor limiting the appropriateness of the use of a particular technology or device. The Department recognizes that the available new technology may provide more effective communication than existing technology and that providing effective communication often will include use of new technology and video relay services, as well as interpreters. However, the Department has not mandated that title III entities make all technology or services available upon demand in all situations. When a public accommodation provides the opportunity to make outgoing phone calls on more than an incidental-convenience basis,

it shall make available accessible public telephones, TTYs, or other telecommunications products and systems for use by an individual who is deaf or hard of hearing, or has a speech impairment.

*Video remote interpreting (VRI) services.* In §36.303(f) of the NPRM, the Department proposed the inclusion of four performance standards for VRI (which the NPRM termed video interpreting services (VIS)), for effective communication: (1) High-quality, clear, real-time, full-motion video, and audio over a dedicated high-speed Internet connection; (2) a clear, sufficiently large, and sharply delineated picture of the participants' heads, arms, hands, and fingers, regardless of their body position; (3) clear transmission of voices; and (4) persons who are trained to set up and operate the VIS quickly and efficiently.

Commenters generally approved of these proposed performance standards, but recommended that some additional standards be included in the final rule. For persons who are deaf with limited vision, commenters requested that the Department include an explicit requirement that interpreters wear high-contrast clothing with no patterns that might distract from their hands as they are interpreting, so that a person with limited vision could still see the signs made by the interpreter. While the Department reiterates the importance of such practices in the delivery of effective VRI as well as in-person interpreting, the Department declines to adopt such performance standards as part of this rule. In general, professional interpreters already follow such practices, as the Code of Professional Conduct for interpreters developed by the Registry of Interpreter for the Deaf and the National Association of the Deaf incorporates attire considerations into their standards of professionalism and conduct. Moreover, as a result of this code, many VRI agencies have adopted detailed dress standards that interpreters hired by the agency must follow. Commenters also urged explicit requirement of a clear image of the face and eyes of the interpreter and others. Because the face includes the eyes, the Department has amended §36.303(f)(2) of the final rule to include a requirement that the interpreter's face be displayed. Other commenters requested requirement of a wide-bandwidth video connection for the VRI system, and the Department has included this requirement in §36.303(f)(1) of the final rule.

*ATMs.* The 2010 Standards set out detailed requirements for ATMs, including communication-related requirements to make ATMs usable by individuals who are blind or have low vision. In the NPRM, the Department discussed the application of a safe harbor to the communication-related elements of ATMs. The NPRM explained that the Department considers the communication-re-

lated elements of ATMs to be auxiliary aids and services, to which the safe harbor for elements built in compliance with the 1991 standards does not apply.

The Department received several comments regarding this issue. Several commenters representing banks objected to the exclusion of communication-related aspects of ATMs from the safe harbor provision. They explained that the useful life of ATMs—on average 10 years—was longer than the Department noted; thus, without the safe harbor, banks would be forced to retrofit many ATMs in order to comply with the proposed regulation. Such retrofitting, they noted, would be costly to the industry. A few representatives of the disability community commented that communication-related aspects of ATMs should be excluded from the safe harbor.

The Department consistently has taken the position that the communication-related elements of ATMs are auxiliary aids and services, rather than structural elements. See 28 CFR part 36, app. B at 728 (2009). Thus, the safe harbor provision does not apply to these elements. The Department believes that the limitations on the effective communication requirements, which provide that a covered entity does not have to take measures that would result in a fundamental alteration of its program or would cause undue burdens, provide adequate protection to covered entities that operate ATMs.

*Captioning at sporting venues.* In §36.303(g) of the NPRM, the Department proposed that sports stadiums that have a capacity of 25,000 or more shall provide captioning for safety and emergency information on scoreboards and video monitors. In addition, the Department posed four questions about captioning of information, especially safety and emergency information announcements, provided over public address (PA) systems. The Department received many detailed and divergent responses to each of the four questions and the proposed regulatory text. Because comments submitted on the Department's title II and title III proposals were intertwined, because of the similarity of issues involved for title II entities and title III entities, and in recognition of the fact that many large sports stadiums are covered by both title II and title III as joint operations of State or local government and one or more public accommodations, the Department presents here a single consolidated review and summary of the issues raised in comments.

The Department asked whether requiring captioning of safety and emergency information made over the public address system in stadiums seating fewer than 25,000 would create an undue burden for smaller entities, and whether it would be feasible for small stadiums to provide such captioning, or whether a larger threshold, such as sports stadiums

with a capacity of 50,000 or more, would be appropriate.

There was a consensus among the commenters, including disability advocates as well as venue owners and stadium designers and operators, that using the stadium size or seating capacity should not be the exclusive deciding factor for any obligation to provide captioning for safety and emergency information broadcast over the PA system. Most disability advocacy organizations and individuals with disabilities complained that using size or seating capacity as a threshold for captioning safety and emergency information would undermine the “undue burden” defense found in both titles II and III. Many commenters provided examples of facilities such as professional hockey arenas that seat less than 25,000 fans but that, commenters argued, should be able to provide real-time captioning. Other commenters suggested that some high school or college stadiums, for example, may hold 25,000 fans or more and yet lack the resources to provide real-time captioning. Many commenters noted that real-time captioning would require use of trained stenographers, and that most high school and college sports facilities rely upon volunteers to operate scoreboards and PA systems and they would not be qualified stenographers, especially in case of an emergency. One national association noted that the typical stenographer expense for a professional football game in Washington, DC, is about \$550 per game. Similarly, one trade association representing venues estimated that the cost for a professional stenographer at a sporting event runs between \$500 and \$1,000 per game or event, the cost of which, they argued, would be unduly burdensome in many cases. Some commenters posited that schools that do not sell tickets to athletic events would be challenged to meet such expenses, in contrast to major college athletic programs and professional sports teams, which would be less likely to prevail using an “undue burden” defense.

Some venue owners and operators and other covered entities also argued that stadium size should not be the key consideration for whether scoreboard captioning will be required. Instead, these entities suggested that equipment already installed in the stadium, including necessary electrical equipment and backup power supply, should be the determining factor for whether captioning is mandated. Many commenters argued that the requirement to provide captioning should apply only to stadiums with scoreboards that meet the National Fire Protection Association (NFPA) National Fire Alarm Code. Commenters reported that NFPA 72 requires at least two independent and reliable power supplies for emergency information systems, including one source that is a generator or a battery sufficient to run the system in the event the primary

power fails. Alternatively, some stadium designers and title II entities commented that the requirement should arise when the facility has at least one elevator providing firefighter emergency operation, along with approval of authorities with responsibility for fire safety. An organization concerned with fire safety codes commented that the Department lacks the expertise to regulate on this topic. Other commenters argued for flexibility in the requirements for providing captioning and contended that any requirement should apply only to stadiums constructed after the effective date of the regulation.

In the NPRM, the Department also asked whether the rule should address the specific means of captioning equipment, whether captioning should be provided through any effective means (*e.g.*, scoreboards, line boards, handheld devices, or other means), or whether some means, such as handheld devices, should be eliminated as options. This question elicited many comments from advocates for persons with disabilities as well as from covered entities. Advocacy organizations and individuals with experience using handheld devices argued that such devices do not provide effective communication. These commenters noted that information is often delayed in the transmission to such devices, making them hard to use when following action on the playing field or in the event of an emergency when the crowd is already reacting to aural information provided over the PA system well before it is received on the handheld device.

Several venue owners and operators and others commented that handheld technology offers advantages of flexibility and portability so that it may be used successfully regardless of where in the facility the user is located, even when not in the line of sight of a scoreboard or other captioning system. Still other commenters urged the Department not to regulate in such a way as to limit innovation and use of such technology now and in the future. Cost considerations were included in comments from some stadium designers and venue owners and operators who reported that the cost of providing handheld systems is far less than the cost of providing real-time captioning on scoreboards, especially in facilities that do not currently have the capacity to provide real-time captions on existing equipment. Others noted that handheld technology is not covered by fire and safety model codes, including the NFPA, and thus would be more easily adapted into existing facilities if captioning were required by the Department.

The Department also asked about requiring open captioning of all public address announcements, rather than limiting the captioning requirement to safety and emergency

information. A variety of advocates and persons with disabilities argued that all information broadcast over a PA system should be captioned in real time at all facilities in order to provide effective communication, and that a requirement only to provide emergency and safety information would not be sufficient. A few organizations representing persons with disabilities commented that installation of new systems should not be required, but that all systems within existing facilities that are capable of providing captioning should provide captioning of information to the maximum extent possible. Several organizations for persons with disabilities commented that all facilities should include in their safety planning measures a requirement that all aurally provided information for patrons with communication disabilities be captioned. Some advocates suggested that demand for captions will only increase as the number of deaf and hard of hearing persons grows with the aging of the general population and with increasing numbers of veterans returning from war with disabilities. Multiple commenters noted that the captioning would benefit others as well as those with communication disabilities.

By contrast, venue owners and operators and others commented that the action on the sports field is self-explanatory and does not require captioning. These commenters objected to an explicit requirement to provide real-time captioning for all information broadcast on the PA system at a sporting event. Other commenters objected to requiring captioning even for emergency and safety information over the scoreboard rather than through some other means. By contrast, venue operators, State government agencies, and some model code groups, including the NFPA, commented that emergency and safety information must be provided in an accessible format and that public safety is a paramount concern. Other commenters argued that the best method to deliver safety and emergency information would be television monitors showing local TV broadcasts with captions already mandated by the FCC. Some commenters posited that the most reliable information about a major emergency would be provided on the television news broadcasts. They argued that television monitors may be located throughout the facility, improving line of sight for patrons, some of whom might not be able to see the scoreboard from their seats or elsewhere in the facility. Some stadium designers, venue operators, and model code groups pointed out that video monitors are not regulated by the NFPA or other agencies, so that such monitors could be more easily provided. Video monitors may receive transmissions from within the facility and could provide real-time captions if there is the necessary software and equipment to feed

the captioning signal to a closed video network within the facility. Several commenters suggested that using monitors would be preferable to requiring captions on the scoreboard if the regulation mandates real-time captioning. Some venue owners and operators argued that retrofitting existing stadiums with new systems could easily cost in the hundreds of thousands of dollars per scoreboard or system. Some stadium designers and others argued that captioning should be required only in stadiums built after the effective date of the regulation. For stadiums with existing systems that allow for real-time captioning, one commenter posited that dedicating the system exclusively to real-time captioning would lead to an annual loss of between two and three million dollars per stadium in revenue from advertising currently running in that space.

After carefully considering the wide range of public comments on this issue, the Department has concluded that the final rule will not provide additional requirements for effective communication or emergency information provided at sports stadiums at this time. The 1991 title II and title III regulations and statutory requirements are not in any way affected by this decision. The decision to postpone rulemaking on this complex issue is based on a number of factors, including the multiple layers of existing regulations by various agencies and levels of government, and the wide array of information, requests, and recommendations related to developing technology offered by the public. The diversity of existing information and communication systems and other characteristics among sports stadiums also complicates the regulation of captioning. The Department has concluded that further consideration and review is prudent before it issues specific regulatory requirements.

*Movie captioning.* In the NPRM, the Department stated that options were being considered to require movie theater owners and operators to exhibit movies that are captioned for patrons who are deaf or hard of hearing. Captioning makes films accessible to individuals whose hearing is too limited to benefit from assistive listening devices. Both open and closed captioning are examples of auxiliary aids and services required under the Department's 1991 title III regulation. See 28 CFR 36.303(b)(1). Open captions are similar to subtitles in that the text is visible to everyone in the theater, while closed captioning displays the written text of the audio only to those individuals who request it.

In the NPRM, the Department also stated that options were being considered to require

movie theater owners and operators to exhibit movies with video description,<sup>3</sup> a technology that enables individuals who are blind or have low vision to enjoy movies by providing a spoken interpretation of key visual elements of a movie, such as actions, settings, facial expressions, costumes, and scene changes. The descriptions are narrated and recorded onto an audiotape or disk that can be synchronized with the film as it is projected. An audio recording is an example of an auxiliary aid and service required under the Department's 1991 title III regulation. *See* 28 CFR 36.303(b)(2).

The NPRM stated that technological advances since the early 1990s have made open and closed captioning and video description for movies more readily available and effective and noted that the Department was considering options to require captioning and video description for movies exhibited by public accommodations. The NPRM also noted that the Department is aware that the movie industry is transitioning, in whole or in part, to movies in digital format and that movie theater owners and operators are beginning to purchase digital projectors. The Department noted in the NPRM that movie theater owners and operators with digital projectors may have available to them different capabilities than those without digital projectors. The Department sought comment regarding whether and how to require captioning and video description while the film industry makes this transition. In addition, the NPRM stated the Department's concern about the potential cost to exhibit captioned movies, noting that cost may vary depending upon whether open or closed captioning is used and whether or not digital projectors are used, and stated that the cost of captioning must stay within the parameters of the undue burden requirement in 28 CFR 36.303(a). The Department further noted that it understands the cost of video description equipment to be less than that for closed captioning. The Department then stated that it was considering the possibility of requiring public accommodations to exhibit all new movies in captioned format and with video description at every showing. The NPRM stated that the Department would not specify the types of captioning required, leaving such decisions to the discretion of the movie theater owners and operators.

In the NPRM, the Department requested public comment as to whether public accom-

modations should be required to exhibit all new movies in captioned format at every showing, whether it would be more appropriate to require captioning less frequently, and, if so, with what frequency captioning should be provided. The Department also inquired as to whether the requirement for captioning should be tied to the conversion of movies from film to the use of a digital format. The Department also asked for public comment regarding the exhibition of all new movies with narrative description, whether it would be more appropriate to require narrative description less frequently, and whether narrative description of movies should be tied to the use of a digital format.

Representatives from the movie industry, a commenter from a non-profit organization, and a disability rights advocacy group provided information in their comments on the status of captioning and video description technology today as well as an update on the transition to digital cinema in the industry. A representative of major movie producers and distributors commented that traditionally open captions were created by "burning" the captions onto a special print of a selected movie, which the studios would make available to the exhibitors (movie theater owners and operators). Releases with open captions typically would be presented at special screenings. More recently, according to this commenter, alternative methods have been developed for presenting movies with open captions, but their common feature is that the captions are visible to all theatergoers. Closed captioning is an innovation in technology that was first made available in a feature film presentation in late 1997. Closed captioning technology currently in use allows viewers to see captions using a clear panel that is mounted in front of the viewer's seat.<sup>4</sup> According to commenters from the industry, the panel reflects captions that are shown in reverse on an LED display in the back of the theater, with captions appearing on or near the movie image. Moviegoers may use this technology at any showing at a theater that has been equipped with the technology, so that the theater does not have to arrange limited special screenings.

Video description technology also has existed since 1997, according to a commenter

<sup>3</sup>In the NPRM, the Department referred to this technology as "narrative description." 73 FR 34508, 34531 (June 17, 2008). Several commenters informed the Department that the more accurate and commonly understood term is "video description," even though the subject is movies, not video, and so the Department decided to employ that term.

<sup>4</sup>Other closed captioning technologies for movies that have been developed but are not in use at this time include hand-held displays similar to a PDA (personal digital assistant); eyeglasses fitted with a prism over one lens; and projected bitmap captions. The PDA and eyeglass systems use a wireless transmitter to send the captions to the display device.

who works with the captioning and video description industry. According to a movie industry commenter, video description requires the creation of a separate script written by specially trained writers called “describers.” As the commenter explained, a describer initially listens to the movie without watching it in order to approximate the experience of an audience member who is blind or has low vision. Using software to map out the pauses in the soundtrack, the describer writes a description in the space available. After an initial script is written for video description, it is edited and checked for timing, continuity, accuracy, and a natural flow. A narrator then records the new script to match the corresponding movie. This same industry commenter said that video description currently is provided in theaters through screens equipped with the same type of technology as that used for closed captioning. As commenters explained, technologies in use today deliver video descriptions via infrared or FM listening systems to headsets worn by individuals who are blind or have low vision.

According to the commenter representing major movie producers and distributors, the percentage of motion pictures produced with closed captioning by its member studios had grown to 88 percent of total releases by 2007; the percentage of motion pictures produced with open captioning by its member studios had grown to 78 percent of total releases by 2007; and the percentage of motion pictures provided with video description has ranged consistently between 50 percent and 60 percent of total releases. It is the movie producers and distributors, not the movie theater owners and operators, who determine what to caption and describe, the type of captioning to use, and the content of the captions and video description script. These same producers and distributors also assume the costs of captioning and describing movies. Movie theater owners and operators simply purchase the equipment to display the captions and play the video description in their auditoria.

The transition to digital cinema, considered by the industry to be one of the most profound advancements in motion picture production and technology of the last 100 years, will provide numerous advantages both for the industry and the audience. According to one commenter, currently there are sufficient standards and interim solutions to support captioning and video description now in digital format. Additionally, movie studios are supporting those efforts by providing accessibility tracks (captioning and video description) in many digital cinema content packages. Moreover, a group of industry commenters composed in pertinent part of members of the motion picture industry, the central standards organizations for this industry, and key digital

equipment vendors, noted that they are participating in a joint venture to establish the remaining accessibility specifications and standards for access audio tracks. Access audio tracks are supplemental sound audio tracks for the hard of hearing and narrative audio tracks for individuals who have vision disabilities. According to a commenter and to industry documents, these standards were expected to be in place by spring 2009. According to a commenter, at that time, all of the major digital cinema equipment vendors were expected to have support for a variety of closed caption display and video description products. This same commenter stated that these technologies will be supported by the studios that produce and distribute feature films, by the theaters that show these films to the public, and by the full complement of equipment in the production, distribution, and display chain.

The initial investment for movie theater owners and operators to convert to digital cinema is expensive. One industry commenter estimated that converting theaters to digital projection costs between \$70,000 and \$100,000 per screen and that maintenance costs for digital projectors are estimated to run between \$5,000 and \$10,000 a year—approximately five times as expensive as the maintenance costs for film projectors. According to this same commenter, while there has been progress in making the conversion, only approximately 5,000 screens out of 38,794 nationwide have been converted, and the cost to make the remaining conversions involves a total investment of several billion dollars. According to another commenter, predictions as to when more than half of all screens will have been converted to digital projection are 10 years or more, depending on the finances of the movie theater owners and operators, the state of the economy, and the incentives supporting conversion. That said, according to one commenter who represents movie theater owners and operators, the majority of screens in the United States were expected to enter into agreements by the end of 2008 to convert to digital cinema. Most importantly, however, according to a few commenters, the systems in place today for captioning and video description will not become obsolete once a theater has converted to digital cinema but still can be used by the movie theater owner and operator to exhibit captions and video description. The only difference for a movie theater owner or operator will be the way the data is delivered to the captioning and video description equipment in place in an auditorium.

Despite the current availability of movies that are captioned and provide video description, movie theater owners and operators rarely exhibit the captions or descriptions. According to several commenters, less than 1 percent of all movies being exhibited in theaters are shown with captions.

Individuals with disabilities, advocacy groups, the representative from a non-profit, and representatives of State governments, including 11 State attorneys general, overwhelmingly supported issuance of a regulation requiring movie theater owners and operators to exhibit captioned and video described movies at all showings unless doing so would result in an undue burden or fundamental alteration of the goods and services offered by the public accommodation. In addition, this same group of commenters urged that any such regulation should be made effective now, and should not be tied to the conversion to digital cinema by the movie theater owners and operators. In support of such arguments, these commenters stated that the technology exists now to display movies with captions and video descriptions, regardless of whether the movie is exhibited on film or using digital cinema. Moreover, since the technology in use for displaying captions and video descriptions on film will be compatible with digital projection systems, they argued, there is no need to postpone implementation of a captioning or video description regulation until the conversion to digital has been made. Furthermore, since the conversion to digital may take years, commenters urged the Department to issue a regulation requiring captioning and video description now, rather than several years from now.

Advocacy groups and the 11 State attorneys general also requested that any regulation include factors describing what constitutes effective captioning and video description. Recommendations included requiring that captioning be within the same line of sight to the screen as the movie so that individuals who are deaf or hard of hearing can watch the movie and read the captions at the same time; that the captioning be accessible from each seat; that the captions be of sufficient size and contrast to the background so as to be readable easily; and that the recent recommendations of the Telecommunications and Electronics and Information Technology Advisory Committee Report to the Access Board that captions be "timely, accurate, complete, and efficient"<sup>5</sup> also be included.

The State attorneys general supported the Department's statement in the NPRM that the Department did not anticipate specifying which type of captioning to provide or what type of technology to use to provide video description, but would instead leave that to the discretion of the movie theater owners

and operators. These State attorneys general opined that such discretion in the selection of the type of technology was consistent with the statutory and regulatory scheme of the ADA and would permit any new regulation to keep pace with future advancements in captioning and video description technology. These same commenters stated that such discretion may result in a mixed use of both closed captioning and open captioning, affording more choices both for the movie theater owners and operators and for individuals who are deaf or hard of hearing.

The representatives from the movie theater industry strongly urged the Department against issuing a regulation requiring captioning or video description. These commenters argued that the legislative history of the ADA expressly precluded regulating in the area of captioning. (These same commenters were silent with regard to video description on this issue.) The industry commenters also argued that to require movie theater owners and operators to exhibit captioned and video described movies would constitute a fundamental alteration in the nature of the goods and services offered by the movie theater owners and operators. In addition, some industry commenters argued that any such regulation by the Department would be inconsistent with the Access Board's guidelines. Also, these commenters noted the progress that has been made in the industry in making cinema more accessible even though there is no mandate to caption or describe movies, and they questioned whether any mandate is necessary. Finally, all the industry commenters argued that to require captioning or video description in 100 percent of movie theater screens for all showings would constitute an undue burden.

The comments have provided the Department with significant information on the state of the movie industry with regard to the availability of captioning and video description, the status of closed captioning technology, and the status of the transition to digital cinema. The Department also has given due consideration to the comments it has received from individuals, advocacy groups, governmental entities, and representatives of the movie industry. Recently, the United States Court of Appeals for the Ninth Circuit held that the ADA requires a chain of movie theaters to exhibit movies with closed captioning and video description unless the theaters can show that to do so would amount to a fundamental alteration or undue burden. *Arizona ex rel. Goddard v. Harkins Amusement Enterprises, Inc.*, 603 F.3d 666 (9th Cir. 2010). However, rather than issue specific regulatory text at this time, the Department has determined that it should obtain additional information regarding issues raised by commenters that were not contemplated at the time of the 2008 NPRM,

<sup>5</sup> *Refreshed Accessibility Standards and Guidelines in Telecommunications and Electronic and Information Technology* (April 2008), available at <http://www.access-board.gov/sec508/refresh/report/> (last visited June 24, 2010).

supplemental technical information, and updated information regarding the current and future status of the conversion to digital cinema by movie theater owners and operators. To this end, the Department is planning to engage in rulemaking relating specifically to movie captioning under the ADA in the near future.

*Section 36.304 Removal of Barriers*

With the adoption of the 2010 Standards, an important issue that the Department must address is the effect that the new (referred to as “supplemental”) and revised ADA Standards will have on the continuing obligation of public accommodations to remove architectural, transportation, and communication barriers in existing facilities to the extent that it is readily achievable to do so. *See* 42 U.S.C. 12182(b)(2)(A)(iv). This issue was not addressed in the 2004 ADAAG because it was outside the scope of the Access Board’s statutory authority under the ADA and section 502 of the Rehabilitation Act of 1973. *See* 29 U.S.C. 792(b)(3)(A)–(B) (authorizing the Access Board to establish and maintain minimum guidelines for the standards issued pursuant to the Architectural Barriers Act of 1968 and titles II and III of the ADA). Responsibility for implementing title III’s requirement that public accommodations eliminate barriers in existing facilities where such removal is readily achievable rests solely with the Department. The term “existing facility” is defined in §36.104 of the final rule. This definition is discussed in more detail above. *See* Appendix A discussion of definitions (§36.104).

The requirements for barrier removal by public accommodations are established in the Department’s title III regulation. 28 CFR 36.304. Under this regulation, the Department used the 1991 Standards as a guide to identify what constitutes an architectural barrier, as well as the specifications that covered entities must follow in making architectural changes to remove the barrier to the extent that such removal is readily achievable. 28 CFR 36.304(d); 28 CFR part 36, app. A (2009). With adoption of the final rule, public accommodations will now be guided by the 2010 Standards, defined in §36.104 as the 2004 ADAAG and the requirements contained in subpart D of 28 CFR part 36.

The 2010 Standards include technical and scoping specifications for a number of elements that were not addressed specifically in the 1991 Standards; these new requirements were identified as “supplemental requirements” in the NPRM. The 2010 Standards also include revisions to technical or scoping specifications for certain elements that were addressed in the 1991 Standards, *i.e.*, elements for which there already were technical and scoping specifications. Requirements for which there are revised technical or scoping

specifications in the 2010 Standards are referred to in the NPRM as “incremental changes.”

The Department expressed concern that requiring barrier removal for incremental changes might place unnecessary cost burdens on businesses that already had removed barriers in existing facilities in compliance with the 1991 Standards. With this rulemaking, the Department sought to strike an appropriate balance between ensuring that individuals with disabilities are provided access to facilities and mitigating potential financial burdens from barrier removal on existing places of public accommodation that satisfied their obligations under the 1991 Standards.

In the NPRM, the Department proposed several potential additions to §36.304(d) that might reduce such financial burdens. First, the Department proposed a safe harbor for elements in existing facilities that were compliant with the 1991 Standards. Under this approach, an element that is not altered after the effective date of the 2010 Standards and that complies with the scoping and technical requirements for that element in the 1991 Standards would not be required to undergo modification to comply with the 2010 Standards to satisfy the ADA’s barrier removal obligations. The public accommodation would thus be deemed to have met its barrier removal obligation with respect to that element.

The Department received many comments on this issue during the 60-day public comment period. After consideration of all relevant information presented on the issue, it is the Department’s view that this element-by-element safe harbor provision should be retained in the final rule. This issue is discussed further below.

Second, the NPRM proposed several exceptions and exemptions from certain supplemental requirements to mitigate the barrier removal obligations of existing play areas and recreation facilities under the 2004 ADAAG. These proposals elicited many comments from both the business and disability communities. After consideration of all relevant information presented on the issue, it is the Department’s view that these exceptions and exemptions should not be retained in the final rule. The specific proposals and comments, and the Department’s conclusions, are discussed below.

Third, the NPRM proposed a new safe harbor approach to readily achievable barrier removal as applied to qualified small businesses. This proposed small business safe harbor was based on suggestions from small business advocacy groups that requested clearer guidance on the barrier removal obligations for small businesses. According to these groups, the Department’s traditional approach to barrier removal disproportionately affects small businesses. They argued



that most small businesses owners neither are equipped to understand the ADA Standards nor can they afford the architects, consultants, and attorneys that might provide some level of assurance of compliance with the ADA. For these same reasons, these commenters contended, small business owners are vulnerable to litigation, particularly lawsuits arising under title III, and often are forced to settle because the ADA Standards' complexity makes inadvertent noncompliance likely, even when a small business owner is acting in good faith, or because the business cannot afford the costs of litigation.

To address these and similar concerns, the NPRM proposed a level of barrier removal expenditures at which qualified small businesses would be deemed to have met their readily achievable barrier removal obligations for certain tax years. This safe harbor would have provided some protection from litigation because compliance could be assessed easily. Such a rule, the Department believed, also could further accessibility, because qualified small businesses would have an incentive to incorporate barrier removal into short- and long-term planning. The Department recognized that a qualified small business safe harbor would be a significant change to the Department's title III enforcement scheme. Accordingly, the Department sought comment on whether such an approach would further the aims underlying the statute's barrier removal provisions, and, if so, the appropriate parameters of the provision.

After consideration of the many comments received on this issue, the Department has decided not to include a qualified small business safe harbor in the final rule. This decision is discussed more fully below.

*Element-by-element safe harbor for public accommodations.* Public accommodations have a continuing obligation to remove certain architectural, communications, and transportation barriers in existing facilities to the extent readily achievable. 42 U.S.C. 12182(b)(2)(A)(iv). Because the Department uses the ADA Standards as a guide to identifying what constitutes an architectural barrier, the 2010 Standards, once they become effective, will provide a new reference point for assessing an entity's barrier removal obligations. The 2010 Standards introduce technical and scoping specifications for many elements that were not included in the 1991 Standards. Accordingly, public accommodations will have to consider these supplemental requirements when evaluating whether there are covered barriers in existing facilities, and, if so, remove them to the extent readily achievable. Also included in the 2010 Standards are revised technical and scoping requirements for elements that were addressed in the 1991 Standards. These incremental changes were made to address technological changes that have occurred since

the promulgation of the 1991 Standards, to reflect additional study by the Access Board, and to harmonize ADAAG requirements with the model codes.

In the NPRM, the Department sought input on a safe harbor in proposed §36.304(d)(2) intended to address concerns about the practical effects of the incremental changes on public accommodations' readily achievable barrier removal obligations. The proposed element-by-element safe harbor provided that in existing facilities elements that are, as of the effective date of the 2010 Standards, fully compliant with the applicable technical and scoping requirements in the 1991 Standards, need not be modified or retrofitted to meet the 2010 Standards, until and unless those elements are altered. The Department posited that it would be an inefficient use of resources to require covered entities that have complied with the 1991 Standards to retrofit already compliant elements when the change might only provide a minimal improvement in accessibility. In addition, the Department was concerned that covered entities would have a strong disincentive for voluntary compliance if every time the applicable standards were revised covered entities would be required once again to modify elements to keep pace with new requirements. The Department recognized that revisions to some elements might confer a significant benefit on some individuals with disabilities and because of the safe harbor these benefits would be unavailable until the facility undergoes alterations.

The Department received many comments on this issue from the business and disability communities. Business owners and operators, industry groups and trade associations, and business advocacy organizations strongly supported the element-by-element safe harbor. By contrast, disability advocacy organizations and individuals commenting on behalf of the disability community were opposed to this safe harbor with near unanimity.

Businesses and business groups agreed with the concerns outlined by the Department in the NPRM, and asserted that the element-by-element safe harbor is integral to ensuring continued good faith compliance efforts by covered entities. These commenters argued that the financial cost and business disruption resulting from retrofitting elements constructed or previously modified to comply with 1991 Standards would be detrimental to nearly all businesses and not readily achievable for most. They contended that it would be fundamentally unfair to place these entities in a position where, despite full compliance with the 1991 Standards, the entities would now, overnight, be vulnerable to barrier removal litigation. They further contended that public accommodations will

have little incentive to undertake large barrier removal projects or incorporate barrier removal into long-term planning if there is no assurance that the actions taken and money spent for barrier removal would offer some protection from litigation. One commenter also pointed out that the proposed safe harbor would be consistent with practices under other Federal accessibility standards, including the Uniform Federal Accessibility Standards (UFAS) and the ADAAG.

Some business commenters urged the Department to expand the element-by-element safe harbor to include supplemental requirements. These commenters argued that imposing the 2010 Standards on existing facilities will provide a strong incentive for such facilities to eliminate some elements entirely, particularly where the element is not critical to the public accommodation's business or operations (*e.g.*, play areas in fast food restaurants) or the cost of retrofitting is significant. Some of these same commenters urged the Department to include within the safe harbor those elements not covered by the 1991 Standards, but which an entity had built in compliance with State or local accessibility laws. Other commenters requested safe harbor protection where a business had attempted barrier removal prior to the establishment of technical and scoping requirements for a particular element (*e.g.*, play area equipment) if the business could show that the element now covered by the 2010 Standards was functionally accessible.

Other commenters noted ambiguity in the NPRM as to whether the element-by-element safe harbor applies only to elements that comply fully with the 1991 Standards, or also encompasses elements that comply with the 1991 Standards to the extent readily achievable. Some commenters proposed that the safe harbor should exist in perpetuity—that an element subject to a safe harbor at one point in time also should be afforded the same protection with respect to all future revisions to the ADA Standards (as with many building codes). These groups contended that allowing permanent compliance with the 1991 Standards will ensure readily accessible and usable facilities while also mitigating the need for expensive and time-consuming documentation of changes and maintenance.

A number of commenters inquired about the effect of the element-by-element safe harbor on elements that are not in strict compliance with the 1991 Standards, but conform to the terms of settlement agreements or consent decrees resulting from private litigation or Federal enforcement actions. These commenters noted that litigation or threatened litigation often has resulted in compromise among parties as to what is readily achievable. Business groups argued that facilities that have made modifications

subject to those negotiated agreements should not be subject to the risk of further litigation as a result of the 2010 Standards.

Lastly, some business groups that supported the element-by-element safe harbor nevertheless contended that a better approach would be to separate barrier removal altogether from the 2010 Standards, such that the 2010 Standards would not be used to determine whether access to an existing facility is impeded by architectural barriers. These commenters argued that application of the 2010 Standards to barrier removal obligations is contrary to the ADA's directive that barrier removal is required only where "easily accomplishable and able to be carried out without much difficulty or expense." 42 U.S.C. 12181(9).

Nearly all commenters from the disability community objected to the proposed element-by-element safe harbor. These commenters asserted that the adoption of this safe harbor would permit and sanction the retention of outdated access standards even in cases where retrofitting to the 2010 Standards would be readily achievable. They argued that title III's readily achievable defense is adequate to address businesses' cost concerns, and rejected the premise that requiring businesses to retrofit currently compliant elements would be an inefficient use of resources where readily achievable to do so. The proposed regulations, these commenters asserted, incorporate advances in technology, design, and construction, and reflect congressional and societal understanding that accessibility is not a static concept and that the ADA is a civil rights law intended to maximize accessibility. Additionally, these commenters noted that since the 2004 revision of the ADAAG will not be the last, setting a precedent of safe harbors for compliant elements will have the effect of preserving and protecting layers of increasingly outdated accessibility standards.

Many commenters objected to the Department's characterization of the requirements subject to the safe harbor as reflecting only incremental changes and asserted that many of these incremental changes will result in significantly enhanced accessibility at little cost. The requirement concerning side-reach ranges was highlighted as an example of such requirements. Commenters from the disability community argued that the revised maximum side-reach range (from 54 inches to 48 inches) will result in a substantial increase in accessibility for many persons with disabilities—particularly individuals of short stature, for whom the revised reach range represents the difference between independent access to many features and dependence—and that the revisions should be made where readily achievable to do so. Business commenters, on the other hand, contended that application of the safe harbor to this requirement is critical because retrofitting

items, such as light switches and thermostats often requires work (*e.g.*, rewiring, patching, painting, and re-wallpapering), that would be extremely burdensome for entities to undertake. These commenters argued that such a burden is not justified where many of the affected entities already have retrofitted to meet the 1991 Standards.

Some commenters that were opposed to the element-by-element safe harbor proposed that an entity's past efforts to comply with the 1991 Standards might appropriately be a factor in the readily achievable analysis. Several commenters proposed a temporary 5-year safe harbor that would provide reassurance and stability to covered entities that have recently taken proactive steps for barrier removal, but would also avoid the problems of preserving access deficits in perpetuity and creating multiple standards as subsequent updates are adopted.

After consideration of all relevant information presented on this issue during the comment period, the Department has decided to retain the proposed element-by-element safe harbor. Title III's architectural-barrier provisions place the most significant requirements of accessibility on new construction and alterations. The aim is to require businesses to make their facilities fully accessible at the time they are first constructing or altering those facilities, when burdens are less and many design elements will necessarily be in flux, and to impose a correspondingly lesser duty on businesses that are not changing their facilities. The Department believes that it would be consistent with this statutory structure not to change the requirements for design elements that were specifically addressed in our prior standards for those facilities that were built or altered in full compliance with those standards. The Department similarly believes it would be consistent with the statutory scheme not to change the requirements for design elements that were specifically addressed in our prior standards for those existing facilities that came into full compliance with those standards. Accordingly, the final rule at §36.304(d)(2)(i) provides that elements that have not been altered in existing facilities on or after March 15, 2012 and that comply with the corresponding technical and scoping specifications for those elements in the 1991 Standards are not required to be modified in order to comply with the requirements set forth in the 2010 Standards. The safe harbor adopted is consistent in principle with the proposed provision in the NPRM, and reflects the Department's determination that this approach furthers the statute's barrier removal provisions and promotes continued good-faith compliance by public accommodations.

The element-by-element safe harbor adopted in this final rule is a narrow one. The Department recognizes that this safe harbor

will delay, in some cases, the increased accessibility that the incremental changes would provide and that for some individuals with disabilities the impact may be significant. This safe harbor, however, is not a blanket exemption for every element in existing facilities. Compliance with the 1991 Standards is determined on an element-by-element basis in each existing facility.

Section 36.304(d)(2)(ii)(A) provides that prior to the compliance date of the rule March 15, 2012, noncompliant elements that have not been altered are obligated to be modified to the extent readily achievable to comply with the requirements set forth in the 1991 Standards or the 2010 Standards. Section 36.304(d)(2)(ii)(B) provides that after the date the 2010 Standards take effect (18 months after publication of the rule), noncompliant elements that have not been altered must be modified to the extent readily achievable to comply with the requirements set forth in the 2010 Standards. Noncomplying newly constructed and altered elements may also be subject to the requirements of §36.406(a)(5).

The Department has not expanded the scope of the element-by-element safe harbor beyond those elements subject to the incremental changes. The Department has added §36.304(d)(2)(iii), explicitly clarifying that existing elements subject to supplemental requirements for which scoping and technical specifications are provided for the first time in the 2010 Standards (*e.g.*, play area requirements) are not covered by the safe harbor and, therefore, must be modified to comply with the 2010 Standards to the extent readily achievable. Section 36.304(d)(2)(iii) also identifies the elements in the 2010 Standards that are not eligible for the element-by-element safe harbor. The safe harbor also does not apply to the accessible routes not previously scoped in the 1991 standards, such as those required to connect the boundary of each area of sport activity, including soccer fields, basketball courts, baseball fields, running tracks, skating rinks, and areas surrounding a piece of gymnastic equipment. *See* Advisory note to section F206.2.2 of the 2010 Standards. The resource and fairness concerns underlying the element-by-element safe harbor are not implicated by barrier removal involving supplemental requirements. Public accommodations have not been subject previously to technical and scoping specifications for these supplemental requirements. Thus, with respect to supplemental requirements, the existing readily achievable standard best maximizes accessibility in the built environment without imposing unnecessary burdens on public accommodations.

The Department also has declined to expand the element-by-element safe harbor to cover existing elements subject to supplemental requirements that also may have

been built in compliance with State or local accessibility laws. Measures taken to remove barriers under a Federal accessibility provision logically must be considered in regard to Federal standards, in this case the 2010 Standards. This approach is based on the Department's determination that reference to ADA Standards for barrier removal will promote certainty, safety, and good design while still permitting slight deviations through readily achievable alternative methods. The Department continues to believe that this approach provides an appropriate and workable framework for implementation of title III's barrier removal provisions. Because compliance with State or local accessibility codes is not a reliable indicator of effective access for purposes of the ADA Standards, the Department has decided not to include reliance on such codes as part of the safe harbor provision.

Only elements compliant with the 1991 Standards are eligible for the safe harbor. Thus, where a public accommodation attempted barrier removal but full compliance with the 1991 Standards was not readily achievable, the modified element does not fall within the scope of the safe harbor provision. A public accommodation at any point in time must remove barriers to the extent readily achievable. For existing elements, for which removal is not readily achievable at any given time, the public accommodation must provide its goods, services, facilities, privileges, advantages, or accommodations through alternative methods that are readily achievable. *See* 42 U.S.C. 12182(b)(2)(A)(iv), (v).

One-time evaluation and implementation of the readily achievable standard is not the end of the public accommodation's barrier-removal obligation. Public accommodations have a continuing obligation to reevaluate barrier removal on a regular basis. For example, if a public accommodation identified barriers under the 1991 Standards but did not remove them because removal was not readily achievable based on cost considerations, it has a continuing obligation to remove these barriers if the economic considerations for the public accommodation change. The fact that the public accommodation has been providing its goods or services through alternative methods does not negate the continuing obligation to assess whether removal of the barrier at issue has become readily achievable. Public accommodations should incorporate consideration of their continuing barrier removal obligations in both short-term and long-term business planning.

The Department notes that commenters across the board expressed concern with recordkeeping burdens implicated by the element-by-element safe harbor. Businesses noted the additional costs and administrative burdens associated with identifying elements that fall within the element-by-ele-

ment safe harbor, as well as tracking, documenting, and maintaining data on installation dates. Disability advocates expressed concern that varying compliance standards will make enforcement efforts more difficult, and urged the Department to clarify that title III entities bear the burden of proof regarding entitlement to safe harbor protection. The Department emphasizes that public accommodations wishing to benefit from the element-by-element safe harbor must demonstrate their safe harbor eligibility. The Department encourages public accommodations to take appropriate steps to confirm and document the compliance of existing elements with the 1991 Standards. Finally, while the Department has decided not to adopt in this rulemaking the suggestion by some commenters to make the protection afforded by the element-by-element safe harbor temporary, the Department believes this proposal merits further consideration. The Department, therefore, will continue to evaluate the efficacy and appropriateness of a safe harbor expiration or sunset provision.

*Application to specific scenarios raised in comments.* In response to the NPRM, the Department received a number of comments that raised issues regarding application of the element-by-element safe harbor to particular situations. Business commenters requested guidance on whether the replacement for a broken or malfunctioning element that is covered by the 1991 Standards would have to comply with the 2010 Standards. These commenters expressed concern that in some cases replacement of a broken fixture might necessitate moving a number of other accessible fixtures (such as in a bathroom) in order to comply with the fixture and space requirements of the 2010 Standards. Others questioned the effect of the new standards where an entity replaces an existing element currently protected by the safe harbor provision for water or energy conservation reasons. The Department intends to address these types of scenarios in technical guidance.

*Effective date for barrier removal.* Several commenters expressed concern that the NPRM did not propose a transition period for applying the 2004 ADAAG to barrier removal in existing facilities in cases where the safe harbors do not apply. These commenters argued that for newly covered elements, they needed time to hire attorneys and consultants to assess the impact of the new requirements, determine whether they need to make additional retrofits, price those retrofits, assess whether the change actually is "readily achievable," obtain approval for the removal from owners who must pay for the changes, obtain permits, and then do the actual work. The commenters recognized that there may be some barrier removal actions that require little planning, but stated that

other actions cost significantly more and require more budgeting, planning, and construction time.

Barrier removal has been an ongoing requirement that has applied to public accommodations since the original regulation took effect on January 26, 1992. The final rule maintains the existing regulatory provision that barrier removal does not have to be undertaken unless it is “readily achievable.” The Department has provided in §36.304(d)(2)(ii)(B) that public accommodations are not required to apply the 2010 Standards to barrier removal until 18 months after the publication date of this rule. It is the Department’s view that 18 months is a sufficient amount of time for application of the 2010 Standards to barrier removal for those elements not subject to the safe harbor. This is also consistent with the compliance date the Department has specified for applying the 2010 Standards to new construction and alterations.

*Reduced scoping for play areas and other recreation facilities.*

*Play areas.* The Access Board published final guidelines for play areas in October 2000. 65 FR 62498 (Oct. 18, 2000). The guidelines include requirements for ground-level and elevated play components, accessible routes connecting the components, accessible ground surfaces, and maintenance of those surfaces. They have been referenced in Federal playground construction and safety guidelines and in some State and local codes and have been used voluntarily when many play areas across the country have been altered or constructed.

In adopting the 2004 ADAAG (which includes the play area guidelines published in 2000), the Department acknowledges both the importance of integrated, full access to play areas for children and parents with disabilities as well as the need to avoid placing an untenable fiscal burden on businesses. Consequently, the Department asked seven questions in the NPRM related to existing play areas. Two questions related to safe harbors: one on the appropriateness of a general safe harbor for existing play areas and another on public accommodations that have complied with State or local standards specific to play areas. The others related to reduced scoping, limited exemptions, and whether there is a “tipping point” at which the costs of compliance with supplemental requirements would be so burdensome that a public accommodation would shut down a program rather than comply with the new requirements. In the nearly 100 comments received on title III play areas, the majority of commenters strongly opposed all safe harbors, exemptions, and reductions in scoping, and questioned the feasibility of determining a tipping point. A smaller number of commenters advocated for a safe harbor from compliance with the 2004 ADAAG play area requirements

along with reduced scoping and exemptions for both readily achievable barrier removal and alterations.

Commenters were split as to whether the Department should exempt owners and operators of public accommodations from compliance with the supplemental requirements for play areas and recreation facilities and instead continue to determine accessibility in these facilities on a case-by-case basis under existing law. Many commenters were of the view that the exemption was not necessary because concerns of financial burden are addressed adequately by the defenses inherent in the standard for what constitutes readily achievable barrier removal. A number of commenters found the exemption inappropriate because no standards for play areas previously existed. Commenters also were concerned that a safe harbor applicable only to play areas and recreation facilities (but not to other facilities operated by a public accommodation) would create confusion, significantly limit access for children and parents with disabilities, and perpetuate the discrimination and segregation individuals with disabilities face in the important social arenas of play and recreation—areas where little access has been provided in the absence of specific standards. Many commenters suggested that instead of an exemption, the Department should provide guidance on barrier removal with respect to play areas and other recreation facilities.

Several commenters supported the exemption, mainly on the basis of the cost of barrier removal. More than one commenter noted that the most expensive aspect of barrier removal on existing play areas is the surfaces for the accessible routes and use zones. Several commenters expressed the view that where a play area is ancillary to a public accommodation (e.g., in quick service restaurants or shopping centers), the play area should be exempt from compliance with the supplemental requirements because barrier removal would be too costly, and as a result, the public accommodation might eliminate the area.

The Department has been persuaded that the ADA’s approach to barrier removal, the readily achievable standard, provides the appropriate balance for the application of the 2010 Standards to existing play areas. Thus, in existing playgrounds, public accommodations will be required to remove barriers to access where these barriers can be removed without much difficulty or expense.

The NPRM asked if there are State and local standards specifically regarding play and recreation area accessibility and whether facilities currently governed by, and in compliance with, such State and local standards or codes should be subject to a safe harbor from compliance with similar applicable requirements in the 2004 ADAAG. The Department also requested comments on

whether it would be appropriate for the Access Board to consider the implementation of guidelines that would extend such a safe harbor to play and recreation areas undertaking alterations. In response, no comprehensive State or local codes were identified, and commenters generally noted that because the 2004 ADAAG contained comprehensive accessibility requirements for these unique areas, public accommodations should not be afforded a safe harbor from compliance with them when altering play and recreation areas. The Department is persuaded by these comments that there is insufficient basis to apply a safe harbor for readily achievable barrier removal or alterations for play areas built in compliance with State or local laws.

In the NPRM, the Department requested that public accommodations identify a “tipping point” at which the costs of compliance with the supplemental requirements for existing play areas would be so burdensome that the entity simply would shut down the playground. In response, no tipping point was identified. Some commenters noted, however, that the scope of the requirements may create the choice between wholesale replacement of play areas and discontinuance of some play areas, while others speculated that some public accommodations may remove play areas that are merely ancillary amenities rather than incur the cost of barrier removal under the 2010 Standards. The Department has decided that the comments did not establish any clear tipping point and therefore that no regulatory response is appropriate in this area.

The NPRM also asked for comment about the potential effect of exempting existing play areas of less than 1,000 square feet in size from the requirements applicable to play areas. Many trade and business associations favored exempting these small play areas, with some arguing that where the play areas are only ancillary amenities, the cost of barrier removal may dictate that they be closed down. Some commenters sought guidance on the definition of a 1,000-square-foot play area, seeking clarification that seating and bathroom spaces associated with a play area are not included in the size definition. Disability rights advocates, by contrast, overwhelmingly opposed this exemption, arguing that these play areas may be some of the few available in a community; that restaurants and day care facilities are important places for socialization between children with disabilities and those without disabilities; that integrated play is important to the mission of day care centers and that many day care centers and play areas in large cities, such as New York City, have play areas that are less than 1,000 square feet in size; and that 1,000 square feet was an arbitrary size requirement.

The Department agrees that children with disabilities are entitled to access to integrated play opportunities. However, the Department is aware that small public accommodations are concerned about the costs and efforts associated with barrier removal. The Department has given careful consideration as to how best to insulate small entities from overly burdensome costs and undertakings and has concluded that the existing readily achievable standard, not a separate exemption, is an effective and employable method by which to protect these entities. Under the existing readily achievable standard, small public accommodations would be required to comply only with the scoping and technical requirements of the 2010 Standards that are easily accomplishable and able to be carried out without much difficulty or expense. Thus, concerns about prohibitive costs and efforts clearly are addressed by the existing readily achievable standard. Moreover, as evidenced by comments inquiring as to how 1,000-square-foot play areas are to be measured and complaining that the 1,000-square-foot cut-off is arbitrary, the exemption posited in the NPRM would have been difficult to apply. Finally, a separate exemption would have created confusion as to whether, or when, to apply the exemption or the readily achievable standard. Consequently, the Department has decided that an exemption, separate and apart from the readily achievable standard, is not appropriate or necessary for small private play areas.

In the NPRM, the Department requested public comment as to whether existing play areas should be permitted to substitute additional ground-level play components for the elevated play components that they otherwise would have been required to make accessible. Most commenters opposed this substitution because the guidelines as well as considerations of “readily achievable barrier removal” inherently contain the flexibility necessary for a variety of situations. Such commenters also noted that the Access Board adopted extensive guidelines with ample public input, including significant negotiation and balancing of costs. In addition, commenters advised that including additional ground level play components might result in higher costs because more accessible route surfaces might be required. A limited number of commenters favored substitution. The Department is persuaded by these comments that the proposed substitution of elements may not be beneficial. The current rules applicable to readily achievable barrier removal will be used to determine the number and type of accessible elements appropriate for a specific facility.

In the NPRM, the Department requested public comment on whether it would be appropriate for the Access Board to consider issuing guidelines for alterations to play and

recreation facilities that would permit reduced scoping of accessible components or substitution of ground level play components in lieu of elevated play components. The Department received little input on this issue, and most commenters disfavored the suggestion. One commenter that supported this approach conjectured that it would encourage public accommodations to maintain and improve their playgrounds as well as provide more accessibility. The Department is persuaded that it is not necessary to ask the Access Board to revisit this issue.

The NPRM also asked whether only one play area of each type should be required to comply at existing sites with multiple play areas and whether there are other select requirements applicable to play areas in the 2004 ADAAG for which the Department should consider exemptions or reduced scoping. Some commenters were opposed to the concept of requiring compliance at one play area of each type at a site with multiple play areas, citing lack of choice and ongoing segregation of children and adults with disabilities. Other commenters who supported an exemption and reduced scoping for alterations noted that the play equipment industry has adjusted to, and does not take issue with, the provisions of the 2004 ADAAG; however, they asked for some flexibility in the barrier removal requirements as applied to play equipment, arguing that augmentation of the existing equipment and installation of accessible play surfacing equates to wholesale replacement of the play equipment. The Department is persuaded that the current rules applicable to readily achievable barrier removal should be used to decide which play areas must comply with the supplemental requirements presented in the 2010 Standards.

*Swimming pools, wading pools, saunas, and steam rooms.* Section 36.304(d)(3)(ii) in the NPRM specified that for measures taken to comply with the barrier removal requirements, existing swimming pools with at least 300 linear feet of swimming pool wall would need to provide only one accessible means of entry that complies with section 1009.2 or section 1009.3 of the 2004 ADAAG, instead of the two means required for new construction. Commenters opposed the Department's reducing the scoping from that required in the 2004 ADAAG. The following were among the factors cited in comments: that swimming is a common therapeutic form of exercise for many individuals with disabilities; that the cost of a swimming pool lift or other options for pool access is readily achievable and can be accomplished without much difficulty or expense; and that the readily achievable standard already provides public accommodations with a means to reduce their scoping requirements. A few commenters cited safety concerns resulting from having just one accessible means of access, and stated that because pools typically have

one ladder for every 75 linear feet of pool wall, they should have more than one accessible means of egress. Other commenters either approved or did not oppose providing one accessible means of access for larger pools so long as a lift was used.

Section 36.304(d)(4)(ii) of the NPRM proposed to exempt existing swimming pools with fewer than 300 linear feet of swimming pool wall from the obligation to provide an accessible means of entry. Most commenters strongly opposed this provision, arguing that aquatic activity is a safe and beneficial form of exercise that is particularly appropriate for individuals with disabilities. Many argued that the readily achievable standard for barrier removal is available as a defense and is preferable to creating an exemption for pool operators for whom providing an accessible means of entry would be readily achievable. Commenters who supported this provision apparently assumed that providing an accessible means of entry would be readily achievable and that therefore the exemption is needed so that small pool operators do not have to provide an accessible means of entry.

The Department has carefully considered all the information available to it as well as the comments submitted on these two proposed exemptions for swimming pools owned or operated by title III entities. The Department acknowledges that swimming provides important therapeutic, exercise, and social benefits for many individuals with disabilities and is persuaded that exemption of the vast majority of privately owned or operated pools from the 2010 Standards is neither appropriate nor necessary. The Department agrees with the commenters that title III already contains sufficient limitations on private entities' obligations to remove barriers. In particular, the Department agrees that those public accommodations that can demonstrate that making particular existing swimming pools accessible in accordance with the 2010 Standards is not readily achievable are sufficiently protected from excessive compliance costs. Thus, the Department has eliminated proposed §36.304(d)(3)(ii) and (d)(4)(ii) from the final rule.

Proposed §36.304(d)(4)(iii) would have exempted existing saunas and steam rooms that seat only two individuals from the obligation to remove barriers. This provision generated far fewer comments than the provisions for swimming pools. People who commented were split fairly evenly between those who argued that the readily achievable standard for barrier removal should be applied to all existing saunas and steam rooms and those who argued that all existing saunas and steam rooms, regardless of size, should be exempt from any barrier removal obligations. The Department considered these comments and has decided to eliminate the exemption for existing saunas and

steam rooms that seat only two people. Such an exemption for saunas and steam rooms that seat only two people is unnecessary because the readily achievable standard provides sufficient protection against barrier removal that is overly expensive or too difficult. Moreover, the Department believes barrier removal likely will not be readily achievable for most of these small saunas because the nature of their prefabricated forms, which include built-in seats, make it either technically infeasible or too difficult or expensive to remove barriers. Consequently a separate exemption for saunas and steam rooms would have been superfluous. Finally, employing the readily achievable standard for small saunas and steam rooms is consistent with the Department's decisions regarding the proposed exemptions for play areas and swimming pools.

Several commenters also argued in favor of a specific exemption for existing spas. The Department notes that the technically infeasible and readily achievable defenses are applicable equally to existing spas and declines to adopt such an exemption.

The Department also solicited comment on the possibility of exempting existing wading pools from the obligation to remove barriers where readily achievable. Most commenters stated that installing a sloped entry in an existing wading pool is not likely to be feasible. Because covered entities are not required to undertake modifications that are not readily achievable or that would be technically infeasible, the Department believes that the rule as drafted provides sufficient protection from unwarranted expense to the operators of small existing wading pools. Other existing wading pools, particularly those large wading pools found in facilities such as water parks, must be assessed on a case-by-case basis. Therefore, the Department has not included an exemption for wading pools in its final rule.

The Department received several comments recommending that existing wave pools be exempt from barrier removal requirements. The commenters pointed out that existing wave pools often have a sloped entry, but do not have the handrails, level landings, or edge protection required for accessible entry. Because pool bottom slabs are structural, they could be subject to catastrophic failure if the soil pressure stability or the under slab dewatering are not maintained during the installation of these accessibility features in an already-constructed pool. They also argue that the only safe design scenario is to design the wheelchair ramp, pool lift, or transfer access in a side cove where the mean water level largely is unaffected by the wave action, and that this additional construction to an existing wave pool is not readily achievable. If located in the main pool area, the handrails, stanchions, and edge protection for sloped entry

will become underwater hazards when the wave action is pushing onto pool users, and the use of a pool lift will not be safe without a means of stabilizing the person against the forces of the waves while using the lift. They also pointed out that a wheelchair would pose a hazard to all wave pool users, in that the wave action might push other pool users into the wheelchair or push the wheelchair into other pool users. The wheelchair would have to be removed from the pool after the user has entered (and has transferred to a flotation device if needed). The commenters did not specify if these two latter concerns are applicable to all wave pools or only to those with more aggressive wave action. The Department has decided that the issue of modifications to wave pools is best addressed on a case-by-case basis, and therefore, this rule does not contain barrier removal exemptions applicable to wave pools.

The Department also received comments suggesting that it is not appropriate to require two accessible means of entry to wave pools, lazy rivers, sand bottom pools, and other water amusements that have only one point of entry. The Department agrees. The 2010 Standards (at section 242.2, Exception 2) provide that only one means of entry is required for wave pools, lazy rivers, sand bottom pools, and other water amusement where user access is limited to one area.

*Other recreation facilities.* In the NPRM, the Department asked about a number of issues relating to recreation facilities, such as team or player seating areas, areas of sport activity, exercise machines, boating facilities, fishing piers and platforms, golf courses, and miniature golf courses. The Department asked for public comment on the costs and benefits of applying the 2004 ADAAG to these spaces and facilities. The discussion of the comments received by the Department on these issues and the Department's response to those comments can be found in either the section entitled "Other Issues" of Appendix A to this final rule.

*Safe harbor for qualified small businesses.* Section 36.304(d)(5) of the NPRM would have provided that a qualified small business would meet its obligation to remove architectural barriers where readily achievable for a given year if, during that tax year, the entity spent at least 1 percent of its gross revenue in the preceding tax year on measures undertaken in compliance with barrier removal requirements. Proposed §36.304(d)(5) has been omitted from the final rule.

The qualified small business safe harbor was proposed in response to small business advocates' requests for clearer guidance on when barrier removal is, and is not, readily achievable. According to these groups, the Department's approach to readily achievable barrier removal disproportionately affects small business for the following reasons: (1) Small businesses are more likely to operate



in older buildings and facilities; (2) the 1991 Standards are too numerous and technical for most small business owners to understand and determine how they relate to State and local building or accessibility codes; and (3) small businesses are vulnerable to title III litigation and often are compelled to settle because they cannot afford the litigation costs involved in proving that an action is not readily achievable.

The 2010 Standards go a long way toward meeting the concern of small businesses with regard to achieving compliance with both Federal and State accessibility requirements, because the Access Board harmonized the 2004 ADAAG with the model codes that form the basis of most State and local accessibility codes. Moreover, the element-by-element safe harbor will ensure that unless and until a small business engages in alteration of affected elements, the small business will not have to retrofit elements that were constructed in compliance with the 1991 Standards or, with respect to elements in an existing facility, that were retrofitted to the 1991 Standards in conjunction with the business's barrier removal obligation prior to the rule's compliance date.

In proposing an additional safe harbor for small businesses, the Department had sought to promulgate a rule that would provide small businesses a level of certainty in short-term and long-term planning with respect to barrier removal. This in turn would benefit individuals with disabilities in that it would encourage small businesses to consider and incorporate barrier removal in their yearly budgets. Such a rule also would provide some protection, through diminished litigation risks, to small businesses that undertake significant barrier removal projects.

As proposed in the NPRM, the qualified small business safe harbor would provide that a qualified small business has met its readily achievable barrier removal obligations for a given year if, during that tax year, the entity has spent at least 1 percent of its gross revenue in the preceding tax year on measures undertaken to comply with title III barrier removal requirements. (Several small business advocacy organizations pointed out an inconsistency between the Department's description of the small business safe harbor in the Section-by-Section Analysis for §36.304 and the proposed regulatory text for that provision. The proposed regulatory text sets out the correct parameters of the proposed rule. The Department does not believe that the error substantively affected the comments on this issue. Some commenters noted the discrepancy and commented on both; others commented more generally on the proposal, so the discrepancy was not relevant.) The Department noted that the efficacy of any proposal for a small business safe harbor would turn on the following two determinations: (1) The defini-

tion of a qualified small business, and (2) the formula for calculating what percentage of revenue is sufficient to satisfy the readily achievable presumption.

As proposed in §36.104 in the NPRM, a "qualified small business" is a business entity defined as a small business concern under the regulations promulgated by the Small Business Administration (SBA) pursuant to the Small Business Act. *See* 15 U.S.C. 632; 13 CFR part 121. The Department noted that under section 3(a)(2)(C) of the Small Business Act, Federal departments and agencies are prohibited from prescribing a size standard for categorizing a business concern as a small business unless the department or agency has been authorized specifically to do so or has proposed a size standard in compliance with the criteria set forth in the SBA regulations, has provided an opportunity for public notice and comment on the proposed standard, and has received approval from the Administrator of the SBA to use the standard. *See* 15 U.S.C. 632(a)(2)(C). The Department further noted that Federal agencies or departments promulgating regulations relating to small businesses usually use SBA size criteria, and they otherwise must be prepared to justify how they arrived at a different standard and why the SBA's regulations do not satisfy the agency's program requirements. *See* 13 CFR 121.903. The ADA does not define "small business" or specifically authorize the Department to prescribe size standards.

In the NPRM, the Department indicated its belief that the size standards developed by the SBA are appropriate for determining which businesses subject to the ADA should be eligible for the small business safe harbor provisions, and proposed to adopt the SBA's size standards to define small businesses for purposes of the qualified small business safe harbor. The SBA's small business size standards define the maximum size that a concern, together with all of its affiliates, may be if it is to be eligible for Federal small business programs or to be considered a small business for the purpose of other Federal agency programs. Concerns primarily engaged in the same kind of economic activity are classified in the same industry regardless of their types of ownership (such as sole proprietorship, partnership, or corporation). Approximately 1200 industries are described in detail in the North American Industry Classification System—United States, 2007. For most businesses, the SBA has established a size standard based on average annual receipts. The majority of places of public accommodation will be classified as small businesses if their average annual receipts are less than \$6.5 million. However, some will qualify with higher annual receipts. The SBA small business size standards should be familiar to many if not most small businesses, and using these standards in the ADA

regulation would provide some certainty to owners, operators, and individuals because the SBA's current size standards can be changed only after notice and comment rule-making.

The Department explained in the NPRM that the choice of gross revenue as the basis for calculating the safe harbor threshold was intended to avoid the effect of differences in bookkeeping practices and to maximize accessibility consistent with congressional intent. The Department recognized, however, that entities with similar gross revenue could have very different net revenue, and that this difference might affect what is readily achievable for a particular entity. The Department also recognized that adopting a small business safe harbor would effect a marked change to the Department's current position on barrier removal. Accordingly, the Department sought public comment on whether a presumption should be adopted whereby qualifying small businesses are presumed to have done what is readily achievable for a given year if, during that tax year, the entity spent at least 1 percent of its gross revenue in the preceding tax year on barrier removal, and on whether 1 percent is an appropriate amount or whether gross revenue would be the appropriate measure.

The Department received many comments on the proposed qualified small business safe harbor. From the business community, comments were received from individual business owners and operators, industry and trade groups, and advocacy organizations for business and industry. From the disability community, comments were received from individuals, disability advocacy groups, and nonprofit organizations involved in providing services for persons with disabilities or involved in disability-related fields. The Department has considered all relevant matter submitted on this issue during the 60-day public comment period.

Small businesses and industry groups strongly supported a qualified small business safe harbor of some sort, but none supported the structure proposed by the Department in the NPRM. All felt strongly that clarifications and modifications were needed to strengthen the provision and to provide adequate protection from litigation.

Business commenters' objections to the proposed qualified small business safe harbor fell generally into three categories: (1) That gross revenue is an inappropriate and inaccurate basis for determining what is readily achievable by a small business since it does not take into account expenses that may result in a small business operating at a loss; (2) that courts will interpret the regulation to mean that a small business *must* spend 1 percent of gross revenue each year on barrier removal, *i.e.*, that expenditure of 1 percent of gross revenue on barrier removal is always "readily achievable"; and (3) that a similar

misinterpretation of the 1 percent gross revenue concept, *i.e.*, that 1 percent of gross revenue is always "readily achievable," will be applied to public accommodations that are not small businesses and that have substantially larger gross revenue. Business groups also expressed significant concern about the recordkeeping burdens they viewed as inherent in the Department's proposal.

Across the board, business commenters objected to the Department's proposed use of gross revenue as the basis for calculating whether the small business safe harbor has been met. All contended that 1 percent of gross revenue is too substantial a trigger for safe harbor protection and would result in barrier removal burdens far exceeding what is readily achievable or "easily accomplishable and able to be carried out without much difficulty or expense." 42 U.S.C. 12181(9). These commenters further pointed out that gross revenue and receipts vary considerably from industry to industry depending on the outputs sold in each industry, and that the use of gross revenue or receipts would therefore result in arbitrary and inequitable burdens on those subject to the rule. These commenters stated that the readily achievable analysis, and thus the safe harbor threshold, should be premised on a business's net revenue so that operating expenses are offset before determining what amount might be available for barrier removal. Many business commenters contended that barrier removal is not readily achievable if an entity is operating at a loss, and that a spending formula premised on net revenue can reflect more accurately businesses' ability to engage in barrier removal.

There was no consensus among the business commenters as to a formula that would reflect more accurately what is readily achievable for small businesses with respect to barrier removal. Those that proposed alternative formulas offered little in the way of substantive support for their proposals. One advocacy organization representing a large cross-section of small businesses provided some detail on the gross and net revenue of various industry types and sizes in support of its position that for nearly all small businesses, net revenue is a better indicator of a business's financial ability to spend money on barrier removal. The data also incidentally highlighted the importance and complexity of ensuring that each component in a safe harbor formula accurately informs and contributes to the ultimate question of what is and is not readily achievable for a small business.

Several business groups proposed that a threshold of 0.5 percent (or one-half of 1 percent) of gross revenue, or 2.5 percent of net revenue, spent on ADA compliance might be a workable measure of what is "readily achievable" for small businesses. Other groups proposed 3 to 5 percent of net revenue

as a possible measure. Several commenters proposed affording small businesses an option of using gross or net revenue to determine safe harbor eligibility. Another commenter proposed premising the safe harbor threshold on a designated percentage of the amount spent on renovation in a given year. Others proposed averaging gross or net revenue over a number of years to account for cyclical changes in economic and business environments. Additionally, many proposed that an entity should be able to roll over expenditures in excess of the safe harbor for inclusion in safe harbor analysis in subsequent years, to facilitate barrier removal planning and encourage large-scale barrier removal measures.

Another primary concern of many businesses and business groups is that the 1 percent threshold for safe harbor protection would become a de facto “floor” for what is readily achievable for any small business entity. These commenters urged the Department to clarify that readily achievable barrier removal remains the standard, and that in any given case, an entity retains the right to assert that barrier removal expenditures below the 1 percent threshold are not readily achievable. Other business groups worried that courts would apply the 1 percent calculus to questions of barrier removal by businesses too large to qualify for the small business safe harbor. These commenters requested clarification that the rationale underlying the Department’s determination that a percentage of gross revenue can appropriately approximate readily achievable barrier removal for small businesses does not apply outside the small business context.

Small businesses and business groups uniformly requested guidance as to what expenses would be included in barrier removal costs for purposes of determining whether the safe harbor threshold has been met. These commenters contended that any and all expenses associated with ADA compliance—*e.g.*, consultants, architects, engineers, staff training, and recordkeeping—should be included in the calculation. Some proposed that litigation-related expenses, including defensive litigation costs, also should be accounted for in a small business safe harbor. Additionally, several commenters urged the Department to issue a small business compliance guide with detailed guidance and examples regarding application of the readily achievable barrier removal standard and the safe harbor. Some commenters felt that the Department’s regulatory efforts should be focused on clarifying the readily achievable standard rather than on introducing a safe harbor based on a set spending level.

Businesses and business groups expressed concern that the Department’s proposed small business safe harbor would not alleviate small business vulnerability to litigation.

Individuals and advocacy groups were equally concerned that the practical effect of the Department’s proposal likely would be to accelerate or advance the initiation of litigation. These commenters pointed out that an individual encountering barriers in small business facilities will not know whether the entity is noncompliant or entitled to safe harbor protection. Safe harbor eligibility can be evaluated only after review of the small business’s barrier removal records and financial records. Individuals and advocacy groups argued that the Department should not promulgate a rule by which individuals must file suit to obtain the information needed to determine whether a lawsuit is appropriate in a particular case, and that, therefore, the rule should clarify that small businesses are required to produce such documentation to any individual upon request.

Several commenters noted that a small business safe harbor based on net, rather than gross, revenue would complicate exponentially its efficacy as an affirmative defense, because accounting practices and asserted expenses would be subject to discovery and dispute. One business advocacy group representing a large cross-section of small businesses noted that some small business owners and operators likely would be uncomfortable with producing detailed financial information, or could be prevented from using the safe harbor because of inadvertent recordkeeping deficiencies.

Individuals, advocacy groups, and non-profit organizations commenting on behalf of the disability community uniformly and strongly opposed a safe harbor for qualified small businesses, saying it is fundamentally at odds with the intent of Congress and the plain language of the ADA. These commenters contended that the case-specific factors underlying the statute’s readily achievable standard cannot be reconciled with a formulaic accounting approach, and that a blanket formula inherently is less fair, less flexible, and less effective than the current case-by-case determination for whether an action is readily achievable. Moreover, they argued, a small business safe harbor for readily achievable barrier removal is unnecessary because the statutory standard explicitly provides that a business need only spend what is readily achievable—an amount that may be more or less than 1 percent of revenue in any given year.

Several commenters opined that the formulaic approach proposed by the Department overlooks the factors that often prove most conducive and integral to readily achievable barrier removal—planning and prioritization. Many commenters expressed concern that the safe harbor creates an incentive for business entities to forego large-scale barrier removal in favor of smaller, less costly removal projects, regardless of

the relative access the measures might provide. Others commented that an emphasis on a formulaic amount rather than readily achievable barrier removal might result in competition among types of disabilities as to which barriers get removed first, or discrimination against particular types of disabilities if barrier removal for those groups is more expensive.

Many commenters opposed to the small business safe harbor proposed clarifications and limiting rules. A substantial number of commenters were strongly opposed to what they perceived as a vastly overbroad and overly complicated definition of “qualified small business” for purposes of eligibility for the safe harbor, and urged the Department to limit the qualified small business safe harbor to those businesses eligible for the ADA small business tax credit under section 44 of the Tax Code. Some commenters from the disability community contended that the spending level that triggers the safe harbor should be cumulative, to reflect the continuing nature of the readily achievable barrier obligation and to preclude a business from erasing years of unjustifiable inaction or insufficient action by spending up to the safe harbor threshold for one year. These commenters also sought explicit clarification that the small business safe harbor is an affirmative defense.

A number of commenters proposed that a business seeking to use the qualified small business safe harbor should be required to have a written barrier removal plan that contains a prioritized list of significant access barriers, a schedule for removal, and a description of the methods used to identify and prioritize barriers. These commenters argued that only spending consistent with the plan should count toward the qualified small business threshold.

After consideration of all relevant matter presented, the Department has concluded that neither the qualified small business safe harbor proposed in the NPRM nor any of the alternatives proposed by commenters will achieve the Department’s intended results. Business and industry commenters uniformly objected to a safe harbor based on gross revenue, argued that 1 percent of gross revenue was out of reach for most, if not all, small businesses, and asserted that a safe harbor based on net revenue would better capture whether and to what extent barrier removal is readily achievable for small businesses. Individuals and disability advocacy groups rejected a set formula as fundamentally inconsistent with the case-specific approach reflected in the statute.

Commenters on both sides noted ambiguity as to which ADA-related costs appropriately should be included in the calculation of the safe harbor threshold, and expressed concern about the practical effect of the proposed safe harbor on litigation. Disability organi-

zations expressed concern that the proposal might increase litigation because individuals with disabilities confronted with barriers in places of public accommodation would not be able to independently assess whether an entity is noncompliant or is, in fact, protected by the small business safe harbor. The Department notes that the concerns about enforcement-related complexity and expense likely would increase exponentially with a small business safe harbor based on net revenue.

The Department continues to believe that promulgation of a small business safe harbor would be within the scope of the Attorney General’s mandate under 42 U.S.C. 12186(b) to issue regulations to carry out the provisions of title III. Title III defines “readily achievable” to mean “easily accomplishable and able to be carried out without much difficulty or expense.” 42 U.S.C. 12181(9), and sets out factors to consider in determining whether an action is readily achievable. While the statutory factors reflect that whether an action is readily achievable is a fact-based determination, there is no inherent inconsistency with the Department’s proposition that a formula based on revenue and barrier removal expenditure could accurately approximate the high end of the level of expenditure that can be considered readily achievable for a circumscribed subset of title III entities defined, in part, by their maximum annual average receipts. Moreover, the Department’s obligation under the SBREFA to consider alternative means of compliance for small businesses, *see* 5 U.S.C. 603(c), further supports the Department’s conclusion that a well-targeted formula is a reasonable approach to implementation of the statute’s readily achievable standard. While the Department ultimately has concluded that a small business safe harbor should not be included in the final rule, the Department continues to believe that it is within the Department’s authority to develop and implement such a safe harbor.

As noted above, the business community strongly objected to a safe harbor premised on gross revenue, on the ground that gross revenue is an unreliable indicator of an entity’s ability to remove barriers, and urged the Department to formulate a safe harbor based on net revenue. The Department’s proposed use of gross revenue was intended to offer a measure of certainty for qualified small businesses while ensuring that those businesses continue to meet their ongoing obligation to remove architectural barriers where doing so is readily achievable.

The Department believes that a qualified small business safe harbor based on net revenue would be an unreliable indicator of what is readily achievable and would be unworkable in practice. Evaluation of what is readily achievable for a small business cannot rest solely on a business’s net revenue

because many decisions about expenses are inherently subjective, and in some cases a net loss may be more beneficial (in terms of taxes, for example) than a small net profit. The Department does not read the ADA's readily achievable standard to mean necessarily that architectural barrier removal is to be, or should be, a business's last concern, or that a business can claim that every barrier removal obligation is not readily achievable. Therefore, if a qualified small business safe harbor were to be premised on net revenue, assertion of the affirmative defense would trigger discovery and examination of the business's accounting methods and the validity or necessity of offsetting expenses. The practical benefits and legal certainty intended by the NPRM would be lost.

Because there was little to no support for the Department's proposed use of gross revenue and no workable alternatives are available at this time, the Department will not adopt a small business safe harbor in this final rule. Small business public accommodations are subject to the barrier removal requirements set out in §36.304 of the final rule. In addition, the Department plans to provide small businesses with more detailed guidance on assessing and meeting their barrier removal obligations in a small business compliance guide.

#### *Section 36.308 Seating in Assembly Areas*

In the 1991 rule, §36.308 covered seating obligations for public accommodations in assembly areas. It was bifurcated into (a) existing facilities and (b) new construction and alterations. The new construction and alterations provision, §36.308(b), merely stated that assembly areas should be built or altered in accordance with the applicable provisions in the 1991 Standards. Section 36.308(a), by contrast, provided detailed guidelines on what barrier removal was required.

The Department explained in the preamble to the 1991 rule that §36.308 provided specific rules on assembly areas to ensure that wheelchair users, who typically were relegated to inferior seating in the back of assembly areas separate from their friends and family, would be provided access to seats that were integrated and equal in quality to those provided to the general public. Specific guidance on assembly areas was desirable because they are found in many different types of places of public accommodation, ranging from opera houses (places of exhibition or entertainment) to private university lecture halls (places of education), and include assembly areas that range in size from small movie theaters of 100 or fewer seats to 100,000-seat sports stadiums.

In the NPRM, the Department proposed to update §36.308(a) by incorporating some of the applicable assembly area provisions from the 2010 Standards. Upon further review,

however, the Department has determined that the need to provide special guidance for assembly areas in a separate section no longer exists, except for specialty seating areas, as discussed below. Since enactment of the ADA, the Department has interpreted the 1991 Standards as a guide for determining the existence of barriers. Courts have affirmed this interpretation. *See, e.g., Colorado Cross Disability Coalition v. Too, Inc.*, 344 F. Supp. 2d 707 (D. Colo. 2004); *Access Now, Inc. v. AMH CGH, Inc.*, 2001 WL 1005593 (S.D. Fla. 2001); *Pascutti v. New York Yankees*, 87 F. Supp. 2d 221 (S.D.N.Y. 1999). The 2010 Standards now establish detailed guidance for newly constructed and altered assembly areas, which is provided in §36.406(f), and these Standards will serve as a new guide for barrier removal. Accordingly, the former §36.308(a) has been replaced in the final rule. Assembly areas will benefit from the same safe harbor provisions applicable to barrier removal in all places of public accommodations as provided in §36.304(d)(2) of the final rule.

The Department has also decided to remove proposed §36.308(c)(2) from the final rule. This provision would have required assembly areas with more than 5,000 seats to provide five wheelchair spaces with at least three designated companion seats for each of those five wheelchair spaces. The Department agrees with commenters who asserted that group seating already is addressed more appropriately in ticketing under §36.302(f).

The Department has determined that proposed §36.308(c)(1), addressing specialty seating in assembly areas, should remain as §36.308 in the final rule with additional language. This paragraph is designed to ensure that individuals with disabilities have an opportunity to access specialty seating areas that entitle spectators to distinct services or amenities not generally available to others. This provision is not, as several commenters mistakenly thought, designed to cover luxury boxes and suites. Those areas have separate requirements outlined in section 221 of the 2010 Standards.

Section 36.308 requires only that accessible seating be provided in each area with *distinct* services or amenities. To the extent a covered entity provides multiple seating areas with the same services and amenities, each of those areas would not be distinct and thus all of them would not be required to be accessible. For example, if a facility has similar dining service in two areas, both areas would not need to be made accessible; however, if one dining service area is open to families, while the other is open only to individuals over the age of 21, both areas would need to be made accessible. Factors distinguishing specialty seating areas generally are dictated by the type of facility or event, but may include, for example, such distinct services and amenities as access to wait staff

for in-seat food or beverage service; availability of catered food or beverages for pre-game, intermission, or post-game events; restricted access to lounges with special amenities, such as couches or flat-screen televisions; or access to team personnel or facilities for team-sponsored events (*e.g.*, autograph sessions, sideline passes, or facility tours) not otherwise available to other spectators.

The NPRM required public accommodations to locate wheelchair seating spaces and companion seats in each specialty seating area within the assembly area. The Department has added language in the final rule stating that public accommodations that cannot place wheelchair seating spaces and companion seats in each specialty area because it is not readily achievable to do so may meet their obligation by providing specialty services or amenities to individuals with disabilities and their companions at other designated accessible locations at no additional cost. For example, if a theater that only has barrier removal obligations provides wait service to spectators in the mezzanine, and it is not readily achievable to place accessible seating there, it may meet its obligation by providing wait service to patrons with disabilities who use wheelchairs and their companions at other designated accessible locations at no additional cost. This provision does not obviate the obligation to comply with applicable requirements for new construction and alterations, including dispersion of accessible seating.

*Section 36.309 Examinations and Courses*

Section 36.309(a) sets forth the general rule that any private entity that offers examinations or courses relating to applications, licensing, certification, or credentialing for secondary or postsecondary education, professional, or trade purposes shall offer such examinations or courses in a place and manner accessible to persons with disabilities or offer alternative accessible arrangements for such individuals. In the NPRM preamble and proposed regulatory amendment and in this final rule, the Department relied on its history of enforcement efforts, research, and body of knowledge of testing and modifications, accommodations, and aids in detailing steps testing entities should take to ensure that persons with disabilities receive appropriate modifications, accommodations, or auxiliary aids in examination and course settings as required by the ADA. The Department received comments from disability rights groups, organizations that administer tests, State governments, professional associations, and individuals on the language appearing in the NPRM preamble and amended regulation and has carefully considered these comments.

The Department initially set out the parameters of appropriate documentation requests relating to examinations and courses covered by this section in the 1991 preamble at 28 CFR part 36, stating that “requests for documentation must be reasonable and must be limited to the need for the modification or aid requested.” See 28 CFR part 36, app. B at 735 (2009). Since that time, the Department, through its enforcement efforts pursuant to section 309, has addressed concerns that requests by testing entities for documentation regarding the existence of an individual’s disability and need for a modification or auxiliary aid or service were often inappropriate and burdensome. The Department proposed language stating that while it may be appropriate for a testing entity to request that an applicant provide documentation supporting the existence of a disability and the need for a modification, accommodation, or auxiliary aid or service, the request by the testing entity for such documentation must be reasonable and limited. The NPRM proposed that testing entities should narrowly tailor requests for documentation, limiting those requests to materials that will allow the testing entities to ascertain the nature of the disability and the individual’s need for the requested modification, accommodation, or auxiliary aid or service. This proposal codified the 1991 rule’s preamble language regarding testing entities’ requests for information supporting applicants’ requests for testing modifications or accommodations.

Overall, most commenters supported this addition to the regulation. These commenters generally agreed that documentation sought by testing entities to support requests for modifications and testing accommodations should be reasonable and tailored. Commenters noted, for example, that the proposal to require reasonable and tailored documentation requests “is not objectionable. Indeed, it largely tracks DOJ’s longstanding informal guidance that ‘requests for documentation must be reasonable and limited to the need for the modification or aid requested.’”

Commenters including disability rights groups, State governments, professional associations, and individuals made it clear that, in addition to the proposed regulatory change, other significant problems remain for individuals with disabilities who seek necessary modifications to examinations and courses. These problems include detailed questions about the nature of documentation materials submitted by candidates, testing entities’ questioning of documentation provided by qualified professionals with expertise in the particular disability at issue, and lack of timeliness in determining whether to

provide requested accommodations or modifications. Several commenters expressed enthusiasm for the preamble language addressing some of these issues, and some of these commenters recommended the incorporation of portions of this preamble language into the regulatory text. Some testing entities expressed concerns and uncertainty about the language in the preamble and sought clarifications about its meaning. These commenters focused most of their attention on the following language from the NPRM preamble:

Generally, a testing entity should accept without further inquiry documentation provided by a qualified professional who has made an individualized assessment of the applicant. Appropriate documentation may include a letter from a qualified professional or evidence of a prior diagnosis, or accommodation, or classification, such as eligibility for a special education program. When an applicant's documentation is recent and demonstrates a consistent history of a diagnosis, there is no need for further inquiry into the nature of the disability. A testing entity should consider an applicant's past use of a particular auxiliary aid or service.

73 FR 34508, 34539 (June 17, 2008).

Professional organizations, State governments, individuals, and disability rights groups fully supported the Department's preamble language and recommended further modification of the regulations to encompass the issues raised in the preamble. A disability rights group recommended that the Department incorporate the preamble language into the regulations to ensure that "documentation demands are strictly limited in scope and met per se when documentation of previously provided accommodations or aids is provided." One professional education organization noted that many testing corporations disregard the documented diagnoses of qualified professionals, and instead substitute their own, often unqualified diagnoses of individuals with disabilities. Commenters confirmed that testing entities sometimes ask for unreasonable information that is either impossible, or extremely onerous, to provide. A disability rights organization supported the Department's proposals and noted that private testing companies impose burdensome documentation requirements upon applicants with disabilities seeking accommodations and that complying with the documentation requests is frequently so difficult, and negotiations over the requests so prolonged, that test applicants ultimately forgo taking the test. Another disability rights group urged the Department to "expand the final regulatory language to ensure that regulations accurately provide guidance and support the comments made about reducing the burden

of documenting the diagnosis and existence of a disability."

Testing entities, although generally supportive of the proposed regulatory amendment, expressed concern regarding the Department's proposed preamble language. The testing entities provided the Department with lengthy comments in which they suggested that the Department's rationale delineated in the preamble potentially could limit them from gathering meaningful and necessary documentation to determine whether, in any given circumstance, a disability is presented, whether modifications are warranted, and which modifications would be most appropriate. Some testing entities raised concerns about individuals skewing testing results by falsely claiming or feigning disabilities as an improper means of seeking advantage on an examination. Several testing entities raised concerns about and sought clarification regarding the Department's use of certain terms and concepts in the preamble, including "without further inquiry," "appropriate documentation," "qualified professional," "individualized assessment," and "consider." These entities discussed the preamble language at length, noting that testing entities need to be able to question some aspects of testing applicants' documentation or to request further documentation from some candidates when the initial documentation is unclear or incomplete. One testing entity expressed concern that the Department's preamble language would require the acceptance of a brief note on a doctor's prescription pad as adequate documentation of a disability and the need for an accommodation. One medical examination organization stated that the Department's preamble language would result in persons without disabilities receiving accommodations and passing examinations as part of a broad expansion of unwarranted accommodations, potentially endangering the health and welfare of the general public. Another medical board "strenuously objected" to the "without further inquiry" language. Several of the testing entities expressed concern that the Department's preamble language might require testing companies to accept documentation from persons with temporary or questionable disabilities, making test scores less reliable, harming persons with legitimate entitlements, and resulting in additional expense for testing companies to accommodate more test takers.

It remains the Department's view that, when testing entities receive documentation provided by a qualified professional who has made an individualized assessment of an applicant that supports the need for the modification, accommodation, or aid requested, they shall generally accept such documentation and provide the accommodation.

Several commenters sought clarifications on what types of documentation are acceptable to demonstrate the existence of a disability and the need for a requested modification, accommodation, or aid. The Department believes that appropriate documentation may vary depending on the nature of the disability and the specific modification or aid requested, and accordingly, testing entities should consider a variety of types of information submitted. Examples of types of information to consider include recommendations of qualified professionals familiar with the individual, results of psycho-educational or other professional evaluations, an applicant's history of diagnosis, participation in a special education program, observations by educators, or the applicant's past use of testing accommodations. If an applicant has been granted accommodations post-high school by a standardized testing agency, there is no need for reassessment for a subsequent examination.

Some commenters expressed concern regarding the use of the term "letter" in the proposed preamble sentence regarding appropriate documentation. The NPRM preamble language stated that "[a]ppropriate documentation may include a letter from a qualified professional or evidence of a prior diagnosis, accommodation, or classification, such as eligibility for a special education program." 73 FR 34508, 34539 (June 17, 2008). Some testing entities posited that the preamble language would require them to accept a brief letter from a doctor or even a doctor's note on a prescription pad indicating "I've been treating (student) for ADHD and he/she is entitled to extend time on the ACT." The Department's reference in the NPRM preamble to letters from physicians or other professionals was provided in order to offer examples of some types of acceptable documentation that may be considered by testing entities in evaluating the existence of an applicant's disability and the need for a certain modification, accommodation, or aid. No one piece of evidence may be dispositive in make a testing accommodation determination. The significance of a letter or other communication from a doctor or other qualified professional would depend on the professional's relationship with the candidate and the specific content of the communication, as well as how the letter fits in with the totality of the other factors used to determine testing accommodations under this rule. Similarly, an applicant's failure to provide results from a specific test or evaluation instrument should not of itself preclude approval of requests for modifications, accommodations, or aids if the documentation provided by the applicant, in its entirety, is sufficient to demonstrate that the individual has a disability and requires a requested modification, accommodation, or aid

on the relevant examination. This issue is discussed in more detail below.

One disability rights organization noted that requiring a 25-year old who was diagnosed in junior high school with a learning disability and accommodated ever since "to produce elementary school report cards to demonstrate symptomology before the age of seven is unduly burdensome." The same organization commented that requiring an individual with a long and early history of disability to be assessed within three years of taking the test in question is similarly burdensome, stating that "[t]here is no scientific evidence that learning disabilities abate with time, nor that Attention Deficits abate with time \* \* \*." This organization noted that there is no justification for repeatedly subjecting people to expensive testing regimens simply to satisfy a disbelieving industry. This is particularly true for adults with, for example, learning disabilities such as dyslexia, a persistent condition without the need for retesting once the diagnosis has been established and accepted by a standardized testing agency.

Some commenters from testing entities sought clarification regarding who may be considered a "qualified professional." Qualified professionals are licensed or otherwise properly credentialed and possess expertise in the disability for which modifications or accommodations are sought. For example, a podiatrist would not be considered to be a qualified professional to diagnose a learning disability or support a request for testing accommodations on that basis. Types of professionals who might possess the appropriate credentials and expertise are doctors (including psychiatrists), psychologists, nurses, physical therapists, occupational therapists, speech therapists, vocational rehabilitation specialists, school counselors, and licensed mental health professionals. Additionally, while testing applicants should present documentation from qualified professionals with expertise in the pertinent field, it also is critical that testing entities that review documentation submitted by prospective examinees in support of requests for testing modifications or accommodations ensure that their own reviews are conducted by qualified professionals with similarly relevant expertise.

Commenters also sought clarification of the term individualized assessment. The Department's intention in using this term is to ensure that documentation provided on behalf of a testing candidate is not only provided by a qualified professional, but also reflects that the qualified professional has individually and personally evaluated the candidate as opposed to simply considering scores from a review of documents. This is particularly important in the learning disabilities context, where proper diagnosis requires face-to-face evaluation. Reports from



experts who have personal familiarity with the candidate should take precedence over those from, for example, reviewers for testing agencies, who have never personally met the candidate or conducted the requisite assessments for diagnosis and treatment.

Some testing entities objected to the NPRM preamble's use of the phrase "without further inquiry." The Department's intention here is to address the extent to which testing entities should accept documentation provided by an applicant when the testing entity is determining the need for modifications, accommodations, or auxiliary aids or services. The Department's view is that applicants who submit appropriate documentation, *e.g.*, documentation that is based on the careful individual consideration of the candidate by a professional with expertise relating to the disability in question, should not be subjected to unreasonably burdensome requests for additional documentation. While some testing commenters objected to this standard, it reflects the Department's longstanding position. When an applicant's documentation demonstrates a consistent history of a diagnosis of a disability, and is prepared by a qualified professional who has made an individualized evaluation of the applicant, there is little need for further inquiry into the nature of the disability and generally testing entities should grant the requested modification, accommodation, or aid.

After a careful review of the comments, the Department has decided to maintain the proposed regulatory language on the scope of appropriate documentation in §36.309(b)(1)(iv). The Department has also added new regulatory language at §36.309(b)(1)(v) that provides that testing entities shall give considerable weight to documentation of past modifications, accommodations, or auxiliary aids or services received in similar testing situations as well as such modifications, accommodations, or related aids and services provided in response to an Individualized Education Program (IEP) provided under the Individuals with Disabilities Education Act (IDEA) or a plan providing services pursuant to section 504 of the Rehabilitation Act of 1973, as amended (often referred to as a Section 504 Plan). These additions to the regulation are necessary because the Department's position on the bounds of appropriate documentation contained in Appendix B, 28 CFR part 36, app. B (2009), has not been implemented consistently and fully by organizations that administer tests.

The new regulatory language clarifies that an applicant's past use of a particular modification, accommodation, or auxiliary aid or service in a similar testing setting or pursuant to an IEP or Section 504 Plan provides critical information in determining those examination modifications that would be ap-

plicable in a given circumstance. The addition of this language and the appropriate weight to be accorded it is seen as important by the Department because the types of accommodations provided in both these circumstances are typically granted in the context of individual consideration of a student's needs by a team of qualified and experienced professionals. Even though these accommodations decisions form a common sense and logical basis for testing entities to rely upon, they are often discounted and ignored by testing entities.

For example, considerable weight is warranted when a student with a Section 504 Plan in place since middle school that includes the accommodations of extra time and a quiet room for testing is seeking these same accommodations from a testing entity covered by section 309 of the Act. In this example, a testing entity receiving such documentation should clearly grant the request for accommodations. A history of test accommodations in secondary schools or in post-secondary institutions, particularly when determined through the rigors of a process required and detailed by Federal law, is as useful and instructive for determining whether a specific accommodation is required as accommodations provided in standardized testing situations.

It is important to note, however, that the inclusion of this weight does not suggest that individuals without IEPs or Section 504 Plans are not also entitled to receive testing accommodations. Indeed, it is recommended that testing entities must consider the entirety of an applicant's history to determine whether that history, even without the context of a IEP or Section 504 Plan, indicates a need for accommodations. In addition, many students with learning disabilities have made use of informal, but effective accommodations. For example, such students often receive undocumented accommodations such as time to complete tests after school or at lunchtime, or being graded on content and not form or spelling of written work. Finally, testing entities shall also consider that because private schools are not subject to the IDEA, students at private schools may have a history of receiving accommodations in similar settings that are not pursuant to an IEP or Section 504 Plan.

Some testing entities sought clarification that they should only be required to consider particular use of past modifications, accommodations, auxiliary aids or services received by testing candidates for prior testing and examination settings. These commenters noted that it would be unhelpful to consider the classroom accommodations for a testing candidate, as those accommodations would not typically apply in a standardized test setting. The Department's history of enforcement in this area has demonstrated

that a recent history of past accommodations is critical to an understanding of the applicant's disability and the appropriateness of testing accommodations.

The Department also incorporates the NPRM preamble's "timely manner" concept into the new regulatory language at §36.309(b)(1)(vi). Under this provision, testing entities are required to respond in a timely manner to requests for testing accommodations in order to ensure equal opportunity for persons with disabilities. Testing entities are to ensure that their established process for securing testing accommodations provides applicants with a reasonable opportunity to supplement the testing entities' requests for additional information, if necessary, and still be able to take the test in the same testing cycle. A disability rights organization commented that testing entities should not subject applicants to unreasonable and intrusive requests for information in a process that should provide persons with disabilities effective modifications in a timely manner, fulfilling the core objective of title III to provide equal access. Echoing this perspective, several disability rights organizations and a State government commenter urged that testing entities should not make unreasonably burdensome demands for documentation, particularly where those demands create impediments to receiving accommodations in a timely manner. Access to examinations should be offered to persons with disabilities in as timely a manner as it is offered to persons without disabilities. Failure by a testing entity to act in a timely manner, coupled with seeking unnecessary documentation, could result in such an extended delay that it constitutes a denial of equal opportunity or equal treatment in an examination setting for persons with disabilities.

#### *Section 36.311 Mobility Devices*

Section 36.311 of the NPRM clarified the scope and circumstances under which covered entities are legally obligated to accommodate various "mobility devices." Section 36.311 set forth specific requirements for the accommodation of mobility devices, including wheelchairs, manually-powered mobility aids, and other power-driven mobility devices.

In both the NPRM and the final rule, §36.311(a) states the general rule that in any areas open to pedestrians, public accommodations shall permit individuals with mobility disabilities to use wheelchairs and manually-powered mobility aids, including walkers, crutches, canes, braces, or similar devices. Because mobility scooters satisfy the definition of "wheelchair" (i.e., "a manually-operated or power-driven device designed primarily for use by an individual with a mobility disability for the main pur-

pose of indoor, or of both indoor and outdoor locomotion"), the reference to them in §36.311(a) of the final rule has been omitted to avoid redundancy.

Most business commenters expressed concern that permitting the use of other power-driven mobility devices by individuals with mobility disabilities would make such devices akin to wheelchairs and would require them to make physical changes to their facilities to accommodate their use. This concern is misplaced. If a facility complies with the applicable design requirements in the 1991 Standards or the 2010 Standards, the public accommodation will not be required to exceed those standards to accommodate the use of wheelchairs or other power-driven mobility devices that exceed those requirements.

*Legal standard for other power-driven mobility devices.* The NPRM version of §36.311(b) provided that a public accommodation "shall make reasonable modifications in its policies, practices, and procedures to permit the use of other power-driven mobility devices by individuals with disabilities, unless the public accommodation can demonstrate that the use of the device is not reasonable or that its use will result in a fundamental alteration in the nature of the public accommodation's goods, services, facilities, privileges, advantages, or accommodations." 73 FR 34508, 34556 (June 17, 2008). In other words, public accommodations are by default required to permit the use of other power-driven mobility devices; the burden is on them to prove the existence of a valid exception.

Most commenters supported the notion of assessing whether the use of a particular device is reasonable in the context of a particular venue. Commenters, however, disagreed about the meaning of the word "reasonable" as it is used in §36.311(b) of the NPRM. Virtually every business and industry commenter took the use of the word "reasonable" to mean that a general reasonableness standard would be applied in making such an assessment. Advocacy and non-profit groups almost universally objected to the use of a general reasonableness standard with regard to the assessment of whether a particular device should be allowed at a particular venue. They argued that the assessment should be based on whether reasonable modifications could be made to allow a particular device at a particular venue, and that the only factors that should be part of the calculus that results in the exclusion of a particular device are undue burden, direct threat, and fundamental alteration.

A few commenters opposed the proposed provision requiring public accommodations to assess whether reasonable modifications can be made to allow other power-driven mobility devices, preferring instead that the Department issue guidance materials so that public accommodations would not have to

incur the cost of such analyses. Another commenter noted a “fox guarding the hen house”-type of concern with regard to public accommodations developing and enforcing their own modification policy.

In response to comments received, the Department has revised §36.311(b) to provide greater clarity regarding the development of legitimate safety requirements regarding other power-driven mobility devices. The Department has not retained the proposed NPRM language stating that an other power-driven mobility device can be excluded if a public accommodation can demonstrate that the use of the device is not reasonable or that its use fundamentally alters the nature of the goods, services, facilities, privileges, advantages, or accommodations offered by the public accommodation because the Department believes that these exceptions are covered by the general reasonable modification requirement contained in §36.302.

*Assessment factors.* Section 36.311(c) of the NPRM required public accommodations to “establish policies to permit the use of other power-driven mobility devices” and articulated four factors upon which public accommodations must base decisions as to whether a modification is reasonable to allow the use of a class of other power-driven mobility devices by individuals with disabilities in specific venues (*e.g.*, doctors’ offices, parks, commercial buildings, etc.). 73 FR 34508, 34556 (June 17, 2008).

The Department has relocated and modified the NPRM text that appeared in §36.311(c) to new paragraph §36.311(b)(2) to clarify what factors the public accommodation shall use in determining whether a particular other power-driven mobility device can be allowed in a specific facility as a reasonable modification. Section 36.311(b)(2) now states that “[i]n determining whether a particular other power-driven mobility device can be allowed in a specific facility as a reasonable modification under (b)(1), a public accommodation shall consider” certain enumerated factors. The assessment factors are designed to assist public accommodations in determining whether allowing the use of a particular other power-driven mobility device in a specific facility is reasonable. Thus, the focus of the analysis must be on the appropriateness of the use of the device at a specific facility, rather than whether it is necessary for an individual to use a particular device.

The NPRM proposed the following specific assessment factors: (1) The dimensions, weight, and operating speed of the mobility device in relation to a wheelchair; (2) the potential risk of harm to others by the operation of the mobility device; (3) the risk of harm to the environment or natural or cultural resources or conflict with Federal land management laws and regulations; and (4) the ability of the public accommodation to

stow the mobility device when not in use, if requested by the user.

Factor 1 was designed to help public accommodations assess whether a particular device was appropriate, given its particular physical features, for a particular location. Virtually all commenters said the physical features of the device affected their view of whether a particular device was appropriate for a particular location. For example, while many commenters supported the use of an other power-driven mobility device if the device were a Segway® PT, because of environmental and health concerns they did not offer the same level of support if the device were an off-highway vehicle, all-terrain vehicle (ATV), golf car, or other device with a fuel-powered or combustion engine. Most commenters noted that indicators such as speed, weight, and dimension really were an assessment of the appropriateness of a particular device in specific venues and suggested that factor 1 say this more specifically.

The term “in relation to a wheelchair” in the NPRM’s factor 1 apparently created some concern that the same legal standards that apply to wheelchairs would be applied to other power-driven mobility devices. The Department has omitted the term “in relation to a wheelchair” from §36.311(b)(2)(i) to clarify that if a facility that is in compliance with the applicable provisions of the 1991 Standards or the 2010 Standards grants permission for an other power-driven mobility device to go on-site, it is not required to exceed those standards to accommodate the use of other power-driven mobility devices.

In response to requests that NPRM factor 1 state more specifically that it requires an assessment of an other power-driven mobility device’s appropriateness under particular circumstances or in particular venues, the Department has added several factors and more specific language. In addition, although the NPRM made reference to the operation of other power-driven mobility devices in “specific venues,” the Department’s intent is captured more clearly by referencing “specific facility” in paragraph (b)(2). The Department also notes that while speed is included in factor 1, public accommodations should not rely solely on a device’s top speed when assessing whether the device can be accommodated; instead, public accommodations should also consider the minimum speeds at which a device can be operated and whether the development of speed limit policies can be established to address concerns regarding the speed of the device. Finally, since the ability of the public accommodation to stow the mobility device when not in use is an aspect of its design and operational characteristics, the text proposed as factor 4 in the NPRM has been incorporated in paragraph (b)(2)(iii).

The NPRM's version of factor 2 provided that the "potential risk of harm to others by the operation of the mobility device" is one of the determinants in the assessment of whether other power-driven mobility devices should be excluded from a site. With this language, the Department intended to incorporate the safety standard found in §36.301(b), which provides that public accommodations may "impose legitimate safety requirements that are necessary for safe operation" into the assessment. However, several commenters indicated that they read this language, particularly the phrase "potential risk of harm" to mean that the Department had adopted a concept of risk analysis different from that which is in the existing standards. The Department did not intend to create a new standard and has changed the language in paragraphs (b)(1) and (b)(2) to clarify the applicable standards, thereby avoiding the introduction of new assessments of risk beyond those necessary for the safe operation of the public accommodation.

While all applicable affirmative defenses are available to public accommodations in the establishment and execution of their policies regarding other power-driven mobility devices, the Department did not explicitly incorporate the direct threat defense into the assessment factors because §36.301(b) provides public accommodations the appropriate framework with which to assess whether legitimate safety requirements that may preclude the use of certain other power-driven mobility devices are necessary for the safe operation of the public accommodation. In order to be legitimate, the safety requirement must be based on actual risks and not mere speculation regarding the device or how it will be operated. Of course, public accommodations may enforce legitimate safety rules established for the operation of other-power driven mobility devices (e.g., reasonable speed restrictions). Finally, NPRM factor 3 concerning environmental resources and conflicts of law has been relocated to paragraph (b)(2)(v).

As a result of these comments and requests, NPRM factors 1, 2, 3, and 4 have been revised and renumbered within paragraph 36.311(b)(2) in the final rule.

Several commenters requested that the Department provide guidance materials or more explicit concepts of which considerations might be appropriate for inclusion in a policy that allows the use of other power-driven mobility devices. A public accommodation that has determined that reasonable modifications can be made in its policies, practices, or procedures to allow the use of other power-driven mobility devices should develop a policy that clearly states the circumstances under which the use of other power-driven mobility devices by individuals with a mobility disability will be permitted.

It also should include clear, concise statements of specific rules governing the operation of such devices. Finally, the public accommodation should endeavor to provide individuals with disabilities who use other power-driven mobility devices with advanced notice of its policy regarding the use of such devices and what rules apply to the operation of these devices.

For example, the U.S. General Services Administration (GSA) has developed a policy allowing the use of the Segway® PT and other EPAMDs in all Federal buildings under GSA's jurisdiction. See General Services Administration, *Interim Segway® Personal Transporter Policy* (Dec. 3, 2007), available at [http://www.gsa.gov/graphics/pbs/Interim\\_Segway\\_Policy\\_121007.pdf](http://www.gsa.gov/graphics/pbs/Interim_Segway_Policy_121007.pdf) (last visited June 24, 2010). The GSA policy defines the policy's scope of coverage by setting out what devices are and are not covered by the policy. The policy also sets out requirements for safe operation, such as a speed limit, prohibits the use of EPAMDs on escalators, and provides guidance regarding security screening of these devices and their operators.

A public accommodation that determines that it can make reasonable modifications to permit the use of an other power-driven mobility device by an individual with a mobility disability might include in its policy the procedure by which claims that the other power-driven mobility device is being used for a mobility disability will be assessed for legitimacy (i.e., a credible assurance that the device is being used for a mobility disability, including a verbal representation by the person with a disability that is not contradicted by observable fact, or the presentation of a disability parking space placard or card, or State-issued proof of disability); the type or classes of other power-driven mobility devices are permitted to be used by individuals with mobility disabilities; the size, weight, and dimensions of the other power-driven mobility devices that are permitted to be used by individuals with mobility disabilities; the speed limit for the other power-driven mobility devices that are permitted to be used by individuals with mobility disabilities; the places, times, or circumstances under which the use of the other power-driven mobility devices is or will be restricted or prohibited; safety, pedestrian, and other rules concerning the use of the other power-driven mobility devices; whether, and under which circumstances, storage for the other power-driven mobility devices will be made available; and how and where individuals with a mobility disability can obtain a copy of the other power-driven mobility device policy.

Public accommodations also might consider grouping other power-driven mobility devices by type (e.g., EPAMDs, golf cars, gasoline-powered vehicles, and other devices).

For example, an amusement park may determine that it is reasonable to allow individuals with disabilities to use EPAMDs in a variety of outdoor programs and activities, but that it would not be reasonable to allow the use of golf cars as mobility devices in similar circumstances. At the same time, the entity may address its concerns about factors such as space limitations by disallowing use of EPAMDs by members of the general public who do not have mobility disabilities.

The Department anticipates that in many circumstances, public accommodations will be able to develop policies that will allow the use of other power-driven mobility devices by individuals with mobility disabilities without resulting in a fundamental alteration of a public accommodation's goods, services, facilities, privileges, advantages, or accommodations. Consider the following examples:

*Example 1:* Although individuals who do not have mobility disabilities are prohibited from operating EPAMDs at a theme park, the park has developed a policy allowing individuals with mobility disabilities to use EPAMDs as their mobility device at the park. The policy states that EPAMDs are allowed in all areas of the theme park that are open to pedestrians as a reasonable modification to its general policy on EPAMDs. The public accommodation has determined that the facility provides adequate space for a taller device, such as an EPAMD, and that it does not fundamentally alter the nature of the theme park's goods and services. The theme park's policies do, however, require that EPAMDs be operated at a safe speed limit. A theme park employee may inquire at the ticket gate whether the device is needed due to the user's disability or may request the presentation of a valid, State-issued, disability parking placard (though presentation of such a placard is not necessary), or other State-issued proof of disability or a credible assurance that the use of the EPAMD is for the individual's mobility disability. The park employee also may inform an individual with a disability using an EPAMD that the theme park's policy requires that it be operated at or below the park's designated speed limit.

*Example 2:* A shopping mall has developed a policy whereby EPAMDs may be operated by individuals with mobility disabilities in the common pedestrian areas of the mall if the operator of the device agrees to the following: to operate the device no faster than the speed limit set by the policy; to use the elevator, not the escalator, to transport the EPAMD to different levels; to yield to pedestrian traffic; not to leave the device unattended unless it can stand upright and has a locking system; to refrain from using the device temporarily if the mall manager determines that the volume of pedestrian traffic

is such that the operation of the device would interfere with legitimate safety requirements; and to present the mall management office with a valid, State-issued, disability parking placard (though presentation of such a placard is not necessary), or State-issued proof of disability, as a credible assurance that the use of the EPAMD is for the individual's mobility disability, upon entry to the mall.

*Inquiry into the use of other power-driven mobility device.* Section 36.311(d) of the NPRM provided that a "public accommodation may ask a person using a power-driven mobility device if the mobility device is required because of the person's disability. A public accommodation shall not ask a person using a mobility device questions about the nature and extent of the person's disability." 73 FR 34508, 34556 (June 17, 2008).

While business commenters did not take issue with applying this standard to individuals who use wheelchairs, they were not satisfied with the application of this standard to other power-driven mobility devices. Business commenters expressed concern about people feigning mobility disabilities to be able to use other power-driven mobility devices in public accommodations in which their use is otherwise restricted. These commenters felt that a mere inquiry into whether the device is being used for a mobility disability was an insufficient mechanism by which to detect fraud by other power-driven mobility device users who do not have mobility disabilities. These commenters believed they should be given more latitude to make inquiries of other power-driven mobility device users claiming a mobility disability than they would be given for wheelchair users. They sought the ability to establish a policy or method by which public accommodations may assess the legitimacy of the mobility disability. They suggested some form of certification, sticker, or other designation. One commenter suggested a requirement that a sticker bearing the international symbol for accessibility be placed on the device or that some other identification be required to signal that the use of the device is for a mobility disability. Other suggestions included displaying a disability parking placard on the device or issuing EPAMDs, like the Segway® PT, a permit that would be similar to permits associated with parking spaces reserved for those with disabilities.

Advocacy, nonprofit, and several individual commenters balked at the notion of allowing any inquiry beyond whether the device is necessary for a mobility disability and encouraged the Department to retain the NPRM's language on this topic. Other commenters, however, were empathetic with commenters who had concerns about fraud. At least one Segway® PT advocate suggested

it would be permissible to seek documentation of the mobility disability in the form of a simple sign or permit.

The Department has sought to find common ground by balancing the needs of businesses and individuals with mobility disabilities wishing to use other power-driven mobility devices with the Department's long-standing, well-established policy of not allowing public accommodations or establishments to require proof of a mobility disability. There is no question that public accommodations have a legitimate interest in ferreting out fraudulent representations of mobility disabilities, especially given the recreational use of other power-driven mobility devices and the potential safety concerns created by having too many such devices in a specific facility at one time. However, the privacy of individuals with mobility disabilities and respect for those individuals are also vitally important.

Neither §36.311(d) of the NPRM nor §36.311(c) of the final rule permits inquiries into the nature of a person's mobility disability. However, the Department does not believe it is unreasonable or overly intrusive for an individual with a mobility disability seeking to use an other power-driven mobility device to provide a credible assurance to verify that the use of the other power-driven mobility device is for a mobility disability. The Department sought to minimize the amount of discretion and subjectivity exercised by public accommodations in assessing whether an individual has a mobility disability and to allow public accommodations to verify the existence of a mobility disability. The solution was derived from comments made by several individuals who said they have been admitted with their Segway® PTs into public entities and public accommodations that ordinarily do not allow these devices on-site when they have presented or displayed State-issued disability parking placards. In the examples provided by commenters, the parking placards were accepted as verification that the Segway® PTs were being used as mobility devices.

Because many individuals with mobility disabilities avail themselves of State programs that issue disability parking placards or cards and because these programs have penalties for fraudulent representations of identity and disability, utilizing the parking placard system as a means to establish the existence of a mobility disability strikes a balance between the need for privacy of the individual and fraud protection for the public accommodation. Consequently, the Department has decided to include regulatory text in §36.311(c)(2) of the final rule that requires public accommodations to accept the presentation of a valid, State-issued disability parking placard or card, or State-issued proof of disability, as verification that an individual uses the other power-driven

mobility device for his or her mobility disability. A "valid" disability placard or card is one that is presented by the individual to whom it was issued and is otherwise in compliance with the State of issuance's requirements for disability placards or cards. Public accommodations are required to accept a valid, State-issued disability parking placard or card, or State-issued proof of disability, as a credible assurance, but they cannot demand or require the presentation of a valid disability placard or card, or State-issued proof of disability, as a prerequisite for use of an other power-driven mobility device, because not all persons with mobility disabilities have such means of proof. If an individual with a mobility disability does not have such a placard or card, or State-issued proof of disability, he or she may present other information that would serve as a credible assurance of the existence of a mobility disability.

In lieu of a valid, State-issued disability parking placard or card, or State-issued proof of disability, a verbal representation, not contradicted by observable fact, shall be accepted as a credible assurance that the other power-driven mobility device is being used because of a mobility disability. This does not mean, however, that a mobility disability must be observable as a condition for allowing the use of an other power-driven mobility device by an individual with a mobility disability, but rather that if an individual represents that a device is being used for a mobility disability and that individual is observed thereafter engaging in a physical activity that is contrary to the nature of the represented disability, the assurance given is no longer credible and the individual may be prevented from using the device.

Possession of a valid, State-issued disability parking placard or card or a verbal assurance does not trump a public accommodation's valid restrictions on the use of other power-driven mobility devices. Accordingly, a credible assurance that the other power-driven mobility device is being used because of a mobility disability is not a guarantee of entry to a public accommodation because notwithstanding such a credible assurance, use of the device in a particular venue may be at odds with the legal standard in §36.311(b)(1) or with one or more of the §36.311(b)(2) factors. Only after an individual with a disability has satisfied all of the public accommodation's policies regarding the use of other power-driven mobility devices does a credible assurance become a factor in allowing the use of the device. For example, if an individual seeking to use an other power-driven mobility device fails to satisfy any of the public accommodation's stated policies regarding the use of other power-driven mobility devices, the fact that the individual legitimately possesses and presents a valid, State-issued disability parking

placard or card, or State-issued proof of disability, does not trump the policy and require the public accommodation to allow the use of the device. In fact, in some instances, the presentation of a legitimately held placard or card, or State-issued proof of disability, will have no relevance or bearing at all on whether the other power-driven mobility device may be used, because the public accommodation's policy does not permit the device in question on-site under any circumstances (*e.g.*, because its use would create a substantial risk of serious harm to the immediate environment or natural or cultural resources). Thus, an individual with a mobility disability who presents a valid disability placard or card, or State-issued proof of disability, will not be able to use an ATV as an other power-driven mobility device in a mall or a restaurant if the mall or restaurant has adopted a policy banning their use for any or all of the above-mentioned reasons.

However, an individual with a mobility disability who has complied with a public accommodation's stated policies cannot be refused use of the other power-driven mobility device if he or she has provided a credible assurance that the use of the device is for a mobility disability.

#### SUBPART D—NEW CONSTRUCTION AND ALTERATIONS

Subpart D establishes the title III requirements applicable to new construction and alterations. The Department has amended this subpart to adopt the 2004 ADAAG, set forth the effective dates for implementation of the 2010 Standards, and make related revisions as described below.

##### *Section 36.403 Alterations: Path of Travel*

In the NPRM, the Department proposed one change to §36.403 on alterations and path of travel by adding a path of travel safe harbor. Proposed §36.403(a)(1) stated that if a private entity has constructed or altered required elements of a path of travel in accordance with the 1991 Standards, the private entity is not required to retrofit such elements to reflect incremental changes in the 2010 Standards solely because of an alteration to a primary function area served by that path of travel.

A substantial number of commenters objected to the Department's creation of a safe harbor for alterations to required elements of a path of travel that comply with the current 1991 Standards. These commenters argued that if a public accommodation already is in the process of altering its facility, there should be a legal requirement that individuals with disabilities are entitled to increased accessibility provided by the 2004 ADAAG for path of travel work. These commenters also stated that they did not believe

there was a statutory basis for "grandfathering" facilities that comply with the 1991 Standards. Another commenter argued that the updates incorporated into the 2004 ADAAG provide very substantial improvements for access, and that since there already is a 20 percent cost limit on the amount that can be expended on path of travel alterations, there is no need for a further limitation.

Some commenters supported the safe harbor as lessening the economic costs of implementing the 2004 ADAAG for existing facilities. One commenter also stated that without the safe harbor, entities that already have complied with the 1991 Standards will have to make and pay for compliance twice, as compared to those entities that made no effort to comply in the first place. Another commenter asked that the safe harbor be revised to include pre-ADA facilities that have been made compliant with the 1991 Standards to the extent "readily achievable" or, in the case of alterations, "to the maximum extent feasible," but that are not in full compliance with the 1991 Standards.

The final rule retains the safe harbor for required elements of a path of travel to altered primary function areas for private entities that already have complied with the 1991 Standards with respect to those required elements. As discussed with respect to §36.304, the Department believes that this safe harbor strikes an appropriate balance between ensuring that individuals with disabilities are provided access to buildings and facilities and mitigating potential financial burdens on existing places of public accommodation that are undertaking alterations subject to the 2010 Standards. This safe harbor is not a blanket exemption for facilities. If a private entity undertakes an alteration to a primary function area, only the required elements of a path of travel to that area that already comply with the 1991 Standards are subject to the safe harbor. If a private entity undertakes an alteration to a primary function area and the required elements of a path of travel to the altered area do not comply with the 1991 Standards, then the private entity must bring those elements into compliance with the 2010 Standards.

##### *Section 36.405 Alterations: Historic Preservation*

In the 1991 rule, the Department provided guidance on making alterations to buildings or facilities that are eligible for listing in the National Register of Historic Places under the National Historic Preservation Act or that are designated as historic under State or local law. That provision referenced the 1991 Standards. Because those cross-references to the 1991 Standards are no longer applicable, it is necessary in this final rule

to provide new regulatory text. No substantive change in the Department's approach in this area is intended by this revision.

*Section 36.406 Standards for New Construction and Alterations*

*Applicable standards.* Section 306 of the ADA, 42 U.S.C. 12186, directs the Attorney General to issue regulations to implement title III that are consistent with the guidelines published by the Access Board. As described in greater detail elsewhere in this Appendix, the Department is a statutory member of the Access Board and was involved significantly in the development of the 2004 ADAAG. Nonetheless, the Department has reviewed the standards and has determined that additional regulatory provisions are necessary to clarify how the Department will apply the 2010 Standards to places of lodging, social service center establishments, housing at a place of education, assembly areas, and medical care facilities. Those provisions are contained in §36.406(c)–(g). Each of these provisions is discussed below.

Section 36.406(a) adopts the 2004 ADAAG as part of the 2010 Standards and establishes the compliance date and triggering events for the application of those standards to both new construction and alterations. Appendix B of this final rule (Analysis and Commentary on the 2010 ADA Standards for Accessible Design) provides a description of the major changes in the 2010 Standards (as compared to the 1991 ADAAG) and a discussion of the public comments that the Department received on specific sections of the 2004 ADAAG. A number of commenters asked the Department to revise certain provisions in the 2004 ADAAG in a manner that would reduce either the required scoping or specific technical accessibility requirements. As previously stated, the ADA requires the Department to adopt standards consistent with the guidelines adopted by the Access Board. The Department will not adopt any standards that provide less accessibility than is provided under the guidelines contained in the 2004 ADAAG because the guidelines adopted by the Access Board are “minimum guidelines.” 42 U.S.C. 12186(c).

In the NPRM, the Department specifically proposed amending §36.406(a) by dividing it into two sections. Proposed §36.406(a)(1) specified that new construction and alterations subject to this part shall comply with the 1991 Standards if physical construction of the property commences less than six months after the effective date of the rule. Proposed §36.406(a)(2) specified that new construction and alterations subject to this part shall comply with the proposed standards if physical construction of the property commences six months or more after the effective

date of the rule. The Department also proposed deleting the advisory information now published in a table at §36.406(b).

*Compliance date.* When the ADA was enacted, the compliance dates for various provisions were delayed in order to provide time for covered entities to become familiar with their new obligations. Titles II and III of the ADA generally became effective on January 26, 1992, six months after the regulations were published. See 42 U.S.C. 12131 note; 42 U.S.C. 12181 note. New construction under title II and alterations under either title II or title III had to comply with the design standards on that date. See 42 U.S.C. 12131 note; 42 U.S.C. 12183(a)(2). For new construction under title III, the requirements applied to facilities designed and constructed for first occupancy after January 26, 1993—18 months after the 1991 Standards were published by the Department. See 42 U.S.C. 12183(a)(1).

The Department received numerous comments on the issue of effective date, many of them similar to those received in response to the ANPRM. A substantial number of commenters advocated a minimum of 18 months from publication of the final rule to the effective date for application of the standards to new construction, consistent with the time period used for implementation of the 1991 Standards. Many of these commenters argued that the 18-month period was necessary to minimize the likelihood of having to redesign projects already in the design and permitting stages at the time that the final rule is published. According to these commenters, large projects take several years from design to occupancy, and can be subject to delays from obtaining zoning, site approval, third-party design approval (*i.e.*, architectural review), and governmental permits. To the extent the new standards necessitate changes in any previous submissions or permits already issued, businesses might have to expend significant funds and incur delays due to redesign and resubmission.

Some commenters also expressed concern that a six-month period would be hard to implement given that many renovations are planned around retail selling periods, holidays, and other seasonal concerns. For example, hotels plan renovations during their slow periods, retail establishments avoid renovations during the major holiday selling periods, and businesses in certain parts of the country cannot do any major construction during parts of the winter.

Some commenters argued that chain establishments need additional time to redesign their “master facility” designs for replication at multiple locations, taking into account both the new standards and applicable State and local accessibility requirements.



Other commenters argued for extending the effective date from six months to a minimum of 12 months for many of the same reasons, and one commenter argued that there should be a tolling of the effective date for those businesses that are in the midst of the permitting process if the necessary permits are delayed due to legal challenges or other circumstances outside the business's control.

Several commenters took issue with the Department's characterization of the 2004 ADAAG and the 1991 Standards as two similar rules. These commenters argued that many provisions in the 2004 ADAAG represent a "substantial and significant" departure from the 1991 Standards and that it will take a great deal of time and money to identify all the changes and implement them. In particular, they were concerned that small businesses lacked the internal resources to respond quickly to the new changes and that they would have to hire outside experts to assist them. One commenter expressed concern that regardless of familiarity with the 2004 ADAAG, since the 2004 ADAAG standards are organized in an entirely different manner from the 1991 Standards, and contain, in the commenter's view, extensive changes, it will make the shift from the old to the new standards quite complicated.

Several commenters also took issue with the Department's proffered rationale that by adopting a six-month effective date, the Department was following the precedent of other Federal agencies that have adopted the 2004 ADAAG for facilities whose accessibility they regulate. These commenters argued that the Department's title III regulation applies to a much broader range and number of facilities and programs than the other Federal agencies (*i.e.*, Department of Transportation and the General Services Administration) and that those agencies regulate accessibility primarily in either governmental facilities or facilities operated by quasi-governmental authorities.

Several commenters representing the travel, vacation, and golf industries argued that the Department should adopt a two-year effective date for new construction. In addition to many of the arguments made by commenters in support of an 18-month effective date, these commenters also argued that a two-year time frame would allow States with DOJ-certified building codes to have the time to amend their codes to meet the 2004 ADAAG so that design professionals can work from compatible codes and standards.

Several commenters recommended treating alterations differently than new construction, arguing for a one-year effective date for alterations. Another commenter representing building officials argued that a minimum of a six-month phase-in for alterations was sufficient, since a very large percentage of alteration projects "are of a scale

that they should be able to accommodate the phase-in."

In contrast, many commenters argued that the proposed six-month effective date should be retained in the final rule.

The Department has been persuaded by concerns raised by some of the commenters that the six month compliance date proposed in the NPRM for application of the 2010 Standards may be too short for certain projects that are already in the midst of the design and permitting process. The Department has determined that for new construction and alterations, compliance with the 2010 Standards will not be required until 18 months from the date the final rule is published. This is consistent with the amount of time given when the 1991 regulation was published. Since many State and local building codes contain provisions that are consistent with 2004 ADAAG, the Department has decided that public accommodations that choose to comply with the 2010 Standards as defined in §36.104 before the compliance date will still be considered in compliance with the ADA. However, public accommodations that choose to comply with the 2010 Standards in lieu of the 1991 Standards prior to the compliance date described in this rule must choose one or the other standard, and may not rely on some of the requirements contained in one standard and some of the requirements contained in the other standard.

*Triggering event.* In the NPRM, the Department proposed using the start of physical construction as the triggering event for applying the proposed standards to new construction under title III. This triggering event parallels that for the alterations provisions (*i.e.*, the date on which construction begins), and would apply clearly across all types of covered public accommodations. The Department also proposed that for prefabricated elements, such as modular buildings and amusement park rides and attractions, or installed equipment, such as ATMs, the start of construction means the date on which the site preparation begins. Site preparation includes providing an accessible route to the element.

The Department's NPRM sought public comment on how to define the start of construction and the practicality of applying commencement of construction as a triggering event. The Department also requested input on whether the proposed definition of the start of construction was sufficiently clear and inclusive of different types of facilities. The Department also sought input about facilities subject to title III for which commencement of construction would be ambiguous or problematic.

The Department received numerous comments recommending that the Department adopt a two-pronged approach to defining the triggering event. In those cases where permits are required, the Department should

use “date of permit application” as the effective date triggering event, and if no permit is required, the Department should use “start of construction.” A number of these commenters argued that the date of permit application is appropriate because the applicant would have to consider the applicable State and Federal accessibility standards in order to submit the designs usually required with the application. Moreover, the date of permit application is a typical triggering event in other code contexts, such as when jurisdictions introduce an updated building code. Some commenters expressed concern that using the date of “start of construction” was problematic because the date can be affected by factors that are outside the control of the owner. For example, an owner can plan construction to start before the new standards take effect and therefore use the 1991 Standards in the design. If permits are not issued in a timely manner, then the construction could be delayed until after the effective date, and then the project would have to be redesigned. This problem would be avoided if the permit application date was the triggering event. Two commenters expressed concern that the term “start of construction” is ambiguous, because it is unclear whether start of construction means the razing of structures on the site to make way for a new facility or means site preparation, such as regrading or laying the foundation.

One commenter recommended using the “signing date of a construction contract,” and an additional commenter recommended that the new standards apply only to “buildings permitted after the effective date of the regulations.”

One commenter stated that for facilities that fall outside the building permit requirements (ATMs, prefabricated saunas, small sheds), the triggering event should be the date of installation, rather than the date the space for the facility is constructed.

The Department is persuaded by the comments to adopt a two-pronged approach to defining the triggering event for new construction and alterations. The final rule states that in those cases where permits are required, the triggering event shall be the date when the last application for a building permit application or permit extension is certified to be complete by a State, county, or local government, or in those jurisdictions where the government does not certify completion of applications, the date when the last application for a building permit or permit extension is received by the State, county, or local government. If no permits are required, then the triggering event shall be the “start of physical construction or alterations.” The Department has also added clarifying language related to the term “start of physical construction or alterations” to make it clear that “start of phys-

ical construction or alterations” is not intended to mean the date of ceremonial groundbreaking or the date a structure is razed to make it possible for construction of a facility to take place.

*Amusement rides.* Section 234 of the 2010 Standards provides accessibility guidelines for newly designed and constructed amusement rides. The amusement ride provisions do not provide a “triggering event” for new construction or alteration of an amusement ride. An industry commenter requested that the triggering event of “first use” as noted in the Advisory note to section 234.1 of the 2004 ADAAG be included in the final rule. The Advisory note provides that “[a] custom designed and constructed ride is new upon its first use, which is the first time amusement park patrons take the ride.” The Department declines to treat amusement rides differently than other types of new construction and alterations and under the final rule, they are subject to §36.406(a)(3). Thus, newly constructed and altered amusement rides shall comply with the 2010 Standards if the start of physical construction or the alteration is on or after 18 months from the publication date of this rule. The Department also notes that section 234.4.2 of the 2010 Standards only applies where the structural or operational characteristics of an amusement ride are altered. It does not apply in cases where the only change to a ride is the theme.

*Noncomplying new construction and alterations.* The element-by-element safe harbor referenced in §36.304(d)(2) has no effect on new or altered elements in existing facilities that were subject to the 1991 Standards on the date that they were constructed or altered, but do not comply with the technical and scoping specifications for those elements in the 1991 Standards. Section 36.406(a)(5) of the final rule sets forth the rules for non-compliant new construction or alterations in facilities that were subject to the requirements of this part. Under those provisions, noncomplying new construction and alterations constructed or altered after the effective date of the applicable ADA requirements and before March 15, 2012 shall, before March 15, 2012, be made accessible in accordance with either the 1991 Standards or the 2010 Standards. Noncomplying new construction and alterations constructed or altered after the effective date of the applicable ADA requirements and before March 15, 2012, shall, on or after March 15, 2012, be made accessible in accordance with the 2010 Standards.

*Section 36.406(b) Application of Standards to Fixed Elements*

The final rule contains a new §36.406(b) that clarifies that the requirements established by this section, including those contained in the 2004 ADAAG, prescribe the requirements necessary to ensure that fixed or

built-in elements in new or altered facilities are accessible to individuals with disabilities. Once the construction or alteration of a facility has been completed, all other aspects of programs, services, and activities conducted in that facility are subject to the operational requirements established elsewhere in this final rule. Although the Department has often chosen to use the requirements of the 1991 Standards as a guide to determining when and how to make equipment and furnishings accessible, those coverage determinations fall within the discretionary authority of the Department.

The Department is also clarifying that the advisory notes, appendix notes, and figures that accompany the 1991 and 2010 Standards do not establish separately enforceable requirements unless otherwise specified in the text of the standards. This clarification has been made to address concerns expressed by ANPRM commenters who mistakenly believed that the advisory notes in the 2004 ADAAG established requirements beyond those established in the text of the guidelines (e.g., Advisory 504.4 suggests, but does not require, that covered entities provide visual contrast on stair tread nosings to make them more visible to individuals with low vision). The Department received no comments on this provision in the NPRM.

#### *Section 36.406(c) Places of Lodging*

In the NPRM, the Department proposed a new definition for public accommodations that are “places of lodging” and a new §36.406(c) to clarify the scope of coverage for places of public accommodation that meet this definition. For many years the Department has received inquiries from members of the public seeking clarification of ADA coverage of rental accommodations in timeshares, condominium hotels, and mixed-use and corporate hotel facilities that operate as places of public accommodation (as that term is now defined in §36.104). These facilities, which have attributes of both residential dwellings and transient lodging facilities, have become increasingly popular since the ADA’s enactment in 1990 and make up the majority of new hotel construction in some vacation destinations. The hybrid residential and lodging characteristics of these new types of facilities, as well as their ownership characteristics, complicate determinations of ADA coverage, prompting questions from both industry and individuals with disabilities. While the Department has interpreted the ADA to encompass these hotel-like facilities when they are used to provide transient lodging, the regulation previously has specifically not addressed them. In the NPRM, the Department proposed a new §36.406(c), entitled “Places of Lodging,” which was intended to clarify that places of lodging, including certain

timeshares, condominium hotels, and mixed-use and corporate hotel facilities, shall comply with the provisions of the proposed standards, including, but not limited to, the requirements for transient lodging in sections 224 and 806 of the 2004 ADAAG.

The Department’s NPRM sought public input on this proposal. The Department received a substantial number of comments on these issues from industry representatives, advocates for persons with disabilities, and individuals. A significant focus of these comments was on how the Department should define and regulate vacation rental units in timeshares, vacation communities, and condo-hotels where the units are owned and controlled by individual owners and rented out some portion of time to the public, as compared to traditional hotels and motels that are owned, controlled, and rented to the public by one entity.

*Scoping and technical requirements applicable to “places of lodging.”* In the NPRM, the Department asked for public comment on its proposal in §36.406(c) to apply to places of lodging the scoping and technical requirements for transient lodging, rather than the scoping and technical requirements for residential dwelling units.

Commenters generally agreed that the transient lodging requirements should apply to places of lodging. Several commenters stated that the determination as to which requirements apply should be made based on the intention for use at the time of design and construction. According to these commenters, if units are intended for transient rentals, then the transient lodging standards should apply, and if they are intended to be used for residential purposes, the residential standards should apply. Some commenters agreed with the application of transient lodging standards to places of lodging in general, but disagreed about the characterization of certain types of facilities as covered places of lodging.

The Department agrees that the scoping and technical standards applicable to transient lodging should apply to facilities that contain units that meet the definition of “places of lodging.”

*Scoping for timeshare or condominium hotels.* In the NPRM, the Department sought comment on the appropriate basis for determining scoping for a timeshare or condominium-hotel. A number of commenters indicated that scoping should be based on the usage of the facility. Only those units used for short-term stays should be counted for application of the transient lodging standards, while units sold as residential properties should be treated as residential units not subject to the ADA. One commenter stated that scoping should be based on the maximum number of sleeping units available

for public rental. Another commenter pointed out that unlike traditional hotels and motels, the number of units available for rental in a facility or development containing individually owned units is not fixed over time. Owners have the right to participate in a public rental program some, all, or none of the time, and individual owner participation changes from year to year.

The Department believes that the determination for scoping should be based on the number of units in the project that are designed and constructed with the intention that their owners may participate in a transient lodging rental program. The Department cautions that it is not the number of owners that actually exercise their right to participate in the program that determines the scoping. Rather it is the units that could be placed into an on-site or off-site transient lodging rental program. In the final rule, the Department has added a provision to §36.406(c)(3), which states that units intended to be used exclusively for residential purposes that are contained in facilities that also meet the definition of place of lodging are not covered by the transient lodging standards. Title III of the ADA does not apply to units designed and constructed with the intention that they be rented or sold as exclusively residential units. Such units are covered by the Fair Housing Act (FHA), which contains requirements for certain features of accessible and adaptable design both for units and for public and common use areas. All units designed and constructed with the intention that they may be used for both residential and transient lodging purposes are covered by the ADA and must be counted for determining the required number of units that must meet the transient lodging standards in the 2010 Standards. Public use and common use areas in facilities containing units subject to the ADA also must meet the 2010 Standards. In some developments, units that may serve as residential units some of the time and rental units some of the time will have to meet both the FHA and the ADA requirements. For example, all of the units in a vacation condominium facility whose owners choose to rent to the public when they are not using the units themselves would be counted for the purposes of determining the appropriate number of units that must comply with the 2010 Standards. In a newly constructed condominium that has three floors with units dedicated to be sold solely as residential housing and three floors with units that may be used as residences or hotel units, only the units on the three latter floors would be counted for applying the 2010 Standards. In a newly constructed timeshare development containing 100 units, all of which may be made available to the public through an exchange or rental program, all 100 units would

be counted for purposes of applying the 2010 Standards.

One commenter also asked the Department for clarification of how to count individually owned “lock-off units.” Lock-off units are units that are multi-bedroom but can be “locked off” into two separate units, each having individual external access. This commenter requested that the Department state in the final rule that individually owned lock-off units do not constitute multiple guest rooms for purposes of calculating compliance with the scoping requirements for accessible units, since for the most part the lock-off units are used as part of a larger accessible unit, and portions of a unit not locked off would constitute both an accessible one-bedroom unit or an accessible two-bedroom unit with the lock-off unit.

It is the Department’s view that lock-off units that are individually owned that can be temporarily converted into two units do not constitute two separate guest rooms for purposes of calculating compliance with the scoping requirements.

One commenter asked the Department how developers should scope units where buildings are constructed in phases over a span of years, recommending that the scoping be based on the total number of units expected to be constructed at the project and not on a building-by-building basis or on a phase-by-phase basis. The Department does not think scoping should be based on planned number of units, which may or may not be actually constructed over a period of years. However, the Department recognizes that resort developments may contain buildings and facilities that are of all sizes from single-unit cottages to facilities with hundreds of units. The Department believes it would be appropriate to allow designers, builders, and developers to aggregate the units in facilities with 50 or fewer units that are subject to a single permit application and that are on a common site or that are constructed at the same time for the purposes of applying the scoping requirements in table 224.2. Facilities with more than 50 units should be scoped individually in accordance with the table. The regulation has been revised to reflect this application of the scoping requirements.

One commenter also asked the Department to use the title III regulation to declare that timeshares subject to the transient lodging standards are exempt from the design and construction requirements of the FHA. The coverage of the FHA is set by Congress and interpreted by regulations issued by the Department of Housing and Urban Development. The Department has no authority to exempt anyone from coverage of the FHA.

*Application of ADA to places of lodging that contain individually owned units.* The Department believes that regardless of ownership

structure for individual units, rental programs (whether they are on- or off-site) that make transient lodging guest rooms available to the public must comply with the general nondiscrimination requirements of the ADA. In addition, as provided in §36.406(c), newly constructed facilities that contain accommodations intended to be used for transient lodging purposes must comply with the 2010 Standards.

In the NPRM, the Department asked for public comment on several issues related to ensuring the availability of accessible units in a rental program operated by a place of lodging. The Department sought input on how it could address a situation in which a new or converted facility constructs the required number of accessible units, but the owners of those units choose not to participate in the rental program; whether the facility has an obligation to encourage or require owners of accessible units to participate in the rental program; and whether the facility developer, the condominium association, or the hotel operator has an obligation to retain ownership or control over a certain number of accessible units to avoid this problem.

In the NPRM, the Department sought public input on how to regulate scoping for a timeshare or condominium-rental facility that decides, after the sale of units to individual owners, to begin a rental program that qualifies the facility as a place of lodging, and how the condominium association, operator, or developer should determine which units to make accessible.

A number of commenters expressed concerns about the ability of the Department to require owners of accessible units to participate in the rental program, to require developers, condo associations, or homeowners associations to retain ownership of accessible units, and to impose accessibility requirements on individual owners who choose to place inaccessible units into a rental program after purchase. These commenters stated that individuals who purchase accessible vacation units in condominiums, individual vacation homes, and timeshares have ownership rights in their units and may choose lawfully to make their units available to the public some, all, or none of the time. Commenters advised the Department that the Securities and Exchange Commission takes the position that if condominium units are offered in connection with participation in a required rental program for any part of the year, require the use of an exclusive rental agent, or impose conditions otherwise restricting the occupancy or rental of the unit, then that offering will be viewed as an offering of securities in the form of an investment (rather than a real estate offering). SEC Release No. 33-5347, Guidelines as to the Applicability of the Federal Securities Laws to Offers and Sales of Condominiums or

Units in a Real Estate Development (Jan. 4, 1973). Consequently, most condominium developers do not impose such restrictions at the time of sale. Moreover, owners who choose to rent their units as a short-term vacation rental can select any rental or management company to lease and manage their unit, or they may rent them out on their own. They also may choose never to lease those units. Thus, there are no guarantees that at any particular time, accessible units will be available for rental by the public. According to this commenter, providing incentives for owners of accessible units to place their units in the rental program will not work, because it does not guarantee the availability of the requisite number of rooms dispersed across the development, and there is not any reasonable, identifiable source of funds to cover the costs of such incentives.

A number of commenters also indicated that it potentially is discriminatory as well as economically infeasible to require that a developer hold back the accessible units so that the units can be maintained in the rental program year-round. One commenter pointed out that if a developer did not sell the accessible condominiums or timeshares in the building inventory, the developer would be subject to a potential ADA or FHAct complaint because persons with disabilities who wanted to buy accessible units rather than rent them each year would not have the option to purchase them. In addition, if a developer held back accessible units, the cost of those units would have to be spread across all the buyers of the inaccessible units, and in many cases would make the project financially infeasible. This would be especially true for smaller projects. Finally, this commenter argued that requiring units to be part of the common elements that are owned by all of the individual unit owners is infeasible because the common ownership would result in pooled rental income, which would transform the owners into participants in a rental pool, and thus turn the sale of the condominiums into the sale of securities under SEC Release 33-5347.

Several commenters noted that requiring the operator of the rental program to own the accessible units is not feasible either because the operator of the rental program would have to have the funds to invest in the purchase of all of the accessible units, and it would not have a means of recouping its investment. One commenter stated that in Texas, it is illegal for on-site rental programs to own condominium units. Another commenter noted that such a requirement might lead to the loss of on-site rental programs, leaving owners to use individual third-party brokers, or rent the units privately. One commenter acknowledged that individual owners cannot be required to place their units in a rental pool simply to offer an accessible unit to the public, since

the owners may be purchasing units for their own use. However, this commenter recommended that owners who choose to place their units in a rental pool be required to contribute to a fund that would be used to renovate units that are placed in the rental pool to increase the availability of accessible units. One commenter argued that the legal entity running the place of lodging has an obligation to retain control over the required number of accessible units to ensure that they are available in accordance with title III.

A number of commenters also argued that the Department has no legal authority to require individual owners to engage in barrier removal where an existing development adds a rental program. One commenter stated that Texas law prohibits the operator of on-site rental program from demanding that alterations be made to a particular unit. In addition, under Texas law, condominium declarations may not require some units and not others to make changes, because that would lead to unequal treatment of units and owners, which is not permissible.

One commenter stated that since it was not possible for operators of rental programs offering privately owned condominiums to comply with accessible scoping, the Department should create exemptions from the accessible scoping, especially for existing facilities. In addition, this commenter stated that if an operator of an on-site rental program were to require renovations as a condition of participation in the rental program, unit owners might just rent their units through a different broker or on their own, in which case such requirements would not apply.

A number of commenters argued that if a development decides to create a rental program, it must provide accessible units. Otherwise the development would have to ensure that units are retrofitted. A commenter argued that if an existing building is being converted, the Department should require that if alterations of the units are performed by an owner or developer prior to sale of the units, then the alterations requirements should apply, in order to ensure that there are some accessible units in the rental pool. This commenter stated that because of the proliferation of these type of developments in Hawaii, mandatory alteration is the only way to guarantee the availability of accessible units in the long run. In this commenter's view, since conversions almost always require makeover of existing buildings, this will not lead to a significant expense.

The Department agrees with the commenters that it would not be feasible to require developers to hold back or purchase accessible units for the purposes of making them available to the public in a transient lodging rental program, nor would it be feasible to require individual owners of acces-

sible units to participate in transient lodging rental programs.

The Department recognizes that places of lodging are developed and financed under myriad ownership and management structures and agrees that there will be circumstances where there are legal barriers to requiring compliance with either the alterations requirements or the requirements related to barrier removal. The Department has added an exception to §36.406(c), providing that in existing facilities that meet the definition of places of lodging, where the guest rooms are not owned or substantially controlled by the entity that owns, leases, or operates the overall facility and the physical features of the guest room interiors are controlled by their individual owners, the units are not subject to the alterations requirement, even where the owner rents the unit out to the public through a transient lodging rental program. In addition, the Department has added an exception to the barrier removal requirements at §36.304(g) providing that in existing facilities that meet the definition of places of lodging, where the guest rooms are not owned or substantially controlled by the entity that owns, leases, or operates the overall facility and the physical features of the guest room interiors are controlled by their individual owners, the units are not subject to the barrier removal requirement. The Department notes, however, that there are legal relationships for some timeshares and cooperatives where the ownership interests do not convey control over the physical features of units. In those cases, it may be the case that the facility has an obligation to meet the alterations or barrier removal requirements or to maintain accessible features.

*Section 36.406(d) Social Service Center Establishments*

In the NPRM, the Department proposed a new §36.406(d) requiring group homes, halfway houses, shelters, or similar social service center establishments that provide temporary sleeping accommodations or residential dwelling units to comply with the provisions of the 2004 ADAAG that apply to residential facilities, including, but not limited to, the provisions in sections 233 and 809.

The NPRM explained that this proposal was based on two important changes in the 2004 ADAAG. First, for the first time, residential dwelling units are explicitly covered in the 2004 ADAAG in section 233. Second, the 2004 ADAAG eliminates the language contained in the 1991 Standards addressing scoping and technical requirements for homeless shelters, group homes, and similar social service center establishments. Currently, such establishments are covered in section 9.5 of the transient lodging section of the 1991 Standards. The deletion of section

9.5 creates an ambiguity of coverage that must be addressed.

The NPRM explained the Department's belief that transferring coverage of social service center establishments from the transient lodging standards to the residential facilities standards would alleviate conflicting requirements for social service providers. The Department believes that a substantial percentage of social service providers are recipients of Federal financial assistance from the Department of Housing and Urban Development (HUD). The Department of Health and Human Services (HHS) also provides financial assistance for the operation of shelters through the Administration for Children and Families programs. As such, they are covered both by the ADA and section 504. UFAS is currently the design standard for new construction and alterations for entities subject to section 504. The two design standards for accessibility—the 1991 Standards and UFAS—have confronted many social service providers with separate, and sometimes conflicting, requirements for design and construction of facilities. To resolve these conflicts, the residential facilities standards in the 2004 ADAAG have been coordinated with the section 504 requirements. The transient lodging standards, however, are not similarly coordinated. The deletion of section 9.5 of the 1991 Standards from the 2004 ADAAG presented two options: (1) Require coverage under the transient lodging standards, and subject such facilities to separate, conflicting requirements for design and construction; or (2) require coverage under the residential facilities standards, which would harmonize the regulatory requirements under the ADA and section 504. The Department chose the option that harmonizes the regulatory requirements: coverage under the residential facilities standards.

In the NPRM, the Department expressed concern that the residential facilities standards do not include a requirement for clear floor space next to beds similar to the requirement in the transient lodging standards; as a result, the Department proposed adding a provision that would require certain social service center establishments that provide sleeping rooms with more than 25 beds to ensure that a minimum of 5 percent of the beds have clear floor space in accordance with section 806.2.3 of the 2004 ADAAG.

The Department requested information from providers who operate homeless shelters, transient group homes, halfway houses, and other social service center establishments, and from the clients of these facilities who would be affected by this proposed change. In the NPRM, the Department asked to what extent conflicts between the ADA and section 504 have affected these facilities and what the effect would be of applying the residential dwelling unit requirements to

these facilities, rather than the requirements for transient lodging guest rooms.

Many of the commenters supported applying the residential facilities requirements to social service center establishments stating that even though the residential facilities requirements are less demanding, in some instances, the existence of one clear standard will result in an overall increased level of accessibility by eliminating the confusion and inaction that are sometimes caused by the current existence of multiple requirements. One commenter stated that the residential facilities guidelines were more appropriate because individuals housed in social service center establishments typically stay for a prolonged period of time, and guests of a transient lodging facility typically are not housed to participate in a program or receive services.

One commenter opposed to the proposed section argued for the application of the transient lodging standards to all social service center establishments except those that were "intended as a person's place of abode," referencing the Department's question related to the definition of place of lodging in the title III NPRM. A second commenter stated that the use of transient lodging guidelines would lead to greater accessibility.

The Department continues to be concerned about alleviating the challenges for social service providers that are also subject to section 504 and that would likely be subject to conflicting requirements if the transient lodging standard were applied. Thus, the Department has retained the requirement that social service center establishments comply with the residential dwelling standards. The Department did not receive comments regarding adding a requirement for bathing options, such as a roll-in shower, in social service center establishments operated by public accommodations. The Department did, however, receive comments in support of adding such a requirement regarding public entities under title II. The Department believes that social service center establishments that provide emergency shelter to large transient populations should be able to provide bathing facilities that are accessible to persons with mobility disabilities who need roll-in showers. Because of the transient nature of the population of these large shelters, it will not be feasible to modify bathing facilities in a timely manner when faced with a need to provide a roll-in shower with a seat when requested by an overnight visitor. As a result, the Department has added a requirement that social service center establishments with sleeping accommodations for more than 50 individuals must provide at least one roll-in shower with a seat that complies with the relevant provisions of section 608 of the 2010 Standards. Transfer-type showers are not permitted in lieu of a roll-in shower with a

seat, and the exceptions in sections 608.3 and 608.4 for residential dwelling units are not permitted. When separate shower facilities are provided for men and for women, at least one roll-in shower must be provided for each group. This supplemental requirement to the residential facilities standards is in addition to the supplemental requirement that was proposed in the NPRM for clear floor space in sleeping rooms with more than 25 beds.

The Department also notes that while dwelling units at some social service center establishments are also subject to FhAct design and construction requirements that require certain features of adaptable and accessible design, FhAct units do not provide the same level of accessibility that is required for residential facilities under the 2010 Standards. The FhAct requirements, where also applicable, should not be considered a substitute for the 2010 Standards. Rather, the 2010 Standards must be followed in addition to the FhAct requirements.

The Department also notes that while in the NPRM the Department used the term “social service establishment,” the final rule uses the term “social service center establishment.” The Department has made this editorial change so that the final rule is consistent with the terminology used in the ADA. See 42 U.S.C. 12181(7)(K).

*Section 36.406(e) Housing at a Place of Education*

The Department of Justice and the Department of Education share responsibility for regulation and enforcement of the ADA in postsecondary educational settings, including architectural features. Housing types in educational settings range from traditional residence halls and dormitories to apartment or townhouse-style residences. In addition to title III of the ADA, universities and schools that are recipients of Federal financial assistance also are subject to section 504, which contains its own accessibility requirements currently through the application of UFAS. Residential housing, including housing in an educational setting, is also covered by the FhAct, which requires newly constructed multifamily housing to include certain features of accessible and adaptable design. Covered entities subject to the ADA must always be aware of, and comply with, any other Federal statutes or regulations that govern the operation of residential properties.

Although the 1991 Standards mention dormitories as a form of transient lodging, they do not specifically address how the ADA applies to dormitories and other types of residential housing provided in an educational setting. The 1991 Standards also do not contain any specific provisions for residential facilities, allowing covered entities to elect to follow the residential standards contained in UFAS. Although the 2004 ADAAG contains

provisions for both residential facilities and transient lodging, the guidelines do not indicate which requirements apply to housing provided in an educational setting, leaving it to the adopting agencies to make that choice. After evaluating both sets of standards, the Department concluded that the benefits of applying the transient lodging standards outweighed the benefits of applying the residential facilities standards. Consequently, in the NPRM, the Department proposed a new §36.406(e) that provided that residence halls or dormitories operated by or on behalf of places of education shall comply with the provisions of the proposed standards for transient lodging, including, but not limited to, the provisions in sections 224 and 806 of the 2004 ADAAG.

Private universities and schools covered by title III as public accommodations are required to make their programs and activities accessible to persons with disabilities. The housing facilities that they provide have varied characteristics. College and university housing facilities typically provide housing for up to one academic year, but may be closed during school vacation periods. In the summer, they often are used for short-term stays of one to three days, a week, or several months. Graduate and faculty housing often is provided year-round in the form of apartments, which may serve individuals or families with children. These housing facilities are diverse in their layout. Some are double-occupancy rooms with a shared toilet and bathing room, which may be inside or outside the unit. Others may contain cluster, suite, or group arrangements where several rooms are located inside a defined unit with bathing, kitchen, and similar common facilities. In some cases, these suites are indistinguishable in features from traditional apartments. Universities may build their own housing facilities or enter into agreements with private developers to build, own, or lease housing to the educational institution or to its students. Academic housing may be located on the campus of the university or may be located in nearby neighborhoods.

Throughout the school year and the summer, academic housing can become program areas in which small groups meet, receptions and educational sessions are held, and social activities occur. The ability to move between rooms—both accessible rooms and standard rooms—in order to socialize, to study, and to use all public use and common use areas is an essential part of having access to these educational programs and activities. Academic housing also is used for short-term transient educational programs during the time students are not in regular residence and may be rented out to transient visitors in a manner similar to a hotel for special university functions.

The Department was concerned that applying the new construction requirements for



residential facilities to educational housing facilities could hinder access to educational programs for students with disabilities. Elevators generally are not required under the 2004 ADAAG residential facilities standards unless they are needed to provide an accessible route from accessible units to public use and common use areas, while under the 2004 ADAAG as it applies to other types of facilities, multistory private facilities must have elevators unless they meet very specific exceptions. In addition, the residential facilities standards do not require accessible roll-in showers in bathrooms, while the transient lodging requirements require some of the accessible units to be served by bathrooms with roll-in showers. The transient lodging standards also require that a greater number of units have accessible features for persons with communication disabilities. The transient lodging standards provide for installation of the required accessible features so that they are available immediately, but the residential facilities standards allow for certain features of the unit to be adaptable. For example, only reinforcements for grab bars need to be provided in residential dwellings, but the actual grab bars must be installed under the transient lodging standards. By contrast, the residential facilities standards do require certain features that provide greater accessibility within units, such as usable kitchens and an accessible route throughout the dwelling. The residential facilities standards also require 5 percent of the units to be accessible to persons with mobility disabilities, which is a continuation of the same scoping that is currently required under UFAS and is therefore applicable to any educational institution that is covered by section 504. The transient lodging standards require a lower percentage of accessible sleeping rooms for facilities with large numbers of rooms than is required by UFAS. For example, if a dormitory has 150 rooms, the transient lodging standards would require 7 accessible rooms, while the residential standards would require 8. In a large dormitory with 500 rooms, the transient lodging standards would require 13 accessible rooms, and the residential facilities standards would require 25. There are other differences between the two sets of standards, including requirements for accessible windows, alterations, kitchens, an accessible route throughout a unit, and clear floor space in bathrooms allowing for a side transfer.

In the NPRM, the Department requested public comment on how to scope educational housing facilities, and it asked whether the residential facilities requirements or the transient lodging requirements in the 2004 ADAAG would be more appropriate for housing at places of education and asked how the different requirements would affect the cost of building new dormitories and other stu-

dent housing. *See* 73 FR 34508, 34545 (June 17, 2008).

The Department received several comments on this issue under title III. One commenter stated that the Department should adopt the residential facilities standards for housing at a place of education. In the commenter's view, the residential facilities standards are congruent with overlapping requirements imposed by HUD, and the residential facilities requirements would ensure dispersion of accessible features more effectively. This commenter also argued that while the increased number of required accessible units for residential facilities as compared to transient lodging may increase the cost of construction or alteration, this cost would be offset by a reduced need later to adapt rooms if the demand for accessible rooms exceeds the supply. The commenter also encouraged the Department to impose a visitability (accessible doorways and necessary clear floor space for turning radius) requirement for both the residential facilities and transient lodging requirements to allow students with mobility impairments to interact and socialize in a fully integrated fashion. Another commenter stated that while dormitories should be treated like residences as opposed to transient lodging, the Department should ensure that "all floors are accessible," thus ensuring community integration and visitability. Another commenter argued that housing at a place of education is comparable to residential housing, and that most of the housing types used by schools do not have the same amenities and services or function like transient lodging and should not be treated as such.

Several commenters focused on the length of stay at this type of housing and suggested that if the facilities are subject to occupancy for greater than 30 days, the residential standards should apply. Another commenter supported the Department's adoption of the transient lodging standards, arguing this will provide greater accessibility and therefore increase opportunities for students with disabilities to participate. One commenter, while supporting the use of transient lodging standards in this area, argued that the Department also should develop regulations relating to the usability of equipment in housing facilities by persons who are blind or visually impaired. Another commenter argued that the Department should not impose the transient lodging requirements on K-12 schools because the cost of adding elevators can be prohibitive, and because there are safety concerns related to evacuating students in wheelchairs living on floors above the ground floor in emergencies causing elevator failures.

The Department has considered the comments recommending the use of the residential facilities standards and acknowledges that they require certain features that are

not included in the transient lodging standards and that should be required for housing provided at a place of education. In addition, the Department notes that since educational institutions often use their academic housing facilities as short-term transient lodging in the summers, it is important that accessible features be installed at the outset. It is not realistic to expect that the educational institution will be able to adapt a unit in a timely manner in order to provide accessible accommodations to someone attending a one-week program during the summer.

The Department has determined that the best approach to this type of housing is to continue to require the application of transient lodging standards but, at the same time, to add several requirements drawn from the residential facilities standards related to accessible turning spaces and work surfaces in kitchens, and the accessible route throughout the unit. This will ensure the maintenance of the transient lodging standard requirements related to access to all floors of the facility, roll-in showers in facilities with more than 50 sleeping rooms, and other important accessibility features not found in the residential facilities standards, but also will ensure usable kitchens and access to all the rooms in a suite or apartment.

The Department has added a new definition to § 36.104, “Housing at a Place of Education,” and has revised § 36.406(e) to reflect the accessible features that now will be required in addition to the requirements set forth under the transient lodging standards. The Department also recognizes that some educational institutions provide some residential housing on a year-round basis to graduate students and staff that is comparable to private rental housing but contains no facilities for educational programming. Section 36.406(e)(3) exempts from the transient lodging standards apartments or townhouse facilities that are provided with a lease on a year-round basis exclusively to graduate students or faculty and that do not contain any public use or common use areas available for educational programming; instead, such housing must comply with the requirements for residential facilities in sections 233 and 809 of the 2010 Standards.

The regulatory text uses the term “sleeping room” in lieu of the term “guest room,” which is the term used in the transient lodging standards. The Department is using this term because it believes that for the most part, it provides a better description of the sleeping facilities used in a place of education than “guest room.” The final rule states in § 36.406(e) that the Department intends the terms to be used interchangeably in the application of the transient lodging standards to housing at a place of education.

#### *Section 36.406(f) Assembly Areas*

In the NPRM, the Department proposed § 36.406(f) to supplement the assembly area requirements of the 2004 ADAAG, which the Department is adopting as part of the 2010 Standards. The NPRM proposed at § 36.406(f)(1) to require wheelchair spaces and companion seating locations to be dispersed to all levels of the facility that are served by an accessible route. The Department received no significant comments on this paragraph and has decided to adopt the proposed language with minor modifications.

Section 36.406(f)(1) ensures that there is greater dispersion of wheelchair spaces and companion seats throughout stadiums, arenas, and grandstands than would otherwise be required by sections 221 and 802 of the 2004 ADAAG. In some cases, the accessible route may not be the same route that other individuals use to reach their seats. For example, if other patrons reach their seats on the field by an inaccessible route (*e.g.*, by stairs), but there is an accessible route that complies with section 206.3 of the 2004 ADAAG that could be connected to seats on the field, wheelchair spaces and companion seats must be placed on the field even if that route is not generally available to the public.

Regulatory language that was included in the 2004 ADAAG advisory, but that did not appear in the NPRM, has been added by the Department in § 36.406(f)(2). Section 36.406(f)(2) now requires an assembly area that has seating encircling, in whole or in part, a field of play or performance area, such as an arena or stadium, to place wheelchair spaces and companion seats around the entire facility. This rule, which is designed to prevent a public accommodation from placing wheelchair spaces and companion seats on one side of the facility only, is consistent with the Department’s enforcement practices and reflects its interpretation of section 4.33.3 of the 1991 Standards.

In the NPRM, the Department proposed § 36.406(f)(2), which prohibits wheelchair spaces and companion seating locations from being “located on (or obstructed by) temporary platforms \* \* \*.” 73 FR 34508, 34557 (June 17, 2008). Through its enforcement actions, the Department discovered that some venues place wheelchair spaces and companion seats on temporary platforms that, when removed, reveal conventional seating underneath, or cover the wheelchair spaces and companion seats with temporary platforms on top of which they place risers of conventional seating. These platforms cover groups of conventional seats and are used to provide groups of wheelchair seats and companion seats.

Several commenters requested an exception to the prohibition of the use of temporary platforms for public accommodations that sell most of their tickets on a season-

ticket or other multi-event basis. Such commenters argued that they should be able to use temporary platforms because they know, in advance, that the patrons sitting in certain areas for the whole season do not need wheelchair spaces and companion seats. The Department declines to adopt such an exception. As it explained in detail in the NPRM, the Department believes that permitting the use of movable platforms that seat four or more wheelchair users and their companions have the potential to reduce the number of available wheelchair seating spaces below the level required, thus reducing the opportunities for persons who need accessible seating to have the same choice of ticket prices and amenities that are available to other patrons in the facility. In addition, use of removable platforms may result in instances where last minute requests for wheelchair and companion seating cannot be met because entire sections of accessible seating will be lost when a platform is removed. See 73 FR 34508, 34546 (June 17, 2008). Further, use of temporary platforms allows facilities to limit persons who need accessible seating to certain seating areas, and to relegate accessible seating to less desirable locations. The use of temporary platforms has the effect of neutralizing dispersion and other seating requirements (e.g., line of sight) for wheelchair spaces and companion seats. Cf. *Independent Living Resources v. Oregon Arena Corp.*, 1 F. Supp. 2d 1159, 1171 (D. Or. 1998) (holding that while a public accommodation may “infill” wheelchair spaces with removable seats when the wheelchair spaces are not needed to accommodate individuals with disabilities, under certain circumstances “[s]uch a practice might well violate the rule that wheelchair spaces must be dispersed throughout the arena in a manner that is roughly proportionate to the overall distribution of seating”). In addition, using temporary platforms to convert unsold wheelchair spaces to conventional seating undermines the flexibility facilities need to accommodate secondary ticket market exchanges as required by §36.302(f)(7) of the final rule.

As the Department explained in the NPRM, however, this provision was not designed to prohibit temporary seating that increases seating for events (e.g., placing temporary seating on the floor of a basketball court for a concert). Consequently, the final rule, at §36.406(f)(3), has been amended to clarify that if an entire seating section is on a temporary platform for a particular event, then wheelchair spaces and companion seats may also be in that seating section. However, adding a temporary platform to create wheelchair spaces and companion seats that are otherwise dissimilar from nearby fixed seating and then simply adding a small number of additional seats to the platform would not qualify as an “entire seating section” on

the platform. In addition, §36.406(f)(3) clarifies that facilities may fill in wheelchair spaces with removable seats when the wheelchair spaces are not needed by persons who use wheelchairs.

The Department has been responsive to assembly areas’ concerns about reduced revenues due to unused accessible seating. Accordingly, the Department has reduced scoping requirements significantly—by almost half in large assembly areas—and determined that allowing assembly areas to infill unsold wheelchair spaces with readily removable temporary individual seats appropriately balances their economic concerns with the rights of individuals with disabilities. See section 221.1 of the 2010 Standards.

For stadium-style movie theaters, in §36.406(f)(4) of the NPRM the Department proposed requiring placement of wheelchair seating spaces and companion seats on a riser or cross-aisle in the stadium section of the theater that satisfies at least one of the following criteria: (1) It is located within the rear 60 percent of the seats provided in the auditorium; or (2) It is located within the area of the auditorium where the vertical viewing angles are between the 40th and 100th percentile of vertical viewing angles for all seats in that theater as ranked from the first row (1st percentile) to the back row (100th percentile). The vertical viewing angle is the angle between a horizontal line perpendicular to the seated viewer’s eye to the screen and a line from the seated viewer’s eye to the top of the screen.

The Department proposed this bright-line rule for two reasons: (1) the movie theater industry petitioned for such a rule; and (2) the Department has acquired expertise in the design of stadium-style theaters during its litigation with several major movie theater chains. See *United States v. AMC Entertainment, Inc.*, 232 F. Supp.2d 1092 (C.D. Cal. 2002), *rev’d in part*, 549 F.3d 760 (9th Cir. 2008); *United States v. Cinemark USA, Inc.*, 348 F.3d 569 (6th Cir. 2003). Two industry commenters—at least one of whom otherwise supported this rule—requested that the Department explicitly state that this rule does not apply retroactively to existing theaters. Although this provision on its face applies to new construction and alterations, these commenters were concerned that the rule could be interpreted to apply retroactively because of the Department’s statements in the NPRM and ANPRM that this bright line rule, although newly articulated, is not a new standard but “merely codifi[es] long-standing Department requirement[s].” 73 FR 34508, 34534 (June 17, 2008), and does not represent a “substantive change from the existing line-of-sight requirements” of section 4.33.3 of the 1991 Standards, 69 FR 58768, 58776 (Sept. 30, 2004).

Although the Department intends for §36.406(f)(4) of this rule to apply prospectively to new construction and alterations, this rule is not a departure from, and is consistent with, the line-of-sight requirements in the 1991 Standards. The Department has always interpreted the line-of-sight requirements in the 1991 Standards to require viewing angles provided to patrons who use wheelchairs to be comparable to those afforded to other spectators. Section 36.406(f)(4) merely represents the application of these requirements to stadium-style movie theaters.

One commenter from a trade association sought clarification whether §36.406(f)(4) applies to stadium-style theaters with more than 300 seats, and argued that it should not since dispersion requirements apply in those theaters. The Department declines to limit this rule to stadium-style theaters with 300 or fewer seats; stadium-style theaters of all sizes must comply with this rule. So, for example, stadium-style theaters that must vertically disperse wheelchair spaces and companion seats must do so within the parameters of this rule.

The NPRM included a provision that required assembly areas with more than 5,000 seats to provide at least five wheelchair spaces with at least three companion seats for each of those five wheelchair spaces. The Department agrees with commenters who asserted that group seating is better addressed through ticketing policies rather than design and has deleted that provision from this section of the final rule.

#### *Section 36.406(g) Medical Care Facilities*

In the 1991 title III regulation, there was no provision addressing the dispersion of accessible sleeping rooms in medical care facilities. The Department is aware, however, of problems that individuals with disabilities face in receiving full and equal medical care when accessible sleeping rooms are not adequately dispersed. When accessible rooms are not fully dispersed, a person with a disability is often placed in an accessible room in an area that is not medically appropriate for his or her condition, and is thus denied quick access to staff with expertise in that medical specialty and specialized equipment. While the Access Board did not establish specific design requirements for dispersion in the 2004 ADAAG, in response to extensive comments in support of dispersion it added an advisory note, Advisory 223.1 General, encouraging dispersion of accessible rooms within the facility so that accessible rooms are more likely to be proximate to appropriate qualified staff and resources.

In the NPRM, the Department sought additional comment on the issue, asking whether it should require medical care facilities, such as hospitals, to disperse their accessible sleeping rooms, and if so, by what method

(by specialty area, floor, or other criteria). All of the comments the Department received on this issue supported dispersing accessible sleeping rooms proportionally by specialty area. These comments from individuals, organizations, and a building code association, argued that it would not be difficult for hospitals to disperse rooms by specialty area, given the high level of regulation to which hospitals are subject and the planning that hospitals do based on utilization trends. Further, comments suggest that without a requirement, it is unlikely that hospitals would disperse the rooms. In addition, concentrating accessible rooms in one area perpetuates segregation of individuals with disabilities, which is counter to the purpose of the ADA.

The Department has decided to require medical care facilities to disperse their accessible sleeping rooms in a manner that is proportionate by type of medical specialty. This does not require exact mathematical proportionality, which at times would be impossible. However, it does require that medical care facilities disperse their accessible rooms by medical specialty so that persons with disabilities can, to the extent practical, stay in an accessible room within the wing or ward that is appropriate for their medical needs. The language used in this rule (“in a manner that is proportionate by type of medical specialty”) is more specific than that used in the NPRM (“in a manner that enables patients with disabilities to have access to appropriate specialty services”) and adopts the concept of proportionality proposed by the commenters. Accessible rooms should be dispersed throughout all medical specialties, such as obstetrics, orthopedics, pediatrics, and cardiac care.

#### SUBPART F—CERTIFICATION OF STATE LAWS OR LOCAL BUILDING CODES

Subpart F contains procedures implementing section 308(b)(1)(A)(ii) of the ADA, which provides that on the application of a State or local jurisdiction, the Attorney General may certify that a State or local building code or similar ordinance meets or exceeds the minimum accessibility requirements of the Act. In enforcement proceedings, this certification will constitute rebuttable evidence that the law or code meets or exceeds the ADA’s requirements. In its NPRM, the Department proposed three changes in subpart F that would streamline the process for public entities seeking certification, all of which are adopted in this final rule.

First, the Department proposed deleting the existing §36.603, which establishes the obligations of a submitting authority that is seeking certification of its code, and issue in

its place informal regulatory guidance regarding certification submission requirements. Due to the deletion of § 36.603, §§ 36.604 through 36.608 are renumbered, and § 36.603 in the final rule is modified to indicate that the Assistant Attorney General for the Civil Rights Division (Assistant Attorney General) shall make a preliminary determination of equivalency after “receipt and review of all information relevant to a request filed by a submitting official for certification of a code.” Second, the Department proposed that the requirement in renumbered § 36.604 (previously § 36.605) that an informal hearing be held in Washington, DC, if the Assistant Attorney General makes a preliminary determination of equivalency be changed to a requirement that the hearing be held in the State or local jurisdiction charged with administration and enforcement of the code. Third, the Department proposed adding language to renumbered § 36.606 (previously § 36.607) to explain the effect of the 2010 Standards on the codes of State or local jurisdictions that were determined in the past to meet or exceed the 1991 Standards. Once the 2010 Standards take effect, certifications issued under the 1991 Standards would not have any future effect, and States and local jurisdictions with codes certified under the 1991 Standards would need to reapply for certification under the 2010 Standards. With regard to elements of existing buildings and facilities constructed in compliance with a code when a certification of equivalency was in effect, the final rule requires that in any enforcement action this compliance would be treated as rebuttable evidence of compliance with the standards then in effect. The new provision added to § 36.606 may also have implications in determining an entity’s eligibility for the element-by-element safe harbor.

No substantive comments were received regarding the Department’s proposed changes in subpart F, and no other changes have been made to this subpart in the final rule. The Department did receive several comments addressing other issues raised in the NPRM that are related to subpart F. Because the 2010 Standards include specific design requirements for recreation facilities and play areas that may be new to many title III facilities, the Department sought comments in the NPRM about how the certification review process would be affected if the State or local jurisdiction allocates the authority to implement the new requirements to State or local agencies that are not ordinarily involved in administering building codes. One commenter, an association of building owners and managers, suggested that because of the increased scope of the 2010 Standards, it is likely that parts of covered elements in the new standards will be under the jurisdiction of multiple State or local agencies. In light of these circumstances, the commenter

recommended that the Department allow State or local agencies to seek certification even if only one State or local regulatory agency requests certification. For example, if a State agency that regulates buildings seeks certification of its building code, it should be able to do so, even if another State agency that regulates amusement rides and miniature golf courses does not seek certification.

The Department’s discussion of this issue in the NPRM contemplated that all of a State or local government’s accessibility requirements for title III facilities would be the subject of a request for certification. Any other approach would require the Department to certify only part of a State or local government’s accessibility requirements as compared to the entirety of the revised ADA standards. As noted earlier, the Attorney General is authorized by section 308(b)(1)(A)(ii) of the ADA to certify that a State or local building code meets or exceeds the ADA’s minimum accessibility requirements, which are contained in this regulation. The Department has concluded that this is a decision that must be made on a case-by-case basis because of the wide variety of enforcement schemes adopted by the States. Piecemeal certification of laws or codes that do not contain all of the minimum accessibility requirements could fail to satisfy the Attorney General’s responsibility to ensure that a State or local building code meets or exceeds the minimum accessibility requirements of the Act before granting certification. However, the Department wants to permit State and local code administrators to have maximum flexibility, so the Department will leave open the possibility for case-by-case review to determine if a State has successfully met the burden of demonstrating that its accessibility codes or other laws meet or exceed the ADA requirements.

The commenter representing building owners and managers also urged the Department to extend the proposed effective date for the final rule. The commenter explained that a six-month phase-in period is inadequate for States to begin and complete a code amendment process. The commenter asserted that the inadequate phase-in period will place entities undertaking new construction and alterations, particularly in those States with certified codes, in a difficult position because State officials will continue to enforce previously certified State or local accessibility requirements that may be in conflict with the new 2010 Standards. The Department received numerous comments on the issue of the effective date, many of them similar to the concerns expressed above, in response to both the NPRM and the ANPRM. See Appendix A discussion of compliance dates for new construction and alterations

(§36.406). The Department has been persuaded by the concerns raised by many commenters addressing the time and costs related to the design process for both new construction and alterations, and has determined that for new construction and alterations, compliance with the 2010 Standards will not be required until 18 months from the date the final rule is published. For more information on the issue of the compliance date, refer to subpart D—New Construction and Alterations.

One commenter, an association of theater owners, recommended that the Department establish a training program for State building inspectors for those States that receive certification to ensure more consistent ADA compliance and to facilitate the review of builders' architectural plans. The commenter also recommended that State building inspectors, once trained, review architectural plans, and after completion and inspection of facilities, be authorized to certify that the inspected building or facility meets both the certified State and the Federal accessibility requirements. Although supportive of the idea of additional training for State and local building code officials regarding ADA compliance, the Department believes that the approach suggested by the commenter of allowing State and local code officials to determine if a covered facility is in compliance with Federal accessibility requirements is not consistent with or permissible under the statutory enforcement scheme established by the ADA. As the Department stated in the NPRM, certification of State and local codes serves, to some extent, to mitigate the absence of a Federal mechanism for conducting at the national level a review of all architectural plans and inspecting all covered buildings under construction to ensure compliance with the ADA. In this regard, certification operates as a bridge between the obligation to comply with the 1991 Standards in new construction and alterations, and the administrative schemes of State and local governments that regulate the design and construction process. By ensuring consistency between State or local codes and Federal accessibility standards, certification has the additional benefit of streamlining the regulatory process, thereby making it easier for those in the design and construction industry to satisfy both State and Federal requirements. The Department notes, however, that although certification has the potential to increase compliance with the ADA, this result, however desirable, is not guaranteed. The ADA contemplated that there could be enforcement actions brought even in States with certified codes, and it provided some protection in litigation to builders who adhered to the provisions of the code certified to be ADA-equivalent. The Department's certification determinations make it clear that to

get the benefit of certification, a facility must comply with the applicable code requirements—without relying on waivers or variances. The certified code, however, remains within the authority of the adopting State or local jurisdiction to interpret and enforce: Certification does not transform a State's building code into Federal law. Nor can certification alone authorize State and local building code officials implementing a certified code to do more than they are authorized to do under State or local law, and these officials cannot acquire authority through certification to render binding interpretations of Federal law. Therefore, the Department, while understanding the interest in obtaining greater assurance of compliance with the ADA through the interpretation and enforcement of a certified code by local code officials, declined in the NPRM to confer on local officials the authority not granted to them under the ADA to certify the compliance of individual facilities. The Department in the final rule finds no reason to alter its position on this issue in response to the comments that were received.

The commenter representing theater owners also urged the Department to provide a safe harbor to facilities constructed in compliance with State or local building codes certified under the 1991 Standards. With regard to elements of facilities constructed in compliance with a certified code prior to the effective date of the 2010 Standards, and during the period when a certification of equivalency was in effect, the Department noted in the NPRM that its approach would be consistent with the approach to the safe harbor discussed in subpart C, §36.304 of the NPRM, with respect to elements in existing facilities constructed in compliance with the 1991 Standards. For example, elements in existing facilities in States with codes certified under the 1991 Standards would be eligible for a safe harbor if they were constructed in compliance with an ADA-certified code. In this scenario, compliance with the certified code would be treated as evidence of compliance with the 1991 Standards for purposes of determining the application of the safe harbor provision to those elements. For more information on safe harbor, refer to subpart C, §36.304 of the final rule.

One commenter, an advocacy group for the blind, suggested that, similar to the procedures for certifying a State or local building code, the Department should establish a program to certify an entity's obligation to make its goods and services accessible to persons with sensory disabilities. The Department believes that this commenter was suggesting that covered entities should be able to request that the Department review their business operations to determine if they have met their ADA obligations. As noted earlier, subpart F contains procedures implementing section 308(b)(1)(A)(ii) of the

ADA, which provides that on the application of a State or local jurisdiction, the Attorney General may certify that a State or local building code or similar ordinance meets or exceeds the minimum accessibility requirements of the ADA. The only mechanism through which the Department is authorized to ensure a covered entity's compliance with the ADA is the enforcement scheme established under section 308(b)(1)(A)(i) of the ADA. The Department notes, however, that title III of the ADA and its implementing regulation, which includes the standards for accessible design, already require existing, altered, and newly constructed places of public accommodation, such as retail stores, hotels, restaurants, movie theaters, and stadiums, to make their facilities readily accessible to and usable by individuals with disabilities, which includes individuals with sensory disabilities, so that individuals with disabilities have a full and equal opportunity to enjoy the benefits of a public accommodation's goods, services, facilities, privileges and advantages.

#### OTHER ISSUES

##### *Questions Posed in the NPRM Regarding Costs and Benefits of Complying With the 2010 Standards*

In the NPRM, the Department requested comments on various cost and benefit issues related to eight requirements in the Department's Initial RIA, that were projected to have incremental costs that exceeded monetized benefits by more than \$100 million when using the 1991 Standards as a comparative baseline, *i.e.*, side reach, water closet clearances in single-user toilet rooms with in-swinging doors, stairs, elevators, location of accessible routes to stages, accessible attorney areas and witness stands, assistive listening systems, and accessible teeing grounds, putting greens, and weather shelters at golf courses. 73 FR 34503, 34512 (June 17, 2008). The Department was particularly concerned about how these costs applied to alterations. The Department noted that pursuant to the ADA, the Department does not have statutory authority to modify the 2004 ADAAG and is required instead to issue regulations implementing the ADA that are consistent with the Board's guidelines. In that regard, the Department also requested comment about whether any of these eight elements in the 2010 Standards should be returned to the Access Board for further consideration, in particular as applied to alterations. Many of the comments received by the Department in response to these questions addressed both titles II and III. As a result, the Department's discussion of these comments and its response are collectively presented for both titles.

*Side reach.* The 1991 Standards at section 4.2.6 establish a maximum side-reach height

of 54 inches. The 2010 Standards at section 308.3.1 reduce that maximum height to 48 inches. The 2010 Standards also add exceptions for certain elements to the scoping requirement for operable parts.

The vast majority of comments the Department received were in support of the lower side-reach maximum of 48 inches in the 2010 Standards. Most of these comments, but not all, were received from individuals of short stature, relatives of individuals of short stature, or organizations representing the interests of persons with disabilities, including individuals of short stature. Comments from individuals with disabilities and disability advocacy groups stated that the 48-inch side reach would permit independence in performing many activities of daily living for individuals with disabilities, including individuals of short stature, persons who use wheelchairs, and persons who have limited upper body strength. In this regard, one commenter who is a business owner pointed out that as a person of short stature there were many occasions when he was unable to exit a public restroom independently because he could not reach the door handle. The commenter said that often elevator control buttons are out of his reach, and, if he is alone, he often must wait for someone else to enter the elevator so that he can ask that person to press a floor button for him. Another commenter, who is also a person of short stature, said that he has on several occasions pulled into a gas station only to find that he was unable to reach the credit card reader on the gas pump. Unlike other customers who can reach the card reader, swipe their credit or debit cards, pump their gas, and leave the station, he must use another method to pay for his gas. Another comment from a person of short stature pointed out that as more businesses take steps to reduce labor costs—a trend expected to continue—staffed booths are being replaced with automatic machines for the sale, for example, of parking tickets and other products. He observed that the “ability to access and operate these machines becomes ever more critical to function in society,” and, on that basis, urged the Department to adopt the 48-inch side-reach requirement. Another individual commented that persons of short stature should not have to carry with them adaptive tools in order to access building or facility elements that are out of their reach, any more than persons in wheelchairs should have to carry ramps with them in order to gain access to facilities.

Many of the commenters who supported the revised side-reach requirement pointed out that lowering the side-reach requirement to 48 inches would avoid a problem sometimes encountered in the built environment when an element was mounted for a parallel

approach at 54 inches, only to find afterwards that a parallel approach was not possible. Some commenters also suggested that lowering the maximum unobstructed side reach to 48 inches would reduce confusion among design professionals by making the unobstructed forward and side-reach maximums the same (the unobstructed forward reach in both the 1991 and 2010 Standards is 48 inches maximum). These commenters also pointed out that the ICC/ANSI A117.1 Standard, which is a private sector model accessibility standard, has included a 48-inch maximum high side-reach requirement since 1998. Many jurisdictions have already incorporated this requirement into their building codes, which these commenters believed would reduce the cost of compliance with the 2010 Standards. Because numerous jurisdictions have already adopted the 48-inch side-reach requirement, the Department's failure to adopt the 48-inch side-reach requirement in the 2010 Standards, in the view of many commenters, would result in a significant reduction in accessibility, and would frustrate efforts that have been made to harmonize private sector model construction and accessibility codes with Federal accessibility requirements. Given these concerns, they overwhelmingly opposed the idea of returning the revised side-reach requirement to the Access Board for further consideration.

The Department also received comments in support of the 48-inch side-reach requirement from an association of professional commercial property managers and operators and from State governmental entities. The association of property managers pointed out that the revised side-reach requirement provided a reasonable approach to "regulating elevator controls and all other operable parts" in existing facilities in light of the manner in which the safe harbor, barrier removal, and alterations obligations will operate in the 2010 Standards. One governmental entity, while fully supporting the 48-inch side-reach requirement, encouraged the Department to adopt an exception to the lower reach range for existing facilities similar to the exception permitted in the ICC/ANSI A117.1 Standard. In response to this latter concern, the Department notes that under the safe harbor, existing facilities that are in compliance with the 1991 Standards, which required a 54-inch side-reach maximum, would not be required to comply with the lower side-reach requirement, unless there is an alteration. *See* § 36.304(d)(2)(i).

A number of commenters expressed either concern with, or opposition to, the 48-inch side-reach requirement and suggested that it be returned to the Access Board for further consideration. These commenters included trade and business associations, associations of retail stores, associations of restaurant owners, retail and convenience store chains, and a model code organization. Several busi-

nesses expressed the view that the lower side-reach requirement would discourage the use of their products and equipment by most of the general public. In particular, concerns were expressed by a national association of pay phone service providers regarding the possibility that pay telephones mounted at the lower height would not be used as frequently by the public to place calls, which would result in an economic burden on the pay phone industry. The commenter described the lower height required for side reach as creating a new "barrier" to pay phone use, which would reduce revenues collected from pay phones and, consequently, further discourage the installation of new pay telephones. In addition, the commenter expressed concern that phone service providers would simply decide to remove existing pay phones rather than incur the costs of relocating them at the lower height. With regard to this latter concern, the commenter misunderstood the manner in which the safe harbor and barrier removal obligations under § 36.304 will operate in the revised title III regulation for elements that comply with the 1991 Standards. The Department does not anticipate that wholesale relocation of pay telephones in existing facilities will be required under the final rule where the telephones in existing facilities already are in compliance with the 1991 Standards. If the pay phones comply with the 1991 Standards, the adoption of the 2010 Standards does not require retrofitting of these elements to reflect incremental changes in the 2010 Standards. *See* § 36.304(d)(2). However, pay telephones that were required to meet the 1991 Standards as part of new construction or alterations, but do not in fact comply with those standards, will need to be brought into compliance with the 2010 Standards as of 18 months from the publication date of this final rule. *See* § 36.406(a)(5).

The Department does not agree with the concerns expressed by the commenter about reduced revenues from pay phones mounted at lower heights. The Department believes that while given the choice some individuals may prefer to use a pay phone that is at a higher height, the availability of some phones at a lower height will not deter individuals from making needed calls.

The 2010 Standards will not require every pay phone to be installed or moved to a lowered height. The table accompanying section 217.2 of the 2010 Standards makes clear that where one or more telephones are provided on a floor, level, or an exterior site, only one phone per floor, level, or exterior site must be placed at an accessible height. Similarly, where there is one bank of phones per floor, level, or exterior site, only one phone per floor, level, or exterior site must be accessible. And if there are two or more banks of phones per floor, level, or exterior site, only



one phone per bank must be placed at an accessible height.

Another comment in opposition to the lower reach range requirement was submitted on behalf of a chain of convenience stores with fuel stops. The commenter expressed the concern that the 48-inch side reach "will make it uncomfortable for the majority of the public," including persons of taller stature who would need to stoop to use equipment such as fuel dispensers mounted at the lower height. The commenter offered no objective support for the observation that a majority of the public would be rendered uncomfortable if, as required in the 2010 Standards, at least one of each type of fuel dispenser at a facility was made accessible in compliance with the lower reach range. Indeed, the Department received no comments from any individuals of tall stature expressing concern about accessible elements or equipment being mounted at the 48-inch height.

Several retail, convenience store, restaurant, and amusement park commenters expressed concern about the burden the lower side-reach requirement would place on their businesses in terms of self-service food stations and vending areas if the 48-inch requirement were applied retroactively. The cost of lowering counter height, in combination with the lack of control businesses exercise over certain prefabricated service or vending fixtures, outweighed, they argued, any benefits to persons with disabilities. For this reason, they suggested the lower side-reach requirement be referred back to the Access Board.

These commenters misunderstood the safe harbor and barrier removal obligations that will be in effect under the 2010 Standards. Those existing self-service food stations and vending areas that already are in compliance with the 1991 Standards will not be required to satisfy the 2010 Standards unless they engage in alterations. With regard to prefabricated vending machines and food service components that will be purchased and installed in businesses after the 2010 Standards become effective, the Department expects that companies will design these machines and fixtures to comply with the 2010 Standards in the future, as many have already done in the 10 years since the 48-inch side-reach requirement has been a part of the model codes and standards used by many jurisdictions as the basis for their construction codes.

A model code organization commented that the lower side-reach requirement would create a significant burden if it required entities to lower the mounting height for light switches, environmental controls, and outlets when an alteration did not include the walls where these elements were located, such as when "an area is altered or as a path of travel obligation." The Department be-

lieves that the final rule adequately addresses those situations about which the commenter expressed concern by not requiring the relocation of existing elements, such as light switches, environmental controls, and outlets, unless they are altered. Moreover, under §36.403 of the 1991 rule, costs for altering the path of travel to an altered area of primary function that exceed 20 percent of the overall costs of the alteration will continue to be deemed disproportionate.

The Department has determined that the revised side-reach requirement should not be returned to the Access Board for further consideration based in large part on the views expressed by a majority of the commenters regarding the need for, and importance of, the lower side-reach requirement to ensure access for persons with disabilities.

*Alterations and water closet clearances in single-user toilet rooms with in-swinging doors.* The 1991 Standards allow a lavatory to be placed a minimum of 18 inches from the water closet centerline and a minimum of 36 inches from the side wall adjacent to the water closet, which precludes side transfers. The 1991 Standards do not allow an in-swinging door in a toilet or bathing room to overlap the required clear floor space at any accessible fixture. To allow greater transfer options, section 604.3.2 of the 2010 Standards prohibits lavatories from overlapping the clear floor space at water closets, except in certain residential dwelling units. Section 603.2.3 of the 2010 Standards maintains the prohibition on doors swinging into the clear floor space or clearance required for any fixture, except that they permit the doors of toilet or bathing rooms to swing into the required turning space, provided that there is sufficient clearance space for the wheelchair outside the door swing. In addition, in single-user toilet or bathing rooms, exception 2 of section 603.2.3 of the 2010 Standards permits the door to swing into the clear floor space of an accessible fixture if a clear floor space that measures at least 30 inches by 48 inches is available outside the arc of the door swing.

The majority of commenters believed that this requirement would increase the number of toilet rooms accessible to individuals with disabilities who use wheelchairs or mobility scooters, and will make it easier for them to transfer. A number of commenters stated that there was no reason to return this provision to the Access Board. Numerous commenters noted that this requirement is already included in other model accessibility standards and many State and local building codes and that the adoption of the 2010 Standards is an important part of harmonization efforts.

Other commenters, mostly trade associations, opposed this requirement, arguing that the added cost to the industry outweighs any increase in accessibility. Two

commenters stated that these proposed requirements would add two feet to the width of an accessible single-user toilet room; however, another commenter said the drawings in the proposed regulation demonstrated that there would be no substantial increase in the size of the toilet room. Several commenters stated that this requirement would require moving plumbing fixtures, walls, or doors at significant additional expense. Two commenters wanted the permissible overlap between the door swing and clearance around any fixture eliminated. One commenter stated that these new requirements will result in fewer alterations to toilet rooms to avoid triggering the requirement for increased clearances, and suggested that the Department specify that repairs, maintenance, or minor alterations would not trigger the need to provide increased clearances. Another commenter requested that the Department exempt existing guest room bathrooms and single-user toilet rooms that comply with the 1991 Standards from complying with the increased clearances in alterations.

After careful consideration of these comments, the Department believes that the revised clearances for single-user toilet rooms will allow safer and easier transfers for individuals with disabilities, and will enable a caregiver, aide, or other person to accompany an individual with a disability into the toilet room to provide assistance. The illustrations in Appendix B to this final rule, “Analysis and Commentary on the 2010 ADA Standards for Accessible Design,” describe several ways for public entities and public accommodations to make alterations while minimizing additional costs or loss of space. Further, in any isolated instances where existing structural limitations may entail loss of space, the public entity and public accommodation may have a technical infeasibility defense for that alteration. The Department has, therefore, decided not to return this requirement to the Access Board.

*Alterations to stairs.* The 1991 Standards only require interior and exterior stairs to be accessible when they provide access to levels that are not connected by an elevator, ramp, or other accessible means of vertical access. In contrast, section 210.1 of the 2010 Standards requires all newly constructed stairs that are part of a means of egress to be accessible. However, exception 2 of section 210.1 of the 2010 Standards provides that in alterations, stairs between levels connected by an accessible route need not be accessible, except that handrails shall be provided. Most commenters were in favor of this requirement for handrails in alterations, and stated that adding handrails to stairs during alterations was not only feasible and not cost prohibitive, but also provided important safety benefits. One commenter stated that making all points of egress accessible increased the number of people who could use

the stairs in an emergency. A majority of the commenters did not want this requirement returned to the Access Board for further consideration.

The International Building Code (IBC), which is a private sector model construction code, contains a similar provision, and most jurisdictions enforce a version of the IBC as their building code, thereby minimizing the impact of this provision on public entities and public accommodations. The Department believes that by requiring only the addition of handrails to altered stairs where levels are connected by an accessible route, the costs of compliance for public entities and public accommodations are minimized, while safe egress for individuals with disabilities is increased. Therefore, the Department has decided not to return this requirement to the Access Board.

*Alterations to elevators.* Under the 1991 Standards, if an existing elevator is altered, only that altered elevator must comply with the new construction requirements for accessible elevators to the maximum extent feasible. It is therefore possible that a bank of elevators controlled by a single call system may contain just one accessible elevator, leaving an individual with a disability with no way to call an accessible elevator and thus having to wait indefinitely until an accessible elevator happens to respond to the call system. In the 2010 Standards, when an element in one elevator is altered, section 206.6.1 will require the same element to be altered in all elevators that are programmed to respond to the same call button as the altered elevator. Almost all commenters favored the proposed requirement. This requirement, according to these commenters, is necessary so a person with a disability need not wait until an accessible elevator responds to his or her call. One commenter suggested that elevator owners also could comply by modifying the call system so the accessible elevator could be summoned independently. One commenter suggested that this requirement would be difficult for small businesses located in older buildings, and one commenter suggested that this requirement be sent back to the Access Board.

After considering the comments, the Department agrees that this requirement is necessary to ensure that when an individual with a disability presses a call button, an accessible elevator will arrive. The IBC contains a similar provision, and most jurisdictions enforce a version of the IBC as their building code, minimizing the impact of this provision on public entities and public accommodations. Public entities and small businesses located in older buildings need not comply with this requirement where it is technically infeasible to do so. Further, as pointed out by one commenter, modifying the call system so the accessible elevator can be summoned independently is another

means of complying with this requirement in lieu of altering all other elevators programmed to respond to the same call button. Therefore, the Department has decided not to return this requirement to the Access Board.

*Location of accessible routes to stages.* The 1991 Standards, at section 4.33.5, require an accessible route to connect the accessible seating and the stage, as well as other ancillary spaces used by performers. The 2010 Standards, at section 206.2.6, provide in addition that where a circulation path directly connects the seating area and the stage, the accessible route must connect directly to the accessible seating and the stage, and, like the 1991 Standards, an accessible route must connect the stage with the ancillary spaces used by performers.

In the NPRM, the Department asked operators of auditoria about the extent to which auditoria already provide direct access to stages and whether there were planned alterations over the next 15 years that included accessible direct routes to stages. The Department also asked how to quantify the benefits of this requirement for persons with disabilities, and invited commenters to provide illustrative anecdotal experiences about the requirement's benefits.

The Department received many comments regarding the costs and benefits of this requirement. Although little detail was provided, many industry and governmental entity commenters anticipated that the costs of this requirement would be great and that it would be difficult to implement. They noted that premium seats may have to be removed and that load-bearing walls may have to be relocated. These commenters suggested that the significant costs would deter alterations to the stage area for a great many auditoria. Some commenters suggested that ramps to the front of the stage may interfere with means of egress and emergency exits. Several commenters requested that the requirement apply to new construction only, and one industry commenter requested an exemption for stages used in arenas or amusement parks where there is no audience participation or where the stage is a work area for performers only. One commenter requested that the requirement not apply to temporary stages.

The final rule does not require a direct accessible route to be constructed where a direct circulation path from the seating area to the stage does not exist. Consequently, those commenters who expressed concern about the burden imposed by the revised requirement (*i.e.*, where the stage is constructed with no direct circulation path connecting the general seating and performing area) should note that the final rule will not require the provision of a direct accessible route under these circumstances. The final rule applies to permanent stages, as well as

"temporary stages," if there is a direct circulation path from the seating area to the stage. However, the Department recognizes that in some circumstances, such as an alteration to a primary function area, the ability to provide a direct accessible route to a stage may be costly or technically infeasible, and the auditorium owner is not precluded by the revised requirement from asserting defenses available under the regulation. In addition, the Department notes that since section 4.33.5 of the 1991 Standards requires an accessible route to a stage, the safe harbor will apply to existing facilities whose stages comply with the 1991 Standards.

Several governmental entities supported accessible auditoria and the revised requirement. One governmental entity noted that its State building code already required direct access, that it was possible to provide direct access, and that creative solutions had been found to do so.

Many advocacy groups and individual commenters strongly supported the revised requirement, discussing the acute need for direct access to stages, as such access has an impact on a great number of people at important life events, such as graduations and awards ceremonies, at collegiate and competitive performances and other school events, and at entertainment events that include audience participation. Many commenters expressed the belief that direct access is essential for integration mandates to be satisfied, and that separate routes are stigmatizing and unequal. The Department agrees with these concerns.

Commenters described the impact felt by persons in wheelchairs who are unable to access the stage at all when others are able to do so. Some of these commenters also discussed the need for the performers and production staff who use wheelchairs to have direct access to the stage, and they provided a number of examples that illustrated the importance of the rule proposed in the NPRM. Personal anecdotes were provided in comments and at the Department's public hearing on the NPRM. One mother spoke passionately and eloquently about the unequal treatment experienced by her daughter, who uses a wheelchair, at awards ceremonies and band concerts. Her daughter was embarrassed and ashamed to be carried by her father onto a stage at one band concert. When the venue had to be changed for another concert to an accessible auditorium, the band director made sure to comment that he was unhappy with the switch. Rather than endure the embarrassment and indignities, her child dropped out of band the following year.

Another father commented about how he was unable to speak from the stage at a PTA meeting at his child's school. Speaking from the floor limited his line of sight and his participation. Several examples were provided of children who could not participate on

stage during graduation, awards programs, or special school events, such as plays and festivities. One student did not attend his college graduation because he would not be able to get on stage. Another student was unable to participate in the class Christmas programs or end-of-year parties unless her father could attend and lift her onto the stage. These commenters did not provide a method to quantify the benefits that would accrue by having direct access to stages. One commenter stated, however, that “the cost of dignity and respect is without measure.”

Many industry commenters and governmental entities suggested that the requirement be sent back to the Access Board for further consideration. One industry commenter mistakenly noted that some international building codes do not incorporate the requirement and that, therefore, there is a need for further consideration. However, the Department notes that both the 2003 and 2006 editions of the IBC include scoping provisions that are almost identical to this requirement and that these editions of the model code are the most frequently used. Many individuals and advocacy group commenters requested that the requirement be adopted without further delay. These commenters spoke of the acute need for direct access to stages and the amount of time it would take to resubmit the requirement to the Access Board. Several commenters noted that the 2004 ADAAG tracks recent model codes, and that there is thus no need for further consideration. The Department agrees that no further delay is necessary and therefore has decided it will not return the requirement to the Access Board for further consideration.

*Assistive listening systems.* The 1991 Standards at sections 4.33.6 and 4.33.7 require assistive listening systems (ALS) in assembly areas and prescribe general performance standards for ALS systems. In the NPRM, the Department proposed adopting the technical specifications in the 2004 ADAAG for ALS that are intended to ensure better quality and effective delivery of sound and information for persons with hearing impairments, especially those using hearing aids. The Department noted in the NPRM that since 1991, advancements in ALS and the advent of digital technology have made these systems more amenable to uniform standards, which, among other things, should ensure that a certain percentage of required ALS systems are hearing-aid compatible. 73 FR 34508, 34513 (June 17, 2008). The 2010 Standards at section 219 provide scoping requirements and at section 706 address receiver jacks, hearing aid compatibility, sound pressure level, signal-to-noise ratio, and peak clipping level. The Department requested comments specifically from arena and assembly area administrators on the cost and maintenance issues associated with

ALS, and asked generally about the costs and benefits of ALS, and asked whether, based upon the expected costs of ALS, the issue should be returned to the Access Board for further consideration.

Commenters from advocacy organizations noted that persons who develop significant hearing loss often discontinue their normal routines and activities, including meetings, entertainment, and large group events, due to a sense of isolation caused by the hearing loss or embarrassment. Individuals with longstanding hearing loss may never have participated in group activities for many of the same reasons. Requiring ALS may allow individuals with disabilities to contribute to the community by joining in government and public events, and through increased economic activity associated with community activities and entertainment. Making public events and entertainment accessible to persons with hearing loss also brings families and other groups that include persons with hearing loss into more community events and activities, thus exponentially increasing the benefit from ALS.

Many commenters noted that when a person has significant hearing loss, that person may be able to hear and understand information in a quiet situation with the use of hearing aids or cochlear implants; however, as background noise increases and the distance between the source of the sound and the listener grows, and especially where there is distortion in the sound, an ALS becomes essential for basic comprehension and understanding. Commenters noted that among the 31 million Americans with hearing loss, and with a projected increase to over 78 million Americans with hearing loss by 2030, the benefit from ALS is huge and growing. Advocates for persons with disabilities and individuals commented that they appreciated the improvements in the 2004 ADAAG standards for ALS, including specifications for the ALS systems and performance standards. They noted that providing neckloops that translate the signal from the ALS transmitter to a frequency that can be heard on a hearing aid or cochlear implant are much more effective than separate ALS system headsets, which sometimes create feedback, often malfunction, and may create distractions for others seated nearby. Comments from advocates and users of ALS systems consistently noted that the Department’s regulation should, at a minimum, be consistent with the 2004 ADAAG. Although there were requests for adjustments in the scoping requirements from advocates seeking increased scoping requirements, and from large venue operators seeking fewer requirements, there was no significant concern expressed by commenters about the technical specifications for ALS in the 2004 ADAAG.

Some commenters from trade associations and large venue owners criticized the scoping requirements as too onerous, and one commenter asked for a remand to the Access Board for new scoping rules. However, one State agency commented that the 2004 ADAAG largely duplicates the requirements in the 2006 IBC and the 2003 ANSI codes, which means that entities that comply with those standards would not incur additional costs associated with ADA compliance.

According to one State office of the courts, the costs to install either an infrared system or an FM system at average-sized facilities, including most courtrooms covered by title II, would be between \$500 and \$2,000, which the agency viewed as a small price in comparison to the benefits of inclusion. Advocacy organizations estimated wholesale costs of ALS systems at about \$250 each, and individual neckloops to link the signal from the ALS transmitter to hearing aids or cochlear implants at less than \$50 per unit. Many commenters pointed out that if a facility already is using induction neckloops, it would already be in compliance already and would not have any additional installation costs. One major city commented that annual maintenance is about \$2,000 for the entire system of performance venues in the city. A trade association representing very large venues estimated annual maintenance and upkeep expenses, including labor and replacement parts, to be at most about \$25,000 for a very large professional sports stadium.

One commenter suggested that the scoping requirements for ALS in the 2004 ADAAG were too stringent and that the Department should refer them back to the Access Board for further review and consideration. Others commented that the requirement for new ALS systems should mandate multichannel receivers capable of receiving audio description for persons who are blind, in addition to a channel for amplification for persons who are hard of hearing. Some commenters suggested that the Department should require a set schedule and protocol of mandatory maintenance. Department regulations already require maintenance of accessible features at §36.211(a) of the title III regulation, which obligates a title III entity to maintain ALS in good working order. The Department recognizes that maintenance of ALS is key to its usability. Necessary maintenance will vary dramatically from venue to venue based upon a variety of factors including frequency of use, number of units, quality of equipment, and other items. Accordingly, the Department has determined that it is not appropriate to mandate details of maintenance, but notes that failure to maintain ALS would violate §36.211(a) of this rule.

The NPRM asked whether the Department should return the issue of ALS requirements to the Access Board for further review. The Department has received substantial feed-

back on the technical and scoping requirements for ALS and is convinced—especially in light of the fact that the requirements largely duplicate those in the 2006 IBC and the 2003 ANSI codes already adopted in many States—and that the benefits justify the requirements. In addition, the Department believes that the new specifications will make ALS work more effectively for more persons with disabilities, which, together with a growing population of new users, will increase demand for ALS, thus mooted criticism from some large venue operators about insufficient demand. Thus, the Department has determined that it is unnecessary to refer this issue back to the Access Board for reconsideration.

*Accessible teeing grounds, putting greens, and weather shelters.* The Department's NPRM sought public input on the proposed requirements for accessible golf courses. These requirements specifically relate to accessible routes within the boundaries of the courses, as well as the accessibility of golfing elements (*e.g.*, teeing grounds, putting greens, weather shelters).

In the NPRM, the Department sought information from the owners and operators of golf courses, both public and private, on the extent to which their courses already have golf car passages, and, if so, whether they intended to avail themselves of the proposed accessible route exception for golf car passages. 73 FR 34508, 34513 (June 17, 2008).

Most commenters expressed support for the adoption of an accessible route requirement that includes an exception permitting golf car passage as all or part of an accessible route. Comments in favor of the proposed standard came from golf course owners and operators, individuals, organizations, and disability rights groups, while comments opposing adoption of the golf course requirements generally came from golf courses and organizations representing the golf course industry.

The majority of commenters expressed the general viewpoint that nearly all golf courses provide golf cars and have either well-defined paths or permit golf cars to drive on the course where paths are not present—and thus meet the accessible route requirement. Several commenters disagreed with the assumption in the Initial RIA that virtually every tee and putting green on an existing course would need to be regraded in order to provide compliant accessible routes. According to one commenter, many golf courses are relatively flat with little slope, especially those heavily used by recreational golfers. This commenter concurred with the Department that it is likely that most existing golf courses have a golf car passage to tees and greens, thereby substantially minimizing the cost of bringing an existing golf course into compliance with the proposed

standards. One commenter reported that golf course access audits found that the vast majority of public golf courses would have little difficulty in meeting the proposed golf course requirements. In the view of some commenters, providing access to golf courses would increase golf participation by individuals with disabilities.

The Department also received many comments requesting clarification of the term “golf car passage.” For example, one commenter requesting clarification of the term “golf car passage” argued that golf courses typically do not provide golf car paths or pedestrian paths onto the actual teeing grounds or greens, many of which are higher or lower than the car path. This commenter argued that if golf car passages were required to extend onto teeing grounds and greens in order to qualify for an exception, then some golf courses would have to substantially regrade teeing grounds and greens at a high cost.

After careful consideration of the comments, the Department has decided to adopt the 2010 Standards specific to golf facilities. The Department believes that in order for individuals with mobility disabilities to have an opportunity to play golf that is equal to golfers without disabilities, it is essential that golf courses provide an accessible route or accessible golf car passage to connect accessible elements and spaces within the boundary of the golf course, including teeing grounds, putting greens, and weather shelters.

#### *Public Comments on Other NPRM Issues*

*Equipment and furniture.* Equipment and furniture are covered under the Department’s ADA regulations, including under the provision requiring modifications in policies, practices, and procedures and the provision requiring barrier removal. *See* 28 CFR 36.302, 36.304. The Department has not issued specific regulatory guidance on equipment and furniture, but proposed such regulations in 1991. The Department decided not to establish specific equipment requirements at that time because the requirements could be addressed under other sections of the regulation and because there were no appropriate accessibility standards applicable to many types of equipment at that time. *See* 28 CFR part 36, app. B (2009) (“Proposed Section 36.309 Purchase of Furniture and Equipment”).

In the NPRM, the Department announced its intention not to regulate equipment, proposing instead to continue with the current approach. The Department received numerous comments objecting to this decision and urging the Department to issue equipment and furniture regulations. Based on these comments, the Department has decided that it needs to revisit the issuance of equipment

and furniture regulations, and it intends to do so in future rulemaking.

Among the commenters’ key concerns, many from the disability community objected to the Department’s earlier decision not to issue equipment regulations, especially for medical equipment. These groups recommended that the Department list by name certain types of medical equipment that must be accessible, including exam tables (that lower to 15 inches above the floor or lower), scales, medical and dental chairs, and radiologic equipment (including mammography equipment). These commenters emphasized that the provision of medically-related equipment and furniture also should be specifically regulated since they are not included in the 2004 ADAAG (while depositories, change machines, fuel dispensers, and ATMs are) and because of their crucial role in the provision of healthcare. Commenters described how the lack of accessible medical equipment negatively affects the health of individuals with disabilities. For example, some individuals with mobility disabilities do not get thorough medical care because their health providers do not have accessible examination tables or scales.

Commenters also said that the Department’s stated plan to assess the financial impact of free-standing equipment on businesses was not necessary, as any regulations could include a financial-balancing test. Other commenters representing persons who are blind or have low vision urged the Department to mandate accessibility for a wide range of equipment—including household appliances (stoves, washers, microwaves, and coffee makers), audiovisual equipment (stereos and DVD players), exercise machines, vending equipment, ATMs, computers at Internet cafes or hotel business centers, reservations kiosks at hotels, and point-of-sale devices—through speech output and tactile labels and controls. They argued that modern technology allows such equipment to be made accessible at minimal cost. According to these commenters, the lack of such accessibility in point-of-sale devices is particularly problematic because it forces blind individuals to provide personal or sensitive information (such as personal identification numbers) to third parties, which exposes them to identity fraud. Because the ADA does not apply directly to the manufacture of products, the Department lacks the authority to issue design requirements for equipment designed exclusively for use in private homes. *See* Department of Justice, Americans with Disabilities Act, *ADA Title III Technical Assistance Manual Covering Public Accommodations and Commercial Facilities*, III-4.4200, available at <http://www.ada.gov/taman3.html>. To the extent that equipment intended for such use is used by a covered entity to facilitate a covered service or activity, that covered entity must make the

equipment accessible to the extent that it can. *See id.*: 28 CFR part 36, app. B (2009) (“Proposed Section 36.309 Purchase of Furniture and Equipment”).

Some commenters urged the Department to require swimming pool operators to provide aquatic wheelchairs for the use of persons with disabilities when the swimming pool has a sloped entry. If there is a sloped entry, a person who uses a wheelchair would require a wheelchair designed for use in the water in order to gain access to the pool since taking a personal wheelchair into water would rust and corrode the metal on the chair and damage any electrical components of a power wheelchair. Providing an aquatic wheelchair made of non-corrosive materials and designed for access into the water will protect the water from contamination and avoid damage to personal wheelchairs or other mobility aids.

Additionally, many commenters urged the Department to regulate the height of beds in accessible hotel guest rooms and to ensure that such beds have clearance at the floor to accommodate a mechanical lift. These commenters noted that in recent years, hotel beds have become higher as hotels use thicker mattresses, thereby making it difficult or impossible for many individuals who use wheelchairs to transfer onto hotel beds. In addition, many hotel beds use a solid-sided platform base with no clearance at the floor, which prevents the use of a portable lift to transfer an individual onto the bed. Consequently, individuals who bring their own lift to transfer onto the bed cannot independently get themselves onto the bed. Some commenters suggested various design options that might avoid these situations.

The Department intends to provide specific guidance relating to both hotel beds and aquatic wheelchairs in a future rulemaking. For the present, the Department reminds covered entities that they have the obligation to undertake reasonable modifications to their current policies and procedures and to undertake barrier removal or provide alternatives to barrier removal to make their facilities accessible to persons with disabilities. In many cases, providing aquatic wheelchairs or adjusting hotel bed heights may be necessary to comply with those requirements.

Commenters from the business community objected to the lack of clarity from the NPRM as to which equipment must be accessible and how to make it accessible. Several commenters urged the Department to clarify that equipment located in a public accommodation need not meet the technical specifications of ADAAG so long as the service provided by the equipment can be provided by alternative means, such as an employee. For example, the commenters suggested that a self-service check-in kiosk in a hotel need not comply with the reach range require-

ment so long as a guest can check in at the front desk nearby. Several commenters argued that the Department should not require that point-of-sale devices be accessible to individuals who are blind or have low vision (although complying with accessible route and reach range was acceptable), especially until the Department adopts specific standards governing such access.

The Department has decided not to add specific scoping or technical requirements for equipment and furniture in this final rule. Other provisions of the regulation, including those requiring reasonable modifications of policies, practices, or procedures, readily achievable barrier removal, and effective communication will require the provision of accessible equipment in appropriate circumstances. Because it is clear that many commenters want the Department to provide additional specific requirements for accessible equipment, the Department plans to initiate a rulemaking to address these issues in the near future.

*Accessible golf cars.* An accessible golf car means a device that is designed and manufactured to be driven on all areas of a golf course, is independently usable by individuals with mobility disabilities, has a hand-operated brake and accelerator, carries golf clubs in an accessible location, and has a seat that both swivels and raises to put the golfer in a standing or semi-standing position. The 1991 regulation contained no language specifically referencing accessible golf cars. After considering the comments addressing the ANPRM’s proposed requirement that golf courses make at least one specialized golf car available for the use of individuals with disabilities, and the safety of accessible golf cars and their use on golf course greens, the Department stated in the NPRM that it would not issue regulations specific to golf cars.

The Department received many comments in response to its decision to propose no new regulation specific to accessible golf cars. The majority of commenters urged the Department to require golf courses to provide accessible golf cars. These comments came from individuals, disability advocacy and recreation groups, a manufacturer of accessible golf cars, and representatives of local government. Comments supporting the Department’s decision not to propose a new regulation came from golf course owners, associations, and individuals.

Many commenters argued that while the existing title III regulation covered the issue, the Department should nonetheless adopt specific regulatory language requiring golf courses to provide accessible golf cars. Some commenters noted that many local governments and park authorities that operate public golf courses have already provided accessible golf cars. Experience indicates that such golf cars may be used without

damaging courses. Some argued that having accessible golf cars would increase golf course revenue by enabling more golfers with disabilities to play the game. Several commenters requested that the Department adopt a regulation specifically requiring each golf course to provide one or more accessible golf cars. Other commenters recommended allowing golf courses to make “pooling” arrangements to meet demands for such cars. A few commenters expressed support for using accessible golf cars to accommodate golfers with and without disabilities. Commenters also pointed out that the Departments of the Interior and Defense have already mandated that golf courses under their jurisdictional control must make accessible golf cars available unless it can be demonstrated that doing so would change the fundamental nature of the game.

While an industry association argued that at least two models of accessible golf cars meet the specifications recognized in the field, and that accessible golf cars cause no more damage to greens or other parts of golf courses than players standing or walking across the course, other commenters expressed concerns about the potential for damage associated with the use of accessible golf cars. Citing safety concerns, golf organizations recommended that an industry safety standard be developed.

Although the Department declines to add specific scoping or technical requirements for golf cars to this final rule, the Department expects to address requirements for accessible golf cars in future rulemaking. In the meantime, the Department believes that golfers with disabilities who need accessible golf cars are protected by other existing provisions in the title III regulation, including those requiring reasonable modifications of policies, practices, or procedures, and readily achievable barrier removal.

*Web site accessibility.* Many commenters expressed disappointment that the NPRM did not specifically require title III-covered entities to make their Web sites, through which they offer goods and services, accessible to individuals with disabilities. Commenters urged the Department to require specifically that entities that provide goods or services on the Internet make their Web sites accessible, regardless of whether or not these entities also have a “bricks and mortar” location. The commenters explained that such clarification was needed because of the current ambiguity caused by court decisions as to whether web-only businesses are covered under title III. Commenters argued that the cost of making Web sites accessible through Web site design is minimal, yet critical, to enabling individuals with disabilities to benefit from the goods and services an entity offers through its Web site. The Internet has become an essential tool for many Americans and, when accessible, provides individ-

uals with disabilities great independence. Commenters recommended that, at a minimum, the Department require covered entities to meet the Electronic and Information Technology Accessibility Standards issued pursuant to section 508. Under section 508 of the Rehabilitation Act of 1973, Federal agencies are required to make their Web sites accessible. 29 U.S.C. 794(d); 36 CFR Part 1194.

The Department agrees that the ability to access the goods and services offered on the Internet through the Web sites of public accommodations is of great importance to individuals with disabilities, particularly those who are blind or who have low vision. When the ADA was enacted in 1990, the Internet was unknown to most of the public. Today, the Internet plays a critical role in daily life for personal, civic, commercial, and business purposes. In light of the growing importance of eCommerce, ensuring nondiscriminatory access to the goods and services offered through the Web sites of covered entities can play a significant role in fulfilling the goals of the ADA.

Although the language of the ADA does not explicitly mention the Internet, the Department has taken the position that title III covers access to Web sites of public accommodations. The Department has issued guidance on the ADA as applied to the Web sites of public entities, which includes the availability of standards for Web site accessibility. See *Accessibility of State and Local Government Websites to People with Disabilities* (June 2003), available at [www.ada.gov/websites2.htm](http://www.ada.gov/websites2.htm). As the Department stated in that publication, an agency (and similarly a public accommodation) with an inaccessible Web site also may meet its legal obligations by providing an accessible alternative for individuals to enjoy its goods or services, such as a staffed telephone information line. However, such an alternative must provide an equal degree of access in terms of hours of operation and range of options and programs available. For example, if retail goods or bank services are posted on an inaccessible Web site that is available 24 hours a day, 7 days a week to individuals without disabilities, then the alternative accessible method must also be available 24 hours a day, 7 days a week. Additional guidance is available in the Web Content Accessibility Guidelines (WCAG), available at <http://www.w3.org/TR/WAI-WEBCONTENT> (last visited June 24, 2010), which are developed and maintained by the Web Accessibility Initiative, a subgroup of the World Wide Web Consortium (W3C®).

The Department did not issue proposed regulations as part of its NPRM, and thus is unable to issue specific regulatory language on Web site accessibility at this time. However, the Department expects to engage in rulemaking relating to Web site accessibility under the ADA in the near future.



*Multiple chemical sensitivities.* The Department received comments from a number of individuals asking the Department to add specific language to the final rule addressing the needs of individuals with chemical sensitivities. These commenters expressed concern that the presence of chemicals interferes with their ability to participate in a wide range of activities. These commenters also urged the Department to add multiple chemical sensitivities to the definition of a disability.

The Department has determined not to include specific provisions addressing multiple chemical sensitivities in the final rule. In order to be viewed as a disability under the ADA, an impairment must substantially limit one or more major life activities. An individual's major life activities of respiratory or neurological functioning may be substantially limited by allergies or sensitivity to a degree that he or she is a person with a disability. When a person has this type of disability, a covered entity may have to make reasonable modifications in its policies and practices for that person. However, this determination is an individual assessment and must be made on a case-by-case basis.

[AG Order No. 3181–2010, 75 FR 56258, Sept. 15, 2010; 76 FR 13287, Mar. 11, 2011]

#### APPENDIX B TO PART 36—ANALYSIS AND COMMENTARY ON THE 2010 ADA STANDARDS FOR ACCESSIBLE DESIGN

##### APPENDIX B TO PART 36

###### *Analysis and Commentary on the 2010 ADA Standards for Accessible Design*

The following is a discussion of substantive changes in the scoping and technical requirements for new construction and alterations resulting from the adoption of new ADA Standards for Accessible Design (2010 Standards) in the final rules for title II (28 CFR part 35) and title III (28 CFR part 36) of the Americans with Disabilities Act (ADA). The full text of the 2010 Standards is available for review at <http://www.ada.gov>.

In the Department's revised ADA title II regulation, 28 CFR 35.104 Definitions, the Department defines the term "2010 Standards" to mean the 2010 ADA Standards for Accessible Design. The 2010 Standards consist of the 2004 ADA Accessibility Guidelines (ADAAG) and the requirements contained in 28 CFR 35.151.

In the Department's revised ADA title III regulation, 28 CFR 36.104 Definitions, the Department defines the term "2010 Standards" to mean the 2010 ADA Standards for Accessible Design. The 2010 Standards consist of the 2004 ADA Accessibility Guidelines

(ADAAG) and the requirements contained in 28 CFR part 36 subpart D.

This summary addresses selected substantive changes between the 1991 ADA Standards for Accessible Design (1991 Standards) codified at 28 CFR part 36, app. A (2009) and the 2010 Standards.

Editorial changes are not discussed. Scoping and technical requirements are discussed together, where appropriate, for ease of understanding the requirements. In addition, this document addresses selected public comments received by the Department in response to its September 2004 Advance Notice of Proposed Rulemaking (ANPRM) and its June 2008 Notice of Proposed Rulemaking (NPRM).

The ANPRM and NPRM issued by the Department concerning the proposed 2010 Standards stated that comments received by the Access Board in response to its development of the ADAAG upon which the 2010 Standards are based would be considered in the development of the final Standards. Therefore, the Department will not restate here all of the comments and responses to them issued by the Access Board. The Department is supplementing the Access Board's comments and responses with substantive comments and responses here. Comments and responses addressed by the Access Board that also were separately submitted to the Department will not be restated in their entirety here.

#### SECTION-BY-SECTION ANALYSIS WITH PUBLIC COMMENTS

##### *Application and Administration*

##### 102 Dimensions for Adults and Children

Section 2.1 of the 1991 Standards stated that the specifications were based upon adult dimensions and anthropometrics. The 1991 Standards did not provide specific requirements for children's elements or facilities.

Section 102 of the 2010 Standards states that the technical requirements are based on adult dimensions and anthropometrics. In addition, technical requirements are also provided based on children's dimensions and anthropometrics for drinking fountains, water closets and other elements located in toilet compartments, lavatories and sinks, dining surfaces, and work surfaces.

##### 103 Equivalent Facilitation

This section acknowledges that nothing in these requirements prevents the use of designs, products, or technologies as alternatives to those prescribed, provided that the alternatives result in substantially equivalent or greater accessibility and usability.

A commenter encouraged the Department to include a procedure for determining

equivalent facilitation. The Department believes that the responsibility for determining and demonstrating equivalent facilitation properly rests with the covered entity. The purpose of allowing for equivalent facilitation is to encourage flexibility and innovation while still ensuring access. The Department believes that establishing potentially cumbersome bureaucratic provisions for reviewing requests for equivalent facilitation is inappropriate.

#### 104 Conventions

*Dimensions.* Section 104.1 of the 2010 Standards notes that dimensions not stated as a “maximum” or “minimum” are absolute. Section 104.1.1 of the 2010 Standards provides that all dimensions are subject to conventional industry tolerances except where the requirement is stated as a range with specific minimum and maximum end points. A commenter stated that the 2010 Standards restrict the application of construction tolerances only to those few requirements that are expressed as an absolute dimension.

This is an incorrect interpretation of sections 104.1 and 104.1.1 of the 2010 Standards. Construction and manufacturing tolerances apply to absolute dimensions as well as to dimensions expressed as a maximum or minimum. When the requirement states a specified range, such as in section 609.4 where grab bars must be installed between 33 inches and 36 inches above the finished floor, that range provides an adequate tolerance. Advisory 104.1.1 gives further guidance about tolerances.

Section 104.2 of the 2010 Standards provides that where the required number of elements or facilities to be provided is determined by calculations of ratios or percentages and remainders or fractions result, the next greater whole number of such elements or facilities shall be provided. Where the determination of the required size or dimension of an element or facility involves ratios or percentages, rounding down for values less than one-half is permissible.

A commenter stated that it is customary in the building code industry to round up rather than down for values less than one-half. As noted here, where the 2010 Standards provide for scoping, any resulting fractional calculations will be rounded to the next whole number. The Department is retaining the portion of section 104.2 that permits rounding down for values less than one-half where the determination of the required size or dimension of an element or facility involves ratios or percentages. Such practice is standard with the industry, and is in keeping with model building codes.

#### 105 Referenced Standards

Section 105 lists the industry requirements that are referenced in the 2010 Standards.

This section also clarifies that where there is a difference between a provision of the 2010 Standards and the referenced requirements, the provision of the 2010 Standards applies.

#### 106 Definitions

Various definitions have been added to the 2010 Standards and some definitions have been deleted.

One commenter asked that the term public right-of-way be defined; others asked that various terms and words defined by the 1991 Standards, but which were eliminated from the 2010 Standards, plus other words and terms used in the 2010 Standards, be defined.

The Department believes that it is not necessary to add definitions to this text because section 106.3 of the 2010 Standards provides that the meanings of terms not specifically defined in the 2010 Standards, in the Department’s ADA regulations, or in referenced standards are to be defined by collegiate dictionaries in the sense that the context implies. The Department believes that this provision adequately addresses these commenters’ concerns.

#### Scoping and Technical Requirements

##### 202 Existing Buildings and Facilities

*Alterations.* Under section 4.1.6(1)(c) of the 1991 Standards if alterations to single elements, when considered together, amount to an alteration of a room or space in a building or facility, the entire room or space would have to be made accessible. This requirement was interpreted to mean that if a covered entity chose to alter several elements in a room there would come a point when so much work had been done that it would be considered that the entire room or space would have to be made accessible. Under section 202.3 of the 2010 Standards entities can alter as many elements within a room or space as they like without triggering a requirement to make the entire room or space accessible based on the alteration of individual elements. This does not, however, change the requirement that if the intent was to alter the entire room or space, the entire room or space must be made accessible and comply with the applicable requirements of Chapter 2 of the 2010 Standards.

*Alterations to Primary Function Areas.* Section 202.4 restates a current requirement under title III, and therefore represents no change for title III facilities or for those title II facilities that have elected to comply with the 1991 Standards. However, under the revised title II regulation, state and local government facilities that have previously elected to comply with the Uniform Federal Accessibility Standards (UFAS) instead of the 1991 Standards will no longer have that option, and thus will now be subject to the path of travel requirement. The path of travel requirement provides that when a primary

function area of an existing facility is altered, the path of travel to that area (including restrooms, telephones, and drinking fountains serving the area) must also be made accessible, but only to the extent that the cost of doing so does not exceed twenty percent (20%) of the cost of the alterations to the primary function area. The UFAS requirements for a substantial alteration, though different, may have covered some of the items that will now be covered by the path of travel requirement.

*Visible Alarms in Alterations to Existing Facilities.* The 1991 Standards, at sections 4.1.3(14) and 4.1.6(1)(b), and sections 202.3 and 215.1 of the 2010 Standards require that when existing elements and spaces of a facility are altered, the alterations must comply with new construction requirements. Section 215.1 of the 2010 Standards adds a new exception to the scoping requirement for visible alarms in existing facilities so that visible alarms must be installed only when an existing fire alarm system is upgraded or replaced, or a new fire alarm system is installed.

Some commenters urged the Department not to include the exception and to make visible alarms a mandatory requirement for all spaces, both existing and new. Other commenters said that the exception will make the safety of individuals with disabilities dependent upon the varying age of existing fire alarm systems. Other commenters suggested that including this requirement, even with the exception, will result in significant cost to building owners and operators.

The Department believes that the language of the exception to section 215.1 of the 2010 Standards strikes a reasonable balance between the interests of individuals with disabilities and those of the business community. If undertaken at the time a system is installed, whether in a new facility or in a planned system upgrade, the cost of adding visible alarms is reasonable. Over time, existing facilities will become fully accessible to individuals who are deaf or hard of hearing, and will add minimal costs to owners and operators.

#### 203 General Exceptions

*Limited Access Spaces and Machinery Spaces.* The 1991 Standards, at section 4.1.1, contain an exception that exempts "non-occupiable" spaces that have limited means of access, such as ladders or very narrow passageways, and that are visited only by service personnel for maintenance, repair, or occasional monitoring of equipment, from all accessibility requirements. Sections 203.4 and 203.5 of the 2010 Standards expand this exception by removing the condition that the exempt spaces be "non-occupiable," and by separating the other conditions into two independent exceptions: one for spaces with limited means of access, and the other for ma-

chinery spaces. More spaces are exempted by the exception in the 2010 Standards.

#### 203, 206 and 215 Employee Work Areas

*Common Use Circulation Paths in Employee Work Areas.* The 1991 Standards at section 4.1.1(3), and the 2010 Standards at section 203.9, require employee work areas in new construction and alterations *only* to be designed and constructed so that individuals with disabilities can approach, enter, and exit the areas. Section 206.2.8 of the 2010 Standards requires accessible common use circulation paths within employee work areas unless they are subject to exceptions in sections 206.2.8, 403.5, 405.5, and 405.8. The ADA, 42 U.S.C. 12112 (b)(5)(A) and (B), requires employers to make reasonable accommodations in the workplace for individuals with disabilities, which may include modifications to work areas when needed. Providing increased access in the facility at the time of construction or alteration will simplify the process of providing reasonable accommodations when they are needed.

The requirement for accessible common use circulation paths will not apply to existing facilities pursuant to the readily achievable barrier removal requirement. The Department has consistently taken the position that barrier removal requirements do not apply to areas used exclusively by employees because the purpose of title III is to ensure that access is provided to clients and customers. *See* Appendix B to the 1991 regulation implementing title III, 28 CFR part 36.

Several exceptions to section 206.2.8 of the 2010 Standards exempt common use circulation paths in employee work areas from the requirements of section 402 where it may be difficult to comply with the technical requirements for accessible routes due to the size or function of the area:

- Employee work areas, or portions of employee work areas, that are less than 300 square feet and are elevated 7 inches or more above the ground or finish floor, where elevation is essential to the function of the space, are exempt.
- Common use circulation paths within employee work areas that are less than 1,000 square feet and are defined by permanently installed partitions, counters, casework, or furnishings are exempt. Kitchens in quick service restaurants, cocktail bars, and the employee side of service counters are frequently covered by this exception.
- Common use circulation paths within exterior employee work areas that are fully exposed to the weather are exempt. Farms, ranches, and outdoor maintenance facilities are covered by this exception.

The 2010 Standards in sections 403.5 and 405.8 also contain exceptions to the technical requirements for accessible routes for circulation paths in employee work areas:

- Machinery and equipment are permitted to reduce the clear width of common use circulation paths where the reduction is essential to the function of the work performed. Machinery and equipment that must be placed a certain way to work properly, or for ergonomics or to prevent workplace injuries are covered by this exception.

- Handrails are not required on ramps, provided that they can be added in the future.

Commenters stated that the requirements set out in the 2010 Standards for accessible common use circulation paths in employee work areas are inappropriate, particularly in commercial kitchens, storerooms, and behind cocktail bars where wheelchairs would not be easily accommodated. These commenters further urged the Department not to adopt a requirement that circulation paths in employee work areas be at least 36 inches wide, including those at emergency exits.

These commenters misunderstand the scope of the provision. Nothing in the 2010 Standards requires all circulation paths in non-exempt areas to be accessible. The Department recognizes that building codes and fire and life safety codes, which are adopted by all of the states, require *primary* circulation paths in facilities, including employee work areas, to be at least 36 inches wide for purposes of emergency egress. Accessible routes also are at least 36 inches wide. Therefore, the Department anticipates that covered entities will be able to satisfy the requirement to provide accessible circulation paths by ensuring that their required *primary* circulation paths are accessible.

Individual employee work stations, such as a grocery checkout counter or an automobile service bay designed for use by one person, do not contain common use circulation paths and are not required to comply. Other work areas, such as stockrooms that typically have narrow pathways between shelves, would be required to design only one accessible circulation path into the stockroom. It would not be necessary to make each circulation path in the room accessible. In alterations it may be technically infeasible to provide accessible common use circulation paths in some employee work areas. For example, in a stock room of a department store significant existing physical constraints, such as having to move walls to avoid the loss of space to store inventory, may mean that it is technically infeasible (see section 106.5 “Defined Terms” of the 2010 Standards) to make even the primary common use circulation path in that stock room wide enough to be accessible. In addition, the 2010 Standards include exceptions for common use circulation paths in employee work areas where it may be difficult to comply with the technical requirements for accessible routes due to the size or function of the areas. The Department believes that these exceptions

will provide the flexibility necessary to ensure that this requirement does not interfere with legitimate business operations.

*Visible Alarms.* Section 215.3 of the 2010 Standards provides that where employee work areas in newly constructed facilities have audible alarm coverage they are required to have wiring systems that are capable of supporting visible alarms that comply with section 702 of the 2010 Standards. The 1991 Standards, at section 4.1.1(3), require visible alarms to be provided where audible fire alarm systems are provided, but do not require areas used only by employees as work areas to be equipped with accessibility features. As applied to office buildings, the 1991 Standards require visible alarms to be provided in public and common use areas such as hallways, conference rooms, break rooms, and restrooms, where audible fire alarm systems are provided.

Commenters asserted that the requirements of section 215.3 of the 2010 Standards would be burdensome to meet. These commenters also raised concerns that all employee work areas within existing buildings and facilities must be equipped with accessibility features.

The commenters’ concerns about section 215.3 of the 2010 Standards represent a misunderstanding of the requirements applicable to employee work areas.

Newly constructed buildings and facilities merely are required to provide wiring so that visible alarm systems can be added as needed to accommodate employees who are deaf or hard of hearing. This is a minimal requirement without significant impact.

The other issue in the comments represents a misunderstanding of the Department’s existing regulatory requirements. Employee common use areas in covered facilities (e.g., locker rooms, break rooms, cafeterias, toilet rooms, corridors to exits, and other common use spaces) were required to be accessible under the 1991 Standards; areas in which employees actually perform their jobs are required to enable a person using a wheelchair or mobility device to approach, enter, and exit the area. The 2010 Standards require increased access through the accessible common use circulation path requirement, but neither the 1991 Standards nor the 2010 Standards require employee work stations to be accessible. Access to specific employee *work stations* is governed by title I of the ADA.

#### 205 and 309 Operable Parts

Section 4.1.3, and more specifically sections 4.1.3(13), 4.27.3, and 4.27.4 of the 1991 Standards, require operable parts on accessible elements, along accessible routes, and in accessible rooms and spaces to comply with the technical requirements for operable parts, including height and operation. The 1991 Standards, at section 4.27.3, contain an

exception, “\* \* \* where the use of special equipment dictates otherwise or where electrical and communications systems receptacles are not normally intended for use by building occupants,” from the technical requirement for the height of operable parts. Section 205.1 of the 2010 Standards divides this exception into three exceptions covering operable parts intended only for use by service or maintenance personnel, electrical or communication receptacles serving a dedicated use, and floor electrical receptacles. Operable parts covered by these new exceptions are exempt from all of the technical requirements for operable parts in section 309. The 2010 Standards also add exceptions that exempt certain outlets at kitchen counters; heating, ventilating and air conditioning diffusers; redundant controls provided for a single element, other than light switches; and exercise machines and equipment from all of the technical requirements for operable parts. Exception 7, in section 205.1 of the 2010 Standards, exempts cleats and other boat securement devices from the accessible height requirement. Similarly, section 309.4 of the 2010 Standards exempts gas pump nozzles, but only from the technical requirement for activating force.

*Reach Ranges.* The 1991 Standards set the maximum height for side reach at 54 inches above the floor. The 2010 Standards, at section 308.3, lower that maximum height to 48 inches above the finish floor or ground. The 2010 Standards also add exceptions, as discussed above, to the scoping requirement for operable parts for certain elements that, among other things, will exempt them from the reach range requirements in section 308.

The 1991 Standards, at sections 4.1.3, 4.27.3, and 4.2.6, and the 2010 Standards, at sections 205.1, 228.1, 228.2, 308.3, and 309.3, require operable parts of accessible elements, along accessible routes, and in accessible rooms and spaces to be placed within the forward or side-reach ranges specified in section 308. The 2010 Standards also require at least five percent (5%) of mailboxes provided in an interior location and at least one of each type of depository, vending machine, change machine, and gas pump to meet the technical requirements for a forward or a side reach.

Section 4.2.6 of the 1991 Standards specifies a maximum 54-inch high side reach and a minimum 9-inch low side reach for an unobstructed reach depth of 10 inches maximum. Section 308.3.1 of the 2010 Standards specifies a maximum 48-inch high side reach and a minimum 15-inch low side reach where the element being reached for is unobstructed. Section 308.3.1, Exception 1, permits an obstruction that is no deeper than 10 inches between the edge of the clear floor or ground space and the element that the individual with a disability is trying to reach. Changes in the side-reach range for new construction and alterations in the 2010 Standards will af-

fect a variety of building elements such as light switches, electrical outlets, thermostats, fire alarm pull stations, card readers, and keypads.

Commenters were divided in their views about the changes to the unobstructed side-reach range. Disability advocacy groups and others, including individuals of short stature, supported the modifications to the proposed reach range requirements. Other commenters stated that the new reach range requirements will be burdensome for small businesses to comply with. These comments argued that the new reach range requirements restrict design options, especially in residential housing.

The Department continues to believe that data submitted by advocacy groups and others provides compelling evidence that lowered reach range requirements will better serve significantly greater numbers of individuals with disabilities, including individuals of short stature, persons with limited upper body strength, and others with limited use of their arms and fingers. The change to the side-reach range was developed by the Access Board over a prolonged period in which there was extensive public participation. This process did not produce any significant data to indicate that applying the new unobstructed side-reach range requirement in new construction or during alterations would impose a significant burden.

#### 206 and Chapter 4 Accessible Routes

*Slope.* The 2010 Standards provide, at section 403.3, that the cross slope of walking surfaces not be steeper than 1:48. The 1991 Standards' cross slope requirement was that it not exceed 1:50. A commenter recommended increasing the cross slope requirement to allow a maximum of ½ inch per foot (1:24) to prevent imperfections in concrete surfaces from ponding water. The Department continues to believe that the requirement that a cross slope not be steeper than 1:48 adequately provides for water drainage in most situations. The suggested changes would double the allowable cross slope and create a significant impediment for many wheelchair users and others with a mobility disability.

*Accessible Routes from Site Arrival Points and Within Sites.* The 1991 Standards, at sections 4.1.2(1) and (2), and the 2010 Standards, at sections 206.2.1 and 206.2.2, require that at least one accessible route be provided within the site from site arrival points to an accessible building entrance and that at least one accessible route connect accessible facilities on the same site. The 2010 Standards also add two exceptions that exempt site arrival points and accessible facilities within a site from the accessible route requirements where the only means of access between them is a vehicular way that does not provide pedestrian access.

Commenters urged the Department to eliminate the exception that exempts site arrival points and accessible facilities from the accessible route requirements where the only means of access between them is a vehicular way not providing pedestrian access. The Department declines to accept this recommendation because the Department believes that its use will be limited. If it can be reasonably anticipated that the route between the site arrival point and the accessible facilities will be used by pedestrians, regardless of whether a pedestrian route is provided, then this exception will not apply. It will apply only in the relatively rare situations where the route between the site arrival point and the accessible facility dictates vehicular access—for example, an office complex on an isolated site that has a private access road, or a self-service storage facility where all users are expected to drive to their storage units.

Another commenter suggested that the language of section 406.1 of the 2010 Standards is confusing because it states that curb ramps on accessible routes shall comply with 406, 405.2 through 405.5, and 405.10. The 1991 Standards require that curb ramps be provided wherever an accessible route crosses a curb.

The Department declines to change this language because the change is purely editorial, resulting from the overall changes in the format of the 2010 Standards. It does not change the substantive requirement. In the 2010 Standards all elements on a required accessible route must be accessible; therefore, if the accessible route crosses a curb, a curb ramp must be provided.

*Areas of Sport Activity.* Section 206.2.2 of the 2010 Standards requires at least one accessible route to connect accessible buildings, facilities, elements, and spaces on the same site. Advisory section 206.2.2 adds the explanation that an accessible route must connect the boundary of each area of sport activity (e.g., courts and playing fields, whether indoor or outdoor). Section 206.2.12 of the 2010 Standards further requires that in court sports the accessible route must directly connect both sides of the court.

*Limited-Use/Limited-Application Elevators, Destination-Oriented Elevators and Private Residence Elevators.* The 1991 Standards, at section 4.1.3(5), and the 2010 Standards, at sections 206.2 and 206.6, include exceptions to the scoping requirement for accessible routes that exempt certain facilities from connecting each story with an elevator. If a facility is exempt from the scoping requirement, but nonetheless installs an elevator, the 1991 Standards require the elevator to comply with the technical requirements for elevators. The 2010 Standards add a new exception that allows a facility that is exempt from the scoping requirement to install a limited-use/limited-application (LULA) ele-

vator. LULA elevators are also permitted in the 1991 Standards and the 2010 Standards as an alternative to platform lifts. The 2010 Standards also add a new exception that permits private residence elevators in multi-story dwelling and transient lodging units. The 2010 Standards contain technical requirements for LULA elevators at section 408 and private residence elevators at section 409.

Section 407.2.1.4 of the 2010 Standards includes an exception to the technical requirements for locating elevator call buttons for destination-oriented elevators. The advisory at section 407.2.1.4 describes lobby controls for destination-oriented elevator systems. Many elevator manufacturers have recently developed these new “buttonless” elevator control systems. These new, more efficient elevators are usually found in high-rise buildings that have several elevators. They require passengers to enter their destination floor on an entry device, usually a keypad, in the elevator lobby. The system then sends the most efficient car available to take all of the passengers going to the sixth floor, for example, only to the sixth floor, without making stops at the third, fourth, and fifth floors on the way to the sixth floor. The challenge for individuals who are blind or have low vision is how to know which elevator car to enter, after they have entered their destination floor into the keypad.

Commenters requested that the Department impose a moratorium on the installation of destination-oriented elevators arguing that this new technology presents wayfinding challenges for persons who are blind or have low vision.

Section 407.2.1.5 of the 2010 Standards allows destination-oriented elevators to not provide call buttons with visible signals to indicate when each call is registered and when each call is answered *provided* that visible and audible signals, compliant with 407.2.2 of the 2010 Standards, indicating which elevator car to enter, are provided. This will require the responding elevator car to automatically provide audible and visible communication so that the system will always verbally and visually indicate which elevator car to enter.

As with any new technology, all users must have time to become acquainted with how to use destination-oriented elevators. The Department will monitor the use of this new technology and work with the Access Board so that there is not a decrease in accessibility as a result of permitting this new technology to be installed.

*Accessible Routes to Tiered Dining Areas in Sports Facilities.* The 1991 Standards, at sections 4.1.3(1) and 5.4, and section 206.2.5 of the 2010 Standards require an accessible route to be provided to all dining areas in new construction, including raised or sunken dining

areas. The 2010 Standards add a new exception for tiered dining areas in sports facilities. Dining areas in sports facilities are typically integrated into the seating bowl and are tiered to provide adequate lines of sight for individuals with disabilities. The new exception requires accessible routes to be provided to at least 25 percent (25%) of the tiered dining areas in sports facilities. Each tier must have the same services and the accessible routes must serve the accessible seating.

*Accessible Routes to Press Boxes.* The 1991 Standards, at sections 4.1.1(1) and 4.1.3(1), cover all areas of newly constructed facilities required to be accessible, and require an accessible route to connect accessible entrances with all accessible spaces and elements within the facility. Section 201.1 of the 2010 Standards requires that all areas of newly designed and constructed buildings and facilities and altered portions of existing buildings and facilities be accessible. Sections 206.2.7(1) and (2) of the 2010 Standards add two exceptions that exempt small press boxes that are located in bleachers with entrances on only one level, and small press boxes that are free-standing structures elevated 12 feet or more above grade, from the accessible route requirement when the aggregate area of all press boxes in a sports facility does not exceed 500 square feet. The Department anticipates that this change will significantly reduce the economic impact on smaller sports facilities, such as those associated with high schools or community colleges.

*Public Entrances.* The 1991 Standards, at sections 4.1.3(8) and 4.1.6(1)(h), require at least fifty percent (50%) of public entrances to be accessible. Additionally, the 1991 Standards require the number of accessible public entrances to be equivalent to the number of exits required by applicable building and fire codes. With very few exceptions, building and fire codes require at least two exits to be provided from spaces within a building and from the building itself. Therefore, under the 1991 Standards where two public entrances are planned in a newly constructed facility, both entrances are required to be accessible.

Instead of requiring accessible entrances based on the number of public entrances provided or the number of exits required (whichever is greater), section 206.4.1 of the 2010 Standards requires at least sixty percent (60%) of public entrances to be accessible. The revision is intended to achieve the same result as the 1991 Standards. Thus, under the 2010 Standards where two public entrances are planned in a newly constructed facility, both entrances must be accessible.

Where multiple public entrances are planned to serve different site arrival points, the 1991 Standards, at section 4.1.2(1), and section 206.2.1 of the 2010 Standards require

at least one accessible route to be provided from each type of site arrival point provided, including accessible parking spaces, accessible passenger loading zones, public streets and sidewalks, and public transportation stops, to an accessible public entrance that serves the site arrival point.

Commenters representing small businesses recommended retaining the 1991 requirement for fifty percent (50%) of public entrances of covered entities to be accessible. These commenters also raised concerns about the impact upon existing facilities of the new sixty percent (60%) requirement.

The Department believes that these commenters misunderstand the 1991 Standards. As explained above, the requirements of the 1991 Standards generally require more than fifty percent (50%) of entrances in small facilities to be accessible. Model codes require that most buildings have more than one means of egress. Most buildings have more than one entrance, and the requirements of the 1991 Standards typically resulted in these buildings having more than one accessible entrance. Requiring at least sixty percent (60%) of public entrances to be accessible is not expected to result in a substantial increase in the number of accessible entrances compared to the requirements of the 1991 Standards. In some very large facilities this change may result in fewer accessible entrances being required by the 2010 Standards. However, the Department believes that the realities of good commercial design will result in more accessible entrances being provided for the convenience of all users.

The 1991 Standards and the 2010 Standards also contain exceptions that limit the number of accessible entrances required in alterations to existing facilities. When entrances to an existing facility are altered and the facility has an accessible entrance, the entrance being altered is not required to be accessible, unless a primary function area also is altered and then an accessible path of travel must be provided to the primary function area to the extent that the cost to do so is not disproportionate to the overall cost of the alteration.

*Alterations to Existing Elevators.* When a single space or element is altered, the 1991 Standards, at sections 4.1.6(1)(a) and (b), require the space or element to be made accessible. When an element in one elevator is altered, the 2010 Standards, at section 206.6.1, require the same element to be altered in all elevators that are programmed to respond to the same call button as the altered elevator.

The 2010 Standards, at sections 407.2.1-407.4.7.1.2, also contain exceptions to the technical requirements for elevators when existing elevators are altered that minimize the impact of this change.

Commenters expressed concerns about the requirement that when an element in one elevator is altered, the 2010 Standards, at section 206.6.1, will require the same element to be altered in all elevators that are programmed to respond to the same call button as the altered elevator. Commenters noted that such a requirement is burdensome and will result in costly efforts without significant benefit to individuals with disabilities.

The Department believes that this requirement is necessary to ensure that when an individual with a disability presses a call button, an accessible elevator will arrive. Without this requirement, individuals with disabilities would have to wait unnecessarily for an accessible elevator to make its way to them arbitrarily. The Department also believes that the effort required to meet this provision is minimal in the majority of situations because it is typical to upgrade all of the elevators in a bank at the same time.

*Accessible Routes in Dwelling Units with Mobility Features.* Sections 4.34.1 and 4.34.2 of the UFAS require the living area, kitchen and dining area, bedroom, bathroom, and laundry area, where provided, in covered dwelling units with mobility features to be on an accessible route. Where covered dwelling units have two or more bedrooms, at least two bedrooms are required to be on an accessible route.

The 2010 Standards at sections 233.3.1.1, 809.1, 809.2, 809.2.1, and 809.4 will require all spaces and elements within dwelling units with mobility features to be on an accessible route. These changes exempt unfinished attics and unfinished basements from the accessible route requirement. Section 233.3.5 of the 2010 Standards also includes an exception to the dispersion requirement that permits accessible single-story dwelling units to be constructed, where multi-story dwelling units are one of the types of units provided.

*Location of Accessible Routes.* Section 4.3.2(1) of the 1991 Standards requires accessible routes connecting site arrival points and accessible building entrances to coincide with general circulation paths, to the maximum extent feasible. The 2010 Standards require all accessible routes to coincide with or be located in the same general area as general circulation paths. Additionally, a new provision specifies that where a circulation path is interior, the required accessible route must also be located in the interior of the facility. The change affects a limited number of buildings. Section 206.3 of the 2010 Standards requires all accessible routes to coincide with or be located in the same general area as general circulation paths. Designing newly constructed interior accessible routes to coincide with or to be located in the same area as general circulation paths will not typically present a difficult design challenge and is expected to impose limited design constraints. The change will have no

impact on exterior accessible routes. The 1991 Standards and the 2010 Standards also require accessible routes to be located in the interior of the facility where general circulation paths are located in the interior of the facility. The revision affects a limited number of buildings.

*Location of Accessible Routes to Stages.* The 1991 Standards at section 4.33.5 require an accessible route to connect the accessible seating and the performing area. Section 206.2.6 of the 2010 Standards requires the accessible route to directly connect the seating area and the accessible seating, stage, and all areas of the stage, where a circulation path directly connects the seating area and the stage. Both the 1991 Standards and the 2010 Standards also require an accessible route to connect the stage and ancillary areas, such as dressing rooms, used by performers. The 2010 Standards do not require an additional accessible route to be provided to the stage. Rather, the changes specify where the accessible route to the stage, which is required by the 1991 Standards, must be located.

#### 207 Accessible Means of Egress

*General.* The 1991 Standards at sections 4.1.3(9); 4.1.6(1)(g); and 4.3.10 establish scoping and technical requirements for accessible means of egress. Section 207.1 of the 2010 Standards reference the International Building Code (IBC) for scoping and technical requirements for accessible means of egress.

The 1991 Standards require the same number of accessible means of egress to be provided as the number of exits required by applicable building and fire codes. The IBC requires at least one accessible means of egress and at least two accessible means of egress where more than one means of egress is required by other sections of the building code. The changes in the 2010 Standards are expected to have minimal impact since the model fire and life safety codes, which are adopted by all of the states, contain equivalent requirements with respect to the number of accessible means of egress.

The 1991 Standards require areas of rescue assistance or horizontal exits in facilities with levels above or below the level of exit discharge. Areas of rescue assistance are spaces that have direct access to an exit, stair, or enclosure where individuals who are unable to use stairs can go to call for assistance and wait for evacuation. The 2010 Standards incorporate the requirements established by the IBC. The IBC requires an evacuation elevator designed with standby power and other safety features that can be used for emergency evacuation of individuals with disabilities in facilities with four or more stories above or below the exit discharge level, and allows exit stairways and evacuation elevators to be used as an accessible means of egress in conjunction with areas of refuge or horizontal exits. The



change is expected to have minimal impact since the model fire and life safety codes, adopted by most states, already contain parallel requirements with respect to evacuation elevators.

The 1991 Standards exempt facilities equipped with a supervised automatic sprinkler system from providing areas of rescue assistance, and also exempt alterations to existing facilities from providing an accessible means of egress. The IBC exempts buildings equipped with a supervised automatic sprinkler system from certain technical requirements for areas of refuge, and also exempts alterations to existing facilities from providing an accessible means of egress.

The 1991 and 2010 Standards require signs that provide direction to or information about functional spaces to meet certain technical requirements. The 2010 Standards, at section 216.4, address exit signs. This section is consistent with the requirements of the IBC. Signs used for means of egress are covered by this scoping requirement. The requirements in the 2010 Standards require tactile signs complying with sections 703.1, 703.2 and 703.5 at doors at exit passageways, exit discharge, and at exit stairways. Directional exit signs and signs at areas of refuge required by section 216.4.3 must have visual characters and features complying with section 703.5.

*Standby Power for Platform Lifts.* The 2010 Standards at section 207.2 require standby power to be provided for platform lifts that are permitted to serve as part of an accessible means of egress by the IBC. The IBC permits platform lifts to serve as part of an accessible means of egress in a limited number of places where platform lifts are allowed in new construction. The 1991 Standards, at 4.1.3(5) Exception 4(a) through (d), and the 2010 Standards, at sections 206.7.1 through 206.7.10, similarly limit the places where platform lifts are allowed in new construction.

Commenters urged the Department to reconsider provisions that would require standby power to be provided for platform lifts. Concerns were raised that ensuring standby power would be too burdensome. The Department views this issue as a fundamental life safety issue. Lift users face the prospect of being trapped on the lift in the event of a power failure if standby power is not provided. The lack of standby power could be life-threatening in situations where the power failure is associated with a fire or other emergency. The use of a platform lift is generally only one of the options available to covered entities. Covered entities that are concerned about the costs associated with maintaining standby power for a lift may wish to explore design options that would incorporate the use of a ramp.

#### 208 and 502 Parking Spaces

*General.* Where parking spaces are provided, the 1991 Standards, at sections 4.1.2(5)(a) and (7) and 7(a), and the 2010 Standards, at section 208.1, require a specified number of the parking spaces to be accessible. The 2010 Standards, at section 208, include an exception that exempts parking spaces used exclusively for buses, trucks, delivery vehicles, law enforcement vehicles, or for purposes of vehicular impound, from the scoping requirement for parking spaces, provided that when these lots are accessed by the public the lot has an accessible passenger loading zone.

The 2010 Standards require accessible parking spaces to be identified by signs that display the International Symbol of Accessibility. Section 216.5, Exceptions 1 and 2, of the 2010 Standards exempt certain accessible parking spaces from this signage requirement. The first exception exempts sites that have four or fewer parking spaces from the signage requirement. Residential facilities where parking spaces are assigned to specific dwelling units are also exempted from the signage requirement.

Commenters stated that the first exception, by allowing a small parking lot with four or fewer spaces not to post a sign at its one accessible space, is problematic because it could allow all drivers to park in accessible parking spaces. The Department believes that this exception provides necessary relief for small business entities that may otherwise face the prospect of having between twenty-five percent (25%) and one hundred percent (100%) of their limited parking area unavailable to their customers because they are reserved for the exclusive use of persons whose vehicles display accessible tags or parking placards. The 2010 Standards still require these businesses to ensure that at least one of their available parking spaces is designed to be accessible.

A commenter stated that accessible parking spaces must be clearly marked. The Department notes that section 502.6 of the 2010 Standards provides that accessible parking spaces must be identified by signs that include the International Symbol of Accessibility. Also, section 502.3.3 of the 2010 Standards requires that access aisles be marked so as to discourage parking in them.

*Access Aisle.* Section 502.3 of the 2010 Standards requires that an accessible route adjoin each access aisle serving accessible parking spaces. The accessible route connects each access aisle to accessible entrances.

Commenters questioned why the 2010 Standards would permit an accessible route used by individuals with disabilities to coincide with the path of moving vehicles. The Department believes that the 2010 Standards appropriately recognize that not all parking facilities provide separate pedestrian routes.

Section 502.3 of the 2010 Standards provides the flexibility necessary to permit designers and others to determine the most appropriate location of the accessible route to the accessible entrances. If all pedestrians using the parking facility are expected to share the vehicular lanes, then the ADA permits covered entities to use the vehicular lanes as part of the accessible route. The advisory note in section 502.3 of the 2010 Standards, however, calls attention to the fact that this practice, while permitted, is not ideal. Accessible parking spaces must be located on the shortest accessible route of travel to an accessible entrance. Accessible parking spaces and the required accessible route should be located where individuals with disabilities do not have to cross vehicular lanes or pass behind parked vehicles to have access to an accessible entrance. If it is necessary to cross a vehicular lane because, for example, local fire engine access requirements prohibit parking immediately adjacent to a building, then a marked crossing running perpendicular to the vehicular route should be included as part of the accessible route to an accessible entrance.

*Van Accessible Parking Spaces.* The 1991 Standards, at sections 4.1.2(5)(b), 4.6.3, 4.6.4, and 4.6.5, require one in every eight accessible parking spaces to be van accessible. Section 208.2.4 of the 2010 Standards requires one in every six accessible parking spaces to be van accessible.

A commenter asked whether automobiles other than vans may park in van accessible parking spaces. The 2010 Standards do not prohibit automobiles other than vans from using van accessible parking spaces. The Department does not distinguish between vehicles that are actual “vans” versus other vehicles such as trucks, station wagons, sport utility vehicles, etc. since many vehicles other than vans may be used by individuals with disabilities to transport mobility devices.

Commenters’ opinions were divided on this point. Facility operators and others asked for a reduction in the number of required accessible parking spaces, especially the number of van accessible parking spaces, because they claimed these spaces often are not used. Individuals with disabilities, however, requested an increase in the scoping requirements for these parking spaces.

The Department is aware that a strong difference of opinion exists between those who use such spaces and those who must provide or maintain them. Therefore, the Department did not increase the total number of accessible spaces required. The only change was to increase the proportion of spaces that must be accessible to vans and other vehicles equipped to transport mobility devices.

*Direct Access Entrances From Parking Structures.* Where levels in a parking garage have direct connections for pedestrians to another

facility, the 1991 Standards, at section 4.1.3(8)(b)(i), require at least one of the direct connections to be accessible. The 2010 Standards, at section 206.4.2, require all of these direct connections to be accessible.

#### 209 and 503 Passenger Loading Zones and Bus Stops

*Passenger Loading Zones at Medical Care and Long-Term Care Facilities.* Sections 6.1 and 6.2 of the 1991 Standards and section 209.3 of the 2010 Standards require medical care and long-term care facilities, where the period of stay exceeds 24 hours, to provide at least one accessible passenger loading zone at an accessible entrance. The 1991 Standards also require a canopy or roof overhang at this passenger loading zone. The 2010 Standards do not require a canopy or roof overhang.

Commenters urged the Department to reinstate the requirement for a canopy or roof overhang at accessible passenger loading zones at medical care and long-term care facilities. While the Department recognizes that a canopy or roof overhang may afford useful protection from inclement weather conditions to everyone using a facility, it is not clear that the absence of such protection would impede access by individuals with disabilities. Therefore, the Department declined to reinstate that requirement.

*Passenger Loading Zones.* Where passenger loading zones are provided, the 1991 Standards, at sections 4.1.2(5) and 4.6.6, require at least one passenger loading zone to be accessible. Sections 209.2.1 and 503 of the 2010 Standards, require facilities such as airport passenger terminals that have long, continuous passenger loading zones to provide one accessible passenger loading zone in every continuous 100 linear feet of loading zone space. The 1991 Standards and the 2010 Standards both include technical requirements for the vehicle pull-up space (96 inches wide minimum and 20 feet long minimum). Accessible passenger loading zones must have an access aisle that is 60 inches wide minimum and extends the full length of the vehicle pull-up space. The 1991 Standards permit the access aisle to be on the same level as the vehicle pull-up space, or on the sidewalk. The 2010 Standards require the access aisle to be on the same level as the vehicle pull-up space and to be marked so as to discourage parking in the access aisle.

Commenters expressed concern that certain covered entities, particularly airports, cannot accommodate the requirements of the 2010 Standards to provide passenger loading zones, and urged a revision that would require one accessible passenger loading zone located in reasonable proximity to each building entrance served by the curb.

Commenters raised a variety of issues about the requirements at section 503 of the 2010 Standards stating that the requirements

for an access aisle, width, length, and marking of passenger loading zones are not clear, do not fully meet the needs of individuals with disabilities, may run afoul of state or local requirements, or may not be needed because many passenger loading zones are typically staffed by doormen or valet parkers. The wide range of opinions expressed in these comments indicates that this provision is controversial. However, none of these comments provided sufficient data to enable the Department to determine that the requirement is not appropriate.

*Valet Parking and Mechanical Access Parking Garages.* The 1991 Standards, at sections 4.1.2(5)(a) and (e), and sections 208.2, 209.4, and 209.5 of the 2010 Standards require parking facilities that provide valet parking services to have an accessible passenger loading zone. The 2010 Standards extend this requirement to mechanical access parking garages. The 1991 Standards contained an exception that exempted valet parking facilities from providing accessible parking spaces. The 2010 Standards eliminate this exception. The reason for not retaining the provision is that valet parking is a service, not a facility type.

Commenters questioned why the exception for valet parking facilities from providing accessible parking spaces was eliminated. The provision was eliminated because valet parkers may not have the skills necessary to drive a vehicle that is equipped to be accessible, including use of hand controls, or when a seat is not present to accommodate a driver using a wheelchair. In that case, permitting the individual with a disability to self-park may be a required reasonable modification of policy by a covered entity.

#### 210 and 504 Stairways

The 1991 Standards require stairs to be accessible only when they provide access to floor levels not otherwise connected by an accessible route (*e.g.*, where the accessible route is provided by an elevator, lift, or ramp). The 2010 Standards, at sections 210.1 and 504, require all newly constructed stairs that are part of a means of egress to comply with the requirements for accessible stairs, which include requirements for accessible treads, risers, and handrails. In existing facilities, where floor levels are connected by an accessible route, only the handrail requirement will apply when the stairs are altered. Exception 2 to section 210.1 of the 2010 Standards permits altered stairs to not comply with the requirements for accessible treads and risers where there is an accessible route between floors served by the stairs.

Most commenters were in favor of this requirement for handrails in alterations and stated that adding handrails to stairs during alterations would be feasible and not costly while providing important safety benefits. The Department believes that it strikes an appropriate balance by focusing the ex-

panded requirements on new construction. The 2010 Standards apply to stairs which are part of a required means of egress. Few stairways are not part of a means of egress. The 2010 Standards are consistent with most building codes which do not exempt stairways when the route is also served by a ramp or elevator.

#### 211 and 602 Drinking Fountains

Sections 4.1.3(10) and 4.15 of the 1991 Standards and sections 211 and 602 of the 2010 Standards require drinking fountains to be provided for persons who use wheelchairs and for others who stand. The 1991 Standards require wall and post-mounted cantilevered drinking fountains mounted at a height for wheelchair users to provide clear floor space for a forward approach with knee and toe clearance and free standing or built-in drinking fountains to provide clear floor space for a parallel approach. The 2010 Standards require drinking fountains mounted at a height for wheelchair users to provide clear floor space for a forward approach with knee and toe clearance, and include an exception for a parallel approach for drinking fountains installed at a height to accommodate very small children. The 2010 Standards also include a technical requirement for drinking fountains for standing persons.

#### 212 and 606 Kitchens, Kitchenettes, Lavatories, and Sinks

The 1991 Standards, at sections 4.24, and 9.2.2(7), contain technical requirements for sinks and only have specific scoping requirements for sinks in transient lodging. Section 212.3 of the 2010 Standards requires at least five percent (5%) of sinks in each accessible space to comply with the technical requirements for sinks. The technical requirements address clear floor space, height, faucets, and exposed pipes and surfaces. The 1991 Standards, at section 4.24, and the 2010 Standards, at section 606, both require the clear floor space at sinks to be positioned for a forward approach and knee and toe clearance to be provided under the sink. The 1991 Standards, at section 9.2.2(7), allow the clear floor space at kitchen sinks and wet bars in transient lodging guest rooms with mobility features to be positioned for either a forward approach with knee and toe clearance or for a parallel approach.

The 2010 Standards include an exception that permits the clear floor space to be positioned for a parallel approach at kitchen sinks in any space where a cook top or conventional range is not provided, and at a wet bar.

A commenter stated that it is unclear what the difference is between a sink and a lavatory, and that this is complicated by requirements that apply to sinks (five percent (5%) accessible) and lavatories (at least one

accessible). The term “lavatory” generally refers to the specific type of plumbing fixture required for hand washing in toilet and bathing facilities. The more generic term “sink” applies to all other types of sinks located in covered facilities.

A commenter recommended that the mounting height of sinks and lavatories should take into consideration the increased use of three-wheeled scooters and some larger wheelchairs. The Department is aware that the use of three-wheeled scooters and larger wheelchairs may be increasing and that some of these devices may require changes in space requirements in the future. The Access Board is funding research to obtain data that may be used to develop design guidelines that provide access to individuals using these mobility devices.

#### 213, 603, 604, and 608 Toilet and Bathing Facilities, Rooms, and Compartments

*General.* Where toilet facilities and bathing facilities are provided, they must comply with section 213 of the 2010 Standards.

A commenter recommended that all accessible toilet facilities, toilet rooms, and compartments should be required to have signage indicating that such spaces are restricted solely for the use of individuals with disabilities. The Department believes that it is neither necessary nor appropriate to restrict the use of accessible toilet facilities. Like many other facilities designed to be accessible, accessible toilet facilities can and do serve a wide range of individuals with and without disabilities.

A commenter recommended that more than one wheelchair accessible compartment be provided in toilet rooms serving airports and train stations because these compartments are likely to be occupied by individuals with luggage and persons with disabilities often take longer to use them. The Access Board is examining airport terminal accessibility as part of an ongoing effort to facilitate accessibility and promote effective design. As part of these efforts, the Access Board will examine requirements for accessible toilet compartments in larger airport restrooms. The Department declines to change the scoping for accessible toilet compartments at this time.

*Ambulatory Accessible Toilet Compartments.* Section 213.3.1 of the 2010 Standards requires multi-user men’s toilet rooms, where the total of toilet compartments and urinals is six or more, to contain at least one ambulatory accessible compartment. The 1991 Standards count only toilet stalls (compartments) for this purpose. The 2010 Standards establish parity between multi-user women’s toilet rooms and multi-user men’s toilet rooms with respect to ambulatory accessible toilet compartments.

*Urinals.* Men’s toilet rooms with only one urinal will no longer be required to provide

an accessible urinal under the 2010 Standards. Such toilet rooms will still be required to provide an accessible toilet compartment.

Commenters urged that the exception be eliminated. The Department believes that this change will provide flexibility to many small businesses and it does not alter the requirement that all common use restrooms must be accessible.

*Multiple Single-User Toilet Rooms.* Where multiple single-user toilet rooms are clustered in a single location, fifty percent (50%), rather than the one hundred percent (100%) required by the 1991 Standards, are required to be accessible by section 213.2, Exception 4 of the 2010 Standards. Section 216.8 of the 2010 Standards requires that accessible single-user toilet rooms must be identified by the International Symbol of Accessibility where all single-user toilet rooms are not accessible.

*Hospital Patient Toilet Rooms.* An exception was added in section 223.1 of the 2010 Standards to allow toilet rooms that are part of critical or intensive care patient sleeping rooms to no longer be required to provide mobility features.

*Water Closet Location and Rear Grab Bar.* Section 604.2 of the 2010 Standards allows greater flexibility for the placement of the centerline of wheelchair accessible and ambulatory accessible water closets. Section 604.5.2, Exception 1 permits a shorter grab bar on the rear wall where there is not enough wall space due to special circumstances (*e.g.*, when a lavatory or other recessed fixture is located next to the water closet and the wall behind the lavatory is recessed so that the lavatory does not overlap the required clear floor space at the water closet). The 1991 Standards contain no exception for grab bar length, and require the water closet centerline to be exactly 18 inches from the side wall, while the 2010 Standards requirement allows the centerline to be between 16 and 18 inches from the side wall in wheelchair accessible toilet compartments and 17 to 19 inches in ambulatory accessible toilet compartments.

*Water Closet Clearance.* Section 604.3 of the 2010 Standards represents a change in the accessibility requirements where a lavatory is installed adjacent to the water closet. The 1991 Standards allow the nearest side of a lavatory to be placed 18 inches minimum from the water closet centerline and 36 inches minimum from the side wall adjacent to the water closet. However, locating the lavatory so close to the water closet prohibits many individuals with disabilities from using a side transfer. To allow greater transfer options, including side transfers, the 2010 Standards prohibit lavatories from overlapping the clear floor space at water closets, except in covered residential dwelling units.

A majority of commenters, including persons who use wheelchairs, strongly agreed with the requirement to provide enough space for a side transfer. These commenters believed that the requirement will increase the usability of accessible single-user toilet rooms by making side transfers possible for many individuals who use wheelchairs and would have been unable to transfer to a water closet using a side transfer even if the water closet complied with the 1991 Standards. In addition, many commenters noted that the additional clear floor space at the side of the water closet is also critical for those providing assistance with transfers and personal care for persons with disabilities. Numerous comments noted that this requirement is already included in other model accessibility standards and many state and local building codes and its adoption in the 2010 Standards is an important part of harmonization efforts. The Department agrees that the provision of enough clear floor space to permit side transfers at water closets is an important feature that must be provided to ensure access for persons with disabilities in toilet and bathing facilities. Furthermore, the adoption of this requirement closely harmonizes with the model codes and many state and local building codes.

Other commenters urged the Department not to adopt section 604.3 of the 2010 Standards claiming that it will require single-user toilet rooms to be two feet wider than the 1991 Standards require, and this additional requirement will be difficult to meet. Multiple commentators also expressed concern that the size of single-user toilet rooms would be increased but they did not specify how much larger such toilet rooms would have to be in their estimation. In response to these concerns, the Department developed a series of single-user toilet room floor plans demonstrating that the total square footage between representative layouts complying with the 1991 Standards and the 2010 Standards are comparable. The Department believes the floor plan comparisons clearly show that size differences between the two Standards are not substantial and several of the 2010 Standards-compliant plans do not require additional square footage compared to the 1991 Standards plans. These single-user toilet room floor plans are shown below.

Several commenters concluded that alterations of single-user toilet rooms should be exempt from the requirements of section 604.3 of the 2010 Standards because of the significant reconfiguration and reconstruction that would be required, such as moving plumbing fixtures, walls, and/or doors at significant additional expense. The Department disagrees with this conclusion since it fails to take into account several key points. The 2010 Standards contain provisions for in-swinging doors, 603.2.3, Exception 2, and recessed fixtures adjacent to water closets,

604.5.2, Exception 1. These provisions give flexibility to create more compact room designs and maintain required clearances around fixtures. As with the 1991 Standards, any alterations must comply to the extent that it is technically feasible to do so.

The requirements at section 604.3.2 of the 2010 Standards specify how required clearance around the water closet can overlap with specific elements and spaces. An exception that applies only to covered residential dwelling units permits a lavatory to be located no closer than 18 inches from the centerline of the water closet. The requirements at section 604.3.2 of the 2010 Standards increase accessibility for individuals with disabilities. One commenter expressed concern about other items that might overlap the clear floor space, such as dispensers, shelves, and coat hooks on the side of the water closet where a wheelchair would be positioned for a transfer. Section 604.3.2 of the 2010 Standards allows items such as associated grab bars, dispensers, sanitary napkin disposal units, coat hooks, and shelves to overlap the clear floor space. These are items that typically do not affect the usability of the clear floor space.

*Toilet Room Doors.* Sections 4.22.2 and 4.22.3 of the 1991 Standards and Section 603.2.3 of the 2010 Standards permit the doors of all toilet or bathing rooms with in-swinging doors to swing into the required turning space, but not into the clear floor space required at any fixture. In single-user toilet rooms or bathing rooms, Section 603.2.3 Exception 2 of the 2010 Standards permits the door to swing into the clear floor space of an accessible fixture if a clear floor space that measures at least 30 inches by 48 inches is provided outside of the door swing.

Several commenters expressed reservations about Exception 2 of Section 603.2.3. Concerns were raised that permitting doors of single-user toilet or bathing rooms with in-swinging doors to swing into the clearance around any fixture will result in inaccessibility to individuals using larger wheelchairs and scooters. Additionally, a commenter stated that the exception would require an unacceptable amount of precision maneuvering by individuals who use standard size wheelchairs. The Department believes that this provision achieves necessary flexibility while providing a minimum standard for maneuvering space. The standard does permit additional maneuvering space to be provided, if needed.

In the NPRM, the Department provided a series of plan drawings illustrating comparisons of the minimum size single-user toilet rooms. These floor plans showed typical examples that met the minimum requirements of the proposed ADA Standards. A commenter was of the opinion that the single-user toilet plans shown in the NPRM demonstrated that the new requirements will not

**Pt. 36, App. B**

result in a substantial increase in room size. Several other commenters representing industry offered criticisms of the single-user toilet floor plans to support their assertion that a 2010 Standards-compliant single-user toilet room will never be smaller and will likely be larger than such a toilet room required under the 1991 Standards. Commenters also asserted that the floor plans prepared by the Department were of a very basic design which could be accommodated in a minimal sized space whereas the types of facilities their customers demand would require additional space to be added to the rooms shown in the floor plans. The Department recognizes that there are many design choices that can affect the size of a room or space. Choices to install additional features may result in more space being needed to

**28 CFR Ch. I (7-1-17 Edition)**

provide sufficient clear floor space for that additional feature to comply. However, many facilities that have these extra features also tend to have ample space to meet accessibility requirements. Other commenters asserted that public single-user toilet rooms always include a closer and a latch on the entry door, requiring a larger clear floor space than shown on the push side of the door shown in Plan 1B. The Department acknowledges that in instances where a latch is provided and a closer is required by other regulations or codes, the minimum size of a room with an out-swinging door may be slightly larger than as shown in Plan 1C.

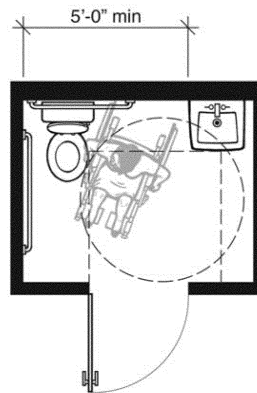
Additional floor plans of single-user toilet rooms are now included in further response to the commentary received.

Comparison of Single-User Toilet Room Layouts

1991 Standards	2010 Standards
<p><b>Plan-1A: 1991 Standards Minimum with Out-Swinging Door</b></p> <p><b>5'-0" x 7'-3" • 36.25 Square Feet</b></p> <p>This plan shows a typical example of a single-user toilet room that meets the minimum requirements of the 1991 Standards. The size of this space is determined by the minimum width required for the water closet and lavatory between the side walls, the minimum wheelchair turning space, and the space required for the out-swinging door. A lavatory with knee space can overlap the clear floor space required for the water closet provided that at least 36 inches of clearance is maintained between the side wall next to the water closet and the lavatory (see section 4.16.2 and Fig. 28 of the 1991 Standards). A wheelchair turning space meeting section 4.2.3 of the 1991 Standards must be provided. The size of this room requires that the entry door swing out. The room would be larger if the door were in-swinging.</p>	<p><b>Plan-1B: 2010 Standards Minimum with Out-Swinging Door</b></p> <p><b>7'-0" x 5'-0" • 35.00 Square Feet</b></p> <p>This plan shows a typical example of a single-user toilet room that meets the minimum requirements of the 2010 Standards. Features include: five-foot minimum width between the side wall of the water closet and the lavatory; 60-inch minimum circular wheelchair turning space; and 36-inch by 48-inch clear maneuvering space for the out-swinging entry door. Section 604.3.1 of the 2010 Standards requires a floor clearance at a water closet that is a minimum of 60 inches wide by 56 inches deep regardless of approach. Section 604.3.2 prohibits any other plumbing fixtures from being located in this clear space, except in residential dwelling units. The 2010 Standards, at section 304.3, allows the turning space to extend into toe and knee space provided beneath fixtures and other elements. Required maneuvering space for the entry door (inside the room) must be clear of all fixtures. If the door had both a closer and latch, section 404.2.4.1 and Figure 404.2.4.1(c) require additional space on the latch side.</p> <p>This layout is three point five percent (3.5%) smaller than the accompanying Plan-1A: 1991 Standards Minimum with Out-Swinging Door example.</p>

Comparison of Single-User Toilet Room Layouts

2010 Standards



**Plan-1C: 2010 Standards Minimum with Out-Swinging Door**  
 (entry door has both closer and latch)

**7'-0" x 5'-6" • 38.50 Square Feet**

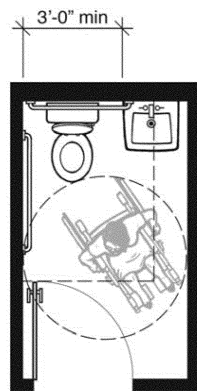
This plan shows the same typical features of a single-user toilet room that meets the minimum requirements of the 2010 Standards as Plan-1B does except the entry door has both a closer and latch. Because the door has both a closer and latch, a minimum additional foot of maneuvering space is required on the latch side (see section 404.2.4.1 and Figure 404.2.4.1(c) of the 2010 Standards).

This layout is six point two percent (6.2%) larger than the accompanying Plan-1A: 1991 Standards Minimum with Out-Swinging Door example.



Comparison of Single-User Toilet Room Layouts

1991 Standards

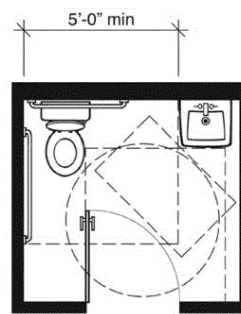


**Plan-2A: 1991 Standards Minimum with In-Swinging Door**

**5'-0" x 8'-6" • 42.50 Square Feet**

This plan shows a typical example of a single-user toilet room that meets the minimum requirements of the 1991 Standards. Depending on the width of the hallway and other circulation issues, it can be preferable to swing the entry door into the toilet room. The in-swinging door increases overall room size because it cannot swing over the required clear floor space at any accessible fixture, (see section 4.22.2 of the 1991 Standards). This increases the room depth from Plan-1A. The door is permitted to swing over the required turning space shown as a 60-inch circle.

2010 Standards



**Plan-2B: 2010 Standards Minimum with In-Swinging Door**

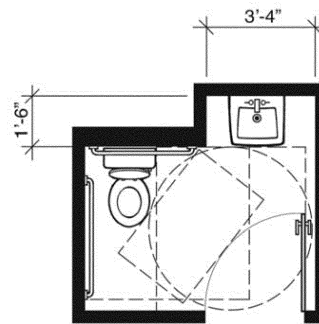
**7'-0" x 6'-6" • 45.50 Square Feet**

This plan shows a typical example of a single-user toilet room that meets the minimum requirements of the 2010 Standards when the entry door swings into the room. In the 2010 Standards an exception allows the entry door to swing over the clear floor spaces and clearances required at the fixtures if a clear floor space complying with section 305.3 (minimum 30 inches by 48 inches) is provided outside the arc of the door swing, section 603.3.3 exception 2. The required maneuvering space for the door, section 404.2.4.1 and Figure 404.2.4.1(a), also is a factor in room size. This clear space cannot be obstructed by the plumbing fixtures. Note that this layout provides more space for turning when the door is closed than Plan-1B.

This layout is seven percent (7%) larger than the accompanying Plan-2A: 1991 Standards Minimum with In-Swinging Door example.

Comparison of Single-User Toilet Room Layouts

2010 Standards



**Plan-2C: 2010 Standards Minimum  
with In-Swinging Door**

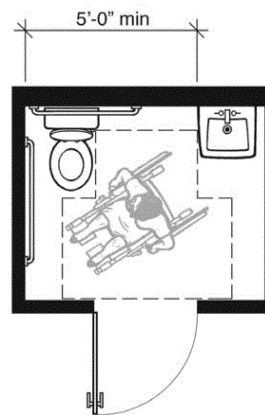
**7'-0" x 6'-6" • 40.00 Square Feet**  
(plumbing chase not included)

This plan shows the same typical features of a single-user toilet room that meets the minimum requirements of the 2010 Standards as Plan-2B when the entry door swings into the room. Note that this layout also provides more space for turning when the door is closed than Plan-1B.

This layout is six point two five percent (6.25%) smaller than the accompanying Plan-2A: 1991 Standards Minimum with In-Swinging Door example.

Comparison of Single-User Toilet Room Layouts

**1991 Standards and 2010 Standards**



**Plan-3: Meets Both 1991 Standards and 2010 Standards**

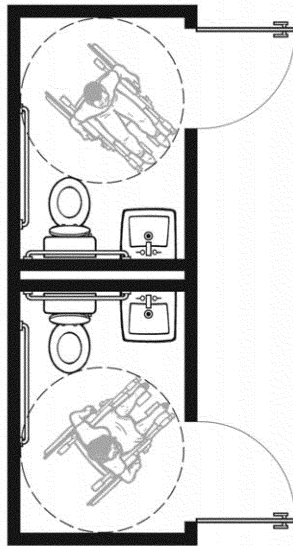
**7'-0" x 5'-9" • 40.25 Square Feet**

This plan shows an example of a single-user toilet room that meets the minimum requirements of both the 1991 Standards and 2010 Standards. A T-shaped turning space has been used (see Fig. 3(a) of the 1991 Standards and Figure 304.3.2 of the 2010 Standards) to maintain a compact room size. An out-swinging door also minimizes the overall layout depth and cannot swing over the required clear floor space or clearance at any accessible plumbing fixture.

This layout is eleven percent (11%) larger than the Plan-1A: 1991 Standards Minimum with Out-Swinging Door example shown at the beginning of these plan comparisons.

**Comparison of Single-User Toilet Room “Pairs” With Fixtures Side-by-Side**

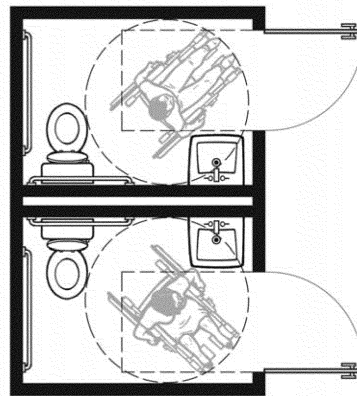
**1991 Standards**



**Plan-1A Pair: 1991 Standards with Out-Swinging Doors**

**Two 5'-0" x 7'-3" Rooms –  
72.50 Square Feet Total**

**2010 Standards**



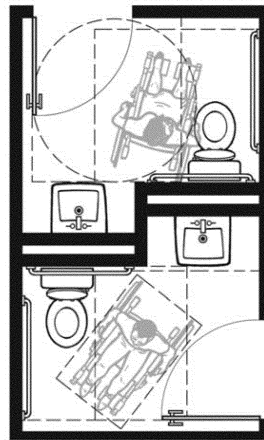
**Plan-1B Pair: 2010 Standards with Out-Swinging Doors**

**Two 7'-0" x 5'-0" Rooms –  
70.00 Square Feet Total**

These plans show men's/women's room configurations using Plans 1A and 1B.

**Comparison of Single-User Toilet Room "Pairs" With Fixtures Side-by-Side**

**2010 Standards**



**Plan-2C Pair: 2010 Standards with  
In-Swinging Doors**

**Two 7'-2" x 6'-6" Rooms -  
82.00 Square Feet Total**

This plan shows a men's/women's room  
configuration using Plan 2C.

*Toilet Paper Dispensers.* The provisions for toilet paper dispensers at section 604.7 of the 2010 Standards require the dispenser to be located seven inches minimum and nine inches maximum in front of the water closet measured to the centerline of the dispenser. The

paper outlet of the dispenser must be located 15 inches minimum and 48 inches maximum above the finish floor. In the 1991 Standards the location of the toilet paper dispenser is determined by the centerline and forward edge of the dispenser. In the 2010 Standards

the mounting location of the toilet paper dispenser is determined by the centerline of the dispenser and the location of the outlet for the toilet paper.

One commenter discussed the difficulty of using large roll toilet paper dispensers and dispensers with two standard size rolls stacked on top of each other. The size of the large dispensers can block access to the grab bar and the outlet for the toilet paper can be too low or too high to be usable. Some dispensers also control the delivery of the toilet paper which can make it impossible to get the toilet paper. Toilet paper dispensers that control delivery or do not allow continuous paper flow are not permitted by the 1991 Standards or the 2010 Standards. Also, many of the large roll toilet paper dispensers do not comply with the 2010 Standards since their large size does not allow them to be mounted 12 inches above or 1½ inches below the side grab bar as required by section 609.3.

*Shower Spray Controls.* In accessible bathtubs and shower compartments, sections 607.6 and 608.6 of the 2010 Standards require shower spray controls to have an on/off control and to deliver water that is 120 °F (49 °C) maximum. Neither feature was required by the 1991 Standards, but may be required by plumbing codes. Delivering water that is no hotter than 120 °F (49 °C) will require controlling the maximum temperature at each accessible shower spray unit.

*Shower Compartments.* The 1991 Standards at sections 4.21 and 9.1.2 and the 2010 Standards at section 608 contain technical requirements for transfer-type and roll-in shower compartments. The 2010 Standards provide more flexibility than the 1991 Standards as follows:

- Transfer-type showers are exactly 36 inches wide by 36 inches long.
- The 1991 Standards and the 2010 Standards permit a ½-inch maximum curb in transfer-type showers. The 2010 Standards add a new exception that permits a 2-inch maximum curb in transfer-type showers in alterations to existing facilities, where recessing the compartment to achieve a ½-inch curb will disturb the structural reinforcement of the floor slab.
- Roll-in showers are 30 inches wide minimum by 60 inches long minimum. Alternate roll-in showers are 36 inches wide by 60 inches long minimum, and have a 36-inch minimum wide opening on the long side of the compartment. The 1991 Standards require alternate roll-in showers in a portion of accessible transient lodging guest rooms, but provision of this shower type in other facilities is generally permitted as an equivalent facilitation. The 1991 Standards require a seat to be provided adjacent to the opening; and require the controls to be located on the side adjacent to the seat. The 2010 Standards permit alternate roll-in showers to be used in any facility, only require a seat in

transient lodging guest rooms, and allow location of controls on the back wall opposite the seat as an alternative.

Commenters raised concerns that adding a new exception that permits a 2-inch maximum curb in transfer-type showers in alterations to existing facilities, where recessing the compartment to achieve a ½-inch curb will disturb the structural reinforcement of the floor slab, will impair the ability of individuals with disabilities to use transfer-type showers.

The exception in section 608.7 of the 2010 Standards permitting a 2-inch maximum curb in transfer-type showers is allowed only in existing facilities where provision of a ½-inch high threshold would disturb the structural reinforcement of the floor slab. Whenever this exception is used the least high threshold that can be used should be provided, up to a maximum height of 2 inches. This exception is intended to provide some flexibility where the existing structure precludes full compliance.

*Toilet and Bathing Rooms.* Section 213 of the 2010 Standards sets out the scoping requirements for toilet and bathing rooms.

Commenters recommended that section 213, Toilet Facilities and Bathing Facilities, of the 2010 Standards include requirements that unisex toilet and bathing rooms be provided in certain facilities. These commenters suggested that unisex toilet and bathing rooms are most useful as companion care facilities.

Model plumbing and building codes require single-user (unisex or family) toilet facilities in certain occupancies, primarily assembly facilities, covered malls, and transportation facilities. These types of toilet rooms provide flexibility for persons needing privacy so that they can obtain assistance from family members or persons of the opposite sex. When these facilities are provided, both the 1991 Standards and 2010 Standards require that they be accessible. The 2010 Standards do not scope unisex toilet facilities because plumbing codes generally determine the number and type of plumbing fixtures to be provided in a particular occupancy and often determine whether an occupancy must provide separate sex facilities in addition to single-user facilities. However, the scoping at section 213.2.1 of the 2010 Standards coordinates with model plumbing and building code requirements which will permit a small toilet room with two water closets or one water closet and one urinal to be considered a single-user toilet room provided that the room has a privacy latch. In this way, a person needing assistance from a person of the opposite sex can lock the door to use the facility while temporarily inconveniencing only one other potential user. These provisions strike a reasonable balance and impose less impact on covered entities.

A commenter recommended that in shower compartments rectangular seats as provided in section 610.3.1 of the 2010 Standards should not be permitted as a substitute for L-shaped seats as provided in 610.3.2.

The 2010 Standards do not indicate a preference for either rectangular or L-shaped seats in shower compartments. L-shaped seats in transfer and certain roll-in showers have been used for many years to provide users with poor balance additional support because they can position themselves in the corner while showering.

#### 214 and 611 Washing Machines and Clothes Dryers

Sections 214.2 (washing machines) and 214.3 (clothes dryers) of the 2010 Standards specify the number of each type of these machines required to be accessible (one to two depending upon the total number of machines provided) and section 611 specifies the technical requirements. An exception will permit the maximum height for the tops of these machines to be 2 inches higher than the general requirement for maximum high reach over an obstruction.

A commenter objected to the scoping provision for accessible washing machines and clothes dryers stating that the probability is low that more than one accessible machine would be needed at the same time in the laundry facility of a place of transient lodging.

The scoping in this provision is based on the relative size of the facility. The Department assumes that the size of the facility (and, therefore, the number of accessible machines provided) will be determined by the covered entity's assessment of the demand for laundry facilities. The Department declines to assume that persons with disabilities will have less use for accessible facilities in transient lodging than in other public accommodations.

#### 216 and 703 Signs

The following types of signs, though they are not specifically subject to the 1991 Standards requirement for signs, will now be explicitly exempted by sections 216 and 703 of the 2010 Standards. These types of signs include: seat and row designations in assembly areas; occupant names, building addresses; company names and logos; signs in parking facilities (except those identifying accessible parking spaces and means of egress); and exterior signs identifying permanent rooms and spaces that are not located at the door to the space they serve. This requirement also clarifies that the exception for temporary signs applies to signs used for seven days or less.

The 2010 Standards retain the option to provide one sign where both visual and tac-

tile characters are provided or two signs, one with visual, and one with tactile characters.

#### 217 and 704 Telephones

*Drive-up Public Telephones.* Where public telephones are provided, the 1991 Standards, at section 4.1.3(17)(a), and section 217.2 of the 2010 Standards, require a certain number of telephones to be wheelchair accessible. The 2010 Standards add a new exception that exempts drive-up public telephones.

*Text Telephones (TTY).* Section 4.1.3(17) of the 1991 Standards requires a public TTY to be provided if there are four or more public pay telephones at a site and at least one is in an interior location. Section 217.4.2 of the 2010 Standards requires that a building or facility provide a public TTY on each floor that has four or more public telephones, and in each telephone bank that has four or more telephones. Additionally, section 217.4.4 of the 2010 Standards requires that at least one public TTY be installed where four or more public pay telephones are provided on an exterior site. Section 217.4.5 of the 2010 Standards also requires that a public TTY be provided where at least one public pay telephone is provided at a public rest stop, emergency roadside stop, or service plaza. Section 217.4.6 of the 2010 Standards also requires that a public TTY be provided at each location where at least one public pay telephone is provided serving a hospital emergency room, a hospital recovery room, or a hospital waiting room. Section 217.4.7 of the 2010 Standards also requires that, in addition to the requirements for a public TTY to be provided at each location where at least four or more public pay telephones are provided at a bank of pay telephones and where at least one public pay telephone is provided on a floor or in a public building, where at least one public pay telephone serves a particular entrance to a bus or rail facility at least one public TTY must serve that entrance. In airports, in addition to the requirements for the provision of a public TTY at phone banks, on floors, and in public buildings with pay phones, where four or more public pay phones are located in a terminal outside the security areas, in a concourse within the security areas, or a baggage claim area in a terminal at least one public TTY must be provided. Section 217.4.8 of the 2010 Standards also requires that a TTY be provided in at least one secured area where at least one pay telephone is provided in a secured area used only by detainees or inmates and security personnel in detention and correctional facilities.

#### Wheelchair Accessible Telephones

Section 217.2 of the 2010 Standards requires that where public telephones are provided wheelchair accessible telephones complying

with section 704.2 must be provided in accordance with Table 217.2.

A commenter stated that requiring installation of telephones within the proposed reach range requirements would adversely impact public and telephone owners and operators. According to the commenter, individuals without disabilities will not use telephones that are installed within the reach range requirements because they may be inconvenienced by having to stoop to operate these telephones, and, therefore, owners and operators will lose revenue due to less use of public telephones.

This comment misunderstands the scoping requirements for wheelchair accessible telephones. Section 217.2 of the 2010 Standards provides that where one or more single units are provided, only one unit per floor, level, or exterior site is required to be wheelchair accessible. However, where banks of telephones are provided, only one telephone in each bank is required to be wheelchair accessible. The Department believes these scoping requirements for wheelchair accessible telephones are reasonable and will not result in burdensome obligations or lost revenue for owners and operators.

#### 218 and 810 Transportation Facilities

*Detectable Warnings.* Detectable warnings provide a distinctively textured surface of truncated domes. The 1991 Standards at sections 4.1.3(15), 4.7.7, 4.29.2, 4.29.5, 4.29.6, and 10.3.1(8) require detectable warnings at curb ramps, hazardous vehicular areas, reflecting pools, and transit platform edges. The 2010 Standards at sections 218, 810.5, 705.1, and 705.2 only require detectable warnings at transit platform edges. The technical specifications for the diameter and spacing of the truncated domes have also been changed. The 2010 Standards also delete the requirement for the material used to contrast in resiliency or sound-on-cane contact from adjoining walking surfaces at interior locations.

The 2010 Standards apply to detectable warnings on developed sites. They do not apply to the public right-of-way. Scoping for detectable warnings at all locations other than transit platform edges has been eliminated from the 2010 Standards. However, because detectable warnings have been shown to significantly benefit individuals with disabilities at transit platform edges, the 2010 Standards provide scoping and technical requirements for detectable warnings at transit platform edges.

#### 219 and 706 Assistive Listening Systems

*Signs.* Section 216.10 of the 2010 Standards requires each covered assembly area to provide signs at each auditorium to inform patrons that assistive listening systems are available. However, an exception to this re-

quirement permits assembly areas that have ticket offices or ticket windows to display the required signs at the ticket window.

A commenter recommended eliminating the exception at 216.10 because, for example, people who buy tickets through the mail, by subscription, or on-line may not need to stop at a ticket office or window upon arrival at the assembly area. The Department believes that an individual's decision to purchase tickets before arriving at a performance does not limit the discretion of the assembly operator to use the ticket window to provide other services to its patrons. The Department retained the exception at 216.10 to permit the venue operator some flexibility in determining how to meet the needs of its patrons.

*Audible Communication.* The 1991 Standards, at section 4.1.3(19)(b), require assembly areas, where audible communication is integral to the use of the space, to provide an assistive listening system if they have an audio amplification system or an occupant load of 50 or more people and have fixed seating. The 2010 Standards at section 219 require assistive listening systems in spaces where communication is integral to the space and audio amplification is provided and in courtrooms.

The 1991 Standards require receivers to be provided for at least four percent (4%) of the total number of fixed seats. The 2010 Standards, at section 219.3, revise the percentage of receivers required according to a table that correlates the required number of receivers to the seating capacity of the facility. Small facilities will continue to provide receivers for four percent (4%) of the seats. The required percentage declines as the size of the facility increases. The changes also require at least twenty-five percent (25%), but no fewer than two, of the receivers to be hearing-aid compatible. Assembly areas served by an induction loop assistive listening system will not have to provide hearing-aid compatible receivers.

Commenters were divided in their opinion of this change. The Department believes that the reduction in the required number of assistive listening systems for larger assembly areas will meet the needs of individuals with disabilities. The new requirement to provide hearing-aid compatible receivers should make assistive listening systems more usable for people who have been underserved until now.

Concerns were raised that the requirement to provide assistive listening systems may have an adverse impact on restaurants. This comment misunderstands the scope of coverage. The 2010 Standards define the term "assembly area" to include facilities used for entertainment, educational, or civic gatherings. A restaurant would fall within



this category only if it is presenting programs to educate or entertain diners, and it provides an audio amplification system.

*Same Management or Building.* The 2010 Standards add a new exception that allows multiple assembly areas that are in the same building and under the same management, such as theaters in a multiplex cinema and lecture halls in a college building, to calculate the number of receivers required based on the total number of seats in all the assembly areas, instead of each assembly area separately, where the receivers are compatible with the assistive listening systems used in each of the assembly areas.

*Mono Jacks, Sound Pressure, Etc.* Section 4.33.7 of the 1991 Standards does not contain specific technical requirements for assistive listening systems. The 2010 Standards at section 706 require assistive listening systems to have standard mono jacks and will require hearing-aid compatible receivers to have neck loops to interface with telecoils in hearing aids. The 2010 Standards also specify sound pressure level, signal-to-noise ratio, and peak clipping level. Currently available assistive listening systems typically meet these technical requirements.

#### 220 and 707 Automatic Teller Machines and Fare Machines

Section 707 of the 2010 Standards adds specific technical requirements for speech output, privacy, tactilely-discernible input controls, display screens, and Braille instructions to the general accessibility requirements set out in the 1991 Standards. Machines shall be speech enabled and exceptions are provided that cover when audible tones are permitted, when advertisements or similar information are provided, and where speech synthesis cannot be supported. The 1991 Standards require these machines to be accessible to and independently usable by persons with visual impairments, but do not contain any technical specifications.

#### 221 Assembly Areas

*Wheelchair Spaces/Companion Seats.* Owners of large assembly areas have historically complained to the Department that the requirement for one percent (1%) of seating to be wheelchair seating is excessive and that wheelchair seats are not being sold. At the same time, advocates have traditionally argued that persons who use wheelchairs will increasingly participate in activities at assembly areas once they become accessible and that at least one percent (1%) of seats should be accessible.

The 1991 Standards, at sections 4.1.3(19)(a) and 4.33.3, require assembly areas to provide wheelchair and companion seats. In assembly areas with a capacity of more than five hundred seats, accessible seating at a ratio of one percent (1%) (plus one seat) of the

number of traditional fixed seats must be provided. The 2010 Standards, at section 221.2, require assembly areas with 501 to 5000 seats to provide at least six wheelchair spaces and companion seats plus one additional wheelchair space for each additional 150 seats (or fraction thereof) between 501 through 5000. In assembly areas with more than 5000 seats at least 36 wheelchair spaces and companion seats plus one additional wheelchair space for each 200 seats (or fraction thereof) more than 5000 are required. See sections 221.1 and 221.2 of the 2010 Standards.

Commenters questioned why scoping requirements for large assembly areas are being reduced. During the development of the 2004 ADAAG, industry providers, particularly those representing larger stadium-style assembly areas, supplied data to the Access Board demonstrating the current scoping requirements for large assembly areas often exceed the demand. Based on the data provided to the Access Board, the Department believes the reduced scoping requirements will adequately meet the needs of individuals with disabilities, while balancing concerns of the industry.

Commenters representing assembly areas supported the reduced scoping. One commenter asked that scoping requirements for larger assembly areas be reduced even further. Although the commenter referenced data demonstrating that wheelchair spaces in larger facilities with seating capacities of 70,000 or more may not be used by individuals with disabilities, the data was not based on actual results, but was calculated at least in part based on probability assumptions. The Department is not convinced that further reductions should be made based upon those projections and that further reductions would not substantially limit accessibility at assembly areas for persons who use wheelchairs.

Section 221.2.1.3 of the 2010 Standards clarifies that the scoping requirements for wheelchair spaces and companion seats are to be applied separately to general seating areas and to each luxury box, club box, and suite in arenas, stadiums, and grandstands. In assembly areas other than arenas, stadiums, and grandstands, the scoping requirements will not be applied separately. Thus, in performing arts facilities with tiered boxes designed for spatial and acoustical purposes, the scoping requirement is to be applied to the seats in the tiered boxes. The requisite number of wheelchair spaces and companion seats required in the tiered boxes are to be dispersed among at least twenty percent (20%) of the tiered boxes. For example, if a performing arts facility has 20 tiered boxes with 10 fixed seats in each box, for a total of 200 seats, at least five wheelchair spaces and companion seats must be provided in the

boxes, and they must be dispersed among at least four of the 20 boxes.

Commenters raised concerns that the 2010 Standards should clarify requirements for scoping of seating areas and that requiring accessible seating in each luxury box, club box, and suite in arenas, stadiums and grandstands could result in no wheelchair and companion spaces available for individuals with disabilities in the general seating area(s). These comments appear to misunderstand the requirements. The 2010 Standards require each luxury box, club box, and suite in an arena, stadium or grandstand to be accessible and to contain wheelchair spaces and companion seats as required by sections 221.2.1.1, 221.2.1.2 and 221.3. In addition, the remaining seating areas not located in boxes must also contain the number of wheelchair and companion seating locations specified in the 2010 Standards based on the total number of seats in the entire facility excluding luxury boxes, club boxes and suites.

*Wheelchair Space Overlap in Assembly Areas.* Section 4.33.3 of the 1991 Standards and the 2010 Standards, at sections 402, 403.5.1, 802.1.4, and 802.1.5, require walkways that are part of an accessible route to have a 36-inch minimum clear width. Section 802.1.5 of the 2010 Standards specifically prohibits accessible routes from overlapping wheelchair spaces. This change is consistent with the technical requirements for accessible routes, since the clear width of accessible routes cannot be obstructed by any object. The 2010 Standards also specifically prohibit wheelchair spaces from overlapping circulation paths. An advisory note clarifies that this prohibition applies only to the circulation path width required by applicable building codes and fire and life safety codes since the codes prohibit obstructions in the required width of assembly aisles.

Section 802.1.5 of the 2010 Standards provides that where a main circulation path is located in front of a row of seats that contains a wheelchair space and the circulation path is wider than required by applicable building codes and fire and life safety codes, the wheelchair space may overlap the “extra” circulation path width. Where a main circulation path is located behind a row of seats that contains a wheelchair space and the wheelchair space is entered from the rear, the aisle in front of the row may need to be wider in order not to block the required circulation path to the other seats in the row, or a mid-row opening may need to be provided to access the required circulation path to the other seats.

*Line of Sight and Dispersion of Wheelchair Spaces in Assembly Areas.* Section 4.33.3 of the 1991 Standards requires wheelchair spaces and companion seats to be an integral part of any fixed seating plan in assembly areas and to provide individuals with disabilities a

choice of admission prices and lines of sight comparable to those available to other spectators. Section 4.33.3 also requires wheelchair spaces and companion seats to be dispersed in assembly areas with more than 300 seats. Under the 1991 Standards, sports facilities typically located some wheelchair spaces and companion seats on each accessible level of the facility. In 1994, the Department issued official guidance interpreting the requirement for comparable lines of sight in the 1991 Standards to mean wheelchair spaces and companion seats in sports stadia and arenas must provide patrons with disabilities and their companions with lines of sight over standing spectators to the playing field or performance area, where spectators were expected to stand during events. See “Accessible Stadiums,” [www.ada.gov/stadium.pdf](http://www.ada.gov/stadium.pdf). The Department also interpreted the section 4.33.3 comparable lines of sight requirement to mean that wheelchair spaces and companion seats in stadium-style movie theaters must provide patrons with disabilities and their companions with viewing angles comparable to those provided to other spectators.

Sections 221.2.3 and 802.2 of the 2010 Standards add specific technical requirements for providing lines of sight over seated and standing spectators and also require wheelchair spaces and companion seats (per section 221.3) to provide individuals with disabilities choices of seating locations and viewing angles that are substantially equivalent to, or better than, the choices of seating locations and viewing angles available to other spectators. This applies to all types of assembly areas, including stadium-style movie theaters, sports arenas, and concert halls. These rules are expected to have minimal impact since they are consistent with the Department’s longstanding interpretation of the 1991 Standards and technical assistance.

Commenters stated that the qualitative viewing angle language contained in section 221.2.3 is not appropriate for an enforceable regulatory standard unless the terms of such language are defined. Other commenters requested definitions for viewing angles, an explanation for precisely how viewing angles are measured, and an explanation for precisely how to evaluate whether one viewing angle is better than another viewing angle. The Department is convinced that the regulatory language in the 2010 Standards is sufficient to provide a performance-based standard for designers, architects, and other professionals to design facilities that provide comparable lines of sight for wheelchair seating in assembly areas, including viewing angles. The Department believes that as a general rule, the vast variety of sizes and configurations in assembly areas requires it

to establish a performance standard for designers to adapt to the specific circumstances of the venue that is being designed. The Department has implemented more explicit requirements for stadium-style movie theaters in 28 CFR 36.406(f) and 35.151(g) of the final regulations based on experience and expertise gained after several major enforcement actions.

Another commenter inquired as to what determines whether a choice of seating locations or viewing angles is better than that available to all other spectators. The answer to this question varies according to each assembly area that is being designed, but designers and venue operators understand which seats are better and that understanding routinely drives design choices made to maximize profit and successful operation of the facility, among other things. For example, an "equivalent or better" line of sight in a major league football stadium would be different than for a 350-seat lecture hall. This performance standard is based upon the underlying principle of equal opportunity for a good viewing experience for everyone, including persons with disabilities. The Department believes that for each specific facility that is designed, the owner, operator, and design professionals will be able to distinguish easily between seating locations and the quality of the associated lines of sight from those seating locations in order to decide which ones are better than others. The wheelchair locations do not have to be exclusively among the seats with the very best lines of sight nor may they be exclusively among the seats with the worst lines of sight. Rather, wheelchair seating locations should offer a choice of viewing experiences and be located among the seats where most of the audience chooses to sit.

Section 4.33.3 of the 1991 Standards requires wheelchair spaces and companion seating to be offered at a choice of admission prices, but section 221.2.3.2 of the 2010 Standards no longer requires wheelchair spaces and companion seats to be dispersed based on admission prices. Venue owners and operators commented during the 2004 ADAAG rulemaking process that pricing is not always established at the design phase and may vary from event to event within the same facility, making it difficult to determine where to place wheelchair seats during the design and construction phase. Their concern was that a failure by the venue owner or operator to provide a choice of ticket prices for wheelchair seating as required by the 1991 Standards governing new construction could somehow unfairly subject parties involved in the design and construction to liability unknowingly.

Sections 221.2.3.2 and 221.3 of the 2010 Standards require wheelchair spaces and companion seats to be vertically dispersed at varying distances from the screen, perform-

ance area, or playing field. The 2010 Standards, at section 221.2.3.2, also require wheelchair spaces and companion seats to be located in each balcony or mezzanine served by an accessible route. The final regulations at 28 CFR 35.151(g)(1) and 36.406(f)(1) also require assembly areas to locate wheelchair spaces and companion seats at all levels of the facility that include seating and that are served by an accessible route. The Department interprets that requirement to mean that wheelchair and companion seating must be provided in a particular area even if the accessible route may not be the same route that other individuals use to reach their seats. For example, if other patrons reach their seats on the field by an inaccessible route (e.g., by stairs), but there is an accessible route that complies with section 206.3 that could be connected to seats on the field, accessible seats must be placed on the field even if that route is not generally available to the public. The 2010 Standards, at section 221.2.3.2, provide an exception for vertical dispersion in assembly areas with 300 or fewer seats if the wheelchair spaces and companion seats provide viewing angles that are equivalent to, or better than, the average viewing angle provided in the facility.

Section 221.3 of the 2010 Standards requires wheelchair spaces and companion seats to be dispersed horizontally. In addition, 28 CFR 35.151(g)(2) and 36.406(f)(2) require assembly areas that have seating around the field of play or performance area to place wheelchair spaces and companion seating all around that field of play or performance area.

#### Stadium-Style Movie Theaters

Pursuant to 28 CFR 35.151(g) and 36.406(f), in addition to other obligations, stadium-style movie theaters must meet horizontal and vertical dispersion requirements set forth in sections 221.2.3.1 and 221.2.3.2 of the 2010 Standards; placement of wheelchair and companion seating must be on a riser or cross-aisle in the stadium section of the theater; and placement of such seating must satisfy at least one of the following criteria: (i) It is located within the rear sixty percent (60%) of the seats provided in the auditorium; or (ii) it is located within the area of the auditorium where the vertical viewing angles are between the 40th and 100th percentile of vertical viewing angles for all seats in that theater as ranked from the first row (1st percentile) to the back row (100th percentile). The line-of-sight requirements recognize the importance to the movie-going experience of viewing angles, and the final regulations ensure that movie patrons with disabilities are provided views of the movie screen comparable to other theater patrons. Some commenters supported regulatory language that would require stadium-style theaters to meet standards of accessibility equal

to those of non-stadium-style theaters, with larger theaters being required to provide accessible seating locations and viewing angles equal to those offered to individuals without disabilities.

One commenter noted that stadium-style movie theaters, sports arenas, music venues, theaters, and concert halls each pose unique conditions that require separate and specific standards to accommodate patrons with disabilities, and recommended that the Department provide more specific requirements for sports arenas, music venues, theaters, and concert halls. The Department has concluded that the 2010 Standards will provide sufficient flexibility to adapt to the wide variety of assembly venues covered.

*Companion Seats.* Section 4.33.3 of the 1991 Standards required at least one fixed companion seat to be provided next to each wheelchair space. The 2010 Standards at sections 221.3 and 802.3 permit companion seats to be movable. Several commenters urged the Department to ensure that companion seats are positioned in a manner that places the user at the same shoulder height as their companions using mobility devices. The Department recognizes that some facilities have created problems by locating the wheelchair space and companion seat on different floor elevations (often a difference of one riser height). Section 802.3.1 of the 2010 Standards addresses this problem by requiring the wheelchair space and the companion seat to be on the same floor elevation. This solution should prevent any vertical discrepancies that are not the direct result of differences in the sizes and configurations of wheelchairs.

*Designated Aisle Seats.* Section 4.1.3(19)(a) of the 1991 Standards requires one percent (1%) of fixed seats in assembly areas to be designated aisle seats with either no armrests or folding or retractable armrests on the aisle side of the seat. The 2010 Standards, at sections 221.4 and 802.4, base the number of required designated aisle seats on the total number of aisle seats, instead of on all of the seats in an assembly area as the 1991 Standards require. At least five percent (5%) of the aisle seats are required to be designated aisle seats and to be located closest to accessible routes. This option will almost always result in fewer aisle seats being designated aisle seats compared to the 1991 Standards. The Department is aware that sports facilities typically locate designated aisle seats on, or as near to, accessible routes as permitted by the configuration of the facility.

One commenter recommended that section 221.4, Designated Aisle Seats, be changed to require that aisle seats be on an accessible route, and be integrated and dispersed throughout an assembly area. Aisle seats, by their nature, typically are located within the general seating area, and integration occurs almost automatically. The issue of dis-

persing aisle seats or locating them on accessible routes is much more challenging. During the separate rulemaking on the 2004 ADAAG the Access Board specifically requested public comment on the question of whether aisle seats should be required to be located on accessible routes. After reviewing the comments submitted during the 2004 Access Board rulemaking, the Access Board concluded that this could not be done without making significant and costly changes in the design of most assembly areas. However, section 221.4 of the 2004 ADAAG required that designated aisle seats be the aisle seats closest to accessible routes. The Department proposed the same provision and concurs in the Access Board's conclusion and declines to implement further changes.

*Team or Player Seating Areas.* Section 221.2.1.4 of the 2010 Standards requires that at least one wheelchair space compliant with section 802.1 be provided in each team or player seating area serving areas of sport activity. For bowling lanes, the requirement for a wheelchair space in player seating areas is limited to lanes required to be accessible.

*Lawn Seating.* The 1991 Standards, at section 4.1.1(1), require all areas of newly constructed facilities to be accessible, but do not contain a specific scoping requirement for lawn seating in assembly areas. The 2010 Standards, at section 221.5, specifically require lawn seating areas and exterior overflow seating areas without fixed seats to connect to an accessible route.

*Aisle Stairs and Ramps in Assembly Areas.* Sections 4.1.3 and 4.1.3(4) of the 1991 Standards require that interior and exterior stairs connecting levels that are not connected by an elevator, ramp, or other accessible means of vertical access must comply with the technical requirements for stairs set out in section 4.9 of the 1991 Standards. Section 210.1 of the 2010 Standards requires that stairs that are part of a means of egress shall comply with section 504's technical requirements for stairs. The 1991 Standards do not contain any exceptions for aisle stairs in assembly areas. Section 210.1, Exception 3 of the 2010 Standards adds a new exception that exempts aisle stairs in assembly areas from section 504's technical requirements for stairs, including section 505's technical requirements for handrails.

Section 4.8.5 of the 1991 Standards exempts aisle ramps that are part of an accessible route from providing handrails on the side adjacent to seating. The 2010 Standards, at section 405.1, exempt aisle ramps adjacent to seating in assembly areas and not serving elements required to be on an accessible route, from complying with all of section 405's technical requirements for ramps. Where aisle ramps in assembly areas serve elements required to be on an accessible route, the 2010 Standards require that the

aisle ramps comply with section 405's technical requirements for ramps. Sections 505.2 and 505.3 of the 2010 Standards provide exceptions for aisle ramp handrails. Section 505.2 states that in assembly areas, a handrail may be provided at either side or within the aisle width when handrails are not provided on both sides of aisle ramps. Section 505.3 states that, in assembly areas, handrails need not be continuous in aisles serving seating.

#### 222 and 803 Dressing, Fitting, and Locker Rooms

Dressing rooms, fitting rooms, and locker rooms are required to comply with the accessibility requirements of sections 222 and 803 of the 2010 Standards. Where these types of rooms are provided in clusters, five percent (5%) but at least one room in each cluster must comply. Some commenters stated that clothing and retail stores would have to expand and reconfigure accessible dressing, fitting and locker rooms to meet the changed provision for clear floor space alongside the end of the bench. Commenters explained that meeting the new requirement would result in a loss of sales and inventory space. Other commenters also expressed opposition to the changed requirement in locker rooms for similar reasons.

The Department reminds the commenters that the requirements in the 2010 Standards for the clear floor space to be beside the short axis of the bench in an accessible dressing, fitting, or locker room apply only to new construction and alterations. The requirements for alterations in the 2010 Standards at section 202.3 do not include the requirement from the 1991 Standards at section 4.1.6(1)(c) that if alterations to single elements, when considered together, amount to an alteration of a room or space in a building or facility, the entire space shall be made accessible. Therefore, under the 2010 Standards, the alteration requirements only apply to specific elements or spaces that are being altered. So providing the clear floor space at the end of the bench as required by the 2010 Standards instead of in front of the bench as is allowed by the 1991 Standards would only be required when the bench in the accessible dressing room is altered or when the entire dressing room area is altered.

#### 224 and 806 Transient Lodging Guest Rooms

*Scoping.* The minimum number of guest rooms required to be accessible in transient lodging facilities is covered by section 224 of the 2010 Standards. Scoping requirements for guest rooms with mobility features and guest rooms with communication features are addressed at section 224.2 and section 224.4, respectively. Under the 1991 Standards all newly constructed guest rooms with mobility features must provide communication

features. Under the 2010 Standards, in section 224.5, at least one guest room with mobility features must also provide communication features. Additionally, not more than ten percent (10%) of the guest rooms required to provide mobility features and also equipped with communication features can be used to satisfy the minimum number of guest rooms required to provide communication features.

Some commenters opposed requirements for guest rooms accessible to individuals with mobility disabilities stating that statistics provided by the industry demonstrate that all types of accessible guest rooms are unused. They further claimed that the requirements of the 2010 Standards are too burdensome to meet in new construction, and that the requirements will result in a loss of living space in places of transient lodging. Other commenters urged the Department to increase the number of guest rooms required to be accessible. The number of guest rooms accessible to individuals with mobility disabilities and the number accessible to persons who are deaf or who are hard of hearing in the 2010 Standards are consistent with the 1991 Standards and with the IBC. The Department continues to receive complaints about the lack of accessible guest rooms throughout the country. Accessible guest rooms are used not only by individuals using mobility devices such as wheelchairs and scooters, but also by individuals with other mobility disabilities including persons who use walkers, crutches, or canes.

Data provided by the Disability Statistics Center at the University of California, San Francisco demonstrated that the number of adults who use wheelchairs has been increasing at the rate of six percent (6%) per year from 1969 to 1999; and by 2010, it was projected that two percent (2%) of the adult population would use wheelchairs. In addition to persons who use wheelchairs, three percent (3%) of adults used crutches, canes, walkers, and other mobility devices in 1999; and the number was projected to increase to four percent (4%) by 2010. Thus, in 2010, up to six percent (6%) of the population may need accessible guest rooms.

*Dispersion.* The 2010 Standards, in section 224.5, set scoping requirements for dispersion in facilities covered by the transient lodging provisions. This section covers guest rooms with mobility features and guest rooms with communication features and applies in new construction and alterations. The primary requirement is to provide choices of types of guest rooms, number of beds, and other amenities comparable to the choices provided to other guests. An advisory in section 224.5 provides guidance that "factors to be considered in providing an equivalent range of options may include, but are not limited to, room size, bed size, cost, view, bathroom fixtures such as hot tubs and spas, smoking

and nonsmoking, and the number of rooms provided.”

Commenters asked the Department to clarify what is meant by various terms used in section 224.5 such as “classes,” “types,” “options,” and “amenities.” Other commenters asked the Department to clarify and simplify the dispersion requirements set forth in section 224.5 of the 2010 Standards, in particular the scope of the term “amenities.” One commenter expressed concern that views, if considered an amenity, would further complicate room categories and force owners and operators to make an educated guess. Other commenters stated that views should only be a dispersion criteria if view is a factor for pricing room rates.

These terms are not to be considered terms of art, but should be used as in their normal course. For example, “class” is defined by Webster’s Dictionary as “a division by quality.” “Type” is defined as “a group of \* \* \* things that share common traits or characteristics distinguishing them as an identifiable group or class.” Accordingly, these terms are not intended to convey different concepts, but are used as synonyms. In the 2010 Standards, section 224.5 and its advisory require dispersion in such a varied range of hotels and lodging facilities that the Department believes that the chosen terms are appropriate to convey what is intended. Dispersion required by this section is not “one size fits all” and it is imperative that each covered entity consider its individual circumstance as it applies this requirement. For example, a facility would consider view as an amenity if some rooms faced mountains, a beach, a lake, or other scenery that was considered to be a premium. A facility where view was not marketed or requested by guests would not factor the view as an amenity for purposes of meeting the dispersion requirement.

Section 224.5 of the 2010 Standards requires that guest rooms with mobility features and guest rooms with communication features “shall be dispersed among the various classes of guest rooms, and shall provide choices of types of guest rooms, number of beds, and other amenities comparable to the choices provided to other guests. When the minimum number of guest rooms required is not sufficient to allow for complete dispersion, guest rooms shall be dispersed in the following priority: guest room type, number of beds and amenities.”

This general dispersion requirement is intended to effectuate Congress’ directive that a percentage of each class of hotel rooms is to be fully accessible to persons with disabilities. See H.R. Rep. No. 101–485 (II) at 391. Accordingly, the promise of the ADA in this instance is that persons with disabilities will have an equal opportunity to benefit from the various options available to hotel guests without disabilities, from single occupancy

guest rooms with limited features (and accompanying limited price tags) to luxury suites with lavish features and choices. The inclusion of section 224.5 of the 2010 Standards is not new. Substantially similar language is contained in section 9.1.4 of the 1991 Standards.

Commenters raised concerns that the factors included in the advisory to section 224.5 of the 2010 Standards have been expanded. The advisory provides: “[f]actors to be considered in providing an equivalent range of options may include, but are not limited to, room size, bed size, cost, view, bathroom fixtures such as hot tubs and spas, smoking and nonsmoking, and the number of rooms provided.”

As previously discussed, the advisory materials provided in the 2010 Standards are meant to be illustrative and do not set out specific requirements. In this particular instance, the advisory materials for section 224.5 set out some of the common types of amenities found at transient lodging facilities, and include common sense concepts such as view, bathroom fixtures, and smoking status. The intention of these factors is to indicate to the hospitality industry the sorts of considerations that the Department, in its enforcement efforts since the enactment of the ADA, has considered as amenities that should be made available to persons with disabilities, just as they are made available to guests without disabilities.

Commenters offered several suggestions for addressing dispersion. One option included the flexibility to use an equivalent facilitation option similar to that provided in section 9.1.4(2) of the 1991 Standards.

The 2010 Standards eliminated all specific references to equivalent facilitation. Since Congress made it clear that each class of hotel room is to be available to individuals with disabilities, the Department declines to adopt such a specific limitation in favor of the specific requirement for new construction and alterations found in section 224.5 of the 2010 Standards.

In considering the comments of the hospitality industry from the ANPRM and the Department’s enforcement efforts in this area, the Department sought comment in the NPRM on whether the dispersion requirements should be applied proportionally, or whether the requirements of section 224.5 of the 2010 Standards would be complied with if access to at least one guest room of each type were to be provided.

One commenter expressed concern about requiring different guest room types to be proportionally represented in the accessible guest room pool as opposed to just having each type represented. Some commenters also expressed concern about accessible guest rooms created in pre-1993 facilities and they requested that such accessible guest rooms be safe harbored just as they are safe

harbored under the 1991 Standards. In addition, one commenter requested that the proposed dispersion requirements in section 224.5 of the 2010 Standards not be applied to pre-1993 facilities even when they are altered. Some commenters also offered a suggestion for limitations to the dispersion requirements as an alternative to safe harboring pre-1993 facilities. The suggestion included: (1) Guest rooms' interior or exterior footprints may remain unchanged in order to meet the dispersion requirements; (2) Dispersion should only be required among the types of rooms affected by an alteration; and (3) Subject to (1) and (2) above and technical feasibility, a facility would need to provide only one guest room in each guest room type such as single, double and suites. One commenter requested an exception to the dispersion criteria that applies to both existing and new multi-story timeshare facilities. This requested exception waives dispersion based on views to the extent that up to eight units may be vertically stacked in a single location.

Section 224.1.1 of the 2010 Standards sets scoping requirements for alterations to transient lodging guest rooms. The advisory to section 224.1.1 further explains that compliance with 224.5 is more likely to be achieved if all of the accessible guest rooms are not provided in the same area of the facility, when accessible guest rooms are added as a result of subsequent alterations.

Some commenters requested a specific exemption for small hotels of 300 or fewer guest rooms from dispersion regarding smoking rooms. The ADA requires that individuals with disabilities be provided with the same range of options as persons without disabilities, and, therefore, the Department declines to add such an exemption. It is noted, however, that the existence of this language in the advisory does not require a place of transient lodging that does not offer smoking guest rooms at its facility to do so only for individuals with disabilities.

*Guest Rooms with Mobility Features.* Scoping provisions for guest rooms with mobility features are provided in section 224.2 of the 2010 Standards. Scoping requirements for alterations are included in 224.1.1. These scoping requirements in the 2010 Standards are consistent with the 1991 Standards.

One commenter expressed opposition to the new scoping provisions for altered guest rooms, which, according to the commenter, require greater numbers of accessible guest rooms with mobility features.

Section 224.1.1 of the 2010 Standards provides scoping requirements for alterations to guest rooms in existing facilities. Section 224.1.1 modifies the scoping requirements for new construction in section 224 by limiting the application of section 224 requirements only to those guest rooms being altered or added until the number of such accessible

guest rooms complies with the minimum number required for new construction in section 224.2 of the 2010 Standards. The minimum required number of accessible guest rooms is based on the total number of guest rooms altered or added instead of the total number of guest rooms provided. These requirements are consistent with the requirements in the 1991 Standards. Language in the 2010 Standards clarifies the provision of section 104.2 of the 2010 Standards which requires rounding up values to the next whole number for calculations of percentages in scoping.

*Guest Rooms with Communication Features.* The revisions at section 224.4 of the 2010 Standards effect no substantive change from the 1991 Standards with respect to the number of guest rooms required to provide communication features. The scoping requirement is consolidated into a single table, instead of appearing in three sections as in the 1991 Standards. The revised provisions also limit the overlap between guest rooms required to provide mobility features and guest rooms required to provide communication features. Section 224.5 of the 2010 Standards requires that at least one guest room providing mobility features must also provide communications features. At least one, but not more than ten percent (10%), of the guest rooms required to provide mobility features can also satisfy the minimum number of guest rooms required to provide communication features.

Commenters suggested that the requirements for scoping and dispersion of guest rooms for persons with mobility impairments and guest rooms with communication features are too complex for the industry to effectively implement.

The Department believes the requirements for guest rooms with communications features in the 2010 Standards clarify the requirements necessary to provide equal opportunity for travelers with disabilities. Additional technical assistance will be made available to address questions before the rule goes into effect.

*Visible Alarms in Guest Rooms with Communication Features.* The 1991 Standards at sections 9.3.1 and 4.28.4 require transient lodging guest rooms with communication features to provide either permanently installed visible alarms that are connected to the building fire alarm system or portable visible alarms that are connected to a standard 110-volt electrical outlet and are both activated by the building fire alarm system and provide a visible alarm when the single station smoke detector is activated. Section 215.4 of the 2010 Standards no longer includes the portable visible alarm option and instead requires that transient lodging guest rooms with communication features be equipped with a fire alarm system which includes permanently installed audible and visible

alarms in accordance with NFPA 72 National Fire Alarm Code (1999 or 2002 edition). Such guest rooms with communication features are also required by section 806.3.2 of the 2010 Standards to be equipped with visible notification devices that alert room occupants of incoming telephone calls and a door knock or bell.

The 2010 Standards add a new exception for alterations to existing facilities that exempts existing fire alarm systems from providing visible alarms, unless the fire alarm system itself is upgraded or replaced, or a new fire alarm system is installed. Transient lodging facilities that alter guest rooms are not required to provide permanently installed visible alarms complying with the NFPA 72 if the existing fire alarm system has not been upgraded or replaced, or a new fire alarm system has not been installed.

Commenters representing small providers of transient lodging raised concerns about the proposed changes to prohibit the use of portable visible alarms used in transient lodging guest rooms. These commenters recommended retaining requirements that allow the use of portable visible alarms.

Persons who are deaf or hard of hearing have reported that portable visible alarms used in transient lodging guest rooms are deficient because the alarms are not activated by the building fire alarm system, and the alarms do not work when the building power source goes out in emergencies. The 2010 Standards are consistent with the model building, fire, and life safety codes as applied to newly constructed transient lodging facilities. One commenter sought confirmation of its understanding of visible alarm requirements from the Department. This commenter interpreted the exception to section 215.1 of the 2010 Standards and the Department's commentary to the NPRM to mean that if a transient lodging facility does not have permanently installed visible alarms in its communication accessible guest rooms, it will not be required to provide such alarms until such time that its fire alarm system is upgraded or replaced, or a new fire alarm system is installed. In addition, this commenter also understood that, if a hotel already has permanently installed visible alarms in all of its mobility accessible guest rooms, it would not have to relocate such visible alarms and other communication features in those rooms to other guest rooms to comply with the ten percent (10%) overlap requirement until the alarm system is upgraded or replaced.

This commenter's interpretation and understanding are consistent with the Department's position in this matter. Section 215.4 of the 2010 Standards requires that guest rooms required to have communication features be equipped with a fire alarm system complying with section 702. Communication accessible guest rooms are required to have

all of the communication features described in section 806.3 of the 2010 Standards including a fire alarm system which provides both audible and visible alarms. The exception to section 215.1 of the 2010 Standards, which applies only to fire alarm requirements for guest rooms with communication features in existing facilities, exempts the visible alarm requirement until such time as the existing fire alarm system is upgraded or replaced, or a new fire alarm system is installed. If guest rooms in existing facilities are altered and they are required by section 224 of the 2010 Standards to have communication features, such guest rooms are required by section 806.3 to have all other communication features including notification devices.

*Vanity Counter Space.* Section 806.2.4.1 of the 2010 Standards requires that if vanity countertop space is provided in inaccessible transient lodging guest bathrooms, comparable vanity space must be provided in accessible transient lodging guest bathrooms.

A commenter questioned whether in existing facilities vanity countertop space may be provided through the addition of a shelf. Another commenter found the term "comparable" vague and expressed concern about confusion the new requirement would cause. This commenter suggested that the phrase "equal area in square inches" be used instead of comparable vanity space.

In some circumstances, the addition of a shelf in an existing facility may be a reasonable way to provide a space for travelers with disabilities to use their toiletries and other personal items. However, this is a determination that must be made on a case-by-case basis. Comparable vanity countertop space need not be one continuous surface and need not be exactly the same size as the countertops in comparable guest bathrooms. For example, accessible shelving within reach of the lavatory could be stacked to provide usable surfaces for toiletries and other personal items.

*Shower and Sauna Doors in Transient Lodging Facilities.* Section 9.4 of the 1991 Standards and section 206.5.3 of the 2010 Standards both require passage doors in transient lodging guest rooms that do not provide mobility features to provide at least 32 inches of clear width. Congress directed this requirement to be included so that individuals with disabilities could visit guests in other rooms. See H. Rept. 101–485, pt. 2, at 118 (1990); S. Rept. 101–116, at 70 (1989). Section 224.1.2 of the 2010 Standards adds a new exception to clarify that shower and sauna doors in such inaccessible guest rooms are exempt from the requirement for passage doors to provide at least 32 inches of clear width. Two commenters requested that saunas and steam rooms in existing facilities be exempt from the section 224.1.2 requirement and that the requirement be made applicable to new construction only.



The exemption to the section 224.1.2 requirement for a 32-inch wide clearance at doors to shower and saunas applies only to those showers and saunas in guest rooms which are not required to have mobility features. Showers and saunas in other locations, including those in common use areas and guest rooms with mobility features, are required to comply with the 32-inch clear width standard as well as other applicable accessibility standards. Saunas come in a variety of types: portable, pre-built, pre-cut, and custom-made. All saunas except for custom-made saunas are made to manufacturers' standard dimensions. The Department is aware that creating the required 32-inch clearance at existing narrower doorways may not always be technically feasible. However, the Department believes that owners and operators will have an opportunity to provide the required doorway clearance, unless doing so is technically infeasible, when an alteration to an existing sauna is undertaken. Therefore, the Department has retained these requirements.

*Platform Lifts in Transient Lodging Guest Rooms and Dwelling Units.* The 1991 Standards, at section 4.1.3(5), exception 4, and the 2010 Standards, at sections 206.7 and 206.7.6, both limit the locations where platform lifts are permitted to be used as part of an accessible route. The 2010 Standards add a new scoping requirement that permits platform lifts to be used to connect levels within transient lodging guest rooms and dwelling units with mobility features.

#### 806 Transient Lodging Guest Rooms

In the NPRM, the Department included floor plans showing examples of accessible guest rooms and bathrooms designs with mobility features to illustrate how compliance with the 2010 Standards could be accomplished with little or no additional space compared to designs that comply with the 1991 Standards.

Commenters noted that the Department's plans showing accessible transient lodging guest rooms compliant with the 2010 Standards were not common in the transient lodging industry and also noted that the plans omitted doors at sleeping room closets.

The Department agrees that the configuration of the accessible bathrooms is somewhat different from past designs used by the industry, but this was done to meet the requirements of the 2010 Standards. The plans were provided to show that, with some redesign, the 2010 Standards do not normally increase the square footage of an accessible sleeping room or bathroom with mobility features in new construction. The Department has also modified several accessible guest room plans to show that doors can be

installed on closets and comply with the 2010 Standards.

A commenter stated that the Department's drawings suggest that the fan coil units for heat and air conditioning are overhead, while the typical sleeping room usually has a vertical unit, or a packaged terminal air conditioning unit within the room. The Department's drawings are sample plans, showing the layout of the space, relationship of elements to each other, and required clear floor and turning spaces. It was not the intent of the Department to provide precise locations for all elements, including heating and air conditioning units.

Commenters noted that in guest rooms with two beds, each bed was positioned close to a wall, reducing access on one side. Another commenter stated that additional housekeeping time is needed to clean the room when beds are placed closer to walls. The 2010 Standards require that, when two beds are provided, there must be at least 36 inches of clear space between the beds. The plans provided in the NPRM showed two bed arrangements with adequate clear width complying with the 1991 Standards and the 2010 Standards. Additional space can be provided on the other side of the beds to facilitate housekeeping as long as the clear floor space between beds is at least 36 inches wide.

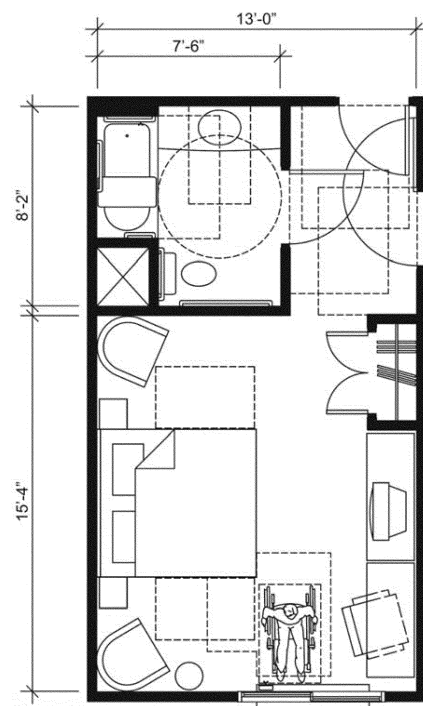
Commenters stated that chases in sleeping room bathrooms that route plumbing and other utilities can present challenges when modifying existing facilities. In multi-story facilities, relocating or re-routing these elements may not be possible, limiting options for providing access. The Department recognizes that relocating mechanical chases in multi-story facilities may be difficult or impossible to accomplish. While these issues do not exist in new facilities, altered existing facilities must comply with the 2010 Standards to the extent that it is technically feasible to do so. When an alteration cannot fully comply because it is technically infeasible to do so, the alteration must still be designed to comply to the greatest extent feasible.

Commenters noted that on some of the Department's plans where a vanity is located adjacent to a bathtub, the vanity may require more maintenance due to exposure to water. The Department agrees that it would be advisable that items placed next to a bathtub or shower be made of materials that are not susceptible to water damage.

*Transient Lodging Guest Room Floor Plans and Related Text.* The Department has included the following floor plans showing application of the requirements of the 2010 Standards without significant loss of guest room living space in transient lodging compared to the 1991 Standards.

**Plan 1A: 13-Foot Wide Accessible Guest Room**

This drawing shows an accessible 13-foot wide guest room with features that comply with the 2010 Standards. Features include a standard bathtub with a seat, comparable vanity, clothes closet with swinging doors, and door connecting to adjacent guest room. Furnishings include a king bed and additional seating.



The following accessible features are provided in the bathroom:

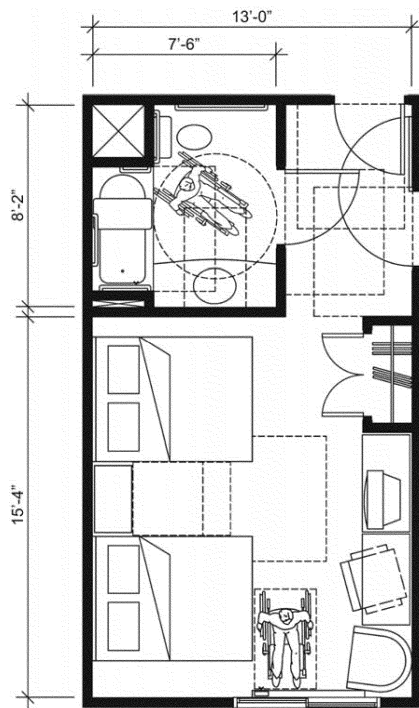
- Comparable vanity counter top space (section 806);
- Bathtub with a lavatory at the control end (section 607.2);
- Removable bathtub seat (section 607.3);
- Clearance in front of the bathtub extends its full length and is 30 inches wide min. (section 607.2);
- Recessed bathtub location permits shorter rear grab bar at water closet (section 604.5.2);
- Circular turning space in room (section 603.2.1);
- Required clear floor spaces at fixtures and turning space overlap (section 603.2.2);
- Turning space includes knee and toe clearance at lavatory (section 304.3);
- Water closet clearance is 60 inches at back wall and 56 inches deep (section 604.3);
- Centerline of the water closet at 16-18 inches from side wall (section 604.2); and
- No other fixtures or obstructions located within required water closet clearance (section 604.3).

The following accessible features are provided in the living area:

- T-shaped turning space (section 304.3.2);
- Accessible route (section 402);
- Clear floor space on both sides of the bed (section 806.2.3);
- Maneuvering clearances at all doors (section 404.2);
- Accessible operable window (section 309); and
- Accessible controls for the heat and air conditioning (section 309).

**Plan 1B: 13-Foot Wide Accessible Guest Room**

This drawing shows an accessible 13-foot wide guest room with features that comply with the 2010 Standards. Features include a standard bathtub with a seat, comparable vanity, clothes closet with swinging doors, and door connecting to adjacent guest room. Furnishings include two beds.



The following accessible features are provided in the bathroom:

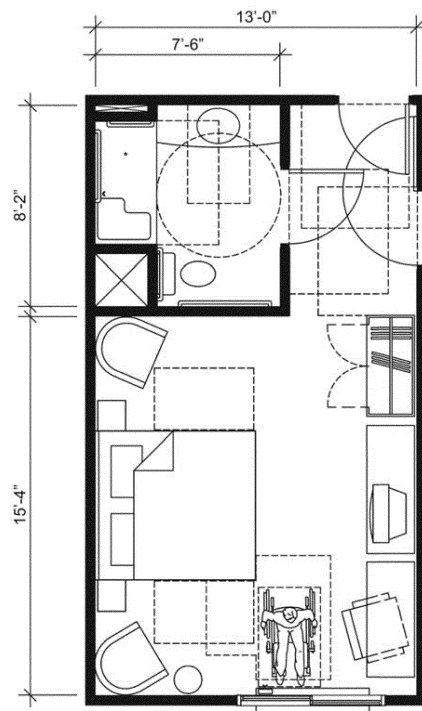
- Comparable vanity counter top space (section 806);
- Bathtub with a lavatory at the control end (section 607.2);
- Removable bathtub seat (section 607.3);
- Clearance in front of the bathtub extends its full length and is 30 inches wide min. (section 607.2);
- Recessed bathtub location permits shorter rear grab bar at water closet (section 604.5.2);
- Circular turning space in room (section 603.2.1);
- Required clear floor spaces at fixtures and turning space overlap (section 603.2.2);
- Turning space includes knee and toe clearance at lavatory (section 304.3);
- Water closet clearance is 60 inches at back wall and 56 inches deep (section 604.3);
- Centerline of the water closet at 16-18 inches from side wall (section 604.2); and
- No other fixtures or obstructions located within required water closet clearance (section 604.3);

The following accessible features are provided in the living area:

- T-shaped turning space (section 304.3.2);
- Accessible route (section 402);
- Clear floor space between beds (section 806.2.3);
- Maneuvering clearances at all doors (section 404.2);
- Accessible operable window (section 309); and
- Accessible controls for the heat and air conditioning (section 309).

**Plan 2A: 13-Foot Wide Accessible Guest Room**

This drawing shows an accessible 13-foot wide guest room with features that comply with the 2010 Standards. Features include a standard roll-in shower with a seat, comparable vanity, wardrobe, and door connecting to adjacent guest room. Furnishings include a king bed and additional seating.



The following accessible features are provided in the bathroom:

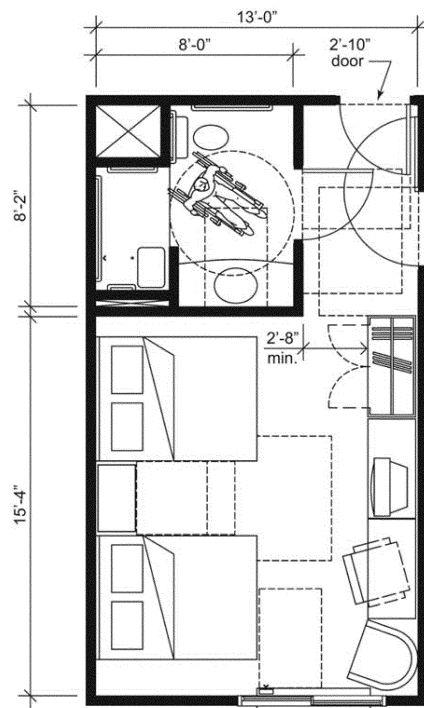
- Comparable vanity counter top space (section 806);
- Standard roll-in type shower with folding seat (section 608.2.2);
- Recessed roll-in shower location permits shorter rear grab bar at water closet (section 604.5.2);
- Clear floor space adjacent to shower min. 30 inches wide by 60 inches long (section 608.2.2);
- Circular turning space in room (section 603.2.1);
- Required clear floor spaces at fixtures and turning space overlap (section 603.2.2);
- Turning space includes knee and toe clearance at lavatory (section 304.3);
- Water closet clearance is 60 inches at back wall and 56 inches deep (section 604.3);
- Centerline of the water closet at 16-18 inches from side wall (section 604.2); and
- No other fixtures or obstructions located within required water closet clearance (section 604.3).

The following accessible features are provided in the living area:

- T-shaped turning space (section 304.3.2);
- Accessible route (section 402);
- Clear floor space on both sides of the bed (section 806.2.3);
- Maneuvering clearances at all doors (section 404.2);
- Accessible operable window (section 309); and
- Accessible controls for the heat and air conditioning (section 309).

**Plan 2B: 13-Foot Wide Accessible Guest Room**

This drawing shows an accessible 13-foot wide guest room with features that comply with the 2010 Standards. Features include an alternate roll-in shower with a seat, comparable vanity, wardrobe, and door connecting to adjacent guest room. Furnishings include two beds.



The following accessible features are provided in the bathroom:

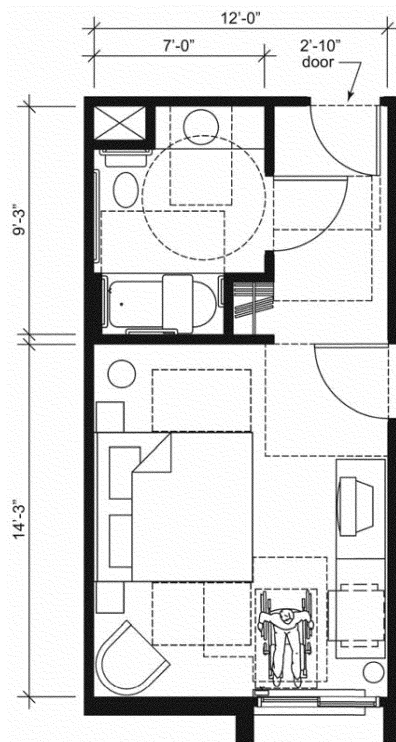
- Comparable vanity counter top space (section 806);
- Alternate roll-in type shower with folding seat is 36 inches deep and 60 inches wide (section 608.2.3);
- Alternate roll-in shower has a 36-inch wide entry at one end of the long side of the compartment (section 608.2.3);
- Recessed alternate roll-in shower location permits shorter rear grab bar at water closet (section 604.5.2);
- Circular turning space in room (section 603.2.1);
- Required clear floor spaces at fixtures and turning space overlap (section 603.2.2);
- Turning space includes knee and toe clearance at lavatory (section 304.3);
- Water closet clearance is 60 inches at back wall and 56 inches deep (section 604.3);
- Centerline of the water closet at 16-18 inches from side wall (section 604.2); and
- No other fixtures or obstructions located within required water closet clearance (section 604.3).

The following accessible features are provided in the living area:

- T-shaped turning space (section 304.3.2);
- Accessible route (section 402);
- Clear floor space between beds (section 806.2.3);
- Maneuvering clearances at all doors (section 404.2);
- Accessible operable window (section 309); and
- Accessible controls for the heat and air conditioning (section 309).

**Plan 3A: 12-Foot Wide Accessible Guest Room**

This drawing shows an accessible 12-foot wide guest room with features that comply with the 2010 Standards. Features include a bathtub with a seat, comparable vanity, open clothes closet, and door connecting to adjacent guest room. Furnishings include a king bed and additional seating.



The following accessible features are provided in the bathroom:

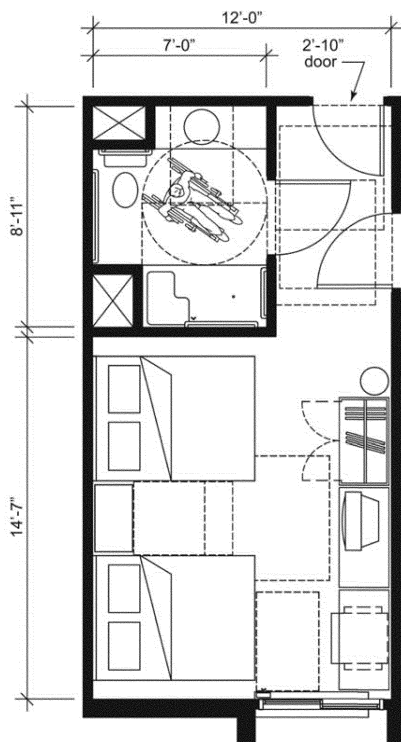
- Comparable vanity counter top space (section 806);
- Bathtub (section 607.2);
- Removable bathtub seat (section 607.3);
- Clearance in front of the bathtub extends its full length and is 30 inches wide min. (section 607.2);
- Recessed lavatory with vanity countertop permits shorter rear grab bar at water closet (section 604.5.2);
- Circular turning space in room (section 603.2.1);
- Required clear floor spaces at fixtures and turning space overlap (section 603.2.2);
- Turning space includes knee and toe clearance at lavatory (section 304.3);
- Water closet clearance is 60 inches at back wall and 56 inches deep (section 604.3);
- Centerline of the water closet at 16-18 inches from side wall (section 604.2); and
- No other fixtures or obstructions located within required water closet clearance (section 604.3).

The following accessible features are provided in the living area:

- T-shaped turning space (section 304.3.2);
- Accessible route (section 402);
- Clear floor space on both sides of the bed (section 806.2.3);
- Maneuvering clearances at all doors (section 404.2);
- Accessible operable window (section 309); and
- Accessible controls for the heat and air conditioning (section 309).

**Plan 3B: 12-Foot Wide Accessible Guest Room**

This drawing shows an accessible 12-foot wide guest room with features that comply with the 2010 Standards. Features include a standard roll-in shower with a seat, comparable vanity, wardrobe, and door connecting to adjacent guest room. Furnishings include two beds.



The following accessible features are provided in the bathroom:

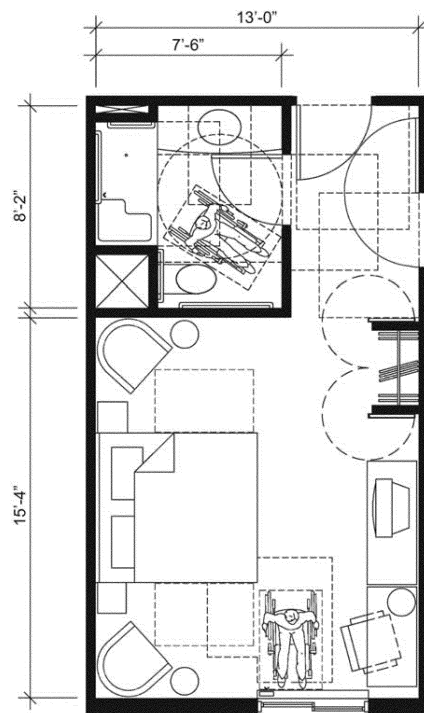
- Comparable vanity counter top space (section 806);
- Standard roll-in type shower with folding seat (section 608.2.2);
- Recessed lavatory with vanity counter top permits shorter rear grab bar at water closet (section 604.5.2);
- Clear floor space adjacent to shower min. 30 inches wide by 60 inches long (section 608.2.2);
- Circular turning space in room (section 603.2.1);
- Required clear floor spaces at fixtures and turning space overlap (section 603.2.2);
- Turning space includes knee and toe clearance at lavatory (section 304.3);
- Water closet clearance is 60 inches at back wall and 56 inches deep (section 604.3);
- Centerline of the water closet at 16-18 inches from side wall (section 604.2); and
- No other fixtures or obstructions located within required water closet clearance (section 604.3).

The following accessible features are provided in the living area:

- T-shaped turning space (section 304.3.2);
- Accessible route (section 402);
- Clear floor space between beds (section 806.2.3);
- Maneuvering clearances at all doors (section 404.2);
- Accessible operable window (section 309); and
- Accessible controls for the heat and air conditioning (section 309).

**Plan 4A: 13-Foot Wide Accessible Guest Room**

This drawing shows an accessible 13-foot wide guest room with features that comply with the 2010 Standards. Features include a standard roll-in shower with a seat, comparable vanity, clothes closet with swinging doors, and door connecting to adjacent guest room. Furnishings include a king bed and additional seating.



The following accessible features are provided in the bathroom:

- Comparable vanity counter top space (section 806);
- Standard roll-in type shower with folding seat (section 608.2.2);
- Clear floor space adjacent to shower min. 30 inches wide by 60 inches long (section 608.2.2);
- Recessed roll-in shower location permits shorter rear grab bar at water closet (section 604.5.2);
- Circular turning space in room (section 603.2.1);
- Required clear floor spaces at fixtures and turning space overlap (section 603.2.2);
- Turning space includes knee and toe clearance at lavatory (section 304.3);
- Water closet clearance is 60 inches at back wall and 56 inches deep (section 604.3);
- Centerline of the water closet at 16-18 inches from side wall (section 604.2); and
- No other fixtures or obstructions located within required water closet clearance (section 604.3).
- 30-inch wide by 48-inch long minimum clear floor space provided beyond the arc of the swing of the entry door (section 603.2.3 exception 2).

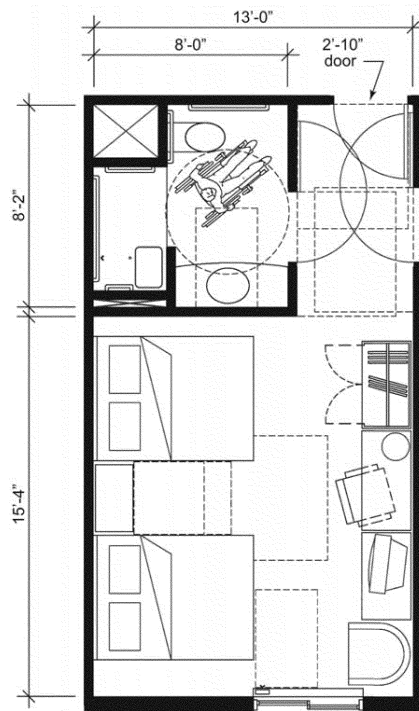
The following accessible features are provided in the living area:

- T-shaped turning space (section 304.3.2);
- Accessible route (section 402);
- Clear floor space on both sides of the bed (section 806.2.3);
- Maneuvering clearances at all doors (section 404.2);
- Accessible operable window (section 309); and
- Accessible controls for the heat and air conditioning (section 309).



**Plan 4B: 13-Foot Wide Accessible Guest Room**

This drawing shows an accessible 13-foot wide guest room with features that comply with the 2010 Standards. Features include an alternate roll-in shower with a seat, comparable vanity, wardrobe, and door connecting to adjacent guest room. Furnishings include two beds.



The following accessible features are provided in the bathroom:

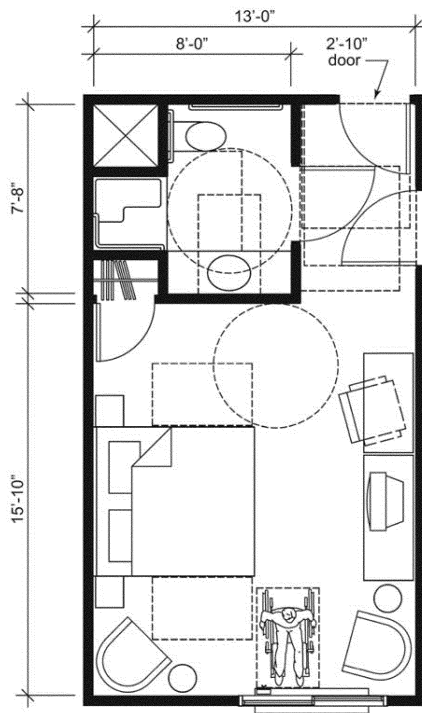
- Comparable vanity counter top space (section 806);
- Alternate roll-in type shower with folding seat is 36 inches deep and 60 inches wide (section 608.2.3);
- Alternate roll-in shower has a 36-inch wide entry at one end of the long end of the compartment (section 608.2.3);
- Recessed alternate roll-in shower location permits shorter rear grab bar at water closet (section 604.5.2);
- Circular turning space in room (section 603.2.1);
- Required clear floor spaces at fixtures and turning space overlap (section 603.2.2);
- Turning space includes knee and toe clearance at lavatory (section 304.3);
- Water closet clearance is 60 inches at back wall and 56 inches deep (section 604.3);
- Centerline of the water closet at 16-18 inches from side wall (section 604.2); and
- No other fixtures or obstructions located within required water closet clearance (section 604.3).

The following accessible features are provided in the living area:

- T-shaped turning space (section 304.3.2);
- Accessible route (section 402);
- Clear floor space between beds (section 806.2.3);
- Maneuvering clearances at all doors (section 404.2);
- Accessible operable window (section 309); and
- Accessible controls for the heat and air conditioning (section 309).

**Plan 5A: 13-Foot Wide Accessible Guest Room**

This drawing shows an accessible 13-foot wide guest room with features that comply with the 2010 Standards. Features include a transfer shower, comparable vanity, clothes closet with swinging door, and door connecting to adjacent guest room. Furnishings include a king bed and additional seating.



The following accessible features are provided in the bathroom:

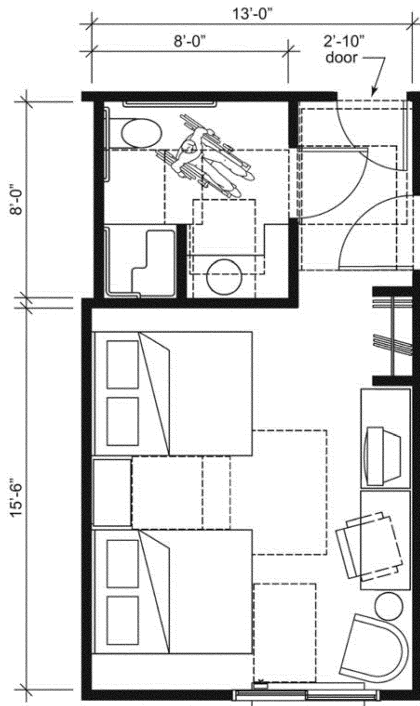
- Comparable vanity counter top space (section 806);
- Transfer shower (section 603.2);
- Shower seat (section 610.3);
- Clearance in front of the shower extends beyond the seat and is 36 inches wide min. (section 607.2);
- Recessed transfer shower location permits shorter rear grab bar at water closet (section 604.5.2);
- Circular turning space in room (section 603.2.1);
- Required clear floor spaces at fixtures and turning space overlap (section 603.2.2);
- Water closet clearance is 60 inches at back wall and 56 inches deep (section 604.3);
- Centerline of the water closet at 16 inches from side wall (section 604.2); and
- No other fixtures or obstructions located within required water closet clearance (section 604.3).

The following accessible features are provided in the living area:

- Circular turning space (section 304.3.2);
- Accessible route (section 402);
- Clear floor space on both sides of the bed (section 806.2.3);
- Maneuvering clearances at all doors (section 404.2);
- Accessible operable window (section 229); and
- Accessible controls for the heat and air conditioning (section 309).

**Plan 5B: 13-Foot Wide Accessible Guest Room**

This drawing shows an accessible 13-foot wide guest room with features that comply with the 2010 Standards. Features include a transfer shower, comparable vanity, open clothes closet, and door connecting to adjacent guest room. Furnishings include two beds.



The following accessible features are provided in the bathroom:

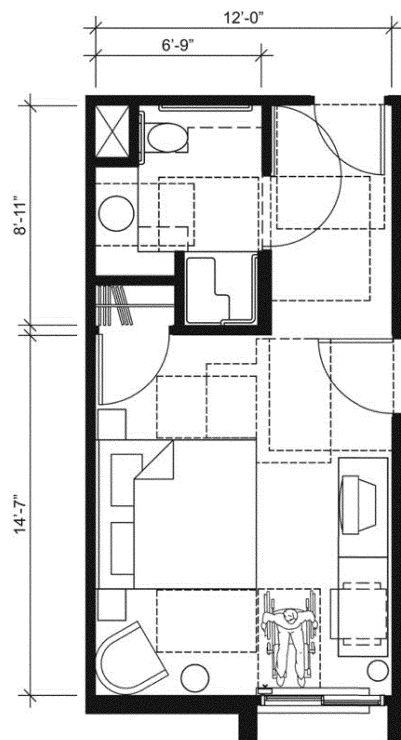
- Comparable vanity counter top space (section 806);
- Transfer shower (section 603.2);
- Shower seat (section 610.3);
- Clearance in front of the shower extends beyond the seat and is 36 inches wide min. (section 607.2);
- Lavatory with vanity counter top recessed to permit shorter rear grab bar at water closet (section 604.5.2);
- T-shaped turning space in room (section 603.2.1);
- Required clear floor spaces at fixtures and turning space overlap (section 603.2.2);
- Water closet clearance is 60 inches at back wall and 56 inches deep (section 604.3);
- Centerline of the water closet at 16-18 inches from side wall (section 604.2); and
- No other fixtures or obstructions located within required water closet clearance (section 604.3).

The following accessible features are provided in the living area:

- T-shaped turning space (section 304.3.2);
- Accessible route (section 402);
- Clear floor space between beds (section 806.2.3);
- Maneuvering clearances at all doors (section 404.2);
- Accessible operable window (section 229); and
- Accessible controls for the heat and air conditioning (section 309).

**Plan 6A: 12-Foot Wide Accessible Guest Room**

This drawing shows an accessible 12-foot wide guest room with features that comply with the 2010 Standards. Features include a transfer shower, water closet length (rim to rear wall) 24 inches maximum, comparable vanity, clothes closet with swinging door, and door connecting to adjacent guest room. Furnishings include a king bed and additional seating.



The following accessible features are provided in the bathroom:

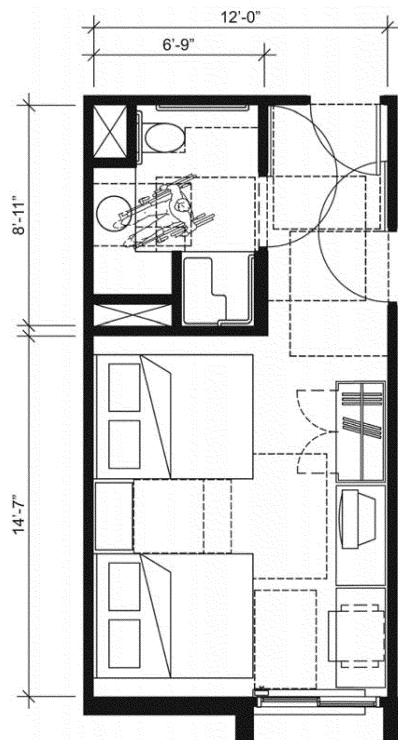
- Comparable vanity counter top space (section 806);
- Transfer shower (section 603.2);
- Shower seat (section 610.3);
- Clearance in front of the shower extends beyond the seat and is 36 inches wide min. (section 607.2);
- Recessed lavatory with vanity counter top permits shorter rear grab bar at water closet (section 604.5.2);
- T-shaped turning space in room (section 603.2.1);
- Required clear floor spaces at fixtures and turning space overlap (section 603.2.2);
- Water closet clearance is 60 inches at back wall and 56 inches deep (section 604.3);
- Centerline of the water closet at 16 inches from side wall (section 604.2); and
- No other fixtures or obstructions located within required water closet clearance (section 604.3).

The following accessible features are provided in the living area:

- T-shaped turning space (section 304.3.2);
- Accessible route (section 402);
- Clear floor space on both sides of the bed (section 806.2.3);
- Maneuvering clearances at all doors (section 404.2);
- Accessible operable window (section 229); and
- Accessible controls for the heat and air conditioning (section 309).

**Plan 6B: 12-Foot Wide Accessible Guest Room**

This drawing shows an accessible 12-foot wide guest room with features that comply with the 2010 Standards. Features include a transfer shower, water closet length (rim to rear wall) 24 inches maximum, comparable vanity, wardrobe, and door connecting to adjacent guest room. Furnishings include two beds.



The following accessible features are provided in the bathroom:

- Comparable vanity counter top space (section 806);
- Transfer shower (section 603.2);
- Shower seat (section 610.3);
- Clearance in front of the shower extends beyond the seat and is 36 inches wide min. (section 607.2);
- Recessed lavatory with vanity counter top permits shorter rear grab bar at water closet (section 604.5.2);
- Circular turning space in room (section 603.2.1);
- Required clear floor spaces at fixtures and turning space overlap (section 603.2.2);
- Water closet clearance is 60 inches at back wall and 56 inches deep (section 604.3);
- Centerline of the water closet at 16 inches from side wall (section 604.2); and
- No other fixtures or obstructions located within required water closet clearance (section 604.3).

The following accessible features are provided in the living area:

- Circular turning space (section 304.3.2);
- Accessible route (section 402);
- Clear floor space between beds (section 806.2.3);
- Maneuvering clearances at all doors (section 404.2);
- Accessible operable window (section 229); and
- Accessible controls for the heat and air conditioning (section 309).

**225 and 811 Storage**

Section 225 of the 2010 Standards provides that where storage is provided in accessible spaces, at least one of each type shall comply with the 2010 Standards. Self-service shelving is required to be on an accessible route, but is not required to comply with the reach range requirements. These requirements are consistent with the 1991 Standards.

Section 225.3 adds a new scoping requirement for self-storage facilities. Facilities with 200 or fewer storage spaces will be required to make at least five percent (5%) of the storage spaces accessible. Facilities with

more than 200 storage spaces will be required to provide ten accessible storage spaces, plus two percent (2%) of the total storage spaces over 200.

Sections 225.2.1 and 811 of the 2010 Standards require lockers to meet accessibility requirements. Where lockers are provided in clusters, five percent (5%) but at least one locker in each cluster will have to comply. Under the 1991 Standards, only one locker of each type provided must be accessible.

Commenters recommended that the Department adopt language requiring public accommodations to provide access to all self-service shelves and display areas available to

customers. Other commenters opposed this requirement as too burdensome to retail and other entities and claimed that significant revenue would be lost if this requirement were to be implemented.

Other commenters raised concerns that section 225.2.2 of the 2010 Standards scopes only self-service shelving whereas section 4.1.3(12)(b) of the 1991 Standards applies to both “shelves or display units.”

Although “display units” were not included in the 2010 Standards under the belief that displays are not to be touched and therefore by definition cannot be “self-service,” both the 2010 Standards and the 1991 Standards should be read broadly to apply to all types of shelves, racks, hooks, and similar self-service merchandising fittings, including self-service display units. Such fixtures are permitted to be installed above or below the reach ranges possible for many persons with disabilities so that space available for merchandising is used as efficiently as possible.

#### 226 and 902 Dining Surfaces and Work Surfaces

Section 226.1 of the 2010 Standards require that where dining surfaces are provided for the consumption of food or drink, at least five percent (5%) of the seating spaces and standing spaces at the dining surfaces comply with section 902. Section 902.2 requires the provision of accessible knee and toe clearance.

Commenters stated that basing accessible seating on seating spaces and standing spaces potentially represents a significant increase in scoping, particularly given the ambiguity in what represents a “standing space” and urged a return to the 1991 Standard of requiring accessible seating based on fixed dining tables. The scoping change merely takes into account that tables may vary in size so that basing the calculation on the number of tables rather than on the number of individuals that may be accommodated by the tables could unnecessarily restrict opportunities for persons with disabilities. The revised scoping permits greater flexibility by allowing designers to disperse accessible seating and standing spaces throughout the dining area. Human factors data, which is readily available to designers, provides information about the amount of space required for both eating and drinking while seated or standing.

#### 227 and 904 Sales and Service

*Check-Out Aisles and Sales and Service Counters.* The 1991 Standards, at section 7.2, and the 2010 Standards, at section 904.4, contain technical requirements for sales and service counters. The 1991 Standards generally require sales and service counters to provide an accessible portion at least 36

inches long and no higher than 36 inches above the finish floor. The nondiscrimination requirements of the ADA regulations require the level of service provided at the accessible portion of any sales and service counter to be the same as the level of service provided at the inaccessible portions of the counter.

The 2010 Standards specify different lengths for the accessible portion of sales and service counters based on the type of approach provided. Where a forward approach is provided, the accessible portion of the counter must be at least 30 inches long and no higher than 36 inches, and knee and toe space must be provided under the counter. The requirement that knee and toe space be provided where only clear floor space for a forward approach to a sales and service counter is provided is not a new requirement. It is a clarification of the ongoing requirement that part of the sales and service counter be accessible. This requirement applies to the entire accessible part of sales and service counters and requires that the accessible clear floor or ground space adjacent to those counters be kept clear of merchandise, equipment, and other items so that the accessible part of the counter is readily accessible to and usable by individuals with disabilities. The accessible part of the counter must also be staffed and provide an equivalent level of service as that provided to all customers.

Where clear floor space for a parallel approach is provided, the accessible portion of the counter must be at least 36 inches long and no higher than 36 inches above the finish floor. A clear floor or ground space that is at least 48 inches long × 30 inches wide must be provided positioned for a parallel approach adjacent to the 36-inch minimum length of counter.

Section 904.4 of the 2010 Standards includes an exception for alterations to sales and service counters in existing facilities. It permits the accessible portion of the counter to be at least 24 inches long, where providing a longer accessible counter will result in a reduction in the number of existing counters at work stations or existing mailboxes, provided that the required clear floor or ground space is centered on the accessible length of the counter.

Section 904.4 of the 2010 Standards also clarifies that the accessible portion of the counter must extend the same depth as the sales or service counter top. Where the counter is a single-height counter, this requirement applies across the entire depth of the counter top. Where the counter is a split-height counter, this requirement applies only to the customer side of the counter top. The employee-side of the counter top may be higher or lower than the customer-side of the counter top.

Commenters recommended that the Department consider a regulatory alternative exempting small retailers from the new knee and toe clearance requirement and retaining existing wheelchair accessibility standards for sales and service counters. These commenters believed that the knee and toe clearance requirements will cause a reduction in the sales and inventory space at check-out aisles and other sales and service counters.

Both the 1991 and the 2010 Standards permit covered entities to determine whether they will provide a forward or a parallel approach to sales and service counters. So any facility that does not wish to provide the knee or toe clearance required for a front approach to such a counter may avoid that option. However, the Department believes that permitting a forward approach without requiring knee and toe clearance is not adequate to provide accessibility because the person using a wheelchair will be prevented from coming close enough to the counter to see the merchandise or to transact business with a degree of convenience that is comparable to that provided to other customers.

A parallel approach to sales and service counters also can provide the accessibility required by the 2010 Standards. Individuals using wheelchairs can approach sales and service counters from the side, and, assuming the necessary elements, features, or merchandise necessary to complete a business transaction are within the reach range requirements for a side approach, the needs of individuals with disabilities can be met effectively.

Section 227 of the 2010 Standards clarifies the requirements for food service lines. Queues and waiting lines serving counters or check-out aisles, including those for food service, must be accessible to individuals with disabilities.

#### 229 Windows

A new requirement at section 229.1 of the 2010 Standards provides that if operable windows are provided for building users, then at least one window in an accessible space must be equipped with controls that comply with section 309.

Commenters generally supported this provision but some commenters asked whether the maximum five-pounds (5 lbs.) of force requirement of section 309 applies to the window latch itself or only to the force required to open the window. Section 309 applies to all controls and operating mechanisms, so the latch must comply with the requirement to operate with no more than five pounds of force (5 lbf).

#### 230 and 708 Two-Way Communication Systems

New provisions of the 2010 Standards at sections 230.1 and 708 require two-way communications systems to be equipped with visible as well as audible signals.

#### 231 and 808 Judicial Facilities and Courtrooms

Section 231 of the 2010 Standards adds requirements for accessible courtrooms, holding cells, and visiting areas.

*Accessible Courtroom Stations.* Sections 231.2, 808, 304, 305, and 902 of the 2010 Standards provide increased accessibility at courtroom stations. Clear floor space for a forward approach is required for all courtroom stations (judges' benches, clerks' stations, bailiffs' stations, deputy clerks' stations, court reporters' stations, and litigants' and counsel stations). Other applicable specifications include accessible work surface heights and toe and knee clearance.

*Accessible Jury Boxes, Attorney Areas, and Witness Stands.* Section 206.2.4 of the 2010 Standards requires, in new construction and alterations, at least one accessible route to connect accessible building or facility entrances with all accessible spaces and elements within the building or facility that are connected by a circulation path unless they are exempted by Exceptions 1-7 of section 206.2.3. Advisory 206.2.4 Spaces and Elements Exception 1 explains that the exception allowing raised courtroom stations to be used by court employees, such as judge's benches, to be adaptable does not apply to areas of the courtroom likely to be used by members of the public such as jury areas, attorney areas, or witness stands. These areas must be on an accessible route at the time of initial construction or alteration.

*Raised Courtroom Stations Not for Members of the Public.* Section 206.2.4, Exception 1 of the 2010 Standards provides that raised courtroom stations that are used by judges, clerks, bailiffs, and court reporters will not have to provide full vertical access when first constructed or altered if they are constructed to be easily adaptable to provide vertical accessibility.

One commenter suggested that a sufficient number of accessible benches for judges with disabilities, in addition to requiring accessible witness stands and attorney areas, be required. The Department believes that the requirements regarding raised benches for judges are easily adaptable to provide vertical access in the event a judge requires an accessible bench. Section 206.2.4 of the 2010 Standards provides that raised courtroom stations used by judges and other judicial staff do not have to provide full vertical access when first constructed or altered as long as the required clear floor space, maneuvering space, and electrical service,

where appropriate, is provided at the time of new construction or can be achieved without substantial reconstruction during alterations.

A commenter asserted that there is nothing inherent in clerks' stations, jury boxes, and witness stands that require them to be raised. While it would, of course, be easiest to provide access by eliminating height differences among courtroom elements, the Department recognizes that accessibility is only one factor that must be considered in the design process of a functioning courtroom. The need to ensure the ability of the judge to maintain order, the need to ensure sight lines among the judge, the witness, the jury, and other participants, and the need to maintain the security of the participants all affect the design of the space. The Department believes that the 2010 Standards have been drafted in a way that will achieve accessibility without unduly constraining the ability of a designer to address the other considerations that are unique to courtrooms.

Commenters argued that permitting courtroom stations to be adaptable rather than fully accessible at the time of new construction likely will lead to discrimination in hiring of clerks, court reporters, and other court staff. The Department believes that the provisions will facilitate, not hinder, the hiring of court personnel who have disabilities. All courtroom work stations will be on accessible routes and will be required to have all fixed elements designed in compliance with the 2010 Standards. Elevated work stations for court employees may be designed to add vertical access as needed. Since the original design must provide the proper space and electrical wiring to install vertical access, the change should be easily accomplished.

#### 232 Detention Facilities and Correctional Facilities

Section 232 of the 2010 Standards establishes requirements for the design and construction of cells, medical care facilities, and visiting areas in detention facilities and in correctional facilities. Section 35.151(k) of the Department's title II rule provides scoping for newly constructed general holding cells and general housing cells requiring mobility features compliant with section 807.2 of the 2010 Standards in a minimum of three percent (3%) of cells, but no fewer than one cell. Section 232.2 of the 2010 Standards provides scoping for newly constructed cells with communications features requiring a minimum of two percent (2%) of cells, but at least one cell, to have communication features.

The Department's title II rule at §35.151(k) also specifies scoping for alterations to detention and correctional facilities. Generally a minimum of three percent (3%), but no

fewer than one, of the total number of altered cells must comply with section 807.2 of the 2010 Standards and be provided within each facility. Altered cells with mobility features must be provided in each classification level, including administrative and disciplinary segregation, each use and service area, and special program. The Department notes that the three percent (3%), but no fewer than one, requirement is a minimum. As corrections systems plan for new facilities or alterations, the Department urges planners to include in their population estimates a projection of the numbers of inmates with disabilities so as to have sufficient numbers of accessible cells to meet inmate needs.

#### 233 Residential Facilities

*Homeless Shelters, Group Homes, and Similar Social Service Establishments.* Section 233 of the 2010 Standards includes specific scoping and technical provisions that apply to new construction and alteration of residential facilities. In the 1991 Standards scoping and technical requirements for homeless shelters, group homes, and similar social service establishments were included in section 9 Transient Lodging. These types of facilities will be covered by section 233 of the 2010 Standards and by 28 CFR 35.151(e) and 36.406(d) and will be subject to requirements for residential facilities rather than the requirements for transient lodging. This approach will harmonize federal accessibility obligations under both the ADA and section 504 of the Rehabilitation Act of 1973, as amended. In sleeping rooms with more than 25 beds that are covered by §36.406(d) a minimum of five percent (5%) of the beds must have clear floor space compliant with section 806.2.3 of the 2010 Standards. In large facilities with more than 50 beds, at least one roll-in shower compliant with section 608.2.2 or section 608.2.3 of the 2010 Standards must be provided. Where separate shower facilities are provided for men and for women, at least one roll-in shower must be provided for each gender.

*Housing Operated By or On Behalf of Places of Education.* Housing at a place of education includes: Residence halls, dormitories, suites, apartments, or other places of residence operated by or on behalf of places of education. Residence halls or dormitories operated by or on behalf of places of education are covered by the provisions in sections 224 and 806 of the 2010 Standards. The Department has included in the title III rule at §36.406(e) requirements that apply to housing at places of education that clarify requirements for residence halls and dormitories and other types of student housing. Requirements for housing at a place of education covered by the title II rule are included at §35.151(f).



*Kitchens and Kitchenettes.* Section 4.34.2 of the UFAS requires a clear turning space at least 60 inches in diameter or an equivalent T-shaped turning space in kitchens. Section 4.34.6 requires a clearance between opposing base cabinets, counters, appliances, or walls of at least 40 inches except in a U-shaped kitchen where the minimum clearance is 60 inches.

Section 804 of the 2010 Standards provides technical requirements for kitchens and kitchenettes. Section 804.2.1 requires that pass through kitchens, which have two entries and counters, appliances, or cabinets on two opposite sides or opposite a parallel wall, provide at least 40 inches minimum clearance. Section 804.2.2 requires that U-shaped kitchens, which are enclosed on three continuous sides, provide at least 60 inches minimum clearance between all opposing base cabinets, countertops, appliances, or walls within kitchen work areas. Kitchens that do not have a cooktop or conventional range are exempt from the clearance requirements but still must provide an accessible route.

If a kitchen does not have two entries, the 2010 Standards require the kitchen to have 60 inches minimum clearance between the opposing base cabinets, counters, appliances, or walls.

One commenter supported the provisions of section 804 of the 2010 Standards but sought clarification whether this section applies to residential units only, or to lodging and office buildings as well. Section 212 makes section 804 applicable to all kitchens and kitchenettes in covered buildings.

*Residential Facilities.* Section 4.1.4(11) of the UFAS contains scoping requirements for the new construction of housing. Under the 1991 title II regulation, state and local governments had the option of complying with the UFAS or the 1991 Standards. After the compliance date for the 2010 Standards, state and local governments will no longer have the option of complying with the UFAS, but will have to use the 2010 Standards for new construction and alterations.

Sections 233.1, 233.2, 233.3, 233.3.1, and 233.3.2 of the 2010 Standards differentiate between entities subject to the United States Department of Housing and Urban Development (HUD) regulations implementing section 504 of the Rehabilitation Act of 1973 and entities not subject to the HUD regulations. The HUD regulations apply to recipients of federal financial assistance through HUD, and require at least five percent (5%) of dwelling units in multi-family projects of five or more dwelling units to provide mobility features and at least two percent (2%) of the dwelling units to provide communication features. The HUD regulations define a project unique to its programs as "one or more residential structures which are covered by a single contract for federal financial

assistance or application for assistance, or are treated as a whole for processing purposes, whether or not located on a common site." To avoid any potential conflicts with the HUD regulations, the 2010 Standards require residential dwelling units subject to the HUD regulations to comply with the scoping requirements in the HUD regulations, instead of the scoping requirements in the 2010 Standards.

For entities not subject to the HUD regulations, the 2010 Standards require at least five percent (5%) of the dwelling units in residential facilities to provide mobility features, and at least two percent (2%) of the dwelling units to provide communication features. The 2010 Standards define facilities in terms of buildings located on a site. The 2010 Standards permit facilities that contain 15 or fewer dwelling units to apply the scoping requirements to all the dwelling units that are constructed under a single contract, or are developed as whole, whether or not located on a common site.

*Alterations to Residential Facilities.* Section 4.1.6 of the UFAS requires federal, state, and local government housing to comply with the general requirements for alterations to facilities. Applying the general requirements for alterations to housing can result in partially accessible dwelling units where single elements or spaces in dwelling units are altered.

The 2010 Standards, at sections 202.3 Exception 3, 202.4, and 233.3, contain specific scoping requirements for alterations to dwelling units. Dwelling units that are not required to be accessible are exempt from the general requirements for alterations to elements and spaces and for alterations to primary function areas.

The scoping requirements for alterations to dwelling units generally are based on the requirements in the UFAS:

- Where a building is vacated for purposes of alterations and has more than 15 dwelling units, at least five percent (5%) of the altered dwelling units are required to provide mobility features and at least two percent (2%) of the dwelling units are required to provide communication features.
- Where a bathroom or a kitchen is substantially altered in an individual dwelling unit and at least one other room is also altered, the dwelling unit is required to comply with the scoping requirements for new construction until the total number of dwelling units in the facility required to provide mobility features and communication features is met.

As with new construction, the 2010 Standards permit facilities that contain 15 or fewer dwelling units to apply the scoping requirements to all the dwelling units that are altered under a single contract, or are developed as a whole, whether or not located on a common site. The 2010 Standards also permit

a comparable dwelling unit to provide mobility features where it is not technically feasible for the altered dwelling unit to comply with the technical requirements.

#### 234 and 1002 Amusement Rides

*New and Altered Permanently Installed Amusement Rides.* Section 234 of the 2010 Standards sets out scoping requirements and section 1002 sets out the technical requirements for the accessibility of permanently installed amusement rides. These requirements apply to newly designed and constructed amusement rides and used rides when certain alterations are made.

A commenter raised concerns that smaller amusement parks tend to purchase used rides more frequently than new rides, and that the conversion of a used ride to provide the required accessibility may be difficult to ensure because of the possible complications in modifying equipment to provide accessibility.

The Department agrees with this commenter. The Department notes, however, that the 2010 Standards will require modifications to existing amusement rides when a ride's structural and operational characteristics are altered to the extent that the ride's performance differs from that specified by the manufacturer or the original design. Such an extensive alteration to an amusement ride may well require that new load and unload areas be designed and constructed. When load and unload areas serving existing amusement rides are newly designed and constructed they must be level, provide wheelchair turning space, and be on an accessible route compliant with Chapter 4 of the 2010 Standards except as modified by section 1002.2 of the 2010 Standards.

*Mobile or Portable Amusement Rides.* The exception in section 234.1 of the 2010 Standards exempts mobile or portable amusement rides, such as those set up for short periods of time at carnivals, fairs or festivals, from having to comply with the 2010 Standards. However, even though the mobile/portable ride itself is not subject to the Standards, these facilities are still subject to the ADA's general requirement to ensure that individuals with disabilities have an equal opportunity to enjoy the services and amenities of these facilities.

Subject to these general requirements, mobile or portable amusement rides should be located on an accessible route and the load and unload areas serving a ride should provide a level wheelchair turning space to provide equal opportunity for individuals with disabilities to be able to participate on the amusement ride to the extent feasible.

One commenter noted that the exception in Section 234.1 of the 2010 Standards for mobile or portable amusement rides limits the opportunities of persons with disabilities to participate on amusement rides because

traveling or temporary amusement rides by their nature come to their customers' town or a nearby town rather than the customer having to go to them and so are less expensive than permanent amusement parks. While the Department understands the commenter's concerns, the Department notes that most amusement rides are too complex to be reasonably modified or re-engineered to accommodate the majority of individuals with disabilities and that additional complexities and safety concerns are added when the rides are mobile or portable.

A commenter asked that section 234 of the 2010 Standards make clear that the requirements for accessible routes include the routes leading up to and including the loading and unloading areas of amusement rides. Sections 206.2.9 and 1002.2 of the 2010 Standards clarify that the requirements for accessible routes include the routes leading up to and including the loading and unloading areas of amusement rides.

A commenter requested that the final rule specifically allow for wheelchair access through the exit or other routes, or alternate means of wheelchair access routes to amusement rides. The commenter stated that the concept of wheelchair access through the exit or alternate routes was a base assumption for the 2010 Standards. The commenter noted that the concept is apparent in the signage and load/unload area provisions in Section 216.12 (" \* \* \* where accessible unload areas also serve as accessible load areas, signs indicating the location of the accessible load and unload areas shall be provided at entries to queues and waiting lines"). The Department agrees with the commenter that accessible load and unload areas may be the same where signs that comply with section 216.12 are provided.

*Wheelchair Space or Transfer Seat or Transfer Device.* Sections 234.3 and 1002.4-1002.6 of the 2010 Standards provide that each new and altered amusement ride, except for mobile/portable rides and a few additional excepted rides, will be required to provide at least one type of access by means of one wheelchair space or one transfer seat or one transfer device (the design of the transfer device is not specified).

Commenters urged the Department to revise the requirements for wheelchair spaces and transfer seats and devices because most amusement rides are too complex to be reasonably modified or re-engineered to accommodate the majority of individuals with disabilities. They argued that the experience of amusement rides will be significantly reduced if the proposed requirements are implemented.

The 2004 ADAAG, which the Department adopted as part of the 2010 Standards, was developed with the assistance of an advisory committee that included representation from the design staffs of major amusement

venues and from persons with disabilities. The Department believes that the resulting 2004 ADAAG reflected sensitivity to the complex problems posed in adapting existing rides by focusing on new rides that can be designed from the outset to be accessible.

To permit maximum design flexibility, the 2010 Standards permit designers to determine whether it is more appropriate to permit individuals who use wheelchairs to remain in their chairs on the ride, or to provide for transfer access.

*Maneuvering Space in Load and Unload Areas.* Sections 234.2 and 1002.3 of the 2010 Standards require that a level wheelchair turning space be provided at the load and unload areas of each amusement ride. The turning space must comply with sections 304.2 and 304.3.

*Signs Required at Waiting Lines to Amusement Rides.* Section 216.12 of the 2010 Standards requires signs at entries to queues and waiting lines identifying type and location of access for the amusement ride.

#### 235 and 1003 Recreational Boating Facilities

These sections require that accessible boat slips and boarding piers be provided. Most commenters approved of the requirements for recreational boating facility accessibility and urged the Department to keep regulatory language consistent with those provisions. They commented that the requirements appropriately reflect industry conditions. Individual commenters and disability organizations agreed that the 2010 Standards achieve acceptable goals for recreational boating facility access.

*Accessible Route.* Sections 206.2.10 and 1003.2 of the 2010 Standards require an accessible route to all accessible boating facilities, including boat slips and boarding piers at boat launch ramps. Section 1003.2.1 provides a list of exceptions applicable to structures such as gangways, transition plates, floating piers, and structures containing combinations of these elements that are affected by water level changes. The list of exceptions specifies alternate design requirements applicable to these structures which, because of water level variables, cannot comply with the slope, cross slope, and handrail requirements for fixed ramps contained in sections 403.3, 405.2, 405.3, 405.6, and 405.7 of the 2010 Standards. Exceptions 3 and 4 in Section 1003.2.1, which permit a slope greater than that specified in Section 405.2, are available for structures that meet specified length requirements. Section 206.7.10 permits the use of platform lifts as an alternative to gangways that are part of accessible routes.

Commenters raised concerns that because of water level fluctuations it may be difficult to provide accessible routes to all accessible boating facilities, including boat slips and boarding piers at boat launch ramps. One of the specific concerns expressed

by several commenters relates to the limits for running slope permitted on gangways that are part of an accessible route as gangways may periodically have a steeper slope than is permitted for a fixed ramp. The exceptions contained in section 1003.2 of the 2010 Standards modify the requirements of Chapter 4. For example, where the total length of a gangway or series of gangways serving as an accessible route is 80 feet or more an exception permits the slope on gangways to exceed the maximum slope in section 405.2.

Some commenters suggested that permissible slope variations could be reduced further by introducing a formula that ties required gangway length to anticipated water level fluctuations. Such a formula would incorporate predictions of tidal level changes such as those issued by the National Oceanographic and Atmospheric Administration (NOAA) and the United States Geologic Survey (USGS). This suggested approach would be an alternative to the gangway length exceptions and limits in section 1003.2.1 of the 2010 Standards. These commenters noted that contemporary building materials and techniques make gangways of longer length and alternative configurations achievable. These commenters provided at least one example of a regional regulatory authority using this type of formula. While this approach may be successfully implemented and consistent with the goals of the ADA, the example provided was applied in a highly developed area containing larger facilities. The Department has considered that many facilities do not have sufficient resources available to take advantage of the latest construction materials and design innovations. Other commenters supported compliance exceptions for facilities that are subject to extreme tidal conditions. One commenter noted that if a facility is located in an area with limited space and extreme tidal variations, a disproportionately long gangway might intrude into water travel routes. The Department has considered a wide range of boating facility characteristics including size, water surface areas, tidal fluctuations, water conditions, variable resources, whether the facility is in a highly developed or remote location, and other factors. The Department has determined that the 2010 Standards provide sufficient flexibility for such broad application. Additionally, the length requirement for accessible routes in section 1003.2.1 provides an easily determinable compliance standard.

*Accessible Boarding Piers.* Where boarding piers are provided at boat launch ramps, sections 235.3 and 1003.3.2 of the 2010 Standards require that at least five percent (5%) of boarding piers, but at least one, must be accessible.

*Accessible Boat Slips.* Sections 235.2 and 1003.3.1 of the 2010 Standards require that a

specified number of boat slips in each recreational boating facility meet specified accessibility standards. The number of accessible boat slips required by the 2010 Standards is set out in a chart in section 235.2. One accessible boat slip is required for facilities containing 25 or fewer total slips. The number of required accessible boat slips increases with the total number of slips at the facility. Facilities containing more than one thousand (1000) boat slips are required to provide twelve (12) accessible boat slips plus one for each additional one hundred slips at the facility.

One commenter asserted the need for specificity in the requirement for dispersion of accessible slips. Section 235.2.1 of the 2010 Standards addresses dispersion and requires that boat slips “shall be dispersed throughout the various types of boat slips provided.” The commenter was concerned that if a marina could not put accessible slips all on one pier, it would have to reconstruct the entire facility to accommodate accessible piers, gangways, docks and walkways. The provision permits required accessible boat slips to be grouped together. The Department recognizes that economical and structural feasibility may produce this result. The 2010 Standards do not require the dispersion of the physical location of accessible boat slips. Rather, the dispersion must be among the various types of boat slips offered by the facility. Section 235.2.1 of the 2010 Standards specifies that if the required number has been met, no further dispersion is required. For example, if a facility offers five different ‘types’ of boat slips but is only required to provide three according to the table in Section 235.2, that facility is not required to provide more than three accessible boat slips, but the three must be varied among the five ‘types’ of boat slips available at the facility.

#### 236 and 1004 Exercise Machines and Equipment

*Accessible Route to Exercise Machines and Equipment.* Section 206.2.13 of the 2010 Standards requires an accessible route to serve accessible exercise machines and equipment.

Commenters raised concerns that the requirement to provide accessible routes to serve accessible exercise machines and equipment will be difficult for some facilities to provide, especially some transient lodging facilities that typically locate exercise machines and equipment in a single room. The Department believes that this requirement is a reasonable one in new construction and alterations because accessible exercise machines and equipment can be located so that an accessible route can serve more than one piece of equipment.

*Exercise Machines and Equipment.* Section 236 of the 2010 Standards requires at least one of each type of exercise machine to meet

clear floor space requirements of section 1004.1. Types of machines are generally defined according to the muscular groups exercised or the kind of cardiovascular exercise provided.

Several commenters were concerned that existing facilities would have to reduce the number of available exercise equipment and machines in order to comply with the 2010 Standards. One commenter submitted prototype drawings showing equipment and machine layouts with and without the required clearance specified in the 2010 Standards. The accessible alternatives all resulted in a loss of equipment and machines. However, because these prototype layouts included certain possibly erroneous assumptions about the 2010 Standards, the Department wishes to clarify the requirements.

Section 1004.1 of the 2010 Standards requires a clear floor space “positioned for transfer or for use by an individual seated in a wheelchair” to serve at least one of each type of exercise machine and equipment. This requirement provides the designer greater flexibility regarding the location of the clear floor space than was employed by the commenter who submitted prototype layouts. The 2010 Standards do not require changes to exercise machines or equipment in order to make them more accessible to persons with disabilities. Even where machines or equipment do not have seats and typically are used by individuals in a standing position, at least one of each type of machine or equipment must have a clear floor space. Therefore, it is reasonable to assume that persons with disabilities wishing to use this type of machine or equipment can stand or walk, even if they use wheelchairs much of the time. As indicated in Advisory 1004.1, “the position of the clear floor space may vary greatly depending on the use of the equipment or machine.” Where exercise equipment or machines require users to stand on them, the clear floor space need not be located parallel to the length of the machine or equipment in order to provide a lateral seat-to-platform transfer. It is permissible to locate the clear floor space for such machines or equipment in the aisle behind the device and to overlap the clear floor space and the accessible route.

Commenters were divided in response to the requirement for accessible exercise machines and equipment. Some supported requirements for accessible machines and equipment; others urged the Department not to require accessible machines and equipment because of the costs involved. The Department believes that the requirement strikes an appropriate balance in ensuring that persons with disabilities, particularly those who use wheelchairs, will have the opportunity to use the exercise equipment. Providing access to exercise machines and equipment recognizes the need and desires of

individuals with disabilities to have the same opportunity as other patrons to enjoy the advantages of exercise and maintaining health.

#### 237 and 1005 Fishing Piers and Platforms

*Accessible Route.* Sections 206.2.14 and 1005.1 of the 2010 Standards require an accessible route to each accessible fishing pier and platform. The exceptions described under Recreational Boating above also apply to gangways and floating piers. All commenters supported the requirements for accessible routes to fishing piers and platforms.

*Accessible Fishing Piers and Platforms.* Sections 237 and 1005 of the 2010 Standards require at least twenty-five percent (25%) of railings, guards, or handrails (if provided) to be at a 34-inch maximum height (so that a person seated in a wheelchair can cast a fishing line over the railing) and to be located in a variety of locations on the fishing pier or platform to give people a variety of locations to fish. An exception allows a guard required to comply with the IBC to have a height greater than 34 inches. If railings, guards, or handrails are provided, accessible edge protection and clear floor or ground space at accessible railings are required. Additionally, at least one turning space complying with section 304.3 of the 2010 Standards is required to be provided on fishing piers and platforms.

Commenters expressed concerns about the provision for fishing piers and platforms at the exception in section 1005.2.1 of the 2010 Standards that allows a maximum height of 42 inches for a guard when the pier or platform is covered by the IBC. Two commenters stated that allowing a 42-inch guard or railing height for facilities covered by another building code would be difficult to enforce. They also thought that this would hinder access for persons with disabilities because the railing height would be too high for a person seated in a wheelchair to reach over with their fishing pole in order to fish. The Department understands these concerns but believes that the railing height exception is necessary in order to avoid confusion resulting from conflicting accessibility requirements, and therefore has retained this exception.

#### 238 and 1006 Golf Facilities

*Accessible Route.* Sections 206.2.15, 1006.2, and 1006.3 of the 2010 Standards require an accessible route to connect all accessible elements within the boundary of the golf course and, in addition, to connect golf car rental areas, bag drop areas, teeing grounds, putting greens, and weather shelters. An accessible route also is required to connect any practice putting greens, practice teeing grounds, and teeing stations at driving ranges that are required to be accessible. An exception permits the accessible route re-

quirements to be met, within the boundaries of the golf course, by providing a "golf car passage" (the path typically used by golf cars) if specifications for width and curb cuts are met.

Most commenters expressed the general viewpoint that nearly all golf courses provide golf cars and have either well-defined paths or permit the cars to drive on the course where paths are not present, and thus meet the accessible route requirement.

The Department received many comments requesting clarification of the term "golf car passage." Some commenters recommended additional regulatory language specifying that an exception from a pedestrian route requirement should be allowed only when a golf car passage provides unobstructed access onto the teeing ground, putting green, or other accessible element of the course so that an accessible golf car can have full access to those elements. These commenters cautioned that full and equal access would not be provided if a golfer were required to navigate a steep slope up or down a hill or a flight of stairs in order to get to the teeing ground, putting green, or other accessible element of the course.

Conversely, another commenter requesting clarification of the term "golf car passage" argued that golf courses typically do not provide golf car paths or pedestrian paths up to actual tee grounds or greens, many of which are higher or lower than the car path. This commenter argued that if golf car passages were required to extend onto teeing grounds and greens in order to qualify for an exception, then some golf courses would have to substantially regrade teeing grounds and greens at a high cost.

Some commenters argued that older golf courses, small nine-hole courses, and executive courses that do not have golf car paths would be unable to comply with the accessible route requirements because of the excessive cost involved. A commenter noted that, for those older courses that have not yet created an accessible pedestrian route or golf car passage, the costs and impacts to do so should be considered.

A commenter argued that an accessible route should not be required where natural terrain makes it infeasible to create an accessible route. Some commenters cautioned that the 2010 Standards would jeopardize the integrity of golf course designs that utilize natural terrain elements and elevation changes to set up shots and create challenging golf holes.

The Department has given careful consideration to the comments and has decided to adopt the 2010 Standards requiring that at least one accessible route connect accessible elements and spaces within the boundary of the golf course including teeing grounds, putting greens, and weather shelters, with an exception provided that golf car passages

shall be permitted to be used for all or part of required accessible routes. In response to requests for clarification of the term “golf car passage,” the Department points out that golf car passage is merely a pathway on which a motorized golf car can operate and includes identified or paved paths, teeing grounds, fairways, putting greens, and other areas of the course. Golf cars cannot traverse steps and exceedingly steep slopes. A nine-hole golf course or an executive golf course that lacks an identified golf car path but provides golf car passage to teeing grounds, putting greens, and other elements throughout the course may utilize the exception for all or part of the accessible pedestrian route. The exception in section 206.2.15 of the 2010 Standards does not exempt golf courses from their obligation to provide access to necessary elements of the golf course; rather, the exception allows a golf course to use a golf car passage for part or all of the accessible pedestrian route to ensure that persons with mobility disabilities can fully and equally participate in the recreational activity of playing golf.

*Accessible Teeing Grounds, Putting Greens, and Weather Shelters.* Sections 238.2 and 1006.4 of the 2010 Standards require that golf cars be able to enter and exit each putting green and weather shelter. Where two teeing grounds are provided, the forward teeing ground is required to be accessible (golf car can enter and exit). Where three or more teeing grounds are provided, at least two, including the forward teeing ground, must be accessible.

A commenter supported requirements for teeing grounds, particularly requirements for accessible teeing grounds, noting that accessible teeing grounds are essential to the full and equal enjoyment of the golfing experience.

A commenter recommended that existing golf courses be required to provide access to only one teeing ground per hole. The majority of commenters reported that most public and private golf courses already provide golf car passage to teeing grounds and greens. The Department has decided that it is reasonable to maintain the requirement. The 2010 Standards provide an exception for existing golf courses with three or more teeing grounds not to provide golf car passage to the forward teeing ground where terrain makes such passage infeasible.

Section 1006.3.2 of the 2010 Standards requires that where curbs or other constructed barriers prevent golf cars from entering a fairway, openings 60 inches wide minimum shall be provided at intervals not to exceed 75 yards.

A commenter disagreed with the requirement that openings 60 inches wide minimum be installed at least every 75 yards, arguing that a maximum spacing of 75 yards may not allow enough flexibility for terrain and haz-

ard placements. To resolve this problem, the commenter recommended that the standards be modified to require that each golf car passage include one 60-inch wide opening for an accessible golf car to reach the tee, and that one opening be provided where necessary for an accessible golf car to reach a green. The requirement for openings where curbs or other constructed barriers may otherwise prevent golf cars from entering a fairway allows the distance between openings to be less than every 75 yards. Therefore, the Department believes that the language in section 1006.3.2 of the 2010 Standards allows appropriate flexibility. Where a paved path with curbs or other constructed barrier exists, the Department believes that it is essential that openings be provided to enable golf car passages to access teeing grounds, fairways and putting greens, and other required elements. Golf car passage is not restricted to a paved path with curbs. Golf car passage also includes fairways, teeing grounds, putting greens, and other areas on which golf cars operate.

*Accessible Practice Putting Greens, Practice Teeing Grounds, and Teeing Stations at Driving Ranges.* Section 238.3 of the 2010 Standards requires that five percent (5%) but at least one of each of practice putting greens, practice teeing grounds, and teeing stations at driving ranges must permit golf cars to enter and exit.

#### 239 and 1007 Miniature Golf Facilities

*Accessible Route to Miniature Golf Course Holes.* Sections 206.2.16, 239.3, and 1007.2 of the 2010 Standards require an accessible route to connect accessible miniature golf course holes and the last accessible hole on the course directly to the course entrance or exit. Accessible holes are required to be consecutive with an exception permitting one break in the sequence of consecutive holes provided that the last hole on the miniature golf course is the last hole in the sequence.

Many commenters supported expanding the exception from one to multiple breaks in the sequence of accessible holes. One commenter noted that permitting accessible holes with breaks in sequence would enable customers with disabilities to enjoy the landscaping, water and theme elements of the miniature golf course. Another commenter wrote in favor of allowing multiple breaks in accessible holes with a connecting accessible route.

Other commenters objected to allowing multiple breaks in the sequence of miniature golf holes. Commenters opposed to this change argued that allowing any breaks in the sequence of accessible holes at a miniature golf course would disrupt the flow of play for persons with disabilities and create a less socially integrated experience. A commenter noted that multiple breaks in sequence would not necessarily guarantee the

provision of access to holes that are most representative of those with landscaping, water elements, or a fantasy-like experience.

The Department has decided to retain the exception without change. Comments did not provide a sufficient basis on which to conclude that allowing multiple breaks in the sequence of accessible holes would necessarily increase integration of accessible holes with unique features of miniature golf courses. Some designs of accessible holes with multiple breaks in the sequence might provide equivalent facilitation where persons with disabilities gain access to landscaping, water or theme elements not otherwise represented in a consecutive configuration of accessible holes. A factor that might contribute to equivalent facilitation would be an accessible route designed to bring persons with disabilities to a unique feature, such as a waterfall, that would otherwise not be served by an accessible route connecting consecutive accessible holes.

Specified exceptions are permitted for accessible route requirements when located on the playing surfaces near holes.

*Accessible Miniature Golf Course Holes.* Sections 239.2 and 1007.3 of the 2010 Standards require at least fifty percent (50%) of golf holes on miniature golf courses to be accessible, including providing a clear floor or ground space that is 48 inches minimum by 60 inches minimum with slopes not steeper than 1:48 at the start of play.

#### 240 and 1008 Play Areas

Section 240 of the 2010 Standards provides scoping for play areas and section 1008 provides technical requirements for play areas. Section 240.1 of the 2010 Standards sets requirements for play areas for children ages 2 and over and covers separate play areas within a site for specific age groups. Section 240.1 also provides four exceptions to the requirements that apply to family child care facilities, relocation of existing play components in existing play areas, amusement attractions, and alterations to play components where the ground surface is not altered.

*Ground Surfaces.* Section 1008.2.6 of the 2010 Standards provides technical requirements for accessible ground surfaces for play areas on accessible routes, clear floor or ground spaces, and turning spaces. These ground surfaces must follow special rules, incorporated by reference from nationally recognized standards for accessibility and safety in play areas, including those issued by the American Society for Testing and Materials (ASTM).

A commenter recommended that the Department closely examine the requirements for ground surfaces at play areas. The Department is aware that there is an ongoing controversy about play area ground surfaces arising from a concern that some surfaces

that meet the ASTM requirements at the time of installation will become inaccessible if they do not receive constant maintenance. The Access Board is also aware of this issue and is working to develop a portable field test that will provide more relevant information on installed play surfaces. The Department would caution covered entities selecting among the ground surfacing materials that comply with the ASTM requirements that they must anticipate the maintenance costs that will be associated with some of the products. Permitting a surface to deteriorate so that it does not meet the 2010 Standards would be an independent violation of the Department's ADA regulations.

*Accessible Route to Play Components.* Section 206.2.17 of the 2010 Standards provides scoping requirements for accessible routes to ground level and elevated play components and to soft contained play structures. Sections 240.2 and 1008 of the 2010 Standards require that accessible routes be provided for play components. The accessible route must connect to at least one ground level play component of each different type provided (e.g., for different experiences such as rocking, swinging, climbing, spinning, and sliding). Table 240.2.1.2 sets requirements for the number and types of ground level play components required to be on accessible routes. When elevated play components are provided, an accessible route must connect at least fifty percent (50%) of the elevated play components. Section 240.2.1.2, provides an exception to the requirements for ground level play components if at least fifty percent (50%) of the elevated play components are connected by a ramp and at least three of the elevated play components connected by the ramp are different types of play components.

The technical requirements at section 1008 include provisions where if three or fewer entry points are provided to a soft contained play structure, then at least one entry point must be on an accessible route. In addition, where four or more entry points are provided to a soft contained play structure, then at least two entry points must be served by an accessible route.

If elevated play components are provided, fifty percent (50%) of the elevated components are required to be accessible. Where 20 or more elevated play components are provided, at least twenty five percent (25%) will have to be connected by a ramp. The remaining play components are permitted to be connected by a transfer system. Where less than 20 elevated play components are provided, a transfer system is permitted in lieu of a ramp.

A commenter noted that the 2010 Standards allow for the provision of transfer steps to elevated play structures based on the

number of elevated play activities, but asserted that transfer steps have not been documented as an effective means of access.

The 2010 Standards recognize that play structures are designed to provide unique experiences and opportunities for children. The 2010 Standards provide for play components that are accessible to children who cannot transfer from their wheelchair, but they also provide opportunities for children who are able to transfer. Children often interact with their environment in ways that would be considered inappropriate for adults. Crawling and climbing, for example, are integral parts of the play experience for young children. Permitting the use of transfer platforms in play structures provides some flexibility for creative playground design.

*Accessible Play Components.* Accessible play components are required to be on accessible routes, including elevated play components that are required to be connected by ramps. These play components must also comply with other accessibility requirements, including specifications for clear floor space and seat heights (where provided).

A commenter expressed concerns that the general requirements of section 240.2.1 of the 2010 Standards and the advisory accompanying section 240.2.1 conflict. The comment asserts that section 240.2.1 of the 2010 Standards provides that the only requirement for integration of equipment is where there are two or more required ground level play components, while the advisory appears to suggest that all accessible components must be integrated.

The commenter misinterprets the requirement. The ADA mandates that persons with disabilities be able to participate in programs or activities in the most integrated setting appropriate to their needs. Therefore, all accessible play components must be integrated into the general playground setting. Section 240.2.1 of the 2010 Standards specifies that where there is more than one accessible ground level play component, the components must be both dispersed and integrated.

#### 241 and 612 Saunas and Steam Rooms

Section 241 of the 2010 Standards sets scoping for saunas and steam rooms and section 612 sets technical requirements including providing accessible turning space and an accessible bench. Doors are not permitted to swing into the clear floor or ground space for the accessible bench. The exception in section 612.2 of the 2010 Standards permits a readily removable bench to obstruct the required wheelchair turning space and the required clear floor or ground space. Where they are provided in clusters, five percent (5%) but at least one sauna or steam room in each cluster must be accessible.

Commenters raised concerns that the safety of individuals with disabilities outweighs the usefulness in providing accessible saunas

and steam rooms. The Department believes that there is an element of risk in many activities available to the general public. One of the major tenets of the ADA is that individuals with disabilities should have the same opportunities as other persons to decide what risks to take. It is not appropriate for covered entities to prejudge the abilities of persons with disabilities.

#### 242 and 1009 Swimming Pools, Wading Pools, and Spas

*Accessible Means of Entry to Pools.* Section 242 of the 2010 Standards requires at least two accessible means of entry for larger pools (300 or more linear feet) and at least one accessible entry for smaller pools. This section requires that at least one entry will have to be a sloped entry or a pool lift; the other could be a sloped entry, pool lift, a transfer wall, or a transfer system (technical specifications for each entry type are included at section 1009).

Many commenters supported the scoping and technical requirements for swimming pools. Other commenters stated that the cost of requiring facilities to immediately purchase a pool lift for each indoor and outdoor swimming pool would be very significant especially considering the large number of swimming pools at lodging facilities. One commenter requested that the Department clarify what would be an “alteration” to a swimming pool that would trigger the obligation to comply with the accessible means of entry in the 2010 Standards.

Alterations are covered by section 202.3 of the 2010 Standards and the definition of “alteration” is provided at section 106.5. A physical change to a swimming pool which affects or could affect the usability of the pool is considered to be an alteration. Changes to the mechanical and electrical systems, such as filtration and chlorination systems, are not alterations. Exception 2 to section 202.3 permits an altered swimming pool to comply with applicable requirements to the maximum extent feasible if full compliance is technically infeasible. “Technically infeasible” is also defined in section 106.5 of the 2010 Standards.

The Department also received comments suggesting that it is not appropriate to require two accessible means of entry to wave pools, lazy rivers, sand bottom pools, and other water amusements where there is only one point of entry. Exception 2 of Section 242.2 of the 2010 Standards exempts pools of this type from having to provide more than one accessible means of entry provided that the one accessible means of entry is a swimming pool lift compliant with section 1009.2, a sloped entry compliant with section 1009.3, or a transfer system compliant with section 1009.5 of the 2010 Standards.

*Accessible Means of Entry to Wading Pools.* Sections 242.3 and 1009.3 of the 2010 Standards



require that at least one sloped means of entry is required into the deepest part of each wading pool.

*Accessible Means of Entry to Spas.* Sections 242.4 and 1009.2, 1009.4, and 1009.5 of the 2010 Standards require spas to meet accessibility requirements, including an accessible means of entry. Where spas are provided in clusters, five percent (5%) but at least one spa in each cluster must be accessible. A pool lift, a transfer wall, or a transfer system will be permitted to provide the required accessible means of entry.

#### 243 Shooting Facilities with Firing Positions

Sections 243 and 1010 of the 2010 Standards require an accessible turning space for each different type of firing position at a shooting facility if designed and constructed on a site. Where firing positions are provided in clusters, five percent (5%), but at least one position of each type in each cluster must be accessible.

#### Additional Technical Requirements

##### 302.1 Floor or Ground Surfaces

Both section 4.5.1 of the 1991 Standards and section 302.2 of the 2010 Standards require that floor or ground surfaces along accessible routes and in accessible rooms and spaces be stable, firm, slip-resistant, and comply with either section 4.5 in the case of the 1991 Standards or section 302 in the case of the 2010 Standards.

Commenters recommended that the Department apply an ASTM Standard (with modifications) to assess whether a floor surface is "slip resistant" as required by section 302.1 of the 2010 Standards. The Department declines to accept this recommendation since, currently, there is no generally accepted test method for the slip-resistance of all walking surfaces under all conditions.

##### 304 Turning Space

Section 4.2.3 of the 1991 Standards and Section 304.3 of the 2010 Standards allow turning space to be either a circular space or a T-shaped space. Section 304.3 permits turning space to include knee and toe clearance complying with section 306. Section 4.2.3 of the 1991 Standards did not specifically permit turning space to include knee and toe clearance. Commenters urged the Department to retain the turning space requirement, but exclude knee and toe clearance from being permitted as part of this space. They argued that wheelchairs and other mobility devices are becoming larger and that more individuals with disabilities are using electric three and four-wheeled scooters which cannot utilize knee clearance.

The Department recognizes that the technical specifications for T-shaped and circular

turning spaces in the 1991 and 2010 Standards, which are based on manual wheelchair dimensions, may not adequately meet the needs of individuals using larger electric scooters. However, there is no consensus about the appropriate dimension on which to base revised requirements. The Access Board is conducting research to study this issue in order to determine if new requirements are warranted. For more information, see the Access Board's Web site at <http://www.access-board.gov/research/current-projects.htm#suny>.

The Department plans to wait for the results of this study and action by the Access Board before considering any changes to the Department's rules. Covered entities may wish to consider providing more than the minimum amount of turning space in confined spaces where a turn will be required. Appendix section A4.2.3 and Fig. A2 of the 1991 Standards provide guidance on additional space for making a smooth turn without bumping into surrounding objects.

#### 404 Doors, Doorways, and Gates

*Automatic Door Break Out Openings.* The 1991 Standards do not contain any technical requirement for automatic door break out openings. The 2010 Standards at sections 404.1, 404.3, 404.3.1, and 404.3.6 require automatic doors that are part of a means of egress and that do not have standby power to have a 32-inch minimum clear break out opening when operated in emergency mode. The minimum clear opening width for automatic doors is measured with all leaves in the open position. Automatic bi-parting doors or pairs of swinging doors that provide a 32-inch minimum clear break out opening in emergency mode when both leaves are opened manually meet the technical requirement. Section 404.3.6 of the 2010 Standards includes an exception that exempts automatic doors from the technical requirement for break out openings when accessible manual swinging doors serve the same means of egress.

*Maneuvering Clearance or Standby Power for Automatic Doors.* Section 4.13.6 of the 1991 Standards does not require maneuvering clearance at automatic doors. Section 404.3.2 of the 2010 Standards requires automatic doors that serve as an accessible means of egress to either provide maneuvering clearance or to have standby power to operate the door in emergencies. This provision has limited application and will affect, among others, in-swinging automatic doors that serve small spaces.

Commenters urged the Department to reconsider provisions that would require maneuvering clearance or standby power for automatic doors. They assert that these requirements would impose unreasonable financial and administrative burdens on all

covered entities, particularly smaller entities. The Department declines to change these provisions because they are fundamental life-safety issues. The requirement applies only to doors that are part of a means of egress that must be accessible in an emergency. If an emergency-related power failure prevents the operation of the automatic door, a person with a disability could be trapped unless there is either adequate maneuvering room to open the door manually or a back-up power source.

*Thresholds at Doorways.* The 1991 Standards, at section 4.13.8, require the height of thresholds at doorways not to exceed ½ inch and thresholds at exterior sliding doors not to exceed ¾ inch. Sections 404.1 and 404.2.5 of the 2010 Standards require the height of thresholds at all doorways that are part of an accessible route not to exceed ½ inch. The 1991 Standards and the 2010 Standards require raised thresholds that exceed ¼ inch in height to be beveled on each side with a slope not steeper than 1:2. The 2010 Standards include an exception that exempts existing and altered thresholds that do not exceed ¾ inch in height and are beveled on each side from the requirement.

#### 505 Handrails

The 2010 Standards add a new technical requirement at section 406.3 for handrails along walking surfaces.

The 1991 Standards, at sections 4.8.5, 4.9.4, and 4.26, and the 2010 Standards, at section 505, contain technical requirements for handrails. The 2010 Standards provide more flexibility than the 1991 Standards as follows:

- Section 4.26.4 of the 1991 Standards requires handrail gripping surfaces to have edges with a minimum radius of ¼ inch. Section 505.8 of the 2010 Standards requires handrail gripping surfaces to have rounded edges.

- Section 4.26.2 of the 1991 Standards requires handrail gripping surfaces to have a diameter of 1¼ inches to 1½ inches, or to provide an equivalent gripping surface. Section 505.7 of the 2010 Standards requires handrail gripping surfaces with a circular cross section to have an outside diameter of 1¼ inches to 2 inches. Handrail gripping surfaces with a non-circular cross section must have a perimeter dimension of 4 inches to 6¼ inches, and a cross section dimension of 2¼ inches maximum.

- Sections 4.8.5 and 4.9.4 of the 1991 Standards require handrail gripping surfaces to be continuous, and to be uninterrupted by newel posts, other construction elements, or obstructions. Section 505.3 of the 2010 Standards sets technical requirements for continuity of gripping surfaces. Section 505.6 requires handrail gripping surfaces to be continuous along their length and not to be obstructed along their tops or sides. The bottoms of handrail gripping surfaces must not

be obstructed for more than twenty percent (20%) of their length. Where provided, horizontal projections must occur at least 1½ inches below the bottom of the handrail gripping surface. An exception permits the distance between the horizontal projections and the bottom of the gripping surface to be reduced by ¼ inch for each ½ inch of additional handrail perimeter dimension that exceeds 4 inches.

- Section 4.9.4 of the 1991 Standards requires handrails at the bottom of stairs to continue to slope for a distance of the width of one tread beyond the bottom riser nosing and to further extend horizontally at least 12 inches. Section 505.10 of the 2010 Standards requires handrails at the bottom of stairs to extend at the slope of the stair flight for a horizontal distance at least equal to one tread depth beyond the last riser nosing. Section 4.1.6(3) of the 1991 Standards has a special technical provision for alterations to existing facilities that exempts handrails at the top and bottom of ramps and stairs from providing full extensions where it will be hazardous due to plan configuration. Section 505.10 of the 2010 Standards has a similar exception that applies in alterations.

A commenter noted that handrail extensions are currently required at the top and bottom of stairs, but the proposed regulations do not include this requirement, and urged the Department to retain the current requirement. Other commenters questioned the need for the extension at the bottom of stairs.

Sections 505.10.2 and 505.10.3 of the 2010 Standards require handrail extensions at both the top and bottom of a flight of stairs. The requirement in the 1991 Standards that handrails extend horizontally at least 12 inches beyond the width of one tread at the bottom of a stair was changed in the 2004 ADAAG by the Access Board in response to public comments. Existing horizontal handrail extensions that comply with 4.9.4(2) of the 1991 Standards should meet or exceed the requirements of the 2010 Standards.

Commenters noted that the 2010 Standards will require handrail gripping surfaces with a circular cross section to have an outside diameter of 2 inches, and that this requirement would impose a physical barrier to individuals with disabilities who need the handrail for stability and support while accessing stairs.

The requirement permits an outside diameter of 1¼ inches to 2 inches. This range allows flexibility in meeting the needs of individuals with disabilities and designers and architects. The Department is not aware of any data indicating that an outside diameter of 2 inches would pose any adverse impairment to use by individuals with disabilities.

*Handrails Along Walkways.* The 1991 Standards do not contain any technical requirement for handrails provided along walkways

that are not ramps. Section 403.6 of the 2010 Standards specifies that where handrails are provided along walkways that are not ramps, they shall comply with certain technical requirements. The change is expected to have minimal impact.

[AG Order No. 3181–2010, 75 FR 56317, Sept. 15, 2010]

APPENDIX C TO PART 36—GUIDANCE ON ADA REGULATION ON NON-DISCRIMINATION ON THE BASIS OF DISABILITY BY PUBLIC ACCOMMODATIONS AND IN COMMERCIAL FACILITIES ORIGINALLY PUBLISHED ON JULY 26, 1991

NOTE: For the convenience of the reader, this appendix contains the text of the preamble to the final regulation on non-discrimination on the basis of disability by public accommodations and in commercial facilities beginning at the heading “Section-by-Section Analysis and Response to Comments” and ending before “List of Subjects in 28 CFR part 36” (56 FR 35546, July 26, 1991).

SECTION-BY-SECTION ANALYSIS AND RESPONSE TO COMMENTS

*Subpart A—General*

*Section 36.101 Purpose*

Section 36.101 states the purpose of the rule, which is to effectuate title III of the Americans with Disabilities Act of 1990. This title prohibits discrimination on the basis of disability by public accommodations, requires places of public accommodation and commercial facilities to be designed, constructed, and altered in compliance with the accessibility standards established by this part, and requires that examinations or courses related to licensing or certification for professional or trade purposes be accessible to persons with disabilities.

*Section 36.102 Application*

Section 36.102 specifies the range of entities and facilities that have obligations under the final rule. The rule applies to any public accommodation or commercial facility as those terms are defined in §36.104. It also applies, in accordance with section 309 of the ADA, to private entities that offer examinations or courses related to applications, licensing, certification, or credentialing for secondary or postsecondary education, professional, or trade purposes. Except as provided in §36.206, “Retaliation or coercion,” this part does not apply to individuals other than public accommodations or to public entities. Coverage of private individuals and public entities is discussed in the preamble to §36.206.

As defined in §36.104, a public accommodation is a private entity that owns, leases or leases to, or operates a place of public accommodation. Section 36.102(b)(2) emphasizes that the general and specific public accommodations requirements of subparts B and C obligate a public accommodation only with respect to the operations of a place of public accommodation. This distinction is drawn in recognition of the fact that a private entity that meets the regulatory definition of public accommodation could also own, lease or lease to, or operate facilities that are not places of public accommodation. The rule would exceed the reach of the ADA if it were to apply the public accommodations requirements of subparts B and C to the operations of a private entity that do not involve a place of public accommodation. Similarly, §36.102(b)(3) provides that the new construction and alterations requirements of subpart D obligate a public accommodation only with respect to facilities used as, or designed or constructed for use as, places of public accommodation or commercial facilities.

On the other hand, as mandated by the ADA and reflected in §36.102(c), the new construction and alterations requirements of subpart D apply to a commercial facility whether or not the facility is a place of public accommodation, or is owned, leased, leased to, or operated by a public accommodation.

Section 36.102(e) states that the rule does not apply to any private club, religious entity, or public entity. Each of these terms is defined in §36.104. The exclusion of private clubs and religious entities is derived from section 307 of the ADA; and the exclusion of public entities is based on the statutory definition of public accommodation in section 301(7) of the ADA, which excludes entities other than private entities from coverage under title III of the ADA.

*Section 36.103 Relationship to Other Laws*

Section 36.103 is derived from sections 501 (a) and (b) of the ADA. Paragraph (a) provides that, except as otherwise specifically provided by this part, the ADA is not intended to apply lesser standards than are required under title V of the Rehabilitation Act of 1973, as amended (29 U.S.C. 790–794), or the regulations implementing that title. The standards of title V of the Rehabilitation Act apply for purposes of the ADA to the extent that the ADA has not explicitly adopted a different standard from title V. Where the ADA explicitly provides a different standard from section 504, the ADA standard applies to the ADA, but not to section 504. For example, section 504 requires that all federally assisted programs and activities be readily accessible to and usable by individuals with

handicaps, even if major structural alterations are necessary to make a program accessible. Title III of the ADA, in contrast, only requires alterations to existing facilities if the modifications are “readily achievable,” that is, able to be accomplished easily and without much difficulty or expense. A public accommodation that is covered under both section 504 and the ADA is still required to meet the “program accessibility” standard in order to comply with section 504, but would not be in violation of the ADA unless it failed to make “readily achievable” modifications. On the other hand, an entity covered by the ADA is required to make “readily achievable” modifications, even if the program can be made accessible without any architectural modifications. Thus, an entity covered by both section 504 and title III of the ADA must meet both the “program accessibility” requirement and the “readily achievable” requirement.

Paragraph (b) makes explicit that the rule does not affect the obligation of recipients of Federal financial assistance to comply with the requirements imposed under section 504 of the Rehabilitation Act of 1973.

Paragraph (c) makes clear that Congress did not intend to displace any of the rights or remedies provided by other Federal laws or other State or local laws (including State common law) that provide greater or equal protection to individuals with disabilities. A plaintiff may choose to pursue claims under a State law that does not confer greater substantive rights, or even confers fewer substantive rights, if the alleged violation is protected under the alternative law and the remedies are greater. For example, assume that a person with a physical disability seeks damages under a State law that allows compensatory and punitive damages for discrimination on the basis of physical disability, but does not allow them on the basis of mental disability. In that situation, the State law would provide narrower coverage, by excluding mental disabilities, but broader remedies, and an individual covered by both laws could choose to bring an action under both laws. Moreover, State tort claims confer greater remedies and are not preempted by the ADA. A plaintiff may join a State tort claim to a case brought under the ADA. In such a case, the plaintiff must, of course, prove all the elements of the State tort claim in order to prevail under that cause of action.

A commenter had concerns about privacy requirements for banking transactions using telephone relay services. Title IV of the Act provides adequate protections for ensuring the confidentiality of communications using the relay services. This issue is more appropriately addressed by the Federal Communications Commission in its regulation implementing title IV of the Act.

#### *Section 36.104 Definitions*

“Act.” The word “Act” is used in the regulation to refer to the Americans with Disabilities Act of 1990, Pub. L. 101-336, which is also referred to as the “ADA.”

“Commerce.” The definition of “commerce” is identical to the statutory definition provided in section 301(l) of the ADA. It means travel, trade, traffic, commerce, transportation, or communication among the several States, between any foreign country or any territory or possession and any State, or between points in the same State but through another State or foreign country. Commerce is defined in the same manner as in title II of the Civil Rights Act of 1964, which prohibits racial discrimination in public accommodations.

The term “commerce” is used in the definition of “place of public accommodation.” According to that definition, one of the criteria that an entity must meet before it can be considered a place of public accommodation is that its operations affect commerce. The term “commerce” is similarly used in the definition of “commercial facility.”

The use of the phrase “operations affect commerce” applies the full scope of coverage of the Commerce Clause of the Constitution in enforcing the ADA. The Constitution gives Congress broad authority to regulate interstate commerce, including the activities of local business enterprises (e.g., a physician’s office, a neighborhood restaurant, a laundromat, or a bakery) that affect interstate commerce through the purchase or sale of products manufactured in other States, or by providing services to individuals from other States. Because of the integrated nature of the national economy, the ADA and this final rule will have extremely broad application.

“Commercial facilities” are those facilities that are intended for nonresidential use by a private entity and whose operations affect commerce. As explained under §36.401, “New construction,” the new construction and alteration requirements of subpart D of the rule apply to all commercial facilities, whether or not they are places of public accommodation. Those commercial facilities that are not places of public accommodation are not subject to the requirements of subparts B and C (e.g., those requirements concerning auxiliary aids and general non-discrimination provisions).

Congress recognized that the employees within commercial facilities would generally be protected under title I (employment) of the Act. However, as the House Committee on Education and Labor pointed out, “[t]o the extent that new facilities are built in a manner that make[s] them accessible to all individuals, including potential employees,

there will be less of a need for individual employers to engage in reasonable accommodations for particular employees." H.R. Rep. No. 485, 101st Cong., 2d Sess., pt. 2, at 117 (1990) [hereinafter "Education and Labor report"]. While employers of fewer than 15 employees are not covered by title I's employment discrimination provisions, there is no such limitation with respect to new construction covered under title III. Congress chose not to so limit the new construction provisions because of its desire for a uniform requirement of accessibility in new construction, because accessibility can be accomplished easily in the design and construction stage, and because future expansion of a business or sale or lease of the property to a larger employer or to a business that is a place of public accommodation is always a possibility.

The term "commercial facilities" is not intended to be defined by dictionary or common industry definitions. Included in this category are factories, warehouses, office buildings, and other buildings in which employment may occur. The phrase, "whose operations affect commerce," is to be read broadly, to include all types of activities reached under the commerce clause of the Constitution.

Privately operated airports are also included in the category of commercial facilities. They are not, however, places of public accommodation because they are not terminals used for "specified public transportation." (Transportation by aircraft is specifically excluded from the statutory definition of "specified public transportation.") Thus, privately operated airports are subject to the new construction and alteration requirements of this rule (subpart D) but not to subparts B and C. (Airports operated by public entities are covered by title II of the Act.) Places of public accommodation located within airports, such as restaurants, shops, lounges, or conference centers, however, are covered by subparts B and C of this part.

The statute's definition of "commercial facilities" specifically includes only facilities "that are intended for nonresidential use" and specifically exempts those facilities that are covered or expressly exempted from coverage under the Fair Housing Act of 1968, as amended (42 U.S.C. 3601-3631). The interplay between the Fair Housing Act and the ADA with respect to those facilities that are "places of public accommodation" was the subject of many comments and is addressed in the preamble discussion of the definition of "place of public accommodation."

"Current illegal use of drugs." The phrase "current illegal use of drugs" is used in § 36.209. Its meaning is discussed in the preamble for that section.

"Disability." The definition of the term "disability" is comparable to the definition

of the term "individual with handicaps" in section 7(8)(B) of the Rehabilitation Act and section 802(h) of the Fair Housing Act. The Education and Labor Committee report makes clear that the analysis of the term "individual with handicaps" by the Department of Health, Education, and Welfare in its regulations implementing section 504 (42 FR 22685 (May 4, 1977)) and the analysis by the Department of Housing and Urban Development in its regulation implementing the Fair Housing Amendments Act of 1988 (54 FR 3232 (Jan. 23, 1989)) should also apply fully to the term "disability" (Education and Labor report at 50).

The use of the term "disability" instead of "handicap" and the term "individual with a disability" instead of "individual with handicaps" represents an effort by the Congress to make use of up-to-date, currently accepted terminology. The terminology applied to individuals with disabilities is a very significant and sensitive issue. As with racial and ethnic terms, the choice of words to describe a person with a disability is overlaid with stereotypes, patronizing attitudes, and other emotional connotations. Many individuals with disabilities, and organizations representing such individuals, object to the use of such terms as "handicapped person" or "the handicapped." In other recent legislation, Congress also recognized this shift in terminology, e.g., by changing the name of the National Council on the Handicapped to the National Council on Disability (Pub. L. 100-630).

In enacting the Americans with Disabilities Act, Congress concluded that it was important for the current legislation to use terminology most in line with the sensibilities of most Americans with disabilities. No change in definition or substance is intended nor should be attributed to this change in phraseology.

The term "disability" means, with respect to an individual—

(A) A physical or mental impairment that substantially limits one or more of the major life activities of such individual;

(B) A record of such an impairment; or

(C) Being regarded as having such an impairment.

If an individual meets any one of these three tests, he or she is considered to be an individual with a disability for purposes of coverage under the Americans with Disabilities Act.

Congress adopted this same basic definition of "disability," first used in the Rehabilitation Act of 1973 and in the Fair Housing Amendments Act of 1988, for a number of reasons. It has worked well since it was adopted in 1974. There is a substantial body of administrative interpretation and judicial precedent on this definition. Finally, it would not be possible to guarantee comprehensiveness by providing a list of specific

disabilities, especially because new disorders may be recognized in the future, as they have since the definition was first established in 1974.

**Test A—A Physical or Mental Impairment That Substantially Limits One or More of the Major Life Activities of Such Individual**

*Physical or mental impairment.* Under the first test, an individual must have a physical or mental impairment. As explained in paragraph (1) (i) of the definition, “impairment” means any physiological disorder or condition, cosmetic disfigurement, or anatomical loss affecting one or more of the following body systems: Neurological; musculoskeletal; special sense organs (including speech organs that are not respiratory, such as vocal cords, soft palate, and tongue); respiratory, including speech organs; cardiovascular; reproductive; digestive; genitourinary; hemic and lymphatic; skin; and endocrine. It also means any mental or psychological disorder, such as mental retardation, organic brain syndrome, emotional or mental illness, and specific learning disabilities. This list closely tracks the one used in the regulations for section 504 of the Rehabilitation Act of 1973 (see, e.g., 45 CFR 84.3(j)(2)(i)).

Many commenters asked that “traumatic brain injury” be added to the list in paragraph (1)(i). Traumatic brain injury is already included because it is a physiological condition affecting one of the listed body systems, i.e., “neurological.” Therefore, it was unnecessary for the Department to add the term to the regulation.

It is not possible to include a list of all the specific conditions, contagious and noncontagious diseases, or infections that would constitute physical or mental impairments because of the difficulty of ensuring the comprehensiveness of such a list, particularly in light of the fact that other conditions or disorders may be identified in the future. However, the list of examples in paragraph (1)(iii) of the definition includes: Orthopedic, visual, speech and hearing impairments; cerebral palsy; epilepsy, muscular dystrophy, multiple sclerosis, cancer, heart disease, diabetes, mental retardation, emotional illness, specific learning disabilities, HIV disease (symptomatic or asymptomatic), tuberculosis, drug addiction, and alcoholism.

The examples of “physical or mental impairments” in paragraph (1)(iii) are the same as those contained in many section 504 regulations, except for the addition of the phrase “contagious and noncontagious” to describe the types of diseases and conditions included, and the addition of “HIV disease (symptomatic or asymptomatic)” and “tuberculosis” to the list of examples. These additions are based on the ADA committee reports, caselaw, and official legal opinions in-

terpreting section 504. In *School Board of Nassau County v. Arline*, 480 U.S. 273 (1987), a case involving an individual with tuberculosis, the Supreme Court held that people with contagious diseases are entitled to the protections afforded by section 504. Following the *Arline* decision, this Department’s Office of Legal Counsel issued a legal opinion that concluded that symptomatic HIV disease is an impairment that substantially limits a major life activity; therefore it has been included in the definition of disability under this part. The opinion also concluded that asymptomatic HIV disease is an impairment that substantially limits a major life activity, either because of its actual effect on the individual with HIV disease or because the reactions of other people to individuals with HIV disease cause such individuals to be treated as though they are disabled. See Memorandum from Douglas W. Kmiec, Acting Assistant Attorney General, Office of Legal Counsel, Department of Justice, to Arthur B. Culvahouse, Jr., Counsel to the President (Sept. 27, 1988), reprinted in Hearings on S. 933, the Americans with Disabilities Act, Before the Subcomm. on the Handicapped of the Senate Comm. on Labor and Human Resources, 101st Cong., 1st Sess. 346 (1989). The phrase “symptomatic or asymptomatic” was inserted in the final rule after “HIV disease” in response to commenters who suggested that the clarification was necessary to give full meaning to the Department’s opinion.

Paragraph (1)(iv) of the definition states that the phrase “physical or mental impairment” does not include homosexuality or bisexuality. These conditions were never considered impairments under other Federal disability laws. Section 511(a) of the statute makes clear that they are likewise not to be considered impairments under the Americans with Disabilities Act.

Physical or mental impairment does not include simple physical characteristics, such as blue eyes or black hair. Nor does it include environmental, cultural, economic, or other disadvantages, such as having a prison record, or being poor. Nor is age a disability. Similarly, the definition does not include common personality traits such as poor judgment or a quick temper where these are not symptoms of a mental or psychological disorder. However, a person who has these characteristics and also has a physical or mental impairment may be considered as having a disability for purposes of the Americans with Disabilities Act based on the impairment.

*Substantial limitation of a major life activity.* Under Test A, the impairment must be one that “substantially limits a major life activity.” Major life activities include such things as caring for one’s self, performing manual tasks, walking, seeing, hearing, speaking, breathing, learning, and working.

For example, a person who is paraplegic is substantially limited in the major life activity of walking, a person who is blind is substantially limited in the major life activity of seeing, and a person who is mentally retarded is substantially limited in the major life activity of learning. A person with traumatic brain injury is substantially limited in the major life activities of caring for one's self, learning, and working because of memory deficit, confusion, contextual difficulties, and inability to reason appropriately.

A person is considered an individual with a disability for purposes of Test A, the first prong of the definition, when the individual's important life activities are restricted as to the conditions, manner, or duration under which they can be performed in comparison to most people. A person with a minor, trivial impairment, such as a simple infected finger, is not impaired in a major life activity. A person who can walk for 10 miles continuously is not substantially limited in walking merely because, on the eleventh mile, he or she begins to experience pain, because most people would not be able to walk eleven miles without experiencing some discomfort.

The Department received many comments on the proposed rule's inclusion of the word "temporary" in the definition of "disability." The preamble indicated that impairments are not necessarily excluded from the definition of "disability" simply because they are temporary, but that the duration, or expected duration, of an impairment is one factor that may properly be considered in determining whether the impairment substantially limits a major life activity. The preamble recognized, however, that temporary impairments, such as a broken leg, are not commonly regarded as disabilities, and only in rare circumstances would the degree of the limitation and its expected duration be substantial. Nevertheless, many commenters objected to inclusion of the word "temporary" both because it is not in the statute and because it is not contained in the definition of "disability" set forth in the title I regulations of the Equal Employment Opportunity Commission (EEOC). The word "temporary" has been deleted from the final rule to conform with the statutory language. The question of whether a temporary impairment is a disability must be resolved on a case-by-case basis, taking into consideration both the duration (or expected duration) of the impairment and the extent to which it actually limits a major life activity of the affected individual.

The question of whether a person has a disability should be assessed without regard to the availability of mitigating measures, such as reasonable modifications or auxiliary aids and services. For example, a person with hearing loss is substantially limited in the major life activity of hearing, even though

the loss may be improved through the use of a hearing aid. Likewise, persons with impairments, such as epilepsy or diabetes, that substantially limit a major life activity, are covered under the first prong of the definition of disability, even if the effects of the impairment are controlled by medication.

Many commenters asked that environmental illness (also known as multiple chemical sensitivity) as well as allergy to cigarette smoke be recognized as disabilities. The Department, however, declines to state categorically that these types of allergies or sensitivities are disabilities, because the determination as to whether an impairment is a disability depends on whether, given the particular circumstances at issue, the impairment substantially limits one or more major life activities (or has a history of, or is regarded as having such an effect).

Sometimes respiratory or neurological functioning is so severely affected that an individual will satisfy the requirements to be considered disabled under the regulation. Such an individual would be entitled to all of the protections afforded by the Act and this part. In other cases, individuals may be sensitive to environmental elements or to smoke but their sensitivity will not rise to the level needed to constitute a disability. For example, their major life activity of breathing may be somewhat, but not substantially, impaired. In such circumstances, the individuals are not disabled and are not entitled to the protections of the statute despite their sensitivity to environmental agents.

In sum, the determination as to whether allergies to cigarette smoke, or allergies or sensitivities characterized by the commenters as environmental illness are disabilities covered by the regulation must be made using the same case-by-case analysis that is applied to all other physical or mental impairments. Moreover, the addition of specific regulatory provisions relating to environmental illness in the final rule would be inappropriate at this time pending future consideration of the issue by the Architectural and Transportation Barriers Compliance Board, the Environmental Protection Agency, and the Occupational Safety and Health Administration of the Department of Labor.

#### Test B—A Record of Such an Impairment

This test is intended to cover those who have a record of an impairment. As explained in paragraph (3) of the rule's definition of disability, this includes a person who has a history of an impairment that substantially limited a major life activity, such as someone who has recovered from an impairment. It also includes persons who have been misclassified as having an impairment.

This provision is included in the definition in part to protect individuals who have recovered from a physical or mental impairment that previously substantially limited them in a major life activity. Discrimination on the basis of such a past impairment is prohibited. Frequently occurring examples of the first group (those who have a history of an impairment) are persons with histories of mental or emotional illness, heart disease, or cancer; examples of the second group (those who have been misclassified as having an impairment) are persons who have been misclassified as having mental retardation or mental illness.

**Test C—Being Regarded as Having Such an Impairment**

This test, as contained in paragraph (4) of the definition, is intended to cover persons who are treated by a private entity or public accommodation as having a physical or mental impairment that substantially limits a major life activity. It applies when a person is treated as if he or she has an impairment that substantially limits a major life activity, regardless of whether that person has an impairment.

The Americans with Disabilities Act uses the same “regarded as” test set forth in the regulations implementing section 504 of the Rehabilitation Act. *See, e.g.*, 28 CFR 42.540(k)(2)(iv), which provides:

(iv) “Is regarded as having an impairment” means (A) Has a physical or mental impairment that does not substantially limit major life activities but that is treated by a recipient as constituting such a limitation; (B) Has a physical or mental impairment that substantially limits major life activities only as a result of the attitudes of others toward such impairment; or (C) Has none of the impairments defined in paragraph (k)(2)(i) of this section but is treated by a recipient as having such an impairment.

The perception of the private entity or public accommodation is a key element of this test. A person who perceives himself or herself to have an impairment, but does not have an impairment, and is not treated as if he or she has an impairment, is not protected under this test. A person would be covered under this test if a restaurant refused to serve that person because of a fear of “negative reactions” of others to that person. A person would also be covered if a public accommodation refused to serve a patron because it perceived that the patron had an impairment that limited his or her enjoyment of the goods or services being offered.

For example, persons with severe burns often encounter discrimination in community activities, resulting in substantial limitation of major life activities. These persons would be covered under this test based on the attitudes of others towards the impair-

ment, even if they did not view themselves as “impaired.”

The rationale for this third test, as used in the Rehabilitation Act of 1973, was articulated by the Supreme Court in *Arline*, 480 U.S. 273 (1987). The Court noted that, although an individual may have an impairment that does not in fact substantially limit a major life activity, the reaction of others may prove just as disabling. “Such an impairment might not diminish a person’s physical or mental capabilities, but could nevertheless substantially limit that person’s ability to work as a result of the negative reactions of others to the impairment.” *Id.* at 283. The Court concluded that, by including this test in the Rehabilitation Act’s definition, “Congress acknowledged that society’s accumulated myths and fears about disability and disease are as handicapping as are the physical limitations that flow from actual impairment.” *Id.* at 284.

Thus, a person who is not allowed into a public accommodation because of the myths, fears, and stereotypes associated with disabilities would be covered under this third test whether or not the person’s physical or mental condition would be considered a disability under the first or second test in the definition.

If a person is refused admittance on the basis of an actual or perceived physical or mental condition, and the public accommodation can articulate no legitimate reason for the refusal (such as failure to meet eligibility criteria), a perceived concern about admitting persons with disabilities could be inferred and the individual would qualify for coverage under the “regarded as” test. A person who is covered because of being regarded as having an impairment is not required to show that the public accommodation’s perception is inaccurate (e.g., that he will be accepted by others, or that insurance rates will not increase) in order to be admitted to the public accommodation.

Paragraph (5) of the definition lists certain conditions that are not included within the definition of “disability.” The excluded conditions are: transvestism, transsexualism, pedophilia, exhibitionism, voyeurism, gender identity disorders not resulting from physical impairments, other sexual behavior disorders, compulsive gambling, kleptomania, pyromania, and psychoactive substance use disorders resulting from current illegal use of drugs. Unlike homosexuality and bisexuality, which are not considered impairments under either the Americans with Disabilities Act (see the definition of “disability,” paragraph (1)(iv)) or section 504, the conditions listed in paragraph (5), except for transvestism, are not necessarily excluded as impairments under section 504. (Transvestism was excluded from the definition of disability for section 504 by the Fair Housing Amendments Act of 1988, Pub. L. 100-430,



§6(b).) The phrase “current illegal use of drugs” used in this definition is explained in the preamble to §36.209.

“Drug.” The definition of the term “drug” is taken from section 510(d)(2) of the ADA.

“Facility.” “Facility” means all or any portion of buildings, structures, sites, complexes, equipment, rolling stock or other conveyances, roads, walks, passageways, parking lots, or other real or personal property, including the site where the building, property, structure, or equipment is located. Committee reports made clear that the definition of facility was drawn from the definition of facility in current Federal regulations (*see, e.g.,* Education and Labor report at 114). It includes both indoor and outdoor areas where human-constructed improvements, structures, equipment, or property have been added to the natural environment.

The term “rolling stock or other conveyances” was not included in the definition of facility in the proposed rule. However, commenters raised questions about the applicability of this part to places of public accommodation operated in mobile facilities (such as cruise ships, floating restaurants, or mobile health units). Those places of public accommodation are covered under this part, and would be included in the definition of “facility.” Thus the requirements of subparts B and C would apply to those places of public accommodation. For example, a covered entity could not discriminate on the basis of disability in the full and equal enjoyment of the facilities (§36.201). Similarly, a cruise line could not apply eligibility criteria to potential passengers in a manner that would screen out individuals with disabilities, unless the criteria are “necessary,” as provided in §36.301.

However, standards for new construction and alterations of such facilities are not yet included in the Americans with Disabilities Act Accessibility Guidelines for Buildings and Facilities (ADAAG) adopted by §36.406 and incorporated in appendix A. The Department therefore will not interpret the new construction and alterations provisions of subpart D to apply to the types of facilities discussed here, pending further development of specific requirements.

Requirements pertaining to accessible transportation services provided by public accommodations are included in §36.310 of this part; standards pertaining to accessible vehicles will be issued by the Secretary of Transportation pursuant to section 306 of the Act, and will be codified at 49 CFR part 37.

A public accommodation has obligations under this rule with respect to a cruise ship to the extent that its operations are subject to the laws of the United States.

The definition of “facility” only includes the site over which the private entity may exercise control or on which a place of public accommodation or a commercial facility is

located. It does not include, for example, adjacent roads or walks controlled by a public entity that is not subject to this part. Public entities are subject to the requirements of title II of the Act. The Department’s regulation implementing title II, which will be codified at 28 CFR part 35, addresses the obligations of public entities to ensure accessibility by providing curb ramps at pedestrian walkways.

“Illegal use of drugs.” The definition of “illegal use of drugs” is taken from section 510(d)(1) of the Act and clarifies that the term includes the illegal use of one or more drugs.

“Individual with a disability” means a person who has a disability but does not include an individual who is currently illegally using drugs, when the public accommodation acts on the basis of such use. The phrase “current illegal use of drugs” is explained in the preamble to §36.209.

“Place of public accommodation.” The term “place of public accommodation” is an adaptation of the statutory definition of “public accommodation” in section 301(7) of the ADA and appears as an element of the regulatory definition of public accommodation. The final rule defines “place of public accommodation” as a facility, operated by a private entity, whose operations affect commerce and fall within at least one of 12 specified categories. The term “public accommodation,” on the other hand, is reserved by the final rule for the private entity that owns, leases (or leases to), or operates a place of public accommodation. It is the public accommodation, and not the place of public accommodation, that is subject to the regulation’s nondiscrimination requirements. Placing the obligation not to discriminate on the public accommodation, as defined in the rule, is consistent with section 302(a) of the ADA, which places the obligation not to discriminate on any person who owns, leases (or leases to), or operates a place of public accommodation.

Facilities operated by government agencies or other public entities as defined in this section do not qualify as places of public accommodation. The actions of public entities are governed by title II of the ADA and will be subject to regulations issued by the Department of Justice under that title. The receipt of government assistance by a private entity does not by itself preclude a facility from being considered as a place of public accommodation.

The definition of place of public accommodation incorporates the 12 categories of facilities represented in the statutory definition of public accommodation in section 301(7) of the ADA:

1. Places of lodging.
2. Establishments serving food or drink.
3. Places of exhibition or entertainment.
4. Places of public gathering.

5. Sales or rental establishments.
6. Service establishments.
7. Stations used for specified public transportation.
8. Places of public display or collection.
9. Places of recreation.
10. Places of education.
11. Social service center establishments.
12. Places of exercise or recreation.

In order to be a place of public accommodation, a facility must be operated by a private entity, its operations must affect commerce, and it must fall within one of these 12 categories. While the list of categories is exhaustive, the representative examples of facilities within each category are not. Within each category only a few examples are given. The category of social service center establishments would include not only the types of establishments listed, day care centers, senior citizen centers, homeless shelters, food banks, adoption agencies, but also establishments such as substance abuse treatment centers, rape crisis centers, and halfway houses. As another example, the category of sales or rental establishments would include an innumerable array of facilities that would sweep far beyond the few examples given in the regulation. For example, other retail or wholesale establishments selling or renting items, such as bookstores, videotape rental stores, car rental establishment, pet stores, and jewelry stores would also be covered under this category, even though they are not specifically listed.

Several commenters requested clarification as to the coverage of wholesale establishments under the category of "sales or rental establishments." The Department intends for wholesale establishments to be covered under this category as places of public accommodation except in cases where they sell exclusively to other businesses and not to individuals. For example, a company that grows food produce and supplies its crops exclusively to food processing corporations on a wholesale basis does not become a public accommodation because of these transactions. If this company operates a road side stand where its crops are sold to the public, the road side stand would be a sales establishment covered by the ADA. Conversely, a sales establishment that markets its goods as "wholesale to the public" and sells to individuals would not be exempt from ADA coverage despite its use of the word "wholesale" as a marketing technique.

Of course, a company that operates a place of public accommodation is subject to this part only in the operation of that place of public accommodation. In the example given above, the wholesale produce company that operates a road side stand would be a public accommodation only for the purposes of the operation of that stand. The company would be prohibited from discriminating on the basis of disability in the operation of the

road side stand, and it would be required to remove barriers to physical access to the extent that it is readily achievable to do so (see §36.304); however, in the event that it is not readily achievable to remove barriers, for example, by replacing a gravel surface or regrading the area around the stand to permit access by persons with mobility impairments, the company could meet its obligations through alternative methods of making its goods available, such as delivering produce to a customer in his or her car (see §36.305). The concepts of readily achievable barrier removal and alternatives to barrier removal are discussed further in the preamble discussion of §§36.304 and 36.305.

Even if a facility does not fall within one of the 12 categories, and therefore does not qualify as a place of public accommodation, it still may be a commercial facility as defined in §36.104 and be subject to the new construction and alterations requirements of subpart D.

A number of commenters questioned the treatment of residential hotels and other residential facilities in the Department's proposed rule. These commenters were essentially seeking resolution of the relationship between the Fair Housing Act and the ADA concerning facilities that are both residential in nature and engage in activities that would cause them to be classified as "places of public accommodation" under the ADA. The ADA's express exemption relating to the Fair Housing Act applies only to "commercial facilities" and not to "places of public accommodation."

A facility whose operations affect interstate commerce is a place of public accommodation for purposes of the ADA to the extent that its operations include those types of activities engaged in or services provided by the facilities contained on the list of 12 categories in section 301(7) of the ADA. Thus, a facility that provides social services would be considered a "social service center establishment." Similarly, the category "places of lodging" would exclude solely residential facilities because the nature of a place of lodging contemplates the use of the facility for short-term stays.

Many facilities, however, are mixed use facilities. For example, in a large hotel that has a separate residential apartment wing, the residential wing would not be covered by the ADA because of the nature of the occupancy of that part of the facility. This residential wing would, however, be covered by the Fair Housing Act. The separate nonresidential accommodations in the rest of the hotel would be a place of lodging, and thus a public accommodation subject to the requirements of this final rule. If a hotel allows both residential and short-term stays, but does not allocate space for these different uses in separate, discrete units, both the ADA and the Fair Housing Act may

apply to the facility. Such determinations will need to be made on a case-by-case basis. Any place of lodging of the type described in paragraph (1) of the definition of place of public accommodation and that is an establishment located within a building that contains not more than five rooms for rent or hire and is actually occupied by the proprietor of the establishment as his or her residence is not covered by the ADA. (This exclusion from coverage does not apply to other categories of public accommodations, for example, professional offices or homeless shelters, that are located in a building that is also occupied as a private residence.)

A number of commenters noted that the term "residential hotel" may also apply to a type of hotel commonly known as a "single room occupancy hotel." Although such hotels or portions of such hotels may fall under the Fair Housing Act when operated or used as long-term residences, they are also considered "places of lodging" under the ADA when guests of such hotels are free to use them on a short-term basis. In addition, "single room occupancy hotels" may provide social services to their guests, often through the operation of Federal or State grant programs. In such a situation, the facility would be considered a "social service center establishment" and thus covered by the ADA as a place of public accommodation, regardless of the length of stay of the occupants.

A similar analysis would also be applied to other residential facilities that provide social services, including homeless shelters, shelters for people seeking refuge from domestic violence, nursing homes, residential care facilities, and other facilities where persons may reside for varying lengths of time. Such facilities should be analyzed under the Fair Housing Act to determine the application of that statute. The ADA, however, requires a separate and independent analysis. For example, if the facility, or a portion of the facility, is intended for or permits short-term stays, or if it can appropriately be categorized as a service establishment or as a social service establishment, then the facility or that portion of the facility used for the covered purpose is a place of public accommodation under the ADA. For example, a homeless shelter that is intended and used only for long-term residential stays and that does not provide social services to its residents would not be covered as a place of public accommodation. However, if this facility permitted short-term stays or provided social services to its residents, it would be covered under the ADA either as a "place of lodging" or as a "social service center establishment," or as both.

A private home, by itself, does not fall within any of the 12 categories. However, it can be covered as a place of public accommodation to the extent that it is used as a facility that would fall within one of the 12 cat-

egories. For example, if a professional office of a dentist, doctor, or psychologist is located in a private home, the portion of the home dedicated to office use (including areas used both for the residence and the office, e.g., the entrance to the home that is also used as the entrance to the professional office) would be considered a place of public accommodation. Places of public accommodation located in residential facilities are specifically addressed in §36.207.

If a tour of a commercial facility that is not otherwise a place of public accommodation, such as, for example, a factory or a movie studio production set, is open to the general public, the route followed by the tour is a place of public accommodation and the tour must be operated in accordance with the rule's requirements for public accommodations. The place of public accommodation defined by the tour does not include those portions of the commercial facility that are merely viewed from the tour route. Hence, the barrier removal requirements of §36.304 only apply to the physical route followed by the tour participants and not to work stations or other areas that are merely adjacent to, or within view of, the tour route. If the tour is not open to the general public, but rather is conducted, for example, for selected business colleagues, partners, customers, or consultants, the tour route is not a place of public accommodation and the tour is not subject to the requirements for public accommodations.

Public accommodations that receive Federal financial assistance are subject to the requirements of section 504 of the Rehabilitation Act as well as the requirements of the ADA.

Private schools, including elementary and secondary schools, are covered by the rule as places of public accommodation. The rule itself, however, does not require a private school to provide a free appropriate education or develop an individualized education program in accordance with regulations of the Department of Education implementing section 504 of the Rehabilitation Act of 1973, as amended (34 CFR part 104), and regulations implementing the Individuals with Disabilities Education Act (34 CFR part 300). The receipt of Federal assistance by a private school, however, would trigger application of the Department of Education's regulations to the extent mandated by the particular type of assistance received.

"Private club." The term "private club" is defined in accordance with section 307 of the ADA as a private club or establishment exempted from coverage under title II of the Civil Rights Act of 1964. Title II of the 1964 Act exempts any "private club or other establishment not in fact open to the public, except to the extent that the facilities of such establishment are made available to the customers or patrons of [a place of public

accommodation as defined in title II.” The rule, therefore, as reflected in §36.102(e) of the application section, limits the coverage of private clubs accordingly. The obligations of a private club that rents space to any other private entity for the operation of a place of public accommodation are discussed further in connection with §36.201.

In determining whether a private entity qualifies as a private club under title II, courts have considered such factors as the degree of member control of club operations, the selectivity of the membership selection process, whether substantial membership fees are charged, whether the entity is operated on a nonprofit basis, the extent to which the facilities are open to the public, the degree of public funding, and whether the club was created specifically to avoid compliance with the Civil Rights Act. See *e.g.*, *Tillman v. Wheaton-Haven Recreation Ass’n*, 410 U.S. 431 (1973); *Daniel v. Paul*, 395 U.S. 298 (1969); *Olzman v. Lake Hills Swim Club, Inc.*, 495 F.2d 1333 (2d Cir. 1974); *Anderson v. Pass Christian Isles Golf Club, Inc.*, 488 F.2d 855 (5th Cir. 1974); *Smith v. YMCA*, 462 F.2d 634 (5th Cir. 1972); *Stout v. YMCA*, 404 F.2d 687 (5th Cir. 1968); *United States v. Richberg*, 398 F.2d 523 (5th Cir. 1968); *Nesmith v. YMCA*, 397 F.2d 96 (4th Cir. 1968); *United States v. Lansdowne Swim Club*, 713 F. Supp. 785 (E.D. Pa. 1989); *Durham v. Red Lake Fishing and Hunting Club, Inc.*, 666 F. Supp. 954 (W.D. Tex. 1987); *New York v. Ocean Club, Inc.*, 602 F. Supp. 489 (E.D.N.Y. 1984); *Brown v. Loudoun Golf and Country Club, Inc.*, 573 F. Supp. 399 (E.D. Va. 1983); *United States v. Trustees of Fraternal Order of Eagles*, 472 F. Supp. 1174 (E.D. Wis. 1979); *Cornelius v. Benevolent Protective Order of Elks*, 382 F. Supp. 1182 (D. Conn. 1974).

“Private entity.” The term “private entity” is defined as any individual or entity other than a public entity. It is used as part of the definition of “public accommodation” in this section.

The definition adds “individual” to the statutory definition of private entity (see section 301(6) of the ADA). This addition clarifies that an individual may be a private entity and, therefore, may be considered a public accommodation if he or she owns, leases (or leases to), or operates a place of public accommodation. The explicit inclusion of individuals under the definition of private entity is consistent with section 302(a) of the ADA, which broadly prohibits discrimination on the basis of disability by any person who owns, leases (or leases to), or operates a place of public accommodation.

“Public accommodation.” The term “public accommodation” means a private entity that owns, leases (or leases to), or operates a place of public accommodation. The regulatory term, “public accommodation,” corresponds to the statutory term, “person,” in section 302(a) of the ADA. The ADA prohibits discrimination “by any person who owns,

leases (or leases to), or operates a place of public accommodation.” The text of the regulation consequently places the ADA’s non-discrimination obligations on “public accommodations” rather than on “persons” or on “places of public accommodation.”

As stated in §36.102(b)(2), the requirements of subparts B and C obligate a public accommodation only with respect to the operations of a place of public accommodation. A public accommodation must also meet the requirements of subpart D with respect to facilities used as, or designed or constructed for use as, places of public accommodation or commercial facilities.

“Public entity.” The term “public entity” is defined in accordance with section 201(1) of the ADA as any State or local government; any department, agency, special purpose district, or other instrumentality of a State or States or local government; and the National Railroad Passenger Corporation, and any commuter authority (as defined in section 103(8) of the Rail Passenger Service Act). It is used in the definition of “private entity” in §36.104. Public entities are excluded from the definition of private entity and therefore cannot qualify as public accommodations under this regulation. However, the actions of public entities are covered by title II of the ADA and by the Department’s title II regulations codified at 28 CFR part 35.

“Qualified interpreter.” The Department received substantial comment regarding the lack of a definition of “qualified interpreter.” The proposed rule defined auxiliary aids and services to include the statutory term, “qualified interpreters” (§36.303(b)), but did not define that term. Section 36.303 requires the use of a qualified interpreter where necessary to achieve effective communication, unless an undue burden or fundamental alteration would result. Commenters stated that a lack of guidance on what the term means would create confusion among those trying to secure interpreting services and often result in less than effective communication.

Many commenters were concerned that, without clear guidance on the issue of “qualified” interpreter, the rule would be interpreted to mean “available, rather than qualified” interpreters. Some claimed that few public accommodations would understand the difference between a qualified interpreter and a person who simply knows a few signs or how to fingerspell.

In order to clarify what is meant by “qualified interpreter” the Department has added a definition of the term to the final rule. A qualified interpreter means an interpreter who is able to interpret effectively, accurately, and impartially both receptively and expressively, using any necessary specialized vocabulary. This definition focuses on the actual ability of the interpreter in a particular interpreting context to facilitate

effective communication between the public accommodation and the individual with disabilities.

Public comment also revealed that public accommodations have at times asked persons who are deaf to provide family members or friends to interpret. In certain circumstances, notwithstanding that the family member or friend is able to interpret or is a certified interpreter, the family member or friend may not be qualified to render the necessary interpretation because of factors such as emotional or personal involvement or considerations of confidentiality that may adversely affect the ability to interpret "effectively, accurately, and impartially."

"Readily achievable." The definition of "readily achievable" follows the statutory definition of that term in section 301(9) of the ADA. Readily achievable means easily accomplishable and able to be carried out without much difficulty or expense. The term is used as a limitation on the obligation to remove barriers under §§36.304(a), 36.305(a), 36.308(a), and 36.310(b). Further discussion of the meaning and application of the term "readily achievable" may be found in the preamble section for §36.304.

The definition lists factors to be considered in determining whether barrier removal is readily achievable in any particular circumstance. A significant number of commenters objected to §36.306 of the proposed rule, which listed identical factors to be considered for determining "readily achievable" and "undue burden" together in one section. They asserted that providing a consolidated section blurred the distinction between the level of effort required by a public accommodation under the two standards. The readily achievable standard is a "lower" standard than the "undue burden" standard in terms of the level of effort required, but the factors used in determining whether an action is readily achievable or would result in an undue burden are identical (See Education and Labor report at 109). Although the preamble to the proposed rule clearly delineated the relationship between the two standards, to eliminate any confusion the Department has deleted §36.306 of the proposed rule. That section, in any event, as other commenters noted, had merely repeated the lists of factors contained in the definitions of readily achievable and undue burden.

The list of factors included in the definition is derived from section 301(9) of the ADA. It reflects the congressional intention that a wide range of factors be considered in determining whether an action is readily achievable. It also takes into account that many local facilities are owned or operated by parent corporations or entities that conduct operations at many different sites. This section makes clear that, in some instances, resources beyond those of the local facility where the barrier must be removed may be

relevant in determining whether an action is readily achievable. One must also evaluate the degree to which any parent entity has resources that may be allocated to the local facility.

The statutory list of factors in section 301(9) of the Act uses the term "covered entity" to refer to the larger entity of which a particular facility may be a part. "Covered entity" is not a defined term in the ADA and is not used consistently throughout the Act. The definition, therefore, substitutes the term "parent entity" in place of "covered entity" in paragraphs (3), (4), and (5) when referring to the larger private entity whose overall resources may be taken into account. This usage is consistent with the House Judiciary Committee's use of the term "parent company" to describe the larger entity of which the local facility is a part (H.R. Rep. No. 485, 101st Cong., 2d Sess., pt. 3, at 40-41, 54-55 (1990) (hereinafter "Judiciary report")).

A number of commenters asked for more specific guidance as to when and how the resources of a parent corporation or entity are to be taken into account in determining what is readily achievable. The Department believes that this complex issue is most appropriately resolved on a case-by-case basis. As the comments reflect, there is a wide variety of possible relationships between the site in question and any parent corporation or other entity. It would be unwise to posit legal ramifications under the ADA of even generic relationships (e.g., banks involved in foreclosures or insurance companies operating as trustees or in other similar fiduciary relationships), because any analysis will depend so completely on the detailed fact situations and the exact nature of the legal relationships involved. The final rule does, however, reorder the factors to be considered. This shift and the addition of the phrase "if applicable" make clear that the line of inquiry concerning factors will start at the site involved in the action itself. This change emphasizes that the overall resources, size, and operations of the parent corporation or entity should be considered to the extent appropriate in light of "the geographic separateness, and the administrative or fiscal relationship of the site or sites in question to any parent corporation or entity."

Although some commenters sought more specific numerical guidance on the definition of readily achievable, the Department has declined to establish in the final rule any kind of numerical formula for determining whether an action is readily achievable. It would be difficult to devise a specific ceiling on compliance costs that would take into account the vast diversity of enterprises covered by the ADA's public accommodations requirements and the economic situation that any particular entity would find itself in at any moment. The final rule, therefore,

implements the flexible case-by-case approach chosen by Congress.

A number of commenters requested that security considerations be explicitly recognized as a factor in determining whether a barrier removal action is readily achievable. The Department believes that legitimate safety requirements, including crime prevention measures, may be taken into account so long as they are based on actual risks and are necessary for safe operation of the public accommodation. This point has been included in the definition.

Some commenters urged the Department not to consider acts of barrier removal in complete isolation from each other in determining whether they are readily achievable. The Department believes that it is appropriate to consider the cost of other barrier removal actions as one factor in determining whether a measure is readily achievable.

“Religious entity.” The term “religious entity” is defined in accordance with section 307 of the ADA as a religious organization or entity controlled by a religious organization, including a place of worship. Section 36.102(e) of the rule states that the rule does not apply to any religious entity.

The ADA’s exemption of religious organizations and religious entities controlled by religious organizations is very broad, encompassing a wide variety of situations. Religious organizations and entities controlled by religious organizations have no obligations under the ADA. Even when a religious organization carries out activities that would otherwise make it a public accommodation, the religious organization is exempt from ADA coverage. Thus, if a church itself operates a day care center, a nursing home, a private school, or a diocesan school system, the operations of the center, home, school, or schools would not be subject to the requirements of the ADA or this part. The religious entity would not lose its exemption merely because the services provided were open to the general public. The test is whether the church or other religious organization operates the public accommodation, not which individuals receive the public accommodation’s services.

Religious entities that are controlled by religious organizations are also exempt from the ADA’s requirements. Many religious organizations in the United States use lay boards and other secular or corporate mechanisms to operate schools and an array of social services. The use of a lay board or other mechanism does not itself remove the ADA’s religious exemption. Thus, a parochial school, having religious doctrine in its curriculum and sponsored by a religious order, could be exempt either as a religious organization or as an entity controlled by a religious organization, even if it has a lay board. The test remains a factual one—whether the church or other religious organization con-

trols the operations of the school or of the service or whether the school or service is itself a religious organization.

Although a religious organization or a religious entity that is controlled by a religious organization has no obligations under the rule, a public accommodation that is not itself a religious organization, but that operates a place of public accommodation in leased space on the property of a religious entity, which is not a place of worship, is subject to the rule’s requirements if it is not under control of a religious organization. When a church rents meeting space, which is not a place of worship, to a local community group or to a private, independent day care center, the ADA applies to the activities of the local community group and day care center if a lease exists and consideration is paid.

“Service animal.” The term “service animal” encompasses any guide dog, signal dog, or other animal individually trained to provide assistance to an individual with a disability. The term is used in §36.302(c), which requires public accommodations generally to modify policies, practices, and procedures to accommodate the use of service animals in places of public accommodation.

“Specified public transportation.” The definition of “specified public transportation” is identical to the statutory definition in section 301(10) of the ADA. The term means transportation by bus, rail, or any other conveyance (other than by aircraft) that provides the general public with general or special service (including charter service) on a regular and continuing basis. It is used in category (7) of the definition of “place of public accommodation,” which includes stations used for specified public transportation.

The effect of this definition, which excludes transportation by aircraft, is that it excludes privately operated airports from coverage as places of public accommodation. However, places of public accommodation located within airports would be covered by this part. Airports that are operated by public entities are covered by title II of the ADA and, if they are operated as part of a program receiving Federal financial assistance, by section 504 of the Rehabilitation Act. Privately operated airports are similarly covered by section 504 if they are operated as part of a program receiving Federal financial assistance. The operations of any portion of any airport that are under the control of an air carrier are covered by the Air Carrier Access Act. In addition, airports are covered as commercial facilities under this rule.

“State.” The definition of “State” is identical to the statutory definition in section 3(3) of the ADA. The term is used in the definitions of “commerce” and “public entity” in §36.104.

“Undue burden.” The definition of “undue burden” is analogous to the statutory definition of “undue hardship” in employment under section 101(10) of the ADA. The term undue burden means “significant difficulty or expense” and serves as a limitation on the obligation to provide auxiliary aids and services under §36.303 and §§36.309 (b)(3) and (c)(3). Further discussion of the meaning and application of the term undue burden may be found in the preamble discussion of §36.303.

The definition lists factors considered in determining whether provision of an auxiliary aid or service in any particular circumstance would result in an undue burden. The factors to be considered in determining whether an action would result in an undue burden are identical to those to be considered in determining whether an action is readily achievable. However, “readily achievable” is a lower standard than “undue burden” in that it requires a lower level of effort on the part of the public accommodation (see Education and Labor report at 109).

Further analysis of the factors to be considered in determining undue burden may be found in the preamble discussion of the definition of the term “readily achievable.”

#### *Subpart B—General Requirements*

Subpart B includes general prohibitions restricting a public accommodation from discriminating against people with disabilities by denying them the opportunity to benefit from goods or services, by giving them unequal goods or services, or by giving them different or separate goods or services. These general prohibitions are patterned after the basic, general prohibitions that exist in other civil rights laws that prohibit discrimination on the basis of race, sex, color, religion, or national origin.

#### *Section 36.201 General*

Section 36.201(a) contains the general rule that prohibits discrimination on the basis of disability in the full and equal enjoyment of goods, services, facilities, privileges, advantages, and accommodations of any place of public accommodation.

Full and equal enjoyment means the right to participate and to have an equal opportunity to obtain the same results as others to the extent possible with such accommodations as may be required by the Act and these regulations. It does not mean that an individual with a disability must achieve an identical result or level of achievement as persons without a disability. For example, an exercise class cannot exclude a person who uses a wheelchair because he or she cannot do all of the exercises and derive the same result from the class as persons without a disability.

Section 302(a) of the ADA states that the prohibition against discrimination applies to

“any person who owns, leases (or leases to), or operates a place of public accommodation,” and this language is reflected in §36.201(a). The coverage is quite extensive and would include sublessees, management companies, and any other entity that owns, leases, leases to, or operates a place of public accommodation, even if the operation is only for a short time.

The first sentence of paragraph (b) of §36.201 reiterates the general principle that both the landlord that owns the building that houses the place of public accommodation, as well as the tenant that owns or operates the place of public accommodation, are public accommodations subject to the requirements of this part. Although the statutory language could be interpreted as placing equal responsibility on all private entities, whether lessor, lessee, or operator of a public accommodation, the committee reports suggest that liability may be allocated. Section 36.201(b) of that section of the proposed rule attempted to allocate liability in the regulation itself. Paragraph (b)(2) of that section made a specific allocation of liability for the obligation to take readily achievable measures to remove barriers, and paragraph (b)(3) made a specific allocation for the obligation to provide auxiliary aids.

Numerous commenters pointed out that these allocations would not apply in all situations. Some asserted that paragraph (b)(2) of the proposed rule only addressed the situation when a lease gave the tenant the right to make alterations with permission of the landlord, but failed to address other types of leases, e.g., those that are silent on the right to make alterations, or those in which the landlord is not permitted to enter a tenant’s premises to make alterations. Several commenters noted that many leases contain other clauses more relevant to the ADA than the alterations clause. For example, many leases contain a “compliance clause,” a clause which allocates responsibility to a particular party for compliance with all relevant Federal, State, and local laws. Many commenters pointed out various types of relationships that were left unaddressed by the regulation, e.g., sale and leaseback arrangements where the landlord is a financial institution with no control or responsibility for the building; franchises; subleases; and management companies which, at least in the hotel industry, often have control over operations but are unable to make modifications to the premises.

Some commenters raised specific questions as to how the barrier removal allocation would work as a practical matter. Paragraph (b)(2) of the proposed rule provided that the burden of making readily achievable modifications within the tenant’s place of public accommodation would shift to the landlord when the modifications were not readily

achievable for the tenant or when the landlord denied a tenant's request for permission to make such modifications. Commenters noted that the rule did not specify exactly when the burden would actually shift from tenant to landlord and whether the landlord would have to accept a tenant's word that a particular action is not readily achievable. Others questioned if the tenant should be obligated to use alternative methods of barrier removal before the burden shifts. In light of the fact that readily achievable removal of barriers can include such actions as moving of racks and displays, some commenters doubted the appropriateness of requiring a landlord to become involved in day-to-day operations of its tenants' businesses.

The Department received widely differing comments in response to the preamble question asking whether landlord and tenant obligations should vary depending on the length of time remaining on an existing lease. Many suggested that tenants should have no responsibilities in "shorter leases," which commenters defined as ranging anywhere from 90 days to three years. Other commenters pointed out that the time remaining on the lease should not be a factor in the rule's allocation of responsibilities, but is relevant in determining what is readily achievable for the tenant. The Department agrees with this latter approach and will interpret the rule in that manner.

In recognition of the somewhat limited applicability of the allocation scheme contained in the proposed rule, paragraphs (b)(2) and (b)(3) have been deleted from the final rule. The Department has substituted instead a statement that allocation of responsibility as between the parties for taking readily achievable measures to remove barriers and to provide auxiliary aids and services both in common areas and within places of public accommodation may be determined by the lease or other contractual relationships between the parties. The ADA was not intended to change existing landlord/tenant responsibilities as set forth in the lease. By deleting specific provisions from the rule, the Department gives full recognition to this principle. As between the landlord and tenant, the extent of responsibility for particular obligations may be, and in many cases probably will be, determined by contract.

The suggested allocation of responsibilities contained in the proposed rule may be used if appropriate in a particular situation. Thus, the landlord would generally be held responsible for making readily achievable changes and providing auxiliary aids and services in common areas and for modifying policies, practices, or procedures applicable to all tenants, and the tenant would generally be responsible for readily achievable changes, provision of auxiliary aids, and

modification of policies within its own place of public accommodation.

Many commenters objected to the proposed rule's allocation of responsibility for providing auxiliary aids and services solely to the tenant, pointing out that this exclusive allocation may not be appropriate in the case of larger public accommodations that operate their businesses by renting space out to smaller public accommodations. For example, large theaters often rent to smaller traveling companies and hospitals often rely on independent contractors to provide childbirth classes. Groups representing persons with disabilities objected to the proposed rule because, in their view, it permitted the large theater or hospital to evade ADA responsibilities by leasing to independent smaller entities. They suggested that these types of public accommodations are not really landlords because they are in the business of providing a service, rather than renting space, as in the case of a shopping center or office building landlord. These commenters believed that responsibility for providing auxiliary aids should shift to the landlord, if the landlord relies on a smaller public accommodation or independent contractor to provide services closely related to those of the larger public accommodation, and if the needed auxiliary aids prove to be an undue burden for the smaller public accommodation. The final rule no longer lists specific allocations to specific parties but, rather, leaves allocation of responsibilities to the lease negotiations. Parties are, therefore, free to allocate the responsibility for auxiliary aids.

Section 36.201(b)(4) of the proposed rule, which provided that alterations by a tenant on its own premises do not trigger a path of travel obligation on the landlord, has been moved to §36.403(d) of the final rule.

An entity that is not in and of itself a public accommodation, such as a trade association or performing artist, may become a public accommodation when it leases space for a conference or performance at a hotel, convention center, or stadium. For an entity to become a public accommodation when it is the lessee of space, however, the Department believes that consideration in some form must be given. Thus, a Boy Scout troop that accepts donated space does not become a public accommodation because the troop has not "leased" space, as required by the ADA.

As a public accommodation, the trade association or performing artist will be responsible for compliance with this part. Specific responsibilities should be allocated by contract, but, generally, the lessee should be responsible for providing auxiliary aids and services (which could include interpreters, Braille programs, etc.) for the participants in its conference or performance as well as for assuring that displays are accessible to individuals with disabilities.



Some commenters suggested that the rule should allocate responsibilities for areas other than removal of barriers and auxiliary aids. The final rule leaves allocation of all areas to the lease negotiations. However, in general landlords should not be given responsibility for policies a tenant applies in operating its business, if such policies are solely those of the tenant. Thus, if a restaurant tenant discriminates by refusing to seat a patron, it would be the tenant, and not the landlord, who would be responsible, because the discriminatory policy is imposed solely by the tenant and not by the landlord. If, however, a tenant refuses to modify a “no pets” rule to allow service animals in its restaurant because the landlord mandates such a rule, then both the landlord and the tenant would be liable for violation of the ADA when a person with a service dog is refused entrance. The Department wishes to emphasize, however, that the parties are free to allocate responsibilities in any way they choose.

Private clubs are also exempt from the ADA. However, consistent with title II of the Civil Rights Act (42 U.S.C. 2000a(e)), a private club is considered a public accommodation to the extent that “the facilities of such establishment are made available to the customers or patrons” of a place of public accommodation. Thus, if a private club runs a day care center that is open exclusively to its own members, the club, like the church in the example above, would have no responsibility for compliance with the ADA. Nor would the day care center have any responsibilities because it is part of the private club exempt from the ADA.

On the other hand, if the private club rents to a day care center that is open to the public, then the private club would have the same obligations as any other public accommodation that functions as a landlord with respect to compliance with title III within the day care center. In such a situation, both the private club that “leases to” a public accommodation and the public accommodation lessee (the day care center) would be subject to the ADA. This same principle would apply if the private club were to rent to, for example, a bar association, which is not generally a public accommodation but which, as explained above, becomes a public accommodation when it leases space for a conference.

#### *Section 36.202 Activities*

Section 36.202 sets out the general forms of discrimination prohibited by title III of the ADA. These general prohibitions are further refined by the specific prohibitions in subpart C. Section 36.213 makes clear that the limitations on the ADA’s requirements contained in subpart C, such as “necessity” (§36.301(a)) and “safety” (§36.301(b)), are applicable to the prohibitions in §36.202. Thus,

it is unnecessary to add these limitations to §36.202 as has been requested by some commenters. In addition, the language of §36.202 very closely tracks the language of section 302(b)(1)(A) of the Act, and that statutory provision does not expressly contain these limitations.

*Deny participation*—Section 36.202(a) provides that it is discriminatory to deny a person with a disability the right to participate in or benefit from the goods, services, facilities, privileges, advantages, or accommodations of a place of public accommodation.

A public accommodation may not exclude persons with disabilities on the basis of disability for reasons other than those specifically set forth in this part. For example, a public accommodation cannot refuse to serve a person with a disability because its insurance company conditions coverage or rates on the absence of persons with disabilities. This is a frequent basis of exclusion from a variety of community activities and is prohibited by this part.

*Unequal benefit*—Section 36.202(b) prohibits services or accommodations that are not equal to those provided others. For example, persons with disabilities must not be limited to certain performances at a theater.

*Separate benefit*—Section 36.202(c) permits different or separate benefits or services only when necessary to provide persons with disabilities opportunities as effective as those provided others. This paragraph permitting separate benefits “when necessary” should be read together with §36.203(a), which requires integration in “the most integrated setting appropriate to the needs of the individual.” The preamble to that section provides further guidance on separate programs. Thus, this section would not prohibit the designation of parking spaces for persons with disabilities.

Each of the three paragraphs (a)–(c) prohibits discrimination against an individual or class of individuals “either directly or through contractual, licensing, or other arrangements.” The intent of the contractual prohibitions of these paragraphs is to prohibit a public accommodation from doing indirectly, through a contractual relationship, what it may not do directly. Thus, the “individual or class of individuals” referenced in the three paragraphs is intended to refer to the clients and customers of the public accommodation that entered into a contractual arrangement. It is not intended to encompass the clients or customers of other entities. A public accommodation, therefore, is not liable under this provision for discrimination that may be practiced by those with whom it has a contractual relationship, when that discrimination is not directed against its own clients or customers. For example, if an amusement park contracts with a food service company to operate its restaurants at the park, the amusement park is

not responsible for other operations of the food service company that do not involve clients or customers of the amusement park. Section 36.202(d) makes this clear by providing that the term “individual or class of individuals” refers to the clients or customers of the public accommodation that enters into the contractual, licensing, or other arrangement.

*Section 36.203 Integrated Settings*

Section 36.203 addresses the integration of persons with disabilities. The ADA recognizes that the provision of goods and services in an integrated manner is a fundamental tenet of nondiscrimination on the basis of disability. Providing segregated accommodations and services relegates persons with disabilities to the status of second-class citizens. For example, it would be a violation of this provision to require persons with mental disabilities to eat in the back room of a restaurant or to refuse to allow a person with a disability the full use of a health spa because of stereotypes about the person’s ability to participate. Section 36.203(a) states that a public accommodation shall afford goods, services, facilities, privileges, advantages, and accommodations to an individual with a disability in the most integrated setting appropriate to the needs of the individual. Section 36.203(b) specifies that, notwithstanding the existence of separate or different programs or activities provided in accordance with this section, an individual with a disability shall not be denied the opportunity to participate in such programs or activities that are not separate or different. Section 36.203(c), which is derived from section 501(d) of the Americans with Disabilities Act, states that nothing in this part shall be construed to require an individual with a disability to accept an accommodation, aid, service, opportunity, or benefit that he or she chooses not to accept.

Taken together, these provisions are intended to prohibit exclusion and segregation of individuals with disabilities and the denial of equal opportunities enjoyed by others, based on, among other things, presumptions, patronizing attitudes, fears, and stereotypes about individuals with disabilities. Consistent with these standards, public accommodations are required to make decisions based on facts applicable to individuals and not on the basis of presumptions as to what a class of individuals with disabilities can or cannot do.

Sections 36.203 (b) and (c) make clear that individuals with disabilities cannot be denied the opportunity to participate in programs that are not separate or different. This is an important and overarching principle of the Americans with Disabilities Act. Separate, special, or different programs that are designed to provide a benefit to persons

with disabilities cannot be used to restrict the participation of persons with disabilities in general, integrated activities.

For example, a person who is blind may wish to decline participating in a special museum tour that allows persons to touch sculptures in an exhibit and instead tour the exhibit at his or her own pace with the museum’s recorded tour. It is not the intent of this section to require the person who is blind to avail himself or herself of the special tour. Modified participation for persons with disabilities must be a choice, not a requirement.

Further, it would not be a violation of this section for an establishment to offer recreational programs specially designed for children with mobility impairments in those limited circumstances. However, it would be a violation of this section if the entity then excluded these children from other recreational services made available to non-disabled children, or required children with disabilities to attend only designated programs.

Many commenters asked that the Department clarify a public accommodation’s obligations within the integrated program when it offers a separate program, but an individual with a disability chooses not to participate in the separate program. It is impossible to make a blanket statement as to what level of auxiliary aids or modifications are required in the integrated program. Rather, each situation must be assessed individually. Assuming the integrated program would be appropriate for a particular individual, the extent to which that individual must be provided with modifications will depend not only on what the individual needs but also on the limitations set forth in subpart C. For example, it may constitute an undue burden for a particular public accommodation, which provides a full-time interpreter in its special guided tour for individuals with hearing impairments, to hire an additional interpreter for those individuals who choose to attend the integrated program. The Department cannot identify categorically the level of assistance or aid required in the integrated program.

The preamble to the proposed rule contained a statement that some interpreted as encouraging the continuation of separate schools, sheltered workshops, special recreational programs, and other similar programs. It is important to emphasize that §36.202(c) only calls for separate programs when such programs are “necessary” to provide as effective an opportunity to individuals with disabilities as to other individuals. Likewise, §36.203(a) only permits separate programs when a more integrated setting would not be “appropriate.” Separate programs are permitted, then, in only limited circumstances. The sentence at issue has been deleted from the preamble because it

was too broadly stated and had been erroneously interpreted as Departmental encouragement of separate programs without qualification.

The proposed rule's reference in §36.203(b) to separate programs or activities provided in accordance with "this section" has been changed to "this subpart" in recognition of the fact that separate programs or activities may, in some limited circumstances, be permitted not only by §36.203(a) but also by §36.202(c).

In addition, some commenters suggested that the individual with the disability is the only one who can decide whether a setting is "appropriate" and what the "needs" are. Others suggested that only the public accommodation can make these determinations. The regulation does not give exclusive responsibility to either party. Rather, the determinations are to be made based on an objective view, presumably one which would take into account views of both parties.

Some commenters expressed concern that §36.203(c), which states that nothing in the rule requires an individual with a disability to accept special accommodations and services provided under the ADA, could be interpreted to allow guardians of infants or older people with disabilities to refuse medical treatment for their wards. Section 36.203(c) has been revised to make it clear that paragraph (c) is inapplicable to the concern of the commenters. A new paragraph (c)(2) has been added stating that nothing in the regulation authorizes the representative or guardian of an individual with a disability to decline food, water, medical treatment, or medical services for that individual. New paragraph (c) clarifies that neither the ADA nor the regulation alters current Federal law ensuring the rights of incompetent individuals with disabilities to receive food, water, and medical treatment. See, *e.g.*, Child Abuse Amendments of 1984 (42 U.S.C. 5106a(b)(10), 5106g(10)); Rehabilitation Act of 1973, as amended (29 U.S.C. 794); Developmentally Disabled Assistance and Bill of Rights Act (42 U.S.C. 6042).

Sections 36.203(c) (1) and (2) are based on section 501(d) of the ADA. Section §501(d) was designed to clarify that nothing in the ADA requires individuals with disabilities to accept special accommodations and services for individuals with disabilities that may segregate them:

The Committee added this section (501(d)) to clarify that nothing in the ADA is intended to permit discriminatory treatment on the basis of disability, even when such treatment is rendered under the guise of providing an accommodation, service, aid or benefit to the individual with disability. For example, a blind individual may choose not to avail himself or herself of the right to go to the front of a line, even if a particular public accommodation has chosen to offer

such a modification of a policy for blind individuals. Or, a blind individual may choose to decline to participate in a special museum tour that allows persons to touch sculptures in an exhibit and instead tour the exhibits at his or her own pace with the museum's recorded tour.

(Judiciary report at 71-72.) The Act is not to be construed to mean that an individual with disabilities must accept special accommodations and services for individuals with disabilities when that individual chooses to participate in the regular services already offered. Because medical treatment, including treatment for particular conditions, is not a special accommodation or service for individuals with disabilities under section 501(d), neither the Act nor this part provides affirmative authority to suspend such treatment. Section 501(d) is intended to clarify that the Act is not designed to foster discrimination through mandatory acceptance of special services when other alternatives are provided; this concern does not reach to the provision of medical treatment for the disabling condition itself.

Section 36.213 makes clear that the limitations contained in subpart C are to be read into subpart B. Thus, the integration requirement is subject to the various defenses contained in subpart C, such as safety, if eligibility criteria are at issue (§36.301(b)), or fundamental alteration and undue burden, if the concern is provision of auxiliary aids (§36.303(a)).

#### Section 36.204 Administrative Methods

Section 36.204 specifies that an individual or entity shall not, directly, or through contractual or other arrangements, utilize standards or criteria or methods of administration that have the effect of discriminating on the basis of disability or that perpetuate the discrimination of others who are subject to common administrative control. The preamble discussion of §36.301 addresses eligibility criteria in detail.

Section 36.204 is derived from section 302(b)(1)(D) of the Americans with Disabilities Act, and it uses the same language used in the employment section of the ADA (section 102(b)(3)). Both sections incorporate a disparate impact standard to ensure the effectiveness of the legislative mandate to end discrimination. This standard is consistent with the interpretation of section 504 by the U.S. Supreme Court in *Alexander v. Choate*, 469 U.S. 287 (1985). The Court in *Choate* explained that members of Congress made numerous statements during passage of section 504 regarding eliminating architectural barriers, providing access to transportation, and eliminating discriminatory effects of job qualification procedures. The Court then noted: "These statements would ring hollow if the resulting legislation could not rectify

the harms resulting from action that discriminated by effect as well as by design.” *Id.* at 297 (footnote omitted).

Of course, §36.204 is subject to the various limitations contained in subpart C including, for example, necessity (§36.301(a)), safety (§36.301(b)), fundamental alteration (§36.302(a)), readily achievable (§36.304(a)), and undue burden (§36.303(a)).

#### Section 36.205 Association

Section 36.205 implements section 302(b)(1)(E) of the Act, which provides that a public accommodation shall not exclude or otherwise deny equal goods, services, facilities, privileges, advantages, accommodations, or other opportunities to an individual or entity because of the known disability of an individual with whom the individual or entity is known to have a relationship or association. This section is unchanged from the proposed rule.

The individuals covered under this section include any individuals who are discriminated against because of their known association with an individual with a disability. For example, it would be a violation of this part for a day care center to refuse admission to a child because his or her brother has HIV disease.

This protection is not limited to those who have a familial relationship with the individual who has a disability. If a place of public accommodation refuses admission to a person with cerebral palsy and his or her companions, the companions have an independent right of action under the ADA and this section.

During the legislative process, the term “entity” was added to section 302(b)(1)(E) to clarify that the scope of the provision is intended to encompass not only persons who have a known association with a person with a disability, but also entities that provide services to or are otherwise associated with such individuals. This provision was intended to ensure that entities such as health care providers, employees of social service agencies, and others who provide professional services to persons with disabilities are not subjected to discrimination because of their professional association with persons with disabilities. For example, it would be a violation of this section to terminate the lease of an entity operating an independent living center for persons with disabilities, or to seek to evict a health care provider because that individual or entity provides services to persons with mental impairments.

#### Section 36.206 Retaliation or Coercion

Section 36.206 implements section 503 of the ADA, which prohibits retaliation against any individual who exercises his or her rights under the Act. This section is unchanged from the proposed rule. Paragraph

(a) of §36.206 provides that no private entity or public entity shall discriminate against any individual because that individual has exercised his or her right to oppose any act or practice made unlawful by this part, or because that individual made a charge, testified, assisted, or participated in any manner in an investigation, proceeding, or hearing under the Act or this part.

Paragraph (b) provides that no private entity or public entity shall coerce, intimidate, threaten, or interfere with any individual in the exercise of his or her rights under this part or because that individual aided or encouraged any other individual in the exercise or enjoyment of any right granted or protected by the Act or this part.

Illustrations of practices prohibited by this section are contained in paragraph (c), which is modeled on a similar provision in the regulations issued by the Department of Housing and Urban Development to implement the Fair Housing Act (see 24 CFR 100.400(c)(1)). Prohibited actions may include:

(1) Coercing an individual to deny or limit the benefits, services, or advantages to which he or she is entitled under the Act or this part;

(2) Threatening, intimidating, or interfering with an individual who is seeking to obtain or use the goods, services, facilities, privileges, advantages, or accommodations of a public accommodation;

(3) Intimidating or threatening any person because that person is assisting or encouraging an individual or group entitled to claim the rights granted or protected by the Act or this part to exercise those rights; or

(4) Retaliating against any person because that person has participated in any investigation or action to enforce the Act or this part.

This section protects not only individuals who allege a violation of the Act or this part, but also any individuals who support or assist them. This section applies to all investigations or proceedings initiated under the Act or this part without regard to the ultimate resolution of the underlying allegations. Because this section prohibits any act of retaliation or coercion in response to an individual’s effort to exercise rights established by the Act and this part (or to support the efforts of another individual), the section applies not only to public accommodations that are otherwise subject to this part, but also to individuals other than public accommodations or to public entities. For example, it would be a violation of the Act and this part for a private individual, e.g., a restaurant customer, to harass or intimidate an individual with a disability in an effort to prevent that individual from patronizing the restaurant. It would, likewise, be a violation of the Act and this part for a public entity to take adverse action against an employee who

appeared as a witness on behalf of an individual who sought to enforce the Act.

*Section 36.207 Places of Public Accommodation Located in Private Residences*

A private home used exclusively as a residence is not covered by title III because it is neither a "commercial facility" nor a "place of public accommodation." In some situations, however, a private home is not used exclusively as a residence, but houses a place of public accommodation in all or part of a home (e.g., an accountant who meets with his or her clients at his or her residence). Section 36.207(a) provides that those portions of the private residence used in the operation of the place of public accommodation are covered by this part.

For instance, a home or a portion of a home may be used as a day care center during the day and a residence at night. If all parts of the house are used for the day care center, then the entire residence is a place of public accommodation because no part of the house is used exclusively as a residence. If an accountant uses one room in the house solely as his or her professional office, then a portion of the house is used exclusively as a place of public accommodation and a portion is used exclusively as a residence. Section 36.207 provides that when a portion of a residence is used exclusively as a residence, that portion is not covered by this part. Thus, the portions of the accountant's house, other than the professional office and areas and spaces leading to it, are not covered by this part. All of the requirements of this rule apply to the covered portions, including requirements to make reasonable modifications in policies, eliminate discriminatory eligibility criteria, take readily achievable measures to remove barriers or provide readily achievable alternatives (e.g., making house calls), provide auxiliary aids and services and undertake only accessible new construction and alterations.

Paragraph (b) was added in response to comments that sought clarification on the extent of coverage of the private residence used as the place of public accommodation. The final rule makes clear that the place of accommodation extends to all areas of the home used by clients and customers of the place of public accommodation. Thus, the ADA would apply to any door or entry way, hallways, a restroom, if used by customers and clients; and any other portion of the residence, interior or exterior, used by customers or clients of the public accommodation. This interpretation is simply an application of the general rule for all public accommodations, which extends statutory requirements to all portions of the facility used by customers and clients, including, if applicable, restrooms, hallways, and approaches to the public accommodation. As

with other public accommodations, barriers at the entrance and on the sidewalk leading up to the public accommodation, if the sidewalk is under the control of the public accommodation, must be removed if doing so is readily achievable.

The Department recognizes that many businesses that operate out of personal residences are quite small, often employing only the homeowner and having limited total revenues. In these circumstances the effect of ADA coverage would likely be quite minimal. For example, because the obligation to remove existing architectural barriers is limited to those that are easily accomplishable without much difficulty or expense (see §36.304), the range of required actions would be quite modest. It might not be readily achievable for such a place of public accommodation to remove any existing barriers. If it is not readily achievable to remove existing architectural barriers, a public accommodation located in a private residence may meet its obligations under the Act and this part by providing its goods or services to clients or customers with disabilities through the use of alternative measures, including delivery of goods or services in the home of the customer or client, to the extent that such alternative measures are readily achievable (See §36.305).

Some commenters asked for clarification as to how the new construction and alteration standards of subpart D will apply to residences. The new construction standards only apply to the extent that the residence or portion of the residence was designed or intended for use as a public accommodation. Thus, for example, if a portion of a home is designed or constructed for use exclusively as a lawyer's office or for use both as a lawyer's office and for residential purposes, then it must be designed in accordance with the new construction standards in the appendix. Likewise, if a homeowner is undertaking alterations to convert all or part of his residence to a place of public accommodation, that work must be done in compliance with the alterations standards in the appendix.

The preamble to the proposed rule addressed the applicable requirements when a commercial facility is located in a private residence. That situation is now addressed in §36.401(b) of subpart D.

*Section 36.208 Direct Threat*

Section 36.208(a) implements section 302(b)(3) of the Act by providing that this part does not require a public accommodation to permit an individual to participate in or benefit from the goods, services, facilities, privileges, advantages and accommodations of the public accommodation, if that individual poses a direct threat to the health or safety of others. This section is unchanged from the proposed rule.

The Department received a significant number of comments on this section. Commenters representing individuals with disabilities generally supported this provision, but suggested revisions to further limit its application. Commenters representing public accommodations generally endorsed modifications that would permit a public accommodation to exercise its own judgment in determining whether an individual poses a direct threat.

The inclusion of this provision is not intended to imply that persons with disabilities pose risks to others. It is intended to address concerns that may arise in this area. It establishes a strict standard that must be met before denying service to an individual with a disability or excluding that individual from participation.

Paragraph (b) of this section explains that a “direct threat” is a significant risk to the health or safety of others that cannot be eliminated by a modification of policies, practices, or procedures, or by the provision of auxiliary aids and services. This paragraph codifies the standard first applied by the Supreme Court in *School Board of Nassau County v. Arline*, 480 U.S. 273 (1987), in which the Court held that an individual with a contagious disease may be an “individual with handicaps” under section 504 of the Rehabilitation Act. In *Arline*, the Supreme Court recognized that there is a need to balance the interests of people with disabilities against legitimate concerns for public safety. Although persons with disabilities are generally entitled to the protection of this part, a person who poses a significant risk to others may be excluded if reasonable modifications to the public accommodation’s policies, practices, or procedures will not eliminate that risk. The determination that a person poses a direct threat to the health or safety of others may not be based on generalizations or stereotypes about the effects of a particular disability; it must be based on an individual assessment that conforms to the requirements of paragraph (c) of this section.

Paragraph (c) establishes the test to use in determining whether an individual poses a direct threat to the health or safety of others. A public accommodation is required to make an individualized assessment, based on reasonable judgment that relies on current medical evidence or on the best available objective evidence, to determine: The nature, duration, and severity of the risk; the probability that the potential injury will actually occur; and whether reasonable modifications of policies, practices, or procedures will mitigate the risk. This is the test established by the Supreme Court in *Arline*. Such an inquiry is essential if the law is to achieve its goal of protecting disabled individuals from discrimination based on prejudice, stereotypes, or unfounded fear, while

giving appropriate weight to legitimate concerns, such as the need to avoid exposing others to significant health and safety risks. Making this assessment will not usually require the services of a physician. Sources for medical knowledge include guidance from public health authorities, such as the U.S. Public Health Service, the Centers for Disease Control, and the National Institutes of Health, including the National Institute of Mental Health.

Many of the commenters sought clarification of the inquiry requirement. Some suggested that public accommodations should be prohibited from making any inquiries to determine if an individual with a disability would pose a direct threat to other persons. The Department believes that to preclude all such inquiries would be inappropriate. Under §36.301 of this part, a public accommodation is permitted to establish eligibility criteria necessary for the safe operation of the place of public accommodation. Implicit in that right is the right to ask if an individual meets the criteria. However, any eligibility or safety standard established by a public accommodation must be based on actual risk, not on speculation or stereotypes; it must be applied to all clients or customers of the place of public accommodation; and inquiries must be limited to matters necessary to the application of the standard.

Some commenters suggested that the test established in the *Arline* decision, which was developed in the context of an employment case, is too stringent to apply in a public accommodations context where interaction between the public accommodation and its client or customer is often very brief. One suggested alternative was to permit public accommodations to exercise “good faith” judgment in determining whether an individual poses a direct threat, particularly when a public accommodation is dealing with a client or customer engaged in disorderly or disruptive behavior.

The Department believes that the ADA clearly requires that any determination to exclude an individual from participation must be based on an objective standard. A public accommodation may establish neutral eligibility criteria as a condition of receiving its goods or services. As long as these criteria are necessary for the safe provision of the public accommodation’s goods and services and applied neutrally to all clients or customers, regardless of whether they are individuals with disabilities, a person who is unable to meet the criteria may be excluded from participation without inquiry into the underlying reason for the inability to comply. In places of public accommodation such as restaurants, theaters, or hotels, where the contact between the public accommodation and its clients is transitory, the uniform application of an eligibility standard precluding violent or disruptive behavior by any

client or customer should be sufficient to enable a public accommodation to conduct its business in an orderly manner.

Some other commenters asked for clarification of the application of this provision to persons, particularly children, who have short-term, contagious illnesses, such as fevers, influenza, or the common cold. It is common practice in schools and day care settings to exclude persons with such illnesses until the symptoms subside. The Department believes that these commenters misunderstand the scope of this rule. The ADA only prohibits discrimination against an individual with a disability. Under the ADA and this part, a "disability" is defined as a physical or mental impairment that substantially limits one or more major life activities. Common, short-term illnesses that predictably resolve themselves within a matter of days do not "substantially limit" a major life activity; therefore, it is not a violation of this part to exclude an individual from receiving the services of a public accommodation because of such transitory illness. However, this part does apply to persons who have long-term illnesses. Any determination with respect to a person who has a chronic or long-term illness must be made in compliance with the requirements of this section.

#### *Section 36.209 Illegal Use of Drugs*

Section 36.209 effectuates section 510 of the ADA, which clarifies the Act's application to people who use drugs illegally. Paragraph (a) provides that this part does not prohibit discrimination based on an individual's current illegal use of drugs.

The Act and the regulation distinguish between illegal use of drugs and the legal use of substances, whether or not those substances are "controlled substances," as defined in the Controlled Substances Act (21 U.S.C. 812). Some controlled substances are prescription drugs that have legitimate medical uses. Section 36.209 does not affect use of controlled substances pursuant to a valid prescription, under supervision by a licensed health care professional, or other use that is authorized by the Controlled Substances Act or any other provision of Federal law. It does apply to illegal use of those substances, as well as to illegal use of controlled substances that are not prescription drugs. The key question is whether the individual's use of the substance is illegal, not whether the substance has recognized legal uses. Alcohol is not a controlled substance, so use of alcohol is not addressed by §36.209. Alcoholics are individuals with disabilities, subject to the protections of the statute.

A distinction is also made between the use of a substance and the status of being addicted to that substance. Addiction is a disability, and addicts are individuals with disabilities protected by the Act. The protection, however, does not extend to actions

based on the illegal use of the substance. In other words, an addict cannot use the fact of his or her addiction as a defense to an action based on illegal use of drugs. This distinction is not artificial. Congress intended to deny protection to people who engage in the illegal use of drugs, whether or not they are addicted, but to provide protection to addicts so long as they are not currently using drugs.

A third distinction is the difficult one between current use and former use. The definition of "current illegal use of drugs" in §36.104, which is based on the report of the Conference Committee, H.R. Conf. Rep. No. 596, 101st Cong., 2d Sess. 64 (1990), is "illegal use of drugs that occurred recently enough to justify a reasonable belief that a person's drug use is current or that continuing use is a real and ongoing problem."

Paragraph (a)(2)(i) specifies that an individual who has successfully completed a supervised drug rehabilitation program or has otherwise been rehabilitated successfully and who is not engaging in current illegal use of drugs is protected. Paragraph (a)(2)(ii) clarifies that an individual who is currently participating in a supervised rehabilitation program and is not engaging in current illegal use of drugs is protected. Paragraph (a)(2)(iii) provides that a person who is erroneously regarded as engaging in current illegal use of drugs, but who is not engaging in such use, is protected.

Paragraph (b) provides a limited exception to the exclusion of current illegal users of drugs from the protections of the Act. It prohibits denial of health services, or services provided in connection with drug rehabilitation, to an individual on the basis of current illegal use of drugs, if the individual is otherwise entitled to such services. As explained further in the discussion of §36.302, a health care facility that specializes in a particular type of treatment, such as care of burn victims, is not required to provide drug rehabilitation services, but it cannot refuse to treat an individual's burns on the grounds that the individual is illegally using drugs.

A commenter argued that health care providers should be permitted to use their medical judgment to postpone discretionary medical treatment of individuals under the influence of alcohol or drugs. The regulation permits a medical practitioner to take into account an individual's use of drugs in determining appropriate medical treatment. Section 36.209 provides that the prohibitions on discrimination in this part do not apply when the public accommodation acts on the basis of current illegal use of drugs. Although those prohibitions do apply under paragraph (b), the limitations established under this part also apply. Thus, under §36.208, a health care provider or other public accommodation covered under §36.209(b) may exclude an individual whose current illegal

use of drugs poses a direct threat to the health or safety of others, and, under § 36.301, a public accommodation may impose or apply eligibility criteria that are necessary for the provision of the services being offered, and may impose legitimate safety requirements that are necessary for safe operation. These same limitations also apply to individuals with disabilities who use alcohol or prescription drugs. The Department believes that these provisions address this commenter's concerns.

Other commenters pointed out that abstinence from the use of drugs is an essential condition for participation in some drug rehabilitation programs, and may be a necessary requirement in inpatient or residential settings. The Department believes that this comment is well-founded. Congress clearly did not intend to exclude from drug treatment programs the very individuals who need such programs because of their use of drugs. In such a situation, however, once an individual has been admitted to a program, abstinence may be a necessary and appropriate condition to continued participation. The final rule therefore provides that a drug rehabilitation or treatment program may deny participation to individuals who use drugs while they are in the program.

Paragraph (c) expresses Congress' intention that the Act be neutral with respect to testing for illegal use of drugs. This paragraph implements the provision in section 510(b) of the Act that allows entities "to adopt or administer reasonable policies or procedures, including but not limited to drug testing," that ensure an individual who is participating in a supervised rehabilitation program, or who has completed such a program or otherwise been rehabilitated successfully, is no longer engaging in the illegal use of drugs. Paragraph (c) is not to be construed to encourage, prohibit, restrict, or authorize the conducting of testing for the illegal use of drugs.

Paragraph (c) of § 36.209 clarifies that it is not a violation of this part to adopt or administer reasonable policies or procedures to ensure that an individual who formerly engaged in the illegal use of drugs is not currently engaging in illegal use of drugs. Any such policies or procedures must, of course, be reasonable, and must be designed to identify accurately the illegal use of drugs. This paragraph does not authorize inquiries, tests, or other procedures that would disclose use of substances that are not controlled substances or are taken under supervision by a licensed health care professional, or other uses authorized by the Controlled Substances Act or other provisions of Federal law, because such uses are not included in the definition of "illegal use of drugs."

One commenter argued that the rule should permit testing for lawful use of prescription drugs, but most favored the expla-

nation that tests must be limited to *unlawful* use in order to avoid revealing the use of prescription medicine used to treat disabilities. Tests revealing legal use of prescription drugs might violate the prohibition in § 36.301 of attempts to unnecessarily identify the existence of a disability.

#### *Section 36.210 Smoking*

Section 36.210 restates the clarification in section 501(b) of the Act that the Act does not preclude the prohibition of, or imposition of restrictions on, smoking. Some commenters argued that § 36.210 does not go far enough, and that the regulation should prohibit smoking in all places of public accommodation. The reference to smoking in section 501 merely clarifies that the Act does not require public accommodations to accommodate smokers by permitting them to smoke in places of public accommodations.

#### *Section 36.211 Maintenance of Accessible Features*

Section 36.211 provides that a public accommodation shall maintain in operable working condition those features of facilities and equipment that are required to be readily accessible to and usable by persons with disabilities by the Act or this part. The Act requires that, to the maximum extent feasible, facilities must be accessible to, and *usable by*, individuals with disabilities. This section recognizes that it is not sufficient to provide features such as accessible routes, elevators, or ramps, if those features are not maintained in a manner that enables individuals with disabilities to use them. Inoperable elevators, locked accessible doors, or "accessible" routes that are obstructed by furniture, filing cabinets, or potted plants are neither "accessible to" nor "usable by" individuals with disabilities.

Some commenters objected that this section appeared to establish an absolute requirement and suggested that language from the preamble be included in the text of the regulation. It is, of course, impossible to guarantee that mechanical devices will never fail to operate. Paragraph (b) of the final regulation provides that this section does not prohibit isolated or temporary interruptions in service or access due to maintenance or repairs. This paragraph is intended to clarify that temporary obstructions or isolated instances of mechanical failure would not be considered violations of the Act or this part. However, allowing obstructions or "out of service" equipment to persist beyond a reasonable period of time would violate this part, as would repeated mechanical failures due to improper or inadequate maintenance. Failure of the public accommodation to ensure that accessible routes are properly maintained and free of obstructions, or failure to arrange prompt



repair of inoperable elevators or other equipment intended to provide access, would also violate this part.

Other commenters requested that this section be expanded to include specific requirements for inspection and maintenance of equipment, for training staff in the proper operation of equipment, and for maintenance of specific items. The Department believes that this section properly establishes the general requirement for maintaining access and that further, more detailed requirements are not necessary.

#### Section 36.212 Insurance

The Department received numerous comments on proposed §36.212. Most supported the proposed regulation but felt that it did not go far enough in protecting individuals with disabilities and persons associated with them from discrimination. Many commenters argued that language from the preamble to the proposed regulation should be included in the text of the final regulation. Other commenters argued that even that language was not strong enough, and that more stringent standards should be established. Only a few commenters argued that the Act does not apply to insurance underwriting practices or the terms of insurance contracts. These commenters cited language from the Senate committee report (S. Rep. No. 116, 101st Cong., 1st Sess., at 84-86 (1989) (hereinafter "Senate report")), indicating that Congress did not intend to affect existing insurance practices.

The Department has decided to adopt the language of the proposed rule without change. Sections 36.212 (a) and (b) restate section 501(c) of the Act, which provides that the Act shall not be construed to restrict certain insurance practices on the part of insurance companies and employers, as long as such practices are not used to evade the purposes of the Act. Section 36.212(c) is a specific application of §36.202(a), which prohibits denial of participation on the basis of disability. It provides that a public accommodation may not refuse to serve an individual with a disability because of limitations on coverage or rates in its insurance policies (see Judiciary report at 56).

Many commenters supported the requirements of §36.212(c) in the proposed rule because it addressed an important reason for denial of services by public accommodations. One commenter argued that services could be denied if the insurance coverage required exclusion of people whose disabilities were reasonably related to the risks involved in that particular place of public accommodation. Sections 36.208 and 36.301 establish criteria for denial of participation on the basis of legitimate safety concerns. This paragraph does not prohibit consideration of such concerns in insurance policies, but provides that any exclusion on the basis of disability

must be based on the permissible criteria, rather than on the terms of the insurance contract.

Language in the committee reports indicates that Congress intended to reach insurance practices by prohibiting differential treatment of individuals with disabilities in insurance offered by public accommodations unless the differences are justified. "Under the ADA, a person with a disability cannot be denied insurance or be subject to different terms or conditions of insurance based on disability alone, if the disability does not pose increased risks" (Senate report at 84; Education and Labor report at 136). Section 501(c) (1) of the Act was intended to emphasize that "insurers may continue to sell to and underwrite individuals applying for life, health, or other insurance on an individually underwritten basis, or to service such insurance products, so long as the standards used are based on sound actuarial data and not on speculation" (Judiciary report at 70 (emphasis added); see also Senate report at 85; Education and Labor report at 137).

The committee reports indicate that underwriting and classification of risks must be "based on sound actuarial principles or be related to actual or reasonably anticipated experience" (see, e.g., Judiciary report at 71). Moreover, "while a plan which limits certain kinds of coverage based on classification of risk would be allowed \* \* \*, the plan may not refuse to insure, or refuse to continue to insure, or limit the amount, extent, or kind of coverage available to an individual, or charge a different rate for the same coverage solely because of a physical or mental impairment, except where the refusal, limitation, or rate differential is based on sound actuarial principles or is related to actual or reasonably anticipated experience" (Senate report at 85; Education and Labor report at 136-37; Judiciary report at 71). The ADA, therefore, does not prohibit use of legitimate actuarial considerations to justify differential treatment of individuals with disabilities in insurance.

The committee reports provide some guidance on how nondiscrimination principles in the disability rights area relate to insurance practices. For example, a person who is blind may not be denied coverage based on blindness independent of actuarial risk classification. With respect to group health insurance coverage, an individual with a pre-existing condition may be denied coverage for that condition for the period specified in the policy, but cannot be denied coverage for illness or injuries unrelated to the pre-existing condition. Also, a public accommodation may offer insurance policies that limit coverage for certain procedures or treatments, but may not entirely deny coverage to a person with a disability.

The Department requested comment on the extent to which data that would establish statistically sound correlations are available. Numerous commenters cited pervasive problems in the availability and cost of insurance for individuals with disabilities and parents of children with disabilities. No commenters cited specific data, or sources of data, to support specific exclusionary practices. Several commenters reported that, even when statistics are available, they are often outdated and do not reflect current medical technology and treatment methods. Concern was expressed that adequate efforts are not made to distinguish those individuals who are high users of health care from individuals in the same diagnostic groups who may be low users of health care. One insurer reported that “hard data and actuarial statistics are not available to provide precise numerical justifications for every underwriting determination,” but argued that decisions may be based on “logical principles generally accepted by actuarial science and fully consistent with state insurance laws.” The commenter urged that the Department recognize the validity of information other than statistical data as a basis for insurance determinations.

The most frequent comment was a recommendation that the final regulation should require the insurance company to provide a copy of the actuarial data on which its actions are based when requested by the applicant. Such a requirement would be beyond anything contemplated by the Act or by Congress and has therefore not been included in the Department’s final rule. Because the legislative history of the ADA clarifies that different treatment of individuals with disabilities in insurance may be justified by sound actuarial data, such actuarial data will be critical to any potential litigation on this issue. This information would presumably be obtainable in a court proceeding where the insurer’s actuarial data was the basis for different treatment of persons with disabilities. In addition, under some State regulatory schemes, insurers may have to file such actuarial information with the State regulatory agency and this information may be obtainable at the State level.

A few commenters representing the insurance industry conceded that underwriting practices in life and health insurance are clearly covered, but argued that property and casualty insurance are not covered. The Department sees no reason for this distinction. Although life and health insurance are the areas where the regulation will have its greatest application, the Act applies equally to unjustified discrimination in all types of insurance provided by public accommodations. A number of commenters, for example, reported difficulties in obtaining automobile

insurance because of their disabilities, despite their having good driving records.

*Section 36.213 Relationship of Subpart 8 to Subparts C and D*

This section explains that subpart B sets forth the general principles of non-discrimination applicable to all entities subject to this regulation, while subparts C and D provide guidance on the application of this part to specific situations. The specific provisions in subparts C and D, including the limitations on those provisions, control over the general provisions in circumstances where both specific and general provisions apply. Resort to the general provisions of subpart B is only appropriate where there are no applicable specific rules of guidance in subparts C or D. This interaction between the specific requirements and the general requirements operates with regard to contractual obligations as well.

One illustration of this principle is its application to the obligation of a public accommodation to provide access to services by removal of architectural barriers or by alternatives to barrier removal. The general requirement, established in subpart B by §36.203, is that a public accommodation must provide its services to individuals with disabilities in the most integrated setting appropriate. This general requirement would appear to categorically prohibit “segregated” seating for persons in wheelchairs. Section 36.304, however, only requires removal of architectural barriers to the extent that removal is “readily achievable.” If providing access to all areas of a restaurant, for example, would not be “readily achievable,” a public accommodation may provide access to selected areas only. Also, §36.305 provides that, where barrier removal is not readily achievable, a public accommodation may use alternative, readily achievable methods of making services available, such as curbside service or home delivery. Thus, in this manner, the specific requirements of §§36.304 and 36.305 control over the general requirement of §36.203.

*Subpart C—Specific Requirements*

In general, subpart C implements the “specific prohibitions” that comprise section 302(b)(2) of the ADA. It also addresses the requirements of section 309 of the ADA regarding examinations and courses.

*Section 36.301 Eligibility Criteria*

Section 36.301 of the rule prohibits the imposition or application of eligibility criteria that screen out or tend to screen out an individual with a disability or any class of individuals with disabilities from fully and equally enjoying any goods, services, facilities, privileges, advantages, and accommodations, unless such criteria can be shown to be

necessary for the provision of the goods, services, facilities, privileges, advantages, or accommodations being offered. This prohibition is based on section 302(b)(2)(A)(i) of the ADA.

It would violate this section to establish exclusive or segregative eligibility criteria that would bar, for example, all persons who are deaf from playing on a golf course or all individuals with cerebral palsy from attending a movie theater, or limit the seating of individuals with Down's syndrome to only particular areas of a restaurant. The wishes, tastes, or preferences of other customers may not be asserted to justify criteria that would exclude or segregate individuals with disabilities.

Section 36.301 also prohibits attempts by a public accommodation to unnecessarily identify the existence of a disability; for example, it would be a violation of this section for a retail store to require an individual to state on a credit application whether the applicant has epilepsy, mental illness, or any other disability, or to inquire unnecessarily whether an individual has HIV disease.

Section 36.301 also prohibits policies that unnecessarily impose requirements or burdens on individuals with disabilities that are not placed on others. For example, public accommodations may not require that an individual with a disability be accompanied by an attendant. As provided by §36.306, however, a public accommodation is not required to provide services of a personal nature including assistance in toileting, eating, or dressing.

Paragraph (c) of §36.301 provides that public accommodations may not place a surcharge on a particular individual with a disability or any group of individuals with disabilities to cover the costs of measures, such as the provision of auxiliary aids and services, barrier removal, alternatives to barrier removal, and reasonable modifications in policies, practices, and procedures, that are required to provide that individual or group with the nondiscriminatory treatment required by the Act or this part.

A number of commenters inquired as to whether deposits required for the use of auxiliary aids, such as assistive listening devices, are prohibited surcharges. It is the Department's view that reasonable, completely refundable, deposits are not to be considered surcharges prohibited by this section. Requiring deposits is an important means of ensuring the availability of equipment necessary to ensure compliance with the ADA.

Other commenters sought clarification as to whether §36.301(c) prohibits professionals from charging for the additional time that it may take in certain cases to provide services to an individual with disabilities. The Department does not intend §36.301(c) to prohibit professionals who bill on the basis of time from charging individuals with disabili-

ties on that basis. However, fees may not be charged for the provision of auxiliary aids and services, barrier removal, alternatives to barrier removal, reasonable modifications in policies, practices, and procedures, or any other measures necessary to ensure compliance with the ADA.

Other commenters inquired as to whether day care centers may charge for extra services provided to individuals with disabilities. As stated above, §36.302(c) is intended only to prohibit charges for measures necessary to achieve compliance with the ADA.

Another commenter asserted that charges may be assessed for home delivery provided as an alternative to barrier removal under §36.305, when home delivery is provided to all customers for a fee. Charges for home delivery are permissible if home delivery is not considered an alternative to barrier removal. If the public accommodation offers an alternative, such as curbside, carry-out, or sidewalk service for which no surcharge is assessed, then it may charge for home delivery in accordance with its standard pricing for home delivery.

In addition, §36.301 prohibits the imposition of criteria that "tend to" screen out an individual with a disability. This concept, which is derived from current regulations under section 504 (see, e.g., 45 CFR 84.13), makes it discriminatory to impose policies or criteria that, while not creating a direct bar to individuals with disabilities, indirectly prevent or limit their ability to participate. For example, requiring presentation of a driver's license as the sole means of identification for purposes of paying by check would violate this section in situations where, for example, individuals with severe vision impairments or developmental disabilities or epilepsy are ineligible to receive a driver's license and the use of an alternative means of identification, such as another photo I.D. or credit card, is feasible.

A public accommodation may, however, impose neutral rules and criteria that screen out, or tend to screen out, individuals with disabilities, if the criteria are necessary for the safe operation of the public accommodation. Examples of safety qualifications that would be justifiable in appropriate circumstances would include height requirements for certain amusement park rides or a requirement that all participants in a recreational rafting expedition be able to meet a necessary level of swimming proficiency. Safety requirements must be based on actual risks and not on speculation, stereotypes, or generalizations about individuals with disabilities.

*Section 36.302 Modifications in Policies, Practices, or Procedures*

Section 36.302 of the rule prohibits the failure to make reasonable modifications in policies, practices, and procedures when such

modifications may be necessary to afford any goods, services, facilities, privileges, advantages, or accommodations, unless the entity can demonstrate that making such modifications would fundamentally alter the nature of such goods, services, facilities, privileges, advantages, or accommodations. This prohibition is based on section 302(b)(2)(A)(ii) of the ADA.

For example, a parking facility would be required to modify a rule barring all vans or all vans with raised roofs, if an individual who uses a wheelchair-accessible van wishes to park in that facility, and if overhead structures are high enough to accommodate the height of the van. A department store may need to modify a policy of only permitting one person at a time in a dressing room, if an individual with mental retardation needs and requests assistance in dressing from a companion. Public accommodations may need to revise operational policies to ensure that services are available to individuals with disabilities. For instance, a hotel may need to adopt a policy of keeping an accessible room unoccupied until an individual with a disability arrives at the hotel, assuming the individual has properly reserved the room.

One example of application of this principle is specifically included in a new §36.302(d) on check-out aisles. That paragraph provides that a store with check-out aisles must ensure that an adequate number of accessible check-out aisles is kept open during store hours, or must otherwise modify its policies and practices, in order to ensure that an equivalent level of convenient service is provided to individuals with disabilities as is provided to others. For example, if only one check-out aisle is accessible, and it is generally used for express service, one way of providing equivalent service is to allow persons with mobility impairments to make all of their purchases at that aisle. This principle also applies with respect to other accessible elements and services. For example, a particular bank may be in compliance with the accessibility guidelines for new construction incorporated in appendix A with respect to automated teller machines (ATM) at a new branch office by providing one accessible walk-up machine at that location, even though an adjacent walk-up ATM is not accessible and the drive-up ATM is not accessible. However, the bank would be in violation of this section if the accessible ATM was located in a lobby that was locked during evening hours while the drive-up ATM was available to customers without disabilities during those same hours. The bank would need to ensure that the accessible ATM was available to customers during the hours that any of the other ATM's was available.

A number of commenters inquired as to the relationship between this section and

§36.307, "Accessible or special goods." Under §36.307, a public accommodation is not required to alter its inventory to include accessible or special goods that are designed for, or facilitate use by, individuals with disabilities. The rule enunciated in §36.307 is consistent with the "fundamental alteration" defense to the reasonable modifications requirement of §36.302. Therefore, §36.302 would not require the inventory of goods provided by a public accommodation to be altered to include goods with accessibility features. For example, §36.302 would not require a bookstore to stock Brailled books or order Brailled books, if it does not do so in the normal course of its business.

The rule does not require modifications to the legitimate areas of specialization of service providers. Section 36.302(b) provides that a public accommodation may refer an individual with a disability to another public accommodation, if that individual is seeking, or requires, treatment or services outside of the referring public accommodation's area of specialization, and if, in the normal course of its operations, the referring public accommodation would make a similar referral for an individual without a disability who seeks or requires the same treatment or services.

For example, it would not be discriminatory for a physician who specializes only in burn treatment to refer an individual who is deaf to another physician for treatment of an injury other than a burn injury. To require a physician to accept patients outside of his or her specialty would fundamentally alter the nature of the medical practice and, therefore, not be required by this section.

A clinic specializing exclusively in drug rehabilitation could similarly refuse to treat a person who is not a drug addict, but could not refuse to treat a person who is a drug addict simply because the patient tests positive for HIV. Conversely, a clinic that specializes in the treatment of individuals with HIV could refuse to treat an individual that does not have HIV, but could not refuse to treat a person for HIV infection simply because that person is also a drug addict.

Some commenters requested clarification as to how this provision would apply to situations where manifestations of the disability in question, itself, would raise complications requiring the expertise of a different practitioner. It is not the Department's intention in §36.302(b) to prohibit a physician from referring an individual with a disability to another physician, if the disability itself creates specialized complications for the patient's health that the physician lacks the experience or knowledge to address (see Education and Labor report at 106).

Section 36.302(c)(1) requires that a public accommodation modify its policies, practices, or procedures to permit the use of a

service animal by an individual with a disability in any area open to the general public. The term "service animal" is defined in §36.104 to include guide dogs, signal dogs, or any other animal individually trained to provide assistance to an individual with a disability.

A number of commenters pointed to the difficulty of making the distinction required by the proposed rule between areas open to the general public and those that are not. The ambiguity and uncertainty surrounding these provisions has led the Department to adopt a single standard for all public accommodations.

Section 36.302(c)(1) of the final rule now provides that "[g]enerally, a public accommodation shall modify policies, practices, and procedures to permit the use of a service animal by an individual with a disability." This formulation reflects the general intent of Congress that public accommodations take the necessary steps to accommodate service animals and to ensure that individuals with disabilities are not separated from their service animals. It is intended that the broadest feasible access be provided to service animals in all places of public accommodation, including movie theaters, restaurants, hotels, retail stores, hospitals, and nursing homes (see Education and Labor report at 106; Judiciary report at 59). The section also acknowledges, however, that, in rare circumstances, accommodation of service animals may not be required because a fundamental alteration would result in the nature of the goods, services, facilities, privileges, or accommodations offered or provided, or the safe operation of the public accommodation would be jeopardized.

As specified in §36.302(c)(2), the rule does not require a public accommodation to supervise or care for any service animal. If a service animal must be separated from an individual with a disability in order to avoid a fundamental alteration or a threat to safety, it is the responsibility of the individual with the disability to arrange for the care and supervision of the animal during the period of separation.

A museum would not be required by §36.302 to modify a policy barring the touching of delicate works of art in order to enhance the participation of individuals who are blind, if the touching threatened the integrity of the work. Damage to a museum piece would clearly be a fundamental alteration that is not required by this section.

#### *Section 36.303 Auxiliary Aids and Services.*

Section 36.303 of the final rule requires a public accommodation to take such steps as may be necessary to ensure that no individual with a disability is excluded, denied services, segregated or otherwise treated differently than other individuals because of the absence of auxiliary aids and services,

unless the public accommodation can demonstrate that taking such steps would fundamentally alter the nature of the goods, services, facilities, advantages, or accommodations being offered or would result in an undue burden. This requirement is based on section 302(b)(2)(A)(iii) of the ADA.

Implicit in this duty to provide auxiliary aids and services is the underlying obligation of a public accommodation to communicate effectively with its customers, clients, patients, or participants who have disabilities affecting hearing, vision, or speech. To give emphasis to this underlying obligation, §36.303(c) of the rule incorporates language derived from section 504 regulations for federally conducted programs (see *e.g.*, 28 CFR 39.160(a)) that requires that appropriate auxiliary aids and services be furnished to ensure that communication with persons with disabilities is as effective as communication with others.

Auxiliary aids and services include a wide range of services and devices for ensuring effective communication. Use of the most advanced technology is not required so long as effective communication is ensured. The Department's proposed §36.303(b) provided a list of examples of auxiliary aids and services that was taken from the definition of auxiliary aids and services in section 3(1) of the ADA and was supplemented by examples from regulations implementing section 504 in federally conducted programs (see *e.g.*, 28 CFR 39.103). A substantial number of commenters suggested that additional examples be added to this list. The Department has added several items to this list but wishes to clarify that the list is not an all-inclusive or exhaustive catalogue of possible or available auxiliary aids or services. It is not possible to provide an exhaustive list, and such an attempt would omit new devices that will become available with emerging technology.

The Department has added videotext displays, computer-aided transcription services, and open and closed captioning to the list of examples. Videotext displays have become an important means of accessing auditory communications through a public address system. Transcription services are used to relay aurally delivered material almost simultaneously in written form to persons who are deaf or hard of hearing. This technology is often used at conferences, conventions, and hearings. While the proposed rule expressly included television decoder equipment as an auxiliary aid or service, it did not mention captioning itself. The final rule rectifies this omission by mentioning both closed and open captioning.

In this section, the Department has changed the proposed rule's phrase, "orally delivered materials," to the phrase, "aurally delivered materials." This new phrase tracks the language in the definition of "auxiliary aids and services" in section 3 of the ADA

and is meant to include nonverbal sounds and alarms and computer-generated speech.

Several persons and organizations requested that the Department replace the term "telecommunications devices for deaf persons" or "TDD's" with the term "text telephone." The Department has declined to do so. The Department is aware that the Architectural and Transportation Barriers Compliance Board has used the phrase "text telephone" in lieu of the statutory term "TDD" in its final accessibility guidelines. Title IV of the ADA, however, uses the term "Telecommunications Device for the Deaf," and the Department believes it would be inappropriate to abandon this statutory term at this time.

Paragraph (b)(2) lists examples of aids and services for making visually delivered materials accessible to persons with visual impairments. Many commenters proposed additional examples such as signage or mapping, audio description services, secondary auditory programs (SAP), telebrailers, and reading machines. While the Department declines to add these items to the list in the regulation, they may be considered appropriate auxiliary aids and services.

Paragraph (b)(3) refers to the acquisition or modification of equipment or devices. For example, tape players used for an audio-guided tour of a museum exhibit may require the addition of Brailled adhesive labels to the buttons on a reasonable number of the tape players to facilitate their use by individuals who are blind. Similarly, permanent or portable assistive listening systems for persons with hearing impairments may be required at a hotel conference center.

Several commenters suggested the addition of current technological innovations in microelectronics and computerized control systems (e.g., voice recognition systems, automatic dialing telephones, and infrared elevator and light control systems) to the list of auxiliary aids and services. The Department interprets auxiliary aids and services as those aids and services designed to provide effective communications, i. e., making aurally and visually delivered information available to persons with hearing, speech, and vision impairments. Methods of making services, programs, or activities accessible to, or usable by, individuals with mobility or manual dexterity impairments are addressed by other sections of this part, including the requirements for modifications in policies, practices, or procedures (§36.302), the elimination of existing architectural barriers (§36.304), and the provision of alternatives to barriers removal (§36.305).

Paragraph (b)(4) refers to other similar services and actions. Several commenters asked for clarification that "similar services and actions" include retrieving items from shelves, assistance in reaching a marginally accessible seat, pushing a barrier aside in

order to provide an accessible route, or assistance in removing a sweater or coat. While retrieving an item from a shelf might be an "auxiliary aid or service" for a blind person who could not locate the item without assistance, it might be a readily achievable alternative to barrier removal for a person using a wheelchair who could not reach the shelf, or a reasonable modification to a self-service policy for an individual who lacked the ability to grasp the item. (Of course, a store would not be required to provide a personal shopper.) As explained above, auxiliary aids and services are those aids and services required to provide effective communications. Other forms of assistance are more appropriately addressed by other provisions of the final rule.

The auxiliary aid requirement is a flexible one. A public accommodation can choose among various alternatives as long as the result is effective communication. For example, a restaurant would not be required to provide menus in Braille for patrons who are blind, if the waiters in the restaurant are made available to read the menu. Similarly, a clothing boutique would not be required to have Brailled price tags if sales personnel provide price information orally upon request; and a bookstore would not be required to make available a sign language interpreter, because effective communication can be conducted by notepad.

A critical determination is what constitutes an effective auxiliary aid or service. The Department's proposed rule recommended that, in determining what auxiliary aid to use, the public accommodation consult with an individual before providing him or her with a particular auxiliary aid or service. This suggestion sparked a significant volume of public comment. Many persons with disabilities, particularly persons who are deaf or hard of hearing, recommended that the rule should require that public accommodations give "primary consideration" to the "expressed choice" of an individual with a disability. These commenters asserted that the proposed rule was inconsistent with congressional intent of the ADA, with the Department's proposed rule implementing title II of the ADA, and with longstanding interpretations of section 504 of the Rehabilitation Act.

Based upon a careful review of the ADA legislative history, the Department believes that Congress did not intend under title III to impose upon a public accommodation the requirement that it give primary consideration to the request of the individual with a disability. To the contrary, the legislative history demonstrates congressional intent to strongly encourage consulting with persons with disabilities. In its analysis of the ADA's auxiliary aids requirement for public accommodations, the House Education and Labor Committee stated that it "expects" that

“public accommodation(s) will consult with the individual with a disability before providing a particular auxiliary aid or service” (Education and Labor report at 107). Some commenters also cited a different committee statement that used mandatory language as evidence of legislative intent to require primary consideration. However, this statement was made in the context of reasonable accommodations required by title I with respect to employment (Education and Labor report at 67). Thus, the Department finds that strongly encouraging consultation with persons with disabilities, in lieu of mandating primary consideration of their expressed choice, is consistent with congressional intent.

The Department wishes to emphasize that public accommodations must take steps necessary to ensure that an individual with a disability will not be excluded, denied services, segregated or otherwise treated differently from other individuals because of the use of inappropriate or ineffective auxiliary aids. In those situations requiring an interpreter, the public accommodations must secure the services of a qualified interpreter, unless an undue burden would result.

In the analysis of §36.303(c) in the proposed rule, the Department gave as an example the situation where a note pad and written materials were insufficient to permit effective communication in a doctor’s office when the matter to be decided was whether major surgery was necessary. Many commenters objected to this statement, asserting that it gave the impression that only decisions about major surgery would merit the provision of a sign language interpreter. The statement would, as the commenters also claimed, convey the impression to other public accommodations that written communications would meet the regulatory requirements in all but the most extreme situations. The Department, when using the example of major surgery, did not intend to limit the provision of interpreter services to the most extreme situations.

Other situations may also require the use of interpreters to ensure effective communication depending on the facts of the particular case. It is not difficult to imagine a wide range of communications involving areas such as health, legal matters, and finances that would be sufficiently lengthy or complex to require an interpreter for effective communication. In some situations, an effective alternative to use of a notepad or an interpreter may be the use of a computer terminal upon which the representative of the public accommodation and the customer or client can exchange typewritten messages.

Section 36.303(d) specifically addresses requirements for TDD’s. Partly because of the availability of telecommunications relay services to be established under title IV of

the ADA, §36.303(d)(2) provides that a public accommodation is not required to use a telecommunication device for the deaf (TDD) in receiving or making telephone calls incident to its operations. Several commenters were concerned that relay services would not be sufficient to provide effective access in a number of situations. Commenters argued that relay systems (1) do not provide effective access to the automated systems that require the caller to respond by pushing a button on a touch tone phone, (2) cannot operate fast enough to convey messages on answering machines, or to permit a TDD user to leave a recorded message, and (3) are not appropriate for calling crisis lines relating to such matters as rape, domestic violence, child abuse, and drugs where confidentiality is a concern. The Department believes that it is more appropriate for the Federal Communications Commission to address these issues in its rulemaking under title IV.

A public accommodation is, however, required to make a TDD available to an individual with impaired hearing or speech, if it customarily offers telephone service to its customers, clients, patients, or participants on more than an incidental convenience basis. Where entry to a place of public accommodation requires use of a security entrance telephone, a TDD or other effective means of communication must be provided for use by an individual with impaired hearing or speech.

In other words, individual retail stores, doctors’ offices, restaurants, or similar establishments are not required by this section to have TDD’s, because TDD users will be able to make inquiries, appointments, or reservations with such establishments through the relay system established under title IV of the ADA. The public accommodation will likewise be able to contact TDD users through the relay system. On the other hand, hotels, hospitals, and other similar establishments that offer nondisabled individuals the opportunity to make outgoing telephone calls on more than an incidental convenience basis must provide a TDD on request.

Section 36.303(e) requires places of lodging that provide televisions in five or more guest rooms and hospitals to provide, upon request, a means for decoding closed captions for use by an individual with impaired hearing. Hotels should also provide a TDD or similar device at the front desk in order to take calls from guests who use TDD’s in their rooms. In this way guests with hearing impairments can avail themselves of such hotel services as making inquiries of the front desk and ordering room service. The term “hospital” is used in its general sense and should be interpreted broadly.

Movie theaters are not required by §36.303 to present open-captioned films. However, other public accommodations that impart verbal information through soundtracks on

films, video tapes, or slide shows are required to make such information accessible to persons with hearing impairments. Captioning is one means to make the information accessible to individuals with disabilities.

The rule specifies that auxiliary aids and services include the acquisition or modification of equipment or devices. For example, tape players used for an audio-guided tour of a museum exhibit may require the addition of Brailled adhesive labels to the buttons on a reasonable number of the tape players to facilitate their use by individuals who are blind. Similarly, a hotel conference center may need to provide permanent or portable assistive listening systems for persons with hearing impairments.

As provided in §36.303(f), a public accommodation is not required to provide any particular aid or service that would result either in a fundamental alteration in the nature of the goods, services, facilities, privileges, advantages, or accommodations offered or in an undue burden. Both of these statutory limitations are derived from existing regulations and caselaw under section 504 and are to be applied on a case-by-case basis (see, e.g., 28 CFR 39.160(d) and *Southeastern Community College v. Davis*, 442 U.S. 397 (1979)). Congress intended that “undue burden” under §36.303 and “undue hardship,” which is used in the employment provisions of title I of the ADA, should be determined on a case-by-case basis under the same standards and in light of the same factors (Judiciary report at 59). The rule, therefore, in accordance with the definition of undue hardship in section 101(10) of the ADA, defines undue burden as “significant difficulty or expense” (see §§36.104 and 36.303(a)) and requires that undue burden be determined in light of the factors listed in the definition in 36.104.

Consistent with regulations implementing section 504 in federally conducted programs (see, e.g., 28 CFR 39.160(d)), §36.303(f) provides that the fact that the provision of a particular auxiliary aid or service would result in an undue burden does not relieve a public accommodation from the duty to furnish an alternative auxiliary aid or service, if available, that would not result in such a burden.

Section 36.303(g) of the proposed rule has been deleted from this section and included in a new §36.306. That new section continues to make clear that the auxiliary aids requirement does not mandate the provision of individually prescribed devices, such as prescription eyeglasses or hearing aids.

The costs of compliance with the requirements of this section may not be financed by surcharges limited to particular individuals with disabilities or any group of individuals with disabilities (§36.301(c)).

#### *Section 36.304 Removal of Barriers*

Section 36.304 requires the removal of architectural barriers and communication barriers that are structural in nature in existing facilities, where such removal is readily achievable, i.e., easily accomplishable and able to be carried out without much difficulty or expense. This requirement is based on section 302(b)(2)(A)(iv) of the ADA.

A number of commenters interpreted the phrase “communication barriers that are structural in nature” broadly to encompass the provision of communications devices such as TDD’s, telephone handset amplifiers, assistive listening devices, and digital check-out displays. The statute, however, as read by the Department, limits the application of the phrase “communications barriers that are structural in nature” to those barriers that are an integral part of the physical structure of a facility. In addition to the communications barriers posed by permanent signage and alarm systems noted by Congress (see Education and Labor report at 110), the Department would also include among the communications barriers covered by §36.304 the failure to provide adequate sound buffers, and the presence of physical partitions that hamper the passage of sound waves between employees and customers. Given that §36.304’s proper focus is on the removal of physical barriers, the Department believes that the obligation to provide communications equipment and devices such as TDD’s, telephone handset amplifiers, assistive listening devices, and digital check-out displays is more appropriately determined by the requirements for auxiliary aids and services under §36.303 (see Education and Labor report at 107-108). The obligation to remove communications barriers that are structural in nature under §36.304, of course, is independent of any obligation to provide auxiliary aids and services under §36.303.

The statutory provision also requires the readily achievable removal of certain barriers in existing vehicles and rail passenger cars. This transportation requirement is not included in §36.304, but rather in §36.310(b) of the rule.

In striking a balance between guaranteeing access to individuals with disabilities and recognizing the legitimate cost concerns of businesses and other private entities, the ADA establishes different standards for existing facilities and new construction. In existing facilities, which are the subject of §36.304, where retrofitting may prove costly, a less rigorous degree of accessibility is required than in the case of new construction and alterations (see §§36.401-36.406) where accessibility can be more conveniently and economically incorporated in the initial stages of design and construction.

For example, a bank with existing automatic teller machines (ATM’s) would have to



remove barriers to the use of the ATM's, if it is readily achievable to do so. Whether or not it is necessary to take actions such as ramping a few steps or raising or lowering an ATM would be determined by whether the actions can be accomplished easily and without much difficulty or expense.

On the other hand, a newly constructed bank with ATM's would be required by §36.401 to have an ATM that is "readily accessible to and usable by" persons with disabilities in accordance with accessibility guidelines incorporated under §36.406.

The requirement to remove architectural barriers includes the removal of physical barriers of any kind. For example, §36.304 requires the removal, when readily achievable, of barriers caused by the location of temporary or movable structures, such as furniture, equipment, and display racks. In order to provide access to individuals who use wheelchairs, for example, restaurants may need to rearrange tables and chairs, and department stores may need to reconfigure display racks and shelves. As stated in §36.304(f), such actions are not readily achievable to the extent that they would result in a significant loss of selling or serving space. If the widening of all aisles in selling or serving areas is not readily achievable, then selected widening should be undertaken to maximize the amount of merchandise or the number of tables accessible to individuals who use wheelchairs. Access to goods and services provided in any remaining inaccessible areas must be made available through alternative methods to barrier removal, as required by §36.305.

Because the purpose of title III of the ADA is to ensure that public accommodations are accessible to their customers, clients, or patrons (as opposed to their employees, who are the focus of title I), the obligation to remove barriers under §36.304 does not extend to areas of a facility that are used exclusively as employee work areas.

Section 36.304(b) provides a wide-ranging list of the types of modest measures that may be taken to remove barriers and that are likely to be readily achievable. The list includes examples of measures, such as adding raised letter markings on elevator control buttons and installing flashing alarm lights, that would be used to remove communications barriers that are structural in nature. It is not an exhaustive list, but merely an illustrative one. Moreover, the inclusion of a measure on this list does not mean that it is readily achievable in all cases. Whether or not any of these measures is readily achievable is to be determined on a case-by-case basis in light of the particular circumstances presented and the factors listed in the definition of readily achievable (§36.104).

A public accommodation generally would not be required to remove a barrier to phys-

ical access posed by a flight of steps, if removal would require extensive ramping or an elevator. Ramping a single step, however, will likely be readily achievable, and ramping several steps will in many circumstances also be readily achievable. The readily achievable standard does not require barrier removal that requires extensive restructuring or burdensome expense. Thus, where it is not readily achievable to do, the ADA would not require a restaurant to provide access to a restroom reachable only by a flight of stairs.

Like §36.405, this section permits deference to the national interest in preserving significant historic structures. Barrier removal would not be considered "readily achievable" if it would threaten or destroy the historic significance of a building or facility that is eligible for listing in the National Register of Historic Places under the National Historic Preservation Act (16 U.S.C. 470, *et seq.*), or is designated as historic under State or local law.

The readily achievable defense requires a less demanding level of exertion by a public accommodation than does the undue burden defense to the auxiliary aids requirements of §36.303. In that sense, it can be characterized as a "lower" standard than the undue burden standard. The readily achievable defense is also less demanding than the undue hardship defense in section 102(b)(5) of the ADA, which limits the obligation to make reasonable accommodation in employment. Barrier removal measures that are not easily accomplishable and are not able to be carried out without much difficulty or expense are not required under the readily achievable standard, even if they do not impose an undue burden or an undue hardship.

Section 36.304(f)(1) of the proposed rule, which stated that "barrier removal is not readily achievable if it would result in significant loss of profit or significant loss of efficiency of operation," has been deleted from the final rule. Many commenters objected to this provision because it impermissibly introduced the notion of profit into a statutory standard that did not include it. Concern was expressed that, in order for an action not to be considered readily achievable, a public accommodation would inappropriately have to show, for example, not only that the action could not be done without "much difficulty or expense", but that a significant loss of profit would result as well. In addition, some commenters asserted use of the word "significant," which is used in the definition of undue hardship under title I (the standard for interpreting the meaning of undue burden as a defense to title III's auxiliary aids requirements) (see §§36.104, 36.303(f)), blurs the fact that the readily achievable standard requires a lower

level of effort on the part of a public accommodation than does the undue burden standard.

The obligation to engage in readily achievable barrier removal is a continuing one. Over time, barrier removal that initially was not readily achievable may later be required because of changed circumstances. Many commenters expressed support for the Department's position that the obligation to comply with §36.304 is continuing in nature. Some urged that the rule require public accommodations to assess their compliance on at least an annual basis in light of changes in resources and other factors that would be relevant to determining what barrier removal measures would be readily achievable.

Although the obligation to engage in readily achievable barrier removal is clearly a continuing duty, the Department has declined to establish any independent requirement for an annual assessment or self-evaluation. It is best left to the public accommodations subject to §36.304 to establish policies to assess compliance that are appropriate to the particular circumstances faced by the wide range of public accommodations covered by the ADA. However, even in the absence of an explicit regulatory requirement for periodic self-evaluations, the Department still urges public accommodations to establish procedures for an ongoing assessment of their compliance with the ADA's barrier removal requirements. The Department recommends that this process include appropriate consultation with individuals with disabilities or organizations representing them. A serious effort at self-assessment and consultation can diminish the threat of litigation and save resources by identifying the most efficient means of providing required access.

The Department has been asked for guidance on the best means for public accommodations to comply voluntarily with this section. Such information is more appropriately part of the Department's technical assistance effort and will be forthcoming over the next several months. The Department recommends, however, the development of an implementation plan designed to achieve compliance with the ADA's barrier removal requirements before they become effective on January 26, 1992. Such a plan, if appropriately designed and diligently executed, could serve as evidence of a good faith effort to comply with the requirements of §36.104. In developing an implementation plan for readily achievable barrier removal, a public accommodation should consult with local organizations representing persons with disabilities and solicit their suggestions for cost-effective means of making individual places of public accommodation accessible. Such organizations may also be helpful in allocating scarce resources and establishing priorities. Local associations of

businesses may want to encourage this process and serve as the forum for discussions on the local level between disability rights organizations and local businesses.

Section 36.304(c) recommends priorities for public accommodations in removing barriers in existing facilities. Because the resources available for barrier removal may not be adequate to remove all existing barriers at any given time, §36.304(c) suggests priorities for determining which types of barriers should be mitigated or eliminated first. The purpose of these priorities is to facilitate long-term business planning and to maximize, in light of limited resources, the degree of effective access that will result from any given level of expenditure.

Although many commenters expressed support for the concept of establishing priorities, a significant number objected to their mandatory nature in the proposed rule. The Department shares the concern of these commenters that mandatory priorities would increase the likelihood of litigation and inappropriately reduce the discretion of public accommodations to determine the most effective mix of barrier removal measures to undertake in particular circumstances. Therefore, in the final rule the priorities are no longer mandatory.

In response to comments that the priorities failed to address communications issues, the Department wishes to emphasize that the priorities encompass the removal of communications barriers that are structural in nature. It would be counter to the ADA's carefully wrought statutory scheme to include in this provision the wide range of communication devices that are required by the ADA's provisions on auxiliary aids and services. The final rule explicitly includes Brailled and raised letter signage and visual alarms among the examples of steps to remove barriers provided in §36.304(c)(2).

Section 36.304(c)(1) places the highest priority on measures that will enable individuals with disabilities to physically enter a place of public accommodation. This priority on "getting through the door" recognizes that providing actual physical access to a facility from public sidewalks, public transportation, or parking is generally preferable to any alternative arrangements in terms of both business efficiency and the dignity of individuals with disabilities.

The next priority, which is established in §36.304(c)(2), is for measures that provide access to those areas of a place of public accommodation where goods and services are made available to the public. For example, in a hardware store, to the extent that it is readily achievable to do so, individuals with disabilities should be given access not only to assistance at the front desk, but also access, like that available to other customers, to the retail display areas of the store.

The Department agrees with those commenters who argued that access to the areas where goods and services are provided is generally more important than the provision of restrooms. Therefore, the final rule reverses priorities two and three of the proposed rule in order to give lower priority to accessible restrooms. Consequently, the third priority in the final rule (§36.304(c)(3)) is for measures to provide access to restroom facilities and the last priority is placed on any remaining measures required to remove barriers.

Section 36.304(d) requires that measures taken to remove barriers under §36.304 be subject to subpart D's requirements for alterations (except for the path of travel requirements in §36.403). It only permits deviations from the subpart D requirements when compliance with those requirements is not readily achievable. In such cases, §36.304(d) permits measures to be taken that do not fully comply with the subpart D requirements, so long as the measures do not pose a significant risk to the health or safety of individuals with disabilities or others.

This approach represents a change from the proposed rule which stated that "readily achievable" measures taken solely to remove barriers under §36.304 are exempt from the alterations requirements of subpart D. The intent of the proposed rule was to maximize the flexibility of public accommodations in undertaking barrier removal by allowing deviations from the technical standards of subpart D. It was thought that allowing slight deviations would provide access and release additional resources for expanding the amount of barrier removal that could be obtained under the readily achievable standard.

Many commenters, however, representing both businesses and individuals with disabilities, questioned this approach because of the likelihood that unsafe or ineffective measures would be taken in the absence of the subpart D standards for alterations as a reference point. Some advocated a rule requiring strict compliance with the subpart D standard.

The Department in the final rule has adopted the view of many commenters that (1) public accommodations should in the first instance be required to comply with the subpart D standards for alterations where it is readily achievable to do so and (2) safe, readily achievable measures must be taken when compliance with the subpart D standards is not readily achievable. Reference to the subpart D standards in this manner will promote certainty and good design at the same time that permitting slight deviations will expand the amount of barrier removal that may be achieved under §36.304.

Because of the inconvenience to individuals with disabilities and the safety problems involved in the use of portable ramps, §36.304(e) permits the use of a portable ramp

to comply with §36.304(a) only when installation of a permanent ramp is not readily achievable. In order to promote safety, §36.304(e) requires that due consideration be given to the incorporation of features such as nonslip surfaces, railings, anchoring, and strength of materials in any portable ramp that is used.

Temporary facilities brought in for use at the site of a natural disaster are subject to the barrier removal requirements of §36.304.

A number of commenters requested clarification regarding how to determine when a public accommodation has discharged its obligation to remove barriers in existing facilities. For example, is a hotel required by §36.304 to remove barriers in all of its guest rooms? Or is some lesser percentage adequate? A new paragraph (g) has been added to §36.304 to address this issue. The Department believes that the degree of barrier removal required under §36.304 may be less, but certainly would not be required to exceed, the standards for alterations under the ADA Accessibility Guidelines incorporated by subpart D of this part (ADAAG). The ADA's requirements for readily achievable barrier removal in existing facilities are intended to be substantially less rigorous than those for new construction and alterations. It, therefore, would be obviously inappropriate to require actions under §36.304 that would exceed the ADAAG requirements. Hotels, then, in order to satisfy the requirements of §36.304, would not be required to remove barriers in a higher percentage of rooms than required by ADAAG. If relevant standards for alterations are not provided in ADAAG, then reference should be made to the standards for new construction.

#### *Section 36.305 Alternatives to Barrier Removal*

Section 36.305 specifies that where a public accommodation can demonstrate that removal of a barrier is not readily achievable, the public accommodation must make its goods, services, facilities, privileges, advantages, or accommodations available through alternative methods, if such methods are readily achievable. This requirement is based on section 302(b)(2)(A)(v) of the ADA.

For example, if it is not readily achievable for a retail store to raise, lower, or remove shelves or to rearrange display racks to provide accessible aisles, the store must, if readily achievable, provide a clerk or take other alternative measures to retrieve inaccessible merchandise. Similarly, if it is not readily achievable to ramp a long flight of stairs leading to the front door of a restaurant or a pharmacy, the restaurant or the pharmacy must take alternative measures, if readily achievable, such as providing curb service or home delivery. If, within a restaurant, it is not readily achievable to remove physical barriers to a certain section of a restaurant, the restaurant must, where it is readily

achievable to do so, offer the same menu in an accessible area of the restaurant.

Where alternative methods are used to provide access, a public accommodation may not charge an individual with a disability for the costs associated with the alternative method (see §36.301(c)). Further analysis of the issue of charging for alternative measures may be found in the preamble discussion of §36.301(c).

In some circumstances, because of security considerations, some alternative methods may not be readily achievable. The rule does not require a cashier to leave his or her post to retrieve items for individuals with disabilities, if there are no other employees on duty.

Section 36.305(c) of the proposed rule has been deleted and the requirements have been included in a new §36.306. That section makes clear that the alternative methods requirement does not mandate the provision of personal devices, such as wheelchairs, or services of a personal nature.

In the final rule, §36.305(c) provides specific requirements regarding alternatives to barrier removal in multiscreen cinemas. In some situations, it may not be readily achievable to remove enough barriers to provide access to all of the theaters of a multiscreen cinema. If that is the case, §36.305(c) requires the cinema to establish a film rotation schedule that provides reasonable access for individuals who use wheelchairs to films being presented by the cinema. It further requires that reasonable notice be provided to the public as to the location and time of accessible showings. Methods for providing notice include appropriate use of the international accessibility symbol in a cinema's print advertising and the addition of accessibility information to a cinema's recorded telephone information line.

#### *Section 36.306 Personal Devices and Services*

The final rule includes a new §36.306, entitled "Personal devices and services." Section 36.306 of the proposed rule, "Readily achievable and undue burden: Factors to be considered," was deleted for the reasons described in the preamble discussion of the definition of the term "readily achievable" in §36.104. In place of §§36.303(g) and 36.305(c) of the proposed rule, which addressed the issue of personal devices and services in the contexts of auxiliary aids and alternatives to barrier removal, §36.306 provides a general statement that the regulation does not require the provision of personal devices and services. This section states that a public accommodation is not required to provide its customers, clients, or participants with personal devices, such as wheelchairs; individually prescribed devices, such as prescription eyeglasses or hearing aids; or services of a personal nature including assistance in eating, toileting, or dressing.

This statement serves as a limitation on all the requirements of the regulation. The personal devices and services limitation was intended to have general application in the proposed rule in all contexts where it was relevant. The final rule, therefore, clarifies, this point by including a general provision that will explicitly apply not just to auxiliary aids and services and alternatives to barrier removal, but across-the-board to include such relevant areas as modifications in policies, practices, and procedures (§36.302) and examinations and courses (§36.309), as well.

The Department wishes to clarify that measures taken as alternatives to barrier removal, such as retrieving items from shelves or providing curb service or home delivery, are not to be considered personal services. Similarly, minimal actions that may be required as modifications in policies, practices, or procedures under §36.302, such as a waiter's removing the cover from a customer's straw, a kitchen's cutting up food into smaller pieces, or a bank's filling out a deposit slip, are not services of a personal nature within the meaning of §36.306. (Of course, such modifications may be required under §36.302 only if they are "reasonable.") Similarly, this section does not preclude the short-term loan of personal receivers that are part of an assistive listening system.

Of course, if personal services are customarily provided to the customers or clients of a public accommodation, e.g., in a hospital or senior citizen center, then these personal services should also be provided to persons with disabilities using the public accommodation.

#### *Section 36.307 Accessible or Special Goods.*

Section 36.307 establishes that the rule does not require a public accommodation to alter its inventory to include accessible or special goods with accessibility features that are designed for, or facilitate use by, individuals with disabilities. As specified in §36.307(c), accessible or special goods include such items as Brailled versions of books, books on audio-cassettes, closed captioned video tapes, special sizes or lines of clothing, and special foods to meet particular dietary needs.

The purpose of the ADA's public accommodations requirements is to ensure accessibility to the goods offered by a public accommodation, not to alter the nature or mix of goods that the public accommodation has typically provided. In other words, a bookstore, for example, must make its facilities and sales operations accessible to individuals with disabilities, but is not required to stock Brailled or large print books. Similarly, a video store must make its facilities and rental operations accessible, but is not required to stock closed-captioned video tapes.

The Department has been made aware, however, that the most recent titles in videotape rental establishments are, in fact, closed captioned.

Although a public accommodation is not required by §36.307(a) to modify its inventory, it is required by §36.307(b), at the request of an individual with disabilities, to order accessible or special goods that it does not customarily maintain in stock if, in the normal course of its operation, it makes special orders for unstocked goods, and if the accessible or special goods can be obtained from a supplier with whom the public accommodation customarily does business. For example, a clothing store would be required to order specially-sized clothing at the request of an individual with a disability, if it customarily makes special orders for clothing that it does not keep in stock, and if the clothing can be obtained from one of the store's customary suppliers.

One commenter asserted that the proposed rule could be interpreted to require a store to special order accessible or special goods of all types, even if only one type is specially ordered in the normal course of its business. The Department, however, intends for §36.307(b) to require special orders only of those particular types of goods for which a public accommodation normally makes special orders. For example, a book and recording store would not have to specially order Brailled books if, in the normal course of its business, it only specially orders recordings and not books.

#### *Section 36.308 Seating in Assembly Areas.*

Section 36.308 establishes specific requirements for removing barriers to physical access in assembly areas, which include such facilities as theaters, concert halls, auditoriums, lecture halls, and conference rooms. This section does not address the provision of auxiliary aids or the removal of communications barriers that are structural in nature. These communications requirements are the focus of other provisions of the regulation (see §§36.303-36.304).

Individuals who use wheelchairs historically have been relegated to inferior seating in the back of assembly areas separate from accompanying family members and friends. The provisions of §36.308 are intended to promote integration and equality in seating.

In some instances it may not be readily achievable for auditoriums or theaters to remove seats to allow individuals with wheelchairs to sit next to accompanying family members or friends. In these situations, the final rule retains the requirement that the public accommodation provide portable chairs or other means to allow the accompanying individuals to sit with the persons in wheelchairs. Persons in wheelchairs should have the same opportunity to enjoy movies, plays, and similar events with their

families and friends, just as other patrons do. The final rule specifies that portable chairs or other means to permit family members or companions to sit with individuals who use wheelchairs must be provided only when it is readily achievable to do so.

In order to facilitate seating of wheelchair users who wish to transfer to existing seating, paragraph (a)(1) of the final rule adds a requirement that, to the extent readily achievable, a reasonable number of seats with removable aisle-side armrests must be provided. Many persons in wheelchairs are able to transfer to existing seating with this relatively minor modification. This solution avoids the potential safety hazard created by the use of portable chairs and fosters integration. The final ADA Accessibility Guidelines incorporated by subpart D (ADAAG) also add a requirement regarding aisle seating that was not in the proposed guidelines. In situations when a person in a wheelchair transfers to existing seating, the public accommodation shall provide assistance in handling the wheelchair of the patron with the disability.

Likewise, consistent with ADAAG, the final rule adds in §36.308(a)(1)(ii)(B) a requirement that, to the extent readily achievable, wheelchair seating provide lines of sight and choice of admission prices comparable to those for members of the general public.

Finally, because Congress intended that the requirements for barrier removal in existing facilities be substantially less rigorous than those required for new construction and alterations, the final rule clarifies in §36.308(a)(3) that in no event can the requirements for existing facilities be interpreted to exceed the standards for alterations under ADAAG. For example, §4.33 of ADAAG only requires wheelchair spaces to be provided in more than one location when the seating capacity of the assembly area exceeds 300. Therefore, paragraph (a) of §36.308 may not be interpreted to require readily achievable dispersal of wheelchair seating in assembly areas with 300 or fewer seats. Similarly, §4.1.3(19) of ADAAG requires six accessible wheelchair locations in an assembly area with 301 to 500 seats. The reasonable number of wheelchair locations required by paragraph (a), therefore, may be less than six, but may not be interpreted to exceed six.

#### *Proposed Section 36.309 Purchase of Furniture and Equipment*

Section 36.309 of the proposed rule would have required that newly purchased furniture or equipment made available for use at a place of public accommodation be accessible, to the extent such furniture or equipment is available, unless this requirement

would fundamentally alter the goods, services, facilities, privileges, advantages, or accommodations offered, or would not be readily achievable. Proposed §36.309 has been omitted from the final rule because the Department has determined that its requirements are more properly addressed under other sections, and because there are currently no appropriate accessibility standards addressing many types of furniture and equipment.

Some types of equipment will be required to meet the accessibility requirements of subpart D. For example, ADAAG establishes technical and scoping requirements in new construction and alterations for automated teller machines and telephones. Purchase or modification of equipment is required in certain instances by the provisions in §§36.201 and 36.202. For example, an arcade may need to provide accessible video machines in order to ensure full and equal enjoyment of the facilities and to provide an opportunity to participate in the services and facilities it provides. The barrier removal requirements of §36.304 will apply as well to furniture and equipment (lowering shelves, rearranging furniture, adding Braille labels to a vending machine).

#### *Section 36.309 Examinations and Courses*

Section 36.309(a) sets forth the general rule that any private entity that offers examinations or courses related to applications, licensing, certification, or credentialing for secondary or postsecondary education, professional, or trade purposes shall offer such examinations or courses in a place and manner accessible to persons with disabilities or offer alternative accessible arrangements for such individuals.

Paragraph (a) restates section 309 of the Americans with Disabilities Act. Section 309 is intended to fill the gap that is created when licensing, certification, and other testing authorities are not covered by section 504 of the Rehabilitation Act or title II of the ADA. Any such authority that is covered by section 504, because of the receipt of Federal money, or by title II, because it is a function of a State or local government, must make all of its programs accessible to persons with disabilities, which includes physical access as well as modifications in the way the test is administered, e.g., extended time, written instructions, or assistance of a reader.

Many licensing, certification, and testing authorities are not covered by section 504, because no Federal money is received; nor are they covered by title II of the ADA because they are not State or local agencies. However, States often require the licenses provided by such authorities in order for an individual to practice a particular profession or trade. Thus, the provision was included in the ADA in order to assure that persons with disabilities are not foreclosed from edu-

cational, professional, or trade opportunities because an examination or course is conducted in an inaccessible site or without needed modifications.

As indicated in the “Application” section of this part (§36.102), §36.309 applies to any private entity that offers the specified types of examinations or courses. This is consistent with section 309 of the Americans with Disabilities Act, which states that the requirements apply to “any person” offering examinations or courses.

The Department received a large number of comments on this section, reflecting the importance of ensuring that the key gateways to education and employment are open to individuals with disabilities. The most frequent comments were objections to the fundamental alteration and undue burden provisions in §§36.309 (b)(3) and (c)(3) and to allowing courses and examinations to be provided through alternative accessible arrangements, rather than in an integrated setting.

Although section 309 of the Act does not refer to a fundamental alteration or undue burden limitation, those limitations do appear in section 302(b)(2)(A)(iii) of the Act, which establishes the obligation of public accommodations to provide auxiliary aids and services. The Department, therefore, included it in the paragraphs of §36.309 requiring the provision of auxiliary aids. One commenter argued that similar limitations should apply to all of the requirements of §36.309, but the Department did not consider this extension appropriate.

Commenters who objected to permitting “alternative accessible arrangements” argued that such arrangements allow segregation and should not be permitted, unless they are the least restrictive available alternative, for example, for someone who cannot leave home. Some commenters made a distinction between courses, where interaction is an important part of the educational experience, and examinations, where it may be less important. Because the statute specifically authorizes alternative accessible arrangements as a method of meeting the requirements of section 309, the Department has not adopted this suggestion. The Department notes, however, that, while examinations of the type covered by §36.309 may not be covered elsewhere in the regulation, courses will generally be offered in a “place of education,” which is included in the definition of “place of public accommodation” in §36.104, and, therefore, will be subject to the integrated setting requirement of §36.203.

Section 36.309(b) sets forth specific requirements for examinations. Examinations covered by this section would include a bar exam or the Scholastic Aptitude Test prepared by the Educational Testing Service. Paragraph (b)(1) is adopted from the Department of Education’s section 504 regulation

on admission tests to postsecondary educational programs (34 CFR 104.42(b)(3)). Paragraph (b)(1)(i) requires that a private entity offering an examination covered by the section must assure that the examination is selected and administered so as to best ensure that the examination accurately reflects an individual's aptitude or achievement level or other factor the examination purports to measure, rather than reflecting the individual's impaired sensory, manual, or speaking skills (except where those skills are the factors that the examination purports to measure).

Paragraph (b)(1)(ii) requires that any examination specially designed for individuals with disabilities be offered as often and in as timely a manner as other examinations. Some commenters noted that persons with disabilities may be required to travel long distances when the locations for examinations for individuals with disabilities are limited, for example, to only one city in a State instead of a variety of cities. The Department has therefore revised this paragraph to add a requirement that such examinations be offered at locations that are as convenient as the location of other examinations.

Commenters representing organizations that administer tests wanted to be able to require individuals with disabilities to provide advance notice and appropriate documentation, at the applicants' expense, of their disabilities and of any modifications or aids that would be required. The Department agrees that such requirements are permissible, provided that they are not unreasonable and that the deadline for such notice is no earlier than the deadline for others applying to take the examination. Requiring individuals with disabilities to file earlier applications would violate the requirement that examinations designed for individuals with disabilities be offered in as timely a manner as other examinations.

Examiners may require evidence that an applicant is entitled to modifications or aids as required by this section, but requests for documentation must be reasonable and must be limited to the need for the modification or aid requested. Appropriate documentation might include a letter from a physician or other professional, or evidence of a prior diagnosis or accommodation, such as eligibility for a special education program. The applicant may be required to bear the cost of providing such documentation, but the entity administering the examination cannot charge the applicant for the cost of any modifications or auxiliary aids, such as interpreters, provided for the examination.

Paragraph (b)(1)(iii) requires that examinations be administered in facilities that are accessible to individuals with disabilities or alternative accessible arrangements are made.

Paragraph (b)(2) gives examples of modifications to examinations that may be necessary in order to comply with this section. These may include providing more time for completion of the examination or a change in the manner of giving the examination, e.g., reading the examination to the individual.

Paragraph (b)(3) requires the provision of auxiliary aids and services, unless the private entity offering the examination can demonstrate that offering a particular auxiliary aid would fundamentally alter the examination or result in an undue burden. Examples of auxiliary aids include taped examinations, interpreters or other effective methods of making aurally delivered materials available to individuals with hearing impairments, readers for individuals with visual impairments or learning disabilities, and other similar services and actions. The suggestion that individuals with learning disabilities may need readers is included, although it does not appear in the Department of Education regulation, because, in fact, some individuals with learning disabilities have visual perception problems and would benefit from a reader.

Many commenters pointed out the importance of ensuring that modifications provide the individual with a disability an equal opportunity to demonstrate his or her knowledge or ability. For example, a reader who is unskilled or lacks knowledge of specific terminology used in the examination may be unable to convey the information in the questions or to follow the applicant's instructions effectively. Commenters pointed out that, for persons with visual impairments who read Braille, Braille provides the closest functional equivalent to a printed test. The Department has, therefore, added Brailled examinations to the examples of auxiliary aids and services that may be required. For similar reasons, the Department also added to the list of examples of auxiliary aids and services large print examinations and answer sheets; "qualified" readers; and transcribers to write answers.

A commenter suggested that the phrase "fundamentally alter the examination" in this paragraph of the proposed rule be revised to more accurately reflect the function affected. In the final rule the Department has substituted the phrase "fundamentally alter the measurement of the skills or knowledge the examination is intended to test."

Paragraph (b)(4) gives examples of alternative accessible arrangements. For instance, the private entity might be required to provide the examination at an individual's home with a proctor. Alternative arrangements must provide conditions for individuals with disabilities that are comparable to the conditions under which other individuals take the examinations. In other words, an

examination cannot be offered to an individual with a disability in a cold, poorly lit basement, if other individuals are given the examination in a warm, well lit classroom.

Some commenters who provide examinations for licensing or certification for particular occupations or professions urged that they be permitted to refuse to provide modifications or aids for persons seeking to take the examinations if those individuals, because of their disabilities, would be unable to perform the essential functions of the profession or occupation for which the examination is given, or unless the disability is reasonably determined in advance as not being an obstacle to certification. The Department has not changed its rule based on this comment. An examination is one stage of a licensing or certification process. An individual should not be barred from attempting to pass that stage of the process merely because he or she might be unable to meet other requirements of the process. If the examination is not the first stage of the qualification process, an applicant may be required to complete the earlier stages prior to being admitted to the examination. On the other hand, the applicant may not be denied admission to the examination on the basis of doubts about his or her abilities to meet requirements that the examination is not designed to test.

Paragraph (c) sets forth specific requirements for courses. Paragraph (c)(1) contains the general rule that any course covered by this section must be modified to ensure that the place and manner in which the course is given is accessible. Paragraph (c)(2) gives examples of possible modifications that might be required, including extending the time permitted for completion of the course, permitting oral rather than written delivery of an assignment by a person with a visual impairment, or adapting the manner in which the course is conducted (i.e., providing cassettes of class handouts to an individual with a visual impairment). In response to comments, the Department has added to the examples in paragraph (c)(2) specific reference to distribution of course materials. If course materials are published and available from other sources, the entity offering the course may give advance notice of what materials will be used so as to allow an individual to obtain them in Braille or on tape but materials provided by the course offerer must be made available in alternative formats for individuals with disabilities.

In language similar to that of paragraph (b), paragraph (c)(3) requires auxiliary aids and services, unless a fundamental alteration or undue burden would result, and paragraph (c)(4) requires that courses be administered in accessible facilities. Paragraph (c)(5) gives examples of alternative accessible arrangements. These may include provision of the course through videotape, cas-

settes, or prepared notes. Alternative arrangements must provide comparable conditions to those provided to others, including similar lighting, room temperature, and the like. An entity offering a variety of courses, to fulfill continuing education requirements for a profession, for example, may not limit the selection or choice of courses available to individuals with disabilities.

*Section 36.310 Transportation Provided by Public Accommodations*

Section 36.310 contains specific provisions relating to public accommodations that provide transportation to their clients or customers. This section has been substantially revised in order to coordinate the requirements of this section with the requirements applicable to these transportation systems that will be contained in the regulations issued by the Secretary of Transportation pursuant to section 306 of the ADA, to be codified at 49 CFR part 37. The Department notes that, although the responsibility for issuing regulations applicable to transportation systems operated by public accommodations is divided between this Department and the Department of Transportation, enforcement authority is assigned only to the Department of Justice.

The Department received relatively few comments on this section of the proposed rule. Most of the comments addressed issues that are not specifically addressed in this part, such as the standards for accessible vehicles and the procedure for determining whether equivalent service is provided. Those standards will be contained in the regulation issued by the Department of Transportation. Other commenters raised questions about the types of transportation that will be subject to this section. In response to these inquiries, the Department has revised the list of examples contained in the regulation.

Paragraph (a)(1) states the general rule that covered public accommodations are subject to all of the specific provisions of subparts B, C, and D, except as provided in §36.310. Examples of operations covered by the requirements are listed in paragraph (a)(2). The stated examples include hotel and motel airport shuttle services, customer shuttle bus services operated by private companies and shopping centers, student transportation, and shuttle operations of recreational facilities such as stadiums, zoos, amusement parks, and ski resorts. This brief list is not exhaustive. The section applies to any fixed route or demand responsive transportation system operated by a public accommodation for the benefit of its clients or customers. The section does not apply to transportation services provided only to employees. Employee transportation will be subject to the regulations issued by the



Equal Employment Opportunity Commission to implement title I of the Act. However, if employees and customers or clients are served by the same transportation system, the provisions of this section will apply.

Paragraph (b) specifically provides that a public accommodation shall remove transportation barriers in existing vehicles to the extent that it is readily achievable to do so, but that the installation of hydraulic or other lifts is not required.

Paragraph (c) provides that public accommodations subject to this section shall comply with the requirements for transportation vehicles and systems contained in the regulations issued by the Secretary of Transportation.

*Subpart D—New Construction and Alterations*

Subpart D implements section 303 of the Act, which requires that newly constructed or altered places of public accommodation or commercial facilities be readily accessible to and usable by individuals with disabilities. This requirement contemplates a high degree of convenient access. It is intended to ensure that patrons and employees of places of public accommodation and employees of commercial facilities are able to get to, enter, and use the facility.

Potential patrons of places of public accommodation, such as retail establishments, should be able to get to a store, get into the store, and get to the areas where goods are being provided. Employees should have the same types of access, although those individuals require access to and around the employment area as well as to the area in which goods and services are provided.

The ADA is geared to the future—its goal being that, over time, access will be the rule, rather than the exception. Thus, the Act only requires modest expenditures, of the type addressed in §36.304 of this part, to provide access to existing facilities not otherwise being altered, but requires all new construction and alterations to be accessible.

The Act does not require new construction or alterations; it simply requires that, when a public accommodation or other private entity undertakes the construction or alteration of a facility subject to the Act, the newly constructed or altered facility must be made accessible. This subpart establishes the requirements for new construction and alterations.

As explained under the discussion of the definition of “facility,” §36.104, pending development of specific requirements, the Department will not apply this subpart to places of public accommodation located in mobile units, boats, or other conveyances.

*Section 36.401 New Construction*

General

Section 36.401 implements the new construction requirements of the ADA. Section 303 (a)(1) of the Act provides that discrimination for purposes of section 302(a) of the Act includes a failure to design and construct facilities for first occupancy later than 30 months after the date of enactment (i.e., after January 26, 1993) that are readily accessible to and usable by individuals with disabilities.

Paragraph 36.401(a)(1) restates the general requirement for accessible new construction. The proposed rule stated that “any public accommodation or other private entity responsible for design and construction” must ensure that facilities conform to this requirement. Various commenters suggested that the proposed language was not consistent with the statute because it substituted “private entity responsible for design and construction” for the statutory language; because it did not address liability on the part of architects, contractors, developers, tenants, owners, and other entities; and because it limited the liability of entities responsible for commercial facilities. In response, the Department has revised this paragraph to repeat the language of section 303(a) of the ADA. The Department will interpret this section in a manner consistent with the intent of the statute and with the nature of the responsibilities of the various entities for design, for construction, or for both.

Designed and Constructed for First Occupancy

According to paragraph (a)(2), a facility is subject to the new construction requirements only if a completed application for a building permit or permit extension is filed after January 26, 1992, and the facility is occupied after January 26, 1993.

The proposed rule set forth for comment two alternative ways by which to determine what facilities are subject to the Act and what standards apply. Paragraph (a)(2) of the final rule is a slight variation on Option One in the proposed rule. The reasons for the Department’s choice of Option One are discussed later in this section.

Paragraph (a)(2) acknowledges that Congress did not contemplate having actual occupancy be the sole trigger for the accessibility requirements, because the statute prohibits a failure to “design and construct for first occupancy,” rather than requiring accessibility in facilities actually occupied after a particular date.

The commenters overwhelmingly agreed with the Department’s proposal to use a date certain; many cited the reasons given in the preamble to the proposed rule. First, it is

helpful for designers and builders to have a fixed date for accessible design, so that they can determine accessibility requirements early in the planning and design stage. It is difficult to determine accessibility requirements in anticipation of the actual date of first occupancy because of unpredictable and uncontrollable events (e.g., strikes affecting suppliers or labor, or natural disasters) that may delay occupancy. To redesign or reconstruct portions of a facility if it begins to appear that occupancy will be later than anticipated would be quite costly. A fixed date also assists those responsible for enforcing, or monitoring compliance with, the statute, and those protected by it.

The Department considered using as a trigger date for application of the accessibility standards the date on which a permit is granted. The Department chose instead the date on which a complete permit application is certified as received by the appropriate government entity. Almost all commenters agreed with this choice of a trigger date. This decision is based partly on information that several months or even years can pass between application for a permit and receipt of a permit. Design is virtually complete at the time an application is complete (i.e., certified to contain all the information required by the State, county, or local government). After an application is filed, delays may occur before the permit is granted due to numerous factors (not necessarily relating to accessibility): for example, hazardous waste discovered on the property, flood plain requirements, zoning disputes, or opposition to the project from various groups. These factors should not require redesign for accessibility if the application was completed before January 26, 1992. However, if the facility must be redesigned for other reasons, such as a change in density or environmental preservation, and the final permit is based on a new application, the rule would require accessibility if that application was certified complete after January 26, 1992.

The certification of receipt of a complete application for a building permit is an appropriate point in the process because certifications are issued in writing by governmental authorities. In addition, this approach presents a clear and objective standard.

However, a few commenters pointed out that in some jurisdictions it is not possible to receive a "certification" that an application is complete, and suggested that in those cases the fixed date should be the date on which an application for a permit is received by the government agency. The Department has included such a provision in § 36.401(a)(2)(i).

The date of January 26, 1992, is relevant only with respect to the last application for a permit or permit extension for a facility. Thus, if an entity has applied for only a

"foundation" permit, the date of that permit application has no effect, because the entity must also apply for and receive a permit at a later date for the actual superstructure. In this case, it is the date of the later application that would control, unless construction is not completed within the time allowed by the permit, in which case a third permit would be issued and the date of the application for that permit would be determinative for purposes of the rule.

#### Choice of Option One for Defining "Designed and Constructed for First Occupancy"

Under the option the Department has chosen for determining applicability of the new construction standards, a building would be considered to be "for first occupancy" after January 26, 1993, only (1) if the last application for a building permit or permit extension for the facility is certified to be complete (or, in some jurisdictions, received) by a State, county, or local government after January 26, 1992, and (2) if the first certificate of occupancy is issued after January 26, 1993. The Department also asked for comment on an Option Two, which would have imposed new construction requirements if a completed application for a building permit or permit extension was filed after the enactment of the ADA (July 26, 1990), and the facility was occupied after January 26, 1993.

The request for comment on this issue drew a large number of comments expressing a wide range of views. Most business groups and some disability rights groups favored Option One, and some business groups and most disability rights groups favored Option Two. Individuals and government entities were equally divided; several commenters proposed other options.

Those favoring Option One pointed out that it is more reasonable in that it allows time for those subject to the new construction requirements to anticipate those requirements and to receive technical assistance pursuant to the Act. Numerous commenters said that time frames for designing and constructing some types of facilities (for example, health care facilities) can range from two to four years or more. They expressed concerns that Option Two, which would apply to some facilities already under design or construction as of the date the Act was signed, and to some on which construction began shortly after enactment, could result in costly redesign or reconstruction of those facilities. In the same vein, some Option One supporters found Option Two objectionable on due process grounds. In their view, Option Two would mean that in July 1991 (upon issuance of the final DOJ rule) the responsible entities would learn that ADA standards had been in effect since July 26, 1990, and this would amount to retroactive

application of standards. Numerous commenters characterized Option Two as having no support in the statute and Option One as being more consistent with congressional intent.

Those who favored Option Two pointed out that it would include more facilities within the coverage of the new construction standards. They argued that because similar accessibility requirements are in effect under State laws, no hardship would be imposed by this option. Numerous commenters said that hardship would also be eliminated in light of their view that the ADA requires compliance with the Uniform Federal Accessibility Standards (UFAS) until issuance of DOJ standards. Those supporting Option Two claimed that it was more consistent with the statute and its legislative history.

The Department has chosen Option One rather than Option Two, primarily on the basis of the language of three relevant sections of the statute. First, section 303(a) requires compliance with accessibility standards set forth, or incorporated by reference in, regulations to be issued by the Department of Justice. Standing alone, this section cannot be read to require compliance with the Department's standards before those standards are issued (through this rule-making). Second, according to section 310 of the statute, section 303 becomes effective on January 26, 1992. Thus, section 303 cannot impose requirements on the design of buildings before that date. Third, while section 306(d) of the Act requires compliance with UFAS if final regulations have not been issued, that provision cannot reasonably be read to take effect until July 26, 1991, the date by which the Department of Justice must issue final regulations under title III.

Option Two was based on the premise that the interim standards in section 306(d) take effect as of the ADA's enactment (July 26, 1990), rather than on the date by which the Department of Justice regulations are due to be issued (July 26, 1991). The initial clause of section 306(d)(1) itself is silent on this question:

If final regulations have not been issued pursuant to this section, for new construction for which a \* \* \* building permit is obtained prior to the issuance of final regulations \* \* \* (interim standards apply).

The approach in Option Two relies partly on the language of section 310 of the Act, which provides that section 306, the interim standards provision, takes effect on the date of enactment. Under this interpretation the interim standards provision would prevail over the operative provision, section 303, which requires that new construction be accessible and which becomes effective January 26, 1992. This approach would also require construing the language of section 306(d)(1) to take effect before the Department's standards are due to be issued. The preferred read-

ing of section 306 is that it would require that, if the Department's final standards had not been issued by July 26, 1991, UFAS would apply to certain buildings until such time as the Department's standards were issued.

#### General Substantive Requirements of the New Construction Provisions

The rule requires, as does the statute, that covered newly constructed facilities be readily accessible to and usable by individuals with disabilities. The phrase "readily accessible to and usable by individuals with disabilities" is a term that, in slightly varied formulations, has been used in the Architectural Barriers Act of 1968, the Fair Housing Act, the regulations implementing section 504 of the Rehabilitation Act of 1973, and current accessibility standards. It means, with respect to a facility or a portion of a facility, that it can be approached, entered, and used by individuals with disabilities (including mobility, sensory, and cognitive impairments) easily and conveniently. A facility that is constructed to meet the requirements of the rule's accessibility standards will be considered readily accessible and usable with respect to construction. To the extent that a particular type or element of a facility is not specifically addressed by the standards, the language of this section is the safest guide.

A private entity that renders an "accessible" building inaccessible in its operation, through policies or practices, may be in violation of section 302 of the Act. For example, a private entity can render an entrance to a facility inaccessible by keeping an accessible entrance open only during certain hours (whereas the facility is available to others for a greater length of time). A facility could similarly be rendered inaccessible if a person with disabilities is significantly limited in her or his choice of a range of accommodations.

Ensuring access to a newly constructed facility will include providing access to the facility from the street or parking lot, to the extent the responsible entity has control over the route from those locations. In some cases, the private entity will have no control over access at the point where streets, curbs, or sidewalks already exist, and in those instances the entity is encouraged to request modifications to a sidewalk, including installation of curb cuts, from a public entity responsible for them. However, as some commenters pointed out, there is no obligation for a private entity subject to title III of the ADA to seek or ensure compliance by a public entity with title II. Thus, although a locality may have an obligation under title II of the Act to install curb cuts at a particular location, that responsibility is separate from the private entity's title III obligation, and

any involvement by a private entity in seeking cooperation from a public entity is purely voluntary in this context.

#### Work Areas

Proposed paragraph 36.401(b) addressed access to employment areas, rather than to the areas where goods or services are being provided. The preamble noted that the proposed paragraph provided guidance for new construction and alterations until more specific guidance was issued by the ATBCB and reflected in this Department's regulation. The entire paragraph has been deleted from this section in the final rule. The concepts of paragraphs (b) (1), (2), and (5) of the proposed rule are included, with modifications and expansion, in ADAAG. Paragraphs (3) and (4) of the proposed rule, concerning fixtures and equipment, are not included in the rule or in ADAAG.

Some commenters asserted that questions relating to new construction and alterations of work areas should be addressed by the EEOC under title I, as employment concerns. However, the legislative history of the statute clearly indicates that the new construction and alterations requirements of title III were intended to ensure accessibility of new facilities to all individuals, including employees. The language of section 303 sweeps broadly in its application to all public accommodations and commercial facilities. EEOC's title I regulations will address accessibility requirements that come into play when "reasonable accommodation" to individual employees or applicants with disabilities is mandated under title I.

The issues dealt with in proposed §36.401(b) (1) and (2) are now addressed in ADAAG section 4.1.1(3). The Department's proposed paragraphs would have required that areas that will be used only by employees as work stations be constructed so that individuals with disabilities could approach, enter, and exit the areas. They would not have required that all individual work stations be constructed or equipped (for example, with shelves that are accessible or adaptable) to be accessible. This approach was based on the theory that, as long as an employee with disabilities could enter the building and get to and around the employment area, modifications in a particular work station could be instituted as a "reasonable accommodation" to that employee if the modifications were necessary and they did not constitute an undue hardship.

Almost all of the commenters agreed with the proposal to require access to a work area but not to require accessibility of each individual work station. This principle is included in ADAAG 4.1.1(3). Several of the comments related to the requirements of the proposed ADAAG and have been addressed in the accessibility standards.

Proposed paragraphs (b) (3) and (4) would have required that consideration be given to placing fixtures and equipment at accessible heights in the first instance, and to purchasing new equipment and fixtures that are adjustable. These paragraphs have not been included in the final rule because the rule in most instances does not establish accessibility standards for purchased equipment. (See discussion elsewhere in the preamble of proposed §36.309.) While the Department encourages entities to consider providing accessible or adjustable fixtures and equipment for employees, this rule does not require them to do so.

Paragraph (b)(5) of proposed §36.401 clarified that proposed paragraph (b) did not limit the requirement that employee areas other than individual work stations must be accessible. For example, areas that are employee "common use" areas and are not solely used as work stations (e.g., employee lounges, cafeterias, health units, exercise facilities) are treated no differently under this regulation than other parts of a building; they must be constructed or altered in compliance with the accessibility standards. This principle is not stated in §36.401 but is implicit in the requirements of this section and ADAAG.

#### Commercial Facilities in Private Residences

Section 36.401(b) of the final rule is a new provision relating to commercial facilities located in private residences. The proposed rule addressed these requirements in the preamble to §36.207, "Places of public accommodation located in private residences." The preamble stated that the approach for commercial facilities would be the same as that for places of public accommodation, i.e., those portions used exclusively as a commercial facility or used as both a commercial facility and for residential purposes would be covered. Because commercial facilities are only subject to new construction and alterations requirements, however, the covered portions would only be subject to subpart D. This approach is reflected in §36.401(b)(1).

The Department is aware that the statutory definition of "commercial facility" excludes private residences because they are "expressly exempted from coverage under the Fair Housing Act of 1968, as amended." However, the Department interprets that exemption as applying only to facilities that are exclusively residential. When a facility is used as both a residence and a commercial facility, the exemption does not apply.

Paragraph (b)(2) is similar to the new paragraph (b) under §36.207, "Places of public accommodation located in private residences." The paragraph clarifies that the covered portion includes not only the space used as a commercial facility, but also the elements used to enter the commercial facility, e.g., the homeowner's front sidewalk, if any; the

doorway; the hallways; the restroom, if used by employees or visitors of the commercial facility; and any other portion of the residence, interior or exterior, used by employees or visitors of the commercial facility.

As in the case of public accommodations located in private residences, the new construction standards only apply to the extent that a portion of the residence is designed or intended for use as a commercial facility. Likewise, if a homeowner alters a portion of his home to convert it to a commercial facility, that work must be done in compliance with the alterations standards in appendix A.

#### Structural Impracticability

Proposed §36.401(c) is included in the final rule with minor changes. It details a statutory exception to the new construction requirement: the requirement that new construction be accessible does not apply where an entity can demonstrate that it is structurally impracticable to meet the requirements of the regulation. This provision is also included in ADAAG, at section 4.1.1(5)(a).

Consistent with the legislative history of the ADA, this narrow exception will apply only in rare and unusual circumstances where unique characteristics of terrain make accessibility unusually difficult. Such limitations for topographical problems are analogous to an acknowledged limitation in the application of the accessibility requirements of the Fair Housing Amendments Act (FHAA) of 1988.

Almost all commenters supported this interpretation. Two commenters argued that the DOJ requirement is too limiting and would not exempt some buildings that should be exempted because of soil conditions, terrain, and other unusual site conditions. These commenters suggested consistency with HUD's Fair Housing Accessibility Guidelines (56 FR 9472 (1991)), which generally would allow exceptions from accessibility requirements, or allow compliance with less stringent requirements, on sites with slopes exceeding 10%.

The Department is aware of the provisions in HUD's guidelines, which were issued on March 6, 1991, after passage of the ADA and publication of the Department's proposed rule. The approach taken in these guidelines, which apply to different types of construction and implement different statutory requirements for new construction, does not bind this Department in regulating under the ADA. The Department has included in the final rule the substance of the proposed provision, which is faithful to the intent of the statute, as expressed in the legislative history. (See Senate report at 70-71; Education and Labor report at 120.)

The limited structural impracticability exception means that it is acceptable to devi-

ate from accessibility requirements only where unique characteristics of terrain prevent the incorporation of accessibility features and where providing accessibility would destroy the physical integrity of a facility. A situation in which a building must be built on stilts because of its location in marshlands or over water is an example of one of the few situations in which the exception for structural impracticability would apply.

This exception to accessibility requirements should not be applied to situations in which a facility is located in "hilly" terrain or on a plot of land upon which there are steep grades. In such circumstances, accessibility can be achieved without destroying the physical integrity of a structure, and is required in the construction of new facilities.

Some commenters asked for clarification concerning when and how to apply the ADA rules or the Fair Housing Accessibility Guidelines, especially when a facility may be subject to both because of mixed use. Guidance on this question is provided in the discussion of the definitions of place of public accommodation and commercial facility. With respect to the structural impracticability exception, a mixed-use facility could not take advantage of the Fair Housing exemption, to the extent that it is less stringent than the ADA exemption, except for those portions of the facility that are subject only to the Fair Housing Act.

As explained in the preamble to the proposed rule, in those rare circumstances in which it is structurally impracticable to achieve full compliance with accessibility requirements under the ADA, places of public accommodation and commercial facilities should still be designed and constructed to incorporate accessibility features to the extent that the features are structurally practicable. The accessibility requirements should not be viewed as an all-or-nothing proposition in such circumstances.

If it is structurally impracticable for a facility in its entirety to be readily accessible to and usable by people with disabilities, then those portions that can be made accessible should be made accessible. If a building cannot be constructed in compliance with the full range of accessibility requirements because of structural impracticability, then it should still incorporate those features that are structurally practicable. If it is structurally impracticable to make a particular facility accessible to persons who have particular types of disabilities, it is still appropriate to require it to be made accessible to persons with other types of disabilities. For example, a facility that is of necessity built on stilts and cannot be made accessible to persons who use wheelchairs because it is structurally impracticable to do so, must be made accessible for individuals

with vision or hearing impairments or other kinds of disabilities.

#### Elevator Exemption

Section 36.401(d) implements the “elevator exemption” for new construction in section 303(b) of the ADA. The elevator exemption is an exception to the general requirement that new facilities be readily accessible to and usable by individuals with disabilities. Generally, an elevator is the most common way to provide individuals who use wheelchairs “ready access” to floor levels above or below the ground floor of a multi-story building. Congress, however, chose not to require elevators in new small buildings, that is, those with less than three stories or less than 3,000 square feet per story. In buildings eligible for the exemption, therefore, “ready access” from the building entrance to a floor above or below the ground floor is not required, because the statute does not require that an elevator be installed in such buildings. The elevator exemption does not apply, however, to a facility housing a shopping center, a shopping mall, or the professional office of a health care provider, or other categories of facilities as determined by the Attorney General. For example, a new office building that will have only two stories, with no elevator planned, will not be required to have an elevator, even if each story has 20,000 square feet. In other words, having either less than 3000 square feet per story or less than three stories qualifies a facility for the exemption; it need not qualify for the exemption on both counts. Similarly, a facility that has five stories of 2800 square feet each qualifies for the exemption. If a facility has three or more stories at any point, it is not eligible for the elevator exemption unless all the stories are less than 3000 square feet.

The terms “shopping center or shopping mall” and “professional office of a health care provider” are defined in this section. They are substantively identical to the definitions included in the proposed rule in §36.104, “Definitions.” They have been moved to this section because, as commenters pointed out, they are relevant only for the purposes of the elevator exemption, and inclusion in the general definitions section could give the incorrect impression that an office of a health care provider is not covered as a place of public accommodation under other sections of the rule, unless the office falls within the definition.

For purposes of §36.401, a “shopping center or shopping mall” is (1) a building housing five or more sales or rental establishments, or (2) a series of buildings on a common site, either under common ownership or common control or developed either as one project or as a series of related projects, housing five or more sales or rental establishments. The term “shopping center or shopping mall”

only includes floor levels containing at least one sales or rental establishment, or any floor level that was designed or intended for use by at least one sales or rental establishment.

Any sales or rental establishment of the type that is included in paragraph (5) of the definition of “place of public accommodation” (for example, a bakery, grocery store, clothing store, or hardware store) is considered a sales or rental establishment for purposes of this definition; the other types of public accommodations (e.g., restaurants, laundromats, banks, travel services, health spas) are not.

In the preamble to the proposed rule, the Department sought comment on whether the definition of “shopping center or mall” should be expanded to include any of these other types of public accommodations. The Department also sought comment on whether a series of buildings should fall within the definition only if they are physically connected.

Most of those responding to the first question (overwhelmingly groups representing people with disabilities, or individual commenters) urged that the definition encompass more places of public accommodation, such as restaurants, motion picture houses, laundromats, dry cleaners, and banks. They pointed out that often it is not known what types of establishments will be tenants in a new facility. In addition, they noted that malls are advertised as entities, that their appeal is in the “package” of services offered to the public, and that this package often includes the additional types of establishments mentioned.

Commenters representing business groups sought to exempt banks, travel services, grocery stores, drug stores, and freestanding retail stores from the elevator requirement. They based this request on the desire to continue the practice in some locations of incorporating mezzanines housing administrative offices, raised pharmacist areas, and raised areas in the front of supermarkets that house safes and are used by managers to oversee operations of check-out aisles and other functions. Many of these concerns are adequately addressed by ADAAG. Apart from those addressed by ADAAG, the Department sees no reason to treat a particular type of sales or rental establishment differently from any other. Although banks and travel services are not included as “sales or rental establishments,” because they do not fall under paragraph (5) of the definition of place of public accommodation, grocery stores and drug stores are included.

The Department has declined to include places of public accommodation other than sales or rental establishments in the definition. The statutory definition of “public accommodation” (section 301(7)) lists 12 types of establishments that are considered public

accommodations. Category (E) includes “a bakery, grocery store, clothing store, hardware store, shopping center, or other sales or rental establishment.” This arrangement suggests that it is only these types of establishments that would make up a shopping center for purposes of the statute. To include all types of places of public accommodation, or those from 6 or 7 of the categories, as commenters suggest, would overly limit the elevator exemption; the universe of facilities covered by the definition of “shopping center” could well exceed the number of multi-tenant facilities *not* covered, which would render the exemption almost meaningless.

For similar reasons, the Department is retaining the requirement that a building or series of buildings must house five or more sales or rental establishments before it falls within the definition of “shopping center.” Numerous commenters objected to the number and requested that the number be lowered from five to three or four. Lowering the number in this manner would include an inordinately large number of two-story multi-tenant buildings within the category of those required to have elevators.

The responses to the question concerning whether a series of buildings should be connected in order to be covered were varied. Generally, disability rights groups and some government agencies said a series of buildings should not have to be connected, and pointed to a trend in some areas to build shopping centers in a garden or village setting. The Department agrees that this design choice should not negate the elevator requirement for new construction. Some business groups answered the question in the affirmative, and some suggested a different definition of shopping center. For example, one commenter recommended the addition of a requirement that the five or more establishments be physically connected on the non-ground floors by a common pedestrian walkway or pathway, because otherwise a series of stand-alone facilities would have to comply with the elevator requirement, which would be unduly burdensome and perhaps infeasible. Another suggested use of what it characterized as the standard industry definition: “A group of retail stores and related business facilities, the whole planned, developed, operated and managed as a unit.” While the rule’s definition would reach a series of related projects that are under common control but were not developed as a single project, the Department considers such a facility to be a shopping center within the meaning of the statute. However, in light of the hardship that could confront a series of existing small stand-alone buildings if elevators were required in alterations, the Department has included a common access route in the definition of shopping center or shopping mall for purposes of §36.404.

Some commenters suggested that access to restrooms and other shared facilities open to the public should be required even if those facilities were not on a shopping floor. Such a provision with respect to toilet or bathing facilities is included in the elevator exception in final ADAAG 4.1.3(5).

For purposes of this subpart, the rule does not distinguish between a “shopping mall” (usually a building with a roofed-over common pedestrian area serving more than one tenant in which a majority of the tenants have a main entrance from the common pedestrian area) and a “shopping center” (e.g., a “shopping strip”). Any facility housing five or more of the types of sales or rental establishments described, regardless of the number of other types of places of public accommodation housed there (e.g., offices, movie theatres, restaurants), is a shopping center or shopping mall.

For example, a two-story facility built for mixed-use occupancy on both floors (e.g., by sales and rental establishments, a movie theater, restaurants, and general office space) is a shopping center or shopping mall if it houses five or more sales or rental establishments. If none of these establishments is located on the second floor, then only the ground floor, which contains the sales or rental establishments, would be a “shopping center or shopping mall,” unless the second floor was designed or intended for use by at least one sales or rental establishment. In determining whether a floor was intended for such use, factors to be considered include the types of establishments that first occupied the floor, the nature of the developer’s marketing strategy, i.e., what types of establishments were sought, and inclusion of any design features particular to rental and sales establishments.

A “professional office of a health care provider” is defined as a location where a person or entity regulated by a State to provide professional services related to the physical or mental health of an individual makes such services available to the public. In a two-story development that houses health care providers only on the ground floor, the “professional office of a health care provider” is limited to the ground floor unless the second floor was designed or intended for use by a health care provider. In determining if a floor was intended for such use, factors to be considered include whether the facility was constructed with special plumbing, electrical, or other features needed by health care providers, whether the developer marketed the facility as a medical office center, and whether any of the establishments that first occupied the floor was, in fact, a health care provider.

In addition to requiring that a building that is a shopping center, shopping mall, or the professional office of a health care provider have an elevator regardless of square

footage or number of floors, the ADA (section 303(b)) provides that the Attorney General may determine that a particular category of facilities requires the installation of elevators based on the usage of the facilities. The Department, as it proposed to do, has added to the nonexempt categories terminals, depots, or other stations used for specified public transportation, and airport passenger terminals. Numerous commenters in all categories endorsed this proposal; none opposed it. It is not uncommon for an airport passenger terminal or train station, for example, to have only two floors, with gates on both floors. Because of the significance of transportation, because a person with disabilities could be arriving or departing at any gate, and because inaccessible facilities could result in a total denial of transportation services, it is reasonable to require that newly constructed transit facilities be accessible, regardless of square footage or number of floors. One comment suggested an amendment that would treat terminals and stations similarly to shopping centers, by requiring an accessible route only to those areas used for passenger loading and unloading and for other passenger services. Paragraph (d)(2)(ii) has been modified accordingly.

Some commenters suggested that other types of facilities (e.g., educational facilities, libraries, museums, commercial facilities, and social service facilities) should be included in the category of nonexempt facilities. The Department has not found adequate justification for including any other types of facilities in the nonexempt category at this time.

Section 36.401(d)(2) establishes the operative requirements concerning the elevator exemption and its application to shopping centers and malls, professional offices of health care providers, transit stations, and airport passenger terminals. Under the rule's framework, it is necessary first to determine if a new facility (including one or more buildings) houses places of public accommodation or commercial facilities that are in the categories for which elevators are required. If so, and the facility is a shopping center or shopping mall, or a professional office of a health care provider, then any area housing such an office or a sales or rental establishment or the professional office of a health care provider is not entitled to the elevator exemption.

The following examples illustrate the application of these principles:

1. A shopping mall has an upper and a lower level. There are two "anchor stores" (in this case, major department stores at either end of the mall, both with exterior entrances and an entrance on each level from the common area). In addition, there are 30 stores (sales or rental establishments) on the upper level, all of which have entrances from

a common central area. There are 30 stores on the lower level, all of which have entrances from a common central area. According to the rule, elevator access must be provided to each store and to each level of the anchor stores. This requirement could be satisfied with respect to the 60 stores through elevators connecting the two pedestrian levels, provided that an individual could travel from the elevator to any other point on that level (i.e., into any store through a common pedestrian area) on an accessible path.

2. A commercial (nonresidential) "townhouse" development is composed of 20 two-story attached buildings. The facility is developed as one project, with common ownership, and the space will be leased to retailers. Each building has one accessible entrance from a pedestrian walk to the first floor. From that point, one can enter a store on the first floor, or walk up a flight of stairs to a store on the second floor. All 40 stores must be accessible at ground floor level or by accessible vertical access from that level. This does not mean, however, that 20 elevators must be installed. Access could be provided to the second floor by an elevator from the pedestrian area on the lower level to an upper walkway connecting all the areas on the second floor.

3. In the same type of development, it is planned that retail stores will be housed exclusively on the ground floor, with only office space (not professional offices of health care providers) on the second. Elevator access need not be provided to the second floor because all the sales or rental establishments (the entities that make the facility a shopping center) are located on an accessible ground floor.

4. In the same type of development, the space is designed and marketed as medical or office suites, or as a medical office facility. Accessible vertical access must be provided to all areas, as described in example 2.

Some commenters suggested that building owners who knowingly lease or rent space to nonexempt places of public accommodation would violate §36.401. However, the Department does not consider leasing or renting inaccessible space in itself to constitute a violation of this part. Nor does a change in use of a facility, with no accompanying alterations (e.g., if a psychiatrist replaces an attorney as a tenant in a second-floor office, but no alterations are made to the office) trigger accessibility requirements.

Entities cannot evade the requirements of this section by constructing facilities in such a way that no story is intended to constitute a "ground floor." For example, if a private entity constructs a building whose main entrance leads only to stairways or escalators that connect with upper or lower floors, the Department would consider at least one level of the facility a ground story.



The rule requires in §36.401(d)(3), consistent with the proposed rule, that, even if a building falls within the elevator exemption, the floor or floors other than the ground floor must nonetheless be accessible, except for elevator access, to individuals with disabilities, including people who use wheelchairs. This requirement applies to buildings that do not house sales or rental establishments or the professional offices of a health care provider as well as to those in which such establishments or offices are all located on the ground floor. In such a situation, little added cost is entailed in making the second floor accessible, because it is similar in structure and floor plan to the ground floor.

There are several reasons for this provision. First, some individuals who are mobility impaired may work on a building's second floor, which they can reach by stairs and the use of crutches; however, the same individuals, once they reach the second floor, may then use a wheelchair that is kept in the office. Secondly, because the first floor will be accessible, there will be little additional cost entailed in making the second floor, with the same structure and generally the same floor plan, accessible. In addition, the second floor must be accessible to those persons with disabilities who do not need elevators for level changes (for example, persons with sight or hearing impairments and those with certain mobility impairments). Finally, if an elevator is installed in the future for any reason, full access to the floor will be facilitated.

One commenter asserted that this provision goes beyond the Department's authority under the Act, and disagreed with the Department's claim that little additional cost would be entailed in compliance. However, the provision is taken directly from the legislative history (see Education and Labor report at 114).

One commenter said that where an elevator is not required, platform lifts should be required. Two commenters pointed out that the elevator exemption is really an exemption from the requirement for providing an accessible route to a second floor not served by an elevator. The Department agrees with the latter comment. Lifts to provide access between floors are not required in buildings that are not required to have elevators. This point is specifically addressed in the appendix to ADAAG (§4.1.3(5)). ADAAG also addresses in detail the situations in which lifts are permitted or required.

#### *Section 36.402 Alterations*

Sections 36.402-36.405 implement section 303(a)(2) of the Act, which requires that alterations to existing facilities be made in a way that ensures that the altered portion is readily accessible to and usable by individuals with disabilities. This part does not re-

quire alterations; it simply provides that when alterations are undertaken, they must be made in a manner that provides access.

Section 36.402(a)(1) provides that any alteration to a place of public accommodation or a commercial facility, after January 26, 1992, shall be made so as to ensure that, to the maximum extent feasible, the altered portions of the facility are readily accessible to and usable by individuals with disabilities, including individuals who use wheelchairs.

The proposed rule provided that an alteration would be deemed to be undertaken after January 26, 1992, if the physical alteration of the property is in progress after that date. Commenters pointed out that this provision would, in some cases, produce an unjust result by requiring the redesign or retrofitting of projects initiated before this part established the ADA accessibility standards. The Department agrees that the proposed rule would, in some instances, unfairly penalize projects that were substantially completed before the effective date. Therefore, paragraph (a)(2) has been revised to specify that an alteration will be deemed to be undertaken after January 26, 1992, if the physical alteration of the property begins after that date. As a matter of interpretation, the Department will construe this provision to apply to alterations that require a permit from a State, County or local government, if physical alterations pursuant to the terms of the permit begin after January 26, 1992. The Department recognizes that this application of the effective date may require redesign of some facilities that were planned prior to the publication of this part, but no retrofitting will be required of facilities on which the physical alterations were initiated prior to the effective date of the Act. Of course, nothing in this section in any way alters the obligation of any facility to remove architectural barriers in existing facilities to the extent that such barrier removal is readily achievable.

Paragraph (b) provides that, for the purposes of this part, an "alteration" is a change to a place of public accommodation or a commercial facility that affects or could affect the usability of the building or facility or any part thereof. One commenter suggested that the concept of usability should apply only to those changes that affect access by persons with disabilities. The Department remains convinced that the Act requires the concept of "usability" to be read broadly to include any change that affects the usability of the facility, not simply changes that relate directly to access by individuals with disabilities.

The Department received a significant number of comments on the examples provided in paragraphs (b)(1) and (b)(2) of the proposed rule. Some commenters urged the Department to limit the application of this provision to major structural modifications,

while others asserted that it should be expanded to include cosmetic changes such as painting and wallpapering. The Department believes that neither approach is consistent with the legislative history, which requires this Department's regulation to be consistent with the accessibility guidelines (ADAAG) developed by the Architectural and Transportation Barriers Compliance Board (ATBCB). Although the legislative history contemplates that, in some instances, the ADA accessibility standards will exceed the current MGRAD requirements, it also clearly indicates the view of the drafters that "minor changes such as painting or papering walls \* \* \* do not affect usability" (Education and Labor report at 111, Judiciary report at 64), and, therefore, are not alterations. The proposed rule was based on the existing MGRAD definition of "alteration." The language of the final rule has been revised to be consistent with ADAAG, incorporated as appendix A to this part.

Some commenters sought clarification of the intended scope of this section. The proposed rule contained illustrations of changes that affect usability and those that do not. The intent of the illustrations was to explain the scope of the alterations requirement; the effect was to obscure it. As a result of the illustrations, some commenters concluded that any alteration to a facility, even a minor alteration such as relocating an electrical outlet, would trigger an extensive obligation to provide access throughout an entire facility. That result was never contemplated.

Therefore, in this final rule paragraph (b)(1) has been revised to include the major provisions of paragraphs (b)(1) and (b)(2) of the proposed rule. The examples in the proposed rule have been deleted. Paragraph (b)(1) now provides that alterations include, but are not limited to, remodeling, renovation, rehabilitation, reconstruction, historic restoration, changes or rearrangement in structural parts or elements, and changes or rearrangement in the plan configuration of walls and full-height partitions. Normal maintenance, reroofing, painting or wallpapering, asbestos removal, or changes to mechanical and electrical systems are not alterations unless they affect the usability of building or facility.

Paragraph (b)(2) of this final rule was added to clarify the scope of the alterations requirement. Paragraph (b)(2) provides that if existing elements, spaces, or common areas are altered, then each such altered element, space, or area shall comply with the applicable provisions of appendix A (ADAAG). As provided in §36.403, if an altered space or area is an area of the facility that contains a primary function, then the requirements of that section apply.

Therefore, when an entity undertakes a minor alteration to a place of public accom-

modation or commercial facility, such as moving an electrical outlet, the new outlet must be installed in compliance with ADAAG. (Alteration of the elements listed in §36.403(c)(2) cannot trigger a path of travel obligation.) If the alteration is to an area, such as an employee lounge or locker room, that is not an area of the facility that contains a primary function, that area must comply with ADAAG. It is only when an alteration affects access to or usability of an area containing a primary function, as opposed to other areas or the elements listed in §36.403(c)(2), that the path of travel to the altered area must be made accessible.

The Department received relatively few comments on paragraph (c), which explains the statutory phrase "to the maximum extent feasible." Some commenters suggested that the regulation should specify that cost is a factor in determining whether it is feasible to make an altered area accessible. The legislative history of the ADA indicates that the concept of feasibility only reaches the question of whether it is possible to make the alteration accessible in compliance with this part. Costs are to be considered only when an alteration to an area containing a primary function triggers an additional requirement to make the path of travel to the altered area accessible.

Section 36.402(c) is, therefore, essentially unchanged from the proposed rule. At the recommendation of a commenter, the Department has inserted the word "virtually" to modify "impossible" to conform to the language of the legislative history. It explains that the phrase "to the maximum extent feasible" as used in this section applies to the occasional case where the nature of an existing facility makes it virtually impossible to comply fully with applicable accessibility standards through a planned alteration. In the occasional cases in which full compliance is impossible, alterations shall provide the maximum physical accessibility feasible. Any features of the facility that are being altered shall be made accessible unless it is technically infeasible to do so. If providing accessibility in conformance with this section to individuals with certain disabilities (e.g., those who use wheelchairs) would not be feasible, the facility shall be made accessible to persons with other types of disabilities (e.g., those who use crutches or who have impaired vision or hearing, or those who have other types of impairments).

#### *Section 36.403 Alterations: Path of Travel*

Section 36.403 implements the statutory requirement that any alteration that affects or could affect the usability of or access to an area of a facility that contains a primary function shall be made so as to ensure that, to the maximum extent feasible, the path of travel to the altered area, and the restrooms,

telephones, and drinking fountains serving the altered area, are readily accessible to and usable by individuals with disabilities, including individuals who use wheelchairs, unless the cost and scope of such alterations is disproportionate to the cost of the overall alteration. Paragraph (a) restates this statutory requirement.

Paragraph (b) defines a "primary function" as a major activity for which the facility is intended. This paragraph is unchanged from the proposed rule. Areas that contain a primary function include, but are not limited to, the customer services lobby of a bank, the dining area of a cafeteria, the meeting rooms in a conference center, as well as offices and all other work areas in which the activities of the public accommodation or other private entities using the facility are carried out. The concept of "areas containing a primary function" is analogous to the concept of "functional spaces" in §3.5 of the existing Uniform Federal Accessibility Standards, which defines "functional spaces" as "[t]he rooms and spaces in a building or facility that house the major activities for which the building or facility is intended."

Paragraph (b) provides that areas such as mechanical rooms, boiler rooms, supply storage rooms, employee lounges and locker rooms, janitorial closets, entrances, corridors, and restrooms are not areas containing a primary function. There may be exceptions to this general rule. For example, the availability of public restrooms at a place of public accommodation at a roadside rest stop may be a major factor affecting customers' decisions to patronize the public accommodation. In that case, a restroom would be considered to be an "area containing a primary function" of the facility.

Most of the commenters who addressed this issue supported the approach taken by the Department; but a few commenters suggested that areas not open to the general public or those used exclusively by employees should be excluded from the definition of primary function. The preamble to the proposed rule noted that the Department considered an alternative approach to the definition of "primary function," under which a primary function of a commercial facility would be defined as a major activity for which the facility was intended, while a primary function of a place of public accommodation would be defined as an activity which involves providing significant goods, services, facilities, privileges, advantages, or accommodations. However, the Department concluded that, although portions of the legislative history of the ADA support this alternative, the better view is that the language now contained in §36.403(b) most accurately reflects congressional intent. No commenter made a persuasive argument that the Department's interpretation of the legislative history is incorrect.

When the ADA was introduced, the requirement to make alterations accessible was included in section 302 of the Act, which identifies the practices that constitute discrimination by a public accommodation. Because section 302 applies only to the operation of a place of public accommodation, the alterations requirement was intended only to provide access to clients and customers of a public accommodation. It was anticipated that access would be provided to employees with disabilities under the "reasonable accommodation" requirements of title I. However, during its consideration of the ADA, the House Judiciary Committee amended the bill to move the alterations provision from section 302 to section 303, which applies to commercial facilities as well as public accommodations. The Committee report accompanying the bill explains that:

New construction and alterations of both public accommodations and commercial facilities must be made readily accessible to and usable by individuals with disabilities \* \* \*. Essentially, [this requirement] is designed to ensure that patrons *and employees* of public accommodations and commercial facilities are able to get to, enter and use the facility \* \* \*. The rationale for making new construction accessible applies with equal force to alterations.

Judiciary report at 62-63 (emphasis added).

The ADA, as enacted, contains the language of section 303 as it was reported out of the Judiciary Committee. Therefore, the Department has concluded that the concept of "primary function" should be applied in the same manner to places of public accommodation and to commercial facilities, thereby including employee work areas in places of public accommodation within the scope of this section.

Paragraph (c) provides examples of alterations that affect the usability of or access to an area containing a primary function. The examples include: Remodeling a merchandise display area or employee work areas in a department store; installing a new floor surface to replace an inaccessible surface in the customer service area or employee work areas of a bank; redesigning the assembly line area of a factory; and installing a computer center in an accounting firm. This list is illustrative, not exhaustive. Any change that affects the usability of or access to an area containing a primary function triggers the statutory obligation to make the path of travel to the altered area accessible.

When the proposed rule was drafted, the Department believed that the rule made it clear that the ADA would require alterations to the path of travel only when such alterations are not disproportionate to the alteration to the primary function area. However, the comments that the Department received

indicated that many commenters believe that even minor alterations to individual elements would require additional alterations to the path of travel. To address the concern of these commenters, a new paragraph (c)(2) has been added to the final rule to provide that alterations to such elements as windows, hardware, controls (e.g. light switches or thermostats), electrical outlets, or signage will not be deemed to be alterations that affect the usability of or access to an area containing a primary function. Of course, each element that is altered must comply with ADAAG (appendix A). The cost of alterations to individual elements would be included in the overall cost of an alteration for purposes of determining disproportionality and would be counted when determining the aggregate cost of a series of small alterations in accordance with §36.401(h) if the area is altered in a manner that affects access to or usability of an area containing a primary function.

Paragraph (d) concerns the respective obligations of landlords and tenants in the cases of alterations that trigger the path of travel requirement under §36.403. This paragraph was contained in the landlord/tenant section of the proposed rule, §36.201(b). If a tenant is making alterations upon its premises pursuant to terms of a lease that grant it the authority to do so (even if they constitute alterations that trigger the path of travel requirement), and the landlord is not making alterations to other parts of the facility, then the alterations by the tenant on its own premises do not trigger a path of travel obligation upon the landlord in areas of the facility under the landlord's authority that are not otherwise being altered. The legislative history makes clear that the path of travel requirement applies only to the entity that is already making the alteration, and thus the Department has not changed the final rule despite numerous comments suggesting that the tenant be required to provide a path of travel.

Paragraph (e) defines a "path of travel" as a continuous, unobstructed way of pedestrian passage by means of which an altered area may be approached, entered, and exited; and which connects the altered area with an exterior approach (including sidewalks, streets, and parking areas), an entrance to the facility, and other parts of the facility. This concept of an accessible path of travel is analogous to the concepts of "accessible route" and "circulation path" contained in section 3.5 of the current UFAS. Some commenters suggested that this paragraph should address emergency egress. The Department disagrees. "Path of travel" as it is used in this section is a term of art under the ADA that relates only to the obligation of the public accommodation or commercial facility to provide additional accessible elements when an area containing a primary

function is altered. The Department recognizes that emergency egress is an important issue, but believes that it is appropriately addressed in ADAAG (appendix A), not in this paragraph. Furthermore, ADAAG does not require changes to emergency egress areas in alterations.

Paragraph (e)(2) is drawn from section 3.5 of UFAS. It provides that an accessible path of travel may consist of walks and sidewalks, curb ramps and other interior or exterior pedestrian ramps; clear floor paths through lobbies, corridors, rooms, and other improved areas; parking access aisles; elevators and lifts; or a combination of such elements. Paragraph (e)(3) provides that, for the purposes of this part, the term "path of travel" also includes the restrooms, telephones, and drinking fountains serving an altered area.

Although the Act establishes an expectation that an accessible path of travel should generally be included when alterations are made to an area containing a primary function, Congress recognized that, in some circumstances, providing an accessible path of travel to an altered area may be sufficiently burdensome in comparison to the alteration being undertaken to the area containing a primary function as to render this requirement unreasonable. Therefore, Congress provided, in section 303(a)(2) of the Act, that alterations to the path of travel that are disproportionate in cost and scope to the overall alteration are not required.

The Act requires the Attorney General to determine at what point the cost of providing an accessible path of travel becomes disproportionate. The proposed rule provided three options for making this determination.

Two committees of Congress specifically addressed this issue: the House Committee on Education and Labor and the House Committee on the Judiciary. The reports issued by each committee suggested that accessibility alterations to a path of travel might be "disproportionate" if they exceed 30% of the alteration costs (Education and Labor report at 113; Judiciary report at 64). Because the Department believed that smaller percentage rates might be appropriate, the proposed rule sought comments on three options: 10%, 20%, or 30%.

The Department received a significant number of comments on this section. Commenters representing individuals with disabilities generally supported the use of 30% (or more); commenters representing covered entities supported a figure of 10% (or less). The Department believes that alterations made to provide an accessible path of travel to the altered area should be deemed disproportionate to the overall alteration when the cost exceeds 20% of the cost of the alteration to the primary function area. This approach appropriately reflects the intent of Congress to provide access for individuals with disabilities without causing economic

hardship for the covered public accommodations and commercial facilities.

The Department has determined that the basis for this cost calculation shall be the cost of the alterations to the area containing the primary function. This approach will enable the public accommodation or other private entity that is making the alteration to calculate its obligation as a percentage of a clearly ascertainable base cost, rather than as a percentage of the "total" cost, an amount that will change as accessibility alterations to the path of travel are made.

Paragraph (f)(2) (paragraph (e)(2) in the proposed rule) is unchanged. It provides examples of costs that may be counted as expenditures required to provide an accessible path of travel. They include:

- Costs associated with providing an accessible entrance and an accessible route to the altered area, for example, the cost of widening doorways or installing ramps;
- Costs associated with making restrooms accessible, such as installing grab bars, enlarging toilet stalls, insulating pipes, or installing accessible faucet controls;
- Costs associated with providing accessible telephones, such as relocating telephones to an accessible height, installing amplification devices, or installing telecommunications devices for deaf persons (TDD's);
- Costs associated with relocating an inaccessible drinking fountain.

Paragraph (f)(1) of the proposed rule provided that when the cost of alterations necessary to make the path of travel serving an altered area fully accessible is disproportionate to the cost of the overall alteration, the path of travel shall be made accessible to the maximum extent feasible. In response to the suggestion of a commenter, the Department has made an editorial change in the final rule (paragraph (g)(1)) to clarify that if the cost of providing a fully accessible path of travel is disproportionate, the path of travel shall be made accessible "to the extent that it can be made accessible without incurring disproportionate costs."

Paragraph (g)(2) (paragraph (f)(2) in the NPRM) establishes that priority should be given to those elements that will provide the greatest access, in the following order: An accessible entrance; an accessible route to the altered area; at least one accessible restroom for each sex or a single unisex restroom; accessible telephones; accessible drinking fountains; and, whenever possible, additional accessible elements such as parking, storage, and alarms. This paragraph is unchanged from the proposed rule.

Paragraph (h) (paragraph (g) in the proposed rule) provides that the obligation to provide an accessible path of travel may not be evaded by performing a series of small alterations to the area served by a single path of travel if those alterations could have been

performed as a single undertaking. If an area containing a primary function has been altered without providing an accessible path of travel to serve that area, and subsequent alterations of that area, or a different area on the same path of travel, are undertaken within three years of the original alteration, the total cost of alterations to primary function areas on that path of travel during the preceding three year period shall be considered in determining whether the cost of making the path of travel serving that area accessible is disproportionate. Only alterations undertaken after January 26, 1992, shall be considered in determining if the cost of providing accessible features is disproportionate to the overall cost of the alterations.

#### *Section 36.404 Alterations: Elevator Exemption*

Section 36.404 implements the elevator exemption in section 303(b) of the Act as it applies to altered facilities. The provisions of section 303(b) are discussed in the preamble to §36.401(d) above. The statute applies the same exemption to both new construction and alterations. The principal difference between the requirements of §36.401(d) and §36.404 is that, in altering an existing facility that is not eligible for the statutory exemption, the public accommodation or other private entity responsible for the alteration is not required to install an elevator if the installation of an elevator would be disproportionate in cost and scope to the cost of the overall alteration as provided in §36.403(f)(1). In addition, the standards referenced in §36.406 (ADAAG) provide that installation of an elevator in an altered facility is not required if it is "technically infeasible."

This section has been revised to define the terms "professional office of a health care provider" and "shopping center or shopping mall" for the purposes of this section. The definition of "professional office of a health care provider" is identical to the definition included in §36.401(d).

It has been brought to the attention of the Department that there is some misunderstanding about the scope of the elevator exemption as it applies to the professional office of a health care provider. A public accommodation, such as the professional office of a health care provider, is required to remove architectural barriers to its facility to the extent that such barrier removal is readily achievable (see §36.304), but it is not otherwise required by this part to undertake new construction or alterations. This part does not require that an existing two story building that houses the professional office of a health care provider be altered for the purpose of providing elevator access. If, however, alterations to the area housing the office of the health care provider are undertaken for other purposes, the installation of

an elevator might be required, but only if the cost of the elevator is not disproportionate to the cost of the overall alteration. Neither the Act nor this part prohibits a health care provider from locating his or her professional office in an existing facility that does not have an elevator.

Because of the unique challenges presented in altering existing facilities, the Department has adopted a definition of “shopping center or shopping mall” for the purposes of this section that is slightly different from the definition adopted under §36.401(d). For the purposes of this section, a “shopping center or shopping mall” is (1) a building housing five or more sales or rental establishments, or (2) a series of buildings on a common site, connected by a common pedestrian access route above or below the ground floor, either under common ownership or common control or developed either as one project or as a series of related projects, housing five or more sales or rental establishments. As is the case with new construction, the term “shopping center or shopping mall” only includes floor levels housing at least one sales or rental establishment, or any floor level that was designed or intended for use by at least one sales or rental establishment.

The Department believes that it is appropriate to use a different definition of “shopping center or shopping mall” for this section than for §36.401, in order to make it clear that a series of existing buildings on a common site that is altered for the use of sales or rental establishments does not become a “shopping center or shopping mall” required to install an elevator, unless there is a common means of pedestrian access above or below the ground floor. Without this exemption, separate, but adjacent, buildings that were initially designed and constructed independently of each other could be required to be retrofitted with elevators, if they were later renovated for a purpose not contemplated at the time of construction.

Like §36.401(d), §36.404 provides that the exemptions in this paragraph do not obviate or limit in any way the obligation to comply with the other accessibility requirements established in this subpart. For example, alterations to floors above or below the ground floor must be accessible regardless of whether the altered facility has an elevator. If a facility that is not required to install an elevator nonetheless has an elevator, that elevator shall meet, to the maximum extent feasible, the accessibility requirements of this section.

*Section 36.405 Alterations: Historic Preservation*

Section 36.405 gives effect to the intent of Congress, expressed in section 504(c) of the Act, that this part recognize the national interest in preserving significant historic

structures. Commenters criticized the Department’s use of descriptive terms in the proposed rule that are different from those used in the ADA to describe eligible historic properties. In addition, some commenters criticized the Department’s decision to use the concept of “substantially impairing” the historic features of a property, which is a concept employed in regulations implementing section 504 of the Rehabilitation Act of 1973. Those commenters recommended that the Department adopt the criteria of “adverse effect” published by the Advisory Council on Historic Preservation under the National Historic Preservation Act (36 CFR 800.9) as the standard for determining whether an historic property may be altered.

The Department agrees with these comments to the extent that they suggest that the language of the rule should conform to the language employed by Congress in the ADA. Therefore, the language of this section has been revised to make it clear that this provision applies to buildings or facilities that are eligible for listing in the National Register of Historic Places under the National Historic Preservation Act (16 U.S.C. 470 *et seq.*) and to buildings or facilities that are designated as historic under State or local law. The Department believes, however, that the criteria of adverse effect employed under the National Historic Preservation Act are inappropriate for this rule because section 504(c) of the ADA specifies that special alterations provisions shall apply only when an alteration would “threaten or destroy the historic significance of qualified historic buildings and facilities.”

The Department intends that the exception created by this section be applied only in those very rare situations in which it is not possible to provide access to an historic property using the special access provisions in ADAAG. Therefore, paragraph (a) of §36.405 has been revised to provide that alterations to historic properties shall comply, to the maximum extent feasible, with section 4.1.7 of ADAAG. Paragraph (b) of this section has been revised to provide that if it has been determined, under the procedures established in ADAAG, that it is not feasible to provide physical access to an historic property that is a place of public accommodation in a manner that will not threaten or destroy the historic significance of the property, alternative methods of access shall be provided pursuant to the requirements of Subpart C.

*Section 36.406 Standards for New Construction and Alterations*

Section 36.406 implements the requirements of sections 306(b) and 306(c) of the Act, which require the Attorney General to promulgate standards for accessible design for buildings and facilities subject to the Act

and this part that are consistent with the supplemental minimum guidelines and requirements for accessible design published by the Architectural and Transportation Barriers Compliance Board (ATBCB or Board) pursuant to section 504 of the Act. This section of the rule provides that new construction and alterations subject to this part shall comply with the standards for accessible design published as appendix A to this part.

Appendix A contains the Americans with Disabilities Act Accessibility Guidelines for Buildings and Facilities (ADAAG) which is being published by the ATBCB as a final rule elsewhere in this issue of the FEDERAL REGISTER. As proposed in this Department's proposed rule, §36.406(a) adopts ADAAG as the accessibility standard applicable under this rule.

Paragraph (b) was not included in the proposed rule. It provides, in chart form, guidance for using ADAAG together with subparts A through D of this part when determining requirements for a particular facility. This chart is intended solely as guidance for the user; it has no effect for purposes of compliance or enforcement. It does not necessarily provide complete or mandatory information.

Proposed §36.406(b) is not included in the final rule. That provision, which would have taken effect only if the final rule had followed the proposed Option Two for §36.401(a), is unnecessary because the Department has chosen Option One, as explained in the preamble for that section.

Section 504(a) of the ADA requires the ATBCB to issue minimum guidelines to supplement the existing Minimum Guidelines and Requirements for Accessible Design (MGRAD) (36 CFR part 1190) for purposes of title III. According to section 504(b) of the Act, the guidelines are to establish additional requirements, consistent with the Act, "to ensure that buildings and facilities are accessible, in terms of architecture and design, . . . and communication, to individuals with disabilities." Section 306(c) of the Act requires that the accessibility standards included in the Department's regulations be consistent with the minimum guidelines, in this case ADAAG.

As explained in the ATBCB's preamble to ADAAG, the substance and form of the guidelines are drawn from several sources. They use as their model the 1984 Uniform Federal Accessibility Standards (UFAS) (41 CFR part 101, subpart 101-19.6, appendix), which are the standards implementing the Architectural Barriers Act. UFAS is based on the Board's 1982 MGRAD. ADAAG follows the numbering system and format of the private sector American National Standard Institute's ANSI A117.1 standards. (American National Specifications for Making Buildings and Facilities Accessible to and Usable

by Physically Handicapped People (ANSI A117-1980) and American National Standard for Buildings and Facilities—Providing Accessibility and Usability for Physically Handicapped People (ANSI A117.1-1986).) ADAAG supplements MGRAD. In developing ADAAG, the Board made every effort to be consistent with MGRAD and the current and proposed ANSI Standards, to the extent consistent with the ADA.

ADAAG consists of nine main sections and a separate appendix. Sections 1 through 3 contain general provisions and definitions. Section 4 contains scoping provisions and technical specifications applicable to all covered buildings and facilities. The scoping provisions are listed separately for new construction of sites and exterior facilities; new construction of buildings; additions; alterations; and alterations to historic properties. The technical specifications generally reprint the text and illustrations of the ANSI A117.1 standard, except where differences are noted by italics. Sections 5 through 9 of the guidelines are special application sections and contain additional requirements for restaurants and cafeterias, medical care facilities, business and mercantile facilities, libraries, and transient lodging. The appendix to the guidelines contains additional information to aid in understanding the technical specifications. The section numbers in the appendix correspond to the sections of the guidelines to which they relate. An asterisk after a section number indicates that additional information appears in the appendix.

ADAAG's provisions are further explained under Summary of ADAAG below.

#### GENERAL COMMENTS

One commenter urged the Department to move all or portions of subpart D, New Construction and Alterations, to the appendix (ADAAG) or to duplicate portions of subpart D in the appendix. The commenter correctly pointed out that subpart D is inherently linked to ADAAG, and that a self-contained set of rules would be helpful to users. The Department has attempted to simplify use of the two documents by deleting some paragraphs from subpart D (e.g., those relating to work areas), because they are included in ADAAG. However, the Department has retained in subpart D those sections that are taken directly from the statute or that give meaning to specific statutory concepts (e.g., structural impracticability, path of travel). While some of the subpart D provisions are duplicated in ADAAG, others are not. For example, issues relating to path of travel and disproportionality in alterations are not addressed in detail in ADAAG. (The structure and contents of the two documents are addressed below under Summary of ADAAG.) While the Department agrees that it would

be useful to have one self-contained document, the different focuses of this rule and ADAAG do not permit this result at this time. However, the chart included in §36.406(b) should assist users in applying the provisions of subparts A through D, and ADAAG together.

Numerous business groups have urged the Department not to adopt the proposed ADAAG as the accessibility standards, because the requirements established are too high, reflect the “state of the art,” and are inflexible, rigid, and impractical. Many of these objections have been lodged on the basis that ADAAG exceeds the statutory mandate to establish “minimum” guidelines. In the view of the Department, these commenters have misconstrued the meaning of the term “minimum guidelines.” The statute clearly contemplates that the guidelines establish a level of access—a minimum—that the standards must meet or exceed. The guidelines are not to be “minimal” in the sense that they would provide for a low level of access. To the contrary, Congress emphasized that the ADA requires a “high degree of convenient access.” Education and Labor report at 117-18. The legislative history explains that the guidelines may not “reduce, weaken, narrow or set less accessibility standards than those included in existing MGRAD” and should provide greater guidance in communication accessibility for individuals with hearing and vision impairments. *Id.* at 139. Nor did Congress contemplate a set of guidelines less detailed than ADAAG; the statute requires that the ADA guidelines supplement the existing MGRAD. When it established the statutory scheme, Congress was aware of the content and purpose of the 1982 MGRAD; as ADAAG does with respect to ADA, MGRAD establishes a minimum level of access that the Architectural Barriers Act standards (i.e., UFAS) must meet or exceed, and includes a high level of detail.

Many of the same commenters urged the Department to incorporate as its accessibility standards the ANSI standard’s technical provisions and to adopt the proposed scoping provisions under development by the Council of American Building Officials’ Board for the Coordination of Model Codes (BCMC). They contended that the ANSI standard is familiar to and accepted by professionals, and that both documents are developed through consensus. They suggested that ADAAG will not stay current, because it does not follow an established cyclical review process, and that it is not likely to be adopted by nonfederal jurisdictions in State and local codes. They urged the Department and the Board to coordinate the ADAAG provisions and any substantive changes to them with the ANSI A117 committee in order to maintain a consistent and uniform set of accessibility standards that can be efficiently

and effectively implemented at the State and local level through the existing building regulatory processes.

The Department shares the commenters’ goal of coordination between the private sector and Federal standards, to the extent that coordination can lead to substantive requirements consistent with the ADA. A single accessibility standard, or consistent accessibility standards, that can be used for ADA purposes and that can be incorporated or referenced by State and local governments, would help to ensure that the ADA requirements are routinely implemented at the design stage. The Department plans to work toward this goal.

The Department, however, must comply with the requirements of the ADA, the Federal Advisory Committee Act (5 U.S.C. app. 1 *et seq.*) and the Administrative Procedure Act (5 U.S.C. 551 *et seq.*). Neither the Department nor the Board can adopt private requirements wholesale. Furthermore, neither the 1991 ANSI A117 Standard revision nor the BCMC process is complete. Although the ANSI and BCMC provisions are not final, the Board has carefully considered both the draft BCMC scoping provisions and draft ANSI technical standards and included their language in ADAAG wherever consistent with the ADA.

Some commenters requested that, if the Department did not adopt ANSI by reference, the Department declare compliance with ANSI/BCMC to constitute equivalency with the ADA standards. The Department has not adopted this recommendation but has instead worked as a member of the ATBCB to ensure that its accessibility standards are practical and usable. In addition, as explained under subpart F, Certification of State Laws or Local Building Codes, the proper forum for further evaluation of this suggested approach would be in conjunction with the certification process.

Some commenters urged the Department to allow an additional comment period after the Board published its guidelines in final form, for purposes of affording the public a further opportunity to evaluate the appropriateness of including them as the Department’s accessibility standards. Such an additional comment period is unnecessary and would unduly delay the issuance of final regulations. The Department put the public on notice, through the proposed rule, of its intention to adopt the proposed ADAAG, with any changes made by the Board, as the accessibility standards. As a member of the Board and of its ADA Task Force, the Department participated actively in the public hearings held on the proposed guidelines and in preparation of both the proposed and final versions of ADAAG. Many individuals and groups commented directly to the Department’s docket, or at its public hearings, about ADAAG. The comments received on



ADAAG, whether by the Board or by this Department, were thoroughly analyzed and considered by the Department in the context of whether the proposed ADAAG was consistent with the ADA and suitable for adoption as both guidelines and standards. The Department is convinced that ADAAG as adopted in its final form is appropriate for these purposes. The final guidelines, adopted here as standards, will ensure the high level of access contemplated by Congress, consistent with the ADA's balance between the interests of people with disabilities and the business community.

A few commenters, citing the Senate report (at 70) and the Education and Labor report (at 119), asked the Department to include in the regulations a provision stating that departures from particular technical and scoping requirements of the accessibility standards will be permitted so long as the alternative methods used will provide substantially equivalent or greater access to and utilization of the facility. Such a provision is found in ADAAG 2.2 and by virtue of that fact is included in these regulations.

*Comments on specific provisions of proposed ADAAG*

During the course of accepting comments on its proposed rule, the Department received numerous comments on ADAAG. Those areas that elicited the heaviest response included assistive listening systems, automated teller machines, work areas, parking, areas of refuge, telephones (scoping for TDD's and volume controls) and visual alarms. Strenuous objections were raised by some business commenters to the proposed provisions of the guidelines concerning check-out aisles, counters, and scoping for hotels and nursing facilities. All these comments were considered in the same manner as other comments on the Department's proposed rule and, in the Department's view, have been addressed adequately in the final ADAAG.

Largely in response to comments, the Board made numerous changes from its proposal, including the following:

- Generally, at least 50% of public entrances to new buildings must be accessible, rather than all entrances, as would often have resulted from the proposed approach.
- Not all check-out aisles are required to be accessible.
- The final guidelines provide greater flexibility in providing access to sales counters, and no longer require a portion of every counter to be accessible.
- Scoping for TDD's or text telephones was increased. One TDD or text telephone, for speech and hearing impaired persons, must be provided at locations with 4, rather than 6, pay phones, and in hospitals and shopping malls. Use of portable (less expensive) TDD's is allowed.

- Dispersal of wheelchair seating areas in theaters will be required only where there are more than 300 seats, rather than in all cases. Seats with removable armrests (i.e., seats into which persons with mobility impairments can transfer) will also be required.

- Areas of refuge (areas with direct access to a stairway, and where people who cannot use stairs may await assistance during an emergency evacuation) will be required, as proposed, but the final provisions are based on the Uniform Building Code. Such areas are not required in alterations.

- Rather than requiring 5% of new hotel rooms to be accessible to people with mobility impairments, between 2 and 4% accessibility (depending on total number of rooms) is required. In addition, 1% of the rooms must have roll-in showers.

- The proposed rule reserved the provisions on alterations to homeless shelters. The final guidelines apply alterations requirements to homeless shelters, but the requirements are less stringent than those applied to other types of facilities.

- Parking spaces that can be used by people in vans (with lifts) will be required.

- As mandated by the ADA, the Board has established a procedure to be followed with respect to alterations to historic facilities.

SUMMARY OF ADAAG

This section of the preamble summarizes the structure of ADAAG, and highlights the more important portions.

• *Sections 1 Through 3*

Sections 1 through 3 contain general requirements, including definitions.

• *Section 4.1.1, Application*

Section 4 contains scoping requirements. Section 4.1.1, Application, provides that all areas of newly designed or newly constructed buildings and facilities and altered portions of existing buildings and facilities required to be accessible by §4.1.6 must comply with the guidelines unless otherwise provided in §4.1.1 or a special application section. It addresses areas used only by employees as work areas, temporary structures, and general exceptions.

Section 4.1.1(3) preserves the basic principle of the proposed rule: Areas that may be used by employees with disabilities shall be designed and constructed so that an individual with a disability can approach, enter, and exit the area. The language has been clarified to provide that it applies to any area used only as a work area (not just to areas "that may be used by employees with disabilities"), and that the guidelines do not require that any area used as an individual work station be designed with maneuvering space or equipped to be accessible. The appendix to ADAAG explains that work areas

must meet the guidelines' requirements for doors and accessible routes, and recommends, but does not require, that 5% of individual work stations be designed to permit a person using a wheelchair to maneuver within the space.

Further discussion of work areas is found in the preamble concerning proposed §36.401(b).

Section 4.1.1(5)(a) includes an exception for structural impracticability that corresponds to the one found in §36.401(c) and discussed in that portion of the preamble.

- *Section 4.1.2, Accessible Sites and Exterior Facilities: New Construction*

This section addresses exterior features, elements, or spaces such as parking, portable toilets, and exterior signage, in new construction. Interior elements and spaces are covered by §4.1.3.

The final rule retains the UFAS scoping for parking but also requires that at least one of every eight accessible parking spaces be designed with adequate adjacent space to deploy a lift used with a van. These spaces must have a sign indicating that they are van-accessible, but they are not to be reserved exclusively for van users.

- *Section 4.1.3, Accessible Buildings: New Construction*

This section establishes scoping requirements for new construction of buildings and facilities.

Sections 4.1.3 (1) through (4) cover accessible routes, protruding objects, ground and floor surfaces, and stairs.

Section 4.1.3(5) generally requires elevators to serve each level in a newly constructed building, with four exceptions included in the subsection. Exception 1 is the "elevator exception" established in §36.401(d), which must be read with this section. Exception 4 allows the use of platform lifts under certain conditions.

Section 4.1.3(6), Windows, is reserved. Section 4.1.3(7) applies to doors.

Under §4.1.3(8), at least 50% of all public entrances must be accessible. In addition, if a building is designed to provide access to enclosed parking, pedestrian tunnels, or elevated walkways, at least one entrance that serves each such function must be accessible. Each tenancy in a building must be served by an accessible entrance. Where local regulations (e.g., fire codes) require that a minimum number of exits be provided, an equivalent number of accessible entrances must be provided. (The latter provision does not require a greater number of entrances than otherwise planned.)

ADAAG Section 4.1.3(9), with accompanying technical requirements in Section 4.3, requires an area of rescue assistance (*i.e.*, an area with direct access to an exit stair-

way and where people who are unable to use stairs may await assistance during an emergency evacuation) to be established on each floor of a multi-story building. This was one of the most controversial provisions in the guidelines. The final ADAAG is based on current Uniform Building Code requirements and retains the requirement that areas of refuge (renamed "areas of rescue assistance") be provided, but specifies that this requirement does not apply to buildings that have a supervised automatic sprinkler system. Areas of refuge are not required in alterations.

The next seven subsections deal with drinking fountains (§4.1.3(10)); toilet facilities (§4.1.3(11)); storage, shelving, and display units (§4.1.3(12)), controls and operating mechanisms (§4.1.3(13)), emergency warning systems (§4.1.3(14)), detectable warnings (§4.1.3(15)), and building signage (§4.1.3(16)). Paragraph 11 requires that toilet facilities comply with §4.22, which requires one accessible toilet stall (60" × 60") in each newly constructed restroom. In response to public comments, the final rule requires that a second accessible stall (36" × 60") be provided in restrooms that have six or more stalls.

ADAAG Section 4.1.3(17) establishes requirements for accessibility of pay phones to persons with mobility impairments, hearing impairments (requiring some phones with volume controls), and those who cannot use voice telephones. It requires one interior "text telephone" to be provided at any facility that has a total of four or more public pay phones. (The term "text telephone" has been adopted to reflect current terminology and changes in technology.) In addition, text telephones will be required in specific locations, such as covered shopping malls, hospitals (in emergency rooms, waiting rooms, and recovery areas), and convention centers.

Paragraph 18 of Section 4.1.3 generally requires that at least five percent of fixed or built-in seating or tables be accessible.

Paragraph 19, covering assembly areas, specifies the number of wheelchair seating spaces and types and numbers of assistive listening systems required. It requires dispersal of wheelchair seating locations in facilities where there are more than 300 seats. The guidelines also require that at least one percent of all fixed seats be aisle seats without armrests (or with moveable armrests) on the aisle side to increase accessibility for persons with mobility impairments who prefer to transfer from their wheelchairs to fixed seating. In addition, the final ADAAG requires that fixed seating for a companion be located adjacent to each wheelchair location.

Paragraph 20 requires that where automated teller machines are provided, at least one must comply with section 4.34, which, among other things, requires accessible controls, and instructions and other information

that are accessible to persons with sight impairments.

Under paragraph 21, where dressing rooms are provided, five percent or at least one must comply with section 4.35.

- *Section 4.1.5, Additions*

Each addition to an existing building or facility is regarded as an alteration subject to §§36.402 through 36.406 of subpart D, including the date established in §36.402(a). But additions also have attributes of new construction, and to the extent that a space or element in the addition is newly constructed, each new space or element must comply with the applicable scoping provisions of sections 4.1.1 to 4.1.3 for new construction, the applicable technical specifications of sections 4.2 through 4.34, and any applicable special provisions in sections 5 through 10. For instance, if a restroom is provided in the addition, it must comply with the requirements for new construction. Construction of an addition does not, however, create an obligation to retrofit the entire existing building or facility to meet requirements for new construction. Rather, the addition is to be regarded as an alteration and to the extent that it affects or could affect the usability of or access to an area containing a primary function, the requirements in section 4.1.6(2) are triggered with respect to providing an accessible path of travel to the altered area and making the restrooms, telephones, and drinking fountains serving the altered area accessible. For example, if a museum adds a new wing that does not have a separate entrance as part of the addition, an accessible path of travel would have to be provided through the existing building or facility unless it is disproportionate to the overall cost and scope of the addition as established in §36.403(f).

- *Section 4.1.6, Alterations*

An alteration is a change to a building or facility that affects or could affect the usability of or access to the building or facility or any part thereof. There are three general principles for alterations. First, if any existing element or space is altered, the altered element or space must meet new construction requirements (section 4.1.6(1)(b)). Second, if alterations to the elements in a space when considered together amount to an alteration of the space, the entire space must meet new construction requirements (section 4.1.6(1)(c)). Third, if the alteration affects or could affect the usability of or access to an area containing a primary function, the path of travel to the altered area and the restrooms, drinking fountains, and telephones serving the altered area must be made accessible unless it is disproportionate to the overall alterations in terms of cost

and scope as determined under criteria established by the Attorney General (§4.1.6(2)).

Section 4.1.6 should be read with §§36.402 through 36.405. Requirements concerning alterations to an area serving a primary function are addressed with greater detail in the latter sections than in section 4.1.6(2). Section 4.1.6(1)(j) deals with technical infeasibility. Section 4.1.6(3) contains special technical provisions for alterations to existing buildings and facilities.

- *Section 4.1.7, Historic Preservation*

This section contains scoping provisions and alternative requirements for alterations to qualified historic buildings and facilities. It clarifies the procedures under the National Historic Preservation Act and their application to alterations covered by the ADA. An individual seeking to alter a facility that is subject to the ADA guidelines and to State or local historic preservation statutes shall consult with the State Historic Preservation Officer to determine if the planned alteration would threaten or destroy the historic significance of the facility.

- *Sections 4.2 Through 4.35*

Sections 4.2 through 4.35 contain the technical specifications for elements and spaces required to be accessible by the scoping provisions (sections 4.1 through 4.1.7) and special application sections (sections 5 through 10). The technical specifications are the same as the 1980 version of ANSI A117.1 standard, except as noted in the text by italics.

- *Sections 5 Through 9*

These are special application sections and contain additional requirements for restaurants and cafeterias, medical care facilities, business and mercantile facilities, libraries, and transient lodging. For example, at least 5 percent, but not less than one, of the fixed tables in a restaurant must be accessible.

In section 7, Business and Mercantile, paragraph 7.2 (Sales and Service Counters, Teller Windows, Information Counters) has been revised to provide greater flexibility in new construction than did the proposed rule. At least one of each type of sales or service counter where a cash register is located shall be made accessible. Accessible counters shall be dispersed throughout the facility. At counters such as bank teller windows or ticketing counters, alternative methods of compliance are permitted. A public accommodation may lower a portion of the counter, provide an auxiliary counter, or provide equivalent facilitation through such means as installing a folding shelf on the front of the counter at an accessible height to provide a work surface for a person using a wheelchair.

Section 7.3., Check-out Aisles, provides that, in new construction, a certain number of each design of check-out aisle, as listed in a chart based on the total number of check-out aisles of each design, shall be accessible. The percentage of check-outs required to be accessible generally ranges from 20% to 40%. In a newly constructed or altered facility with less than 5,000 square feet of selling space, at least one of each type of check-out aisle must be accessible. In altered facilities with 5,000 or more square feet of selling space, at least one of each design of check-out aisle must be made accessible when altered, until the number of accessible aisles of each design equals the number that would be required for new construction.

- *Section 9, Accessible Transient Lodging*

Section 9 addresses two types of transient lodging: hotels, motels, inns, boarding houses, dormitories, resorts, and other similar places (sections 9.1 through 9.4); and homeless shelters, halfway houses, transient group homes, and other social service establishments (section 9.5). The interplay of the ADA and Fair Housing Act with respect to such facilities is addressed in the preamble discussion of the definition of “place of public accommodation” in §36.104.

The final rule establishes scoping requirements for accessibility of newly constructed hotels. Four percent of the first hundred rooms, and roughly two percent of rooms in excess of 100, must meet certain requirements for accessibility to persons with mobility or hearing impairments, and an additional identical percentage must be accessible to persons with hearing impairments. An additional 1% of the available rooms must be equipped with roll-in showers, raising the actual scoping for rooms accessible to persons with mobility impairments to 5% of the first hundred rooms and 3% thereafter. The final ADAAG also provides that when a hotel is being altered, one fully accessible room and one room equipped with visual alarms, notification devices, and amplified telephones shall be provided for each 25 rooms being altered until the number of accessible rooms equals that required under the new construction standard. Accessible rooms must be dispersed in a manner that will provide persons with disabilities with a choice of single or multiple-bed accommodations.

In new construction, homeless shelters and other social service entities must comply with ADAAG; at least one type of amenity in each common area must be accessible. In a facility that is not required to have an elevator, it is not necessary to provide accessible amenities on the inaccessible floors if at least one of each type of amenity is provided in accessible common areas. The percentage of accessible sleeping accommodations re-

quired is the same as that required for other places of transient lodging. Requirements for facilities altered for use as a homeless shelter parallel the current MGRAD accessibility requirements for leased buildings. A shelter located in an altered facility must have at least one accessible entrance, accessible sleeping accommodations in a number equivalent to that established for new construction, at least one accessible toilet and bath, at least one accessible common area, and an accessible route connecting all accessible areas. All accessible areas in a homeless shelter in an altered facility may be located on one level.

*Section 10, Transportation Facilities*

Section 10 of ADAAG is reserved. On March 20, 1991, the ATBCB published a supplemental notice of proposed rulemaking (56 FR 11874) to establish special access requirements for transportation facilities. The Department anticipates that when the ATBCB issues final guidelines for transportation facilities, this part will be amended to include those provisions.

*Subpart E—Enforcement*

Because the Department of Justice does not have authority to establish procedures for judicial review and enforcement, subpart E generally restates the statutory procedures for enforcement.

Section 36.501 describes the procedures for private suits by individuals and the judicial remedies available. In addition to the language in section 308(a)(1) of the Act, §36.501(a) of this part includes the language from section 204(a) of the Civil Rights Act of 1964 (42 U.S.C. 2000a-3(a)) which is incorporated by reference in the ADA. A commenter noted that the proposed rule did not include the provision in section 204(a) allowing the court to appoint an attorney for the complainant and authorize the commencement of the civil action without the payment of fees, costs, or security. That provision has been included in the final rule.

Section 308(a)(1) of the ADA permits a private suit by an individual who has reasonable grounds for believing that he or she is “about to be” subjected to discrimination in violation of section 303 of the Act (subpart D of this part), which requires that new construction and alterations be readily accessible to and usable by individuals with disabilities. Authorizing suits to prevent construction of facilities with architectural barriers will avoid the necessity of costly retrofitting that might be required if suits were not permitted until after the facilities were completed. To avoid unnecessary suits, this section requires that the individual bringing the suit have ‘reasonable grounds’ for believing that a violation is about to occur, but does not require the individual to engage in

a futile gesture if he or she has notice that a person or organization covered by title III of the Act does not intend to comply with its provisions.

Section 36.501(b) restates the provisions of section 308(a)(2) of the Act, which states that injunctive relief for the failure to remove architectural barriers in existing facilities or the failure to make new construction and alterations accessible "shall include" an order to alter these facilities to make them readily accessible to and usable by persons with disabilities to the extent required by title III. The Report of the Energy and Commerce Committee notes that "an order to make a facility readily accessible to and usable by individuals with disabilities is mandatory" under this standard. H.R. Rep. No. 485, 101st Cong., 2d Sess., pt 4, at 64 (1990). Also, injunctive relief shall include, where appropriate, requiring the provision of an auxiliary aid or service, modification of a policy, or provision of alternative methods, to the extent required by title III of the Act and this part.

Section 36.502 is based on section 308(b)(1)(A)(i) of the Act, which provides that the Attorney General shall investigate alleged violations of title III and undertake periodic reviews of compliance of covered entities. Although the Act does not establish a comprehensive administrative enforcement mechanism for investigation and resolution of all complaints received, the legislative history notes that investigation of alleged violations and periodic compliance reviews are essential to effective enforcement of title III, and that the Attorney General is expected to engage in active enforcement and to allocate sufficient resources to carry out this responsibility. Judiciary Report at 67.

Many commenters argued for inclusion of more specific provisions for administrative resolution of disputes arising under the Act and this part in order to promote voluntary compliance and avoid the need for litigation. Administrative resolution is far more efficient and economical than litigation, particularly in the early stages of implementation of complex legislation when the specific requirements of the statute are not widely understood. The Department has added a new paragraph (c) to this section authorizing the Attorney General to initiate a compliance review where he or she has reason to believe there may be a violation of this rule.

Section 36.503 describes the procedures for suits by the Attorney General set out in section 308(b)(1)(B) of the Act. If the Department has reasonable cause to believe that any person or group of persons is engaged in a pattern or practice of resistance to the full enjoyment of any of the rights granted by title III or that any person or group of persons has been denied any of the rights granted by title III and such denial raises an issue of general public importance, the Attorney General may commence a civil action in any

appropriate United States district court. The proposed rule provided for suit by the Attorney General "or his or her designee." The reference to a "designee" has been omitted in the final rule because it is unnecessary. The Attorney General has delegated enforcement authority under the ADA to the Assistant Attorney General for Civil Rights. 55 FR 40653 (October 4, 1990) (to be codified at 28 CFR 0.50(1).)

Section 36.504 describes the relief that may be granted in a suit by the Attorney General under section 308(b)(2) of the Act. In such an action, the court may grant any equitable relief it considers to be appropriate, including granting temporary, preliminary, or permanent relief, providing an auxiliary aid or service, modification of policy or alternative method, or making facilities readily accessible to and usable by individuals with disabilities, to the extent required by title III. In addition, a court may award such other relief as the court considers to be appropriate, including monetary damages to persons aggrieved, when requested by the Attorney General.

Furthermore, the court may vindicate the public interest by assessing a civil penalty against the covered entity in an amount not exceeding \$50,000 for a first violation and not exceeding \$100,000 for any subsequent violation. Section 36.504(b) of the rule adopts the standard of section 308(b)(3) of the Act. This section makes it clear that, in counting the number of previous determinations of violations for determining whether a "first" or "subsequent" violation has occurred, determinations in the same action that the entity has engaged in more than one discriminatory act are to be counted as a single violation. A "second violation" would not accrue to that entity until the Attorney General brought another suit against the entity and the entity was again held in violation. Again, all of the violations found in the second suit would be cumulatively considered as a "subsequent violation."

Section 36.504(c) clarifies that the terms "monetary damages" and "other relief" do not include punitive damages. They do include, however, all forms of compensatory damages, including out-of-pocket expenses and damages for pain and suffering.

Section 36.504(a)(3) is based on section 308(b)(2)(C) of the Act, which provides that, "to vindicate the public interest," a court may assess a civil penalty against the entity that has been found to be in violation of the Act in suits brought by the Attorney General. In addition, §36.504(d), which is taken from section 308(b)(5) of the Act, further provides that, in considering what amount of civil penalty, if any, is appropriate, the court shall give consideration to "any good faith effort or attempt to comply with this part." In evaluating such good faith, the court shall consider "among other factors it

deems relevant, whether the entity could have reasonably anticipated the need for an appropriate type of auxiliary aid needed to accommodate the unique needs of a particular individual with a disability.”

The “good faith” standard referred to in this section is not intended to imply a willful or intentional standard—that is, an entity cannot demonstrate good faith simply by showing that it did not willfully, intentionally, or recklessly disregard the law. At the same time, the absence of such a course of conduct would be a factor a court should weigh in determining the existence of good faith.

Section 36.505 states that courts are authorized to award attorneys fees, including litigation expenses and costs, as provided in section 505 of the Act. Litigation expenses include items such as expert witness fees, travel expenses, etc. The Judiciary Committee Report specifies that such items are included under the rubric of “attorneys fees” and not “costs” so that such expenses will be assessed against a plaintiff only under the standard set forth in *Christiansburg Garment Co. v. Equal Employment Opportunity Commission*, 434 U.S. 412 (1978). (Judiciary report at 73.)

Section 36.506 restates section 513 of the Act, which encourages use of alternative means of dispute resolution. Section 36.507 explains that, as provided in section 506(e) of the Act, a public accommodation or other private entity is not excused from compliance with the requirements of this part because of any failure to receive technical assistance.

#### Section 36.305 Effective Date

In general, title III is effective 18 months after enactment of the Americans with Disabilities Act, i.e., January 26, 1992. However, there are several exceptions to this general rule contained throughout title III. Section 36.508 sets forth all of these exceptions in one place.

Paragraph (b) contains the rule on civil actions. It states that, except with respect to new construction and alterations, no civil action shall be brought for a violation of this part that occurs before July 26, 1992, against businesses with 25 or fewer employees and gross receipts of \$1,000,000 or less; and before January 26, 1993, against businesses with 10 or fewer employees and gross receipts of \$500,000 or less. In determining what constitutes gross receipts, it is appropriate to exclude amounts collected for sales taxes.

Paragraph (c) concerns transportation services provided by public accommodations not primarily engaged in the business of transporting people. The 18-month effective date applies to all of the transportation provisions except those requiring newly purchased or leased vehicles to be accessible. Vehicles subject to that requirement must

be accessible to and usable by individuals with disabilities if the solicitation for the vehicle is made on or after August 26, 1990.

#### Subpart F—Certification of State Labs or Local Building Codes

Subpart F establishes procedures to implement section 308(b)(1)(A)(ii) of the Act, which provides that, on the application of a State or local government, the Attorney General may certify that a State law or local building code or similar ordinance meets or exceeds the minimum accessibility requirements of the Act. In enforcement proceedings, this certification will constitute rebuttable evidence that the law or code meets or exceeds the ADA’s requirements.

Three significant changes, further explained below, were made from the proposed subpart, in response to comments. First, the State or local jurisdiction is required to hold a public hearing on its proposed request for certification and to submit to the Department, as part of the information and materials in support of a request for certification, a transcript of the hearing. Second, the time allowed for interested persons and organizations to comment on the request filed with the Department (§36.605(a)(1)) has been changed from 30 to 60 days. Finally, a new §36.608, Guidance concerning model codes, has been added.

Section 36.601 establishes the definitions to be used for purposes of this subpart. Two of the definitions have been modified, and a definition of “model code” has been added. First, in response to a comment, a reference to a code “or part thereof” has been added to the definition of “code.” The purpose of this addition is to clarify that an entire code need not be submitted if only part of it is relevant to accessibility, or if the jurisdiction seeks certification of only some of the portions that concern accessibility. The Department does not intend to encourage “piecemeal” requests for certification by a single jurisdiction. In fact, the Department expects that in some cases, rather than certifying portions of a particular code and refusing to certify others, it may notify a submitting jurisdiction of deficiencies and encourage a reapplication that cures those deficiencies, so that the entire code can be certified eventually. Second, the definition of “submitting official” has been modified. The proposed rule defined the submitting official to be the State or local official who has principal responsibility for administration of a code. Commenters pointed out that in some cases more than one code within the same jurisdiction is relevant for purposes of certification. It was also suggested that the Department allow a State to submit a single application on behalf of the State, as well as on behalf of any local jurisdictions required

to follow the State accessibility requirements. Consistent with these comments, the Department has added to the definition language clarifying that the official can be one authorized to submit a code on behalf of a jurisdiction.

A definition of "model code" has been added in light of new §36.608.

Most commenters generally approved of the proposed certification process. Some approved of what they saw as the Department's attempt to bring State and local codes into alignment with the ADA. A State agency said that this section will be the backbone of the intergovernmental cooperation essential if the accessibility provisions of the ADA are to be effective.

Some comments disapproved of the proposed process as timeconsuming and laborious for the Department, although some of these comments pointed out that, if the Attorney General certified model codes on which State and local codes are based, many perceived problems would be alleviated. (This point is further addressed by new §36.608.)

Many of the comments received from business organizations, as well as those from some individuals and disability rights groups, addressed the relationship of the ADA requirements and their enforcement, to existing State and local codes and code enforcement systems. These commenters urged the Department to use existing code-making bodies for interpretations of the ADA, and to actively participate in the integration of the ADA into the text of the national model codes that are adopted by State and local enforcement agencies. These issues are discussed in preamble section 36.406 under General comments.

Many commenters urged the Department to evaluate or certify the entire code enforcement system (including any process for hearing appeals from builders of denials by the building code official of requests for variances, waivers, or modifications). Some urged that certification not be allowed in jurisdictions where waivers can be granted, unless there is a clearly identified decision-making process, with written rulings and notice to affected parties of any waiver or modification request. One commenter urged establishment of a dispute resolution mechanism, providing for interpretation (usually through a building official) and an administrative appeals mechanism (generally called Boards of Appeal, Boards of Construction Appeals, or Boards of Review), before certification could be granted.

The Department thoroughly considered these proposals but has declined to provide for certification of processes of enforcement or administration of State and local codes. The statute clearly authorizes the Department to certify the codes themselves for equivalency with the statute; it would be ill-

advised for the Department at this point to inquire beyond the face of the code and written interpretations of it. It would be inappropriate to require those jurisdictions that grant waivers or modifications to establish certain procedures before they can apply for certification, or to insist that no deviations can be permitted. In fact, the Department expects that many jurisdictions will allow slight variations from a particular code, consistent with ADAAG itself. ADAAG includes in §2.2 a statement allowing departures from particular requirements where substantially equivalent or greater access and usability is provided. Several sections specifically allow for alternative methods providing equivalent facilitation and, in some cases, provide examples. (See, e.g., section 4.31.9, Text Telephones; section 7.2(2) (iii), Sales and Service Counters.) Section 4.1.6 includes less stringent requirements that are permitted in alterations, in certain circumstances.

However, in an attempt to ensure that it does not certify a code that in practice has been or will be applied in a manner that defeats its equivalency with the ADA, the Department will require that the submitting official include, with the application for certification, any relevant manuals, guides, or any other interpretive information issued that pertain to the code. (§36.603(c)(1).) The requirement that this information be provided is in addition to the NPRM's requirement that the official provide any pertinent formal opinions of the State Attorney General or the chief legal officer of the jurisdiction.

The first step in the certification process is a request for certification, filed by a "submitting official" (§36.603). The Department will not accept requests for certification until after January 26, 1992, the effective date of this part. The Department received numerous comments from individuals and organizations representing a variety of interests, urging that the hearing required to be held by the Assistant Attorney General in Washington, DC, after a preliminary determination of equivalency (§36.605(a)(2)), be held within the State or locality requesting certification, in order to facilitate greater participation by all interested parties. While the Department has not modified the requirement that it hold a hearing in Washington, it has added a new subparagraph 36.603(b)(3) requiring a hearing within the State or locality before a request for certification is filed. The hearing must be held after adequate notice to the public and must be on the record; a transcript must be provided with the request for certification. This procedure will insure input from the public at the State or local level and will also insure a Washington, DC, hearing as mentioned in the legislative history.

The request for certification, along with supporting documents (§36.603(c)), must be

filed in duplicate with the office of the Assistant Attorney General for Civil Rights. The Assistant Attorney General may request further information. The request and supporting materials will be available for public examination at the office of the Assistant Attorney General and at the office of the State or local agency charged with administration and enforcement of the code. The submitting official must publish public notice of the request for certification.

Next, under §36.604, the Assistant Attorney General's office will consult with the ATBCB and make a preliminary determination to either (1) find that the code is equivalent (make a "preliminary determination of equivalency") or (2) deny certification. The next step depends on which of these preliminary determinations is made.

If the preliminary determination is to find equivalency, the Assistant Attorney General, under §36.605, will inform the submitting official in writing of the preliminary determination and publish a notice in the FEDERAL REGISTER informing the public of the preliminary determination and inviting comment for 60 days. (This time period has been increased from 30 days in light of public comment pointing out the need for more time within which to evaluate the code.) After considering the information received in response to the comments, the Department will hold a hearing in Washington. This hearing will not be subject to the formal requirements of the Administrative Procedure Act. In fact, this requirement could be satisfied by a meeting with interested parties. After the hearing, the Assistant Attorney General's office will consult again with the ATBCB and make a final determination of equivalency or a final determination to deny the request for certification, with a notice of the determination published in the FEDERAL REGISTER.

If the preliminary determination is to deny certification, there will be no hearing (§36.606). The Department will notify the submitting official of the preliminary determination, and may specify how the code could be modified in order to receive a preliminary determination of equivalency. The Department will allow at least 15 days for the submitting official to submit relevant material in opposition to the preliminary denial. If none is received, no further action will be taken. If more information is received, the Department will consider it and make either a final decision to deny certification or a preliminary determination of equivalency. If at that stage the Assistant Attorney General makes a preliminary determination of equivalency, the hearing procedures set out in §36.605 will be followed.

Section 36.607 addresses the effect of certification. First, certification will only be effective concerning those features or elements that are both (1) covered by the cer-

tified code and (2) addressed by the regulations against which they are being certified. For example, if children's facilities are not addressed by the Department's standards, and the building in question is a private elementary school, certification will not be effective for those features of the building to be used by children. And if the Department's regulations addressed equipment but the local code did not, a building's equipment would not be covered by the certification.

In addition, certification will be effective only for the particular edition of the code that is certified. Amendments will not automatically be considered certified, and a submitting official will need to reapply for certification of the changed or additional provisions.

Certification will not be effective in those situations where a State or local building code official allows a facility to be constructed or altered in a manner that does not follow the technical or scoping provisions of the certified code. Thus, if an official either waives an accessible element or feature or allows a change that does not provide equivalent facilitation, the fact that the Department has certified the code itself will not stand as evidence that the facility has been constructed or altered in accordance with the minimum accessibility requirements of the ADA. The Department's certification of a code is effective only with respect to the standards in the code; it is not to be interpreted to apply to a State or local government's application of the code. The fact that the Department has certified a code with provisions concerning waivers, variances, or equivalent facilitation shall not be interpreted as an endorsement of actions taken pursuant to those provisions.

The final rule includes a new §36.608 concerning model codes. It was drafted in response to concerns raised by numerous commenters, many of which have been discussed under General comments (§36.406). It is intended to assist in alleviating the difficulties posed by attempting to certify possibly tens of thousands of codes. It is included in recognition of the fact that many codes are based on, or incorporate, model or consensus standards developed by nationally recognized organizations (e.g., the American National Standards Institute (ANSI); Building Officials and Code Administrators (BOCA) International; Council of American Building Officials (CABO) and its Board for the Coordination of Model Codes (BCMC); Southern Building Code Congress International (SBCCI)). While the Department will not certify or "precertify" model codes, as urged by some commenters, it does wish to encourage the continued viability of the consensus and model code process consistent with the purposes of the ADA.

The new section therefore allows an authorized representative of a private entity



## Department of Justice

## Pt. 36, App. C

responsible for developing a model code to apply to the Assistant Attorney General for review of the code. The review process will be informal and will not be subject to the procedures of §§36.602 through 36.607. The result of the review will take the form of guidance from the Assistant Attorney General as to whether and in what respects the model code is consistent with the ADA's requirements. The guidance will not be binding on any entity or on the Department; it will as-

sist in evaluations of individual State or local codes and may serve as a basis for establishing priorities for consideration of individual codes. The Department anticipates that this approach will foster further cooperation among various government levels, the private entities developing standards, and individuals with disabilities.

[Order No. 1513-91, 56 FR 35592, July 26, 1991, redesignated by AG Order No. 3181-2010, 75 FR 56317, Sept. 15, 2010]

APPENDIX D TO PART 36—1991 STANDARDS FOR ACCESSIBLE DESIGN AS ORIGINALLY  
PUBLISHED ON JULY 26, 1991

<b>ADA ACCESSIBILITY GUIDELINES FOR BUILDINGS AND FACILITIES TABLE OF CONTENTS</b>	
<b>1. PURPOSE .....</b>	<b>1</b>
<b>2. GENERAL .....</b>	<b>1</b>
2.1 Provisions for Adults .....	1
2.2 Equivalent Facilitation .....	1
<b>3. MISCELLANEOUS INSTRUCTIONS AND DEFINITIONS .....</b>	<b>1</b>
3.1 Graphic Conventions .....	1
3.2 Dimensional Tolerances .....	2
3.3 Notes .....	2
3.4 General Terminology .....	2
3.5 Definitions .....	2
<b>4. ACCESSIBLE ELEMENTS AND SPACES: SCOPE AND TECHNICAL REQUIREMENTS .....</b>	<b>5</b>
4.1 Minimum Requirements .....	5
4.1.1. Application .....	5
4.1.2. Accessible Sites and Exterior Facilities: New Construction .....	5
4.1.3. Accessible Buildings: New Construction .....	7
4.1.4. (Reserved) .....	10
4.1.5. Accessible Buildings: Additions .....	10
4.1.6. Accessible Buildings: Alterations .....	11
4.1.7. Accessible Buildings: Historic Preservation .....	13
4.2 Space Allowance and Reach Ranges .....	14
4.3 Accessible Route .....	15
4.4 Protruding Objects .....	21
4.5 Ground and Floor Surfaces .....	22
4.6 Parking and Passenger Loading Zones .....	24
4.7 Curb Ramps .....	26
4.8 Ramps .....	27
4.9 Stairs .....	30
4.10 Elevators .....	30

4.11 Platform Lifts (Wheelchair Lifts) .....	36
4.12 Windows .....	36
4.13 Doors .....	36
4.14 Entrances .....	40
4.15 Drinking Fountains and Water Coolers .....	40
4.16 Water Closets .....	40
4.17 Toilet Stalls .....	41
4.18 Urinals .....	44
4.19 Lavatories and Mirrors .....	44
4.20 Bathtubs .....	45
4.21 Shower Stalls .....	45
4.22 Toilet Rooms .....	45
4.23 Bathrooms, Bathing Facilities, and Shower Rooms .....	48
4.24 Sinks .....	49
4.25 Storage .....	49
4.26 Handrails, Grab Bars, and Tub and Shower Seats .....	50
4.27 Controls and Operating Mechanisms .....	51
4.28 Alarms .....	52
4.29 Detectable Warnings .....	53
4.30 Signage .....	53
4.31 Telephones .....	54
4.32 Fixed or Built-in Seating and Tables .....	56
4.33 Assembly Areas .....	56
4.34 Automated Teller Machines .....	58
4.35 Dressing and Fitting Rooms .....	58
<b>5. RESTAURANTS AND CAFETERIAS .....</b>	<b>59</b>
<b>6. MEDICAL CARE FACILITIES .....</b>	<b>60</b>
<b>7. BUSINESS AND MERCANTILE .....</b>	<b>61</b>
<b>8. LIBRARIES .....</b>	<b>62</b>
<b>9. ACCESSIBLE TRANSIENT LODGING .....</b>	<b>63</b>
<b>10. TRANSPORTATION FACILITIES .....</b>	<b>67</b>
<b>APPENDIX .....</b>	<b>A1</b>

**1. PURPOSE.**

*This document sets guidelines for accessibility to places of public accommodation and commercial facilities by individuals with disabilities. These guidelines are to be applied during the design, construction, and alteration of such buildings and facilities to the extent required by regulations issued by Federal agencies, including the Department of Justice, under the Americans with Disabilities Act of 1990.*

*The technical specifications 4.2 through 4.35, of these guidelines are the same as those of the American National Standard Institute's document A117.1-1980, except as noted in this text by italics. However, sections 4.1.1 through 4.1.7 and sections 5 through 10 are different from ANSI A117.1 in their entirety and are printed in standard type.*

*The illustrations and text of ANSI A117.1 are reproduced with permission from the American National Standards Institute. Copies of the standard may be purchased from the American National Standards Institute at 1430 Broadway, New York, New York 10018.*

**2. GENERAL.**

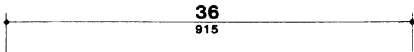
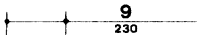



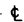
**2.1 Provisions for Adults.** *The specifications in these guidelines are based upon adult dimensions and anthropometrics.*

**2.2\* Equivalent Facilitation.** *Departures from particular technical and scoping requirements of this guideline by the use of other designs and technologies are permitted where the alternative designs and technologies used will provide substantially equivalent or greater access to and usability of the facility.*

**3. MISCELLANEOUS INSTRUCTIONS AND DEFINITIONS.**

**3.1 Graphic Conventions.** Graphic conventions are shown in Table 1. Dimensions that are not marked minimum or maximum are absolute, unless otherwise indicated in the text or captions.

**Table 1  
Graphic Conventions**

Convention	Description
	Typical dimension line showing U.S. customary units (in inches) above the line and SI units (in millimeters) below
	Dimensions for short distances indicated on extended line
	Dimension line showing alternate dimensions required
	Direction of approach
<b>max</b>	Maximum
<b>min</b>	Minimum
	Boundary of clear floor area
	Centerline

**3.4 General Terminology**

<p><b>3.2 Dimensional Tolerances.</b> All dimensions are subject to conventional building industry tolerances for field conditions.</p> <p><b>3.3 Notes.</b> The text of <i>these guidelines</i> does not contain notes or footnotes. Additional information, explanations, and advisory materials are located in the Appendix. Paragraphs marked with an asterisk have related, non-mandatory material in the Appendix. In the Appendix, the corresponding paragraph numbers are preceded by an A.</p> <p><b>3.4 General Terminology.</b></p> <p><b>comply with.</b> Meet one or more specifications of <i>these guidelines</i>.</p> <p><b>if... then.</b> Denotes a specification that applies only when the conditions described are present.</p> <p><b>may.</b> Denotes an option or alternative.</p> <p><b>shall.</b> Denotes a mandatory specification or requirement.</p> <p><b>should.</b> Denotes an advisory specification or recommendation.</p> <p><b>3.5 Definitions.</b></p> <p><b>Access Aisle.</b> An accessible pedestrian space between elements, such as parking spaces, seating, and desks, that provides clearances appropriate for use of the elements.</p> <p><b>Accessible.</b> Describes a site, building, facility, or portion thereof that complies with <i>these guidelines</i>.</p> <p><b>Accessible Element.</b> An <i>element</i> specified by <i>these guidelines</i> (for example, telephone, controls, and the like).</p> <p><b>Accessible Route.</b> A continuous unobstructed path connecting all accessible elements and spaces of a building or facility. Interior accessible routes may include corridors, floors, ramps, elevators, lifts, and clear floor space at fixtures. Exterior accessible routes may include parking access aisles, curb ramps, <i>crosswalks at vehicular ways</i>, walks, ramps, and lifts.</p>	<p><b>Accessible Space.</b> Space that complies with <i>these guidelines</i>.</p> <p><b>Adaptability.</b> The ability of certain building spaces and elements, such as kitchen counters, sinks, and grab bars, to be added or altered so as to accommodate the needs of <i>individuals with or without disabilities</i> or to accommodate the needs of persons with different types or degrees of disability.</p> <p><b>Addition.</b> An expansion, extension, or increase in the gross floor area of a building or facility.</p> <p><b>Administrative Authority.</b> A governmental agency that adopts or enforces regulations and <i>guidelines</i> for the design, construction, or alteration of buildings and facilities.</p> <p><b>Alteration.</b> An alteration is a change to a building or facility made by, on behalf of, or for the use of a public accommodation or commercial facility, that affects or could affect the usability of the building or facility or part thereof. Alterations include, but are not limited to, remodeling, renovation, rehabilitation, reconstruction, historic restoration, changes or rearrangement of the structural parts or elements, and changes or rearrangement in the plan configuration of walls and full-height partitions. Normal maintenance, reroofing, painting or wallpapering, or changes to mechanical and electrical systems are not alterations unless they affect the usability of the building or facility.</p> <p><b>Area of Rescue Assistance.</b> An area, which has direct access to an exit, where people who are unable to use stairs may remain temporarily in safety to await further instructions or assistance during emergency evacuation.</p> <p><b>Assembly Area.</b> A room or space accommodating a group of individuals for recreational, educational, political, social, or amusement purposes, or for the consumption of food and drink.</p> <p><b>Automatic Door.</b> A door equipped with a power-operated mechanism and controls that open and close the door automatically upon receipt of a momentary actuating signal. The switch that begins the automatic cycle may be a photoelectric device, floor mat, or manual switch (see power-assisted door).</p>
---	--

## 3.5 Definitions

<p><b>Building.</b> Any structure used and intended for supporting or sheltering any use or occupancy.</p> <p><b>Circulation Path.</b> An exterior or interior way of passage from one place to another for pedestrians, including, but not limited to, walks, hallways, courtyards, stairways, and stair landings.</p> <p><b>Clear.</b> Unobstructed.</p> <p><b>Clear Floor Space.</b> The minimum unobstructed floor or ground space required to accommodate a single, stationary wheelchair and occupant.</p> <p><b>Closed Circuit Telephone.</b> A telephone with dedicated line(s) such as a house phone, courtesy phone or phone that must be used to gain entrance to a facility.</p> <p><b>Common Use.</b> Refers to those interior and exterior rooms, spaces, or elements that are made available for the use of a restricted group of people (for example, occupants of a homeless shelter, the occupants of an office building, or the guests of such occupants).</p> <p><b>Cross Slope.</b> The slope that is perpendicular to the direction of travel (see running slope).</p> <p><b>Curb Ramp.</b> A short ramp cutting through a curb or built up to it.</p> <p><b>Detectable Warning.</b> A standardized surface feature built in or applied to walking surfaces or other elements to warn visually impaired people of hazards on a circulation path.</p> <p><b>Dwelling Unit.</b> A single unit which provides a kitchen or food preparation area, in addition to rooms and spaces for living, bathing, sleeping, and the like. Dwelling units include a single family home or a townhouse used as a transient group home; an apartment building used as a shelter; guestrooms in a hotel that provide sleeping accommodations and food preparation areas; and other similar facilities used on a transient basis. For purposes of these guidelines, use of the term "Dwelling Unit" does not imply the unit is used as a residence.</p> <p><b>Egress Means of.</b> A continuous and unobstructed way of exit travel from any point in a building or facility to a public way. A means of egress comprises vertical and horizontal travel</p>	<p>and may include intervening room spaces, doorways, hallways, corridors, passageways, balconies, ramps, stairs, enclosures, lobbies, horizontal exits, courts and yards. An accessible means of egress is one that complies with these guidelines and does not include stairs, steps, or escalators. Areas of rescue assistance or evacuation elevators may be included as part of accessible means of egress.</p> <p><b>Element.</b> An architectural or mechanical component of a building, facility, space, or site, e.g., telephone, curb ramp, door, drinking fountain, seating, or water closet.</p> <p><b>Entrance.</b> Any access point to a building or portion of a building or facility used for the purpose of entering. An entrance includes the approach walk, the vertical access leading to the entrance platform, the entrance platform itself, vestibules if provided, the entry door(s) or gate(s), and the hardware of the entry door(s) or gate(s).</p> <p><b>Facility.</b> All or any portion of buildings, structures, site improvements, complexes, equipment, roads, walks, passageways, parking lots, or other real or personal property located on a site.</p> <p><b>Ground Floor.</b> Any occupiable floor less than one story above or below grade with direct access to grade. A building or facility always has at least one ground floor and may have more than one ground floor as where a split level entrance has been provided or where a building is built into a hillside.</p> <p><b>Mezzanine or Mezzanine Floor.</b> That portion of a story which is an intermediate floor level placed within the story and having occupiable space above and below its floor.</p> <p><b>Marked Crossing.</b> A crosswalk or other identified path intended for pedestrian use in crossing a vehicular way.</p> <p><b>Multifamily Dwelling.</b> Any building containing more than two dwelling units.</p> <p><b>Occupiable.</b> A room or enclosed space designed for human occupancy in which individuals congregate for amusement, educational or similar purposes, or in which occupants are engaged at labor, and which is equipped with means of egress, light, and ventilation.</p>
---	---

**3.5 Definitions**

<p><b>Operable Part.</b> A part of a piece of equipment or appliance used to insert or withdraw objects, or to activate, deactivate, or adjust the equipment or appliance (for example, coin slot, pushbutton, handle).</p> <p><b>Path of Travel.</b> (Reserved).</p> <p><b>Power-assisted Door.</b> A door used for human passage with a mechanism that helps to open the door, or relieves the opening resistance of a door, upon the activation of a switch or a continued force applied to the door itself.</p> <p><b>Public Use.</b> Describes interior or exterior rooms or spaces that are made available to the general public. Public use may be provided at a building or facility that is privately or publicly owned.</p> <p><b>Ramp.</b> A walking surface which has a running slope greater than 1:20.</p> <p><b>Running Slope.</b> The slope that is parallel to the direction of travel (see cross slope).</p> <p><b>Service Entrance.</b> An entrance intended primarily for delivery of goods or services.</p> <p><b>Signage.</b> Displayed verbal, symbolic, tactile, and pictorial information.</p> <p><b>Site.</b> A parcel of land bounded by a property line or a designated portion of a public right-of-way.</p> <p><b>Site Improvement.</b> Landscaping, paving for pedestrian and vehicular ways, outdoor lighting, recreational facilities, and the like, added to a site.</p> <p><b>Sleeping Accommodations.</b> Rooms in which people sleep; for example, dormitory and hotel or motel guest rooms or suites.</p> <p><b>Space.</b> A definable area, e.g., room, toilet room, hall, assembly area, entrance, storage room, alcove, courtyard, or lobby.</p> <p><b>Story.</b> That portion of a building included between the upper surface of a floor and upper surface of the floor or roof next above. If such</p>	<p>portion of a building does not include occupiable space, it is not considered a story for purposes of these guidelines. There may be more than one floor level within a story as in the case of a mezzanine or mezzanines.</p> <p><b>Structural Frame.</b> The structural frame shall be considered to be the columns and the girders, beams, trusses and spandrels having direct connections to the columns and all other members which are essential to the stability of the building as a whole.</p> <p><b>Tactile.</b> Describes an object that can be perceived using the sense of touch.</p> <p><b>Text Telephone.</b> Machinery or equipment that employs interactive graphic (i.e., typed) communications through the transmission of coded signals across the standard telephone network. Text telephones can include, for example, devices known as TDD's (telecommunication display devices or telecommunication devices for deaf persons) or computers.</p> <p><b>Transient Lodging.</b> A building, facility, or portion thereof, excluding inpatient medical care facilities, that contains one or more dwelling units or sleeping accommodations. Transient lodging may include, but is not limited to, resorts, group homes, hotels, motels, and dormitories.</p> <p><b>Vehicular Way.</b> A route intended for vehicular traffic, such as a street, driveway, or parking lot.</p> <p><b>Walk.</b> An exterior pathway with a prepared surface intended for pedestrian use, including general pedestrian areas such as plazas and courts.</p> <p>NOTE: Sections 4.1.1 through 4.1.7 are different from ANSI A117.1 in their entirety and are printed in standard type (ANSI A117.1 does not include scoping provisions).</p>
--	---

**4.0 Accessible Elements and Spaces: Scope and Technical Requirements**

<p><b>4. ACCESSIBLE ELEMENTS AND SPACES: SCOPE AND TECHNICAL REQUIREMENTS.</b></p>	<p>sites and equipment directly associated with the actual processes of construction, such as scaffolding, bridging, materials hoists, or construction trailers are not included.</p>
<p><b>4.1 Minimum Requirements</b></p>	<p>(5) General Exceptions.</p>
<p><b>4.1.1* Application.</b></p>	<p>(a) In new construction, a person or entity is not required to meet fully the requirements of these guidelines where that person or entity can demonstrate that it is structurally impracticable to do so. Full compliance will be considered structurally impracticable only in those rare circumstances when the unique characteristics of terrain prevent the incorporation of accessibility features. If full compliance with the requirements of these guidelines is structurally impracticable, a person or entity shall comply with the requirements to the extent it is not structurally impracticable. Any portion of the building or facility which can be made accessible shall comply to the extent that it is not structurally impracticable.</p>
<p>(1) General. All areas of newly designed or newly constructed buildings and facilities required to be accessible by 4.1.2 and 4.1.3 and altered portions of existing buildings and facilities required to be accessible by 4.1.6 shall comply with these guidelines, 4.1 through 4.35, unless otherwise provided in this section or as modified in a special application section.</p>	<p>(b) Accessibility is not required to (i) observation galleries used primarily for security purposes; or (ii) in non-occupiable spaces accessed only by ladders, catwalks, crawl spaces, very narrow passageways, or freight (non-passenger) elevators, and frequented only by service personnel for repair purposes; such spaces include, but are not limited to, elevator pits, elevator penthouses, piping or equipment catwalks.</p>
<p>(2) Application Based on Building Use. Special application sections 5 through 10 provide additional requirements for restaurants and cafeterias, medical care facilities, business and mercantile, libraries, accessible transient lodging, and transportation facilities. When a building or facility contains more than one use covered by a special application section, each portion shall comply with the requirements for that use.</p>	<p><b>4.1.2 Accessible Sites and Exterior Facilities: New Construction.</b> An accessible site shall meet the following minimum requirements:</p>
<p>(3)* Areas Used Only by Employees as Work Areas. Areas that are used only as work areas shall be designed and constructed so that individuals with disabilities can approach, enter, and exit the areas. These guidelines do not require that any areas used only as work areas be constructed to permit maneuvering within the work area or be constructed or equipped (i.e., with racks or shelves) to be accessible.</p>	<p>(1) At least one accessible route complying with 4.3 shall be provided within the boundary of the site from public transportation stops, accessible parking spaces, passenger loading zones if provided, and public streets or sidewalks, to an accessible building entrance.</p>
<p>(4) Temporary Structures. These guidelines cover temporary buildings or facilities as well as permanent facilities. Temporary buildings and facilities are not of permanent construction but are extensively used or are essential for public use for a period of time. Examples of temporary buildings or facilities covered by these guidelines include, but are not limited to: reviewing stands, temporary classrooms, bleacher areas, exhibit areas, temporary banking facilities, temporary health screening services, or temporary safe pedestrian passageways around a construction site. Structures,</p>	<p>(2) At least one accessible route complying with 4.3 shall connect accessible buildings, accessible facilities, accessible elements, and accessible spaces that are on the same site.</p>
	<p>(3) All objects that protrude from surfaces or posts into circulation paths shall comply with 4.4.</p>



**4.1.2 Accessible Sites and Exterior Facilities: New Construction**

<p>(4) Ground surfaces along accessible routes and in accessible spaces shall comply with 4.5.</p> <p>(5) (a) If parking spaces are provided for self-parking by employees or visitors, or both, then accessible spaces complying with 4.6 shall be provided in each such parking area in conformance with the table below. Spaces required by the table need not be provided in the particular lot. They may be provided in a different location if equivalent or greater accessibility, in terms of distance from an accessible entrance, cost and convenience is ensured.</p> <table border="1" style="margin-left: auto; margin-right: auto;"> <thead> <tr> <th style="text-align: center;">Total Parking in Lot</th> <th style="text-align: center;">Required Minimum Number of Accessible Spaces</th> </tr> </thead> <tbody> <tr><td style="text-align: center;">1 to 25</td><td style="text-align: center;">1</td></tr> <tr><td style="text-align: center;">26 to 50</td><td style="text-align: center;">2</td></tr> <tr><td style="text-align: center;">51 to 75</td><td style="text-align: center;">3</td></tr> <tr><td style="text-align: center;">76 to 100</td><td style="text-align: center;">4</td></tr> <tr><td style="text-align: center;">101 to 150</td><td style="text-align: center;">5</td></tr> <tr><td style="text-align: center;">151 to 200</td><td style="text-align: center;">6</td></tr> <tr><td style="text-align: center;">201 to 300</td><td style="text-align: center;">7</td></tr> <tr><td style="text-align: center;">301 to 400</td><td style="text-align: center;">8</td></tr> <tr><td style="text-align: center;">401 to 500</td><td style="text-align: center;">9</td></tr> <tr><td style="text-align: center;">501 to 1000</td><td style="text-align: center;">2 percent of total</td></tr> <tr><td style="text-align: center;">1001 and over</td><td style="text-align: center;">20 plus 1 for each 100 over 1000</td></tr> </tbody> </table> <p>Except as provided in (b), access aisles adjacent to accessible spaces shall be 60 in (1525 mm) wide minimum.</p> <p>(b) One in every eight accessible spaces, but not less than one, shall be served by an access aisle 96 in (2440 mm) wide minimum and shall be designated "van accessible" as required by 4.6.4. The vertical clearance at such spaces shall comply with 4.6.5. All such spaces may be grouped on one level of a parking structure.</p> <p>EXCEPTION: Provision of all required parking spaces in conformance with "Universal Parking Design" (see appendix A4.6.3) is permitted.</p> <p>(c) If passenger loading zones are provided, then at least one passenger loading zone shall comply with 4.6.6.</p> <p>(d) At facilities providing medical care and other services for persons with mobility impairments, parking spaces complying with 4.6 shall</p>	Total Parking in Lot	Required Minimum Number of Accessible Spaces	1 to 25	1	26 to 50	2	51 to 75	3	76 to 100	4	101 to 150	5	151 to 200	6	201 to 300	7	301 to 400	8	401 to 500	9	501 to 1000	2 percent of total	1001 and over	20 plus 1 for each 100 over 1000	<p>be provided in accordance with 4.1.2(5)(a) except as follows:</p> <p>(i) Outpatient units and facilities: 10 percent of the total number of parking spaces provided serving each such outpatient unit or facility;</p> <p>(ii) Units and facilities that specialize in treatment or services for persons with mobility impairments: 20 percent of the total number of parking spaces provided serving each such unit or facility.</p> <p>(e)*Valet parking: Valet parking facilities shall provide a passenger loading zone complying with 4.6.6 located on an accessible route to the entrance of the facility. Paragraphs 5(a), 5(b), and 5(d) of this section do not apply to valet parking facilities.</p> <p>(6) If toilet facilities are provided on a site, then each such public or common use toilet facility shall comply with 4.22. If bathing facilities are provided on a site, then each such public or common use bathing facility shall comply with 4.23.</p> <p>For single user portable toilet or bathing units clustered at a single location, at least 5% but no less than one toilet unit or bathing unit complying with 4.22 or 4.23 shall be installed at each cluster whenever typical inaccessible units are provided. Accessible units shall be identified by the International Symbol of Accessibility.</p> <p>EXCEPTION: Portable toilet units at construction sites used exclusively by construction personnel are not required to comply with 4.1.2(6).</p> <p>(7) Building Signage. Signs which designate permanent rooms and spaces shall comply with 4.30.1, 4.30.4, 4.30.5 and 4.30.6. Other signs which provide direction to, or information about, functional spaces of the building shall comply with 4.30.1, 4.30.2, 4.30.3, and 4.30.5. Elements and spaces of accessible facilities which shall be identified by the International Symbol of Accessibility and which shall comply with 4.30.7 are:</p> <p>(a) Parking spaces designated as reserved for individuals with disabilities;</p>
Total Parking in Lot	Required Minimum Number of Accessible Spaces																								
1 to 25	1																								
26 to 50	2																								
51 to 75	3																								
76 to 100	4																								
101 to 150	5																								
151 to 200	6																								
201 to 300	7																								
301 to 400	8																								
401 to 500	9																								
501 to 1000	2 percent of total																								
1001 and over	20 plus 1 for each 100 over 1000																								

**4.1.3 Accessible Buildings: New Construction**

<p>(b) Accessible passenger loading zones;</p> <p>(c) Accessible entrances when not all are accessible (inaccessible entrances shall have directional signage to indicate the route to the nearest accessible entrance);</p> <p>(d) Accessible toilet and bathing facilities when not all are accessible.</p> <p><b>4.1.3 Accessible Buildings: New Construction.</b> Accessible buildings and facilities shall meet the following minimum requirements:</p> <p>(1) At least one accessible route complying with 4.3 shall connect accessible building or facility entrances with all accessible spaces and elements within the building or facility.</p> <p>(2) All objects that overhang or protrude into circulation paths shall comply with 4.4.</p> <p>(3) Ground and floor surfaces along accessible routes and in accessible rooms and spaces shall comply with 4.5.</p> <p>(4) Interior and exterior stairs connecting levels that are not connected by an elevator, ramp, or other accessible means of vertical access shall comply with 4.9.</p> <p>(5)* One passenger elevator complying with 4.10 shall serve each level, including mezzanines, in all multi-story buildings and facilities unless exempted below. If more than one elevator is provided, each full passenger elevator shall comply with 4.10.</p> <p><b>EXCEPTION 1:</b> Elevators are not required in facilities that are less than three stories or that have less than 3000 square feet per story unless the building is a shopping center, a shopping mall, or the professional office of a health care provider, or another type of facility as determined by the Attorney General. The elevator exemption set forth in this paragraph does not obviate or limit in any way the obligation to comply with the other accessibility requirements established in section 4.1.3. For example, floors above or below the accessible ground floor must meet the requirements of this section except for elevator service. If toilet or bathing facilities are provided on a level not served by an elevator, then toilet or bathing facilities must be provided on the accessible</p>	<p>ground floor. In new construction if a building or facility is eligible for this exemption but a full passenger elevator is nonetheless planned, that elevator shall meet the requirements of 4.10 and shall serve each level in the building. A full passenger elevator that provides service from a garage to only one level of a building or facility is not required to serve other levels.</p> <p><b>EXCEPTION 2:</b> Elevator pits, elevator penthouses, mechanical rooms, piping or equipment catwalks are exempted from this requirement.</p> <p><b>EXCEPTION 3:</b> Accessible ramps complying with 4.8 may be used in lieu of an elevator.</p> <p><b>EXCEPTION 4:</b> Platform lifts (wheelchair lifts) complying with 4.11 of this guideline and applicable state or local codes may be used in lieu of an elevator only under the following conditions:</p> <p>(a) To provide an accessible route to a performing area in an assembly occupancy.</p> <p>(b) To comply with the wheelchair viewing position line-of-sight and dispersion requirements of 4.33.3.</p> <p>(c) To provide access to incidental occupiable spaces and rooms which are not open to the general public and which house no more than five persons, including but not limited to equipment control rooms and projection booths.</p> <p>(d) To provide access where existing site constraints or other constraints make use of a ramp or an elevator infeasible.</p> <p>(6) Windows: (Reserved).</p> <p>(7) Doors:</p> <p>(a) At each accessible entrance to a building or facility, at least one door shall comply with 4.13.</p> <p>(b) Within a building or facility, at least one door at each accessible space shall comply with 4.13.</p> <p>(c) Each door that is an element of an accessible route shall comply with 4.13.</p>
---	---

**4.1.3 Accessible Buildings: New Construction**

<p>(d) Each door required by 4.3.10, Egress, shall comply with 4.13.</p> <p>(8) In new construction, at a minimum, the requirements in (a) and (b) below shall be satisfied independently:</p> <p>(a)(i) At least 50% of all public entrances (excluding those in (b) below) must be accessible. At least one must be a ground floor entrance. Public entrances are any entrances that are not loading or service entrances.</p> <p>(ii) Accessible entrances must be provided in a number at least equivalent to the number of exits required by the applicable building/fire codes. (This paragraph does not require an increase in the total number of entrances planned for a facility.)</p> <p>(iii) An accessible entrance must be provided to each tenancy in a facility (for example, individual stores in a strip shopping center).</p> <p>One entrance may be considered as meeting more than one of the requirements in (a). Where feasible, accessible entrances shall be the entrances used by the majority of people visiting or working in the building.</p> <p>(b)(i) In addition, if direct access is provided for pedestrians from an enclosed parking garage to the building, at least one direct entrance from the garage to the building must be accessible.</p> <p>(ii) If access is provided for pedestrians from a pedestrian tunnel or elevated walkway, one entrance to the building from each tunnel or walkway must be accessible.</p> <p>One entrance may be considered as meeting more than one of the requirements in (b).</p> <p>Because entrances also serve as emergency exits whose proximity to all parts of buildings and facilities is essential, it is preferable that all entrances be accessible.</p> <p>(c) If the only entrance to a building, or tenancy in a facility, is a service entrance, that entrance shall be accessible.</p> <p>(d) Entrances which are not accessible shall have directional signage complying with 4.30.1,</p>	<p>4.30.2, 4.30.3, and 4.30.5, which indicates the location of the nearest accessible entrance.</p> <p>(9)* In buildings or facilities, or portions of buildings or facilities, required to be accessible, accessible means of egress shall be provided in the same number as required for exits by local building/life safety regulations. Where a required exit from an occupiable level above or below a level of accessible exit discharge is not accessible, an area of rescue assistance shall be provided on each such level (in a number equal to that of inaccessible required exits). Areas of rescue assistance shall comply with 4.3.11. A horizontal exit, meeting the requirements of local building/life safety regulations, shall satisfy the requirement for an area of rescue assistance.</p> <p>EXCEPTION: Areas of rescue assistance are not required in buildings or facilities having a supervised automatic sprinkler system.</p> <p>(10)* Drinking Fountains:</p> <p>(a) Where only one drinking fountain is provided on a floor there shall be a drinking fountain which is accessible to individuals who use wheelchairs in accordance with 4.15 and one accessible to those who have difficulty bending or stooping. (This can be accommodated by the use of a "hi-lo" fountain; by providing one fountain accessible to those who use wheelchairs and one fountain at a standard height convenient for those who have difficulty bending; by providing a fountain accessible under 4.15 and a water cooler; or by such other means as would achieve the required accessibility for each group on each floor.)</p> <p>(b) Where more than one drinking fountain or water cooler is provided on a floor, 50% of those provided shall comply with 4.15 and shall be on an accessible route.</p> <p>(11) Toilet Facilities: If toilet rooms are provided, then each public and common use toilet room shall comply with 4.22. Other toilet rooms provided for the use of occupants of specific spaces (i.e., a private toilet room for the occupant of a private office) shall be adaptable. If bathing rooms are provided, then each public and common use bathroom shall comply with 4.23. Accessible toilet rooms and bathing facilities shall be on an accessible route.</p>
---	--

**4.1.3 Accessible Buildings: New Construction**

<p>(12) Storage, Shelving and Display Units:</p> <p>(a) If fixed or built-in storage facilities such as cabinets, shelves, closets, and drawers are provided in accessible spaces, at least one of each type provided shall contain storage space complying with 4.25. Additional storage may be provided outside of the dimensions required by 4.25.</p> <p>(b) Shelves or display units allowing self-service by customers in mercantile occupancies shall be located on an accessible route complying with 4.3. Requirements for accessible reach range do not apply.</p> <p>(13) Controls and operating mechanisms in accessible spaces, along accessible routes, or as parts of accessible elements (for example, light switches and dispenser controls) shall comply with 4.27.</p> <p>(14) If emergency warning systems are provided, then they shall include both audible alarms and visual alarms complying with 4.28. Sleeping accommodations required to comply with 9.3 shall have an alarm system complying with 4.28. Emergency warning systems in medical care facilities may be modified to suit standard health care alarm design practice.</p> <p>(15) Detectable warnings shall be provided at locations as specified in 4.29.</p> <p>(16) Building Signage:</p> <p>(a) Signs which designate permanent rooms and spaces shall comply with 4.30.1, 4.30.4, 4.30.5 and 4.30.6.</p> <p>(b) Other signs which provide direction to or information about functional spaces of the building shall comply with 4.30.1, 4.30.2, 4.30.3, and 4.30.5.</p> <p>EXCEPTION: Building directories, menus, and all other signs which are temporary are not required to comply.</p> <p>(17) Public Telephones:</p> <p>(a) If public pay telephones, public closed circuit telephones, or other public telephones are provided, then they shall comply with 4.31.2 through 4.31.8 to the extent required by the following table:</p>	<table border="1"> <thead> <tr> <th data-bbox="824 562 1015 619">Number of each type of telephone provided on each floor</th> <th data-bbox="1031 562 1226 619">Number of telephones required to comply with 4.31.2 through 4.31.8<sup>1</sup></th> </tr> </thead> <tbody> <tr> <td data-bbox="824 630 998 651">1 or more single unit</td> <td data-bbox="1031 630 1112 651">1 per floor</td> </tr> <tr> <td data-bbox="824 661 901 682">1 bank<sup>2</sup></td> <td data-bbox="1031 661 1112 682">1 per floor</td> </tr> <tr> <td data-bbox="824 693 966 714">2 or more banks<sup>2</sup></td> <td data-bbox="1031 693 1242 850">1 per bank. Accessible unit may be installed as a single unit in proximity (either visible or with signage) to the bank. At least one public telephone per floor shall meet the requirements for a forward reach telephone<sup>3</sup>.</td> </tr> </tbody> </table> <p><sup>1</sup> Additional public telephones may be installed at any height. Unless otherwise specified, accessible telephones may be either forward or side reach telephones.</p> <p><sup>2</sup> A bank consists of two or more adjacent public telephones, often installed as a unit.</p> <p><sup>3</sup> EXCEPTION: For exterior installations only, if dial tone first service is available, then a side reach telephone may be installed instead of the required forward reach telephone (i.e., one telephone in proximity to each bank shall comply with 4.31).</p> <p>(b)* All telephones required to be accessible and complying with 4.31.2 through 4.31.8 shall be equipped with a volume control. In addition, 25 percent, but never less than one, of all other public telephones provided shall be equipped with a volume control and shall be dispersed among all types of public telephones, including closed circuit telephones, throughout the building or facility. Signage complying with applicable provisions of 4.30.7 shall be provided.</p> <p>(c) The following shall be provided in accordance with 4.31.9:</p> <p>(i) If a total number of four or more public pay telephones (including both interior and exterior phones) is provided at a site, and at least one is in an interior location, then at least one interior public text telephone shall be provided.</p> <p>(ii) If an interior public pay telephone is provided in a stadium or arena, in a convention center, in a hotel with a convention center, or</p>	Number of each type of telephone provided on each floor	Number of telephones required to comply with 4.31.2 through 4.31.8 <sup>1</sup>	1 or more single unit	1 per floor	1 bank <sup>2</sup>	1 per floor	2 or more banks <sup>2</sup>	1 per bank. Accessible unit may be installed as a single unit in proximity (either visible or with signage) to the bank. At least one public telephone per floor shall meet the requirements for a forward reach telephone <sup>3</sup> .
Number of each type of telephone provided on each floor	Number of telephones required to comply with 4.31.2 through 4.31.8 <sup>1</sup>								
1 or more single unit	1 per floor								
1 bank <sup>2</sup>	1 per floor								
2 or more banks <sup>2</sup>	1 per bank. Accessible unit may be installed as a single unit in proximity (either visible or with signage) to the bank. At least one public telephone per floor shall meet the requirements for a forward reach telephone <sup>3</sup> .								

**4.1.3 Accessible Buildings: New Construction**

in a covered mall, at least one interior public text telephone shall be provided in the facility.

(iii) if a public pay telephone is located in or adjacent to a hospital emergency room, hospital recovery room, or hospital waiting room, one public text telephone shall be provided at each such location.

(d) Where a bank of telephones in the interior of a building consists of three or more public pay telephones, at least one public pay telephone in each such bank shall be equipped with a shelf and outlet in compliance with 4.31.9(2).

(18) If fixed or built-in seating or tables (including, but not limited to, study carrels and student laboratory stations), are provided in accessible public or common use areas, at least five percent (5%), but not less than one, of the fixed or built-in seating areas or tables shall comply with 4.32. An accessible route shall lead to and through such fixed or built-in seating areas, or tables.

(19)\* Assembly areas:

(a) in places of assembly with fixed seating accessible wheelchair locations shall comply with 4.33.2, 4.33.3, and 4.33.4 and shall be provided consistent with the following table:

<b>Capacity of Seating in Assembly Areas</b>	<b>Number of Required Wheelchair Locations</b>
4 to 25	1
26 to 50	2
51 to 300	4
301 to 500	6
over 500	6, plus 1 additional space for each total seating capacity increase of 100

In addition, one percent, but not less than one, of all fixed seats shall be aisle seats with no armrests on the aisle side, or removable or folding armrests on the aisle side. Each such seat shall be identified by a sign or marker. Signage notifying patrons of the availability of such seats shall be posted at the ticket office. Aisle seats are not required to comply with 4.33.4.

(b) This paragraph applies to assembly areas where audible communications are integral to the use of the space (e.g., concert and lecture halls, playhouses and movie theaters, meeting rooms, etc.). Such assembly areas, if (1) they accommodate at least 50 persons, or if they have audio-amplification systems, and (2) they have fixed seating, shall have a permanently installed assistive listening system complying with 4.33. For other assembly areas, a permanently installed assistive listening system, or an adequate number of electrical outlets or other supplementary wiring necessary to support a portable assistive listening system shall be provided. The minimum number of receivers to be provided shall be equal to 4 percent of the total number of seats, but in no case less than two. Signage complying with applicable provisions of 4.30 shall be installed to notify patrons of the availability of a listening system.

(20) Where automated teller machines are provided, each machine shall comply with the requirements of 4.34 except where two or more machines are provided at a location, then only one must comply.

EXCEPTION: Drive-up-only automated teller machines are not required to comply with 4.34.2 and 4.34.3.

(21) Where dressing and fitting rooms are provided for use by the general public, patients, customers or employees, 5 percent, but never less than one, of dressing rooms for each type of use in each cluster of dressing rooms shall be accessible and shall comply with 4.35.

Examples of types of dressing rooms are those serving different genders or distinct and different functions as in different treatment or examination facilities.

**4.1.4 (Reserved).**

**4.1.5 Accessible Buildings: Additions.**

Each addition to an existing building or facility shall be regarded as an alteration. Each space or element added to the existing building or facility shall comply with the applicable provisions of 4.1.1 to 4.1.3, Minimum Requirements (for New Construction) and the applicable technical specifications of 4.2 through 4.35 and sections 5 through 10. Each addition that

**4.1.6 Accessible Buildings: Alterations**

affects or could affect the usability of an area containing a primary function shall comply with 4.1.6(2).

**4.1.6 Accessible Buildings: Alterations.**

(1) General. Alterations to existing buildings and facilities shall comply with the following:

(a) No alteration shall be undertaken which decreases or has the effect of decreasing accessibility or usability of a building or facility below the requirements for new construction at the time of alteration.

(b) If existing elements, spaces, or common areas are altered, then each such altered element, space, feature, or area shall comply with the applicable provisions of 4.1.1 to 4.1.3 Minimum Requirements (for New Construction). If the applicable provision for new construction requires that an element, space, or common area be on an accessible route, the altered element, space, or common area is not required to be on an accessible route except as provided in 4.1.6(2) (Alterations to an Area Containing a Primary Function.)

(c) If alterations of single elements, when considered together, amount to an alteration of a room or space in a building or facility, the entire space shall be made accessible.

(d) No alteration of an existing element, space, or area of a building or facility shall impose a requirement for greater accessibility than that which would be required for new construction. For example, if the elevators and stairs in a building are being altered and the elevators are, in turn, being made accessible, then no accessibility modifications are required to the stairs connecting levels connected by the elevator. If stair modifications to correct unsafe conditions are required by other codes, the modifications shall be done in compliance with these guidelines unless technically infeasible.

(e) At least one interior public text telephone complying with 4.31.9 shall be provided if:

(i) alterations to existing buildings or facilities with less than four exterior or interior public pay telephones would increase the total number to four or more telephones with at least one in an interior location; or

(ii) alterations to one or more exterior or interior public pay telephones occur in an existing building or facility with four or more public telephones with at least one in an interior location.

(f) If an escalator or stair is planned or installed where none existed previously and major structural modifications are necessary for such installation, then a means of accessible vertical access shall be provided that complies with the applicable provisions of 4.7, 4.8, 4.10, or 4.11.

(g) In alterations, the requirements of 4.1.3(9), 4.3.10 and 4.3.11 do not apply.

(h)\*Entrances: If a planned alteration entails alterations to an entrance, and the building has an accessible entrance, the entrance being altered is not required to comply with 4.1.3(8), except to the extent required by 4.1.6(2). If a particular entrance is not made accessible, appropriate accessible signage indicating the location of the nearest accessible entrance(s) shall be installed at or near the inaccessible entrance, such that a person with disabilities will not be required to retrace the approach route from the inaccessible entrance.

(i) If the alteration work is limited solely to the electrical, mechanical, or plumbing system, or to hazardous material abatement, or automatic sprinkler retrofitting, and does not involve the alteration of any elements or spaces required to be accessible under these guidelines, then 4.1.6(2) does not apply.

(j) EXCEPTION: In alteration work, if compliance with 4.1.6 is technically infeasible, the alteration shall provide accessibility to the maximum extent feasible. Any elements or features of the building or facility that are being altered and can be made accessible shall be made accessible within the scope of the alteration.

**Technically infeasible.** Means, with respect to an alteration of a building or a facility, that it has little likelihood of being accomplished because existing structural conditions would require removing or altering a load-bearing member which is an essential part of the structural frame; or because other existing physical or site constraints prohibit modification or

**4.1.6 Accessible Buildings: Alterations**

<p>addition of elements, spaces, or features which are in full and strict compliance with the minimum requirements for new construction and which are necessary to provide accessibility.</p> <p>(k) EXCEPTION:</p> <p>(i) These guidelines do not require the installation of an elevator in an altered facility that is less than three stories or has less than 3,000 square feet per story unless the building is a shopping center, a shopping mall, the professional office of a health care provider, or another type of facility as determined by the Attorney General.</p> <p>(ii) The exemption provided in paragraph (i) does not obviate or limit in any way the obligation to comply with the other accessibility requirements established in these guidelines. For example, alterations to floors above or below the ground floor must be accessible regardless of whether the altered facility has an elevator. If a facility subject to the elevator exemption set forth in paragraph (i) nonetheless has a full passenger elevator, that elevator shall meet, to the maximum extent feasible, the accessibility requirements of these guidelines.</p> <p>(2) Alterations to an Area Containing a Primary Function: In addition to the requirements of 4.1.6(1), an alteration that affects or could affect the usability of or access to an area containing a primary function shall be made so as to ensure that, to the maximum extent feasible, the path of travel to the altered area and the restrooms, telephones, and drinking fountains serving the altered area, are readily accessible to and usable by individuals with disabilities, unless such alterations are disproportionate to the overall alterations in terms of cost and scope (as determined under criteria established by the Attorney General).</p> <p>(3) Special Technical Provisions for Alterations to Existing Buildings and Facilities:</p> <p>(a) Ramps: Curb ramps and interior or exterior ramps to be constructed on sites or in existing buildings or facilities where space limitations prohibit the use of a 1:12 slope or less may have slopes and rises as follows:</p> <p>(i) A slope between 1:10 and 1:12 is allowed for a maximum rise of 6 inches.</p>	<p>(ii) A slope between 1:8 and 1:10 is allowed for a maximum rise of 3 inches. A slope steeper than 1:8 is not allowed.</p> <p>(b) Stairs: Full extension of handrails at stairs shall not be required in alterations where such extensions would be hazardous or impossible due to plan configuration.</p> <p>(c) Elevators:</p> <p>(i) If safety door edges are provided in existing automatic elevators, automatic door reopening devices may be omitted (see 4.10.6).</p> <p>(ii) Where existing shaft configuration or technical infeasibility prohibits strict compliance with 4.10.9, the minimum car plan dimensions may be reduced by the minimum amount necessary, but in no case shall the inside car area be smaller than 48 in by 48 in.</p> <p>(iii) Equivalent facilitation may be provided with an elevator car of different dimensions when usability can be demonstrated and when all other elements required to be accessible comply with the applicable provisions of 4.10. For example, an elevator of 47 in by 69 in (1195 mm by 1755 mm) with a door opening on the narrow dimension, could accommodate the standard wheelchair clearances shown in Figure 4.</p> <p>(d) Doors:</p> <p>(i) Where it is technically infeasible to comply with clear opening width requirements of 4.13.5, a projection of 5/8 in maximum will be permitted for the latch side stop.</p> <p>(ii) If existing thresholds are 3/4 in high or less, and have (or are modified to have) a beveled edge on each side, they may remain.</p> <p>(e) Toilet Rooms:</p> <p>(i) Where it is technically infeasible to comply with 4.22 or 4.23, the installation of at least one unisex toilet/bathroom per floor, located in the same area as existing toilet facilities, will be permitted in lieu of modifying existing toilet facilities to be accessible. Each unisex toilet room shall contain one water closet complying with 4.16 and one lavatory complying with 4.19, and the door shall have a privacy latch.</p>
---	--

**4.1.7 Accessible Buildings: Historic Preservation**

<p>(ii) Where it is technically infeasible to install a required standard stall (Fig. 30(a)), or where other codes prohibit reduction of the fixture count (i.e., removal of a water closet in order to create a double-wide stall), either alternate stall (Fig. 30(b)) may be provided in lieu of the standard stall.</p> <p>(iii) When existing toilet or bathing facilities are being altered and are not made accessible, signage complying with 4.30.1, 4.30.2, 4.30.3, 4.30.5, and 4.30.7 shall be provided indicating the location of the nearest accessible toilet or bathing facility within the facility.</p> <p>(f) Assembly Areas:</p> <p>(i) Where it is technically infeasible to disperse accessible seating throughout an altered assembly area, accessible seating areas may be clustered. Each accessible seating area shall have provisions for companion seating and shall be located on an accessible route that also serves as a means of emergency egress.</p> <p>(ii) Where it is technically infeasible to alter all performing areas to be on an accessible route, at least one of each type of performing area shall be made accessible.</p> <p>(g) Platform Lifts (Wheelchair Lifts): In alterations, platform lifts (wheelchair lifts) complying with 4.11 and applicable state or local codes may be used as part of an accessible route. The use of lifts is not limited to the four conditions in exception 4 of 4.1.3(5).</p> <p>(h) Dressing Rooms: In alterations where technical infeasibility can be demonstrated, one dressing room for each sex on each level shall be made accessible. Where only unisex dressing rooms are provided, accessible unisex dressing rooms may be used to fulfill this requirement.</p> <p><b>4.1.7 Accessible Buildings: Historic Preservation.</b></p> <p>(1) Applicability:</p> <p>(a) General Rule. Alterations to a qualified historic building or facility shall comply with 4.1.6 Accessible Buildings: Alterations, the applicable technical specifications of 4.2</p>	<p>through 4.35 and the applicable special application sections 5 through 10 unless it is determined in accordance with the procedures in 4.1.7(2) that compliance with the requirements for accessible routes (exterior and interior), ramps, entrances, or toilets would threaten or destroy the historic significance of the building or facility in which case the alternative requirements in 4.1.7(3) may be used for the feature.</p> <p>EXCEPTION: (Reserved).</p> <p>(b) Definition. A qualified historic building or facility is a building or facility that is:</p> <p>(i) Listed in or eligible for listing in the National Register of Historic Places; or</p> <p>(ii) Designated as historic under an appropriate State or local law.</p> <p>(2) Procedures:</p> <p>(a) Alterations to Qualified Historic Buildings and Facilities Subject to Section 106 of the National Historic Preservation Act:</p> <p>(i) Section 106 Process. Section 106 of the National Historic Preservation Act (16 U.S.C. 470 f) requires that a Federal agency with jurisdiction over a Federal, federally assisted, or federally licensed undertaking consider the effects of the agency's undertaking on buildings and facilities listed in or eligible for listing in the National Register of Historic Places and give the Advisory Council on Historic Preservation a reasonable opportunity to comment on the undertaking prior to approval of the undertaking.</p> <p>(ii) ADA Application. Where alterations are undertaken to a qualified historic building or facility that is subject to section 106 of the National Historic Preservation Act, the Federal agency with jurisdiction over the undertaking shall follow the section 106 process. If the State Historic Preservation Officer or Advisory Council on Historic Preservation agrees that compliance with the requirements for accessible routes (exterior and interior), ramps, entrances, or toilets would threaten or destroy the historic significance of the building or facility, the alternative requirements in 4.1.7(3) may be used for the feature.</p>
---	---



**4.2 Space Allowance and Reach Ranges**

<p>(b) Alterations to Qualified Historic Buildings and Facilities Not Subject to Section 106 of the National Historic Preservation Act. Where alterations are undertaken to a qualified historic building or facility that is not subject to section 106 of the National Historic Preservation Act, if the entity undertaking the alterations believes that compliance with the requirements for accessible routes (exterior and interior), ramps, entrances, or toilets would threaten or destroy the historic significance of the building or facility and that the alternative requirements in 4.1.7(3) should be used for the feature, the entity should consult with the State Historic Preservation Officer. If the State Historic Preservation Officer agrees that compliance with the accessibility requirements for accessible routes (exterior and interior), ramps, entrances or toilets would threaten or destroy the historical significance of the building or facility, the alternative requirements in 4.1.7(3) may be used.</p> <p>(c) Consultation With Interested Persons. Interested persons should be invited to participate in the consultation process, including State or local accessibility officials, individuals with disabilities, and organizations representing individuals with disabilities.</p> <p>(d) Certified Local Government Historic Preservation Programs. Where the State Historic Preservation Officer has delegated the consultation responsibility for purposes of this section to a local government historic preservation program that has been certified in accordance with section 101(c) of the National Historic Preservation Act of 1966 (16 U.S.C. 470a (c)) and implementing regulations (36 CFR 61.5), the responsibility may be carried out by the appropriate local government body or official.</p> <p>(3) Historic Preservation: Minimum Requirements:</p> <p>(a) At least one accessible route complying with 4.3 from a site access point to an accessible entrance shall be provided.</p> <p>EXCEPTION: A ramp with a slope no greater than 1:6 for a run not to exceed 2 ft (610 mm) may be used as part of an accessible route to an entrance.</p>	<p>(b) At least one accessible entrance complying with 4.14 which is used by the public shall be provided.</p> <p>EXCEPTION: If it is determined that no entrance used by the public can comply with 4.14, then access at any entrance not used by the general public but open (unlocked) with directional signage at the primary entrance may be used. The accessible entrance shall also have a notification system. Where security is a problem, remote monitoring may be used.</p> <p>(c) If toilets are provided, then at least one toilet facility complying with 4.22 and 4.1.6 shall be provided along an accessible route that complies with 4.3. Such toilet facility may be unisex in design.</p> <p>(d) Accessible routes from an accessible entrance to all publicly used spaces on at least the level of the accessible entrance shall be provided. Access shall be provided to all levels of a building or facility in compliance with 4.1 whenever practical.</p> <p>(e) Displays and written information, documents, etc., should be located where they can be seen by a seated person. Exhibits and signage displayed horizontally (e.g., open books), should be no higher than 44 in (1120 mm) above the floor surface.</p> <p>NOTE: The technical provisions of sections 4.2 through 4.35 are the same as those of the American National Standard Institute's document A117.1-1980, except as noted in the text.</p> <p><b>4.2 Space Allowance and Reach Ranges.</b></p> <p><b>4.2.1* Wheelchair Passage Width.</b> The minimum clear width for single wheelchair passage shall be 32 in (815 mm) at a point and 36 in (915 mm) continuously (see Fig. 1 and 24(e)).</p> <p><b>4.2.2 Width for Wheelchair Passing.</b> The minimum width for two wheelchairs to pass is 60 in (1525 mm) (see Fig. 2).</p> <p><b>4.2.3* Wheelchair Turning Space.</b> The space required for a wheelchair to make a 180-degree turn is a clear space of 60 in (1525 mm)</p>
--	--

**4.2.4\* Clear Floor or Ground Space for Wheelchairs**

diameter (see Fig. 3(a)) or a T-shaped space (see Fig. 3(b)).

**4.2.4\* Clear Floor or Ground Space for Wheelchairs.**

**4.2.4.1 Size and Approach.** The minimum clear floor or ground space required to accommodate a single, stationary wheelchair and occupant is 30 in by 48 in (760 mm by 1220 mm) (see Fig. 4(a)). The minimum clear floor or ground space for wheelchairs may be positioned for forward or parallel approach to an object (see Fig. 4(b) and (c)). Clear floor or ground space for wheelchairs may be part of the knee space required under some objects.

**4.2.4.2 Relationship of Maneuvering Clearance to Wheelchair Spaces.** One full unobstructed side of the clear floor or ground space for a wheelchair shall adjoin or overlap an accessible route or adjoin another wheelchair clear floor space. If a clear floor space is located in an alcove or otherwise confined on all or part of three sides, additional maneuvering clearances shall be provided as shown in Fig. 4(d) and (e).

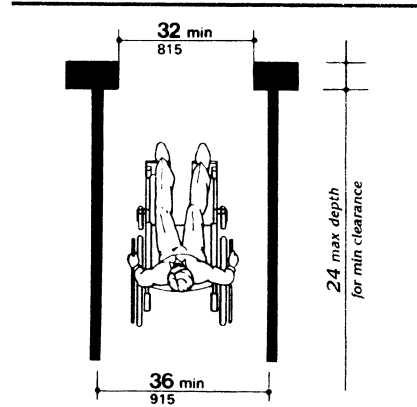
**4.2.4.3 Surfaces for Wheelchair Spaces.** Clear floor or ground spaces for wheelchairs shall comply with 4.5.

**4.2.5\* Forward Reach.** If the clear floor space only allows forward approach to an object, the maximum high forward reach allowed shall be 48 in (1220 mm) (see Fig. 5(a)). *The minimum low forward reach is 15 in (380 mm).* If the high forward reach is over an obstruction, reach and clearances shall be as shown in Fig. 5(b).

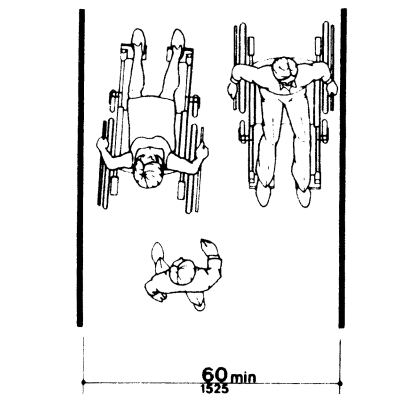
**4.2.6\* Side Reach.** If the clear floor space allows parallel approach by a person in a wheelchair, the maximum high side reach allowed shall be 54 in (1370 mm) and the low side reach shall be no less than 9 in (230 mm) above the floor (Fig. 6(a) and (b)). If the side reach is over an obstruction, the reach and clearances shall be as shown in Fig. 6(c).

**4.3 Accessible Route.**

**4.3.1\* General.** All walks, halls, corridors, aisles, skywalks, tunnels, and other spaces



**Fig. 1**  
Minimum Clear Width  
for Single Wheelchair



**Fig. 2**  
Minimum Clear Width  
for Two Wheelchairs

**4.3 Accessible Route**

that are part of an accessible route shall comply with 4.3.

**4.3.2 Location.**

(1) At least one accessible route *within the boundary of the site* shall be provided from public transportation stops, accessible parking, and accessible passenger loading zones, and public streets or sidewalks to the accessible building entrance they serve. *The accessible route shall, to the maximum extent feasible, coincide with the route for the general public.*

(2) At least one accessible route shall connect accessible buildings, facilities, elements, and spaces that are on the same site.

(3) At least one accessible route shall connect accessible building or facility entrances with all accessible spaces and elements and with all accessible dwelling units within the building or facility.

(4) An accessible route shall connect at least one accessible entrance of each accessible

dwelling unit with those exterior and interior spaces and facilities that serve the accessible dwelling unit.

**4.3.3 Width.** The minimum clear width of an accessible route shall be 36 in (915 mm) except at doors (see 4.13.5 and 4.13.6). If a person in a wheelchair must make a turn around an obstruction, the minimum clear width of the accessible route shall be as shown in Fig. 7(a) and (b).

**4.3.4 Passing Space.** If an accessible route has less than 60 in (1525 mm) clear width, then passing spaces at least 60 in by 60 in (1525 mm by 1525 mm) shall be located at reasonable intervals not to exceed 200 ft (61 m). A T-intersection of two corridors or walks is an acceptable passing place.

**4.3.5 Head Room.** Accessible routes shall comply with 4.4.2.

**4.3.6 Surface Textures.** The surface of an accessible route shall comply with 4.5.

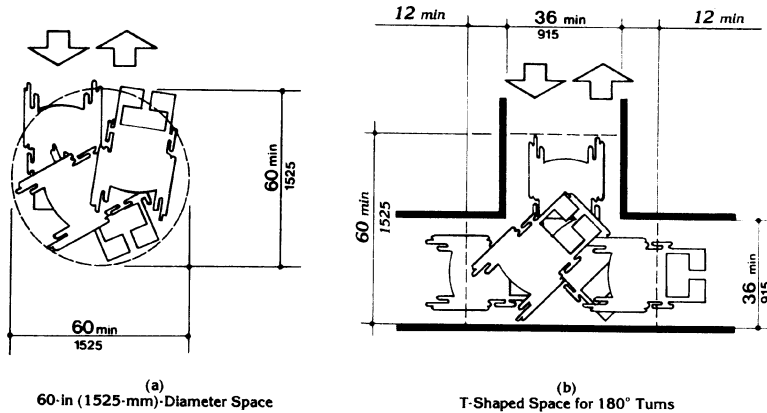


Fig. 3  
Wheelchair Turning Space

4.3 Accessible Route

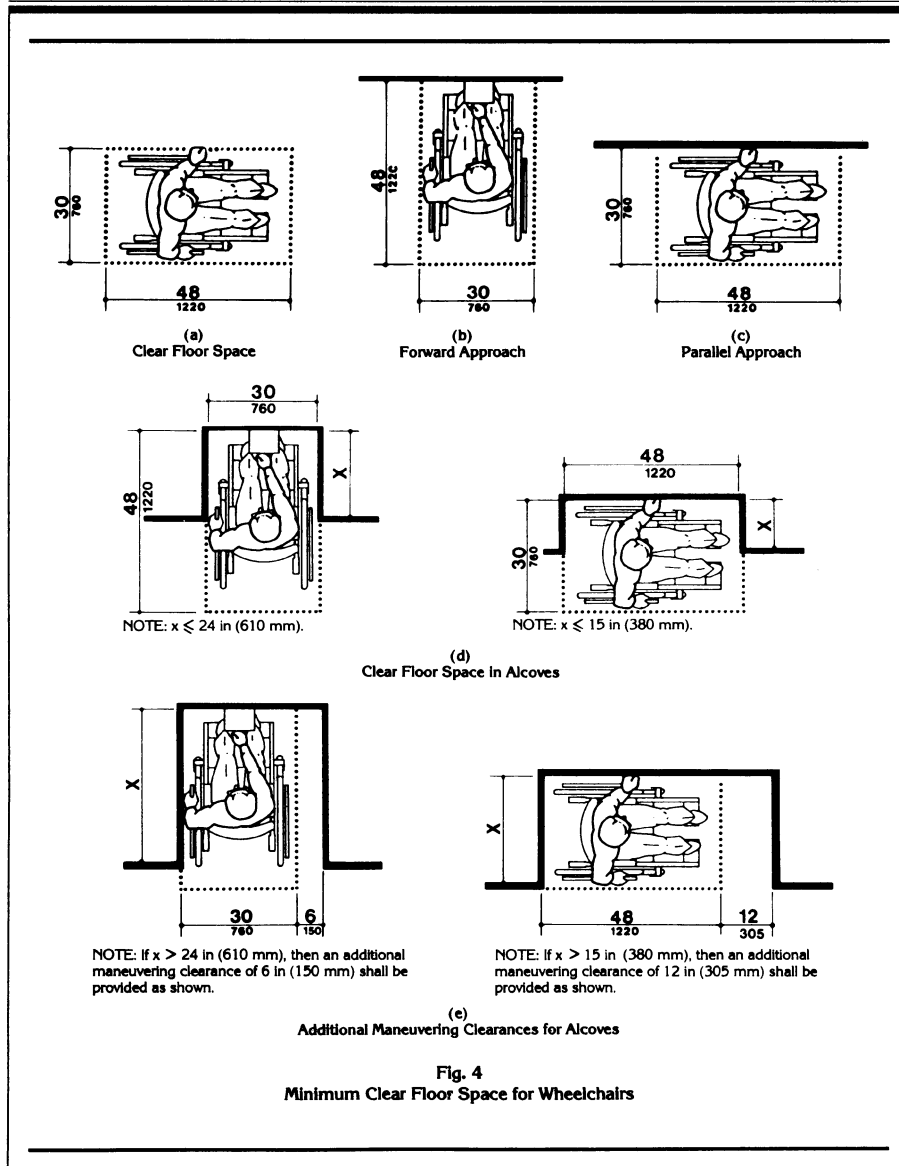
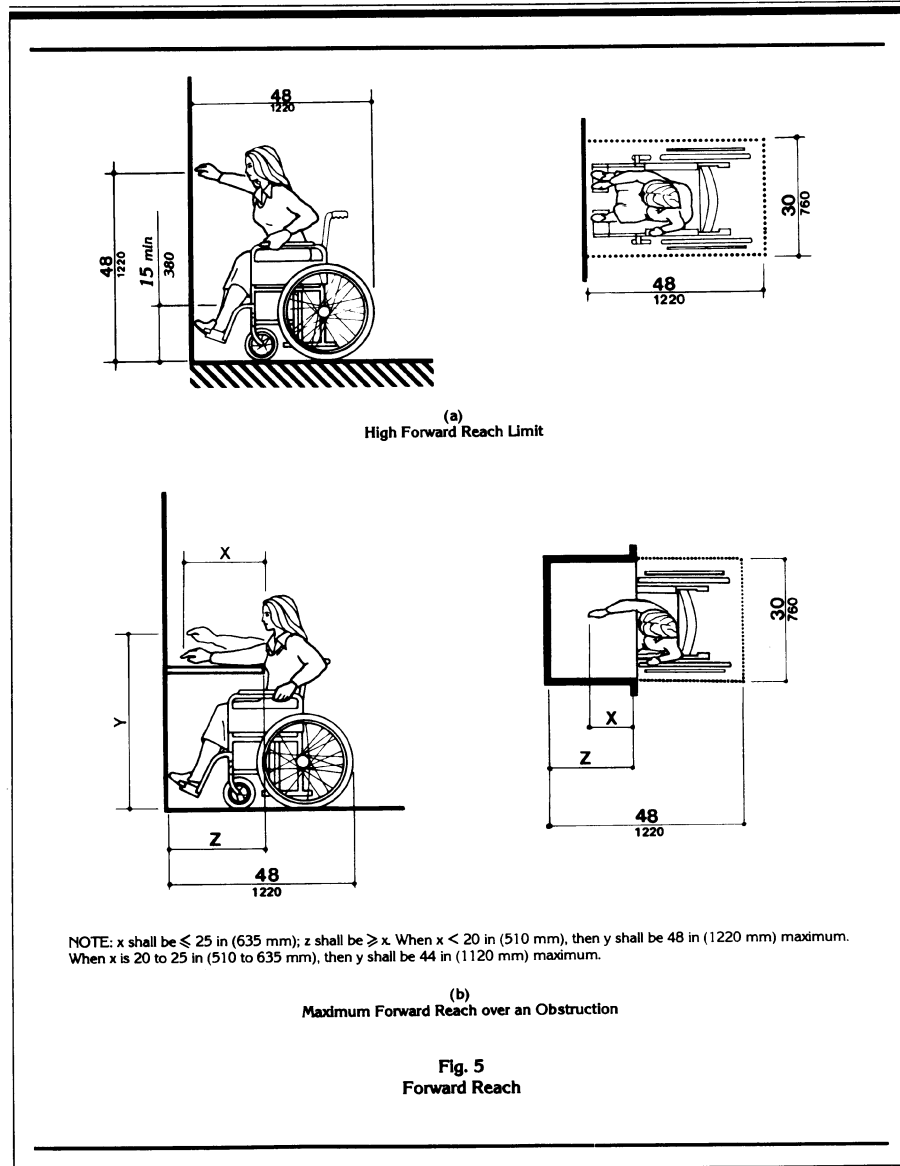
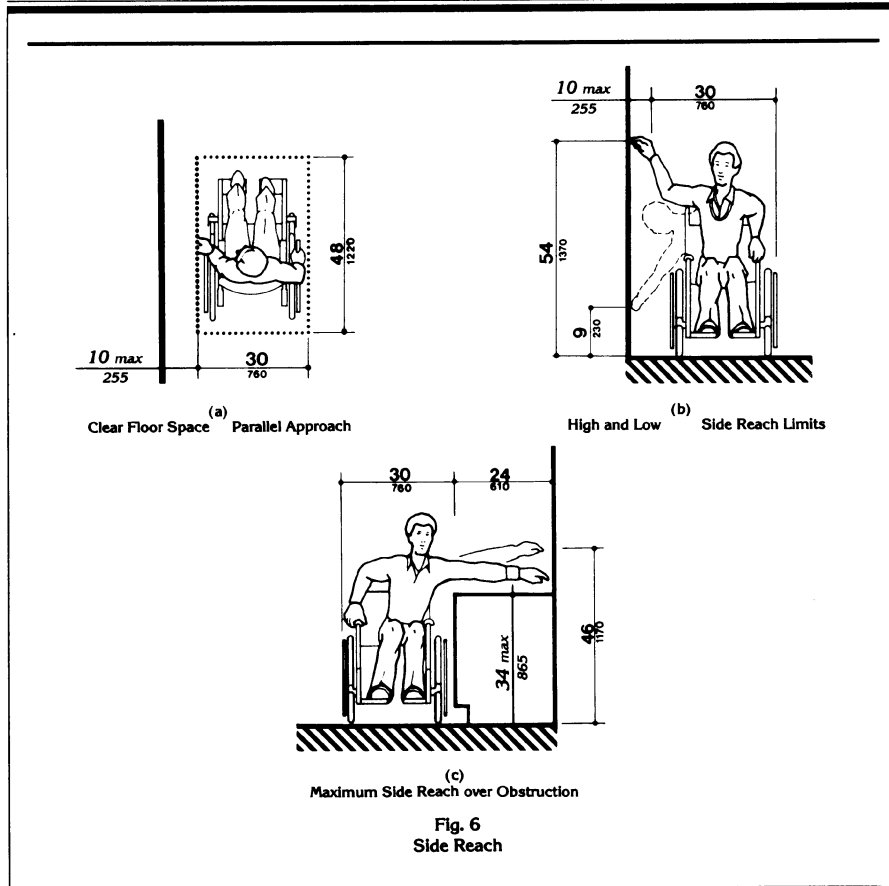


Fig. 4  
Minimum Clear Floor Space for Wheelchairs

4.3 Accessible Route



4.3.7 Slope



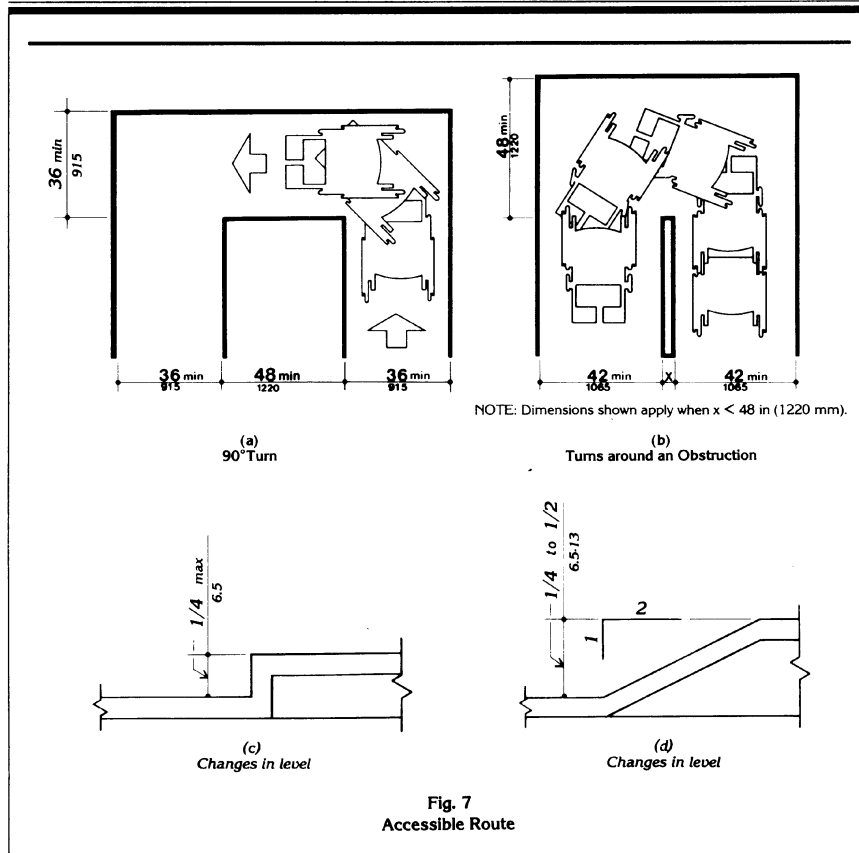
**4.3.7 Slope.** An accessible route with a running slope greater than 1:20 is a ramp and shall comply with 4.8. Nowhere shall the cross slope of an accessible route exceed 1:50.

**4.3.8 Changes in Levels.** Changes in levels along an accessible route shall comply with 4.5.2. If an accessible route has changes in level greater than 1/2 in (13 mm), then a curb

ramp, ramp, elevator, or platform lift (as permitted in 4.1.3 and 4.1.6) shall be provided that complies with 4.7, 4.8, 4.10, or 4.11, respectively. An accessible route does not include stairs, steps, or escalators. See definition of "egress, means of" in 3.5.

**4.3.9 Doors.** Doors along an accessible route shall comply with 4.13.

**4.3.10\* Egress**



**4.3.10\* Egress.** Accessible routes serving any accessible space or element shall also serve as a means of egress for emergencies or connect to an accessible area of rescue assistance.

**4.3.11 Areas of Rescue Assistance.**

**4.3.11.1 Location and Construction.** An area of rescue assistance shall be one of the following:

(1) A portion of a stairway landing within a smokeproof enclosure (complying with local requirements).

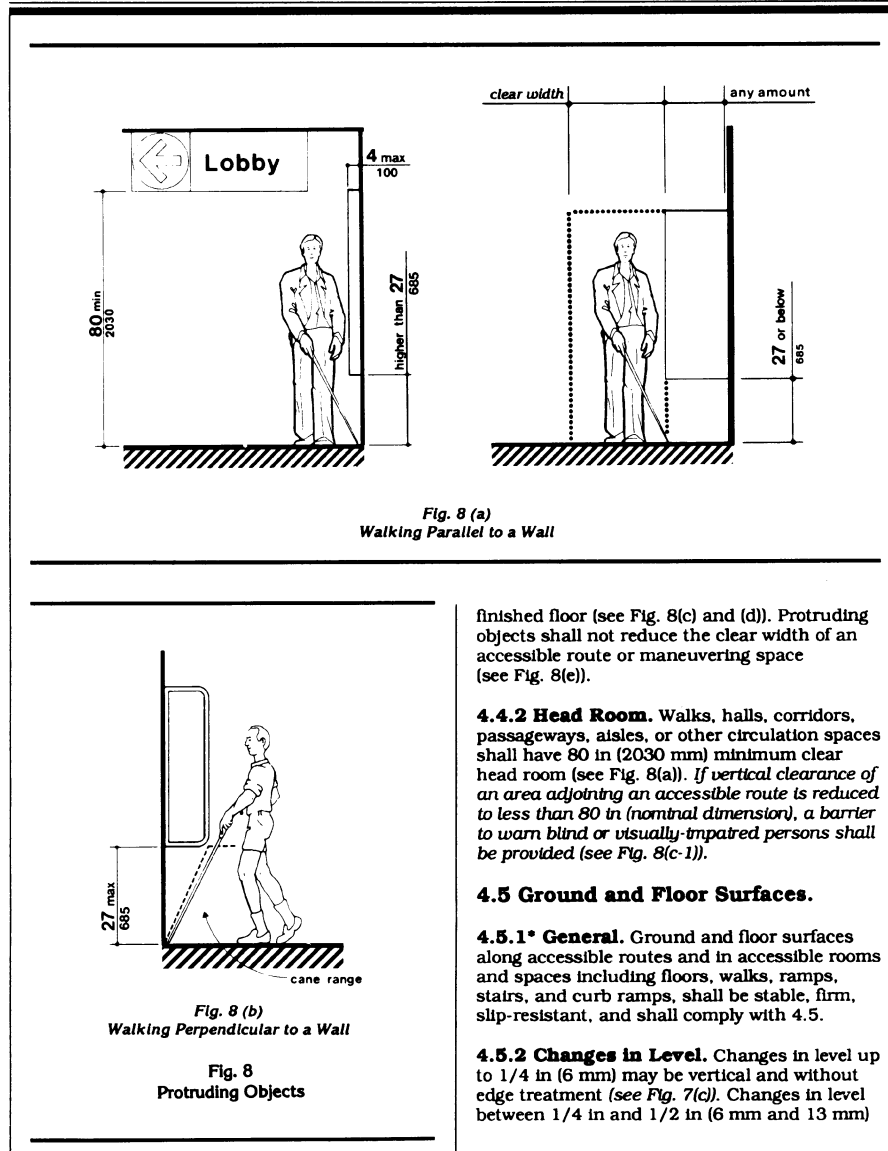
(2) A portion of an exterior exit balcony located immediately adjacent to an exit stairway when the balcony complies with local requirements for exterior exit balconies. Openings to the interior of the building located within 20 feet (6 m) of the

## 4.4 Protruding Objects

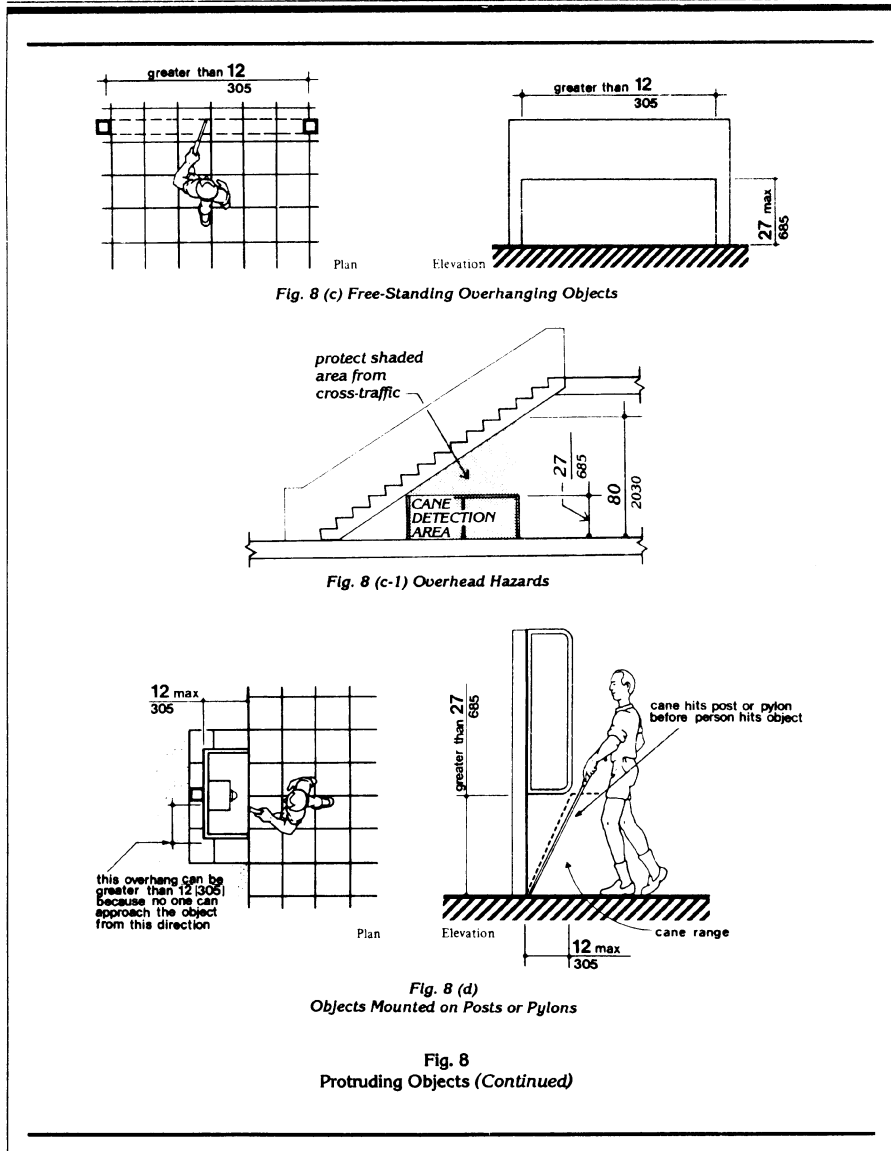
<p>area of rescue assistance shall be protected with fire assemblies having a three-fourths hour fire protection rating.</p> <p>(3) A portion of a one-hour fire-resistive corridor (complying with local requirements for fire-resistive construction and for openings) located immediately adjacent to an exit enclosure.</p> <p>(4) A vestibule located immediately adjacent to an exit enclosure and constructed to the same fire-resistive standards as required for corridors and openings.</p> <p>(5) A portion of a stairway landing within an exit enclosure which is vented to the exterior and is separated from the interior of the building with not less than one-hour fire-resistive doors.</p> <p>(6) When approved by the appropriate local authority, an area or a room which is separated from other portions of the building by a smoke barrier. Smoke barriers shall have a fire-resistive rating of not less than one hour and shall completely enclose the area or room. Doors in the smoke barrier shall be tight-fitting smoke- and draft-control assemblies having a fire-protection rating of not less than 20 minutes and shall be self-closing or automatic closing. The area or room shall be provided with an exit directly to an exit enclosure. Where the room or area exits into an exit enclosure which is required to be of more than one-hour fire-resistive construction, the room or area shall have the same fire-resistive construction, including the same opening protection, as required for the adjacent exit enclosure.</p> <p>(7) An elevator lobby when elevator shafts and adjacent lobbies are pressurized as required for smokeproof enclosures by local regulations and when complying with requirements herein for size, communication, and signage. Such pressurization system shall be activated by smoke detectors on each floor located in a manner approved by the appropriate local authority. Pressurization equipment and its duct work within the building shall be separated from other portions of the building by a minimum two-hour fire-resistive construction.</p> <p><b>4.3.11.2 Size.</b> Each area of rescue assistance shall provide at least two accessible areas each being not less than 30 inches by 48 inches (760 mm by 1220 mm). The area of rescue</p>	<p>assistance shall not encroach on any required exit width. The total number of such 30-inch by 48-inch (760 mm by 1220 mm) areas per story shall be not less than one for every 200 persons of calculated occupant load served by the area of rescue assistance.</p> <p><b>EXCEPTION:</b> The appropriate local authority may reduce the minimum number of 30-inch by 48-inch (760 mm by 1220 mm) areas to one for each area of rescue assistance on floors where the occupant load is less than 200.</p> <p><b>4.3.11.3* Stairway Width.</b> Each stairway adjacent to an area of rescue assistance shall have a minimum clear width of 48 inches between handrails.</p> <p><b>4.3.11.4* Two-way Communication.</b> A method of two-way communication, with both visible and audible signals, shall be provided between each area of rescue assistance and the primary entry. The fire department or appropriate local authority may approve a location other than the primary entry.</p> <p><b>4.3.11.5 Identification.</b> Each area of rescue assistance shall be identified by a sign which states "AREA OF RESCUE ASSISTANCE" and displays the international symbol of accessibility. The sign shall be illuminated when exit sign illumination is required. Signage shall also be installed at all inaccessible exits and where otherwise necessary to clearly indicate the direction to areas of rescue assistance. In each area of rescue assistance, instructions on the use of the area under emergency conditions shall be posted adjoining the two-way communication system.</p> <p><b>4.4 Protruding Objects.</b></p> <p><b>4.4.1* General.</b> Objects projecting from walls (for example, telephones) with their leading edges between 27 in and 80 in (685 mm and 2030 mm) above the finished floor shall protrude no more than 4 in (100 mm) into walks, halls, corridors, passageways, or aisles (see Fig. 8(a)). Objects mounted with their leading edges at or below 27 in (685 mm) above the finished floor may protrude any amount (see Fig. 8(a) and (b)). Free-standing objects mounted on posts or pylons may overhang 12 in (305 mm) maximum from 27 in to 80 in (685 mm to 2030 mm) above the ground or</p>
--	---



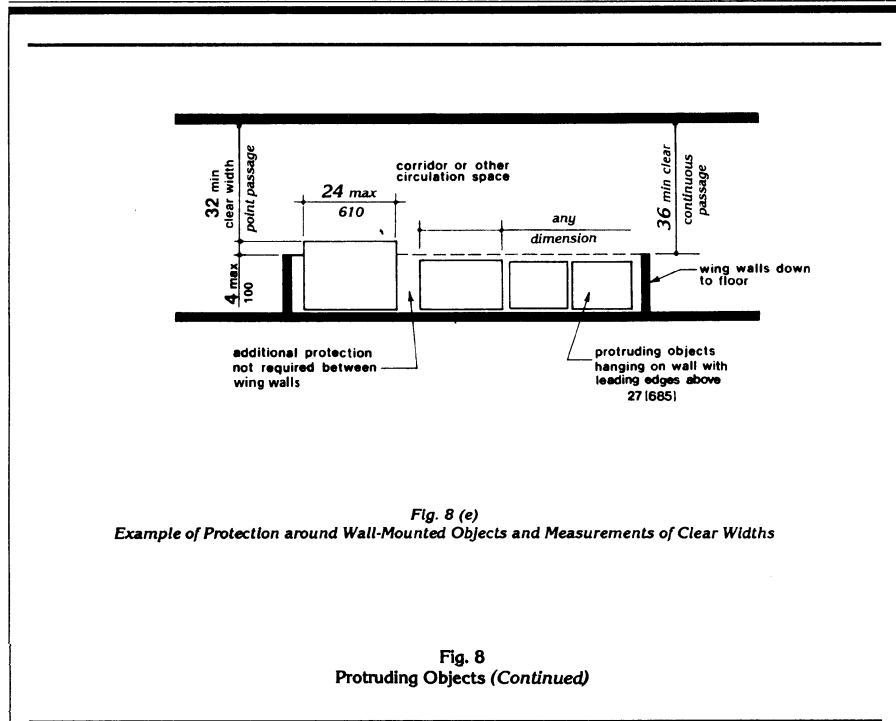
**4.4 Protruding Objects**



4.4 Protruding Objects



**4.5 Ground and Floor Surfaces**



shall be beveled with a slope no greater than 1:2 (see Fig. 7(d)). Changes in level greater than 1/2 in (13 mm) shall be accomplished by means of a ramp that complies with 4.7 or 4.8.

**4.5.3\* Carpet.** If carpet or carpet tile is used on a ground or floor surface, then it shall be securely attached; have a firm cushion, pad, or backing, or no cushion or pad; and have a level loop, textured loop, level cut pile, or level cut/uncut pile texture. The maximum pile thickness shall be 1/2 in (13 mm) (see Fig. 8(f)). Exposed edges of carpet shall be fastened to floor surfaces and have trim along the entire length of the exposed edge. Carpet edge trim shall comply with 4.5.2.

**4.5.4 Gratings.** If gratings are located in walking surfaces, then they shall have spaces no greater than 1/2 in (13 mm) wide in one direction (see Fig. 8(g)). If gratings have elongated openings, then they shall be placed so that the long dimension is perpendicular to the dominant direction of travel (see Fig. 8(h)).

**4.6 Parking and Passenger Loading Zones.**

**4.6.1 Minimum Number.** Parking spaces required to be accessible by 4.1 shall comply with 4.6.2 through 4.6.5. Passenger loading zones required to be accessible by 4.1 shall comply with 4.6.5 and 4.6.6.

**4.6 Parking and Passenger Loading Zones**

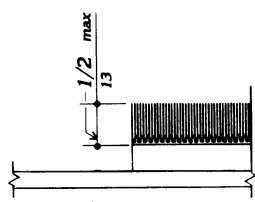


Fig. 8 (f)  
Carpet Pile Thickness

---

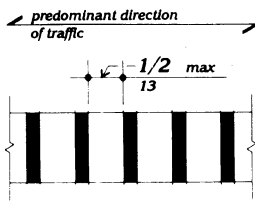


Fig. 8 (g)  
Gratings

---

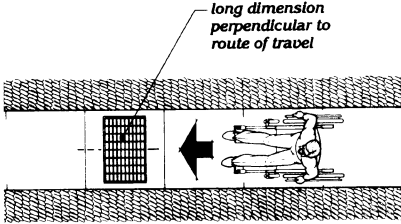


Fig. 8 (h)  
Grating Orientation

**4.6.2 Location.** Accessible parking spaces serving a particular building shall be located on the shortest accessible route of travel from adjacent parking to an accessible entrance. In parking facilities that do not serve a particular building, accessible parking shall be located on the shortest accessible route of travel to an accessible pedestrian entrance of the parking facility. In buildings with multiple accessible entrances with adjacent parking, accessible parking spaces shall be dispersed and located closest to the accessible entrances.

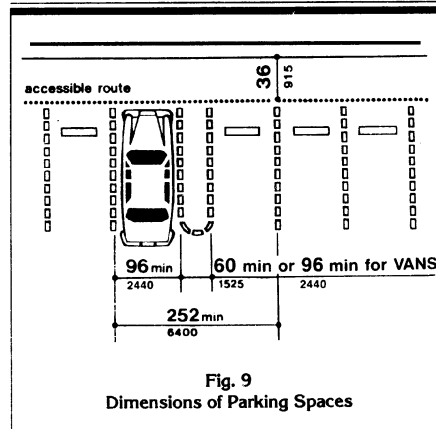
**4.6.3\* Parking Spaces.** Accessible parking spaces shall be at least 96 in (2440 mm) wide. Parking access aisles shall be part of an accessible route to the building or facility entrance and shall comply with 4.3. Two accessible parking spaces may share a common access aisle (see Fig. 9). Parked vehicle overhangs shall not reduce the clear width of an accessible route. Parking spaces and access aisles shall be level with surface slopes not exceeding 1:50 (2%) in all directions.

**4.6.4\* Signage.** Accessible parking spaces shall be designated as reserved by a sign showing the symbol of accessibility (see 4.30.7). Spaces complying with 4.1.2(5)(b) shall have an additional sign "Van-Accessible" mounted below the symbol of accessibility. Such signs shall be located so they cannot be obscured by a vehicle parked in the space.

**4.6.5\* Vertical Clearance.** Provide minimum vertical clearance of 114 in (2895 mm) at accessible passenger loading zones and along at least one vehicle access route to such areas from site entrance(s) and exit(s). At parking spaces complying with 4.1.2(5)(b), provide minimum vertical clearance of 98 in (2490 mm) at the parking space and along at least one vehicle access route to such spaces from site entrance(s) and exit(s).

**4.6.6 Passenger Loading Zones.** Passenger loading zones shall provide an access aisle at least 60 in (1525 mm) wide and 20 ft (240 in) (6100 mm) long adjacent and parallel to the vehicle pull-up space (see Fig. 10). If there are curbs between the access aisle and the vehicle pull-up space, then a curb ramp complying with 4.7 shall be provided. Vehicle standing spaces and access aisles shall be level with

**4.7 Curb Ramps**



**Fig. 9**  
Dimensions of Parking Spaces

surface slopes not exceeding 1:50 (2%) in all directions.

**4.7 Curb Ramps.**

**4.7.1 Location.** Curb ramps complying with 4.7 shall be provided wherever an accessible route crosses a curb.

**4.7.2 Slope.** Slopes of curb ramps shall comply with 4.8.2. The slope shall be measured as shown in Fig. 11. *Transitions from ramps to walks, gutters, or streets shall be flush and free of abrupt changes. Maximum slopes of adjoining gutters, road surface immediately adjacent to the curb ramp, or accessible route shall not exceed 1:20.*

**4.7.3 Width.** The minimum width of a curb ramp shall be 36 in (915 mm), exclusive of flared sides.

**4.7.4 Surface.** Surfaces of curb ramps shall comply with 4.5.

**4.7.5 Sides of Curb Ramps.** If a curb ramp is located where pedestrians must walk across the ramp, or where it is not protected by handrails or guardrails, it shall have flared sides; the maximum slope of the flare shall be 1:10 (see Fig. 12(a)). Curb ramps with returned curbs

may be used where pedestrians would not normally walk across the ramp (see Fig. 12(b)).

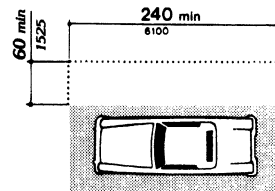
**4.7.6 Built-up Curb Ramps.** Built-up curb ramps shall be located so that they do not project into vehicular traffic lanes (see Fig. 13).

**4.7.7 Detectable Warnings.** A curb ramp shall have a detectable warning complying with 4.29.2. The detectable warning shall extend the full width and depth of the curb ramp.

**4.7.8 Obstructions.** Curb ramps shall be located or protected to prevent their obstruction by parked vehicles.

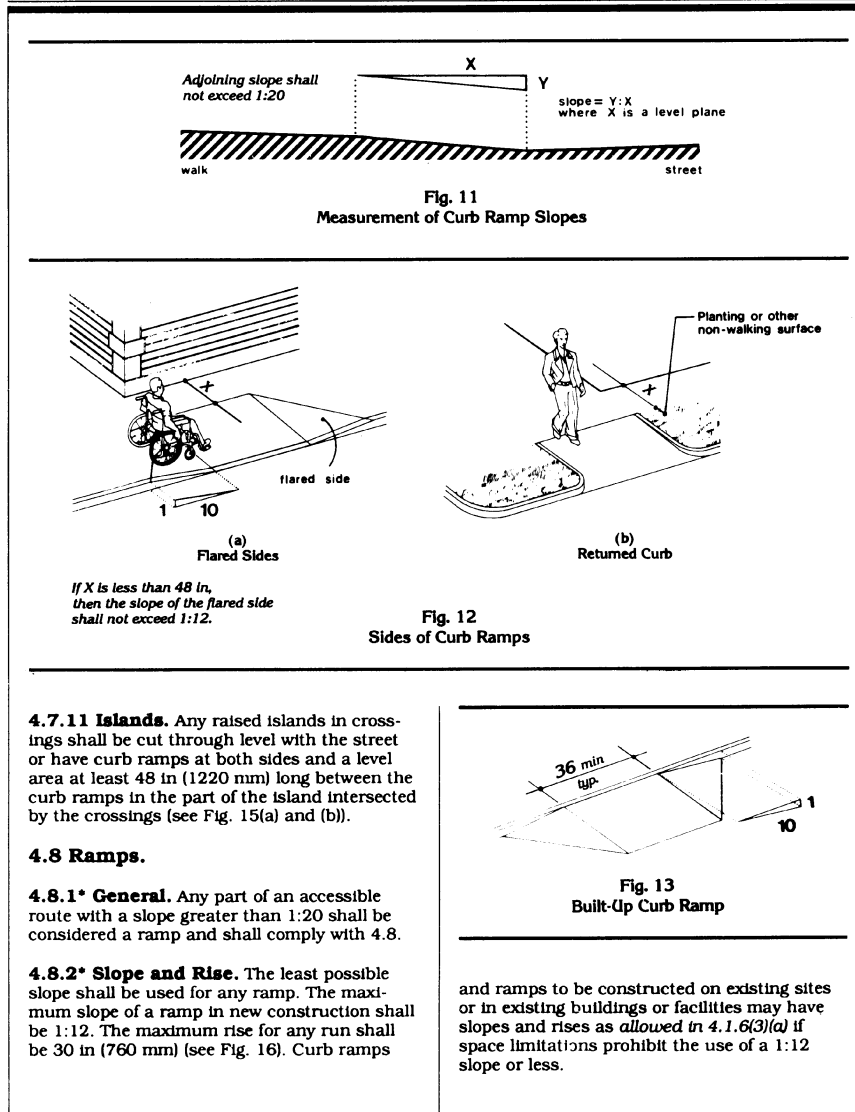
**4.7.9 Location at Marked Crossings.** Curb ramps at marked crossings shall be wholly contained within the markings, excluding any flared sides (see Fig. 15).

**4.7.10 Diagonal Curb Ramps.** If diagonal (or corner type) curb ramps have returned curbs or other well-defined edges, such edges shall be parallel to the direction of pedestrian flow. The bottom of diagonal curb ramps shall have 48 in (1220 mm) minimum clear space as shown in Fig. 15(c) and (d). If diagonal curb ramps are provided at marked crossings, the 48 in (1220 mm) clear space shall be within the markings (see Fig. 15(c) and (d)). If diagonal curb ramps have flared sides, they shall also have at least a 24 in (610 mm) long segment of straight curb located on each side of the curb ramp and within the marked crossing (see Fig. 15(c)).

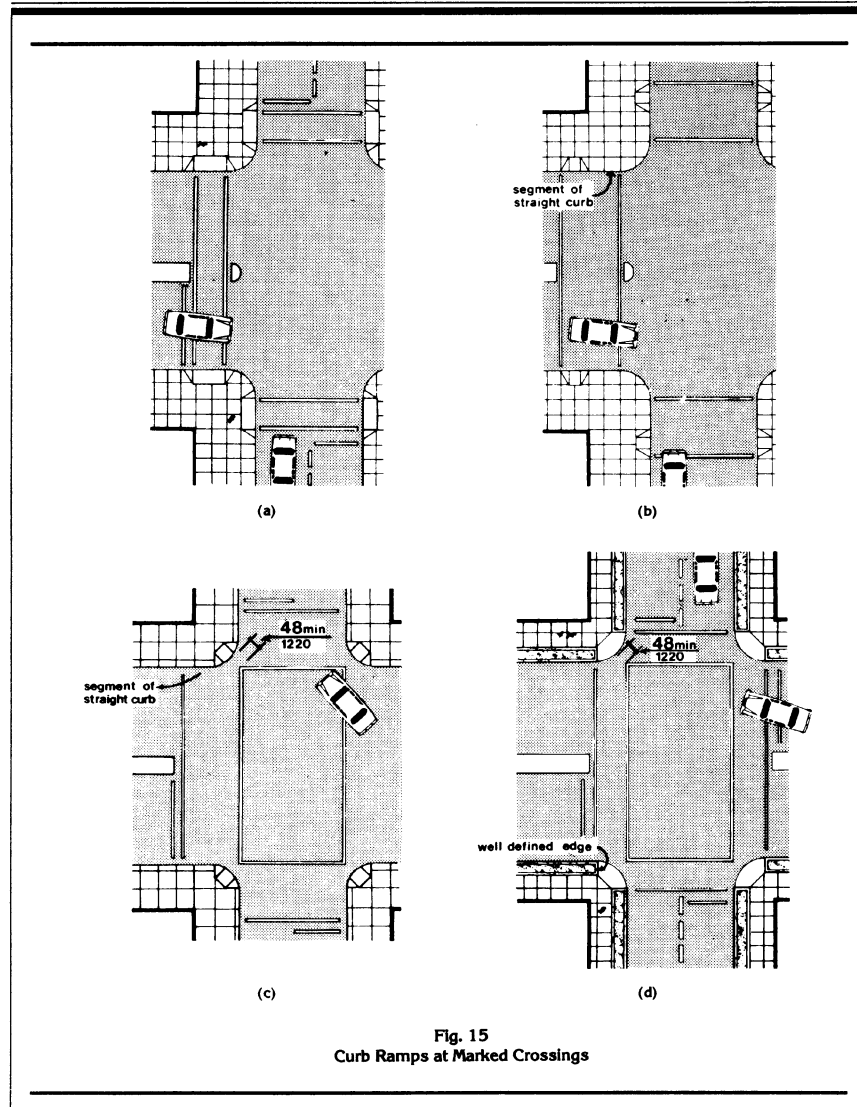


**Fig. 10**  
Access Aisle at Passenger Loading Zones

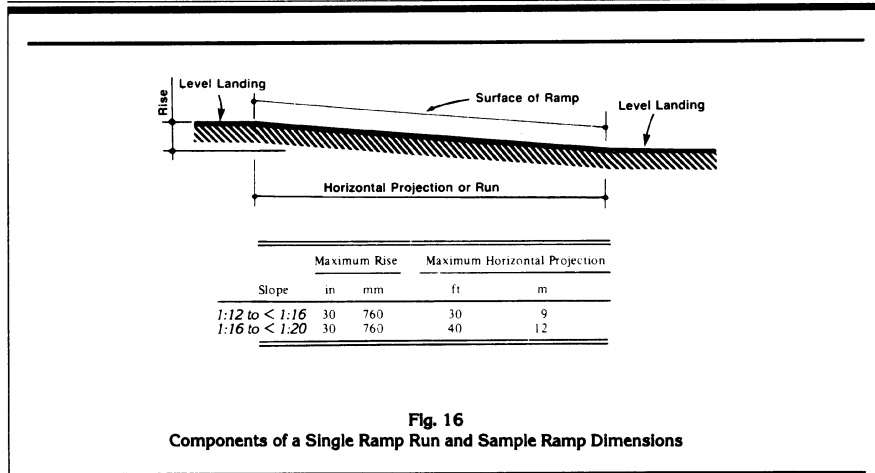
4.8 Ramps



4.8 Ramps



4.8 Ramps



**Fig. 16**  
Components of a Single Ramp Run and Sample Ramp Dimensions

**4.8.3 Clear Width.** The minimum clear width of a ramp shall be 36 in (915 mm).

**4.8.4 Landings.** Ramps shall have level landings at bottom and top of each ramp and each ramp run. Landings shall have the following features:

- (1) The landing shall be at least as wide as the ramp run leading to it.
- (2) The landing length shall be a minimum of 60 in (1525 mm) clear.
- (3) If ramps change direction at landings, the minimum landing size shall be 60 in by 60 in (1525 mm by 1525 mm).
- (4) If a doorway is located at a landing, then the area in front of the doorway shall comply with 4.13.6.

**4.8.5 Handrails.** If a ramp run has a rise greater than 6 in (150 mm) or a horizontal projection greater than 72 in (1830 mm), then it shall have handrails on both sides. Handrails are not required on curb ramps or adjacent to seating in assembly areas. Handrails shall comply with 4.26 and shall have the following features:

- (1) Handrails shall be provided along both sides of ramp segments. The inside handrail on switchback or dogleg ramps shall always be continuous.
- (2) If handrails are not continuous, they shall extend at least 12 in (305 mm) beyond the top and bottom of the ramp segment and shall be parallel with the floor or ground surface (see Fig. 17).
- (3) The clear space between the handrail and the wall shall be 1 - 1/2 in (38 mm).
- (4) Gripping surfaces shall be continuous.
- (5) Top of handrail gripping surfaces shall be mounted between 34 in and 38 in (865 mm and 965 mm) above ramp surfaces.
- (6) Ends of handrails shall be either rounded or returned smoothly to floor, wall, or post.
- (7) Handrails shall not rotate within their fittings.

**4.8.6 Cross Slope and Surfaces.** The cross slope of ramp surfaces shall be no greater than 1:50. Ramp surfaces shall comply with 4.5.



**4.9 Stairs**

<p><b>4.8.7 Edge Protection.</b> Ramps and landings with drop-offs shall have curbs, walls, railings, or projecting surfaces that prevent people from slipping off the ramp. Curbs shall be a minimum of 2 in (50 mm) high (see Fig. 17).</p> <p><b>4.8.8 Outdoor Conditions.</b> Outdoor ramps and their approaches shall be designed so that water will not accumulate on walking surfaces.</p> <p><b>4.9 Stairs.</b></p> <p><b>4.9.1* Minimum Number.</b> Stairs required to be accessible by 4.1 shall comply with 4.9.</p> <p><b>4.9.2 Treads and Risers.</b> On any given flight of stairs, all steps shall have uniform riser heights and uniform tread widths. Stair treads shall be no less than 11 in (280 mm) wide, measured from riser to riser (see Fig. 18(a)). <i>Open risers are not permitted.</i></p> <p><b>4.9.3 Nosings.</b> The undersides of nosings shall not be abrupt. The radius of curvature at the leading edge of the tread shall be no greater than 1/2 in (13 mm). Risers shall be sloped or the underside of the nosing shall have an angle not less than 60 degrees from the horizontal. Nosings shall project no more than 1-1/2 in (38 mm) (see Fig. 18).</p> <p><b>4.9.4 Handrails.</b> Stairways shall have handrails at both sides of all stairs. Handrails shall comply with 4.26 and shall have the following features:</p> <p>(1) Handrails shall be continuous along both sides of stairs. The inside handrail on switchback or dogleg stairs shall always be continuous (see Fig. 19(a) and (b)).</p> <p>(2) If handrails are not continuous, they shall extend at least 12 in (305 mm) beyond the top riser and at least 12 in (305 mm) plus the width of one tread beyond the bottom riser. At the top, the extension shall be parallel with the floor or ground surface. At the bottom, the handrail shall continue to slope for a distance of the width of one tread from the bottom riser; the remainder of the extension shall be horizontal (see Fig. 19(c) and (d)). Handrail extensions shall comply with 4.4.</p> <p>(3) The clear space between handrails and wall shall be 1-1/2 in (38 mm).</p>	<p>(4) Gripping surfaces shall be uninterrupted by newel posts, other construction elements, or obstructions.</p> <p>(5) <i>Top of handrail gripping surface shall be mounted between 34 in and 38 in (865 mm and 965 mm) above stair nosings.</i></p> <p>(6) <i>Ends of handrails shall be either rounded or returned smoothly to floor, wall or post.</i></p> <p>(7) <i>Handrails shall not rotate within their fittings.</i></p> <p><b>4.9.5 Detectable Warnings at Stairs.</b> <i>(Reserved).</i></p> <p><b>4.9.6 Outdoor Conditions.</b> Outdoor stairs and their approaches shall be designed so that water will not accumulate on walking surfaces.</p> <p><b>4.10 Elevators.</b></p> <p><b>4.10.1 General.</b> Accessible elevators shall be on an accessible route and shall comply with 4.10 and with the ASME A17.1-1990, Safety Code for Elevators and Escalators. <i>Freight elevators shall not be considered as meeting the requirements of this section unless the only elevators provided are used as combination passenger and freight elevators for the public and employees.</i></p> <p><b>4.10.2 Automatic Operation.</b> Elevator operation shall be automatic. Each car shall be equipped with a self-leveling feature that will automatically bring the car to floor landings within a tolerance of 1/2 in (13 mm) under rated loading to zero loading conditions. This self-leveling feature shall be automatic and independent of the operating device and shall correct the overtravel or undertravel.</p> <p><b>4.10.3 Hall Call Buttons.</b> Call buttons in elevator lobbies and halls shall be centered at 42 in (1065 mm) above the floor. Such call buttons shall have visual signals to indicate when each call is registered and when each call is answered. Call buttons shall be a minimum of 3/4 in (19 mm) in the smallest dimension. The button designating the up direction shall be on top. (See Fig. 20.) <i>Buttons shall be raised or flush. Objects mounted beneath hall call buttons shall not project into the elevator lobby more than 4 in (100 mm).</i></p>
---	--

4.10 Elevators

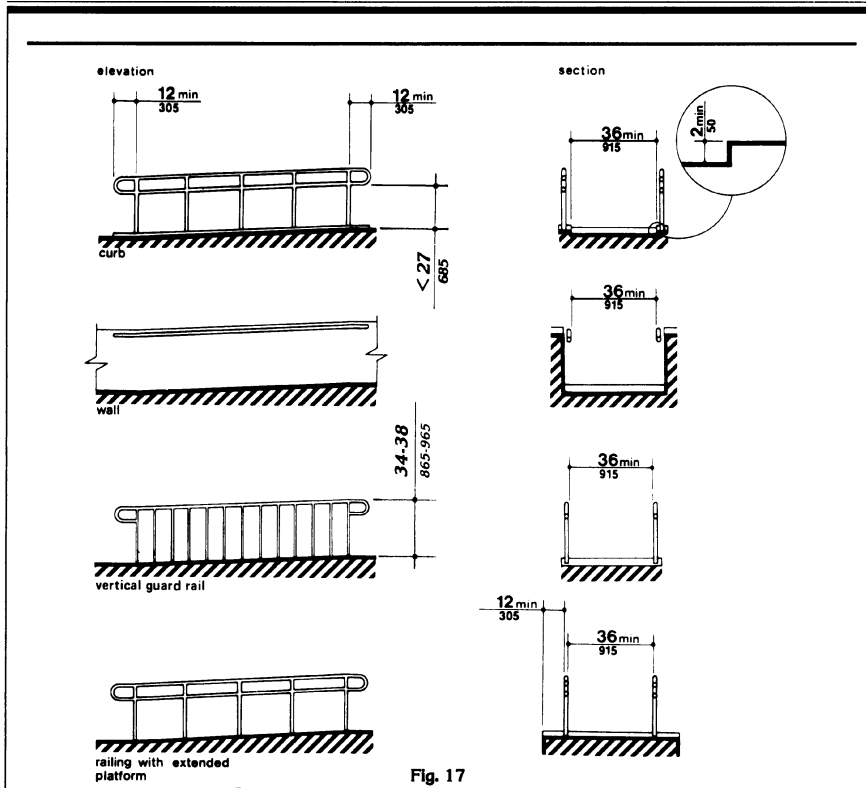


Fig. 17  
Examples of Edge Protection and Handrail Extensions

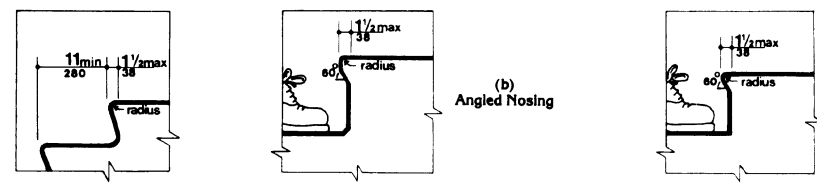
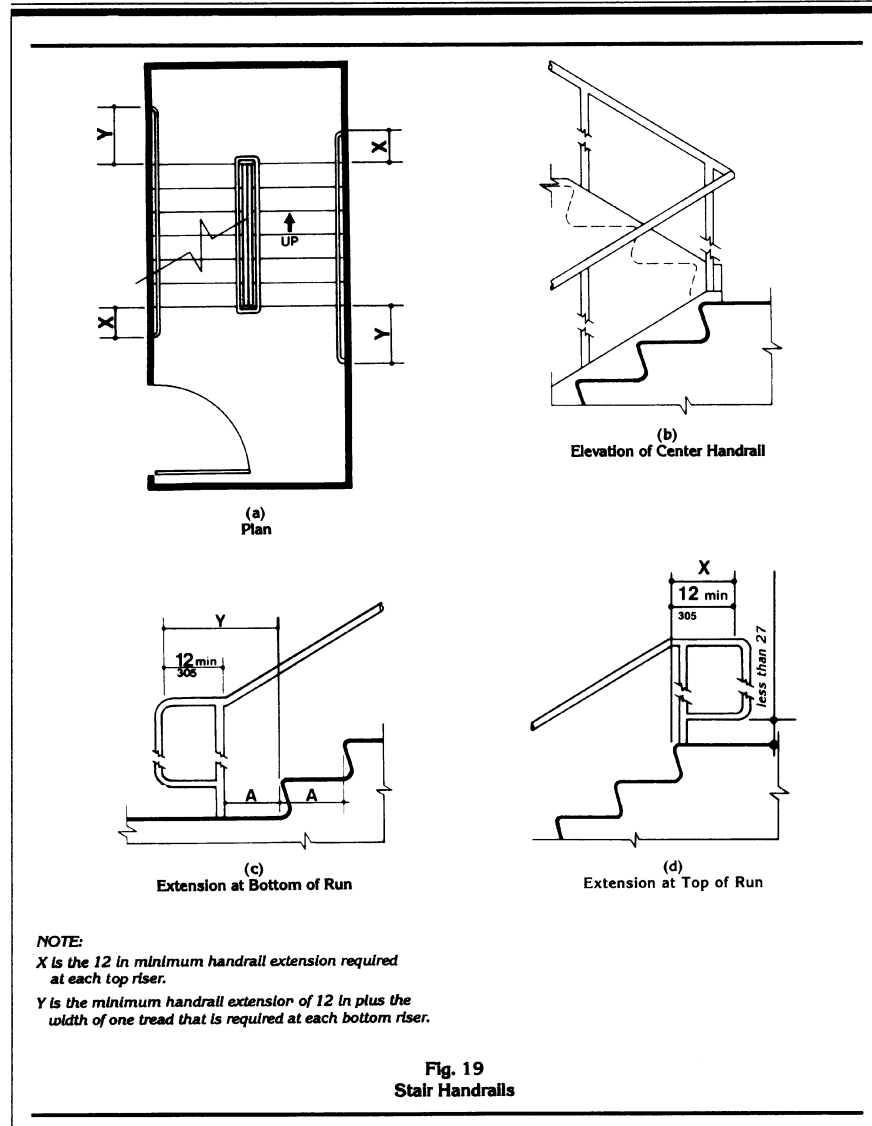


Fig. 18  
Usable Tread Width and Examples of Acceptable Nosings

4.10 Elevators





**4.10.12 Car Controls**

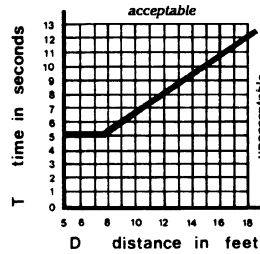


Fig. 21  
Graph of Timing Equation

within reach of controls, and exit from the car. Acceptable door opening and inside dimensions shall be as shown in Fig. 22. The clearance between the car platform sill and the edge of any hoistway landing shall be no greater than 1-1/4 in (32 mm).

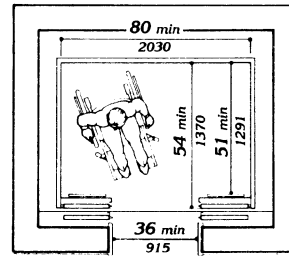
**4.10.10 Floor Surfaces.** Floor surfaces shall comply with 4.5.

**4.10.11 Illumination Levels.** The level of illumination at the car controls, platform, and car threshold and landing sill shall be at least 5 footcandles (53.8 lux).

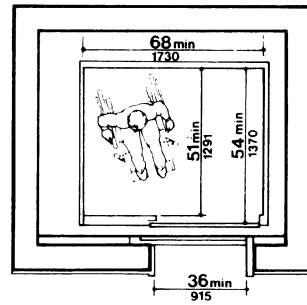
**4.10.12\* Car Controls.** Elevator control panels shall have the following features:

(1) Buttons. All control buttons shall be at least 3/4 in (19 mm) in their smallest dimension. They shall be raised or flush.

(2) Tactile, Braille, and Visual Control Indicators. All control buttons shall be designated by Braille and by raised standard alphabet characters for letters, arabic characters for numerals, or standard symbols as shown in Fig. 23(a), and as required in ASME A17.1-1990. Raised and Braille characters and symbols shall comply with 4.30. The call button for the main entry floor shall be designated by a raised star at the left of the floor designation (see Fig. 23(a)). All raised designations for control buttons shall be placed immediately to the left of the button to which they apply. Applied plates,



(a)



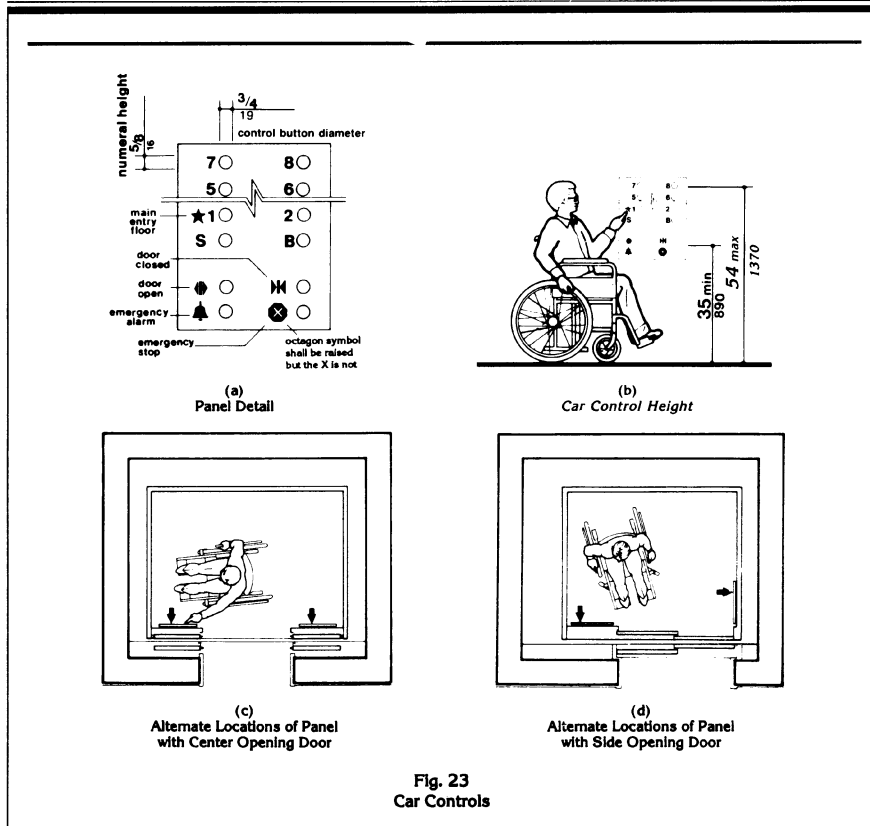
(b)

Fig. 22  
Minimum Dimensions of Elevator Cars

permanently attached, are an acceptable means to provide raised control designations. Floor buttons shall be provided with visual indicators to show when each call is registered. The visual indicators shall be extinguished when each call is answered.

(3) Height. All floor buttons shall be no higher than 54 in (1370 mm) above the finish floor for side approach and 48 in (1220 mm) for front approach. Emergency controls, including the emergency alarm and emergency stop, shall be grouped at the bottom of the panel and shall have their centerlines no less than 35 in (890 mm) above the finish floor (see Fig. 23(a) and (b)).

4.10.13\* Car Position Indicators



(4) Location. Controls shall be located on a front wall if cars have center opening doors, and at the side wall or at the front wall next to the door if cars have side opening doors (see Fig. 23(c) and (d)).

**4.10.13\* Car Position Indicators.** In elevator cars, a visual car position indicator shall be provided above the car control panel or over the door to show the position of the elevator in the hoistway. As the car passes or stops at a floor served by the elevators, the corresponding numerals shall illuminate.

and an audible signal shall sound. Numerals shall be a minimum of 1/2 in (13 mm) high. The audible signal shall be no less than 20 decibels with a frequency no higher than 1500 Hz. An automatic verbal announcement of the floor number at which a car stops or which a car passes may be substituted for the audible signal.

**4.10.14\* Emergency Communications.** If provided, emergency two-way communication systems between the elevator and a point outside the hoistway shall comply with ASME

**4.11 Platform Lifts (Wheelchair Lifts)**

*A17.1-1990.* The highest operable part of a two-way communication system shall be a maximum of 48 in (1220 mm) from the floor of the car. It shall be identified by a raised symbol and lettering complying with 4.30 and located adjacent to the device. If the system uses a handset then the length of the cord from the panel to the handset shall be at least 29 in (735 mm). *If the system is located in a closed compartment the compartment door hardware shall conform to 4.27, Controls and Operating Mechanisms. The emergency inter-communication system shall not require voice communication.*

**4.11 Platform Lifts (Wheelchair Lifts).**

**4.11.1 Location.** Platform lifts (wheelchair lifts) permitted by 4.1 shall comply with the requirements of 4.11.

**4.11.2\* Other Requirements.** If platform lifts (wheelchair lifts) are used, they shall comply with 4.2.4, 4.5, 4.27, and ASME A17.1 Safety Code for Elevators and Escalators, Section XX, 1990.

**4.11.3 Entrance.** *If platform lifts are used then they shall facilitate unassisted entry, operation, and exit from the lift in compliance with 4.11.2.*

**4.12 Windows.**

**4.12.1\* General.** (Reserved).

**4.12.2\* Window Hardware.** (Reserved).

**4.13 Doors.**

**4.13.1 General.** Doors required to be accessible by 4.1 shall comply with the requirements of 4.13.

**4.13.2 Revolving Doors and Turnstiles.** Revolving doors or turnstiles shall not be the only means of passage at an accessible entrance or along an accessible route. *An accessible gate or door shall be provided adjacent to the turnstile or revolving door and shall be so designed as to facilitate the same use pattern.*

**4.13.3 Gates.** Gates, including ticket gates, shall meet all applicable specifications of 4.13.

**4.13.4 Double-Leaf Doorways.** If doorways have two *independently operated* door leaves, then at least one leaf shall meet the specifications in 4.13.5 and 4.13.6. That leaf shall be an active leaf.

**4.13.5 Clear Width.** Doorways shall have a minimum clear opening of 32 in (815 mm) with the door open 90 degrees, measured between the face of the door and the *opposite* stop (see Fig. 24(a), (b), (c), and (d)). Openings more than 24 in (610 mm) in depth shall comply with 4.2.1 and 4.3.3 (see Fig. 24(e)).

*EXCEPTION: Doors not requiring full user passage, such as shallow closets, may have the clear opening reduced to 20 in (510 mm) minimum.*

**4.13.6 Maneuvering Clearances at Doors.** Minimum maneuvering clearances at doors that are not automatic or power-assisted shall be as shown in Fig. 25. The floor or ground area within the required clearances shall be level and clear.

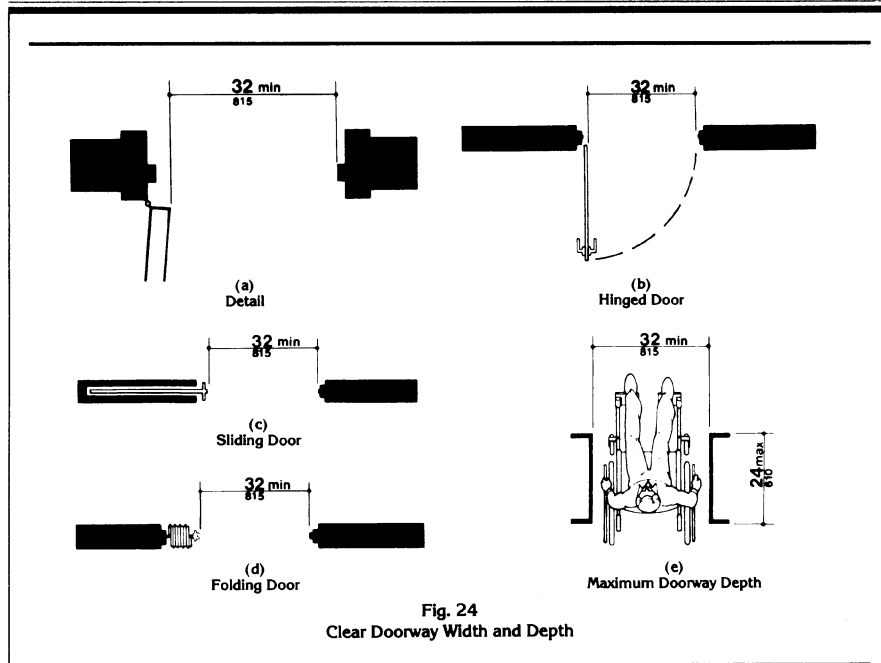
*EXCEPTION: Entry doors to acute care hospital bedrooms for in-patients shall be exempted from the requirement for space at the latch side of the door (see dimension "x" in Fig. 25) if the door is at least 44 in (1120 mm) wide.*

**4.13.7 Two Doors in Series.** The minimum space between two hinged or pivoted doors in series shall be 48 in (1220 mm) plus the width of any door swinging into the space. Doors in series shall swing either in the same direction or away from the space between the doors (see Fig. 26).

**4.13.8\* Thresholds at Doorways.** Thresholds at doorways shall not exceed 3/4 in (19 mm) in height for exterior sliding doors or 1/2 in (13 mm) for other types of doors. Raised thresholds and floor level changes at accessible doorways shall be beveled with a slope no greater than 1:2 (see 4.5.2).

**4.13.9\* Door Hardware.** Handles, pulls, latches, locks, and other operating devices on accessible doors shall have a shape that is easy

4.13 Doors



to grasp with one hand and does not require tight grasping, tight pinching, or twisting of the wrist to operate. Lever-operated mechanisms, push-type mechanisms, and U-shaped handles are acceptable designs. When sliding doors are fully open, operating hardware shall be exposed and usable from both sides. *Hardware required for accessible door passage shall be mounted no higher than 48 in (1220 mm) above finished floor.*

**4.13.10\* Door Closers.** If a door has a closer, then the sweep period of the closer shall be adjusted so that from an open position of 70 degrees, the door will take at least 3 seconds to move to a point 3 in (75 mm) from the latch, measured to the leading edge of the door.

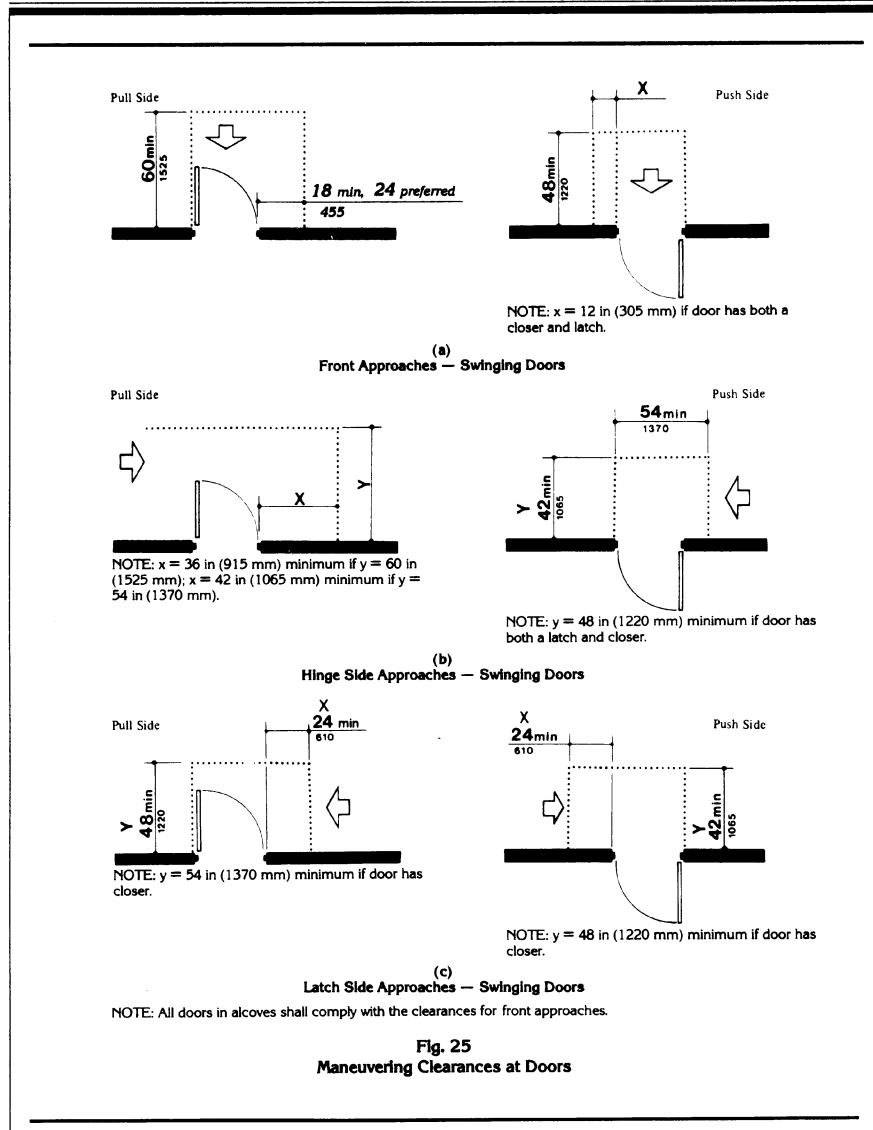
**4.13.11\* Door Opening Force.** The maximum force for pushing or pulling open a door shall be as follows:

- (1) Fire doors shall have the minimum opening force allowable by the appropriate administrative authority.
- (2) Other doors.
  - (a) exterior hinged doors: *(Reserved)*.
  - (b) interior hinged doors: 5 lbf (22.2N)
  - (c) sliding or folding doors: 5 lbf (22.2N)

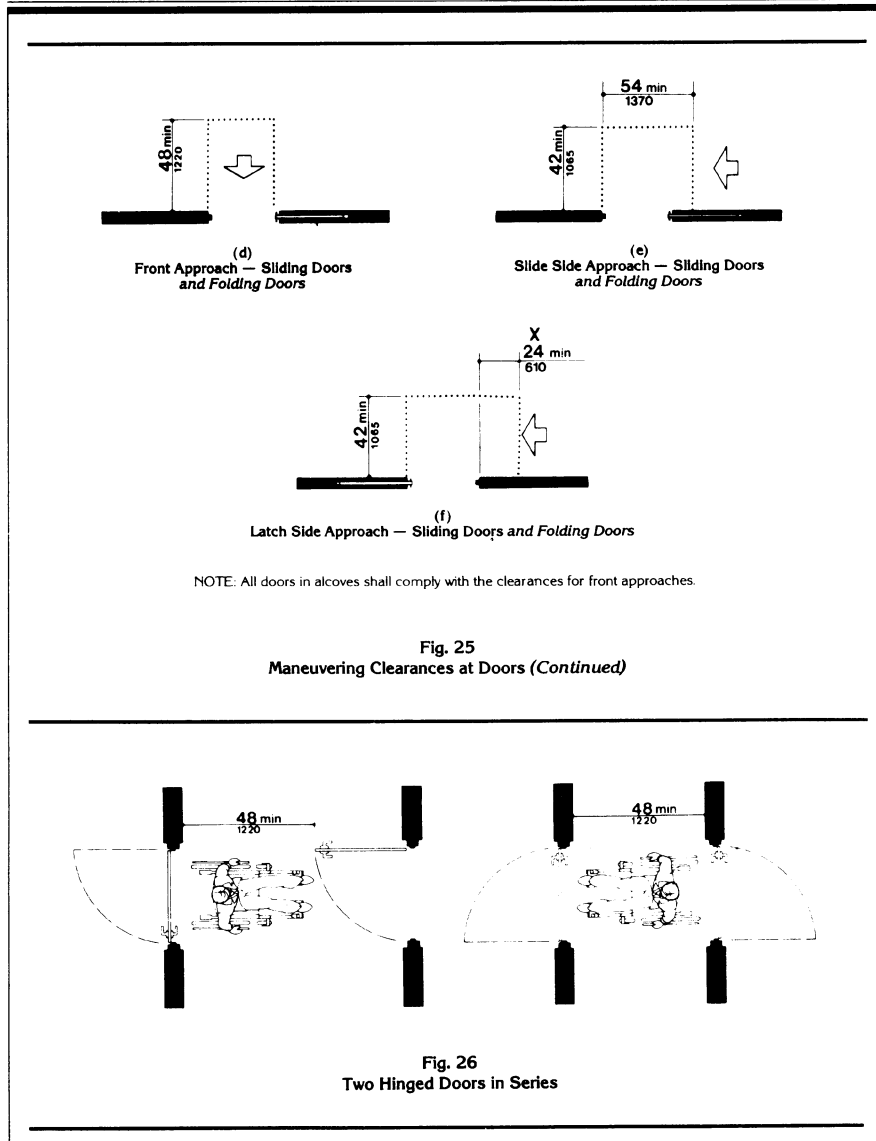
These forces do not apply to the force required to retract latch bolts or disengage other devices that may hold the door in a closed position.



4.13 Doors



4.13 Doors



**4.14 Entrances**

<p><b>4.13.12* Automatic Doors and Power-Assisted Doors.</b> If an automatic door is used, then it shall comply with <i>ANSI/BHMA A156.10-1985</i>. Slowly opening, low-powered, automatic doors shall comply with <i>ANSI A156.19-1984</i>. Such doors shall not open to back check faster than 3 seconds and shall require no more than 15 lbf (66.6N) to stop door movement. If a power-assisted door is used, its door-opening force shall comply with 4.13.11 and its closing shall conform to the requirements in <i>ANSI A156.19-1984</i>.</p> <p><b>4.14 Entrances.</b></p> <p><b>4.14.1 Minimum Number.</b> Entrances required to be accessible by 4.1 shall be part of an accessible route complying with 4.3. Such entrances shall be connected by an accessible route to public transportation stops, to accessible parking and passenger loading zones, and to public streets or sidewalks if available (see 4.3.2(1)). They shall also be connected by an accessible route to all accessible spaces or elements within the building or facility.</p> <p><b>4.14.2 Service Entrances.</b> A service entrance shall not be the sole accessible entrance unless it is the only entrance to a building or facility (for example, in a factory or garage).</p> <p><b>4.15 Drinking Fountains and Water Coolers.</b></p> <p><b>4.15.1 Minimum Number.</b> Drinking fountains or water coolers required to be accessible by 4.1 shall comply with 4.15.</p> <p><b>4.15.2* Spout Height.</b> Spouts shall be no higher than 36 in (915 mm), measured from the floor or ground surfaces to the spout outlet (see Fig. 27(a)).</p> <p><b>4.15.3 Spout Location.</b> The spouts of drinking fountains and water coolers shall be at the front of the unit and shall direct the water flow in a trajectory that is parallel or nearly parallel to the front of the unit. The spout shall provide a flow of water at least 4 in (100 mm) high so as to allow the insertion of a cup or glass under the flow of water. <i>On an accessible drinking fountain with a round or</i></p>	<p><i>oval bowl, the spout must be positioned so the flow of water is within 3 in (75 mm) of the front edge of the fountain.</i></p> <p><b>4.15.4 Controls.</b> Controls shall comply with 4.27.4. <i>Unit controls shall be front mounted or side mounted near the front edge.</i></p> <p><b>4.15.5 Clearances.</b></p> <p>(1) Wall- and post-mounted cantilevered units shall have a clear knee space between the bottom of the apron and the floor or ground at least 27 in (685 mm) high, 30 in (760 mm) wide, and 17 in to 19 in (430 mm to 485 mm) deep (see Fig. 27(a) and (b)). Such units shall also have a minimum clear floor space 30 in by 48 in (760 mm by 1220 mm) to allow a person in a wheelchair to approach the unit facing forward.</p> <p>(2) Free-standing or built-in units not having a clear space under them shall have a clear floor space at least 30 in by 48 in (760 mm by 1220 mm) that allows a person in a wheelchair to make a parallel approach to the unit (see Fig. 27(c) and (d)). This clear floor space shall comply with 4.2.4.</p> <p><b>4.16 Water Closets.</b></p> <p><b>4.16.1 General.</b> Accessible water closets shall comply with 4.16.</p> <p><b>4.16.2 Clear Floor Space.</b> Clear floor space for water closets not in stalls shall comply with Fig. 28. Clear floor space may be arranged to allow either a left-handed or right-handed approach.</p> <p><b>4.16.3* Height.</b> The height of water closets shall be 17 in to 19 in (430 mm to 485 mm), measured to the top of the toilet seat (see Fig. 29(b)). <i>Seats shall not be sprung to return to a lifted position.</i></p> <p><b>4.16.4* Grab Bars.</b> Grab bars for water closets not located in stalls shall comply with 4.26 and Fig. 29. <i>The grab bar behind the water closet shall be 36 in (915 mm) minimum.</i></p> <p><b>4.16.5* Flush Controls.</b> Flush controls shall be hand operated or automatic and shall comply with 4.27.4. Controls for flush valves</p>
--	--

4.17 Toilet Stalls

shall be mounted on the wide side of toilet areas no more than 44 in (1120 mm) above the floor.

**4.16.6 Dispensers.** Toilet paper dispensers shall be installed within reach, as shown in Fig. 29(b). *Dispensers that control delivery, or that do not permit continuous paper flow, shall not be used.*

**4.17 Toilet Stalls.**

**4.17.1 Location.** Accessible toilet stalls shall be on an accessible route and shall meet the requirements of 4.17.

**4.17.2 Water Closets.** Water closets in accessible stalls shall comply with 4.16.

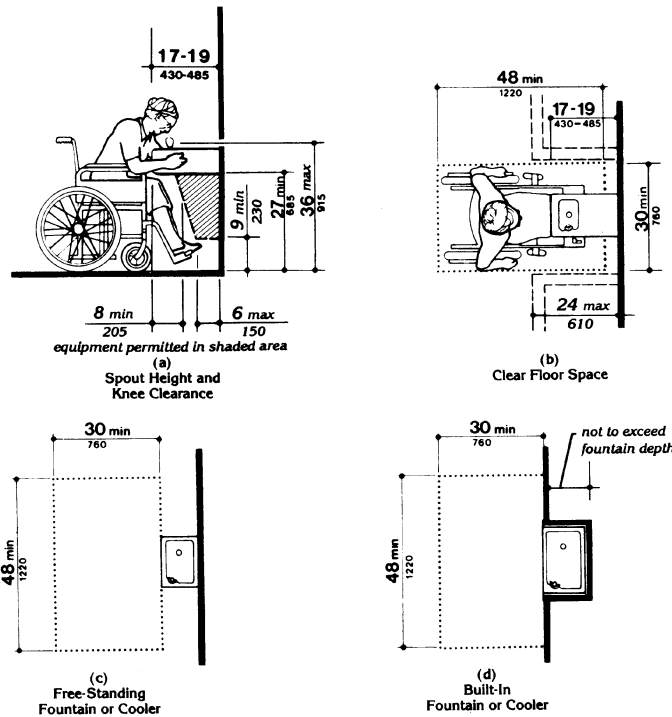


Fig. 27  
Drinking Fountains and Water Coolers

4.17 Toilet Stalls

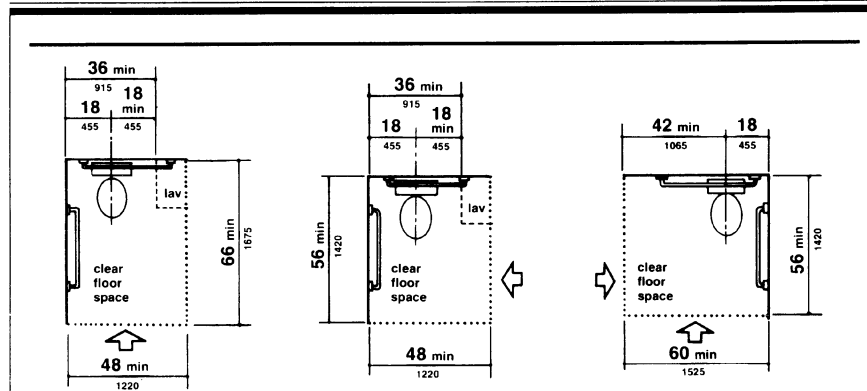


Fig. 28  
Clear Floor Space at Water Closets

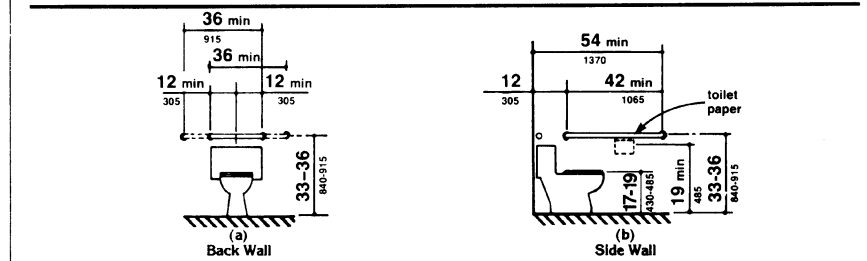


Fig. 29  
Grab Bars at Water Closets

**4.17.3\* Size and Arrangement.** The size and arrangement of the standard toilet stall shall comply with Fig. 30(a), *Standard Stall*. Standard toilet stalls with a minimum depth of 56 in (1420 mm) (see Fig. 30(a)) shall have wall-mounted water closets. If the depth of a standard toilet stall is increased at least 3 in (75 mm), then a floor-mounted water closet may be used. Arrangements shown for standard toilet stalls may be reversed to allow either a left- or right-hand approach. Additional stalls shall be provided in conformance with 4.22.4.

*EXCEPTION: In instances of alteration work where provision of a standard stall (Fig. 30(a))*

*is technically infeasible or where plumbing code requirements prevent combining existing stalls to provide space, either alternate stall (Fig. 30(b)) may be provided in lieu of the standard stall.*

**4.17.4 Toe Clearances.** In standard stalls, the front partition and at least one side partition shall provide a toe clearance of at least 9 in (230 mm) above the floor. If the depth of the stall is greater than 60 in (1525 mm), then the toe clearance is not required.

**4.17.5\* Doors.** Toilet stall doors, including door hardware, shall comply with 4.13. If toilet stall approach is from the latch side of the stall door, clearance between the door side of the

4.17 Toilet Stalls

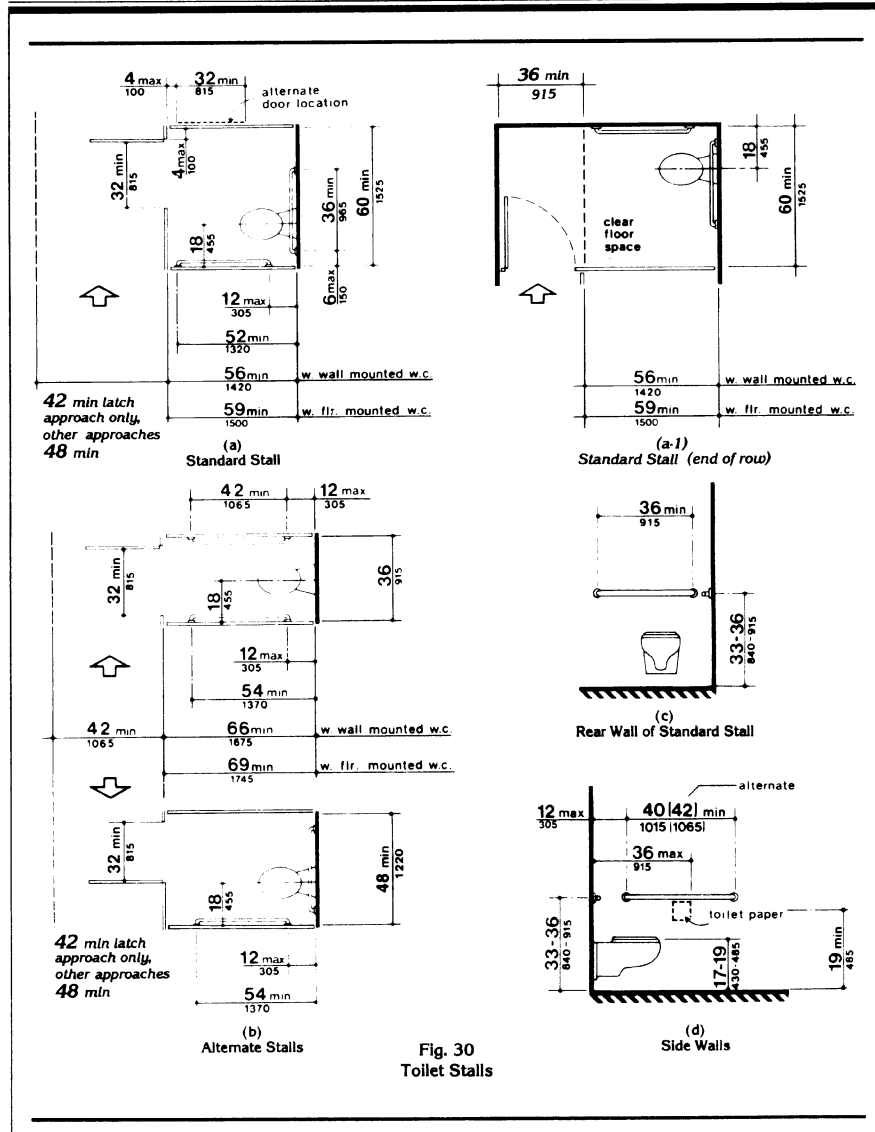


Fig. 30 Toilet Stalls

**4.19 Lavatories and Mirrors**

stall and any obstruction may be reduced to a minimum of 42 in (1065 mm) (Fig. 30).

**4.17.6 Grab Bars.** Grab bars complying with the length and positioning shown in Fig. 30(a), (b), (c), and (d) shall be provided. Grab bars may be mounted with any desired method as long as they have a gripping surface at the locations shown and do not obstruct the required clear floor area. Grab bars shall comply with 4.26.

**4.18 Urinals.**

**4.18.1 General.** Accessible urinals shall comply with 4.18.

**4.18.2 Height.** Urinals shall be stall-type or wall-hung with an elongated rim at a maximum of 17 in (430 mm) above the finish floor.

**4.18.3 Clear Floor Space.** A clear floor space 30 in by 48 in (760 mm by 1220 mm) shall be provided in front of urinals to allow forward approach. This clear space shall adjoin or overlap an accessible route and shall comply with 4.2.4. *Urinal shields that do not extend beyond the front edge of the urinal rim may be provided with 29 in (735 mm) clearance between them.*

**4.18.4 Flush Controls.** Flush controls shall be hand operated or automatic, and shall comply with 4.27.4, and shall be mounted no more than 44 in (1120 mm) above the finish floor.

**4.19 Lavatories and Mirrors.**

**4.19.1 General.** The requirements of 4.19 shall apply to lavatory fixtures, vanities, and built-in lavatories.

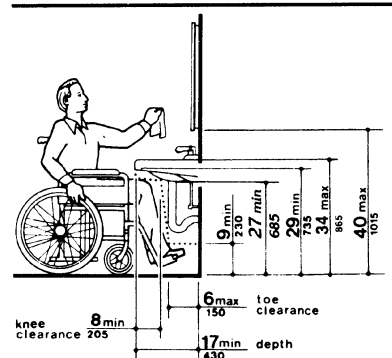
**4.19.2 Height and Clearances.** Lavatories shall be mounted with the rim or counter surface no higher than 34 in (865 mm) above the finish floor. Provide a clearance of at least 29 in (735 mm) above the finish floor to the bottom of the apron. Knee and toe clearance shall comply with Fig. 31.

**4.19.3 Clear Floor Space.** A clear floor space 30 in by 48 in (760 mm by 1220 mm) complying with 4.2.4 shall be provided in front of a lavatory to allow forward approach. Such

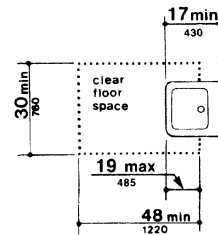
clear floor space shall adjoin or overlap an accessible route and shall extend a maximum of 19 in (485 mm) underneath the lavatory (see Fig. 32).

**4.19.4 Exposed Pipes and Surfaces.** Hot water and drain pipes under lavatories shall be insulated or otherwise configured to protect against contact. There shall be no sharp or abrasive surfaces under lavatories.

**4.19.5 Faucets.** Faucets shall comply with 4.27.4. Lever-operated, push-type, and electronically controlled mechanisms are examples of acceptable designs. *If self-closing valves are*



**Fig. 31**  
Lavatory Clearances



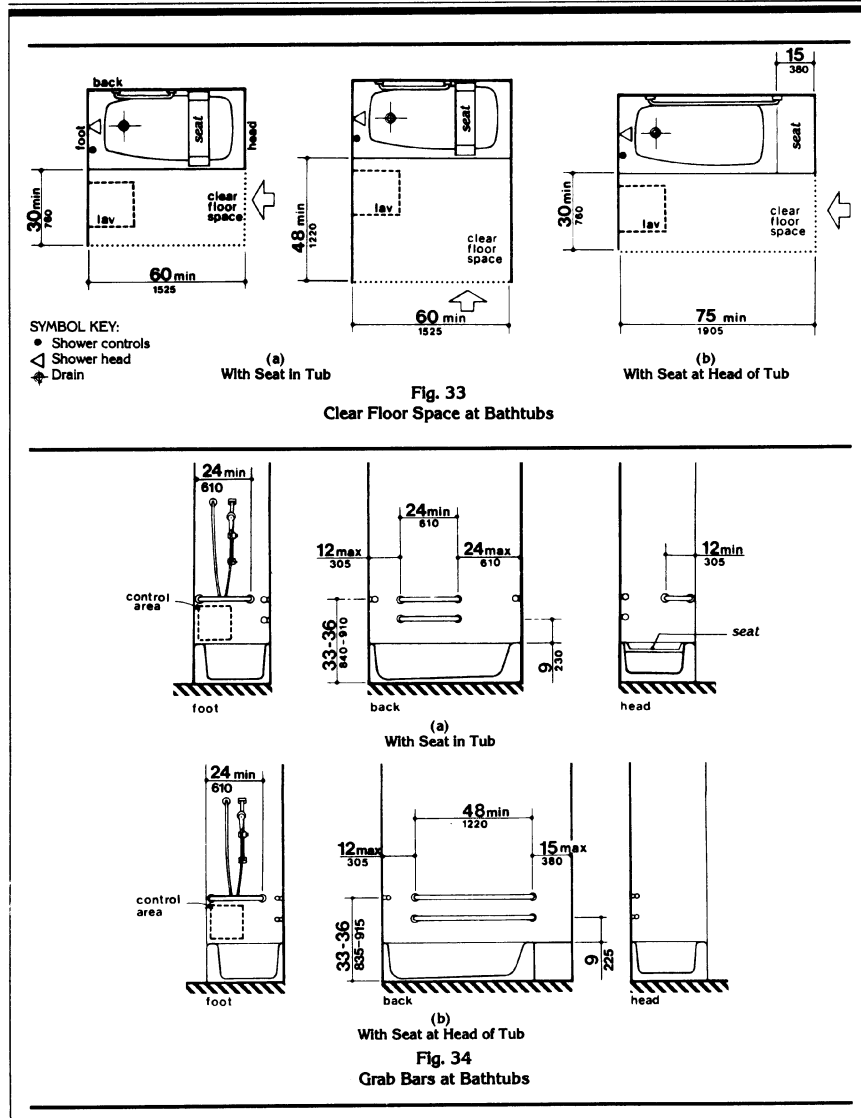
**Fig. 32**  
Clear Floor Space at Lavatories

## 4.20 Bathtubs

<p>used the faucet <i>shall remain</i> open for at least 10 seconds.</p> <p><b>4.19.6* Mirrors.</b> Mirrors shall be mounted with the bottom edge of the reflecting surface no higher than 40 in (1015 mm) above the finish floor (see Fig. 31).</p> <p><b>4.20 Bathtubs.</b></p> <p><b>4.20.1 General.</b> Accessible bathtubs shall comply with 4.20.</p> <p><b>4.20.2 Floor Space.</b> Clear floor space in front of bathtubs shall be as shown in Fig. 33.</p> <p><b>4.20.3 Seat.</b> An in-tub seat or a seat at the head end of the tub shall be provided as shown in Fig. 33 and 34. The structural strength of seats and their attachments shall comply with 4.26.3. Seats shall be mounted securely and shall not slip during use.</p> <p><b>4.20.4 Grab Bars.</b> Grab bars complying with 4.26 shall be provided as shown in Fig. 33 and 34.</p> <p><b>4.20.5 Controls.</b> Faucets and other controls complying with 4.27.4 shall be located as shown in Fig. 34.</p> <p><b>4.20.6 Shower Unit.</b> A shower spray unit with a hose at least 60 in (1525 mm) long that can be used <i>both</i> as a fixed shower head <i>and</i> as a hand-held shower shall be provided.</p> <p><b>4.20.7 Bathtub Enclosures.</b> If provided, enclosures for bathtubs shall not obstruct controls or transfer from wheelchairs onto bathtub seats or into tubs. Enclosures on bathtubs shall not have tracks mounted on their rims.</p> <p><b>4.21 Shower Stalls.</b></p> <p><b>4.21.1* General.</b> Accessible shower stalls shall comply with 4.21.</p> <p><b>4.21.2 Size and Clearances.</b> Except as specified in 9.1.2, shower stall size and clear floor space shall comply with Fig. 35(a) or (b). The shower stall in Fig. 35(a) shall be 36 in by 36 in (915 mm by 915 mm). Shower stalls required by 9.1.2 shall comply with Fig. 57(a)</p>	<p>or (b). The shower stall in Fig. 35(b) will fit into the space required for a bathtub.</p> <p><b>4.21.3 Seat.</b> A seat shall be provided in shower stalls 36 in by 36 in (915 mm by 915 mm) and shall be as shown in Fig. 36. The seat shall be mounted 17 in to 19 in (430 mm to 485 mm) from the bathroom floor and shall extend the full depth of the stall. In a 36 in by 36 in (915 mm by 915 mm) shower stall, the seat shall be on the wall opposite the controls. <i>Where a fixed seat is provided in a 30 in by 60 in minimum (760 mm by 1525 mm) shower stall, it shall be a folding type and shall be mounted on the wall adjacent to the controls as shown in Fig. 57.</i> The structural strength of seats and their attachments shall comply with 4.26.3.</p> <p><b>4.21.4 Grab Bars.</b> Grab bars complying with 4.26 shall be provided as shown in Fig. 37.</p> <p><b>4.21.5 Controls.</b> Faucets and other controls complying with 4.27.4 shall be located as shown in Fig. 37. In shower stalls 36 in by 36 in (915 mm by 915 mm), all controls, faucets, and the shower unit shall be mounted on the side wall opposite the seat.</p> <p><b>4.21.6 Shower Unit.</b> A shower spray unit with a hose at least 60 in (1525 mm) long that can be used <i>both</i> as a fixed shower head <i>and</i> as a hand-held shower shall be provided.</p> <p><i>EXCEPTION: In unmonitored facilities where vandalism is a consideration, a fixed shower head mounted at 48 in (1220 mm) above the shower floor may be used in lieu of a hand-held shower head.</i></p> <p><b>4.21.7 Curbs.</b> If provided, curbs in shower stalls 36 in by 36 in (915 mm by 915 mm) shall be no higher than 1/2 in (13 mm). Shower stalls that are 30 in by 60 in (760 mm by 1525 mm) minimum shall not have curbs.</p> <p><b>4.21.8 Shower Enclosures.</b> If provided, enclosures for shower stalls shall not obstruct controls or obstruct transfer from wheelchairs onto shower seats.</p> <p><b>4.22 Toilet Rooms.</b></p> <p><b>4.22.1 Minimum Number.</b> <i>Toilet facilities required to be accessible by 4.1 shall comply</i></p>
--	---



4.21 Shower Stalls



4.22 Toilet Rooms

with 4.22. Accessible toilet rooms shall be on an accessible route.

**4.22.2 Doors.** All doors to accessible toilet rooms shall comply with 4.13. Doors shall not swing into the clear floor space required for any fixture.

**4.22.3\* Clear Floor Space.** The accessible fixtures and controls required in 4.22.4, 4.22.5, 4.22.6, and 4.22.7 shall be on an accessible route. An unobstructed turning space complying with 4.2.3 shall be provided within an accessible toilet room. The clear floor space at fixtures and controls, the accessible route, and the turning space may overlap.

**4.22.4 Water Closets.** If toilet stalls are provided, then at least one shall be a standard

toilet stall complying with 4.17; where 6 or more stalls are provided, in addition to the stall complying with 4.17.3, at least one stall 36 in (915 mm) wide with an outward swinging, self-closing door and parallel grab bars complying with Fig. 30(d) and 4.26 shall be provided. Water closets in such stalls shall comply with 4.16. If water closets are not in stalls, then at least one shall comply with 4.16.

**4.22.5 Urinals.** If urinals are provided, then at least one shall comply with 4.18.

**4.22.6 Lavatories and Mirrors.** If lavatories and mirrors are provided, then at least one of each shall comply with 4.19.

**4.22.7 Controls and Dispensers.** If controls, dispensers, receptacles, or other

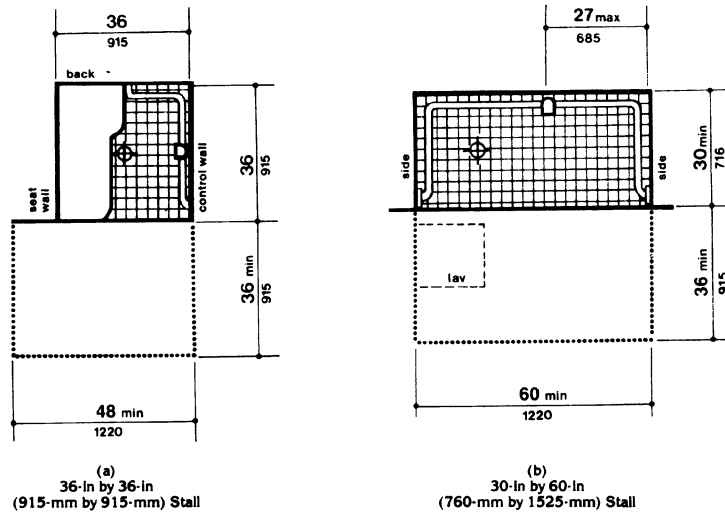
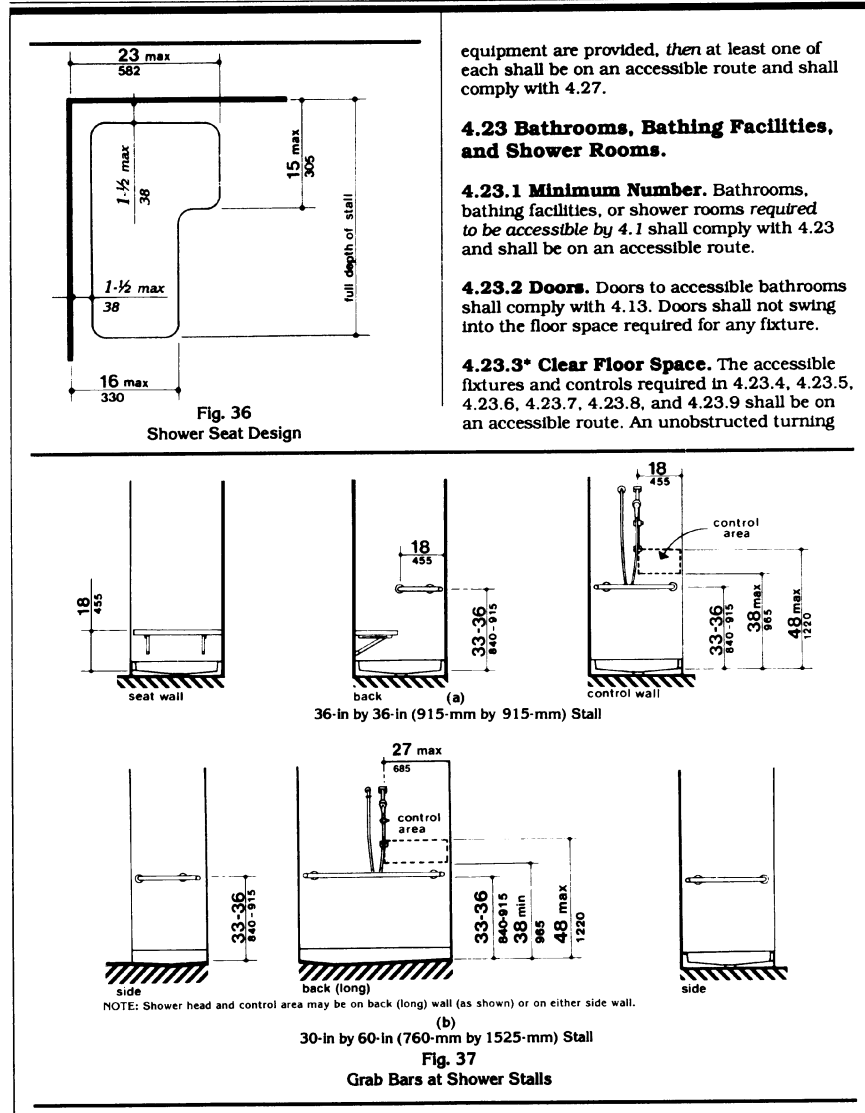


Fig. 35 Shower Size and Clearances

**4.23 Bathrooms, Bathing Facilities, and Shower Rooms**



equipment are provided, then at least one of each shall be on an accessible route and shall comply with 4.27.

**4.23 Bathrooms, Bathing Facilities, and Shower Rooms.**

**4.23.1 Minimum Number.** Bathrooms, bathing facilities, or shower rooms required to be accessible by 4.1 shall comply with 4.23 and shall be on an accessible route.

**4.23.2 Doors.** Doors to accessible bathrooms shall comply with 4.13. Doors shall not swing into the floor space required for any fixture.

**4.23.3\* Clear Floor Space.** The accessible fixtures and controls required in 4.23.4, 4.23.5, 4.23.6, 4.23.7, 4.23.8, and 4.23.9 shall be on an accessible route. An unobstructed turning

## 4.24 Sinks

space complying with 4.2.3 shall be provided within an accessible bathroom. The clear floor spaces at fixtures and controls, the accessible route, and the turning space may overlap.

**4.23.4 Water Closets.** If toilet stalls are provided, then at least one shall be a standard toilet stall complying with 4.17; where 6 or more stalls are provided, in addition to the stall complying with 4.17.3, at least one stall 36 in (915 mm) wide with an outward swinging, self-closing door and parallel grab bars complying with Fig. 30(d) and 4.26 shall be provided. Water closets in such stalls shall comply with 4.16. If water closets are not in stalls, then at least one shall comply with 4.16.

**4.23.5 Urinals.** If urinals are provided, then at least one shall comply with 4.18.

**4.23.6 Lavatories and Mirrors.** If lavatories and mirrors are provided, then at least one of each shall comply with 4.19.

**4.23.7 Controls and Dispensers.** If controls, dispensers, receptacles, or other equipment are provided, then at least one of each shall be on an accessible route and shall comply with 4.27.

**4.23.8 Bathing and Shower Facilities.** If tubs or showers are provided, then at least one accessible tub that complies with 4.20 or at least one accessible shower that complies with 4.21 shall be provided.

**4.23.9\* Medicine Cabinets.** If medicine cabinets are provided, at least one shall be located with a usable shelf no higher than 44 in (1120 mm) above the floor space. The floor space shall comply with 4.2.4.

#### 4.24 Sinks.

**4.24.1 General.** Sinks required to be accessible by 4.1 shall comply with 4.24.

**4.24.2 Height.** Sinks shall be mounted with the counter or rim no higher than 34 in (865 mm) above the finish floor.

**4.24.3 Knee Clearance.** Knee clearance that is at least 27 in (685 mm) high, 30 in (760 mm) wide, and 19 in (485 mm) deep shall be pro-

vided underneath sinks.

**4.24.4 Depth.** Each sink shall be a maximum of 6-1/2 in (165 mm) deep.

**4.24.5 Clear Floor Space.** A clear floor space at least 30 in by 48 in (760 mm by 1220 mm) complying with 4.2.4 shall be provided in front of a sink to allow forward approach. The clear floor space shall be on an accessible route and shall extend a maximum of 19 in (485 mm) underneath the sink (see Fig. 32).

**4.24.6 Exposed Pipes and Surfaces.** Hot water and drain pipes exposed under sinks shall be insulated or otherwise configured so as to protect against contact. There shall be no sharp or abrasive surfaces under sinks.

**4.24.7 Faucets.** Faucets shall comply with 4.27.4. Lever-operated, push-type, touch-type, or electronically controlled mechanisms are acceptable designs.

#### 4.25 Storage.

**4.25.1 General.** Fixed storage facilities such as cabinets, shelves, closets, and drawers required to be accessible by 4.1 shall comply with 4.25.

**4.25.2 Clear Floor Space.** A clear floor space at least 30 in by 48 in (760 mm by 1220 mm) complying with 4.2.4 that allows either a forward or parallel approach by a person using a wheelchair shall be provided at accessible storage facilities.

**4.25.3 Height.** Accessible storage spaces shall be within at least one of the reach ranges specified in 4.2.5 and 4.2.6 (see Fig. 5 and Fig. 6). Clothes rods or shelves shall be a maximum of 54 in (1370 mm) above the finish floor for a side approach. Where the distance from the wheelchair to the clothes rod or shelf exceeds 10 in (255 mm) (as in closets without accessible doors) the height and depth to the rod or shelf shall comply with Fig. 38(a) and Fig. 38(b).

**4.25.4 Hardware.** Hardware for accessible storage facilities shall comply with 4.27.4. Touch latches and U-shaped pulls are acceptable.

**4.26 Handrails, Grab Bars, and Tub and Shower Seats**

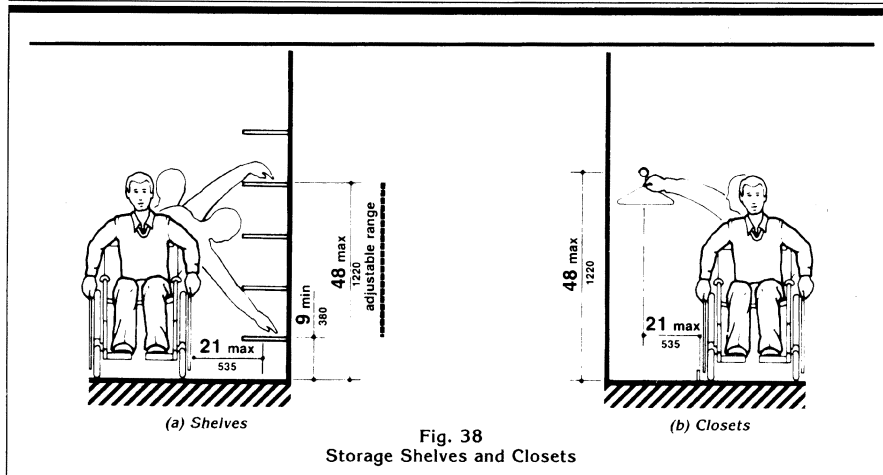


Fig. 38  
Storage Shelves and Closets

**4.26 Handrails, Grab Bars, and Tub and Shower Seats.**

**4.26.1\* General.** All handrails, grab bars, and tub and shower seats required to be accessible by 4.1, 4.8, 4.9, 4.16, 4.17, 4.20 or 4.21 shall comply with 4.26.

**4.26.2\* Size and Spacing of Grab Bars and Handrails.** The diameter or width of the gripping surfaces of a handrail or grab bar shall be 1-1/4 in to 1-1/2 in (32 mm to 38 mm), or the shape shall provide an equivalent gripping surface. If handrails or grab bars are mounted adjacent to a wall, the space between the wall and the grab bar shall be 1-1/2 in (38 mm) (see Fig. 39(a), (b), (c), and (e)). Handrails may be located in a recess if the recess is a maximum of 3 in (75 mm) deep and extends at least 18 in (455 mm) above the top of the rail (see Fig. 39(d)).

**4.26.3 Structural Strength.** The structural strength of grab bars, tub and shower seats, fasteners, and mounting devices shall meet the following specification:

(1) Bending stress in a grab bar or seat induced by the maximum bending moment from the application of 250 lbf (1112N) shall

be less than the allowable stress for the material of the grab bar or seat.

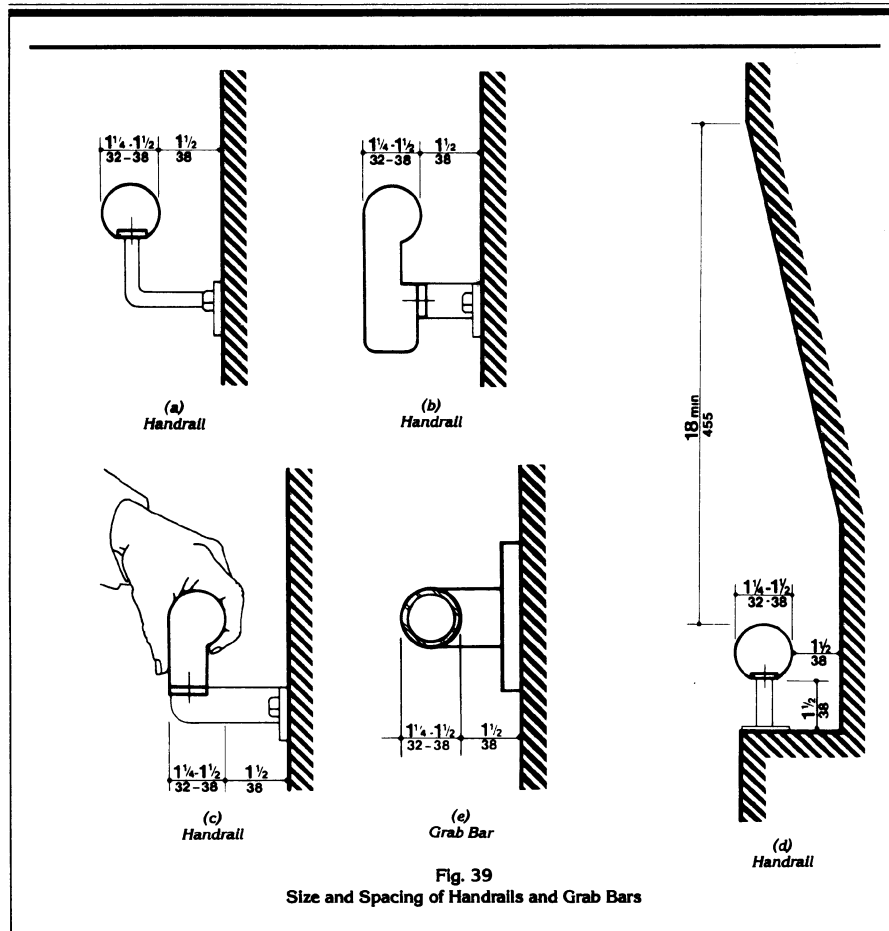
(2) Shear stress induced in a grab bar or seat by the application of 250 lbf (1112N) shall be less than the allowable shear stress for the material of the grab bar or seat. If the connection between the grab bar or seat and its mounting bracket or other support is considered to be fully restrained, then direct and torsional shear stresses shall be totaled for the combined shear stress, which shall not exceed the allowable shear stress.

(3) Shear force induced in a fastener or mounting device from the application of 250 lbf (1112N) shall be less than the allowable lateral load of either the fastener or mounting device or the supporting structure, whichever is the smaller allowable load.

(4) Tensile force induced in a fastener by a direct tension force of 250 lbf (1112N) plus the maximum moment from the application of 250 lbf (1112N) shall be less than the allowable withdrawal load between the fastener and the supporting structure.

(5) Grab bars shall not rotate within their fittings.

4.26 Handrails, Grab Bars, and Tub and Shower Seats



**4.26.4 Eliminating Hazards.** A handrail or grab bar and any wall or other surface adjacent to it shall be free of any sharp or abrasive elements. Edges shall have a minimum radius of 1/8 in (3.2 mm).

**4.27 Controls and Operating Mechanisms.**

**4.27.1 General.** Controls and operating mechanisms required to be accessible by 4.1 shall comply with 4.27.

**4.28 Alarms**

<p><b>4.27.2 Clear Floor Space.</b> Clear floor space complying with 4.2.4 that allows a forward or a parallel approach by a person using a wheelchair shall be provided at controls, dispensers, receptacles, and other operable equipment.</p> <p><b>4.27.3* Height.</b> The highest operable part of controls, dispensers, receptacles, and other operable equipment shall be placed within at least one of the reach ranges specified in 4.2.5 and 4.2.6. Electrical and communications system receptacles on walls shall be mounted no less than 15 in (380 mm) above the floor.</p> <p><i>EXCEPTION: These requirements do not apply where the use of special equipment dictates otherwise or where electrical and communications systems receptacles are not normally intended for use by building occupants.</i></p> <p><b>4.27.4 Operation.</b> Controls and operating mechanisms shall be operable with one hand and shall not require tight grasping, pinching, or twisting of the wrist. The force required to activate controls shall be no greater than 5 lbf (22.2 N).</p> <p><b>4.28 Alarms.</b></p> <p><b>4.28.1 General.</b> Alarm systems required to be accessible by 4.1 shall comply with 4.28. At a minimum, visual signal appliances shall be provided in buildings and facilities in each of the following areas: restrooms and any other general usage areas (e.g., meeting rooms), hallways, lobbies, and any other area for common use.</p> <p><b>4.28.2* Audible Alarms.</b> If provided, audible emergency alarms shall produce a sound that exceeds the prevailing equivalent sound level in the room or space by at least 15 dbA or exceeds any maximum sound level with a duration of 60 seconds by 5 dbA, whichever is louder. Sound levels for alarm signals shall not exceed 120 dbA.</p> <p><b>4.28.3* Visual Alarms.</b> Visual alarm signal appliances shall be integrated into the building or facility alarm system. If single station audible alarms are provided then single station visual alarm signals shall be provided. Visual alarm signals shall have the following minimum photometric and location features:</p>	<p>(1) The lamp shall be a xenon strobe type or equivalent.</p> <p>(2) The color shall be clear or nominal white (i.e., unfiltered or clear filtered white light).</p> <p>(3) The maximum pulse duration shall be two-tenths of one second (0.2 sec) with a maximum duty cycle of 40 percent. The pulse duration is defined as the time interval between initial and final points of 10 percent of maximum signal.</p> <p>(4) The intensity shall be a minimum of 75 candela.</p> <p>(5) The flash rate shall be a minimum of 1 Hz and a maximum of 3 Hz.</p> <p>(6) The appliance shall be placed 80 in (2030 mm) above the highest floor level within the space or 6 in (152 mm) below the ceiling, whichever is lower.</p> <p>(7) In general, no place in any room or space required to have a visual signal appliance shall be more than 50 ft (15 m) from the signal (in the horizontal plane). In large rooms and spaces exceeding 100 ft (30 m) across, without obstructions 6 ft (2 m) above the finish floor, such as auditoriums, devices may be placed around the perimeter, spaced a maximum 100 ft (30 m) apart, in lieu of suspending appliances from the ceiling.</p> <p>(8) No place in common corridors or hallways in which visual alarm signalling appliances are required shall be more than 50 ft (15 m) from the signal.</p> <p><b>4.28.4* Auxiliary Alarms.</b> Units and sleeping accommodations shall have a visual alarm connected to the building emergency alarm system or shall have a standard 110-volt electrical receptacle into which such an alarm can be connected and a means by which a signal from the building emergency alarm system can trigger such an auxiliary alarm. When visual alarms are in place the signal shall be visible in all areas of the unit or room. Instructions for use of the auxiliary alarm or receptacle shall be provided.</p>
--	--

**4.29 Detectable Warnings**

**4.29 Detectable Warnings.**

**4.29.1 General.** Detectable warnings required by 4.1 and 4.7 shall comply with 4.29.

**4.29.2\* Detectable Warnings on Walking Surfaces.** Detectable warnings shall consist of raised truncated domes with a diameter of nominal 0.9 in (23 mm), a height of nominal 0.2 in (5 mm) and a center-to-center spacing of nominal 2.35 in (60 mm) and shall contrast visually with adjoining surfaces, either light-on-dark, or dark-on-light.

*The material used to provide contrast shall be an integral part of the walking surface. Detectable warnings used on interior surfaces shall differ from adjoining walking surfaces in resiliency or sound-on-cane contact.*

**4.29.3 Detectable Warnings on Doors To Hazardous Areas.** (Reserved).

**4.29.4 Detectable Warnings at Stairs.** (Reserved).

**4.29.5 Detectable Warnings at Hazardous Vehicular Areas.** If a walk crosses or adjoins a vehicular way, and the walking surfaces are not separated by curbs, railings, or other elements between the pedestrian areas and vehicular areas, the boundary between the areas shall be defined by a continuous detectable warning which is 36 in (915 mm) wide, complying with 4.29.2.

**4.29.6 Detectable Warnings at Reflecting Pools.** The edges of reflecting pools shall be protected by railings, walls, curbs, or detectable warnings complying with 4.29.2.

**4.29.7 Standardization.** (Reserved).

**4.30 Signage.**

**4.30.1\* General.** Signage required to be accessible by 4.1 shall comply with the applicable provisions of 4.30.

**4.30.2\* Character Proportion.** Letters and numbers on signs shall have a width-to-height ratio between 3:5 and 1:1 and a stroke-width-to-height ratio between 1:5 and 1:10.

**4.30.3 Character Height.** Characters and numbers on signs shall be sized according to the viewing distance from which they are to be read. The minimum height is measured using an upper case X. Lower case characters are permitted.

Height Above Finished Floor	Minimum Character Height
Suspended or Projected Overhead in compliance with 4.4.2	3 in. (75 mm) minimum

**4.30.4\* Raised and Brailled Characters and Pictorial Symbol Signs (Pictograms).** Letters and numerals shall be raised 1/32 in, upper case, sans serif or simple serif type and shall be accompanied with Grade 2 Braille. Raised characters shall be at least 5/8 in (16 mm) high, but no higher than 2 in (50 mm). Pictograms shall be accompanied by the equivalent verbal description placed directly below the pictogram. The border dimension of the pictogram shall be 6 in (152 mm) minimum in height.

**4.30.5\* Finish and Contrast.** The characters and background of signs shall be eggshell, matte, or other non-glare finish. Characters and symbols shall contrast with their background — either light characters on a dark background or dark characters on a light background.


**4.30.6 Mounting Location and Height.** Where permanent identification is provided for rooms and spaces, signs shall be installed on the wall adjacent to the latch side of the door. Where there is no wall space to the latch side of the door, including at double leaf doors, signs shall be placed on the nearest adjacent wall. Mounting height shall be 60 in (1525 mm) above the finish floor to the centerline of the sign. Mounting location for such signage shall be so that a person may approach within 3 in (76 mm) of signage without encountering protruding objects or standing within the swing of a door.

**4.30.7\* Symbols of Accessibility.**

(1) Facilities and elements required to be identified as accessible by 4.1 shall use the international symbol of accessibility. The



**4.30 Signage**

 <p>(a) Proportions International Symbol of Accessibility</p> <p>(b) Display Conditions International Symbol of Accessibility</p> <p>(c) International TDD Symbol</p> <p>(d) International Symbol of Access for Hearing Loss</p> <p>Fig. 43 International Symbols</p>	<p>symbol shall be displayed as shown in Fig. 43(a) and (b).</p> <p>(2) <i>Volume Control Telephones.</i> Telephones required to have a volume control by 4.1.3(17)(b) shall be identified by a sign containing a depiction of a telephone handset with radiating sound waves.</p> <p>(3) <i>Text Telephones.</i> Text telephones required by 4.1.3 (17)(c) shall be identified by the international TDD symbol (Fig 43(c)). In addition, if a facility has a public text telephone, directional signage indicating the location of the nearest text telephone shall be placed adjacent to all banks of telephones which do not contain a text telephone. Such directional signage shall include the international TDD symbol. If a facility has no banks of telephones, the directional signage shall be provided at the entrance (e.g., in a building directory).</p> <p>(4) <i>Assistive Listening Systems.</i> In assembly areas where permanently installed assistive listening systems are required by 4.1.3(19)(b) the availability of such systems shall be identified with signage that includes the international symbol of access for hearing loss (Fig 43(d)).</p> <p><b>4.30.8* Illumination Levels.</b> (Reserved).</p> <p><b>4.31 Telephones.</b></p> <p><b>4.31.1 General.</b> Public telephones required to be accessible by 4.1 shall comply with 4.31.</p> <p><b>4.31.2 Clear Floor or Ground Space.</b> A clear floor or ground space at least 30 in by 48 in (760 mm by 1220 mm) that allows either a forward or parallel approach by a person using a wheelchair shall be provided at telephones (see Fig. 44). The clear floor or ground space shall comply with 4.2.4. Bases, enclosures, and fixed seats shall not impede approaches to telephones by people who use wheelchairs.</p> <p><b>4.31.3* Mounting Height.</b> The highest operable part of the telephone shall be within the reach ranges specified in 4.2.5 or 4.2.6.</p> <p><b>4.31.4 Protruding Objects.</b> Telephones shall comply with 4.4.</p>
---	---

4.31 Telephones

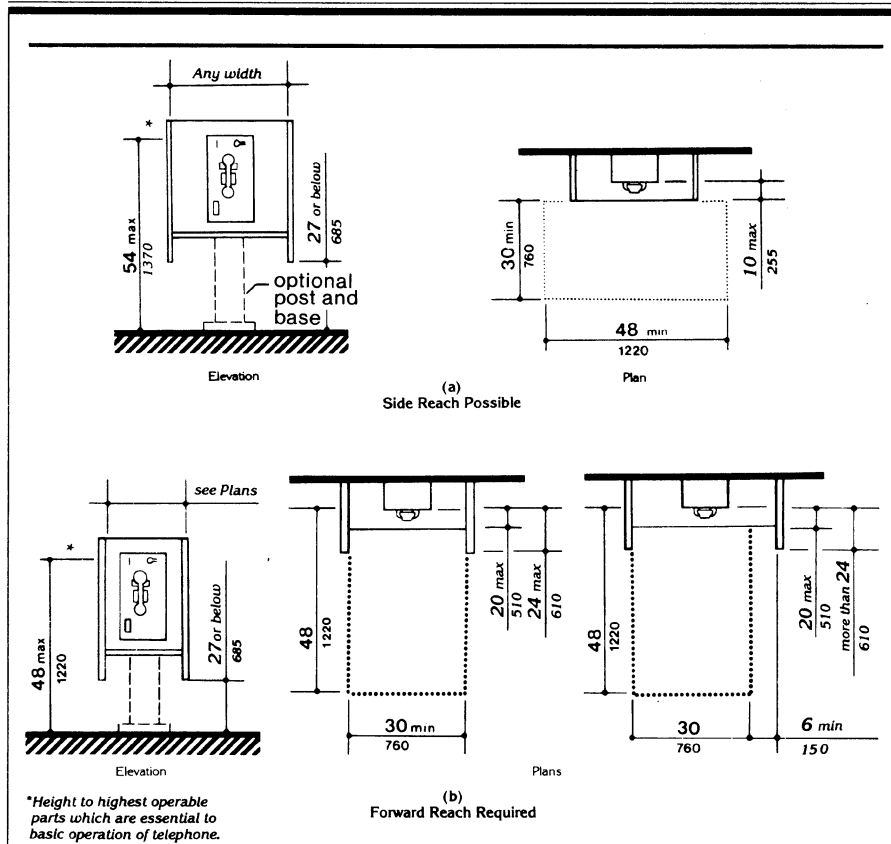


Fig. 44  
 Mounting Heights and Clearances for Telephones

**4.31.5 Hearing Aid Compatible and Volume Control Telephones Required by 4.1.**

- (1) Telephones shall be hearing aid compatible.
- (2) Volume controls, capable of a minimum of 12 dbA and a maximum of 18 dbA above

normal, shall be provided in accordance with 4.1.3. If an automatic reset is provided then 18 dbA may be exceeded.

**4.31.6 Controls.** Telephones shall have pushbutton controls where service for such equipment is available.

**4.32 Fixed or Built-in Seating and Tables**

<p><b>4.31.7 Telephone Books.</b> Telephone books, if provided, shall be located in a position that complies with the reach ranges specified in 4.2.5 and 4.2.6.</p> <p><b>4.31.8 Cord Length.</b> The cord from the telephone to the handset shall be at least 29 in (735 mm) long.</p> <p><b>4.31.9* Text Telephones Required by 4.1.</b></p> <p>(1) Text telephones used with a pay telephone shall be permanently affixed within, or adjacent to, the telephone enclosure. If an acoustic coupler is used, the telephone cord shall be sufficiently long to allow connection of the text telephone and the telephone receiver.</p> <p>(2) Pay telephones designed to accommodate a portable text telephone shall be equipped with a shelf and an electrical outlet within or adjacent to the telephone enclosure. The telephone handset shall be capable of being placed flush on the surface of the shelf. The shelf shall be capable of accommodating a text telephone and shall have 6 in (152 mm) minimum vertical clearance in the area where the text telephone is to be placed.</p> <p>(3) Equivalent facilitation may be provided. For example, a portable text telephone may be made available in a hotel at the registration desk if it is available on a 24-hour basis for use with nearby public pay telephones. In this instance, at least one pay telephone shall comply with paragraph 2 of this section. In addition, if an acoustic coupler is used, the telephone handset cord shall be sufficiently long so as to allow connection of the text telephone and the telephone receiver. Directional signage shall be provided and shall comply with 4.30.7.</p> <p><b>4.32 Fixed or Built-in Seating and Tables.</b></p> <p><b>4.32.1 Minimum Number.</b> Fixed or built-in seating or tables required to be accessible by 4.1 shall comply with 4.32.</p> <p><b>4.32.2 Seating.</b> If seating spaces for people in wheelchairs are provided at fixed tables or counters, clear floor space complying with 4.2.4 shall be provided. Such clear floor space</p>	<p>shall not overlap knee space by more than 19 in (485 mm) (see Fig. 45).</p> <p><b>4.32.3 Knee Clearances.</b> If seating for people in wheelchairs is provided at tables or counters, knee spaces at least 27 in (685 mm) high, 30 in (760 mm) wide, and 19 in (485 mm) deep shall be provided (see Fig. 45).</p> <p><b>4.32.4* Height of Tables or Counters.</b> The tops of accessible tables and counters shall be from 28 in to 34 in (710 mm to 865 mm) above the finish floor or ground.</p> <p><b>4.33 Assembly Areas.</b></p> <p><b>4.33.1 Minimum Number.</b> Assembly and associated areas required to be accessible by 4.1 shall comply with 4.33.</p> <p><b>4.33.2* Size of Wheelchair Locations.</b> Each wheelchair location shall provide minimum clear ground or floor spaces as shown in Fig. 46.</p> <p><b>4.33.3* Placement of Wheelchair Locations.</b> Wheelchair areas shall be an integral part of any fixed seating plan and shall be provided so as to provide people with physical disabilities a choice of admission prices and lines of sight comparable to those for members of the general public. They shall adjoin an accessible route that also serves as a means of egress in case of emergency. At least one companion fixed seat shall be provided next to each wheelchair seating area. When the seating capacity exceeds 300, wheelchair spaces shall be provided in more than one location. Readily removable seats may be installed in wheelchair spaces when the spaces are not required to accommodate wheelchair users.</p> <p><i>EXCEPTION: Accessible viewing positions may be clustered for bleachers, balconies, and other areas having sight lines that require slopes of greater than 5 percent. Equivalent accessible viewing positions may be located on levels having accessible egress.</i></p> <p><b>4.33.4 Surfaces.</b> The ground or floor at wheelchair locations shall be level and shall comply with 4.5.</p>
---	--

4.33 Assembly Areas

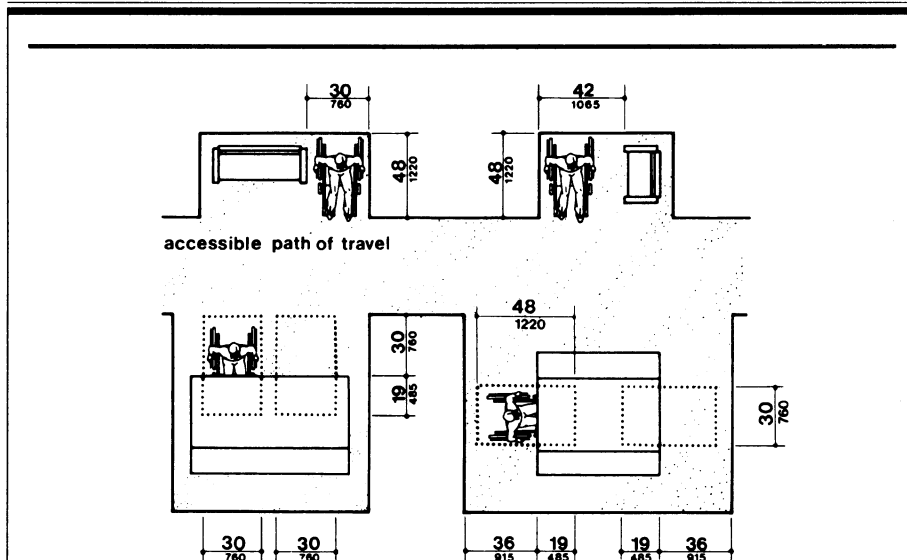


Fig. 45  
Minimum Clearances for Seating and Tables

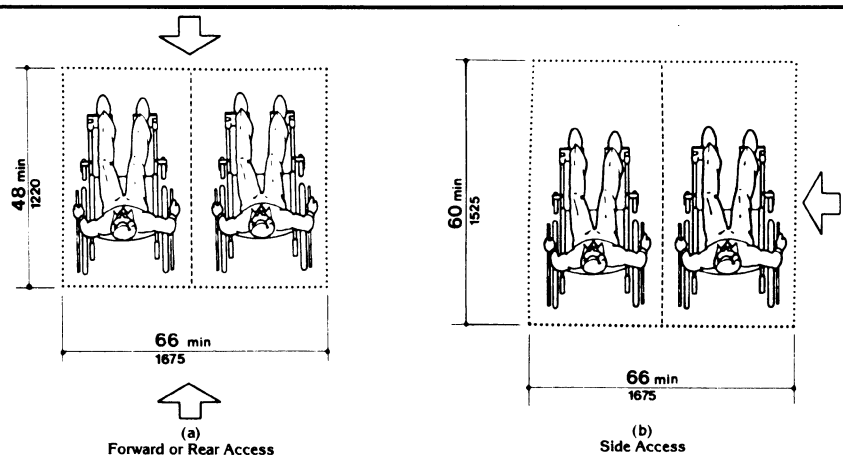


Fig. 46  
Space Requirements for Wheelchair  
Seating Spaces in Series

**4.33.5 Access to Performing Areas**

**4.33.5 Access to Performing Areas.**

An accessible route shall connect wheelchair seating locations with performing areas, including stages, arena floors, dressing rooms, locker rooms, and other spaces used by performers.

**4.33.6\* Placement of Listening Systems.**

If the listening system provided serves individual fixed seats, then such seats shall be located within a 50 ft (15 m) viewing distance of the stage or playing area and shall have a complete view of the stage or playing area.

**4.33.7\* Types of Listening Systems.**

Assistive listening systems (ALS) are intended to augment standard public address and audio systems by providing signals which can be received directly by persons with special receivers or their own hearing aids and which eliminate or filter background noise. The type of assistive listening system appropriate for a particular application depends on the characteristics of the setting, the nature of the program, and the intended audience. Magnetic induction loops, infra-red and radio frequency systems are types of listening systems which are appropriate for various applications.

**4.34 Automated Teller Machines.**

**4.34.1 General.** Each automated teller machine required to be accessible by 4.1.3 shall be on an accessible route and shall comply with 4.34.

**4.34.2 Clear Floor Space.** The automated teller machine shall be located so that clear floor space complying with 4.2.4 is provided to allow a person using a wheelchair to make a forward approach, a parallel approach, or both, to the machine.

**4.34.3 Reach Ranges.**

(1) Forward Approach Only. If only a forward approach is possible, operable parts of all controls shall be placed within the forward reach range specified in 4.2.5.

(2) Parallel Approach Only. If only a parallel approach is possible, operable parts of controls shall be placed as follows:

(a) Reach Depth Not More Than 10 in (255 mm). Where the reach depth to the operable parts of all controls as measured from the vertical plane perpendicular to the edge of the unobstructed clear floor space at the farthest

protrusion of the automated teller machine or surround is not more than 10 in (255 mm), the maximum height above the finished floor or grade shall be 54 in (1370 mm).

(b) Reach Depth More Than 10 in (255 mm). Where the reach depth to the operable parts of any control as measured from the vertical plane perpendicular to the edge of the unobstructed clear floor space at the farthest protrusion of the automated teller machine or surround is more than 10 in (255 mm), the maximum height above the finished floor or grade shall be as follows:

Reach Depth		Maximum Height	
In	Mm	In	Mm
10	255	54	1370
11	280	53½	1360
12	305	53	1345
13	330	52½	1335
14	355	51½	1310
15	380	51	1295
16	405	50½	1285
17	430	50	1270
18	455	49½	1255
19	485	49	1245
20	510	48½	1230
21	535	47½	1205
22	560	47	1195
23	585	46½	1180
24	610	46	1170

(3) Forward and Parallel Approach. If both a forward and parallel approach are possible, operable parts of controls shall be placed within at least one of the reach ranges in paragraphs (1) or (2) of this section.

(4) Bins. Where bins are provided for envelopes, waste paper, or other purposes, at least one of each type provided shall comply with the applicable reach ranges in paragraph (1), (2), or (3) of this section.

EXCEPTION: Where a function can be performed in a substantially equivalent manner by using an alternate control, only one of the controls needed to perform that function is required to comply with this section. If the controls are identified by tactile markings, such markings shall be provided on both controls.

**4.34.4 Controls.** Controls for user activation shall comply with 4.27.4.

**4.35 Dressing and Fitting Rooms**

**4.34.5 Equipment for Persons with Vision Impairments.** Instructions and all information for use shall be made accessible to and independently usable by persons with vision impairments.

**4.35 Dressing and Fitting Rooms.**

**4.35.1 General.** Dressing and fitting rooms required to be accessible by 4.1 shall comply with 4.35 and shall be on an accessible route.

**4.35.2 Clear Floor Space.** A clear floor space allowing a person using a wheelchair to make a 180-degree turn shall be provided in every accessible dressing room entered through a swinging or sliding door. No door shall swing into any part of the turning space. Turning space shall not be required in a private dressing room entered through a curtained opening at least 32 in (815 mm) wide if clear floor space complying with section 4.2 renders the dressing room usable by a person using a wheelchair.

**4.35.3 Doors.** All doors to accessible dressing rooms shall be in compliance with section 4.13.

**4.35.4 Bench.** Every accessible dressing room shall have a 24 in by 48 in (610 mm by 1220 mm) bench fixed to the wall along the longer dimension. The bench shall be mounted 17 in to 19 in (430 mm to 485 mm) above the finish floor. Clear floor space shall be provided alongside the bench to allow a person using a wheelchair to make a parallel transfer onto the bench. The structural strength of the bench and attachments shall comply with 4.26.3. Where installed in conjunction with showers, swimming pools, or other wet locations, water shall not accumulate upon the surface of the bench and the bench shall have a slip-resistant surface.

**4.35.5 Mirror.** Where mirrors are provided in dressing rooms of the same use, then in an accessible dressing room, a full-length mirror, measuring at least 18 in wide by 54 in high (460 mm by 1370 mm), shall be mounted in a position affording a view to a person on the bench as well as to a person in a standing position.

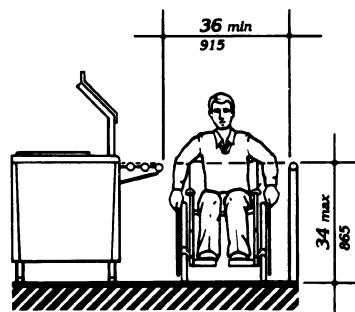
NOTE: Sections 4.1.1 through 4.1.7 and sections 5 through 10 are different from ANSI A117.1 in their entirety and are printed in standard type.

**5.0 Restaurants and Cafeterias**

**5. RESTAURANTS AND CAFETERIAS.**

**5.1\* General.** Except as specified or modified in this section, restaurants and cafeterias shall comply with the requirements of 4.1 to 4.35. Where fixed tables (or dining counters where food is consumed but there is no service) are provided, at least 5 percent, but not less than one, of the fixed tables (or a portion of the dining counter) shall be accessible and shall comply with 4.32 as required in 4.1.3(18). In establishments where separate areas are designated for smoking and non-smoking patrons, the required number of accessible fixed tables (or counters) shall be proportionally distributed between the smoking and non-smoking areas. In new construction, and where practicable in alterations, accessible fixed tables (or counters) shall be distributed throughout the space or facility.

**5.2 Counters and Bars.** Where food or drink is served at counters exceeding 34 in (865 mm) in height for consumption by customers seated on stools or standing at the counter, a portion of the main counter which is 60 in (1525 mm) in length minimum shall be provided in compliance with 4.32 or service shall be available at accessible tables within the same area.

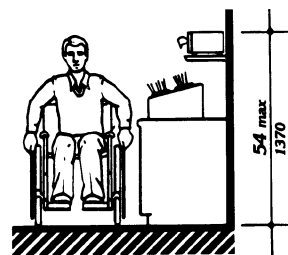


**Fig. 53**  
**Food Service Lines**

**5.3 Access Aisles.** All accessible fixed tables shall be accessible by means of an access aisle at least 36 in (915 mm) clear between parallel edges of tables or between a wall and the table edges.

**5.4 Dining Areas.** In new construction, all dining areas, including raised or sunken dining areas, loggias, and outdoor seating areas, shall be accessible. In non-elevator buildings, an accessible means of vertical access to the mezzanine is not required under the following conditions: 1) the area of mezzanine seating measures no more than 33 percent of the area of the total accessible seating area; 2) the same services and decor are provided in an accessible space usable by the general public; and, 3) the accessible areas are not restricted to use by people with disabilities. In alterations, accessibility to raised or sunken dining areas, or to all parts of outdoor seating areas is not required provided that the same services and decor are provided in an accessible space usable by the general public and are not restricted to use by people with disabilities.

**5.5 Food Service Lines.** Food service lines shall have a minimum clear width of 36 in (915 mm), with a preferred clear width of 42 in (1065 mm) to allow passage around a person using a wheelchair. Tray slides shall be mounted no higher than 34 in (865 mm) above the floor (see Fig. 53). If self-service shelves



**Fig. 54**  
**Tableware Areas**

**6.0 Medical Care Facilities**

are provided, at least 50 percent of each type must be within reach ranges specified in 4.2.5 and 4.2.6.

**5.6 Tableware and Condiment Areas.**

Self-service shelves and dispensing devices for tableware, dishware, condiments, food and beverages shall be installed to comply with 4.2 (see Fig. 54).

**5.7 Raised Platforms.** In banquet rooms or spaces where a head table or speaker's lectern is located on a raised platform, the platform shall be accessible in compliance with 4.8 or 4.11. Open edges of a raised platform shall be protected by placement of tables or by a curb.

**5.8 Vending Machines and Other Equipment.** Spaces for vending machines and other equipment shall comply with 4.2 and shall be located on an accessible route.

**5.9 Quiet Areas.** (Reserved).

<b>6.</b>	<b>MEDICAL CARE FACILITIES.</b>
-----------	---------------------------------

**6.1 General.** Medical care facilities included in this section are those in which people receive physical or medical treatment or care and where persons may need assistance in responding to an emergency and where the period of stay may exceed twenty-four hours. In addition to the requirements of 4.1 through 4.35, medical care facilities and buildings shall comply with 6.

(1) Hospitals - general purpose hospitals, psychiatric facilities, detoxification facilities — At least 10 percent of patient bedrooms and toilets, and all public use and common use areas are required to be designed and constructed to be accessible.

(2) Hospitals and rehabilitation facilities that specialize in treating conditions that affect mobility, or units within either that specialize in treating conditions that affect mobility — All patient bedrooms and toilets, and all public use and common use areas are required to be designed and constructed to be accessible.

(3) Long term care facilities, nursing homes — At least 50 percent of patient bedrooms and toilets, and all public use and common use areas are required to be designed and constructed to be accessible.

(4) Alterations to patient bedrooms.

(a) When patient bedrooms are being added or altered as part of a planned renovation of an entire wing, a department, or other discrete area of an existing medical facility, a percentage of the patient bedrooms that are being added or altered shall comply with 6.3. The percentage of accessible rooms provided shall be consistent with the percentage of rooms required to be accessible by the applicable requirements of 6.1(1), 6.1(2), or 6.1(3), until the number of accessible patient bedrooms in the facility equals the overall number that would be required if the facility were newly constructed. (For example, if 20 patient bedrooms are being altered in the obstetrics department of a hospital, 2 of the altered rooms must be made accessible. If, within the same hospital, 20 patient bedrooms are being altered in a unit that specializes in treating mobility impairments, all of the altered rooms must be made accessible.) Where toilet/bath rooms are part of patient bedrooms which are added or altered and required to be accessible, each such patient toilet/bathroom shall comply with 6.4.

(b) When patient bedrooms are being added or altered individually, and not as part of an alteration of the entire area, the altered patient bedrooms shall comply with 6.3, unless either: a) the number of accessible rooms provided in the department or area containing the altered patient bedroom equals the number of accessible patient bedrooms that would be required if the percentage requirements of 6.1(1), 6.1(2), or 6.1(3) were applied to that department or area; or b) the number of accessible patient bedrooms in the facility equals the overall number that would be required if the facility were newly constructed. Where toilet/bathrooms are part of patient bedrooms which are added or altered and required to be accessible, each such toilet/bathroom shall comply with 6.4.



**7.0 Business and Mercantile**

<p><b>6.2 Entrances.</b> At least one accessible entrance that complies with 4.14 shall be protected from the weather by canopy or roof overhang. Such entrances shall incorporate a passenger loading zone that complies with 4.6.6.</p> <p><b>6.3 Patient Bedrooms.</b> Provide accessible patient bedrooms in compliance with 4.1 through 4.35. Accessible patient bedrooms shall comply with the following:</p> <p>(1) Each bedroom shall have a door that complies with 4.13.</p> <p><b>EXCEPTION:</b> Entry doors to acute care hospital bedrooms for in-patients shall be exempted from the requirement in 4.13.6 for maneuvering space at the latch side of the door if the door is at least 44 in (1120 mm) wide.</p> <p>(2) Each bedroom shall have adequate space to provide a maneuvering space that complies with 4.2.3. In rooms with 2 beds, it is preferable that this space be located between beds.</p> <p>(3) Each bedroom shall have adequate space to provide a minimum clear floor space of 36 in (915 mm) along each side of the bed and to provide an accessible route complying with 4.3.3 to each side of each bed.</p> <p><b>6.4 Patient Toilet Rooms.</b> Where toilet/bath rooms are provided as a part of a patient bedroom, each patient bedroom that is required to be accessible shall have an accessible toilet/bath room that complies with 4.22 or 4.23 and shall be on an accessible route.</p> <hr/> <p><b>7. BUSINESS AND MERCANTILE.</b></p> <hr/> <p><b>7.1 General.</b> In addition to the requirements of 4.1 to 4.35, the design of all areas used for business transactions with the public shall comply with 7.</p>	<p><b>7.2 Sales and Service Counters, Teller Windows, Information Counters.</b></p> <p>(1) In department stores and miscellaneous retail stores where counters have cash registers and are provided for sales or distribution of goods or services to the public, at least one of each type shall have a portion of the counter which is at least 36 in (915 mm) in length with a maximum height of 36 in (915 mm) above the finish floor. It shall be on an accessible route complying with 4.3. The accessible counters must be dispersed throughout the building or facility. In alterations where it is technically infeasible to provide an accessible counter, an auxiliary counter meeting these requirements may be provided.</p> <p>(2) At ticketing counters, teller stations in a bank, registration counters in hotels and motels, box office ticket counters, and other counters that may not have a cash register but at which goods or services are sold or distributed, either:</p> <p>(i) a portion of the main counter which is a minimum of 36 in (915 mm) in length shall be provided with a maximum height of 36 in (915 mm); or</p> <p>(ii) an auxiliary counter with a maximum height of 36 in (915 mm) in close proximity to the main counter shall be provided; or</p> <p>(iii) equivalent facilitation shall be provided (e.g., at a hotel registration counter, equivalent facilitation might consist of: (1) provision of a folding shelf attached to the main counter on which an individual with disabilities can write, and (2) use of the space on the side of the counter or at the concierge desk, for handing materials back and forth).</p> <p>All accessible sales and service counters shall be on an accessible route complying with 4.3.</p> <p>(3)* Assistive Listening Devices. (Reserved)</p>
---	--

8.0 Libraries

**7.3\* Check-out Aisles.**

(1) In new construction, accessible check-out aisles shall be provided in conformance with the table below:

Total Check-out Aisles of Each Design	Minimum Number of Accessible Check-out Aisles (of each design)
1 - 4	1
5 - 8	2
9 - 15	3
over 15	3, plus 20% of additional aisles

EXCEPTION: In new construction, where the selling space is under 5000 square feet, only one check-out aisle is required to be accessible.

EXCEPTION: In alterations, at least one check-out aisle shall be accessible in facilities under 5000 square feet of selling space. In facilities of 5000 or more square feet of selling space, at least one of each design of check-out aisle shall be made accessible when altered until the number of accessible check-out aisles of each design equals the number required in new construction.

Examples of check-out aisles of different "design" include those which are specifically designed to serve different functions. Different "design" includes but is not limited to the following features - length of belt or no belt; or permanent signage designating the aisle as an express lane.

(2) Clear aisle width for accessible check-out aisles shall comply with 4.2.1 and maximum adjoining counter height shall not exceed 38 in (965 mm) above the finish floor. The top of the lip shall not exceed 40 in (1015 mm) above the finish floor.

(3) Signage identifying accessible check-out aisles shall comply with 4.30.7 and shall be mounted above the check-out aisle in the same location where the check-out number or type of check-out is displayed.

**7.4 Security Bollards.** Any device used to prevent the removal of shopping carts from store premises shall not prevent access or egress to people in wheelchairs. An alternate

entry that is equally convenient to that provided for the ambulatory population is acceptable.

**8. LIBRARIES.**

**8.1 General.** In addition to the requirements of 4.1 to 4.35, the design of all public areas of a library shall comply with 8, including reading and study areas, stacks, reference rooms, reserve areas, and special facilities or collections.

**8.2 Reading and Study Areas.** At least 5 percent or a minimum of one of each element of fixed seating, tables, or study carrels shall comply with 4.2 and 4.32. Clearances between fixed accessible tables and between study carrels shall comply with 4.3.

**8.3 Check-Out Areas.** At least one lane at each check-out area shall comply with 7.2(1). Any traffic control or book security gates or turnstiles shall comply with 4.13.

**8.4 Card Catalogs and Magazine Displays.** Minimum clear aisle space at card catalogs and magazine displays shall comply with Fig. 55. Maximum reach height shall comply with 4.2, with a height of 48 in (1220 mm) preferred irrespective of approach allowed.

**8.5 Stacks.** Minimum clear aisle width between stacks shall comply with 4.3, with a minimum clear aisle width of 42 in (1065 mm) preferred where possible. Shelf height in stack areas is unrestricted (see Fig. 56).

9.0 Accessible Transient Lodging

**9. ACCESSIBLE TRANSIENT LODGING.**

(1) Except as specified in the special technical provisions of this section, accessible transient lodging shall comply with the applicable requirements of 4.1 through 4.35. Transient lodging includes facilities or portions thereof used for sleeping accommodations, when not classed as a medical care facility.

**9.1 Hotels, Motels, Inns, Boarding Houses, Dormitories, Resorts and Other Similar Places of Transient Lodging.**

**9.1.1 General.** All public use and common use areas are required to be designed and constructed to comply with section 4 (Accessible Elements and Spaces: Scope and Technical Requirements).

EXCEPTION: Sections 9.1 through 9.4 do not apply to an establishment located within a building that contains not more than five rooms for rent or hire and that is actually occupied by the proprietor of such establishment as the residence of such proprietor.

**9.1.2 Accessible Units, Sleeping Rooms, and Suites.** Accessible sleeping rooms or suites that comply with the requirements of 9.2 (Requirements for Accessible Units, Sleeping Rooms, and Suites) shall be provided in conformance with the table below. In addition, in hotels, of 50 or more sleeping rooms or suites, additional accessible sleeping rooms or suites that include a roll-in shower shall also be provided in conformance with the table below. Such accommodations shall comply with the requirements of 9.2, 4.21, and Figure 57(a) or (b).

**Fig. 55**  
Card Catalog

**Fig. 56**  
Stacks

**9.1.3 Sleeping Accommodations for Persons with Hearing Impairments**

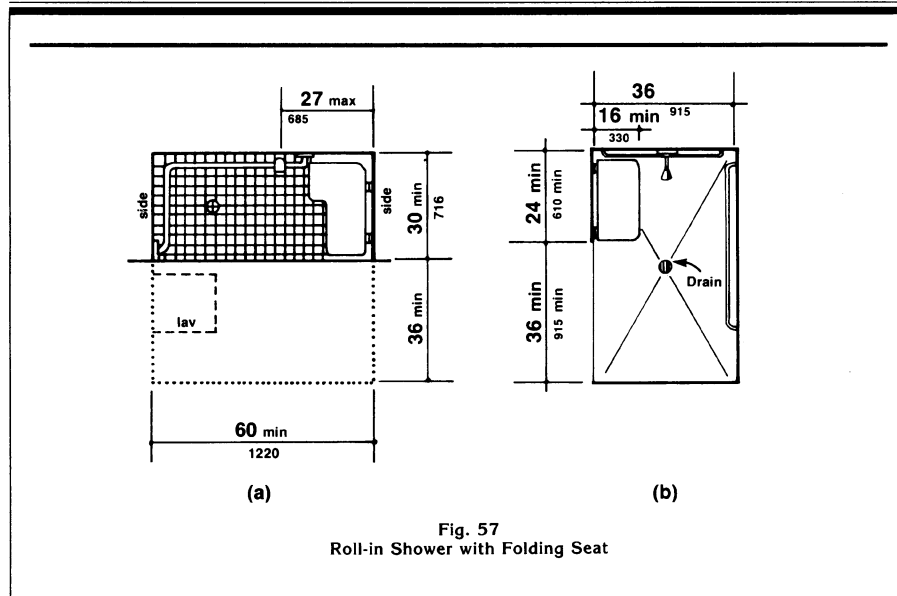


Fig. 57  
Roll-in Shower with Folding Seat

Number of Rooms	Accessible Rooms	Rooms with Roll-in Showers
1 to 25	1	
26 to 50	2	
51 to 75	3	1
76 to 100	4	1
101 to 150	5	2
151 to 200	6	2
201 to 300	7	3
301 to 400	8	4
401 to 500	9	4 plus one for each additional 100 over 400
501 to 1000	2% of total	
1001 and over	20 plus 1 for each 100 over 1000	

**9.1.3 Sleeping Accommodations for Persons with Hearing Impairments.**  
In addition to those accessible sleeping rooms and suites required by 9.1.2, sleeping rooms

and suites that comply with 9.3 (Visual Alarms, Notification Devices, and Telephones) shall be provided in conformance with the following table:

Number of Elements	Accessible Elements
1 to 25	1
26 to 50	2
51 to 75	3
76 to 100	4
101 to 150	5
151 to 200	6
201 to 300	7
301 to 400	8
401 to 500	9
501 to 1000	2% of total
1001 and over	20 plus 1 for each 100 over 1000

**9.2 Requirements for Accessible Units, Sleeping Rooms and Suites**

<p><b>9.1.4 Classes of Sleeping Accommodations.</b></p> <p>(1) In order to provide persons with disabilities a range of options equivalent to those available to other persons served by the facility, sleeping rooms and suites required to be accessible by 9.1.2 shall be dispersed among the various classes of sleeping accommodations available to patrons of the place of transient lodging. Factors to be considered include room size, cost, amenities provided, and the number of beds provided.</p> <p>(2) Equivalent Facilitation. For purposes of this section, it shall be deemed equivalent facilitation if the operator of a facility elects to limit construction of accessible rooms to those intended for multiple occupancy, provided that such rooms are made available at the cost of a single-occupancy room to an individual with disabilities who requests a single-occupancy room.</p> <p><b>9.1.5. Alterations to Accessible Units, Sleeping Rooms, and Suites.</b> When sleeping rooms are being altered in an existing facility, or portion thereof, subject to the requirements of this section, at least one sleeping room or suite that complies with the requirements of 9.2 (Requirements for Accessible Units, Sleeping Rooms, and Suites) shall be provided for each 25 sleeping rooms, or fraction thereof, of rooms being altered until the number of such rooms provided equals the number required to be accessible with 9.1.2. In addition, at least one sleeping room or suite that complies with the requirements of 9.3 (Visual Alarms, Notification Devices, and Telephones) shall be provided for each 25 sleeping rooms, or fraction thereof, of rooms being altered until the number of such rooms equals the number required to be accessible by 9.1.3.</p> <p><b>9.2 Requirements for Accessible Units, Sleeping Rooms and Suites.</b></p> <p><b>9.2.1 General.</b> Units, sleeping rooms, and suites required to be accessible by 9.1 shall comply with 9.2.</p> <p><b>9.2.2 Minimum Requirements.</b> An accessible unit, sleeping room or suite shall be on an</p>	<p>accessible route complying with 4.3 and have the following accessible elements and spaces.</p> <p>(1) Accessible sleeping rooms shall have a 36 in (915 mm) clear width maneuvering space located along both sides of a bed, except that where two beds are provided, this requirement can be met by providing a 36 in (915 mm) wide maneuvering space located between the two beds.</p> <p>(2) An accessible route complying with 4.3 shall connect all accessible spaces and elements, including telephones, within the unit, sleeping room, or suite. This is not intended to require an elevator in multi-story units as long as the spaces identified in 9.2.2(6) and (7) are on accessible levels and the accessible sleeping area is suitable for dual occupancy.</p> <p>(3) Doors and doorways designed to allow passage into and within all sleeping rooms, suites or other covered units shall comply with 4.13.</p> <p>(4) If fixed or built-in storage facilities such as cabinets, shelves, closets, and drawers are provided in accessible spaces, at least one of each type provided shall contain storage space complying with 4.25. Additional storage may be provided outside of the dimensions required by 4.25.</p> <p>(5) All controls in accessible units, sleeping rooms, and suites shall comply with 4.27.</p> <p>(6) Where provided as part of an accessible unit, sleeping room, or suite, the following spaces shall be accessible and shall be on an accessible route:</p> <ul style="list-style-type: none"> <li>(a) the living area.</li> <li>(b) the dining area.</li> <li>(c) at least one sleeping area.</li> <li>(d) patios, terraces, or balconies.</li> </ul> <p>EXCEPTION: The requirements of 4.13.8 and 4.3.8 do not apply where it is necessary to utilize a higher door threshold or a change in level to protect the integrity of the unit from wind/water damage. Where this exception results in patios, terraces or balconies that are not at an accessible level, equivalent facilitation</p>
---	---

**9.3 Visual Alarms, Notification Devices and Telephones**

shall be provided. (E.g., equivalent facilitation at a hotel patio or balcony might consist of providing raised decking or a ramp to provide accessibility.)

(e) at least one full bathroom (i.e., one with a water closet, a lavatory, and a bathtub or shower).

(f) if only half baths are provided, at least one half bath.

(g) carports, garages or parking spaces.

(7) Kitchens, Kitchenettes, or Wet Bars. When provided as accessory to a sleeping room or suite, kitchens, kitchenettes, wet bars, or similar amenities shall be accessible. Clear floor space for a front or parallel approach to cabinets, counters, sinks, and appliances shall be provided to comply with 4.2.4. Countertops and sinks shall be mounted at a maximum height of 34 in (865 mm) above the floor. At least fifty percent of shelf space in cabinets or refrigerator/freezers shall be within the reach ranges of 4.2.5 or 4.2.6 and space shall be designed to allow for the operation of cabinet and/or appliance doors so that all cabinets and appliances are accessible and usable. Controls and operating mechanisms shall comply with 4.27.

(8) Sleeping room accommodations for persons with hearing impairments required by 9.1 and complying with 9.3 shall be provided in the accessible sleeping room or suite.

**9.3 Visual Alarms, Notification Devices and Telephones.**

**9.3.1 General.** In sleeping rooms required to comply with this section, auxiliary visual alarms shall be provided and shall comply with 4.28.4. Visual notification devices shall also be provided in units, sleeping rooms and suites to alert room occupants of incoming telephone calls and a door knock or bell. Notification devices shall not be connected to auxiliary visual alarm signal appliances. Permanently installed telephones shall have volume controls complying with 4.31.5; an accessible electrical outlet within 4 ft (1220 mm) of a telephone connection shall be provided to facilitate the use of a text telephone.

**9.3.2 Equivalent Facilitation.** For purposes of this section, equivalent facilitation shall include the installation of electrical outlets (including outlets connected to a facility's central alarm system) and telephone wiring in sleeping rooms and suites to enable persons with hearing impairments to utilize portable visual alarms and communication devices provided by the operator of the facility.

**9.4 Other Sleeping Rooms and Suites.** Doors and doorways designed to allow passage into and within all sleeping units or other covered units shall comply with 4.13.5.

**9.5 Transient Lodging in Homeless Shelters, Halfway Houses, Transient Group Homes, and Other Social Service Establishments.**

**9.5.1 New Construction.** In new construction all public use and common use areas are required to be designed and constructed to comply with section 4. At least one of each type of amenity (such as washers, dryers and similar equipment installed for the use of occupants) in each common area shall be accessible and shall be located on an accessible route to any accessible unit or sleeping accommodation.

EXCEPTION: Where elevators are not provided as allowed in 4.1.3(5), accessible amenities are not required on inaccessible floors as long as one of each type is provided in common areas on accessible floors.

**9.5.2 Alterations.**

(1) Social service establishments which are not homeless shelters:

(a) The provisions of 9.5.3 and 9.1.5 shall apply to sleeping rooms and beds.

(b) Alteration of other areas shall be consistent with the new construction provisions of 9.5.1.

(2) Homeless shelters. If the following elements are altered, the following requirements apply:

10.0 Transportation Facilities

<p>(a) at least one public entrance shall allow a person with mobility impairments to approach, enter and exit including a minimum clear door width of 32 in (815 mm).</p> <p>(b) sleeping space for homeless persons as provided in the scoping provisions of 9.1.2 shall include doors to the sleeping area with a minimum clear width of 32 in (815 mm) and maneuvering space around the beds for persons with mobility impairments complying with 9.2.2(1).</p> <p>(c) at least one toilet room for each gender or one unisex toilet room shall have a minimum clear door width of 32 in (815 mm), minimum turning space complying with 4.2.3, one water closet complying with 4.16, one lavatory complying with 4.19 and the door shall have a privacy latch; and, if provided, at least one tub or shower shall comply with 4.20 or 4.21, respectively.</p> <p>(d) at least one common area which a person with mobility impairments can approach, enter and exit including a minimum clear door width of 32 in (815 mm).</p> <p>(e) at least one route connecting elements (a), (b), (c) and (d) which a person with mobility impairments can use including minimum clear width of 36 in (915 mm), passing space complying with 4.3.4, turning space complying with 4.2.3 and changes in levels complying with 4.3.8.</p> <p>(f) homeless shelters can comply with the provisions of (a)-(e) by providing the above elements on one accessible floor.</p> <p><b>9.5.3. Accessible Sleeping Accommodations in New Construction.</b> Accessible sleeping rooms shall be provided in conformance with the table in 9.1.2 and shall comply with 9.2 Accessible Units, Sleeping Rooms and Suites (where the items are provided). Additional sleeping rooms that comply with 9.3 Sleeping Accommodations for Persons with Hearing Impairments shall be provided in conformance with the table provided in 9.1.3.</p> <p>In facilities with multi-bed rooms or spaces, a percentage of the beds equal to the table provided in 9.1.2 shall comply with 9.2.2(1).</p>	<div style="border: 1px solid black; padding: 5px; margin-bottom: 10px;"> <p><b>10. TRANSPORTATION FACILITIES.</b></p> </div> <p><b>10.1 General.</b> Every station, bus stop, bus stop pad, terminal, building or other transportation facility, shall comply with the applicable provisions of 4.1 through 4.35, sections 5 through 9, and the applicable provisions of this section. The exceptions for elevators in 4.1.3(5), exception 1 and 4.1.6(1)(k) do not apply to a terminal, depot, or other station used for specified public transportation, or an airport passenger terminal, or facilities subject to Title II.</p> <p><b>10.2 Bus Stops and Terminals.</b></p> <p><b>10.2.1 New Construction.</b></p> <p>(1) Where new bus stop pads are constructed at bus stops, bays or other areas where a lift or ramp is to be deployed, they shall have a firm, stable surface; a minimum clear length of 96 inches (measured from the curb or vehicle roadway edge) and a minimum clear width of 60 inches (measured parallel to the vehicle roadway) to the maximum extent allowed by legal or site constraints; and shall be connected to streets, sidewalks or pedestrian paths by an accessible route complying with 4.3 and 4.4. The slope of the pad parallel to the roadway shall, to the extent practicable, be the same as the roadway. For water drainage, a maximum slope of 1:50 (2%) perpendicular to the roadway is allowed.</p> <p>(2) Where provided, new or replaced bus shelters shall be installed or positioned so as to permit a wheelchair or mobility aid user to enter from the public way and to reach a location, having a minimum clear floor area of 30 inches by 48 inches, entirely within the perimeter of the shelter. Such shelters shall be connected by an accessible route to the boarding area provided under paragraph (1) of this section.</p> <p>(3) Where provided, all new bus route identification signs shall comply with 4.30.5. In addition, to the maximum extent practicable, all new bus route identification signs shall comply with 4.30.2 and 4.30.3. Signs</p>
--	---

**10.3 Fixed Facilities and Stations**

that are sized to the maximum dimensions permitted under legitimate local, state or federal regulations or ordinances shall be considered in compliance with 4.30.2 and 4.30.3 for purposes of this section.

**EXCEPTION:** Bus schedules, timetables, or maps that are posted at the bus stop or bus bay are not required to comply with this provision.

**10.2.2 Bus Stop Siting and Alterations.**

(1) Bus stop sites shall be chosen such that, to the maximum extent practicable, the areas where lifts or ramps are to be deployed comply with section 10.2.1(1) and (2).

(2) When new bus route identification signs are installed or old signs are replaced, they shall comply with the requirements of 10.2.1(3).

**10.3 Fixed Facilities and Stations.**

**10.3.1 New Construction.** New stations in rapid rail, light rail, commuter rail, intercity bus, intercity rail, high speed rail, and other fixed guideway systems (e.g., automated guideway transit, monorails, etc.) shall comply with the following provisions, as applicable:

(1) Elements such as ramps, elevators or other circulation devices, fare vending or other ticketing areas, and fare collection areas shall be placed to minimize the distance which wheelchair users and other persons who cannot negotiate steps may have to travel compared to the general public. The circulation path, including an accessible entrance and an accessible route, for persons with disabilities shall, to the maximum extent practicable, coincide with the circulation path for the general public. Where the circulation path is different, signage complying with 4.30.1, 4.30.2, 4.30.3, 4.30.5, and 4.30.7(1) shall be provided to indicate direction to and identify the accessible entrance and accessible route.

(2) In lieu of compliance with 4.1.3(8), at least one entrance to each station shall comply with 4.14, Entrances. If different entrances to a station serve different transportation fixed routes or groups of fixed routes, at least one entrance serving each group or route shall

comply with 4.14, Entrances. All accessible entrances shall, to the maximum extent practicable, coincide with those used by the majority of the general public.

(3) Direct connections to commercial, retail, or residential facilities shall have an accessible route complying with 4.3 from the point of connection to boarding platforms and all transportation system elements used by the public. Any elements provided to facilitate future direct connections shall be on an accessible route connecting boarding platforms and all transportation system elements used by the public.

(4) Where signs are provided at entrances to stations identifying the station or the entrance, or both, at least one sign at each entrance shall comply with 4.30.4 and 4.30.6. Such signs shall be placed in uniform locations at entrances within the transit system to the maximum extent practicable.

**EXCEPTION:** Where the station has no defined entrance, but signage is provided, then the accessible signage shall be placed in a central location.

(5) Stations covered by this section shall have identification signs complying with 4.30.1, 4.30.2, 4.30.3, and 4.30.5. Signs shall be placed at frequent intervals and shall be clearly visible from within the vehicle on both sides when not obstructed by another train. When station identification signs are placed close to vehicle windows (i.e., on the side opposite from boarding) each shall have the top of the highest letter or symbol below the top of the vehicle window and the bottom of the lowest letter or symbol above the horizontal mid-line of the vehicle window.

(6) Lists of stations, routes, or destinations served by the station and located on boarding areas, platforms, or mezzanines shall comply with 4.30.1, 4.30.2, 4.30.3, and 4.30.5. A minimum of one sign identifying the specific station and complying with 4.30.4 and 4.30.6 shall be provided on each platform or boarding area. All signs referenced in this paragraph shall, to the maximum extent practicable, be placed in uniform locations within the transit system.



**10.3 Fixed Facilities and Stations**

<p>(7)* Automatic fare vending, collection and adjustment (e.g., add-fare) systems shall comply with 4.34.2, 4.34.3, 4.34.4, and 4.34.5. At each accessible entrance such devices shall be located on an accessible route. If self-service fare collection devices are provided for the use of the general public, at least one accessible device for entering, and at least one for exiting, unless one device serves both functions, shall be provided at each accessible point of entry or exit. Accessible fare collection devices shall have a minimum clear opening width of 32 inches; shall permit passage of a wheelchair; and, where provided, coin or card slots and controls necessary for operation shall comply with 4.27. Gates which must be pushed open by wheelchair or mobility aid users shall have a smooth continuous surface extending from 2 inches above the floor to 27 inches above the floor and shall comply with 4.13. Where the circulation path does not coincide with that used by the general public, accessible fare collection systems shall be located at or adjacent to the accessible point of entry or exit.</p> <p>(8) Platform edges bordering a drop-off and not protected by platform screens or guard rails shall have a detectable warning. Such detectable warnings shall comply with 4.29.2 and shall be 24 inches wide running the full length of the platform drop-off.</p> <p>(9) In stations covered by this section, rail-to-platform height in new stations shall be coordinated with the floor height of new vehicles so that the vertical difference, measured when the vehicle is at rest, is within plus or minus 5/8 inch under normal passenger load conditions. For rapid rail, light rail, commuter rail, high speed rail, and intercity rail systems in new stations, the horizontal gap, measured when the new vehicle is at rest, shall be no greater than 3 inches. For slow moving automated guideway "people mover" transit systems, the horizontal gap in new stations shall be no greater than 1 inch.</p> <p>EXCEPTION 1: Existing vehicles operating in new stations may have a vertical difference with respect to the new platform within plus or minus 1-1/2 inches.</p> <p>EXCEPTION 2: In light rail, commuter rail and intercity rail systems where it is not operationally or structurally feasible to meet the horizontal gap or vertical difference</p>	<p>requirements, mini-high platforms, car-borne or platform-mounted lifts, ramps or bridge plates, or similar manually deployed devices, meeting the applicable requirements of 36 CFR part 1192, or 49 CFR part 38 shall suffice.</p> <p>(10) Stations shall not be designed or constructed so as to require persons with disabilities to board or alight from a vehicle at a location other than one used by the general public.</p> <p>(11) Illumination levels in the areas where signage is located shall be uniform and shall minimize glare on signs. Lighting along circulation routes shall be of a type and configuration to provide uniform illumination.</p> <p>(12) Text Telephones: The following shall be provided in accordance with 4.31.9:</p> <p>(a) If an interior public pay telephone is provided in a transit facility (as defined by the Department of Transportation) at least one interior public text telephone shall be provided in the station.</p> <p>(b) Where four or more public pay telephones serve a particular entrance to a rail station and at least one is in an interior location, at least one interior public text telephone shall be provided to serve that entrance. Compliance with this section constitutes compliance with section 4.1.3(17)(c).</p> <p>(13) Where it is necessary to cross tracks to reach boarding platforms, the route surface shall be level and flush with the rail top at the outer edge and between the rails, except for a maximum 2-1/2 inch gap on the inner edge of each rail to permit passage of wheel flanges. Such crossings shall comply with 4.29.5. Where gap reduction is not practicable, an above-grade or below-grade accessible route shall be provided.</p> <p>(14) Where public address systems are provided to convey information to the public in terminals, stations, or other fixed facilities, a means of conveying the same or equivalent information to persons with hearing loss or who are deaf shall be provided.</p>
--	--

**10.3.2 Existing Facilities: Key Stations.**

(15) Where clocks are provided for use by the general public, the clock face shall be uncluttered so that its elements are clearly visible. Hands, numerals, and/or digits shall contrast with the background either light-on-dark or dark-on-light. Where clocks are mounted overhead, numerals and/or digits shall comply with 4.30.3. Clocks shall be placed in uniform locations throughout the facility and system to the maximum extent practicable.

(16) Where provided in below grade stations, escalators shall have a minimum clear width of 32 inches. At the top and bottom of each escalator run, at least two contiguous treads shall be level beyond the comb plate before the risers begin to form. All escalator treads shall be marked by a strip of clearly contrasting color, 2 inches in width, placed parallel to and on the nose of each step. The strip shall be of a material that is at least as slip resistant as the remainder of the tread. The edge of the tread shall be apparent from both ascending and descending directions.

(17) Where provided, elevators shall be glazed or have transparent panels to allow an unobstructed view both in to and out of the car. Elevators shall comply with 4.10.

**EXCEPTION:** Elevator cars with a clear floor area in which a 60 inch diameter circle can be inscribed may be substituted for the minimum car dimensions of 4.10, Fig. 22.

(18) Where provided, ticketing areas shall permit persons with disabilities to obtain a ticket and check baggage and shall comply with 7.2.

(19) Where provided, baggage check-in and retrieval systems shall be on an accessible route complying with 4.3, and shall have space immediately adjacent complying with 4.2. If unattended security barriers are provided, at least one gate shall comply with 4.13. Gates which must be pushed open by wheelchair or mobility aid users shall have a smooth continuous surface extending from 2 inches above the floor to 27 inches above the floor.

**10.3.2 Existing Facilities: Key Stations.**

(1) Rapid, light and commuter rail key stations, as defined under criteria established by the Department of Transportation in subpart C of 49 CFR part 37 and existing intercity rail stations shall provide at least one accessible route from an accessible entrance to those areas necessary for use of the transportation system.

(2) The accessible route required by 10.3.2(1) shall include the features specified in 10.3.1 (1), (4)-(9), (11)-(15), and (17)-(19).

(3) Where technical infeasibility in existing stations requires the accessible route to lead from the public way to a paid area of the transit system, an accessible fare collection system, complying with 10.3.1(7), shall be provided along such accessible route.

(4) In light rail, rapid rail and commuter rail key stations, the platform or a portion thereof and the vehicle floor shall be coordinated so that the vertical difference, measured when the vehicle is at rest, is within plus or minus 1-1/2 inches under all normal passenger load conditions, and the horizontal gap, measured when the vehicle is at rest, is no greater than 3 inches for at least one door of each vehicle or car required to be accessible by 49 CFR part 37.

**EXCEPTION 1:** Existing vehicles retrofitted to meet the requirements of 49 CFR 37.93 (one-car-per-train rule) shall be coordinated with the platform such that, for at least one door, the vertical difference between the vehicle floor and the platform, measured when the vehicle is at rest with 50% normal passenger capacity, is within plus or minus 2 inches and the horizontal gap is no greater than 4 inches.

**EXCEPTION 2:** Where it is not structurally or operationally feasible to meet the horizontal gap or vertical difference requirements, mini-high platforms, car-borne or platform mounted lifts, ramps or bridge plates, or similar manually deployed devices, meeting the applicable requirements of 36 CFR part 1192, or 49 CFR part 38, shall suffice.

**10.4 Airports**

(5) New direct connections to commercial, retail, or residential facilities shall, to the maximum extent feasible, have an accessible route complying with 4.3 from the point of connection to boarding platforms and all transportation system elements used by the public. Any elements provided to facilitate future direct connections shall be on an accessible route connecting boarding platforms and all transportation system elements used by the public.

**10.3.3 Existing Facilities: Alterations.**

(1) For the purpose of complying with 4.1.6(2) Alterations to an Area Containing a Primary Function, an area of primary function shall be as defined by applicable provisions of 49 CFR 37.43(c) (Department of Transportation's ADA Rule) or 28 CFR 36.403 (Department of Justice's ADA Rule).

**10.4. Airports.**

**10.4.1 New Construction.**

(1) Elements such as ramps, elevators or other vertical circulation devices, ticketing areas, security checkpoints, or passenger waiting areas shall be placed to minimize the distance which wheelchair users and other persons who cannot negotiate steps may have to travel compared to the general public.

(2) The circulation path, including an accessible entrance and an accessible route, for persons with disabilities shall, to the maximum extent practicable, coincide with the circulation path for the general public. Where the circulation path is different, directional signage complying with 4.30.1, 4.30.2, 4.30.3 and 4.30.5 shall be provided which indicates the location of the nearest accessible entrance and its accessible route.

(3) Ticketing areas shall permit persons with disabilities to obtain a ticket and check baggage and shall comply with 7.2.

(4) Where public pay telephones are provided, and at least one is at an interior location, a public text telephone shall be provided in compliance with 4.31.9. Additionally, if four or more public pay telephones are located

in any of the following locations, at least one public text telephone shall also be provided in that location:

- (a) a main terminal outside the security areas;
- (b) a concourse within the security areas; or
- (c) a baggage claim area in a terminal.

Compliance with this section constitutes compliance with section 4.1.3(17)(c).

(5) Baggage check-in and retrieval systems shall be on an accessible route complying with 4.3, and shall have space immediately adjacent complying with 4.2.4. If unattended security barriers are provided, at least one gate shall comply with 4.13. Gates which must be pushed open by wheelchair or mobility aid users shall have a smooth continuous surface extending from 2 inches above the floor to 27 inches above the floor.

(6) Terminal information systems which broadcast information to the general public through a public address system shall provide a means to provide the same or equivalent information to persons with a hearing loss or who are deaf. Such methods may include, but are not limited to, visual paging systems using video monitors and computer technology. For persons with certain types of hearing loss such methods may include, but are not limited to, an assistive listening system complying with 4.33.7.

(7) Where clocks are provided for use by the general public the clock face shall be uncluttered so that its elements are clearly visible. Hands, numerals, and/or digits shall contrast with their background either light-on-dark or dark-on-light. Where clocks are mounted overhead, numerals and/or digits shall comply with 4.30.3. Clocks shall be placed in uniform locations throughout the facility to the maximum extent practicable.

(8) Security Systems. [Reserved]

**10.5 Boat and Ferry Docks.**  
[Reserved]

Appendix

<p><b>APPENDIX</b></p> <p>This appendix contains <i>materials of an advisory nature</i> and provides additional information that should help the reader to understand the minimum requirements of the <i>guidelines</i> or to design buildings or facilities for greater accessibility. The paragraph numbers correspond to the sections or paragraphs of the <i>guideline</i> to which the material relates and are therefore not consecutive (for example, A4.2.1 contains additional information relevant to 4.2.1). Sections of the <i>guidelines</i> for which additional material appears in this appendix have been indicated by an asterisk. <i>Nothing in this appendix shall in any way obviate any obligation to comply with the requirements of the guidelines itself.</i></p> <p><b>A2.2 Equivalent Facilitation.</b> <i>Specific examples of equivalent facilitation are found in the following sections:</i></p> <table style="margin-left: 20px;"> <tr> <td style="padding-right: 20px;">4.1.6(3)(c)</td> <td>Elevators in Alterations</td> </tr> <tr> <td>4.31.9</td> <td>Text Telephones</td> </tr> <tr> <td>7.2</td> <td>Sales and Service Counters, Teller Windows, Information Counters</td> </tr> <tr> <td>9.1.4</td> <td>Classes of Sleeping Accommodations</td> </tr> <tr> <td>9.2.2(6)(d)</td> <td>Requirements for Accessible Units, Sleeping Rooms, and Suites</td> </tr> </table> <p><b>A4.1.1 Application.</b></p> <p><b>A4.1.1(3) Areas Used Only by Employees as Work Areas.</b> <i>Where there are a series of individual work stations of the same type (e.g., laboratories, service counters, ticket booths), 5%, but not less than one, of each type of work station should be constructed so that an individual with disabilities can maneuver within the work stations. Rooms housing individual offices in a typical office building must meet the requirements of the guidelines concerning doors, accessible routes, etc. but do not need to allow for maneuvering space around individual desks. Modifications required to permit maneuvering within the work area may be accomplished as a reasonable accommodation to individual employees with disabilities under Title I of the ADA. Consideration should also be given to placing shelves in employee work areas at a</i></p>	4.1.6(3)(c)	Elevators in Alterations	4.31.9	Text Telephones	7.2	Sales and Service Counters, Teller Windows, Information Counters	9.1.4	Classes of Sleeping Accommodations	9.2.2(6)(d)	Requirements for Accessible Units, Sleeping Rooms, and Suites	<p><i>convenient height for accessibility or installing commercially available shelving that is adjustable so that reasonable accommodations can be made in the future.</i></p> <p><i>If work stations are made accessible they should comply with the applicable provisions of 4.2 through 4.35.</i></p> <p><b>A4.1.2 Accessible Sites and Exterior Facilities: New Construction.</b></p> <p><b>A4.1.2(5)(e) Valet Parking.</b> <i>Valet parking is not always usable by individuals with disabilities. For instance, an individual may use a type of vehicle controls that render the regular controls inoperable or the driver's seat in a van may be removed. In these situations, another person cannot park the vehicle. It is recommended that some self-parking spaces be provided at valet parking facilities for individuals whose vehicles cannot be parked by another person and that such spaces be located on an accessible route to the entrance of the facility.</i></p> <p><b>A4.1.3 Accessible Buildings: New Construction.</b></p> <p><b>A4.1.3(5)</b> <i>Only full passenger elevators are covered by the accessibility provisions of 4.10. Materials and equipment hoists, freight elevators not intended for passenger use, dumbwaiters, and construction elevators are not covered by these guidelines. If a building is exempt from the elevator requirement, it is not necessary to provide a platform lift or other means of vertical access in lieu of an elevator.</i></p> <p><i>Under Exception 4, platform lifts are allowed where existing conditions make it impractical to install a ramp or elevator. Such conditions generally occur where it is essential to provide access to small raised or lowered areas where space may not be available for a ramp. Examples include, but are not limited to, raised pharmacy platforms, commercial offices raised above a sales floor, or radio and news booths.</i></p> <p><b>A4.1.3(9)</b> <i>Supervised automatic sprinkler systems have built in signals for monitoring features of the system such as the opening and closing of water control valves, the power supplies for needed pumps, water tank levels, and for indicating conditions that will impair the satisfactory operation of the sprinkler system.</i></p>
4.1.6(3)(c)	Elevators in Alterations										
4.31.9	Text Telephones										
7.2	Sales and Service Counters, Teller Windows, Information Counters										
9.1.4	Classes of Sleeping Accommodations										
9.2.2(6)(d)	Requirements for Accessible Units, Sleeping Rooms, and Suites										

A1

**A4.2 Space Allowances and Reach Ranges**

*Because of these monitoring features, supervised automatic sprinkler systems have a high level of satisfactory performance and response to fire conditions.*

**A4.1.3(10)** *If an odd number of drinking fountains is provided on a floor, the requirement in 4.1.3(10)(b) may be met by rounding down the odd number to an even number and calculating 50% of the even number. When more than one drinking fountain on a floor is required to comply with 4.15, those fountains should be dispersed to allow wheelchair users convenient access. For example, in a large facility such as a convention center that has water fountains at several locations on a floor, the accessible water fountains should be located so that wheelchair users do not have to travel a greater distance than other people to use a drinking fountain.*

**A4.1.3(17)(b)** *In addition to the requirements of section 4.1.3(17)(b), the installation of additional volume controls is encouraged. Volume controls may be installed on any telephone.*

**A4.1.3(19)(a)** *Readily removable or folding seating units may be installed in lieu of providing an open space for wheelchair users. Folding seating units are usually two fixed seats that can be easily folded into a fixed center bar to allow for one or two open spaces for wheelchair users when necessary. These units are more easily adapted than removable seats which generally require the seat to be removed in advance by the facility management.*

*Either a sign or a marker placed on seating with removable or folding arm rests is required by this section. Consideration should be given for ensuring identification of such seats in a darkened theater. For example, a marker which contrasts (light on dark or dark on light) and which also reflects light could be placed on the side of such seating so as to be visible in a lighted auditorium and also to reflect light from a flashlight.*

**A4.1.6 Accessible Buildings: Alterations.**

**A4.1.6(1)(h)** *When an entrance is being altered, it is preferable that those entrances being altered be made accessible to the extent feasible.*

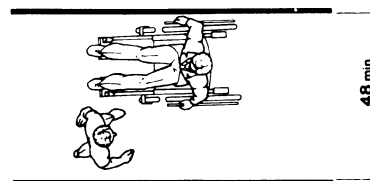
**A4.2 Space Allowances and Reach Ranges.**

**A4.2.1 Wheelchair Passage Width.**

(1) **Space Requirements for Wheelchairs.** Many persons who use wheelchairs need a 30 in (760 mm) clear opening width for doorways, gates, and the like, when the latter are entered head-on. If the person is unfamiliar with a building, if competing traffic is heavy, if sudden or frequent movements are needed, or if the wheelchair must be turned at an opening, then greater clear widths are needed. For most situations, the addition of an inch of leeway on either side is sufficient. Thus, a minimum clear width of 32 in (815 mm) will provide adequate clearance. However, when an opening or a restriction in a passageway is more than 24 in (610 mm) long, it is essentially a passageway and must be at least 36 in (915 mm) wide.

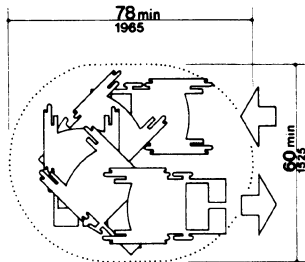
(2) **Space Requirements for Use of Walking Aids.** Although people who use walking aids can maneuver through clear width openings of 32 in (815 mm), they need 36 in (915 mm) wide passageways and walks for comfortable gaits. Crutch tips, often extending down at a wide angle, are a hazard in narrow passageways where they might not be seen by other pedestrians. Thus, the 36 in (915 mm) width provides a safety allowance both for the person with a disability and for others.

(3) **Space Requirements for Passing.** Able-bodied persons in winter clothing, walking



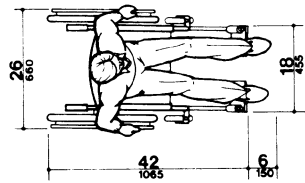
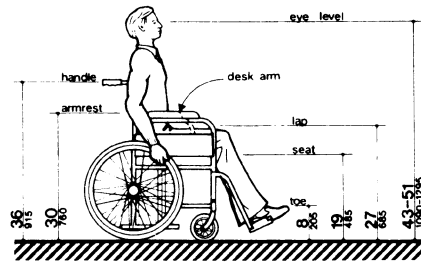
**Fig. A1**  
**Minimum Passage Width for One Wheelchair and One Ambulatory Person**

**A4.2 Space Allowances and Reach Ranges**



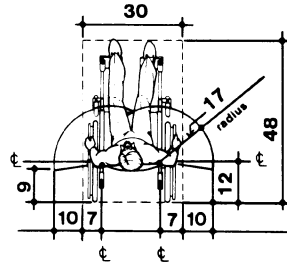
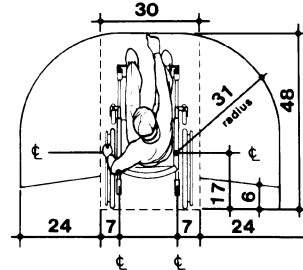
**Fig. A2**  
Space Needed for Smooth U-Turn in a Wheelchair

straight ahead with arms swinging, need 32 in (815 mm) of width, which includes 2 in (50 mm) on either side for sway, and another 1 in (25 mm) tolerance on either side for clearing nearby objects or other pedestrians. Almost all wheelchair users and those who use walking aids can also manage within this 32 in (815 mm) width for short distances. Thus, two streams of traffic can pass in 64 in (1625 mm) in a comfortable flow. Sixty inches (1525 mm) provides a minimum width for a somewhat more restricted flow. If the clear width is less than 60 in (1525 mm), two wheelchair users will not be able to pass but will have to seek a wider place for passing. Forty-eight inches (1220 mm) is the minimum width needed for an ambulatory person to pass a nonambulatory or semi-ambulatory person. Within this 48 in (1220 mm) width, the ambulatory person will have to twist to pass a wheelchair user, a person with a *service animal*, or a



NOTE: Footrests may extend further for tall people

**Fig. A3**  
Dimensions of Adult-Sized Wheelchairs



**Fig. A3 (a)**

A3

**A4.3 Accessible Route**

semi-ambulatory person. There will be little leeway for swaying or missteps (see Fig. A1).

**A4.2.3 Wheelchair Turning Space.** These guidelines specify a minimum space of 60 in (1525 mm) diameter or a 60 in by 60 in (1525 mm by 1525 mm) T-shaped space for a pivoting 180-degree turn of a wheelchair. This space is usually satisfactory for turning around, but many people will not be able to turn without repeated tries and bumping into surrounding objects. The space shown in Fig. A2 will allow most wheelchair users to complete U-turns without difficulty.

**A4.2.4 Clear Floor or Ground Space for Wheelchairs.** The wheelchair and user shown in Fig. A3 represent typical dimensions for a large adult male. The space requirements in this guideline are based upon maneuvering clearances that will accommodate most wheelchairs. Fig. A3 provides a uniform reference for design not covered by this guideline.

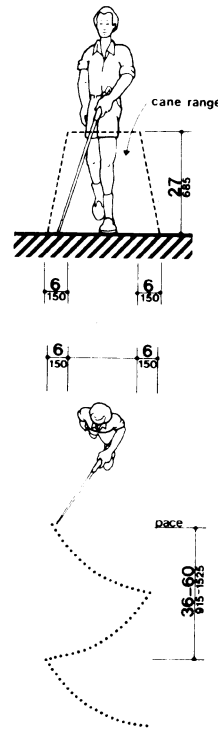
**A4.2.5 & A4.2.6 Reach.** Reach ranges for persons seated in wheelchairs may be further clarified by Fig. A3(a). These drawings approximate in the plan view the information shown in Fig. 4, 5, and 6.

**A4.3 Accessible Route.**

**A4.3.1 General.**

(1) Travel Distances. Many people with mobility impairments can move at only very slow speeds; for many, traveling 200 ft (61 m) could take about 2 minutes. This assumes a rate of about 1.5 ft/s (455 mm/s) on level ground. It also assumes that the traveler would move continuously. However, on trips over 100 ft (30 m), disabled people are apt to rest frequently, which substantially increases their trip times. Resting periods of 2 minutes for every 100 ft (30 m) can be used to estimate travel times for people with severely limited stamina. In inclement weather, slow progress and resting can greatly increase a disabled person's exposure to the elements.

(2) Sites. Level, indirect routes or those with running slopes lower than 1:20 can sometimes provide more convenience than direct routes with maximum allowable slopes or with ramps.



**Fig. A4**  
Cane Technique

**A4.3.10 Egress.** Because people with disabilities may visit, be employed or be a resident in any building, emergency management plans with specific provisions to ensure their safe evacuation also play an essential role in fire safety and life safety.

**A4.3.11.3 Stairway Width.** A 48 inch (1220 mm) wide exit stairway is needed to allow assisted evacuation (e.g., carrying a person in a wheelchair) without encroaching on the exit path for ambulatory persons.

**A4.5 Ground and Floor Surfaces**

<p><b>A4.3.1.1.4 Two-way Communication.</b> <i>It is essential that emergency communication not be dependent on voice communications alone because the safety of people with hearing or speech impairments could be jeopardized. The visible signal requirement could be satisfied with something as simple as a button in the area of rescue assistance that lights, indicating that help is on the way, when the message is answered at the point of entry.</i></p> <p><b>A4.4 Protruding Objects.</b></p> <p><b>A4.4.1 General.</b> <i>Service animals are trained to recognize and avoid hazards. However, most people with severe impairments of vision use the long cane as an aid to mobility. The two principal cane techniques are the touch technique, where the cane arcs from side to side and touches points outside both shoulders; and the diagonal technique, where the cane is held in a stationary position diagonally across the body with the cane tip touching or just above the ground at a point outside one shoulder and the handle or grip extending to a point outside the other shoulder. The touch technique is used primarily in uncontrolled areas, while the diagonal technique is used primarily in certain limited, controlled, and familiar environments. Cane users are often trained to use both techniques.</i></p> <p><i>Potential hazardous objects are noticed only if they fall within the detection range of canes (see Fig. A4). Visually impaired people walking toward an object can detect an overhang if its lowest surface is not higher than 27 in (685 mm). When walking alongside protruding objects, they cannot detect overhangs. Since proper cane and service animal techniques keep people away from the edge of a path or from walls, a slight overhang of no more than 4 in (100 mm) is not hazardous.</i></p> <p><b>A4.5 Ground and Floor Surfaces.</b></p> <p><b>A4.5.1 General.</b> <i>People who have difficulty walking or maintaining balance or who use crutches, canes, or walkers, and those with restricted gaits are particularly sensitive to slipping and tripping hazards. For such people, a stable and regular surface is necessary for safe walking, particularly on stairs. Wheelchairs can be propelled most easily on surfaces that are hard, stable, and regular. Soft loose</i></p>	<p><i>surfaces such as shag carpet, loose sand or gravel, wet clay, and irregular surfaces such as cobblestones can significantly impede wheelchair movement.</i></p> <p><i>Slip resistance is based on the frictional force necessary to keep a shoe heel or crutch tip from slipping on a walking surface under conditions likely to be found on the surface. While the dynamic coefficient of friction during walking varies in a complex and non-uniform way, the static coefficient of friction, which can be measured in several ways, provides a close approximation of the slip resistance of a surface. Contrary to popular belief, some slippage is necessary to walking, especially for persons with restricted gaits; a truly "non-slip" surface could not be negotiated.</i></p> <p><i>The Occupational Safety and Health Administration recommends that walking surfaces have a static coefficient of friction of 0.5. A research project sponsored by the Architectural and Transportation Barriers Compliance Board (Access Board) conducted tests with persons with disabilities and concluded that a higher coefficient of friction was needed by such persons. A static coefficient of friction of 0.6 is recommended for accessible routes and 0.8 for ramps.</i></p> <p><i>It is recognized that the coefficient of friction varies considerably due to the presence of contaminants, water, floor finishes, and other factors not under the control of the designer or builder and not subject to design and construction guidelines and that compliance would be difficult to measure on the building site. Nevertheless, many common building materials suitable for flooring are now labeled with information on the static coefficient of friction. While it may not be possible to compare one product directly with another, or to guarantee a constant measure, builders and designers are encouraged to specify materials with appropriate values. As more products include information on slip resistance, improved uniformity in measurement and specification is likely. The Access Board's advisory guidelines on Slip Resistant Surfaces provides additional information on this subject.</i></p> <p><i>Cross slopes on walks and ground or floor surfaces can cause considerable difficulty in propelling a wheelchair in a straight line.</i></p>
---	--

A5



**A4.6 Parking and Passenger Loading Zones**

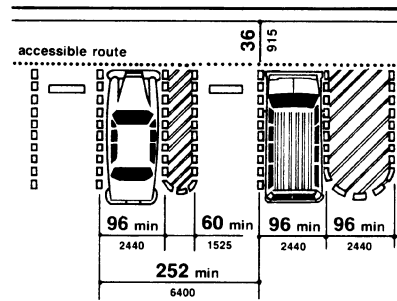
**A4.5.3 Carpet.** Much more needs to be done in developing both quantitative and qualitative criteria for carpeting (*i.e.*, problems associated with texture and weave need to be studied). However, certain functional characteristics are well established. When both carpet and padding are used, it is desirable to have minimum movement (preferably none) between the floor and the pad and the pad and the carpet which would allow the carpet to hump or warp. In heavily trafficked areas, a thick, soft (plush) pad or cushion, particularly in combination with long carpet pile, makes it difficult for individuals in wheelchairs and those with other ambulatory disabilities to get about. Firm carpeting can be achieved through proper selection and combination of pad and carpet, sometimes with the elimination of the pad or cushion, and with proper installation. Carpeting designed with a weave that causes a zig-zag effect when wheeled across is strongly discouraged.

**A4.6 Parking and Passenger Loading Zones.**

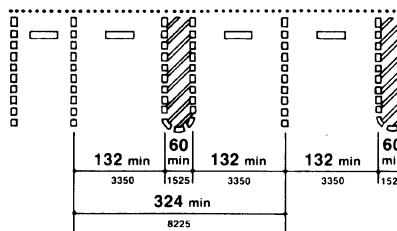
**A4.6.3 Parking Spaces.** The increasing use of vans with side-mounted lifts or ramps by persons with disabilities has necessitated some revisions in specifications for parking spaces and adjacent access aisles. The typical accessible parking space is 96 in (2440 mm) wide with an adjacent 60 in (1525 mm) access aisle. However, this aisle does not permit lifts or ramps to be deployed and still leave room for a person using a wheelchair or other mobility aid to exit the lift platform or ramp. In tests conducted with actual lift/van/wheelchair combinations, (under a Board-sponsored Accessible Parking and Loading Zones Project) researchers found that a space and aisle totaling almost 204 in (5180 mm) wide was needed to deploy a lift and exit conveniently. The "van accessible" parking space required by these guidelines provides a 96 in (2440 mm) wide space with a 96 in (2440 mm) adjacent access aisle which is just wide enough to maneuver and exit from a side mounted lift. If a 96 in (2440 mm) access aisle is placed between two spaces, two "van accessible" spaces are created. Alternatively, if the wide access aisle is provided at the end of a row (an area often unused), it may be possible to provide the wide access aisle without additional space (see Fig. A5(a)).

A sign is needed to alert van users to the presence of the wider aisle, but the space is not intended to be restricted only to vans.

"Universal" Parking Space Design. An alternative to the provision of a percentage of spaces with a wide aisle, and the associated need to include additional signage, is the use of what has been called the "universal" parking space design. Under this design, all accessible spaces are 132 in (3350 mm) wide with a 60 in (1525 mm) access aisle (see Fig. A5(b)). One



(a)  
Van Accessible Space at End Row



(b)  
Universal Parking Space Design

Fig. A5  
Parking Space Alternatives

**A4.8 Ramps**

*advantage to this design is that no additional signage is needed because all spaces can accommodate a van with a side-mounted lift or ramp. Also, there is no competition between cars and vans for spaces since all spaces can accommodate either. Furthermore, the wider space permits vehicles to park to one side or the other within the 132 in (3350 mm) space to allow persons to exit and enter the vehicle on either the driver or passenger side, although, in some cases, this would require exiting or entering without a marked access aisle.*

*An essential consideration for any design is having the access aisle level with the parking space. Since a person with a disability, using a lift or ramp, must maneuver within the access aisle, the aisle cannot include a ramp or sloped area. The access aisle must be connected to an accessible route to the appropriate accessible entrance of a building or facility. The parking access aisle must either blend with the accessible route or have a curb ramp complying with 4.7. Such a curb ramp opening must be located within the access aisle boundaries, not within the parking space boundaries. Unfortunately, many facilities are designed with a ramp that is blocked when any vehicle parks in the accessible space. Also, the required dimensions of the access aisle cannot be restricted by planters, curbs or wheel stops.*

**A4.6.4 Signage.** Signs designating parking places for disabled people can be seen from a driver's seat if the signs are mounted high enough above the ground and located at the front of a parking space.

**A4.6.5 Vertical Clearance.** High-top vans, which disabled people or transportation services often use, require higher clearances in parking garages than automobiles.

**A4.8 Ramps.**

**A4.8.1 General.** Ramps are essential for wheelchair users if elevators or lifts are not available to connect different levels. However, some people who use walking aids have difficulty with ramps and prefer stairs.

**A4.8.2 Slope and Rise.** Ramp slopes between 1:16 and 1:20 are preferred. The ability to manage an incline is related to both its slope and its length. Wheelchair users with

disabilities affecting their arms or with low stamina have serious difficulty using inclines. Most ambulatory people and most people who use wheelchairs can manage a slope of 1:16. Many people cannot manage a slope of 1:12 for 30 ft (9 m).

**A4.8.4 Landings.** Level landings are essential toward maintaining an aggregate slope that complies with these guidelines. A ramp landing that is not level causes individuals using wheelchairs to tip backward or bottom out when the ramp is approached.

**A4.8.5 Handrails.** The requirements for stair and ramp handrails in this guideline are for adults. When children are principal users in a building or facility, a second set of handrails at an appropriate height can assist them and aid in preventing accidents.

**A4.9 Stairs.**

**A4.9.1 Minimum Number.** Only interior and exterior stairs connecting levels that are not connected by an elevator, ramp, or other accessible means of vertical access have to comply with 4.9.

**A4.10 Elevators.**

**A4.10.6 Door Protective and Reopening Device.** The required door reopening device would hold the door open for 20 seconds if the doorway remains obstructed. After 20 seconds, the door may begin to close. However, if designed in accordance with ASME A17.1-1990, the door closing movement could still be stopped if a person or object exerts sufficient force at any point on the door edge.

**A4.10.7 Door and Signal Timing for Hall Calls.** This paragraph allows variation in the location of call buttons, advance time for warning signals, and the door-holding period used to meet the time requirement.

**A4.10.12 Car Controls.** Industry-wide standardization of elevator control panel design would make all elevators significantly more convenient for use by people with severe visual impairments. In many cases, it will be possible to locate the highest control on elevator panels within 48 in (1220 mm) from the floor.

A7

**A4.11 Platform Lifts (Wheelchair Lifts)**

**A4.10.13 Car Position Indicators.** A special button may be provided that would activate the audible signal within the given elevator only for the desired trip, rather than maintaining the audible signal in constant operation.

**A4.10.14 Emergency Communications.** A device that requires no handset is easier to use by people who have difficulty reaching. Also, small handles on handset compartment doors are not usable by people who have difficulty grasping.

*Ideally, emergency two-way communication systems should provide both voice and visual display intercommunication so that persons with hearing impairments and persons with vision impairments can receive information regarding the status of a rescue. A voice intercommunication system cannot be the only means of communication because it is not accessible to people with speech and hearing impairments. While a voice intercommunication system is not required, at a minimum, the system should provide both an audio and visual indication that a rescue is on the way.*

**A4.11 Platform Lifts (Wheelchair Lifts).**

**A4.11.2 Other Requirements.** Inclined stairway chairlifts, and inclined and vertical platform lifts (wheelchair lifts) are available for short-distance, vertical transportation of people with disabilities. Care should be taken in selecting lifts as some lifts are not equally suitable for use by both wheelchair users and semi-ambulatory individuals.

**A4.12 Windows.**

**A4.12.1 General.** Windows intended to be operated by occupants in accessible spaces should comply with 4.12.

**A4.12.2 Window Hardware.** Windows requiring pushing, pulling, or lifting to open (for example, double-hung, sliding, or casement and awning units without cranks) should require no more than 5 lbf (22.2 N) to open or close. Locks, cranks, and other window hardware should comply with 4.27.

**A4.13 Doors.**

**A4.13.8 Thresholds at Doorways.** Thresholds and surface height changes in doorways are particularly inconvenient for wheelchair users who also have low stamina or restrictions in arm movement because complex maneuvering is required to get over the level change while operating the door.

**A4.13.9 Door Hardware.** Some disabled persons must push against a door with their chair or walker to open it. Applied kickplates on doors with closers can reduce required maintenance by withstanding abuse from wheelchairs and canes. To be effective, they should cover the door width, less approximately 2 in (51 mm), up to a height of 16 in (405 mm) from its bottom edge and be centered across the width of the door.

**A4.13.10 Door Closers.** Closers with delayed action features give a person more time to maneuver through doorways. They are particularly useful on frequently used interior doors such as entrances to toilet rooms.

**A4.13.11 Door Opening Force.** Although most people with disabilities can exert at least 5 lbf (22.2N), both pushing and pulling from a stationary position, a few people with severe disabilities cannot exert 3 lbf (13.13N). Although some people cannot manage the allowable forces in this guideline and many others have difficulty, door closers must have certain minimum closing forces to close doors satisfactorily. Forces for pushing or pulling doors open are measured with a push-pull scale under the following conditions:

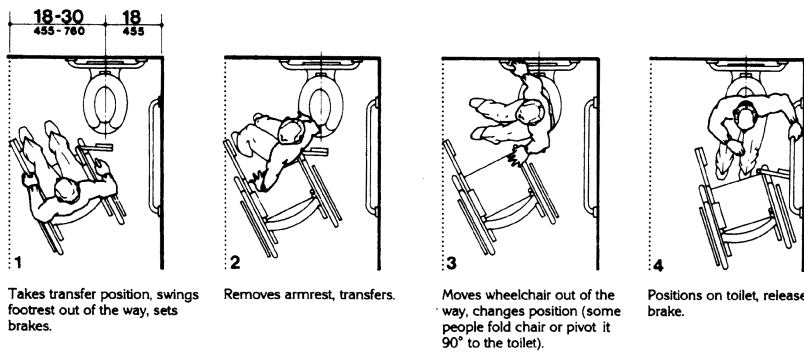
- (1) Hinged doors: Force applied perpendicular to the door at the door opener or 30 in (760 mm) from the hinged side, whichever is farther from the hinge.
- (2) Sliding or folding doors: Force applied parallel to the door at the door pull or latch.
- (3) Application of force: Apply force gradually so that the applied force does not exceed the resistance of the door. In high-rise buildings, air-pressure differentials may require a modification of this specification in order to meet the functional intent.

**A4.15 Drinking Fountains and Water Coolers**

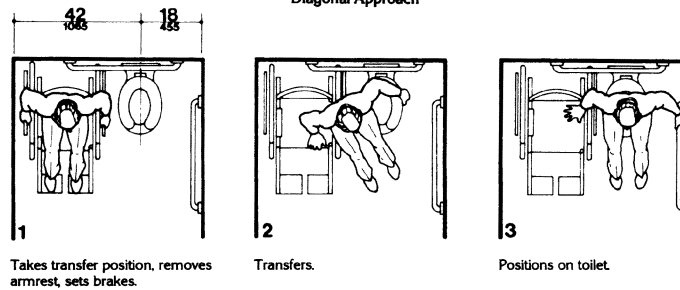
**A4.13.12 Automatic Doors and Power-Assisted Doors.** Sliding automatic doors do not need guard rails and are more convenient for wheelchair users and visually impaired people to use. If slowly opening automatic doors can be reactivated before their closing cycle is completed, they will be more convenient in busy doorways.

**A4.15 Drinking Fountains and Water Coolers.**

**A4.15.2 Spout Height.** Two drinking fountains, mounted side by side or on a single post, are usable by people with disabilities and people who find it difficult to bend over.



(a) Diagonal Approach



(b) Side Approach

Fig. A6  
Wheelchair Transfers

**A4.16 Water Closets**

<p><b>A4.16 Water Closets.</b></p> <p><b>A4.16.3 Height.</b> Height preferences for toilet seats vary considerably among disabled people. Higher seat heights may be an advantage to some ambulatory disabled people, but are often a disadvantage for wheelchair users and others. Toilet seats 18 in (455 mm) high seem to be a reasonable compromise. Thick seats and filler rings are available to adapt standard fixtures to these requirements.</p> <p><b>A4.16.4 Grab Bars.</b> Fig. A6(a) and (b) show the diagonal and side approaches most commonly used to transfer from a wheelchair to a water closet. Some wheelchair users can transfer from the front of the toilet while others use a 90-degree approach. Most people who use the two additional approaches can also use either the diagonal approach or the side approach.</p> <p><b>A4.16.5 Flush Controls.</b> Flush valves and related plumbing can be located behind walls or to the side of the toilet, or a toilet seat lid can be provided if plumbing fittings are directly behind the toilet seat. Such designs reduce the chance of injury and imbalance caused by leaning back against the fittings. Flush controls for tank-type toilets have a standardized mounting location on the left side of the tank (facing the tank). Tanks can be obtained by special order with controls mounted on the right side. If administrative authorities require flush controls for flush valves to be located in a position that conflicts with the location of the rear grab bar, then that bar may be split or shifted toward the wide side of the toilet area.</p> <p><b>A4.17 Toilet Stalls.</b></p> <p><b>A4.17.3 Size and Arrangement.</b> This section requires use of the 60 in (1525 mm) standard stall (Figure 30(a)) and permits the 36 in (915 mm) or 48 in (1220 mm) wide alternate stall (Figure 30(b)) only in alterations where provision of the standard stall is technically infeasible or where local plumbing codes prohibit reduction in the number of fixtures. A standard stall provides a clear space on one side of the water closet to enable persons who use wheelchairs to perform a side or diagonal transfer from the wheelchair to the water closet. However, some persons with disabilities who use mobility aids such as walkers, canes or crutches</p>	<p>are better able to use the two parallel grab bars in the 36 in (915 mm) wide alternate stall to achieve a standing position.</p> <p><i>In large toilet rooms, where six or more toilet stalls are provided, it is therefore required that a 36 in (915 mm) wide stall with parallel grab bars be provided in addition to the standard stall required in new construction. The 36 in (915 mm) width is necessary to achieve proper use of the grab bars; wider stalls would position the grab bars too far apart to be easily used and narrower stalls would position the grab bars too close to the water closet. Since the stall is primarily intended for use by persons using canes, crutches and walkers, rather than wheelchairs, the length of the stall could be conventional. The door, however, must swing outward to ensure a usable space for people who use crutches or walkers.</i></p> <p><b>A4.17.5 Doors.</b> To make it easier for wheelchair users to close toilet stall doors, doors can be provided with closers, spring hinges, or a pull bar mounted on the inside surface of the door near the hinge side.</p> <p><b>A4.19 Lavatories and Mirrors.</b></p> <p><b>A4.19.6 Mirrors.</b> If mirrors are to be used by both ambulatory people and wheelchair users, then they must be at least 74 in (1880 mm) high at their topmost edge. A single full length mirror can accommodate all people, including children.</p> <p><b>A4.21 Shower Stalls.</b></p> <p><b>A4.21.1 General.</b> Shower stalls that are 36 in by 36 in (915 mm by 915 mm) wide provide additional safety to people who have difficulty maintaining balance because all grab bars and walls are within easy reach. Seated people use the walls of 36 in by 36 in (915 mm by 915 mm) showers for back support. Shower stalls that are 60 in (1525 mm) wide and have no curb may increase usability of a bathroom by wheelchair users because the shower area provides additional maneuvering space.</p> <p><b>A4.22 Toilet Rooms.</b></p> <p><b>A4.22.3 Clear Floor Space.</b> In many small facilities, single-user restrooms may be the only</p>
---	--

A10

**A4.22 Toilet Rooms**

facilities provided for all building users. In addition, the guidelines allow the use of "unisex" or "family" accessible toilet rooms in alterations when technical infeasibility can be demonstrated. Experience has shown that the provision of accessible "unisex" or single-user restrooms is a reasonable way to provide access for wheelchair users and any attendants, especially when attendants are of the opposite sex. Since these facilities have proven so useful, it is often considered advantageous to install a "unisex" toilet room in new facilities in addition to making the multi-stall restrooms accessible, especially in shopping malls, large auditoriums, and convention centers.

Figure 28 (section 4.16) provides minimum clear floor space dimensions for toilets in accessible "unisex" toilet rooms. The dotted lines designate the minimum clear floor space, depending on the direction of approach, required for wheelchair users to transfer onto the water closet. The dimensions of 48 in (1220 mm) and 60 in (1525 mm), respectively, correspond to the space required for the two common transfer approaches utilized by wheelchair users (see Fig. A6). It is important to keep in mind that the placement of the lavatory to the immediate side of the water closet will preclude the side approach transfer illustrated in Figure A6(b).

To accommodate the side transfer, the space adjacent to the water closet must remain clear of obstruction for 42 in (1065 mm) from the centerline of the toilet (Figure 28) and the lavatory must not be located within this clear space. A turning circle or T-turn, the clear floor space at the lavatory, and maneuvering space at the door must be considered when determining the possible wall locations. A privacy latch or other accessible means of ensuring privacy during use should be provided at the door.

**RECOMMENDATIONS:**

1. In new construction, accessible single-user restrooms may be desirable in some situations because they can accommodate a wide variety of building users. However, they cannot be used in lieu of making the multi-stall toilet rooms accessible as required.
2. Where strict compliance to the guidelines for accessible toilet facilities is technically infeasible in the alteration of existing facilities, accessible "unisex" toilets are a reasonable alternative.
3. In designing accessible single-user restrooms, the provisions of adequate space to allow a side transfer will provide accommodation to the largest number of wheelchair users.

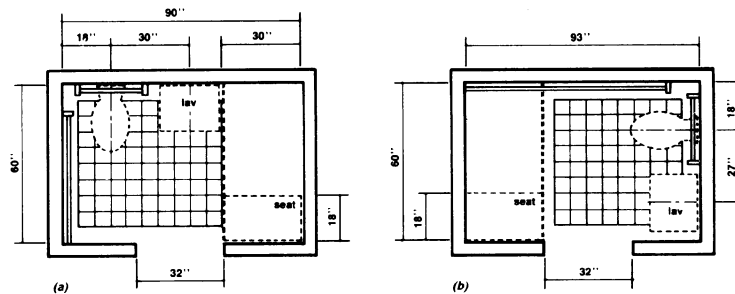


Fig. A7

**A4.23 Bathrooms, Bathing Facilities, and Shower Rooms**

**A4.23 Bathrooms, Bathing Facilities, and Shower Rooms.**

**A4.23.3 Clear Floor Space.** Figure A7 shows two possible configurations of a toilet room with a roll-in shower. The specific shower shown is designed to fit exactly within the dimensions of a standard bathtub. Since the shower does not have a lip, the floor space can be used for required maneuvering space. This would permit a toilet room to be smaller than would be permitted with a bathtub and still provide enough floor space to be considered accessible. This design can provide accessibility in facilities where space is at a premium (i.e., hotels and medical care facilities). The alternate roll-in shower (Fig. 57b) also provides sufficient room for the "T-turn" and does not require plumbing to be on more than one wall.

**A4.23.9 Medicine Cabinets.** Other alternatives for storing medical and personal care items are very useful to disabled people. Shelves, drawers, and floor-mounted cabinets can be provided within the reach ranges of disabled people.

**A4.26 Handrails, Grab Bars, and Tub and Shower Seats.**

**A4.26.1 General.** Many disabled people rely heavily upon grab bars and handrails to maintain balance and prevent serious falls. Many people brace their forearms between supports and walls to give them more leverage and stability in maintaining balance or for lifting. The grab bar clearance of 1-1/2 in (38 mm) required in this guideline is a safety clearance to prevent injuries resulting from arms slipping through the openings. It also provides adequate gripping room.

**A4.26.2 Size and Spacing of Grab Bars and Handrails.** This specification allows for alternate shapes of handrails as long as they allow an opposing grip similar to that provided by a circular section of 1-1/4 in to 1-1/2 in (32 mm to 38 mm).

**A4.27 Controls and Operating Mechanisms.**

**A4.27.3 Height.** Fig. A8 further illustrates

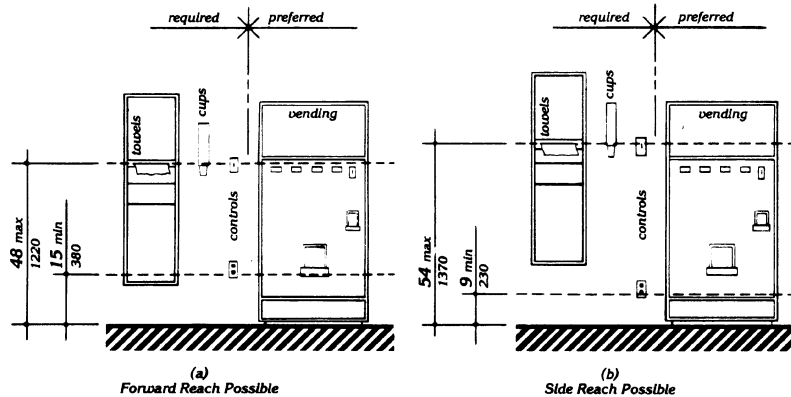


Fig. A8  
Control Reach Limitations

A12

## A4.28 Alarms

mandatory and advisory control mounting height provisions for typical equipment.

Electrical receptacles installed to serve individual appliances and not intended for regular or frequent use by building occupants are not required to be mounted within the specified reach ranges. Examples would be receptacles installed specifically for wall-mounted clocks, refrigerators, and microwave ovens.

**A4.28 Alarms.**

**A4.28.2 Audible Alarms.** Audible emergency signals must have an intensity and frequency that can attract the attention of individuals who have partial hearing loss. People over 60 years of age generally have difficulty perceiving frequencies higher than 10,000 Hz. An alarm signal which has a periodic element to its signal, such as single stroke bells (clang-pause-clang-pause), hi-low (up-down-up-down) and fast whoop (on-off-on-off) are best. Avoid continuous or reverberating tones. Select a signal which has a sound characterized by three or four clear tones without a great deal of "noise" in between.

**A4.28.3 Visual Alarms.** The specifications in this section do not preclude the use of zoned or coded alarm systems.

**A4.28.4 Auxiliary Alarms.** Locating visual emergency alarms in rooms where persons who are deaf may work or reside alone can ensure that they will always be warned when an emergency alarm is activated. To be effective, such devices must be located and oriented so that they will spread signals and reflections throughout a space or raise the overall light level sharply. However, visual alarms alone are not necessarily the best means to alert sleepers. A study conducted by Underwriters Laboratory (UL) concluded that a flashing light more than seven times brighter was required (110 candela v. 15 candela, at the same distance) to awaken sleepers as was needed to alert awake subjects in a normal daytime illuminated room.

*For hotel and other rooms where people are likely to be asleep, a signal-activated vibrator placed between mattress and box spring or under a pillow was found by UL to be much more effective in alerting sleepers. Many readily available devices are sound-activated so that they could respond to an alarm clock, clock*

*radio, wake-up telephone call or room smoke detector. Activation by a building alarm system can either be accomplished by a separate circuit activating an auditory alarm which would, in turn, trigger the vibrator or by a signal transmitted through the ordinary 110-volt outlet. Transmission of signals through the power line is relatively simple and is the basis of common, inexpensive remote light control systems sold in many department and electronic stores for home use. So-called "wireless" intercoms operate on the same principal.*

**A4.29 Detectable Warnings.**

**A4.29.2 Detectable Warnings on Walking Surfaces.** The material used to provide contrast should contrast by at least 70%. Contrast in percent is determined by:

$$\text{Contrast} = [(B_1 - B_2) / B_1] \times 100$$

where  $B_1$  = light reflectance value (LRV) of the lighter area  
and  $B_2$  = light reflectance value (LRV) of the darker area.

*Note that in any application both white and black are never absolute; thus,  $B_1$  never equals 100 and  $B_2$  is always greater than 0.*

**A4.30 Signage.**

**A4.30.1 General.** In building complexes where finding locations independently on a routine basis may be a necessity (for example, college campuses), tactile maps or prerecorded instructions can be very helpful to visually impaired people. Several maps and auditory instructions have been developed and tested for specific applications. The type of map or instructions used must be based on the information to be communicated, which depends highly on the type of buildings or users.

Landmarks that can easily be distinguished by visually impaired individuals are useful as orientation cues. Such cues include changes in illumination level, bright colors, unique patterns, wall murals, location of special equipment or other architectural features.

Many people with disabilities have limitations in movement of their heads and reduced peripheral vision. Thus, signage positioned



**A4.30 Signage**

<p>perpendicular to the path of travel is easiest for them to notice. People can generally distinguish signage within an angle of 30 degrees to either side of the centerlines of their faces without moving their heads.</p> <p><b>A4.30.2 Character Proportion.</b> The legibility of printed characters is a function of the viewing distance, character height, the ratio of the stroke width to the height of the character, the contrast of color between character and background, and print font. The size of characters must be based upon the intended viewing distance. A severely nearsighted person may have to be much closer to recognize a character of a given size than a person with normal visual acuity.</p> <p><b>A4.30.4 Raised and Brailled Characters and Pictorial Symbol Signs (Pictograms).</b> The standard dimensions for literary Braille are as follows:</p> <table style="margin-left: 40px;"> <tr> <td>Dot diameter</td> <td>.059 in.</td> </tr> <tr> <td>Inter-dot spacing</td> <td>.090 in.</td> </tr> <tr> <td>Horizontal separation between cells</td> <td>.241 in.</td> </tr> <tr> <td>Vertical separation between cells</td> <td>.395 in.</td> </tr> </table> <p>Raised borders around signs containing raised characters may make them confusing to read unless the border is set far away from the characters. Accessible signage with descriptive materials about public buildings, monuments, and objects of cultural interest may not provide sufficiently detailed and meaningful information. Interpretive guides, audio tape devices, or other methods may be more effective in presenting such information.</p> <p><b>A4.30.5 Finish and Contrast.</b> An eggshell finish (11 to 19 degree gloss on 60 degree glossmeter) is recommended. Research indicates that signs are more legible for persons with low vision when characters contrast with their background by at least 70 percent. Contrast in percent shall be determined by:</p> $\text{Contrast} = [(B_1 - B_2) / B_1] \times 100$	Dot diameter	.059 in.	Inter-dot spacing	.090 in.	Horizontal separation between cells	.241 in.	Vertical separation between cells	.395 in.	<p>where <math>B_1</math> = light reflectance value (LRV) of the lighter area and <math>B_2</math> = light reflectance value (LRV) of the darker area.</p> <p>Note that in any application both white and black are never absolute; thus, <math>B_1</math> never equals 100 and <math>B_2</math> is always greater than 0.</p> <p>The greatest readability is usually achieved through the use of light-colored characters or symbols on a dark background.</p> <p><b>A4.30.7 Symbols of Accessibility for Different Types of Listening Systems.</b> Paragraph 4 of this section requires signage indicating the availability of an assistive listening system. An appropriate message should be displayed with the international symbol of access for hearing loss since this symbol conveys general accessibility for people with hearing loss. Some suggestions are:</p> <p style="text-align: center;">INFRARED ASSISTIVE LISTENING SYSTEM AVAILABLE —PLEASE ASK—</p> <p style="text-align: center;">AUDIO LOOP IN USE TURN T-SWITCH FOR BETTER HEARING —OR ASK FOR HELP—</p> <p style="text-align: center;">FM ASSISTIVE LISTENING SYSTEM AVAILABLE —PLEASE ASK—</p> <p>The symbol may be used to notify persons of the availability of other auxiliary aids and services such as: real time captioning, captioned note taking, sign language interpreters, and oral interpreters.</p> <p><b>A4.30.8 Illumination Levels.</b> Illumination levels on the sign surface shall be in the 100 to 300 lux range (10 to 30 footcandles) and shall be uniform over the sign surface. Signs shall be located such that the illumination level on the surface of the sign is not significantly exceeded by the ambient light or visible bright lighting source behind or in front of the sign.</p>
Dot diameter	.059 in.								
Inter-dot spacing	.090 in.								
Horizontal separation between cells	.241 in.								
Vertical separation between cells	.395 in.								

A14

**A4.31 Telephones**

**A4.31 Telephones.**

**A4.31.3 Mounting Height.** In localities where the dial-tone first system is in operation, calls can be placed at a coin telephone through the operator without inserting coins. The operator button is located at a height of 46 in (1170 mm) if the coin slot of the telephone is at 54 in (1370 mm). A generally available public telephone with a coin slot mounted lower on the equipment would allow universal installation of telephones at a height of 48 in (1220 mm) or less to all operable parts.

**A4.31.9 Text Telephones.** A public text telephone may be an integrated text telephone pay phone unit or a conventional portable text telephone that is permanently affixed within, or adjacent to, the telephone enclosure. In order to be usable with a pay phone, a text telephone which is not a single integrated text telephone pay phone unit will require a shelf large enough (10 in (255mm) wide by 10 in (255 mm) deep with a 6 in (150 mm) vertical clearance minimum) to accommodate the device, an electrical outlet, and a power cord. Movable or portable text telephones may be used to provide equivalent facilitation. A text telephone should be readily available so that a person using it may access the text telephone easily and conveniently. As currently designed pocket-type text telephones for personal use do not accommodate a wide range of users. Such devices would not be considered substantially equivalent to conventional text telephones. However, in the future as technology develops this could change.

**A4.32 Fixed or Built-in Seating and Tables.**

**A4.32.4 Height of Tables or Counters.** Different types of work require different table or counter heights for comfort and optimal performance. Light detailed work such as writing requires a table or counter close to elbow height for a standing person. Heavy manual work such as rolling dough requires a counter or table height about 10 in (255 mm) below elbow height for a standing person. This principle of high/low table or counter heights also applies for seated persons; however, the limiting condition for seated manual work is clearance under the table or counter.

Table A1 shows convenient counter heights for seated persons. The great variety of heights for comfort and optimal performance indicates a need for alternatives or a compromise in height if people who stand and people who sit will be using the same counter area.

**Table A1  
Convenient Heights of Tables  
and Counters for Seated People<sup>1</sup>**

Conditions of Use	Short Women in mm	Tall Men in mm
Seated in a wheelchair:		
Manual work-		
Desk or removeable armrests	26 660	30 760
Fixed, full-size armrests <sup>2</sup>	32 <sup>3</sup> 815	32 <sup>3</sup> 815
Light detailed work:		
Desk or removeable armrests	29 735	34 865
Fixed, full-size armrests <sup>2</sup>	32 <sup>3</sup> 815	34 865
Seated in a 16-in. (405-mm) High chair:		
Manual work	26 660	27 685
Light detailed work	28 710	31 785

<sup>1</sup> All dimensions are based on a work-surface thickness of 1 1/2 in (38 mm) and a clearance of 1 1/2 in (38 mm) between legs and the underside of a work surface.

<sup>2</sup> This type of wheelchair arm does not interfere with the positioning of a wheelchair under a work surface.

<sup>3</sup> This dimension is limited by the height of the armrests: a lower height would be preferable. Some people in this group prefer lower work surfaces, which require positioning the wheelchair back from the edge of the counter.

**A4.33 Assembly Areas.**

**A4.33.2 Size of Wheelchair Locations.** Spaces large enough for two wheelchairs allow people who are coming to a performance together to sit together.

**A4.33.3 Placement of Wheelchair Locations.** The location of wheelchair areas can be planned so that a variety of positions

**Table A2. Summary of Assistive Listening Devices**

<p>within the seating area are provided. This will allow choice in viewing and price categories.</p> <p><i>Building/life safety codes set minimum distances between rows of fixed seats with consideration of the number of seats in a row, the exit aisle width and arrangement, and the location of exit doors. "Continental" seating, with a greater number of seats per row and a</i></p>	<p><i>commensurate increase in row spacing and exit doors, facilitates emergency egress for all people and increases ease of access to mid-row seats especially for people who walk with difficulty. Consideration of this positive attribute of "continental" seating should be included along with all other factors in the design of fixed seating areas.</i></p>		
<p><b>Table A2. Summary of Assistive Listening Devices</b></p>			
System	Advantages	Disadvantages	Typical Applications
<p>Induction Loop Transmitter: Transducer wired to induction loop around listening area. Receiver: Self-contained induction receiver or personal hearing aid with telecoil.</p>	<p>Cost-Effective Low Maintenance Easy to use Unobtrusive May be possible to integrate into existing public address system. Some hearing aids can function as receivers.</p>	<p>Signal spills over to adjacent rooms. Susceptible to electrical interference. Limited portability Inconsistent signal strength. Head position affects signal strength. Lack of standards for induction coil performance.</p>	<p>Meeting areas Theaters Churches and Temples Conference rooms Classrooms TV viewing</p>
<p>FM Transmitter: Flashlight-sized worn by speaker. Receiver: With personal hearing aid via DAI or induction neck-loop and telecoil; or self-contained with earphone(s).</p>	<p>Highly portable Different channels allow use by different groups within the same room. High user mobility Variable for large range of hearing losses.</p>	<p>High cost of receivers Equipment fragile Equipment obtrusive High maintenance Expensive to maintain Custom fitting to individual user may be required.</p>	<p>Classrooms Tour groups Meeting areas Outdoor events One-on-one</p>
<p>Infrared Transmitter: Emitter in line-of-sight with receiver. Receiver: Self-contained. Or with personal hearing aid via DAI or induction neckloop and telecoil.</p>	<p>Easy to use Insures privacy or confidentiality Moderate cost Can often be integrated into existing public address system.</p>	<p>Line-of-sight required between emitter and receiver. Ineffective outdoors Limited portability Requires installation</p>	<p>Theaters Churches and Temples Auditoriums Meetings requiring confidentiality TV viewing</p>
<p>Source: <u>Rehab Brief</u>, National Institute on Disability and Rehabilitation Research, Washington, DC, Vol. XII, No. 10, (1990).</p>			

A16

## A5.0 Restaurants and Cafeterias

**A4.33.6 Placement of Listening Systems.** A distance of 50 ft (15 m) allows a person to distinguish performers' facial expressions.

**A4.33.7 Types of Listening Systems.** An assistive listening system appropriate for an assembly area for a group of persons or where the specific individuals are not known in advance, such as a playhouse, lecture hall or movie theater, may be different from the system appropriate for a particular individual provided as an auxiliary aid or as part of a reasonable accommodation. The appropriate device for an individual is the type that individual can use, whereas the appropriate system for an assembly area will necessarily be geared toward the "average" or aggregate needs of various individuals. A listening system that can be used from any seat in a seating area is the most flexible way to meet this specification. Ear-phone jacks with variable volume controls can benefit only people who have slight hearing loss and do not help people who use hearing aids. At the present time, magnetic induction loops are the most feasible type of listening system for people who use hearing aids equipped with "T-coils," but people without hearing aids or those with hearing aids not equipped with inductive pick-ups cannot use them without special receivers. Radio frequency systems can be extremely effective and inexpensive. People without hearing aids can use them, but people with hearing aids need a special receiver to use them as they are presently designed. If hearing aids had a jack to allow a by-pass of microphones, then radio frequency systems would be suitable for people with and without hearing aids. Some listening systems may be subject to interference from other equipment and feedback from hearing aids of people who are using the systems. Such interference can be controlled by careful engineering design that anticipates feedback sources in the surrounding area.

*Table A2, reprinted from a National Institute of Disability and Rehabilitation Research "Rehab Brief," shows some of the advantages and disadvantages of different types of assistive listening systems. In addition, the Architectural and Transportation Barriers Compliance Board (Access Board) has published a pamphlet on Assistive Listening Systems which lists demonstration centers across the country where technical assistance can be obtained in selecting and installing appropriate systems. The state of*

*New York has also adopted a detailed technical specification which may be useful.*

### A5.0 Restaurants and Cafeterias.

**A5.1 General.** Dining counters (where there is no service) are typically found in small carry-out restaurants, bakeries, or coffee shops and may only be a narrow eating surface attached to a wall. This section requires that where such a dining counter is provided, a portion of the counter shall be at the required accessible height.

### A7.0 Business and Mercantile.

**A7.2(3) Assistive Listening Devices.** At all sales and service counters, teller windows, box offices, and information kiosks where a physical barrier separates service personnel and customers, it is recommended that at least one permanently installed assistive listening device complying with 4.33 be provided at each location or series. Where assistive listening devices are installed, signage should be provided identifying those stations which are so equipped.

**A7.3 Check-out Aisles.** Section 7.2 refers to counters without aisles; section 7.3 concerns check-out aisles. A counter without an aisle (7.2) can be approached from more than one direction such as in a convenience store. In order to use a check-out aisle (7.3), customers must enter a defined area (an aisle) at a particular point, pay for goods, and exit at a particular point.

### A10.3 Fixed Facilities and Stations.

**A10.3.1(7) Route Signs.** One means of making control buttons on fare vending machines usable by persons with vision impairments is to raise them above the surrounding surface. Those activated by a mechanical motion are likely to be more detectable. If farecard vending, collection, and adjustment devices are designed to accommodate farecards having one tactually distinctive corner, then a person who has a vision impairment will insert the card with greater ease. Token collection devices that are designed to accommodate tokens which are perforated can allow a person to distinguish more readily between tokens and common coins. Thoughtful placement of accessible gates and fare vending machines in relation to inaccessible devices will make their use and detection easier for all persons with disabilities.

A17

[56 FR 35592, July 26, 1991, as amended by Order No. 1679-93, 58 FR 17522, Apr. 5, 1993; Order No. 1836-94, 59 FR 2675, Jan. 18, 1994. Redesignated by AG Order No. 3181-2010, 75 FR 56258, Sept. 15, 2010]

APPENDIX E—GUIDANCE TO REVISIONS TO ADA TITLE II AND TITLE III REGULATIONS REVISING THE MEANING AND INTERPRETATION OF THE DEFINITION OF “DISABILITY” AND OTHER PROVISIONS IN ORDER TO INCORPORATE THE REQUIREMENTS OF THE ADA AMENDMENTS ACT

For guidance providing a section-by-section analysis of the revisions to 28 CFR parts 35 and 36 published on August 11, 2016, see appendix C of 28 CFR part 35.

[AG Order 3702-2016, 81 FR 53243, Aug. 11, 2016]

APPENDIX F TO PART 36—GUIDANCE AND SECTION-BY-SECTION ANALYSIS

SECTION 36.303(g)(1) DEFINITIONS

In the Notice of Proposed Rulemaking, 79 FR 44976 (Aug. 1, 2014) (NPRM), the Department proposed §36.303(g)(1), which set forth definitions for certain terms specifically referenced in paragraph (g). The Department sought public comment on these proposed definitions.

“Analog Movie”

Although the Department did not specifically propose a definition of “analog movie” in the NPRM, the Department defined the term in the preamble and solicited comment on the state of analog movies and their availability. In the final rule, the Department has added a definition of “analog movie” in order to distinguish between movies shown in digital cinema format and movies shown in analog format. “Analog movie” is defined to mean “a movie exhibited in analog film format.”

“Audio Description”

In the NPRM, the Department used the term “audio description” to refer to the spoken description of information describing the visual elements of a movie to an individual who is blind or has low vision and who is unable to see the images and action on the screen. Proposed §36.303(g)(1)(i) defined “audio description” as the “provision of a spoken narration of key visual elements of a visually delivered medium, including, but not limited to, actions, settings, facial expressions, costumes, and scene changes.” Although the Department believes that the term “audio description” is most commonly used to describe this service, it sought public comment on whether to use this or some other nomenclature.

All commenters addressing this issue agreed with the Department’s proposal and supported the use of the term and the Department’s definition. In the final rule, the Department has retained the term “audio de-

scription,” and has slightly modified the definition for clarity to read as follows: “*Audio description* means the spoken narration of a movie’s key visual elements, such as the action, settings, facial expressions, costumes, and scene changes. *Audio description* generally requires the use of an audio description device for delivery to a patron.”

“Audio Description Device”

In the NPRM, at proposed §36.303(g)(1)(iii), the Department used the term “individual audio description listening device” to refer to the “individual device that patrons may use at their seats to hear audio description.” The sole commenter on this definition expressed concern that the term “individual audio description listening device” was unnecessarily long. The Department agrees with the commenter and has revised the name of the device accordingly in the final rule. The final rule retains the text of the proposed definition with minor edits.

“Captioning Device”

In the NPRM, at proposed §36.303(g)(1)(iv), the Department used the term “individual captioning device” to refer to the “individual device that patrons may use at their seats to view the closed captions.” The sole commenter on this definition recommended that the Department shorten the nomenclature for this device to “captioning device.” The Department agrees with the commenter and has revised the name of the device accordingly in the final rule. The final rule retains the text of the proposed definition with minor edits.

“Closed Movie Captioning”

The NPRM defined “closed movie captioning” as “the written text of the movie dialogue and other sounds or sound making (e.g. sound effects, music, and the character who is speaking).” The NPRM further provided that closed movie captioning be available only to individuals who request it, and that, generally, it requires the use of an individual captioning device to deliver the captions to the patron.

Commenters were equally split as to whether the Department should use “closed movie captioning” or some other language to refer to the technology. Some commenters urged the Department to use the term “closed captioning.” Other commenters disagreed, however, and stated that the Department should avoid using the term “closed captioning” to distinguish it from the “closed captioning” that is turned on at home by a person viewing the television. In the final rule, the Department is retaining the term “closed movie captioning,” but the definition is modified for clarity to read: “*Closed movie captioning* means the written display of a movie’s dialogue and non-speech

information, such as music, the identity of the character who is speaking, and other sounds or sound effects. *Closed movie captioning* generally requires the use of a captioning device for delivery of the captions to the patron.”

“*Digital Movie*”

The Department has added a definition of “digital movie,” meaning “a movie exhibited in digital cinema format.”

“*Movie Theater*”

The NPRM proposed defining “movie theater” as “a facility other than a drive-in theater that is used primarily for the purpose of showing movies to the public for a fee” in order to make clear which facilities are subject to the specific captioning and audio description requirements set forth in § 36.303(g). The Department intended this definition to exclude drive-in movie theaters as well as facilities that screen movies if the facility is not used primarily for the purpose of showing movies for a fee, such as museums, hotels, resorts, or cruise ships, even if they charge an additional fee. The Department asked for public comment on the proposed definition and whether it adequately described the movie theaters that should be covered by this regulation.

Commenters generally supported the Department’s proposed definition for “movie theater,” but there were some concerns about the proposed definition’s scope. Some commenters asserted that the definition of “movie theater” should be expanded to include the institutions that the Department expressly excluded, such as museums, hotels, resorts, cruise ships, amusement parks, and other similar public accommodations that show movies as a secondary function, whether or not they charge a fee. One commenter expressed concern that such entities might believe that they are otherwise exempt from any requirement to furnish auxiliary aids and services to ensure effective communication, and another commenter urged the Department to consider developing additional regulations that would specifically address public accommodations that are not covered by the proposed definition but otherwise exhibit movies or other video content.

The Department declines to make any changes at this time to address public accommodations that do not meet the definition of “movie theater” and are, therefore, not subject to the requirements of paragraph (g). The Department’s title III regulation has always made clear that all public accommodations must provide effective communication to the public through the provision of auxiliary aids and services, including, where appropriate, captioning and audio description. *See generally* 28 CFR 36.303; 28 CFR part 36, app. A. The requirements of this rule

were not intended to supplant the general obligation to provide effective communication through the provision of auxiliary aids and services. They are only intended to provide clarity about how “movie theaters” must meet this obligation. The Department notes that many public accommodations that screen movies as a secondary function already provide appropriate auxiliary aids and services, and where the Department has identified the need for enforcement action, these types of public accommodations have been willing to comply with the ADA and the effective communication requirement. *See, e.g.,* Press Release, U.S. Department of Justice, *Justice Department Reaches Settlement with National Museum of Crime and Punishment to Improve Access for People with Disabilities* (Jan. 13, 2015), available at <http://www.justice.gov/opa/pr/justice-department-reaches-settlement-national-museum-crime-and-punishment-improve-access> (last visited Sept. 12, 2016).

Two commenters asked the Department to revise the definition of “movie theater” to clarify that public accommodations used as temporary screening locations during film festivals, such as pop-up tents, convention centers, and museums with theaters, are not subject to the requirements of paragraph (g). According to such commenters, most movies screened at festivals are not ready for distribution, and typically have not yet been distributed with captioning and audio description. To the extent a film is already distributed with these features, the commenters argued that the myriad of logistics entailed in coordinating a festival may preclude a film festival from making such features available.

The Department does not believe that its definition of “movie theater” encompasses the temporary facilities described by the commenters that host film festivals. However, operators of film festivals, just like any other public accommodation that operates a place of entertainment, are still subject to the longstanding general requirement under § 36.303 to provide effective communication unless doing so would be a fundamental alteration of the program or service or would constitute an undue burden. Moreover, if a festival programmer schedules the screening of a movie that is already distributed with captioning and audio description at a movie theater that is subject to the requirements in paragraph (g), then the effective communication obligation would require the festival to ensure that the accessible features are available at all scheduled screenings of a movie distributed with such features.

The Department also received several comments regarding the exclusion of drive-in movie theaters in the proposed definition. Many commenters agreed that drive-in movie theaters should not be subject to the

requirements of paragraph (g) because the technology still does not exist to exhibit movies with closed movie captioning and audio description in this setting. A few commenters pointed out innovative ways for drive-in movie theaters to provide captioning and audio description and argued that such options are feasible. For example, one commenter suggested that drive-in movie theaters provide audio description through a second low-power FM broadcast transmitter or on a second FM channel. However, these commenters did not clearly identify technology that is currently available or under development to provide closed movie captioning in this setting. Finally, one commenter expressed concern that if audio description was broadcast at a drive-in theater, it would likely be heard by patrons who do not require audio description and would result in a fundamental alteration of the movie-going experience for such patrons.

The Department declines to change its position that drive-in movie theaters should be excluded from the requirements of paragraph (g). Given the diminishing number of drive-in movie theaters, the current lack of accessible technology to provide closed movie captioning and audio description in this setting, and the fact that it is unlikely that such technology will be developed in the future, the Department remains convinced that rulemaking regarding drive-in movie theaters should be deferred until the necessary technology becomes commercially available.

For the reasons discussed above, the Department has retained the text of the proposed definition of "movie theater" with minor edits. The final rule defines "movie theater" as "a facility, other than a drive-in theater, that is owned, leased by, leased to, or operated by a public accommodation and that contains one or more auditoriums that are used primarily for the purpose of showing movies to the public for a fee."

*"Open Movie Captioning"*

The NPRM proposed defining "open movie captioning" as "the provision of the written text of the movie dialogue and other sounds or sound making in an on-screen text format that is seen by everyone in the movie theater."

While commenters were evenly split on whether the new regulation should use the term "open movie captioning" or "open captioning," the Department chose the former to avoid confusion and emphasize that the term refers only to captioning provided at movie theaters. The final rule defines "open movie captioning" as "the written on-screen display of a movie's dialogue and non-speech information, such as music, the identity of the character who is speaking, and other sounds and sound effects."

SECTION 36.303(g)(2) GENERAL

In the NPRM, the Department proposed at §36.303(g)(2)(i) that "[a] public accommodation that owns, leases, leases to, or operates a movie theater shall ensure that its auditoriums have the capability to exhibit movies with closed movie captions." That paragraph further provided that in all cases where the movies the theater intends to exhibit are produced, distributed, or otherwise made available with closed movie captions, the public accommodation must ensure that it acquires the captioned version of those movies and makes closed movie captions available at all scheduled screenings of those movies. An identical provision requiring movie theaters to exhibit movies with audio description was proposed at §36.303(g)(3)(i). The Department proposed applying the requirements for closed movie captioning and audio description to all movie screens (auditoriums) in movie theaters that show digital movies and sought public comment as to the best approach to take with respect to movie theaters that show analog movies. The Department sought public comment on whether it should adopt one of two options regarding the specific obligation to provide captioning and audio description at movie theater auditoriums that display analog movies. Option 1 proposed covering movie theater screens (auditoriums) that display analog movies but giving them 4 years to come into compliance with the requirements of §36.303(g). Option 2 proposed deferring the decision whether to apply the rule's requirements to movie theater screens (auditoriums) showing analog movies and considering additional rulemaking at a later date.

Many commenters generally agreed with the provisions as they related to movie theaters displaying digital movies. These commenters stressed, however, that movie theaters should in no way be prohibited or limited from exhibiting a movie that is not available with captioning or audio description, or be required to add captioning and audio description when these features are not available.

Commenters were split in response to the Department's question concerning the best approach to take with respect to analog movie theaters. A slight majority of commenters supported deferral for movie theater auditoriums that exhibit analog movies exclusively. In support of Option 2, these commenters pointed to the state of the movie industry, the financial condition of many small movie theaters, and the unintended consequences of a 4-year compliance date. According to the comments, there are very few remaining movie theaters that display analog movies exclusively, and despite the industry's urging that such movie theaters must convert to digital to remain viable,

many of these movie theaters have not converted because they cannot afford the high cost to do so. Therefore, these commenters argued that a regulation covering analog movie theaters will have minimal overall impact in addition to being an unnecessary strain on small businesses, considering the high cost of compliance for such movie theaters.

The remaining commenters responding to this question stated that the Department should adopt Option 1's 4-year compliance date for movie theaters displaying analog movies. These commenters reasoned that fairness and equality concerns justified adoption of Option 1 because, in their view, Option 2 could incentivize more movie theaters to delay their digital conversion, resulting in fewer movie theaters being subject to the regulation, and individuals with hearing and vision disabilities continuing to face unequal access to movie theaters. A few disability groups argued that because a movie theater is subject to title III of the ADA regardless of whether it displays analog movies or digital movies, adoption of Option 2 could be seen as carving out an exception within the ADA where none exists otherwise.

In consideration of these comments and the Department's independent research, the Department has decided to defer until a later date the decision whether to engage in rulemaking with respect to movie theater auditoriums that exhibit analog movies exclusively. Thus, the final rule makes clear that the requirements of paragraph (g) apply only to movie theaters with auditoriums that show digital movies. The Department agrees with commenters that very few analog movie theaters remain, and that the number of such movie theaters has declined rapidly in recent years. The Department believes that it is prudent to wait until it is clear whether there will be any movie theaters that continue to show analog movies and whether analog movies will continue to be produced at all, or distributed with captioning and audio description. Although movie theater auditoriums that exhibit analog movies exclusively are not subject to the specific requirements of paragraph (g) at this time, such movie theaters are nonetheless public accommodations and subject to the effective communication requirements of title III.

The final rule provides that "[a] public accommodation shall ensure that its movie theater auditoriums provide closed movie captioning and audio description whenever they exhibit a digital movie that is distributed with such features. Application of the requirements of paragraph (g) is deferred for any movie theater auditorium that exhibits analog movies exclusively, but may be addressed in a future rulemaking."

The requirements of paragraph (g) do not in any way prohibit a movie theater from displaying a movie that has not been made

available with captioning and audio description features nor do the requirements require a movie theater to independently add such features to a movie that is not distributed with such features. In addition, all movie theaters, regardless of size, status of conversion to digital cinema, or economic viability, continue to have available to them the individualized and fact-specific undue burden limitation specified in § 36.303(a). This regulation does not change the availability of this compliance limitation nor the circumstances under which it can be asserted. *See* 28 CFR 36.104 (defining undue burden and listing factors to be considered in determining whether an action would result in an undue burden). It does, however, provide clarity about how movie theaters can meet their longstanding effective communication obligations under the ADA.

The Department notes that even if a movie theater cannot initially install captioning and audio description equipment in all of its auditoriums because it is an undue burden, the movie theater is still obligated to comply with renumbered § 36.303(h) and provide alternatives to full compliance by providing captioning and audio description in some of its auditoriums up to the point where the cost becomes an undue burden. In such a situation, the movie theater should take steps to maximize the range of movie options for customers who are deaf or hard of hearing, or blind or have low vision, by dispersing the available equipment throughout their auditoriums so that the theater is able to exhibit as many movies as possible with captioning and audio description throughout the day and evening on weekdays and weekends. If, for example, a six-auditorium movie theater can only afford to install captioning equipment in half of its auditoriums, and it has auditoriums with different capacities, it should install captioning equipment in a large, a medium, and a small auditorium. This distribution of equipment would permit exhibition of different types of movies, as blockbusters generally are shown in larger auditoriums first and lower budget or older movies may only be shown in medium or small auditoriums.

It has been, and continues to be, the Department's position that it would not be a fundamental alteration of the business of showing movies in theaters to exhibit movies already distributed with closed movie captioning and audio description in order to ensure effective communication for individuals who are deaf or hard of hearing, or blind or have low vision. The service that movie theaters provide is the screening or exhibiting of movies. The use of captioning and audio description to make that service available to those who are deaf or hard of hearing, or blind or have low vision, does not change that service. Rather, the provision of such auxiliary aids is the means by which these



individuals gain access to movie theaters' services and thereby achieve the "full and equal enjoyment," 42 U.S.C. 12182(a), of the screening of movies. *See, e.g.*, Brief for the United States as Amicus Curiae Supporting Appellants and Urging Reversal at 15–17, *Arizona ex rel. Goddard v. Harkins Amusement Enters., Inc.*, 603 F.3d 666 (9th Cir. 2010) (No. 08–16075); *see also* NPRM, 79 FR 44976, 44982–83 (Aug. 1, 2014). The Department received no public comments challenging that position.

SECTION 36.303(g)(3) MINIMUM REQUIREMENTS FOR CAPTIONING DEVICES

In the NPRM, the Department proposed that movie theaters be required to have available a minimum number of captioning devices equal to approximately half the number of assistive listening receivers already mandated for assembly areas by sections 219 and 706 of the 2010 Standards. The

calculation was based on a movie theater's total seating capacity and 2010 Census data estimating that 3.1 percent of the U.S. population ages 15 and older (7.6 million) has difficulty hearing. *See* U.S. Census Bureau, U.S. Department of Commerce, P70–131, *Americans with Disabilities: 2010 Household Economic Studies* at 8 (2012), available at <http://www.census.gov/prod/2012pubs/p70-131.pdf> (last visited Sept. 12, 2016). Thus, the proposed §36.303(g)(2)(iii)(A) required that a movie theater maintain captioning devices for approximately 2–4 percent of all available seats and stated that: "a public accommodation that owns, leases, leases to, or operates a movie theater shall provide individual captioning devices in accordance with the following Table [below]. This requirement does not apply to movie theaters that elect to exhibit all movies at all times at that facility with open movie captioning."

Capacity of seating in movie theater	Minimum required number of individual captioning devices
100 or less .....	2.
101 to 200 .....	2 plus 1 per 50 seats over 100 seats or a fraction thereof.
201 to 500 .....	4 plus 1 per 50 seats over 200 seats or a fraction thereof.
501 to 1000 .....	10 plus 1 per 75 seats over 500 seats or a fraction thereof.
1001 to 2000 .....	18 plus 1 per 100 seats over 1000 seats or a fraction thereof.
2001 and over .....	28 plus 1 per 200 seats over 2000 seats or a fraction thereof.

The Department received more than 70 comments on its proposed scoping requirements for captioning devices. All commenters disagreed with the formula in the NPRM, and with the exception of a very few individuals and a law school clinic, commenters uniformly maintained that the Department's proposed requirements substantially overestimated the number of captioning devices necessary for a variety of reasons.

Many commenters asserted that seating capacity does not equate with the need for captioning devices because movie theaters are rarely at 100 percent seat occupancy, and not all Americans attend the movies simultaneously. They stressed that even at peak attendance times (weekends), average seat occupancy rates are substantially less than half of capacity while small movie theaters in rural areas with one or two auditoriums report even lower attendance rates. Other commenters noted that old historic theaters often have large seating capacities, despite low attendance rates. And some noted that at large, multi-auditorium complexes, not all auditoriums are simultaneously in use at all times. Thus, these commenters asserted that average movie attendance during weekend hours, not the number of theater seats, most accurately predicts anticipated demand for captioning devices.

Some commenters maintained that the Department's proposed scoping requirements significantly overestimated the need for cap-

tioning devices because the percentage of persons in the population who have difficulty hearing does not reflect those who will actually benefit from or use the devices. In their view, captioning devices will not be used by the vast majority of individuals who are deaf or hard of hearing because such devices are only needed by persons who have "severe" difficulty hearing, and assistive listening receivers, which amplify the volume of sound, are already required and available at movie theaters. These commenters also cited statistics showing that a significant percentage of Americans do not attend the movies at least once a year, and while hearing loss disproportionately affects seniors, they represent a smaller proportion of persons who actually attend the movies.

Commenters also stressed that in their experience, the Department's proposed scoping requirements for captioning devices far exceed demand in those movie theaters that currently stock and advertise the availability of such devices. To support this conclusion, NATO offered device usage data from five movie theater companies (which included a small business with a total screen (auditorium) count in the 1–75 range, three regional companies with a total screen (auditorium) count in the 300–700 range, and a national company with a 2000+ screen (auditorium) count) that stock and advertise the availability of captioning devices on their Web sites, at ticket counters, and on third-party Web sites. According to NATO, that

data showed that even though four of these five companies stocked far fewer captioning devices than the NPRM proposed, actual demand rarely, if ever, exceeded supply even at peak attendance times. Other movie theaters and a trade association also submitted tracking records to confirm the same.

Several commenters objected to the Department's proposed scoping requirements because they provided a fixed, nonadjustable number that was not tied to actual consumer demand and failed to account for variations in attendance based on theater location and patron demographics. These commenters noted that while movie theaters near areas with a high concentration of residents or students who are deaf or hard of hearing may experience greatest demand for devices, a movie theater in a small rural area may have only a few requests. Many commenters also expressed concern that because the Department's proposed scoping requirements would result in the vast majority of movie theaters having to purchase expensive technology far in excess of what is needed or would be used, those movie theaters would likely avoid investing in new, superior technology as it becomes available.

Although commenters overwhelmingly disagreed with the Department's proposed approach to scoping, most did not suggest a formula for determining the number of captioning devices that should be required. Instead, they recommended that the number of required devices be based on one or more factors, including actual or average weekend movie attendance, percentage of individuals who have severe hearing difficulty and will likely use the devices, demand for devices, number of movie theater seats, screen count, and patron demographics. For example, a Federal agency recommended that the Department set scoping requirements in accordance with the optimal number of devices sufficient to provide accessibility to the disability community (based on relevant factors such as device usage, demand, and weekend theater attendance) while minimizing the burden on small businesses. A few movie theaters maintained that any minimum device requirement would be a waste of resources and unnecessary because movie theaters seek to satisfy their patrons' needs, and as a result, many already advertise and provide captioning devices upon request.

NATO and four advocacy groups representing persons who are deaf or hard of hearing<sup>1</sup> submitted a Joint Comment offering a three-tiered approach to scoping that

<sup>1</sup>Those advocacy groups are the National Association of the Deaf, the Hearing Loss Association of America, the Association of Late Deafened Adults, and the Alexander Graham Bell Association for the Deaf and Hard of Hearing.

was referenced and supported by many commenters. First, the Joint Comment recommended that movie theaters obtain a minimum number of captioning devices based on the number of screens (auditoriums) displaying digital movies, in accordance with the following:

- Single Screen: 4 devices
- Miniplex (2-7 screens): 6 devices
- Multiplex (8-15 screens): 8 devices
- Megaplex (16+ screens): 12 devices

Second, in order to address the limited circumstances when demand for captioning devices exceeds minimum requirements, the Joint Comment proposed that movie theaters record weekend demand for captioning devices and adjust the number of devices bi-annually to be equal to 150 percent of the average weekend demand during a 6-month tracking period. For example, under this formula, a movie theater that is initially required to have 6 devices and calculates an average actual weekend demand of 8 devices during a tracking period must increase the number of available devices to 12 (150 percent of 8). Finally, the Joint Comment recommended that the Department require every movie theater company to submit an annual report of its tracking records to the Department.

After considering all comments, census data, statistics regarding movie theater attendance, actual usage data, and its independent research, the Department has modified its approach to captioning device scoping and has adopted a final rule that requires movie theaters to have on hand the minimum number of captioning devices proposed in the Joint Comment. Thus, the final rule at renumbered § 36.303(g)(3)(i) states that "[a] public accommodation shall provide a minimum number of fully operational captioning devices at its movie theaters in accordance with the following Table:"

Number of movie theater auditoriums exhibiting digital movies	Minimum required number of captioning devices
1 .....	4
2-7 .....	6
8-15 .....	8
16+ .....	12

The Department imposes these requirements because its own research and analysis confirms that they will easily satisfy maximum weekend demand for captioning devices at movie theaters across the nation in almost every location. Thus, the Department believes that the final rule obligates movie theaters to provide the optimum number of captioning devices sufficient to provide accessibility to individuals with disabilities

who will need and use them, without requiring movie theaters to purchase equipment that may likely never be used.

Despite NATO's and a number of other comments to the contrary, the Department has also decided not to impose specific requirements at this time for providing additional captioning devices when actual demand for them exceeds the rule's minimum requirements. While the Department acknowledges that there are a few movie theaters located in areas where there is an unusually high concentration of individuals who are deaf or hard of hearing, comments, usage data, and independent research all indicate that only in those rare circumstances is there a reasonable possibility that regular demand for devices may exceed the rule's minimum requirements. That same information also reflects that many movie theaters located in markets that consistently have an unusually large number of patrons with hearing difficulties are already making voluntary efforts to satisfy consumer demand. For example, because open movie captioning is popular with many movie patrons who are deaf or hard of hearing, some movie theaters near schools that educate persons who are deaf provide open-captioned screenings on-demand, or in accordance with a convenient, regular, and frequent schedule. In any event, the Department currently lacks adequate information and data to craft an appropriate standard to address these situations.

In addition, the Department decided not to impose a recordkeeping requirement on movie theaters at this time, even though some commenters suggested that the Department do so in order to require movie theaters to keep records of actual demand for devices. The NPRM did not solicit information about existing movie theater recordkeeping practices with respect to the provision of assistive listening receivers or captioning and audio description devices, and the Department lacks adequate data as to the costs and the burdens of imposing such a requirement on all movie theaters. Moreover, the Department has not previously imposed this type of recordkeeping requirement on public accommodations, and it declines to do so without more information about the need and the costs. The Department intends, however, to reach out to stakeholders in the future and obtain additional information about whether it should consider engaging in supplemental rulemaking regarding a recordkeeping requirement and imposing a standard that addresses situations when actual demand exceeds the rule's minimum requirements.

In the interim, for those movie theaters that are located in the few places where there is an unusually high concentration of individuals who are deaf or hard of hearing, the Department strongly encourages these public accommodations to voluntarily work with the local disability community to iden-

tify and maintain an appropriate number of captioning devices, or to utilize other approaches, including open movie captioning, to satisfy their patrons' regular and actual demand.

#### SECTION 36.303(g)(4) MINIMUM REQUIREMENTS FOR AUDIO DESCRIPTION DEVICES

In order to ensure that individuals who are blind or have low vision have access to audio-described movies when such movies are available, movie theaters must provide a reasonable number of audio description devices. In the NPRM, the Department proposed at §36.303(g)(3)(ii)(A) that movie theaters maintain one audio description device per auditorium, with a minimum of two devices per movie theater. However, the Department noted at proposed §36.303(g)(3)(ii)(B) that "[a] movie theater may comply with this requirement by using receivers it already has available as assistive listening devices in accordance with the requirements in Table 219.3 of the 2010 Standards, if those receivers have a minimum of two channels available for sound transmission to patrons." The Department theorized that many movie theaters utilized the newer, multi-channel assistive listening receivers, and as a result, most movie theaters would not be required to purchase additional devices in order to comply with this requirement.

The Department received extensive comments regarding the proposed scoping for audio description devices. Although commenters overwhelmingly supported the proposed rule's goal of ensuring access to audio description in movie theaters, only three commenters agreed with the proposed scoping.

Several commenters recommended a greater number of audio description devices than the Department proposed in the NPRM to accommodate an increase in the number of individuals who are blind or have low vision who will likely attend the movies if accessible technologies are available. A few commenters recommended two audio description devices per auditorium, citing a movie theater's usage data to support the suggestion. One commenter, concerned that a movie theater should be able to accommodate a larger group of blind or visually impaired movie patrons, recommended at least eight audio description devices per movie theater, or two devices per auditorium, whichever is greater. Finally, one commenter proposed requiring three audio description devices per auditorium to accommodate a larger user pool, and to counteract a reduction in available devices that may arise in the event of equipment failure, or when devices are being recharged.

The majority of commenters, however, stated that the recommended scoping was

excessive and too inflexible. These commenters reasoned that the proposed scoping failed to consider attendance variability or demographics, and inhibited movie theaters from moving devices between locations to effectively meet demographic needs. Commenters recommended basing the number of required audio description devices on factors such as weekend attendance, annual attendance, tracked usage rates, and market demand. The Department received a large number of comments from movie theaters stating that current requests by patrons for audio description devices are extremely low. Additionally, a trade association submitted comments stating that member companies reported signing out a maximum of 1–4 audio description devices at any time, and that these companies never had more requests for devices than the number of devices available. Based on this information, the trade association recommended that the Department require one audio description device for every two auditoriums, with a minimum of two devices per movie theater.

In addition to comments criticizing the proposed scoping, commenters also addressed the Department's belief that most movie theaters utilize multi-channel headsets to meet their assistive listening device obligations. A couple of movie theaters indicated that they have the dual-channel receivers. However, a trade association commented that many movie theaters still rely on single-channel headsets to meet their assistive listening device obligations and that the Department erred in assuming that most movie theaters would not need to buy additional devices in order to comply with these scoping requirements.

In consideration of the comments received and the Department's independent research, the Department has adjusted the required number of audio description devices to one device for every two auditoriums. The Department believes that the available data supports its view that the revised scoping ensures that movie theaters will have available an adequate number of devices without requiring movie theaters to purchase more equipment than is likely necessary. The final rule at renumbered § 36.303(g)(4)(i) reads as follows: "A public accommodation shall provide at its movie theaters a minimum of one fully operational audio description device for every two movie theater auditoriums exhibiting digital movies and no less than two devices per movie theater. When calculation of the required number of devices results in a fraction, the next greater whole number of devices shall be provided." The Department has retained the provision in proposed § 36.303(g)(3)(ii)(B) regarding the use of multi-channel assistive listening receivers to meet this requirement. The Department notes that if movie theaters are purchasing new receivers to replace existing single-channel re-

ceivers, they may choose to purchase two-channel receivers and then use them to meet both their requirements to provide assistive listening receivers and audio description devices if use of the two-channel receivers is compatible with their audio description and assistive listening systems. The Department does not, however, intend this provision to discourage movie theaters from using induction loop systems for sound amplification while using a different system for transmission of audio description. Renumbered § 36.303(g)(4)(ii) states that "[a] public accommodation may comply with the requirements in paragraph (g)(4)(i) by using the existing assistive listening receivers that the public accommodation is already required to provide at its movie theaters in accordance with Table 219.3 of the 2010 Standards, if those receivers have a minimum of two channels available for sound transmission to patrons."

#### SECTION 36.303(g)(5) PERFORMANCE REQUIREMENTS FOR CAPTIONING DEVICES AND AUDIO DESCRIPTION DEVICES

In the NPRM, the Department proposed performance requirements for the individual devices used by movie patrons at their individual seats. Proposed § 36.303(g)(2)(iii)(B) stated that the individual devices needed to be adjustable; be available to patrons in a timely manner; provide clear, sharp images; be properly maintained; and be easily usable by the patron in order to ensure effective communication.

While the comments were generally supportive of the existence of performance requirements, there were differences of opinion expressed about the specifics of this provision. Some commenters supported the Department's language, but others expressed concern that the requirements as written were vague and subjective. For example, a few commenters proposed that the Department define specific quantifiable and technical standards, and several commenters suggested that the Department develop a program to encourage the development of better accessibility technology due to their concerns associated with the design and quality of current technology.

The Department also received conflicting comments with respect to adding requirements beyond those proposed in the NPRM. Several commenters suggested that the Department require captioning devices to have an adjustable font size while many disagreed, stating that an adjustable font size requirement would be problematic. Other commenters believed that the Department should require that all devices be clean, in addition to being available and functional. Commenters also suggested requiring quality assurance procedures, frequent testing, and regular maintenance schedules to ensure

that the devices are functional and deliver complete and accurate captions and audio description. One commenter encouraged the Department to require that movie theaters maintain the most recent technology in a range of device styles and consult with customers and consumer groups to decide which devices to purchase. Although the NPRM language focused on captioning devices, many of the comments urged the Department to ensure that both captioning and audio description devices are maintained and readily available.

After considering all comments, the Department has decided to retain the performance requirements as proposed in the NPRM with minor structural edits and to make clear that the requirements for maintenance and timely availability apply to both types of devices. The Department declines to impose any additional requirements related to ensuring the functionality of the captioning and audio description devices provided by movie theaters. The rule imposes the responsibility on movie theaters to ensure that the equipment is fully operational (meets all of the performance requirements in the regulation) and available. The Department believes that movie theaters are able to determine the best approach for ensuring compliance with the regulatory requirements and notes that §36.211(b) (Maintenance of accessible features) “does not prohibit isolated or temporary interruptions in service or access due to maintenance or repairs.”

The Department also declines to include specific technical specifications regarding the captioning and audio description devices. The Department notes that its approach to performance requirements for captioning and audio description devices is similar to the approach the Department took with respect to performance standards for video remote interpreting services. *See* §36.303(f).

The Department also declines to impose an obligation that movie theaters must upgrade to the most recent technology. While the Department is in favor of technological development, such a requirement is beyond the scope of this regulation. Additionally, the Department believes that many of the concerns about current devices raised by commenters (*e.g.*, poor power connection or poor signal) are adequately addressed by the requirements in paragraphs (g)(3) through (5)—that devices be fully operational and maintained.

Renumbered §36.303(g)(5) of the final rule retains the performance requirements proposed in the NPRM, but it has been restructured for clarity.

#### SECTION 36.303(g)(6) ALTERNATIVE TECHNOLOGIES

Although commenters on the 2010 Advance Notice of Proposed Rulemaking, 75 FR 43467 (July 26, 2010) (ANPRM), encouraged the De-

partment to require open movie captioning at movie theaters, the Department declined to make such a proposal in the NPRM, noting that in the debate leading up to passage of the ADA, the House Committee on Education and Labor explicitly stated that “[o]pen-captioning, for example, of feature films playing in movie theaters, is not required by this legislation.” H.R. Rep. No. 101-485, pt. 2, at 108 (1990). The Senate Committee on Labor and Human Resources included a statement in its report on the ADA to the same effect. S. Rep. No. 101-116, at 64 (1989). As the House Committee also recognized, however, “technological advances \* \* \* may require public accommodations to provide auxiliary aids and services in the future which today would not be required because they would be held to impose undue burdens on such entities.” H.R. Rep. No. 101-485, pt. 2, at 108.

The Department included a provision in the NPRM giving movie theater owners and operators the choice to use other technologies to comply with the captioning and audio description requirements of this rule. Proposed §36.303(g)(2)(ii) provided that “[m]ovie theaters may meet their obligation to provide captions to persons with disabilities through use of a different technology, such as open movie captioning, so long as the communication provided is as effective as that provided to movie patrons without disabilities. Open movie captioning at some or all showings of movies is never required as a means of compliance with this section, even if it is an undue burden for a theater to exhibit movies with closed movie captioning in an auditorium.”

Commenters disagreed on whether this provision struck an appropriate balance between the cost to movie theaters, the benefit to individuals with hearing and vision disabilities, and the impact on the movie-going experience for individuals without disabilities. The majority of comments on this provision concerned open movie captioning. Although some commenters expressed concern that an open-movie-captioning requirement would have an impact on the cinematic experience of hearing patrons, most commenters argued that the Department should require open movie captioning. Several open-movie-captioning requirements were proposed by commenters, including: Requiring open movie captioning at 100 percent of showings; requiring one open-captioned movie per day; requiring dedicated open-captioned auditoriums; or requiring open movie captioning if closed movie captioning is unavailable for any reason. One commenter who supported an open-movie-captioning requirement asserted that 95 percent of the deaf and hard of hearing community prefers open movie captioning to the use of captioning devices.

The commenters proposing an open-movie-captioning requirement ultimately disagreed

with the Department's interpretation of the legislative history as indicating congressional intent that the ADA did not require the provision of open movie captions at movie theaters. One commenter reasoned that because modern open movie captioning is significantly different from the open movie captioning available in 1990, the legislative history on this point represents a latent ambiguity. Therefore, in this commenter's view, the Department is not bound by the legislative history concerning open movie captioning and is free to require it. Other commenters, however, agreed with the Department's statement in the NPRM and argued that because the legislative history states that open movie captioning is not required as a means of compliance with the ADA, the rule should not mandate any conditions concerning open-captioned showings.

In response to the Department's questions concerning the parameters of the option to provide open movie captioning rather than closed movie captioning, several commenters suggested that the Department define what constitutes a "timely request" when a movie patron requests open movie captioning. These commenters provided a variety of suggestions, which ranged from the specific (*e.g.*, 1 hour or 1 day before the showing) to the ambiguous (*e.g.*, it should be reasonably easy).

Other comments also addressed whether the Department adequately addressed new technology. One commenter agreed that the "different technology" language encompassed any future technology, but further suggested that the effectiveness of new technologies should be judged from the baseline of "as effective as captioning and/or audio description devices." Other commenters disagreed and criticized the rule for not addressing other currently available technologies, such as hearing loop systems, InvisiVision™ glasses, or smart phone applications.

After considering all of the comments, the Department has decided to retain the option to comply with the captioning and audio description requirements of this rule through the use of any other technology that is or becomes available to provide effective communication to patrons with hearing and vision disabilities, including open movie captioning. The Department has clarified, however, that in those circumstances where a public accommodation chooses to use open movie captioning at all showings of all movies available with captioning or at all times it receives a request to turn on open movie captions prior to the start of the movie, it is not also required to comply with the specific requirement to obtain captioning devices. However, if a public accommodation only makes open movie captioning available to patrons who are deaf or hard of hearing at some showings of movies available with cap-

tioning, it will still have to comply with the requirements to provide captioning devices because it must provide effective communication at all showings of all movies available with captioning.

The Department has made other changes to the structure and language of this provision in response to comments and to better preserve the intent and longevity of this paragraph. The final rule now reads "through any technology," instead of "through use of different technology." Although the Department declines to endorse specific technologies, the Department believes that the revised language better articulates the purpose of this paragraph to encompass current and future technologies that may serve individuals with hearing and vision disabilities. The requirement that public accommodations provide auxiliary aids and services to ensure communication as effective as that provided to movie patrons without disabilities remains unchanged as that is the standard for effective communication required by §36.303(c). See 28 CFR part 36, app. C (explaining that public accommodations must provide appropriate auxiliary aids and services "to ensure that communication with persons with disabilities is as effective as communication with others").

The Department maintains its view that Congress did not intend the ADA to require movie theaters to provide open movie captioning. Although the technology to provide open movie captioning has changed and enables movie theaters to provide the service more easily, open movie captioning as it exists today remains visible to all movie patrons and has not changed in this respect. As a result, the Department's position remains consistent with the legislative history on this point, and the final rule retains the language (with some minor edits) in proposed §36.303(g)(2)(ii), which provided that "[o]pen movie captioning at some or all showings of movies is never required as a means of compliance with this section, even if it is an undue burden for a theater to exhibit movies with closed movie captioning in an auditorium." In the final rule, however, the Department has moved this language to new §36.303(g)(10).

The revised provision addressing other technologies, renumbered in the final rule as §36.303(g)(6), enables a public accommodation to meet its obligation to provide captioning and audio description through alternative technologies that provide effective communication for movie patrons with hearing and vision disabilities. Section 36.303(g)(6) further provides that a public accommodation may use open movie captioning as an alternative to complying with the captioning device scoping requirements of this rule by providing open movie captioning at all

showings, or whenever requested by or for an individual who is deaf or hard of hearing.

SECTION 36.303(g)(7) COMPLIANCE DATE FOR PROVIDING CAPTIONING AND AUDIO DESCRIPTION

In the NPRM, the Department proposed at §36.303(g)(4)(i) that all movie theaters with auditoriums displaying digital movies must comply with the requirements of the rule within 6 months of the publication date of the final rule. The Department also proposed to give movie theaters that converted their auditoriums with analog projection systems to digital projection systems after the publication date of the rule an additional 6 months from the date of conversion to comply with the rule's requirements. Although the Department expressed the belief that 6 months was sufficient time for movie theaters to order and install the necessary equipment, train employees on how to use the equipment and assist patrons in using it, and notify patrons of the availability of these services, the Department requested public comment on the reasonableness of a 6-month compliance date.

The Department received many comments both against and in favor of the proposed 6-month compliance date. A minority of comments from a few disability advocacy groups and a few private citizens supported the proposed 6-month compliance date. These commenters asserted that because most movie theaters had already committed to providing captioning and audio description to their patrons by the end of 2014, the 6-month compliance date was, in their view, reasonable.

The vast majority of commenters, however, asserted that 6 months was not enough time for the remaining movie theaters to comply with the requirements of this rule. These comments raised concerns about manufacturers' ability to sustain the sudden, increased demand that the scoping requirements would likely create for captioning and audio description devices. Industry commenters stated that movie theaters already experience considerable delays between order date and delivery date and that, with increased demand and a limited supply, the prices of these devices would likely increase, especially for lower volume purchasers. Industry commenters further advised the Department that a trained technician must install the captioning and audio description equipment and that their experience indicates that there is a waiting period for such services. Commenters also expressed concern that the compliance date proposed in the NPRM was drastically different from the phased compliance date proposed in the ANPRM and that the Department's rationale for the change was insufficient.

Finally, some commenters expressed concern that small movie theaters in particular would have difficulty complying with the re-

quirements of the rule within the proposed 6-month compliance date. Commenters advised that small movie theaters would need additional time to raise the necessary funds or adjust their budgets in order to purchase the equipment.

Based on these concerns, commenters offered a variety of alternative compliance dates. The Joint Comment suggested that the Department require movie theaters to issue purchase orders for the equipment within 6 months of the final rule's publication, but require fully functional and operational devices and trained staff either within 2 years of the final rule's publication or 6 months of system delivery, whichever came first. Other commenters suggested compliance dates ranging from 1 year to 4 years. One major movie theater chain in particular recommended an 18-month compliance date, stating that this is the amount of time that it currently takes to order and install the necessary equipment. Some commenters suggested a sliding compliance schedule based on a movie theater's gross revenue or a movie theater's size, and others suggested a phased compliance date similar to the schedule articulated in the ANPRM.

In consideration of these comments and the Department's independent research, the Department agrees that 6 months may be an insufficient amount of time for movie theaters to comply with the requirements of paragraph (g) of this section, and the Department instead will require compliance beginning 18 months from the date of publication of the final rule. The Department believes that an 18-month compliance period sufficiently accounts for potential delays that may result from manufacturer backlogs, installation waitlists, and other circumstances outside a movie theater's control. This date also gives small movie theaters that are financially impacted as a result of the unrelated costs of digital conversion a sufficient amount of time to plan and budget accordingly. The Department declines to include a requirement that movie theaters issue purchase orders for the equipment within 6 months of the final rule's publication because such a requirement is unenforceable without imposing recordkeeping and reporting requirements.

The final rule continues to provide additional time for movie theaters converting their auditoriums from analog projection systems to digital projection systems after the publication date of the final rule. Once the installation of a digital projection system is complete, meaning that the auditorium has installed the equipment needed to exhibit a digital movie, the movie theater has at least an additional 6 months to ensure compliance with the requirements of the rule and provide closed movie captioning and audio description when showing digital movies in that auditorium. Renumbered

§ 36.303(g)(7)(ii) states that “[i]f a public accommodation converts a movie theater auditorium from an analog projection system to a system that allows it to exhibit digital movies after December 2, 2016, then that auditorium must comply with the requirements in paragraph (g) of this section by December 2, 2018, or within 6 months of that auditorium’s complete installation of a digital projection system, whichever is later.” The Department believes that this approach will provide movie theaters in the process of converting to digital projection after the publication date of the rule a sufficient amount of time to acquire the necessary equipment to provide captioning and audio description.

#### SECTION 36.303(g)(8) NOTICE

The Department believes that it is essential that movie theaters provide adequate notice to patrons of the availability of captioned and audio-described movies. In the NPRM, the Department proposed at § 36.303(g)(5) that movie theaters provide information regarding the availability of captioning and audio description for each movie in communications and advertisements intended to inform potential patrons of movie showings and times and provided by the theaters through Web sites, posters, marquees, newspapers, telephone, and other forms of communication.

Commenters on the NPRM unanimously supported the inclusion of some form of a notice requirement in the final rule but differed on the scope of that requirement. Some commenters supported requiring notice in all places where a captioned or audio-described movie is advertised, and another commenter asked the Department to include as many forms of communication as possible in the language of the final rule, including mobile phone applications. These commenters reasoned that individuals who are deaf or hard of hearing, or blind or have low vision, should be able to find this information easily. Several other commenters, however, asked the Department to limit the notice requirement to the box office, ticketing locations, and the movie theater’s Web site. Although such commenters raised concerns about the high cost associated with a requirement that covers all communications and advertisements, they offered no other rationale for why they were proposing a limited requirement.

In addition to the scope of the requirement, commenters also addressed the form of the notice required. One commenter requested that the Department require a uniform notice by all movie theaters, and another commenter suggested that the Department require movie theaters to include within the notice the universal symbols for cap-

tioning and audio description as well as the type of device available.

Other commenters pointed to industry realities in order to highlight their concerns with the proposed provision. Some commenters expressed concern that movie theaters would be liable for a third party’s failure to include information about captioning and audio description availability in their communications although movie theaters lack control over these communications. Commenters also advised the Department that there may be circumstances where compliance with the notice requirement would be difficult for some types of media. These commenters contend, for example, that movie theaters often book a film without knowing whether it is captioned or audio-described and that print deadlines may materialize before that information is available.

After considering these comments and the information available to the Department, the Department has revised its proposed notice language. The Department agrees that notice may not be necessary on all forms of communications and advertisements but disagrees that the notice obligation should be limited only to the box office, ticketing locations, and the movie theater’s Web site. For example, telephone recordings serve an especially important medium of communication for individuals who are blind or have low vision and who may not utilize Web-based or print media to access information concerning movie showings. Similarly, newspapers serve an especially important medium of communication for individuals who may not use Web-based media generally. Moreover, according to the Department’s research, movie theaters utilize proprietary mobile phone applications to inform potential patrons of movie showings and times, and some already advertise the availability of captioning and audio description devices on these applications.<sup>2</sup> Therefore, the Department has decided to require movie theaters to provide notice on communications

<sup>2</sup>The Department’s research indicates that the following movie theater companies operate mobile phone applications and advertise the availability of captioning and audio description on these platforms: Regal Entertainment Group, AMC Theatres, Cineplex Entertainment, and Harkins Theatres. See, e.g., American Multi-Cinema, Inc., AMC Theatres (Version 5.2.2, 2016) (mobile application software), available at <https://itunes.apple.com/us/app/amc-theatres/id509199715?ls=1&mt=8> (last visited Sept. 12, 2016); Regal Cinemas, Inc., Regal—Movie Tickets and Showtimes for Regal Cinemas, United Artists and Edwards Theatres (Version 3.4.2, 2016) (mobile application software), available at <https://itunes.apple.com/us/app/regal-cinemas/id502912815?mt=8> (last visited Sept. 12, 2016).



and advertisements provided at or on any of the following: The box office and other ticketing locations, Web sites, mobile apps, newspapers, and the telephone.

The Department declines to require a specific form of notice to describe the availability of captioning or audio description. The Department notes that movie theaters already appear to be using a relatively uniform method of advising the public about the availability of captioning and audio description. A review of Web sites and newspaper advertising indicates that movie theaters routinely use “CC” and “OC” to indicate the availability of closed and open movie captioning and “AD” or “DV” to indicate the availability of audio description.

As the Department specifically noted in the NPRM and makes clear in the final rule, the rule does not impose obligations on independent third parties that publish information about movies, and these third parties will not face liability under the ADA if they fail to include information about the availability of captioning and audio description at movie theaters.

Renumbered § 36.303(g)(8) of the final rule requires that whenever a public accommodation provides captioning and audio description in a movie theater auditorium exhibiting digital movies on or after January 17, 2017, its notices of movie showings and times, provided at the box office and other ticketing locations, on Web sites and mobile apps, in newspapers, and over the telephone, must inform potential patrons of the movies that are being shown with captioning and audio description. The final rule further provides that this obligation does not extend to third parties that provide information about movie theater showings and times, as long as the third party is not under the control of the public accommodation.

This provision applies to movie theaters once they provide captioning and audio description for digital movies on or after the effective date of the rule, January 17, 2017. Thus, movie theaters that already show digital movies with closed movie captions and audio description must comply with this provision as soon as the rule takes effect.

#### SECTION 36.303(g)(9) OPERATIONAL REQUIREMENTS

In response to the ANPRM, the Department received a significant number of comments from individuals with disabilities and groups representing persons who are deaf or hard of hearing and who are blind or have low vision strongly encouraging the Department to include a requirement that movie theater staff know how to operate captioning and audio description equipment and be able to communicate with patrons about the use of individual devices. Having considered those comments, the Department included in the NPRM proposed § 36.303(g)(6), which re-

quired movie theaters to ensure that at least one individual was on location at each facility and available to assist patrons whenever showing a captioned or audio-described movie. The proposed § 36.303(g)(6) further required that such individual be able to operate and locate all of the necessary equipment and be able to communicate effectively with individuals with hearing and vision disabilities about the uses of, and potential problems with, the equipment.

All of the comments on the NPRM that addressed this proposed language acknowledged that staff training regarding the operation of equipment is vital to the proper functioning of the rule. A number of commenters stated that on numerous occasions when they attempted to go to a movie advertised as having captioning or audio description, there was no staff available who knew where the captioning devices were kept or how to turn on the captioning or audio description for the movie. Many of these commenters indicated that they were unable to experience the movie fully because of the lack of trained personnel, even if the auditorium was properly equipped and the movie was actually available with captioning or audio description.

A handful of commenters requested that the Department expand its proposed operational requirement, emphasizing concerns about movie theater staff’s current knowledge concerning the operation of available equipment. One commenter encouraged the Department to specifically require all movie theater personnel to be properly and uniformly trained in providing such services, and other commenters suggested that all movie theater personnel be trained as to the availability of these services. Other comments encouraged the Department to enumerate specific requirements to ensure that movie theater staff is capable of operating the captioning and audio description equipment, including a requirement that management document employee training and a requirement that employees receive periodic refresher courses.

A few commenters questioned the need for the proposed language in § 36.303(g)(6)(iii), which required movie theaters to “[c]ommunicate effectively with individuals who are deaf or hard of hearing and blind or have low vision regarding the uses of, and potential problems with, the equipment for such captioning or audio description.” One commenter asserted that an “effective communication” requirement in the proposed paragraph (g)(6)(iii) was superfluous given the overarching requirements in § 36.303(c). Other commenters supported the proposed language, stating that movie theater staff, including managers, often are not knowledgeable on how to properly communicate

with individuals who are deaf, hard of hearing, blind, or have low vision. A State government also pointed out that in *Camarillo v. Carrols Corp.*, 518 F.3d 153, 157 (2d Cir. 2008) (per curiam), the Second Circuit held that a public accommodation's failure to provide employee training on effective communication with individuals with disabilities can constitute a violation of title III, specifically 42 U.S.C. 12182(b)(2)(A)(iii).

The final rule retains the operational requirements proposed in the NPRM in renumbered § 36.303(g)(9) and adds the requirement that if a movie theater is relying on open movie captioning to meet the requirements of paragraph (g)(3), it must also ensure that there is an employee available at the theater who knows how to turn on the captions. The Department declines to add a specific requirement that all personnel be trained, as it believes that it is sufficient if a movie theater has at least one knowledgeable employee on location at all times to ensure that the service is available and provided without interruption. While the Department agrees that it would be a good idea for movie theaters to implement reasonable staff training programs and periodic refresher courses, the Department declines to take these recommendations and has not included in the final rule specific logistical requirements concerning movie theater staff training.

The Department has decided to retain in the final rule the language in proposed § 36.303(g)(6)(iii) requiring movie theater staff to effectively communicate with individuals who are deaf or hard of hearing, or blind or have low vision, regarding the uses of, and potential problems with, the captioning and audio description devices. The Department notes, however, that communicating effectively with patrons about the availability of captioning at a movie theater would not require a movie theater to hire a sign language interpreter. Communication with a person who is deaf or hard of hearing about the availability of these services or how to use the equipment involves a short and relatively simple exchange and therefore can easily be provided through signage, instructional guides, or written notes.

Final § 36.303(g)(9) requires that whenever a public accommodation provides captioning and audio description in a movie theater auditorium exhibiting digital movies on or after January 17, 2017, at least one theater employee must be available to assist patrons seeking or using the captioning or audio description equipment. The employee must be able to quickly locate and activate the necessary equipment; operate and address problems with the equipment prior to and during the movie; turn on the open movie captions if the movie theater is relying on open movie captions to meet its effective communication requirements; and communicate effec-

tively with individuals with disabilities about how to use, operate, and resolve problems with the equipment.

This provision applies to movie theaters once they provide captioning and audio description for digital movies on or after the effective date of the rule, January 17, 2017. Thus, movie theaters that already show digital movies with closed movie captions and audio description must comply with this provision as soon as the rule takes effect.

#### SECTION 36.303(g)(10)

Section 36.303(g)(10) in the final rule provides that “[t]his section does not require the use of open movie captioning as a means of compliance with paragraph (g), even if providing closed movie captioning for digital movies would be an undue burden.” The NPRM proposed similar language at § 36.303(g)(2)(ii). See discussion of comments on final § 36.303(g)(6), *supra*.

[AG Order 3779–2016, 81 FR 87379, Dec. 2, 2016]

## PART 37—PROCEDURES FOR COORDINATING THE INVESTIGATION OF COMPLAINTS OR CHARGES OF EMPLOYMENT DISCRIMINATION BASED ON DISABILITY SUBJECT TO THE AMERICANS WITH DISABILITIES ACT AND SECTION 504 OF THE REHABILITATION ACT OF 1973

### Sec.

- 37.1 Purpose and application.
- 37.2 Definitions.
- 37.3 Exchange of information.
- 37.4 Confidentiality.
- 37.5 Date of receipt.
- 37.6 Processing of complaints of employment discrimination filed with an agency other than the EEOC.
- 37.7 Processing of charges of employment discrimination filed with the EEOC.
- 37.8 Processing of complaints or charges of employment discrimination filed with both the EEOC and a section 504 agency.
- 37.9 Processing of complaints or charges of employment discrimination filed with a designated agency and either a section 504 agency, the EEOC, or both.
- 37.10 Section 504 agency review of deferred complaints.
- 37.11 EEOC review of deferred charges.
- 37.12 Standards.
- 37.13 Agency specific memoranda of understanding.

AUTHORITY: 5 U.S.C. 301; 28 U.S.C. 509, 510; 29 U.S.C. 794 (d); 42 U.S.C. 12117(b); 28 CFR 0.50(1).

## Department of Justice

## § 37.2

SOURCE: Order No. 1899-94, 59 FR 39904, 39908, Aug. 4, 1994, unless otherwise noted.

### § 37.1 Purpose and application.

(a) This part establishes the procedures to be followed by the Federal agencies responsible for processing and resolving complaints or charges of employment discrimination filed against recipients of Federal financial assistance when jurisdiction exists under both section 504 and title I.

(b) This part also repeats the provisions established by 28 CFR 35.171 for determining which Federal agency shall process and resolve complaints or charges of employment discrimination:

(1) That fall within the overlapping jurisdiction of titles I and II (but are not covered by section 504); and

(2) That are covered by title II, but not title I (whether or not they are also covered by section 504).

(c) This part also describes the procedures to be followed when a complaint or charge arising solely under section 504 or title I is filed with a section 504 agency or the EEOC.

(d) This part does not apply to complaints or charges against Federal contractors under section 503 of the Rehabilitation Act.

(e) This part does not create rights in any person or confer agency jurisdiction not created or conferred by the ADA or section 504 over any complaint or charge.

### § 37.2 Definitions.

As used in this part, the term:

*Americans with Disabilities Act of 1990* or *ADA* means the Americans with Disabilities Act of 1990 (Pub. L. 101-336, 104 Stat. 327, 42 U.S.C. 12101-12213 and 47 U.S.C. 225 and 611).

*Assistant Attorney General* refers to the Assistant Attorney General, Civil Rights Division, United States Department of Justice, or his or her designee.

*Chairman of the Equal Employment Opportunity Commission* refers to the Chairman of the United States Equal Employment Opportunity Commission, or his or her designee.

*Civil Rights Division* means the Civil Rights Division of the United States Department of Justice.

*Designated agency* means any one of the eight agencies designated under

§ 35.190 of 28 CFR part 35 (the Department's title II regulation) to implement and enforce title II of the ADA with respect to the functional areas within their jurisdiction.

*Dual-filed complaint or charge* means a complaint or charge of employment discrimination that:

(1) Arises under both section 504 and title I;

(2) Has been filed with both a section 504 agency that has jurisdiction under section 504 and with the EEOC, which has jurisdiction under title I; and

(3) Alleges the same facts and raises the same issues in both filings.

*Due weight* shall mean, with respect to the weight a section 504 agency or the EEOC shall give to the other agency's findings and conclusions, such full and careful consideration as is appropriate, taking into account such factors as:

(1) The extent to which the underlying investigation is complete and the evidence is supportive of the findings and conclusions;

(2) The nature and results of any subsequent proceedings;

(3) The extent to which the findings, conclusions and any actions taken:

(i) Under title I are consistent with the effective enforcement of section 504; or

(ii) Under section 504 are consistent with the effective enforcement of title I; and

(4) The section 504 agency's responsibilities under section 504 or the EEOC's responsibilities under title I.

*Equal Employment Opportunity Commission* or *EEOC* refers to the United States Equal Employment Opportunity Commission, and, when appropriate, to any of its headquarters, district, area, local, or field offices.

*Federal financial assistance* shall have the meaning, with respect to each section 504 agency, as defined in such agency's regulations implementing section 504 for Federally-assisted programs.

*Program or activity* shall have the meaning defined in the Rehabilitation Act of 1973 (Pub. L. 93-112, 87 Stat. 394, 29 U.S.C. 794), as amended.

*Public entity* means:

(1) Any State or local government;

### § 37.3

(2) Any department, agency, special purpose district, or other instrumentality of a State or States or local government; and

(3) The National Railroad Passenger Corporation, and any commuter authority (as defined in section 103(8) of the Rail Passenger Service Act, 45 U.S.C. 502(8)).

*Recipient* means any State, political subdivision of any State, or instrumentality of any State or political subdivision, any public or private agency, institution, organization, or other entity, or any individual, in any State, to whom Federal financial assistance is extended, directly or through another recipient, for any program, including any successor, assignee, or transferee thereof, but such term does not include any ultimate beneficiary under such program.

*Section 504* means section 504 of the Rehabilitation Act of 1973 (Pub. L. 93-112, 87 Stat. 394, 29 U.S.C. 794), as amended.

*Section 504 agency* means any Federal department or agency that extends Federal financial assistance to programs or activities of recipients.

*Title I* means title I of the ADA.

*Title II* means subtitle A of title II of the ADA.

### § 37.3 Exchange of information.

The EEOC, section 504 agencies, and designated agencies shall share any information relating to the employment policies and practices of a respondent that may assist each agency in carrying out its responsibilities, to the extent permissible by law. Such information shall include, but is not limited to, complaints, charges, investigative files, compliance review reports and files, affirmative action programs, and annual employment reports.

### § 37.4 Confidentiality.

(a) When a section 504 agency or a designated agency receives information obtained by the EEOC, such agency shall observe the confidentiality requirements of section 706(b) and section 709(e) of the Civil Rights Act of 1964, as amended (42 U.S.C. 2000e-5(b) and 2000e-8(e)), as incorporated by section 107(a) of the ADA, to the same extent as these provisions would bind the

### 28 CFR Ch. I (7-1-17 Edition)

EEOC, except when the agency receives the same information from a source independent of the EEOC. Agency questions concerning the confidentiality requirements of title I shall be directed to the Associate Legal Counsel for Legal Services, Office of Legal Counsel, the EEOC.

(b) When the EEOC receives information from a section 504 or a designated agency, the EEOC shall observe any confidentiality requirements applicable to that information.

### § 37.5 Date of receipt.

A complaint or charge of employment discrimination is deemed to be filed, for purposes of determining timeliness, on the date the complaint or charge is first received by a Federal agency with section 504 or ADA jurisdiction, regardless of whether it is subsequently transferred to another agency for processing.

### § 37.6 Processing of complaints of employment discrimination filed with an agency other than the EEOC.

(a) *Agency determination of jurisdiction.* Upon receipt of a complaint of employment discrimination, an agency other than the EEOC shall:

(1) Determine whether it has jurisdiction over the complaint under section 504 or under title II of the ADA; and

(2) Determine whether the EEOC may have jurisdiction over the complaint under title I of the ADA.

(b) *Referral to the Civil Rights Division.* If the agency determines that it does not have jurisdiction under section 504 or title II, and determines that the EEOC does not have jurisdiction under title I, the agency shall promptly refer the complaint to the Civil Rights Division. The Civil Rights Division shall determine if another Federal agency may have jurisdiction over the complaint under section 504 or title II, and, if so, shall promptly refer the complaint to a section 504 or a designated agency with jurisdiction over the complaint.

(c) *Referral to the EEOC—(1) Referral by an agency without jurisdiction.* If an agency determines that it does not have jurisdiction over a complaint of

employment discrimination under either section 504 or title II and determines that the EEOC may have jurisdiction under title I, the agency shall promptly refer the complaint to the EEOC for investigation and processing under title I of the ADA.

(2) *Referral by a section 504 agency.* (i) A section 504 agency that otherwise has jurisdiction over a complaint of employment discrimination under section 504 shall promptly refer to the EEOC, for investigation and processing under title I of the ADA, any complaint of employment discrimination that solely alleges discrimination against an individual (and that does not allege discrimination in both employment and in other practices or services of the respondent or a pattern or practice of employment discrimination), unless:

(A) The section 504 agency determines that the EEOC does not have jurisdiction over the complaint under title I; or

(B) The EEOC has jurisdiction over the complaint under title I, but the complainant, either independently, or following receipt of the notification letter required to be sent to the complainant pursuant to paragraph (c)(2)(ii) of this section, specifically requests that the complaint be investigated by the section 504 agency.

(ii) Prior to referring an individual complaint of employment discrimination to the EEOC pursuant to paragraph (c)(2)(i) of this section (but not prior to making such a referral pursuant to paragraph (c)(1) of this section), a section 504 agency that otherwise has jurisdiction over the complaint shall promptly notify the complainant, in writing, of its intention to make such a referral. The notice letter shall:

(A) Inform the complainant that, unless the agency receives a written request from the complainant within twenty days of the date of the notice letter requesting that the agency retain the complaint for investigation, the agency will forward the complaint to the EEOC for investigation and processing; and

(B) Describe the basic procedural differences between an investigation under section 504 and an investigation under title I, and inform the complain-

ant of the potential for differing remedies under each statute.

(3) *Referral by a designated agency.* A designated agency that does not have section 504 jurisdiction over a complaint of employment discrimination and that has determined that the EEOC may have jurisdiction over the complaint under title I shall promptly refer the complaint to the EEOC.

(4) *Processing of complaints referred to the EEOC.* (i) A complaint referred to the EEOC in accordance with this section by an agency with jurisdiction over the complaint under section 504 shall be deemed to be a dual-filed complaint under section 504 and title I. When a section 504 agency with jurisdiction over a complaint refers the complaint to the EEOC, the section 504 agency shall defer its processing of the complaint pursuant to §—.10, pending resolution by the EEOC.

(ii) A complaint referred to the EEOC by an agency that has jurisdiction over the complaint solely under title II (and not under section 504) will be treated as a complaint filed under title I only.

(iii) Any complaint referred to the EEOC pursuant to this section shall be processed by the EEOC under its title I procedures.

(d) *Retention by the agency for investigation—(1) Retention by a section 504 agency.* A section 504 agency shall retain a complaint for investigation when the agency determines that it has jurisdiction over the complaint under section 504, and one or more of the following conditions are met:

(i) The EEOC does not have jurisdiction over the complaint under title I; or

(ii) The EEOC has jurisdiction over the complaint, but the complainant elects to have the section 504 agency process the complaint and the section 504 agency receives a written request from the complainant for section 504 agency processing within twenty days of the date of the notice letter required to be sent pursuant to paragraph (c)(2)(ii) of this section; or

(iii) The complaint alleges discrimination in both employment and in other practices or services of the respondent that are covered by section 504; or

### § 37.7

(iv) The complaint alleges a pattern or practice of employment discrimination.

(2) *Retention by a designated agency.* A designated agency that does not have jurisdiction over the complaint under section 504 shall retain a complaint for investigation when the agency determines that it has jurisdiction over the complaint under title II of the ADA and that the EEOC does not have jurisdiction over the complaint under title I.

(3) *Processing of complaints retained by an agency.* Any complaint retained for investigation and processing by an agency pursuant to paragraphs (d)(1) and (d)(2) of this section will be investigated and processed under section 504, title II, or both, as applicable, and will not be considered to be dual filed under title I.

### § 37.7 Processing of charges of employment discrimination filed with the EEOC.

(a) *EEOC determination of jurisdiction.* Upon receipt of a charge of employment discrimination, the EEOC shall:

(1) Determine whether it has jurisdiction over the charge under title I of the ADA. If it has jurisdiction, except as provided in paragraph (b)(2) of this section, the EEOC shall process the charge pursuant to title I procedures.

(2) If the EEOC determines that it does not have jurisdiction under title I, the EEOC shall promptly refer the charge to the Civil Rights Division. The Civil Rights Division shall determine if a Federal agency may have jurisdiction over the charge under section 504 or title II, and, if so, shall refer the charge to a section 504 agency or to a designated agency with jurisdiction over the complaint.

(b) *Retention by the EEOC for investigation.* (1) The EEOC shall retain a charge for investigation when it determines that it has jurisdiction over the charge under title I.

(2) *Referral to an agency.* Any charge retained by the EEOC for investigation and processing will be investigated and processed under title I only, and will not be deemed dual filed under section 504, except that ADA cause charges (as defined in 29 CFR 1601.21) that also fall within the jurisdiction of a section 504

### 28 CFR Ch. I (7–1–17 Edition)

agency and that the EEOC (or the Civil Rights Division, if such a charge is against a government, governmental agency, or political subdivision) has declined to litigate shall be referred to the appropriate section 504 agency for review of the file and any administrative or other action deemed appropriate under section 504. Such charges shall be deemed complaints, dual filed under section 504, solely for the purposes of the agency review and action described in this paragraph. The date of such dual filing shall be deemed to be the date the complaint was received by the EEOC.

### § 37.8 Processing of complaints or charges of employment discrimination filed with both the EEOC and a section 504 agency.

(a) *Procedures for handling dual-filed complaints or charges.* As between the EEOC and a section 504 agency, except as provided in paragraph (e) of this section, a complaint or charge of employment discrimination that is dual filed with both the EEOC and a section 504 agency shall be processed as follows:

(1) *EEOC processing.* The EEOC shall investigate and process the charge when the EEOC determines that it has jurisdiction over the charge under title I and the charge solely alleges employment discrimination against an individual, unless the charging party elects to have the section 504 agency process the charge and the section 504 agency receives a written request from the complainant for section 504 agency processing within twenty days of the date of the notice letter required to be sent pursuant to § 37.6(c)(2)(ii).

(2) *Section 504 agency processing.* A section 504 agency shall investigate and process the complaint when the agency determines that it has jurisdiction over the complaint under section 504, and:

(i) The complaint alleges discrimination in both employment and in other practices or services of the respondent; or

(ii) The complaint alleges a pattern or practice of discrimination in employment; or

(iii) In the case of a complaint solely alleging employment discrimination against an individual, the complainant

## Department of Justice

## § 37.9

elects to have a section 504 agency process the complaint and the section 504 agency receives a written request from the complainant for section 504 agency processing within twenty days of the date of the notice letter required to be sent pursuant to § 37.6(c)(2)(ii).

(b) *Referral to the Civil Rights Division.* If the EEOC determines that it does not have jurisdiction under title I, and the section 504 agency determines that it does not have jurisdiction under section 504 or title II, the complaint or charge shall be promptly referred to the Civil Rights Division. The Civil Rights Division shall determine if another Federal agency may have jurisdiction over the complaint under section 504 or title II, and, if so, shall promptly refer the complaint to a section 504 or a designated agency with jurisdiction over the complaint.

(c) *Procedures for determining whether a complaint or charge has been dual filed.* The EEOC and each agency with jurisdiction to investigate and process complaints of employment discrimination under section 504 shall jointly develop procedures for determining whether complaints or charges of discrimination have been dual filed with the EEOC and with one or more other agencies.

(d) *Notification of deferral.* The agency required to process a dual-filed complaint or charge under this section shall notify the complainant or charging party and the respondent that the complaint or charge was dual filed with one or more other agencies and that such other agencies have agreed to defer processing and will take no further action except as provided in § 37.10 or § 37.11, as applicable.

(e) *Exceptions.* When special circumstances make deferral as provided in this section inappropriate, the EEOC, and an agency with investigative authority under section 504, may jointly determine to reallocate investigative responsibilities. Special circumstances include, but are not limited to, cases in which the EEOC has already commenced its investigation at the time that the agency discovers that the complaint or charge is a dual-filed complaint or charge in which the complainant has elected section 504 processing, alleged discrimination in

both employment and in other practices or services of the respondent, or alleged a pattern or practice of employment discrimination.

### **§ 37.9 Processing of complaints or charges of employment discrimination filed with a designated agency and either a section 504 agency, the EEOC, or both.**

(a) *Designated agency processing.* A designated agency shall investigate and process a complaint that has been filed with it and with the EEOC, a section 504 agency, or both, when either of the following conditions is met:

(1) The designated agency determines that it has jurisdiction over the complaint under title II and that neither the EEOC nor a section 504 agency (other than the designated agency, if the designated agency is also a section 504 agency) has jurisdiction over the complaint; or

(2) The designated agency determines that it has jurisdiction over the complaint under section 504 and the complaint meets the requirements for processing by a section 504 agency set forth in § 37.8(a)(2).

(b) *Referral by a designated agency.* A designated agency that has jurisdiction over a complaint solely under title II (and not under section 504) shall forward a complaint that has been filed with it and with the EEOC, a section 504 agency, or both, to either the EEOC or to a section 504 agency, as follows:

(1) If the designated agency determines that the EEOC is the sole agency, other than the designated agency, with jurisdiction over the complaint, the designated agency shall forward the complaint to the EEOC for processing under title I; or

(2) If the designated agency determines that the section 504 agency is the sole agency, other than the designated agency, with jurisdiction over the complaint, the designated agency shall forward the complaint to the section 504 agency for processing under section 504; or

(3) If the designated agency determines that both the EEOC and a section 504 agency have jurisdiction over the complaint, the designated agency shall forward the complaint to the

## § 37.10

EEOC if it determines that the complaint solely alleges employment discrimination against an individual, or it shall forward the complaint to the section 504 agency if it determines that the complaint meets the requirements for processing by a section 504 agency set out in § 37.8(a)(2)(i) or (a)(2)(ii).

### **§ 37.10 Section 504 agency review of deferred complaints.**

(a) *Deferral by the section 504 agency.* When a section 504 agency refers a complaint to the EEOC pursuant to § 37.6(c)(2) or when it is determined that, as between the EEOC and a section 504 agency, the EEOC is the agency that shall process a dual-filed complaint or charge under § 37.8(a)(1) or § 37.8(e), the section 504 agency shall defer further action until:

(1) The EEOC issues a no cause finding and a notice of right-to-sue pursuant to 29 CFR 1601.19; or

(2) The EEOC enters into a conciliation agreement; or

(3) The EEOC issues a cause finding and a notice of failure of conciliation pursuant to 29 CFR 1601.21, and:

(i) If the recipient is not a government, governmental agency, or political subdivision, the EEOC completes enforcement proceedings or issues a notice of right-to-sue in accordance with 29 CFR 1601.28; or

(ii) If the recipient is a government, governmental agency, or political subdivision, the EEOC refers the charge to the Civil Rights Division in accordance with 29 CFR 1601.29, and the Civil Rights Division completes enforcement proceedings or issues a notice of right-to-sue in accordance with 29 CFR 1601.28(d); or

(4) The EEOC or, when a case has been referred pursuant to 29 CFR 1601.29, the Civil Rights Division, otherwise resolves the charge.

(b) *Notification of the deferring agency.* The EEOC or the Civil Rights Division, as appropriate, shall notify the agency that has deferred processing of the charge upon resolution of any dual-filed complaint or charge.

(c) *Agency review.* After receipt of notification that the EEOC or the Civil Rights Division, as appropriate, has resolved the complaint or charge, the agency shall promptly determine what

## 28 CFR Ch. I (7–1–17 Edition)

further action by the agency is warranted. In reaching that determination, the agency shall give due weight to the findings and conclusions of the EEOC and to those of the Civil Rights Division, as applicable. If the agency proposes to take an action inconsistent with the EEOC's or the Civil Rights Division's findings and conclusions as to whether a violation has occurred, the agency shall notify in writing the Assistant Attorney General, the Chairman of the EEOC, and the head of the EEOC office that processed the complaint. In the written notification, the agency shall state the action that it proposes to take and the basis of its decision to take such action.

(d) *Provision of information.* Upon written request, the EEOC or the Civil Rights Division shall provide the section 504 agency with any materials relating to its resolution of the charge, including its findings and conclusions, investigative reports and files, and any conciliation agreement.

### **§ 37.11 EEOC review of deferred charges.**

(a) *Deferral by the EEOC.* When it is determined that a section 504 agency is the agency that shall process a dual-filed complaint or charge under § 37.8(a)(2) or § 37.8(e), the EEOC shall defer further action until the section 504 agency takes one of the following actions:

(1) Makes a finding that a violation has not occurred;

(2) Enters into a voluntary compliance agreement;

(3) Following a finding that a violation has occurred, refers the complaint to the Civil Rights Division for judicial enforcement and the Civil Rights Division resolves the complaint;

(4) Following a finding that a violation has occurred, resolves the complaint through final administrative enforcement action; or

(5) Otherwise resolves the charge.

(b) *Notification of the EEOC.* The section 504 agency shall notify the EEOC upon resolution of any dual-filed complaint or charge.

(c) *Agency review.* After receipt of notification that the section 504 agency has resolved the complaint, the EEOC shall promptly determine what further



action by the EEOC is warranted. In reaching that determination, the EEOC shall give due weight to the section 504 agency's findings and conclusions. If the EEOC proposes to take an action inconsistent with the section 504 agency's findings and conclusions as to whether a violation has occurred, the EEOC shall notify in writing the Assistant Attorney General, the Chairman of the EEOC, and the head of the section 504 agency that processed the complaint. In the written notification, the EEOC shall state the action that it proposes to take and the basis of its decision to take such action.

(d) *Provision of information.* Upon written request, the section 504 agency shall provide the EEOC with any materials relating to its resolution of the complaint, including its conclusions, investigative reports and files, and any voluntary compliance agreement.

**§37.12 Standards.**

In any investigation, compliance review, hearing or other proceeding, the standards used to determine whether section 504 has been violated in a complaint alleging employment discrimination shall be the standards applied under title I of the ADA and the provisions of sections 501 through 504, and 510, of the ADA, as such sections relate to employment. Section 504 agencies shall consider the regulations and appendix implementing title I of the ADA, set forth at 29 CFR part 1630, and case law arising under such regulations, in determining whether a recipient of Federal financial assistance has engaged in an unlawful employment practice.

**§37.13 Agency specific memoranda of understanding.**

When a section 504 agency amends its regulations to make them consistent with title I of the ADA, the EEOC and the individual section 504 agency may elect to enter into a memorandum of understanding providing for the investigation and processing of complaints dual filed under both section 504 and title I of the ADA by the section 504 agency.

**PART 38—PARTNERSHIPS WITH FAITH-BASED AND OTHER NEIGHBORHOOD ORGANIZATIONS**

Sec.

- 38.1 Purpose.
- 38.2 Applicability and scope.
- 38.3 Definitions.
- 38.4 Policy.
- 38.5 Responsibilities.
- 38.6 Procedures.
- 38.7 Assurances.
- 38.8 Enforcement.

APPENDIX A TO PART 38—WRITTEN NOTICE OF BENEFICIARY PROTECTIONS

APPENDIX B TO PART 38—BENEFICIARY REFERRAL REQUEST

AUTHORITY: 28 U.S.C. 509; 5 U.S.C. 301; E.O. 13279, 67 FR 77141, 3 CFR, 2002 Comp., p. 258, Dec. 12, 2002; 18 U.S.C. 4001, 4042, 5040; 42 U.S.C. 14045b; 21 U.S.C. 871; 25 U.S.C. 3681; Pub. L. 107-273, 116 Stat. 1758, Nov. 2, 2002; Pub. L. 109-162, 119 Stat. 2960, Jan. 6, 2006; 42 U.S.C. 3751, 3753, 3762b, 3782, 3796dd-1, 3796dd-7, 3796gg-1, 3796gg-0b, 3796gg-3, 3796h, 3796ii-2, 3797u-3, 3797w, 5611, 5672, 10604; E.O. 13559, 75 FR 71319, 3 CFR, 2010 Comp., p. 273, Nov. 17, 2010.

SOURCE: AG Order No. 3649-2016, 81 FR 19418, Apr. 4, 2016, unless otherwise noted.

**§38.1 Purpose.**

The purpose of this part is to implement Executive Order 13279 and Executive Order 13559.

**§38.2 Applicability and scope.**

(a) A faith-based or religious organization that applies for, or participates in, a social service program supported with Federal financial assistance may retain its independence and may continue to carry out its mission, including the definition, development, practice, and expression of its religious beliefs, provided that it does not use direct Federal financial assistance, whether received through a prime award or sub-award, to support or engage in any explicitly religious activities, including activities that involve overt religious content such as worship, religious instruction, or proselytization.

(b) The use of indirect Federal financial assistance is not subject to this restriction.

(c) Nothing in this part restricts the Department's authority under applicable Federal law to fund activities, such

### § 38.3

### 28 CFR Ch. I (7–1–17 Edition)

as the provision of chaplaincy services, that can be directly funded by the Government consistent with the Establishment Clause.

#### § 38.3 Definitions.

As used in this part:

(a)(1) “Direct Federal financial assistance” or “Federal financial assistance provided directly” refers to situations where the Government or an intermediary (under this part) selects the provider and either purchases services from that provider (*e.g.*, via a contract) or awards funds to that provider to carry out a service (*e.g.*, via a grant or cooperative agreement). In general, and except as provided in paragraph (a)(2) of this section, Federal financial assistance shall be treated as direct, unless it meets the definition of “indirect Federal financial assistance” or “Federal financial assistance provided indirectly.”

(2) Recipients of sub-grants that receive Federal financial assistance through State administering agencies or State-administered programs are recipients of “direct Federal financial assistance” (or recipients of “Federal financial assistance provided directly”).

(b) “Indirect Federal financial assistance” or “Federal financial assistance provided indirectly” refers to situations where the choice of the service provider is placed in the hands of the beneficiary, and the cost of that service is paid through a voucher, certificate, or other similar means of government-funded payment. Federal financial assistance provided to an organization is considered “indirect” when

(1) The government program through which the beneficiary receives the voucher, certificate, or other similar means of government-funded payment is neutral toward religion;

(2) The organization receives the assistance as a result of a decision of the beneficiary, not a decision of the Government; and

(3) The beneficiary has at least one adequate secular option for the use of the voucher, certificate, or other similar means of government-funded payment.

(c)(1) “Intermediary” or “pass-through entity” means an entity, including a nonprofit or nongovern-

mental organization, acting under a contract, grant, or other agreement with the Federal Government or with a State or local government, such as a State administering agency, that accepts Federal financial assistance as a primary recipient or grantee and distributes that assistance to other organizations that, in turn, provide government-funded social services.

(2) When an intermediary, such as a State administering agency, distributes Federal financial assistance to other organizations, it replaces the Department as the awarding entity. The intermediary remains accountable for the Federal financial assistance it disburses and, accordingly, must ensure that any providers to which it disburses Federal financial assistance also comply with this part.

(d) “Department program” refers to a grant, contract, or cooperative agreement funded by a discretionary, formula, or block grant program administered by or from the Department.

(e) “Grantee” includes a recipient of a grant, a signatory to a cooperative agreement, or a contracting party.

(f) The “Office for Civil Rights” refers to the Office for Civil Rights in the Department’s Office of Justice Programs.

#### § 38.4 Policy.

(a) *Grants (formula and discretionary), contracts, and cooperative agreements.* Faith-based or religious organizations are eligible, on the same basis as any other organization, to participate in any Department program for which they are otherwise eligible. Neither the Department nor any State or local government receiving funds under any Department program shall, in the selection of service providers, discriminate for or against an organization on the basis of the organization’s religious character or affiliation, or lack thereof.

(b) *Political or religious affiliation.* Decisions about awards of Federal financial assistance must be free from political interference or even the appearance of such interference and must be made on the basis of merit, not on the basis of religion, religious belief, or lack thereof.

**§ 38.5 Responsibilities.**

(a) Organizations that receive direct financial assistance from the Department may not engage in explicitly religious activities, including activities that involve overt religious content such as worship, religious instruction, or proselytization, as part of the programs or services funded with direct financial assistance from the Department. If an organization conducts such explicitly religious activities, the activities must be offered separately, in time or location, from the programs or services funded with direct financial assistance from the Department, and participation must be voluntary for beneficiaries of the programs or services funded with such assistance.

(b) A faith-based or religious organization that participates in the Department-funded programs or services shall retain its independence from Federal, State, and local governments, and may continue to carry out its mission, including the definition, practice, and expression of its religious beliefs, provided that it does not use direct financial assistance from the Department to support any explicitly religious activities, including activities that involve overt religious content such as worship, religious instruction, or proselytization. Among other things, a faith-based or religious organization that receives financial assistance from the Department may use space in its facilities without removing religious art, icons, messages, scriptures, or symbols. In addition, a faith-based or religious organization that receives financial assistance from the Department retains its authority over its internal governance, and it may retain religious terms in its organization's name, select its board members on a religious basis, and include religious references in its mission statements and other governing documents.

(c) Any organization that participates in programs funded by Federal financial assistance from the Department shall not, in providing services, discriminate against a program beneficiary or prospective program beneficiary on the basis of religion, a religious belief, a refusal to hold a religious belief, or a refusal to attend or participate in a religious practice.

However, an organization that participates in a program funded by indirect financial assistance need not modify its program activities to accommodate a beneficiary who chooses to expend the indirect aid on the organization's program.

(d) No grant document, agreement, covenant, memorandum of understanding, policy, or regulation that the Department or a State or local government uses in administering financial assistance from the Department shall require only faith-based or religious organizations to provide assurances that they will not use monies or property for explicitly religious activities. All organizations, including religious ones, that participate in Department programs must carry out eligible activities in accordance with all program requirements and other applicable requirements governing the conduct of Department-funded activities, including those prohibiting the use of direct financial assistance from the Department to engage in explicitly religious activities. No grant document, agreement, covenant, memorandum of understanding, policy, or regulation that is used by the Department or a State or local government in administering financial assistance from the Department shall disqualify faith-based or religious organizations from participating in the Department's programs because such organizations are motivated or influenced by religious faith to provide social services, or because of their religious character or affiliation.

(e) *Exemption from Title VII employment discrimination requirements.* A faith-based or religious organization's exemption from the Federal prohibition on employment discrimination on the basis of religion, set forth in section 702(a) of the Civil Rights Act of 1964, 42 U.S.C. 2000e-1(a), is not forfeited when the organization receives direct or indirect Federal financial assistance from the Department. Some Department programs, however, contain independent statutory provisions requiring that all grantees agree not to discriminate in employment on the basis of religion. Accordingly, grantees should consult with the appropriate

### § 38.6

### 28 CFR Ch. I (7–1–17 Edition)

Department program office to determine the scope of any applicable requirements.

(f) If an intermediary, acting under a contract, grant, or other agreement with the Federal Government or with a State or local government that is administering a program supported by Federal financial assistance, is given the authority under the contract, grant, or agreement to select organizations to provide services funded by the Federal Government, the intermediary must ensure the compliance of the recipient of a contract, grant, or agreement with the provisions of Executive Order 13279, as amended by Executive Order 13559, and any implementing rules or guidance. If the intermediary is a nongovernmental organization, it retains all other rights of a nongovernmental organization under the program's statutory and regulatory provisions.

(g) In general, the Department does not require that a grantee, including a religious organization, obtain tax-exempt status under section 501(c)(3) of the Internal Revenue Code to be eligible for funding under Department programs. Many grant programs, however, do require an organization to be a "nonprofit organization" in order to be eligible for funding. Individual solicitations that require organizations to have nonprofit status will specifically so indicate in the eligibility sections of the solicitations. In addition, any solicitation that requires an organization to maintain tax-exempt status shall expressly state the statutory authority for requiring such status. Grantees should consult with the appropriate Department program office to determine the scope of any applicable requirements. In Department programs in which an applicant must show that it is a nonprofit organization, the applicant may do so by any of the following means:

(1) Proof that the Internal Revenue Service currently recognizes the applicant as an organization to which contributions are tax deductible under section 501(c)(3) of the Internal Revenue Code;

(2) A statement from a State taxing body or the State secretary of state certifying that:

(i) The organization is a nonprofit organization operating within the State; and

(ii) No part of its net earnings may lawfully benefit any private shareholder or individual;

(3) A certified copy of the applicant's certificate of incorporation or similar document that clearly establishes the nonprofit status of the applicant; or

(4) Any item described in paragraphs (g)(1) through (g)(3) of this section if that item applies to a State or national parent organization, together with a statement by the State or parent organization that the applicant is a local nonprofit affiliate.

(h) Grantees should consult with the appropriate Department program office to determine the applicability of this part in foreign countries or sovereign lands.

#### § 38.6 Procedures.

(a) *Effect on State and local funds.* If a State or local government voluntarily contributes its own funds to supplement activities carried out under the applicable programs, the State or local government has the option to separate out the Federal funds or commingle them. If the funds are commingled, the provisions of this section shall apply to all of the commingled funds in the same manner, and to the same extent, as the provisions apply to the Federal funds.

(b) To the extent otherwise permitted by Federal law, the restrictions on explicitly religious activities set forth in this section do not apply to indirect Federal financial assistance.

(c) *Beneficiary protections: written notice.* (1) Faith-based or religious organizations providing social services to beneficiaries under a program supported by direct Federal financial assistance from the Department must give written notice to beneficiaries and prospective beneficiaries of certain protections. Such notice must be given in a manner prescribed by the Office for Civil Rights. This notice must state the following:

(i) The organization may not discriminate against beneficiaries or prospective beneficiaries on the basis of religion, a religious belief, a refusal to hold a religious belief, or a refusal to

## Department of Justice

## § 38.7

attend or participate in a religious practice;

(ii) The organization may not require beneficiaries or prospective beneficiaries to attend or participate in any explicitly religious activities that are offered by the organization, and any participation by beneficiaries in such activities must be purely voluntary;

(iii) The organization must separate in time or location any privately funded explicitly religious activities from activities supported by direct Federal financial assistance;

(iv) If a beneficiary or prospective beneficiary objects to the religious character of the organization, the organization will undertake reasonable efforts to identify and refer the beneficiary or prospective beneficiary to an alternative provider to which the beneficiary or prospective beneficiary has no objection; and

(v) Beneficiaries or prospective beneficiaries may report an organization's violation of these protections, including any denials of services or benefits by an organization, by contacting or filing a written complaint with the Office for Civil Rights or the intermediary that awarded funds to the organization.

(2) This written notice must be given to prospective beneficiaries prior to the time they enroll in the program or receive services from the program. When the nature of the service provided or exigent circumstances make it impracticable to provide such written notice in advance of the actual service, organizations must advise beneficiaries of their protections at the earliest available opportunity.

(3) The notice that a faith-based or religious organization may use to notify beneficiaries or prospective beneficiaries of their protections under paragraph (g)(1) of this section is specified in appendix A to this part.

(d) *Beneficiary protections: referral requirements.* (1) If a beneficiary or prospective beneficiary of a social service program supported by direct Federal financial assistance from the Department objects to the religious character of an organization that provides services under the program, that organization must promptly undertake reasonable efforts to identify and refer the

beneficiary or prospective beneficiary to an alternative provider to which the beneficiary or prospective beneficiary has no objection based on the organization's religious character. See appendix B to this part.

(2) An organization may refer a beneficiary or prospective beneficiary to another faith-based or religious organization that provides comparable services, if the beneficiary or prospective beneficiary has no objection to that provider based on the organization's religious character. But if the beneficiary or prospective beneficiary requests a secular provider, and a secular provider is available, then a referral must be made to that provider.

(3) Except for services provided by telephone, Internet, or similar means, the referral must be to an alternative provider that is in reasonable geographic proximity to the organization making the referral and that offers services that are similar in substance and quality to those offered by the organization. The alternative provider also must have the capacity to accept additional clients.

(4) When the organization makes a referral to an alternative provider, the organization shall maintain a record of that referral for review by the awarding entity. When the organization determines that it is unable to identify an alternative provider, the organization shall promptly notify and maintain a record for review by the awarding entity. If the organization is unable to identify an alternative provider, the awarding entity shall determine whether there is any other suitable alternative provider to which the beneficiary may be referred. An intermediary that receives a request for assistance in identifying an alternative provider may request assistance from the Department.

### § 38.7 Assurances.

(a) Every application submitted to the Department for direct Federal financial assistance subject to this part must contain, as a condition of its approval and the extension of any such assistance, or be accompanied by, an assurance or statement that the program is or will be conducted in compliance with this part.

**§ 38.8**

(b) Every intermediary must provide for such methods of administration as are required by the Office for Civil Rights to give reasonable assurance that the intermediary will comply with this part and effectively monitor the actions of its recipients.

**§ 38.8 Enforcement.**

(a) The Office for Civil Rights is responsible for reviewing the practices of recipients of Federal financial assistance to determine whether they are in compliance with this part.

(b) The Office for Civil Rights is responsible for investigating any allegations of noncompliance with this part.

(c) Recipients of Federal financial assistance determined to be in violation of any provisions of this part are subject to the enforcement procedures and sanctions, up to and including suspension and termination of funds, authorized by applicable laws.

(d) An allegation of any violation or discrimination by an organization, based on this regulation, may be filed with the Office for Civil Rights or the intermediary that awarded the funds to the organization.

**APPENDIX A TO PART 38—WRITTEN NOTICE OF BENEFICIARY PROTECTIONS**

Name of Organization:  
Name of Program:  
Contact Information for Program Staff (name, phone number, and email address, if appropriate):

Because this program is supported in whole or in part by financial assistance from the Federal Government, we are required to let you know that—

- We may not discriminate against you on the basis of religion, a religious belief, a refusal to hold a religious belief, or a refusal to attend or participate in a religious practice;
- We may not require you to attend or participate in any explicitly religious activities that we offer, and your participation in these activities must be purely voluntary;
- We must separate in time or location any privately funded explicitly religious activities from activities supported with direct Federal financial assistance;
- If you object to the religious character of our organization, we must make reasonable efforts to identify and refer you to an alternative provider to which you have no objection; and
- You may report violations of these protections to the U.S. Department of Justice, Office of Justice Programs, Office for Civil

**28 CFR Ch. I (7–1–17 Edition)**

Rights or to [name of intermediary that awarded funds to the organization].

We must give you this written notice before you enroll in our program or receive services from the program.

**APPENDIX B TO PART 38—BENEFICIARY REFERRAL REQUEST**

If you object to receiving services from us based on the religious character of our organization, please complete this form and return it to the program contact identified above. If you object, we will make reasonable efforts to refer you to another service provider. We cannot guarantee, however, that in every instance, an alternative provider will be available. With your consent, we will follow up with you or the organization to which you were referred to determine whether you contacted that organization.

Please check if applicable:

( ) I want to be referred to another service provider.

If you checked above that you wish to be referred to another service provider, please check one of the following:

( ) Please follow up with me or the service provider to which I was referred.

Name:

Best way to reach me (phone/address/email):

( ) Please do not follow up.

—End of Form—

**PART 39—ENFORCEMENT OF NON-DISCRIMINATION ON THE BASIS OF HANDICAP IN PROGRAMS OR ACTIVITIES CONDUCTED BY THE DEPARTMENT OF JUSTICE**

- Sec.
- 39.101 Purpose.
- 39.102 Application.
- 39.103 Definitions.
- 39.104–39.109 [Reserved]
- 39.110 Self-evaluation.
- 39.111 Notice.
- 39.112–39.129 [Reserved]
- 39.130 General prohibitions against discrimination.
- 39.131–39.139 [Reserved]
- 39.140 Employment.
- 39.141–39.148 [Reserved]
- 39.149 Program accessibility: Discrimination prohibited.
- 39.150 Program accessibility: Existing facilities.
- 39.151 Program accessibility: New construction and alterations.
- 39.152–39.159 [Reserved]
- 39.160 Communications.
- 39.161–39.169 [Reserved]
- 39.170 Compliance procedures.

AUTHORITY: 29 U.S.C. 794.

## Department of Justice

## § 39.103

SOURCE: Order No. 1065-84, 49 FR 35734, Sept. 11, 1984, unless otherwise noted.

### § 39.101 Purpose.

This part effectuates section 119 of the Rehabilitation, Comprehensive Services, and Developmental Disabilities Amendments of 1978, which amended section 504 of the Rehabilitation Act of 1973 to prohibit discrimination on the basis of handicap in programs or activities conducted by Executive agencies or the U.S. Postal Service.

### § 39.102 Application.

This part applies to all programs or activities conducted by the agency.

### § 39.103 Definitions.

For purposes of this part, the term—  
*Agency* means the Department of Justice.

*Assistant Attorney General* means the Assistant Attorney General, Civil Rights Division, U.S. Department of Justice.

*Auxiliary aids* means services or devices that enable persons with impaired sensory, manual, or speaking skills to have an equal opportunity to participate in, and enjoy the benefits of, programs or activities conducted by the agency. For example, auxiliary aids useful for persons with impaired vision include readers, Brailled materials, audio recordings, telecommunications devices and other similar services and devices. Auxiliary aids useful for persons with impaired hearing include telephone handset amplifiers, telephones compatible with hearing aids, telecommunication devices for deaf persons (TDD's), interpreters, notetakers, written materials, and other similar services and devices.

*Complaint Adjudication Officer* means the Complaint Adjudication Officer appointed by the Assistant Attorney General for Civil Rights.

*Complete complaint* means a written statement that contains the complainant's name and address and describes the agency's alleged discriminatory action in sufficient detail to inform the agency of the nature and date of the alleged violation of section 504. It shall be signed by the complainant or by

someone authorized to do so on his or her behalf.

*Facility* means all or any portion of buildings, structures, equipment, roads, walks, parking lots, rolling stock or other conveyances, or other real or personal property.

*Handicapped person* means any person who has a physical or mental impairment that substantially limits one or more major life activities, has a record of such an impairment, or is regarded as having such an impairment. As used in this definition, the phrase:

(1) *Physical or mental impairment* includes—

(i) Any physiological disorder or condition, cosmetic disfigurement, or anatomical loss affecting one or more of the following body systems: Neurological; musculoskeletal; special sense organs; respiratory, including speech organs; cardiovascular; reproductive; digestive; genitorurinary; hemic and lymphatic; skin; and endocrine; or

(ii) Any mental or psychological disorder, such as mental retardation, organic brain syndrome, emotional or mental illness, and specific learning disabilities. The term "physical or mental impairment" includes, but is not limited to, such diseases and conditions as orthopedic, visual, speech, and hearing impairments, cerebral palsy, epilepsy, muscular dystrophy, multiple sclerosis, cancer, heart disease, diabetes, mental retardation, emotional illness, and drug addiction and alcoholism.

(2) *Major life activities* includes functions such as caring for one's self, performing manual tasks, walking, seeing, hearing, speaking, breathing, learning, and working.

(3) *Has a record of such an impairment* means has a history of, or has been misclassified as having, a mental or physical impairment that substantially limits one or more major life activities.

(4) *Is regarded as having an impairment* means—

(i) Has a physical or mental impairment that does not substantially limit major life activities but is treated by the agency as constituting such a limitation;

(ii) Has a physical or mental impairment that substantially limits major

life activities only as a result of the attitudes of others toward such impairment; or

(iii) Has none of the impairments defined in subparagraph (1) of this definition but is treated by the agency as having such an impairment.

*Official or Responsible Official* means the Director of Equal Employment Opportunity for the Department of Justice or his or her designee.

*Qualified handicapped person* means—

(1) With respect to any agency program or activity under which a person is required to perform services or to achieve a level of accomplishment, a handicapped person who meets the essential eligibility requirements and who can achieve the purpose of the program or activity without modifications in the program or activity that the agency can demonstrate would result in a fundamental alteration in its nature; or

(2) With respect to any other program or activity, a handicapped person who meets the essential eligibility requirements for participation in, or receipt of benefits from, that program or activity.

*Respondent* means the organizational unit in which a complainant alleges that discrimination occurred.

*Section 504* means section 504 of the Rehabilitation Act of 1973 (Pub. L. 93-112, 87 Stat. 394 (29 U.S.C. 794)), as amended by the Rehabilitation Act Amendments of 1974 (Pub. L. 93-516, 88 Stat. 1617), and the Rehabilitation, Comprehensive Services, and Developmental Disabilities Amendments of 1978 (Pub. L. 95-602, 92 Stat. 2955). As used in this part, section 504 applies only to programs or activities conducted by Executive agencies and not to federally assisted programs.

**§§ 39.104–39.109 [Reserved]**

**§ 39.110 Self-evaluation.**

(a) The agency shall, by October 11, 1985, evaluate its current policies and practices, and the effects thereof, that do not or may not meet the requirements of this part, and, to the extent modification of any such policies and practices is required, the agency shall proceed to make the necessary modifications.

(b) The agency shall provide an opportunity to interested persons, including handicapped persons or organizations representing handicapped persons, to participate in the self-evaluation process by submitting comments (both oral and written).

(c) The agency shall, until October 11, 1987, maintain on file and make available for public inspection:

- (1) A description of areas examined and any problems identified, and
- (2) A description of any modifications made.

**§ 39.111 Notice.**

The agency shall make available to employees, applicants, participants, beneficiaries, and other interested persons such information regarding the provisions of this part and its applicability to the program or activities conducted by the agency, and make such information available to them in such manner as the Attorney General finds necessary to apprise such persons of the protections against discrimination assured them by section 504 and this regulation.

**§§ 39.112–39.129 [Reserved]**

**§ 39.130 General prohibitions against discrimination.**

(a) No qualified handicapped person shall, on the basis of handicap, be excluded from participation in, be denied the benefits of, or otherwise be subjected to discrimination under any program or activity conducted by the agency.

(b)(1) The agency, in providing any aid, benefit, or service, may not, directly or through contractual, licensing, or other arrangements, on the basis of handicap—

- (i) Deny a qualified handicapped person the opportunity to participate in or benefit from the aid, benefit, or service;
- (ii) Afford a qualified handicapped person an opportunity to participate in or benefit from the aid, benefit, or service that is not equal to that afforded others;
- (iii) Provide a qualified handicapped person with an aid, benefit, or service that is not as effective in affording equal opportunity to obtain the same



result, to gain the same benefit, or to reach the same level of achievement as that provided to others;

(iv) Provide different or separate aid, benefits, or services to handicapped persons or to any class of handicapped persons than is provided to others unless such action is necessary to provide qualified handicapped persons with aid, benefits, or services that are as effective as those provided to others;

(v) Deny a qualified handicapped person the opportunity to participate as a member of planning or advisory boards; or

(vi) Otherwise limit a qualified handicapped person in the enjoyment of any right, privilege, advantage, or opportunity enjoyed by others receiving the aid, benefit, or service.

(2) The agency may not deny a qualified handicapped person the opportunity to participate in programs or activities that are not separate or different, despite the existence of permissibly separate or different programs or activities.

(3) The agency may not, directly or through contractual or other arrangements, utilize criteria or methods of administration the purpose or effect of which would—

(i) Subject qualified handicapped persons to discrimination on the basis of handicap; or

(ii) Defeat or substantially impair accomplishment of the objectives of a program or activity with respect to handicapped persons.

(4) The agency may not, in determining the site or location of a facility, make selections the purpose or effect of which would—

(i) Exclude handicapped persons from, deny them the benefits of, or otherwise subject them to discrimination under any program or activity conducted by the agency; or

(ii) Defeat or substantially impair the accomplishment of the objectives of a program or activity with respect to handicapped persons.

(5) The agency, in the selection of procurement contractors, may not use criteria that subject qualified handicapped persons to discrimination on the basis of handicap.

(6) The agency may not administer a licensing or certification program in a

manner that subjects qualified handicapped persons to discrimination on the basis of handicap, nor may the agency establish requirements for the programs or activities of licensees or certified entities that subject qualified handicapped persons to discrimination on the basis of handicap. However, the programs or activities of entities that are licensed or certified by the agency are not, themselves, covered by this part.

(c) The exclusion of nonhandicapped persons from the benefits of a program limited by Federal statute or Executive order to handicapped persons or the exclusion of a specific class of handicapped persons from a program limited by Federal statute or Executive order to a different class of handicapped persons is not prohibited by this part.

(d) The agency shall administer programs and activities in the most integrated setting appropriate to the needs of qualified handicapped persons.

§§ 39.131–39.139 [Reserved]

§ 39.140 Employment.

No qualified handicapped person shall, on the basis of handicap, be subjected to discrimination in employment under any program or activity conducted by the agency. The definitions, requirements, and procedures of section 501 of the Rehabilitation Act of 1973 (29 U.S.C. 791), as established by the Equal Employment Opportunity Commission in 29 CFR part 1613, shall apply to employment in federally conducted programs or activities.

§§ 39.141–39.148 [Reserved]

§ 39.149 Program accessibility: Discrimination prohibited.

Except as otherwise provided in § 39.150, no qualified handicapped person shall, because the agency's facilities are inaccessible to or unusable by handicapped persons, be denied the benefits of, be excluded from participation in, or otherwise be subjected to discrimination under any program or activity conducted by the agency.

**§ 39.150 Program accessibility: Existing facilities.**

(a) *General.* The agency shall operate each program or activity so that the program or activity, when viewed in its entirety, is readily accessible to and usable by handicapped persons. This paragraph does not—

(1) Necessarily require the agency to make each of its existing facilities accessible to and usable by handicapped persons;

(2) Require the agency to take any action that it can demonstrate would result in a fundamental alteration in the nature of a program or activity or in undue financial and administrative burdens. In those circumstances where agency personnel believe that the proposed action would fundamentally alter the program or activity or would result in undue financial and administrative burdens, the agency has the burden of proving that compliance with § 39.150(a) would result in such alterations or burdens. The decision that compliance would result in such alteration or burdens must be made by the Attorney General or his or her designee after considering all agency resources available for use in the funding and operation of the conducted program or activity, and must be accompanied by a written statement of the reasons for reaching that conclusion. If an action would result in such an alteration or such burdens, the agency shall take any other action that would not result in such an alteration or such burdens but would nevertheless ensure that handicapped persons receive the benefits and services of the program or activity.

(b) *Methods.* The agency may comply with the requirements of this section through such means as redesign of equipment, reassignment of services to accessible buildings, assignment of aides to beneficiaries, home visits, delivery of services at alternate accessible sites, alteration of existing facilities and construction of new facilities, use of accessible rolling stock, or any other methods that result in making its programs or activities readily accessible to and usable by handicapped persons. The agency is not required to make structural changes in existing facilities where other methods are effective

in achieving compliance with this section. The agency, in making alterations to existing buildings, shall meet accessibility requirements to the extent compelled by the Architectural Barriers Act of 1968, as amended (42 U.S.C. 4151-4157), and any regulations implementing it. In choosing among available methods for meeting the requirements of this section, the agency shall give priority to those methods that offer programs and activities to qualified handicapped persons in the most integrated setting appropriate.

(c) *Time period for compliance.* The agency shall comply with the obligations established under this section by December 10, 1984, except that where structural changes in facilities are undertaken, such changes shall be made by October 11, 1987, but in any event as expeditiously as possible.

(d) *Transition plan.* In the event that structural changes to facilities will be undertaken to achieve program accessibility, the agency shall develop, by April 11, 1985, a transition plan setting forth the steps necessary to complete such changes. The agency shall provide an opportunity to interested persons, including handicapped persons or organizations representing handicapped persons, to participate in the development of the transition by submitting comments (both oral and written). A copy of the transition plan shall be made available for public inspection. The plan shall, at a minimum—

(1) Identify physical obstacles in the agency's facilities that limit the accessibility of its programs or activities to handicapped persons;

(2) Describe in detail the methods that will be used to make the facilities accessible;

(3) Specify the schedule for taking the steps necessary to achieve compliance with this section and, if the time period of the transition plan is longer than one year, identify steps that will be taken during each year of the transition period; and

(4) Indicate the official responsible for implementation of the plan.

**§ 39.151 Program accessibility: New construction and alterations.**

Each building or part of a building that is constructed or altered by, on

## Department of Justice

## § 39.170

behalf of, or for the use of the agency shall be designed, constructed, or altered so as to be readily accessible to and usable by handicapped persons. The definitions, requirements, and standards of the Architectural Barriers Act (42 U.S.C. 4151–4157), as established in 41 CFR 101–19.600 to 101–19.607, apply to buildings covered by this section.

### §§ 39.152–39.159 [Reserved]

#### § 39.160 Communications.

(a) The agency shall take appropriate steps to ensure effective communication with applicants, participants, personnel of other Federal entities, and members of the public.

(1) The agency shall furnish appropriate auxiliary aids where necessary to afford a handicapped person an equal opportunity to participate in, and enjoy the benefits of, a program or activity conducted by the agency.

(i) In determining what type of auxiliary aid is necessary, the agency shall give primary consideration to the requests of the handicapped person.

(ii) The agency need not provide individually prescribed devices, readers for personal use or study, or other devices of a personal nature.

(2) Where the agency communicates with applicants and beneficiaries by telephone, telecommunication devices for deaf persons (TDD's) or equally effective telecommunication systems shall be used.

(b) The agency shall ensure that interested persons, including persons with impaired vision or hearing, can obtain information as to the existence and location of accessible services, activities, and facilities.

(c) The agency shall provide signage at a primary entrance to each of its inaccessible facilities, directing users to a location at which they can obtain information about accessible facilities. The international symbol for accessibility shall be used at each primary entrance of an accessible facility.

(d) This section does not require the agency to take any action that it can demonstrate would result in a fundamental alteration in the nature of a program or activity or in undue financial and administrative burdens. In those circumstances where agency per-

sonnel believe that the proposed action would fundamentally alter the program or activity or would result in undue financial and administrative burdens, the agency has the burden of proving that compliance with § 39.160 would result in such alteration or burdens. The decision that compliance would result in such alteration or burdens must be made by the Attorney General or his or her designee after considering all agency resources available for use in the funding and operation of the conducted program or activity, and must be accompanied by a written statement of the reasons for reaching that conclusion. If an action required to comply with this section would result in such an alteration or such burdens, the agency shall take any other action that would not result in such an alteration or such burdens but would nevertheless ensure that, to the maximum extent possible, handicapped persons receive the benefits and services of the program or activity.

### §§ 39.161–39.169 [Reserved]

#### § 39.170 Compliance procedures.

(a) *Applicability.* Except as provided in paragraph (b) of this section, this section applies to all allegations of discrimination on the basis of handicap in programs or activities conducted by the agency.

(b) *Employment complaints.* The agency shall process complaints alleging violations of section 504 with respect to employment according to the procedures established by the Equal Employment Opportunity Commission in 29 CFR part 1613 pursuant to section 501 of the Rehabilitation Act of 1973 (29 U.S.C. 791).

(c) *Responsible Official.* The Responsible Official shall coordinate implementation of this section.

(d) *Filing a complaint—(1) Who may file.* (i) Any person who believes that he or she has been subjected to discrimination prohibited by this part may by him or herself or by his or her authorized representative file a complaint with the Official. Any person who believes that any specific class of persons has been subjected to discrimination prohibited by this part and who is a member of that class or the authorized

representative of a member of that class may file a complaint with the Official.

(ii) Before filing a complaint under this section, an inmate of a Federal penal institution must exhaust the Bureau of Prisons Administrative Remedy Procedure as set forth in 28 CFR part 542.

(2) *Confidentiality.* The Official shall hold in confidence the identity of any person submitting a complaint, unless the person submits written authorization otherwise, and except to the extent necessary to carry out the purposes of this part, including the conduct of any investigation, hearing, or proceeding under this part.

(3) *When to file.* Complaints shall be filed within 180 days of the alleged act of discrimination, except that complaints by inmates of Federal penal institutions shall be filed within 180 days of the final administrative decision of the Bureau of Prisons under 28 CFR part 542. The Official may extend this time limit for good cause shown. For purposes of determining when a complaint is timely filed under this subparagraph, a complaint mailed to the agency shall be deemed filed on the date it is postmarked. Any other complaint shall be deemed filed on the date it is received by the agency.

(4) *How to file.* Complaints may be delivered or mailed to the Attorney General, the Responsible Official, or agency officials. Complaints should be sent to the Director for Equal Employment Opportunity, U.S. Department of Justice, 10th and Pennsylvania Avenue, NW., Room 1232, Washington, DC 20530. If any agency official other than the Official receives a complaint, he or she shall forward the complaint to the Official immediately.

(e) *Notification to the Architectural and Transportation Barriers Compliance Board.* The agency shall promptly send to the Architectural and Transportation Barriers Compliance Board a copy of any complaint alleging that a building or facility that is subject to the Architectural Barriers Act of 1968, as amended (42 U.S.C. 4151-4157), or section 502 of the Rehabilitation Act, as amended (29 U.S.C. 792), is not readily accessible to and usable by handicapped persons. The agency shall delete

the identity of the complainant from the copy of the complaint.

(f) *Acceptance of complaint.* (1) The Official shall accept a complete complaint that is filed in accordance with paragraph (d) of this section and over which the agency has jurisdiction. The Official shall notify the complainant and the respondent of receipt and acceptance of the complaint.

(2) If the Official receives a complaint that is not complete, he or she shall notify the complainant, within 30 days of receipt of the incomplete complaint, that additional information is needed. If the complainant fails to complete the complaint within 30 days of receipt of this notice, the Official shall dismiss the complaint without prejudice.

(3) If the Official receives a complaint over which the agency does not have jurisdiction, the Official shall promptly notify the complainant and shall make reasonable efforts to refer the complaint to the appropriate Government entity.

(g) *Investigation/conciliation.* (1) Within 180 days of the receipt of a complete complaint, the Official shall complete the investigation of the complaint, attempt informal resolution, and, if no informal resolution is achieved, issue a letter of findings.

(2) The Official may require agency employees to cooperate in the investigation and attempted resolution of complaints. Employees who are required by the Official to participate in any investigation under this section shall do so as part of their official duties and during the course of regular duty hours.

(3) The Official shall furnish the complainant and the respondent a copy of the investigative report promptly after receiving it from the investigator and provide the complainant and respondent with an opportunity for informal resolution of the complaint.

(4) If a complaint is resolved informally, the terms of the agreement shall be reduced to writing and made part of the complaint file, with a copy of the agreement provided to the complainant and respondent. The written agreement may include a finding on the issue of discrimination and shall describe any corrective action to which

## Department of Justice

## § 39.170

the complainant and respondent have agreed.

(h) *Letter of findings.* If an informal resolution of the complaint is not reached, the Official shall, within 180 days of receipt of the complete complaint, notify the complainant and the respondent of the results of the investigation in a letter sent by certified mail, return receipt requested, containing—

(1) Findings of fact and conclusions of law;

(2) A description of a remedy for each violation found;

(3) A notice of the right of the complainant and respondent to appeal to the Complaint Adjudication Officer; and

(4) A notice of the right of the complainant and respondent to request a hearing.

(i) *Filing an appeal.* (1) Notice of appeal to the Complaint Adjudication Officer, with or without a request for hearing, shall be filed by the complainant or the respondent with the Responsible Official within 30 days of receipt from the Official of the letter required by paragraph (h) of this section.

(2) If a timely appeal without a request for hearing is filed by a party, any other party may file a written request for hearing within the time limit specified in paragraph (i)(1) of this section or within 10 days of the date on which the first timely appeal without a request for hearing was filed, whichever is later.

(3) If no party requests a hearing, the Responsible Official shall promptly transmit the notice of appeal and investigative record to the Complaint Adjudication Officer.

(4) If neither party files an appeal within the time prescribed in paragraph (i)(1) of this section, the Responsible Official shall certify that the letter of findings is the final agency decision on the complaint at the expiration of that time.

(j) *Acceptance of appeal.* The Responsible Official shall accept and process any timely appeal. A party may appeal to the Complaint Adjudication Officer from a decision of the Official that an appeal is untimely. This appeal shall be filed within 15 days of receipt of the decision from the Official.

(k) *Hearing.* (1) Upon a timely request for a hearing, the Responsible Official shall appoint an administrative law judge to conduct the hearing. The administrative law judge shall issue a notice to all parties specifying the date, time, and place of the scheduled hearing. The hearing shall be commenced no earlier than 15 days after the notice is issued and no later than 60 days after the request for a hearing is filed, unless all parties agree to a different date.

(2) The complainant and respondent shall be parties to the hearing. Any interested person or organization may petition to become a party or amicus curiae. The administrative law judge may, in his or her discretion, grant such a petition if, in his or her opinion, the petitioner has a legitimate interest in the proceedings and the participation will not unduly delay the outcome and may contribute materially to the proper disposition of the proceedings.

(3) The hearing, decision, and any administrative review thereof shall be conducted in conformity with 5 U.S.C. 554-557 (sections 5-8 of the Administrative Procedure Act). The administrative law judge shall have the duty to conduct a fair hearing, to take all necessary action to avoid delay, and to maintain order. He or she shall have all powers necessary to these ends, including (but not limited to) the power to—

(i) Arrange and change the date, time, and place of hearings and pre-hearing conferences and issue notice thereof;

(ii) Hold conferences to settle, simplify, or determine the issues in a hearing, or to consider other matters that may aid in the expeditious disposition of the hearing;

(iii) Require parties to state their position in writing with respect to the various issues in the hearing and to exchange such statements with all other parties;

(iv) Examine witnesses and direct witnesses to testify;

(v) Receive, rule on, exclude, or limit evidence;

(vi) Rule on procedural items pending before him or her; and

§ 39.170

28 CFR Ch. I (7-1-17 Edition)

(vii) Take any action permitted to the administrative law judge as authorized by this part or by the provisions of the Administrative Procedure Act (5 U.S.C. 551-559).

(4) Technical rules of evidence shall not apply to hearings conducted pursuant to this paragraph, but rules or principles designed to assure production of credible evidence and to subject testimony to cross-examination shall be applied by the administrative law judge whenever reasonably necessary. The administrative law judge may exclude irrelevant, immaterial, or unduly repetitious evidence. All documents and other evidence offered or taken for the record shall be open to examination by the parties, and opportunity shall be given to refute facts and arguments advanced on either side of the issues. A transcript shall be made of the oral evidence except to the extent the substance thereof is stipulated for the record. All decisions shall be based upon the hearing record.

(5) The costs and expenses for the conduct of a hearing shall be allocated as follows:

(i) Persons employed by the agency, shall, upon request to the agency by the administrative law judge, be made available to participate in the hearing and shall be on official duty status for this purpose. They shall not receive witness fees.

(ii) Employees of other Federal agencies called to testify at a hearing shall, at the request of the administrative law judge and with the approval of the employing agency, be on official duty status during any period of absence from normal duties caused by their testimony, and shall not receive witness fees.

(iii) The fees and expenses of other persons called to testify at a hearing shall be paid by the party requesting their appearance.

(iv) The administrative law judge may require the agency to pay travel expenses necessary for the complainant to attend the hearing.

(v) The respondent shall pay the required expenses and charges for the administrative law judge and court reporter.

(vi) All other expenses shall be paid by the party, the intervening party, or amicus curiae incurring them.

(6) The administrative law judge shall submit in writing recommended findings of fact, conclusions of law, and remedies to all parties and the Complaint Adjudication Officer within 30 days after receipt of the hearing transcripts, or within 30 days after the conclusion of the hearing if no transcript is made. This time limit may be extended with the permission of the Complaint Adjudication Officer.

(7) Within 15 days after receipt of the recommended decision of the administrative law judge, any party may file exceptions to the decision with the Complaint Adjudication Officer. Thereafter, each party will have ten days to file reply exceptions with the Officer.

(1) *Decision.* (1) The Complaint Adjudication Officer shall make the decision of the agency based on information in the investigative record and, if a hearing is held, on the hearing record. The decision shall be made within 60 days of receipt of the transmittal of the notice of appeal and investigative record pursuant to § 39.170(i)(3) or after the period for filing exceptions ends, whichever is applicable. If the Complaint Adjudication Officer determines that he or she needs additional information from any party, he or she shall request the information and provide the other party or parties an opportunity to respond to that information. The Complaint Adjudication Officer shall have 60 days from receipt of the additional information to render the decision on the appeal. The Complaint Adjudication Officer shall transmit his or her decision by letter to the parties. The decision shall set forth the findings, remedial action required, and reasons for the decision. If the decision is based on a hearing record, the Complaint Adjudication Officer shall consider the recommended decision of the administrative law judge and render a final decision based on the entire record. The Complaint Adjudication Officer may also remand the hearing record to the administrative law judge for a fuller development of the record.

(2) Any respondent required to take action under the terms of the decision

## Department of Justice

Pt. 39, Nt.

of the agency shall do so promptly. The Official may require periodic compliance reports specifying—

(i) The manner in which compliance with the provisions of the decision has been achieved;

(ii) The reasons any action required by the final decision has not yet been taken; and

(iii) The steps being taken to ensure full compliance.

The Complaint Adjudication Officer may retain responsibility for resolving disagreements that arise between the parties over interpretation of the final agency decision, or for specific adjudicatory decisions arising out of implementation.

EDITORIAL NOTE: For the convenience of the user, the "Supplementary Information" portion of the document published at 49 FR 35724, Sept. 11, 1984, is set forth below:

**SUPPLEMENTARY INFORMATION:** On December 16, 1983, the Department of Justice published a Notice of Proposed Rulemaking (NPRM) for the enforcement of section 504 of the Rehabilitation Act of 1973, as amended, which prohibits discrimination on the basis of handicap, as it applies to programs and activities conducted by the Department of Justice. 48 FR 55996. Shortly after the NPRM was published, the Department received a number of preliminary comments from handicapped individuals and from organizations representing handicapped individuals. The tone and nature of these comments indicated to the Department that some of the regulatory provisions of the NPRM were being misunderstood. As a result, the Department, on March 1, 1984, published a Supplementary Notice further explaining the NPRM and requesting comments on possible revisions to the original NPRM. 49 FR 7792.

By April 16, 1984, close of the comment period, the Department received 1,194 comments. Two hundred and six of these comments also addressed the supplemental notice. Over 90% of the comments that the Department received came from individuals (908), most frequently handicapped persons, and from organizations representing the interests of handicapped persons (180). The Department received comments from all fifty states, the District of Columbia, Puerto Rico, Canada, and Denmark. Most of the comments that the Department received were general in nature. The Department received 721 comments based on a form letter. This form letter, written before issuance of the Supplemental Notice, expressed dismay at the inclusion of the regulation's "undue financial and administrative burdens" language, asserted that the Department was im-

posing a lesser requirement on the Federal government than on recipients of Federal assistance, and requested that the regulation be withdrawn. This form letter did not contain any substantive or detailed analysis. In fact, only 55 of the 1,194 comments contained specific, detailed analysis of the Department's proposal.

The Department read and analyzed each comment. Each comment was then subdivided according to one or more of over 90 issue categories. Because comments often addressed, even in general terms, more than one issue, the 1,194 comments were translated into 4,256 issue-specific comments. The decisions that the Department made in response to these comments, however, were not made on the basis of the number of commenters addressing any one point but on a thorough consideration of the merits of the points of view expressed in the comments. Copies of the written comments will remain available for public inspection in Room 854 of the HOLC Building, 320 First Street, NW., Washington, DC from 9:00 a.m. to 5:30 p.m., Monday through Friday, except for legal holidays, until November 13, 1984.

Section 504 requires that regulations that apply to the programs and activities of Federal executive agencies shall be submitted to the appropriate authorizing committees of Congress and that such regulations may take effect no earlier than the thirtieth day after they have been so submitted. The Department has today submitted this regulation to the Senate Committee on Labor and Human Resources and its Subcommittee on the Handicapped and the House Committee on Education and Labor and its Subcommittee on Select Education pursuant to the terms of section 504. The regulation will become effective on October 11, 1984.

This rule applies to all programs and activities conducted by the Department of Justice. Thus, this rule regulates the activities of over 30 separate subunits in the Department, including, for example, the Federal Bureau of Investigation, the Drug Enforcement Administration, the Immigration and Naturalization Service, the Bureau of Prisons, Federal Prison Industries, and the United States Attorneys.

### BACKGROUND

The purpose of this rule is to provide for the enforcement of section 504 of the Rehabilitation Act of 1973, as amended (29 U.S.C. 794), as it applies to programs and activities conducted by the Department of Justice (DOJ). As amended by the Rehabilitation, Comprehensive Services, and Developmental Disabilities Amendments of 1978 (Sec. 119, Pub. L. 95-602, 92 Stat. 2982), section 504 of the Rehabilitation Act of 1973 states that:

No otherwise qualified handicapped individual in the United States, . . . shall, solely by reason of his handicap, be excluded from the participation in, be denied the benefits of, or be subjected to discrimination under any program or activity receiving Federal financial assistance or under any program or activity conducted by any Executive agency or by the United States Postal Service. *The head of each such agency shall promulgate such regulations as may be necessary to carry out the amendments to this section made by the Rehabilitation, Comprehensive Services, and Developmental Disabilities Act of 1978. Copies of any proposed regulation shall be submitted to appropriate authorizing committees of the Congress, and such regulation may take effect no earlier than the thirtieth day after the date on which such regulation is so submitted to such committees.*

(29 U.S.C. 794) (amendment italicized).

The substantive nondiscrimination obligations of the agency, as set forth in this rule, are identical, for the most part, to those established by Federal regulations for programs or activities receiving Federal financial assistance. See 28 CFR part 41 (section 504 coordination regulation for federally assisted programs). This general parallelism is in accord with the intent expressed by supporters of the 1978 amendment in floor debate, including its sponsor, Rep. James M. Jeffords, that the Federal government should have the same section 504 obligations as recipients of Federal financial assistance. 124 Cong. Rec. 13,901 (1978) (remarks of Rep. Jeffords); 124 Cong. Rec. E2668, E2670 (daily ed. May 17, 1984) *id.*, 124 Cong. Rec. 13,897 (remarks of Rep. Brademas); *id.* at 38,552 (remarks of Rep. Sarasin).

Nine hundred and two comments that the Department received agreed that the obligations of section 504 for federally conducted programs should be identical to those developed by the Federal agencies over the past seven years for federally assisted programs. These commenters, however, objected to any language differences between the Department's proposed rule for federally conducted programs and the Department's section 504 coordination regulation for federally assisted programs (28 CFR part 41). The commenters asserted that a number of language differences that the Department had proposed created less stringent standards for the Federal government than those applied to recipients of Federal assistance under section 504. They wrote that such a result could not be justified by Executive Order 12250, by the wording of the statute itself, nor by the legislative history of the 1978 amendments.

The commenters appear to have misunderstood the basis for inclusion of the new language in the DOJ regulation. The changes in this regulation are based on the Supreme

Court's decision in *Southeastern Community College v. Davis*, 442 U.S. 397 (1979), and the subsequent circuit court decisions interpreting *Davis* and section 504. See *Dopico v. Goldschmidt*, 687 F.2d 644 (2d Cir. 1982); *American Public Transit Association v. Lewis*, 655 F.2d 1272 (D.C. Cir. 1981) (*APTA*); see also *Rhode Island Handicapped Action Committee v. Rhode Island Public Transit Authority*, 718 F.2d 490 (1st Cir. 1983).

Some commenters questioned the use of *Davis* as justification for the inclusion of the new provisions in the federally conducted regulation. They noted that the Department had not included these changes when, subsequent to the *Davis* decision, it issued a regulation implementing section 504 in programs receiving Federal financial assistance from this Department. The Department's section 504 federally assisted regulation, however, was issued prior to the D.C. circuit's decision in *APTA*. In *APTA*, the Department had argued a position similar to that advocated by the commenters. Judge Abner Mikva's decision in *APTA* clearly rejected the Department's position in that case. Other circuit court decisions followed the *APTA* interpretation of *Davis*. Since these decisions, the Department has interpreted its section 504 regulation for federally assisted programs in a manner consistent with the language of this final rule. The Department believes that judicial interpretation of section 504 compels it to incorporate the new language in the federally conducted regulation.

Incorporation of these changes, therefore, makes this section 504 federally conducted regulation consistent with the Federal government's section 504 federally assisted regulations. Because many of these federally assisted regulations were issued prior to the judicial interpretations of *Davis* and its progeny, their language does not reflect the interpretation of section 504 provided by the Supreme Court and by the various circuit courts. Of course, these federally assisted regulations must be interpreted to reflect the holdings of the Federal judiciary. Hence the Department believes that there are no significant differences between this final rule for federally conducted programs and the Federal government's interpretation of section 504 regulations for federally assisted programs.

This regulation has been reviewed by the Equal Employment Opportunity Commission under Executive Order 12067 (43 FR 28967, 3 CFR, 1978 Comp., p. 206). It is not a major rule within the meaning of Executive Order 12291 (46 FR 13193, 3 CFR, 1981 Comp., p. 127) and, therefore, a regulatory impact analysis has not been prepared. This regulation does not have an impact on small entities. It is not, therefore, subject to the Regulatory Flexibility Act (5 U.S.C. 601-612).



## Department of Justice

Pt. 39, Nt.

### SECTION-BY-SECTION ANALYSIS AND RESPONSE TO COMMENTS

#### *Section 39.101 Purpose*

Section 39.101 states the purpose of the rule, which is to effectuate section 119 of the Rehabilitation, Comprehensive Services, and Developmental Disabilities Amendments of 1978, which amended section 504 of the Rehabilitation Act of 1973 to prohibit discrimination on the basis of handicap in programs or activities conducted by Executive agencies or the United States Postal Service.

The Department received no comments on this section and it remains unchanged from the Department's proposed rule.

#### *Section 39.102 Application*

The regulation applies to all programs or activities conducted by the Department of Justice. Under this section, a federally conducted program or activity is, in simple terms, anything a Federal agency does. Aside from employment, there are two major categories of federally conducted programs or activities covered by this regulation: those involving general public contact as part of ongoing agency operations and those directly administered by the Department for program beneficiaries and participants. Activities in the first part include communication with the public (telephone contacts, office walk-ins, or interviews) and the public's use of the Department's facilities (cafeteria, library). Activities in the second category include programs that provide Federal services or benefits (immigration activities, operation of the Federal prison system). No comments were received on this section.

#### *Section 39.103 Definitions*

The Department received 469 comments on the definitions section. Most of the comment, however, concentrated on the definition of "qualified handicapped person."

"Agency" is defined as the Department of Justice.

"Assistant Attorney General." "Assistant Attorney General" refers to the Assistant Attorney General, Civil Rights Division, United States Department of Justice.

"Auxiliary aids." "Auxiliary aids" means services or devices that enable persons with impaired sensory, manual, or speaking skills to have an equal opportunity to participate in and enjoy the benefits of the agency's programs or activities. The definition provides examples of commonly used auxiliary aids. Auxiliary aids are addressed in §39.160(a)(1). Comments on the definition of "auxiliary aids" are discussed in connection with that section.

"Complete complaint." "Complete complaint" is defined to include all the informa-

tion necessary to enable the agency to investigate the complaint. The definition is necessary, because the 180 day period for the agency's investigation (*see* §39.170(g)) begins when it receives a complete complaint.

"Facility." The definition of "facility" is similar to that in the section 504 coordination regulation for federally assisted programs, 28 CFR 41.3(f), except that the term "rolling stock or other conveyances" has been added and the phrase "or interest in such property" has been deleted.

Twenty commenters on the NPRM objected to the omission of the phrase "or interest in such property" from the definition of "facility." As explained in the Supplemental Notice, the term "facility," as used in this regulation, refers to structures, and does not include intangible property rights. The definition, therefore, has no effect on the scope of coverage of programs, including those conducted in facilities not included in the definition. The phrase has been omitted because the requirement that facilities be accessible would be a logical absurdity if applied to a lease, life estate, mortgage, or other intangible property interest. The regulation applies to all programs and activities conducted by the agency regardless of whether the facility in which they are conducted is owned, leased, or used on some other basis by the agency. Sixty commenters supported the clarification of this issue in the Supplemental Notice.

"Handicapped person." The definition of "handicapped person" has been revised to make it identical to the definition appearing in the section 504 coordination regulation for federally assisted programs (28 CFR 41.31). In its NPRM, the Department omitted the list of physical or mental impairments included in the definition of "handicapped persons." The Department received 19 negative comments on this omission, and, in the Supplemental Notice, requested comments on whether it should be re-inserted. On the basis of the comments received, we have included the list in the final rule.

"Qualified handicapped person" The definition of "qualified handicapped person" is a revised version of the definition appearing in the section 504 coordination regulation for federally assisted programs (28 CFR 41.32).

Subparagraph (1) of the definition states that a "qualified handicapped person" with regard to any program under which a person is required to perform services or to achieve a level of accomplishment is a handicapped person who can achieve the purpose of the program without modifications in the program that the agency can demonstrate would result in a fundamental alteration in its nature. This definition is based on the Supreme Court's *Davis* decision.

In *Davis*, the Court ruled that a hearing-impaired applicant to a nursing school was not a “qualified handicapped person” because her hearing impairment would prevent her from participating in the clinical training portion of the program. The Court found that, if the program were modified so as to enable the respondent to participate (by exempting her from the clinical training requirements), “she would not receive even a rough equivalent of the training a nursing program normally gives.” 442 U.S. at 410. It also found that “the purpose of [the] program was to train persons who could serve the nursing profession in all customary ways,” *id.* at 413, and that the respondent would be unable, because of her hearing impairment, to perform some functions expected of a registered nurse. It therefore concluded that the school was not required by section 504 to make such modifications that would result in “a fundamental alteration in the nature of the program.” *Id.* at 410.

The Department incorporated the Court’s language in the definition of “qualified handicapped person” in order to make clear that such a person must be able to participate in the program offered by the agency. The agency is required to make modifications in order to enable a handicapped applicant to participate, but is not required to offer a program of a fundamentally different nature. The test is whether, with appropriate modifications, the applicant can achieve the purpose of the program offered; not whether the applicant could benefit or obtain results from some other program that the agency does not offer. Although the revised definition allows exclusion of some handicapped people from some programs, it requires that a handicapped person who is capable of achieving the purpose of the program must be accommodated, provided that the modifications do not fundamentally alter the nature of the program.

Two hundred and forty-four commenters objected to this revised definition for a variety of reasons. Several commenters stated that the Department incorrectly used *Davis* as the justification for explaining the differences between the federally assisted and the federally conducted regulations because the Supreme Court upheld the validity of the existing regulations in *Consolidated Rail Corp. v. Darrone*, 104 S. Ct. 1248 (1984). This view misunderstands the Court’s actions in *Darrone*. In that case the Court ruled on a series of issues, the most important of which was under what circumstances section 504 applied to employment discrimination by recipients. The Court did not concern itself either directly or indirectly with the definition of “qualified handicapped person” or whether section 504 included limitations based on “undue financial and administrative burdens.”

Many commenters stated that the proposal would change the definition of qualified handicapped person for employment. “Qualified handicapped person” is defined for purposes of employment in 29 CFR 1613.702(f), which is made applicable to this part by §39.140. Nothing in this part changes existing regulations applicable to employment.

Many commenters assumed that the definition would have the effect of placing on the handicapped person the burden of proving that he or she is qualified. The definition has been revised to make it clear that the agency has the burden of demonstrating that a proposed modification would constitute a fundamental alteration in the nature of its program or activity. Furthermore, in demonstrating that a modification would result in such an alteration, the agency must follow the procedures established in §§39.150(a)(2) and 39.160(d), which are discussed below, for demonstrating that an action would result in undue financial and administrative burdens. That is, the decision must be made by the agency head or his or her designee in writing after consideration of all resources available for the program or activity and must be accompanied by an explanation of the reasons for the decision. If the agency head determines that an action would result in a fundamental alteration, the agency must consider options that would enable the handicapped person to achieve the purpose of the program but would not result in such an alteration.

Some commenters said that the definition of “qualified handicapped person” places handicapped persons in a “Catch-22” situation: because only qualified handicapped persons are protected by the statute, a determination that a person is not qualified would make enforcement remedies unavailable to that person. This concern is misplaced. If the Department determined that a handicapped person was not “qualified,” the person could use the procedures established by §39.170 to challenge that determination, just as he or she could challenge any other decision by the agency that he or she believed to be discriminatory.

Many commenters argued that the definition of “qualified handicapped person” confused what should be two separate inquiries: whether a person meets essential eligibility requirements and, if so, whether accommodation is required. They argued that the reference to “fundamental alteration” in the definition focuses attention on accommodations rather than on a handicapped person’s abilities. As another commenter noted, however, the Supreme Court in *Davis* developed the “fundamental alteration” language in a decision that was determining the nature and scope of what constitutes a qualified

handicapped person. The Department continues to believe that the concept of “qualified handicapped person” properly encompasses both the notion of “essential eligibility requirements” and the notion of program modifications that might fundamentally alter a program.

Some commenters argued that our analysis of *Davis* was inappropriate because *Davis* was decided on the basis of individual facts unique to that case or because *Davis* involved federally assisted and not federally conducted programs. While cases are decided on the basis of specific factual situations, courts, especially the Supreme Court, develop general principles of law for use in analyzing facts. The *Davis* decision was the Supreme Court’s first comprehensive view of section 504, a major new civil rights statute. The *Davis* holding, that a person who cannot achieve the purpose of a program without fundamental changes in its nature is not a “qualified handicapped person,” is a general principle, a statement by the Court on how it views section 504. It is therefore necessary to reflect it in the Department’s regulation.

Subparagraph (2) of the definition adopts the existing definition in the coordination regulation of “qualified handicapped person” with respect to services for programs receiving Federal financial assistance (28 CFR 41.32(b)). Under this part of the definition, a qualified handicapped person is a handicapped person who meets the essential eligibility requirements for participation in the program or activity.

“Section 504.” This definition makes clear that, as used in this regulation, “section 504” applies only to programs or activities conducted by the agency and not to programs or activities to which it provides Federal financial assistance.

#### *Section 39.110 Self-evaluation*

This section requires that the agency conduct a self-evaluation of its compliance with section 504 within one year of the effective date of this regulation. The self-evaluation requirement is present in the existing section 504 coordination regulation for programs or activities receiving Federal financial assistance (28 CFR 41.5(b)(2)). Experience has demonstrated the self-evaluation process to be a valuable means of establishing a working relationship with handicapped persons that promotes both effective and efficient implementation of section 504.

In response to preliminary comments that the proposed rule had no specific criteria for conducting a self-evaluation, we requested comment on a proposed alternative in our Supplemental Notice (49 FR 7792). We received 64 comments, 57 of which were positive. The comments generally favored adop-

tion of the alternative section, instead of the proposed section. We agree.

With respect to the applicability of the Federal Advisory Committee Act (5 U.S.C. App. 1 *et seq.*) (FACA), several comments were received. They argued that the FACA is not intended to apply to meetings with a self-evaluation group comprised of private individuals because they are rather unstructured, ad hoc meetings.

Authority for interpreting FACA was delegated to the General Services Administration (GSA) by Executive Order 12024 in 1977. Regulations issued by GSA place specific limitations on the scope of the Act by delineating examples of meetings or groups *not* covered. 41 CFR part 101-6. GSA identified a major issue in the promulgation of the regulations to be the extent of applicability of the Act

Some commenters believe, as a matter of general policy, that advisory groups which are not formally structured, which do not have a continuing existence, which meet to deal with specific issues, and whose meetings do not constitute an established pattern of conduct should not be covered under the Act. \* \* \* This rule reflects our judgment that the exclusion of certain non-recurring meetings from the Act’s coverage is fully consistent with the statute, its legislative history, and judicial interpretation. \* \* \* The interim rule provides guidance for those meetings between Federal officials and non-Federal individuals which do not fall within the scope of the Act, and for which a charter and consultation with GSA is not required.

48 FR 19324 (Preamble to interim rules).

The regulations define “advisory committee” in pertinent part as:

Any committee, board, commission, council, conference, panel, task force or other similar group \* \* \* established by \* \* \* or utilized by \* \* \* any agency official for the purpose of obtaining advice or recommendations on issues or policy which are within the scope of his or her responsibilities.

41 CFR 101-6. 1003 (emphasis added).

In turn, “utilized” is defined in pertinent part as a

group \* \* \* which \* \* \* agency official(s) adopts, such as through institutional arrangements, as a preferred source from which to obtain advice or recommendations on a specific issue or policy within the scope of his or her responsibilities in the same manner as that individual would obtain advice or recommendations from an established advisory committee.

41 CFR 101-6.1003 (emphasis added).

The GSA regulation further provides that the Act does not apply to

(g) Any meeting initiated by the President or one or more Federal official [sic] for the purpose of obtaining advice or recommendations from one individual;

(h) Except with respect to established advisory committees:

(1) Any meeting with a group initiated by the President or one or more Federal official(s) for the purpose of exchanging facts or information; or

(2) Any meeting initiated by a group with the President or one or more Federal official(s) for the purpose of expressing the group's view, provided that the President or Federal official(s) does not use the group as a preferred source of advice or recommendations;

\* \* \* \* \*

(j) Any meeting initiated by a Federal official(s) with more than one individual for the purpose of obtaining the advice of individual attendees and not for the purpose of utilizing the group to obtain consensus advice or recommendations.

41 CFR 101-6.1004 (g), (h), and (j).

This final rule provides that the agency shall provide an opportunity for interested persons, including handicapped persons or organizations representing handicapped persons, to participate in the self-evaluation process and development of transition plans by submitting comments (both oral and written).

Section 39.111 Notice

The Department received negative comments on its omission of a paragraph routinely used in section 504 regulations for federally assisted programs requiring recipients to inform interested persons of their rights under section 504. In the Department's Supplemental Notice, we requested comments on inclusion of specific regulatory language. Fifty-four positive comments were received. As a result, the Department has incorporated that new provision on notice into the final rule. It appears as §39.111.

Section 39.111 requires the agency to disseminate sufficient information to employees, applicants, participants, beneficiaries, and other interested persons to apprise them of rights and protections afforded by section 504 of this regulation. Methods of providing this information include, for example, the publication of information in handbooks, manuals, and pamphlets that are distributed to the public to describe the agency's programs and activities; the display of informative posters in service centers and other public places; or the broadcast of information by television or radio.

Section 39.111 is, in fact, a broader and more detailed version of the proposed rule's requirement (at §39.160(d)) that the agency

provide handicapped persons with information concerning their rights. Because §39.111 encompasses the requirements of proposed §39.160(d), that latter paragraph has been deleted as duplicative.

Section 39.130 General prohibitions against discrimination

Section 39.130 is an adaptation of the corresponding section of the section 504 coordination regulation for programs or activities receiving Federal financial assistance (28 CFR 41.51). This regulatory provision attracted relatively few public comments and has not been changed from the proposed rule.

Paragraph (a) restates the nondiscrimination mandate of section 504. The remaining paragraphs in §39.130 establish the general principles for analyzing whether any particular action of the agency violates this mandate. These principles serve as the analytical foundation for the remaining sections of the regulation. If the agency violates a provision in any of the subsequent sections, it will also violate one of the general prohibitions found in §39.130. When there is no applicable subsequent provision, the general prohibitions stated in this section apply.

Paragraph (b) prohibits overt denials of equal treatment of handicapped persons. The agency may not refuse to provide a handicapped person with an equal opportunity to participate in or benefit from its program simply because the person is handicapped. Such blatantly exclusionary practices often result from the use of irrebuttable presumptions that absolutely exclude certain classes of disabled persons (e.g., epileptics, hearing-impaired persons, persons with heart ailments) from participation in programs or activities without regard to an individual's actual ability to participate. Use of an irrebuttable presumption is permissible only when in all cases a physical condition by its very nature would prevent an individual from meeting the essential eligibility requirements for participation in the activity in question. It would be permissible, therefore, to exclude without an individual evaluation all persons who are blind in both eyes from eligibility for a license to operate a commercial vehicle in interstate commerce; but it may not be permissible to disqualify automatically all those who are blind in just one eye.

In addition, section 504 prohibits more than just the most obvious denials of equal treatment. It is not enough to admit persons in wheelchairs to a program if the facilities in which the program is conducted are inaccessible. Subparagraph (b)(1)(iii), therefore, requires that the opportunity to participate or benefit afforded to a handicapped person be as effective as that afforded to others. The later sections on program accessibility

## Department of Justice

## Pt. 39, Nt.

(§§ 39.149–39.151) and communications (§ 39.160) are specific applications of this principle.

Despite the mandate of paragraph (d) that the agency administer its programs and activities in the most integrated setting appropriate to the needs of qualified handicapped persons, subparagraph (b)(1)(iv), in conjunction with paragraph (d), permits the agency to develop separate or different aids, benefits, or services when necessary to provide handicapped persons with an equal opportunity to participate in or benefit from the agency's programs or activities. Subparagraph (b)(1)(iv) requires that different or separate aids, benefits, or services be provided only when necessary to ensure that the aids, benefits, or services are as effective as those provided to others. Even when separate or different aids, benefits, or services would be more effective, subparagraph (b)(2) provides that a qualified handicapped person still has the right to choose to participate in the program that is not designed to accommodate handicapped persons.

Subparagraph (b)(1)(v) prohibits the agency from denying a qualified handicapped person the opportunity to participate as a member of a planning or advisory board.

Subparagraph (b)(1)(vi) prohibits the agency from limiting a qualified handicapped person in the enjoyment of any right, privilege, advantage, or opportunity enjoyed by others receiving any aid, benefit, or service.

Subparagraph (b)(3) prohibits the agency from utilizing criteria or methods of administration that deny handicapped persons access to the agency's programs or activities. The phrase "criteria or methods of administration" refers to official written agency policies and to the actual practices of the agency. This subparagraph prohibits both blatantly exclusionary policies or practices and nonessential policies and practices that are neutral on their face, but deny handicapped persons an effective opportunity to participate.

Subparagraph (b)(4) specifically applies the prohibition enunciated in § 39.130(b)(3) to the process of selecting sites for construction of new facilities or existing facilities to be used by the agency. Subparagraph (b)(4) does not apply to construction of additional buildings at an existing site.

Subparagraph (b)(5) prohibits the agency, in the selection of procurement contractors, from using criteria that subject qualified handicapped persons to discrimination on the basis of handicap.

Subparagraph (b)(6) prohibits the agency from discriminating against qualified handicapped persons on the basis of handicap in the granting of licenses or certification. A person is a "qualified handicapped person" with respect to licensing or certification, if he or she can meet the essential eligibility

requirements for receiving the license or certification (see § 39.103).

In addition, the agency may not establish requirements for the programs or activities of licensees or certified entities that subject qualified handicapped persons to discrimination on the basis of handicap. For example, the agency must comply with this requirement when establishing safety standards for the operations of licensees. In that case the agency must ensure that standards that it promulgates do not discriminate in an impermissible manner against the employment of qualified handicapped persons.

Subparagraph (b)(6) does not extend section 504 directly to the programs or activities of licensees or certified entities themselves. The programs or activities of Federal licensees or certified entities are not themselves federally conducted programs or activities nor are they programs or activities receiving Federal financial assistance merely by virtue of the Federal license or certificate. However, as noted above, section 504 may affect the content of the rules established by the agency for the operation of the program or activity of the licensee or certified entity, and thereby indirectly affect limited aspects of its operations.

Twenty-three commenters argued that the regulation should extend to the activities of licensees or certified entities, citing *Community Television of Southern California v. Gottfried*, 103 S. Ct. 885 (1983). In that case, the Court held that section 504 as applied to federally assisted programs did not require the Federal Communications Commission to prohibit discrimination on the basis of handicap by licensed broadcasters, but that "the policies underlying the Communications Act" might authorize the Commission to issue a regulation governing such discrimination. The Court did not, however, indicate that section 504 itself could serve as the source of such regulatory authority.

The Court has held that "the use of the words 'public interest' in a regulatory statute is not a broad license to promote the general public welfare. Rather the words take meaning from the purposes of the regulatory legislation." *National Association for the Advancement of Colored People v. Federal Power Commission*, 425 U.S. 662, 669 (1976). In our view, section 504 does not of itself extend an agency's regulatory authority to the activities of licensees or certified entities. Where an agency has existing regulatory authority that is broad enough to enable it to establish a nondiscrimination requirement for its licensees or certified entities, section 504 may support the exercise of that authority. Because the Department of Justice has no such underlying authority, it cannot prohibit discrimination by licensees.

Twenty-two commenters objected to the omission of a paragraph from the regulations

for federally assisted programs that prohibits a recipient from providing significant assistance to an organization that discriminates. To the extent that assistance from the agency would provide significant support to an organization, it would constitute Federal financial assistance and the organization, as a recipient of such assistance, would be covered by the agency's section 504 regulation for federally assisted programs. The regulatory "significant assistance" provision, however, would be inappropriate in a regulation applying only to federally conducted programs or activities.

Paragraph (c) provides that programs conducted pursuant to Federal statute or Executive order that are designed to benefit only handicapped persons or a given class of handicapped persons may be limited to those handicapped persons.

Paragraph (d), discussed above, provides that the agency must administer programs and activities in the most integrated setting appropriate to the needs of qualified handicapped persons.

#### *Section 39.140 Employment*

Section 39.140 prohibits discrimination on the basis of handicap in employment by the agency. Comments on proposed §39.140 identified two types of problems. First, several commenters felt that the rule's treatment of employment was not sufficiently comprehensive. They pointed out that the rule does not enumerate the employment practices covered (*e.g.*, hiring, promotion, assignment); it does not say what must be done to avoid or correct possible discrimination (*e.g.*, reasonable accommodation, review of preemployment tests, limitations on preemployment inquiries and the use of medical examinations); nor does it define a "qualified handicapped person" with respect to employment.

Second, one commenter objected to the rule's adoption of "the definitions, requirements and procedures of section 501 of the Rehabilitation Act" as established in rules of the Equal Employment Opportunity Commission (EEOC) at 29 CFR part 1613. This commenter argued that EEOC's rules on physical examinations were too restrictive and claimed that the proposed rule did not limit employment coverage to the program conducted by the Federal government in a manner similar to the "program or activity" limitation on coverage of programs receiving Federal financial assistance. Finally, the commenter asserted that reliance on section 501 was misplaced because that section of the Rehabilitation Act requires affirmative action whereas section 504, which the rule implements, contains only a nondiscrimination requirement.

The original notice of proposed rulemaking explained that the regulation is in accord

with *Prewitt v. United States Postal Service*, 662 F.2d 292 (5th Cir. 1981), which held that Congress intended section 504 to cover the employment practices of Executive agencies. In *Prewitt*, the court also held that, in order to give effect to sections 501 and 504, both of which cover Federal employment, the administrative procedures of section 501 must be followed. Accordingly, the proposed rule adopted the definitions, requirements and procedures of section 501 as established in EEOC's rules.

The final rule has not been changed. The Department intends to avoid duplicative, competing or conflicting standards under the Rehabilitation Act with respect to Federal employment. While the rule could define terms with respect to employment and enumerate what practices are covered and what requirements apply, reference to the Government-wide rules of the Equal Employment Opportunity Commission is sufficient and avoids duplication. The class of Federal employees and applicants for employment covered by section 504 is identical to or subsumed within that covered by section 501. To apply different or lesser standards to persons alleging violations of section 504 could lead unnecessarily to confusion in the enforcement of the Rehabilitation Act with respect to Federal employment.

#### *Section 39.149 Program accessibility: Discrimination prohibited*

The proposed regulation did not contain a general statement of the program accessibility requirement similar to that appearing in the section 504 coordination regulation for federally assisted programs (28 CFR 41.56). The decision not to include this language in the proposed regulation created the misperception that a change in substance was intended. In order to remedy this misunderstanding, the Supplemental Notice requested comments on explicitly including it. Sixty-two commenters favored inclusion of the specific regulatory language that was published in the Supplemental Notice. Consequently, the final rule has been revised to include the language of the Supplemental Notice. The language appears at §39.149.

#### *Section 39.150 Program accessibility: Existing facilities*

This regulation adopts the program accessibility concept found in the existing section 504 coordination regulation for programs or activities receiving Federal financial assistance (28 CFR 41.57), with certain modifications. Thus, §39.150 requires that the agency's program or activity, when viewed in its entirety, be readily accessible to and usable by handicapped persons. The regulation also makes clear that the agency is not required

to make each of its existing facilities accessible (§39.150(a)(1)). However, §39.150, unlike 28 CFR 41.56-41.57, places explicit limits on the agency's obligation to ensure program accessibility (§39.150(a)(2)). This provision provoked 959 comments, the largest number received on any single issue. Most commenters sought the deletion of the "undue financial and administrative burdens" language from the regulation. On the basis of preliminary comments on this paragraph, the Department published clarifying language in its Supplemental Notice. The final version includes that clarification.

The "undue financial and administrative burdens" language (found at §§39.150(a)(2) and 39.160(d)) is based on the Supreme Court's *Davis* holding that section 504 does not require program modifications that result in a fundamental alteration in the nature of a program, and on the Court's statement that section 504 does not require modifications that would result in "undue financial and administrative burdens." 442 U.S. at 412. Since *Davis*, circuit courts have applied this limitation on a showing that only one of the two "undue burdens" would be created as a result of the modification sought to be imposed under section 504. See, e.g., *Dopico v. Goldschmidt*, *supra*; *American Public Transit Association v. Lewis*, *supra* (*APTA*). In *APTA* the United States Court of Appeals for the District of Columbia Circuit applied the *Davis* language and invalidated the section 504 regulations of the Department of Transportation (DOT). The court in *APTA* noted "that at some point a transit system's refusal to take modest, affirmative steps to accommodate handicapped persons might well violate section 504. But DOT's rules do not mandate only modest expenditures. The regulations require extensive modifications of existing systems and impose extremely heavy financial burdens on local transit authorities." 655 F.2d at 1278.

The inclusion of subparagraph (a)(2) is an effort to conform the agency's regulation implementing section 504 to the Supreme Court's interpretation of the statute in *Davis* as well as to the decisions of lower courts following the *Davis* opinion. This subparagraph acknowledges, in light of recent case law, that, in some situations, certain accommodations for a handicapped person may so alter an agency's program or activity, or entail such extensive costs and administrative burdens that the refusal to undertake the accommodations is not discriminatory. The failure to include such a provision could lead to judicial invalidation of the regulation or reversal of a particular enforcement action taken pursuant to the regulation.

Many commenters argued that the Supreme Court's decision in *Davis* did not require inclusion of an undue burdens defense in this regulation. These commenters as-

serted that the holding in *Davis* was that the plaintiff was not a qualified handicapped person and that the subsequent reference to "undue financial and administrative burdens" was mere *dicta*. These commenters overlook the interpretations of *Davis* provided by the Federal circuit court cases mentioned above. The *APTA* and *Dopico* decisions make it clear that financial burdens can limit the obligation to comply with section 504. See also *New Mexico Association for Retarded Citizens v. New Mexico*, 678 F.2d 847 (10th Cir. 1982).

Many commenters argued that inclusion of the undue burdens defense was inconsistent with the position taken by Vice President Bush in his letter of March 21, 1983, in which he announced the Administration's decision not to revise the coordination regulation for federally assisted programs. The decision to include the undue burdens defense represents no contradiction with the position taken by Vice President Bush on the guidelines for federally assisted programs. In his letter the Vice President stated that "extensive change of the existing 504 coordination regulations was not required, and that with respect to those few areas where clarification might be desirable, the courts are currently providing useful guidance and can be expected to continue to do so in the future." One element of that "useful guidance" obviously comes from interpretations of the *Davis* decision by the lower Federal courts.

The Department has carefully considered the comments on the process that the Department should follow in determining whether a program modification would result in undue financial and administrative burdens. The Department intends to be guided by six principles in its application of the "fundamental alteration" and "undue financial and administrative burdens" language.

First, because of the extensive resources and capabilities that could properly be drawn upon for section 504 purposes by a large Federal agency like the Department of Justice, the Department explicitly acknowledges that, in most cases, making a Department program accessible will likely not result in undue burdens. Second, the burden of proving that the accommodation request will result in a fundamental alteration or undue burdens has been placed squarely on the Department of Justice, not on the handicapped person. Third, in determining whether financial and administrative burdens are undue, the Department is to consider all Department resources available for use in the funding and operation of the conducted program. Fourth, the "fundamental alteration"/"undue burdens" decision is to be made by the Attorney General or his designee and must be accompanied by a written statement of reasons for reaching such a conclusion. Fifth, if a disabled person disagrees with the

Attorney General's finding, he or she can file a complaint under the complaint procedures established by the final regulation. A significant feature of this complaint adjudication procedure is the availability of a hearing before an independent administrative law judge under the due process protections of the Administrative Procedure Act. Sixth and finally, even if there is a determination that making a program accessible will fundamentally alter the nature of the program, or will result in undue financial and administrative burdens, the Department must still take action, short of that outer limit, that will open participation in the Department's program to disabled persons to the fullest extent possible.

One hundred and eighty-one commenters on the Supplemental Notice objected to the provision that the "undue burdens" decision would be based on consideration of "all agency resources available for use in the funding and operation of the conducted program," arguing that it should be based on the resources of the agency as a whole. Some argued that this formulation was required because all agency resources come from taxpayer monies and should not be used to support discrimination.

The Department's entire budget is an inappropriate touchstone for making determinations as to undue financial and administrative burdens. Many parts of the Department's budget are earmarked for specific purposes and are simply not available for use in making the Department's programs accessible to disabled persons. For example, funds for the operation of the Bureau of Prisons are unavailable for defraying the cost of a sign language interpreter at a deportation hearing conducted by the Immigration and Naturalization Service. There are extensive resources available to the Department and it is expected that the Department will, only on very rare occasions, be faced with "undue burdens" in meeting the program accessibility or communications sections of the regulation.

One commenter said that the term "undue hardship" used in regulations for federally assisted programs is more specific and less discriminatory than the term "undue burdens." The term "undue hardship" is a term of art used in connection with employment. The term "undue burdens" is taken from the Supreme Court's opinion in *Davis* and is appropriately included in this regulation.

Some commenters argued that section 504 creates an absolute right to access, and that cost cannot limit this right, although it may be a factor in determining timeframes for compliance. Section 504 does not create an absolute right to access. The Supreme Court stated in *Davis* that recipients need not undertake modifications to their programs to meet the requirements of section 504 that

would result in "undue financial and administrative burdens." This understanding of section 504 and its implementing regulations for federally assisted programs is shared by the lower Federal courts, which have routinely applied the "undue burdens" limitation to accessibility issues. Congress suggested no different interpretation of section 504 when applying it to federally conducted programs. Spreading the cost of compliance over a period of time is, however, one way of avoiding undue financial and administrative burdens, and the Department will consider that as an option whenever it considers asserting that defense.

Paragraph (b) sets forth a number of means by which program accessibility may be achieved, including redesign of equipment, reassignment of services to accessible buildings, and provision of aides. In choosing among methods, the agency shall give priority consideration to those that will be consistent with provision of services in the most integrated setting appropriate to the needs of handicapped persons. Structural changes in existing facilities are required only when there is no other feasible way to make the agency's program accessible. The agency may comply with the program accessibility requirement by delivering services at alternate accessible sites or making home visits as appropriate.

Paragraphs (c) and (d) establish time periods for complying with the program accessibility requirement. As currently required for federally assisted programs by 28 CFR 41.57(b), the agency must make any necessary structural changes in facilities as soon as practicable, but in no event later than three years after the effective date of this regulation. Where structural modifications are required, a transition plan shall be developed within six months of the effective date of this regulation. Aside from structural changes, all other necessary steps to achieve compliance shall be taken within sixty days.

*Section 39.151 Program accessibility: New construction and alterations*

Overlapping coverage exists with respect to new construction under section 504, section 502 of the Rehabilitation Act of 1973, as amended (29 U.S.C. 792), and the Architectural Barriers Act of 1968, as amended (42 U.S.C. 4151-4157). Section 39.151 provides that those buildings that are constructed or altered by, on behalf of, or for the use of the agency shall be designed, constructed, or altered to be readily accessible to and usable by handicapped persons in accordance with 41 CFR 101-19.600 to 101-19.607. This standard was promulgated pursuant to the Architectural Barriers Act of 1968, as amended (42 U.S.C. 4151-4157). It is appropriate to adopt the existing Architectural Barriers Act



standard for section 504 compliance because new and altered buildings subject to this regulation are also subject to the Architectural Barriers Act and because adoption of the standard will avoid duplicative and possibly inconsistent standards.

Existing buildings leased by the agency after the effective date of this regulation are not required to meet the new construction standard. They are subject, however, to the requirements of §39.150.

A commenter has recommended that the regulation should require that buildings leased after the effective date of the regulation should meet the new construction standards of §39.151, rather than the program accessibility standard for existing facilities in §39.150. Federal practice under section 504 has always treated newly leased buildings as subject to the existing facility program accessibility standard. Unlike the construction of new buildings where architectural barriers can be avoided at little or no cost, the application of new construction standards to an existing building being leased raises the same prospect of retrofitting buildings as the use of an existing Federal facility, and the Department believes the same program accessibility standard should apply to both owned and leased existing buildings.

#### *Section 39.160 Communications*

Section 39.160 requires the agency to take appropriate steps to ensure effective communication with personnel of other Federal entities, applicants, participants, and members of the public. These steps include procedures for determining when auxiliary aids are necessary under §39.160(a)(1) to afford a handicapped person an equal opportunity to participate in, and enjoy the benefits of, the agency's program or activity. They also include an opportunity for handicapped persons to request the auxiliary aids of their choice. This expressed choice shall be given primary consideration by the agency (§39.160(a)(1)(i)). The agency shall honor the choice unless it can demonstrate that another effective means of communication exists or that use of the means chosen would not be required under §39.160(d). That paragraph limits the obligation of the agency to ensure effective communication in accordance with *Davis* and the circuit court opinions interpreting it (*see supra* preamble §39.150(a)(2)). Unless not required by §39.160(d), the agency shall provide auxiliary aids at no cost to the handicapped person.

In some circumstances, a notepad and written materials may be sufficient to permit effective communication with a hearing-impaired person. In many circumstances, however, they may not be, particularly when the information being communicated is complex or exchanged for a lengthy period of

time (*e.g.*, a meeting) or where the hearing-impaired applicant or participant is not skilled in spoken or written language. In these cases, a sign language interpreter may be appropriate. For vision-impaired persons, effective communication might be achieved by several means, including readers and audio recordings. In general, the agency intends to inform the public of (1) the communications services it offers to afford handicapped persons an equal opportunity to participate in or benefit from its programs or activities, (2) the opportunity to request a particular mode of communication, and (3) the agency's preferences regarding auxiliary aids when several different modes are effective.

The agency shall ensure effective communication with vision-impaired and hearing-impaired persons involved in hearings conducted by the agency, *e.g.*, INS deportation proceedings. Auxiliary aids in these proceedings must be afforded where they are necessary to ensure effective communication at the proceedings. When sign language interpreters are necessary, the agency may require that it be given reasonable notice prior to the proceeding of the need for an interpreter. Moreover, the agency need not provide individually prescribed devices, readers for personal use or study, or other devices of a personal nature (§39.160(a)(1)(ii)). For example, the agency need not provide eye glasses or hearing aids to applicants or participants in its programs. Similarly, the regulation does not require the agency to provide wheelchairs to persons with mobility impairments.

Some commenters suggested that the Department's language in §39.160(a)(1)(ii) that states that the agency need not provide individually prescribed devices or readers for personal use or study be modified to state that such devices are not required for "non-program material." This suggestion has not been adopted because it is less clear than the existing formulation, which is intended to distinguish between communications that are necessary to obtain the benefits of the federal programs and those that are not and which parallels the requirements of the Federal government's section 504 regulations for federally assisted programs. For example, a federally operated library would have to ensure effective communication between its librarian and a patron, but not between the patron and a friend who had accompanied him or her to the library.

Several comments suggested that the definition of auxiliary aids should include attendant services that may be needed to aid disabled persons to travel to meetings. Other comments recommended that in some cases attendant services may be an appropriate auxiliary aid to achieve program accessibility.

The Department has not adopted the approach recommended by these comments. To the extent that the services of an attendant are not directly related to a federally conducted program or activity, it would be inappropriate to require them at Federal expense. For example, the services of a sign language interpreter make a workshop as available to any deaf participant as it is to other participants. The need for services of interpreters arises directly out of the presentation of information in a form that can be understood by hearing persons. However, the Department views the services of an attendant for a disabled person as generally personal in nature and not directly related to the federally conducted program.

A different conclusion, however, might be reached for Federal employees or other persons traveling for the agency. Where a disabled person who is unable to travel without an attendant is required to perform official travel, the travel expenses of an attendant, including per diem and transportation expenses, may be paid by the Department. See 5 U.S.C. 3102(d) (1982).

Paragraph (b) requires the agency to provide information to handicapped persons concerning accessible services, activities, and facilities. Paragraph (c) requires the agency to provide signage at inaccessible facilities that directs users to locations with information about accessible facilities.

#### *Section 39.170 Compliance procedures*

Section 39.170 establishes a detailed complaint processing and review procedure for resolving allegations of discrimination in violation of section 504 in the Department of Justice's programs and activities. The 1978 amendments to section 504 failed to provide a specific statutory remedy for violations of section 504 in federally conducted programs. The amendment's legislative history suggesting parallelism between section 504 for federally conducted and federally assisted programs is unhelpful in this area because the fund termination mechanism used in section 504 federally assisted regulations depends on the legal relationship between a Federal funding agency and the recipients to which the Federal funding is extended. The Department has decided that the most effective and appropriate manner in which to enforce section 504 in the federally conducted area is through an equitable complaint resolution process. Section 39.170 establishes this process.

The complaint process in the final rule is substantially the same as the one that the Department proposed. The Department received 57 comments on this section. These comments did not question the use of a complaint-responsive enforcement scheme as appropriate for section 504 for federally con-

ducted programs. The Department continues to view its specific proposal as satisfactory.

Paragraph (a) specifies that paragraphs (c) through (l) of this section establish the procedures for processing complaints other than employment complaints. Paragraph (b) provides that the agency will process employment complaints according to procedures established in existing regulations of the EEOC (29 CFR part 1613) pursuant to section 501 of the Rehabilitation Act of 1973 (29 U.S.C. 791).

Paragraph (c) vests in the Responsible Official the responsibility for the overall management of the 504 compliance program. "Responsible Official" or "Official," as defined in §39.103, refers to the Director of Equal Employment Opportunity, who is designated as the official responsible for coordinating implementation of compliance procedures set forth in §39.170. The definition of "Official" includes other Department Officials to whom authority has been delegated by the Official. The Assistant Attorney General for Administration has been designated as the Director of Equal Employment Opportunity for the Department. See 28 CFR 42.2(a).

Although one person has responsibility both for administering the Equal Employment Opportunity Program for the Department and for coordinating implementation of the compliance procedures under this part, the procedures for carrying out these two responsibilities are different. The Official would follow the procedures for enforcing equal employment opportunity, as set forth in 29 CFR part 1613, only for complaints alleging employment discrimination (see §39.170(b)). Other complaints would be processed under the procedures in §39.170. Authority for processing complaints of employment discrimination has been delegated to Equal Employment Opportunity Officers in some Department components, and it is expected that authority for enforcing this part will be similarly delegated.

Subparagraphs (d) (1) and (3) provide that any person who believes that he or she has been discriminated against may file a complaint within 180 days from the date of the alleged discrimination. The Official may extend the time limit when the complainant shows good cause. Good cause could be found if, for example, (1) the complainant mistakenly filed with the wrong agency and was not informed of the mistake within the 180 days; or (2) the complainant could not reasonably be expected to know of the act or event said to be discriminatory.

Several commenters argued that the proposed rule unnecessarily restricted the right to file a complaint by not allowing an individual victim of discrimination to authorize a representative to file on his or her behalf. The final rule permits filing by the authorized representative of an individual victim,

or, in the case of class discrimination, of a member of the class, as well as by an individual victim or class member. The final rule has been revised to make it clear that complaints alleging that a specific class of persons has been discriminated against may only be filed by a member of that specific class or by a representative authorized to file the complaint by a member of that class (§39.170(d)(1)).

The Federal Bureau of Prisons has established an Administrative Remedy Procedure for handling grievances of inmates of Federal penal institutions (28 CFR part 542). This procedure allows an inmate to file a formal written complaint with the Warden of the Institution or with the Regional Director. While these remedies are not a substitute for the right to an independent investigation by a civil rights office and appeal to the Complaint Adjudication Officer, the final rule requires inmates to exhaust these procedural remedies before filing a complaint with the Official. The time period for filing a complaint with the Official would be extended by the time spent exhausting these remedies. This requirement applies only to inmates and does not extend to visitors and employees.

The Department received several comments on how prisoners' complaints should be handled. Some of them suggested that both the discrimination procedure and the prison grievance procedures should be invoked simultaneously. The Department believes that this proposal would require the unnecessary duplication of efforts without materially enhancing results. The Bureau of Prisons reported that thousands of inmate complaints were filed in 1983 alone and that several court decisions have held that the inmate administrative remedy procedure must be exhausted before suit can be filed. Although the volume of complaints by prison inmates might be burdensome, it is not possible now to forecast the number that will be filed. The Department believes, however, that handicapped prisoners must be afforded the right to have their complaints investigated by an office that specializes in discrimination complaints, including section 504 complaints, as well as the right to appeal to the Complaint Adjudication Officer. It is expected that the requirement that inmates first exhaust prison administrative remedies will be effective in resolving most meritorious complaints. It may be necessary, of course, for the Department to provide additional resources to handle complaints filed under the new regulation.

Subparagraph (d)(2) requires that the name and identity of a complainant be held in confidence unless he or she waives that right in writing and except to the extent necessary for compliance purposes.

Complaints may be mailed or delivered to the Attorney General, the Responsible Official, or other agency officials. Complaints received by any agency official other than the Responsible Official must be forwarded immediately to the Responsible Official (subparagraph (d)(4)).

Paragraph (e) requires the agency to send to the Architectural and Transportation Barriers Compliance Board a copy of any complaint alleging that a building or facility subject to the Architectural Barriers Act or section 502 was designed, constructed, or altered in a manner that does not provide ready access to and use by handicapped persons.

The Official is required to accept all complete complaints over which the agency has jurisdiction (§39.170(f)(1)). If the Official determines that the agency does not have jurisdiction over a complaint, the Official shall promptly notify the complainant and make reasonable efforts to refer the complaint to the appropriate entity of the Federal government (§39.170(f)(3)).

If a complaint is not complete when it is filed, the Official must notify the complainant within 30 days that additional information is needed. The complainant must furnish the necessary information within 30 days of receipt of the notice, or the complaint will be dismissed without prejudice. Filing an incomplete complaint within 180 days from the date of the alleged discrimination satisfies the requirement of subparagraph (d)(3), but the timeframes governing the Official's other obligations to process the complaint (*see, e.g.*, §39.170(g)(1), §39.170(h)) do not begin to operate until the Official receives a complete complaint.

Within 180 days of receipt of the complete complaint, the Official is to investigate the complaint, attempt an informal resolution, and, if informal resolution is not achieved, issue a letter of findings (§39.170(h)). Within the time limit, the Official should make every effort to achieve informal resolution whenever possible.

In response to a suggestion from a commenter, the Department no longer refers to the letter of findings as "preliminary." The word "preliminary" has been deleted because, if there is no appeal, the determination made in the letter of findings will constitute the final agency decision.

Paragraph (h) requires that the Official's letter be sent to the complainant and respondent, and that it contain findings of fact and conclusions of law, the relief granted if discrimination is found, and notice of the right to appeal. The regulation provides that a party may appeal the Official's letter or findings to the Complaint Adjudication Officer (CAO). If neither party files an appeal from the letter of findings within 30 days

after receipt of the letter, the letter will constitute the final decision of the agency (§39.170(i)(4)).

The Department's final rule provides an opportunity for a hearing before an administrative law judge (ALJ). The ALJ would make a recommended decision to the CAO, who would make the final agency decision. The purpose of the hearing is to provide a forum in which the complainant or respondent can have an opportunity to be heard, confront witnesses, and present evidence so that an administrative law judge can issue a recommended decision that is well-reasoned and justified on the basis of the evidence presented.

The opportunity for a hearing before an ALJ assures more impartiality and the appearance of more impartiality than a decision made by one agency official concerning other officials of the same agency. The Department expects that agency decisions based on a hearing record would more likely survive later judicial review.

Under the regulation, another person or organization would be allowed to participate as a third party or *amicus curiae* if the ALJ determines that the petitioner has a legitimate interest in the proceedings, that participation will not duly delay the outcome, and that petitioner's participation may contribute materially to the disposition of the proceedings.

The Department received comments on the proposed opportunity for a hearing before an administrative law judge. Some commenters were primarily concerned that by invoking a hearing before the ALJ with the procedural safeguards adopted from the Administrative Procedure Act (APA) (5 U.S.C. 554–557), the complainant would lose the right to a *de novo* review of the agency's final decision, because the APA allows a Federal court only to determine if the agency's final decisions are "arbitrary and capricious" (5 U.S.C. 706(2)(A)). It is beyond our jurisdiction to specify that a *de novo* review is available to complaints seeking judicial review of final agency decisions. This issue is for the courts to decide. That is also true for the issue of the availability of a private right of action, either without invoking our compliance procedures or after the issuance of letters of findings.

Given the inherent conflicts of interest in situations where complaints allege discrimination on the part of the Department, it is critically important to ensure that a complaint be reviewed in a fair, independent process. The availability of a hearing before an independent ALJ would provide the appearance as well as the actuality of an impartial compliance mechanism. The Department has therefore included the provision for a hearing in the final regulation.

One comment requested the addition of a provision whereby the Department would award attorneys fees to complainants. Another comment suggested that the Equal Access to Justice Act (5 U.S.C. 504) might provide for the award of fees. Nothing contained in title V of the Rehabilitation Act provides for the agency award of attorneys fees in administrative proceedings other than those involving Federal employment. Nor does the EAJA and the Department's implementing regulations at 28 CFR part 24 provide for such awards in hearings conducted under §39.170(k). We have therefore included no attorneys fee provision in the current regulations.

Under paragraph (1), the CAO renders a final agency decision after appeal without a hearing or after a hearing. The CAO directs appropriate remedial action if discrimination is found. The CAO's decision will involve reviewing the entire file, including the investigation report, letter of findings, and, if a hearing was held, the hearing record and recommended decision of the administrative law judge. The decision shall be made within 60 days of receipt of the complaint file or the hearing record.

One commenter objected to the requirement in subparagraph (1)(1) that the CAO explain specifically a decision to reject or modify the ALJ's proposed findings, arguing that it would inappropriately limit the CAO's consideration of the issues. We have adopted the suggestion and eliminated the requirement.

In response to recommendations from the Department's CAO and the Drug Enforcement Administration's ALJ, some changes have been made in the compliance procedures. Among the changes are a new requirement that the ALJ provide findings to all parties, not just the CAO, an added provision for filing exceptions to an ALJ's recommended decision, a delineation of the authorities of the ALJ, and a clarification of the responsibility for supervising compliance with the final agency decision between the Responsible Official and the CAO.

The Department also received some comments on the appropriateness of providing for an appeal by either the complainant or respondent. Some commenters objected to allowing a respondent to obtain an administrative appeal because it could delay remedying discrimination. On the other hand, an impartial adjudicatory mechanism would require that opportunity is provided for both sides to appeal. For this reason, the Department finds it necessary and appropriate for both complainant and respondent to have the right to an administrative appeal.

**PART 40—STANDARDS FOR INMATE GRIEVANCE PROCEDURES**

**Subpart A—Minimum Standards for Inmate Grievance Procedures**

- Sec.
- 40.1 Definitions.
- 40.2 Adoption of procedures.
- 40.3 Communication of procedures.
- 40.4 Accessibility.
- 40.5 Applicability.
- 40.6 Remedies.
- 40.7 Operation and decision.
- 40.8 Emergency procedure.
- 40.9 Reprisals.
- 40.10 Records—nature; confidentiality.

**Subpart B—Procedures for Obtaining Certification of a Grievance Procedure**

- 40.11 Submissions by applicant.
- 40.12 Notice of intent to apply for certification.
- 40.13 Review by the Attorney General.
- 40.14 Conditional certification.
- 40.15 Full certification.
- 40.16 Denial of certification.
- 40.17 Reapplication after denial of certification.
- 40.18 Suspension of certification.
- 40.19 Withdrawal of certification.
- 40.20 Contemplated change in certified procedure.
- 40.21 Notification of court.
- 40.22 Significance of certification.

AUTHORITY: 42 U.S.C. 1997e.

SOURCE: Order No. 957-81, 46 FR 48186, Oct. 1, 1981, unless otherwise noted.

**Subpart A—Minimum Standards for Inmate Grievance Procedures**

**§ 40.1 Definitions.**

For the purposes of this part—

(a) *Act* means the Civil Rights of Institutionalized Persons Act, Public Law 96-247, 94 Stat. 349 (42 U.S.C. 1997).

(b) *Applicant* means a state or political subdivision of a state that submits to the Attorney General a request for certification of a grievance procedure.

(c) *Attorney General* means the Attorney General of the United States or the Attorney General's designees.

(d) *Grievance* means a written complaint by an inmate on the inmate's own behalf regarding a policy applicable within an institution, a condition in an institution, an action involving an inmate of an institution, or an incident occurring within an institution.

The term "grievance" does not include a complaint relating to a parole decision.

(e) *Inmate* means an individual confined in an institution for adults, who has been convicted of a crime.

(f) *Institution* means a jail, prison, or other correctional facility, or pretrial detention facility that houses adult inmates and is owned, operated, or managed by or provides services on behalf of a State or political subdivision of a State.

(g) *State* means a State of the United States, the District of Columbia, the commonwealth of Puerto Rico, or any of the territories and possessions of the United States.

(h) *Substantial compliance* means that there is no omission of any essential part from compliance, that any omission consists only of an unimportant defect or omission, and that there has been a firm effort to comply fully with the standards.

**§ 40.2 Adoption of procedures.**

Each applicant seeking certification of its grievance procedure for purposes of the Act shall adopt a written grievance procedure. Inmates and employees shall be afforded an advisory role in the formulation and implementation of a grievance procedure adopted after the effective date of these regulations, and shall be afforded an advisory role in reviewing the compliance with the standards set forth herein of a grievance procedure adopted prior to the effective date of these regulations.

**§ 40.3 Communication of procedures.**

The written grievance procedure shall be readily available to all employees and inmates of the institution. Additionally, each inmate and employee shall, upon arrival at the institution, receive written notification and an oral explanation of the procedure, including the opportunity to have questions regarding the procedure answered orally. The written procedure shall be available in any language spoken by a significant portion of the institution's population, and appropriate provisions shall be made for those not speaking those languages, as well as for the impaired and the handicapped.

## § 40.4

## 28 CFR Ch. I (7-1-17 Edition)

### § 40.4 Accessibility.

Each inmate shall be entitled to invoke the grievance procedure regardless of any disciplinary, classification, or other administrative or legislative decision to which the inmate may be subject. The institution shall ensure that the procedure is accessible to impaired and handicapped inmates.

### § 40.5 Applicability.

The grievance procedure shall be applicable to a broad range of complaints and shall state specifically the types of complaints covered and excluded. At a minimum, the grievance procedure shall permit complaints by inmates regarding policies and conditions within the jurisdiction of the institution or the correctional agency that affect them personally, as well as actions by employees and inmates, and incidents occurring within the institution that affect them personally. The grievance procedure shall not be used as a disciplinary procedure.

### § 40.6 Remedies.

The grievance procedure shall afford a successful grievant a meaningful remedy. Although available remedies may vary among institutions, a reasonable range of meaningful remedies in each institution is necessary.

### § 40.7 Operation and decision.

(a) *Initiation.* The institution may require an inmate to attempt informal resolution before the inmate files a grievance under this procedure. The procedure for initiating a grievance shall be simple and include the use of a standard form. Necessary materials shall be freely available to all inmates and assistance shall be readily available for inmates who cannot complete the forms themselves. Forms shall not demand unnecessary technical compliance with formal structure or detail, but shall encourage a simple and straightforward statement of the inmate's grievance.

(b) *Inmate and employee participation.* The institution shall provide for an advisory role for employees and inmates in the operation of the grievance system. In-person hearings and committees consisting of either inmates or

employees or both are not required by this paragraph, but they are permitted so long as no inmate participates in the resolution of any other inmate's grievance over the objection of the grievant.

(c) *Investigation and consideration.* No inmate or employee who appears to be involved in the matter shall participate in any capacity in the resolution of the grievance.

(d) *Reasoned, written responses.* Each grievance shall be answered in writing at each level of decision and review. The response shall state the reasons for the decision reached and shall include a statement that the inmate is entitled to further review, if such is available, and shall contain simple directions for obtaining such review.

(e) *Fixed time limits.* Responses shall be made within fixed time limits at each level of decision. Time limits may vary between institutions, but expeditious processing of grievances at each level of decision is essential to prevent grievance from becoming moot. Unless the grievant has been notified of an extension of time for a response, expiration of a time limit at any stage of the process shall entitle the grievant to move to the next stage of the process. In all instances grievances must be processed from initiation to final disposition within 180 days, inclusive of any extensions.

(f) *Review.* The grievant shall be entitled to review by a person or other entity, not under the institution's supervision or control, of the disposition of all grievances, including alleged reprisals by an employee against an inmate. A request for review shall be allowed automatically without interference by administrators or employees of the institution and such review shall be conducted without influence or interference by administrators or employees of the institution.

[Order No. 957-81, 46 FR 48186, Oct. 1, 1981, as amended by Order No. 1618-92, 57 FR 38773, Aug. 27, 1992; Order No. 1955-95, 60 FR 13902, Mar. 15, 1995]

### § 40.8 Emergency procedure.

The grievance procedure shall contain special provision for responding to grievances of an emergency nature. Emergency grievances shall be defined,

at a minimum, as matters regarding which disposition according to the regular time limits would subject the inmate to a substantial risk of personal injury, or cause other serious and irreparable harm to the inmate. Emergency grievances shall be forwarded immediately, without substantive review, to the level at which corrective action can be taken. The procedure for resolving emergency grievances shall provide for expedited responses at every level of decision. The emergency procedure shall also include review by a person or entity not under the supervision or control of the institution.

#### § 40.9 Reprisals.

The grievance procedure shall prohibit reprisals. "Reprisal" means any action or threat of action against anyone for the good faith use of or good faith participation in the grievance procedure. The written procedure shall include assurance that good faith use of or good faith participation in the grievance mechanism will not result in formal or informal reprisal. An inmate shall be entitled to pursue through the grievance procedure a complaint that a reprisal occurred.

#### § 40.10 Records—nature; confidentiality.

(a) *Nature.* Records regarding the filing and disposition of grievances shall be collected and maintained systematically by the institution. Such records shall be preserved for at least three years following final disposition of the grievance. At a minimum, such records shall include aggregate information regarding the numbers, types and dispositions of grievances, as well as individual records of the date of and the reasons for each disposition at each stage of the procedure.

(b) *Confidentiality.* Records regarding the participation of an individual in the grievance proceedings shall be considered confidential and shall be handled under the same procedures used to protect other confidential case records. Consistent with ensuring confidentiality, staff who are participating in the disposition of a grievance shall have access to records essential to the resolution of the grievance.

### Subpart B—Procedures for Obtaining Certification of a Grievance Procedure

#### § 40.11 Submissions by applicant.

(a) *Written statement.* An application for certification of a grievance procedure under the Act shall be submitted to the Office of the Attorney General, U.S. Department of Justice, Main Justice Building, Washington, DC 20530, and shall include a written statement describing the grievance procedure, a brief description of the institution or institutions covered by the procedure, and accompanying plans for or evidence of implementation in each institution.

(b) *Evidence of compliance with established standards.* An applicant seeking certification of a grievance procedure as being in substantial compliance with the standards promulgated herein should submit evidence of compliance with those standards, including the following information:

(1) *Instructional materials.* A copy of the instructional materials for inmates and employees regarding use of the grievance procedure together with a description of the manner in which such materials are distributed, a description of the oral explanation of the grievance procedure, including the circumstances under which it is delivered, and a description of the training, if any, provided to employees and inmates in the skills necessary to operate the grievance procedure.

(2) *Form.* A copy of the form used by inmates to initiate a grievance and to obtain review of the disposition of a grievance.

(3) *Information regarding past compliance.* For a grievance procedure that has operated for more than one year at the time of the application, the applicant shall submit information regarding the number and types of grievances filed over the preceding year, the disposition of the grievances with sample responses from each level of decision, the remedies granted, evidence of compliance with time limits at each level of decision, and a description of the role of inmates and employees in the formulation, implementation, and operation of the grievance procedure.

#### § 40.12

(4) *Plan for collecting information.* For a grievance procedure that has operated for less than one year at the time of the application, the applicant shall submit a plan for collecting the information described in paragraph (b)(3) of this section.

(5) *Assurance of confidentiality.* A description of the steps taken to ensure the confidentiality of records of individual use of or participation in the grievance procedure.

(6) *Evaluation.* A description of the plans for periodic evaluation of the grievance procedure, including identification of the group, individuals or individual who will conduct the evaluation and identification of the person or entity not under the control of supervision of the institution who will review the evaluation, together with two copies of the most recent evaluation, if one has been performed.

(c) *Fair and effective procedures.* The Attorney General shall also certify a grievance procedure under the Act, even if the procedure is not in substantial compliance with the standards promulgated herein, if the Attorney General determines that the procedure is otherwise fair and effective for the consideration and disposition of grievances filed by inmates. If a grievance procedure is not in substantial compliance with all standards herein, the applicant shall identify the aspects in which the procedure is in substantial compliance and those in which it is not, describe the other relevant features of the procedure, and explain why the procedure is otherwise fair and effective.

[Order No. 1955-95, 60 FR 13903, Mar. 15, 1995]

#### § 40.12 Notice of intent to apply for certification.

The applicant shall post notice of its intent to request certification in prominent places in each institution to be covered by the procedure and shall provide similar written notice to the U.S. District Court(s) having jurisdiction over each institution to be covered by the procedure. The notices shall invite comments regarding the grievance procedure and direct them to the Attorney General.

#### 28 CFR Ch. I (7-1-17 Edition)

#### § 40.13 Review by the Attorney General.

The Attorney General shall review and respond to each application as promptly as the circumstances, including the need for independent investigation and consideration of the comments of agencies, and interested groups and persons, permit.

#### § 40.14 Conditional certification.

If, in the judgment of the Attorney General, a grievance procedure that has been in existence less than one year is at the time of application in substantial compliance with the standards promulgated herein or is otherwise fair and effective, the Attorney General shall grant conditional certification for one year or until the applicant satisfies the requirements of § 40.15, whichever period is shorter.

[Order No. 1955-95, 60 FR 13903, Mar. 15, 1995]

#### § 40.15 Full certification.

If, in the judgment of the Attorney General, a grievance procedure that has been in existence longer than one year at the time of application is in substantial compliance with the standards promulgated herein or is otherwise fair and effective, the Attorney General shall grant full certification. Such certification shall remain in effect unless and until the Attorney General finds reasonable cause to believe that the grievance procedure is no longer in substantial compliance with the minimum standards or is no longer fair and effective, and so notifies the applicant in writing.

[Order No. 1955-95, 60 FR 13903, Mar. 15, 1995]

#### § 40.16 Denial of certification.

If the Attorney General finds that the grievance procedure is not in substantial compliance with the standards promulgated herein or is no longer fair and effective, the Attorney General shall deny certification and inform the applicant in writing of the area or areas in which the grievance procedure or the application is deemed inadequate.

[Order No. 1955-95, 60 FR 13903, Mar. 15, 1995]



## Department of Justice

## § 40.21

### § 40.17 Reapplication after denial of certification.

An applicant denied certification may resubmit an application for certification at any time after the inadequacy in the application or the grievance procedure is corrected.

### § 40.18 Suspension of certification.

(a) *Reasonable belief of non-compliance.* If the Attorney General has reasonable grounds to believe that a previously certified grievance procedure may no longer be in substantial compliance with the minimum standards or may no longer be fair and effective, the Attorney General shall suspend certification. The suspension shall continue until such time as the deficiency is corrected, in which case certification shall be reinstated, or until the Attorney General determines that substantial compliance no longer exists or that the procedure is no longer fair and effective, in which case, except as provided in paragraph (b) of this section, the Attorney General shall withdraw certification pursuant to § 40.19 of this part.

(b) *Defect may be readily remedied; good faith effort.* If the Attorney General determines that a grievance procedure is no longer in substantial compliance with the minimum standards or is no longer fair and effective, but has reason to believe that the defect may be readily corrected and that good faith efforts are underway to correct it, the Attorney General may suspend certification until the grievance procedure returns to compliance with the minimum standards or is otherwise fair and effective.

(c) *Recertification after suspension pursuant to paragraph (a) of this section.* The Attorney General shall reinstate the certification of an applicant whose certification was suspended pursuant to paragraph (a) of this section upon a demonstration in writing by the applicant that the specific deficiency on which the suspension was based has been corrected or that the information that caused the Attorney General to suspend certification was erroneous.

(d) *Recertification after suspension pursuant to paragraph (b) of this section.* The Attorney General shall reinstate the certification of an applicant whose certification has been suspended pursu-

ant to paragraph (b) of this section upon a demonstration in writing that the deficiency on which the suspension was based has been corrected.

(e) *Notification in writing of suspension or reinstatement.* The Attorney General shall notify an applicant in writing that certification has been suspended or reinstated and state the reasons for the action.

[Order No. 957-81, 46 FR 48186, Oct. 1, 1981, as amended by Order No. 1955-95, 60 FR 13903, Mar. 15, 1995]

### § 40.19 Withdrawal of certification.

(a) *Finding of non-compliance.* If the Attorney General finds that a grievance procedure is no longer in substantial compliance with the minimum standards or is no longer otherwise fair and effective, the Attorney General shall withdraw certification, unless the Attorney General concludes that suspension of certification under § 40.18(b) of this part is appropriate.

(b) *Notification in writing of withdrawal of certification.* The Attorney General shall notify an applicant in writing that certification has been withdrawn and state the reasons for the action.

(c) *Recertification after withdrawal.* An applicant whose certification has been withdrawn and who wishes to receive recertification shall submit a new application for certification.

[Order No. 957-81, 46 FR 48186, Oct. 1, 1981, as amended by Order No. 1955-95, 60 FR 13903, Mar. 15, 1995]

### § 40.20 Contemplated change in certified procedure.

A proposed change in a certified procedure must be submitted to the Attorney General thirty days in advance of its proposed effective date. The Attorney General shall review such proposed change and notify the applicant in writing before the effective date of the proposed change if such change will result in suspension or withdrawal of the certification of the grievance procedure.

### § 40.21 Notification of court.

The Attorney General shall notify in writing the Chief Judges of the U.S. Court of Appeals and of the U.S. District Court(s) within whose jurisdiction

**§ 40.22**

the applicant is located of the certification, suspension of certification, withdrawal of certification and recertification of the applicant's grievance procedure. The Attorney General shall also notify the court of the certification status of any grievance procedure at the request of the court or any party in an action by an adult inmate pursuant to 42 U.S.C. 1983.

**§ 40.22 Significance of certification.**

Certification of a grievance procedure by the Attorney General shall signify only that on the basis of the information submitted, the Attorney General believes the grievance procedure is in substantial compliance with the minimum standards or is otherwise fair and effective. Certification shall not indicate approval of the use or application of the grievance procedure in a particular case.

[Order No. 1955-95, 60 FR 13904, Mar. 15, 1995]

**PART 41—IMPLEMENTATION OF EXECUTIVE ORDER 12250, NONDISCRIMINATION ON THE BASIS OF HANDICAP IN FEDERALLY ASSISTED PROGRAMS**

**Subpart A—Federal Agency Responsibilities**

Sec.

- 41.1 Purpose.
- 41.2 Application.
- 41.3 Definitions.
- 41.4 Issuance of agency regulations.
- 41.5 Enforcement.
- 41.6 Interagency cooperation.
- 41.7 Coordination with sections 502 and 503.

**Subpart B—Standards for Determining Who Are Handicapped Persons**

- 41.31 Handicapped person.
- 41.32 Qualified handicapped person.

**Subpart C—Guidelines for Determining Discriminatory Practices**

**GENERAL**

- 41.51 General prohibitions against discrimination.

**EMPLOYMENT**

- 41.52 General prohibitions against employment discrimination.
- 41.53 Reasonable accommodation.
- 41.54 Employment criteria.

**28 CFR Ch. I (7-1-17 Edition)**

- 41.55 Preemployment inquiries.

**PROGRAM ACCESSIBILITY**

- 41.56 General requirement concerning program accessibility.
- 41.57 Existing facilities.
- 41.58 New construction.

**APPENDIX A TO PART 41—LEADERSHIP AND COORDINATION OF NONDISCRIMINATION LAWS**

**AUTHORITY:** Executive Order 12250, 45 FR 72995; sec. 504, Rehabilitation Act of 1973, Pub. L. 93-112, 87 Stat. 394 (29 U.S.C. 794); sec. 111(a), Rehabilitation Act Amendments of 1974, Pub. L. 93-516, 88 Stat. 1619 (29 U.S.C. 706).

**SOURCE:** 43 FR 2132, Jan. 13, 1978, unless otherwise noted. Redesignated at 46 FR 40686, 40687, Aug. 11, 1981.

**EFFECTIVE DATE NOTE:** At 46 FR 40687, Aug. 11, 1981, the application of part 41 with respect to mass transportation was suspended until further notice.

**Subpart A—Federal Agency Responsibilities**

**§ 41.1 Purpose.**

The purpose of this part is to implement Executive Order 12250, which requires the Department of Justice to coordinate the implementation of section 504 of the Rehabilitation Act of 1973.

[43 FR 2132, Jan. 13, 1978. Redesignated and amended at 46 FR 40686, 40687, Aug. 11, 1981]

**§ 41.2 Application.**

This part applies to each Federal department and agency that is empowered to extend Federal financial assistance.

**§ 41.3 Definitions.**

As used in this regulation, the term: (a) *Executive Order* means Executive Order 12250, titled "Leadership and Coordination of Nondiscrimination Laws," issued November 2, 1980.

(b) *Section 504* means section 504 of the Rehabilitation Act of 1973, Public Law 93-112, as amended by the Rehabilitation Act Amendments of 1974, Public Law 93-516, 29 U.S.C. 794.

(c) *Agency* means a Federal department or agency that is empowered to extend financial assistance.

(d) *Recipient* means any State or its political subdivision, any instrumentality of a State or its political subdivision, any public or private agency,

## Department of Justice

## § 41.6

institution, organization, or other entity, or any person to which Federal financial assistance is extended directly or through another recipient, including any successor, assignee, or transferee of a recipient, but excluding the ultimate beneficiary of the assistance.

(e) *Federal financial assistance* means any grant, loan, contract (other than a procurement contract or a contract of insurance or guaranty), or any other arrangement by which the agency provides or otherwise makes available assistance in the form of:

- (1) Funds;
- (2) Services of Federal personnel; or
- (3) Real and personal property or any interest in or use of such property, including:

(i) Transfers or leases of such property for less than fair market value or for reduced consideration; and

(ii) Proceeds from a subsequent transfer or lease of such property if the Federal share of its fair market value is not returned to the Federal Government.

(f) *Facility* means all or any portion of buildings, structures, equipment, roads, walks, parking lots, or other real or personal property or interest in such property.

[43 FR 2132, Jan. 13, 1978. Redesignated and amended at 46 FR 40686, 40687, Aug. 11, 1981]

### § 41.4 Issuance of agency regulations.

(a) Each agency shall issue, after notice and opportunity for comment, a regulation to implement section 504 with respect to the programs and activities to which it provides assistance. The regulation shall be consistent with this part.

(b) Each agency shall issue a notice of proposed rulemaking no later than 90 days after the effective date of this part. Each agency shall issue a final regulation no later than 135 days after the end of the period for comment on its proposed regulation: *Provided*, That the agency shall submit its proposed final regulation to the Assistant Attorney General, Civil Rights Division, Department of Justice, for review at least 45 days before it is to be issued.

(c) Each such agency regulation shall:

- (1) Define appropriate terms, consistent with the definitions set forth in

§ 41.3 and with the standards for determining who are handicapped persons set forth in subpart B of this part; and

(2) Prohibit discriminatory practices against qualified handicapped persons in employment and in the provision of aid, benefits, or services, consistent with the guidelines set forth in subpart C of this part.

The regulation shall include, where appropriate, specific provisions adapted to the particular programs and activities receiving financial assistance from the agency.

[43 FR 2132, Jan. 13, 1978. Redesignated and amended at 46 FR 40686, 40687, Aug. 11, 1981]

### § 41.5 Enforcement.

(a) Each agency shall establish a system for the enforcement of section 504 and its implementing regulation with respect to the programs and activities to which it provides assistance. The system shall include:

(1) The enforcement and hearing procedures that the agency has adopted for the enforcement of title VI of the Civil Rights Act of 1964, and

(2) A requirement that recipients sign assurances of compliance with section 504.

(b) Each agency regulation shall also include requirements that recipients:

(1) Notify employees and beneficiaries of their rights under section 504,

(2) Conduct a self-evaluation of their compliance with section 504, with the assistance of interested persons, including handicapped persons or organizations representing handicapped persons, and

(3) Otherwise consult with interested persons, including handicapped persons or organizations representing handicapped persons, in achieving compliance with section 504.

### § 41.6 Interagency cooperation.

(a) Where each of a substantial number of recipients is receiving assistance for similar or related purposes from two or more agencies or where two or more agencies cooperate in administering assistance for a given class of recipients, the agencies shall:

- (1) Coordinate compliance with section 504, and

## § 41.7

(2) Designate one of the agencies as the primary agency for section 504 compliance purposes.

(b) Any agency conducting a compliance review or investigating a complaint of an alleged section 504 violation shall notify any other affected agency upon discovery of its jurisdiction and shall inform it of the findings made. Reviews or investigations may be made on a joint basis.

### § 41.7 Coordination with sections 502 and 503.

(a) Agencies shall consult with the Architectural and Transportation Barriers Compliance Board in developing requirements for the accessibility of new facilities and alterations, as required in § 41.58, and shall coordinate with the Board in enforcing such requirements with respect to facilities that are subject to section 502 of the Rehabilitation Act of 1973, as amended, as well as to section 504.

(b) Agencies shall coordinate with the Department of Labor in enforcing requirements concerning employment discrimination with respect to recipients that are also federal contractors subject to section 503 of the Rehabilitation Act of 1973, as amended.

## Subpart B—Standards for Determining Who Are Handicapped Persons

### § 41.31 Handicapped person.

(a) *Handicapped person* means any person who has a physical or mental impairment that substantially limits one or more major life activities, has a record of such an impairment, or is regarded as having such an impairment.

(b) As used in paragraph (a) of this section, the phrase:

(1) *Physical or mental impairment* means:

(i) Any physiological disorder or condition, cosmetic disfigurement, or anatomical loss affecting one or more of the following body systems: Neurological; musculoskeletal; special sense organs; respiratory, including speech organs; cardiovascular; reproductive; digestive; genitourinary; hemic and lymphatic; skin; and endocrine; or

(ii) Any mental or psychological disorder, such as mental retardation, or-

## 28 CFR Ch. I (7-1-17 Edition)

ganic brain syndrome, emotional or mental illness, and specific learning disabilities.

The term “physical or mental impairment” includes, but is not limited to, such diseases and conditions as orthopedic, visual, speech, and hearing impairments, cerebral palsy, epilepsy, muscular dystrophy, multiple sclerosis, cancer, heart disease, diabetes, mental retardation, emotional illness, and drug addiction and alcoholism.

(2) *Major life activities* means functions such as caring for one’s self, performing manual tasks, walking, seeing, hearing, speaking, breathing, learning, and working.

(3) *Has a record of such an impairment* means has a history of, or has been misclassified as having, a mental or physical impairment that substantially limits one or more major life activities.

(4) *Is regarded as having an impairment* means:

(i) Has a physical or mental impairment that does not substantially limit major life activities but is treated by a recipient as constituting such a limitation;

(ii) Has a physical or mental impairment that substantially limits major life activities only as a result of the attitudes of others toward such impairment; or

(iii) Has none of the impairments defined in paragraph (b)(1) of this section but is treated by a recipient as having such an impairment.

### § 41.32 Qualified handicapped person.

*Qualified handicapped person* means:

(a) With respect to employment, a handicapped person who, with reasonable accommodation, can perform the essential functions of the job in question and

(b) With respect to services, a handicapped person who meets the essential eligibility requirements for the receipt of such services.

**Subpart C—Guidelines for Determining Discriminatory Practices**

GENERAL

**§41.51 General prohibitions against discrimination.**

(a) No qualified handicapped person, shall, on the basis of handicap, be excluded from participation in, be denied the benefits of, or otherwise be subjected to discrimination under any program or activity that receives or benefits from federal financial assistance.

(b)(1) A recipient, in providing any aid, benefit, or service, may not, directly or through contractual, licensing, or other arrangements, on the basis of handicap:

(i) Deny a qualified handicapped person the opportunity to participate in or benefit from the aid, benefit, or service;

(ii) Afford a qualified handicapped person an opportunity to participate in or benefit from the aid, benefit, or service that is not equal to that afforded others;

(iii) Provide a qualified handicapped person with an aid, benefit, or service that is not as effective in affording equal opportunity to obtain the same result, to gain the same benefit, or to reach the same level of achievement as that provided to others;

(iv) Provide different or separate aid, benefits, or services to handicapped persons or to any class of handicapped persons than is provided to others unless such action is necessary to provide qualified handicapped persons with aid, benefits, or services that are as effective as those provided to others;

(v) Aid or perpetuate discrimination against a qualified handicapped person by providing significant assistance to an agency, organization, or person that discriminates on the basis of handicap in providing any aid, benefit, or service to beneficiaries of the recipient's program;

(vi) Deny a qualified handicapped person the opportunity to participate as a member of planning or advisory boards; or

(vii) Otherwise limit a qualified handicapped person in the enjoyment of any right, privilege, advantage, or

opportunity enjoyed by others receiving the aid, benefit, or service.

(2) A recipient may not deny a qualified handicapped person the opportunity to participate in programs or activities that are not separate or different, despite the existence of permissibly separate or different programs or activities.

(3) A recipient may not, directly or through contractual or other arrangements, utilize criteria or methods of administration:

(i) That have the effect of subjecting qualified handicapped persons to discrimination on the basis of handicap,

(ii) That have the purpose or effect of defeating or substantially impairing accomplishment of the objectives of the recipient's program with respect to handicapped persons, or

(iii) That perpetuate the discrimination of another recipient if both recipients are subject to common administrative control or are agencies of the same state.

(4) A recipient may not, in determining the site or location of a facility, make selections:

(i) That have the effect of excluding handicapped persons from, denying them the benefits of, or otherwise subjecting them to discrimination under any program or activity that receives or benefits from federal financial assistance or

(ii) That have the purpose or effect of defeating or substantially impairing the accomplishment of the objectives of the program or activity with respect to handicapped persons.

(c) The exclusion of nonhandicapped persons from the benefits of a program limited by federal statute or executive order to handicapped persons or the exclusion of a specific class of handicapped persons from a program limited by federal statute or executive order to a different class of handicapped persons is not prohibited by this part.

(d) Recipients shall administer programs and activities in the most integrated setting appropriate to the needs of qualified handicapped persons.

(e) Recipients shall take appropriate steps to ensure that communications with their applicants, employees, and beneficiaries are available to persons with impaired vision and hearing.

EMPLOYMENT

**§ 41.52 General prohibitions against employment discrimination.**

(a) No qualified handicapped person shall, on the basis of handicap, be subjected to discrimination in employment under any program or activity that receives or benefits from federal financial assistance.

(b) A recipient shall make all decisions concerning employment under any program or activity to which this part applies in a manner which ensures that discrimination on the basis of handicap does not occur and may not limit, segregate, or classify applicants or employees in any way that adversely affects their opportunities or status because of handicap.

(c) The prohibition against discrimination in employment applies to the following activities:

(1) Recruitment, advertising, and the processing of applications for employment;

(2) Hiring, upgrading, promotion, award of tenure, demotion, transfer, layoff, termination, right of return from layoff, and rehiring;

(3) Rates of pay or any other form of compensation and changes in compensation;

(4) Job assignments, job classifications, organizational structures, position descriptions, lines of progression, and seniority lists;

(5) Leaves of absence, sick leave, or any other leave;

(6) Fringe benefits available by virtue of employment, whether or not administered by the recipient;

(7) Selection and financial support for training, including apprenticeship, professional meetings, conferences, and other related activities, and selection for leaves of absence to pursue training;

(8) Employer sponsored activities, including social or recreational programs; and

(9) Any other term, condition, or privilege of employment.

(d) A recipient may not participate in a contractual or other relationship that has the effect of subjecting qualified handicapped applicants or employees to discrimination prohibited by this subpart. The relationships referred

to in this paragraph include relationships with employment and referral agencies, with labor unions, with organizations providing or administering fringe benefits to employees of the recipient, and with organizations providing training and apprenticeship programs.

**§ 41.53 Reasonable accommodation.**

A recipient shall make reasonable accommodation to the known physical or mental limitations of an otherwise qualified handicapped applicant or employee unless the recipient can demonstrate that the accommodation would impose an undue hardship on the operation of its program.

**§ 41.54 Employment criteria.**

A recipient may not use employment tests or criteria that discriminate against handicapped persons and shall ensure that employment tests are adapted for use by persons who have handicaps that impair sensory, manual, or speaking skills.

**§ 41.55 Preemployment inquiries.**

A recipient may not conduct a pre-employment medical examination or make a preemployment inquiry as to whether an applicant is a handicapped person or as to the nature or severity of a handicap except under the circumstances described in 28 CFR 42.513.

[43 FR 2132, Jan. 13, 1978. Redesignated and amended at 46 FR 40686, 40687, Aug. 11, 1981]

PROGRAM ACCESSIBILITY

**§ 41.56 General requirement concerning program accessibility.**

No qualified handicapped person shall, because a recipient's facilities are inaccessible to or unusable by handicapped persons, be denied the benefits of, be excluded from participation in, or otherwise be subjected to discrimination under any program or activity that receives or benefits from federal financial assistance.

**§ 41.57 Existing facilities.**

(a) A recipient shall operate each program or activity so that the program or activity, when viewed in its entirety, is readily accessible to and usable by handicapped persons. This

paragraph does not necessarily require a recipient to make each of its existing facilities or every part of an existing facility accessible to and usable by handicapped persons.

(b) Where structural changes are necessary to make programs or activities in existing facilities accessible, such changes shall be made as soon as practicable, but in no event later than three years after the effective date of the agency regulation: *Provided*, That, if the program is a particular mode of transportation (e.g., a subway system) that can be made accessible only through extraordinarily expensive structural changes to, or replacement of, existing facilities and if other accessible modes of transportation are available, the federal agency responsible for enforcing section 504 with respect to that program may extend this period of time, but only for a reasonable and definite period, such period to be set forth in the agency's regulation.

(c) In the event that structural changes to facilities are necessary to meet the requirement of paragraph (a) of this section, a recipient shall develop, within a definite period to be established in each agency's regulation, a transition plan setting forth the steps necessary to complete such changes. The plan shall be developed with the assistance of interested persons, including handicapped persons or organizations representing handicapped persons.

[43 FR 2132, Jan. 13, 1978. Redesignated and amended at 46 FR 40686, 40687, Aug. 11, 1981]

EFFECTIVE DATE NOTE: At Order No. 1301-88, 53 FR 37754, Sept. 28, 1988, the application of §41.57(b) to public housing timeframes was suspended.

#### §41.58 New construction.

(a) Except as provided in paragraph (b) of this section, new facilities shall be designed and constructed to be readily accessible to and usable by handicapped persons. Alterations to existing facilities shall, to the maximum extent feasible, be designed and constructed to be readily accessible to and usable by handicapped persons.

(b) The Department of Transportation may defer the effective date for requiring all new buses to be accessible if it concludes on the basis of its sec-

tion 504 rulemaking process that it is not feasible to require compliance on the effective date of its regulation: *Provided*, That comparable, accessible services are available to handicapped persons in the interim and that the date is not deferred later than October 1, 1979.

#### APPENDIX A TO PART 41—LEADERSHIP AND COORDINATION OF NON-DISCRIMINATION LAWS

EXECUTIVE ORDER 12250, NOV. 2, 1980

By the authority vested in me as President by the Constitution and statutes of the United States of America, including section 602 of the Civil Rights Act of 1964 (42 U.S.C. 2000d-1), section 902 of the Education Amendments of 1972 (20 U.S.C. 1682), and section 301 of title 3 of the United States Code, and in order to provide, under the leadership of the Attorney General, for the consistent and effective implementation of various laws prohibiting discriminatory practices in Federal programs and programs receiving Federal financial assistance, it is hereby ordered as follows:

##### 1-1. *Delegation of Function.*

1-101. The function vested in the President by section 602 of the Civil Rights Act of 1964 (42 U.S.C. 2000d-1), relating to the approval of rules, regulations, and orders of general applicability, is hereby delegated to the Attorney General.

1-102. The function vested in the President by section 902 of the Education Amendments of 1972 (20 U.S.C. 1682), relating to the approval of rules, regulations, and orders of general applicability, is hereby delegated to the Attorney General.

##### 1-2. *Coordination of Nondiscrimination Provisions.*

1-201. The Attorney General shall coordinate the implementation and enforcement by Executive agencies of various nondiscrimination provisions of the following laws:

(a) Title VI of the Civil Rights Act of 1964 (42 U.S.C. 2000d *et seq.*).

(b) Title IX of the Education Amendments of 1972 (20 U.S.C. 1681 *et seq.*).

(c) Section 504 of the Rehabilitation Act of 1973, as amended (29 U.S.C. 794).

(d) Any other provision of Federal statutory law which provides, in whole or in part, that no person in the United States shall, on the ground of race, color, national origin, handicap, religion, or sex, be excluded from participation in, be denied the benefits of, or be subject to discrimination under any program or activity receiving Federal financial assistance.

1-202. In furtherance of the Attorney General's responsibility for the coordination of the implementation and enforcement of the nondiscrimination provisions of laws covered by this Order, the Attorney General shall review the existing and proposed rules, regulations, and orders of general applicability of the Executive agencies in order to identify those which are inadequate, unclear or unnecessarily inconsistent.

1-203. The Attorney General shall develop standards and procedures for taking enforcement actions and for conducting investigations and compliance reviews.

1-204. The Attorney General shall issue guidelines for establishing reasonable time limits on efforts to secure voluntary compliance, on the initiation of sanctions, and for referral to the Department of Justice for enforcement where there is noncompliance.

1-205. The Attorney General shall establish and implement a schedule for the review of the agencies' regulations which implement the various nondiscrimination laws covered by this Order.

1-206. The Attorney General shall establish guidelines and standards for the development of consistent and effective recordkeeping and reporting requirements by Executive agencies; for the sharing and exchange by agencies of compliance records, findings, and supporting documentation; for the development of comprehensive employee training programs; for the development of effective information programs; and for the development of cooperative programs with State and local agencies, including sharing of information, deferring of enforcement activities, and providing technical assistance.

1-207. The Attorney General shall initiate cooperative programs between and among agencies, including the development of sample memoranda of understanding, designed to improve the coordination of the laws covered by this Order.

1-3. *Implementation by the Attorney General.*

1-301. In consultation with the affected agencies, the Attorney General shall promptly prepare a plan for the implementation of this Order. This plan shall be submitted to the Director of the Office of Management and Budget.

1-302. The Attorney General shall periodically evaluate the implementation of the nondiscrimination provisions of the laws covered by this Order, and advise the heads of the agencies concerned on the results of such evaluations as to recommendations for needed improvement in implementation or enforcement.

1-303. The Attorney General shall carry out his functions under this Order, including the issuance of such regulations as he deems necessary, in consultation with affected agencies.

1-304. The Attorney General shall annually report to the President through the Director of the Office of Management and Budget on the progress in achieving the purposes of this Order. This report shall include any recommendations for changes in the implementation or enforcement of the nondiscrimination provisions of the laws covered by this Order.

1-305. The Attorney General shall chair the Interagency Coordinating Council established by section 507 of the Rehabilitation Act of 1973, as amended (29 U.S.C. 794c).

1-4. *Agency Implementation.*

1-401. Each Executive agency shall cooperate with the Attorney General in the performance of the Attorney General's functions under this Order and shall, unless prohibited by law, furnish such reports and information as the Attorney General may request.

1-402. Each Executive agency responsible for implementing a nondiscrimination provision of a law covered by this Order shall issue appropriate implementing directives (whether in the nature of regulations or policy guidance). To the extent permitted by law, they shall be consistent with the requirements prescribed by the Attorney General pursuant to this Order and shall be subject to the approval of the Attorney General, who may require that some or all of them be submitted for approval before taking effect.

1-403. Within 60 days after a date set by the Attorney General, Executive agencies shall submit to the Attorney General their plans for implementing their responsibilities under this Order.

1-5. *General Provisions.*

1-501. Executive Order No. 11764 is revoked. The present regulations of the Attorney General relating to the coordination of enforcement of title VI of the Civil Rights Act of 1964 shall continue in effect until revoked or modified (28 CFR 42.401 to 42.415).

1-502. Executive Order No. 11914 is revoked. The present regulations of the Secretary of Health and Human Services relating to the coordination of the implementation of section 504 of the Rehabilitation Act of 1973, as amended, shall be deemed to have been issued by the Attorney General pursuant to this Order and shall continue in effect until revoked or modified by the Attorney General.

1-503. Nothing in this Order shall vest the Attorney General with the authority to coordinate the implementation and enforcement by Executive agencies of statutory provisions relating to equal employment.

1-504. Existing agency regulations implementing the nondiscrimination provisions of laws covered by this Order shall continue in effect until revoked or modified.

JIMMY CARTER



## Department of Justice

Pt. 42

The White House,  
November 2, 1980.

[47 FR 32421, July 27, 1982]

### **PART 42—NONDISCRIMINATION; EQUAL EMPLOYMENT OPPOR- TUNITY; POLICIES AND PROCE- DURES**

#### **Subpart A—Equal Employment Opportunity Within the Department of Justice**

Sec.

- 42.1 Policy.
- 42.2 Designation of Director of Equal Employment Opportunity and Complaint Adjudication Officer.
- 42.3 Responsibility for Department of Justice Equal Opportunity Recruitment Program.

#### **Subpart B [Reserved]**

#### **Subpart C—Nondiscrimination in Federally Assisted Programs—Implementation of Title VI of the Civil Rights Act of 1964**

- 42.101 Purpose.
- 42.102 Definitions.
- 42.103 Application of this subpart.
- 42.104 Discrimination prohibited.
- 42.105 Assurance required.
- 42.106 Compliance information.
- 42.107 Conduct of investigations.
- 42.108 Procedure for effecting compliance.
- 42.109 Hearings.
- 42.110 Decisions and notices.
- 42.111 Judicial review.
- 42.112 Effect on other regulations; forms and instructions.

APPENDIX A TO SUBPART C OF PART 42—FEDERAL FINANCIAL ASSISTANCE ADMINISTERED BY THE DEPARTMENT OF JUSTICE TO WHICH THIS SUBPART APPLIES

#### **Subpart D—Nondiscrimination in Federally Assisted Programs—Implementation of Section 815(c)(1) of the Justice System Improvement Act of 1979**

- 42.201 Purpose and application.
- 42.202 Definitions.
- 42.203 Discrimination prohibited.
- 42.204 Applicants' obligations.
- 42.205 Complaint investigation.
- 42.206 Compliance reviews.
- 42.207 Compliance information.
- 42.208 Notice of noncompliance.
- 42.209 Compliance secured.
- 42.210 Compliance not secured.
- 42.211 Resumption of suspended funds.
- 42.212 Preliminary hearing.
- 42.213 Full hearing.
- 42.214 Judicial review.

42.215 Other actions authorized under the JSIA.

APPENDIX A TO SUBPART D OF PART 42—COMMENTARY

#### **Subpart E—Equal Employment Opportunity Program Guidelines**

- 42.301 Purpose.
- 42.302 Application.
- 42.303 Evaluation of employment opportunities.
- 42.304 Written equal employment opportunity program.
- 42.305 Recordkeeping and certification.
- 42.306 Guidelines.
- 42.307 Obligations of recipients.
- 42.308 Noncompliance.

#### **Subpart F—Coordination of Enforcement of Non-discrimination in Federally As- sisted Programs**

- 42.401 Purpose and application.
- 42.402 Definitions.
- 42.403 Agency regulations.
- 42.404 Guidelines.
- 42.405 Public dissemination of title VI information.
- 42.406 Data and information collection.
- 42.407 Procedures to determine compliance.
- 42.408 Complaint procedures.
- 42.409 Employment practices.
- 42.410 Continuing State programs.
- 42.411 Methods of resolving noncompliance.
- 42.412 Coordination.
- 42.413 Interagency cooperation and delegations.
- 42.414 Federal agency staff.
- 42.415 Federal agency title VI enforcement plan.

#### **Subpart G—Nondiscrimination Based on Handicap in Federally Assisted Pro- grams or Activities—Implementation of Section 504 of the Rehabilitation Act of 1973**

##### GENERAL PROVISIONS

- 42.501 Purpose.
- 42.502 Application.
- 42.503 Discrimination prohibited.
- 42.504 Assurances required.
- 42.505 Administrative requirements for recipients.

##### EMPLOYMENT

- 42.510 Discrimination prohibited.
- 42.511 Reasonable accommodation.
- 42.512 Employment criteria.
- 42.513 Preemployment inquiries.

##### PROGRAM ACCESSIBILITY

- 42.520 Discrimination prohibited.
- 42.521 Existing facilities.
- 42.522 New construction.

## § 42.1

## 28 CFR Ch. I (7–1–17 Edition)

### PROCEDURES

42.530 Procedures.

### DEFINITIONS

42.540 Definitions.

APPENDIX A TO SUBPART G OF PART 42—FEDERAL FINANCIAL ASSISTANCE ADMINISTERED BY THE DEPARTMENT OF JUSTICE TO WHICH THIS SUBPART APPLIES

APPENDIX B TO SUBPART G OF PART 42 [RESERVED]

APPENDIX C TO SUBPART G OF PART 42—DEPARTMENT REGULATIONS UNDER TITLE VI OF THE CIVIL RIGHTS ACT OF 1964 (28 CFR 42.106–42.110) WHICH APPLY TO THIS SUBPART [NOTE]

APPENDIX D TO SUBPART G OF PART 42—OJARS’ REGULATIONS UNDER THE OMNIBUS CRIME CONTROL AND SAFE STREETS ACT, AS AMENDED, WHICH APPLY TO THIS SUBPART (28 CFR 42.205 AND 42.206) [NOTE]

### Subpart H—Procedures for Complaints of Employment Discrimination Filed Against Recipients of Federal Financial Assistance

- 42.601 Purpose and application.
- 42.602 Exchange of information.
- 42.603 Confidentiality.
- 42.604 Standards for investigation, reviews and hearings.
- 42.605 Agency processing of complaints of employment discrimination.
- 42.606 General rules concerning EEOC action on complaints.
- 42.607 EEOC dismissals of complaints.
- 42.608 Agency action on complaints dismissed by EEOC.
- 42.609 EEOC reasonable cause determination and conciliation efforts.
- 42.610 Agency enforcement of unresolved complaints.
- 42.611 EEOC negotiated settlements and conciliation agreements.
- 42.612 Interagency consultation.
- 42.613 Definitions.

### Subpart I—Nondiscrimination on the Basis of Age in Federally Assisted Programs or Activities; Implementation of the Age Discrimination Act of 1975

#### GENERAL PROVISIONS

- 42.700 Purpose.
- 42.701 Application.
- 42.702 Definitions.
- 42.703–42.709 [Reserved]

#### STANDARDS FOR DETERMINING AGE DISCRIMINATION

- 42.710 General prohibition.
- 42.711 Exception; authorized by law.
- 42.712 Exception; normal operation or statutory objective.

- 42.713 Exception; reasonable factors other than age.
- 42.714 Special benefits.
- 42.715 Burden of proof regarding exceptions.
- 42.716–42.719 [Reserved]

#### DUTIES OF RECIPIENTS

- 42.720 General responsibility.
- 42.721 Notice to subrecipients.
- 42.722 Recipient assessment of age distinctions.
- 42.723 Compliance information.
- 42.724 Remedial and affirmative action.
- 42.725 Assurance of compliance.
- 42.726–42.729 [Reserved]

#### COMPLIANCE PROCEDURES

- 42.730 Compliance reviews.
- 42.731 Complaints.
- 42.732 Prohibition against intimidation.
- 42.733 Enforcement procedures.
- 42.734 Alternative funding.
- 42.735 Judicial review.
- 42.736 Private lawsuits.
- 42.737–42.799 [Reserved]

APPENDIX A TO SUBPART I OF PART 42—FEDERAL FINANCIAL ASSISTANCE ADMINISTERED BY THE DEPARTMENT OF JUSTICE TO WHICH THIS SUBPART APPLIES

APPENDIX B TO SUBPART I OF PART 42—AGE DISTINCTIONS IN FEDERAL STATUTES OR REGULATIONS AFFECTING FINANCIAL ASSISTANCE ADMINISTERED BY THE DEPARTMENT OF JUSTICE

### Subpart A—Equal Employment Opportunity Within the Department of Justice

AUTHORITY: 5 U.S.C. 301, 28 U.S.C. 509, 510; E.O. 11246, 3 CFR 1964–1965 Comp., p. 339; E.O. 11478, 3 CFR 1966–1970 Comp., p. 803.

#### § 42.1 Policy.

(a) It is the policy of the Department of Justice to seek to eliminate discrimination on the basis of race, color, religion, sex, sexual orientation, national origin, marital status, political affiliation, age, or physical or mental handicap in employment within the Department and to assure equal employment opportunity for all employees and applicants for employment.

(b) No person shall be subject to retaliation for opposing any practice prohibited by the above policy or for participating in any stage of administrative or judicial proceedings related to this policy.

[Order No. 2037–96, 61 FR 34730, July 3, 1996; 61 FR 43119, Aug. 20, 1996]

## Department of Justice

## § 42.102

### § 42.2 Designation of Director of Equal Employment Opportunity and Complaint Adjudication Officer.

(a) In compliance with the regulations of the Equal Employment Opportunity Commission (29 CFR 1613.204(c)), the Assistant Attorney General for Administration is hereby designated as Director of Equal Employment Opportunity for the Department of Justice with responsibilities for administration of the Equal Employment Opportunity Program within the Department. The Director of Equal Employment Opportunity shall publish and implement the Department of Justice regulations, which shall include a positive action program to eliminate causes of discrimination and shall include procedures for processing complaints of discrimination within the Department.

(b) The Assistant Attorney General in charge of the Civil Rights Division shall appoint a Complaint Adjudication Officer, who shall render final decisions for the Department of Justice on complaints of discrimination filed by employees and applicants for employment in the Department pursuant to the Department's Equal Employment Opportunity Regulations. In rendering decisions, the Complaint Adjudication Officer shall order such remedial action as may be appropriate, whether or not there is a finding of discrimination, but in cases where no discrimination is found any remedial action ordered shall have the prior approval of the Assistant Attorney General in charge of the Civil Rights Division, who shall consult with the Deputy Attorney General on the matter.

[Order No. 420-69, 34 FR 12281, July 25, 1969, as amended by Order No. 721-77, 42 FR 25725, May 19, 1977; Order No. 731-77, 42 FR 35646, July 11, 1977; Order No. 899-80, 45 FR 43703, June 30, 1980; Order No. 960-81, 46 FR 52357, Oct. 27, 1981]

### § 42.3 Responsibility for Department of Justice Equal Opportunity Recruitment Program.

The Assistant Attorney General for Administration shall be responsible for establishing and implementing the Department of Justice Equal Opportunity

Recruitment Program under 5 U.S.C. 7201.

[Order No. 865-79, 44 FR 77157, Dec. 31, 1979, as amended by Order No. 960-81, 46 FR 52357, Oct. 27, 1981]

### Subpart B [Reserved]

### Subpart C—Nondiscrimination in Federally Assisted Programs—Implementation of Title VI of the Civil Rights Act of 1964<sup>1</sup>

AUTHORITY: 42 U.S.C. 2000d-2000d-7; E.O. 12250, 45 FR 72995, 3 CFR, 1980 Comp., p. 298.

SOURCE: Order No. 365-66, 31 FR 10265, July 29, 1966, unless otherwise noted.

EDITORIAL NOTE: Nomenclature changes to subpart C of part 42 appear by Order No. 2679-2003, 68 FR 51364, Aug. 26, 2003.

#### § 42.101 Purpose.

The purpose of this subpart is to implement the provisions of title VI of the Civil Rights Act of 1964, 78 Stat. 252 (hereafter referred to as the "Act"), to the end that no person in the United States shall, on the ground of race, color, or national origin, be excluded from participation in, be denied the benefits of, or otherwise be subjected to discrimination under any program or activity receiving Federal financial assistance from the Department of Justice.

#### § 42.102 Definitions.

As used in this subpart—

(a) The term *responsible Department official* with respect to any program receiving Federal financial assistance means the Attorney General, or Deputy Attorney General, or such other official of the Department as has been assigned the principal responsibility within the Department for the administration of the law extending such assistance.

(b) The term *United States* includes the several States of the United States, the District of Columbia, the Commonwealth of Puerto Rico, the Virgin Islands, American Samoa, Guam, Wake Island, the Canal Zone, and all other territories and possessions of the

<sup>1</sup>See also 28 CFR 50.3. Guidelines for enforcement of Title VI, Civil Rights Act.

United States, and the term *State* includes any one of the foregoing.

(c) The term *Federal financial assistance* includes:

- (1) Grants and loans of Federal funds,
- (2) The grant or donation of Federal property and interests in property,
- (3) The detail of Federal personnel,
- (4) The sale and lease of, and the permission to use (on other than a casual or transient basis), Federal property or any interest in such property without consideration or at a nominal consideration, or at a consideration which is reduced for the purpose of assisting the recipient, or in recognition of the public interest to be served by such sale or lease to the recipient, and
- (5) Any Federal agreement, arrangement, or other contract which has as one of its purposes the provision of assistance.

(d) The terms *program or activity* and *program* mean all of the operations of any entity described in paragraphs (d)(1) through (4) of this section, any part of which is extended Federal financial assistance:

(1)(i) A department, agency, special purpose district, or other instrumentality of a State or of a local government; or

(ii) The entity of such State or local government that distributes such assistance and each such department or agency (and each other State or local government entity) to which the assistance is extended, in the case of assistance to a State or local government;

(2)(i) A college, university, or other postsecondary institution, or a public system of higher education; or

(ii) A local educational agency (as defined in 20 U.S.C. 7801), system of vocational education, or other school system;

(3)(i) An entire corporation, partnership, or other private organization, or an entire sole proprietorship—

(A) If assistance is extended to such corporation, partnership, private organization, or sole proprietorship as a whole; or

(B) Which is principally engaged in the business of providing education, health care, housing, social services, or parks and recreation; or

(ii) The entire plant or other comparable, geographically separate facility to which Federal financial assistance is extended, in the case of any other corporation, partnership, private organization, or sole proprietorship; or

(4) Any other entity which is established by two or more of the entities described in paragraph (d)(1), (2), or (3) of this section.

(e) The term *facility* includes all or any portion of structures, equipment, or other real or personal property or interests therein, and the provision of facilities includes the construction, expansion, renovation, remodeling, alteration, or acquisition of facilities.

(f) The term *recipient* means any State, political subdivision of any State, or instrumentality of any State or political subdivision, any public or private agency, institution, or organization, or other entity, or any individual, in any State, to whom Federal financial assistance is extended, directly or through another recipient, including any successor, assign, or transferee thereof, but such term does not include any ultimate beneficiary.

(g) The term *primary recipient* means any recipient which is authorized or required to extend Federal financial assistance to another recipient.

(h) The term *applicant* means one who submits an application, request, or plan required to be approved by a responsible Department official, or by a primary recipient, as a condition to eligibility for Federal financial assistance, and the term *application* means such an application, request, or plan.

(i) The term *academic institution* includes any school, academy, college, university, institute, or other association, organization, or agency conducting or administering any program, project, or facility designed to educate or train individuals.

(j) The term *disposition* means any treatment, handling, decision, sentencing, confinement, or other prescription of conduct.

## Department of Justice

## § 42.104

(k) The term *governmental organization* means the political subdivision for a prescribed geographical area.

[Order No. 365-66, 31 FR 10265, July 29, 1966, as amended by Order No. 699-77, 42 FR 15315, Mar. 21, 1977; Order No. 960-81, 46 FR 52357, Oct. 27, 1981; Order No. 2679-2003, 68 FR 51363, 51364, Aug. 26, 2003]

### § 42.103 Application of this subpart.

This subpart applies to any program for which Federal financial assistance is authorized under a law administered by the Department. It applies to money paid, property transferred, or other Federal financial assistance extended after the date of this subpart pursuant to an application whether approved before or after such date. This subpart does not apply to:

(a) Any Federal financial assistance by way of insurance or guaranty contracts, or

(b) Employment practices except to the extent described in § 42.104(c).

[Order No. 365-66, 31 FR 10265, July 29, 1966, as amended by Order No. 519-73, 38 FR 17955, July 5, 1973]

### § 42.104 Discrimination prohibited.

(a) *General.* No person in the United States shall, on the ground of race, color, or national origin be excluded from participation in, be denied the benefits of, or be otherwise subjected to discrimination under any program to which this subpart applies.

(b) *Specific discriminatory actions prohibited.* (1) A recipient to which this subpart applies may not, directly or through contractual or other arrangements, on the ground of race, color, or national origin:

(i) Deny an individual any disposition, service, financial aid, or benefit provided under the program;

(ii) Provide any disposition, service, financial aid, or benefit to an individual which is different, or is provided in a different manner, from that provided to others under the program;

(iii) Subject an individual to segregation or separate treatment in any matter related to his receipt of any disposition, service, financial aid, or benefit under the program;

(iv) Restrict an individual in any way in the enjoyment of any advantage or privilege enjoyed by others receiving

any disposition, service, financial aid, or benefit under the program;

(v) Treat an individual differently from others in determining whether he satisfies any admission, enrollment, quota, eligibility, membership, or other requirement or condition which individuals must meet in order to be provided any disposition, service, financial aid, function or benefit provided under the program; or

(vi) Deny an individual an opportunity to participate in the program through the provision of services or otherwise or afford him an opportunity to do so which is different from that afforded others under the program (including the opportunity to participate in the program as an employee but only to the extent set forth in paragraph (c) of this section).

(vii) Deny a person the opportunity to participate as a member of a planning or advisory body which is an integral part of the program.

(2) A recipient, in determining the type of disposition, services, financial aid, benefits, or facilities which will be provided under any such program, or the class of individuals to whom, or the situations in which, such will be provided under any such program, or the class of individuals to be afforded an opportunity to participate in any such program, may not, directly or through contractual or other arrangements, utilize criteria or methods of administration which have the effect of subjecting individuals to discrimination because of their race, color, or national origin, or have the effect of defeating or substantially impairing accomplishment of the objectives of the program as respects individuals of a particular race, color, or national origin.

(3) In determining the site or location of facilities, a recipient or applicant may not make selections with the purpose or effect of excluding individuals from, denying them the benefits of, or subjecting them to discrimination under any program to which this subpart applies, on the ground of race, color, or national origin; or with the purpose or effect of defeating or substantially impairing the accomplishment of the objectives of the Act or this subpart.

**§ 42.105**

**28 CFR Ch. I (7-1-17 Edition)**

(4) For the purposes of this section the disposition, services, financial aid, or benefits provided under a program receiving Federal financial assistance shall be deemed to include all portions of the recipient's program or activity, including facilities, equipment, or property provided with the aid of Federal financial assistance.

(5) The enumeration of specific forms of prohibited discrimination in this paragraph and in paragraph (c) of this section does not limit the generality of the prohibition in paragraph (a) of this section.

(6)(i) In administering a program regarding which the recipient has previously discriminated against persons on the ground of race, color, or national origin, the recipient must take affirmative action to overcome the effects of prior discrimination.

(ii) Even in the absence of such prior discrimination, a recipient in administering a program may take affirmative action to overcome the effects of conditions which resulted in limiting participation by persons of a particular race, color, or national origin.

(c) *Employment practices.* (1) Whenever a primary objective of the Federal financial assistance to a program to which this subpart applies, is to provide employment, a recipient of such assistance may not (directly or through contractual or other arrangements) subject any individual to discrimination on the ground of race, color, or national origin in its employment practices under such program (including recruitment or recruitment advertising, employment, layoff, or termination, upgrading, demotion, or transfer, rates of pay or other forms of compensation, and use of facilities). That prohibition also applies to programs as to which a primary objective of the Federal financial assistance is (i) to assist individuals, through employment, to meet expenses incident to the commencement or continuation of their education or training, or (ii) to provide work experience which contributes to the education or training of the individuals involved. The requirements applicable to construction employment under any such program shall be those specified in or pursuant to part III of

Executive Order 11246 or any Executive order which supersedes it.

(2) In regard to Federal financial assistance which does not have providing employment as a primary objective, the provisions of paragraph (c)(1) of this section apply to the employment practices of the recipient if discrimination on the ground of race, color, or national origin in such employment practices tends, on the ground of race, color, or national origin, to exclude persons from participation in, to deny them the benefits of or to subject them to discrimination under the program receiving Federal financial assistance. In any such case, the provisions of paragraph (c)(1) of this section shall apply to the extent necessary to assure equality of opportunity to and non-discriminatory treatment of beneficiaries.

[Order No. 365-66, 31 FR 10265, July 29, 1966, as amended by Order No. 519-73, 38 FR 17955, July 5, 1973; Order No. 2679-2003, 68 FR 51364, Aug. 26, 2003]

**§ 42.105 Assurance required.**

(a) *General.* (1) Every application for Federal financial assistance to which this subpart applies, and every application for Federal financial assistance to provide a facility shall, as a condition to its approval and the extension of any Federal financial assistance pursuant to the application, contain or be accompanied by an assurance that the program will be conducted or the facility operated in compliance with all requirements imposed by or pursuant to this subpart. In the case where the Federal financial assistance is to provide or is in the form of personal property, or real property or interest therein or structures thereon, such assurance shall obligate the recipient, or, in the case of a subsequent transfer, the transferee, for the period during which the property is used for a purpose for which the Federal financial assistance is extended or for another purpose involving the provision of similar services or benefits, or for as long as the recipient retains ownership or possession of the property, whichever is longer. In all other cases, such assurance shall obligate the recipient for the period

during which Federal financial assistance is extended pursuant to the application. The responsible Department official shall specify the form of the foregoing assurances, and the extent to which like assurances will be required of subgrantees, contractors, and subcontractors, transferees, successors in interest, and other participants. Any such assurance shall include provisions which give the United States a right to seek its judicial enforcement.

(2) In the case of real property, structures or improvements thereon, or interest therein, which was acquired with Federal financial assistance, or in the case where Federal financial assistance is provided in the form of a transfer of real property or interest therein from the Federal Government, the instrument effecting or recording the transfer shall contain a covenant running with the land assuring nondiscrimination for the period during which the real property is used for a purpose for which the Federal financial assistance is extended or for another purpose involving the provision of similar services or benefits. Where no transfer of property is involved, but property is improved with Federal financial assistance, the recipient shall agree to include such a covenant in any subsequent transfer of such property. Where the property is obtained from the Federal Government, such covenant may also include a condition coupled with a right to be reserved by the Department to revert title to the property in the event of a breach of the covenant where, in the discretion of the responsible Department official, such a condition and right of reverter are appropriate to the statute under which the real property is obtained and to the nature of the grant and the grantee.

(b) *Assurances from government agencies.* In the case of any application from any department, agency, or office of any State or local government for Federal financial assistance for any specified purpose, the assurance required by this section shall extend to any other department, agency, or office of the same governmental unit if the policies of such other department, agency, or office will substantially affect the project for which Federal financial assistance is requested.

(c) *Assurance from academic and other institutions.* (1) In the case of any application for Federal financial assistance for any purpose to an academic institution, the assurance required by this section shall extend to admission practices and to all other practices relating to the treatment of students.

(2) The assurance required with respect to an academic institution, detention or correctional facility, or any other institution or facility, insofar as the assurance relates to the institution's practices with respect to admission or other treatment of individuals as students, patients, wards, inmates, persons subject to control, or clients of the institution or facility or to the opportunity to participate in the provision of services, disposition, treatment, or benefits to such individuals, shall be applicable to the entire institution or facility.

(d) *Continuing Federal financial assistance.* Any State or State agency applying for continuing Federal financial assistance subject to this regulation shall as a condition for the extension of such assistance:

(1) Provide a statement that the program is (or, in the case of a new program, will be) conducted in compliance with this regulation, and

(2) Provide for such methods of administration as are found by the responsible Department official to give reasonable assurance that the primary recipient and all other recipients of Federal financial assistance under such program will comply with this regulation.

[Order No. 365-66, 31 FR 10265, July 29, 1966, as amended by Order No. 519-73, 38 FR 17955, July 5, 1973; Order No. 2679-2003, 68 FR 51364, Aug. 26, 2003]

#### § 42.106 Compliance information.

(a) *Cooperation and assistance.* Each responsible Department official shall, to the fullest extent practicable, seek the cooperation of recipients in obtaining compliance with this subpart and shall provide assistance and guidance to recipients to help them comply voluntarily with this subpart.

(b) *Compliance reports.* Each recipient shall keep such records and submit to the responsible Department official or

his designee timely, complete, and accurate compliance reports at such times, and in such form and containing such information, as the responsible Department official or his designee may determine to be necessary to enable him to ascertain whether the recipient has complied or is complying with this subpart. In general, recipients should have available for the Department racial and ethnic data showing the extent to which members of minority groups are beneficiaries of federally assisted programs. In the case in which a primary recipient extends Federal financial assistance to any other recipient or subcontracts with any other person or group, such other recipient shall also submit such compliance reports to the primary recipient as may be necessary to enable the primary recipient to carry out its obligations under this subpart.

(c) *Access to sources of information.* Each recipient shall permit access by the responsible Department official or his designee during normal business hours to such of its books, records, accounts, and other sources of information, and its facilities, as may be pertinent to ascertain compliance with this subpart. Whenever any information required of a recipient is in the exclusive possession of any other agency, institution, or person and that agency, institution, or person fails or refuses to furnish that information, the recipient shall so certify in its report and set forth the efforts which it has made to obtain the information.

(d) *Information to beneficiaries and participants.* Each recipient shall make available to participants, beneficiaries, and other interested persons such information regarding the provisions of this subpart and its applicability to the program for which the recipient receives Federal financial assistance, and make such information available to them in such manner, as the responsible Department official finds necessary to apprise such persons of the protections against discrimination assured them by the Act and this subpart.

[Order No. 365-66, 31 FR 10265, July 29, 1966, as amended by Order No. 519-73, 38 FR 17955, July 5, 1973]

#### § 42.107 Conduct of investigations.

(a) *Periodic compliance reviews.* The responsible Department official or his designee shall from time to time review the practices of recipients to determine whether they are complying with this subpart.

(b) *Complaints.* Any person who believes himself or any specific class of individuals to be subjected to discrimination prohibited by this subpart may by himself or by a representative file with the responsible Department official or his designee a written complaint. A complaint must be filed not later than 180 days from the date of the alleged discrimination, unless the time for filing is extended by the responsible Department official or his designee.

(c) *Investigations.* The responsible Department official or his designee will make a prompt investigation whenever a compliance review, report, complaint, or any other information indicates a possible failure to comply with this subpart. The investigation should include, whenever appropriate, a review of the pertinent practices and policies of the recipient, the circumstances under which the possible noncompliance with this subpart occurred, and other factors relevant to a determination as to whether the recipient has failed to comply with this subpart.

(d) *Resolution of matters.* (1) If an investigation pursuant to paragraph (c) of this section indicates a failure to comply with this subpart, the responsible Department official or his designee will so inform the recipient and the matter will be resolved by informal means whenever possible. If it has been determined that the matter cannot be resolved by informal means, action will be taken as provided for in § 42.108.

(2) If an investigation does not warrant action pursuant to paragraph (d)(1) of this section, the responsible Department official or his designee will so inform the recipient and the complainant, if any, in writing.

(e) *Intimidatory or retaliatory acts prohibited.* No recipient or other person shall intimidate, threaten, coerce, or discriminate against any individual for the purpose of interfering with any right or privilege secured by section 601 of the Act or this subpart, or because



he has made a complaint, testified, assisted, or participated in any manner in an investigation, proceeding, or hearing under this subpart. The identity of complainants shall be kept confidential except to the extent necessary to carry out the purpose of this subpart, including the conduct of any investigation, hearing, or judicial proceeding arising thereunder.

[Order No. 365-66, 31 FR 10265, July 29, 1966, as amended by Order No. 519-73, 38 FR 17955, July 5, 1973]

**§ 42.108 Procedure for effecting compliance.**

(a) *General.* If there appears to be a failure or threatened failure to comply with this subpart and if the noncompliance or threatened noncompliance cannot be corrected by informal means, the responsible Department official may suspend or terminate, or refuse to grant or continue, Federal financial assistance, or use any other means authorized by law, to induce compliance with this subpart. Such other means include, but are not limited to:

(1) Appropriate proceedings brought by the Department to enforce any rights of the United States under any law of the United States (including other titles of the Act), or any assurance or other contractual undertaking, and

(2) Any applicable proceeding under State or local law.

(b) *Noncompliance with assurance requirement.* If an applicant or recipient fails or refuses to furnish an assurance required under § 42.105, or fails or refuses to comply with the provisions of the assurance it has furnished, or otherwise fails or refuses to comply with any requirement imposed by or pursuant to title VI or this subpart, Federal financial assistance may be suspended, terminated, or refused in accordance with the procedures of title VI and this subpart. The Department shall not be required to provide assistance in such a case during the pendency of administrative proceedings under this subpart, except that the Department will continue assistance during the pendency of such proceedings whenever such assistance is due and payable pursuant to a final commitment made or an applica-

tion finally approved prior to the effective date of this subpart.

(c) *Termination of or refusal to grant or to continue Federal financial assistance.* No order suspending, terminating, or refusing to grant or continue Federal financial assistance shall become effective until:

(1) The responsible Department official has advised the applicant or recipient of his failure to comply and has determined that compliance cannot be secured by voluntary means,

(2) There has been an express finding on the record, after opportunity for hearing, of a failure by the applicant or recipient to comply with a requirement imposed by or pursuant to this subpart,

(3) The action has been approved by the Attorney General pursuant to § 42.110, and

(4) The expiration of 30 days after the Attorney General has filed with the committee of the House and the committee of the Senate having legislative jurisdiction over the program involved, a full written report of the circumstances and the grounds for such action.

Any action to suspend or terminate or to refuse to grant or to continue Federal financial assistance shall be limited to the particular political entity, or part thereof, or other applicant or recipient as to whom such a finding has been made and shall be limited in its effect to the particular program, or part thereof, in which such noncompliance has been so found.

(d) *Other means authorized by law.* No action to effect compliance by any other means authorized by law shall be taken until:

(1) The responsible Department official has determined that compliance cannot be secured by voluntary means,

(2) The action has been approved by the Attorney General, and

(3) The recipient or other person has been notified of its failure to comply and of the action to be taken to effect compliance.

**§ 42.109 Hearings.**

(a) *Opportunity for hearing.* Whenever an opportunity for a hearing is required by § 42.108(c), reasonable notice shall be given by registered or certified mail, return receipt requested, to the

affected applicant or recipient. That notice shall advise the applicant or recipient of the action proposed to be taken, the specific provision under which the proposed action against it is to be taken, and the matters of fact or law asserted as the basis for that action. The notice shall (1) Fix a date, not less than 20 days after the date of such notice, within which the applicant or recipient may request that the responsible Department official schedule the matter for hearing, or (2) advise the applicant or recipient that a hearing concerning the matter in question has been scheduled and advise the applicant or recipient of the place and time of that hearing. The time and place so fixed shall be reasonable and shall be subject to change for cause. The complainant, if any, shall be advised of the time and place of the hearing. An applicant or recipient may waive a hearing and submit written information and argument for the record. The failure of an applicant or recipient to request a hearing under this paragraph or to appear at a hearing for which a date has been set shall be deemed to be a waiver of the right to a hearing afforded by section 602 of the Act and § 42.108(c) and consent to the making of a decision on the basis of such information as is available.

(b) *Time and place of hearing.* Hearings shall be held at the offices of the Department in Washington, DC, at a time fixed by the responsible Department official, unless he determines that the convenience of the applicant or recipient or of the Department requires that another place be selected. Hearings shall be held before the responsible Department official or, at his discretion, before a hearing examiner designated in accordance with 5 U.S.C. 3105 and 3344 (section 11 of the Administrative Procedure Act).

(c) *Right to counsel.* In all proceedings under this section, the applicant or recipient and the Department shall have the right to be represented by counsel.

(d) *Procedures, evidence, and record.* (1) The hearing, decision, and any administrative review thereof shall be conducted in conformity with 5 U.S.C. 554-557 (sections 5-8 of the Administrative Procedure Act), and in accordance with such rules of procedure as are proper

(and not inconsistent with this section) relating to the conduct of the hearing, giving of notices subsequent to those provided for in paragraph (a) of this section, taking of testimony, exhibits, arguments and briefs, requests for findings, and other related matters. Both the Department and the applicant or recipient shall be entitled to introduce all relevant evidence on the issues as stated in the notice for hearing or as determined by the officer conducting the hearing.

(2) Technical rules of evidence shall not apply to hearings conducted pursuant to this subpart, but rules or principles designed to assure production of the most credible evidence available and to subject testimony to test by cross-examination shall be applied whenever reasonably necessary by the officer conducting the hearing. The hearing officer may exclude irrelevant, immaterial, or unduly repetitious evidence. All documents and other evidence offered or taken for the record shall be open to examination by the parties and opportunity shall be given to refute facts and arguments advanced on either side of the issues. A transcript shall be made of the oral evidence except to the extent the substance thereof is stipulated for the record. All decisions shall be based upon the hearing record and written findings shall be made.

(e) *Consolidated or joint hearings.* In cases in which the same or related facts are asserted to constitute non-compliance with this subpart with respect to two or more Federal statutes, authorities, or other means by which Federal financial assistance is extended and to which this subpart applies, or noncompliance with this subpart and the regulations of one or more other Federal Departments or agencies issued under title VI of the Act, the Attorney General may, by agreement with such other departments or agencies, whenever appropriate, provide for the conduct of consolidated or joint hearings, and for the application to such hearings of rules of procedure not inconsistent with this subpart. Final decisions in such cases, insofar as this

## Department of Justice

## § 42.110

subpart is concerned, shall be made in accordance with § 42.110.

[Order No. 365-66, 31 FR 10265, July 29, 1966, as amended by Order No. 519-73, 38 FR 17955, July 5, 1973]

### § 42.110 Decisions and notices.

(a) *Decisions by person other than the responsible Department official.* If the hearing is held by a hearing examiner, such hearing examiner shall either make an initial decision, if so authorized, or certify the entire record, including his recommended findings and proposed decision, to the responsible Department official for a final decision, and a copy of such initial decision or certification shall be mailed to the applicant or recipient. Whenever the initial decision is made by the hearing examiner, the applicant or recipient may, within 30 days of the mailing of such notice of initial decision, file with the responsible Department official his exceptions to the initial decision, with his reasons therefor. In the absence of exceptions, the responsible Department official may on his own motion, within 45 days after the initial decision, serve on the applicant or recipient a notice that he will review the decision. Upon filing of such exceptions, or of such notice of review, the responsible Department official shall review the initial decision and issue his own decision thereon including the reasons therefor. In the absence of either exceptions or a notice of review the initial decision shall constitute the final decision of the responsible Department official.

(b) *Decisions on the record or on review by the responsible Department official.* Whenever a record is certified to the responsible Department official for decision or he reviews the decision of a hearing examiner pursuant to paragraph (a) of this section, or whenever the responsible Department official conducts the hearing, the applicant or recipient shall be given a reasonable opportunity to file with him briefs or other written statements of its contentions, and a copy of the final decision of the responsible Department official shall be given in writing to the applicant or recipient and to the complainant, if any.

(c) *Decisions on the record whenever a hearing is waived.* Whenever a hearing

is waived pursuant to § 42.109(a), a decision shall be made by the responsible Department official on the record and a copy of such decision shall be given in writing to the applicant or recipient, and to the complainant, if any.

(d) *Rulings required.* Each decision of a hearing officer or responsible Department official shall set forth his ruling on each findings, conclusion, or exception presented, and shall identify the requirement or requirements imposed by or pursuant to this subpart with which it is found that the applicant or recipient has failed to comply.

(e) *Approval by Attorney General.* Any final decision of a responsible Department official (other than the Attorney General) which provides for the suspension or termination of, or the refusal to grant or continue Federal financial assistance, or the imposition of any other sanction available under this subpart or the Act, shall promptly be transmitted to the Attorney General, who may approve such decision, vacate it, or remit or mitigate any sanction imposed.

(f) *Content of orders.* The final decision may provide for suspension or termination of, or refusal to grant or continue, Federal financial assistance, in whole or in part, to which this regulation applies, and may contain such terms, conditions, and other provisions as are consistent with, and will effectuate the purposes of, the Act and this subpart, including provisions designed to assure that no Federal financial assistance to which this regulation applies will thereafter be extended to the applicant or recipient determined by such decision to be in default in its performance of an assurance given by it pursuant to this subpart, or to have otherwise failed to comply with this subpart, unless and until, it corrects its noncompliance and satisfies the responsible Department official that it will fully comply with this subpart.

(g) *Post-termination proceedings.* (1) An applicant or recipient adversely affected by an order issued under paragraph (f) of this section shall be restored to full eligibility to receive Federal financial assistance if it satisfies the terms and conditions of that order for such eligibility or if it brings itself into compliance with this subpart and

provides reasonable assurance that it will fully comply with this subpart.

(2) Any applicant or recipient adversely affected by an order entered pursuant to paragraph (f) of this section may at any time request the responsible Department official to restore fully its eligibility to receive Federal financial assistance. Any such request shall be supported by information showing that the applicant or recipient has met the requirements of paragraph (g)(1) of this section. If the responsible Department official denies any such request, the applicant or recipient may submit a request for a hearing in writing, specifying why it believes such official to have been in error. It shall thereupon be given an expeditious hearing, with a decision on the record, in accordance with rules of procedure issued by the responsible Department official. The applicant or recipient will be restored to such eligibility if it proves at such a hearing that it satisfied the requirements of paragraph (g)(1) of this section. While proceedings under this paragraph are pending, sanctions imposed by the order issued under paragraph (f) of this section shall remain in effect.

[Order No. 365-66, 31 FR 10265, July 29, 1966, as amended by Order No. 519-73, 38 FR 17956, July 5, 1973]

**§ 42.111 Judicial review.**

Action taken pursuant to section 602 of the Act is subject to judicial review as provided in section 603 of the Act.

**§ 42.112 Effect on other regulations; forms and instructions.**

(a) *Effect on other regulations.* Nothing in this subpart shall be deemed to supersede any provision of subpart A or B of this part or Executive Order 11114 or 11246, as amended, or of any other regulation or instruction which prohibits discrimination on the ground of race, color, or national origin in any program or situation to which this subpart is inapplicable, or which prohibits discrimination on any other ground.

(b) *Forms and instructions.* Each responsible Department official, other than the Attorney General or Deputy Attorney General, shall issue and promptly make available to interested persons forms and detailed instructions

and procedures for effectuating this subpart as applied to programs to which this subpart applies and for which he is responsible.

(c) *Supervision and coordination.* The Attorney General may from time to time assign to officials of the Department, or to officials of other departments or agencies of the Government, with the consent of such departments or agencies, responsibilities in connection with the effectuation of the purposes of title VI of the Act and this subpart (other than responsibility for final decision as provided in § 42.110(e)), including the achievement of the effective coordination and maximum uniformity within the Department and within the Executive Branch of the Government in the application of title VI of the Act and this subpart to similar programs and in similar situations. Any action taken, determination made, or requirement imposed by an official of another Department or agency acting pursuant to an assignment of responsibility under this subsection shall have the same effect as though such action had been taken by the Attorney General.

[Order No. 365-66, 31 FR 10265, July 29, 1966, as amended by Order No. 519-73, 38 FR 17956, July 5, 1973; Order No. 568-74, 39 FR 18646, May 29, 1974]

APPENDIX A TO SUBPART C OF PART 42—  
FEDERAL FINANCIAL ASSISTANCE  
ADMINISTERED BY THE DEPARTMENT  
OF JUSTICE TO WHICH THIS SUBPART  
APPLIES

NOTE: Failure to list a type of Federal assistance in appendix A shall not mean, if title VI is otherwise applicable, that a program is not covered.

1. Assistance provided by the Office of Justice Programs (OJP), the Bureau of Justice Assistance (BJA), the National Institute of Justice (NIJ), the Bureau of Justice Statistics (BJS), and the Office of Juvenile Justice and Delinquency Prevention (OJJDP), including block, formula, and discretionary grants, victim compensation payments, and victim assistance grants (title I of the Omnibus Crime Control and Safe Streets Act of 1968, 42 U.S.C. 3701-3796, as amended (Pub. L. 90-351, as amended by Pub. L. 93-83, Pub. L. 93-415, Pub. L. 94-430, Pub. L. 94-503, Pub. L. 95-115, Pub. L. 96-157, and Pub. L. 98-473); the Juvenile Justice and Delinquency Prevention Act of 1974, 42 U.S.C. 5601-5751, as amended (Pub. L. 93-415, as amended by Pub.

## Department of Justice

## § 42.201

L. 94-503, Pub. L. 95-115, Pub. L. 96-509, and Pub. L. 98-473); the Victims of Crime Act of 1984, 42 U.S.C. 10601-10604, (Pub. L. 98-473)).

2. Assistance provided by the Bureau of Prisons (BOP) including technical assistance to State and local governments for improvement of correctional systems; training of law enforcement personnel, and assistance to legal services programs (18 U.S.C. 4042).

3. Assistance provided by the National Institute of Corrections (NIC) including training, grants, and technical assistance to State and local governments, public and private agencies, educational institutions, organizations and individuals, in the area of corrections (18 U.S.C. 4351-4353).

4. Assistance provided by the Drug Enforcement Administration (DEA) including training, joint task forces, information sharing agreements, cooperative agreements, and logistical support, primarily to State and local government agencies (21 U.S.C. 871-886).

5. Assistance provided by the Community Relations Service (CRS) in the form of discretionary grants to public and private agencies under the Cuban-Haitian Entrant Program (title V of the Refugee Education Assistance Act of 1980, Pub. L. 96-422).

6. Assistance provided by the U.S. Parole Commission in the form of workshops and training programs for State and local agencies and public and private organizations (18 U.S.C. 4204).

7. Assistance provided by the Federal Bureau of Investigation (FBI) including field training, training through its National Academy, National Crime Information Center, and laboratory facilities, primarily to State and local criminal justice agencies (Omnibus Crime Control and Safe Streets Act of 1968, as amended 42 U.S.C. 3701-3796).

8. Assistance provided by the Immigration and Naturalization Service (INS) including training and services primarily to State and local governments under the Alien Status Verification Index (ASVI); and citizenship textbooks and training primarily to schools and public and private service agencies (8 U.S.C. 1360, 8 U.S.C. 1457).

9. Assistance provided by the United States Marshals Service through its Cooperative Agreement Program for improvement of State and local correctional facilities (Pub. L. 99-180, 99 Stat. 1142).

10. Assistance provided by the Attorney General through the Equitable Transfer of Forfeited Property Program (Equitable Sharing) primarily to State and local law enforcement agencies (21 U.S.C. 881(e)).

11. Assistance provided by the Department of Justice participating agencies that conduct specialized training through the National Center for State and Local Law Enforcement Training, a component of the Federal Law Enforcement Training Center (FLETC), Glenco, Georgia (Pursuant to

Memorandum Agreement with the Department of Treasury).

[Order No. 1204-87, 52 FR 24449, July 1, 1987]

### Subpart D—Nondiscrimination in Federally Assisted Programs—Implementation of Section 815(c)(1) of the Justice System Improvement Act of 1979

AUTHORITY: Secs. 802(a), 815(c), and 817(d) of the Justice System Improvement Act of 1979, 42 U.S.C. 3701, *et seq.*, as amended (Pub. L. 90-351, as amended by Pub. L. 93-83, Pub. L. 93-415, Pub. L. 94-503, and Pub. L. 96-157 (December 27, 1979) (JSIA) and Sec. 262 of the Juvenile Justice and Delinquency Prevention Act of 1974, as amended, 42 U.S.C. 5672 (Pub. L. 93-415, as amended by Pub. L. 95-115)).

SOURCE: 45 FR 28705, Apr. 30, 1980, unless otherwise noted.

#### § 42.201 Purpose and application.

(a) The purpose of this subpart is to implement the provisions of section 815(c) of the Justice System Improvement Act of 1979 (42 U.S.C. 3789d(c); title VI of the Civil Rights Act of 1964, 42 U.S.C. 2000d; and title IX of the Education Amendments of 1972, 20 U.S.C. 1681, *et seq.*, to the end that no person in any State shall on the ground of race, color, national origin, sex, or religion be excluded from participation in, be denied the benefits of, be subjected to discrimination under, or be denied employment in connection with any program or activity funded in whole or in part with funds made available under either the Justice System Improvement Act or the Juvenile Justice Act by the Law Enforcement Assistance Administration, the National Institute of Justice, or the Bureau of Justice Statistics. These regulations also implement Executive Order 12138, which requires all Federal agencies awarding financial assistance to take certain steps to advance women's business enterprise.

(b) The regulations in this subpart apply to the delivery of services by, and employment practices of recipients administering, participating in, or substantially benefiting from any program or activity receiving Federal financial assistance extended under the Justice

System Improvement Act of 1979, or the Juvenile Justice and Delinquency Prevention Act of 1974, as amended.

(c) Where a private recipient which receives such assistance through a unit of government is engaged in prohibited discrimination, the Office of Justice Assistance, Research, and Statistics will invoke the enforcement procedures of this subpart (§ 42.208, *et seq.*) against the appropriate unit of government for failure to enforce the assurances of nondiscrimination given it by the private recipient pursuant to § 42.204(a). Where a private recipient receives assistance either directly from the Law Enforcement Assistance Administration, the National Institute of Justice, or the Bureau of Justice Statistics or through another private entity which receives funds directly from one of those agencies, compliance will be enforced pursuant to section 803(a) of the Justice System Improvement Act.

#### § 42.202 Definitions.

(a) *JSIA* means the Justice System Improvement Act of 1979, Public Law 96-157, 42 U.S.C. 3701, *et seq.*

(b) *Juvenile Justice Act* means title I and II of the Juvenile Justice and Delinquency Prevention Act of 1974, Public Law 93-415, as amended by Public Law 94-503 and Public Law 95-115.

(c) *OJARS* or *Office* means the Office of Justice Assistance, Research, and Statistics.

(d) *LEAA* means the Law Enforcement Assistance Administration.

(e) *NIJ* means the National Institute of Justice.

(f) *BJS* means the Bureau of Justice Statistics.

(g) *Employment practices* means all terms and conditions of employment including but not limited to, all practices relating to the screening, recruitment, referral, selection, training, appointment, promotion, demotion, and assignment of personnel, and includes advertising, hiring, assignments, classification, discipline, layoff and termination, upgrading, transfer, leave practices, rate of pay, fringe benefits, or other forms of pay or credit for services rendered and use of facilities.

(h) *Investigation* includes fact-finding efforts and, pursuant to § 42.205(c)(3),

attempts to secure the voluntary resolution of complaints.

(i) *Compliance review* means a review of a recipient's selected employment practices or delivery of services for compliance with the provisions of section 815(c)(1) of the Justice System Improvement Act, or this subpart.

(j) *Noncompliance* means the failure of a recipient to comply with section 815(c)(1) of the Justice System Improvement Act, or this subpart.

(k) *Program or activity* means the operation of the agency or organizational unit of government receiving or substantially benefiting from financial assistance awarded, e.g., a police department or department of corrections.

(l) *Pattern or practice* means any procedure, custom, or act affecting or potentially affecting, more than a single individual in a single or isolated instance.

(m) *Religion* includes all aspects of religious observance and practice as well as belief.

(n) *Recipient* means any State or local unit of government or agency thereof, and any private entity, institution, or organization, to which Federal financial assistance is extended directly, or through such government or agency, but such term does not include any ultimate beneficiary of such assistance.

(o) *State* means any State of the United States, the District of Columbia, the Commonwealth of Puerto Rico, the Virgin Islands, Guam, American Samoa, the Trust Territory of the Pacific Islands, and the Commonwealth of the Northern Mariana Islands;

(p) *Unit of local government* means any city, county, township, town, borough, parish, village or other general purpose political subdivision of a State, an Indian tribe which performs law enforcement functions as determined by the Secretary of the Interior, or, for the purpose of assistance eligibility, any agency of the District of Columbia government or the U.S. Government performing law enforcement functions in and for the District of Columbia;

(q) *Combination* as applied to States or units of local government means any grouping or joining together of such States or units for the purpose of preparing, developing, or implementing a criminal justice program or project;

(r) *Criminal justice council* or *CJC* means the agency designated by a State to perform the functions listed in section 402(b)(1) of the Justice System Improvement Act.

(s) All masculine terms such as *he*, *his*, and *him* should be construed to mean their respective feminine counterparts, *she*, *hers*, and *her*, where appropriate.

[45 FR 28705, Apr. 30, 1980; 45 FR 54037, Aug. 14, 1980]

**§ 42.203 Discrimination prohibited.**

(a) No person in any State shall on the ground of race, color, religion, national origin, or sex be excluded from participation in, be denied the benefits of, be subjected to discrimination under, or denied employment in connection with any program or activity funded in whole or in part with funds made available under the JSIA or the Juvenile Justice Act.

(b) A recipient may not, directly or through contractual or other arrangements, on the grounds set forth in paragraph (a) of this section:

(1) Deny an individual any disposition, service, financial aid, or benefit provided under the program;

(2) Provide any disposition, service, financial aid, or benefit to an individual which is different, or is provided in a different manner, from that provided to others under the program;

(3) Subject an individual to segregation or separate treatment in any matter related to his receipt of any disposition, service, financial aid, or benefit under the program;

(4) Restrict an individual in any way in the enjoyment of any advantage or privilege enjoyed by others receiving any disposition, service, or financial aid or benefit under the program;

(5) Treat an individual differently from others in determining whether he satisfies any admission, enrollment, quota, eligibility, membership, or other requirement or condition which individuals must meet in order to be provided any disposition, service, financial aid, function, or benefit provided under the program;

(6) Deny an individual an opportunity to participate in the program through the provision of services or otherwise or afford him an opportunity to do so

which is different from that afforded others under the program;

(7) Deny a person the opportunity to participate as a member of a planning or advisory body which is an integral part of the program;

(8) Subject any individual to physical abuse or summary punishment, or deny any individual the rights guaranteed by the Constitution to all persons;

(9) Subject any individual to discrimination in its employment practices in connection with any program or activity funded in whole or in part with funds made available under the JSIA or the Juvenile Justice Act;

(10) Use any selection device in a manner which is inconsistent with the Department of Justice Uniform on Employee Selection Guidelines, 28 CFR 50.14.

(c) In matters involving employment discrimination, section 815(c)(1) of the JSIA shall be interpreted by the Office consistently with title VII of the Civil Rights Act of 1964, Public Law 88-352, 79 Stat. 253, as amended by the Equal Employment Opportunity Act of 1972, Public Law 92-261, 87 Stat. 103, and the Pregnancy Discrimination Act, Public Law 95-555, 92 Stat. 2076.

(d) The use of a minimum height or weight requirement which operates to disproportionately exclude women and persons of certain national origins, such as persons of Hispanic or Asian descent, is a violation of this subpart, unless the recipient is able to demonstrate convincingly, through use of supportive factual data, that the requirement has been validated as set forth in the Department of Justice Guidelines on Employee Selection Procedures, 28 CFR 50.14.

(e) A recipient, in determining the type of disposition, services, financial aid, benefits, or facilities which will be provided under any program, or the class of individuals to whom, or the situations in which, such will be provided under any program, may not directly or through contractual or other arrangements, utilize criteria or methods of administration which have the effect of subjecting individuals to discrimination under section 815(c)(1) of the JSIA, or have the effect of defeating or substantially impairing accomplishment

**§ 42.204**

**28 CFR Ch. I (7-1-17 Edition)**

of the objectives of the program as respects individuals of a particular race, color, sex, national origin, or religion.

(f) In determining the site or location of facilities, a recipient or applicant may not make selections with the purpose or effect of excluding individuals from, denying them the benefits of, subjecting them to discrimination under, or denying them employment in connection with any program or activity to which this subpart applies; or with the purpose or effect of defeating or substantially impairing the accomplishment of the objectives of the JSIA, the Juvenile Justice Act, or this subpart.

(g) For the purposes of this section, the disposition, services, financial aid, or benefits provided under a program or activity receiving Federal financial assistance shall be deemed to include any portion of any program or function or activity conducted by any recipient of Federal financial assistance which program, function, or activity is directly or indirectly improved, enhanced, enlarged, or benefited by such Federal financial assistance or which makes use of any facility, equipment, or property provided with the aid of Federal financial assistance.

(h) The enumeration of specific forms of prohibited discrimination in paragraphs (b) through (g) of this section does not limit the generality of the prohibition in paragraph (a) of this section.

(i)(1) In administering a program regarding which the recipient has previously discriminated against persons on the ground of race, color, religion, national origin, or sex, the recipient must take affirmative action to overcome the effects of prior discrimination.

(2) Even in the absence of such prior discrimination, a recipient in administering a program may take affirmative action to overcome the effects of conditions which resulted in limiting participation by persons of a particular race, color, religion, national origin, or sex.

(j) Nothing contained in this subpart shall be construed as requiring any recipient to adopt a percentage ratio, quota system, or other program to achieve racial balance. The use of goals

and timetables is not use of a quota prohibited by this section.

[45 FR 28705, Apr. 30, 1980, as amended at 45 FR 54036, Aug. 14, 1980]

**§ 42.204 Applicants' obligations.**

(a) Every application for Federal financial assistance to which this subpart applies shall, as a condition of approval of such application and the extension of any Federal financial assistance pursuant to such application, contain or be accompanied by an assurance that the applicant will comply with all applicable nondiscrimination requirements and will obtain such assurances from its subgrantees, contractors, or subcontractors to which this subpart applies, as a condition of the extension of Federal financial assistance to them.

(b) Every unit of State or local government and every agency of such unit that applies for a grant of \$500,000 or more under the JSIA or the Juvenile Justice Act, must submit a copy of its current Equal Employment Opportunity Program (if required to develop one under 28 CFR 42.301, *et. seq.*) to OJARS at the same time it submits its grant application. No application for \$500,000 or more will be approved until OJARS has approved the applicant's EEOP.

(c) Every application for Federal financial assistance from a State or local unit of government or agency thereof shall contain an assurance that in the event a Federal or State court or Federal or State administrative agency makes a finding of discrimination after a due process hearing, on the ground of race, color, religion, national origin, or sex against the recipient State or local government unit, or agency, the recipient will forward a copy of the finding to the appropriate CJC and to OJARS.

[45 FR 28705, Apr. 30, 1980, as amended at 45 FR 54037, Aug. 14, 1980]

**§ 42.205 Complaint investigation.**

(a) The Office shall investigate complaints filed by or on behalf of an individual claiming to be aggrieved, that allege a violation of section 815(c)(1) of the JSIA, or this subpart.

(b) No complaint will be investigated if it is received more than one year



after the date of the alleged discrimination, unless the time for filing is extended by the Director of OJARS for good cause shown.

(c) The Office shall conduct investigations of complaints as follows:

(1) Within 21 days of receipt of a complaint, the Office shall:

(i) Ascertain whether it had jurisdiction under paragraphs (a) and (b) of this section;

(ii) If jurisdiction is found, notify the recipient alleged to be discriminating of its receipt of the complaint; and

(iii) Initiate the investigation.

(2) The investigation will ordinarily be initiated by a letter requesting data pertinent to the complaint and advising the recipient of:

(i) The nature of the complaint, and, with the written consent of the complainant, the identity of the complainant;

(ii) The programs or activities affected by the complaint;

(iii) The opportunity to make, at any time prior to receipt of the Office's preliminary findings, a documentary submission, responding to, rebutting, or denying the allegations made in the complaint; and

(iv) The schedule under which the complaint will be investigated and a determination of compliance or non-compliance made.

Copies of this letter will also be sent to the chief executive of the appropriate unit(s) of government, and to the appropriate CJC.

(3) Within 150 days or, where an on-site investigation is required, within 175 days after the initiation of the investigation, the Office shall advise the complainant, the recipient, the chief executive(s) of the appropriate unit(s) of government, and the appropriate CJC of:

(i) Its investigative findings;

(ii) Where appropriate, its recommendations for compliance; and

(iii) If it is likely that satisfactory resolution of the complaint can be obtained, the recipient's opportunity to request the Office to engage in voluntary compliance negotiations prior to the Director of OJARS' determination of compliance or non-compliance.

(4) If, within 30 days, the Office's recommendations for compliance are not

met, or voluntary compliance is not secured, the matter will be forwarded to the Director of OJARS for a determination of compliance or non-compliance. The determination shall be made no later than 14 days after the conclusion of the 30-day period. If the Director makes a determination of non-compliance with section 815(c)(1) of the JSIA, the Office shall institute administrative proceedings pursuant to § 42.208 *et seq.*

(5) If the complainant or another party, other than the Attorney General, has filed suit in Federal or State court alleging the same discrimination alleged in a complaint to OJARS, and, during OJARS' investigation, the trial of that suit would be in progress, OJARS will suspend its investigation and monitor the litigation through the court docket and, where necessary, contacts with the complainant. Upon receipt of notice that the court has made a finding of a pattern or practice of discrimination within the meaning of § 42.208, the Office will institute administrative proceedings pursuant to § 42.208, *et seq.* Upon receipt of notice that the court has made a finding affecting only the complainant, the Office will adopt the findings of the court as its investigative findings pursuant to § 42.205(c)(3).

(6) The time limits listed in paragraphs (c)(1) through (c)(5) of this section shall be appropriately adjusted where OJARS requests another Federal agency or another branch of the Department of Justice to act on the complaint. OJARS will monitor the progress of the matter through liaison with the other agency. Where the request to act does not result in timely resolution of the matter, OJARS will institute appropriate proceedings pursuant to this section.

[45 FR 28705, Apr. 30, 1980; 45 FR 54037, Aug. 14, 1980]

#### § 42.206 Compliance reviews.

(a) The Office shall periodically conduct:

(1) Pre-award compliance reviews of all applicants requesting a grant from LEAA, NIJ, or BJS for \$500,000 or more; and

§ 42.207

28 CFR Ch. I (7-1-17 Edition)

(2) Post-award compliance reviews of selected recipients of LEAA, NIJ, or BJS assistance.

(b) *Pre-award reviews.* The Office shall review selected formula, discretionary, and national priority applications for \$500,000 or more in order to determine whether the application presents a possibility of discrimination in the services to be performed under the grant, or in the employment practices of the applicant. In those instances where it finds such a possibility, the Office shall special condition, disapprove or take other action with respect to the application to assure that the project complies with section 815(c)(1) of the JSIA.

(c) *Post-award reviews.* The Office shall seek to review those recipients which appear to have the most serious equal employment opportunity problems, or the greatest disparity in the delivery of services to the minority and non-minority or male and female communities they serve. Selection for review shall be made on the basis of:

(1) The relative disparity between the percentage of minorities, or women, in the relevant labor market, and the percentage of minorities, or women, employed by the recipient;

(2) The percentage of women and minorities in the population receiving program benefits;

(3) The number and nature of discrimination complaints filed against a recipient with OJARS or other Federal agencies;

(4) The scope of the problems revealed by an investigation commenced on the basis of a complaint filed with the Office against a recipient or by a pre-award compliance review; and

(5) The amount of assistance provided to the recipient.

(d) Within 15 days after selection of a recipient for review, the Office shall inform the recipient that it has been selected and will initiate the review. The review will ordinarily be initiated by a letter requesting data pertinent to the review and advising the recipient of:

(1) The practices to be reviewed;

(2) The programs or activities affected by the review;

(3) The opportunity to make, at any time prior to receipt of the Office's investigative findings, a documentary submission responding to the Office,

explaining, validating, or otherwise addressing the practices under review; and

(4) The schedule under which the review will be conducted and a determination of compliance or non-compliance made.

Copies of this letter will also be sent to the chief executive of the appropriate unit(s) of government, and to the appropriate CJC.

(e) Within 150 days or, where an on-site investigation is required, within 175 days after the initiation of the review, the Office shall advise the recipient, the chief executive(s) of the appropriate unit(s) of government, and the appropriate CJC, of:

(1) Its investigative findings;

(2) Where appropriate, its recommendations for compliance; and

(3) The opportunity to request the Office to engage in voluntary compliance negotiations prior to the Director of OJARS' determination of compliance or noncompliance.

(f) If, within 30 days, the Office's recommendations for compliance are not met, or voluntary compliance is not secured, the Director of OJARS shall make a determination of compliance or non-compliance. The determination shall be made no later than 14 days after the conclusion of the 30-day negotiation period. If the Director makes a determination of non-compliance with section 815(c) of the JSIA, the Office shall institute administrative proceedings pursuant to § 42.208, *et seq.*

[45 FR 28705, Apr. 30, 1980; 45 FR 54037, Aug. 14, 1980]

**§ 42.207 Compliance information.**

(a) Each recipient shall:

(1) Keep such records, and submit to OJARS such timely, complete, and accurate information as OJARS may request to determine whether the recipient is complying with section 815(c)(1) of the JSIA; and

(2) Permit reasonable access by OJARS to its books, documents, papers, and records, to the extent necessary to determine whether the recipient is complying with section 815(c)(1) of the JSIA.

## Department of Justice

## § 42.208

(b) Failure to comply with § 42.207(a) shall subject the recipient to the sanctions provided in section 803(a) of the JSIA, 42 U.S.C. 3783(a).

### § 42.208 Notice of noncompliance.

(a) Whenever the Office has:

(1) Received notice of a finding, after notice and opportunity for a hearing by:

(i) A Federal court (other than in an action brought by the Attorney General under section 815(c)(3) of the JSIA);

(ii) A State court; or

(iii) A Federal or State administrative agency (other than the Office under paragraph (a)(2) of this section); to the effect that there has been a pattern or practice of discrimination in violation of section 815(c)(1) of the JSIA; or

(2) Made a determination after an investigation by the Office pursuant to § 42.205 or § 42.206 of this subpart that a State government or unit of general local government, or agency thereof, is not in compliance with this subpart, or section 815(c)(1) of the JSIA, or this subpart: the Office shall, within 10 days after such occurrence, notify the chief executive of the affected State and, if the action involves a unit of general local government, the chief executive of such unit of general local government, that such program or activity has been so found or determined not to be in compliance with this subpart or section 815(c)(1) of the JSIA or this subpart, and shall request each chief executive notified under this section with respect to such violation to secure compliance.

(b) For the purposes of this section, notice means:

(1) Publication in—

(i) Employment Practices Decisions, Commerce Clearinghouse, Inc.;

(ii) Fair Employment Practices, Bureau of National Affairs, Inc.;

(iii) The United States Law Week, Bureau of National Affairs, Inc.; or

(iv) Federal Supplement, Federal Reporter, or Supreme Reporter, West Publishing Company; or

(2) Receipt by the Office of a reliable copy of a pattern or practice finding, made after a due process hearing from any source.

(c) When the Office receives notice of a finding which has been made more than 120 days prior to receipt, the Office will determine if the finding is currently applicable.

(1) In determining the current applicability of the finding, the Office will contact the clerk of the court and the office of the deciding judge (or the appropriate agency official) to determine whether any subsequent orders have been entered.

(2) If the information is unavailable through the clerk or the office of the judge (or the appropriate agency official), the Office will contact the attorneys of record for both the plaintiff and defendant to determine whether any subsequent orders have been entered, or if the recipient is in compliance.

(3) If, within 10 days of receipt of notice, it is not determined through the procedures set forth in paragraphs (c)(1) and (2) of this section, that the recipient is in full compliance with a final order of the court (or agency) within the meaning of § 42.211(b), the Office will notify the appropriate chief executive of the recipient's noncompliance as provided in § 42.208(a).

(d) For purposes of paragraph (a)(1)(iii) of this section a finding by a Federal or State administrative agency shall be deemed rendered after notice and opportunity for a hearing if it is rendered pursuant to procedures consistent with the provisions of subchapter II of chapter 5, title 5, U.S. Code (the Administrative Procedures Act).

(e) The procedures of a Federal or State administrative agency shall be deemed to be consistent with the Administrative Procedure Act (APA) if:

(1) The agency gives all interested parties opportunity for—

(i) The submission and consideration of facts, arguments, offers of settlement, or proposals of adjustment when time, the nature of the proceeding, and the public interest permit; and

(ii) Hearing on notice, and a decision by an individual who did not participate in the investigation or prosecution of the matter.

(2) A party is entitled to be represented by counsel or other qualified representative, to present his case or

**§ 42.209**

**28 CFR Ch. I (7-1-17 Edition)**

defense by oral or documentary evidence, to submit rebuttal evidence, and to conduct such cross-examination as may be required for a full and true disclosure of the facts; and

(3) The record shows the ruling on each finding, conclusion, or exception presented. All decisions, including initial recommended, and tentative decisions, shall be a part of the record and shall include a statement of—

(i) Findings and conclusions, and the reasons or basis therefor, on all the material issues of fact, law, or discretion presented on the record; and

(ii) The appropriate rule, order, sanction, relief, or deferral thereof.

(f) If within 10 days of receipt of notice the Office cannot determine whether the finding was rendered pursuant to procedures consistent with the APA, it shall presume the APA procedures were applied, and send notification under §42.208(a) to the appropriate chief executive(s).

(g) Each notification under §42.208(a) shall advise the appropriate chief executive of:

(1) The program or activity determined to be in noncompliance;

(2) The general legal and factual basis for its determination;

(3) The Office's request to secure compliance;

(4) The action to be taken by the Office and the provisions of law under which the proposed action is to be taken should the chief executive fail to secure compliance; and

(5) The right of the recipient to request a preliminary hearing, pursuant to §42.212, and a full hearing, pursuant to §42.213.

**§ 42.209 Compliance secured.**

(a) In the event a chief executive secures compliance after notice pursuant to §42.208, the terms and conditions with which the affected State government or unit of general local government agrees to comply shall be set forth in writing and signed by the chief executive of the State, by the chief executive of such unit (in the event of a violation by a unit of general local government), and by the Director of OJARS.

(b) Prior to the effective date of the agreement, the Office shall send a copy

of the agreement to each complainant, if any, with respect to such violation, and to the appropriate CJC.

(c) The chief executive of the State, or the chief executive of the unit (in the event of a violation by a unit of general local government) shall file semi-annual reports with the Office detailing the steps taken to comply with the agreement.

(d) Within 15 days of receipt of such reports, the Office shall send a copy to each complainant, if any.

(e) The Director of OJARS shall also determine a recipient to be in compliance if it complies fully with the final order or judgement of a Federal or State court, pursuant to §42.211 (a)(2) and (b), or if found by such court to be in compliance with section 815(c)(1).

**§ 42.210 Compliance not secured.**

(a) If, at the conclusion of 90 days after notification of noncompliance with section 815(c)(1):

(1) Compliance has not been secured by the chief executive of that State or the chief executive of that unit of general local government; and

(2) An administrative law judge has not made a determination under §42.212 that it is likely the State government or unit of local government will prevail on the merits;

the Office shall notify the Attorney General that compliance has not been secured and shall cause to have suspended further payment of any funds under the JSIA or Juvenile Justice Act, as appropriate, to the specific program or activity in which the non-compliance has been found.

(b) If a hearing is requested pursuant to §42.213, the suspension of funds shall be effective for a period of not more than 30 days after the conclusion of the hearing, or in the absence of a hearing under §42.213, funds shall be suspended for not more than 120 days, unless there has been an express finding by the Director of OJARS after notice and opportunity for such a hearing, that the recipient is not in compliance with section 815(c)(1) of the JSIA, or this subpart.

## Department of Justice

## § 42.215

### § 42.211 Resumption of suspended funds.

(a) Payment of suspended funds made available under the JSIA or the Juvenile Justice Act shall resume only if—

(1) Such State government or unit of general local government enters into a compliance agreement signed by the Director of OJARS in accordance with § 42.209;

(2) Such State government or unit of general local government:

(i) Complies fully with the final order or judgment of a Federal or State court, if that order or judgement covers all matters raised by the Director of OJARS in the notice pursuant to § 42.208, or

(ii) Is found to be in compliance with section 815(c)(1) of the JSIA by such court;

(3) After a hearing, the Director of OJARS, pursuant to § 42.213, finds that noncompliance has not been demonstrated; or

(4) An administrative law judge has determined, under § 42.212, that it is likely that the State government or unit of local government will prevail on the merits.

(b) Full compliance with a court order, for the purposes of paragraph (2) of this section, includes the securing of an agreement to comply over a period of time, particularly in complex cases or where compliance would require an extended period of time for implementation.

### § 42.212 Preliminary hearing.

(a) Prior to the suspension of funds under § 42.210(a), but within the 90-day period after notification under § 42.208, the State government or unit of local government may request an expedited preliminary hearing on the record in accordance with 5 U.S.C. 554 in order to determine whether it is likely that the State government or unit of local government would, at a full hearing under § 42.213, prevail on the merits on the issue of the alleged noncompliance.

(b) The preliminary hearing shall be initiated within 30 days of request. The ALJ shall make his finding within 15 days after the conclusion of the preliminary hearing.

### § 42.213 Full hearing.

(a) At any time after notification of noncompliance under § 42.208, but before the conclusion of the 120-day suspension period referred to in § 42.210, a State government or unit of general local government may request a hearing on the record in accordance with 5 U.S.C. 554 in order to contest the findings of determination of noncompliance made under § 42.208. The Office shall initiate the hearing within 60 days of request.

(b) Within 30 days after the conclusion of the hearing, or, in the absence of a hearing, at the conclusion of the 120-day period referred to in § 42.210, the Director of OJARS shall make a finding of compliance or noncompliance.

(1) If the Director makes a finding of noncompliance, the Director shall:

(i) Notify the Attorney General in order that the Attorney General may institute a civil action under section 815(c)(3) of the JSIA;

(ii) Cause to have terminated the payment of funds under the JSIA and/or the Juvenile Justice Act; and

(iii) If appropriate, seek repayment of funds.

(2) If the Director makes a finding of compliance, payment of the suspended funds and reconsideration of applications shall resume.

### § 42.214 Judicial review.

Any State government or unit of general local government aggrieved by a final determination of the Office under § 42.213 may appeal such determination as provided in section 805 of the JSIA.

### § 42.215 Other actions authorized under the JSIA.

(a) The Director of OJARS may, at any time, request the Attorney General to file suit to enforce compliance with section 815(c)(1). OJARS will monitor the litigation through the court docket and liaison with the Civil Rights Division of the Department of Justice. Where the litigation does not result in timely resolution of the matter, and funds have not been suspended pursuant to § 42.215(b), OJARS will institute administrative proceedings unless enjoined from doing so by the court.

(b)(1) Whenever the Attorney General files a civil action alleging a pattern or practice of discriminatory conduct on the basis of race, color, religion, national origin, or sex in any program or activity of a State government or unit of local government which State government or unit of local government receives funds made available under the JSIA or the Juvenile Justice Act and the conduct allegedly violates or would violate the provisions of this subpart or section 815(c)(1) of the JSIA and neither party within 45 days after such filing has been granted such preliminary relief with regard to the suspension or payment of funds as may otherwise be available by law, the Director of OJARS shall suspend further payment of any funds under the JSIA and the Juvenile Justice Act to that specific program or activity alleged by the Attorney General to be in violation of the provisions of section 815(c)(1) of the JSIA until such time as the court orders resumption of payment.

(2) The Office expects that preliminary relief authorized by this subsection will not be granted unless the party making application for such relief meets the standards for a preliminary injunction.

(c)(1) Whenever a State government or unit of local government or any officer or employee thereof acting in an official capacity, has engaged or is engaging in any act or practice prohibited by section 815(c)(1) of the JSIA, a civil action may be instituted after exhaustion of administrative remedies by the person aggrieved in an appropriate U.S. District Court or in a State court or general jurisdiction.

(2) Administrative remedies shall be deemed to be exhausted upon the expiration of 60 days after the date the administrative complaint was filed with the Office or any other administrative enforcement agency, unless within such period there has been a determination by the Office or the agency on the merits of the complaint, in which case such remedies shall be deemed exhausted at the time the determination becomes final.

(3) The Attorney General, or a specifically designated assistant for or in the name of the United States may intervene upon timely application in any

civil action brought to enforce compliance with section 815(c)(1) of the JSIA if he certifies that the action is of general public importance. In such action the United States shall be entitled to the same relief as if it had instituted the action.

#### APPENDIX A TO SUBPART D OF PART 42— COMMENTARY

*Section 42.201(c).* The compliance enforcement mechanism of section 815(c)(2) applies by its terms to State and local government. The prohibitions in section 815(c)(1), however, apply to all recipients of OJARS assistance. Accordingly, where a private entity which has received LEAA, NIJ, or BJS assistance through a State or local unit of government is determined by OJARS to be in non-compliance, OJARS will invoke the section 815(c)(2) mechanism against the appropriate unit of government for its failure to enforce the assurances of compliance given it by the private recipient, unless the unit has initiated its own compliance action against the private recipient. The fund termination procedures of section 803(a) will be invoked against non-complying private recipients which receive assistance directly from LEAA, NIJ, or BJS, or through another private entity.

*Section 42.202(g).* Section 815(c)(1) of the JSIA limits suspension and termination of assistance in the event of noncompliance to the “programs or activity” in which the non-compliance is found. The phrase “program or activity” was first used in section 815(c)(1) of the Crime Control Act of 1976, the substantially identical predecessor to section 815(c)(1).

House Report No. 94-1155 (94th Congress, 2d Session), at p. 26, explained the provision as follows:

“Suspension may be limited to the specific program or activity found to have discriminated, rather than all of the recipients’ LEAA funds.

“For example, if discriminatory employment practices in a city’s police department were cited in the notification, LEAA may only suspend that part of the city’s payments which fund the police department. LEAA may not suspend the city’s LEAA funds which are used in the city courts, prisons, or juvenile justice agencies.”

This passage makes it clear that OJARS need not demonstrate a nexus between the particular project funded and the discriminatory activity. See *Lau v. Nichols*, 414 U.S. 563, 566 (1974).

*Sections 42.203(b) and 42.203(e-i).* These provisions are derived from 28 CFR 42.104(b) of subpart C of the Department of Justice Non-discrimination Regulations. Where appropriate “sex” and “religion” have been added

as prohibited grounds of discrimination, and "denial of employment" as another activity within the scope of section 815(c)(1).

Individual projects benefiting a particular sex, race, or ethnic group are not violative of section 815(c)(1) unless the granting agency or the recipient has engaged in a pattern of granting preferential treatment to one such group, and cannot justify the preference on the basis of a compelling governmental interest, in the case of racial or ethnic discrimination, or a substantial relationship to an important governmental function, in the case of sex discrimination.

*Section 42.203(b)(10).* On August 25, 1978, the Department of Justice, the Equal Employment Opportunity Commission, the Department of Labor and the then-Civil Service Commission published the Uniform Employee Selection Guidelines codified at 28 CFR 50.14. Since OJARS is a component of the Department, these guidelines are applicable to the selection procedures of LEAA, NJJ, and BJS recipients. See 44 FR 11996 (March 2, 1979) for a detailed commentary on the guidelines.

*Section 42.203(c).* In the Conference Report on section 518(c) of the Crime Control Act (the substantially identical predecessor of section 815(c)), the managers stated that "In the area of employment cases brought under this section, it is intended by the conferees that the standards of title VII of the Civil Rights Act of 1964 apply." H. Rept. No. 94-1723 (94th Cong., 2d Sess.) at p. 32.

This section makes the OJARS standards of employment discrimination consistent with those used by the Civil Rights Division of the Department of Justice. It further clarifies that the burden shifts to the employer to validate its selection procedures once OJARS has demonstrated that those procedures disproportionately exclude an affected class. Discriminatory purpose on the part of the employer, which must be shown before the burden shifts in a Fourteenth Amendment case such as *Washington v. Davis*, 426 U.S. 229, 96 S. Ct. 2040 (1976), need not be shown in an employment discrimination case brought under section 815(c)(1).

*Section 42.203(j).* Section 815(b) of the JSIA reads:

"Notwithstanding any other provision of law, nothing contained in this title shall be construed to authorize the National Institute of Justice, the Bureau of Justice Statistics, or the Law Enforcement Assistance Administration (1) to require, or condition the availability or amount of a grant upon the adoption by an applicant or grantee under this title of a percentage ratio, quota system, or other program to achieve racial balance in any criminal justice agency; or (2) to deny or discontinue a grant because of the refusal of an applicant or grantee under this title to adopt such a ratio, system, or other program."

In commenting on the Crime Control Act of 1976, Senator Roman Hruska of Nebraska explained the difference between quotas and goals and timetables as follows:

"Section 518(b) [now 815(b)] of the act prohibits the setting of quotas. This provision was unchanged, and this provision will still bind the Administration.

"LEAA does have an affirmative obligation under this law to seek to eliminate discriminatory practices, voluntarily, if possible, prior to resorting to fund termination. LEAA can request that a recipient eliminate the effect of past discrimination by requiring the recipient to commit itself to goals and timetables. The formulation of goals is not a quota prohibited by section 518(b) of the act. A goal is a numerical objective fixed realistically in terms of the number of vacancies expected and the number of qualified applicants available. Factors such as a lower attrition rate than expected, bona fide fiscal restraints, or a lack of qualified applicants would be acceptable reasons for not meeting a goal that has been established and no sanctions would accrue under the program." Cong. Rec. S 17320 (September 30, 1976, daily ed.).

The Senate Judiciary Committee Report on the JSIA also emphasized that section 815(b) does not "undercut subsection (c) in any way; subsection (b) has been interpreted so as not to limit LEAA's anti-discrimination enforcement capabilities. Indeed, recent court decisions have made this abundantly clear. See, e.g., *United States v. City of Los Angeles*, No. 77-3460 (C.D. Cal. 2/1/79)." S. Rept. 96-142, p. 57.

See also the Equal Employment Opportunity Commission Affirmative Action Guidelines, 44 FR 4422 (January 19, 1979).

*Section 42.204.* All grantees and subgrantees must make the assurances found in paragraph (a). Only State and local units of government and agencies thereof must make the assurance found in paragraph (c), since, as explained in the commentary on §42.201(c), the enforcement provisions of section 815(c)(2) apply only to governmental recipients.

*Section 42.205(a).* Where information available to the Office clearly and convincingly demonstrates that the complaint is frivolous or otherwise without merit, the complaint will not be investigated, and the complainant will be so advised.

*Section 42.205(b).* A one-year timeliness requirement is imposed to ensure that OJARS will be devoting its resources to the resolution of active issues, and to maximize the possibility that necessary witnesses and evidence are still available.

Examples of good cause which would clearly warrant an extension of the filing period are a statement from the complainant stating that he or she was unaware of the discrimination until after a year had passed, or

that he or she was not aware that a remedy was available through OJARS.

*Section 42.205(c)(1).* Jurisdiction exists if the complaint alleges discrimination on a ground prohibited by section 815(c)(1), if the recipient was receiving funds at the time of the discrimination, and the respondent named in the complaint is a current recipient of LEAA, NIJ, or BJS assistance.

Prior to a determination of noncompliance, OJARS will attempt to negotiate voluntary compliance only during the 30-day period following receipt of the Office's preliminary findings, and only at the request of the recipient, as provided in §42.205(c)(3). If a determination of noncompliance is made, OJARS will participate in voluntary compliance efforts during the 90-day period following the letter sent to the chief executive(s) under section 42.208.

*Sections 42.205(c) (3) and (4) and 42.206(e).* OJARS will notify the appropriate chief executive(s) of its recommendations during the voluntary resolution phase of both the complaint investigation and compliance review process. OJARS expects that the early involvement of the chief executive will often expedite the resolution of issues.

*Section 42.205(c)(5).* OJARS will initiate an investigation if the litigation discussed in this subparagraph becomes protracted or apparently will not resolve the matter within a reasonable time.

*Section 42.205(c)(6).* In order to effectively utilize the resources of other agencies, and to avoid duplication of effort, OJARS may request another agency to act on a particular complaint. OJARS expects this practice to be limited, and will attempt to ensure that any cooperative agreement reached with another agency is consistent with the timetables set forth in §42.205(c).

*Section 42.206(a).* OJARS recognizes the practical impossibility of reviewing the compliance of each of its more than 39,000 recipients. The regulations seek to expedite the review process by reducing its length and narrowing its focus. Compliance reviews may, in some instances, be limited to specific employment practices, or other functions of a recipient, that appear to have the greatest adverse impact on an affected class.

*Section 42.206(b).* The factors listed will be considered cumulatively by OJARS in selecting recipients for reviews. OJARS will consider data from all sources, including information provided by both internal and external auditors.

*Section 42.208(b).* Upon receipt of the publications listed, OJARS will review the case reports for findings that may be violations of section 815(c)(1). In the case of the West Publishing Company reporters, OJARS will consult the topic "Civil Rights" in the Key Number Digests contained in the advance sheets.

*Section 42.208(e).* This subsection sets forth the minimum procedural safeguards that OJARS would require of an administrative hearing to assure the process was consistent with the Administrative Procedure Act. The sufficiency of other procedures that may vary in form but insure due process and the same opportunity for a fair hearing of both parties' evidence will be determined by OJARS on a case-by-case basis.

The Office will compile a list of State agencies whose procedures have been found consistent with the Administrative Procedure Act, and a list of State agencies whose procedures have been found inconsistent. When a finding of an agency not on either list is received, the Office will attempt to reliably determine the procedures used to render the findings.

*Section 42.209(a).* Although the signature of the appropriate chief executives are ultimately required on the compliance agreement, these regulations do not preclude them from delegating the responsibility for securing compliance during the 90-day period following notification, to State or local administrative or human rights agencies under their respective authority. A compliance agreement may be an agreement to comply over a period of time, particularly in complex cases or where compliance would require an extended period of time for implementation.

*Section 42.209(b).* The regulations require that a copy of the proposed compliance agreement be sent to the complainant, if any, before the effective date of the agreement. Although the Act would permit a copy to be sent as late as the effective date, OJARS believes the compliance agreement would be more likely to resolve all concerns and discourage litigation if the complainant's views were considered before it took effect.

*Section 42.211(b).* An example of a case where compliance would require an extended period of time for implementation would be a court order setting a goal of five years for an employer to raise the percentage of minorities in its workforce to parity with the percentage of minorities in the relevant geographical labor force.

*Section 42.213.* The full hearing will be conducted in accordance with JSIA Hearing and Appeal Procedures, 28 CFR 18.1, *et seq.*

*Section 42.215(a).* In a December 20, 1976 letter to the Administrator of LEAA, Congressman Peter Rodino, Chairman of the House Judiciary Committee, commented on the regulations proposed to implement the substantially identical nondiscrimination provisions of the Crime Control Act. He advised the Administrator that "the committee intentionally omitted the word 'refer' from the law to ensure that LEAA would always retain administrative jurisdiction over a complaint filed with them. It is not appropriate



## Department of Justice

## § 42.302

for LEAA to refer cases to the Civil Rights Division or other Federal or State agencies without monitoring the case for prompt resolution.”

*Section 42.215(c)(2).* The exhaustion of administrative remedies at the end of 60 days (unless the Office has made a determination) does not limit OJARS’ authority to investigate a complaint after the expiration of that period. OJARS will continue to investigate the complaint after the end of the 60-day period, if necessary, in accordance with the provisions of § 42.205.

### Subpart E—Equal Employment Opportunity Program Guidelines

**AUTHORITY:** Sec. 501 of the Omnibus Crime Control and Safe Streets Act of 1968, Pub. L. 90-351, 82 Stat. 197, as amended.

**SOURCE:** 43 FR 28802, June 30, 1978, unless otherwise noted.

#### § 42.301 Purpose.

The experience of the Law Enforcement Assistance Administration in implementing its responsibilities under the Omnibus Crime Control and Safe Streets Act of 1968, as amended (Pub. L. 90-351, 82 Stat. 197; Pub. L. 91-644, 84 Stat. 1881) has demonstrated that the full and equal participation of women and minority individuals in employment opportunities in the criminal justice system is a necessary component to the Safe Streets Act’s program to reduce crime and delinquency in the United States.

#### § 42.302 Application.

(a) *Recipient* means any State or local unit of government or agency thereof, and any private entity, institution, or organization, to which Federal financial assistance is extended directly, or through such government or agency, but such term does not include any ultimate beneficiary of such assistance.

(b) The obligation of a recipient to formulate, implement, and maintain an equal employment opportunity program, in accordance with this subpart, extends to State and local police agencies, correctional agencies, criminal court systems, probation and parole agencies, and similar agencies responsible for the reduction and control of crime and delinquency.

(c) Assignments of compliance responsibility for title VI of the Civil

Rights Act of 1964 have been made by the Department of Justice to the Department of Health and Human Services, covering educational institutions and general hospital or medical facilities. Similarly, the Department of Labor, in pursuance of its authority under Executive Orders 11246 and 11375, has assigned responsibility for monitoring equal employment opportunity under government contracts with medical and educational institutions, and non-profit organizations, to the Department of Health and Human Services. Accordingly, monitoring responsibility in compliance matters in agencies of the kind mentioned in this paragraph rests with the Department of Health and Human Services, and agencies of this kind are exempt from the provisions of this subpart, and are not responsible for the development of equal employment opportunity programs in accordance herewith.

(d) Each recipient of LEAA assistance within the criminal justice system which has 50 or more employees and which has received grants or subgrants of \$25,000 or more pursuant to and since the enactment of the Safe Streets Act of 1968, as amended, and which has a service population with a minority representation of 3 percent or more, is required to formulate, implement and maintain an equal employment opportunity program relating to employment practices affecting minority persons and women within 120 days after either the promulgation of these amended guidelines, or the initial application for assistance is approved, whichever is sooner. Where a recipient has 50 or more employees, and has received grants or subgrants of \$25,000 or more, and has a service population with a minority representation of less than 3 percent, such recipient is required to formulate, implement, and maintain an equal employment opportunity program relating to employment practices affecting women. For a definition of “employment practices” within the meaning of this paragraph, see § 42.202(c).

**§ 42.303**

**28 CFR Ch. I (7-1-17 Edition)**

(e) *Minority persons* shall include persons who are Black, not of Hispanic origin; Asian or Pacific Islanders; American Indians or Alaskan Native; or Hispanics. These categories are defined at 28 CFR 42.402(e).

(f) *Fiscal year* means the 12 calendar months beginning October 1, and ending September 30, of the following calendar year. A fiscal year is designated by the calendar year in which it ends.

[43 FR 28802, June 30, 1978, as amended by Order No. 960-81, 46 FR 52357, Oct. 27, 1981]

**§ 42.303 Evaluation of employment opportunities.**

(a) A necessary prerequisite to the development and implementation of a satisfactory equal employment opportunity program is the identification and analysis of any problem areas inherent in the utilization or participation of minorities and women in all of the recipient's employment phases (e.g., recruitment, selection, and promotion) and the evaluation of employment opportunities for minorities and women.

(b) In many cases an effective equal employment opportunity program may only be accomplished where the program is coordinated by the recipient agency with the cognizant Office of Personnel Management or similar agency responsible by law, in whole or in part, for the recruitment and selection of entrance candidates and selection of candidates for promotion.

(c) In making the evaluation of employment opportunities, the recipient shall conduct such analysis separately for minorities and women. However, all racial and ethnic data collected to perform an evaluation pursuant to the requirements of this section should be cross classified by sex to ascertain the extent to which minority women or minority men may be underutilized. The evaluation should include but not necessarily be limited to, the following factors:

(1) An analysis of present representation of women and minority persons in all job categories;

(2) An analysis of all recruitment and employment selection procedures for the preceding fiscal year, including such things as position descriptions, application forms, recruitment meth-

ods and sources, interview procedures, test administration and test validity, educational prerequisites, referral procedures and final selection methods, to insure that equal employment opportunity is being afforded in all job categories;

(3) An analysis of seniority practices and provisions, upgrading and promotion procedures, transfer procedures (lateral or vertical), and formal and informal training programs during the preceding fiscal year, in order to insure that equal employment opportunity is being afforded;

(4) A reasonable assessment to determine whether minority employment is inhibited by external factors such as the lack of access to suitable housing in the geographical area served by a certain facility or the lack of suitable transportation (public or private) to the workplace.

[43 FR 28802, June 30, 1978, as amended by Order No. 899-80, 45 FR 43703, June 30, 1980]

**§ 42.304 Written equal employment opportunity program.**

Each recipient's equal employment opportunity program shall be in writing and shall include:

(a) A job classification table or chart which clearly indicates for each job classification or assignment the number of employees within each respective job category classified by race, sex and national origin (include for example Hispanic, Asian or Pacific Islander, and American Indian or Alaskan Native). Also, principal duties and rates of pay should be clearly indicated for each job classification. Where auxiliary duties are assigned or more than one rate of pay applies because of length of time in the job or other factors, a special notation should be made. Where the recipient operates more than one shift or assigns employees within each shift to varying locations, as in law enforcement agencies, the number by race, sex and national origin on each shift and in each location should be identified. When relevant, the recipient should indicate the racial/ethnic mix of the geographic area of assignments by the inclusion of minority population and percentage statistics.

(b) The number of disciplinary actions taken against employees by race,

## Department of Justice

## § 42.304

sex and national origin within the preceding fiscal year, the number and types of sanctions imposed (suspension indefinitely, suspension for a term, loss of pay, written reprimand, oral reprimand, other) against individuals by race, sex and national origin.

(c) The number of individuals by race, sex and national origin (if available) applying for employment within the preceding fiscal year and the number by race, sex and national origin (if available) of those applicants who were offered employment and those who were actually hired. If such data is unavailable, the recipient should institute a system for the collection of such data.

(d) The number of employees in each job category by race, sex and national origin who made application for promotion or transfer within the preceding fiscal year and the number in each job category by race, sex, and national origin who were promoted or transferred.

(e) The number of employees by race, sex, and national origin who were terminated within the preceding fiscal year, identifying by race, sex, and national origin which were voluntary and involuntary terminations.

(f) Available community and area labor characteristics within the relevant geographical area including total population, workforce and existing unemployment by race, sex and national origin. Such data may be obtained from the Bureau of Labor Statistics, Washington, DC, State and local employment services, or other reliable sources. Recipient should identify the sources of the data used.

(g) A detailed narrative statement setting forth the recipient's existing employment policies and practices as defined in § 42.202(c). Thus, for example, where testing is used in the employment selection process, it is not sufficient for the recipient to simply note the fact. The recipient should identify the test, describe the procedures followed in administering and scoring the test, state what weight is given to test scores, how a cut-off score is established and whether the test has been validated to predict or measure job performance and, if so, a detailed description of the validation study. Simi-

larly detailed responses are required with respect to other employment policies, procedures, and practices used by the applicant.

(1) The statement should include the recipient's detailed analysis of existing employment policies, procedures, and practices as they relate to employment of minorities and women (see § 42.303) and, where improvements are necessary, the statement should set forth in detail the specific steps the recipient will take for the achievement of full and equal employment opportunity. The Department of Justice Guidelines on Employee Selection Procedures, 28 CFR part 50, set out the appropriate standards for nondiscriminatory selection procedures. Recipients of LEAA assistance using selection procedures which are not in conformity with the Department of Justice guidelines shall set forth the specific areas of nonconformity, the reasons which may explain any such nonconformity, and if necessary, the steps the recipient agency will take to correct any existing deficiency.

(2) The recipient should also set forth a program for recruitment of minority persons based on an informed judgment of what is necessary to attract minority applications including, but not necessarily limited to, dissemination of posters, use of advertising media patronized by minorities, minority group contacts and community relations programs. As appropriate, recipients may wish to refer to recruitment techniques suggested in revised order No. 4 of the Office of Federal Contract Compliance, U.S. Department of Labor, found at 41 CFR 60-2.24(e).

(h) Plan for dissemination of the applicant's Equal Employment Opportunity Program to all personnel, applicants and the general public. As appropriate, recipients may wish to refer to the recommendations for dissemination of policy suggested in revised order No. 4 of the Office of Federal Contract Compliance, U.S. Department of Labor, found at 41 CFR 60-2.21.

(i) Designation of specified personnel to implement and maintain adherence to the equal employment opportunity

**§ 42.305**

program and a description of their specific responsibilities suggested in revised order No. 4 of the Office of Federal Contract Compliance, U.S. Department of Labor, found at 41 CFR 60-2.22.

**§ 42.305 Recordkeeping and certification.**

The equal employment opportunity program and all records used in its preparation shall be kept on file and retained by each recipient covered by these guidelines for subsequent audit or review by responsible personnel of the cognizant State planning agency or the LEAA. Prior to the authorization to fund new or continuing programs under the Omnibus Crime Control and Safe Streets Act of 1968, the recipient shall file a certificate with the cognizant State planning agency or with the LEAA Office of Civil Rights Compliance stating that the equal employment opportunity program is on file with the recipient. This form of the certification shall be as follows:

I, \_\_\_\_\_ (person filing the application) certify that the \_\_\_\_\_ (criminal justice agency) has formulated an equal employment program in accordance with 28 CFR 42.301, *et seq.*, subpart E, and that it is on file in the Office of \_\_\_\_\_ (name), \_\_\_\_\_ (address), \_\_\_\_\_ (title), for review or audit by officials of the cognizant State planning agency or the Law Enforcement Assistance Administration as required by relevant laws and regulations.

The criminal justice agency created by the Governor to implement the Safe Streets Act within each State shall certify that it requires, as a condition of the receipt of block grant funds, that recipients from it have executed an Equal Employment Opportunity Program in accordance with this subpart, or that, in conformity with the terms and conditions of this regulation no equal employment opportunity programs are required to be filed by that jurisdiction.

**§ 42.306 Guidelines.**

(a) Recipient agencies are expected to conduct a continuing program of self-evaluation to ascertain whether any of their recruitment, employee selection or promotional policies (or lack thereof) directly or indirectly have the effect of denying equal employment op-

**28 CFR Ch. I (7-1-17 Edition)**

portunities to minority individuals and women.

(b) Equal employment program modification may be suggested by LEAA whenever identifiable referral or selection procedures and policies suggest to LEAA the appropriateness of improved selection procedures and policies. Accordingly, any recipient agencies falling within this category are encouraged to develop recruitment, hiring or promotional guidelines under their equal employment opportunity program which will correct, in a timely manner, any identifiable employment impediments which may have contributed to the existing disparities.

**§ 42.307 Obligations of recipients.**

The obligation of those recipients subject to these guidelines for the maintenance of an equal employment opportunity program shall continue for the period during which the LEAA assistance is extended to a recipient or for the period during which a comprehensive law enforcement plan filed pursuant to the Safe Streets Act is in effect within the State, whichever is longer, unless the assurances of compliance, filed by a recipient in accordance with § 42.204(a)(2), specify a different period.

**§ 42.308 Noncompliance.**

Failure to implement and maintain an equal employment opportunity program as required by these guidelines shall subject recipients of LEAA assistance to the sanctions prescribed by the Safe Streets Act and the equal employment opportunity regulations of the Department of Justice. (See 42 U.S.C. 3757 and 28 CFR 42.207.)

**Subpart F—Coordination of Enforcement of Non-discrimination in Federally Assisted Programs**

AUTHORITY: Executive Order 12250.

SOURCE: Order No. 670-76, 41 FR 52669, Dec. 1, 1976, unless otherwise noted.

**§ 42.401 Purpose and application.**

The purpose of this subpart is to insure that federal agencies which extend financial assistance properly enforce

## Department of Justice

## § 42.403

title VI of the Civil Rights Act of 1964 and similar provisions in federal grant statutes. Enforcement of the latter statutes is covered by this subpart to the extent that they relate to prohibiting discrimination on the ground of race, color or national origin in programs receiving federal financial assistance of the type subject to title VI. Responsibility for enforcing title VI rests with the federal agencies which extend financial assistance. In accord with the authority granted the Attorney General under Executive Order 12250, this subpart shall govern the respective obligations of federal agencies regarding enforcement of title VI. This subpart is to be used in conjunction with the 1965 Attorney General Guidelines for Enforcement of title VI, 28 CFR 50.3.

[Order No. 670-76, 41 FR 52669, Dec. 1, 1976, as amended by Order No. 960-81, 46 FR 52357, Oct. 27, 1981]

### § 42.402 Definitions.

For purpose of this subpart:

(a) *Title VI* refers to title VI of the Civil Rights Act of 1964, 42 U.S.C. 2000d to 2000d-4. Where appropriate, this term also refers to the civil rights provisions of other federal statutes to the extent that they prohibit discrimination on the ground of race, color or national origin in programs receiving federal financial assistance of the type subject to title VI itself.

(b) *Agency or federal agency* refers to any federal department or agency which extends federal financial assistance of the type subject to title VI.

(c) *Program* refers to programs and activities receiving federal financial assistance of the type subject to title VI.

(d) *Assistant Attorney General* refers to the Assistant Attorney General, Civil Rights Division, United States Department of Justice.

(e) Where designation of persons by race, color or national origin is required, the following designations shall be used:

(1) *Black, not of Hispanic Origin.* A person having origins in any of the black racial groups of Africa.

(2) *Hispanic.* A person of Mexican, Puerto Rican, Cuban, Central or South

American or other Spanish Culture or origin, regardless of race.

(3) *Asian or Pacific Islander.* A person having origins in any of the original peoples of the Far East, Southeast Asia, the Indian Subcontinent, or the Pacific Islands. This area includes, for example, China, Japan, Korea, the Philippine Islands, and Samoa.

(4) *American Indian or Alaskan Native.* A person having origins in any of the original peoples of North America, and who maintain cultural identification through tribal affiliation or community recognition.

(5) *White, not of Hispanic Origin.* A person having origins in any of the original people of Europe, North Africa, or the Middle East. Additional subcategories based on national origin or primary language spoken may be used where appropriate, on either a national or a regional basis. Paragraphs (e)(1) through (e)(5) of this section, inclusive, set forth in this section are in conformity with the OMB Ad Hoc Committee on Race/Ethnic Categories' recommendations. To the extent that said designations are modified by the OMB Ad Hoc Committee, paragraphs (e)(1) through (e)(5) of this section, inclusive, set forth in this section shall be interpreted to conform with those modifications.

(f) *Covered employment* means employment practices covered by title VI. Such practices are those which:

(1) Exist in a program where a primary objective of the federal financial assistance is to provide employment, or

(2) Cause discrimination on the basis of race, color or national origin with respect to beneficiaries or potential beneficiaries of the assisted program.

### § 42.403 Agency regulations.

(a) Any federal agency subject to title VI which has not issued a regulation implementing title VI shall do so as promptly as possible and, no later than the effective date of this subpart, shall submit a proposed regulation to the Assistant Attorney General pursuant to paragraph (c) of this section.

**§ 42.404**

(b) Any federal agency which becomes subject to title VI after the effective date of this subpart shall, within 60 days of the date it becomes subject to title VI, submit a proposed regulation to the Assistant Attorney General pursuant to paragraph (c) of this section.

(c) Regarding issuance or amendment of its regulation implementing title VI, a federal agency shall take the following steps:

(1) Before publishing a proposed regulation of amendment in the FEDERAL REGISTER, submit it to the Assistant Attorney General, Civil Rights Division;

(2) After receiving the approval of the Assistant Attorney General, publish the proposed regulation or amendment in the FEDERAL REGISTER for comment;

(3) After final agency approval, submit the regulation or amendment, through the Assistant Attorney General, to the Attorney General for final approval. (Executive Order 12250 delegates to the Attorney General the function, vested in the President by section 602 of title VI, 42 U.S.C. 2000d-1, of approving title VI regulations and amendments to them.)

(d) The title VI regulation of each federal agency shall be supplemented with an appendix listing the types of federal financial assistance, i.e., the statutes authorizing such assistance, to which the regulation applies. Each such appendix shall be kept up-to-date by amendments published, at appropriate intervals, in the FEDERAL REGISTER. In issuing or amending such an appendix, the agency need not follow the procedure set forth in paragraph (c) of this section.

[Order No. 670-76, 41 FR 52669, Dec. 1, 1976, as amended by Order No. 960-81, 46 FR 52357, Oct. 27, 1981]

**§ 42.404 Guidelines.**

(a) Federal agencies shall publish title VI guidelines for each type of program to which they extend financial assistance, where such guidelines would be appropriate to provide detailed information on the requirements of title VI. Such guidelines shall be published within three months of the effective date of this subpart or of the effective date of any subsequent stat-

**28 CFR Ch. I (7-1-17 Edition)**

ute authorizing federal financial assistance to a new type of program. The guidelines shall describe the nature of title VI coverage, methods of enforcement, examples of prohibited practices in the context of the particular type of program, required or suggested remedial action, and the nature of requirements relating to covered employment, data collection, complaints and public information.

(b) Where a federal agency determines that title VI guidelines are not appropriate for any type of program to which it provides financial assistance, the reasons for the determination shall be stated in writing and made available to the public upon request.

**§ 42.405 Public dissemination of title VI information.**

(a) Federal agencies shall make available and, where appropriate, distribute their title VI regulations and guidelines for use by federal employees, applicants for federal assistance, recipients, beneficiaries and other interested persons.

(b) State agency compliance programs (see § 42.410) shall be made available to the public.

(c) Federal agencies shall require recipients, where feasible, to display prominently in reasonable numbers and places posters which state that the recipients operate programs subject to the nondiscrimination requirements of title VI, summarize those requirements, note the availability of title VI information from recipients and the federal agencies, and explain briefly the procedures for filing complaints. Federal agencies and recipients shall also include information on title VI requirements, complaint procedures and the rights of beneficiaries in handbooks, manuals, pamphlets and other material which are ordinarily distributed to the public to describe the federally assisted programs and the requirements for participation by recipients and beneficiaries. To the extent that recipients are required by law or regulation to publish or broadcast program information in the news media, federal agencies and recipients shall insure that such publications and broadcasts state that the program in question is

an equal opportunity program or otherwise indicate that discrimination in the program is prohibited by federal law.

(d)(1) Where a significant number or proportion of the population eligible to be served or likely to be directly affected by a federally assisted program (e.g., affected by relocation) needs service or information in a language other than English in order effectively to be informed of or to participate in the program, the recipient shall take reasonable steps, considering the scope of the program and the size and concentration of such population, to provide information in appropriate languages to such persons. This requirement applies with regard to written material of the type which is ordinarily distributed to the public.

(2) Federal agencies shall also take reasonable steps to provide, in languages other than English, information regarding programs subject to title VI.

**§ 42.406 Data and information collection.**

(a) Except as determined to be inappropriate in accordance with paragraph (f) of this section or § 42.404(b), federal agencies, as a part of the guidelines required by § 42.404, shall in regard to each assisted program provide for the collection of data and information from applicants for and recipients of federal assistance sufficient to permit effective enforcement of title VI.

(b) Pursuant to paragraph (a) of this section, in conjunction with new applications for federal assistance (see 28 CFR 50.3(c) II A) and in any applications for approval of specific projects or significant changes in applications for continuation or renewal of assistance (see 28 CFR 50.3(c) II B), and at other times as appropriate, federal agencies shall require applicants and recipients to provide relevant and current title VI information. Examples of data and information which, to the extent necessary and appropriate for determining compliance with title VI, should be required by agency guidelines are as follows:

(1) The manner in which services are or will be provided by the program in question, and related data necessary for determining whether any persons

are or will be denied such services on the basis of prohibited discrimination;

(2) The population eligible to be served by race, color and national origin;

(3) Data regarding covered employment, including use or planned use of bilingual public-contact employees serving beneficiaries of the program where necessary to permit effective participation by beneficiaries unable to speak or understand English;

(4) The location of existing or proposed facilities connected with the program, and related information adequate for determining whether the location has or will have the effect of unnecessarily denying access to any persons on the basis of prohibited discrimination;

(5) The present or proposed membership, by race, color and national origin, in any planning or advisory body which is an integral part of the program;

(6) Where relocation is involved, the requirements and steps used or proposed to guard against unnecessary impact on persons on the basis of race, color or national origin.

(c) Where additional data, such as demographic maps, the racial composition of affected neighborhoods or census data, is necessary or appropriate, for understanding information required in paragraph (b) of this section, federal agencies shall specify, in their guidelines or in other directives, the need to submit such data. Such additional data should be required, however, only to the extent that it is readily available or can be compiled with reasonable effort.

(d) Pursuant to paragraphs (a) and (b) of this section, in all cases, federal agencies shall require:

(1) That each applicant or recipient promptly notify the agency upon its request of any lawsuit filed against the applicant or recipient alleging discrimination on the basis of race, color or national origin, and that each recipient notify the agency upon its request of any complaints filed against the recipient alleging such discrimination;

(2) A brief description of any applicant's or recipient's pending applications to other federal agencies for assistance, and of federal assistance

**§ 42.407**

**28 CFR Ch. I (7-1-17 Edition)**

being provided at the time of the application or requested report;

(3) A statement by any applicant describing any civil rights compliance reviews regarding the applicant conducted during the two-year period before the application, and information concerning the agency or organization performing the review; and periodic statements by any recipient regarding such reviews;

(4) A written assurance by any applicant or recipient that it will compile and maintain records required, pursuant to paragraphs (a) and (b) of this section, by the agency's guidelines or other directives.

(e) Federal agencies should inquire whether any agency listed by the applicant or recipient pursuant to paragraph (d)(2) of this section has found the applicant or recipient to be in non-compliance with any relevant civil rights requirement.

(f) Where a federal agency determines that any of the requirements of this section are inapplicable or inappropriate in regard to any program, the basis for this conclusion shall be set forth in writing and made available to the public upon request.

**§ 42.407 Procedures to determine compliance.**

(a) *Agency staff determination responsibility.* All federal agency staff determinations of title VI compliance shall be made by, or be subject to the review of, the agency's civil rights office. Where federal agency responsibility for approving applications or specific projects has been assigned to regional or area offices, the agency shall include personnel having title VI review responsibility on the staffs of such offices and such personnel shall perform the functions described in paragraphs (b) and (c) of this section.

(b) *Application review.* Prior to approval of federal financial assistance, the federal agency shall make written determination as to whether the applicant is in compliance with title VI (see 28 CFR 50.3(c) II A). The basis for such a determination under "the agency's own investigation" provision (see 28 CFR 50.3(c) II A(2)), shall be submission of an assurance of compliance and a review of the data submitted by the ap-

plicant. Where a determination cannot be made from this data, the agency shall require the submission of necessary additional information and shall take other steps necessary for making the determination. Such other steps may include, for example, communicating with local government officials or minority group organizations and field reviews. Where the requested assistance is for construction, a pre-approval review should determine whether the location and design of the project will provide service on a non-discriminatory basis and whether persons will be displaced or relocated on a nondiscriminatory basis.

(c) *Post-approval review.* (1) Federal agencies shall establish and maintain an effective program of post-approval compliance reviews regarding approved new applications (see 28 CFR 50.3(c) II A), applications for continuation or renewal of assistance (28 CFR 50.3(c) II B) and all other federally assisted programs. Such reviews are to include periodic submission of compliance reports by recipients to the agencies and, where appropriate, field reviews of a representative number of major recipients. In carrying out this program, agency personnel shall follow agency manuals which establish appropriate review procedures and standards of evaluation. Additionally, agencies should consider incorporating a title VI component into general program reviews and audits.

(2) The results of post-approval reviews shall be committed to writing and shall include specific findings of fact and recommendations. A determination of the compliance status of the recipient reviewed shall be made as promptly as possible.

(d) *Notice to assistant attorney general.* Federal agencies shall promptly notify the Assistant Attorney General of instances of probable noncompliance determined as the result of application reviews or post-approval compliance reviews.

**§ 42.408 Complaint procedures.**

(a) Federal agencies shall establish and publish in their guidelines procedures for the prompt processing and



## Department of Justice

## § 42.412

disposition of complaints. The complaint procedures shall provide for notification in writing to the complainant and the applicant or recipient as to the disposition of the complaint. Federal agencies should investigate complaints having apparent merit. Where such complaints are not investigated, good cause must exist and must be stated in the notification of disposition. In such cases, the agency shall ascertain the feasibility of referring the complaint to the primary recipient, such as a State agency, for investigation.

(b) Where a federal agency lacks jurisdiction over a complaint, the agency shall, wherever possible, refer the complaint to another federal agency or advise the complainant.

(c) Where a federal agency requires or permits recipient to process title VI complaints, the agency shall ascertain whether the recipients' procedures for processing complaints are adequate. The federal agency shall obtain a written report of each such complaint and investigation and shall retain a review responsibility over the investigation and disposition of each complaint.

(d) Each federal agency shall maintain a log of title VI complaints filed with it, and with its recipients, identifying each complainant by race, color, or national origin; the recipient; the nature of the complaint; the dates the complaint was filed and the investigation completed; the disposition; the date of disposition; and other pertinent information. Each recipient processing title VI complaints shall be required to maintain a similar log. Federal agencies shall report to the Assistant Attorney General on January 1, 1977, and each six months thereafter, the receipt, nature and disposition of all such title VI complaints.

### § 42.409 Employment practices.

Enforcement of title VI compliance with respect to covered employment practices shall not be superseded by state and local merit systems relating to the employment practices of the same recipient.

### § 42.410 Continuing State programs.

Each state agency administering a continuing program which receives fed-

eral financial assistance shall be required to establish a title VI compliance program for itself and other recipients which obtain federal assistance through it. The federal agencies shall require that such state compliance programs provide for the assignment of title VI responsibilities to designated state personnel and comply with the minimum standards established in this subpart for federal agencies, including the maintenance of records necessary to permit federal officials to determine the title VI compliance of the state agencies and the sub-recipient.

### § 42.411 Methods of resolving non-compliance.

(a) Effective enforcement of title VI requires that agencies take prompt action to achieve voluntary compliance in all instances in which noncompliance is found. Where such efforts have not been successful within a reasonable period of time, the agency shall initiate appropriate enforcement procedures as set forth in the 1965 Attorney General Guidelines, 28 CFR 50.3. Each agency shall establish internal controls to avoid unnecessary delay in resolving noncompliance, and shall promptly notify the Assistant Attorney General of any case in which negotiations have continued for more than sixty days after the making of the determination of probable noncompliance and shall state the reasons for the length of the negotiations.

(b) Agreement on the part of a non-complying recipient to take remedial steps to achieve compliance with title VI shall be set forth in writing by the recipient and the federal agency. The remedial plan shall specify the action necessary for the correction of title VI deficiencies and shall be available to the public.

### § 42.412 Coordination.

(a) The Attorney General's authority under Executive Order 12250 is hereby delegated to the Assistant Attorney General, Civil Rights Division.

(b) Consistent with this subpart and the 1965 Attorney General Guidelines, 28 CFR 50.3, the Assistant Attorney General may issue such directives and take such other action as he deems

### § 42.413

necessary to insure that federal agencies carry out their responsibilities under title VI. In addition, the Assistant Attorney General will routinely provide to the Director of the Office of Management and Budget copies of all inter-agency survey reports and related materials prepared by the Civil Rights Division that evaluate the effectiveness of an agency's title VI compliance efforts. Where cases or matters are referred to the Assistant Attorney General for investigation, litigation or other appropriate action, the federal agencies shall, upon request, provide appropriate resources to the Assistant Attorney General to assist in carrying out such action.

[Order No. 670-76, 41 FR 52669, Dec. 1, 1976, as amended by Order No. 699-77, 42 FR 15315, Mar. 21, 1977; Order No. 960-81, 46 FR 52357, Oct. 27, 1981]

### § 42.413 Interagency cooperation and delegations.

(a) Where each of a substantial number of recipients is receiving assistance for similar or related purposes from two or more federal agencies, or where two or more federal agencies cooperate in administering assistance for a given class of recipients, the federal agencies shall:

(1) Jointly coordinate compliance with title VI in the assisted programs, to the extent consistent with the federal statutes under which the assistance is provided; and

(2) Designate one of the federal agencies as the lead agency for title VI compliance purposes. This shall be done by a written delegation agreement, a copy of which shall be provided to the Assistant Attorney General and shall be published in the FEDERAL REGISTER.

(b) Where such designations or delegations of functions have been made, the agencies shall adopt adequate written procedures to assure that the same standards of compliance with title VI are utilized at the operational levels by each of the agencies. This may include notification to agency personnel in handbooks, or instructions on any forms used regarding the compliance procedures.

(c) Any agency conducting a compliance review or investigating a com-

### 28 CFR Ch. I (7-1-17 Edition)

plaint of an alleged title VI violation shall notify any other affected agency upon discovery of its jurisdiction and shall subsequently inform it of the findings made. Such reviews or investigations may be made on a joint basis.

(d) Where a compliance review or complaint investigation under title VI reveals a possible violation of Executive Order 11246, title VII of the Civil Rights Act of 1964 (42 U.S.C. 2000e), or any other federal law, the appropriate agency shall be notified.

### § 42.414 Federal agency staff.

Sufficient personnel shall be assigned by a federal agency to its title VI compliance program to ensure effective enforcement of title VI.

### § 42.415 Federal agency title VI enforcement plan.

Each federal agency subject to title VI shall develop a written plan for enforcement which sets out its priorities and procedures. This plan shall be available to the public and shall address matters such as the method for selecting recipients for compliance reviews, the establishment of timetables and controls for such reviews, the procedure for handling complaints, the allocation of its staff to different compliance functions, the development of guidelines, the determination as to when guidelines are not appropriate, and the provision of civil rights training for its staff.

### Subpart G—Nondiscrimination Based on Handicap in Federally Assisted Programs or Activities—Implementation of Section 504 of the Rehabilitation Act of 1973

AUTHORITY: 5 U.S.C. 301; 28 U.S.C. 509, 510; 29 U.S.C. 706, 794; E.O. 12250.

SOURCE: 45 FR 37622, June 3, 1980, unless otherwise noted.

EDITORIAL NOTE: Nomenclature changes to subpart G of part 42 appear by Order No. 2679-2003, 68 FR 51364, 51365, 51366, Aug. 26, 2003.

## Department of Justice

## § 42.503

### GENERAL PROVISIONS

#### § 42.501 Purpose.

The purpose of this subpart is to implement section 504 of the Rehabilitation Act of 1973, as amended, which prohibits discrimination on the basis of handicap in any program or activity receiving Federal financial assistance.

#### § 42.502 Application.

This subpart applies to each recipient of Federal financial assistance from the Department of Justice and to each program or activity receiving such assistance. The requirements of this subpart do not apply to the ultimate beneficiaries of Federal financial assistance in the program or activity receiving Federal financial assistance.

#### § 42.503 Discrimination prohibited.

(a) *General.* No qualified handicapped person shall, solely on the basis of handicap, be excluded from participation in, be denied the benefits of, or otherwise be subjected to discrimination under any program or activity receiving Federal financial assistance.

(b) *Discriminatory actions prohibited.*

(1) A recipient may not discriminate on the basis of handicap in the following ways directly or through contractual, licensing, or other arrangements under any program or activity receiving Federal financial assistance:

(i) Deny a qualified handicapped person the opportunity accorded others to participate in the program or activity receiving Federal financial assistance;

(ii) Deny a qualified handicapped person an equal opportunity to achieve the same benefits that others achieve in the program or activity receiving Federal financial assistance;

(iii) Provide different or separate assistance to handicapped persons or classes of handicapped persons than is provided to others unless such action is necessary to provide qualified handicapped persons or classes of handicapped persons with assistance as effective as that provided to others;

(iv) Deny a qualified handicapped person an equal opportunity to participate in the program or activity by providing services to the program;

(v) Deny a qualified handicapped person an opportunity to participate as a member of a planning or advisory body;

(vi) Permit the participation in the program or activity of agencies, organizations or persons which discriminate against the handicapped beneficiaries in the recipient's program;

(vii) Intimidate or retaliate against any individual, whether handicapped or not, for the purpose of interfering with any right secured by section 504 or this subpart.

(2) A recipient may not deny a qualified handicapped person the opportunity to participate in any program or activity receiving Federal financial assistance on the ground that other specialized aid, benefits, or services for handicapped persons are available.

(3) A recipient may not, directly or through contractual, licensing, or other arrangements, utilize criteria or methods of administration that either purposely or in effect discriminate on the basis of handicap, defeat or substantially impair accomplishment of the objectives of the recipient's program or activity with respect to handicapped persons, or perpetuate the discrimination of another recipient if both recipients are subject to common administrative control or are agencies of the same State.

(4) A recipient may not, in determining the location or design of a facility, make selections that either purposely or in effect discriminate on the basis of handicap or defeat or substantially impair the accomplishment of the objectives of the program or activity with respect to handicapped persons.

(5) A recipient is prohibited from discriminating on the basis of handicap in aid, benefits, or services operating without Federal financial assistance where such action would discriminate against the handicapped beneficiaries or participants in any program or activity of the recipient receiving Federal financial assistance.

(6) Any entity not otherwise receiving Federal financial assistance but using a facility provided with the aid of Federal financial assistance after the effective date of this subpart is prohibited from discriminating on the basis of handicap.

(c) The exclusion of nonhandicapped persons or specified classes of handicapped persons from aid, benefits, or services limited by Federal statute or executive order to handicapped persons or a different class of handicapped persons is not prohibited by this subpart.

(d) Recipients shall administer programs or activities in the most integrated setting appropriate to the needs of qualified handicapped persons.

(e) Recipients shall insure that communications with their applicants, employees and beneficiaries are effectively conveyed to those having impaired vision and hearing.

(f) A recipient that employs fifteen or more persons shall provide appropriate auxiliary aids to qualified handicapped persons with impaired sensory, manual, or speaking skills where a refusal to make such provision would discriminatorily impair or exclude the participation of such persons in a program or activity receiving Federal financial assistance. Such auxiliary aids may include brailled and taped material, qualified interpreters, readers, and telephonic devices. Attendants, individually prescribed devices, readers for personal use or study, or other devices or services of a personal nature are not required under this section. Departmental officials may require recipients employing fewer than fifteen persons to provide auxiliary aids when this would not significantly impair the ability of the recipient to provide its benefits or services.

(g) The enumeration of specific forms of prohibited discrimination in this subpart is not exhaustive but only illustrative.

#### § 42.504 Assurances required.

(a) *Assurances.* Every application for Federal financial assistance covered by this subpart shall contain an assurance that the program or activity will be conducted in compliance with the requirements of section 504 and this subpart. Each agency within the Department that provides Federal financial assistance shall specify the form of the foregoing assurance and shall require applicants for Department financial assistance to obtain like assurances from subgrantees, contractors and subcontractors, transferees, successors in

interest, and others connected with the program or activity. Each Department agency shall specify the extent to which an applicant will be required to confirm that the assurances provided by secondary recipients are being honored. Each assurance shall include provisions giving notice that the United States has a right to seek judicial enforcement of section 504 and the assurance.

(b) *Assurances from government agencies.* Assurances from agencies of State and local governments shall extend to any other agency of the same governmental unit if the policies of the other agency will affect the program or activity for which Federal financial assistance is requested.

(c) *Assurances from institutions.* The assurances required with respect to any institution or facility shall be applicable to the entire institution or facility.

(d) *Duration of obligation.* Where the Federal financial assistance is to provide or is in the form of real or personal property, the assurance will obligate the recipient and any transferee for the period during which the property is being used for the purpose for which the Federal financial assistance is extended or for another purpose involving the provisions of similar benefits, or for as long as the recipient retains ownership or possession of the property, whichever is longer. In all other cases the assurance will obligate the recipient for the period during which Federal financial assistance is extended.

(e) *Covenants.* With respect to any transfer of real property, the transfer document shall contain a covenant running with the land assuring non-discrimination on the condition described in paragraph (d) of this section. Where the property is obtained from the Federal Government, the covenant may also include a condition coupled with a right to be reserved by the Department to revert title to the property in the event of a breach of the covenant.

(f) *Remedies.* The failure to secure either an assurance or a sufficient assurance from a recipient shall not impair the right of the Department to enforce

the requirements of section 504 and this subpart.

**§ 42.505 Administrative requirements for recipients.**

(a) *Remedial action.* If the Department finds that a recipient has discriminated against persons on the basis of handicap in violation of section 504 or this subpart, the recipient shall take the remedial action the Department considers necessary to overcome the effects of the discrimination. This may include remedial action with respect to handicapped persons who are no longer participants in the recipient's program or activity but who were participants in the program when such discrimination occurred, and with respect to handicapped persons who would have been participants in the program had the discrimination not occurred.

(b) *Voluntary action.* A recipient may take steps, in addition to the requirements of this subpart, to increase the participation of qualified handicapped persons in the recipient's program or activity.

(c) *Self-evaluation.* (1) A recipient shall, within one year of the effective date of this subpart, evaluate and modify its policies and practices that do not meet the requirements of this subpart. During this process the recipient shall seek the advice and assistance of interested persons, including handicapped persons or organizations representing handicapped persons. During this period and thereafter the recipient shall take any necessary remedial steps to eliminate the effects of discrimination that resulted from adherence to these policies and practices.

(2) A recipient employing fifty or more persons and receiving Federal financial assistance from the Department of \$25,000 or more shall, for at least three years following completion of the evaluation required under paragraph (c)(1) of this section, maintain on file, make available for public inspection, and provide to the Department on request:

- (i) A list of the interested persons consulted,
- (ii) A description of areas examined and problems identified, and
- (iii) A description of modifications made and remedial steps taken.

(d) *Designation of responsible employee.* A recipient employing fifty or more persons and receiving Federal financial assistance from the Department of \$25,000 or more shall designate at least one person to coordinate compliance with this subpart.

(e) *Adoption of grievance procedures.* A recipient employing fifty or more persons and receiving Federal financial assistance from the Department of \$25,000 or more shall adopt grievance procedures that incorporate due process standards (*e.g.* adequate notice, fair hearing) and provide for the prompt and equitable resolution of complaints alleging any action prohibited by this subpart. Such procedures need not be established with respect to complaints from applicants for employment. An employee may file a complaint with the Department without having first used the recipient's grievance procedures.

(f) *Notice.* (1) A recipient employing fifty or more persons and receiving Federal financial assistance from the Department of more than \$25,000 shall, on a continuing basis, notify participants, beneficiaries, applicants, employees and unions or professional organizations holding collective bargaining or professional agreements with the recipient that it does not discriminate on the basis of handicap in violation of section 504 and this subpart. The notification shall state, where appropriate, that the recipient does not discriminate in its programs or activities with respect to access, treatment or employment. The notification shall also include identification of the person responsible for coordinating compliance with this subpart and where to file section 504 complaints with the Department and, where applicable, with the recipient. A recipient shall make the initial notification required by this paragraph within 90 days of the effective date of this subpart. Methods of initial and continuing notification may include the posting of notices, publication in newspapers and magazines, placement of notices in recipients' publication, and distribution of memoranda or other written communications.

(2) Recruitment materials or publications containing general information

**§ 42.510**

**28 CFR Ch. I (7-1-17 Edition)**

that a recipient makes available to participants, beneficiaries, applicants, or employees shall include a policy statement of nondiscrimination on the basis of handicap.

(g) The Department may require any recipient with fewer than fifty employees and receiving less than \$25,000 in Federal financial assistance to comply with paragraphs (c)(2) and (d) through (f) of this section.

(h) The obligation to comply with this subpart is not affected by any State or local law or requirement or limited employment opportunities for handicapped persons in any occupation or profession.

**EMPLOYMENT**

**§ 42.510 Discrimination prohibited.**

(a) *General.* (1) No qualified handicapped person shall on the basis of handicap be subjected to discrimination in employment under any program or activity receiving Federal financial assistance.

(2) A recipient shall make all decisions concerning employment under any program or activity receiving Federal financial assistance in a manner which insures that discrimination on the basis of handicap does not occur and may not limit, segregate, or classify applicants or employees in any way that adversely affects their opportunities or status because of handicap.

(3) A recipient may not participate in a contractual or other relationship that has the effect of subjecting qualified handicapped applicants or employees to discrimination prohibited by this section. The relationships referred to in this paragraph include relationships with employment and referral agencies, labor unions, organizations providing or administering fringe benefits to employees of the recipient, and organizations providing training and apprenticeships, and with civil service agencies in State or local units of government.

(b) *Specific activities.* The prohibition against discrimination in employment applies to the following activities:

- (1) Recruitment, advertising, and application processing;
- (2) Hiring, upgrading, promotion, award of tenure, demotion, transfer,

layoff, termination, right of return from layoff and rehiring;

(3) Pay and any other form of compensation and changes in compensation, including fringe benefits available by virtue of employment, whether or not administered by the recipient;

(4) Job assignments, job classifications, organizational structures, position descriptions, lines of progression, and seniority lists;

(5) Leaves of absence, sick leave, or any other leave;

(6) Selection and financial support for training, including apprenticeship, professional meetings, conferences, and selection for leaves of absence to pursue training;

(7) Employer-sponsored activities, including those that are social or recreational; and

(8) Any other term, condition, or privilege of employment.

(c) In offering employment or promotions to handicapped individuals, recipients may not reduce the amount of compensation offered because of any disability income, pension or other benefit the applicant or employee receives from another source.

(d) A recipient's obligation to comply with this section is not affected by any inconsistent term of any collective bargaining agreement to which it is a party.

**§ 42.511 Reasonable accommodation.**

(a) A recipient shall make reasonable accommodation to the known physical or mental limitations of an otherwise qualified handicapped applicant or employee unless the recipient can demonstrate, based on the individual assessment of the applicant or employee, that the accommodation would impose an undue hardship on the operation of its program or activity.

(b) Reasonable accommodation may include making facilities used by employees readily accessible to and usable by handicapped persons, job restructuring, part-time or modified work schedules, acquisition or modification of equipment or devices (e.g., telecommunication or other telephone devices), the provisions of readers or qualified interpreters, and other similar actions.

(c) Whether an accommodation would impose an undue hardship on the operation of a recipient's program or activity depends upon a case-by-case analysis weighing factors that include:

- (1) The overall size of the recipient's program or activity with respect to number of employees, number and type of facilities, and size of budget;
- (2) The type of the recipient's operation, including the composition and structure of the recipient's workforce; and
- (3) The nature and cost of the accommodation needed.

A reasonable accommodation may require a recipient to bear more than an insignificant economic cost in making allowance for the handicap of a qualified applicant or employee and to accept minor inconvenience which does not bear on the ability of the handicapped individual to perform the essential duties of the job.

#### § 42.512 Employment criteria.

(a) A recipient may not use any employment test or other selection criterion that tends to screen out handicapped persons unless:

- (1) The test score or other selection criterion, as used by the recipient, is shown to be job-related for the position in question, and
- (2) Alternative job-related tests or criteria that tend to screen out fewer handicapped persons are not shown by the appropriate Department officials to be available.

(b) A recipient shall administer tests using procedures (*e.g.*, auxiliary aids such as readers for visually-impaired persons or qualified sign language interpreters for hearing-impaired persons) that accommodate the special problems of handicapped persons to the fullest extent, consistent with the objectives of the test. When a test is administered to an applicant or employee who has a handicap that impairs sensory, manual, or speaking skills, the test results must accurately reflect the applicant's or employee's job skills, aptitude, or whatever other factor the test purports to measure, rather than reflecting the applicant's or employee's impaired sensory, manual, or speaking skills (except where those skills are

the factors that the test purports to measure).

#### § 42.513 Preemployment inquiries.

(a) Except as provided in paragraphs (b) and (c) of this section, a recipient may not conduct a preemployment medical examination and may not make preemployment inquiry of an applicant as to whether the applicant is a handicapped person or as to the nature or severity of a handicap. A recipient may, however, make preemployment inquiry into an applicant's ability to perform job-related functions.

(b) When a recipient is taking remedial action to correct the effects of past discrimination pursuant to § 42.505(a) of this subpart, when a recipient is taking voluntary action to overcome the effects of conditions that resulted in limited participation in its Federally assisted program or activity pursuant to § 42.505(b) of this subpart, or when a recipient is taking affirmative action pursuant to section 503 of the Act, the recipient may invite applicants for employment to indicate whether and to what extent they are handicapped: *Provided, That:*

(1) The recipient states clearly on any written questionnaire used for this purpose or makes clear orally if no written questionnaire is used that the information requested is intended for use solely in connection with its remedial action obligations or its voluntary efforts;

(2) The recipient states clearly that the information is being requested on a voluntary basis, that it will be kept confidential as provided in paragraph (d) of this section, that refusal to provide it will not subject the applicant or employee to any adverse treatment, and that it will be used only in accordance with this part.

(c) Nothing in this section shall prohibit a recipient from conditioning an offer of employment on the results of a medical examination conducted prior to the employee's entrance on duty: *Provided, That:*

(1) All entering employees are subjected to such an examination regardless of handicap, and

(2) The results of such an examination are used only in accordance with the requirements of this subpart.

**§ 42.520**

(d) The applicant's medical record shall be collected and maintained on separate forms and kept confidential, except that the following persons may be informed:

(1) Supervisors and managers regarding restrictions on the work of handicapped persons and necessary accommodations;

(2) First aid and safety personnel if the condition might require emergency treatment; and

(3) Government officials investigating compliance with the Act upon request for relevant information.

**ACCESSIBILITY**

**§ 42.520 Discrimination prohibited.**

Recipients shall insure that no qualified handicapped person is denied the benefits of, excluded from participation in, or otherwise subjected to discrimination under any program or activity receiving Federal financial assistance because the recipient's facilities are inaccessible to or unusable by handicapped persons.

**§ 42.521 Existing facilities.**

(a) *Accessibility.* A recipient shall operate each program or activity to which this subpart applies so that when each part is viewed in its entirety it is readily accessible to and usable by handicapped persons. This section does not require a recipient to make each of its existing facilities or every part of a facility accessible to and usable by handicapped persons.

(b) *Compliance procedures.* A recipient may comply with the requirement of paragraph (a) of this section through acquisition or redesign of equipment, reassignment of services to accessible buildings, assignment of aids to beneficiaries, delivery of services at alternate accessible sites, alteration of existing facilities, or any other method that results in making its program or activity accessible to handicapped persons. A recipient is not required to make structural changes in existing facilities where other methods are effective in achieving compliance with paragraph (a) of this section. In choosing among methods for meeting the requirement of paragraph (a) of this section, a recipient shall give priority to

those methods that serve handicapped persons in the most integrated setting appropriate.

(c) *Small providers.* If a recipient with fewer than fifteen employees finds, after consultation with a handicapped person seeking its services, that there is no method of complying with § 42.521(a) other than making a significant alteration in its existing facilities, the recipient may, as an alternative, refer the handicapped person to other available providers of those services that are accessible.

(d) *Time period.* A recipient shall comply with the requirement of paragraph (a) of this section within ninety days of the effective date of this subpart. However, where structural changes in facilities are necessary, such changes shall be made as expeditiously as possible and shall be completed no later than three years from the effective date of this subpart. If structural changes to facilities are necessary, a recipient shall, within six months of the effective date of this subpart, develop a written plan setting forth the steps that will be taken to complete the changes together with a schedule for making the changes. The plan shall be developed with the assistance of interested persons, including handicapped persons or organizations representing handicapped persons and shall be made available for public inspection. The plan shall, at a minimum:

(1) Identify physical obstacles in the recipient's facilities that limit the accessibility of its program or activity to handicapped persons;

(2) Describe in detail the methods that will be used to make the facilities accessible;

(3) Specify the schedule for taking the steps necessary to achieve full accessibility under § 42.521(a) and, if the time period of the transition plan is longer than one year, identify the steps that will be taken during each year of the transition period; and

(4) Indicate the person responsible for implementation of the plan.

(e) *Notice.* The recipient shall adopt and implement procedures to insure that interested persons, including mentally retarded persons or persons with impaired vision or hearing, special



learning problems, or other disabilities, can obtain information as to the existence and location of services, activities, and facilities that are accessible to and usable by handicapped persons.

[45 FR 37622, June 3, 1980, as amended by Order No. 2679-2003, 68 FR 51364, Aug. 26, 2003]

#### § 42.522 New construction.

(a) *Design and construction.* Each new facility constructed by, on behalf of, or for the use of a recipient shall be designed and constructed in such a manner that the facility is readily accessible to and usable by handicapped persons, if the construction was commenced after the effective date of this subpart. Any alterations to existing facilities shall, to the maximum extent feasible, be made in an accessible manner. Any alterations to existing facilities shall, to the maximum extent feasible, be made in an accessible manner.

(b) *Conformance with Uniform Federal Accessibility Standards.* (1) Effective as of March 7, 1988, design, construction, or alteration of buildings in conformance with sections 3-8 of the Uniform Federal Accessibility Standards (UFAS) (appendix A to 41 CFR subpart 101-19.6) shall be deemed to comply with the requirements of this section with respect to those buildings. Departures from particular technical and scoping requirements of UFAS by the use of other methods are permitted where substantially equivalent or greater access to and usability of the building is provided.

(2) For purposes of this section, section 4.1.6(1)(g) of UFAS shall be interpreted to exempt from the requirements of UFAS only mechanical rooms and other spaces that, because of their intended use, will not require accessibility to the public or beneficiaries or result in the employment or residence therein of persons with physical handicaps.

(3) This section does not require recipients to make building alterations that have little likelihood of being accomplished without removing or altering a load-bearing structural member.

[45 FR 37622, June 3, 1980, as amended by Order No. 1249-88, 53 FR 3206, Feb. 4, 1988]

#### PROCEDURES

#### § 42.530 Procedures.

(a) The procedural provisions applicable to title VI of the Civil Rights Act of 1964 (28 CFR 42.106-42.110) apply to this subpart except that the provision contained in §§ 42.110(e) and 42.108(c)(3) which requires the Attorney General's approval before the imposition of any sanction against a recipient does not apply to programs or activities funded by LEAA, NIJ, BJS, OJARS and OJJDP. The applicable provisions contain requirements for compliance information (§ 42.106), conduct of investigations (§ 42.107), procedure for effecting compliance (§ 42.108), hearings (§ 42.109), and decisions and notices (§ 42.110). (See appendix C.)

(b) In the case of programs or activities funded by LEAA, NIJ, BJS, OJARS and OJJDP, the timetables and standards for investigation of complaints and for the conduct of compliance reviews contained in § 42.205(c)(1) through (c)(3) and § 42.206 (c) and (d) are applicable to this subpart except that any finding of noncompliance shall be enforced as provided in paragraph (a) of this section. (See appendix D.)

(c) In the case of programs or activities funded by LEAA, NIJ, BJS, OJARS and OJJDP, the refusal to provide requested information under paragraph (a) of this section and § 42.106 will be enforced pursuant to the provisions of section 803(a) of title I of the Omnibus Crime Control and Safe Streets Act, as amended by the Justice System Improvement Act of 1979, Public Law 96-157, 93 Stat. 1167.

(d) For acts of discrimination occurring prior to the effective date of this subpart, the 180-day limitation period for filing of complaints (§ 42.107 of this title) will apply from that date.

(e) The Department will investigate complaints alleging discrimination in violation of section 504 occurring prior to the effective date of this subpart where the language of the statute or HEW's interagency guidelines (43 FR 2132, January 13, 1978) implementing Executive Order 11914 (41 FR 17871, April 28, 1976) provided notice that the challenged policy or practice was unlawful.

DEFINITIONS

§ 42.540 Definitions.

As used in this subpart the term:

(a) *The Act* means the Rehabilitation Act of 1973, Public Law 93-112, as amended (29 U.S.C. 701 *et seq.*).

(b) *Section 504* means section 504 of the Act (29 U.S.C. 794).

(c) *Department* means the Department of Justice.

(d) *LEAA* means the Law Enforcement Assistance Administration; *NIJ* means the National Institute of Justice; *BJS* means the Bureau of Justice Statistics; *OJARS* means the Office of Justice Assistance, Research and Statistics; *OJJDP* means Office of Juvenile Justice and Delinquency Prevention.

(e) *Recipient* means any State or unit of local government, any instrumentality of a State or unit of local government, any public or private agency, institution, organization, or other public or private entity, or any person to which Federal financial assistance is extended directly or through another recipient, including any successor, assignee, or transferee of a recipient, but excluding the ultimate beneficiary of the assistance.

(f) *Federal financial assistance* means any grant, cooperative agreement, loan, contract (other than a direct Federal procurement contract or a contract of insurance or guaranty), subgrant, contract under a grant or any other arrangement by which the Department provides or otherwise makes available assistance in the form of:

- (1) Funds;
- (2) Services of Federal personnel;
- (3) Real and personal property or any interest in or use of such property, including:
  - (i) Transfers or leases of such property for less than fair market value or for reduced consideration; and
  - (ii) Proceeds from a subsequent transfer or lease of such property if the Federal share of its fair market value is not returned to the Federal Government;
- (4) Any other thing of value by way of grant, loan, contract or cooperative agreement.

(g) *Facility* means all or any portion of buildings, structures, equipment,

roads, walks, parking lots, or other real or personal property or interest in such property.

(h) *Program or activity* means all of the operations of any entity described in paragraphs (h) (1) through (4) of this section, any part of which is extended Federal financial assistance:

(1)(i) A department, agency, special purpose district, or other instrumentality of a State or of a local government; or

(ii) The entity of such State or local government that distributes such assistance and each such department or agency (and each other State or local government entity) to which the assistance is extended, in the case of assistance to a State or local government;

(2)(i) A college, university, or other postsecondary institution, or a public system of higher education; or

(ii) A local educational agency (as defined in 20 U.S.C. 7801), system of vocational education, or other school system;

(3)(i) An entire corporation, partnership, or other private organization, or an entire sole proprietorship—

(A) If assistance is extended to such corporation, partnership, private organization, or sole proprietorship as a whole; or

(B) Which is principally engaged in the business of providing education, health care, housing, social services, or parks and recreation; or

(ii) The entire plant or other comparable, geographically separate facility to which Federal financial assistance is extended, in the case of any other corporation, partnership, private organization, or sole proprietorship; or

(4) Any other entity which is established by two or more of the entities described in paragraph (h)(1), (2), or (3) of this section.

(i) *Ultimate beneficiary* is one among a class of persons who are entitled to benefit from, or otherwise participate in, programs or activities receiving Federal financial assistance and to whom the protections of this subpart extend. The ultimate beneficiary class may be the general public or some narrower group of persons.

(j) *Benefit* includes provision of services, financial aid or disposition (*i.e.*,

treatment, handling, decision, sentencing, confinement, or other prescription of conduct).

(k) *Handicapped person*. (1) *Handicapped person* means any person who (i) has a physical or mental impairment which substantially limits one or more major life activities, (ii) has a record of such an impairment, or (iii) is regarded as having such an impairment. For purposes of employment, such term does not include any individual who is an alcoholic or drug abuser whose current use of alcohol or drugs prevents such individual from performing the duties of the job in question or whose employment, by reason of such current alcohol or drug abuse, would constitute a direct threat to property or the safety of others.

(2) As used in this subpart the phrase:

(i) *Physical or mental impairment* means:

(A) Any physiological disorder or condition, cosmetic disfigurement, or anatomical loss affecting one or more of the following body systems: neurological; musculoskeletal; special sense organs; respiratory, including speech organs; cardiovascular; reproductive, digestive; genitourinary; hemic and lymphatic; skin; and endocrine;

(B) Any mental or psychological disorder such as mental retardation, organic brain syndrome, emotional or mental illness, and specific learning disabilities.

The term *physical or mental impairment* includes, but is not limited to, such diseases and conditions as orthopedic, visual, speech, and hearing impairments, cerebral palsy, epilepsy, muscular dystrophy, multiple sclerosis, cancer, heart disease, diabetes, mental retardation, emotional illness, and drug and alcohol abuse.

(ii) *Major life activities* mean functions such as caring for one's self, performing manual tasks walking, seeing, hearing, speaking, breathing, learning, and working.

(iii) *Has a record of such an impairment* means has a history of, or has been misclassified as having, a mental or physical impairment that substantially limits one or more major life activities.

(iv) *Is regarded as having an impairment* means:

(A) Has a physical or mental impairment that does not substantially limit major life activities but that is treated by a recipient as constituting such a limitation;

(B) Has a physical or mental impairment that substantially limits major life activities only as a result of the attitudes of others toward such impairment; or

(C) Has none of the impairments defined in paragraph (k)(2)(i) of this section but is treated by a recipient as having such an impairment.

(1) *Qualified handicapped person* means:

(1) With respect to employment, a handicapped person who, with reasonable accommodation, can perform the essential functions of the job in question;

(2) With respect to services, a handicapped person who meets the essential eligibility requirements for the receipt of such services.

(m) *Handicap* means any condition or characteristic that renders a person a handicapped person as defined in paragraph (k) of this section.

(n) *Drug abuse* means:

(1) The use of any drug or substance listed by the Department of Justice in 21 CFR 1308.11, under authority of the Controlled Substances Act, 21 U.S.C. 801, as a controlled substance unavailable for prescription because:

(i) The drug or substance has a high potential for abuse,

(ii) The drug or other substance has no currently accepted medical use in treatment in the United States,

(iii) There is a lack of accepted safety for use of the drug or other substance under medical supervision;

(2) The misuse of any drug or substance listed by the Department of Justice in 21 CFR 1308.12 through 1308.15 under authority of the Controlled Substances Act as a controlled substance available for prescription.

Examples of (1) include certain opiates and opiate derivatives (*e.g.*, heroin) and hallucinogenic substances (*e.g.*, marijuana, mescaline, peyote) and depressants (*e.g.*, methaqualone). Examples of (2) include opium, coca leaves, methadone, amphetamines and barbiturates.

(o) *Alcohol abuse* includes alcoholism but also means any misuse of alcohol

which demonstrably interferes with a person's health, interpersonal relations or working.

[45 FR 37622, June 3, 1980, as amended by Order No. 2679-2003, 68 FR 51364, Aug. 26, 2003]

APPENDIX A TO SUBPART G OF PART 42—  
FEDERAL FINANCIAL ASSISTANCE  
ADMINISTERED BY THE DEPARTMENT  
OF JUSTICE TO WHICH THIS SUBPART  
APPLIES

NOTE: Failure to list a type of Federal assistance in appendix A shall not mean, if section 504 is otherwise applicable, that a program or activity is not covered.

EDITORIAL NOTE: For the text of appendix A to subpart G, see appendix A to subpart C of this part.

[Order No. 1204-87, 52 FR 24450, July 1, 1987]

APPENDIX B TO SUBPART G OF PART 42  
[RESERVED]

APPENDIX C TO SUBPART G OF PART 42—  
DEPARTMENT REGULATIONS UNDER  
TITLE VI OF THE CIVIL RIGHTS ACT  
OF 1964 (28 CFR 42.106-42.110) WHICH  
APPLY TO THIS SUBPART

EDITORIAL NOTE: For the text of appendix C, see §§ 42.106 through 42.110 of this part.

APPENDIX D TO SUBPART G OF PART 42—  
OJARS' REGULATIONS UNDER THE  
OMNIBUS CRIME CONTROL AND SAFE  
STREETS ACT, AS AMENDED, WHICH  
APPLY TO THIS SUBPART (28 CFR  
42.205 AND 42.206)

EDITORIAL NOTE: For the text of appendix D, see §§ 42.205 and 42.206 of this part.

**Subpart H—Procedures for Com-  
plaints of Employment Dis-  
crimination Filed Against Re-  
cipients of Federal Financial  
Assistance**

AUTHORITY: E.O. 12250, 45 FR 72995, 3 CFR, 1980 Comp., p. 298; E.O. 12067, 43 FR 28967, 3 CFR, 1978 Comp., p. 206.

SOURCE: Order No. 992-83, 48 FR 3577, Jan. 25, 1983, unless otherwise noted.

**§ 42.601 Purpose and application.**

The purpose of this regulation is implement procedures for processing and resolving complaints of employment

discrimination filed against recipients of Federal financial assistance subject to title VI of the Civil Rights Act of 1964, title IX of the Education Amendments of 1972, the State and Local Fiscal Assistance Act of 1972, as amended, and provisions similar to title VI and title IX in Federal grant statutes. Enforcement of such provisions in Federal grant statutes is covered by this regulation to the extent they relate to prohibiting employment discrimination on the ground of race, color, national origin, religion or sex in programs receiving Federal financial assistance of the type subject to title VI or title IX. This regulation does not, however, apply to the Omnibus Crime Control and Safe Streets Act of 1968, as amended, the Juvenile Justice and Delinquency Prevention Act, as amended, the Comprehensive Employment Training Act of 1973, as amended, or Executive Order 11246.

**§ 42.602 Exchange of information.**

EEOC and agencies shall share any information relating to the employment policies and practices of recipients of federal financial assistance that may assist each office in carrying out its responsibilities. Such information shall include, but not necessarily be limited to, affirmative action programs, annual employment reports, complaints, investigative files, conciliation or compliance agreements, and compliance review reports and files.

**§ 42.603 Confidentiality.**

When an agency receives information obtained by EEOC, the agency shall observe the confidentiality requirements of sections 706(b) and 709(e) of title VII as would EEOC, except in cases where the agency receives the same information from a source independent of EEOC or has referred a joint complaint to EEOC under this regulation. In such cases, the agency may use independent source information or information obtained by EEOC under the agency's investigative authority in a subsequent title VI, title IX or revenue sharing act enforcement proceeding. Agency questions concerning confidentiality shall be directed to the Associate Legal Counsel for Legal Services, Office of Legal Counsel of EEOC.

**§ 42.604 Standards for investigation, reviews and hearings.**

In any investigation, compliance review, hearing or other proceeding, agencies shall consider title VII case law and EEOC Guidelines, 29 CFR parts 1604 through 1607, unless inapplicable, in determining whether a recipient of Federal financial assistance has engaged in an unlawful employment practice.

**§ 42.605 Agency processing of complaints of employment discrimination.**

(a) Within ten days of receipt of a complaint of employment discrimination, an agency shall notify the respondent that it has received a complaint of employment discrimination, including the date, place and circumstances of the alleged unlawful employment practice.

(b) Within thirty days of receipt of a complaint of employment discrimination an agency shall:

(1) Determine whether it has jurisdiction over the complaint under title VI, title IX, or the revenue sharing act; and

(2) Determine whether EEOC may have jurisdiction over the complaint under title VII of or the Equal Pay Act.

(c) An agency shall transfer to EEOC a complaint of employment discrimination over which it does not have jurisdiction but over which EEOC may have jurisdiction within thirty days of receipt of a complaint. At the same time, the agency shall notify the complainant and the respondent of the transfer, the reason for the transfer, the location of the EEOC office to which the complaint was transferred and that the date the agency received the complaint will be deemed the date it was received by EEOC.

(d) If any agency determines that a complaint of employment discrimination is a joint complaint, then the agency may refer the complaint to EEOC. The agency need not consult with EEOC prior to such a referral. An agency referral of a joint complaint should occur within thirty days of receipt of the complaint.

(e) An agency shall refer to EEOC all joint complaints solely alleging employment discrimination against an in-

dividual. If an agency determines that special circumstances warrant its investigation of such a joint complaint, then the agency shall determine whether the complainant has filed a similar charge of employment discrimination with EEOC.

(1) If an agency determines that the complainant has filed a similar charge of employment discrimination with EEOC, then the agency may investigate the complaint if EEOC agrees to defer its investigation pending the agency investigation.

(2) If an agency determines that the complainant has not filed a similar charge of employment discrimination with the EEOC, then the agency may investigate the complaint if special circumstances warrant such action. In such cases, EEOC shall defer its investigation of the referred joint complaint pending the agency investigation.

(f) An agency shall not refer to EEOC a joint complaint alleging a pattern or practice of employment discrimination unless special circumstances warrant agency referral of the complaint to EEOC.

(g) If a joint complaint alleges discrimination in employment and in other practices of a recipient, an agency should, absent special circumstances, handle the entire complaint under the agency's own investigation procedures. In such cases, the agency shall determine whether the complainant has filed a similar charge of employment discrimination with EEOC. If such a charge has been filed, the agency and EEOC shall coordinate their activities. Upon agency request, EEOC should ordinarily defer its investigation pending the agency investigation.

(h) When a joint complaint is referred to EEOC for investigation, the agency shall advise EEOC of the relevant civil rights provision(s) applicable to the employment practices of the recipient, whether the agency wants to receive advance notice of any conciliation negotiations, whether the agency wants EEOC to seek information concerning the relationship between the alleged discrimination and the recipient's Federally assisted programs or activities and, where appropriate, whether a primary objective of the Federal financial

**§ 42.606**

assistance is to provide employment. The agency shall also notify the complainant and the recipient of the referral, the location of the EEOC office to which the complaint was referred, the identity of the civil rights provision(s) involved, the authority of EEOC under this regulation and that the date the agency received the complaint will be deemed the date it was received by EEOC. Specifically, the notice shall inform the recipient that the agency has delegated to EEOC its investigative authority under title VI, title IX, or the revenue sharing act, and the relevant act's implementing regulations. The agency, therefore, may use information obtained by EEOC under the agency's investigative authority in a subsequent title VI, title IX or revenue sharing act enforcement proceeding.

[Order No. 992-83, 48 FR 3577, Jan. 25, 1983, as amended at 61 FR 33658, June 28, 1996]

**§ 42.606 General rules concerning EEOC action on complaints.**

(a) A complaint of employment discrimination filed with an agency, which is transferred or referred to EEOC under this regulation, shall be deemed a charge received by EEOC. For all purposes under title VII and the Equal Pay Act, the date such a complaint was received by an agency shall be deemed the date it was received by EEOC.

(b) When EEOC investigates a joint complaint it shall, where appropriate, seek sufficient information to allow the referring agency to determine whether the alleged employment discrimination is in a program or activity that receives Federal financial assistance and/or whether the alleged employment discrimination causes discrimination with respect to beneficiaries or potential beneficiaries of the assisted program.

(c) Upon referral of a joint complaint alleging a pattern or practice of employment discrimination, EEOC generally will limit its investigation to the allegation(s) which directly affect the complainant.

(d) If EEOC, in the course of an investigation of a joint complaint, is unable to obtain information from a recipient through voluntary means, EEOC shall consult with the referring agency to

determine an appropriate course of action.

(e) If EEOC agrees to defer its investigation of a complaint of employment discrimination pending an agency investigation of the complaint, then EEOC shall give due weight to the agency's determination concerning the complaint.

**§ 42.607 EEOC dismissals of complaints.**

If EEOC determines that the title VII allegations of a joint complaint should be dismissed, EEOC shall notify the complainant and the recipient of the reason for the dismissal and the effect the dismissal has on the complainant's rights under the relevant civil rights provision(s) of the referring agency, and issue a notice of right to sue under title VII. At the same time, EEOC shall transmit to the referring agency a copy of EEOC's file.

**§ 42.608 Agency action on complaints dismissed by EEOC.**

Upon EEOC's transmittal of a dismissal under § 42.607 of this regulation, the referring agency shall determine within thirty days, what, if any, action the agency intends to take with respect to the complaint and then notify the complainant and the recipient. In reaching that determination, the referring agency shall give due weight to EEOC's determination that the title VII allegations of the joint complaint should be dismissed. If the referring agency decides to take action with respect to a complaint that EEOC has dismissed for lack of reasonable cause to believe that title VII has been violated, the agency shall notify the Assistant Attorney General and the Chairman of the EEOC in writing of the action it plans to take and the basis of its decision to take such action.

**§ 42.609 EEOC reasonable cause determination and conciliation efforts.**

(a) If EEOC, after investigation of a joint complaint, determines that reasonable cause exists to believe that title VII has been violated, EEOC shall advise the referring agency, the complainant and the recipient of that determination and attempt to resolve the

## Department of Justice

## § 42.612

complaint by informal methods of conference, conciliation and persuasion. If EEOC would like the referring agency to participate in conciliation negotiations, EEOC shall so notify the agency and the agency shall participate. EEOC shall provide advance notice of any conciliation negotiations to referring agencies that request such notice, whether or not EEOC requests their participation in the negotiations.

(b) If EEOC's efforts to resolve the complaint by informal methods of conference, conciliation and persuasion fail, EEOC shall:

(1) Issue a notice of failure of conciliation to the recipient in accordance with 29 CFR 1601.25;

(2) Transmit to the referring agency a copy of EEOC's investigative file, including its Letter of Determination and notice of failure conciliation;

(3) If the recipient is not a government, governmental entity or political subdivision, determine whether EEOC will bring suit under title VII and, in accordance with 29 CFR 1601.28, issue a notice of right to sue under title VII;

(4) If the recipient is a government, governmental entity or political subdivision, refer the matter to the Attorney General in accordance with 29 CFR 1601.29. The Attorney General, or his or her delegate, will determine whether the Department of Justice will bring suit under title VII and, in accordance with 29 CFR 1601.28, issue a notice of right to sue under title VII.

### § 42.610 Agency enforcement of unresolved complaints.

(a) Upon EEOC's transmittal of a reasonable cause determination and notice of failure of conciliation under § 42.609(b)(2) of this regulation, the referring agency shall determine, within thirty days, whether the recipient has violated any applicable civil rights provision(s) which the agency has a responsibility to enforce. The referring agency shall give due weight to EEOC's determination that reasonable cause exists to believe that title VII has been violated.

(b) If the referring agency determines that the recipient has violated any applicable civil rights provision(s) which the agency has a responsibility to enforce, the agency shall so notify the

complainant and the recipient and determine whether further efforts to obtain voluntary compliance are warranted. In reaching that determination, the agency shall give due weight to the failure of EEOC's efforts to resolve the complaint by informal methods. If the referring agency determines that further efforts to obtain voluntary compliance are not warranted or if such further efforts fail, the agency shall initiate appropriate enforcement proceedings under its own regulations.

(c) If the referring agency determines that the recipient has not violated any applicable civil rights provision(s) which the agency has a responsibility to enforce, the agency shall notify the complainant, the recipient, the Assistant Attorney General and the Chairman of the EEOC in writing of the basis of that determination.

### § 42.611 EEOC negotiated settlements and conciliation agreements.

If the parties enter into a negotiated settlement (as described in 29 CFR 1601.20) prior to a determination or a conciliation agreement (as described in 29 CFR 1601.24) after a determination, EEOC shall notify the referring agency that the complaint has been settled. The agency shall take no further action on the complaint of employment discrimination thereafter except that the agency may take the existence of the complaint into account in scheduling the recipient for a review under the agency's regulations.

### § 42.612 Interagency consultation.

(a) Before investigating whether the employment practices of a recipient of Federal financial assistance constitute a pattern or practice of unlawful discrimination or initiating formal administrative enforcement procedures on that basis, an agency shall, to the extent practical, consult with the Chairman of the EEOC and the Assistant Attorney General to assure that duplication of effort will be minimized.

(b) Prior to the initiation of any legal action against a recipient of Federal financial assistance alleging unlawful employment practices, the Department of Justice and/or EEOC shall, to the extent practical, notify the appropriate agency or agencies of the

**§ 42.613**

**28 CFR Ch. I (7-1-17 Edition)**

proposed action and the substance of the allegations.

**§ 42.613 Definitions.**

As used in this regulation, the term:

(a) *Agency* means any Federal department or agency which extends Federal financial assistance subject to any civil rights provision(s) to which this regulation applies.

(b) *Assistant Attorney General* refers to the Assistant Attorney General, Civil Rights Division, United States Department of Justice, or his or her delegate.

(c) *Chairman of the EEOC* refers to the Chairman of the Equal Employment Opportunity Commission, or his or her delegate.

(d) *EEOC* means the Equal Employment Opportunity Commission and, where appropriate, any of its District Offices.

(e) *Federal financial assistance* includes:

(1) Grants and loans of Federal funds,  
(2) The grant or donation of Federal property and interests in property,

(3) The detail of Federal personnel,

(4) The sale and lease of, and the permission to use (on other than a casual or transient basis), Federal property or any interest in such property without consideration or at a nominal consideration, or at a consideration which is reduced for the purpose of assisting the recipient, or in recognition of the public interest to be served by such sale or lease to the recipient, and

(5) Any Federal agreement, arrangement, or other contract which has as one of its purposes the provision of assistance.

For purposes of this regulation, the term *Federal financial assistance* also includes funds disbursed under the revenue sharing act.

(f) *Joint complaint* means a complaint of employment discrimination covered by title VII or the Equal Pay Act and by title VI, title IX, or the revenue sharing act.

(g) *Recipient* means any State, political subdivision of any State, or instrumentality of any State or political subdivision, any public or private agency, institution, organization, or other entity, or any individual, in any State, to whom Federal financial assistance is extended, directly or through another

recipient, for any program, including any successor, assign, or transferee thereof, but such term does not include any ultimate beneficiary under such program.

(h) *Revenue sharing act* refers to the State and Local Fiscal Assistance Act of 1972, as amended, 31 U.S.C. 1221 *et seq.*

(i) *Title VI* refers to title VI of the Civil Rights Act of 1964, 42 U.S.C. 2000d to 2000d-4. Where appropriate, *title VI* also refers to the civil rights provisions of other Federal statutes or regulations to the extent that they prohibit employment discrimination on the ground or race, color, religion, sex or national origin in programs receiving Federal financial assistance of the type subject to title VI itself.

(j) *Title VII* refers to title VII of the Civil Rights Act of 1964, as amended, 42 U.S.C. 2000e, *et seq.*

(k) *Title IX* refers to title IX of the Education Amendments of 1972, 20 U.S.C. 1681 to 1683.

**Subpart I—Nondiscrimination on the Basis of Age in Federally Assisted Programs or Activities; Implementation of the Age Discrimination Act of 1975**

AUTHORITY: 42 U.S.C. 6103(a)(4); 45 CFR part 90.

SOURCE: Order No. 1843-94, 59 FR 6560, Feb. 11, 1994, unless otherwise noted.

**GENERAL PROVISIONS**

**§ 42.700 Purpose.**

(a) This subpart implements the Age Discrimination Act of 1975, as amended (42 U.S.C. 5101-6107) (Act). Subject to certain exceptions, the Act prohibits discrimination on the basis of age in programs or activities receiving federal financial assistance.

(b) The Secretary of Health and Human Services has issued a general regulation (45 CFR part 90) to guide other federal agencies regarding implementation of the Act. This subpart is generally based upon that general regulation.



## Department of Justice

## § 42.702

### § 42.701 Application.

(a) This subpart applies to each program or activity that receives federal financial assistance from the Department of Justice.

(b) This subpart does not apply to employment practices, except to those occurring in programs or activities that receive federal financial assistance under the Job Training Partnership Act.

### § 42.702 Definitions.

As used in this subpart, the term:

*Act* means the Age Discrimination Act of 1975, as amended, 42 U.S.C. 6101-6107.

*Action* means any act, activity, policy, rule, standard, or method of administration; or the use of any policy, rule, standard, or method of administration.

*Age distinction* means any action using age or an age-related term.

*Age-related term* means a term that necessarily implies a particular age or range of ages (e.g., "youth," "juvenile," "adult," "older persons," but not "student").

*Department* means the Department of Justice.

*Federal financial assistance* means any grant, entitlement, loan, cooperative agreement, contract (other than a procurement contract or a contract of insurance or guaranty), or any other arrangement by which the Department provides assistance in the form of:

(1) Funds;

(2) Services of federal personnel; or

(3) Real or personal property or any interest in or use of such property, including—

(i) Transfers or leases of property for less than fair market value or for reduced consideration; and

(ii) Proceeds from a subsequent transfer or lease of property if the federal share of its fair market value is not returned to the federal government.

*FMCS* means the Federal Mediation and Conciliation Service.

*OJP* means the Office of Justice Programs. OJP coordinates the work of the Bureau of Justice Assistance, the National Institute of Justice, the Bureau of Justice Statistics, and the Office of Juvenile Justice and Delin-

quency Prevention; OJP includes the Office for Victims of Crime.

*Program or activity* means all of the operations of any entity described in paragraphs (1) through (4) of this definition, any part of which is extended Federal financial assistance:

(1)(i) A department, agency, special purpose district, or other instrumentality of a State or of a local government; or

(ii) The entity of such State or local government that distributes such assistance and each such department or agency (and each other State or local government entity) to which the assistance is extended, in the case of assistance to a State or local government;

(2)(i) A college, university, or other postsecondary institution, or a public system of higher education; or

(ii) A local educational agency (as defined in 20 U.S.C. 7801), system of vocational education, or other school system;

(3)(i) An entire corporation, partnership, or other private organization, or an entire sole proprietorship—

(A) If assistance is extended to such corporation, partnership, private organization, or sole proprietorship as a whole; or

(B) Which is principally engaged in the business of providing education, health care, housing, social services, or parks and recreation; or

(ii) The entire plant or other comparable, geographically separate facility to which Federal financial assistance is extended, in the case of any other corporation, partnership, private organization, or sole proprietorship; or

(4) Any other entity which is established by two or more of the entities described in paragraph (1), (2), or (3) of this definition.

*Recipient* means any state or political subdivision, any instrumentality of a State or political subdivision, any public or private agency, institution, organization, or other entity, or any person to which federal financial assistance is extended, directly or through another recipient. "Recipient" includes any successor, assignee, or transferee, but does not include the ultimate beneficiary of the assistance.

*Secretary* means the Secretary of Health and Human Services or his or her designee.

*United States* means the fifty States, the District of Columbia, Puerto Rico, the Virgin Islands, American Samoa, Guam, Wake Island, the Trust Territory of the Pacific Islands, the Northern Marianas, and the territories and possessions of the United States.

[Order No. 1843–94, 59 FR 6560, Feb. 11, 1994, as amended by Order No. 2679–2003, 68 FR 51366, Aug. 26, 2003]

§§ 42.703–42.709 [Reserved]

STANDARDS FOR DETERMINING AGE  
DISCRIMINATION

§ 42.710 **General prohibition.**

(a) Subject to the exceptions discussed in §§ 42.711–42.713, no person in the United States shall, on the basis of age, be excluded from participation in, be denied the benefits of, or be subjected to discrimination in any program or activity to which this subpart applies. This prohibition applies to actions taken by a recipient, directly or through contractual or other arrangements, that have the purpose or effect of discriminating on the basis of age.

(b) This prohibition encompasses treatment of elderly persons, children and any other age group. Unless one of the exception applies, the recipient may use neither a minimum age limit nor a maximum age limit in connection with receipt of benefits or services or other participation in a program or activity subject to this subpart.

§ 42.711 **Exception; authorized by law.**

(a) This subpart does not apply to an age distinction contained in a portion of a federal or state statute or a local statute or ordinance adopted by an elected, general-purpose legislative body which portion:

- (1) Provides any benefits or assistance to persons on the basis of age;
- (2) Establishes criteria for participation in age-related terms; or
- (3) Describes intended beneficiaries or target groups in age-related terms.

(b) The exception set forth in paragraph (a) of this section does not extend to regulations adopted by an ad-

ministrative agency pursuant to a specific statutory provision or otherwise.

§ 42.712 **Exception; normal operation or statutory objective.**

(a) A recipient may take an action that would otherwise be prohibited by § 42.710(a), if such action reasonably takes age into account as a factor necessary to the normal operation of or the achievement of any statutory objective of the program or activity.

(1) *Normal operation* refers to the operation of a program or activity without significant changes that would impair its ability to meet its objectives.

(2) A *statutory objective* of a program or activity is a purpose that is expressly stated in a federal or state statute or a local statute or ordinance adopted by an elected, general-purpose body.

(b) This exception applies when the following test is met—

(1) Age is used as a measure or approximation of one or more other characteristics;

(2) The other characteristic must be measured or approximated in order to continue the normal operation of the program or activity or to achieve any statutory objective of the program;

(3) The other characteristic can be reasonably measured or approximated by the use of age; and

(4) The other characteristic is impractical to measure directly on an individual basis.

(c) The question whether an age distinction comes within this section depends upon the particular facts, including the nature and purpose of the program or activity, the basis for and the nature and purpose of the age distinction, and the manner in which the age distinction is used.

§ 42.713 **Exception; reasonable factors other than age.**

(a) A recipient may take an action, otherwise prohibited by § 42.710(a), that affects age groups differently, if such differentiation is based upon reasonable factors other than age.

(b) This exception does not apply to the use of an explicit age distinction, but to conduct that has the effect of differentiating among age groups. This exception applies when the factor

## Department of Justice

## § 42.730

(other than age) upon which the recipient's action is based bears a direct and substantial relationship to the normal operation of or achievement of a statutory objective of the program or activity.

### § 42.714 Special benefits.

If a recipient operating a program or activity provides special benefits to the elderly or to children, such use of age distinctions shall be presumed to be necessary to the normal operation of the program or activity, notwithstanding the provisions of § 42.712.

### § 42.715 Burden of proof regarding exceptions.

The burden of proving that an age distinction or other action falls within the exceptions described in § 42.712 and § 42.713 is on the recipient. This allocation of the burden of proof applies in proceedings by the Department to enforce the Act.

### §§ 42.716–42.719 [Reserved]

#### DUTIES OF RECIPIENTS

### § 42.720 General responsibility.

Regarding any program or activity subject to this subpart, the recipient has primary responsibility to ensure compliance with the Act and this subpart. The recipient also has responsibility to maintain records, provide information, and to afford access to its records to the Department to the extent required to determine whether it is in compliance with the Act.

### § 42.721 Notice to subrecipients.

Any recipient that receives federal financial assistance from the Department and extends such assistance to subrecipients shall give its subrecipients written notice of their obligations under this subpart.

### § 42.722 Recipient assessment of age distinctions.

(a) As part of a compliance review under § 42.730 or complaint investigation under § 42.731, the Department may require a recipient employing the equivalent of 15 or more employees to complete a written self-evaluation, in a manner specified by the responsible

Department official, of any age distinction imposed in its program or activity receiving federal financial assistance from the Department to assess the recipient's compliance with the Act.

(b) Whenever a recipient assessment indicates a violation of the Act and this subpart, the recipient shall take corrective action.

### § 42.723 Compliance information.

(a) Upon request by the Department, a recipient shall make available to the Department information necessary to determine whether the recipient is complying with this subpart.

(b) Each recipient shall permit reasonable access by the Department to the recipient's facilities, books, records and other sources of information concerning the recipient's compliance with this subpart.

### § 42.724 Remedial and affirmative action.

(a) If the Department finds that, in violation of this subpart, a recipient has discriminated on the basis of age, the recipient shall take remedial action that the Department considers necessary to overcome the effects of the discrimination.

(b) Even in the absence of a finding of discrimination, a recipient, in administering a program or activity, may take steps to overcome the effects of conditions that resulted in limited participation on the basis of age.

### § 42.725 Assurance of compliance.

Each recipient of federal financial assistance from the Department shall sign a written assurance as specified by the Department that it will comply with this subpart in its federally assisted programs or activities.

### §§ 42.726–42.729 [Reserved]

#### COMPLIANCE PROCEDURES

### § 42.730 Compliance reviews.

The Department may conduct a pre-award or post-award compliance review of an applicant or a recipient to determine compliance with this subpart. When a compliance review indicates

**§ 42.731**

**28 CFR Ch. I (7-1-17 Edition)**

probably noncompliance, the Department shall inform the applicant or recipient and shall promptly begin enforcement as described in § 42.733.

**§ 42.731 Complaints.**

(a) *General.* This section provides for the filing, by aggrieved persons, of complaints alleging violation of this subpart. Although the complaint process is limited to aggrieved persons, any person who has information regarding a possible violation of this subpart may provide it to the Department.

(b) *Receipt of complaints.* (1) Any aggrieved person, individually or as a member of a class, may file with the Department a written complaint alleging a violation of this subpart. A complaint may be filed by a representative of an aggrieved person. A complaint must be filed within 180 days of the date the complainant first knew of the alleged violation. However, this time limit may, for good cause shown, be extended by the Department.

(2) The Department shall promptly review each such complaint for sufficiency. A complaint will be deemed sufficient if it—

(i) Describes an action that may constitute a violation of this subpart; and

(ii) Contains information necessary for further processing (i.e., identifies the parties involved, states the date when the complainant first learned of the alleged violation, and is signed by the complainant).

(3) When a complaint is deemed sufficient, the Department shall promptly refer it to the FMCS for mediation.

(4) When a complaint is deemed insufficient, the Department shall advise the complainant of the reasons for that determination. A complainant shall be freely permitted to add information necessary for further processing.

(c) *Representation of parties.* During each stage of the complaint process, the complainant and the recipient may be represented by an attorney or other representative.

(d) *Assistance from the Department.* Any complainant or recipient may request from the Department information regarding the complaint process.

(e) *Mediation.* (1) When a complaint is referred for mediation, the complainant and the recipient shall participate

in the mediation process to the extent necessary either to reach an agreement or to enable the mediator to determine that no agreement can be reached. No determination that an agreement is not possible shall be made until the mediator has conferred at least once, jointly or separately, with each of the parties.

(2) If the complainant and the recipient reach an agreement, they shall reduce the agreement to writing and sign it. The mediator shall send a copy of the agreement to the Department.

(3) If, after 60 days after the Department's receipt of a complaint, no agreement is reached or if, within that 60-day period, the mediator determines that no agreement can be reached, the mediator shall return the complaint to the Department.

(4) The mediator shall protect the confidentiality of information obtained during the mediation process. No mediator shall testify in any adjudicative proceeding, produce any document, or otherwise disclose any information obtained during the mediation process without prior approval of the Director of the FMCS.

(f) *Department investigations.* The Department shall promptly investigate any complaint that is unresolved after mediation or is reopened because of violation of a mediation agreement. An investigation should include a review of the pertinent actions or practices of the recipient and the circumstances under which the alleged discrimination occurred. During an investigation the Department shall take appropriate steps to obtain informal resolution of the complaint.

(g) *Resolution of matters.* (1) Where, prior to any finding by the Department of probable noncompliance with this subpart, discussions between the Department and the parties result in settlement of a complaint, the Department shall prepare an agreement to be signed by the parties and an authorized official of the Department. A settlement shall not affect the operation of any other enforcement efforts of the Department, including compliance reviews or investigation of other complaints involving the recipient.

(2) If the Department determines that an investigation pursuant to paragraph (f) of this section indicates probable noncompliance with this subpart, the Department shall inform the recipient and shall promptly begin enforcement pursuant to § 42.733.

(3) If the Department determines that an investigation does not indicate probable noncompliance, the Department shall inform the recipient and the complainant. The Department shall also inform the complainant of his or her right to bring a civil action as described in § 42.736.

**§ 42.732 Prohibition against intimidation.**

A recipient may not intimidate or retaliate against any person who attempts to assert a right secured by the Act and this subpart or who cooperates in any mediation, investigation, hearing, or other aspect of the Department's compliance procedure.

**§ 42.733 Enforcement procedures.**

(a) *Voluntary compliance.* When a compliance review or complaint investigation results in a finding of probable noncompliance with this subpart, the Department shall attempt to obtain voluntary compliance. An agreement for voluntary compliance shall describe the corrective action to be taken and time limits for such action and shall be signed by the recipient and an authorized official of the Department.

(b) *Means of enforcement—(1) General.*

(i) The Department may seek to enforce this subpart—

(A) By administrative proceedings that may lead to termination or refusal of federal financial assistance to the particular program or activity; or

(B) By any other means authorized by law. Such other means include lawsuits by the Department of enjoin violations of this subpart.

(ii) To the extent consistent with the Act, the Department, in enforcing this subpart, shall follow the procedures applicable to enforcement of title VI of the Civil Rights Act of 1964.

(2) *Termination of federal financial assistance.* With regard to enforcement of this subpart through the termination or refusal of federal financial assistance, the Department shall follow the

provisions of its title VI regulation concerning notice (28 CFR 42.180(c)), hearings (28 CFR 42.109), and decisions (28 CFR 42.110). However, with respect to programs or activities receiving federal financial assistance from a component of the Department's Office of Justice Programs (OJP), the requirement of 28 CFR 42.110(e) that a sanction be approved by the Attorney General shall not apply; that function may be performed by the Assistant Attorney General, OJP.

(3) *Other means of enforcement.* With regard to enforcement of this subpart through other means, the Department shall follow the procedures of 28 CFR 42.108(d). In addition, at least 30 days before commencing a lawsuit or taking other action pursuant to paragraph (b)(1)(i)(A) of this section, the Department shall send an appropriate report to the committees of the House of Representatives and the Senate having legislative jurisdiction over the program or activity involved.

(c) *Deferral.* When a proceeding for the termination or refusal of federal financial assistance is initiated pursuant to paragraph (b)(1)(i)(A) of this section, the Department may defer granting new federal financial assistance to the recipient.

(1) New federal financial assistance includes any assistance for which, during the deferral period, the Department requires an application or approval, including renewal or continuation of existing activities or authorization of new activities. New federal financial assistance does not include assistance approved prior to initiation of the administrative proceeding or increases in funding as a result of a change in the manner of computing formula awards.

(2) A deferral may not begin until the recipient has received a notice of opportunity for a hearing. A deferral may not continue for more than 60 days unless a hearing has begun within that time or the time for beginning the hearing has been extended by mutual consent of the recipient and the Department. A deferral may not continue for more than 30 days after the close of the hearing, unless the hearing results in a finding against the recipient.

**§ 42.734**

**28 CFR Ch. I (7–1–17 Edition)**

**§ 42.734 Alternative funding.**

When assistance to a recipient is terminated or refused pursuant to § 42.733(b)(1)(i)(A), the Department may disburse the withheld funds directly to an alternate recipient serving the same area (i.e., a public or nonprofit private organization or agency or state or political subdivision of the state). Any such alternate recipient must demonstrate the ability to comply with the requirements of this subpart and to achieve the goals of the federal statute authorizing the assistance.

**§ 42.735 Judicial review.**

A final decision of the Department in an administrative proceeding pursuant to § 42.733(b)(1)(i)(A) is subject to judicial review as provided in section 306 of the Act, 42 U.S.C. 6105.

**§ 42.736 Private lawsuits.**

(a) Upon exhausting administrative remedies under the Act, a complainant may file a civil action to enjoin a violation of the Act. Administrative remedies are exhausted if—

(1) 180 days have elapsed since the complainant filed the complaint and the Department has made no finding with regard to the complaint; or

(2) The Department issues a finding, pursuant to § 42.731(g)(3), in favor of the recipient.

(b) Whenever administrative remedies are exhausted in accord with paragraph (a) of this section, the Department shall promptly inform the complainant that

(1) The complainant may bring a civil action in a United States district court for the district in which the recipient is located or transacts business;

(2) A complainant who prevails in such an action has the right to be awarded reasonable attorney's fees, if the complainant demands such an award in the complaint initiating the lawsuit;

(3) Before commencing the action, the complainant must give 30 days' notice by registered mail to the Secretary, the Attorney General, and the recipient;

(4) The notice must state the nature of the alleged violation, the relief requested, the court in which the action

will be brought, and whether attorney's fees will be demanded; and

(5) The complainant may not bring an action if the same alleged violation by the recipient is the subject of a pending action in any court of the United States.

**§§ 42.737–42.799 [Reserved]**

**APPENDIX A TO SUBPART I OF PART 42—  
FEDERAL FINANCIAL ASSISTANCE  
ADMINISTERED BY THE DEPARTMENT  
OF JUSTICE TO WHICH THIS SUBPART  
APPLIES**

NOTE: Failure to list a type of federal assistance in appendix A shall not mean, if the Age Discrimination Act is otherwise applicable, that a program or activity is not covered. For the text of appendix A to subpart I, see appendix A to subpart C of this part.

**APPENDIX B TO SUBPART I OF PART 42—  
AGE DISTINCTIONS IN FEDERAL  
STATUTES OR REGULATIONS AFFECTING  
FINANCIAL ASSISTANCE ADMINIS-  
TERED BY THE DEPARTMENT OF JUSTICE**

Section 90.31(f) of HHS' the general regulations (45 CFR part 90) requires each federal agency to publish an appendix to its final regulation containing a list of age distinctions in federal statutes and regulations affecting financial assistance administered by the agency. This appendix is the Department's list of federal statutes and Department regulations that contain age distinctions that:

(1) Provide benefits or assistance to persons based upon age; or

(2) Establish criteria for participation in age-related terms; or

(3) Describe intended beneficiaries or target groups in age-related terms.

The Department administers financial assistance under the Juvenile Justice and Delinquency Prevention Act of 1974, as amended (42 U.S.C. 5601–5672). This statute reflects the basic distinction between criminal justice systems for adults and juvenile justice systems, and the entire statute is predicated upon making distinctions on the basis of age between juveniles and adults. Such age distinctions are set forth throughout this statute, including provisions establishing programs of financial assistance to juvenile justice systems and for purposes related to the prevention of juvenile delinquency. The Department's current regulations pertaining to formula grants under this statute are set forth at 28 CFR part 31 (CFDA No. 16.540). In order to implement the statutory purposes,

## Department of Justice

## Pt. 42, Subpt. I, App. B

these regulations reflect the same age distinctions between juveniles and adults as are contained in the statute. The same statute also provides for discretionary special emphasis grants for which there are program announcements issued (CFDA No. 16.541), and this program also necessarily reflects the basic statutory distinction based on age.

The Department is authorized to extend financial assistance under the Missing Children's Assistance Act, as amended (42 U.S.C. 5771-5777). This law is concerned with problems related to missing children, and, thus, it contains many age-related references to children, including references in connection with the provision of financial assistance. Program announcements are issued in connection with this program (CFDA No. 16.543).

The Department is authorized to extend financial assistance pursuant to the Omnibus Crime Control and Safe Streets Act of 1968, as amended (42 U.S.C. 3701-3797). Among the statutory purposes of this law is the provision of grants addressing problems related to juvenile delinquency and problems related to crimes committed against elderly persons. Accordingly, this law also reflects the basic distinction between criminal justice systems for adults and juvenile justice systems. This law also singles out elderly persons as a special target group to benefit from its programs. The Department's regulations concerning block grants authorized under this statute are set forth at 28 CFR part 33. These regulations reflect the statutory authorizations for such block grants, which specifically authorize funds for, among other things, programs addressing problems re-

lated to juvenile delinquency and programs addressing the problem of crimes committed against elderly persons (CFDA No. 16.573). Similarly, the statute provides for discretionary grants to enhance and complement the block grants (CFDA No. 16.574) and has been amended to provide a focus on narcotics control (CFDA No. 16.580).

The Department is authorized to extend financial assistance under the Victims of Crime Act of 1984, as amended (42 U.S.C. 10601-10604). Among other things, in order to qualify for funds under one grant program, a state must certify that priority will be given to eligible crime victim assistance programs that help victims of certain crimes, including child abuse. In addition, among the services to victims of crime for which funding is available is "short term child care services" (CFDA Nos. 16.575 and 16.576).

The Department is authorized to make grants to Native American Indian tribes with funds reserved to the Office of Victims of Crime under the Victims of Crime act of 1984, as amended (42 U.S.C. 10601(g)). The primary purpose of the funding is to assist Native American Indian tribes with handling child abuse cases, particularly child sexual abuse (CFDA No. 16.583).

The Department is authorized to extend financial assistance to state and local authorities for narcotics control under the Anti-Drug Abuse Act of 1988 (Pub. L. 100-690, 102 Stat. 4181), which extends and/or modifies each of the previously noted laws. The statute reflects the basic distinction between criminal justice systems for adults and juveniles (CFDA Nos. 16.579 and 16.582).





## FINDING AIDS

---

A list of CFR titles, subtitles, chapters, subchapters and parts and an alphabetical list of agencies publishing in the CFR are included in the CFR Index and Finding Aids volume to the Code of Federal Regulations which is published separately and revised annually.

Table of CFR Titles and Chapters  
Alphabetical List of Agencies Appearing in the CFR  
List of CFR Sections Affected



## Table of CFR Titles and Chapters

(Revised as of July 1, 2017)

### Title 1—General Provisions

- I Administrative Committee of the Federal Register (Parts 1—49)
- II Office of the Federal Register (Parts 50—299)
- III Administrative Conference of the United States (Parts 300—399)
- IV Miscellaneous Agencies (Parts 400—500)

### Title 2—Grants and Agreements

- SUBTITLE A—OFFICE OF MANAGEMENT AND BUDGET GUIDANCE FOR GRANTS AND AGREEMENTS
  - I Office of Management and Budget Governmentwide Guidance for Grants and Agreements (Parts 2—199)
  - II Office of Management and Budget Guidance (Parts 200—299)
- SUBTITLE B—FEDERAL AGENCY REGULATIONS FOR GRANTS AND AGREEMENTS
  - III Department of Health and Human Services (Parts 300—399)
  - IV Department of Agriculture (Parts 400—499)
  - VI Department of State (Parts 600—699)
  - VII Agency for International Development (Parts 700—799)
  - VIII Department of Veterans Affairs (Parts 800—899)
  - IX Department of Energy (Parts 900—999)
  - X Department of the Treasury (Parts 1000—1099)
  - XI Department of Defense (Parts 1100—1199)
  - XII Department of Transportation (Parts 1200—1299)
  - XIII Department of Commerce (Parts 1300—1399)
  - XIV Department of the Interior (Parts 1400—1499)
  - XV Environmental Protection Agency (Parts 1500—1599)
  - XXVIII National Aeronautics and Space Administration (Parts 1800—1899)
  - XX United States Nuclear Regulatory Commission (Parts 2000—2099)
  - XXII Corporation for National and Community Service (Parts 2200—2299)
  - XXIII Social Security Administration (Parts 2300—2399)
  - XXIV Housing and Urban Development (Parts 2400—2499)
  - XXV National Science Foundation (Parts 2500—2599)
  - XXVI National Archives and Records Administration (Parts 2600—2699)
  - XXVII Small Business Administration (Parts 2700—2799)

## **Title 2—Grants and Agreements—Continued**

Chap.	
XXVIII	Department of Justice (Parts 2800—2899)
XXIX	Department of Labor (Parts 2900—2999)
XXX	Department of Homeland Security (Parts 3000—3099)
XXXI	Institute of Museum and Library Services (Parts 3100—3199)
XXXII	National Endowment for the Arts (Parts 3200—3299)
XXXIII	National Endowment for the Humanities (Parts 3300—3399)
XXXIV	Department of Education (Parts 3400—3499)
XXXV	Export-Import Bank of the United States (Parts 3500—3599)
XXXVI	Office of National Drug Control Policy, Executive Office of the President (Parts 3600—3699)
XXXVII	Peace Corps (Parts 3700—3799)
LVIII	Election Assistance Commission (Parts 5800—5899)
LIX	Gulf Coast Ecosystem Restoration Council (Parts 5900—5999)

## **Title 3—The President**

I	Executive Office of the President (Parts 100—199)
---	---

## **Title 4—Accounts**

I	Government Accountability Office (Parts 1—199)
---	--

## **Title 5—Administrative Personnel**

I	Office of Personnel Management (Parts 1—1199)
II	Merit Systems Protection Board (Parts 1200—1299)
III	Office of Management and Budget (Parts 1300—1399)
IV	Office of Personnel Management and Office of the Director of National Intelligence (Parts 1400—1499)
V	The International Organizations Employees Loyalty Board (Parts 1500—1599)
VI	Federal Retirement Thrift Investment Board (Parts 1600—1699)
VIII	Office of Special Counsel (Parts 1800—1899)
IX	Appalachian Regional Commission (Parts 1900—1999)
XI	Armed Forces Retirement Home (Parts 2100—2199)
XIV	Federal Labor Relations Authority, General Counsel of the Federal Labor Relations Authority and Federal Service Impasses Panel (Parts 2400—2499)
XVI	Office of Government Ethics (Parts 2600—2699)
XXI	Department of the Treasury (Parts 3100—3199)
XXII	Federal Deposit Insurance Corporation (Parts 3200—3299)
XXIII	Department of Energy (Parts 3300—3399)
XXIV	Federal Energy Regulatory Commission (Parts 3400—3499)
XXV	Department of the Interior (Parts 3500—3599)
XXVI	Department of Defense (Parts 3600—3699)
XXVIII	Department of Justice (Parts 3800—3899)

## **Title 5—Administrative Personnel—Continued**

Chap.	
XXIX	Federal Communications Commission (Parts 3900—3999)
XXX	Farm Credit System Insurance Corporation (Parts 4000—4099)
XXXI	Farm Credit Administration (Parts 4100—4199)
XXXIII	Overseas Private Investment Corporation (Parts 4300—4399)
XXXIV	Securities and Exchange Commission (Parts 4400—4499)
XXXV	Office of Personnel Management (Parts 4500—4599)
XXXVI	Department of Homeland Security (Parts 4600—4699)
XXXVII	Federal Election Commission (Parts 4700—4799)
XL	Interstate Commerce Commission (Parts 5000—5099)
XLI	Commodity Futures Trading Commission (Parts 5100—5199)
XLII	Department of Labor (Parts 5200—5299)
XLIII	National Science Foundation (Parts 5300—5399)
XLV	Department of Health and Human Services (Parts 5500—5599)
XLVI	Postal Rate Commission (Parts 5600—5699)
XLVII	Federal Trade Commission (Parts 5700—5799)
XLVIII	Nuclear Regulatory Commission (Parts 5800—5899)
XLIX	Federal Labor Relations Authority (Parts 5900—5999)
L	Department of Transportation (Parts 6000—6099)
LII	Export-Import Bank of the United States (Parts 6200—6299)
LIII	Department of Education (Parts 6300—6399)
LIV	Environmental Protection Agency (Parts 6400—6499)
LV	National Endowment for the Arts (Parts 6500—6599)
LVI	National Endowment for the Humanities (Parts 6600—6699)
LVII	General Services Administration (Parts 6700—6799)
LVIII	Board of Governors of the Federal Reserve System (Parts 6800—6899)
LIX	National Aeronautics and Space Administration (Parts 6900—6999)
LX	United States Postal Service (Parts 7000—7099)
LXI	National Labor Relations Board (Parts 7100—7199)
LXII	Equal Employment Opportunity Commission (Parts 7200—7299)
LXIII	Inter-American Foundation (Parts 7300—7399)
LXIV	Merit Systems Protection Board (Parts 7400—7499)
LXV	Department of Housing and Urban Development (Parts 7500—7599)
LXVI	National Archives and Records Administration (Parts 7600—7699)
LXVII	Institute of Museum and Library Services (Parts 7700—7799)
LXVIII	Commission on Civil Rights (Parts 7800—7899)
LXIX	Tennessee Valley Authority (Parts 7900—7999)
LXX	Court Services and Offender Supervision Agency for the District of Columbia (Parts 8000—8099)
LXXI	Consumer Product Safety Commission (Parts 8100—8199)
LXXIII	Department of Agriculture (Parts 8300—8399)
LXXIV	Federal Mine Safety and Health Review Commission (Parts 8400—8499)

## **Title 5—Administrative Personnel—Continued**

Chap.	
LXXXVI	Federal Retirement Thrift Investment Board (Parts 8600—8699)
LXXXVII	Office of Management and Budget (Parts 8700—8799)
LXXX	Federal Housing Finance Agency (Parts 9000—9099)
LXXXIII	Special Inspector General for Afghanistan Reconstruction (Parts 9300—9399)
LXXXIV	Bureau of Consumer Financial Protection (Parts 9400—9499)
LXXXVI	National Credit Union Administration (Parts 9600—9699)
XCVII	Department of Homeland Security Human Resources Management System (Department of Homeland Security—Office of Personnel Management) (Parts 9700—9799)
XCVIII	Council of the Inspectors General on Integrity and Efficiency (Parts 9800—9899)
XCIX	Military Compensation and Retirement Modernization Commission (Parts 9900—9999)
C	National Council on Disability (Parts 10000—10049)

## **Title 6—Domestic Security**

I	Department of Homeland Security, Office of the Secretary (Parts 1—199)
X	Privacy and Civil Liberties Oversight Board (Parts 1000—1099)

## **Title 7—Agriculture**

	SUBTITLE A—OFFICE OF THE SECRETARY OF AGRICULTURE (PARTS 0—26)
	SUBTITLE B—REGULATIONS OF THE DEPARTMENT OF AGRICULTURE
I	Agricultural Marketing Service (Standards, Inspections, Marketing Practices), Department of Agriculture (Parts 27—209)
II	Food and Nutrition Service, Department of Agriculture (Parts 210—299)
III	Animal and Plant Health Inspection Service, Department of Agriculture (Parts 300—399)
IV	Federal Crop Insurance Corporation, Department of Agriculture (Parts 400—499)
V	Agricultural Research Service, Department of Agriculture (Parts 500—599)
VI	Natural Resources Conservation Service, Department of Agriculture (Parts 600—699)
VII	Farm Service Agency, Department of Agriculture (Parts 700—799)
VIII	Grain Inspection, Packers and Stockyards Administration (Federal Grain Inspection Service), Department of Agriculture (Parts 800—899)
IX	Agricultural Marketing Service (Marketing Agreements and Orders; Fruits, Vegetables, Nuts), Department of Agriculture (Parts 900—999)
X	Agricultural Marketing Service (Marketing Agreements and Orders; Milk), Department of Agriculture (Parts 1000—1199)

## **Title 7—Agriculture—Continued**

Chap.	
XI	Agricultural Marketing Service (Marketing Agreements and Orders; Miscellaneous Commodities), Department of Agriculture (Parts 1200—1299)
XIV	Commodity Credit Corporation, Department of Agriculture (Parts 1400—1499)
XV	Foreign Agricultural Service, Department of Agriculture (Parts 1500—1599)
XVI	Rural Telephone Bank, Department of Agriculture (Parts 1600—1699)
XVII	Rural Utilities Service, Department of Agriculture (Parts 1700—1799)
XXVIII	Rural Housing Service, Rural Business-Cooperative Service, Rural Utilities Service, and Farm Service Agency, Department of Agriculture (Parts 1800—2099)
XX	Local Television Loan Guarantee Board (Parts 2200—2299)
XXV	Office of Advocacy and Outreach, Department of Agriculture (Parts 2500—2599)
XXVI	Office of Inspector General, Department of Agriculture (Parts 2600—2699)
XXVII	Office of Information Resources Management, Department of Agriculture (Parts 2700—2799)
XXVIII	Office of Operations, Department of Agriculture (Parts 2800—2899)
XXIX	Office of Energy Policy and New Uses, Department of Agriculture (Parts 2900—2999)
XXX	Office of the Chief Financial Officer, Department of Agriculture (Parts 3000—3099)
XXXI	Office of Environmental Quality, Department of Agriculture (Parts 3100—3199)
XXXII	Office of Procurement and Property Management, Department of Agriculture (Parts 3200—3299)
XXXIII	Office of Transportation, Department of Agriculture (Parts 3300—3399)
XXXIV	National Institute of Food and Agriculture (Parts 3400—3499)
XXXV	Rural Housing Service, Department of Agriculture (Parts 3500—3599)
XXXVI	National Agricultural Statistics Service, Department of Agriculture (Parts 3600—3699)
XXXVII	Economic Research Service, Department of Agriculture (Parts 3700—3799)
XXXVIII	World Agricultural Outlook Board, Department of Agriculture (Parts 3800—3899)
XLI	[Reserved]
XLII	Rural Business-Cooperative Service and Rural Utilities Service, Department of Agriculture (Parts 4200—4299)

## **Title 8—Aliens and Nationality**

I	Department of Homeland Security (Immigration and Naturalization) (Parts 1—499)
---	--

## **Title 8—Aliens and Nationality—Continued**

Chap.

- V Executive Office for Immigration Review, Department of Justice (Parts 1000—1399)

## **Title 9—Animals and Animal Products**

- I Animal and Plant Health Inspection Service, Department of Agriculture (Parts 1—199)
- II Grain Inspection, Packers and Stockyards Administration (Packers and Stockyards Programs), Department of Agriculture (Parts 200—299)
- III Food Safety and Inspection Service, Department of Agriculture (Parts 300—599)

## **Title 10—Energy**

- I Nuclear Regulatory Commission (Parts 0—199)
- II Department of Energy (Parts 200—699)
- III Department of Energy (Parts 700—999)
- X Department of Energy (General Provisions) (Parts 1000—1099)
- XIII Nuclear Waste Technical Review Board (Parts 1300—1399)
- XVII Defense Nuclear Facilities Safety Board (Parts 1700—1799)
- XVIII Northeast Interstate Low-Level Radioactive Waste Commission (Parts 1800—1899)

## **Title 11—Federal Elections**

- I Federal Election Commission (Parts 1—9099)
- II Election Assistance Commission (Parts 9400—9499)

## **Title 12—Banks and Banking**

- I Comptroller of the Currency, Department of the Treasury (Parts 1—199)
- II Federal Reserve System (Parts 200—299)
- III Federal Deposit Insurance Corporation (Parts 300—399)
- IV Export-Import Bank of the United States (Parts 400—499)
- V Office of Thrift Supervision, Department of the Treasury (Parts 500—599)
- VI Farm Credit Administration (Parts 600—699)
- VII National Credit Union Administration (Parts 700—799)
- VIII Federal Financing Bank (Parts 800—899)
- IX Federal Housing Finance Board (Parts 900—999)
- X Bureau of Consumer Financial Protection (Parts 1000—1099)
- XI Federal Financial Institutions Examination Council (Parts 1100—1199)
- XII Federal Housing Finance Agency (Parts 1200—1299)
- XIII Financial Stability Oversight Council (Parts 1300—1399)
- XIV Farm Credit System Insurance Corporation (Parts 1400—1499)



## **Title 12—Banks and Banking—Continued**

- Chap.
- XV Department of the Treasury (Parts 1500—1599)
  - XVI Office of Financial Research (Parts 1600—1699)
  - XVII Office of Federal Housing Enterprise Oversight, Department of Housing and Urban Development (Parts 1700—1799)
  - XVIII Community Development Financial Institutions Fund, Department of the Treasury (Parts 1800—1899)

## **Title 13—Business Credit and Assistance**

- I Small Business Administration (Parts 1—199)
- III Economic Development Administration, Department of Commerce (Parts 300—399)
- IV Emergency Steel Guarantee Loan Board (Parts 400—499)
- V Emergency Oil and Gas Guaranteed Loan Board (Parts 500—599)

## **Title 14—Aeronautics and Space**

- I Federal Aviation Administration, Department of Transportation (Parts 1—199)
- II Office of the Secretary, Department of Transportation (Aviation Proceedings) (Parts 200—399)
- III Commercial Space Transportation, Federal Aviation Administration, Department of Transportation (Parts 400—1199)
- V National Aeronautics and Space Administration (Parts 1200—1299)
- VI Air Transportation System Stabilization (Parts 1300—1399)

## **Title 15—Commerce and Foreign Trade**

SUBTITLE A—OFFICE OF THE SECRETARY OF COMMERCE (PARTS 0—29)

SUBTITLE B—REGULATIONS RELATING TO COMMERCE AND FOREIGN TRADE

- I Bureau of the Census, Department of Commerce (Parts 30—199)
- II National Institute of Standards and Technology, Department of Commerce (Parts 200—299)
- III International Trade Administration, Department of Commerce (Parts 300—399)
- IV Foreign-Trade Zones Board, Department of Commerce (Parts 400—499)
- VII Bureau of Industry and Security, Department of Commerce (Parts 700—799)
- VIII Bureau of Economic Analysis, Department of Commerce (Parts 800—899)
- IX National Oceanic and Atmospheric Administration, Department of Commerce (Parts 900—999)
- XI Technology Administration, Department of Commerce (Parts 1100—1199)
- XIII East-West Foreign Trade Board (Parts 1300—1399)

## **Title 15—Commerce and Foreign Trade—Continued**

Chap.

- XIV Minority Business Development Agency (Parts 1400—1499)  
SUBTITLE C—REGULATIONS RELATING TO FOREIGN TRADE AGREEMENTS
- XX Office of the United States Trade Representative (Parts 2000—2099)  
SUBTITLE D—REGULATIONS RELATING TO TELECOMMUNICATIONS AND INFORMATION
- XXIII National Telecommunications and Information Administration, Department of Commerce (Parts 2300—2399)

## **Title 16—Commercial Practices**

- I Federal Trade Commission (Parts 0—999)
- II Consumer Product Safety Commission (Parts 1000—1799)

## **Title 17—Commodity and Securities Exchanges**

- I Commodity Futures Trading Commission (Parts 1—199)
- II Securities and Exchange Commission (Parts 200—399)
- IV Department of the Treasury (Parts 400—499)

## **Title 18—Conservation of Power and Water Resources**

- I Federal Energy Regulatory Commission, Department of Energy (Parts 1—399)
- III Delaware River Basin Commission (Parts 400—499)
- VI Water Resources Council (Parts 700—799)
- VIII Susquehanna River Basin Commission (Parts 800—899)
- XIII Tennessee Valley Authority (Parts 1300—1399)

## **Title 19—Customs Duties**

- I U.S. Customs and Border Protection, Department of Homeland Security; Department of the Treasury (Parts 0—199)
- II United States International Trade Commission (Parts 200—299)
- III International Trade Administration, Department of Commerce (Parts 300—399)
- IV U.S. Immigration and Customs Enforcement, Department of Homeland Security (Parts 400—599)

## **Title 20—Employees' Benefits**

- I Office of Workers' Compensation Programs, Department of Labor (Parts 1—199)
- II Railroad Retirement Board (Parts 200—399)
- III Social Security Administration (Parts 400—499)
- IV Employees' Compensation Appeals Board, Department of Labor (Parts 500—599)

## **Title 20—Employees' Benefits—Continued**

Chap.

- V Employment and Training Administration, Department of Labor (Parts 600—699)
- VI Office of Workers' Compensation Programs, Department of Labor (Parts 700—799)
- VII Benefits Review Board, Department of Labor (Parts 800—899)
- VIII Joint Board for the Enrollment of Actuaries (Parts 900—999)
- IX Office of the Assistant Secretary for Veterans' Employment and Training Service, Department of Labor (Parts 1000—1099)

## **Title 21—Food and Drugs**

- I Food and Drug Administration, Department of Health and Human Services (Parts 1—1299)
- II Drug Enforcement Administration, Department of Justice (Parts 1300—1399)
- III Office of National Drug Control Policy (Parts 1400—1499)

## **Title 22—Foreign Relations**

- I Department of State (Parts 1—199)
- II Agency for International Development (Parts 200—299)
- III Peace Corps (Parts 300—399)
- IV International Joint Commission, United States and Canada (Parts 400—499)
- V Broadcasting Board of Governors (Parts 500—599)
- VII Overseas Private Investment Corporation (Parts 700—799)
- IX Foreign Service Grievance Board (Parts 900—999)
- X Inter-American Foundation (Parts 1000—1099)
- XI International Boundary and Water Commission, United States and Mexico, United States Section (Parts 1100—1199)
- XII United States International Development Cooperation Agency (Parts 1200—1299)
- XIII Millennium Challenge Corporation (Parts 1300—1399)
- XIV Foreign Service Labor Relations Board; Federal Labor Relations Authority; General Counsel of the Federal Labor Relations Authority; and the Foreign Service Impasse Disputes Panel (Parts 1400—1499)
- XV African Development Foundation (Parts 1500—1599)
- XVI Japan-United States Friendship Commission (Parts 1600—1699)
- XVII United States Institute of Peace (Parts 1700—1799)

## **Title 23—Highways**

- I Federal Highway Administration, Department of Transportation (Parts 1—999)
- II National Highway Traffic Safety Administration and Federal Highway Administration, Department of Transportation (Parts 1200—1299)

## **Title 23—Highways—Continued**

Chap.

- III National Highway Traffic Safety Administration, Department of Transportation (Parts 1300—1399)

## **Title 24—Housing and Urban Development**

SUBTITLE A—OFFICE OF THE SECRETARY, DEPARTMENT OF HOUSING AND URBAN DEVELOPMENT (PARTS 0—99)

SUBTITLE B—REGULATIONS RELATING TO HOUSING AND URBAN DEVELOPMENT

- I Office of Assistant Secretary for Equal Opportunity, Department of Housing and Urban Development (Parts 100—199)
- II Office of Assistant Secretary for Housing-Federal Housing Commissioner, Department of Housing and Urban Development (Parts 200—299)
- III Government National Mortgage Association, Department of Housing and Urban Development (Parts 300—399)
- IV Office of Housing and Office of Multifamily Housing Assistance Restructuring, Department of Housing and Urban Development (Parts 400—499)
- V Office of Assistant Secretary for Community Planning and Development, Department of Housing and Urban Development (Parts 500—599)
- VI Office of Assistant Secretary for Community Planning and Development, Department of Housing and Urban Development (Parts 600—699) [Reserved]
- VII Office of the Secretary, Department of Housing and Urban Development (Housing Assistance Programs and Public and Indian Housing Programs) (Parts 700—799)
- VIII Office of the Assistant Secretary for Housing—Federal Housing Commissioner, Department of Housing and Urban Development (Section 8 Housing Assistance Programs, Section 202 Direct Loan Program, Section 202 Supportive Housing for the Elderly Program and Section 811 Supportive Housing for Persons With Disabilities Program) (Parts 800—899)
- IX Office of Assistant Secretary for Public and Indian Housing, Department of Housing and Urban Development (Parts 900—1699)
- X Office of Assistant Secretary for Housing—Federal Housing Commissioner, Department of Housing and Urban Development (Interstate Land Sales Registration Program) (Parts 1700—1799)
- XII Office of Inspector General, Department of Housing and Urban Development (Parts 2000—2099)
- XV Emergency Mortgage Insurance and Loan Programs, Department of Housing and Urban Development (Parts 2700—2799) [Reserved]
- XX Office of Assistant Secretary for Housing—Federal Housing Commissioner, Department of Housing and Urban Development (Parts 3200—3899)
- XXIV Board of Directors of the HOPE for Homeowners Program (Parts 4000—4099) [Reserved]
- XXV Neighborhood Reinvestment Corporation (Parts 4100—4199)

## **Title 25—Indians**

Chap.

- I Bureau of Indian Affairs, Department of the Interior (Parts 1—299)
- II Indian Arts and Crafts Board, Department of the Interior (Parts 300—399)
- III National Indian Gaming Commission, Department of the Interior (Parts 500—599)
- IV Office of Navajo and Hopi Indian Relocation (Parts 700—799)
- V Bureau of Indian Affairs, Department of the Interior, and Indian Health Service, Department of Health and Human Services (Part 900)
- VI Office of the Assistant Secretary-Indian Affairs, Department of the Interior (Parts 1000—1199)
- VII Office of the Special Trustee for American Indians, Department of the Interior (Parts 1200—1299)

## **Title 26—Internal Revenue**

- I Internal Revenue Service, Department of the Treasury (Parts 1—End)

## **Title 27—Alcohol, Tobacco Products and Firearms**

- I Alcohol and Tobacco Tax and Trade Bureau, Department of the Treasury (Parts 1—399)
- II Bureau of Alcohol, Tobacco, Firearms, and Explosives, Department of Justice (Parts 400—699)

## **Title 28—Judicial Administration**

- I Department of Justice (Parts 0—299)
- III Federal Prison Industries, Inc., Department of Justice (Parts 300—399)
- V Bureau of Prisons, Department of Justice (Parts 500—599)
- VI Offices of Independent Counsel, Department of Justice (Parts 600—699)
- VII Office of Independent Counsel (Parts 700—799)
- VIII Court Services and Offender Supervision Agency for the District of Columbia (Parts 800—899)
- IX National Crime Prevention and Privacy Compact Council (Parts 900—999)
- XI Department of Justice and Department of State (Parts 1100—1199)

## **Title 29—Labor**

SUBTITLE A—OFFICE OF THE SECRETARY OF LABOR (PARTS 0—99)

SUBTITLE B—REGULATIONS RELATING TO LABOR

- I National Labor Relations Board (Parts 100—199)

## **Title 29—Labor—Continued**

- Chap.
- II Office of Labor-Management Standards, Department of Labor (Parts 200—299)
  - III National Railroad Adjustment Board (Parts 300—399)
  - IV Office of Labor-Management Standards, Department of Labor (Parts 400—499)
  - V Wage and Hour Division, Department of Labor (Parts 500—899)
  - IX Construction Industry Collective Bargaining Commission (Parts 900—999)
  - X National Mediation Board (Parts 1200—1299)
  - XII Federal Mediation and Conciliation Service (Parts 1400—1499)
  - XIV Equal Employment Opportunity Commission (Parts 1600—1699)
  - XXVII Occupational Safety and Health Administration, Department of Labor (Parts 1900—1999)
  - XX Occupational Safety and Health Review Commission (Parts 2200—2499)
  - XXV Employee Benefits Security Administration, Department of Labor (Parts 2500—2599)
  - XXVII Federal Mine Safety and Health Review Commission (Parts 2700—2799)
  - XL Pension Benefit Guaranty Corporation (Parts 4000—4999)

## **Title 30—Mineral Resources**

- I Mine Safety and Health Administration, Department of Labor (Parts 1—199)
- II Bureau of Safety and Environmental Enforcement, Department of the Interior (Parts 200—299)
- IV Geological Survey, Department of the Interior (Parts 400—499)
- V Bureau of Ocean Energy Management, Department of the Interior (Parts 500—599)
- VII Office of Surface Mining Reclamation and Enforcement, Department of the Interior (Parts 700—999)
- XII Office of Natural Resources Revenue, Department of the Interior (Parts 1200—1299)

## **Title 31—Money and Finance: Treasury**

SUBTITLE A—OFFICE OF THE SECRETARY OF THE TREASURY (PARTS 0—50)

SUBTITLE B—REGULATIONS RELATING TO MONEY AND FINANCE

- I Monetary Offices, Department of the Treasury (Parts 51—199)
- II Fiscal Service, Department of the Treasury (Parts 200—399)
- IV Secret Service, Department of the Treasury (Parts 400—499)
- V Office of Foreign Assets Control, Department of the Treasury (Parts 500—599)
- VI Bureau of Engraving and Printing, Department of the Treasury (Parts 600—699)
- VII Federal Law Enforcement Training Center, Department of the Treasury (Parts 700—799)

## **Title 31—Money and Finance: Treasury—Continued**

Chap.

- VIII Office of International Investment, Department of the Treasury (Parts 800—899)
- IX Federal Claims Collection Standards (Department of the Treasury—Department of Justice) (Parts 900—999)
- X Financial Crimes Enforcement Network, Department of the Treasury (Parts 1000—1099)

## **Title 32—National Defense**

### SUBTITLE A—DEPARTMENT OF DEFENSE

- I Office of the Secretary of Defense (Parts 1—399)
  - V Department of the Army (Parts 400—699)
  - VI Department of the Navy (Parts 700—799)
  - VII Department of the Air Force (Parts 800—1099)
- ### SUBTITLE B—OTHER REGULATIONS RELATING TO NATIONAL DEFENSE
- XII Defense Logistics Agency (Parts 1200—1299)
  - XVI Selective Service System (Parts 1600—1699)
  - XVII Office of the Director of National Intelligence (Parts 1700—1799)
  - XVIII National Counterintelligence Center (Parts 1800—1899)
  - XIX Central Intelligence Agency (Parts 1900—1999)
  - XX Information Security Oversight Office, National Archives and Records Administration (Parts 2000—2099)
  - XXI National Security Council (Parts 2100—2199)
  - XXIV Office of Science and Technology Policy (Parts 2400—2499)
  - XXVII Office for Micronesian Status Negotiations (Parts 2700—2799)
  - XXVIII Office of the Vice President of the United States (Parts 2800—2899)

## **Title 33—Navigation and Navigable Waters**

- I Coast Guard, Department of Homeland Security (Parts 1—199)
- II Corps of Engineers, Department of the Army (Parts 200—399)
- IV Saint Lawrence Seaway Development Corporation, Department of Transportation (Parts 400—499)

## **Title 34—Education**

### SUBTITLE A—OFFICE OF THE SECRETARY, DEPARTMENT OF EDUCATION (PARTS 1—99)

### SUBTITLE B—REGULATIONS OF THE OFFICES OF THE DEPARTMENT OF EDUCATION

- I Office for Civil Rights, Department of Education (Parts 100—199)
- II Office of Elementary and Secondary Education, Department of Education (Parts 200—299)
- III Office of Special Education and Rehabilitative Services, Department of Education (Parts 300—399)

## **Title 34—Education—Continued**

Chap.

- IV Office of Career, Technical and Adult Education, Department of Education (Parts 400—499)
  - V Office of Bilingual Education and Minority Languages Affairs, Department of Education (Parts 500—599) [Reserved]
  - VI Office of Postsecondary Education, Department of Education (Parts 600—699)
  - VII Office of Educational Research and Improvement, Department of Education (Parts 700—799) [Reserved]
- SUBTITLE C—REGULATIONS RELATING TO EDUCATION
- XI [Reserved]
  - XII National Council on Disability (Parts 1200—1299)

## **Title 35 [Reserved]**

## **Title 36—Parks, Forests, and Public Property**

- I National Park Service, Department of the Interior (Parts 1—199)
- II Forest Service, Department of Agriculture (Parts 200—299)
- III Corps of Engineers, Department of the Army (Parts 300—399)
- IV American Battle Monuments Commission (Parts 400—499)
- V Smithsonian Institution (Parts 500—599)
- VI [Reserved]
- VII Library of Congress (Parts 700—799)
- VIII Advisory Council on Historic Preservation (Parts 800—899)
- IX Pennsylvania Avenue Development Corporation (Parts 900—999)
- X Presidio Trust (Parts 1000—1099)
- XI Architectural and Transportation Barriers Compliance Board (Parts 1100—1199)
- XII National Archives and Records Administration (Parts 1200—1299)
- XV Oklahoma City National Memorial Trust (Parts 1500—1599)
- XVI Morris K. Udall Scholarship and Excellence in National Environmental Policy Foundation (Parts 1600—1699)

## **Title 37—Patents, Trademarks, and Copyrights**

- I United States Patent and Trademark Office, Department of Commerce (Parts 1—199)
- II U.S. Copyright Office, Library of Congress (Parts 200—299)
- III Copyright Royalty Board, Library of Congress (Parts 300—399)
- IV Assistant Secretary for Technology Policy, Department of Commerce (Parts 400—599)

## **Title 38—Pensions, Bonuses, and Veterans' Relief**

- I Department of Veterans Affairs (Parts 0—199)
- II Armed Forces Retirement Home (Parts 200—299)



## **Title 39—Postal Service**

Chap.

- I United States Postal Service (Parts 1—999)
- III Postal Regulatory Commission (Parts 3000—3099)

## **Title 40—Protection of Environment**

- I Environmental Protection Agency (Parts 1—1099)
- IV Environmental Protection Agency and Department of Justice (Parts 1400—1499)
- V Council on Environmental Quality (Parts 1500—1599)
- VI Chemical Safety and Hazard Investigation Board (Parts 1600—1699)
- VII Environmental Protection Agency and Department of Defense; Uniform National Discharge Standards for Vessels of the Armed Forces (Parts 1700—1799)
- VIII Gulf Coast Ecosystem Restoration Council (Parts 1800—1899)

## **Title 41—Public Contracts and Property Management**

- SUBTITLE A—FEDERAL PROCUREMENT REGULATIONS SYSTEM  
[NOTE]
- SUBTITLE B—OTHER PROVISIONS RELATING TO PUBLIC CONTRACTS
- 50 Public Contracts, Department of Labor (Parts 50-1—50-999)
- 51 Committee for Purchase From People Who Are Blind or Severely Disabled (Parts 51-1—51-99)
- 60 Office of Federal Contract Compliance Programs, Equal Employment Opportunity, Department of Labor (Parts 60-1—60-999)
- 61 Office of the Assistant Secretary for Veterans' Employment and Training Service, Department of Labor (Parts 61-1—61-999)
- 62—100 [Reserved]
- SUBTITLE C—FEDERAL PROPERTY MANAGEMENT REGULATIONS SYSTEM
- 101 Federal Property Management Regulations (Parts 101-1—101-99)
- 102 Federal Management Regulation (Parts 102-1—102-299)
- 103—104 [Reserved]
- 105 General Services Administration (Parts 105-1—105-999)
- 109 Department of Energy Property Management Regulations (Parts 109-1—109-99)
- 114 Department of the Interior (Parts 114-1—114-99)
- 115 Environmental Protection Agency (Parts 115-1—115-99)
- 128 Department of Justice (Parts 128-1—128-99)
- 129—200 [Reserved]
- SUBTITLE D—OTHER PROVISIONS RELATING TO PROPERTY MANAGEMENT [RESERVED]
- SUBTITLE E—FEDERAL INFORMATION RESOURCES MANAGEMENT REGULATIONS SYSTEM [RESERVED]
- SUBTITLE F—FEDERAL TRAVEL REGULATION SYSTEM
- 300 General (Parts 300-1—300-99)
- 301 Temporary Duty (TDY) Travel Allowances (Parts 301-1—301-99)

## **Title 41—Public Contracts and Property Management—Continued**

Chap.

- 302 Relocation Allowances (Parts 302-1—302-99)
- 303 Payment of Expenses Connected with the Death of Certain Employees (Part 303-1—303-99)
- 304 Payment of Travel Expenses from a Non-Federal Source (Parts 304-1—304-99)

## **Title 42—Public Health**

- I Public Health Service, Department of Health and Human Services (Parts 1—199)
- IV Centers for Medicare & Medicaid Services, Department of Health and Human Services (Parts 400—599)
- V Office of Inspector General-Health Care, Department of Health and Human Services (Parts 1000—1999)

## **Title 43—Public Lands: Interior**

SUBTITLE A—OFFICE OF THE SECRETARY OF THE INTERIOR (PARTS 1—199)

SUBTITLE B—REGULATIONS RELATING TO PUBLIC LANDS

- I Bureau of Reclamation, Department of the Interior (Parts 400—999)
- II Bureau of Land Management, Department of the Interior (Parts 1000—9999)
- III Utah Reclamation Mitigation and Conservation Commission (Parts 10000—10099)

## **Title 44—Emergency Management and Assistance**

- I Federal Emergency Management Agency, Department of Homeland Security (Parts 0—399)
- IV Department of Commerce and Department of Transportation (Parts 400—499)

## **Title 45—Public Welfare**

SUBTITLE A—DEPARTMENT OF HEALTH AND HUMAN SERVICES (PARTS 1—199)

SUBTITLE B—REGULATIONS RELATING TO PUBLIC WELFARE

- II Office of Family Assistance (Assistance Programs), Administration for Children and Families, Department of Health and Human Services (Parts 200—299)
- III Office of Child Support Enforcement (Child Support Enforcement Program), Administration for Children and Families, Department of Health and Human Services (Parts 300—399)
- IV Office of Refugee Resettlement, Administration for Children and Families, Department of Health and Human Services (Parts 400—499)
- V Foreign Claims Settlement Commission of the United States, Department of Justice (Parts 500—599)

## **Title 45—Public Welfare—Continued**

Chap.	
VI	National Science Foundation (Parts 600—699)
VII	Commission on Civil Rights (Parts 700—799)
VIII	Office of Personnel Management (Parts 800—899)
IX	Denali Commission (Parts 900—999)
X	Office of Community Services, Administration for Children and Families, Department of Health and Human Services (Parts 1000—1099)
XI	National Foundation on the Arts and the Humanities (Parts 1100—1199)
XII	Corporation for National and Community Service (Parts 1200—1299)
XIII	Administration for Children and Families, Department of Health and Human Services (Parts 1300—1399)
XVI	Legal Services Corporation (Parts 1600—1699)
XVII	National Commission on Libraries and Information Science (Parts 1700—1799)
XVIII	Harry S. Truman Scholarship Foundation (Parts 1800—1899)
XXI	Commission on Fine Arts (Parts 2100—2199)
XXIII	Arctic Research Commission (Part 2301)
XXIV	James Madison Memorial Fellowship Foundation (Parts 2400—2499)
XXV	Corporation for National and Community Service (Parts 2500—2599)

## **Title 46—Shipping**

I	Coast Guard, Department of Homeland Security (Parts 1—199)
II	Maritime Administration, Department of Transportation (Parts 200—399)
III	Coast Guard (Great Lakes Pilotage), Department of Homeland Security (Parts 400—499)
IV	Federal Maritime Commission (Parts 500—599)

## **Title 47—Telecommunication**

I	Federal Communications Commission (Parts 0—199)
II	Office of Science and Technology Policy and National Security Council (Parts 200—299)
III	National Telecommunications and Information Administration, Department of Commerce (Parts 300—399)
IV	National Telecommunications and Information Administration, Department of Commerce, and National Highway Traffic Safety Administration, Department of Transportation (Parts 400—499)

## **Title 48—Federal Acquisition Regulations System**

1	Federal Acquisition Regulation (Parts 1—99)
---	---

## **Title 48—Federal Acquisition Regulations System—Continued**

Chap.

- 2 Defense Acquisition Regulations System, Department of Defense (Parts 200—299)
- 3 Health and Human Services (Parts 300—399)
- 4 Department of Agriculture (Parts 400—499)
- 5 General Services Administration (Parts 500—599)
- 6 Department of State (Parts 600—699)
- 7 Agency for International Development (Parts 700—799)
- 8 Department of Veterans Affairs (Parts 800—899)
- 9 Department of Energy (Parts 900—999)
- 10 Department of the Treasury (Parts 1000—1099)
- 12 Department of Transportation (Parts 1200—1299)
- 13 Department of Commerce (Parts 1300—1399)
- 14 Department of the Interior (Parts 1400—1499)
- 15 Environmental Protection Agency (Parts 1500—1599)
- 16 Office of Personnel Management, Federal Employees Health Benefits Acquisition Regulation (Parts 1600—1699)
- 17 Office of Personnel Management (Parts 1700—1799)
- 18 National Aeronautics and Space Administration (Parts 1800—1899)
- 19 Broadcasting Board of Governors (Parts 1900—1999)
- 20 Nuclear Regulatory Commission (Parts 2000—2099)
- 21 Office of Personnel Management, Federal Employees Group Life Insurance Federal Acquisition Regulation (Parts 2100—2199)
- 23 Social Security Administration (Parts 2300—2399)
- 24 Department of Housing and Urban Development (Parts 2400—2499)
- 25 National Science Foundation (Parts 2500—2599)
- 28 Department of Justice (Parts 2800—2899)
- 29 Department of Labor (Parts 2900—2999)
- 30 Department of Homeland Security, Homeland Security Acquisition Regulation (HSAR) (Parts 3000—3099)
- 34 Department of Education Acquisition Regulation (Parts 3400—3499)
- 51 Department of the Army Acquisition Regulations (Parts 5100—5199)
- 52 Department of the Navy Acquisition Regulations (Parts 5200—5299)
- 53 Department of the Air Force Federal Acquisition Regulation Supplement (Parts 5300—5399) [Reserved]
- 54 Defense Logistics Agency, Department of Defense (Parts 5400—5499)
- 57 African Development Foundation (Parts 5700—5799)
- 61 Civilian Board of Contract Appeals, General Services Administration (Parts 6100—6199)
- 63 Department of Transportation Board of Contract Appeals (Parts 6300—6399)

## **Title 48—Federal Acquisition Regulations System—Continued**

Chap.

- 99 Cost Accounting Standards Board, Office of Federal Procurement Policy, Office of Management and Budget (Parts 9900—9999)

## **Title 49—Transportation**

SUBTITLE A—OFFICE OF THE SECRETARY OF TRANSPORTATION  
(PARTS 1—99)

SUBTITLE B—OTHER REGULATIONS RELATING TO TRANSPORTATION

- I Pipeline and Hazardous Materials Safety Administration, Department of Transportation (Parts 100—199)
- II Federal Railroad Administration, Department of Transportation (Parts 200—299)
- III Federal Motor Carrier Safety Administration, Department of Transportation (Parts 300—399)
- IV Coast Guard, Department of Homeland Security (Parts 400—499)
- V National Highway Traffic Safety Administration, Department of Transportation (Parts 500—599)
- VI Federal Transit Administration, Department of Transportation (Parts 600—699)
- VII National Railroad Passenger Corporation (AMTRAK) (Parts 700—799)
- VIII National Transportation Safety Board (Parts 800—999)
- X Surface Transportation Board (Parts 1000—1399)
- XI Research and Innovative Technology Administration, Department of Transportation (Parts 1400—1499) [Reserved]
- XII Transportation Security Administration, Department of Homeland Security (Parts 1500—1699)

## **Title 50—Wildlife and Fisheries**

- I United States Fish and Wildlife Service, Department of the Interior (Parts 1—199)
- II National Marine Fisheries Service, National Oceanic and Atmospheric Administration, Department of Commerce (Parts 200—299)
- III International Fishing and Related Activities (Parts 300—399)
- IV Joint Regulations (United States Fish and Wildlife Service, Department of the Interior and National Marine Fisheries Service, National Oceanic and Atmospheric Administration, Department of Commerce); Endangered Species Committee Regulations (Parts 400—499)
- V Marine Mammal Commission (Parts 500—599)
- VI Fishery Conservation and Management, National Oceanic and Atmospheric Administration, Department of Commerce (Parts 600—699)



## Alphabetical List of Agencies Appearing in the CFR

(Revised as of July 1, 2017)

Agency	CFR Title, Subtitle or Chapter
Administrative Committee of the Federal Register	1, I
Administrative Conference of the United States	1, III
Advisory Council on Historic Preservation	36, VIII
Advocacy and Outreach, Office of	7, XXV
Afghanistan Reconstruction, Special Inspector General for	5, LXXXIII
African Development Foundation	22, XV
Federal Acquisition Regulation	48, 57
Agency for International Development	2, VII; 22, II
Federal Acquisition Regulation	48, 7
Agricultural Marketing Service	7, I, IX, X, XI
Agricultural Research Service	7, V
Agriculture Department	2, IV; 5, LXXXIII
Advocacy and Outreach, Office of	7, XXV
Agricultural Marketing Service	7, I, IX, X, XI
Agricultural Research Service	7, V
Animal and Plant Health Inspection Service	7, III; 9, I
Chief Financial Officer, Office of	7, XXX
Commodity Credit Corporation	7, XIV
Economic Research Service	7, XXXVII
Energy Policy and New Uses, Office of	2, IX; 7, XXIX
Environmental Quality, Office of	7, XXXI
Farm Service Agency	7, VII, XVIII
Federal Acquisition Regulation	48, 4
Federal Crop Insurance Corporation	7, IV
Food and Nutrition Service	7, II
Food Safety and Inspection Service	9, III
Foreign Agricultural Service	7, XV
Forest Service	36, II
Grain Inspection, Packers and Stockyards Administration	7, VIII; 9, II
Information Resources Management, Office of	7, XXVII
Inspector General, Office of	7, XXVI
National Agricultural Library	7, XLI
National Agricultural Statistics Service	7, XXXVI
National Institute of Food and Agriculture	7, XXXIV
Natural Resources Conservation Service	7, VI
Operations, Office of	7, XXVIII
Procurement and Property Management, Office of	7, XXXII
Rural Business-Cooperative Service	7, XVIII, XLII
Rural Development Administration	7, XLII
Rural Housing Service	7, XVIII, XXXV
Rural Telephone Bank	7, XVI
Rural Utilities Service	7, XVII, XVIII, XLII
Secretary of Agriculture, Office of	7, Subtitle A
Transportation, Office of	7, XXXIII
World Agricultural Outlook Board	7, XXXVIII
Air Force Department	32, VII
Federal Acquisition Regulation Supplement	48, 53
Air Transportation Stabilization Board	14, VI
Alcohol and Tobacco Tax and Trade Bureau	27, I
Alcohol, Tobacco, Firearms, and Explosives, Bureau of	27, II
AMTRAK	49, VII
American Battle Monuments Commission	36, IV
American Indians, Office of the Special Trustee	25, VII

Agency	CFR Title, Subtitle or Chapter
Animal and Plant Health Inspection Service	7, III; 9, I
Appalachian Regional Commission	5, IX
Architectural and Transportation Barriers Compliance Board	36, XI
Arctic Research Commission	45, XXIII
Armed Forces Retirement Home	5, XI
Army Department	32, V
Engineers, Corps of	33, II; 36, III
Federal Acquisition Regulation	48, 51
Bilingual Education and Minority Languages Affairs, Office of	34, V
Blind or Severely Disabled, Committee for Purchase from People Who Are	41, 51
Broadcasting Board of Governors	22, V
Federal Acquisition Regulation	48, 19
Career, Technical and Adult Education, Office of	34, IV
Census Bureau	15, I
Centers for Medicare & Medicaid Services	42, IV
Central Intelligence Agency	32, XIX
Chemical Safety and Hazardous Investigation Board	40, VI
Chief Financial Officer, Office of	7, XXX
Child Support Enforcement, Office of	45, III
Children and Families, Administration for	45, II, III, IV, X, XIII
Civil Rights, Commission on	5, LXVIII; 45, VII
Civil Rights, Office for	34, I
Council of the Inspectors General on Integrity and Efficiency	5, XCVIII
Court Services and Offender Supervision Agency for the District of Columbia	5, LXX
Coast Guard	33, I; 46, I; 49, IV
Coast Guard (Great Lakes Pilotage)	46, III
Commerce Department	2, XIII; 44, IV; 50, VI
Census Bureau	15, I
Economic Analysis, Bureau of	15, VIII
Economic Development Administration	13, III
Emergency Management and Assistance	44, IV
Federal Acquisition Regulation	48, 13
Foreign-Trade Zones Board	15, IV
Industry and Security, Bureau of	15, VII
International Trade Administration	15, III; 19, III
National Institute of Standards and Technology	15, II
National Marine Fisheries Service	50, II, IV
National Oceanic and Atmospheric Administration	15, IX; 50, II, III, IV, VI
National Telecommunications and Information Administration	15, XXIII; 47, III, IV
National Weather Service	15, IX
Patent and Trademark Office, United States	37, I
Productivity, Technology and Innovation, Assistant Secretary for	37, IV
Secretary of Commerce, Office of Technology Administration	15, Subtitle A 15, XI
Technology Policy, Assistant Secretary for	37, IV
Commercial Space Transportation	14, III
Commodity Credit Corporation	7, XIV
Commodity Futures Trading Commission	5, XLI; 17, I
Community Planning and Development, Office of Assistant Secretary for	24, V, VI
Community Services, Office of	45, X
Comptroller of the Currency	12, I
Construction Industry Collective Bargaining Commission	29, IX
Consumer Financial Protection Bureau	5, LXXXIV; 12, X
Consumer Product Safety Commission	5, LXXI; 16, II
Copyright Royalty Board	37, III
Corporation for National and Community Service	2, XXII; 45, XII, XXV
Cost Accounting Standards Board	48, 99
Council on Environmental Quality	40, V
Court Services and Offender Supervision Agency for the District of Columbia	5, LXX; 28, VIII
Customs and Border Protection	19, I
Defense Contract Audit Agency	32, I



Agency	CFR Title, Subtitle or Chapter
Defense Department	2, XI; 5, XXVI; 32, Subtitle A; 40, VII
Advanced Research Projects Agency	32, I
Air Force Department	32, VII
Army Department	32, V; 33, II; 36, III; 48, 51
Defense Acquisition Regulations System	48, 2
Defense Intelligence Agency	32, I
Defense Logistics Agency	32, I, XII; 48, 54
Engineers, Corps of	33, II; 36, III
National Imagery and Mapping Agency	32, I
Navy Department	32, VI; 48, 52
Secretary of Defense, Office of	2, XI; 32, I
Defense Contract Audit Agency	32, I
Defense Intelligence Agency	32, I
Defense Logistics Agency	32, XII; 48, 54
Defense Nuclear Facilities Safety Board	10, XVII
Delaware River Basin Commission	18, III
Denali Commission	45, IX
District of Columbia, Court Services and Offender Supervision Agency for the	5, LXX; 28, VIII
Drug Enforcement Administration	21, II
East-West Foreign Trade Board	15, XIII
Economic Analysis, Bureau of	15, VIII
Economic Development Administration	13, III
Economic Research Service	7, XXXVII
Education, Department of	2, XXXIV; 5, LIII
Bilingual Education and Minority Languages Affairs, Office of	34, V
Career, Technical and Adult Education, Office of	34, IV
Civil Rights, Office for	34, I
Educational Research and Improvement, Office of	34, VII
Elementary and Secondary Education, Office of	34, II
Federal Acquisition Regulation	48, 34
Postsecondary Education, Office of	34, VI
Secretary of Education, Office of	34, Subtitle A
Special Education and Rehabilitative Services, Office of	34, III
Career, Technical, and Adult Education, Office of	34, IV
Educational Research and Improvement, Office of	34, VII
Election Assistance Commission	2, LVIII; 11, II
Elementary and Secondary Education, Office of	34, II
Emergency Oil and Gas Guaranteed Loan Board	13, V
Emergency Steel Guarantee Loan Board	13, IV
Employee Benefits Security Administration	29, XXV
Employees' Compensation Appeals Board	20, IV
Employees Loyalty Board	5, V
Employment and Training Administration	20, V
Employment Standards Administration	20, VI
Endangered Species Committee	50, IV
Energy, Department of	2, IX; 5, XXIII; 10, II, III, X
Federal Acquisition Regulation	48, 9
Federal Energy Regulatory Commission	5, XXIV; 18, I
Property Management Regulations	41, 109
Energy, Office of	7, XXIX
Engineers, Corps of	33, II; 36, III
Engraving and Printing, Bureau of	31, VI
Environmental Protection Agency	2, XV; 5, LIV; 40, I, IV, VII
Federal Acquisition Regulation	48, 15
Property Management Regulations	41, 115
Environmental Quality, Office of	7, XXXI
Equal Employment Opportunity Commission	5, LXII; 29, XIV
Equal Opportunity, Office of Assistant Secretary for	24, I
Executive Office of the President	3, I
Environmental Quality, Council on	40, V
Management and Budget, Office of	2, Subtitle A; 5, III, LXXXVII; 14, VI; 48, 99

Agency	CFR Title, Subtitle or Chapter
National Drug Control Policy, Office of	2, XXXVI; 21, III
National Security Council	32, XXI; 47, 2
Presidential Documents	3
Science and Technology Policy, Office of	32, XXIV; 47, II
Trade Representative, Office of the United States	15, XX
Export-Import Bank of the United States	2, XXXV; 5, LII; 12, IV
Family Assistance, Office of	45, II
Farm Credit Administration	5, XXXI; 12, VI
Farm Credit System Insurance Corporation	5, XXX; 12, XIV
Farm Service Agency	7, VII, XVIII
Federal Acquisition Regulation	48, 1
Federal Aviation Administration	14, I
Commercial Space Transportation	14, III
Federal Claims Collection Standards	31, IX
Federal Communications Commission	5, XXIX; 47, I
Federal Contract Compliance Programs, Office of	41, 60
Federal Crop Insurance Corporation	7, IV
Federal Deposit Insurance Corporation	5, XXII; 12, III
Federal Election Commission	5, XXXVII; 11, I
Federal Emergency Management Agency	44, I
Federal Employees Group Life Insurance Federal Acquisition Regulation	48, 21
Federal Employees Health Benefits Acquisition Regulation	48, 16
Federal Energy Regulatory Commission	5, XXIV; 18, I
Federal Financial Institutions Examination Council	12, XI
Federal Financing Bank	12, VIII
Federal Highway Administration	23, I, II
Federal Home Loan Mortgage Corporation	1, IV
Federal Housing Enterprise Oversight Office	12, XXVII
Federal Housing Finance Agency	5, LXXX; 12, XII
Federal Housing Finance Board	12, IX
Federal Labor Relations Authority	5, XIV, XLIX; 22, XIV
Federal Law Enforcement Training Center	31, VII
Federal Management Regulation	41, 102
Federal Maritime Commission	46, IV
Federal Mediation and Conciliation Service	29, XII
Federal Mine Safety and Health Review Commission	5, LXXIV; 29, XXVII
Federal Motor Carrier Safety Administration	49, III
Federal Prison Industries, Inc.	28, III
Federal Procurement Policy Office	48, 99
Federal Property Management Regulations	41, 101
Federal Railroad Administration	49, II
Federal Register, Administrative Committee of	1, I
Federal Register, Office of	1, II
Federal Reserve System	12, II
Board of Governors	5, LVIII
Federal Retirement Thrift Investment Board	5, VI, LXXVI
Federal Service Impasses Panel	5, XIV
Federal Trade Commission	5, XLVII; 16, I
Federal Transit Administration	49, VI
Federal Travel Regulation System	41, Subtitle F
Financial Crimes Enforcement Network	31, X
Financial Research Office	12, XVI
Financial Stability Oversight Council	12, XIII
Fine Arts, Commission on	45, XXI
Fiscal Service	31, II
Fish and Wildlife Service, United States	50, I, IV
Food and Drug Administration	21, I
Food and Nutrition Service	7, II
Food Safety and Inspection Service	9, III
Foreign Agricultural Service	7, XV
Foreign Assets Control, Office of	31, V
Foreign Claims Settlement Commission of the United States	45, V
Foreign Service Grievance Board	22, IX
Foreign Service Impasse Disputes Panel	22, XIV
Foreign Service Labor Relations Board	22, XIV
Foreign-Trade Zones Board	15, IV

Agency	CFR Title, Subtitle or Chapter
Forest Service	36, II
General Services Administration	5, LVII; 41, 105
Contract Appeals, Board of	48, 61
Federal Acquisition Regulation	48, 5
Federal Management Regulation	41, 102
Federal Property Management Regulations	41, 101
Federal Travel Regulation System	41, Subtitle F
General	41, 300
Payment From a Non-Federal Source for Travel Expenses	41, 304
Payment of Expenses Connected With the Death of Certain Employees	41, 303
Relocation Allowances	41, 302
Temporary Duty (TDY) Travel Allowances	41, 301
Geological Survey	30, IV
Government Accountability Office	4, I
Government Ethics, Office of	5, XVI
Government National Mortgage Association	24, III
Grain Inspection, Packers and Stockyards Administration	7, VIII; 9, II
Gulf Coast Ecosystem Restoration Council	2, LIX; 40, VIII
Harry S. Truman Scholarship Foundation	45, XVIII
Health and Human Services, Department of	2, III; 5, XLV; 45, Subtitle A
Centers for Medicare & Medicaid Services	42, IV
Child Support Enforcement, Office of	45, III
Children and Families, Administration for	45, II, III, IV, X, XIII
Community Services, Office of	45, X
Family Assistance, Office of	45, II
Federal Acquisition Regulation	48, 3
Food and Drug Administration	21, I
Indian Health Service	25, V
Inspector General (Health Care), Office of	42, V
Public Health Service	42, I
Refugee Resettlement, Office of	45, IV
Homeland Security, Department of	2, XXX; 5, XXXVI; 6, I; 8, I
Coast Guard	33, I; 46, I; 49, IV
Coast Guard (Great Lakes Pilotage)	46, III
Customs and Border Protection	19, I
Federal Emergency Management Agency	44, I
Human Resources Management and Labor Relations Systems	5, XCVII
Immigration and Customs Enforcement Bureau	19, IV
Transportation Security Administration	49, XII
HOPE for Homeowners Program, Board of Directors of	24, XXIV
Housing and Urban Development, Department of	2, XXIV; 5, LXV; 24, Subtitle B
Community Planning and Development, Office of Assistant Secretary for	24, V, VI
Equal Opportunity, Office of Assistant Secretary for	24, I
Federal Acquisition Regulation	48, 24
Federal Housing Enterprise Oversight, Office of	12, XVII
Government National Mortgage Association	24, III
Housing—Federal Housing Commissioner, Office of Assistant Secretary for	24, II, VIII, X, XX
Housing, Office of, and Multifamily Housing Assistance Restructuring, Office of	24, IV
Inspector General, Office of	24, XII
Public and Indian Housing, Office of Assistant Secretary for Secretary, Office of	24, IX 24, Subtitle A, VII
Housing—Federal Housing Commissioner, Office of Assistant Secretary for	24, II, VIII, X, XX
Housing, Office of, and Multifamily Housing Assistance Restructuring, Office of	24, IV
Immigration and Customs Enforcement Bureau	19, IV
Immigration Review, Executive Office for	8, V
Independent Counsel, Office of	28, VII
Independent Counsel, Offices of	28, VI

Agency	CFR Title, Subtitle or Chapter
Indian Affairs, Bureau of	25, I, V
Indian Affairs, Office of the Assistant Secretary	25, VI
Indian Arts and Crafts Board	25, II
Indian Health Service	25, V
Industry and Security, Bureau of	15, VII
Information Resources Management, Office of	7, XXVII
Information Security Oversight Office, National Archives and Records Administration	32, XX
Inspector General	
Agriculture Department	7, XXVI
Health and Human Services Department	42, V
Housing and Urban Development Department	24, XII, XV
Institute of Peace, United States	22, XVII
Inter-American Foundation	5, LXIII; 22, X
Interior Department	2, XIV
American Indians, Office of the Special Trustee	25, VII
Endangered Species Committee	50, IV
Federal Acquisition Regulation	48, 14
Federal Property Management Regulations System	41, 114
Fish and Wildlife Service, United States	50, I, IV
Geological Survey	30, IV
Indian Affairs, Bureau of	25, I, V
Indian Affairs, Office of the Assistant Secretary	25, VI
Indian Arts and Crafts Board	25, II
Land Management, Bureau of	43, II
National Indian Gaming Commission	25, III
National Park Service	36, I
Natural Resource Revenue, Office of	30, XII
Ocean Energy Management, Bureau of	30, V
Reclamation, Bureau of	43, I
Safety and Enforcement Bureau, Bureau of	30, II
Secretary of the Interior, Office of	2, XIV; 43, Subtitle A
Surface Mining Reclamation and Enforcement, Office of	30, VII
Internal Revenue Service	26, I
International Boundary and Water Commission, United States and Mexico, United States Section	22, XI
International Development, United States Agency for	22, II
Federal Acquisition Regulation	48, 7
International Development Cooperation Agency, United States	22, XII
International Joint Commission, United States and Canada	22, IV
International Organizations Employees Loyalty Board	5, V
International Trade Administration	15, III; 19, III
International Trade Commission, United States	19, II
Interstate Commerce Commission	5, XL
Investment Security, Office of	31, VIII
James Madison Memorial Fellowship Foundation	45, XXIV
Japan–United States Friendship Commission	22, XVI
Joint Board for the Enrollment of Actuaries	20, VIII
Justice Department	2, XXVIII; 5, XXVIII;
Alcohol, Tobacco, Firearms, and Explosives, Bureau of	28, I, XI; 40, IV
Drug Enforcement Administration	27, II
Federal Acquisition Regulation	21, II
Federal Claims Collection Standards	48, 28
Federal Claims Collection Standards	31, IX
Federal Prison Industries, Inc.	28, III
Foreign Claims Settlement Commission of the United States	45, V
Immigration Review, Executive Office for	8, V
Independent Counsel, Offices of	28, VI
Prisons, Bureau of	28, V
Property Management Regulations	41, 128
Labor Department	2, XXIX; 5, XLII
Employee Benefits Security Administration	29, XXV
Employees' Compensation Appeals Board	20, IV
Employment and Training Administration	20, V
Employment Standards Administration	20, VI

Agency	CFR Title, Subtitle or Chapter
Federal Acquisition Regulation	48, 29
Federal Contract Compliance Programs, Office of	41, 60
Federal Procurement Regulations System	41, 50
Labor-Management Standards, Office of	29, II, IV
Mine Safety and Health Administration	30, I
Occupational Safety and Health Administration	29, XVII
Public Contracts	41, 50
Secretary of Labor, Office of	29, Subtitle A
Veterans' Employment and Training Service, Office of the Assistant Secretary for	41, 61; 20, IX
Wage and Hour Division	29, V
Workers' Compensation Programs, Office of	20, I, VII
Labor-Management Standards, Office of	29, II, IV
Land Management, Bureau of	43, II
Legal Services Corporation	45, XVI
Library of Congress	36, VII
Copyright Royalty Board	37, III
U.S. Copyright Office	37, II
Local Television Loan Guarantee Board	7, XX
Management and Budget, Office of	5, III, LXXVII; 14, VI; 48, 99
Marine Mammal Commission	50, V
Maritime Administration	46, II
Merit Systems Protection Board	5, II, LXIV
Micronesian Status Negotiations, Office for	32, XXVII
Military Compensation and Retirement Modernization Commission	5, XCIX
Millennium Challenge Corporation	22, XIII
Mine Safety and Health Administration	30, I
Minority Business Development Agency	15, XIV
Miscellaneous Agencies	1, IV
Monetary Offices	31, I
Morris K. Udall Scholarship and Excellence in National Environmental Policy Foundation	36, XVI
Museum and Library Services, Institute of	2, XXXI
National Aeronautics and Space Administration	2, XVIII; 5, LIX; 14, V
Federal Acquisition Regulation	48, 18
National Agricultural Library	7, XLI
National Agricultural Statistics Service	7, XXXVI
National and Community Service, Corporation for	2, XXII; 45, XII, XXV
National Archives and Records Administration	2, XXVI; 5, LXVI; 36, XII
Information Security Oversight Office	32, XX
National Capital Planning Commission	1, IV
National Commission for Employment Policy	1, IV
National Commission on Libraries and Information Science	45, XVII
National Council on Disability	5, C; 34, XII
National Counterintelligence Center	32, XVIII
National Credit Union Administration	5, LXXXVI; 12, VII
National Crime Prevention and Privacy Compact Council	28, IX
National Drug Control Policy, Office of	2, XXXVI; 21, III
National Endowment for the Arts	2, XXXII
National Endowment for the Humanities	2, XXXIII
National Foundation on the Arts and the Humanities	45, XI
National Geospatial-Intelligence Agency	32, I
National Highway Traffic Safety Administration	23, II, III; 47, VI; 49, V
National Imagery and Mapping Agency	32, I
National Indian Gaming Commission	25, III
National Institute of Food and Agriculture	7, XXXIV
National Institute of Standards and Technology	15, II
National Intelligence, Office of Director of	5, IV; 32, XVII
National Labor Relations Board	5, LXI; 29, I
National Marine Fisheries Service	50, II, IV
National Mediation Board	29, X
National Oceanic and Atmospheric Administration	15, IX; 50, II, III, IV, VI
National Park Service	36, I
National Railroad Adjustment Board	29, III

Agency	CFR Title, Subtitle or Chapter
National Railroad Passenger Corporation (AMTRAK)	49, VII
National Science Foundation	2, XXV; 5, XLIII; 45, VI
Federal Acquisition Regulation	48, 25
National Security Council	32, XXI
National Security Council and Office of Science and Technology Policy	47, II
National Telecommunications and Information Administration	15, XXIII; 47, III, IV
National Transportation Safety Board	49, VIII
Natural Resources Conservation Service	7, VI
Natural Resource Revenue, Office of	30, XII
Navajo and Hopi Indian Relocation, Office of	25, IV
Navy Department	32, VI
Federal Acquisition Regulation	48, 52
Neighborhood Reinvestment Corporation	24, XXV
Northeast Interstate Low-Level Radioactive Waste Commission	10, XXVIII
Nuclear Regulatory Commission	2, XX; 5, XLVIII; 10, I
Federal Acquisition Regulation	48, 20
Occupational Safety and Health Administration	29, XVII
Occupational Safety and Health Review Commission	29, XX
Ocean Energy Management, Bureau of	30, V
Oklahoma City National Memorial Trust	36, XV
Operations Office	7, XXVIII
Overseas Private Investment Corporation	5, XXXIII; 22, VII
Patent and Trademark Office, United States	37, I
Payment From a Non-Federal Source for Travel Expenses	41, 304
Payment of Expenses Connected With the Death of Certain Employees	41, 303
Peace Corps	2, XXXVII; 22, III
Pennsylvania Avenue Development Corporation	36, IX
Pension Benefit Guaranty Corporation	29, XL
Personnel Management, Office of	5, I, XXXV; 5, IV; 45, VIII
Human Resources Management and Labor Relations Systems, Department of Homeland Security	5, XCVII
Federal Acquisition Regulation	48, 17
Federal Employees Group Life Insurance Federal Acquisition Regulation	48, 21
Federal Employees Health Benefits Acquisition Regulation	48, 16
Pipeline and Hazardous Materials Safety Administration	49, I
Postal Regulatory Commission	5, XLVI; 39, III
Postal Service, United States	5, LX; 39, I
Postsecondary Education, Office of	34, VI
President's Commission on White House Fellowships	1, IV
Presidential Documents	3
Presidio Trust	36, X
Prisons, Bureau of	28, V
Privacy and Civil Liberties Oversight Board	6, X
Procurement and Property Management, Office of	7, XXXII
Productivity, Technology and Innovation, Assistant Secretary	37, IV
Public Contracts, Department of Labor	41, 50
Public and Indian Housing, Office of Assistant Secretary for	24, IX
Public Health Service	42, I
Railroad Retirement Board	20, II
Reclamation, Bureau of	43, I
Refugee Resettlement, Office of	45, IV
Relocation Allowances	41, 302
Research and Innovative Technology Administration	49, XI
Rural Business-Cooperative Service	7, XVIII, XLII
Rural Development Administration	7, XLII
Rural Housing Service	7, XVIII, XXXV
Rural Telephone Bank	7, XVI
Rural Utilities Service	7, XVII, XVIII, XLII
Safety and Environmental Enforcement, Bureau of	30, II
Saint Lawrence Seaway Development Corporation	33, IV

Agency	CFR Title, Subtitle or Chapter
Science and Technology Policy, Office of	32, XXIV
Science and Technology Policy, Office of, and National Security Council	47, II
Secret Service	31, IV
Securities and Exchange Commission	5, XXXIV; 17, II
Selective Service System	32, XVI
Small Business Administration	2, XXVII; 13, I
Smithsonian Institution	36, V
Social Security Administration	2, XXIII; 20, III; 48, 23
Soldiers' and Airmen's Home, United States	5, XI
Special Counsel, Office of	5, VIII
Special Education and Rehabilitative Services, Office of	34, III
State Department	2, VI; 22, I; 28, XI
Federal Acquisition Regulation	48, 6
Surface Mining Reclamation and Enforcement, Office of	30, VII
Surface Transportation Board	49, X
Susquehanna River Basin Commission	18, VIII
Technology Administration	15, XI
Technology Policy, Assistant Secretary for	37, IV
Tennessee Valley Authority	5, LXIX; 18, XIII
Thrift Supervision Office, Department of the Treasury	12, V
Trade Representative, United States, Office of	15, XX
Transportation, Department of	2, XII; 5, L
Commercial Space Transportation	14, III
Contract Appeals, Board of	48, 63
Emergency Management and Assistance	44, IV
Federal Acquisition Regulation	48, 12
Federal Aviation Administration	14, I
Federal Highway Administration	23, I, II
Federal Motor Carrier Safety Administration	49, III
Federal Railroad Administration	49, II
Federal Transit Administration	49, VI
Maritime Administration	46, II
National Highway Traffic Safety Administration	23, II, III; 47, IV; 49, V
Pipeline and Hazardous Materials Safety Administration	49, I
Saint Lawrence Seaway Development Corporation	33, IV
Secretary of Transportation, Office of	14, II; 49, Subtitle A
Transportation Statistics Bureau	49, XI
Transportation, Office of	7, XXXIII
Transportation Security Administration	49, XII
Transportation Statistics Bureau	49, XI
Travel Allowances, Temporary Duty (TDY)	41, 301
Treasury Department	2, X; 5, XXI; 12, XV; 17, IV; 31, IX
Alcohol and Tobacco Tax and Trade Bureau	27, I
Community Development Financial Institutions Fund	12, XVIII
Comptroller of the Currency	12, I
Customs and Border Protection	19, I
Engraving and Printing, Bureau of	31, VI
Federal Acquisition Regulation	48, 10
Federal Claims Collection Standards	31, IX
Federal Law Enforcement Training Center	31, VII
Financial Crimes Enforcement Network	31, X
Fiscal Service	31, II
Foreign Assets Control, Office of	31, V
Internal Revenue Service	26, I
Investment Security, Office of	31, VIII
Monetary Offices	31, I
Secret Service	31, IV
Secretary of the Treasury, Office of	31, Subtitle A
Thrift Supervision, Office of	12, V
Truman, Harry S. Scholarship Foundation	45, XVIII
United States and Canada, International Joint Commission	22, IV
United States and Mexico, International Boundary and Water Commission, United States Section	22, XI
U.S. Copyright Office	37, II
Utah Reclamation Mitigation and Conservation Commission	43, III

Agency	CFR Title, Subtitle or Chapter
Veterans Affairs Department	2, VIII; 38, I
Federal Acquisition Regulation	48, 8
Veterans' Employment and Training Service, Office of the Assistant Secretary for	41, 61; 20, IX
Vice President of the United States, Office of	32, XXVIII
Wage and Hour Division	29, V
Water Resources Council	18, VI
Workers' Compensation Programs, Office of	20, I, VII
World Agricultural Outlook Board	7, XXXVIII



## List of CFR Sections Affected

All changes in this volume of the Code of Federal Regulations (CFR) that were made by documents published in the FEDERAL REGISTER since January 1, 2012 are enumerated in the following list. Entries indicate the nature of the changes effected. Page numbers refer to FEDERAL REGISTER pages. The user should consult the entries for chapters, parts and subparts as well as sections for revisions.

For changes to this volume of the CFR prior to this listing, consult the annual edition of the monthly List of CFR Sections Affected (LSA). The LSA is available at *www.fdsys.gov*. For changes to this volume of the CFR prior to 2001, see the “List of CFR Sections Affected, 1949–1963, 1964–1972, 1973–1985, and 1986–2000” published in 11 separate volumes. The “List of CFR Sections Affected 1986–2000” is available at *www.fdsys.gov*.

<b>28 CFR</b>	<b>2012</b>	<b>77 FR</b> Page	<b>28 CFR—Continued</b>	<b>78 FR</b> Page
			<b>2014</b>	
			<b>28 CFR</b>	<b>79 FR</b> Page
			<b>Chapter I</b>	
Chapter I			Chapter I—Continued	
0.89a (a) removed; (b) and (c) re-designated as new (a) and (b); new (a) and (b) amended .....		26183	16.71 (c) revised; (d) amended; (e)(7) removed; (e)(8) redesignated as (e)(7).....	69754
0.130 (b) redesignated as (b)(1); (b)(2) added .....		51699	16.91 (u) and (v) removed .....	69754
0.132 (a) removed; (b) and (c) re-designated as new (a) and (b); new (a) and (b) amended .....		26183	16.97 (a)(4) through (7), (j) and (k) revised .....	11576
0.172 Revised .....		26183	16.98 Heading, (c) and (d) introductory text; (i) and (j) added.....	14672
8 Revised .....		56101	16.135 Added .....	69754
9 Revised .....		56108	(c) introductory text and (1) through (10) revised.....	77586
16.96 (v) and (w) revised .....		61275	26.20—26.23 (Subpart B) Added.....	58183
16.134 Added .....		23117	32.3 Amended.....	29234
25.52 Amended .....		18916	32.43 (e) removed.....	29234
25.53 (f)(2) amended .....		18916	32.44 (a) revised.....	29234
35.150 Regulation at 75 FR 56180 compliance date delayed in part .....		16163		
(b)(4) added .....		30179		
36.304 Regulation at 75 FR 56254 compliance date delayed in part .....		16163		
(d) Appendix revised; (g)(5) added .....		30179		
			<b>2013</b>	
			<b>28 CFR</b>	
			<b>Chapter I</b>	
0.114 (a)(3) amended .....		59819	0.35 Amended.....	54188
			0.36 Amended.....	54188
			0.130 (b)(2) amended .....	12062
			2.40 Revised .....	51257
			2.85 Revised .....	51258
			2.204 Revised .....	51258
			2.220 Revised .....	51260
			25.2 Amended.....	69051
			25.6 (j) revised.....	69051
			25.9 (b)(1)(i) revised.....	69051
			32.3 Amended; eff. 7-23-14.....	35492
			36.504 (a)(3)(i) and (ii) revised .....	17436

**28 CFR (7-1-17 Edition)**

<b>2015</b>	
<b>28 CFR</b>	80 FR Page
Chapter I	
0.122 (c) added.....	1006
0.130 (b)(2) amended.....	9989
0.160 (a), (c) introductory text and (2) revised .....	30618
0.162 Amended .....	30618
0.168 (a) amended; (d) introduc- tory text and (1) revised .....	30618
0.169 (b) amended .....	30619
0.160—0.172 (Subpart Y) Appendix amended.....	31998
2.66 (d) added .....	52984
2.80 (p) added .....	63116
16 Authority citation revised.....	18106, 34051
16.1—16.11 (Subpart A) Revised .....	18106
16.81 (g) and (h) removed .....	34051
16.136 Added .....	34051
16 Appendix I revised .....	18113

<b>2016</b>	
<b>28 CFR</b>	81 FR Page
Chapter I	
0.1 Amended .....	43066
0.33 (Subpart F-1) Added .....	43066
0.53 Revised .....	91789
0.136 Removed .....	72693
2.74 (c) revised .....	13975
2.94 Revised .....	13976
2.207 Revised .....	13976
11 Authority citation revised.....	43943
11.1 Amended.....	43943
11.2 Heading revised; amended .....	43943
11.3 Amended.....	43944
11.4 (a) and (b)(3)(i) amended .....	43944
11.10—11.13 (Subpart C) Heading revised .....	43944
11.10 Revised .....	43944
11.11 (a) and (b) revised; (e) added.....	43944
11.12 Heading, (a), (b)(2), (3), (c) and (f) revised; (b)(4) removed; (d)(5) and (6) amended.....	43944
11.13 Added .....	43944
11.21 (Subpart D) Added .....	43944
20.25 Amended; eff. 8-1-16.....	42499
22.29 Amended; eff. 8-1-16.....	42499
35 Authority citation revised.....	53223
35.101 Revised .....	53223
35.104 Amended.....	53223

<b>28 CFR—Continued</b>		81 FR Page
Chapter I—Continued		
35.108 Added .....	53223	
35.130 (b)(7) revised; (i) added.....	53225	
35 Appendix C added.....	53225	
36 Authority citation revised.....	53240, 87378	
36.101 Revised .....	53240	
36.104 Amended.....	53240	
36.105 Added .....	53240	
36.201 (c) added.....	53243	
36.302 (g) added .....	53243	
36.303 (g) redesignated as (h); new (g) added .....	87378	
36.504 (a)(3)(i) and (ii) amended; eff. 8-1-16.....	42499	
36 Appendix E added.....	53243	
Appendix F added .....	87379	
38 Revised .....	19418	

**2017**

(Regulations published from January 1,  
2017, through July 1, 2017)

<b>28 CFR</b>		82 FR Page
Chapter I		
0.64-1 Amended.....	10547	
16 Authority citation revised.....	727	
16.1 (a) amended; interim .....	727	
16.2 Amended; interim .....	727	
16.4 (d) introductory text amend- ed; interim.....	727	
16.5 (c) amended; interim .....	727	
16.6 (c) amended; (e)(5) added.....	727	
16.8 (a) amended; (d) redesignated as (e); new (d) added .....	728	
16.10 (b)(4), Example 3, (d)(2) and (k) revised; (b)(6) amended .....	728	
31 Authority citation revised .....	4792	
Regulation at 82 FR 4792 eff. date delayed to 3-21-17 .....	8894	
31.303 (e)(2), (3)(i), (f)(4)(vi), (5)(i)(D), (iii)(C), (D) and (iv)(F) through (I) amended; (f)(5) in- troductory text and (6) re- vised .....	4792	
Regulation at 82 FR 4792 eff. date delayed to 3-21-17 .....	8894	
(f)(5) correctly amended .....	29734	
31.304 (q) added .....	4793	
Regulation at 82 FR 4793 eff. date delayed to 3-21-17 .....	8894	

