

the Bath Seat Shoulder Probe (see Fig. 6) in all orientations into each opening.
* * *

(ii) [Reserved]

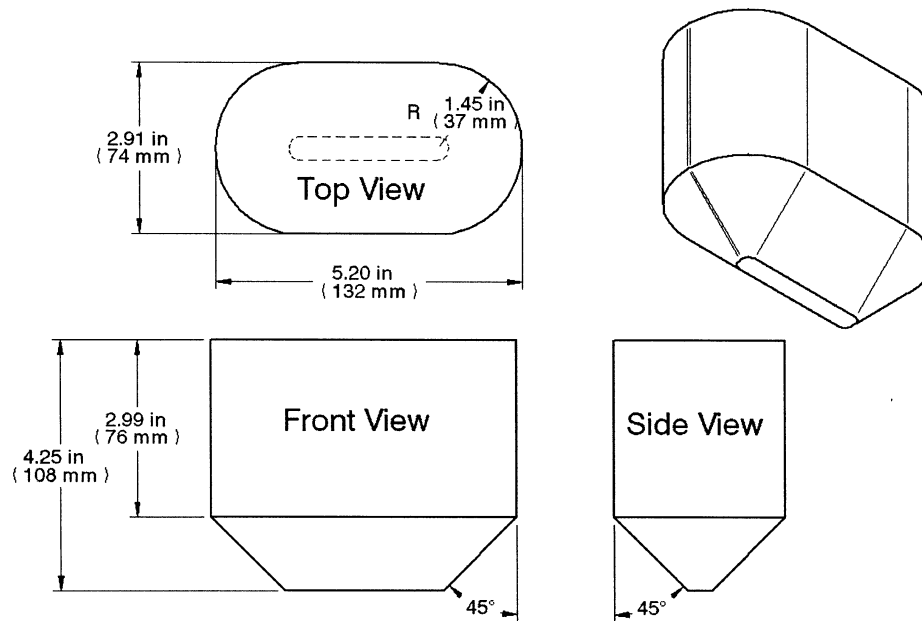


Figure 4: Modified Bath Seat Torso Probe

(8) Instead of Figure 4 of ASTM F 1967-08a, use the following:

(9) Instead of complying with section 8.1.1 of ASTM F 1967-08a, comply with the following:

(i) 8.1.1 The safety alert symbol, the signal word, and all other words that are all capital letters shall be in sans serif type face with letters not less than 0.4 in. (10 mm) in height, with all remainder of the text not less than 0.2 in. (5 mm) in height. Specified warning(s) on both the product and the package shall be distinctively separated from any other wording or designs and shall appear in the English language at a minimum. They shall also be highly visible and in a contrasting color to the background on which they are located.

(ii) [Reserved]

(10) In addition to complying with section 8.2 of ASTM F 1967-08a, comply with the following:

(i) 8.2 * * * The specified warnings may not be placed in a location that allows the warning(s) to be obscured or rendered inconspicuous when in the manufacturer's recommended use position.

(ii) [Reserved]

[75 FR 31698, June 4, 2010, 75 FR 51178, Aug. 19, 2010; 75 FR 51178, Dec. 6, 2010]

PART 1216—SAFETY STANDARD FOR INFANT WALKERS

- Sec. 1216.1 Scope.
- 1216.2 Requirements for infant walkers.

§ 1216.1

AUTHORITY: The Consumer Product Safety Improvement Act of 2008, Pub. L. 110-314, § 104, 122 Stat. 3016 (August 14, 2008).

SOURCE: 75 FR 35273, June 21, 2010, unless otherwise noted.

§ 1216.1 Scope.

This part 1216 establishes a consumer product safety standard for infant walkers manufactured or imported on or after December 21, 2010.

§ 1216.2 Requirements for infant walkers.

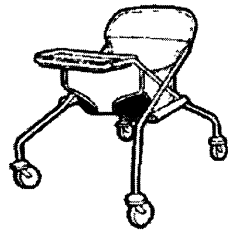
(a) Except as provided in paragraph (b) of this section, each infant walker shall comply with all applicable provisions of ASTM F 977-07, Standard Consumer Safety Specification for Infant Walkers, approved April 1, 2007. The Director of the Federal Register approves this incorporation by reference in accordance with 5 U.S.C. 552(a) and 1 CFR

16 CFR Ch. II (1-1-12 Edition)

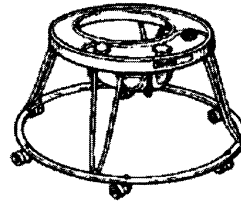
part 51. You may obtain a copy from ASTM International, 100 Bar Harbor Drive, P.O. Box 0700, West Conshohocken, PA 19428; telephone 610-832-9585; <http://www.astm.org>. You may inspect a copy at the Office of the Secretary, U.S. Consumer Product Safety Commission, Room 820, 4330 East West Highway, Bethesda, MD 20814, telephone 301-504-7923, or at the National Archives and Records Administration (NARA). For information on the availability of this material at NARA, call 202-741-6030, or go to: http://www.archives.gov/federal_register/code_of_federal_regulations/ibr_locations.html.

(b) Comply with the ASTM F 977-07 standard with the following additions or exclusions:

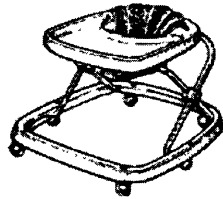
(1) Instead of Figure 1 of ASTM F 977-07, comply with the following:



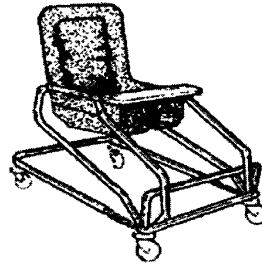
X - Frame



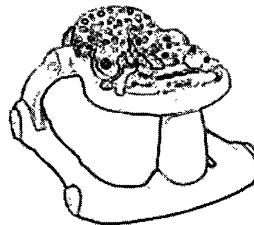
Circular



Adjustable Height



Bouncer - Walker



Open Back

Figure 1 Illustration of Types of Infant Walkers

(2) Instead of complying with section 4.6 through 4.6.8 of ASTM F 977-07, (i) 4.6 The following guidelines shall apply to force gauges used for testing: comply with the following:

(ii) 4.6.1 *Equipment*—Force gauge with a range of 0 to 25 lbf (110 N), tolerance of ± 0.25 lbf (1.1 N). A calibration interval shall be maintained for the force gauge which will ensure that the accuracy does not drift beyond the stated tolerance.

(iii) 4.6.2 *Equipment*—Force gauge with a range 0 to 100 lbf (500 N) tolerance of ± 1 lbf (4.44 N). A calibration shall be maintained for the force gauge which will ensure that the accuracy does not drift beyond the stated tolerance.

(3) In addition to complying with section 6.3 of ASTM F 977–07, comply with the following:

(i) 6.4 *Parking Device (applicable to walkers equipped with parking brakes)*—

The walker shall have a maximum displacement of 1.97 inches (50 mm) for each test in each direction (forward, rearward, and sideward) when tested in accordance with 7.7.

(ii) [Reserved]

(4) In addition to complying with section 7.6.1.2 of ASTM F 977–07, comply with the following:

(i) 7.6.1.2 The dummy’s head shall remain unrestrained for all the step tests.

(ii) [Reserved]

(5) Following section 7.6.2 of ASTM F 977–07, use the following table instead of Table 1 Summary of Step(s) Tests:

(i) *Table 1 Summary of Step(s) Tests*

Section No.	Facing direction of walker	Weight of CAMI dummy, lb.	Simulated speed, ft/s	Apply tipover test
7.6.3	Forward	17	4	Yes.
7.6.3.6	Forward	28 (vest)	4	Yes.
7.6.4	Sideward	17	2	Yes.
7.6.4.6	Sideward	28 (vest)	2	Yes.
7.6.5	Rearward	17	4	No.
7.6.5.5	Rearward	28 (vest)	4	No.

(ii) [Reserved]

(6) Instead of complying with section 7.6.3.1 of ASTM F 977–07, comply with the following:

(i) 7.6.3.1 Center the walker on the test platform facing forward so that

Plane A is perpendicular to the front edge of the platform and the walker is distance *d* from the center of the most forward wheel(s) to the edge of the test platform,

$$d_{CAMI} = \frac{(V_f^2 - V_o^2) * (W_{CAMI} + W_{walker} + W_{drop\ weight})}{2g(W_{drop\ weight} - \mu_k N_{CAMI})}$$

Where

V_f = Maximum velocity of walker at edge of platform = 4 ft/sec

V_o = Initial velocity = 0

W_{CAMI} = Measured weight of CAMI dummy

W_{walker} = Weight of the walker

W_{drop weight} = Drop weight = 8 lb

μ_k = Dynamic coefficient of friction = 0.05

N_{CAMI} = Normal force (for CAMI dummy scenario) = weight of CAMI dummy and walker

g = acceleration of gravity = 32.2 ft/sec²

Position the swivel wheels in such a way that the walker moves forward in a straight line parallel to Plane A.

(ii) [Reserved]

(7) Instead of complying with section 7.6.3.2 of ASTM F 977–07, comply with the following:

(i) 7.6.3.2 Place a CAMI infant dummy Mark II in the walker and position it as shown in Fig. 11 with the torso contacting the front of the occupant seating area and arms placed on the walker tray.

(ii) [Reserved]

(8) Instead of complying with section 7.6.3.3 of ASTM F 977–07, comply with the following:

(i) 7.6.3.3 While holding the walker stationary, attach an 8 lb (3.6 kg) weight to the front of the walker base at Plane A by means of a 7-strand military rope with 550 lb tensile strength (*e.g.*, paracord 550) and a stainless

Consumer Product Safety Commission

§ 1216.2

steel ball bearing pulley with an outside diameter of 1.25 in (32mm) and adjust the pulley so that the force is applied horizontally ($0 \pm 0.5^\circ$ with respect to the table surface).

(ii) [Reserved]

(9) Instead of complying with section 7.6.3.6 of ASTM F 977-07, comply with the following:

(i) 7.6.3.6 Repeat 7.6.3.1-7.6.3.5 using the CAMI dummy with the weighted vest and with distance d , computed using the following equation:

$$d_{CAMI\ w/vest} = \frac{(V_f^2 - V_o^2) * (W_{CAMI\ w/vest} + W_{walker} + W_{drop\ weight})}{2g(W_{drop\ weight} - \mu_k N_{CAMI\ w/vest})}$$

Where

V_f = Maximum velocity of walker at edge of platform = 4 ft/sec

V_o = Initial velocity = 0

$W_{CAMI\ w/vest}$ = Measured weight of CAMI dummy and weighted vest

W_{walker} = Weight of the walker

$W_{drop\ weight}$ = Drop weight = 8 lb

μ_k = Dynamic coefficient of friction = 0.05

$N_{CAMI\ w/vest}$ = Normal force (for CAMI dummy fitted with 11 lb vest scenario) = weight of CAMI dummy + vest weight + walker weight

g = acceleration of gravity = 32.2 ft/sec²

(ii) [Reserved]

(10) In addition to complying with section 7.6.3.6 of ASTM F 977-07, comply with the following:

(i) 7.6.3.7 Repeat tests in the following sequence: Section 7.6.3.4, section 7.6.3.5, and section 7.6.3.6 two additional times.

(ii) [Reserved]

(11) Instead of complying with 7.6.4.1 of ASTM F 977-07, comply with the following:

(i) 7.6.4.1 Center the walker on the test platform facing sideways so that Plane B is perpendicular to the front edge of the platform and the walker is distance d from the center of the most sideward wheel(s) to the edge of the test platform,

$$d_{CAMI} = \frac{(V_f^2 - V_o^2) * (W_{CAMI} + W_{walker} + W_{drop\ weight})}{2g(W_{drop\ weight} - \mu_k N_{CAMI})}$$

Where

V_f = Maximum velocity of walker at edge of platform = 2 ft/sec

V_o = Initial velocity = 0

W_{CAMI} = Measured weight of CAMI dummy

W_{walker} = Weight of the walker

$W_{drop\ weight}$ = Drop weight = 8 lb

μ_k = Dynamic coefficient of friction = 0.05

N_{CAMI} = Normal force (for CAMI dummy scenario) = weight of CAMI dummy and walker

g = acceleration of gravity = 32.2 ft/sec²

Position the swivel wheels in such a way that the walker moves sideward in a straight line parallel to Plane B.

(ii) [Reserved]

(12) Instead of complying with section 7.6.4.3 of ASTM F 977-07, comply with the following:

(i) 7.6.4.3 While holding the walker stationary, attach an 8 lb (3.6 kg) weight to the side of the walker base at Plane B by means of a rope (as specified in 7.6.3.3) and a pulley (as specified in 7.6.3.3) and adjust the pulley so that the force is applied horizontally ($0 \pm 0.5^\circ$ with respect to the table surface).

(ii) [Reserved]

(13) Instead of complying with section 7.6.4.6 of ASTM F 977-07, comply with the following:

(i) 7.6.4.6 Repeat 7.6.4.1 through 7.6.4.5 using the CAMI dummy with the

§ 1216.2

16 CFR Ch. II (1–1–12 Edition)

weighted vest (see Fig. 12) and with distance d, computed using the following equation:

$$d_{CAMI\ w/vest} = \frac{(V_f^2 - V_o^2) * (W_{CAMI\ w/vest} + W_{walker} + W_{drop\ weight})}{2g(W_{drop\ weight} - \mu_k N_{CAMI\ w/vest})}$$

Where

V_f = Maximum velocity of walker at edge of platform = 2 ft/sec

V_o = Initial velocity = 0

W_{CAMI w/vest} = Measured weight of CAMI dummy and weighted vest

W_{walker} = Weight of the walker

W_{drop weight} = Drop weight = 8 lb

μ_k = Dynamic coefficient of friction = 0.05

N_{CAMI w/vest} = Normal force (for CAMI dummy fitted with 11 lb vest scenario) = weight of CAMI dummy + vest weight + walker weight

g = acceleration of gravity = 32.2 ft/sec²

(ii) [Reserved]

(14) In addition to complying with section 7.6.4.6 of ASTM F 977-07, comply with the following:

(i) 7.6.4.7 Repeat tests in the following sequence: section 7.6.4.4, section 7.6.4.5, and section 7.6.4.6 two additional times.

(ii) [Reserved]

(15) Instead of complying with Figure 10, use the following:

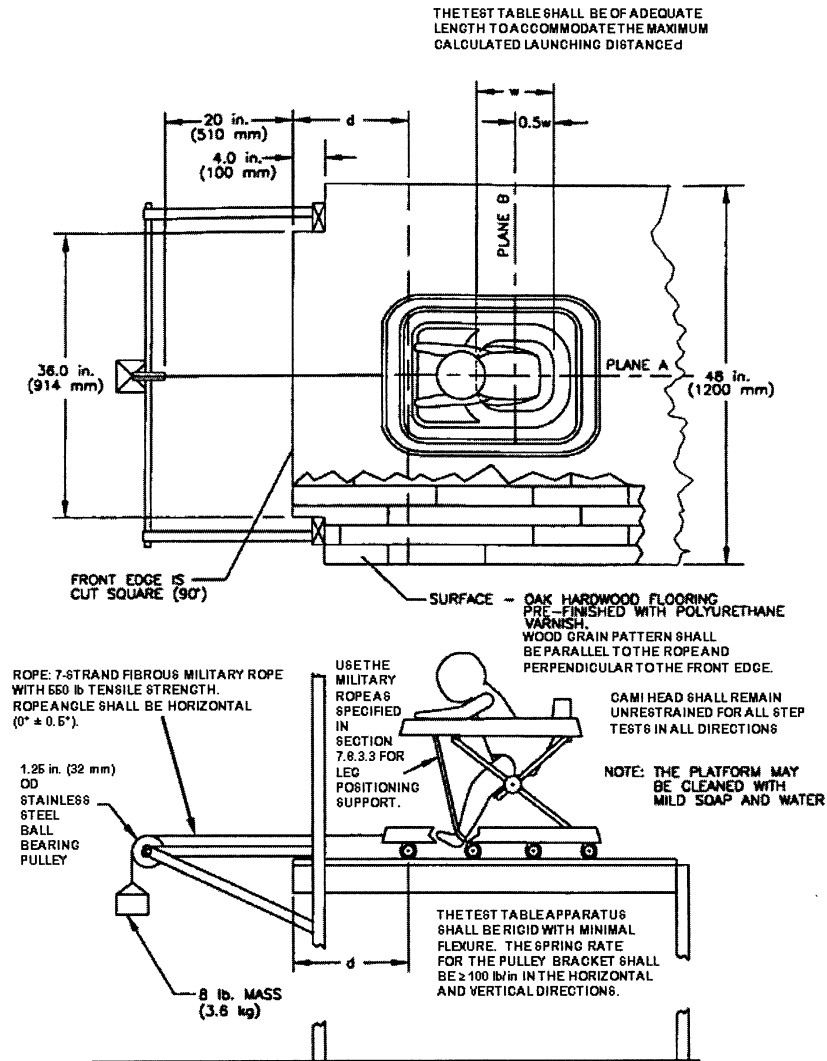


Figure 10 Test Platform Specifications

(16) Instead of complying with section 7.6.5.1 of ASTM F 977-07, comply with the following:

(i) 7.6.5.1 Center the walker on the test platform facing rearward so that Plane A is perpendicular to the front edge of the platform and the walker is

distance d from the center of the most rearward wheel(s) to the edge of the test platform,

$$d_{CAMI} = \frac{(V_f^2 - V_o^2) * (W_{CAMI} + W_{walker} + W_{drop\ weight})}{2g(W_{drop\ weight} - \mu_k N_{CAMI})}$$

Where

- V_f = Maximum velocity of walker at edge of platform = 4 ft/sec
- V_o = Initial velocity = 0
- W_{CAMI} = Measured weight of CAMI dummy
- W_{walker} = Weight of the walker
- $W_{drop\ weight}$ = Drop weight = 8 lb
- μ_k = Dynamic coefficient of friction = 0.05
- N_{CAMI} = Normal force (for CAMI dummy scenario) = weight of CAMI dummy and walker
- g = acceleration of gravity = 32.2 ft/sec²

Position the swivel wheels in such a way that the walker moves rearward in a straight line parallel to Plane A. If the walker has an open back design, attach the 1 in aluminum angle used in 7.3.4 to span the back frame.

(ii) [Reserved]

(17) Instead of complying with section 7.6.5.3 of ASTM F 977–07, comply with the following:

- (i) 7.6.5.3 While holding the walker stationary, attach an 8 lb (3.6 kg) weight to the rear of the walker base at Plane A by means of a rope (as specified in 7.6.3.3) and a pulley (as specified in 7.6.3.3) and adjust the pulley so that the force is applied horizontally ($0 \pm 0.5^\circ$ with respect to the table surface).
- (ii) [Reserved]

(18) Instead of complying with section 7.6.5.5 of ASTM F 977–07, comply with the following:

- (i) 7.6.5.5 Repeat 7.6.5.1 through 7.6.5.4 using the CAMI dummy with the weighted vest (see Fig. 12) and with distance d , computed using the following equation:

$$d_{CAMI\ w/vest} = \frac{(V_f^2 - V_o^2) * (W_{CAMI\ w/vest} + W_{walker} + W_{drop\ weight})}{2g(W_{drop\ weight} - \mu_k N_{CAMI\ w/vest})}$$

Where

- V_f = Maximum velocity of walker at edge of platform = 4 ft/sec
- V_o = Initial velocity = 0
- $W_{CAMI\ w/vest}$ = Measured weight of CAMI dummy and weighted vest
- W_{walker} = Weight of the walker
- $W_{drop\ weight}$ = Drop weight = 8 lb
- μ_k = Dynamic coefficient of friction = 0.05
- $N_{CAMI\ w/vest}$ = Normal force (for CAMI dummy fitted with weighted vest scenario) = Measured weight of CAMI dummy + measured weight of vest + walker weight
- g = acceleration of gravity = 32.2 ft/sec²

(19) In addition to complying with section 7.6.5.5 of ASTM F 977–07, comply with the following:

- (i) 7.6.5.6 Repeat tests in the following sequence: section 7.6.5.3, and section 7.6.5.5 two additional times.
- (ii) [Reserved]

(20) In addition to complying with section 7.6 of ASTM F 977–07, comply with the following:

- (i) 7.7 *Parking Device Test* (see 6.4):
 - (A) 7.7.1 Perform the parking device test using a Test Mass that is A rigid cylinder 6.30 in \pm 0.04 in (160mm \pm 1 mm) in diameter, 11.02 in \pm 0.04 in (280 mm \pm 1 mm) in height with a mass of 16.9 lb (7.65 kg), with its center of gravity in the center of the cylinder.
 - (B) 7.7.2 Adjust the walker seat to the highest position (if applicable). Place the Test Mass vertically in the

walker seat. Set any manual speed control to the fastest position (if applicable). Establish a vertical plane A that passes through the center of the seating area and is parallel to the direction the child faces. Establish a vertical plane B that is perpendicular to plane A and passes through the center of the seating area.

(C) 7.7.3 Perform the parking device test in the forward, sideward, and rearward directions.

(D) 7.7.4 *Forward facing test of parking devices.*

(E) 7.7.4.1 Position the walker including the Test Mass facing forward so that plane A is perpendicular to the front edge of the platform (see fig. 10) and passes through the center of the pulley. Engage all parking devices in accordance with the manufacturer's instructions.

(F) 7.7.4.2 Within one minute of placing the walker with the Test Mass on the platform, attach an 8 lb weight gradually within 5 seconds to the walker frame base at plane A by means of a rope and a pulley per the test apparatus specifications in the step test procedure, adjusted so that the force is applied horizontally (rope angle shall be $0 \pm 0.5^\circ$). Remove the 8 lb weight after 1 minute. Measure the displacement.

(G) 7.7.5 *Sideward facing test of parking devices.*

(H) 7.7.5.1 Position the walker including the Test Mass facing sideward so that plane B is perpendicular to the front edge of the platform and passes through the center of the pulley. Engage all parking devices in accordance with the manufacturer's instructions.

(I) 7.7.5.2 Within one minute of placing the walker with the Test Mass on the platform, attach an 8 lb weight gradually within 5 seconds to the walker frame base at plane B by means of a rope and a pulley per the test apparatus specifications in the step test procedure, adjusted so that the force is applied horizontally (rope angle shall

be $0 \pm 0.5^\circ$). Remove the 8 lb weight after 1 minute. Measure the displacement.

(J) 7.7.5.3 If the walker is equipped with fixed direction rear wheels and the walker is displaced in a curved path, establish the location of the rope attachment as the reference point and measure the linear displacement of that reference point after performing the procedure as described in 7.7.5.1 and 7.7.5.2.

(K) 7.7.6 *Rearward facing test of parking devices.*

(L) 7.7.6.1 Position the walker including the Test Mass facing rearward so that plane A is perpendicular to the front edge of the platform and passes through the center of the pulley. Engage all parking devices in accordance with the manufacturers' instructions.

(M) 7.7.6.2 Within one minute of placing the walker with the Test Mass on the platform, attach an 8 lb weight gradually within 5 seconds to the walker frame base at plane A by means of a rope and a pulley per the test apparatus specifications in the step test procedure, adjusted so that the force is applied horizontally (rope angle shall be $0 \pm 0.5^\circ$). Remove the 8 lb weight after 1 minute. Measure the displacement.

(ii) [Reserved]

(21) In addition to complying with section 8.2.3.2 of ASTM F 977-07, comply with the following:

(i) 8.2.3.3 If the walker is equipped with a parking brake, a warning statement shall address the following:

WARNING: Parking brake use does not totally prevent walker movement. Always keep child in view when in the walker, even when using the parking brakes.

(ii) [Reserved]

(22) Instead of complying with section 8.2.4.2 of ASTM F 977-07, comply with the following:

(i) 8.2.4.2 The stairs warning shall be stated exactly as follows:

▲ WARNING – STAIR HAZARD

Avoid serious injury or death
Block stairs/steps securely before using walker, even
when using parking brake.

(ii) [Reserved]

[75 FR 35273, June 21, 2010, as amended at 75 FR 51178, Aug. 19, 2010]

PART 1217—SAFETY STANDARD FOR TODDLER BEDS

Sec.

1217.1 Scope, application, and effective date.

1217.2 Requirements for toddler beds.

AUTHORITY: Sections 3 and 104 of Pub. L. 110–314, 122 Stat. 3016 (August 14, 2008).

SOURCE: 76 FR 22028, Apr. 20, 2011, unless otherwise noted.

§ 1217.1 Scope, application, and effective date.

This part 1217 establishes a consumer product safety standard for toddler beds manufactured or imported on or after October 20, 2011.

§ 1217.2 Requirements for toddler beds.

(a) The Director of the Federal Register approves the incorporations by reference listed in this section in accordance with 5 U.S.C. 552(a) and 1 CFR part 51. You may obtain a copy of these ASTM standards from ASTM International, 100 Barr Harbor Drive, P.O. Box C700, West Conshohocken, PA 19428–2959 USA, phone: 610–832–9585; <http://www.astm.org/>. You may inspect copies at the Office of the Secretary, U.S. Consumer Product Safety Commission, Room 820, 4330 East West Highway, Bethesda, MD 20814, telephone 301–504–7923, or at the National Archives and Records Administration (NARA). For information on the availability of this material at NARA, call 202–741–6030, or go to: http://www.archives.gov/federal_register/code_of_federal_regulations/ibr_locations.html.

(b) Except as provided in paragraph (c) of this section, each toddler bed as defined in ASTM F 1821–09, *Standard Consumer Safety Specification for Toddler*

Beds, approved April 1, 2009, shall comply with all applicable provisions of ASTM F 1821–09.

(c) Comply with ASTM F 1821–09 with the following additions or exclusions.

(1) Do not comply with sections 6.1 through 6.1.2 of ASTM F 1821–09.

(2) Instead of complying with section 6.5 of ASTM F 1821–09, comply with the following:

(i) 6.5 *Guardrails*:

(ii) 6.5.1 For products with guardrails, there shall be no opening in the guardrail structure below the lowest surface of the uppermost member of the guardrail and above the mattress support structure that will permit complete passage of the wedge block shown in Figure 2 when tested in accordance with 7.4.

(iii) 6.5.2 The upper edge of the guardrails shall be at least 5 in. (130 mm) above the sleeping surface when a mattress of a thickness that is the maximum specified by the manufacturer's instructions is used. If no maximum mattress thickness is specified, the guardrail height shall be based on a mattress thickness of 6 in. (152 mm).

(iv) 6.5.3 When tested in accordance with 7.9, the guardrail shall not break, detach, or create a condition that would present any of the hazards described in Section 5. Guardrails that do not have any free ends, that is, they are attached to both the headboard and the footboard, are exempt from this test. For guardrails with two free ends, perform this test at each free end.

(3) In addition to complying with section 6.7 of ASTM F 1821–09 comply with the following:

(i) 6.8 *Spindle/Slat Static Load Strength*:

(A) 6.8.1 Toddler beds that contain wooden or metal spindles/slats shall meet the performance requirements outlined in section 6.8.2 or 6.8.3.

(B) 6.8.2 Except as provided in section 6.8.3, after testing in accordance with the procedure in 7.10, there shall