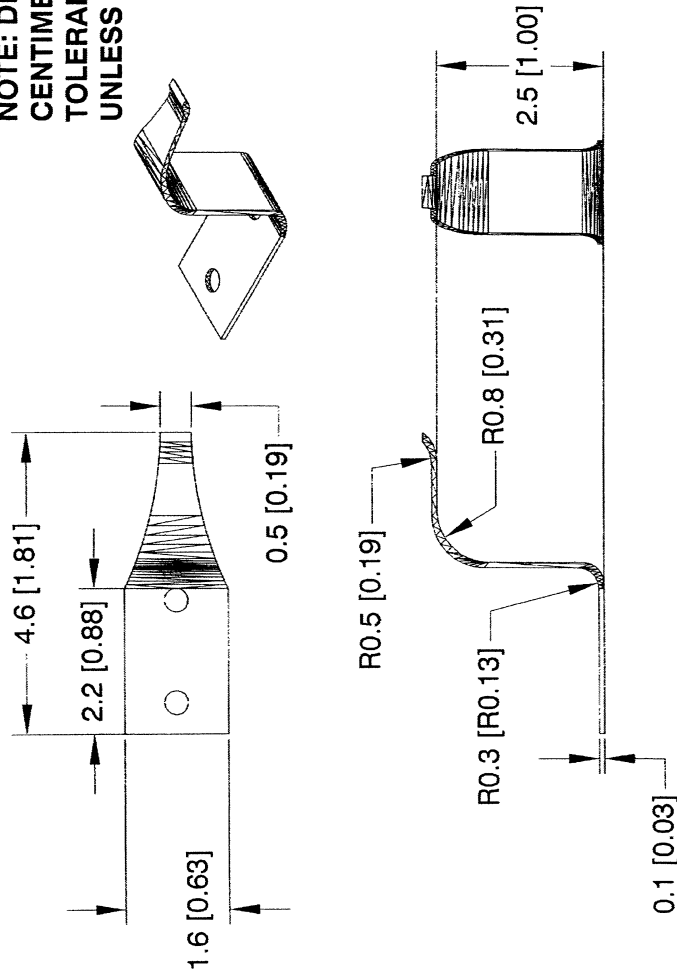


NOTE: DIMENSIONS IN  
CENTIMETERS [INCHES]  
TOLERANCE  $\pm 0.05$  [0.019]  
UNLESS OTHERWISE NOTED



AN EXAMPLE OF A TYPICAL INDICATOR FINGER  
FIGURE 4

FIGURE 5 TO PART 1610—AN EXAMPLE OF  
A TYPICAL GAS SHIELD

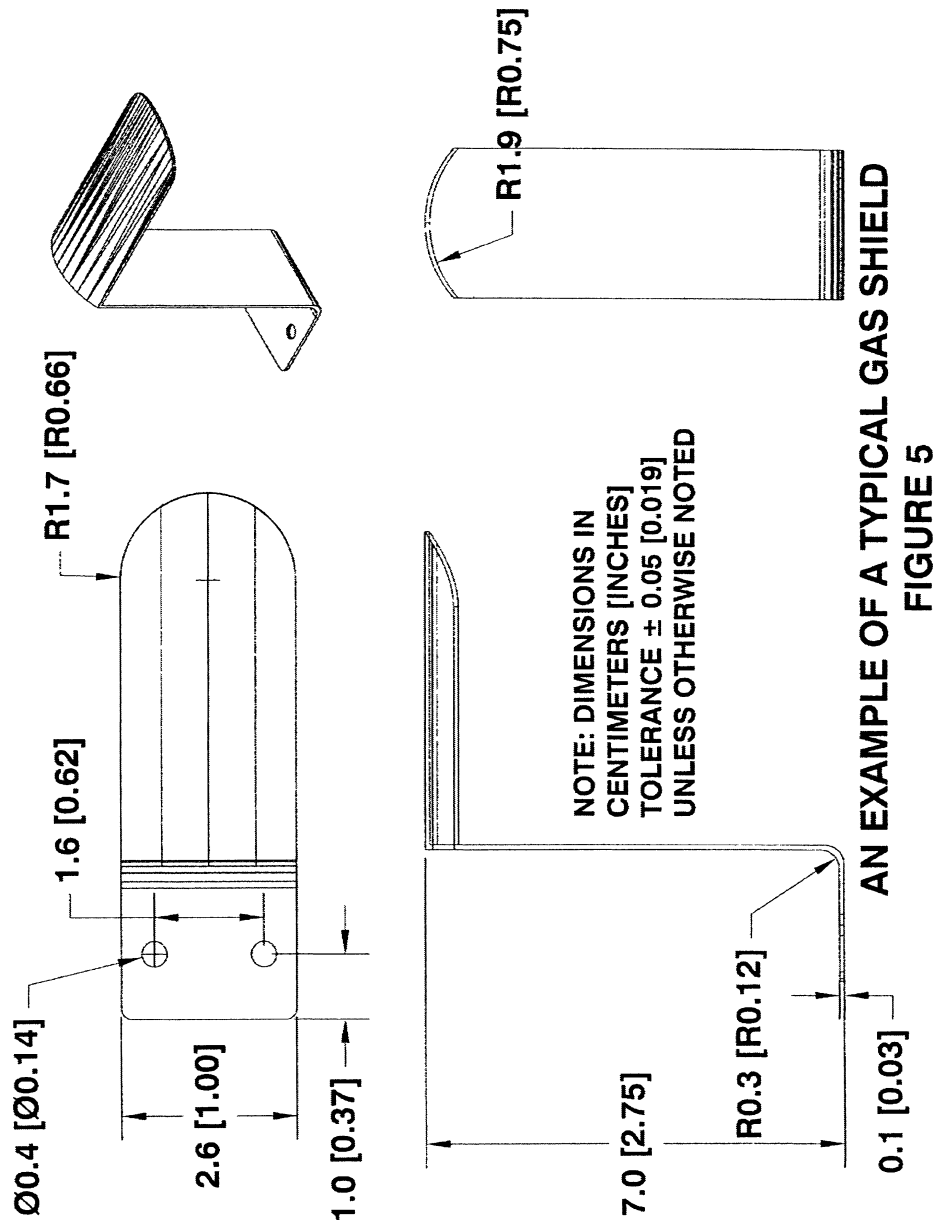


FIGURE 6 TO PART 1610—IGNITER