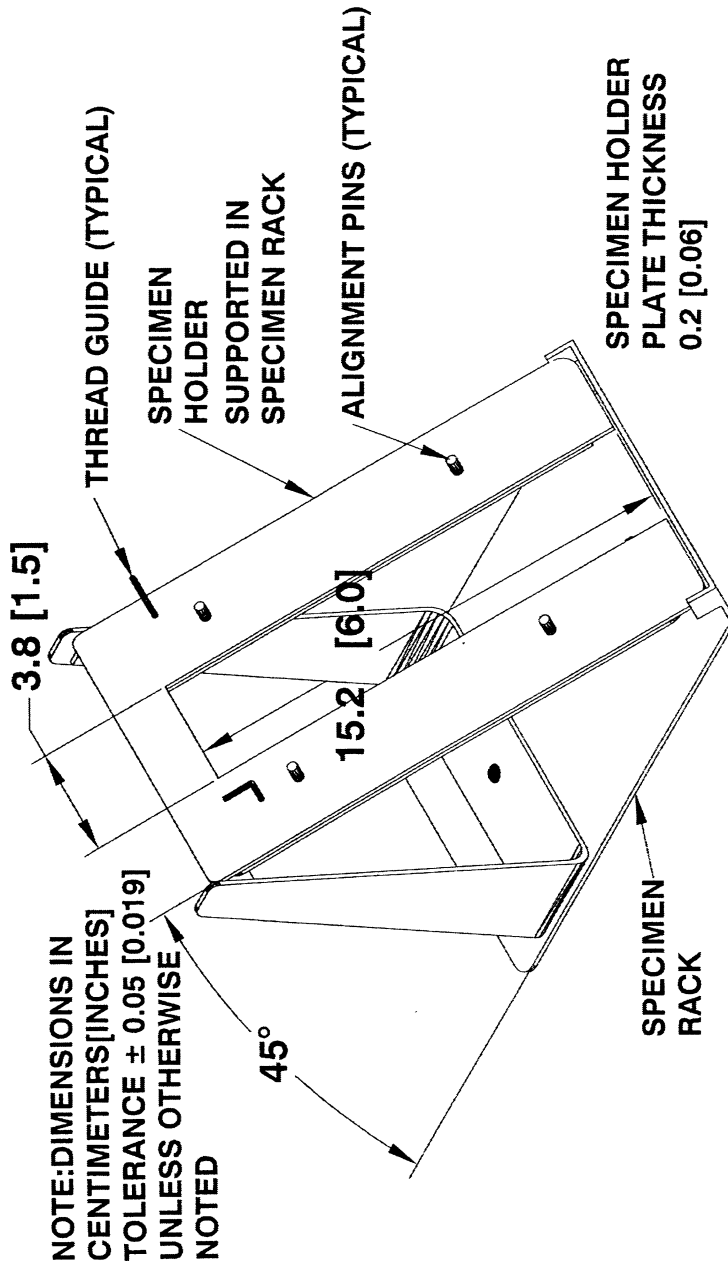


**NOTE: DIMENSIONS IN
CENTIMETERS [INCHES]
TOLERANCE ± 1 CM [0.375]
UNLESS OTHERWISE NOTED**

**FLAMMABILITY APPARATUS VIEWS
FIGURE 2**

FIGURE 3 TO PART 1610—SPECIMEN
HOLDER SUPPORTED IN SPECIMEN RACK



SPECIMEN HOLDER SUPPORTED IN SPECIMEN RACK
FIGURE 3

FIGURE 4 TO PART 1610—AN EXAMPLE OF A TYPICAL INDICATOR FINGER