

FIGURE 4 TO SUBPART A OF PART 1209—FLOORING RADIANT PANEL TESTER
SCHEMATIC LOW FLUX END, ELEVATION

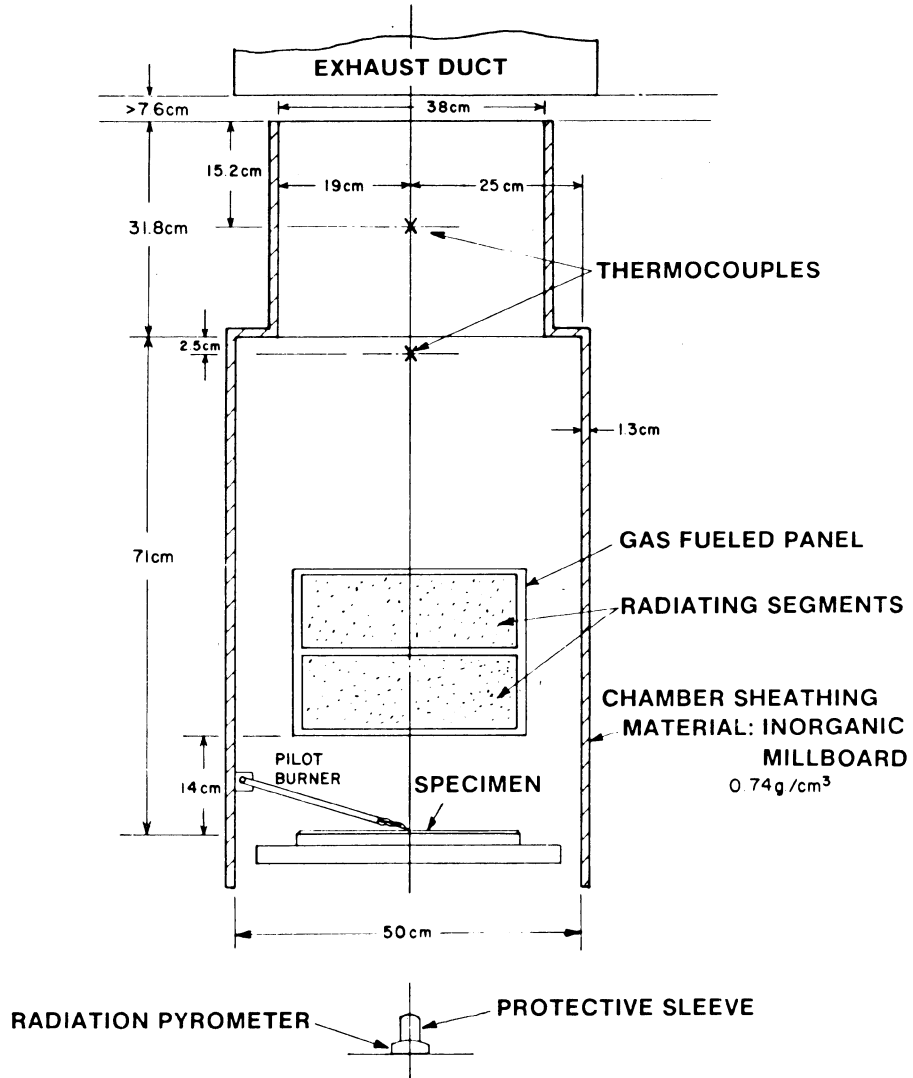


FIG 4 — FLOORING RADIANT PANEL TESTER SCHEMATIC
LOW FLUX END, ELEVATION