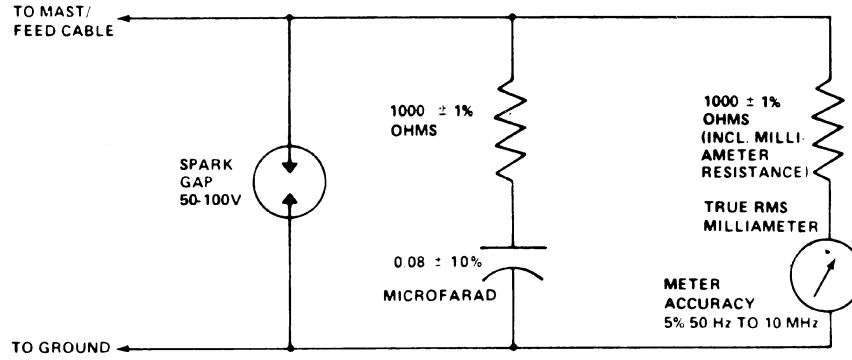
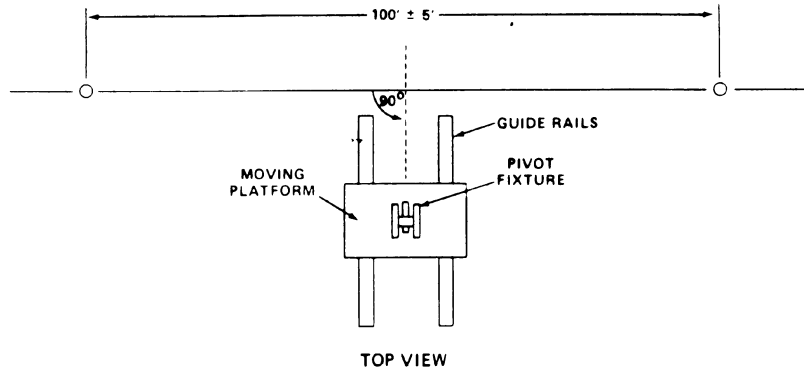


FIGURES 1 AND 2 TO PART 1204—SUGGESTED INSTRUMENTATION FOR CURRENT MONITORING DEVICE AND HIGH VOLTAGE FACILITY



SUGGESTED INSTRUMENTATION FOR CURRENT MONITORING DEVICE

FIGURE 1



HIGH VOLTAGE TEST FACILITY

FIGURE 2